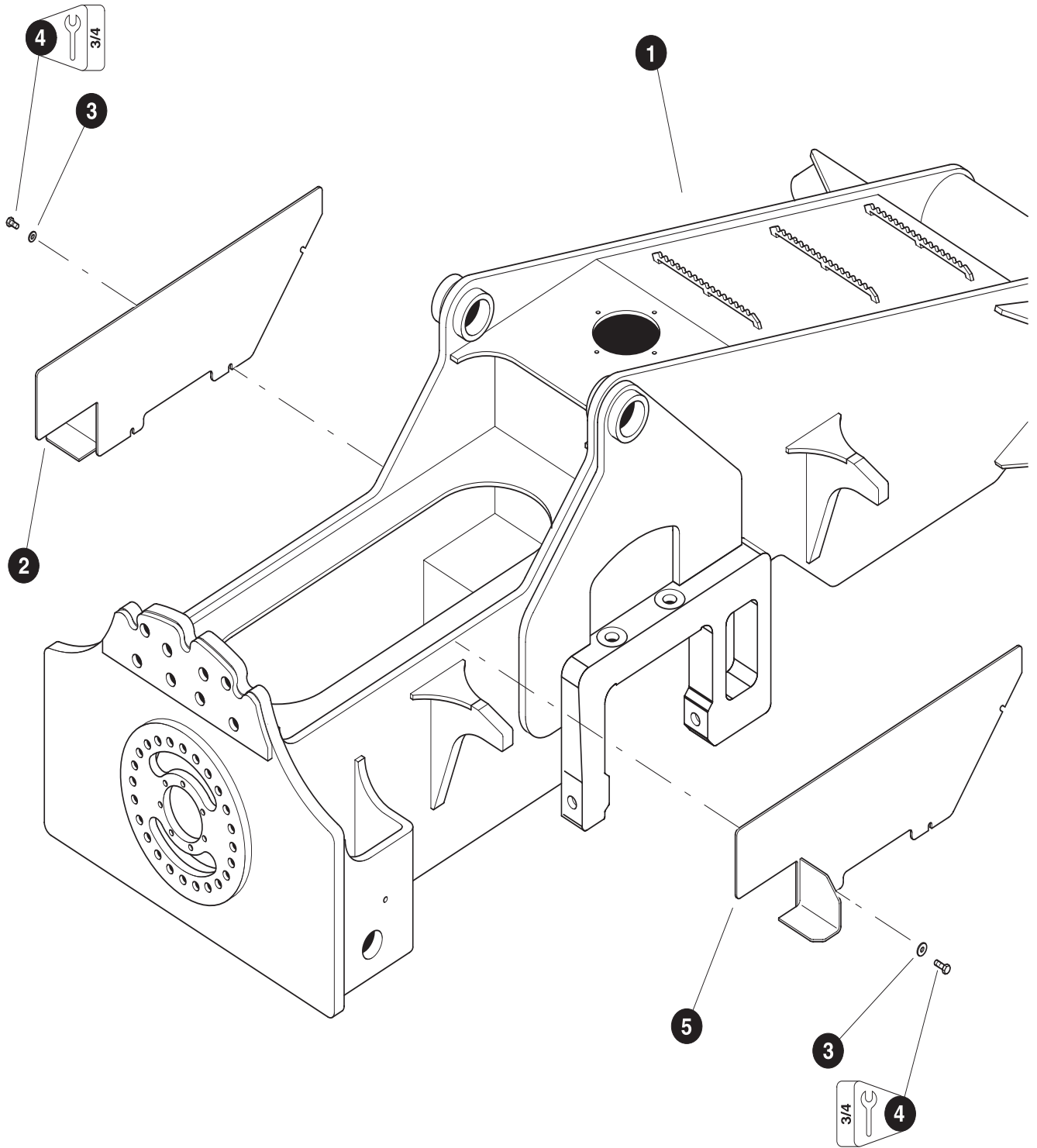


# ***Section BF-1***

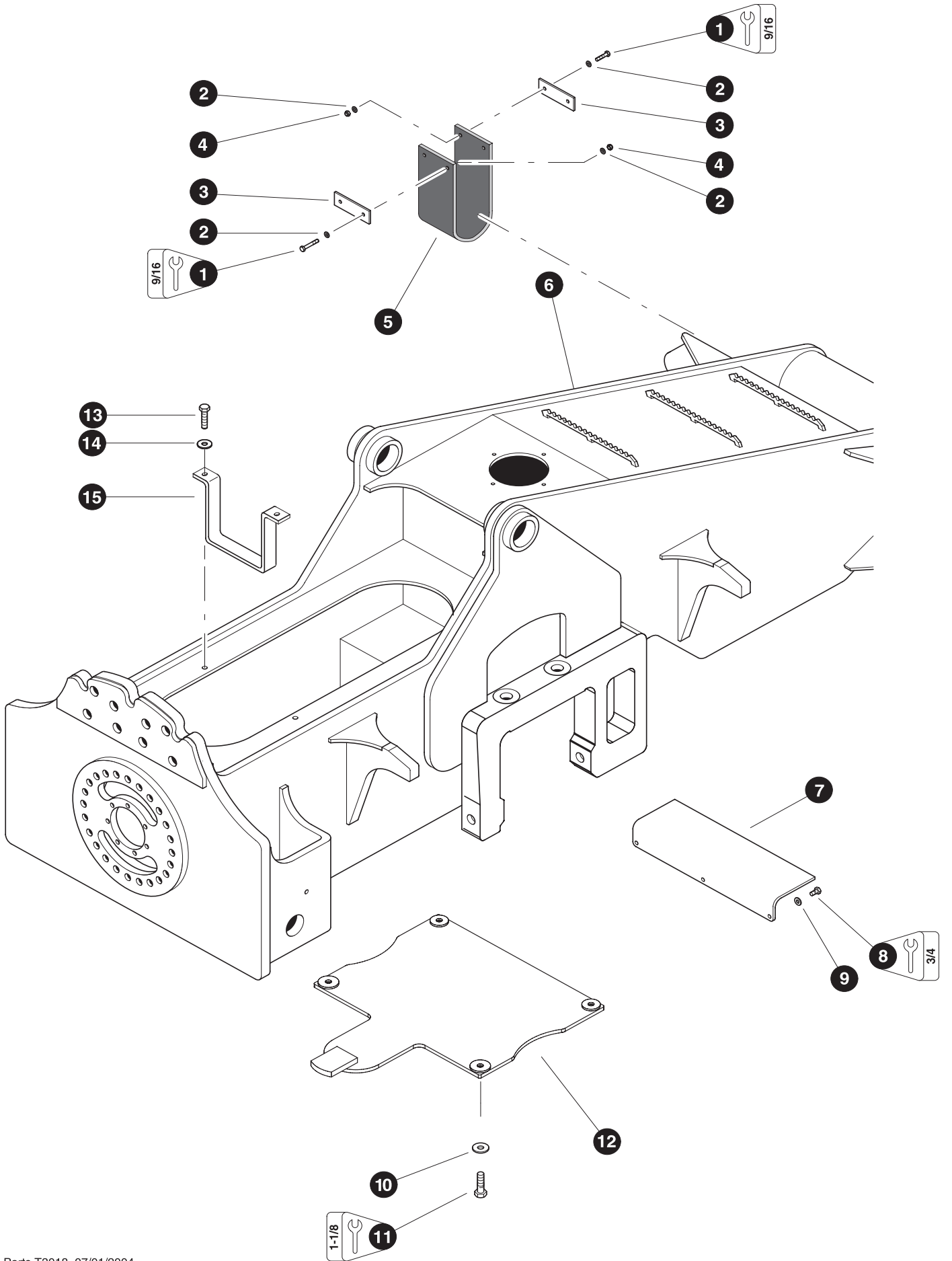
---

## ***TB 830, 840 Leveling Front Frame - Structural Components***




**FRAME ACCESS COVERS**  
**(General)**

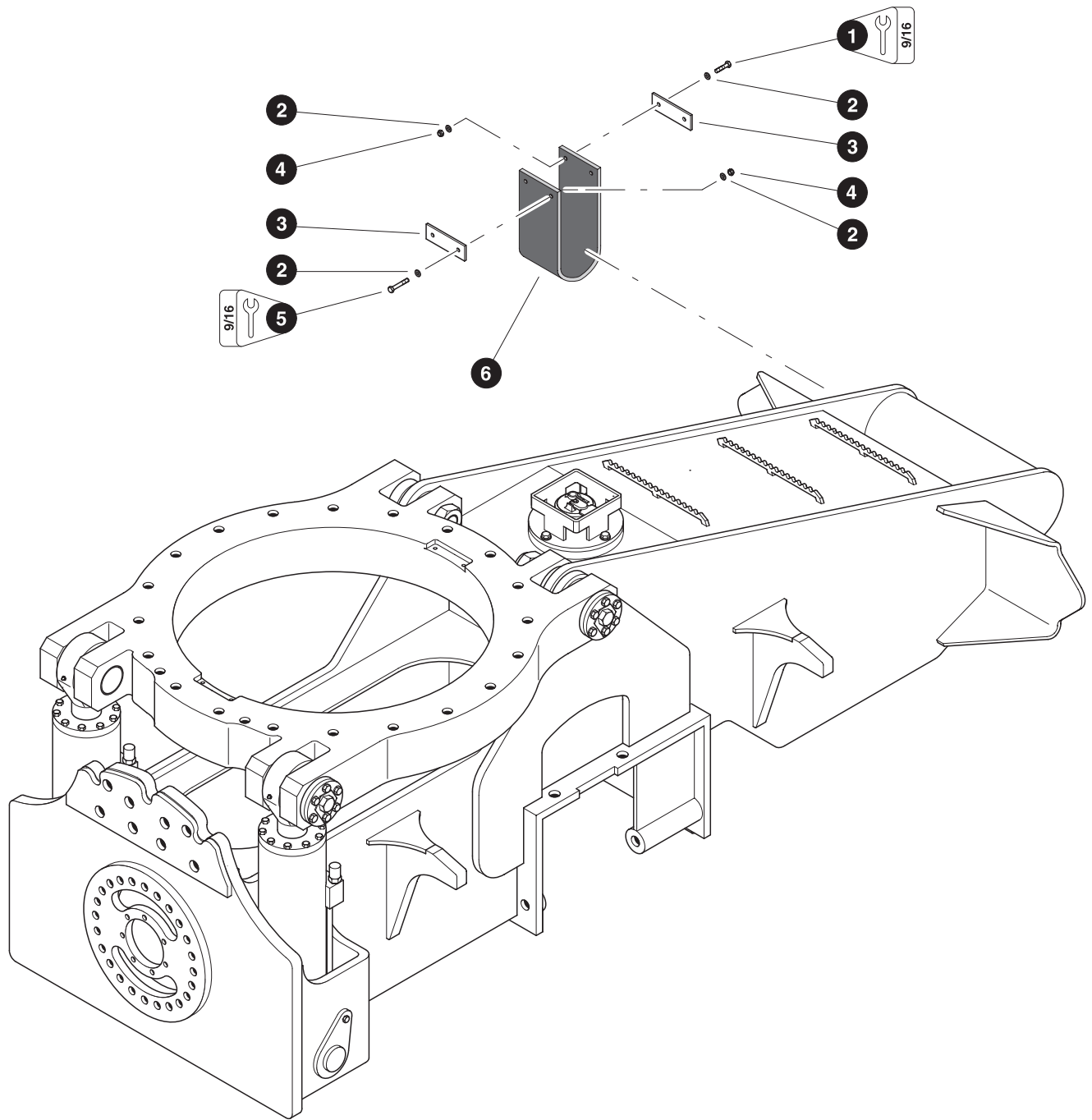
REF	PART #	QTY	DESCRIPTION	SEE SECTION
1	80534-BF	1	FRONT FRAME WELDMENT	
2	51104-BF	2	COVER, access (left)	
3	15534-BF	10	WASHER, SAE flat - 1/2"	
4	10783-BF	6	BOLT - 1/2" x 1"	
5	51105-BF	2	COVER, access (Right)	



Parts T3018 07/01/2004  
9.375

## FRAME ACCESS COVERS (Axle Box Area)

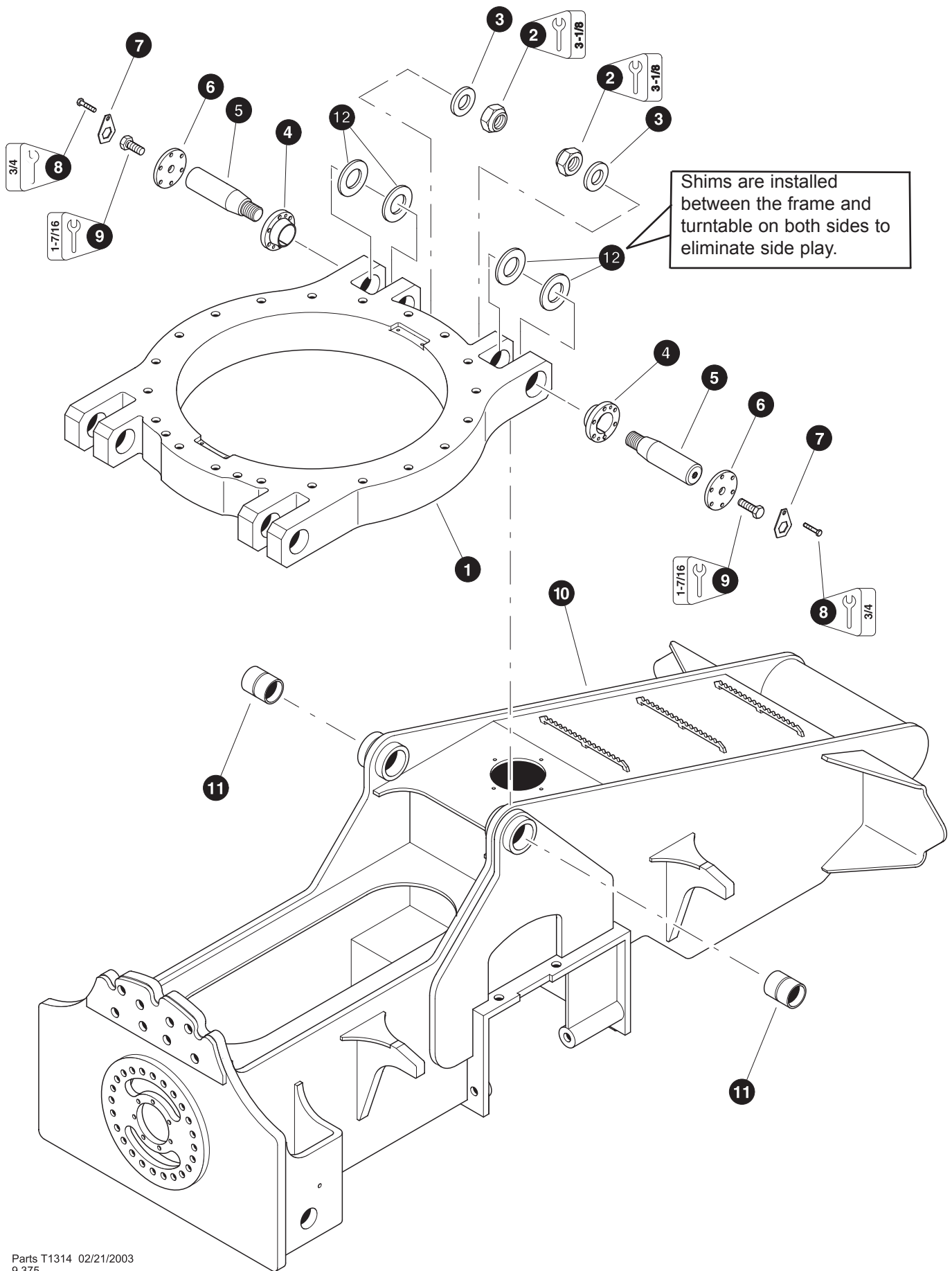
REF	PART #	QTY	DESCRIPTION	SEE SECTION
1	20084-BF	3	BOLT - 3/8" x 1-3/4"	
2	15528-BF	8	WASHER, SAE flat - 3/8"	
3	20209-BF	2	RETAINER, rubber step	
4	10813-BF	8	NUT, lock - 3/8"	
5	20210-BF	1	STEP, rubber	
6	REF	1	 FRONT FRAME WELDMENT .....	BF-1
7	42414-BF	1	COVER, access - axle box	
8	10783-BF	6	BOLT - 1/2" x 1"	
9	15534-BF	8	WASHER, SAE flat - 1/2"	
10	15550-BF	8	WASHER, SAE flat - 3/4"	
11	15549-BF	2	BOLT - 3/4" x 1 1/2"	
12	51415-BF	1	COVER, access - front frame axle	
13	10739-HL	2	BOLT - .5" X 1.5"	
14	15534-HL	4	WASHER, SAE flat - 1/2"	
15	40829-HL	1	BRACKET, HOSE BRACKET - LEVELING	



Parts 01303 08/24/2000  
9.375

**FRAME STEP INSTALLATION**


REF	PART #	QTY	DESCRIPTION	SEE SECTION
1	20084-BF	3	BOLT - 3/8" x 1-3/4"	
2	15528-BF	8	WASHER, SAE flat - 3/8"	
3	20209-BF	2	RETAINER, rubber step	
4	10813-BF	8	NUT, lock - 3/8"	
5	10731-BF	1	BOLT - 3/8" x 1-1/2"	
6	20210-BF	1	STEP, rubber	



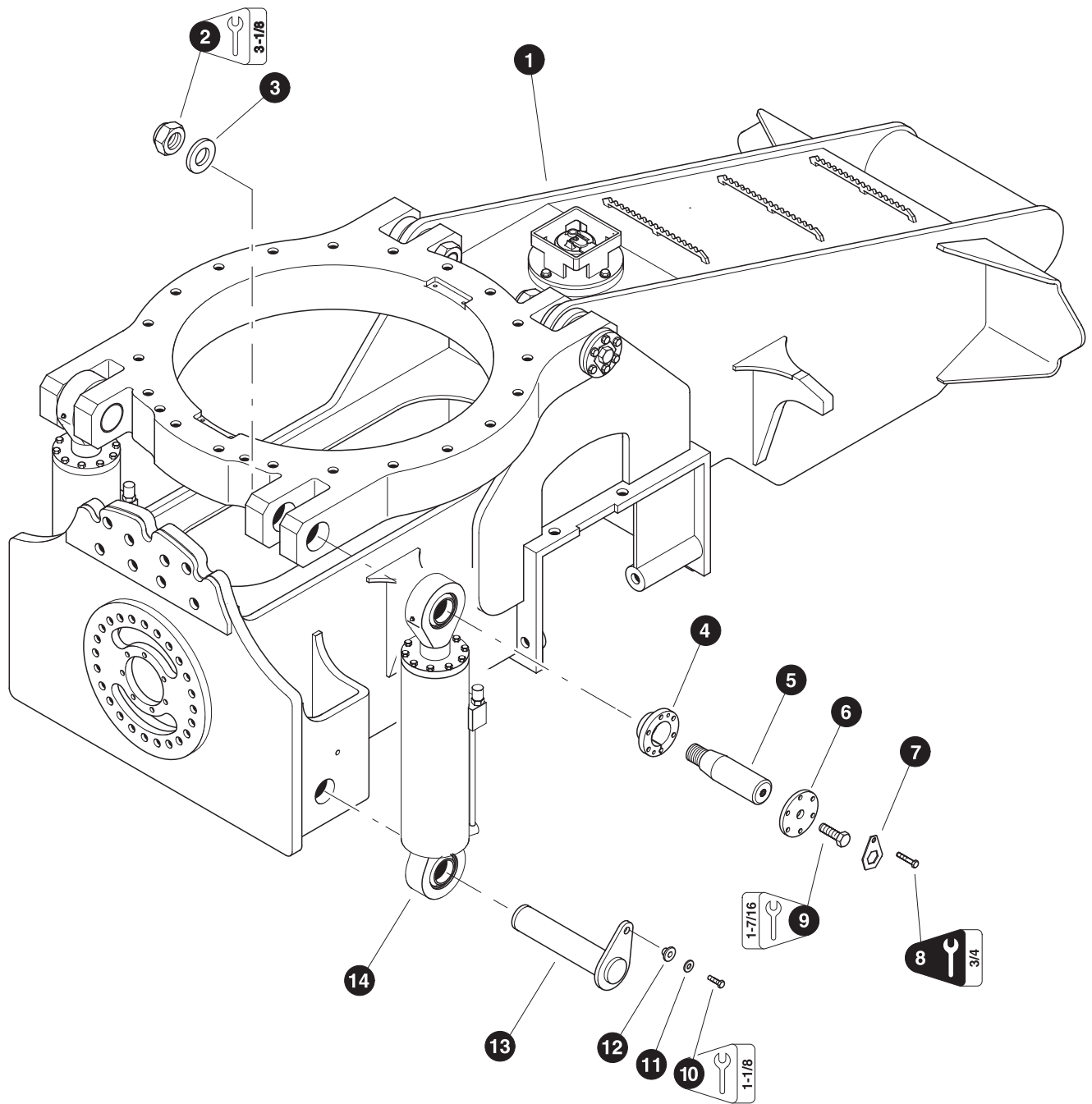
Parts T1314 02/21/2003  
9.375



### CAB LEVELING COMPONENTS



REF	PART #	QTY	DESCRIPTION	SEE SECTION
1	85347-BF	1	PLATE, lower turntable	
2	10728-BF	2	NUT, nylock - 2"	
3	12021-BF	2	WASHER, burned	
4	12352-BF	2	HUB, taper - 1-1/4"	
5	18054-BF	2	PIN, chrome - 3" x 11-3/4"	
6	12115-BF	2	CAP, taper hub	
7	12116-BF	2	LOCK, center taper hub bolt	
8	15565-BF	12	BOLT - 1/2" x 2-1/2" (Torque to 100 ft.lbs. (133 Nm))	
9	15552-BF	2	BOLT - 1" x 2-1/2"	
10	REF.	1	 FRONT FRAME WELDMENT .....	BF-1
11	11706-BF	2	BUSHING - 3" x 4-1/4"	
12	19150-BF	AR	SHIM - 1/4" thick	
	16333-BF	AR	SHIM - 7 gauge (.179") thick	
	16637-BF	AR	SHIM - 10 gauge (.135") thick	
	16338-BF	AR	SHIM - 14 gauge (.075") thick	

 See referenced page for component or assembly breakdown.



Parts 01315 09/13/99  
9.375

## CAB LEVEL CYLINDER INSTALLATION

REF	PART #	QTY	DESCRIPTION	SEE SECTION
1	REF.	1	 FRONT FRAME WELDMENT .....	BF-1
2	10728-BF	2	NUT, nylock - 2"	
3	12021-BF	2	WASHER, burned	
4	12352-BF	2	HUB, taper - 1-1/4"	
5	18055-BF	2	PIN, Chrome - 3" x 11"	
6	12115-BF	2	CAP, taper hub	
7	12116-BF	2	LOCK, center taper hub bolt	
8	15565-BF	12	BOLT - 1/2" x 2-1/2" (Torque to 100 ft.lbs. (133 Nm))	
9	15552-BF	2	BOLT - 1" x 2-1/2"	
10	15549-BF	1	BOLT - 3/4" x 2"	
11	15550-BF	1	WASHER, SAE flat - 3/4"	
12	18570-BF	1	WASHER, pin retaining	
13	52098-BF	1	PIN ASSEMBLY, 3X10.5 (LEVELING BASE CYL)	
14	REF.	2	 CAB LEVEL CYLINDER .....	BF-5



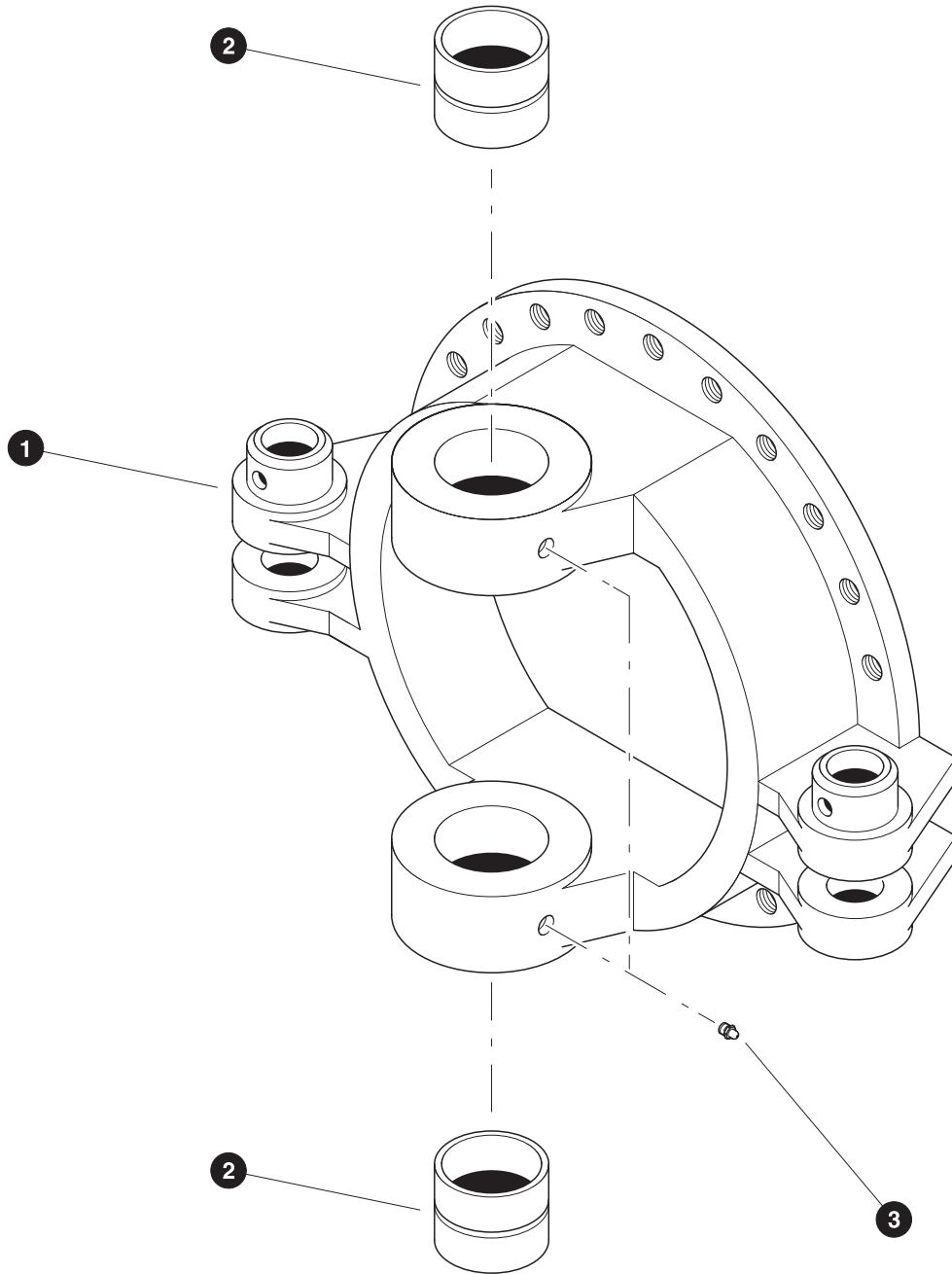
See referenced page for component or assembly breakdown.



## ***Section BF-2***

---

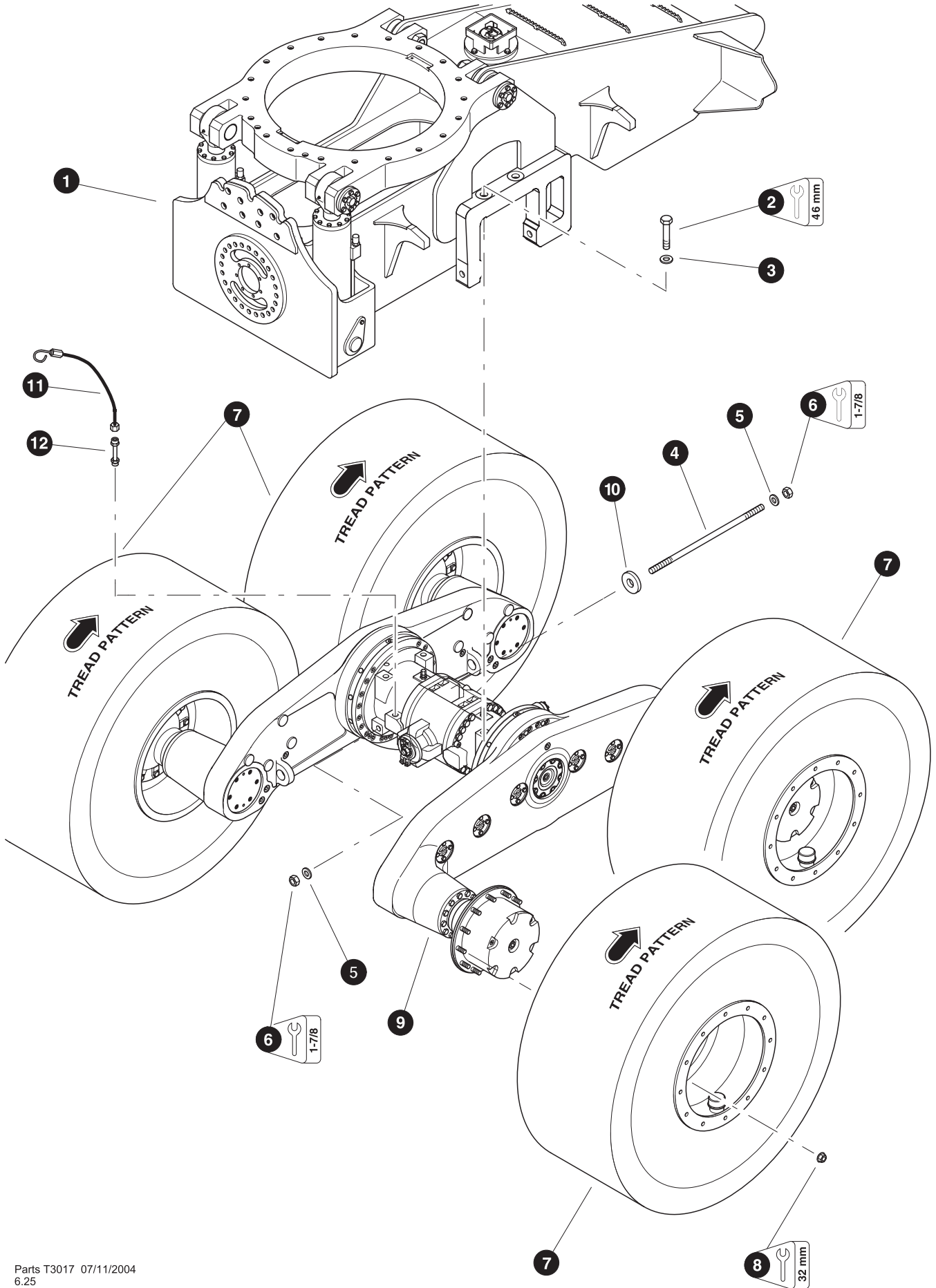
### ***TB 830, 840 Leveling Front Frame - Articulation Components & Installation***



**FRAME ARTICULATION CASTING**

REF	PART #	QTY		DESCRIPTION	SEE SECTION
1	23099-830-FF	1	<input type="checkbox"/>	CASTING, frame articulation (tapped holes)	
2	23103-FF	2		BUSHING - 3-1/2" x 2-3/4"	
3	10704-FF	2		FITTING, grease - 1/8" pipe thread	




- Kit or Assembly - includes all items indented underneath.



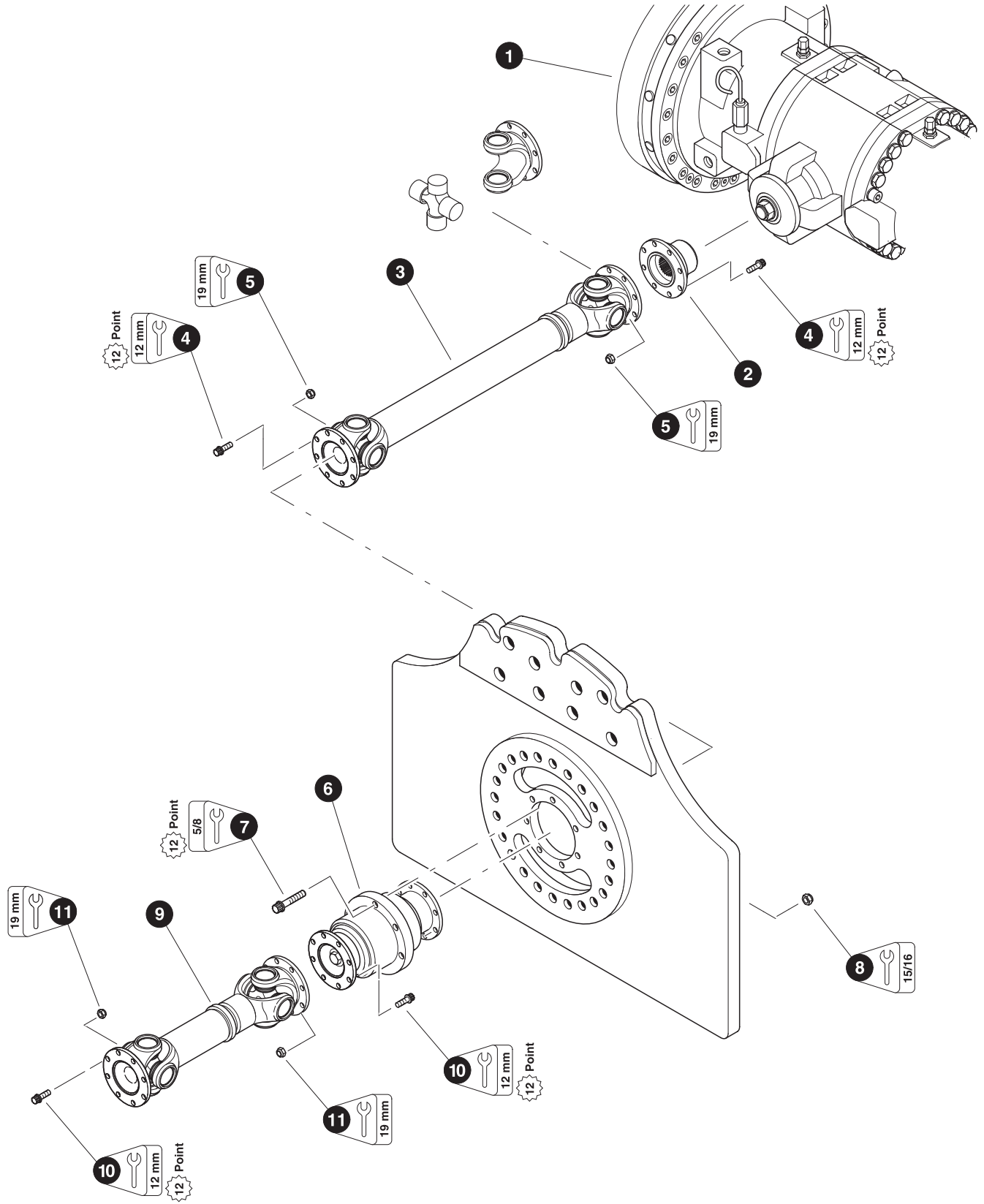
Parts T3017 07/11/2004  
6.25






## FRONT AXLE INSTALLATION



REF	PART #	QTY	DESCRIPTION	SEE SECTION
1	REF.	1	 FRONT FRAME WELDMENT .....	BF-1
2	23567-BF	4	BOLT - 30mm-3.5P x 220mm (Torque to 1100 ft.lbs. (1465 Nm))	
3	23568-BF	4	WASHER, hardened flat - 30mm	
4	23851-BF	2	STUD, axle spreader box - 1-1/4" (Torque to 1200 ft.lbs. (1600 Nm))	
5	22531-BF	4	WASHER, SAE flat - 1-1/4"	
6	23989-BF	4	NUT, lock - 1-1/4"	
7	REF.	4	 WHEEL ASSEMBLY .....	AX-3
8	19361-BF	48	NUT, lug (Torque to 600 ft.lbs. (800 Nm))	
9	REF.	1	 FRONT AXLE .....	AX-1
10	24003-BF	2	SPACER, axle spreader stud	
11	21165-BF	1	TUBE, dipstick (top)	
-	21561-BF	1	BLADE, dipstick	
12	21164-BF	1	TUBE, dipstick (bottom)	

 See referenced page for component or assembly breakdown.



## DRIVE SHAFT INSTALLATION

REF	PART #	QTY	DESCRIPTION	SEE SECTION
1	REF.	1	 FRONT AXLE . . . . .	AX-1
2	23997-BF	1	YOKE, companion flange - axle	
3	51092-BF	1	 DRIVE SHAFT, heavy duty (Center joint to front axle)	
	-----	2	FITTING, 90° grease - 10mm	
4	50261-BF	16	BOLT, 12 point - 12mm-1.75P x 35mm (See Note #1 Below)	
5	50262-BF	16	NUT, lock - 12mm	
6	25218-BF	1	IDLER, driveshaft (HD)	
7	50050	6	BOLT, 12 point - 5/8" x 3" (See Note #1 Below) (Torque to 130 ft.lbs. (175 Nm))	
8	10816	6	NUT, lock - 5/8"	
9	25968-BF	1	 DRIVE SHAFT (Center joint)	
	-----	2	FITTING, 90° grease - 10mm	
10	50261-BF	16	BOLT, 12 point - 12mm-1.75P x 35mm (See Note #1 Below)	
11	50262-BF	16	NUT, lock - 12mm	




-  See referenced page for component or assembly breakdown.
-  Kit or Assembly - includes all items indented underneath.


**Note #1:**

Use Loctite 242 (blue) during installation.







## FRAME ARTICULATION INSTALLATION

REF	PART #	QTY	DESCRIPTION	SEE SECTION
1	23387-FF	24	BOLT - 1" x 6-1/2" (Torque to 1000 ft.lbs (1330 Nm))	
2	18532-FF	24	WASHER, SAE FLAT - 1" (EXTRA THICK)	
3	REF.	1	 FRONT FRAME WELDMENT . . . . .	BF-1
4	18672-FF	24	BOLT - 1" x 7-1/2" (Torque to 1000 ft.lbs (1330 Nm))	
5	15579-FF	24	WASHER, SAE flat - 1"	
6	10728-FF	2	NUT, nylock - 2"	
7	51499-FF	2	WASHER, articulation pin (3/8" thick)	
8	23106-FF	2	WASHER, thrust - thin (Brass)	
9	23105-FF	2	WASHER, thrust - thick (Brass)	
10	51433-FF	2	PIN, articulation vee - 3-1/2" x 9"	
11	21577-FF	2	O-RING - thin	
12	24546-FF	2	O-RING - thick	
13	REF.	1	 REAR FRAME WELDMENT. . . . .	BR-1
14	REF.	1	 FRAME ARTICULATION CASTING . . . . .	BF-2
15	80830-FF	1	PLATE, braking	
16	24999-FF	1	BEARING, articulation	
17	40830-FF	2	BRACKET, articulation joint hose	
18	15550-FF	4	WASHER, SAE flat - 3/4"	
19	10775-FF	2	BOLT - .75" X 2.5"	

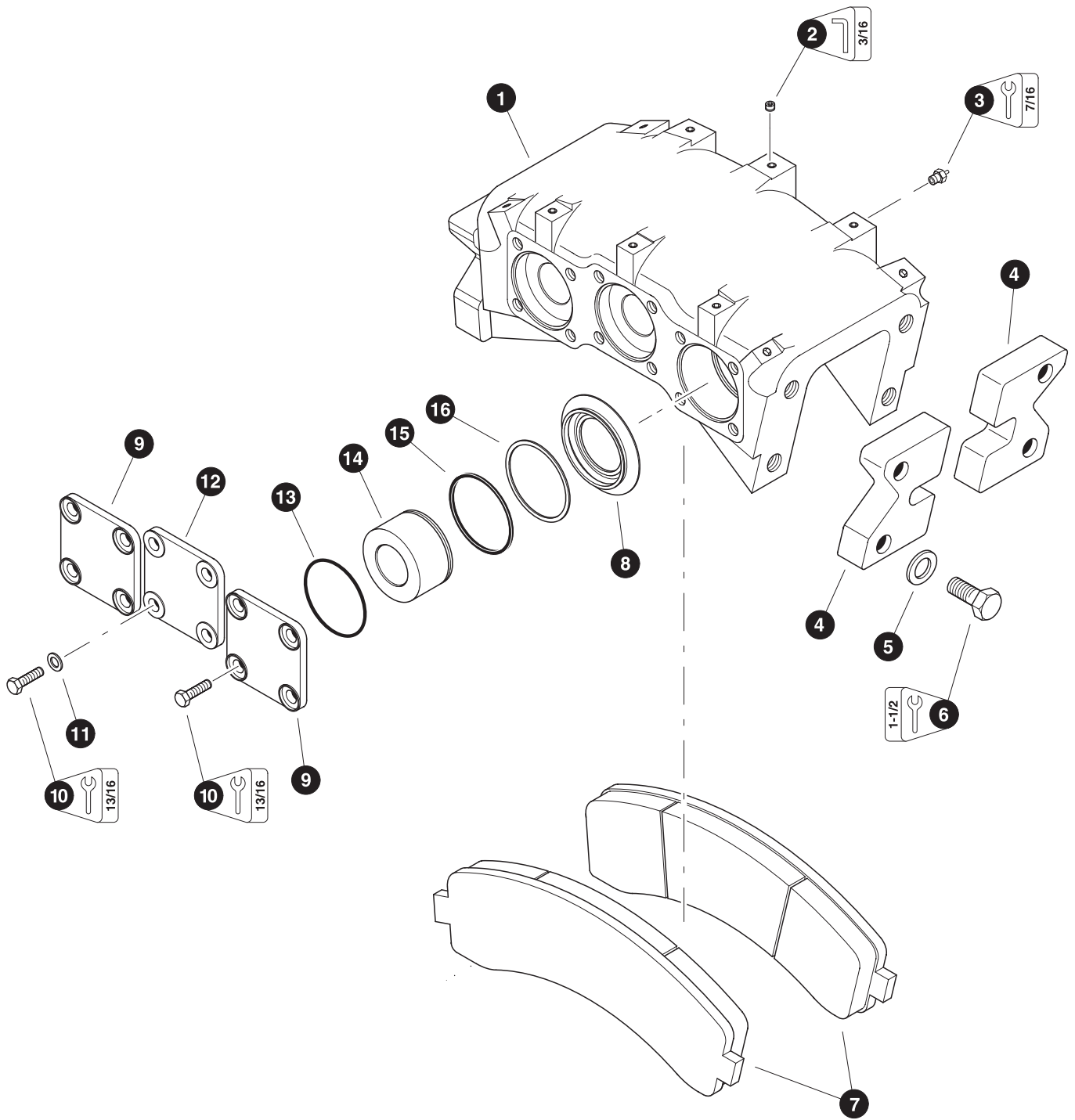
 See referenced page for component or assembly breakdown.



## FRAME LOCK BRAKE INSTALLATION

REF	PART #	QTY	DESCRIPTION	SEE SECTION
1	REF	1	 FRONT FRAME WELDMENT .....	BF-1
2	REF.	1	 REAR FRAME WELDMENT.....	BR-1
3	REF.	1	 FRAME ARTICULATION CASTING .....	BF-2
4	REF.	1	 FRAME LOCK BRAKE .....	BF-2
5	22531-BF	8	WASHER - 1-1/4"	
6	23351-BF	8	BOLT - 1-1/4" x 4-1/2" NF	

 See referenced page for component or assembly breakdown.



Parts 01736 07/08/2000  
37.50



## FRAME LOCK BRAKE

REF	PART #	QTY		DESCRIPTION	SEE SECTION
-	20953-BF	1	☐	FRAME LOCK BRAKE	
1	NSS	1		HOUSING	
2	-----	13		PLUG	
3	-----	1		SCREW, bleed	
4	-----	4		RETAINER, brake pad	
5	-----	8		WASHER	
6	-----	8		BOLT	
7	24406-BF	1		PAD, brake (pair)	
8	NSS	6	⌘	BOOT, piston	
9	23445-BF	2		COVER, piston (Machined special to countersink bolt heads)	
10	24088-BF	12		BOLT - 9/16" x 1-1/4"	
11	-----	4		WASHER	
12	23444-BF	1		COVER, piston	
13	NSS	6	⌘	O-RING, piston cover	
14	24434-BF	6		PISTON, brake caliper	
15	NSS	6	⌘	SEAL, piston	
16	NSS	6	⌘	RING, back-up	
-	23113-BF	1		KIT, seal repair - frame lock brake	

☐ Kit or Assembly - includes all items indented underneath.

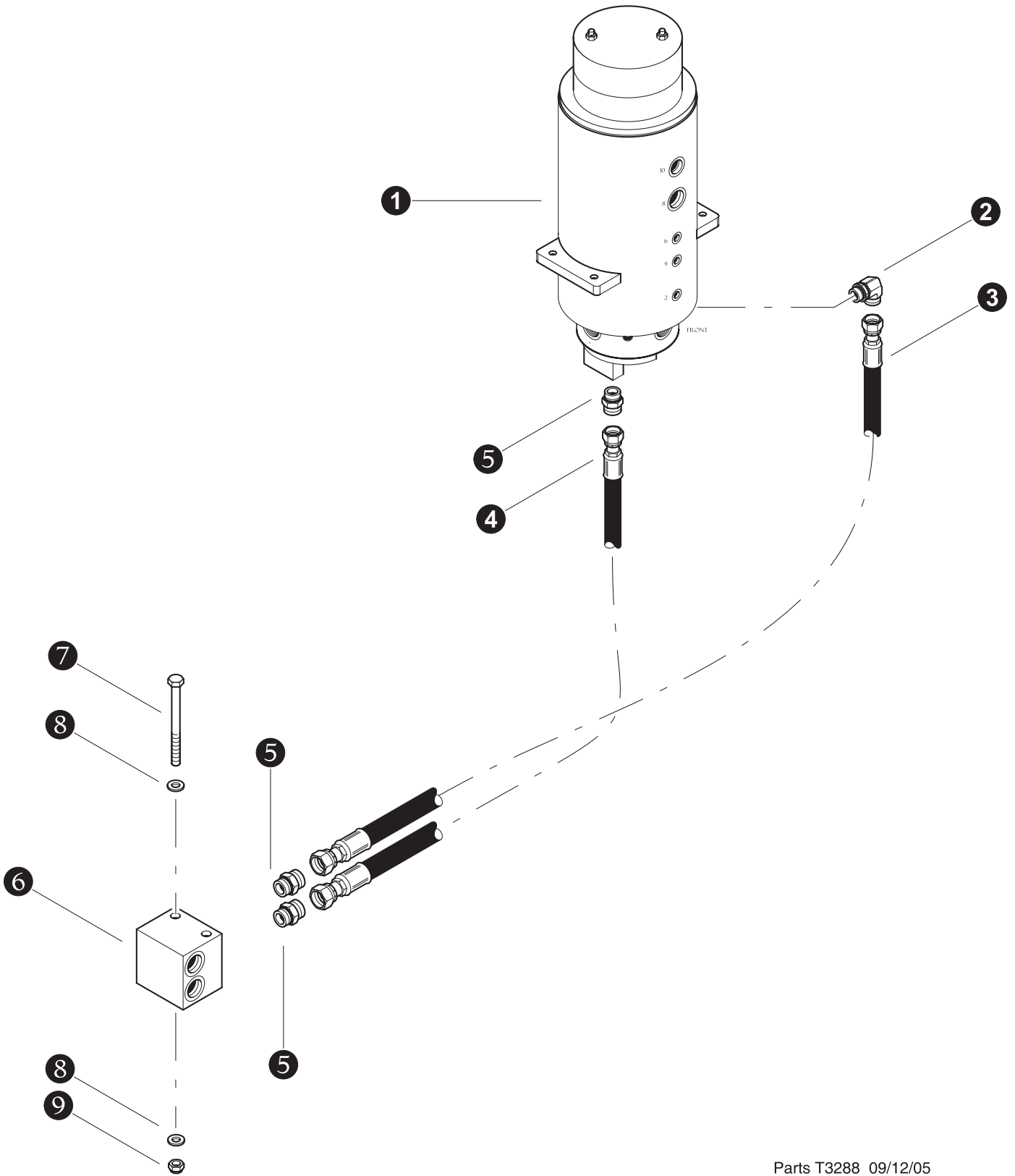
⌘ Included in seal repair kit PN# 23113.



# ***Section HL-3***


---

## ***TB 830 Leveling Front Frame - Hydraulics***

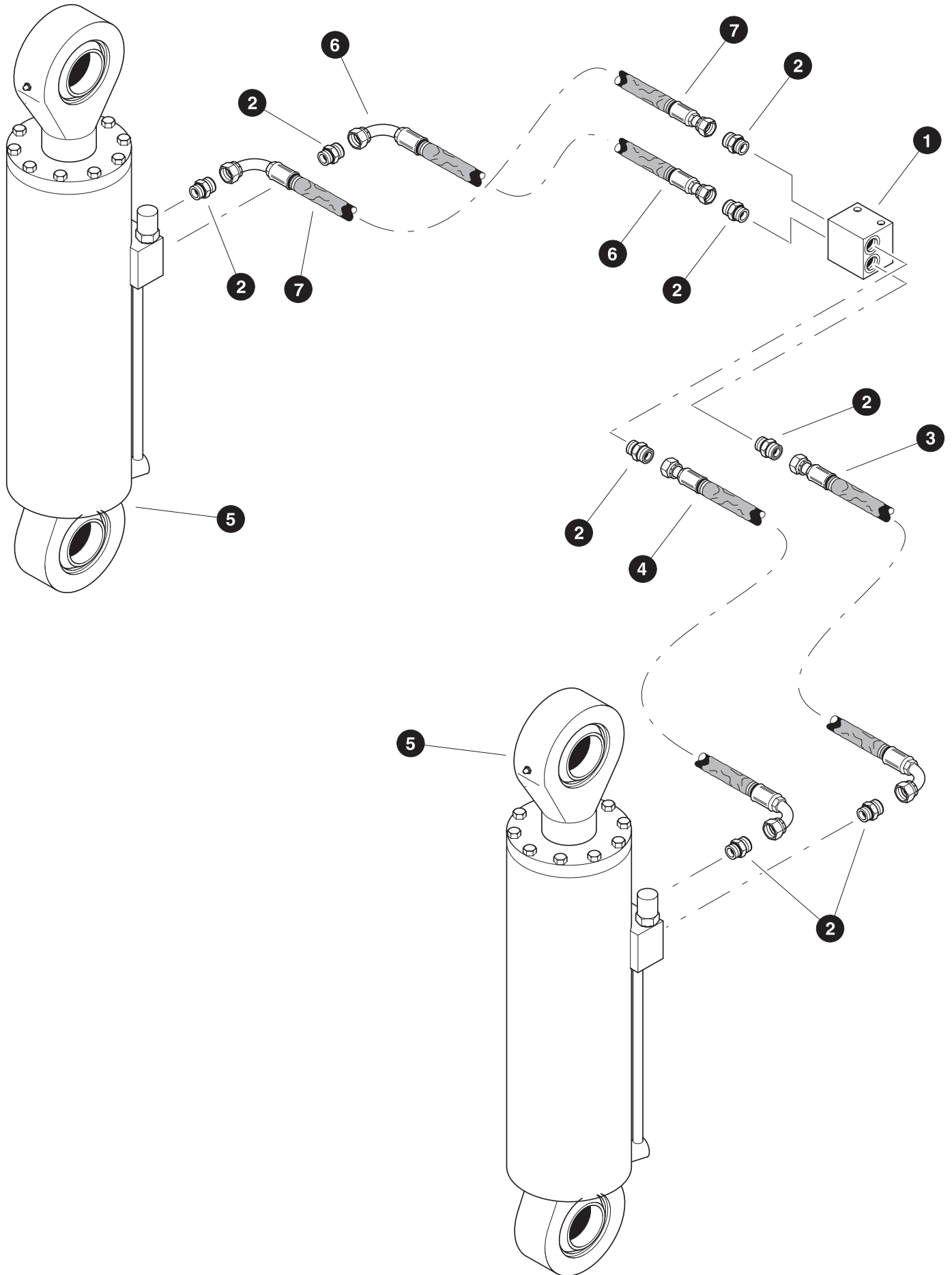


Parts T3288 09/12/05  
18.75


## LEVELING HYDRAULICS (Bulkhead Plate to Leveling Manifold)

REF	PART #	QTY	DESCRIPTION	SEE SECTION
1	REF.	1	 ROTORY MANIFOLD . . . . .	UP-1
2	16360-BF	1	ELBOW, 90 - FF1868T-0808S	
3	-BF	1	HOSE ASSEMBLY - 4052 -08-08OS-08OS (Rotory Manifold #6 to Top Port of Leveling Manifold (Rod))	
4	-BF	1	HOSE ASSEMBLY - 4050 -08-08OS-08OS (Rotory Manifold #12 to Bottom Port of Leveling Manifold(Base))	
5	15117-BF	3	CONNECTOR, STR - FF1852T-0808S	
6	22717-BF	1	MANIFOLD, leveling	
7	10813-BF	2	NUT, lock - 3/8"	
8	15528-BF	4	WASHER, SAE flat - 3/8"	
9	10753-BF	2	BOLT - 3/8" x 4-1/2"	

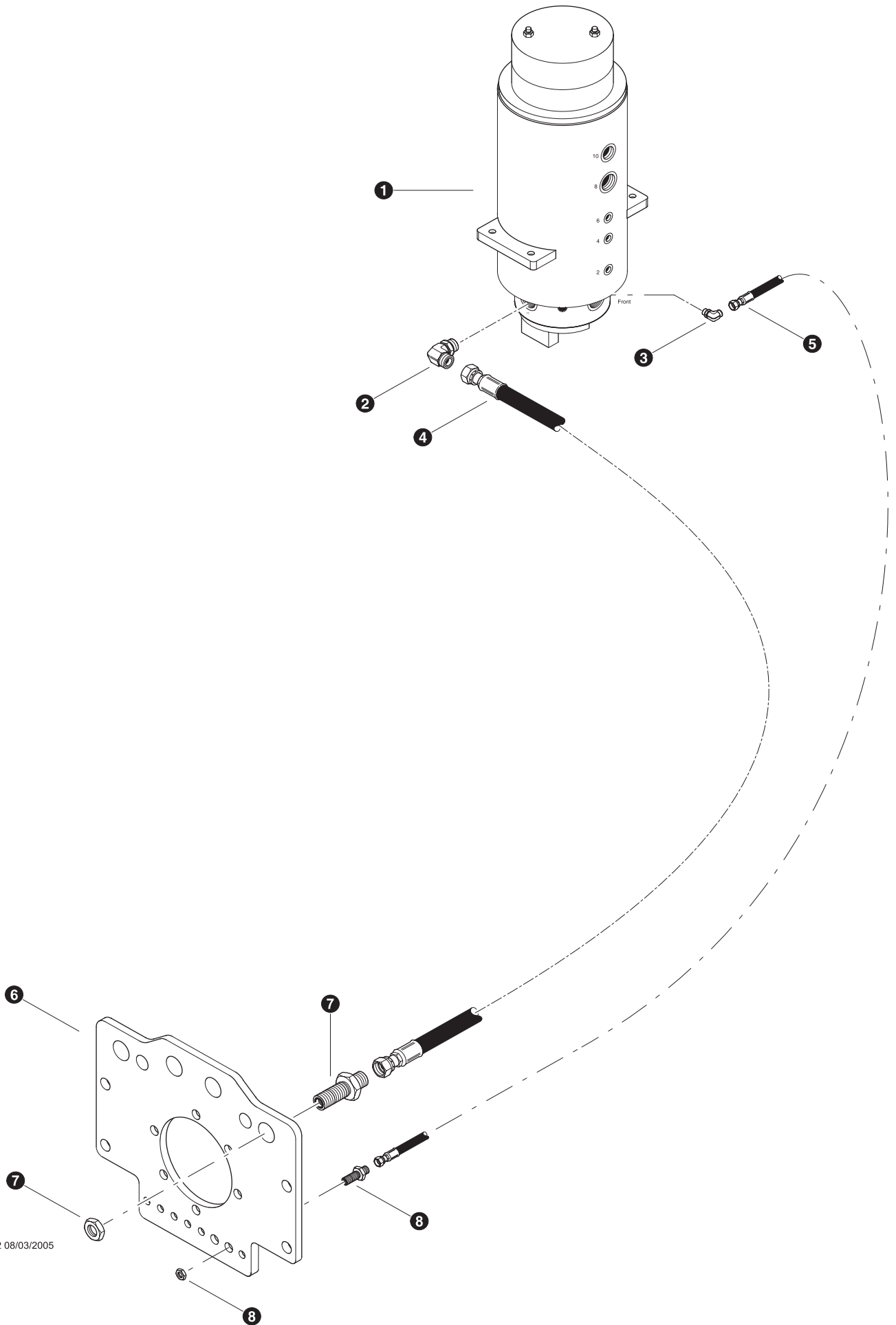
 See referenced page for component or assembly breakdown.



## LEVELING HYDRAULICS (Leveling Manifold to Leveling Cylinders)

REF	PART #	QTY	DESCRIPTION	SEE SECTION
1	22717-BF	1	MANIFOLD, leveling	
2	15115-BF	8	CONNECTOR, straight - FF1852T-081OS	
3	50324-BF	1	HOSE ASSEMBLY - 4025-08-08OS-08O9-W (Bottom RH port of leveling manifold to RH leveling cylinder base port)	
4	50323-BF	1	HOSE ASSEMBLY - 4023-08-08OS-08O9-W (Top RH port of leveling manifold to RH leveling cylinder rod port)	
5	REF	2	 LEVELING CYLINDER . . . . .	BF-3
6	50323-BF	1	HOSE ASSEMBLY - 4023-08-08OS-08O9 ( <i>Top LH port of leveling manifold to LH leveling cylinder rod port</i> )	
7	50324-BF	1	HOSE ASSEMBLY - 4025-08-08OS-08O9 ( <i>Bottom LH port of leveling manifold to LH leveling cylinder base port</i> )	


 See referenced page for component or assembly breakdown.



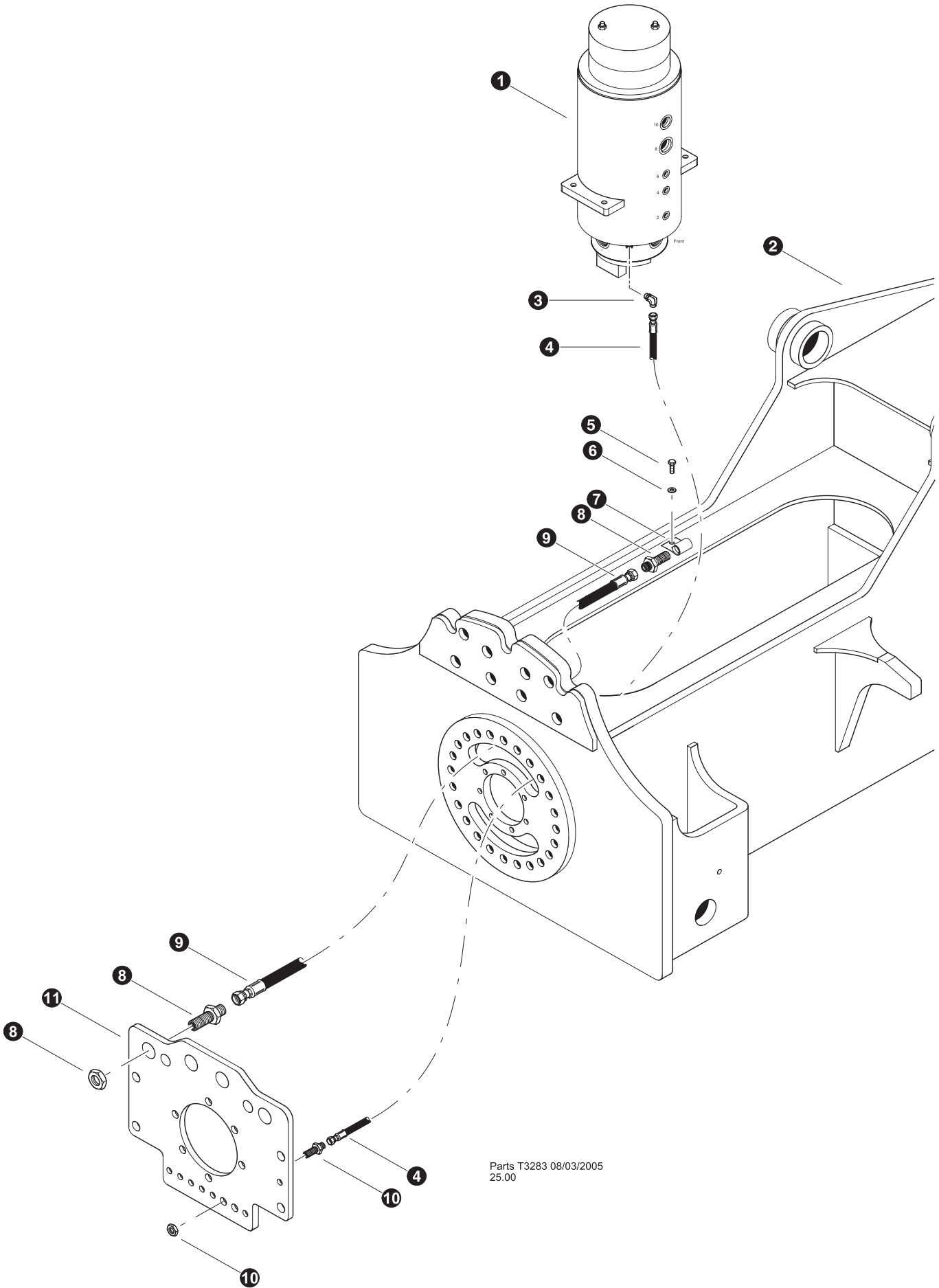
Parts T3282 08/03/2005  
25.00



**MOTOR CASE DRAIN & SOLENOID MANIFOLD PRESSURE  
(Rotary Manifold to Rear Frame Bulkhead Plate)**



REF	PART #	QTY	DESCRIPTION	SEE SECTION
1	REF.	1	 ROTORY MANIFOLD . . . . .	UP-1
2	17688-BF	1	ELBOW, 90 - FF1868T-1212S	
3	16296-BF	1	ELBOW, 90 - FF1868T-0606S	
4	50320-BF	1	HOSE ASSEMBLY - 4085-12-120S-120S (rear frame bulkhead plate to rotary manifold port #11)	
5	-HL	1	HOSE ASSEMBLY - 2086.5-06-060S-060S (rear frame bulkhead plate to rotary manifold port #4)	
6	42290-BF	1	BRACKET, bearing mount - (bulkhead plate 830)	
7	17009-BF	1	CONNECTOR, STR BULKHEAD - 2700-12	
8	50420-BF	1	CONNECTOR, STR BULKHEAD - 832-TT-06	

 See referenced page for component or assembly breakdown.



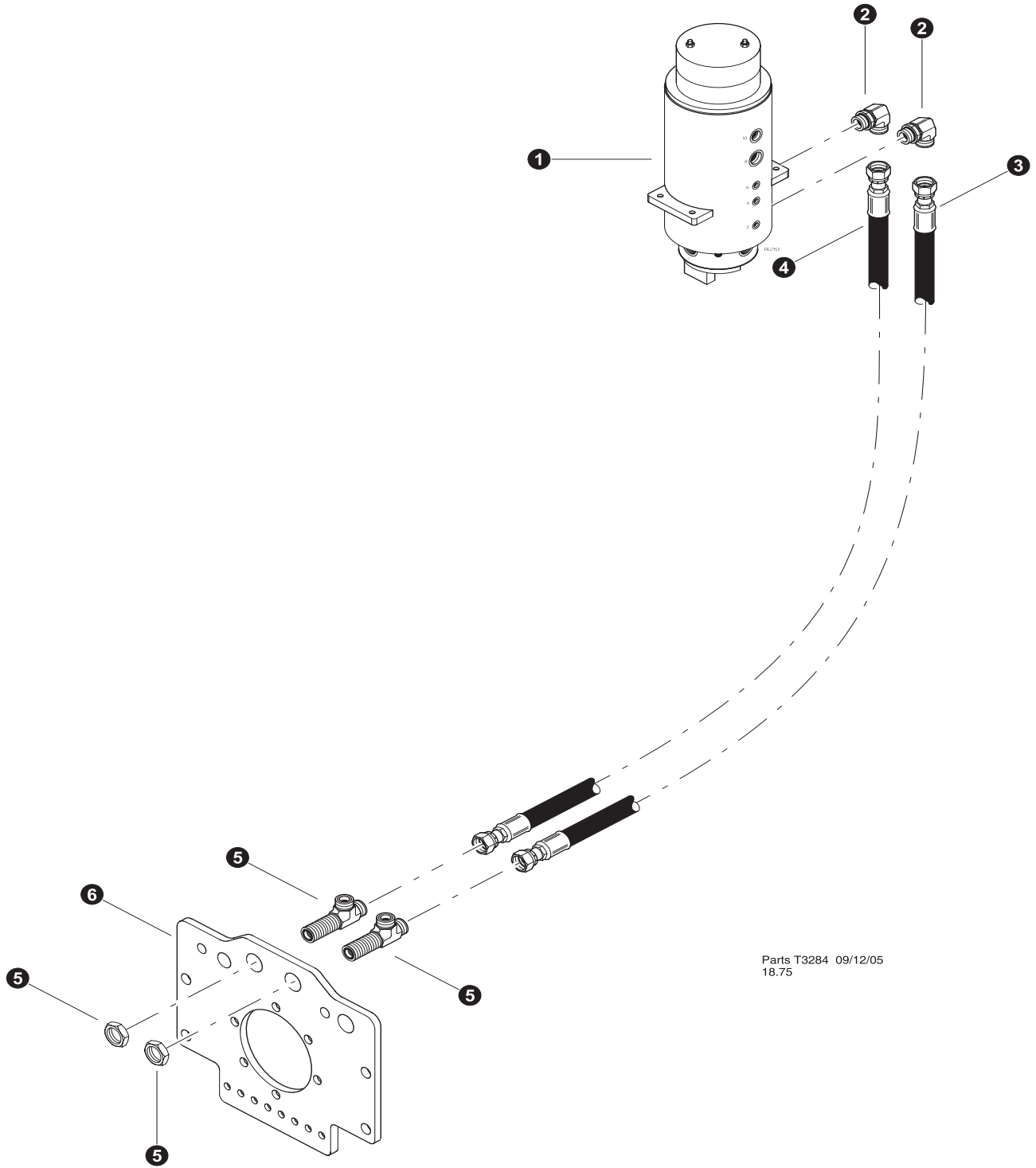
Parts T3283 08/03/2005  
25.00

**MOTOR FLUSH RETURN & WIRE HOSE  
(Rotary Manifold to Rear Frame Bulkhead Plate)**

REF	PART #	QTY	DESCRIPTION	SEE SECTION
1	REF.	1	 ROTORY MANIFOLD . . . . .	UP-1
2	REF.	1	 FRONT FRAME TB 830 - LEVELING . . . . .	BF-1
3	16296-BF	1	ELBOW, 90 - FF1868T-0606S	
4	-HL	1	HOSE ASSEMBLY - 208-06-060S-060S (rear frame bulkhead plate to rotary manifold port #3)	
5	11707-BF	1	BOLT, 3/8 X 1"	
6	15528-BF	1	WASHER, 3/8 sae flat	
7	22202-BF	1	BRACKET, 3/4 pipe union	
8	50037-BF	1	CONNECTOR, STR - BULKHEAD - 10	
9	-BF	1	HOSE ASSEMBLY - 2063-10-100S-100S (can bus wire)	
10	50420-BF	1	CONNECTOR, STR BULKHEAD - 832-TT-06	
11	42290-BF	1	BRACKET, bearing mount - (bulkhead plate 830)	




See referenced page for component or assembly breakdown.

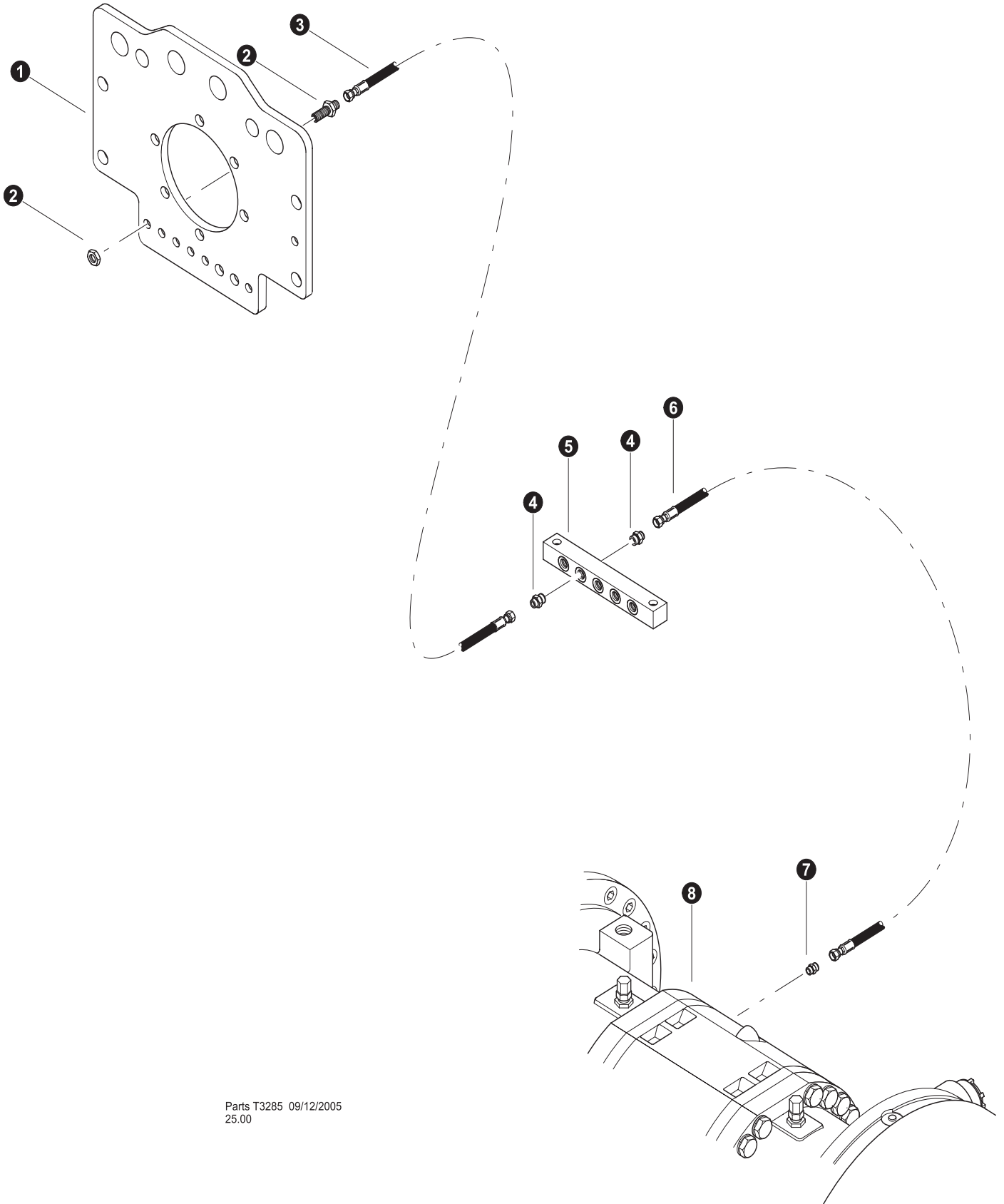


Parts T3284 09/12/05  
18.75

## STEER PRESSURE LINES (Rotary Manifold to Rear Frame Bulkhead Plate)


REF	PART #	QTY	DESCRIPTION	SEE SECTION
1	REF.	1	 ROTORY MANIFOLD.....	UP-1
2	17688-BF	1	ELBOW, 90 - FF1868T-1212S	
3	-BF	1	HOSE ASSEMBLY - 4093-12-120S-120S (rear frame bulkhead plate to rotary manifold port #9)	
4	-BF	1	HOSE ASSEMBLY - 4094-12-120S-120S (rear frame bulkhead plate to rotary manifold port #10)	
5	17009-BF	1	CONNECTOR, STR BULKHEAD - 2700-12	
6	42290-BF	1	BRACKET, bearing mount - (bulkhead plate 830)	

 See referenced page for component or assembly breakdown.



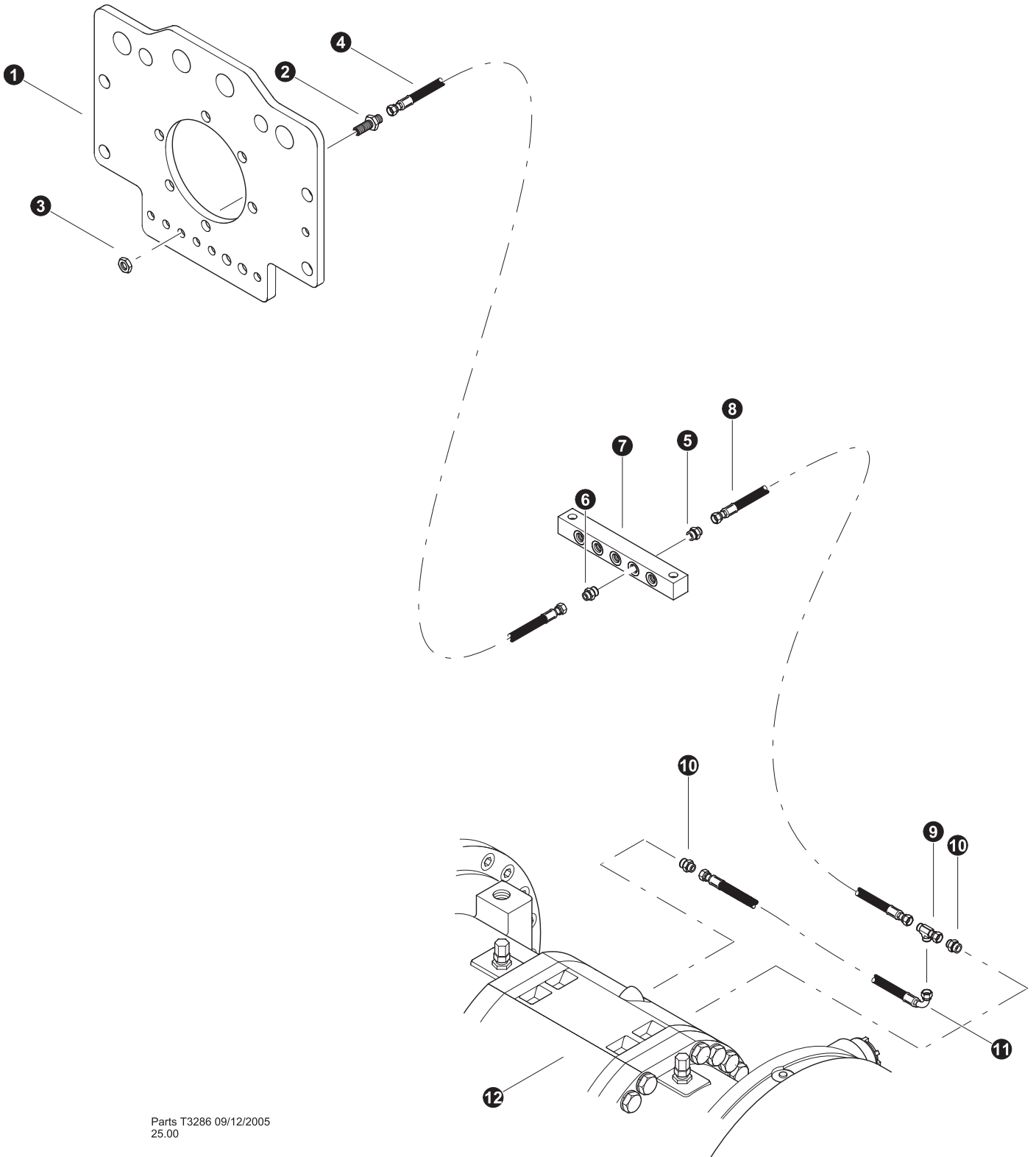
Parts T3285 09/12/2005  
25.00

**FRONT AXLE DIFFERENTIAL LOCK LINES**  
**(From Rear Frame Bulkhead Plate to Front Axle)**

REF	PART #	QTY	DESCRIPTION	SEE SECTION
1	18582-BF	1	CONNECTOR, straight bulkhead - 04	
2	50575-BF	1	HOSE ASSEMBLY - 2087-04-040S-040S (Junction manifold to rear frame bulkhead plate)	
3	42201-BF	1	BRACKET, bearing mount - (bulkhead plate 630)	
4	15124-BF	2	CONNECTOR, straight - FF1852T-0404S	
5	22287-BF	1	MANIFOLD, GAUGE	
6	50573-BF	1	HOSE ASSEMBLY - 2044-04-040S-040S (Junction manifold to front axle)	
7	19470-BF	2	CONNECTOR, straight - 4M14F8OMLO-S	
8	REF.	1	 FRONT AXLE .....	AX-1

 See referenced page for component or assembly breakdown.


42290-HL                                    1                                    BRACKET, bearing mount - (bulkhead plate 830)



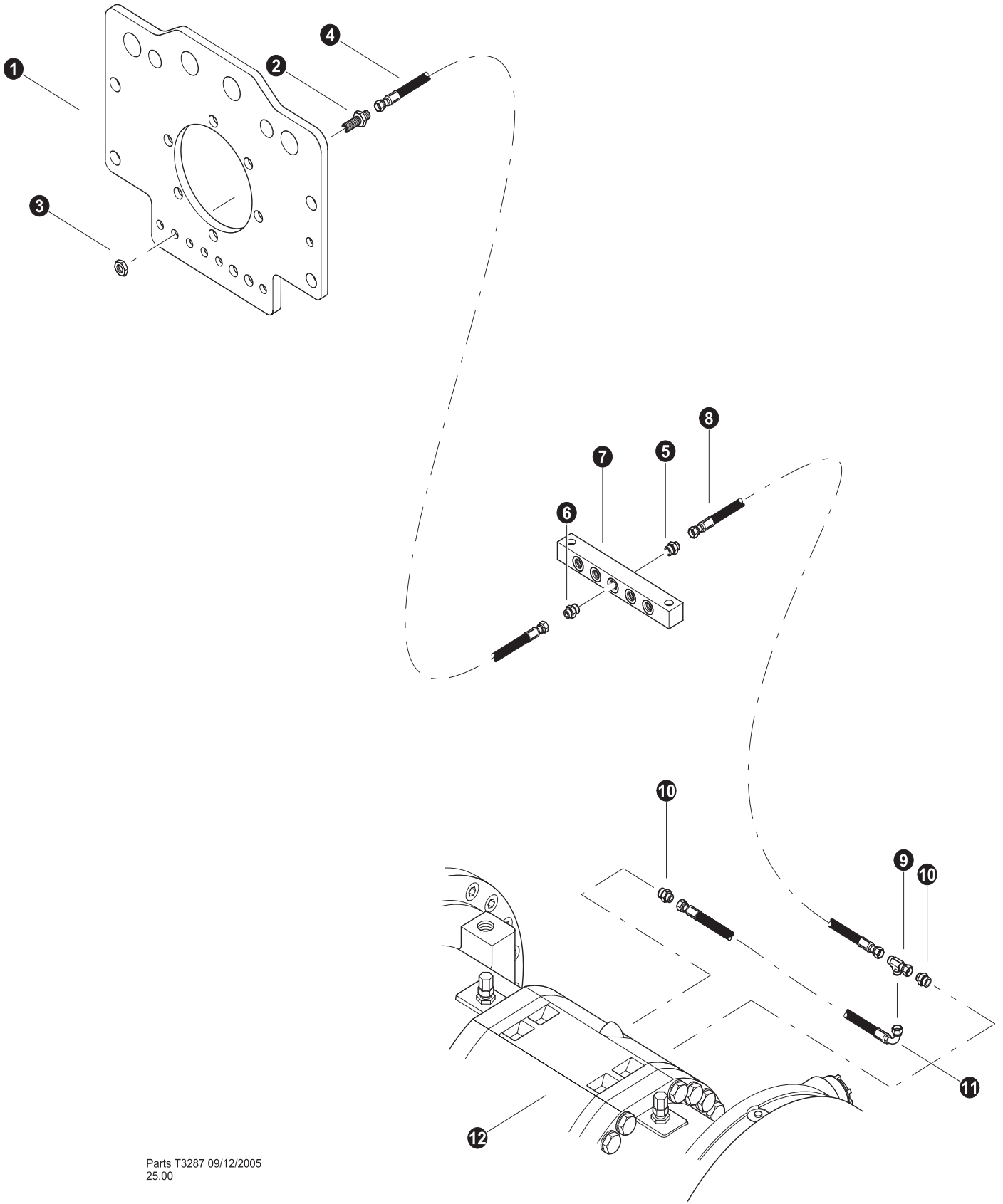
Parts T3286 09/12/2005  
25.00



**FRONT AXLE TRAVEL BRAKE LINES**  
**(From Rear Frame Bulkhead Plate to Front Axel)**


REF	PART #	QTY	DESCRIPTION	SEE SECTION
1	18582-BF	1	CONNECTOR, straight bulkhead - 04	
2	50575-BF	1	HOSE ASSEMBLY - 2087-04-040S-040S (Junction manifold to rear frame bulkhead plate)	
3	42201-BF	1	BRACKET, bearing mount - (bulkhead plate 630)	
4	15124-BF	2	CONNECTOR, straight - FF1852T-0404S	
5	22287-BF	1	MANIFOLD, GAUGE	
6	50573-BF	1	HOSE ASSEMBLY - 2044-04-040S-040S (Junction manifold to front axle tee)	
7	19470-BF	2	CONNECTOR, straight - 4M14F8OMLO-S	
8	50607-BF	1	HOSE ASSEMBLY - 2009.5-04-040S-0409	
9	15176-BF	2	TEE - FF2114T-0404S	
10	REF.	1	 FRONT AXLE .....	AX-1

 See referenced page for component or assembly breakdown.

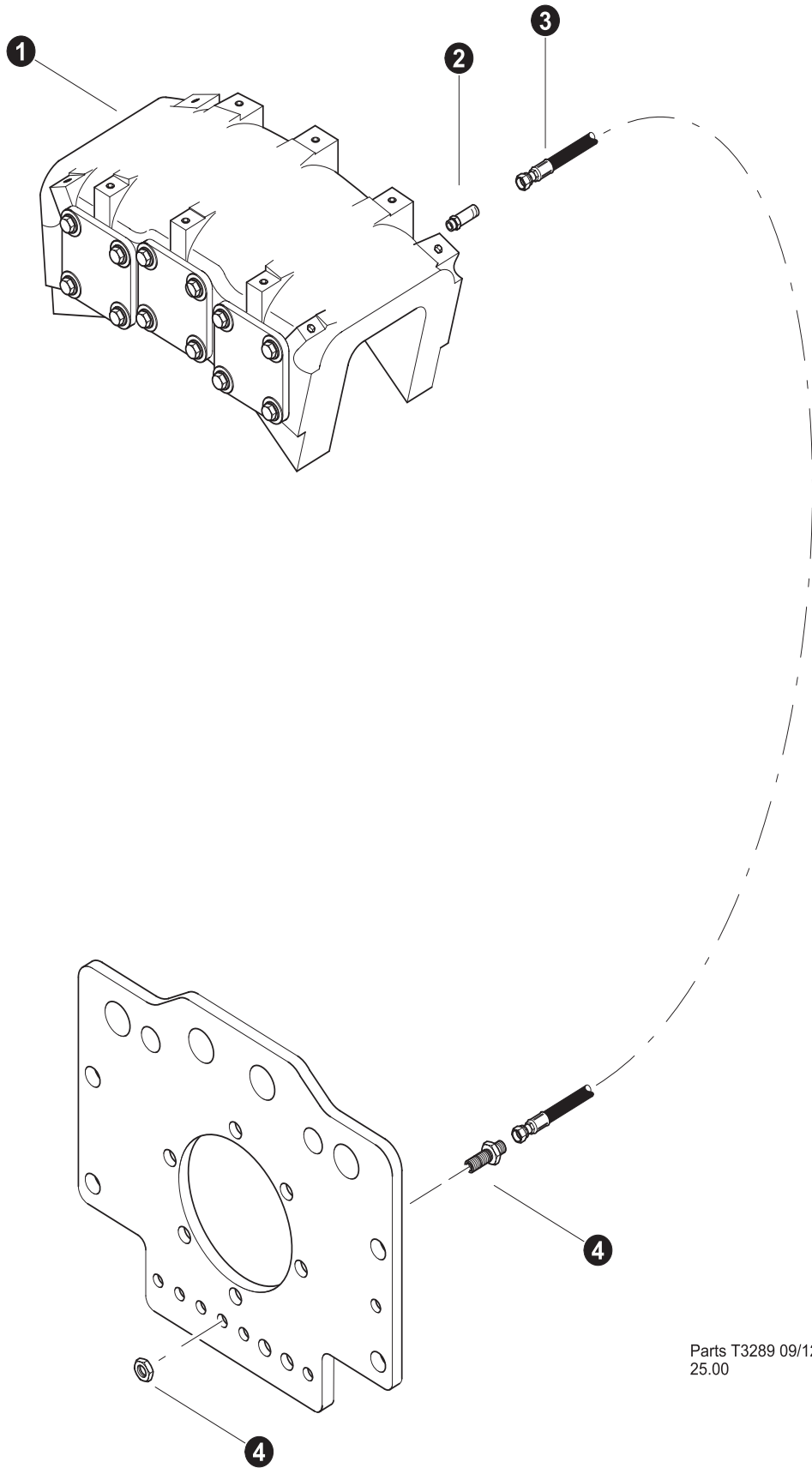


Parts T3287 09/12/2005  
25.00

**FRONT AXLE PARKING BRAKE LINES**  
**(From Rear Frame Bulkhead Plate to Front Axel)**


REF	PART #	QTY	DESCRIPTION	SEE SECTION
1	18582-BF	1	CONNECTOR, straight bulkhead - 04	
2	50575-BF	1	HOSE ASSEMBLY - 2087-04-040S-040S (Junction manifold to rear frame bulkhead plate)	
3	42201-BF	1	BRACKET, bearing mount - (bulkhead plate 630)	
4	15124-BF	2	CONNECTOR, straight - FF1852T-0404S	
5	22287-BF	1	MANIFOLD, GAUGE	
6	50573-BF	1	HOSE ASSEMBLY - 2044-04-040S-040S (Junction manifold to front axle tee)	
7	19470-BF	2	CONNECTOR, straight - 4M14F8OMLO-S	
8	50607-BF	1	HOSE ASSEMBLY - 2009.5-04-040S-0409	
9	15176-BF	2	TEE - FF2114T-0404S	
10	REF.	1	 FRONT AXLE .....	AX-1


 See referenced page for component or assembly breakdown.

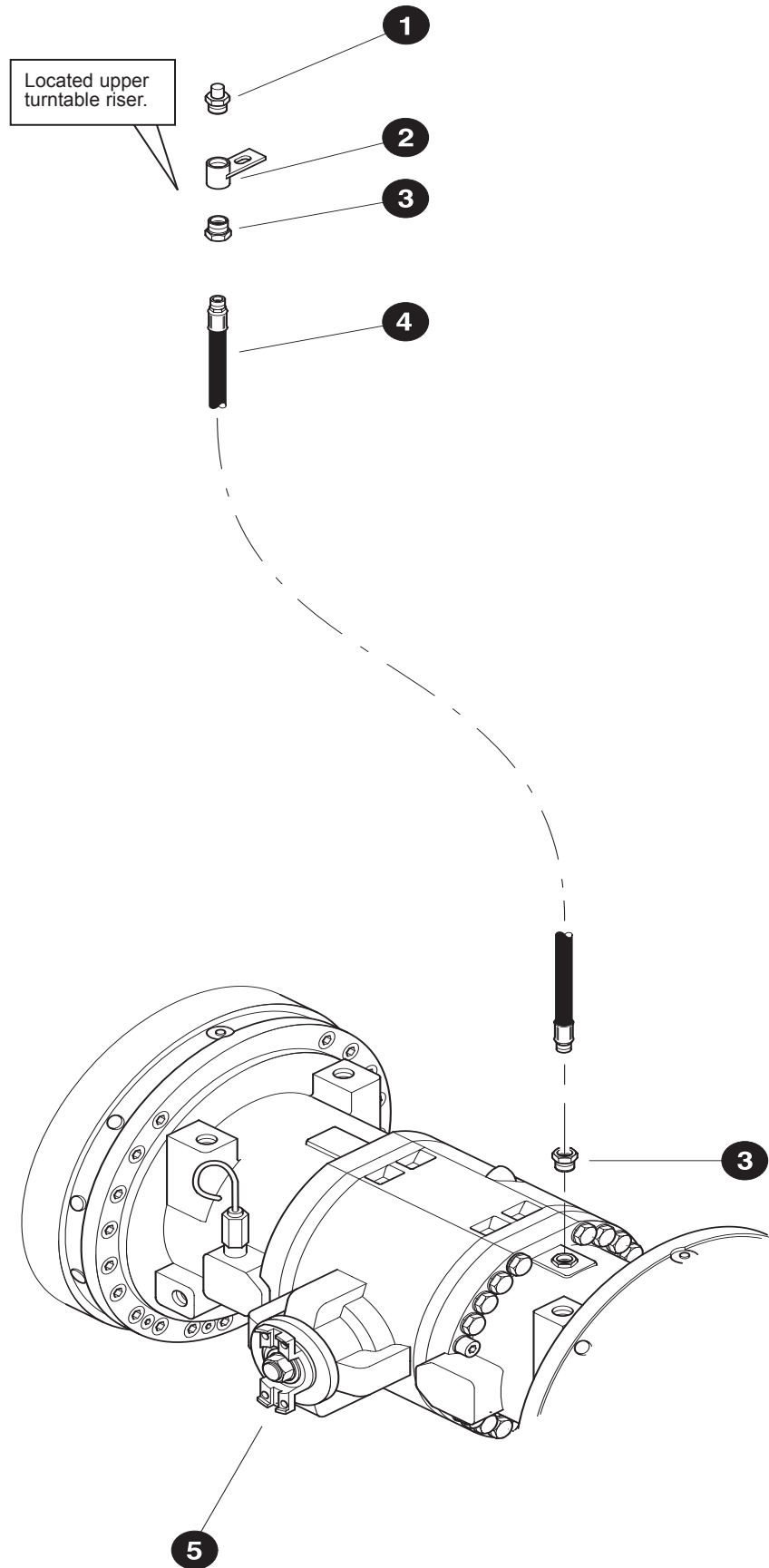


Parts T3289 09/12/2005  
25.00

**FRAME LOCK LINE**  
**(From Rear Frame Bulkhead Plate to Frame Lock)**


REF	PART #	QTY	DESCRIPTION	SEE SECTION
1	REF	1	 FRAME LOCK BRAKE .....	BF-3
2	20991-BF	1	CONNECTOR, STR LONG - 848L-TTO-04X04	
3	-BF	1	HOSE ASSEMBLY - 2079-04-040S-040S (Frame lock)	
4	18582-BF	1	CONNECTOR, straight bulkhead - 04	


 See referenced page for component or assembly breakdown.

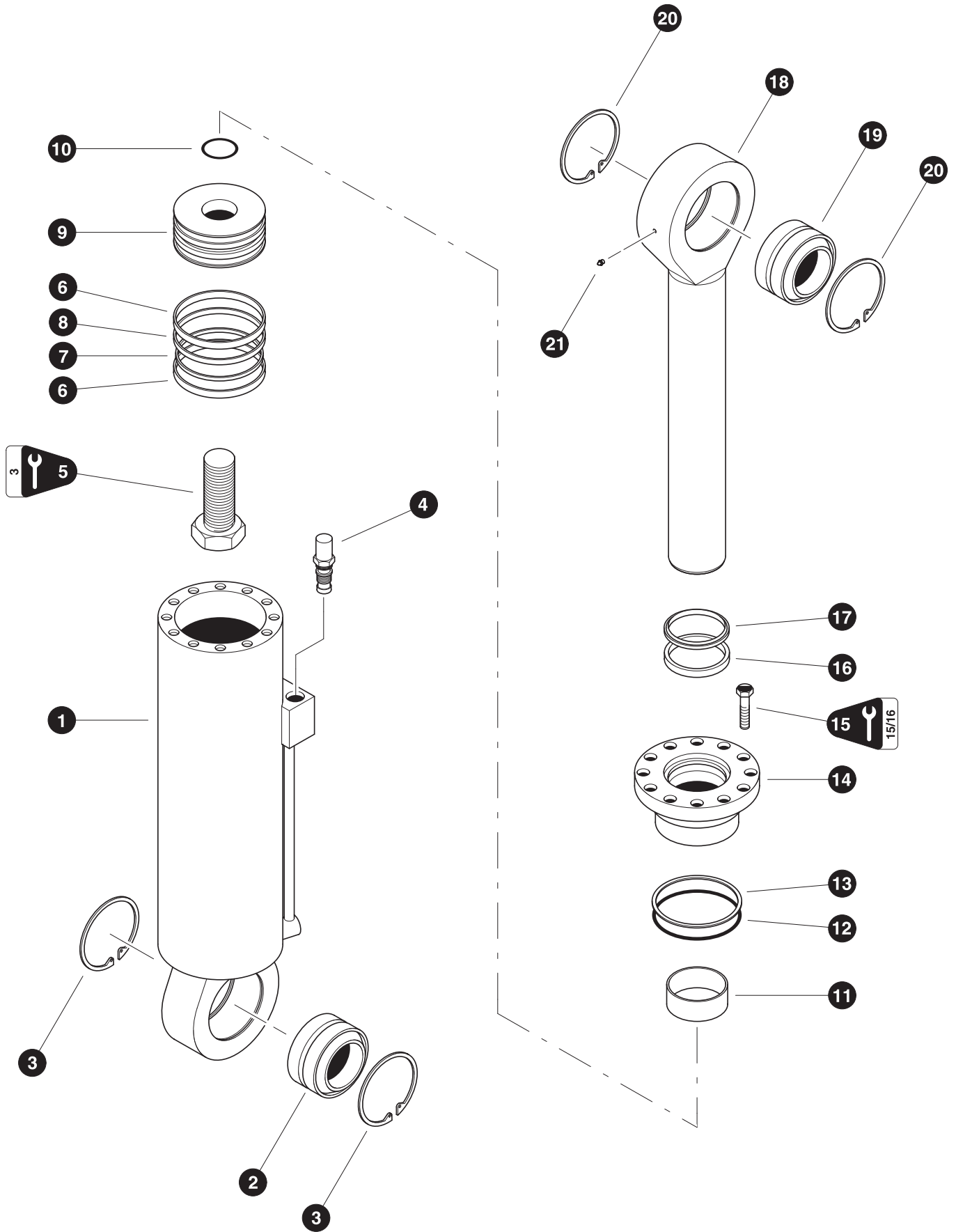


Parts T2838 08/25/2003  
12.50

## FRONT AXLE VENT LINE

REF	PART #	QTY	DESCRIPTION	SEE SECTION
1	22570-BF	1	VENT, axle	
2	50723-BF	1	BRACKET, vent mount - 8	
3	11312-BF	1	BUSHING, PIPE 4 - 8	
4	-BF	1	HOSE ASSEMBLY - 2026-04-04MP-04MP (Axle vent port to vent mounting bracket)	
5	REF.	1	 FRONT AXLE .....	AX-1

 See referenced page for component or assembly breakdown.

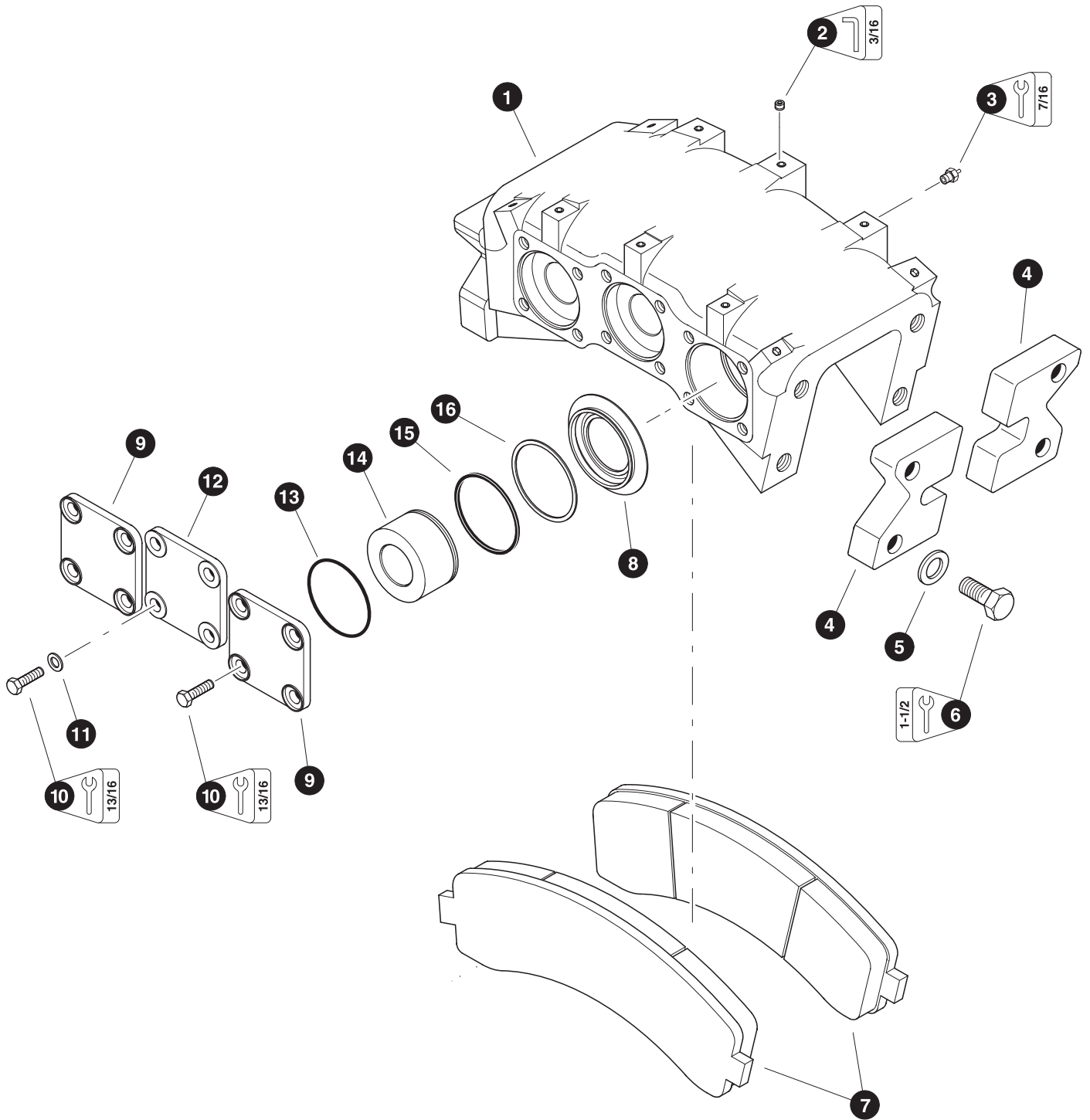




## LEVELING CYLINDER BREAKDOWN






REF	PART #	QTY	DESCRIPTION	SEE SECTION
-	22547-BF	1	☐ LEVEL CYLINDER ASSEMBLY	
1	23482-BF	1	☐ BARREL ASSEMBLY	
2	12127-BF	1	BUSHING, spherical - 3"	
3	17833-BF	2	Ring, snap - 3" spherical bushing	
4	23216-BF	2	CARTRIDGE, holding	
5	19956-BF	1	BOLT, cylinder rod - 2" x 4-1/4" <b>(2700 +/- 200 ft lbs (3600 +/- 265 Nm))</b>	
6	NSS	2	⌘ RING, piston wear	
7	NSS	1	⌘ RING, piston square	
8	NSS	1	⌘ RING, piston chem-cast	
9	23483-BF	1	PISTON	
10	NSS	1	⌘ O-RING, piston	
11	NSS	1	⌘ RING, rod bearing wear	
12	NSS	1	⌘ O-RING, rod bearing	
13	NSS	1	⌘ RING, rod bearing back-up	
14	19954	1	⌘ BEARING, rod	
15	15681-BF	12	BOLT - 5/8" x 2-1/4" <b>(175 ft lbs (233Nm))</b>	
16	NSS	1	⌘ U-CUP, rod bearing	
17	NSS	1	⌘ WIPER, rod	
18	23485-BF	1	☐ ROD ASSEMBLY	
19	12127-BF	1	BUSHING, spherical - 3"	
20	17833-BF	2	RING, snap - 3" spherical bushing	
21	10704-BF	1	FITTING, grease	
-	23486-BF	1	KIT, seal repair - level cylinder	

- ☐ Kit or Assembly - includes all items indented underneath.
- ⌘ Included in seal repair kit Part #23486-BF



Parts 01736 07/08/2000  
37.50

## FRAME LOCK BRAKE BREAKDOWN

REF	PART #	QTY		DESCRIPTION	SEE SECTION
-	20953-BF	1		FRAME LOCK BRAKE	
1	NSS	1		HOUSING	
2	-----	13		PLUG	
3	-----	1		SCREW, bleed	
4	-----	4		RETAINER, brake pad	
5	-----	8		WASHER	
6	-----	8		BOLT	
7	24406-BF	1		PAD, brake (pair)	
8	NSS	6		BOOT, piston	
9	23445-BF	2		COVER, piston (Machined special to countersink bolt heads)	
10	24088-BF	12		BOLT - 9/16" x 1-1/4"	
11	-----	4		WASHER	
12	23444-BF	1		COVER, piston	
13	NSS	6		O-RING, piston cover	
14	24434-BF	6		PISTON, brake caliper	
15	NSS	6		SEAL, piston	
16	NSS	6		RING, back-up	
-	23113-BF	1		KIT, seal repair - frame lock brake	



Kit or Assembly - includes all items indented underneath.



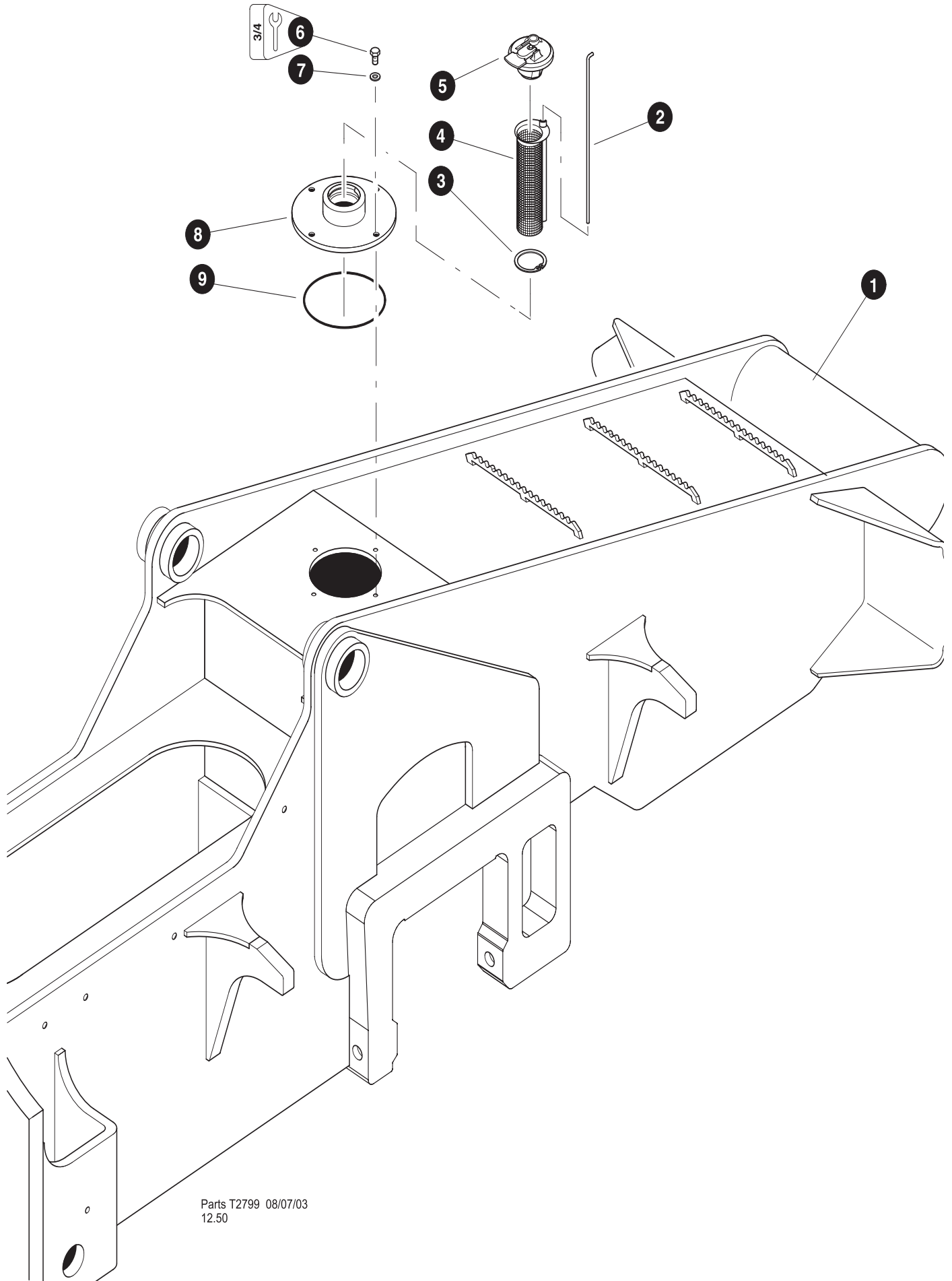
Included in seal repair kit PN# 23113.



# ***Section BF-4***


---

## ***TB 830, 840 Leveling Front Frame - Fuel Tank Components***

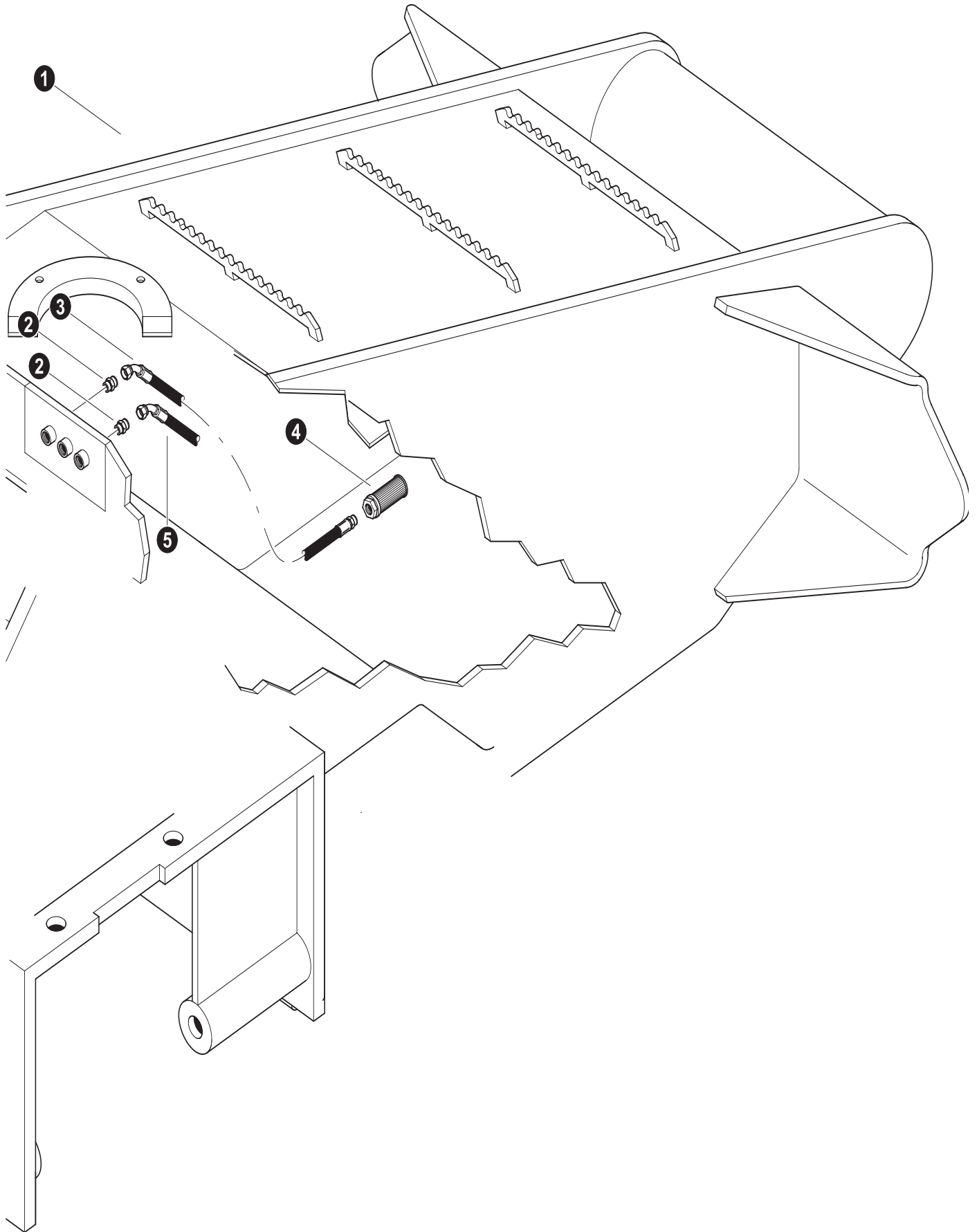


Parts T2799 08/07/03  
12.50

## FUEL FILL STRAINER INSTALLATION

REF	PART #	QTY	DESCRIPTION	SEE SECTION
1	REF.	1	 FRONT FRAME WELDMENT .....	BF-1
2	17492-BF	1	DIPSTICK, fuel level	
3	17115-BF	1	RING, snap - fuel strainer retainer	
4	17114-BF	1	STRAINER, fuel	
5	16585-BF	1	CAP, fuel	
6	10783-BF	4	BOLT - 1/2" x 1"	
7	15534-BF	4	WASHER, SAE flat - 1/2"	
8	14079-BF	1	COVER, fuel tank	
9	15600-BF	1	O-RING - 8"	

 See referenced page for component or assembly breakdown.




Parts T2798 08/05/03  
18.75

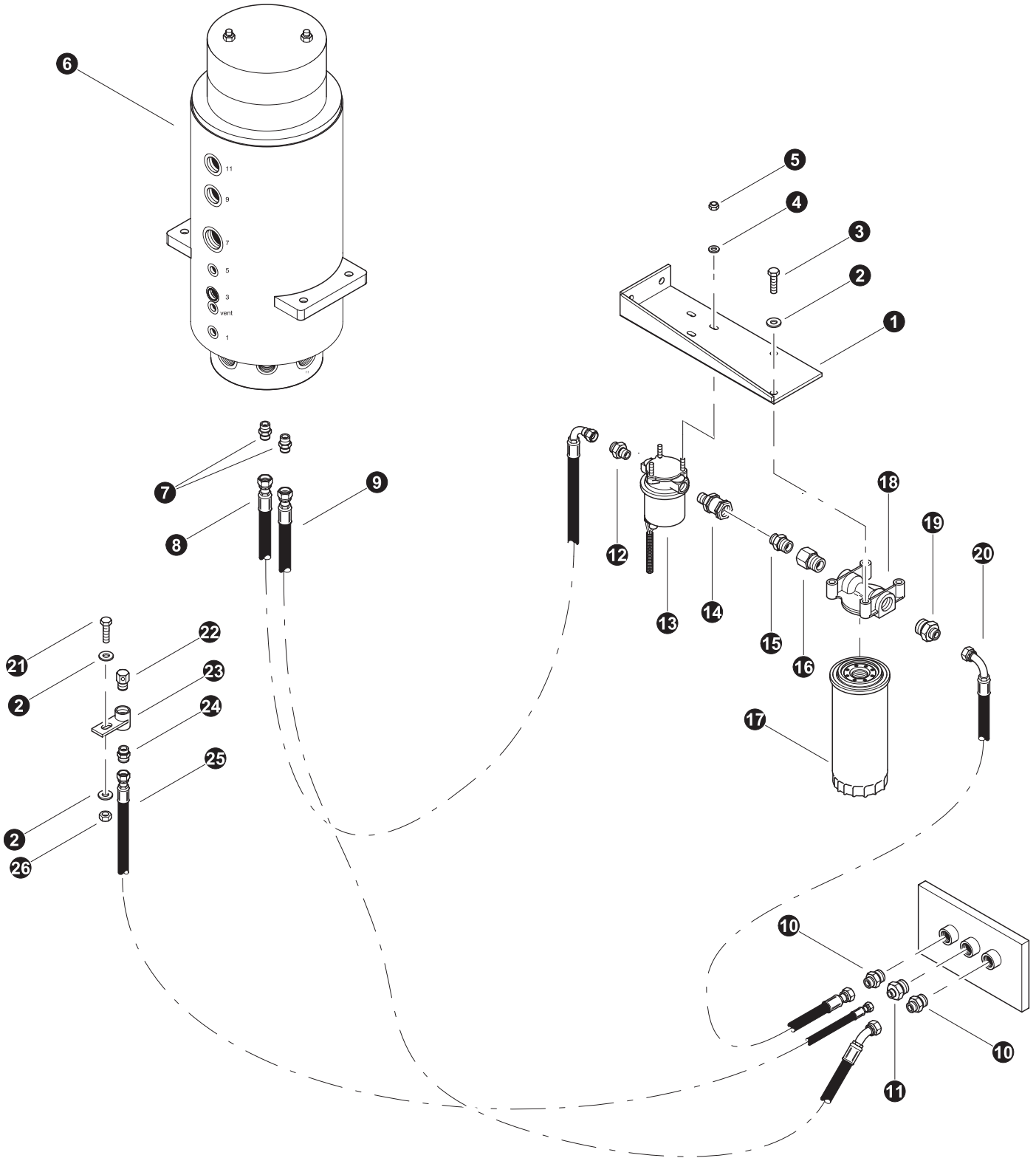


## FUEL LINES

### (Supply & Return Lines Inside Fuel Tank)


REF	PART #	QTY	DESCRIPTION	SEE SECTION
1	REF.	1	 FRONT FRAME WELDMENT .....	BF-1
2	15117-BF	2	CONNECTOR, straight - FF1852T-0808S	
3	50576-BF	1	HOSE ASSEMBLY - 2018-08-0804 (Fuel return)	
4	17271-BF	1	FILTER, screen	
5	50577-BF	1	HOSE ASSEMBLY - 2067-08-0804-08MP (Fuel supply)	

 See referenced page for component or assembly breakdown.



## FUEL LINES

(Supply & Return Lines From Fuel Tank To Rotary Manifold)

REF	PART #	QTY	DESCRIPTION	SEE SECTION
1	51752-BF	1	MOUNT, FUEL COMPONENTS	
2	15528-BF	4	WASHER, SAE flat - 3/8"	
3	11707-BF	2	BOLT - .375" X 1"	
4	10757-BF	3	WASHER, SAE flat - 1/4"	
5	10755-BF	3	NUT, hex - 1/4"	
6	REF.	1	 ROTARY MANIFOLD .....	UP-1
7	18034-BF	2	CONNECTOR, STR - FF1852T-0606S	
8	-BF	1	HOSE ASSEMBLY - 2043-06-060S-0609 (Fuel supply from rotary manifold port #2 to fuel lift pump)	
9	-BF	1	HOSE ASSEMBLY - 2047-06-060S-0604 (Fuel return from rotary manifold port #1 to fuel tank)	
10	22902-BF	2	CONNECTOR, STR - 848-TT-08x06	
11	15504-BF	1	CONNECTOR, straight - FF2031T-0408S	
12	51878-BF	1	CONNECTOR, STR - MALE PIPE (6-6 FLO-S)	
13	21966-BF	1	PUMP, fuel - 12 volt	
14	15652-BF	1	VALVE, check	
-	21966-BF	1	PUMP, fuel - 12 volt (machine built after 02/01/04)	
15	51982-BF	1	CONNECTOR, STR - (8-3/8 F50F-S)	
16	19290-BF	1	BUSHING, REDUCER - 6410-10-8	
17	16575-BF	1	FILTER, spin-on fuel	
18	16574-BF	1	MOUNT, filter head	
19	15115-BF	1	CONNECTOR, straight - FF1852T-0810S	
20	-BF	1	HOSE ASSEMBLY - 2020-06-060S-0609 (Fuel supply from fuel tank to fuel pre-filter)	
21	20084-BF	1	BOLT - .375" X 1.75"	
22	22906-BF	1	BREATHER, fuel vent	
23	23393-BF	1	BRACKET, 800 Fuel tank vent	
24	15131-BF	1	CONNECTOR, straight - FF2031T-0404S	
25	-BF	1	HOSE ASSEMBLY - 2032-04-040S-040S (Fuel tank vent port to fuel vent breather)	
26	10813-BF	1	NUT, LOCK - .375"	

 See referenced page for component or assembly breakdown.

