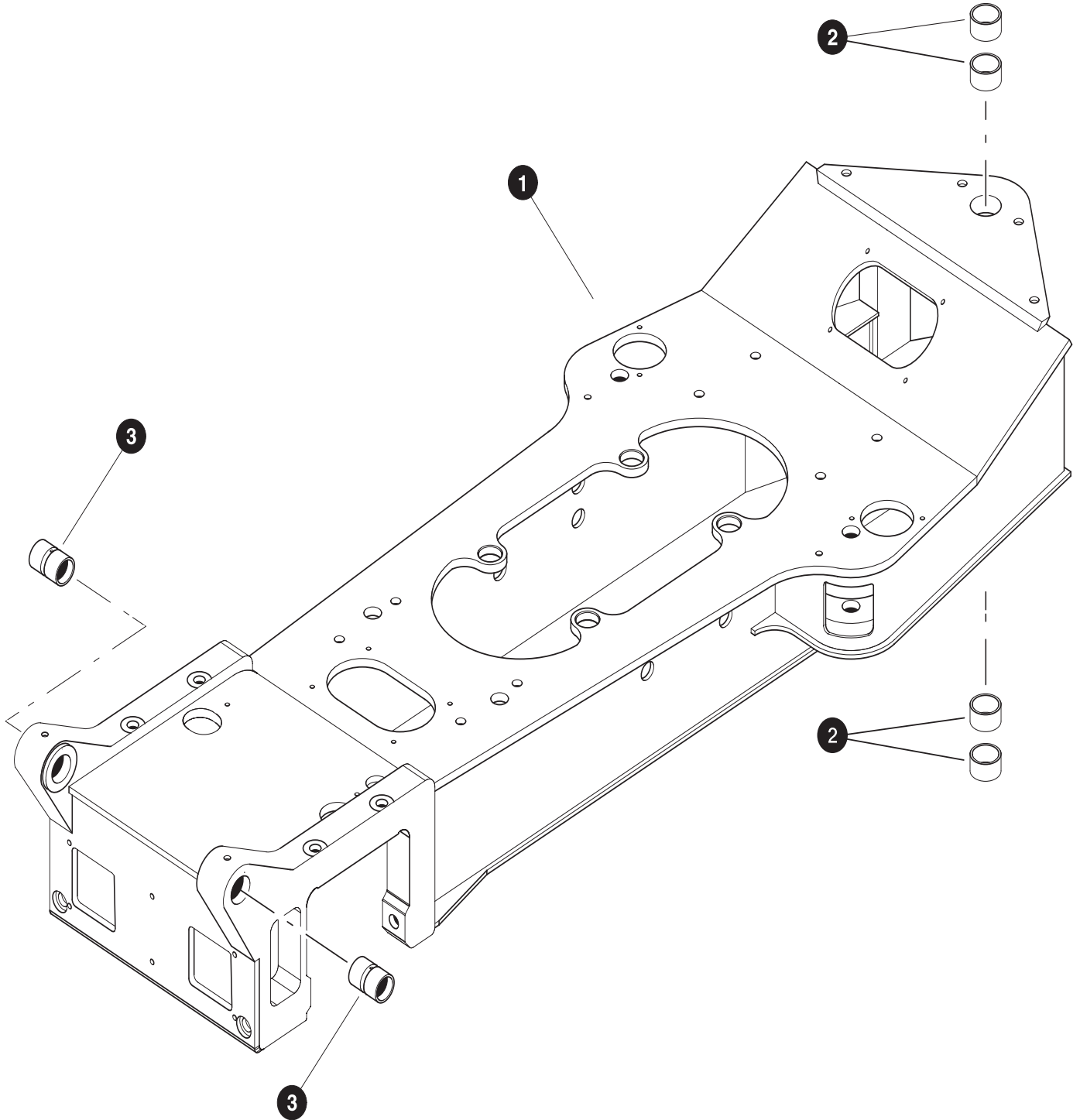


Section BR-1

TB 830 Rear Frame - Structural / Covers / Pins

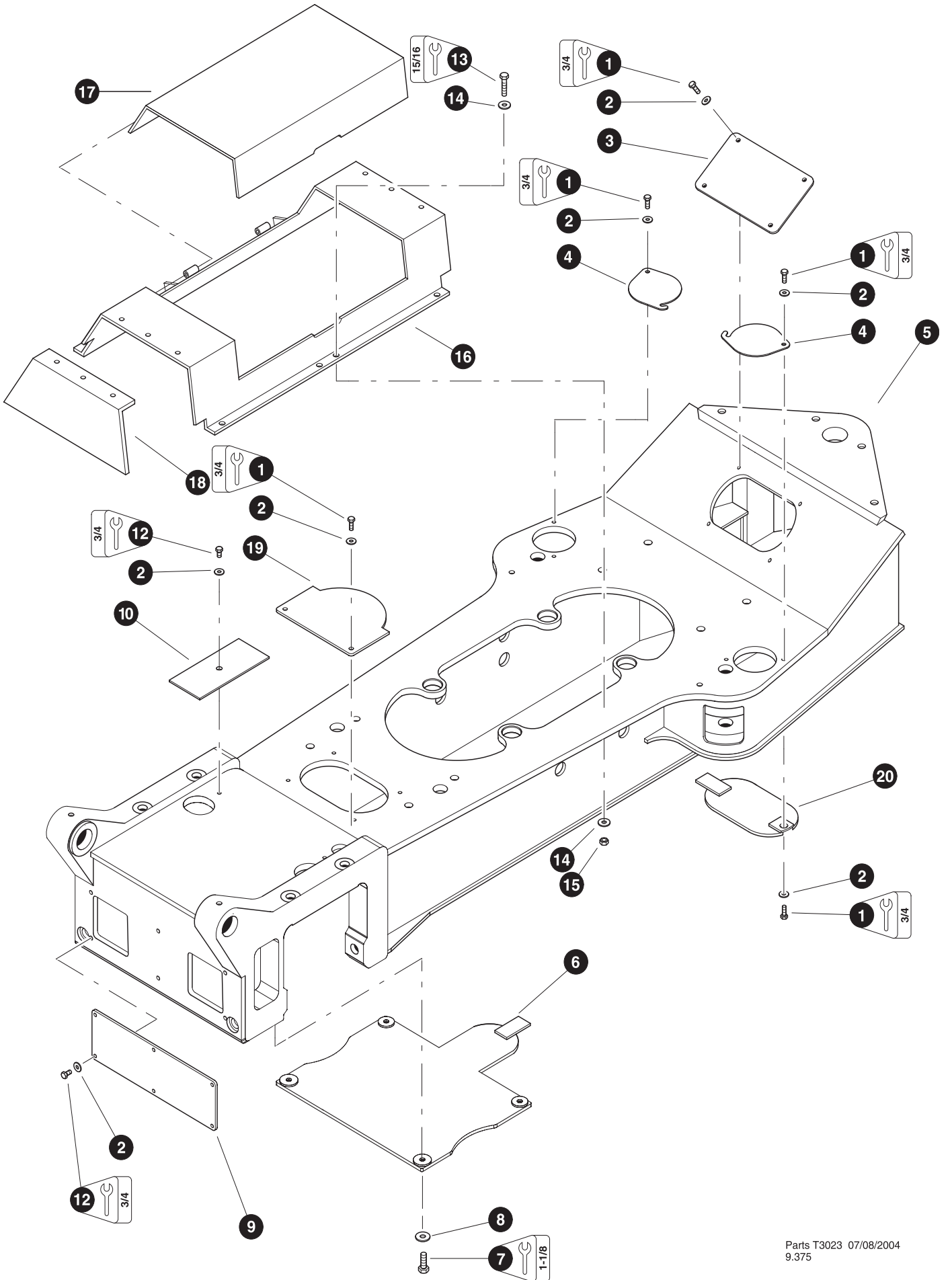


Parts T2960 03/08/2004
9.375

REAR FRAME COMPONENTS



REF	PART #	QTY	DESCRIPTION	SEE SECTION
1	50960-FR	1	<input type="checkbox"/> REAR FRAME WELDMENT (<i>Standard length</i>)	
	50961-FR	1	<input type="checkbox"/> REAR FRAME WELDMENT (<i>24" longer</i>)	
	51383-FR	1	<input type="checkbox"/> REAR FRAME WELDMENT (<i>48" longer</i>)	
2	23104-FR	4	BUSHING - 3-1/2" x 1-1/2"	
3	11704-FR	2	BUSHING - 2-1/2" x 4-1/4"	



- Kit or Assembly - includes all items indented underneath.

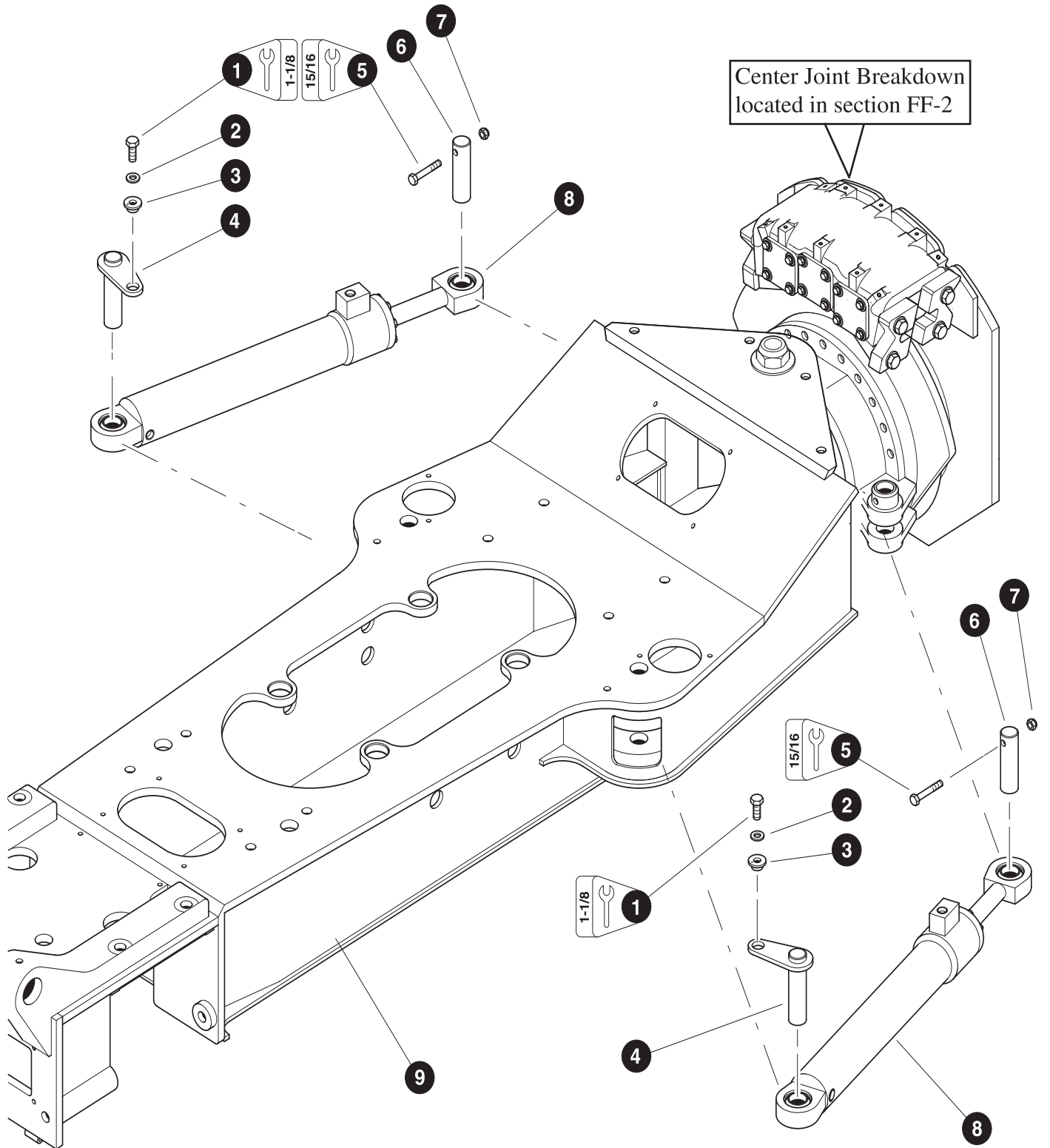


Parts T3023 07/08/2004
9.375

REAR FRAME ACCESS COVERS


REF	PART #	QTY	DESCRIPTION	SEE SECTION
1	10739-FR	30	BOLT - 1/2" x 1-1/2"	
2	15534-FR	39	WASHER, SAE flat - 1/2"	
3	19395-FR	1	COVER, access - steerbox / axle	
4	12150-FR	2	COVER, access - steer cylinder	
5	REF.	1	 REAR FRAME WELDMENT	FR-1
6	51415-FR	1	COVER, access - rear frame axle (<i>Lower</i>)	
7	10835-FR	2	BOLT - 1/2" x 4-1/2"	
8	10815-FR	2	NUT, lock - 1/2"	
9	80316-FR	1	COVER, access - axle box end	
10	42162-FR	2	COVER, access - rear frame axle top	
11	19394-FR	1	COVER, access - driveshaft	
12	10783-FR	9	BOLT - 1/2" x 1"	
13	15681-FR	8	BOLT, 5/8 X 2.25"	
14	10771-FR	16	WASHER, SAE flat - 5/8	
15	10816-FR	8	NUT, LOCK 5/8	
-	51553-FR	1	 GUARD, GEARBOX (complete assembly)	
16	51554-FR	1	GUARD, GEARBOX (Frame)	
17	51555-FR	1	GUARD, GEARBOX (Cover)	
18	51556-FR	1	GUARD, end cap (Optional - used when no bunks are installed or custom bunks are used)	
19	42166-FR	1	COVER, access - rear frame top	
20	40983-FR	1	COVER, access - rear frame bottom (standard frame)	
-	40988-FR	1	COVER, access - rear frame bottom (2' longer frame)	
-	42163-FR	1	COVER, access - rear frame bottom (4' longer frame)	

-  See referenced page for component or assembly breakdown.
-  Kit or Assembly - includes all items indented underneath.



Parts T2803 08/08/03
9.375

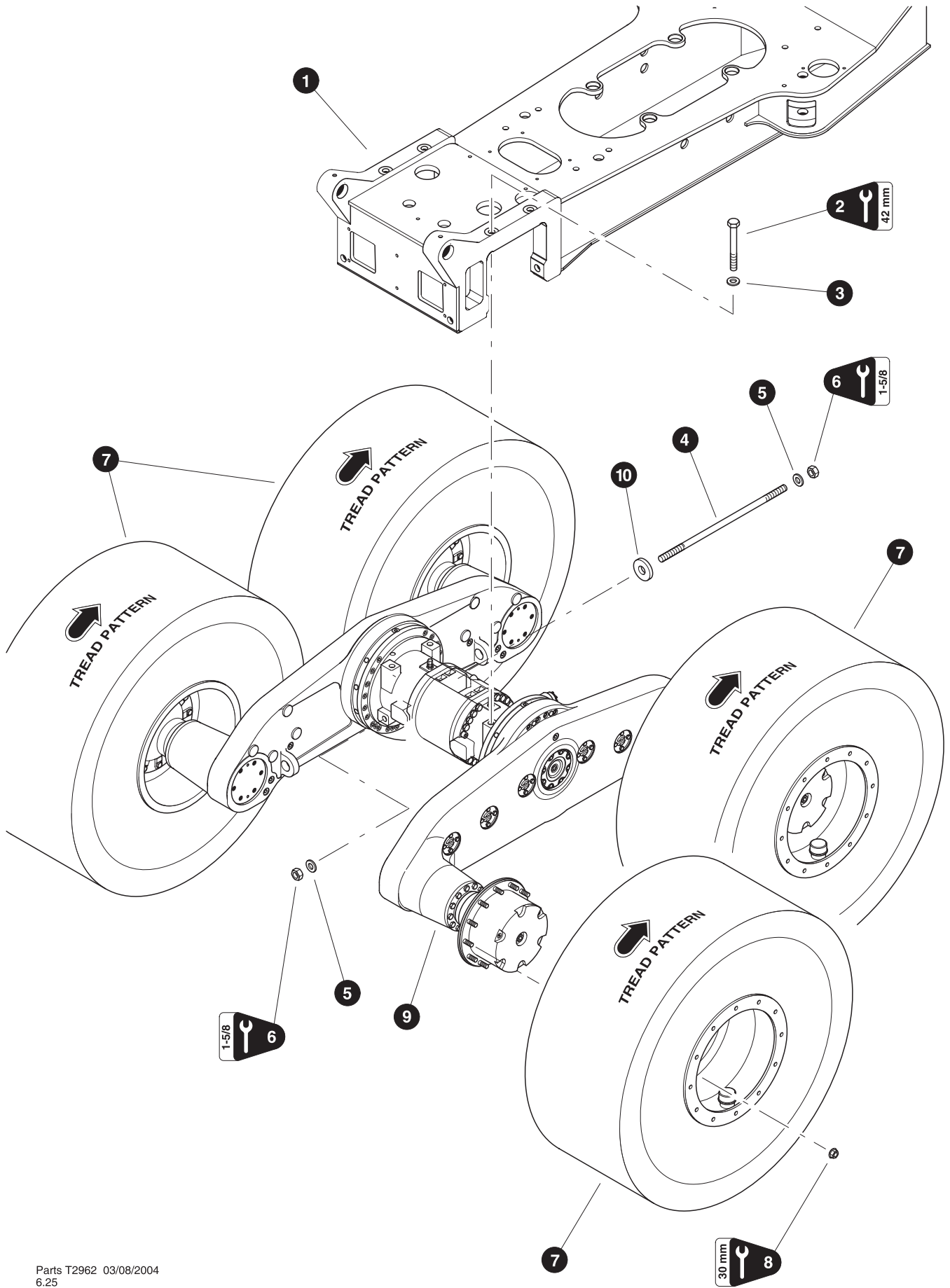
STEER CYLINDER INSTALLATION

REF	PART #	QTY	DESCRIPTION	SEE SECTION
1	15549-FR	2	BOLT - 3/4" x 2"	
2	15550-FR	2	WASHER, SAE flat - 3/4"	
3	18570-FR	2	WASHER, pin retaining	
4	80769-FR	2	PIN, steer cylinder mounting - base	
5	10719-FR	2	BOLT - 5/8" x 4"	
6	19448-FR	2	PIN, steer cylinder mounting - rod	
7	15563-FR	2	NUT, nylock - 5/8"	
8	REF.	2	 STEER CYLINDER	FR-4
9	REF.	1	REAR FRAME WELDMENT	FR-1

 See referenced page for component or assembly breakdown.




Section BR-2

TB 830, 840 Rear Frame - Frame & Drivetrain Installation

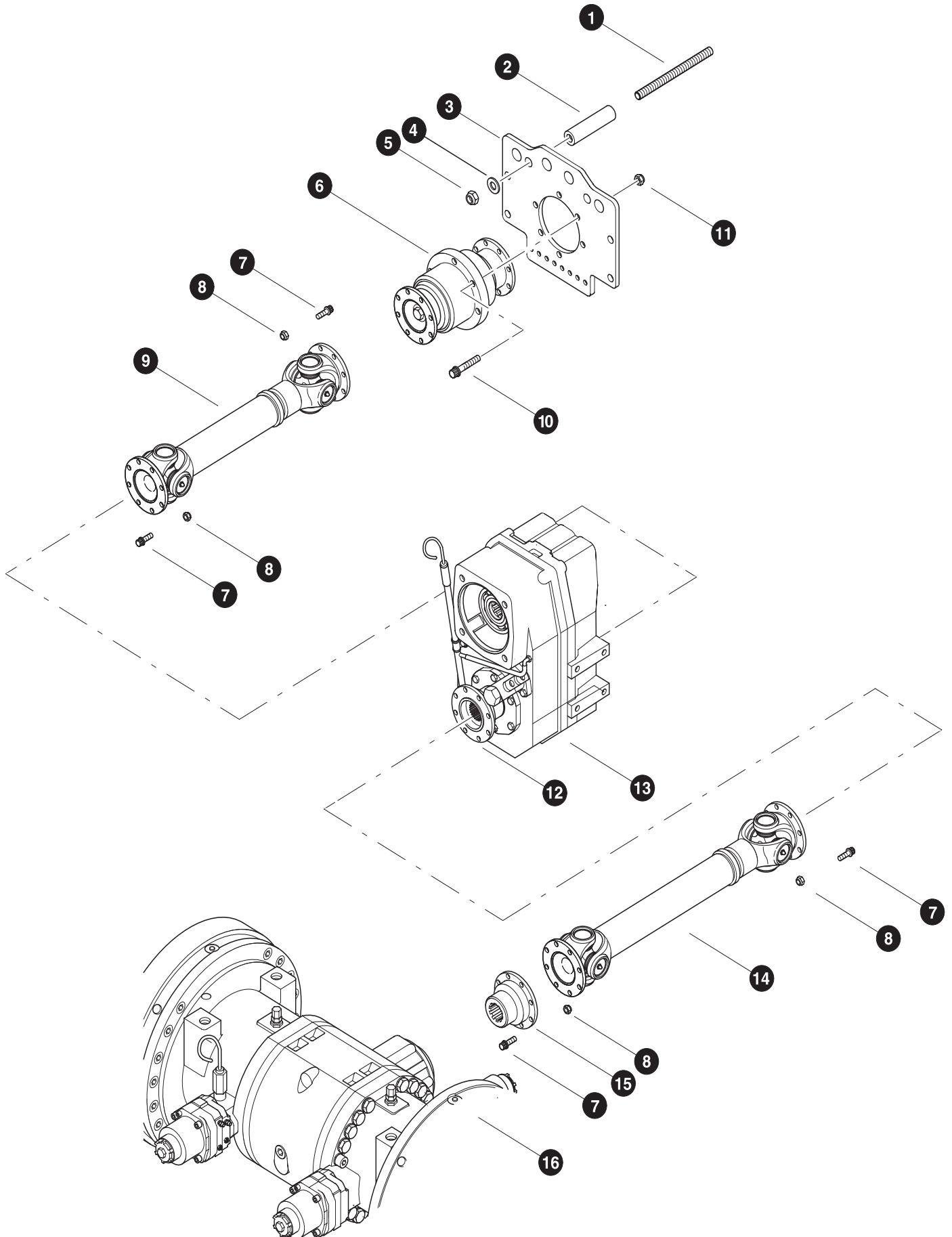


Parts T2962 03/08/2004
6.25

REAR AXLE INSTALLATION (Machines Built After 12/01/03)

REF	PART #	QTY	DESCRIPTION	SEE SECTION
1	REF.	1	 REAR FRAME WELDMENT	FR-1
2	23567-FR	4	BOLT - 30mm-3.5P x 220mm (Torque to 1100 ft.lbs. (1465 Nm))	
3	23568-FR	4	WASHER, hardened flat - 30mm	
4	23851-FR	2	STUD - 1.25"- 7 X 31" (Torque to 1200 ft.lbs. (1600 Nm))	
5	22531-FR	4	WASHER, SAE flat - 1-1/4"	
6	23989-FR	4	NUT, lock - 1-1/4"	
7	REF.	4	 WHEEL ASSEMBLY	AX-5
8	19361-FR	48	NUT, lug (Torque to 600 ft.lbs. (800 Nm))	
9	REF.	1	 REAR AXLE	AX-1
10	24003-FR	2	SPACER, axle spreader box	

 See referenced page for component or assembly breakdown.



Parts T2805 08/08/03
12.50

DRIVE SHAFT INSTALLATION (NAF 2-SPEED SHAFTS) (STANDARD FRAME)

REF	PART #	QTY	DESCRIPTION	SEE SECTION
1	26037-FR	4	STUD, 3/4 X 8.5 (see note #2)	
2	80721-FR	4	SPACER	
3	42290-FR	1	BRACKET, bearing mount	
4	15550-FR	4	WASHER, SAE flat 3/4	
5	10817-FR	4	NUT, lock - 3/4"	
6	25218-FR	1	IDLER, driveshaft (HD)	
7	50261-FR	32	BOLT, 12 point - 12mm-1.75P x 35mm (See Note #1 Below)	
8	50262-FR	32	NUT, lock - 12mm	
9	50791-FR	1	<input type="checkbox"/> DRIVE SHAFT (Gearbox to Center) (469284-61)	
	50466-FR	2	KIT, CROSS & BEARING	
	50467-FR	2	YOKE, FLANGE (90mm)	
	50261-FR	16	BOLT, 12 point - 12mm-1.75P x 35mm (See Note #1 Below)	
	50262-FR	16	NUT, lock - 12mm	
10	50050-FR	6	BOLT, 12 point - 5/8" x 3" (See Note #1 Below) (Torque to 130 ft.lbs. (175 Nm))	
11	10816-FR	6	NUT, lock - 5/8"	
12	-FR	2	YOKE, HD flange - NAF gearbox (7521.238)	
13	REF.	1	<input type="checkbox"/> GEARBOX ASSY.	AX-4
14	50791-FR	1	<input type="checkbox"/> DRIVE SHAFT (Gearbox to Center) (469284-61)	
	50466-FR	2	KIT, CROSS & BEARING	
	50467-FR	2	YOKE, FLANGE (90mm)	
	50261-FR	16	BOLT, 12 point - 12mm-1.75P x 35mm (See Note #1 Below)	
	50262-FR	16	NUT, lock - 12mm	
15	23997-FR	1	YOKE, companion flange - AXLE	
16	REF.	1	<input type="checkbox"/> AXEL ASSY.	AX-1-2
17	42290-FR	1		

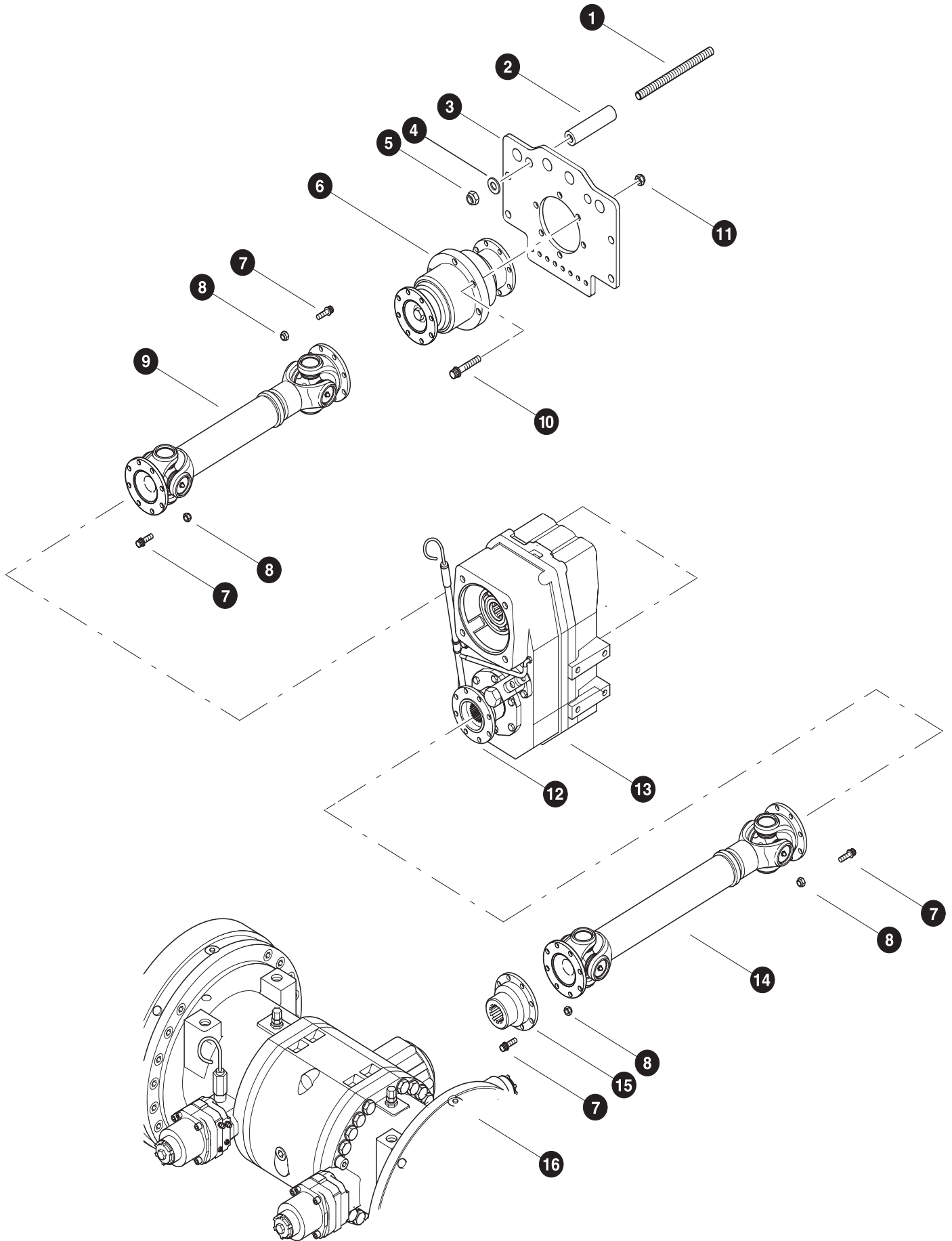
- See referenced page for component or assembly breakdown.
- Kit or Assembly - includes all items indented underneath.

Note #1:

Use Loctite 242 (blue) during installation.

Note #2:

Use Loctite 262 (red) during installation.



Parts T2805 08/08/03
12.50

DRIVE SHAFT INSTALLATION (NAF 2-SPEED SHAFTS) (2-FOOT LONGER FRAME)

REF	PART #	QTY	DESCRIPTION	SEE SECTION
1	26037-FR	4	STUD, 3/4 X 8.5 (see note #2)	
2	80721-FR	4	SPACER	
3	42290-FR	1	BRACKET, bearing mount	
4	15550-FR	4	WASHER, SAE flat 3/4	
5	10817-FR	4	NUT, lock - 3/4"	
6	25218-FR	1	IDLER, driveshaft (HD)	
7	50261-FR	32	BOLT, 12 point - 12mm-1.75P x 35mm (See Note #1 Below)	
8	50262-FR	32	NUT, lock - 12mm	
9	50791-FR	1	<input type="checkbox"/> DRIVE SHAFT (Gearbox to Center) (469284-61)	
	50466-FR	2	KIT, CROSS & BEARING	
	50467-FR	2	YOKE, FLANGE (90mm)	
	50261-FR	16	BOLT, 12 point - 12mm-1.75P x 35mm (See Note #1 Below)	
	50262-FR	16	NUT, lock - 12mm	
10	50050	6	BOLT, 12 point - 5/8" x 3" (See Note #1 Below) (Torque to 130 ft.lbs. (175 Nm))	
11	10816-FR	6	NUT, lock - 5/8"	
12	-FR	2	YOKE, HD flange - NAF gearbox (7521.238)	
13	REF.	1	<input type="checkbox"/> GEARBOX ASSY.	AX-4
14	51986-FR	1	<input type="checkbox"/> DRIVE SHAFT (Gearbox to Axel) (472672-61)	
	50466-FR	2	KIT, CROSS & BEARING	
	50467-FR	2	YOKE, FLANGE (90mm)	
	50261-FR	16	BOLT, 12 point - 12mm-1.75P x 35mm (See Note #1 Below)	
	50262-FR	16	NUT, lock - 12mm	
15	23997-FR	1	YOKE, companion flange - AXLE	
16	REF.	1	<input type="checkbox"/> AXEL ASSY.	AX-1-2

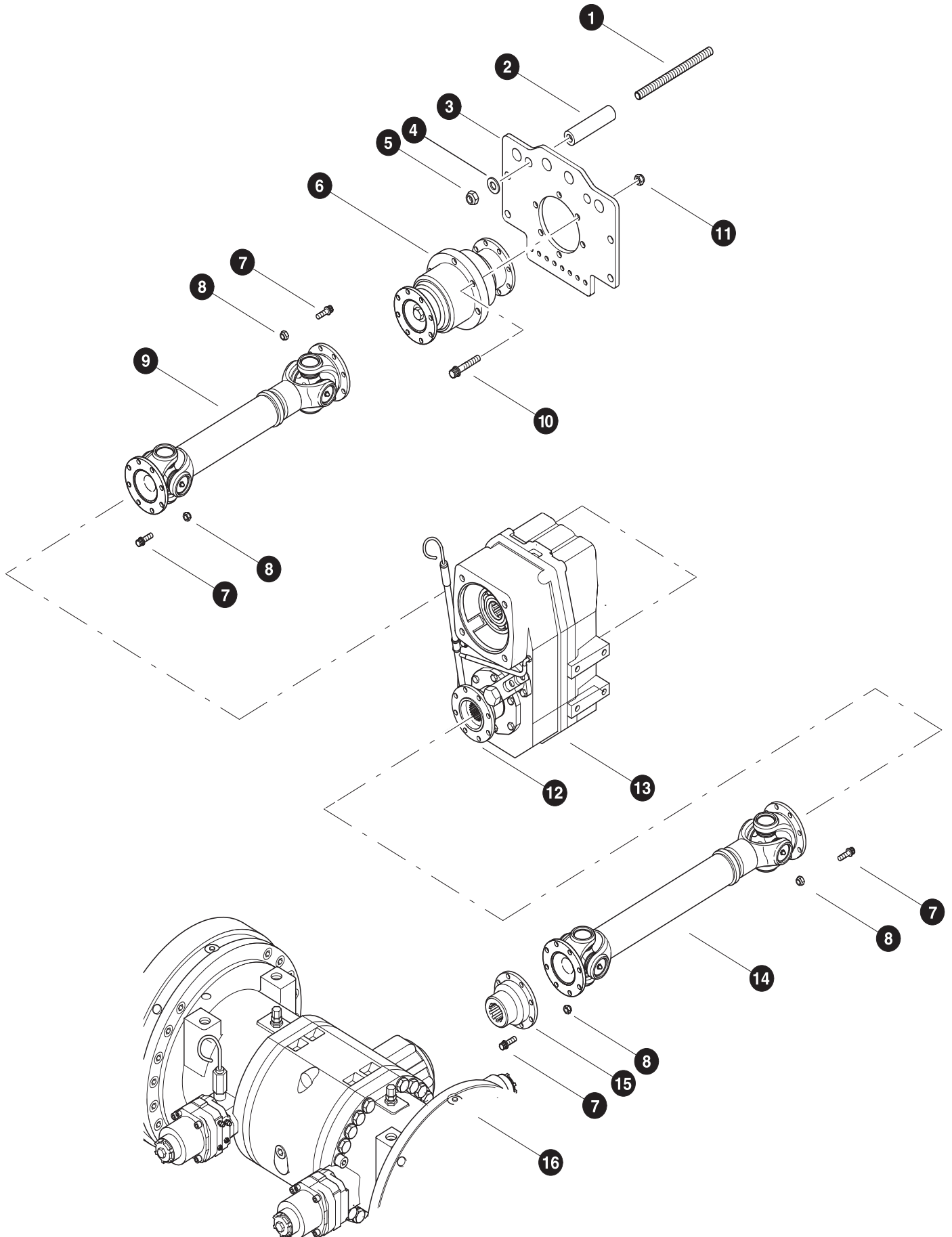
- See referenced page for component or assembly breakdown.
- Kit or Assembly - includes all items indented underneath.

Note #1:

Use Loctite 242 (blue) during installation.

Note #2:

Use Loctite 262 (red) during installation.



Parts T2805 08/08/03
12.50

DRIVE SHAFT INSTALLATION (NAF 2-SPEED SHAFTS) (4-FOOT LONGER FRAME)

REF	PART #	QTY	DESCRIPTION	SEE SECTION
1	26037-FR	4	STUD, 3/4 X 8.5 (see note #2)	
2	80721-FR	4	SPACER	
3	42290-FR	1	BRACKET, bearing mount	
4	15550-FR	4	WASHER, SAE flat 3/4	
5	10817-FR	4	NUT, lock - 3/4"	
6	25218-FR	1	IDLER, driveshaft (HD)	
7	50261-FR	32	BOLT, 12 point - 12mm-1.75P x 35mm (See Note #1 Below)	
8	50262-FR	32	NUT, lock - 12mm	
9	50791-FR	1	<input type="checkbox"/> DRIVE SHAFT (Gearbox to Center) (469284-61)	
	50466-FR	2	KIT, CROSS & BEARING	
	50467-FR	2	YOKE, FLANGE (90mm)	
	50261-FR	16	BOLT, 12 point - 12mm-1.75P x 35mm (See Note #1 Below)	
	50262-FR	16	NUT, lock - 12mm	
10	50050	6	BOLT, 12 point - 5/8" x 3" (See Note #1 Below) (Torque to 130 ft.lbs. (175 Nm))	
11	10816-FR	6	NUT, lock - 5/8"	
12	-FR	2	YOKE, HD flange - NAF gearbox (7521.238)	
13	REF.	1	<input type="checkbox"/> GEARBOX ASSY.	AX-4
14	---	1	<input type="checkbox"/> DRIVE SHAFT (Gearbox to Axle) (479637-61)	
	50466-FR	2	KIT, CROSS & BEARING	
	50467-FR	2	YOKE, FLANGE (90mm)	
	50261-FR	16	BOLT, 12 point - 12mm-1.75P x 35mm (See Note #1 Below)	
	50262-FR	16	NUT, lock - 12mm	
15	23997-FR	1	YOKE, companion flange - AXLE	
16	REF.	1	<input type="checkbox"/> AXEL ASSY.	AX-1-2

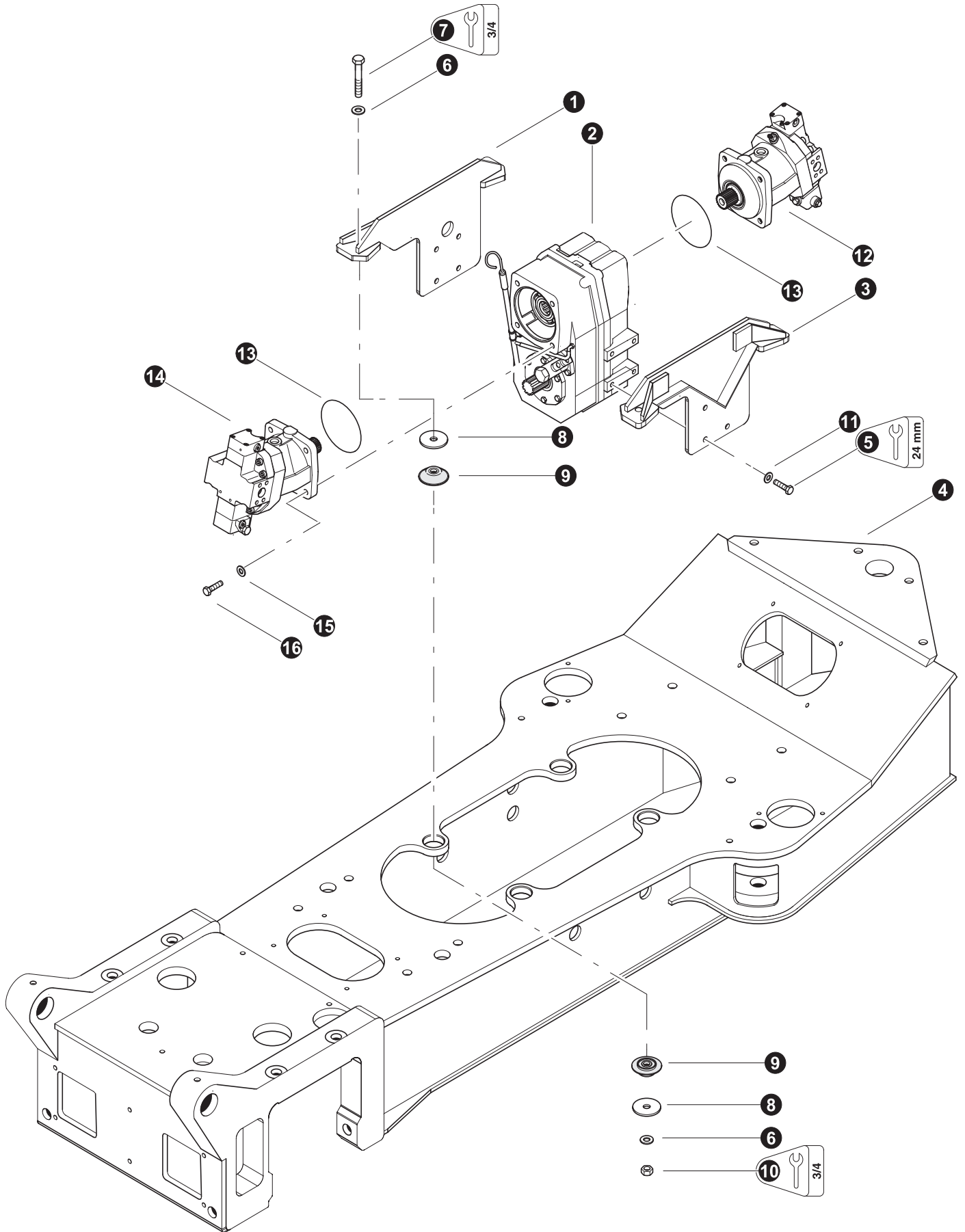
- See referenced page for component or assembly breakdown.
- Kit or Assembly - includes all items indented underneath.

Note #1:

Use Loctite 242 (blue) during installation.



Note #2:

Use Loctite 262 (red) during installation.



REAR FRAME GEARBOX MOUNTING

Hydraulic Motor and Gearbox Installation (NAF -DUAL MOTOR, 2 SPEED GEARBOX)

REF	PART #	QTY	DESCRIPTION	SEE SECTION
1	50830-FR	1	MOUNT, L.H. NAF 2 SPD 820 (REAR FRAME)	
2	REF.	1	 TRANSFER CASE.....	AX-4
3	50829-FR	1	MOUNT, R.H. NAF 2 SPD 820 (REAR FRAME)	
4	REF.	1	 REAR FRAME WELDMENT	FR-1
5	50382-FR	8	BOLT - 16mm 2.00 X 40mm <i>(Torque to 180 ft-lbs) (See Note #1 Below)</i>	
6	15550-FR	8	WASHER, SAE flat - 3/4"	
7	10844-FR	4	BOLT - 3/4" x 5"	
8	17918-FR	8	WASHER, isolator mount .875"	
9	17904-FR	8	ISOLATOR	
10	10817-FR	4	NUT, lock 3/4"	
11	10771-FR	8	WASHER, SAE flat - 5/8"	
14	20967-FR	2	O-RING, WHEEL DRIVE MOTOR PILOT (FWD)	
15	42110-FR	8	WASHER, FLAT - 20MM	
16	18525-FR	8	BOLT, - 20mm X 50 mm <i>(See Note #1 Below)</i>	

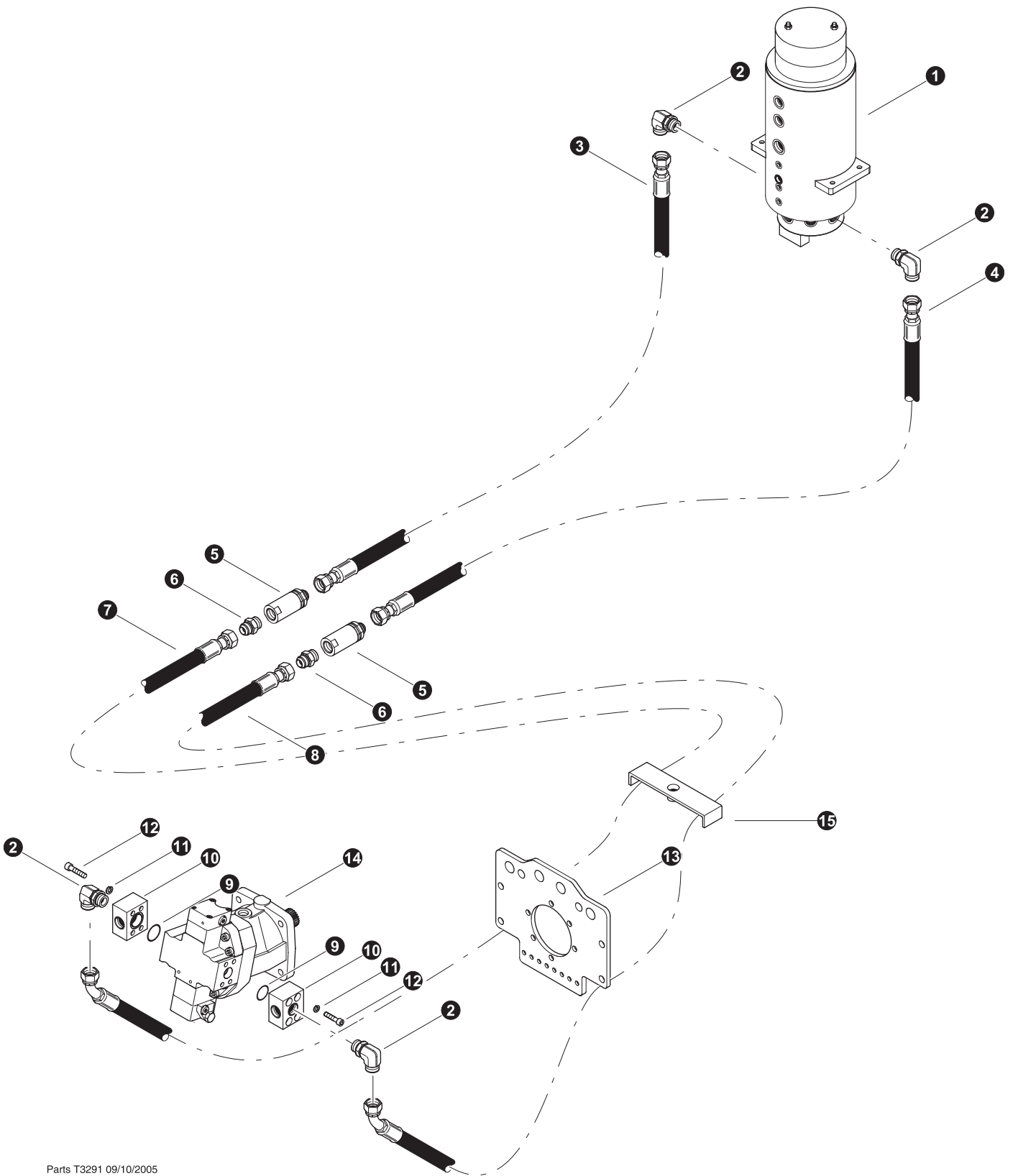
 See referenced page for component or assembly breakdown.

Note #1:

Use Loctite 242 (*BLUE*) during install.

Section BR-3


TB 830 REAR FRAME - Hydraulic Circuits



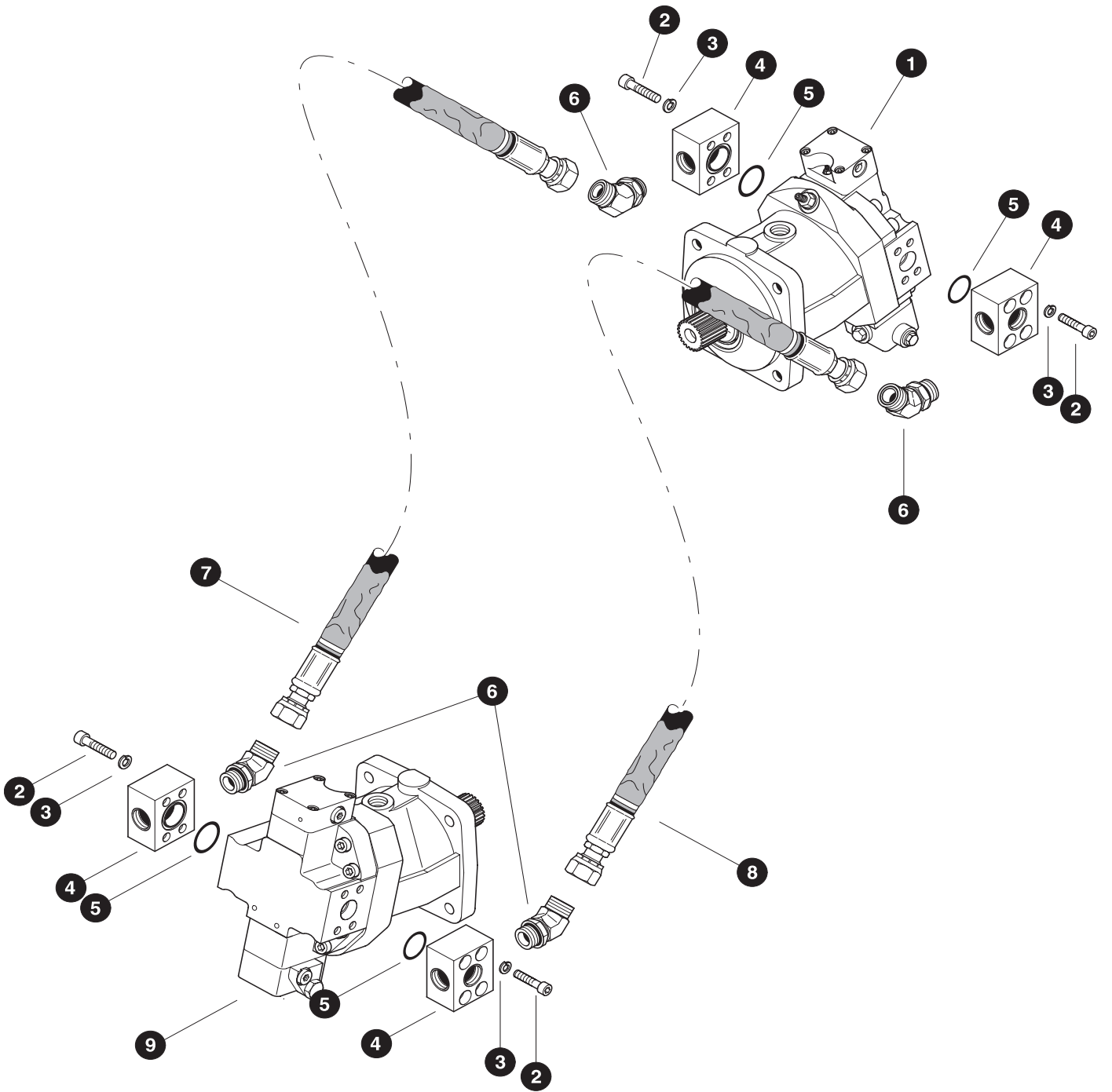
Parts T3291 09/10/2005
12.50

REAR FRAME HYDRAULICS

ROTARY MANIFOLD TO REAR DRIVE MOTOR (Standard Front and All Rear Frames)

REF	PART #	QTY	DESCRIPTION	SEE SECTION
1	REF.	1	 ROTARY MANIFOLD.	UP-1
2	15484-BR	2	ELBOW, 90 - 6801-16	
3	-BR	1	HOSE ASSEMBLY - 6052-16-16JS-160S (Rotary manifold lower port "7" to driveline swivel)	
4	-BR	1	HOSE ASSEMBLY - 6052-16-16JS-160S (Rotary manifold lower port "8" to driveline swivel)	
5	19541-BR	2	SWIVEL, inline - PS1610310-16-16-716	
6	15497-BR	2	CONNECTOR, straight - 6400-16	
7	-BR	1	HOSE ASSEMBLY - 6120-16-16JS-160S (Driveline swivel to rear hydro motor)	
8	-BR	1	HOSE ASSEMBLY - 6120-16-16JS-160S (Driveline swivel to rear hydro motor)	
9	15378-BR	2	O-RING, 1.25"	
10	26008-BR	2	MANIFOLD, rexroth drive motor	
11	50075-BR	8	WASHER, LOCK 1/2	
12	50074-BR	8	BOLT, ALLEN 1/2 X 1 1/2"	
13	42290-BR	1	BRACKET, bearing mount	
14	REF	1	HYDRAULIC WHEEL DRIVE MOTOR	BR-4
15	40830-BR	1	BRACKET, articulation joint hose	



 See referenced page for component or assembly breakdown.



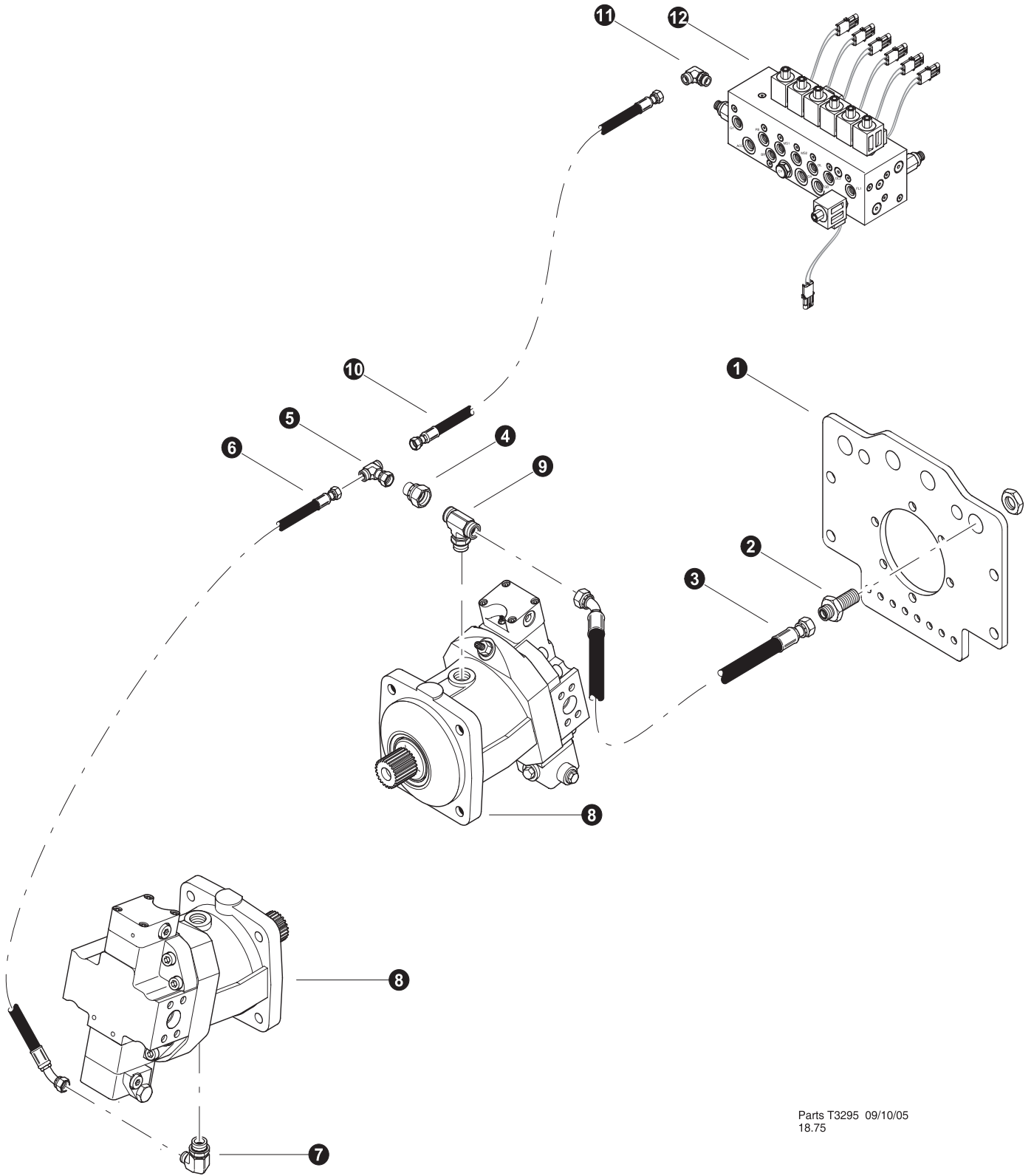
Parts T2820 08/13/2003
18.75

REAR FRAME HYDRAULICS

Front to Rear Hydraulic Motor Connection - Pressure (Standard Front and All Rear Frames)

REF	PART #	QTY	DESCRIPTION	SEE SECTION
1	REF.	1	 WHEEL DRIVE MOTOR	BR-4
2	50074-BR	8	BOLT, ALLEN 1/2 X 1 1/2"	
3	50075-BR	8	WASHER, LOCK 1/2	
4	26008-BR	2	MANIFOLD, rexroth drive motor	
5	15378-BR	2	O-RING, 1.25"	
6	15473-BR	4	ELBOW, 45 FF6802 - 16	
7	50904-BR	1	HOSE ASSEMBLY - 6033-16-160S-160S (Rear wheel drive motor port "B" tee to front wheel drive motor port "A")	
8	50904-BR	1	HOSE ASSEMBLY - 6033-16-160S-160S (Rear wheel drive motor port "B" tee to front wheel drive motor port "A")	
9	REF.	1	 WHEEL DRIVE MOTOR	BR-4

 See referenced page for component or assembly breakdown.



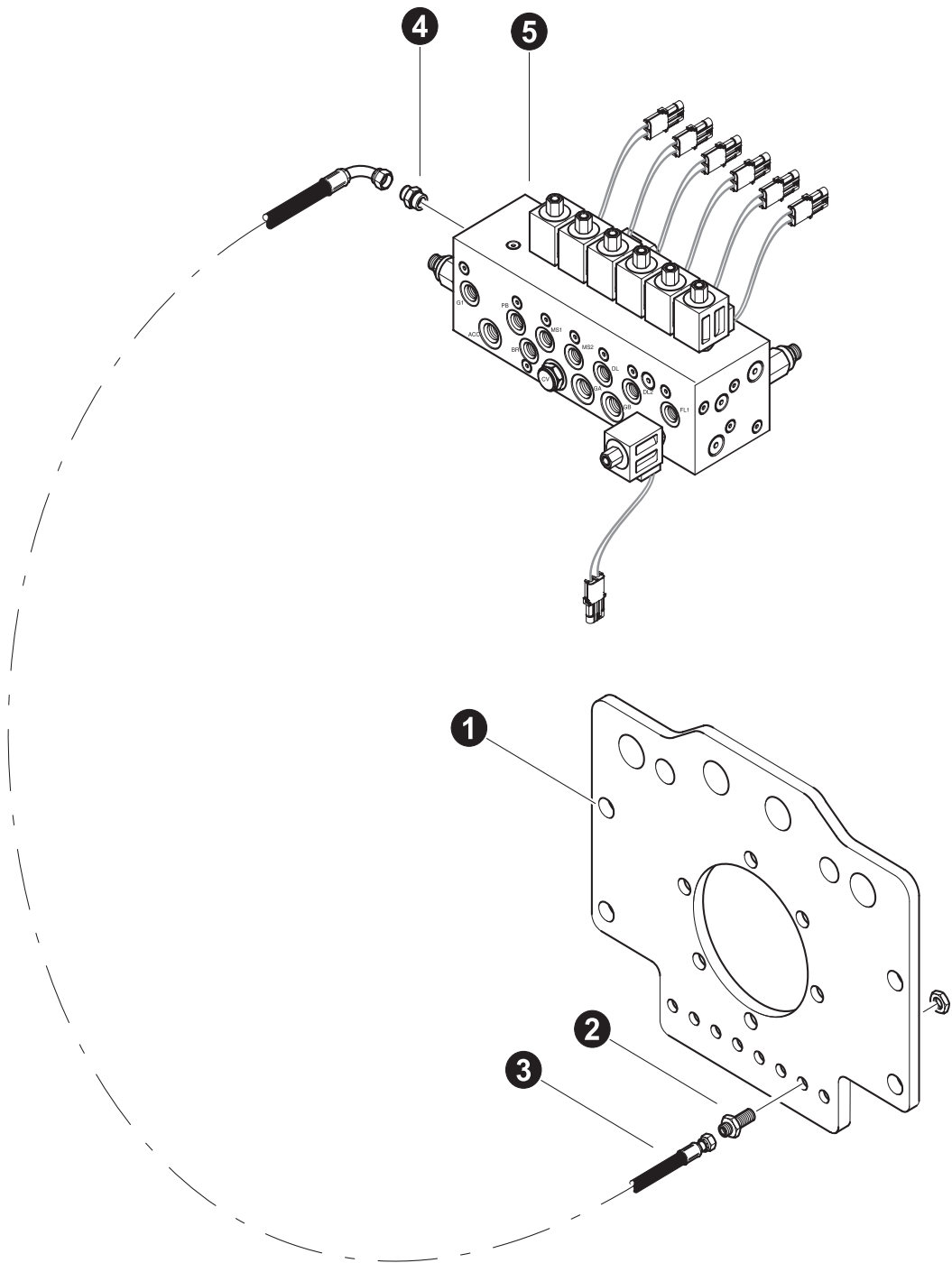
Parts T3295 09/10/05
18.75

REAR FRAME HYDRAULICS

Front to Rear Hydraulic Motor Connection - Case Drain (Standard Front and All Rear Frames)

REF	PART #	QTY	DESCRIPTION	SEE SECTION
1	42290-BR	1	BRACKET, bearing mount	
2	19754-BR	1	CONNECTOR, STR BULKHEAD - 12 WLO-WLNL-S	
3	-BR	1	HOSE ASSEMBLY - 2052-12-120S-1204 (Bulkhead tee to rear bulkhead plate)	
4	18581-BR	1	CONNECTOR, REDUCER - ORS FF2281T-0812S	
5	51611-BR	1	TEE - 8S6L0-S - BRANCH	
6	-BR	1	HOSE ASSEMBLY - 4039.5-08-08OS-08O4 (Front motor to rear motor case drain)	
7	15372-BR	1	ELBOW, 90 - FF1868T-0812S	
8	REF.	2	 WHEEL DRIVE MOTOR	BR-4
9	22907-BR	1	TEE - 845-TTO-12X12 RUN	
10	-BR	1	HOSE ASSEMBLY - 2014-08-080S-080S (Front motor case tee to "T" port of lower solenoid valve)	
11	16360-BR	1	ELBOW, 90 - FF1868T-0808S	
12	REF.	2	 LOWER SOLENOID VALVE	BR-4


 See referenced page for component or assembly breakdown.




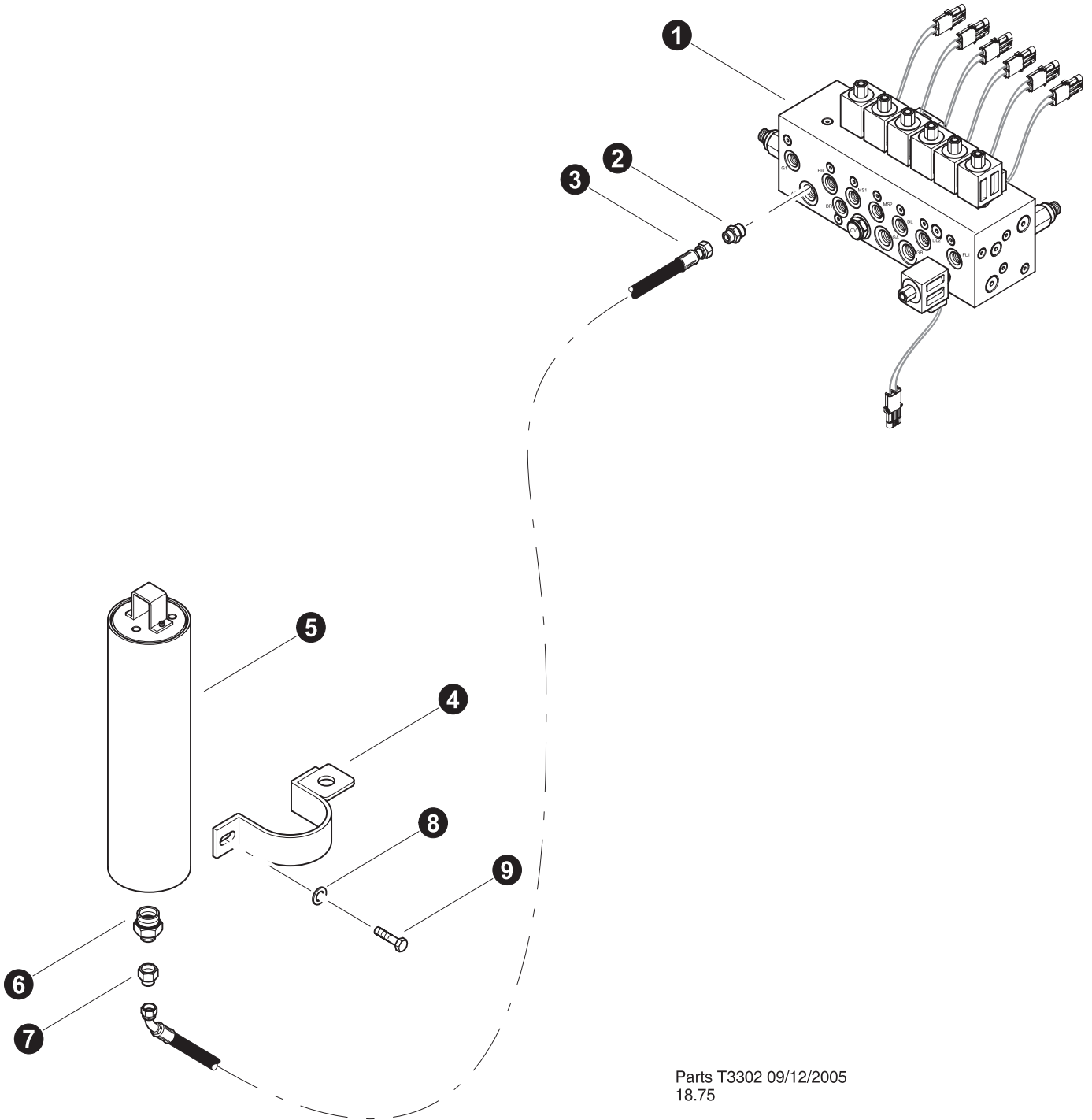
Parts T3301 09/10/05
18.75

REAR FRAME HYDRAULICS

Lower Solenoid Manifold - Pressure (Standard Front and All Rear Frames)

REF	PART #	QTY	DESCRIPTION	SEE SECTION
1	42290-BR	1	BRACKET, bearing mount	
2	50420-BR	1	CONNECTOR, STR BULKHEAD - 832-TT-06	
3	-BR	1	HOSE ASSEMBLY - 2046-06-060S-0609 (Bulkhead to Lower Solenoid Valve "P" port)	
4	18034-BR	1	CONNECTOR, STR - FF1852T-0606S	
5	REF.	2	 LOWER SOLENOID VALVE	BR-4


 See referenced page for component or assembly breakdown.



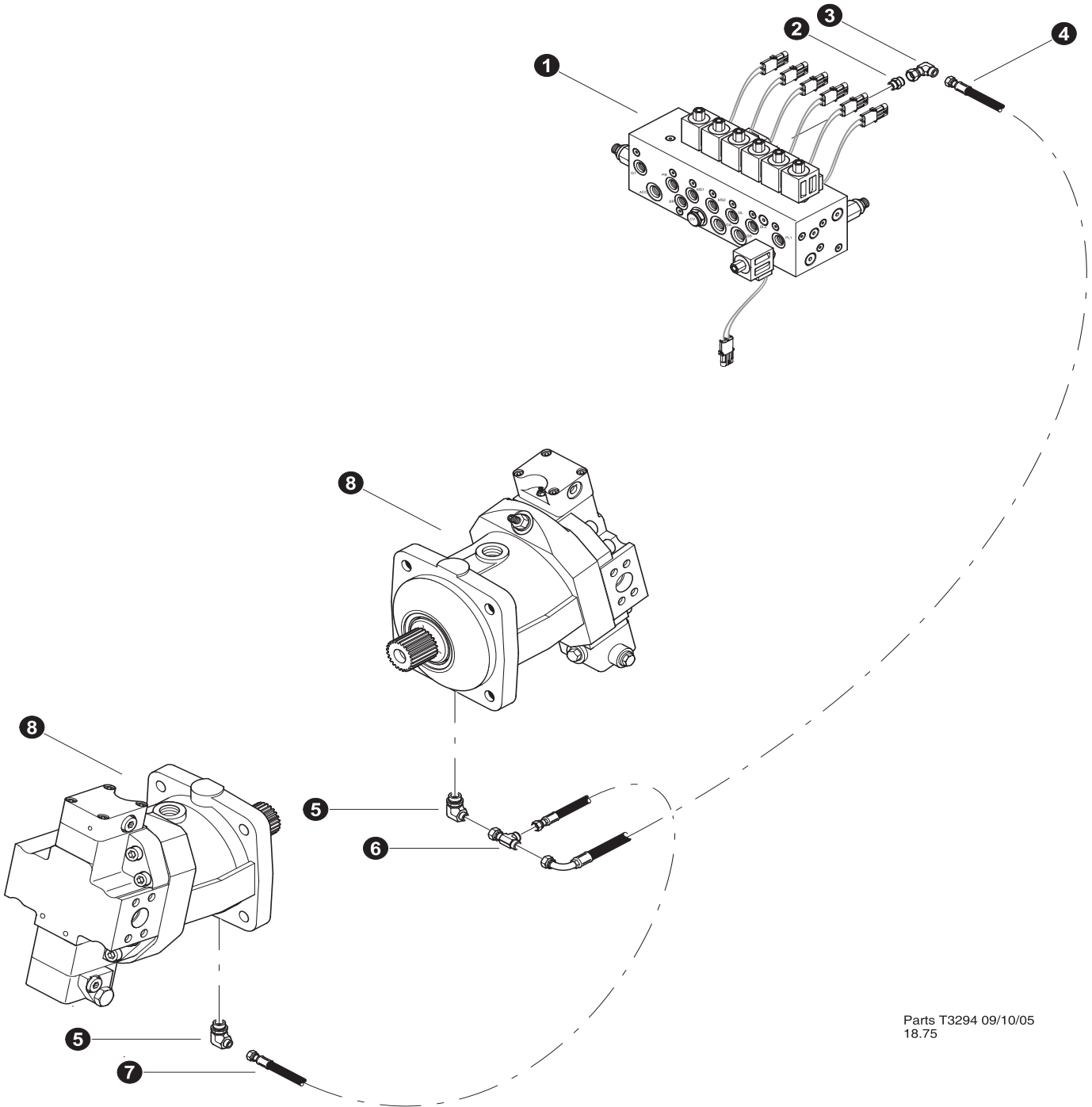
Parts T3302 09/12/2005
18.75

REAR FRAME HYDRAULICS

Lower Solenoid Manifold - Accumulator (Standard Front and All Rear Frames)

REF	PART #	QTY	DESCRIPTION	SEE SECTION
1	REF.	2	 LOWER SOLENOID VALVE	BR-4
2	15124-BR	1	CONNECTOR, STR - FF1852T-0406S	
3	-FR	1	HOSE ASSEMBLY - 2065-04-040S-0404 (Accumulator to Lower Solenoid Valve "ACC" port)	
4	23223-BR	1	CLAMP, ACCUMULATOR MOUNTING (PISTON)	
5	23130-BR	1	ACCUMULATOR, GAS PISTON (FWD)	
6	15238-BR	1	CONNECTOR, STR - FF1852T-0812S	
7	19221-BR	1	CONNECTOR, REDUCER - ORS FF2281T-0408S	
8	10802-BR	2	WASHER, FLAT - .375"	
9	10731-BR	2	BOLT - .375" X 1.5"	



 See referenced page for component or assembly breakdown.



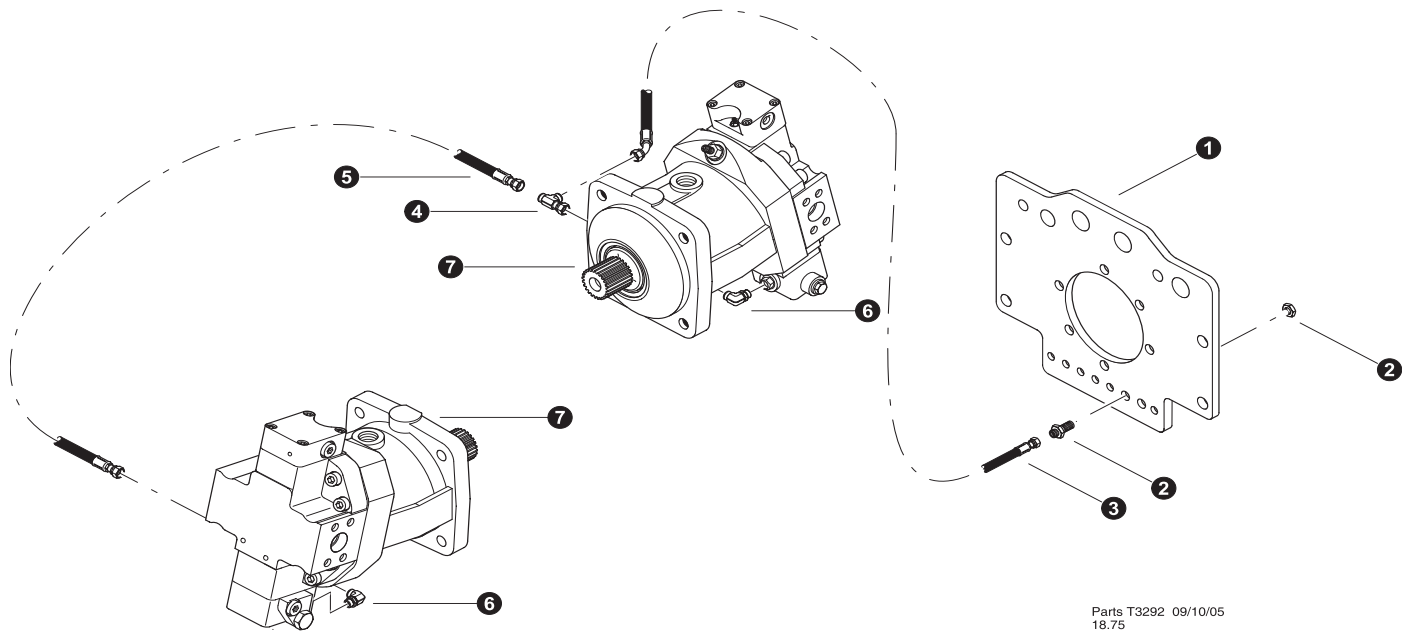
Parts T3294 09/10/05
18.75

REAR FRAME HYDRAULICS

Lower Solenoid Manifold Connections - Hydro Motor Flushing Pressure (Standard Front and All Rear Frames)


REF	PART #	QTY	DESCRIPTION	SEE SECTION
1	REF.	2	 LOWER SOLENOID VALVE	BR-4
2	18034-BR	1	CONNECTOR, STR - FF1852T-0606S	
3	20035-BR	1	ELBOW, 90 SWIVEL - 6 C6LO-S	
4	-BR	1	HOSE ASSEMBLY - 2033-06-06OS-06O9 (Front Motor Flushing to "FLUSH 1" port lower solenoid valve)	
5	22405-BR	1	ELBOW, 90 - 8-6 C5OLO-S	
6	22730-BR	1	TEE - 6 R6LO-S	
7	-BR	1	HOSE ASSEMBLY - 2055-06-06OS-06OS (Front Motor Flushing to Rear Motor)	
8	REF.	1	 WHEEL DRIVE MOTOR	BR-4

 See referenced page for component or assembly breakdown.

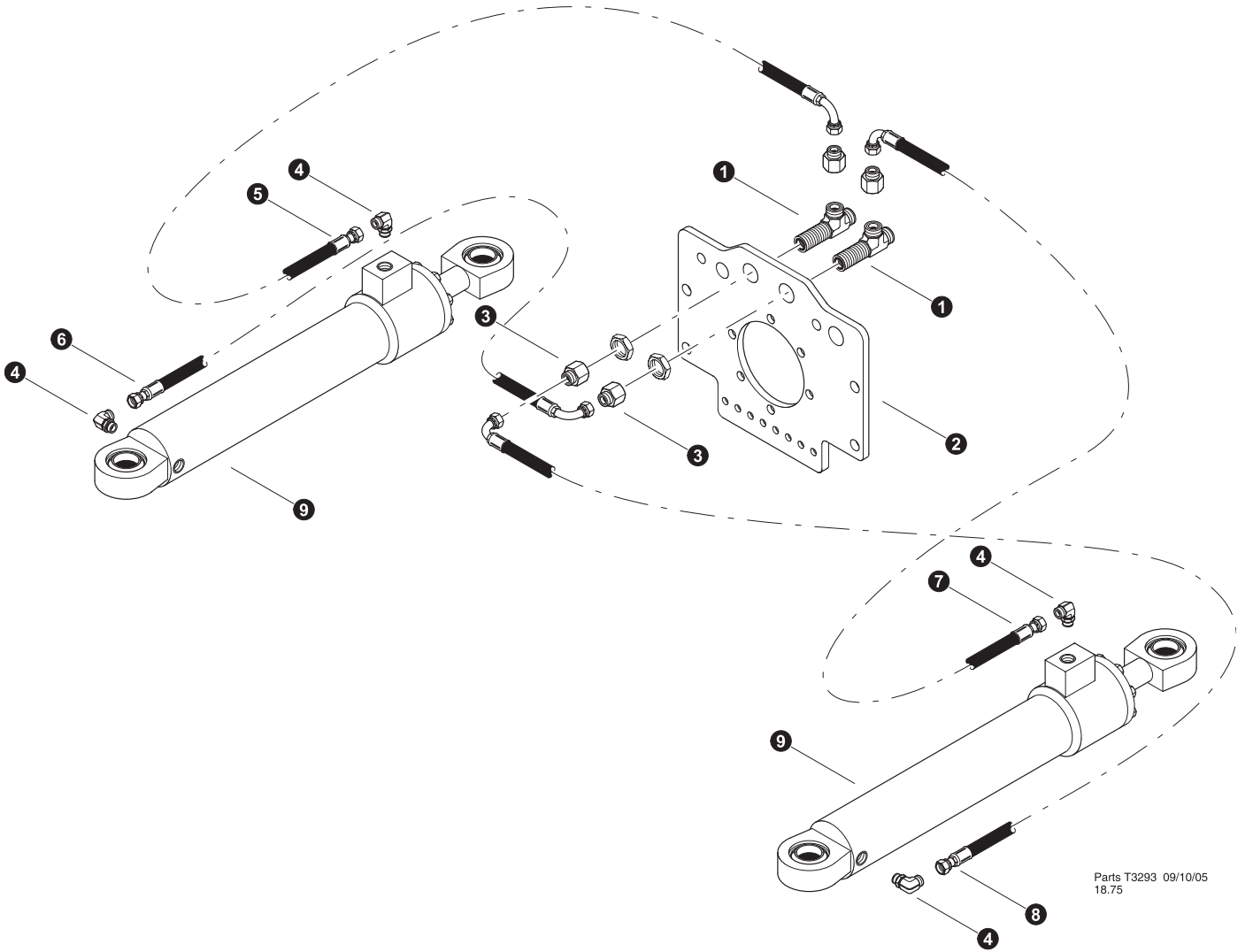


REAR FRAME HYDRAULICS

Lower Solenoid Manifold Connections - Hydro Motor Flushing Return (Standard Front and All Rear Frames)

REF	PART #	QTY	DESCRIPTION	SEE SECTION
1	42290-BR	1	BRACKET, bearing mount	
2	50420-BR	1	CONNECTOR, STR BULKHEAD - 832-TT-06	
3	-BR	1	HOSE ASSEMBLY - 2044-06-060S-0609 (Bulkhead to Front Motor Flushing Return)	
4	22730-BR	1	TEE - 6 R6LO-S	
5	-BR	1	HOSE ASSEMBLY - 2044-06-060S-060S (Front Motor to Rear Motor)	
6	16296-BR	2	ELBOW, 90 - FF1868T-0606S	
7	REF.	1	 WHEEL DRIVE MOTOR	BR-4


 See referenced page for component or assembly breakdown.




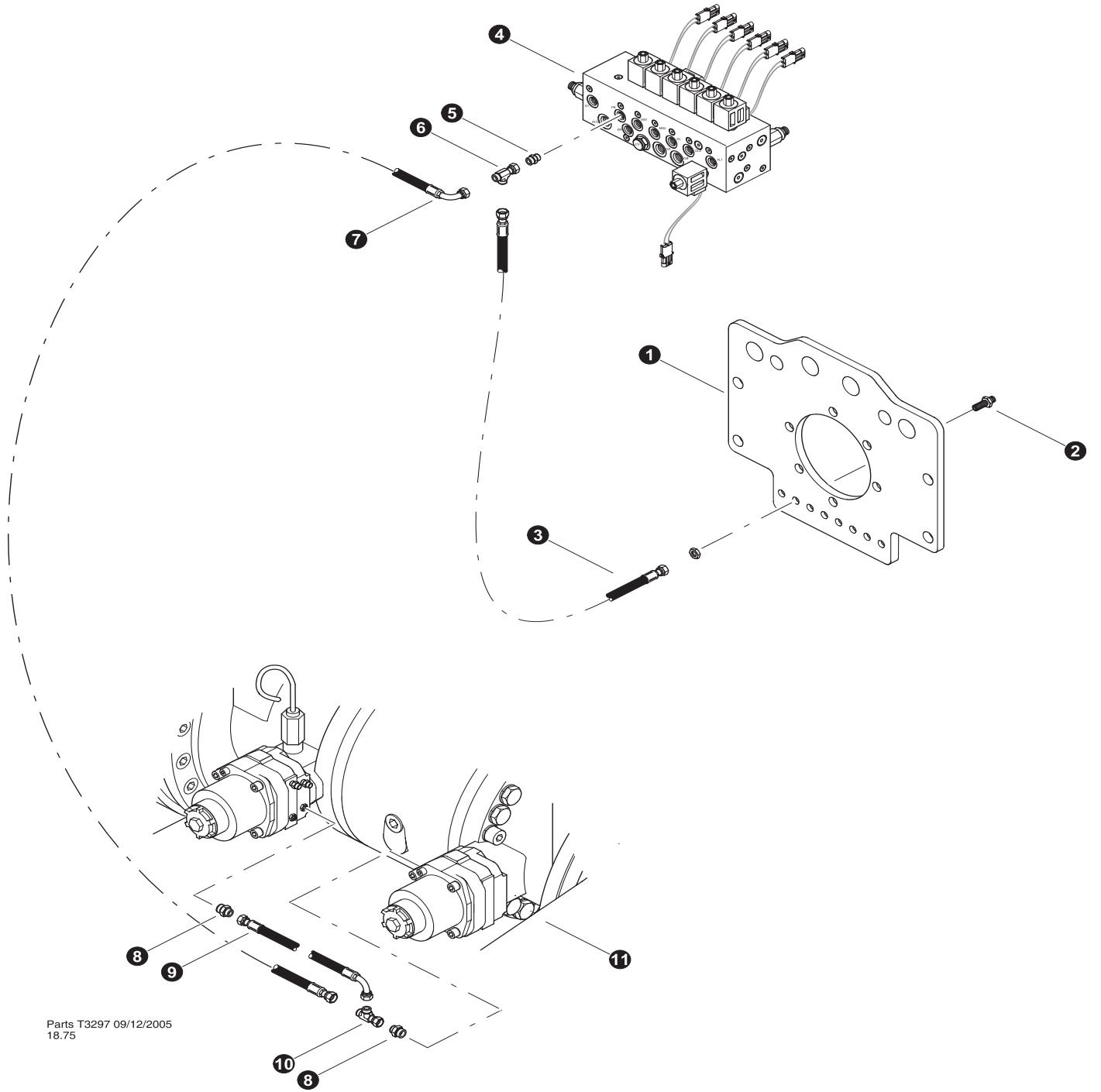
Parts T3293 09/10/05
18.75

REAR FRAME HYDRAULICS

Steering Connections (Standard Front and All Rear Frames)

REF	PART #	QTY	DESCRIPTION	SEE SECTION
1	20029-BR	2	TEE, BULKHEAD RUN - 12 WJJLO-WLNL-S	
2	42290-BR	1	BRACKET, bearing mount	
3	18581-BR	1	CONNECTOR, REDUCER - ORS FF2281T-0812S	
4	16360-BR	4	ELBOW, 90° - FF1868T-0808S	
5	50898-BR	1	HOSE ASSEMBLY - 4065-08-080S-0809 (Left bulkhead tee to left steer cylinder rod port)	
6	50617-BR	4	HOSE ASSEMBLY - 4048-08-080S-0809 (Left bulkhead tee to left steer cylinder base port)	
7	50898-BR	1	HOSE ASSEMBLY - 4065-08-080S-0809 (Right bulkhead tee to left steer cylinder rod port)	
8	50617-BR	4	HOSE ASSEMBLY - 4048-08-080S-0809 (Right bulkhead tee to Right steer cylinder base port)	
9	REF.	2	 STEER CYLINDERS	BR-4



 See referenced page for component or assembly breakdown.




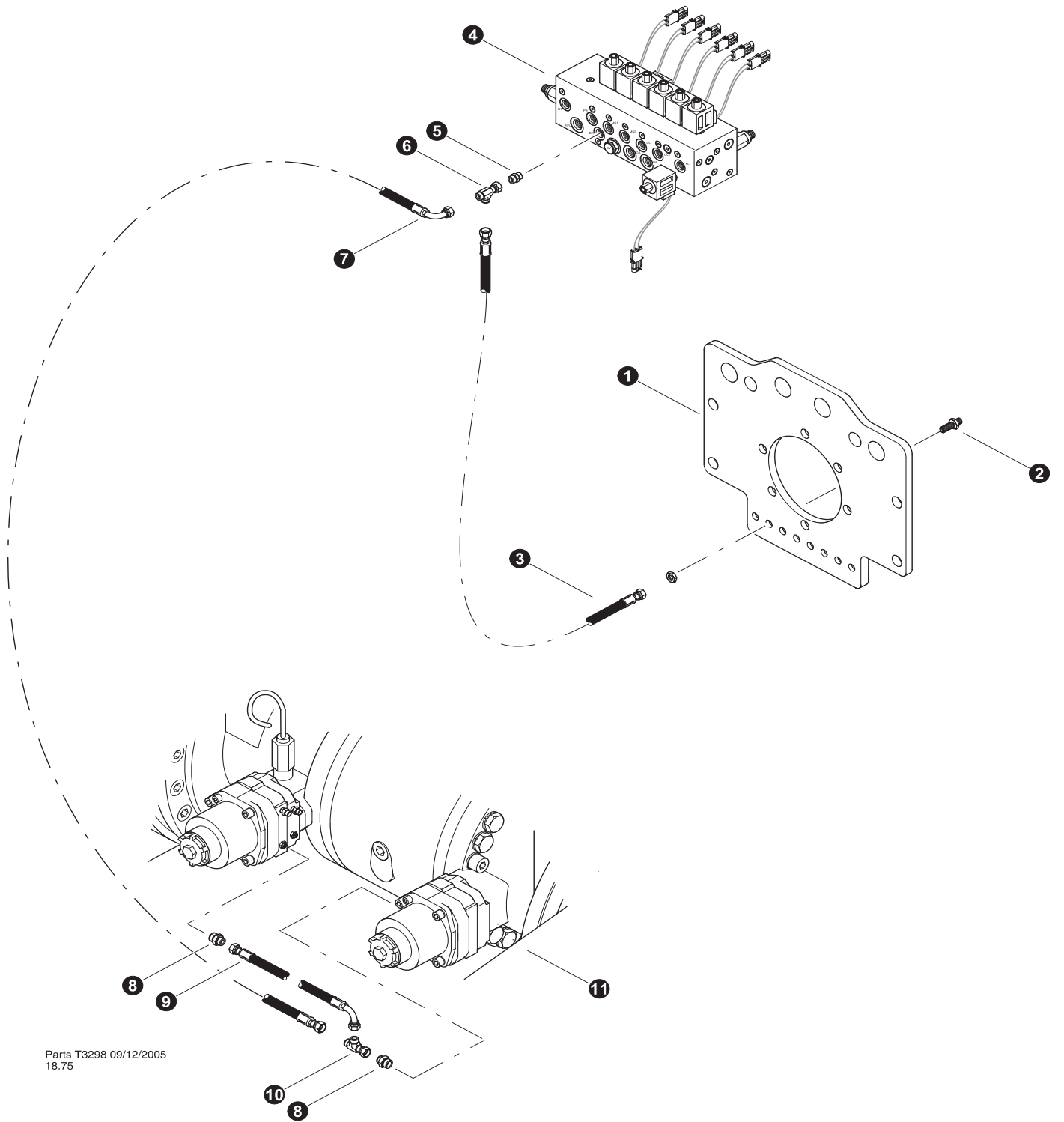
Parts T3297 09/12/2005
18.75

REAR FRAME HYDRAULICS

Lower Solenoid Manifold Connections - Parking Brake (Standard Front and Rear Frame)



REF	PART #	QTY	DESCRIPTION	SEE SECTION
1	42290-BR	1	BRACKET, bearing mount	
2	18582-BR	1	CONNECTOR, STR BULKHEAD - FF1994T-0404S	
3	-BR	1	HOSE ASSEMBLY - 2037.5-04-04OS-0409 (PB bulkhead to . . . Lower Solenoid Valve PB port)	
4	REF.	2	 LOWER SOLENOID VALVE	BR-4
5	15124-BR	1	CONNECTOR, STR - FF1852T-0406S	
6	15176-BR	2	TEE - 04	
7	50607-BR	1	HOSE ASSEMBLY - 2123-04-04OS-04OS (PB to Rear Axel)	
8	19470-BR	2	CONNECTOR, STR 04-14m	
9	50607-BR	1	HOSE ASSEMBLY - 2009.5-04-04OS-0409 (PB jumper hose on rear axel)	
10	15176-BR	2	TEE - 04	
11	REF.	1	 REAR AXLE ASSEMBLY	AX


 See referenced page for component or assembly breakdown.

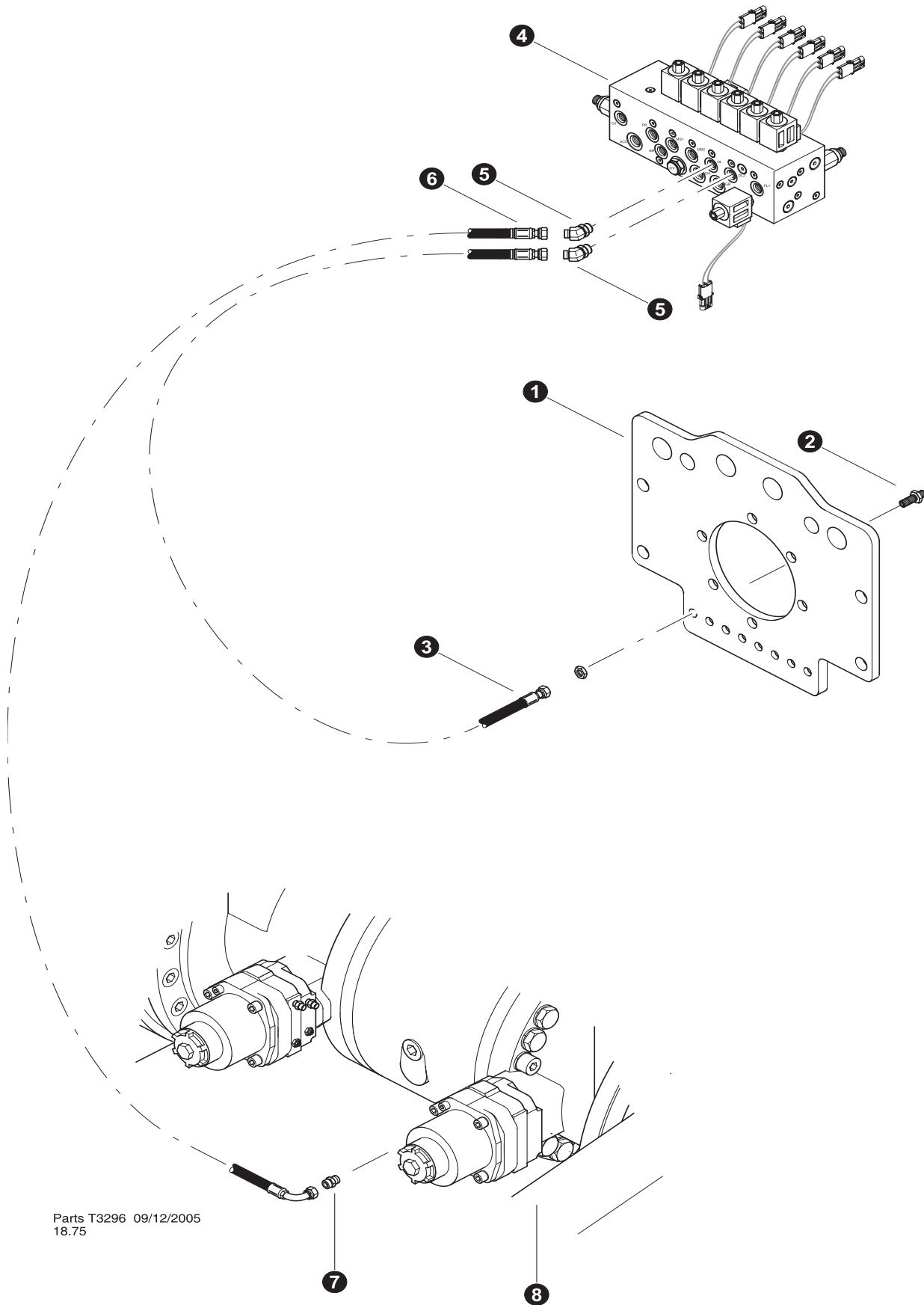


REAR FRAME HYDRAULICS

Lower Solenoid Manifold Connections - Travel Brake (Standard Front and Rear Frame)

REF	PART #	QTY	DESCRIPTION	SEE SECTION
1	42290-BR	1	BRACKET, bearing mount	
2	18582-BR	1	CONNECTOR, STR BULKHEAD - FF1994T-0404S	
3	-BR	1	HOSE ASSEMBLY - 2039.5-04-04OS-0409 (TB bulkhead to . . . Lower Solenoid Valve BR port)	
4	REF.	2	 LOWER SOLENOID VALVE	BR-4
5	15124-BR	1	CONNECTOR, STR - FF1852T-0406S	
6	15176-BR	2	TEE - 04	
7	50607-BR	1	HOSE ASSEMBLY - 2123-04-04OS-04OS (TB to Rear Axel)	
8	19470-BR	2	CONNECTOR, STR 04-14m	
9	50607-BR	1	HOSE ASSEMBLY - 2009.5-04-04OS-0409 (TB jumper hose on rear axel)	
10	15176-BR	2	TEE - 04	
11	REF.	1	 REAR AXLE ASSEMBLY	AX



 See referenced page for component or assembly breakdown.



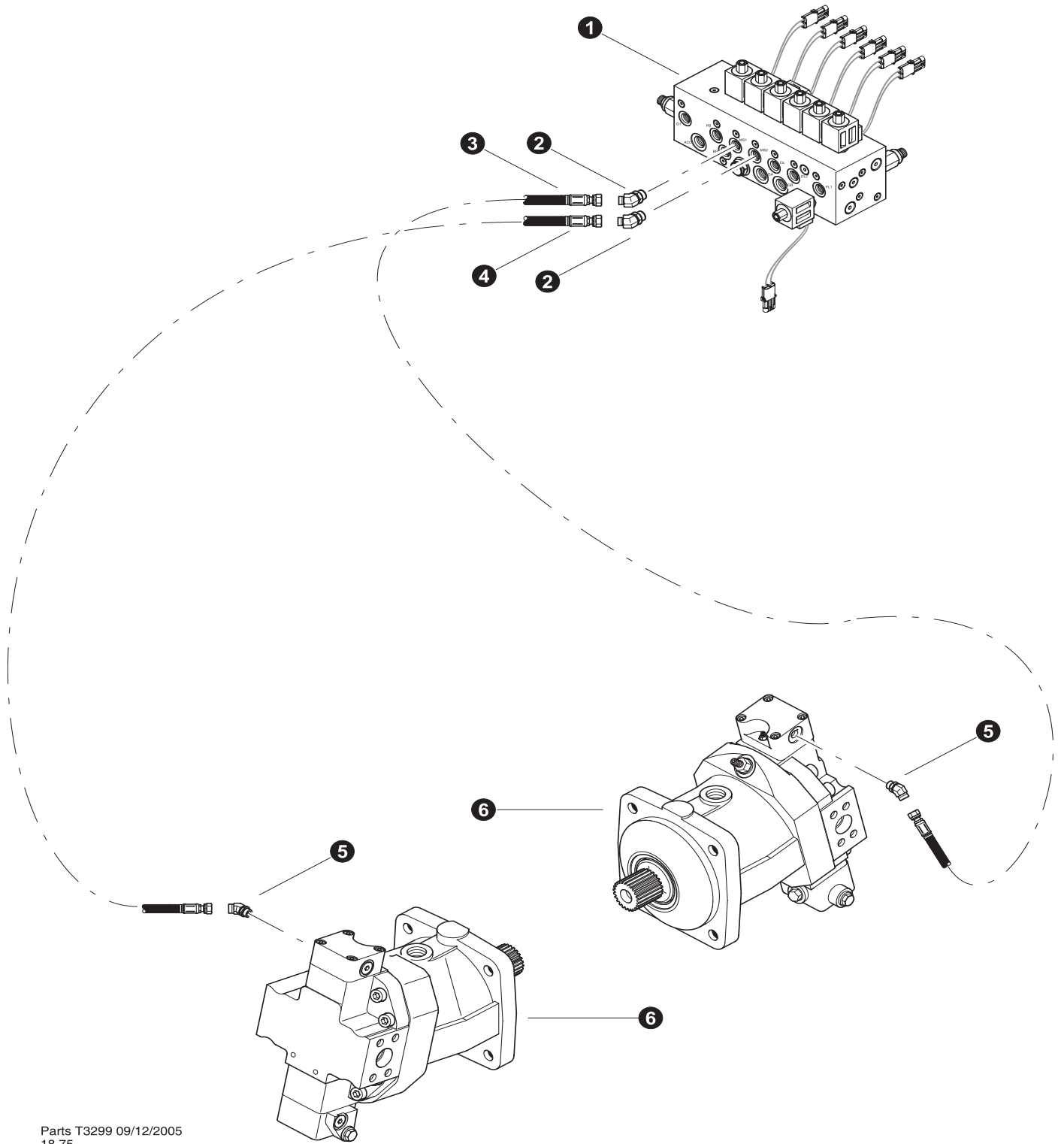
Parts T3296 09/12/2005
18.75

REAR FRAME HYDRAULICS

Lower Solenoid Manifold Connections - Differential Lock (Standard Front and Rear Frame)

REF	PART #	QTY	DESCRIPTION	SEE SECTION
1	42290-BR	1	BRACKET, bearing mount	
2	18582-BR	1	CONNECTOR, STR BULKHEAD - FF1994T-0404S	
3	-BR	1	HOSE ASSEMBLY - 2048-04-04OS-04OS (DL bulkhead to Lower Solenoid Valve DL2 port)	
4	REF.	2	 LOWER SOLENOID VALVE	BR-4
5	17646-BR	1	ELBOW, 45 - FF2068T-0406S	
6	50607-BR	1	HOSE ASSEMBLY - 2131-04-04OS-04O9 (DL to Rear Axel)	
7	19470-BR	2	CONNECTOR, STR 04-14m	
8	REF.	1	 REAR AXLE ASSEMBLY	AX



 See referenced page for component or assembly breakdown.




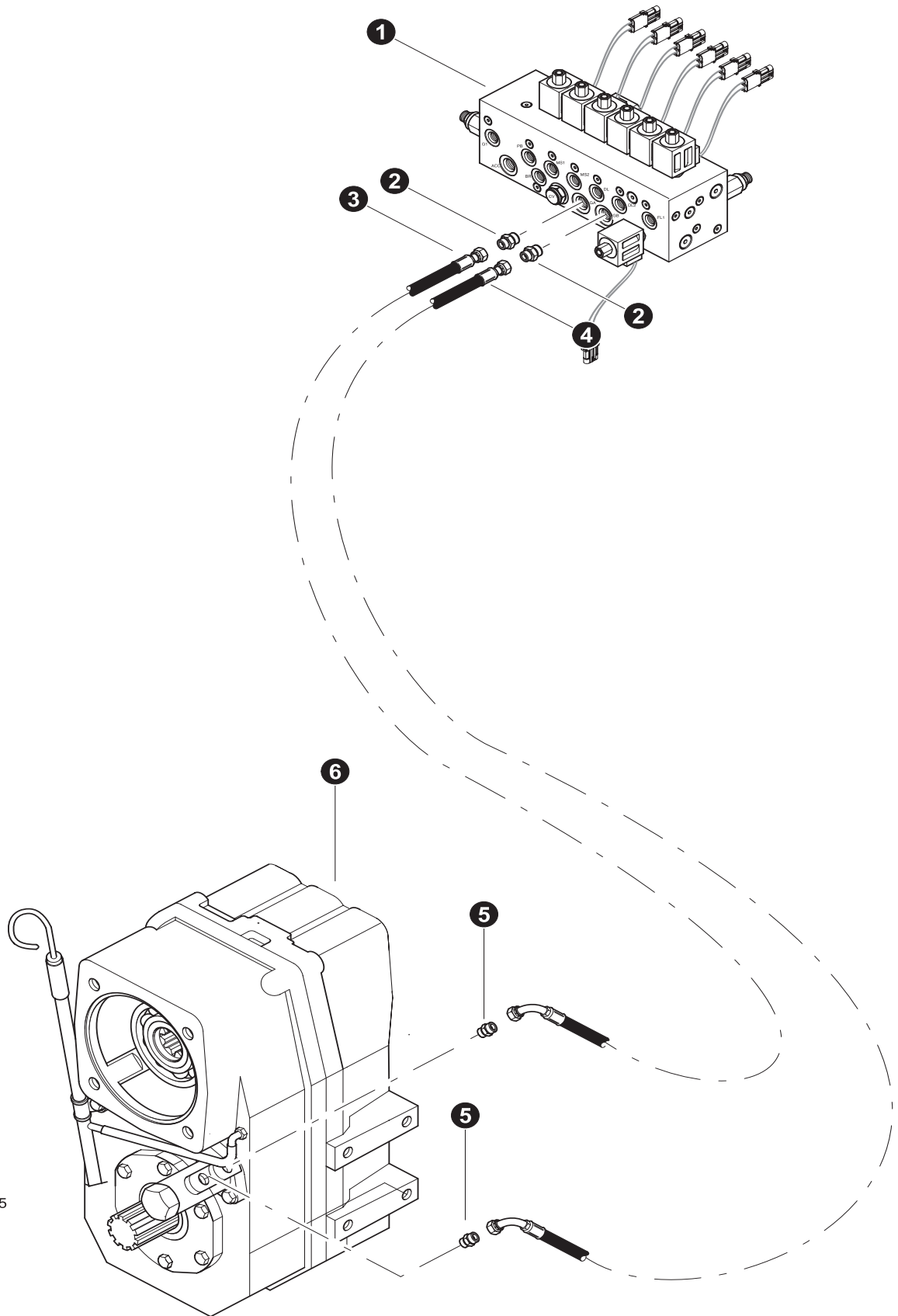
Parts T3299 09/12/2005
18.75

REAR FRAME HYDRAULICS

Lower Solenoid Manifold Connections - Hydraulic Motor Shift (Standard Front and All Rear Frames)

REF	PART #	QTY	DESCRIPTION	SEE SECTION
1	REF.	2	 LOWER SOLENOID VALVE	BR-4
2	17646-BR	1	ELBOW, 45 - FF2068T-0406S	
3	-BR	1	HOSE ASSEMBLY - 2048-04-04OS-04OS (DL bulkhead to Lower Solenoid Valve DL2 port)	
4	-BR	1	HOSE ASSEMBLY - 2048-04-04OS-04OS (DL bulkhead to Lower Solenoid Valve DL2 port)	
5	17646-BR	1	ELBOW, 45 - FF2068T-0406S	
6	REF.	1	 HYDRAULIC WHEEL DRIVE MOTOR	BR-4



 See referenced page for component or assembly breakdown.




Parts T3300 09/12/2005
18.75

REAR FRAME HYDRAULICS

Lower Solenoid Manifold Connections - Gear Box Shift (Standard Front and All Rear Frames)

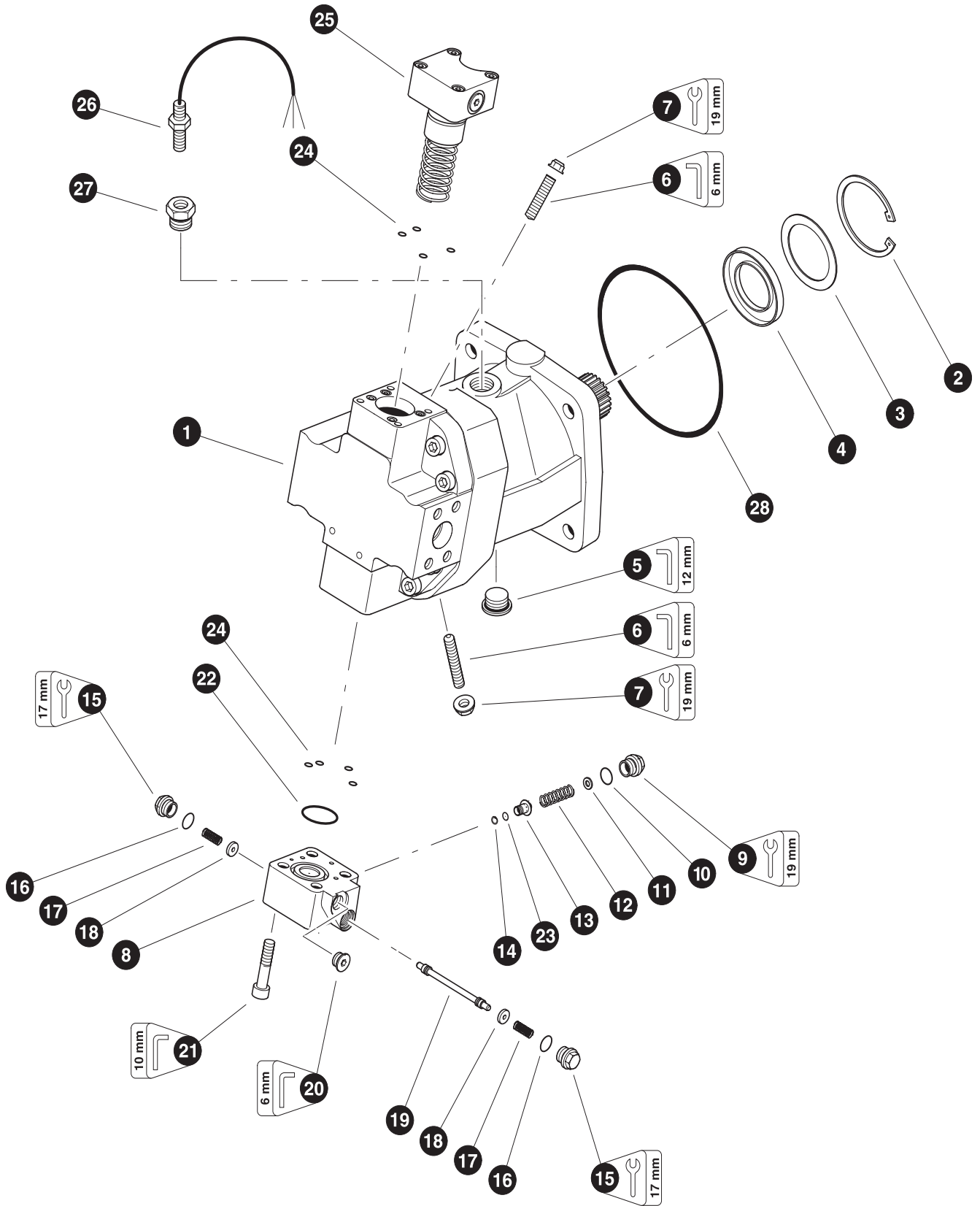
REF	PART #	QTY	DESCRIPTION	SEE SECTION
1	REF.	2	 LOWER SOLENOID VALVE	BR-4
2	15124-BR	2	CONNECTOR, STR - FF1852T-0406S	
3	50608-BR	1	HOSE ASSEMBLY - 2074-04-04OS-04O9 (GA Port to Gear Box)	
4	50608-BR	1	HOSE ASSEMBLY - 2074-04-04OS-04O9 (GB Port to Gear Box)	
5	19470-BR	2	CONNECTOR, STR 04-14m	
6	REF.	1	 GEARBOX ASSEMBLY	AX

 See referenced page for component or assembly breakdown.

THIS PAGE LEFT BLANK FOR NOTES

Section BR-4

TB 830, 840 Rear Frame - Hydraulic Components Breakdown



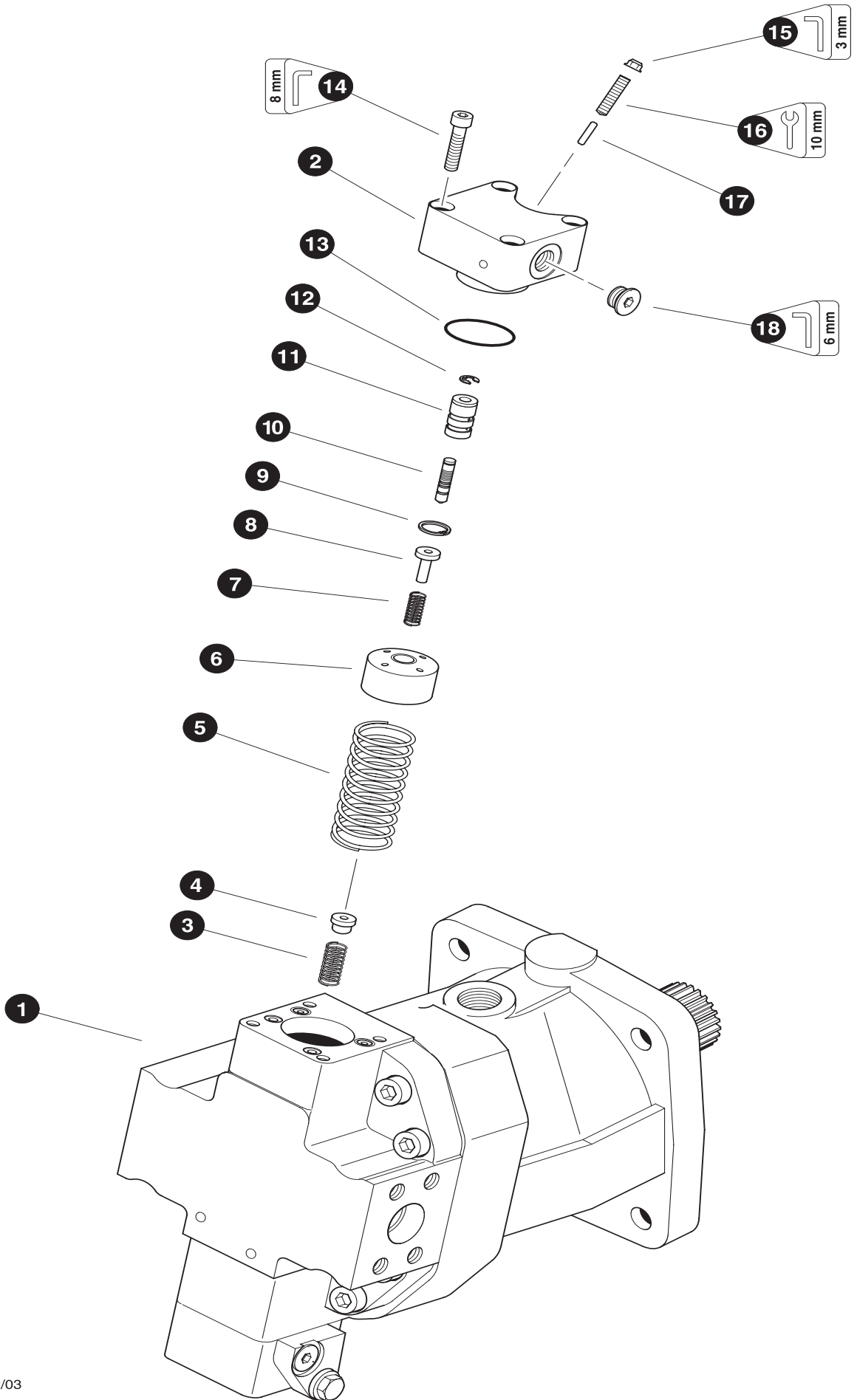
REXROTH 160cc MOTOR (Standard)

REF	PART #	QTY		DESCRIPTION	SEE SECTION
1	51869-0-FR	1	☐	MOTOR, wheel drive - Rexroth AA6VM160 (Front) (w/speed counter ring) (Vg Min = 0 cubic meters) (flushing)	
	51869-70-FR	1	☐	MOTOR, wheel drive - Rexroth AA6VM160 (Rear) (w/speed counter ring) (Vg Min = 70 cubic meters) (flushing)	
2	20685-FR	1		RING, snap	
3	20686-FR	1		SHIM, shaft seal	
4	20687-FR	1	⌘	SEAL, shaft	
5	19692-FR	1		PLUG - 26mm-1.5P (BSPP thread)	
6	51987-FR	1		SCREW, adjusting (0 - Displacement min)(needed for front motor)	
	20688-FR	2		SCREW, adjusting (Displacement min & max)	
7	20689-FR	2	⌘	NUT, seal	
8	20690-FR	1	☐	STROKING PISTON COVER ASSEMBLY	
9	20691-FR	1		PLUG	
10	20713-FR	1	⌘	O-RING	
11	20714-FR	1		SHIM	
12	20715-FR	1		SPRING	
13	20716-FR	1		POPPET	
14	20718-FR	1		RING, snap	
15	20719-FR	2		PLUG	
16	20720-FR	2	⌘	O-RING	
17	20721-FR	2		SPRING	
18	20722-FR	2		RETAINER, spring	
19	NSS	1		SPOOL	
20	20693-FR	1		PLUG - 14mm-1.5P (BSPP thread)	
21	20723-FR	4		BOLT, allen head	
22	20724-FR	1	⌘	O-RING	
23	20717-FR	1		ORIFICE, flushing - 1.2mm	
24	NSS	8		O-RING	
25	REF.	1		STROKING PISTON CONTROL ASSEMBLY	CR-4-4
26	24656-FR	1		SENSOR, SPEED PICKUP (rexroth hydro motor)	
27	51098-FR	1		FITTING, speed pickup rexroth (sae)	
28	20967-FR	1		O-RING, WHEEL DRIVE MOTOR (gearbox pilot)	
-	20725-CR	1		KIT, seal repair - complete AA6VM160 motor	

- ☐ Kit or Assembly - includes all items indented underneath.
- ⌘ Included in seal repair kit Part # 20725-CR.

Note:

Due to warranty policy restrictions imposed by component suppliers, it is not recommended that the component be disassembled further than is shown in the illustration.



Parts T2811 08/12/03
37.50

REXROTH 160cc MOTOR HA2T Control Brakedown

(Standard)

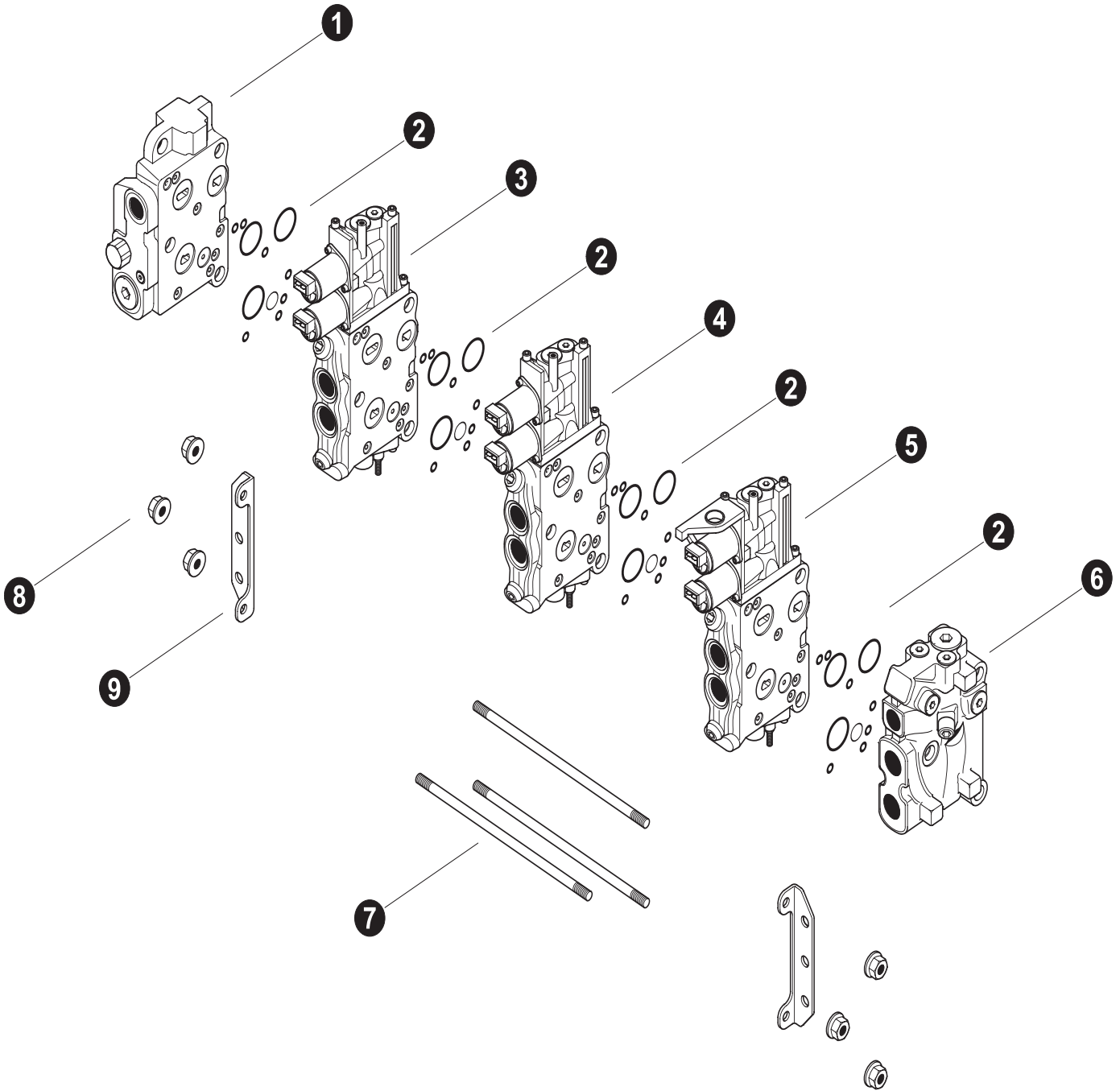
REF	PART #	QTY		DESCRIPTION	SEE SECTION
1	51869-0-FR	1	☐	MOTOR, wheel drive - Rexroth AA6VM160 (Front) (w/speed counter ring) (Vg Min = 0 cubic meters) (flushing)	
	51869-70-FR	1	☐	MOTOR, wheel drive - Rexroth AA6VM160 (Rear) (w/speed counter ring) (Vg Min = 70 cubic meters) (flushing)	
2	20726-FR	1	☐	CONTROL, MOTOR STROKE ASSEMBLY (HA2T)	
3	---	1		SPRING, (HU00444549)	
4	---	1		RETAINER, spring (HU00421860)	
5	---	1		SPRING (HU00651116)	
6	---	1		BUSHING, spring (HU00651118)	
7	20729-FR	1		SPRING	
8	---	1		RETAINER, spring (HU00921351)	
9	20731-FR	1		RING, snap	
10	---	1		SPOOL, control (HU00430748)	
11	20732-FR	1		BUSHING, control spool	
12	20734-FR	1		E-CLIP, control spo	
13	---	1	⌘	O-RING (68103-025)	
14	---	4		BOLT, allen head (60118-063)	
15	20737-FR	1	⌘	NUT, seal	
16	20738-FR	1		SCREW, adjusting (Stroke control)	
17	---	1		PIN, stroke adjustment (69116-019)	
18	20693-FR	1		PLUG - 14mm-1.5P (BSPP thread)	
-	20725-FR	1		KIT, seal repair - complete AA6VM160 motor	

☐ Kit or Assembly - includes all items indented underneath.

⌘ Included in seal repair kit Part # 20725-CR.

Note:

Due to warranty policy restrictions imposed by component suppliers, it is not recommended that the component be disassembled further than is shown in the illustration.



Parts T3264 08/09/2005
18.75

LOWER VOAC CONTROL VALVE BREAKDOWN (TB 830 with CLAM BUNK)

REF	PART #	QTY	DESCRIPTION	SEE SECTION
-	52010-FR	1	<input type="checkbox"/> VALVE, MAIN - VOAC (3-L90) STEER/CLAMBUNK	
1	REF	1	<input type="checkbox"/> VALVE SECTION - inlet.	LH-2
2	23404-FR	7	<input type="checkbox"/> KIT, seal repair - L90LS face seals	
3	23321-FR	1	<input type="checkbox"/> VALVE SECTION, steer - (P/L-3000 PSI)	LH-2
4	24774-FR	1	<input type="checkbox"/> VALVE SECTION, clam bunk cyl.	LH-2
5	24774-FR	1	<input type="checkbox"/> VALVE SECTION, clam bunk cyl.	LH-2
6	REF	1	<input type="checkbox"/> VALVE SECTION - outlet.	LH-2
7	-HR	1	<input type="checkbox"/> KIT, tie rod (3 section) (393000K003)	
8	23913-FR	6	NUT (Special torque procedure) (See Note #2 Below)	
9	23402-FR	1	<input type="checkbox"/> KIT, mounting brackets	

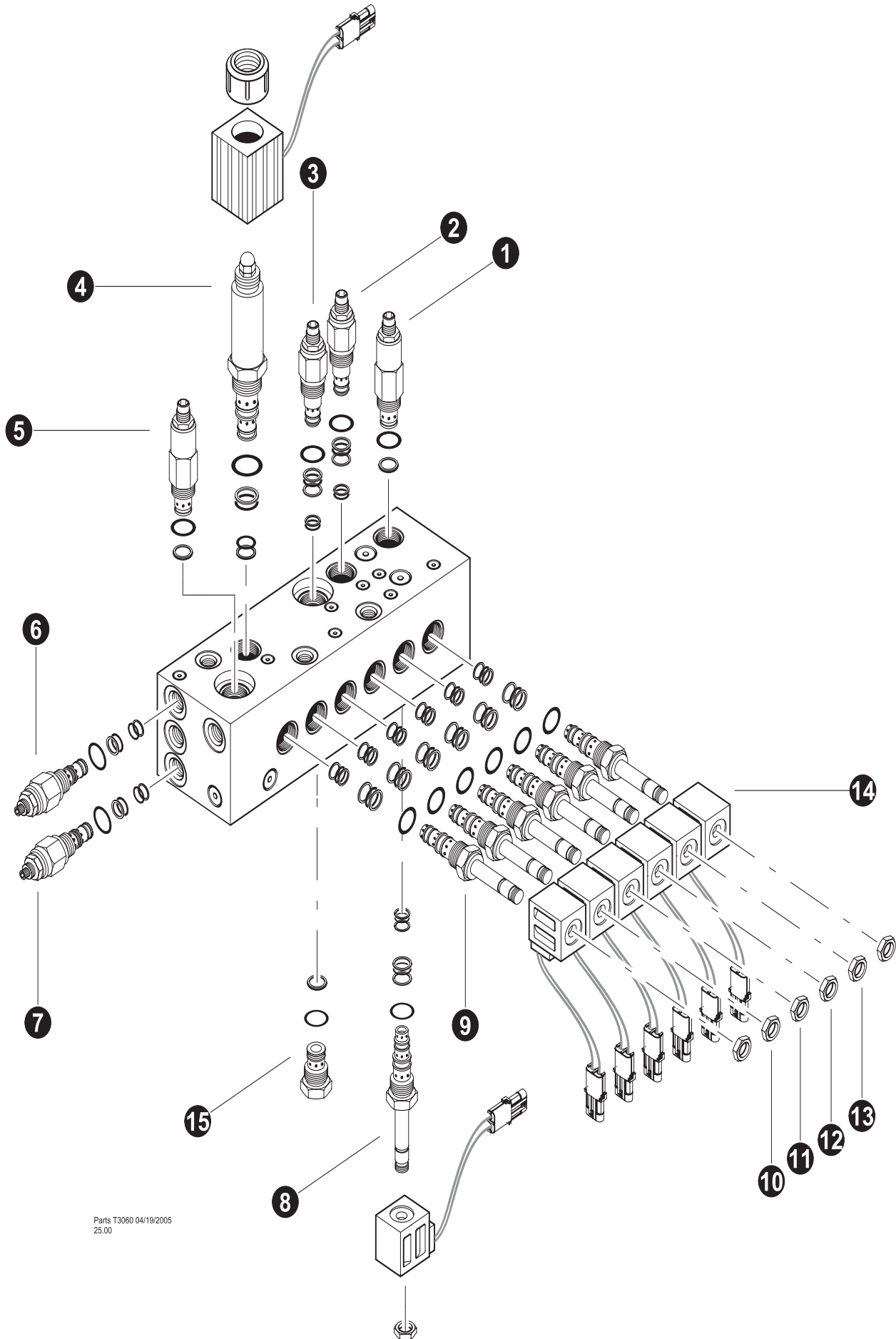
- Kit or Assembly - includes all items indented underneath.
- See referenced page for component or assembly breakdown.

Note #1:

Illustration and parts list reflects a standard valve configuration used for a TF 830 W / CLAM BUNK machine. Contact your dealer if your valve or machine configuration differs.

Note #2:

Tie rod nuts should be torqued in a clockwise pattern in three steps, 7.5 ft.lbs. (10 Nm), 22.5 ft.lbs. (30 Nm) and 33.5 ft.lbs. (45 Nm).

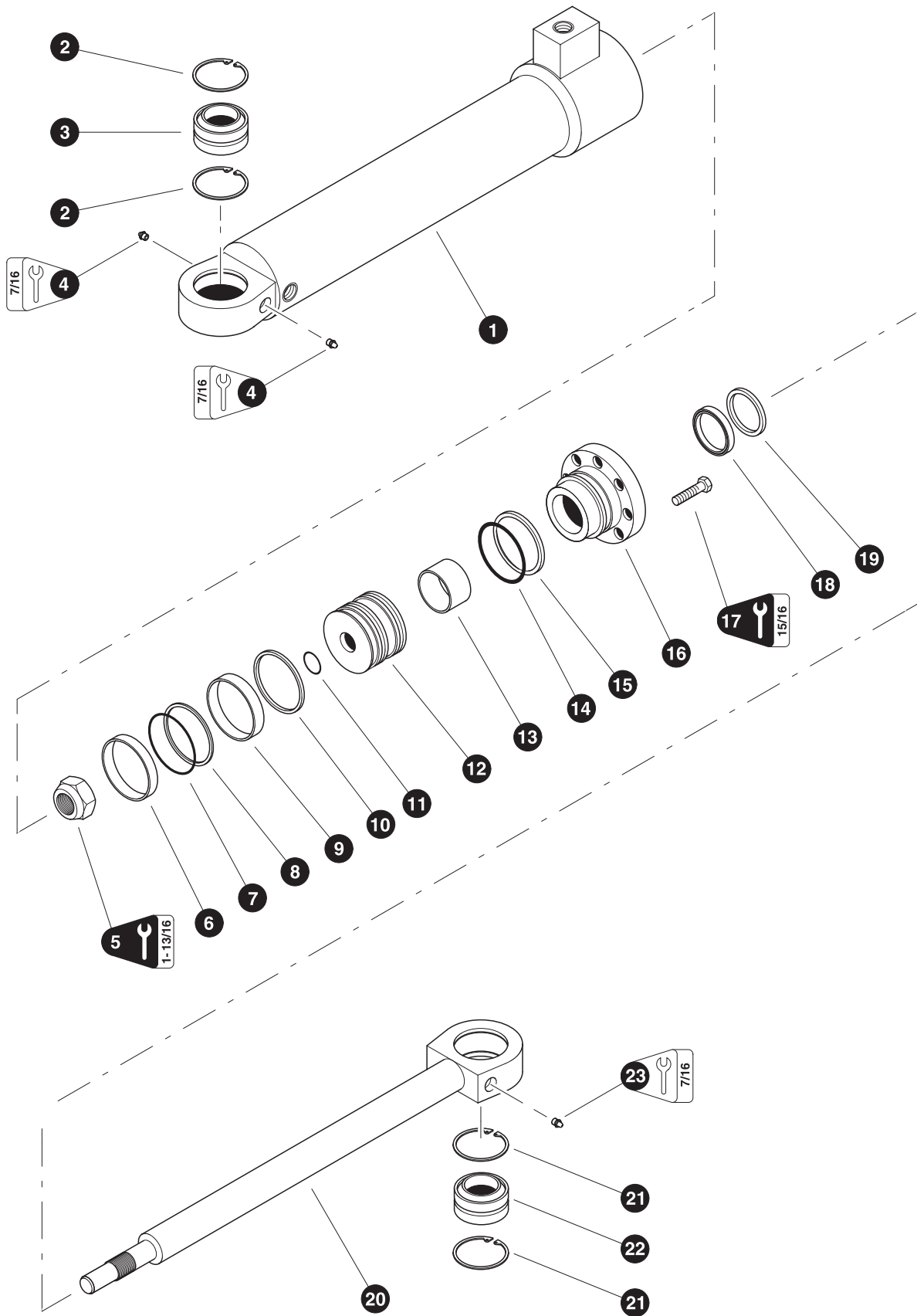


Parts T3060 04/19/2005
25.00

LOWER SOLENOID VALVE BREAKDOWN

REF	PART #	QTY	DESCRIPTION	SEE SECTION
-	51623-FF	1	<input type="checkbox"/> VALVE, LOWER MANIFOLD - CAN/BUS TF830	
		1	BLOCK, Lower Manifold (XM04033revC)	
1	-FF	1	CARTRIDGE, relief valve (RDH103S30)	
			KIT, Seal Repair (SK10-2N)	
2	-FF	1	CARTRIDGE, counter balance valve (CBPA-080N-S-0-30)	
			KIT, Seal Repair (SKN-0828)	
3	-FF	1	CARTRIDGE, counter balance valve (CBPA-080N-S-0-30)	
			KIT, Seal Repair (SKN-0828)	
4	-FF	1	CARTRIDGE, proportional control valve (EPRR-10-N-10-0-24DL)	
			KIT, Seal Repair (SK08-2N)	
			Solenoid, 24 volt Proportional	
5	-FF	1	CARTRIDGE, relief valve (RDH103S30)	
			KIT, Seal Repair (SK10-2N)	
6	-FF	1	CARTRIDGE, reducing / relief valve (PRH081S10)	
			KIT, Seal Repair (SK08-3N)	
7	-FF	1	CARTRIDGE, reducing / relief valve (PRH081S10)	
			KIT, Seal Repair (SK08-3N)	
8	-FF	1	CARTRIDGE, directional valve cartridge (DSH081NR)	
			KIT, Seal Repair (SK08-2N)	
			Solenoid, 24 volt (S8LWS24)	
9	-FF	1	CARTRIDGE, solenoid valve 3-way (DSH083)	
			KIT, Seal Repair (SK08-3N)	
			Solenoid, 24 volt (S8LWS24)	
10	-FF	1	CARTRIDGE, solenoid valve 3-way (DSH083)	
			KIT, Seal Repair (SK08-3N)	
			Solenoid, 24 volt (S8LWS24)	
11	-FF	1	CARTRIDGE, solenoid valve 3-way (DSH083)	
			KIT, Seal Repair (SK08-3N)	
			Solenoid, 24 volt (S8LWS24)	
12	-FF	1	CARTRIDGE, solenoid valve 3-way (DSH083)	
			KIT, Seal Repair (SK08-3N)	
			Solenoid, 24 volt (S8LWS24)	
13	-FF	1	CARTRIDGE, solenoid valve 3-way (DSH083)	
			KIT, Seal Repair (SK08-3N)	
			Solenoid, 24 volt (S8LWS24)	
14	-FF	1	CARTRIDGE, solenoid valve 3-way (DSH083)	
			KIT, Seal Repair (SK08-3N)	
			Solenoid, 24 volt (S8LWS24)	
15	-FF	1	CARTRIDGE, check valve cartridge (CVH103P)	
			KIT, Seal Repair (SK10-2N)	

Kit or Assembly - includes all items indented underneath.



00194 01/17/97
18.75

STEER CYLINDER (Jarp 2.25" Rod)

REF	PART #	QTY		DESCRIPTION	SEE SECTION
-	51584-FR	2	☐	CYLINDER, STEER (2.25" ROD) - JARP	
1	51681-FR	1	☐	BARREL ASSEMBLY	
2	19916-FR	2		RING, snap	
3	19917-FR	1		BUSHING, spherical - 2"	
4	10704-FR	1		FITTING, straight grease - 1/8" pipe thread	
5	-FR	1		NUT, cylinder rod - 1-3/4" (Torque to 885 +/- 60 ft.lbs. (1175 +/- 80 Nm))	
6	NSS	1	⌘	RING, piston wear	
7	NSS	1	⌘	RING, piston loader	
8	NSS	1	⌘	RING, piston chem-cast	
9	NSS	1	⌘	RING, piston wear	
10	NSS	1	⌘	RING, piston seal	
11	NSS	1	⌘	O-RING, piston	
12	-FR	1		PISTON	
13	NSS	1	⌘	RING, rod bearing wear	
14	NSS	1	⌘	O-RING, rod bearing	
15	NSS	1	⌘	RING, rod bearing back-up	
16	51685-FR	1		BEARING, rod	
17	15681-FR	8		BOLT - 5/8" x 2-1/4" (Torque to 175 ft.lbs (233 Nm))	
18	NSS	1	⌘	U-CUP, rod bearing	
19	NSS	1	⌘	WIPER, rod	
20	51682-FR	1	☐	ROD ASSEMBLY	
21	19916-FR	2		RING, snap	
22	19917-FR	1		BUSHING, spherical - 2"	
23	10704-FR	1		FITTING, straight grease - 1/8" pipe thread	
-	51683-FR	1		KIT, seal repair - steer cylinder	

- ☐ Kit or Assembly - includes all items indented underneath.
 ⌘ Included in seal repair kit Part # 19750-FR.

