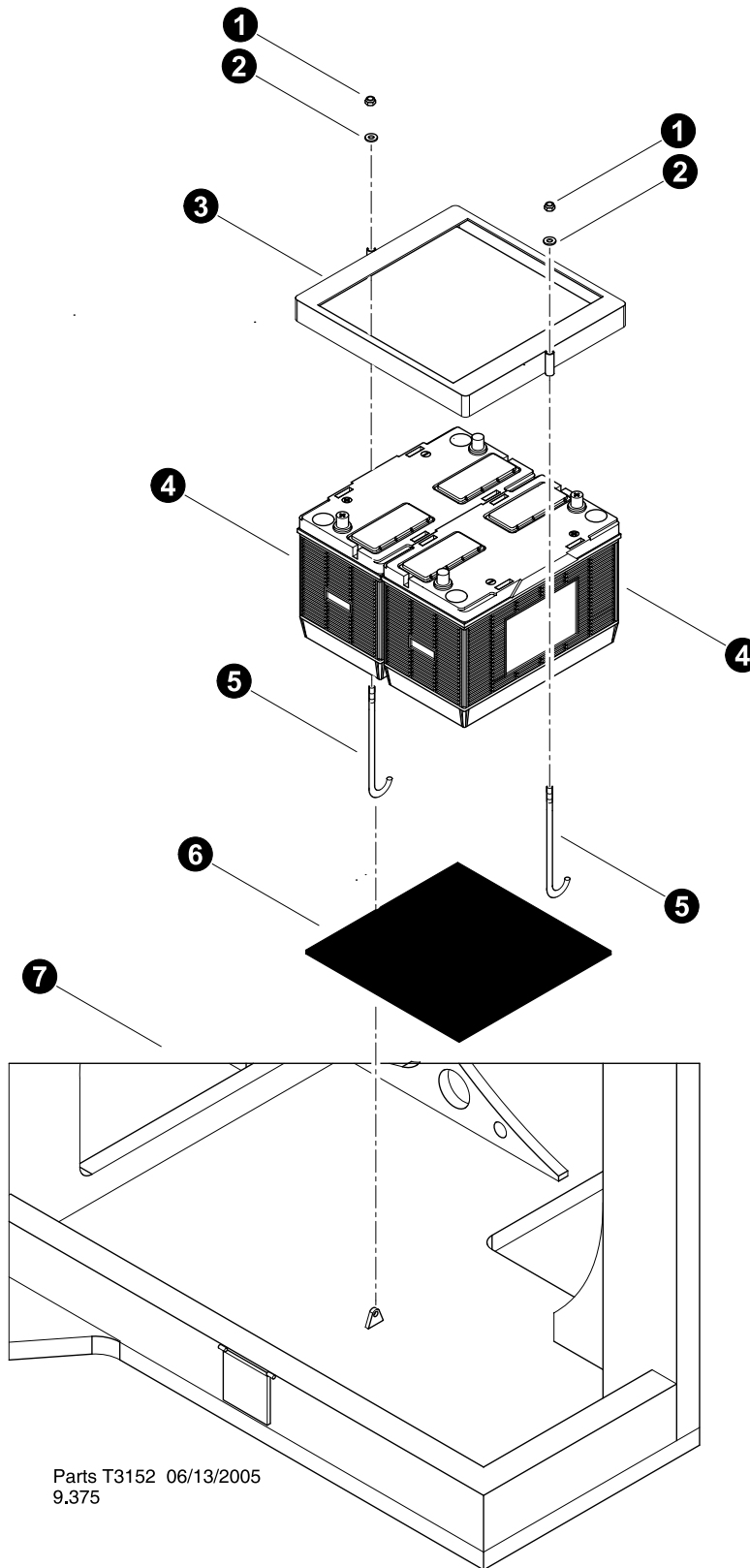



Section ES-1


Electrical System - Engine Compartment

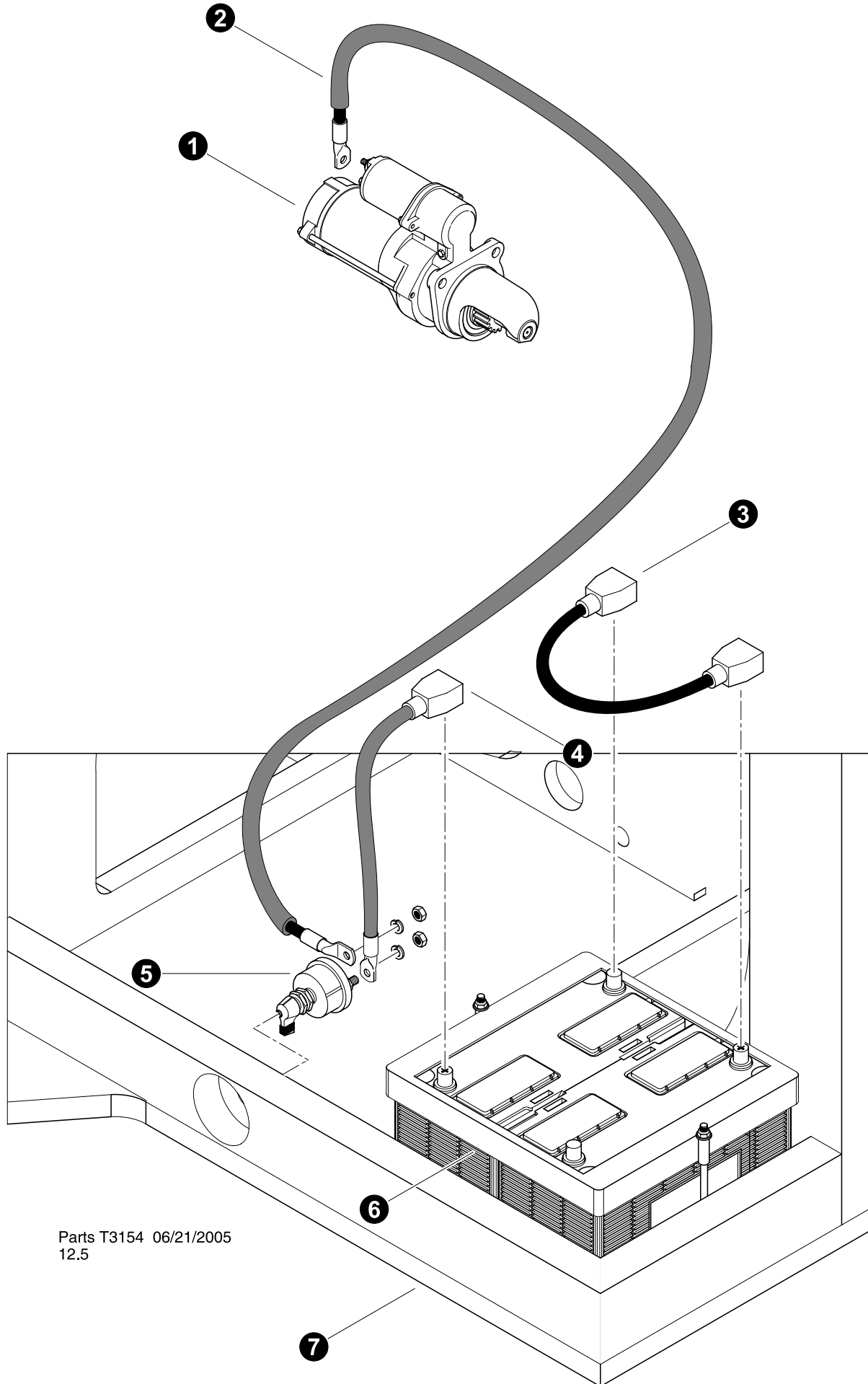


Parts T3152 06/13/2005
9.375

ENGINE ELECTRICAL SYSTEM Battery Installation




REF	PART #	QTY	DESCRIPTION	SEE SECTION
1	10788-ES	2	NUT, NYLOCK - .3125"	
2	15559-ES	2	WASHER, SAE FLAT - .3125"	
3	51759-ES	1	BRACKET, BATTERY HOLD DOWN	
4	17150-ES	2	BATTERY, HEAVY DUTY	
5	51722-ES	1	HOLD DOWN, BATTERY - 830/630 (2 PER PACK)	
6		1	RUBBER PAD, 1/4"	
7	REF.	1	 UPPER TURNTABLE ASSEMBLY	UP-1

 See referenced page for component or assembly breakdown.

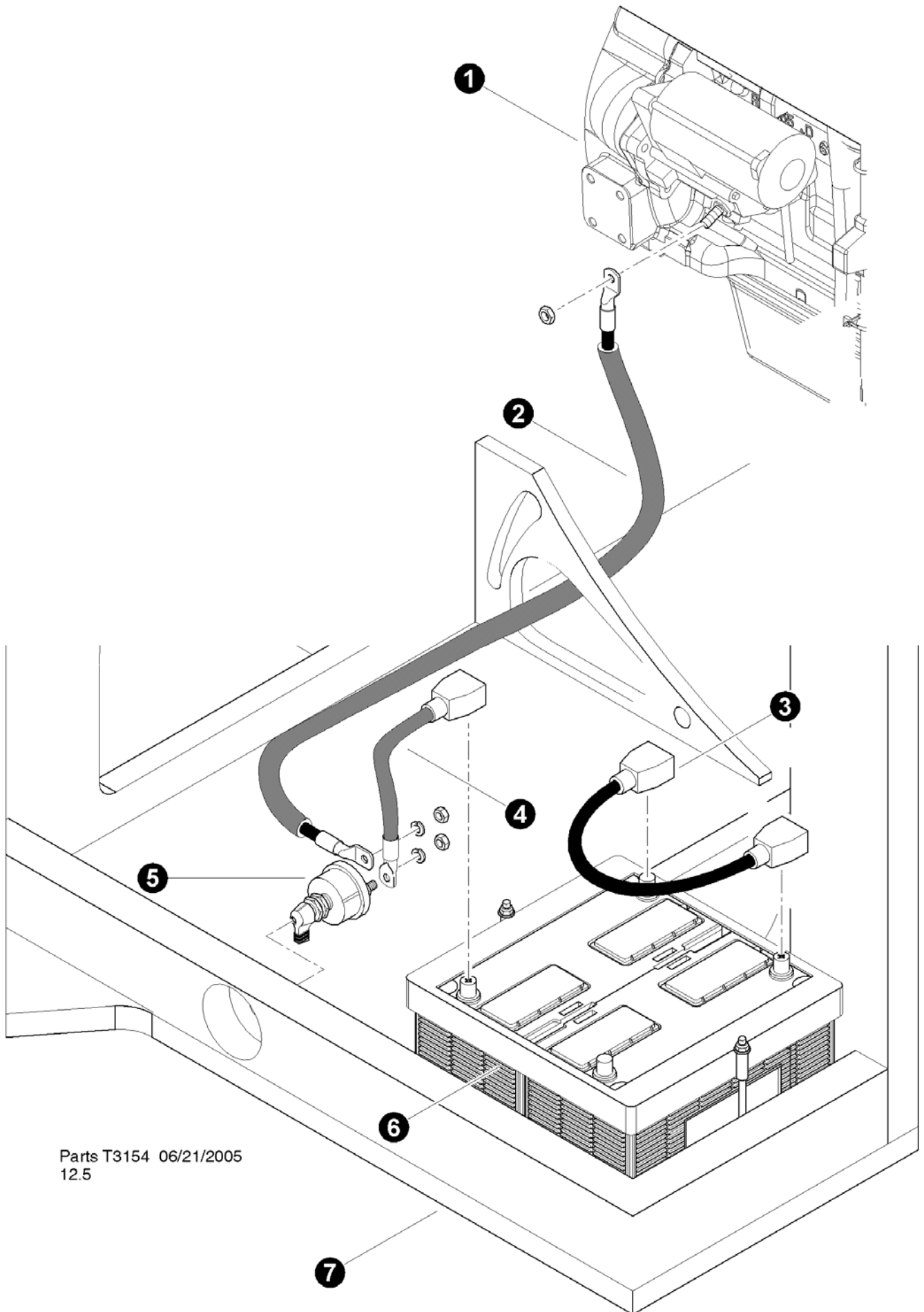


Parts T3154 06/21/2005
12.5

ENGINE ELECTRICAL SYSTEM
Battery Positive to Starter
(Machine built before SN 144-021306)




REF	PART #	QTY	DESCRIPTION	SEE SECTION
1	REF.	1	 STARTER	EE/JD
2	51749-ES	1	CABLE, MASTER DISC. TO STARTER POS	
3	24300-ES	1	CABLE, BATTERY POS/NEG JUMPER	
4	51746-ES	1	CABLE, BAT. POSITIVE TO MAST. DISCONNECT	
5	25200-ES	1	SWITCH, MASTER SHUT-OFF(1/2" STUD)	
6	REF	1	 BATTERY ASSEMBLY	ES-1
7	REF.	1	 UPPER TURNTABLE ASSEMBLY	UP-1

 See referenced page for component or assembly breakdown.

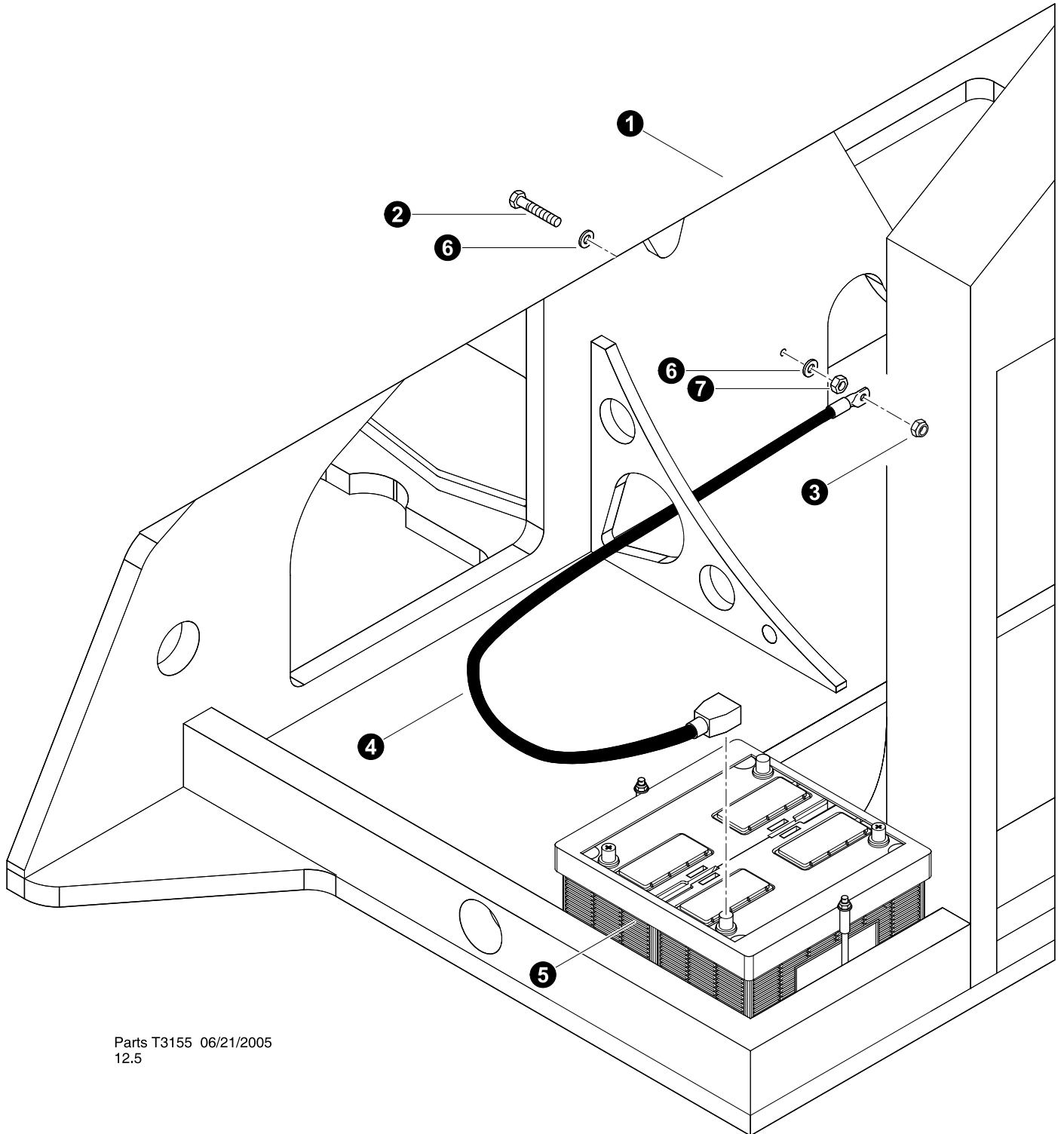


Parts T3154 06/21/2005
12.5

ENGINE ELECTRICAL SYSTEM
Battery Positive to Starter
(Machine SN 144-021306 and after)



REF	PART #	QTY	DESCRIPTION	SEE SECTION
1	REF.	1	 STARTER	EE/JD
2	51749-ES	1	CABLE, MASTER DISC. TO STARTER POS	
3	24300-ES	1	CABLE, BATTERY POS/NEG JUMPER	
4	51746-ES	1	CABLE, BAT. POSITIVE TO MAST. DISCONNECT	
5	25200-ES	1	SWITCH, MASTER SHUT-OFF(1/2" STUD)	
6	REF	1	 BATTERY ASSEMBLY	ES-1
7	REF.	1	 UPPER TURNTABLE ASSEMBLY	UP-1


 See referenced page for component or assembly breakdown.

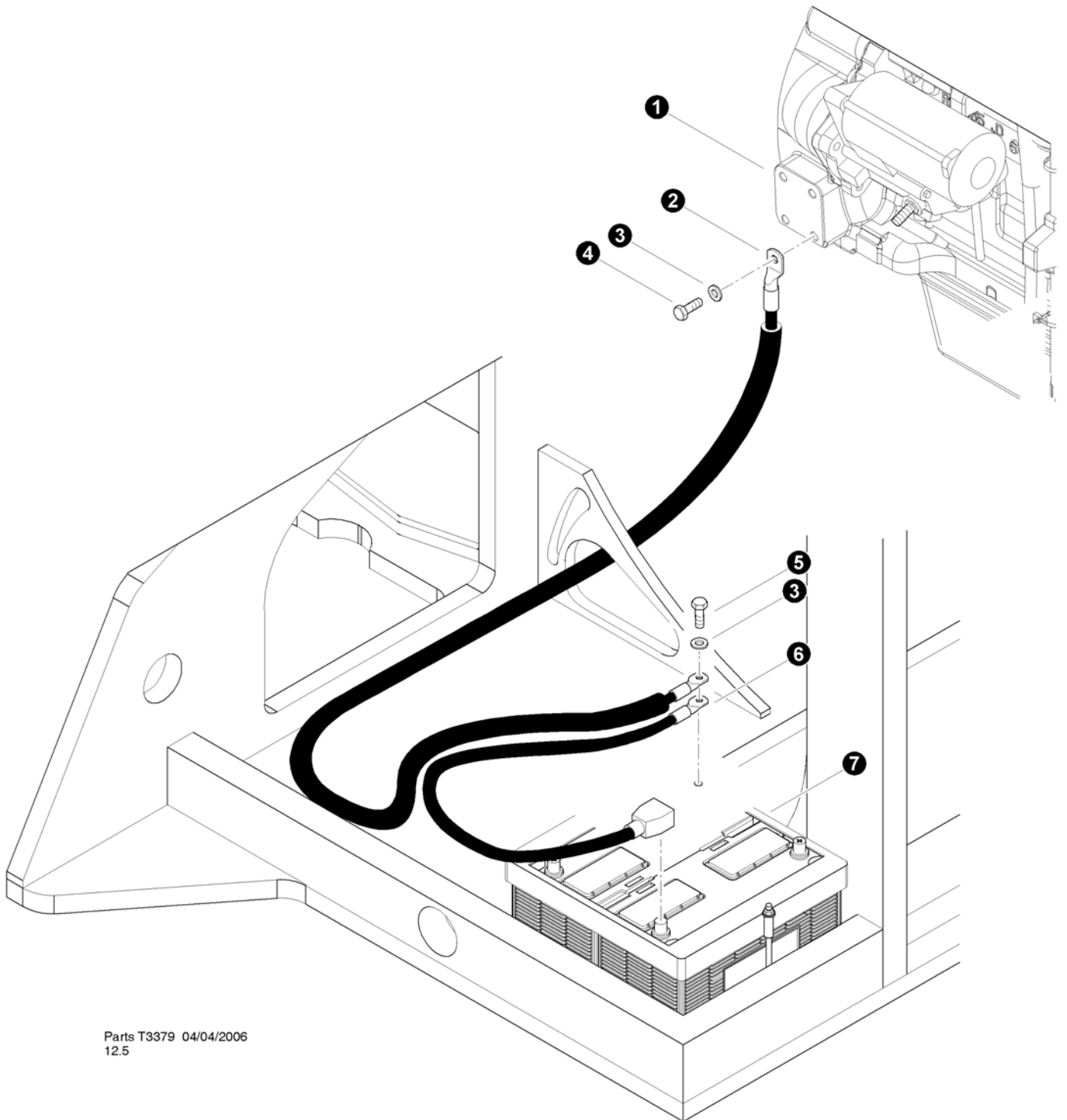


Parts T3155 06/21/2005
12.5

ENGINE ELECTRICAL SYSTEM
Battery Negative to Main Grounding Stud
(Machine built before SN 144-021306)



REF	PART #	QTY	DESCRIPTION	SEE SECTION
1	REF.	1	 UPPER TURNTABLE ASSEMBLY	UP-1
2	10893-ES	1	BOLT - .5" X 3"	
3	10815-ES	1	NUT, LOCK - .5"	
4	51747-ES	1	CABLE, BATTERY NEG. TO GROUND STUD	
5	REF	1	 BATTERY ASSEMBLY	ES-1
6	15534-ES	2	WASHER, SAE FLAT - .5"	
7	10711-ES	1	NUT, HEX - .5"	


 See referenced page for component or assembly breakdown.

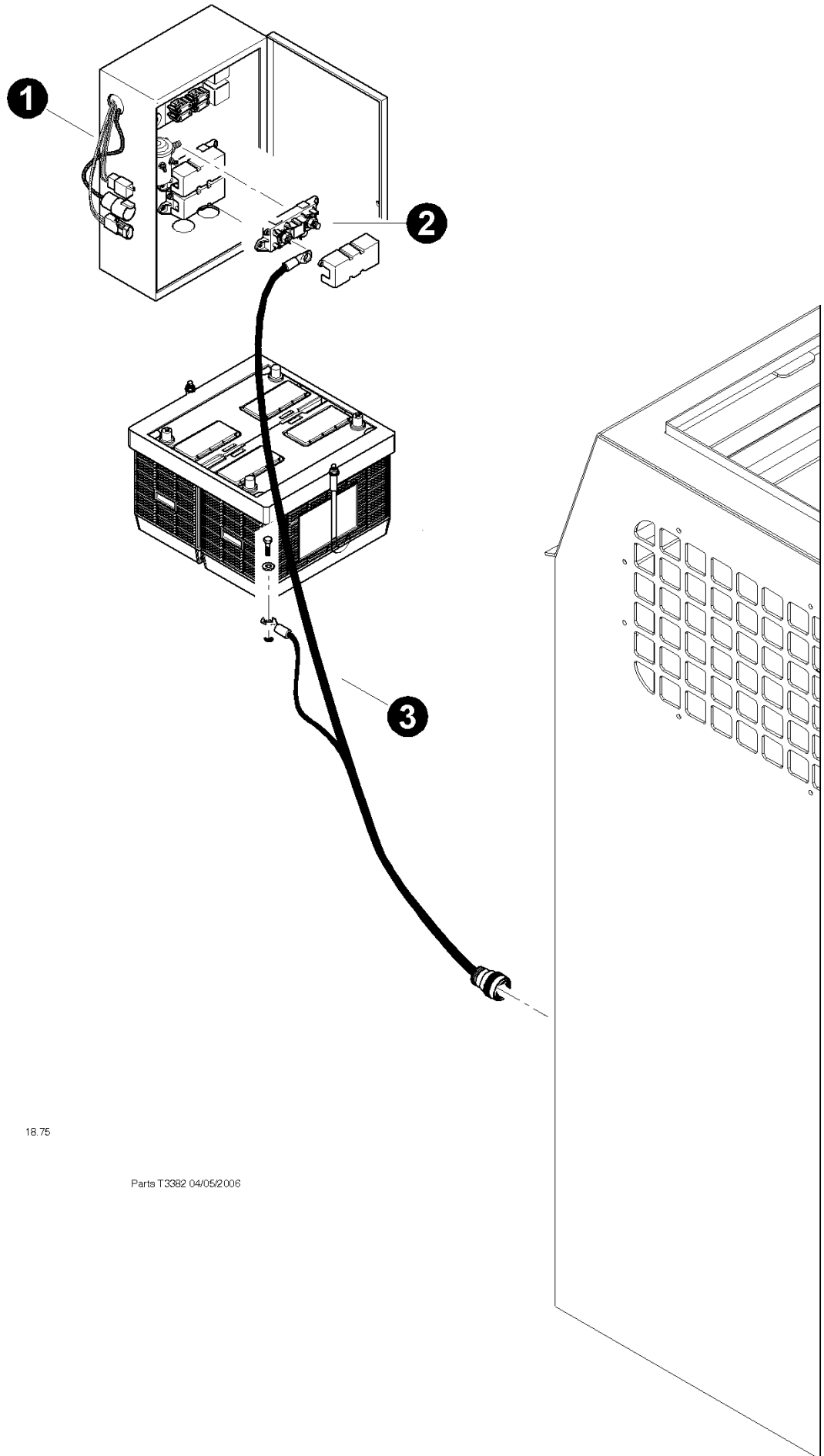


Parts T3379 04/04/2006
12.5

ENGINE ELECTRICAL SYSTEM
Battery Negative to Main Grounding Stud
(Machine SN 144-021306 and after)

REF	PART #	QTY	DESCRIPTION	SEE SECTION
1	REF.	1	 UPPER TURNTABLE ASSEMBLY	UP-1
2	52393-ES	1	CABLE, GROUND TO STARTER NEG. (830/630)	
3	15534-ES	2	WASHER, SAE FLAT - .5"	
4	18415-ES	1	BOLT - 12MM-1.75P X 30MM	
5	50100-ES	1	BOLT - .5" X 1.25"	
6	51747-ES	1	CABLE, BATTERY NEG. TO GROUND STUD	
7	REF	1	 BATTERY ASSEMBLY	ES-1


 See referenced page for component or assembly breakdown.




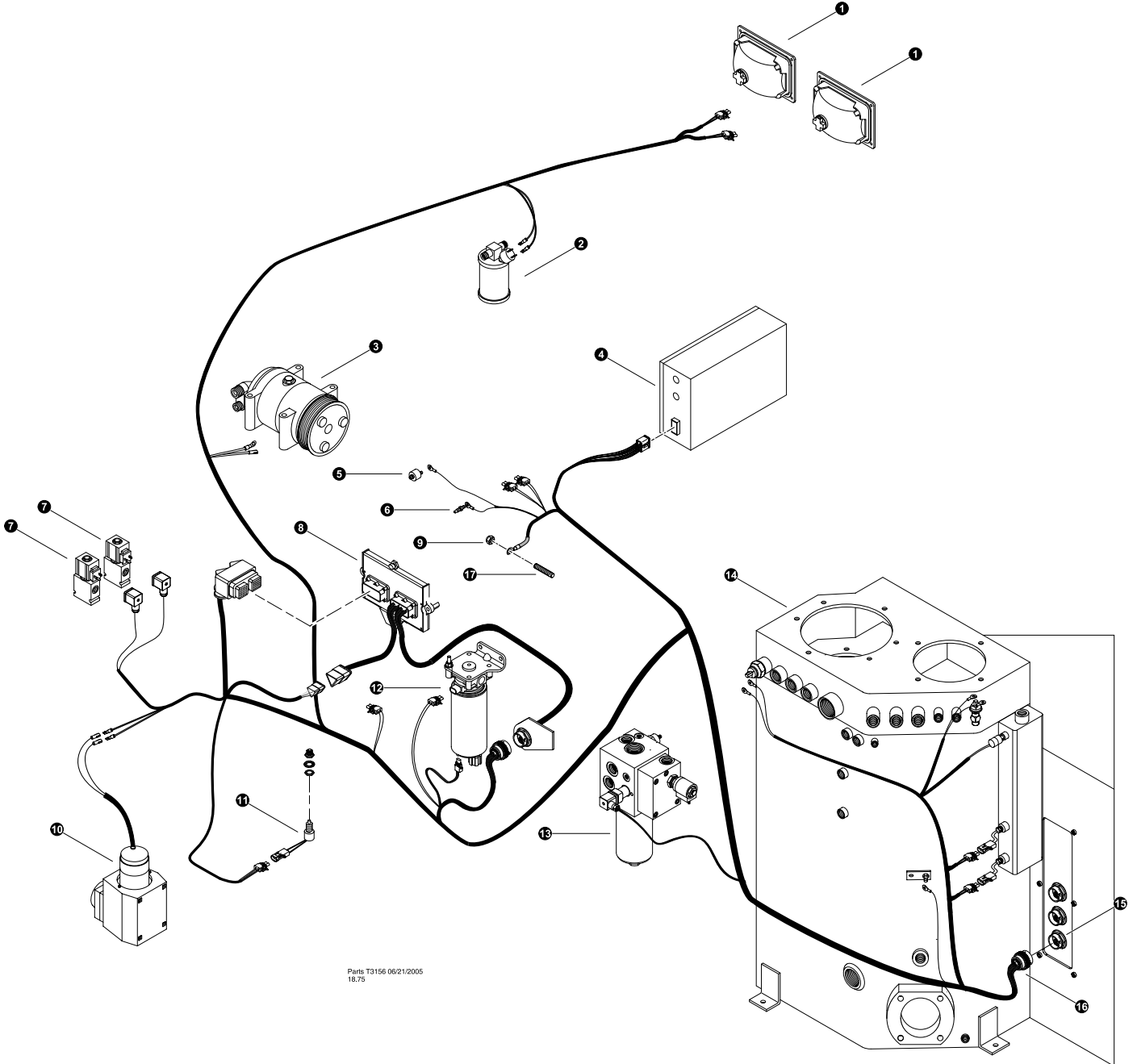
18.75

Parts T3382 04/05/2006

ENGINE ELECTRICAL SYSTEM
Cab Load Center Power Harness
(Machine built after SN 143-021306)

REF	PART #	QTY	DESCRIPTION	SEE SECTION
1	REF.	1	 ENGINE ELECTRICAL CENTER ASSEMBLY.....	ES-1
2	23619-ES	1	FUSE, 100 AMP (MEGA)	
3	52385-ES	1	HARNESS, CAB LOAD CENTER FEED (830/630)	

 See referenced page for component or assembly breakdown.

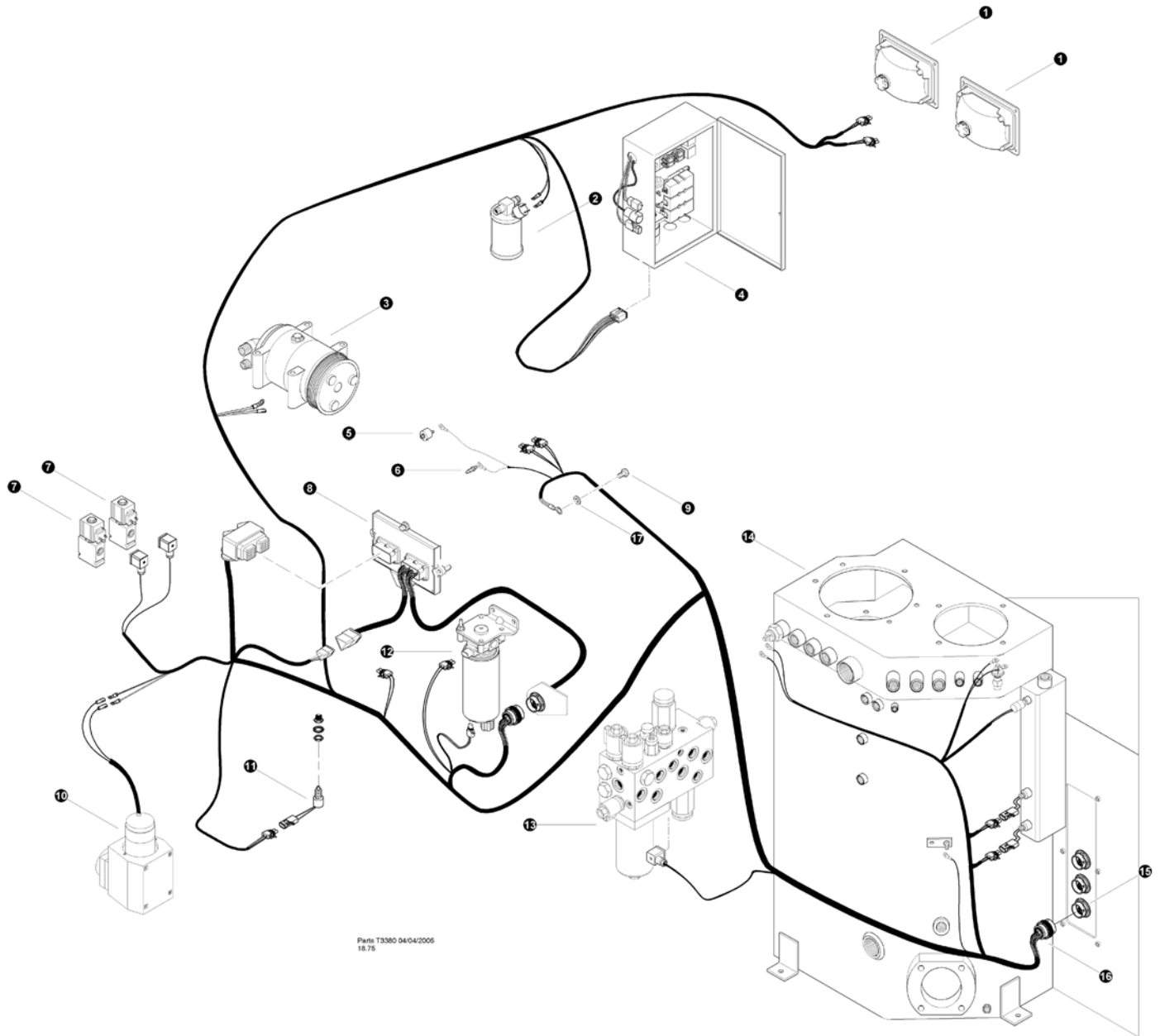


Parts T3156 06/21/2005
18.75














ENGINE ELECTRICAL SYSTEM
Main Engine Electrical Harness
(Cummins QSC Tier2)
(Machine SN 143-021306 and Before)

REF	PART #	QTY	DESCRIPTION	SEE SECTION
1	REF	1	LIGHT ASSEMBLY	ES-1
2	REF	1	AC DRIER with BIANARY SWITCH ASSEMBLY	OC-3
3	REF.	1	AC COMPRESSOR	EE-1
4	REF.	1	ENGINE ELECTRICAL CENTER	ES-1
5	REF.	1	ENGINE OIL PRESSURE SENDER	EE-1
6	REF.	1	ENGINE TEMPERATURE SENDER	EE-1
7	REF.	1	VACUUM / VENT VALVE	UP-2
8	REF.	1	ENGINE ECU	EE-1
9	10815-ES	1	NUT, LOCK - .5"	
10	REF.	1	VACUUM PUMP	UP-2
11	25104-ES	1	SWITCH, DOOR LIMIT/FILL PUMP	
12	REF	1	FUEL HEATER / FILTER ASSEMBLY	EE-1
13	REF	1	WHEEL DRIVE CHARGE FILTER ASSEMBLY	WD-3
14	REF	1	HYDRAULIC TANK ASSEMBLY	UP-2
15	REF	1	OPERATORS CAB ELECTRICAL CENTER	ES-2
16	51743-ES	1	HARNESS, ENGINE COMPARTMENT - 830/630	
17	REF	1	GROUND STUD ASSEMBLY	ES-1

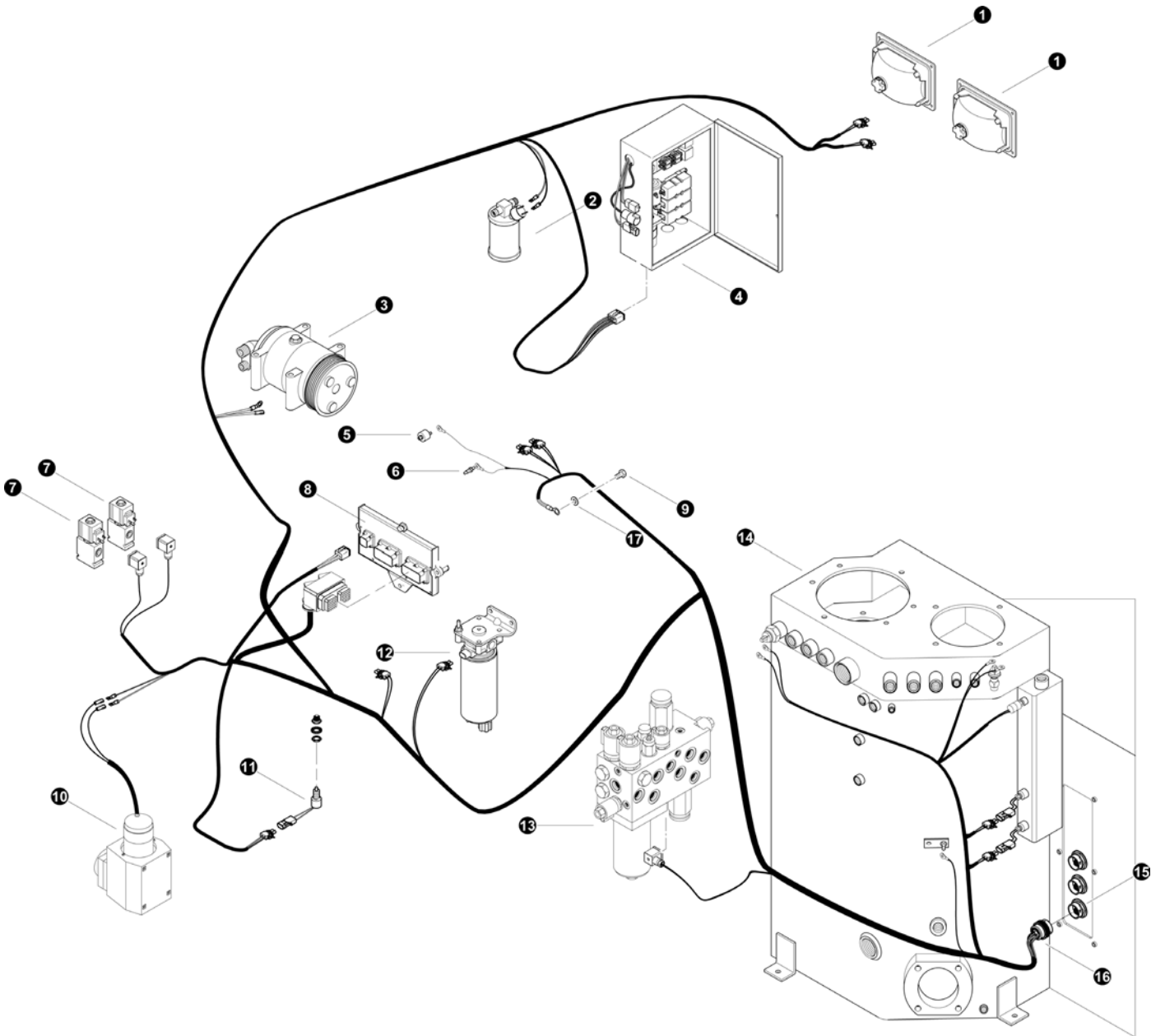
See referenced page for component or assembly breakdown.



ENGINE ELECTRICAL SYSTEM
Main Engine Electrical Harness
(Cummins QSC Tier2)
(Machine SN 144-021306 to 188-020207)

REF	PART #	QTY	DESCRIPTION	SEE SECTION
1	REF	1	 LIGHT ASSEMBLY	ES-1
2	REF	1	 AC DRIER with BIANARY SWITCH ASSEMBLY	OC-3
3	REF.	1	 AC COMPRESSOR	EE-1
4	REF.	1	 ENGINE ELECTRICAL CENTER	ES-1
5	REF.	1	 ENGINE OIL PRESSURE SENDER	EE-1
6	REF.	1	 ENGINE TEMPERATURE SENDER	EE-1
7	REF.	1	 VACUUM / VENT VALVE	UP-2
8	REF.	1	 ENGINE ECU	EE-1
9	18415-ES	1	BOLT - 12MM-1.75P X 30MM	
10	REF.	1	 VACUUM PUMP	UP-2
11	25104-ES	1	SWITCH, DOOR LIMIT/FILL PUMP	
12	REF	1	 FUEL HEATER / FILTER ASSEMBLY	EE-1
13	REF	1	 WHEEL DRIVE CHARGE FILTER ASSEMBLY	WD-3
14	REF	1	 HYDRAULIC TANK ASSEMBLY	UP-2
15	REF	1	 OPERATORS CAB ELECTRICAL CENTER	ES-2
16	52368-ES	1	HARNESS, ENGINE COMPARTMENT - 830/630	
17	15534-ES	2	WASHER, SAE FLAT - .5"	














 See referenced page for component or assembly breakdown.



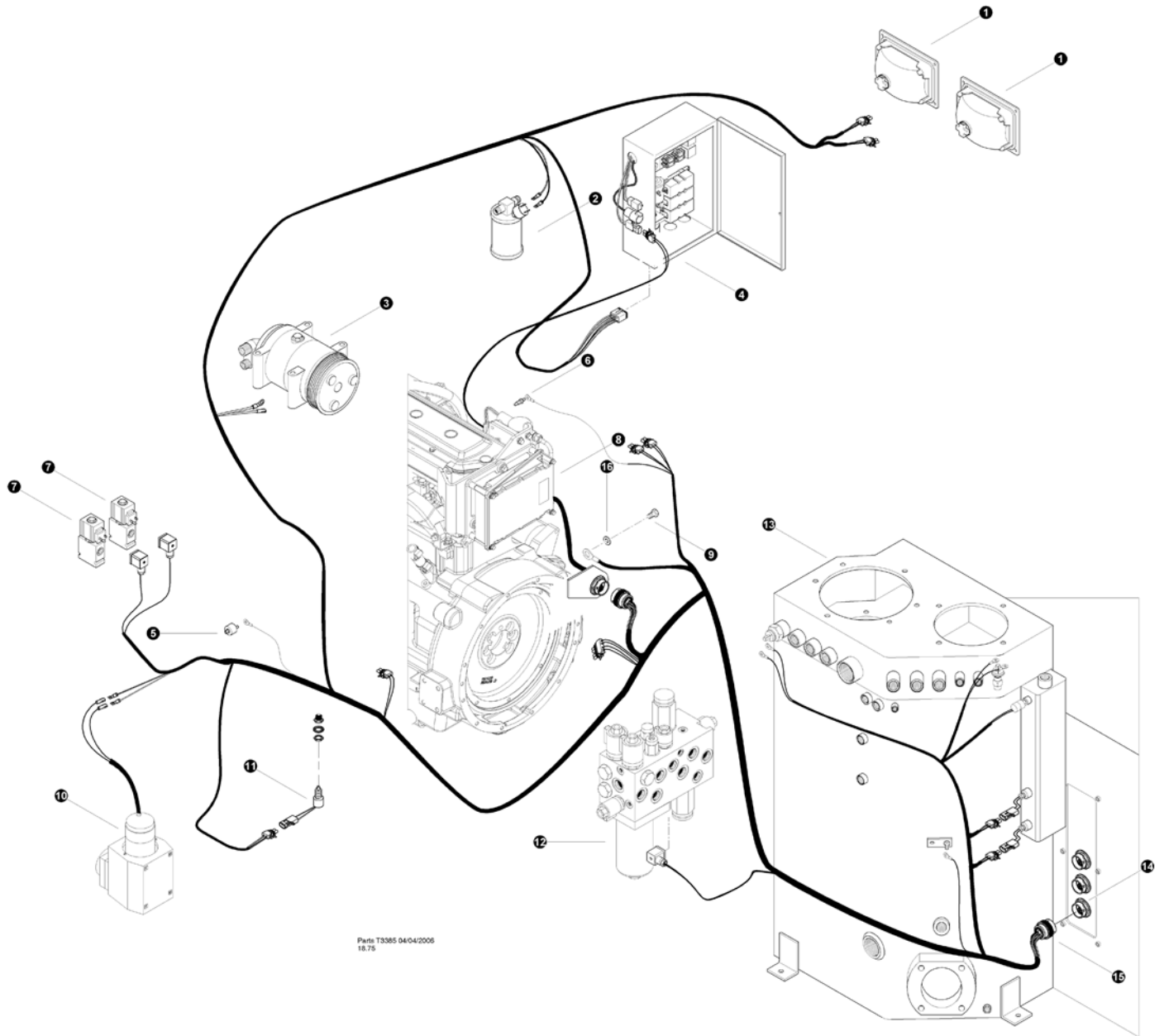
Parts T3508 10/23/2006
18.75

ENGINE ELECTRICAL SYSTEM













Main Engine Electrical Harness (Cummins QSC and QSB Tier3) (Machines SN 0189-020907 and After)


REF	PART #	QTY	DESCRIPTION	SEE SECTION
1	REF	1	 LIGHT ASSEMBLY	ES-1
2	REF	1	 AC DRIER with BIANARY SWITCH ASSEMBLY	OC-3
3	REF.	1	 AC COMPRESSOR	EE-1
4	REF.	1	 ENGINE ELECTRICAL CENTER	ES-1
5	REF.	1	 ENGINE OIL PRESSURE SENDER	EE-1
6	REF.	1	 ENGINE TEMPERATURE SENDER	EE-1
7	REF.	1	 VACUUM / VENT VALVE	UP-2
8	REF.	1	 ENGINE ECU	EE-1
9	18415-ES	1	BOLT - 12MM-1.75P X 30MM	
10	REF.	1	 VACUUM PUMP	UP-2
11	25104-ES	1	SWITCH, DOOR LIMIT/FILL PUMP	
12	REF	1	 FUEL HEATER / FILTER ASSEMBLY	EE-1
13	REF	1	 WHEEL DRIVE CHARGE FILTER ASSEMBLY	WD-3
14	REF	1	 HYDRAULIC TANK ASSEMBLY	UP-2
15	REF	1	 OPERATORS CAB ELECTRICAL CENTER	ES-2
16	52637-ES	1	HARNESS, ENGINE COMP - 830/630 (Tier 3)	
17	15534-ES	2	WASHER, SAE FLAT - .5"	

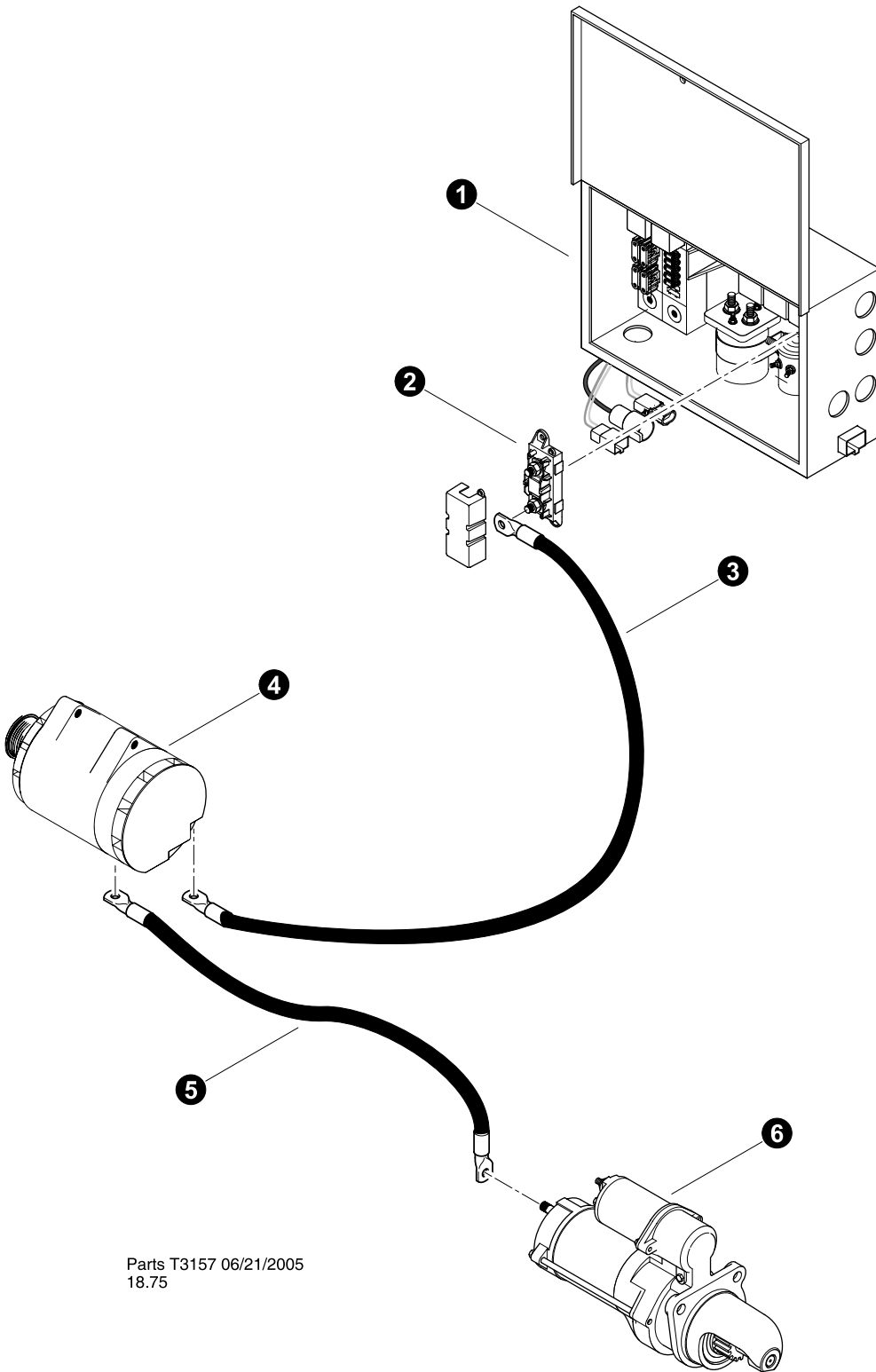
 See referenced page for component or assembly breakdown.



ENGINE ELECTRICAL SYSTEM
Main Engine Electrical Harness
(John Deere Engine)
(Machine SN 144-021306 and after)




REF	PART #	QTY	DESCRIPTION	SEE SECTION
1	REF	1	 LIGHT ASSEMBLY	ES-1
2	REF	1	 AC DRIER with BIANARY SWITCH ASSEMBLY	OC-3
3	REF.	1	 AC COMPRESSOR	EE-1
4	REF.	1	 ENGINE ELECTRICAL CENTER	ES-1
5	REF.	1	 ENGINE OIL PRESSURE SENDER	EE-1
6	REF.	1	 ENGINE TEMPERATURE SENDER	EE-1
7	REF.	1	 VACUUM / VENT VALVE	UP-2
8	REF.	1	 ENGINE ECU	EE-1
9	18415-ES	1	BOLT - 12MM-1.75P X 30MM	
10	REF.	1	 VACUUM PUMP	UP-2
11	25104-ES	1	SWITCH, DOOR LIMIT/FILL PUMP	
12	REF	1	 WHEEL DRIVE CHARGE FILTER ASSEMBLY	WD-3
13	REF	1	 HYDRAULIC TANK ASSEMBLY	UP-2
14	REF	1	 OPERATORS CAB ELECTRICAL CENTER	ES-2
15	-ES	1	HARNESS, ENGINE COMPARTMENT - 830/630	
16	15534-ES	2	WASHER, SAE FLAT - .5"	

 See referenced page for component or assembly breakdown.

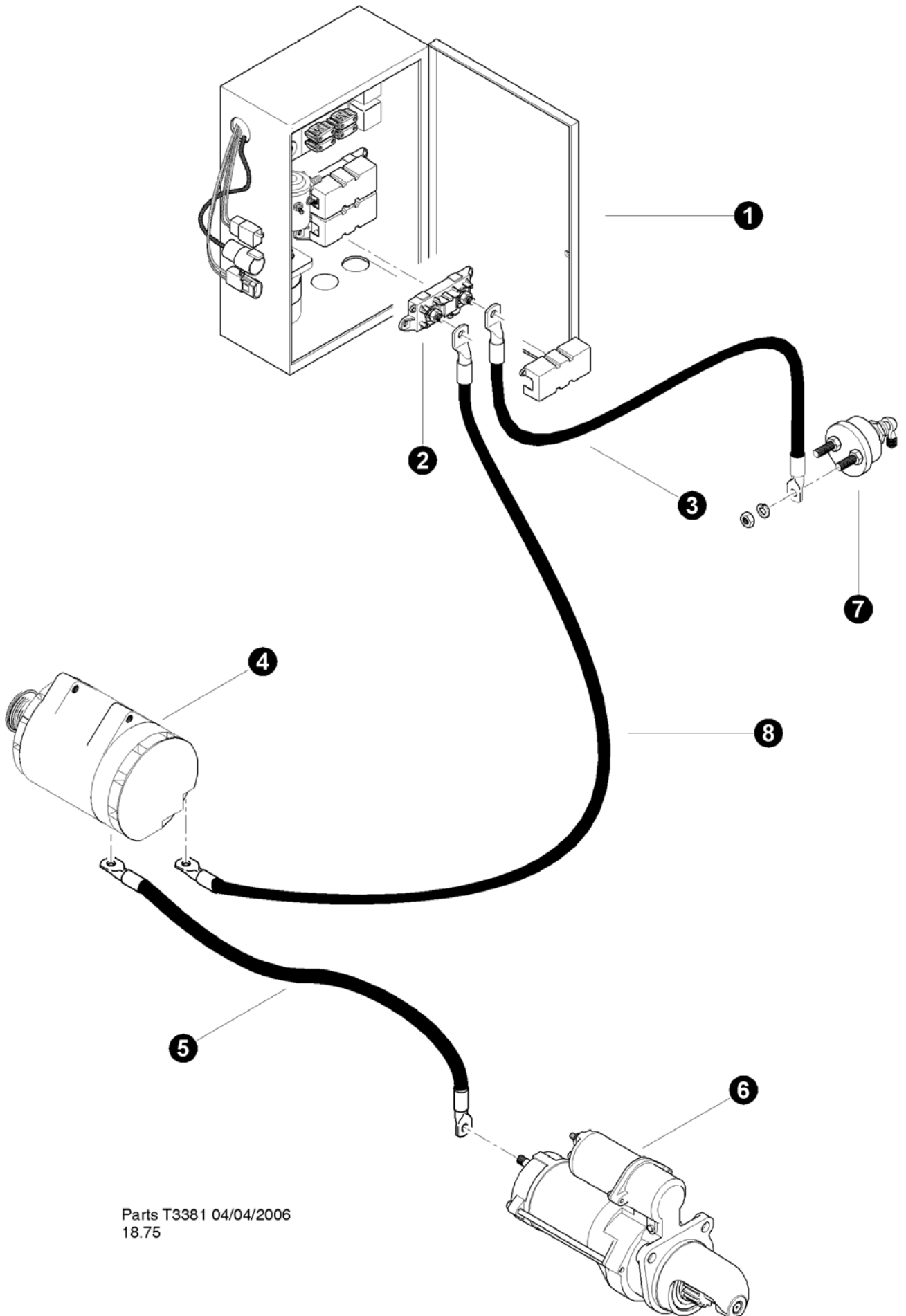


Parts T3157 06/21/2005
18.75

ENGINE ELECTRICAL SYSTEM
Alternator Electrical
(Cummins QSC)
(Machine built before SN 144-021306)




REF	PART #	QTY	DESCRIPTION	SEE SECTION
1	REF.	1	 ENGINE ELECTRICAL CENTER ASSEMBLY.....	ES-1
2	23619-ES	1	FUSE, 100 AMP (MEGA)	
3	51744-ES	1	CABLE, ATL. TO FUSE CHARGE - 830/630	
4	REF.	1	 ALTERNATOR	EE/JD
5	24304-ES		CABLE, ALTERNATOR GROUND	
6	REF.	1	 STARTER	EE/JD


 See referenced page for component or assembly breakdown.

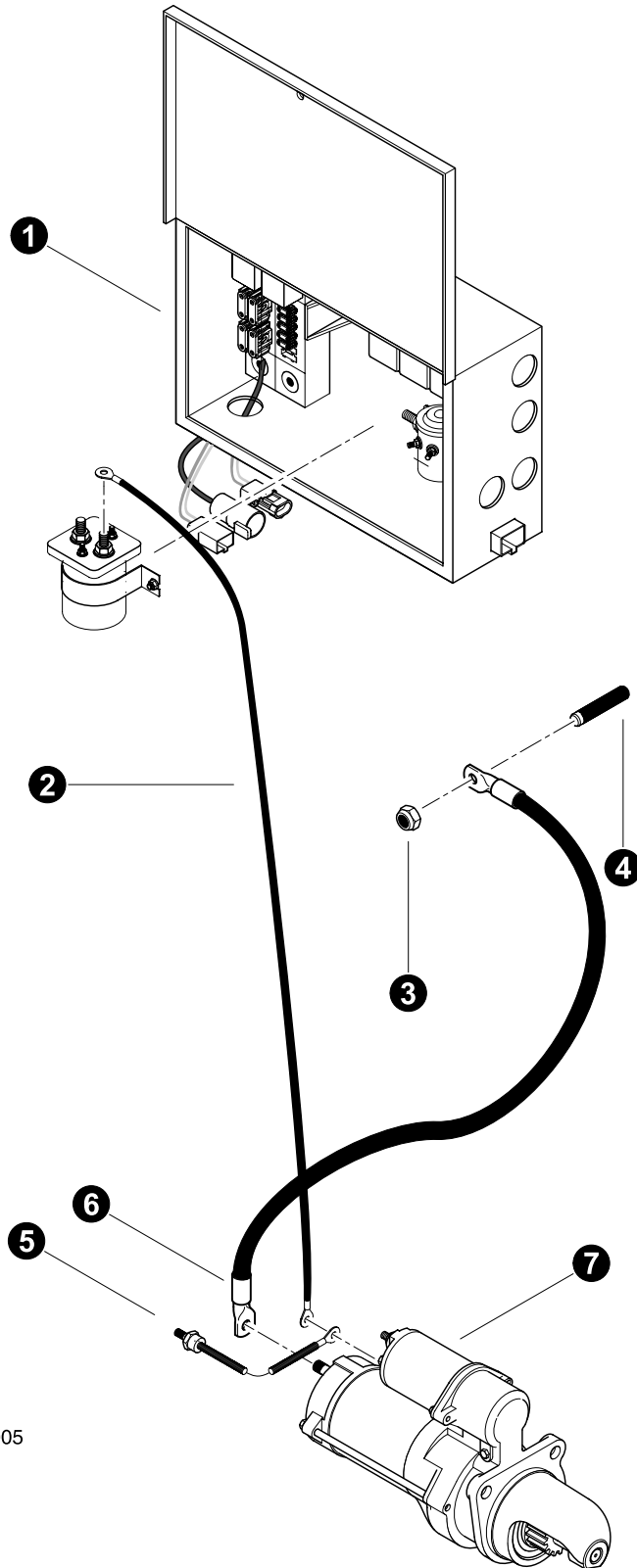


Parts T3381 04/04/2006
18.75

ENGINE ELECTRICAL SYSTEM
Alternator Electrical
(Cummins QSC)
(Machine SN 144-021306 and after)




REF	PART #	QTY	DESCRIPTION	SEE SECTION
1	REF.	1	 ENGINE ELECTRICAL CENTER ASSEMBLY.....	ES-1
2	23619-ES	1	FUSE, 100 AMP (MEGA)	
3	52388-ES	1	CABLE, STARTER TO FUSE (830-630)	
4	REF.	1	 ALTERNATOR	EE/JD
5	24304-ES	1	CABLE, ALTERNATOR GROUND	
6	REF.	1	 STARTER	EE/JD
7	25200-ES	1	SWITCH, MASTER SHUT-OFF(1/2" STUD)	
8	52389-ES	1	CABLE, ALT. TO FUSE CHARGE (830/630)	


 See referenced page for component or assembly breakdown.

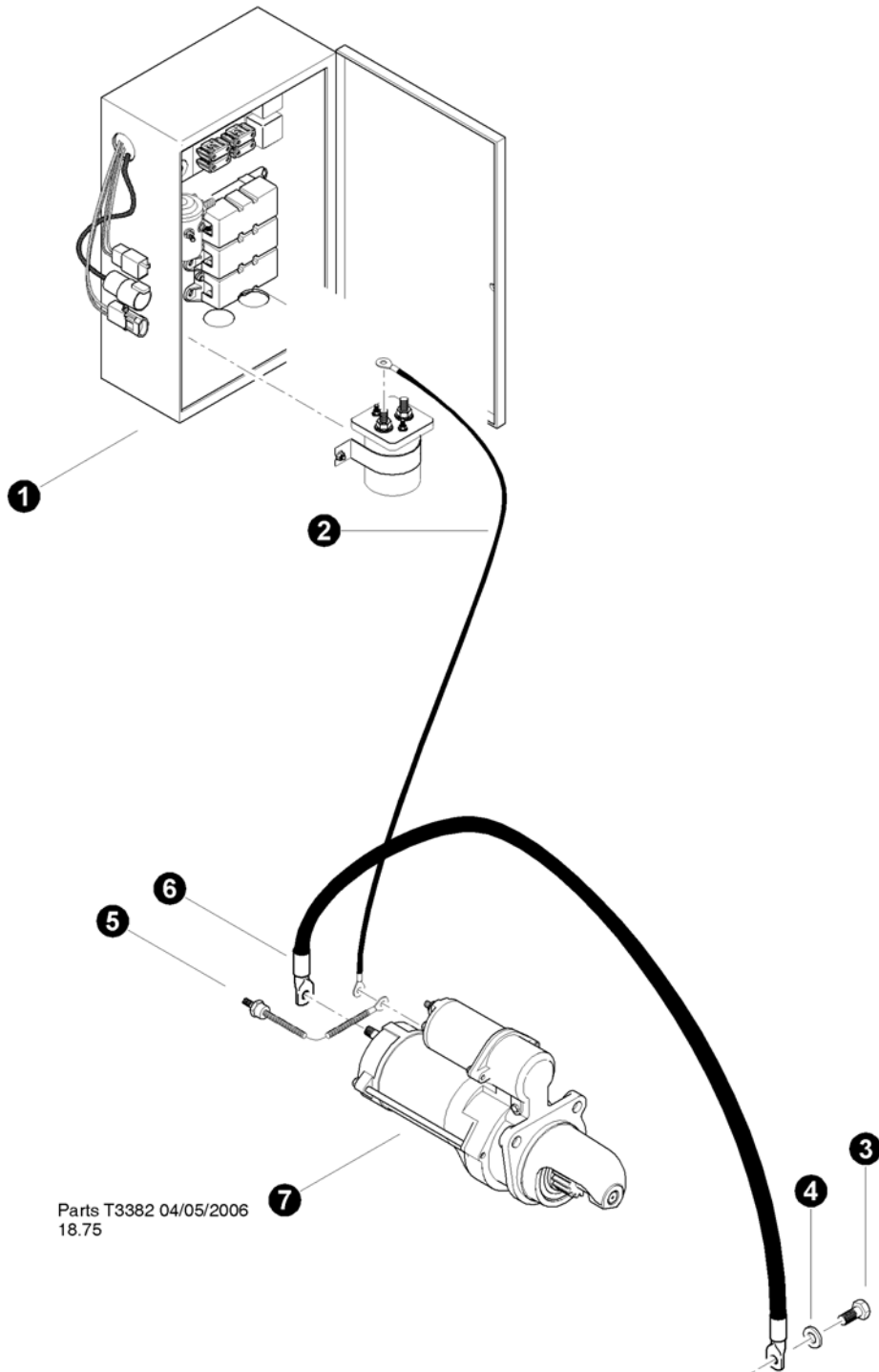


Parts T3158 06/21/2005
18.75




ENGINE ELECTRICAL SYSTEM
Starter Electrical
(Cummins QSC)
(Machine built before SN 144-021306)


REF	PART #	QTY		DESCRIPTION	SEE SECTION
1	REF.	1		ENGINE ELECTRICAL CENTER ASSEMBLY.....	ES-1
2	51750-ES	1		CABLE, START RELAY TO STARTER SOL.	
3	10815-ES	1		NUT, LOCK - .5"	
4	REF	1		GROUND STUD ASSEMBLY.....	ES-1
5	25052-ES	1		DIODE, assembly engine start relay	
6	17394-ES	1		CABLE, BATTERY - C SERIES STARTER GROUND	
7	REF.	1		STARTER.....	EE/JD

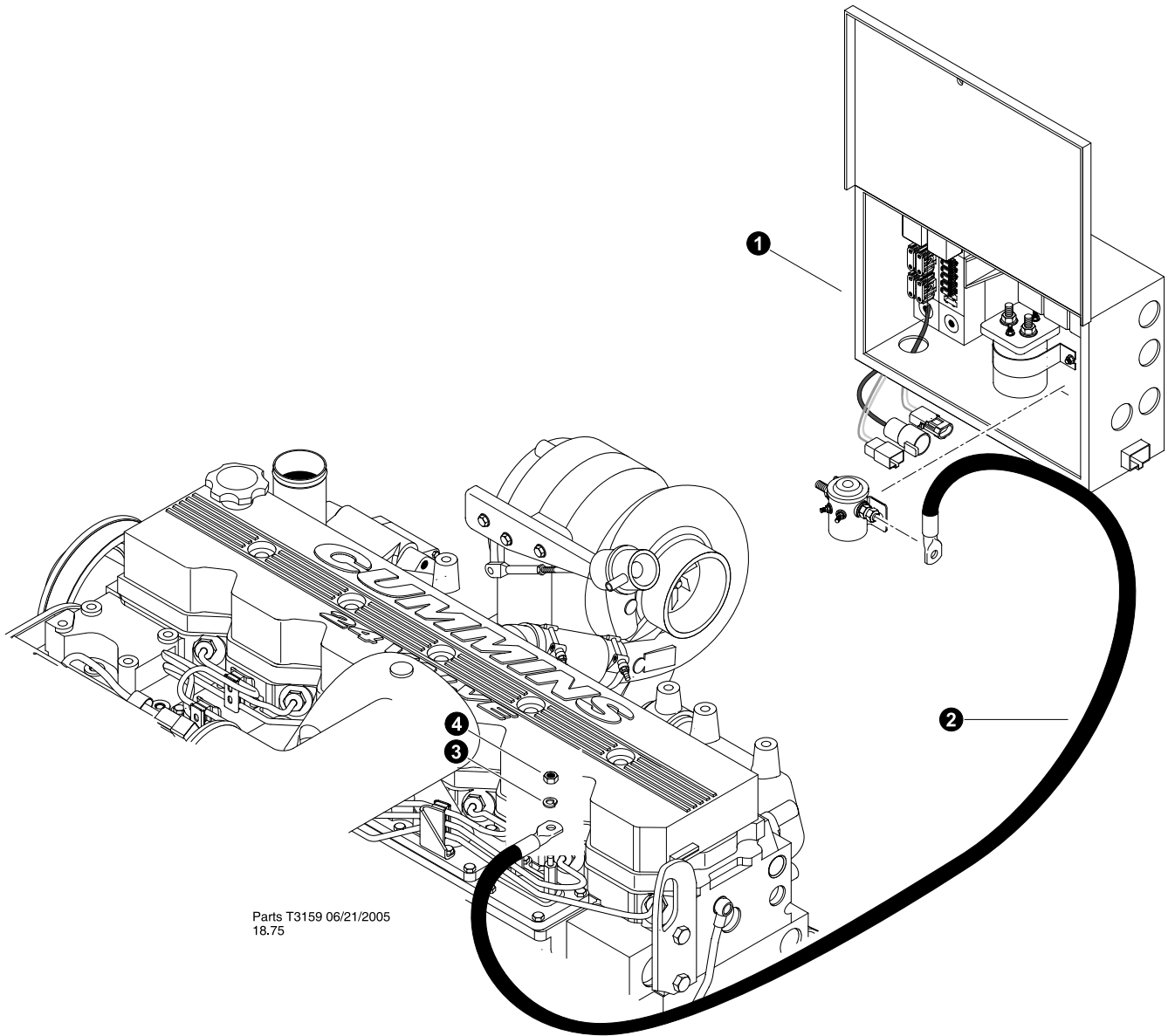
 See referenced page for component or assembly breakdown.



ENGINE ELECTRICAL SYSTEM
Starter Electrical
(Cummins QSC)
(Machine SN 144-021306 and after)


REF	PART #	QTY		DESCRIPTION	SEE SECTION
1	REF.	1		ENGINE ELECTRICAL CENTER ASSEMBLY.....	ES-1
2	52391ES	1		CABLE, START RELAY TO STARTER SOL.	
3	10815-ES	1		NUT, LOCK - .5"	
4	REF	1		GROUND STUD ASSEMBLY.....	ES-1
5	25052-ES	1		DIODE, assembly engine start relay	
6	17394-ES	1		CABLE, BATTERY - C SERIES STARTER GROUND	
7	REF.	1		STARTER.....	EE/JD


 See referenced page for component or assembly breakdown.

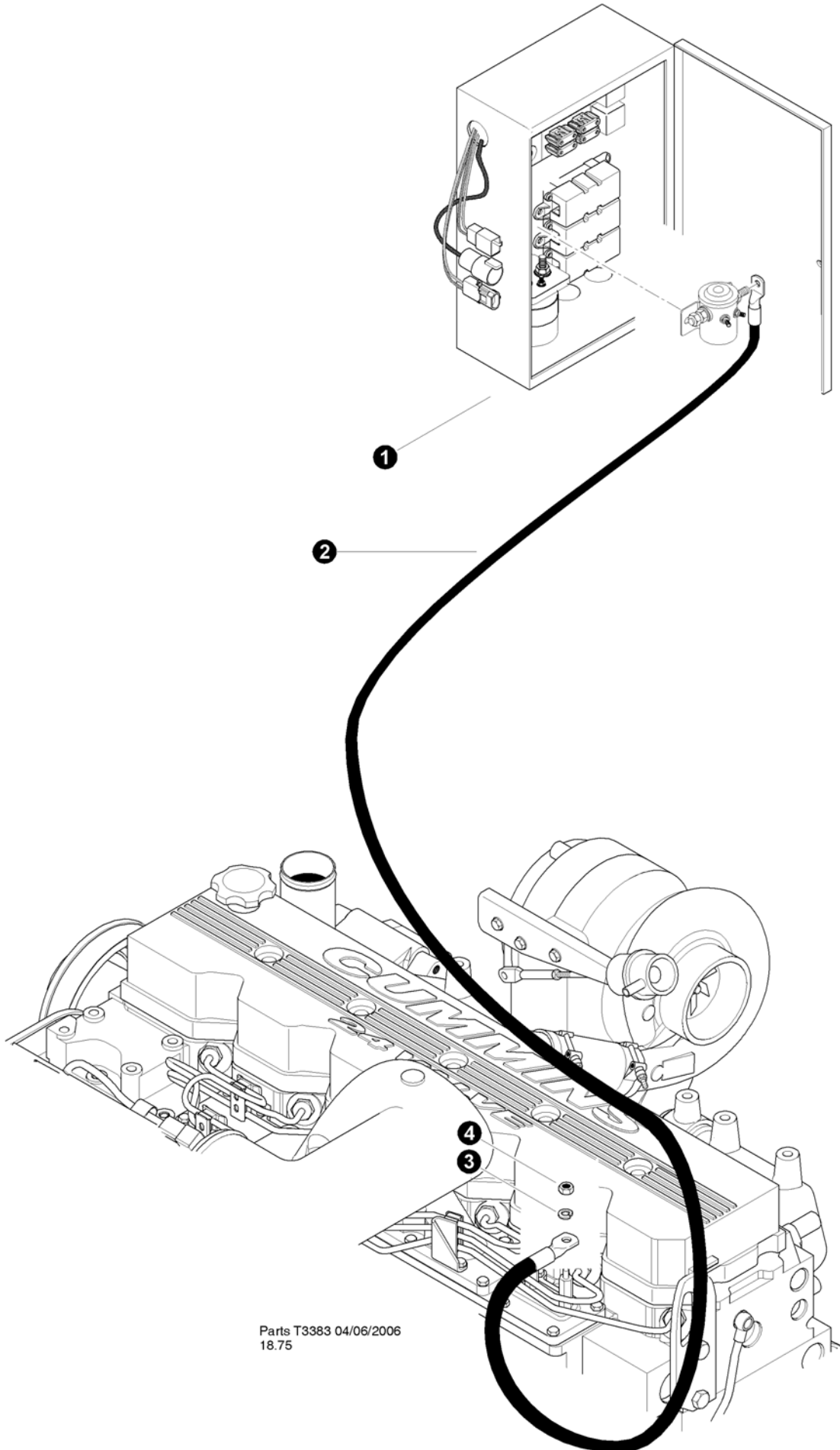


Parts T3159 06/21/2005
18.75

ENGINE ELECTRICAL SYSTEM
Grid Heater Cable
(Cummins QSC)
(Machine built before SN 144-021306)


REF	PART #	QTY		DESCRIPTION	SEE SECTION
1	REF.	1		ENGINE ELECTRICAL CENTER ASSEMBLY.....	ES-1
2	51767-ES	1		CABLE, GRID HEATER (830/630)	
3	10756-ES	1		WASHER, LOCK - .25"	
4	16117	1		NUT, HEX - 6MM	


 See referenced page for component or assembly breakdown.

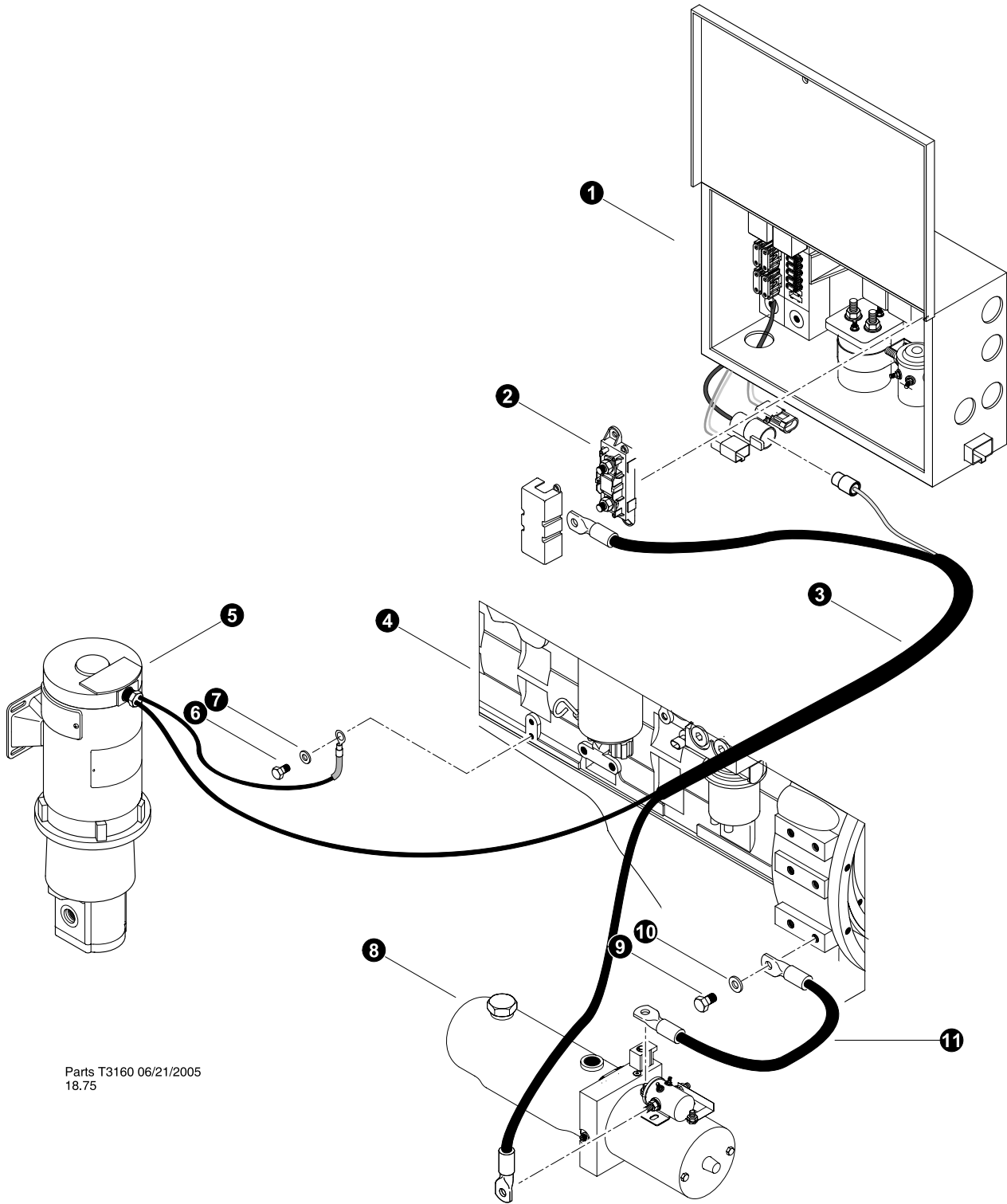


Parts T3383 04/06/2006
18.75

ENGINE ELECTRICAL SYSTEM
Grid Heater Cable
(Cummins QSC)
(Machine SN 144-021306 and after)





REF	PART #	QTY	DESCRIPTION	SEE SECTION
1	REF.	1	 ENGINE ELECTRICAL CENTER ASSEMBLY.....	ES-1
2	52386-ES	1	CABLE, GRID HEATER (830/630)	
3	10756-ES	1	WASHER, LOCK - .25"	
4	16117	1	NUT, HEX - 6MM	


 See referenced page for component or assembly breakdown.

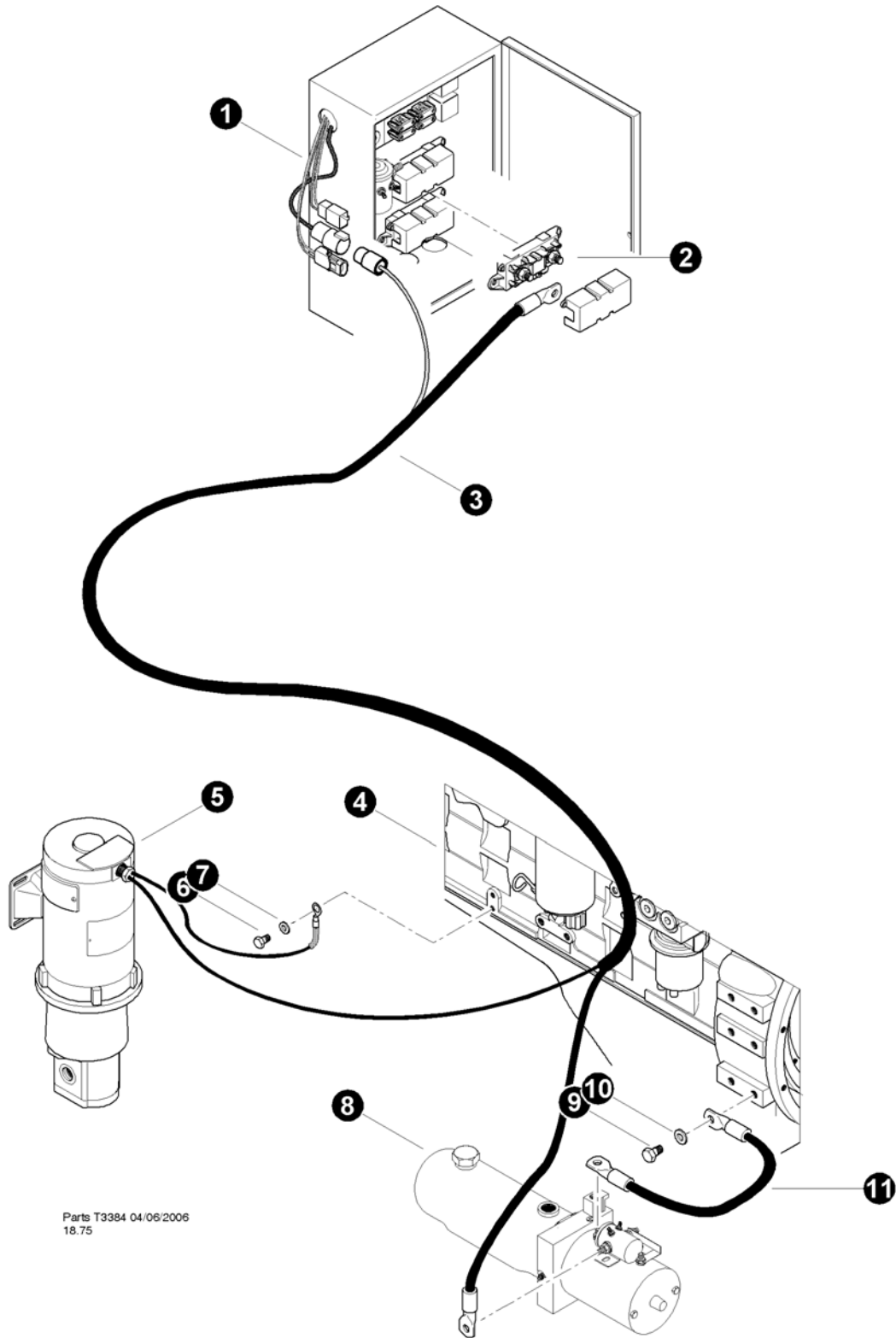


Parts T3160 06/21/2005
18.75

ENGINE ELECTRICAL SYSTEM
Fill Pump and Gull Wing Lift Pump Harness
(Machine built before SN 144-021306)





REF	PART #	QTY	DESCRIPTION	SEE SECTION
1	REF.	1	 ENGINE ELECTRICAL CENTER ASSEMBLY.....	ES-1
2	23619-ES	1	FUSE, 100 AMP (MEGA)	
3	51748-ES	1	CABLE, FILL PUMP/DOOR PUMP	
4	REF.	1	 ENGINE ASSEMBLY	EE/JD
5	REF.	1	 FILL PUMP ASSEMBLY	UP-2
6	15556-ES	1	BOLT - 12MM-1.75P X 20MM	
7	15534-ES	1	WASHER, SAE FLAT - .5"	
8	REF	1	 GULL WING DOOR LIFT PUMP ASSEMBLY	UP-3
9	15556-ES	1	BOLT - 12MM-1.75P X 20MM	
10	15534-ES	1	WASHER, SAE FLAT - .5"	
11	51875-ES	1	CABLE, GROUND - LIFT PUMP 830/630	

 See referenced page for component or assembly breakdown.

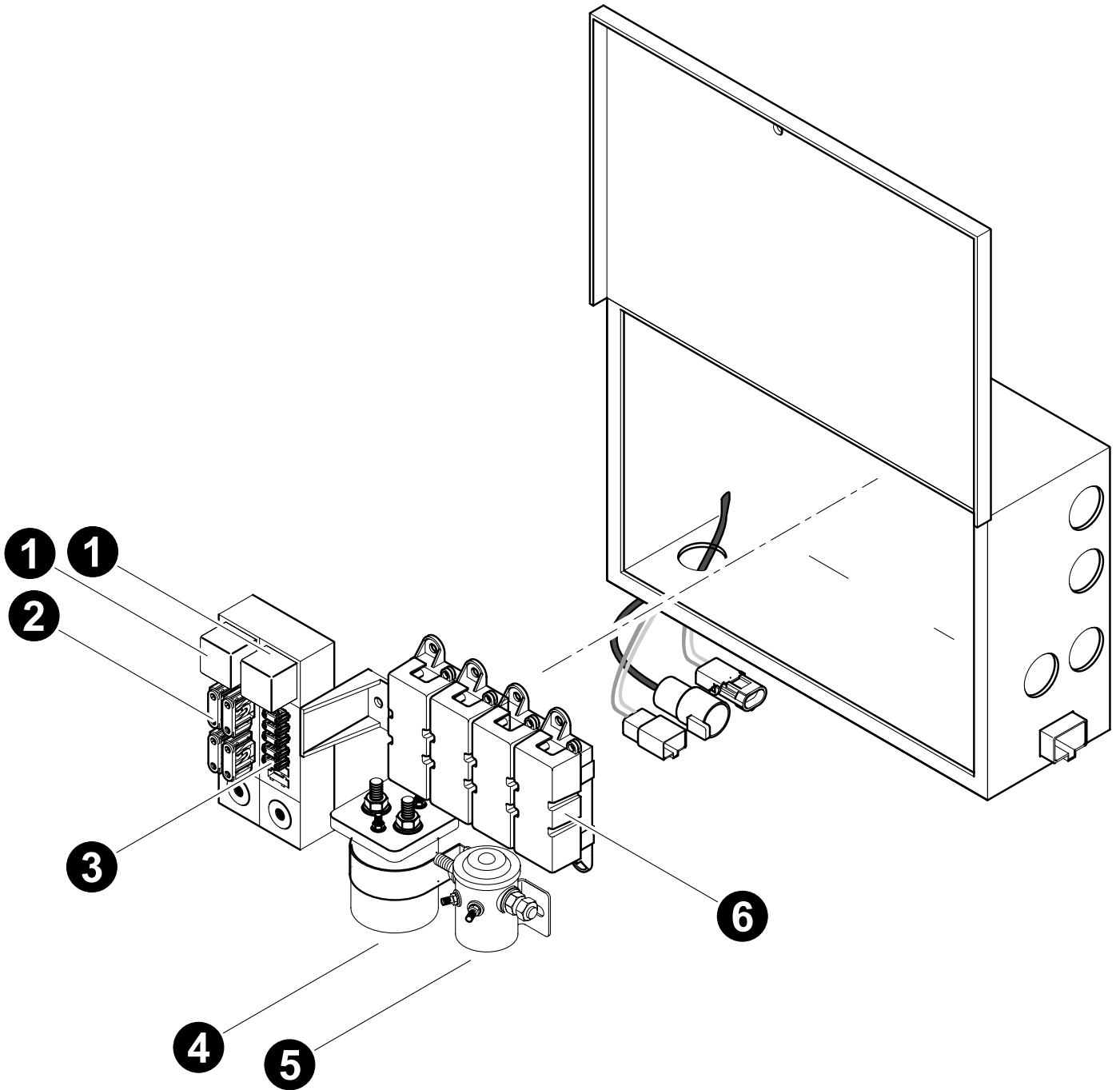


Parts T3384 04/06/2006
18.75

ENGINE ELECTRICAL SYSTEM
Fill Pump and Gull Wing Lift Pump Harness
(Machine SN 144-021306 and after)

REF	PART #	QTY		DESCRIPTION	SEE SECTION
1	REF.	1		ENGINE ELECTRICAL CENTER ASSEMBLY.....	ES-1
2	23619-ES	1		FUSE, 100 AMP (MEGA)	
3	52387-ES	1		CABLE, FILL PUMP/DOOR PUMP	
4	REF.	1		ENGINE ASSEMBLY	EE/JD
5	REF.	1		FILL PUMP ASSEMBLY	UP-2
6	15556-ES	1		BOLT - 12MM-1.75P X 20MM	
7	15534-ES	1		WASHER, SAE FLAT - .5"	
8	REF	1		GULL WING DOOR LIFT PUMP ASSEMBLY	UP-3
9	15556-ES	1		BOLT - 12MM-1.75P X 20MM	
10	15534-ES	1		WASHER, SAE FLAT - .5"	
11	51875-ES	1		CABLE, GROUND - LIFT PUMP 830/630	

 See referenced page for component or assembly breakdown.



Parts T3161 06/21/2005

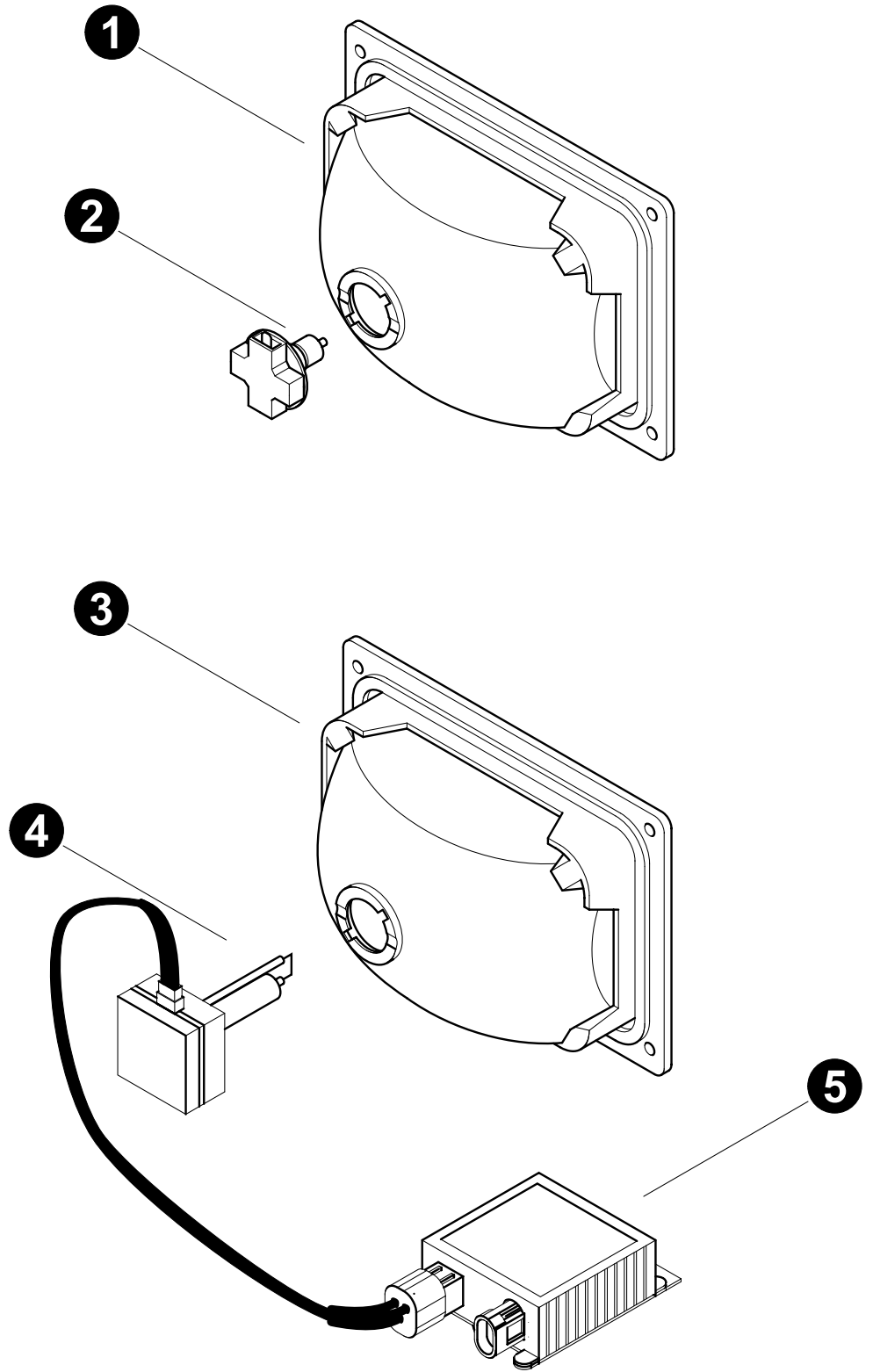
ENGINE ELECTRICAL SYSTEM

Engine Electrical Center Breakdown

REF	PART #	QTY	DESCRIPTION	SEE SECTION
-	51765-ES	1	LOAD CENTER - ENGINE COMPARTMENT(830/630)	
1	51755-ES	2	RELAY, 70 AMP - LIGHTS / IGNITION / ACCESORY	
2	21892-ES	1	FUSE, MAXI - 30 AMP (John Deere Engine)	
	21894-ES	1	FUSE, MAXI - 40 AMP (lights)	
	21893-ES	2	FUSE, MAXI - 50 AMP (fill pump & starter)	
3	24512-ES	4	FUSE, ATO - 10 AMP (lights)	
	51754-ES	1	FUSE, ATO - 10 AMP (Espar Pre Heater)	
4	25117-ES	1	RELAY, STARTER - 24 volt (WHITE/ROGERS)	
5	25199-ES	1	RELAY, GRID HEATER - 24 volt (COLE HERSEE)	
6	23619-ES	4	FUSE, 100 AMP - MEGA (cab power supply, gull wing lift pump, grid heater, alternator)	



See referenced page for component or assembly breakdown.



Parts T3162 06/21/2005

ENGINE ELECTRICAL SYSTEM Lights

REF	PART #	QTY	DESCRIPTION	SEE SECTION
1	23604-ES	1	<input type="checkbox"/> LIGHT, FLUSH MOUNT - 24V	
2	24819-ES	1	BULB, FLUSH MOUNT LIGHT - 24V	
3	51324-ES	1	<input type="checkbox"/> LIGHT, FLUSH MOUNT - 24V (XENON) (Optional)	
4	26858-ES	1	BULB, HID (all HID Lights)	
5	51396-ES	1	BALLAST, assembly 24 volt HID 9760/520	



See referenced page for component or assembly breakdown.

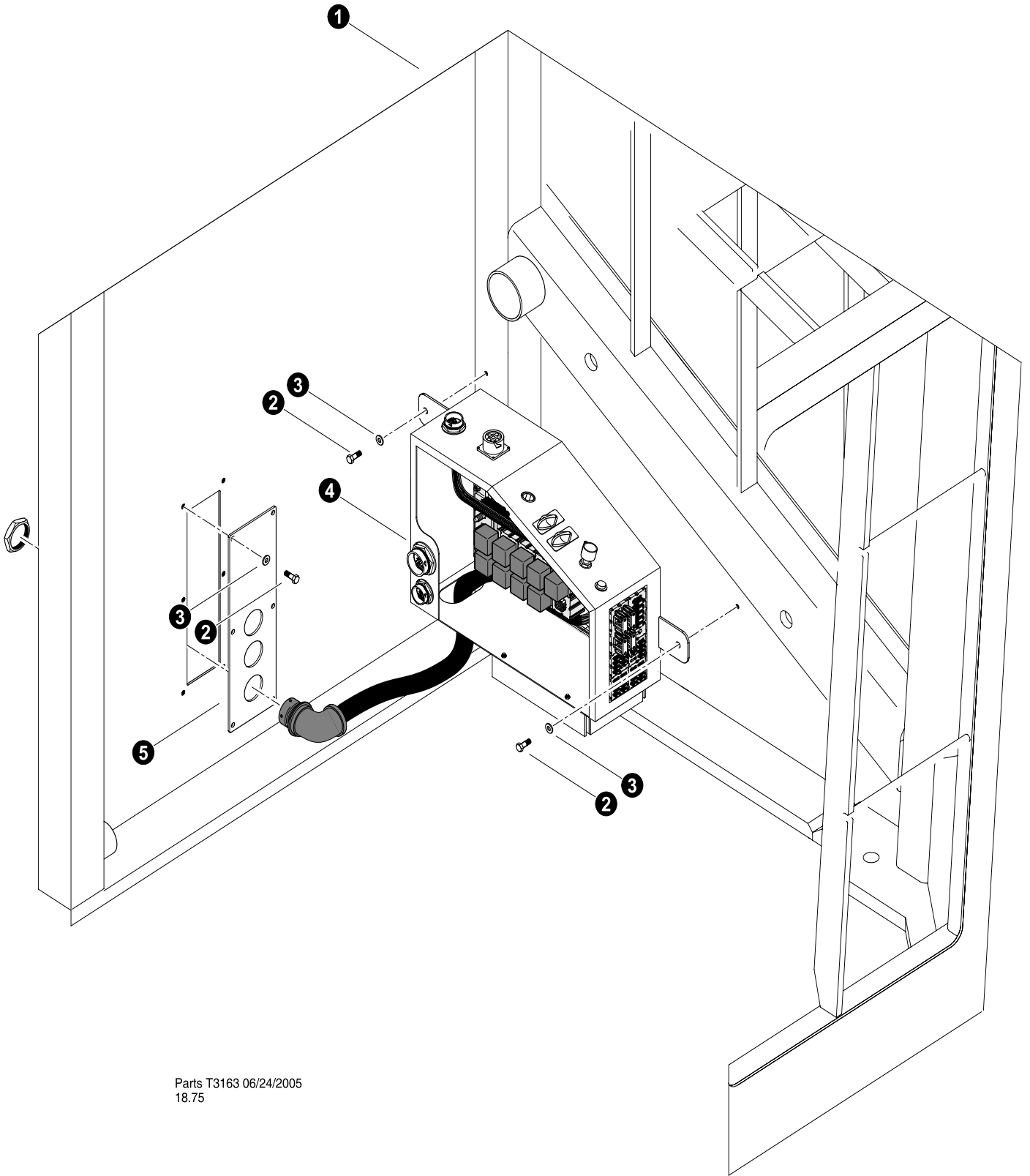


Assembly that includes all items indented below.

THIS PAGE LEFT BLANK FOR NOTES



Section ES-2



Electrical System - Operator's Cab

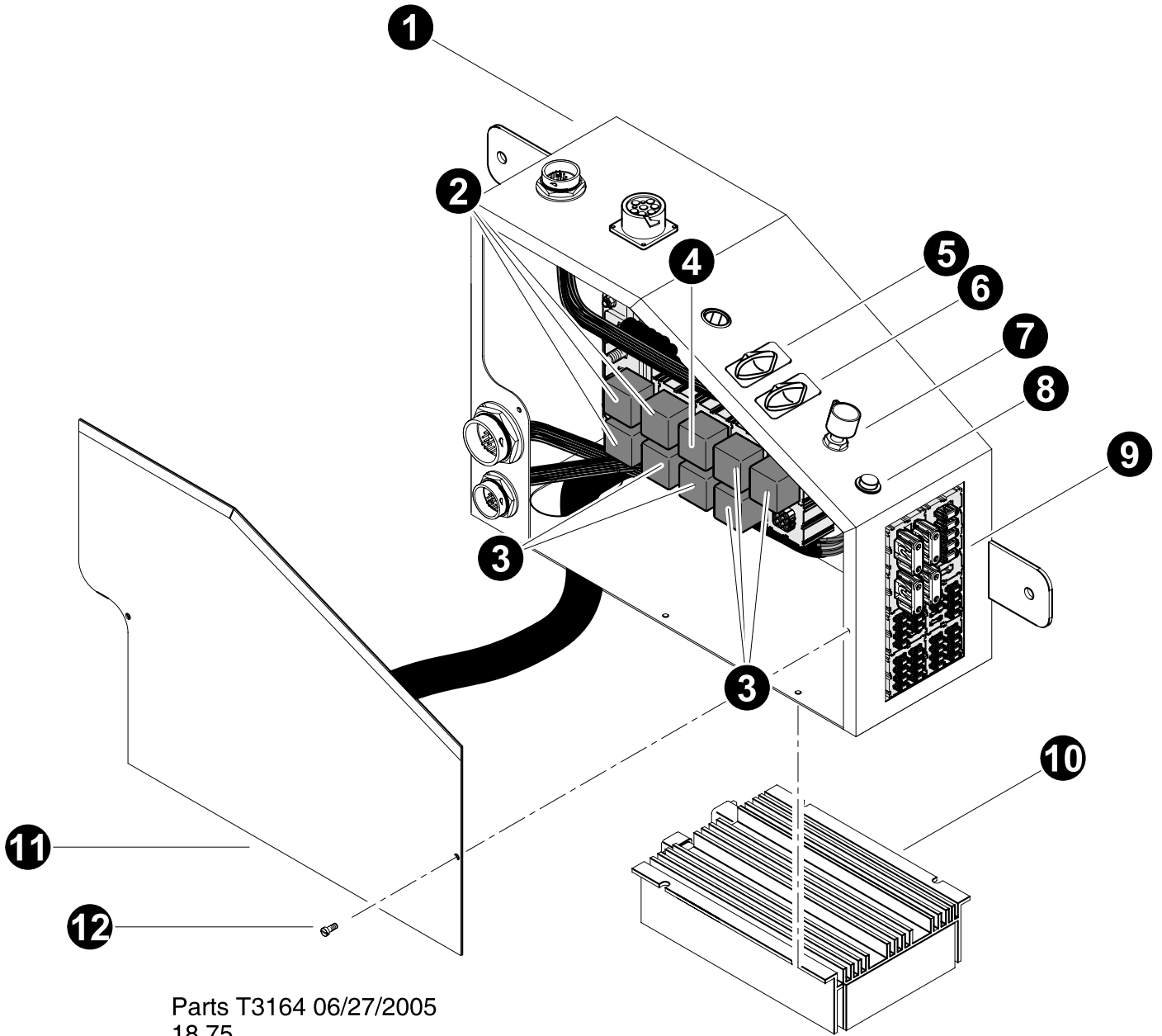


Parts T3163 06/24/2005
18.75

MAIN ELECTRICAL CENTER INSTALLATION

REF	PART #	QTY	DESCRIPTION	SEE SECTION
1	REF	1	 OPERATOR'S CAB ASSEMBLY	OC-1
2	15604-ES	8	BOLT - .25" X .75"	
3	10757-ES	8	WASHER, SAE FLAT - .25"	
4	REF	1	 MAIN ELECTRICAL CENTER ASSEMBLY	ES-2
5	51950-ES	1	BULKHEAD PLATE, CAB REAR	

-  Kit or Assembly - includes all items indented underneath.
-  See referenced page for component or assembly breakdown.

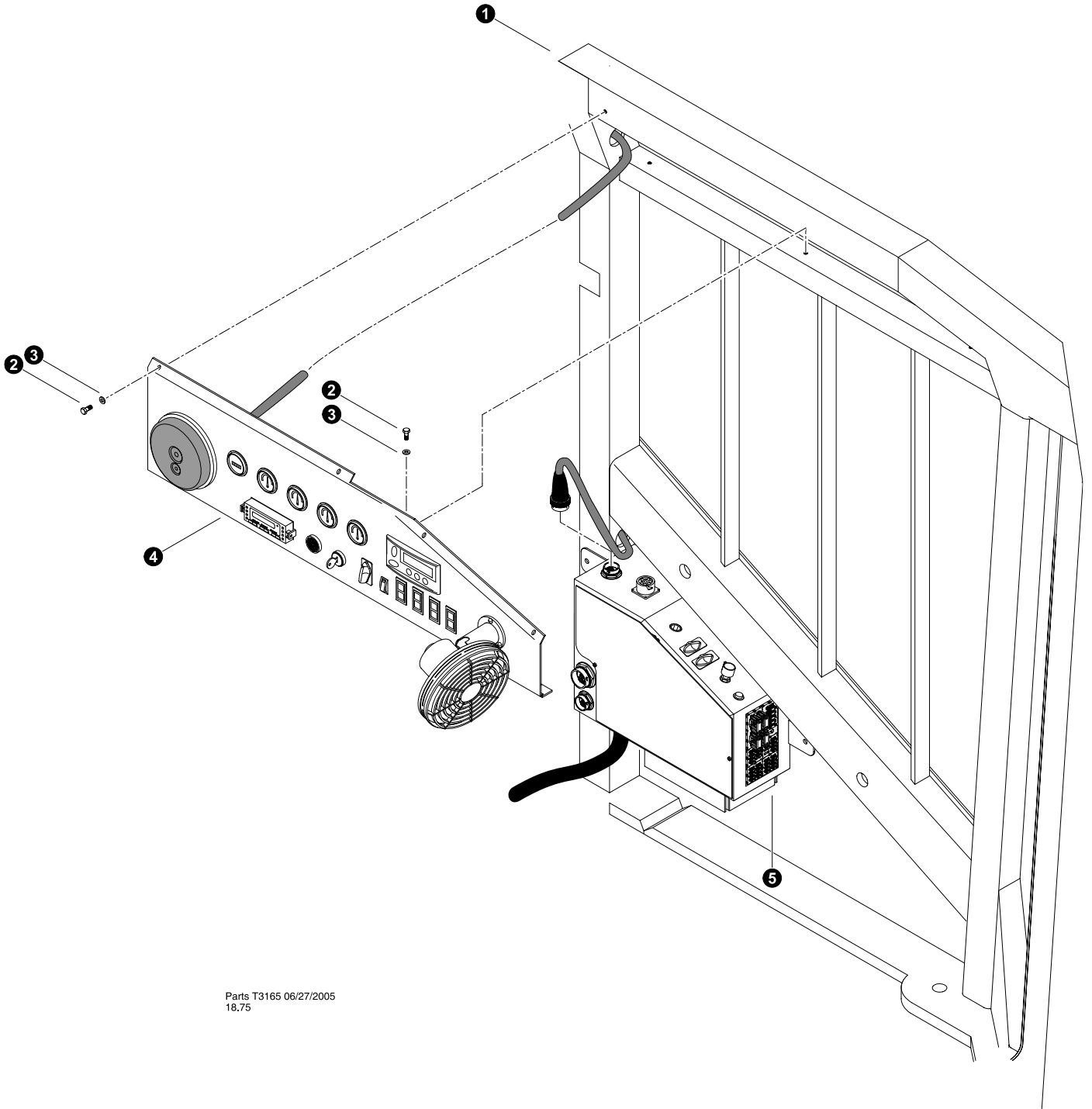


Parts T3164 06/27/2005
18.75

MAIN ELECTRICAL CENTER BREAKDOWN




REF	PART #	QTY	DESCRIPTION	SEE SECTION
1	51766-ES	1	☐ MAIN ELECTRICAL LOAD CENTER (830/630)	
2	51755-ES	3	RELAY, 24-VOLT (70 AMP)	
3	24323-ES	5	RELAY, 24-VOLT (30 AMP)	
4	21895-ES	1	RELAY, 12-VOLT (30 AMP)	
5	51672-ES	1	SWITCH, HEATER FANS - OTTO	
6	51671-ES	1	SWITCH, AC/HEAT MODE - OTTO	
7	REF	1	☒ WATER VALVE CONTROL THERMOSTAT	OC-4
8	52398-ES	1	LIGHT, LED DASH - GREEN	
9	21892-ES	1	FUSE, maxi - 30 amp (<i>Green</i>)	
	21894-ES	1	FUSE, maxi - 40 amp (<i>Orange</i>)	
	21893-ES	1	FUSE, maxi - 50 amp (<i>Red</i>)	
	24321-ES	4	FUSE, MINI - 3 AMP (<i>Purple</i>)	
	21890-ES	7	FUSE, mini - 5 amp (<i>Light brown</i>)	
	21888-ES	5	FUSE, mini - 7.5 amp (<i>Dark Brown</i>)	
	22658-ES	9	FUSE, mini - 10 amp (<i>Red</i>)	
	21887-ES	4	FUSE, mini - 15 amp (<i>Blue</i>)	
	24512-ES	1	FUSE, ATO - 10 AMP (<i>Red</i>)	
	51754-ES	2	FUSE, ATO - 20 AMP (<i>Yellow</i>)	
	50401-ES	3	FUSE, ATO - 30 AMP (<i>Green</i>)	
10	23324-ES	1	CONVERTER, 24V TO 12V - CURRENT 25AMP	
11	42611-ES	1	COVER, ELECTRICAL CENTER	
12	17255-ES	2	SCREW, SELF TAPPING - #10-24 X .75"	
-	51753-ES	1	KIT, ELECTRICAL- FUSE/RELAY- 830/630 24V	



- ☐ Kit or Assembly - includes all items indented underneath.
- ☒ See referenced page for component or assembly breakdown.

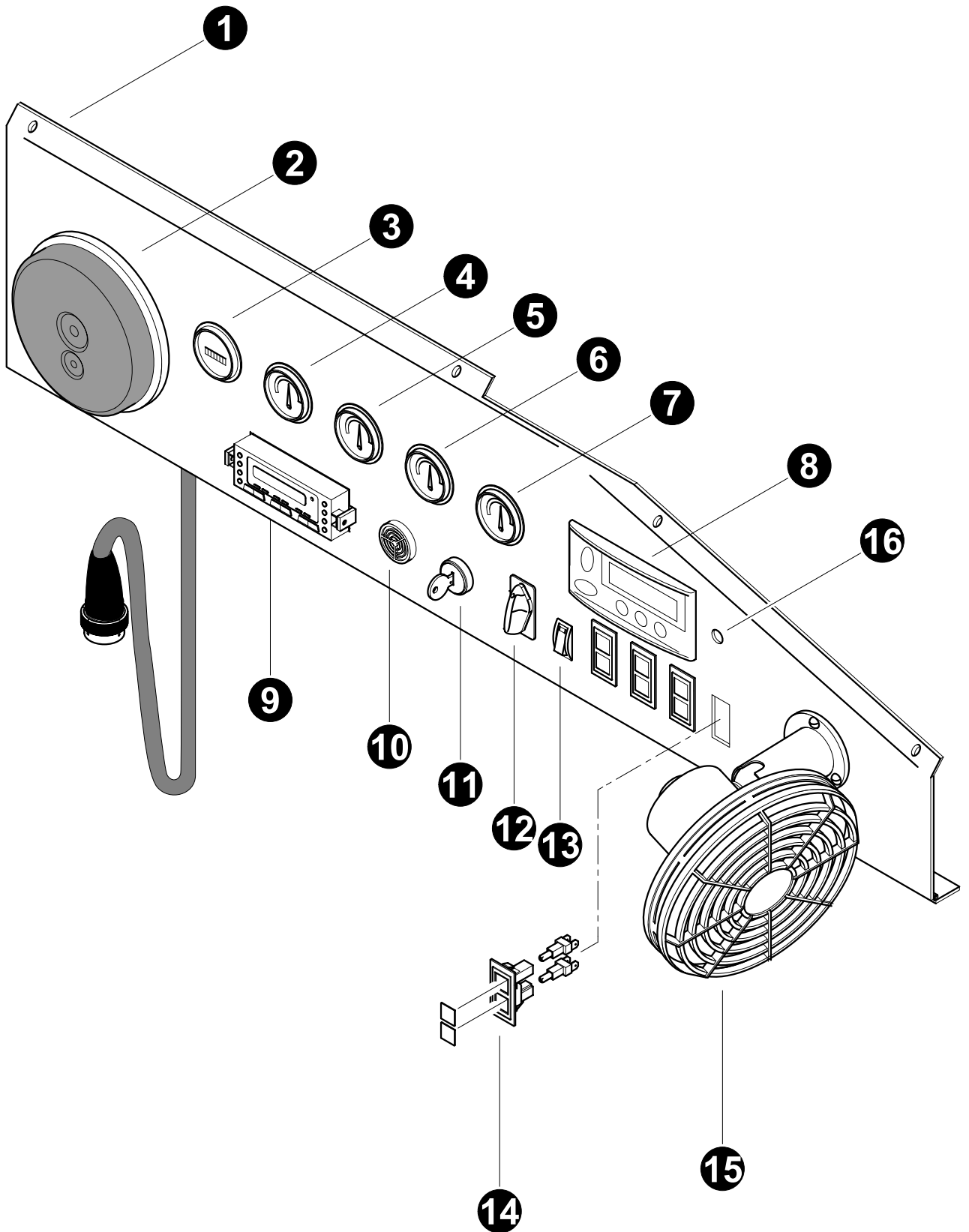


Parts T3165 06/27/2005
18.75

UPPER DASH INSTALLATION

REF	PART #	QTY	DESCRIPTION	SEE SECTION
1	REF	1	 OPERATOR'S CAB ASSEMBLY	OC-1
2	15604-ES	7	BOLT - .25" X .75"	
3	10757-ES	7	WASHER, SAE FLAT - .25"	
4	REF	1	 UPPER DASH ASSEMBLY.....	ES-2
5	REF	1	 MAIN ELECTRICAL CENTER ASSEMBLY	ES-2

-  Kit or Assembly - includes all items indented underneath.
-  See referenced page for component or assembly breakdown.

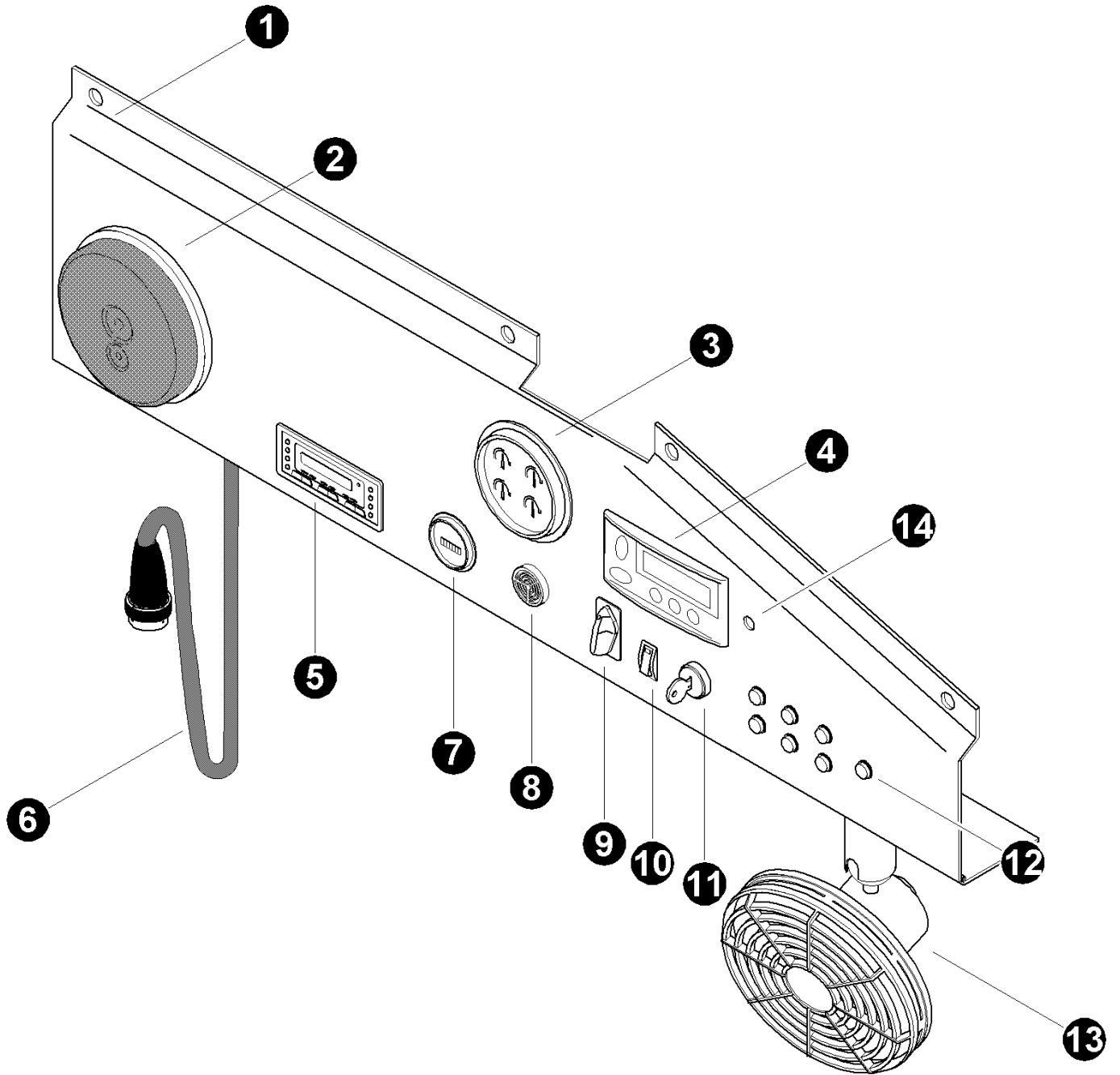


Parts T3166 06/27/2005
18.75

UPPER DASH BREAKDOWN (machines SN 151 and before)

REF	PART #	QTY	DESCRIPTION	SEE SECTION
1	51817-ES	1	<input type="checkbox"/> DASH ASSEMBLY - UPPER LH (830)	
2	24710-ES	1	SPEAKER	
3	15025-ES	1	GAUGE, HOURMETER	
4	51701-ES	1	GAUGE, VOLTMETER - 830	
5	51700-ES	1	GAUGE, TEMERATURE - 830	
6	51699-ES	1	GAUGE, ENGINE OIL PRESSURE - 830	
7	51700-ES	1	GAUGE, TEMERATURE - 830	
8	REF	1	<input type="book"/> MDM CONTROL MODULE	ES-3
9	REF	1	<input type="book"/> RADIO CONTROL MODULE	ES-2
10	15027-ES	1	SIREN, WARNING	
11	15028-ES	1	<input type="checkbox"/> SWITCH, IGNITION	
-	16936-ES	2	KEY, IGNITION - NG100	
12	51673-ES	1	SWITCH, VENT/ VACUUM - (OPTIONAL)	
13	51664-ES	1	SWITCH, LIGHT	
14	18171-ES	4	<input type="checkbox"/> CLUSTER, warning lights	
-	23538-ES	7	LIGHT - (24V)	
-	24705-ES	5	LENS, LIGHT INDICATOR - YELLOW (BLANK)	
-	50959-ES	1	LENS, LIGHT INDICATOR - RED (BLANK)	
-	18173-ES	1	LENS, LIGHT INDICATOR - LOW OIL (RED)	
-	20831-ES	1	LENS, LIGHT INDICATOR - BLACK (BLANK)	
15	23279-ES	1	<input type="book"/> FAN, WINDSHIELD DEFROST - 24V	
16	REF-ES	1	<input type="book"/> MDM PROGRAMING EXTENTION CABLE.....	ES-3

- Kit or Assembly - includes all items indented underneath.
- See referenced page for component or assembly breakdown.

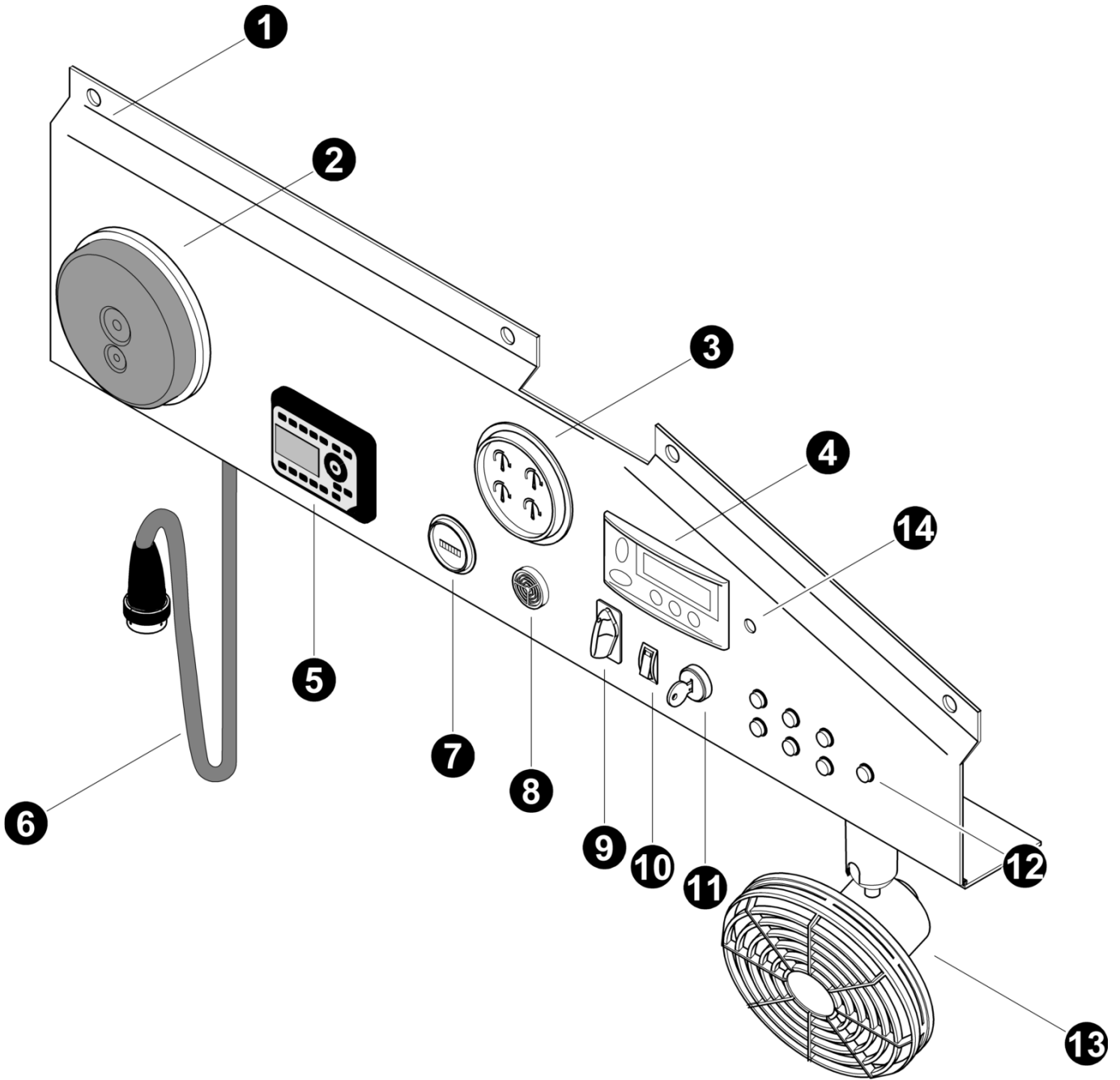


Parts T3386 06/27/2005
18.75

**UPPER DASH BREAKDOWN
Beede 4in1 gauge
(machines SN 152 to SN 0179)**

REF	PART #	QTY	DESCRIPTION	SEE SECTION
-	-ES	1	<input type="checkbox"/> DASH ASSEMBLY - UPPER LH (830)	
1	52341-ES	1	PANEL, DASH L.H. (BEEDE 4IN1 GAUGE)	
-	52346-ES	1	DECAL, CAB Upper Lt Dash	
2	24710-ES	1	SPEAKER	
3	52420-ES	1	GAUGE, 4 IN ONE - 24 V (BEEDE)	
4	REF	1	<input type="checkbox"/> MDM IQAN CONTROL MODULE	ES-3
5	REF	1	<input type="checkbox"/> RADIO CONTROL MODULE	ES-2
6	52406-ES	1	HARNASS, DASH - UPPER (CURRENT 830/630)	
7	52401-ES	1	GAUGE, HOUR METER - CURRENT	
8	15027-ES	1	SIREN, WARNING	
9	51673-ES	1	SWITCH, VENT/ VACUUM - (OPTIONAL)	
10	51664-ES	1	SWITCH, LIGHT	
11	52414-ES	1	<input type="checkbox"/> SWITCH, IGNITION - INDAK	
-	52417-ES	2	KEY, IGNITION - CURRENT (A880)	
12	52400-ES	1	LIGHT, LED DASH - AMBER (1 PER) Wait to Start	
-	52397-ES	2	LIGHT, LED DASH - RED (2 PER) Stop Engine, Low Hyd Oil	
-	52399-ES	4	LIGHT, LED DASH - YELLOW (4 PER)	
13	23279-ES	1	<input type="checkbox"/> FAN, WINDSHIELD DEFROST - 24V	
14	REF-ES	1	<input type="checkbox"/> MDM PROGRAMING EXTENTION CABLE.	ES-3

- Kit or Assembly - includes all items indented underneath.
- See referenced page for component or assembly breakdown.

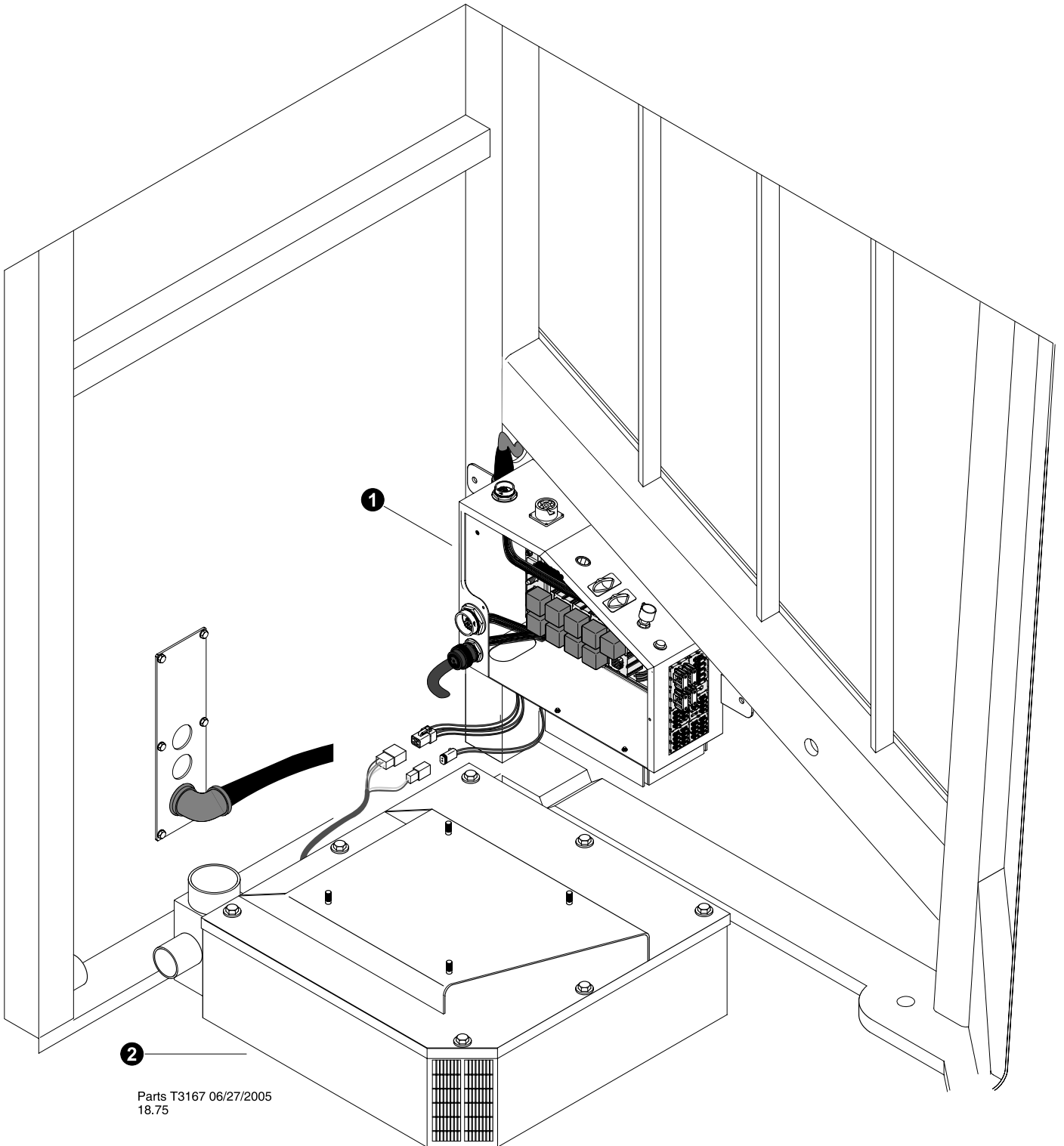


Parts T3506 10/17/2006
18.75



**UPPER DASH BREAKDOWN
Beede 4in1 gauge / Jensen Radio
(machines SN 0180 and after)**



REF	PART #	QTY	DESCRIPTION	SEE SECTION
-	-ES	1	<input type="checkbox"/> DASH ASSEMBLY - UPPER LH (830)	
1	52341-ES	1	PANEL, DASH L.H. (BEEDE 4IN1 GAUGE)	
-	52346-ES	1	DECAL, CAB Upper Lt Dash	
2	24710-ES	1	SPEAKER	
3	52420-ES	1	GAUGE, 4 IN ONE - 24 V (BEEDE)	
4	REF	1	<input type="book"/> MDM IQAN CONTROL MODULE	ES-3
5	52640-ES	1	RADIO, HEAVY DUTY - AM/FM/WB (ASA)	
6	52406-ES	1	HARNASS, DASH - UPPER (CURRENT 830/630)	
7	52401-ES	1	GAUGE, HOUR METER - CURRENT	
8	15027-ES	1	SIREN, WARNING	
9	51673-ES	1	SWITCH, VENT/ VACUUM - (OPTIONAL)	
10	51664-ES	1	SWITCH, LIGHT	
11	52414-ES	1	<input type="checkbox"/> SWITCH, IGNITION - INDAK	
-	52417-ES	2	KEY, IGNITION - CURRENT (A880)	
12	52400-ES	1	LIGHT, LED DASH - AMBER (1 PER) Wait to Start	
-	52397-ES	2	LIGHT, LED DASH - RED (2 PER) Stop Engine, Low Hyd Oil	
-	52399-ES	4	LIGHT, LED DASH - YELLOW (4 PER)	
13	23279-ES	1	<input type="book"/> FAN, WINDSHIELD DEFROST - 24V	
14	REF-ES	1	<input type="book"/> MDM PROGRAMING EXTENTION CABLE.	ES-3

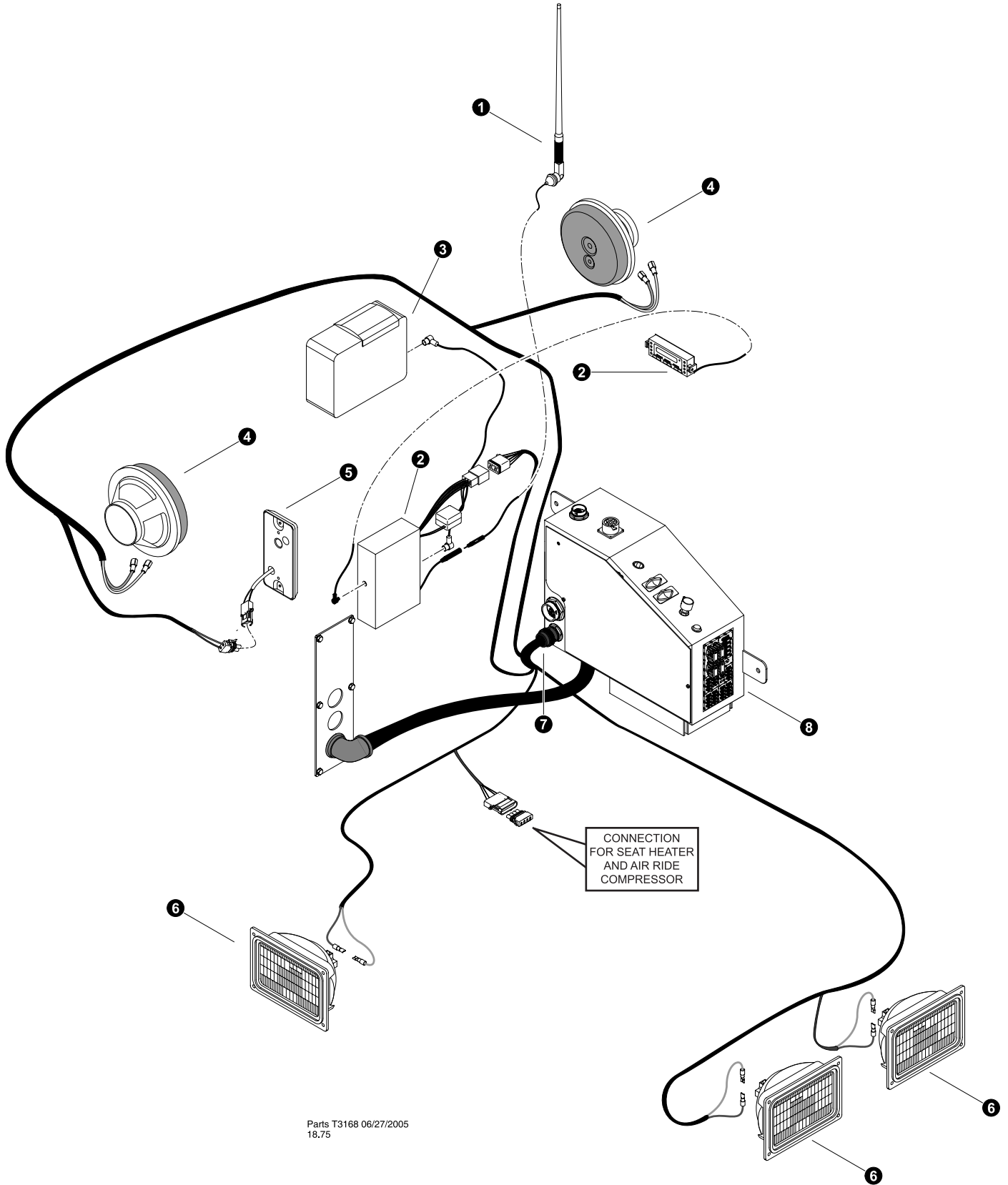
- Kit or Assembly - includes all items indented underneath.
- See referenced page for component or assembly breakdown.



A/C AND HEATER CONNECTIONS


REF	PART #	QTY	DESCRIPTION	SEE SECTION
1	REF	1	 MAIN ELECTRICAL CENTER ASSEMBLY	ES-2
2	REF	1	 HEATER A/C UNIT ASSEMBLY	OC-2



-  Kit or Assembly - includes all items indented underneath.
-  See referenced page for component or assembly breakdown.

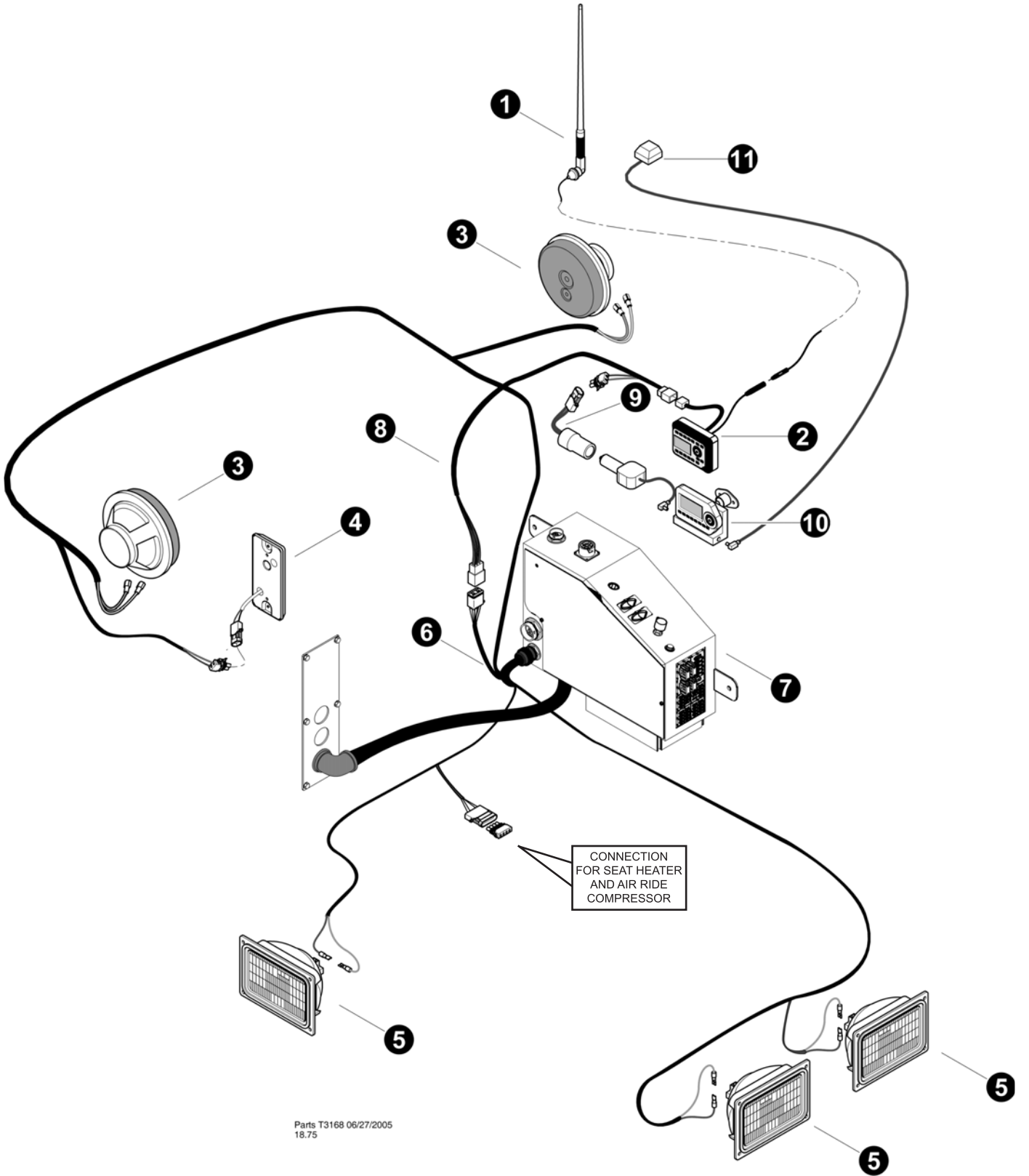


OPERATOR'S CAB ELECTRICAL HARNESS (Lights and Radio)

(Machine SN# 0179 and before)



REF	PART #	QTY	DESCRIPTION	SEE SECTION
1	24583-ES	1	ANTENNA, radio 1" hole	
2	51679-ES	1	RADIO - S1	
	NSS	1	RADIO - CONTROL MODULE	
	NSS	1	RADIO - AMP/TUNER MODULE	
3	51680-ES	1	COMPACT DISC CHANGER (10 DISC) - OPTIONAL	
4	24710-ES	2	SPEAKERS	
5	23614-ES	1	LIGHT, DOME - 24V	
6	REF	3	LIGHT ASSEMBLIES	ES-2
7	51769-ES	1	HARNESS, CAB - 830/630	
8	REF	1	 MAIN ELECTRICAL CENTER ASSEMBLY	ES-2



-  Kit or Assembly - includes all items indented underneath.
-  See referenced page for component or assembly breakdown.

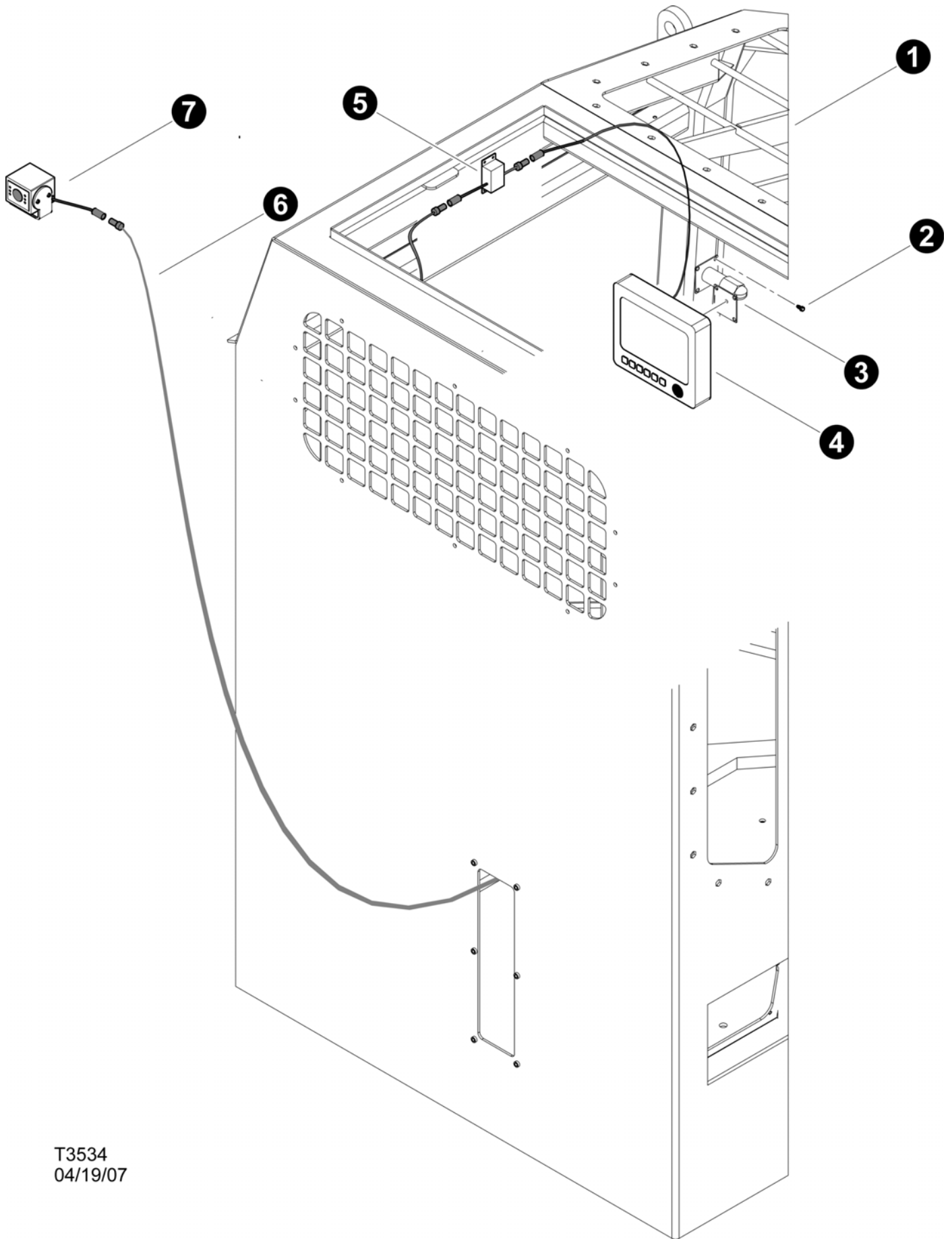


OPERATOR'S CAB ELECTRICAL HARNESS (Lights and Radio)

(Machine SN# 0180 and after)

REF	PART #	QTY	DESCRIPTION	SEE SECTION
1	24583-ES	1	ANTENNA, radio 1" hole	
2	52640-ES	1	RADIO, HEAVY DUTY - AM/FM/WB (ASA)	
3	24710-ES	2	SPEAKERS	
4	23614-ES	1	LIGHT, DOME - 24V	
5	REF	3	LIGHT ASSEMBLIES	ES-2
6	51769-ES	1	HARNESS, CAB - 830/630	
7	REF	1	 MAIN ELECTRICAL CENTER ASSEMBLY	ES-2
8	52652-ES	1	HARNESS, CAB - 830/630 Jensen Radio	
9	-ES	1	HARNESS, XM Plug Adapter	
10	52680-ES	1	 RADIO, XM KIT - ASA - (Kit Includes Power Cord, Antenna and Cradle)	
11	-ES	1	ANTENNA, XM - ASA radio (118-1133)	

-  Kit or Assembly - includes all items indented underneath.
-  See referenced page for component or assembly breakdown.

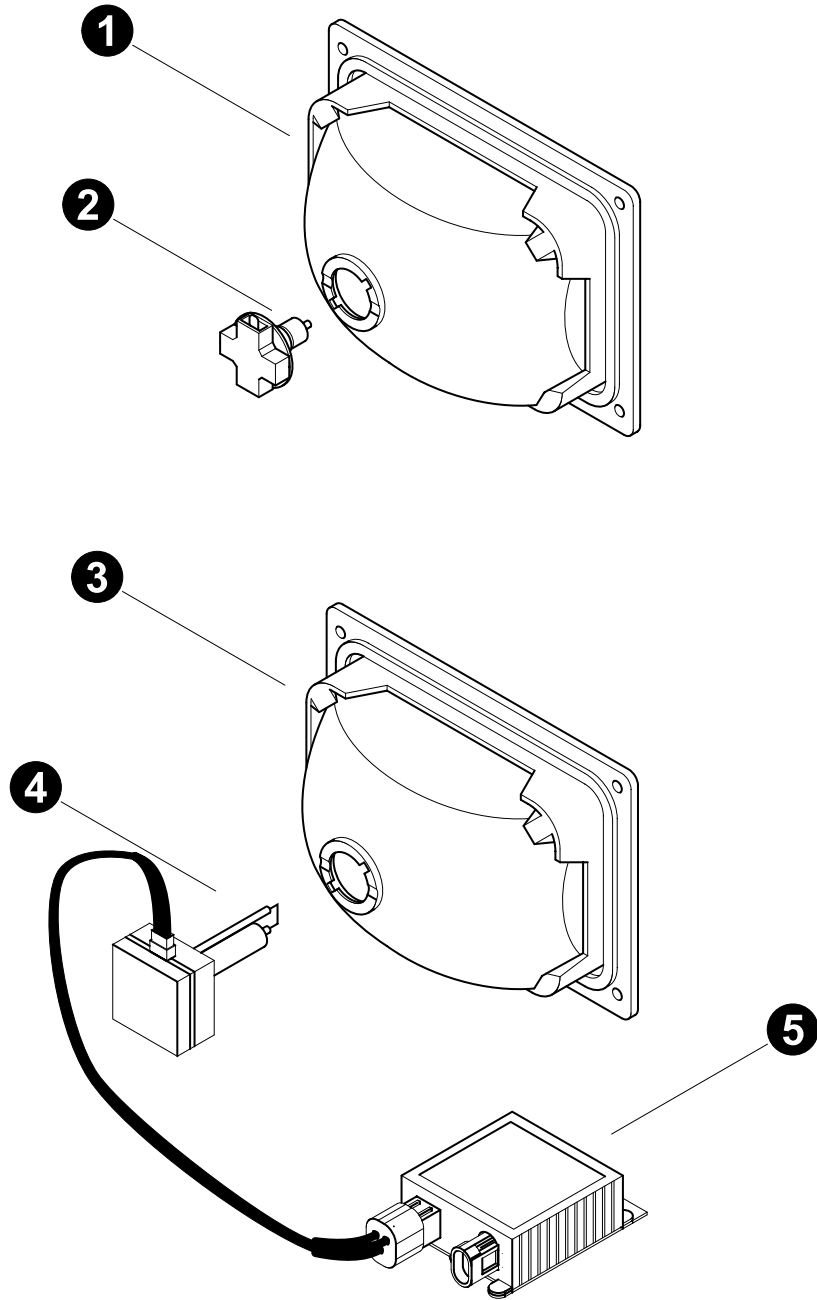


T3534
04/19/07

Rear View Camera Installation

REF	PART #	QTY	DESCRIPTION	SEE SECTION
1	REF	1	OPERATOR'S CAB	OC-1
2	17254-ES	4	SCREW, SELF TAPPING - #10-24 X .5"	
-	52557-ES	1	<input type="checkbox"/> CAMERA, REARVIEW (Kit)	
3	-ES	1	BRACKET, LCD Monitor Mount (72704)	
4	-ES	1	MONITOR, 7" LCD Screen (AOM713WP)	
5	-ES	1	JUNCTION BOX - Camera System	
6	-ES	1	CABLE, Rear View Camera 25' cable (CEC25)	
7	-ES	1	CAMERA, Rear View - Color (VCCS130)	

- Kit or Assembly - includes all items indented underneath.
- See referenced page for component or assembly breakdown.



Parts T3162 06/21/2005

CAB LIGHTS BREAKDOWN

REF	PART #	QTY	DESCRIPTION	SEE SECTION
1	23604-ES	1	<input type="checkbox"/> LIGHT, FLUSH MOUNT - 24V	
2	24819-ES	1	BULB, FLUSH MOUNT LIGHT - 24V	
3	51324-ES	1	<input type="checkbox"/> LIGHT, FLUSH MOUNT - 24V (XENON) (Optional)	
4	26858-ES	1	BULB, HID (all HID Lights)	
5	51396-ES	1	BALLAST, assembly 24 volt HID 9760/520	



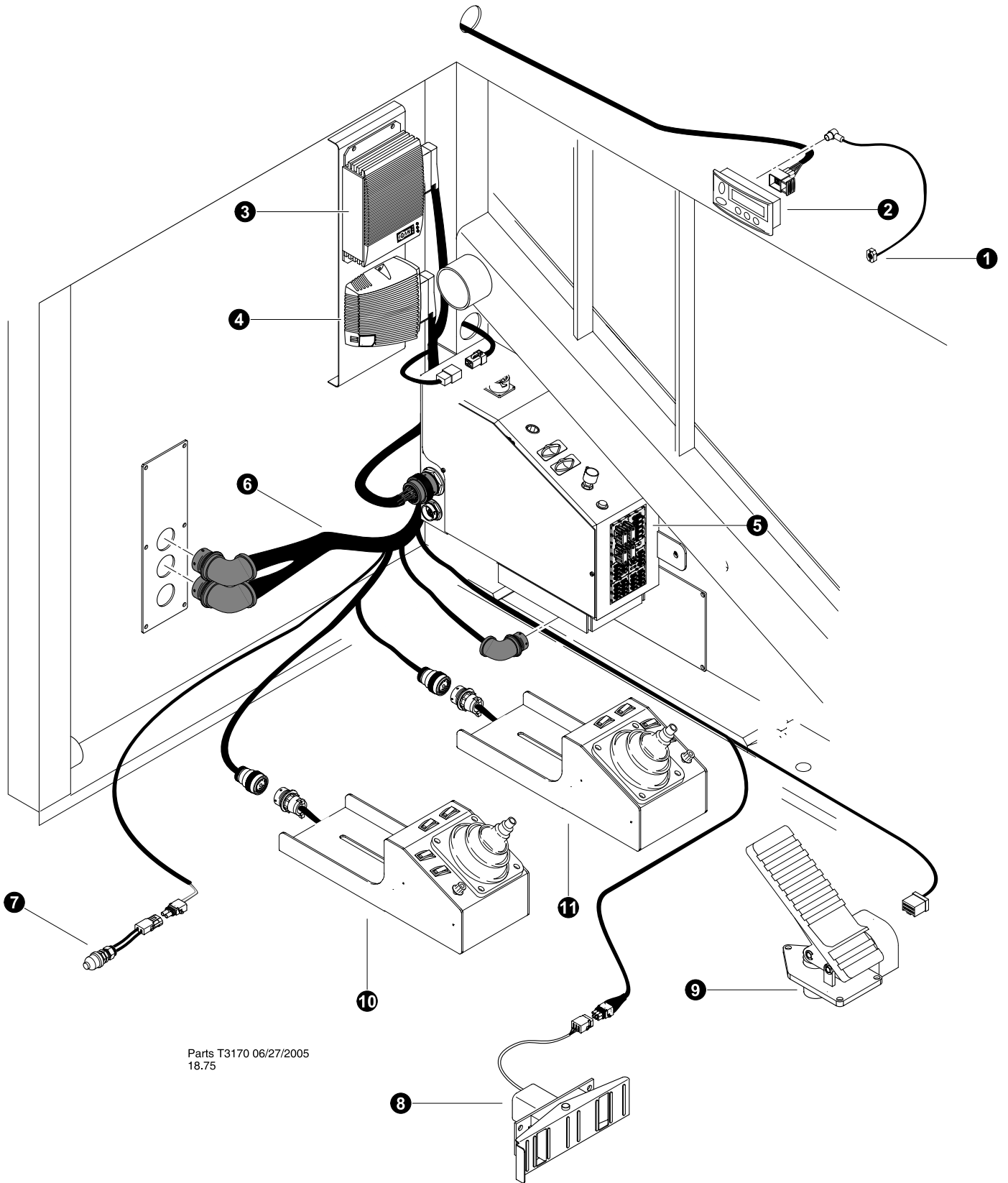
See referenced page for component or assembly breakdown.



Assembly that includes all items indented below.






Section ES-3

Electrical System - IQAN Control System

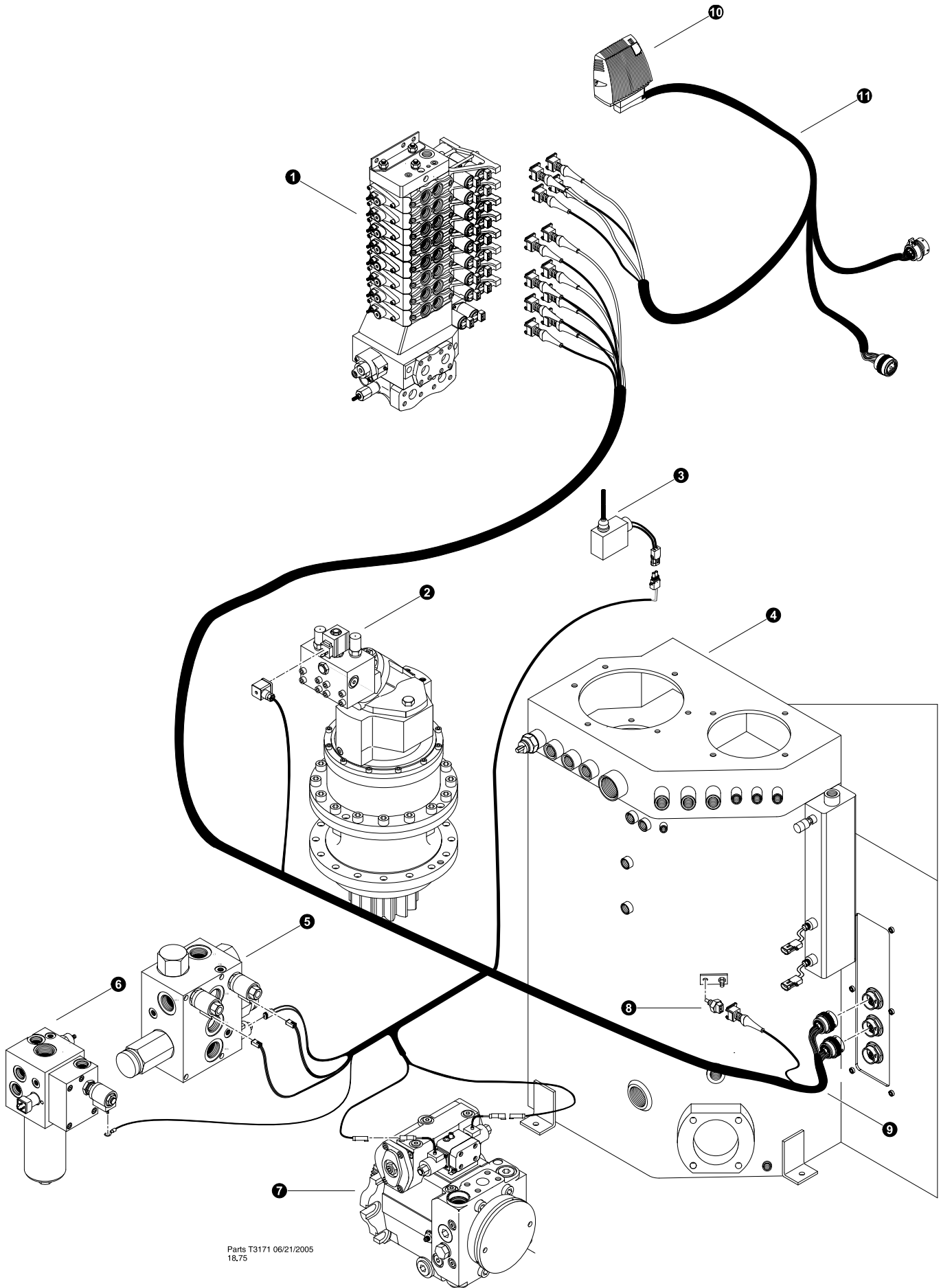


Parts T3170 06/27/2005
18.75

IQAN - CAB CONTROL HARNESS







REF	PART #	QTY	DESCRIPTION	SEE SECTION
1	52052-ES	1	CABLE, MDM PROG. EXTENTION - (830/630)	
2	24415-ES	1	MODULE, MDM IQAN SCREEN	
3	50482-ES	1	MODULE, XP	
4	51487-ES	1	MODULE, XT2	
5	REF.	1	 CAB ELECTRICAL CENTER	ES-2
6	52050-ES	1	HARNESS, CAB - IQAN (830/630)	
7	25104-ES	1	SWITCH, DOOR LIMIT/FILL PUMP	
8	REF.	1	 DRIVE PEDAL CONTROL	ES-3
9	REF.	1	 BRAKE PEDAL CONTROL	ES-3
10	REF.	1	 RIGHT JOYSTICK CONTROL PANEL	ES-3
11	REF.	1	 LEFT JOYSTICK CONTROL PANEL	ES-3

 See referenced page for component or assembly breakdown.

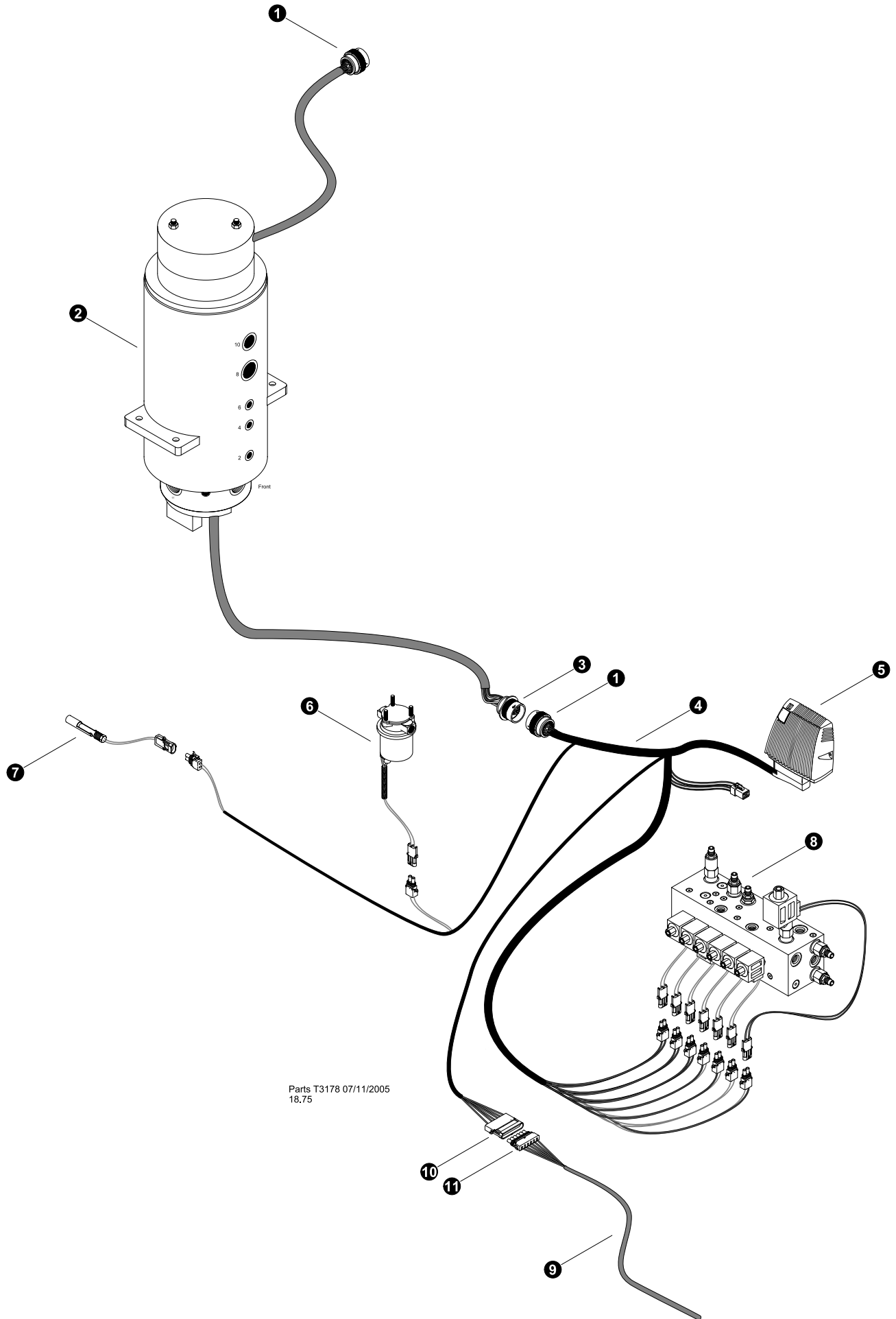


Parts T3171 06/21/2005
18.75

IQAN - ENGINE & VALVE COMPARTMENT HARNESSSES

eREF	PART #	QTY	DESCRIPTION	SEE SECTION
1	REF.	1	 MAIN CONTROL VALVE	LH/CH/HH
2	REF.	1	 SWING MOTOR ASSEMBLY	LH/CH/HH
3	51933-ES	1	SWITCH, LIMIT-GULLWING DOOR SAFETY	
4	REF.	1	 HYDRAULIC TANK ASSEMBLY.....	UP-2
5	REF.	1	 FAN CONTROL VALVE	UP-3
6	REF.	1	 WHEEL DRIVE CHARGE VALVE ASSEMBLY.....	WD
7	REF.	1	 WHEEL DRIVE PUMP	WD-1
8	24531-ES	1	TRANSDUCER, HYD TEMP	
9	52051-ES	1	HARNESS, MACHINE - IQAN (830/630)	
10	50158-ES	1	MODULE, XP2 (Auxillary Module - Optional)	
11	52514-ES	1	HARNESS, IQAN - AUX. (Auxillary Harness - Optional) Used with Disc Saw	

 See referenced page for component or assembly breakdown.

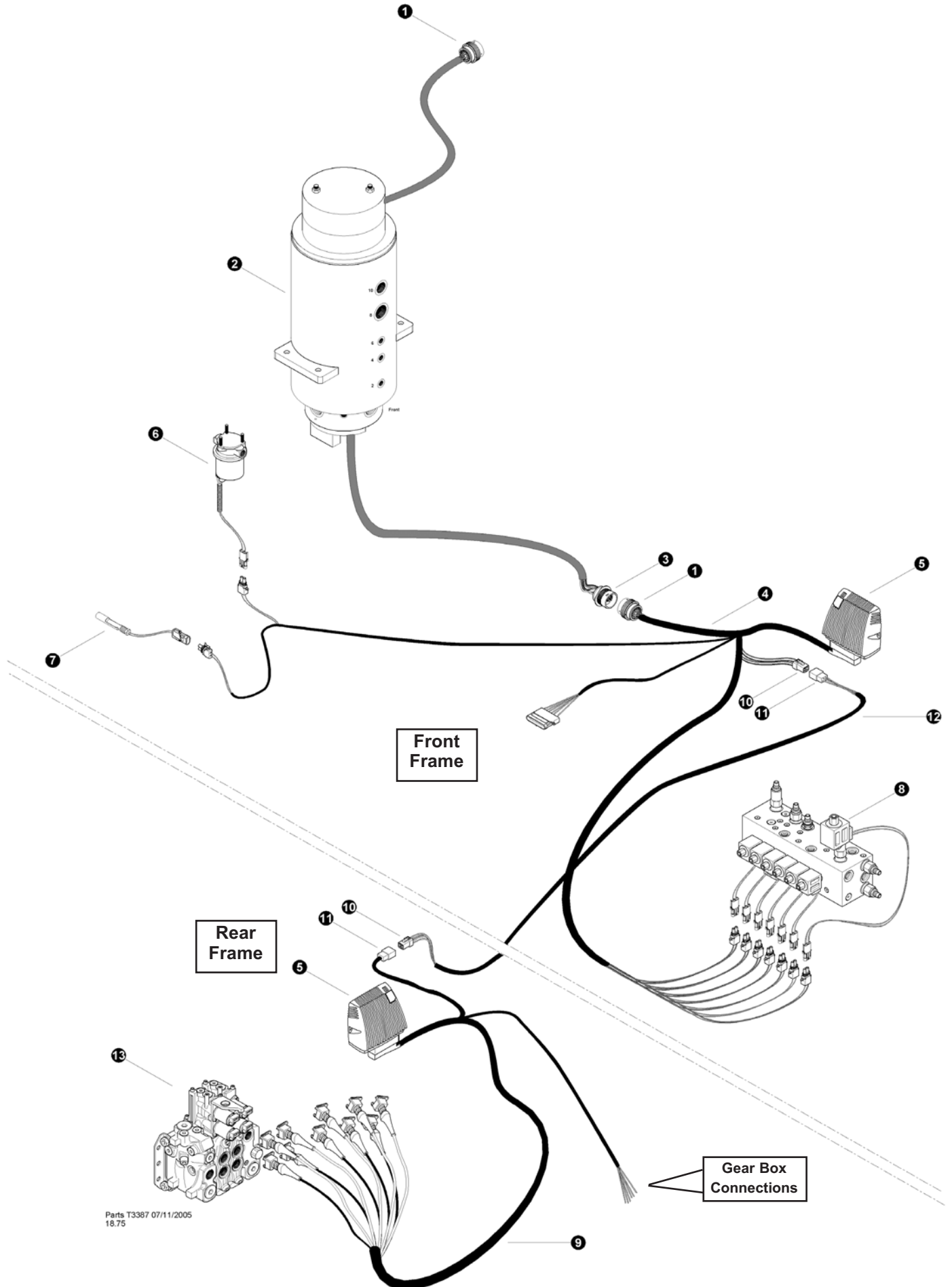


Parts T3178 07/11/2005
18.75

**IQAN - LOWER FRAME HARNESS
(TF 830,840 - Nonleveling)**

REF	PART #	QTY	DESCRIPTION	SEE SECTION
1	51749-ES	2	CONNECTOR, DEUTCH, 8 PIN - MALE	
2	REF	1	ROTARY MANIFOLD ASSEMBLY	UP-1
3	51793-ES	1	CONNECTOR, DEUTCH, 8 PIN - FEMALE	
4	51959-ES	1	CONTROL, KIT - VOAC/IQAN LOWER (830)	
5	50158-ES	1	MODULE, XP2	
6	REF	1	FUEL PUMP ASSEMBLY	FF-3
7	51379-ES	1	SWITCH, HYD. OIL LEVEL	
8	REF	1	LOWER CONTROL MANIFOLD.	FF-4
9	25122-ES	17 ft	WIRE - 18 GA. 8 CONDUCTOR (500' SPOOL)	
10		1	KIT, CONNECTOR - 6 POSITION - WAYTEK (FEMALE)	
11		1	KIT, CONNECTOR - 6 POSITION - WAYTEK (MALE)	

 See referenced page for component or assembly breakdown.

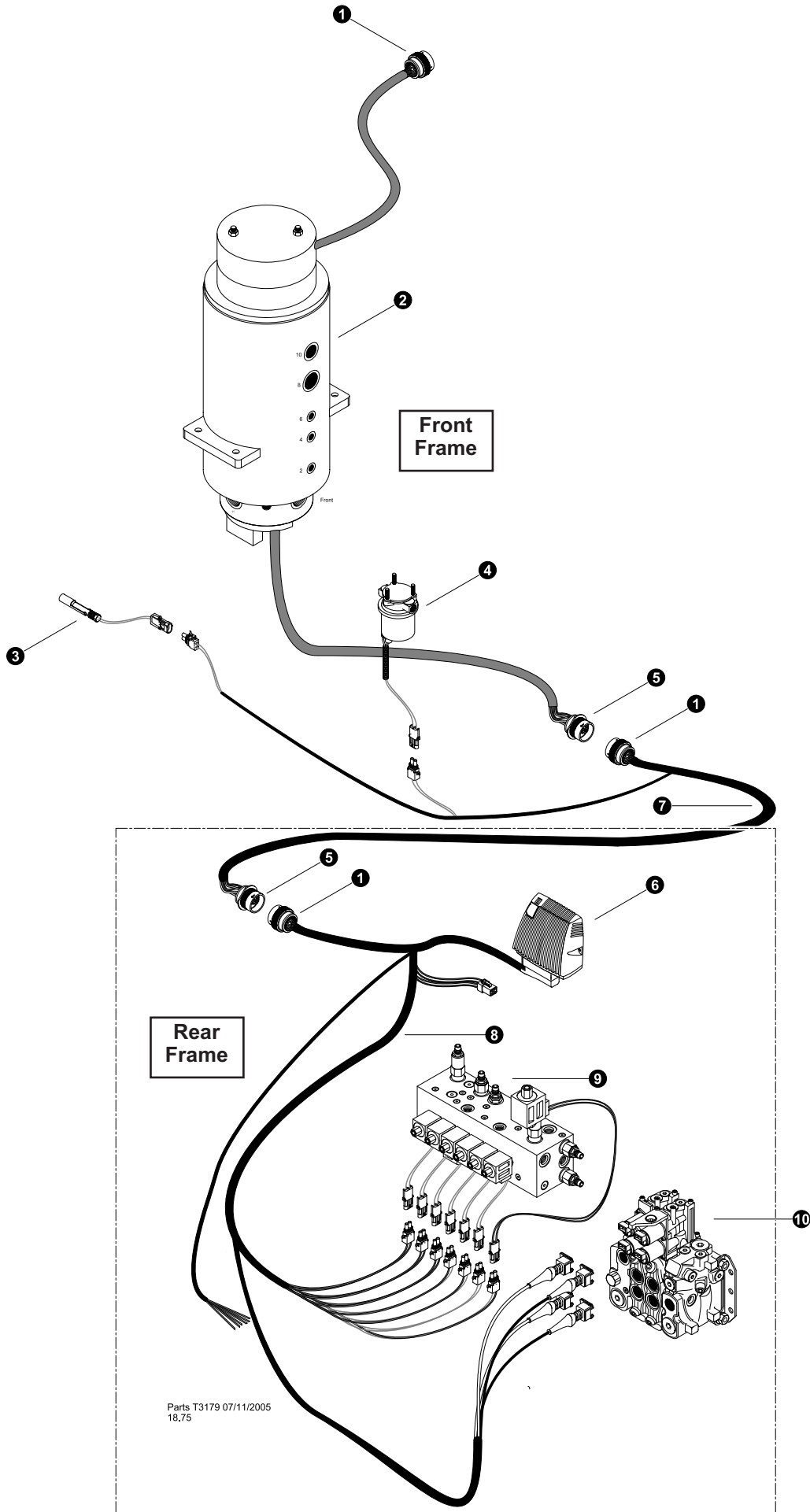


Parts T3387 07/11/2005
18.75


IQAN - LOWER FRAME HARNESS (TF 830,840 - Add on Harness for Clam Bunk and Other Options)

REF	PART #	QTY	DESCRIPTION	SEE SECTION
1	51749-ES	2	CONNECTOR, DEUTCH, 8 PIN - MALE	
2	REF	1	ROTARY MANIFOLD ASSEMBLY	UP-1
3	51793-ES	1	CONNECTOR, DEUTCH, 8 PIN - FEMALE	
4	51959-ES	1	CONTROL, KIT - VOAC/IQAN LOWER (830)	
5	50158-ES	1	MODULE, XP2	
6	REF	1	FUEL PUMP ASSEMBLY	FF-3
7	51379-ES	1	SWITCH, HYD. OIL LEVEL	
8	REF	1	LOWER CONTROL MANIFOLD.	FF-4
9	51961-ES	1	CONTROL, KIT - VOAC/IQAN lower-xtra XP2	
10	-ES	1	CONNECTOR 4 POSITION Plug- DEUTSCH DT06-4S (AD13070-2)	
	26705-ES		SOCKETS,	
	-ES		WEDGE, W4S (AD13071-1)	
11	-ES	1	CONNECTOR 4 POSITION Socket - DEUTSCH DT04-4P (AD13069-2)	
	26706-ES		PINS,	
	-ES		WEDGE, W4P (AD13071-2)	
12	-ES	1	Harness, Front frame to Rear Frame	
13	REF	1	VOAC CONTROL VALVE	LH-2

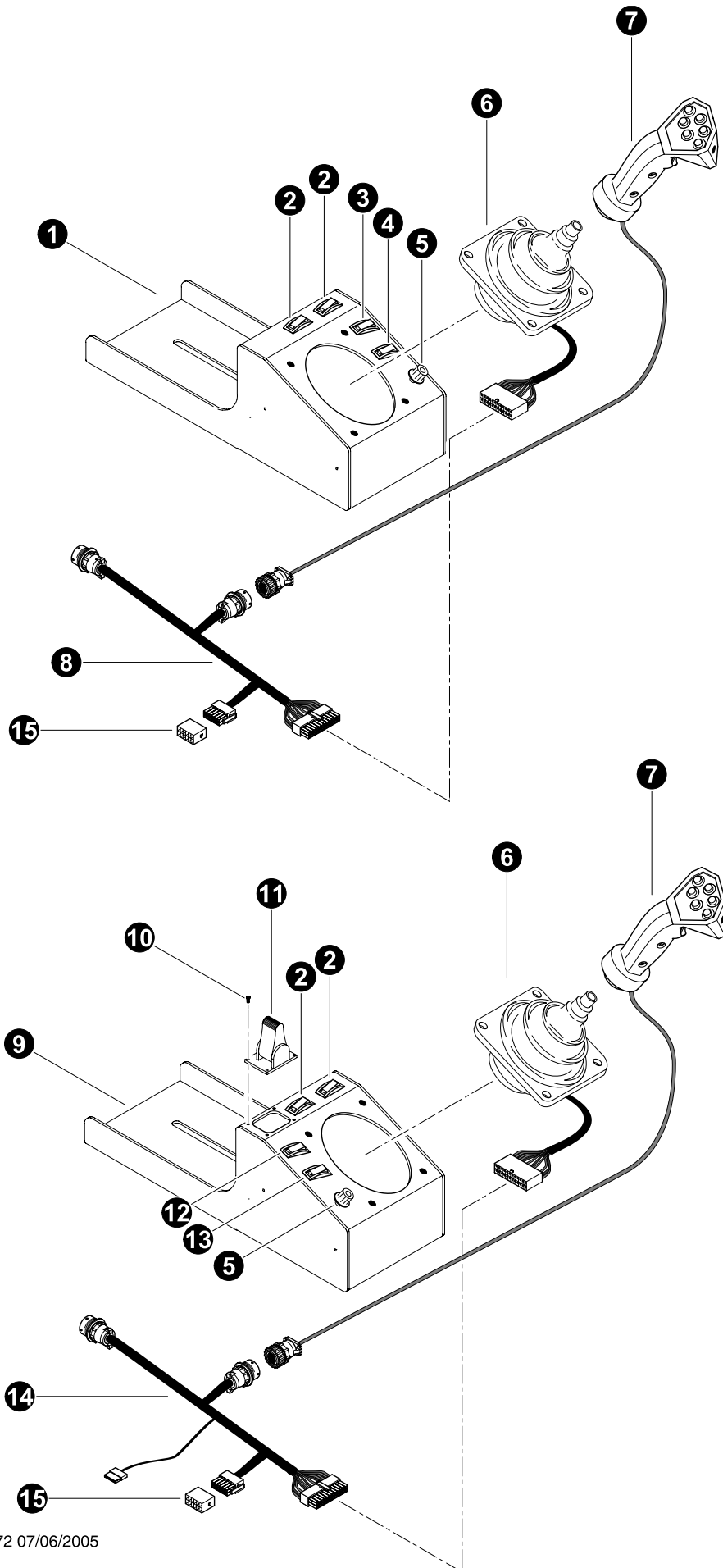
 See referenced page for component or assembly breakdown.



IQAN - LOWER FRAME HARNESS (TB 630)

REF	PART #	QTY	DESCRIPTION	SEE SECTION
1	51749-ES	3	CONNECTOR, DEUTCH, 8 PIN - MALE	
2	REF	1	ROTARY MANIFOLD ASSEMBLY	UP-1
3	51379-ES	1	SWITCH, HYD. OIL LEVEL	
4	REF	1	FUEL PUMP ASSEMBLY	FF-3
5	51793-ES	2	CONNECTOR, DEUTCH, 8 PIN - FEMALE	
6	50158-ES	1	MODULE, XP2	
7	51960-ES	1	CONTROL, KIT - VOAC/IQAN LOWER (830) FRONT	
8	51960-ES	1	CONTROL, KIT - VOAC/IQAN LOWER (830) REAR	
9	REF	1	LOWER CONTROL MANIFOLD.	FF-4
10	REF.	1	 LOWER STEER / LEVEL VALVE	HR

 See referenced page for component or assembly breakdown.

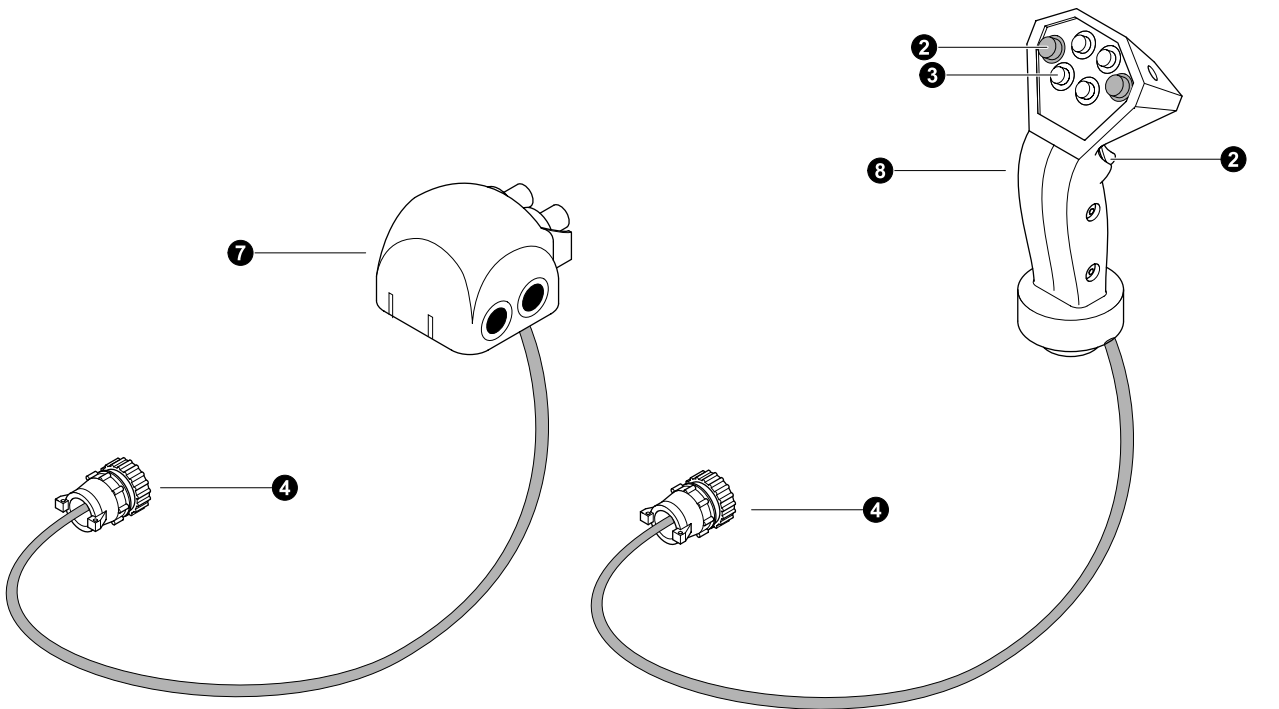
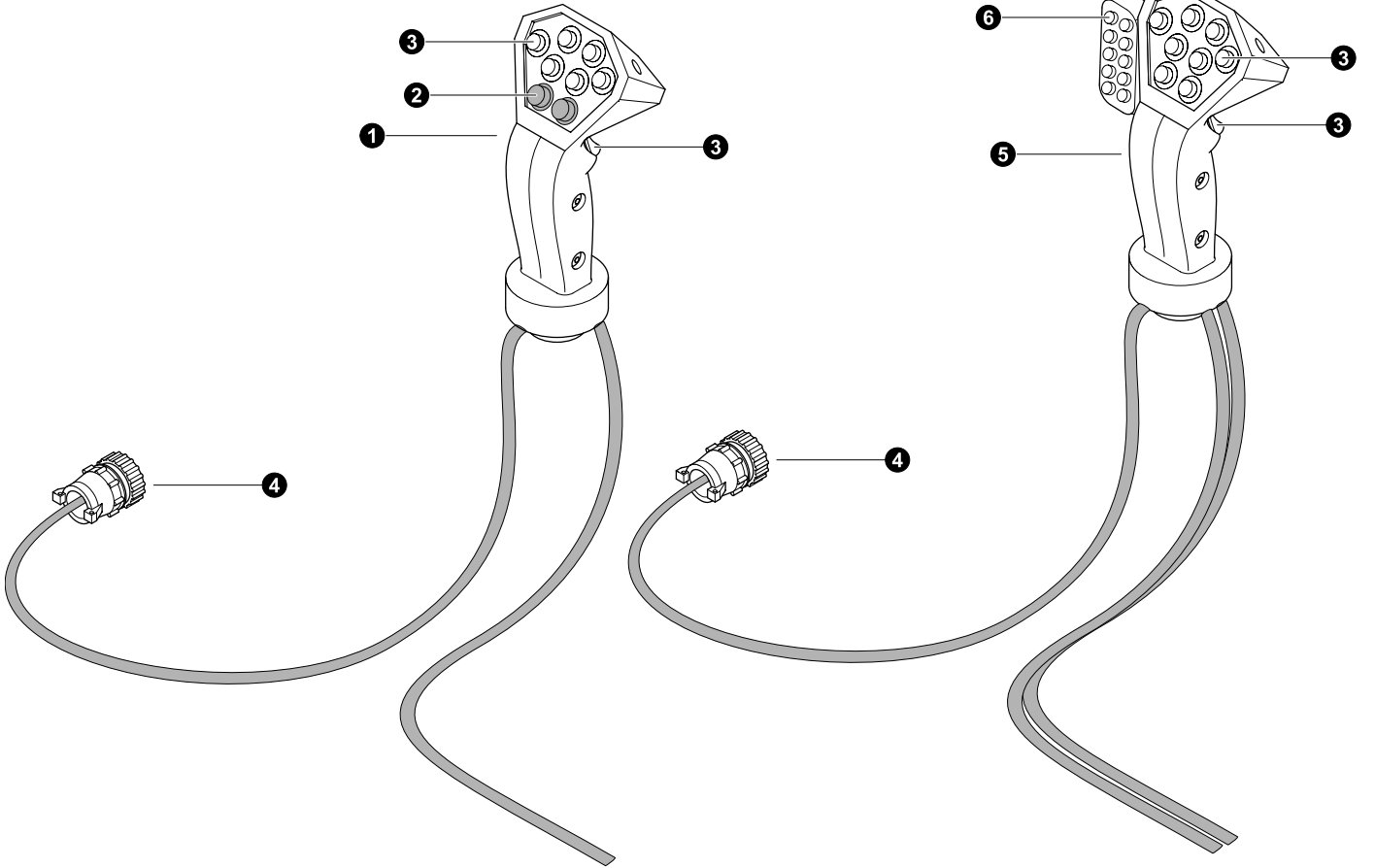


Parts T3172 07/06/2005
18.75

IQAN - LEFT AND RIGHT CONTROL PANELS

REF	PART #	QTY	DESCRIPTION	SEE SECTION
1	51604-ES	1	BRACKET, JOYSTICK MOUNT L.H. - 630/830	
2	51666-ES	4	SWITCH, ON - OFF (AMBER) DIFF, MAX REV, STEER REVERSE, DETENT	
3	51665-ES	1	SWITCH, ON - OFF (RED) PARKING BRAKE	
4	51669-ES	1	SWITCH, ARMING/CHARGE HEATER	
5	51741-ES	2	POT, DETENTED - THROTTLE/SPEED	
6	REF	2	JOYSTICK CONTROL MODULE	ES-3
7	REF	2	HANDLE ASSEMBLY	ES-3
8	51963-ES	1	HARNESS, JOYSTICK PANEL 830/630 - LH	
9	51603-ES	1	BRACKET, JOYSTICK MOUNT R.H. - 630/830	
10		4	SCREW, SELF TAPPING - #8 X .5"	
11	REF	2	JOYSTICK STEER CONTROL.	ES-3
12	51667-ES	1	SWITCH, GEAR BOX SHIFT (ON-ON) (GREEN)	
13	51668-ES	1	SWITCH, MOTOR SHIFT - (ON-OFF-ON) (GREEN)	
14	51964-ES	1	HARNESS, JOYSTICK PANEL 830/630 - RH	
15		2	KIT, CONNECTOR - MOLEX 12 PIN	

 See referenced page for component or assembly breakdown.



Parts T3174 07/06/2005
50.00

HANDCONTROL BREAKDOWN

REF	PART #	QTY	DESCRIPTION	SEE SECTION
1	51567-ES	1	HAND CONTROL, SURE GRIP - LH (LOGMAX)	
2	51947-ES	2	SWITCH, PUSH BUTTON REPAIR KIT (PROPORTIONAL)	
-	52094-ES	2	KIT, REPAIR - PROPORTIONAL BUTTON COVER	
3	20961-ES	8	SWITCH, PUSH BUTTON (DIGITAL)	
4	50372-ES	1	CONNECTOR, PLUG - 14 POS AMP	
5	51566-ES	1	HAND CONTROL, SURE GRIP - RH W/KEYPAD (LOGMAX)	
3	20961-ES	10	SWITCH, PUSH BUTTON (DIGITAL)	
6	52095-ES	10	SWITCH, PUSH BUTTON (SURE GRIP KEYPAD)	
7	50505-ES	1	HAND CONTROL, UPPER - P&G (FORWARDER OPTION)	
8	51809-ES	1	HAND CONTROL, UPPER - SURE GRIP (830/630) STANDARD	
2	51947-ES	2	SWITCH, PUSH BUTTON REPAIR KIT (PROPORTIONAL)	
-	51730-ES	1	SWITCH, PUSH BUTTON REPAIR KIT - TRIGGER (PROPORTIONAL)	
-	52094-ES	2	KIT, REPAIR - PROPORTIONAL BUTTON COVER	
3	20961-ES	8	SWITCH, PUSH BUTTON (DIGITAL)	



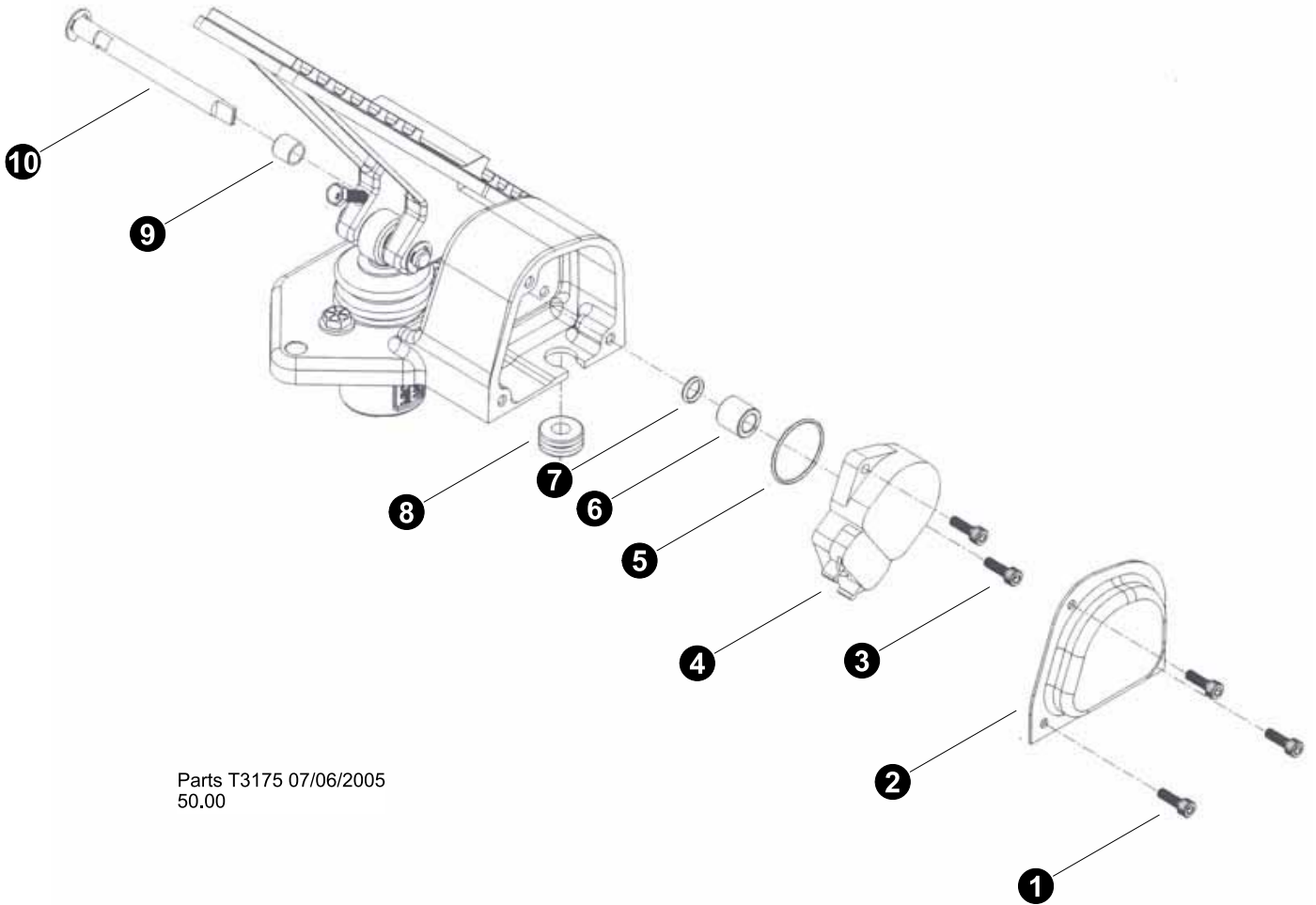
See referenced page for component or assembly breakdown.



Kit or Assembly - includes all items indented underneath.






Included in repair kit

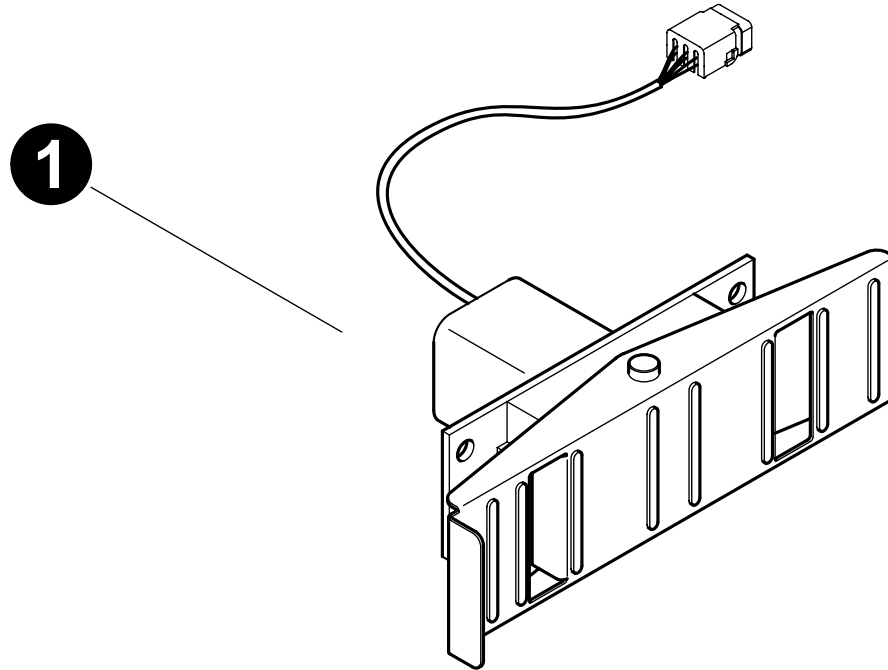


Parts T3175 07/06/2005
50.00

BRAKE PEDAL CONTROL

REF	PART #	QTY	DESCRIPTION	SEE SECTION
-	51626-ES	1	☐ PEDAL, BRAKE CONTROL - ELECTRONIC TF830	
1	-	3	SCREW	
2	-	1	COVER	
3	-	2	⌘ SCREW	
4	-	1	⌘ POSITION SENSOR	
5	-	1	⌘ O-RING	
6	-	1	⌘ BEARING	
7	-	1	⌘ ORING	
8	-	1	⌘ GROMMET	
9	-	1	BEARING	
10	-	1	PIN	
-	52096-ES	1	⌘ KIT, REPAIR - MICO BRAKE PEDAL	

-  See referenced page for component or assembly breakdown.
-  Kit or Assembly - includes all items indented underneath.
-  Included in repair kit



Parts T3176 07/06/2005
50.00

WHEEL DRIVE CONTROL PEDAL

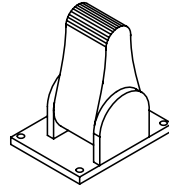
REF	PART #	QTY	DESCRIPTION	SEE SECTION
1	51491-ES	1	PEDAL, FOOT CONTROL - DUAL AXIS , OTTO CONTROLS (SEALED)	

Disassembly of these components is not recommended.

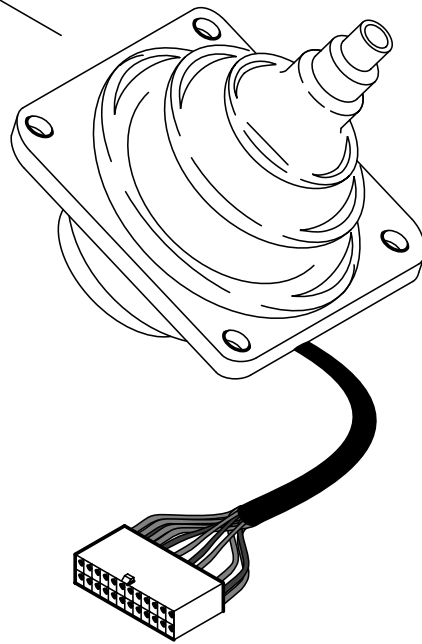


See referenced page for component or assembly breakdown.

1



2



Parts T3177 07/06/2005
50.00

JOYSTICK CONTROLS

REF	PART #	QTY	DESCRIPTION	SEE SECTION
1	51708-ES	1	JOYSTICK CONTROL - P & G - STEER	
2	52049-ES	1	JOYSTICK CONTROL - LL MODULE (830/630)	

Disassembly of these components is not recommended.



See referenced page for component or assembly breakdown.

