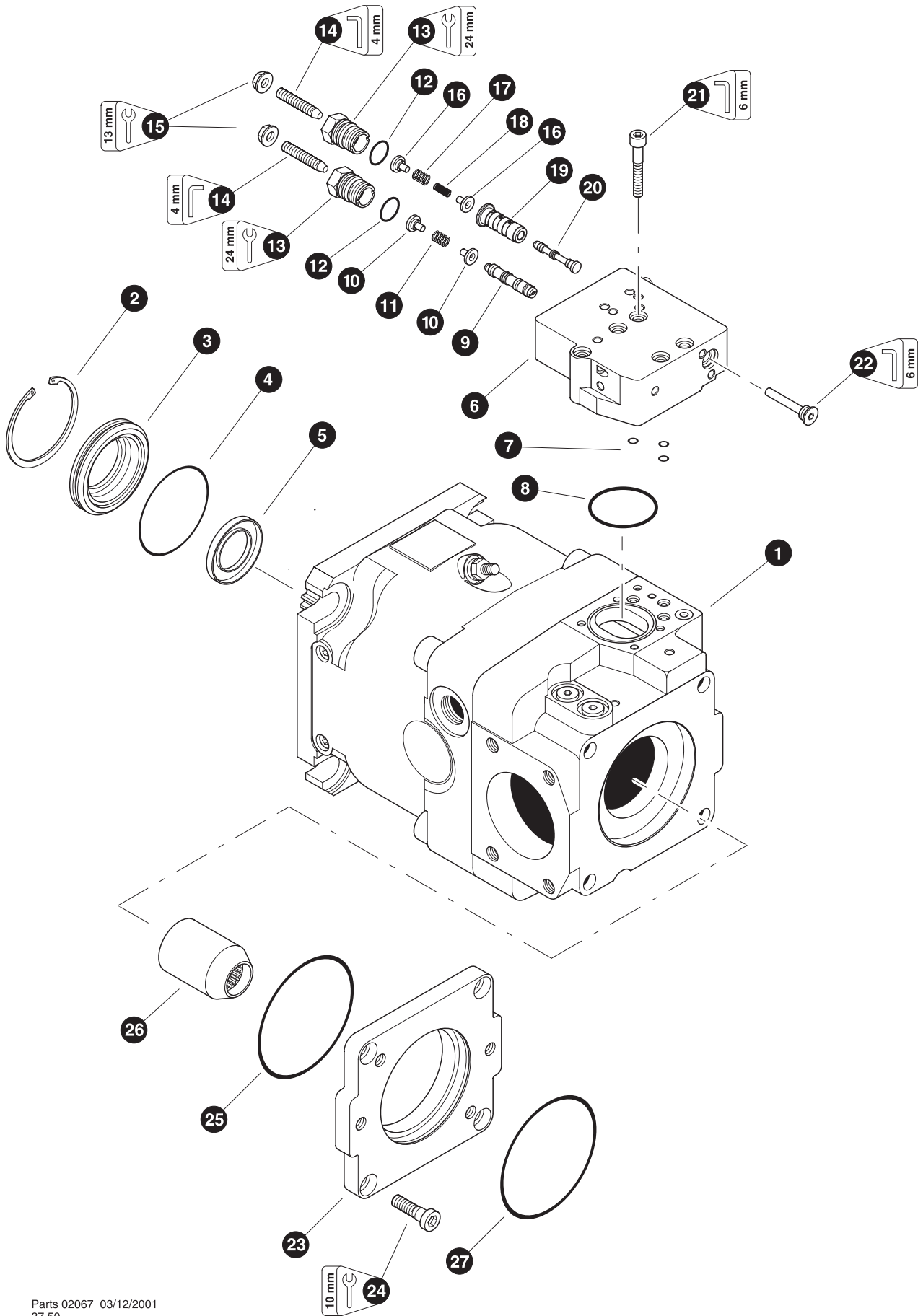


Section HH-1

Harvester / Feller Buncher Hydraulics - Implement Pumps



Parts 02067 03/12/2001
37.50

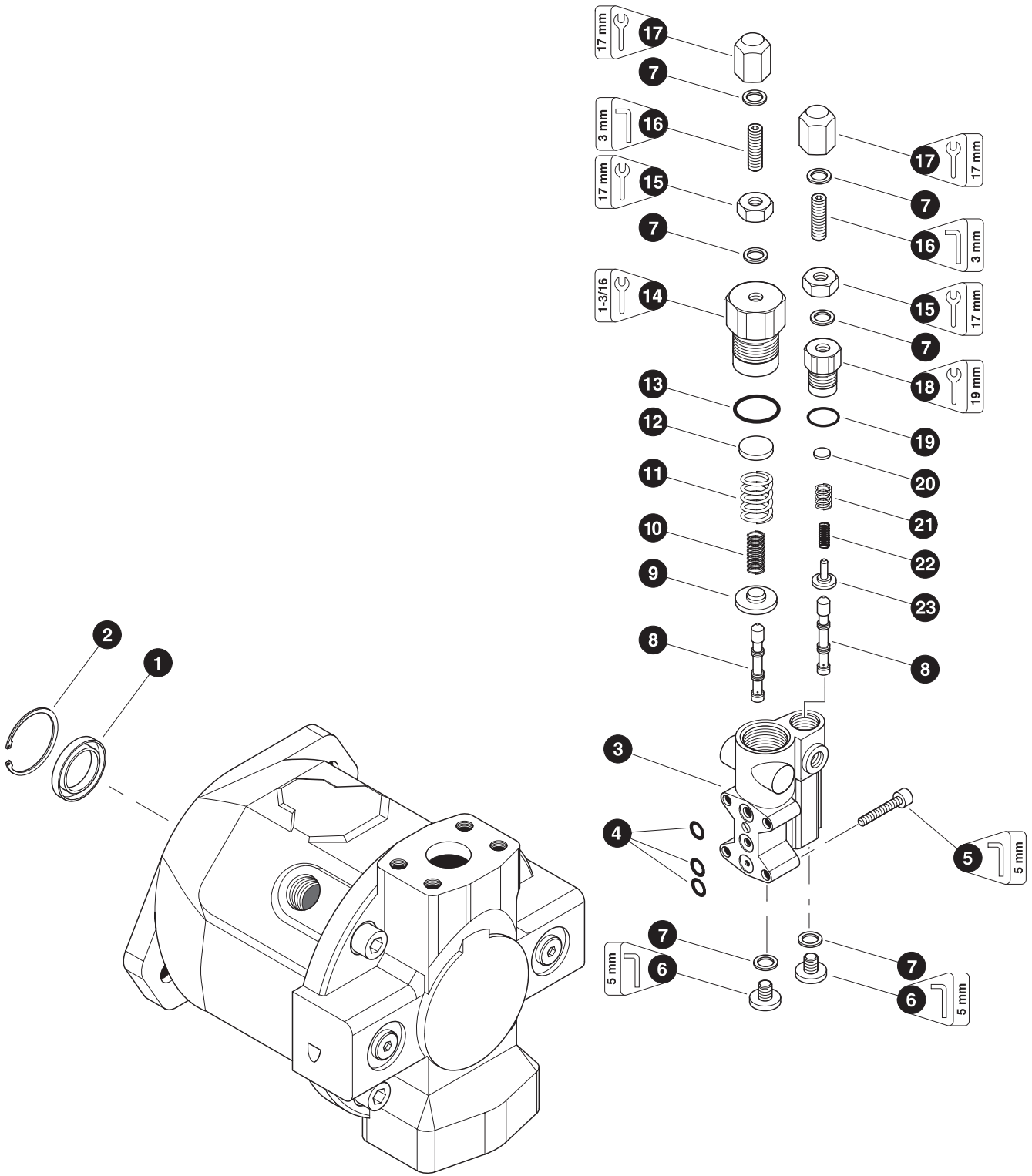
IMPLEMENT PUMP (Rexroth 145cc)

REF	PART #	QTY		DESCRIPTION	SEE SECTION
1	24505-HH	1	☐	PUMP, implement - Rexroth 145cc	
2	21546-HH	1		RING, seal retaining	
3	21547-HH	1		COVER, front	
4	21548-HH	1	⌘	O-RING, front cover	
5	18687-HH	1	⌘	SEAL, shaft	
6	18681-HH	1	☐	COMPENSATOR	
7	20809-HH	3	⌘	O-RING, quad	
8	20808-HH	1	⌘	O-RING, compensator	
9	NSS	1		SPOOL, POR pressure	
10	21551-HH	2		RETAINER, spring	
11	21552-HH	1		SPRING	
12	21553-HH	2	⌘	O-RING, compensator cap	
13	21554-HH	2		CAP, compensator	
14	20358-HH	2	⌘	NUT, seal	
15	21555-HH	2		SCREW, adjusting	
16	21558-HH	2		RETAINER, spring	
17	21556-HH	1		SPRING	
18	21557-HH	1		SPRING	
19	NSS	1		SLEEVE, spool	
20	NSS	1		SPOOL, stand-by pressure	
21	21559-HH	5		BOLT, allen head - 8mm x 50mm	
22	NSS	1		PLUG	
23	24424-HH	1	☐	KIT, FLANGE, thru drive vlo	
24	17608-HH	4		BOLT, allen head - 12mm-1.75P x 30mm	
25	17744-HH	1	⌘	O-RING, thru drive flange	
26	18843-HH	1		COUPLING, thru drive	
27	18844-HH	1		O-RING, thru drive cover	
--	18799-HH	1		KIT, seal repair (<i>Complete pump</i>)	

- ☐ Kit or Assembly - includes all items indented underneath.
 ⌘ Included in seal repair kit, PN# 18799-HH.

Note:

Due to warranty policy restrictions imposed by component suppliers, it is not recommended that the component be disassembled further than is shown in the illustration.



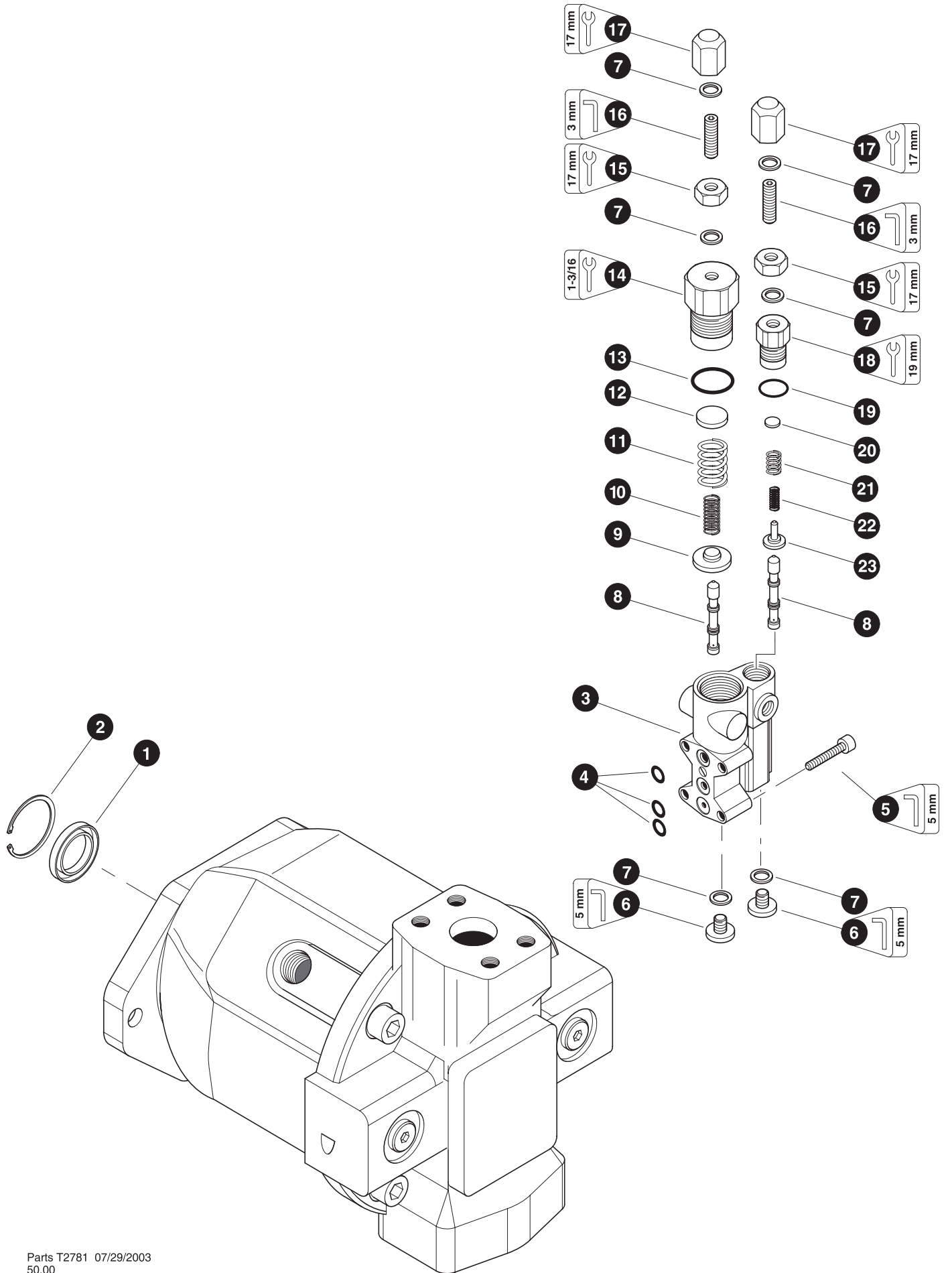
Parts 00867 01/01/2001
50.00

AUX - DISC SAW PUMP (45 cc)

REF	PART #	QTY		DESCRIPTION	SEE SECTION
--	15317-HH	1	☐	PUMP, disc saw (45 CC)	
1	15890-HH	1	⌘	SEAL, shaft	
2	21581-HH	1		RING, seal retaining	
--	15891-HH	1	☐	COMPENSATOR, pump control	
3	NSS	1		HOUSING ASSEMBLY	
4	16856-HH	3	⌘	O-RING	
5	21582-HH	4		BOLT, compensator mounting	
6	20339-HH	2		PLUG	
7	16855-HH	6	⌘	SEAL, ring	
8	NSS	2		SPOOL	
9	NSS	1		RETAINER, spring	
10	NSS	1		SPRING	
11	NSS	1		SPRING	
12	NSS	1		RETAINER, spring	
13	NSS	1	⌘	O-RING	
14	NSS	1		CAP, compensator	
15	17458-HH	2		NUT, jam - 8mm	
16	17459-HH	2		SCREW, adjustment - 8mm	
17	17697-HH	2		NUT, acorn	
18	NSS	1		CAP, compensator	
19	NSS	1	⌘	O-RING	
20	NSS	1		RETAINER, spring	
21	NSS	1		SPRING	
22	NSS	1		SPRING	
23	NSS	1		RETAINER, spring	
-	19757-HH	1		KIT, seal repair - disc saw pump	

☐ Kit or Assembly - includes all items indented underneath.

⌘ Included in seal repair kit Part # 16712-OD.

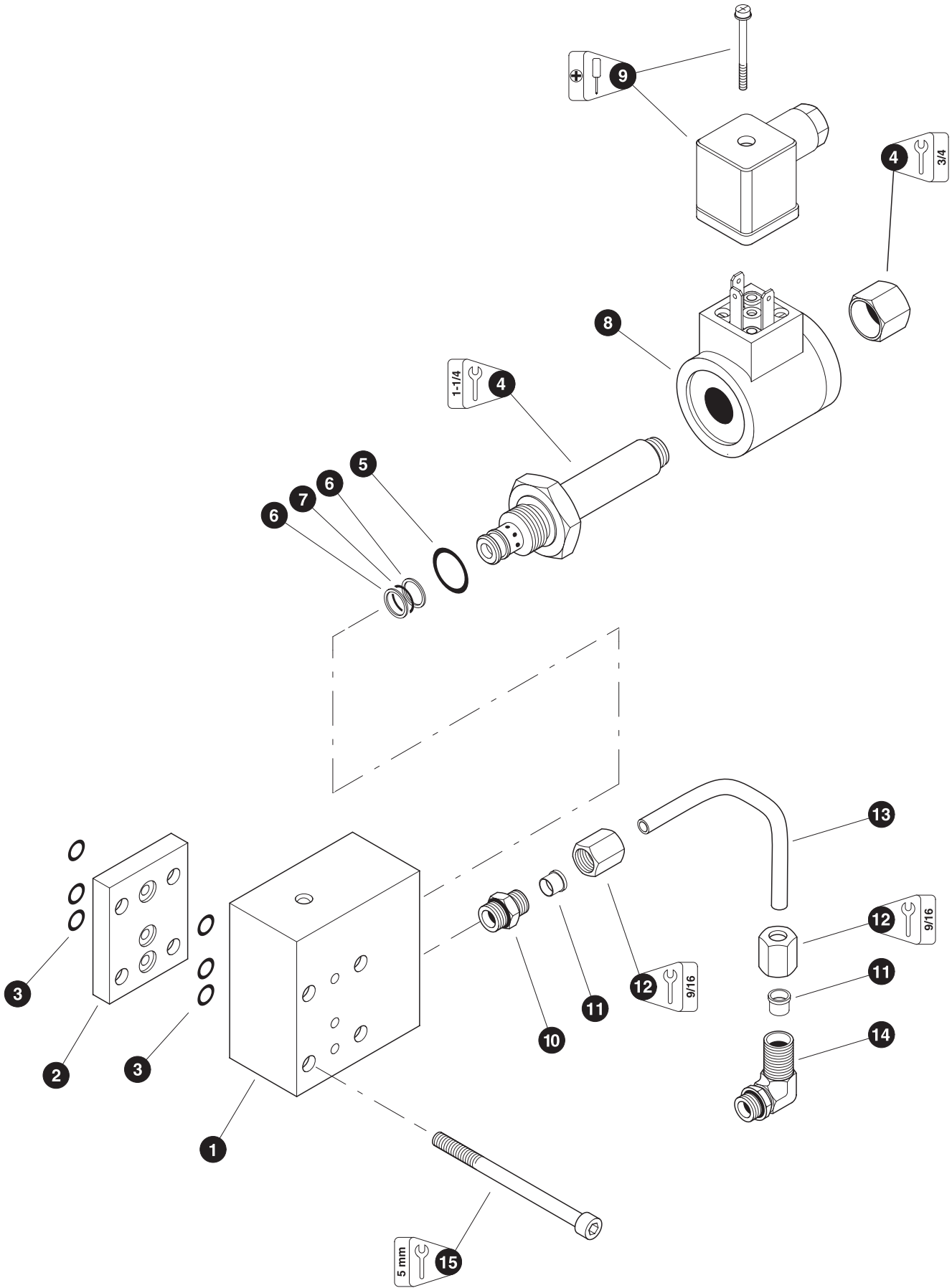


Parts T2781 07/29/2003
50.00

AUX - BRUSH PUMP (71 cc)

REF	PART #	QTY		DESCRIPTION	SEE SECTION
--	19509-HH	1	☐	PUMP, AUX - Brush cutter 71cc	
1	22881-HH	1		SEAL, shaft	
2	22882-HH	1		RING, seal retaining	
--	15891-HH	1	☐	COMPENSATOR, pump control	
3	NSS	1		HOUSING ASSEMBLY	
4	16856-HH	3	⌘	O-RING	
5	21582-HH	4		BOLT, compensator mounting	
6	20339-HH	2		PLUG	
7	16855-HH	6	⌘	SEAL, ring	
8	NSS	2		SPOOL	
9	NSS	1		RETAINER, spring	
10	NSS	1		SPRING	
11	NSS	1		SPRING	
12	NSS	1		RETAINER, spring	
13	NSS	1	⌘	O-RING	
14	NSS	1		CAP, compensator	
15	17458-HH	2		NUT, jam - 8mm	
16	17459-HH	2		SCREW, adjustment - 8mm	
17	17697-HH	2		NUT, acorn	
18	NSS	1		CAP, compensator	
19	NSS	1	⌘	O-RING	
20	NSS	1		RETAINER, spring	
21	NSS	1		SPRING	
22	NSS	1		SPRING	
23	NSS	1		RETAINER, spring	
-	19757-HH	1		KIT, seal repair - disc saw pump	

- ☐ Kit or Assembly - includes all items indented underneath.
 ⌘ Included in seal repair kit Part # 16712-OD.



Parts 01325 01/01/2001
75.00

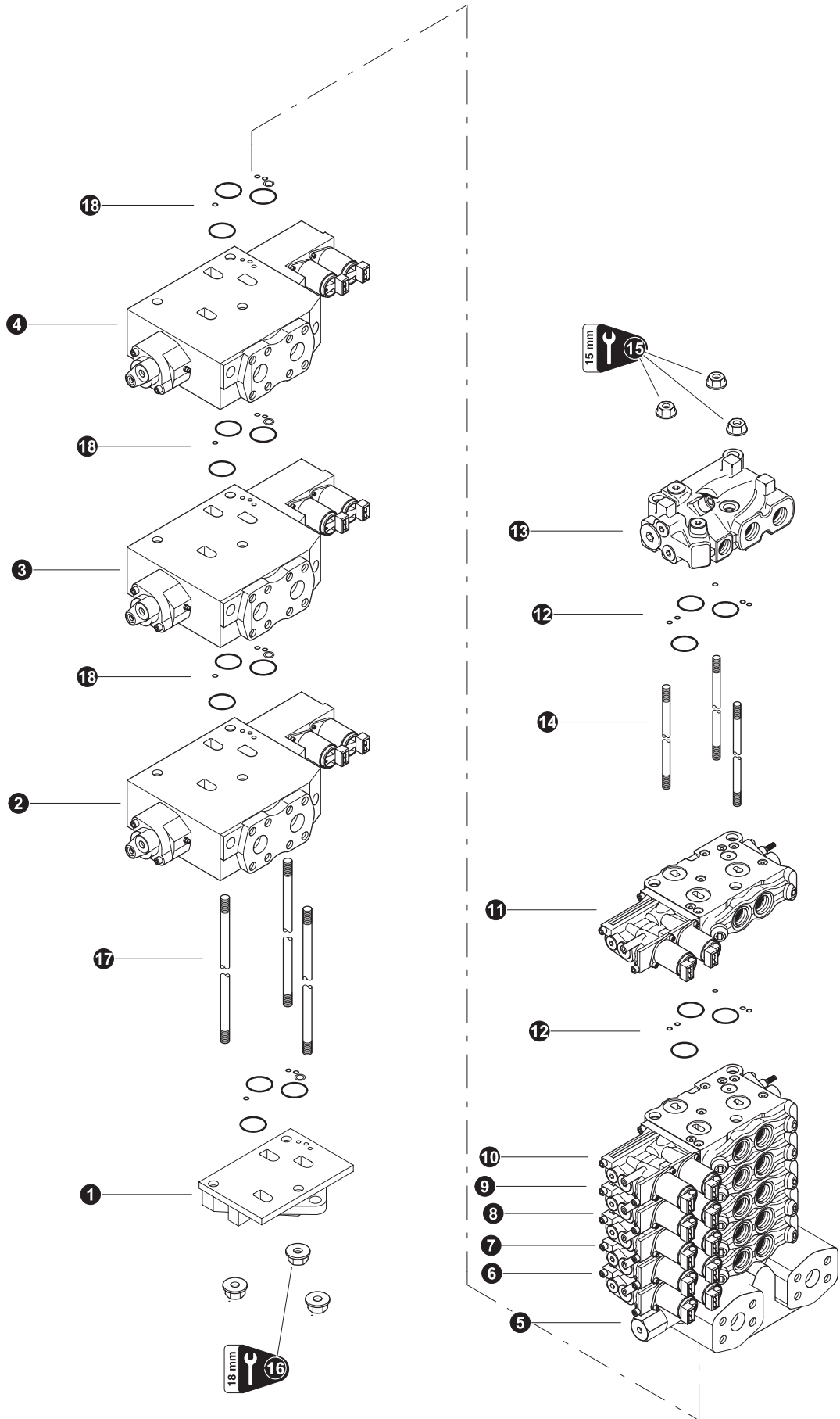
ELECTRIC COMPENSATOR CONTROL (Used With Disc Saw or Brush Pump)

REF	PART #	QTY		DESCRIPTION	SEE SECTION
-	19240-HH	1	☐	CONTROL, electric compensator	
1	22595-HH	1		BLOCK	
2	22596-HH	1		PLATE, block	
3	21604-HH	6		O-RING	
4	22597-HH	1	☐	CARTRIDGE, solenoid <i>(Includes nut)</i>	
5	NSS	1	⌘	O-RING, body	
6	NSS	2	⌘	RING, back-up - chamber	
7	NSS	1	⌘	O-RING, chamber	
8	22445-HH	1		COIL, solenoid - 24V	
9	17145-HH	1		CONNECTOR, electrical - Hirschmann <i>(Includes hardware)</i>	
10	22599-HH	1		CONNECTOR, tube	
11	22600-HH	2		FERRULE	
12	22601-HH	2		NUT, tube	
13	22602-HH	1		TUBE, hydraulic	
14	22604-HH	1		ELBOW, 90° tube	
15	22603-HH	4		BOLT, allen head	
-	22598-HH	1		KIT, seal repair - solenoid cartridge	














- ☐ Kit or Assembly - includes all items indented underneath.
 ⌘ Included in seal repair kit Part # 22598-OD.



Section LH-2

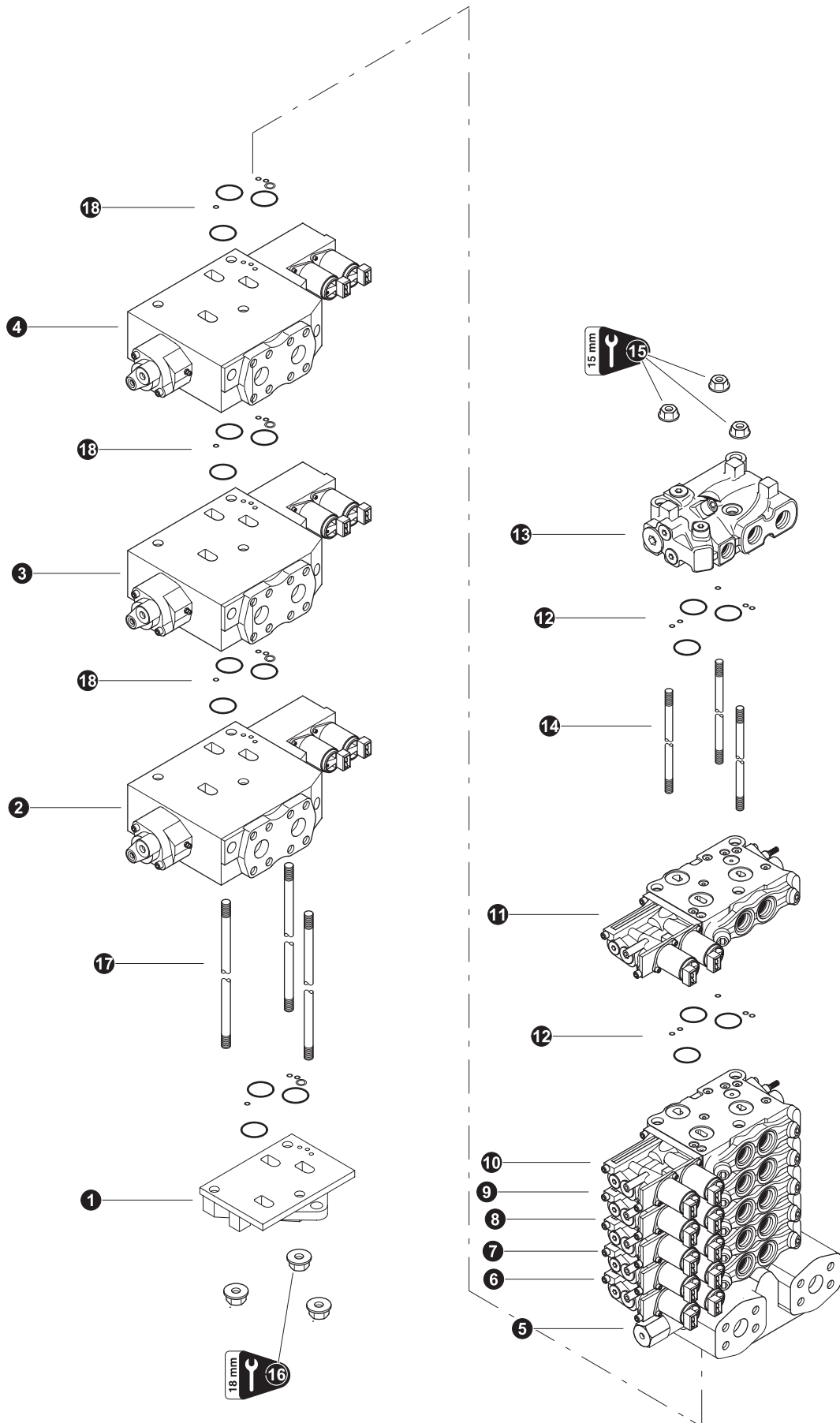
Harvester / Feller Buncher Hydraulics - Control Valve



MAIN CONTROL VALVE (Feller Buncher - TF 830, 840 & TB 630)

REF	PART #	QTY		DESCRIPTION	SEE SECTION
-	51845-HH	1		VALVE, MAIN (3-K220/6-L90) LOG MAX / COMBO	
1	REF.	1		K220 END CAP	HH-2
2	REF.	1		VALVE SECTION - Main Boom function	HH-2
3	REF.	1		VALVE SECTION - Stick Boom function	HH-2
4	REF.	1		VALVE SECTION - Processor function	HH-2
5	REF.	1		MID INLET / OUTLET	HH-2
6	REF.	1		VALVE SECTION - Cab Level function	HH-2
7	REF.	1		VALVE SECTION - Squirt Boom	HH-2
8	REF.	1		VALVE SECTION - Rotate function	HH-2
9	REF.	1		VALVE SECTION - Steer function	HH-2
10	REF.	1		VALVE SECTION - Swing function	HH-2
11	REF.	1		VALVE SECTION - Processor function	HH-2
12	23404-HH	5		KIT, seal repair - L90LS face seals	
13	REF.	1		L90 END CAP	HH-2
14	23912-HH	3		ROD, TIE - VOAC (L90LS)(6 SEC)	
15	23913-HH	3		NUT, flange - 10mm (<i>Torque to 33 ft.lbs. (45 Nm)</i>)	
16	25131-HH	3		NUT, flange - 12mm (<i>Torque to 55 ft.lbs. (75 Nm)</i>)	
17	- - -	3		ROD, tie - K220 (<i>3-Section span</i>) (9120092374)	
18	25132-HH	4		KIT, seal repair - K220 face seals	














-  Kit or Assembly - includes all items indented underneath.
-  See referenced page for component or assembly breakdown.



Parts T3265 08/09/2005
25.00

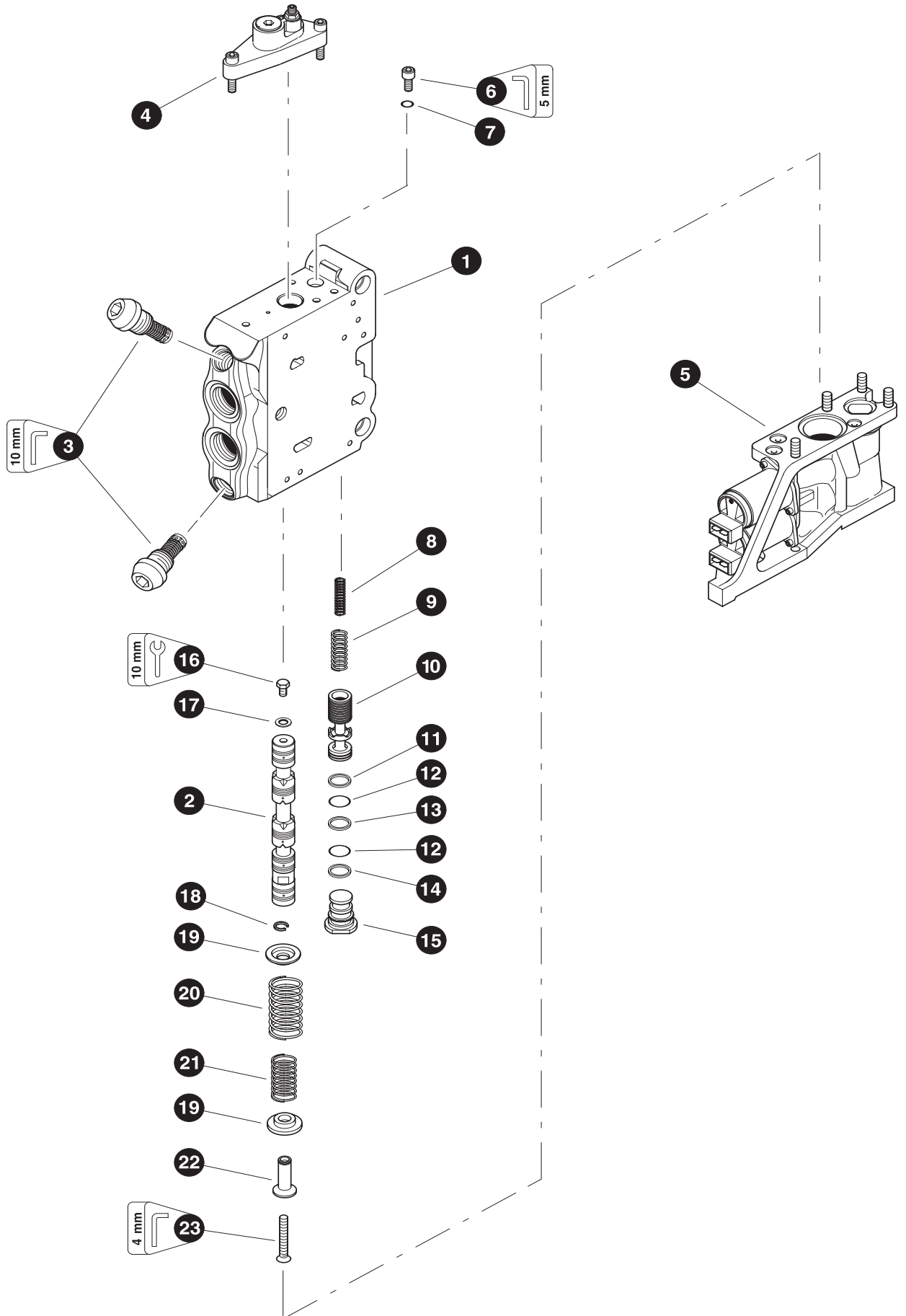
MAIN CONTROL VALVE

(Harvester - TF 830, 840 & TB 630)









REF	PART #	QTY		DESCRIPTION	SEE SECTION
-	51849-HH	1		VALVE, MAIN (3-K220/6-L90) LOG MAX / COMBO	
1	REF.	1		K220 END CAP	HH-2
2	REF.	1		VALVE SECTION - Main Boom function	HH-2
3	REF.	1		VALVE SECTION - Stick Boom function	HH-2
4	REF.	1		VALVE SECTION - Tool Cylinder function	HH-2
5	REF.	1		MID INLET / OUTLET	HH-2
6	REF.	1		VALVE SECTION - Accumulator Cylinder	HH-2
7	REF.	1		VALVE SECTION - Clamp Cylinder	HH-2
8	REF.	1		VALVE SECTION - Lateral Tilt	HH-2
9	REF.	1		VALVE SECTION - Swing	HH-2
10	REF.	1		VALVE SECTION - Cab Level	HH-2
10	REF.	1		VALVE SECTION - Steer Cylinder	HH-2
12	23404-HH	5		KIT, seal repair - L90LS face seals	
13	REF.	1		L90 END CAP	HH-2
14	23912-HH	3		ROD, TIE - VOAC (L90LS)(6 SEC)	
15	23913-HH	3		NUT, flange - 10mm (<i>Torque to 33 ft.lbs. (45 Nm)</i>)	
16	25131-HH	3		NUT, flange - 12mm (<i>Torque to 55 ft.lbs. (75 Nm)</i>)	
17	- - -	3		ROD, tie - K220 (<i>3-Section span</i>) (9120092374)	
18	25132-HH	4		KIT, seal repair - K220 face seals	

 Kit or Assembly - includes all items indented underneath.


 See referenced page for component or assembly breakdown.



L90LS VALVE SECTION

REF	PART #	QTY	DESCRIPTION	SEE SECTION
-	-HH	1	 VALVE SECTION - (optional) Squirt Boom (L90LS-MS-US60-275)	
-	-HH	1	 VALVE SECTION - Rotate / Lateral Tilt function (L90LS-MS-US60-273)	
-	-HH	1	 VALVE SECTION - Steer function (L90LS-MS-US60-270)	
-	-HH	1	 VALVE SECTION - Swing function (L90LS-MS-US60-271)	
-	-HH	1	 VALVE SECTION - Cab Level function (L90LS-MS-US60-276)	
-	-HH	1	 VALVE SECTION - Accumulator Cylinder (L90LS-MS-US60-274)	
1	NSS	1	BODY, valve section	
2	-----	1	SPOOL, grapple rotate MBX (393000S218)	
2	-----	1	SPOOL, steer/shear RDX (393000S230)	
2	-----	1	SPOOL, swing - RCD	
2	-----	1	SPOOL, squirt boom / processor / grapple - RKX (393000S490)	
2	-----	1	SPOOL, cab level - ZEX	
3	-----	2	CARTRIDGE, port relief (230 Bar) (393000K568)	
3	-----	2	CARTRIDGE, port relief (250 Bar) (393000K569)	
3	-----	2	CARTRIDGE, port relief (280 Bar) (393000K571)	
3	-----	2	CARTRIDGE, port relief (300 Bar) (393000K572)	
4	REF.	1	 SECTION END CAP ASSEMBLY - "A" port side	HH-2
5	REF.	1	 SECTION END CAP ASSEMBLY - "B" port side	HH-2
-	-----	1	<input type="checkbox"/> KIT, compensator - "KX" (Swing, Steer)(see note #1)	
-	-----	1	<input type="checkbox"/> KIT, compensator - "K" (Rotate & Level only)(see note #1)	
6	-----	1	SCREW, throttling - 6mm-1.0P x 10mm	
7	-----	1	RING, seal	
8	-----	1	SPRING, small (KX only)	
9	-----	1	SPRING, compensator	
10	-----	1	SPOOL, compensator	
-	-----	1	<input type="checkbox"/> KIT, compensator plug w/seals (393000K171)	
-	-----	1	<input type="checkbox"/> KIT, seals only - compensator plug (393000K811)	
11	-----	2	RING, back-up	
12	-----	1	O-RING	
13	-----	1	O-RING	
14	-----	1	RING, back-up	
15	-----	1	BOLT, spool - 6mm-1.0P x 8mm (0147124203)	
16	-----	1	WASHER, seal (91256300)	
-	23423-HH	1	<input type="checkbox"/> KIT, spool centering spring	
17	NSS	1	RING, lock	
18	NSS	2	RETAINER, spring	
19	NSS	1	SPRING	
20	NSS	1	SPRING	
21	NSS	1	SLEEVE	
22	NSS	1	SCREW, spring assembly	

Kit or Assembly - includes all items indented underneath.

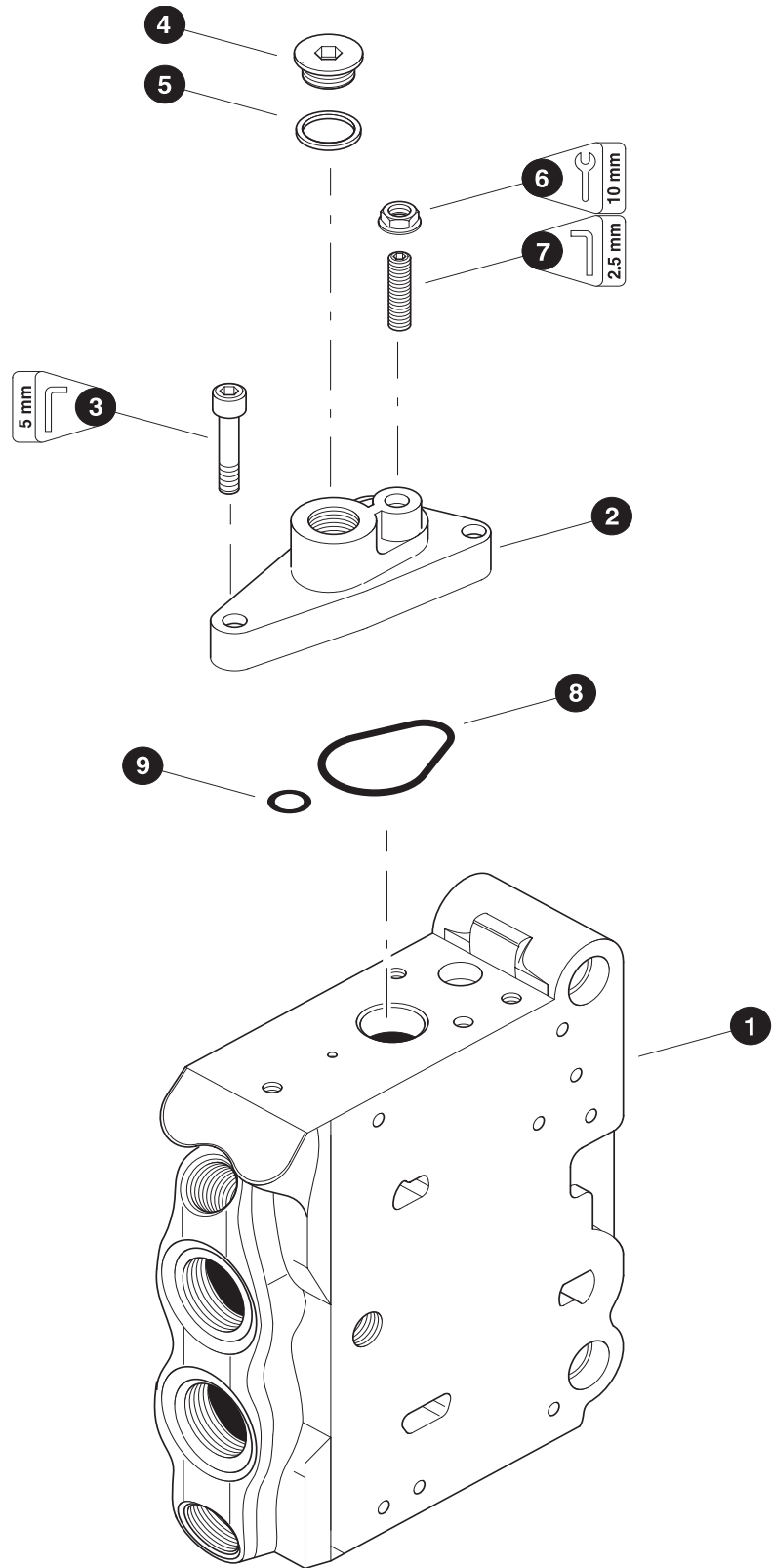
 See referenced page for component or assembly breakdown.

NOTE #1

Each section is color coded for proper fit. A color mark can be found on the "B" port side of the valve section under the end cap labeled #5.

KX - blue (393000K616)
green (393000K617)
red (393000K618)

K - blue (393000K169)
green (393000K469)
red (393000K669)



L90LS VALVE END CAP

REF	PART #	QTY		DESCRIPTION	SEE SECTION
1	NSS	1		VALVE SECTION BODY	
-	23414-HH	1	☐	KIT, end cap - "A" port side	
2	NSS	1		CAP, end	
3	-----	3		BOLT, allen head - 6mm-1.0P x 20mm (0211124703)	
4	15412-HH	1		PLUG - 6408-HHP-6	
5	-----	1	⌘	RING, seal (3-906)	
6	-----	1	⌘	NUT, seal - 6mm (3763131)	
7	-----	1		SCREW, adjustment (3764640)	
-	23415-HH	1	☐	KIT, seal repair - "A" port side end cap	
8	-----	1	⌘	O-RING (Large) (0663210509)	
9	-----	1	⌘	O-RING (Small) (06632114)	



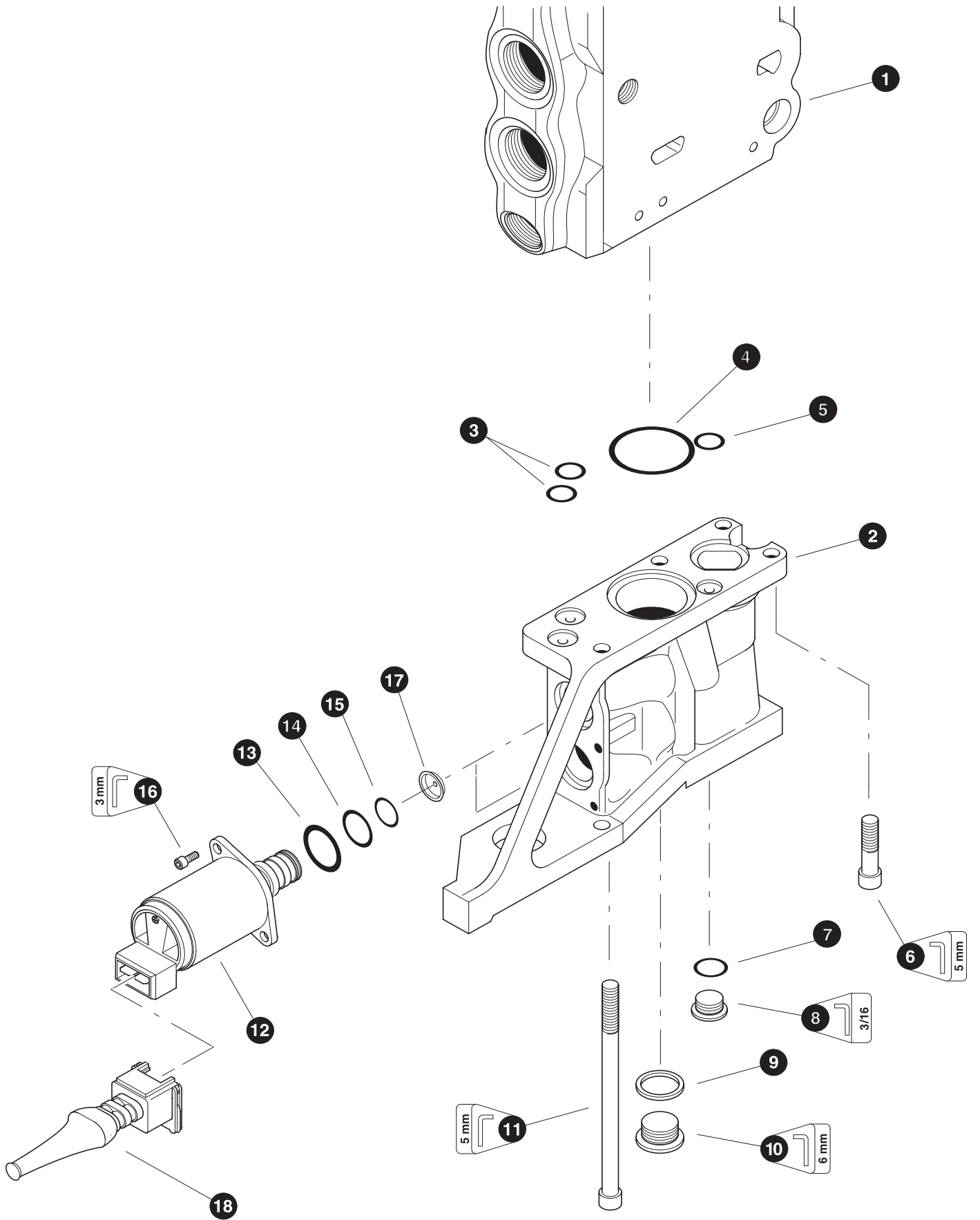
See referenced page for component or assembly breakdown.



Kit or Assembly - includes all items indented underneath.



Included in seal repair kit PN# 23415-LH.



L90LS VALVE CONTROL CAP

REF	PART #	QTY		DESCRIPTION	SEE SECTION
1	NSS	1		VALVE SECTION BODY	
-	23416-HH	1	☐	KIT, end cap - "B" port side	
2	-----	1		CAP, end	
3	-----	2	⌘	O-RING (Small)	
4	-----	1	⌘	O-RING (Large)	
5	-----	1	⌘	O-RING (Small)	
6	-----	2		BOLT, allen head - 6mm-1.0P x 20mm (0211124703)	
7	-----	1	⌘	O-RING	
8	11383-HH	1		PLUG - 6408-HHP-4	
9	-----	1	⌘	RING, seal	
10	-----	1		PLUG (0686644203)	
11	-----	2		SCREW, allen head - 6mm-1.0P x 100mm (0211126403)	
12	20976-HH	2		SOLENOID - 24V	
13	-----	2	◆	O-RING (Large)	
14	-----	2	◆	O-RING (Medium)	
15	-----	2	◆	O-RING (Small)	
16	-----	4		SCREW, allen head - 4mm-.75P x 12mm (0211117103)	
17	-----	2		DAMPER, pilot restrictor orifice (voac solenoid)(see note #1 below)	
18	19179-HH	2		CONNECTOR, (kit) voac control valve	
-	23417-HH	1		KIT, seal repair - "B" port side end cap	
-	23418-HH	1		KIT, seal repair - solenoid	

☐ See referenced page for component or assembly breakdown.

☐ Kit or Assembly - includes all items indented underneath.

⌘ Included in seal repair kit PN# 23417-LH.

◆ Included in seal repair kit PN# 23418-LH.

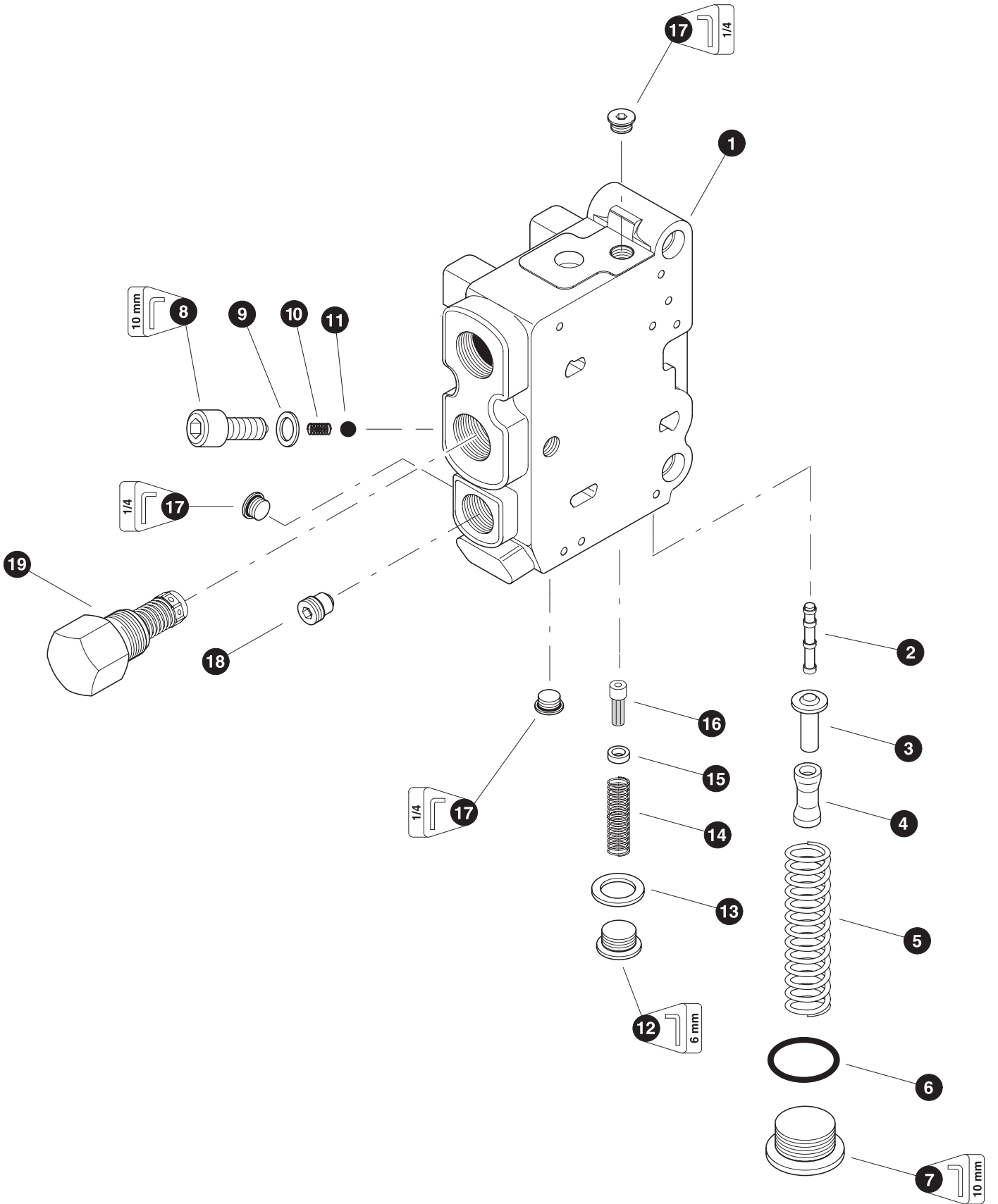
NOTE #1:

Orifice sizes vary depending upon function.

#3762396 0.6 mm

#3762397 0.8 mm

#3762398 1.0 mm



Parts 01319 09/16/99
62.00

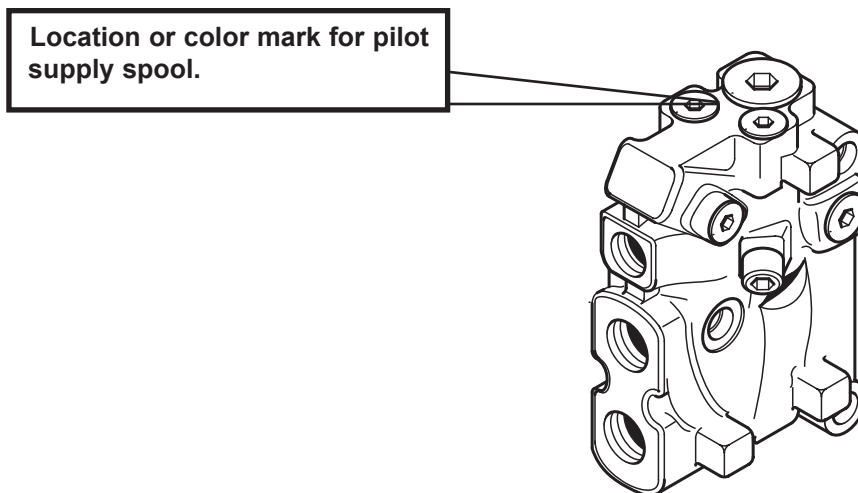
L90LS VALVE OUTLET

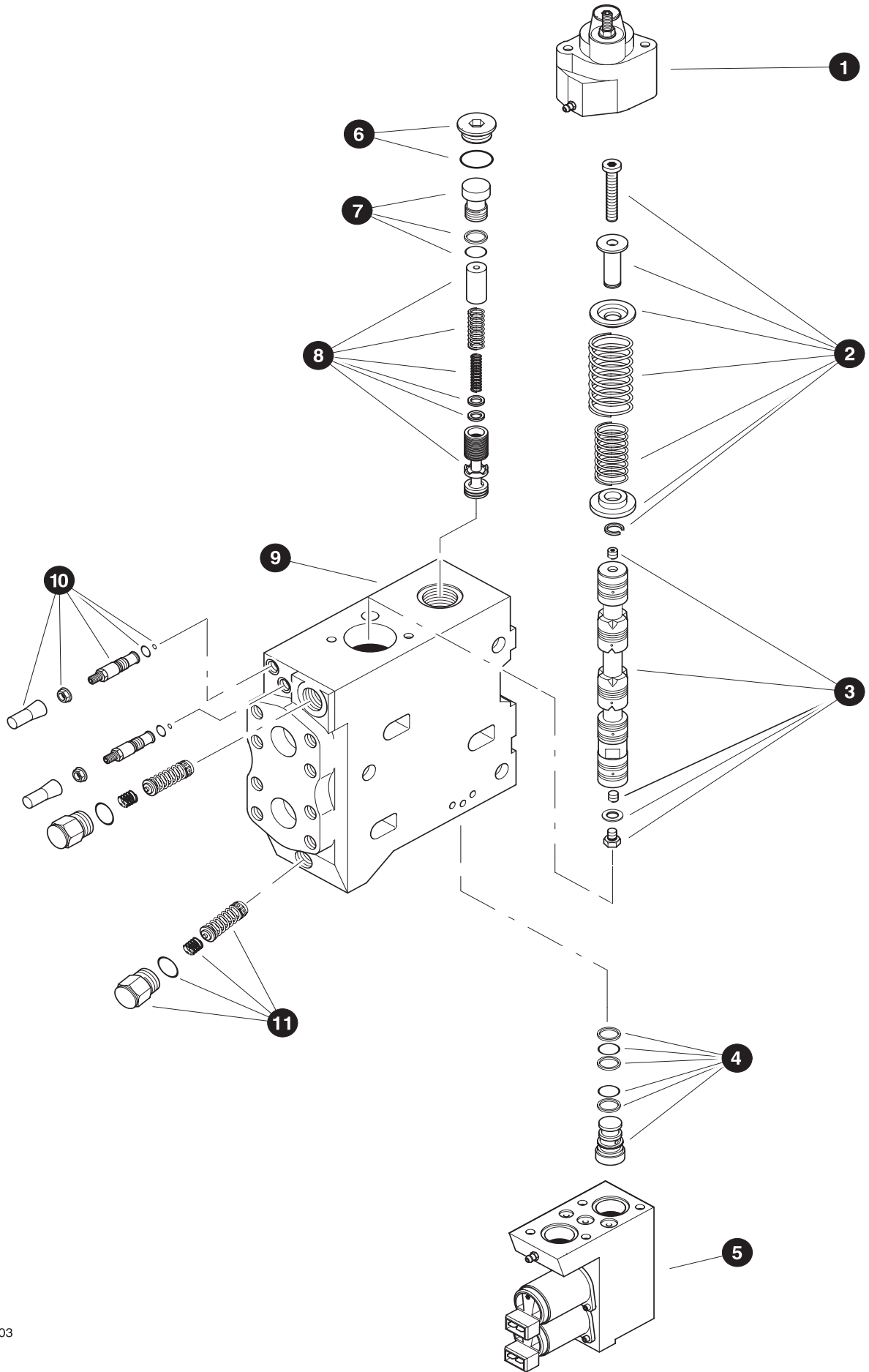
REF	PART #	QTY		DESCRIPTION	SEE SECTION
-	23412-HH	1	<input type="checkbox"/>	VALVE SECTION, outlet	
1	NSS	1		BODY, valve section	
-	23431-HH	1	<input type="checkbox"/>	KIT, pilot supply reducer (Green)(35 bar)(see note #1)	
	23432-HH	1	<input type="checkbox"/>	KIT, pilot supply reducer (Red)(35 bar)(see note #1)	
2	-----	1		SPOOL, pilot reducer	
3	-----	1		RETAINER, spring	
4	-----	1		SPACER, spring	
5	-----	1		SPRING	
6	-----	1		O-RING (0663909901)	
7	-----	1		PLUG (9126244413)	
8	-----	1		PLUG (9127320022)	
9	-----	1		RING, seal (06611005)	
10	-----	1		SPRING	
11	-----	1		BALL, check	
-	23433-HH	1	<input type="checkbox"/>	KIT, pilot supply strainer	
12	-----	1		PLUG (9127320020)	
13	-----	1		RING, seal (06611020)	
14	-----	1		SPRING	
15	-----	1		SPACER	
16	-----	1		STRAINER (9126386076)	
17	15412-HH	3		PLUG - 6408-HHP-6	
18	-----	1		PLUG, pilot drain (393000K078)	
19	-----	1		Counter press. valve - 130 PSI (393000K068)	

Kit or Assembly - includes all items indented underneath.

NOTE #1

Each section is color coded to insure proper fit, please check color mark before ordering.



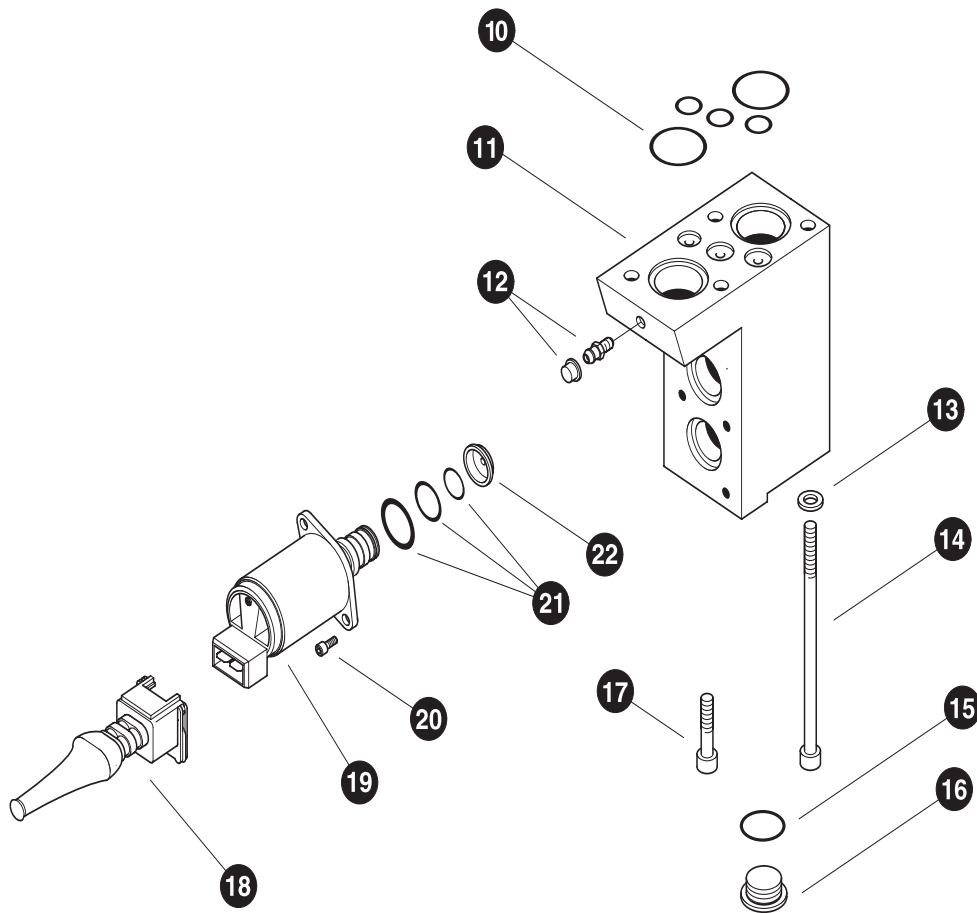
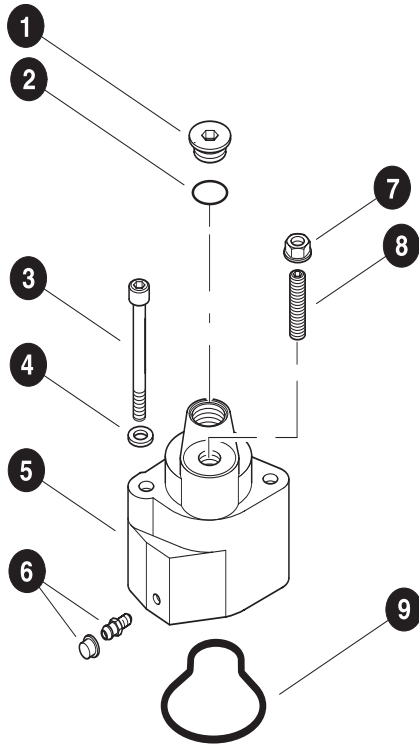


Parts T2761 07/15/03
37.50

VOAC K220 VALVE SECTION

REF	PART #	QTY	DESCRIPTION	SEE SECTION
-	-HH	1	<input type="checkbox"/> VALVE SECTION, K220 - STICK - HARV. BOOM (K220LS-MS-US60-234)	
-	-HH	1	<input type="checkbox"/> VALVE SECTION, K220 - MAIN - HARV. BOOM (K220LS-MS-US60-233)	
-	-HH	1	<input type="checkbox"/> VALVE SECTION, K220 - Tool Tilt Cylinder (K220LS-MS-US60-235)	
-	-HH	1	<input type="checkbox"/> VALVE SECTION, K220 - PROCESSOR (K220LS-MS-US60-236)	
1	REF.	1	<input type="checkbox"/> CAP, "B"port	HH-2-18
2	-----	1	<input type="checkbox"/> KIT, SPOOL SPRING - (9120092015)	
3	-----	1	<input type="checkbox"/> SPOOL, STICK -	
3	-----	1	<input type="checkbox"/> SPOOL, MAIN - TUA	
3	-----	1	<input type="checkbox"/> SPOOL, PROCESSOR - RAX	
4	-----	1	<input type="checkbox"/> KIT, PLUG 3 (3764731)	
-	-----	1	<input type="checkbox"/> SEAL KIT, plug 3 (9120092355)	
5	-----	1	<input type="checkbox"/> CONTROL CAP ASSEMBLY - "A" port side	HH-2-18
6	-----	1	<input type="checkbox"/> KIT, PLUG 1 (9126244419)	
-	-----	1	<input type="checkbox"/> O-RING, plug 1 (0663910401)	
7	-----	1	<input type="checkbox"/> KIT, PLUG 2 (3764750)	
-	-----	1	<input type="checkbox"/> O-RING, plug 2 (06632124)	
-	-----	1	<input type="checkbox"/> RING, back up - plug 2 (06611516)	
8	-----	1	<input type="checkbox"/> KIT, COMPENSATOR K1 (9120092054) CLAMP	
8	-----	1	<input type="checkbox"/> KIT, COMPENSATOR K2 (9120092055) SAW, TOOL, STICK, MAIN	
9	NSS	1	<input type="checkbox"/> BODY, K220 VALVE	
10	-----	2	<input type="checkbox"/> KIT, FEED REDUCER (3763680)	
-	-----	1	<input type="checkbox"/> O-RING, feed reducer (91256182)	
-	-----	1	<input type="checkbox"/> O-RING, feed reducer (06639050)	
-	-----	1	<input type="checkbox"/> NUT, sealing (91267108)	
11	-----	2	<input type="checkbox"/> VALVE, PORT RELIEF - 300 bar (9120029517)	
11	-----	2	<input type="checkbox"/> VALVE, PORT RELIEF - 280 bar ()	
-	-----	1	<input type="checkbox"/> O-RING, PORT RELIEF (91256889)	

- Kit or Assembly - includes all items indented underneath.
- See referenced page for component or assembly breakdown.



Parts T2762 07/15/03
50.00

VOAC K220 VALVE END CAPS

REF	PART #	QTY		DESCRIPTION	SEE SECTION
-	51264-HH	1	☐	CUP, PILOT - K220 W / FLOW LIMIT	
1	---	1		PLUG	
2	---	1	⌘	O-RING	
3	---	2		BOLT, M6 X 35mm (3764640)	
4	---	2		WASHER, M6	
5	---	1		CAP	
6	---	1		BLEEDER	
7	---	1	⌘	NUT, seal M6 (91267109)	
8	---	1		SCREW	
9	---	1	⌘	O-RING	
-	---	1	☐	KIT, CONTROL "A port side" K220	
10	---	1	◆	KIT, O-RING	
11	---	1		CAP	
12	---	1		BLEEDER	
13	---	4		WASHER, M6	
14	---	2		BOLT, M6 X 110mm (0211126603)	
15	---	1	◆	O-RING	
16	---	1		PLUG	
17	---	2		BOLT, M6 X 22mm (0211124803)	
18	19179-HH	2		KIT, CONNECTOR -VOAC solenoid	
-	20976-HH	2		KIT, SOLENOID VALVE 24V	
19	---	1		SOLENOID VALVE 24V	
20	---	2		SCREW, 4mm x 12mm (0211117103)	
21	---	1		KIT, SEAL -SOLENOID VALVE (393000K813)	
22	---	1		DAMPER, pilot restrictor orifice 0.8 mm (3762397)	

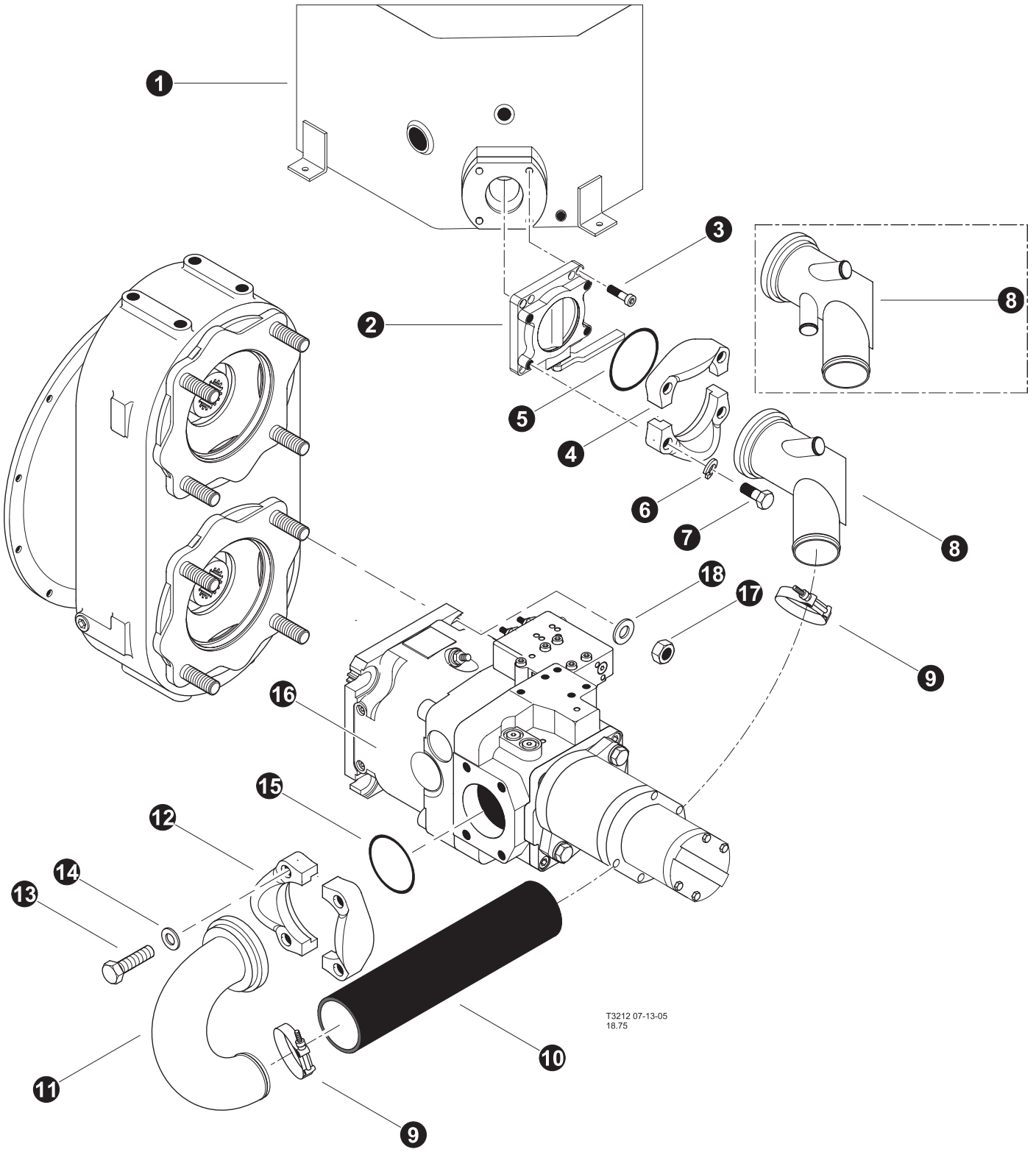
☐ Kit or Assembly - includes all items indented underneath.

⌘ Included in seal repair kit PN# - (9120092284)

◆ Included in seal repair kit PN# - (9120092284)





Section HH-3




Harvester / Feller Buncher Hydraulics - Supply, Tank, Load sense, and Drain Circuits

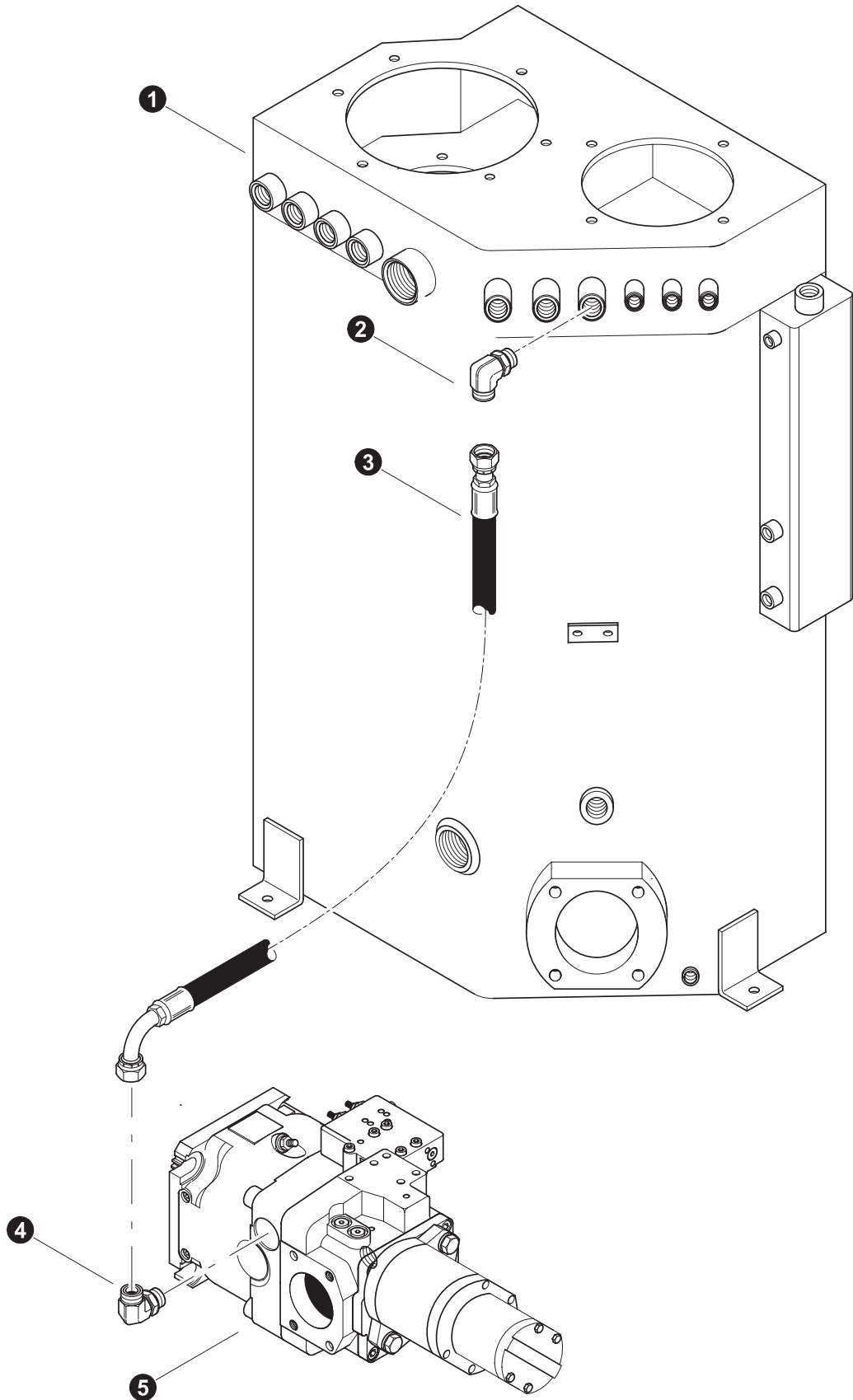


T3212 07-13-05
18.75

IMPLEMENT PUMP INSTALLATION


REF	PART #	QTY	DESCRIPTION	SEE SECTION
1	REF	1	 HYDRAULIC TANK ASSEMBLY	UP-2
2	51619-HH	1	VALVE, SHUT OFF - BUTTERFLY (4")	
3	23095-HH	4	BOLT, ALLEN HEAD - .625" x 2"	
4	51625-HH	1	 KIT, FLANGE - SUCTION TUBE (4")	
5		1	O-RING - SUCTION TUBE (4")	
6	10721-HH	4	WASHER, LOCK - .625"	
7	15526-HH	4	BOLT - .625" X 2"	
8	42461-HH	1	TUBE, SUCTION - 4" FLANGE - W/O DISC SAW	
8	51886-HH	1	TUBE, SUCTION - 4" FLANGE - WITH DISC SAW	
9	15190-HH	2	CLAMP, strap band - 3-1/8"	
10	-HH	1	HOSE ASSEMBLY - 1013 48-0-0	
11	51876-HH	1	TUBE, SUCTION 180 DEG 3.0" 630/830	
12	18306-HH	1	 KIT, split flange - 3" (Code 61)	
13	15562-HH	1	BOLT - 5/8" x 2"	
14	10721-HH	4	WASHER, lock - 5/8"	
15	18695-HH	1	O-RING - 3" SF	
16	REF	1	 IMPLEMENT PUMP.....	HH-1


-  See referenced page for component or assembly breakdown.
-  Bulk material - order length required in feet or meters.
-  Kit or Assembly - includes all items indented underneath.

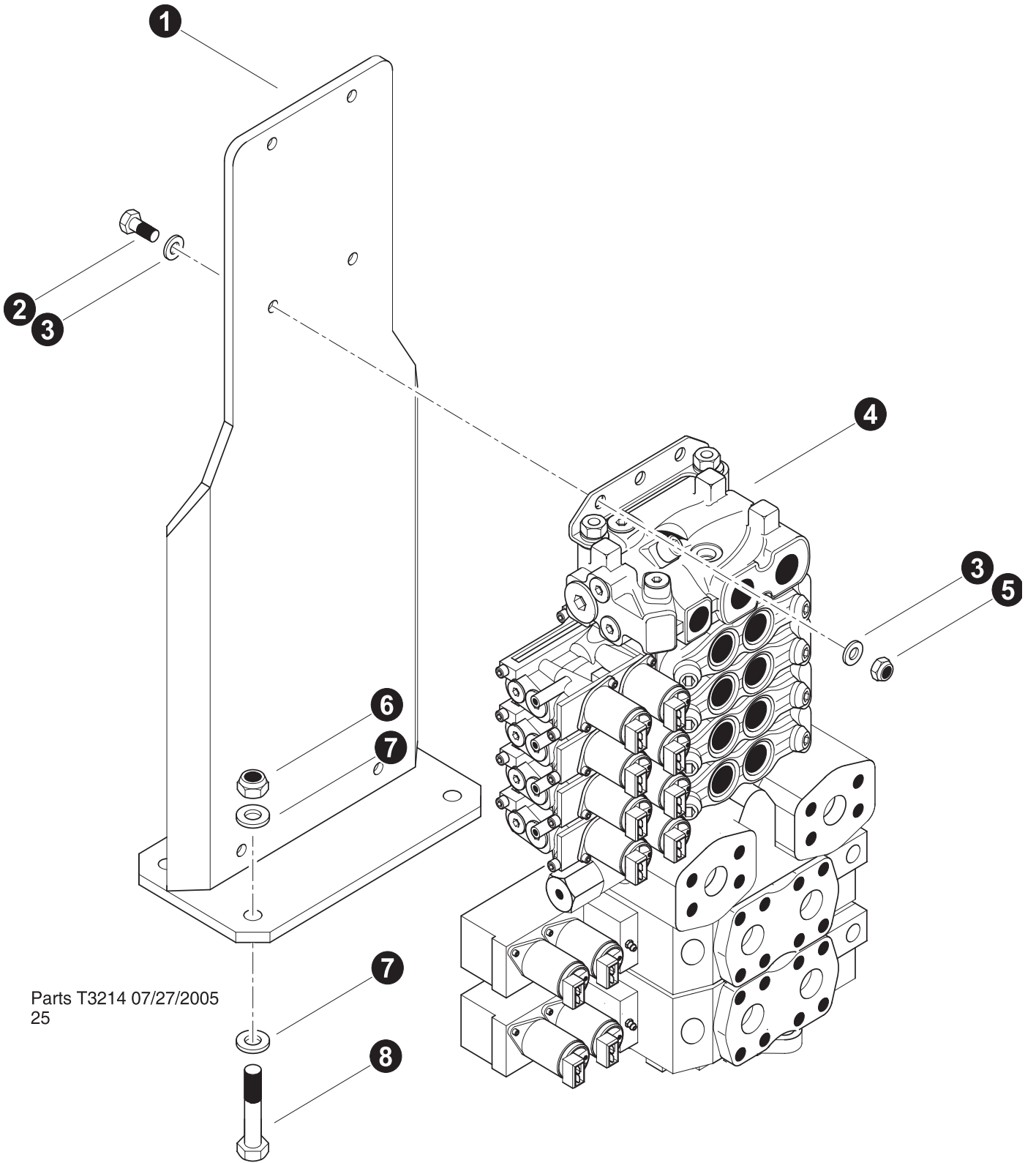


Parts T3213 07/18/2005
18.75


IMPLEMENT PUMP CASE DRAIN LINE


REF	PART #	QTY	DESCRIPTION	SEE SECTION
1	REF.	1	HYDRAULIC TANK	UP-2
2	17688-HH	1	ELBOW, 90 - FF1868T-1212S	
3	-HH	1	HOSE ASSEMBLY - 2045-12-120S-1209 (<i>Implement pump case drain port to hydraulic tank</i>)	
4	17688-HH	1	ELBOW, 90 - FF1868T-1212S	
5	REF.	1	 IMPLEMENT PUMP.	HH-1

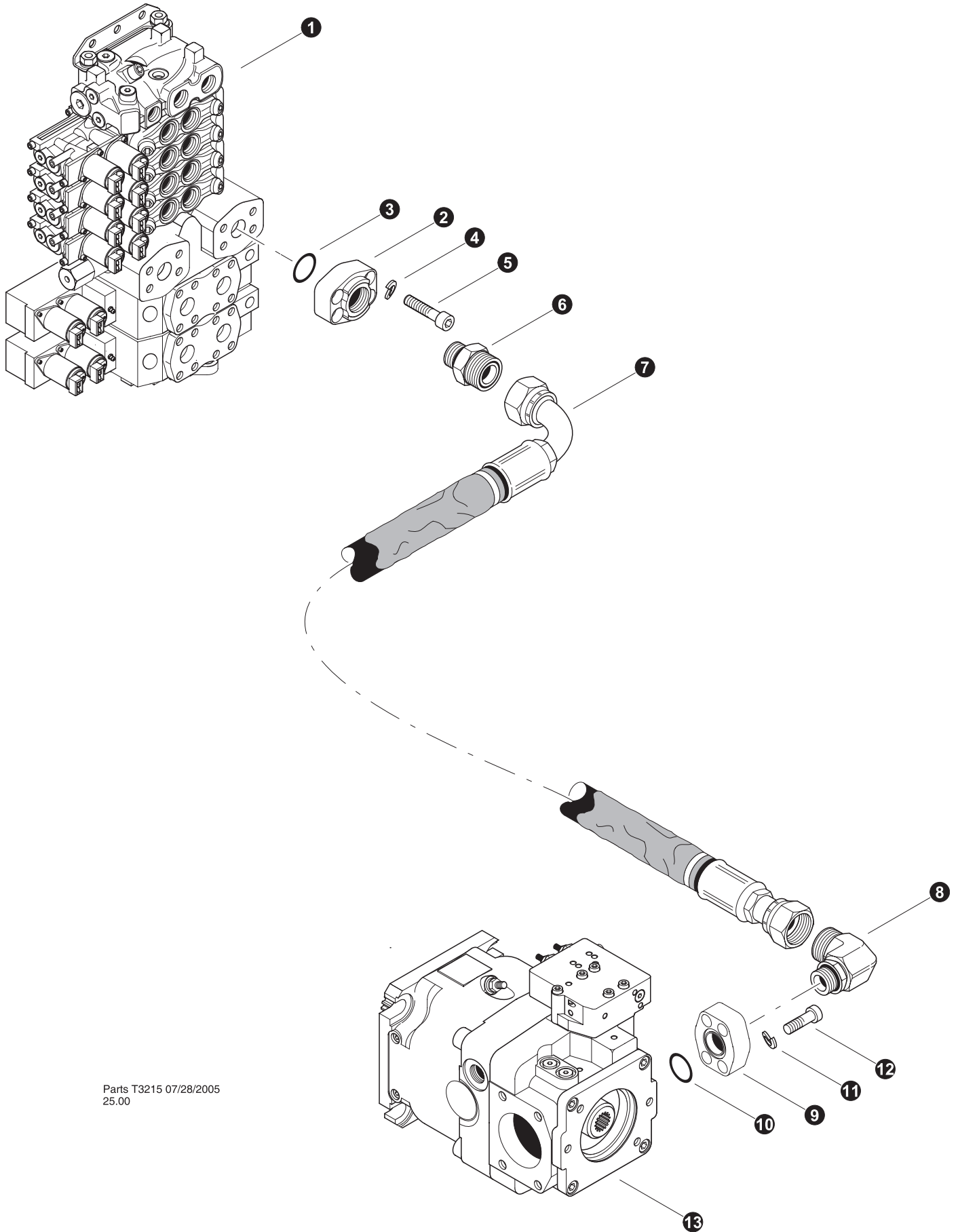
 See referenced page for component or assembly breakdown.



MAIN CONTROL VALVE MOUNTING





REF	PART #	QTY	DESCRIPTION	SEE SECTION
1	42489-HH	1	BRACKET, MAIN VALVE CONTROL - TF830	
2	15507-HH	4	BOLT, 3/8 X 1 1/4"	
3	15528-HH	8	WASHER, SAE 3/8"	
4	REF	1	 MAIN CONTROL VALVE	HH-2
5	10813-HH	4	NUT, lock 3/8"	
6	10815-HH	4	NUT, LOCK - .5"	
7	15534-HH	8	WASHER, SAE FLAT - .5"	
8	15567-HH	4	BOLT - .5" X 2.5"	



 See referenced page for component or assembly breakdown.

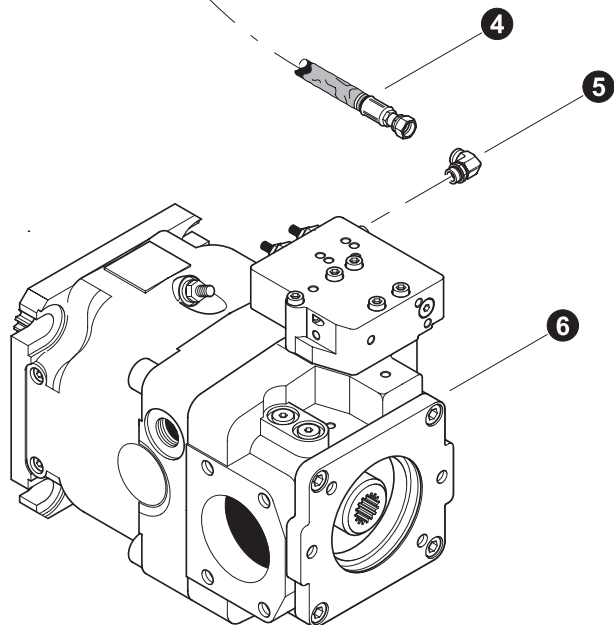
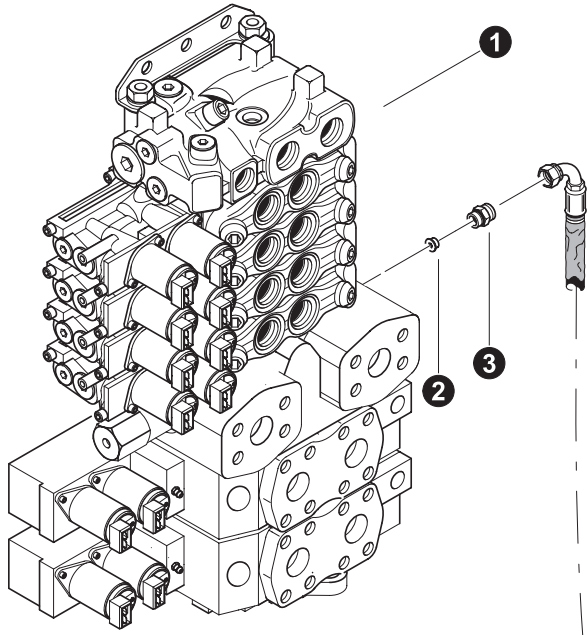


Parts T3215 07/28/2005
25.00

IMPLEMENT PUMP PRESSURE LINE TO MAIN CONTROL VALVE



REF	PART #	QTY	DESCRIPTION	SEE SECTION
1	REF.	1	 MAIN CONTROL VALVE	HH-2
2	18397-HH	1	 CONNECTOR, FLANGE PAD - 1" C 62	
3	15377-HH	1	O-RING - 1"	
4	-	4	WASHER, lock	
5	18988-HH	4	BOLT, ALLEN HEAD - 12MM-1.75P X 45MM	
6	17063-HH	1	CONNECTOR, STR - FF1852T-2016S	
7	-HH	1	HOSE ASSEMBLY - 4092.5-20-200S-2009-W (<i>Implement pump pressure outlet to main control valve pressure inlet port "P1"</i>)	
8	17055-HH	1	ELBOW, 90 - FF1868T-2020S	
9	17016-HH	1	 CONNECTOR, FLANGE PAD - 1.25" C 62	
10	-	1	O-RING - 1.25"	
11	-	4	WASHER, lock	
12	-	4	BOLT, ALLEN HEAD	
13	REF.	1	 IMPLEMENT PUMP.	HH-1

-  See referenced page for component or assembly breakdown.
-  Kit or Assembly - includes all items indented underneath.

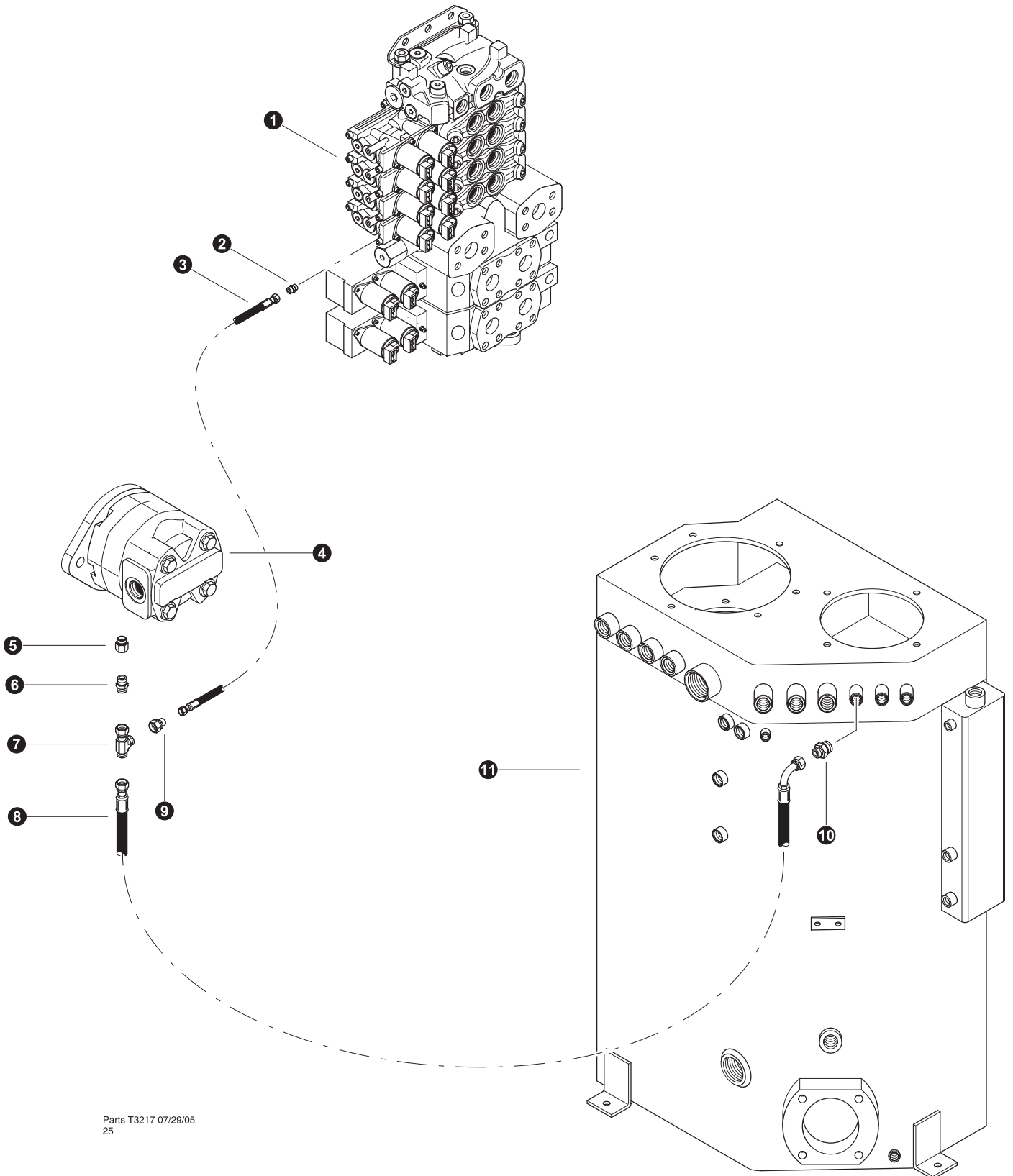


Parts T3215 07/28/2005
25.00


MAIN CONTROL VALVE LOAD SENSE LINE

REF	PART #	QTY	DESCRIPTION	SEE SECTION
1	REF.	1	 MAIN CONTROL VALVE	HH-2
2	15488-HH	1	CONNECTOR, STR - 6400-6 (<i>Tapped for 0.024" orifice</i>)	
3	24091-HH	1	ORIFICE - 0.024"	
4	-HH	1	HOSE ASSEMBLY - 2113-06-060S-0609-W (<i>Control Valve load sense "PL" port to Implement Pump controler</i>)	
5	16296-HH	2	ELBOW, 90° - FF1868T-0606	
6	REF.	1	 IMPLEMENT PUMP.	HH-1

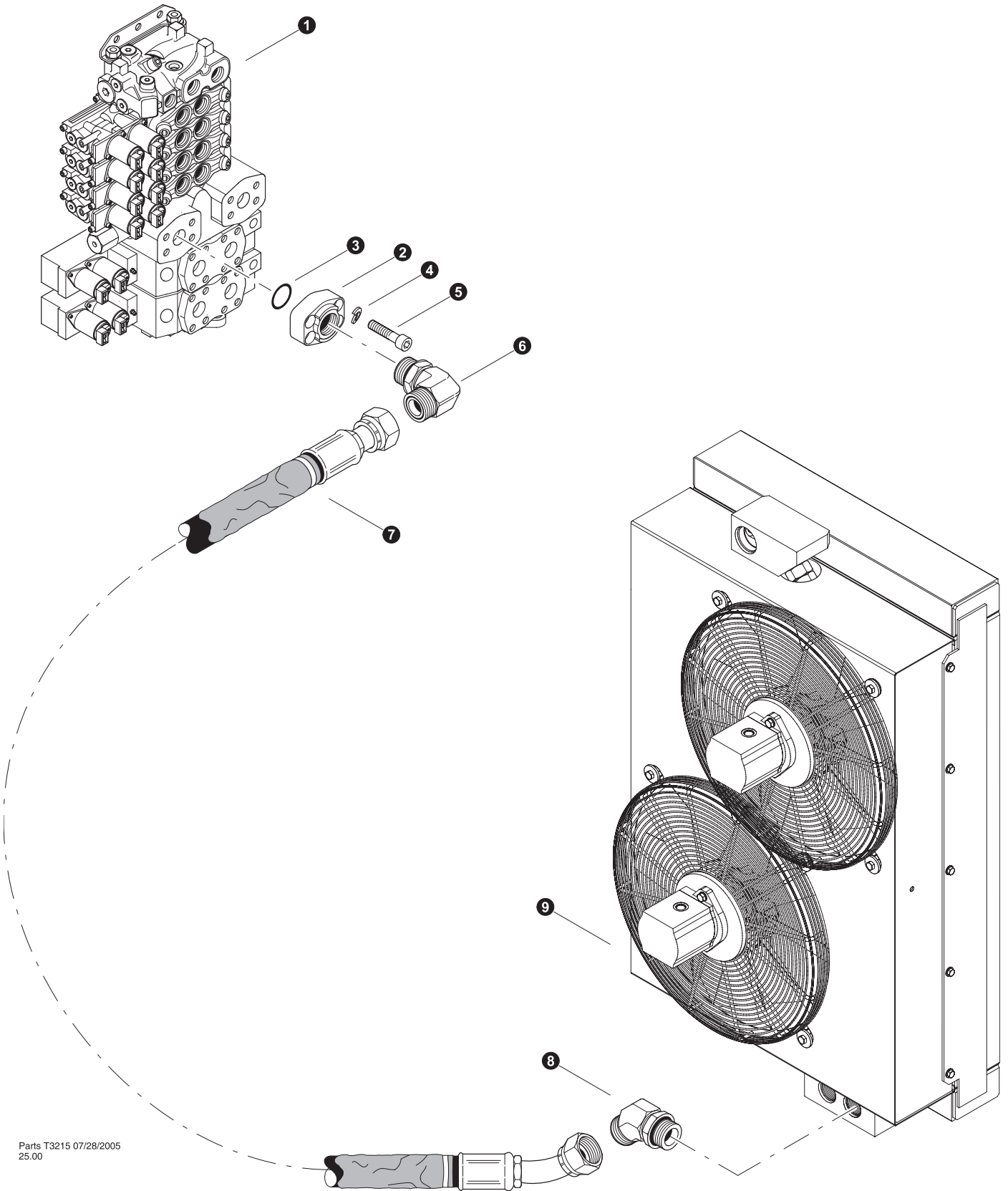
 See referenced page for component or assembly breakdown.



MAIN CONTROL VALVE PILOT DRAIN LINE



REF	PART #	QTY	DESCRIPTION	SEE SECTION
1	REF.	1	 MAIN CONTROL VALVE	HH-2
2	15487-HH	1	CONNECTOR, STR - 6400-6-4	
3	-LH	1	HOSE ASSEMBLY - 2036.5-04-040S-040S (<i>Main control valve port "TP" to fan motor drain tee</i>)	
4	REF	2	FAN DRIVE MOTOR	UP-3
5	51413-HH	1	BUSHING, REDUCER - 4 - 1/4 F50G	
6	16295-HH	1	CONNECTOR, STR - FF2031T-0604S	
7	22730-HH	1	TEE - 6 R6LO-S	
8	-UP	1	HOSE ASSEMBLY 2112 06 06OS 0609 (fan motor case drain to tank)	
9	51888-HH	1	REDUCER, TUBE END - (6-4 TRL0N)	
10	22901-HH	1	CONNECTOR, STR - 6-8 F5OLO-S	
11	REF	1	HYDRAULIC TANK BREAKDOWN	UP-2

 See referenced page for component or assembly breakdown.



Parts T3215 07/28/2005
25.00

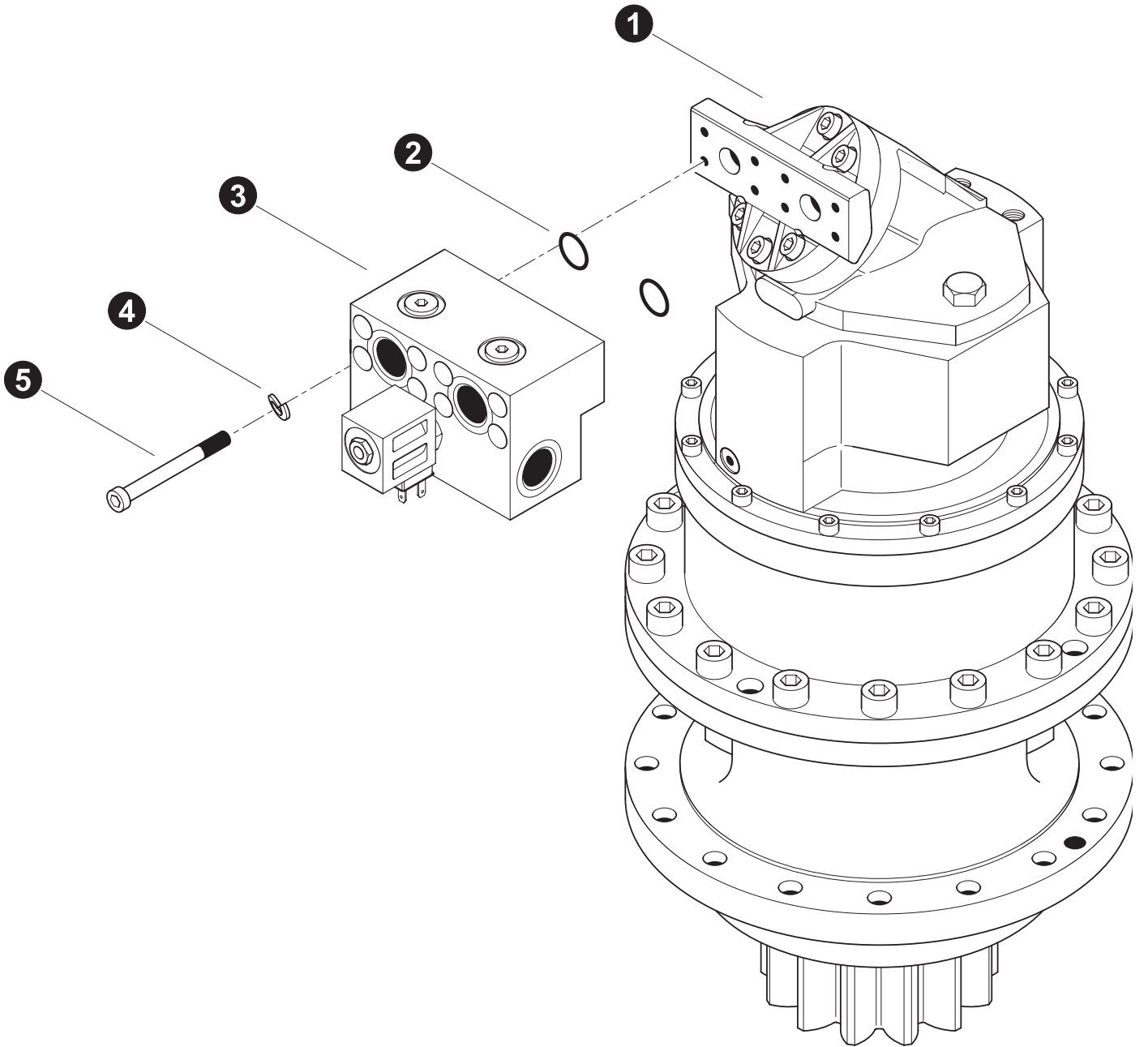
MAIN CONTROL VALVE RETURN LINE

REF	PART #	QTY	DESCRIPTION	SEE SECTION
1	REF.	1	 MAIN CONTROL VALVE	HH-2
2	17909-HH	1	 CONNECTOR, FLANGE PAD - 1.25" CODE 61	
3	-	1	O-RING - 1"	
4	-	4	WASHER, lock	
5	20444-HH	4	BOLT, ALLEN HEAD - 10MM-1.5P X 35MM	
6	17055-HH	1	ELBOW, 90 - FF1868T-2020S	
7	-HH	1	HOSE ASSEMBLY - 4104-20-200S-2004-W (<i>oil cooler inlet to main control valve tank port "T1"</i>)	
8	17056-HH	1	ELBOW, 45 - FF2068T-2020S	
9	REF	1	OIL COOLER BREAKDOWN	UP-3

 See referenced page for component or assembly breakdown.



Section HH-4

Harvester / Feller Buncher Hydraulics - Swing Motor Hydraulics

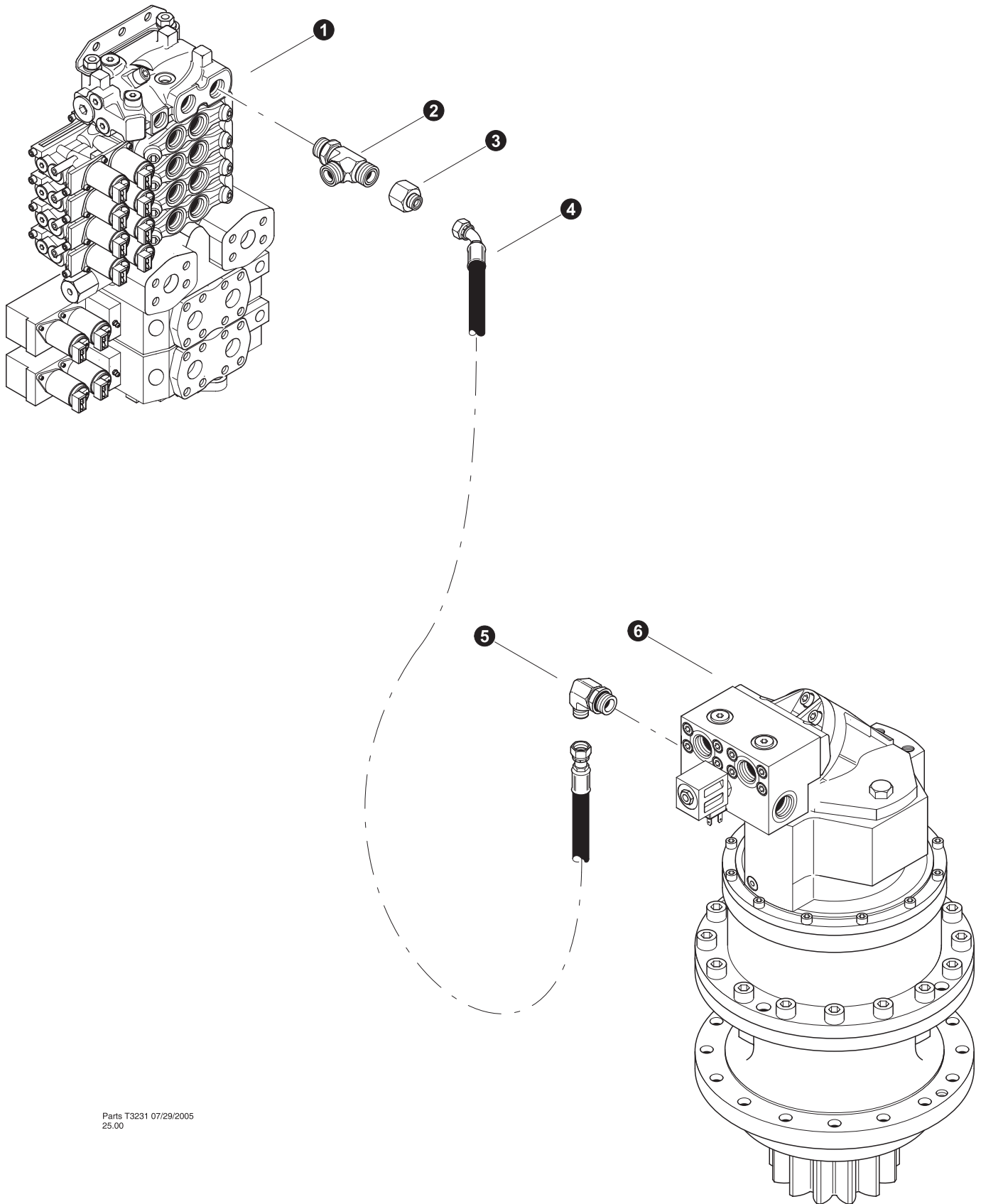


Parts T3234 07/29/2005
25.00

SWING MOTOR HYDRAULICS (anti-cavitation valve installation)



REF	PART #	QTY	DESCRIPTION	SEE SECTION
1	REF.	1	 MOTOR/GEARBOX - SWING	LH-4
2	-LH	2	O-RING, 3/4 code 62	
3	REF.	1	 ANTI-CAVITATION VALVE	LH-4
4	-LH	4	WASHER, LOCK - 10 mm HIGH COLLAR	
5	51389-LH	4	BOLT, ALLEN HEAD - 10MM-1.5P X 100MM	

 See referenced page for component or assembly breakdown.

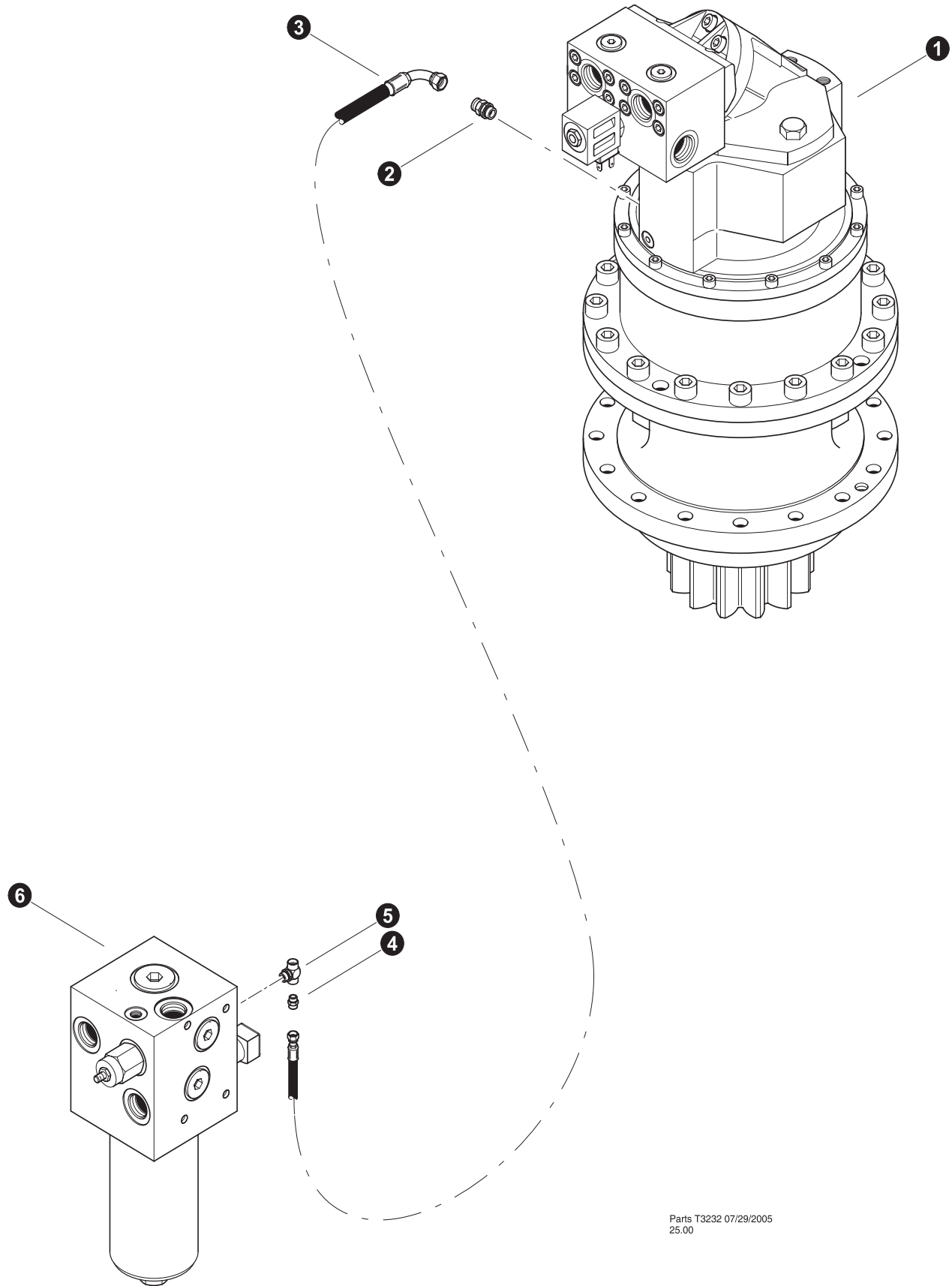


Parts T3231 07/29/2005
25.00

SWING MOTOR HYDRAULICS (anti cavitation block supply)



REF	PART #	QTY	DESCRIPTION	SEE SECTION
1	REF.	1	 MAIN CONTROL VALVE	LH-2
2	51969-LH	1	TEE, RUN - 12 R50LO-S	
3	18581-LH	1	CONNECTOR, REDUCER - ORS FF2281T-0812S	
4	-LH	1	HOSE ASSEMBLY - 4073-08-080S-0804(<i>anti-cav supply port to main control valve port T3</i>)	
5	15372-LH	3	ELBOW, 90 - FF1868T-0812S	
6	REF.	1	 MOTOR/GEARBOX - SWING	LH-4

 See referenced page for component or assembly breakdown.

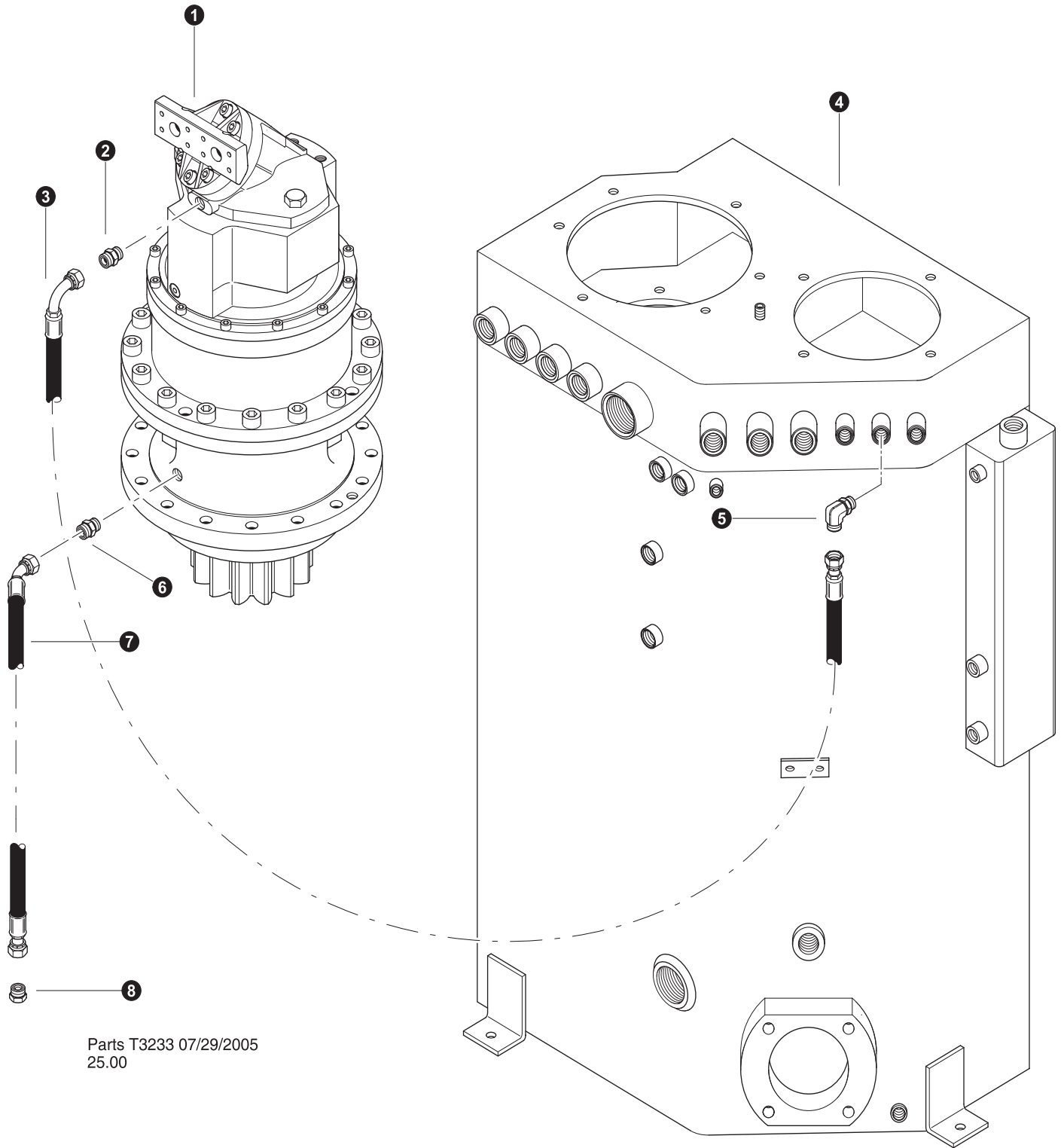


Parts T3232 07/29/2005
25.00

SWING MOTOR HYDRAULICS (swing gearbox brake release)



REF	PART #	QTY	DESCRIPTION	SEE SECTION
1	REF.	1	 MOTOR/GEARBOX - SWING	LH-4
2	19469-LH	1	CONNECTOR, STR METRIC - 4M12F82EDMLO-S	
3	50425-LB	1	HOSE ASSEMBLY - 2053-04-040S-0409 (<i>swing motor gearbox brake release port to G1 port charge valve</i>)	
4	16541-LH	1	CONNECTOR, STR - FF1852T-0404S	
5	24293-LH	1	TEE - 4-G5G5JAO-S	
6	REF.	1	 CHARGE VALVE / FILTER ASSEMBLY	WD-1

 See referenced page for component or assembly breakdown.

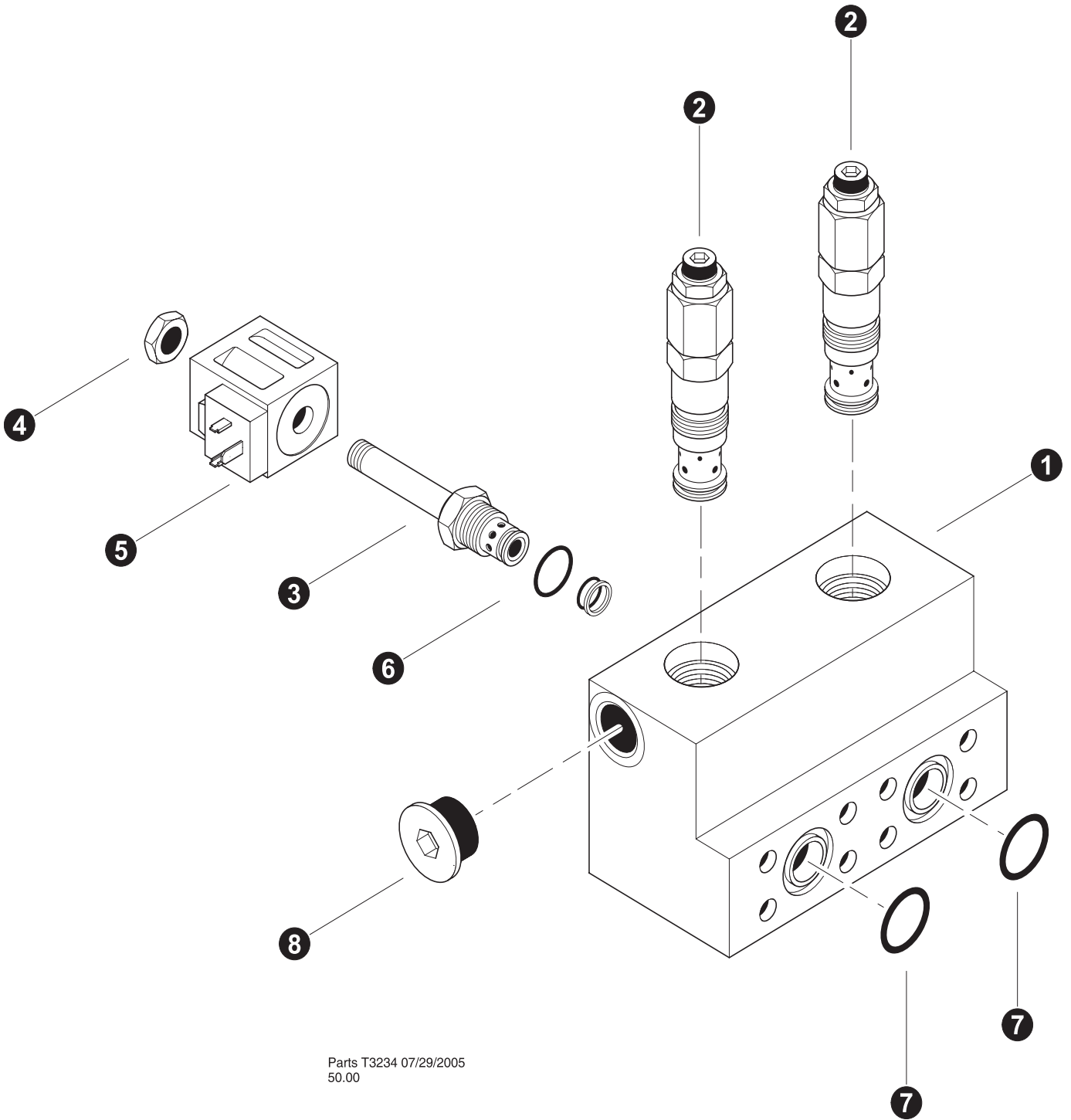


Parts T3233 07/29/2005
25.00

SWING MOTOR HYDRAULICS (swing motor drain)

REF	PART #	QTY	DESCRIPTION	SEE SECTION
1	REF.	1	 MOTOR/GEARBOX - SWING	LH-4
2	24182-LH	1	CONNECTOR, STR - 6002-08-8BSPP	
3	-LH	1	HOSE ASSEMBLY - 2076-08-08OS-0809 (swing motor case drain to hydraulic tank)	
4	REF.	1	 HYDRAULIC TANK ASSEMBLY	UP-2
5	16360-LH	1	ELBOW, 90 - FF1868T-0808S	
6	24182-LH	1	CONNECTOR, STR - 6002-08-8BSPP	
7	-LH	1	HOSE ASSEMBLY - 2033-08-08OS-0804 (swing motor gearbox drain)	
8	11390-LH	1	PLUG - 2408-8	

 See referenced page for component or assembly breakdown.



Parts T3234 07/29/2005
50.00

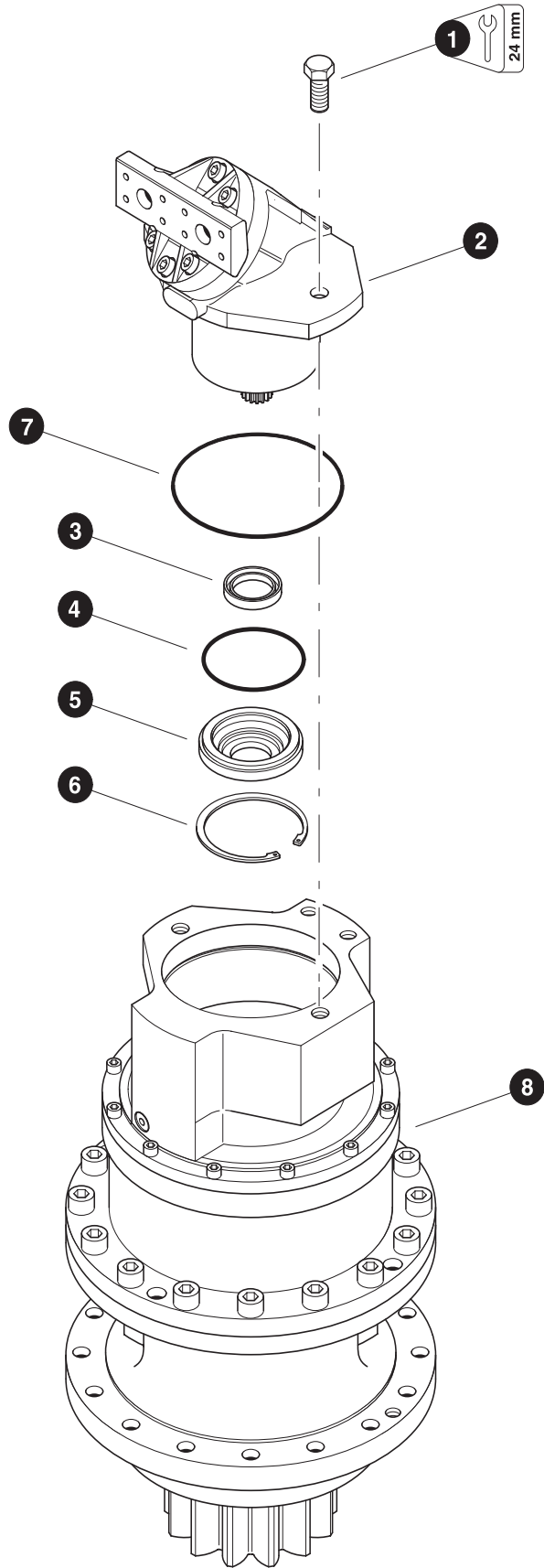
SWING MOTOR HYDRAULICS (anti-cavitation valve)

REF	PART #	QTY		DESCRIPTION	SEE SECTION
1	52015-UP	1		VALVE, SWING ANTI/CAV W/FLOAT LOW MOUNT	
2	51507-UP	2		CARTRIDGE, Anti-Cav (51055-20 D03 B)	
3	20597-HR	2	☐	CARTRIDGE, solenoid - 24V	
4	NSS	1		NUT	
5	22554	1		COIL, SOLENOID - (PARKER)	
6	-LH	1	⌘	KIT, SEAL - solenoid valve	
7	-LH	2		O-RING - 3/4" code 62	
8	11385-LH	1		PLUG - 6408-12	

☐ Kit or Assembly - includes all items indented underneath.

Note:

Due to warranty policy restrictions imposed by component suppliers, it is not recommended that the component be disassembled further than is shown in the illustration.



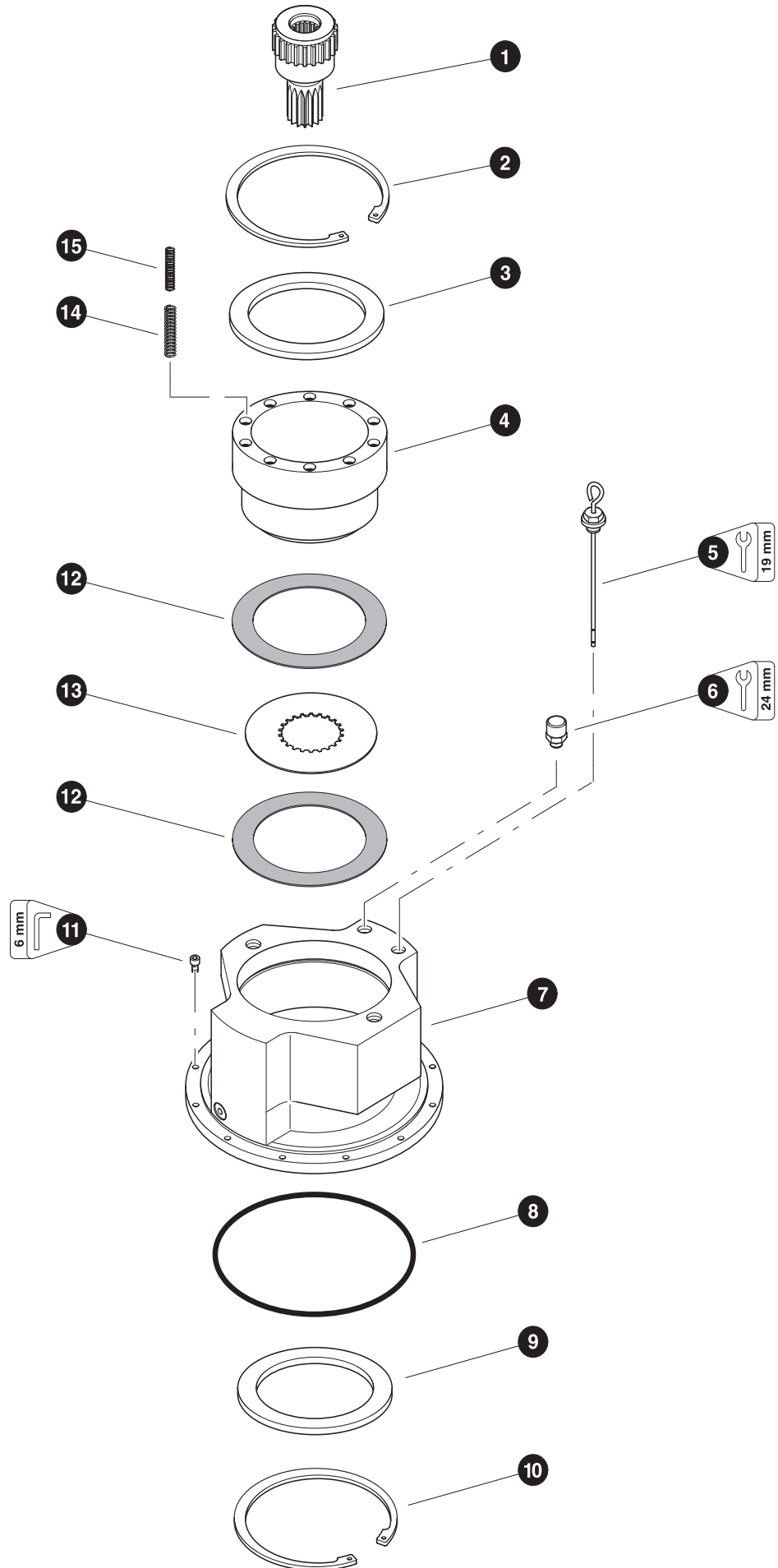
SWING MOTOR HYDRAULICS (swing motor installation)

REF	PART #	QTY		DESCRIPTION	SEE SECTION
--	20070-UP	1	<input type="checkbox"/>	MOTOR/GEARBOX, swing - Lohmann Gearbox & 45cc motor	
1	20661-UP	1		BOLT - 16mm-2.0P x 35mm	
2	17312-UP	1	<input type="checkbox"/>	MOTOR, hydraulic - Rexroth A2FE45 cc	
	17238-UP	1	<input type="checkbox"/>	MOTOR, hydraulic - Rexroth A2FE56 cc (Optional)	
3	21576-UP	1		SEAL, shaft	
4	21577-UP	1		O-RING, front cover	
5	21578-UP	1		COVER, front	
6	21579-UP	1		RING, seal retaining	
7	21580-UP	1		O-RING, motor pilot	
8	22694-UP	1		GEARBOX - Lohmann	

Kit or Assembly - includes all items indented underneath.

Note:

Due to warranty policy restrictions imposed by component suppliers, it is not recommended that the component be disassembled further than is shown in the illustration.



Parts 00626 11/10/2000
25.00

SWING MOTOR HYDRAULICS (swing gearbox breakdown)

REF	PART #	QTY		DESCRIPTION	SEE SECTION
-	22694-UP	1		GEARBOX - Lohmann	
1	21565-UP	1		SHAFT, brake	
2	21566-UP	1		RING, snap - upper brake	
3	21567-UP	1		PLATE, back-up - upper brake	
4	21568-UP	1		PISTON, brake	
5	21569-UP	1	☐	DIPSTICK	
	21571-UP	1		RING, seal	
6	21570-UP	1	☐	BREATHER	
	21571-UP	1		RING, seal	
7	NSS	1		HOUSING, brake	
8	21572-UP	1		O-RING, brake housing	
9	21573-UP	1		PLATE, back-up - lower brake	
10	21574-UP	1		RING, snap - lower brake	
11	21575-UP	12		BOLT, allen head - 8mm x 25mm	
12	NSS	5	⌘	DISC, brake	
13	NSS	4	⌘	DISC, spacer	
14	NSS	10	⌘	SPRING, outer	
15	NSS	10	⌘	SPRING, inner	
--	20788-UP	1		KIT, repair - brake disc	

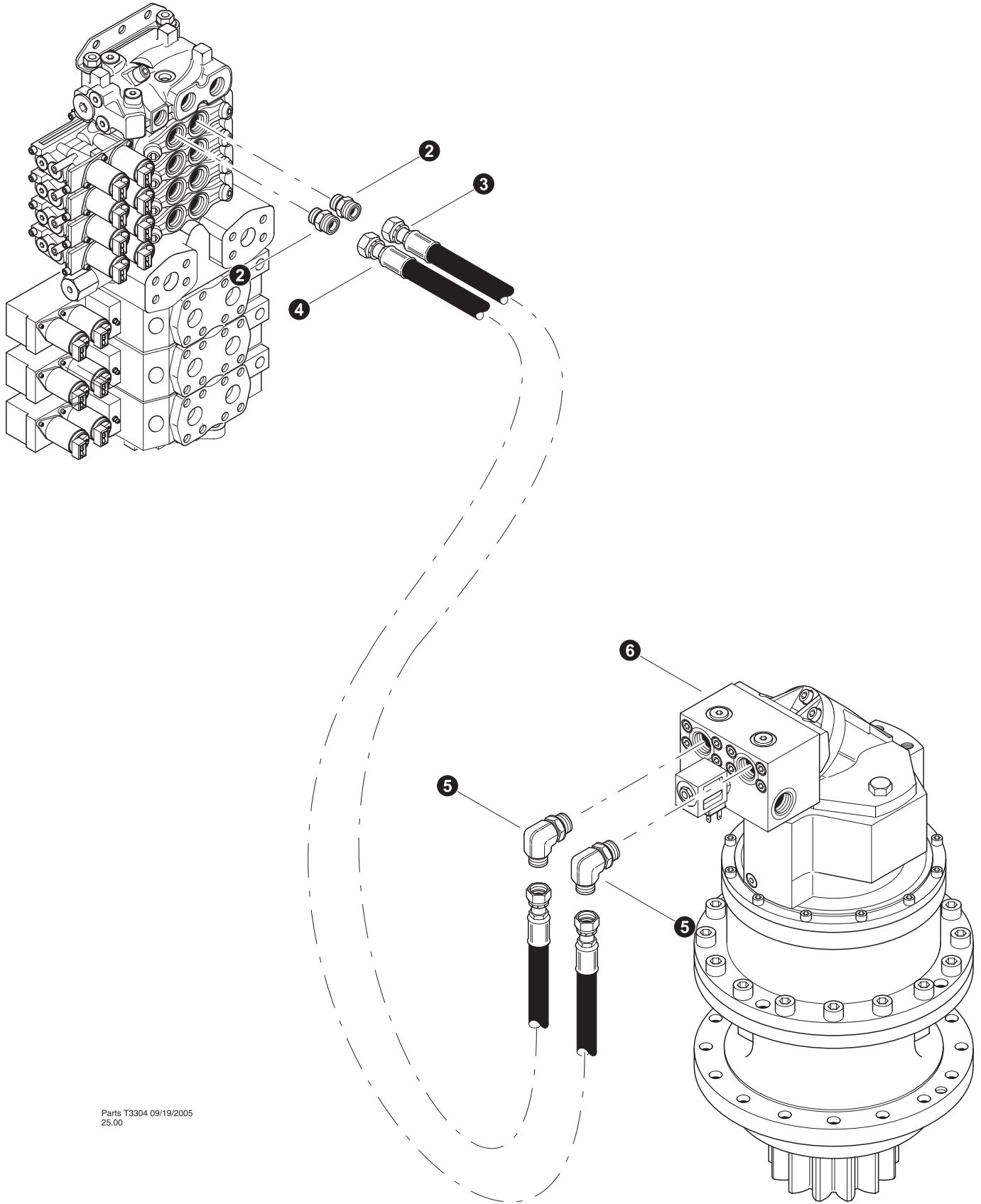
- ☐ Kit or Assembly - includes all items indented underneath.
 ⌘ Included in disc brake kit PN# 20788-UP.

Note:

Due to warranty policy restrictions imposed by component suppliers, it is not recommended that the component be disassembled further than is shown in the illustration.



Section HH-5

Harvester / Feller Buncher Hydraulics - Implement Connections (Harvester)

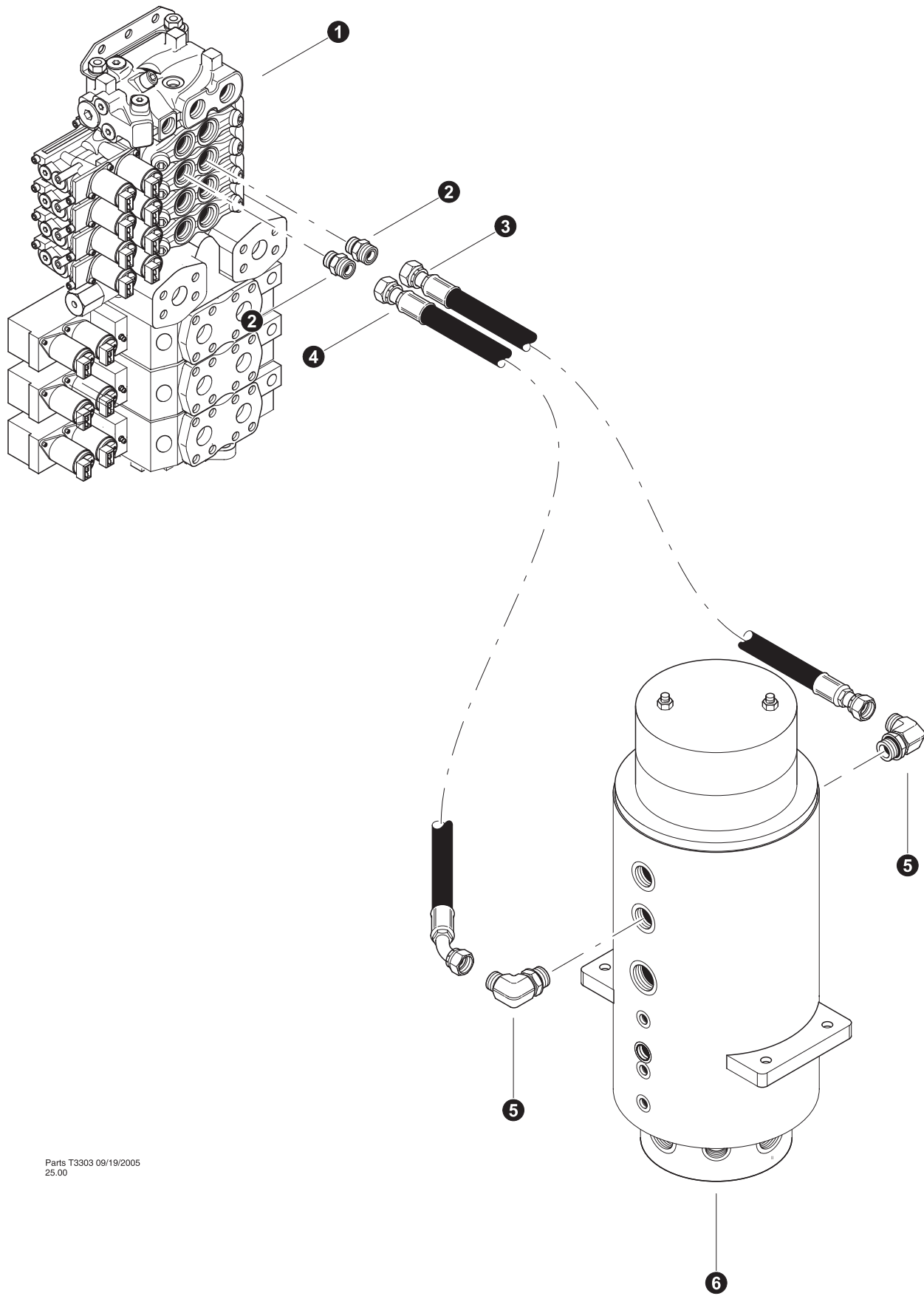


Parts T3304 09/19/2005
25.00

CAB SWING FUNCTION LINES (Main Control Valve To Swing Motor)

REF	PART #	QTY	DESCRIPTION	SEE SECTION
1	REF.	1	 MAIN CONTROL VALVE.....	HH-2
2	50039-HH	2	CONNECTOR, STR - 848-TTO-10X10	
3	-HH	1	HOSE ASSEMBLY - 4069-10-100S-100S (<i>Swing valve section work port "A" to swing motor anti-cav "Left" port</i>)	
4	-HH	1	HOSE ASSEMBLY - 4075-10-100S-100S (<i>Swing valve section work port "B" to swing motor anti-cav "Right" port</i>)	
5	50036-HH	2	ELBOW, 90 - 849-TTO-10X12	
6	REF.	1	 MOTOR/GEARBOX - SWING.....	HH-4



 See referenced page for component or assembly breakdown.




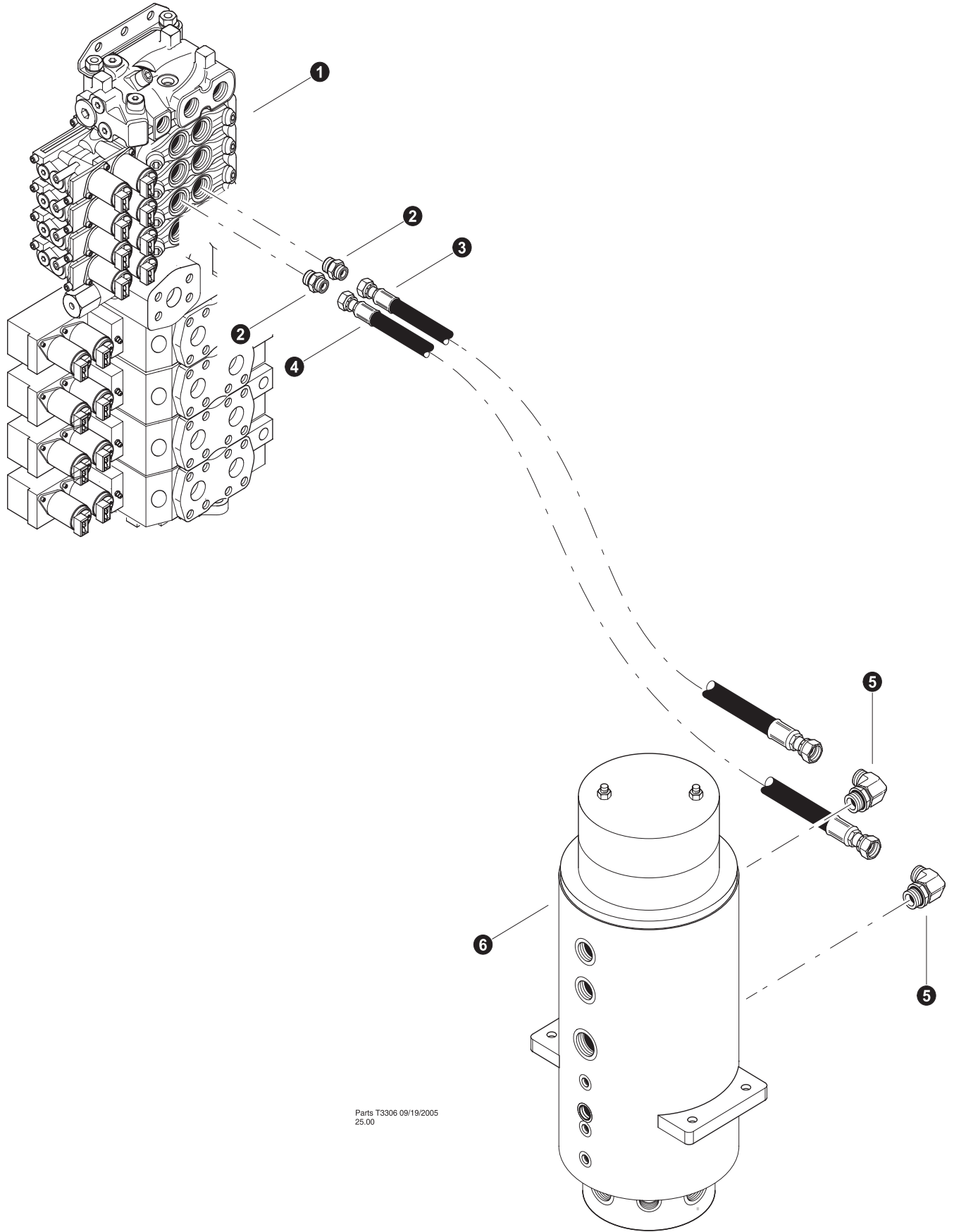
Parts T3303 09/19/2005
25.00

STEER FUNCTION LINES

(Main Control Valve To Upper Rotary Manifold Ports)



REF	PART #	QTY	DESCRIPTION	SEE SECTION
1	REF.	1	 MAIN CONTROL VALVE	HH-2
2	50039-HH	2	CONNECTOR, STR - 848-TTO-10X10	
3	-HH	1	HOSE ASSEMBLY - 4030-10-100S-100S(<i>Steer valve section work port "A" to rotary manifold #10 port</i>)	
4	-HH	1	HOSE ASSEMBLY - 4036.5-10-100S-1004(<i>Steer valve section work port "B" to rotary manifold #9 port</i>)	
5	50036-HH	2	ELBOW, 90 - 849-TTO-10X12	
6	REF.	1	 ROTORY MANIFOLD ASSEMBLY	UP-1


 See referenced page for component or assembly breakdown.

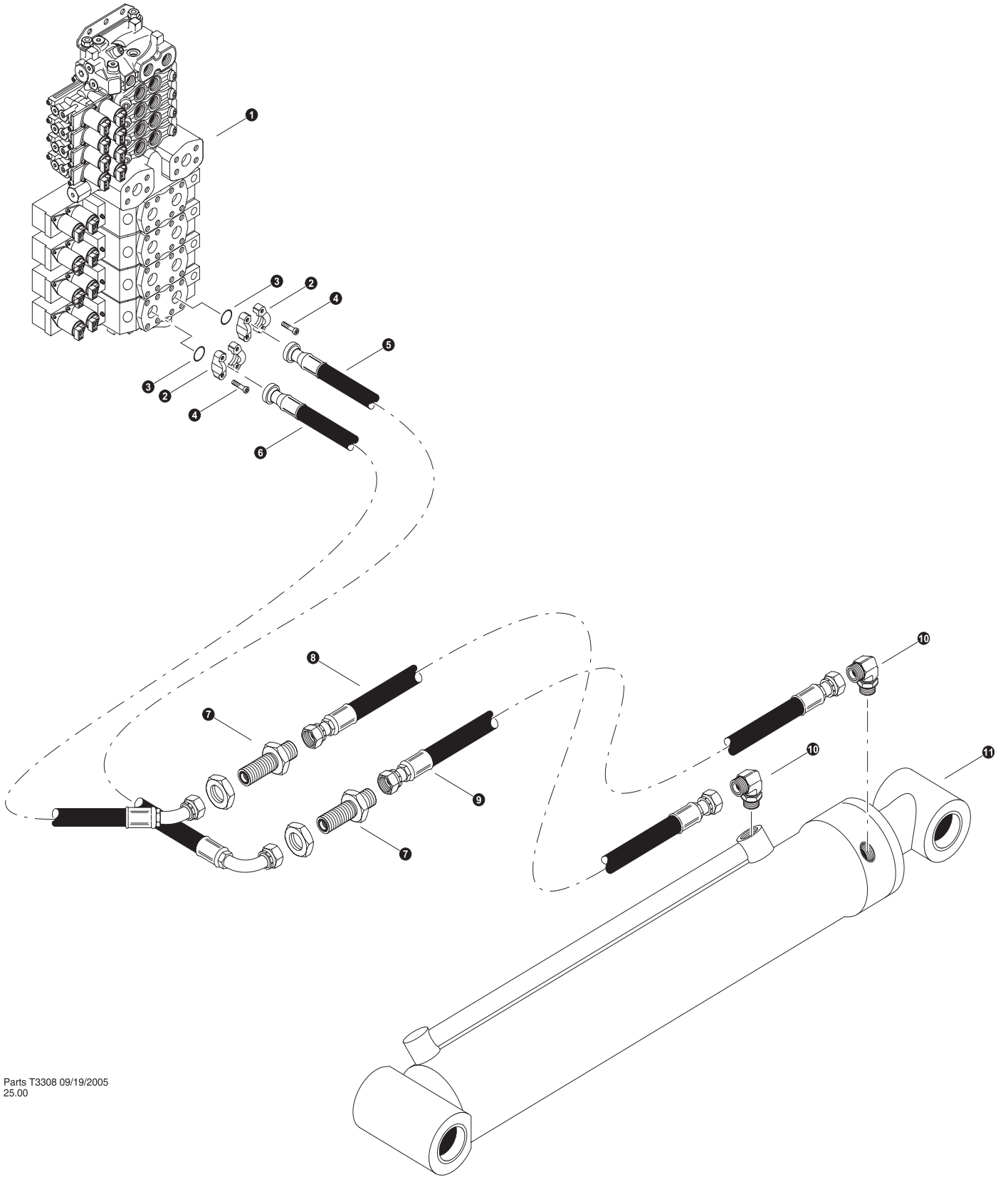


Parts T3306 09/19/2005
25.00

CAB LEVEL FUNCTION
(Main Control Valve To Upper Rotary Manifold Ports)
(Optional)

REF	PART #	QTY	DESCRIPTION	SEE SECTION
1	REF.	1	 MAIN CONTROL VALVE.....	HH-2
2	15115-HH	2	CONNECTOR, straight - FF1852T-0810S	
3	-HH	1	HOSE ASSEMBLY - 4030-08-080S-080S (<i>Level Valve "A" port to Rotary Manifold #12 port</i>)	
4	-HH	1	HOSE ASSEMBLY - 4035-08-080S-080S (<i>Level Valve "B" port to Rotary Manifold #6 port</i>)	
5	16360-HH	2	ELBOW, 90 - FF1868T-0808S	
6	REF.	1	 ROTORY MANIFOLD ASSEMBLY.....	UP-1




 See referenced page for component or assembly breakdown.



Parts T3308 09/19/2005
25.00

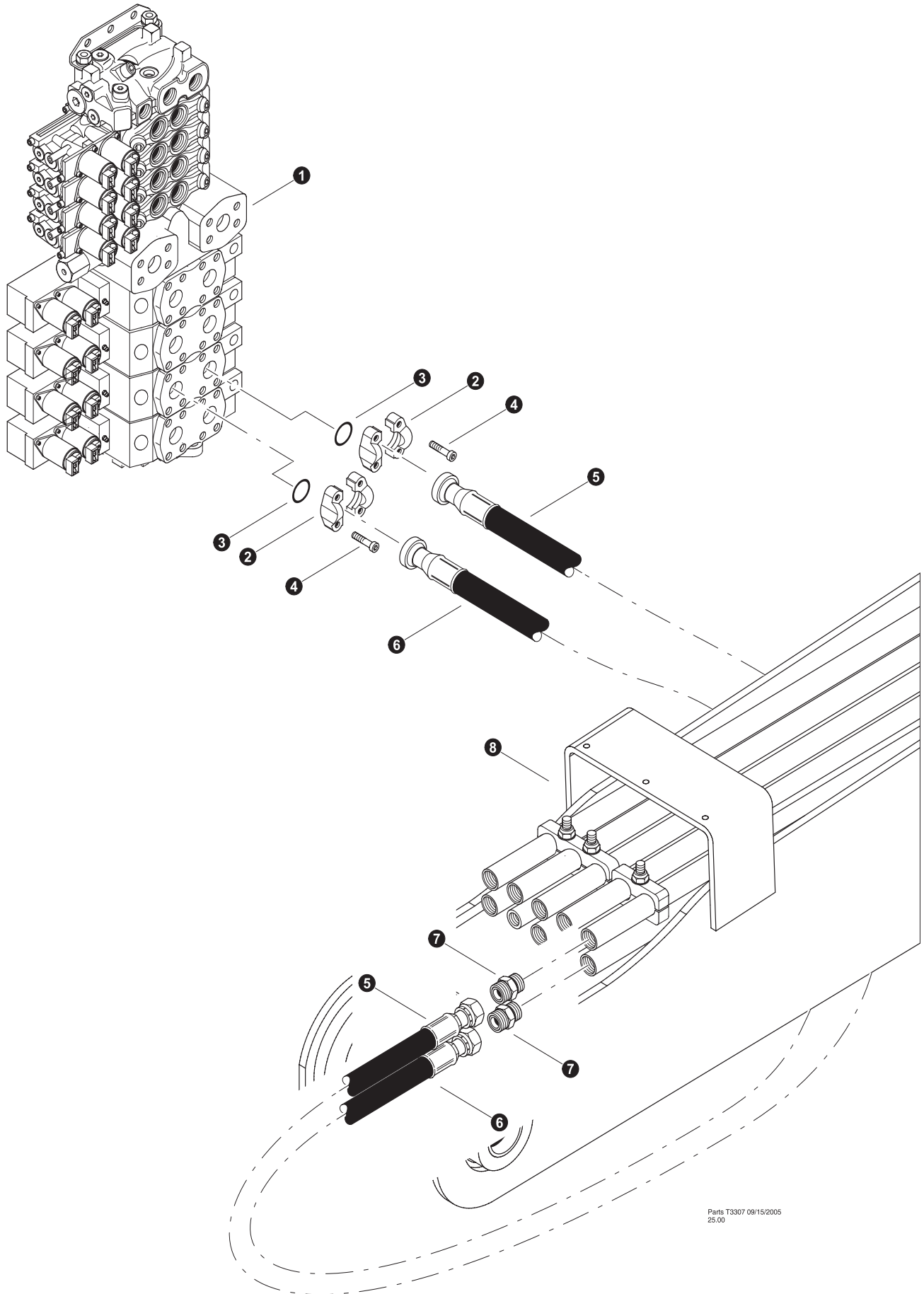
MAIN BOOM CYLINDER FUNCTION

(Main Control Valve To Main Boom (Hoist) Cylinder)

REF	PART #	QTY	DESCRIPTION	SEE SECTION
1	REF.	1	 MAIN CONTROL VALVE.....	HH-2
2	15111-HH	2	 KIT, split flange - 1" SF (<i>Code 61</i>)	
3	15377-HH	2	O-RING - 1" SF	
4	18979-HH	8	BOLT, allen M10 X 45MM	
5	-HH	1	HOSE ASSEMBLY - 4032-16-1609-16PA (<i>Main boom valve work port "B" to main boom cylinder bulkhead</i>)	
6	-HH	1	HOSE ASSEMBLY - 4024-16-1604-16PA (<i>Main boom valve work port "A" to main boom cylinder bulkhead</i>)	
7	20033-HH	2	CONNECTOR, STR BULKHEAD - 832-TT-16	
8	-HH	1	HOSE ASSEMBLY - 4066-16-160S-160S (<i>main boom bulkhead to main boom cylinder base port</i>)	
9	50864-HH	1	HOSE ASSEMBLY - 4057.5-16-160S-160S (<i>main boom bulkhead to main boom cylinder rod port</i>)	
10	REF.	1	 MAIN BOOM (HOIST) CYLINDER	HB-3






See referenced page for component or assembly breakdown.

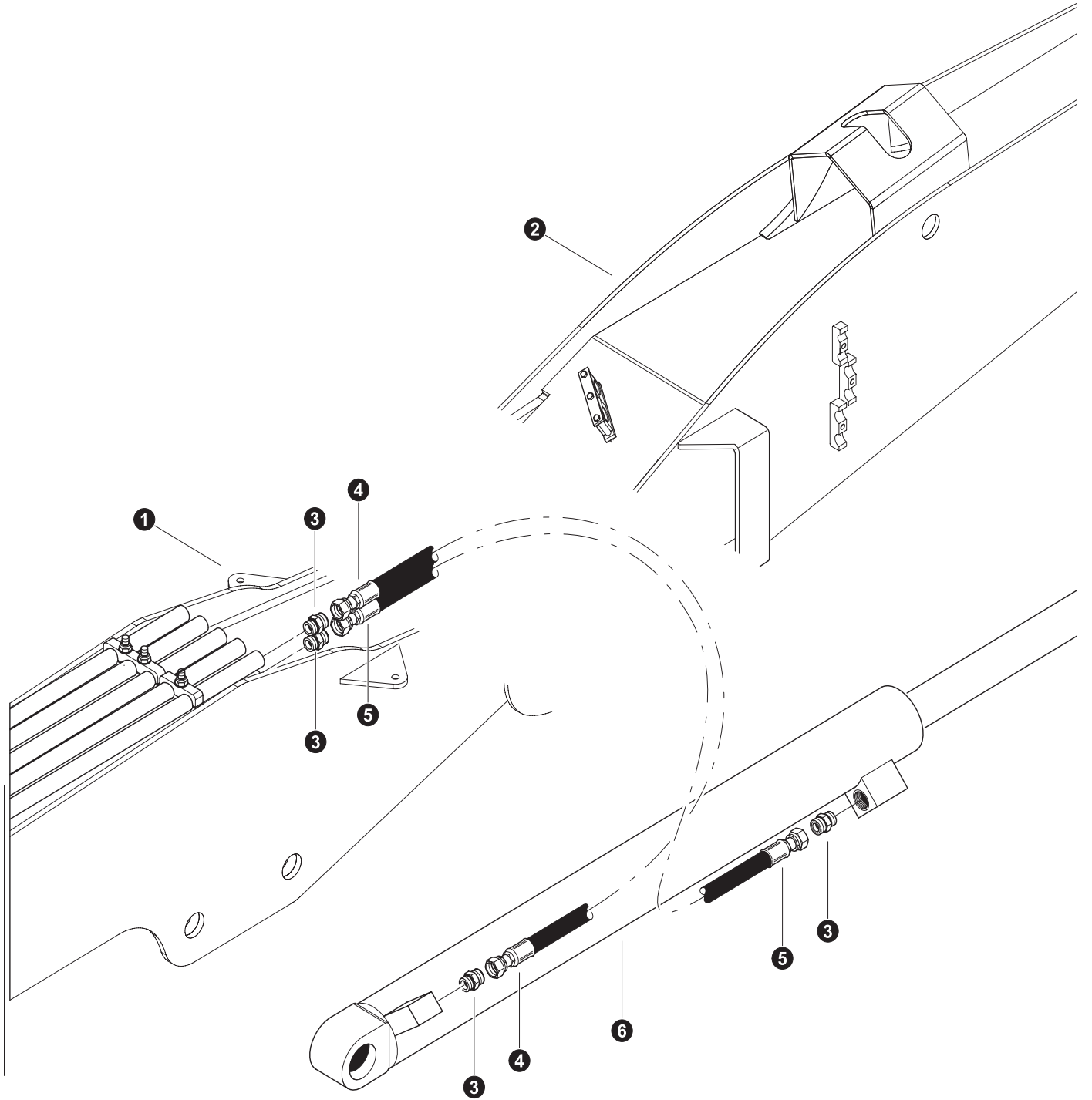


Parts T3307 09/15/2005
25.00

STICK BOOM CYLINDER FUNCTION
(Main Control Valve To Main Boom Tube Lines)




REF	PART #	QTY	DESCRIPTION	SEE SECTION
1	REF.	1	 MAIN CONTROL VALVE.....	HH-2
2	15111-HH	2	 KIT, split flange - 1" SF (<i>Code 61</i>)	
3	15377-HH	2	O-RING - 1" SF	
4	18979-HH	8	BOLT, allen M10 X 45MM	
5	50731-HH	1	HOSE ASSEMBLY - 4075-16-160S-16PA (<i>Stick boom valve work port "B" to main boom tube line rod side</i>)	
6	-HH	1	HOSE ASSEMBLY - 4073-16-160S-16PA (<i>Stick boom valve work port "A" to main boom tube line base side</i>)	
7	15225-HH	6	CONNECTOR, STR - FF1852T-1616S	
8	REF.	1	 MAIN BOOM ASSEMBLY.....	HB-1


 See referenced page for component or assembly breakdown.

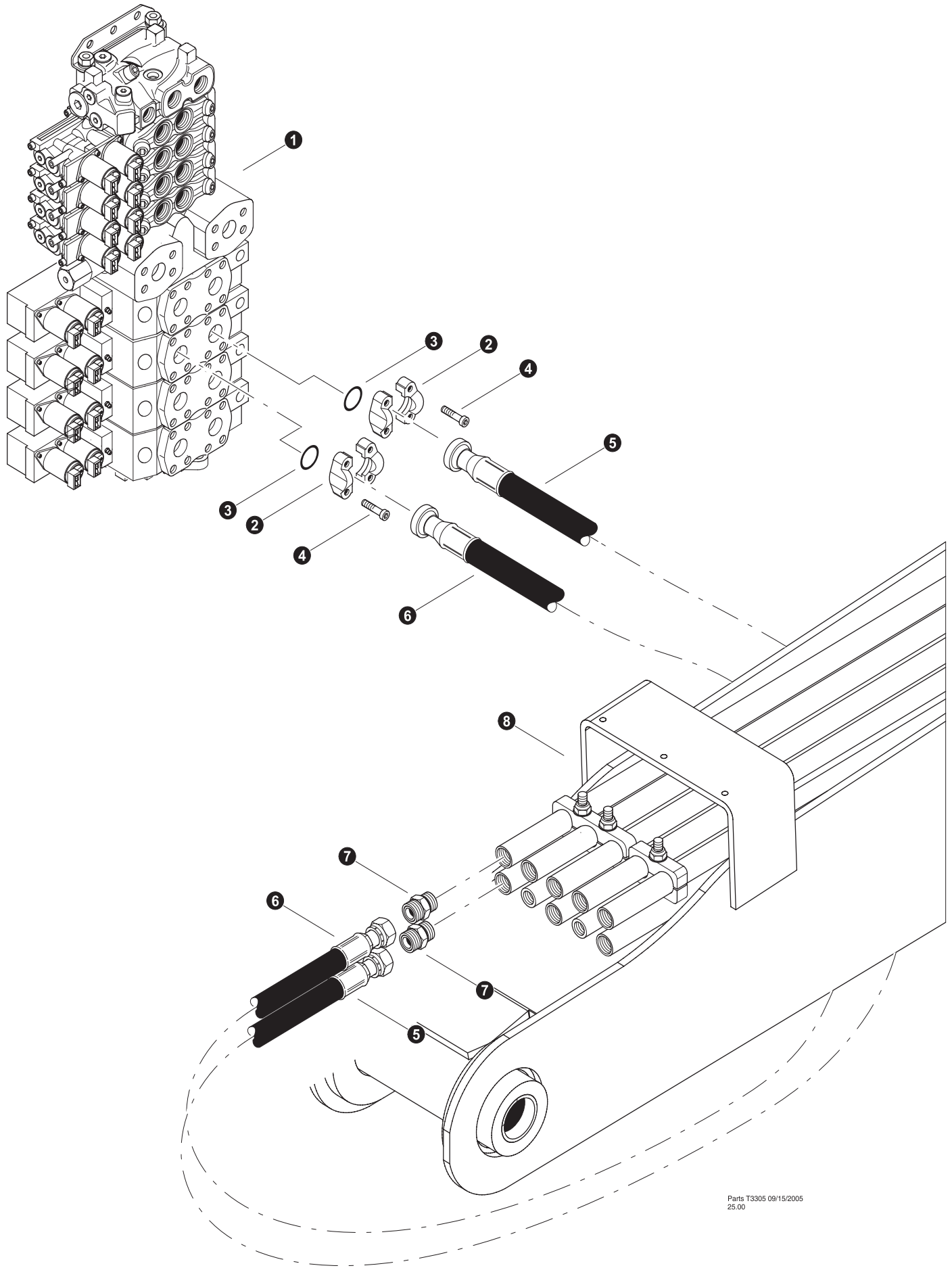


Parts T3312 09/12/2005
12.5

STICK BOOM CYLINDER FUNCTION (Main Boom To Stick Boom Lines)




REF	PART #	QTY	DESCRIPTION	SEE SECTION
1	REF.	1	 STICK BOOM CYLINDER.....	HB-3
2	REF.	1	 MAIN BOOM ASSEMBLY.....	HB-1
3	15225-HH	6	CONNECTOR, STR - FF1852T-1616S	
4	-HH	1	HOSE ASSEMBLY - 4117-16-160S-16OS (<i>Main Boom to Stick Cylinder Rod</i>)	
5	-HH	1	HOSE ASSEMBLY - 4094-16-160S-16OS (<i>Main Boom to Stick Cylinder Base</i>)	
6	REF.	1	 STICK CYLINDER.....	HB-3


 See referenced page for component or assembly breakdown.

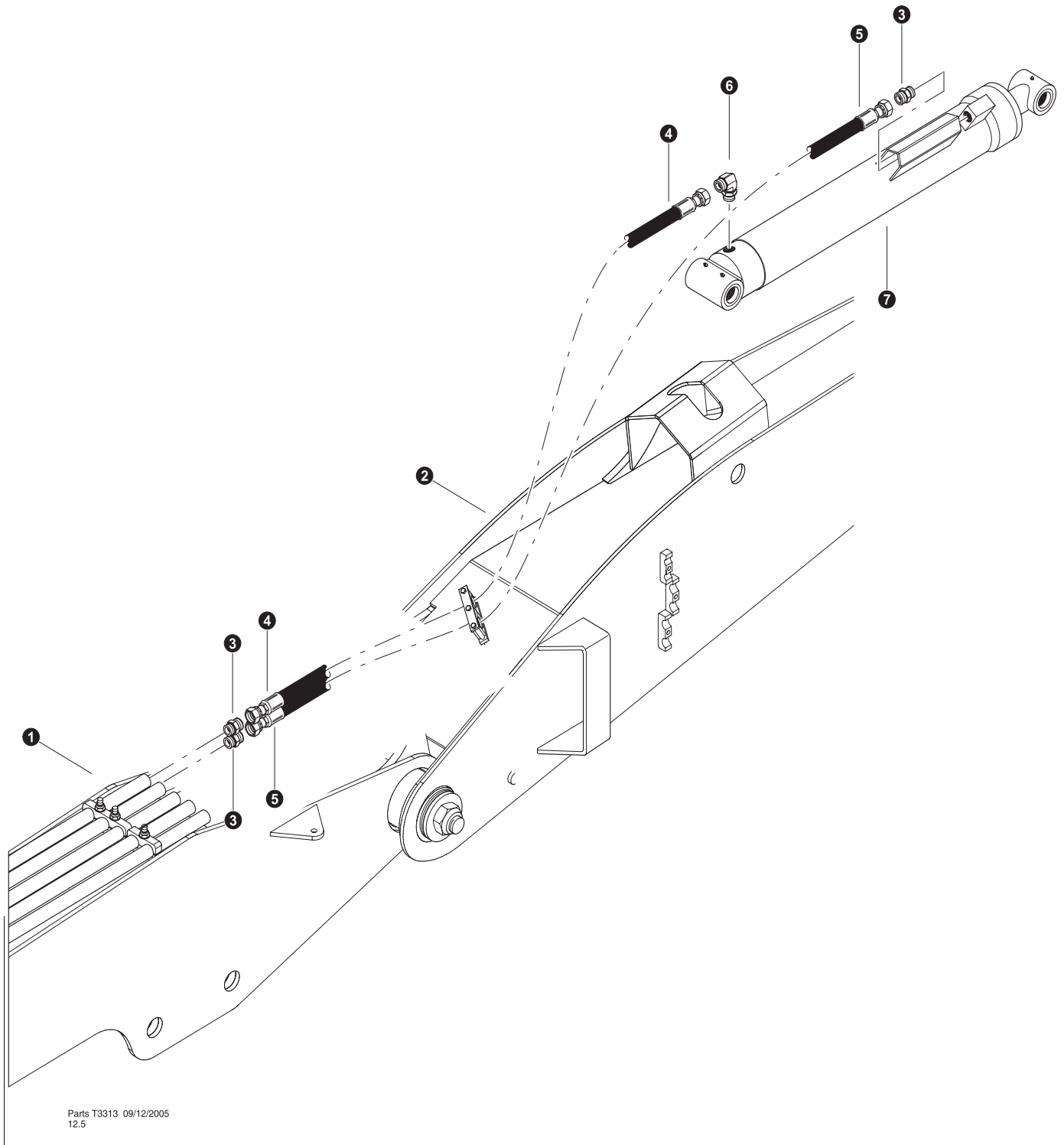


Parts T3305 09/15/2005
25.00

**TOOL CYLINDER FUNCTION
(Main Control Valve To Main Boom Tube Lines)**




REF	PART #	QTY	DESCRIPTION	SEE SECTION
1	REF.	1	 MAIN CONTROL VALVE.....	HH-2
2	15111-HH	2	 KIT, split flange - 1" SF (Code 61)	
3	15377-HH	2	O-RING - 1" SF	
4	18979-HH	8	BOLT, allen M10 X 45MM	
5	-HH	1	HOSE ASSEMBLY - 4073-16-160S-16PA (Tool Cyl valve work port "B" to main boom tube line base side)	
6	-HH	1	HOSE ASSEMBLY - 4073-16-160S-16PA (Tool Cyl valve work port "A" to main boom tube line rod side)	
7	15225-HH	6	CONNECTOR, STR - FF1852T-1616S	
8	REF.	1	 MAIN BOOM ASSEMBLY.....	HB-1

 See referenced page for component or assembly breakdown.

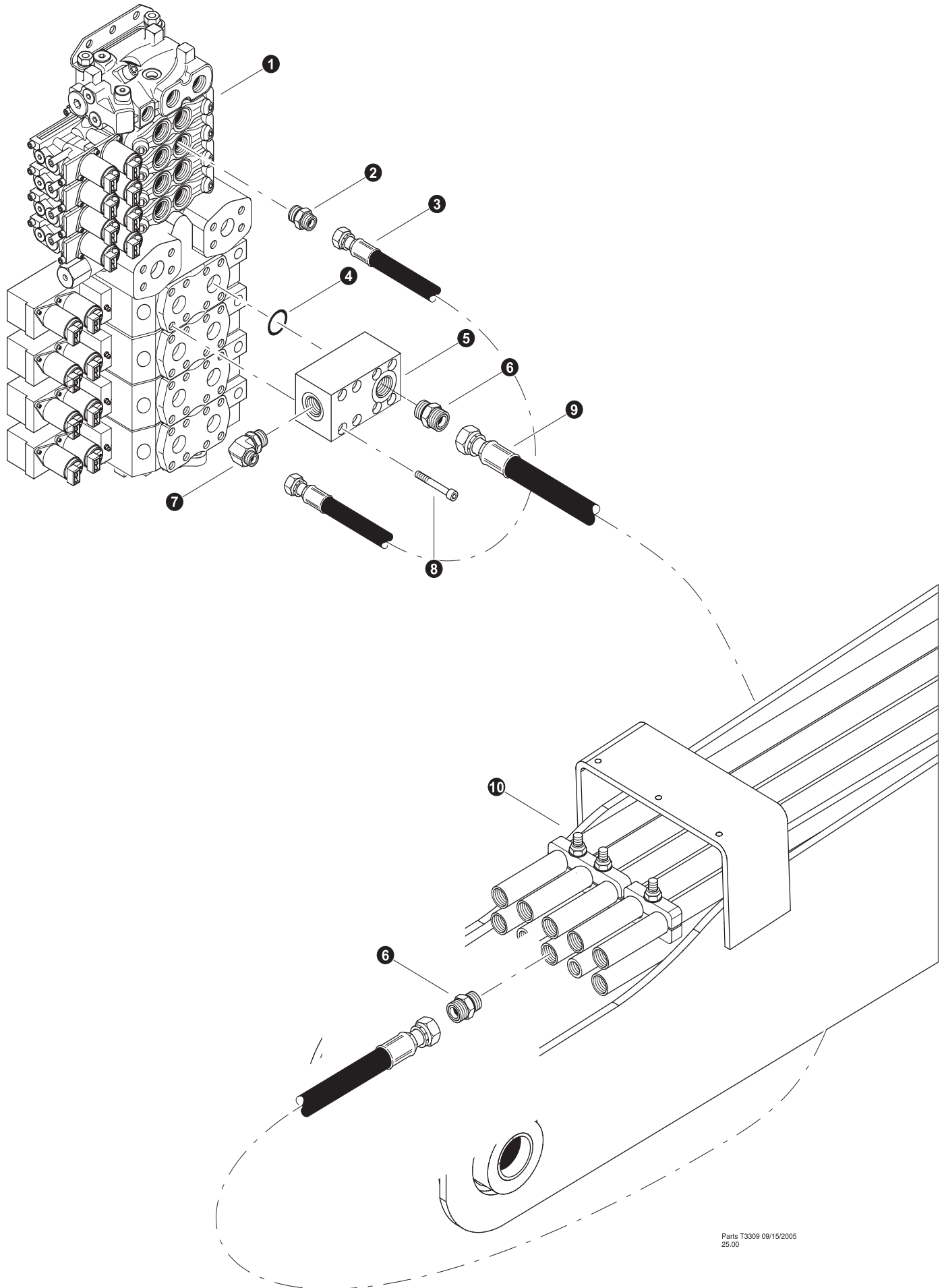


Parts T3313 09/12/2005
12.5

TOOL CYLINDER FUNCTION (Main Boom To Tool Cylinder)



REF	PART #	QTY	DESCRIPTION	SEE SECTION
1	REF.	1	 MAIN BOOM ASSEMBLY	HB-1
2	REF.	1	 STICK BOOM ASSEMBLY	HB-1
3	15225-HH	3	CONNECTOR, STR - FF1852T-1616S	
4	-HH	1	HOSE ASSEMBLY - 4108-16-160S-160S (<i>Main Boom to Tool Cylinder Base</i>)	
5	-HH	1	HOSE ASSEMBLY - 4154-16-160S-160S (<i>Main Boom to Tool Cylinder Rod</i>)	
6	15228-HH	1	ELBOW, 90 - FF1868T-1616S	
7	REF.	1	 TOOL CYLINDER	HB-3


 See referenced page for component or assembly breakdown.

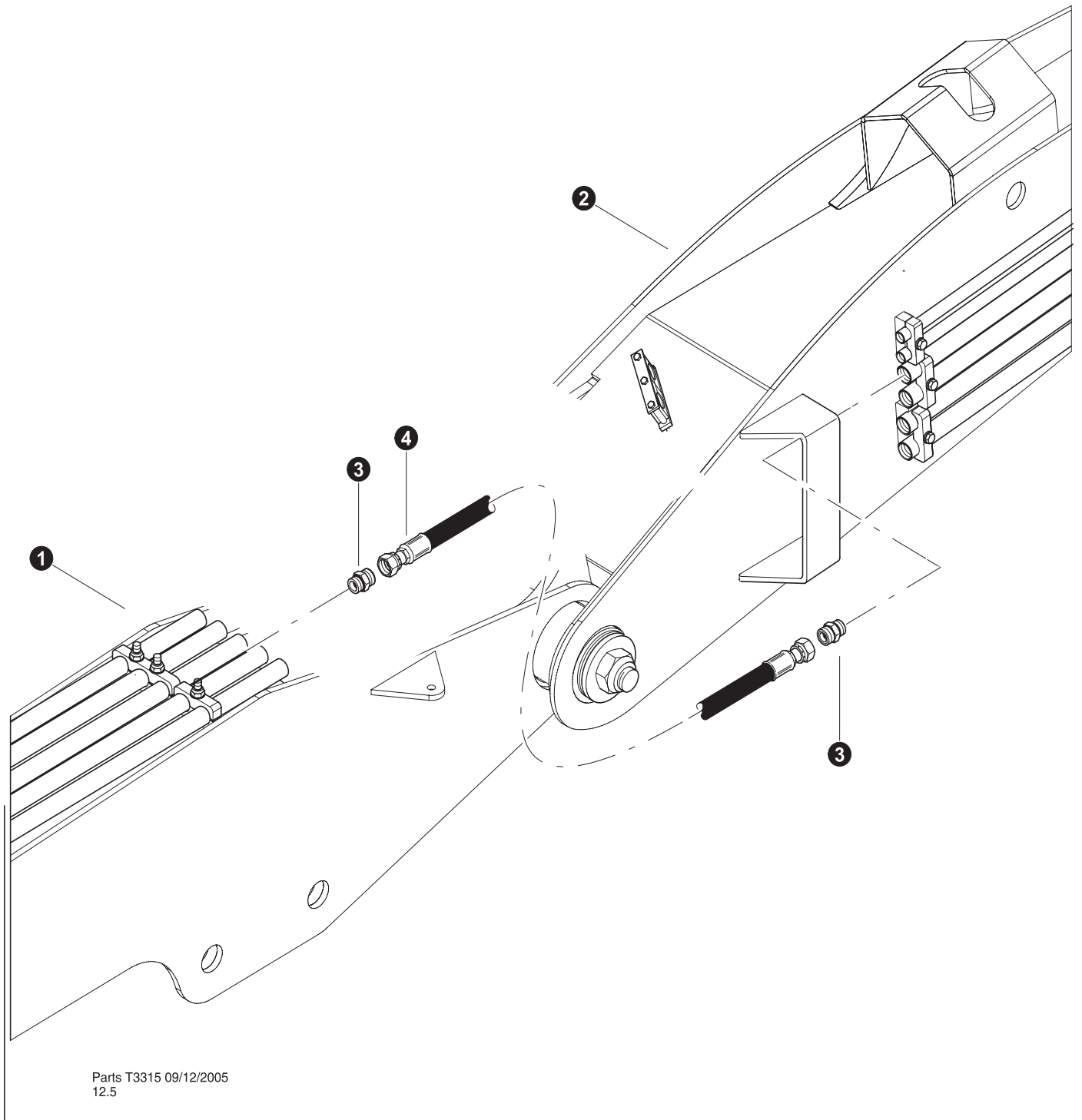


Parts T3309 09/15/2005
25.00



HARVESTER ATTACHMENT PRESSURE (Valve to Main Boom)

REF	PART #	QTY	DESCRIPTION	SEE SECTION
1	REF.	1	 MAIN CONTROL VALVE.....	HH-2
2	15115-HH	1	CONNECTOR, straight - FF1852T-0810S	
3	-HH	1	HOSE ASSEMBLY - 4029-08-080S-080S ()	
4	15377-HH	2	O-RING - 1" SF	
5	51807-HH	1	MANIFOLD, COMBINED FLOW - VOAC COMBO	
6	15225-HH	2	CONNECTOR, STR - FF1852T-1616S	
7	15372-HH	1	ELBOW, 90 - FF1868T-0812S	
8	50117-HH	8	BOLT, ALLEN HEAD - 10MM-1.5P X 75MM	
9	-HH	1	HOSE ASSEMBLY - 4070.5-16-160S-160S ()	
10	REF.	1	 MAIN BOOM ASSEMBLY.....	HB-1

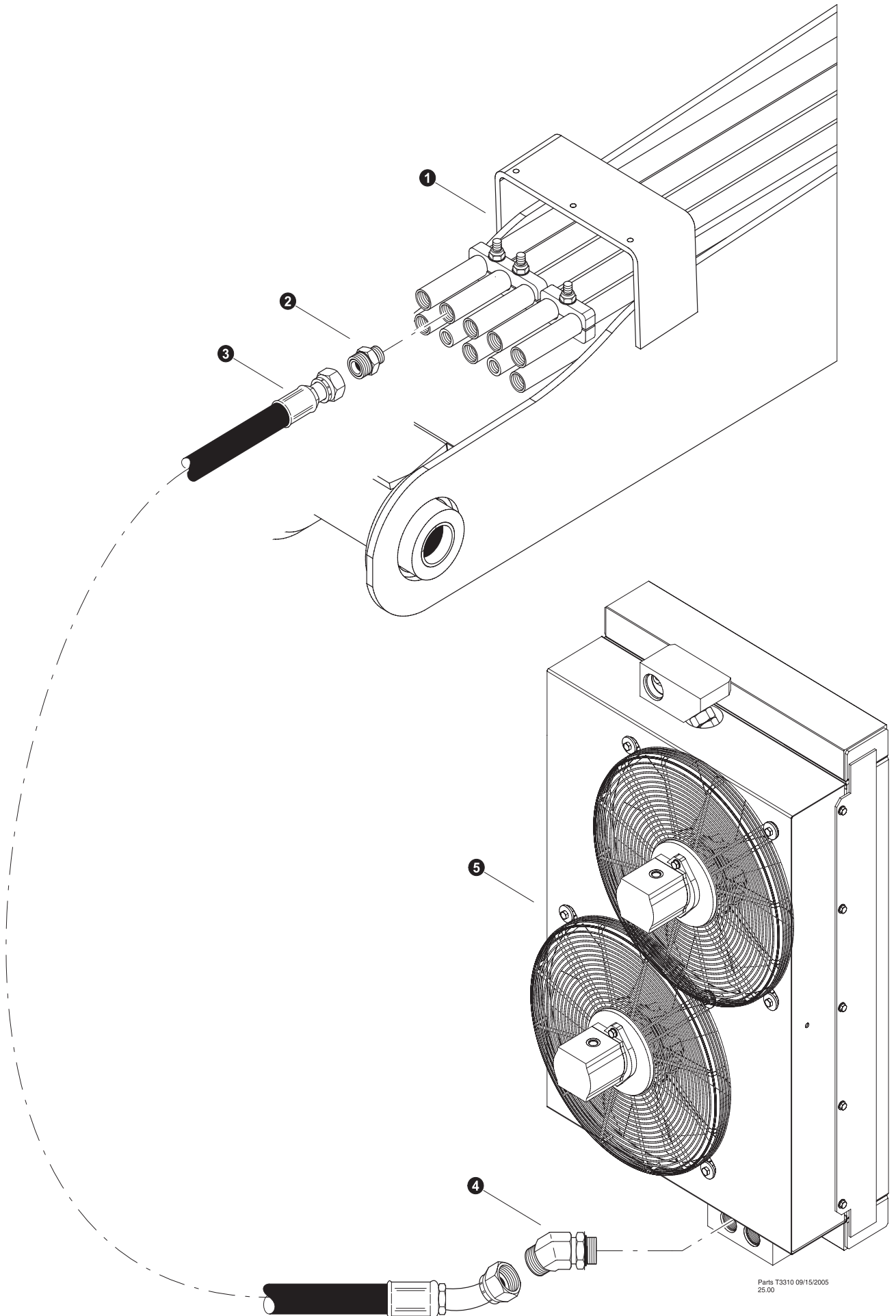
 See referenced page for component or assembly breakdown.



HARVESTER ATTACHMENT PRESSURE (Main Boom to Stick Boom)



REF	PART #	QTY	DESCRIPTION	SEE SECTION
1	REF.	1	 MAIN BOOM ASSEMBLY	HB-1
2	REF.	1	 STICK BOOM ASSEMBLY	HB-1
3	15225-HH	2	CONNECTOR, STR - FF1852T-1616S	
4	-HH	1	HOSE ASSEMBLY - 4075-16-160S-160S (<i>Main Boom to Stick Cyl</i>)	

 See referenced page for component or assembly breakdown.

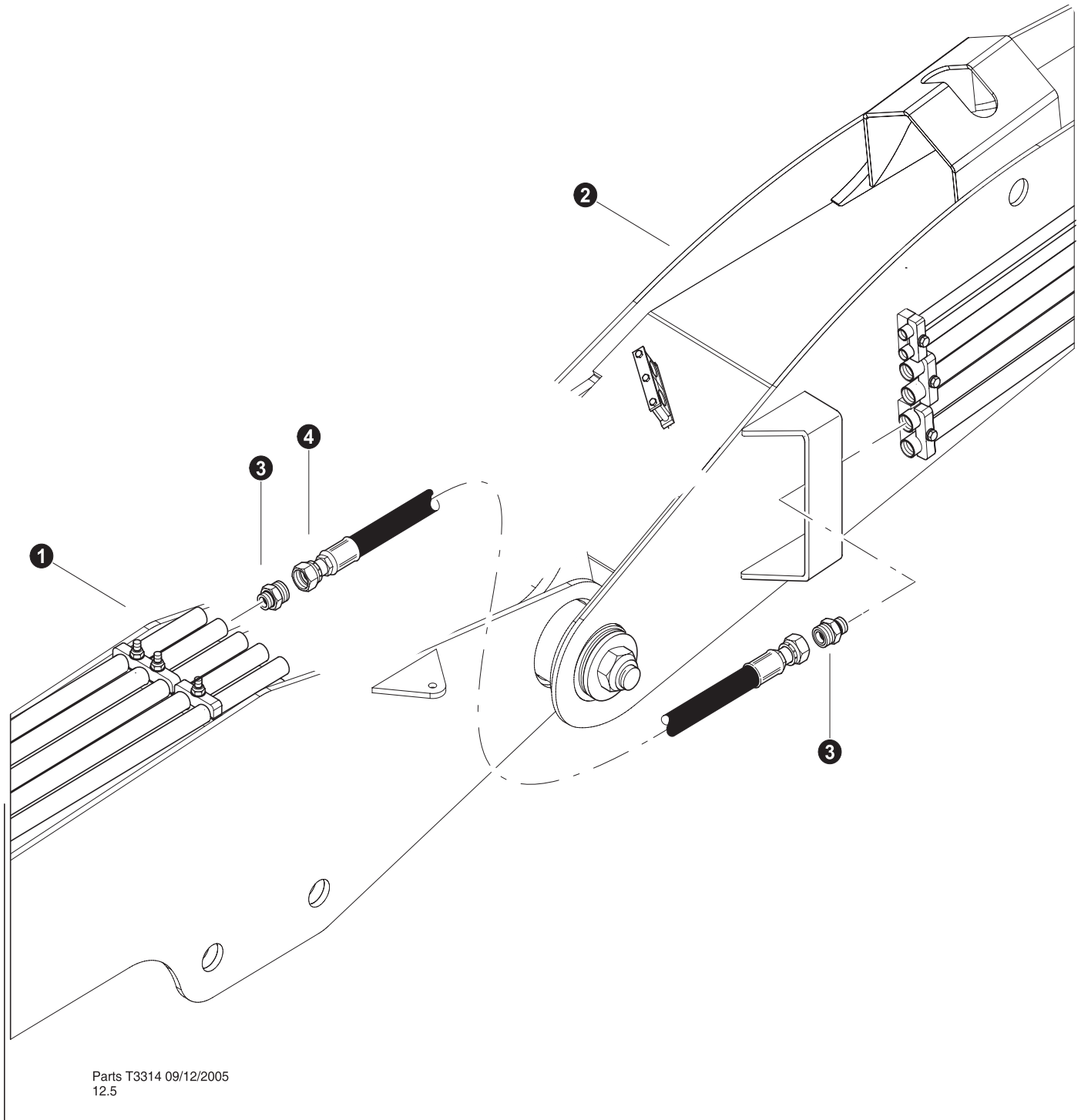


Parts T3310 09/15/2005
25.00



HARVESTER ATTACHMENT RETURN (Oil Cooler to Main Boom)


REF	PART #	QTY	DESCRIPTION	SEE SECTION
1	REF.	1	 MAIN BOOM ASSEMBLY	HB-1
2	16542-HH	1	CONNECTOR, STR - FF1852T-1620S	
3	-HH	1	HOSE ASSEMBLY - 2180-20-200S-200S (<i>Attachment Return to Oil Cooler</i>)	
4	17056-HH	1	ELBOW, 45 - FF2068T-2020S	
5	REF.	1	 OIL COOLER ASSEMBLY	UP-3

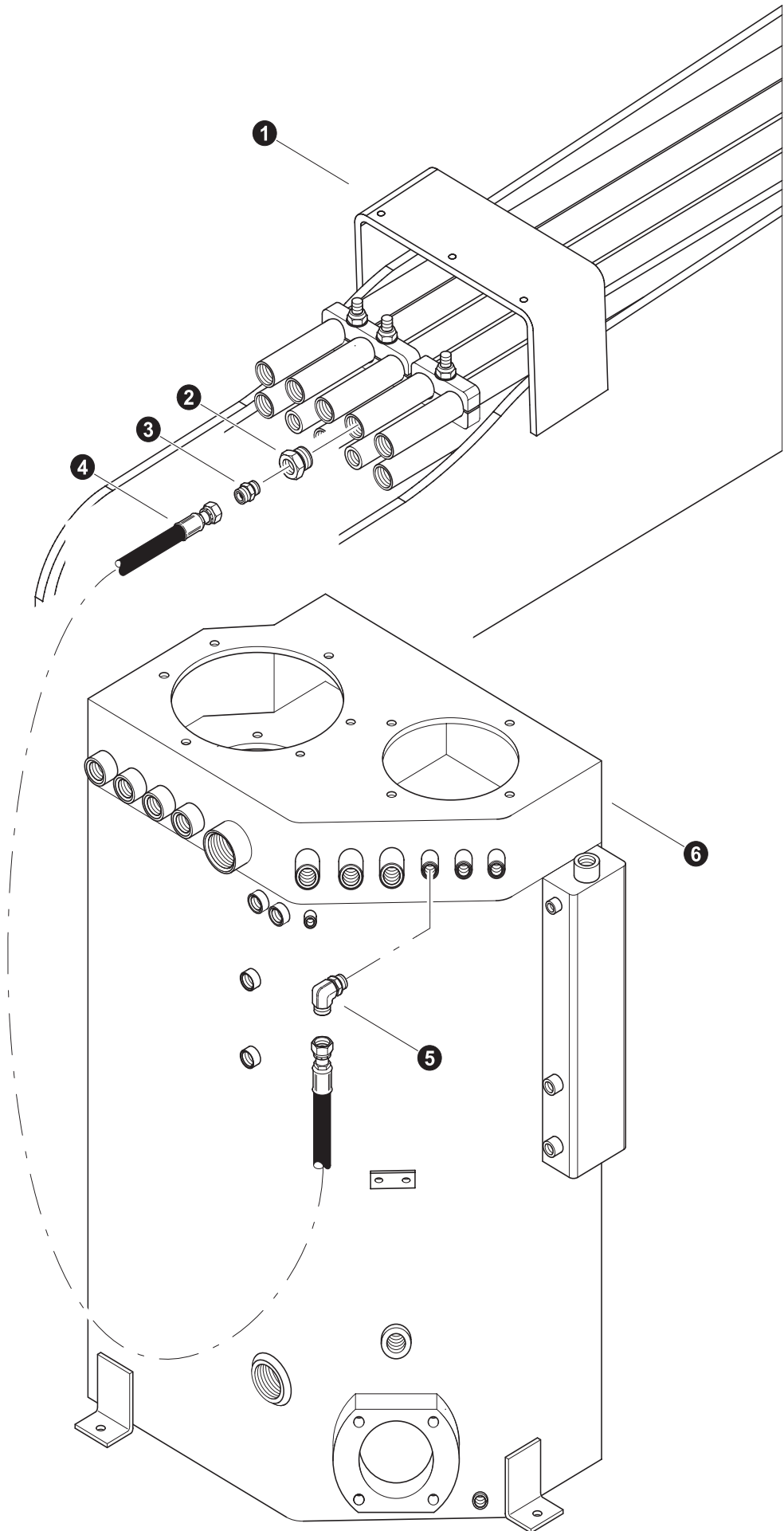
 See referenced page for component or assembly breakdown.



HARVESTER ATTACHMENT RETURN (Main Boom to Stick Boom)



REF	PART #	QTY	DESCRIPTION	SEE SECTION
1	REF.	1	 MAIN BOOM ASSEMBLY	HB-1
2	REF.	1	 STICK BOOM ASSEMBLY	HB-1
3	16542-HH	2	CONNECTOR, STR - FF1852T-1620S	
4	-HH	1	HOSE ASSEMBLY - 4073-20-200S-200S (<i>Main Boom to Stick Cyl</i>)	


 See referenced page for component or assembly breakdown.

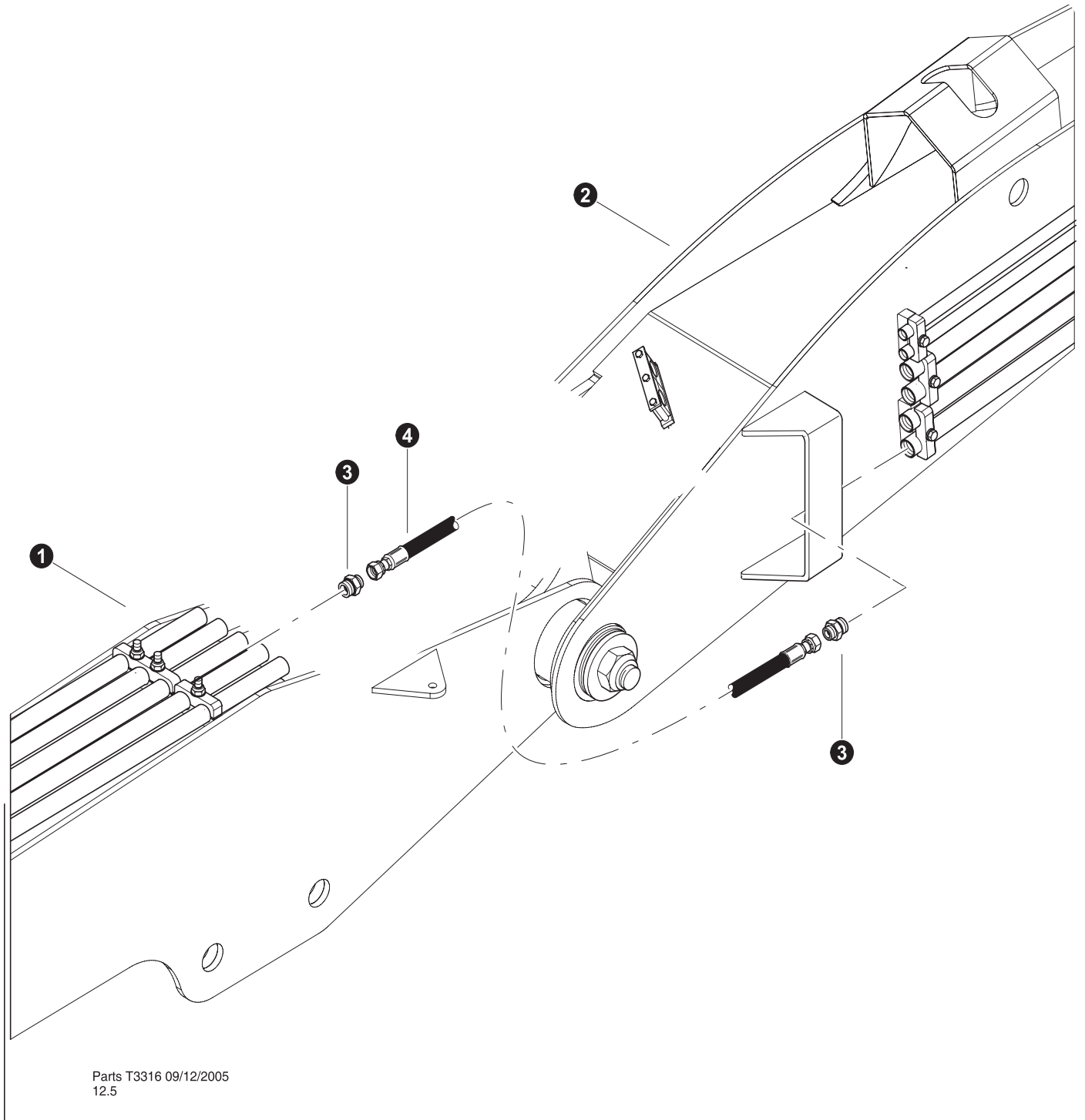


Parts T3311 09/15/2005
25.00

HARVESTER ATTACHMENT CASE DRAIN (Oil Tank to Main Boom)



REF	PART #	QTY	DESCRIPTION	SEE SECTION
1	REF.	1	 MAIN BOOM ASSEMBLY	HB-1
2	15117-HH	1	CONNECTOR, STR - FF1852T-0808S	
3	16719-HH	1	BUSHING, REDUCER - 6410-16-8	
4	-HH	1	HOSE ASSEMBLY - 2205-08-080S-08OS (<i>Main Boom to Hydraulic Tank Case Drain Filter</i>)	
5	REF.	1	 HYDRAULIC TANK ASSEMBLY	UP-2

 See referenced page for component or assembly breakdown.



Parts T3316 09/12/2005
12.5

HARVESTER ATTACHMENT CASE DRAIN (Main Boom to Stick Boom)

REF	PART #	QTY	DESCRIPTION	SEE SECTION
1	REF.	1	 MAIN BOOM ASSEMBLY	HB-1
2	REF.	1	 STICK BOOM ASSEMBLY	HB-1
3	15226-HH	2	CONNECTOR, STR - FF1852T-1216S	
4	-HH	1	HOSE ASSEMBLY - 4073.5-12-120S-120S (<i>Main Boom to Stick Cyl</i>)	

 See referenced page for component or assembly breakdown.

