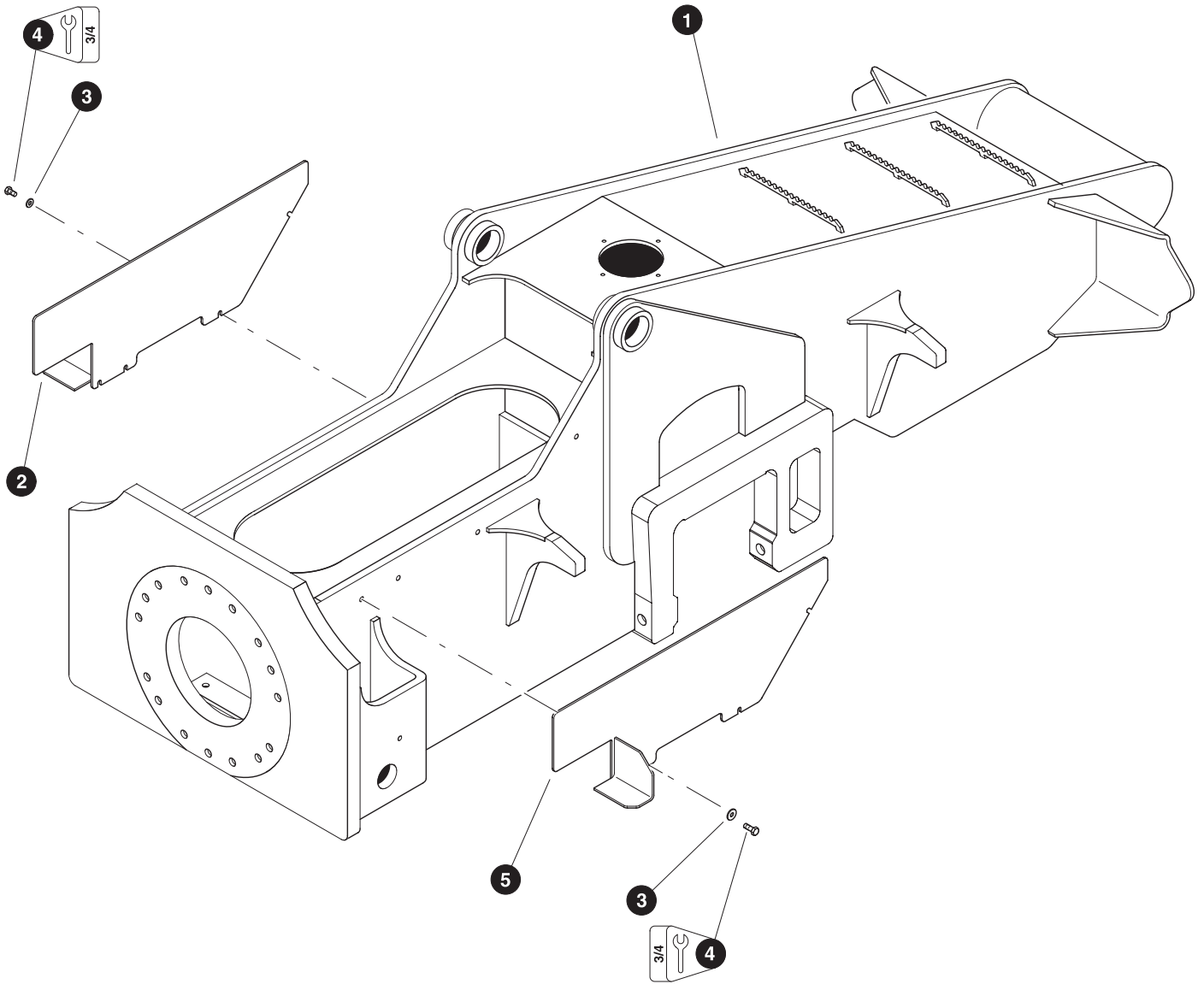


# ***Section HL-1***

---

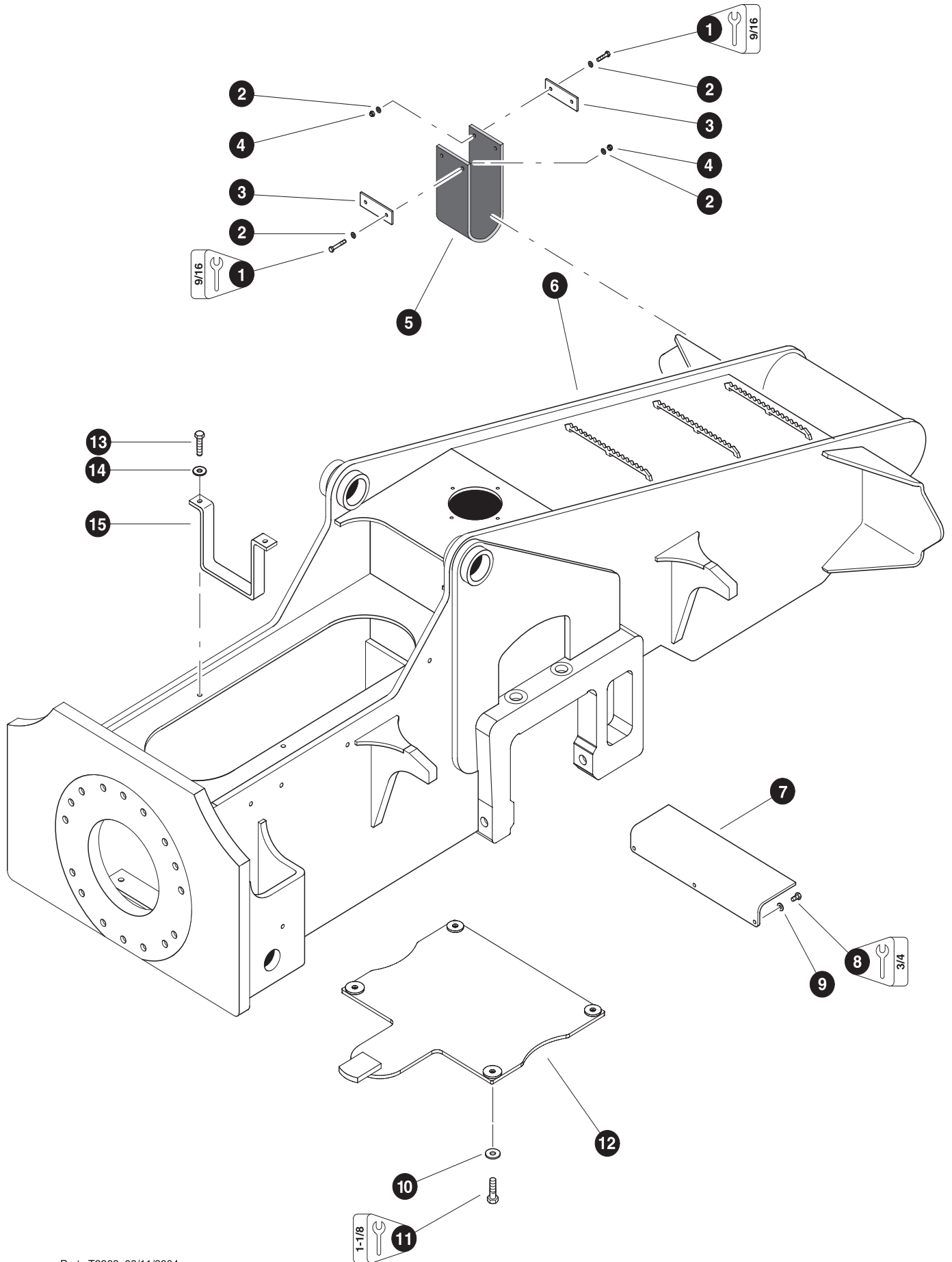
## ***TB 630 Leveling Front Frame - Frame / Covers / Pins***



Parts T2822 08/15/2003  
9.375


**FRAME and ACCESS COVERS**  
**(General)**


| <b>REF</b> | <b>PART #</b> | <b>QTY</b> | <b>DESCRIPTION</b>      | <b>SEE SECTION</b> |
|------------|---------------|------------|-------------------------|--------------------|
| 1          | 40626-HL      | 1          | FRONT FRAME WELDMENT    |                    |
| 2          | 51104-HL      | 2          | COVER, access (left)    |                    |
| 3          | 15534-HL      | 10         | WASHER, SAE flat - 1/2" |                    |
| 4          | 10783-HL      | 6          | BOLT - 1/2" x 1"        |                    |
| 5          | 51105-HL      | 1          | COVER, access (right)   |                    |

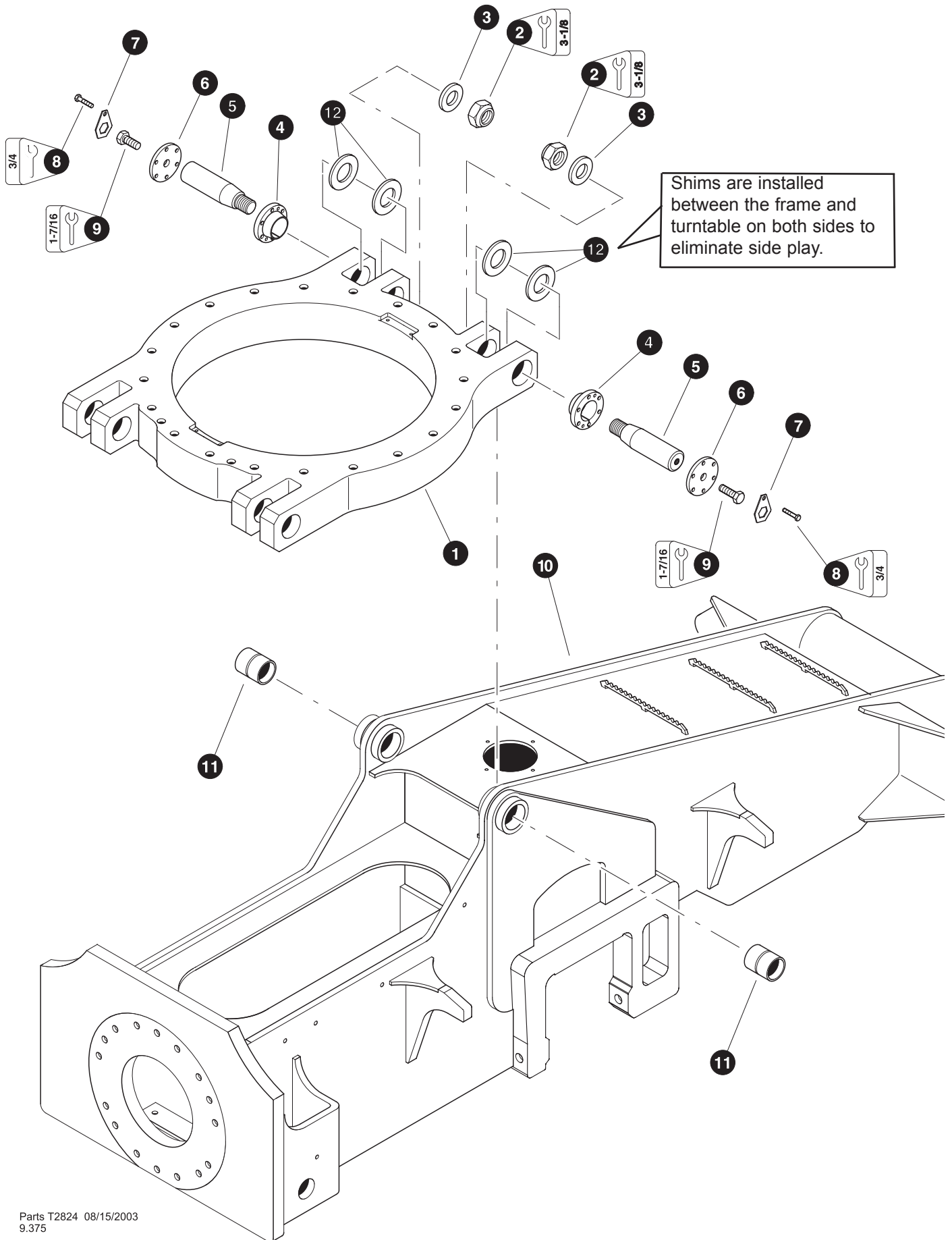


Parts T2968 03/11/2004  
9.375

### FRAME ACCESS COVERS (Lower - Leveling Front Frame)


| REF | PART #   | QTY | DESCRIPTION  | SEE SECTION |
|-----|----------|-----|--|-------------|
| 1   | 20084-HL | 3   | BOLT - 3/8" x 1-3/4"   |             |
| 2   | 15528-HL | 8   | WASHER, SAE flat - 3/8"  |             |
| 3   | 20209-HL | 2   | RETAINER, rubber step  |             |
| 4   | 10813-HL | 8   | NUT, lock - 3/8"   |             |
| 5   | 20210-HL | 1   | STEP, rubber   |             |
| 6   | REF.     | 1   |  FRONT FRAME WELDMENT ..... | HL-1        |
| 7   | 42414-HL | 1   | COVER, access - axle box   |             |
| 8   | 10783-HL | 6   | BOLT - 1/2" x 1"   |             |
| 9   | 15534-HL | 8   | WASHER, SAE flat - 1/2"  |             |
| 10  | 15550-HL | 8   | WASHER, SAE flat - 3/4"  |             |
| 11  | 15549-HL | 2   | BOLT - 3/4" x 1 1/2"   |             |
| 12  | 51415-HL | 1   | COVER, access - front frame axle   |             |
| 13  | 10739-HL | 2   | BOLT - .5" X 1.5"  |             |
| 14  | 15534-HL | 4   | WASHER, SAE flat - 1/2"  |             |
| 15  | 40829-HL | 1   | BRACKET, HOSE BRACKET - 630 LEVELING   |             |

 See referenced page for component or assembly breakdown.

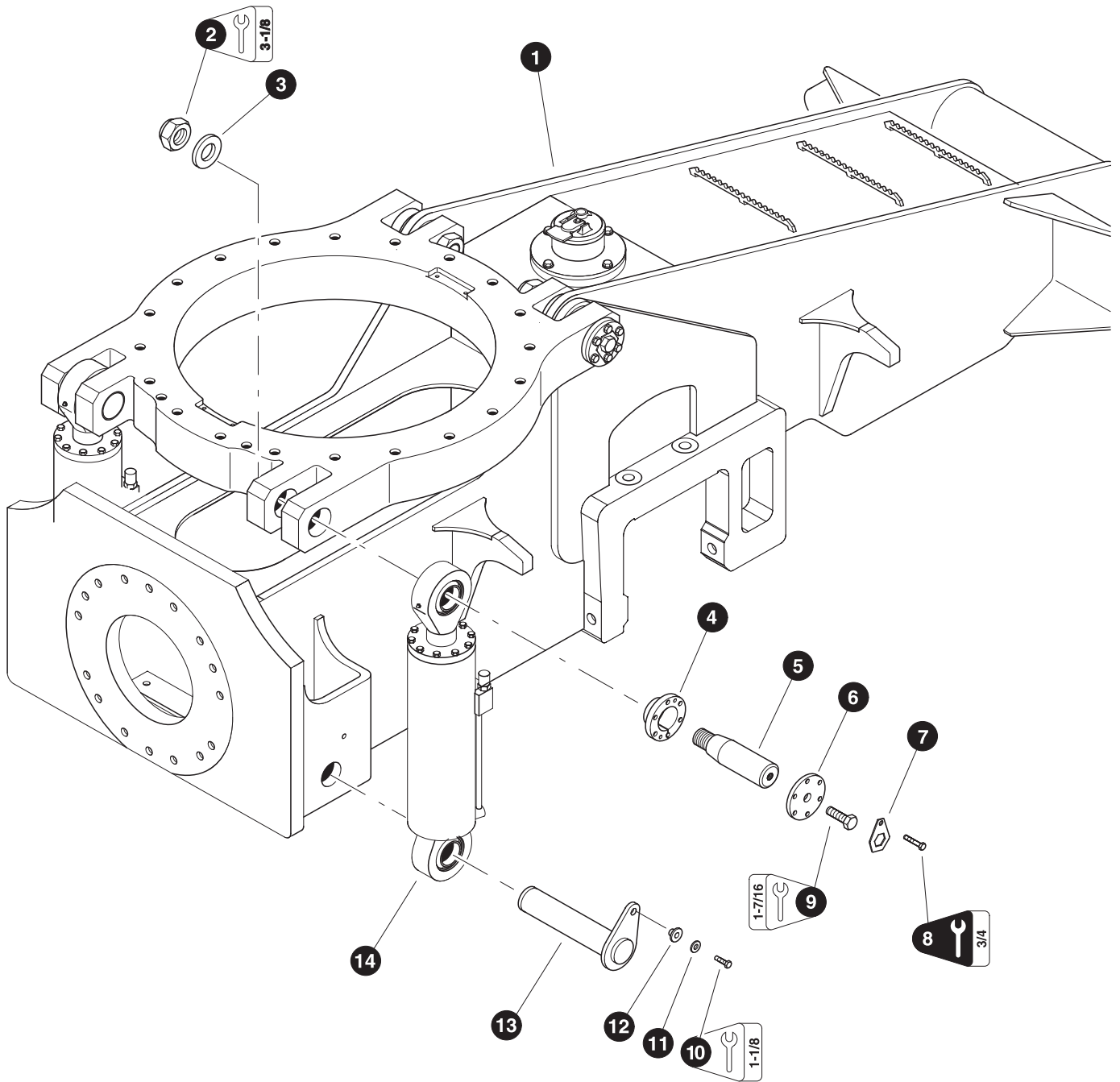


Parts T2824 08/15/2003  
9.375

### CAB LEVELING COMPONENTS

| REF | PART #   | QTY | DESCRIPTION   | SEE SECTION |
|-----|----------|-----|---|-------------|
| 1   | 85347-HL | 1   | PLATE, lower turntable  |             |
| 2   | 10728-HL | 2   | NUT, nylock - 2"  |             |
| 3   | 12021-HL | 2   | WASHER, burned  |             |
| 4   | 12352-HL | 2   | HUB, taper - 1-1/4"   |             |
| 5   | 18054-HL | 2   | PIN, chrome - 3" x 11-3/4"  |             |
| 6   | 12115-HL | 2   | CAP, taper hub  |             |
| 7   | 12116-HL | 2   | LOCK, center taper hub bolt   |             |
| 8   | 15565-HL | 12  | BOLT - 1/2" x 2-1/2" (Torque to 100 ft.lbs. (133 Nm))   |             |
| 9   | 15552-HL | 2   | BOLT - 1" x 2-1/2"  |             |
| 10  | REF.     | 1   |  FRONT FRAME WELDMNT ..... | HL-1        |
| 11  | 11706-HL | 2   | BUSHING - 3" x 4-1/4"   |             |
| 12  | 19150-HL | AR  | SHIM - 1/4" thick   |             |
|     | 16333-HL | AR  | SHIM - 7 gauge (.179") thick  |             |
|     | 16637-HL | AR  | SHIM - 10 gauge (.135") thick   |             |
|     | 16338-HL | AR  | SHIM - 14 gauge (.075") thick   |             |



 See referenced page for component or assembly breakdown.



Parts T2825 08/14/03  
9.375



## CAB LEVEL CYLINDER INSTALLATION

| REF | PART #   | QTY | DESCRIPTION   | SEE SECTION |
|-----|----------|-----|---|-------------|
| 1   | REF.     | 1   |  FRONT FRAME WELDMNT ..... | HL-1        |
| 2   | 10728-HL | 2   | NUT, nylock - 2"  |             |
| 3   | 12021-HL | 2   | WASHER, burned  |             |
| 4   | 12352-HL | 2   | HUB, taper - 1-1/4"   |             |
| 5   | 18055-HL | 2   | PIN, Chrome - 3" x 11"  |             |
| 6   | 12115-HL | 2   | CAP, taper hub  |             |
| 7   | 12116-HL | 2   | LOCK, center taper hub bolt   |             |
| 8   | 15565-HL | 12  | BOLT - 1/2" x 2-1/2" (Torque to 100 ft.lbs. (133 Nm))   |             |
| 9   | 15552-HL | 2   | BOLT - 1" x 2-1/2"  |             |
| 10  | 15549-HL | 1   | BOLT - 3/4" x 2"  |             |
| 11  | 15550-HL | 1   | WASHER, SAE flat - 3/4"   |             |
| 12  | 18570-HL | 1   | WASHER, pin retaining   |             |
| 13  | 21008-HL | 1   | PIN ASSEMBLY - 3" x 14-1/4"   |             |
| 14  | REF.     | 2   |  CAB LEVEL CYLINDER .....  | HL-3        |

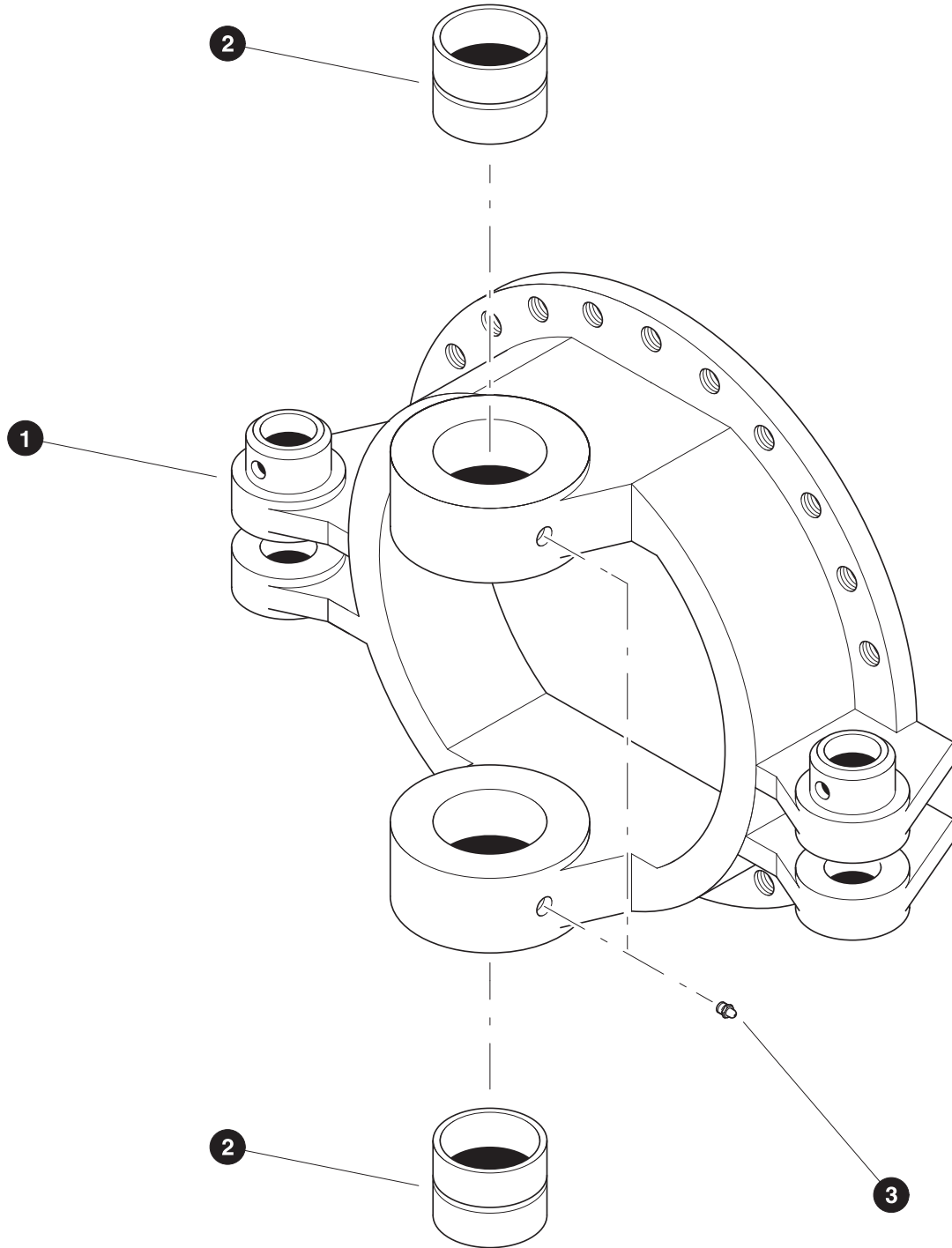
 See referenced page for component or assembly breakdown.



# ***Section HL-2***

---

## ***TB 630 Leveling Front Frame - Frame & Drivetrain Installation***

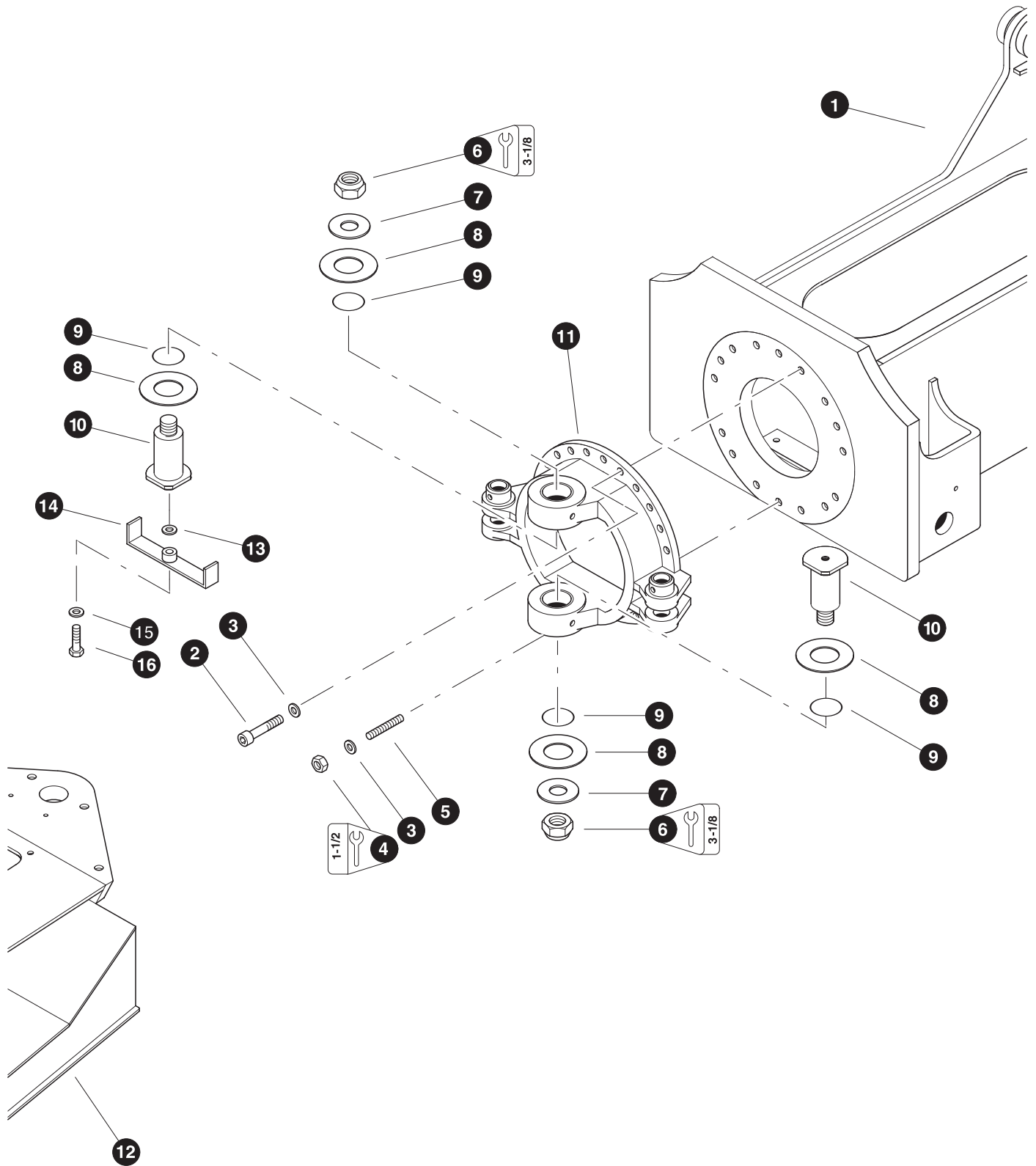


Parts 01720 07/27/2000  
25.00

**ARTICULATION CASTING**



| <b>REF</b> | <b>PART #</b> | <b>QTY</b> |                          | <b>DESCRIPTION</b>  | <b>SEE SECTION</b> |
|------------|---------------|------------|--------------------------|---|--------------------|
| 1          | 23099-HL      | 1          | <input type="checkbox"/> | CASTING, frame articulation (please specify machine model on order) |                    |
| 2          | 23103-HL      | 2          |                          | BUSHING - 3-1/2" x 2-3/4"   |                    |
| 3          | 10704-HL      | 2          |                          | FITTING, grease - 1/8" pipe thread                                  |                    |

- Kit or Assembly - includes all items indented underneath.



Parts T2826 08/18/2003  
9.375

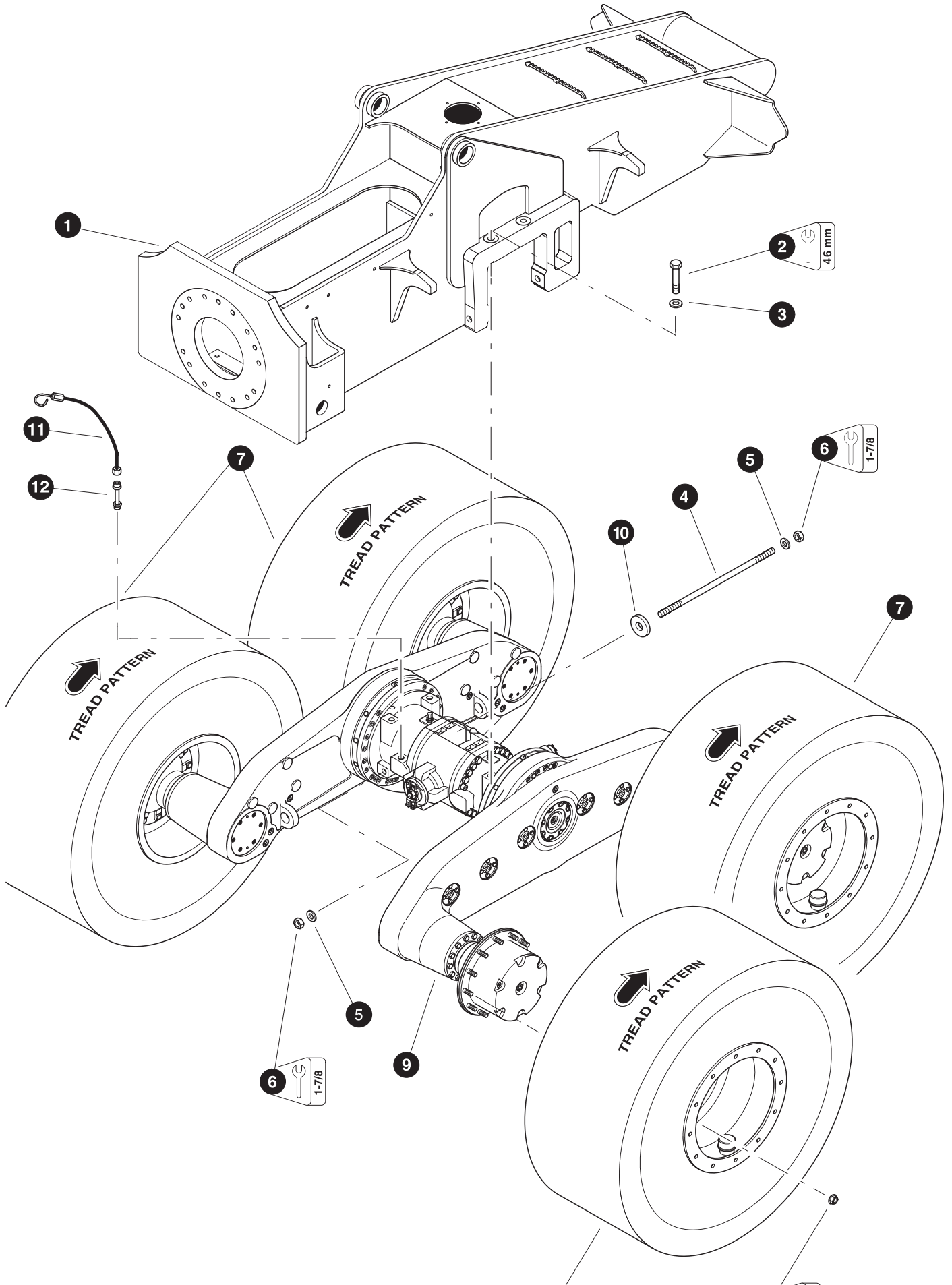
## ARTICULATION INSTALLATION

| REF | PART #   | QTY | DESCRIPTION  | SEE SECTION |
|-----|----------|-----|--|-------------|
| 1   | REF.     | 1   |  FRONT FRAME WELDMENT . . . . . | HL-1        |
| 2   | 50410-HL | 14  | BOLT, ALLEN - 1" x 5" (Torque to 1000 ft.lbs (1330 Nm) (see note #1)   |             |
| 3   | 18532-HL | 16  | WASHER, SAE flat (THICK) - 1"  |             |
| 4   | 19073-HL | 2   | NUT, 1" (Torque to 1000 ft.lbs (1330 Nm)   |             |
| 5   | 50587-HL | 2   | STUD, 1" (see note #1)   |             |
| 6   | 10728-HL | 2   | NUT, nylock - 2"   |             |
| 7   | 51499-HL | 2   | WASHER, articulation pin (3/8")  |             |
| 8   | 23106-HL | AR  | WASHER, thrust - thin (Brass)  |             |
|     | 23105-HL | AR  | WASHER, thrust - thick (Brass)   |             |
| 9   | 21577-HL | AR  | O-RING - thin  |             |
|     | 24546-HL | AR  | O-RING - thick   |             |
| 10  | 23102-HL | 2   | PIN, articulation - 3-1/2" x 8-5/8"  |             |
| 11  | REF.     | 1   | FRAME ARTICULATION CASTING . . . . .   | HL-2        |
| 12  | REF.     | 1   |  REAR FRAME WELDMENT . . . . .  | HR-1        |
| 13  | 50464-HL | 1   | WASHER, SAE flat (THICK) - 3/4"  |             |
| 14  | 40830-HL | 1   | BRACKET, articulation joint hose   |             |
| 15  | 15550-HL | 1   | WASHER, SAE flat 3/4"  |             |
| 16  | 10840-HL | 1   | BOLT - 3/4 X 3"  |             |

 See referenced page for component or assembly breakdown.




### NOTE #1

Use anti-seize lubricant on threads before assembly.

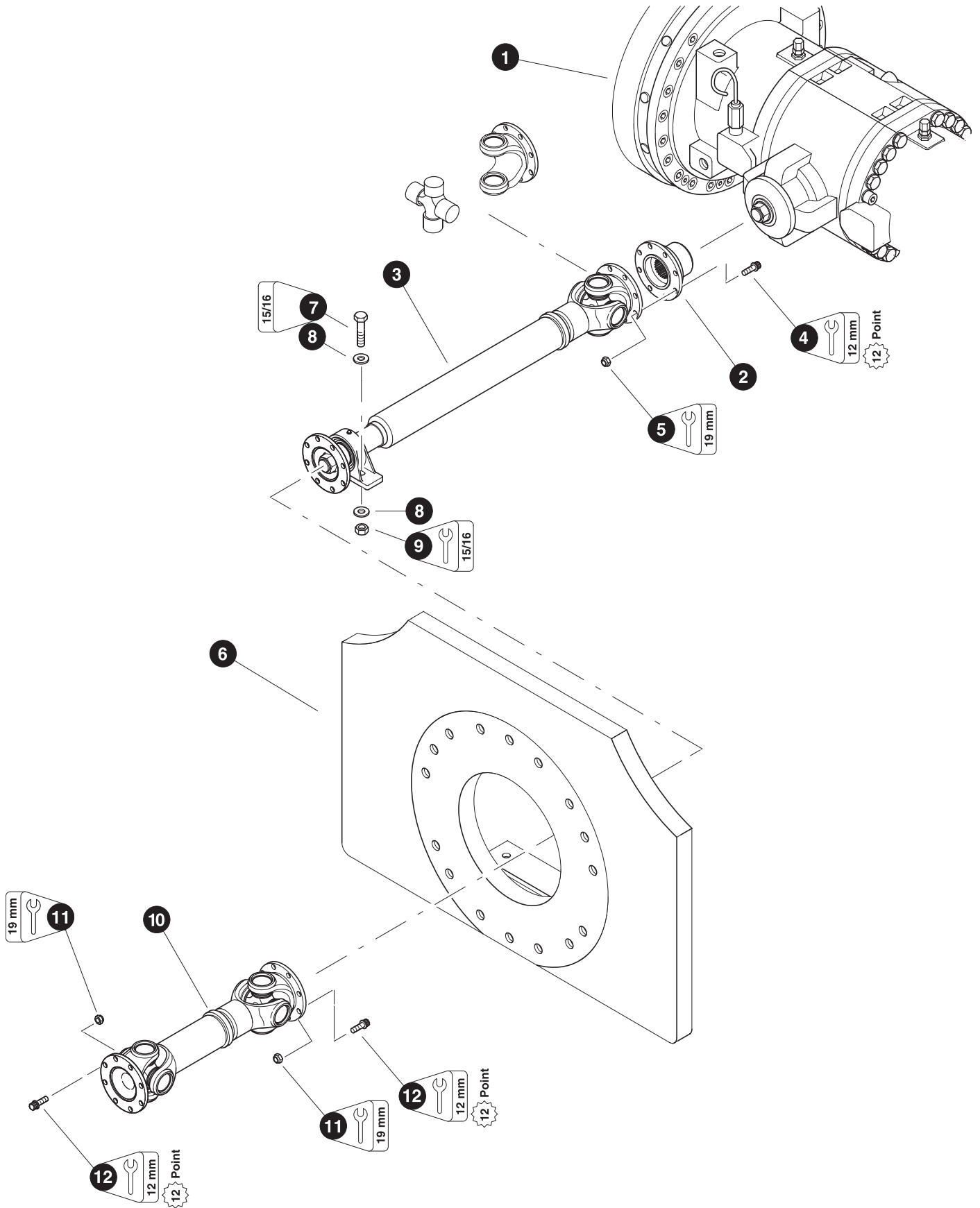








## FRONT AXLE INSTALLATION

| REF | PART #   | QTY | DESCRIPTION  | SEE SECTION |
|-----|----------|-----|--|-------------|
| 1   | REF.     | 1   |  FRONT FRAME WELDMENT . . . . . | HL          |
| 2   | 23567-HL | 4   | BOLT - 30mm-3.5P x 220mm (Torque to 1100 ft.lbs. (1465 Nm))  |             |
| 3   | 23568-HL | 4   | WASHER, hardened flat - 30mm   |             |
| 4   | 23851-HL | 2   | STUD, axle spreader box - 1-1/4" (Torque to 1200 ft.lbs. (1600 Nm))  |             |
| 5   | 22531-HL | 4   | WASHER, SAE flat - 1-1/4"  |             |
| 6   | 23989-HL | 4   | NUT, lock - 1-1/4"   |             |
| 7   | REF.     | 4   |  WHEEL ASSEMBLY . . . . .       | AX-3        |
| 8   | 19361-HL | 48  | NUT, lug (Torque to 600 ft.lbs. (800 Nm))  |             |
| 9   | REF.     | 1   |  FRONT AXLE . . . . .           | AX-1        |
| 10  | 24003-HL | 2   | SPACER, axle spreader stud   |             |
| 11  | 21165-HL | 1   | TUBE, dipstick (top)   |             |
| -   | 21561-HL | 1   | BLADE, dipstick  |             |
| 12  | 21164-HL | 1   | TUBE, dipstick (bottom)  |             |

 See referenced page for component or assembly breakdown.



## DRIVE SHAFT INSTALLATION

| REF | PART #   | QTY | DESCRIPTION  | SEE SECTION |
|-----|----------|-----|--|-------------|
| 1   | REF.     | 1   |  FRONT AXLE . . . . .   | AX-1        |
| 2   | 23997-HL | 1   | YOKE, companion flange - axle (Torque to 590 ft lbs. (800 Nm)<br>(See Note #2 Below)   |             |
| 3   | ---      | 1   |  DRIVE SHAFT, heavy duty (Center joint to front axle) (467889-61) |             |
|     | ---      | 2   | FITTING, 90° grease - 10mm   |             |
|     | 50466-HL | 1   | KIT, CROSS & BEARING   |             |
|     | 50467-HL | 1   | YOKE, FLANGE   |             |
| 4   | 50261-HL | 8   | BOLT, 12 point - 12mm-1.75P x 35mm (See Note #1 Below)   |             |
| 5   | 50262-HL | 8   | NUT, lock - 12mm   |             |
| 6   | REF.     | 1   |  FRONT FRAME WELDMENT . . . . .                                   | HL-1        |
| 7   | 10720-HL | 6   | BOLT, - 5/8" x 3" (See Note #1 Below)<br>(Torque to 130 ft.lbs. (175 Nm))  |             |
| 8   | 23210-HL | 4   | WASHER, SAE flat 5/8" (extra thick)  |             |
| 9   | 10816-HL | 2   | NUT, lock - 5/8"   |             |
| 10  | 25968-HL | 1   |  DRIVE SHAFT (Center joint)                                       |             |
|     | -----    | 2   | FITTING, 90° grease - 10mm   |             |
|     | 50466-HL | 2   | KIT, CROSS & BEARING   |             |
|     | 50467-HL | 2   | YOKE, FLANGE   |             |
| 11  | 50261-HL | 16  | BOLT, 12 point - 12mm-1.75P x 35mm (See Note #1 Below)   |             |
| 12  | 50262-HL | 16  | NUT, lock - 12mm   |             |

 See referenced page for component or assembly breakdown.

 Kit or Assembly - includes all items indented underneath.

### Note #1:

Use Loctite 243 (blue) on threads during installation.

### Note #2:

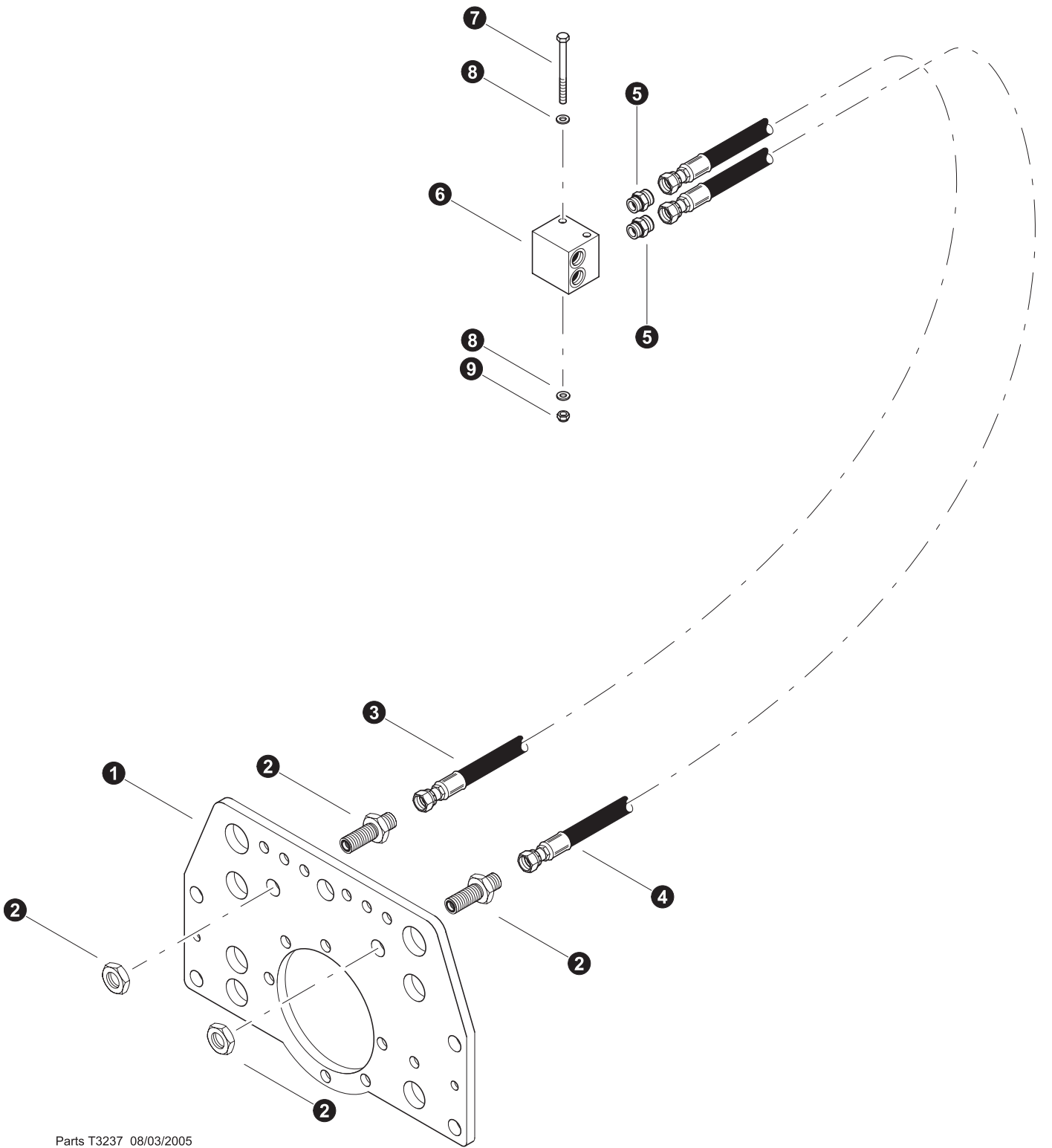
Use Loctite 271 (red) on threads during installation.



# ***Section HL-3***

---

## ***TB 630 Leveling Front Frame - Hydraulics***



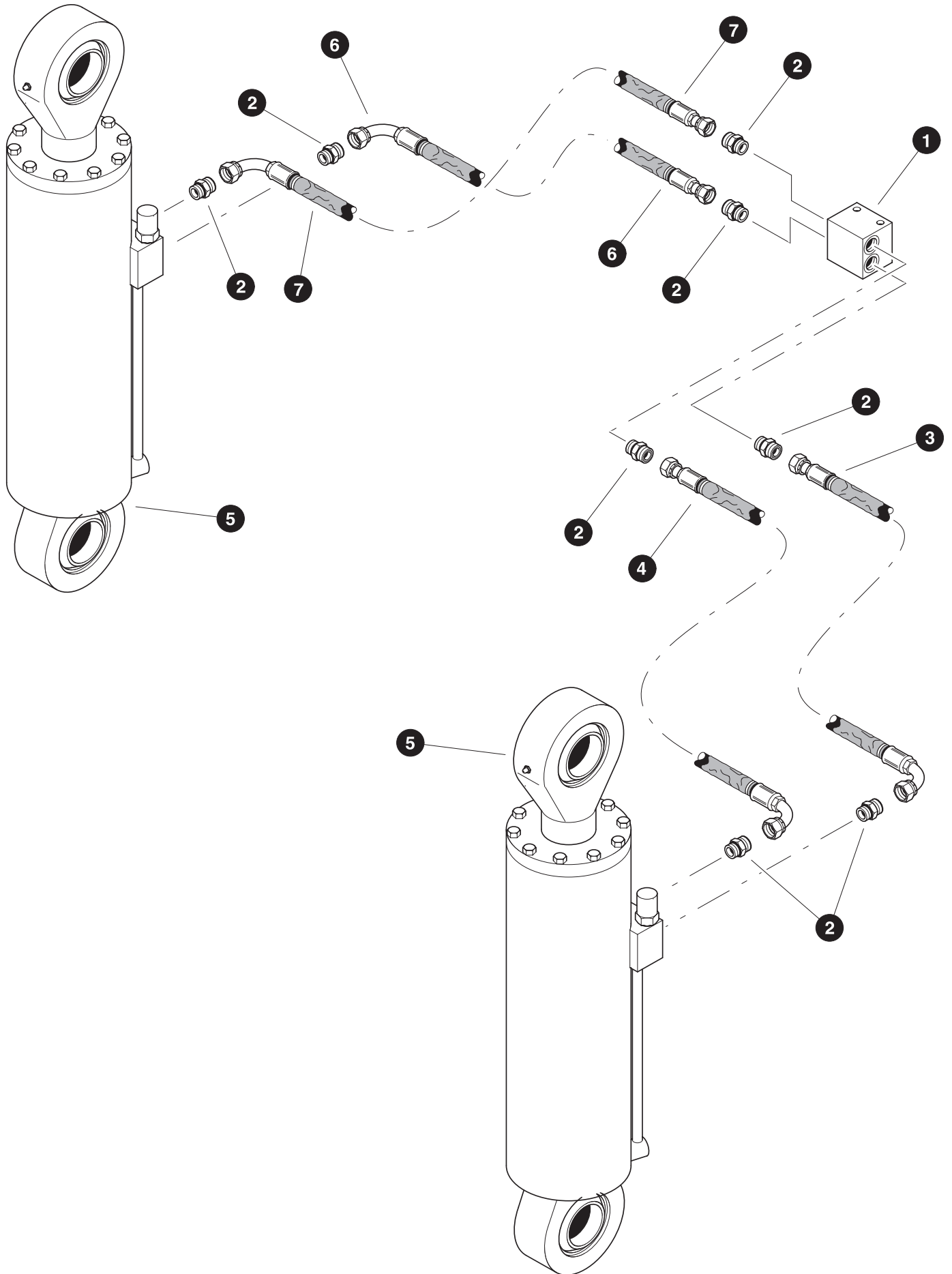
Parts T3237 08/03/2005  
18.75

## LEVELING HYDRAULICS (Bulkhead Plate to Leveling Manifold)

| REF | PART #   | QTY | DESCRIPTION  | SEE SECTION |
|-----|----------|-----|--|-------------|
| 1   | 42201-HL | 1   | BRACKET, bearing mount - (bulkhead plate 630)  |             |
| 2   | 20196-HL | 2   | CONNECTOR, STR BULKHEAD - FF1994T-0808S  |             |
| 3   | 50928-HL | 1   | HOSE ASSEMBLY - 4057-08-08OD-08OS (Rear Frame Bulkhead Plate to<br>Top Port of Leveling Manifold (Rod))    |             |
| 4   | -HL      | 1   | HOSE ASSEMBLY - 4055-08-08OS-08OS (Rear Frame Bulkhead Plate to<br>Bottom Port of Leveling Manifold(Base)) |             |
| 5   | 22717-HL | 1   | MANIFOLD, leveling   |             |
| 6   | 10813-HL | 2   | NUT, lock - 3/8"   |             |
| 7   | 15528-HL | 4   | WASHER, SAE flat - 3/8"  |             |
| 8   | 10753-HL | 2   | BOLT - 3/8" x 4-1/2"   |             |




See referenced page for component or assembly breakdown.

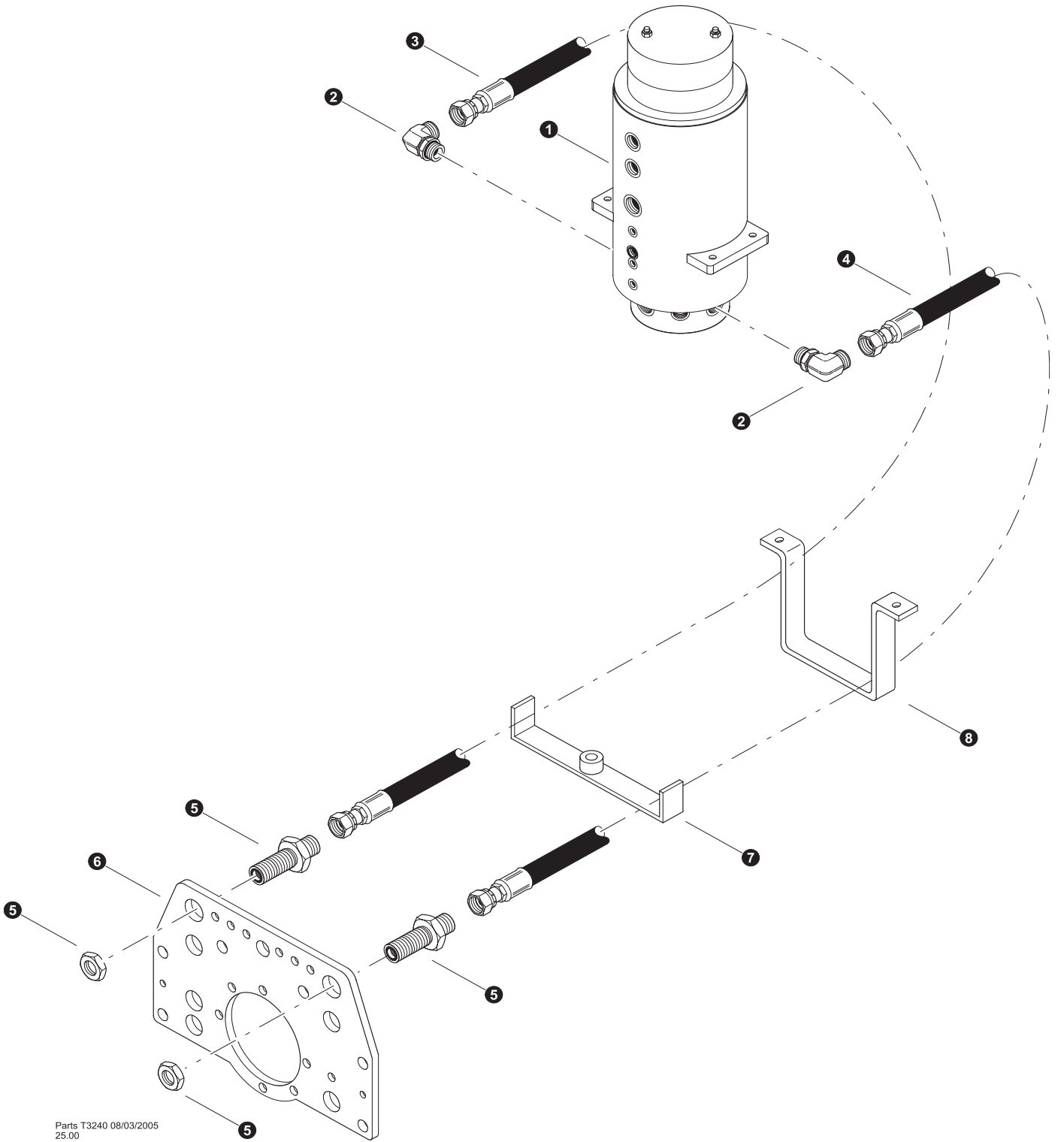




## LEVELING HYDRAULICS (Leveling Manifold to Leveling Cylinders)


| REF | PART #   | QTY | DESCRIPTION  | SEE SECTION |
|-----|----------|-----|--|-------------|
| 1   | 22717-HL | 1   | MANIFOLD, leveling   |             |
| 2   | 15115-HL | 8   | CONNECTOR, straight - FF1852T-081OS  |             |
| 3   | 50324-HL | 1   | HOSE ASSEMBLY - 4025-08-08OS-08O9-W (Bottom RH<br>port of leveling manifold to RH leveling cylinder base port)         |             |
| 4   | 50323-HL | 1   | HOSE ASSEMBLY - 4023-08-08OS-08O9-W (Top RH<br>port of leveling manifold to RH leveling cylinder rod port)             |             |
| 5   | REF      | 2   |  LEVELING CYLINDER . . . . .          | HL-3        |
| 6   | 50323-HL | 1   | HOSE ASSEMBLY - 4023-08-08OS-08O9 ( <i>Top LH<br/>port of leveling manifold to LH leveling cylinder rod port</i> )     |             |
| 7   | 50324-HL | 1   | HOSE ASSEMBLY - 4025-08-08OS-08O9 ( <i>Bottom LH<br/>port of leveling manifold to LH leveling cylinder base port</i> ) |             |


 See referenced page for component or assembly breakdown.

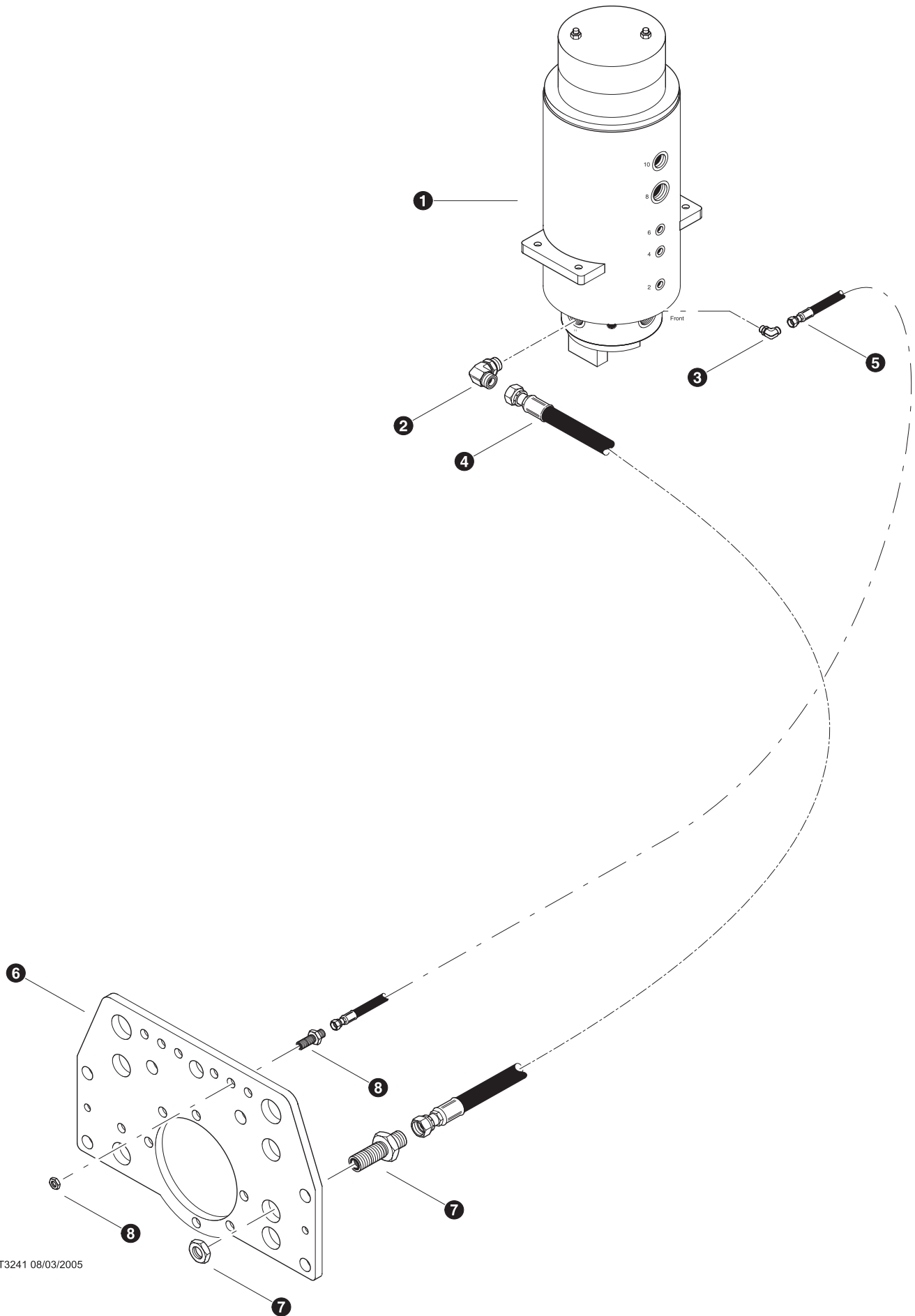


Parts T3240 08/03/2005  
25.00

**DRIVE MOTOR PRESSURE LINES**  
**(Rotary Manifold to Rear Frame Bulkhead Plate)**


| REF | PART #   | QTY | DESCRIPTION  | SEE SECTION |
|-----|----------|-----|--|-------------|
| 1   | REF.     | 1   |  ROTORY MANIFOLD..... | UP-1        |
| 2   | 15228-HL | 2   | ELBOW, 90 - FF1868T-1616S  |             |
| 3   | 50442-HL | 1   | HOSE ASSEMBLY - 6093-16-160S-160S (rear frame bulkhead plate to rotary manifold port #7)               |             |
| 4   | 50441-HL | 1   | HOSE ASSEMBLY - 6093-16-160S-160S (rear frame bulkhead plate to rotary manifold port #8)               |             |
| 5   | 20033-HL | 2   | CONNECTOR, STR BULKHEAD - 16   |             |
| 6   | 42201-HL | 1   | BRACKET, bearing mount - (bulkhead plate 630)  |             |
| 7   | REF      | 1   | ARTICULATION HOSE BRACKET.....   | HL-2        |
| 8   | REF      | 1   | HOSE BRACKET - LEVELING 630.....   | HL-1        |

 See referenced page for component or assembly breakdown.

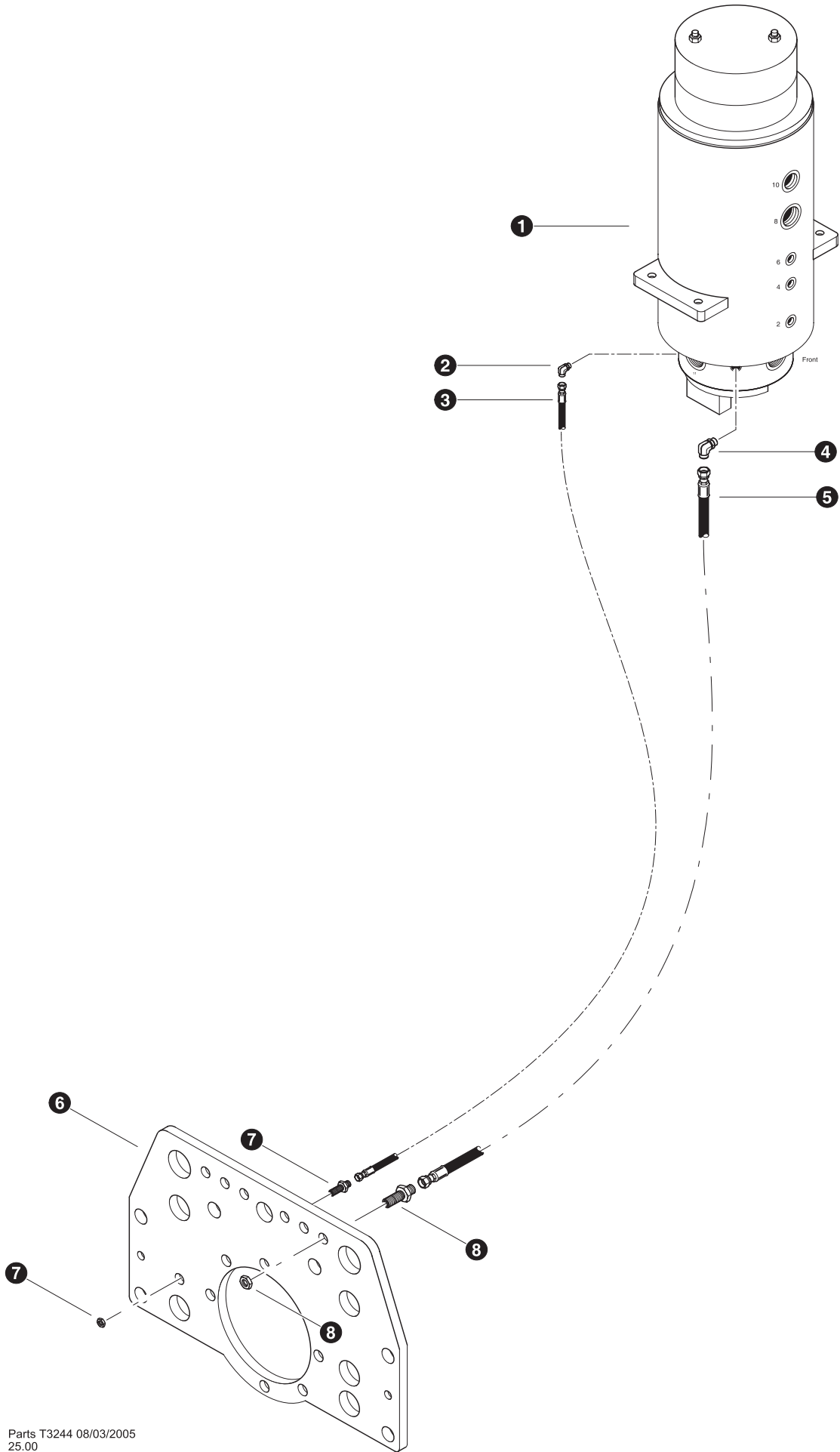


Parts T3241 08/03/2005  
25.00

**MOTOR CASE DRAIN & SOLENOID MANIFOLD PRESSURE**  
**(Rotary Manifold to Rear Frame Bulkhead Plate)**


| REF | PART #   | QTY | DESCRIPTION   | SEE SECTION |
|-----|----------|-----|---|-------------|
| 1   | REF.     | 1   |  ROTORY MANIFOLD . . . . . | UP-1        |
| 2   | 17688-HL | 1   | ELBOW, 90 - FF1868T-1212S   |             |
| 3   | 16296-HL | 1   | ELBOW, 90 - FF1868T-0606S   |             |
| 4   | 50320-HL | 1   | HOSE ASSEMBLY - 4085-12-120S-120S (rear frame bulkhead plate to rotary manifold port #11)                   |             |
| 5   | -HL      | 1   | HOSE ASSEMBLY - 2086.5-06-060S-060S (rear frame bulkhead plate to rotary manifold port #4)                  |             |
| 6   | 42201-HL | 1   | BRACKET, bearing mount - (bulkhead plate 630)   |             |
| 7   | 17009-HL | 1   | CONNECTOR, STR BULKHEAD - 2700-12   |             |
| 8   | 50420-HL | 1   | CONNECTOR, STR BULKHEAD - 832-TT-06   |             |

 See referenced page for component or assembly breakdown.

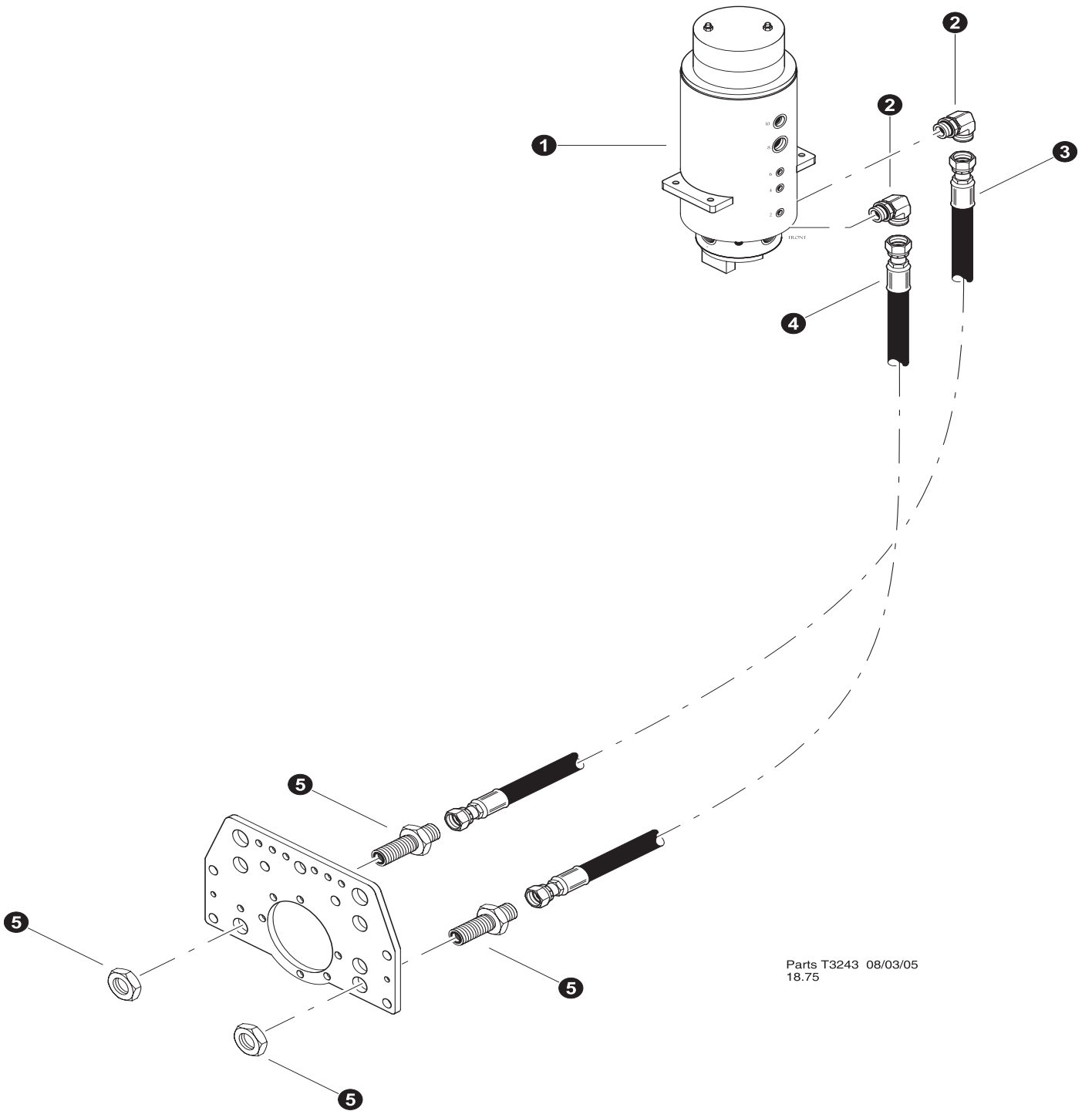


Parts T3244 08/03/2005  
25.00

**MOTOR FLUSH RETURN & VALVE LOAD SENSE  
(Rotary Manifold to Rear Frame Bulkhead Plate)**

| REF | PART #   | QTY | DESCRIPTION   | SEE SECTION |
|-----|----------|-----|---|-------------|
| 1   | REF.     | 1   |  ROTORY MANIFOLD . . . . . | UP-1        |
| 2   | 16540-HL | 1   | ELBOW, 90 - FF1868T-0404S   |             |
| 3   | 50600-HL | 1   | HOSE ASSEMBLY - 4078-04-040S-040S (rear frame bulkhead plate to rotary manifold port #15)                   |             |
| 4   | 16296-HL | 1   | ELBOW, 90 - FF1868T-0606S   |             |
| 5   | -HL      | 1   | HOSE ASSEMBLY - 208-06-060S-060S (rear frame bulkhead plate to rotary manifold port #3)                     |             |
| 6   | 42201-HL | 1   | BRACKET, bearing mount - (bulkhead plate 630)   |             |
| 7   | 18582-HL | 1   | CONNECTOR, STR BULKHEAD - FF1994T-0404S   |             |
| 8   | 50420-HL | 1   | CONNECTOR, STR BULKHEAD - 832-TT-06   |             |


 See referenced page for component or assembly breakdown.




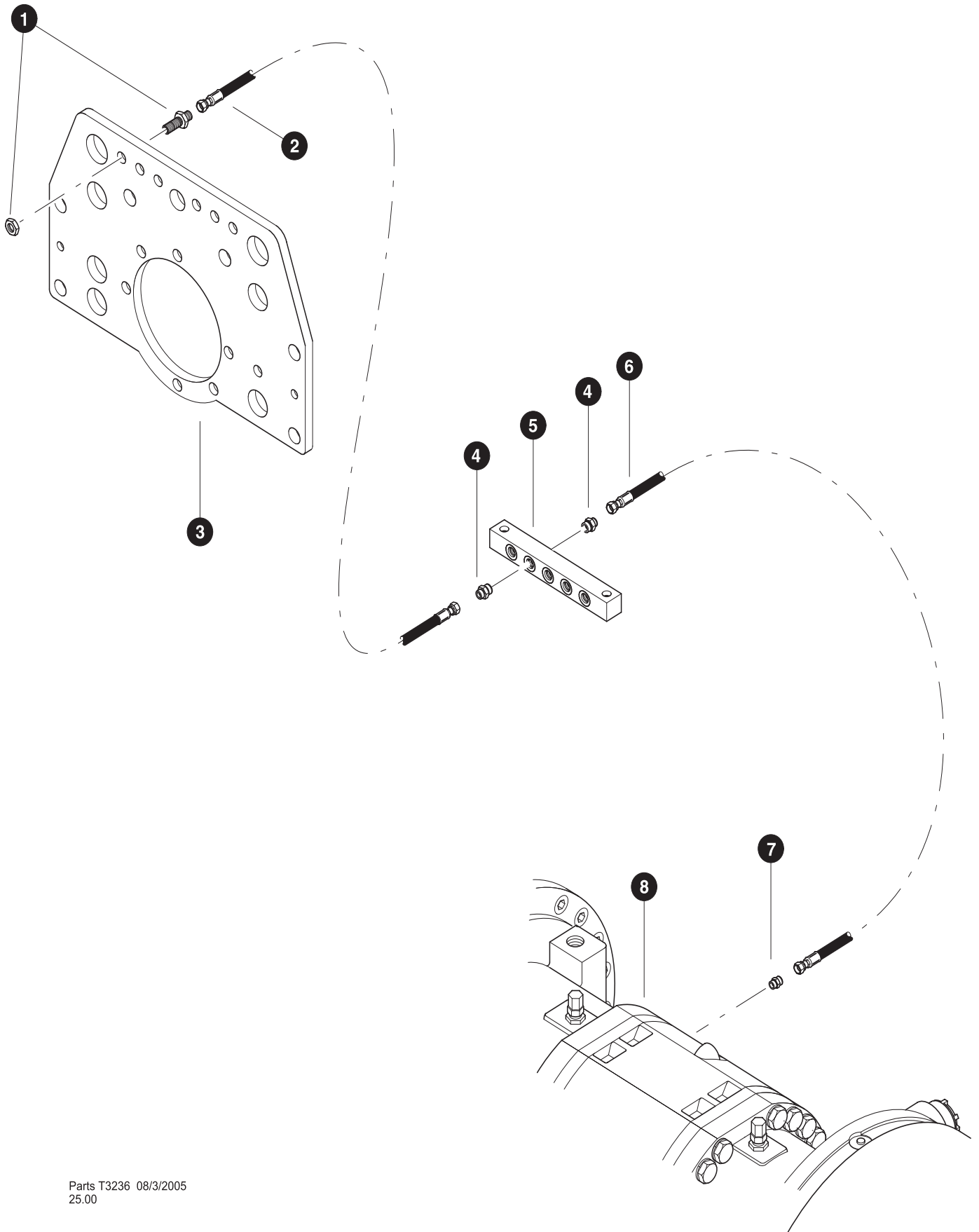
Parts T3243 08/03/05  
18.75



**STEER & LEVEL VALVE PRESSURE & TANK LINES**  
**(Rotory Manifold to Rear Frame Bulkhead Plate)**


| REF | PART #   | QTY | DESCRIPTION  | SEE SECTION |
|-----|----------|-----|--|-------------|
| 1   | REF.     | 1   |  ROTORY MANIFOLD..... | UP-1        |
| 2   | 17688-HL | 1   | ELBOW, 90 - FF1868T-1212S  |             |
| 3   | -HL      | 1   | HOSE ASSEMBLY - 4088-12-120S-120S (rear frame bulkhead plate to rotary manifold port #10)              |             |
| 4   | 50675-HL | 1   | HOSE ASSEMBLY - 4087-12-120S-120S (rear frame bulkhead plate to rotary manifold port #9)               |             |
| 5   | 17009-HL | 1   | CONNECTOR, STR BULKHEAD - 2700-12  |             |
| 6   | 42201-HL | 1   | BRACKET, bearing mount - (bulkhead plate 630)  |             |

 See referenced page for component or assembly breakdown.

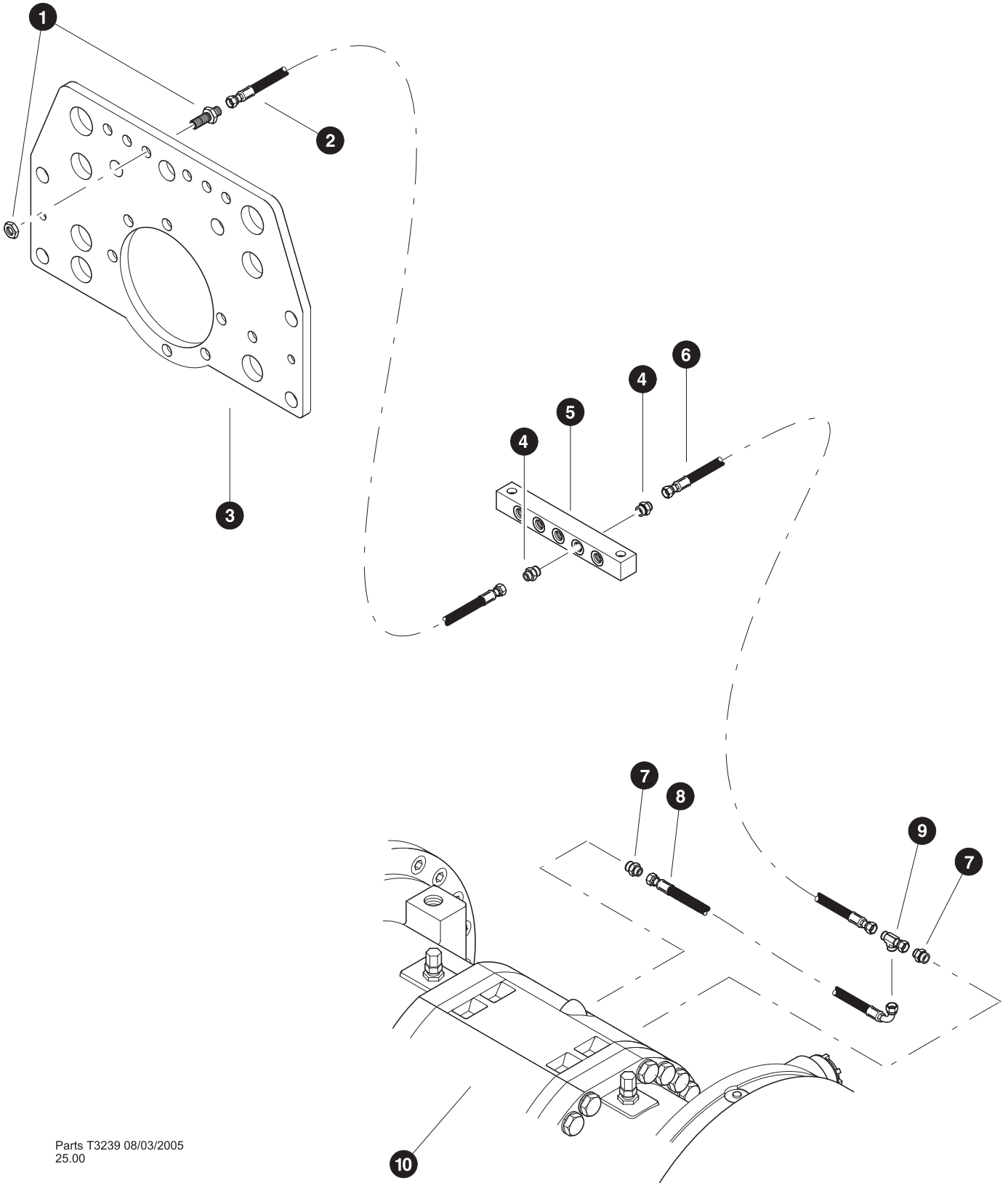


Parts T3236 08/3/2005  
25.00

## FRONT AXLE DIFFERENTIAL LOCK LINES (From Rear Frame Bulkhead Plate to Front Axle)


| REF | PART #   | QTY | DESCRIPTION   | SEE SECTION |
|-----|----------|-----|---|-------------|
| 1   | 18582-HL | 1   | CONNECTOR, straight bulkhead - 04   |             |
| 2   | 50575-HL | 1   | HOSE ASSEMBLY - 2087-04-040S-040S (Junction manifold to rear frame bulkhead plate)                      |             |
| 3   | 42201-HL | 1   | BRACKET, bearing mount - (bulkhead plate 630)   |             |
| 4   | 15124-HL | 2   | CONNECTOR, straight - FF1852T-0404S   |             |
| 5   | 22287-HL | 1   | MANIFOLD, GAUGE   |             |
| 6   | 50573-HL | 1   | HOSE ASSEMBLY - 2044-04-040S-040S (Junction manifold to front axle)                                     |             |
| 7   | 19470-HL | 2   | CONNECTOR, straight - 4M14F8OMLO-S  |             |
| 8   | REF.     | 1   |  FRONT AXLE ..... AX-1 |             |

 See referenced page for component or assembly breakdown.

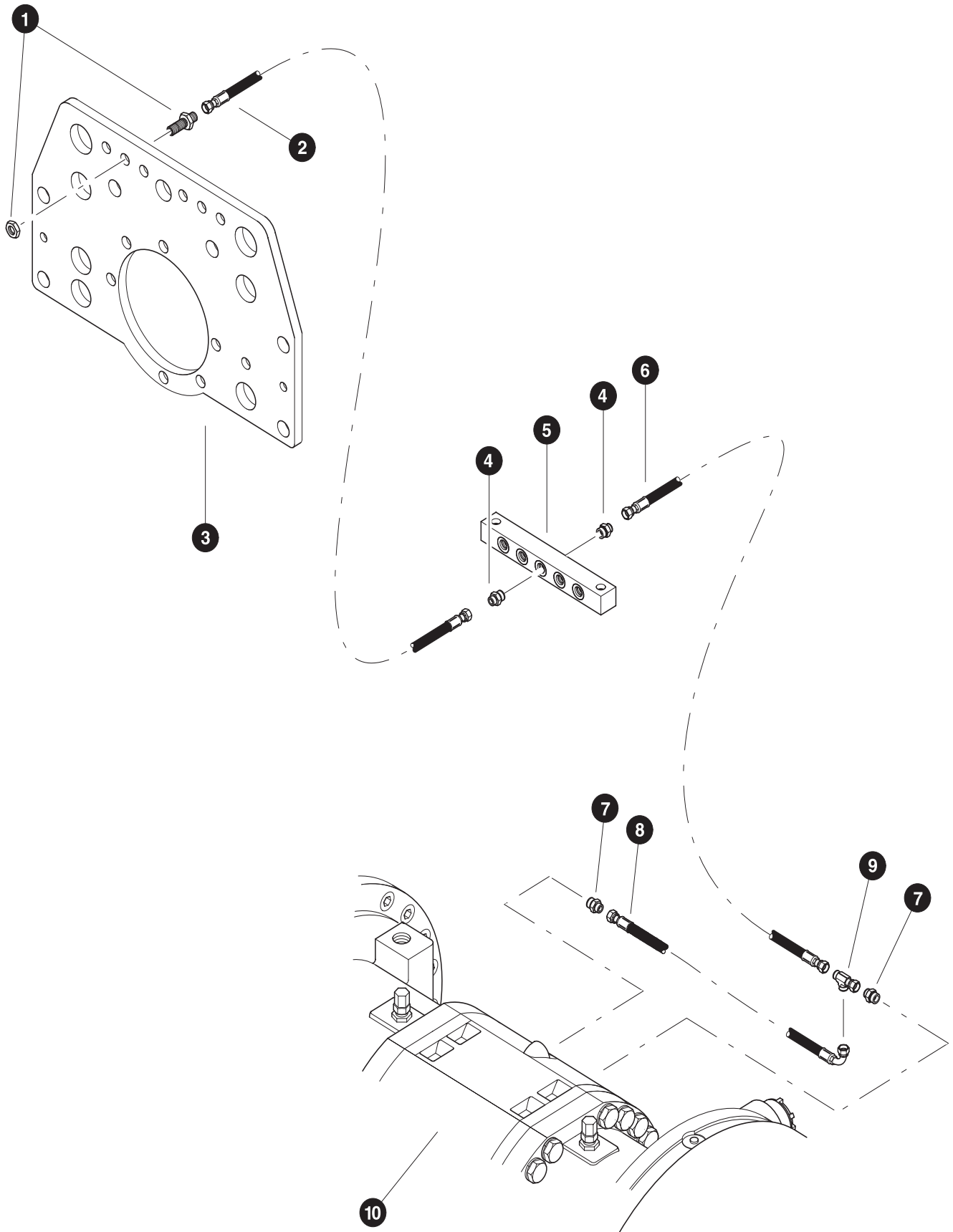


Parts T3239 08/03/2005  
25.00

**FRONT AXLE TRAVEL BRAKE LINES**  
**(From Rear Frame Bulkhead Plate to Front Axel)**


| REF | PART #   | QTY | DESCRIPTION  | SEE SECTION |
|-----|----------|-----|--|-------------|
| 1   | 18582-HL | 1   | CONNECTOR, straight bulkhead - 04  |             |
| 2   | 50575-HL | 1   | HOSE ASSEMBLY - 2087-04-040S-040S (Junction manifold to rear frame bulkhead plate)                 |             |
| 3   | 42201-HL | 1   | BRACKET, bearing mount - (bulkhead plate 630)  |             |
| 4   | 15124-HL | 2   | CONNECTOR, straight - FF1852T-0404S  |             |
| 5   | 22287-HL | 1   | MANIFOLD, GAUGE  |             |
| 6   | 50573-HL | 1   | HOSE ASSEMBLY - 2044-04-040S-040S (Junction manifold to front axle tee)                            |             |
| 7   | 19470-HL | 2   | CONNECTOR, straight - 4M14F8OMLO-S   |             |
| 8   | 50607-HL | 1   | HOSE ASSEMBLY - 2009.5-04-040S-0409  |             |
| 9   | 15176-HL | 2   | TEE - FF2114T-0404S  |             |
| 10  | REF.     | 1   |  FRONT AXLE ..... | AX-1        |

 See referenced page for component or assembly breakdown.



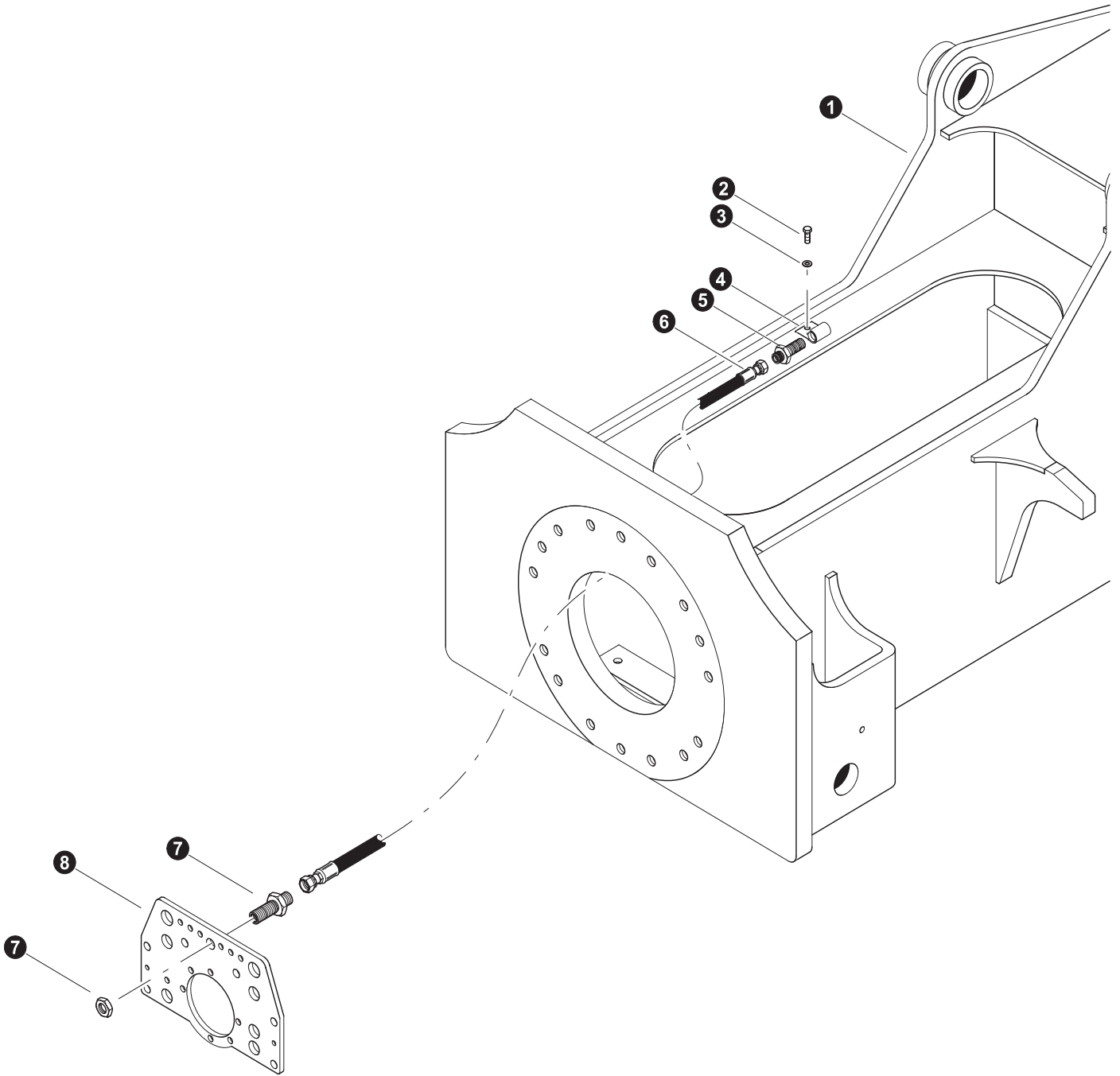
Parts T3238 08/03/2005  
25.00

**FRONT AXLE PARKING BRAKE LINES**  
**(From Rear Frame Bulkhead Plate to Front Axel)**

| REF | PART #   | QTY | DESCRIPTION  | SEE SECTION |
|-----|----------|-----|--|-------------|
| 1   | 18582-HL | 1   | CONNECTOR, straight bulkhead - 04  |             |
| 2   | 50575-HL | 1   | HOSE ASSEMBLY - 2087-04-040S-040S (Junction manifold to rear frame bulkhead plate)                 |             |
| 3   | 42201-HL | 1   | BRACKET, bearing mount - (bulkhead plate 630)  |             |
| 4   | 15124-HL | 2   | CONNECTOR, straight - FF1852T-0404S  |             |
| 5   | 22287-HL | 1   | MANIFOLD, GAUGE  |             |
| 6   | 50573-HL | 1   | HOSE ASSEMBLY - 2044-04-040S-040S (Junction manifold to front axle tee)                            |             |
| 7   | 19470-HL | 2   | CONNECTOR, straight - 4M14F8OMLO-S   |             |
| 8   | 50607-HL | 1   | HOSE ASSEMBLY - 2009.5-04-040S-0409  |             |
| 9   | 15176-HL | 2   | TEE - FF2114T-0404S  |             |
| 10  | REF.     | 1   |  FRONT AXLE ..... | AX-1        |




See referenced page for component or assembly breakdown.





Parts T3242 08/05/2005  
25.00

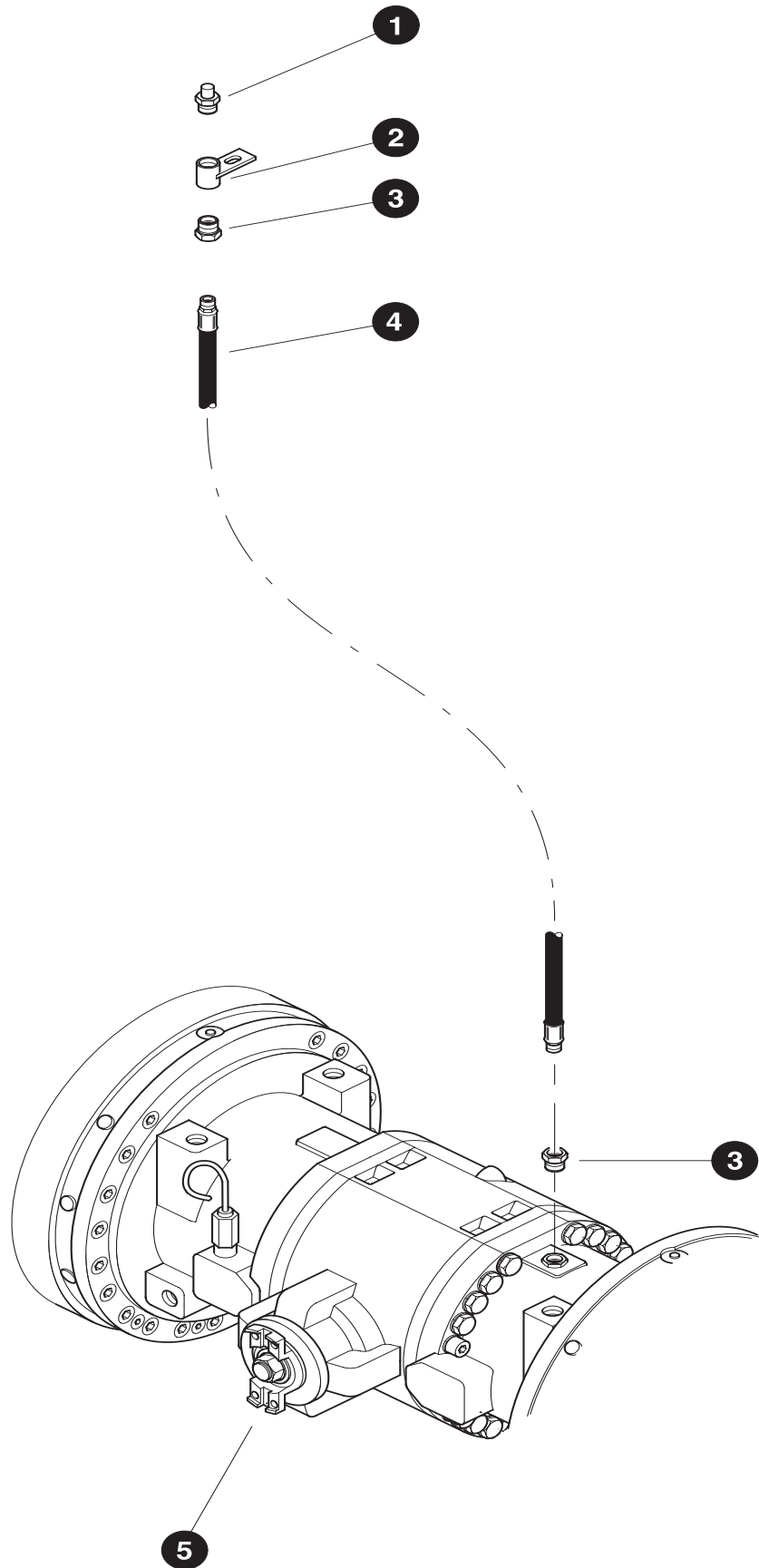


## ELECTRICAL HARNESS HOSE (Front Frame to Rear Frame Bulkhead Plate)

| REF | PART #   | QTY | DESCRIPTION   | SEE SECTION |
|-----|----------|-----|---|-------------|
| 1   | REF.     | 1   |  FRONT FRAME TB 630 - LEVELING ..... | HL-1        |
| 2   | 11707-HL | 1   | BOLT, 3/8 X 1"  |             |
| 3   | 15528-HL | 1   | WASHER, 3/8 sae flat  |             |
| 4   | 22202-HL | 1   | BRACKET, 3/4 pipe union   |             |
| 5   | 50037-HL | 1   | CONNECTOR, STR - BULKHEAD - 10  |             |
| 6   | -HL      | 1   | HOSE ASSEMBLY - 2063-10-10OS-10OS   |             |
| 7   | 50037-HL | 1   | CONNECTOR, STR BULKHEAD - 832-TT-10   |             |
| 8   | 42201-HL | 1   | BRACKET, bearing mount - (bulkhead plate 630)   |             |


 See referenced page for component or assembly breakdown.  
 Item sold in bulk - per foot (please specify length)


Located upper  
turntable riser.

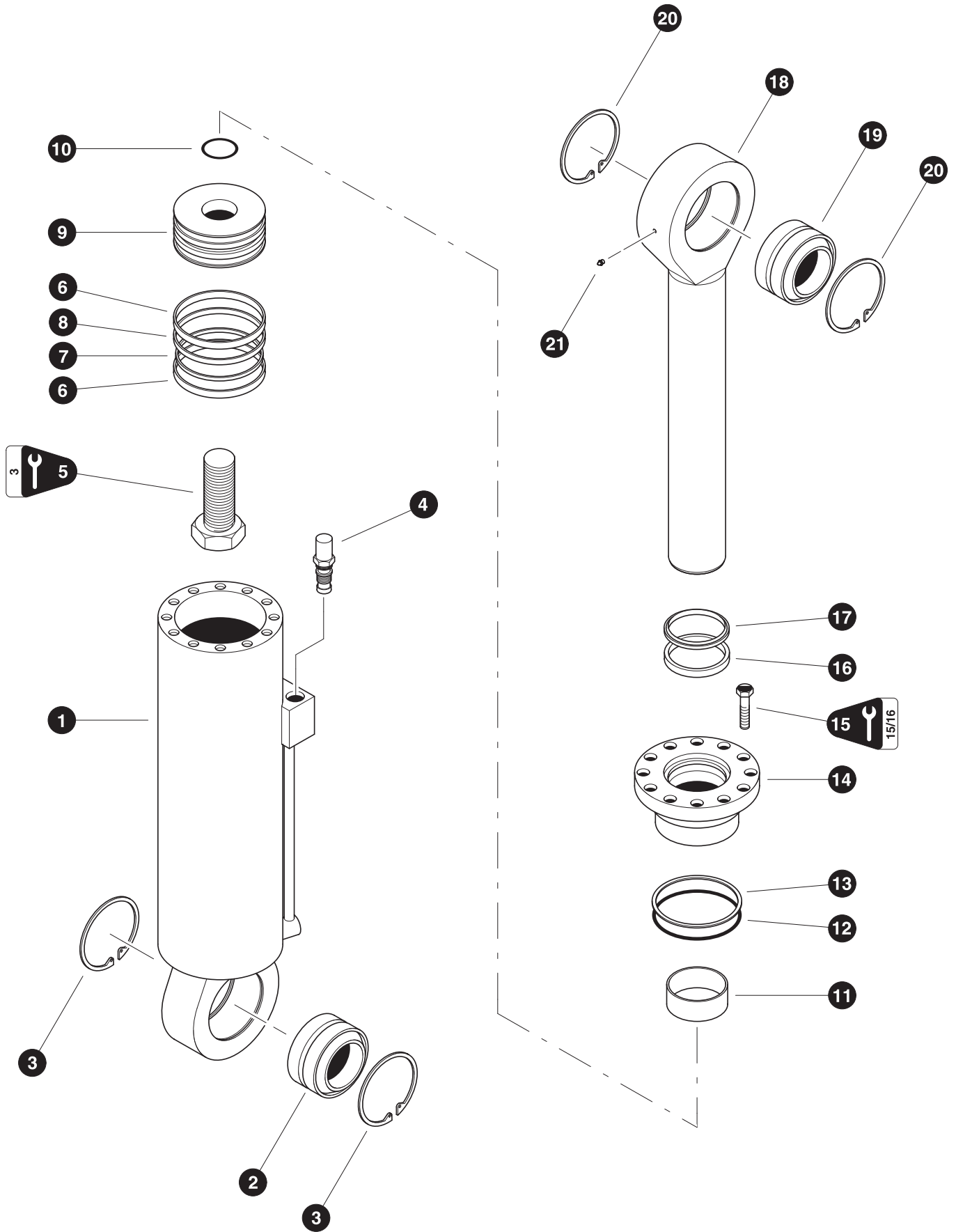


Parts T2838 08/25/2003  
12.50

## FRONT AXLE VENT LINE

| REF | PART #   | QTY | DESCRIPTION  | SEE SECTION |
|-----|----------|-----|--|-------------|
| 1   | 22570-HL | 1   | VENT, axle   |             |
| 2   | 50723-HL | 1   | BRACKET, vent mount - 8  |             |
| 3   | 11312-HL | 1   | BUSHING, PIPE 4 - 8  |             |
| 4   | 50571-HL | 1   | HOSE ASSEMBLY - 2032-08-04MP-04MP (Axle vent port to vent mounting bracket)                        |             |
| 5   | REF.     | 1   |  FRONT AXLE ..... | AX-1        |

 See referenced page for component or assembly breakdown.



## LEVELING CYLINDER BREAKDOWN

| REF | PART #   | QTY | DESCRIPTION   | SEE SECTION |
|-----|----------|-----|---|-------------|
| -   | 22547-BF | 1   | ☐ LEVEL CYLINDER ASSEMBLY   |             |
| 1   | 23482-BF | 1   | ☐ BARREL ASSEMBLY   |             |
| 2   | 12127-BF | 1   | BUSHING, spherical - 3"   |             |
| 3   | 17833-BF | 2   | Ring, snap - 3" spherical bushing   |             |
| 4   | 23216-BF | 2   | CARTRIDGE, holding  |             |
| 5   | 19956-BF | 1   | BOLT, cylinder rod - 2" x 4-1/4" <b>(2700 +/- 200 ft lbs<br/>(3600 +/- 265 Nm))</b> |             |
| 6   | NSS      | 2   | ⌘ RING, piston wear   |             |
| 7   | NSS      | 1   | ⌘ RING, piston square   |             |
| 8   | NSS      | 1   | ⌘ RING, piston chem-cast  |             |
| 9   | 23483-BF | 1   | PISTON  |             |
| 10  | NSS      | 1   | ⌘ O-RING, piston  |             |
| 11  | NSS      | 1   | ⌘ RING, rod bearing wear  |             |
| 12  | NSS      | 1   | ⌘ O-RING, rod bearing   |             |
| 13  | NSS      | 1   | ⌘ RING, rod bearing back-up   |             |
| 14  | 19954    | 1   | ⌘ BEARING, rod  |             |
| 15  | 15681-BF | 12  | BOLT - 5/8" x 2-1/4" <b>(175 ft lbs (233Nm))</b>                                    |             |
| 16  | NSS      | 1   | ⌘ U-CUP, rod bearing  |             |
| 17  | NSS      | 1   | ⌘ WIPER, rod  |             |
| 18  | 23485-BF | 1   | ☐ ROD ASSEMBLY  |             |
| 19  | 12127-BF | 1   | BUSHING, spherical - 3"   |             |
| 20  | 17833-BF | 2   | RING, snap - 3" spherical bushing   |             |
| 21  | 10704-BF | 1   | FITTING, grease   |             |
| -   | 23486-BF | 1   | KIT, seal repair - level cylinder   |             |

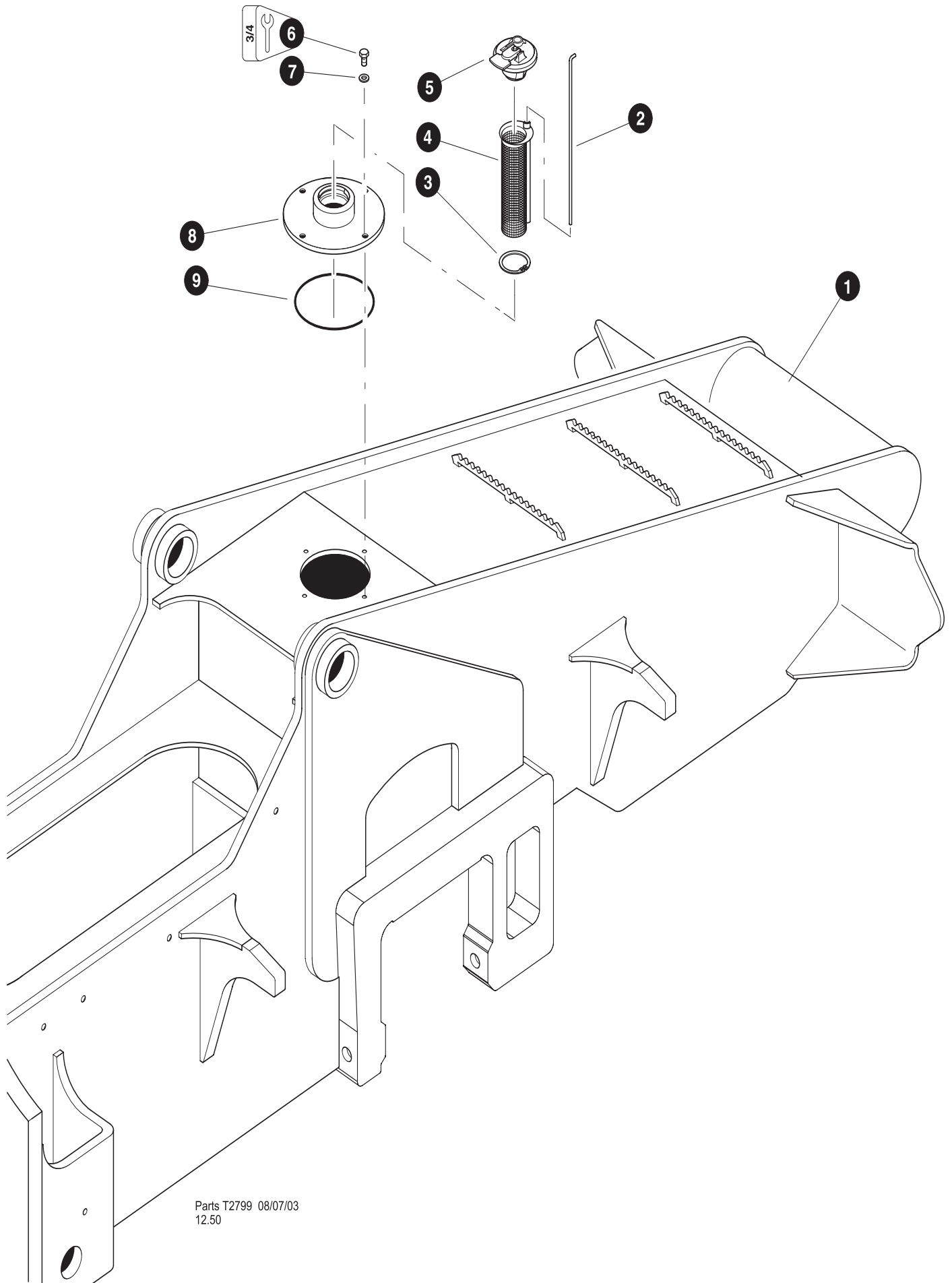
- ☐ Kit or Assembly - includes all items indented underneath.  
 ⌘ Included in seal repair kit Part #23486-BF



# ***Section HL-4***


---

## ***Leveling TB 630 Front Frame - Fuel Tank Components***

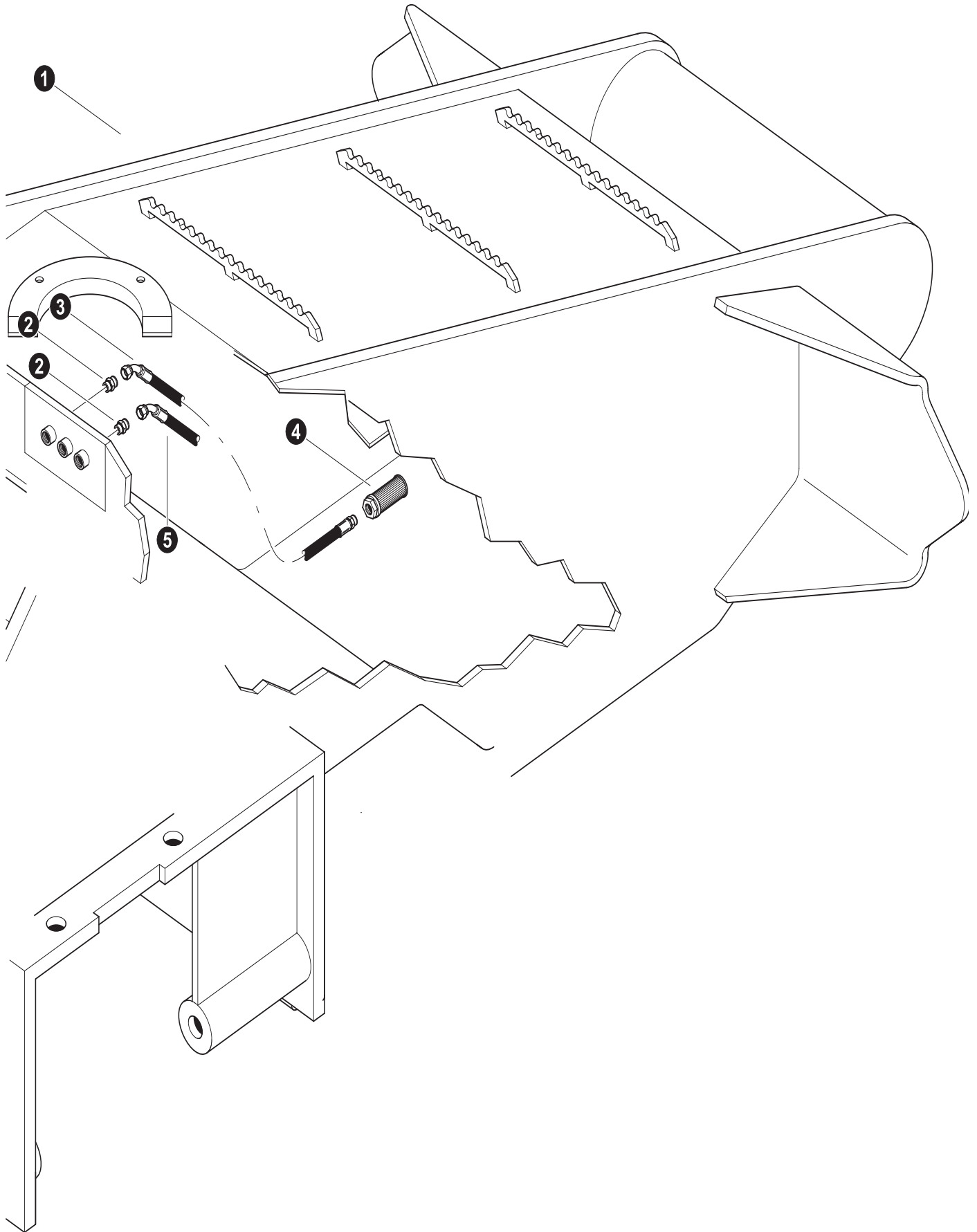




## FUEL FILL STRAINER INSTALLATION

| REF | PART #   | QTY | DESCRIPTION   | SEE SECTION |
|-----|----------|-----|---|-------------|
| 1   | REF.     | 1   |  FRONT FRAME WELDMNT ..... | HL-1        |
| 2   | 17492-HL | 1   | DIPSTICK, fuel level  |             |
| 3   | 17115-HL | 1   | RING, snap - fuel strainer retainer   |             |
| 4   | 17114-HL | 1   | STRAINER, fuel  |             |
| 5   | 16585-HL | 1   | CAP, FUEL - LOCKING   |             |
| 6   | 10783-HL | 4   | BOLT - 1/2" x 1"  |             |
| 7   | 15534-HL | 4   | WASHER, SAE flat - 1/2"   |             |
| 8   | 14079-HL | 1   | COVER, fuel tank  |             |
| 9   | 15600-HL | 1   | O-RING - 8"   |             |


 See referenced page for component or assembly breakdown.



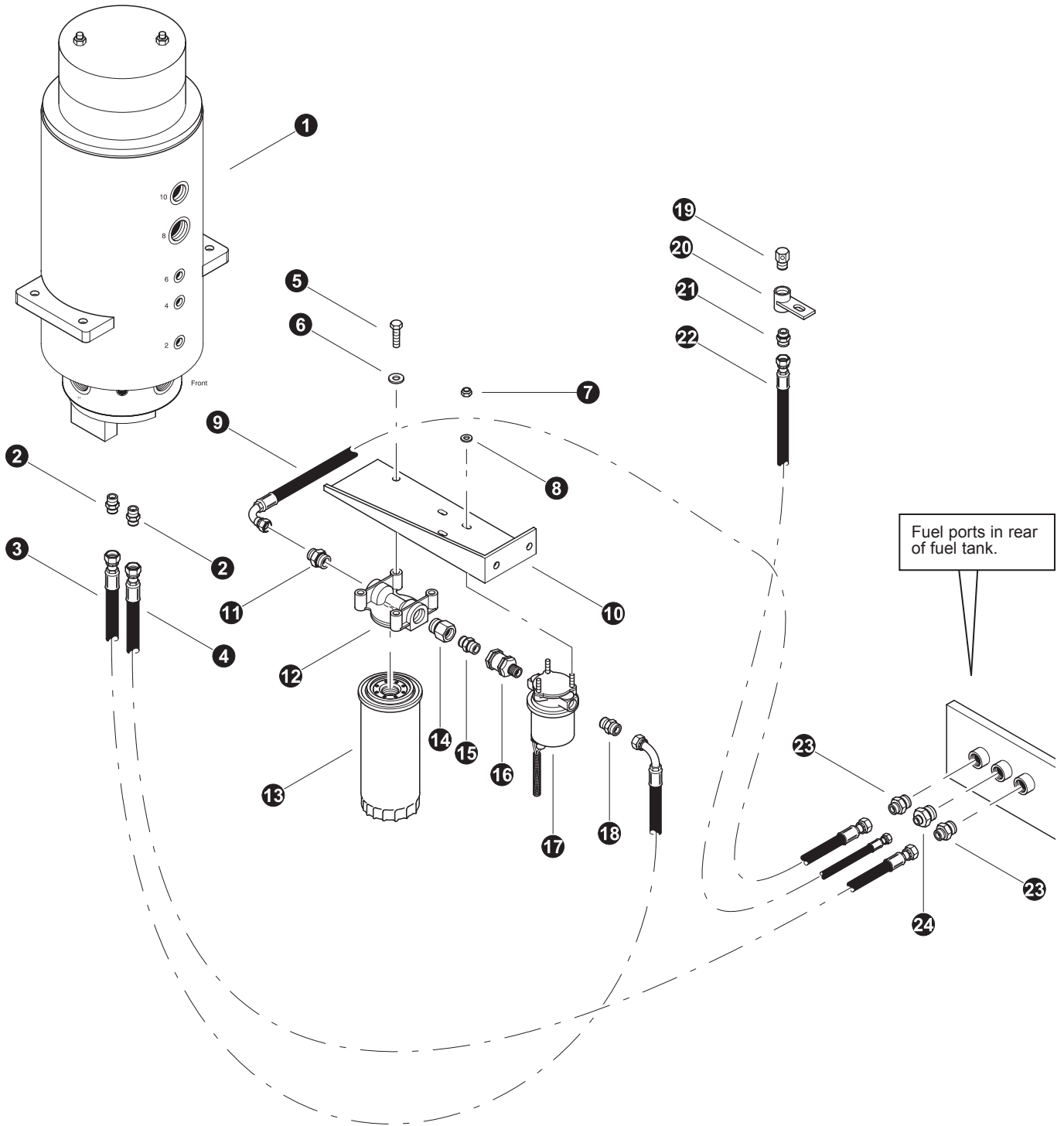
Parts T2798 08/05/03  
18.75

## FUEL LINES

### (Supply & Return Lines Inside Fuel Tank)

| REF | PART #   | QTY | DESCRIPTION  | SEE SECTION |
|-----|----------|-----|--|-------------|
| 1   | REF.     | 1   |  FRONT FRAME WELDMENT ..... | HL-1        |
| 2   | 15117-HL | 2   | CONNECTOR, straight - FF1852T-0808S  |             |
| 3   | 50577-HL | 1   | HOSE ASSEMBLY - 2067-08-0804-08MP (Fuel supply)  |             |
| 4   | 17271-HL | 1   | FILTER, screen   |             |
| 5   | 50576-HL | 1   | HOSE ASSEMBLY - 2018-08-0804 (Fuel return)   |             |


 See referenced page for component or assembly breakdown.



Parts T3245 08/03/2005  
18.75

## FUEL LINES

(Supply & Return Lines From Fuel Tank To Rotary Manifold)

| REF | PART #   | QTY | DESCRIPTION   | SEE SECTION |
|-----|----------|-----|---|-------------|
| 1   | REF.     | 1   |  ROTARY MANIFOLD ..... | UP-1        |
| 2   | 18034-HL | 2   | CONNECTOR, STR - FF1852T-0606S  |             |
| 3   | -HL      | 1   | HOSE ASSEMBLY - 2049-06-060S-0609 (Fuel Lift Pump Out to Rotary Manifold port #2)                       |             |
| 4   | -HL      | 1   | HOSE ASSEMBLY - 2051.5-06-060S-0609 (Fuel Tank Return Port to Rotary Manifold port #1)                  |             |
| 5   | 11707-FF | 2   | BOLT - .375" X 1"   |             |
| 6   | 15528-FF | 4   | WASHER, SAE flat - 3/8"   |             |
| 7   | 10755-FF | 3   | NUT, hex - 1/4"   |             |
| 8   | 10757-FF | 3   | WASHER, SAE flat - 1/4"   |             |
| 9   | -HL      | 1   | HOSE ASSEMBLY - 2024-06-060S-0609 (Fuel Tank Supply to Fuel Filter Inlet Port)                          |             |
| 10  | 51752-FF | 1   | MOUNT, FUEL COMPONENTS  |             |
| 11  | 51885-FF | 1   | CONNECTOR, STR - (6-10 F50L0-S)   |             |
| 12  | 16574-FF | 1   | MOUNT, filter head  |             |
| 13  | 16575-FF | 1   | FILTER, spin-on fuel  |             |
| 14  | 19290-FF | 1   | BUSHING, REDUCER - 6410-10-8  |             |
| 15  | 51982-FF | 1   | CONNECTOR, STR - (8-3/8 F50F-S)   |             |
| 16  | 15652-FF | 1   | VALVE, check  |             |
| 17  | 21966-FF | 1   | PUMP, fuel - 12 volt  |             |
| 18  | 51878-FF | 1   | CONNECTOR, STR - MALE PIPE (6-6 FL0-S)  |             |
| 19  | 22906-FF | 1   | BREATHER, fuel vent   |             |
| 20  | 23393-FF | 1   | BRACKET, 800 Fuel tank vent   |             |
| 21  | 15131-FF | 1   | CONNECTOR, straight - FF2031T-0404S   |             |
| 22  | 50310-HL | 1   | HOSE ASSEMBLY - 2031-04-040S-0404 (Fuel Tank Vent)  |             |
| 23  | 22902-FF | 2   | CONNECTOR, STR - 848-TT-08x06   |             |
| 24  | 15504-FF | 1   | CONNECTOR, straight - FF2031T-0408S   |             |

 See referenced page for component or assembly breakdown.

