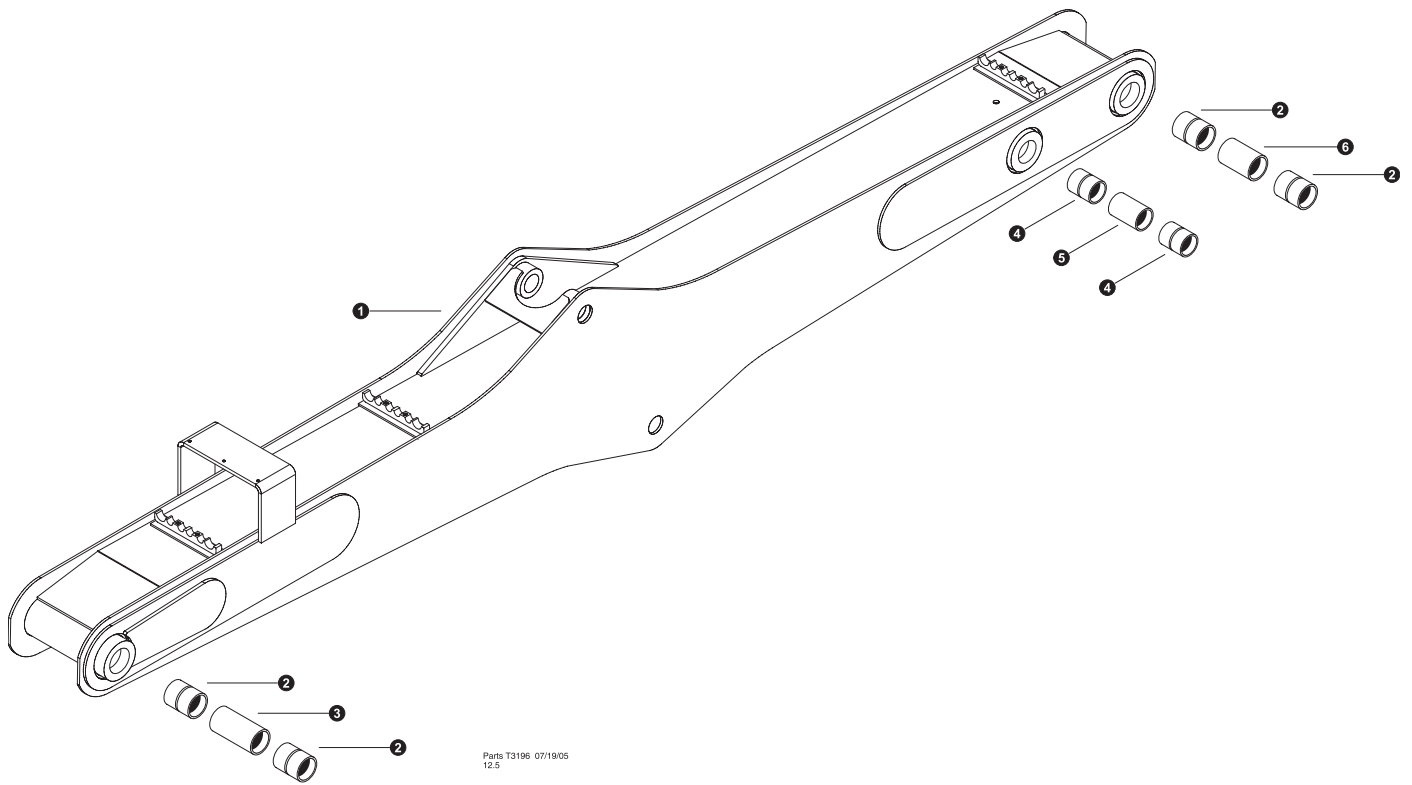


# ***Section LB-1***

---

## ***Loader Booms - Main Boom***

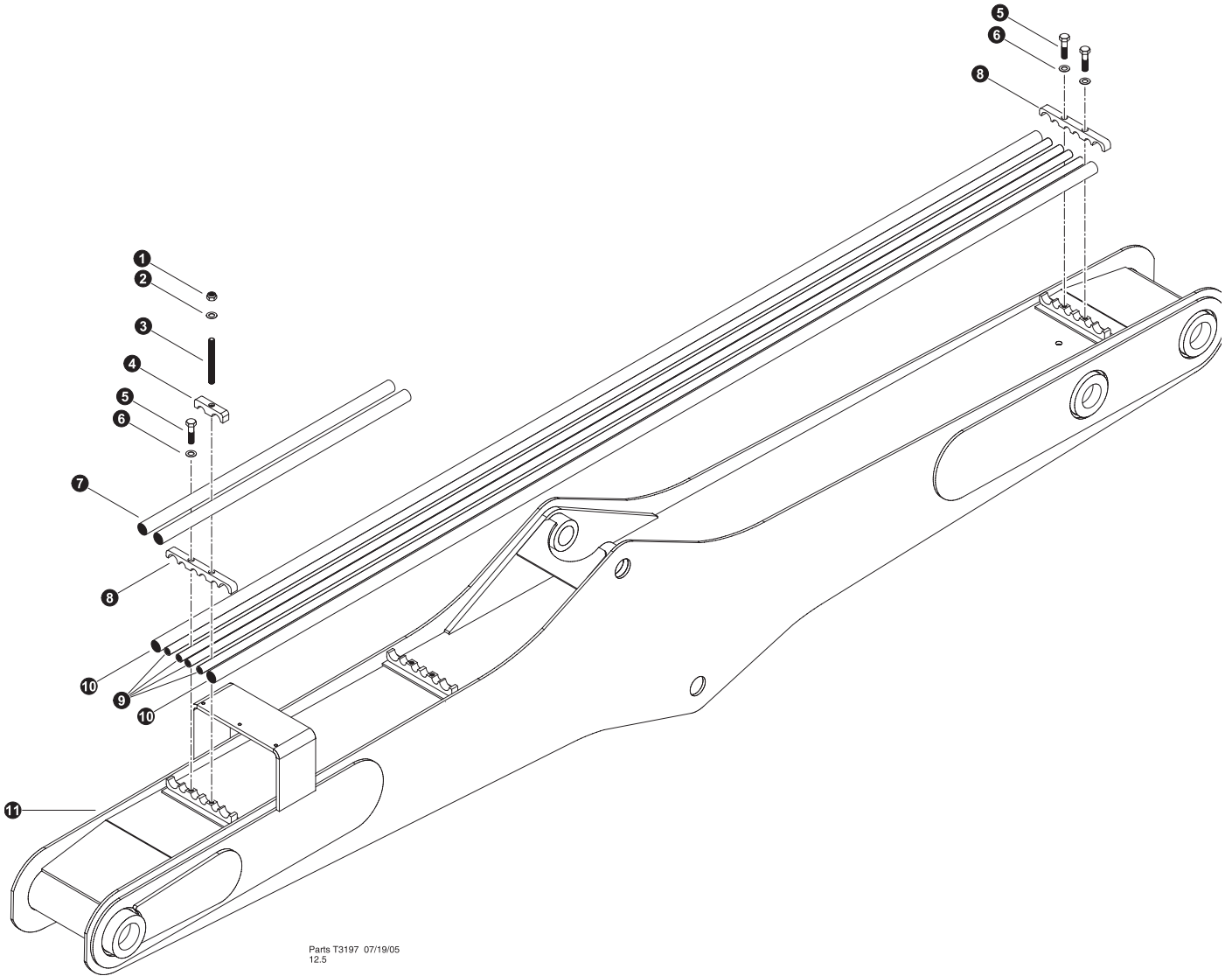


Parts T3196 07/19/05  
12.5


## MAIN BOOM ASSEMBLY (Forwarder / Combo)



REF	PART #	QTY		DESCRIPTION	SEE SECTION
1	51535-LB	1	<input type="checkbox"/>	WELDMENT, MAIN BOOM (forwarder)	
2	42485-LB	4		BUSHING - 3.5" X 3.0" X 4.25" UNDERSIZE	
3	12365-LB	1		SPACER, BASE - 3" X 7.44"	
4	42482-LB	2		BUSHING - 3" X 2.5" X 4.25" UNDERSIZE	
5	42265-LB	1		SPACER, NOSE - 2.5" ID X 5.438"(NEW BOOM	
6	42185-LB	1		SPACER, NOSE	

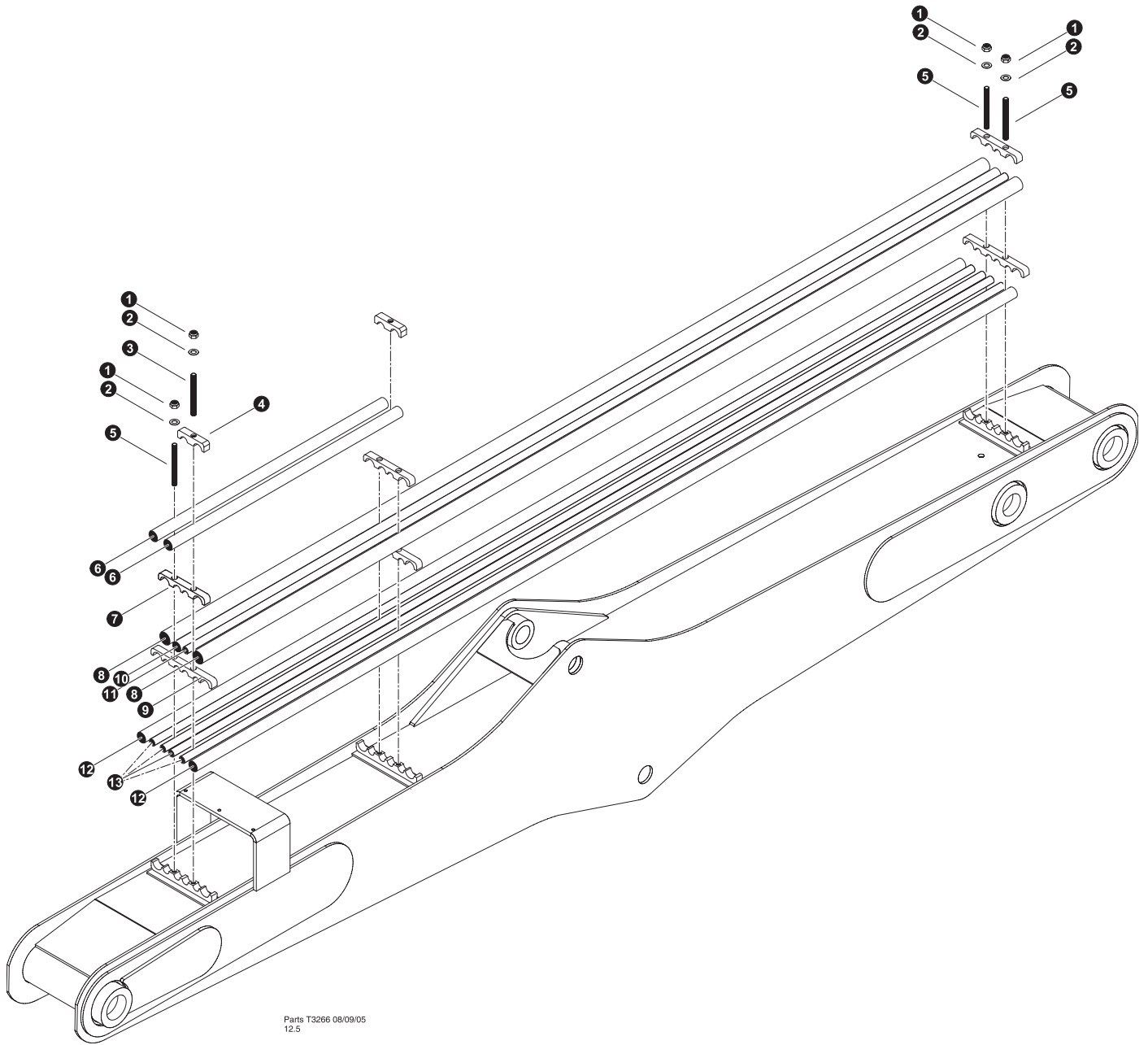
Kit or Assembly - includes all items indented underneath.




## MAIN BOOM TUBE LINES (Forwarder)



REF	PART #	QTY	DESCRIPTION	SEE SECTION
1	15563-LB		NUT, nylock - 5/8"	
2	10771-LB	3	WASHER, SAE flat - 5/8"	
3	15672-LB	3	STUD - 5/8" x 5-1/4"	
4	19324-LB	2	CLAMP, tubeline - 3/4" x 3/4"	
5	15681-LB	3	BOLT - .625" X 2.25"	
6	10771-LB	3	WASHER, SAE flat - 5/8"	
7	51785-LB	2	TUBELINE - .75" x 42" FWD MAIN	
8	42236-LB	3	CLAMP, MAIN BOOM FORWARDER TOP	
9	51782-LB	4	TUBELINE - .5" x 148" FWD MAIN	
10	51783-LB	2	TUBELINE - .75" x 148" (OPTIONAL FOR SQUIRT)	
11	REF	1	 MAIN BOOM ASSEMBLY.....	LB-1

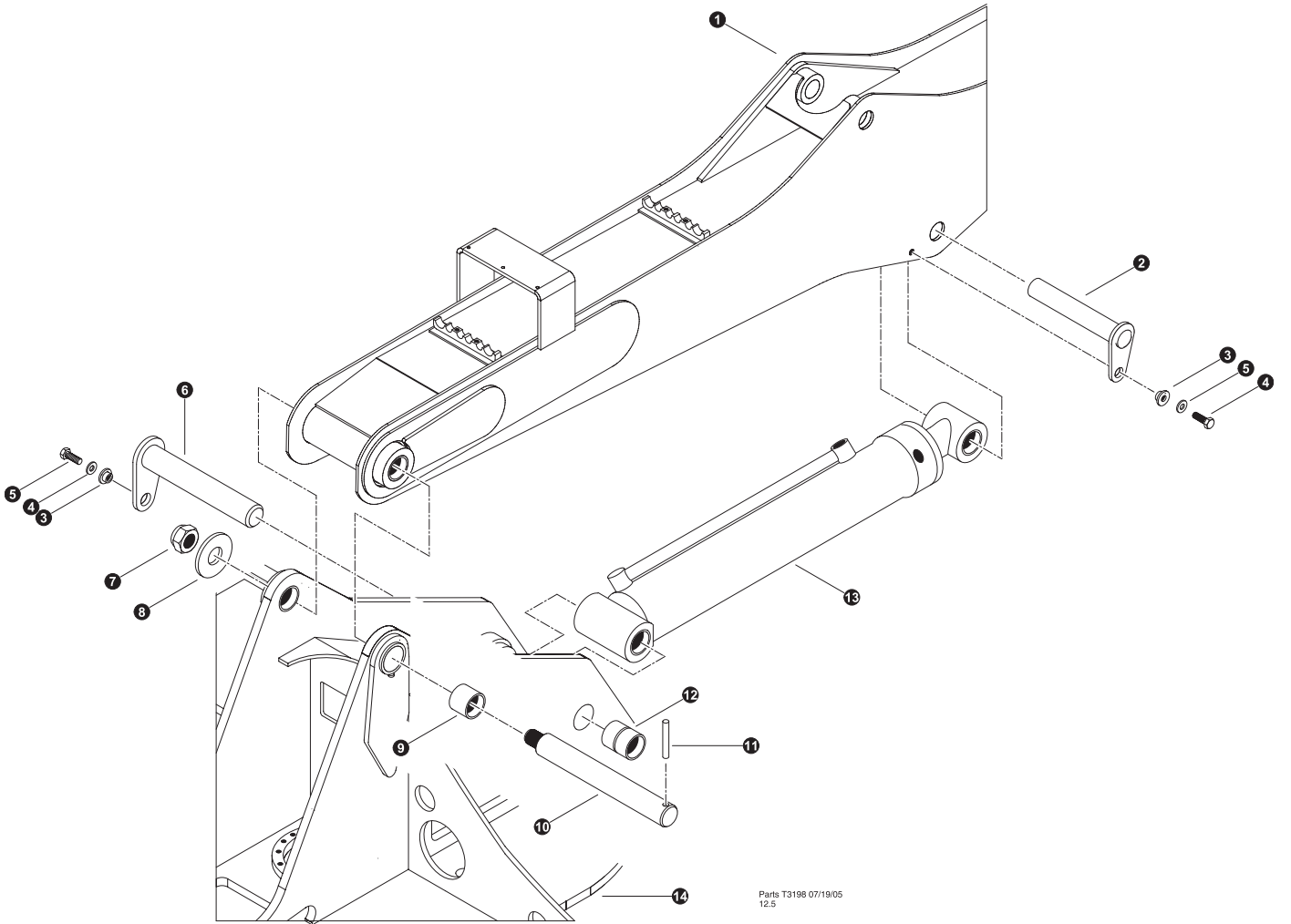
-  Kit or Assembly - includes all items indented underneath.
-  See referenced page for component or assembly breakdown.



### MAIN BOOM TUBE LINES (TF 830 Combo & TB 630)

REF	PART #	QTY	DESCRIPTION	SEE SECTION
1	15563-LB	6	NUT, nylock - 5/8"	
2	10771-LB	6	WASHER, SAE flat - 5/8"	
3	17062-LB	2	STUD - .625" X 8"	
4	19324-LB	2	CLAMP, tubeline - 3/4" x 3/4"	
5	15672-LB	4	STUD - 5/8" x 5-1/4"	
6	51785-LB	2	TUBELINE - .75" x 42" FWD MAIN	
7	42512-LB	3	CLAMP, MAIN COMBO	
8	51784-LB	1	TUBELINE - 1" x 148" FWD MAIN - T830	
9	42236-LB	3	CLAMP, MAIN BOOM FORWARDER	
10	52173-LB	1	TUBELINE - BLACK PIPE (ELECTRICAL)	
11	51782-LB	1	TUBELINE - .5" x 148" FWD MAIN	
12	51783-LB	2	TUBELINE - .75" x 148" (OPTIONAL FOR SQUIRT)	
13	51782-LB	4	TUBELINE - .5" x 148" FWD MAIN	
14	REF	1	 MAIN BOOM ASSEMBLY.....	LB-1



-  Kit or Assembly - includes all items indented underneath.
-  See referenced page for component or assembly breakdown.



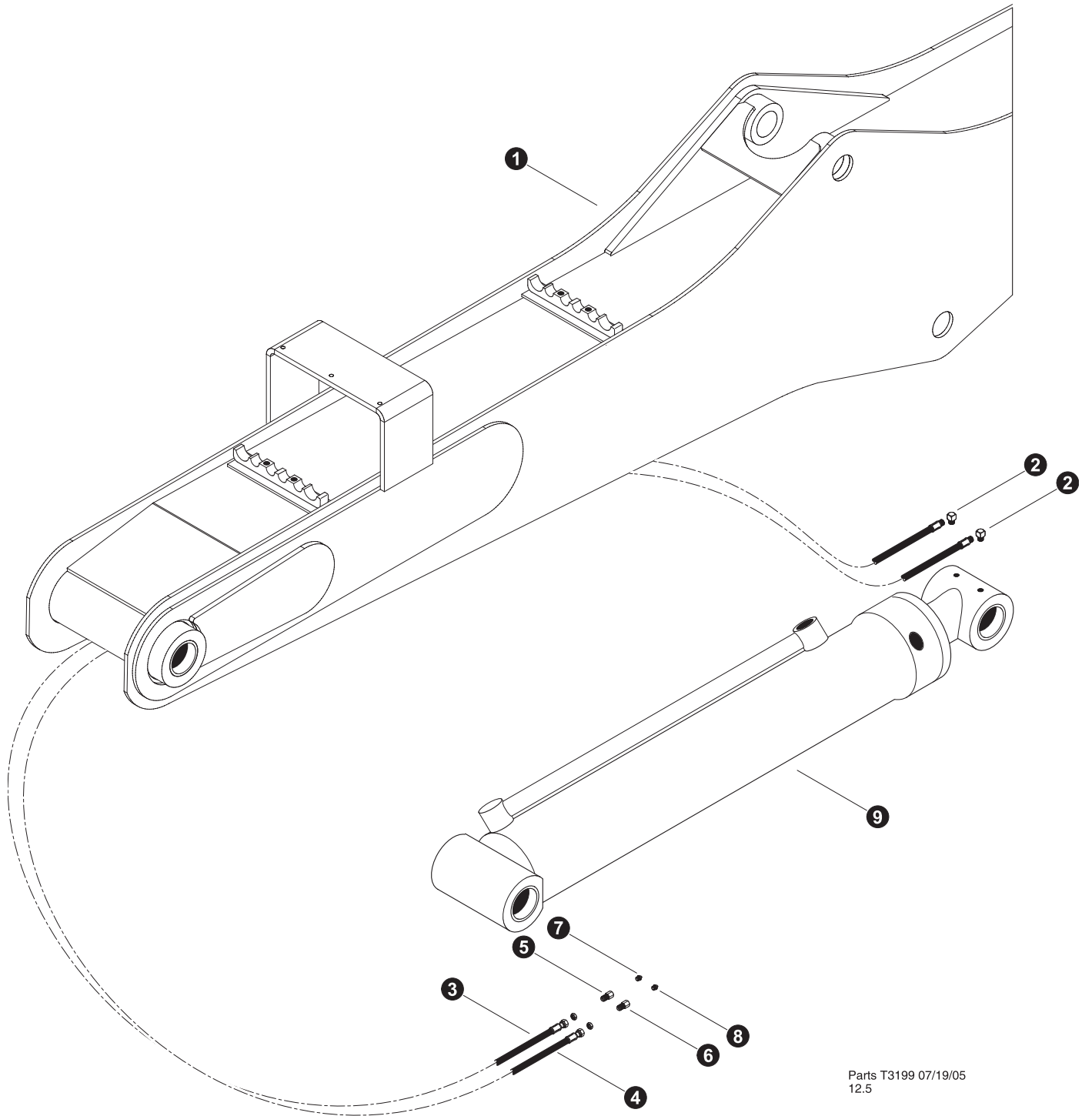
Parts T3198 07/19/05  
12.5



## MAIN BOOM AND CYLINDER INSTALLATION (Forwarder)



REF	PART #	QTY	DESCRIPTION	SEE SECTION
1	REF	1	 MAIN BOOM ASSEMBLY.....	LB-1
2	51643-LB	1	PIN ASSEMBLY, 2.49 DIA X 13.13"	
3	18570-LB	2	WASHER, PIN RETAINING	
4	15550-LB	2	WASHER, SAE FLAT - .75"	
5	15549-LB	2	BOLT - .75" X 2.0	
6	51575-LB	1	PIN ASSEMBLY, 2.99 DIA X 18.63"	
7	10728-LB	1	NUT, NYLOCK - 2" (ZINC PLATED)	
8	19384-LB	1	WASHER, BURNED - 2.12" ID X 6" OD X .5"	
9	42484-LB	2	BUSHING - 3.5" X 3.0" X 2.0" UNDERSIZE	
10	51952-LB	1	PIN ASSEMBLY, 2.99 DIA X 24.63"	
11	51953-LB	1	PIN, DOWEL 1 DIA X 5 LG	
12	42485-LB	2	BUSHING - 3.5" X 3.0" X 4.25" UNDERSIZE	
13	REF.	1	MAIN BOOM CYLINDER (FORWARDER).....	LB-4
14	REF.	1	 UPPER TURNTABLE WELDMENT .....	UP-1


 See referenced page for component or assembly breakdown.



Parts T3199 07/19/05  
12.5

## MAIN BOOM AND CYLINDER GREASE LINES (Forwarder)

REF	PART #	QTY	DESCRIPTION	SEE SECTION
1	REF.	1	 MAIN BOOM.....	LB-1
2	22281-LB	2	ELBOW, 90 - 5546132	
3		1	HOSE ASSEMBLY, 2143-02-02PS-04JS (part of kit # 51978)	
4		1	HOSE ASSEMBLY, 2143-02-02PS-04JS (part of kit # 51978)	
5	15658-LB	1	CONNECTOR, STR BULKHEAD - 2239-2-4S	
6	15658-LB	1	CONNECTOR, STR BULKHEAD - 2239-2-4S	
7	10704-LB	1	FITTING, GREASE - .125 NPT - STR	
8	10704-LB	1	FITTING, GREASE - .125 NPT - STR	
9	REF.	1	 MAIN BOOM (HOIST) CYLINDER.....	LB-4

 See referenced page for component or assembly breakdown.

THIS PAGE LEFT BLANK FOR NOTES

---

---

---

---

---

---

---

---

---

---

---

---

---

---

---

---

---

---

---

---

---

---

---

---

---

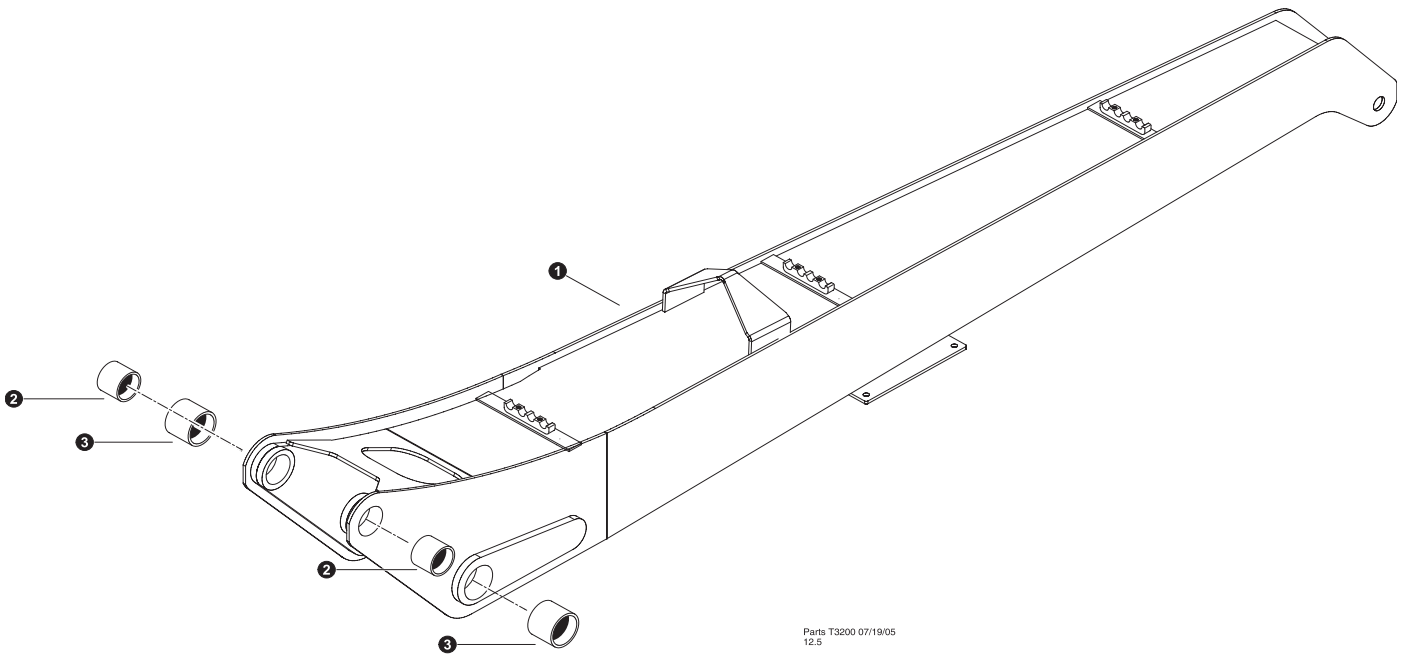
---

---

# ***Section LB-2***

---

## ***Loader Booms - Stick Boom***

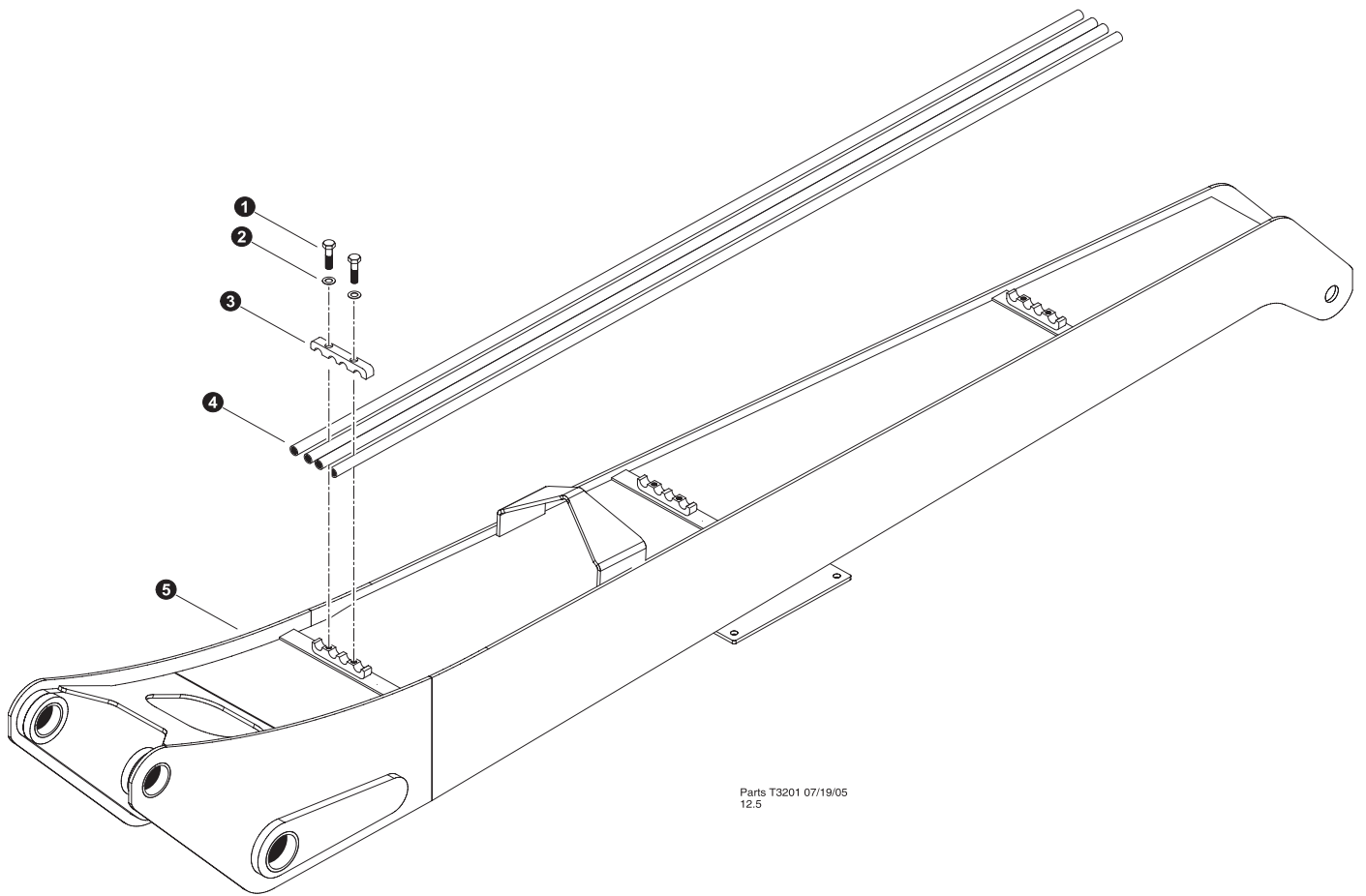


Parts T3200 07/19/05  
12.5

**STICK BOOM COMPONENTS**

<b>REF</b>	<b>PART #</b>	<b>QTY</b>		<b>DESCRIPTION</b>	<b>SEE SECTION</b>
1	51536-LB	1	<input type="checkbox"/>	WELDMENT, STICK BOOM 4-BAR	
2	42515-LB	2		BUSHING - 3" X 2.5" X 2.0" UNDERSIZE	
3	42484-LB	2		BUSHING - 3.5" X 3.0" X 2.0" UNDERSIZE	


- Kit or Assembly - includes all items indented underneath.




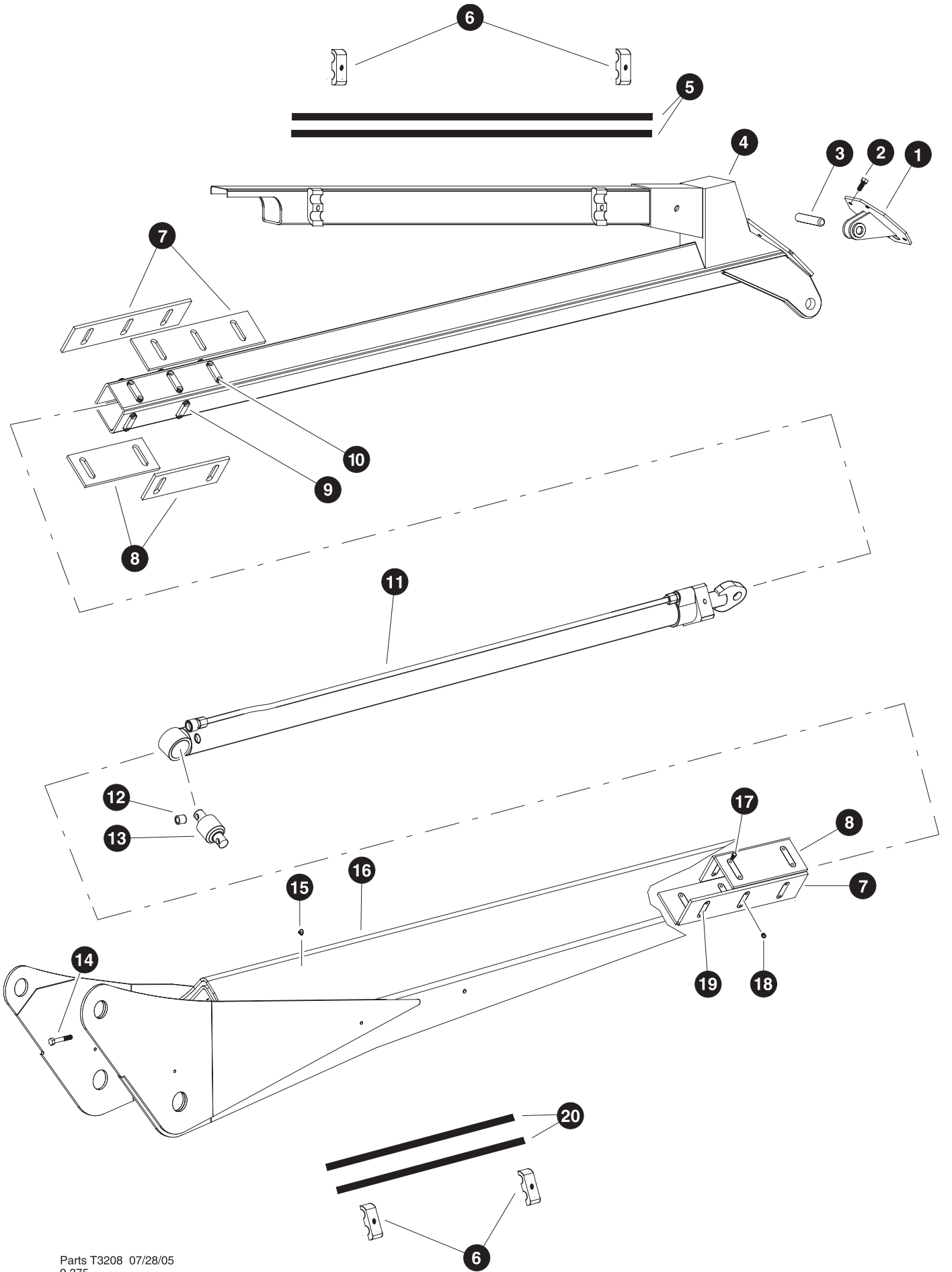
Parts T3201 07/19/05  
12.5



## STICK BOOM TUBELINE INSTALLATION

REF	PART #	QTY	DESCRIPTION	SEE SECTION
1	15526-LB	6	BOLT - 5/8" x 2"	
2	10771-LB	6	WASHER, SAE flat - 5/8"	
3	42571-LB	3	CLAMP, TUBELINE 1/2"	
4	51815-LB		TUBELINE - .5" X 108" (STICK BOOM -830)	
5	REF	1	 STICK BOOM ASSEMBLY .....	LB-2

 See referenced page for component or assembly breakdown.

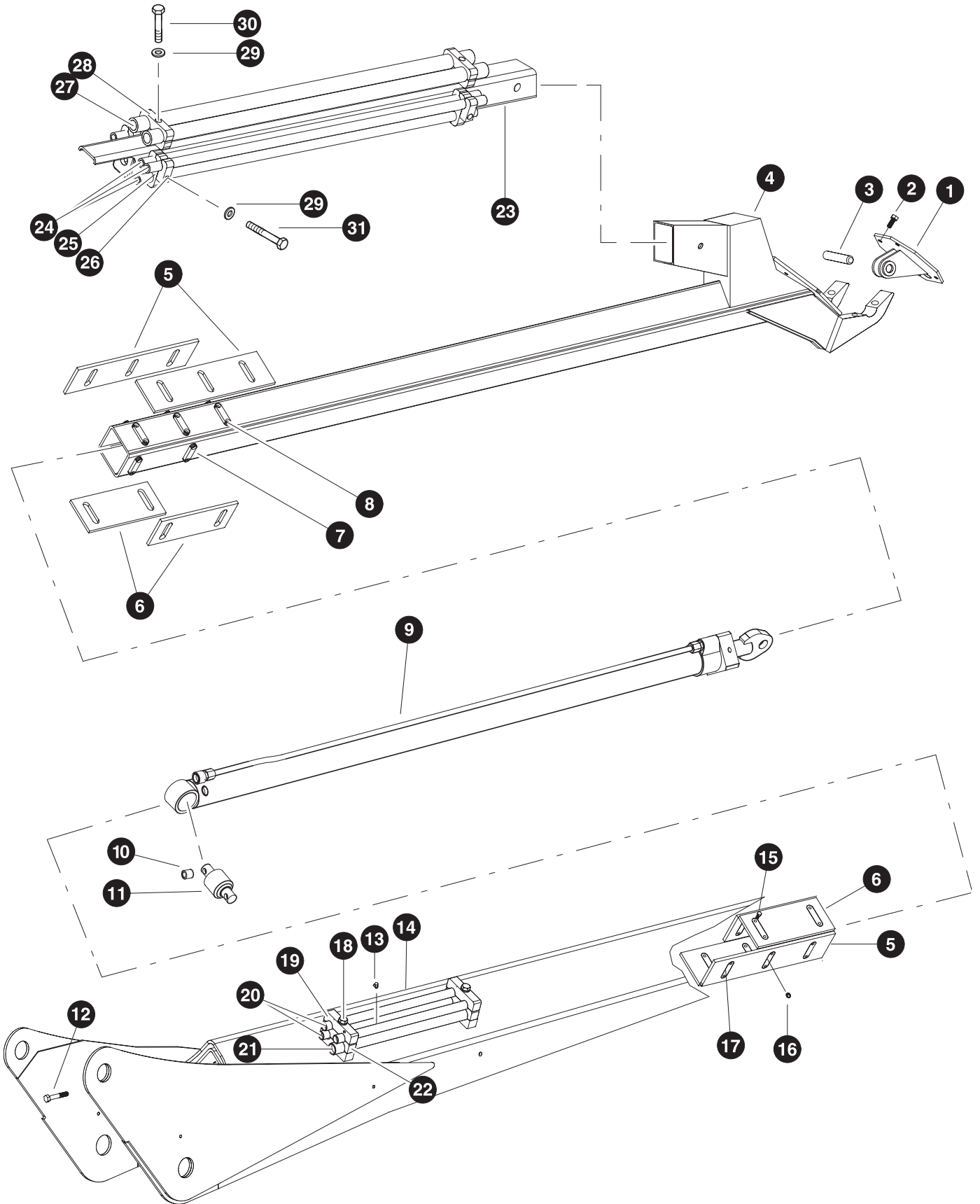


Parts T3208 07/28/05  
9.375

## SQUIRT BOOM COMPONENTS (Forwarder)

REF	PART #	QTY	DESCRIPTION	SEE SECTION
	51634-LB	1	<input type="checkbox"/> BOOM, SQUIRT STICK - forwarder 4 / BAR	
1	---	1	CYLINDER ANCHOR (XB2017)	
2	15502-LB	4	BOLT, 5/8 X 1.5	
3	---	1	PIN (XB2015)	
4	---	1	SLIDE TUBE	
5	19679-LB	4	TUBELINE, 1/2" X 48"	
6	15272-LB	8	CLAMP, saddle 1/2 x 1/2	
7	---	4	WEAR PAD, long (XB3006)	
8	---	4	WEAR PAD, short (XB3005)	
9	---	10	PUCKS, retaining - countersunk (XB3021)	
10	---	20	SCREWS, 3/8 X 3/4 brass (XB5001)	
11	REF	1	CYLINDER, squirt boom 6' .....	LB-3
12	---	2	SPACER, squirt cylinder mount	
13	---	1	BUSHING, squirt cyl rear (HEN44695)	
14	10719-LB	2	BOLT, 5/8 X 4"	
15	15682-LB	2	FITTING, grease .125 - 90	
16	---	1	OUTER SHELL, ()	
17	---	20	BOLT, 3/8 X 7/8 bronze (XB5007)	
18	10704-LB	2	FITTING, grease .125 - str.	
19	---	10	PUCKS, retaining - tapped (XB3020)	
20	19495-LB	4	TUBELINE, 1/2" X 24"	

Kit or Assembly - includes all items indented underneath.

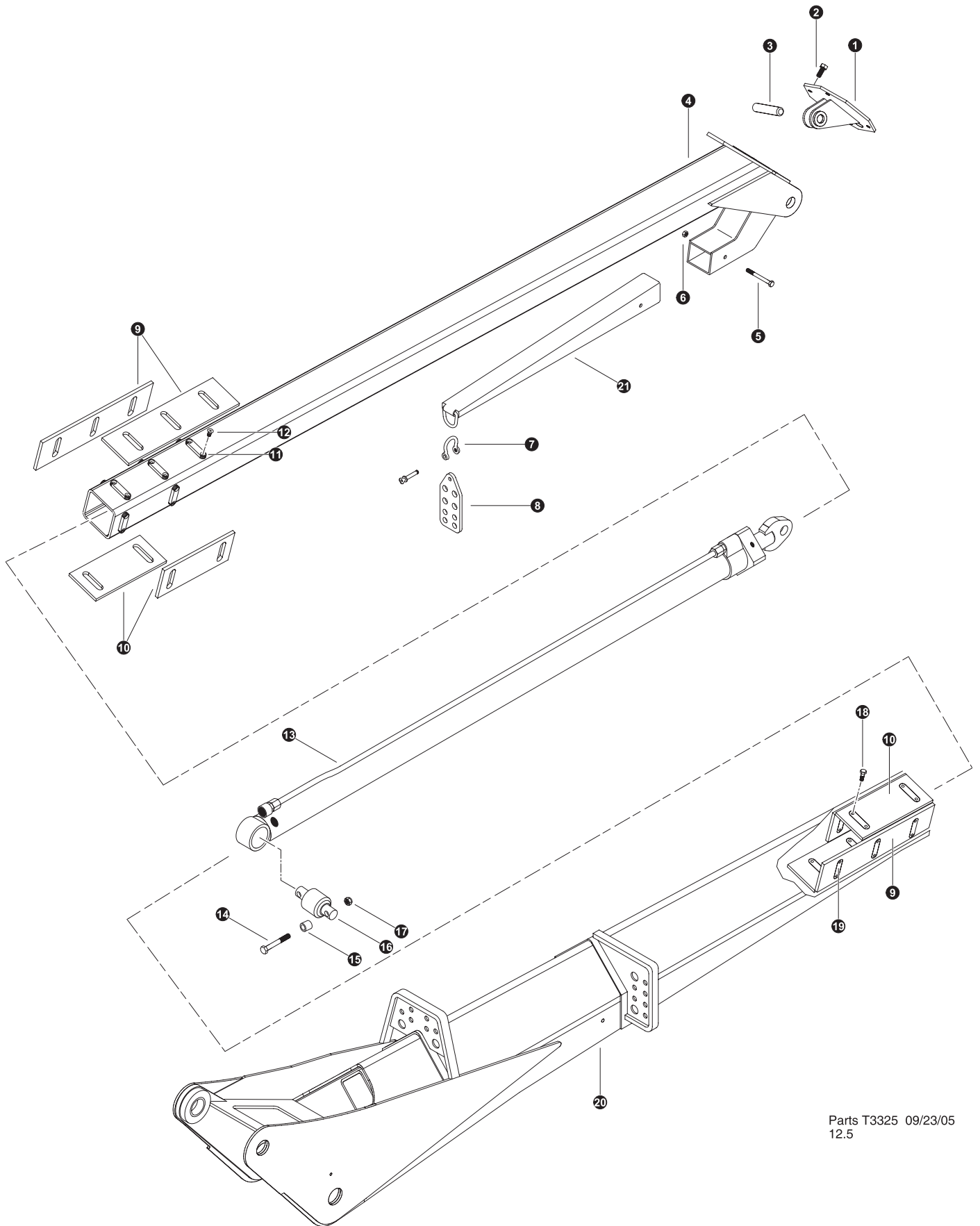


Parts T3331 10/01/05  
9.375

## SQUIRT BOOM COMPONENTS (Combo Machine - Heavy Duty Squirt Boom)

REF	PART #	QTY	DESCRIPTION	SEE SECTION
	52158-LB	1	<input type="checkbox"/> BOOM, SQUIRT 6' (If quick change modifications need to be added please specify when ordering)	
1	---	1	CYLINDER ANCHOR (XB2017)	
2	15502-LB	4	BOLT, 5/8 X 1.5	
3	---	1	PIN (XB2015)	
4	-LB	1	SLIDE TUBE (quick change)	
5	---	4	WEAR PAD, long (XB3006)	
6	---	4	WEAR PAD, short (XB3005)	
7	---	10	PUCKS, retaining - countersunk (XB3021)	
8	---	20	SCREWS, 3/8 X 3/4 brass (XB5001)	
9	REF.	1	<input type="checkbox"/> CYLINDER, squirt boom 6' .....	CC-3
10	---	2	SPACER, squirt cylinder mount	
11	---	1	BUSHING, squirt cyl rear (HEN44695)	
12	10719-LB	2	BOLT, 5/8 X 4"	
13	15682-LB	2	FITTING, grease .125 - 90	
14	---	1	OUTER SHELL,	
15	---	20	BOLT, 3/8 X 7/8 bronze (XB5007)	
16	10704-LB	2	FITTING, grease .125 - str.	
17	---	10	PUCKS, retaining - tapped (XB3020)	
18	15526-LB	4	BOLT - .625" X 2"	
19	15272-LB	4	CLAMP, SADDLE TOP TUBE - .5" & .5"	
20	19495-LB	5	TUBELINE - .5" X 24"	
21	19497-LB	2	TUBELINE - 1" X 24"	
22	40953-LB	4	CLAMP, SADDLE - DRILLED - .5" X 1"	
23	40690-LB	1	STINGER TUBE, ATTACHMENT ASSEMBLY (quick change)	
24	19679-LB	5	TUBELINE - .5" X 48"	
25	15272-LB	4	CLAMP, SADDLE TOP TUBE - .5" & .5"	
26	42237-LB	2	CLAMP, SADDLE TOP TUBE - .5"	
27	19681-LB	2	TUBELINE - 1" X 48"	
28	12447-LB	2	CLAMP, SADDLE TOP TUBE - 1" & 1"	
29	10771-LB	6	WASHER, SAE FLAT - .625"	
30	15681-LB	4	BOLT - .625" X 2.25"	
31	10720-LB	2	BOLT - .625" X 3"	

Kit or Assembly - includes all items indented underneath.

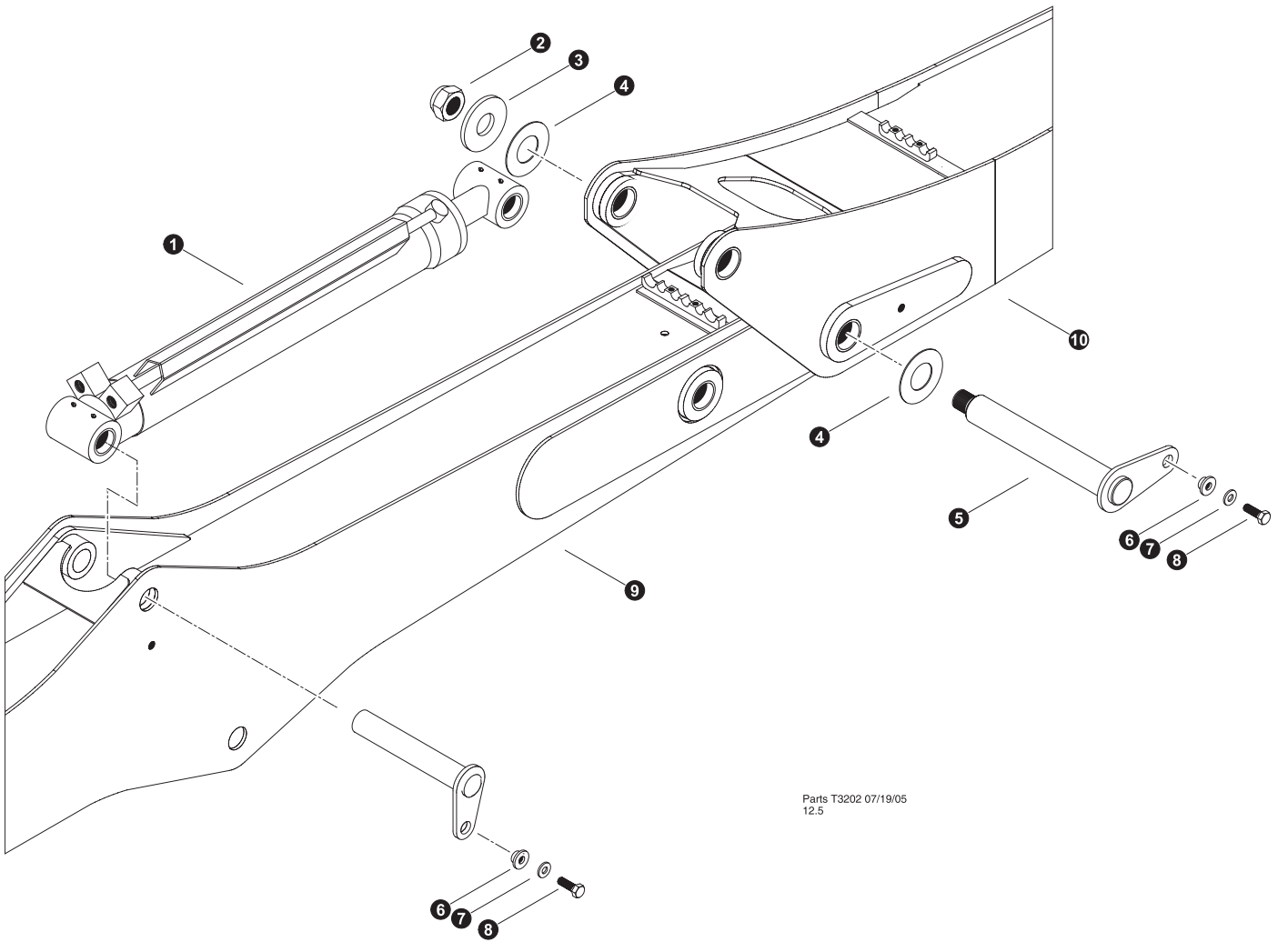


Parts T3325 09/23/05  
12.5

## SQUIRT BOOM COMPONENTS (Harvester - Heavy Duty Squirt Boom)

REF	PART #	QTY	DESCRIPTION	SEE SECTION
	52087-LB	1	<input type="checkbox"/> BOOM, SQUIRT STICK - Heavy Duty 4 / BAR	
1	---	1	CYLINDER ANCHOR (XB2017)	
2	15502-LB	4	BOLT, 5/8 X 1.5	
3	---	1	PIN (XB2015)	
4	---	1	SLIDE TUBE (heavy duty with harvester stinger)	
5	10815-HB	1	NUT, lock 1/2"	
6	10836-HB	1	BOLT - 1/2" x 5-1/2"	
7	21065-HB	1	PLATE, bulkhead stinger	
8	21064-HB	1	SHACKLE, screw pin anchor 1/2"	
9	---	4	WEAR PAD, long (XB3006)	
10	---	4	WEAR PAD, short (XB3005)	
11	---	20	SCREWS, 3/8 X 3/4 brass (XB5001)	
12	---	10	PUCKS, retaining - countersunk (XB3021)	
13	REF	1	CYLINDER, squirt boom 6' .....	LB-3
14	10719-LB	2	BOLT, 5/8 X 4"	
15	---	2	SPACER, squirt cylinder mount	
16	---	1	BUSHING, squirt cyl rear (HEN44695)	
17	10816-LH	2	NUT, LOCK - .625"	
18	---	20	BOLT, 3/8 X 7/8 bronze (XB5007)	
19	---	10	PUCKS, retaining - tapped (XB3020)	
20	---	1	OUTER SHELL, Heavy Duty Squirt Boom	
21	21063-HB	1	WELDMENT, squirt boom stinger	



Kit or Assembly - includes all items indented underneath.




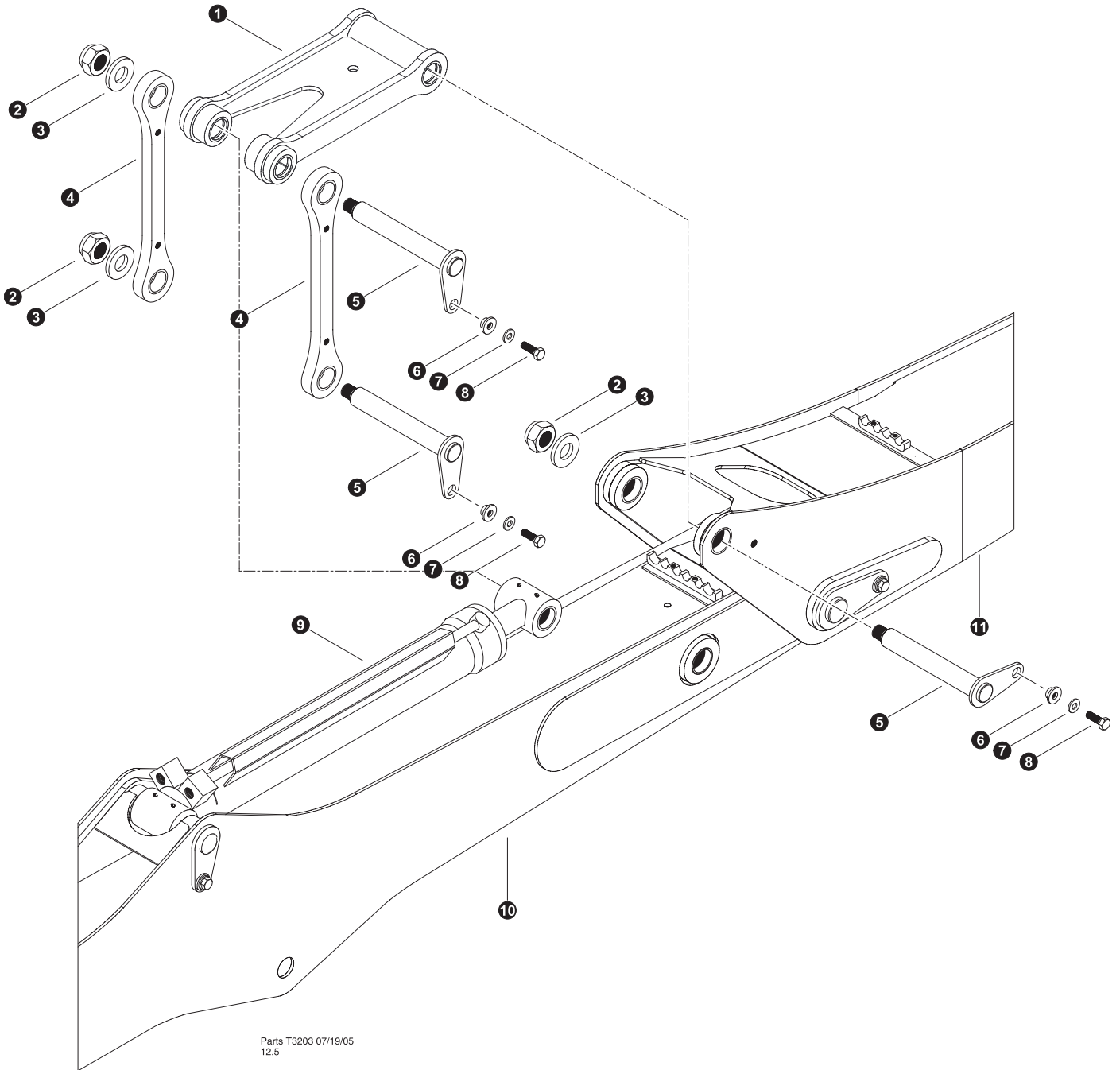
Parts T3202 07/19/05  
12.5





## STICK BOOM INSTALLATION (Installation the same for squirt boom)

REF	PART #	QTY	DESCRIPTION	SEE SECTION
1	REF	1	STICK BOOM CYLINDER.....	LB-3
2	10728-LB	1	NUT, nylock - 2"	
3	19384-LB	1	WASHER, burned	
4	19150-LB	AR	SHIM - 1/4" thick	
	16633-LB	AR	SHIM - 7 gauge	
	16637-LB	AR	SHIM - 10 gauge	
	16638-LB	AR	SHIM - 14 gauge	
5	51440-LB	1	PIN ASSEMBLY, 2.99 DIA X 21.5 (2" NUT)	
6	18570-LB	1	WASHER, pin retaining	
7	15550-LB	1	WASHER, SAE flat - 3/4"	
8	15549-LB	1	BOLT - 3/4" x 2"	
9	REF.	1	 MAIN BOOM ASSEMBLY .....	LB-1
10	REF.	1	 STICK BOOM ASSEMBLY .....	LB-2

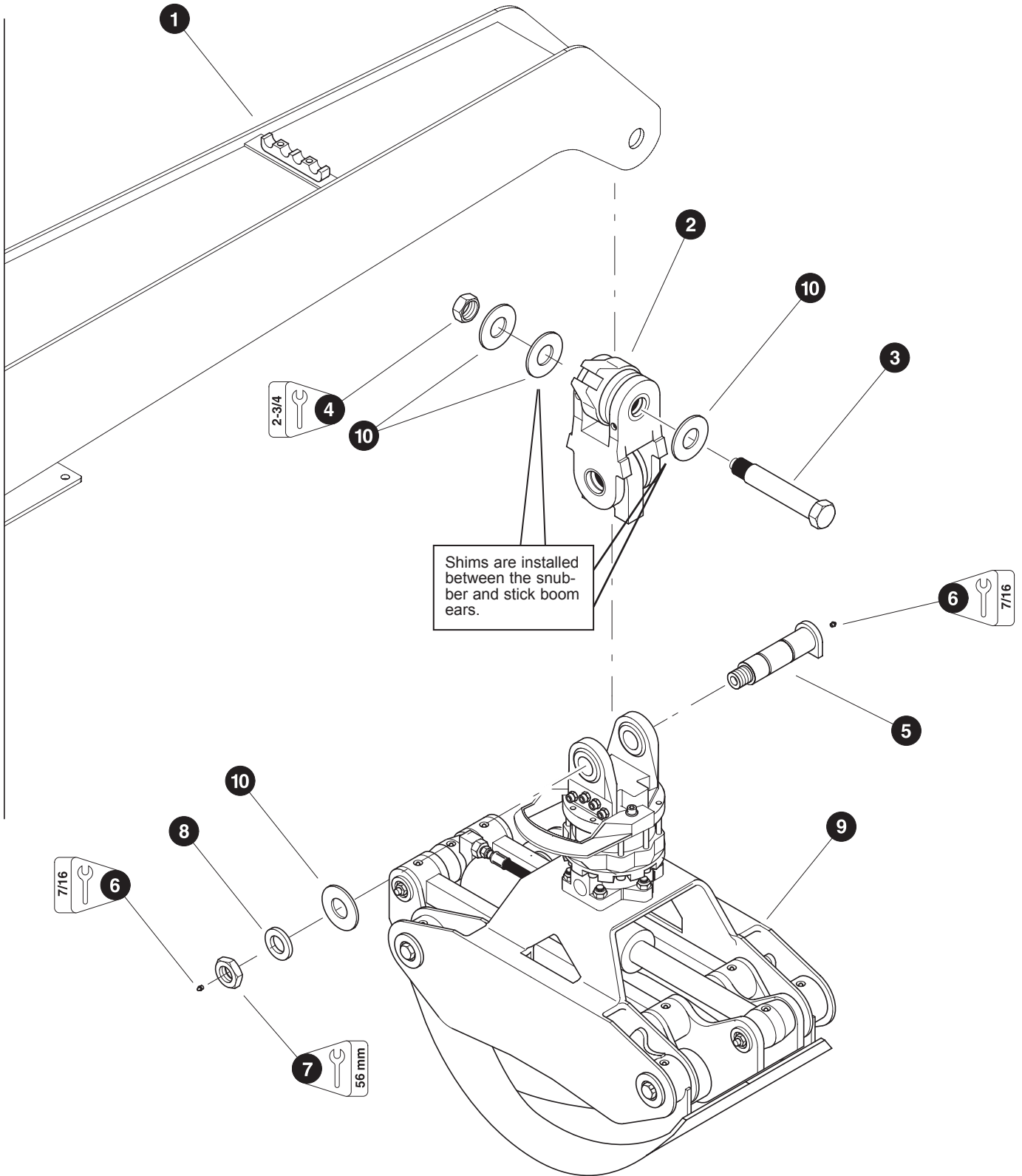
 See referenced page for component or assembly breakdown.



**STICK BOOM 4 - BAR LINK INSTALLATION  
(Installation the same for squirt boom)**

REF	PART #	QTY	DESCRIPTION	SEE SECTION
1	42241-LB	1	LINK, CYLINDER	
2	10728-LB	1	NUT, nylock - 2"	
3	12021-LB	3	WASHER, BURNED	
4	52002-LB	2	LINK, DOGBONE 25.5"	
5	42245-LB	3	PIN ASSEMBLY, 2.49 DIA X 19.13 (2" NUT)	
6	18570-LB	3	WASHER, pin retaining	
7	15550-LB	3	WASHER, SAE flat - 3/4"	
8	15549-LB	3	BOLT - 3/4" x 2"	
9	REF	1	STICK BOOM CYLINDER.....	LB-3
10	REF.	1	 MAIN BOOM ASSEMBLY.....	LB-1
11	REF.	1	 STICK BOOM ASSEMBLY.....	LB-2





 See referenced page for component or assembly breakdown.



Parts T3205 07/14/05  
12.50

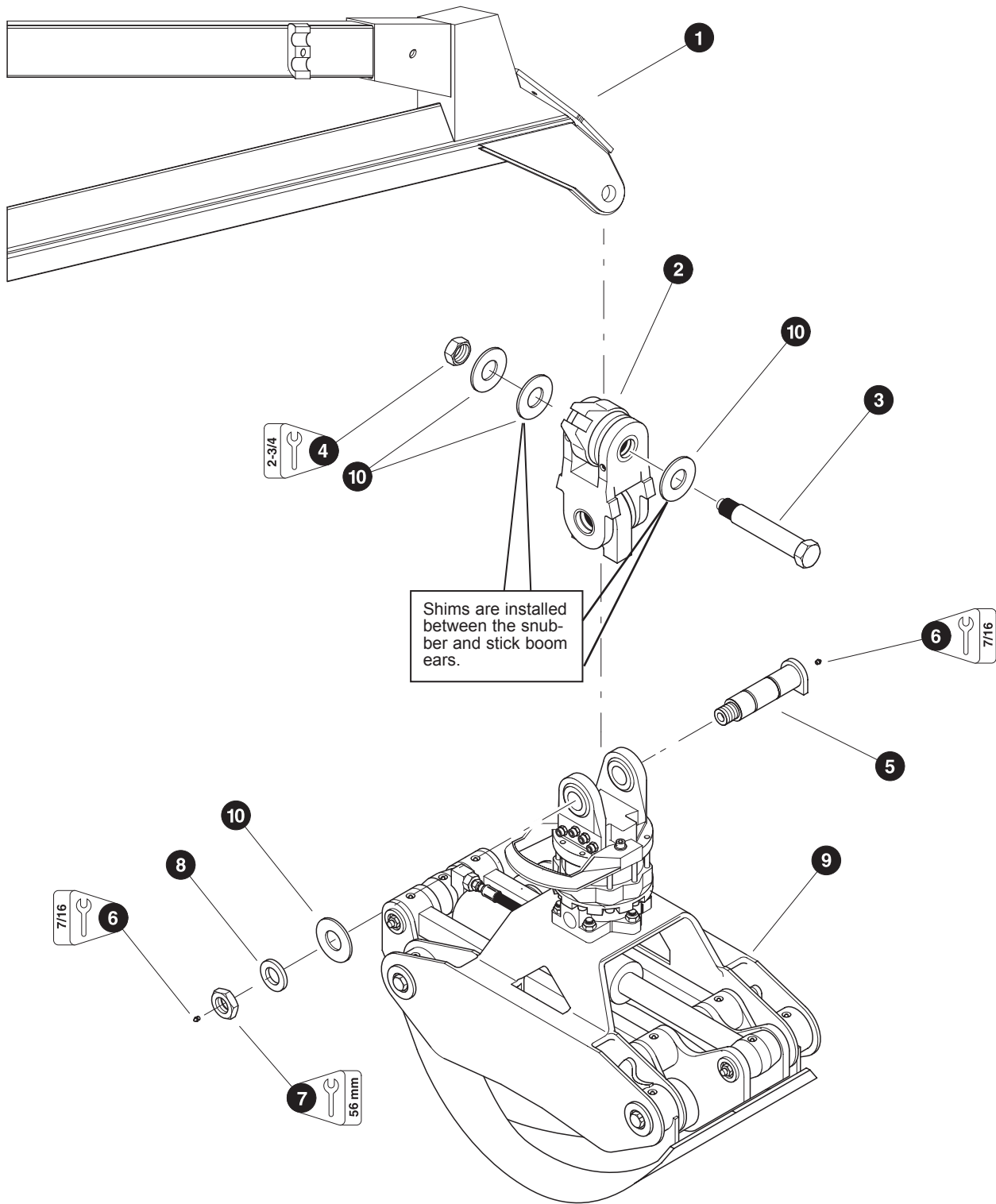
## HULTDINS SUPERGRIP 360S GRAPPLE INSTALLATION

(With Optional QUADCO Snubber)

REF	PART #	QTY	DESCRIPTION	SEE SECTION
1	REF.	1	 STICK BOOM ASSEMBLY .....	LB-2
2	19790-LB	1	 SNUBBER	
3	23528-LB	1	PIN - 1-3/4" x 10-3/4"	
4	20811-LB	1	NUT, nylock - 1-1/2"	
5	19789-LB	1	 PIN, grapple mount	
6	10704-LB	2	FITTING, grease - 1/8" pipe thread	
7	50281-LB	1	NUT, grapple mount pin	
8	50282-LB	1	WASHER, grapple mount pin	
9	REF.	1	 GRAPPLE - Hultdins 360S ( <i>See Manufacturer's Manual</i> )	
10	19682-LB	4	SHIM, 1.75 X .075	

 See referenced page for component or assembly breakdown.





 Kit or Assembly - includes all items indented underneath.



Parts T2750 07/14/03  
12.50

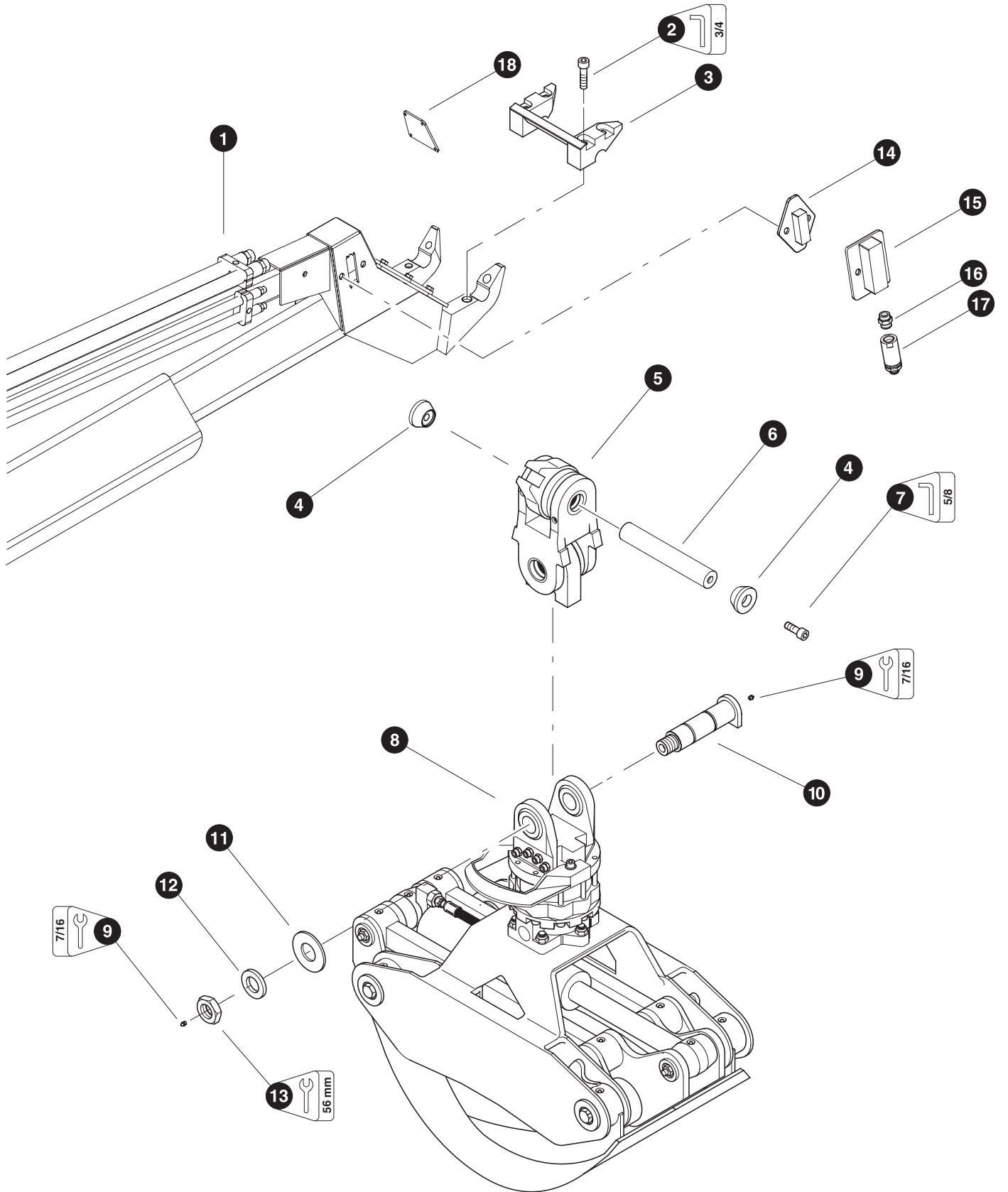
## HULTDINS SUPERGRIP 360S GRAPPLE INSTALLATION

### (Optional Squirt Boom Instalation)

REF	PART #	QTY	DESCRIPTION	SEE SECTION
1	REF.	1	 STICK BOOM ASSEMBLY .....	LB-2
2	19790-LB	1	 SNUBBER	
3	23528-LB	1	PIN - 1-3/4" x 10-3/4"	
4	20811-LB	1	NUT, nylock - 1-1/2"	
5	19789-LB	1	 PIN, grapple mount	
6	10704-LB	2	FITTING, grease - 1/8" pipe thread	
7	50281-LB	1	NUT, grapple mount pin	
8	50282-LB	1	WASHER, grapple mount pin	
9	REF.	1	 GRAPPLE - Hultdins 360S (See <i>Manufacturer's Manual</i> )	
10	19682-LB	4	SHIM, 1.75 X .075	

 See referenced page for component or assembly breakdown.

 Kit or Assembly - includes all items indented underneath.







Parts T2917 10/01/03  
12.50

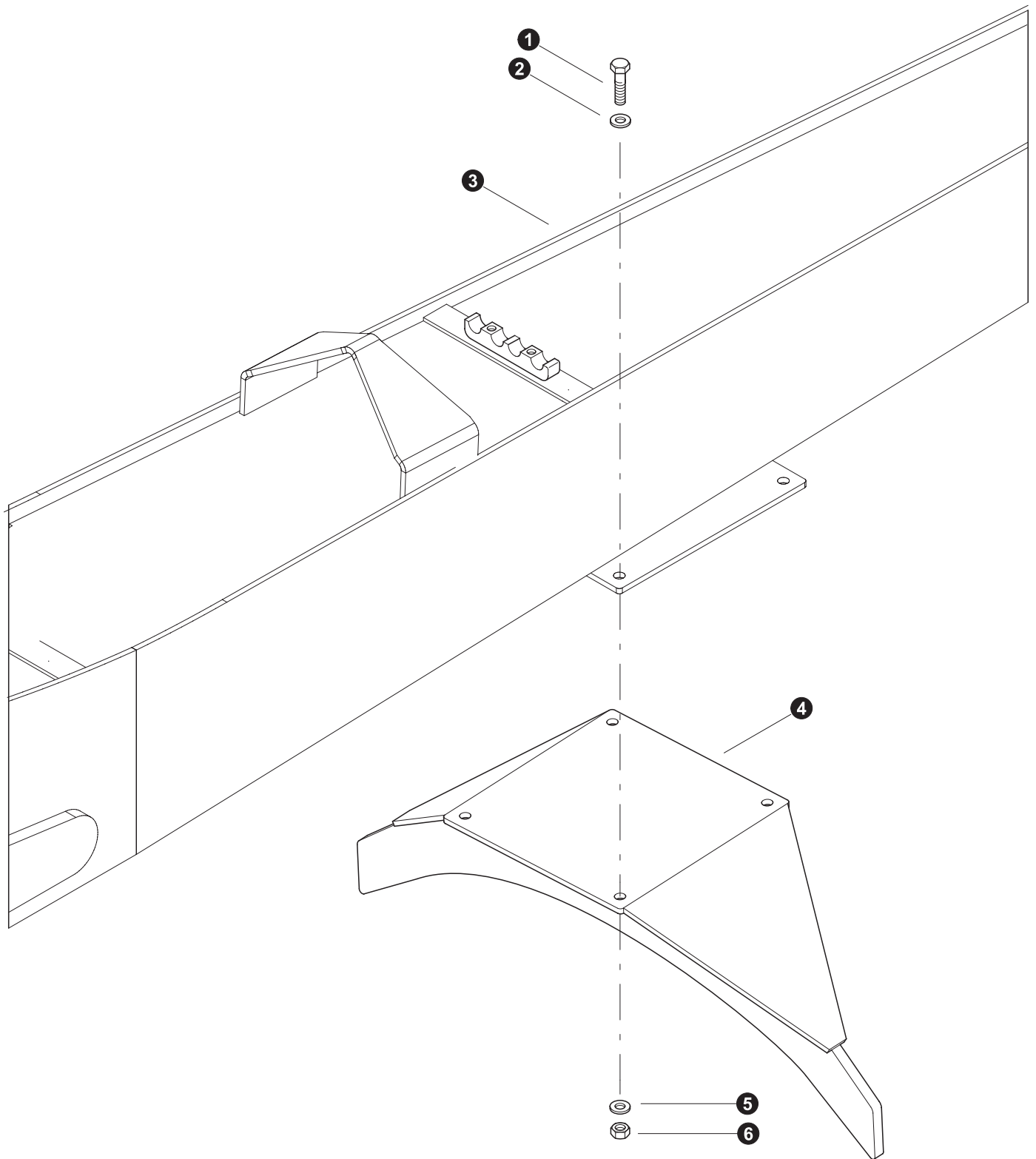


## HULTDINS SUPERGRIP 360S GRAPPLE INSTALLATION

(Combo Machine with Quick Change)


REF	PART #	QTY	DESCRIPTION	SEE SECTION
1	REF.	1	 SQUIRT BOOM ASSEMBLY .....	LB-2
2	51218-LB	4	BOLT, ALLEN HEAD - .875" X 3.5"	
3	51219-LB	1	CLAMP, QUICK CHANGE (TOP)	
4	40674-LB	2	TAPPER, Quick Change Pin	
5	19790-LB	1	SNUBBER (Quadco)	
6	40673-LB	2	PIN, 1.75" (quick change)	
7	51217-LB	4	BOLT, ALLEN HEAD - .875" X 2"	
8	REF.	1	 GRAPPLE - Hultdins 360S .....	LB-4
9	10704-LB	2	FITTING, grease - 1/8" pipe thread	
10	19789-LB	1	PIN, grapple mount	
11	19682-LB	4	SHIM, 1.75 X .075	
12	50282-LB	1	WASHER, grapple mount pin	
13	50281-LB	1	NUT, grapple mount pin	
14	40704-LB	1	COVER, FRONT PLATE (quick change)	
15	40681-LB	1	COVER, QUICK CHANGE ELEC CONNECTOR	
16	19473-LB	1	CONNECTOR, STR - 6403-16	
17	19541-LB	1	SWIVEL, INLINE	
18	40703-LB	1	COVER, ELECTRICAL (quick change)	

-  See referenced page for component or assembly breakdown.
-  Kit or Assembly - includes all items indented underneath.



Parts T3204 07/21/05  
18.75

## OPTIONAL STICK BOOM MOUNTED HEEL

REF	PART #	QTY	DESCRIPTION	SEE SECTION
1	10736-LB	4	BOLT - 1/2" x 2"	
2	15534-LB	8	WASHER, SAE flat - 1/2"	
3	REF.	1	 STICK BOOM ASSEMBLY .....	LB-2
4	20858-LB	1	WELDMENT, stick boom heel	
5	10815-LB	4	NUT, lock - 1/2"	

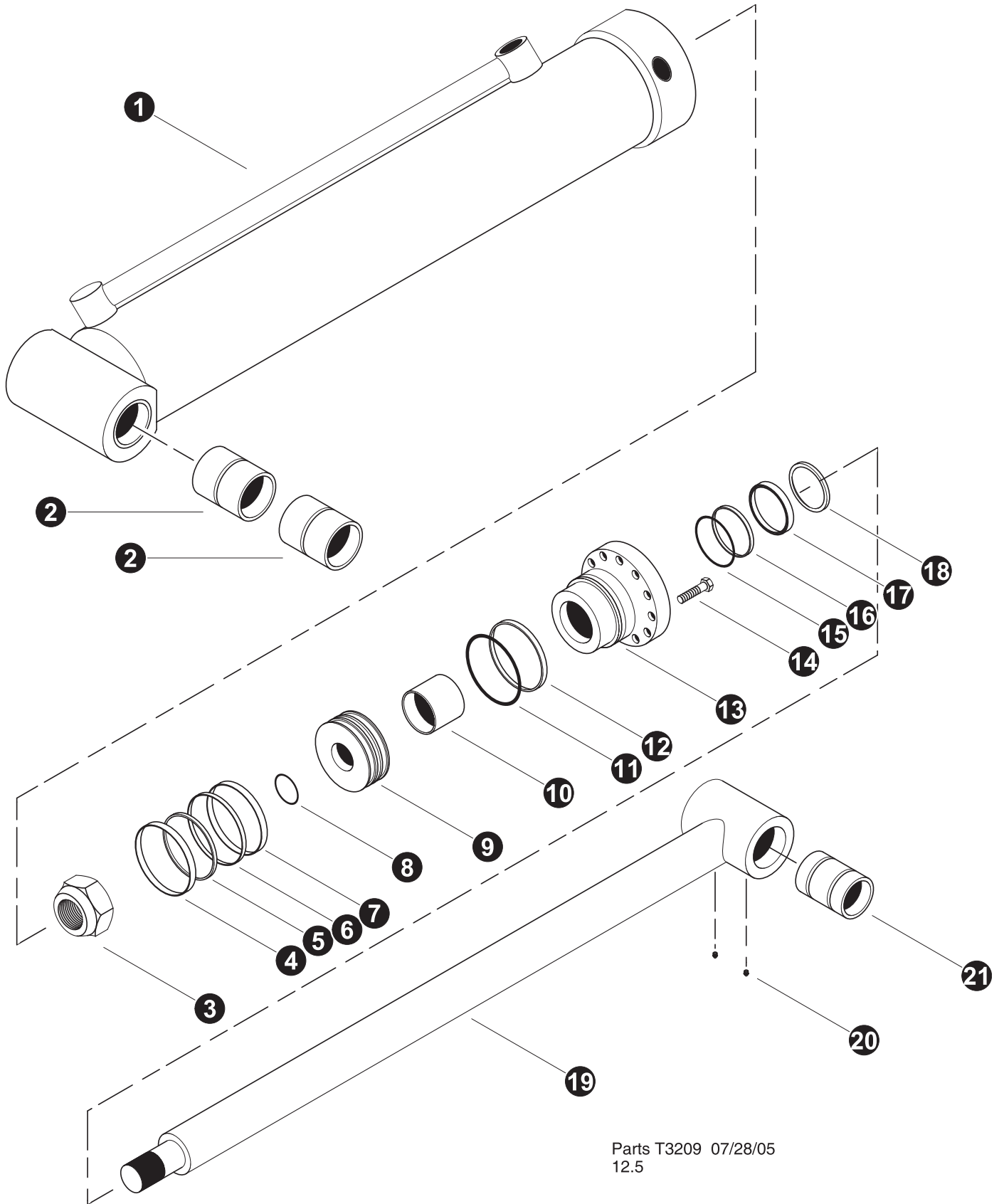
 See referenced page for component or assembly breakdown.



# ***Section LB-3***

---

## ***Loader Booms - Cylinders***

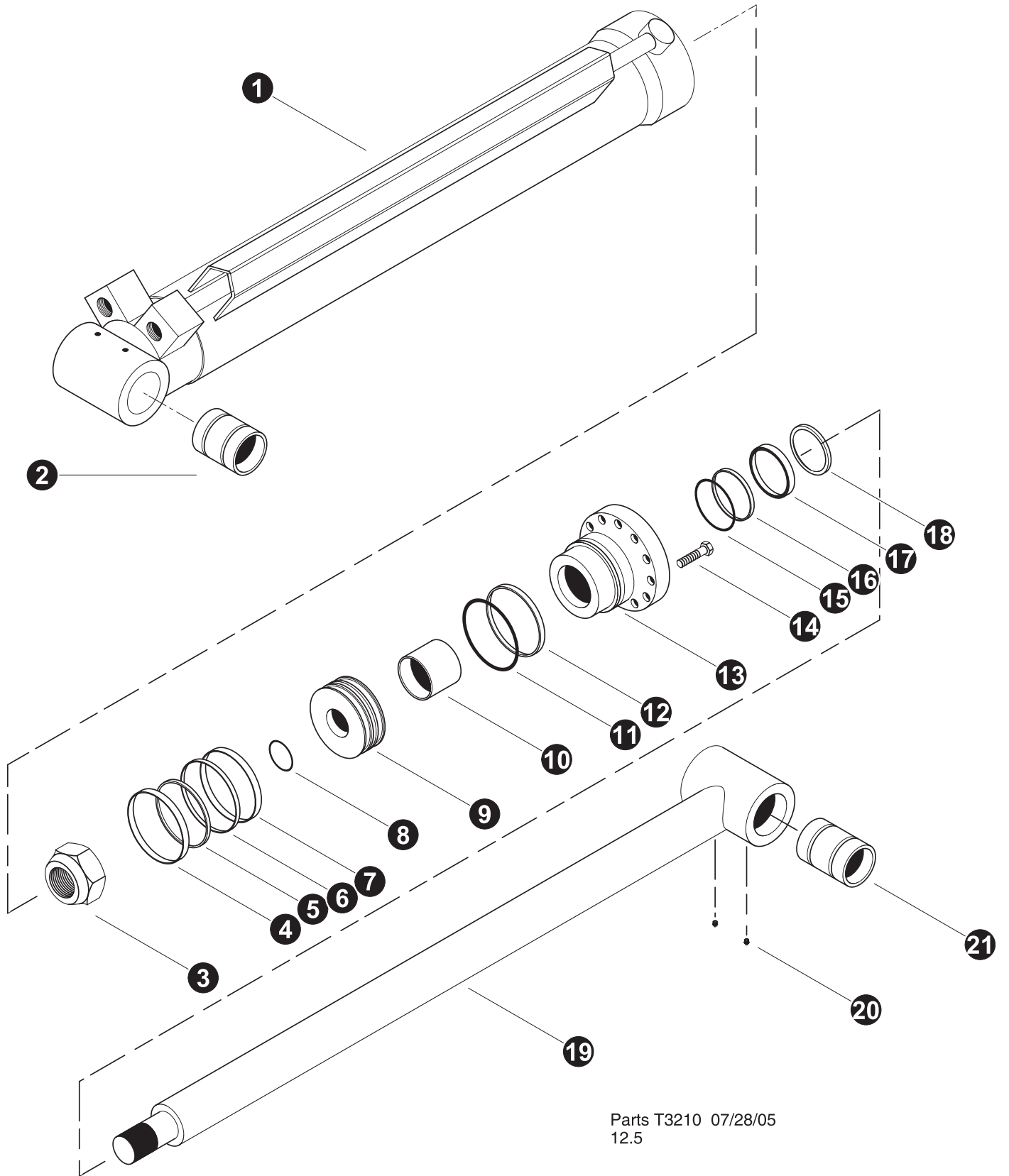


## MAIN BOOM (HOIST) CYLINDER

REF	PART #	QTY	DESCRIPTION	SEE PAGE
-	52005-LB	1	<input type="checkbox"/> MAIN BOOM CYLINDER ASSEMBLY	
1	-LB	1	<input type="checkbox"/> BARREL ASSEMBLY	
2	11706-LB	2	BUSHING - 3" x 4-1/4"	
3	15287-LB	1	NUT, cylinder rod - 2" NF ( <b>Torque to 2700 +/- 200 ft.lbs. (3600 +/- 265 Nm)</b> )	
4	NSS	1	⌘ RING, piston	
5	NSS	1	⌘ RING, backup piston	
6	NSS	1	⌘ RING, piston	
7	NSS	1	⌘ RING, piston	
8	NSS	1	⌘ O-RING, piston	
9	23206-LB	1	PISTON	
10	NSS	1	⌘ RING, rod bearing wear	
11	NSS	1	⌘ O-RING, rod bearing	
12	NSS	1	⌘ RING, rod bearing back-up	
13	-LB	1	BEARING, rod (500860B)	
14	-LB	12	BOLT - 5/8" ( <b>Torque to 175 ft.lbs (233 Nm)</b> )	
15	NSS	1	⌘ RING, rod bearing back-up	
16	NSS	1	⌘ RING, rod bearing	
17	NSS	1	⌘ U-CUP, rod bearing	
18	NSS	1	⌘ WIPER, rod	
19	-LB	1	<input type="checkbox"/> ROD ASSEMBLY (302034B)	
20	10704-LB	1	FITTING, straight grease - 1/8" pipe thread	
21	-LB	1	BUSHING	

- 52107-LB      1      ⌘ KIT, SEAL REPAIR - STICK CYL 830/630

- Kit or Assembly - includes all items indented underneath.
- ⌘ Included in seal repair kit Part # 52107-LB.

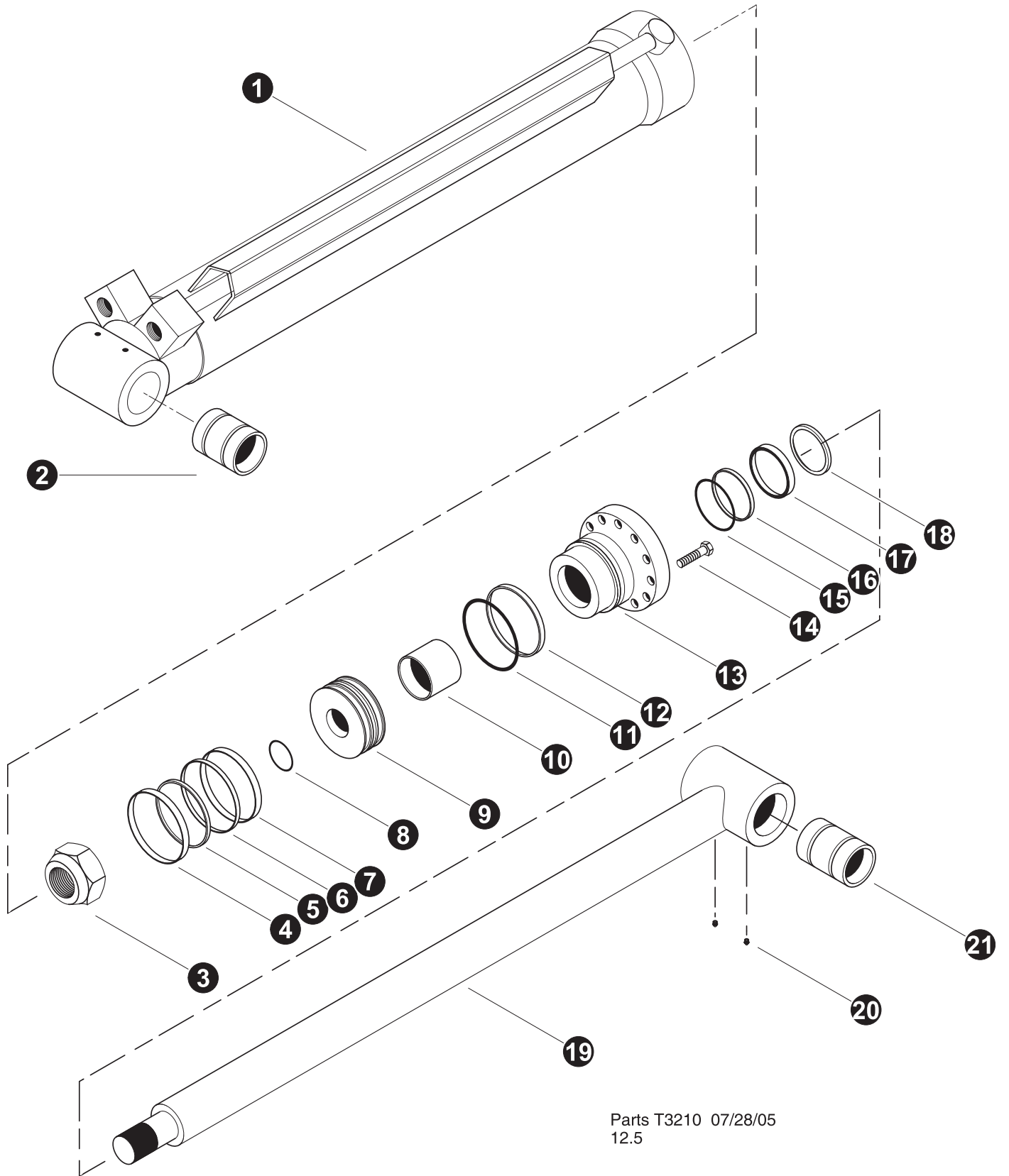




## STICK BOOM (JIB) CYLINDER (Forwarder)

REF	PART #	QTY	DESCRIPTION	SEE PAGE
-	51562-LB	1	<input type="checkbox"/> STICK BOOM CYLINDER ASSEMBLY	
1	-LB	1	<input type="checkbox"/> BARREL ASSEMBLY (203232B)	
2	-LB	1	BUSHING	
3	15287-LB	1	NUT, cylinder rod - 2" NF ( <i>Torque to 2700 +/- 200 ft.lbs. (3600 +/- 265 Nm)</i> )	
4	NSS	1	⌘ RING, piston	
5	NSS	1	⌘ RING, backup piston	
6	NSS	1	⌘ RING, piston	
7	NSS	1	⌘ RING, piston	
8	NSS	1	⌘ O-RING, piston	
9	-LB	1	PISTON (400541B)	
10	NSS	1	⌘ RING, rod bearing wear	
11	NSS	1	⌘ O-RING, rod bearing	
12	NSS	1	⌘ RING, rod bearing back-up	
13	-LB	1	BEARING, rod (500826B)	
14	-LB	12	BOLT - 5/8" ( <i>Torque to 175 ft.lbs (233 Nm)</i> )	
15	NSS	1	⌘ RING, rod bearing back-up	
16	NSS	1	⌘ RING, rod bearing	
17	NSS	1	⌘ U-CUP, rod bearing	
18	NSS	1	⌘ WIPER, rod	
19	-LB	1	<input type="checkbox"/> ROD ASSEMBLY (301946B)	
20	10704-LB	1	FITTING, straight grease - 1/8" pipe thread	
21	-LB	1	BUSHING	
-	52108-LB	1	KIT, seal repair - stick boom cylinder	

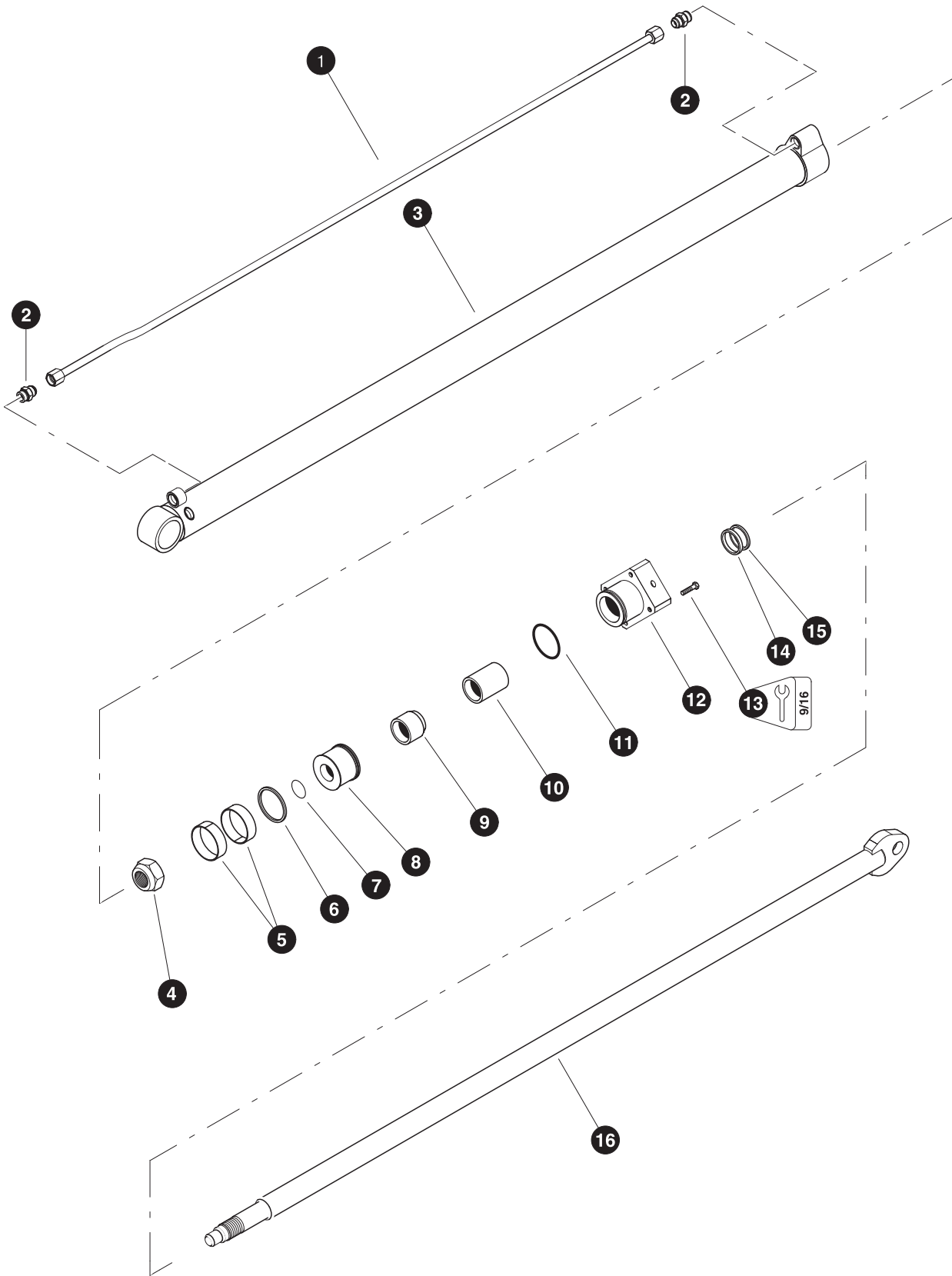
- Kit or Assembly - includes all items indented underneath.
- ⌘ Included in seal repair kit Part # 52108-LB.



### STICK BOOM (JIB) CYLINDER (Harvester - Heavy Duty)

REF	PART #	QTY	DESCRIPTION	SEE PAGE
-	52016-LB	1	<input type="checkbox"/> CYLINDER, STICK - FWD 4/BAR (HD 5.5" DIA)	
1	-LB	1	<input type="checkbox"/> BARREL ASSEMBLY (203329B)	
2	-LB	1	BUSHING	
3	15287-LB	1	NUT, cylinder rod - 2" NF ( <b><i>Torque to 2700 +/- 200 ft.lbs. (3600 +/- 265 Nm)</i></b> )	
4	NSS	1	⌘ RING, piston	
5	NSS	1	⌘ RING, backup piston	
6	NSS	1	⌘ RING, piston	
7	NSS	1	⌘ RING, piston	
8	NSS	1	⌘ O-RING, piston	
9	23206-LB	1	PISTON	
10	NSS	1	⌘ RING, rod bearing wear	
11	NSS	1	⌘ O-RING, rod bearing	
12	NSS	1	⌘ RING, rod bearing back-up	
13	-LB	1	BEARING, rod (500860B)	
14	-LB	12	BOLT - 5/8" ( <b><i>Torque to 175 ft.lbs (233 Nm)</i></b> )	
15	NSS	1	⌘ RING, rod bearing back-up	
16	NSS	1	⌘ RING, rod bearing	
17	NSS	1	⌘ U-CUP, rod bearing	
18	NSS	1	⌘ WIPER, rod	
19	-LB	1	<input type="checkbox"/> ROD ASSEMBLY (301946B)	
20	10704-LB	1	FITTING, straight grease - 1/8" pipe thread	
21	-LB	1	BUSHING	
-	52107-LB	1	⌘ KIT, SEAL REPAIR - STICK CYL 830/630	

- Kit or Assembly - includes all items indented underneath.
- ⌘ Included in seal repair kit Part # 52107-LB.



Parts T2754 07/14/2003  
12.50

## SQUIRT BOOM CYLINDER (optional)

REF	PART #	QTY	DESCRIPTION	SEE PAGE
-	51008-LB	1	☐ CYLINDER, 6' squirt	
1	---	1	TRANSFER TUBE (281266a)	
2	---	1	FITTING (710785a)	
3	51028-LB	1	BARREL ASSEMBLY	
4	51032-LB	1	NUT (712118A)	
5	---	1	⌘ RING, piston - wear	
6	---	1	⌘ RING, piston - square	
7	---	1	⌘ O-RING, piston	
8	51030-LB	1	PISTON	
9	---	1	CUSHION SLEEVE	
10	---	1	BUSHING, rod bearing (bronze)	
11	---	1	⌘ O-RING, rod bearing	
12	51031-LB	1	BEARING, rod	
13	---	4	BOLT - (711206A)	
14	---	1	⌘ U-CUP, rod bearing	
15	---	1	⌘ WIPER, rod	
16	51029-LB	1	ROD ASSEMBLY	
-	51033-LB	1	KIT, seal repair - boom extension cylinder	

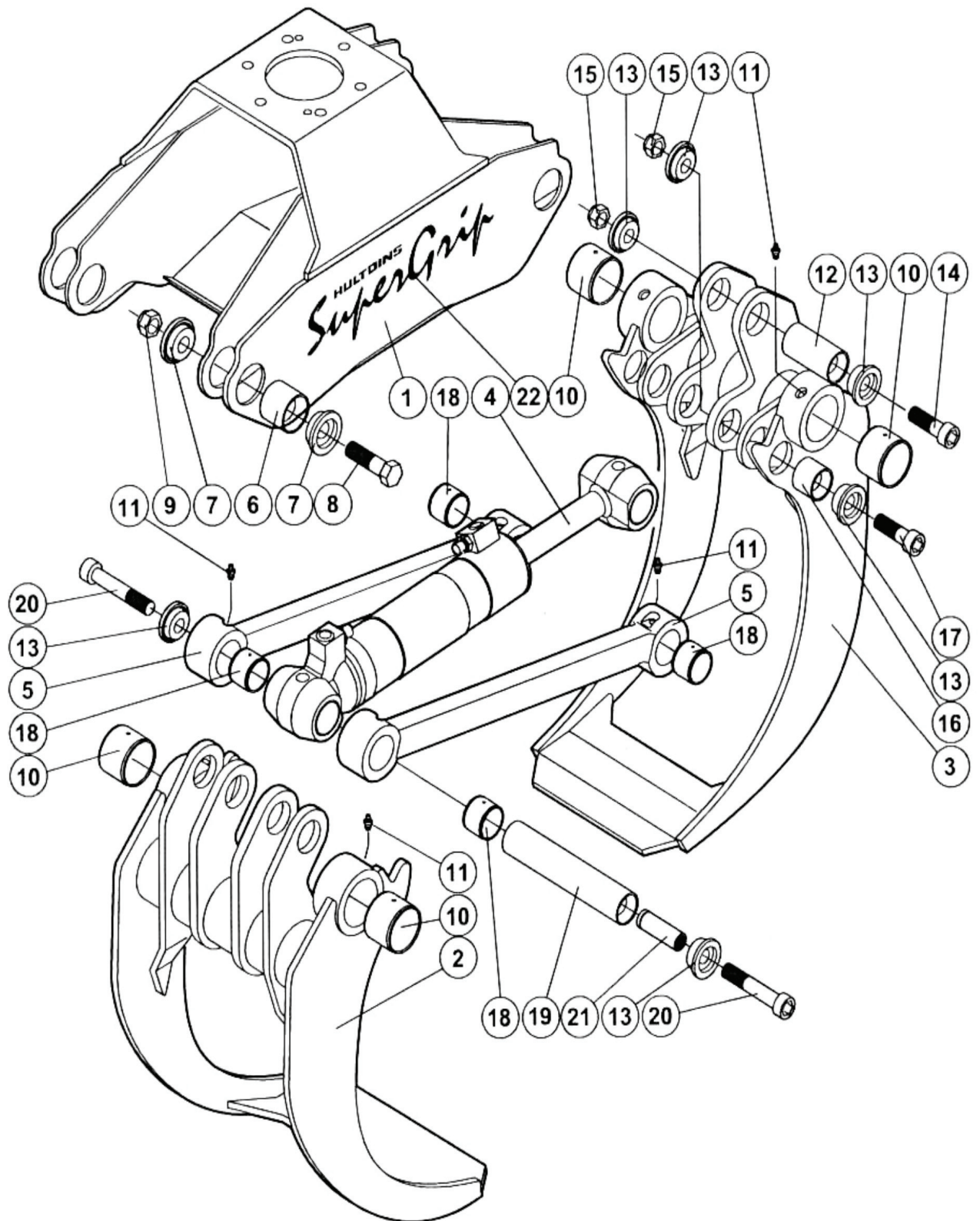
- ☐ Kit or Assembly - includes all items indented underneath.
- ⌘ Included in seal repair kit Part # 51033-LB



# ***Section LB-4***

---

## ***Loader Booms - Hulldins Grapple***



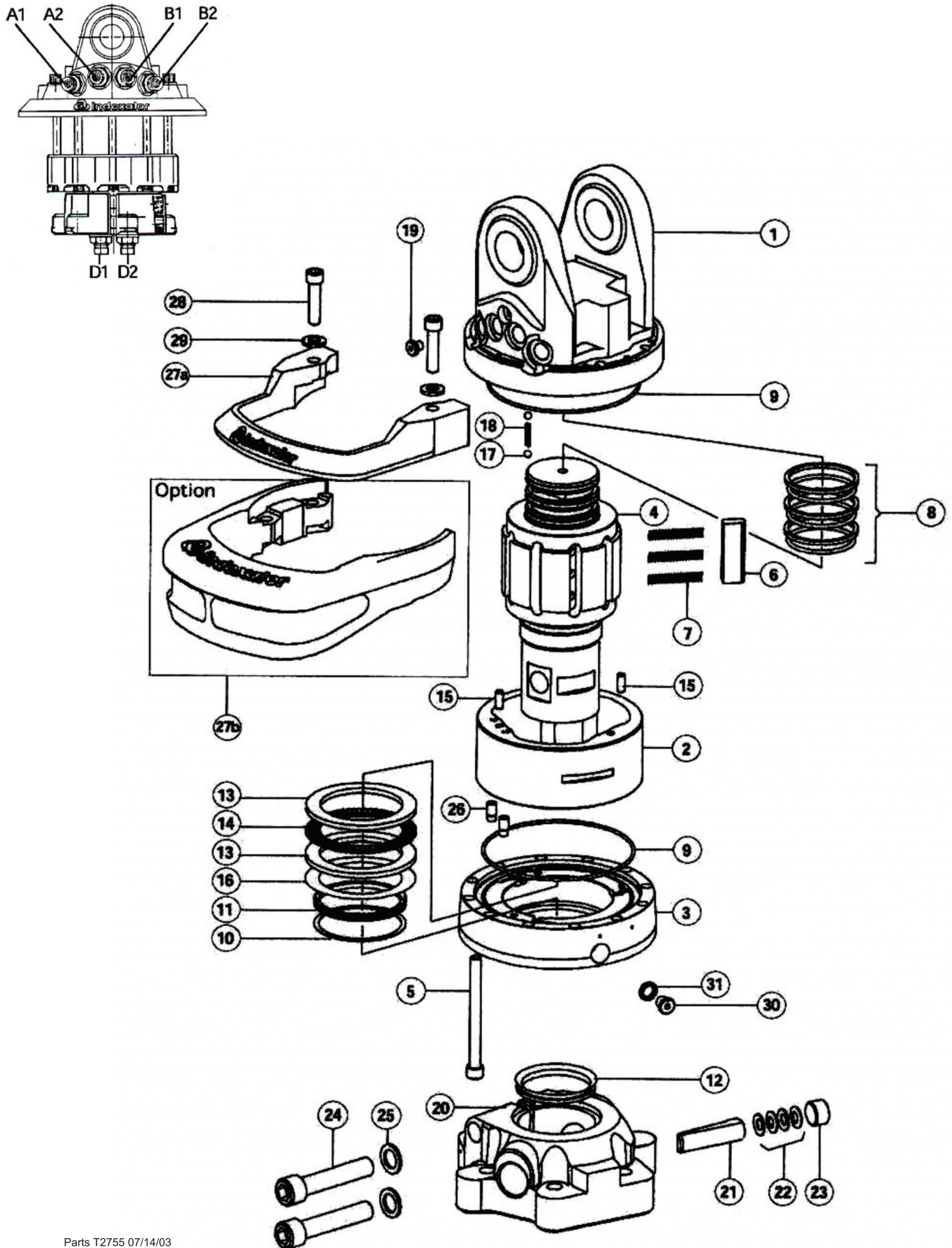
Parts T2757 07/14/03



**HULTDINS 360S GRAPPLE**

REF	PART #	QTY	DESCRIPTION	SEE SECTION
-	22719-LB	1	<input type="checkbox"/> GRAPPLE, Hultdins 360s w\GV 17us	
1	---	1	FRAME, (0680501)	
2	---	1	GRAPPLE ARM, female (0680508)	
3	---	1	GRAPPLE ARM, male (0680507)	
4	---	1	CYLINDER (0150016)	
5	---	2	ROD (0680030)	
6	---	4	PIN (0680521)	
7	---	8	WASHER (0683021)	
8	---	4	SCREW, hex (0104634)	
9	---	4	NUT (0106033)	
10	---	4	BUSHING, (0683071)	
11	---	8	NIPPLE, grease (0114004)	
12	---	1	PIN (0680077)	
13	---	8	WASHER (0680054)	
14	---	1	BOLT, allen (0104132)	
15	---	3	NUT, (0106030)	
16	---	2	PIN, (0680015)	
17	---	2	BOLT, allen (0104502)	
18	---	4	BUSHING, (0680072)	
19	---	1	PIN, (0680075)	
20	---	1	BOLT, allen (0104502)	
20	---	1	BOLT, allen (0104132)	
21	---	1	NUT, (0660263)	

Kit or Assembly - includes all items indented underneath.



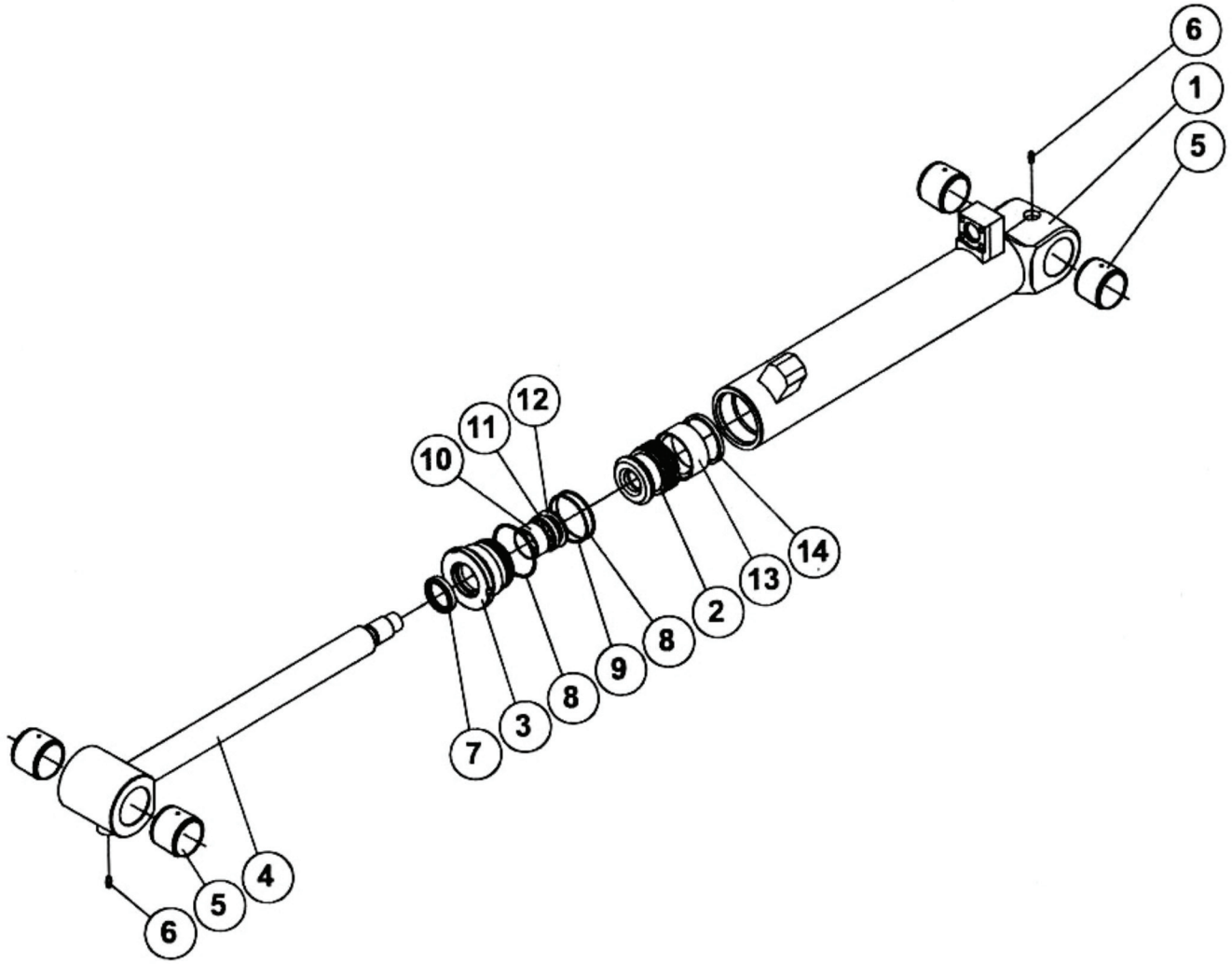
Parts T2755 07/14/03

## HULTDINS 360S GRAPPLE (Indexator GV 17us Rotator)

REF	PART #	QTY	DESCRIPTION	SEE SECTION
-	50586-LB	1	☐ ROTATOR, GV 17us	
1	---	1	STATOR PLATE, upper (5114178)	
2	---	1	STATOR FRAME (5114023)	
3	---	1	STATOR PLATE, lower (5114020)	
4	---	1	ROTATOR SHAFT, (5117027)	
5	---	12	SCREW, (1002120)	
6	---	9	VANE, (5011160)	
7	---	27	SPRING, (5006030)	
8	---	3	⌘ GLIDE RING, (1005669)	
9	---	2	⌘ O-RING (1013515)	
10	---	1	⌘ RING, support (1015064)	
11	---	1	⌘ SEAL (1023753)	
12	---	1	⌘ V-RING (1019470)	
13	---	2	WASHER, (1018951)	
14	---	1	BEARING, axial needle (1015080)	
15	---	4	PIN (1019900)	
16	---	1	SHIM SET (5010081)	
17	---	2	BALL (1005545)	
18	---	1	SPRING (1020536)	
19	---	1	PLUG, (5001381)	
20	---	1	LINK, lower (5117022)	
21	---	1	WEDGE, (5010038)	
22	---	4	SPRING, cup (1015643)	
23	---	1	SCREW, locking (5010039)	
24	---	2	SCREW, (1019488)	
25	---	2	WASHER, (1019496)	
26	---	2	RESTRICTOR, (5011107)	
27	---	1	GUARD, hose (5011006)	
28	---	2	SCREW, (1019926)	
29	---	2	WASHER, (1017326)	
30	---	1	PLUG, magnetic (1025709)	
31	---	1	SEAL, bonded (1019116)	
-	20276-LB	1	KIT, seal repair - GV 17 rotator	
A1	15115-LB	1	CONNECTOR, straight - 848 TTO 08X10	
A2	15115-LB	1	CONNECTOR, straight - 848 TTO 08X10	
B1	15115-LB	1	CONNECTOR, straight - 848 TTO 08X10	
B2	15115-LB	1	CONNECTOR, straight - 848 TTO 08X10	
D1	15117-LB	1	CONNECTOR, straight - 848 TTO 08 X 08	
D2	15117-LB	1	CONNECTOR, straight - 848 TTO 08 X 08	

☐ Kit or Assembly - includes all items indented underneath.

⌘ Included in seal repair kit Part # 20276-LB.



Parts T2756 07/14/03

## HULTDINS 360S GRAPPLE (Cylinder)

REF	PART #	QTY	DESCRIPTION	SEE SECTION
-	51035-LB	1	☐ CYLINDER, hultdins grapple (0150016)	
1	---	1	BARREL (0150555)	
2	---	1	PISTON (0150502)	
3	---	1	GLAND (0150503)	
4	---	1	ROD (0150554)	
5	---	4	BEARING, plain (0680073)	
6	---	2	FITTING, grease M6 (0114004)	
7	---	1	⌘ SEAL, dust	
8	---	2	⌘ O-RING	
9	---	1	⌘ RING, backup	
10	---	1	⌘ RING, guide	
11	---	1	⌘ SEAL, rod	
12	---	1	⌘ RING, retainer	
13	---	1	⌘ SEAL, piston	
14	---	1	⌘ RING, piston (0150527)	
	51034-LB		KIT, SEAL REPAIR (0121076)	

- ☐ Kit or Assembly - includes all items indented underneath.
- ⌘ Included in seal repair kit Part #51034 -LB.

