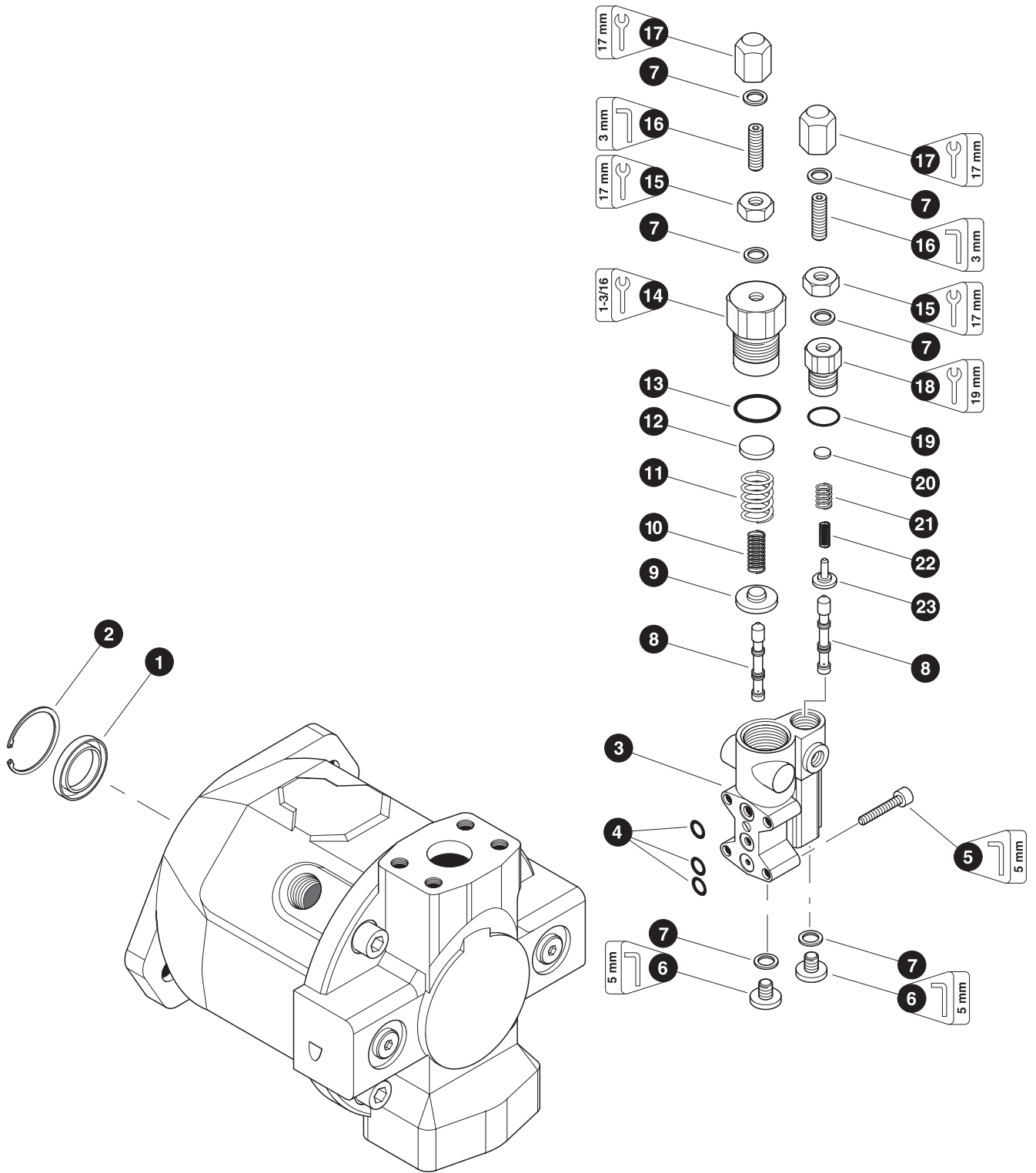


Section OD-1

Optional Disc Saw - Hydraulic Pumps & Valves

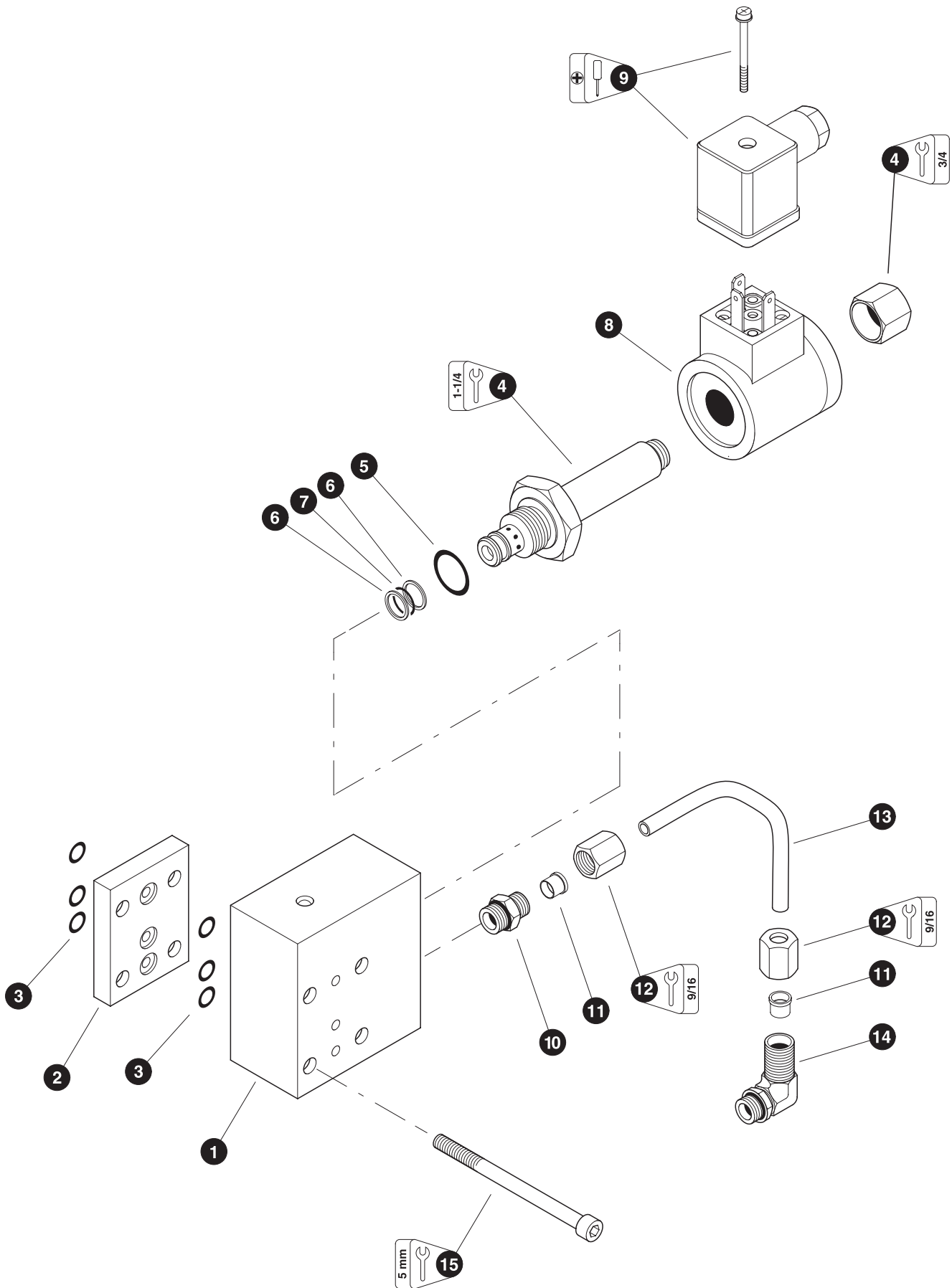


Parts 00867 01/01/2001
50.00

DISC SAW PUMP

REF	PART #	QTY		DESCRIPTION	SEE SECTION
--	15317-OD	1	☐	PUMP, disc saw	
1	15890-OD	1	⌘	SEAL, shaft	
2	21581-OD	1		RING, seal retaining	
--	15891-OD	1	☐	COMPENSATOR, pump control	
3	NSS	1		HOUSING ASSEMBLY	
4	16856-OD	3	⌘	O-RING	
5	21582-OD	4		BOLT, compensator mounting	
6	20339-OD	2		PLUG	
7	16855-OD	6	⌘	SEAL, ring	
8	NSS	2		SPOOL	
9	NSS	1		RETAINER, spring	
10	NSS	1		SPRING	
11	NSS	1		SPRING	
12	NSS	1		RETAINER, spring	
13	NSS	1	⌘	O-RING	
14	NSS	1		CAP, compensator	
15	17458-OD	2		NUT, jam - 8mm	
16	17459-OD	2		SCREW, adjustment - 8mm	
17	17697-OD	2		NUT, acorn	
18	NSS	1		CAP, compensator	
19	NSS	1	⌘	O-RING	
20	NSS	1		RETAINER, spring	
21	NSS	1		SPRING	
22	NSS	1		SPRING	
23	NSS	1		RETAINER, spring	
-	19757-OD	1		KIT, seal repair - disc saw pump	

- ☐ Kit or Assembly - includes all items indented underneath.
 ⌘ Included in seal repair kit Part # 16712-OD.

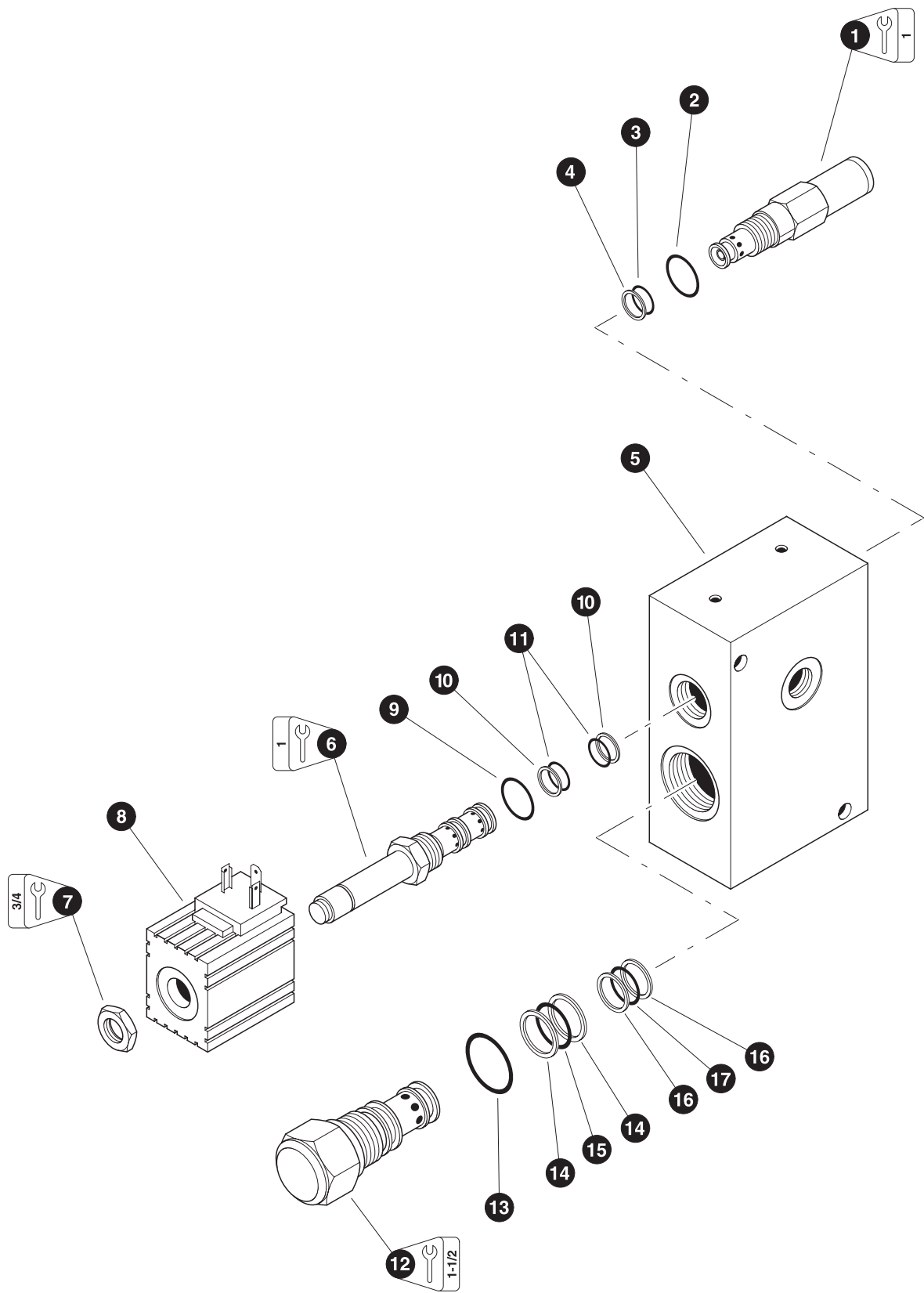


Parts 01325 01/01/2001
75.00

ELECTRIC COMPENSATOR CONTROL (Used With Disc Saw Pump)

REF	PART #	QTY	DESCRIPTION	SEE SECTION
-	19240-OD	1	☐ CONTROL, electric compensator	
1	22595-OD	1	BLOCK	
2	22596-OD	1	PLATE, block	
3	21604-OD	6	O-RING	
4	22597-OD	1	☐ CARTRIDGE, solenoid <i>(Includes nut)</i>	
5	NSS	1	⌘ O-RING, body	
6	NSS	2	⌘ RING, back-up - chamber	
7	NSS	1	⌘ O-RING, chamber	
8	22445-OD	1	COIL, solenoid - 24V	
9	17145-OD	1	CONNECTOR, electrical - Hirschmann <i>(Includes hardware)</i>	
10	22599-OD	1	CONNECTOR, tube	
11	22600-OD	2	FERRULE	
12	22601-OD	2	NUT, tube	
13	22602-OD	1	TUBE, hydraulic	
14	22604-OD	1	ELBOW, 90° tube	
15	22603-OD	4	BOLT, allen head	
-	22598-OD	1	KIT, seal repair - solenoid cartridge	

- ☐ Kit or Assembly - includes all items indented underneath.
 ⌘ Included in seal repair kit Part # 22598-OD.



Parts 01033 01/01/2001
62.50

**DISC SAW STOP VALVE
(Used With Disc Saw Pump)
(New Style Stop Valve)
(machines built after 6/01/04)**

REF	PART #	QTY		DESCRIPTION	SEE SECTION
-	23728-OD	1	☐	VALVE, SAW STOP - 24 Volt	
1	-OD	1	☐	CARTRIDGE, relief valve (RV08-20A-0-N-5 Hydraforce)	
2	NSS	1	⌘	O-RING, body	
3	NSS	1	⌘	O-RING, chamber	
4	NSS	1	⌘	RING, back-up - chamber	
5	NSS	1		HOUSING, valve body (204010901-40 M&W)	
6	-OD	1	☐	CARTRIDGE, saw stop solenoid (SV08-31M-0-N-24DG Hydraforce)	
7	NSS	1		NUT	
8	-OD	1		COIL, solenoid - 24 Volt (6306024 Hydraforce)	
9	NSS	1	◆	O-RING, body	
10	NSS	2	◆	RING, back-up - chamber	
11	NSS	2	◆	O-RING, chamber	
12	-OD	1	☐	CARTRIDGE, logic valve (EV16-S34-0-N-40 Hydraforce)	
13	NSS	1	■	O-RING, body	
14	NSS	2	■	RING, back-up - chamber (<i>Large</i>)	
15	NSS	1	■	O-RING, chamber (<i>Large</i>)	
16	NSS	2	■	RING, back-up - chamber (<i>Small</i>)	
17	NSS	1	■	O-RING, chamber (<i>Small</i>)	
-	-OD	1	☐	KIT, seal repair - complete saw stop valve	
-	-OD	1	○	KIT, seal repair - saw stop solenoid cartridge (SK08-3X-MM)	
-	-OD	1	○	KIT, seal repair - logic valve (SK16-3X-MM)	
-	-OD	1	○	KIT, seal repair - relief valve cartridge (SK08-2X-B)	

- ☐ Kit or Assembly - includes all items indented underneath.
- ⌘ Included in seal repair kit Part # -OD.(SK08-2X-B)
- ◆ Included in seal repair kit Part # -OD.(SK08-3X-MM)
- Included in seal repair kit Part # -OD.(SK16-3X-MM)

