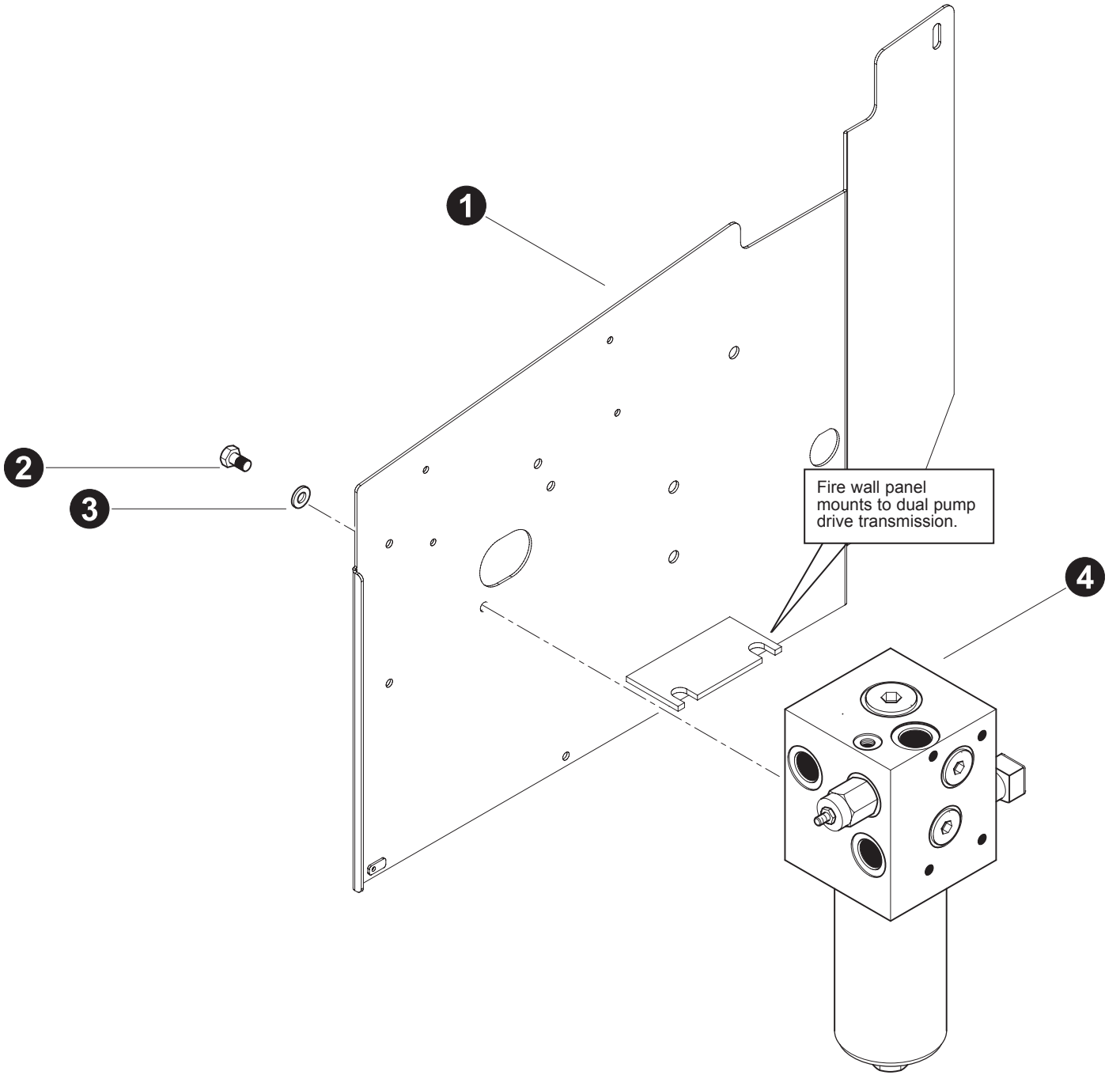




Section WD-1

Wheel Drive - Charge Pressure Circuit

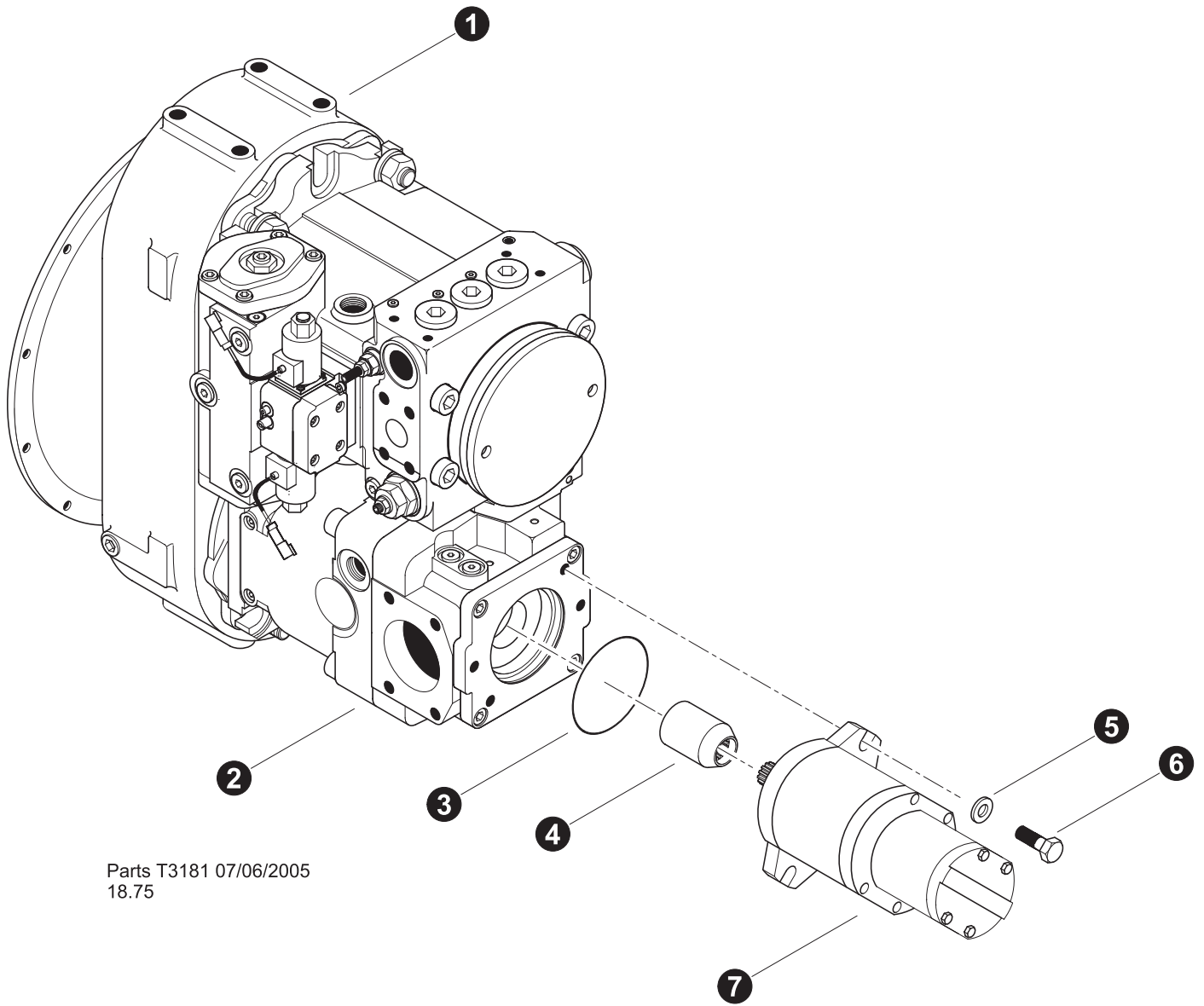


Parts T3182 07/14/2005
18.75

CHARGE FILTER MANIFOLD INSTALLATION




REF	PART #	QTY	DESCRIPTION	SEE SECTION
1	REF.	1	 BARRIER, UPPER	UP-1
2	11707-WD	2	BOLT - .375" X 1"	
3	10802-WD	2	WASHER, FLAT - .375"	
4	REF	1	 CHARGE FILTER MANIFOLD	WD-3

 See referenced page for component or assembly breakdown.

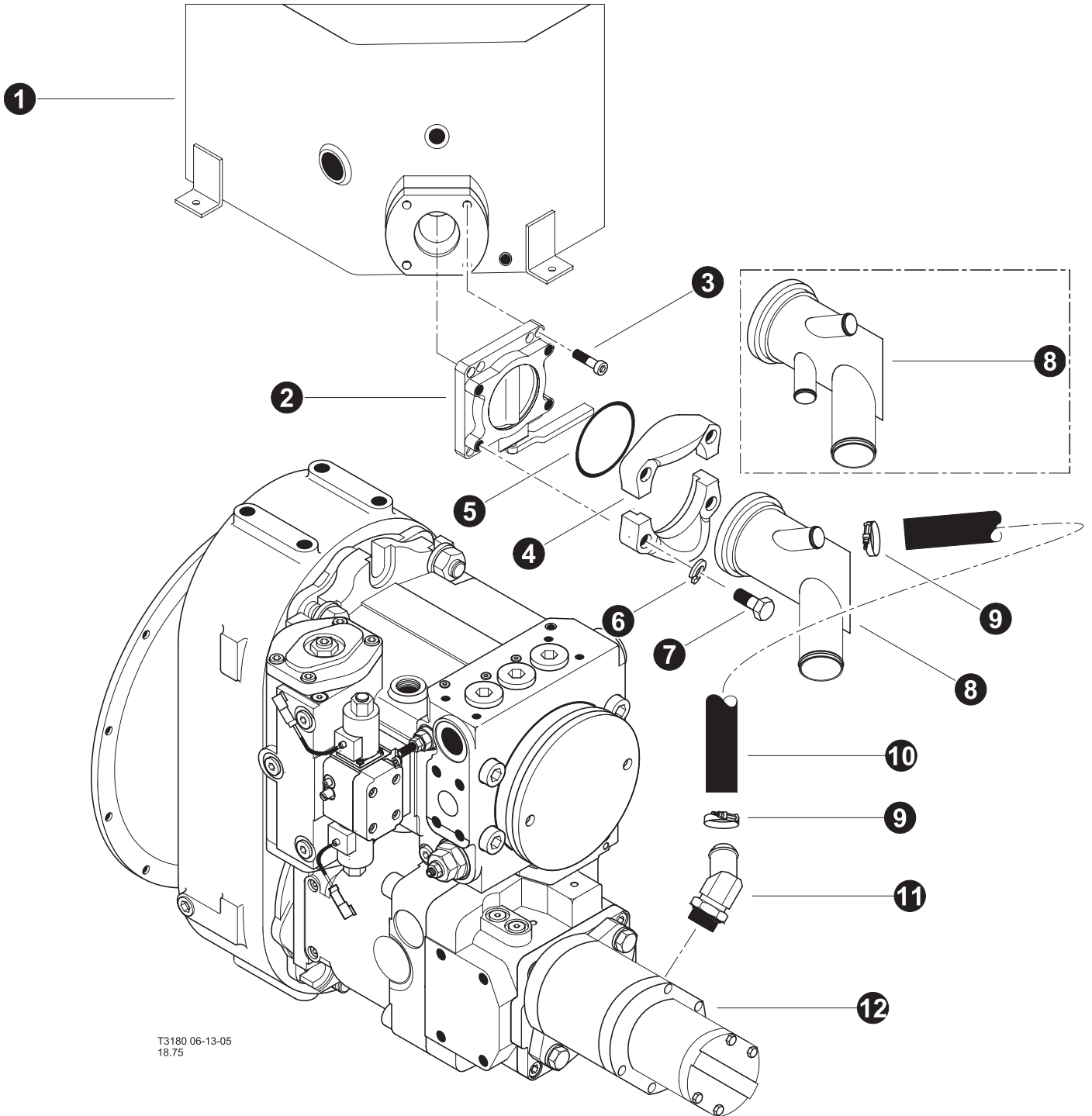


Parts T3181 07/06/2005
18.75

CHARGE PUMP INSTALLATION




REF	PART #	QTY	DESCRIPTION	SEE SECTION
1	REF.	1	 DUAL PUMP DRIVE TRANSMISSION.	EE-2
2	REF.	1	 IMPLEMENT PUMP	LH,HH,CH
3	18844-WD	1	O-RING, THRU DRIVE COVER - REXROTH 130CC	
4	23480-WD	1	COUPLING, SHAFT REX130 IMP/CHARGE PUMP-B	
5	15534-WD	2	WASHER, SAE FLAT - .5"	
6	50100-WD	2	BOLT - .5" X 1.25"	
7	REF	1	 CHARGE PUMP ASSEMBLY.....	WD-3



 See referenced page for component or assembly breakdown.

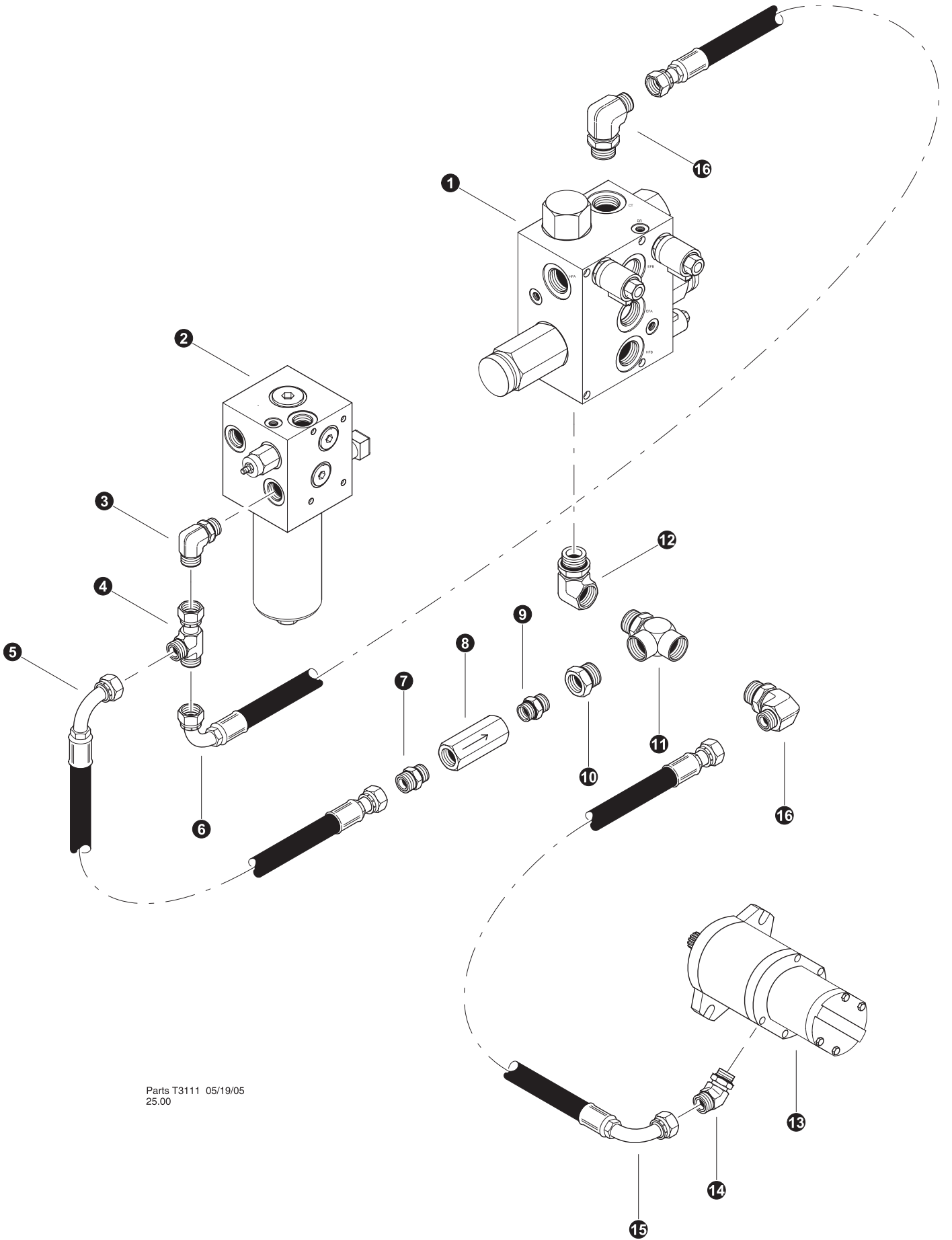


T3180 06-13-05
18.75

CHARGE PUMP INLET (SUCTION)

REF	PART #	QTY		DESCRIPTION	SEE SECTION
1	REF	1		HYDRAULIC TANK ASSEMBLY.....	UP-2
2	51619-WD	1		VALVE, SHUT OFF - BUTTERFLY (4")	
3	23095-WD	4		BOLT, ALLEN HEAD - .625" x 2"	
4	51625-WD	1		KIT, FLANGE - SUCTION TUBE (4")	
5		1		O-RING - SUCTION TUBE (4")	
6	10721-WD	4		WASHER, LOCK - .625"	
7	15526-WD	4		BOLT - .625" X 2"	
8	42461-WD	1		TUBE, SUCTION - 4" FLANGE - W/O DISC SAW	
8	51886-WD	1		TUBE, SUCTION - 4" FLANGE - WITH DISC SAW	
9	15641-WD	2		CLAMP, strap band - 2"	
10	-WD	1		HOSE ASSEMBLY - 2013-24-0-0	
11	51830-WD	1		NIPPLE, KING SUCTION 1.5 X 20 SAE (45 DEGREE)	
12	REF.	1		WHEEL DRIVE CHARGE PUMP.....	WD-3


-  See referenced page for component or assembly breakdown.
-  Kit or Assembly - includes all items indented underneath.



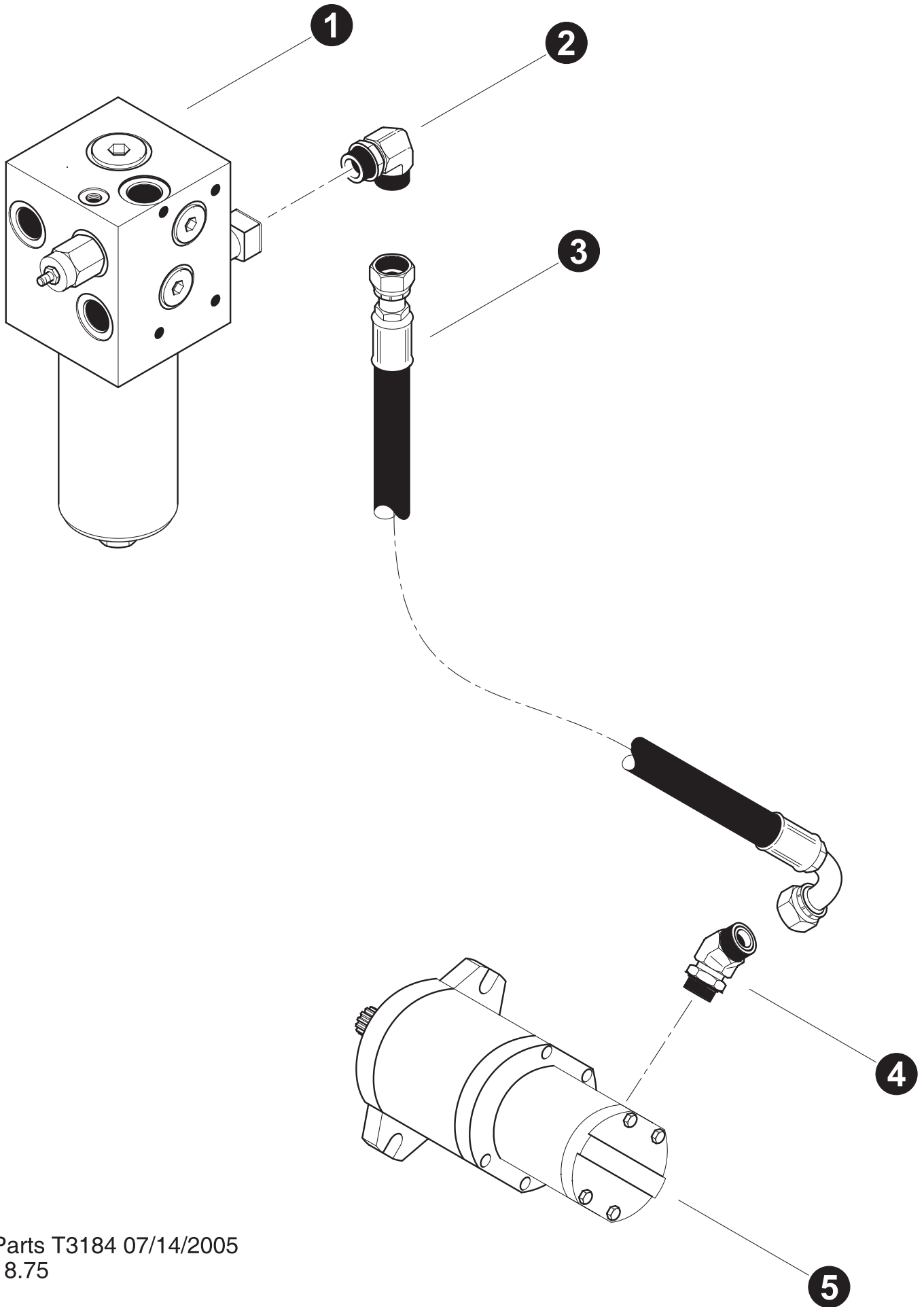
Parts T3111 05/19/05
25.00

CHARGE PUMP OUTLET (PRESSURE)

REF	PART #	QTY	DESCRIPTION	SEE SECTION
1	REF	1	FAN CONTROL MANIFOLD.....	UP-3
2	REF	1	CHARGE PRESSURE MANIFOLD	WD-3
3	17688-WD	1	ELBOW, 90 - FF1868T-1212S	
4	17687-WD	1	TEE - FF2114T-1212S	
5	-WD	1	HOSE ASSEMBLY 2026.5 12OS 1209 (CP port check valve on fan control valve to charge manifold "P" port tee)	
6	-WD	1	HOSE ASSEMBLY 2046 12OS 1209 (CT port on fan control valve to charge manifold "P" port tee)	
7	16913-WD	1	CONNECTOR, STR - FF1852T-1208S	
8	51928-WD	1	VALVE, CHECK - 7 PSI (#8 SAE)	
9	51932-WD	1	CONNECTOR, STR - 6403-08	
10	16719-WD	1	BUSHING, REDUCER - 6410-16-8	
11	21856-WD	1	TEE - 16 AOG5JG5-S RUN	
12	51832-WD	1	ELBOW, 90 - 1" ORS X 1" SAE FEMALE	
13	REF	1	WHEEL DRIVE CHARGE PUMP.....	WD-3
14	19127-WD	1	ELBOW, 45 - FF2068T-1212S	
15	-WD	1	HOSE ASSEMBLY 2041 12OS 1209 (CP port check valve on fan control valve to charge pump "P" port)	
16	19128-WD	1	ELBOW, 90 - FF1868T-1216S	



 See referenced page for component or assembly breakdown.

Kit or Assembly - includes all items indented underneath.

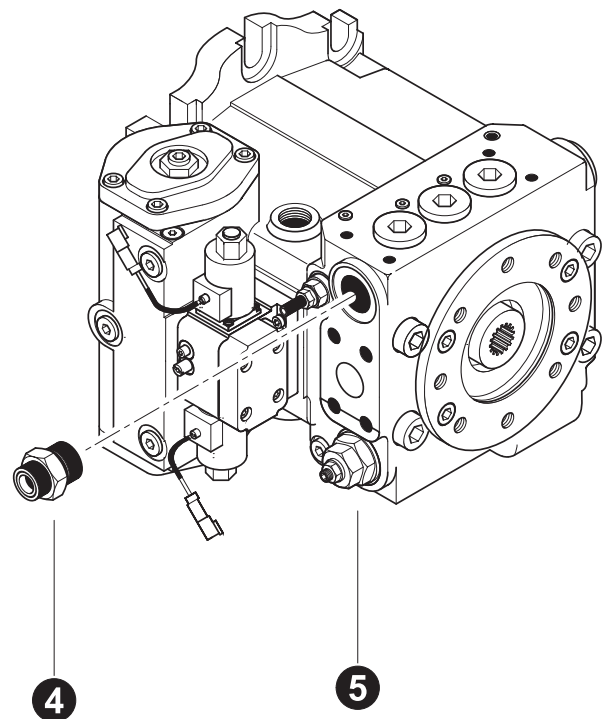
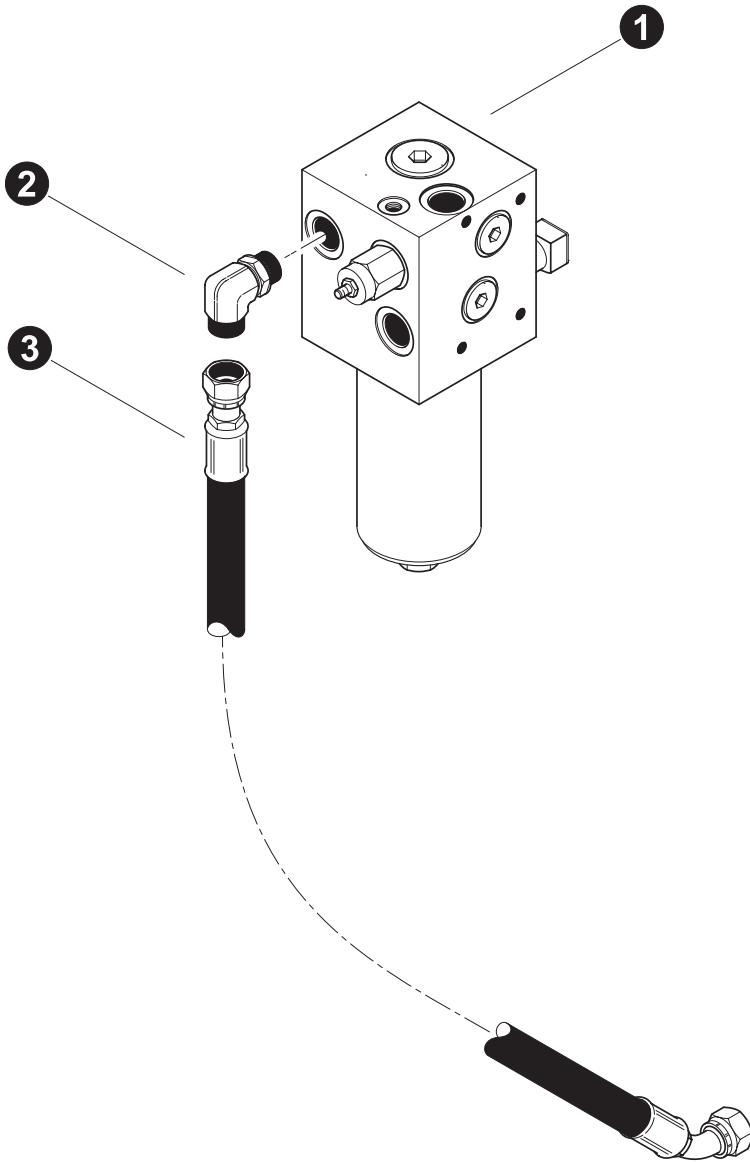


Parts T3184 07/14/2005
18.75

CHARGE PUMP SECONDARY INLET



REF	PART #	QTY	DESCRIPTION	SEE SECTION
1	REF.	1	 CHARGE FILTER MANIFOLD	WD-3
2	17688-WD	1	ELBOW, 90 - FF1868T-1212S	
3		1	HOSE ASSEMBLY - 2051-12-12OS-12O9 (CHARGE PUMP TO P1 PORT)	
4	19127-WD	1	ELBOW, 45 - FF2068T-1212S	
5	REF.	1	 WHEEL DRIVE CHARGE PUMP	WD-3

 See referenced page for component or assembly breakdown.

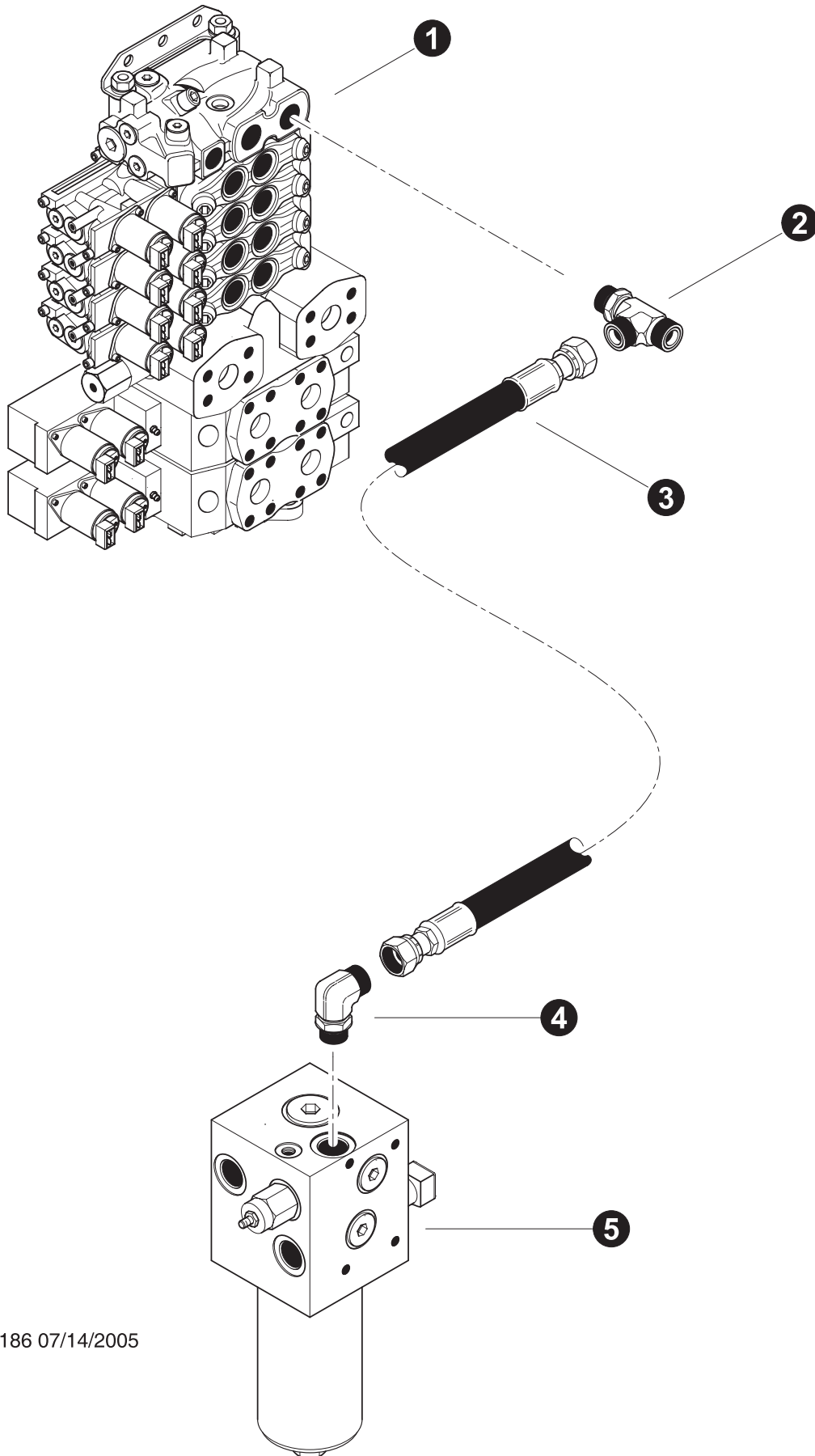


Parts T3185 07/14/2005
18.75

WHEEL DRIVE PUMP CHARGE PRESSURE INLET



REF	PART #	QTY	DESCRIPTION	SEE SECTION
1	REF.	1	 CHARGE FILTER MANIFOLD	WD-3
2	17688-WD	1	ELBOW, 90 - FF1868T-1212S	
3		1	HOSE ASSEMBLY - 2051-12-12OS-12O4 (DRIVE PUMP FA TO FL PORT)	
4	15226-WD	1	CONNECTOR, STR - FF1852T-1216S	
5	REF.	1	 WHEEL DRIVE PUMP	WD-3


 See referenced page for component or assembly breakdown.

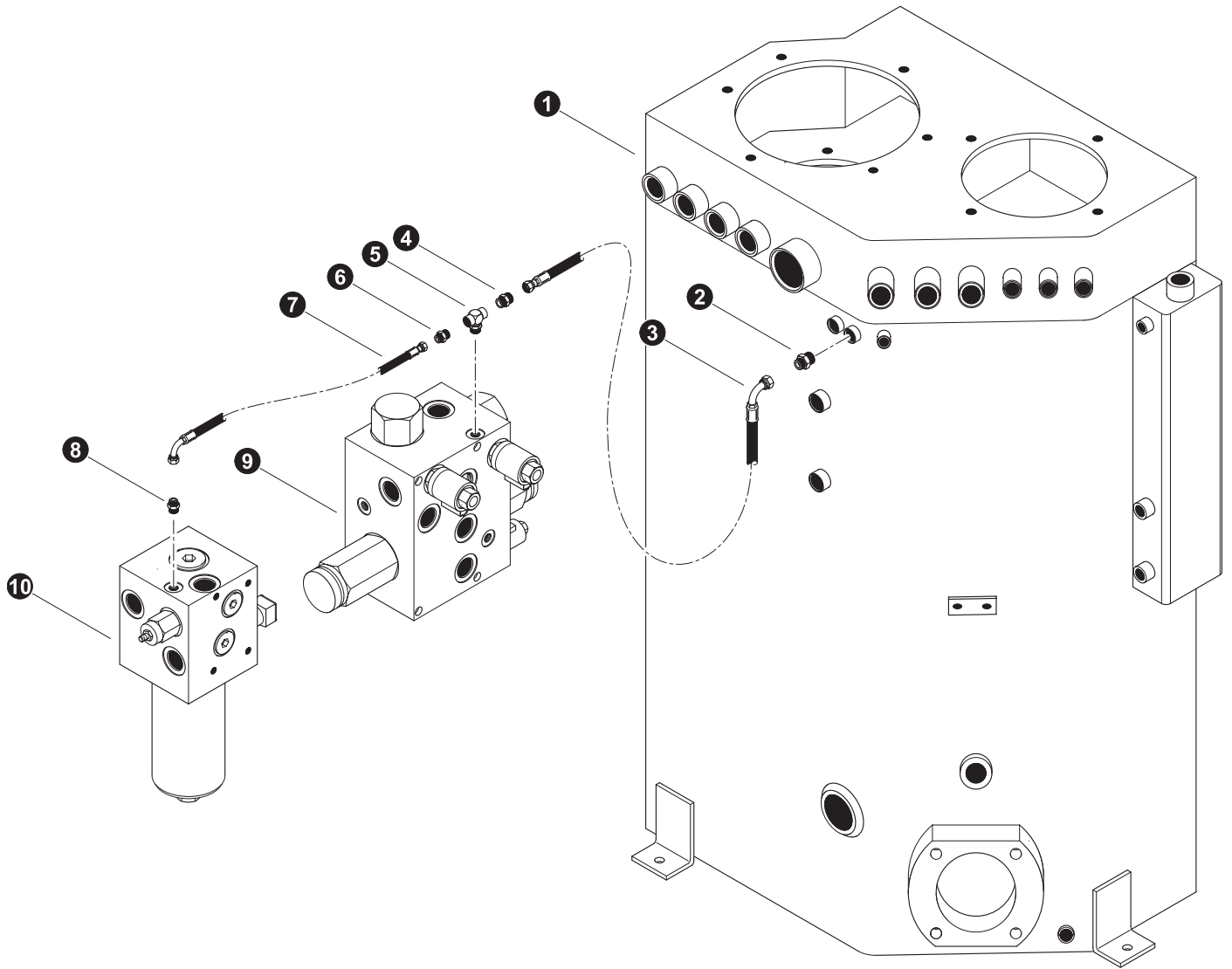


Parts T3186 07/14/2005
18.75

CHARGE FILTER MANIFOLD TANK TO REGEN CIRCUIT




REF	PART #	QTY	DESCRIPTION	SEE SECTION
1	REF.	1	 CONTROL VALVE ASSEMBLY	LH,HH,CH
2	51969-LH	1	TEE, RUN - 12 R50LO-S	
3		1	HOSE ASSEMBLY - 2136-12-12OS-12OS-W (CHARGE MANIFOLD T1 TO T3 PORT ON CONTROL VALVE)	
4	17688-WD	1	ELBOW, 90 - FF1868T-1212S	
5	REF.	1	 CHARGE FILTER MANIFOLD	WD-3


 See referenced page for component or assembly breakdown.

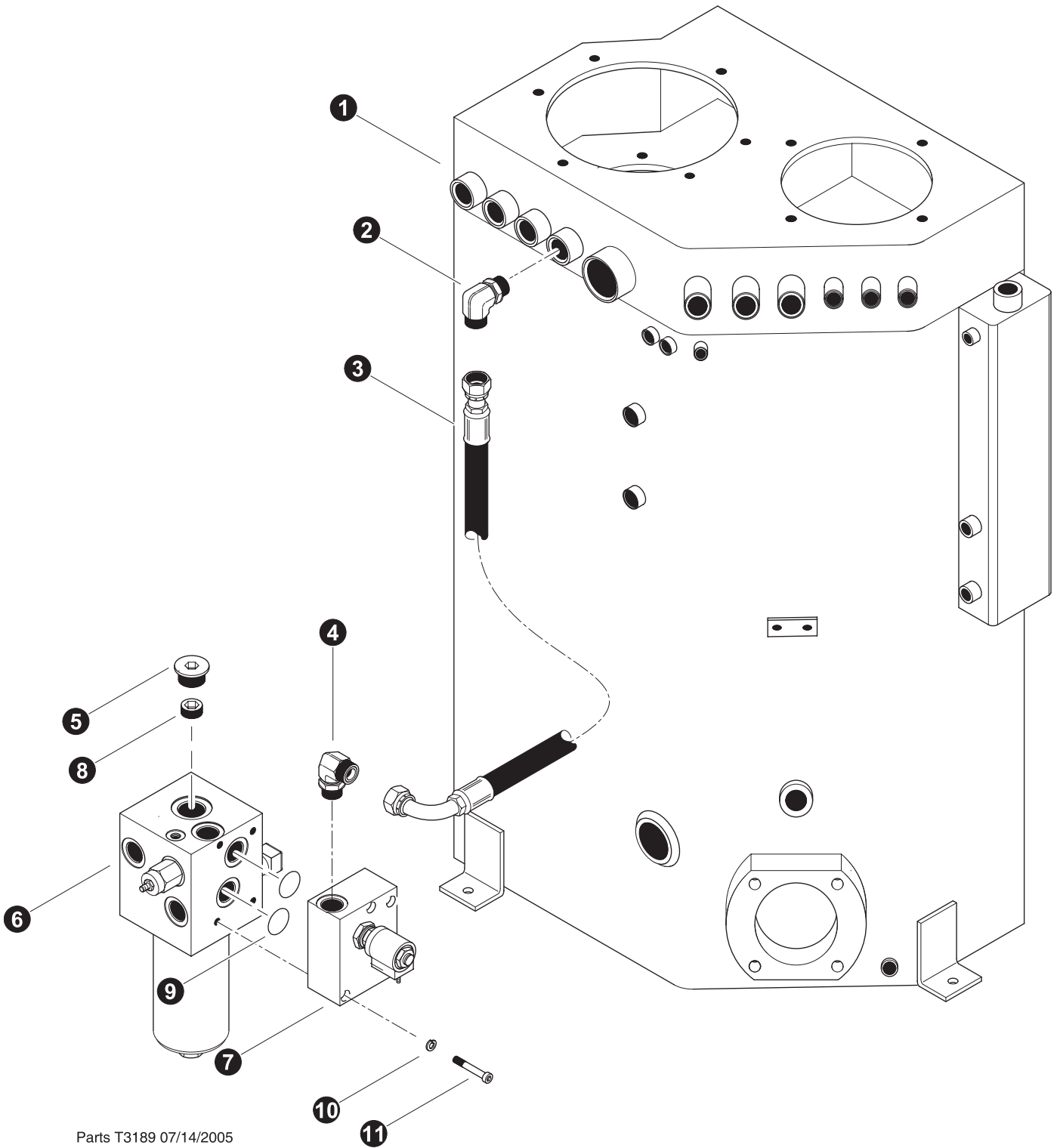


Parts T3187 07/14/2005
18.75

CHARGE FILTER MANIFOLD DRAIN LINE

REF	PART #	QTY	DESCRIPTION	SEE SECTION
1	REF	1	 HYDRAULIC TANK ASSEMBLY.....	UP-2
2	22901-WD	1	CONNECTOR, STR - 6-8 F5OLO-S	
3	50990-WD	1	HOSE ASSEMBLY - 2030-06-060S-0609 (FAN VALVE DRAIN TEE TO TANK RETURN PORT)	
4	18034-WD	1	CONNECTOR, STR - FF1852T-0606S	
5	52079-WD	1	TEE - G5G5JA0	
6	15124-WD	1	CONNECTOR, STR - FF1852T-0406S	
7		1	HOSE ASSEMBLY - 2030-04-040S-0409 (FAN VALVE DRAIN TEE TO CHARGE MANIFOLD DRAIN)	
8	16541-WD	1	CONNECTOR, STR - FF1852T-0404S	
9	REF.	1	 COOLER FAN CONTROL VALVE.....	UP-3
10	REF.	1	 CHARGE FILTER MANIFOLD	WD-3




 See referenced page for component or assembly breakdown.





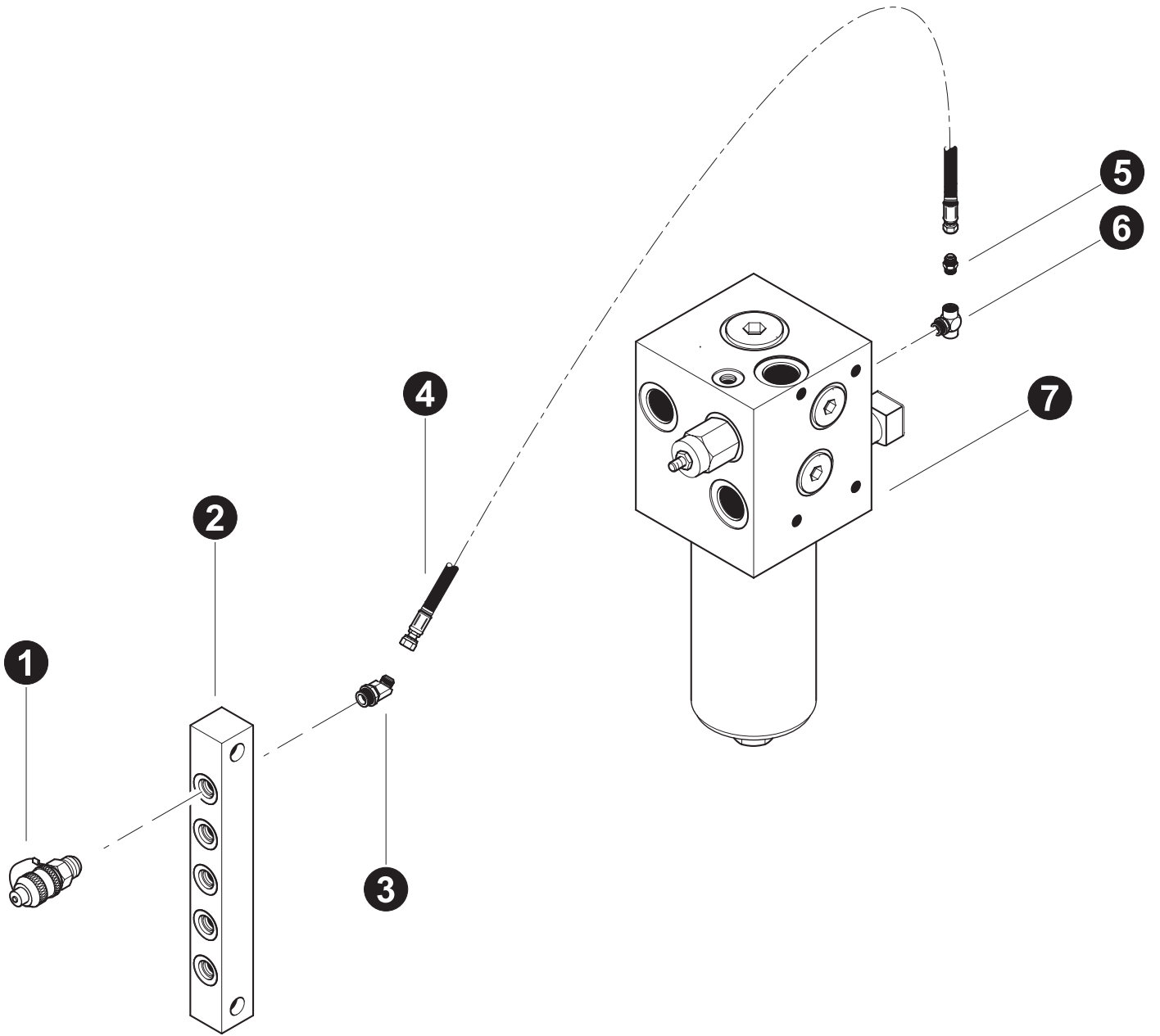
Parts T3189 07/14/2005

18.75

OPTIONAL CHARGE HEATER INSTALLATION



REF	PART #	QTY	DESCRIPTION	SEE SECTION
1	REF	1	 HYDRAULIC TANK ASSEMBLY.....	UP-2
2	17688-WD	1	ELBOW, 90 - FF1868T-1212S	
3	-WD	1	HOSE ASSEMBLY - 2027-12-120S-1209 (CHARGE HEATER MANIFOLD TO TANK RETURN)	
4	17688-WD	1	ELBOW, 90 - FF1868T-1212S	
5	19847-WD	1	PLUG - 6408-HHP-16	
6	REF.	1	 CHARGE FILTER MANIFOLD	WD-3
7	REF.	1	 CHARGE HEATER MANIFOLD	WD-3
8	21676-WD	1	PLUG, orifice	
9	21675-WD	2	O-RING, housing	
10		4	LOCK WASHER	
11		4	ALLEN BOLT	

-  See referenced page for component or assembly breakdown.
-  Kit or Assembly - includes all items indented underneath.



Parts T3188 07/14/2005
18.75

CHARGE FILTER MANIFOLD GAUGE PORT LINE

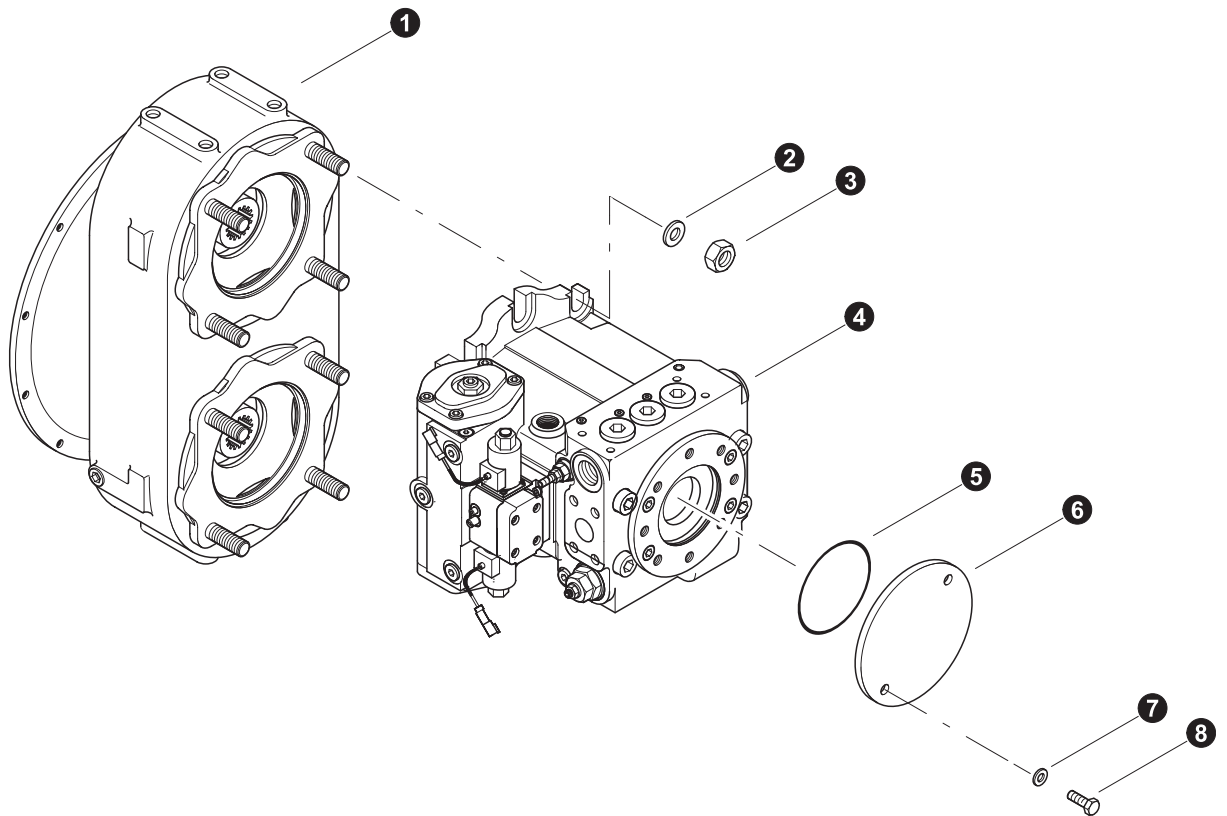
REF	PART #	QTY	DESCRIPTION	SEE SECTION
1	16037-WD	1	TAP, gauge port (1/4" ORB)	
2	REF.	1	 PRESSURE CHECK MANIFOLD.....	UP-4
3	51884-WD	1	ELBOW, 45 - (4 V50X-S)	
4	-WD	1	HOSE ASSEMBLY - 1015-02-04JS-04JS (Charge filter manifold gauge port to pressure check manifold) Part of kit #51836	
5	51887-WD	1	CONNECTOR, STR - (4F50X-S)	
6	24293-WD	1	TEE - 4-G5G5JAO-S	
7	REF.	1	 CHARGE PRESSURE FILTER MANIFOLD.....	WD-3

 See referenced page for component or assembly breakdown.

THIS PAGE LEFT BLANK FOR NOTES



Section WD-2


Wheel Drive - Wheel Drive Pump Circuit

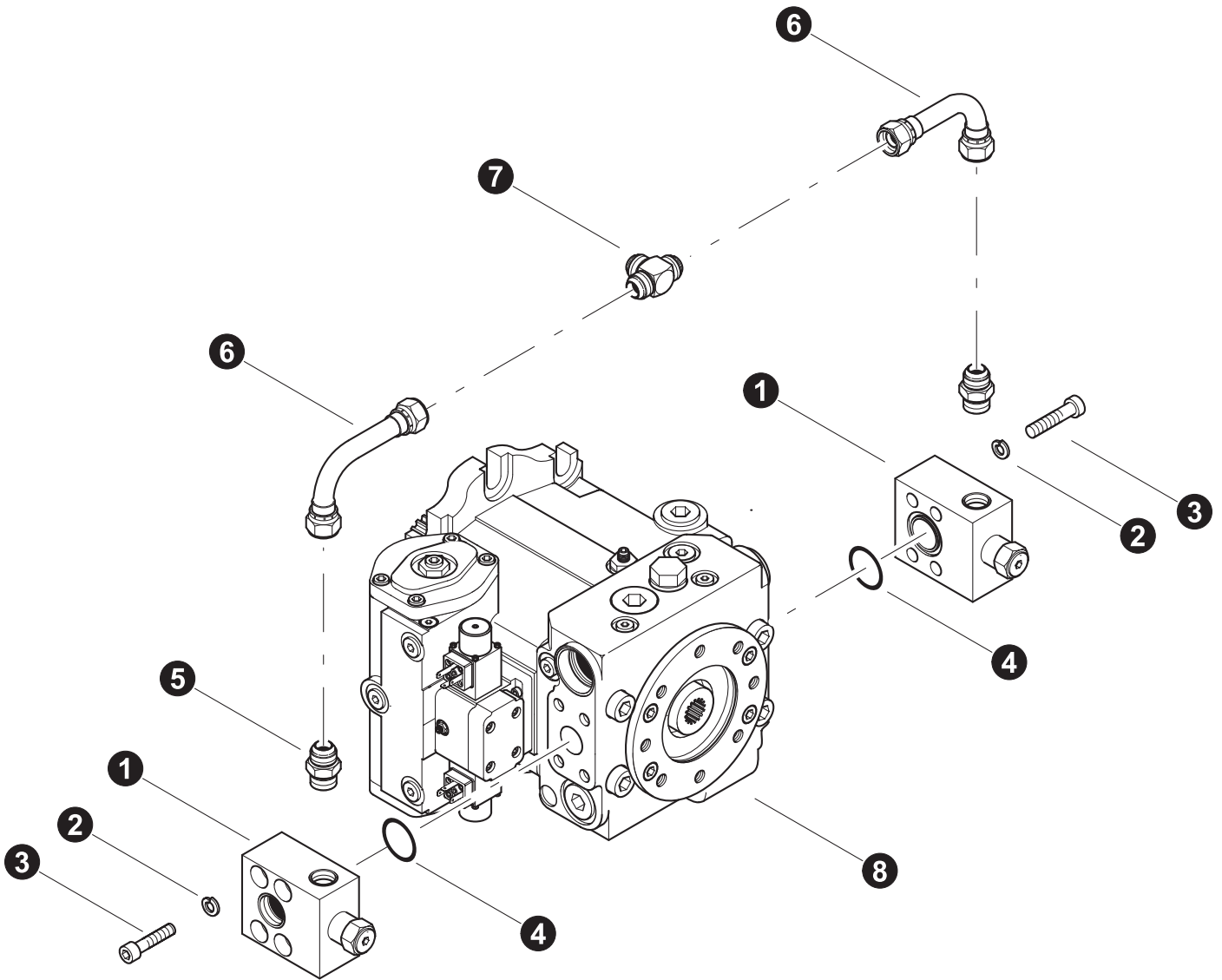


Parts T2666 04/30/2003
18.75

WHEEL DRIVE PUMP INSTALLATION

REF	PART #	QTY	DESCRIPTION	SEE SECTION
1	REF.	1	 TRANSMISSION double pump drive	EE,JD-2
2	15550-WD	4	WASHER, SAE flat - 3/4"	
3	10776-WD	4	NUT, hex - 3/4"	
4	REF.	1	 WHEEL DRIVE PUMP	WD-3
5	15453-WD	1	O-RING	
6	18414-WD	1	COVER, thru drive	
7	15534-WD	4	WASHER, SAE flat - 1/2"	
8	10783-WD	2	BOLT - 1/2" x 1"	


 See referenced page for component or assembly breakdown.



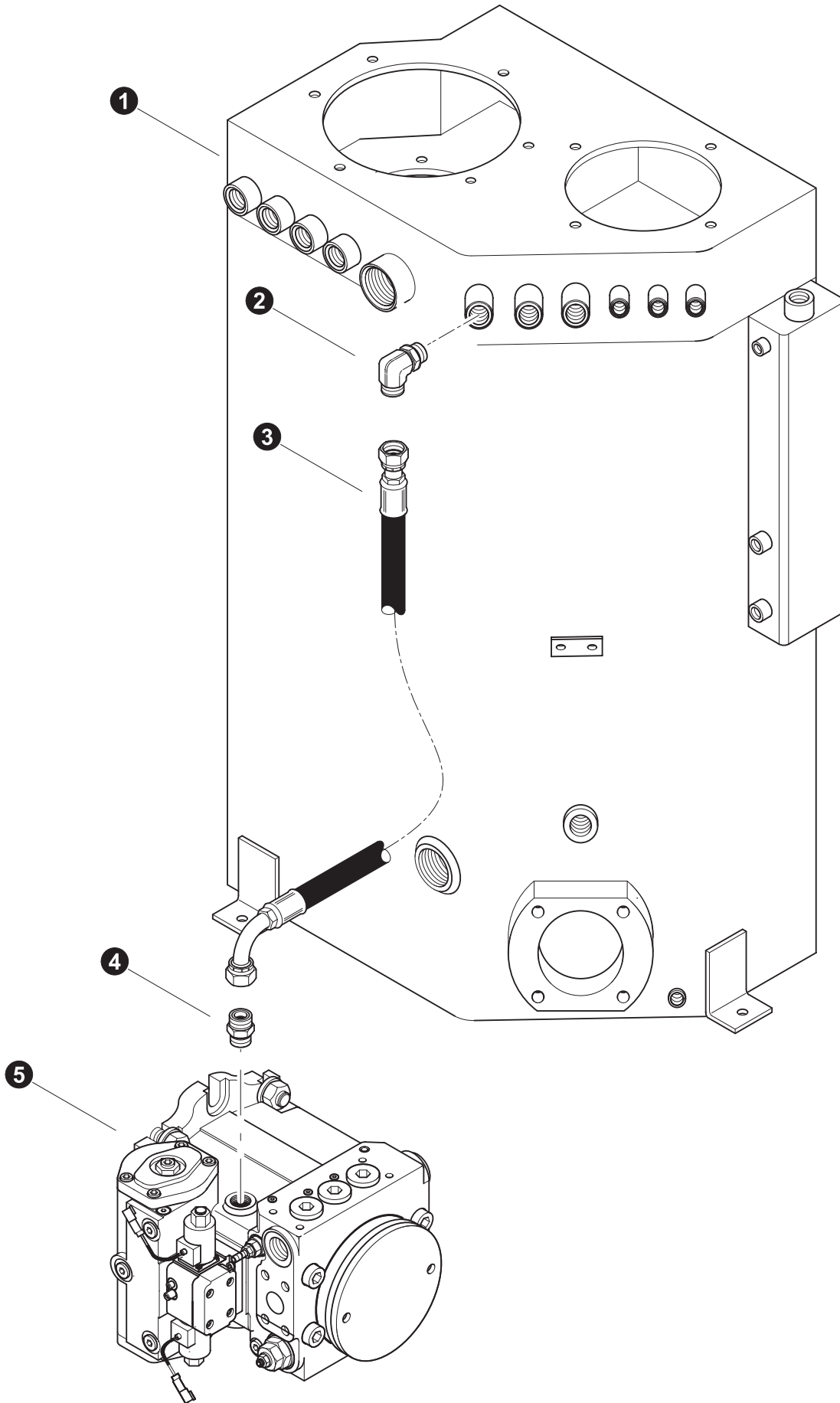
Parts T3192 07/14/2005
18.75

WHEEL DRIVE SYSTEM

Anti-Cavitation Block Installation

REF	PART #	QTY	DESCRIPTION	SEE SECTION
1	51773-WD	2	MANIFOLD, KIT ANTI CAV- WHEEL DRIVE	
2	50075-WD	8	WASHER, LOCK - .5" HIGH COLLAR	
3	17141-WD	8	BOLT, ALLEN HEAD - .5" X 2.75"	
4	15378-WD	2	O-RING - 1.25" SF (CODE 61/62)	
5	11324-WD	2	CONNECTOR, STR - 6400-12	
6	52100-WD	2	TUBE, HYDRAULIC - FORMED 90 DRIVE PUMP	
7	52090-WD	1	TEE - 12WJJTX-S	
8	REF.	1	 WHEEL DRIVE PUMP	WD-3



 See referenced page for component or assembly breakdown.



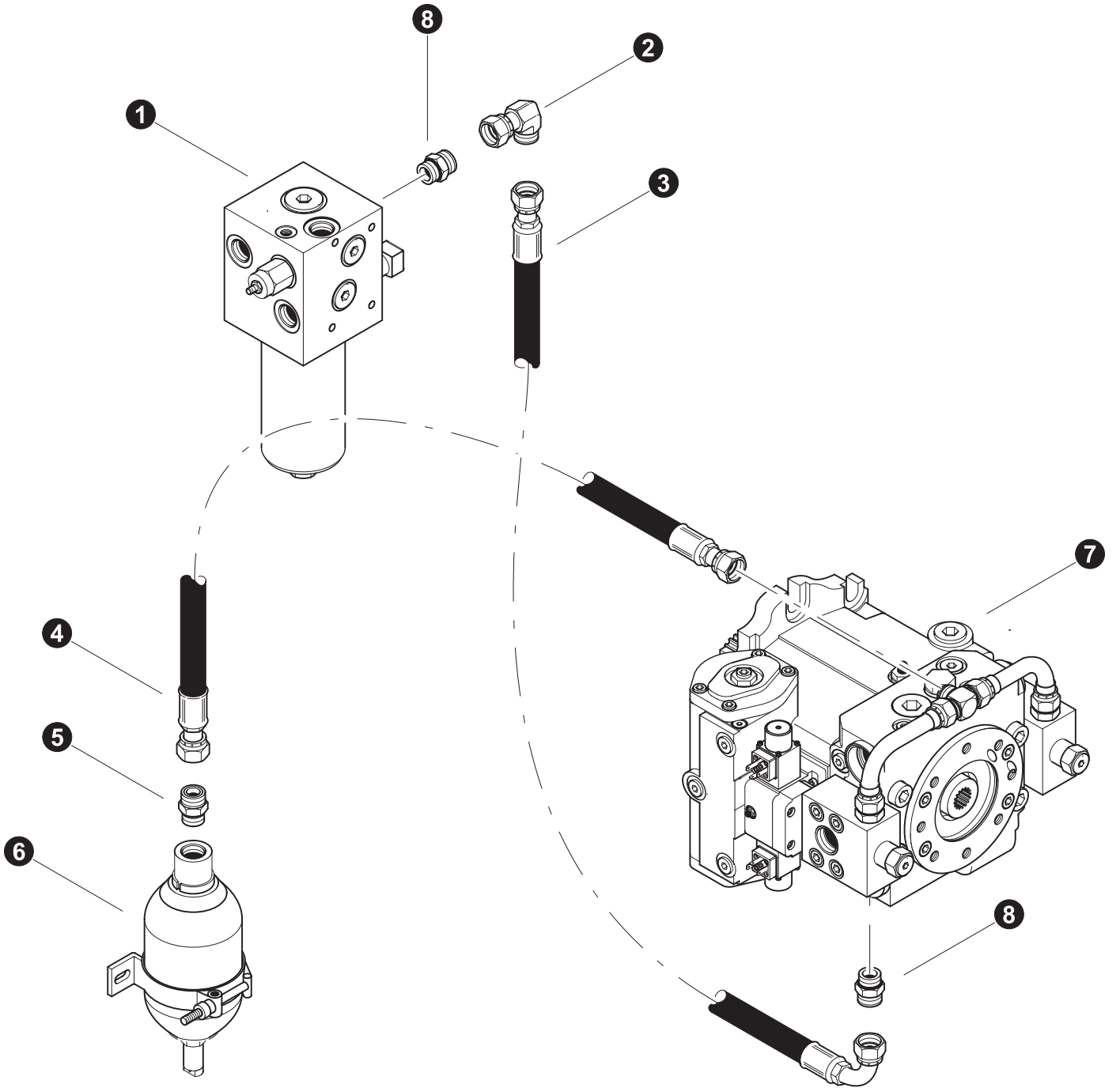
Parts T3194 07/18/2005
18.75

WHEEL DRIVE SYSTEM

Case Drain Hose

REF	PART #	QTY	DESCRIPTION	SEE SECTION
1	REF.	1	 HYDRAULIC TANK ASSEMBLY.....	UP-2
2	17688-WD	1	ELBOW, 90 - FF1868T-1212S	
3		1	HOSE ASSEMBLY - 2030.5 12-12OS-1209 Pump Case to Hydraulic Tank	
4	15152-WD	1	CONNECTOR, STR - FF1852T-1212S	
5	REF.	1	 WHEEL DRIVE PUMP	WD-3



 See referenced page for component or assembly breakdown.



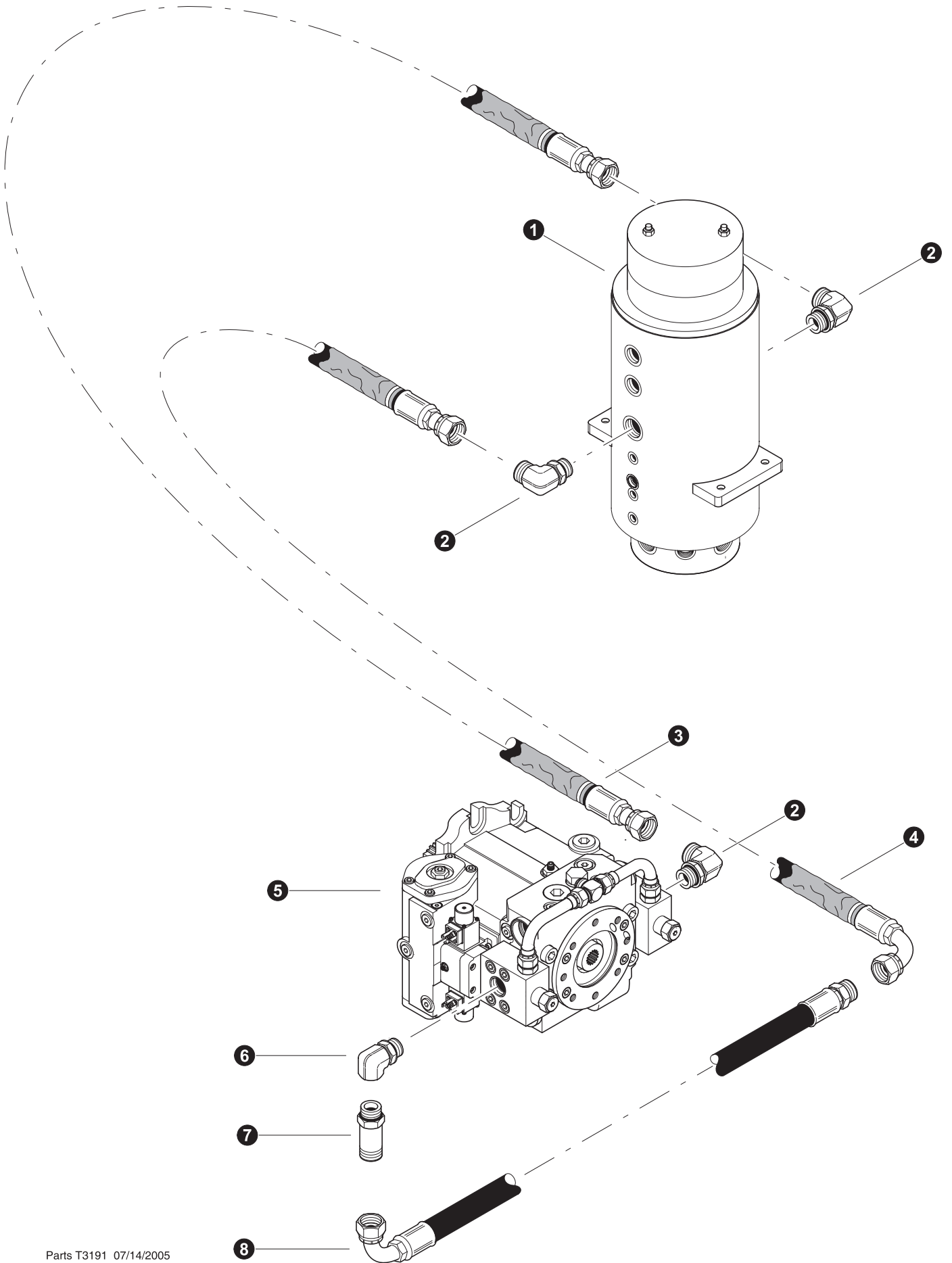
Parts T3193 07/18/2005
18.75

WHEEL DRIVE SYSTEM

Anti-Cavitaion Connections

REF	PART #	QTY	DESCRIPTION	SEE SECTION
1	REF.	1	 CHARGE FILTER MANIFOLD	WD-1
2	17670-WD	1	ELBOW, 90 SWIVEL - FF2098T-1212S	
3		1	HOSE ASSEMBLY - 2038 12-12OS-12O9 Charge Manifold "F2" to Wheel Drive Pump Anti-Cav Block	
4		1	HOSE ASSEMBLY - 2032 12-12OS-12JS Wheel Drive Pump Anti Cav Tee to Accumulator	
5	15152-WD	1	CONNECTOR, STR - FF1852T-1212S	
6	51709-WD	1	ACCUMULATOR, GAS - WHEEL DRIVE	
7	REF.	1	 WHEEL DRIVE PUMP	WD-3
8	15152-WD	1	CONNECTOR, STR - FF1852T-1212S	



 See referenced page for component or assembly breakdown.



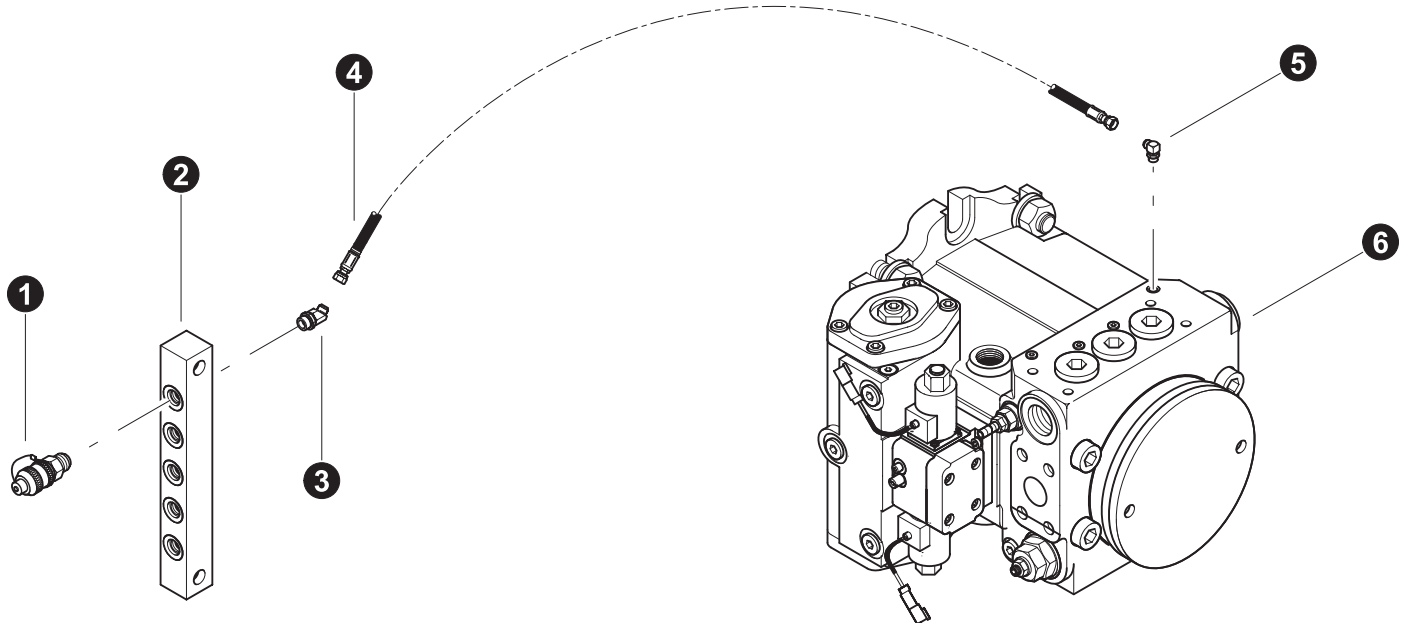
Parts T3191 07/14/2005
18.75

WHEEL DRIVE SYSTEM

Drive Pump Pressure Connections



REF	PART #	QTY	DESCRIPTION	SEE SECTION
1	REF.	1	 ROTORY MANIFOLD	UP-1
2	15228-WD	2	ELBOW, 90 - FF1868T-1616S	
3		1	HOSE ASSEMBLY - 6118 16-16OS-16OS Wheel Drive Pump "A" Port to Rotory Manifold #8 Port	
4		1	HOSE ASSEMBLY - 6107.5 16-16OS-16O9 "B" Port Jumper to Rotory Manifold #7 Port	
5	REF.	1	 WHEEL DRIVE PUMP	WD-3
6	51832-WD	1	ELBOW, 90 - 1" ORS X 1" SAE FEMALE	
7	51831-WD	1	CONNECTOR, STR LONG - 16 FF5060-S	
8		1	HOSE ASSEMBLY - 6017.25 16-16OM-16O9 Wheel Drive Pump "B" Port	

 See referenced page for component or assembly breakdown.



Parts T3195 07/18/2005
18.75

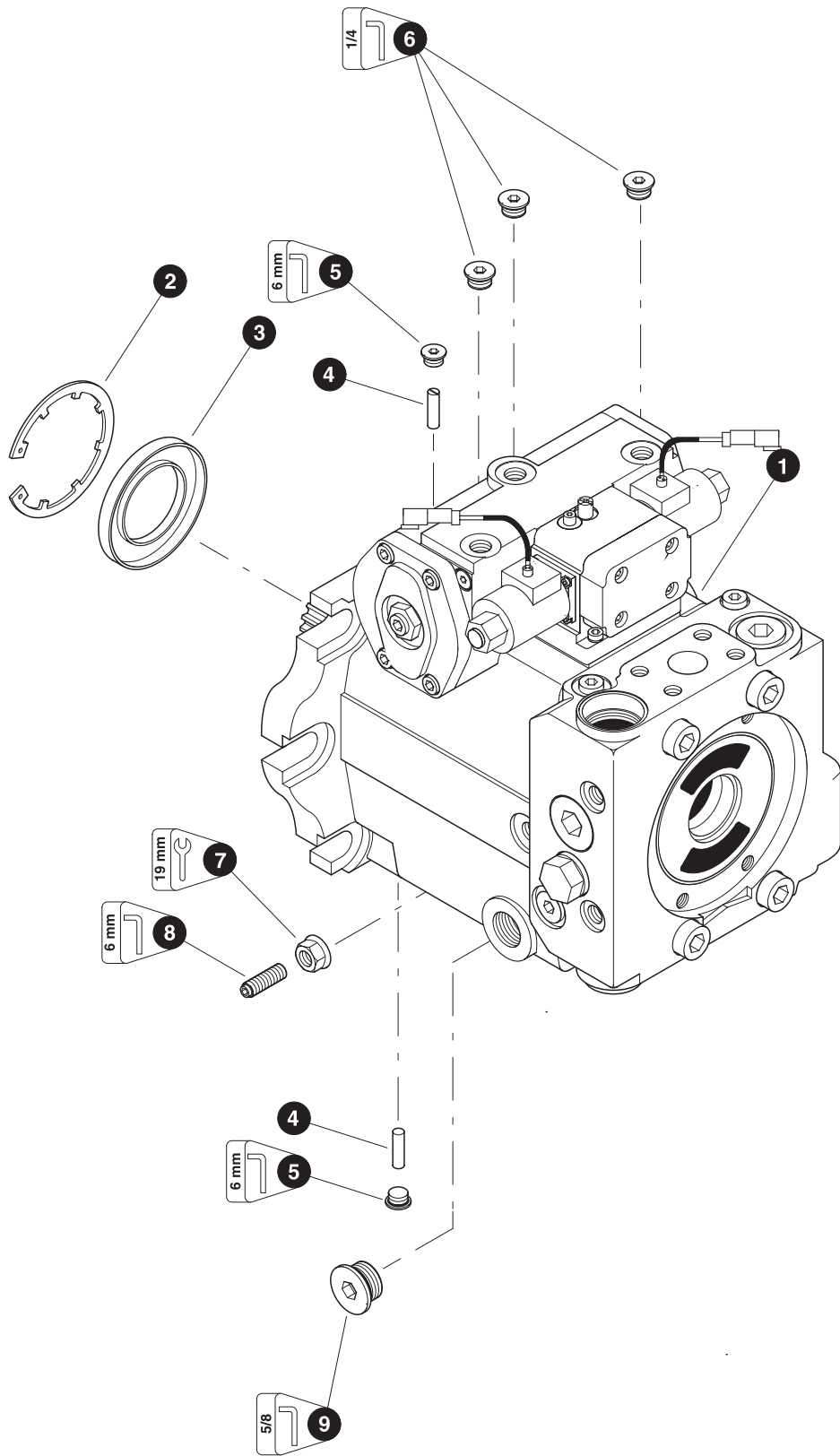
WHEEL DRIVE PUMP INSTALLATION

REF	PART #	QTY	DESCRIPTION	SEE SECTION
1	16037-WD	1	TAP, gauge port (1/4" ORB)	
2	REF.	1	 PRESSURE CHECK MANIFOLD	UP-4
3	51884-WD	1	ELBOW, 45 - (4 V50X-S)	
4	-WD	1	HOSE ASSEMBLY - 1058-02-04JS-04JS (Wheel Drive Pump gauge port to pressure check manifold) Part of kit #51836	
5	51889-WD	1	ELBOW, 90 - (4C50X-S)	
6	REF.	1	 Wheel Drive Pump	WD-3

 See referenced page for component or assembly breakdown.

Section WD-3

Wheel Drive - Wheel Drive System Components



Parts T2676 05/15/2003
37.50

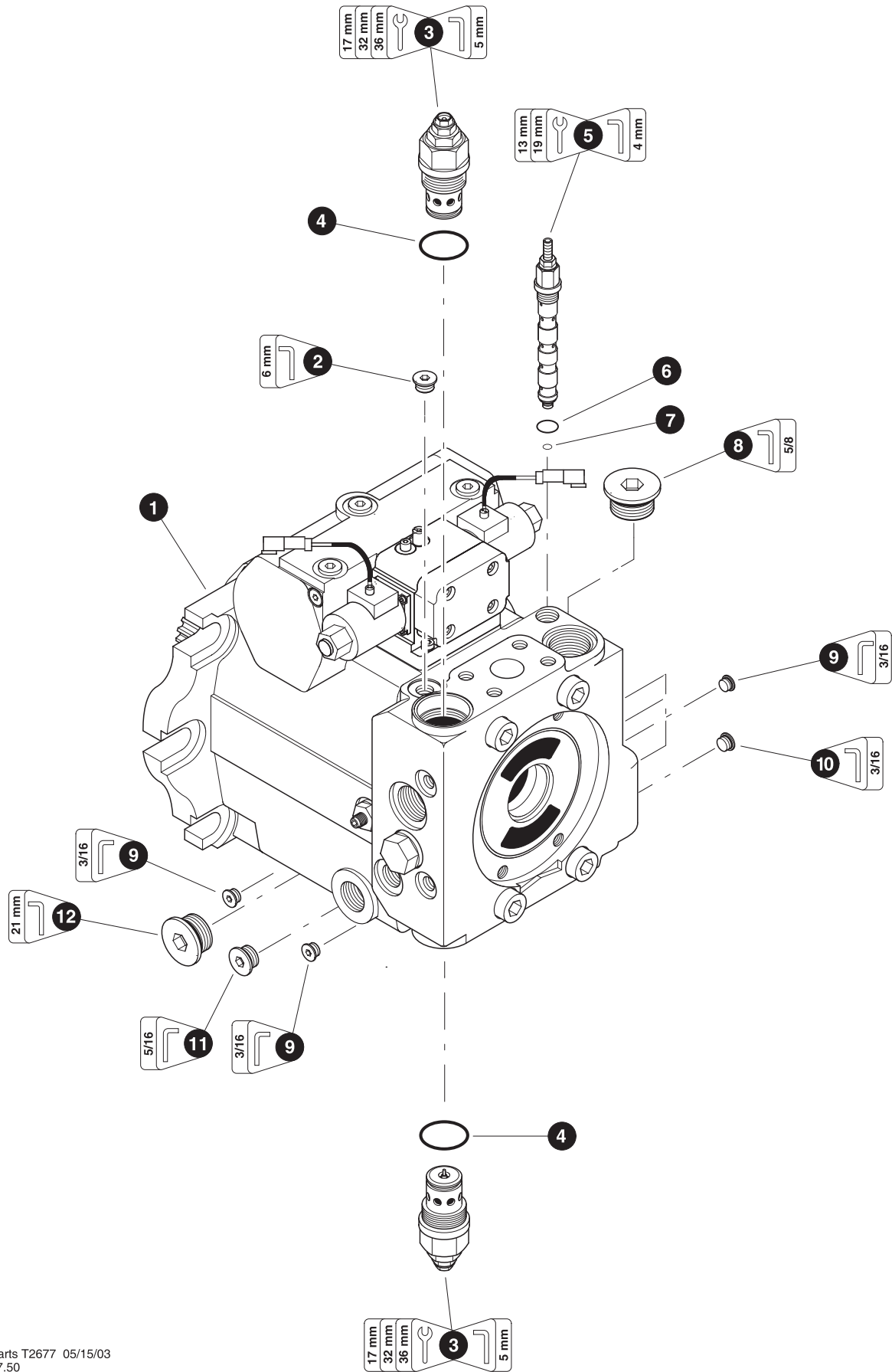
WHEEL DRIVE PUMP - REXROTH AA4VG125 (Forward Cast Housing Components)

REF	PART #	QTY		DESCRIPTION	SEE SECTION
1	23612-WD	1	☐	PUMP, wheel drive - Rexroth AA4VG125 - 24V	
2	20315-WD	1		RING, snap	
3	19353-WD	1	⌘	SEAL, shaft	
4	20318-WD	2		PIN, cradle	
5	20317-WD	2	⌘	PLUG - 12mm-1.5P	
6	15412-WD	4	☐	PLUG - 6408-HHP-6	
	20320-WD	1	⌘	O-RING, ORB - #6	
7	20329-WD	1	⌘	NUT, seal - 12mm-1.5P	
8	20327-WD	1		PIN, threaded - 12mm-1.5P	
9	19847-WD	1	☐	PLUG - 6408-HHP-16	
	20324-WD	1	⌘	O-RING, ORB - #16	
-	19356-WD	1		KIT, seal repair - complete AA4VG125 pump	

- ☐ Kit or Assembly - includes all items indented underneath.
 ⌘ Included in seal repair kit Part # 19356-WD.


















Note:




Due to warranty policy restrictions imposed by Timbco's component suppliers, it is not recommended that the component be disassembled further than is shown in the illustration.



Parts T2677 05/15/03
37.50

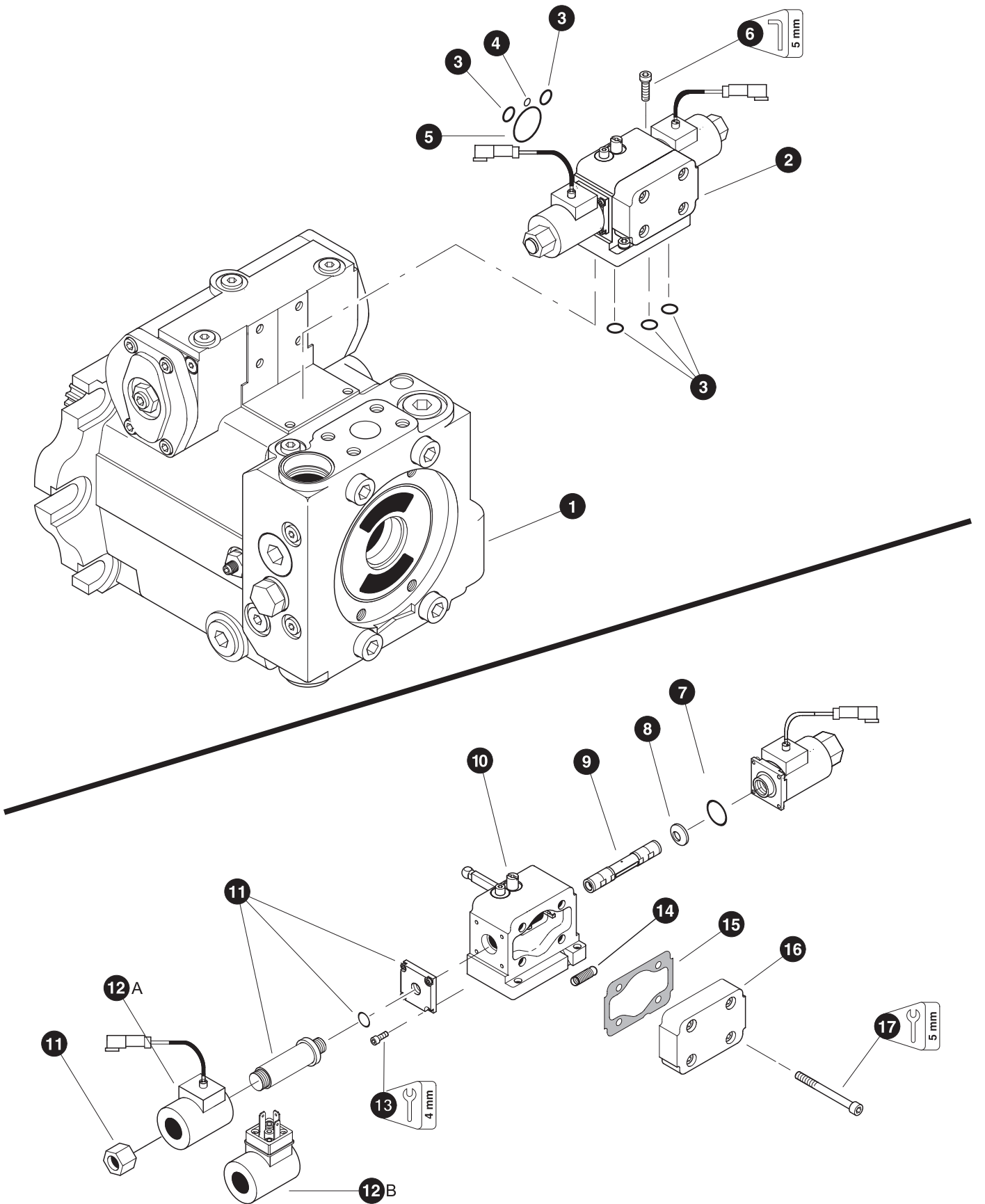
WHEEL DRIVE PUMP - REXROTH AA4VG125 (Rear Port Block Components)

REF	PART #	QTY		DESCRIPTION	SEE SECTION
1	REF.	1		WHEEL DRIVE PUMP - Rexroth AA4VG125.....	WD-3
2	20317-WD	1		PLUG - 12mm-1.5P	
3	20330-WD	2		CARTRIDGE, high pressure relief valve	
	20331-WD	1		NUT, seal - 10mm-1.0P	
4	20332-WD	1		O-RING, HPRV cartridge	
5	20254-WD	1		CARTRIDGE, POR relief valve	
6	20337-WD	1		O-RING, POR relief valve - body	
7	20338-WD	1		O-RING, POR relief valve - chamber	
8	19847-WD	1		PLUG - 6408-HHP-16	
	20324-WD	1		O-RING, ORB - #16	
9	20339-WD	4		PLUG - 8mm-1.0P	
10	11383-WD	2		PLUG - 6408-HHP-4	
	20319-WD	1		O-RING, ORB - #4	
11	19271-WD	2		PLUG - 6408-HHP-10	
	20322-WD	1		O-RING, ORB - #10	
12	20333-WD	1		PLUG - 42mm-2.0P	
	20334-WD	1		O-RING, ORB - 42mm-2.0P	
-	19356-WD	1		KIT, seal repair - complete AA4VG125 pump	

-  See referenced page for component breakdown.
-  Kit or Assembly - includes all items indented underneath.
-  Included in seal repair kit Part # 19356-WD.








Note:




Due to warranty policy restrictions imposed by Timbco's component suppliers, it is not recommended that the component be disassembled further than is shown in the illustration.

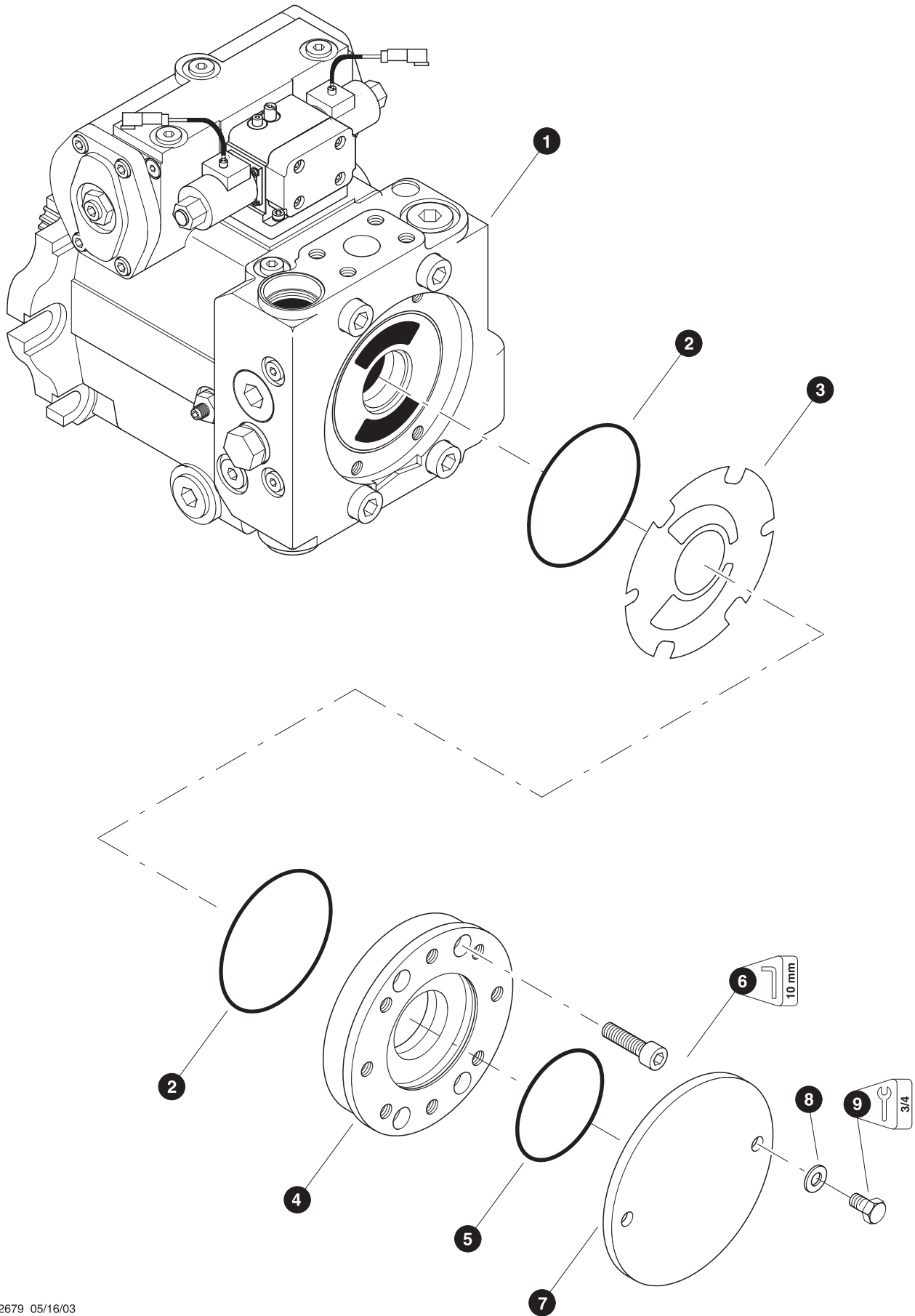


Parts T2678 05/16/03
37.50

**WHEEL DRIVE PUMP - REXROTH AA4VG125
(Stroke Control Assembly)**




REF	PART #	QTY		DESCRIPTION	SEE SECTION
1	REF.	1		WHEEL DRIVE PUMP - Rexroth AA4VG125.....	WD-3
2	50935-WD	1		VALVE, stroke control - 24V current	
3	20342-WD	5		O-RING, stroke control	
4	20343-WD	1		O-RING, stroke control	
5	20344-WD	1		O-RING, stroke control	
6	20345-WD	2		BOLT, allen head - 6mm x 20mm	
7	-	2		O-RING, (09083764)	
8	-	2		SPRING, CUP (02601640)	
9	NSS	1		SPOOL,	
10	-	1		MODULE, stroke control - (02046894)	
11	-	2		COIL STEM, assembly (02046037)	
12a	50465-WD	2		COIL, solenoid - 24V	
12b	50043-WD	2		COIL, solenoid - (hershman style connector 24v) (old style)	
13	-	8		BOLT, allen head - 4mm (09083183)	
14	-	1		SPRING, stroke centering (02063327)	
15	-	1		GASKET, (09651478)	
16	-	1		COVER, (09443201)	
17	-	4		BOLT, allen head - 6mm (09085831)	
-	19356-WD	1		KIT, seal repair - complete AA4VG125 pump	




-  See referenced page for component breakdown.
-  Kit or Assembly - includes all items indented underneath.
-  Included in seal repair kit Part # 19356-WD



Parts T2679 05/16/03
37.50

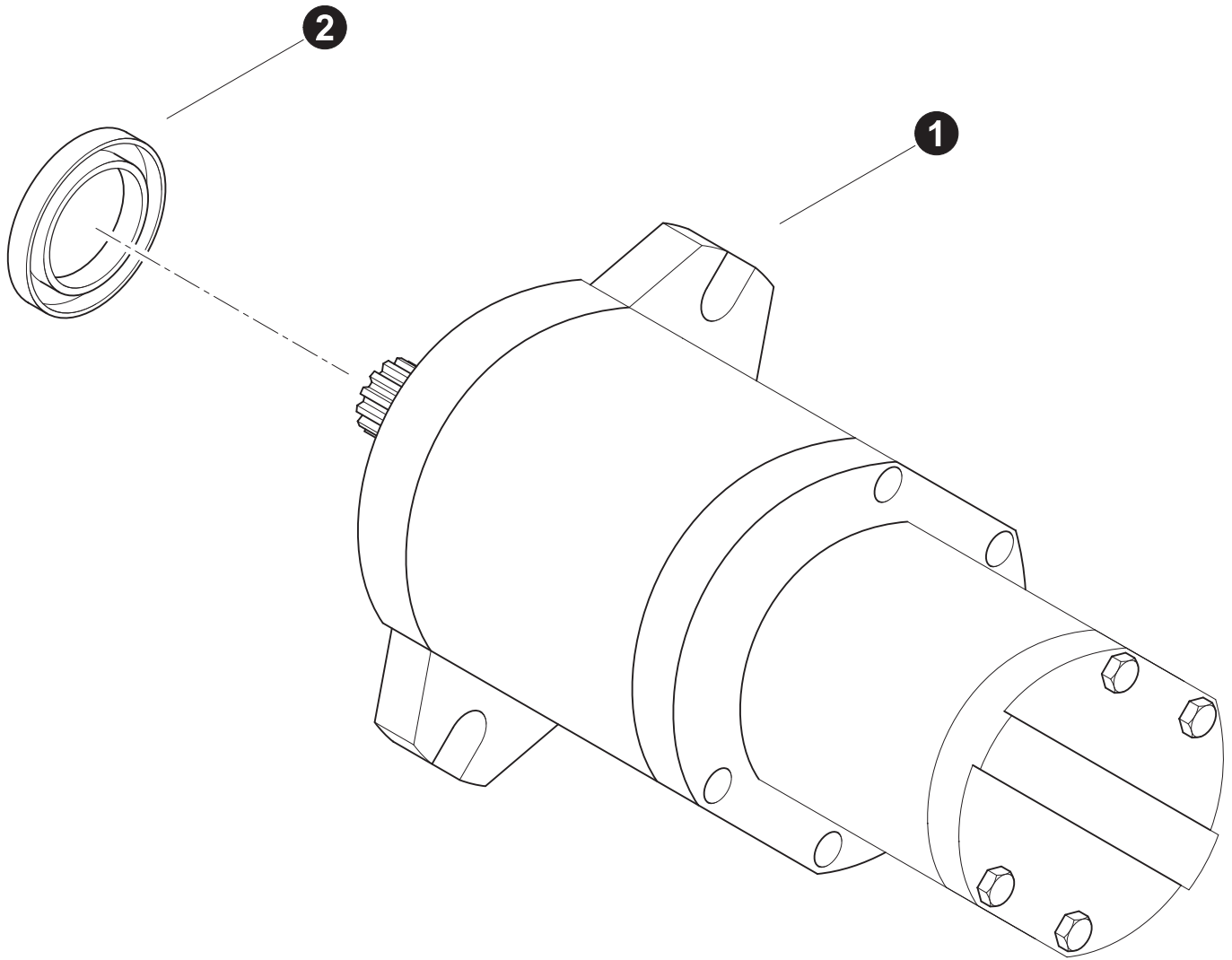
WHEEL DRIVE PUMP - REXROTH AA4VG125 (Thru Drive Components)

REF	PART #	QTY		DESCRIPTION	SEE SECTION
1	REF.	1		WHEEL DRIVE PUMP - Rexroth AA4VG125.....	WD-3
-	-----	1		THRU DRIVE ASSEMBLY (No gear charge pump)	
2	20368-WD	2		O-RING, thru drive wear plate	
3	20369-WD	1		PLATE, wear	
4	NSS	1		HOUSING	
5	21624-WD	1		O-RING, thru drive pilot (SAE "B")	
6	18954-WD	4		BOLT, allen head - 12mm-1.75P x 40mm	
7	18414	1		COUPLING, thru drive	
8	18040	1		WASHER, flat - .5"	
9	10783	1		BOLT - .5" X 1"	
-	19356-WD	1		KIT, seal repair - complete AA4VG125 pump	

-  See referenced page for component breakdown.
-  Kit or Assembly - includes all items indented underneath.
-  Included in seal repair kit Part # 19356-WD.

Note:

Due to warranty policy restrictions imposed by Timbco's component suppliers, it is not recommended that the component be disassembled further than is shown in the illustration.

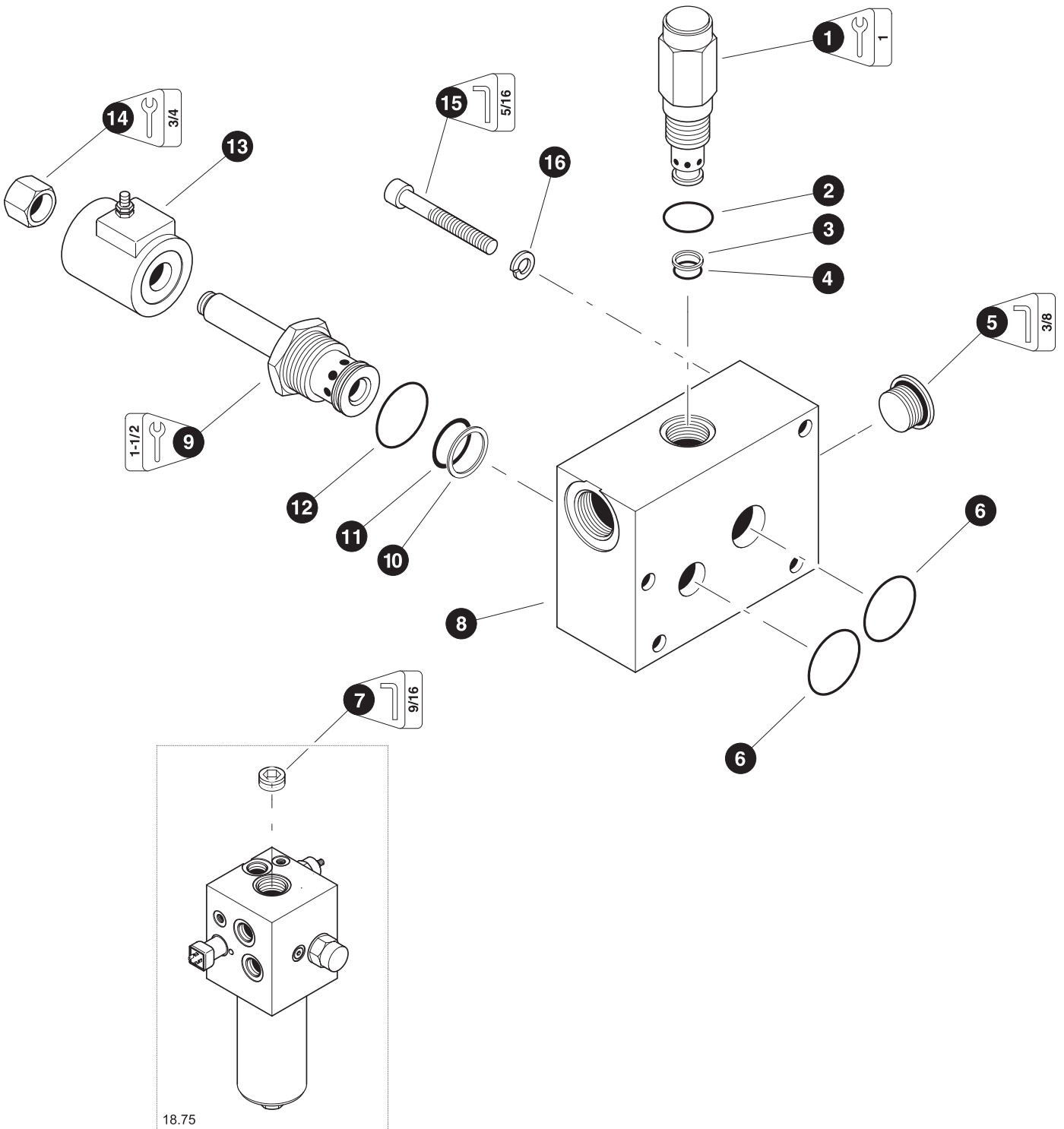


Parts T3190 07/14/2005
50.00

Charge Pump Breakdown

REF	PART #	QTY		DESCRIPTION	SEE SECTION
1	51629-WD	1	<input type="checkbox"/>	PUMP, CHARGE -DUAL FLOW	
2	52160-WD	1		SEAL, shaft	

- Kit or Assembly - includes all items indented underneath.



Parts T2680 05/16/2003
37.50

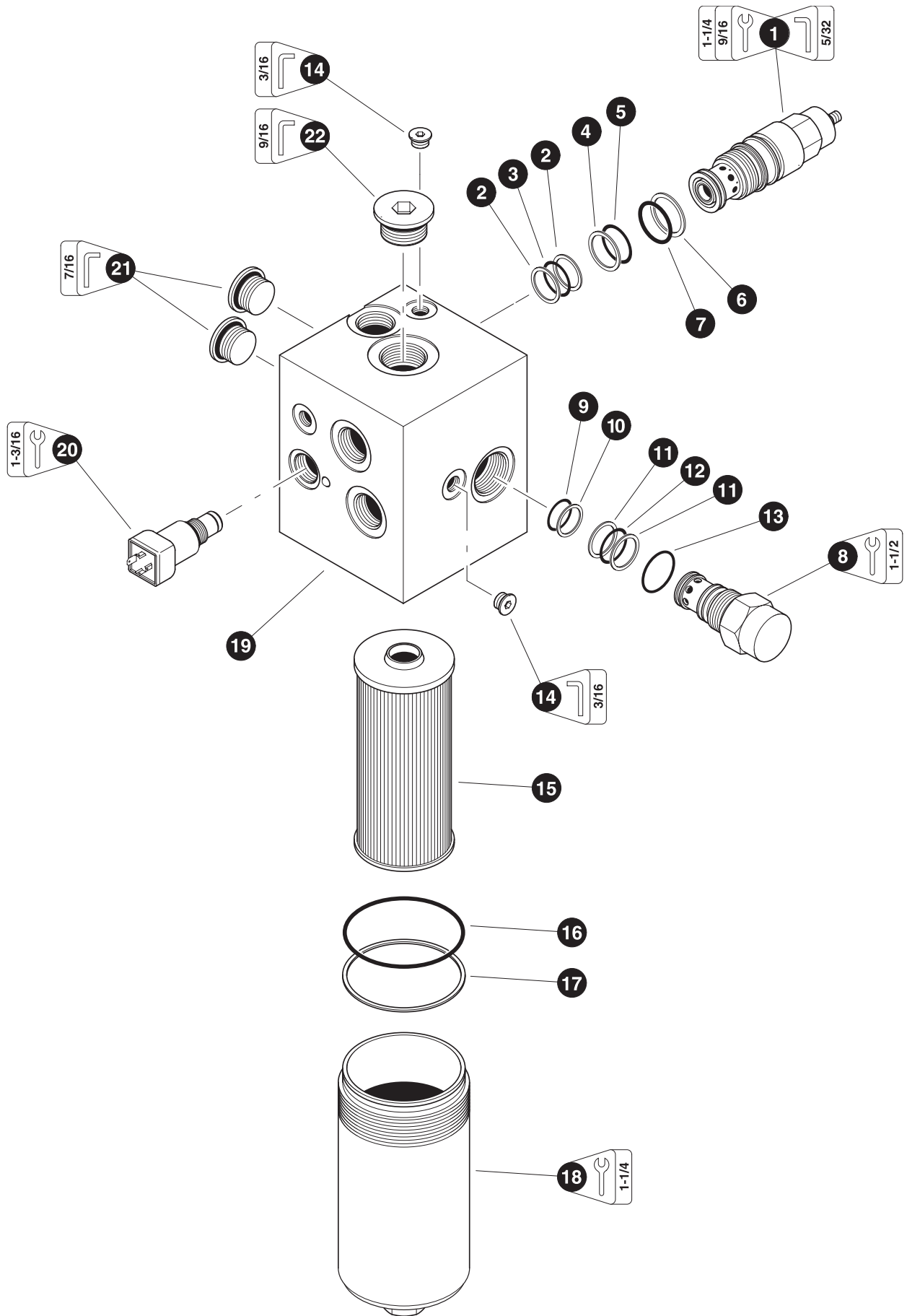
Charge Heater Breakdown

(Used on Serial Number 0128 and Down)

REF	PART #	QTY	DESCRIPTION	SEE SECTION
-	19823-WD	1	☐ MANIFOLD, charge oil heater	
1	21673-WD	1	☐ CARTRIDGE, relief valve (RV10)	
2	NSS	1	⌘ O-RING, body	
3	NSS	1	⌘ RING, back-up - chamber	
4	NSS	1	⌘ O-RING, chamber	
5	15584-WD	1	PLUG - 6408-HHP-12	
6	21675-WD	2	O-RING, housing	
7	21676-WD	1	PLUG, orifice	
8	NSS	1	HOUSING, valve body	
9	21674-WD	1	☐ CARTRIDGE, solenoid valve (SV16)	
10	NSS	1	◆ O-RING, chamber	
11	NSS	1	◆ RING, back-up - chamber	
12	NSS	1	◆ O-RING, body	
13	23620-WD	1	COIL, 24V	
14	NSS	1	NUT	
15		4	LOCK WASHER	
16		4	ALLEN BOLT	

- 21677-WD 1 KIT, seal repair - relief valve cartridge
- 21678-WD 1 KIT, seal repair - solenoid cartridge

- ☐ Kit or Assembly - includes all items indented underneath.
- ⌘ Included in seal repair kit Part # 21677-WD.
- ◆ Included in seal repair kit Part # 21678-WD.

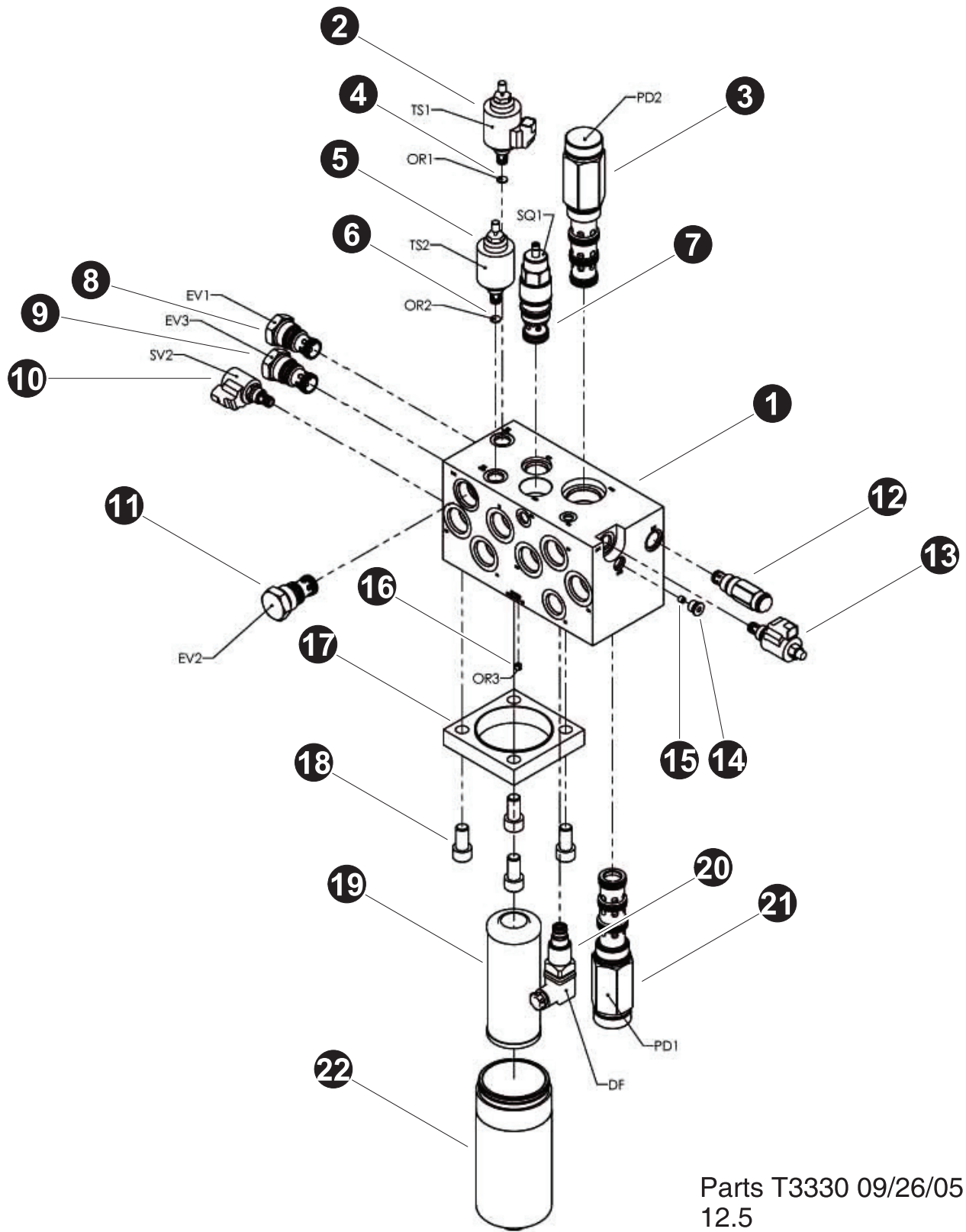


Charge Filter Manifold Breakdown

(Used on Serial Number 0128 and Down)

REF	PART #	QTY	DESCRIPTION	SEE SECTION
-	19821-WD	1	☐ FILTER/MANIFOLD, charge	
1	17812-WD	1	☐ CARTRIDGE, relief	
2	NSS	2	⌘ RING, back-up - chamber	
3	NSS	1	⌘ O-RING - chamber	
4	NSS	1	⌘ RING, back-up - chamber	
5	NSS	1	⌘ O-RING - chamber	
6	NSS	1	⌘ RING, back-up - body	
7	NSS	1	⌘ O-RING - body	
8	19876-WD	1	☐ CARTRIDGE, check	
9	NSS	1	⌘ O-RING - chamber	
10	NSS	1	⌘ RING, back-up - chamber	
11	NSS	2	⌘ RING, back-up - chamber	
12	NSS	1	⌘ O-RING - chamber	
13	NSS	1	⌘ O-RING - body	
14	11383-WD	1	PLUG - 6408-HHP-4	
15	19861-WD	1	ELEMENT, hydrostatic charge filter	
16	19862-WD	1	RING, back-up - canister	
17	19863-WD	1	O-RING, canister	
18	19864-WD	1	CANISTER	
19	NSS	1	BODY	
20	17675-WD	1	SWITCH, filter indicator	
21	15584-WD	2	PLUG - 6408-HHP-12	
22	19847-WD	1	PLUG - 6408-HHP-16	

- ☐ Kit or assembly. Includes all items indented underneath.
 ⌘ Included in seal repair kit PN# 16086-WD.



Parts T3330 09/26/05
12.5

Fan / Charge System Control Valve Breakdown

(Used on Serial Number 0129 and Up)

REF	PART #	QTY	DESCRIPTION	SEE SECTION
-	52099-WD	1	<input type="checkbox"/> VALVE, FAN / CHARGE SYSTEM CONTROL	
1	-WD	1	MANIFOLD, fan / charge	
2	-WD	1	CARTRIDGE, HYDRAFORCE -TS38-20BM-0-N-24ER-VCO8-2	
-	-WD		KIT, SEAL (SKO8-2X-B)	
3	-WD	1	<input type="checkbox"/> CARTRIDGE, HYDRAFORCE - PD42-M40N-0-N-160-VC42-M4	
-	-WD		KIT, SEAL (SK42-4X-MMM)	
4	-WD	1	ORIFACE	
5	-WD	1	<input type="checkbox"/> CARTRIDGE, HYDRAFORCE -TS38-20BM-0-N-24ER-VCO8-2	
-	-WD		KIT, SEAL (SKO8-2X-B)	
6	-WD	1	ORIFACE	
7	-WD	1	<input type="checkbox"/> CARTRIDGE, SUN HYDRAULICS - SCGA-LDNT-17A	
-	-WD		KIT, SEAL (990-017-006)	
8	-WD	1	<input type="checkbox"/> CARTRIDGE, HYDRAFORCE -EV16-S34-0-N-70-VC16-S3	
-	-WD		KIT, SEAL (SK16-3X-MM)	
9	-WD	1	<input type="checkbox"/> CARTRIDGE, HYDRAFORCE -EV16-S34-0-N-70-VC16-S3	
-	-WD		KIT, SEAL (SK16-3X-MM)	
10	-WD	1	<input type="checkbox"/> CARTRIDGE, HYDRAFORCE -SV08-21-VCO8-2	
-	-WD		KIT, SEAL (SKO8-2X-T)	
11	-WD	1	<input type="checkbox"/> CARTRIDGE, HYDRAFORCE - EV16-S34-0-N-0-70-VC16-S3	
-	-WD		KIT, SEAL (SK20-3X-MM)	
12	-WD	1	<input type="checkbox"/> CARTRIDGE, HYDRAFORCE - RV10-28-VC10-2	
-	-WD		KIT, SEAL (SK10-2X-MM)	
13	-WD	1	<input type="checkbox"/> CARTRIDGE, HYDRAFORCE - SVO8-30M-0-P-24ER-VCO8-3	
-	-WD		KIT, SEAL (SKO8-3X-MM)	
14	-WD	1	PLUG	
15	-WD	1	ORIFACE	
16	-WD	1	ORIFACE - 1/16" NPTF (.031)	
17	-WD	1	<input type="checkbox"/> FLANGE, Filter canister	
-	-WD	1	O-RING, Filter canister flange	
18	-WD	4	BOLT, ALLEN -	
19	19861-WD	1	ELEMENT, hydrostatic charge filter	
20	17675-WD	1	SWITCH, filter indicator	
21	-WD	1	<input type="checkbox"/> CARTRIDGE, HYDRAFORCE - PD42-M40N-0-N-160-VC42-M4	
-	-WD		KIT, SEAL (SK42-4X-MMM)	
22	19864-WD	1	<input type="checkbox"/> CANISTER	
-	19863-WD	1	O-RING, canister	
-	19862-WD	1	RING, back-up - canister	

Kit or assembly. Includes all items indented underneath.

