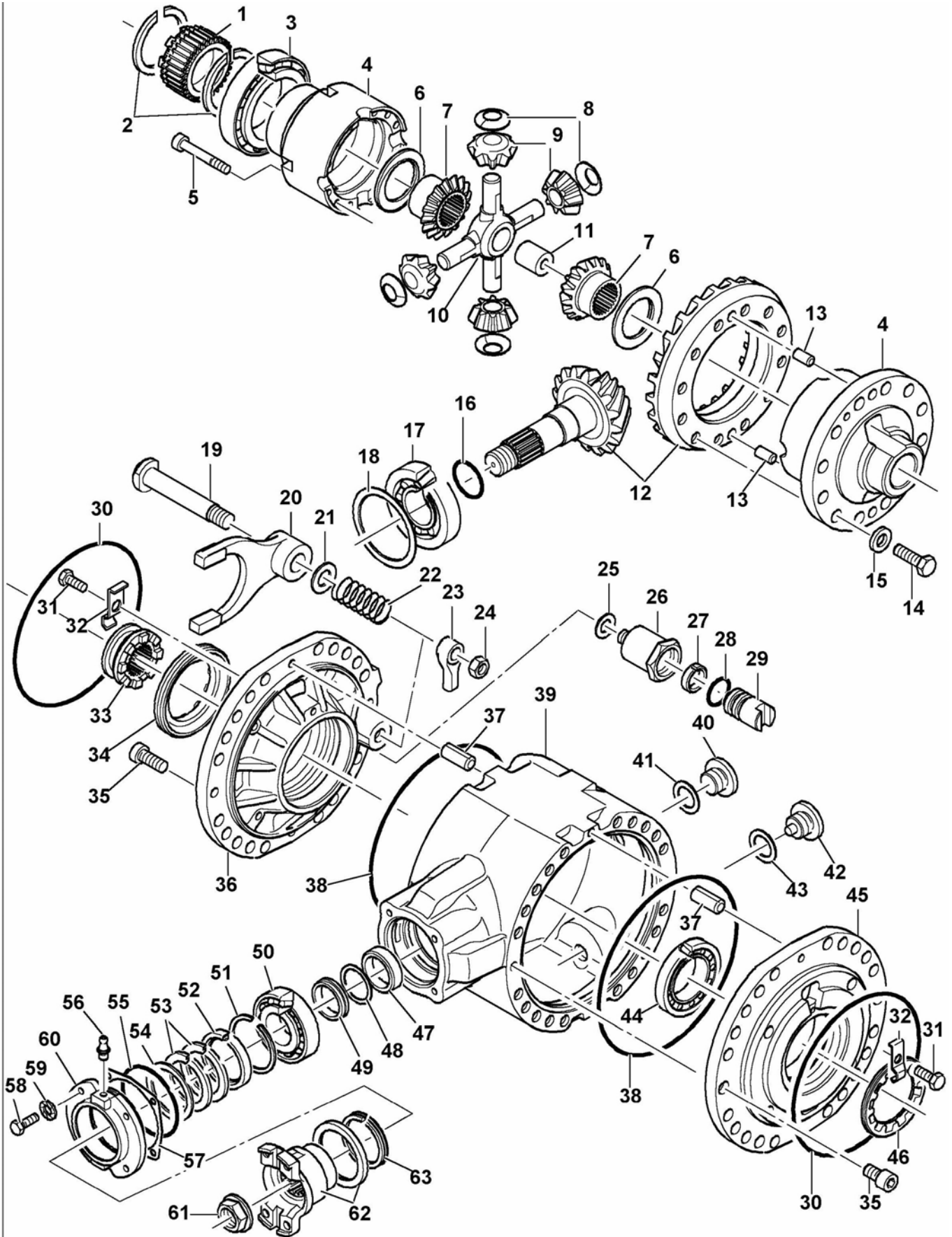


Section AX-1

Axles, Gearboxes & Wheels - Gearboxes (*TIM 08*) 830 - *Rear Axle*



TIM 08 Axle Differential

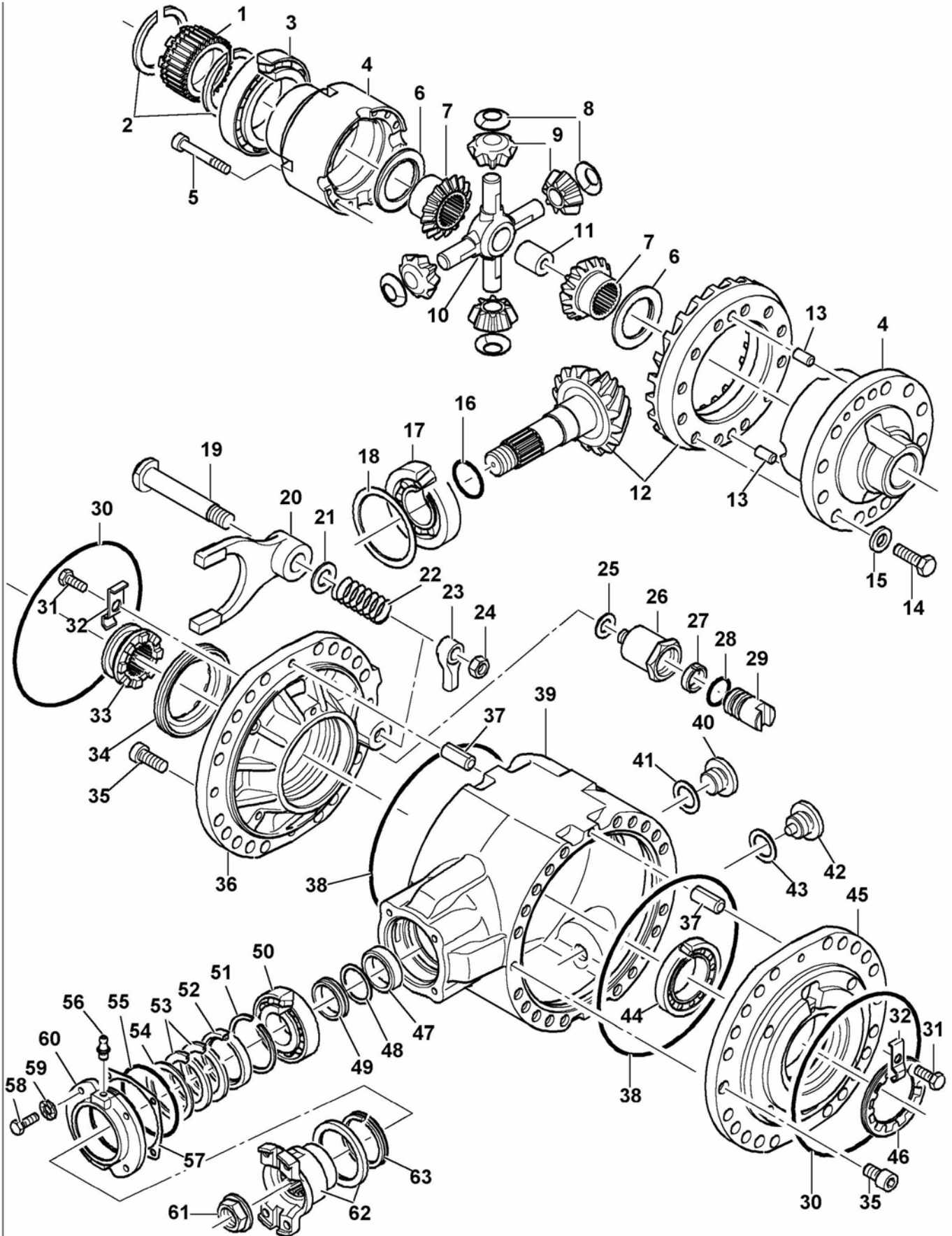
REF	PART #	QTY	DESCRIPTION	SEE PAGE
-	2401.226	1	Differential Complete Assymlby	
1	9813.103	1	Clutch-coupling sleeve	
2	1220.311	2	Spring ring	
3	1110.175	1	Tapered-roller bearing	
4	2102.146	1	Differential cage	
5	1020.335	12	Allen screw	
6	23861-AX	2	<input type="checkbox"/> Adjusting kit	
6	7316.101		Check disk	
6	7316.102		Check disk	
6	7316.103		Check disk	
6	7316.104		Check disk	
7	23862-AX	2	Differential gear	
8	7518.028	4	Thrust washer	
9	7514.032	4	Planetary gear	
10	7515.031	1	Cross bolt	
11	9565.051	1	Adjusting bolt D32x42,0	
12	23856-AX	1	Crown wheel / pinion Z=34/12	
13	1200.228	4	Straight pin 16m6x40, ST GEHAERTET 6325	
14	1510.558	16	Screw M16x1.5x40, 10.9 96115	
15	7316.045	16	Washer 16.1x30x4, C45 GEHAERTET 1542	
16	1170.013	1	O-ring	
17	1110.114	1	Tapered-roller bearing	
18	7317.026	1	<input type="checkbox"/> Adjusting kit	
18	7317.118		Adjusting washer	
18	7317.119		Adjusting washer	
18	7317.120		Adjusting washer	
18	23859-AX		Adjusting washer	
19	23847-AX	1	Shifting rod	
20	23846-AX	1	Shift fork	
21	7317.023	1	<input type="checkbox"/> Adjusting kit	
21	7317.111		Adjusting washer	
21	23845-AX		Adjusting washer	
21	7317.113		Adjusting washer	
21	7317.114		Adjusting washer	
22	23844-AX	1	Pressure spring	
23	23843-AX	1	Shifting lever	
24	23842-AX	1	Hex. nut	
25	23841-AX	1	O-ring	
26	5263.061	1	Cylinder	
27	1180.734	1	Groove ring	
28	1180.811	1	Shaft seal	
29	5252.100	1	Piston	
30	1170.716	2	O-ring	
31	1010.129	2	Hexagon screw	
32	9566.010	2	Locking plate	
33	23850-AX	1	Shifting sleeve	
34	23849-AX	1	Nut	
35	1020.212	4	Allen screw	
36	7527.140	1	Flange	
37	23830-AX	2	Adapter sleeve	
38	23831-AX	2	O-ring	
39	23860-AX	1	Differential housing	



See referenced page for component or assembly breakdown.



Kit or Assembly - includes all items indented underneath.



**TIM 08 Axle
Differential Continued.....**

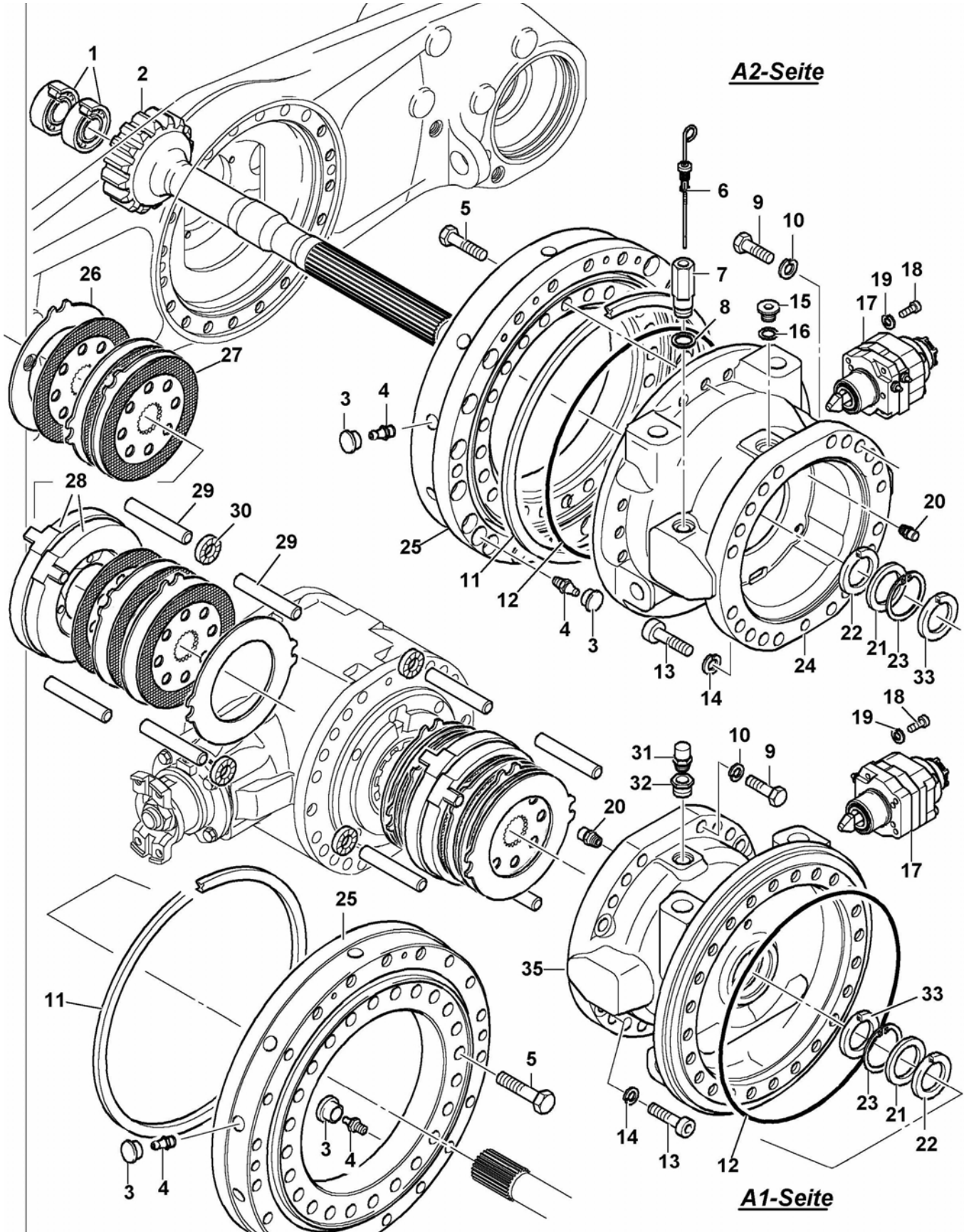
REF	PART #	QTY	DESCRIPTION	SEE PAGE
40	1040.103	1	Screw plug	
41	1180.507	1	Seal ring	
42	9556.021	1	Screw plug	
43	1180.502	1	Seal ring	
44	23852-AX	1	Tapered-roller bearing	
45	23832-AX	1	Flange	
46	23833-AX	1	Nut	
47	23808-AX	1	Spacer bush	
48	23809-AX	1	<input type="checkbox"/> Adjusting kit	
48	7317.185		Adjusting washer	
48	7317.184		Adjusting washer	
48	7317.183		Adjusting washer	
48	7317.182		Adjusting washer	
48	7317.181		Adjusting washer	
48	7317.180		Adjusting washer	
48	7317.179		Adjusting washer	
48	7317.178		Adjusting washer	
48	7317.177		Adjusting washer	
48	7317.176		Adjusting washer	
48	7317.175		Adjusting washer	
48	7317.174		Adjusting washer	
48	7317.173		Adjusting washer	
49	23810-AX	1	Spacer bush	
49	7311.062	1	Spacer bush	
49	7311.063	1	Spacer bush	
50	23811-AX	1	Tapered-roller bearing	
51	23812-AX	1	Spring ring	
52	23813-AX	1	Radial seal	
53	23814-AX	2	Seal ring	
54	23815-AX	1	Washer	
55	23816-AX	1	O-ring	
56	23819-AX	1	Taper grease nipple	
57	23817-AX	1	Gasket	
58	23821-AX	4	Hexagon screw	
59	23820-AX	4	Locking clip	
60	23818-AX	1	Cover	
61	23824-AX	1	Nut	
62	7521.236	1	Drive shaft flange	
63	23822-AX	1	V-ring	
-	7340.014	1	Type plate	
-	1200.108	4	Pin	
-	1200.480	1	Clamp Sleeve	



See referenced page for component or assembly breakdown.



Kit or Assembly - includes all items indented underneath.



TIM 08 Axle Axle Beam

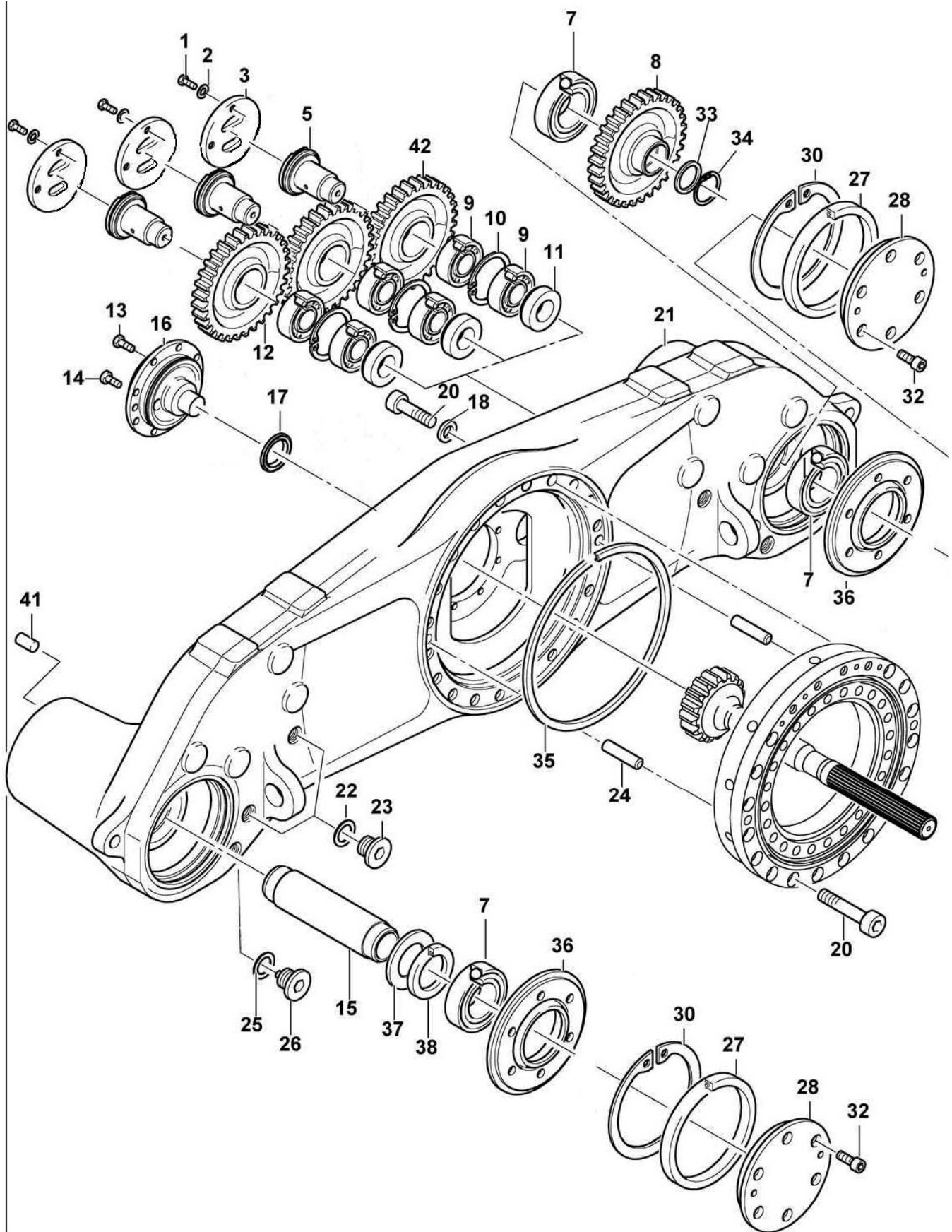
REF	PART #	QTY	DESCRIPTION	SEE PAGE
1	1130.067	2	Cylinder roller bearing	
2	7818.175	1	Sun gear shaft	
3	1750.710	4	Plug	
4	1250.104	2	Taper grease nipple	
5	1010.669	24	Hexagon screw	
6	7325.026	1	Dipstick (A2 ONLY)	
7	7322.074	1	Threaded stud (A2 ONLY)	
8	1180.541	1	Seal ring (A2 ONLY)	
9	23807-AX	16	Hexagon screw	
10	23806-AX	16	Locking clip	
11	7308.050	1	Scraper ring	
12	1170.726	1	O-ring	
13	1020.620	4	Allen screw	
14	1190.014	4	Locking clip	
15	1040.151	1	Screw plug (A2 ONLY)	
16	1180.541	1	Seal ring (A2 ONLY)	
17	52746-AX	1	Spring loaded cylinder	
18	1020.260	3	Allen screw	
19	1190.031	3	Locking clip	
20	51270-AX	1	Breather	
21	7315.187	1	Washer	
22	1160.236	1	Oil seal	
23	1220.712	1	Seeger-ring (A2 ONLY)	
24	7276.115	1	Axle housing (A2 ONLY)	
25	7305.051	1	Slewing ring	
26	23825-AX	6	Intermediate disk	
27	7345.036	6	Coated disk	
28	5504.002	1	Operating disk	
29	7321.151	4	Straight pin	
30	1190.211	2	Toothed ring	
31	1250.015	1	Breather (A1 ONLY)	
32	1750.705	1	Reducing nipple (A1 ONLY)	
33	7308.063	1	Seal ring	
34	--			
35	7276.114	1	Axle housing (A1 ONLY)	



See referenced page for component or assembly breakdown.



Kit or Assembly - includes all items indented underneath.



TIM 08 Axle Bogie Housing

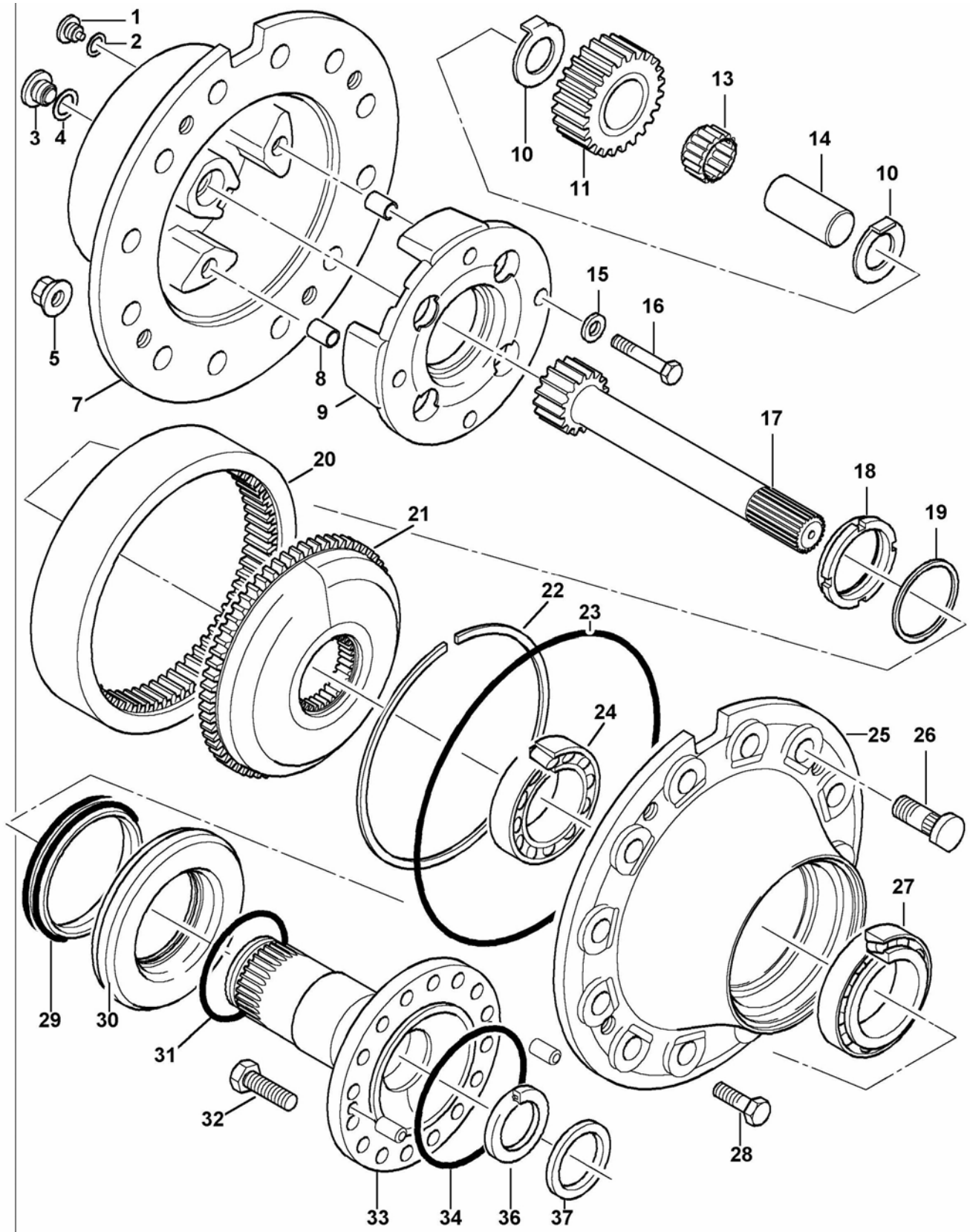
REF	PART #	QTY	DESCRIPTION	SEE PAGE
-	2405.037	2	Bogie Housing Complete	
1	1010.233	48	Hexagon screw	
2	7316.048	48	Washer	
3	7302.011	12	Cover	
4	--			
5	7321.131	12	Stud	
6	--			
7	23730-AX	8	Grooved ball bearing	
8	23731-AX	4	Gear	
9	1130.057	24	Cylinder roller bearing	
10	1220.702	12	Seeger-ring	
11	23691-AX	12	Spacer bush	
12	9804.356	8	Gear	
13	23795-AX	16	Hexagon screw	
14	23797-AX	4	Allen screw	
15	23735-AX	4	Pipe	
16	23794-AX	2	Bearing stud	
17	23799-AX	2	Axial shaft seal ring	
18	23800-AX	8	Washer	
19	--			
20	1020.618	48	Allen screw	
21	7277.112	2	Bogie housing	
22	1180.507	10	Seal ring	
23	1040.103	10	Screw plug	
24	1200.206	4	Straight pin	
25	1180.507	4	Seal ring	
26	7323.013	4	Screw plug	
27	23724-AX	4	Seal ring	
28	23723-AX	4	Cover	
29	23726-AX	4	Gasket	
30	23725-AX	4	Seeger-ring	
31	--			
32	1020.220	24	Allen screw	
33	23729-AX	4	Supporting washer	
34	23728-AX	4	Seeger-ring	
35	50176-AX	2	Seal ring	
36	23727-AX	4	Cover	
37	23734-AX	4	Washer	
38	23733-AX	4	Oil seal	
39	--			
40	--			
41	23732-AX	8	Straight pin	
42	50173-AX	4	Gear	



See referenced page for component or assembly breakdown.



Kit or Assembly - includes all items indented underneath.



TIM 08 Axle Outer Component

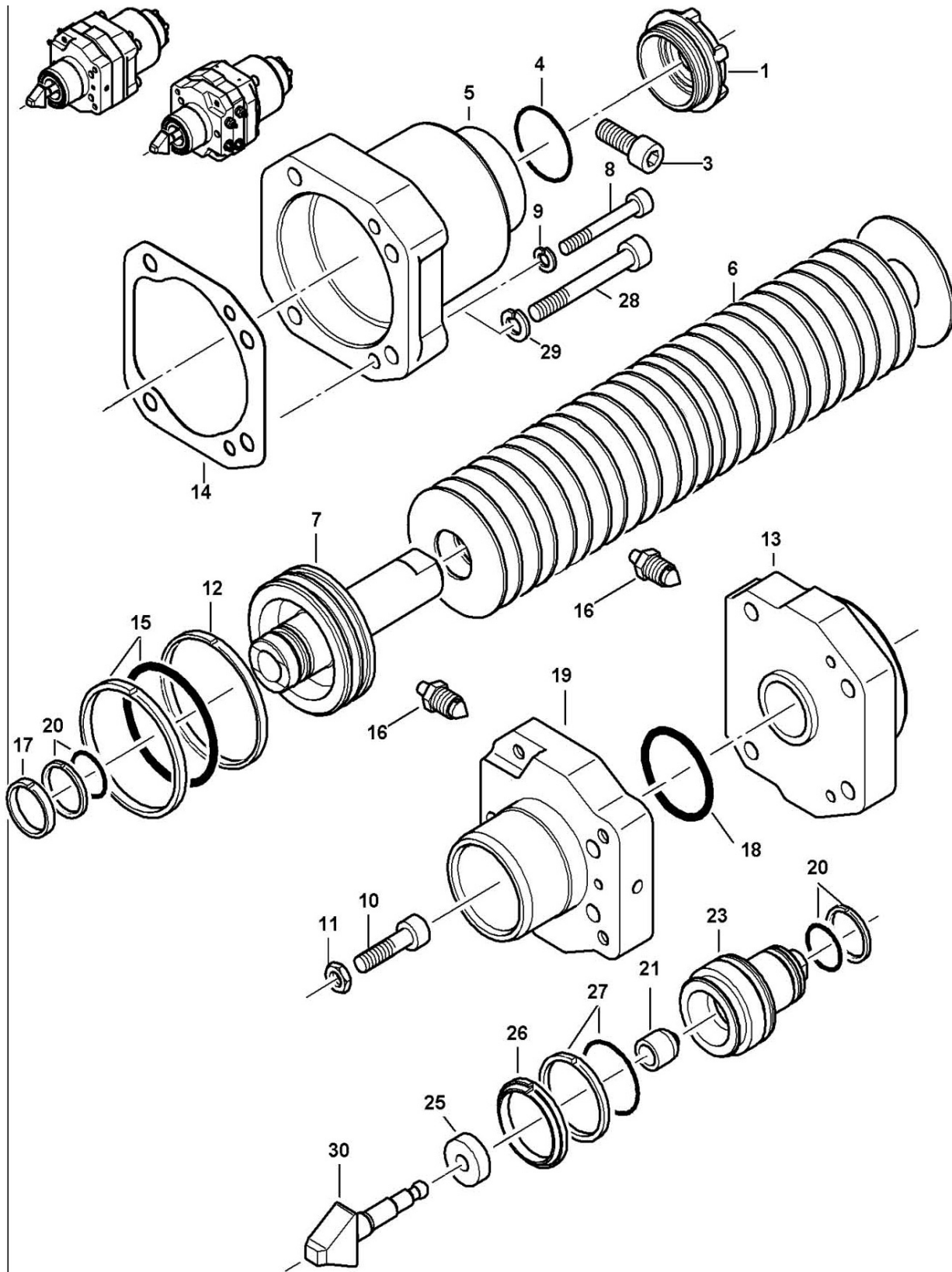
REF	PART #	QTY	DESCRIPTION	SEE PAGE
1	23741-AX	2	Screw plug	
2	23742-AX	2	Seal ring	
3	23743-AX	1	Screw plug	
4	23744-AX	1	<input type="checkbox"/> Washer package	
4	1210.113		Support Washer	
4	1210.295		Seeger washer	
4	1210.296		Seeger washer	
5	1060.408	12	Nut with turnable washer	
6	--			
7	7821.271	1	Planetary cage	
8	23752-AX	4	Shear bushing	
9	7821.179	1	Planetary cage	
10	23746-AX	8	Check disk	
11	23747-AX	4	Planetary gear	
12	--			
13	23748-AX	4	Needle roller cages	
14	23751-AX	4	Planetary stud	
15	7316.045	4	Washer	
16	1010.536	4	Hexagon screw	
17	23756-AX	1	Sun gear shaft	
18	23757-AX	1	Nut	
19	23758-AX	1	<input type="checkbox"/> Adjusting kit	
19	7317.208		Adjusting washer	
19	7317.207		Adjusting washer	
19	7317.206		Adjusting washer	
19	7317.205		Adjusting washer	
19	7317.204		Adjusting washer	
19	7317.203		Adjusting washer	
19	7317.202		Adjusting washer	
19	7317.201		Adjusting washer	
19	7317.200		Adjusting washer	
19	7317.199		Adjusting washer	
20	23759-AX	1	Gear rim	
21	23760-AX	1	Ring gear carrier	
22	23761-AX	1	Spring ring	
23	23762-AX	1	O-ring	
24	23763-AX	1	Tapered-roller bearing	
25	23764-AX	1	Wheel hub	
26	22245-AX	12	Wheel bolt	
27	23767-AX	1	Tapered-roller bearing	
28	23765-AX	4	Hexagon screw	
29	23768-AX	1	Slide ring sealing	
30	23769-AX	1	Axle stub ring	
31	23770-AX	1	O-ring	
32	7322.069	16	Hexagon screw	
33	23771-AX	1	Stub axle	
34	23772-AX	1	O-ring	
35	--			
36	23737-AX	1	Oil seal	
37	23736-AX	1	Washer	



See referenced page for component or assembly breakdown.



Kit or Assembly - includes all items indented underneath.



TIM 08 Axle Break Cylinder

REF	PART #	QTY	DESCRIPTION	SEE PAGE
--	52746-AX		<input type="checkbox"/> Spring loaded cyl. compl. 1	
1	7323.044		Screw Plug	
2	--			
3	1020.301		Hex bolt	
4	1170.107		O-ring	
5	5275.004		Housing	
6	1250.237		Plate spring	
7	5252.185		Piston	
8	1020.153		Allen screw	
9	1190.105		Locking ring	
10	23871-AX		Allen screw	
11	1060.115		Hex nut	
12	50222-AX		Guide ring	
13	5263.142		Cylinder (upper part)	
14	7319.068		Gasket	
15	1180.927		Piston seal	
16	1250.598			
17	23874-AX		Guide ring	
18	1170.292		O-ring	
19	5263.146		Cylinder (lower part)	
20	1180.925		Piston seal	
21	23878-AX		Stud	
22	--			
23	5252.189		Pressure piston	
24	--			
25	23879-AX		Ring	
26	23876-AX		Piston seal	
27	1180.926		Piston seal	
28	1020.257		Allen screw	
29	23802-AX		Locking clip	
30	23880-AX		Wedge	
--	7340.015		Indication plate	
--	1750.764		Blind rivet	



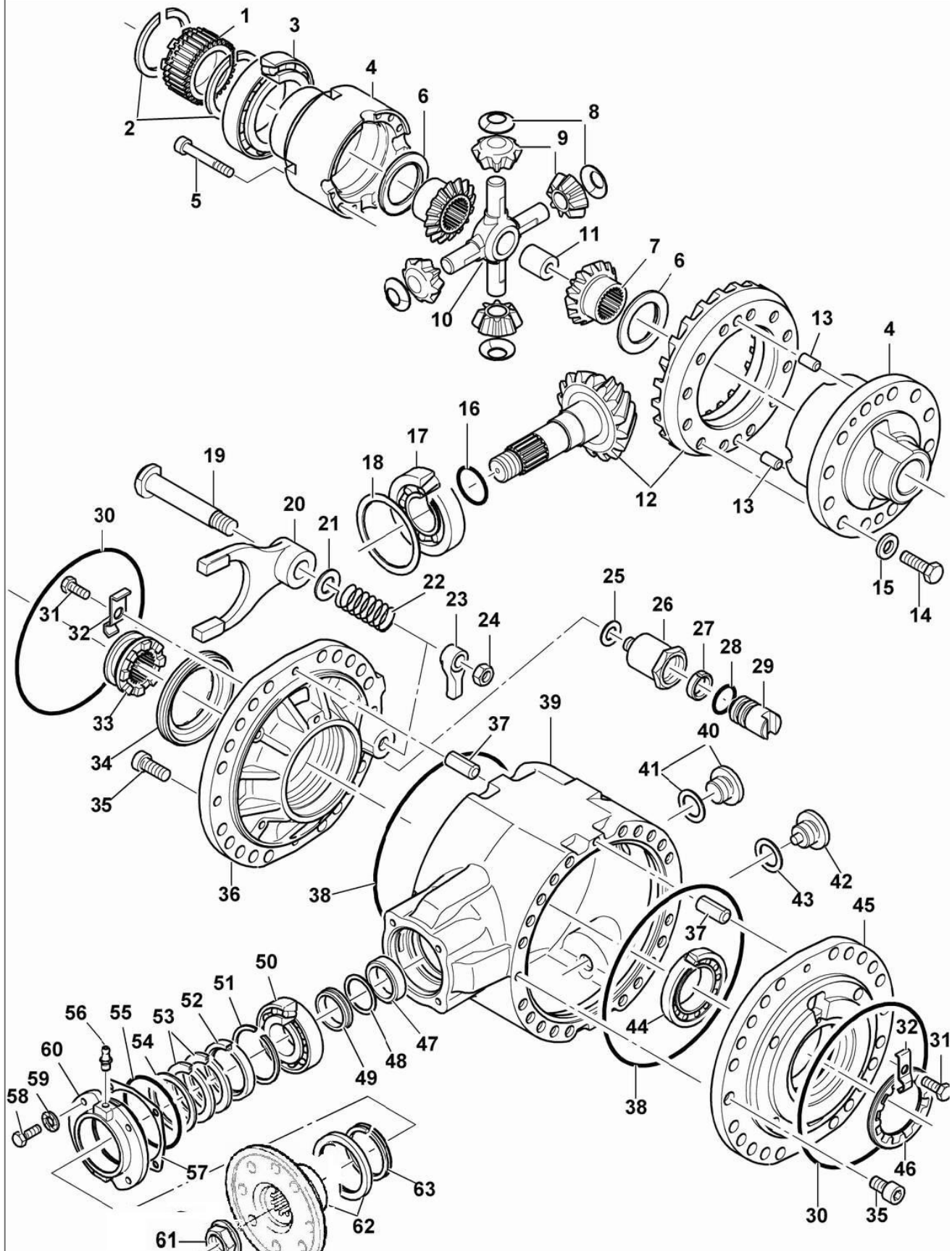
See referenced page for component or assembly breakdown.



Kit or Assembly - includes all items indented underneath.

Section AX-2

Axles, Gearboxes & Wheels - Gearboxes (*TIM 17*) 630 & 830 - *Front Axle*



TIM 17 Axle Differential

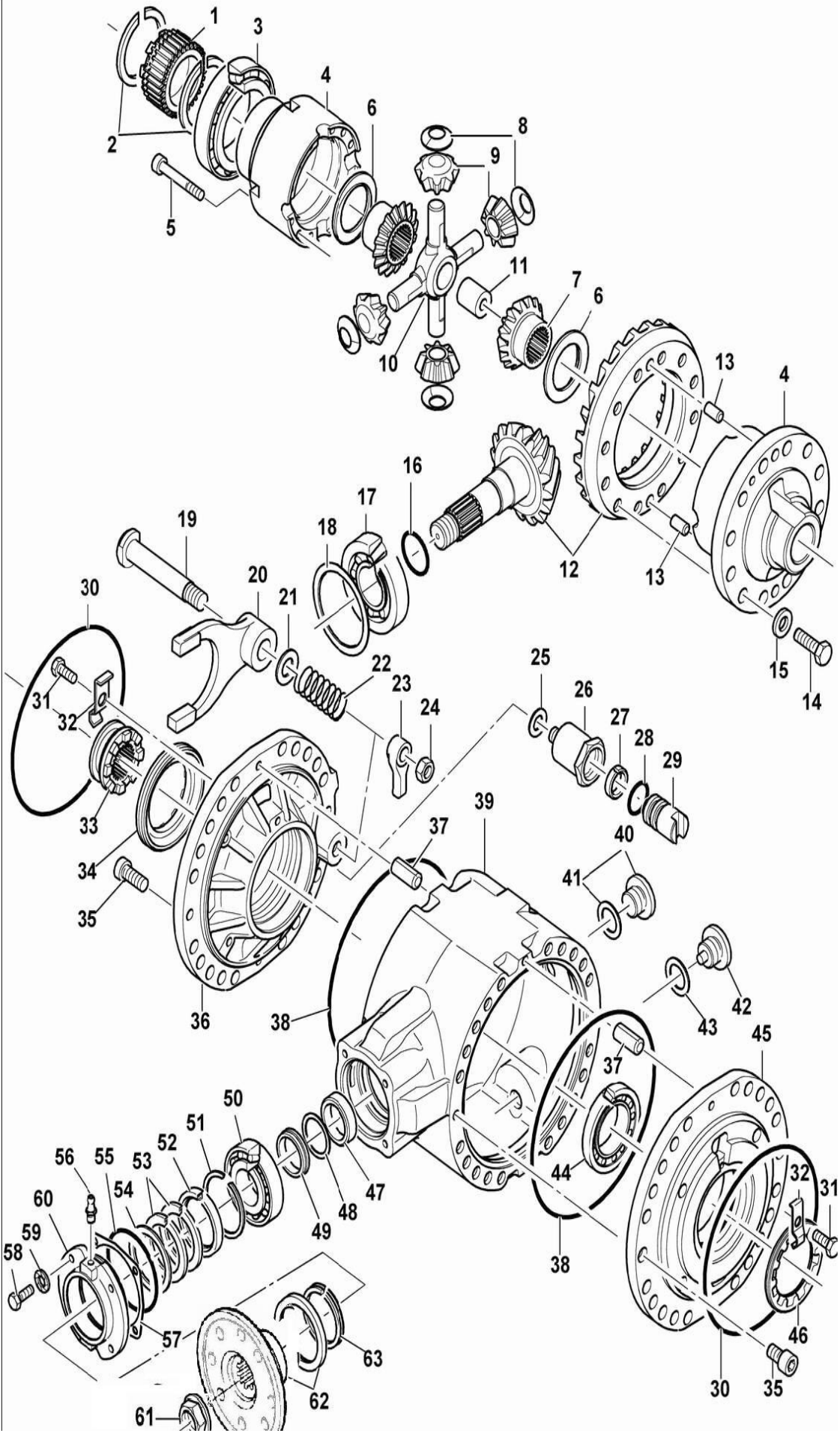
REF	PART #	QTY	DESCRIPTION	SEE PAGE
-	51139-EE		TIM 17 AXLE COMPLETE	
1	23870	1	Clutch-coupling sleeve	
2	23869	2	Spring ring	
3	23868	1	Tapered-roller bearing	
4	23854	1	Differential cage	
5	23867	12	Allen screw	
6	7316.067 *	1	<input type="checkbox"/> Adjusting kit	
6	7316.101 *		Check disk	
6	7316.102 *		Check disk	
6	7316.103 *		Check disk	
6	7316.104 *		Check disk	
7	7513.046 *	2	Differential gear	
8	7518.028 *	4	Thrust washer	
9	7514.032 *	4	Planetary gear	
10	7515.031 *	1	Cross bolt	
11	23863	1	Adjusting bolt	
12	2101.336	1	Crown wheel / pinion	
13	23855	4	Straight pin	
14	23853	16	Screw	
15	7316.045	16	Washer	
16	23857	1	O-ring	
17	23858	1	Tapered-roller bearing	
18	7317.026	1	<input type="checkbox"/> Adjusting kit	
18	7317.118		Adjusting washer	
18	7317.119		Adjusting washer	
18	7317.120		Adjusting washer	
18	7317.251		Adjusting washer	
19	9816.132	1	Shifting rod	
20	9809.066	1	Shift fork	
21	7317.023	1	<input type="checkbox"/> Adjusting kit	
21	7317.111		Adjusting washer	
21	7317.112		Adjusting washer	
21	7317.113		Adjusting washer	
21	7317.114		Adjusting washer	
22	7331.016	1	Pressure spring	
23	9809.116	1	Shifting lever	
24	1060.003	1	Hex. nut	
25	1170.010	1	O-ring	
26	23837-AX	1	Cylinder	
27	23838-AX	1	Groove ring	
28	23839-AX	1	Shaft seal	
29	5252.100	1	Piston	
30	1170.716	2	O-ring	
31	23835-AX	2	Hexagon screw	
32	23834-AX	2	Locking plate	
33	9813.104	1	Shifting sleeve	
34	7329.012	1	Nut	
35	1020.212	4	Allen screw	
36	7527.140	1	Flange	
37	1200.481	2	Adapter sleeve	



See referenced page for component or assembly breakdown.



Kit or Assembly - includes all items indented underneath.



**TIM 17 Axle
Differential Continued.....**

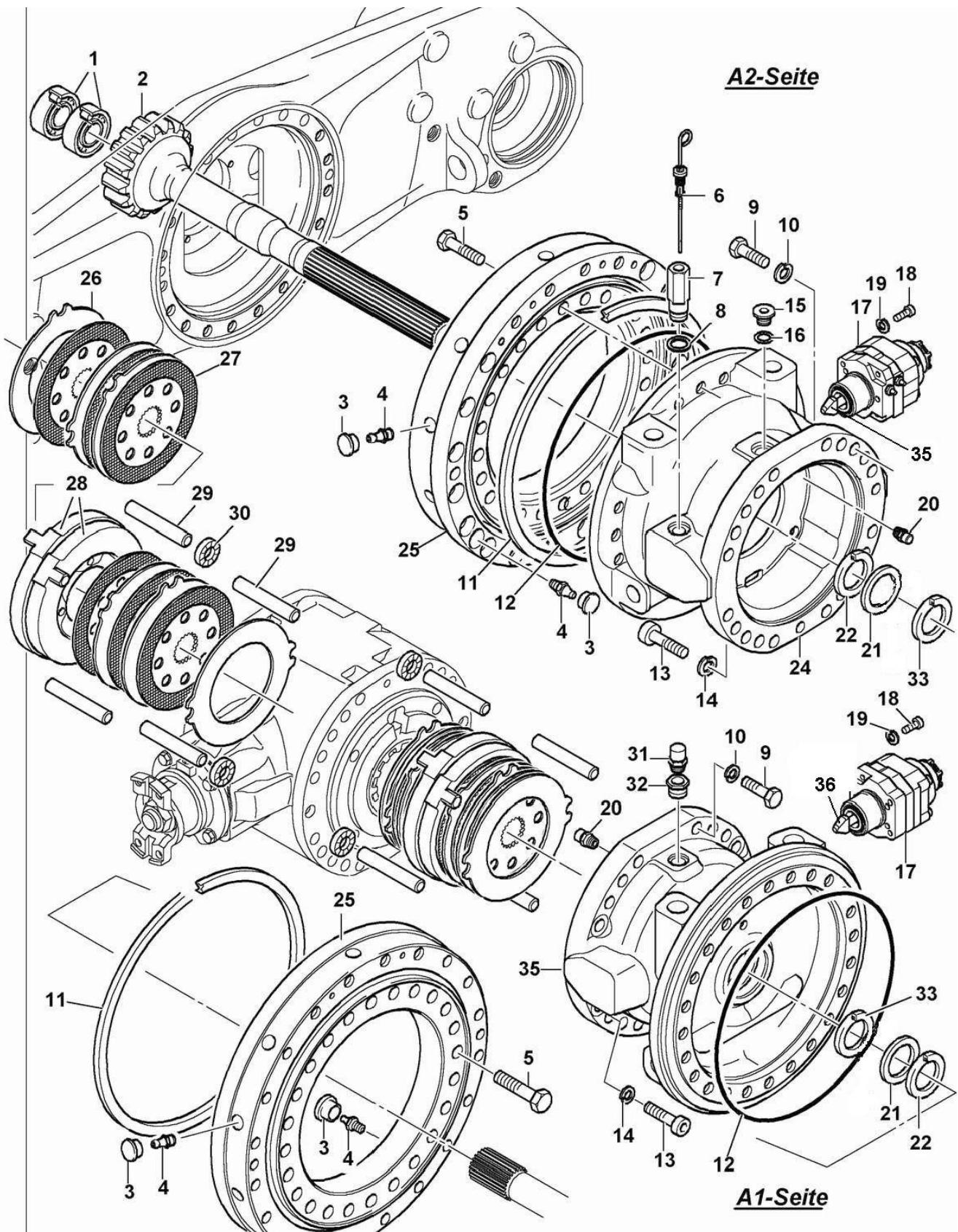
REF	PART #	QTY	DESCRIPTION	SEE PAGE
38	1170.702	2	O-ring	
39	7506.269	1	Differential housing	
40	23836-AX	1	Screw plug	
41	1180.507	1	Seal ring	
42	9556.021	1	Screw plug	
43	1180.502	1	Seal ring	
44	1110.007	1	Tapered-roller bearing	
45	7527.139	1	Flange	
46	7329.082	1	Nut	
47	7311.070	1	Spacer bush	
48	7317.037	1	<input type="checkbox"/> Adjusting kit	
48	7317.185		Adjusting washer	
48	7317.184		Adjusting washer	
48	7317.183		Adjusting washer	
48	7317.182		Adjusting washer	
48	7317.181		Adjusting washer	
48	7317.180		Adjusting washer	
48	7317.179		Adjusting washer	
48	7317.178		Adjusting washer	
48	7317.177		Adjusting washer	
48	7317.176		Adjusting washer	
48	7317.175		Adjusting washer	
48	7317.174		Adjusting washer	
48	7317.173		Adjusting washer	
49	7311.071		Spacer bush	
49	7311.062		Spacer bush	
49	7311.063		Spacer bush	
50	1110.186	1	Tapered-roller bearing	
51	1220.932	1	Spring ring	
52	7308.054	1	Radial seal	
53	7308.055	2	Seal ring	
54	7315.110	1	Washer	
55	1170.534	1	O-ring	
56	1250.103	1	Taper grease nipple	
57	7319.091	1	Gasket	
58	1010.201	4	Hexagon screw	
59	1190.011	4	Locking clip	
60	7301.077	1	Cover	
61	7329.057	1	Nut	
62	7521.236	1	Drive shaft flange	
63	1180.125	1	V-ring	
-	7340.014	1	Type plate	
-	1200.108	4	Pin	
-	2.190.013	1	Differential cage copl.	



See referenced page for component or assembly breakdown.



Kit or Assembly - includes all items indented underneath.



TIM 17 Axle Axle Beam

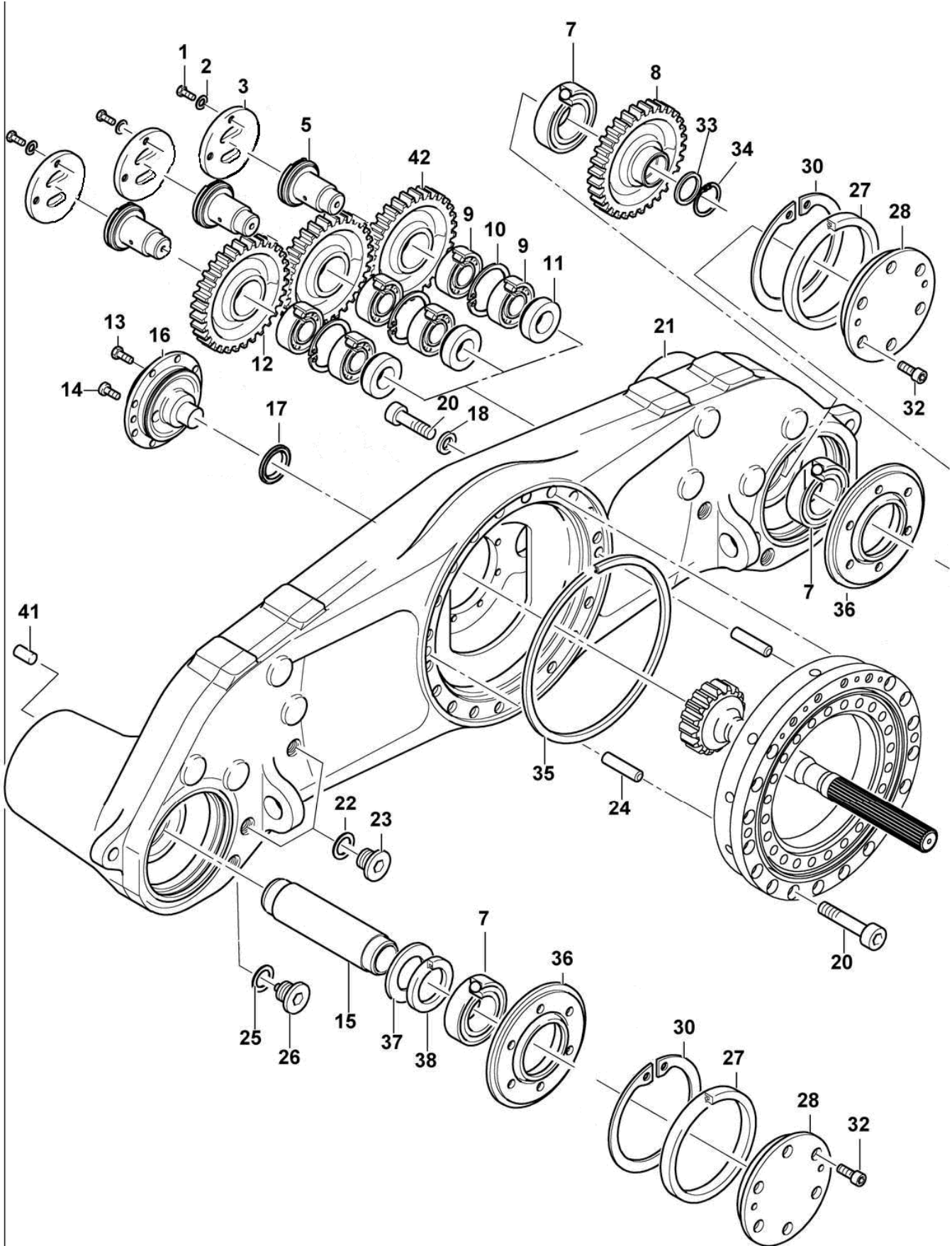
REF	PART #	QTY	DESCRIPTION	SEE PAGE
1	1130.067	2	Cylinder roller bearing	
2	7818.175	1	Sun gear shaft	
3	23690-AX	4	Plug	
4	1250.104	2	Taper grease nipple	
5	1010.669	24	Hexagon screw	
6	7325.037	1	Dipstick (A2 ONLY)	
7	7322.074	1	Threaded stud (A2 ONLY)	
8	1180.541	1	Seal ring (A2 ONLY)	
9	1010.668	16	Hexagon screw	
10	1190.014	16	Locking clip	
11	7308.071	1	Scraper ring	
12	1170.726	1	O-ring	
13	23803-AX	4	Allen screw	
14	1190.014	4	Locking clip	
15	1040.151	1	Screw plug	
16	1180.541	1	Seal ring	
17	5350.044	1	Spring loaded cylinder	
18	1020.260	3	Allen screw	
19	1190.031	3	Locking clip	
20	1250.002	1	Breather	
21	7315.187	1	Washer	
22	1160.236	1	Oil seal	
23	--			
24	7276.115	1	Axle housing	
25	7305.051	1	Slewing ring	
26	7344.036	6	Intermediate disk	
27	23826-AX	6	Coated disk	
28	23827-AX	1	Operating disk	
29	23829-AX	4	Straight pin	
30	23828-AX	2	Toothed ring	
31	22570-AX	1	Breather (A1 ONLY)	
32	1750.705	1	Reducing nipple (A1 ONLY)	
33	7308.063	1	Seal ring	
34	--			
35	7276.114	1	Axle housing (A1 ONLY)	
35	7835.001	1	Wedge (A2 ONLY)	
36	7835.001	1	Wedge (A1 ONLY)	



See referenced page for component or assembly breakdown.



Kit or Assembly - includes all items indented underneath.



TIM 17 Axle Bogie Housing

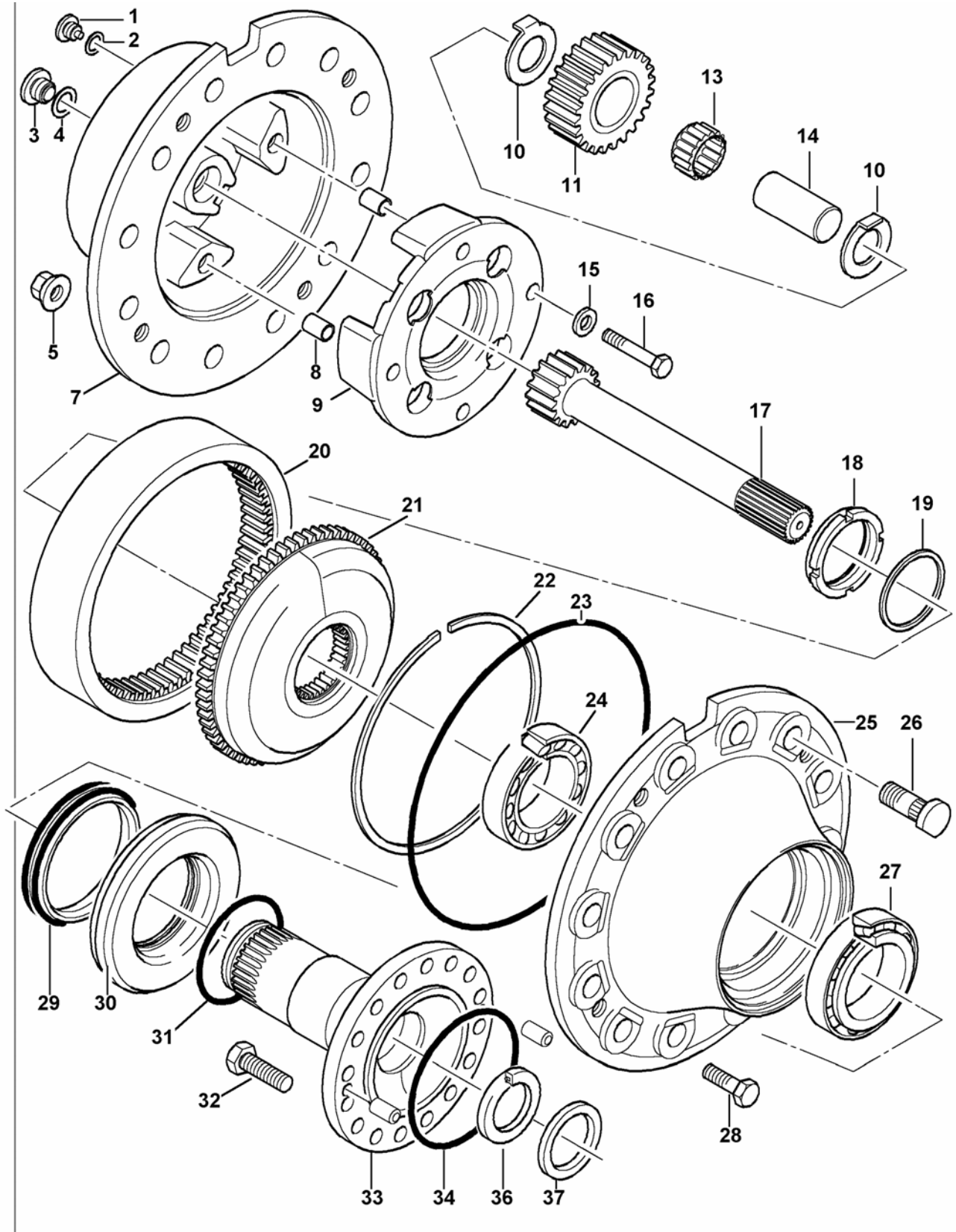
REF	PART #	QTY	DESCRIPTION	SEE PAGE
-	22834-AX	2	Bogie Housing Complete	
1	1010.233	48	Hexagon screw	
2	7316.048	48	Washer	
3	7302.011	12	Cover	
4	--			
5	7321.131	12	Stud	
6	--			
7	1120.107	8	Grooved ball bearing	
8	9804.352	4	Gear	
9	23692-AX	24	Cylinder roller bearing	
10	23694-AX	12	Seeger-ring	
11	7311.089	12	Spacer bush	
12	23693-AX	8	Gear	
13	1010.234	16	Hexagon screw	
14	1020.113	4	Allen screw	
15	7343.030	4	Pipe	
16	7321.120	2	Bearing stud	
17	1180.841	2	Axial shaft seal ring	
18	7316.044	8	Washer	
19	--			
20	1020.618	48	Allen screw	
21	7277.112	2	Bogie housing	
22	1180.507	10	Seal ring	
23	1040.103	10	Screw plug	
24	23777-AX	4	Straight pin	
25	1180.507	4	Seal ring	
26	7323.013	4	Screw plug	
27	7308.051	4	Seal ring	
28	7302.034	4	Cover	
29	7319.087	4	Gasket	
30	1220.837	4	Seeger-ring	
31	--			
32	1020.220	24	Allen screw	
33	1210.110	4	Supporting washer	
34	1220.714	4	Seeger-ring	
35	23778-AX	2	Seal ring	
36	7301.070	4	Cover	
37	7315.106	4	Washer	
38	1160.275	4	Oil seal	
39	--			
40	--			
41	1200.286	8	Straight pin	
42	9804.313	4	Gear	



See referenced page for component or assembly breakdown.



Kit or Assembly - includes all items indented underneath.



TIM 17 Axle Outer Component

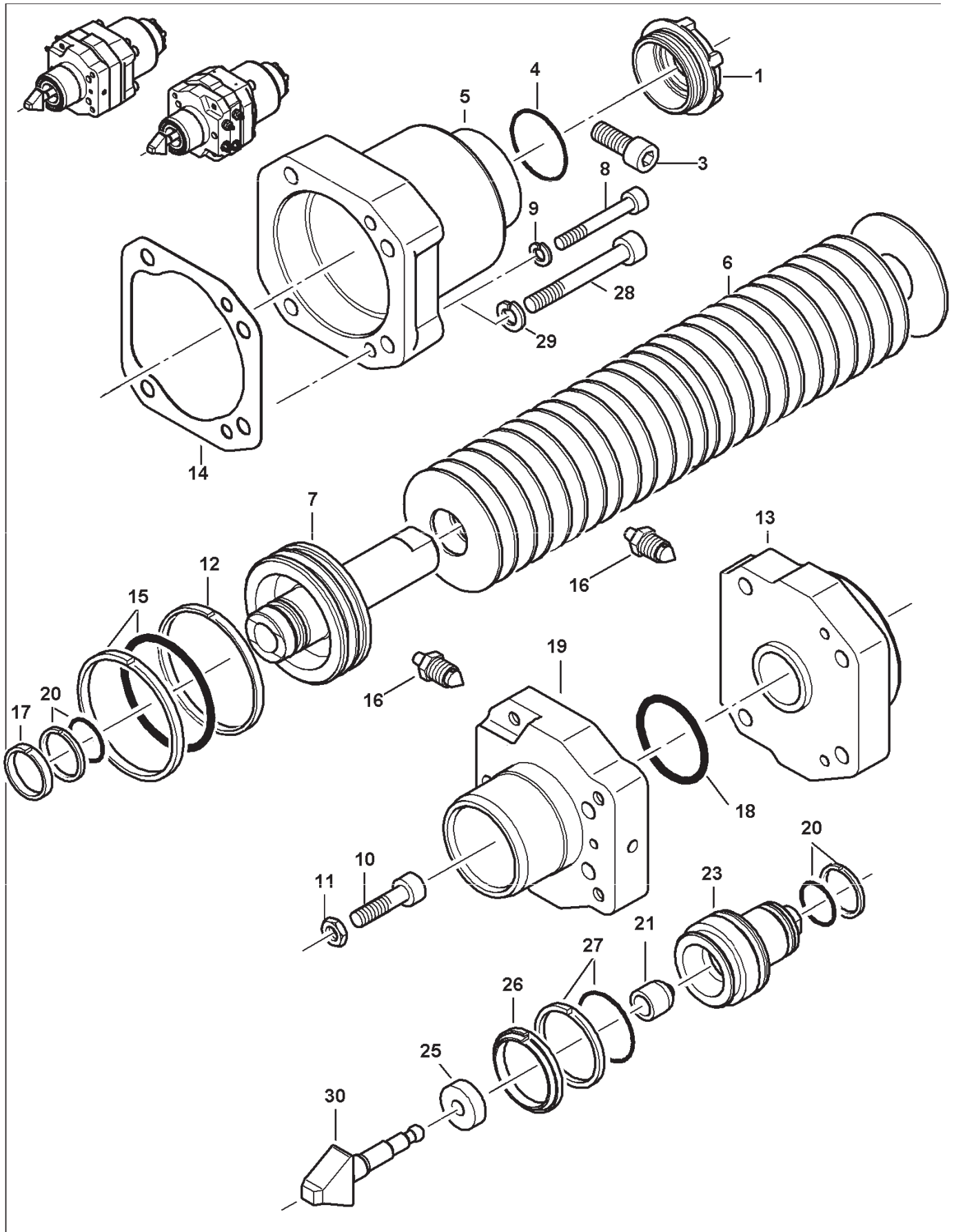
REF	PART #	QTY	DESCRIPTION	SEE PAGE
1	9556.021	2	Screw plug	
2	1180.502	2	Seal ring	
3	7323.016	1	Screw plug	
4	2108.017	1	<input type="checkbox"/> Washer package	
4	1210.113		Support Washer	
4	1210.295		Seeger washer	
4	1210.296		Seeger washer	
5	1060.408	12	Nut with turnable washer	
6	--			
7	7821.271	1	Planetary cage	
8	7313.018	4	Shear bushing	
9	7821.179	1	Planetary cage	
10	9633.010	8	Check disk	
11	7806.060	4	Planetary gear	
12	--			
13	1130.280	4	Needle roller cages	
14	7807.056	4	Planetary stud	
15	7316.045	4	Washer	
16	1010.536	4	Hexagon screw	
17	7818.086	1	Sun gear shaft	
18	7329.073	1	Nut	
19	7317.047	1	<input type="checkbox"/> Adjusting kit	
19	7317.208		Adjusting washer	
19	7317.207		Adjusting washer	
19	7317.206		Adjusting washer	
19	7317.205		Adjusting washer	
19	7317.204		Adjusting washer	
19	7317.203		Adjusting washer	
19	7317.202		Adjusting washer	
19	7317.201		Adjusting washer	
19	7317.200		Adjusting washer	
19	7317.199		Adjusting washer	
20	7801.042	1	Gear rim	
21	7804.044	1	Ring gear carrier	
22	1220.913	1	Spring ring	
23	1170.755	1	O-ring	
24	1110.221	1	Tapered-roller bearing	
25	7828.143	1	Wheel hub	
26	7133.018	12	Wheel bolt	
27	1110.222	1	Tapered-roller bearing	
28	7322.088	4	Hexagon screw	
29	1180.325	1	Slide ring sealing	
30	7306.032	1	Axle stub ring	
31	1170.547	1	O-ring	
32	7322.069	16	Hexagon screw	
33	7814.182	1	Stub axle	
34	1170.553	1	O-ring	
35	--			
36	1160.244	1	Oil seal	
37	7315.107	1	Washer	



See referenced page for component or assembly breakdown.



Kit or Assembly - includes all items indented underneath.



TIM 17 Axle Break Cylinder

REF	PART #	QTY	DESCRIPTION	SEE PAGE
--	52746-AX		<input type="checkbox"/> Spring loaded cyl. compl. 1	
1	7323.044		Screw Plug	
2	--			
3	1020.301		Hex bolt	
4	1170.107		O-ring	
5	5275.004		Housing	
6	1250.237		Plate spring	
7	5252.185		Piston	
8	1020.153		Allen screw	
9	1190.105		Locking ring	
10	23871-AX		Allen screw	
11	1060.115		Hex nut	
12	50222-AX		Guide ring	
13	5263.142		Cylinder (upper part)	
14	7319.068		Gasket	
15	1180.927		Piston seal	
16	1250.598			
17	23874-AX		Guide ring	
18	1170.292		O-ring	
19	5263.146		Cylinder (lower part)	
20	1180.925		Piston seal	
21	23878-AX		Stud	
22	--			
23	5252.189		Pressure piston	
24	--			
25	23879-AX		Ring	
26	23876-AX		Piston seal	
27	1180.926		Piston seal	
28	1020.257		Allen screw	
29	23802-AX		Locking clip	
30	23880-AX		Wedge	
--	7340.015		Indication plate	
--	1750.764		Blind rivet	



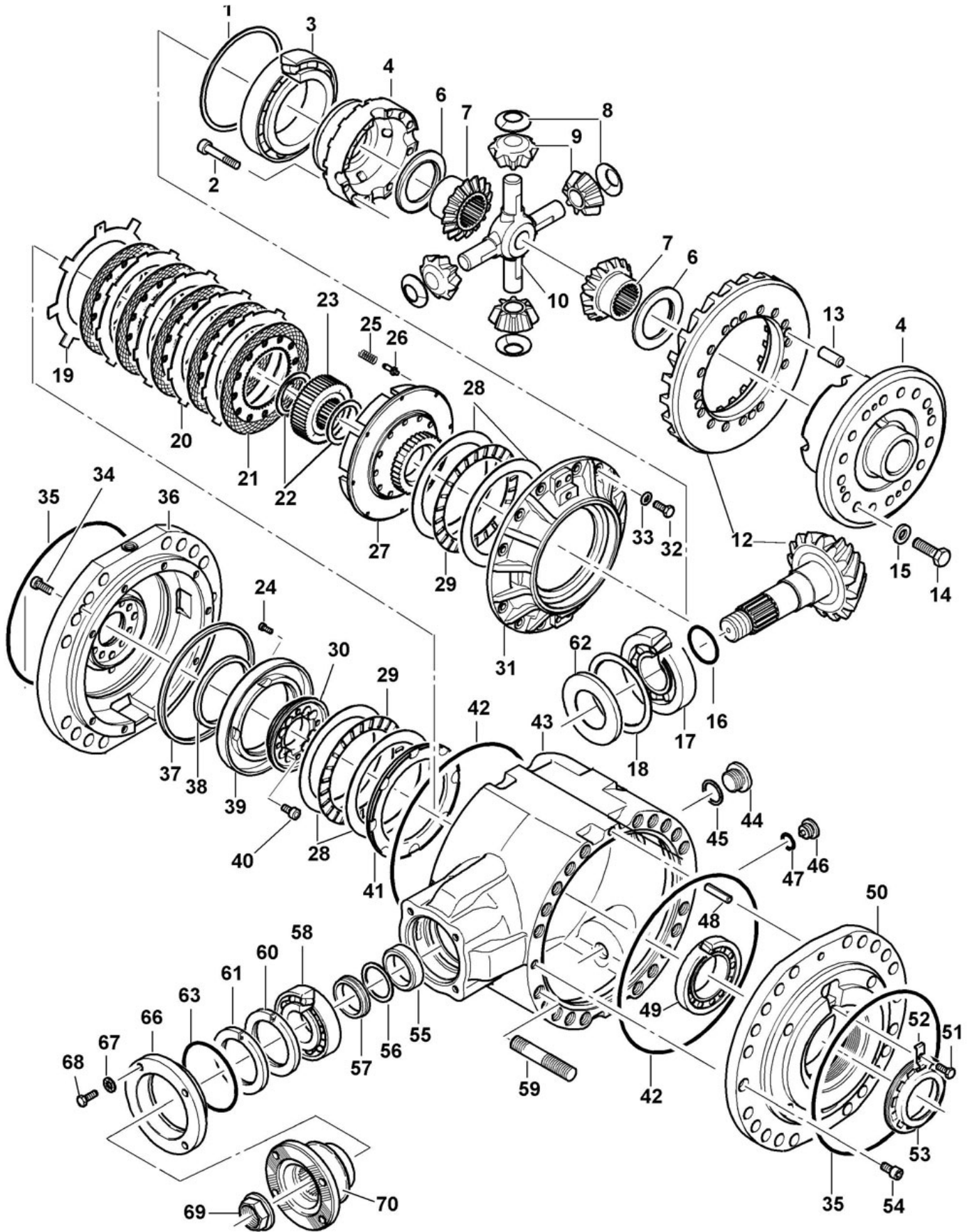
See referenced page for component or assembly breakdown.



Kit or Assembly - includes all items indented underneath.

Section AX-3

Axles, Gearboxes & Wheels - Gearboxes (*TIM 22*) 840 - *Bogie Axles*



Differential

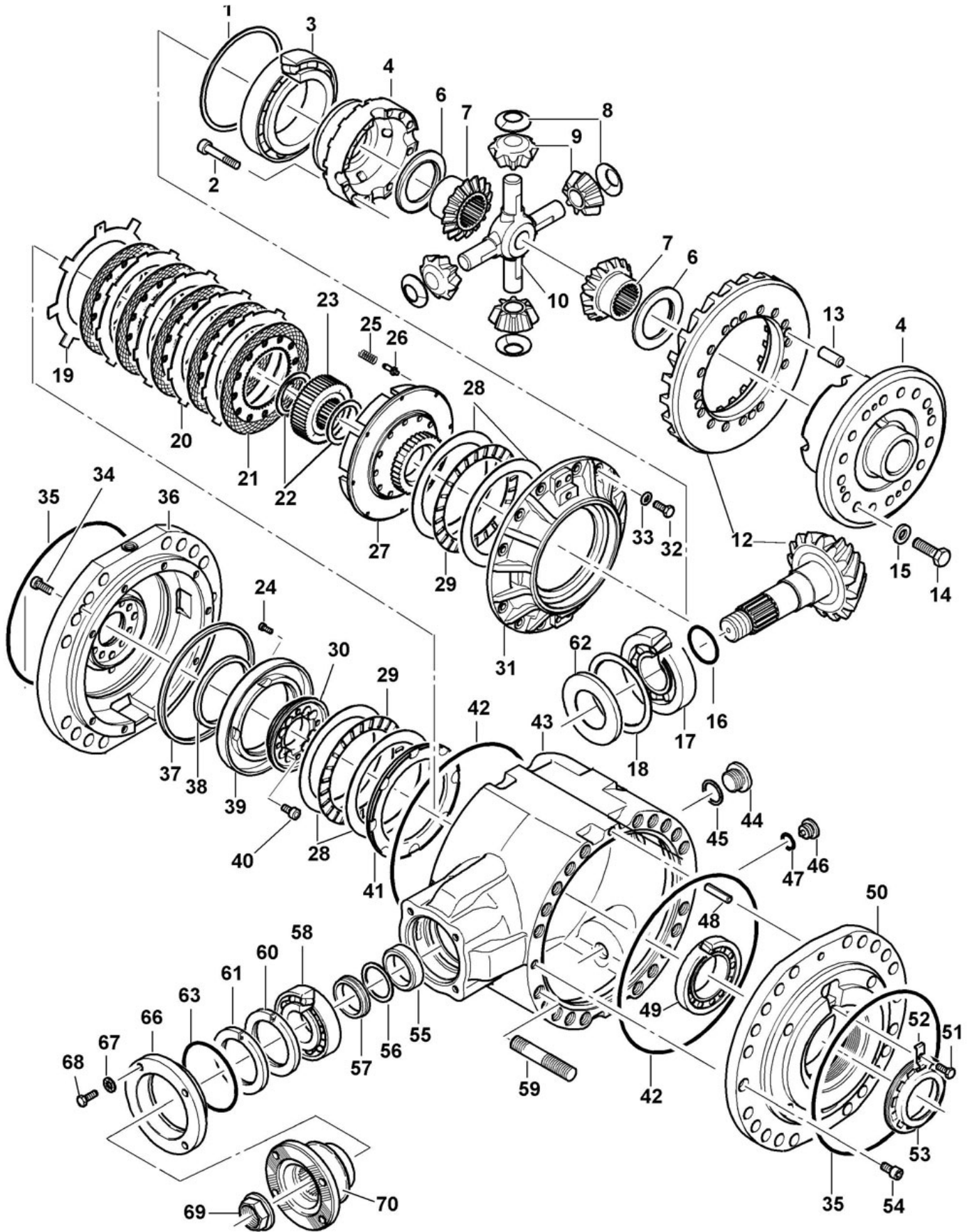
REF	PART #	QTY	DESCRIPTION	SEE PAGE
---	2219.086		Differential cage complete (includes items 2,	
1	2108.060	1	□ Adjusting kit s=1,0 bis 2,25	
1	7317.297		Adjusting washer n.Bed. s=1,5	
1	7317.298		Adjusting washer n.Bed. s=1,55	
1	7317.299		Adjusting washer n.Bed. s=1,6	
1	7317.300		Adjusting washer n.Bed. s=1,65	
1	7317.301		Adjusting washer n.Bed. s=1,7	
1	7317.302		Adjusting washer n.Bed. s=1,75	
1	7317.303		Adjusting washer n.Bed. s=1,8	
1	7317.304		Adjusting washer n.Bed. s=1,85	
1	7317.305		Adjusting washer n.Bed. s=1,9	
1	7317.306		Adjusting washer n.Bed. s=1,95	
1	7317.307		Adjusting washer n.Bed. s=2,0	
1	7317.308		Adjusting washer n.Bed. s=2,05	
1	7317.309		Adjusting washer n.Bed. s=2,1	
1	7317.310		Adjusting washer n.Bed. s=2,15	
1	7317.311		Adjusting washer n.Bed. s=2,2	
1	7317.312		Adjusting washer n.Bed. s=2,25	
1	7317.323		Adjusting washer n.Bed. s=1,0	
1	7317.324		Adjusting washer n.Bed. s=1,2	
2	1020.374	12	Allen screw M12x80, 10.9 VP n.TI-58 912	
3	1110.233	1	Tapered-roller bearing JP13049AJP13010	
4	2102.188	1	Differential cage	
6	7517.014	1	□ Adjusting kit s=1,5 bis 4,0	
6	7510.028		Check disk s=2,8	
6	7510.029		Check disk s=3,0	
6	7510.030		Check disk s=3,2	
6	7510.031		Check disk s=2,0	
6	7510.032		Check disk s=2,2	
6	7510.033		Check disk s=2,6	
6	7510.034		Check disk s=4,0	
6	7510.035		Check disk s=3,4	
6	7510.036		Check disk s=3,6	
7	7510.055	2	Differential gear s=3,8	
8	7518.030	4	Thrust washer	
9	7514.033	4	Planetary gear	
10	7515.032	1	Cross bolt	
11	7321.123	1	Stud	
12	2101.355	1	Crown wheel / pinion z=34/12	
13	1200.228	4	Straight pin 16m6x40, ST GEHAERTET 6325	
14	1510.559	16	Screw M16x1.5x50, 10.9 961	
15	7316.045	16	Washer 16.1x30x4, C45 GEHAERTET	
16	1170.013	1	O-ring OR 42x4.5, 72NBR872	
17	1110.223	1	Tapered-roller bearing 9278/9220	
18	2108.047	1	□ Adjusting kit s=3,0 bis 2,5 je 0,25	
18	7317.247		Adjusting washer n.Bed. s=3,0	
18	7317.248		Adjusting washer n.Bed. s=2,75	
18	7317.249		Adjusting washer n.Bed. s=2,5	
19	7344.050	1	Driven disk	
20	7344.049	5	Driven disk	
21	7345.056	6	Coated disk	



See referenced page for component or assembly breakdown.



Kit or Assembly - includes all items indented underneath.



Differential Continued.....

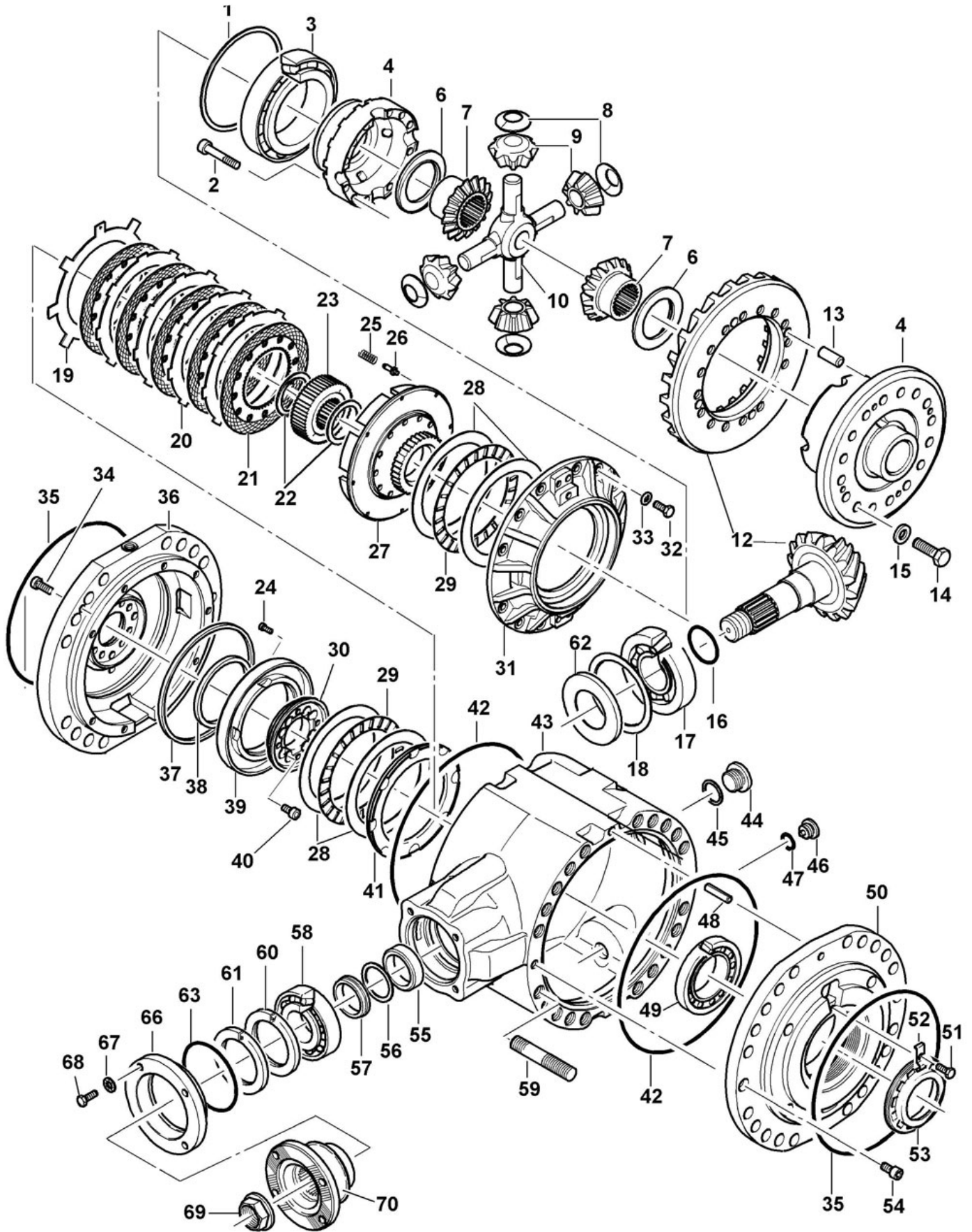
REF	PART #	QTY	DESCRIPTION	SEE PAGE
22	7316.125	2	Check disk	
23	9867.093	1	Disk support	
24	1020.029	1	Allen screw, M16x10 8.8 VERZINKT	
25	7331.048	8	Pressure spring	
26	7322.113	8	Screw	
27	9867.092	1	Disk support	
28	1130.596	3	Rotor disk	
29	1130.283	2	Axial needle bearing 150x190x5	
30	5252.176	1	Piston	
31	7527.175	1	Flange	
32	1010.266	12	Hexagon screw M10x35, 10.9 VP n.TI-58	
33	7316.048	12	Washer, 10.1x21x2	
34	1020.212	2	Allen screw, M10x20, 8.8	
35	1170.735	2	O-ring	
36	7527.239	1	Flange	
37	7308.074	1	Shaft seal	
38	1180.905	1	Shaft seal	
39	5252.143	1	Piston	
40	1020.220	8	Allen screw, M10x20, 8.8 VP n.Ti-58	
41	7316.176	1	Check disk	
42	1170.726	2	O-ring, OR 415x5, 72NBR872	
43	7506.319	1	Differential housing	
44	1040.103	1	Screw plug, M30x1.5, 5.8 Innensechskant	
45	1180.507	1	Seal ring, A30x36x2, CU	
46	9556.021	1	Screw plug, M20x1.5, 5.8 M. MAGNET	
47	1180.502	1	Seal ring, A20x24x1.5, CU	
48	1200.235	2	Straight pin, 16m6x55	
49	1110.171	1	Tapered-roller bearing	
50	7527.283	1	Flange	
51	1010.129	1	Hexagon screw, M8x16, 10.9	
52	9566.019	1	Locking plate	
53	7329.073	1	Nut, M85x2	
54	1020.216	2	Allen screw, M10x30, 8.8	
55	--	-		
56	2108.046	1	<input type="checkbox"/> Adjusting kit	
56	7317.234	-	Adjusting washer s=0,96	
56	7317.235	-	Adjusting washer s=1,0	
56	7317.236	-	Adjusting washer s=1,04	
56	7317.237	-	Adjusting washer s=1,08	
56	7317.238	-	Adjusting washer s=1,12	
56	7317.239	-	Adjusting washer s=1,16	
56	7317.240	-	Adjusting washer s=1,20	
56	7317.241	-	Adjusting washer s=1,24	
56	7317.242	-	Adjusting washer s=1,28	
56	7317.243	-	Adjusting washer s=1,32	
56	7317.244	-	Adjusting washer s=1,36	
56	7317.245	-	Adjusting washer s=1,40	
56	7317.246	-	Adjusting washer s=1,44	
57	2108.045	-	Spacer bush, D58xD76x"s"	
57	7311.117	-	Spacer bush s=11,51	
57	7311.118	-	Spacer bush s=11,99	
57	7311.119	-	Spacer bush s=12,47	



See referenced page for component or assembly breakdown.



Kit or Assembly - includes all items indented underneath.



Differential Continued.....

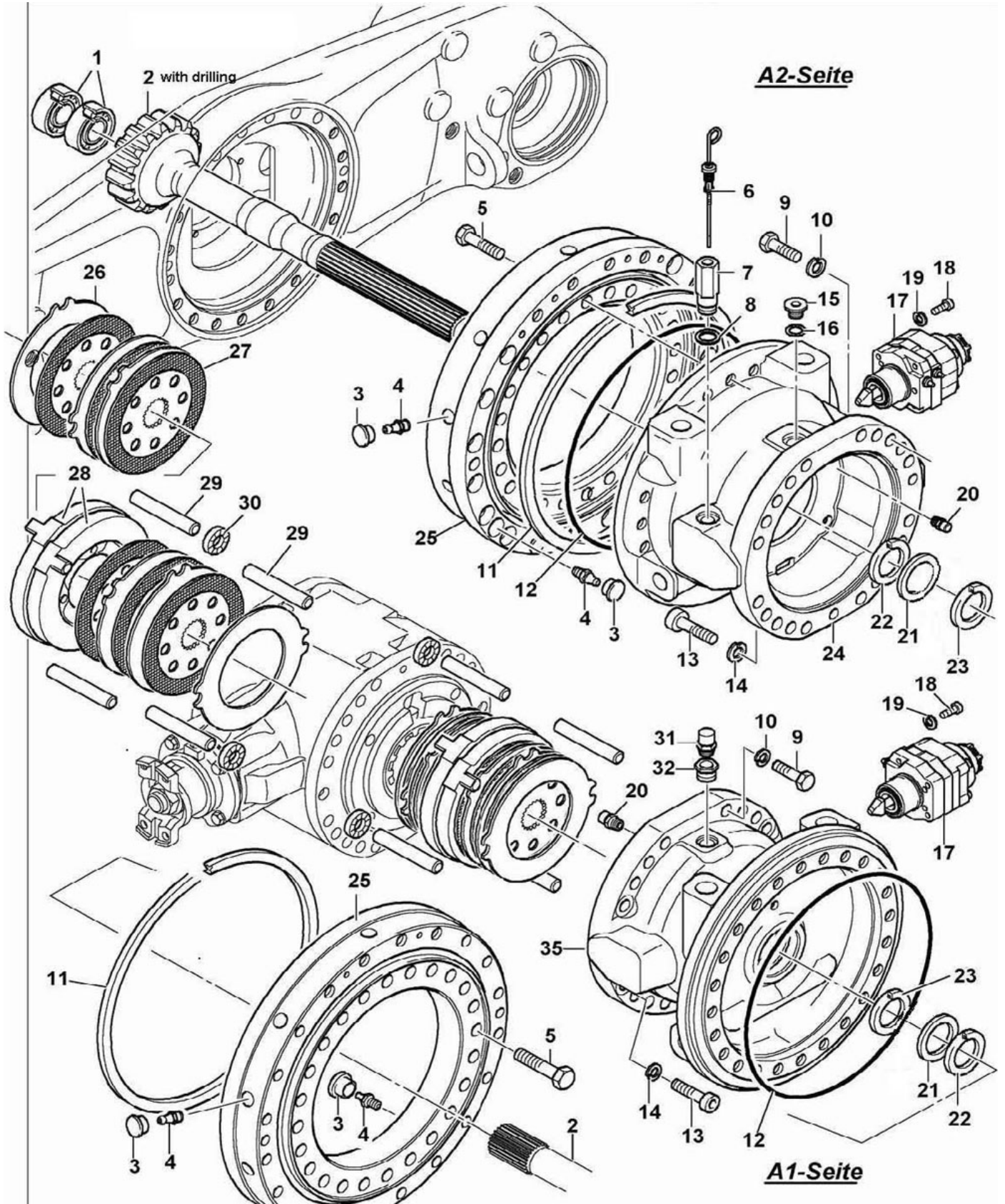
REF	PART #	QTY	DESCRIPTION	SEE PAGE
58	1110.229	1	Tapered-roller bearing	
59	1030.614	1	Spring ring	
60	7308.054	1	Radial seal	
61	7308.055	1	Seal ring	
62	7301.064	1	Washer	
63	1180.125	1	V-ring	
64	--			
65	--			
66	7301.124	1	Cover	
67	1190.011	1	Locking clip	
68	1010.201	1	Hexagon screw, M10x25, 10.9	
69	7329.057	1	Nut 1 M40x1.5	
70	7521.236	1	Drive shaft flange	
--	1200.110	2	Pin	



See referenced page for component or assembly breakdown.



Kit or Assembly - includes all items indented underneath.



Axle Beams

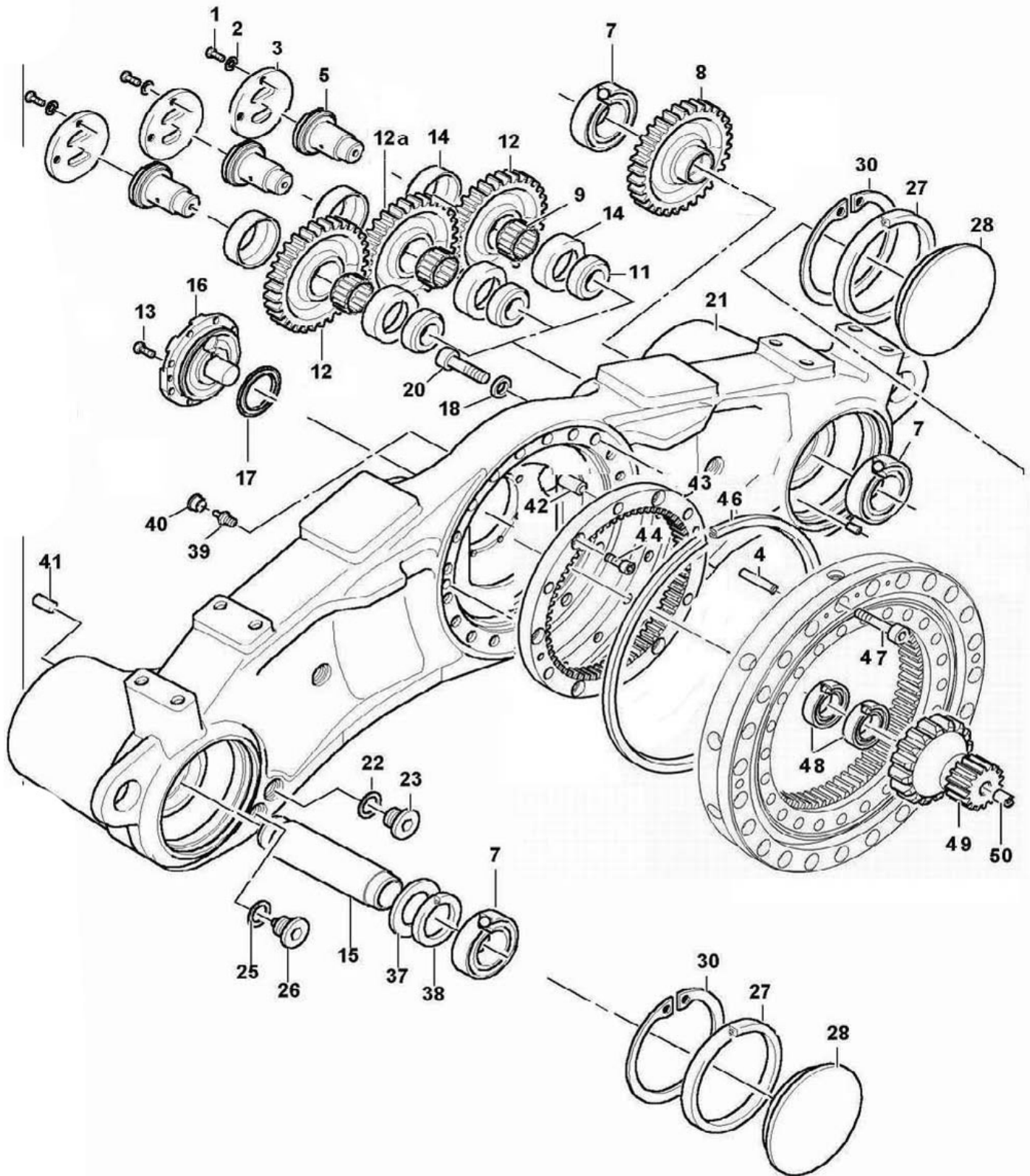
REF	PART #	QTY	DESCRIPTION	SEE PAGE
1	1130.067	4	Cylinder roller bearing	
2	7818.183	2	Sun gear shaft, with drilling	
2	7818.145	2	Sun gear shaft	
3	1750.710	20	Plug	
4	1250.104	20	Taper grease nipple	
5	1010.669	48	Hexagon screw	
6	7325.037	1	Dipstick (A2 only)	
7	7322.074	1	Threaded stud (A2 only)	
8	1180.541	1	Seal ring (A2 only)	
9	1010.664	36	Hexagon screw	
10	7316.044	36	Washer	
11	7308.071	2	Scraper ring	
12	1170.726	2	O-RING	
13	1020.620		Allen screw (A2 only)	
14	--			
15	1040.151	1	Screw plug (A2 only)	
16	1180.541	1	Seal ring (A2 only)	
17	5350.064	2	Spring loaded cylinder	
18	1020.260	6	Allen screw	
19	1190.031	6	Locking clip	
20	1250.002	1	Breather	
21	7315.187	1	Washer	
22	1160.236	2	Oil seal	
23	7308.063	2	Oil seal	
24	7276.137	1	Axle housing (A2 only)	
25	7305.033	2	Slewing ring	
26	7344.036	12	Intermediate disk	
27	7345.057	12	Coated disk	
28	5504.002	2	Operating disk	
29	1200.297	4	Straight pin	
30	1190.211	4	Toothed ring	
31	1250.015	2	Breather bar	
32	1750.705	2	Reducing nipple	
33	--			
34	--			
35	7276.136	1	Axle housing (A1 only)	



See referenced page for component or assembly breakdown.



Kit or Assembly - includes all items indented underneath.



Bogie Housing

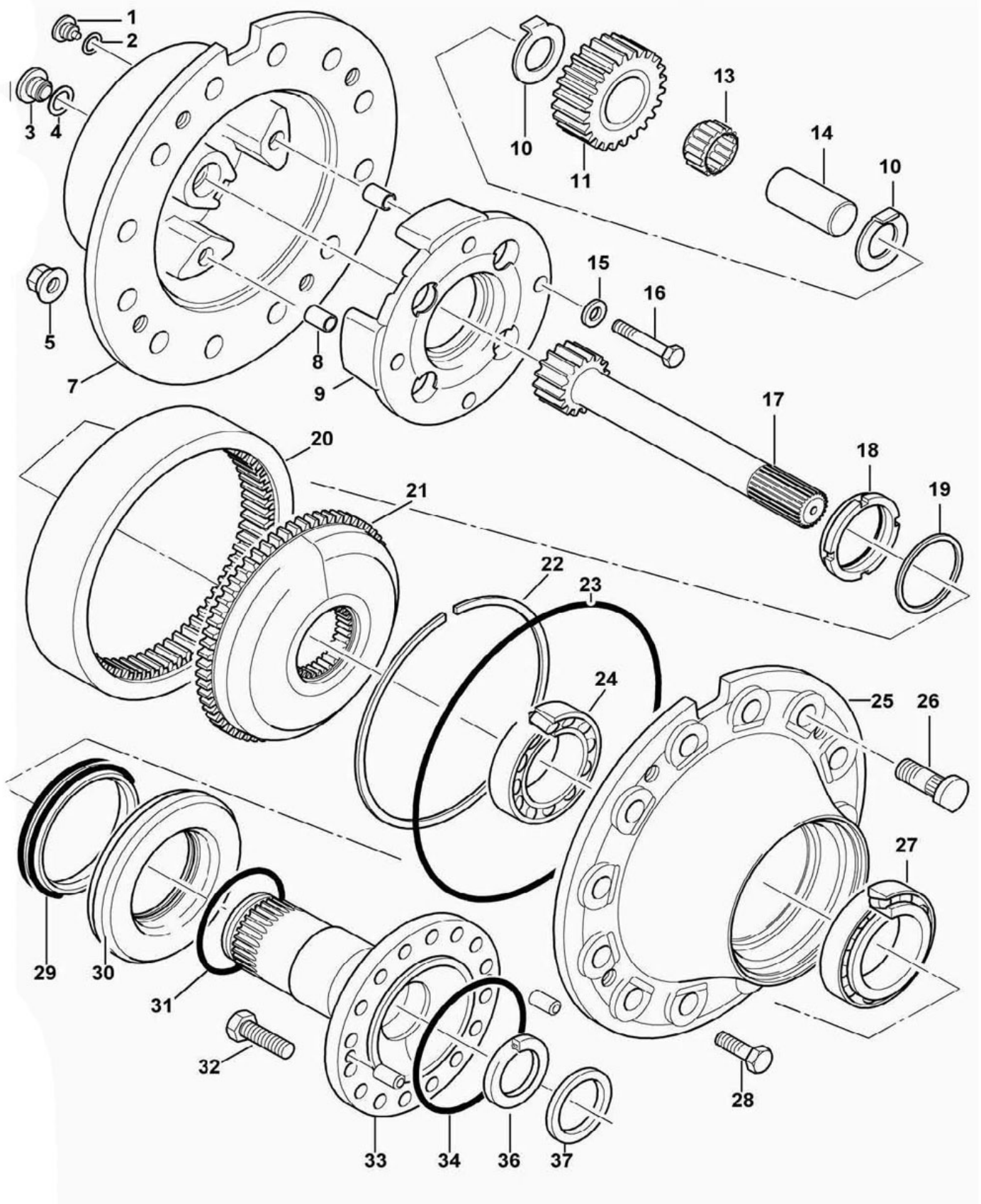
REF	PART #	QTY	DESCRIPTION	SEE PAGE
-			Bogie housing complete	
1	1010.233	48	Hexagon screw, M10x20	
2	7316.048	48	Washer	
3	7302.011	12	Cover	
4	--			
5	7321.131	12	Stud	
6	--			
7	1120.107	8	Grooved ball bearing	
8	9804.533	4	Gear 4 Z=27	
9	1130.057	24	Cylinder roller bearing	
10	1220.702	12	Seeger-ring	
11	7311.089	12	Spacer bush	
12	9804.532	8	Gear 8 Z=32	
12a	9804.589	4	Gear 4 Z=21	
13	1010.234	16	Hexagon screw, M10x25	
14	1020.113	4	Allen screw	
15	7343.030	4	Pipe	
16	7321.169	2	Bearing stud	
17	1180.841	2	Axial shaft seal ring	
18	7316.044	8	Washer	
19	--			
20	1020.619	48	Allen screw	
21	7277.148	2	Bogie housing	
22	1180.507	10	Seal ring	
23	1040.103	10	Screw plug	
24	1200.206	4	Straight pin	
25	1180.507	4	Seal ring	
26	7323.013	4	Screw plug	
27	7308.051	4	Seal ring	
28	7302.082	4	Cover	
29	7319.087	4	Gasket	
30	1220.837	4	Seeger-ring	
32	1020.029	2	Allen screw	
32	1020.220	24	Allen screw	
33	1210.110	4	Supporting washer	
34	1220.714	4	Seeger-ring	
35	7308.040	2	Seal ring	
36	7301.070	4	Cover	
37	7315.106	4	Washer	
38	1160.275	4	Oil seal	
39	1250.104	4	Taper grease nipple	
40	1750.710	4	Plug	
41	1200.286	8	Straight pin	
42	1200.252	16	Straight pin	
43	7801.060	2	Gear rim	
44	1020.328	12	Allen screw	
45	1200.206	4	Straight pin	
46	7308.040	2	Seal ring	
47	1020.618	48	Allen screw	
48	1130.067	4	Cylinder roller bearing	
49	9804.435	2	Gear, Z=16	
50	7321.026	2	Compression stud	



See referenced page for component or assembly breakdown.



Kit or Assembly - includes all items indented underneath.



Outer Component

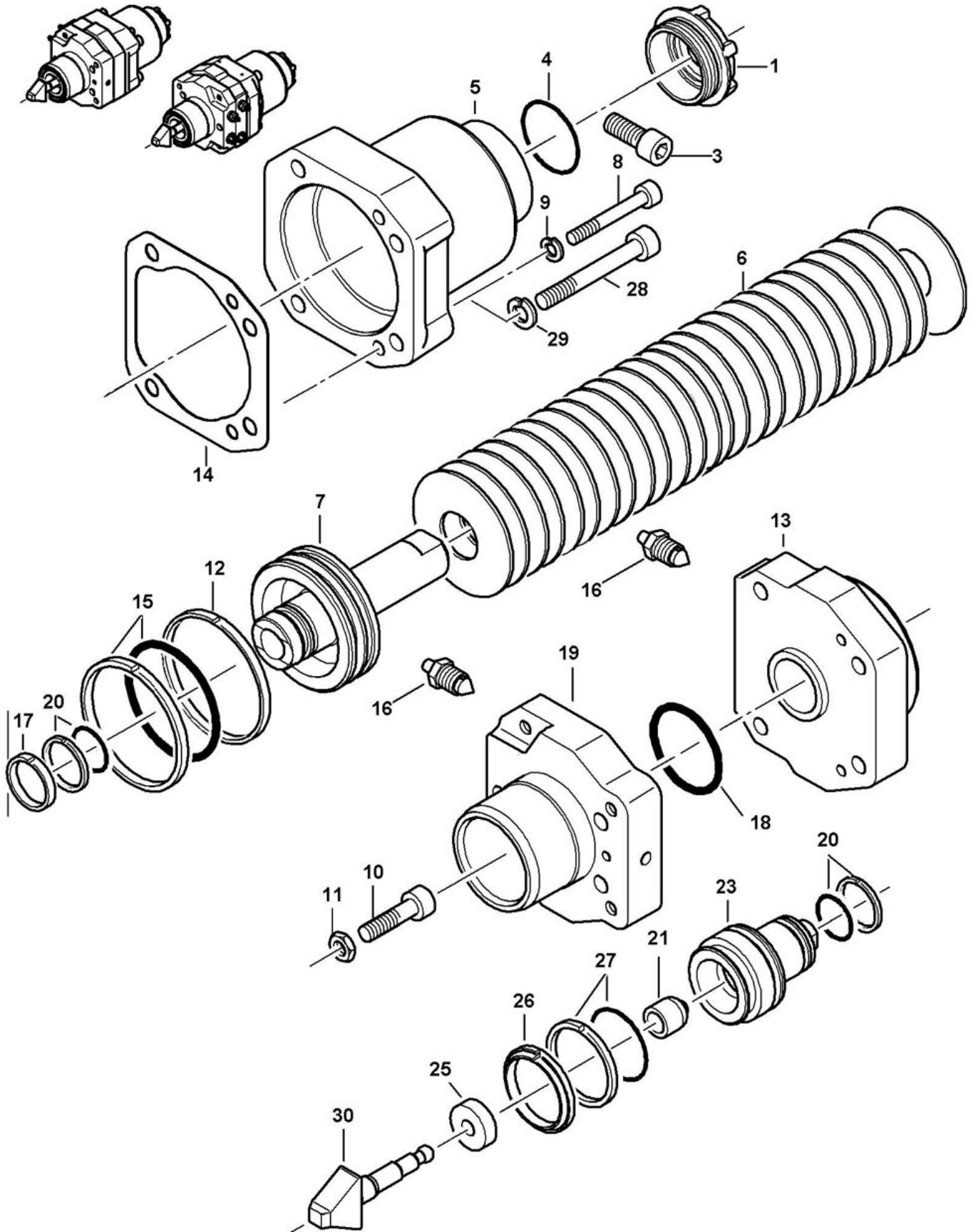
REF	PART #	QTY	DESCRIPTION	SEE PAGE
-			<input type="checkbox"/> OUTER COMPONENT (complete)	
1	9556.021	2	Screw plug M20x1.5, MIT MAGNET 908	
2	1180.502	2	Seal ring A20x24x1.5, CU 7603	
3	7323.026	1	Screw plug M45X1.5, 5.8	
4	2108.017	1	<input type="checkbox"/> Washer package s=2,5 / 1,0 / 0,5	
4	1210.113		Supporting washer n.B. s=2,5	
4	1210.295		Seeger washer n.B. s=1,0	
4	1210.296		Seeger washer n.B. s=0,5	
5	1060.408	48	Nut with turnable washer M22x1.5, KI.10 -A3C 74361	
7	7821.278	1	Planetary cage	
8	7313.018	4	Shear bushing	
9	7821.179	1	Planetary cage	
10	9633.010	8	Check disk	
11	7806.078	4	Planetary gear Z=25	
12	1210.101	8	Supporting washer between 1130.281	
13	1130.281	8	Needle roller cages K45X57X25FH	
14	7807.067	4	Planetary stud	
15	7316.045	4	Washer 16.1x30x4	
16	1010.536	4	Hexagon screw M16x90, 10.9 VP n.TI-58 931	
17	7818.153	1	Sun gear shaft Z=14	
18	7329.073	1	Nut M85x2	
19	7317.047	1	<input type="checkbox"/> Adjusting kit s=1,375 bis 2,5 je 0,125	
19	7317.208		Adjusting washer n.B. s=1,375	
19	7317.207		Adjusting washer n.B. s=1,5	
19	7317.206		Adjusting washer n.B. s=1,625	
19	7317.205		Adjusting washer n.B. s=1,75	
19	7317.204		Adjusting washer n.B. s=1,875	
19	7317.203		Adjusting washer n.B. s=2.0	
19	7317.202		Adjusting washer n.B. s=2,125	
19	7317.201		Adjusting washer n.B. s=2,25	
19	7317.200		Adjusting washer n.B. s=2,375	
19	7317.199		Adjusting washer n.B. s=2,5	
20	7801.065	1	Gear rim Z=66	
21	7804.058	1	Ring gear carrier Z=66	
22	1220.913	1	Spring ring SB 310	
23	1170.755	1	O-ring OR 345x5, 72NBR872	
24	1110.221	1	Tapered-roller bearing 331 22	
25	7828.164	1	Wheel hub	
26	7133.032	48	Wheel bolt	
27	1110.222	1	Tapered-roller bearing 320 24X TIMKEN	
28	1020345	12	Allen screw M12x30, 10.9 VP n.Ti-58 933	
29	1180.325	1	Slide ring sealing 7690 H-56	
30	7306.032	1	Axle stub ring	
31	1170.547	1	O-ring OR 120x4	
32	1030.614	16	Stud M1620x45, 10.9 939	
32a	1060.010	16	Hexagon nut M20 10 934	
33	7814.233	1	Stub axle	
34	1170.553	1	O-ring OR 150x5, 72NBR872	
36	1160.244	1	Oil seal 65x75x8 BASL	
37	7315.107	1	Washer	



See referenced page for component or assembly breakdown.



Kit or Assembly - includes all items indented underneath.



Break Cylinder

REF	PART #	QTY	DESCRIPTION	SEE PAGE
--	52746-AX		<input type="checkbox"/> Spring loaded cyl. compl. 1	
1	7323.044	1	Screw Plug	
2	--			
3	1020.301	1	Hex bolt	
4	1170.107	1	O-ring	
5	5275.004	1	Housing	
6	1250.237	26	Plate spring	
7	5252.185	1	Piston	
8	1020.153	2	Allen screw	
9	1190.105	2	Locking ring	
10	23871-AX	1	Allen screw	
11	1060.115	1	Hex nut	
12	50222-AX	1	Guide ring	
13	5263.142	1	Cylinder (upper part)	
14	7319.068	1	Gasket	
15	1180.927	1	Piston seal	
16	1250.598	2	Breather with hood	
17	23874-AX	1	Guide ring	
18	1170.292	1	O-ring	
19	5263.146	1	Cylinder (lower part)	
20	1180.925	2	Piston seal	
21	23878-AX	1	Stud	
22	--			
23	5252.189	1	Pressure piston	
24	--			
25	23879-AX	1	Ring	
26	23876-AX	1	Piston seal	
27	1180.926	1	Piston seal	
28	1020.257	4	Allen screw	
29	23802-AX	4	Locking clip	
30	23880-AX	1	Wedge	
--	7340.015	1	Indication plate	
--	1750.764	2	Blind rivet	



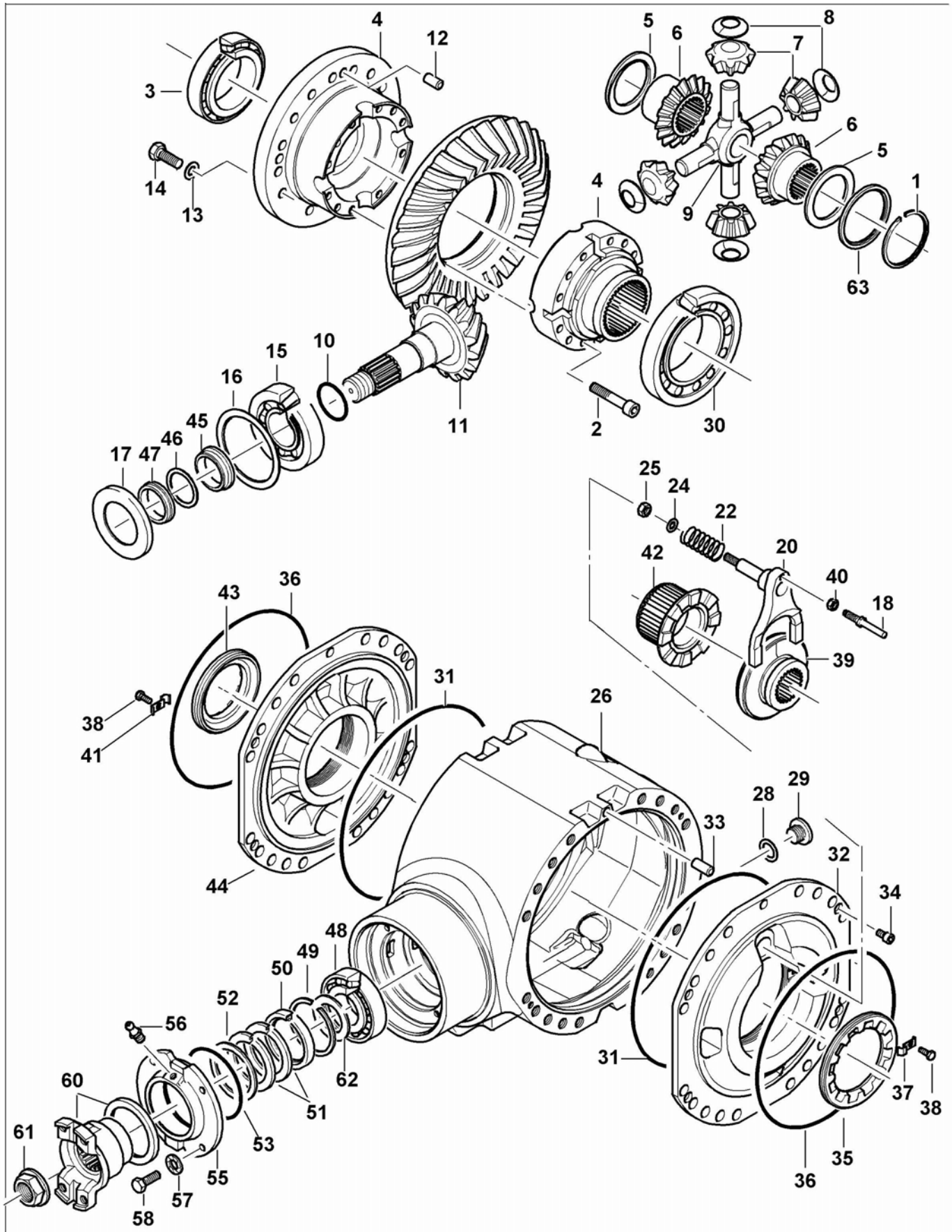
See referenced page for component or assembly breakdown.



Kit or Assembly - includes all items indented underneath.

Section AX-4

Axles, Gearboxes & Wheels - ***TIM 14 Axle - TB630 Rear***



TIM 14 AXLE Differential Breakdown

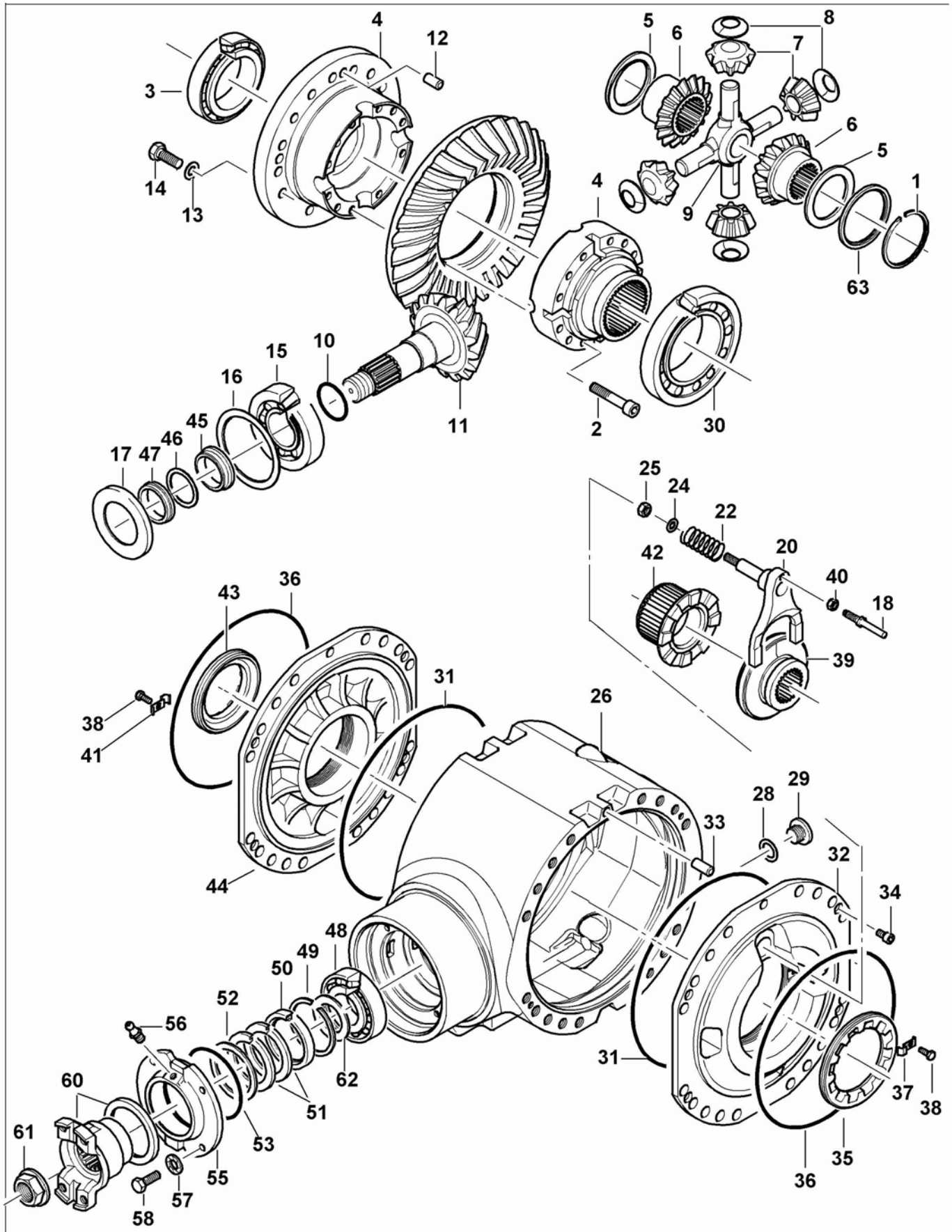
REF	PART #	QTY	DESCRIPTION	SEE PAGE
-	25015-AX		TIM 14 AXLE - COMPLETE	
1	1220.936	1	Spring ring	
2	1020.374	12	Allen screw	
3	1110.111	1	Tapered-roller bearing	
4	2102.157	1	Differential cage	
5	7517.014	2	<input type="checkbox"/> Adjusting kit	
5	7517.028		Check disk s=2,8	
5	7517.029		Check disk s=3,0	
5	7517.030		Check disk s=3,2	
5	7517.031		Check disk s=2,0	
6	7517.032		Check disk s=2,2	
6	7513.053	2	Differential gear	
7	7514.031	4	Planetary gear	
8	7518.024	4	Thrust washer	
9	7515.029	1	Cross bolt	
10	1170.013	1	O-ring	
11	2101.335	1	Crown wheel / pinion	
12	1200.228	4	Straight pin	
13	7322.077	16	Screw	
14	7316.045	16	Washer	
15	1110.223	1	Tapered-roller bearing	
16	2108.047	1	<input type="checkbox"/> Adjusting kit	
16	7317.247		Adjusting washer s=3,0	
16	7317.248		Adjusting washer s=2,75	
16	7317.249		Adjusting washer s=2,5	
17	7301.064	1	Cover	
18	9816.129	1	Shifting rod	
19				
20	9809.115	1	Shift fork	
21				
22	7331.016	1	Pressure spring	
23				
24	7316.047	1	Washer	
25	1060.009	1	Hex. nut	
26	7506.250	1	Differential housing	
27				
28	1180.541	1	O-ring	
29	1040.151	1	Screw plug	
30	1110.220	1	Tapered-roller bearing	
31	1170.735	4	O-ring	
32	7527.185	1	Flange	
33	1200.228	2	Straight pin	
34	1020.203	4	Allen screw	
35	7329.092	1	Nut	
36				
37	9566.010	2	Locking plate	
38	1010.129	2	Hexagon screw	
39	9813.144	1	Shifting sleeve	
40	1060.007	1	Hex. nut	
41	9566.019	1	Locking plate	
42	9813.142	1	Clutch-coupling sleeve	



See referenced page for component or assembly breakdown.



Kit or Assembly - includes all items indented underneath.



TIM 14 AXLE

Differential Breakdown Cont....

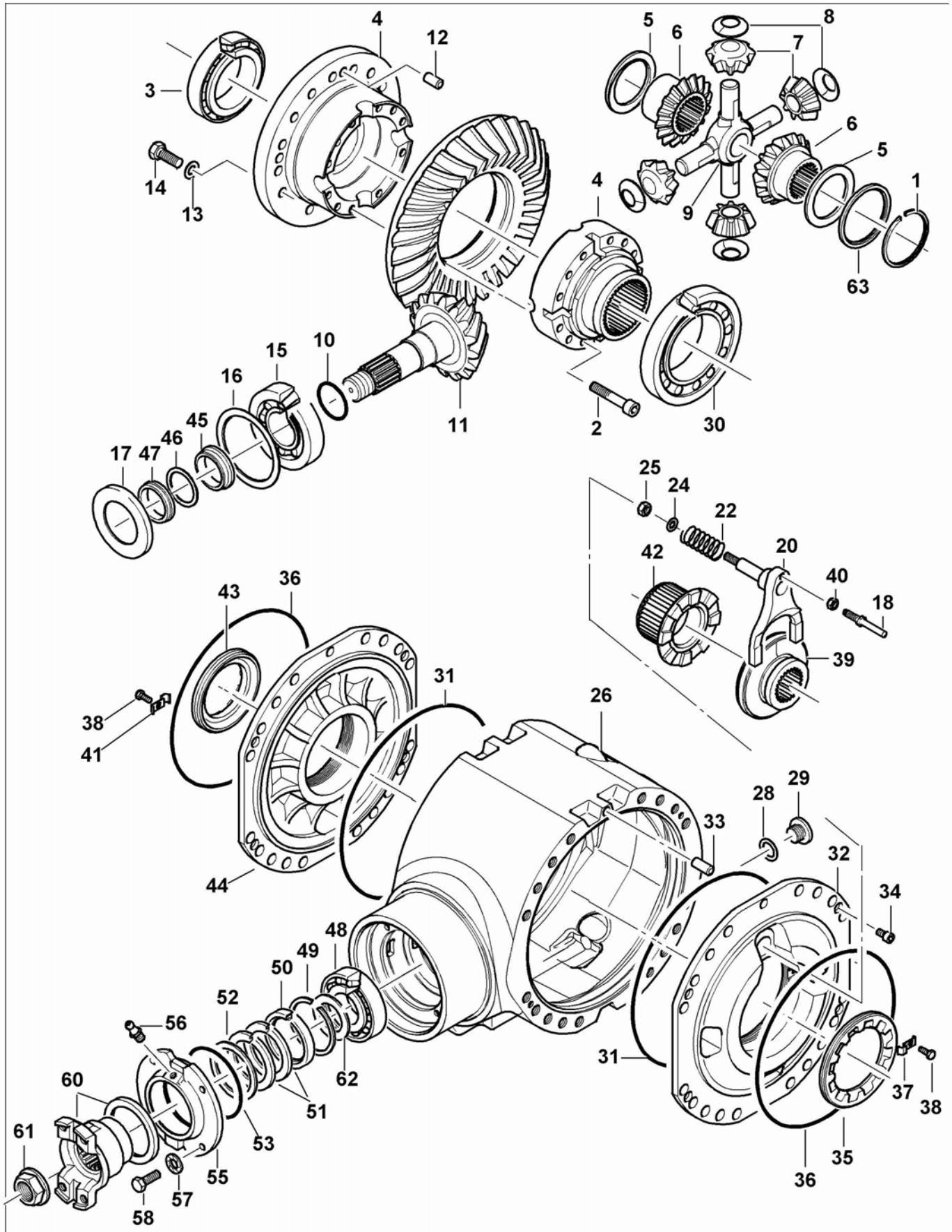
REF	PART #	QTY	DESCRIPTION	SEE PAGE
43	9310.072	1	Nut	
44	7527.184	1	Flange	
45	7311.116	1	Spacer bush	
46	2108.046	1	<input type="checkbox"/> Adjusting kit	
46	7317.234		Adjusting washer s=0,96	
46	7317.235		Adjusting washer s=1,0	
46	7317.236		Adjusting washer s=1,04	
46	7317.237		Adjusting washer s=1,08	
46	7317.238		Adjusting washer s=1,12	
46	7317.239		Adjusting washer s=1,16	
46	7317.240		Adjusting washer s=1,20	
46	7317.241		Adjusting washer s=1,24	
46	7317.242		Adjusting washer s=1,28	
46	7317.243		Adjusting washer s=1,32	
46	7317.244		Adjusting washer s=1,36	
46	7317.245		Adjusting washer s=1,40	
46	7317.246		Adjusting washer s=1,44	
47	2108.045	1	<input type="checkbox"/> Adjusting kit	
47	7311.117		Spacer bush s=11,51	
47	7311.118		Spacer bush s=11,99	
47	7311.119		Spacer bush s=12,47	
48	1110.229	1	Tapered-roller bearing	
49	1220.932	1	Spring ring	
50	7308.054	1	Radial seal	
51	7308.055	2	Seal ring	
52	7315.110	1	Washer	
52a	1180.125	1	V - ring	
53	1170.534	1	O-ring	
54				
55	7301.124	1	Cover	
56	1250.103	1	Taper grease nipple	
57	1190.011	4	Locking clip	
58	1010.201	4	Hexagon screw	
59				
60	23997-AX	1	YOKE, companion flange	
61	7329.057	1	Nut	
62	7315.181	1	Washer	
63	7311.159	1	Spacer bush	
70	7316.153	1	Washer	
71	7307.135	1	Ring	
72	7308.036	2	Oil seal	
73	7533.011	1	Axle balancer	
74	1040.115	2	Screw plug	
75	1180.505	2	Seal ring	
76	7312.101	1	Boxtrees	
77	7316.154	1	Washer	
78				
79	7315.219	1	Washer	
80	1010.201	8	Hexagon screw	
81	7322.088	16	Screw	
82	7302.051	1	Cover	
83	7316.114	2	Check disk	



See referenced page for component or assembly breakdown.



Kit or Assembly - includes all items indented underneath.



TIM 14 AXLE Differential Breakdown Cont....

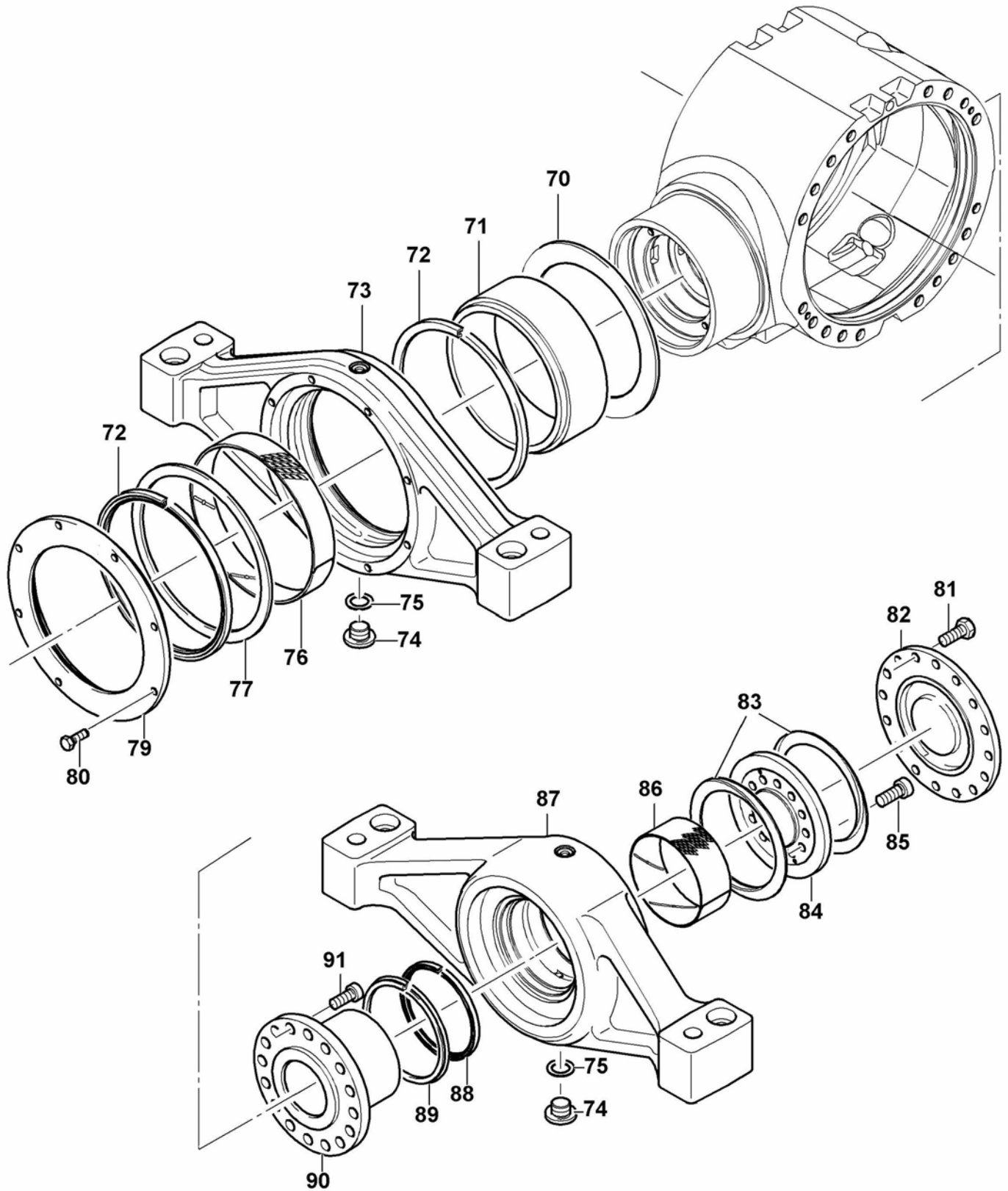
REF	PART #	QTY	DESCRIPTION	SEE PAGE
84	7302.050	1	Cover	
85	1020.372	12	Allen screw	
86	7312.102	1	Boxtrees	
87	7533.012	1	Axle balancer	
88	1180.881	1	Oil seal	
89	1180.126	1	V-ring	
90	7321.102	1	Bearing stud	
91	1020.506	16	Allen screw	



See referenced page for component or assembly breakdown.



Kit or Assembly - includes all items indented underneath.



TIM 14 AXLE Axle Breakdown

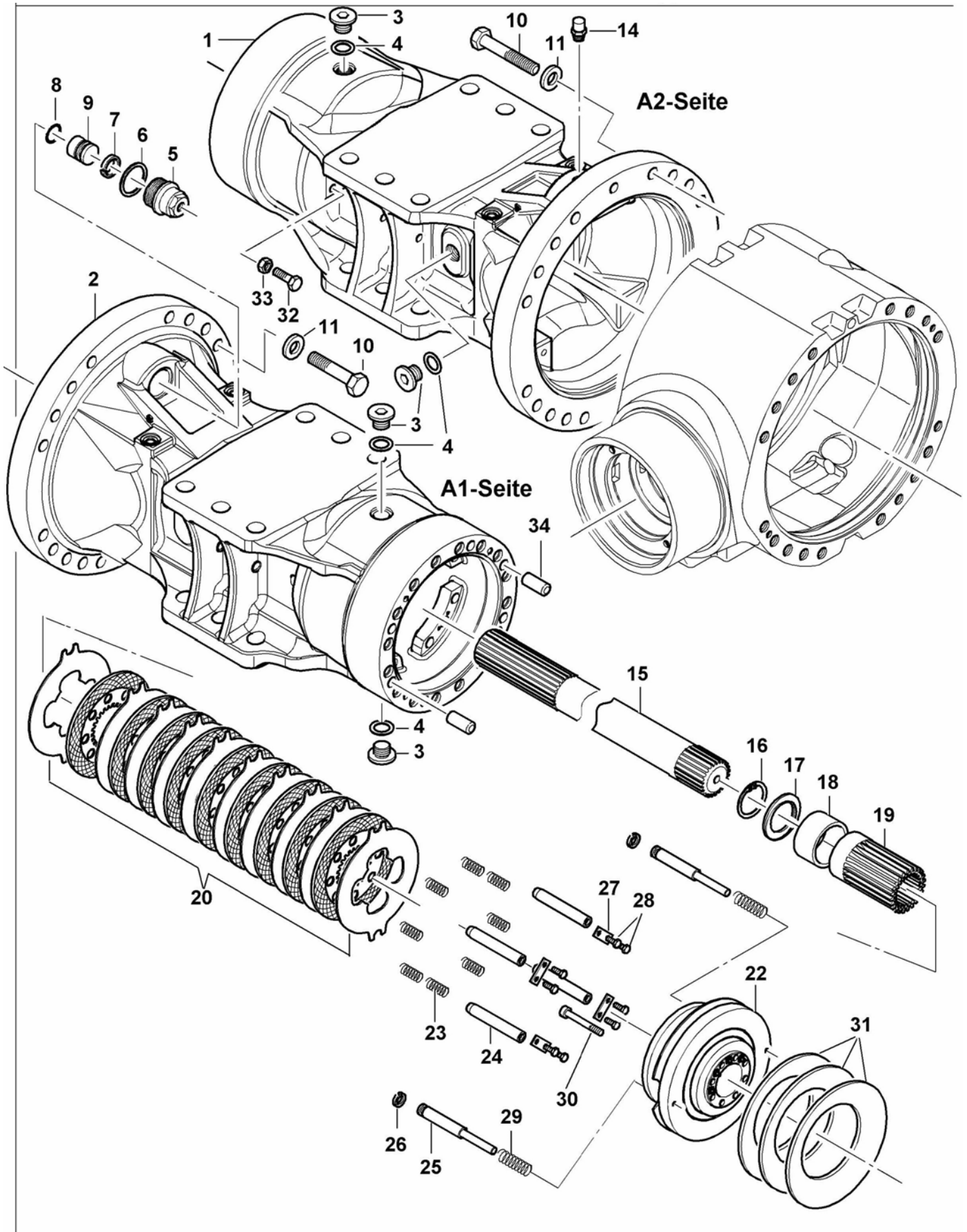
REF	PART #	QTY	DESCRIPTION	SEE PAGE
1				
2	7271.196	1	Axle housing	
3	1040.151	3	Screw plug	
4	1180.541	3	Seal ring	
5	5263.033	1	Cylinder	
6	1180.555	1	Seal ring	
7	1180.734	1	Groove ring	
8	1180.811	1	Shaft seal	
9	5252.117	1	Piston	
10	7322.122	8	Hexagon screw	
11	7316.044	18	Washer	
12				
13				
14				
15	7220.131	1	Drive shaft	
16	1220.626	1	Seeger-ring	
17	7316.111	1	Check disk	
17a	7321.205	2	Pin	
18	7312.038	1	Bush	
19	9867.099	1	Disk support	
20	2109.008	1	Multi-plate package	
20	7344.037	10	Driven disk	
20	7345.038		Drive disk of S = 5,0	
20	7345.059		Drive disk of S = 5,3	
21				
22	5360.037	1	Ring piston bracke cylinder	
23	7331.036	8	Pressure spring	
24	7320.034	4	Stud	
25	7320.033	2	Stud	
26	1180.827	2	Shaft seal	
27	7315.116	4	Washer	
28	1010.010	8	Hexagon screw	
29	7331.055	2	Pressure spring	
30	1020.154	8	Allen screw	
31	7331.030	3	Disk spring	
32	1010.304	2	Hexagon screw	
33	1060.132	2	Hex nut	
34	1200.228	2	Straight pin	
	7340.018	1	Type plate	
	1200.110	2	Pin	



See referenced page for component or assembly breakdown.



Kit or Assembly - includes all items indented underneath.



TIM 14 AXLE

Axle Breakdown Cont....

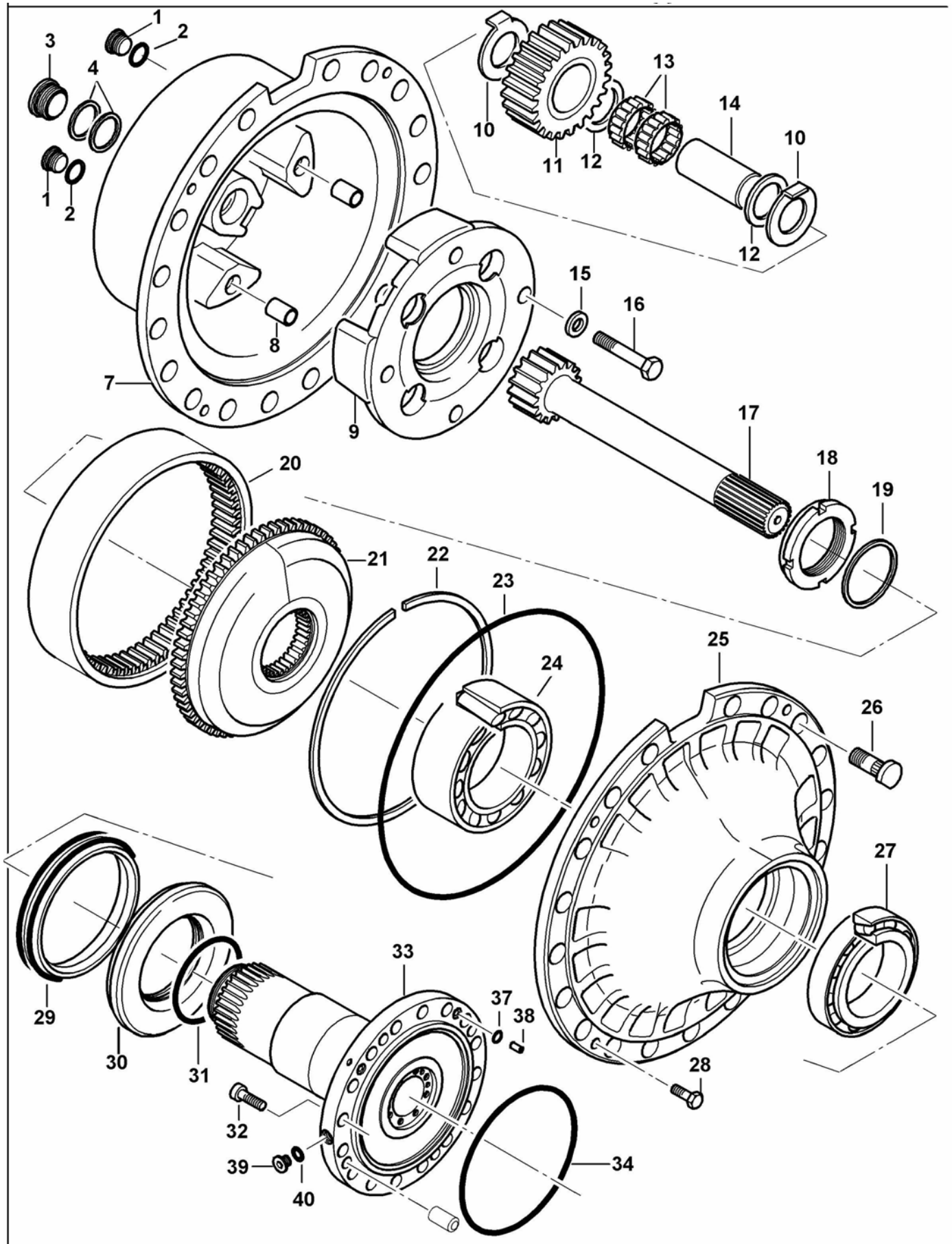
REF	PART #	QTY	DESCRIPTION	SEE PAGE
1	7271.197	1	Axle housing	
2				
3	1040.151	3	Screw plug	
4	1180.541	3	Seal ring	
5				
6				
7				
8				
9				
10	7322.122	8	Hexagon screw	
11	7316.044	18	Washer	
12				
13				
14	9566.030	1	Breather	
15	7220.131	1	Drive shaft	
16	1220.626	1	Seeger-ring	
17	7316.111	1	Check disk	
17a	7321.205	2	Pin	
18	7312.038	1	Bush	
19	9867.099	1	Disk support	
20	2109.008	1	Multi-plate package	
20	7344.037	10	Driven disk	
20	7345.038	9	Drive disk th. = 5,0	
20	7345.059	9	Drive disk th. = 5,3	
21				
22	5360.037	1	Ring piston bracke cylinder	
23	7331.036	8	Pressure spring	
24	7320.034	4	Stud	
25	7320.033	2	Stud	
26	1180.827	2	Shaft seal	
27	7315.116	4	Washer	
28	1010.010	8	Hexagon screw	
29	7331.055	2	Pressure spring	
30	1020.154	8	Allen screw	
31	7331.030	3	Disk spring	
32	1010.304	2	Hexagon screw	
33	1060.132	2	Hex nut	
34	1200.228	2	Straight pin	



See referenced page for component or assembly breakdown.



Kit or Assembly - includes all items indented underneath.



TIM 14 AXLE Planetary Breakdown

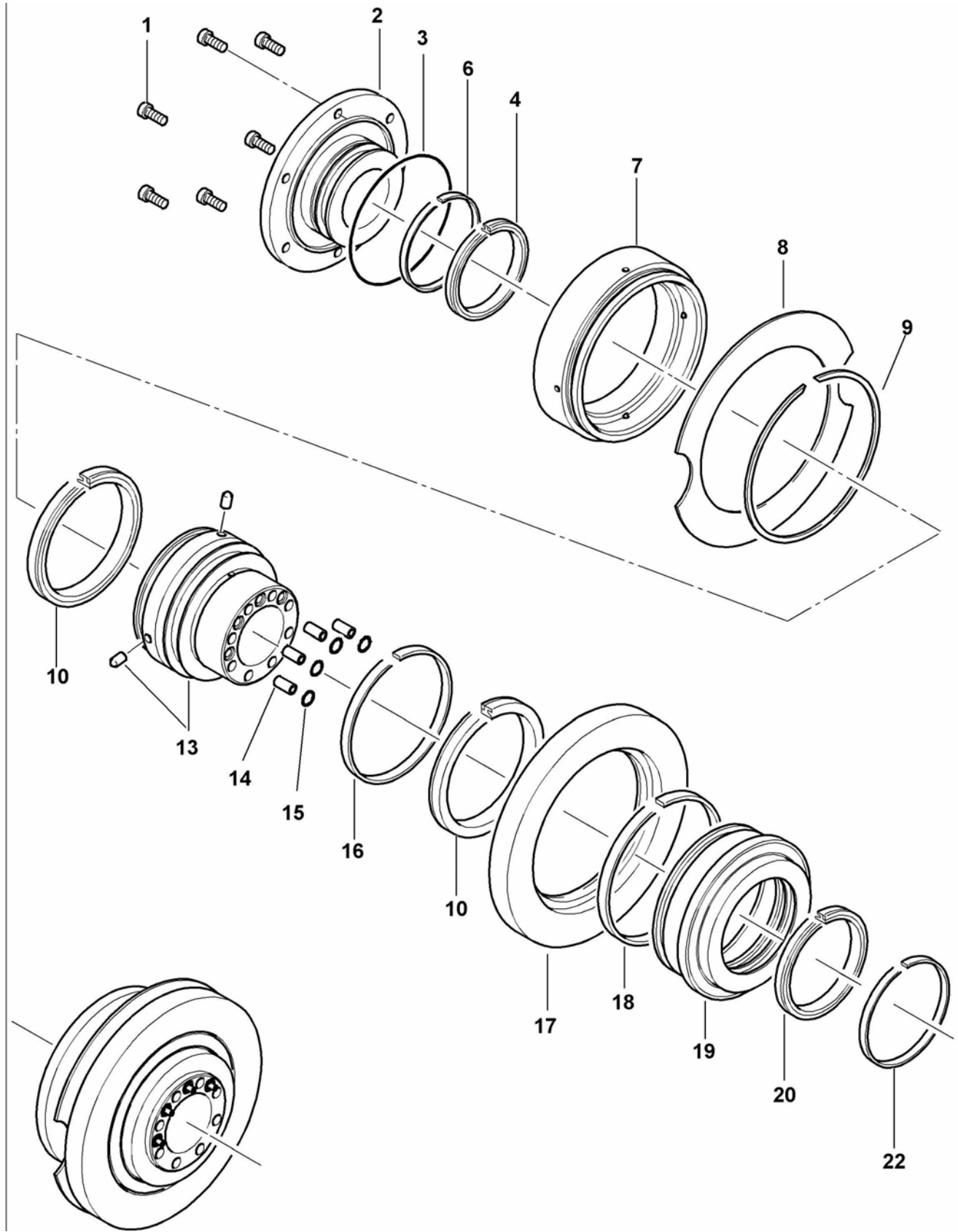
REF	PART #	QTY	DESCRIPTION	SEE PAGE
1	9556.011	3	Screw plug	
2	1180.502	3	Seal ring	
3	7323.016	2	Screw plug	
4	2108.017	2	Adjusting kit	
4	1210.110		Supporting washer	
4	1210.218		Seeger washer	
5				
6				
7	7821.257	2	Planetary cage	
8	7313.018	8	Shear bushing	
9	7821.179	2	Planetary cage	
10	9633.010	16	Check disk	
11	7806.060	8	Planetary gear	
12	1210.101	16	Supporting washer	
13	1130.280	16	Needle roller cages	
14	7807.056	8	Planetary stud	
15	7316.045	8	Washer	
16	1010.536	2	Hexagon screw	
17	7818.083	2	Sun gear shaft	
18	7329.073	2	Nut	
19	7317.047		<input type="checkbox"/> Adjusting kit	
19	7317.208		Adjusting washer s=1,375	
19	7317.207		Adjusting washer s=1,5	
19	7317.206		Adjusting washer s=1,625	
19	7317.205		Adjusting washer s=1,75	
19	7317.204		Adjusting washer s=1,875	
19	7317.203		Adjusting washer s=2.0	
19	7317.202		Adjusting washer s=2,125	
19	7317.201		Adjusting washer s=2,25	
19	7317.200		Adjusting washer s=2,375	
19	7317.199		Adjusting washer s=2,5	
20	7801.042	2	Gear rim	
21	7804.058	2	Ring gear carrier	
22	1220.913	2	Spring ring	
23	1170755	2	O-ring	
24	1110.221	2	Tapered-roller bearing	
25	7828.142	2	Wheel hub	
26	7133.032	38	Wheel bolt	
27	1110.222	2	Tapered-roller bearing	
28	7322.088	8	Hexagon screw	
29	1180.325	2	Slide ring sealing	
30	7306.032	2	Axle stub ring	
31	1170.547	2	O-ring	
32	1020.625	32	Allen screw	
33	7814.239	2	Stub axle	
34	1170.725	2	O-ring	
35				
36				
37	1170.104	4	O-ring	
38	7312.082	4	Bush	
39	1040.105	4	Screw plug	
40	1180.503	4	Seal ring	



See referenced page for component or assembly breakdown.



Kit or Assembly - includes all items indented underneath.



TIM 14 AXLE Brake Cylinder Breakdown

REF	PART #	QTY	DESCRIPTION	SEE PAGE
-	5360.037	1	<input type="checkbox"/> Complete Brake Cylinder	
1	1020.155	6	Allen screw	
2	5252.135	1	Piston	
3	1170.607	1	O-ring	
4	7308.088	1	Shaft seal	
5				
6	7308.058	1	Piston guide ring	
7	7307.124	1	Intermediate ring	
8	7315.197	1	Washer	
9	1220.901	1	Spring ring	
10	7308.087	2	Shaft seal	
11				
12				
13	2429.015	1	Cylinder compl.	
14	7312.083	4	Bush	
15	1170.103	4	O-ring	
16	7308.059	1	Piston guide ring	
17	7315.114	1	Washer	
18	7308.057	1	Piston guide ring	
19	5252.154	1	Piston	
20	7308.089	1	Shaft seal	
21				
22	1180.822	1	Driving band	



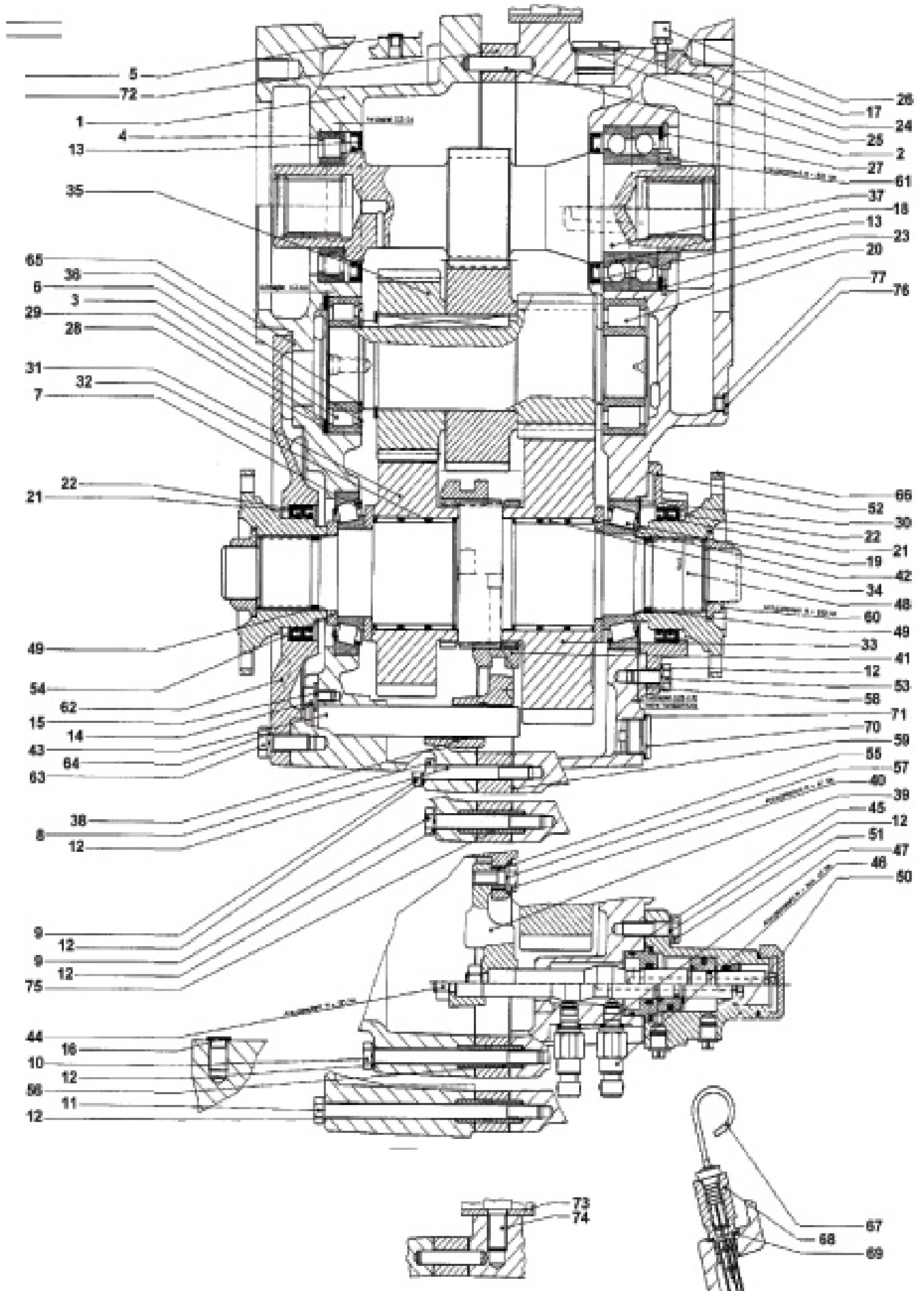
See referenced page for component or assembly breakdown.



Kit or Assembly - includes all items indented underneath.

Section AX-5

Axles, Gearboxes & Wheels - *TIM 15 Gearbox* *(Dual Motor - 830/840)*



TIM 15 - DUAL MOTOR GEARBOX

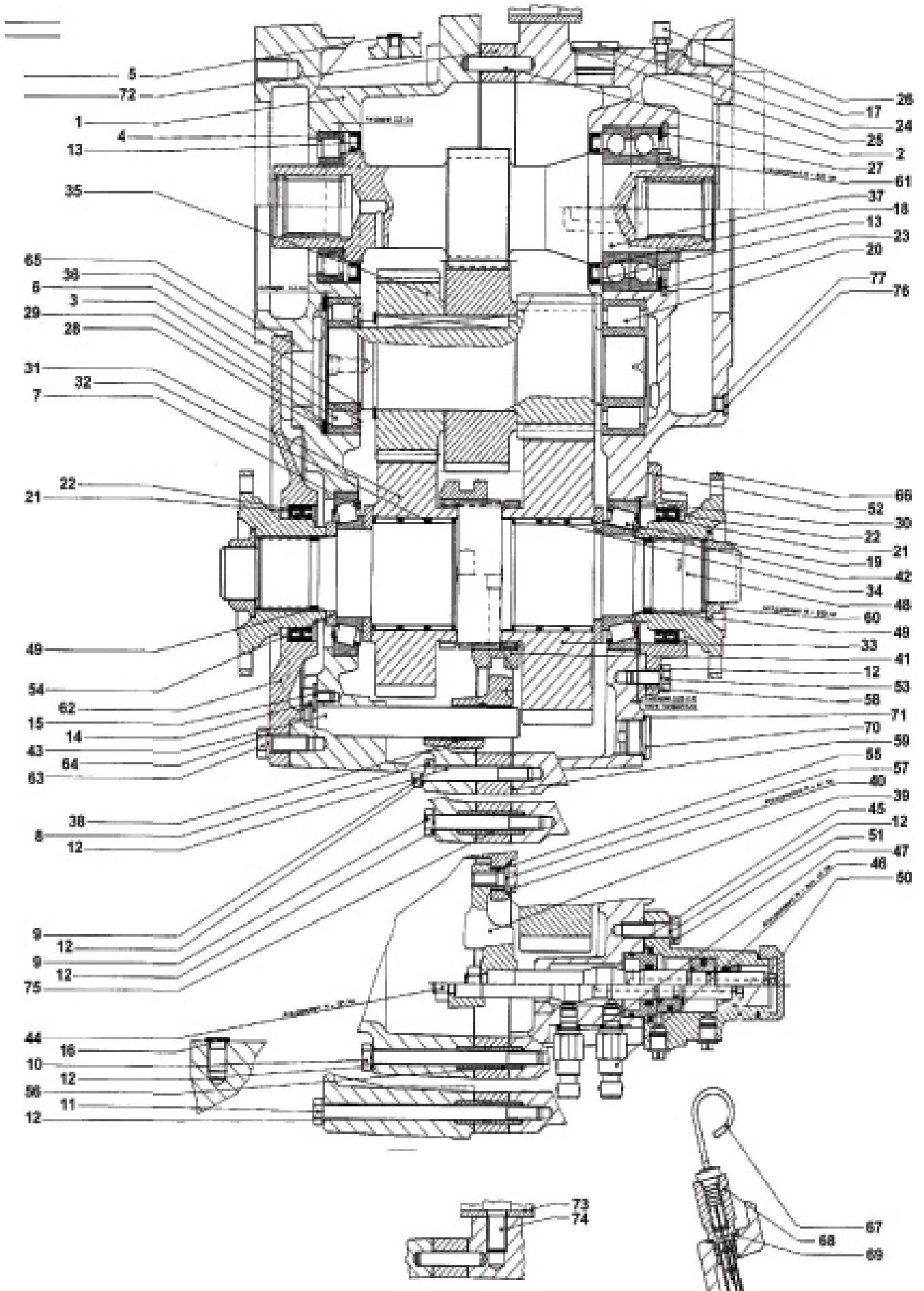
REF	PART #	QTY	DESCRIPTION	SEE PAGE
-	50371-AX		GEARBOX, DUAL MOTOR-2SP - NAF	
1	9801.517	1	Housing	
2	1200.602	2	Straight pin	
3	1130.049	1	Cylinder roller bearing	
4	1130.076	1	Cylinder roller bearing	
5	1250.620	1	Plug	
6	1180.760	1	Nilos-ring	
7	1110.119	1	Tapered roller bearing	
8	1510.212	6	Hexagon screw	
9	1510.213	4	Hexagon screw	
10	1010.225	1	Hexagon screw	
11	1510.215	2	Hexagon screw	
12	23722-AX	13	Locking clip	
13	1160.220	2	Oil seal	
14	1020.113	1	Allen screw	
15	7316.057	2	Washer	
16	1250.626	8	Plug	
17	9801.434	1	Housing	
18	1130.579	2	Tapered-roller bearing	
19	1110.014	1	Tapered-roller bearing	
20	1130.058	1	Cylinder roller bearing	
21	1160.121	2	Oil seal	
22	1160.217	2	Oil seal	
23	1220.802	1	Seeger-ring	
24	1040.180	1	Screw plug	
25	1180.518	1	Seal ring	
26	1250.001	1	Breather	
27	1210.125	1	Supporting washer	
28	1210.119	1	Supporting washer	
29	2108.013	1	Adjusting kit	
30	2108.021	1	Adjusting kit	
31	9804.520	1	Gear	
32	1130.272	2	Needle roller cages	
33	9804.522	1	Gear	
34	1130.272	3	Needle roller cages	
35	2205.156	1	Gear block	
36	1210.121	1	Supporting washer	
37	9805.310	1	Drive pinion	
38	9809.110	1	Shifting lever complete	
39	9809.118	1	Shifting lever complete	
40	1010.219	1	Hexagon screw	
41	9813.149	1	Washer	
42	7315.060	2	Shifting sleeve	
43	9816.119	1	Washer	
44	1060.003	1	Shifting rod	
45	2108.049	1	Hex. nut	
46	54093-AX	2	SWITCH, NAF GEARBOX	
47	2108.003	2	Adjusting kit	
48	7222.080	1	Shaft	
49	1170.065	2	O-ring	
50	9880.098	1	Shift cylinder complete	



See referenced page for component or assembly breakdown.



Kit or Assembly - includes all items indented underneath.



TIM 15 - DUAL MOTOR GEARBOX

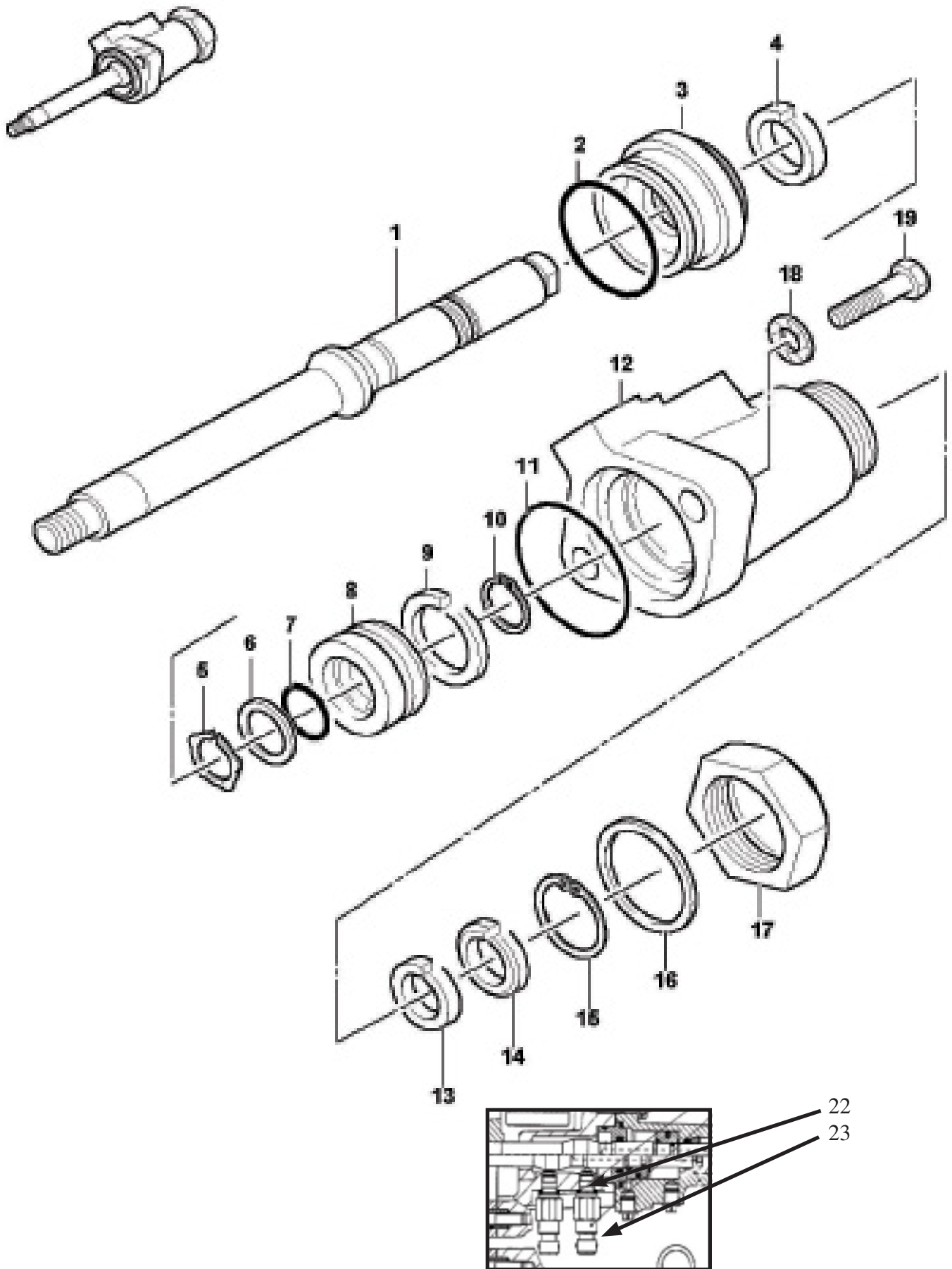
REF	PART #	QTY	DESCRIPTION	SEE PAGE
51	1010.242	2	Hexagon screw	
52	7301.029	1	Cover	
53	1010.201	6	Hexagon screw	
54	7311.163	1		
55	7311.111	1	Spacer bushing	
56	7313.012	12	Shear bushing	
57	7316.048	1	Washer	
58	7319.033	1	Gasket	
59	7319.129	2	Gasket	
60	7329.057	2	Nut	
61	7329.093	1	Nut	
62	7301.141	1	Cover	
63	1010.346	9	Hexagon screw	
64	1190.017	9	Locking clip	
65	7319.030	1	Gasket	
66	52906-AX	2	Cardan flange	
67	7325.046	1	Dipstick	
68	7343.027	1	Tube	
69	1180.508	1	Seal ring	
70	7323.025	1	Screw plug	
71	1180.541	1	Seal ring	
72	9801.389	1		
73	7412.016	1		
74	1020.522	1		
75	7312.084	6		
76	1040.115	1		
77	1180.505	1		
--	7340.018	1	Type plate	
--	1200.110	2	Pin	



See referenced page for component or assembly breakdown.



Kit or Assembly - includes all items indented underneath.



TIM 15 - DUAL MOTOR GEARBOX

REF	PART #	QTY	DESCRIPTION	SEE PAGE
-	52907-AX	1	<input type="checkbox"/> Complete Shift Cylinder	
1	9816137	1	Shifting rod	
2	1170.005	1	O-ring	
3	7307.097	1	Eccentric ring	
4	50519-AX	1	Shaft seal	
5	50127-AX	1	Seeger-k-ring	
6	7315.090	1	Washer	
7	1170.092	1	O-ring	
8	5252.097	1	Piston	
9	1180.767	1	Shaft seal	
10	1220.053	1	Seeger-ring	
11	1170.013	1	O-ring	
12	5263.086	1	Cylinder	
13	1180.643	1	Shaft seal	
14	7307.080	1	Eccentric ring	
15	50129-AX	1	Seeger-ring	
16	50521-AX	1	Seal Ring	
17	7302.003	1	Cover	
18	1190.015	2	Locking Clip	
19	1010.242	2	Bolt	
20	1020.260	1	Allen Screw	
21	2108.080	1	Shim kit	
21	7311.168	1	Washer	
21	7311.169	1	Washer	
21	7311.170	1	Washer	
22	2108.003	2	Adjusting kit	
23	54093-AX	2	SWITCH, NAF GEARBOX	



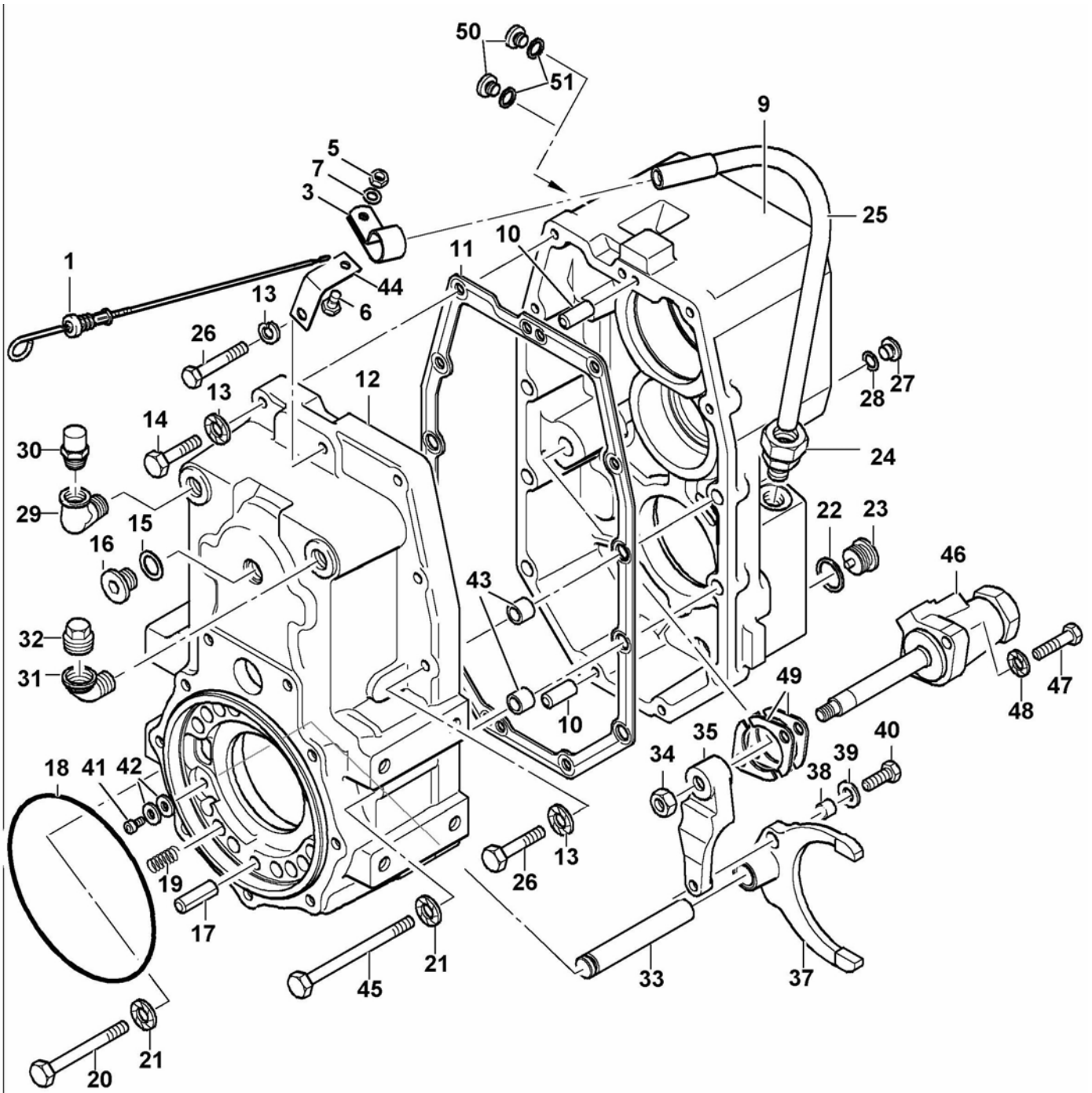
See referenced page for component or assembly breakdown.



Kit or Assembly - includes all items indented underneath.

Section AX-6

Axles, Gearboxes & Wheels - *TIM 16 Gearbox* *(Single Motor - 630)*



TIM 16 - SINGLE MOTOR GEARBOX

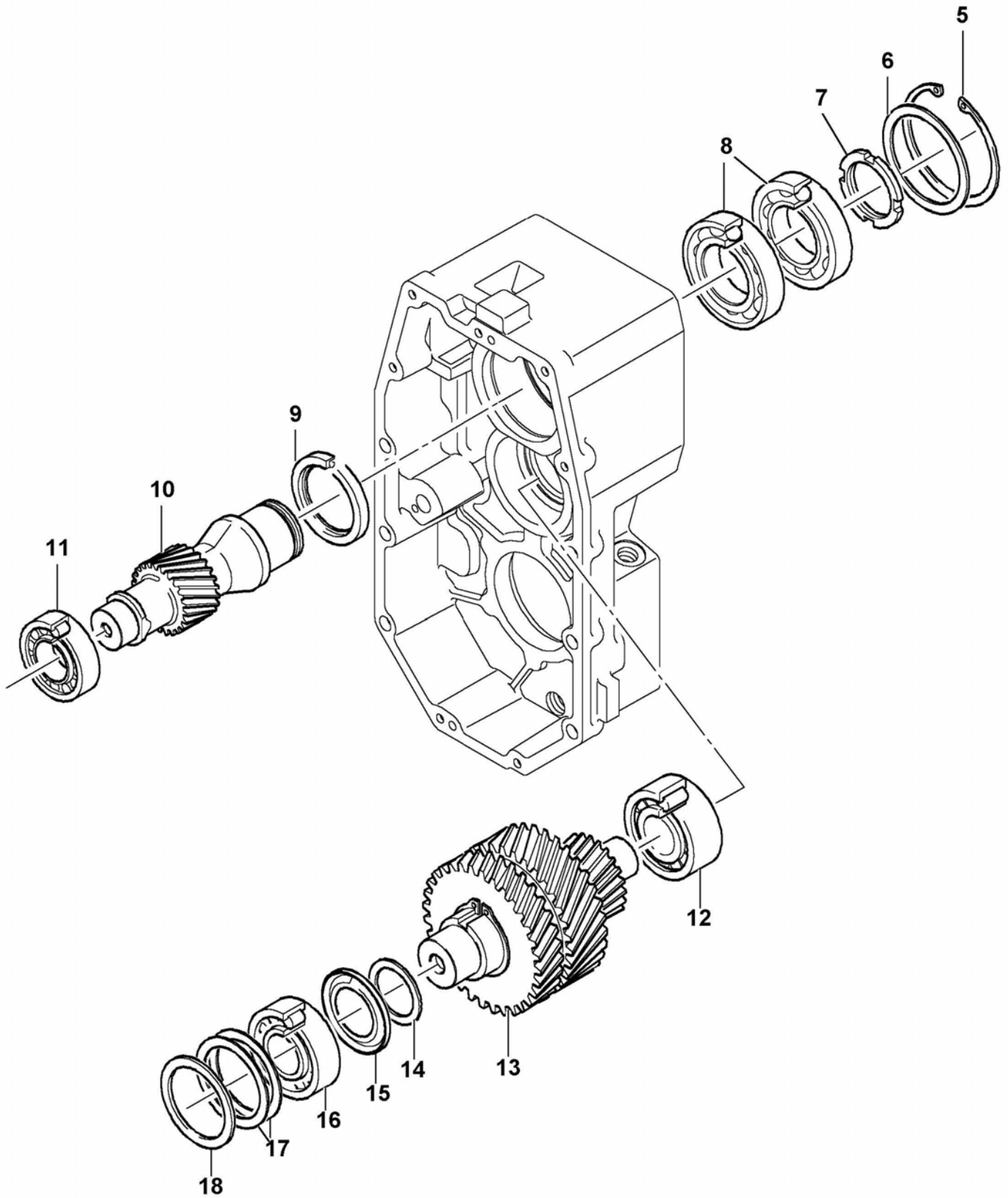
REF	PART #	QTY	DESCRIPTION	SEE PAGE
---	50502-AX		TIM 16 GEARBOX COMPLETE	
1	7325.045	1	Dipstick L=620	
3	1750.793	1	Pipe saddle D22X20	
5	1060.014	1	Hex. nut M8, 10 934	
6	1010.101	1	Hexagon screw M8x20, 10.9 933	
7	1190.024	1	Locking clip VSK 8,	
9	9801.536	1	Housing	
10	1200.258	2	Straight pin 10m6x28,	
11	7319.129	1	Gasket 0.75	
12	9801.345	1	Housing	
13	1190.015	11	Locking clip VSK 10,	
14	1010.205	6	Hexagon screw M10x50, 10.9 931	
15	1180.525	1	Seal ring A21x26x1.5, CU 7603	
16	1040.125	1	Screw plug R 1/2 " 908	
17	1200.478	2	Adapter sleeve 14x45,	
18	1170.725	1	O-ring OR 210x4, 72NBR872	
19	7331.036	14	Pressure spring	
20	1010.252	3	Hexagon screw M10x110, 10.9 931	
21	1190.015	2	Locking clip VSK 10,	
22	1180.541	1	Seal ring A27x32x2, CU 7603	
23	7323.025	1	Screw plug R 3/4", 5.8 MIT MAGNET	
25	7341.112	1	Pipe compl	
26	1010.210	4	Hexagon screw M10x60, 10.9 931	
27	1040.115	1	Screw plug M10x1, 5.8 908	
28	1180.505	1	Seal ring A10x13.5x1, CU 7603	
29	1250.621	1	90 deg. Elbow IA 1/2"	
30	1250.015	1	Breather R 1/2 "	
31	1750.659	1	90 deg. Elbow IA 3/4"x1/2"	
32	1040.174	1	Screw plug 3/4" 5.8 909	
33	9816.065	1	Shifting rod	
34	1060.003	1	Hex. nut M14x1.5, 10 934	
35	9809.078	1	Shifting lever	
37	9809.107	1	Shifting lever compl	
38	7311.111	1	Spacer bush	
39	7316.048	1	Washer	
40	1010.219	1	Hexagon screw M8x30, 10.9 933	
41	1020.113	1	Allen screw M8x16, 8.8 VP n.TI-58 912	
42	7316.057	1	SCHEIBE	
43	7313.012	6	Holding plate Hexagon screw	
44	7148.044	1	Shift cylinder compl	
45	1010.226	2	Locking clip M10x150, 10.9 931	
46	9880.108	1	Adjusting kit Hub 27	
47	1010.242	2	Washer M10x40, 10.9 931	
48	1190.015	2	Screw plug VSK 10,	
49	2108.049	1	Seal ring s=1,0	
49	7315.169		SCHEIBE n.Bed.	
50	1040.105	1	Type plate	
51	1180.503	2	Pin	



See referenced page for component or assembly breakdown.



Kit or Assembly - includes all items indented underneath.



TIM 16 - SINGLE MOTOR GEARBOX

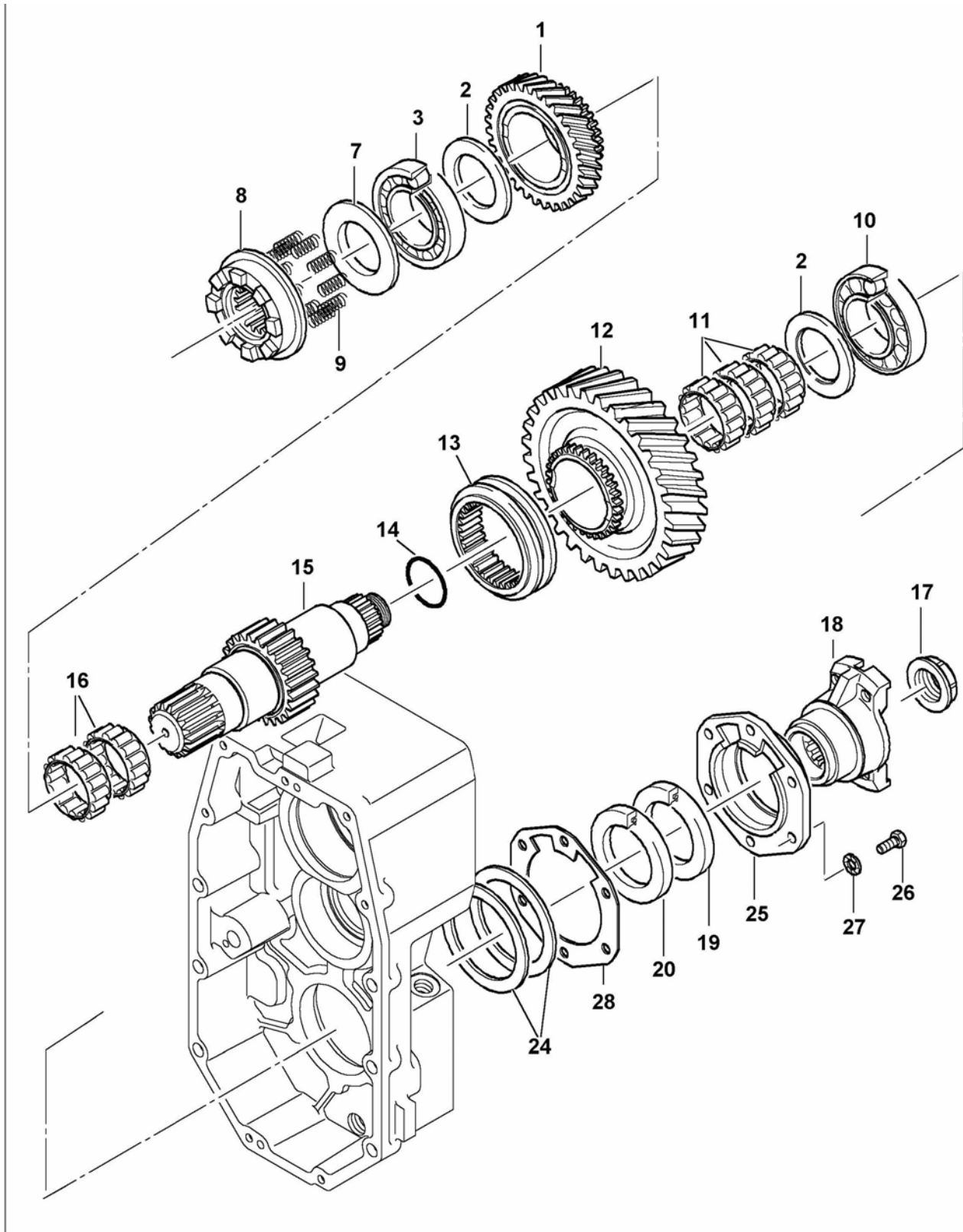
REF	PART #	QTY	DESCRIPTION	SEE PAGE
1	---			
2	---			
3	---			
4	---			
5	1220.802	1	Seeger-ring 120x4 472	
6	1210.125	1	Supporting washer SS 100x120x3.5	
7	7329.093	1	Groove nut M65x1.5	
8	1130.579	2	Taper-rolling bearing 7213 BECB	
9	1160.220	1	Oil seal 80x110x10 BA	
10	9805.312	1	Drive pinion Z=18	
11	1130.045	1	Cylinder roller bearing NJ2209 EC/C3/J	
12	1130.058	1	Cylinder roller bearing NJK 2309 C3 NTN	
13	2205.132	1	Gear block Z=15/37/37	
14	1210.121	1	Supporting washer SS 55x68x3	
15	1180.760	1	Nilos-ring NUP2211AV	
16	1130.049	1	Cylinder roller bearing NJ 2211 EC3	
17	2108.013	1	□ Adjusting kit 1 s=1,0 / 0,5 / 0,3 / 3,5	
17	1210.229		Seeger washer PS 80x100x1.0	
17	1210.228		Seeger washer PS 80x100x0.5	
17	1210.267		Seeger washer PS 80x100x0.3	
18	1210.119	1	Supporting washer SS 80x100x3.5	



See referenced page for component or assembly breakdown.



Kit or Assembly - includes all items indented underneath.



TIM 16 - SINGLE MOTOR GEARBOX

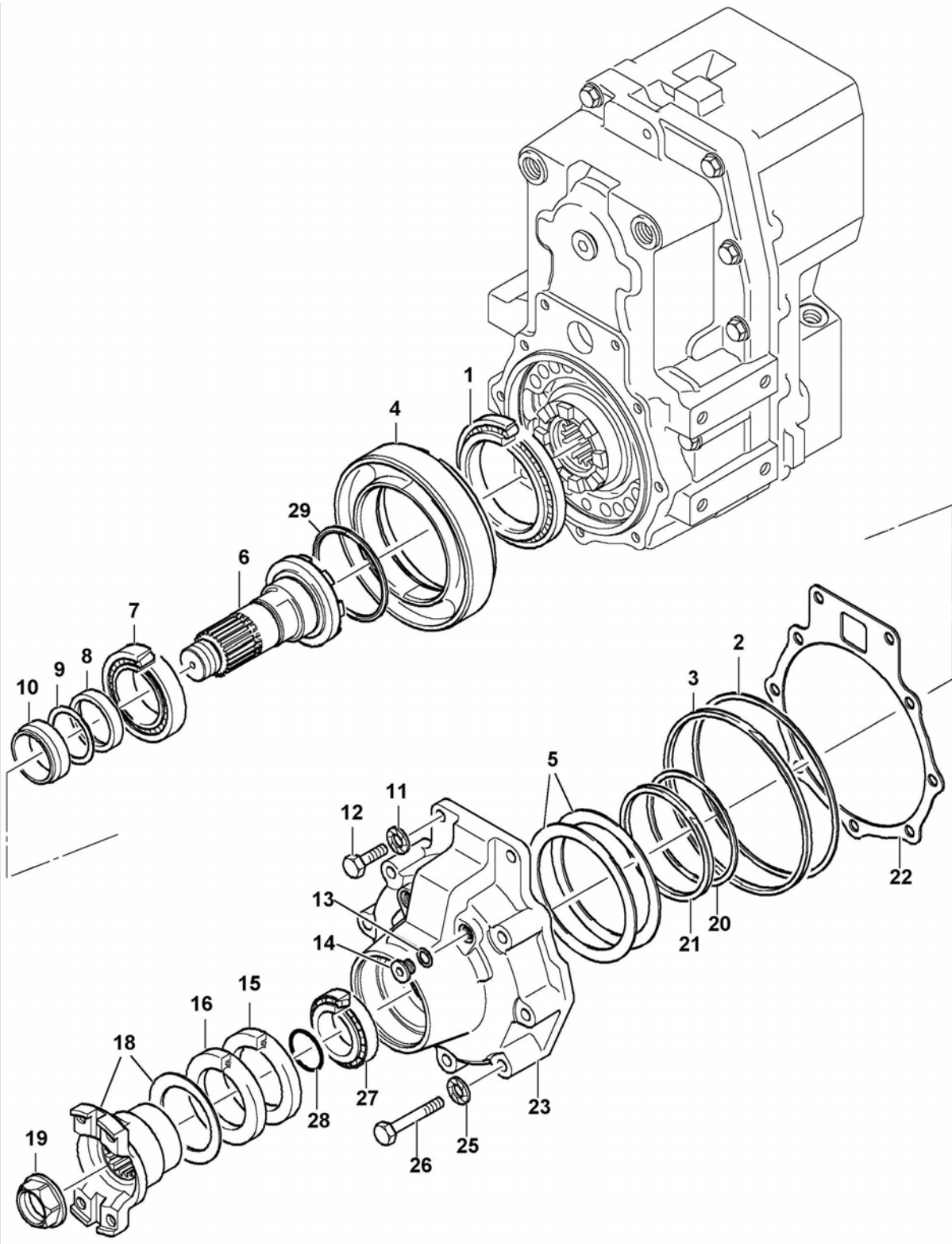
REF	PART #	QTY	DESCRIPTION	SEE PAGE
1	9804.292	1	Gear Z=34	
2	7315.060	2	Washer	
3	1110.119	1	Tapered-roller bearing 30 213	
4	---			
5	---			
6	---			
7	7315.168	1	Washer	
8	9813.072	1	Shifting sleeve	
9	7331.036	10	Pressure spring	
10	1110.014	1	Tapered-roller bearing D60XD110X29.75	
11	1130.272	3	Needle roller cages K75X83X23 2S	
12	9804.440	1	Gear Z=43	
13	9813.135	1	Shifting sleeve	
14	1170.090	1	O-ring OR 45x4.5, 72NBR872	
15	7222.034	1	Shaft	
16	1130.272	2	Needle roller cages K75X83X23 2S	
17	7329.057	1	Nut M40x1.5	
18	7521.150	1	Cardan flange	
19	1160.217	1	Oil seal 80x100x10 BASL	
20	1160.121	1	Oil seal 80x100x10 BA	
21	---			
22	---			
23	---			
24	2108.021	1	<input type="checkbox"/> Adjusting kit s=1,0 / 0,5 / 0,9 / 0,8 / 0,7/ 0,6	
24	1210.432		Seeger washer n.Bed. 95x115x1,0	
24	1210.433		Seeger washer n.Bed. 95x115x0,5	
24	7317.049		Adjusting washer n.Bed. 95x115x0,9	
24	7317.096		Adjusting washer n.Bed. 95x115x0,8	
24	7317.097		Adjusting washer n.Bed. 95x115x0,7	
24	7317.098		Adjusting washer n.Bed. 95x115x0,6	
25	7301.029	1	Cover	
26	1010.201	6	Hexagon screw M10x25, 10.9 933	
27	1190.015	6	Locking clip VSK 10, FEDERSTAHL DACROM	
28	7319.033	1	Gasket 0.5 stark, AFM31	



See referenced page for component or assembly breakdown.



Kit or Assembly - includes all items indented underneath.



TIM 16 - SINGLE MOTOR GEARBOX

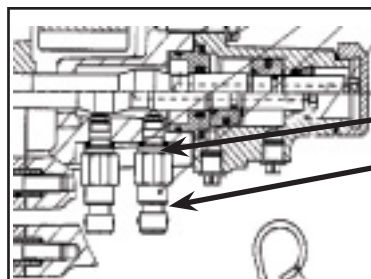
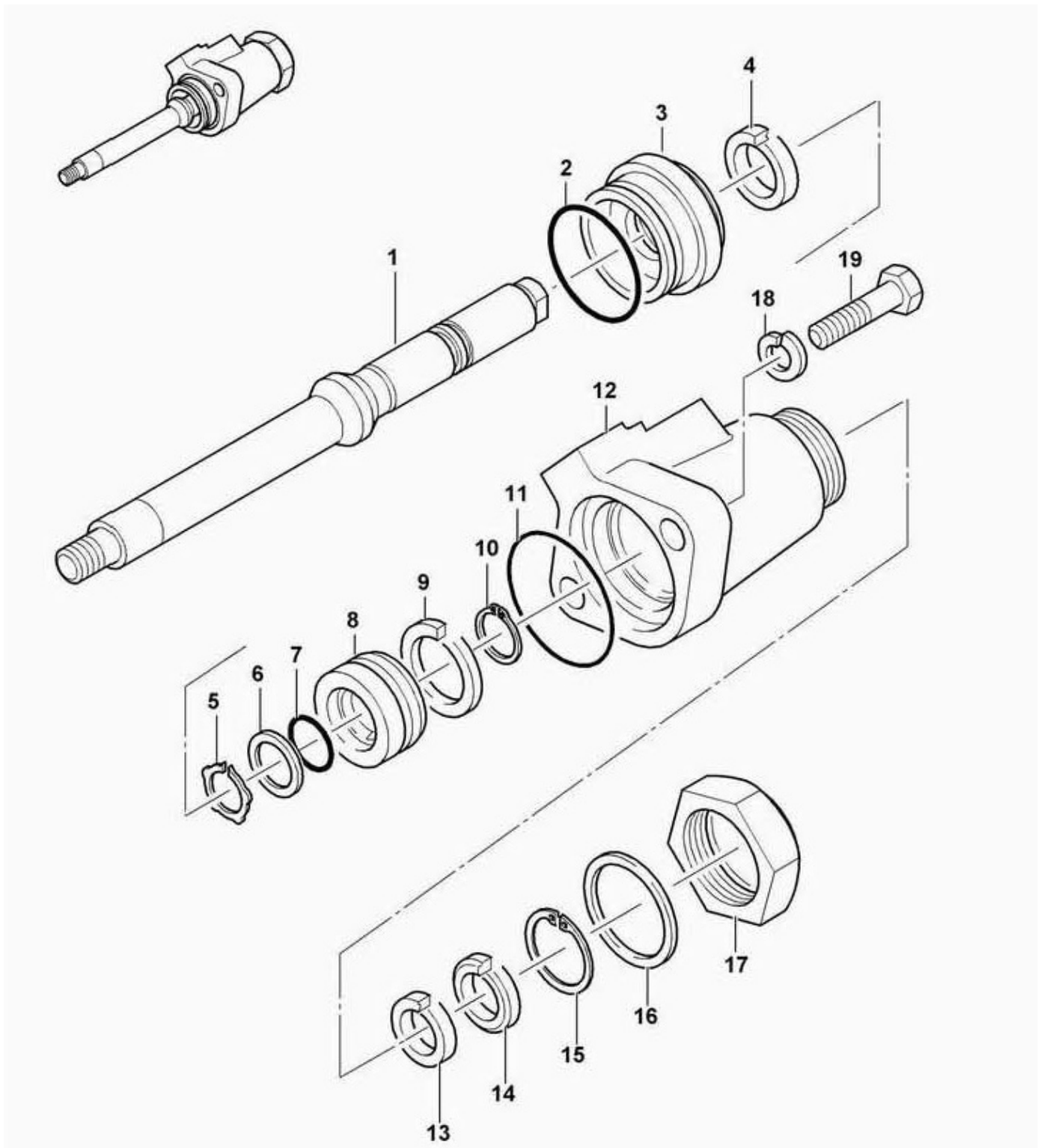
REF	PART #	QTY	DESCRIPTION	SEE PAGE
1	1110.175	1	Tapered-roller bearing 37431A/37625, TIMKEN	
2	1180.765	1	Support washer SU 227x215x2.5P,	
3	1180.756	1	Quad-ring 4446-366Y	
4	5252.071	1	Piston	
5	2108.011	1	<input type="checkbox"/> Adjusting kit s=1,0 / 0,5	
5	1210.426		Seeger washer n.B. 140x170x1,0	
5	1210.427		Seeger washer n.B. 140x170x0,5	
6	7222.020	1	Driven shaft	
7	1110.004	1	Tapered-roller bearing 32014X	
8	7315.050	1	Washer	
9	7317.050	2	<input type="checkbox"/> Adjusting kit s=0,5/0,6/0,7/0,8/0,9/1,0/1,3/1,4/1,5/1,6/1,7	
9	7317.209		Adjusting washer n.Bed. s=0,5	
9	7317.210		Adjusting washer n.Bed. s=0,6	
9	7317.211		Adjusting washer n.Bed. s=0,7	
9	7317.212		Adjusting washer n.Bed. s=0,8	
9	7317.213		Adjusting washer n.Bed. s=0,9	
9	7317.214		Adjusting washer n.Bed. s=1,0	
9	7317.215		Adjusting washer n.Bed. s=1,3	
9	7317.216		Adjusting washer n.Bed. s=1,4	
9	7317.217		Adjusting washer n.Bed. s=1,5	
9	7317.218		Adjusting washer n.Bed. s=1,6	
9	7317.219		Adjusting washer n.Bed. s=1,7	
10	7311.079	1	Spacer bush	
11	1190.017	2	Locking clip VSK 12,	
12	1510.320	2	Hexagon screw M12x40, 10.9 933	
13	1180.503	1	Seal ring 14x18x1.5, CU 7603	
14	1040.105	1	Screw plug M14x1.5, 8.8 908	
15	1160.214	1	Oil seal 85x110x12 BA	
16	1160.215	1	Oil seal 85x110x12 BASL	
17	---			
18	2107.127	1	Drive shaft flange	
19	7329.057	1	Nut M40x1.5	
20	1180.766	1	Support washer SG 128x140x2.5P,	
21	1180.754	1	Quad-ring 4428-366Y, NBR	
22	7319.030	1	Gasket 0.5 stark, AFM31	
23	7504.045	1	Housing	
24	---			
25	1190.017	7	Locking clip VSK 12,	
26	1510.338	7	Hexagon screw M12x80, 10.9 931	
27	1110.071	1	Tapered-roller bearing 32011X	
28	1170.090	1	O-ring OR 45x4.5, 72NBR872	
29	1180.763	1	Scraper ring D105xD115x7x10, NBR	



See referenced page for component or assembly breakdown.



Kit or Assembly - includes all items indented underneath.



TIM 16 - SINGLE MOTOR GEARBOX Shift Cylinder

REF	PART #	QTY	DESCRIPTION	SEE PAGE
---	9880.088		<input type="checkbox"/> Shift cylinder Complete	
1	9816.117	1	Shifting rod	
2	1170.005	1	O-ring OR 42x3, 72NBR872	
3	7307.097	1	Eccentric ring	
4	1180.724	1	Shaft seal 22x30x6,Q3 2019 Z5048	
5	1220.050	1	Seeger-k-ring AK 20x1.2 983	
6	7315.090	1	Washer	
7	1170.092	1	O-ring OR 15x3, 72NBR872	
8	5252.097	1	Piston	
9	1180.767	1	Shaft seal 40x29x4.2, KR 0040 00701	
10	1220.053	1	Seeger-ring AS 20x1.75 471	
11	1170.013	1	O-ring OR 42x4.5, 72NBR872	
12	5263.086	1	Cylinder	
13	1180.643	1	Shaft seal 20x28x6,Q3	
14	7307.080	1	Eccentric ring	
15	1220.611	1	Seeger-ring 30x1.2 472	
16	1180.526	1	Seal ring A40x47x2, CU 7603	
17	7302.003	1	Cover	
18	1190.015	2	Locking clip VSK 10,	
19	1010.242	2	Hexagon screw M10x40, 10.9	
21	2108.003	2	Adjusting kit	
22	54093-AX	2	SWITCH, NAF GEARBOX	



See referenced page for component or assembly breakdown.

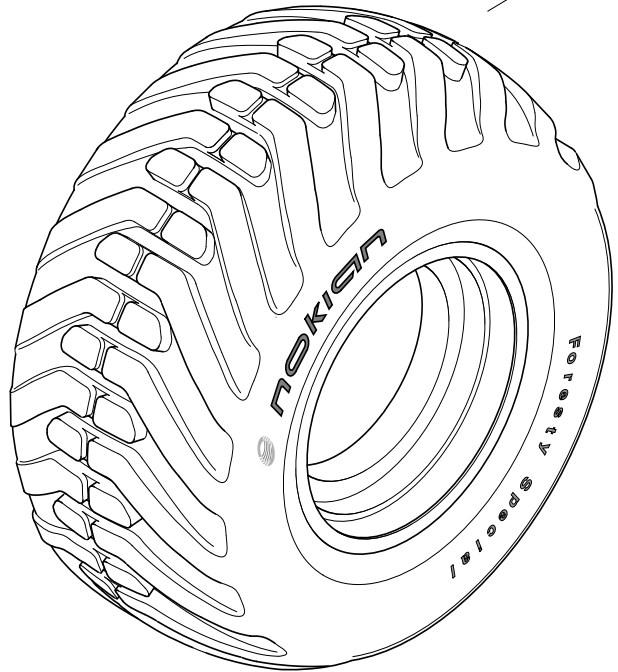


Kit or Assembly - includes all items indented underneath.

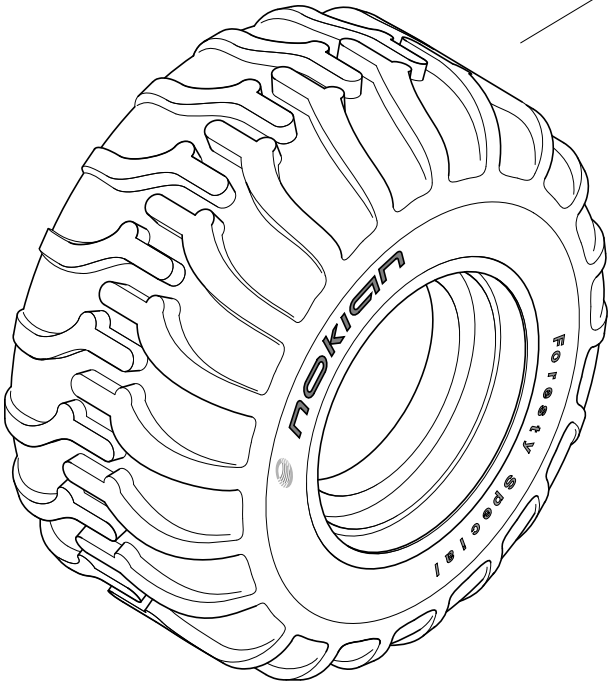
Section AX-7

Axles, Gearboxes & Wheels - Tires and Wheels

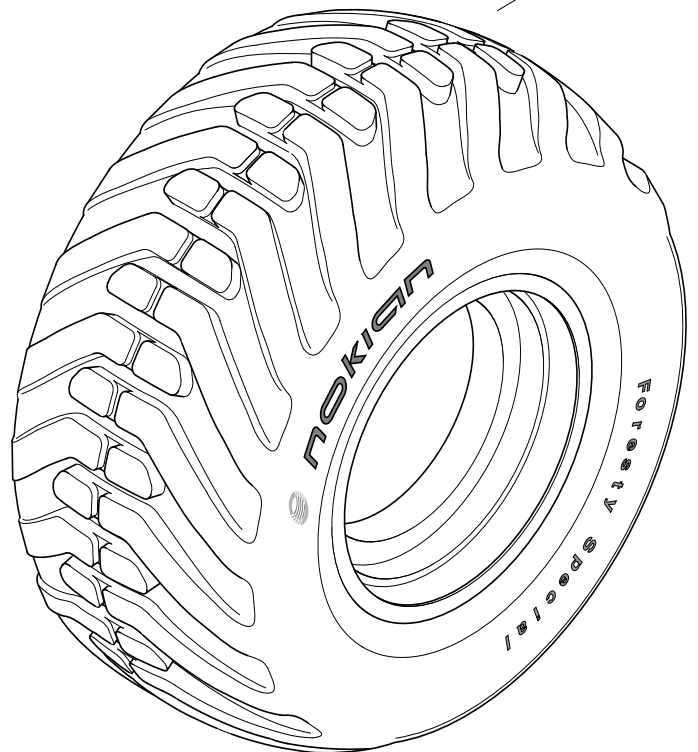
2



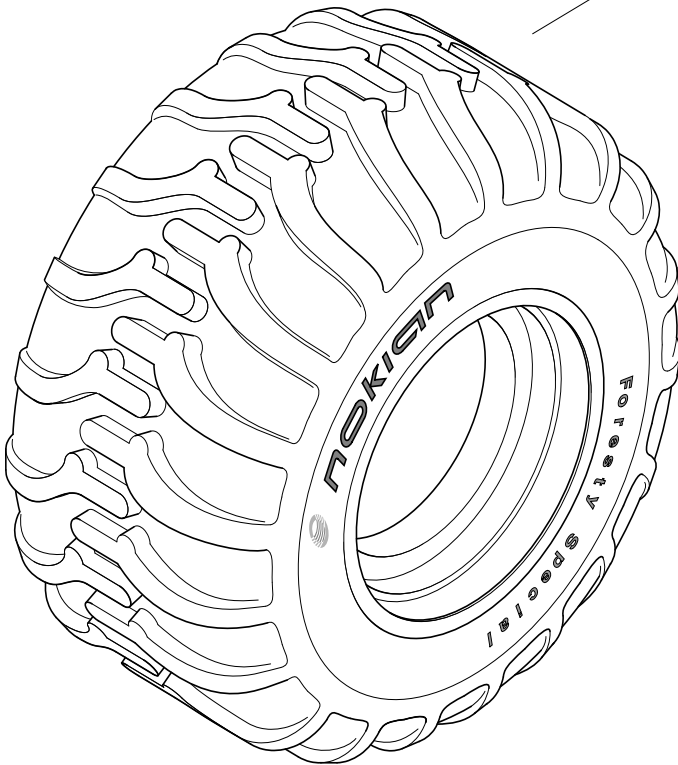
1



4



3



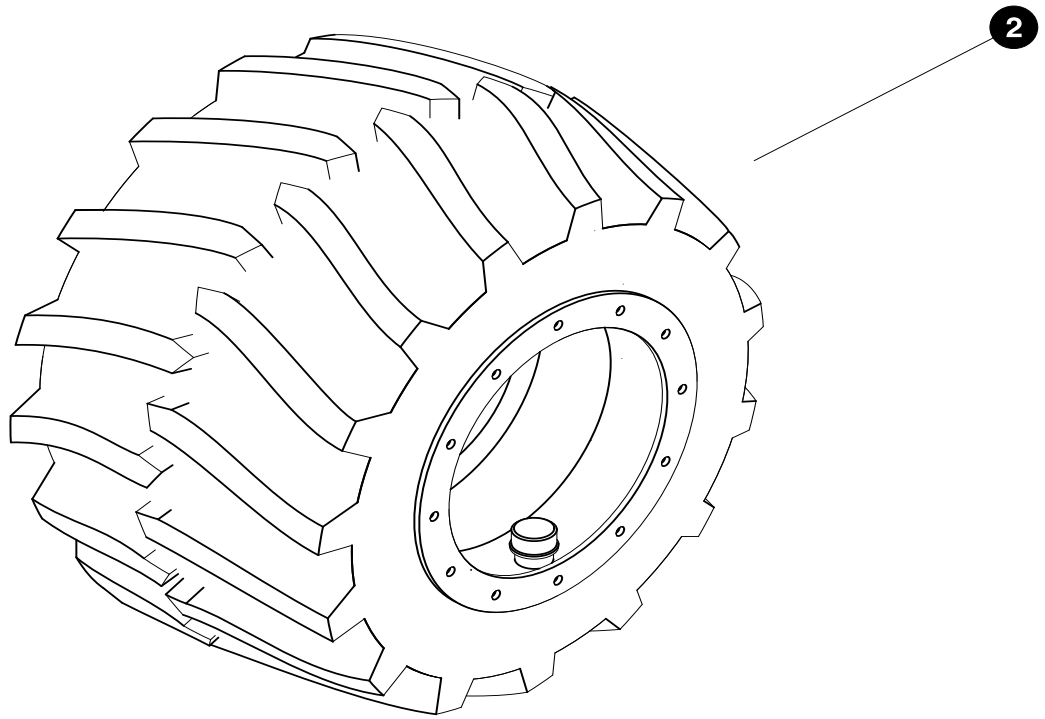
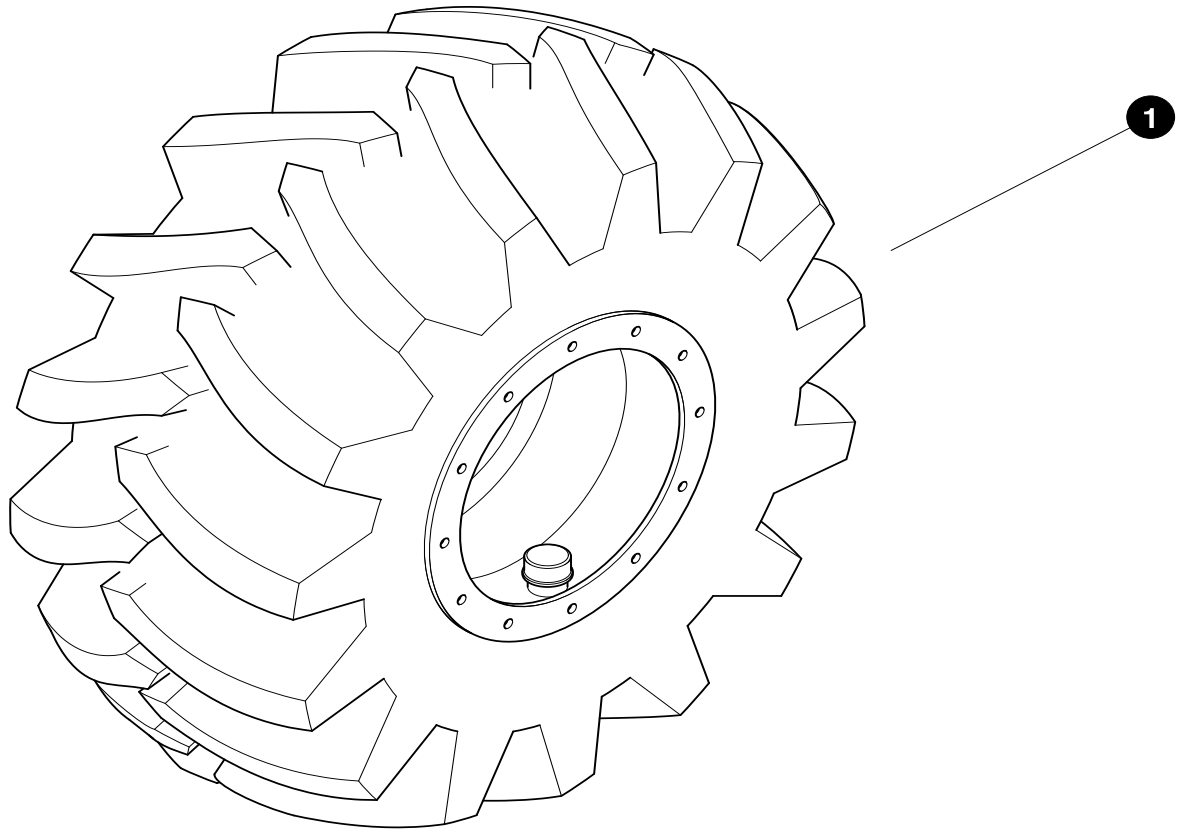
WHEEL ASSEMBLIES (NOKIAN)

REF	PART #	QTY	DESCRIPTION	SEE PAGE
1	20006-AX		<input type="checkbox"/> WHEEL ASSEMBLY, 700/55-26.5" - LH (<i>Aggressive tread</i>)	
1	20007-AX		<input type="checkbox"/> WHEEL ASSEMBLY, 700/55-26.5" - RH (<i>Aggressive tread</i>)	
-	---	1	TIRE - 700/55-26.5"/20 ply (<i>Nokian</i>) (T486091)	
-	21137-AX	1	RIM, wheel - 750/55-26.5"	
-	---	1	PLUG, black pipe - valve stem cover (T499985)	
-	---	1	TUBE, tire - 700/55-26.5" (3550167)	
2	19053-AX		<input type="checkbox"/> WHEEL ASSEMBLY, 700/55-26.5" - LH (<i>Non-aggressive tread</i>)	
2	20005-AX		<input type="checkbox"/> WHEEL ASSEMBLY, 700/55-26.5" - RH (<i>Non-aggressive tread</i>)	
-	---	1	TIRE - 700/55-26.5"/20 ply (<i>Nokian</i>) (T486095)	
-	21137-AX	1	RIM, wheel - 750/55-26.5"	
-	---	1	PLUG, black pipe - valve stem cover (T499985)	
-	---	1	TUBE, tire - 700/55-26.5" (3550167)	
3	23673-L-AX		<input type="checkbox"/> WHEEL ASSEMBLY, 750/55-26.5" - LH (<i>Aggressive tread</i>)	
3	23673-R-AX		<input type="checkbox"/> WHEEL ASSEMBLY, 750/55-26.5" - RH (<i>Aggressive tread</i>)	
-	23674-AX	1	TIRE - 750/55-26.5"/20 ply (<i>Nokian</i>)(<i>Aggressive tread</i>)	
-	21137-AX	1	RIM, wheel - 750/55-26.5"	
-	---	1	PLUG, black pipe - valve stem cover (T499985)	
-	20313-AX	1	TUBE, tire - 750/55-26.5"	
4	20310-L-AX		<input type="checkbox"/> WHEEL ASSEMBLY, 750/55-26.5" - LH (<i>Non-aggressive tread</i>)	
4	20310-R-AX		<input type="checkbox"/> WHEEL ASSEMBLY, 750/55-26.5" - RH (<i>Non-aggressive tread</i>)	
-	20312-AX	1	TIRE - 750/55-26.5"/20 ply (<i>Nokian</i>)(<i>Non-aggressive tread</i>)	
-	21137-AX	1	RIM, wheel - 750/55-26.5"	
-	---	1	PLUG, black pipe - valve stem cover (T499985)	
-	20313-AX	1	TUBE, tire - 750/55-26.5"	

Kit or Assembly - includes all items indented underneath.

Note:

LH and RH wheels are the result of the tire being mounted on the rim so that the tread is running the same direction on both sides of the machine when installed.



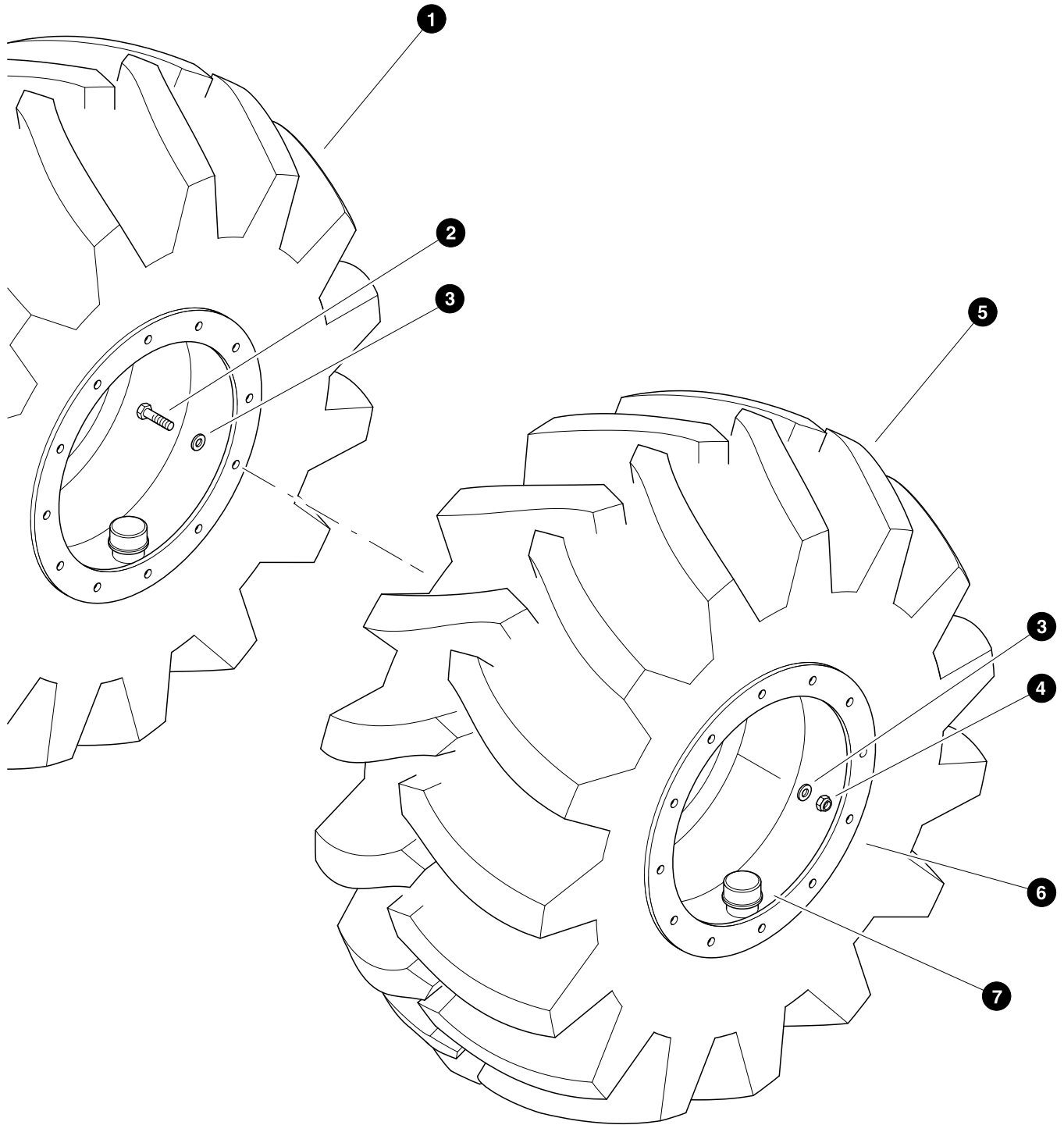
WHEEL ASSEMBLIES (FIRESTONE)

REF	PART #	QTY	DESCRIPTION	SEE PAGE
1	20915-L-AX		<input type="checkbox"/> WHEEL ASSEMBLY, 28L-26 - LH <i>(With spacer for dual tires)</i>	
1	20915-R-AX		<input type="checkbox"/> WHEEL ASSEMBLY, 28L-26 - RH <i>(With spacer for dual tires)</i>	
-	19795-AX	1	TIRE/TUBE - 28L-26/14 ply <i>(Firestone)</i>	
-	22409-AX	1	RIM, wheel - 28L-26 <i>(With spacer for dual tires)</i>	
-	NSS	1	CAP, black pipe - vavle stem cover	
-	19798-AX	1	TUBE, tire - 28L-26	
2	19909-L-AX		<input type="checkbox"/> WHEEL ASSEMBLY, 54 x 37" - LH (high floatation)	
2	19909-R-AX		<input type="checkbox"/> WHEEL ASSEMBLY, 54 x 37" - RH (high floatation)	
-	19791-AX	1	TIRE - 54 x 37"/12 ply <i>(Firestone)</i>	
-	19803-AX	1	RIM, wheel - 54 x 37"	
-	NSS	1	CAP, black pipe - vavle stem cover	

Kit or Assembly - includes all items indented underneath.

Note:



LH and RH wheels are the result of the tire being mounted on the rim so that the tread is running the same direction on both sides of the machine when installed.




Parts 01863 09/25/2000
12.50

WHEEL ASSEMBLIES
(Dual Configuration - 28L-26 & 23.1-26 - 16 Wheels Total)

(Firestone dual tires)

REF	PART #	QTY	DESCRIPTION	SEE PAGE
1	REF.		 WHEEL ASSEMBLY, 28L-26 - LH	AX-3-2
	REF.		 WHEEL ASSEMBLY, 28L-26 - RH	AX-3-2
2	10840-AX	96	BOLT - 3/4" x 3"	
3	15550-AX	192	WASHER, SAE flat - 3/4"	
4	10817-AX	96	NUT, lock - 3/4"	
--	19911-L-AX	4	<input type="checkbox"/> WHEEL ASSEMBLY, 23.1-26 - LH	
--	19911-R-AX	4	<input type="checkbox"/> WHEEL ASSEMBLY, 23.1-26 - RH	
5	19800-AX	1	TIRE/TUBE - 23.1-26/14 ply (Firestone)	
6	19920-AX	1	RIM, wheel - 23.1-26	
7	NSS	1	CAP, black pipe	

-  See referenced page for component or assembly breakdown.
- Kit or Assembly - includes all items indented underneath.

Note:

LH and RH wheels are the result of the tire being mounted on the rim so that the tread is running the same direction on both sides of the machine when installed.

