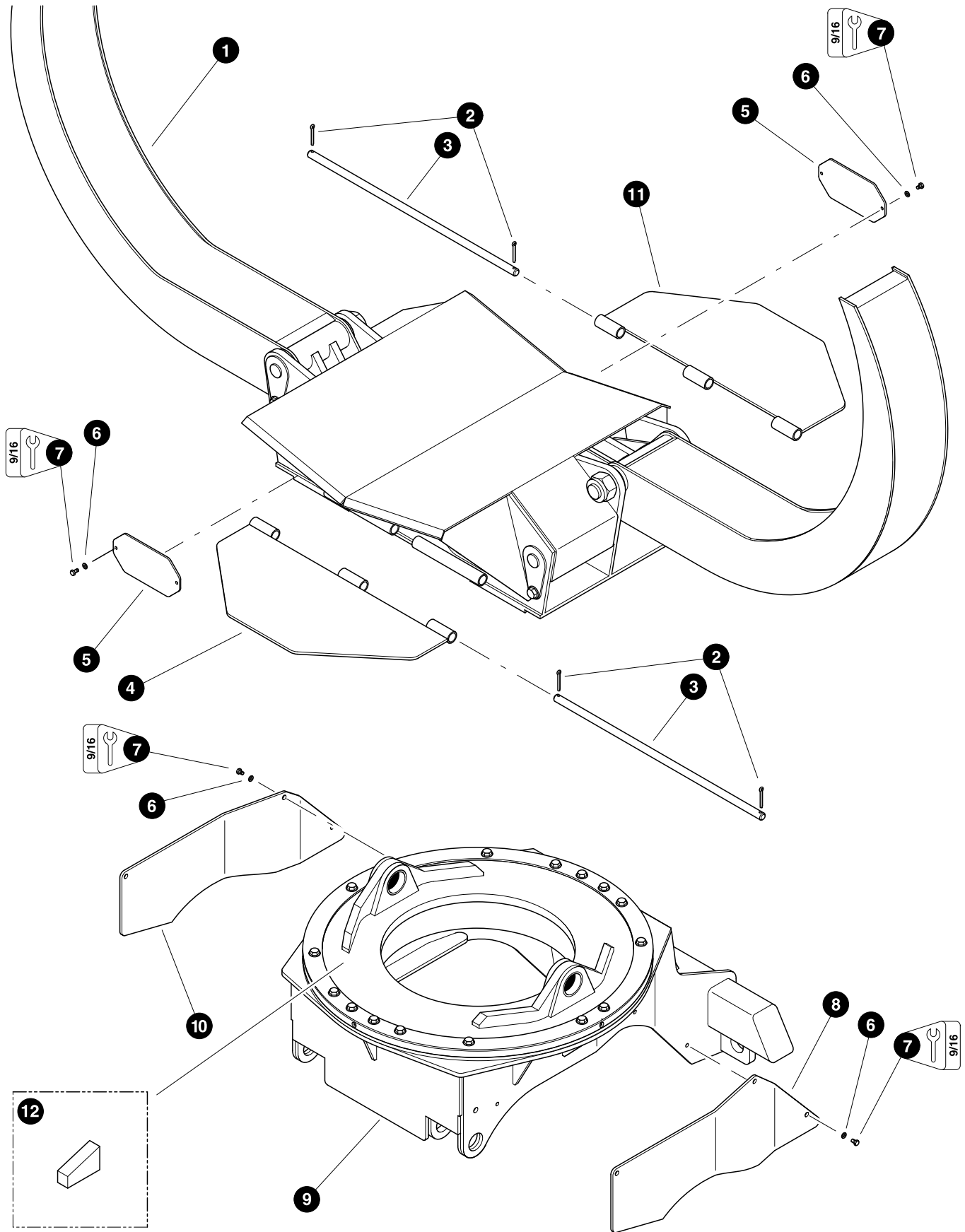





Section CB-1



***Clam Bunk -
Structural***

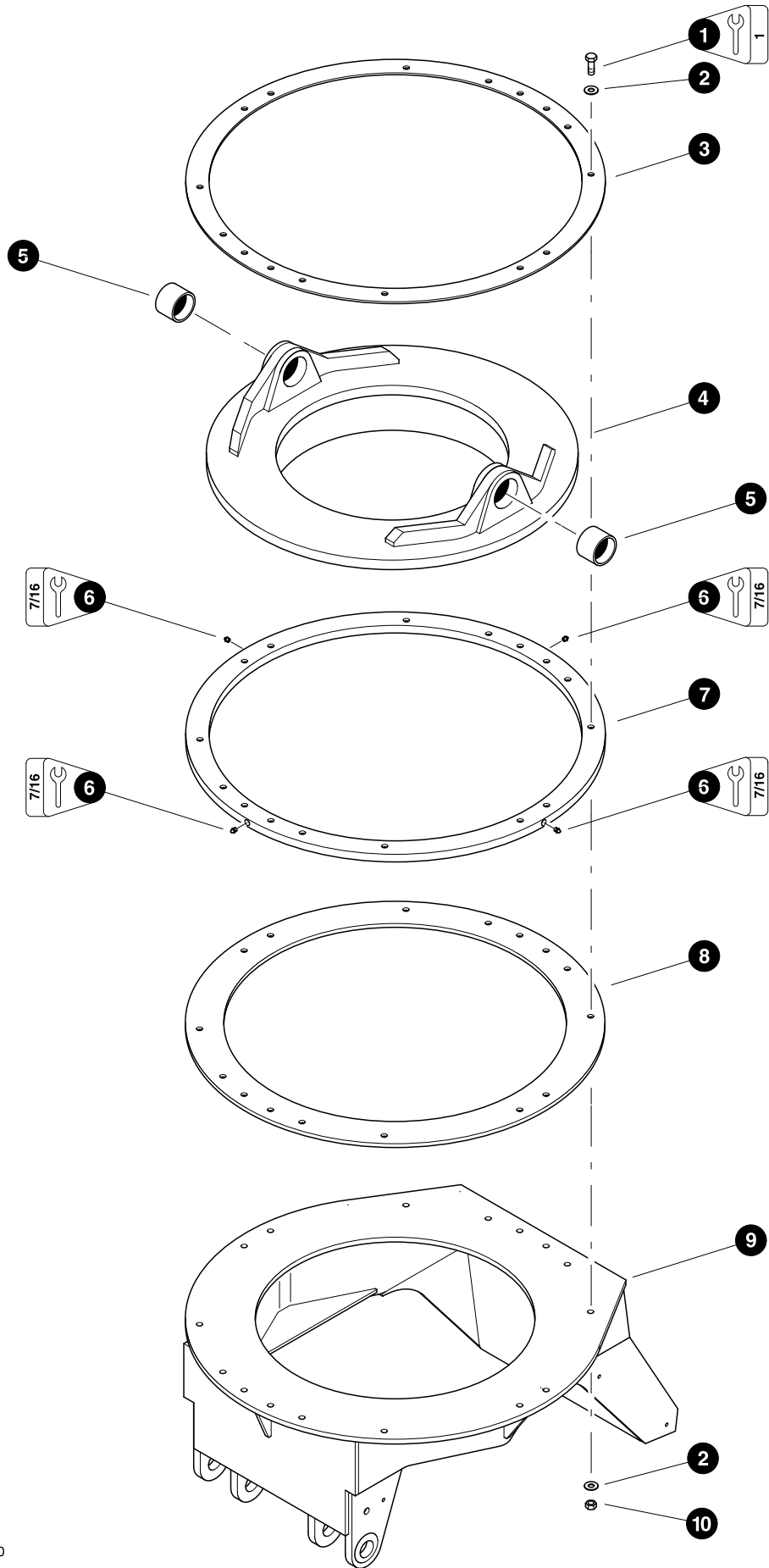


Parts 01916 11/27/2000
9.375

CLAM BUNK ACCESS COVERS & GUARDS

REF	PART #	QTY	DESCRIPTION	SEE SECTION
-	23992-CB	1	 CLAM BUNK COMPLETE (2.5" Pins)	
1	REF.	1	 CLAM BUNK UPPER COMPONENTS	CB-1
2	20249-CB	4	PIN, cotter - 1/4" x 2"	
3	13390-CB	2	SHAFT, hinge cover	
4	13385-CB	1	COVER, hinge	
5	13415-CB	4	COVER, access - arm mounting base	
6	15528-CB	14	WASHER, SAE flat - 3/8"	
7	11707-CB	14	BOLT - 3/8" x 1"	
8	13488-CB	1	COVER, access - clam mounting base - RH	
9	REF.	1	 CLAM BUNK LOWER BASE COMPONENTS	CB-1
10	13489-CB	1	COVER, access - clam mounting base - LH	
11	13416-CB	1	COVER, hinged - Front	

-  See referenced page for component breakdown.
-  Kit or Assembly - includes all items indented underneath.



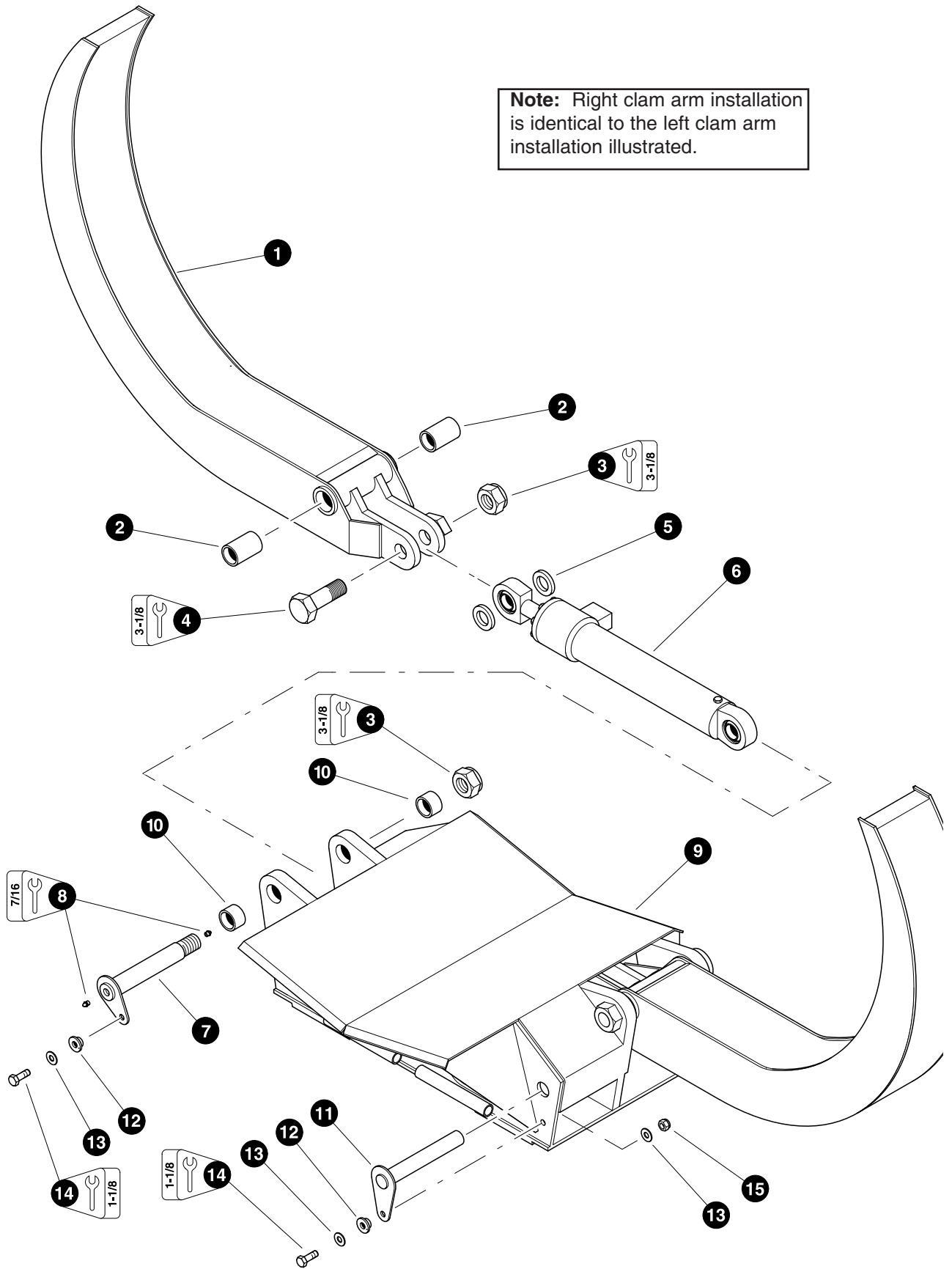
Parts 01909 11/22/2000
9.375

CLAM BUNK LOWER BASE COMPONENTS

REF	PART #	QTY	DESCRIPTION	SEE SECTION
1	10773-CB	16	BOLT - 5/8" x 3-1/2"	
2	10771-CB	32	WASHER, SAE flat - 5/8"	
3	13380-CB	1	RING, clam pivot hold-down	
4	13465-CB	1	<input type="checkbox"/> WELDMENT, clam pivot	
5	12397-CB	2	BUSHING - 3" x 2-1/2"	
6	10704-CB	4	FITTING, grease	
7	13463-CB	1	RING, clam pivot spacer	
8	13366-CB	1	RING, clam pivot wear	
9	13480-CB	1	WELDMENT, clam mounting base	
10	10816-CB	16	NUT, lock - 5/8"	

Kit or Assembly - includes all items indented underneath.

Note: Right clam arm installation is identical to the left clam arm installation illustrated.

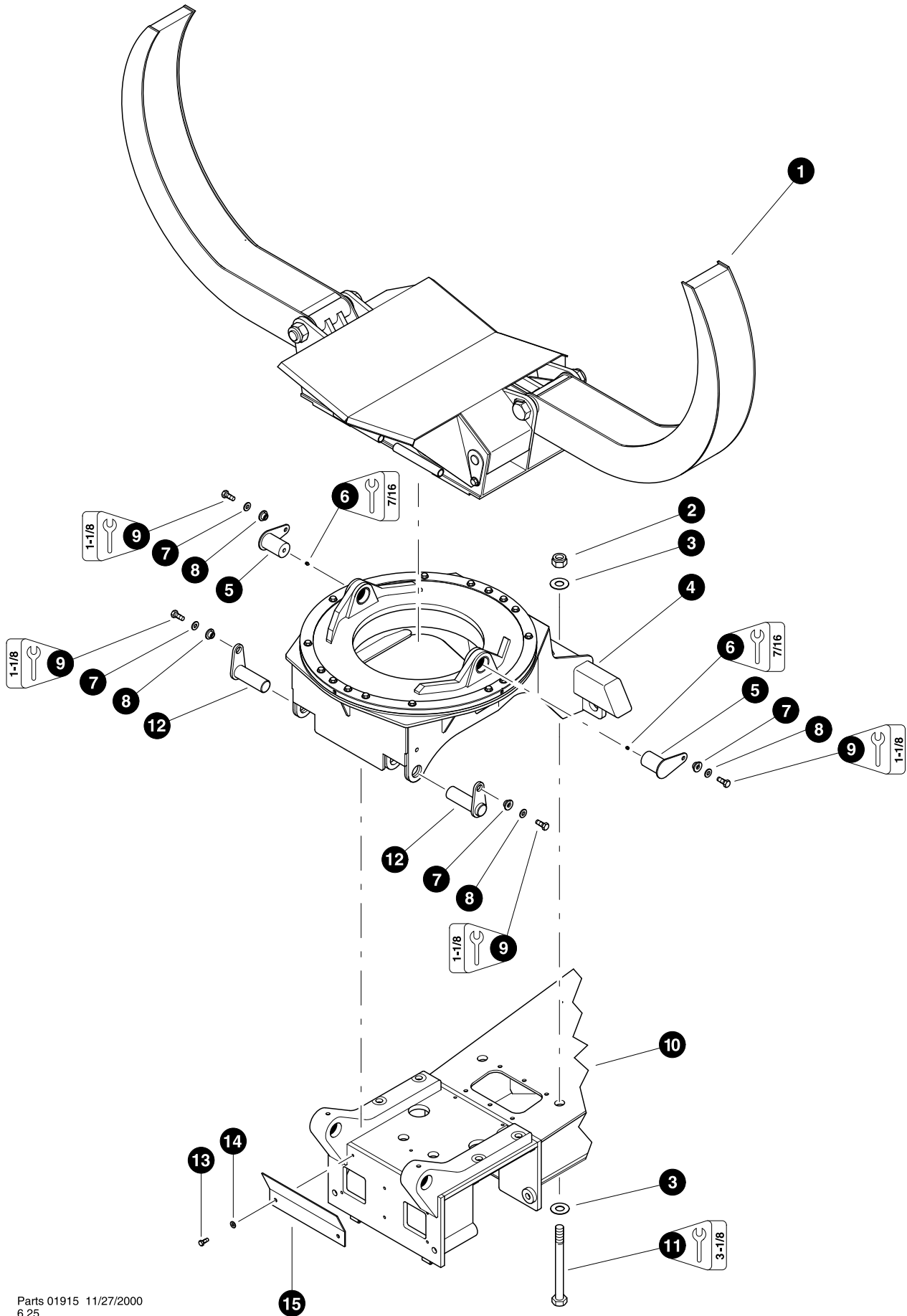


Parts 02016 12/12/2001
9,375

CLAM BUNK ARM INSTALLATION





REF	PART #	QTY	DESCRIPTION	SEE SECTION
1	13535-CB	2	<input type="checkbox"/> WELDMENT, clam bunk arm	
2	11704-CB	2	BUSHING - 2-1/2" x 4-1/4"	
3	10728-CB	4	NUT, nylock - 2"	
4	20251-CB	2	PIN, clam cylinder rod - 2" x 7"	
5	20758-CB	4	SPACER	
6	REF.	2	<input type="checkbox"/> CLAM BUNK CYLINDER.	CB-2
7	13533-CB	2	<input type="checkbox"/> PIN, clam arm - 2-1/2" x 18"	
8	10704-CB	4	FITTING, grease	
9	13531-CB	1	<input type="checkbox"/> WELDMENT, clam arm base	
10	13532-CB	4	BUSHING - 2" x 1-3/4"	
11	19542-CB	2	PIN, clam cylinder base	
12	18570-CB	4	WASHER, pin retaining	
13	15550-CB	6	WASHER, SAE flat - 3/4"	
14	10775-CB	4	BOLT - 3/4" x 2-1/2"	
15	10817-CB	2	NUT, lock - 3/4"	

- Kit or Assembly - includes all items indented underneath.
- See referenced page for component breakdown.



Parts 01915 11/27/2000
6.25

CLAM BUNK UNIT INSTALLATION

REF	PART #	QTY	DESCRIPTION	SEE SECTION
1	REF.	1	 CLAM BUNK UPPER COMPONENTS	CB-1
2	19614-CB	2	NUT, lock - 1-1/2"	
3	19613-CB	4	WASHER, flat - 1-1/2"	
4	REF.	1	 CLAM BUNK LOWER BASE COMPONENTS	CB-1
5	19544-CB	2	 PIN, clam bunk pivot	
6	10704-CB	1	FITTING, grease	
7	18570-CB	4	WASHER, pin retaining	
8	15550-CB	4	WASHER, SAE flat - 3/4"	
9	10549-CB	4	BOLT - 3/4" x 2"	
10	REF.	1	 REAR FRAME WELDMENT	
11	20415-CB	2	BOLT - 1-1/2" x 19"	
12	23434-CB	2	PIN, floating bunk - 2-1/2" x 7-7/8"	
13	10783-CB	2	BOLT, 1/2" x 1"	
14	15534-CB	2	WASHER, 1/2" sae	
15	13487-CB	1	COVER, Rear Clam Bunk	



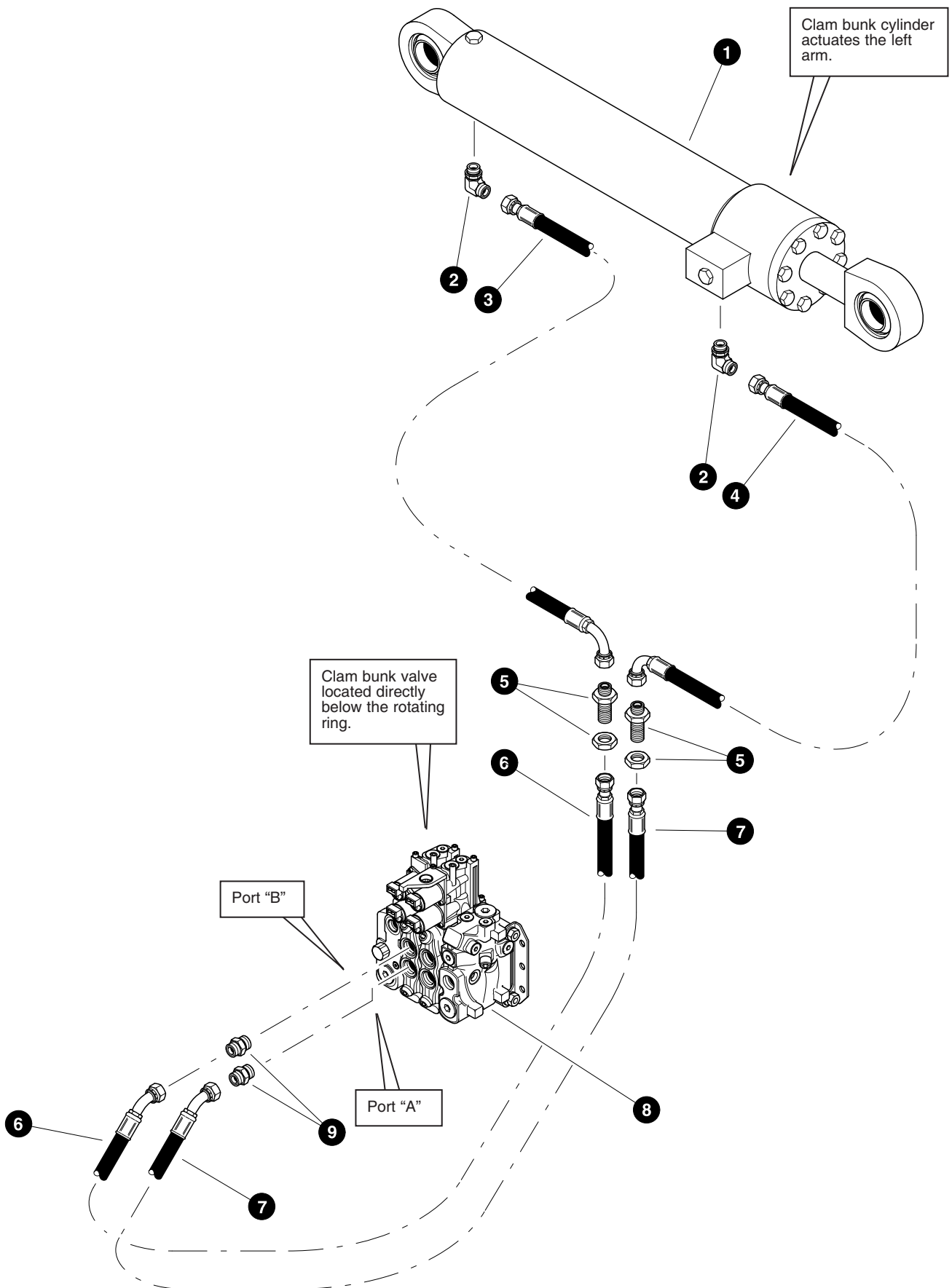
See referenced page for component breakdown.





Kit or Assembly - includes all items indented underneath.

Section CB-2

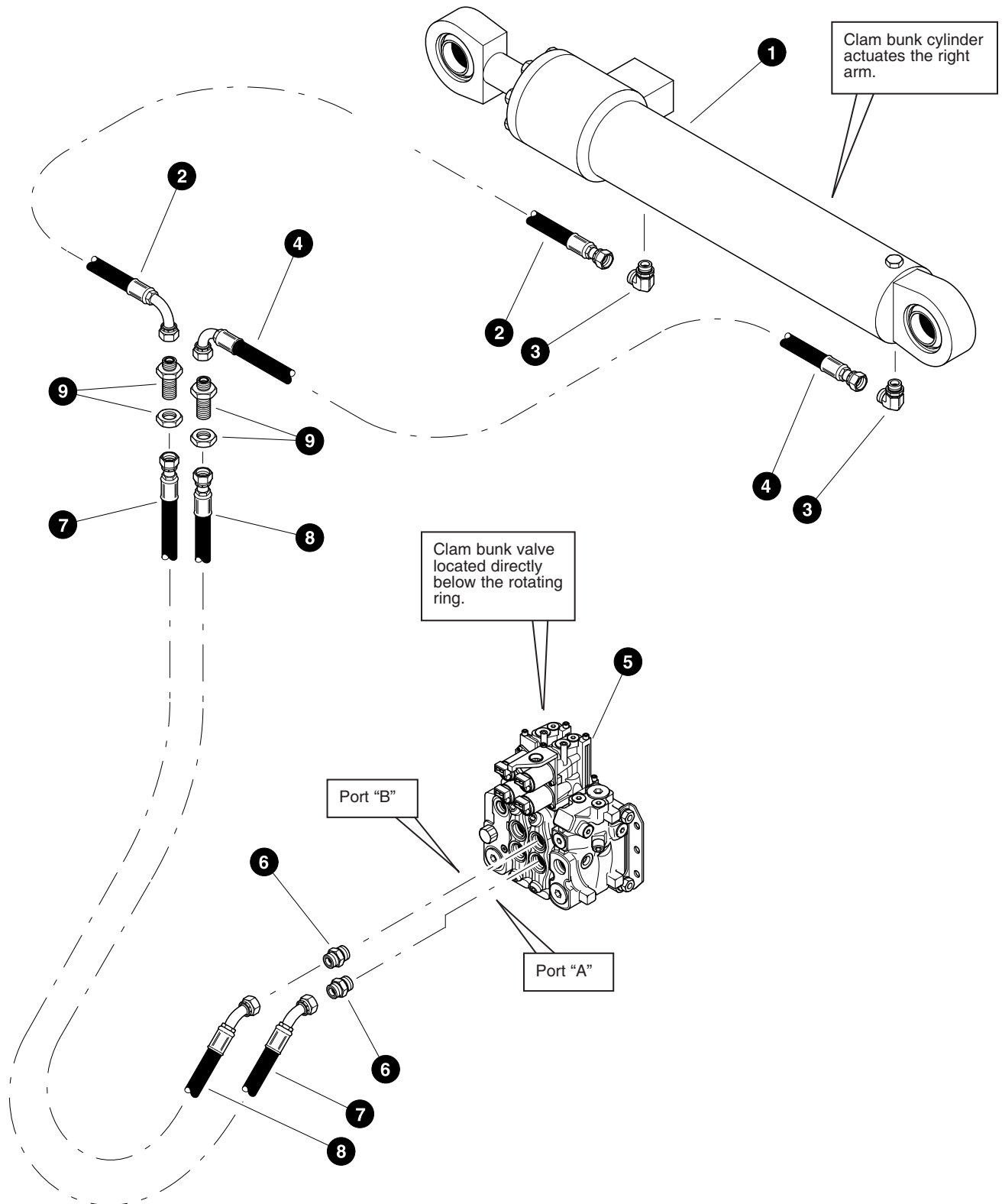
Clam Bunk - Hydraulic Circuits & Components



CLAM BUNK ARM LINES
(Clam Bunk Valve To Left Clam Bunk Cylinder)



REF	PART #	QTY	DESCRIPTION	SEE SECTION
1	REF.	1	 CLAM BUNK CYLINDER.	CB-2
2	16360-CB	2	ELBOW, 90° - FF1868T-0808S	
3	17483-CB	1	HOSE ASSEMBLY - 4019-08-080S-0809 (<i>Clam bunk cylinder base port to left front bulkhead fitting</i>)	
4	20195-CB	1	HOSE ASSEMBLY - 4031-08-080S-0809 (<i>Clam bunk cylinder rod port to right front bulkhead fitting</i>)	
5	20196-CB	2	CONNECTOR, straight bulkhead - FF1994T-0808S	
6	-CB	1	HOSE ASSEMBLY - 4045 -08-080S-0809 (<i>Clam bunk cylinder rod port to right front bulkhead fitting</i>)	
7	-CB	1	HOSE ASSEMBLY - 4046 -08-080S-0809 (<i>Clam bunk cylinder rod port to right front bulkhead fitting</i>)	
8	REF.	1	 CLAM BUNK CONTROL VALVE.	CB-3
9	15115-CB	2	CONNECTOR, straight - FF1852T-0810S	


 See referenced page for component or assembly breakdown.

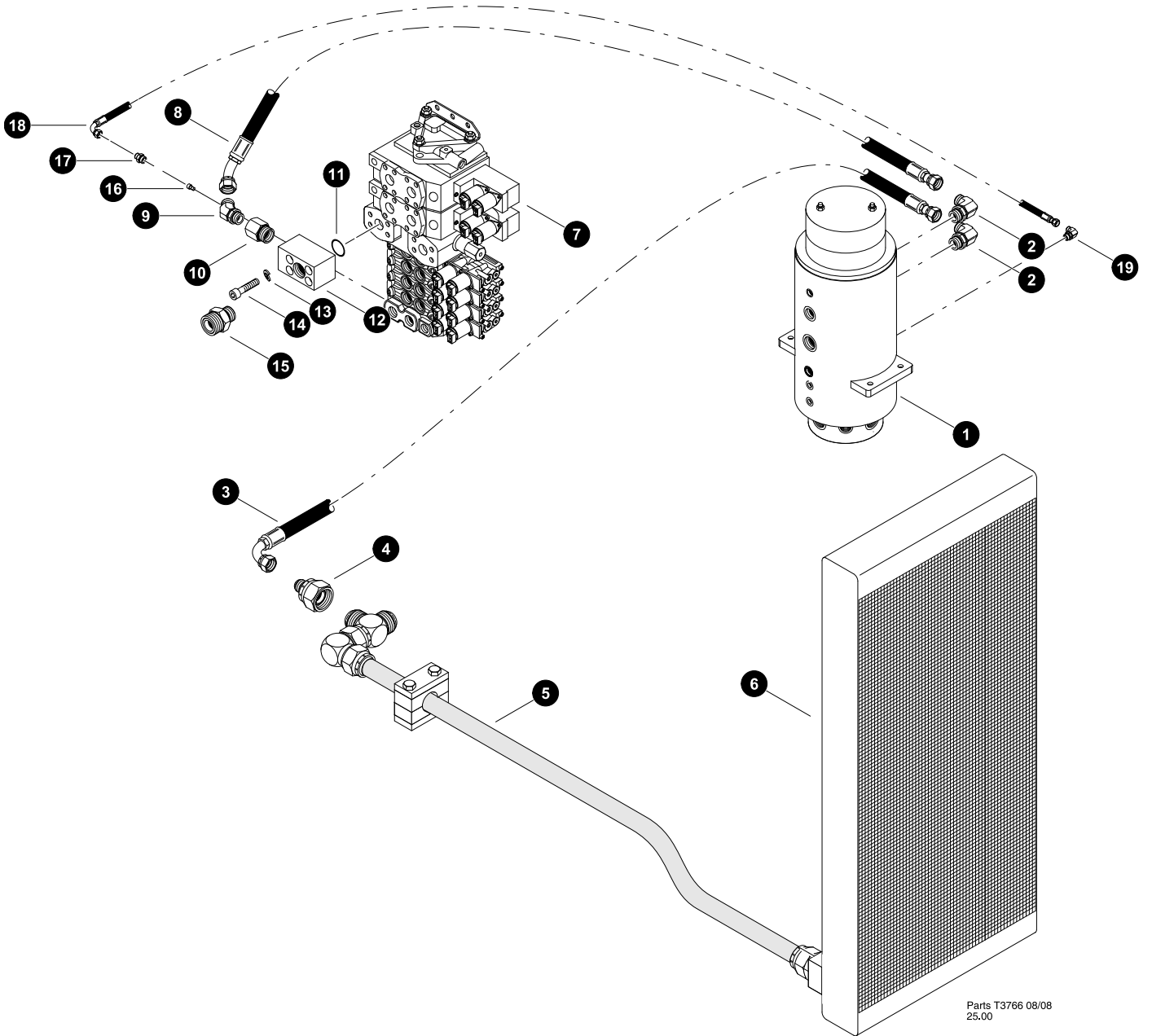


Parts 01992 01/22/2001
18.75

CLAM BUNK ARM LINES
(Clam Bunk Valve To Right Clam Bunk Cylinder)


REF	PART #	QTY	DESCRIPTION	SEE SECTION
1	REF.	1	 CLAM BUNK CYLINDER.	CB-2
2	16360-CB	2	ELBOW, 90° - FF1868T-0808S	
3	20195-CB	1	HOSE ASSEMBLY - 4031-08-080S-0809 (<i>Clam bunk cylinder rod port to left rear bulkhead fitting</i>)	
4	17483-CB	1	HOSE ASSEMBLY - 4019-08-080S-0809 (<i>Clam bunk cylinder base port to right rear bulkhead fitting</i>)	
5	REF.	1	 CLAM BUNK CONTROL VALVE.	CB-3
6	15115-CB	2	CONNECTOR, straight - FF1852T-0810S	
7	-CB	1	HOSE ASSEMBLY - 4048 -08-080S-0809 (<i>Clam bunk cylinder rod port to right front bulkhead fitting</i>)	
8	-CB	1	HOSE ASSEMBLY - 4047 -08-080S-0809 (<i>Clam bunk cylinder rod port to right front bulkhead fitting</i>)	
9	20196-CB	2	CONNECTOR, straight bulkhead - FF1994T-0808S	



 See referenced page for component or assembly breakdown.

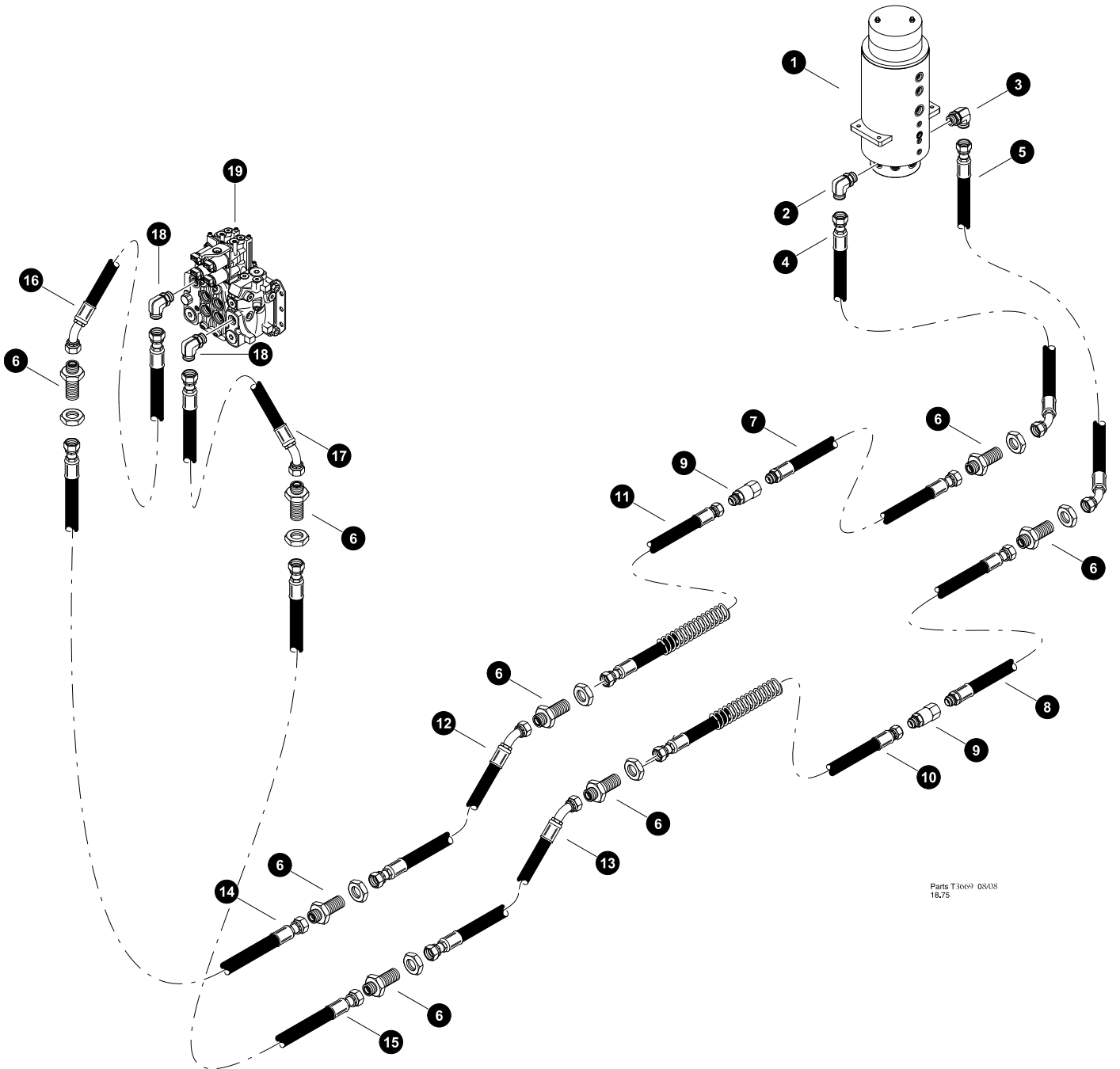


Parts T3766 08/08
25.00

CLAM BUNK VALVE PRESSURE AND TANK (Rotory Manifold to LS, Pressure and Tank)



REF	PART #	QTY	DESCRIPTION	SEE SECTION
1	REF.	1	 ROTORY MANIFOLD	UP-1
2	17688-CB	1	ELBOW, 90 - FF1868T-1212S	
3	-CB	1	HOSE ASSEMBLY - 2046 12-12OS-12J9 (port 9 to return tee)	
4	53180-CB	1	FITTING, REDUCER TUBE END - 24-12	
5	REF	1	RETURN TUBE	LH-2
6	REF	1	HYDRAULIC OIL COOLER	UP-3
7	REF	1	VOAC CONTROL VALVE	LH-1
8	-CB	1	HOSE ASSEMBLY - 2042 12-12OS-12O4 (port 11 to valve pressure block)	
9	19127-CB	1	ELBOW, 45 - FF2068T-1212S	
10	25040-CB	1	BUSHING, REDUCER - 6410-16-12	
11	15377-LH	1	O-RING - 1"	
12	42113-CB	1	MANIFOLD, K220 INLET - 2 PORT 1" CODE 62	
13	-	4	WASHER, lock	
14	17710-LH	4	BOLT, ALLEN HEAD - 12MM-1.75P X 70MM	
15	17063-LH	1	CONNECTOR, STR - FF1852T-2016S	
16	-CB	1	BOLT, ALLEN HEAD - 5MM-0.8P X 20MM	
17	15124-HR	1	CONNECTOR, STR. - 0406	
18	-CB	1	HOSE ASSEMBLY - 2035 04-04OS-04O9 (port 5 to LSP on Valve)	



-  Kit or Assembly - includes all items indented underneath.
-  See referenced page for component or assembly breakdown.

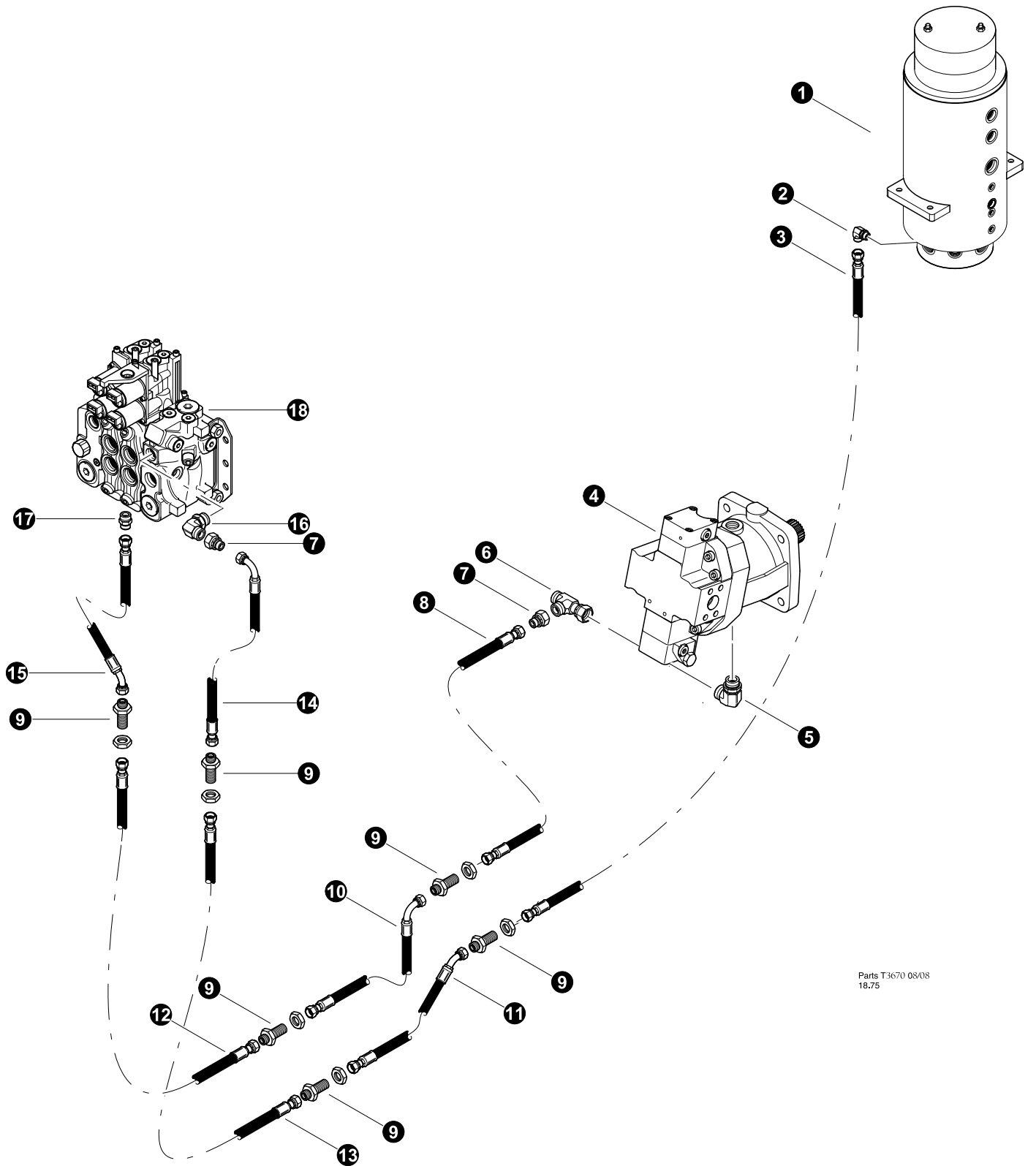


Parts T3669 08/08
18,75

CLAM BUNK VALVE PRESSURE AND TANK (Clam Bunk Valve To Rotary Manifold)




REF	PART #	QTY	DESCRIPTION	SEE SECTION
1	REF.	1	 ROTORY MANIFOLD	UP-1
2	17688-CB	1	ELBOW, 90 - FF1868T-1212S	
3	17688-CB	1	ELBOW, 90 - FF1868T-1212S	
4	-CB	1	HOSE ASSEMBLY - 4037-12-120S-1204 (<i>rotory manifold #9 to bulkhead</i>)	
5	-CB	1	HOSE ASSEMBLY - 4031-12-120S-1204 (<i>rotory manifold #11 to bulkhead</i>)	
6	17009-CB	8	CONNECTOR, STR BULKHEAD - 2700-12	
7	-CB	1	HOSE ASSEMBLY - 4045.5-12-120S-12MJ (<i>swivel to bulkhead</i>)	
8	-CB	1	HOSE ASSEMBLY - 4045.5-12-120S-12MJ (<i>swivel to bulkhead</i>)	
9	18782-CB	2	SWIVEL, INLINE STR LS2406-1212	
10	-CB	1	HOSE ASSEMBLY - 4044.5-12-120S-12JS (<i>swivel to bulkhead</i>)	
11	-CB	1	HOSE ASSEMBLY - 4044.5-12-120S-12JS (<i>swivel to bulkhead</i>)	
12	-CB	1	HOSE ASSEMBLY - 4045-12-120S-12O4 (<i>bulkhead to bulkhead</i>)	
13	-CB	1	HOSE ASSEMBLY - 4045-12-120S-12O4 (<i>bulkhead to bulkhead</i>)	
14	-CB	1	HOSE ASSEMBLY - 4045.5-12-120S-12OS (<i>bulkhead to bulkhead</i>)	
15	-CB	1	HOSE ASSEMBLY - 4045.5-12-120S-12OS (<i>bulkhead to bulkhead</i>)	
16	-CB	1	HOSE ASSEMBLY - 4045.5-12-120S-12O4 (<i>valve pressure to bulkhead</i>)	
17	-CB	1	HOSE ASSEMBLY - 4045.5-12-120S-12O4 (<i>valve tank to bulkhead</i>)	
18	17688-CB	2	ELBOW, 90 - FF1868T-1212S	
19	REF.	1	 CLAM BUNK CONTROL VALVE.	CB-3



-  Kit or Assembly - includes all items indented underneath.
-  See referenced page for component or assembly breakdown.



Parts T3670 08/08
18.75

CLAM BUNK VALVE LS and Drain (Clam Bunk Valve To Rotary Manifold)

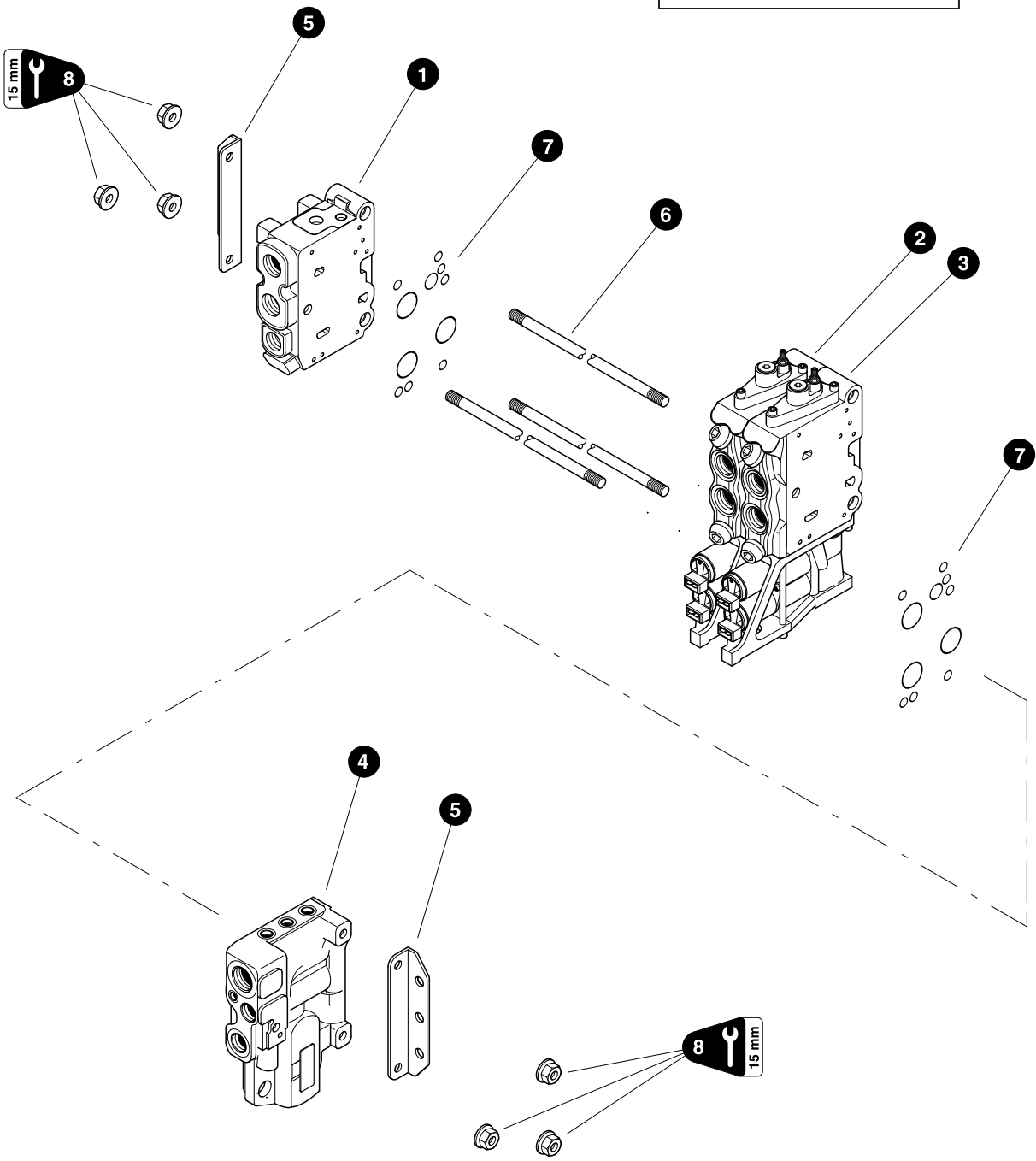
REF	PART #	QTY		DESCRIPTION	SEE SECTION
1	REF.	1		ROTORY MANIFOLD	UP-1
2	16540-CB	1		ELBOW, 90 - FF1868T-0404S	
3	-CB	1		HOSE ASSEMBLY - 2134-04-040S-040S (<i>rotory manifold #5 to bulkhead</i>)	
4	REF.	1		WHEEL DRIVE MOTOR	FF-5
5	15372-CB	1		ELBOW, 90 - FF1868T-0812S	
6	20066-CB	1		TEE - 8 S5OLO-S - BRANCH	
7	19221-CB	1		CONNECTOR, REDUCER - ORS FF2281T-0408S	
8	-CB	1		HOSE ASSEMBLY - 2068-04-040S-040S (<i>case tee to bulkhead</i>)	
9	18582-CB	1		CONNECTOR, STR BULKHEAD - FF1994T-0404S	
10	-CB	1		HOSE ASSEMBLY - 2053-04-040S-0409 (<i>bulkhead to bulkhead</i>)	
11	-CB	1		HOSE ASSEMBLY - 2047-04-040S-0404 (<i>bulkhead to bulkhead</i>)	
12	-CB	1		HOSE ASSEMBLY - 2045-04-040S-040S (<i>bulkhead to bulkhead</i>)	
13	-CB	1		HOSE ASSEMBLY - 2045-04-040S-040S (<i>bulkhead to bulkhead</i>)	
14	-CB	1		HOSE ASSEMBLY - 2017-04-040S-0409 (<i>bulkhead to drain</i>)	
15	-CB	1		HOSE ASSEMBLY - 2009-04-040S-0404 (<i>bulkhead to load sense</i>)	
16	16360-CB	1		ELBOW, 90 - FF1868T-0808S	
17	15124-CB	1		CONNECTOR, STR - FF1852T-0406S	
18	REF.	1		CLAM BUNK CONTROL VALVE.	CB-3

-  Kit or Assembly - includes all items indented underneath.
-  See referenced page for component or assembly breakdown.

Section CB-3

Clam Bunk - Main Control Valve and Cylinders

The valve assembly shown below is installed with the coils up. The illustration is shown upside down.



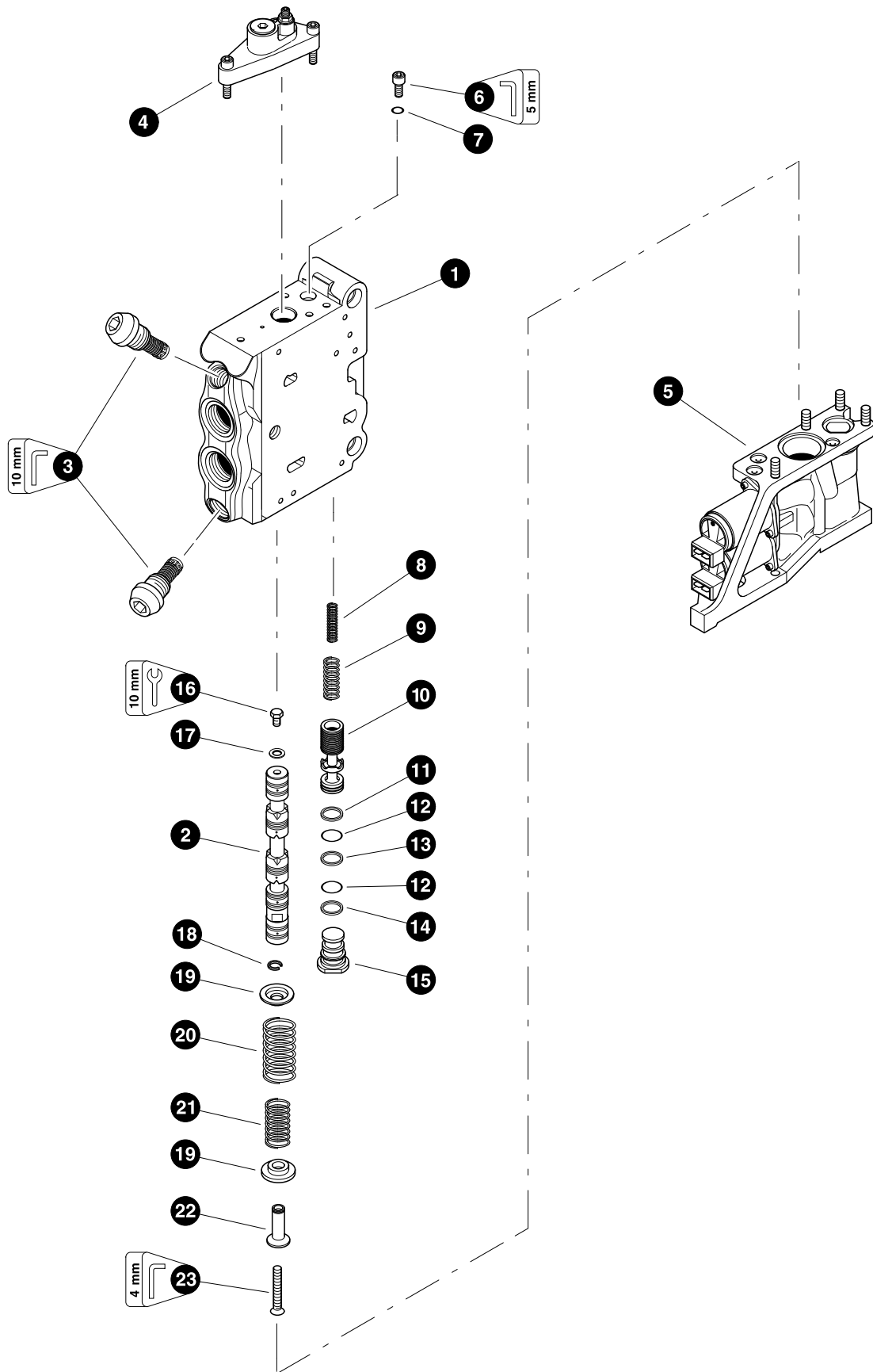
CLAM BUNK CONTROL VALVE (VOAC L90LS)

REF	PART #	QTY	DESCRIPTION	SEE SECTION
-	25016-CB	1	<input type="checkbox"/> CLAM BUNK CONTROL VALVE ASSEMBLY	
1	REF	1	<input type="checkbox"/> VALVE SECTION - outlet	CB-2
2	REF.	1	<input type="checkbox"/> VALVE SECTION - clam arm function (<i>Right</i>)	CB-2
3	REF.	1	<input type="checkbox"/> VALVE SECTION - clam arm function (<i>Left</i>)	CB-2
4	REF	1	<input type="checkbox"/> VALVE SECTION - inlet	CB-2
-	23402-CB	1	<input type="checkbox"/> KIT, mounting brackets	
5	-----	2	BRACKET, valve mounting	
-	-----	1	<input type="checkbox"/> KIT, tie rod (<i>6 section</i>)	
6	-----	3	ROD, tie	
7	23913-CB	6	NUT (<i>Special torque procedure</i>)(See Note #1 Below)	
8	23404-CB	7	KIT, seal repair - L90LS face seals	

- Kit or Assembly - includes all items indented underneath.
- See referenced page for component or assembly breakdown.

Note #1:

Tie rod nuts should be torqued in a clockwise pattern in three steps, 7.5 ft.lbs. (10 Nm), 22.5 ft.lbs. (30 Nm) and 33.5 ft.lbs. (45 Nm).

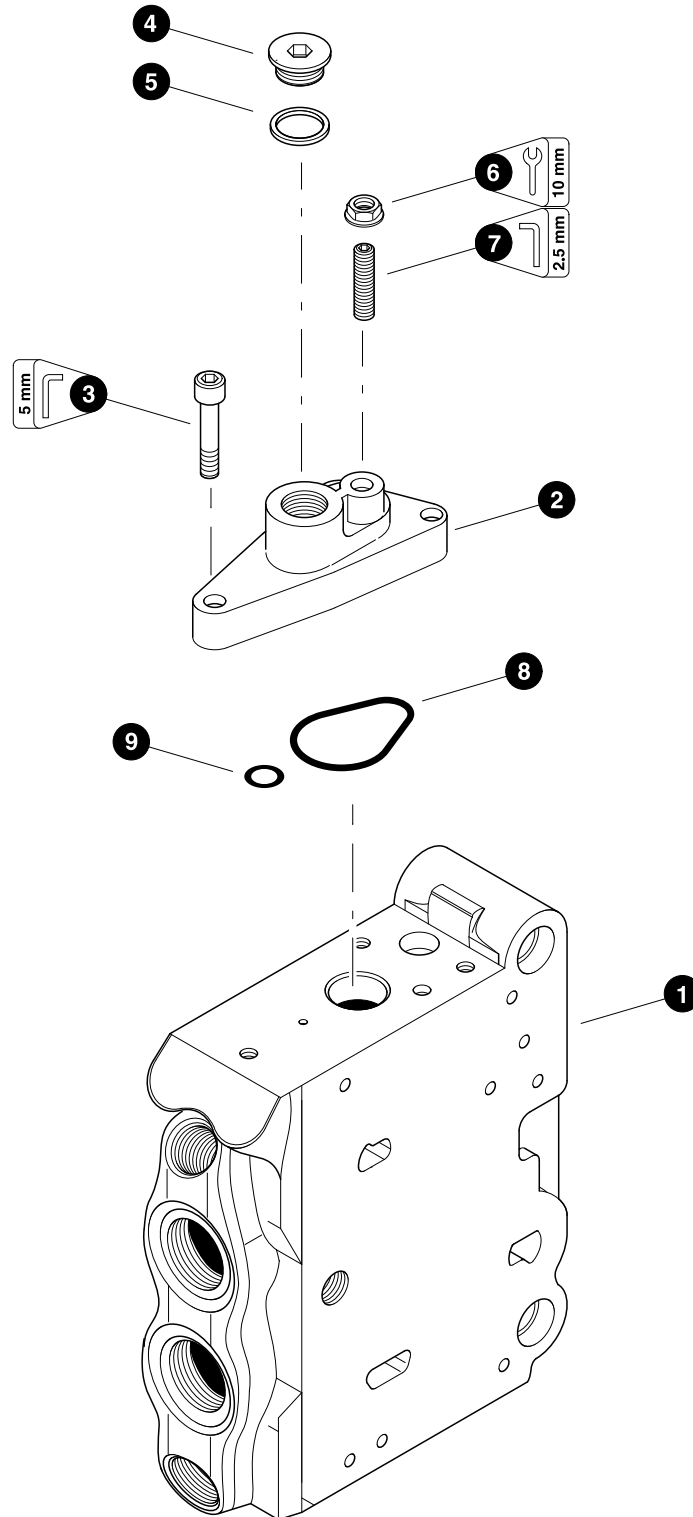


Parts 01318 09/15/99
37.50

WORK VALVE SECTION (VOAC L90LS)







REF	PART #	QTY	DESCRIPTION	SEE SECTION
-	23409-CB	1	<input type="checkbox"/> VALVE SECTION, clam arm	
1	NSS	1	BODY, valve section	
2	NSS	1	SPOOL	
3	23413-CB	2	CARTRIDGE, port relief (250 Bar)	
4	REF.	1	<input type="book"/> SECTION END CAP ASSEMBLY - "A" port side	CB-2
5	REF.	1	<input type="book"/> SECTION END CAP ASSEMBLY - "B" port side	CB-2
-	23419-CB	1	<input type="checkbox"/> KIT, compensator - "KX" (Blue)	
-	23424-CB	1	<input type="checkbox"/> KIT, compensator - "K" (Blue)(Rotate & grapple only)	
6	-----	1	SCREW, throttling - 6mm-1.0P x 10mm	
7	-----	1	RING, seal	
8	-----	1	ORIFICE	
9	-----	1	SPRING, compensator	
10	-----	1	SPRING, compensator	
11	-----	1	SPOOL, compensator	
12	-----	2	RING, back-up	
13	-----	1	O-RING	
14	-----	1	O-RING	
15	-----	1	RING, back-up	
16	-----	1	PLUG, compensator	
17	-----	1	BOLT, spool - 6mm-1.0P x 8mm	
18	-----	1	WASHER	
-	23423-CB	1	<input type="checkbox"/> KIT, spool centering spring	
19	-----	1	RING, lock	
20	-----	2	RETAINER, spring	
21	-----	1	SPRING	
22	-----	1	SPRING	
23	-----	1	SLEEVE	
24	-----	1	SCREW, spring assembly	




- Kit or Assembly - includes all items indented underneath.
- See referenced page for component or assembly breakdown.

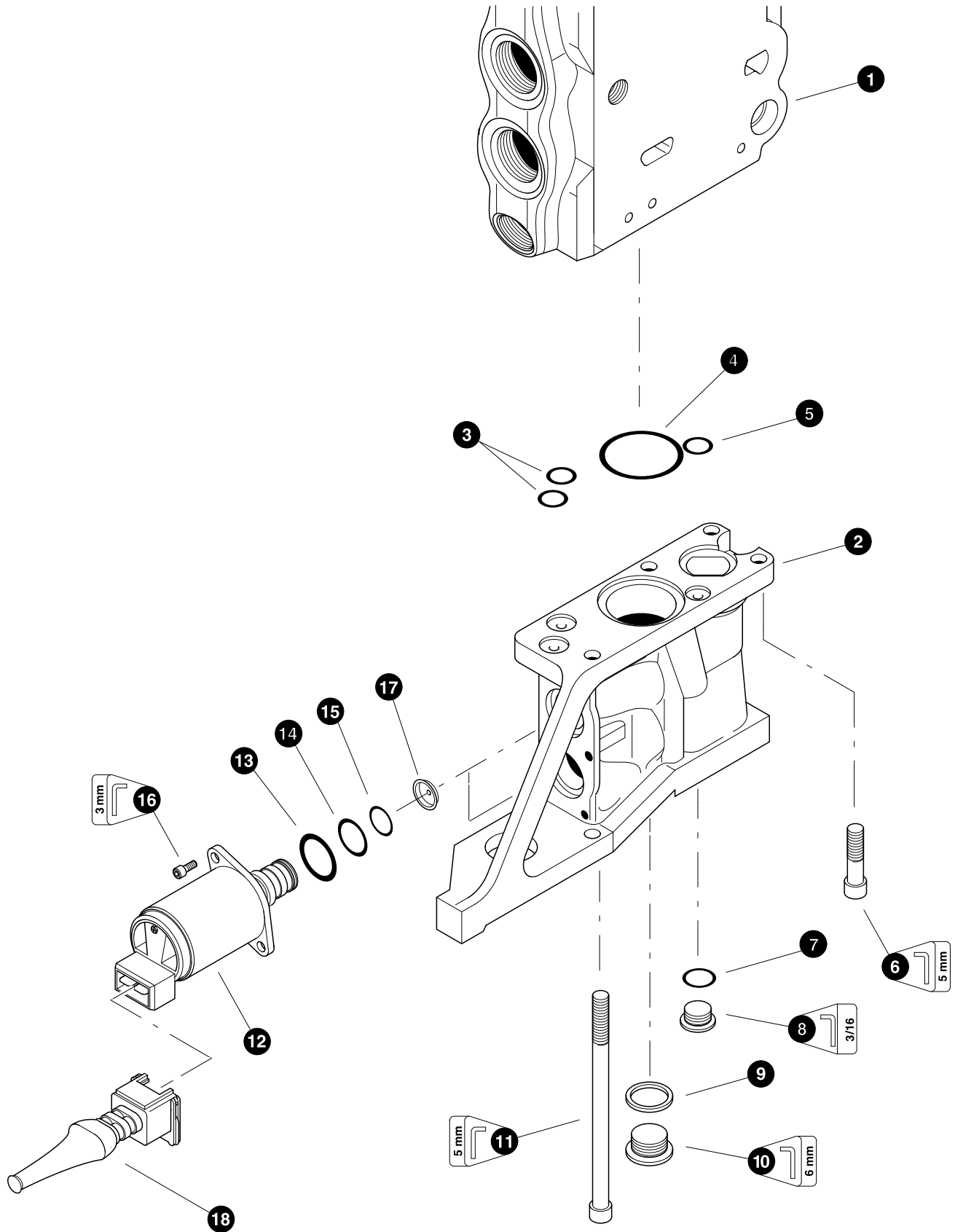


Parts 01734 08/08/2000
75.00

**“A” SECTION END CAP ASSEMBLY
(VOAC L90LS)**

REF	PART #	QTY		DESCRIPTION	SEE SECTION
1	NSS	1		VALVE SECTION BODY	CB-2
-	23414-CB	1		KIT, end cap - “A” port side	
2	-----	1		CAP, end	
3	-----	3		BOLT, allen head - 6mm-1.0P x 20mm	
4	15412-CB	1		PLUG - 6408-HHP-6	
5	-----	1		RING, seal	
6	-----	1		NUT, seal - 6mm	
7	-----	1		SCREW, adjustment	
8	-----	1		O-RING (<i>Large</i>)	
9	-----	1		O-RING (<i>Small</i>)	
-	23415-CB	1		KIT, seal repair - “A” port side end cap	

-  See referenced page for component or assembly breakdown.
-  Kit or Assembly - includes all items indented underneath.
-  Included in seal repair kit PN# 23415-CB.

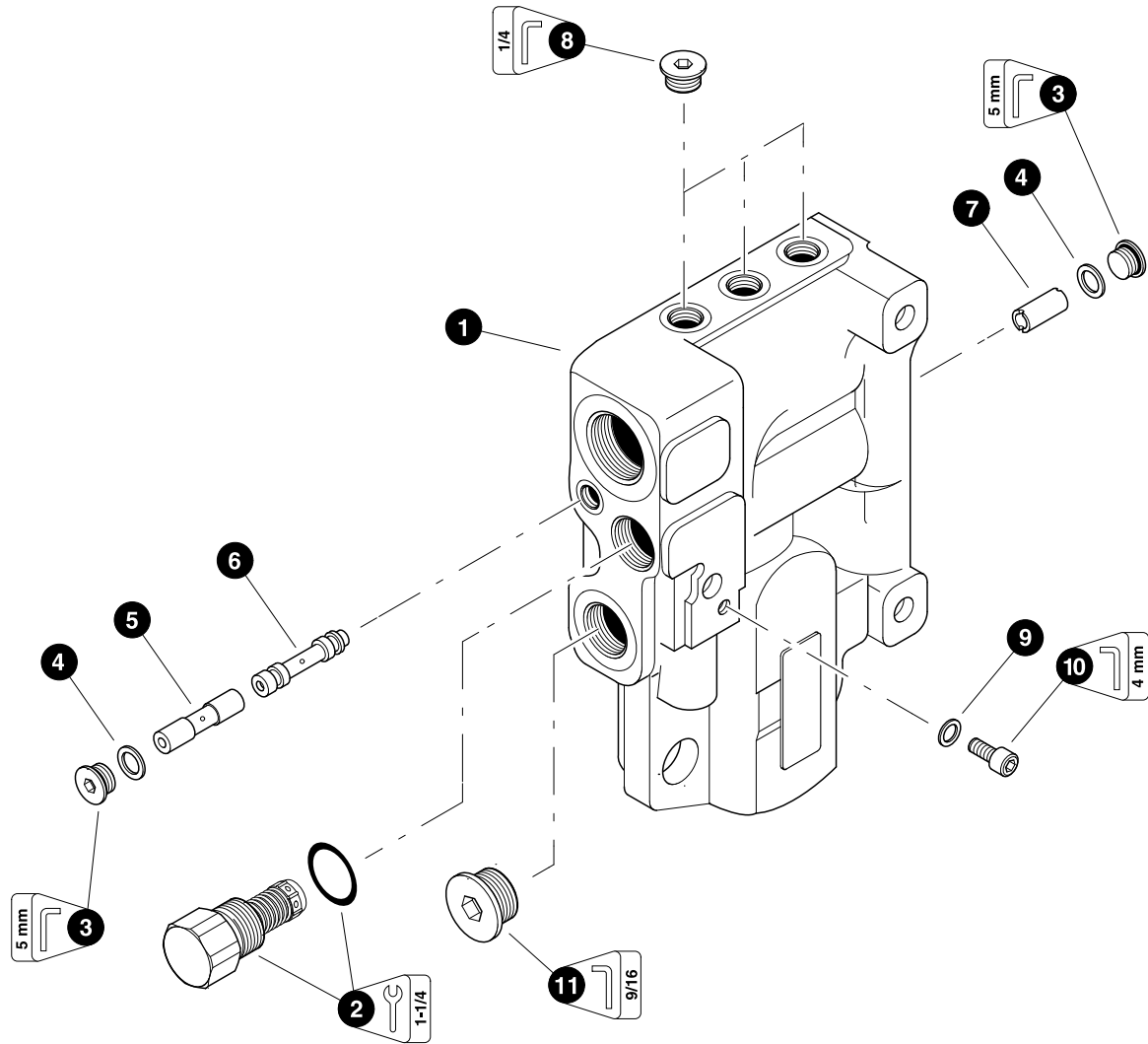


Parts 01735 02/21/2003
75.00

**“B” SECTION END CAP ASSEMBLY
(VOAC L90LS)**

REF	PART #	QTY		DESCRIPTION	SEE SECTION
1	NSS	1	📖	VALVE SECTION BODY	CB-2
-	23416-CB	1	☐	KIT, end cap - “B” port side	
2	-----	1		CAP, end	
3	20976-CB	2		SOLENOID - 24V	
	19436-CB	2		SOLENOID - 12V	
4	-----	2	⌘	O-RING (<i>Large</i>)	
5	-----	2	⌘	O-RING (<i>Medium</i>)	
6	-----	2	⌘	O-RING (<i>Small</i>)	
7	-----	4		SCREW, allen head - 4mm-.75P x 12mm	
8	-----	2	◆	O-RING (<i>Small</i>)	
9	-----	1	◆	O-RING (<i>Large</i>)	
10	-----	1	◆	O-RING (<i>Small</i>)	
11	-----	2		BOLT, allen head - 6mm-1.0P x 20mm	
12	-----	1	◆	O-RING	
13	11383-CB	1		PLUG - 6408-HHP-4	
14	-----	1	◆	RING, seal	
15	-----	1		PLUG	
16	-----	2		SCREW, allen head - 6mm-1.0P x 100mm	
-	23418-CB	1		KIT, seal repair - solenoid	
-	23417-CB	1		KIT, seal repair - “B” port side end cap	

- 📖 See referenced page for component or assembly breakdown.
- ☐ Kit or Assembly - includes all items indented underneath.
- ⌘ Included in seal repair kit PN# 23418-CB.
- ◆ Included in seal repair kit PN# 23417-CB.

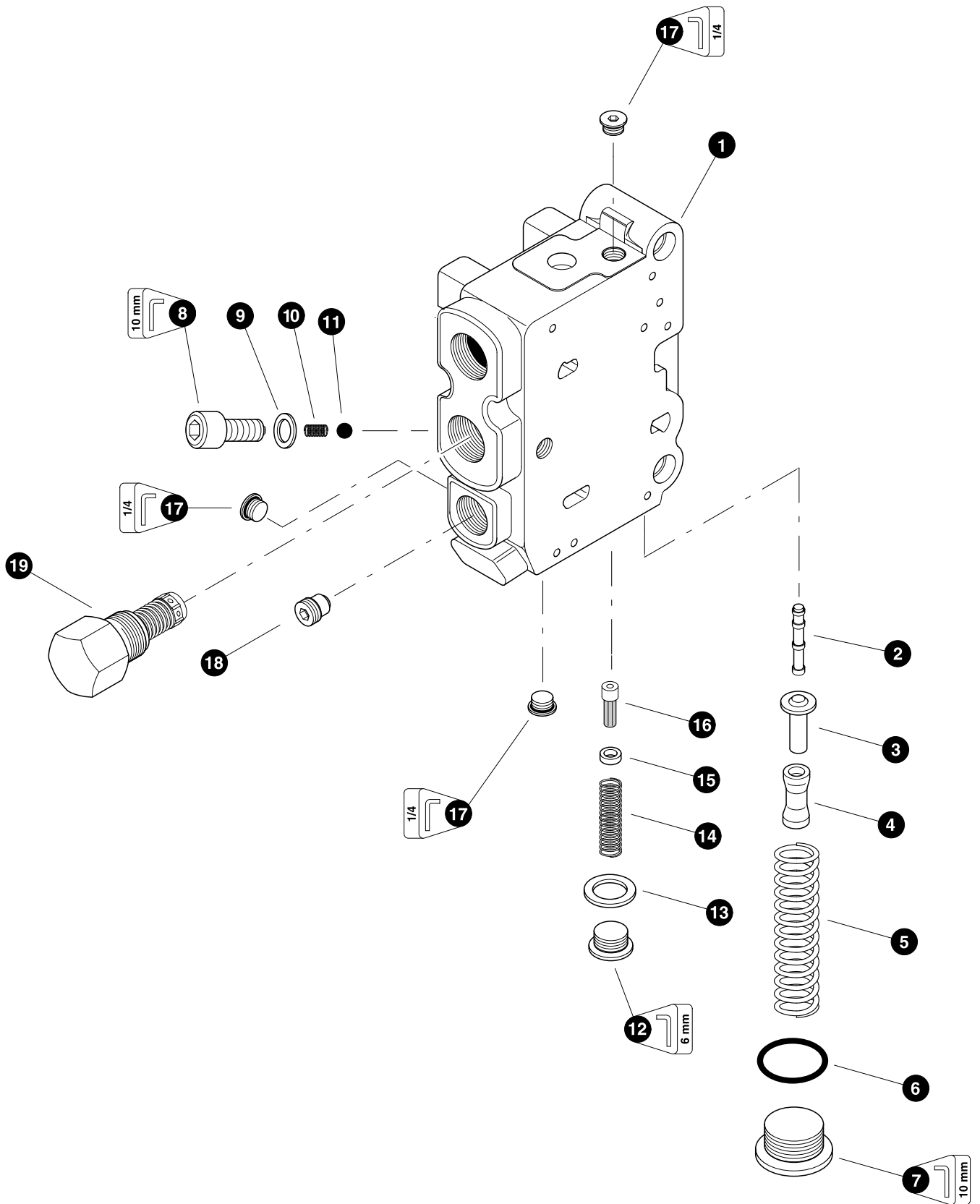


Parts 01316 09/15/99
62.00

INLET VALVE SECTION (VOAC L90LS)

REF	PART #	QTY	DESCRIPTION	SEE SECTION
-	23405-CB	1	<input type="checkbox"/> VALVE SECTION, inlet	
1	NSS	1	BODY, valve section	
2	23428-CB	1	<input type="checkbox"/> RELIEF (250 bar)	
-	23429-CB	1	KIT, load sense copy spool (Green)	
-	23430-CB	1	KIT, load sense copy spool (Red)	
3	-----	2	PLUG	
4	-----	2	RING, seal	
5	-----	1	SPACER	
6	-----	1	SPOOL	
7	-----	1	SPACER	
8	15412-CB	3	PLUG - 6408-HHP-6	
9	-----	1	BOLT, allen head - 6mm-1.0P x 12mm	
10	-----	1	RING, seal	
11	15584-CB	1	PLUG - 6408-HHP-12	

Kit or Assembly - includes all items indented underneath.

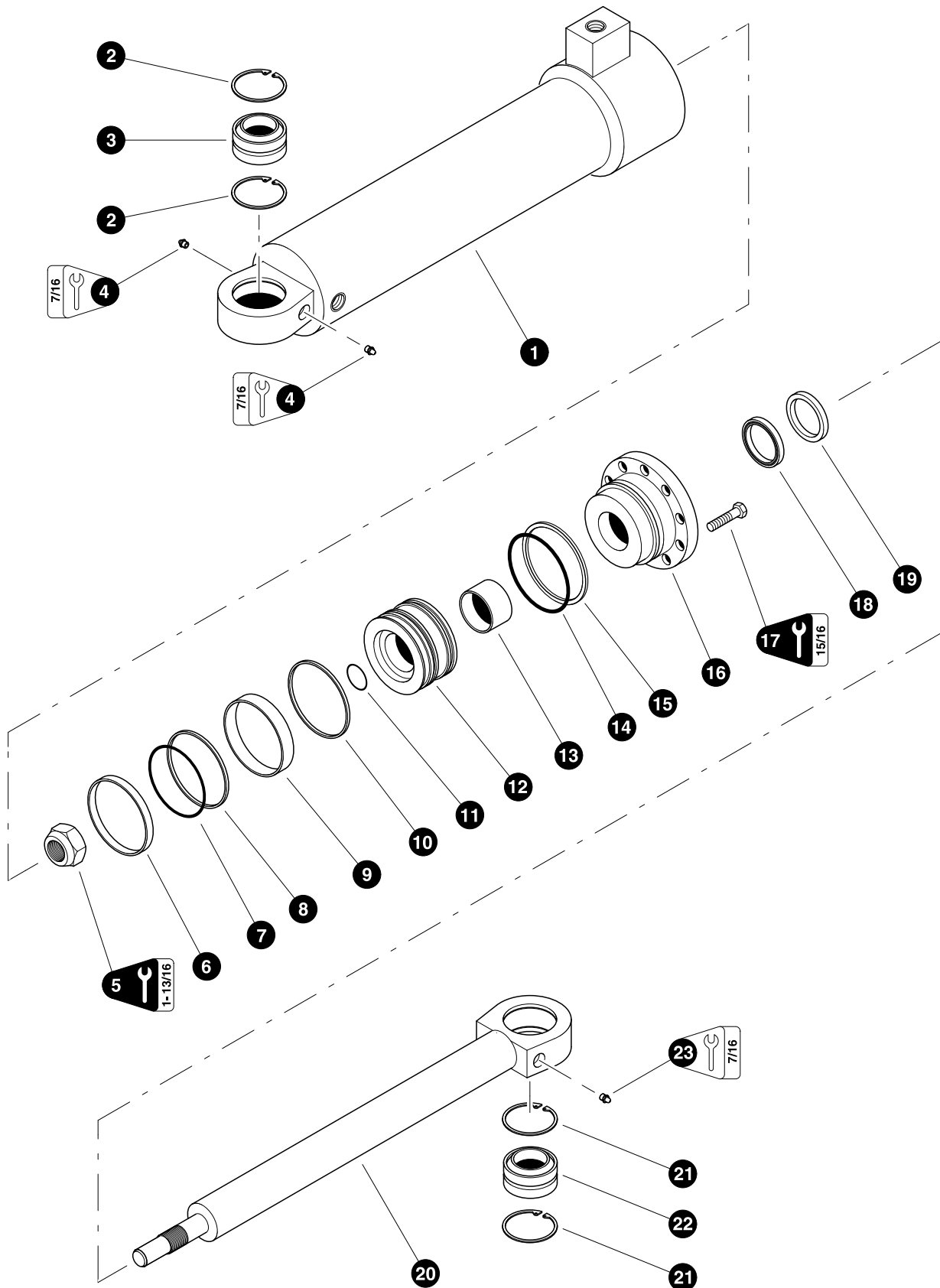


Parts 01319 09/16/99
62.00

OUTLET VALVE SECTION (VOAC L90LS)

REF	PART #	QTY	DESCRIPTION	SEE SECTION
-	23412-CB	1	<input type="checkbox"/> VALVE SECTION, outlet	
1	NSS	1	BODY, valve section	
-	23431-CB	1	KIT, pilot supply reducer (<i>Green</i>)(35 bar)	
	23432-CB	1	KIT, pilot supply reducer (<i>Red</i>)(35 bar)	
2	-----	1	SPOOL	
3	-----	1	SPACER	
4	-----	1	SPACER	
5	-----	1	SPRING	
6	-----	1	O-RING	
7	-----	1	PLUG	
8	-----	1	RING, seal	
9	-----	1	SPRING	
10	-----	1	SPACER	
11	-----	1	STRAINER	
-	23433-CB	1	KIT, pilot supply strainer (393000K074)	
12	-----	1	PLUG	
13	-----	1	RING, seal	
14	-----	1	SPRING	
15	-----	1	SPACER	
16	-----	1	FILTER, PILOT SUPPLY	
17	15412-CB	3	PLUG - 6408-HHP-6	
18	-----	1	PLUG, TP (393000K078)	

Kit or Assembly - includes all items indented underneath.



00268 09/08/97
18.75

CLAM ARM CYLINDER (Jarp)

REF	PART #	QTY		DESCRIPTION	SEE SECTION
-	19738-CB	2	☐	CLAM ARM CYLINDER ASSEMBLY	
1	19960-CB	1	☐	BARREL ASSEMBLY	
2	19916-CB	2		RING, snap	
3	19917-CB	1		BUSHING, spherical - 2"	
4	10704-CB	1		FITTING, straight grease - 1/8" pipe thread	
5	15914-CB	1		NUT, cylinder rod - 1-3/4" (Torque to 885 +/- 60 ft.lbs. (1175 +/- 80 Nm))	
6	NSS	1	⌘	RING, piston wear	
7	NSS	1	⌘	RING, piston loader	
8	NSS	1	⌘	RING, piston chem-cast	
9	NSS	1	⌘	RING, piston wear	
10	NSS	1	⌘	RING, piston seal	
11	NSS	1	⌘	O-RING, piston	
12	19573-CB	1		PISTON	
13	NSS	1	⌘	RING, rod bearing wear	
14	NSS	1	⌘	O-RING, rod bearing	
15	NSS	1	⌘	RING, rod bearing back-up	
16	19962-CB	1		BEARING, rod	
17	15681-CB	8		BOLT - 5/8" x 2-1/4" (Torque to 175 ft.lbs (233 Nm))	
18	NSS	1	⌘	U-CUP, rod bearing	
19	NSS	1	⌘	WIPER, rod	
20	19963-CB	1	☐	ROD ASSEMBLY	
21	19916-CB	2		RING, snap	
22	19917-CB	1		BUSHING, spherical - 2"	
23	10704-CB	1		FITTING, straight grease - 1/8" pipe thread	
-	19964-CB	1		KIT, seal repair - steer/clam arm cylinder - 5"	

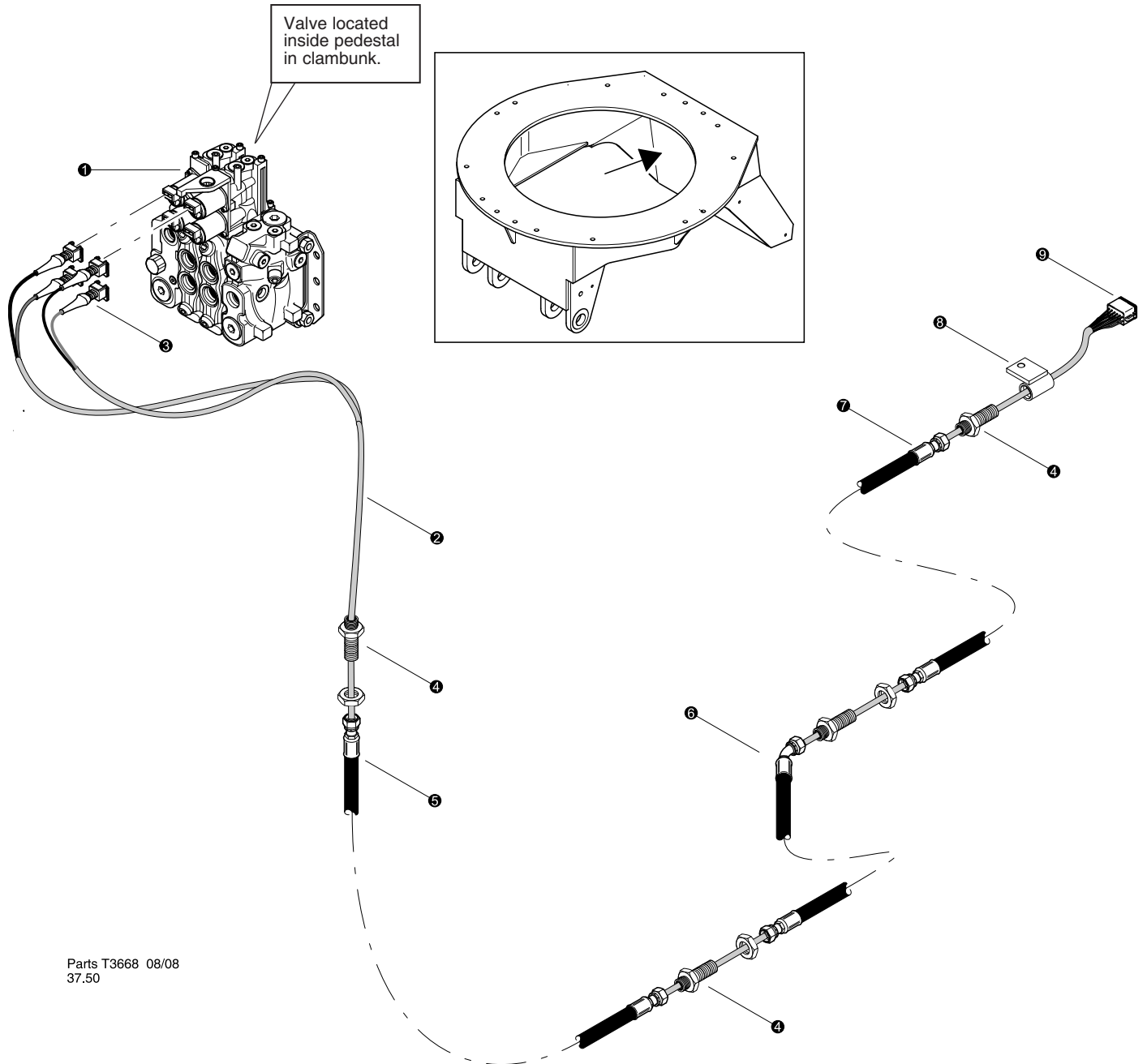
☐ Kit or Assembly - includes all items indented underneath.

⌘ Included in seal repair kit Part # 19964-LB.

THIS PAGE LEFT BLANK FOR NOTES

Section CB-4

Clam Bunk - Electrical Harness



ELECTRICAL CONNECTIONS (Clam Bunk Control Valve)

REF	PART #	QTY	DESCRIPTION	SEE SECTION
1	REF	1	CLAM BUNK CONTROL VALVE	CB-3
2	25122-CB	18ft	☐ WIRE - 18 GA. 8 CONDUCTOR (500' SPOOL)	
3	19482-CB	4	CONNECTOR, CONTROL VALVE KIT	
4	50037-CB	1	CONNECTOR, STR BULKHEAD - 832-TT-10	
5	-CB	1	HOSE ASSEMBLY - 2051-10-100S-100S	
6	-CB	1	HOSE ASSEMBLY - 2045-10-100S-1004	
7	-CB	1	HOSE ASSEMBLY - 2053-10-100S-100S	
8	22202-CB	1	BRACKET, VENT MOUNT - REAR (3/4NPT)	
9	-CB	1	CONNECTOR, DEUTCH 12 SOCKET (AD13018-1)	
-	53176-CB	12	SOCKET 16GA,	
-	-CB	1	WEDGE LOCK, (AD13017-1)	

 See referenced page for component or assembly breakdown.

 Kit or Assembly - includes all items indented underneath.

