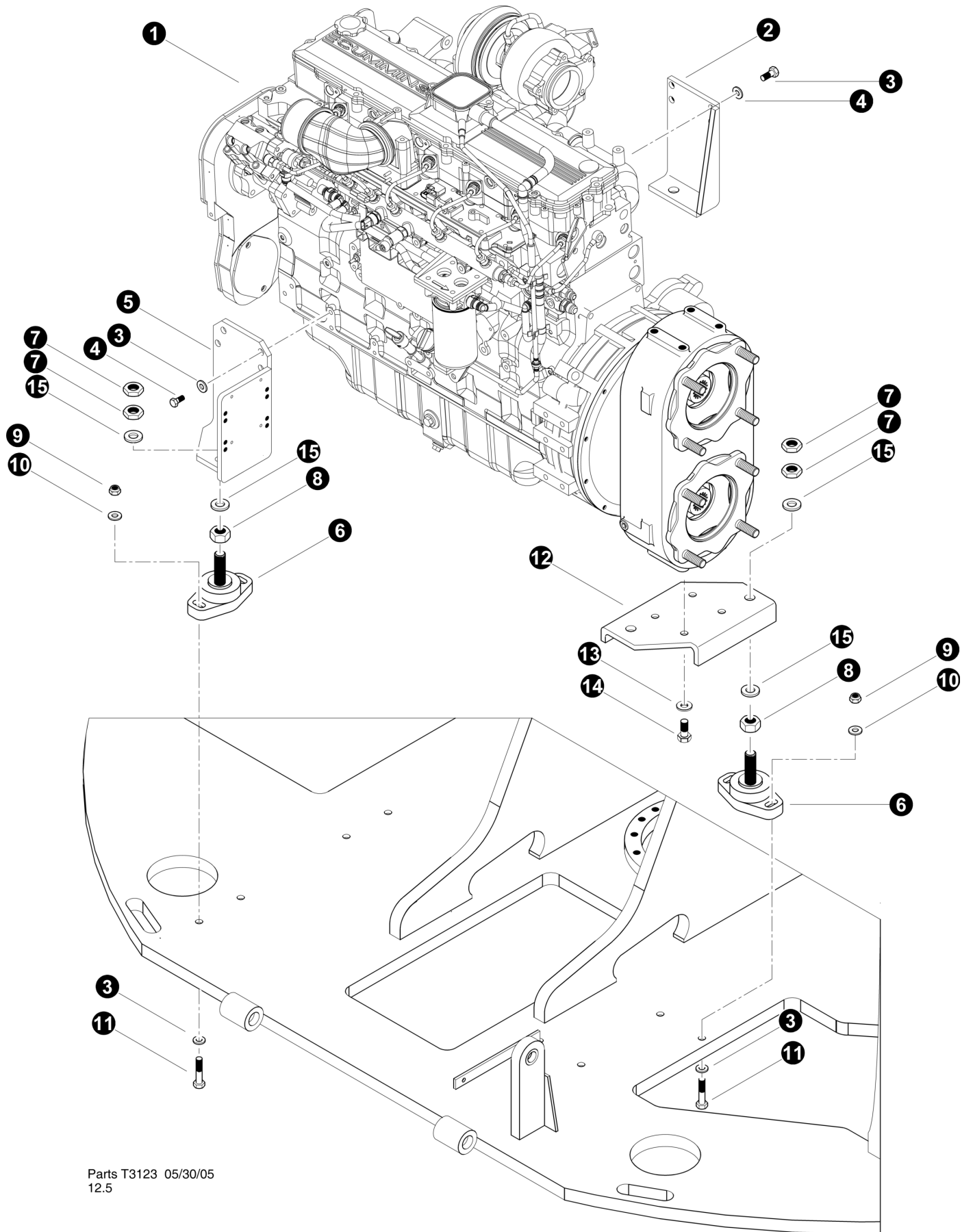


Section EE-1

Cummins QSC Engine - Installation and Parts

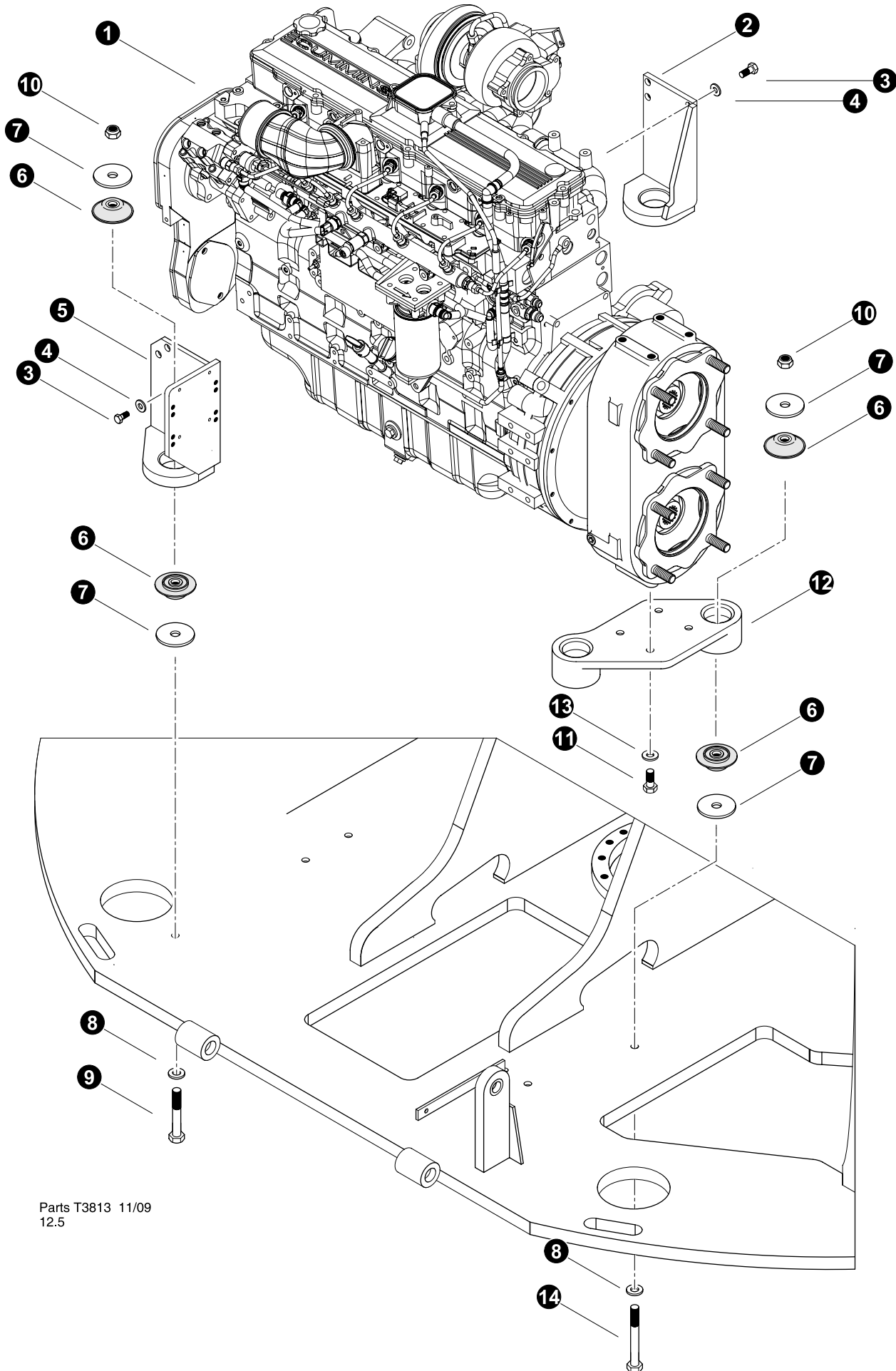


Parts T3123 05/30/05
12.5

ENGINE INSTALLATION
Cummins QSC 8.3L
(machine SN-0322 and before)

REF	PART #	QTY	DESCRIPTION	SEE SECTION
1	52154-EE	1	ENGINE, CUMMINS - C8.3 - 300HP (TIER 3)	
2	51602-EE	1	MOUNT, ENGINE - C8.3 (RF-300)	
3	15534-EE	14	WASHER, SAE FLAT - .5"	
4	15551-EE	8	BOLT - 12mm-1.75P x 40mm (<i>Torque to 92 ft.lbs. (122 Nm)</i>)	
5	51601-EE	1	MOUNT, ENGINE - C8.3 (LF-300)	
6	51678-EE	4	<input type="checkbox"/> ISOLATOR, ENGINE MOUNT - MARINE STYLE	
7	-EE	8	NUT, JAM - .75"	
8	10776-EE	4	NUT, HEX - .75"	
9	10815-EE	8	NUT, LOCK - .5"	
10	10804-EE	8	WASHER, FLAT - .5"	
11	15567-EE	8	BOLT - .5" X 2.5"	
12	51647-EE	1	MOUNT, ENGINE REAR 830/630	
13	10771-EE	4	WASHER, SAE flat - 5/8	
14	15526-EE	4	BOLT - 5/8" x 2" (<i>Torque to 92 ft.lbs. (122 Nm)</i>)	

Kit or Assembly - includes all items indented underneath.

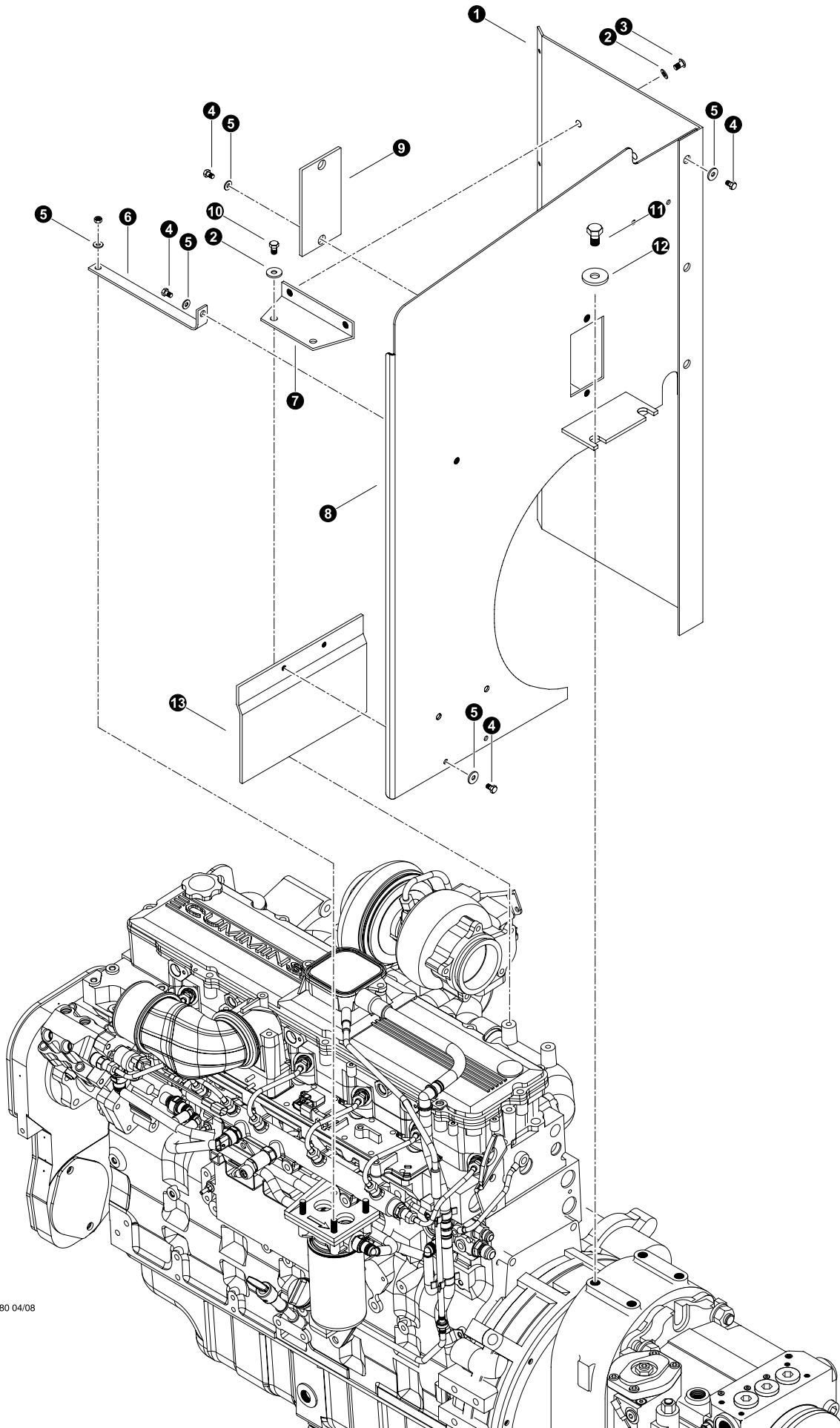


Parts T3813 11/09
12.5

ENGINE INSTALLATION
Cummins QSC 8.3L
(machine SN-0323 and after)

REF	PART #	QTY	DESCRIPTION	SEE SECTION
1	52154-EE	1	ENGINE, CUMMINS - C8.3 - 300HP (TIER 3)	
2	53936-EE	1	MOUNT, ENGINE - C8.3 (RF-300)CAT MT	
3	15534-EE	8	WASHER, SAE FLAT - .5"	
4	15551-EE	8	BOLT - 12mm-1.75P x 40mm (Torque to 92 ft.lbs. (122 Nm))	
5	53937-EE	1	MOUNT, ENGINE - C8.3 (LF-300)CAT MT	
6	17904-EE	8	ISOLATOR, ENGINE MOUNT (CAT)	
7	17918-EE	8	WASHER, isolator mount .875"	
8	15550-EE	8	WASHER, SAE flat - 3/4"	
9	10845-EE	2	BOLT - 3/4" x 5.5"	
10	10817-EE	2	NUT, lock 3/4"	
11	15526-EE	4	BOLT - 5/8" x 2" (Torque to 92 ft.lbs. (122 Nm))	
12	53938-EE	1	MOUNT, ENGINE REAR 830/630 CAT MT	
13	10771-EE	4	WASHER, SAE flat - 5/8	
14	-EE	2	BOLT - 3/4" x ?"	

- Kit or Assembly - includes all items indented underneath.

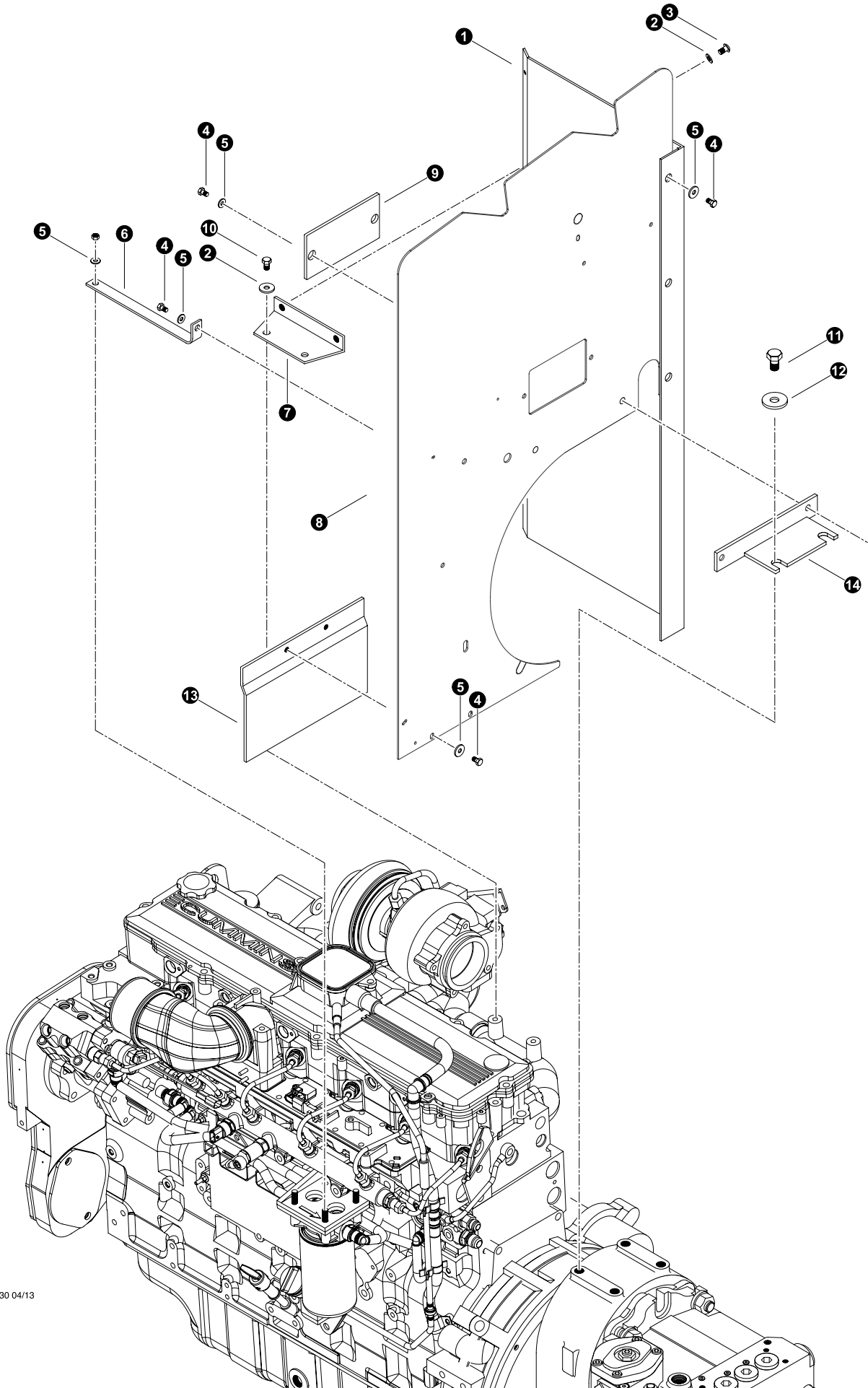


Parts T3580 04/08
25.00

BARRIER PANELS - REAR
Cummins QSC 8.3L
SN 0445 AND Before

REF	PART #	QTY	DESCRIPTION	SEE SECTION
1	52920-EE	1	BARRIER, FRONT WHEEL MACHINES C8.3	
2	10802-EE	2	WASHER, FLAT - .375"	
3	-EE	2	BOLT, BUTTON HEAD - 3/8"-16 (81477)	
4	15605-EE	8	BOLT - .3125" X .75"	
5	15559-EE	8	WASHER, SAE FLAT - .3125"	
6	42661-EE	1	BRACE, BARRIER	
7	52705-EE	1	BRACKET, BARRIER (WHEEL MACHINES)	
8	52983-EE	1	BARRIER, REAR	
9	-EE	1	COVER, REAR BARRIER	
10	17395-EE	2	BOLT - 10MM-1.5P X 20MM	
11	15502-EE	2	BOLT - .625" X 1.5"	
12	10771-EE	2	WASHER, SAE FLAT - .625"	
13	52703-EE	1	BARRIER, BOTTOM (WHEEL MACHINES)	

- Kit or Assembly - includes all items indented underneath.

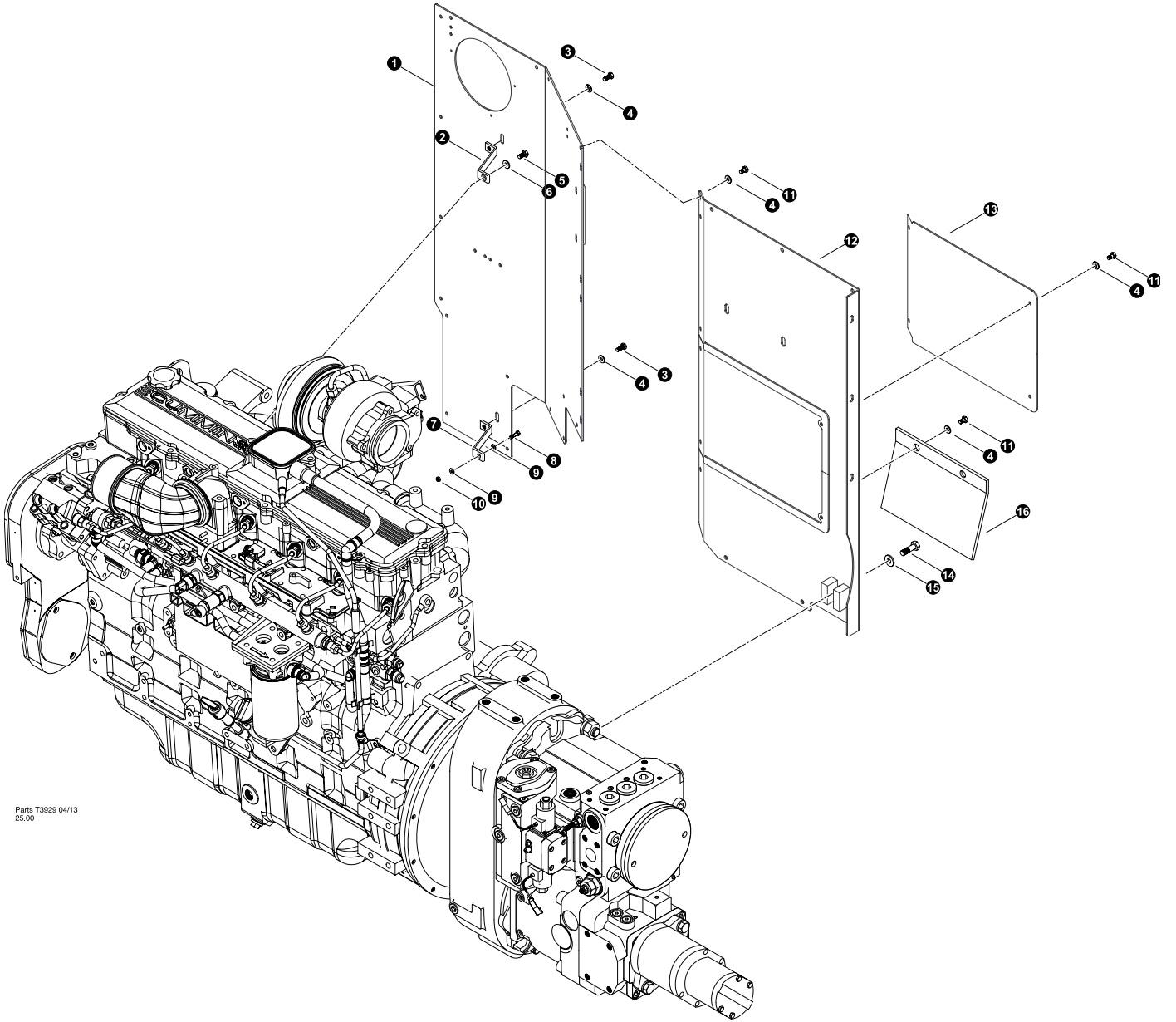


Parts T3930 04/13
25.00

**BARRIER PANELS - REAR
Cummins QSC 8.3L
SN 0446 AND AFTER**

REF	PART #	QTY	DESCRIPTION	SEE SECTION
1	52920-EE	1	BARRIER, FRONT WHEEL MACHINES C8.3	
2	10802-EE	2	WASHER, FLAT - .375"	
3	-EE	2	BOLT, BUTTON HEAD - 3/8"-16 (81477)	
4	15605-EE	8	BOLT - .3125" X .75"	
5	15559-EE	8	WASHER, SAE FLAT - .3125"	
6	42661-EE	1	BRACE, BARRIER	
7	52705-EE	1	BRACKET, BARRIER (WHEEL MACHINES)	
8	55027-EE	1	BARRIER, REAR - UNIVERSAL 830/735	
9	45755-EE	1	COVER, REAR BARRIER	
10	17395-EE	2	BOLT - 10MM-1.5P X 20MM	
11	15502-EE	2	BOLT - .625" X 1.5"	
12	10771-EE	2	WASHER, SAE FLAT - .625"	
13	52703-EE	1	BARRIER, BOTTOM (WHEEL MACHINES)	
14	55028-EE	1	BRACKET, REAR BARRRIER PANEL - WHEELED	

- Kit or Assembly - includes all items indented underneath.

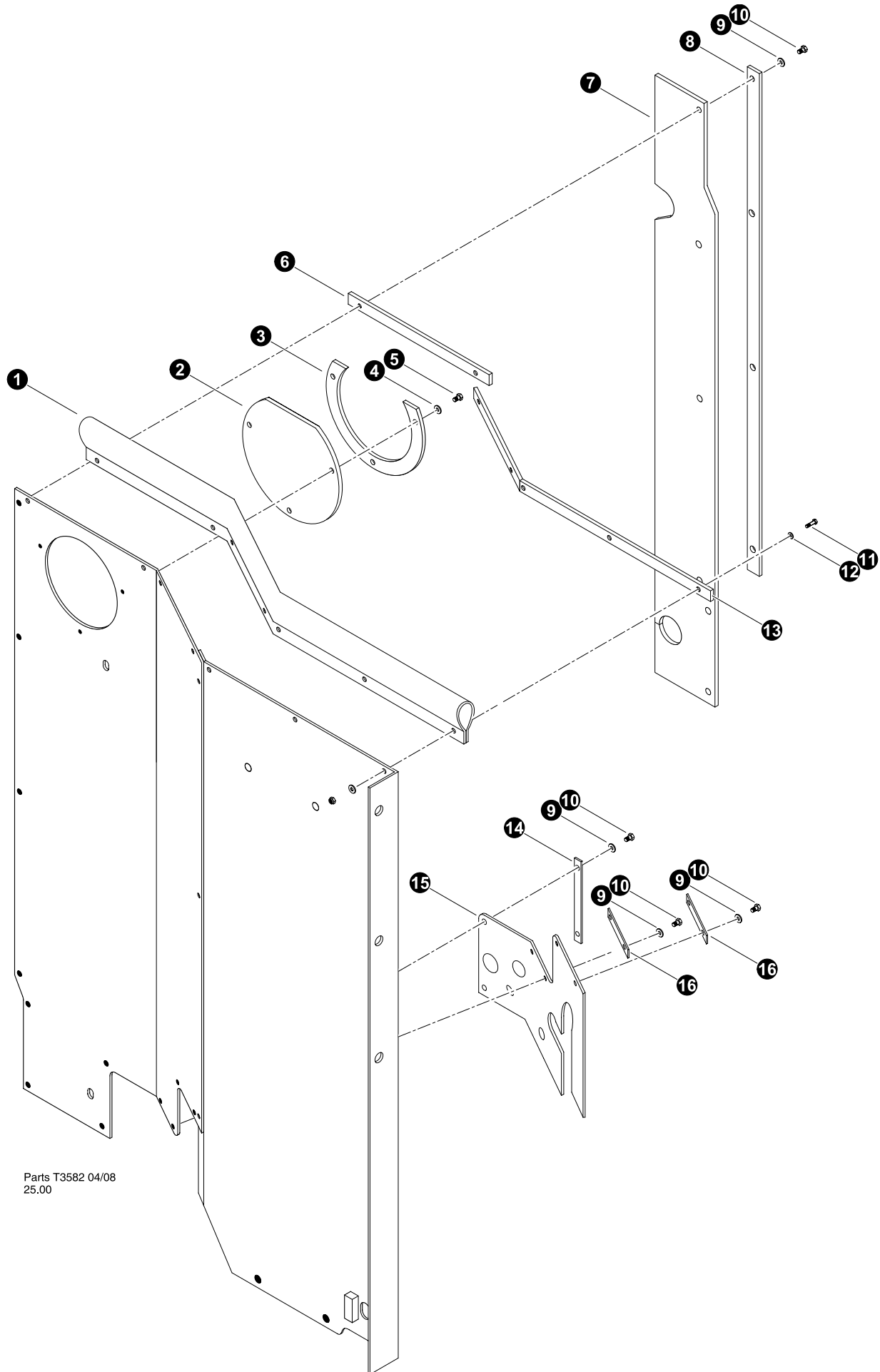


Parts T3929 04/13
25.00

BARRIER PANELS - Front Cummins QSC 8.3L

REF	PART #	QTY	DESCRIPTION	SEE SECTION
1	52921-EE	1	BARRIER, SIDE WHEEL MACHINES C8.3	
2	53007-EE	1	BAR, ENGINE BARRIER FRT/TOP BRACE C8.3	
3	15605-EE	2	BOLT - .3125" X .75"	
4	-EE	7	WASHER, FLAT - .3125"	
5	17395-EE	1	BOLT - 10MM-1.5P X 20MM	
6	10802-EE	1	WASHER, FLAT - .375"	
7	52959-EE	1	BAR, ENGINE BARRIER FRT/BOTTOM BRACE C8.	
8	15575-EE	1	BOLT - .25" X 1.5"	
9	10800-EE	2	WASHER, FLAT - .25"	
10	10811-EE	1	NUT, LOCK - .25"	
11	-EE	4	BOLT, BUTTON HEAD - .3125" X .75" (81477)	
12	52920-EE	1	<input type="checkbox"/> BARRIER, FRONT WHEEL MACHINES C8.3	
13	-EE	1	COVER, Front Barrier	
14	-EE	1	BOLT - 12MM-1.75P X 60MM	
15	15534-EE	1	WASHER, SAE FLAT - .5"	
16	43491-EE	1	BARRIER, LOWER FOR FRONT WHEEL MACHINES C8.3	

Kit or Assembly - includes all items indented underneath.

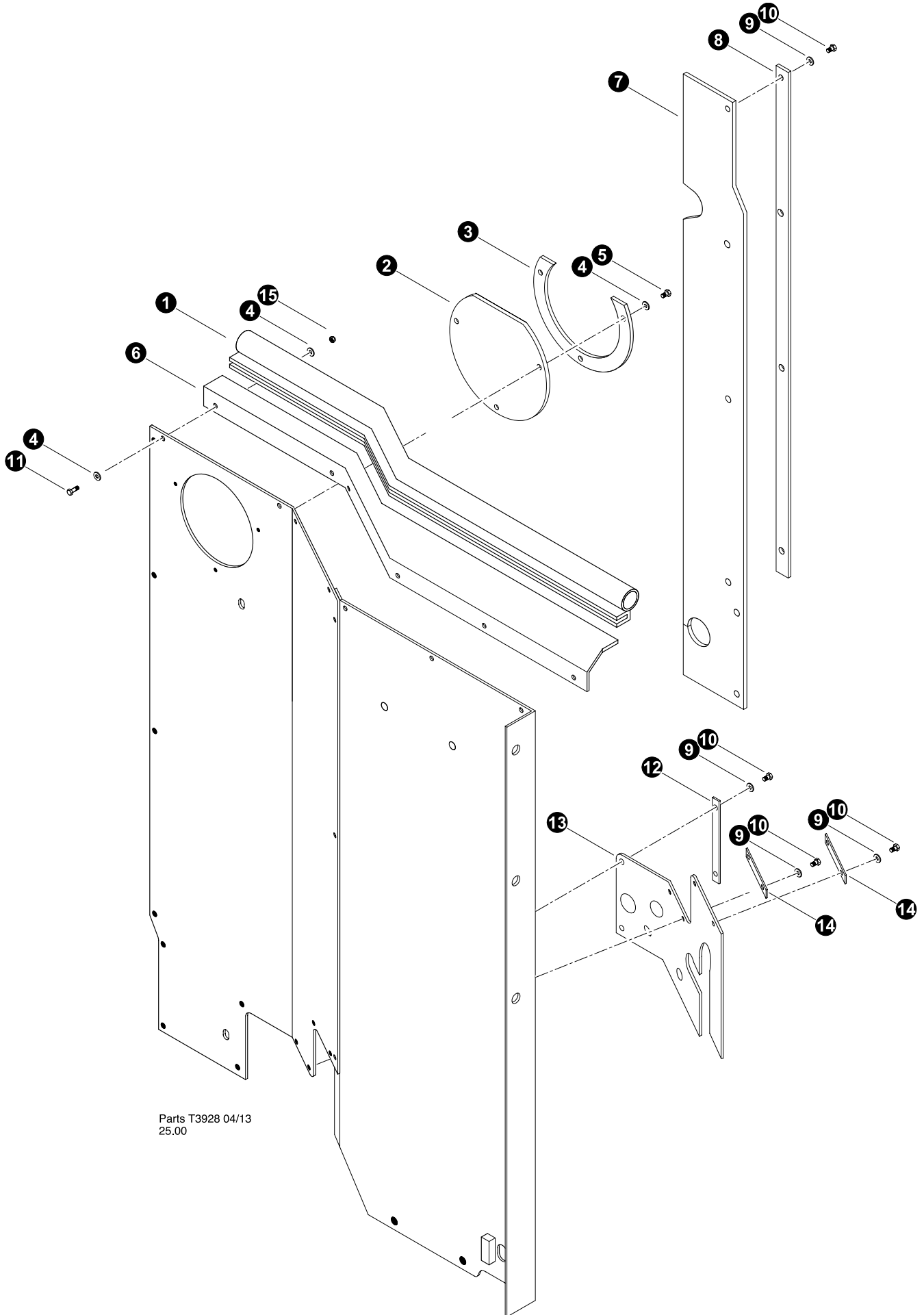


Parts T3582 04/08
25.00

BARRIER PANELS - RUBBER SEALS
Cummins QSC 8.3L
SN 0445 AND Before

REF	PART #	QTY	DESCRIPTION	SEE SECTION
1	53138-EE	1	BELTING, BARRIER TOP	
2	53204-EE	1	BELTING, AIR CLEANER SEAL	
3	53177-EE	1	BAR, RETAINER ROUND AIR CLEANER	
4	10800-EE	3	WASHER, FLAT - .25"	
5	17255-EE	3	SCREW, SELF TAPPING - #10-24 X .75"	
6	53051-EE	1	BAR, RETAINER 1/8x1x12	
7	52925-EE	1	BELTING, BARRIER END-VERTICAL	
8	53052-EE	1	BAR, RETAINER 1/8x1x31.75	
9	10800-EE	4	WASHER, FLAT - .25"	
10	15604-EE	4	BOLT - .25" X .75"	
11	15604-EE	7	BOLT - .25" X .75"	
12	10800-EE	3	WASHER, FLAT - .25"	
13	53137-EE	1	BAR, RETAINER 1/8x1x31.75 FORMED	
14	53050-EE	1	BAR, RETAINER 1/8x1x9	
15	53083-EE	1	BELTING, BARRIER-BOTTOM	

- Kit or Assembly - includes all items indented underneath.

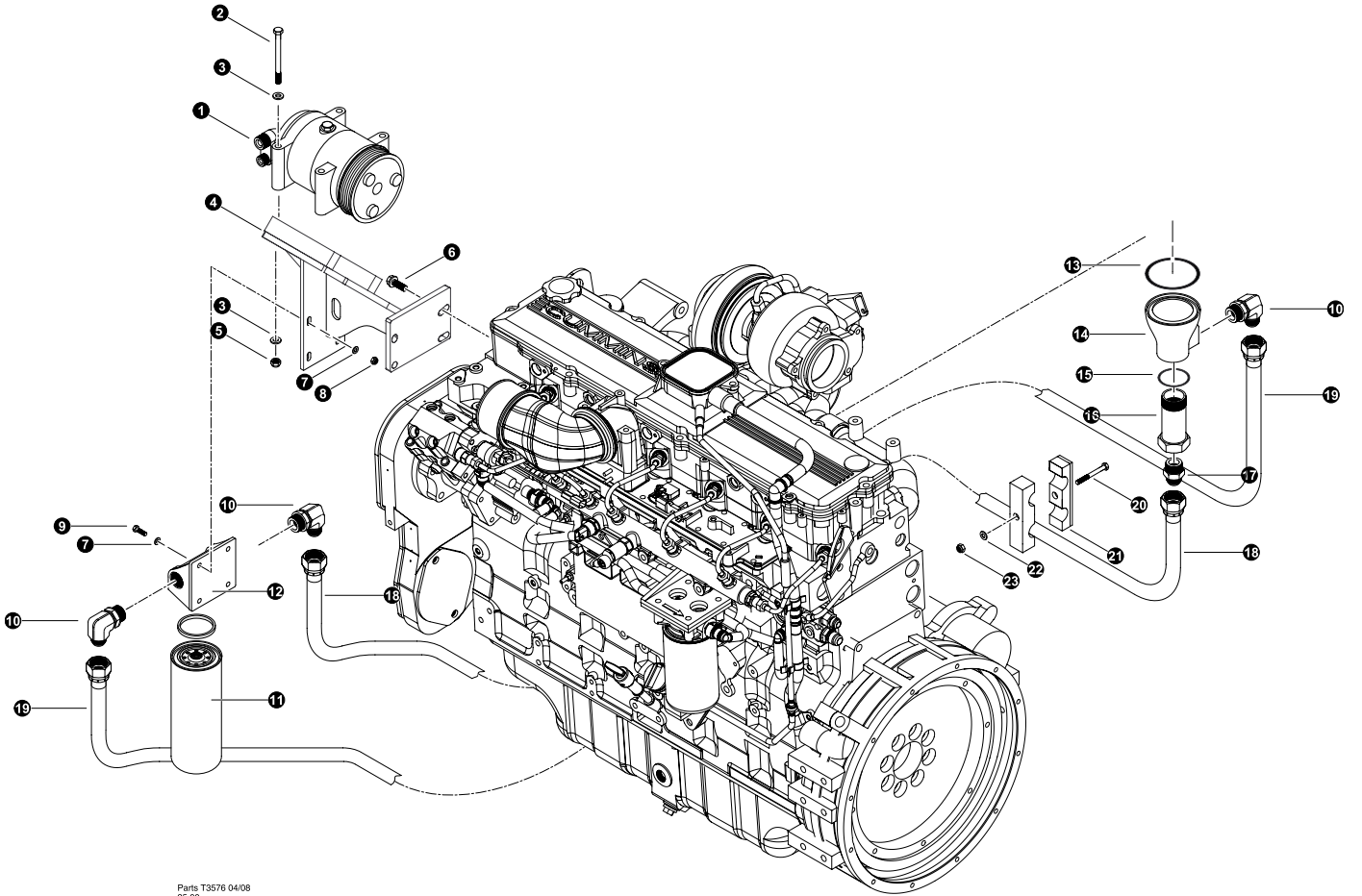


Parts T3928 04/13
25.00

BARRIER PANELS - RUBBER SEALS
Cummins QSC 8.3L
SN 0446 AND AFTER

REF	PART #	QTY	DESCRIPTION	SEE SECTION
1	54846-EE	4ft	CHANNEL, EDGE PROTECTOR - 1"	
2	53204-EE	1	BELTING, AIR CLEANER SEAL	
3	53177-EE	1	BAR, RETAINER ROUND AIR CLEANER	
4	10800-EE	3	WASHER, FLAT - .25"	
5	17255-EE	3	SCREW, SELF TAPPING - #10-24 X .75"	
6	45266-EE	1	SHEET, FILLER PLATE	
7	52925-EE	1	BELTING, BARRIER END-VERTICAL	
8	53052-EE	1	BAR, RETAINER 1/8x1x31.75	
9	10800-EE	4	WASHER, FLAT - .25"	
10	15604-EE	4	BOLT - .25" X .75"	
11	18309-EE	7	BOLT - .25" X 1.25"	
12	53049-EE	1	BAR, RETAINER 1/8x1x6	
13	53083-EE	1	BELTING, BARRIER-BOTTOM	
14	53050-EE	2	BAR, RETAINER 1/8x1x9	
15	10811-EE	5	NUT, LOCK - .25"	

- Kit or Assembly - includes all items indented underneath.



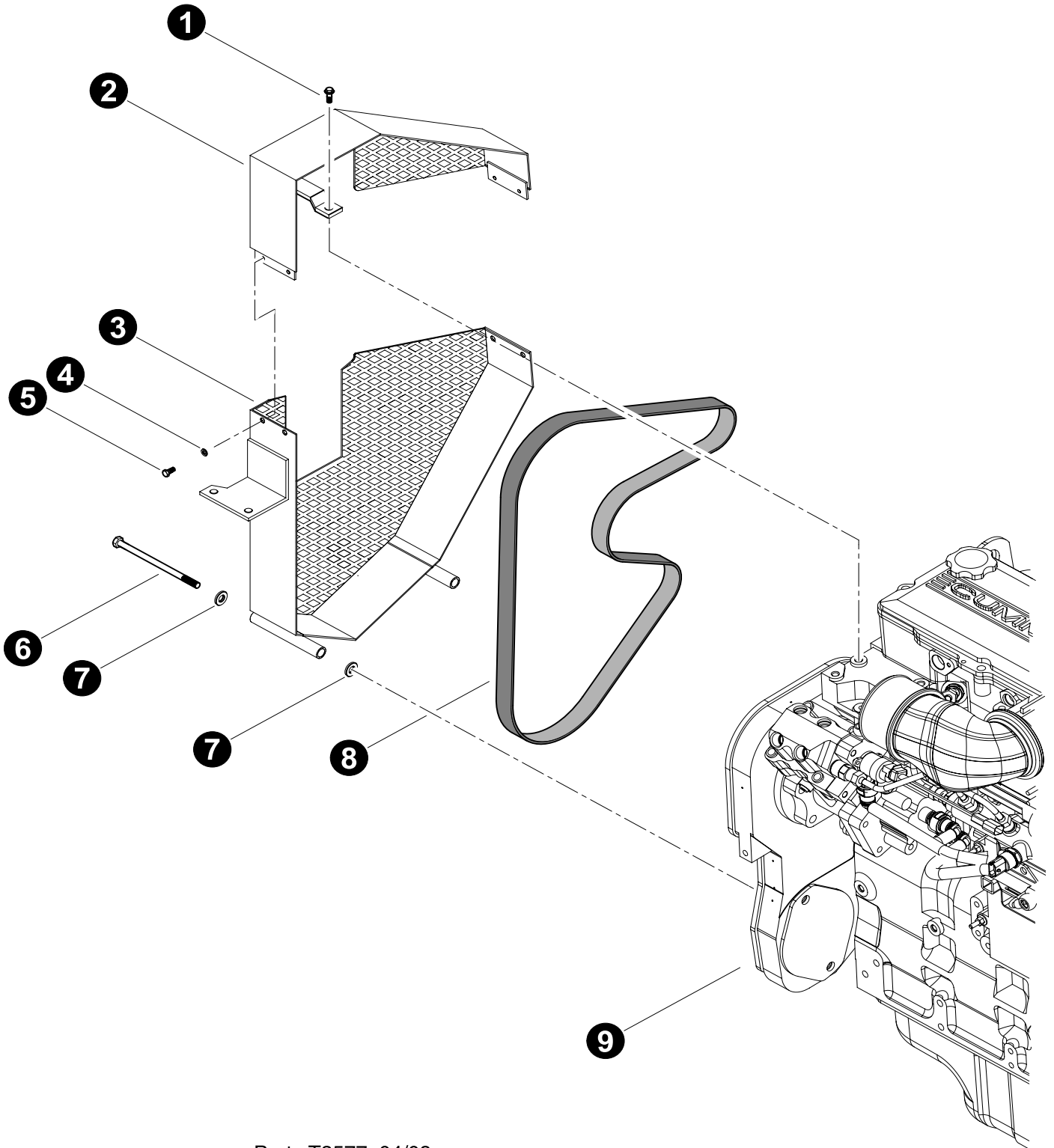
Parts T3576 04/08
25.00

A/C COMPRESSOR & OIL FILTER INSTALLATION

REF	PART #	QTY	DESCRIPTION	SEE SECTION
1	52532-EE	1	COMPRESSOR, AC (flange mount / rear discharge)	
2	19251-EE	4	BOLT - .3125" X 5"	
3	15559-EE	8	WASHER, SAE FLAT - .3125"	
4	52964-EE	1	MOUNT, COMPRESSOR / OIL FILTER	
5	10812-EE	4	NUT, LOCK - .3125"	
6	24605-EE	4	BOLT - 10mm-1.5P x 30mm (<i>Flange Head</i>)	
7	15528-EE	4	WASHER, SAE FLAT - .375"	
8	10813-EE	4	NUT, LOCK - .375"	
9	10402-EE	4	BOLT - .375" X 1.25"	
10	15484-EE	3	ELBOW, 90 - 16 C5OX-S	
11	16070-EE	1	FILTER, engine oil	
12	52339-EE	1	☐ Relocation Kit - Oil Filter	
12	-EE	1	ADAPTER, FILTER HEAD (4063933)	
13	-EE	1	O-RING, Oil Filter Relocation Housing - Large (3899283)	
14	-EE	1	COVER, FILTER HEAD (3899624)	
15	-EE	1	O-RING, Oil Filter Relocation Housing - Small (3899728)	
16	-EE	1	Manifold, fastner fitting (3899625)	
17	15497-EE	1	CONNECTOR, STR - 16 F5OX-S	
18	52944-EE	1	TUBELINE, ENGINE OIL FILTER - OUT	
19	52945-EE	1	TUBELINE, ENGINE OIL FILTER - IN	
20	10824-EE	1	BOLT - .3125" X 2.5"	
21	52991-EE	1	CLAMP, STEEL TUBELINE - DOUBLE	
22	15559-EE	1	WASHER, SAE FLAT - .3125"	
23	10812-EE	1	NUT, LOCK - .3125"	







See referenced page for component or assembly breakdown.

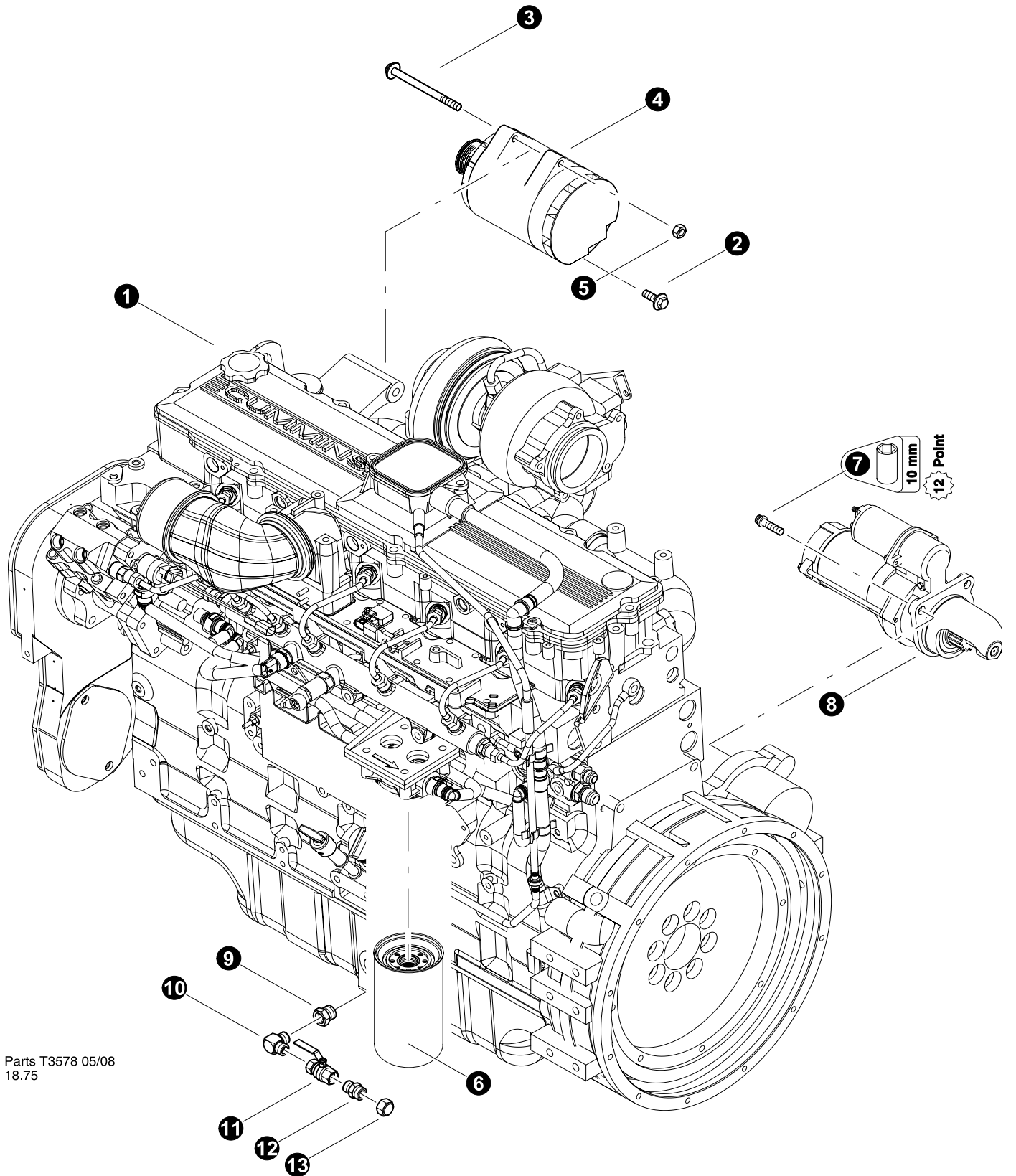


Parts T3577 04/08
12.5

ENGINE BELT AND SHROUDS


REF	PART #	QTY	DESCRIPTION	SEE SECTION
1	24605-EE	1	BOLT - 10mm-1.5P x 30mm (<i>Flange Head</i>)	
-	52927-EE	1	 SHROUD, BELT CUMMINS QSC Tier 3 (top and bottom)	
2		1	SHROUD, TOP	
3		1	SHROUD, BOTTOM	
4	10757-EE	4	WASHER, SAE FLAT - .25"	
5	15604-EE	4	BOLT - .25" X .75"	
6	51772-EE	1	BOLT - 12MM X 180MM FAN GUARD (830/630)	
7	15534-EE	4	WASHER, SAE FLAT - .5"	
8	51777-EE	1	BELT, FAN - CUMMINS CHARGE AIR (830/630)	
9	REF.	1	 ENGINE - Cummins QSC8.3-C.....	EE-1

-  See referenced page for component or assembly breakdown.
-  Kit or Assembly - includes all items indented underneath.



Parts T3578 05/08
18.75

ALTERNATOR, STARTER & MISC. COMPONENTS

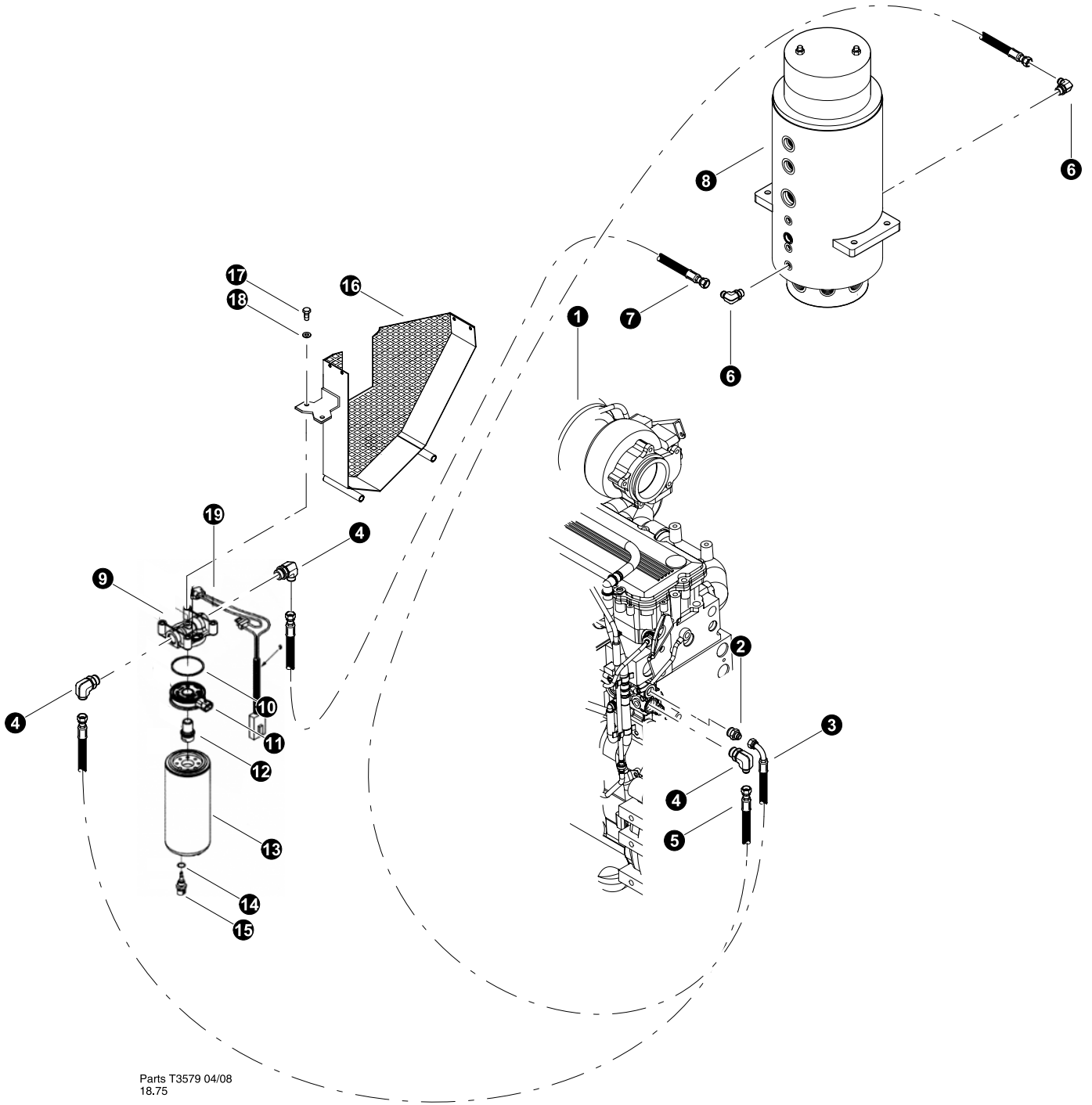
REF	PART #	QTY	DESCRIPTION	SEE SECTION
1	REF.	1	 ENGINE - Cummins QSC8.3-C.....	EE-1
2	50149-EE	1	BOLT - 12mm x 25mm	
3	--	2	BOLT, flange head - 12mm x 150 mm	
4	53246-EE	1	ALTERNATOR, TIER 3 CUMMINS - 24V/100A	
5	--	1	NUT, flange - 12mm	
6	52848-EE	1	FILTER, FUEL - PRIMARY QSB TIER 3	
7		3	BOLT, 12 point cap - 10mm x 35 mm	
8	53240-EE	1	STARTER - C8.3C/QSC (24V) 3102767	
9	40978-EE	1	CONNECTOR, STR MET/ENG M18-.38NPT F8OHGS	
10	40979-EE	1	ELBOW, 90 MALE .38NPT BLACK 150#	
11	40980-EE	1	VALVE, BALL .38NPT BRASS PADLOCK	
12	22902-EE	1	CONNECTOR, STR - 848-TT-08X06	
13	15434-EE	1	CAP - FF9863-08S	





See referenced page for component or assembly breakdown.



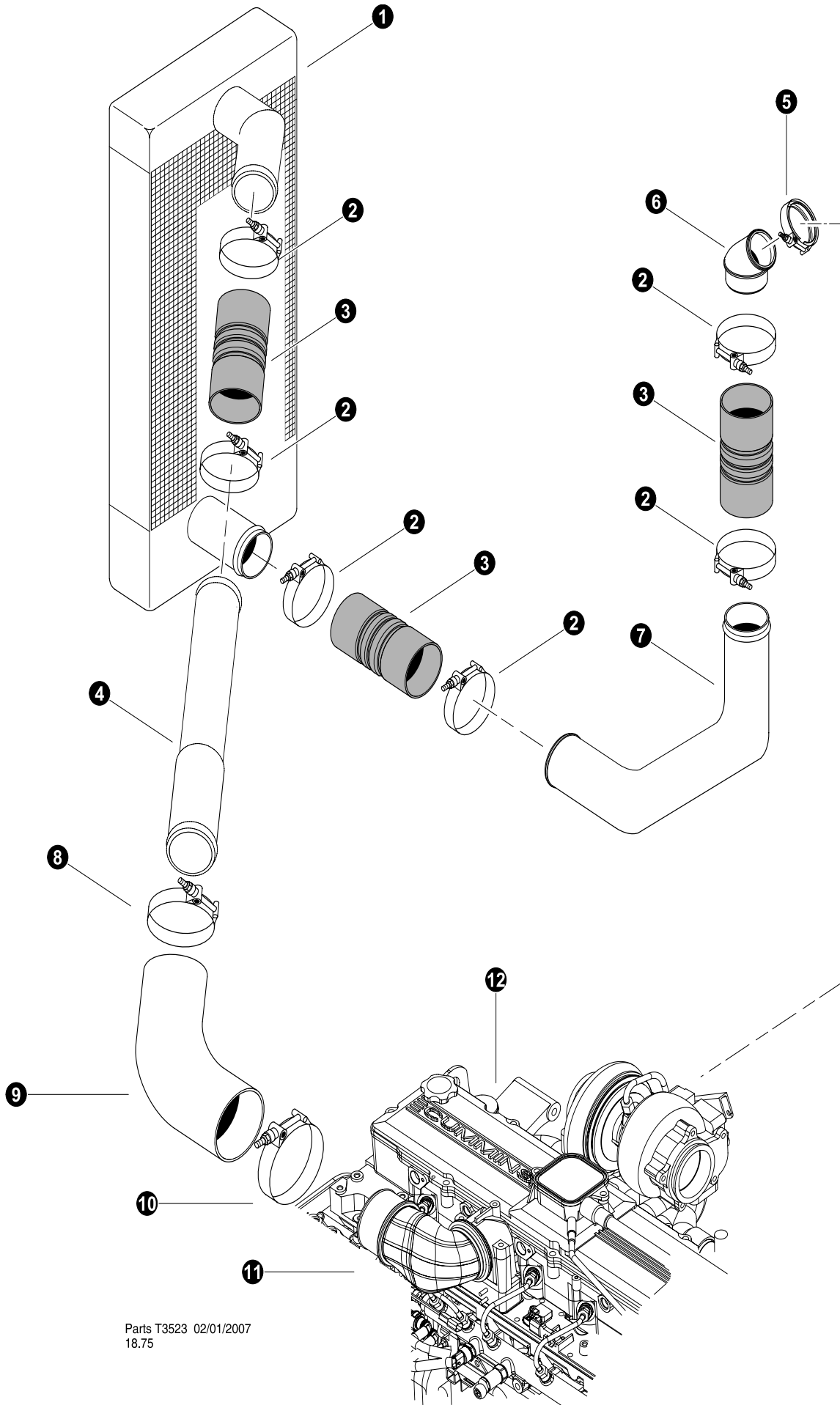
Kit or Assembly - includes all items indented underneath.



FUEL LINES




REF	PART #	QTY	DESCRIPTION	SEE SECTION
1	REF.	1	 ENGINE - Cummins QSC8.3-C.....	EE-1
2	53103-EE	1	FITTING, 6-8 - ORB-JIC 830-B	
3	-EE	1	HOSE ASSEMBLY - 2140-06-06JS-06J9-W (<i>Fuel return to rotary manifold port #1 or FR</i>)	
4	53073-EE		ELBOW, (6-JIC 10-ORB 90)	
5	-EE	1	HOSE ASSEMBLY - 2069-06-06JS-06JS-W (<i>Fuel supply to fuel filter out</i>)	
6	15480-EE	2	ELBOW, 90 - 6801-6	
7	-EE	1	HOSE ASSEMBLY - 2090-06-06JS-06JS-W (<i>rotary manifold port #2 or FS to fuel filter inlet</i>)	
8	REF	1	 ROTARY MANIFOLD ASSEMBLY	UP-1
9	-EE	1	HEAD, Fuel Filter (3944986)	
10	-EE	1	SEAL, Rectangular Ring (3913695)	
11	-EE	1	Element, Fuel Heater (3943910)	
12	-EE	1	Adapter, Filter Head (3943780)	
13	24062-EE	1	FILTER, FUEL (CUMMINS QSC - ELECTRONIC).....	
14	-EE	1	Seal, O-Ring (3944821)	
15	-EE	1	Sensor, Water in Fuel (3944270)	
16	REF	1	BRACKET, FUEL FILTER TIER (Fan Guard).....	EE-1
17	11707-EE	2	BOLT - .375" X 1"	
18	15528-EE	2	WASHER, SAE FLAT - .375"	
19	-EE	1	Thermostat, Fuel Heater (3942357)	



 See referenced page for component or assembly breakdown.

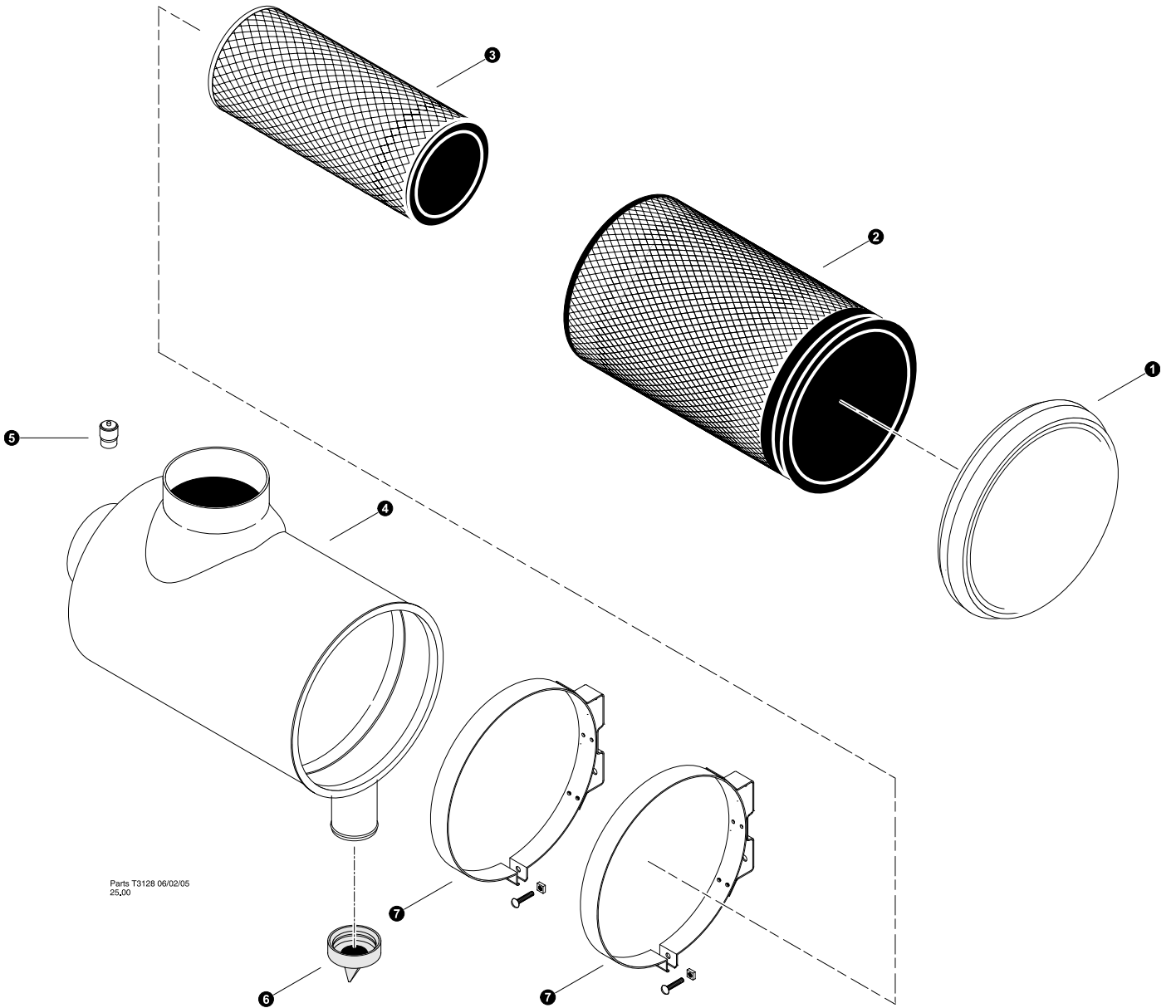


Parts T3523 02/01/2007
18.75

CHARGE AIR (Air To Air Connections Tier 3 engine)

REF	PART #	QTY		DESCRIPTION	SEE SECTION
1	REF.	1		RADIATOR / AIR COOLER ASSEMBLY	EE-3
2	-EE	6		CLAMP, spring hose - 4" (3926703)	
3	24686-EE	4		CONNECTOR, rubber	
4	52591-EE	1		TUBE, AIR/AIR TOP CUMMINS 630/830 TIER 3	
5	-EE	1		CLAMP, V-Band - 3101325	
	-EE	1		O-RING, - 3102802	
6	-EE	1		PIPE, Air Transfer elbow, 45° - 3918350	
7	51734-EE	1		TUBE, AIR/AIR BOTTOM CUMMINS 630/830	
8	-EE	1		CLAMP, strap band - 4 1/4"	
9	52729-EE	1		ELBOW, 45 - 4" BOOT(AIR TO AIR TIER 3 C)	
10	-EE	1		CLAMP, strap band - 4 1/4"	
11	52054-EE	1		MANIFOLD, CHARGE AIR INTAKE (QSC / 830)	
-	-EE	1		AIR INTAKE, 90° - 3968371	
-	-EE	1		SEAL, O-RING - 3682177	
-	-EE	1		CLAMP, V-Band - 3067979	
12	REF.	1		ENGINE - Cummins QSC8.3-C.....	EE-3

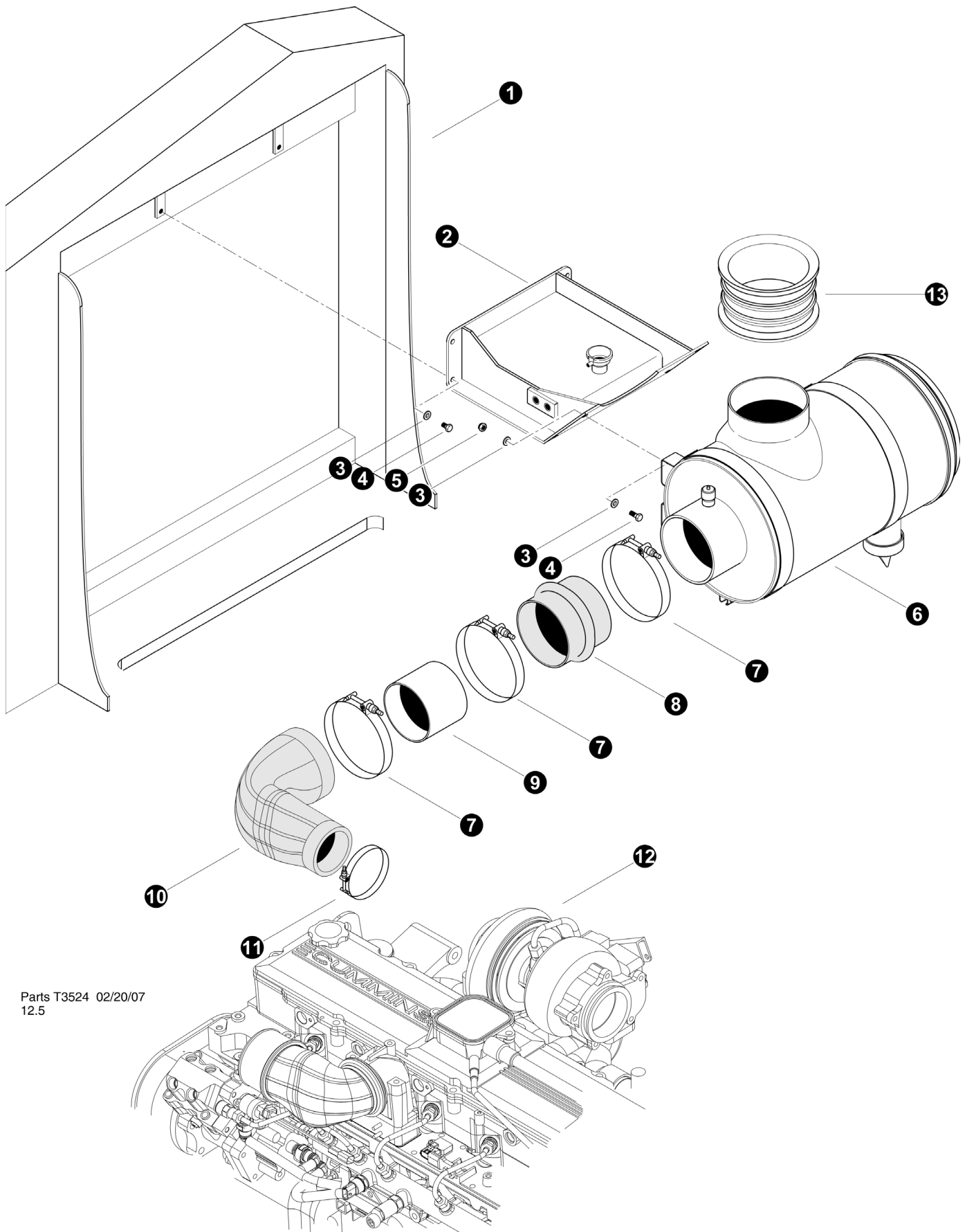
-  See referenced page for component or assembly breakdown.
-  Kit or Assembly - includes all items indented underneath.



AIR CLEANER ASSEMBLY

REF	PART #	QTY		DESCRIPTION	SEE SECTION
-	51729-EE	1	<input type="checkbox"/>	AIR CLEANER ASSEMBLY - 830/630	
1	---	1		COVER - AIR CLEANER	
2	51756-EE	1		FILTER, air cleaner - primary	
3	51757-EE	1		FILTER, air cleaner - secondary	
4	---	1		CANISTER, air cleaner	
5	16114-EE	1		INDICATOR, air cleaner filter service	
6	52053-EE	1		BOOT, Air Cleaner Dust	
7	20450-EE	2	<input type="checkbox"/>	CLAMP, air cleaner band	
-	15591-EE	1		BOLT - 5/16" x 1-1/2"	
-	10788-EE	1		NUT, nylock - 5/16"	





Kit or Assembly - includes all items indented underneath.



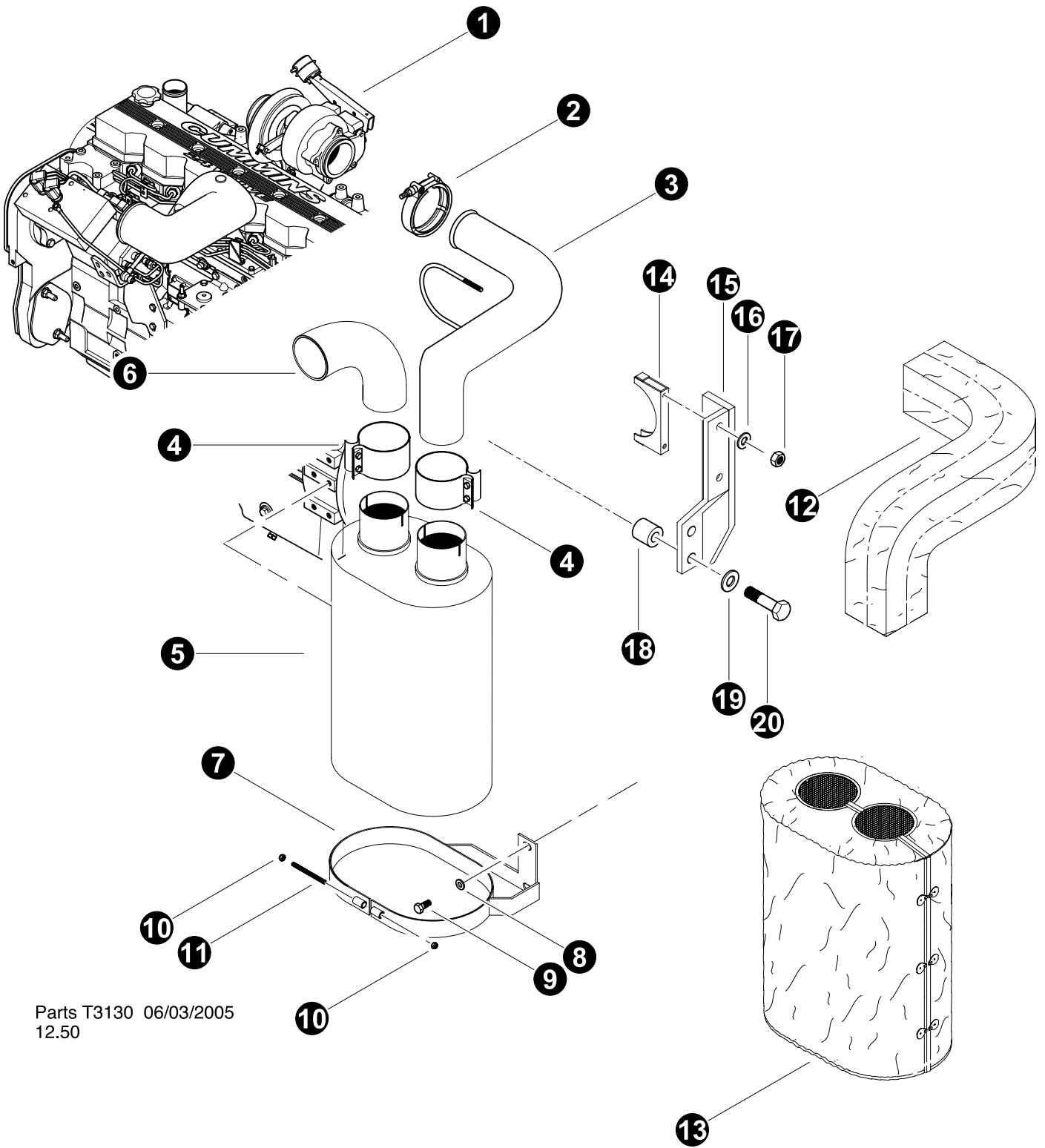
Parts T3524 02/20/07
12.5

AIR CLEANER INSTALLATION

(Tier 3 engine)


REF	PART #	QTY	DESCRIPTION	SEE SECTION
1	REF.	1	 UPPER TURNTABLE	UP-1
2	REF.	1	 TANK, EXPANSION	EE-3
3	15528-EE	12	WASHER, SAE FLAT - .375"	
4	11707-EE	4	BOLT - .375" X 1"	
5	10813-EE	4	NUT, LOCK - .375"	
6	REF.	1	 AIR CLEANER ASSEMBLY	EE-1
7	51728 -EE	2	CLAMP, strap band - 5-1/2"	
8	52055-EE	1	HOSE, HUMP AIR CLEANER (5" X 5") CUMMINS	
9	51827-EE	1	TUBE, AIR CLEANER (5" DIA X 3") CUMMINS	
10	-EE	1	ELBOW, 90° rubber (<i>Cobra</i>) ()	
11	15697-EE	1	CLAMP, strap band - 4-1/2"	
12	REF.	1	 ENGINE - Cummins C8.3-C	EE-1
13	52147-EE	1	FLANGE, RUBBER SEAL - AIR CLEANER	

 See referenced page for component or assembly breakdown.



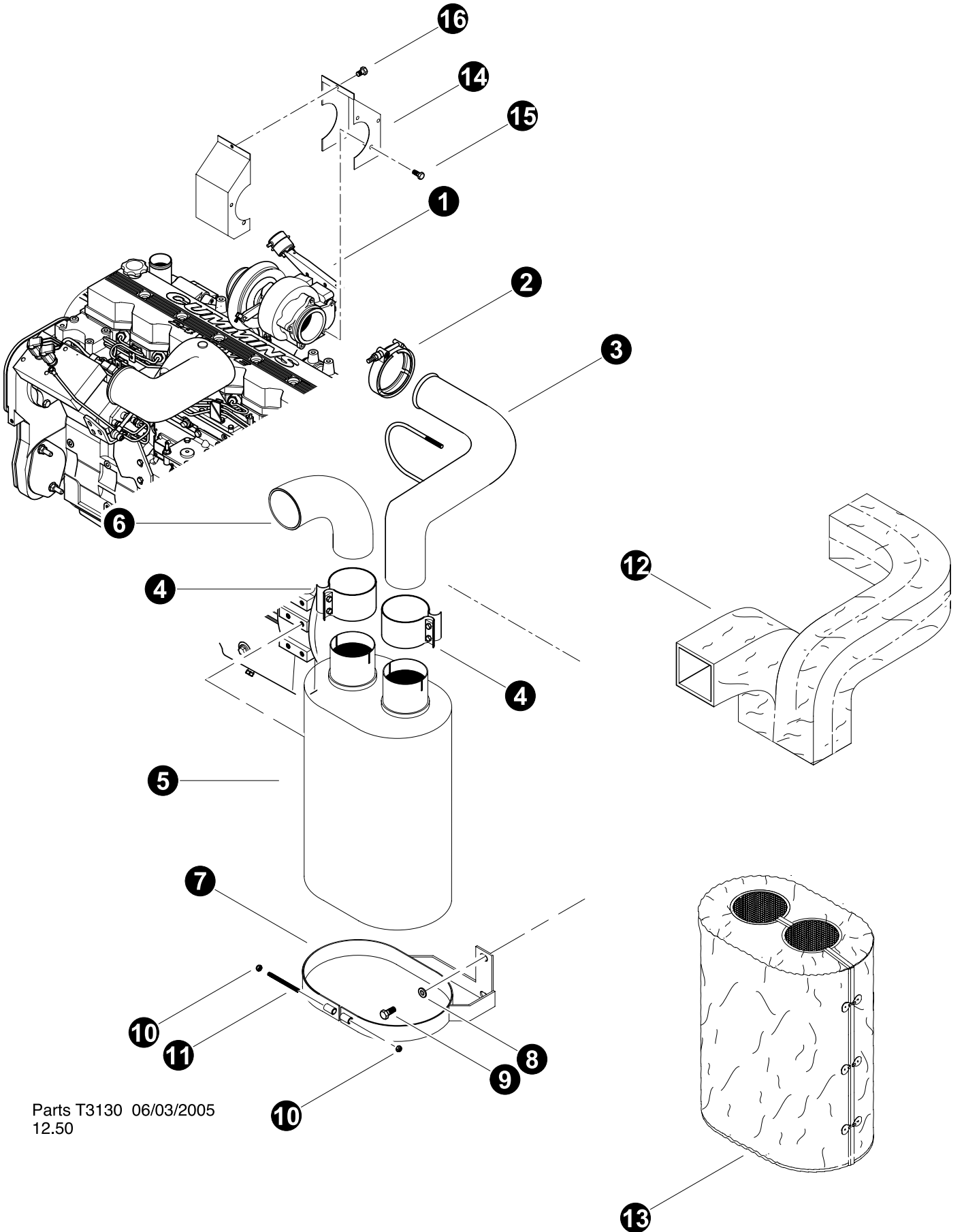
Parts T3130 06/03/2005
12.50

MUFFLER INSTALLATION**Before 2012**

REF	PART #	QTY	DESCRIPTION	SEE SECTION
1	REF.	1	 ENGINE - Cummins C8.3-C	EE-1
2	20452-EE	1	CLAMP, turbo exhaust (3905216)	
3	51613-EE	1	PIPE, EXHAUST - CUMMINS C - 830 MACH	
4	51871-EE	2	CLAMP, MUFFLER - 830/630 - 4" EASY SEAL	
5	51656-EE	1	MUFFLER, CUMMINS / JD (TF830)	
6	51956-EE	1	ELBOW, EXHAUST - CUMMINS (830/630)	
7	51677-EE	2	MOUNT, MUFFLER - CUMMINS - 830	
8	15534-EE	14	WASHER, SAE FLAT - .5"	
9	18415-EE	2	BOLT - 12MM-1.75P X 30MM	
10	10812-E	2	NUT, LOCK - .3125"	
11	-EE		ROD, THREADED - .3125"	
12	51716-EE	1	INSULATION, EXHAUST TUBE (CUMMINS 830)	
13	51715-EE	1	INSULATION, MUFFLER - 830	
14	54510-EE	1	CLAMP, EXHAUST STABILIZING - 830/735	
15	54505-EE	1	BRACKET, MUFFLER	
16	15528-EE	2	WASHER, SAE FLAT - .375"	
17	10813-EE	2	NUT, LOCK - .375"	
18	-EE	2	SPACER	
19	18735-EE	2	WASHER, FLAT - 12MM	
20	16136-EE	2	BOLT - 12MM-1.75P X 45MM	




See referenced page for component or assembly breakdown.



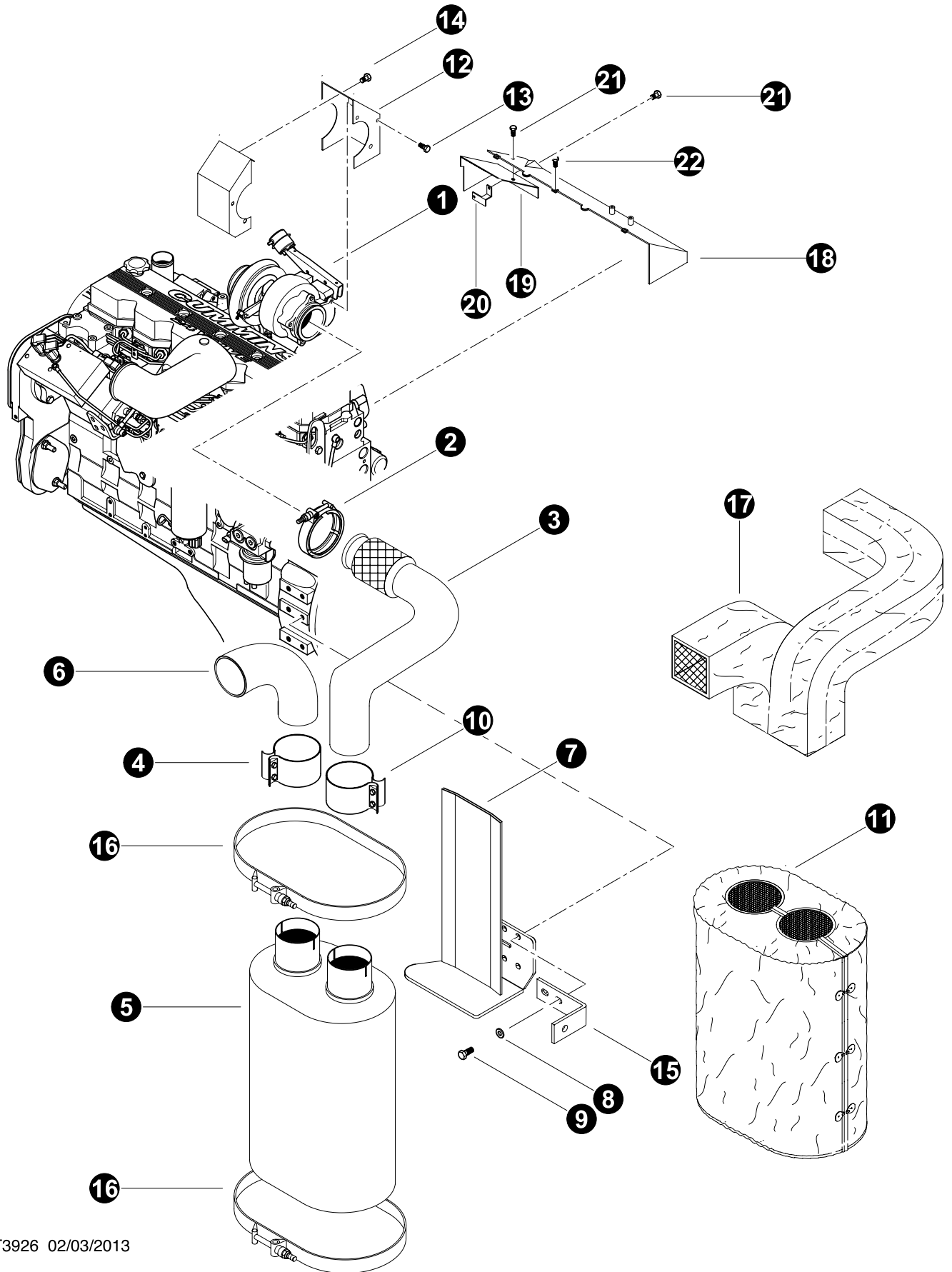
Parts T3130 06/03/2005
12.50

MUFFLER INSTALLATION

Machine 0445 and Before

REF	PART #	QTY	DESCRIPTION	SEE SECTION
1	REF.	1	 ENGINE - Cummins C8.3-C	EE-1
2	20452-EE	1	CLAMP, turbo exhaust (3905216)	
3	52628-EE	1	PIPE, EXHAUST - CUMMINS C - 830 MACH	
4	51871-EE	2	CLAMP, MUFFLER - 830/630 - 4" EASY SEAL	
5	51656-EE	1	MUFFLER, CUMMINS / JD (TF830)	
6	51956-EE	1	ELBOW, EXHAUST - CUMMINS (830/630)	
7	51677-EE	2	MOUNT, MUFFLER - CUMMINS - 830	
8	15534-EE	14	WASHER, SAE FLAT - .5"	
9	18415-EE	2	BOLT - 12MM-1.75P X 30MM	
10	10812-E	2	NUT, LOCK - .3125"	
11	-EE		ROD, THREADED - .3125"	
12	54514-EE	1	INSULATION, EXHAUST TUBE (CUMMINS 830)	
13	51715-EE	1	INSULATION, MUFFLER - 830	
14	54839-EE	1	GUARD, TURBO - DEBRIS DEFLECTOR (standard)	
14	54852-EE	1	GUARD, TURBO DEBRIES - LOW GULLWING (old style machines)	
15	25059-EE	6	BOLT - 8MM-1.25P X 20MM	
16	25059-EE	1	BOLT - 8MM-1.25P X 20MM	


 See referenced page for component or assembly breakdown.



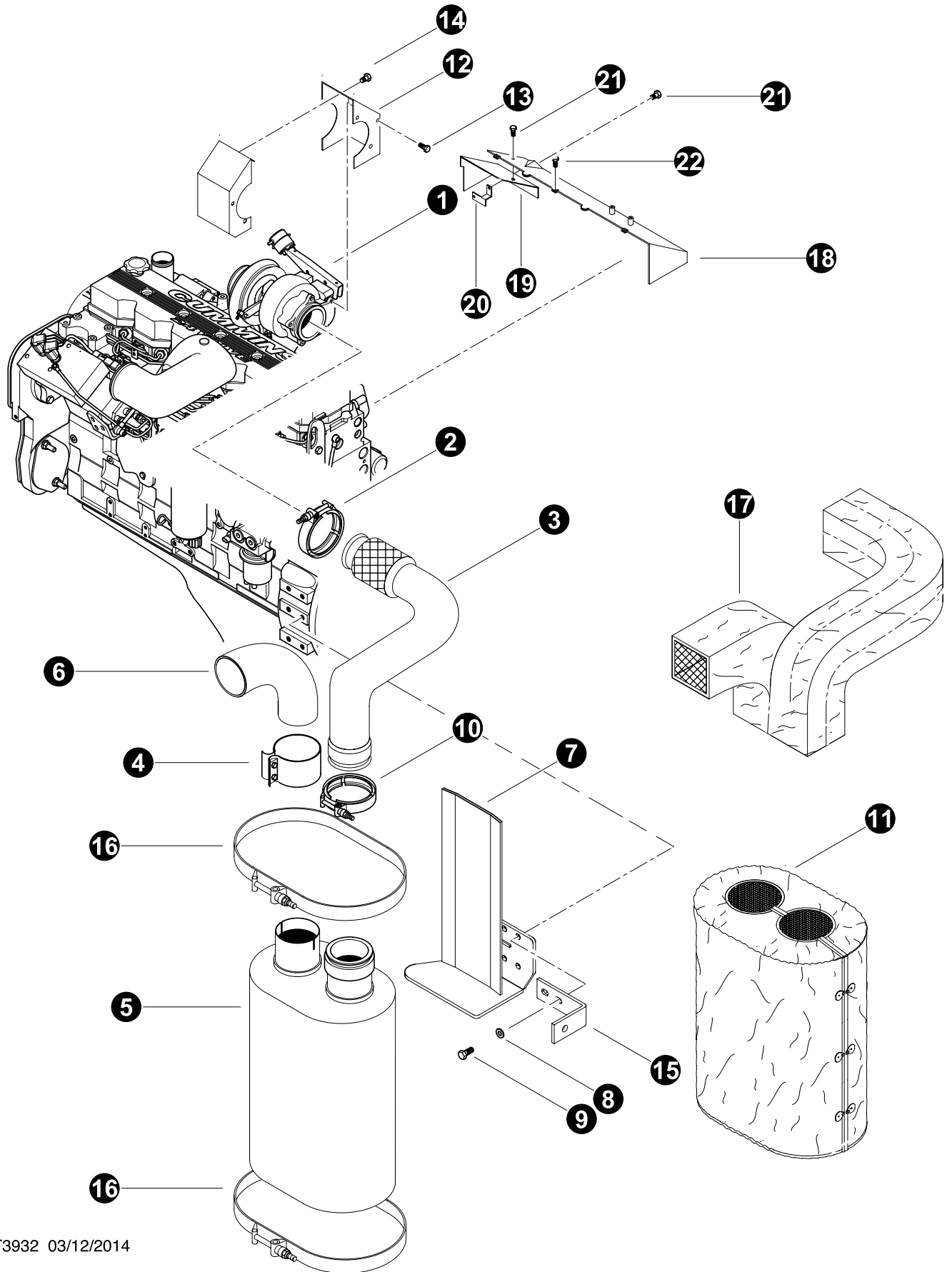
Parts T3926 02/03/2013
12.50

MUFFLER INSTALLATION

Machine 0446 and After

REF	PART #	QTY	DESCRIPTION	SEE SECTION
1	REF.	1	 ENGINE - Cummins C8.3-C	EE-1
2	20452-EE	1	CLAMP, turbo exhaust (3905216)	
3	55017-EE	1	PIPE, EXHAUST- CUMMINS - WITH FLEX	
4	51871-EE	1	CLAMP, MUFFLER - 830/630 - (4" EASY SEAL)	
5	51656-EE	1	MUFFLER, CUMMINS / JD (TF830)	
6	51956-EE	1	ELBOW, EXHAUST - CUMMINS (830/630)	
7	45588-EE	1	WELDMENT, MUFFLER MOUNT - CUMMINS	
8	15534-EE	8	WASHER, SAE FLAT - .5"	
9	18415-EE	2	BOLT - 12MM -1.75P X 30MM	
10	51723-EE	1	CLAMP, MUFFLER - 830/630 (3.5" EasySeal)	
11	55013-EE	1	INSULATION, MUFFLER (830/735)	
12	54839-EE	1	GUARD, TURBO - DEBRIS DEFLECTOR (standard)	
-	54852-EE	1	GUARD, TURBO DEBRIES - LOW GULLWING (old style machines)	
13	25060-EE	2	BOLT - 8MM-1.25P X 25MM	
14	25059-EE	1	BOLT - 8MM-1.25P X 20MM	
15	45598-EE	1	BAR, MUFFLER PANEL BRACKET	
16	55011-EE	2	CLAMP, MUFFLER MOUNTING - T-BOLT	
17	54514-EE	1	INSULATION, EXHAUST DISCHARGE TUBE 51956	
18	-EE	1	GUARD, exhaust manifold - Long	
19	-EE	1	GUARD, exhaust manifold - Short	
20	-EE	1	BRACKET, exhaust manifold guard	
21	-EE	2	BOLT,	
22	-EE	3	BOLT,	


 See referenced page for component or assembly breakdown.



Parts T3932 03/12/2014
12.50

MUFFLER INSTALLATION

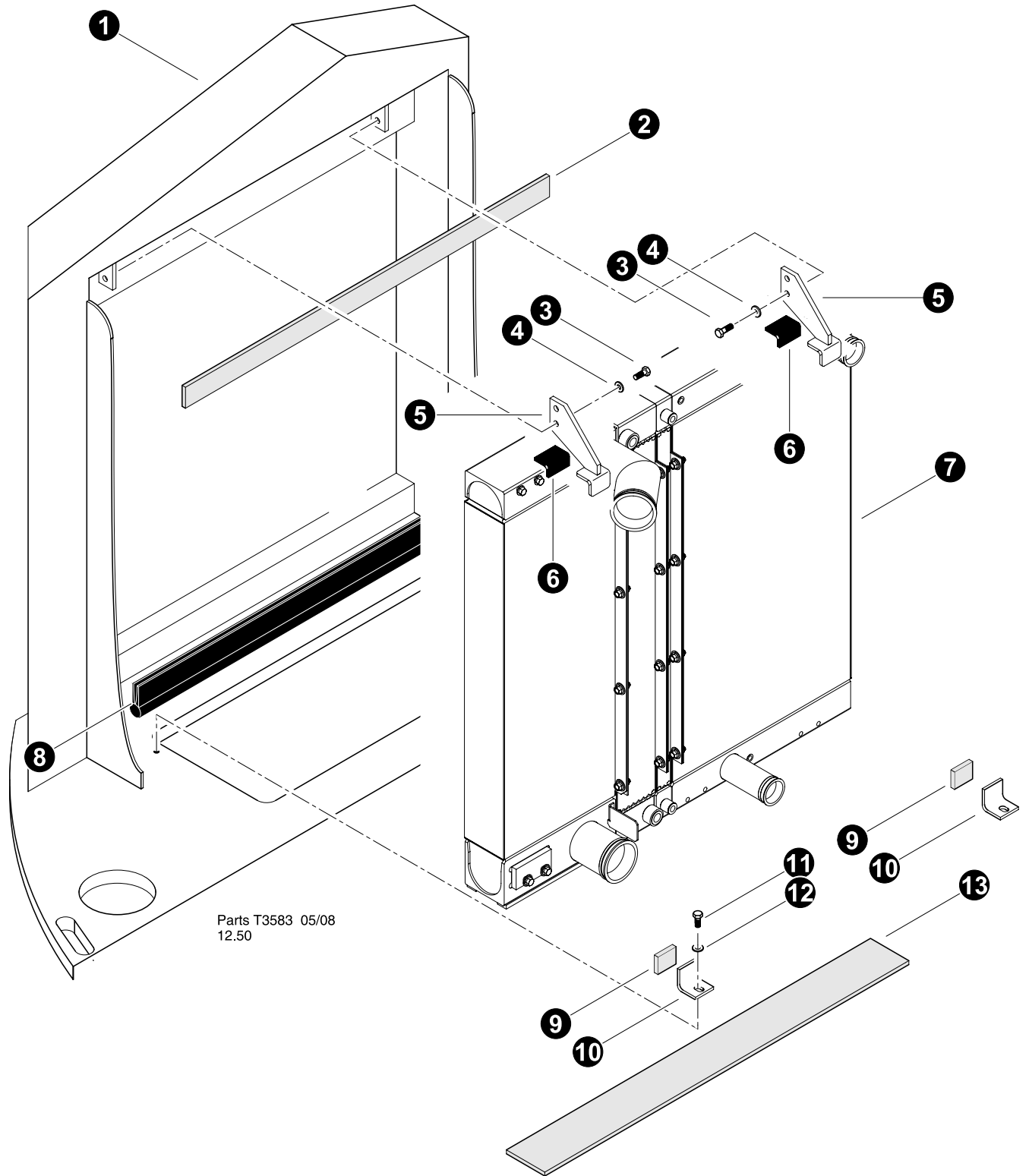
Machine 0511 and After

REF	PART #	QTY	DESCRIPTION	SEE SECTION
1	REF.	1	 ENGINE - Cummins C8.3-C	EE-1
2	20452-EE	1	CLAMP, turbo exhaust (3905216)	
3	46573-EE	1	PIPE, EXHAUST- CUMMINS - WITH FLEX	
4	51871-EE	1	CLAMP, MUFFLER - 830/630 - (4" EASY SEAL)	
5	55349-EE	1	MUFFLER, CUMMINS / JD (TF830)	
6	51956-EE	1	ELBOW, EXHAUST - CUMMINS (830/630)	
7	45588-EE	1	WELDMENT, MUFFLER MOUNT - CUMMINS	
8	15534-EE	8	WASHER, SAE FLAT - .5"	
9	18415-EE	2	BOLT - 12MM -1.75P X 30MM	
10	20452-EE	1	CLAMP, turbo exhaust (3905216)	
11	55013-EE	1	INSULATION, MUFFLER (830/735)	
12	54839-EE	1	GUARD, TURBO - DEBRIS DEFLECTOR (standard)	
-	54852-EE	1	GUARD, TURBO DEBRIS - LOW GULLWING (old style machines)	
13	25060-EE	2	BOLT - 8MM-1.25P X 25MM	
14	25059-EE	1	BOLT - 8MM-1.25P X 20MM	
15	45598-EE	1	BAR, MUFFLER PANEL BRACKET	
16	55011-EE	2	CLAMP, MUFFLER MOUNTING - T-BOLT	
17	54514-EE	1	INSULATION, EXHAUST DISCHARGE TUBE 51956	
18	-EE	1	GUARD, exhaust manifold - Long	
19	-EE	1	GUARD, exhaust manifold - Short	
20	-EE	1	BRACKET, exhaust manifold guard	
21	-EE	2	BOLT,	
22	-EE	3	BOLT,	



 See referenced page for component or assembly breakdown.

Section EE-3

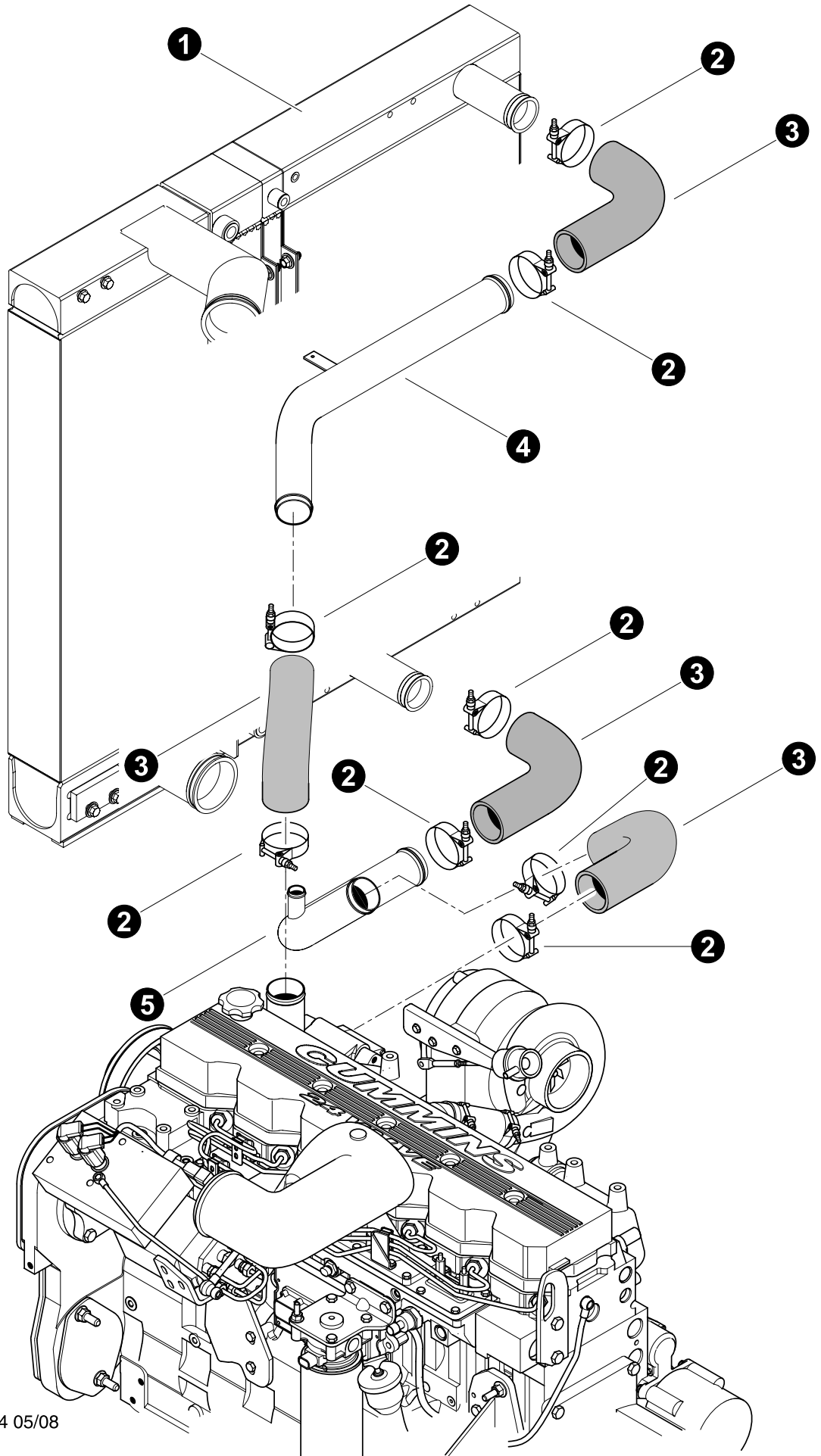
Cummins Engine - Cooling System Installation



RADIATOR/OIL & COOLER INSTALATION


REF	PART #	QTY	DESCRIPTION	SEE SECTION
1	REF	1	 UPPER TURNTABLE ASSEMBLY	UP-1
2	51825-EE	2	RUBBER, ISOLATOR - RAD (2"X39"X1/4")	
3	11707-EE	4	BOLT - .375" X 1"	
4	10802-EE	4	WASHER, FLAT - .375"	
5	52958-EE	2	BRACKET, RADIATOR UPPER (AKG) CURRENT	
6	-EE	2	RUBBER, ISOLATOR - UPPER RAD BRACKETS	
7	REF	1	 RADIATOR / CHARGE AIR ASSEMBLY	UP-3
8	52552-EE	36"	CHANNEL, EDGE PROTECTOR - 90DEG BULB	
9	-EE	2	RUBBER, ISOLATOR - LOWER RAD BRACKETS	
10	42554-EE	2	BRACKET, RADIATOR LOWER	
11	10783-EE	2	BOLT - .5" X 1"	
12	15534-EE	2	WASHER, SAE FLAT - .5"	
13	51826-EE	1	RUBBER, ISOLATOR - RAD (6"X39"X1/4")	


 See referenced page for component or assembly breakdown.

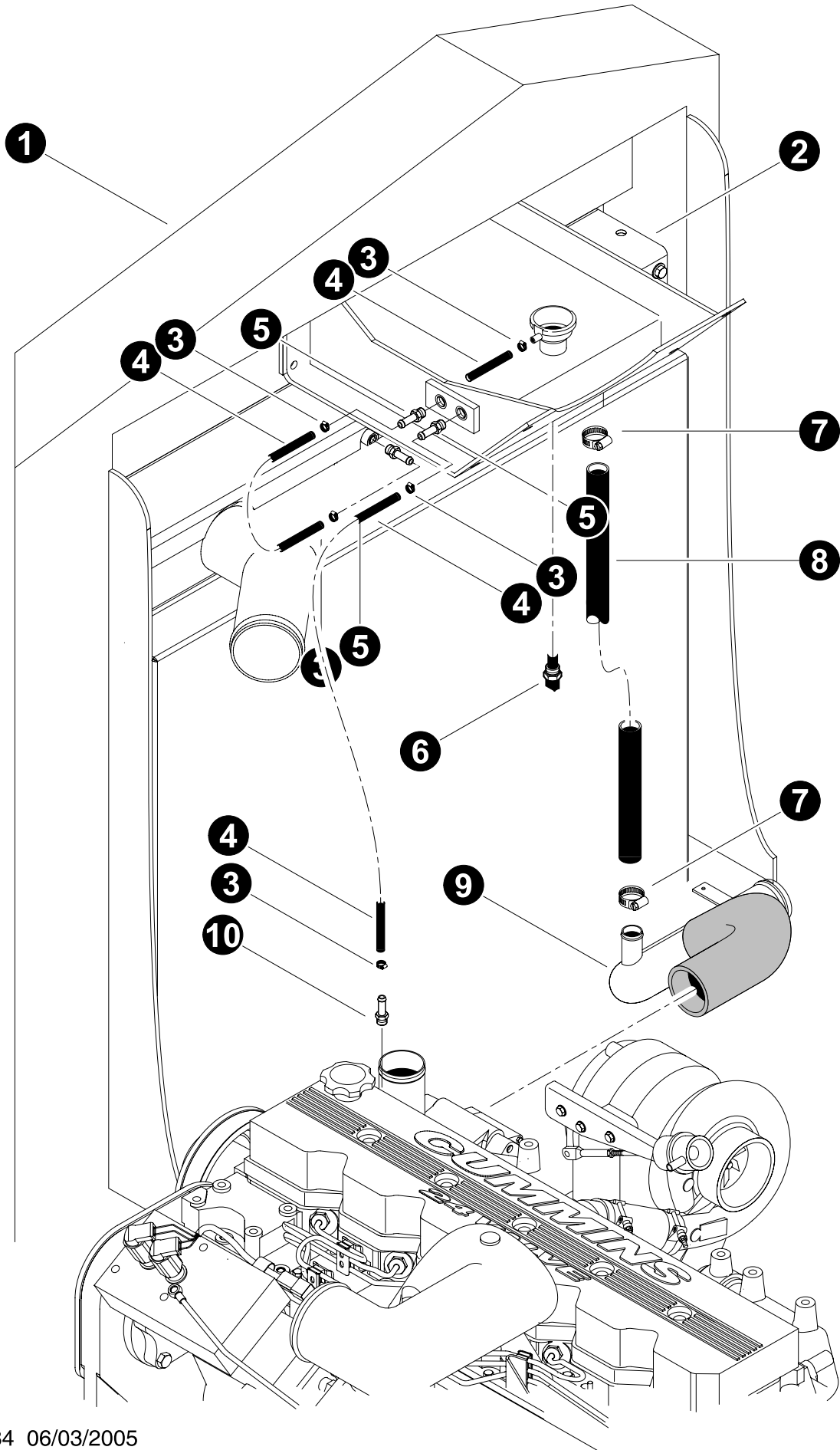


Parts T3584 05/08
12.5

RADIATOR TO ENGINE CONNECTIONS (QSC 300HP Engine)




REF	PART #	QTY	DESCRIPTION	SEE SECTION
1	REF	1	 RADIATOR / CHARGE AIR ASSEMBLY	UP-3
2	18103-EE	8	CLAMP, CONSTANT TORQUE - #40	
3	15617-EE	4	HOSE, 90 DEG. RADIATOR - 2.5"	
4	52976-EE	1	TUBE, RADIATOR UPPER - CUMMINS W/AKG RAD	
5	52977-EE	2	TUBE, RADIATOR LOWER - CUMMINS W/AKG RAD	


 See referenced page for component or assembly breakdown.

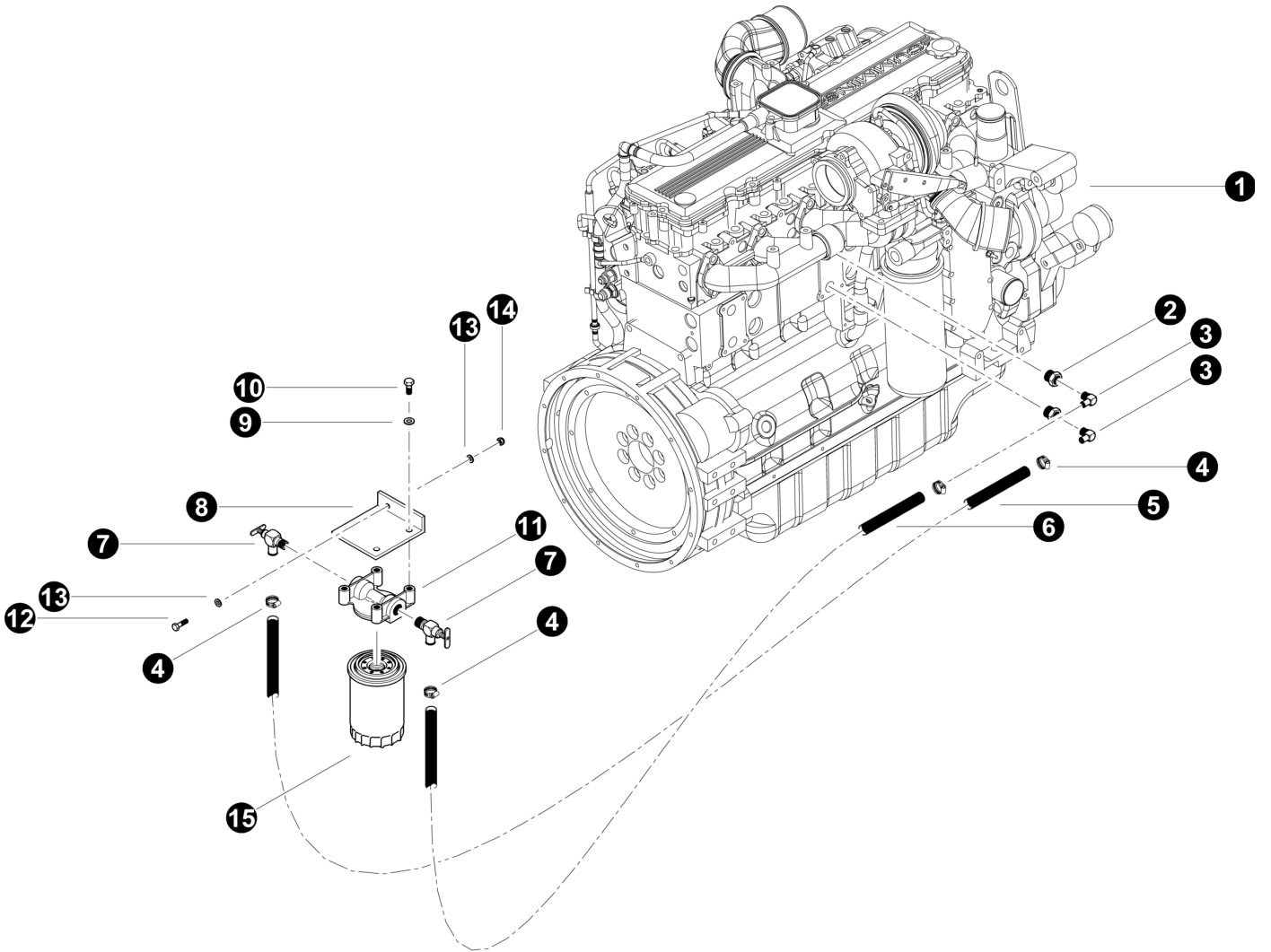


Parts T3134 06/03/2005
12.5

OVER FLOW TANK CONNECTIONS


REF	PART #	QTY	DESCRIPTION	SEE SECTION
1	REF	1	 UPPER TURNTABLE ASSEMBLY	UP-1
2	REF	1	 RADIATOR / CHARGE AIR ASSEMBLY	UP-3
3	16202-EE	5	CLAMP, HOSE - WORM STYLE - .625"	
4	16283-EE	-	HOSE, FUEL LINE (BULK ROLL) - .3125"	
5	16989-EE	3	CONNECTOR, STR HOSE BARB - 4245-5-2	
6	52661-EE	1	SENSOR, LOW COOLANT - TIER 3	
7	16256-EE	2	CLAMP, HOSE - WORM STYLE - 1"	
8	15677-EE	-	HOSE, HEATER - (BULK ROLL) 1" X 50'	
9	REF	1	 LOWER RADIATOR TUBE ASSEMBLY	EE-3
10	-EE	1	CONNECTOR, STR HOSE BARB (cummins with coolant orifice)	


 See referenced page for component or assembly breakdown.



Parts T3525 02/03/2007
12.5

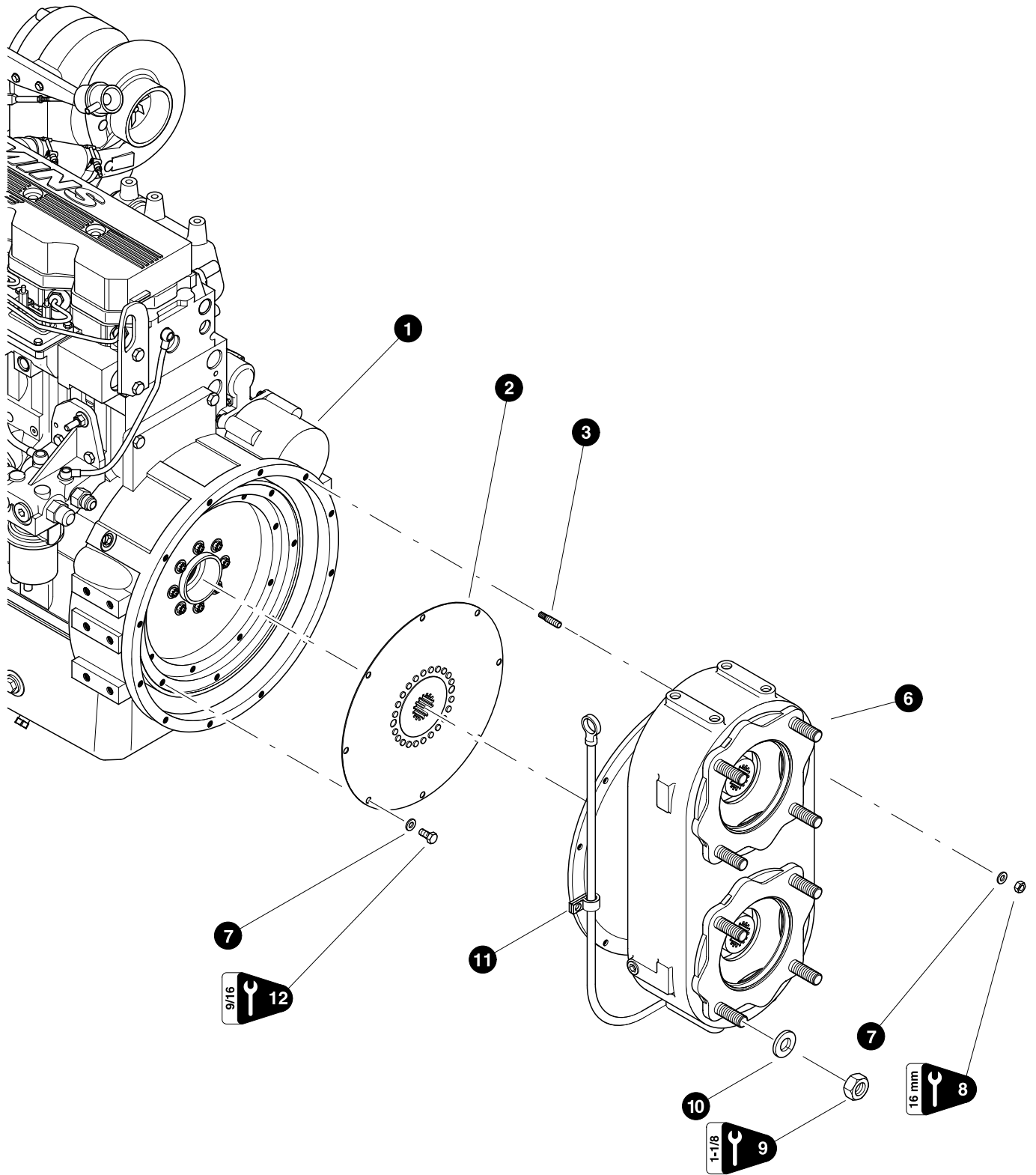
COOLANT FILTER INSTALLATION

REF	PART #	QTY	DESCRIPTION	SEE SECTION
1	REF	1	 CUMMINS QSC ENGINE	EE-1
2	24288-EE	2	BUSHING, BRASS - .375 X .75	
3	24289-EE	5	CONNECTOR, STR HOSE BARB - BRASS	
4	16256-EE	4	CLAMP, HOSE - WORM STYLE - 1"	
5	25124-EE		HOSE, FUEL LINE (BULK ROLL) - .375"	
6	25124-EE		HOSE, FUEL LINE (BULK ROLL) - .375"	
7	52057-EE	2	VALVE, SHUT OFF (Cummins Coolant Filter)	
8	51939-EE	1	BRACKET, COOLANT FILTER	
9	11707-EE	2	BOLT - .375" X 1"	
10	15528-EE	2	WASHER, SAE FLAT - .375"	
11	16574-EE	1	MOUNT, FILTER HEAD ASSEMBLY	
12	15576-EE	2	BOLT - .25" X 1"	
13	10811-EE	2	NUT, LOCK - .25"	
14	10757-EE	4	WASHER, SAE FLAT - .25"	
15	20445-EE	1	FILTER, COOLANT - CUMMINS C SERIES	

 See referenced page for component or assembly breakdown.




Section EE-4

Cummins Engine - Pump Drive Transmission



Parts T2721 06/11/2003
18.75

PUMP DRIVE TRANSMISSION INSTALLATION (Funk)

REF	PART #	QTY	DESCRIPTION	SEE SECTION
1	REF.	1	 ENGINE - Cummins QSC8.3.	EE-3
2	REF.	1	 DRIVE PLATE	EE-2
3	15531-EE	12	STUD, threaded - 10mm x 45mm (See Note #1 below)	
4	23557-EE	1	BREATHER	
5	16808-EE	1	BUSHING, reducer - 5406-8-2	
6	REF.	1	 PUMP DRIVE TRANSMISSION	EE-2
7	15528-EE	20	WASHER, SAE flat - 3/8"	
8	15530-EE	12	NUT, hex - 10mm (See Note #2 below) (Torque to 40 ft.lbs. (53 Nm))	
9	10776-EE	8	NUT, HEX 3/4	
10	15550-EE	8	WASHER, SAE 3/4	
11	16203-EE	1	CLAMP, coated 3/8	
12	15542-EE	8	BOLT - 3/8" x 3/4" (See Note #1 below) (Torque to 40 ft.lbs. (53 Nm))	

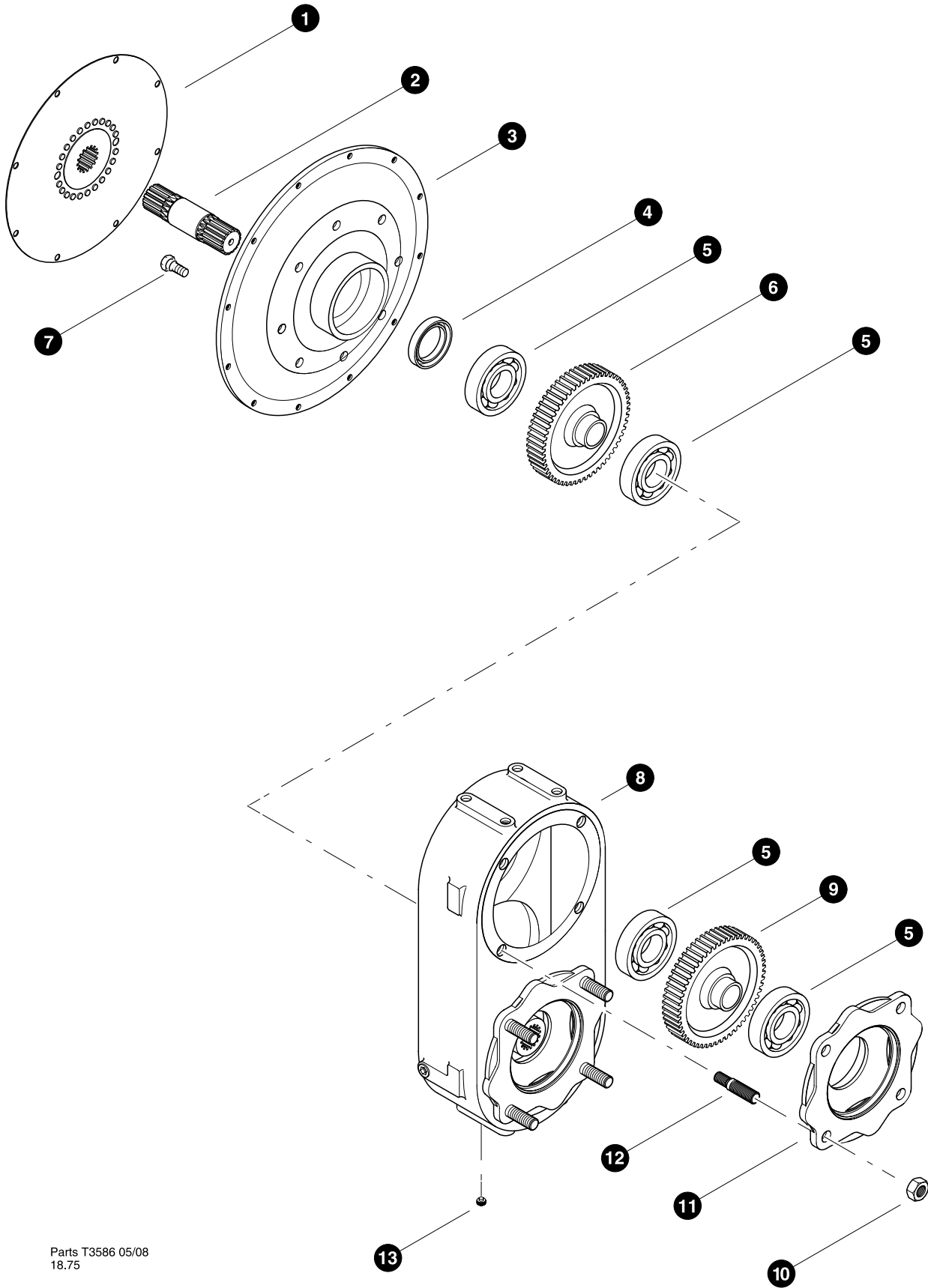
 See referenced page for component or assembly breakdown.

Note #1:

Use Loctite 271 (*red*) during installation.

Note #2:

Use Loctite 272 (*blue*) during installation.



Parts T3586 05/08
18.75

PUMP DRIVE TRANSMISSION BREAKDOWN (Funk)

(Machine 840B-0383-092311 and before)

REF	PART #	QTY	DESCRIPTION	SEE SECTION
-	50417-EE	1	<input type="checkbox"/> DRIVE, PUMP - DUAL (FUNK .647:1) (1600 RPM MAX)	
1	16258-EE	1	DRIVE PLATE, funk	
2	----	1	DRIVE SHAFT, funk pump drive (4028060)	
3	----	1	HOUSING, flywheel mounting (4028011)	
4	----	1	SEAL, shaft (F65006)	
5	----	6	BEARING, funk pump drive (F40211)	
6	-EE	1	GEAR, input (4059007) (.647:1)	
7	----	8	BOLT, flywheel housing addapter (4003685) (see note #1)	
8	----	1	HOUSING, 2 - pump (YZ102177)	
9	-EE	2	GEAR, output (4028042) (.647:1)	
10	----	8	NUT, hex 3/4	
11	----	2	PLATE, pump adapter (4028007)	
12	----	8	STUD, adapter (40281351) (see note #2)	
13	----	1	PLUG, pipe, magnetic 1/4 (444-691-00-00-08)	

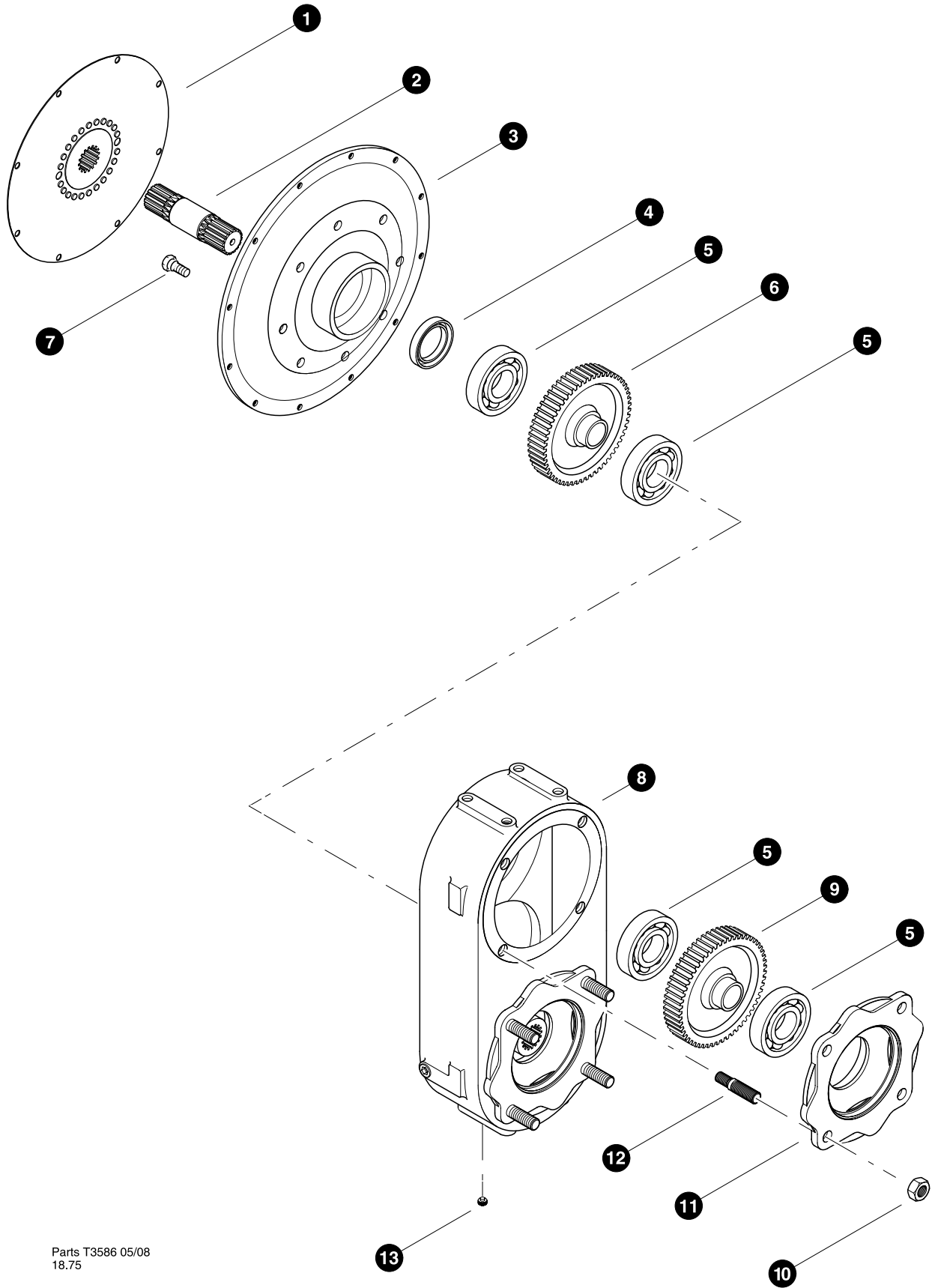
 See referenced page for component or assembly breakdown.

Note #1:

Use Loctite 271 (*red*) during installation.

Note #2:

Use Loctite 272 (*blue*) during installation.




Parts T3586 05/08
18.75

PUMP DRIVE TRANSMISSION BREAKDOWN (Funk)

(machines 840B-0384-100711 and after)

REF	PART #	QTY	DESCRIPTION	SEE SECTION
-	-EE	1	<input type="checkbox"/> DRIVE, PUMP - DUAL (FUNK .723:1) (1800 RPM MAX)	
1	16258-EE	1	DRIVE PLATE, funk	
2	----	1	DRIVE SHAFT, funk pump drive (4028060)	
3	----	1	HOUSING, flywheel mounting (4028011)	
4	----	1	SEAL, shaft (F65006)	
5	----	6	BEARING, funk pump drive (F40211)	
6	-EE	1	GEAR, input	
7	----	8	BOLT, flywheel housing addapter (4003685) (see note #1)	
8	----	1	HOUSING, 2 - pump (YZ102177)	
9	-EE	2	GEAR, output	
10	----	8	NUT, hex 3/4	
11	----	2	PLATE, pump adapter (4028007)	
12	----	8	STUD, adapter (40281351) (see note #2)	
13	----	1	PLUG, pipe, magnetic 1/4 (444-691-00-00-08)	

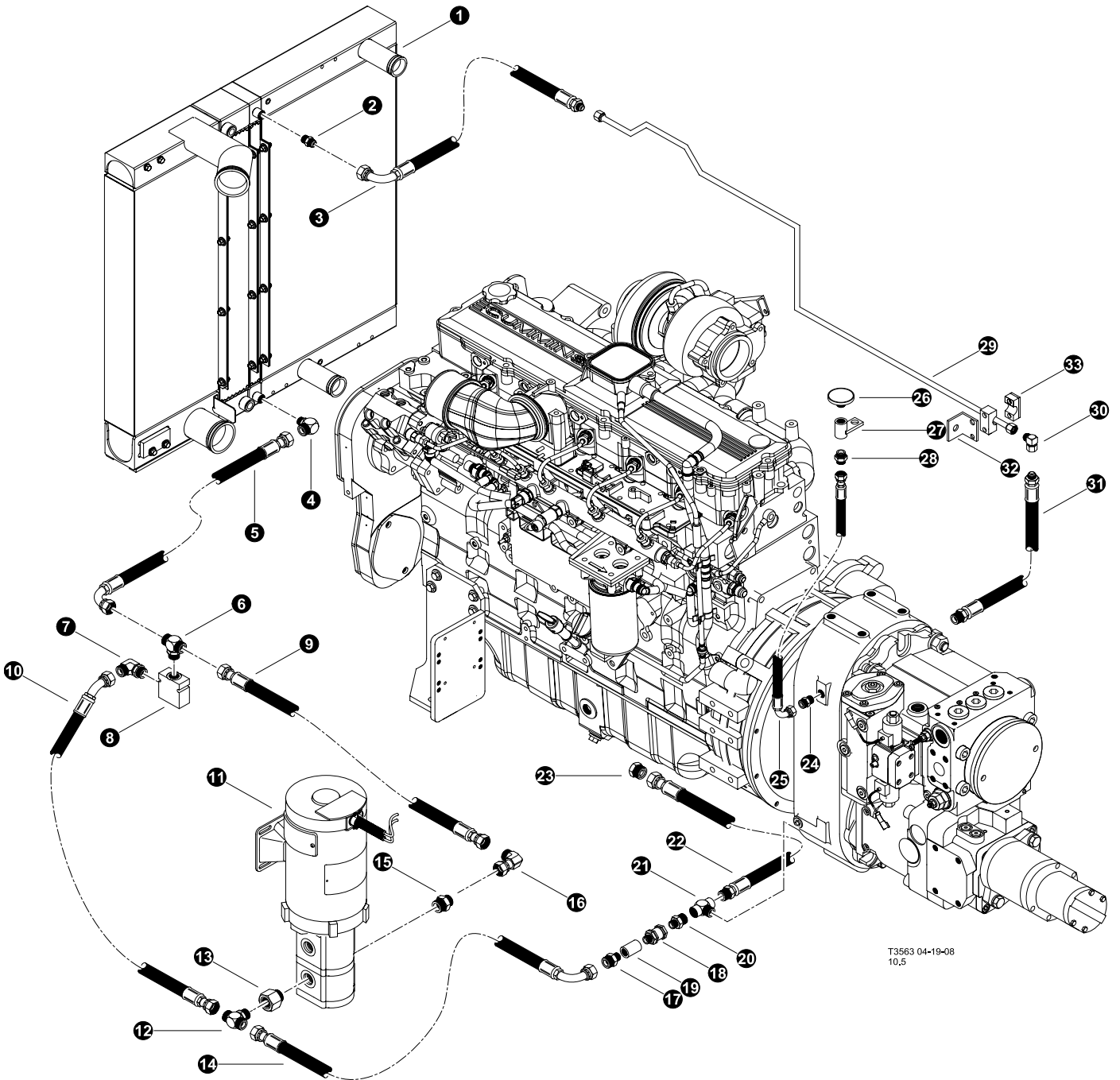
 See referenced page for component or assembly breakdown.

Note #1:

Use Loctite 271 (*red*) during installation.


Note #2:

Use Loctite 272 (*blue*) during installation.



T3563 04-19-08
10,5

PUMP DRIVE COOLING SYSTEM

REF	PART #	QTY	DESCRIPTION	SEE SECTION
1	REF.	1	 RADIATOR / AIR COOLER ASSEMBLY	UP-3
2	15488-EE	1	CONNECTOR, STR - 6400-6	
3	-EE	1	HOSE ASSEMBLY - 2015-06-06JS-06J9	
4	22405-EE	1	ELBOW, 90 - 8-6 C5OLO-S	
5	-EE	1	HOSE ASSEMBLY - 2036.5-08-08OS-08O9	
6	20066-EE	1	TEE - 8 S5OLO-S - BRANCH	
7	16669-EE	1	ELBOW, 90 - FF2032T-0808S	
8	53206-EE	1	VALVE, CHECK - GEAR BOX COOLER LOOP	
9	-EE	1	HOSE ASSEMBLY - 2008-08-08OS-08OS	
10	-EE	1	HOSE ASSEMBLY - 2008-08-08OS-08OS	
11	REF.	1	FILL PUMP ASSEMBLY	UP-2
12	20066-EE	1	TEE - 8 S5OLO-S - BRANCH	
13	20067-EE	1	BUSHING, REDUCER - 6410-12-8	
14	-EE	1	HOSE ASSEMBLY - 2030-08-08OS-08O9	
15	15115-EE	1	CONNECTOR, STR - 848-TTO-08X10	
16	16297-EE	1	ELBOW, 90 SWIVEL - FF2098T-0808S	
17	22902-EE	1	CONNECTOR, STR - 848-TT-08X06	
18	15652-EE	1	VALVE, CHECK - HYDRAULIC/FUEL TANK	
19	53106-EE	1	COUPLING, PIPE - 3/8"	
20	53107-EE	1	CONNECTOR, STR - 1/2 X 3/8 FF-S	
21	53074-EE	1	TEE (1/2" MNPT BRANCH)	
22	-EE	1	HOSE ASSEMBLY - 2016-08-08PS-08OS	
23	16032-EE	1	PLUG - FF9767-08S	
24	16295-EE	1	CONNECTOR, STR - FF2031T-0604S	
25	-EE	1	HOSE ASSEMBLY - 2021-06-06OS-06O9	
26	-EE	1	VENT, (Funk - F68103)	
27	53067-EE	1	BRACKET, VENT MOUNT .38NPT (FUNK BOX)	
28	16295-EE	1	CONNECTOR, STR - FF2031T-0604S	
29	53005-EE	1	TUBELINE, GEAR LUBE	
30	16661-EE	1	ELBOW, 90 SWIVEL - 6500-6	
31	-EE	1	HOSE ASSEMBLY - 2028-08-08PS-08JS	
32	53011-EE	1	BRACKET, TUBE LINE CLAMP G/B COOLER LINE	
33	53010-EE	1	CLAMP, STEEL TUBELINE - SINGLE 3/8" G/B	

Kit or Assembly - includes all items indented underneath.

NOTE #1

Use loctite 262 when installing bolts

NOTE #2

Apply loctite 271 to housing side before install

