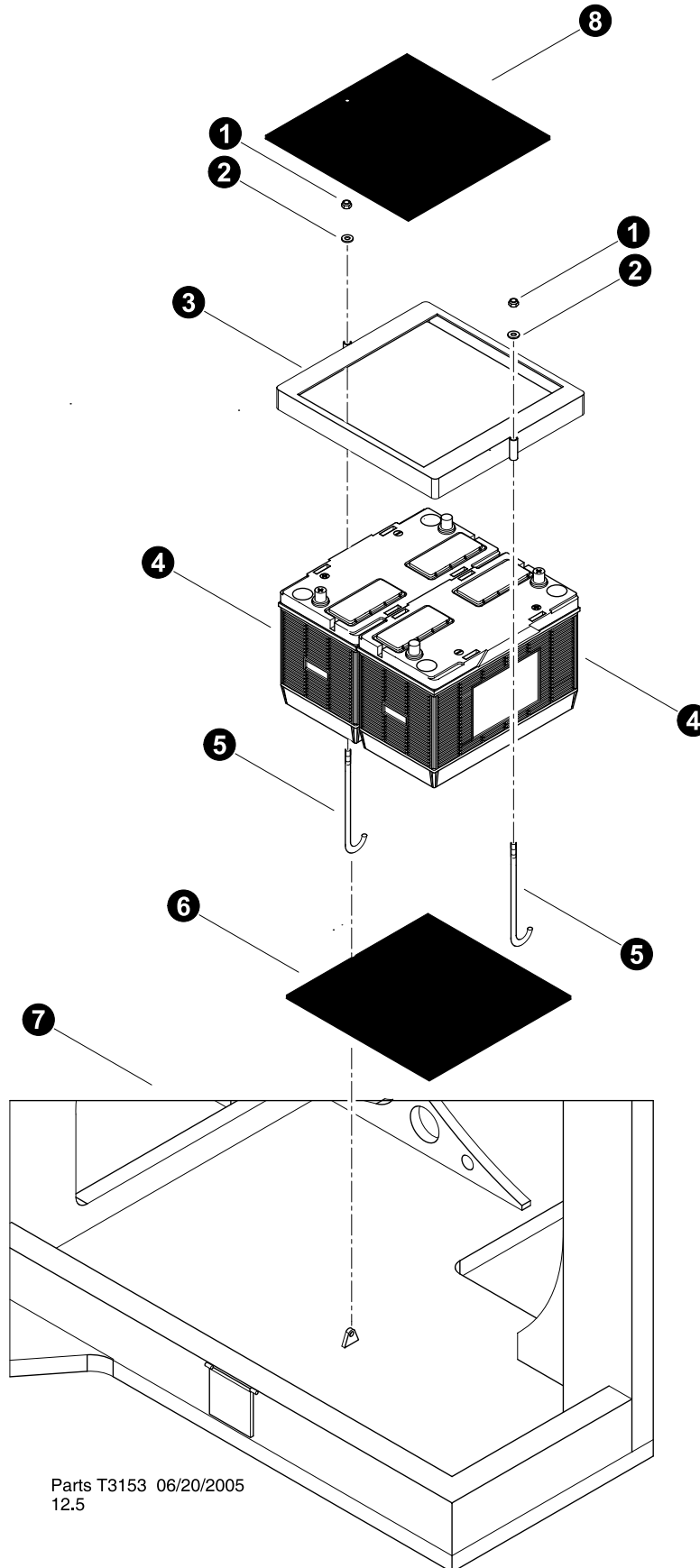



Section ES-1

Electrical System - Engine Compartment

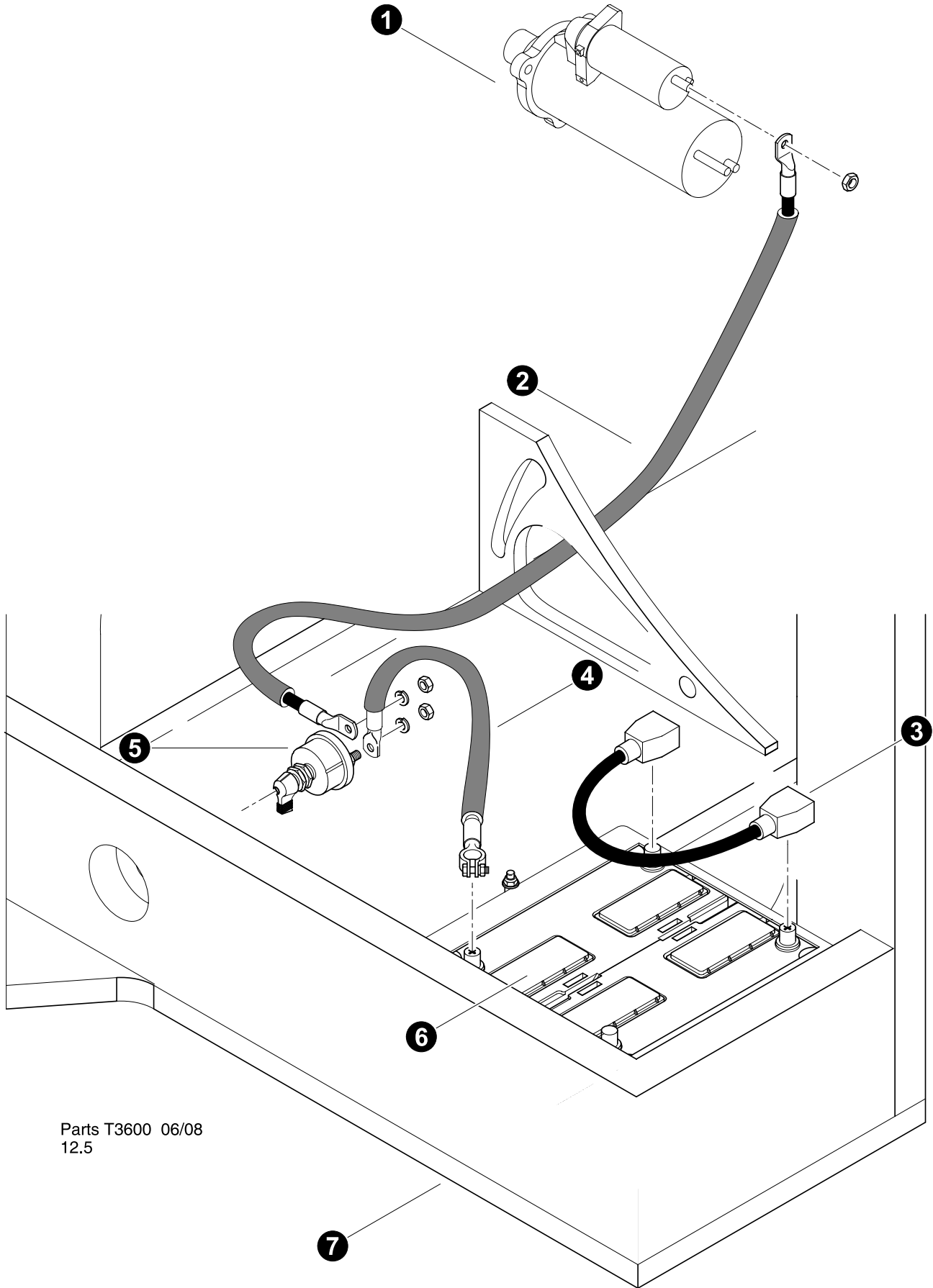


Parts T3153 06/20/2005
12.5

ENGINE ELECTRICAL SYSTEM Battery Installation

REF	PART #	QTY	DESCRIPTION	SEE SECTION
1	10788-ES	2	NUT, NYLOCK - .3125"	
2	15559-ES	2	WASHER, SAE FLAT - .3125"	
3	51759-ES	1	BRACKET, BATTERY HOLD DOWN	
4	17150-ES	2	BATTERY, HEAVY DUTY	
5	51722-ES	1	HOLD DOWN, BATTERY - 830/630 (2 PER PACK)	
6	51861-ES	1	RUBBER PAD, 1/4"	
7	REF.	1	 UPPER TURNTABLE ASSEMBLY	UP-1
8	51861-ES	1	RUBBER PAD, 1/4"	




 See referenced page for component or assembly breakdown.



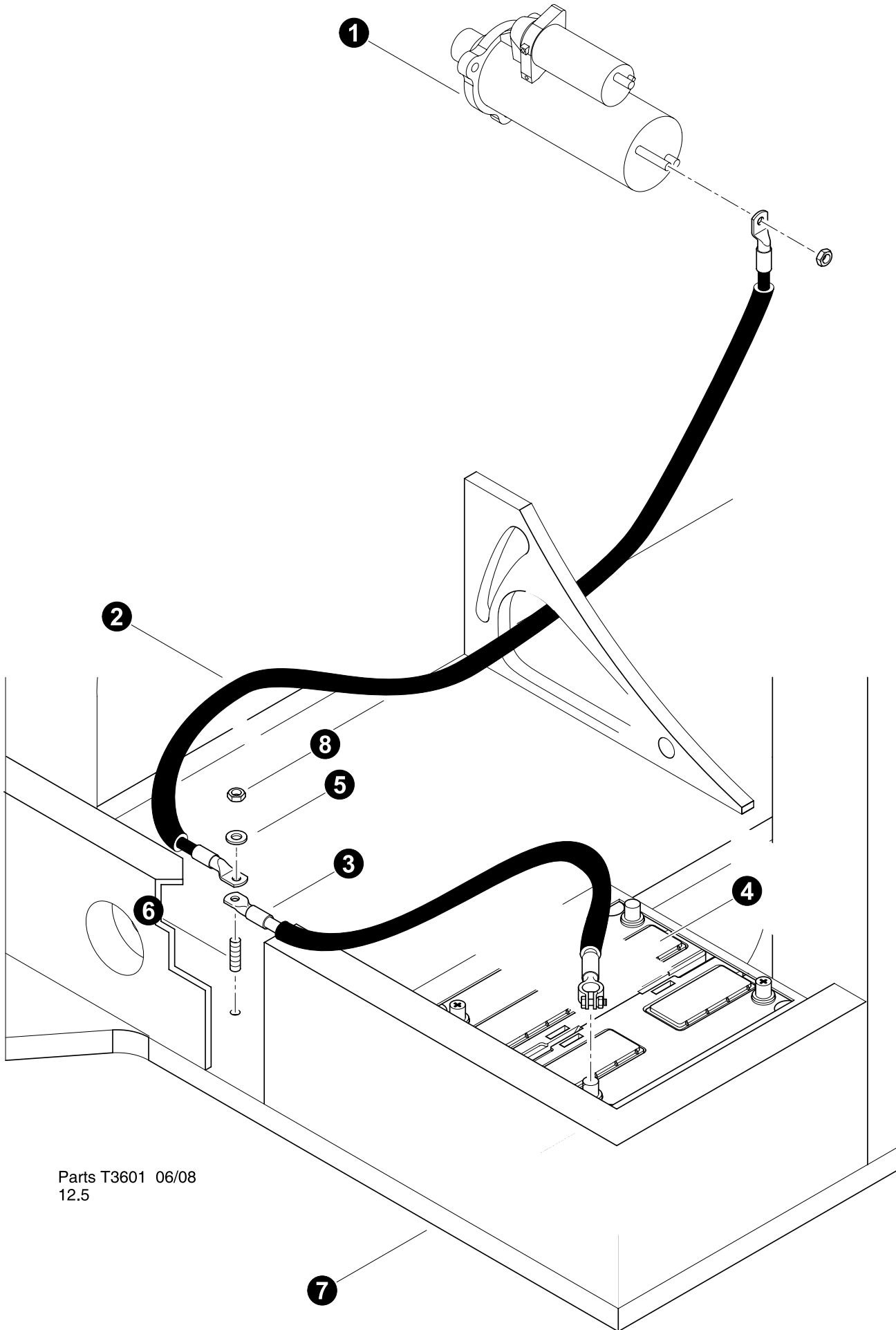
Parts T3600 06/08
12.5

ENGINE ELECTRICAL SYSTEM

Battery Positive to Starter

REF	PART #	QTY	DESCRIPTION	SEE SECTION
1	REF.	1	 STARTER	EE
2	52988-ES	1	CABLE, MASTER DISC. TO STARTER POS	
3	24300-ES	1	CABLE, BATTERY POS/NEG JUMPER	
4	52990-ES	1	CABLE, BAT. POSITIVE TO MAST. DISCONNECT	
5	25200-ES	1	SWITCH, MASTER SHUT-OFF(1/2" STUD)	
6	REF	1	 BATTERY ASSEMBLY	ES-1
7	REF.	1	 UPPER TURNTABLE ASSEMBLY	UP-1




 See referenced page for component or assembly breakdown.



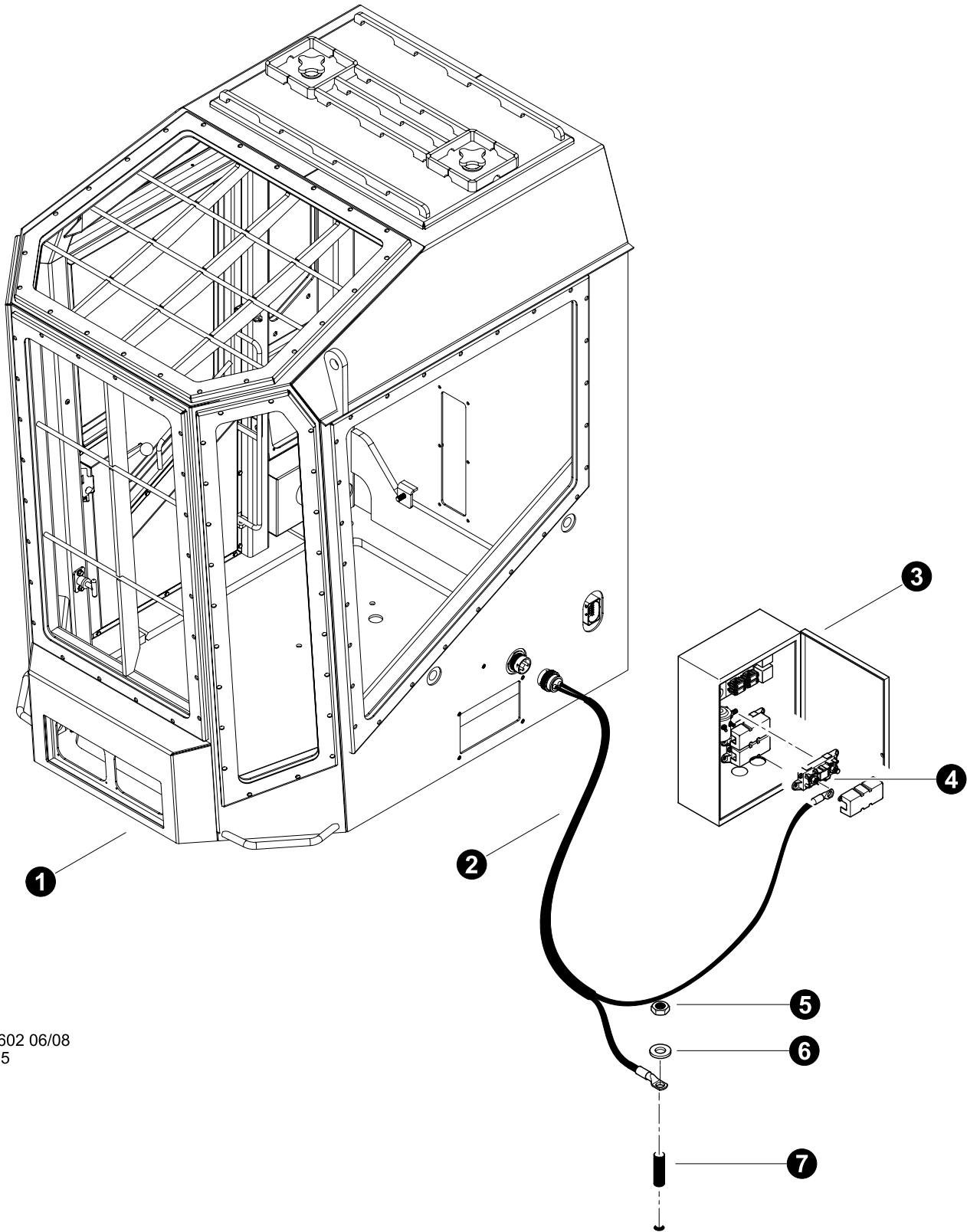
Parts T3601 06/08
12.5

ENGINE ELECTRICAL SYSTEM

Battery Negative to Main Grounding Stud

REF	PART #	QTY	DESCRIPTION	SEE SECTION
1	REF.	1	 UPPER TURNTABLE ASSEMBLY	UP-1
2	52987-ES	1	CABLE, GROUND TO STARTER NEG. (830/630)	
3	52989-ES	1	CABLE, BATTERY NEG. TO GROUND STUD	
4	REF	1	 BATTERY ASSEMBLY	ES-1
5	15534-ES	2	WASHER, SAE FLAT - .5"	
6	53082-ES	1	STUD, MAIN GROUND (NEW 830 UPPER)	
7	REF.	1	 UPPER TURNTABLE ASSEMBLY	UP-1



 See referenced page for component or assembly breakdown.



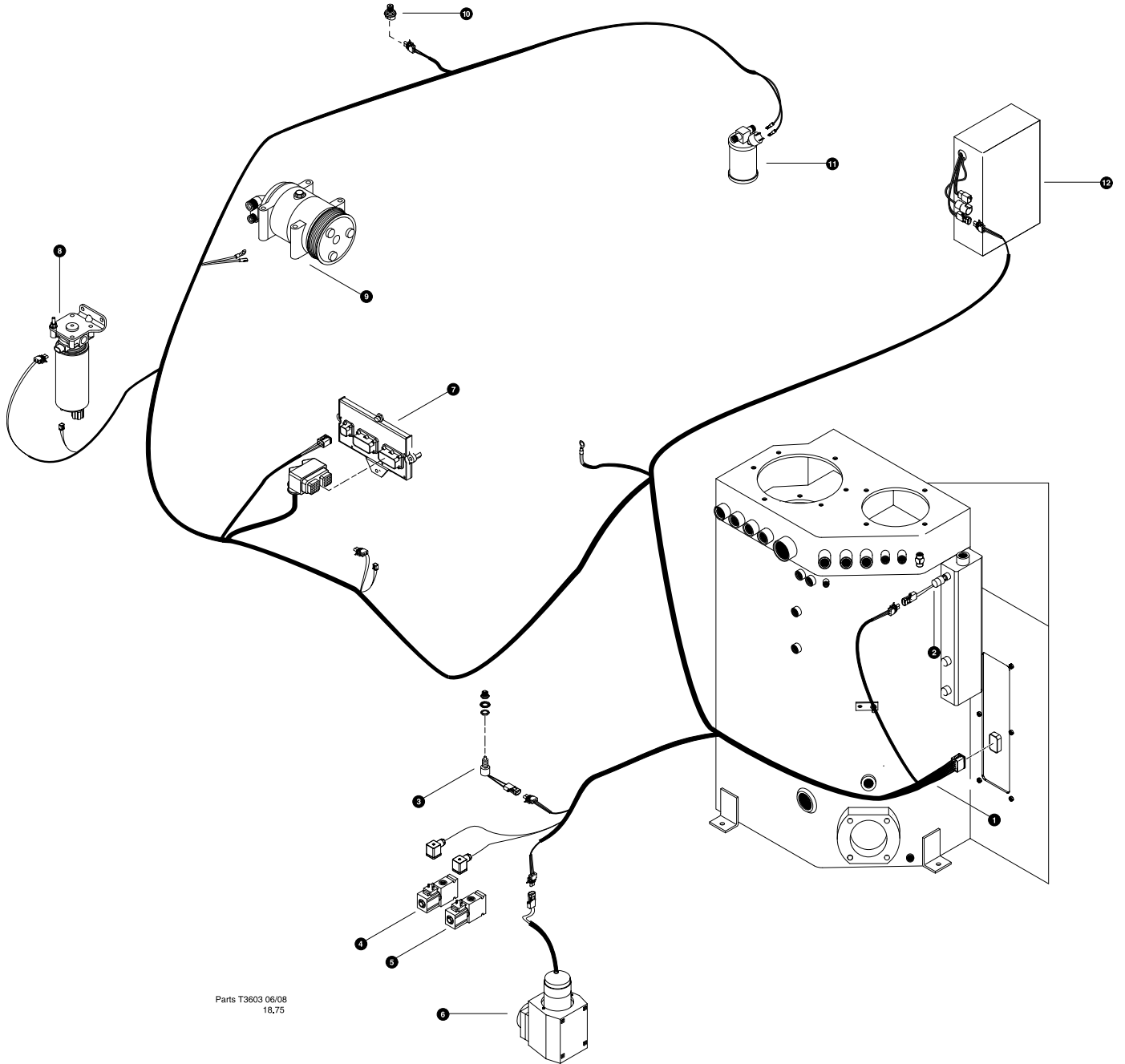
T3602 06/08
6.25

ENGINE ELECTRICAL SYSTEM

Cab Load Center Power Harness










REF	PART #	QTY	DESCRIPTION	SEE SECTION
1	REF	1	 CAB ASSEMBLY.....	OC-1
2	52963-ES	1	HARNESS, CAB LOAD CENTER FEED (830/630)	
3	REF.	1	 ENGINE ELECTRICAL CENTER ASSEMBLY.....	ES-1
4	23619-ES	1	FUSE, MAIN CAB LOAD CENTER - 100 AMP (MEGA)	

 See referenced page for component or assembly breakdown.

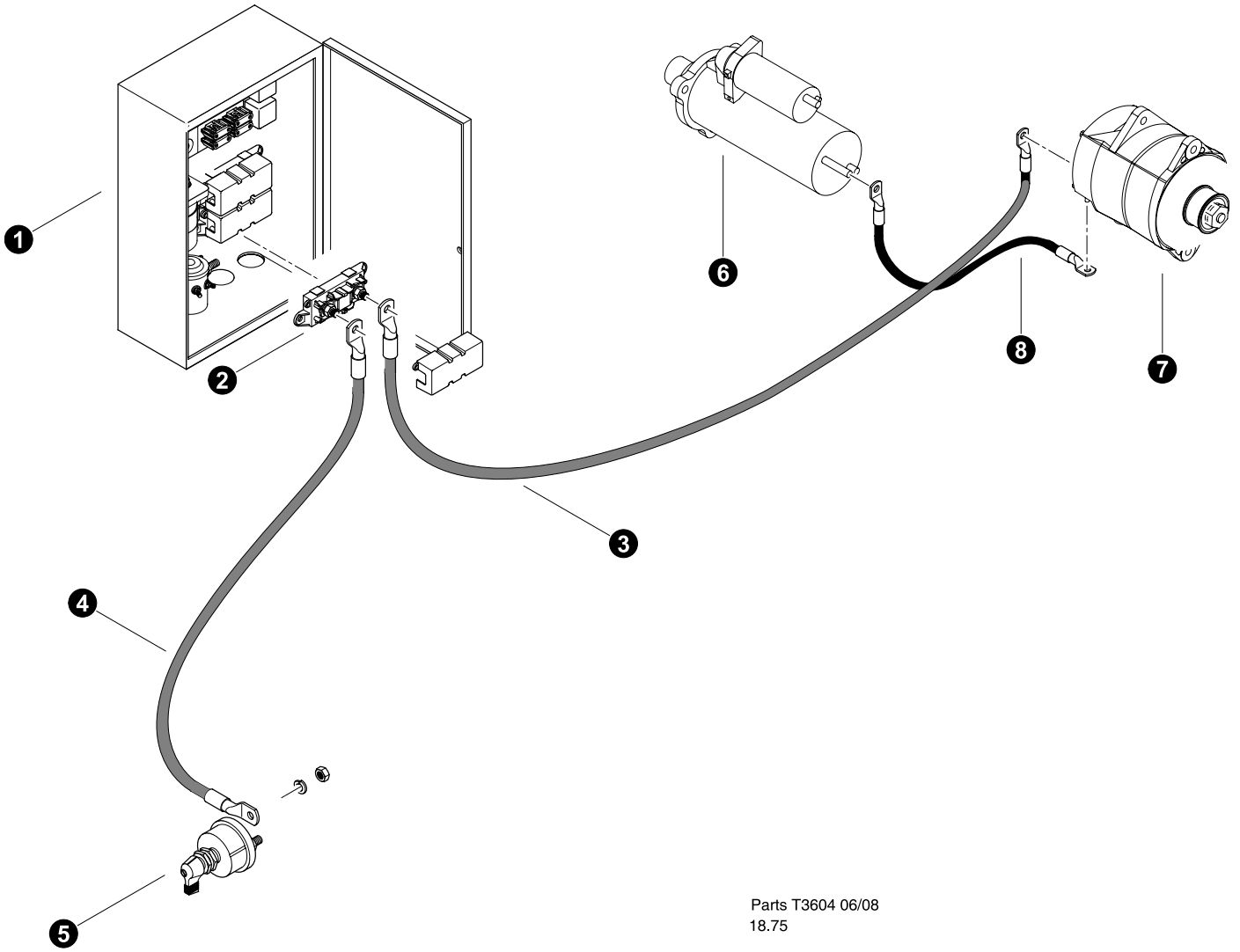


Parts T3603 06/08
18,75

ENGINE ELECTRICAL SYSTEM
Main Engine Electrical Harness
(Cummins QSC Tier3)




REF	PART #	QTY	DESCRIPTION	SEE SECTION
1	52932-ES	1	HARNESS, ENGINE COMP - 830/630 (MDL)	
	REF	1	 LIGHT ASSEMBLY	ES-1
2	REF	1	 VACUUM PRESSURE SWITCH (tank assembly)	UP-2
3	25104-ES	1	SWITCH, FILL PUMP	
4	REF.	1	 VENT VALVE	UP-2
5	REF.	1	 VACUUM VALVE	UP-2
6	REF.	1	 VACUUM PUMP	UP-2
7	REF.	1	 ENGINE ECU	EE-1
8	REF	1	 FUEL HEATER / FILTER ASSEMBLY	EE-1
9	REF.	1	 AC COMPRESSOR	EE-1
10	52661-ES	1	SENSOR, LOW COOLANT - TIER 3	
11	REF	1	DRIER, AC System	OC-3
12	REF	1	 ENGINE ELECTRICAL CENTER	ES-1


 See referenced page for component or assembly breakdown.

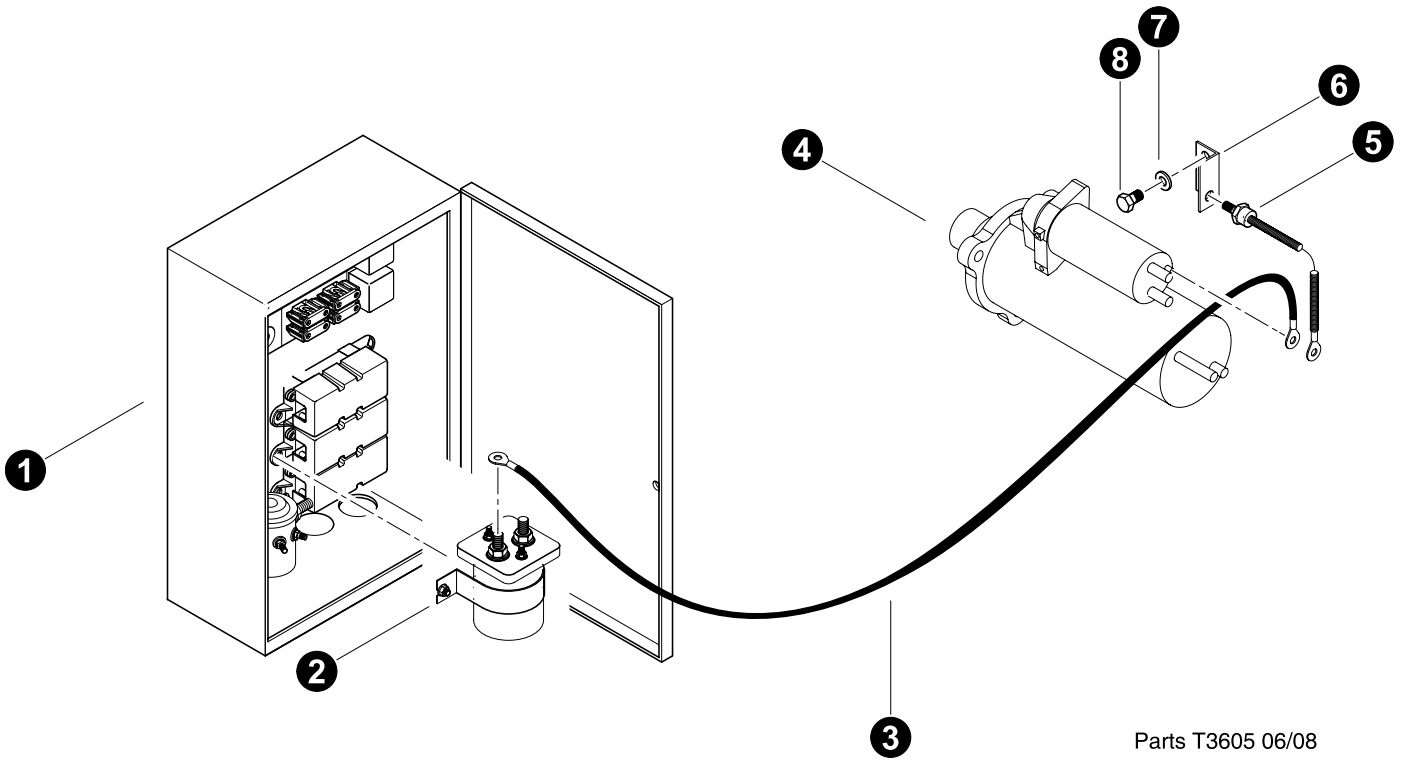


Parts T3604 06/08
18.75

ENGINE ELECTRICAL SYSTEM
Alternator Electrical
(Cummins QSC)




REF	PART #	QTY	DESCRIPTION	SEE SECTION
1	REF.	1	 ENGINE ELECTRICAL CENTER ASSEMBLY.....	ES-1
2	23619-ES	1	FUSE, 100 AMP (MEGA)	
3	53020-ES	1	CABLE, STARTER TO FUSE (830-630)	
4	52388-ES	1	CABLE, FUSE to Disconnect Switch (830-630)	
5	25200-ES	1	SWITCH, MASTER SHUT-OFF(1/2" STUD)	
6	REF.	1	 STARTER.....	EE
7	REF.	1	 ALTERNATOR.....	EE
8	24304-ES	1	CABLE, ALTERNATOR GROUND	


 See referenced page for component or assembly breakdown.

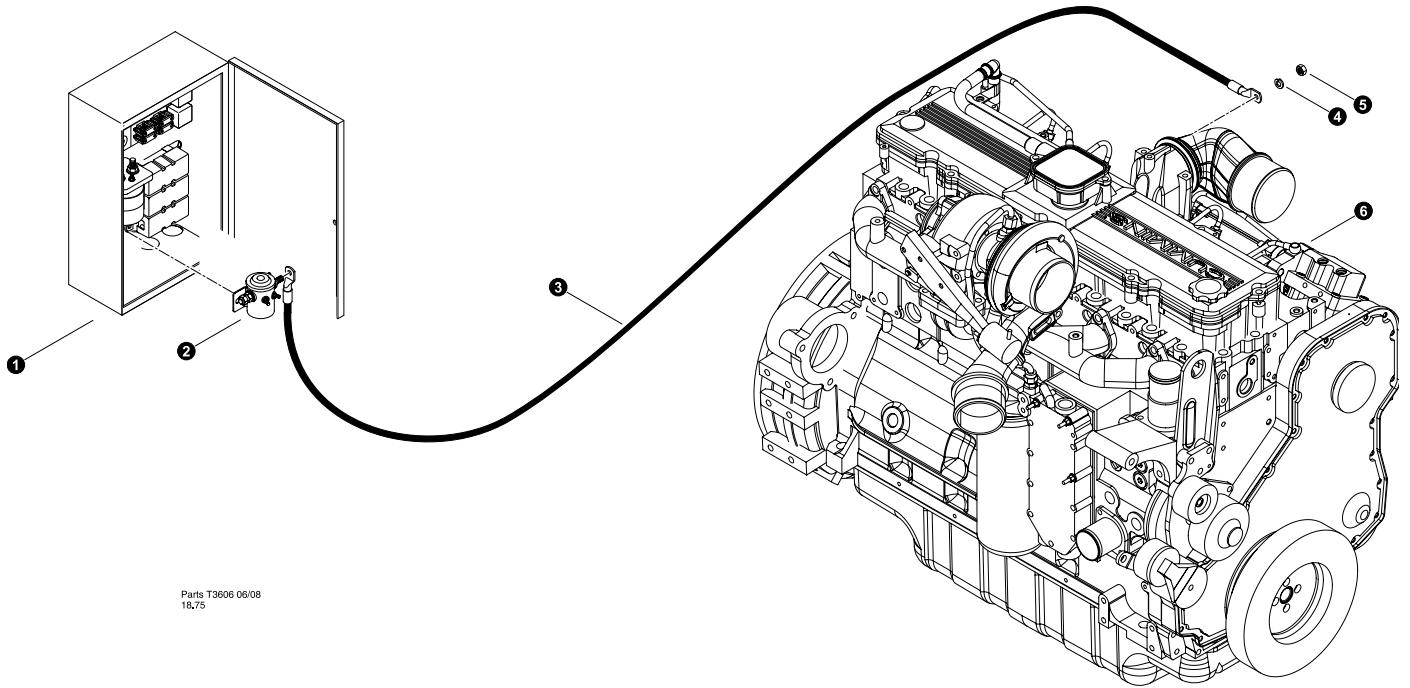


Parts T3605 06/08
18.75

ENGINE ELECTRICAL SYSTEM
Starter Electrical
(Cummins QSC)



REF	PART #	QTY		DESCRIPTION	SEE SECTION
1	REF.	1		ENGINE ELECTRICAL CENTER ASSEMBLY.....	ES-1
2	REF.	1		STARTER RELAY.....	ES-1
3	51750-ES	1		CABLE, START RELAY TO STARTER SOL.	
4	REF.	1		STARTER.....	EE
5	25052-ES	1		DIODE, assembly engine start relay	
6	25058-ES	1		BRACKET, DIODE MOUNTING (CUM. C ENG.)	
7	15528-ES	1		WASHER, SAE FLAT - .375"	
8	18416-ES	1		BOLT - 10MM-1.5P X 25MM	

 See referenced page for component or assembly breakdown.

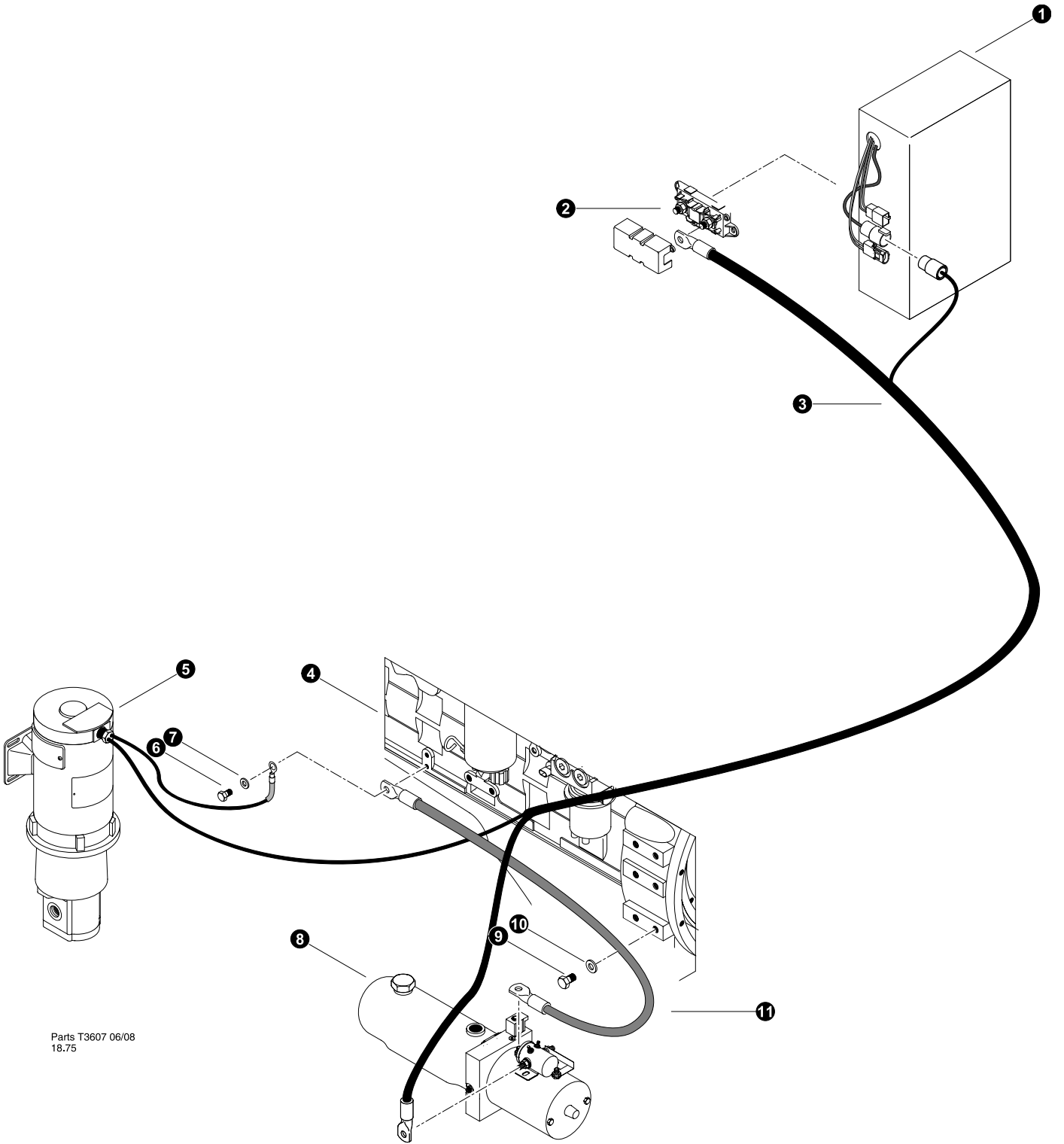


Parts T3606 06/08
18,75

ENGINE ELECTRICAL SYSTEM
Grid Heater Cable
(Cummins QSC)

REF	PART #	QTY	DESCRIPTION	SEE SECTION
1	REF.	1	 ENGINE ELECTRICAL CENTER ASSEMBLY.....	ES-1
2	25199-ES	1	RELAY, GRID HEATER - 24 volt (COLE HERSEE)	
3	53018-ES	1	CABLE, GRID HEATER (830/630)	
4	10756-ES	1	WASHER, LOCK - .25"	
5	16117	1	NUT, HEX - 6MM	
6	REF.	1	 ENGINE	EE-1





 See referenced page for component or assembly breakdown.




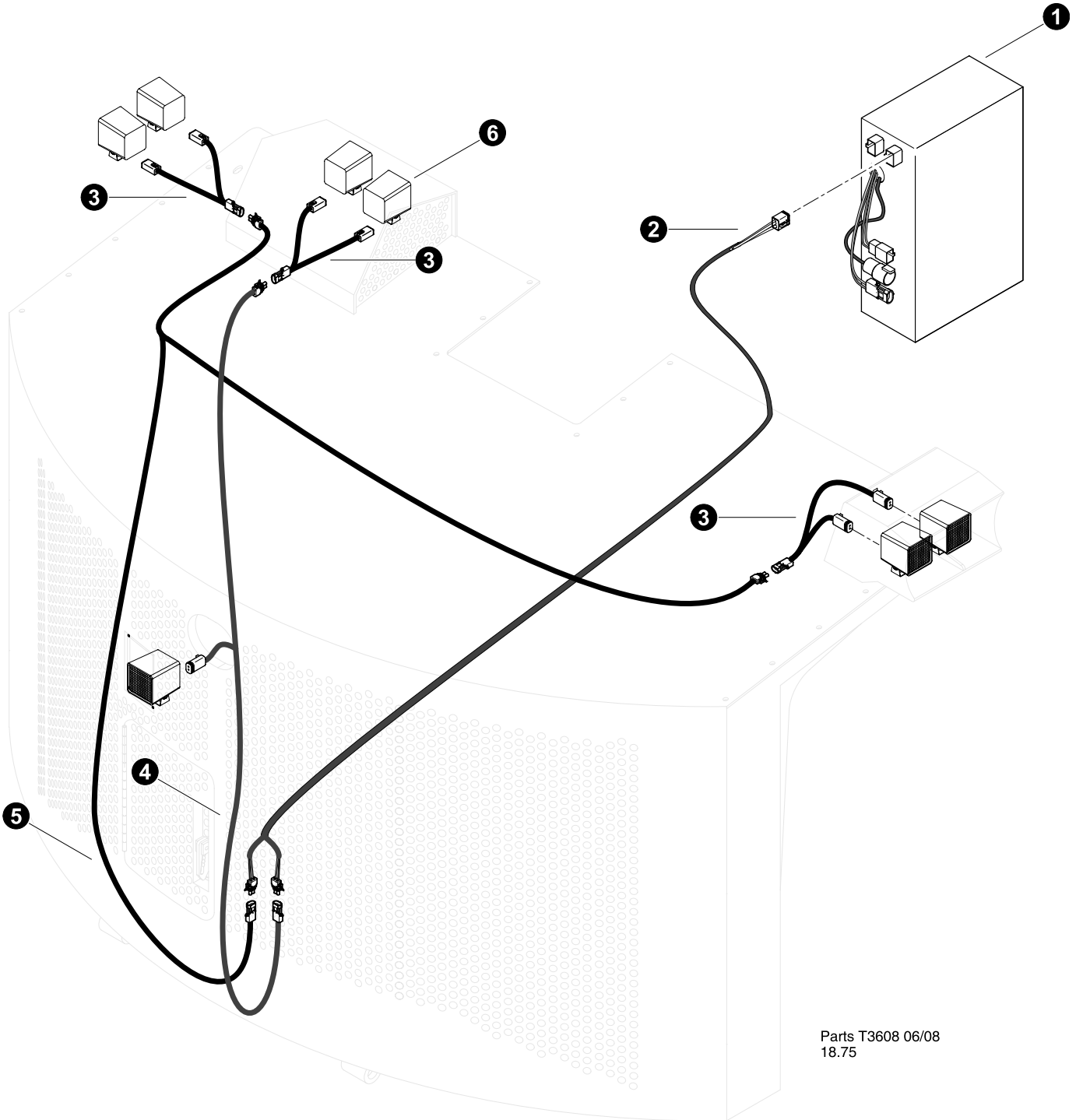
Parts T3607 06/08
18.75

ENGINE ELECTRICAL SYSTEM

Fill Pump and Gull Wing Lift Pump Harness



REF	PART #	QTY		DESCRIPTION	SEE SECTION
1	REF.	1		ENGINE ELECTRICAL CENTER ASSEMBLY.....	ES-1
2	23619-ES	1		FUSE, 100 AMP (MEGA)	
3	53019-ES	1		CABLE, FILL PUMP/DOOR PUMP	
4	REF.	1		ENGINE ASSEMBLY	EE
5	REF.	1		FILL PUMP ASSEMBLY	UP-2
6	15556-ES	1		BOLT - 12MM-1.75P X 20MM	
7	15534-ES	1		WASHER, SAE FLAT - .5"	
8	REF	1		GULL WING DOOR LIFT PUMP ASSEMBLY	UP-3
9	15556-ES	1		BOLT - 12MM-1.75P X 20MM	
10	15534-ES	1		WASHER, SAE FLAT - .5"	
11	51875-ES	1		CABLE, GROUND - LIFT PUMP 830/630	


 See referenced page for component or assembly breakdown.

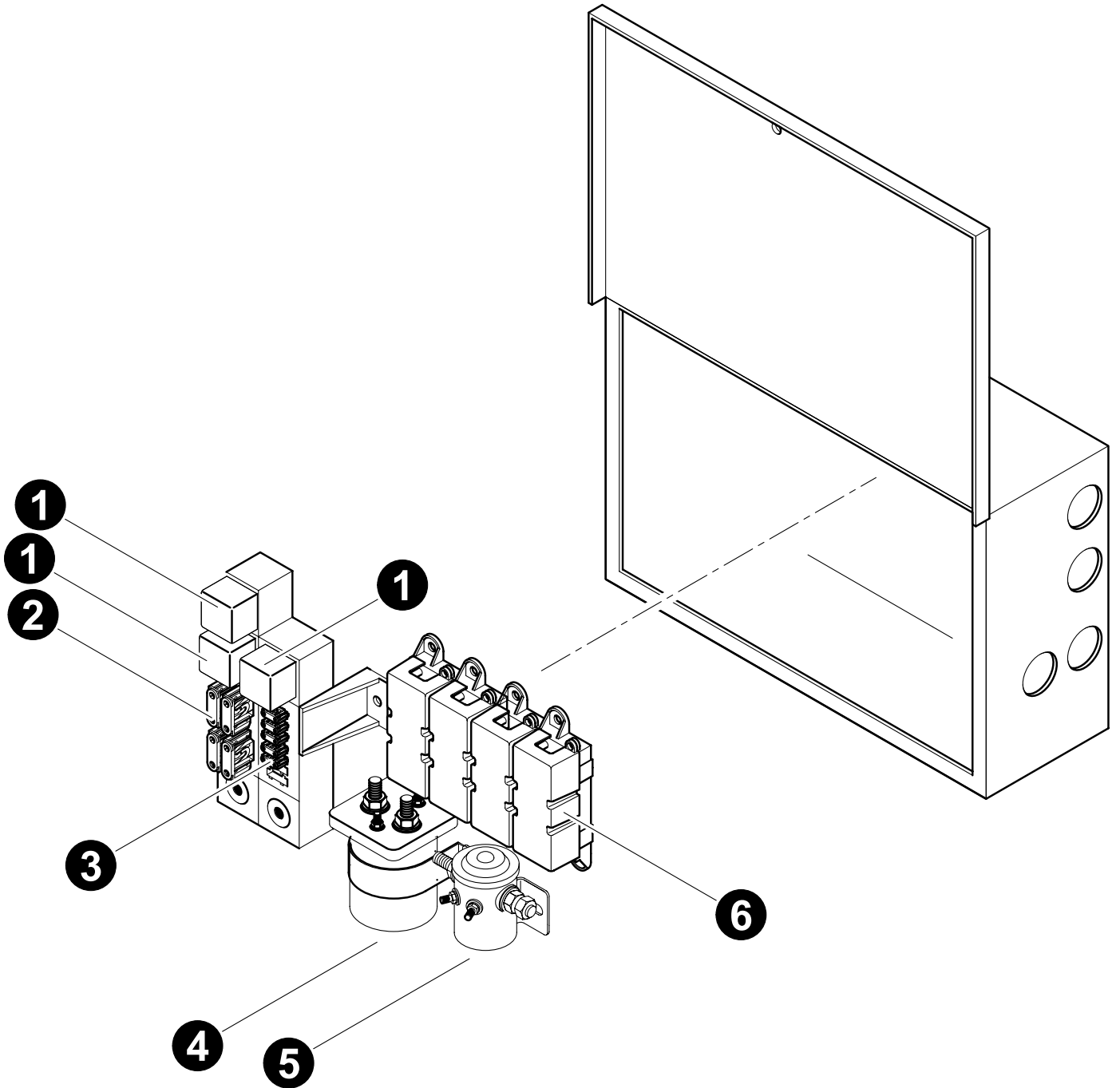


Parts T3608 06/08
18.75

GULLWING LIGHT HARNESSES

REF	PART #	QTY	DESCRIPTION	SEE SECTION
1	REF.	1	 ENGINE ELECTRICAL CENTER ASSEMBLY.....	ES-1
2	53125-ES	1	HARNESS, LIGHT - Electrical Center to Canopy	
3	53211-ES	3	HARNESS, LIGHT - Y Adapter	
4	53209-ES	1	HARNESS, LIGHT - Canopy Lights	
5	53210-ES	1	HARNESS, LIGHT - "Optional" Side Canopy Lights	
6	REF.	1	 LIGHTS	ES-1

 See referenced page for component or assembly breakdown.



Parts T3161 06/21/2005

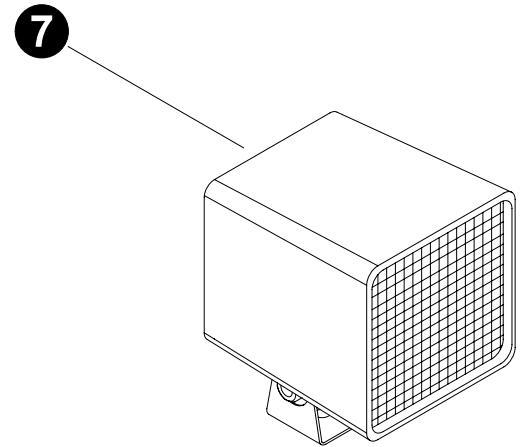
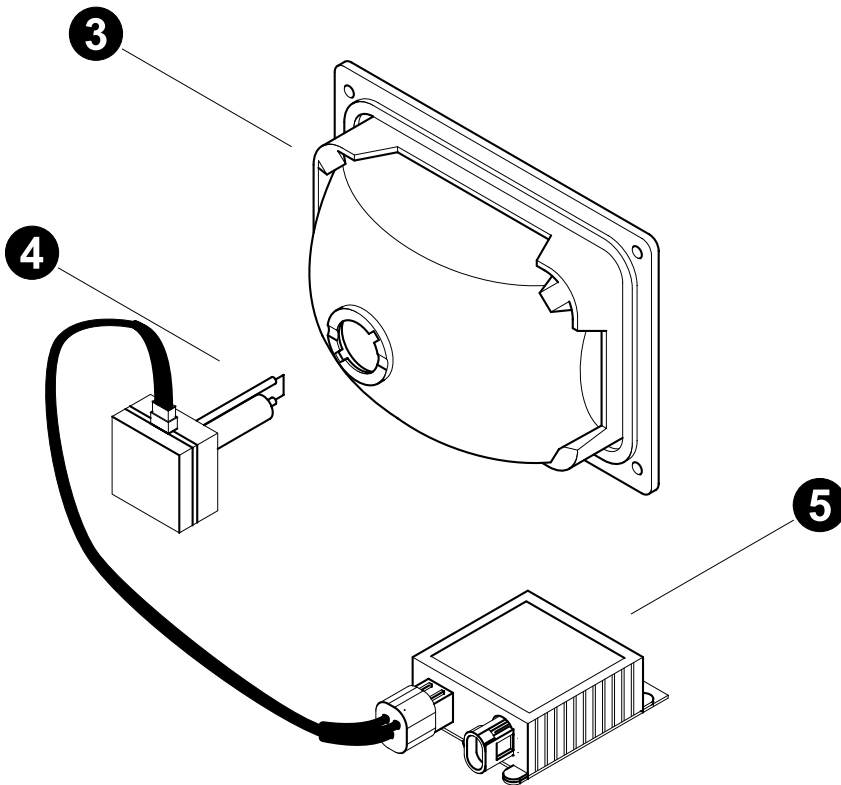
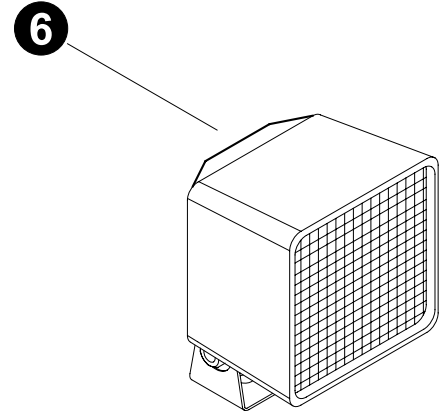
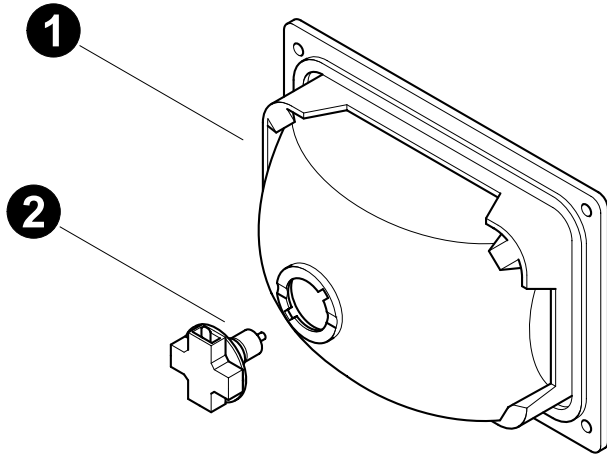
ENGINE ELECTRICAL SYSTEM

Engine Electrical Center Breakdown

REF	PART #	QTY	DESCRIPTION	SEE SECTION
-	51765-ES	1	LOAD CENTER - ENGINE COMPARTMENT(830/630)	
1	51755-ES	3	RELAY, 70 AMP - LIGHTS / IGNITION / ACCESORY / Fill Pump	
2	21892-ES	1	FUSE, MAXI - 30 AMP (Engine)	
	21894-ES	1	FUSE, MAXI - 40 AMP (lights)	
	21893-ES	1	FUSE, MAXI - 50 AMP (starter)	
	53142-ES	1	FUSE, MAXI - 60 AMP (fill pump)	
3	24512-ES	4	FUSE, ATO - 10 AMP (lights)	
	51754-ES	1	FUSE, ATO - 10 AMP (Espar Pre Heater)	
4	25117-ES	1	RELAY, STARTER - 24 volt (WHITE/ROGERS)	
5	25199-ES	1	RELAY, GRID HEATER - 24 volt (COLE HERSEE)	
6	23619-ES	4	FUSE, 100 AMP - MEGA (cab power supply, gull wing lift pump, grid heater, alternator)	



See referenced page for component or assembly breakdown.



Parts T3162 06/21/2005

ENGINE ELECTRICAL SYSTEM

Lights

REF	PART #	QTY		DESCRIPTION	SEE SECTION
1	23604-ES	1	<input type="checkbox"/>	LIGHT, FLUSH MOUNT - 24V (ABL)	
2	24819-ES	1		BULB, FLUSH MOUNT LIGHT - 24V	
3	51324-ES	1	<input type="checkbox"/>	LIGHT, FLUSH MOUNT - 24V (XENON) ABL	
4	26858-ES	1		BULB, HID (all HID Lights)	
5	51396-ES	1		BALLAST, assembly 24 volt HID (ABL-21.577)	
6	53208-ES	1	<input type="checkbox"/>	LIGHT, FLOOD - NON-XENON (ABL)	
-	24819-ES	1		BULB	
7	52653-ES	1	<input type="checkbox"/>	LIGHT, XENON TRAP - ABL	
-	-ES	1		BULB - XENON	
-	-ES	1		BALLAST	



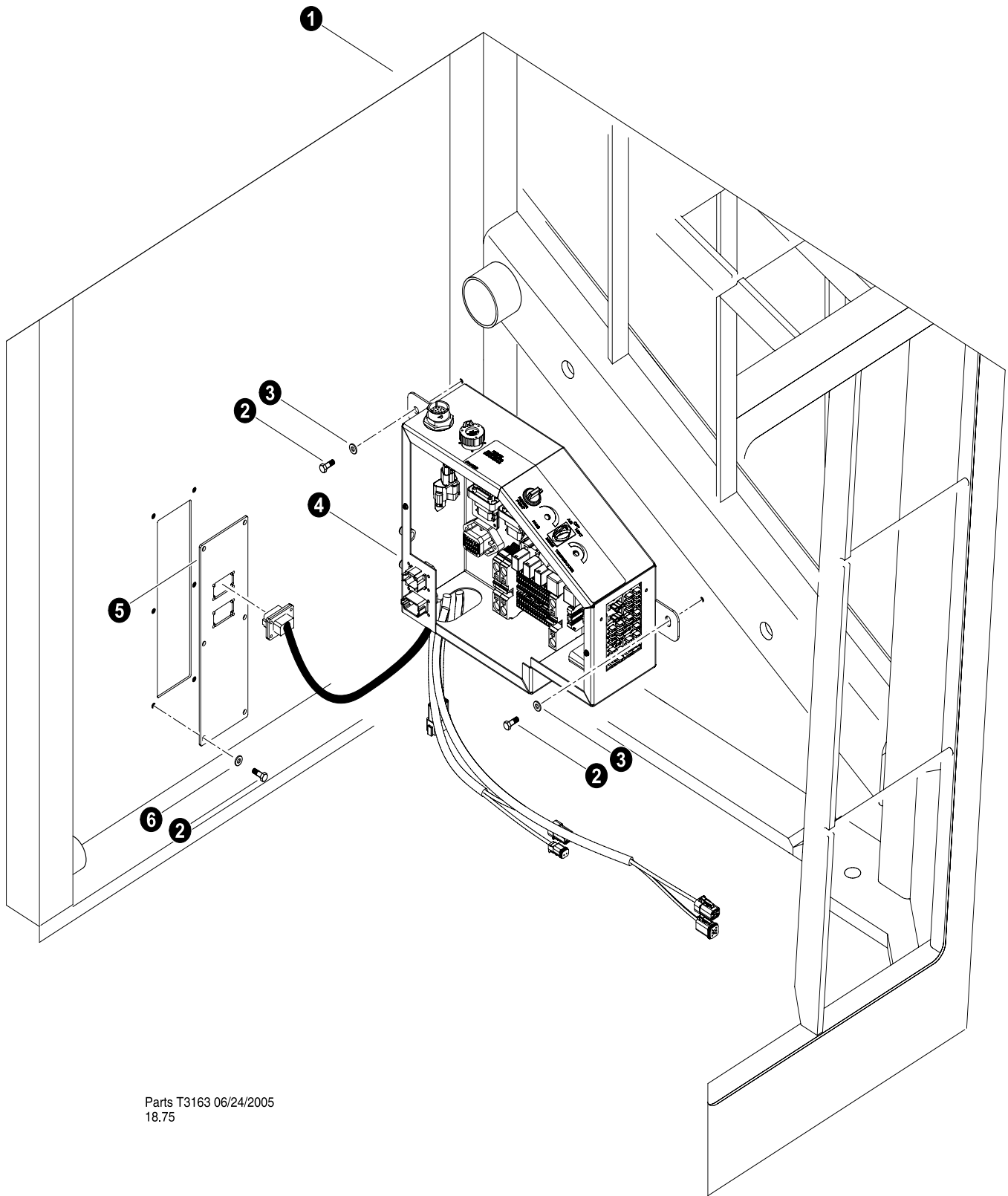
See referenced page for component or assembly breakdown.



Assembly that includes all items indented below.



Section ES-2



Electrical System - Operator's Cab

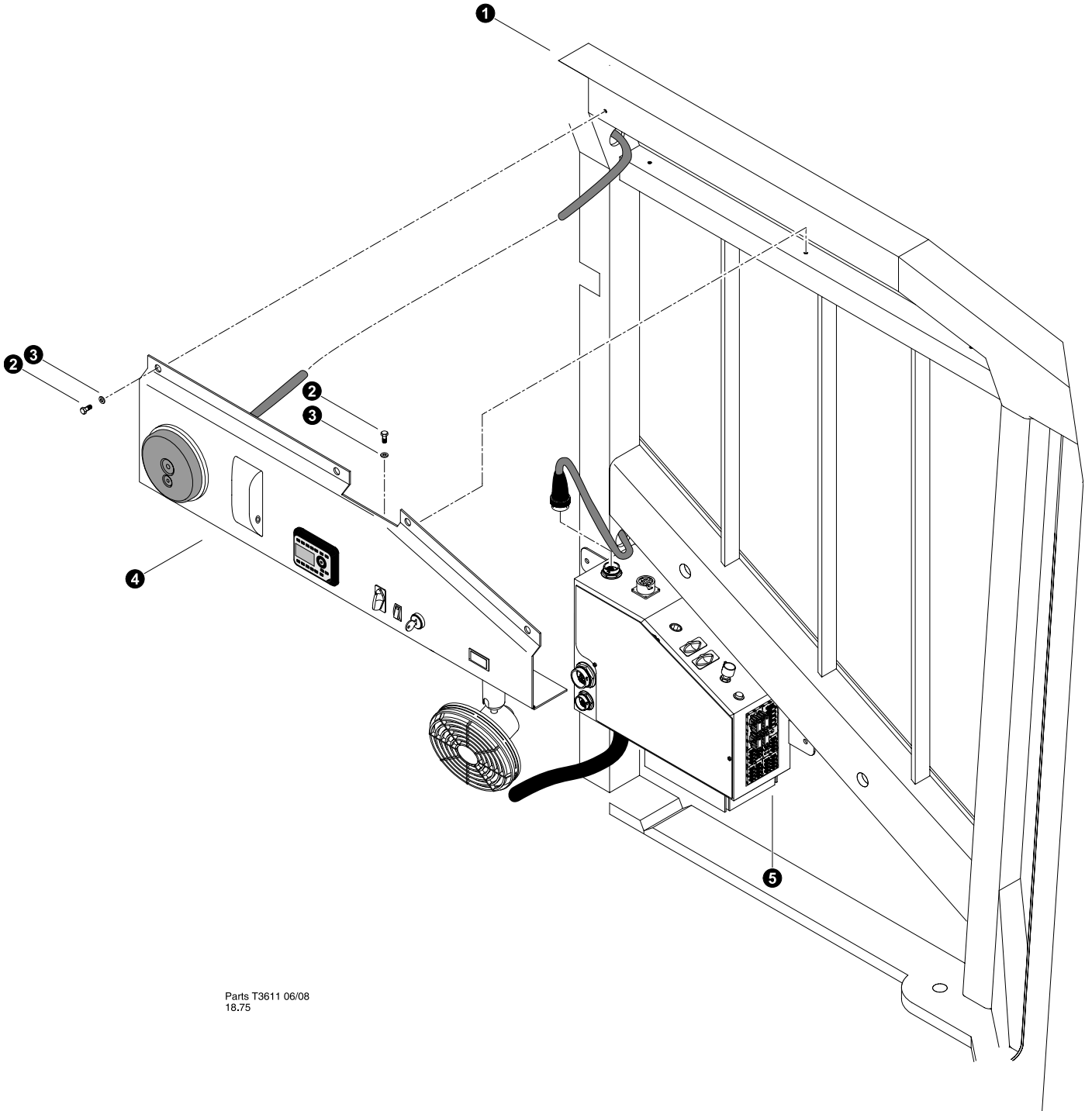


Parts T3163 06/24/2005
18.75

MAIN ELECTRICAL CENTER INSTALLATION




REF	PART #	QTY	DESCRIPTION	SEE SECTION
1	REF	1	 OPERATOR'S CAB ASSEMBLY	OC-1
2	15604-ES	8	BOLT - .25" X .75"	
3	10800-ES	8	WASHER, FLAT - .25"	
4	REF	1	 MAIN ELECTRICAL CENTER ASSEMBLY	ES-2
5	52755-ES	1	BULKHEAD PLATE, CAB REAR - MDL	
6	10757-ES	8	WASHER, SAE FLAT - .25"	



-  Kit or Assembly - includes all items indented underneath.
-  See referenced page for component or assembly breakdown.

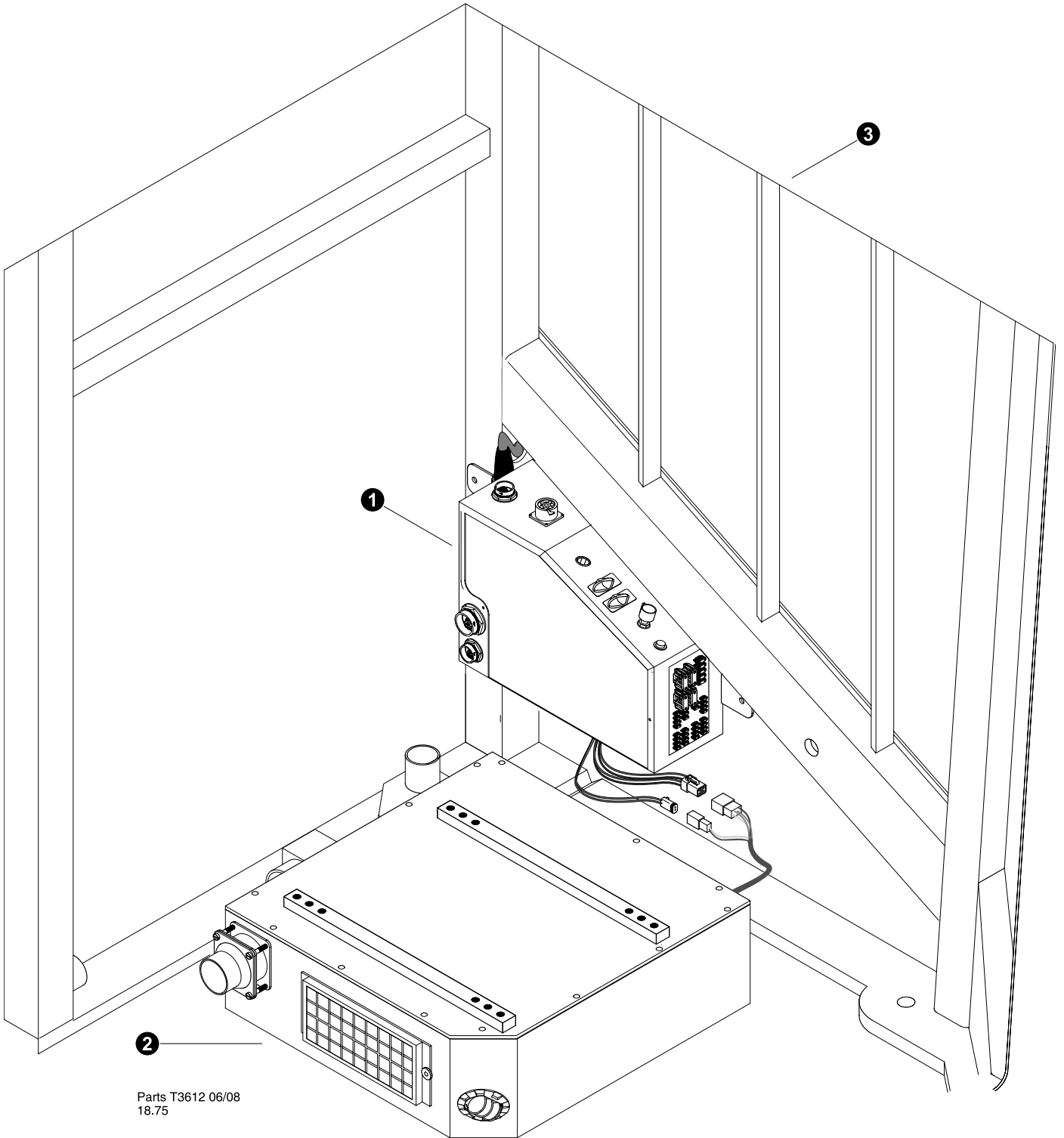


Parts T3611 06/08
18.75




UPPER DASH INSTALLATION



REF	PART #	QTY	DESCRIPTION	SEE SECTION
1	REF	1	 OPERATOR'S CAB ASSEMBLY	OC-1
2	15604-ES	7	BOLT - .25" X .75"	
3	10757-ES	7	WASHER, SAE FLAT - .25"	
4	REF	1	 UPPER DASH ASSEMBLY.....	ES-2
5	REF	1	 MAIN ELECTRICAL CENTER ASSEMBLY	ES-2

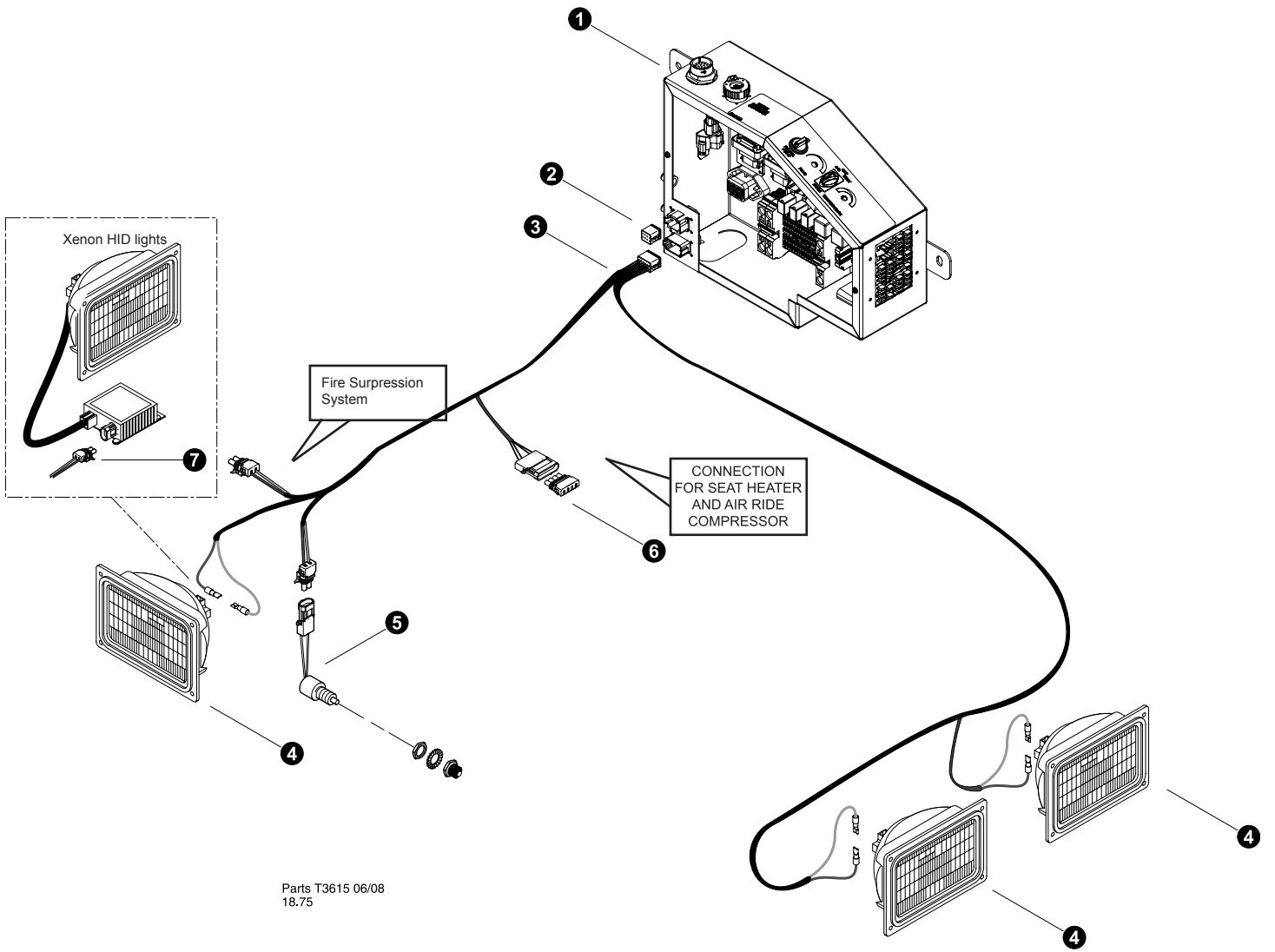
-  Kit or Assembly - includes all items indented underneath.
-  See referenced page for component or assembly breakdown.




A/C AND HEATER CONNECTIONS



REF	PART #	QTY	DESCRIPTION	SEE SECTION
1	REF	1	 MAIN ELECTRICAL CENTER ASSEMBLY	ES-2
2	REF	1	 HEATER A/C UNIT ASSEMBLY	OC-2
3	REF	1	 OPERATORS CAB	OC-1

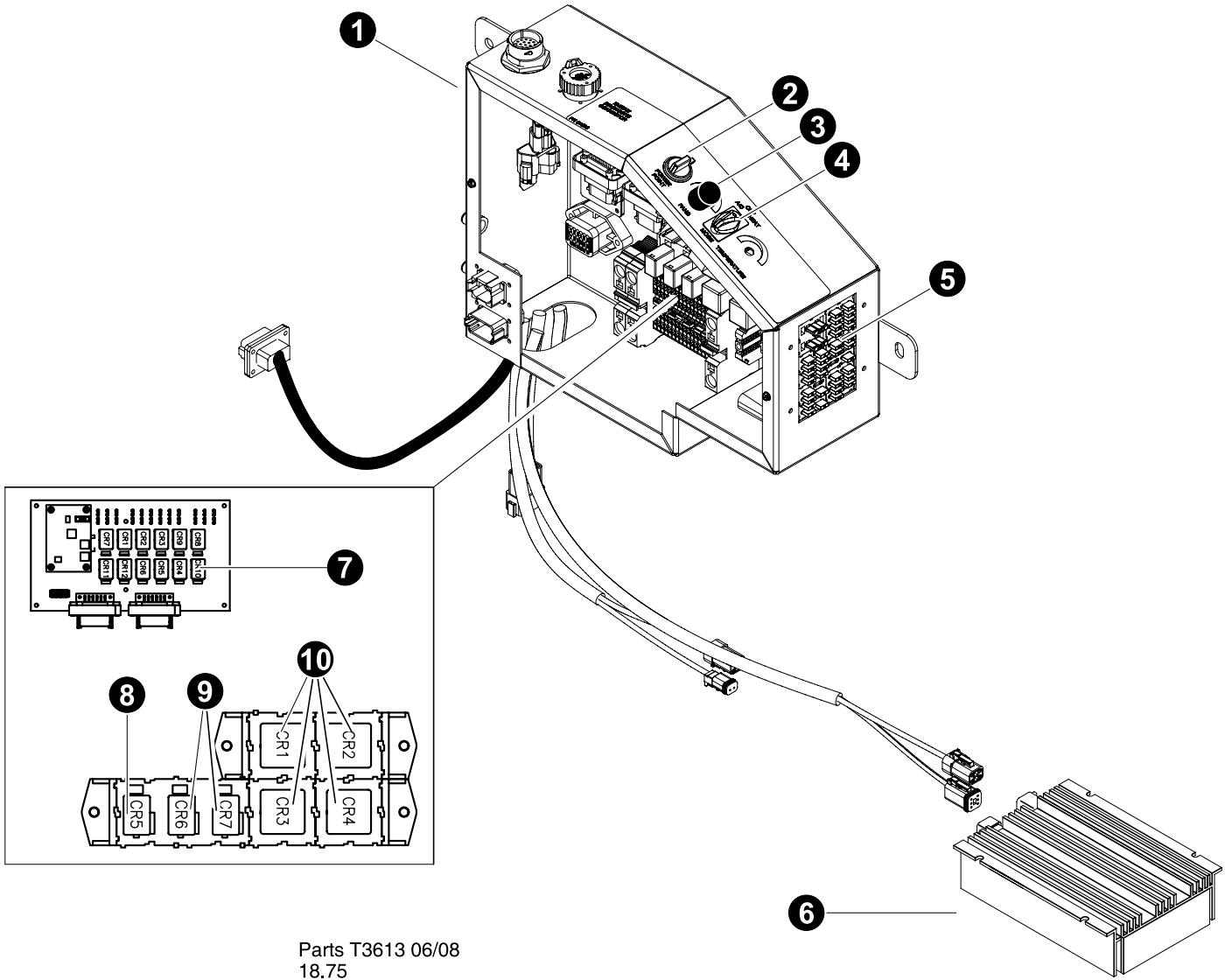
-  Kit or Assembly - includes all items indented underneath.
-  See referenced page for component or assembly breakdown.



OPERATOR'S CAB ELECTRICAL HARNESS (Lights and Radio)

REF	PART #	QTY		DESCRIPTION	SEE SECTION
1	REF	1		MAIN ELECTRICAL CENTER ASSEMBLY	ES-2
2	53260-ES	1		CONNECTOR, DEUTCH DT06-08	
3	52933-ES	1		HARNESS, CAB - Lower MDL	
4	REF	3		LIGHT ASSEMBLIES	ES-2
5	25104-ES	1		SWITCH, FILL PUMP	
6	23132-ES	1		PLUG, MALE - 4 CONTACT (WEATHER PACK)	
-	23135-ES	4		TERMINAL, FEMALE (WEATHER PACK)	
-	22225-ES	4		SEAL, WIRE END (WEATHER PACK)	
7	53171-ES	1		CONNECTOR, SEALED - GT150 3F - FLUSH HID	

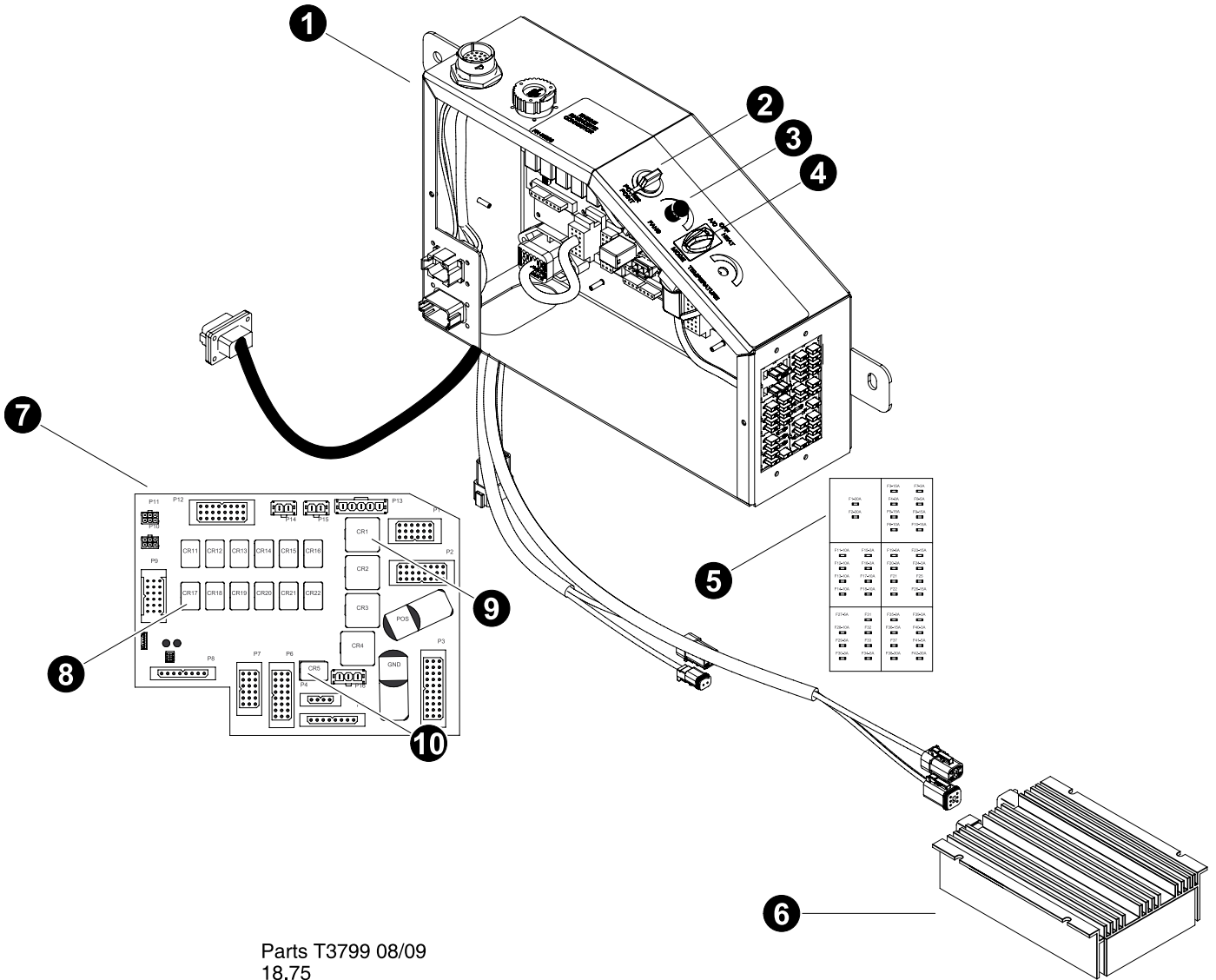
-  Kit or Assembly - includes all items indented underneath.
-  See referenced page for component or assembly breakdown.



MAIN ELECTRICAL CENTER BREAKDOWN
 (830B-0316-081309 and before)
 (735B-0030-090309 and before)

REF	PART #	QTY		DESCRIPTION	SEE SECTION
1	52551-ES	1	☐	MAIN ELECTRICAL LOAD CENTER-MDL (830/630)	
2	-ES	1		Power Supply Connector	
3	-ES	1		FAN CONTROL (BT1-0147)	
4	51671-ES	1		SWITCH, AC/HEAT MODE - OTTO	
5	21892-ES	1		FUSE, maxi - 30 amp (<i>Green</i>)	
	21894-ES	1		FUSE, maxi - 40 amp (<i>Orange</i>)	
	24321-ES	5		FUSE, MINI - 3 AMP (<i>Purple</i>)	
	21890-ES	5		FUSE, mini - 5 amp (<i>Light brown</i>)	
	21888-ES	2		FUSE, mini - 7.5 amp (<i>Dark Brown</i>)	
	22658-ES	12		FUSE, mini - 10 amp (<i>Red</i>)	
	21887-ES	7		FUSE, mini - 15 amp (<i>Blue</i>)	
	53607-ES	1		FUSE, MINI - 30 AMP	
6	23324-ES	1		CONVERTER, 24V TO 12V - CURRENT 25AMP	
7	-ES	12		RELAY, AZ988-1C-24DE-C1 / American Zettler	
8	-ES	1		RELAY, AZ988-1A-12DS-C1 / American Zettler	
9	-ES	2		RELAY, AZ988-1C-24DE-C1 / American Zettler	
10	-ES	4		RELAY, 897-1AH-C-001 / Song Chuan	
-	51753-ES	1		KIT, ELECTRICAL- FUSE/RELAY- 830/630 24V	

- ☐ Kit or Assembly - includes all items indented underneath.
- 📖 See referenced page for component or assembly breakdown.



Parts T3799 08/09
 18.75



MAIN ELECTRICAL CENTER BREAKDOWN
 (830B-0317-082509 and after)
 (735B-0031-and after)

REF	PART #	QTY		DESCRIPTION	SEE SECTION
1	52551-ES	1	☐	MAIN ELECTRICAL LOAD CENTER-MDL (830/630)	
2	-ES	1		Power Supply Connector	
3	-ES	1		FAN SPEED CONTROL (BT1-0147)	
4	51671-ES	1		SWITCH, AC/HEAT MODE - OTTO	
5	21892-ES	2		FUSE, maxi - 30 amp (<i>Green</i>)	
	24321-ES	10		FUSE, mini - 3 amp (<i>Purple</i>)	
	21890-ES	6		FUSE, mini - 5 amp (<i>Light brown</i>)	
	22658-ES	8		FUSE, mini - 10 amp (<i>Red</i>)	
	21887-ES	6		FUSE, mini - 15 amp (<i>Blue</i>)	
	53607-ES	2		FUSE, mini - 30 amp (<i>Green</i>)	
6	23324-ES	1		CONVERTER, 24V TO 12V - CURRENT 25AMP	
7	-ES	1		CIRCUIT BOARD, Load Center	
8	53645-ES	12		RELAY, AZ988-1CT-24DE-C1 (SPDT 30A 24VDC)	
9	24323-ES	3		RELAY, 896H-1CH-D-24VDC (SPDT 30/50A 24VDC)	
10	53645-ES	1		RELAY, AZ988-1CT-24DE-C1 (SPDT 30A 24VDC)	
-	51753-ES	1		KIT, ELECTRICAL- FUSE/RELAY- 830/630 24V	

☐ Kit or Assembly - includes all items indented underneath.

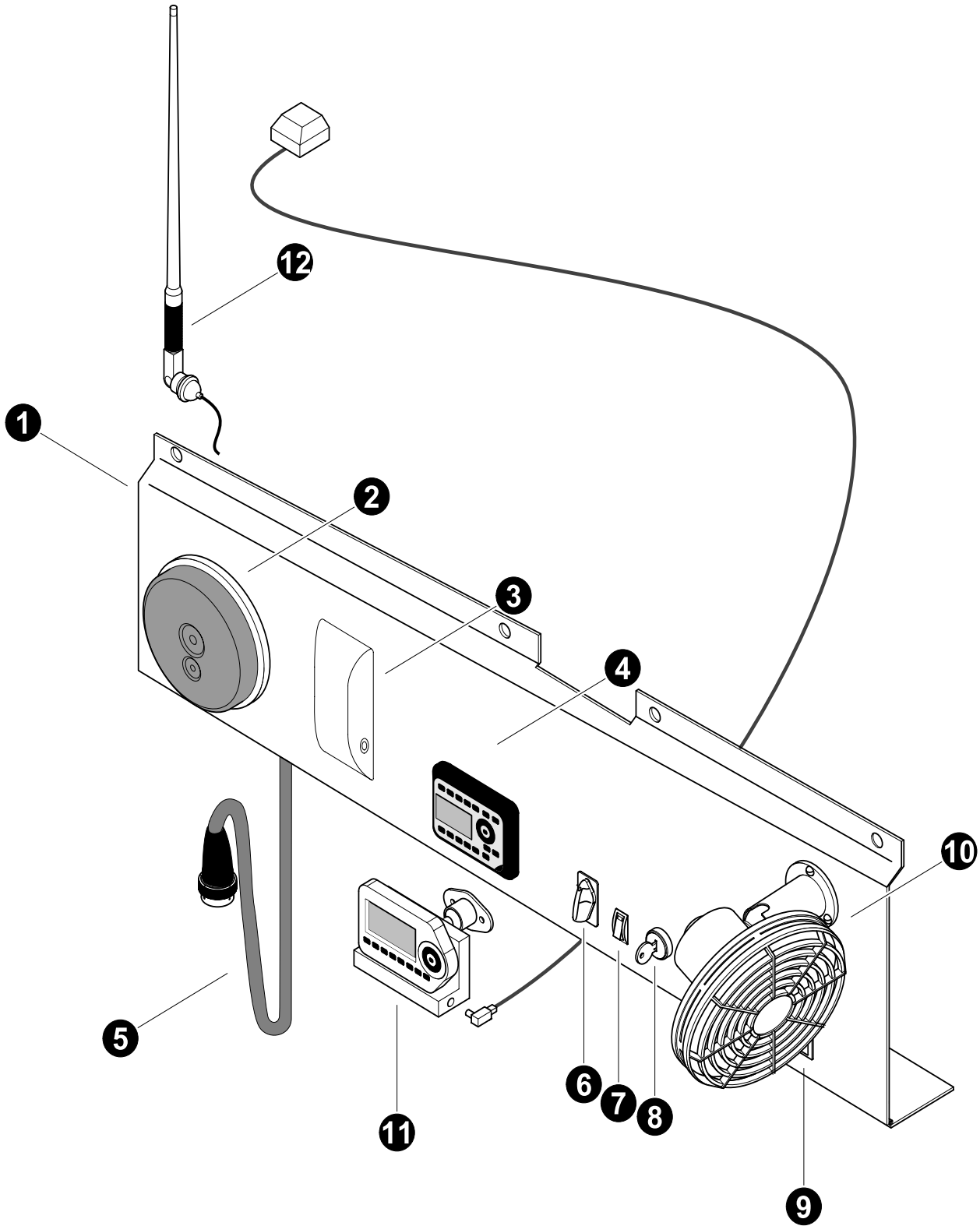
📖 See referenced page for component or assembly breakdown.

UPPER DASH BREAKDOWN
 (830B-0302-041609 and before)
 (725B-0024-040709 and before)

REF	PART #	QTY	DESCRIPTION	SEE SECTION
1	52654-ES	1	DASH, ASSEMBLY - UPPER LH (MDL CONTROL)	
-	52530-ES	1	PANEL, DASH L.H. MDL SYSTEM	
-	53009-ES	1	DECAL, CAB Upper Left Dash MDL (ALL)	
2	24710-ES	1	SPEAKER	
3	23614-ES	1	LIGHT, DOME - 24V	
4	52640-ES	1	RADIO, HEAVY DUTY - AM/FM/WB (ASA)	
5	52931-ES	1	HARNES, DASH - UPPER (MDL STYLE)	
6	51673-ES	1	SWITCH, VENT/ VACUUM	
7	51664-ES	1	SWITCH, LIGHT	
8	52414-ES	1	 SWITCH, IGNITION	
-	52417-ES	2	KEY, IGNITION	
9	15025-ES	1	GAUGE, HOURMETER	
10	23279-ES	1	 FAN, WINDSHIELD DEFROST - 24V	
11	52680-ES	1	RADIO KIT, XM - ASA	
12	24583-ES	1	ANTENNA, radio 1" hole	



 Kit or Assembly - includes all items indented underneath.



 See referenced page for component or assembly breakdown.

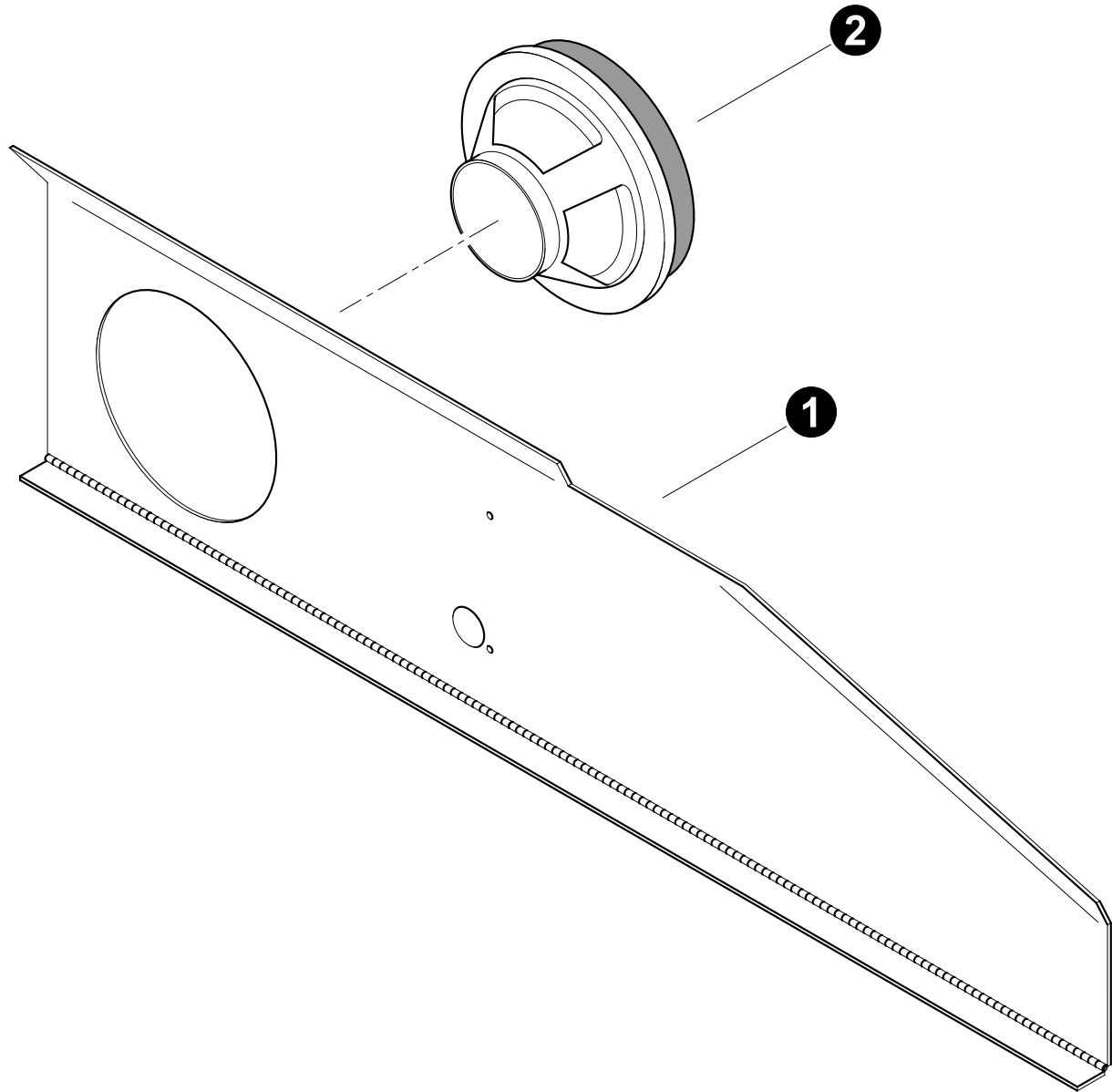


Parts T3801 08/09
18.75

UPPER DASH BREAKDOWN
 (830B-0303-041609 and after)
 (725B-0025-041309 and after)

REF	PART #	QTY	DESCRIPTION	SEE SECTION
1	53840-ES	1	DASH ASSEMBLY UPPER LH 830 MDL FLAT TOP	
-	REF	1	DECAL, Dash	UP-4
2	24710-ES	1	SPEAKER	
3	23614-ES	1	LIGHT, DOME - 24V	
4	52640-ES	1	RADIO, HEAVY DUTY - AM/FM/WB (ASA)	
5	52931-ES	1	HARNESS, DASH - UPPER (MDL STYLE)	
6	51673-ES	1	SWITCH, VENT/ VACUUM	
7	51664-ES	1	SWITCH, LIGHT	
8	52414-ES	1	 SWITCH, IGNITION	
-	52417-ES	2	KEY, IGNITION	
9	15025-ES	1	GAUGE, HOURMETER	
10	23279-ES	1	 FAN, WINDSHIELD DEFROST - 24V	
11	52680-ES	1	RADIO KIT, XM - ASA	
12	24583-ES	1	ANTENNA, radio 1" hole	

-  Kit or Assembly - includes all items indented underneath.
-  See referenced page for component or assembly breakdown.

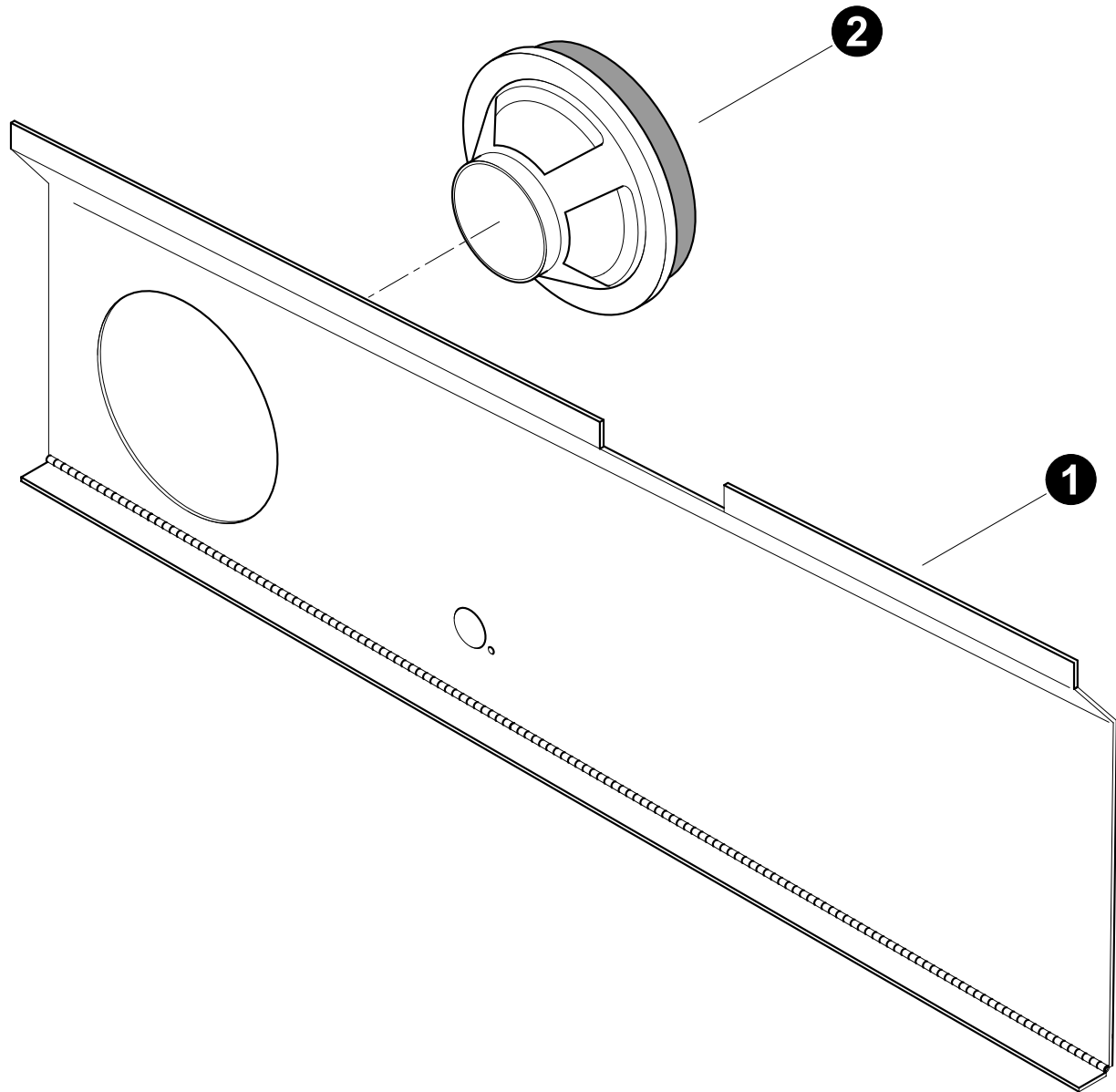


Parts T3614 06/08
18.75

UPPER DASH BREAKDOWN
 (830B-0302-041609 and before)
 (725B-0024-040709 and before)

REF	PART #	QTY		DESCRIPTION	SEE SECTION
1	53022-ES	1	<input type="checkbox"/>	DASH ASSEMBLY - UPPER RH (830)	
-	51686-ES	1		PANEL, DASH R.H.	
-	52717-ES	1		DECAL, CAB Upper Right Dash 830 MDL	
2	24710-ES	1		SPEAKER	



- Kit or Assembly - includes all items indented underneath.
 See referenced page for component or assembly breakdown.

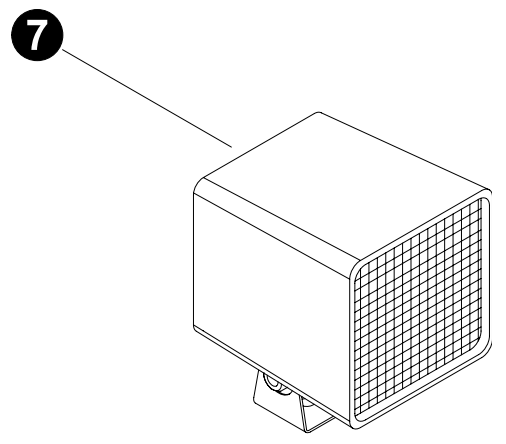
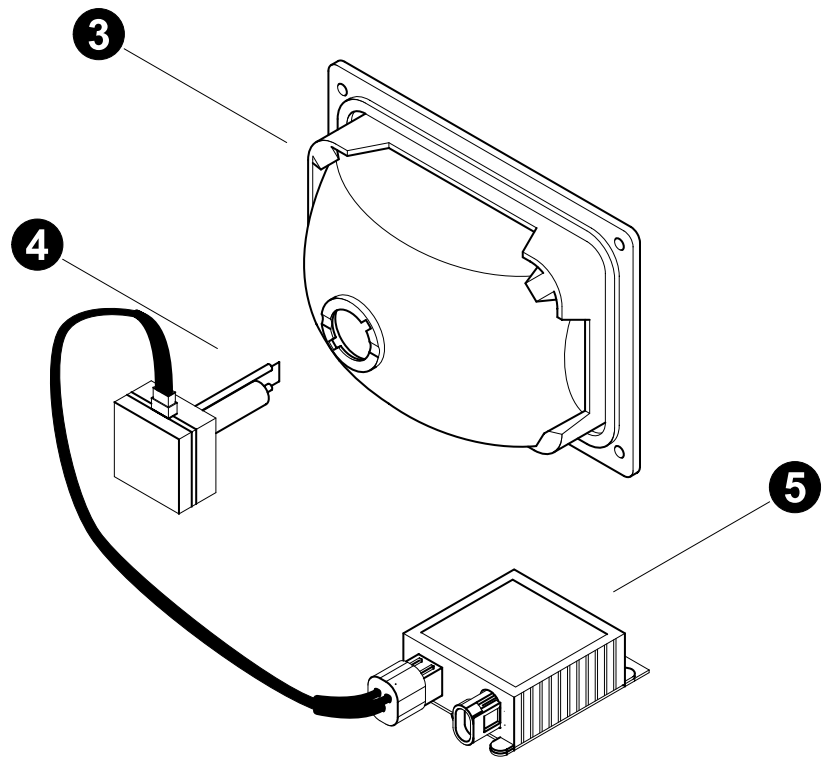
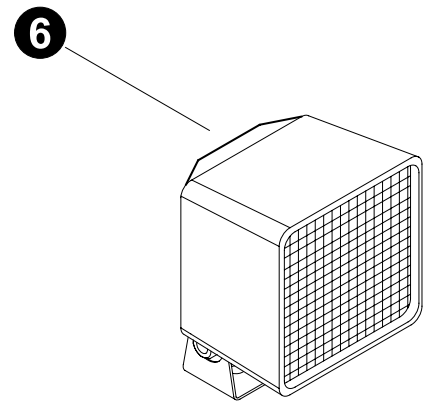
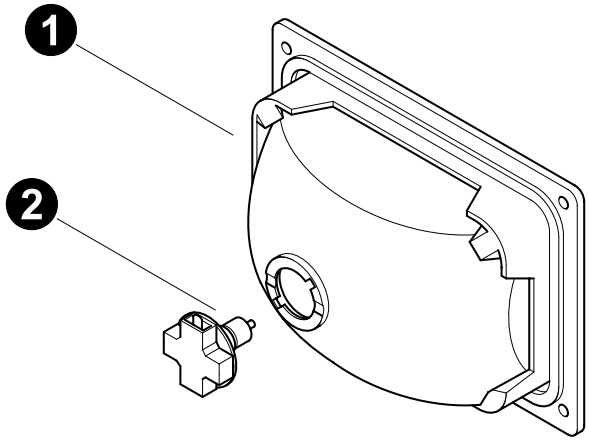


Parts T3614 06/08
18.75

UPPER DASH BREAKDOWN
 (830B-0303-041609 and after)
 (725B-0025-041309 and after)

REF	PART #	QTY	DESCRIPTION	SEE SECTION
1	53806-ES	1	DASH ASSEMBLY - RH 830 MDL-FLAT TOP CAB	
-	REF	1	DECAL, Dash	UP-4
2	24710-ES	1	SPEAKER	

-  Kit or Assembly - includes all items indented underneath.
-  See referenced page for component or assembly breakdown.



Parts T3162 06/21/2005

CAB LIGHTS BREAKDOWN

REF	PART #	QTY	DESCRIPTION	SEE SECTION
1	23604-ES	1	<input type="checkbox"/> LIGHT, FLUSH MOUNT - 24V (ABL)	
2	24819-ES	1	BULB, FLUSH MOUNT LIGHT - 24V	
3	51324-ES	1	<input type="checkbox"/> LIGHT, FLUSH MOUNT - 24V (XENON) ABL	
4	26858-ES	1	BULB, HID (all HID Lights)	
5	51396-ES	1	BALLAST, assembly 24 volt HID (ABL-21.577)	
6	53208-ES	1	<input type="checkbox"/> LIGHT, FLOOD - NON-XENON (ABL)	
-	24819-ES	1	BULB	
7	52653-ES	1	<input type="checkbox"/> LIGHT, XENON TRAP - ABL	
-	-ES	1	BULB - XENON	
-	-ES	1	BALLAST	



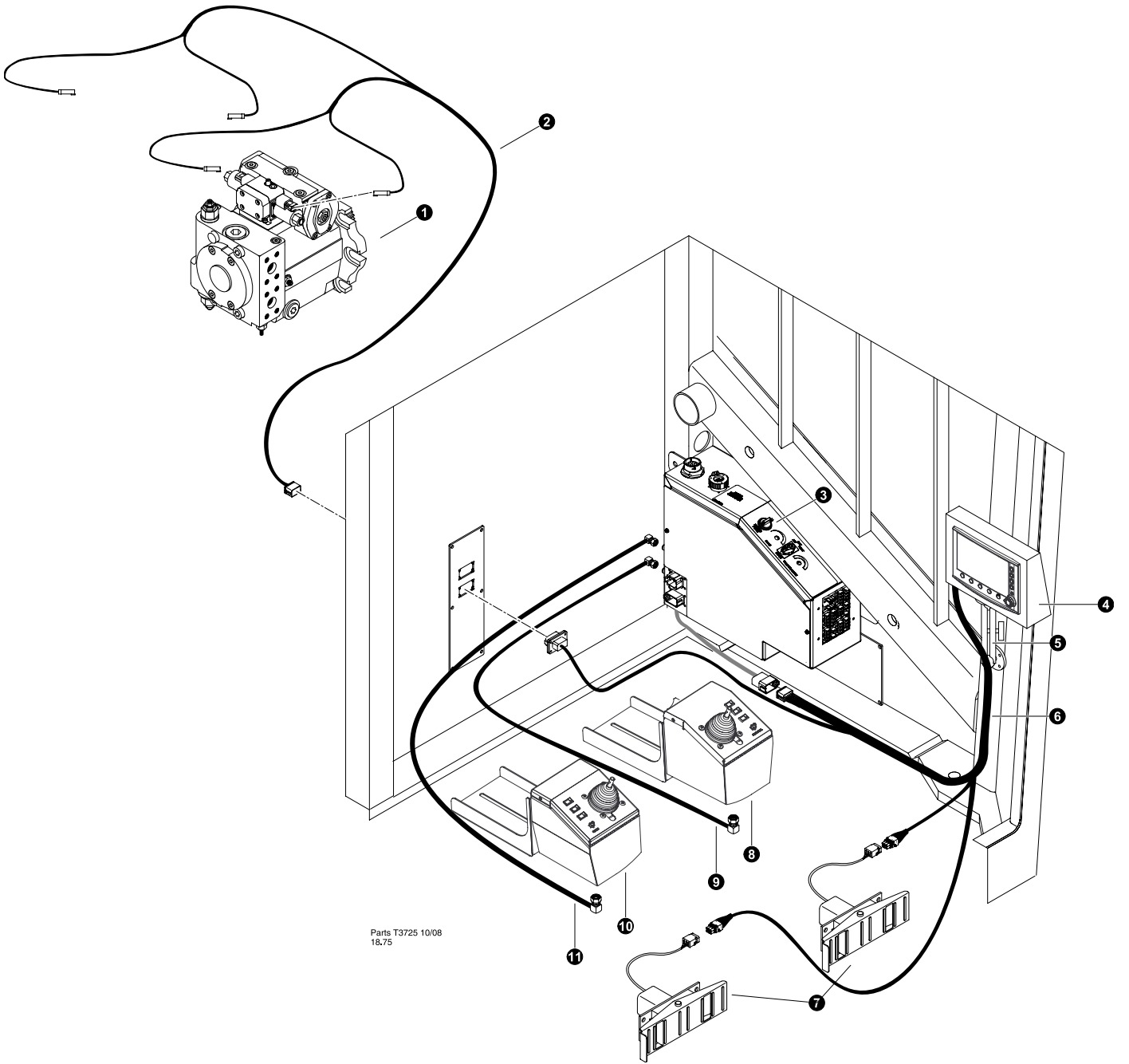
See referenced page for component or assembly breakdown.









Assembly that includes all items indented below.

Section ES-3

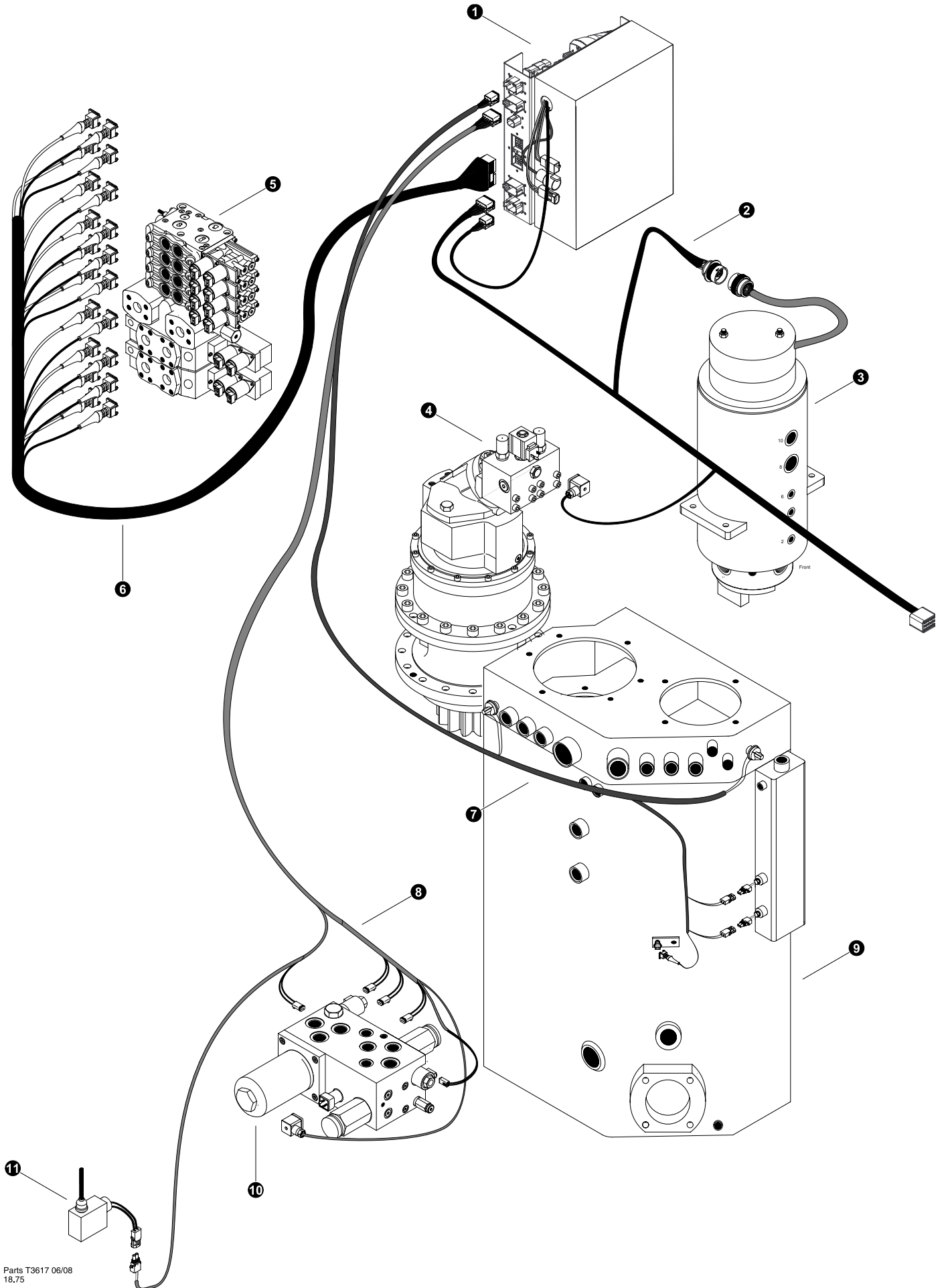
Electrical System - IQAN Control System



IQAN - CAB CONTROL HARNESS






REF	PART #	QTY	DESCRIPTION	SEE SECTION
1	REF.	1	 WHEEL DRIVE PUMP	WD-1
2	52948-ES	1	HARNESS, Hydro Pumps (MDL)	
3	REF.	1	 CAB ELECTRICAL CENTER	ES-2
4	REF.	1	 MDL PANEL ASSEMBLY	ES-3
5	53092-ES	1	MOUNT, RAM - MDL SCREEN	
6	52951-ES	1	HARNESS, MDL Harness - MDL	
7	REF.	1	 DRIVE PEDAL CONTROL	ES-3
8	REF.	1	 LEFT JOYSTICK CONTROL POD	ES-3
9	53619-ES	1	CABLE, Joystick pod - 1 meter (M06288-001)	
10	REF.	1	 RIGHT JOYSTICK CONTROL POD	ES-3
11	53620-ES	1	CABLE, Joystick pod - 2 meter (M06288-002)	


 See referenced page for component or assembly breakdown.

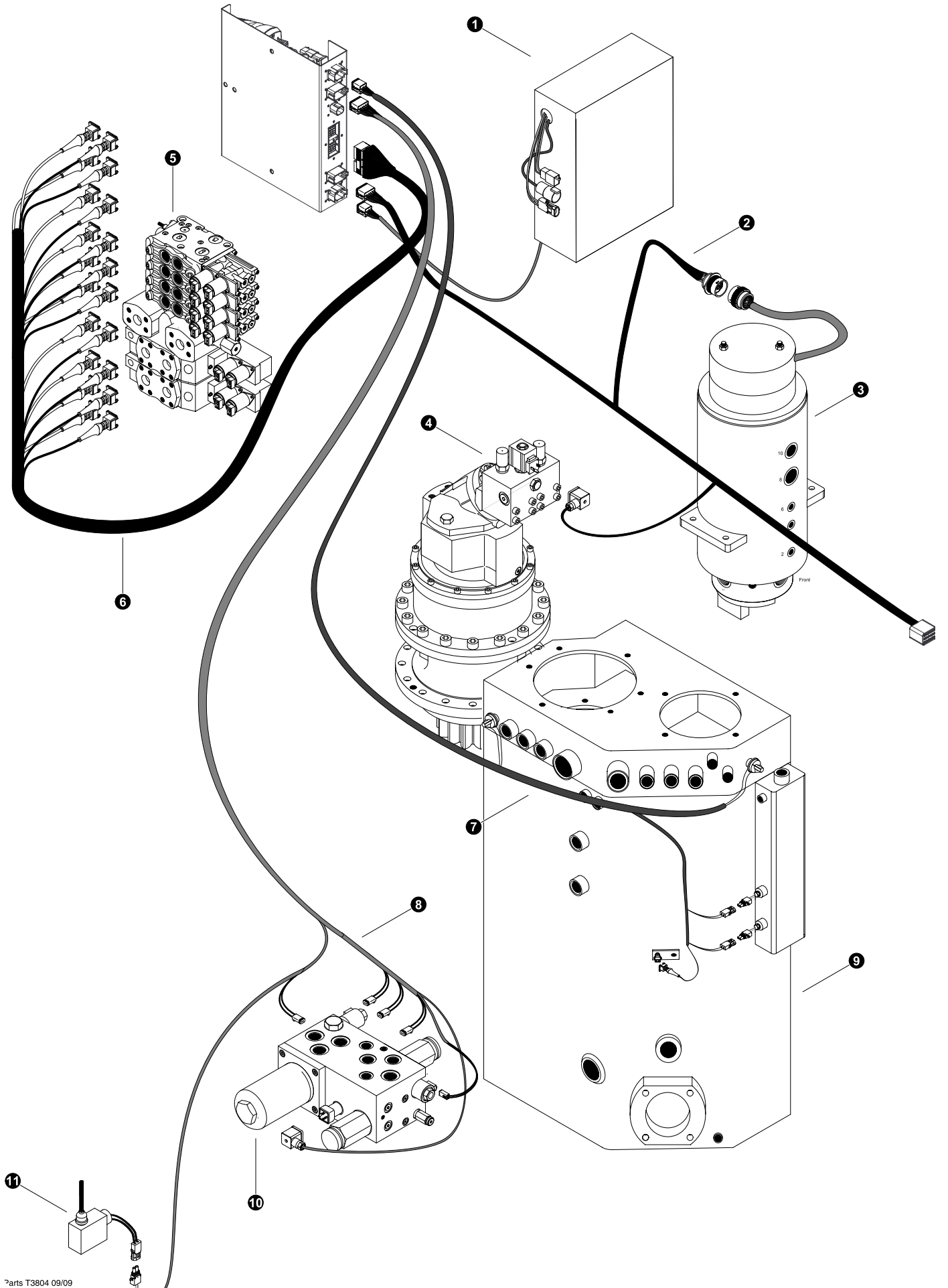


Parts T3617 06/08
18.75

IQAN - ENGINE COMPARTMENT HARNESS
 (Machine 830B-0314-071609 and before)






REF	PART #	QTY	DESCRIPTION	SEE SECTION
1				
2	52950-ES	1	HARNESS, Cab to XA2 Panel - 830/630 MDL	
3	REF	1	 ROTORY MANIFOLD	UP-1
4	REF	1	 SWING MOTOR ASSEMBLY	LH//HH
5	REF.	1	 MAIN CONTROL VALVE	LH/HH
6	52953-ES	1	HARNESS, control valve - 830/630 MDL	
7	52954-ES	1	HARNESS, Hyd Tank - 830/630 MDL	
8	52955-ES	1	HARNESS, Charge/Fan Valve - 830/630 MDL	
9	REF	1	 HYDRAULIC TANK ASSEMBLY	UP-2
10	REF.	1	 WHEEL DRIVE CHARGE VALVE ASSEMBLY	WD
11	51933-ES	1	SWITCH, LIMIT-GULLWING DOOR SAFETY	


 See referenced page for component or assembly breakdown.

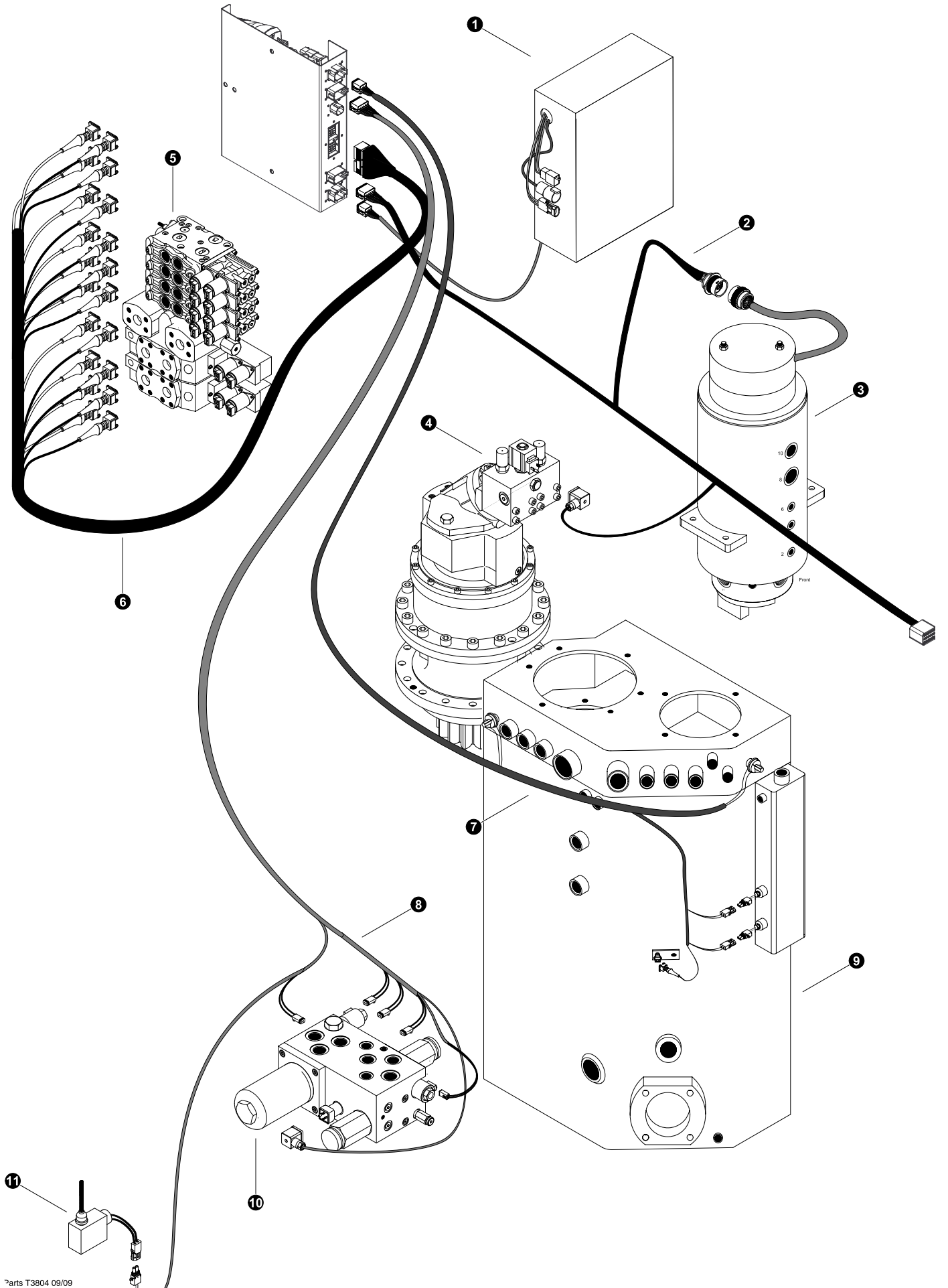


Parts T3804 09/09

IQAN - ENGINE COMPARTMENT HARNESS
 (Machine 830B-0315-080609 to Machine 830B-0325-121509)






REF	PART #	QTY	DESCRIPTION	SEE SECTION
1				
2	52950-ES	1	HARNESS, Cab to XA2 Panel - 830/630 MDL	
3	REF	1	 ROTORY MANIFOLD	UP-1
4	REF	1	 SWING MOTOR ASSEMBLY	LH//HH
5	REF.	1	 MAIN CONTROL VALVE	LH/HH
6	52953-ES	1	HARNESS, control valve - 830/630 MDL	
7	52954-ES	1	HARNESS, Hyd Tank - 830/630 MDL	
8	52955-ES	1	HARNESS, Charge/Fan Valve - 830/630 MDL	
9	REF	1	 HYDRAULIC TANK ASSEMBLY	UP-2
10	REF.	1	 WHEEL DRIVE CHARGE VALVE ASSEMBLY	WD
11	51933-ES	1	SWITCH, LIMIT-GULLWING DOOR SAFETY	


 See referenced page for component or assembly breakdown.

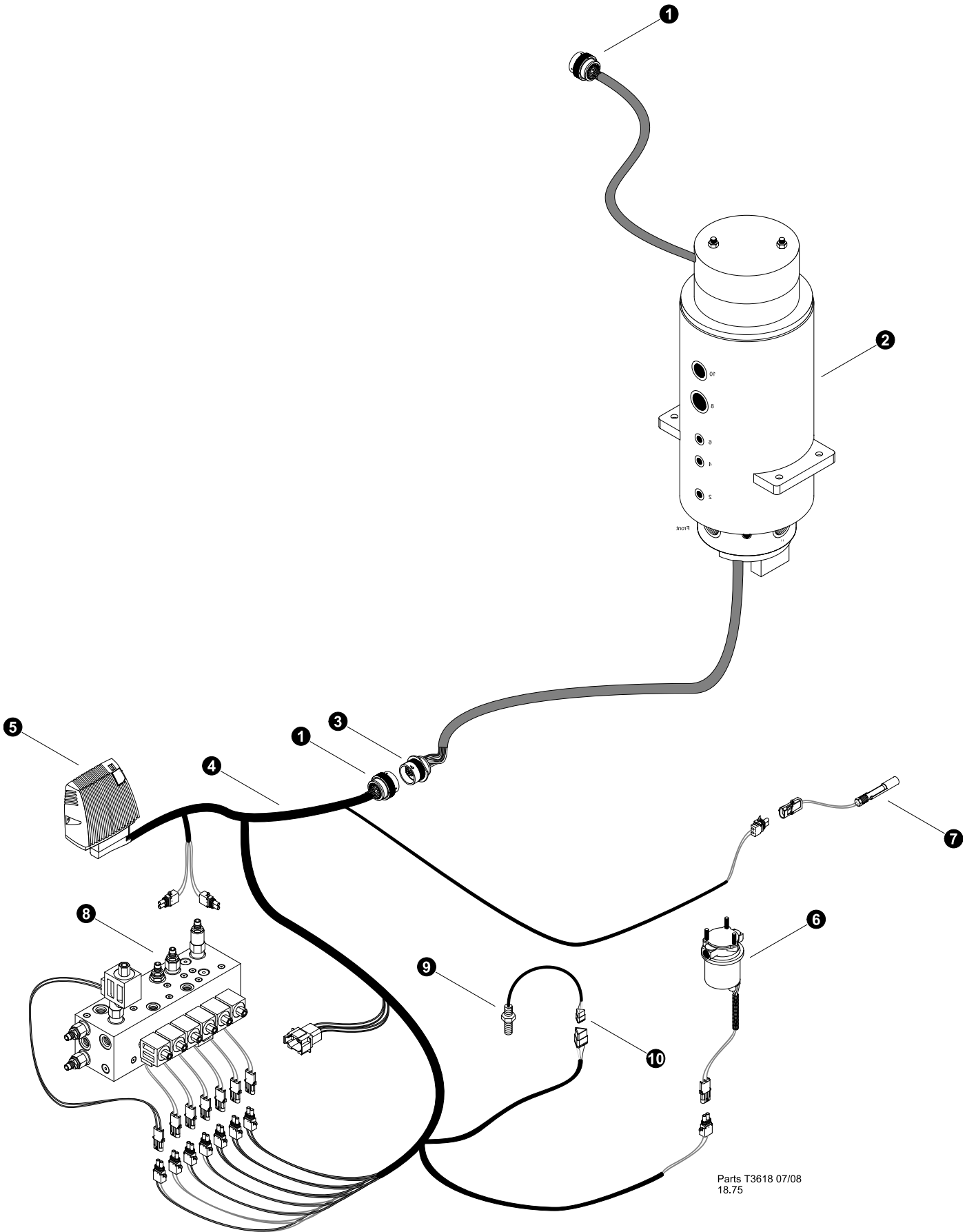


Parts T3804 09/09

IQAN - ENGINE COMPARTMENT HARNESS
(Machine 0326-123009 and after)

REF	PART #	QTY	DESCRIPTION	SEE SECTION
1				
2	52950-ES	1	HARNESS, Cab to XA2 Panel - 830/630 MDL	
3	REF	1	 ROTORY MANIFOLD	UP-1
4	REF	1	 SWING MOTOR ASSEMBLY	LH//HH
5	REF.	1	 MAIN CONTROL VALVE	LH/HH
6	52953-ES	1	HARNESS, control valve - 830/630 MDL	
7	52954-ES	1	HARNESS, Hyd Tank - 830/630 MDL	
8	52955-ES	1	HARNESS, Charge/Fan Valve - 830/630 MDL	
9	REF	1	 HYDRAULIC TANK ASSEMBLY	UP-2
10	REF.	1	 WHEEL DRIVE CHARGE VALVE ASSEMBLY	WD
11	51933-ES	1	SWITCH, LIMIT-GULLWING DOOR SAFETY	


 See referenced page for component or assembly breakdown.

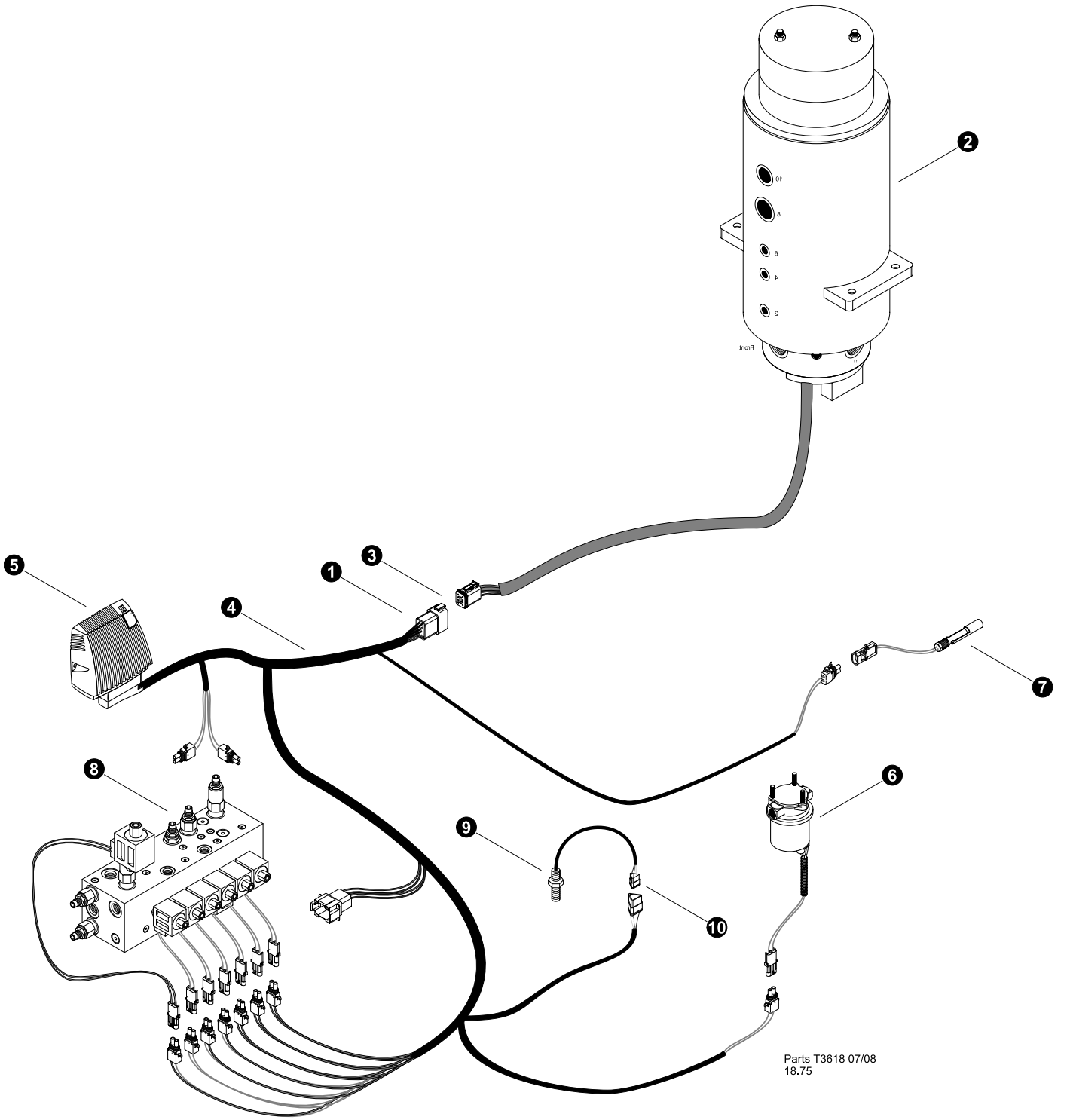


Parts T3618 07/08
18.75

**IQAN - LOWER FRAME HARNESS
(TF 830,840 - Nonleveling)
Machine 830B-0325-121509 and Before**

REF	PART #	QTY	DESCRIPTION	SEE SECTION
1	51749-ES	2	CONNECTOR, DEUTCH, 8 PIN - MALE	
2	REF	1	ROTARY MANIFOLD ASSEMBLY	UP-1
3	51793-ES	1	CONNECTOR, DEUTCH, 8 PIN - FEMALE	
4	52952-ES	1	HARNESS, Lower Frame - 810/830/840 MDL	
5	53095-ES	1	MODULE, XA2 - IQAN	
6	REF	1	FUEL PUMP ASSEMBLY	FF
7	51379-ES	1	SWITCH, Fuel OIL LEVEL	
8	REF	1	LOWER CONTROL MANIFOLD.	FF
9	REF	1	SPEED SENSOR ASSEMBLY	FF
10	-ES	1	CONNECTOR, Deutsch DT04-3P / W3P / 0462-201-16	

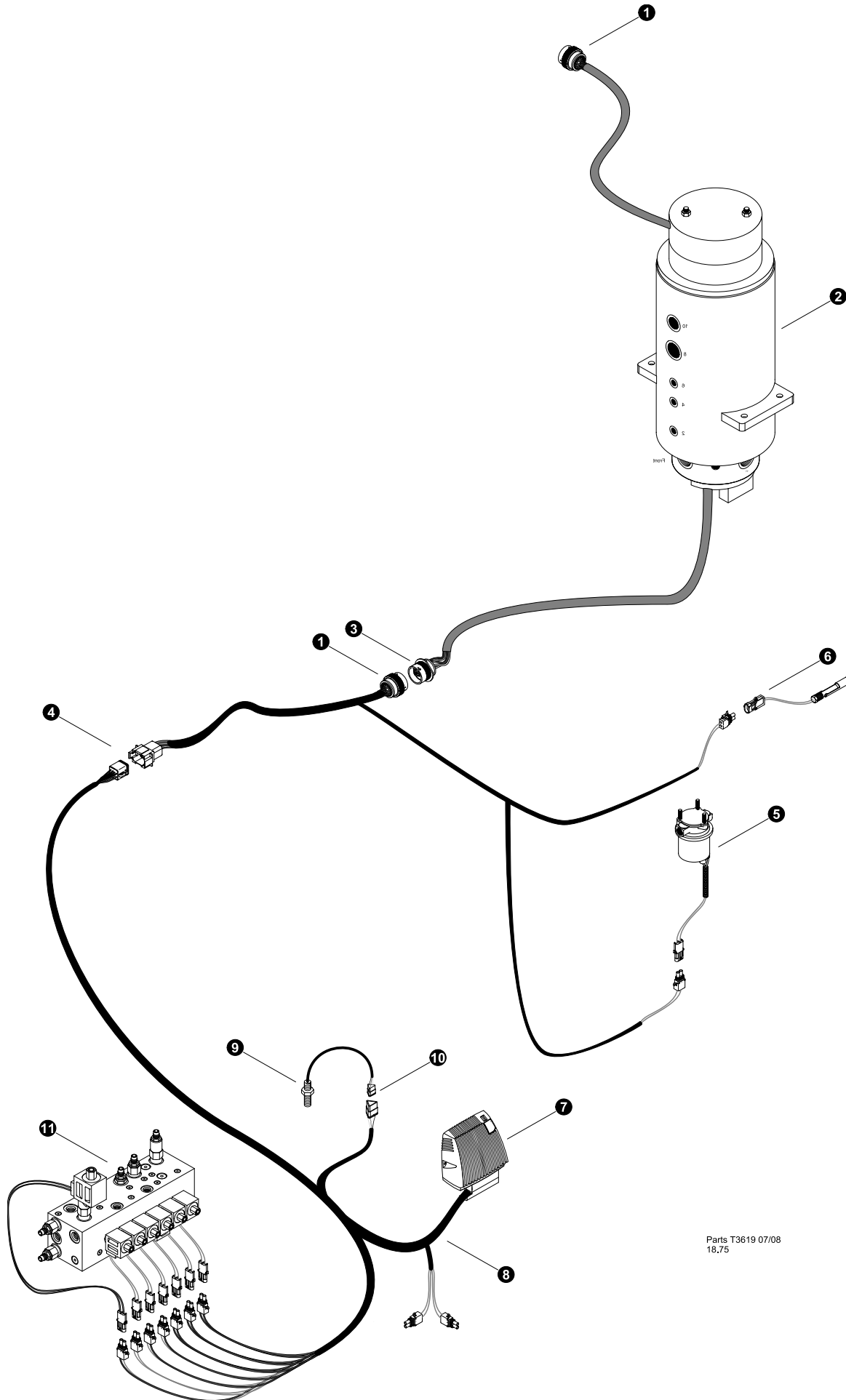
 See referenced page for component or assembly breakdown.



**IQAN - LOWER FRAME HARNESS
(TF 830,840 - Nonleveling)
(Machine 0326-123009 and after)**

REF	PART #	QTY	DESCRIPTION	SEE SECTION
1	AD13093	1	Receptacle, DT04-8PA	
-	AD13096	1	Wedge Lock, W8P	
-	AD13003	8	PIN, solid gold plated - size 16	
2	REF	1	ROTARY MANIFOLD ASSEMBLY	UP-1
3	AD13092	1	PLUG, DT06-8SA	
-	AD13097	1	Wedge Lock, W8S	
-	AD13005	8	SOCKET, solid gold plated - size 16	
4	52952-ES	1	HARNESS, Lower Frame - 810/830/840 MDL	
5	53095-ES	1	MODULE, XA2 - IQAN	
6	REF	1	FUEL PUMP ASSEMBLY	FF
7	51379-ES	1	SWITCH, Fuel OIL LEVEL	
8	REF	1	LOWER CONTROL MANIFOLD.	FF
9	REF	1	SPEED SENSOR ASSEMBLY	FF
10	-ES	1	CONNECTOR, Deutsch DT04-3P / W3P / 0462-201-16	

 See referenced page for component or assembly breakdown.

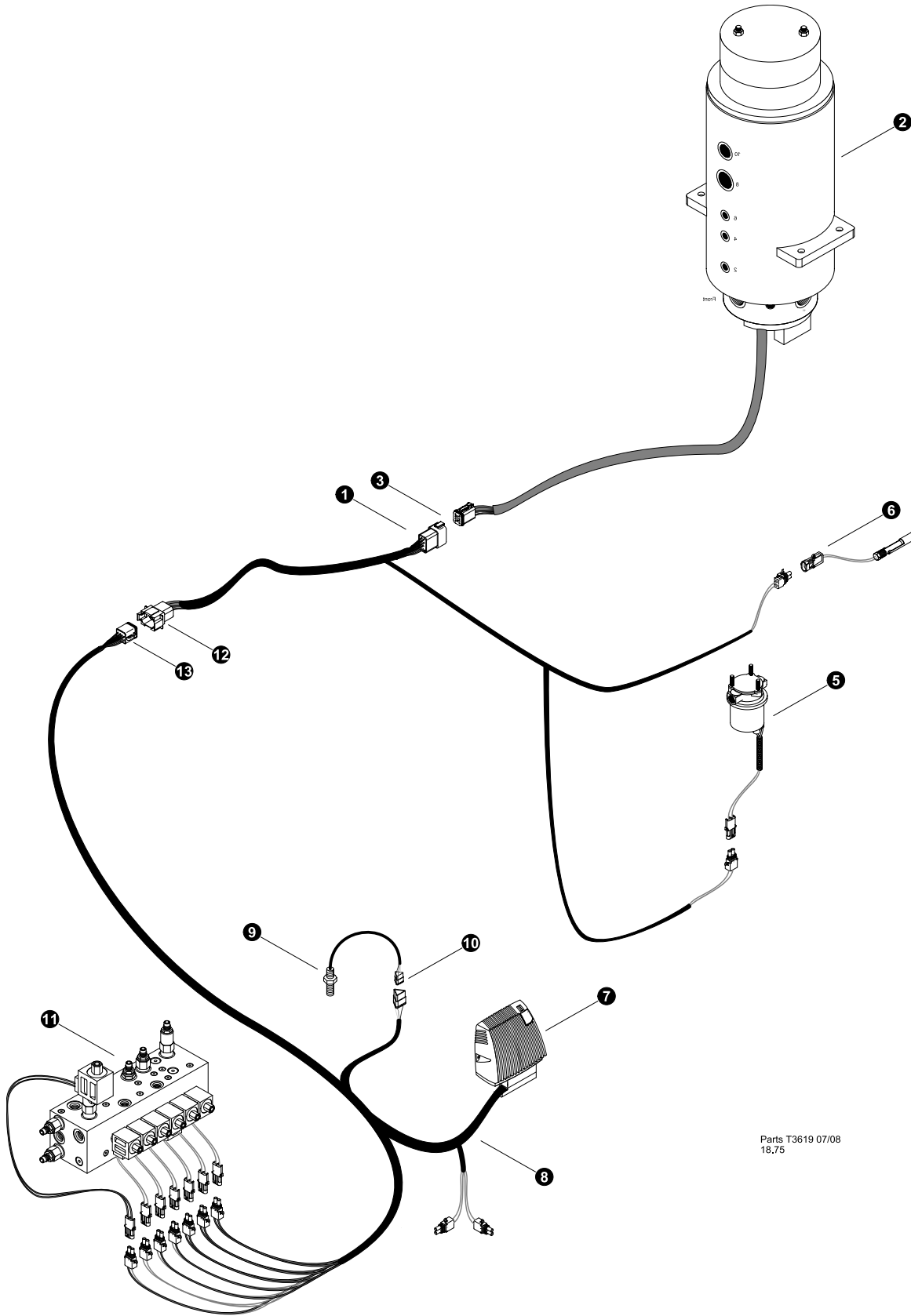


Parts T3619 07/08
18.75

**IQAN - LOWER FRAME HARNESS
(TB 630 or TF 830,840 - leveling)
Machine 830B-0325-121509 and Before**

REF	PART #	QTY	DESCRIPTION	SEE SECTION
1	51749-ES	2	CONNECTOR, DEUTCH, 8 PIN - MALE	
2	REF	1	ROTARY MANIFOLD ASSEMBLY	UP-1
3	51793-ES	1	CONNECTOR, DEUTCH, 8 PIN - FEMALE	
4	-ES	1	CONNECTOR, Deutsch DT04-6PA	
5	REF	1	FUEL PUMP ASSEMBLY	FF
6	51379-ES	1	SWITCH, Fuel OIL LEVEL	
7	53095-ES	1	MODULE, XA2 - IQAN	
8	52956-ES	1	HARNESS, Lower Frame - 630 or 830 leveling MDL	
9	REF	1	SPEED SENSOR ASSEMBLY	FF
10	-ES	1	CONNECTOR, Deutsch DT04-3P / W3P / 0462-201-16	
11	REF	1	LOWER CONTROL MANIFOLD.	FF

 See referenced page for component or assembly breakdown.

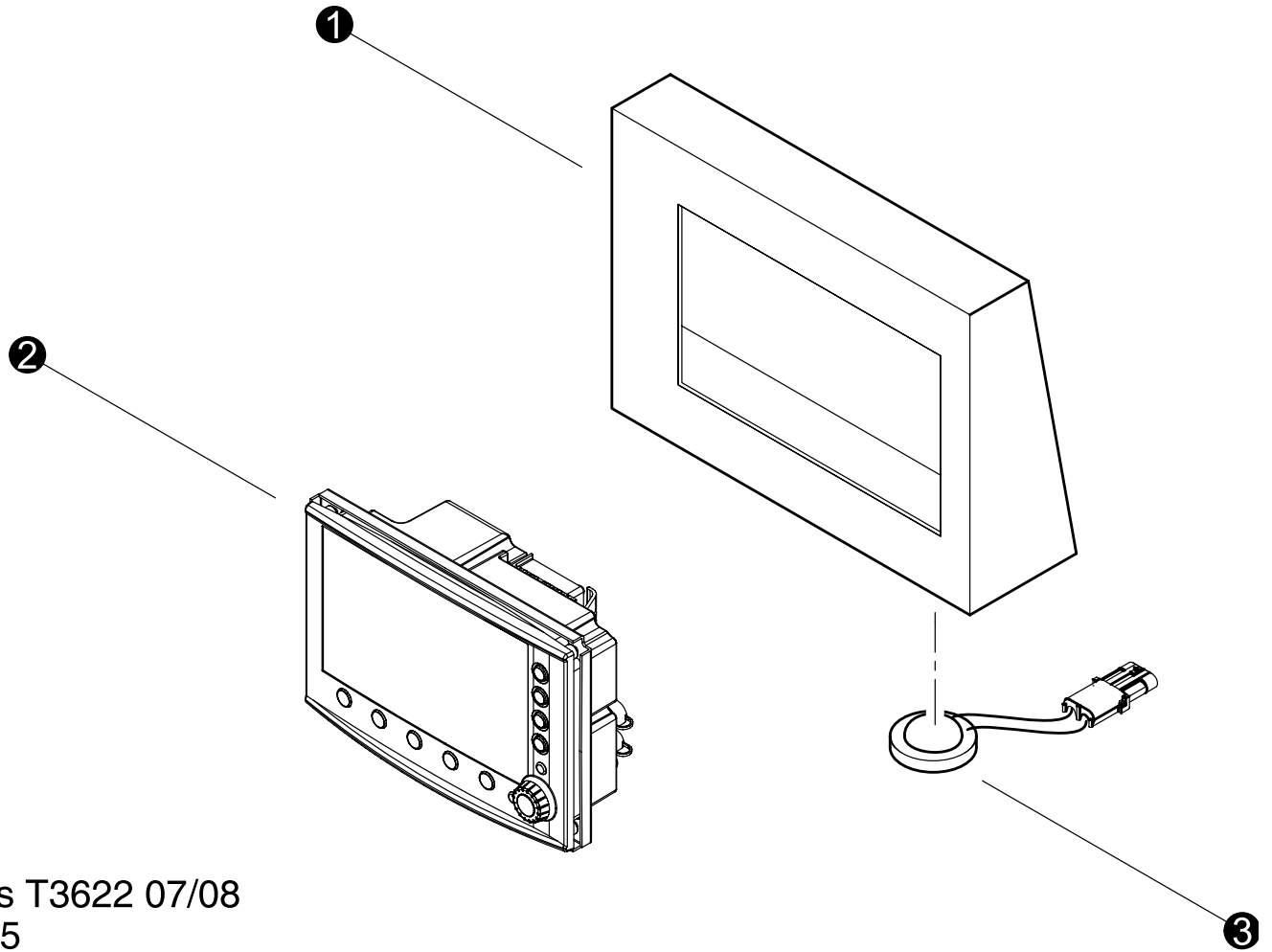


Parts T3619 07/08
18.75

**IQAN - LOWER FRAME HARNESS
(TB 630 or TF 830,840 - leveling)
(Machine 0326-123009 and after)**

REF	PART #	QTY	DESCRIPTION	SEE SECTION
1	AD13093	1	Receptacle, DT04-8PA	
-	AD13096	1	Wedge Lock, W8P	
-	AD13003	8	PIN, solid gold plated - size 16	
2	REF	1	ROTARY MANIFOLD ASSEMBLY	UP-1
3	AD13092	1	PLUG, DT06-8SA	
-	AD13097	1	Wedge Lock, W8S	
-	AD13005	8	SOCKET, solid gold plated - size 16	
4	-ES	1	CONNECTOR, Deutsch DT04-6PA	
5	REF	1	FUEL PUMP ASSEMBLY	FF
6	51379-ES	1	SWITCH, Fuel OIL LEVEL	
7	53095-ES	1	MODULE, XA2 - IQAN	
8	52956-ES	1	HARNESS, Lower Frame - 630 or 830 leveling MDL	
9	REF	1	SPEED SENSOR ASSEMBLY	FF
10	-ES	1	CONNECTOR, Deutsch DT04-3P / W3P / 0462-201-16	
11	REF	1	LOWER CONTROL MANIFOLD.	FF
12	AD13069-3	1	Receptacle, DT04-6P	
-	AD13071-6	1	Wedge Lock, W6P	
-	AD13003	8	PIN, solid gold plated - size 16	
13	AD13070-3	1	PLUG, DT06-6S	
-	AD13071-7	1	Wedge Lock W6S	
-	AD13005	8	SOCKET, solid gold plated - size 16	

 See referenced page for component or assembly breakdown.



Parts T3622 07/08
18.75

IQAN - MDL panel

REF	PART #	QTY	DESCRIPTION	SEE SECTION
1	53002-ES	1	ENCLOSURE, MDL	
-	53112-ES	1	Software, Dealer MDL (IQAN Active Studio)	
2	52783-ES	1	MODULE, MDL SCREEN	
3	53025-ES	1	SIREN, WARNING MDL Panel	



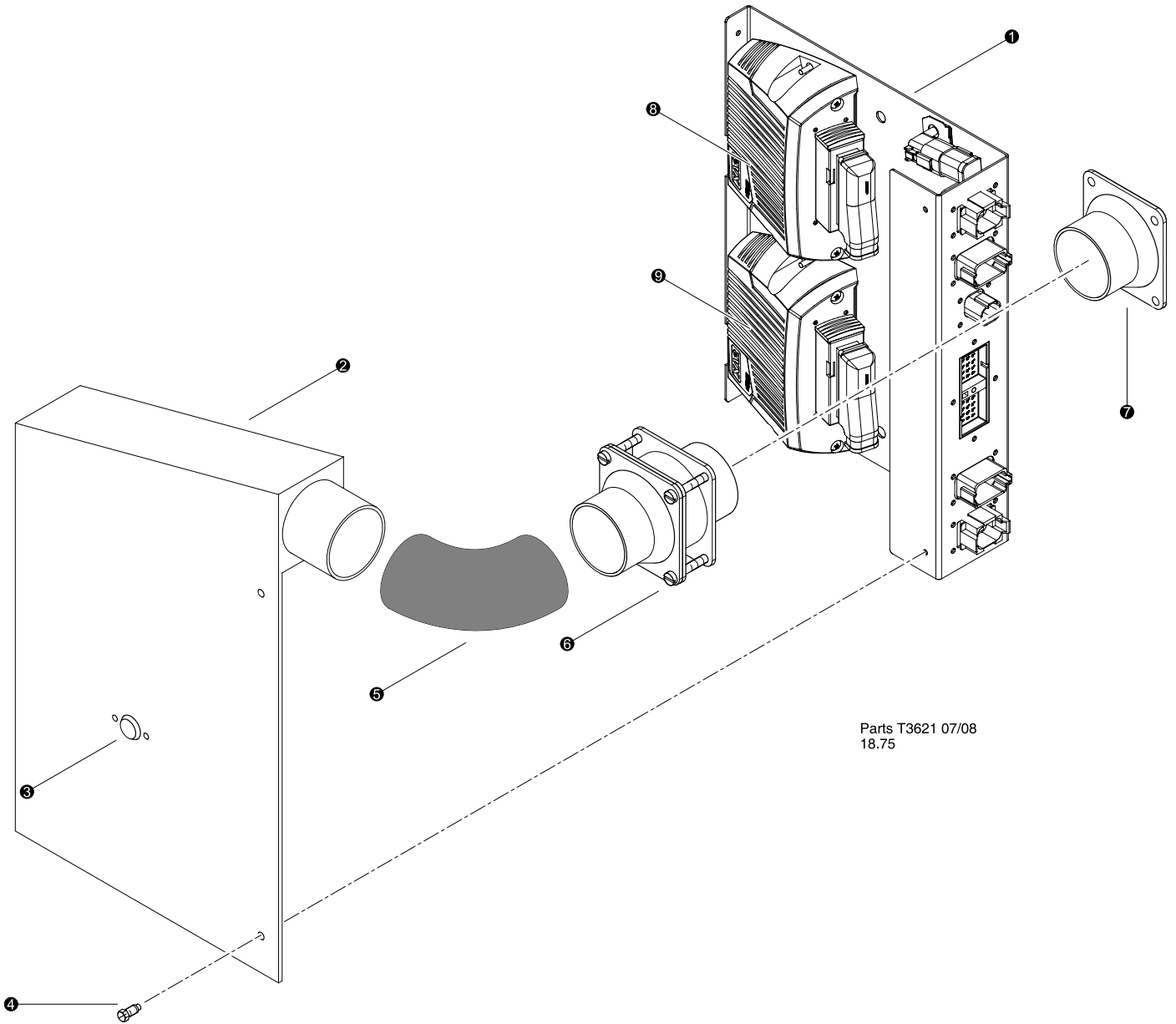
See referenced page for component or assembly breakdown.



Kit or Assembly - includes all items indented underneath.



Included in repair kit



Parts T3621 07/08
18.75

IQAN - XA2 Panel
(Machine 830B-0314-071609 and before)

REF	PART #	QTY		DESCRIPTION	SEE SECTION
1	53621-ES	1	☐	PANEL, XA2 MDL SYSTEM	
-	53095-ES	2		MODULE, XA2 - IQAN	
2	53147-ES	1		COVER, FAN MOUNT XA2 PANEL	
3	53166-ES	1		SWITCH, THERMO SNAP - 130 F IQAN COOLER	
4	17254-ES	4		SCREW, SELF TAPPING - #10-24 X .5"	
5	53165-ES	1		ELBOW, RUBBER 90 - 3" IQAN COOLER SYSTEM	
6	53164-ES	1		FAN, BOOSTER - IQAN COOLING / CAB PRESSU	
7	53160-ES	1		FLANGE, AIR INLET XA2 PANEL	
-	53161-ES	1		SCREEN, AIR INLET XA2 PANEL	



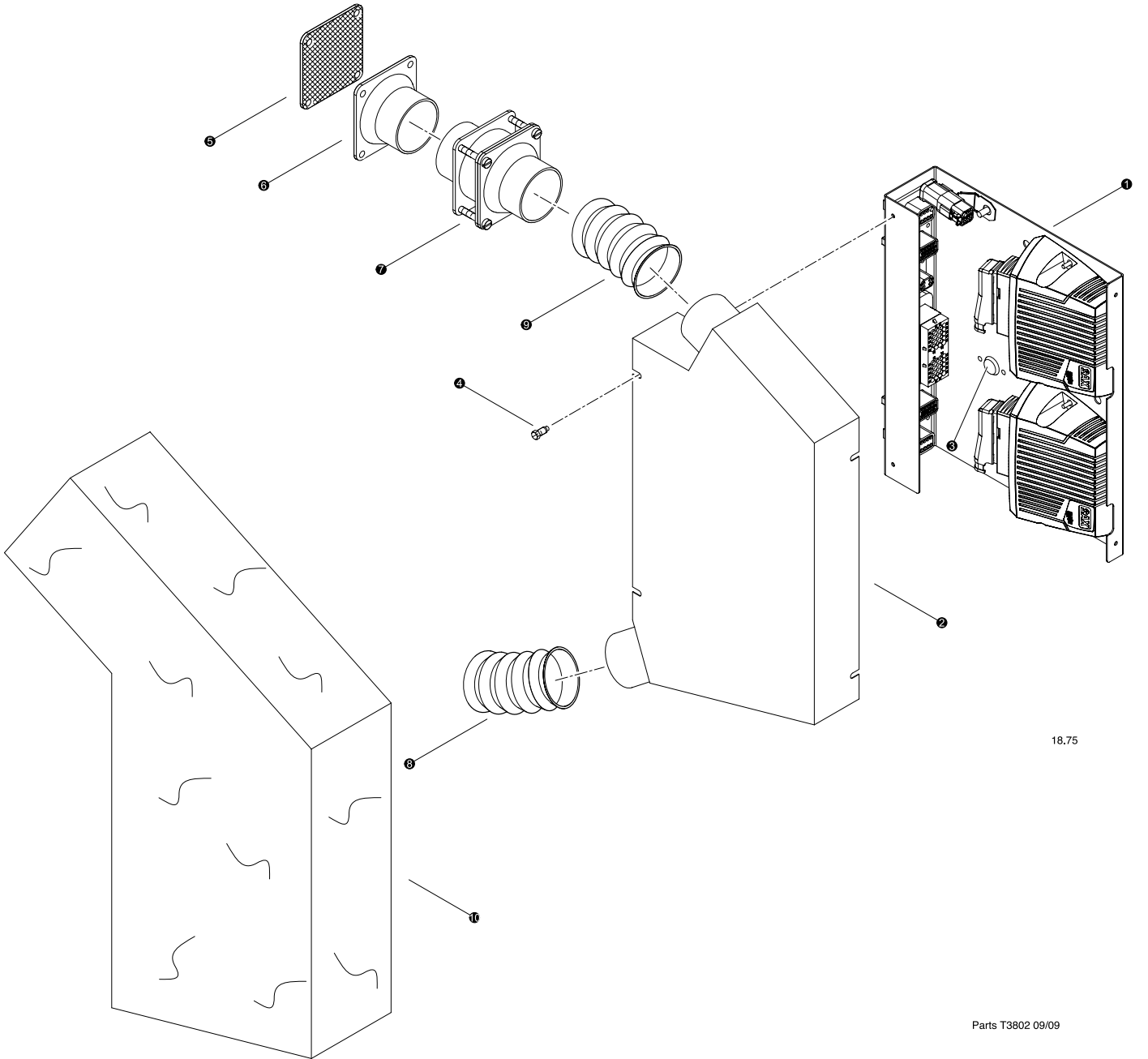
See referenced page for component or assembly breakdown.



Kit or Assembly - includes all items indented underneath.






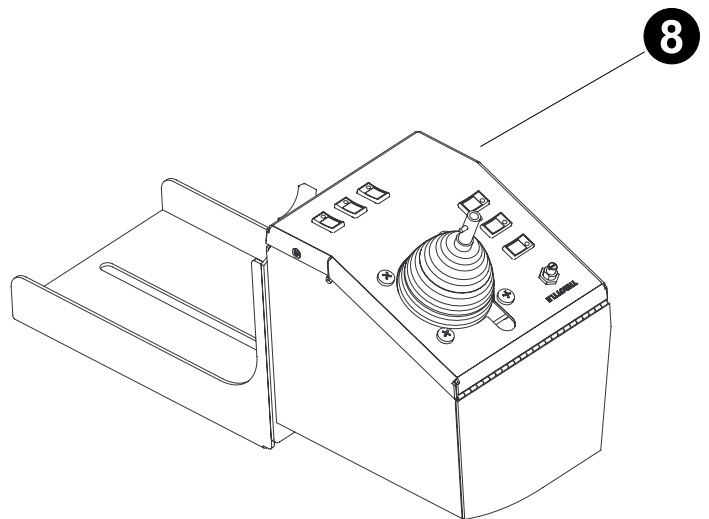
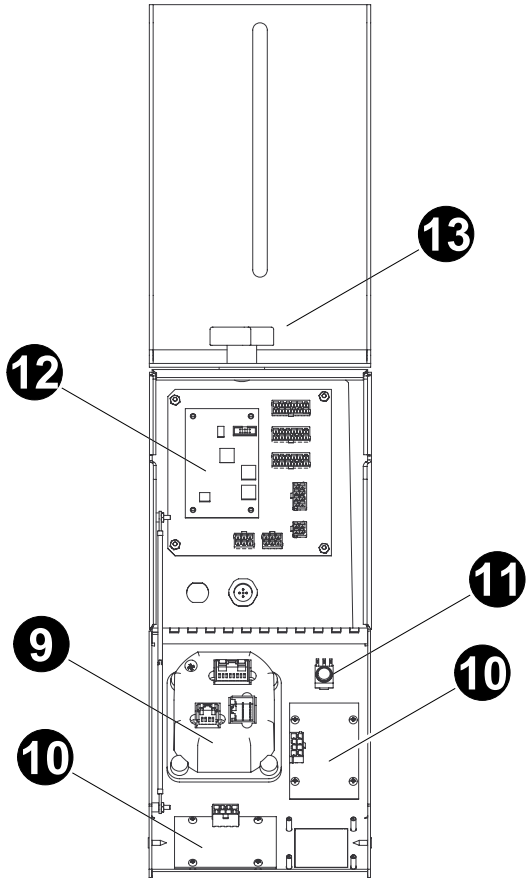
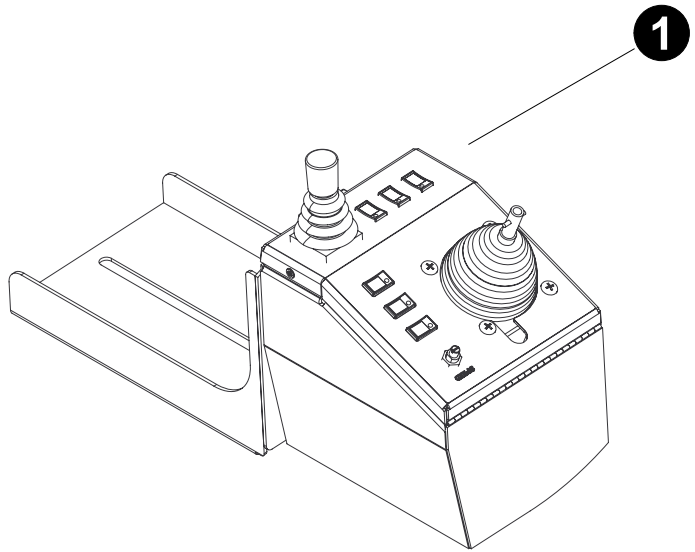
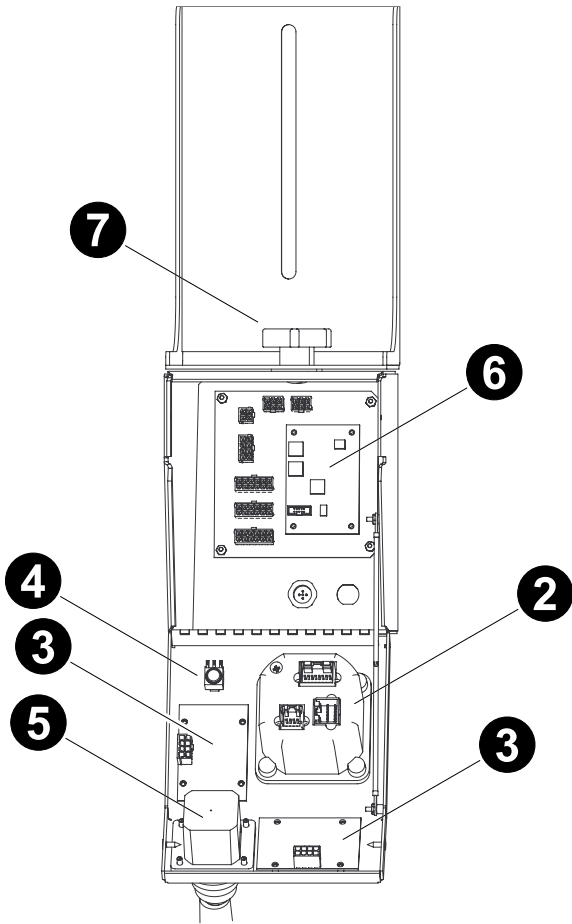
Included in repair kit



IQAN - XA2 Panel
 (Machine 830B-0315-080609 and after)

REF	PART #	QTY		DESCRIPTION	SEE SECTION
1	53621-ES	1	☐	PANEL, XA2 MDL SYSTEM	
-	53095-ES	2		MODULE, XA2 - IQAN	
2	53147-ES	1		COVER, FAN MOUNT XA2 PANEL	
3	53166-ES	1		SWITCH, THERMO SNAP - 130 F IQAN COOLER	
4	17254-ES	4		SCREW, SELF TAPPING - #10-24 X .5"	
5	53161-ES	1		SCREEN, AIR INLET XA2 PANEL	
6	53160-ES	1		FLANGE, AIR INLET XA2 PANEL	
7	53164-ES	1		FAN, BOOSTER - IQAN COOLING / CAB PRESSU	
8	53939-ES	1		DUCT, Cooling - Iqan Modules	
9	53939-ES	1		DUCT, Cooling - Iqan Modules	
10	54153-ES	1		INSULATION, IQAN MODULE BOX XA2 CURRENT	

-  See referenced page for component or assembly breakdown.
-  Kit or Assembly - includes all items indented underneath.
-  Included in repair kit



Parts T3620 07/08
18.75

IQAN - LEFT AND RIGHT CONTROL PANELS (830B-0316-081309 and before)

REF	PART #	QTY	DESCRIPTION	SEE SECTION
1	-ES	1	☐ POD, ASSEMBLY - Right Joystick (GS09351-220)	
2	52905-ES	1	JOYSTICK, (JC6000-GEN0028)	
-	-ES	1	HARNESS, Joystick (M06220035RevA)	
-	-ES	1	HARNESS, control handle (M06220032RevB)	
3	-ES	2	Panel, 3-Switch (26030-24)	
-	-ES	1	HARNESS, 3-Switch panel (M06220031RevB)	
4	-ES	1	POT, Detented (GS06220036REVB)	
5	53269-ES	1	JOYSTICK, Steer (GS07207-037REVA) (optional)	
6	53676-ES	1	BOARD, CAN Driver (GS06464-041REVC) "Dip Switches set 0 & 1"	
-	-ES	1	HARNESS, CAN Driver Board (M06220030RevB)	
7	-ES	1	KNOB, 4 prong plastic (DK-57)	
8	-ES	1	☐ POD, ASSEMBLY - Left Joystick (GS09351-210)	
9	52905-ES	1	JOYSTICK, (JC6000-GEN0028)	
-	-ES	1	HARNESS, Joystick (M06220035RevA)	
-	-ES	1	HARNESS, control handle (M06220032RevB)	
10	-ES	2	Panel, 3-Switch (26030-24)	
-	-ES	1	HARNESS, 3-Switch panel (M06220031RevB)	
11	-ES	1	POT, Detented (GS06220036REVB)	
12	53676-ES	1	BOARD, CAN Driver (GS06464-041REVC) "Dip Switches set 0 & 0"	
-	-ES	1	HARNESS, CAN Driver Board (M06220030RevB)	
13	-ES	1	KNOB, 4 prong plastic (DK-57)	



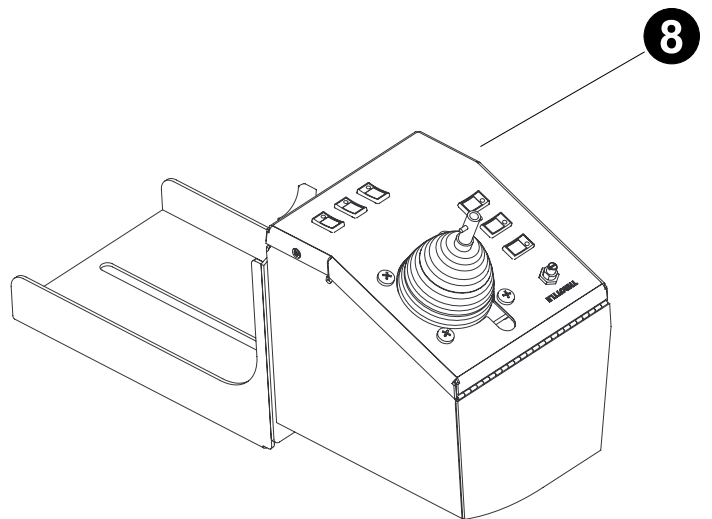
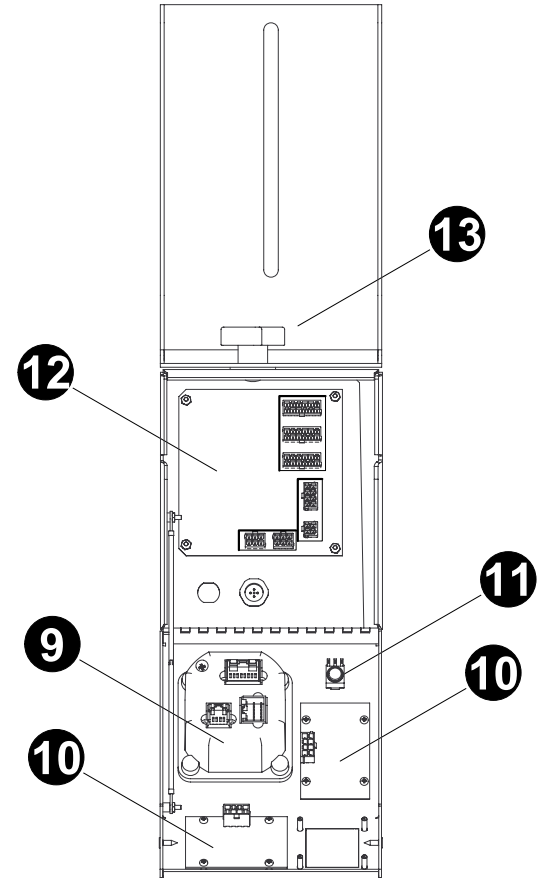
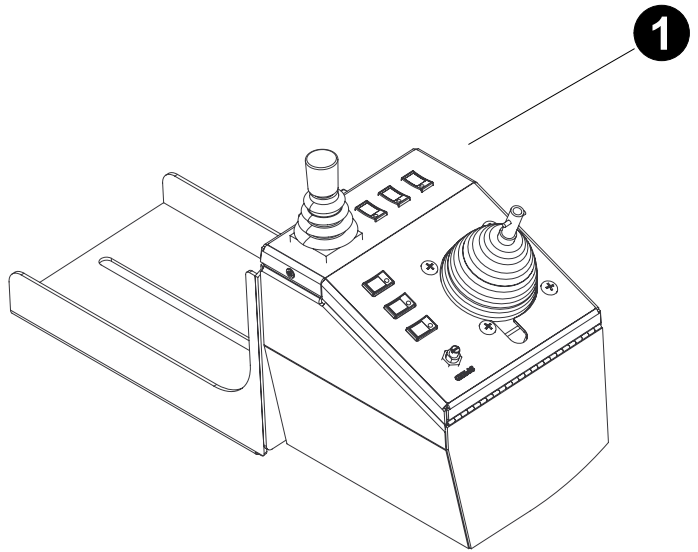
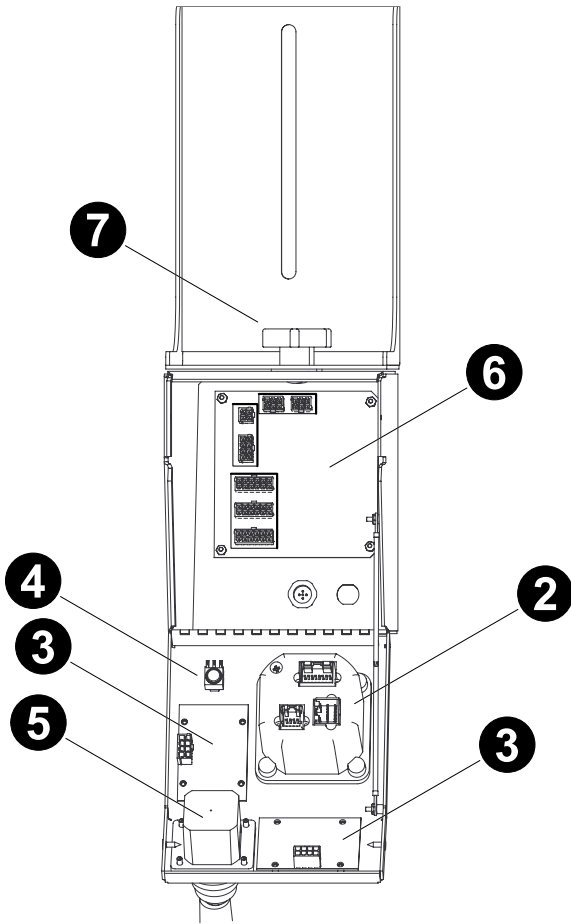
See referenced page for component or assembly breakdown.



Kit or Assembly - includes all items indented underneath.



Included in repair kit



Parts T3803 09/09
18.75

IQAN - LEFT AND RIGHT CONTROL PANELS (830B-0317-082509 TO 830B-0340-052810)

REF	PART #	QTY	DESCRIPTION	SEE SECTION
1	53898-Rev C	1	☐ POD, ASSEMBLY - Right Joystick GS09351-220 Rev C	
2	52905-ES	1	JOYSTICK, (JC6000-GEN0028)	
-	-ES	1	HARNESS, Joystick (M06220035RevA)	
-	-ES	1	HARNESS, control handle (M06220032RevB)	
3	53818-ES	2	Panel, 3-Switch (M09312-200 Rev A)	
-	-ES	1	HARNESS, 3-Switch panel (M09351-331 Rev A)	
4	-ES	1	POT, Detented (GS06220036REVB)	
5	53269-ES	1	JOYSTICK, Steer (GS07207-037REVA) (optional)	
6	53931-ES	1	BOARD, CAN Driver (jumper wire installed)	
-	-ES	4	SPACER, non-treaded (67714451)	
-	-ES	1	HARNESS, CAN Driver Board (M06220030RevB)	
-	-ES	4	SPACERS, threaded (6738484)	
-	-ES	1	PLATE, CAN Board protection (M09351213REVA)	
-	-ES	4	NUT, nylock	
7	-ES	1	KNOB, 4 prong plastic (DK-57)	
8	53899-Rev C	1	☐ POD, ASSEMBLY - Left Joystick GS09351-210 Rev C	
9	52905-ES	1	JOYSTICK, (JC6000-GEN0028)	
-	-ES	1	HARNESS, Joystick (M06220035RevA)	
-	-ES	1	HARNESS, control handle (M06220032RevB)	
10	53818-ES	2	Panel, 3-Switch (M09312-200 Rev A)	
-	-ES	1	HARNESS, 3-Switch panel (M09351-331 Rev A)	
11	-ES	1	POT, Detented (GS06220036REVB)	
12	53932-ES	1	BOARD, CAN Driver (jumper wire removed)	
-	-ES	4	SPACER, non-treaded (67714451)	
-	-ES	1	HARNESS, CAN Driver Board (M06220030RevB)	
-	-ES	4	SPACERS, threaded (6738484)	
-	-ES	1	PLATE, CAN Board protection (M09351213REVA)	
-	-ES	4	NUT, nylock	
13	-ES	1	KNOB, 4 prong plastic (DK-57)	



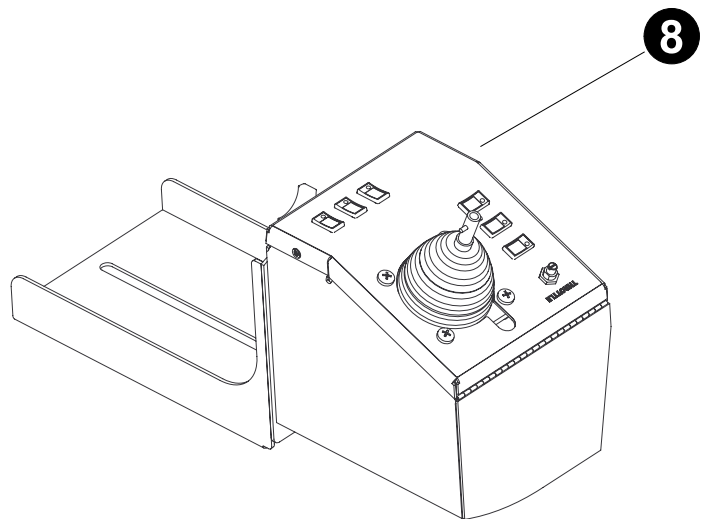
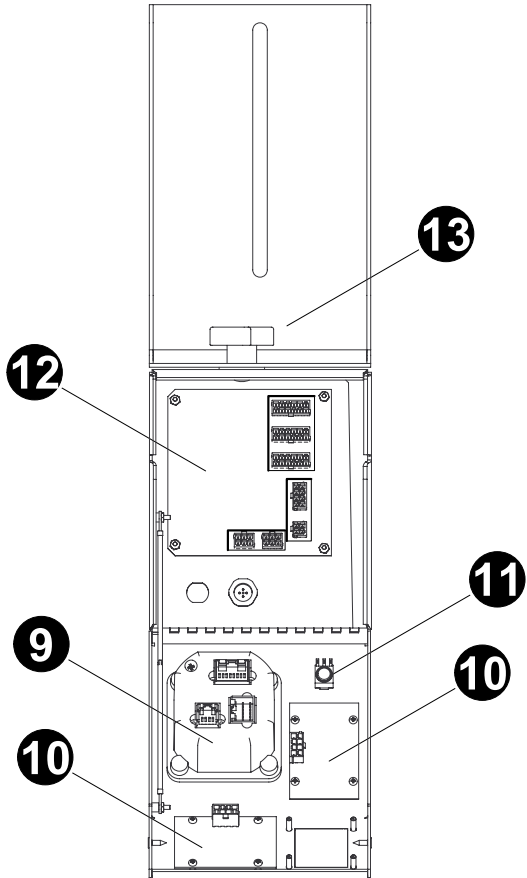
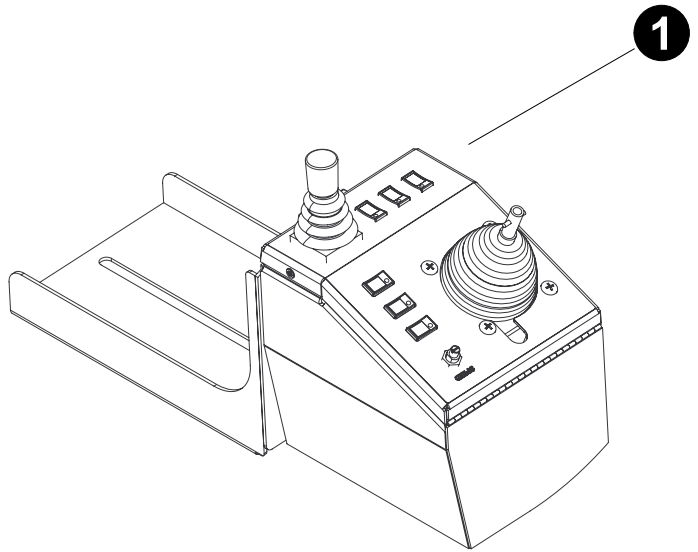
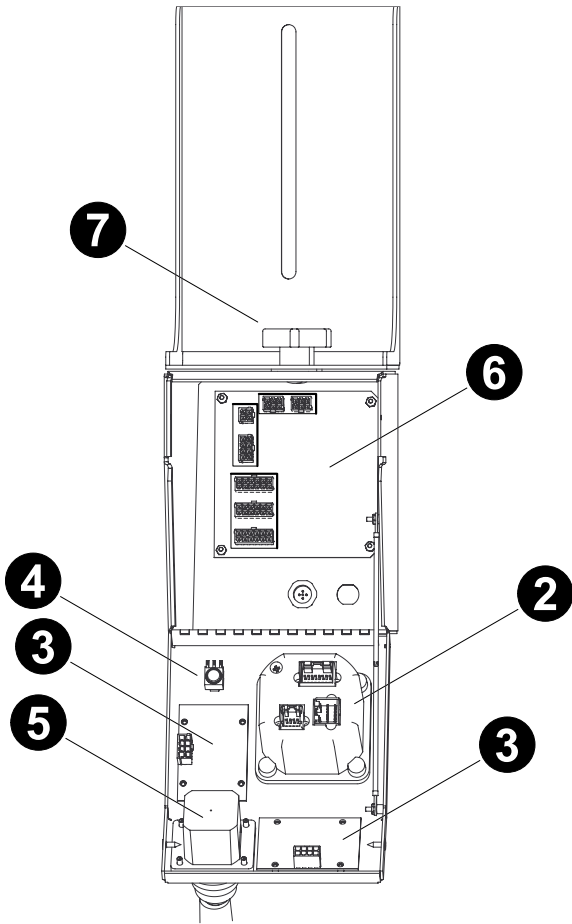
See referenced page for component or assembly breakdown.



Kit or Assembly - includes all items indented underneath.






Included in repair kit

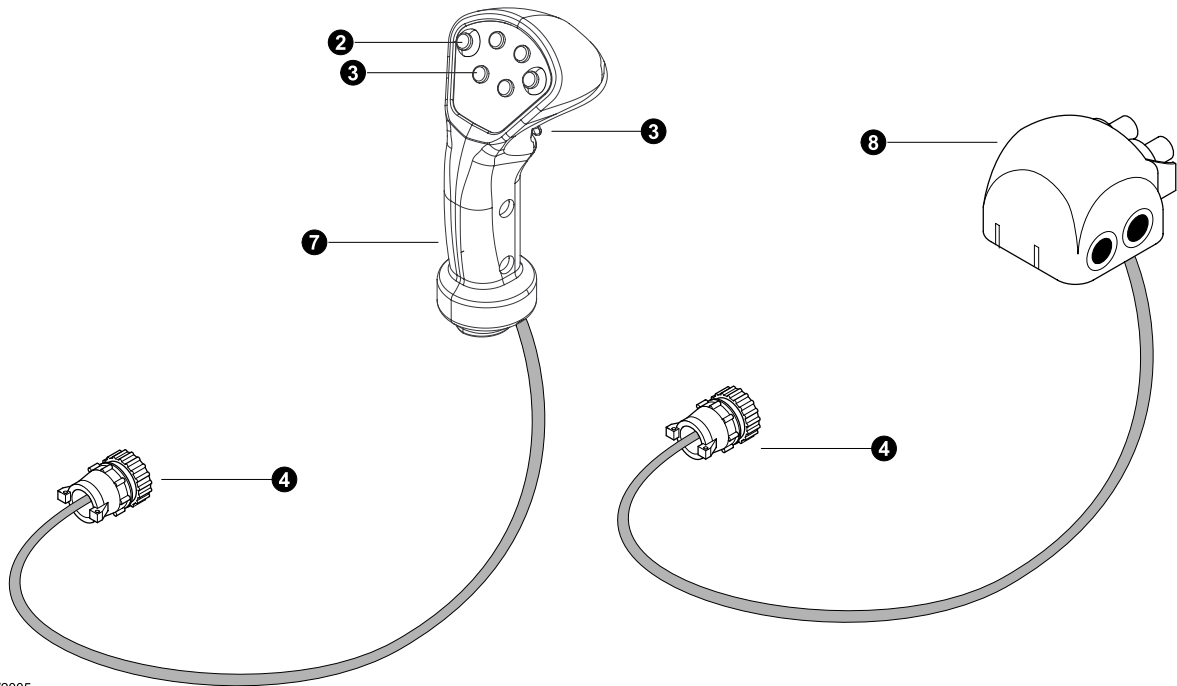
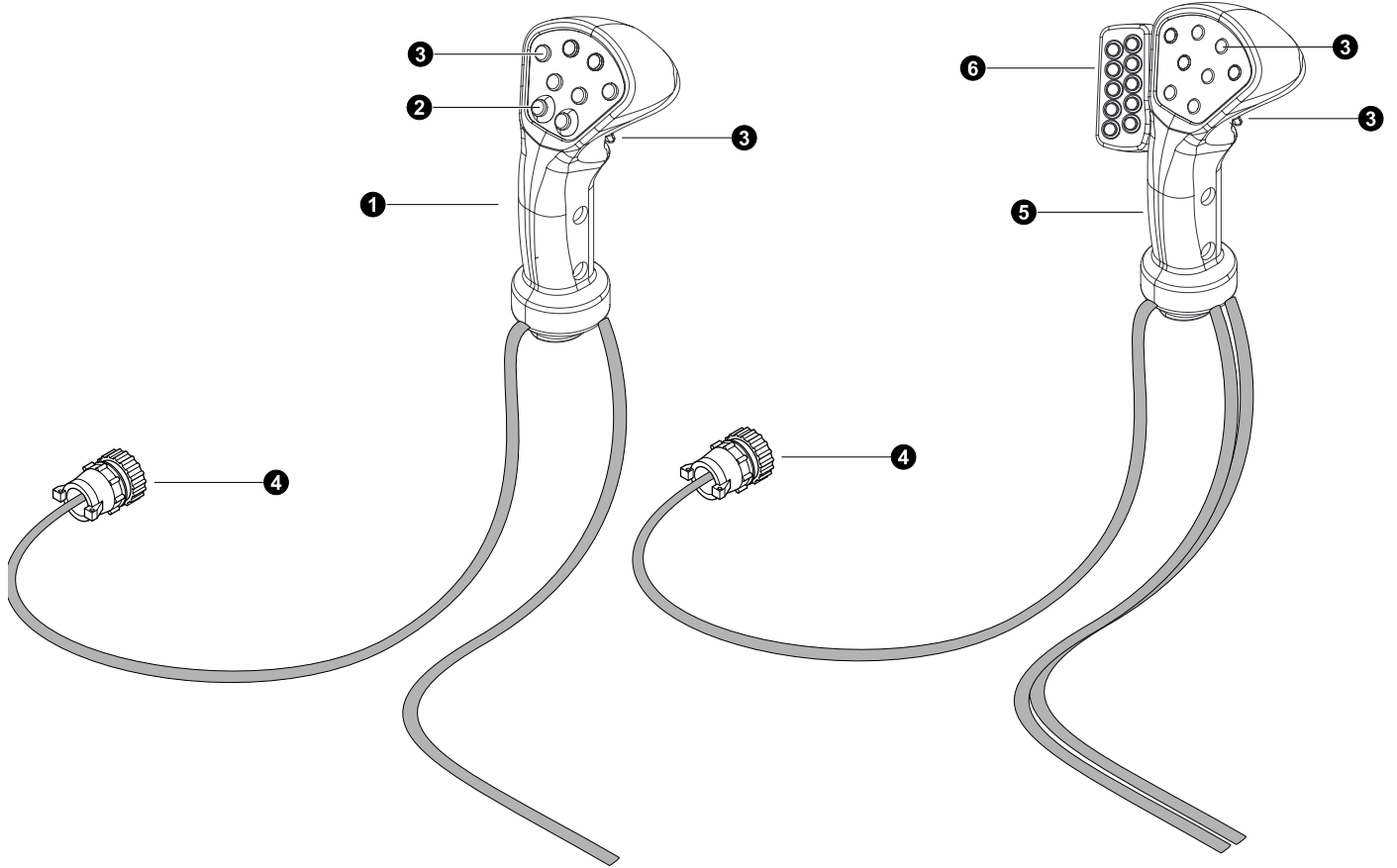


Parts T3803 09/09
18.75

IQAN - LEFT AND RIGHT CONTROL PANELS
(840B-0341-050410 and after)

REF	PART #	QTY		DESCRIPTION	SEE SECTION
1	53898-Rev D	1	☐	POD, ASSEMBLY - Right Joystick (CAN) GS09351-220 Rev D	
2	54126-ES	1		JOYSTICK, MDL (P&G) CAN RIGHT	
-	54124-ES	1		HARNESS, JOYSTICK - MDL CAN	
-	-ES	1		HARNESS, control handle (M06220032RevB)	
3	53818-ES	2		Panel, 3-Switch (M09312-200 Rev A)	
-	-ES	1		HARNESS, 3-Switch panel (M09351-331 Rev A)	
4	-ES	1		POT, Detented (GS06220036REVB)	
5	53269-ES	1		JOYSTICK, Steer (GS07207-037REVA) (optional)	
6	53931-ES	1		BOARD, CAN Driver (jumper wire installed)	
-	-ES	4		SPACER, non-treaded (67714451)	
-	-ES	1		HARNESS, CAN Driver Board (M06220030RevB)	
-	-ES	4		SPACERS, threaded (6738484)	
-	-ES	1		PLATE, CAN Board protection (M09351213REVA)	
-	-ES	4		NUT, nylock	
7	-ES	1		KNOB, 4 prong plastic (DK-57)	
8	53899-Rev E	1	☐	POD, ASSEMBLY - Left Joystick (CAN) GS09351-210 Rev E	
9	54125-ES	1		JOYSTICK, MDL (P&G) CAN LEFT	
-	54124-ES	1		HARNESS, JOYSTICK - MDL CAN	
-	-ES	1		HARNESS, control handle (M06220032RevB)	
10	53818-ES	2		Panel, 3-Switch (M09312-200 Rev A)	
-	-ES	1		HARNESS, 3-Switch panel (M09351-331 Rev A)	
11	-ES	1		POT, Detented (GS06220036REVB)	
12	53932-ES	1		BOARD, CAN Driver (jumper wire removed)	
-	-ES	4		SPACER, non-treaded (67714451)	
-	-ES	1		HARNESS, CAN Driver Board (M06220030RevB)	
-	-ES	4		SPACERS, threaded (6738484)	
-	-ES	1		PLATE, CAN Board protection (M09351213REVA)	
-	-ES	4		NUT, nylock	
13	-ES	1		KNOB, 4 prong plastic (DK-57)	

-  See referenced page for component or assembly breakdown.
-  Kit or Assembly - includes all items indented underneath.
-  Included in repair kit



Parts T3174 07/06/2005
50.00

HANDCONTROL BREAKDOWN

REF	PART #	QTY	DESCRIPTION	SEE SECTION
1	51567-ES	1	HAND CONTROL, SURE GRIP - LH (LOGMAX)	
2	51947-ES	-	SWITCH, PUSH BUTTON REPAIR KIT (PROPORTIONAL)	
-	52094-ES	-	KIT, REPAIR - PROPORTIONAL BUTTON COVER	
3	20961-ES	-	SWITCH, PUSH BUTTON (DIGITAL)	
4	50372-ES	1	CONNECTOR, PLUG - 14 POS AMP	
5	51566-ES	1	HAND CONTROL, SURE GRIP - RH W/KEYPAD (LOGMAX)	
6	52095-ES	10	SWITCH, PUSH BUTTON (SURE GRIP KEYPAD)	
7	51809-ES	1	HAND CONTROL, UPPER - SURE GRIP - Digital and Proportional	
8	50505-ES	1	HAND CONTROL, UPPER - P&G (FORWARDER OPTION)	



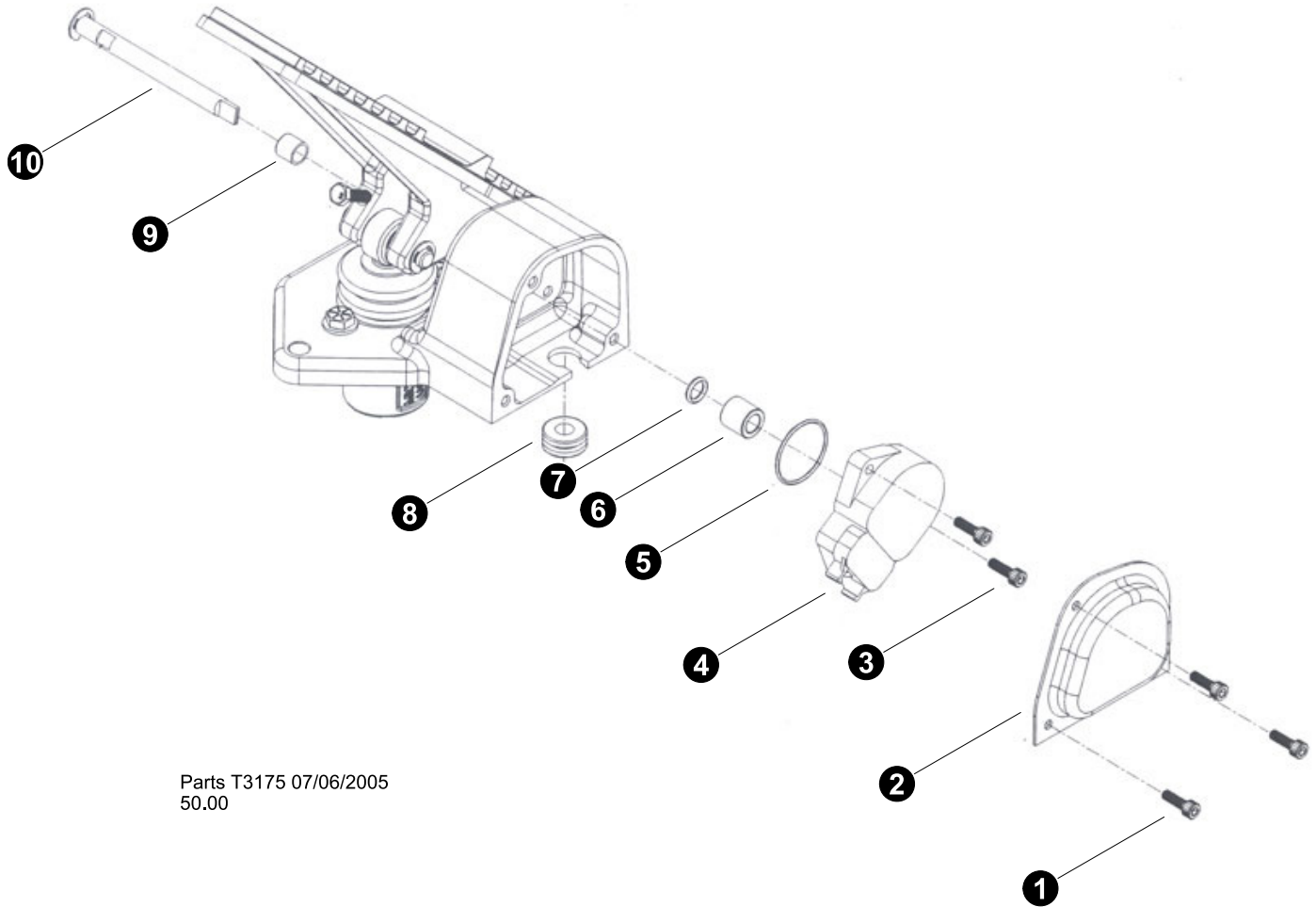
See referenced page for component or assembly breakdown.



Kit or Assembly - includes all items indented underneath.



Included in repair kit

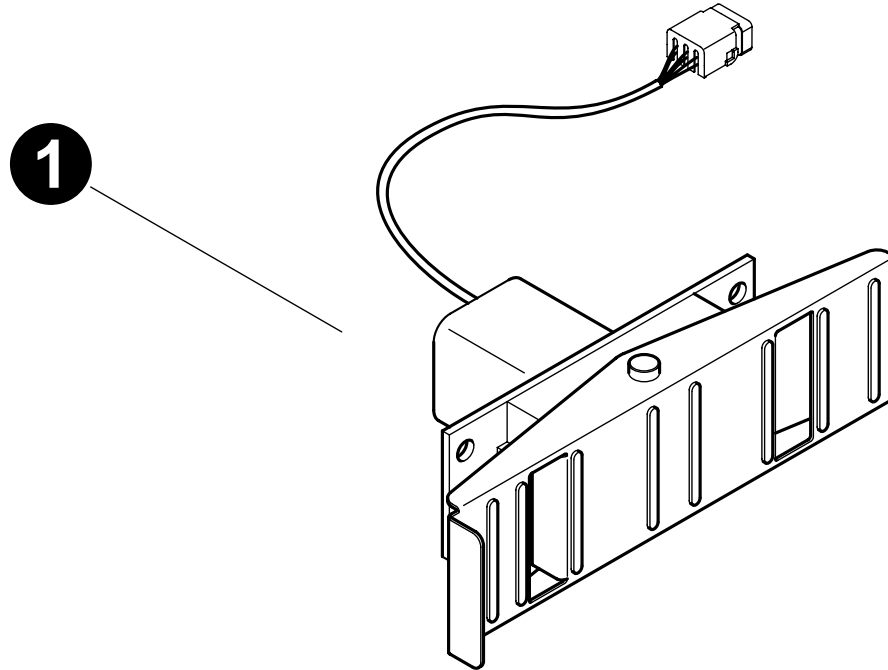


Parts T3175 07/06/2005
50.00

BRAKE PEDAL CONTROL

REF	PART #	QTY	DESCRIPTION	SEE SECTION
-	51626-ES	1	☐ PEDAL, BRAKE CONTROL - ELECTRONIC TF830	
1	-	3	SCREW	
2	-	1	COVER	
3	-	2	⌘ SCREW	
4	-	1	⌘ POSITION SENSOR	
5	-	1	⌘ O-RING	
6	-	1	⌘ BEARING	
7	-	1	⌘ ORING	
8	-	1	⌘ GROMMET	
9	-	1	BEARING	
10	-	1	PIN	
-	52096-ES	1	⌘ KIT, REPAIR - MICO BRAKE PEDAL	

- ☐ See referenced page for component or assembly breakdown.
- ☐ Kit or Assembly - includes all items indented underneath.
- ⌘ Included in repair kit



Parts T3176 07/06/2005
50.00

WHEEL DRIVE CONTROL PEDAL

REF	PART #	QTY	DESCRIPTION	SEE SECTION
1	51491-ES	1	PEDAL, FOOT CONTROL - DUAL AXIS , OTTO CONTROLS (SEALED)	

Disassembly of these components is not recommended.



See referenced page for component or assembly breakdown.

