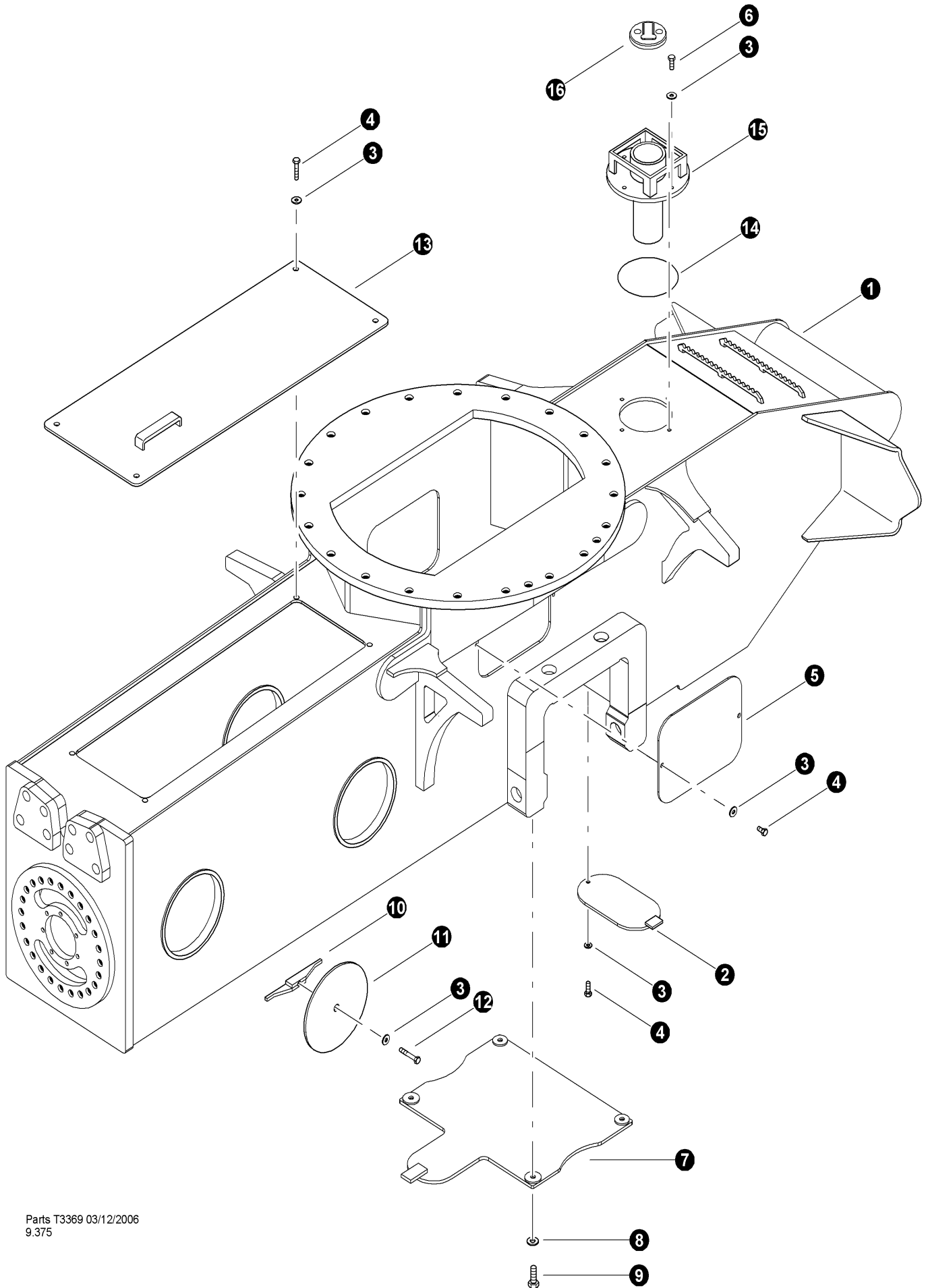



Section FF-1

***TF 830 & 840 Front Frame -
Frame / Covers / Brackets / Steps***

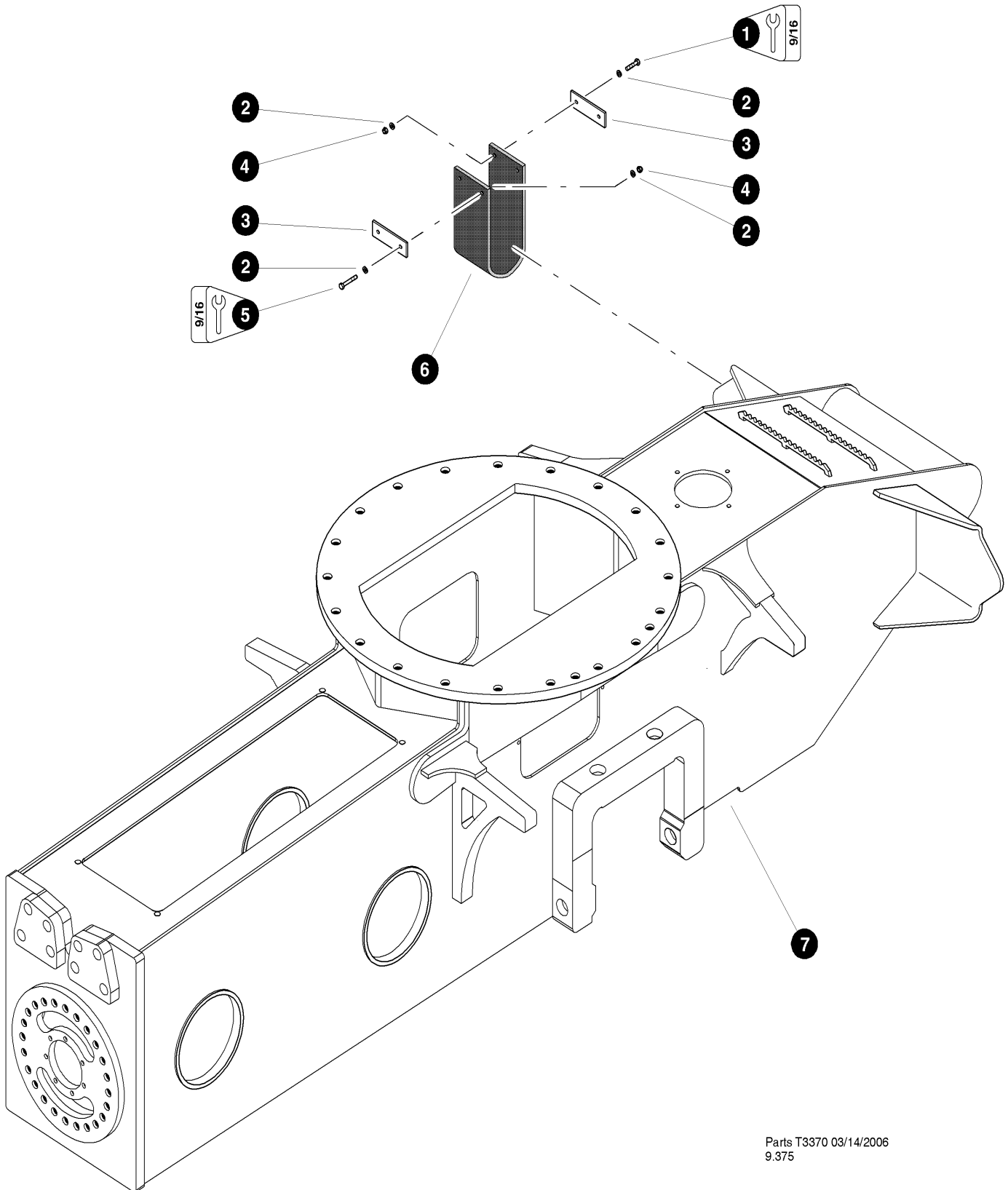


Parts T3369 03/12/2006
9.375

FRONT FRAME AND ACCESS COVERS (Covers and Brackets)


REF	PART #	QTY	DESCRIPTION	SEE SECTION
1	52408-FF	1	WELDMENT, front frame TF 830 / 840	
2	52370-FF	1	COVER, AXLE BOX END (WITH FUEL SENSOR)	
3	15534-FF		WASHER, SAE flat - 1/2"	
4	15528-FF	4	BOLT - 1/2" x 1 1/2"	
5	40894-FF	2	COVER, RISER	
6	10783-FF	7	BOLT - 1/2" x 1"	
7	52215-FF	1	COVER, AXLE BOTTOM	
8	15550-FF	4	WASHER, SAE flat - 3/4	
9	10839-FF	4	BOLT - 3/4" X 1.5"	
10	52358-FF	4	RETAINER, ROUND COVER	
11	52357-FF	4	COVER, ROUND - FRONT FRAME	
12	15565-FF	2	BOLT - 1/2" X 2.5"	
13	52371-FF	1	COVER, TOP REAR	
14	15600-FF	1	O-RING, fuel tank cover	
15	REF	1	 COVER, FUEL	FF-4
16	16585-FF	1	CAP, FUEL (locking)	

 See referenced page for component or assembly breakdown.



Parts T3370 03/14/2006
9.375

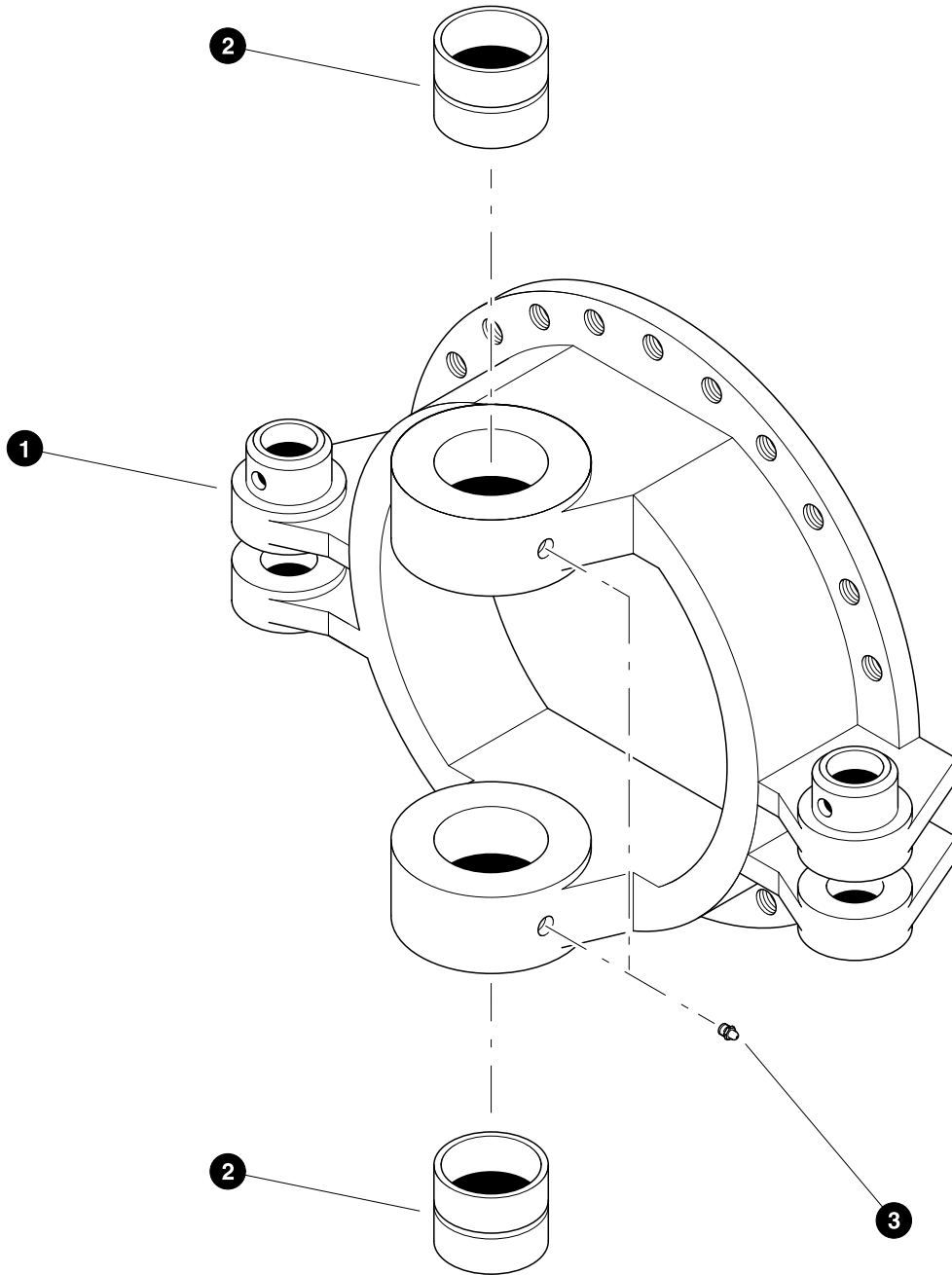
FRAME STEPS INSTALLATION

REF	PART #	QTY	DESCRIPTION	SEE SECTION
1	20084-FF	2	BOLT - 3/8" x 1-3/4"	
2	15528-FF	8	WASHER, SAE flat - 3/8"	
3	20209-FF	2	RETAINER, rubber step	
4	10813-FF	8	NUT, lock - 3/8"	
5	20084-FF	2	BOLT - 3/8" x 1-3/4"	
6	20210-FF	1	STEP, rubber	
7	REF.	1	 FRONT FRAME WELDMENT.....	FF-1

 See referenced page for component or assembly breakdown.

Section FF-2

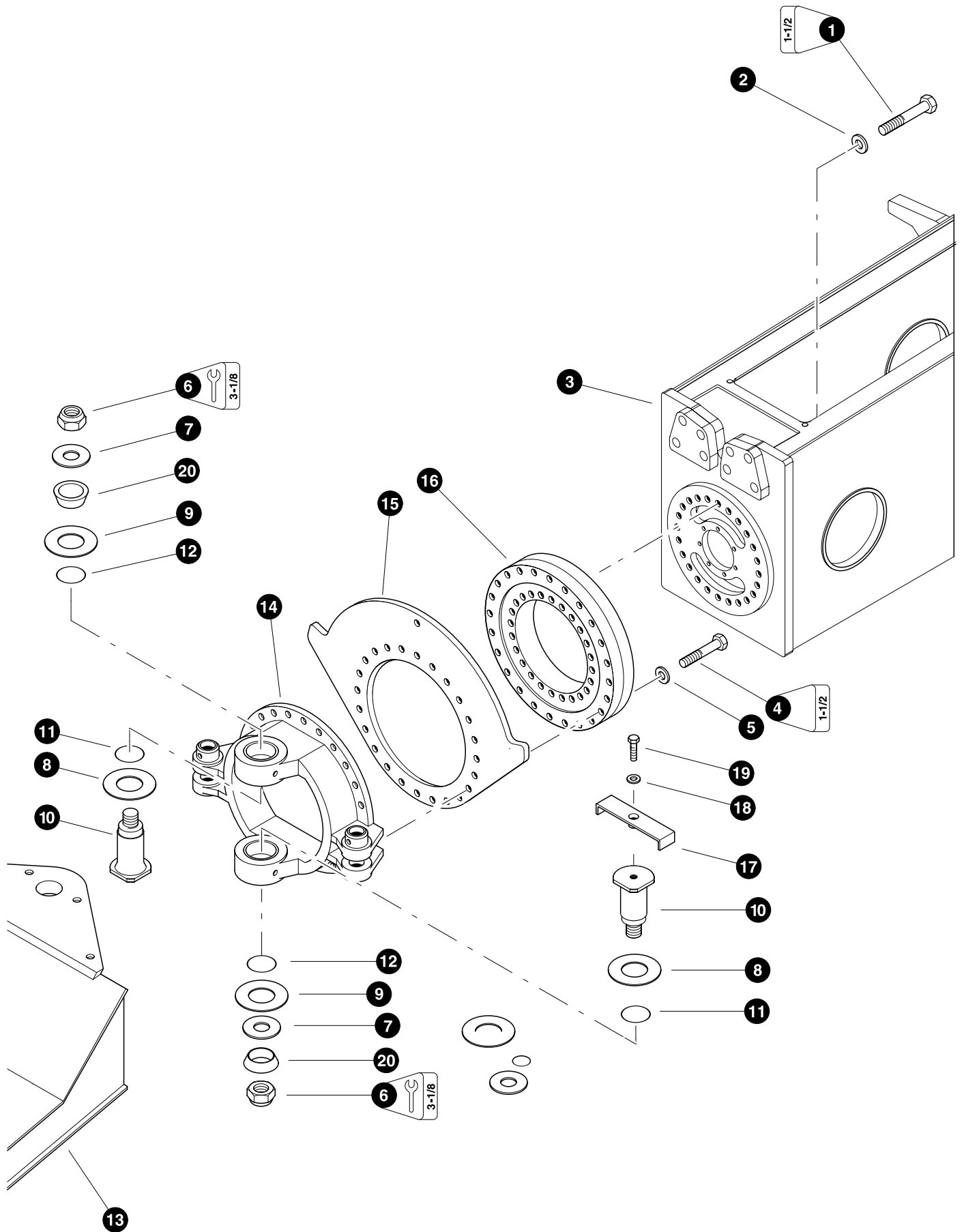
830/840 Front Frame - Component Installation



FRAME ARTICULATION CASTING




REF	PART #	QTY		DESCRIPTION	SEE SECTION
1	52038-FF	1	<input type="checkbox"/>	CASTING, HINGE PLATE - 830 3.5 PIN	
2	52021-FF	2		BUSHING - 3.5" X 3.75"(STRAIGHT GROOVES)	
3	10704-FF	2		FITTING, grease - 1/8" pipe thread	


- Kit or Assembly - includes all items indented underneath.

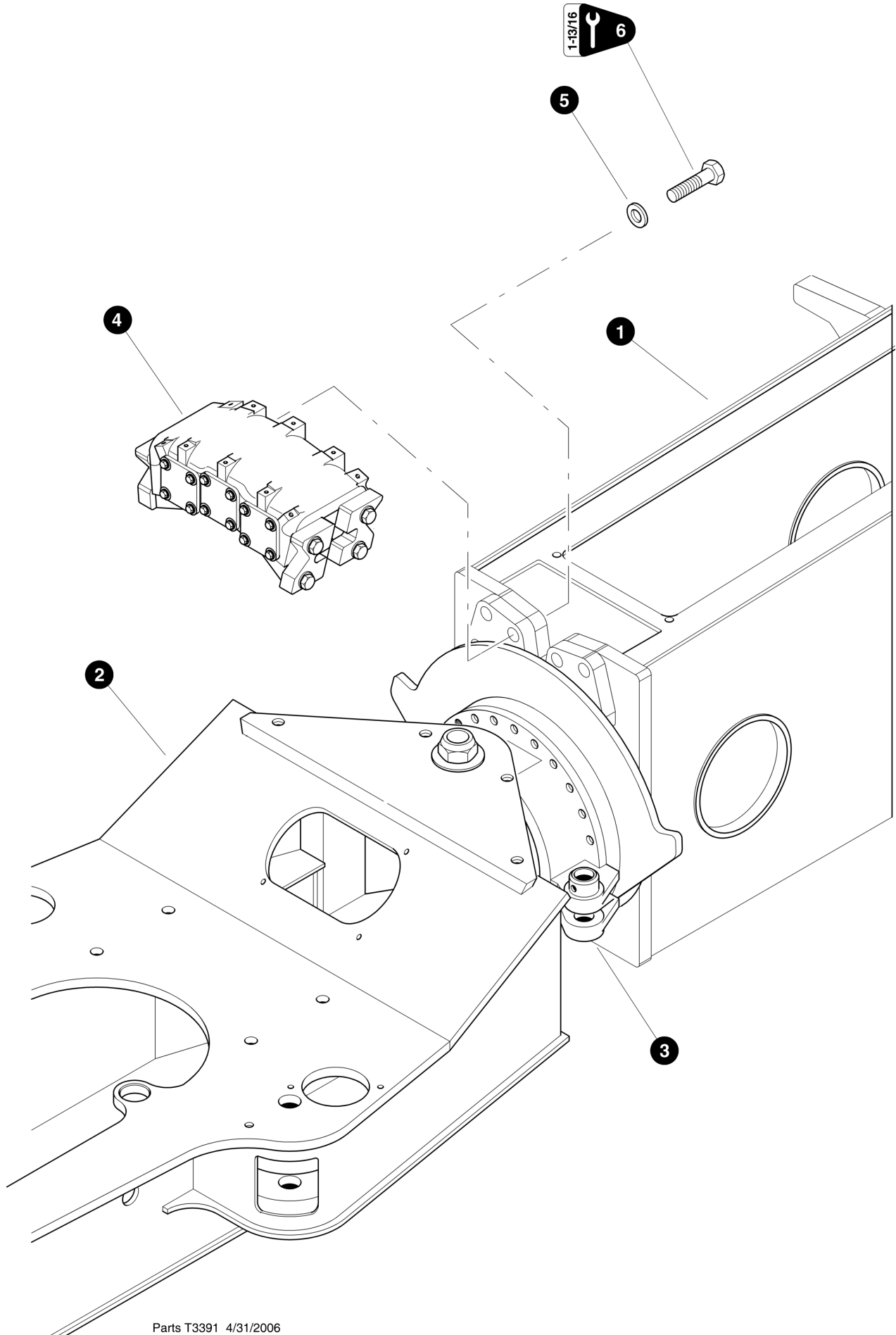


Parts T3642 08/08
9.375

FRAME ARTICULATION INSTALLATION





REF	PART #	QTY	DESCRIPTION	SEE SECTION
1	23387-FF	24	BOLT - 1" x 6-1/2" (Torque to 1000 ft.lbs (1330 Nm) 1.5" Bearing Plate - machine 0273-081508 and before	
1	18672-FF	24	BOLT - 1" X 7-1/2" (Torque to 1000 ft.lbs (1330 Nm) 2" Bearing Plate - machine 0275-082708 and after	
2	18532-FF	24	WASHER, SAE FLAT - 1" (EXTRA THICK)	
3	REF.	1	 FRONT FRAME WELDMENT.	FF-1
4	18672-FF	24	BOLT - 1" x 7-1/2" (Torque to 1000 ft.lbs (1330 Nm))	
5	15579-FF	24	WASHER, SAE flat - 1"	
6	10728-FF	2	NUT, nylock - 2"	
7	51499-FF	2	WASHER, articulation pin (3/8" thick)	
8	23106-FF	2	WASHER, thrust - thin (Brass)	
9	23105-FF	2	WASHER, thrust - thick (Brass)	
10	52023-FF	2	PIN - 3.5 X 10.75" TAPERED	
11	21577-FF	2	O-RING - thin	
12	24546-FF	2	O-RING - thick	
13	REF.	1	 REAR FRAME WELDMENT.	FR-1
14	REF.	1	 FRAME ARTICULATION CASTING	FF-2
15	80830-FF	1	PLATE, braking	
16	24999-FF	1	BEARING, articulation	
17	52490-FF	2	BRACKET, HOSE HOLD DOWN 830W/FRT TRANS	
18	15550-FF	1	WASHER, SAE flat - 3/4"	
19	10839-FF	1	BOLT - .75" X 1.5"-FF	
20	52040-FF	2	HUB, TAPERED 3.5"	


 See referenced page for component or assembly breakdown.

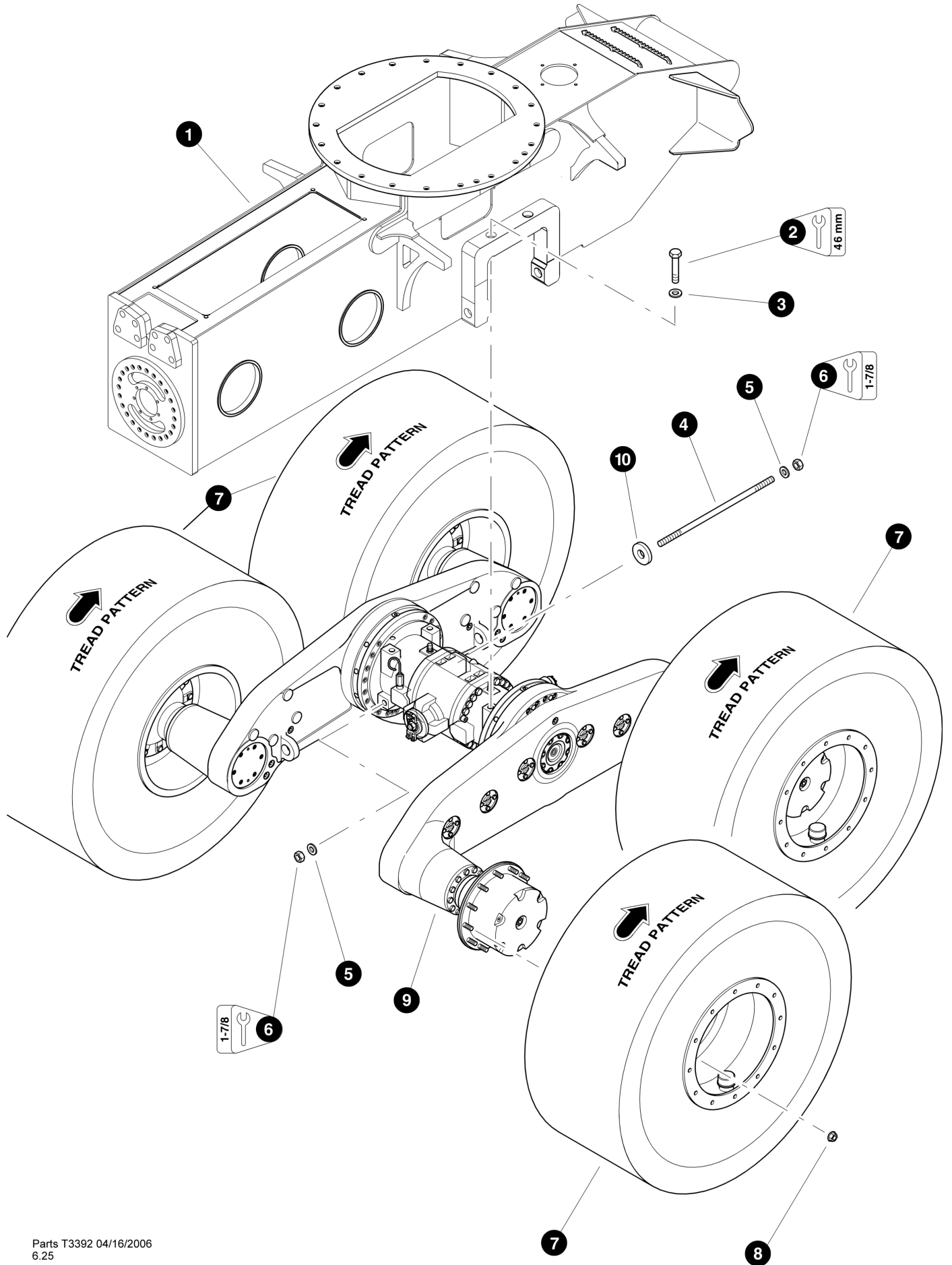


Parts T3391 4/31/2006
12.50

FRAME LOCK BRAKE INSTALLATION




REF	PART #	QTY	DESCRIPTION	SEE SECTION
1	REF	1	 FRONT FRAME WELDMENT	FF-1
2	REF.	1	 REAR FRAME WELDMENT.....	FR-1
3	REF.	1	 FRAME ARTICULATION CASTING	FF-2
4	REF.	1	 FRAME LOCK BRAKE	FF-5
5	22531-FF	8	WASHER - 1-1/4"	
6	23351-FF	8	BOLT - 1-1/4" x 4-1/2" NF	

 See referenced page for component or assembly breakdown.

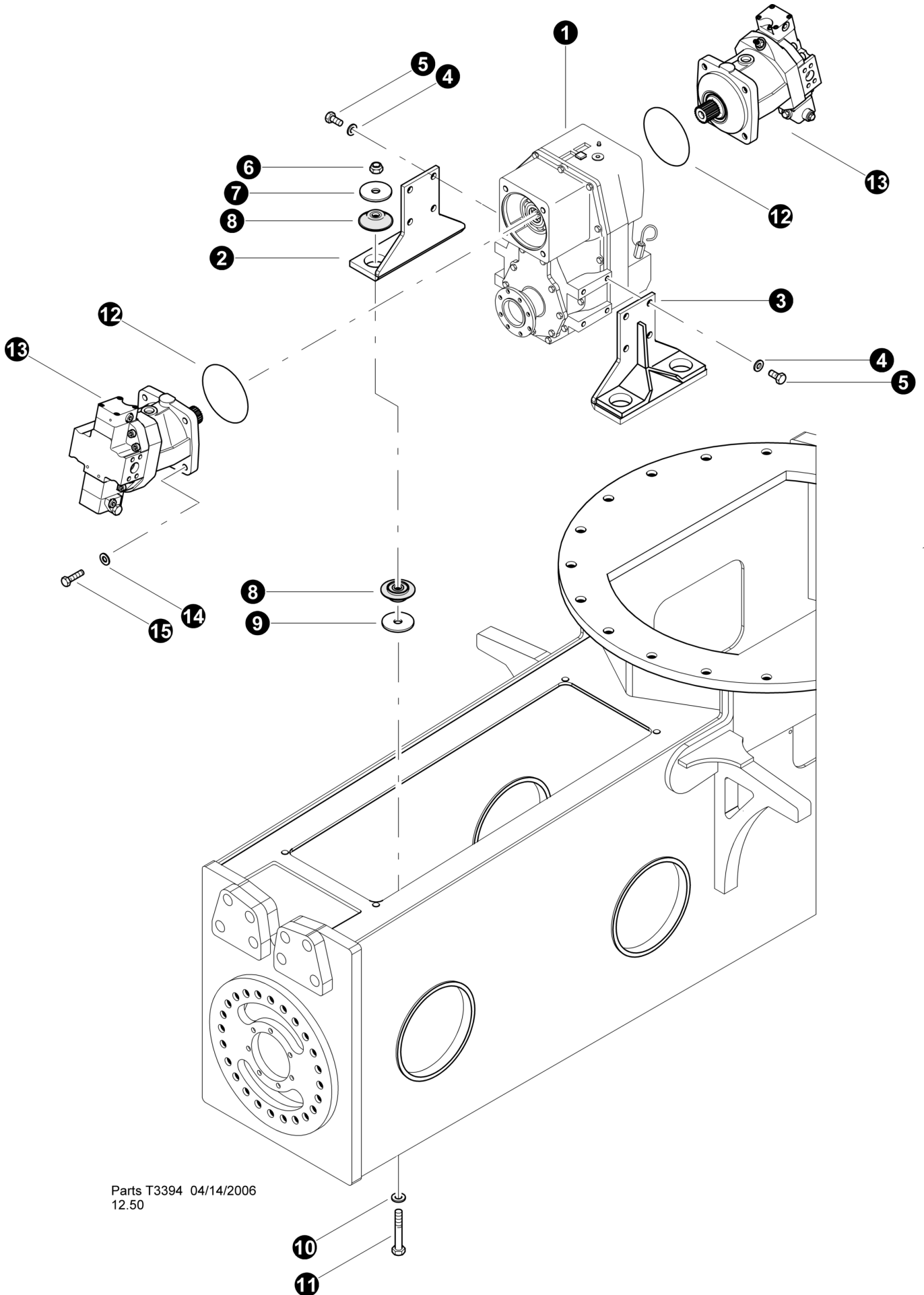


Parts T3392 04/16/2006
6.25

FRONT AXLE INSTALLATION

REF	PART #	QTY	DESCRIPTION	SEE PAGE
1	REF.	1	 FRONT FRAME WELDMENT	FF-1
2	23567-FF	4	BOLT - 30mm-3.5P x 220mm (Torque to 1100 ft.lbs. (1465 Nm))	
3	23990	4	WASHER, SAE FLAT - 1.25" (EXTRA THICK)	
4	52485-FF	2	STUD - 1.25" - 7 X 27.50"	
5	22531-FF	4	WASHER, SAE flat - 1-1/4"	
6	23989-FF	4	NUT, lock - 1-1/4" (Torque to 1200 ft.lbs. (1600 Nm))	
7	REF.	4	 WHEEL ASSEMBLY	AX-3
8	19361-FF	48	NUT, lug (Torque to 600 ft.lbs. (800 Nm))	
9	REF.	1	 FRONT AXLE	AX-1
10	24003-FF	2	SPACER, axle spreader stud	


 See referenced page for component or assembly breakdown.



Parts T3394 04/14/2006
12.50

TRANSFER CASE / GEARBOX AND MOTOR INSTALLATION

REF	PART #	QTY	DESCRIPTION	SEE PAGE
1	REF	1	Transfer Case NAF	AX-4
2	52119-FF	1	MOUNT, TRANSMISSION TIM-15 TF810-840	
3	52119-FF	1	MOUNT, TRANSMISSION TIM-15 TF810-840	
4	50447-FR	8	WASHER, FLAT - 16MM	
5	50382-FR	8	BOLT - 16mm 2.00 X 40mm (Torque to 180 ft-lbs) (See Note #1 Below)	
6	10817-FR	4	NUT, lock 3/4"	
7	17918-FR	8	WASHER, isolator mount .875"	
8	17904-FR	8	ISOLATOR	
9	17918-FR	8	WASHER, isolator mount .875"	
10	15550-FR	8	WASHER, SAE flat - 3/4"	
11	10844-FR	4	BOLT - 3/4" x 5"	
12	20967-FR	2	O-RING, WHEEL DRIVE MOTOR PILOT (FWD)	
13	REF	1	WHEEL DRIVE MOTOR.	FF-4
14	42110-FR	8	WASHER, FLAT - 20MM	
15	18525-FR	8	BOLT, - 20mm X 50 mm (See Note #1 Below) (Torque to 180 ft-lbs)	

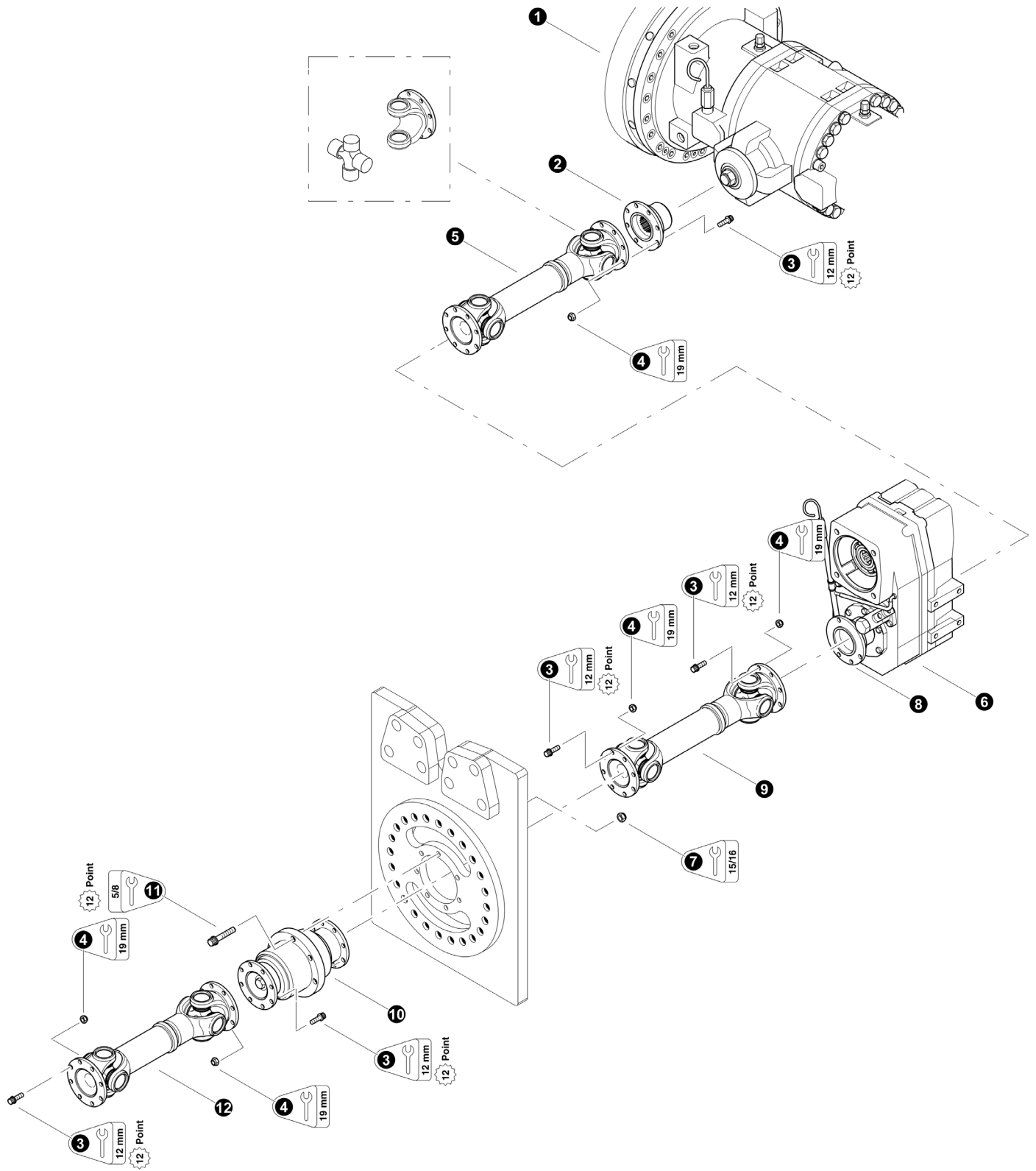
-  See referenced page for component or assembly breakdown.
- Kit or Assembly - includes all items indented underneath.

Note #1:

Use Loctite 243 (blue) on threads during installation.


Note #2:


Use Loctite 271 (red) on threads during installation.



Parts T3394 04/14/2006
12.50

FRONT DRIVE-SHAFT INSTALLATION

REF	PART #	QTY	DESCRIPTION	SEE PAGE
1	REF.	1	 FRONT AXLE	AX-1
2	23997-FF	1	YOKE, companion flange - axle (Torque nut to 590 ft lbs.(800 Nm) (see note #2))	
3	50261-FF	48	BOLT, 12 point - 12mm-1.75P x 35mm (See Note #1 Below)	
4	50262-FF	48	NUT, lock - 12mm	
5	50283-FF	1	<input type="checkbox"/> DRIVE SHAFT, (Transfer Case to front axle)(464295-61)	
	-----	2	FITTING, 90° grease - 10mm	
	50466-FF	2	KIT, CROSS & BEARING	
	50467-FF	2	YOKE, FLANGE (90mm)	
6	REF	1	Transfer Case NAF	AX-4
7	10816-FF	6	NUT, lock - 5/8"	
8	-FF	2	YOKE, HD flange - NAF Transercase (7521.238)	
9	23996-FF	1	<input type="checkbox"/> DRIVE SHAFT (Transfer Case to Carrier Bearing) (445731-61)	
	-----	2	FITTING, 90° grease - 10mm	
	50466-FF	2	KIT, CROSS & BEARING	
	50467-FF	2	YOKE, FLANGE (90mm)	
10	25218-FF	1	IDLER, driveshaft (HD)	
11	50050	6	BOLT, 12 point - 5/8" x 3" (See Note #1 Below) (Torque to 130 ft.lbs. (175 Nm))	
12	25968-FF	1	<input type="checkbox"/> DRIVE SHAFT (Center joint) (20" (503mm) C/L-C/L) (fits all TF front frames with HD driveshafts) (457176-61)	
	-----	2	FITTING, 90° grease - 10mm	
	50466-FF	2	KIT, CROSS & BEARING	
	50467-FF	2	YOKE, FLANGE (90mm)	

-  See referenced page for component or assembly breakdown.
- Kit or Assembly - includes all items indented underneath.

Note #1:

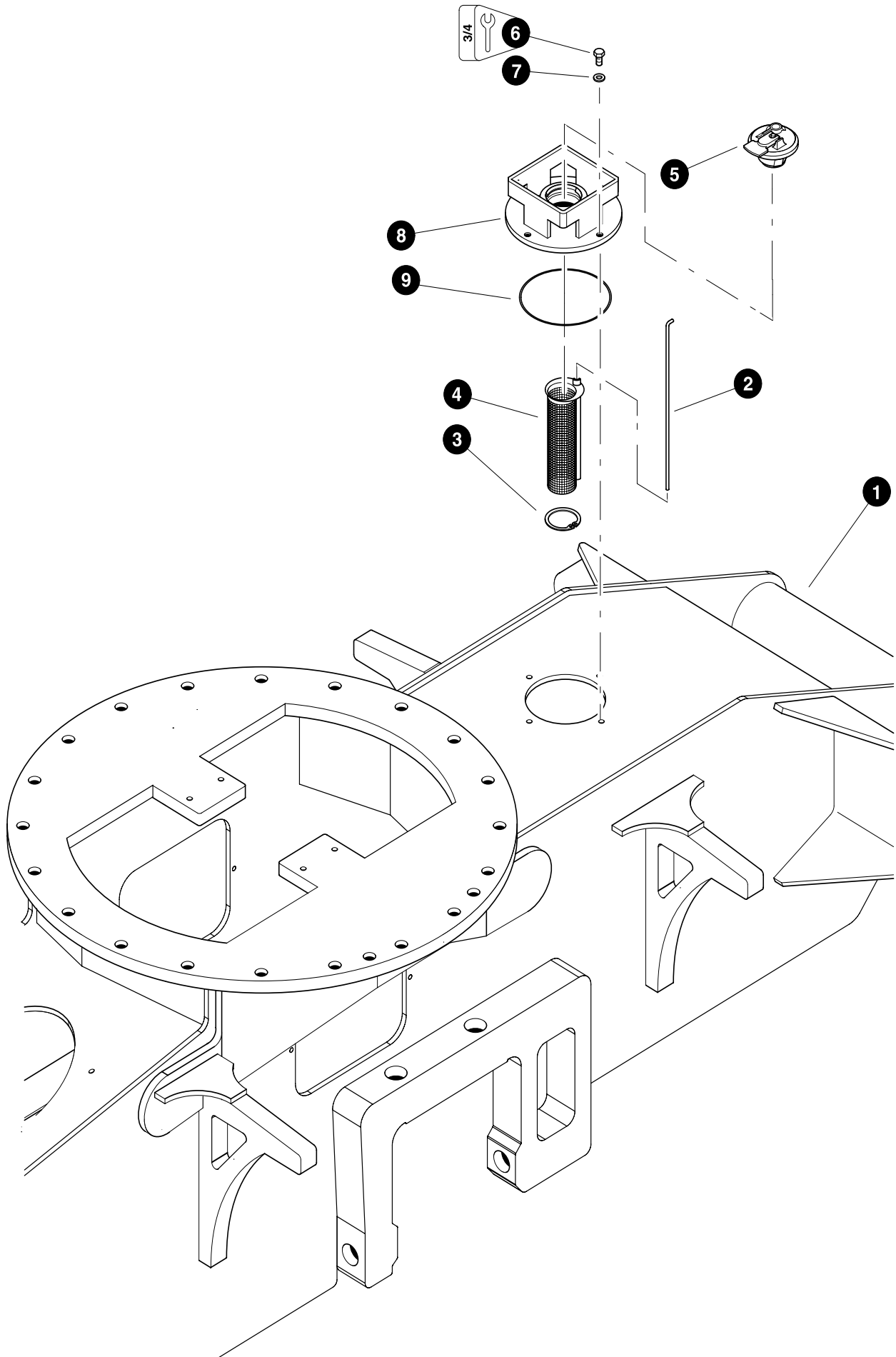
Use Loctite 243 (blue) on threads during installation.

Note #2:


Use Loctite 271 (red) on threads during installation.

Section FF-3

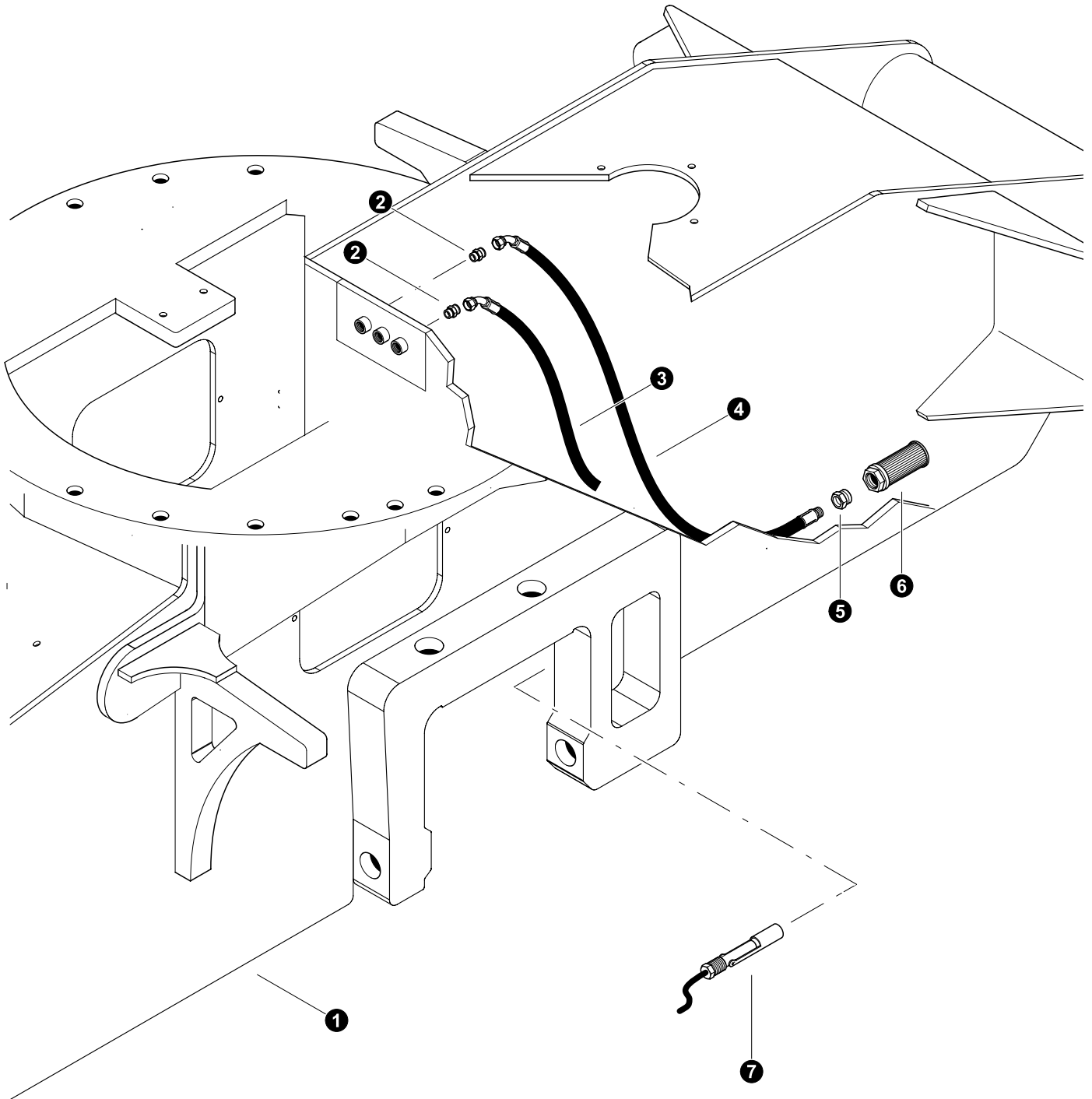
830 / 840 Front Frame - Fuel Tank Components



FUEL FILL STRAINER INSTALLATION

REF	PART #	QTY	DESCRIPTION	SEE SECTION
1	REF.	1	 FRONT FRAME WELDMENT.	FF-1
2	17492-FF	1	DIPSTICK, fuel level	
3	17115-FF	1	RING, snap - fuel strainer retainer	
4	17114-FF	1	STRAINER, fuel	
5	16585-FF	1	CAP, fuel	
6	10783-FF	4	BOLT - 1/2" x 1"	
7	15534-FF	4	WASHER, SAE flat - 1/2"	
8	16516-FF	1	COVER, fuel tank	
9	15600-FF	1	O-RING - 8"	


 See referenced page for component or assembly breakdown.




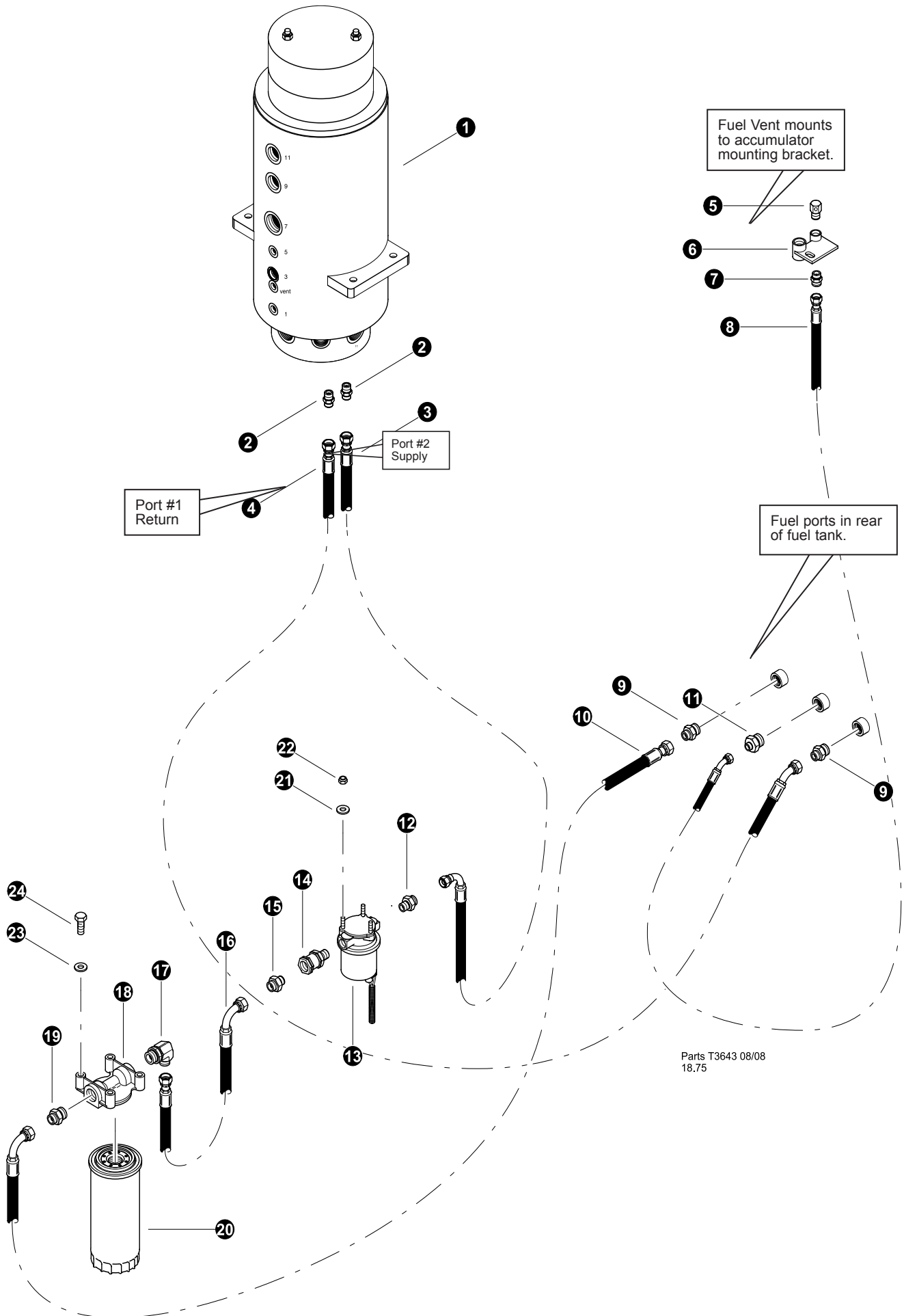
Parts T3059 04/19/2005
12.50

FUEL LINES

(Supply & Return Lines Inside Fuel Tank)

REF	PART #	QTY	DESCRIPTION	SEE SECTION
1	REF.	1	 FRONT FRAME WELDMENT.	FF-1
2	15117-FF	2	CONNECTOR, straight - FF1852T-0808S	
3	50576-FF	1	HOSE ASSEMBLY - 2018-08-0809-open (Fuel return)	
4	50577-FF	1	HOSE ASSEMBLY - 2067-08-0809-08MPS (Fuel supply)	
5	15513-FF	1	BUSHING, REDUCER - 5406-12-8	
6	17271-FF	1	FILTER, screen	
7	51379-FF		SWITCH, HYD.or Fuel OIL LEVEL .50 NPT GEMS	


 See referenced page for component or assembly breakdown.



Parts T3643 08/08
18.75

FUEL LINES

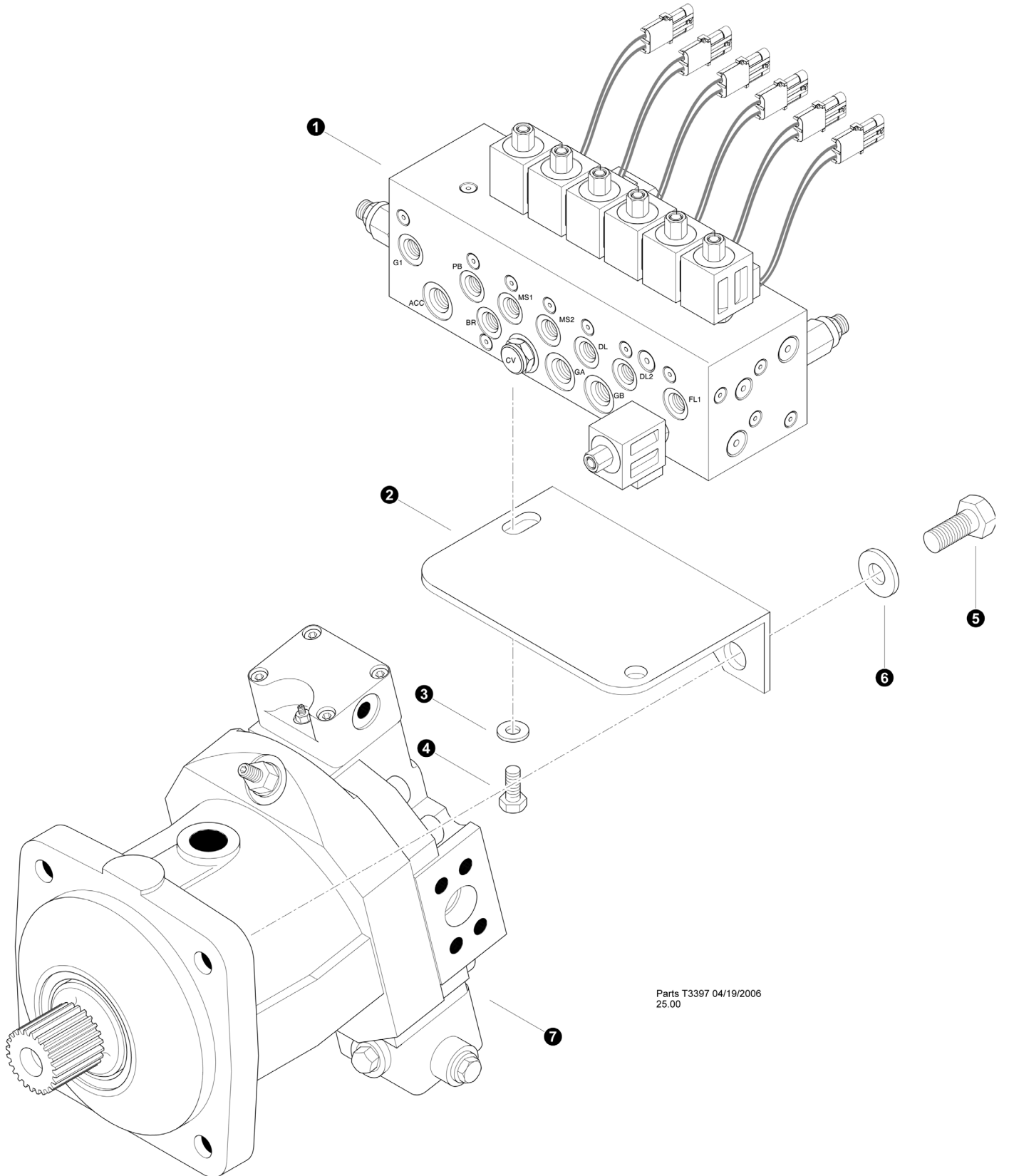
(Supply & Return Lines From Fuel Tank To Rotary Manifold)

REF	PART #	QTY	DESCRIPTION	SEE SECTION
1	REF.	1	 ROTARY MANIFOLD	UP-1
2	18034-FF	2	CONNECTOR, STR - FF1852T-0606S	
3	-FF	1	HOSE ASSEMBLY - 2041-06-060S-0609 (Fuel supply from rotary manifold port #2 to fuel tank)	
4	-FF	1	HOSE ASSEMBLY - 2031-06-060S-0604 (Fuel return from rotary manifold port #1 to fuel lift pump)	
5	22906-FF	1	BREATHER, fuel vent	
6	52218-FF	1	BRACKET, VENT MOUNT (.50&.25NPT)VERT.	
7	15131-FF	1	CONNECTOR, straight - FF2031T-0404S	
8	-FF	1	HOSE ASSEMBLY - 2022.5-04-040S-0404 (Fuel tank vent port to fuel vent breather)	
9	22902-FF	1	CONNECTOR, STR - 848-TT-08x06	
10	-FF	1	HOSE ASSEMBLY - 2070-06-060S-0609 (Fuel tank supply to lower filter inlet)	
11	15504-FF	1	CONNECTOR, straight - FF2031T-0408S	
12	51878-FF	1	CONNECTOR, STR - MALE PIPE (6-6 FL0-S)	
13	21966-FF	1	PUMP, fuel - 12 volt	
14	15652-FF	1	VALVE, check	
15	51878-FF	1	CONNECTOR, STR - MALE PIPE (6-6 FL0-S)	
16	-FF	1	HOSE ASSEMBLY - 2070-06-060S-0609 (Fuel filter outlet to fuel pump inlet)	
17	23084-FF	1	ELBOW, 90 - 6-10 C5OLO-S	
18	16574-FF	1	MOUNT, filter head	
19	51885-FF	1	CONNECTOR, STR - (6-10 F50L0-S)	
20	16575-FF	1	FILTER, spin-on fuel	
21	10757-FF	3	WASHER, SAE flat - 1/4"	
22	10755-FF	3	NUT, hex - 1/4"	
23	15559-FF	2	WASHER, SAE FLAT - .3125"	
24	15605-FF	2	BOLT - .3125" X .75"	


 See referenced page for component or assembly breakdown.


Section FF-4

830 / 840 Front Frame - Lower Solenoid Manifold Circuits and Components Breakdown



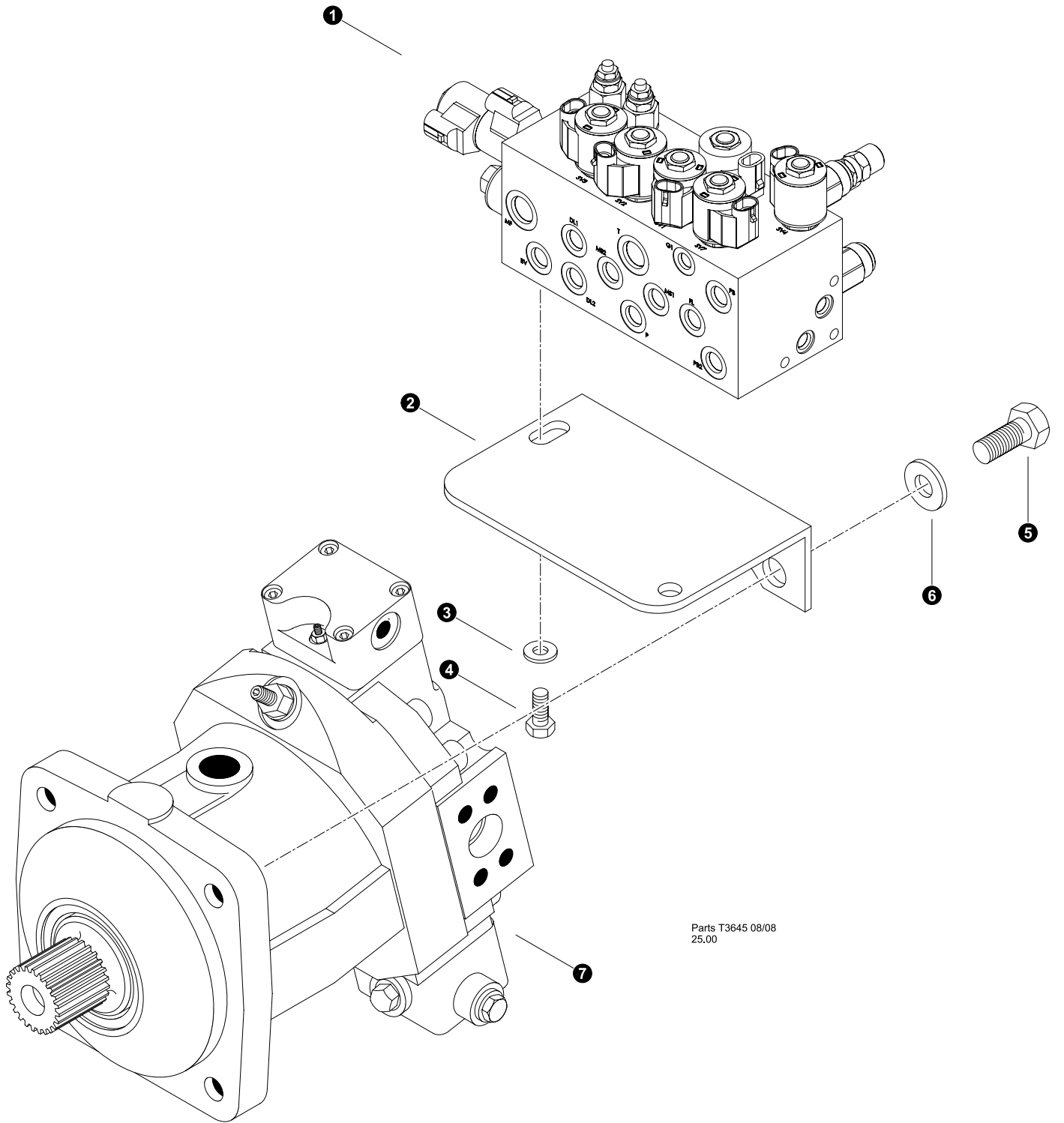
**Lower Solenoid Manifold Circuits
and Components Breakdown
(Lower Solenoid Manifold Mounting)
SN - 0251 and before**

REF	PART #	QTY	DESCRIPTION	SEE SECTION
1	REF.	1	 LOWER SOLENOID MANIFOLD	FF-4
2	52380-FF	1	BRACKET, MANIFOLD MOUNT FRT FRAME	
3	10802-FF	2	WASHER, flat - 3/8"	
4	15542-FF	2	BOLT - .375" X .75"	
5	18525-FR	8	BOLT, - 20mm X 50 mm (See Note #1 Below) (Torque to 180 ft-lbs)	
6	42110-FR	8	WASHER, FLAT - 20MM	


 See referenced page for component or assembly breakdown.

Note #1:

Use Loctite 242 (BLUE) during install.



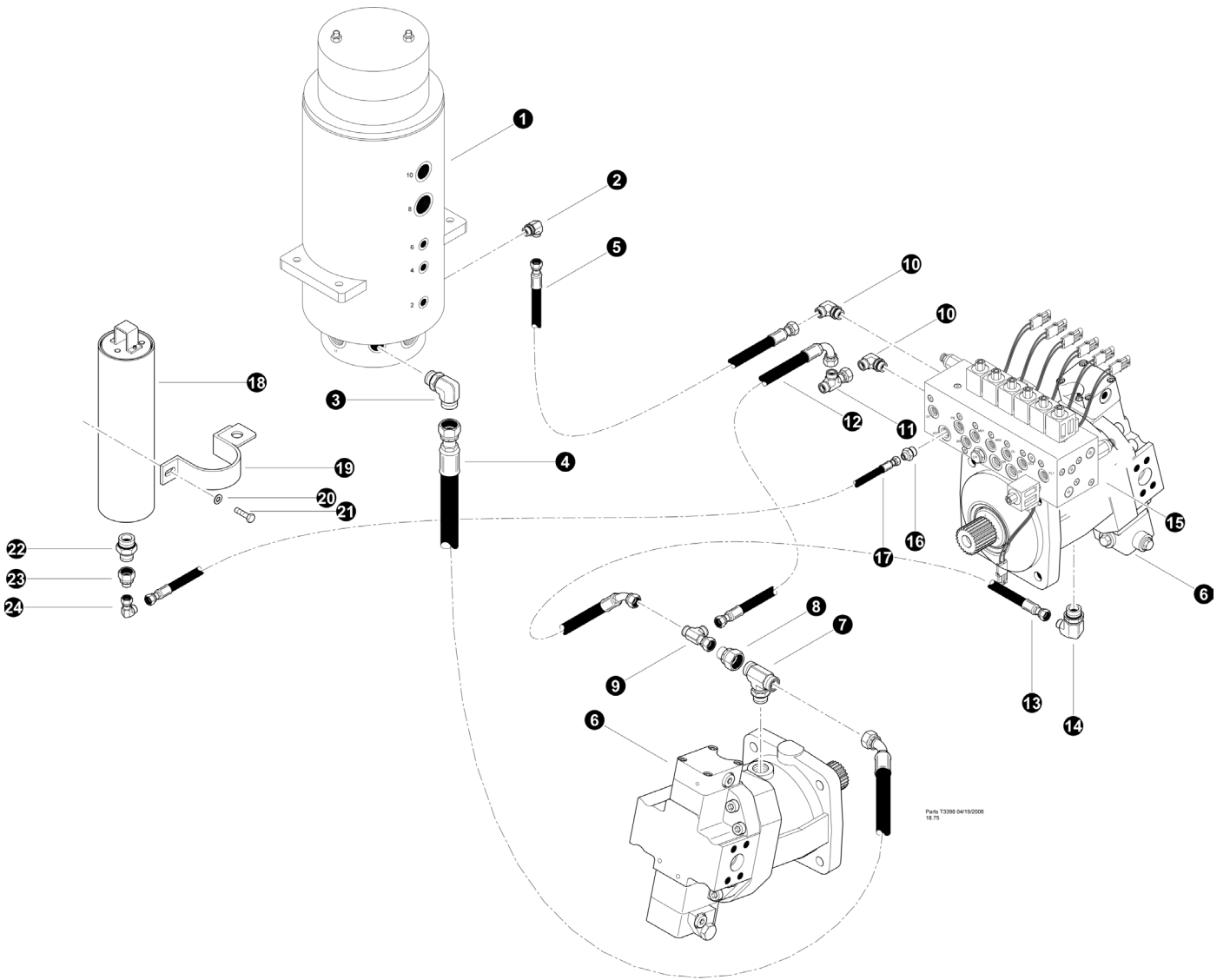
**Lower Solenoid Manifold Circuits
and Components Breakdown
(Lower Solenoid Manifold Mounting)
SN - 0252 and After**

REF	PART #	QTY	DESCRIPTION	SEE SECTION
1	REF.	1	 LOWER SOLENOID MANIFOLD	FF-4
2	52380-FF	1	BRACKET, MANIFOLD MOUNT FRT FRAME	
3	10802-FF	2	WASHER, flat - 3/8"	
4	15542-FF	2	BOLT - .375" X .75"	
5	18525-FR	8	BOLT, - 20mm X 50 mm (See Note #1 Below) (Torque to 180 ft-lbs)	
6	42110-FR	8	WASHER, FLAT - 20MM	





 See referenced page for component or assembly breakdown.

Note #1:

Use Loctite 242 (BLUE) during install.

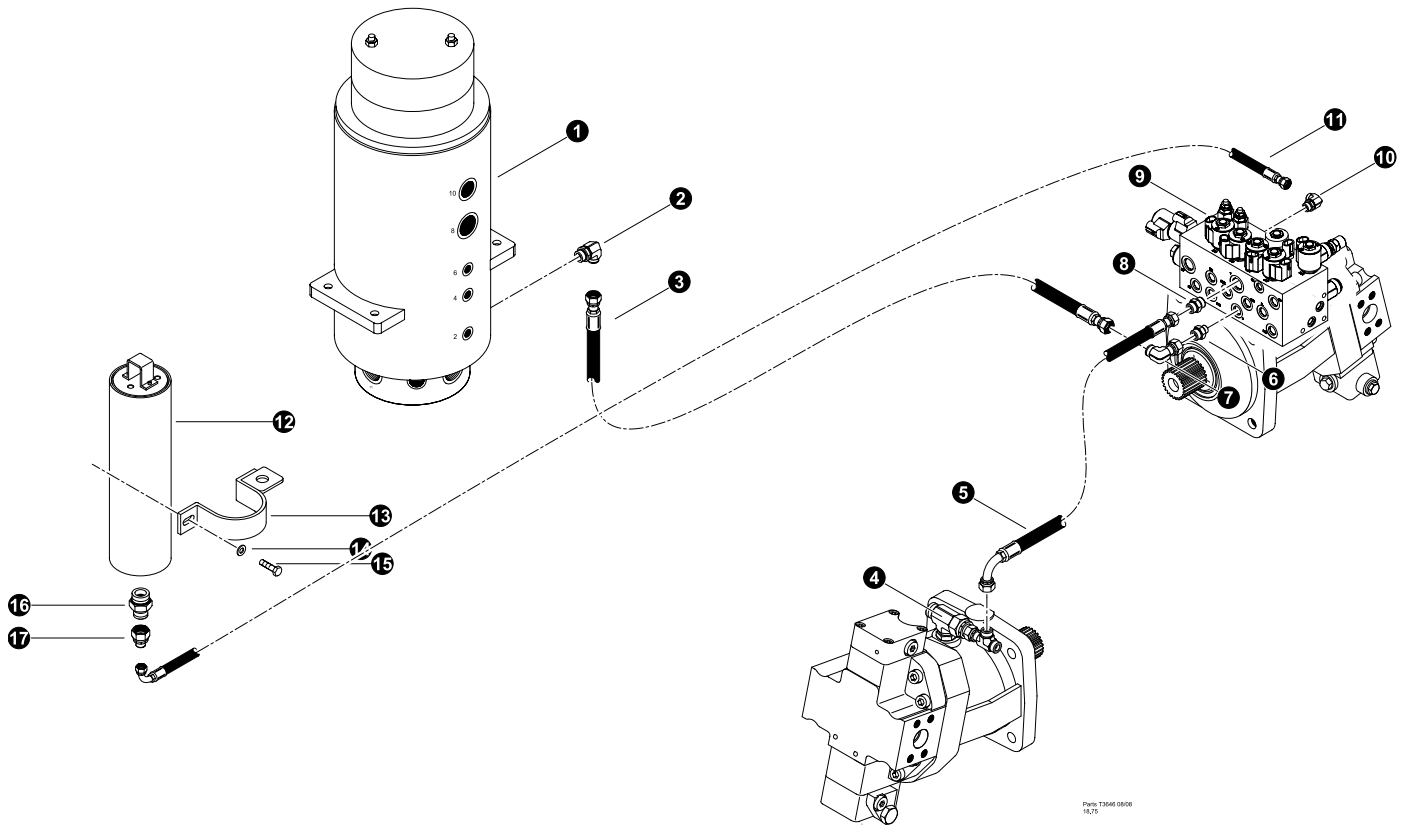


Lower Solenoid Manifold Circuits and Components Breakdown (Lower Manifold - Pressure and Tank Connections) SN - 0251 and before





REF	PART #	QTY		DESCRIPTION	SEE PAGE
1	REF.	1		ROTARY MANIFOLD	UP-1
2	22405-FF	1		ELBOW, 90 - 8-6 C5OLO-S	
3	17688-FF	1		ELBOW, 90 - FF1868T-1212S	
4	-FF	1		HOSE ASSEMBLY - 2049-12-120S-1204 (Motor Case Drain to port "11")	
5	-FF	1		HOSE ASSEMBLY - 2068-08-08OS-08OS (Rotary Manifold Port "4" to Lower Manifold Pressure)	
6	REF	1		WHEEL DRIVE MOTOR.....	FF-5
7	20029-FF	1		TEE, BULKHEAD RUN - 12 WJJLO-WLNL-S	
8	15117-FF	1		CONNECTOR, REDUCER - ORS FF2281T-0812S	
9	20066-FF	1		TEE - 8 S5OLO-S - BRANCH	
	20029-FF	1		TEE, BULKHEAD RUN - 12 WJJLO-WLNL-S	
10	16360-FF	2		ELBOW, 90 - FF1868T-0808S	
11	20066-FF	1		TEE - 8 S5OLO-S - BRANCH	
12	-FF	1		HOSE ASSEMBLY - 2019-08-080S-0809 (Lower Manifold "T" port to Case Drain Tee)	
13	18034-FF	1		HOSE ASSEMBLY - 2039.5-08-080S-0804 (Wheel Drive Motor Case Jumper)	
14	15372-FF	1		ELBOW, 90 - FF1868T-0812S	
15	REF.	1		LOWER SOLENOID MANIFOLD	FF-4
16	15504-FF	1		CONNECTOR, STR - FF1852T-0408S	
17	-FF	1		HOSE ASSEMBLY - 2062-04-04OS-04OS ("ACC" port to accumulator)	
18	23130-FF	1		ACCUMULATOR, GAS PISTON (FWD)	
-	-FF	1		KIT, SEAL REPAIR - (RK0300-H000)	
19	23223-FF	1		CLAMP, ACCUMULATOR MOUNTING (PISTON)	
20	10802-FF	2		WASHER, FLAT - .375"	
21	10731-FF	2		BOLT - .375" X 1.5"	
22	15238-FF	1		CONNECTOR, STR - FF1852T-0812S	
23	19221-FF	1		CONNECTOR, REDUCER - ORS FF2281T-0408S	
24	15145-FF	1		ELBOW, 90 SWIVEL - FF2098T-0404S	



 See referenced page for component or assembly breakdown.

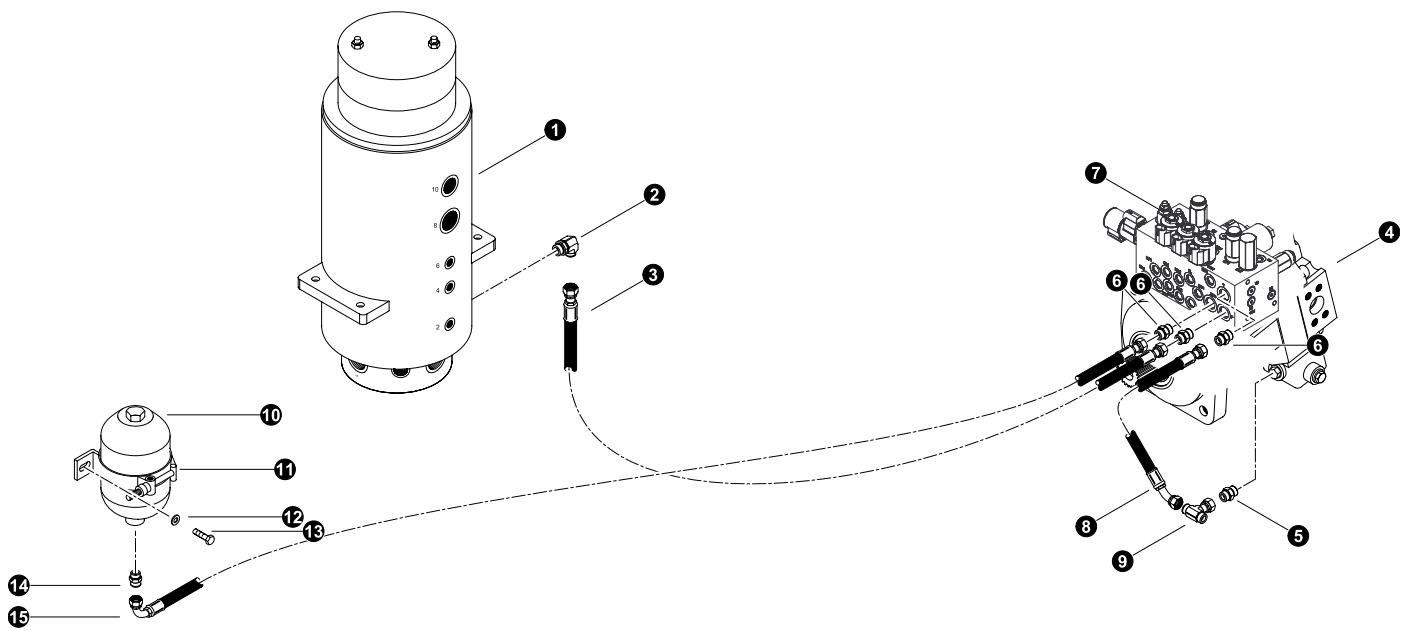
 Kit or Assembly - includes all items indented underneath.



**Lower Solenoid Manifold Circuits
and Components Breakdown
(Lower Manifold - Pressure and Tank Connections)
SN - 0252-042208 to 0321-10219
(not including machine 0319)**





REF	PART #	QTY		DESCRIPTION	SEE PAGE
1	REF.	1		ROTARY MANIFOLD	UP-1
2	22405-FF	1		ELBOW, 90 - 8-6 C5OLO-S	
3	-FF	1		HOSE ASSEMBLY - 2068-08-08OS-08OS (Rotary Manifold Port "4" to Lower Manifold Pressure)	
4	REF	1		WHEEL DRIVE MOTOR CASE DRAIN	FF-5
5	-FF	1		HOSE ASSEMBLY - 2016-08-08OS-08O9 (Motor Case Drain Tee to Lower Manifold Tank)	
6	22901-FF	1		CONNECTOR, STR - 6-8 F5OLO-S	
7	16297-FF	1		ELBOW, 90 SWIVEL - FF2098T-0808S	
8	15117-FF	1		CONNECTOR, STR - FF1852T-0808S	
9	REF.	1		LOWER SOLENOID MANIFOLD	FF-4
10	15133-FF	1		ELBOW, 90 - FF1868T-0406S	
11	-FF	1		HOSE ASSEMBLY - 2073-04-04OS-04O9 ("ACC" port to accumulator)	
12	23130-FF	1		ACCUMULATOR, GAS PISTON (FWD)	
-	-FF	1		KIT, SEAL REPAIR - (RK0300-H000)	
13	23223-FF	1		CLAMP, ACCUMULATOR MOUNTING (PISTON)	
14	10802-FF	2		WASHER, FLAT - .375"	
15	10731-FF	2		BOLT - .375" X 1.5"	
16	15238-FF	1		CONNECTOR, STR - FF1852T-0812S	
17	19221-FF	1		CONNECTOR, REDUCER - ORS FF2281T-0408S	



-  See referenced page for component or assembly breakdown.
-  Kit or Assembly - includes all items indented underneath.

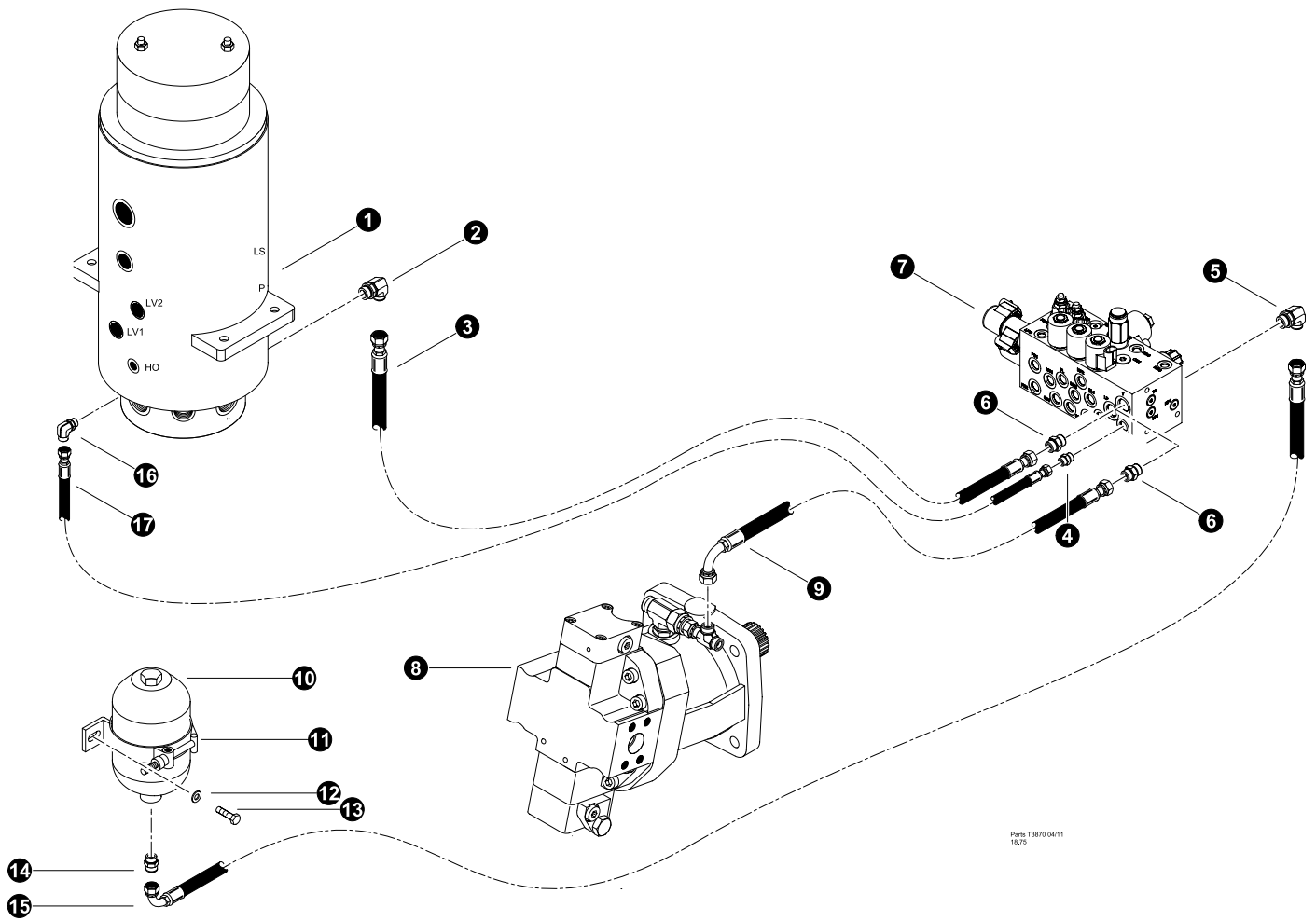


Part: 7500 08/08
1/24

**Lower Solenoid Manifold Circuits
and Components Breakdown**
(Lower Manifold - Pressure and Tank Connections)
SN - 0322-112409 to 0354-011211 (including machine 0319)





REF	PART #	QTY		DESCRIPTION	SEE PAGE
1	REF.	1		ROTARY MANIFOLD	UP-1
2	22405-FF	1		ELBOW, 90 - 8-6 C5OLO-S	
3	-FF	1		HOSE ASSEMBLY - 2068-08-08OS-08OS (Rotory Manifold Port "P1" to Lower Manifold Pressure)	
4	REF	1		WHEEL DRIVE MOTOR CASE DRAIN	FF-5
5	22901-FF	1		CONNECTOR, STR - 6-8 F5OLO-S	
6	15117-FF	1		CONNECTOR, STR - FF1852T-0808S	
7	REF.	1		LOWER SOLENOID MANIFOLD	FF-4
8	-FF	1		HOSE ASSEMBLY - 2046-08-08OS-08O4 (Tank to Flushing Return Tee)	
9	51003-FF	1		TEE - 8 R50L0-S RUN	
10	53970-FF	1		ACCUMULATOR, LOWER BRAKE MANIFOLD	
11	-FF	1		BRACKET, accumulator mounting	
12	10802-FF	2		WASHER, FLAT - .375"	
13	10731-FF	2		BOLT - .375" X 1.5"	
14	15117-FF	1		CONNECTOR, STR - FF1852T-0808S	
15	-FF	1		HOSE ASSEMBLY - 2070-08-08OS-08O9 ("ACC" port to accumulator)	

-  See referenced page for component or assembly breakdown.
-  Kit or Assembly - includes all items indented underneath.




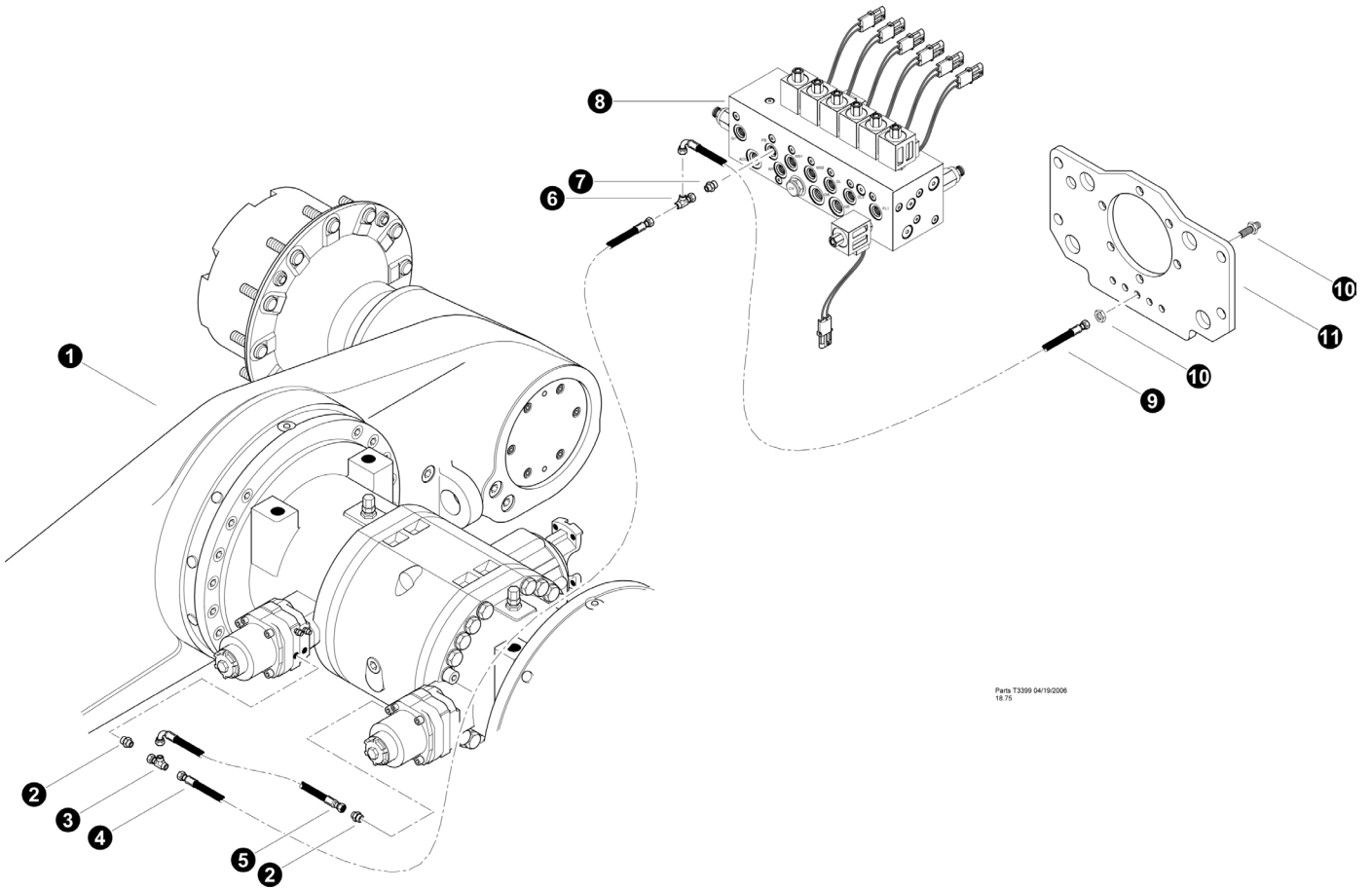
Part# T3870 0411
18,75

Lower Solenoid Manifold Circuits and Components Breakdown (Lower Manifold - Pressure and Tank Connections) Machine 0355-020111 and after

REF	PART #	QTY		DESCRIPTION	SEE PAGE
1	REF.	1		ROTARY MANIFOLD	UP-1
2	22405-FF	1		ELBOW, 90 - 8-6 C5OLO-S	
3	-FF	1		HOSE ASSEMBLY - 2068-08-08OS-08OS (Rotory Manifold Port "P" to Lower Manifold Port "LP")	
4	18034-FF	1		CONNECTOR, STR - FF1852T-0606S	
5	16360-FF	1		ELBOW, 90 - FF1868T-0808S	
6	15117-FF	1		CONNECTOR, STR - FF1852T-0808S	
7	REF.	1		LOWER SOLENOID MANIFOLD	FF-4
8	REF	1		WHEEL DRIVE MOTOR CASE DRAIN	FF-5
9	-FF	1		HOSE ASSEMBLY - 2046-08-08OS-08O4 (Tank to Case Drain Tee)	
10	53970-FF	1		ACCUMULATOR, LOWER BRAKE MANIFOLD	
11	-FF	1		BRACKET, accumulator mounting	
12	10802-FF	2		WASHER, FLAT - .375"	
13	10731-FF	2		BOLT - .375" X 1.5"	
14	15117-FF	1		CONNECTOR, STR - FF1852T-0808S	
15	-FF	1		HOSE ASSEMBLY - 2078-08-08OS-08O9 ("ACC" port to accumulator)	
16	-FF	1		ELBOW, 90 - 8-6 C5OLO-S	
17	-FF	1		HOSE ASSEMBLY - 2068-06-06OS-06OS ("HP" port to "HO" on RM)	



 See referenced page for component or assembly breakdown.


 Kit or Assembly - includes all items indented underneath.

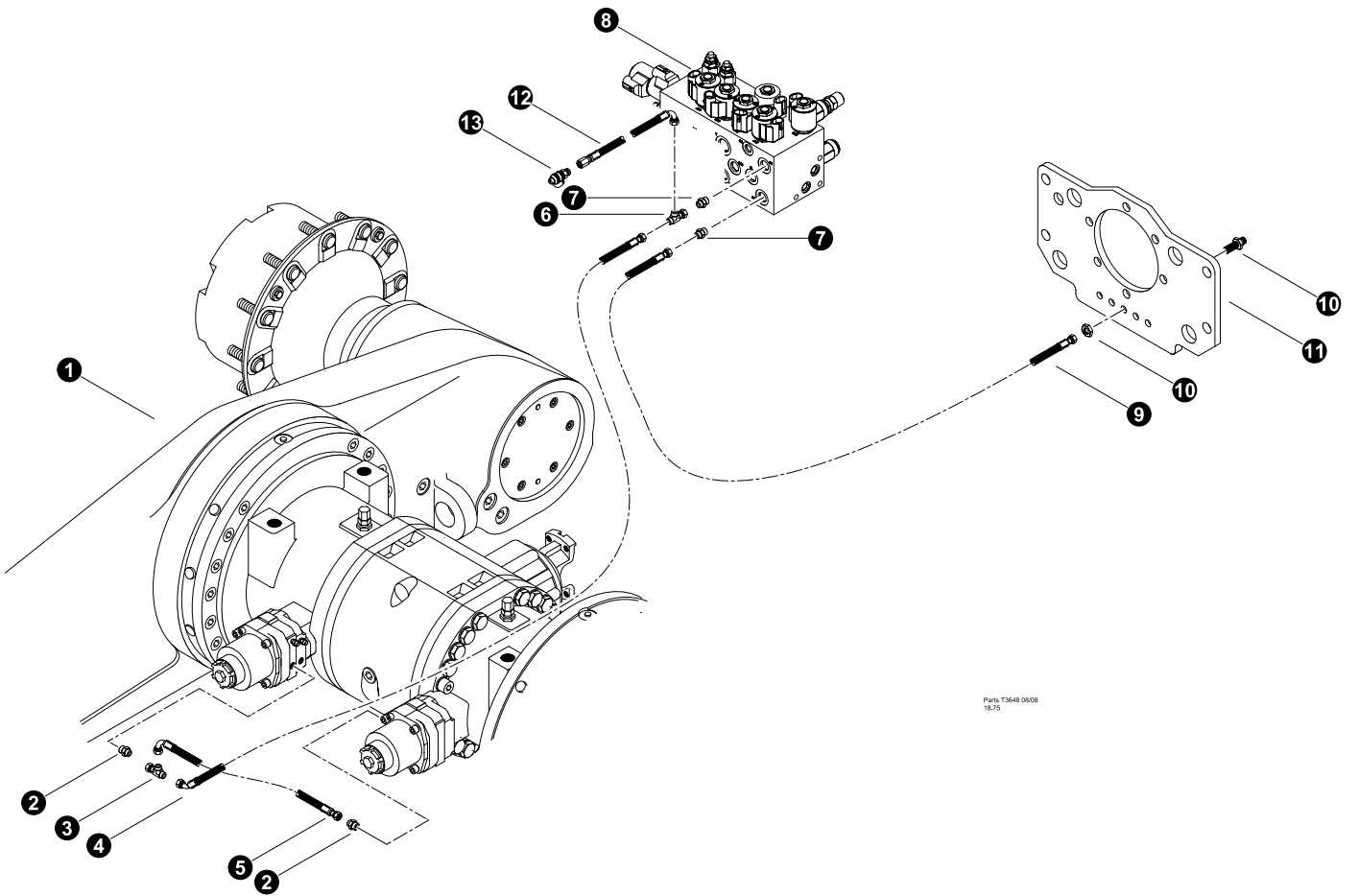


Parts T3399 04/19/2006
18.75

**Lower Solenoid Manifold Circuits
and Components Breakdown
(Front Frame - Parking Brake Connections)
SN - 0251 and before**



REF	PART #	QTY	DESCRIPTION	SEE SECTION
1	REF.	1	 FRONT AXLE	AX
2	19470-FF	2	CONNECTOR, STR METRIC - 4M14F8OMLOS	
3	15176-FF	1	TEE - FF2114T-0404S	
4	-FF	1	HOSE ASSEMBLY - 2088-04-040S-0409 (Front Axle Parking Brake to Lower Manifold "PB" port tee)	
5	50607-FF	1	HOSE ASSEMBLY - 2009.5-04-04OS-0409 (Parking Brake Jumper)	
6	15176-FF	1	TEE - FF2114T-0404S	
7	15124-FF	1	CONNECTOR, STR - FF1852T-0406S	
8	REF.	1	 LOWER SOLENOID MANIFOLD	FF-4
9	-FF	1	HOSE ASSEMBLY - 2103-04-040S-040S (Lower Manifold "PB" tee to Parking Brake Bulkhead)	
10	18582-FF	1	CONNECTOR, STR BULKHEAD - FF1994T-0404S	
11	52486-FF	1	BRACKET, BRG MOUNT - DRIVELINE 830	

 See referenced page for component or assembly breakdown.

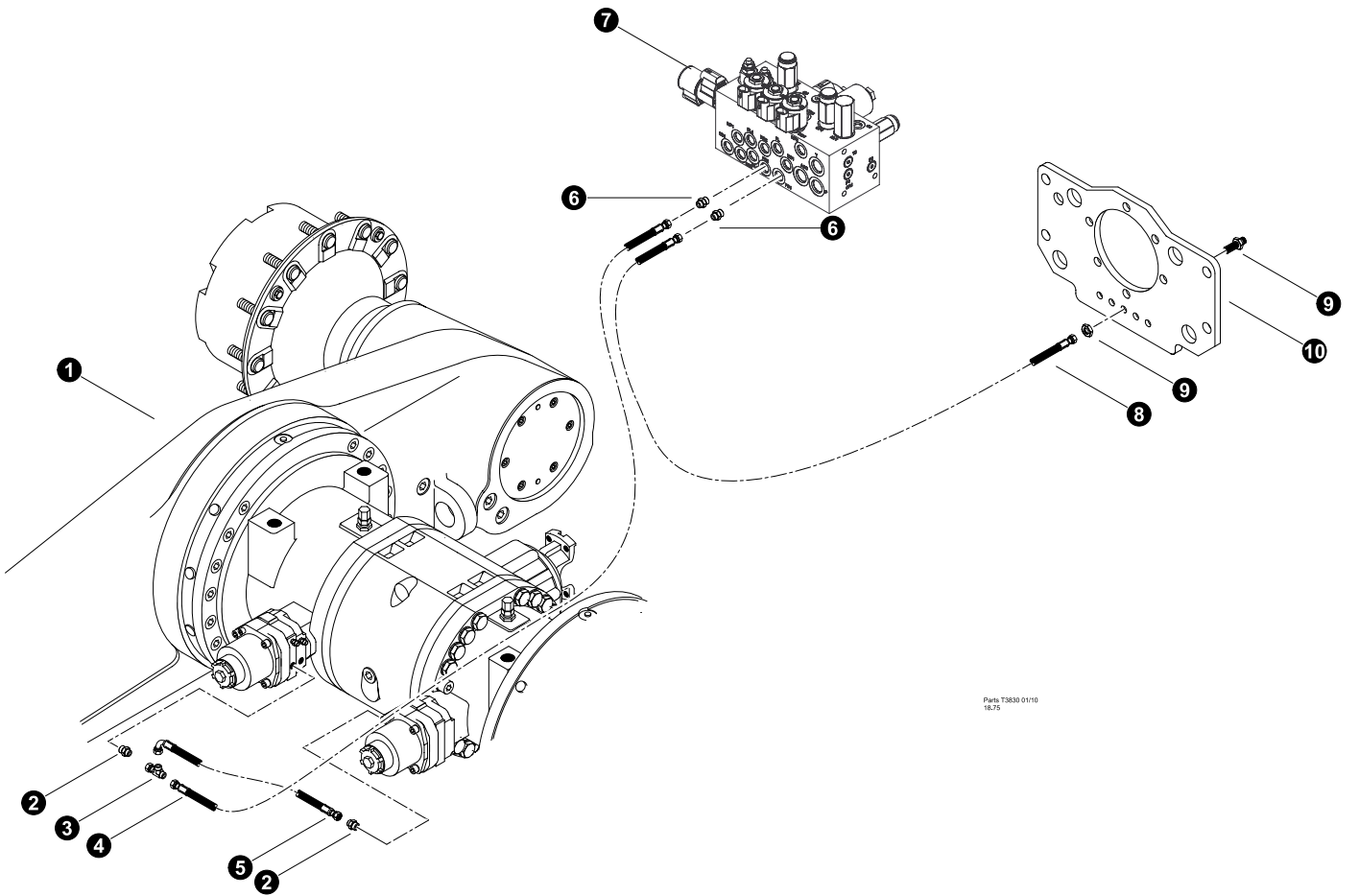


Parts T3648 08/08
18/25

**Lower Solenoid Manifold Circuits
and Components Breakdown
(Front Frame - Parking Brake Connections)
SN - 0252-042208 to 0321-10219**



REF	PART #	QTY	DESCRIPTION	SEE SECTION
1	REF.	1	 FRONT AXLE	AX
2	19470-FF	2	CONNECTOR, STR METRIC - 4M14F8OMLOS	
3	15176-FF	1	TEE - FF2114T-0404S	
4	-FF	1	HOSE ASSEMBLY - 2084-04-040S-040S (Front Axle Parking Brake to Lower Manifold "PB" port tee)	
5	50607-FF	1	HOSE ASSEMBLY - 2009.5-04-04OS-04O9 (Parking Brake Jumper)	
6	15176-FF	1	TEE - FF2114T-0404S	
7	15124-FF	1	CONNECTOR, STR - FF1852T-0406S	
8	REF.	1	 LOWER SOLENOID MANIFOLD	FF-4
9	-FF	1	HOSE ASSEMBLY - 2102-04-040S-040S (Lower Manifold "PB" tee to Parking Brake Bulkhead)	
10	18582-FF	1	CONNECTOR, STR BULKHEAD - FF1994T-0404S	
11	52486-FF	1	BRACKET, BRG MOUNT - DRIVELINE 830	
12	-FF	1	HOSE ASSEMBLY - 2009-04-04FF-04O9	
13	15118-FF	1	TAP, GAUGE PORT - .25" NPT	


 See referenced page for component or assembly breakdown.

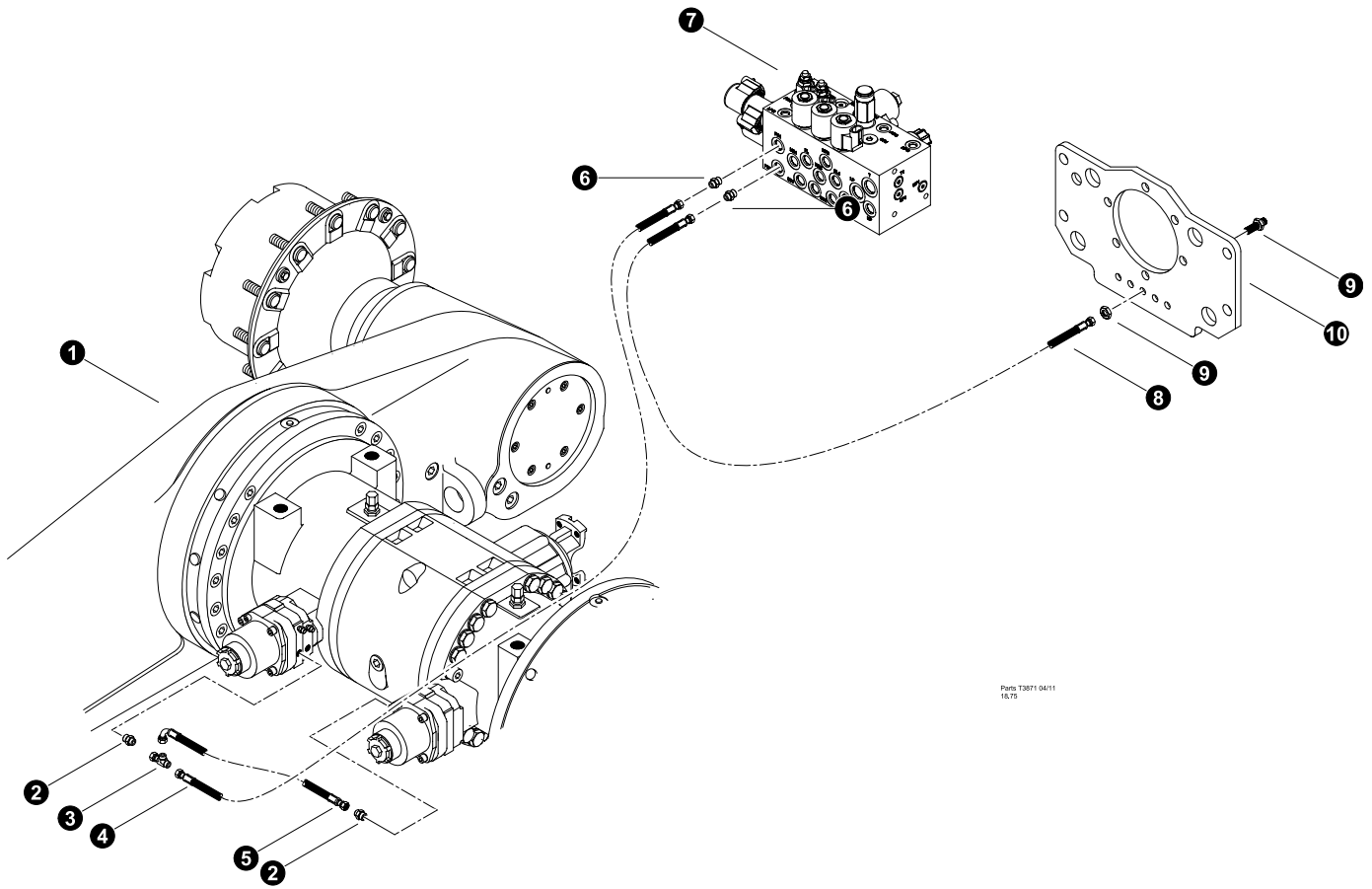


Parts T3630 01/10
16/25



**Lower Solenoid Manifold Circuits
and Components Breakdown
(Front Frame - Parking Brake Connections)
SN - 0322-112409 to 0354-011211 (including machine 0319)**

REF	PART #	QTY	DESCRIPTION	SEE SECTION
1	REF.	1	 FRONT AXLE	AX
2	19470-FF	2	CONNECTOR, STR METRIC - 4M14F8OMLOS	
3	15176-FF	1	TEE - FF2114T-0404S	
4	-FF	1	HOSE ASSEMBLY - 2085.5-04-040S-040S (Front Axle Parking Brake to Lower Manifold "PB" port tee)	
5	50607-FF	1	HOSE ASSEMBLY - 2009.5-04-040S-0409 (Parking Brake Jumper)	
6	15124-FF	1	CONNECTOR, STR - FF1852T-0406S	
7	REF.	1	 LOWER SOLENOID MANIFOLD	FF-4
8	-FF	1	HOSE ASSEMBLY - 2098-04-040S-040S (Lower Manifold "PB" tee to Parking Brake Bulkhead)	
9	18582-FF	1	CONNECTOR, STR BULKHEAD - FF1994T-0404S	
10	52486-FF	1	BRACKET, BRG MOUNT - DRIVELINE 830	

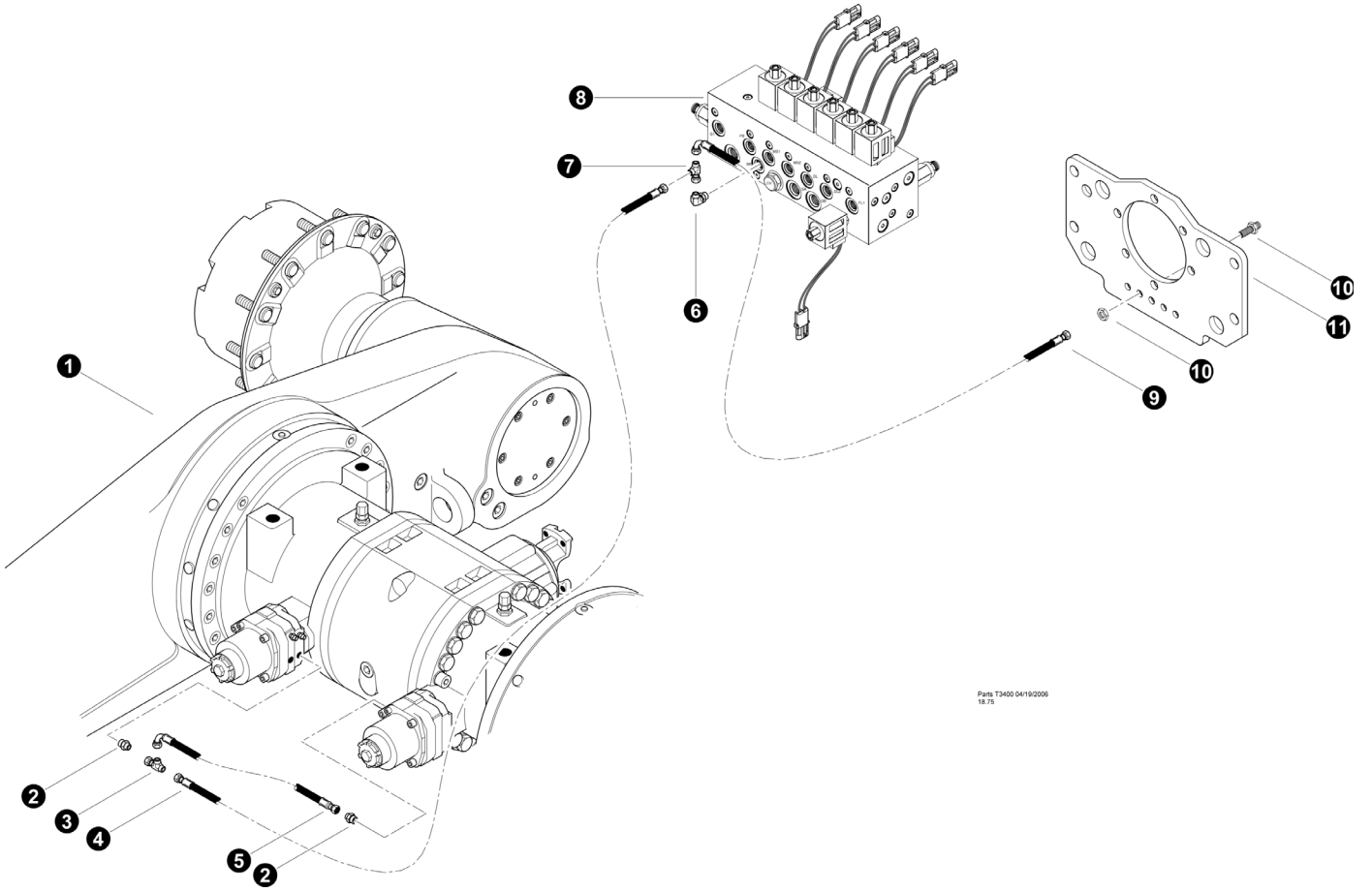
 See referenced page for component or assembly breakdown.





**Lower Solenoid Manifold Circuits
and Components Breakdown
(Front Frame - Parking Brake Connections)
Machine 0355-020111 and after**


REF	PART #	QTY	DESCRIPTION	SEE SECTION
1	REF.	1	 FRONT AXLE	AX
2	19470-FF	2	CONNECTOR, STR METRIC - 4M14F8OMLOS	
3	15176-FF	1	TEE - FF2114T-0404S	
4	-FF	1	HOSE ASSEMBLY - 2085.5-04-040S-040S (Front Axle Parking Brake to Lower Manifold "PB" port tee)	
5	50607-FF	1	HOSE ASSEMBLY - 2009.5-04-040S-0409 (Parking Brake Jumper)	
6	15124-FF	1	CONNECTOR, STR - FF1852T-0406S	
7	REF.	1	 LOWER SOLENOID MANIFOLD	FF-4
8	-FF	1	HOSE ASSEMBLY - 2098-04-040S-040S (Lower Manifold "PB" tee to Parking Brake Bulkhead)	
9	18582-FF	1	CONNECTOR, STR BULKHEAD - FF1994T-0404S	
10	52486-FF	1	BRACKET, BRG MOUNT - DRIVELINE 830	

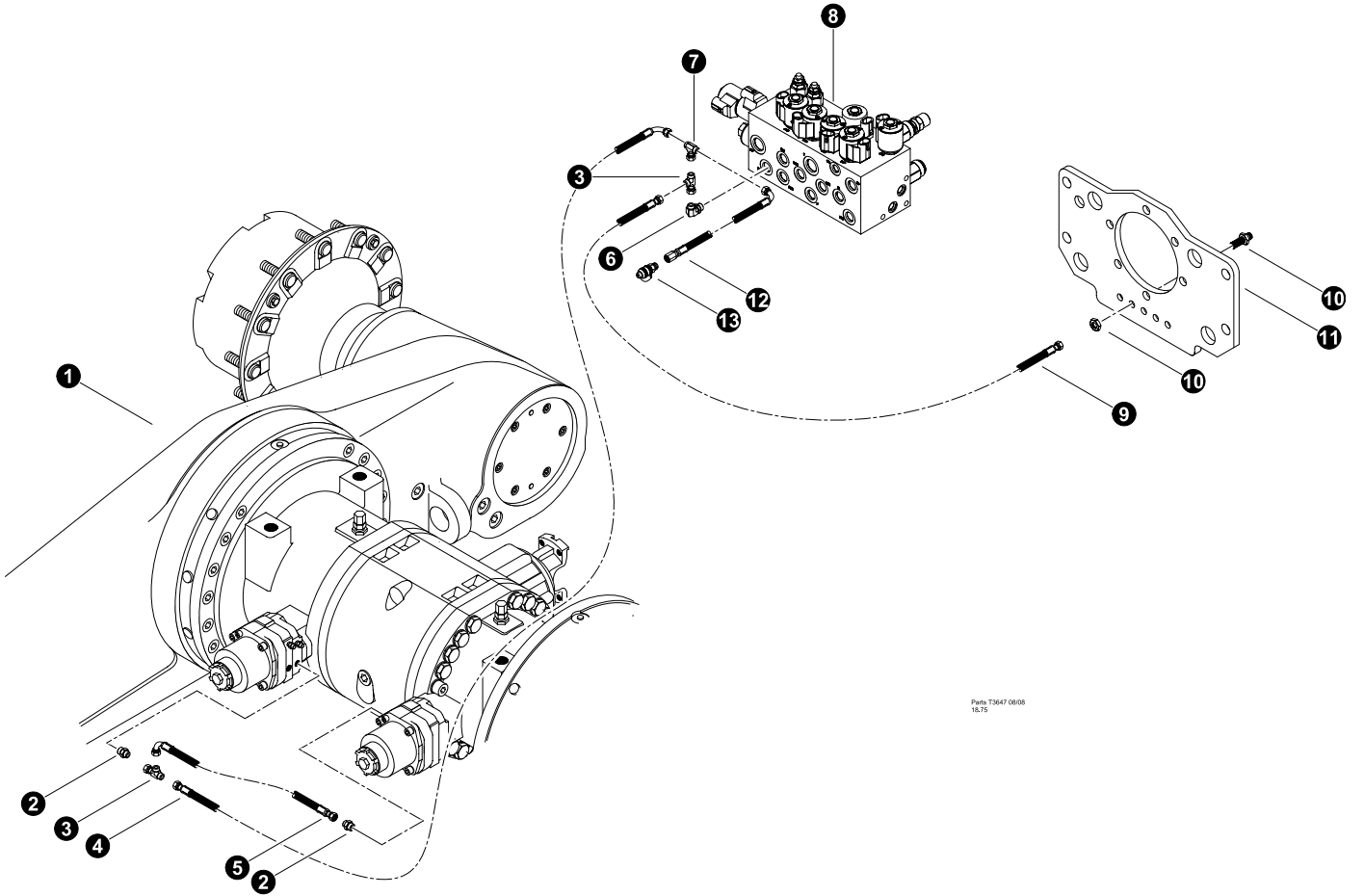
 See referenced page for component or assembly breakdown.



**Lower Solenoid Manifold Circuits
and Components Breakdown
(Front Frame - Travel Brake Connections)
SN - 0251 and before**



REF	PART #	QTY		DESCRIPTION	SEE SECTION
1	REF.	1		FRONT AXLE	AX
2	19470-FF	2		CONNECTOR, STR METRIC - 4M14F8OMLOS	
3	15176-FF	1		TEE - FF2114T-0404S	
4	-FF	1		HOSE ASSEMBLY - 2087-04-040S-0409 (Front Axle Travel Brake to Lower Manifold "TB" port tee)	
5	50607-FF	1		HOSE ASSEMBLY - 2009.5-04-04OS-0409 (Travel Brake Jumper)	
6	15133-FF			ELBOW, 90 - FF1868T-0406S	
7	15176-FF	1		TEE - FF2114T-0404S	
8	REF.	1		LOWER SOLENOID MANIFOLD	FF-4
9	-FF	1		HOSE ASSEMBLY - 2102-04-040S-0409 (Lower Manifold "TB" tee to Parking Brake Bulkhead)	
10	18582-FF	1		CONNECTOR, STR BULKHEAD - FF1994T-0404S	
11	52486-FF	1		BRACKET, BRG MOUNT - DRIVELINE 830	

 See referenced page for component or assembly breakdown.

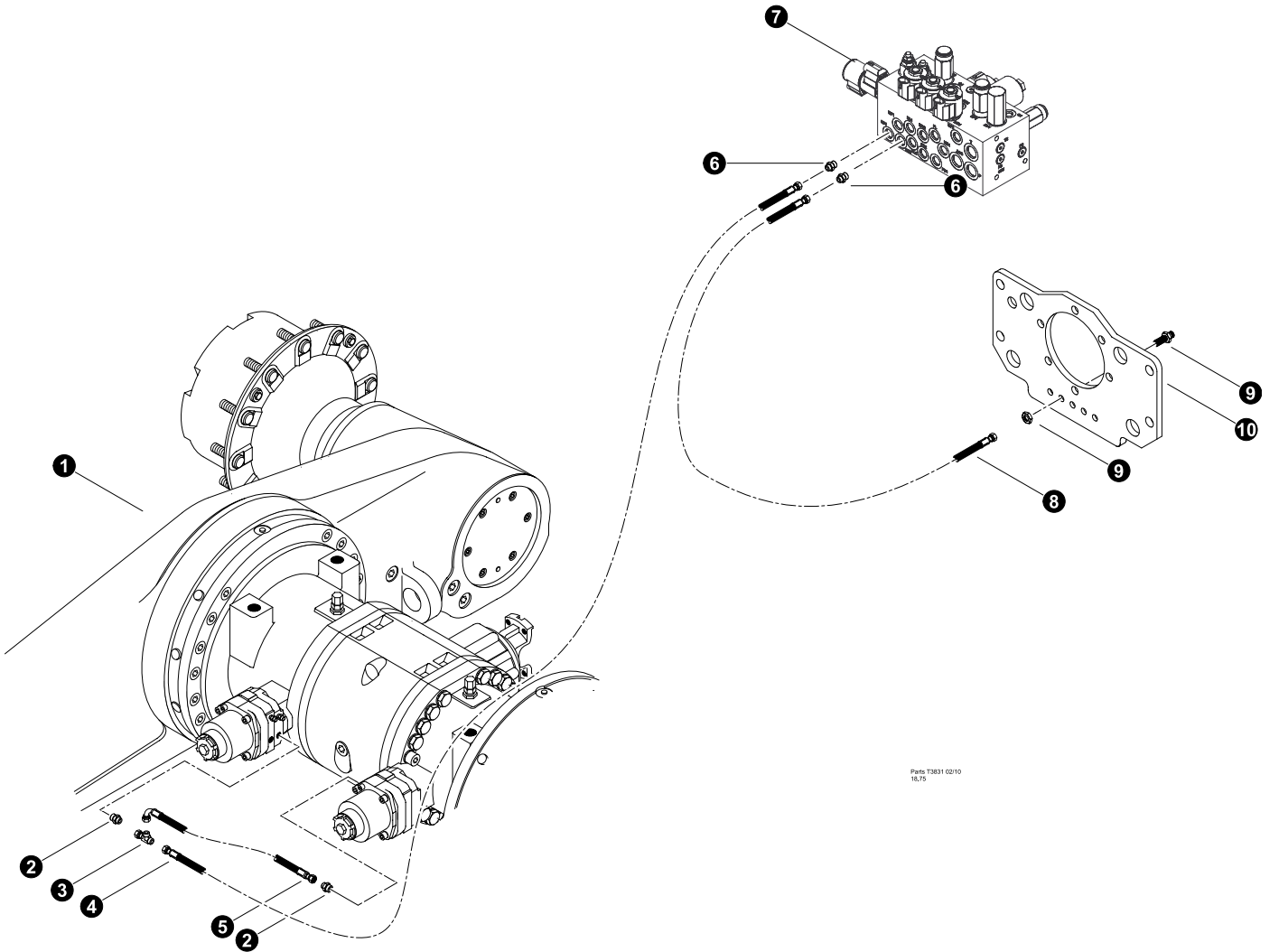


Part# T3647 08/08
18.75



**Lower Solenoid Manifold Circuits
and Components Breakdown
(Front Frame - Travel Brake Connections)
SN - 0252-042208 to 0321-10219**

REF	PART #	QTY	DESCRIPTION	SEE SECTION
1	REF.	1	 FRONT AXLE	AX
2	19470-FF	2	CONNECTOR, STR METRIC - 4M14F8OMLOS	
3	15176-FF	1	TEE - FF2114T-0404S	
4	-FF	1	HOSE ASSEMBLY - 2087-04-040S-0409 (Front Axle Travel Brake to Lower Manifold "TB" port tee)	
5	50607-FF	1	HOSE ASSEMBLY - 2009.5-04-04OS-0409 (Travel Brake Jumper)	
6	15133-FF	1	ELBOW, 90 - FF1868T-0406S	
7	23541-FF	1	TEE - 4 S6LO-S	
8	REF.	1	 LOWER SOLENOID MANIFOLD	FF-4
9	-FF	1	HOSE ASSEMBLY - 2103-04-040S-0409 (Lower Manifold "TB" tee to Parking Brake Bulkhead)	
10	18582-FF	1	CONNECTOR, STR BULKHEAD - FF1994T-0404S	
11	52486-FF	1	BRACKET, BRG MOUNT - DRIVELINE 830	
12	-FF	1	HOSE ASSEMBLY - 2009-04-04FF-0409	
13	15118-FF	1	TAP, GAUGE PORT - .25" NPT	

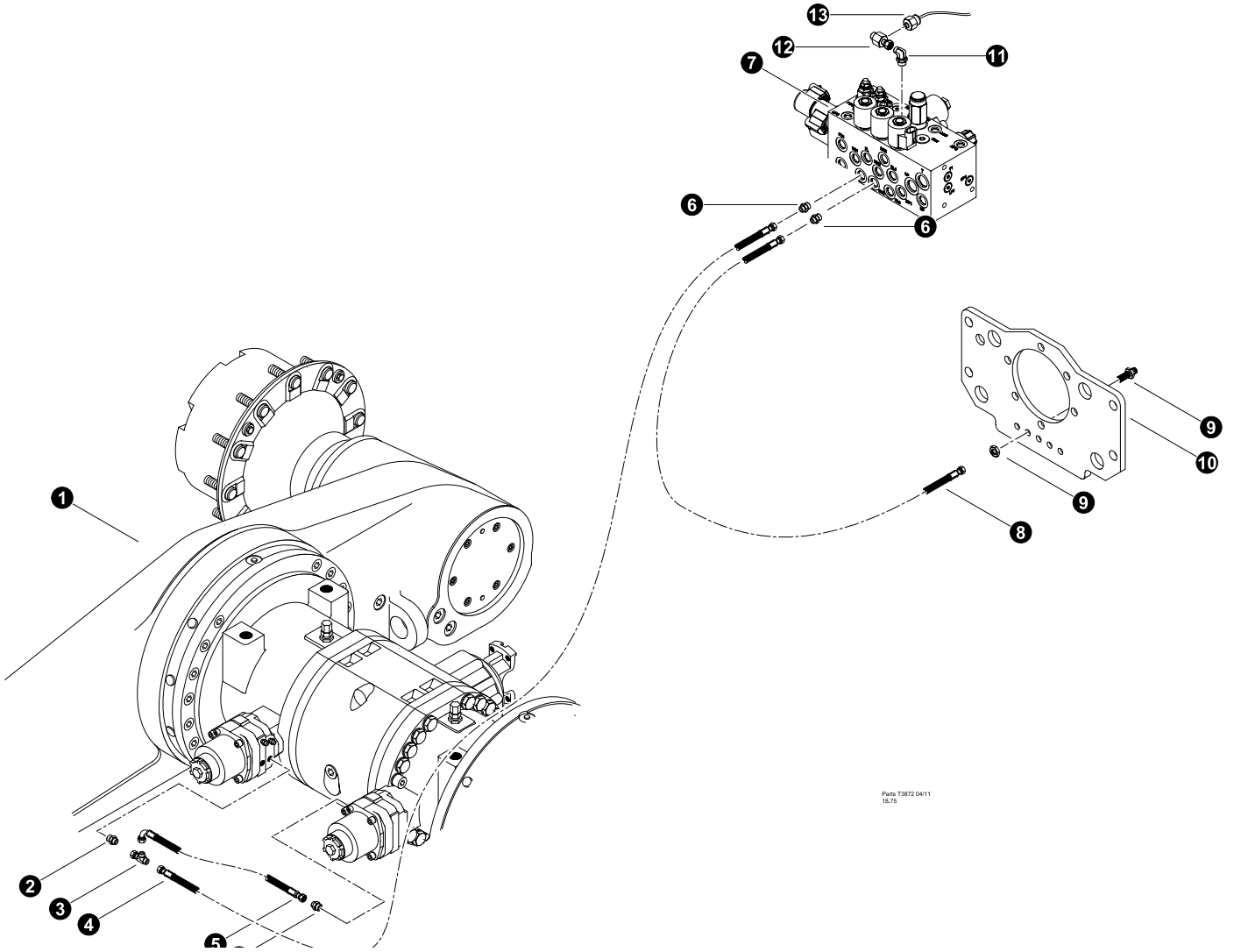
 See referenced page for component or assembly breakdown.



**Lower Solenoid Manifold Circuits
and Components Breakdown
(Front Frame - Travel Brake Connections)
SN - 0322-112409 to 0354-011211 (including machine 0319)**



REF	PART #	QTY	DESCRIPTION	SEE SECTION
1	REF.	1	 FRONT AXLE	AX
2	19470-FF	2	CONNECTOR, STR METRIC - 4M14F8OMLOS	
3	15176-FF	1	TEE - FF2114T-0404S	
4	-FF	1	HOSE ASSEMBLY - 2087-04-040S-040S (Front Axle Travel Brake to Lower Manifold "TB" port tee)	
5	50607-FF	1	HOSE ASSEMBLY - 2009.5-04-04OS-04O9 (Travel Brake Jumper)	
6	15124-FF		CONNECTOR, STR - FF1852T-0406S	
7	REF.	1	 LOWER SOLENOID MANIFOLD	FF-4
8	-FF	1	HOSE ASSEMBLY - 2103-04-040S-040S (Lower Manifold "TB" tee to Parking Brake Bulkhead)	
9	18582-FF	1	CONNECTOR, STR BULKHEAD - FF1994T-0404S	
10	52486-FF	1	BRACKET, BRG MOUNT - DRIVELINE 830	


 See referenced page for component or assembly breakdown.

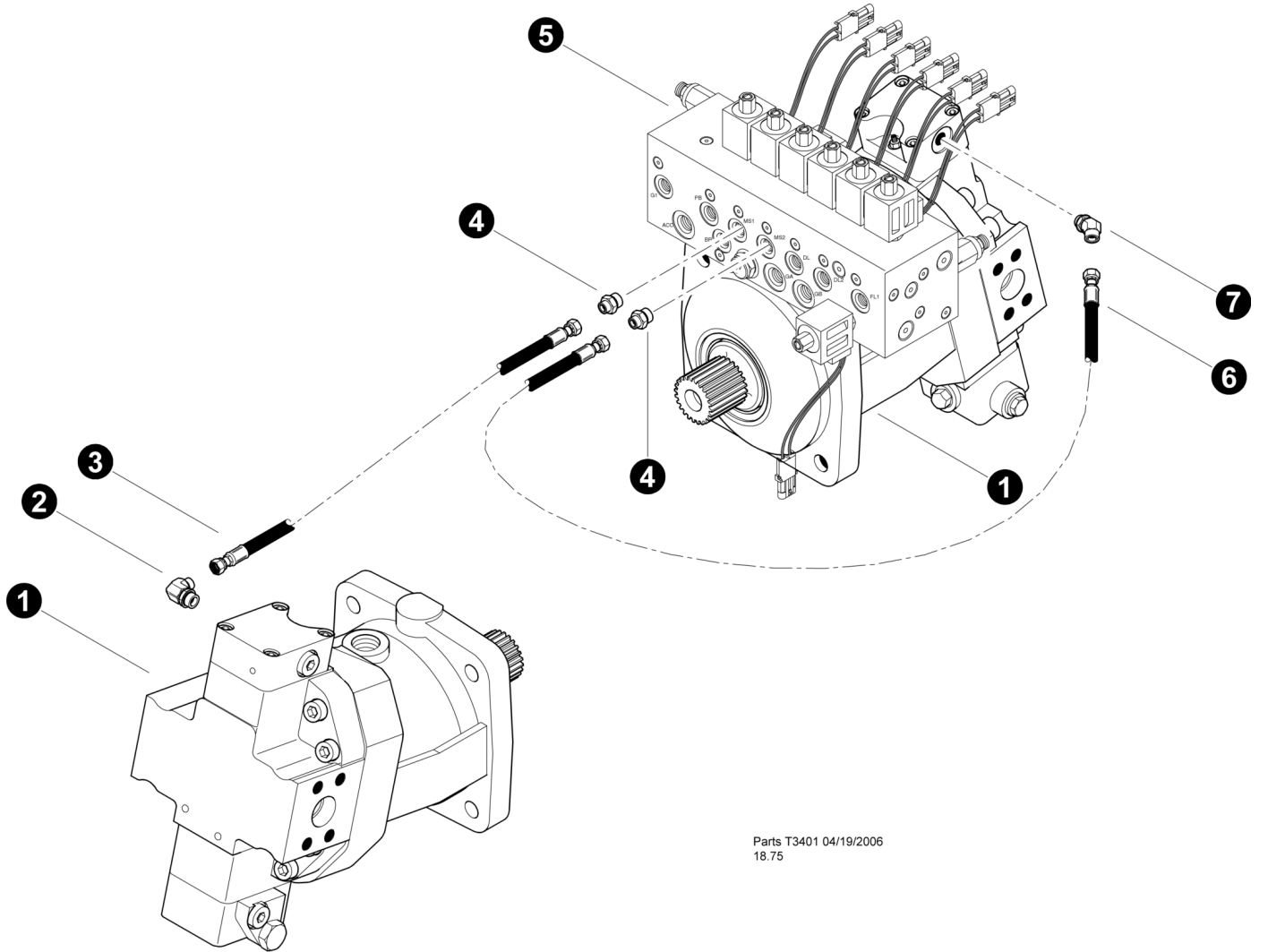


Part#: T3872-0411
1575

**Lower Solenoid Manifold Circuits
and Components Breakdown
(Front Frame - Travel Brake Connections)
Machine 0355-020111 and after**



REF	PART #	QTY	DESCRIPTION	SEE SECTION
1	REF.	1	 FRONT AXLE	AX
2	19470-FF	2	CONNECTOR, STR METRIC - 4M14F8OMLOS	
3	15176-FF	1	TEE - FF2114T-0404S	
4	-FF	1	HOSE ASSEMBLY - 2087-04-040S-040S (Front Axle Travel Brake to Lower Manifold "TB" port tee)	
5	50607-FF	1	HOSE ASSEMBLY - 2009.5-04-04OS-04O9 (Travel Brake Jumper)	
6	15124-FF	1	CONNECTOR, STR - FF1852T-0406S	
7	REF.	1	 LOWER SOLENOID MANIFOLD	FF-4
8	-FF	1	HOSE ASSEMBLY - 2103-04-040S-040S (Lower Manifold "TB" tee to Parking Brake Bulkhead)	
9	18582-FF	1	CONNECTOR, STR BULKHEAD - FF1994T-0404S	
10	52486-FF	1	BRACKET, BRG MOUNT - DRIVELINE 830	
11	16540-FF	1	ELBOW, 90 - FF1868T-0404S	
12	-FF	1	CONNECTOR, STR - 4-4 LOHL6G5TP-S Parker	
13	54282-FF	1	SWITCH, PRESSURE - 30 PSI	

 See referenced page for component or assembly breakdown.

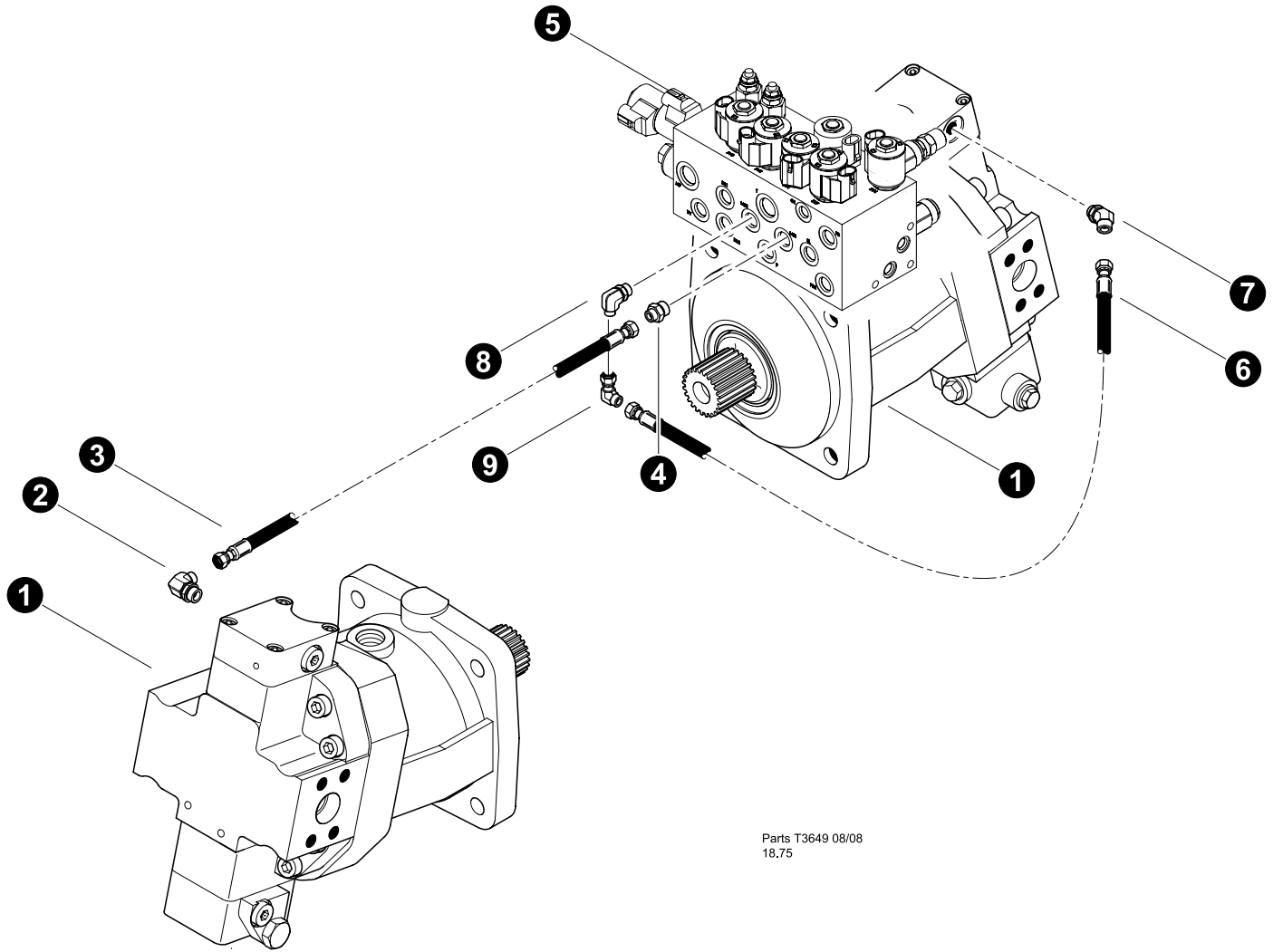


Parts T3401 04/19/2006
18.75



**Lower Solenoid Manifold Circuits
and Components Breakdown
(Front Frame - Motor Shift Connections)
SN - 0251 and before**


REF	PART #	QTY		DESCRIPTION	SEE SECTION
1	REF	1		WHEEL DRIVE MOTOR.	FF-5
2	15133-FF			ELBOW, 90 - FF1868T-0406S	
3	-FF	1		HOSE ASSEMBLY - 2022.5-04-040S-040S (Front Motor to Lower Manifold "MS1" port)	
4	15124-FF			CONNECTOR, STR - FF1852T-0406S	
5	REF.	1		LOWER SOLENOID MANIFOLD	FF-4
6	-FF	1		HOSE ASSEMBLY - 2048-04-040S-040S (Rear Motor to Lower Manifold "MS2" port)	
7	23322-FF	2		ELBOW, 45 - 6-4 V5OLO-S	

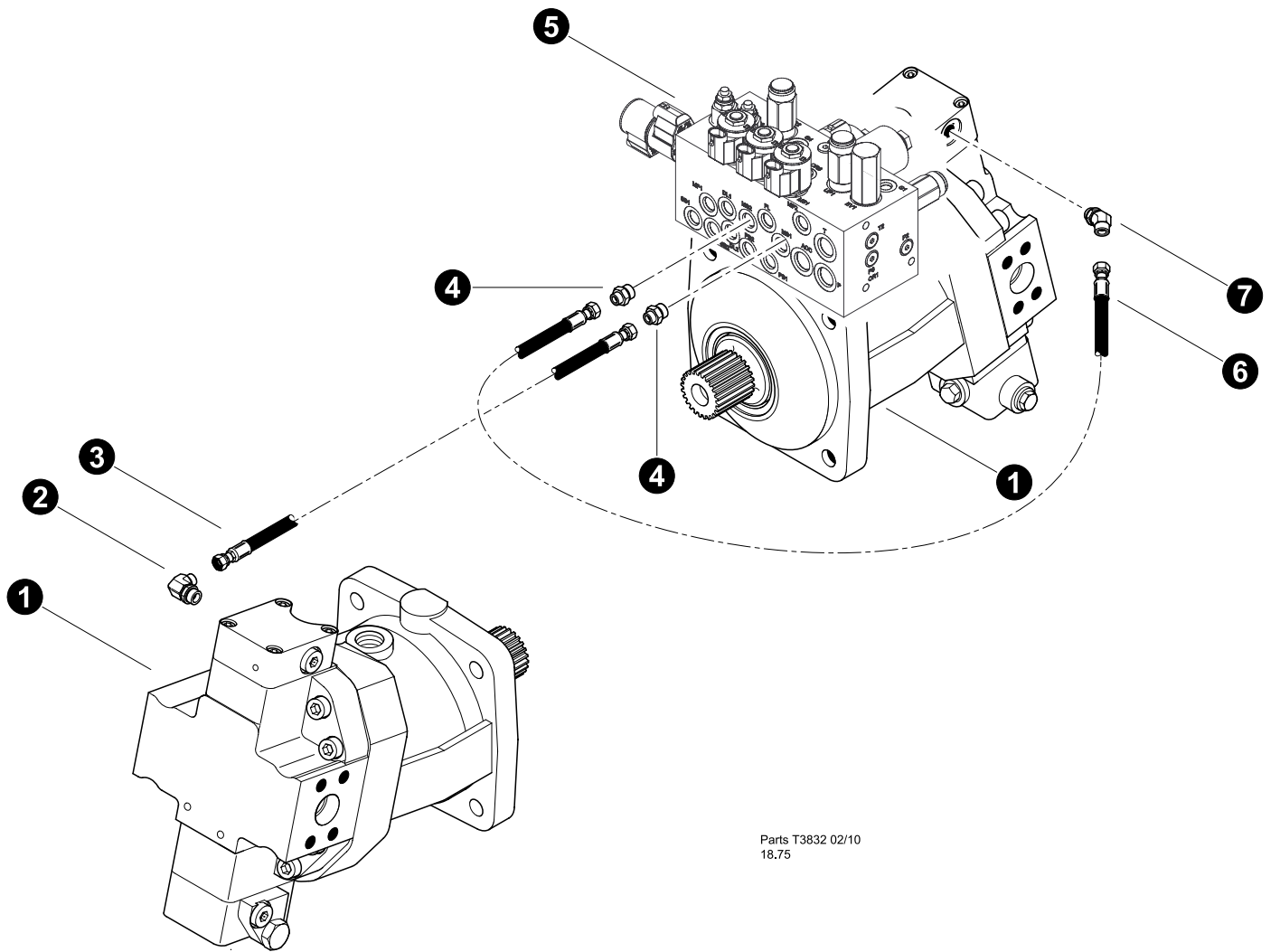
 See referenced page for component or assembly breakdown.



**Lower Solenoid Manifold Circuits
and Components Breakdown
(Front Frame - Motor Shift Connections)
SN - 0252-042208 to 0321-10219**



REF	PART #	QTY		DESCRIPTION	SEE SECTION
1	REF	1		WHEEL DRIVE MOTOR.	FF-5
2	15133-FF			ELBOW, 90 - FF1868T-0406S	
3	-FF	1		HOSE ASSEMBLY - 2023-04-040S-040S (Front Motor to Lower Manifold "MS1" port)	
4	15124-FF			CONNECTOR, STR - FF1852T-0406S	
5	REF.	1		LOWER SOLENOID MANIFOLD	FF-4
6	-FF	1		HOSE ASSEMBLY - 2034-04-040S-040S (Rear Motor to Lower Manifold "MS2" port)	
7	23322-FF	2		ELBOW, 45 - 6-4 V5OLO-S	
8	15133-FF			ELBOW, 90 - FF1868T-0406S	
9	15145-FF	1		ELBOW, 90 SWIVEL - FF2098T-0404S	

 See referenced page for component or assembly breakdown.

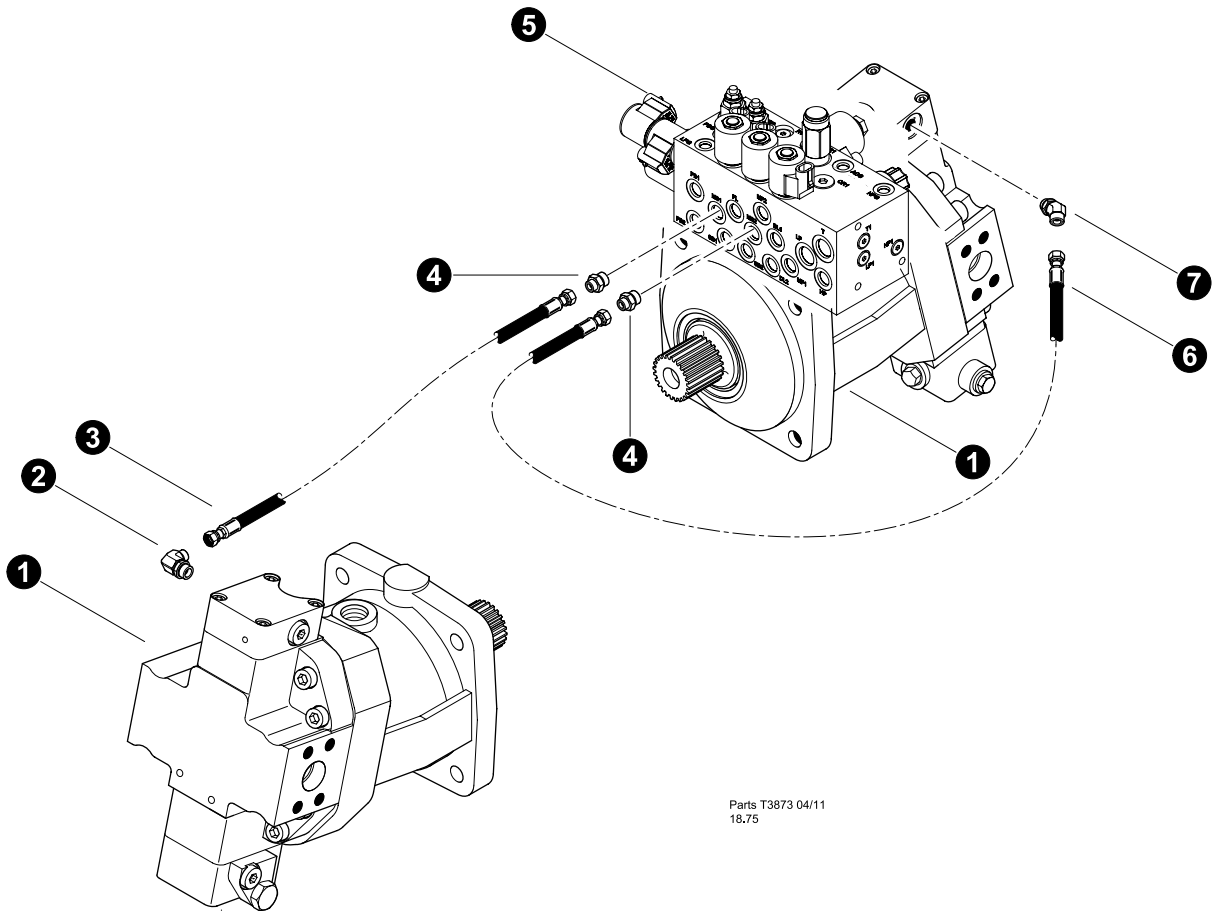


Parts T3832 02/10
18.75

**Lower Solenoid Manifold Circuits
and Components Breakdown
(Front Frame - Motor Shift Connections)
SN - 0322-112409 to 0354-011211 (including machine 0319)**



REF	PART #	QTY		DESCRIPTION	SEE SECTION
1	REF	1		WHEEL DRIVE MOTOR.	FF-5
2	15133-FF			ELBOW, 90 - FF1868T-0406S	
3	-FF	1		HOSE ASSEMBLY - 2024-04-040S-040S (Front Motor to Lower Manifold "MS1" port)	
4	15124-FF			CONNECTOR, STR - FF1852T-0406S	
5	REF.	1		LOWER SOLENOID MANIFOLD	FF-4
6	-FF	1		HOSE ASSEMBLY - 2055.5-04-040S-040S (Rear Motor to Lower Manifold "MS2" port)	
7	23322-FF	2		ELBOW, 45 - 6-4 V5OLO-S	


 See referenced page for component or assembly breakdown.

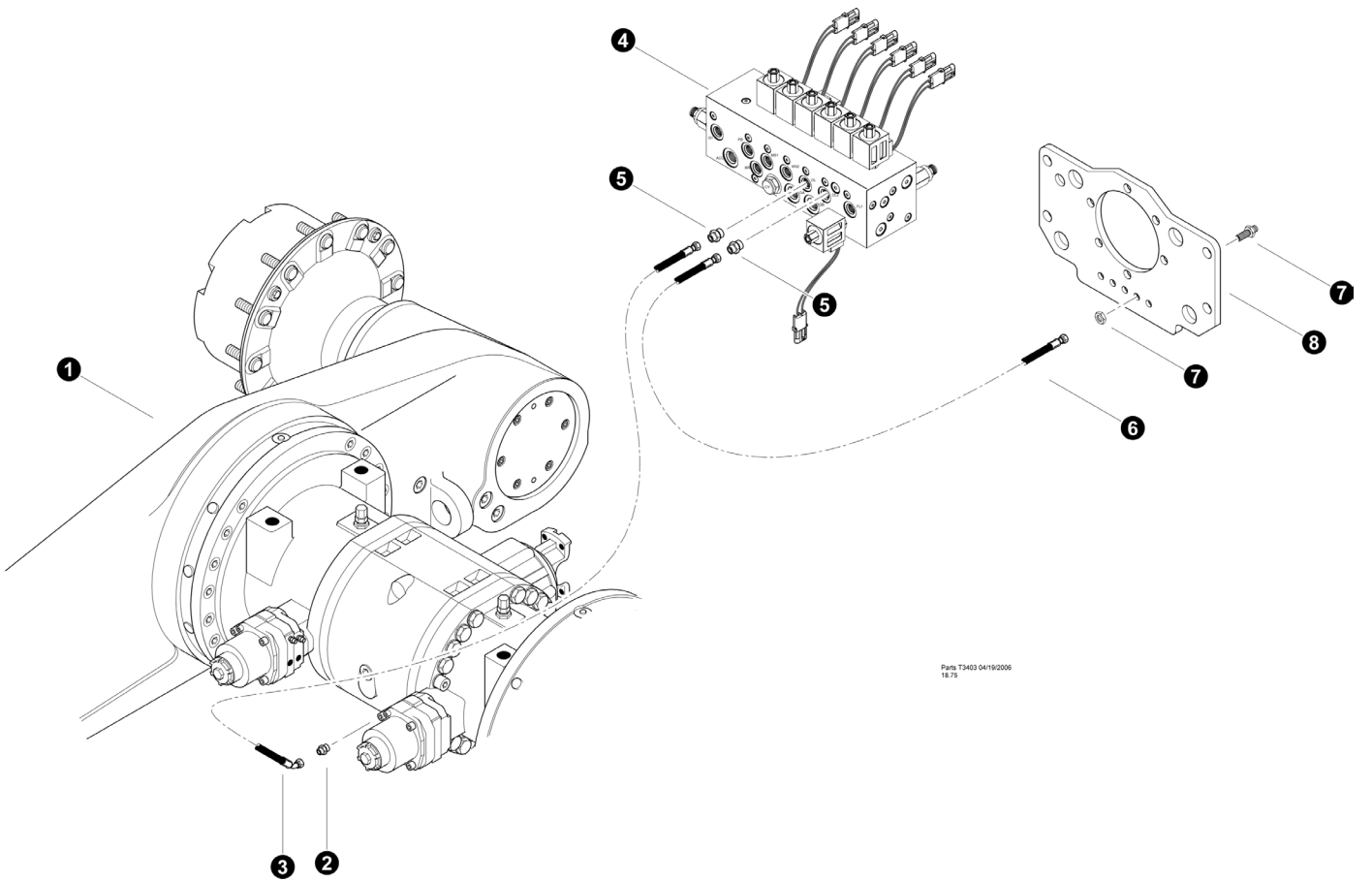


Parts T3873 04/11
18.75



**Lower Solenoid Manifold Circuits
and Components Breakdown
(Front Frame - Motor Shift Connections)
Machine 0355-020111 and after**

REF	PART #	QTY	DESCRIPTION	SEE SECTION
1	REF	1	 WHEEL DRIVE MOTOR.	FF-5
2	15133-FF		ELBOW, 90 - FF1868T-0406S	
3	-FF	1	HOSE ASSEMBLY - 2024-04-040S-040S (Front Motor to Lower Manifold "MS1" port)	
4	15124-FF		CONNECTOR, STR - FF1852T-0406S	
5	REF.	1	 LOWER SOLENOID MANIFOLD	FF-4
6	-FF	1	HOSE ASSEMBLY - 2055.5-04-040S-040S (Rear Motor to Lower Manifold "MS2" port)	
7	23322-FF	2	ELBOW, 45 - 6-4 V5OLO-S	

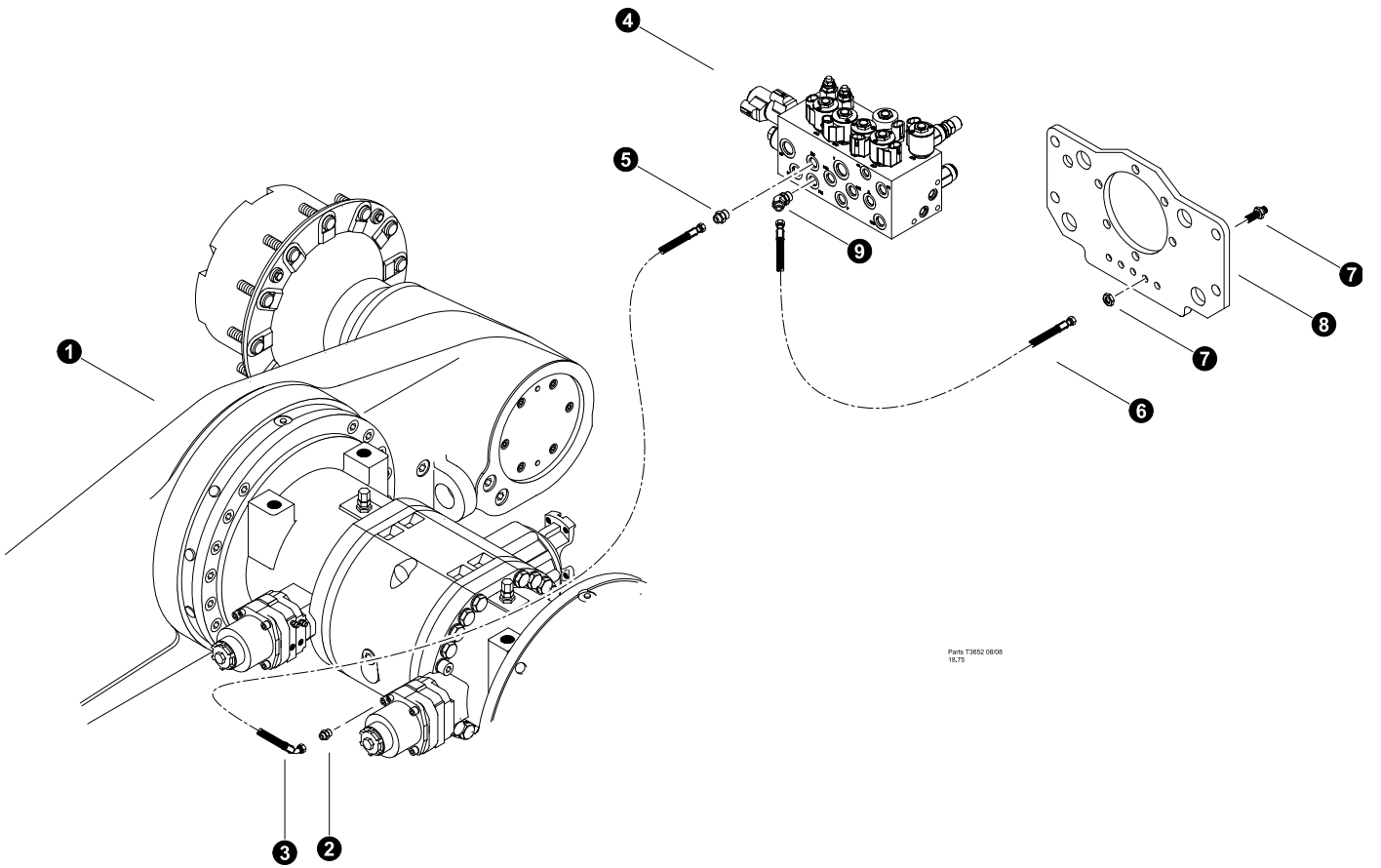
 See referenced page for component or assembly breakdown.





**Lower Solenoid Manifold Circuits
and Components Breakdown
(Front Frame - Differential Lock Connections)
SN - 0251 and before**

REF	PART #	QTY	DESCRIPTION	SEE SECTION
1	REF	1	 FRONT AXLE	AX
2	19470-FF	1	CONNECTOR, STR METRIC - 4M14F8OMLOS	
3	-FF	1	HOSE ASSEMBLY - 2084-04-04OS-04O4 (Front Axle Differential Lock to Lower Manifold "DL" port)	
4	REF.	1	 LOWER SOLENOID MANIFOLD	FF-4
5	15124-FF		CONNECTOR, STR - FF1852T-0406S	
6	-FF	1	HOSE ASSEMBLY - 2098-04-04OS-04OS (Differential Lock Bulkhead to Lower Manifold "DL2" port)	
7	18582-FF	1	CONNECTOR, STR BULKHEAD - FF1994T-0404S	
8	52486-FF	1	BRACKET, BRG MOUNT - DRIVELINE 830	

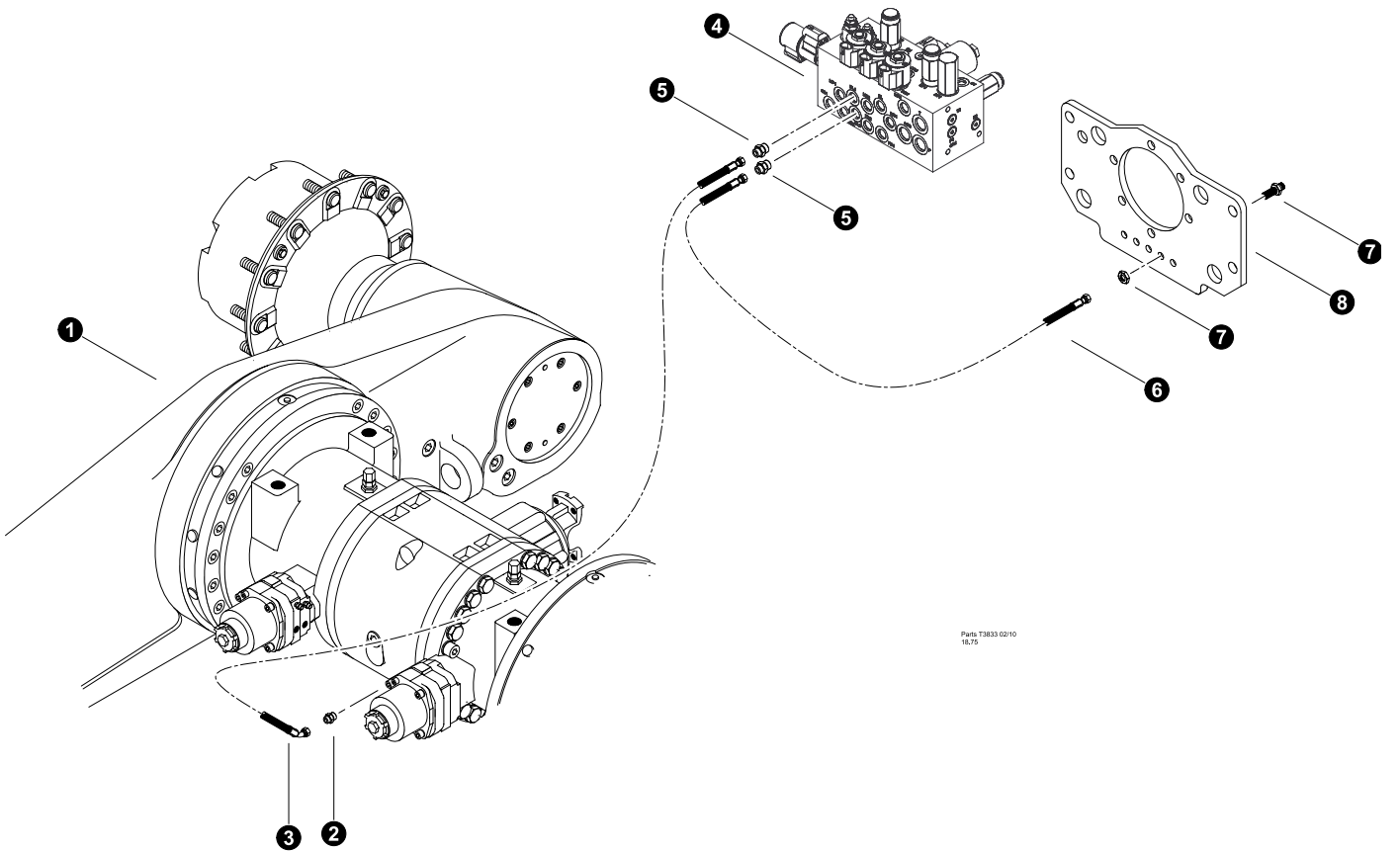
 See referenced page for component or assembly breakdown.





**Lower Solenoid Manifold Circuits
and Components Breakdown
(Front Frame - Differential Lock Connections)
SN - 0252-042208 to 0321-10219**

REF	PART #	QTY	DESCRIPTION	SEE SECTION
1	REF	1	 FRONT AXLE	AX
2	19470-FF	1	CONNECTOR, STR METRIC - 4M14F8OMLOS	
3	-FF	1	HOSE ASSEMBLY - 2084-04-04OS-04O4 (Front Axle Differential Lock to Lower Manifold "DL" port)	
4	REF.	1	 LOWER SOLENOID MANIFOLD	FF-4
5	15124-FF		CONNECTOR, STR - FF1852T-0406S	
6	-FF	1	HOSE ASSEMBLY - 2102-04-04OS-04OS (Differential Lock Bulkhead to Lower Manifold "DL2" port)	
7	18582-FF	1	CONNECTOR, STR BULKHEAD - FF1994T-0404S	
8	52486-FF	1	BRACKET, BRG MOUNT - DRIVELINE 830	
9	23322-FF	1	ELBOW, 45 - 6-4 V5OLO-S	

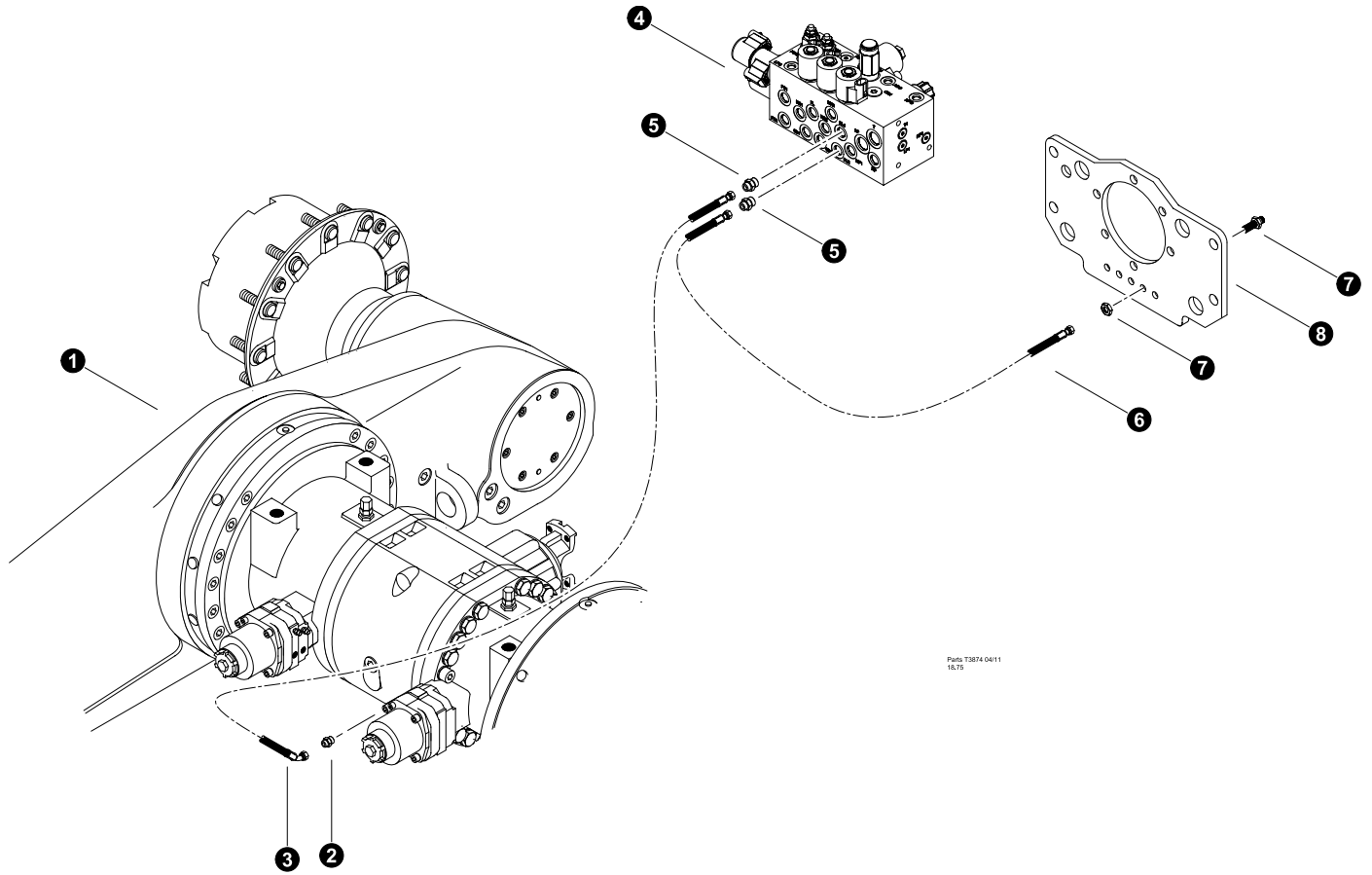
 See referenced page for component or assembly breakdown.



**Lower Solenoid Manifold Circuits
and Components Breakdown
(Front Frame - Differential Lock Connections)
SN - 0322-112409 to 0354-011211 (including machine 0319)**



REF	PART #	QTY		DESCRIPTION	SEE SECTION
1	REF	1		FRONT AXLE	AX
2	19470-FF	1		CONNECTOR, STR METRIC - 4M14F8OMLOS	
3	-FF	1		HOSE ASSEMBLY - 2084-04-04OS-04O4 (Front Axle Differential Lock to Lower Manifold "DL" port)	
4	REF.	1		LOWER SOLENOID MANIFOLD	FF-4
5	15124-FF			CONNECTOR, STR - FF1852T-0406S	
6	-FF	1		HOSE ASSEMBLY - 2102-04-04OS-04OS (Differential Lock Bulkhead to Lower Manifold "DL2" port)	
7	18582-FF	1		CONNECTOR, STR BULKHEAD - FF1994T-0404S	
8	52486-FF	1		BRACKET, BRG MOUNT - DRIVELINE 830	
9	23322-FF	1		ELBOW, 45 - 6-4 V5OLO-S	

 See referenced page for component or assembly breakdown.

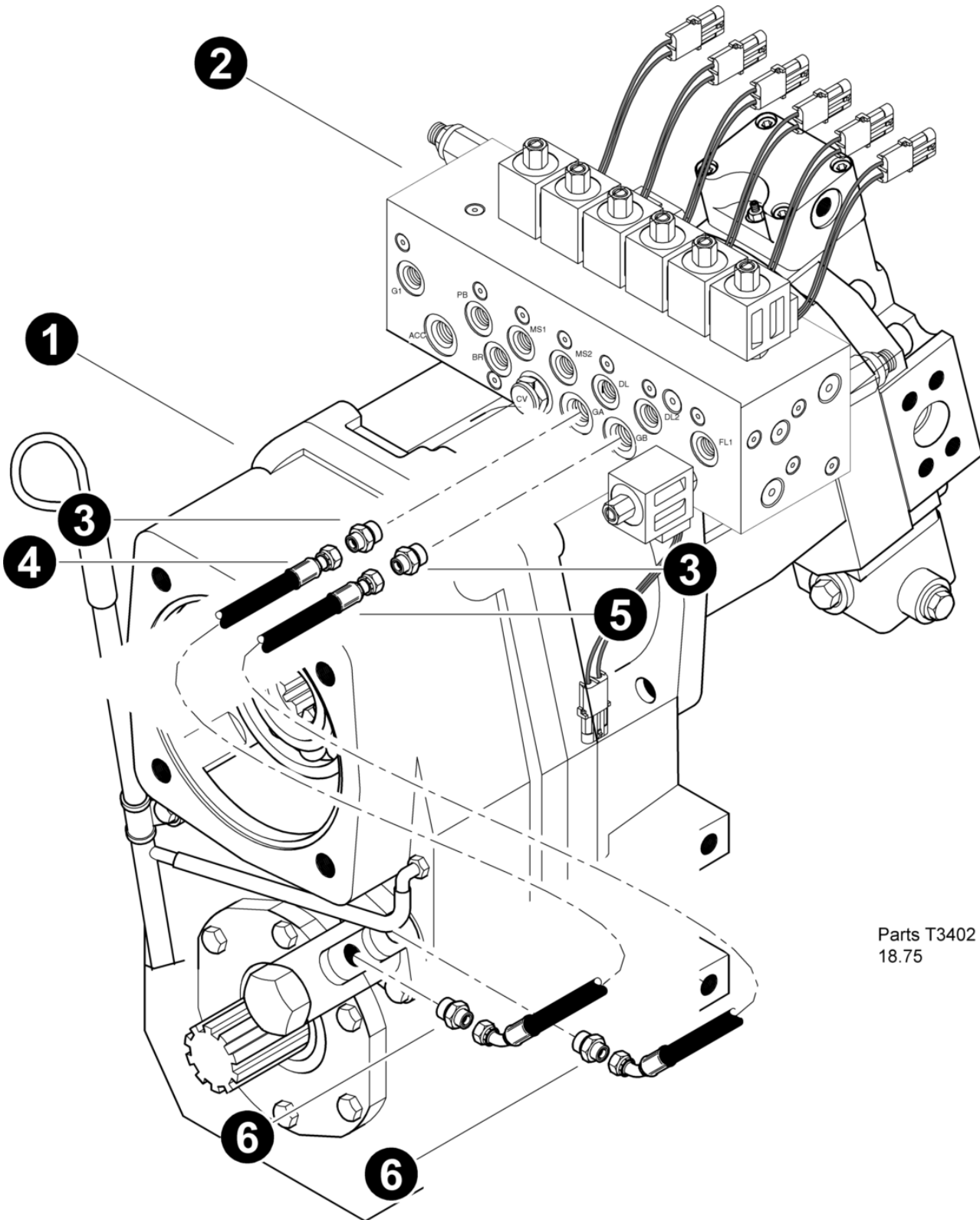


Parts T3874 0411
16/15

**Lower Solenoid Manifold Circuits
and Components Breakdown
(Front Frame - Differential Lock Connections)
Machine 0355-020111 and after**



REF	PART #	QTY	DESCRIPTION	SEE SECTION
1	REF	1	 FRONT AXLE	AX
2	19470-FF	1	CONNECTOR, STR METRIC - 4M14F8OMLOS	
3	-FF	1	HOSE ASSEMBLY - 2084-04-04OS-04O4 (Front Axle Differential Lock to Lower Manifold "DL" port)	
4	REF.	1	 LOWER SOLENOID MANIFOLD	FF-4
5	15124-FF		CONNECTOR, STR - FF1852T-0406S	
6	-FF	1	HOSE ASSEMBLY - 2102-04-04OS-04OS (Differential Lock Bulkhead to Lower Manifold "DL2" port)	
7	18582-FF	1	CONNECTOR, STR BULKHEAD - FF1994T-0404S	
8	52486-FF	1	BRACKET, BRG MOUNT - DRIVELINE 830	
9	23322-FF	1	ELBOW, 45 - 6-4 V5OLO-S	

 See referenced page for component or assembly breakdown.

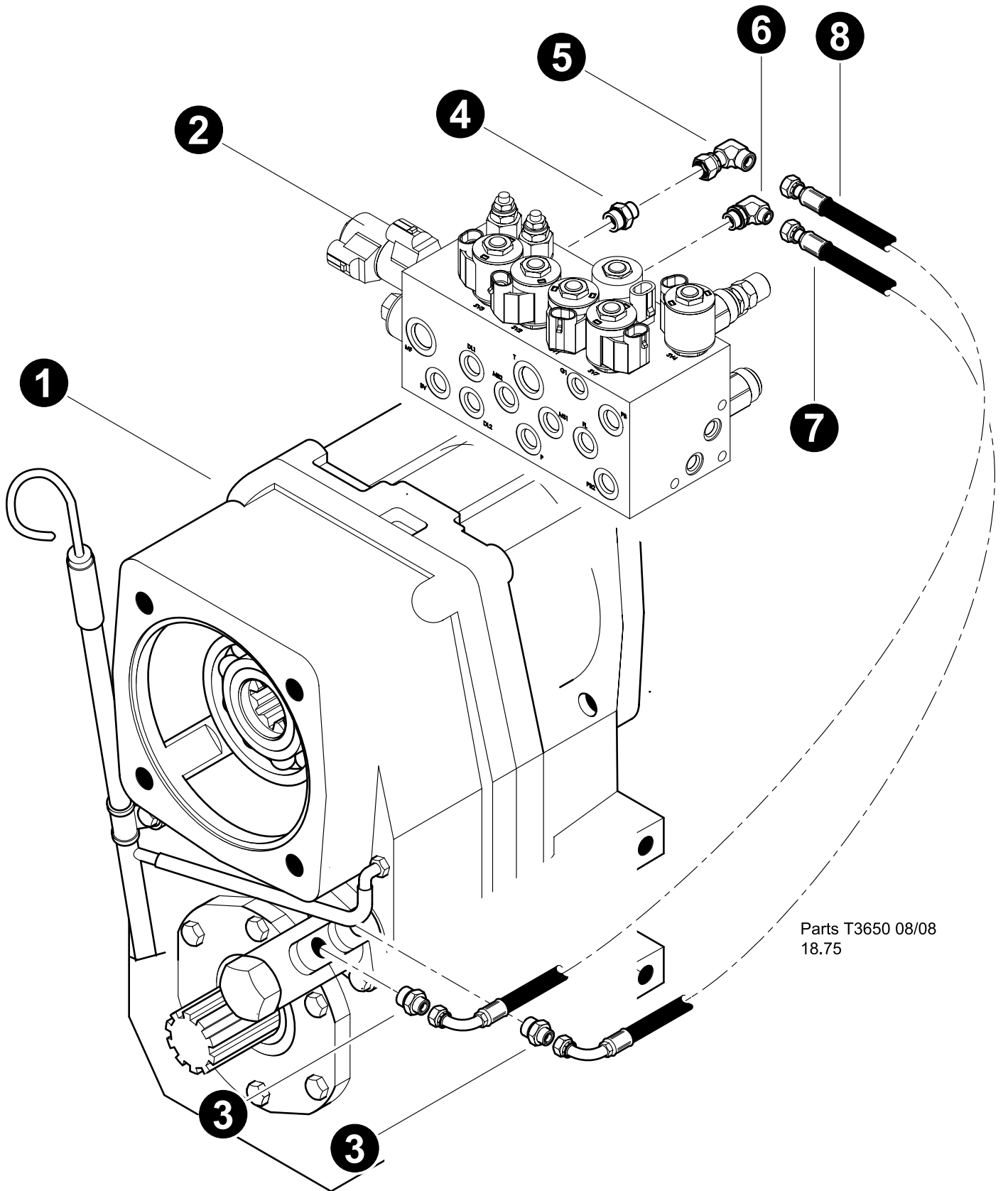


Parts T3402 04/19/2006
18.75

**Lower Solenoid Manifold Circuits
and Components Breakdown
(Front Frame - Gear Box Shift Connections)
SN - 0251 and before**



REF	PART #	QTY		DESCRIPTION	SEE SECTION
1	REF	1		TRANSFER CASE (NAF).....	AX
2	REF.	1		LOWER SOLENOID MANIFOLD.....	FF-4
3	15124-FF			CONNECTOR, STR - FF1852T-0406S	
4	-FF	1		HOSE ASSEMBLY - 2020-04-040S-0404 (GB Bulkhead to Lower Manifold "GA" port)	
5	-FF	1		HOSE ASSEMBLY - 2020-04-040S-0404 (GB Bulkhead to Lower Manifold "GB" port)	
6	19470-FF	2		CONNECTOR, STR METRIC - 4M14F8OMLOS	

 See referenced page for component or assembly breakdown.

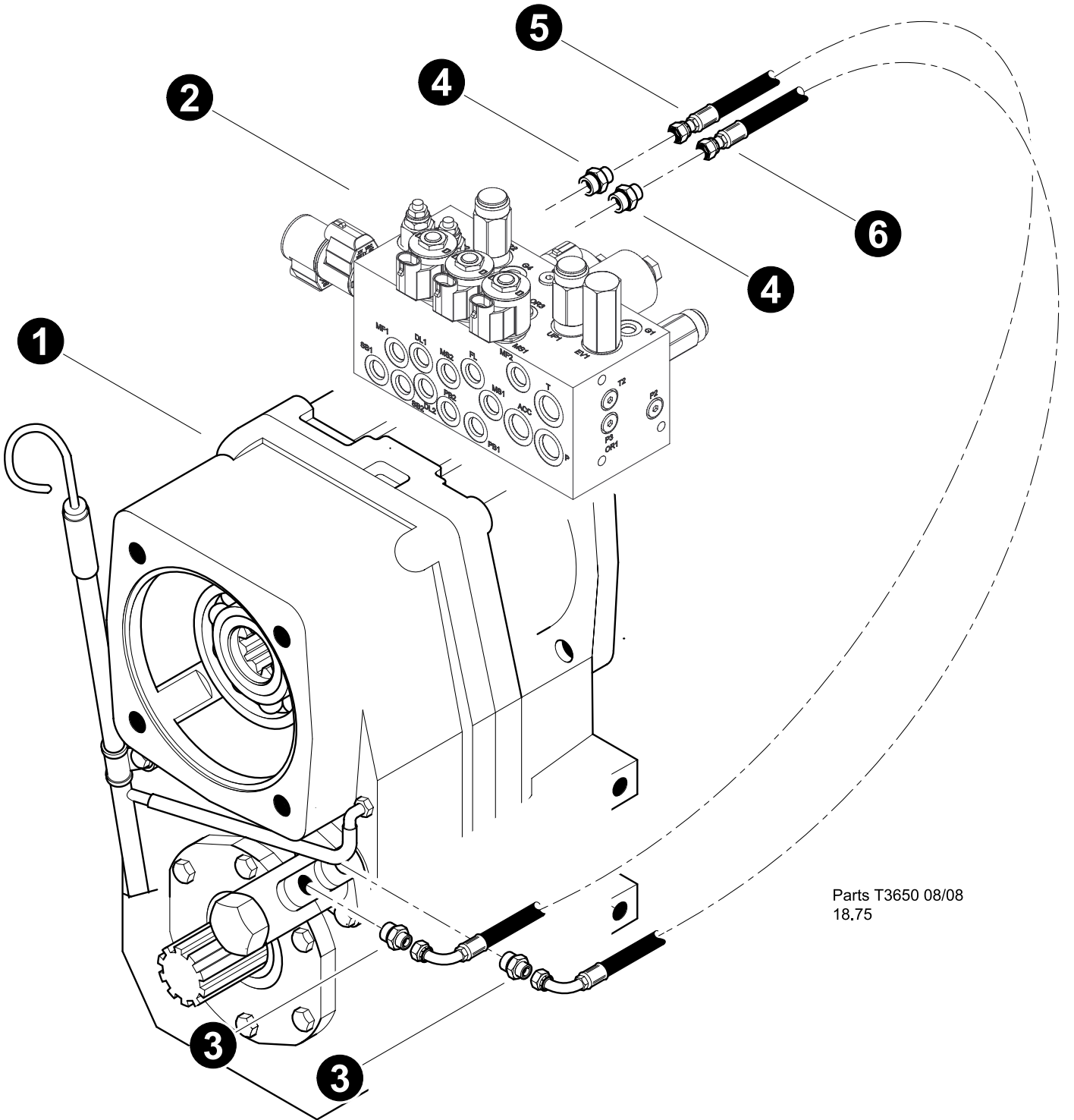


Parts T3650 08/08
18.75

**Lower Solenoid Manifold Circuits
and Components Breakdown
(Front Frame - Gear Box Shift Connections)
SN - 0252-042208 to 0321-10219**



REF	PART #	QTY	DESCRIPTION	SEE SECTION
1	REF	1	 TRANSFER CASE (NAF).....	AX
2	REF.	1	 LOWER SOLENOID MANIFOLD.....	FF-4
3	19470-FF	2	CONNECTOR, STR METRIC - 4M14F8OMLOS	
4	15124-FF	1	CONNECTOR, STR - FF1852T-0406S	
5	15133-FF	1	ELBOW, 90 - FF1868T-0406S	
6	15145-FF	1	ELBOW, 90 SWIVEL - FF2098T-0404S	
7	-FF	1	HOSE ASSEMBLY - 2030-04-040S-0409 (Rear Shift Port to Lower Manifold "GB" port)	
8	-FF	1	HOSE ASSEMBLY - 2025.5-04-040S-0409 (Front Shift Port to Lower Manifold "GA" port)	

 See referenced page for component or assembly breakdown.

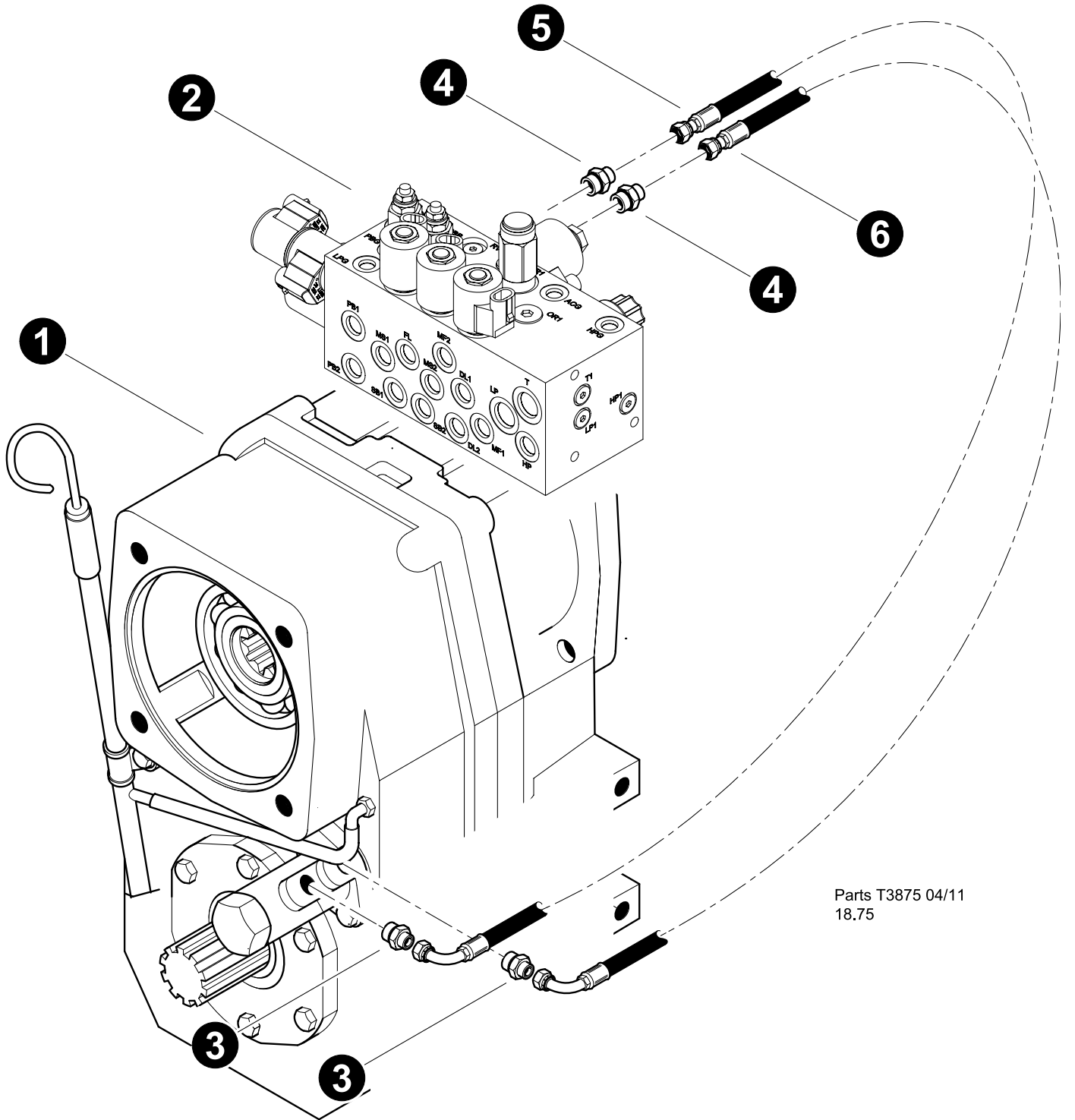


Parts T3650 08/08
18.75

**Lower Solenoid Manifold Circuits
and Components Breakdown
(Front Frame - Gear Box Shift Connections)
SN - 0322-112409 to 0354-011211 (including machine 0319)**



REF	PART #	QTY		DESCRIPTION	SEE SECTION
1	REF	1		TRANSFER CASE (NAF).....	AX
2	REF.	1		LOWER SOLENOID MANIFOLD.....	FF-4
3	19470-FF	2		CONNECTOR, STR METRIC - 4M14F8OMLOS	
4	15124-FF	1		CONNECTOR, STR - FF1852T-0406S	
5	-FF	1		HOSE ASSEMBLY - 2043.5-04-040S-0409 (Front Shift Port to Lower Manifold "GA" port)	
6	-FF	1		HOSE ASSEMBLY - 2039.5-04-040S-0409 (Rear Shift Port to Lower Manifold "GB" port)	

 See referenced page for component or assembly breakdown.

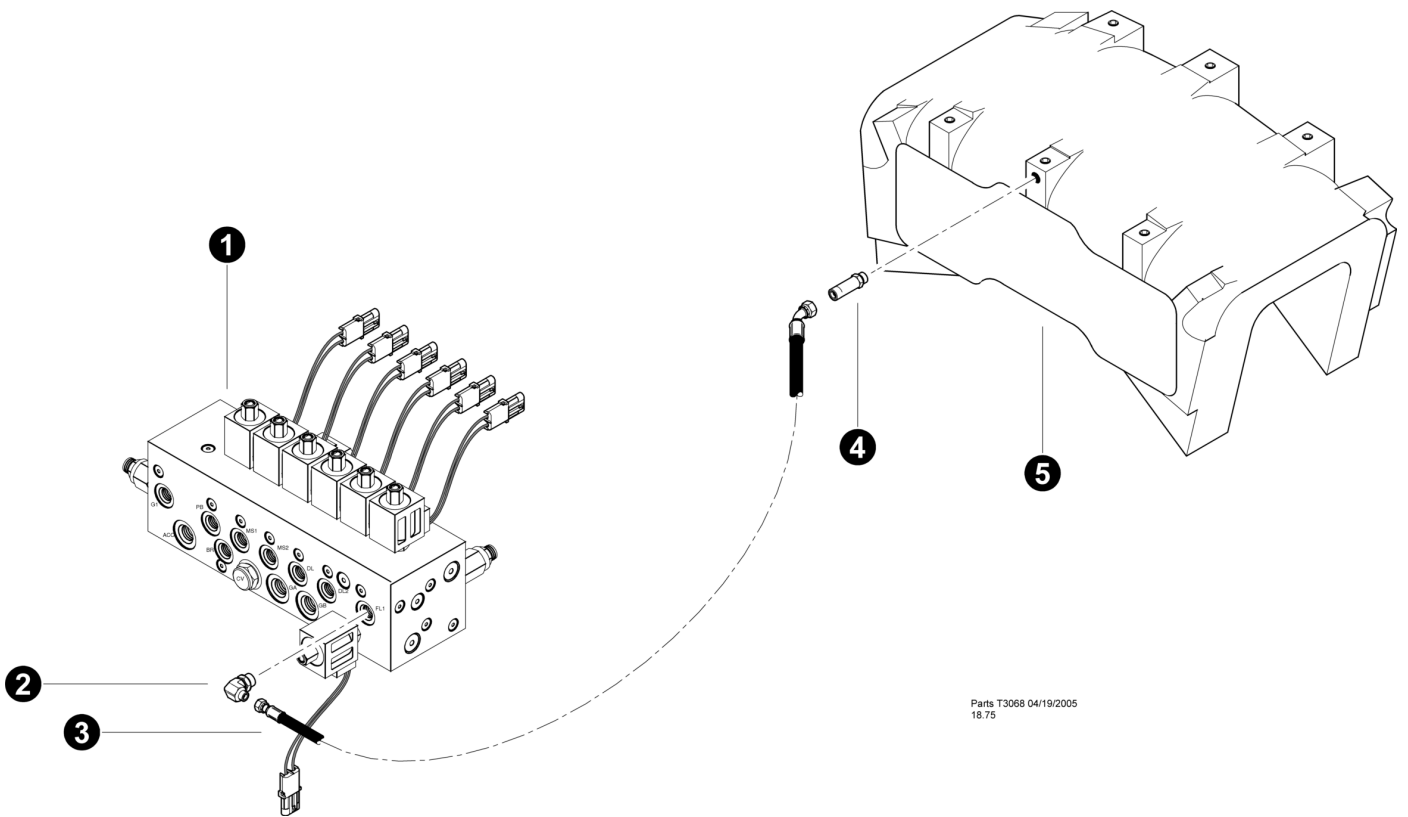


Parts T3875 04/11
18.75

**Lower Solenoid Manifold Circuits
and Components Breakdown
(Front Frame - Gear Box Shift Connections)
Machine 0355-020111 and after**



REF	PART #	QTY	DESCRIPTION	SEE SECTION
1	REF	1	 TRANSFER CASE (NAF).....	AX
2	REF.	1	 LOWER SOLENOID MANIFOLD.....	FF-4
3	19470-FF	2	CONNECTOR, STR METRIC - 4M14F8OMLOS	
4	15124-FF	1	CONNECTOR, STR - FF1852T-0406S	
5	-FF	1	HOSE ASSEMBLY - 2043.5-04-040S-0409 (Front Shift Port to Lower Manifold "GA" port)	
6	-FF	1	HOSE ASSEMBLY - 2039.5-04-040S-0409 (Rear Shift Port to Lower Manifold "GB" port)	


 See referenced page for component or assembly breakdown.

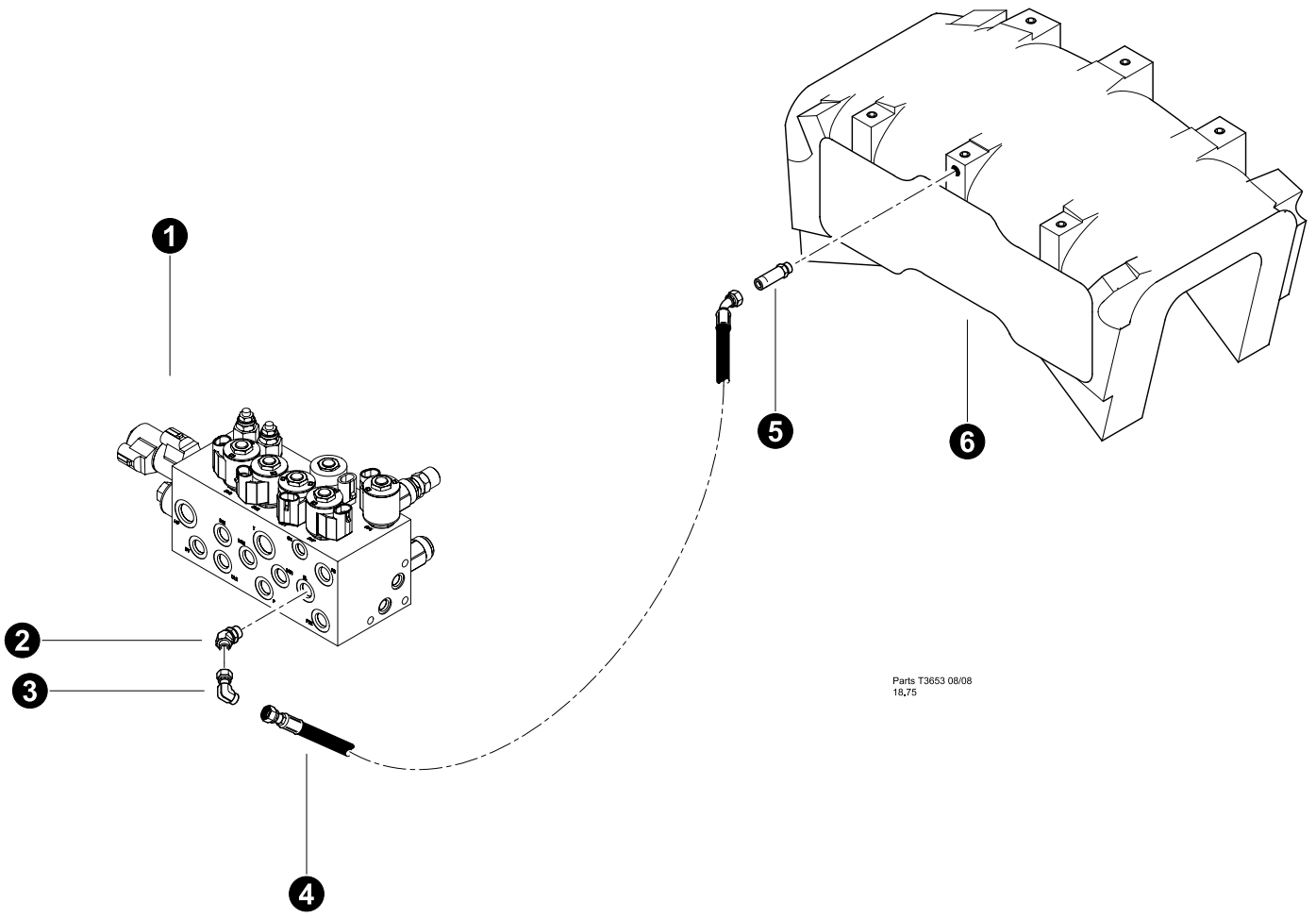


Parts T3068 04/19/2005
18.75

**Lower Solenoid Manifold Circuits
and Components Breakdown
(Front Frame - Frame Lock Connections)
SN - 0251 and before**



REF	PART #	QTY		DESCRIPTION	SEE SECTION
1	REF.	1		LOWER SOLENOID MANIFOLD	FF-4
2	15133-FF	1		ELBOW, 90 - FF1868T-0406S	
3	-FF	1		HOSE ASSEMBLY - 2046.5-04-040S-0404 (Lower Manifold "FL" port to frame lock caliper)	
4	20991-FF	2		CONNECTOR, STR LONG - 848L-TTO-04X04	
5	REF.	1		FRAME LOCK CALIPER BRAKE.....	FF-4


 See referenced page for component or assembly breakdown.

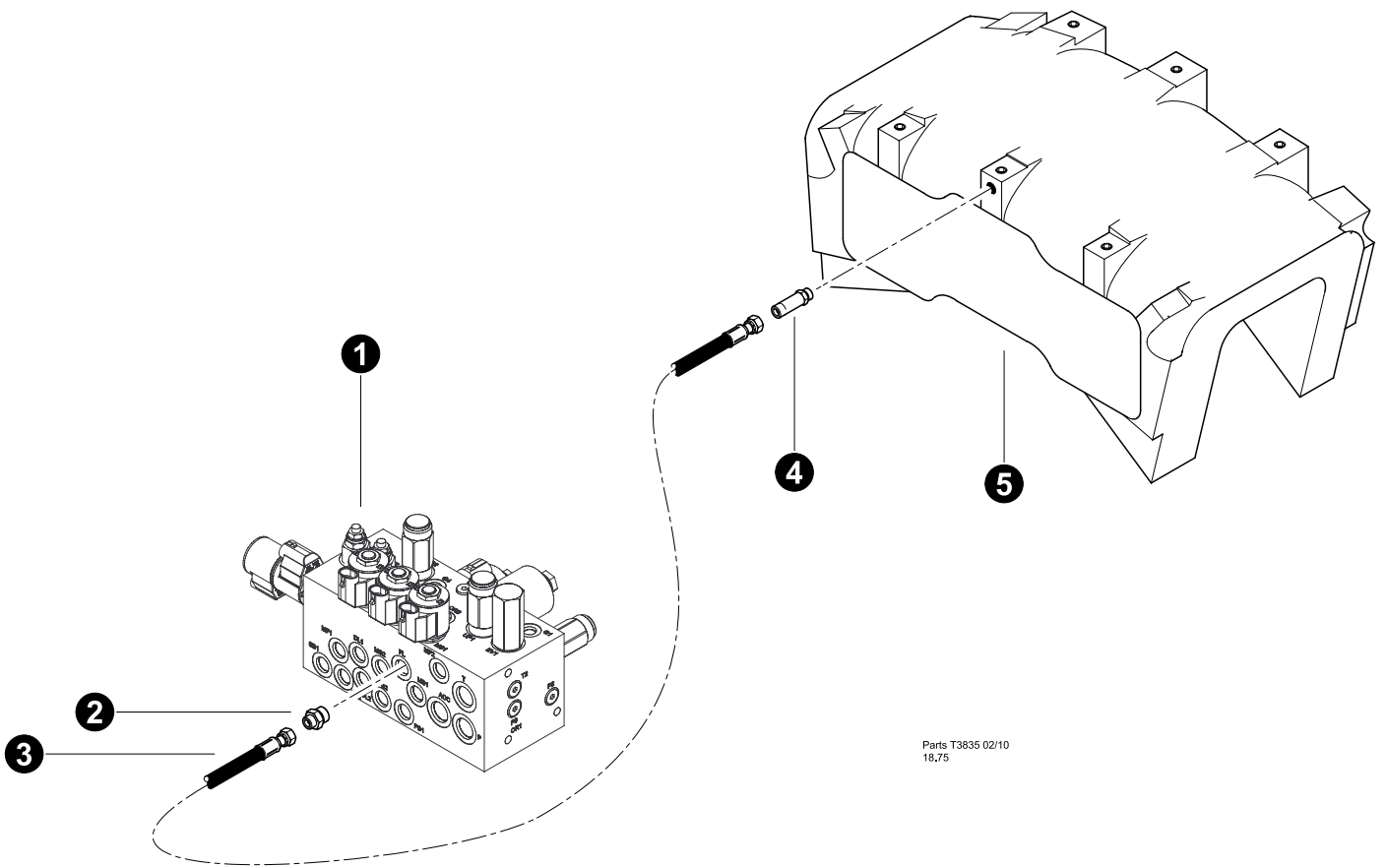


Parts T3653 08/08
18,75

**Lower Solenoid Manifold Circuits
and Components Breakdown
(Front Frame - Frame Lock Connections)
SN - 0252-042208 to 0321-10219**



REF	PART #	QTY		DESCRIPTION	SEE SECTION
1	REF.	1		LOWER SOLENOID MANIFOLD	FF-4
2	23322-FF	1		ELBOW, 45 - 6-4 V5OLO-S	
3	15145-FF	1		ELBOW, 90 SWIVEL - FF2098T-0404S	
4	-FF	1		HOSE ASSEMBLY - 2041.5-04-040S-0404 (Lower Manifold "FL" port to frame lock caliper)	
5	20991-FF	2		CONNECTOR, STR LONG - 848L-TTO-04X04	
6	REF.	1		FRAME LOCK CALIPER BRAKE.....	FF-4


 See referenced page for component or assembly breakdown.

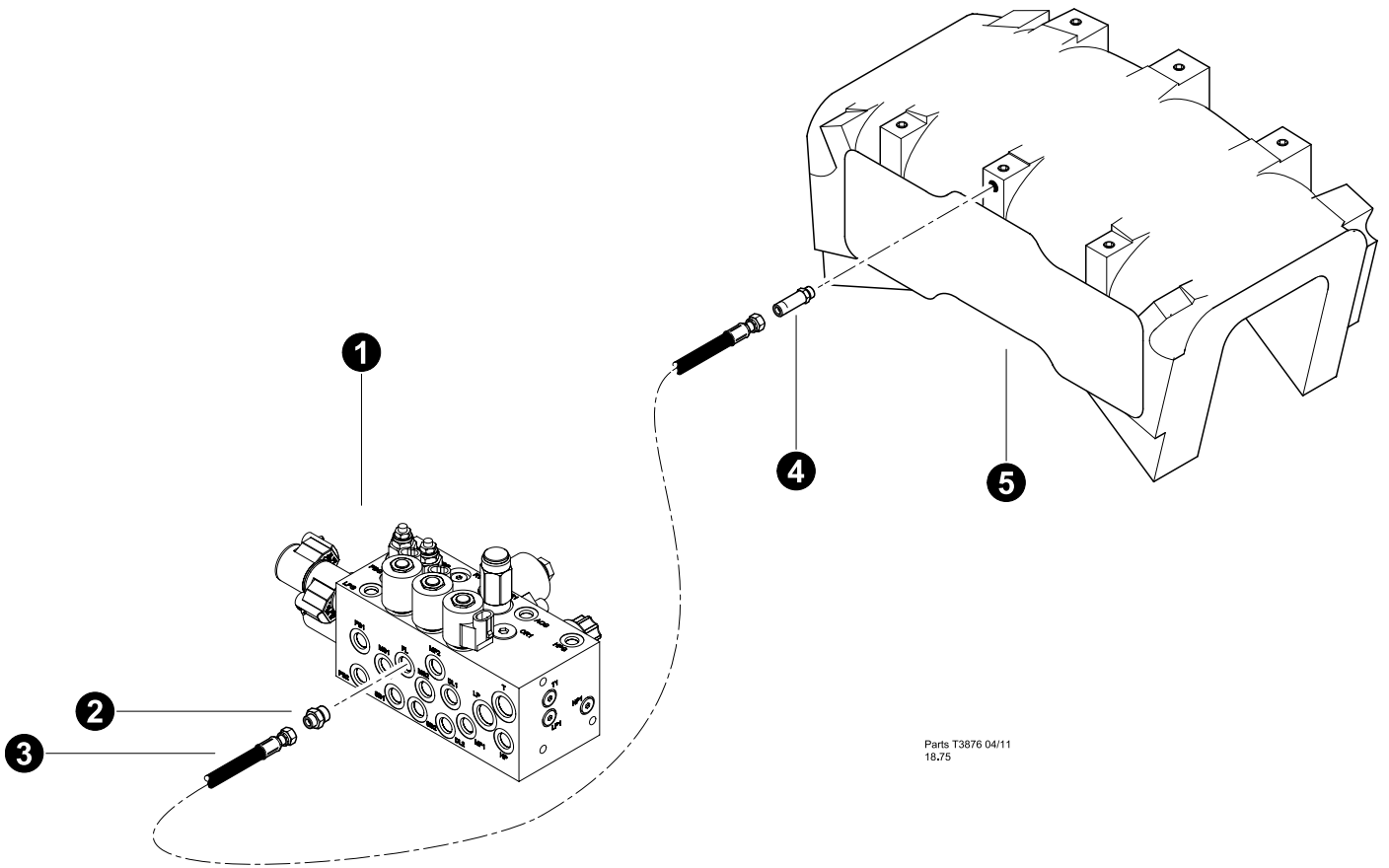


Parts T3635 02/10
18.75

**Lower Solenoid Manifold Circuits
and Components Breakdown
(Front Frame - Frame Lock Connections)
SN - 0322-112409 to 0354-011211 (including machine 0319)**



REF	PART #	QTY		DESCRIPTION	SEE SECTION
1	REF.	1		LOWER SOLENOID MANIFOLD	FF-4
2	15124-FF	1		CONNECTOR, STR - FF1852T-0406S	
3	-FF	1		HOSE ASSEMBLY - 2074-04-040S-040S (Lower Manifold "FL" port to frame lock caliper)	
4	20991-FF	2		CONNECTOR, STR LONG - 848L-TTO-04X04	
5	REF.	1		FRAME LOCK CALIPER BRAKE.	FF-4

 See referenced page for component or assembly breakdown.

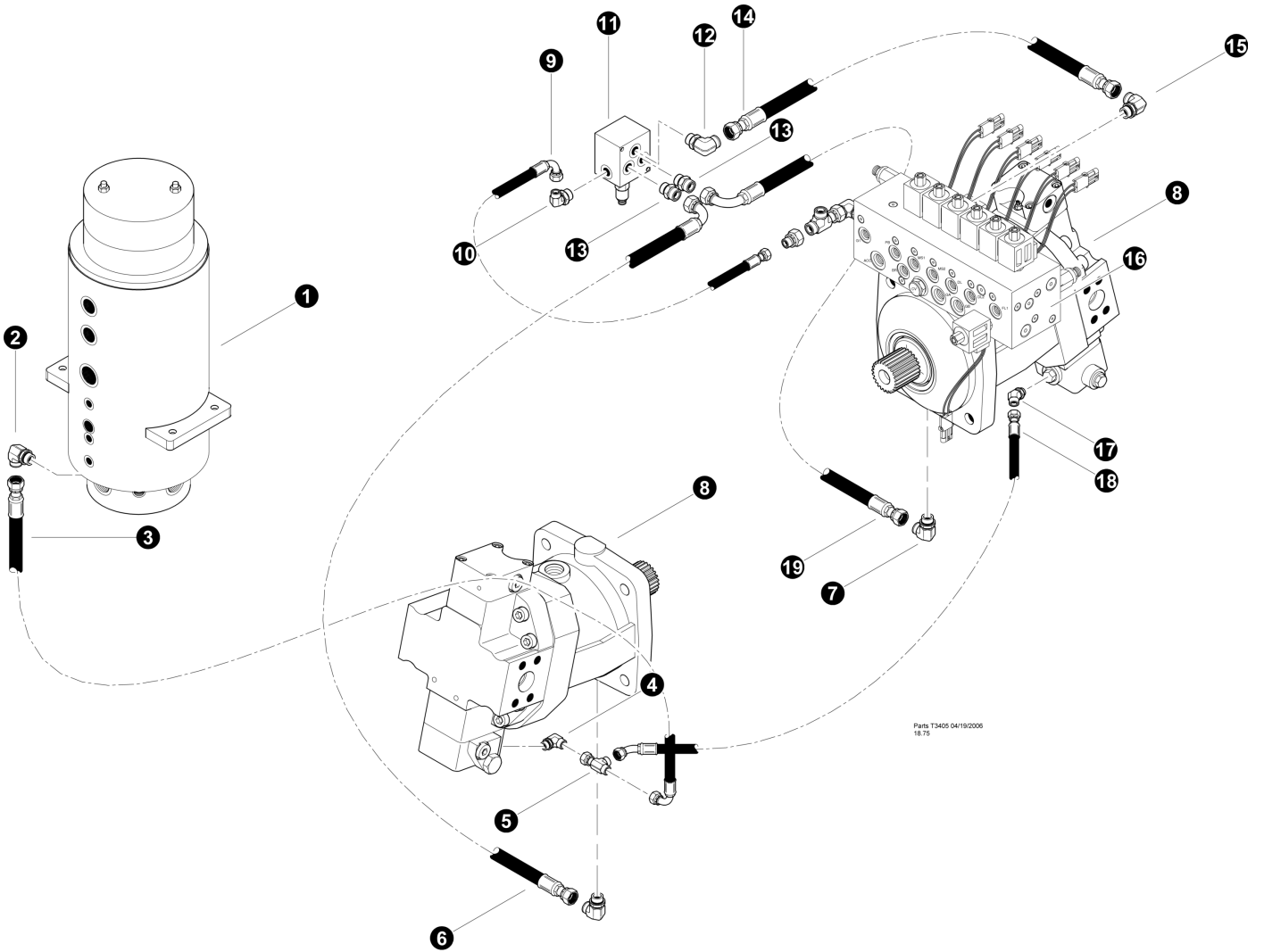


Parts T3876 04/11
18.75





**Lower Solenoid Manifold Circuits
and Components Breakdown
(Front Frame - Frame Lock Connections)
Machine 0355-020111 and after**

REF	PART #	QTY		DESCRIPTION	SEE SECTION
1	REF.	1		LOWER SOLENOID MANIFOLD	FF-4
2	15124-FF	1		CONNECTOR, STR - FF1852T-0406S	
3	-FF	1		HOSE ASSEMBLY - 2074-04-040S-040S (Lower Manifold "FL" port to frame lock caliper)	
4	20991-FF	2		CONNECTOR, STR LONG - 848L-TTO-04X04	
5	REF.	1		FRAME LOCK CALIPER BRAKE.	FF-4

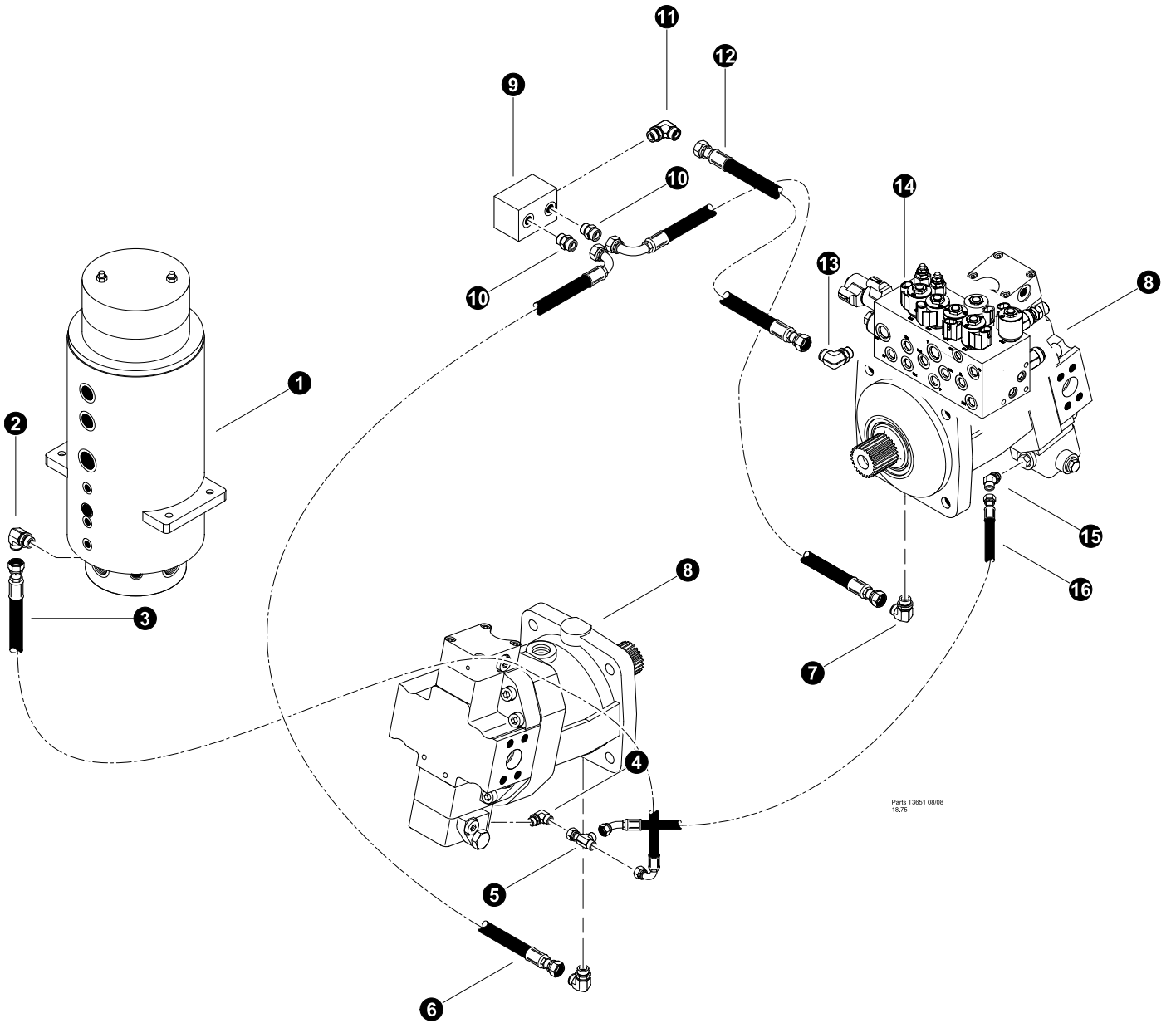
 See referenced page for component or assembly breakdown.






Lower Solenoid Manifold Circuits and Components Breakdown (Front Frame - Motor Flushing Supply and Return Connections) SN - 0251 and before

REF	PART #	QTY	DESCRIPTION	SEE SECTION
1	REF.	1	 ROTARY MANIFOLD	UP-1
2	16296-FF	1	ELBOW, 90 - FF1868T-0606S	
3	-FF	1	HOSE ASSEMBLY - 2060-06-060S-0604 (Rotory Manifold port "3" to flushing return tee)	
4	16296-FF	1	ELBOW, 90 - FF1868T-0606S	
5	22730-FF	1	TEE - 6 R6LO-S	
6	-FF	1	HOSE ASSEMBLY - 2025-06-06OS-0609 (Flushing manifold to Front Motor)	
7	22405-FF	2	ELBOW, 90 - 8-6 C5OLO-S	
8	REF.	1	 WHEEL DRIVE MOTOR	FR-5
9	-FF	1	HOSE ASSEMBLY - 2019-04-04OS-0409 (Flushing manifold to drain)	
10	15133-FF	1	ELBOW, 90 - FF1868T-0406S	
11	REF.	1	 MANIFOLD, FLUSHING - WHEEL MOTORS	FR-4
12	16296-FF	1	ELBOW, 90 - FF1868T-0606S	
13	18034-FF	2	CONNECTOR, STR - FF1852T-0606S	
14	-FF	1	HOSE ASSEMBLY - 2012.5-06-060S-060S (Flush manifold to FL port)	
15	16296-FF	1	ELBOW, 90 - FF1868T-0606S	
16	REF.	1	 LOWER SOLENOID MANIFOLD	FF-5
17	23015-FF	1	ELBOW, 45 - 6 V5OLO-S	
18	-FF	1	HOSE ASSEMBLY - 2042-06-06OS-0604 (Front Motor to Rear Motor)	
19	-FF	1	HOSE ASSEMBLY - 2025-06-06OS-0609 (Flushing manifold to Rear Motor)	

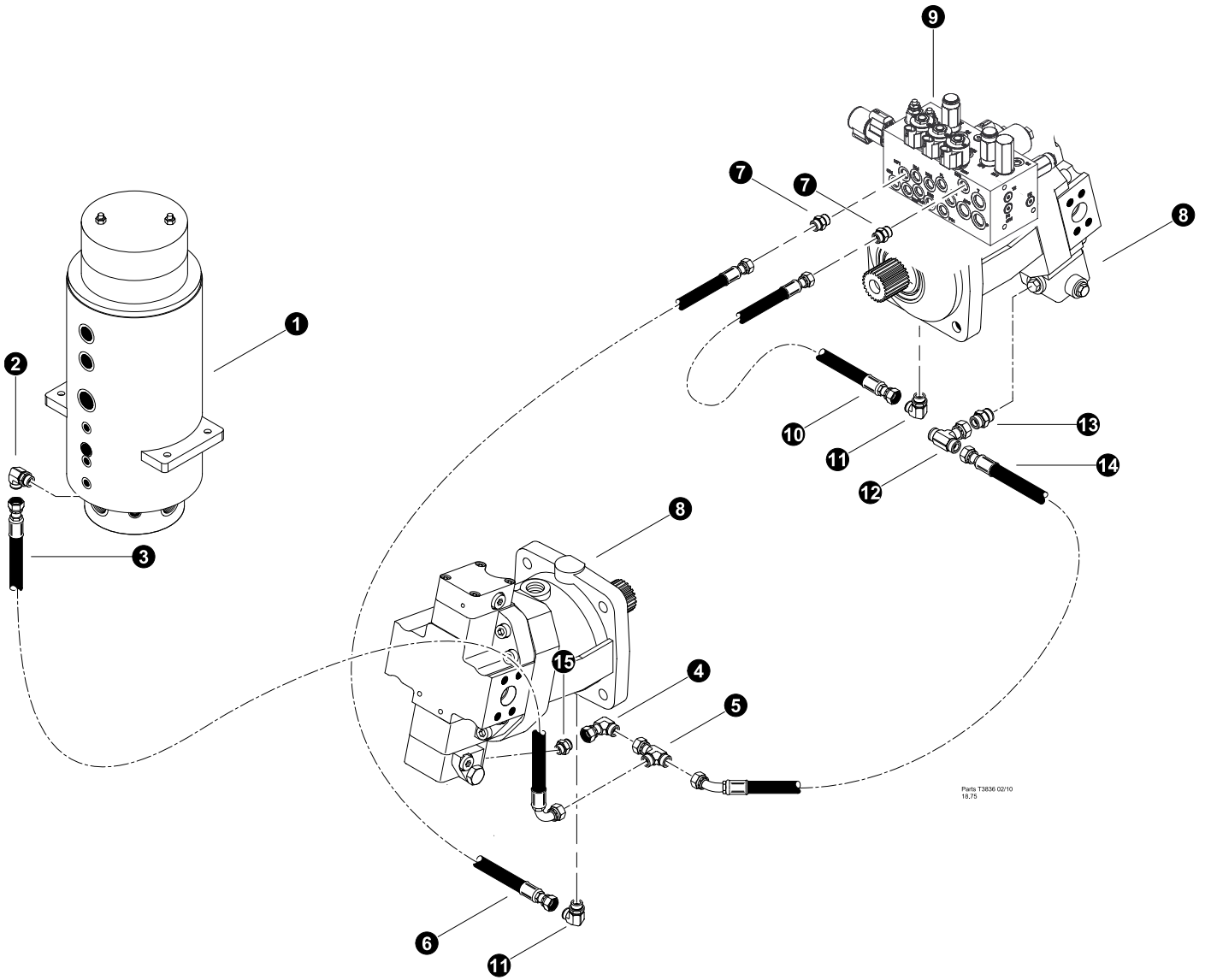
 See referenced page for component or assembly breakdown.






**Lower Solenoid Manifold Circuits
and Components Breakdown
(Front Frame - Motor Flushing Supply and Return Connections)
SN - 0252-042208 to 0321-10219**

REF	PART #	QTY	DESCRIPTION	SEE SECTION
1	REF.	1	 ROTARY MANIFOLD	UP-1
2	16296-FF	1	ELBOW, 90 - FF1868T-0606S	
3	-FF	1	HOSE ASSEMBLY - 2051-06-060S-0604 (Rotory Manifold port "3" to flushing return tee)	
4	16296-FF	1	ELBOW, 90 - FF1868T-0606S	
5	22730-FF	1	TEE - 6 R6LO-S	
6	-FF	1	HOSE ASSEMBLY - 2018.5-06-06OS-0609 (Flushing manifold to Front Motor)	
7	22405-FF	2	ELBOW, 90 - 8-6 C5OLO-S	
8	REF.	1	 WHEEL DRIVE MOTOR	FR-5
9	-FF	1	MANIFOLD, FLUSHING - WHEEL MOTORS	
10	18034-FF	2	CONNECTOR, STR - FF1852T-0606S	
11	16360-FF	1	ELBOW, 90 - FF1868T-0808S	
12	-FF	1	HOSE ASSEMBLY - 2022-08-08OS-08OS (Flushing manifold to Lower Manifold "MF" Port)	
13	16360-FF	1	ELBOW, 90 - FF1868T-0808S	
14	REF.	1	 LOWER SOLENOID MANIFOLD	FF-4

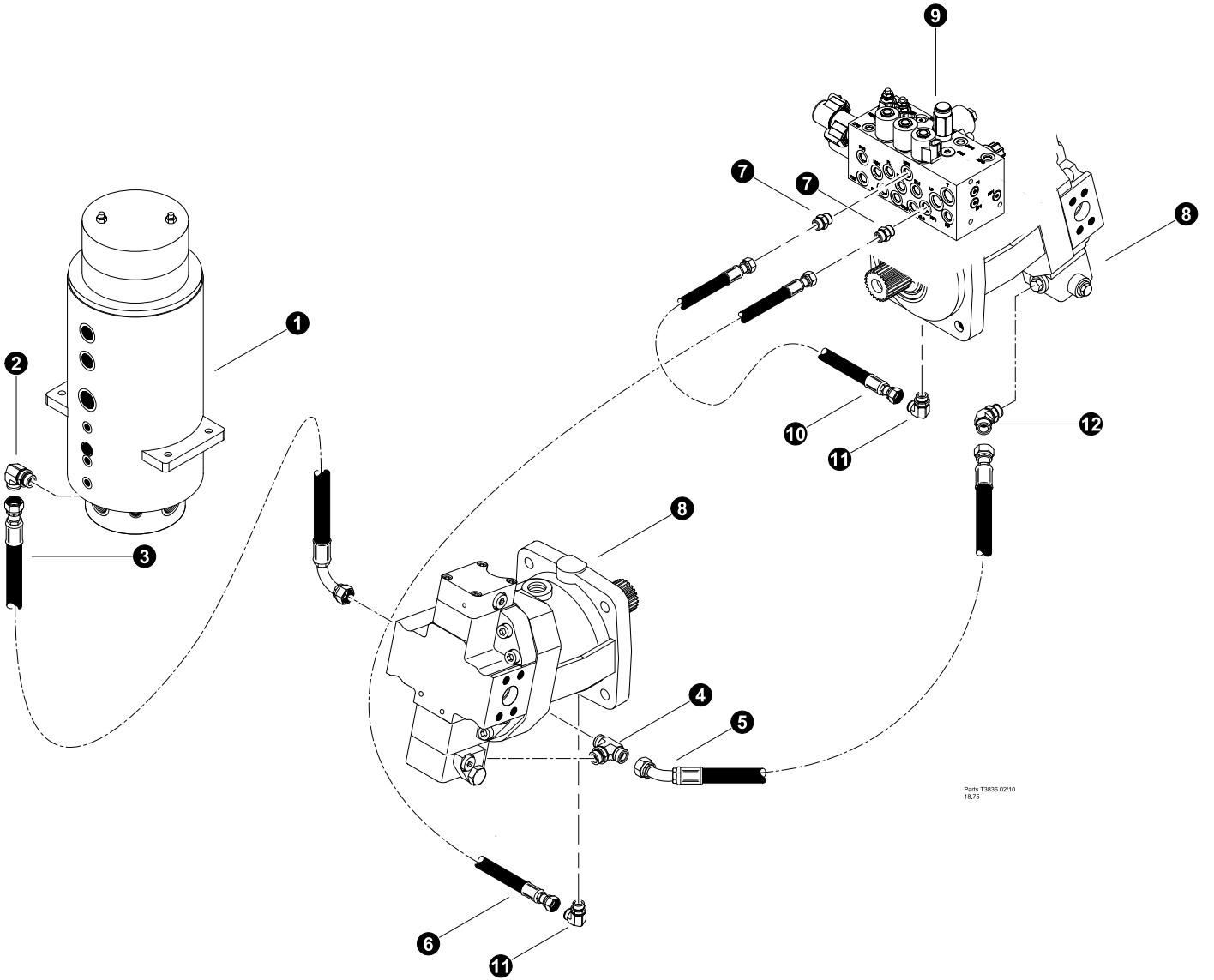
 See referenced page for component or assembly breakdown.






**Lower Solenoid Manifold Circuits
and Components Breakdown
(Front Frame - Motor Flushing Supply and Return Connections)
SN - 0322-112409 to 0354-011211 (including machine 0319)**

REF	PART #	QTY	DESCRIPTION	SEE SECTION
1	REF.	1	 ROTARY MANIFOLD	UP-1
2	22405-FF	1	ELBOW, 90 - 8-6 C5OLO-S	
3	-FF	1	HOSE ASSEMBLY - 2051-08-080S-0809 (Rotory Manifold port "HO" to flushing return tee)	
4	17085-FF		ELBOW, 90 SWIVEL - 6500-8	
5	20066-FF	1	TEE - 8 S5OLO-S - BRANCH	
6	-FF	1	HOSE ASSEMBLY - 2026.5-06-06OS-06OS (MF1 to Front Motor)	
7	18034-FF	2	CONNECTOR, STR - FF1852T-0606S	
8	REF.	1	 WHEEL DRIVE MOTOR	FR-5
9	REF.	1	 LOWER SOLENOID MANIFOLD	FF-4
10	-FF	1	HOSE ASSEMBLY - 2046-08-08OS-08OS (MF2 to Lower Manifold "MF" Port)	
11	20031-FF	1	ELBOW, 90 - 6-8 C5OLO-S	
12	51003-FF	1	TEE - 8 R5OLO-S RUN	
13	22901-FF	1	CONNECTOR, STR - 6-8 F5OLO-S	
14	-FF	1	HOSE ASSEMBLY - 2046-08-08OS-08O4 (Flush Return Jumper)	
15	22901-FF	1	CONNECTOR, STR - 6-8 F5OLO-S	

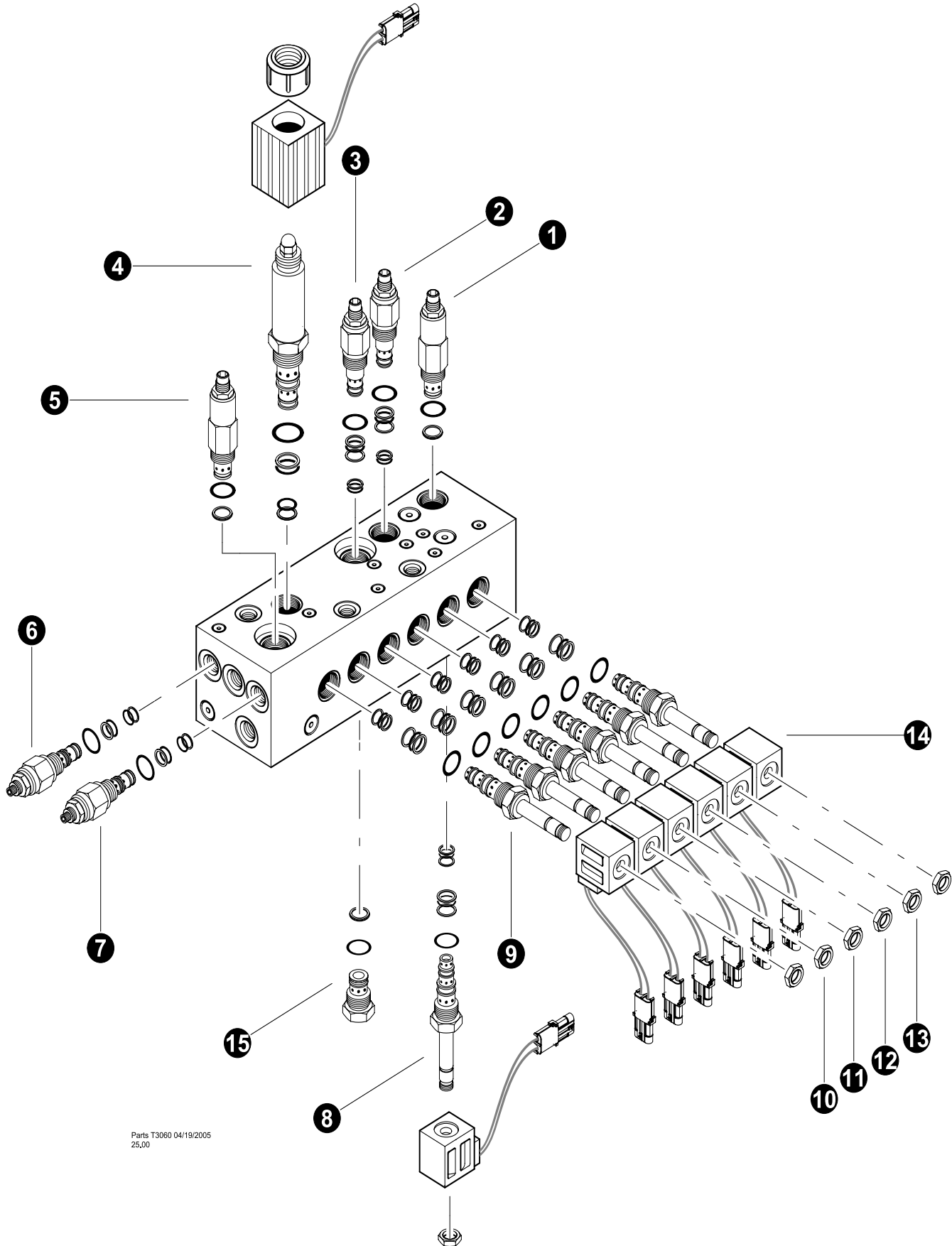
 See referenced page for component or assembly breakdown.



**Lower Solenoid Manifold Circuits
and Components Breakdown
(Front Frame - Motor Flushing Supply and Return Connections)
Machine 0355-020111 and after**

REF	PART #	QTY	DESCRIPTION	SEE SECTION
1	REF.	1	 ROTARY MANIFOLD	UP-1
2	16360-FF	1	ELBOW, 90 - FF1868T-0808S	
3	-FF	1	HOSE ASSEMBLY - 2051-08-080S-0809 (Rotary Manifold port "LV1" to flushing return tee) "No Clam Bunk Installed"	
4	20066-FF	1	TEE - 8 S5OLO-S - BRANCH	
5	-FF		HOSE ASSEMBLY - 2043-08-080S-0804 (Front to Rear Motor Flushing Return Lines)	
6	-FF	1	HOSE ASSEMBLY - 2026.5-06-06OS-06OS (MF1 to Front Motor)	
7	18034-FF	2	CONNECTOR, STR - FF1852T-0606S	
8	REF.	1	 WHEEL DRIVE MOTOR	FR-5
9	REF.	1	 LOWER SOLENOID MANIFOLD	FF-4
10	-FF	1	HOSE ASSEMBLY - 2046-08-08OS-08OS (MF2 to Rear Motor)	
11	20031-FF	1	ELBOW, 90 - 6-8 C5OLO-S	
12	19126-FF	1	ELBOW, 45 - FF2068T-0808S	

 See referenced page for component or assembly breakdown.

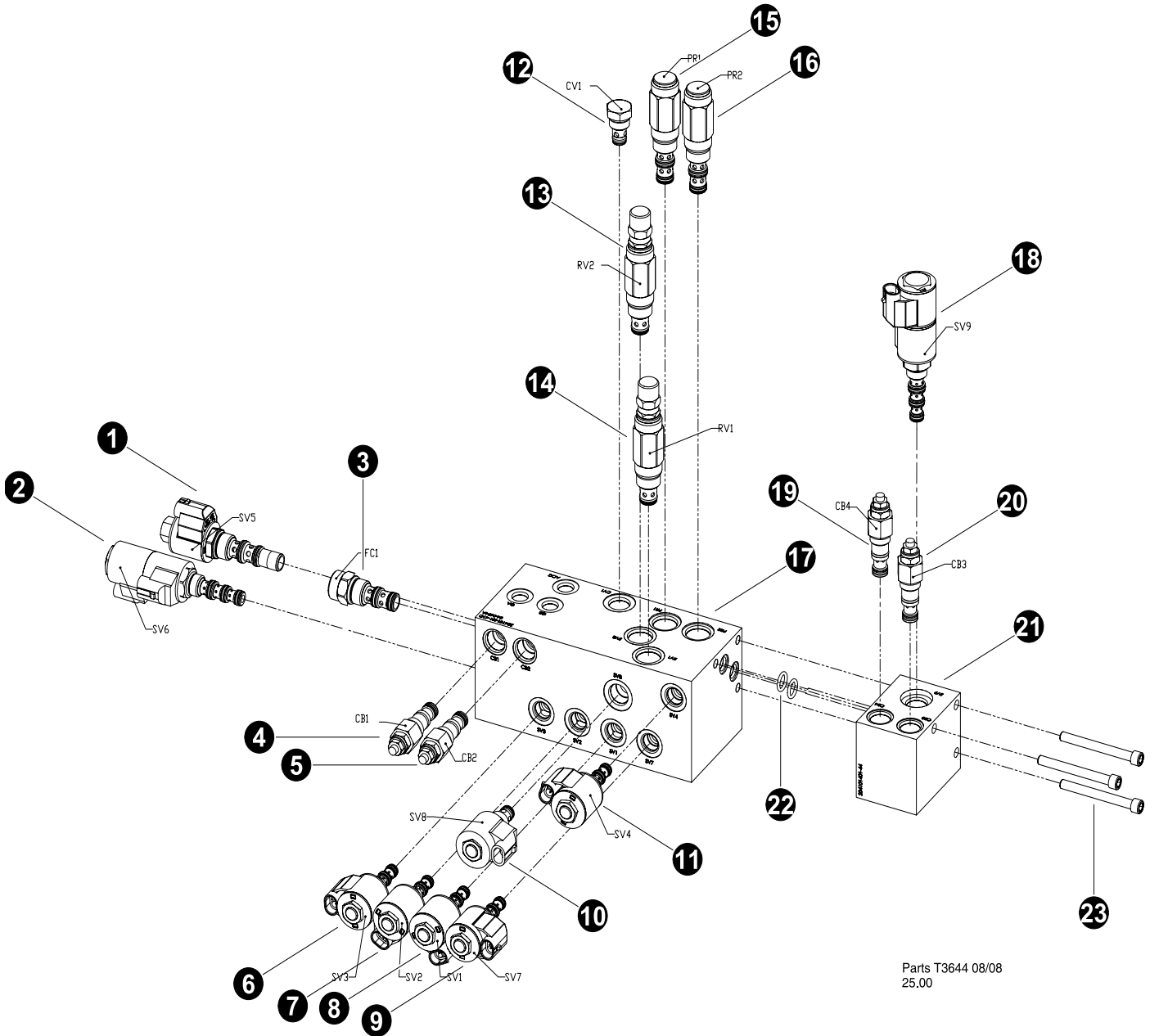


Parts T3060 04/19/2005
25,00

Lower Solenoid Manifold Circuits and Components Breakdown (Lower Solenoid Manifold Breakdown) SN - 0251 and before

REF	PART #	QTY	DESCRIPTION	SEE PAGE
-	51623-FF	1	<input type="checkbox"/> VALVE, LOWER MANIFOLD - GS Hydraulics BLOCK, Lower Manifold (XM04033revC)	
1	52206-FF	1	CARTRIDGE, Secondary relief valve (RDH103S30) 900 psi KIT, Seal Repair (SK10-2N)	
2	52163-FF	1	CARTRIDGE, GB shift counter balance valve (CBPA-080N-S-0-30) KIT, Seal Repair (SKN-0828)	
3	52163-FF	1	CARTRIDGE, GB shift counter balance valve (CBPA-080N-S-0-30) KIT, Seal Repair (SKN-0828)	
4	52212-FF	1	CARTRIDGE, Travel Brake proportional valve (EPRR-10-N-10-0-24DL) KIT, Seal Repair (SK08-2N) Solenoid, 24 volt Proportional	
5	52162-FF	1	CARTRIDGE, Main relief valve (RDH103S30) 2000 psi KIT, Seal Repair (SK10-2N)	
6	52415-FF	1	CARTRIDGE, Park Brake reducing / relief valve (PRH081S10) 900 psi KIT, Seal Repair (SK08-3N)	
7	52207-FF	1	CARTRIDGE, Solenoids reducing / relief valve (PRH081S10) 425 psi KIT, Seal Repair (SK08-3N)	
8	52208-FF	1	CARTRIDGE, Frame Lock directional valve cartridge (DSH081NR) KIT, Seal Repair (SK08-2N)	
9	52211-FF		COIL, 24 volt	
9	52209-FF	1	CARTRIDGE, Park Brake solenoid valve 3-way (DSH083) KIT, Seal Repair (SK08-3N)	
10	52211-FF		COIL, 24 volt	
10	52209-FF	1	CARTRIDGE, Motor Shift "1" solenoid valve 3-way (DSH083) KIT, Seal Repair (SK08-3N)	
11	52211-FF		COIL, 24 volt	
11	52209-FF	1	CARTRIDGE, Motor Shift "2" solenoid valve 3-way (DSH083) KIT, Seal Repair (SK08-3N)	
12	52211-FF		COIL, 24 volt	
12	52209-FF	1	CARTRIDGE, Diff Lock solenoid valve 3-way (DSH083) KIT, Seal Repair (SK08-3N)	
13	52211-FF		COIL, 24 volt	
13	52209-FF	1	CARTRIDGE, Gear Box Shift "A" solenoid valve 3-way (DSH083) KIT, Seal Repair (SK08-3N)	
14	52211-FF		COIL, 24 volt	
14	52209-FF	1	CARTRIDGE, Gear Box Shift "B" solenoid valve 3-way (DSH083) KIT, Seal Repair (SK08-3N)	
15	52211-FF		COIL, 24 volt	
15	52210-FF	1	CARTRIDGE, Accumulator check valve cartridge (CVH103P) KIT, Seal Repair (SK10-2N)	

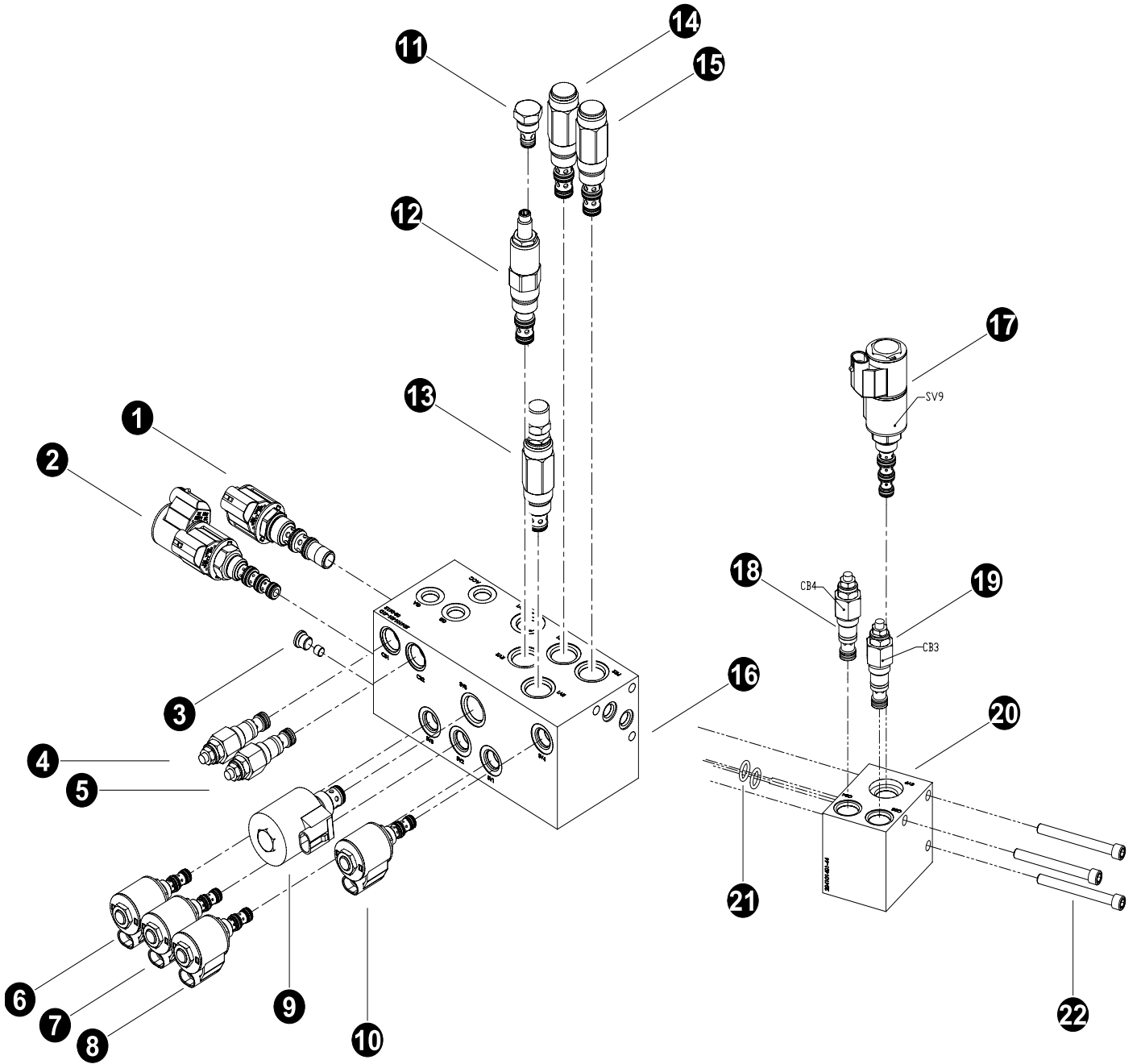
Kit or Assembly - includes all items indented underneath.
 ⌘ Included in



Lower Solenoid Manifold Circuits and Components Breakdown (Lower Solenoid Manifold Breakdown) SN - 0252-042208 to 0297-021309

REF	PART #	QTY	DESCRIPTION	SEE PAGE
-	53001-FF	1	☐ VALVE, LOWER MANIFOLD - Fluid Systems	
1	53774-FF	1	■ Valve, Proportional Pressure Reducing (TS98-31-0-N-24EY) Travel Brake	
2	54511-FF	1	◆ Valve, Directional Control (SV08-47D-0-N-24EY) Gear Box Shift	
3	54827-FF	1	☒ Valve, Flow Regulator/Press Comp (FR10-30F-0-N-3.6)	
4	54128-FF	1	Valve, Counterbalance (5008-3-500) Gear Shift Load Check Valve	
5	54828-FF	1	Valve, Counterbalance (5008-3-500) Gear Shift Load Check Valve	
6	54828-FF	1	⌘ Valve, Directional Control (SV07-31-0-N-24EY) Diff Lock	
7	54828-FF	1	⌘ Valve, Directional Control (SV07-31-0-N-24EY) Motor Shift 2	
8	54828-FF	1	⌘ Valve, Directional Control (SV07-31-0-N-24EY) Motor Shift 1	
9	54828-FF	1	⌘ Valve, Directional Control (SV07-31-0-N-24EY) Frame Lock	
10	54829-FF	1	○ Valve, Directional Control (SV08-21-0-N-24EY)	
11	54830-FF	1	⌘ Valve, Directional Control (SV07-34-0-N-24EY) Parking Brake	
12	54831-FF	1	⊕ Valve, Check (CV08-20-0-N-25)	
13	53882-FF	1	⊙ Valve, Pressure Relief (RV10-26C-0N-15)	
14	54832-FF	1	⊙ Valve, Pressure Relief (RV10-26C-0N-30) 3000 PSI	
15	54833-FF	1	● Valve, Pressure Reducing (PR10-36H-0-N-15/4.25) 425 PSI	
16	54834-FF	1	● Valve, Pressure Reducing (PR10-36H-0-N-15/9) 900 PSI	
17	-FF	1	BLOCK, (204101401-41C)	
-	53178-FF	1	☐ VALVE, GATE VALVE (204101401-54)	
18	54411-FF	1	Valve, Directional Control (SV08-47D-0-N-24EY) Gate Control	
19	54128-FF	1	Valve, Counterbalance (5008-3-5-000)	
20	54128-FF	1	Valve, Counterbalance (5008-3-5-000)	
21	-FF	1	BLOCK, (204101401-44)	
22	-FF	1	O-Rings	
23	-FF	1	Bolts,	

- ☐ Kit or Assembly - includes all items indented underneath.
- ⌘ Seal Repair Kit (SK07-3N-MM) / Coil (4303824) / Nut (7004400)
- Seal Repair Kit (SK10-3N-BM)
- Seal Repair Kit (SK90-3V) / Coil (4303824) / Nut (7004400)
- ◆ Seal Repair Kit (SK08-4N-MMM) / Coil (4303824) / Nut (7004400) / Spacer (4534720)
- ⌘ Seal Repair Kit (SK10-2N-T) / Coil (4303924) / Nut (7004400)
- ⊕ Seal Repair Kit (SK08-2N-T)
- ⊙ Seal Repair Kit (SK10-2N-B)
- ☒ Seal Repair Kit (SK10-3X-TB)
- Seal Repair Kit (SK08-2X-T) / Coil (4303824) / Nut (7004400)

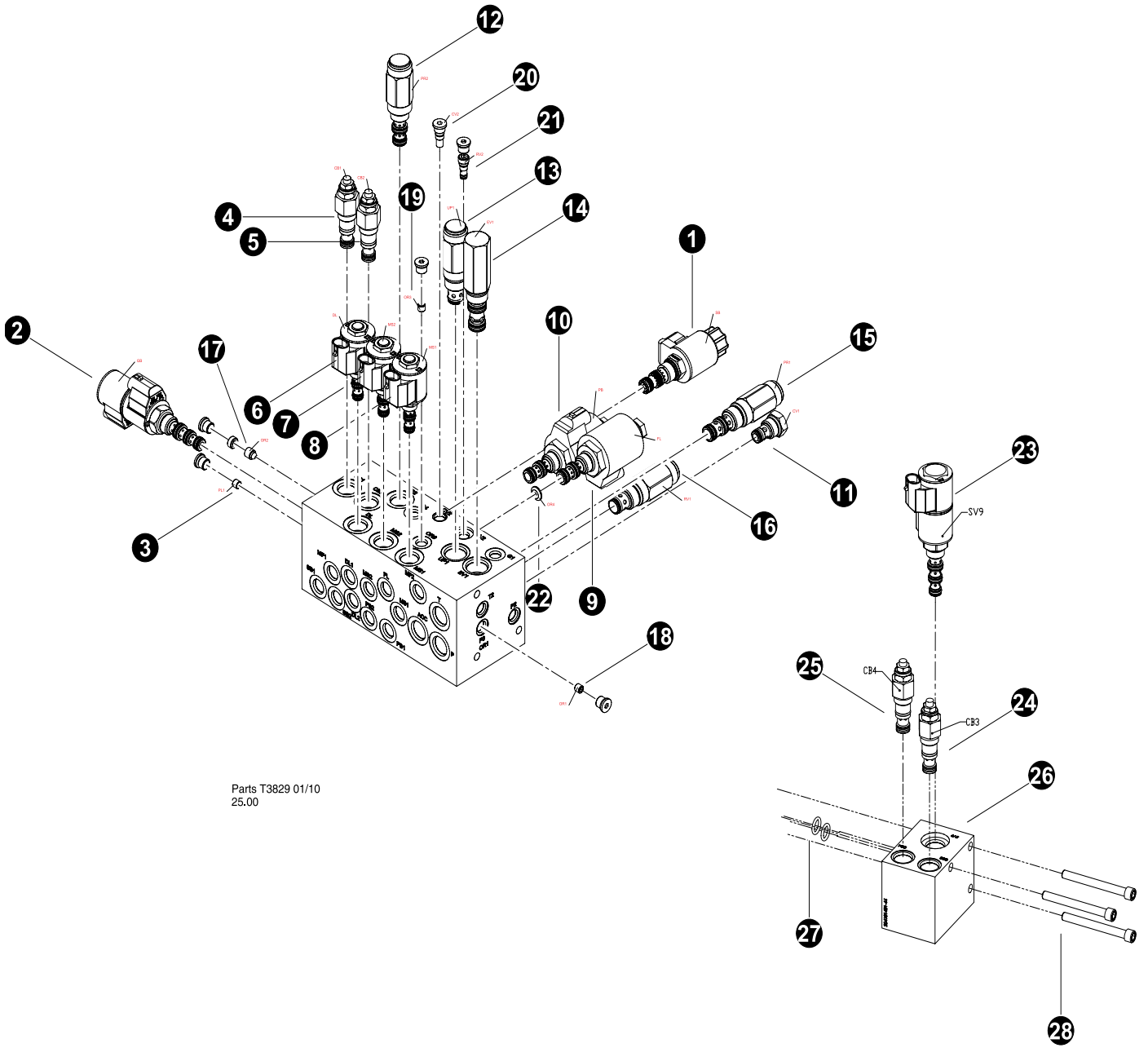


Parts T3807 08/09
25.00

Lower Solenoid Manifold Circuits and Components Breakdown (Lower Solenoid Manifold Breakdown) SN - 0298-022309 to 0321-102109 (not including machine 0319)

REF	PART #	QTY	DESCRIPTION	SEE PAGE
-	53001-FF	1	☐ VALVE, LOWER MANIFOLD - Fluid Systems	
1	53774-FF	1	■ Valve, Proportional Pressure Reducing (TS98-31-0-N-24EYZ) Travel Brake	
2	-FF	1	◆ Valve, Directional Control (SV08-47D-0-N-24EY) Gear Box Shift	
3	-FF	1	PLUG,	
4	-FF	1	Valve, Counterbalance (5008-3-500) Gear Shift Load Check Valve	
5	-FF	1	Valve, Counterbalance (5008-3-500) Gear Shift Load Check Valve	
6	-FF	1	⌘ Valve, Directional Control (SV07-31-0-N-24EYZ) Diff Lock	
7	-FF	1	⌘ Valve, Directional Control (SV07-31-0-N-24EYZ) Motor Shift 2	
8	-FF	1	⌘ Valve, Directional Control (SV07-31-0-N-24EYZ) Motor Shift 1	
9	-FF	1	❖ Valve, Directional Control (SV10-21-0-N-24EYZ) Frame Lock	
10	-FF	1	⌘ Valve, Directional Control (SV07-34-0-N-24EYZ) Parking Brake	
11	-FF	1	⊕ Valve, Check (CV08-20-0-N-25)	
12	-FF	1	● Valve, Pressure Sequence (PS10-36A-0-N-15) 1000 PSI	
13	-FF	1	⊙ Valve, Pressure Relief (RV10-26C-0-N-30) 3000 PSI	
14	-FF	1	● Valve, Pressure Reducing (PR10-36H-0-N-15/4.25) 425 PSI	
15	-FF	1	● Valve, Pressure Reducing (PR10-36H-0-N-15/9) 900 PSI	
16	-FF	1	BLOCK, (204101401-51D)	
-	53178-FF	1	☐ VALVE, GATE VALVE (204101401-54)	
17	-FF	1	Valve, Directional Control (SV08-47D-0-N-24EY) Gate Control	
18	-FF	1	Valve, Counterbalance (5008-3-5-000)	
19	-FF	1	Valve, Counterbalance (5008-3-5-000)	
20	-FF	1	BLOCK, (204101401-44)	
21	-FF	1	O-Rings	
22	-FF	1	Bolts,	

- ☐ Kit or Assembly - includes all items indented underneath.
- ⌘ Seal Repair Kit (SK07-3N-MM) / Coil (4303824) / Nut (7004400)
- Seal Repair Kit (SK10-3N-BM)
- Seal Repair Kit (SK90-3V) / Coil (4303824) / Nut (7004400)
- ◆ Seal Repair Kit (SK08-4N-MMM) / Coil (4303824) / Nut (7004400) / Spacer (4534720)
- ❖ Seal Repair Kit (SK10-2N-T) / Coil (4303924) / Nut (7004400)
- ⊕ Seal Repair Kit (SK08-2N-T)
- ⊙ Seal Repair Kit (SK10-2N-B)

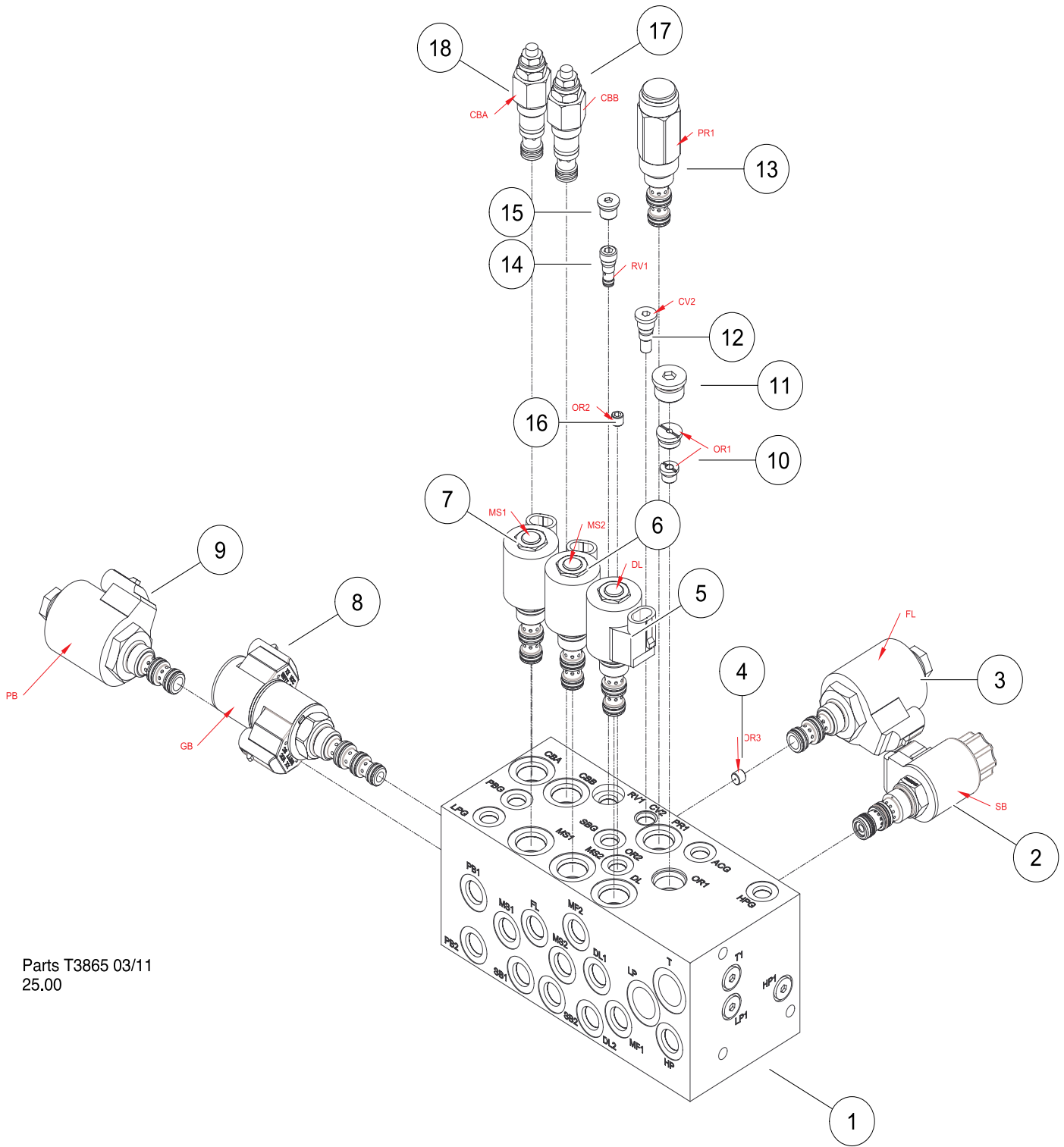


Parts T3829 01/10
25.00

Lower Solenoid Manifold Circuits and Components Breakdown (Lower Solenoid Manifold Breakdown) SN - 0322-112409 to 0354-011211 (including machine 0319)

REF	PART #	QTY	DESCRIPTION	SEE PAGE
-	53920-FF	1	☐ VALVE, LOWER MANIFOLD - Fluid Systems	
1	-FF	1	■ Valve, Proportional (PDR08-01-C-N-110-24PN-8.8) Travel Brake	
2	-FF	1	◆ Valve, Directional Control (SV08-47D-0-N-24EY) Gear Box Shift	
3	-FF	1	Plug, Flushing - 1/16-27 NTPF	
4	-FF	1	❖ Valve, Counterbalance (5008-3-500) Gear Shift Load Check Valve	
5	-FF	1	❖ Valve, Counterbalance (5008-3-500) Gear Shift Load Check Valve	
6	-FF	1	⌘ Valve, Directional Control (SV08-31-0-N-24EYZ) Diff Lock	
7	-FF	1	⌘ Valve, Directional Control (SV08-31-0-N-24EYZ) Motor Shift 2	
8	-FF	1	⌘ Valve, Directional Control (SV08-31-0-N-24EYZ) Motor Shift 1	
9	-FF	1	⌘ Valve, Directional Control (SV38-38-0-N-24EYZ) Frame Lock	
10	-FF	1	⌘ Valve, Directional Control (SV38-38-0-N-24EYZ) Parking Brake	
11	-FF	1	⊕ Valve, Check (CV08-20-0-N-25)	
12	-FF	1	● Valve, Pressure Reducing (PR58-38H-0-N-20/9.0) 900 PSI	
13	-FF	1	⊙ Valve, Unloading Pilot (UP10-3005F-0-N-90-30/30) 3000 PSI	
14	-FF	1	⊗ Valve, Hydraulic Directional (EV10-S3406-0-N-400) 400 PSI	
15	-FF	1	● Valve, Pressure Reducing (PR50-38H-0-N-05/04.6) 460 PSI	
16	-FF	1	○ Valve, Pressure Relief (RV50-22F-0-P-50/35.0) 3500 PSI	
17	-FF	1	ORIFACE,	
18	-FF	1	ORIFACE, .052" - 1/16-27 NTPF	
19	-FF	1	ORIFACE,	
20	-FF	1	☒ Valve, Check (CV04-20-0-N-5)	
21	-FF	1	☒ Valve, Thermal Relief (TR04-B20-0-N-40) 4000psi	
22	-FF	1	ORIFACE, (7057039)	
-	53921-FF	1	☐ VALVE, GATE VALVE	
23	-FF	1	Valve, Directional Control (SV08-47D-0-N-24EY) Gate Control	
-	-FF	1	Seal Kit, SK08-3X-MM	
24	-FF	1	❖ Valve, Counterbalance (5008-3-500)	
25	-FF	1	❖ Valve, Counterbalance (5008-3-500)	
26	-FF	1	BLOCK, (204101401-44B)	
27	-FF	1	O-Rings	
28	-FF	1	Bolts,	

- ☐ Kit or Assembly - includes all items indented underneath.
- ⌘ Seal Repair Kit (SK08-3N-MM) / Coil (4303810) / Nut (7004400)
- Seal Repair Kit (SK10-3N-MM)
- Seal Repair Kit () / Coil () / Nut ()
- ◆ Seal Repair Kit (SK08-4N-MMM) / Coil (4303810) / Nut (7004400) / Spacer (4534720)
- ❖ Seal Repair Kit (12106)
- ⊕ Seal Repair Kit (SK08-2N-T)
- ⊙ Seal Repair Kit (SK10-3N-MM)
- Seal Repair Kit (SK10-2P-T)
- ⊗ Seal Repair Kit (SK10-S3N-MM)
- ☒ Seal Repair Kit (SK04-2N-T)
- ☒ Seal Repair Kit (SK04-B2N-B)

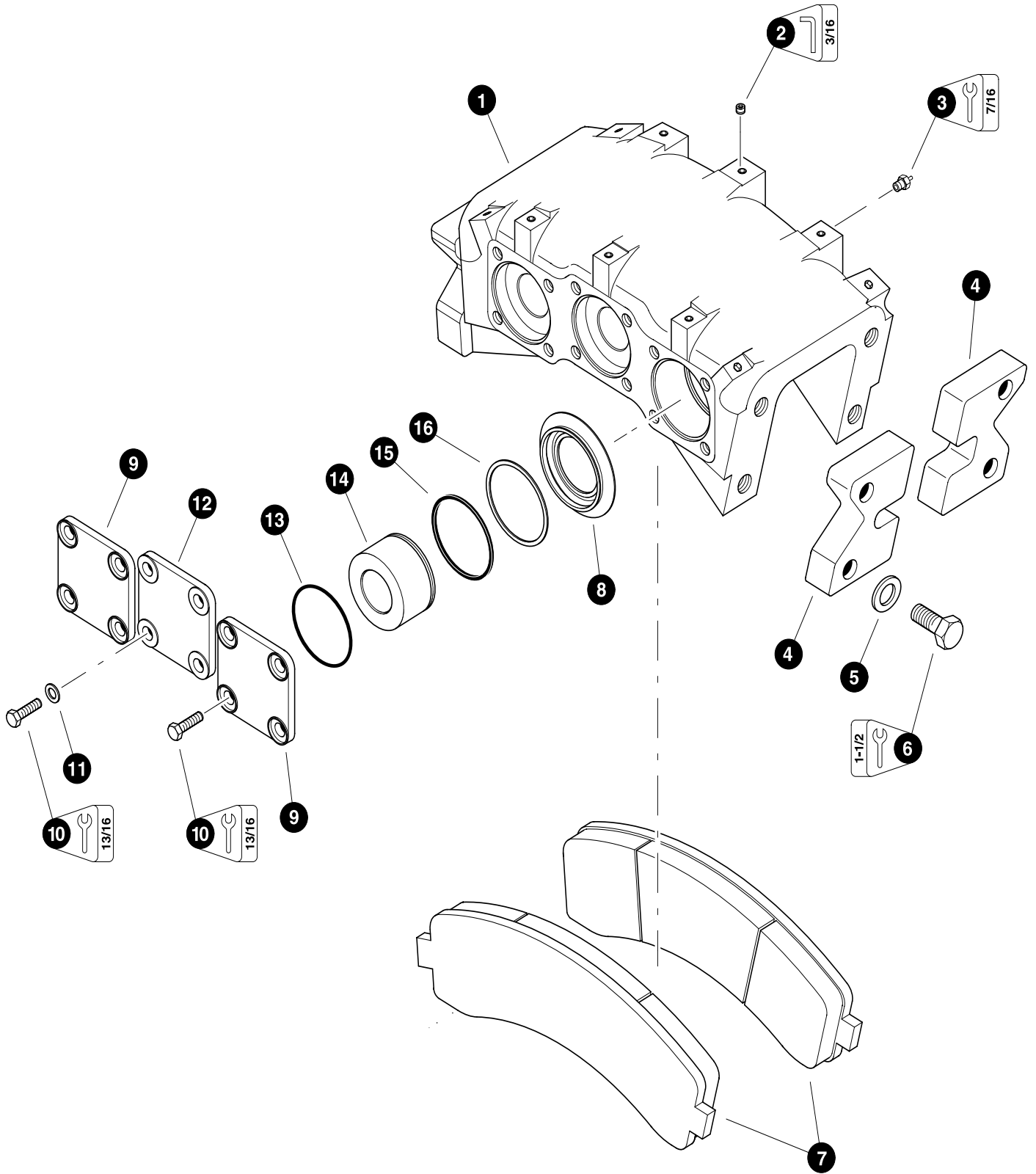


Parts T3865 03/11
25.00






Lower Solenoid Manifold Circuits and Components Breakdown (Lower Solenoid Manifold Breakdown) SN - Machine 0355-020111 and after

REF	PART #	QTY	DESCRIPTION	SEE PAGE
1	54263-FF	1	☐ VALVE, LOWER MANIFOLD - Fluid Systems	
2	-FF	1	■ Valve, Proportional (PDR08-01-C-N-110-24PN-8.8) Travel Brake	
3	-FF	1	⌘ Valve, Directional Control (SV38-38-0-N-24EYZ) Frame Lock	
4	-FF	1	ORIFACE, .039" 1/16"-27 NPTF	
5	-FF	1	⌘ Valve, Directional Control (SV08-31-0-N-24EYZ) Diff Lock	
6	-FF	1	⌘ Valve, Directional Control (SV08-31-0-N-24EYZ) Motor Shift 1	
7	-FF	1	⌘ Valve, Directional Control (SV08-31-0-N-24EYZ) Motor Shift 2	
8	-FF	1	◆ Valve, Directional Control (SV08-47D-0-N-24EY) Gear Box Shift	
9	-FF	1	⌘ Valve, Directional Control (SV38-38-0-N-24EYZ) Parking Brake	
10	-FF	1	ORIFACE, 210101804 - 90 & 91	
11	-FF	1	PLUG, 08 ORB	
12	-FF	1	⊕ Valve, Check CV04-20-0-N-5	
13	-FF	1	● Valve, Pressure Reducing (PR58-38H-0-N-20/9.0) 900 PSI	
14	-FF	1	☒ Valve, Thermal Relief (TR04-B20-0-N-40) 4000psi	
15	-FF	1	PLUG,	
16	-FF	1	ORIFACE, .052" 1/16-27 NPTF	
17	-FF	1	❖ Valve, Counterbalance (5008-3-500) Gear Shift Load Check Valve	
18	-FF	1	❖ Valve, Counterbalance (5008-3-500) Gear Shift Load Check Valve	
-	53921-FF	1	☐ VALVE, GATE VALVE (optional)	
23	-FF	1	◆ Valve, Directional Control (SV08-47D-0-N-24EY) Gate Control	
24	-FF	1	❖ Valve, Counterbalance (5008-3-500)	
25	-FF	1	❖ Valve, Counterbalance (5008-3-500)	
26	-FF	1	BLOCK, (204101401-44B)	
27	-FF	1	O-Rings	
28	-FF	1	Bolts,	


- ☐ Kit or Assembly - includes all items indented underneath.
- ⌘ Seal Repair Kit (SK08-3N-MM) / Coil (4303810) / Nut (7004400)
- Seal Repair Kit (SK10-3N-BM)
- Seal Repair Kit (03054795) / Coil (24PN-8.8-40-1836)
- ◆ Seal Repair Kit (SK08-4N-MMM) / Coil (4303810) / Nut (7004400) / Spacer (4534720)
- ❖ Seal Repair Kit (12106)
- ⊕ Seal Repair Kit (SK04-2N-T)
- ☒ Seal Repair Kit (SK04-B2N-B)



Lower Solenoid Manifold Circuits and Components Breakdown (Frame Lock Caliper Breakdown)

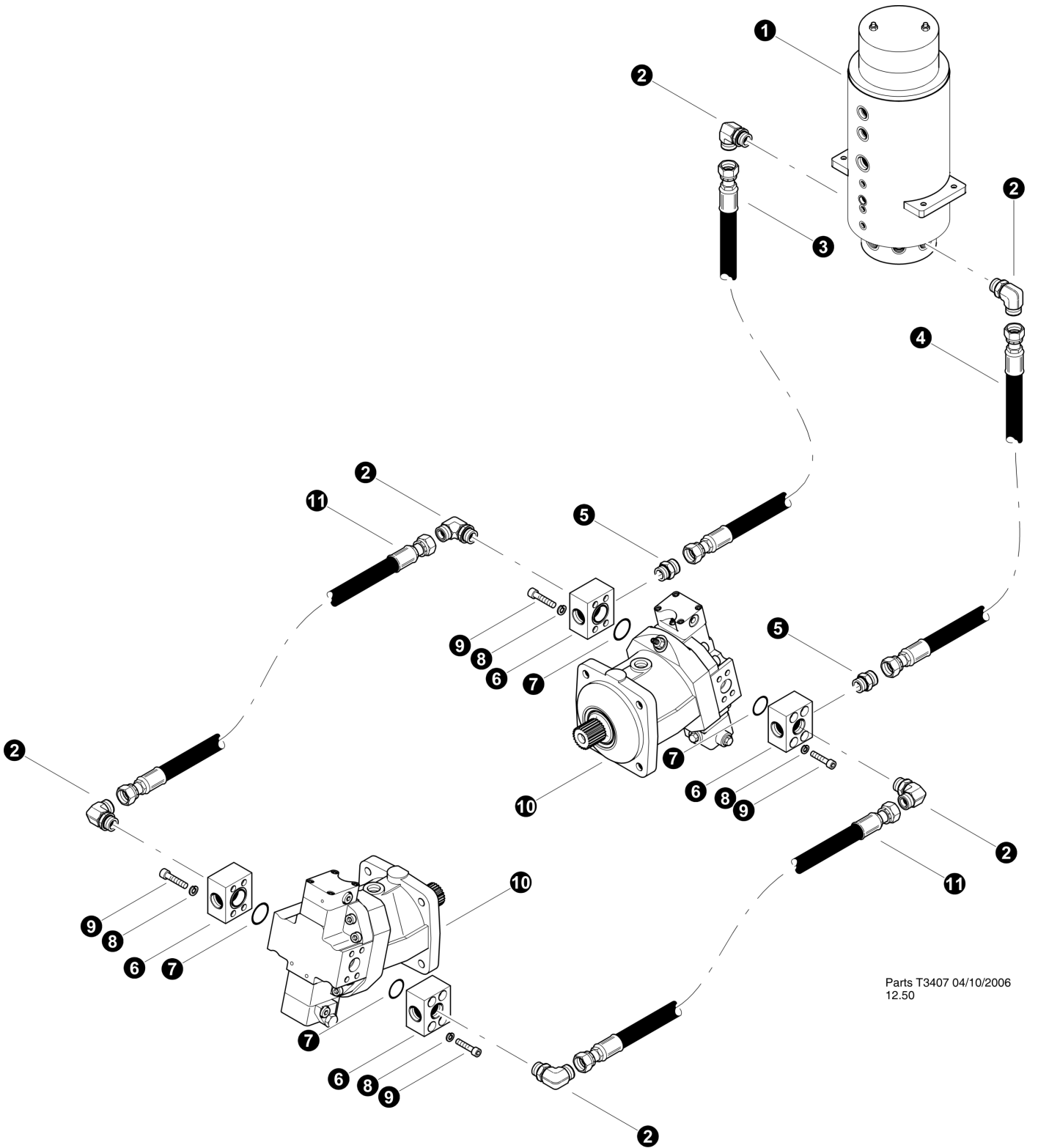
REF	PART #	QTY	DESCRIPTION	SEE PAGE
-	20953-FF	1	 FRAME LOCK BRAKE	
1	NSS	1	HOUSING	
2	-----	13	PLUG	
3	-----	1	SCREW, bleed	
4	-----	4	RETAINER, brake pad	
5	-----	8	WASHER	
6	-----	8	BOLT	
7	24406-FF	1	PAD, brake (pair)	
8	NSS	6	 BOOT, piston	
9	23445-FF	2	COVER, piston (Machined special to countersink bolt heads)	
10	24088-FF	12	BOLT - 9/16" x 1-1/4"	
11	-----	4	WASHER	
12	23444-FF	1	COVER, piston	
13	NSS	6	 O-RING, piston cover	
14	24434-FF	6	PISTON, brake caliper	
15	NSS	6	 SEAL, piston	
16	NSS	6	 RING, back-up	
-	23113-FF	1	KIT, seal repair - frame lock brake	

 Kit or Assembly - includes all items indented underneath.

 Included in seal repair kit PN# 23113.

Section FF-5


830, 840 Front Frame - Drive Motor Hydraulics




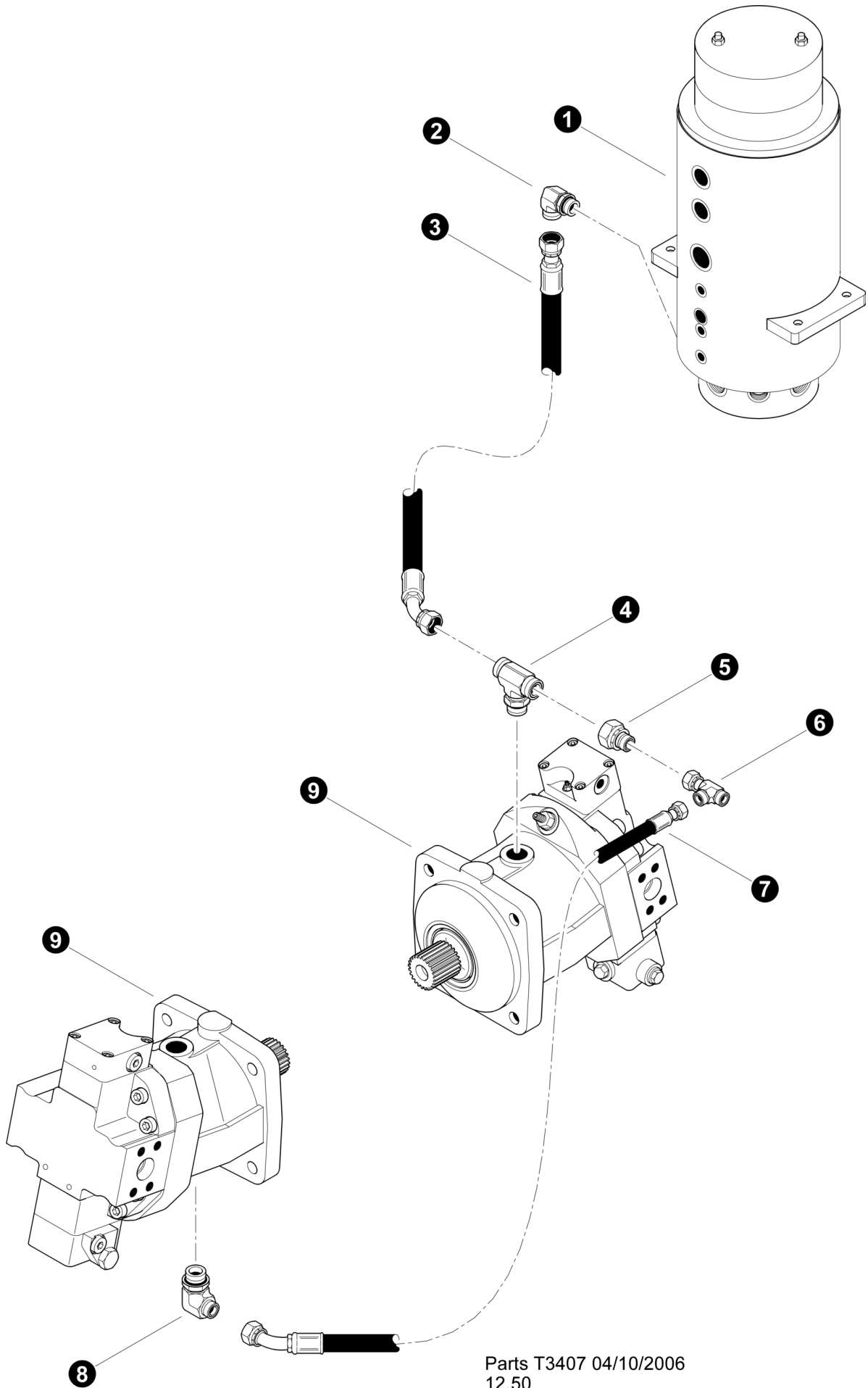
Parts T3407 04/10/2006
12.50

DRIVE MOTOR HYDRAULICS

Front to Rear Hydraulic Motor Connection - Pressure (Standard Front and All Rear Frames)

REF	PART #	QTY	DESCRIPTION	SEE SECTION
1	REF.	1	 ROTARY MANIFOLD.	UP-1
2	15484-FF	2	ELBOW, 90 - 6801-16	
3	-FF	1	HOSE ASSEMBLY - 6029-16-16OS-16OS (Rotary manifold lower port "7" to Drive Motor)	
4	-FF	1	HOSE ASSEMBLY - 6029-16-16OS-16OS (Rotary manifold lower port "8" to Drive Motor)	
5	15497-FF	2	CONNECTOR, straight - 6400-16	
6	26008-FF	4	MANIFOLD, rexroth drive motor	
7	15378-FF	2	O-RING, 1.25"	
8	50075-FF	8	WASHER, LOCK 1/2	
9	50074-FF	8	BOLT, ALLEN 1/2 X 1 1/2"	
10	REF	1	HYDRAULIC WHEEL DRIVE MOTOR	FF-5
11	-FF	1	HOSE ASSEMBLY - 6037-16-16OS-16OS (Front Drive Motor to Rear Drive Motor)	


 See referenced page for component or assembly breakdown.



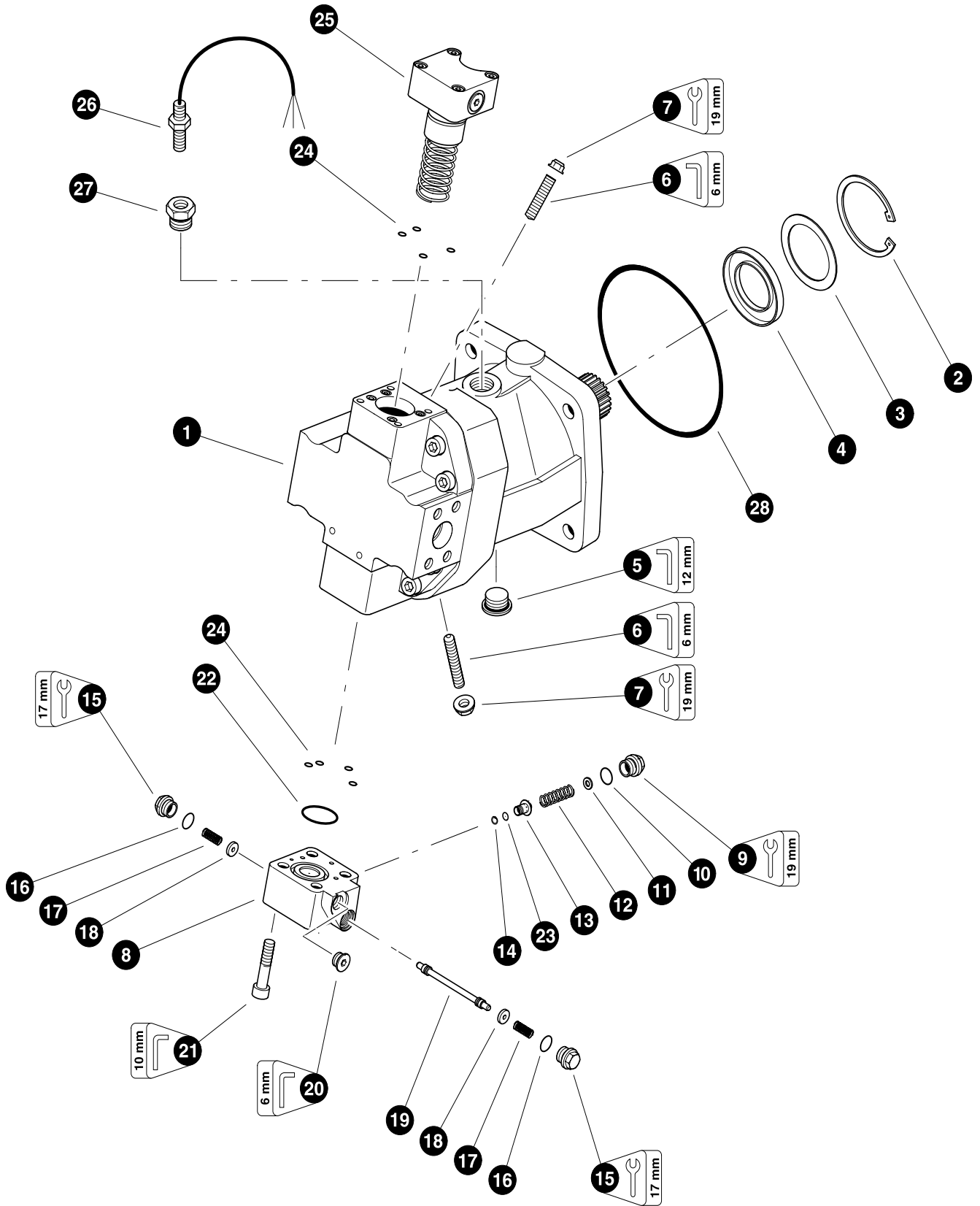
Parts T3407 04/10/2006
12.50

DRIVE MOTOR HYDRAULICS

ROTARY MANIFOLD TO REAR DRIVE MOTOR (Standard Front and All Rear Frames)

REF	PART #	QTY	DESCRIPTION	SEE SECTION
1	REF.	1	 ROTARY MANIFOLD.	UP-1
2	17688-FF	1	ELBOW, 90 - FF1868T-1212S	
3	-FF	1	HOSE ASSEMBLY - 2049-12-120S-1204 (Motor Case Drain to port "11")	
4	20029-FF	1	TEE, BULKHEAD RUN - 12 WJJLO-WLNL-S	
5	15117-FF	1	CONNECTOR, REDUCER - ORS FF2281T-0812S	
6	20066-FF	1	TEE - 8 S5OLO-S - BRANCH	
7	50975-FF	1	HOSE ASSEMBLY - 2039.5-08-080S-0804 (Case Drain Motor Jumper)	
8	15372-FF	1	ELBOW, 90 - FF1868T-0812S	
9	REF	1	HYDRAULIC WHEEL DRIVE MOTOR	FF-5

 See referenced page for component or assembly breakdown.



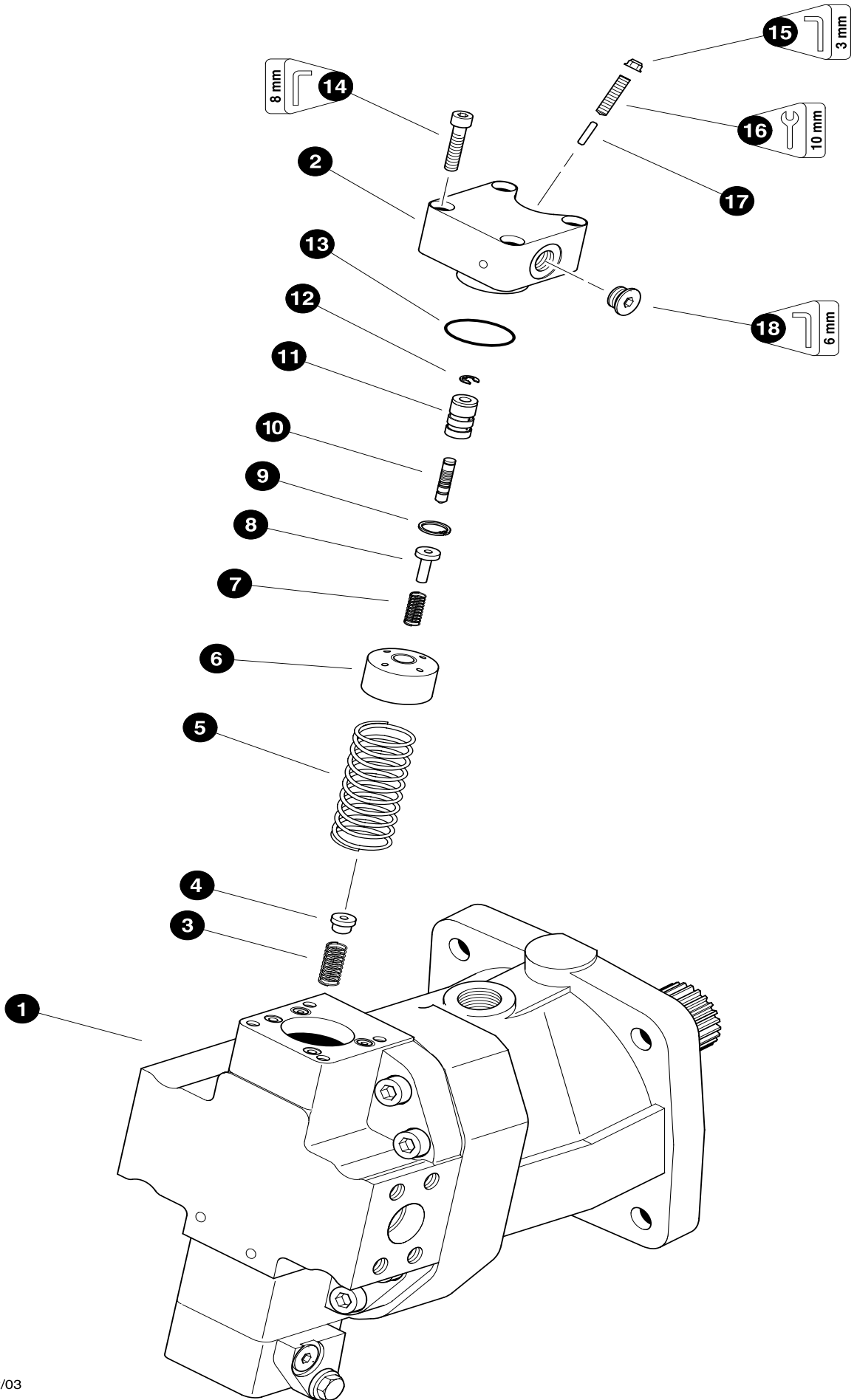
REXROTH 160cc MOTOR (Standard)

REF	PART #	QTY		DESCRIPTION	SEE SECTION
1	51869-0-FF	1	☐	MOTOR, wheel drive - Rexroth AA6VM160 (Front) (w/speed counter ring) (Vg Min = 0 cubic meters) (flushing)	
	51869-70-FF	1	☐	MOTOR, wheel drive - Rexroth AA6VM160 (Rear) (w/speed counter ring) (Vg Min = 70 cubic meters) (flushing)	
2	20685-FF	1		RING, snap	
3	20686-FF	1		SHIM, shaft seal	
4	20687-FF	1	⌘	SEAL, shaft	
5	19692-FF	1		PLUG - 26mm-1.5P (BSPP thread)	
6	51987-FF	1		SCREW, adjusting (0 - Displacement min)(needed for front motor)	
	20688-FF	2		SCREW, adjusting (Displacement min & max)	
7	20689-FF	2	⌘	NUT, seal	
8	20690-FF	1	☐	STROKING PISTON COVER ASSEMBLY	
9	20691-FF	1		PLUG	
10	20713-FF	1	⌘	O-RING	
11	20714-FF	1		SHIM	
12	20715-FF	1		SPRING	
13	20716-FF	1		POPPET	
14	20718-FF	1		RING, snap	
15	20719-FF	2		PLUG	
16	20720-FF	2	⌘	O-RING	
17	20721-FF	2		SPRING	
18	20722-FF	2		RETAINER, spring	
19	NSS	1		SPOOL	
20	20693-FF	1		PLUG - 14mm-1.5P (BSPP thread)	
21	20723-FF	4		BOLT, allen head	
22	20724-FF	1	⌘	O-RING	
23	20717-FF	1		ORIFICE, flushing - 1.2mm	
24	NSS	8		O-RING	
25	REF.	1		STROKING PISTON CONTROL ASSEMBLY	FF-5
26	24656-FF	1		SENSOR, SPEED PICKUP (rexroth hydro motor)	
27	51098-FF	1		FITTING, speed pickup rexroth (sae)	
28	20967-FF	1		O-RING, WHEEL DRIVE MOTOR (gearbox pilot)	
-	20725-FF	1		KIT, seal repair - complete AA6VM160 motor	

- ☐ Kit or Assembly - includes all items indented underneath.
- ⌘ Included in seal repair kit Part # 20725-FF.

Note:

Due to warranty policy restrictions imposed by component suppliers, it is not recommended that the component be disassembled further than is shown in the illustration.



REXROTH 160cc MOTOR HA2T Controller Brakedown

(Standard)

REF	PART #	QTY		DESCRIPTION	SEE SECTION
1	51869-0-FF	1	☐	MOTOR, wheel drive - Rexroth AA6VM160 (Front) (w/speed counter ring) (Vg Min = 0 cubic meters) (flushing)	
	51869-70-FF	1	☐	MOTOR, wheel drive - Rexroth AA6VM160 (Rear) (w/speed counter ring) (Vg Min = 70 cubic meters) (flushing)	
2	20726-FF	1	☐	CONTROL, MOTOR STROKE ASSEMBLY (HA2T)	
3	---	1		SPRING, (HU00444549)	
4	---	1		RETAINER, spring (HU00421860)	
5	---	1		SPRING (HU00651116)	
6	---	1		BUSHING, spring (HU00651118)	
7	20729-FF	1		SPRING	
8	---	1		RETAINER, spring (HU00921351)	
9	20731-FF	1		RING, snap	
10	---	1		SPOOL, control (HU00430748)	
11	20732-FF	1		BUSHING, control spool	
12	20734-FF	1		E-CLIP, control spo	
13	---	1	⌘	O-RING (68103-025)	
14	---	4		BOLT, allen head (60118-063)	
15	20737-FF	1	⌘	NUT, seal	
16	20738-FF	1		SCREW, adjusting (Stroke control)	
17	---	1		PIN, stroke adjustment (69116-019)	
18	20693-FF	1		PLUG - 14mm-1.5P (BSPP thread)	
-	20725-FF	1		KIT, seal repair - complete AA6VM160 motor	

☐ Kit or Assembly - includes all items indented underneath.

⌘ Included in seal repair kit Part # 20725-FF

Note:

Due to warranty policy restrictions imposed by component suppliers, it is not recommended that the component be disassembled further than is shown in the illustration.

