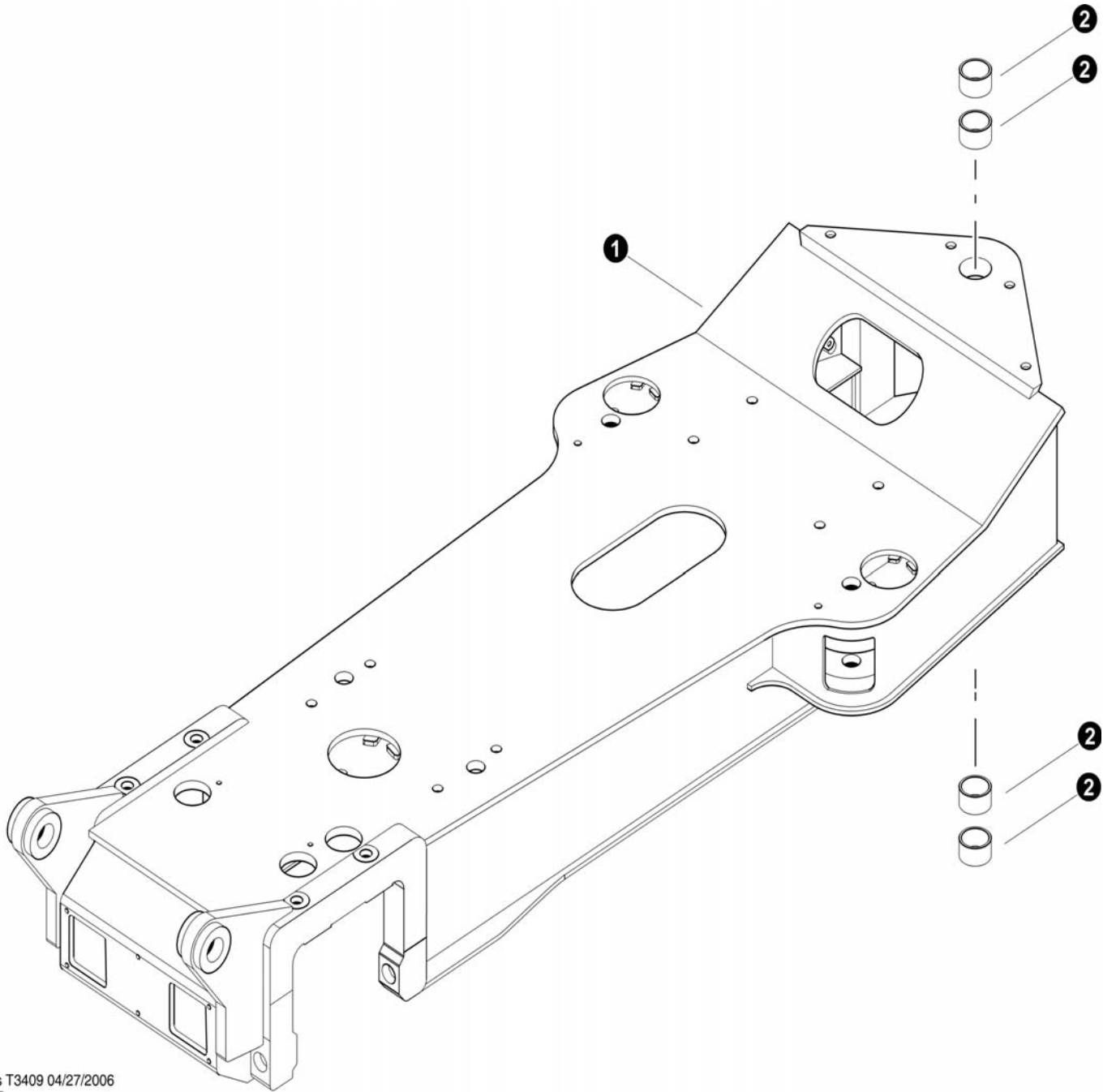


Section 810 FR-1

TF 810 Rear Frame - Structural / Covers / Pins

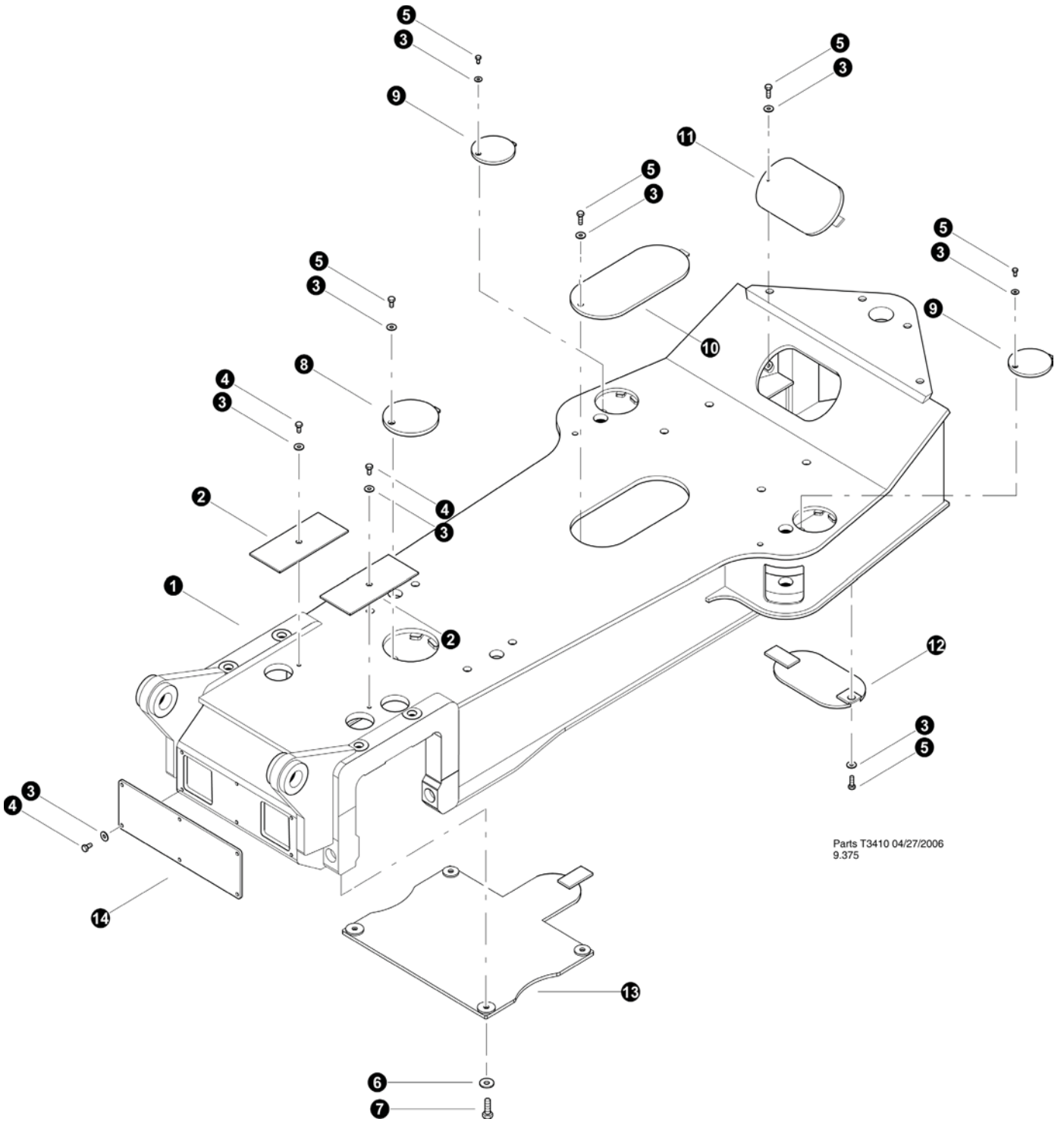


Parts T3409 04/27/2006
9.375

REAR FRAME COMPONENTS


REF	PART #	QTY		DESCRIPTION	SEE SECTION
1	52047-FR	1	<input type="checkbox"/>	FRAME, REAR STD TF810 FORWARDER	
2	23104-FR	4		BUSHING - 3-1/2" x 1-1/2"	



- Kit or Assembly - includes all items indented underneath.

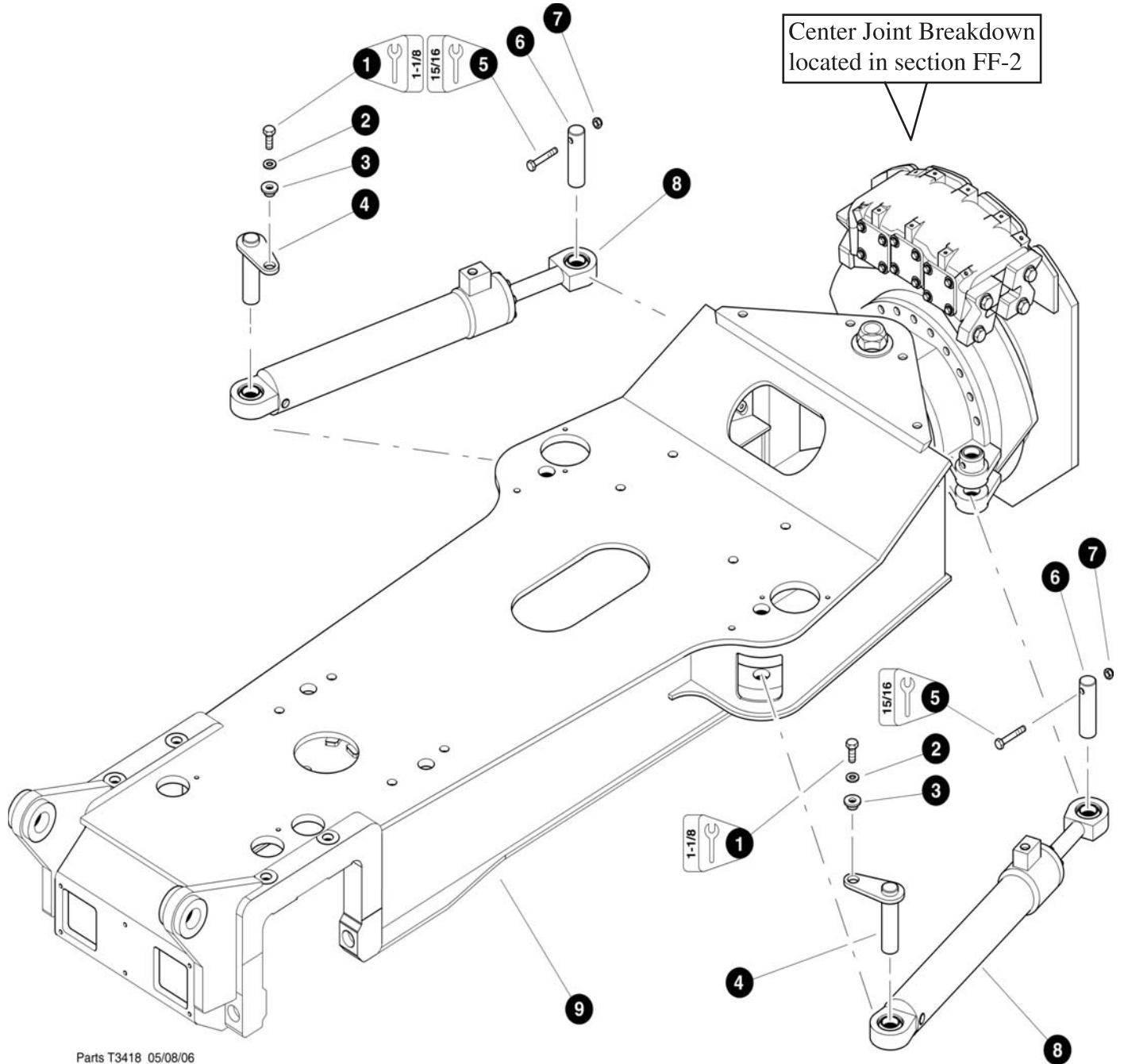


Parts T3410 04/27/2006
9.375

REAR FRAME ACCESS COVERS


REF	PART #	QTY	DESCRIPTION	SEE SECTION
1	REF.	1	 REAR FRAME WELDMENT	FR-1
2	42162-FR	2	COVER, access - rear frame axle top	
3	15534-FR	39	WASHER, SAE flat - 1/2"	
4	10783-FR	9	BOLT - 1/2" x 1"	
5	10739-FR	30	BOLT - 1/2" x 1-1/2"	
6	10771-FR	16	WASHER, SAE flat - 5/8	
7	15681-FR	8	BOLT, 5/8 X 2.25"	
8	52446-FR	1	COVER, TOP REAR ROUND 8"	
9	52475-FR	2	COVER, TOP REAR ROUND 6"	
10	52447-FR	1	COVER, TOP REAR OBLONG 9 X 20	
11	52477-FR	1	COVER, TOP REAR OBLONG 8 X 14	
12	40983-FR	1	COVER, BOTTOM REAR (standar frame)	
13	52120-FR	1	COVER, AXLE BOTTOM AXLE-5" END - NEW	
14	42766-FR	1	COVER, AXLE BOX REAR	

-  See referenced page for component or assembly breakdown.
-  Kit or Assembly - includes all items indented underneath.



Parts T3418 05/08/06
9.375

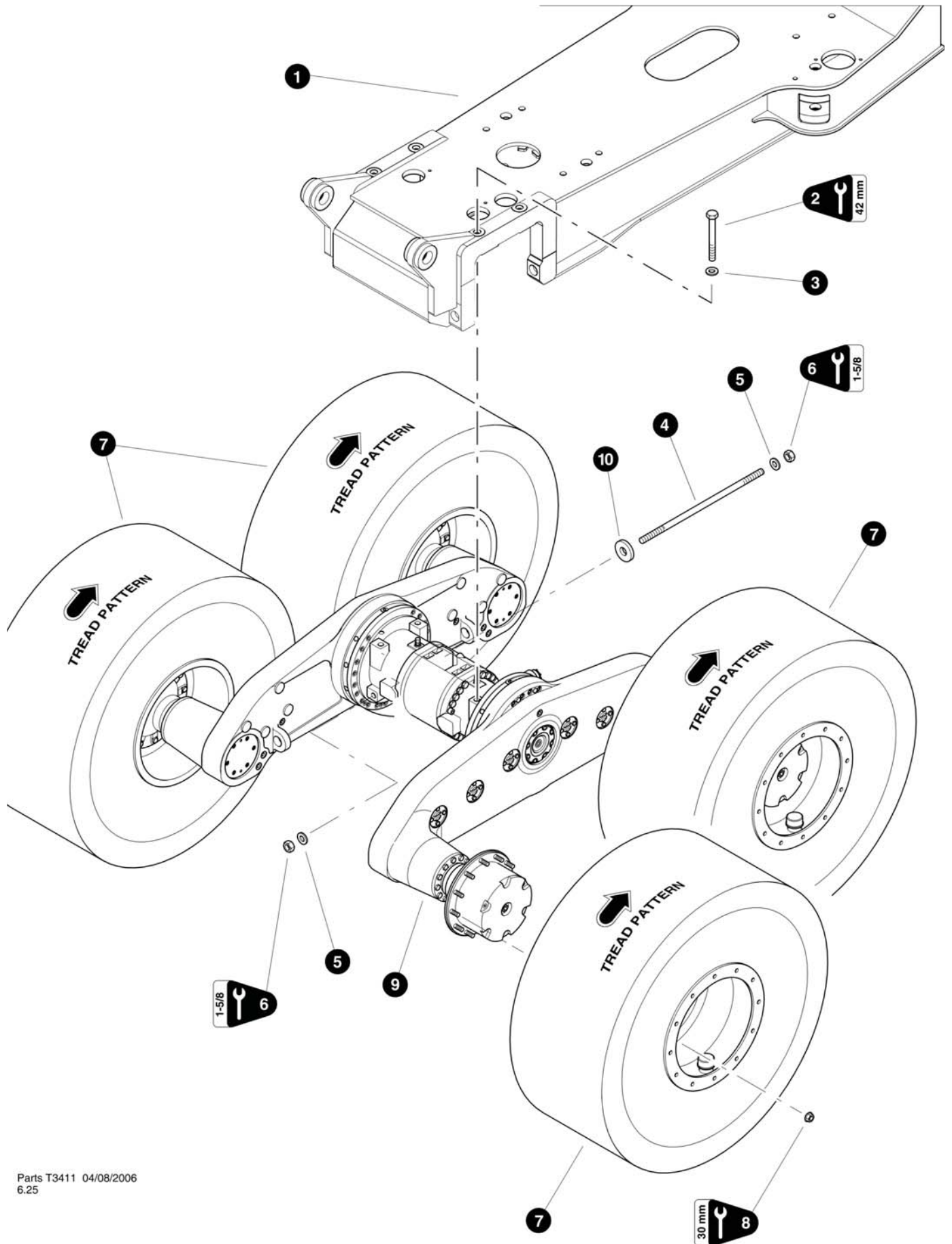
STEER CYLINDER INSTALLATION

REF	PART #	QTY	DESCRIPTION	SEE SECTION
1	15549-FR	2	BOLT - 3/4" x 2"	
2	15550-FR	2	WASHER, SAE flat - 3/4"	
3	18570-FR	2	WASHER, pin retaining	
4	80769-FR	2	PIN, steer cylinder mounting - base	
5	10719-FR	2	BOLT - 5/8" x 4"	
6	19448-FR	2	PIN, steer cylinder mounting - rod	
7	15563-FR	2	NUT, nylock - 5/8"	
8	REF.	2	 STEER CYLINDER	FR-4
9	REF.	1	REAR FRAME WELDMENT	FR-1

 See referenced page for component or assembly breakdown.




Section 810 FR-2


TF 810 Rear Frame - Frame & Drivetrain Installation

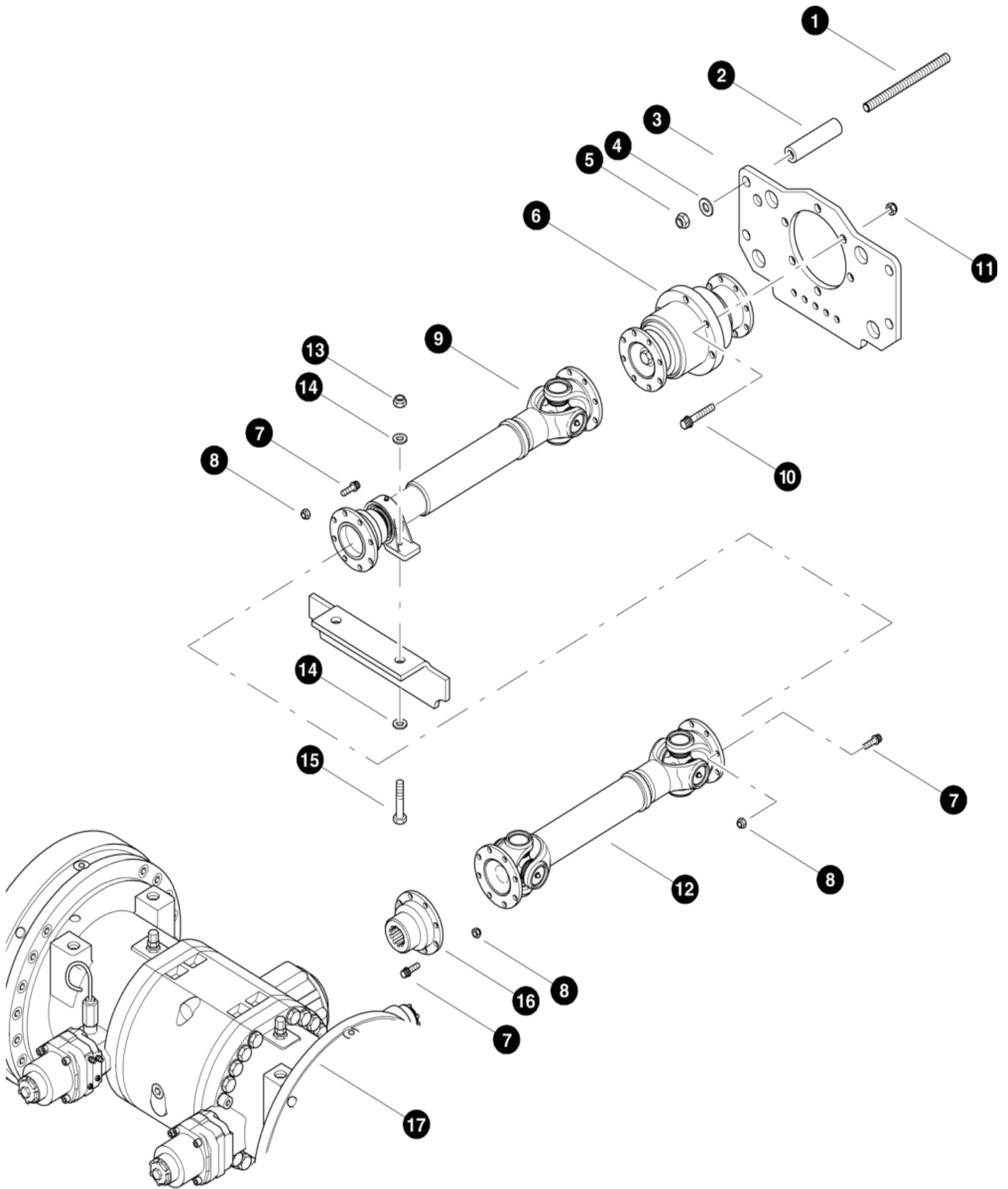


Parts T3411 04/08/2006
6.25

REAR AXLE INSTALLATION

REF	PART #	QTY	DESCRIPTION	SEE SECTION
1	REF.	1	 810 REAR FRAME WELDMNT. FR-1	
2	52376-FF	4	BOLT, ALLEN HEAD - 24MM X 200 MM (Torque to 721 ft.lbs. (978 Nm))	
3	50226-FF	4	WASHER, SAE FLAT - .875" (EXTRA THICK)	
4	52403-FF	2	STUD - 1.25 - 7 X 26 LONG	
5	22531-FF	4	WASHER, SAE flat - 1-1/4"	
6	23989-FF	4	NUT, lock - 1-1/4" (Torque to 1200 ft.lbs. (1600 Nm))	
7	REF.	4	 WHEEL ASSEMBLY AX-5	
8	19361-FR	48	NUT, lug (Torque to 600 ft.lbs. (800 Nm))	
9	REF.	1	 REAR AXLE. AX-1	
10	24003-FR	2	SPACER, axle spreader box	

 See referenced page for component or assembly breakdown.



Parts T3412 04/28/06
12.50

DRIVE SHAFT INSTALLATION (STANDARD FRAME)

REF	PART #	QTY	DESCRIPTION	SEE SECTION
1	26037-FR	4	STUD, 3/4 X 8.5 (see note #2)	
2	80721-FR	4	SPACER	
3	52486-FR	1	BRACKET, bearing mount	
4	15550-FR	4	WASHER, SAE flat 3/4	
5	10817-FR	4	NUT, lock - 3/4"	
6	25218-FR	1	IDLER, driveshaft (HD)	
7	50261-FR	24	BOLT, 12 point - 12mm-1.75P x 35mm (See Note #1 Below)	
8	50262-FR	24	NUT, lock - 12mm	
9	-FR	1	<input type="checkbox"/> DRIVE SHAFT (Gearbox to Center) (498348-61)	
	50466-FR	2	KIT, CROSS & BEARING	
	50467-FR	2	YOKE, FLANGE (90mm)	
	51594-FR	1	BEARING, PILLOW BLOCK	
10	50050-FR	6	BOLT, 12 point - 5/8" x 3" (See Note #1 Below)(Torque to 130 ft.lbs. (175 Nm))	
11	10816-FR	6	NUT, lock - 5/8"	
12	-FR	1	<input type="checkbox"/> DRIVE SHAFT (Gearbox to Center) (498347-61)	
	50466-FR	2	KIT, CROSS & BEARING	
	50467-FR	2	YOKE, FLANGE (90mm)	
13	10816-FR	2	NUT, LOCK - .625"	
14	23210-FR	4	WASHER, SAE FLAT - .625" (EXTRA THICK)	
15	15517-FR	2	BOLT - .625" X 2.5"	
16	-FR	1	YOKE, companion flange - TIM 20 AXLE (Torque nut to 590 ft lbs.(800 Nm) (see note #2))	
17	REF.	1	<input type="checkbox"/> AXEL ASSY.....	AX

- See referenced page for component or assembly breakdown.
- Kit or Assembly - includes all items indented underneath.

Note #1:

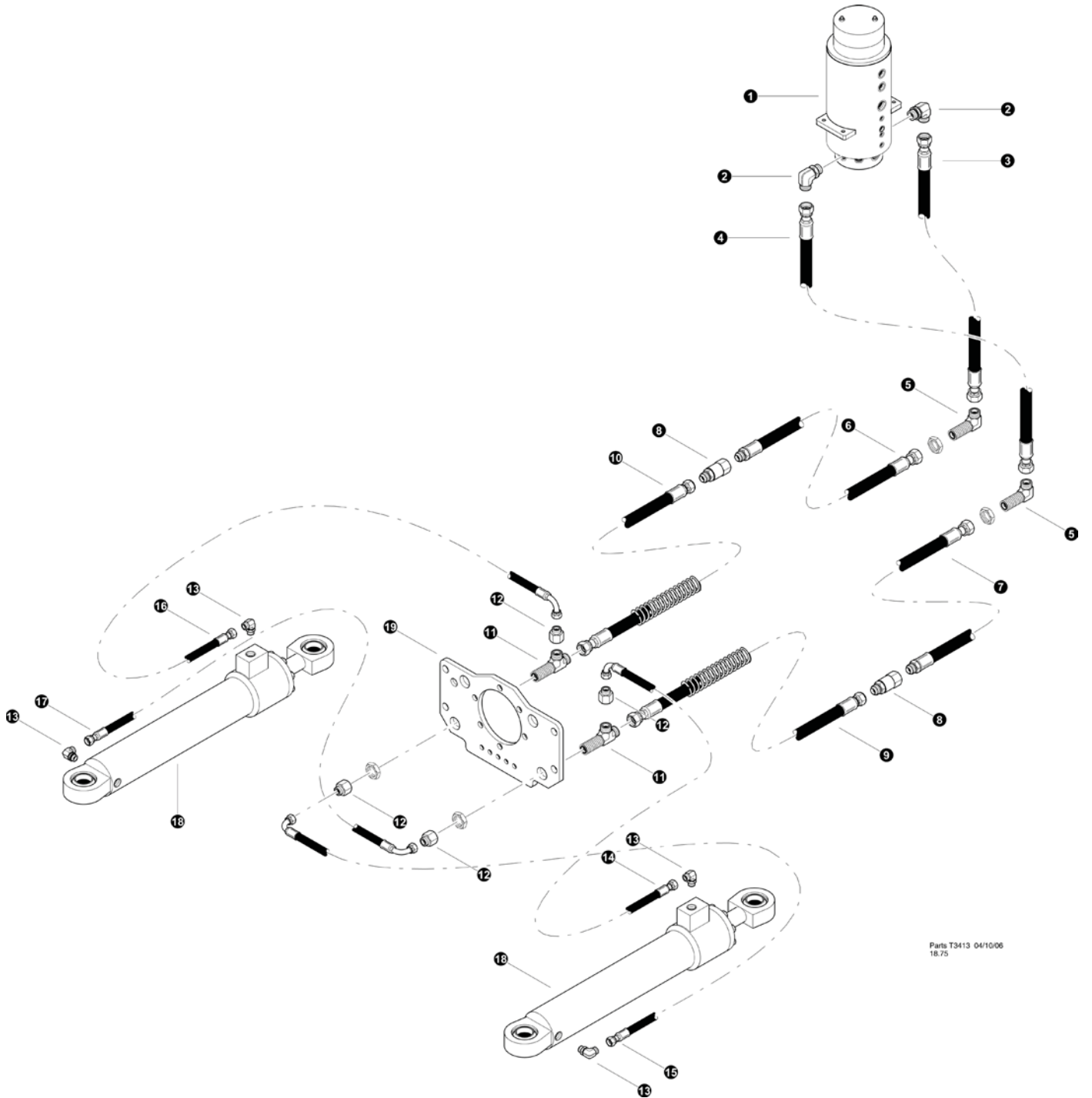
Use Loctite 242 (blue) during installation.

Note #2:

Use Loctite 262 (red) during installation.

Section 810 FR-3



TF 810 REAR FRAME - Hydraulic Circuits



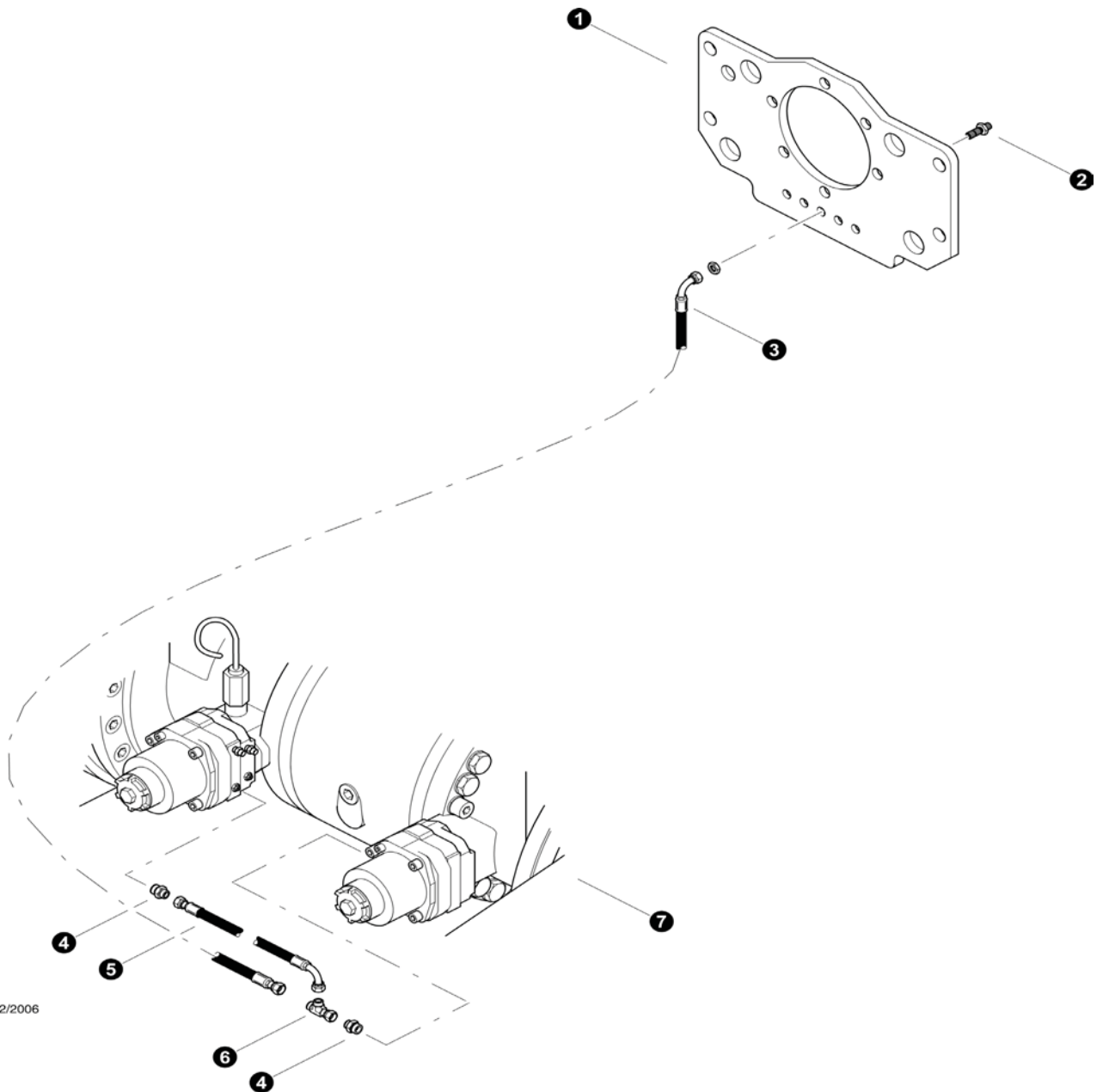
Parts T3413 04/10/06
18.75

REAR FRAME HYDRAULICS

Steering Connections (Standard Front and Rear Frames) Machine SN-0152-04/14/06 and after

REF	PART #	QTY	DESCRIPTION	SEE SECTION
1	REF.	1	 ROTARY MANIFOLD.	UP-1
2	17688-FR	2	ELBOW, 90 - FF1868T-1212S	
3	-FR	1	HOSE ASSEMBLY - 4040-12-120S-1204 (Lower rotary manifold port #9 to Right bulkhead fitting)	
4	-FR	1	HOSE ASSEMBLY - 4034-12-120S-1204 (Lower rotary manifold port #10 to Left bulkhead fitting)	
5	24188-FR	2	ELBOW, 90 BULKHEAD - 855BH-TT-12	
6	-FR	1	HOSE ASSEMBLY - 4050-12-120S-12MJ (with Spring Protector)	
7	-FR	1	HOSE ASSEMBLY - 4050-12-120S-12MJ (with Spring Protector)	
8	18782-FR	2	SWIVEL, INLINE STR LS2406-1212	
9	-FR	1	HOSE ASSEMBLY - 4040-12-120S-12FJ (with Spring Protector)	
10	-FR	1	HOSE ASSEMBLY - 4040-12-120S-12FJ (with Spring Protector)	
11	20029-FR	2	TEE, BULKHEAD RUN - 12 WJJLO-WLNL-S	
12	18581-FR	1	CONNECTOR, REDUCER - ORS FF2281T-0812S	
13	16360-FR	4	ELBOW, 90° - FF1868T-0808S	
14	-FR	1	HOSE ASSEMBLY - 4046-08-080S-0809 (Right bulkhead tee to Right steer cylinder rod port)	
15	-FR	1	HOSE ASSEMBLY - 4044-08-080S-0809 (Left bulkhead tee to Right steer cylinder base port)	
16	-FR	1	HOSE ASSEMBLY - 4046-08-080S-0809 (Left bulkhead tee to left steer cylinder rod port)	
17	-FR	1	HOSE ASSEMBLY - 4044-08-080S-0809 (Right bulkhead tee to Left steer cylinder base port)	
18	REF.	2	 STEER CYLINDERS.	FR-4
19	52486-FR	1	BRACKET, BRG MOUNT - DRIVELINE 830	


 See referenced page for component or assembly breakdown.




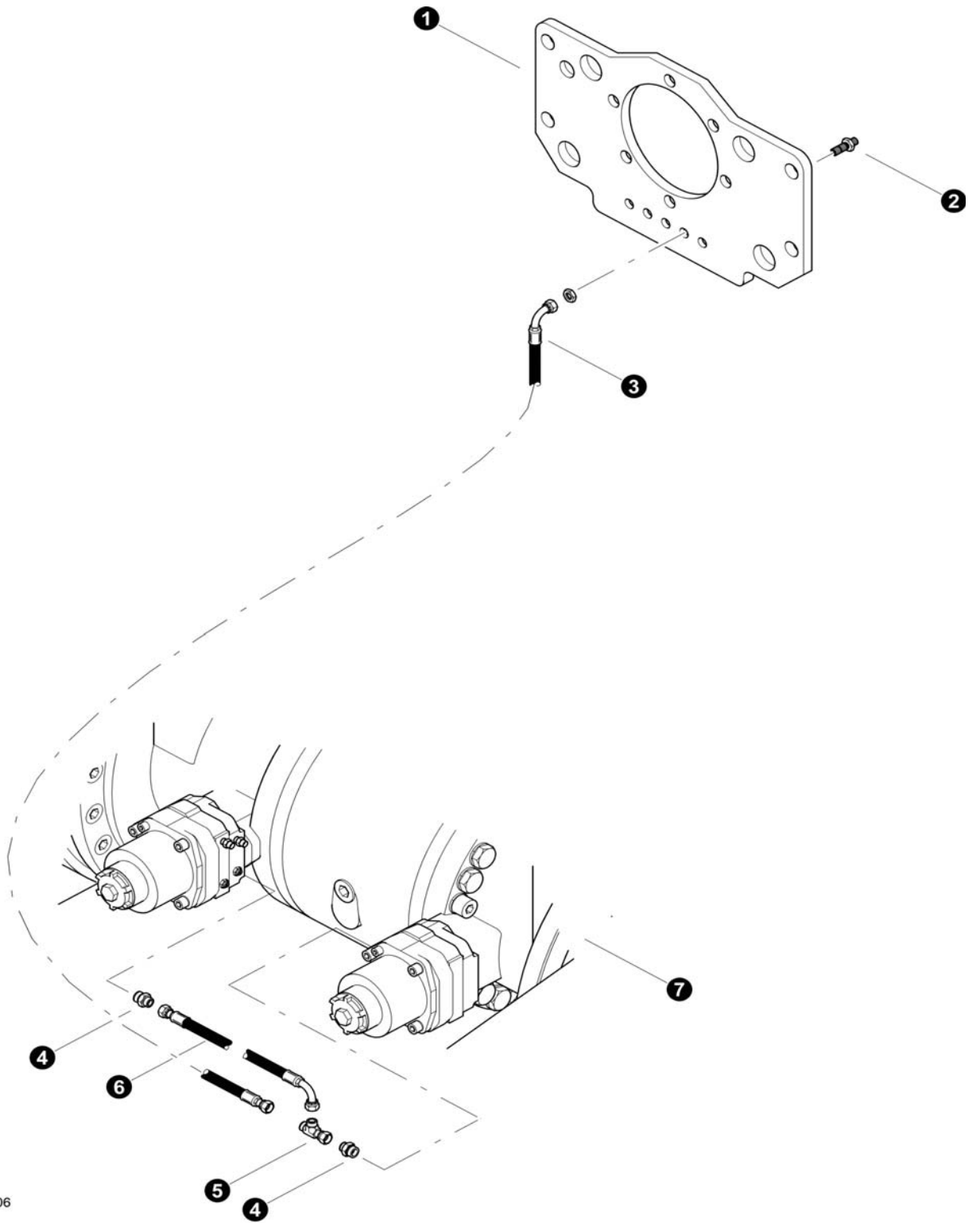
Parts T3414 04/12/2006
18.75

REAR FRAME HYDRAULICS

Lower Solenoid Manifold Connections - Parking Brake (Standard Front and Rear Frames) Machine SN-0152-04/14/06 and after

REF	PART #	QTY	DESCRIPTION	SEE SECTION
1	52486-FR	1	BRACKET, BRG MOUNT - DRIVELINE 830	
2	18582-FR	1	CONNECTOR, STR BULKHEAD - FF1994T-0404S	
3	-FR	1	HOSE ASSEMBLY - 2124-04-04OS-04O9 (Rear frame PB bulkhead to Rear Axle)	
4	19470-FR	2	CONNECTOR, STR 04-14m	
5	50607-FR	1	HOSE ASSEMBLY - 2009.5-04-04OS-04O9 (PB jumper hose on rear axel)	
6	15176-FR	2	TEE - 04	
7	REF.	1	 REAR AXLE ASSEMBLY.....	AX


 See referenced page for component or assembly breakdown.




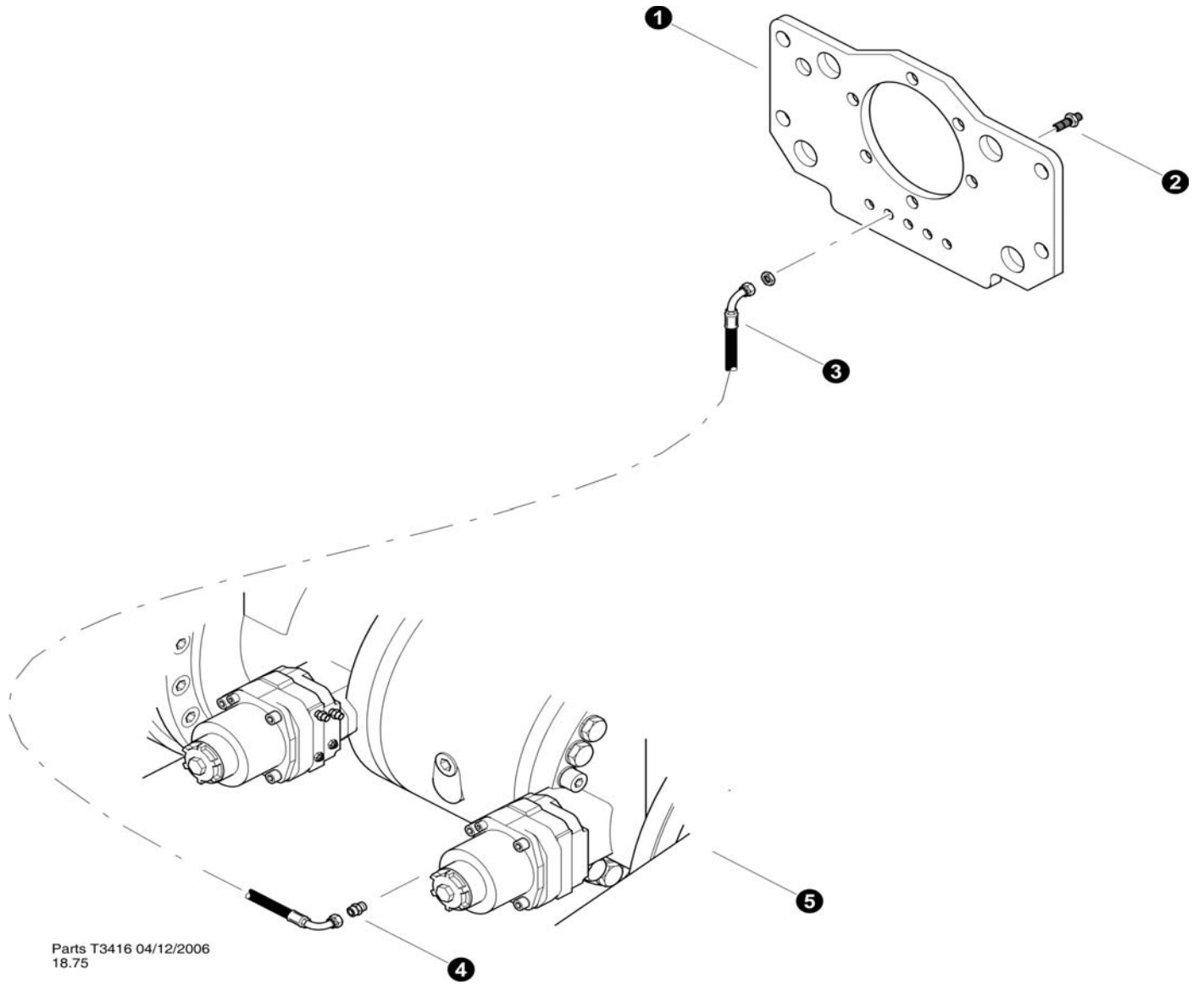
Parts T3415 04/10/2006
18.75

REAR FRAME HYDRAULICS

Lower Solenoid Manifold Connections - Travel Brake (Standard Front and Rear Frames) Machine SN-0152-04/14/06 and after

REF	PART #	QTY	DESCRIPTION	SEE SECTION
1	52486-FR	1	BRACKET, BRG MOUNT - DRIVELINE 830	
2	18582-FR	1	CONNECTOR, STR BULKHEAD - FF1994T-0404S	
3	-FR	1	HOSE ASSEMBLY - 2124-04-04OS-04O9 (Rear frame TB bulkhead to Rear Axle)	
4	19470-FR	2	CONNECTOR, STR 04-14m	
5	15176-FR	2	TEE - 04	
6	50607-FR	1	HOSE ASSEMBLY - 2009.5-04-04OS-04O9 (TB jumper hose on rear axel)	
7	REF.	1	 REAR AXLE ASSEMBLY..... AX	


 See referenced page for component or assembly breakdown.



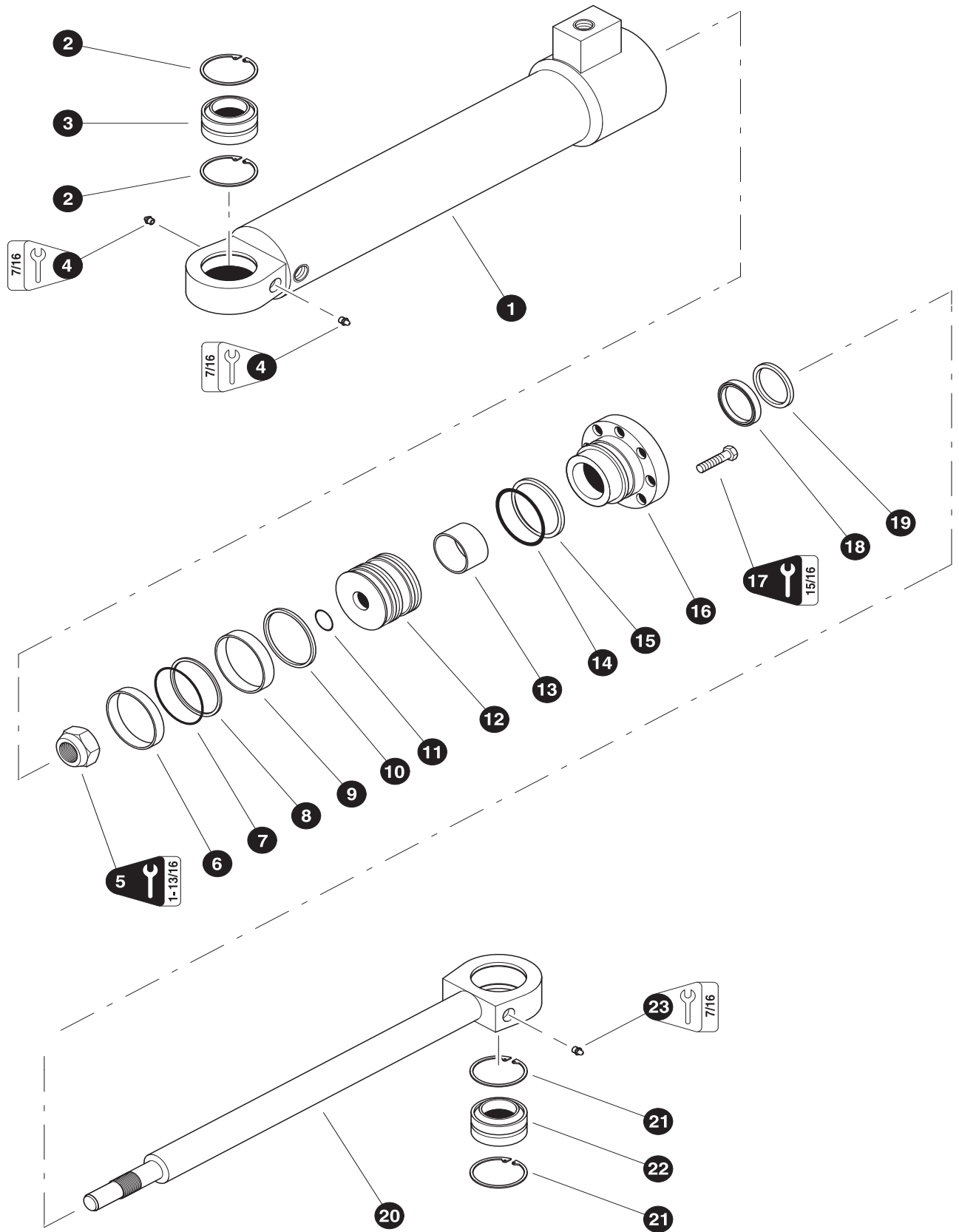
Parts T3416 04/12/2006
18.75

REAR FRAME HYDRAULICS

Lower Solenoid Manifold Connections - Differential Lock (Standard Front and Rear Frames) Machine SN-0152-04/14/06 and after

REF	PART #	QTY	DESCRIPTION	SEE SECTION
1	52486-FR	1	BRACKET, BRG MOUNT - DRIVELINE 830	
2	18582-FR	1	CONNECTOR, STR BULKHEAD - FF1994T-0404S	
3	-FR	1	HOSE ASSEMBLY - 2128-04-04OS-04O9 (Rear frame TB bulkhead to Rear Axle)	
4	19470-FR	1	CONNECTOR, STR 04-14m	
5	REF.	1	 REAR AXLE ASSEMBLY.....	AX

 See referenced page for component or assembly breakdown.



00194 01/17/97
18.75

STEER CYLINDER (Jarp 2.25" Rod)

REF	PART #	QTY		DESCRIPTION	SEE SECTION
-	51584-FR	2	☐	CYLINDER, STEER (2.25" ROD) - JARP	
1	51681-FR	1	☐	BARREL ASSEMBLY	
2	19916-FR	2		RING, snap	
3	19917-FR	1		BUSHING, spherical - 2"	
4	10704-FR	1		FITTING, straight grease - 1/8" pipe thread	
5	-FR	1		NUT, cylinder rod - 1-3/4" (Torque to 885 +/- 60 ft.lbs. (1175 +/- 80 Nm))	
6	NSS	1	⌘	RING, piston wear	
7	NSS	1	⌘	RING, piston loader	
8	NSS	1	⌘	RING, piston chem-cast	
9	NSS	1	⌘	RING, piston wear	
10	NSS	1	⌘	RING, piston seal	
11	NSS	1	⌘	O-RING, piston	
12	-FR	1		PISTON	
13	NSS	1	⌘	RING, rod bearing wear	
14	NSS	1	⌘	O-RING, rod bearing	
15	NSS	1	⌘	RING, rod bearing back-up	
16	51685-FR	1		BEARING, rod	
17	15681-FR	8		BOLT - 5/8" x 2-1/4" (Torque to 175 ft.lbs (233 Nm))	
18	NSS	1	⌘	U-CUP, rod bearing	
19	NSS	1	⌘	WIPER, rod	
20	51682-FR	1	☐	ROD ASSEMBLY	
21	19916-FR	2		RING, snap	
22	19917-FR	1		BUSHING, spherical - 2"	
23	10704-FR	1		FITTING, straight grease - 1/8" pipe thread	
-	51683-FR	1		KIT, seal repair - steer cylinder	

- ☐ Kit or Assembly - includes all items indented underneath.
 ⌘ Included in seal repair kit Part # 19750-FR.

