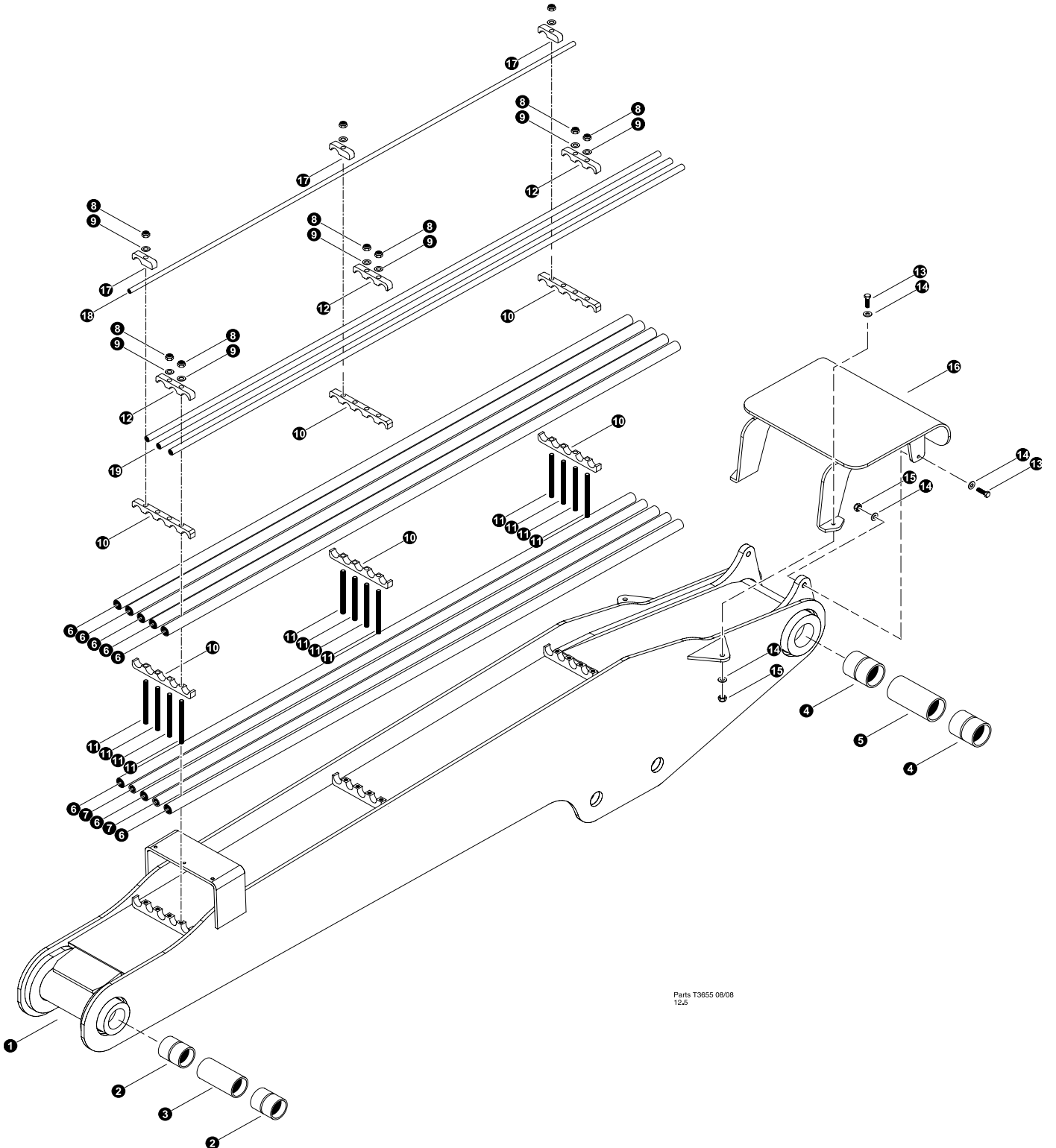


# ***Section HB-1***

---

## ***Harvester Booms - Main Boom***



Parts T3655 08/08  
12.5



**MAIN BOOM COMPONENTS**  
**(Harvester / Buncher Boom)**  
**Shown with optional 1/2" tubelines**


REF	PART #	QTY	DESCRIPTION	SEE SECTION
1	51595-HB	1	<input type="checkbox"/> WELDMENT, MAIN BOOM (STRAIGHT TB - 830 / 630)	
2	42485-HB	2	BUSHING - 3.5" X 3.0" X 4.25" UNDERSIZE	
3	12365-HB	1	SPACER, base - 3" x 7-1/2"	
4	18564-HB	2	BUSHING - 3.5" X 4.25"	
5	42410-HB	1	SPACER, 3.5 X 7.44	
6	51833-HB	8	TUBELINE - 1" X 108" FB MAIN TF830	
7	51834-HB	2	TUBELINE - .75" X 108" FB MAIN TF830	
8	15563-HB	9	NUT, nylock - 5/8"	
9	10771-HB	9	WASHER, SAE flat - 5/8"	
10	52155-HB	6	CLAMP, SADDLE - DRILLED (5-1" TUBES)	
11	17062-HB	12	STUD - .625" X 8"	
12	85086-HB	3	CLAMP, SADDLE TOP TUBE - 1"/1"/1"	
13	15517-HB	4	BOLT - .625" X 2.5"	
14	10771-HB	8	WASHER, SAE flat - 5/8"	
15	10816-HB	4	NUT, LOCK - .625"	
16	51988-HB	1	GUARD, HOSE - MAIN BOOM (FB) 630/830	
17	23222-HB	3	CLAMP, SADDLE TOP TUBE - .5" (1 TUBE)	
18	53116-HB	1	TUBELINE - .375" X 108" - BLACK PIPE	
19	51835-HB	3	TUBELINE - .5" X 108" FB MAIN TF830	

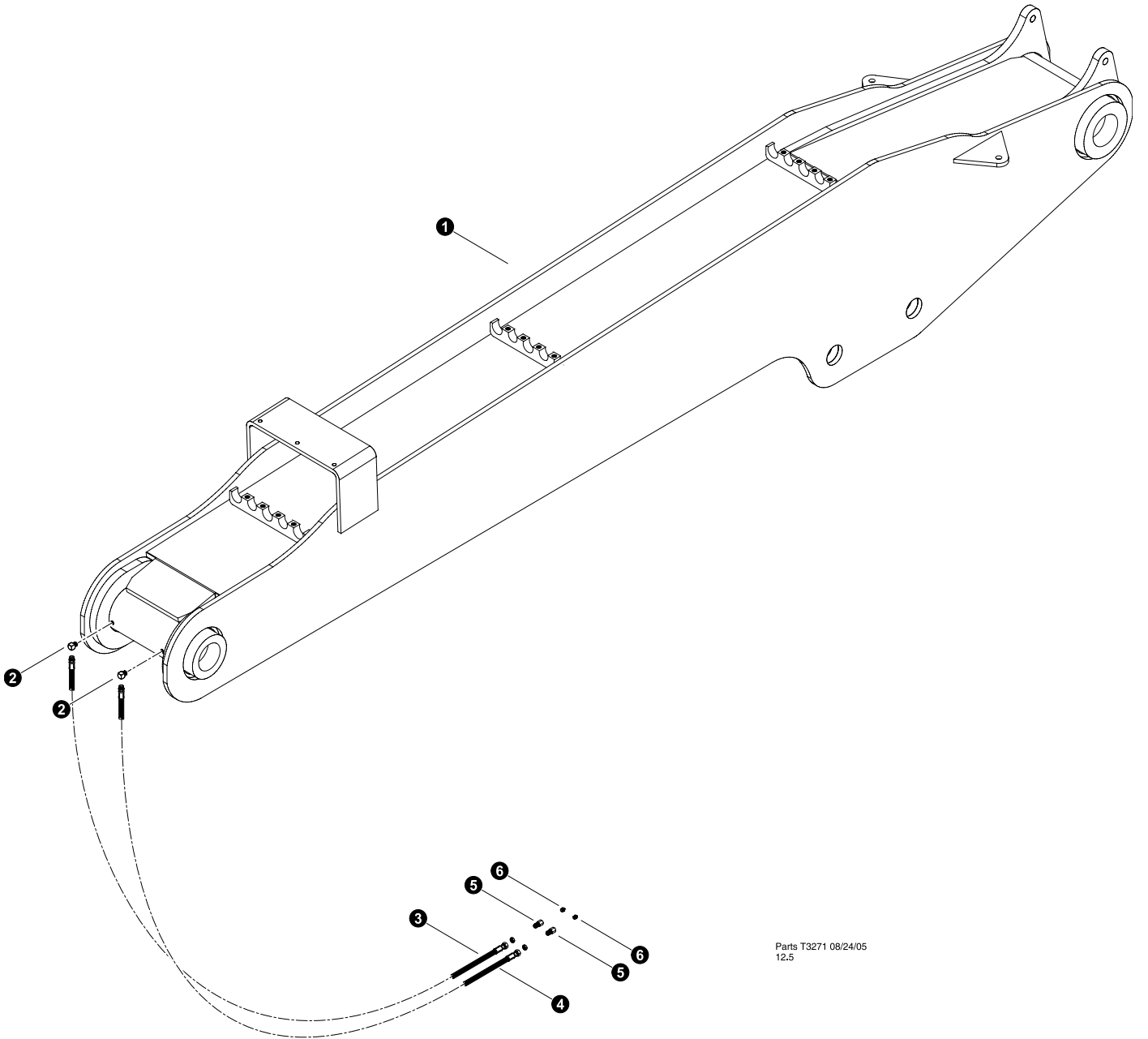
Kit or Assembly - includes all items indented underneath.



## MAIN BOOM INSTALLATION



REF	PART #	QTY	DESCRIPTION	SEE SECTION
1	REF	1	 MAIN BOOM ASSEMBLY .....	HB-1
2	51653-LB	1	PIN ASSEMBLY, 2.99 DIA X 14.25"	
3	18570-LB	2	WASHER, PIN RETAINING	
4	15550-LB	2	WASHER, SAE FLAT - .75"	
5	15549-LB	2	BOLT - .75" X 2.0	
6	51575-LB	1	PIN ASSEMBLY, 2.99 DIA X 18.63"	
7	10728-LB	1	NUT, NYLOCK - 2" (ZINC PLATED)	
8	19384-LB	1	WASHER, BURNED - 2.12" ID X 6" OD X .5"	
9	42484-LB	2	BUSHING - 3.5" X 3.0" X 2.0" UNDERSIZE	
10	51952-LB	1	PIN ASSEMBLY, 2.99 DIA X 24.63"	
11	51953-LB	1	PIN, DOWEL 1 DIA X 5 LG	
12	42485-LB	2	BUSHING - 3.5" X 3.0" X 4.25" UNDERSIZE	
13	REF.	1	MAIN BOOM CYLINDER (Feller Buncher) .....	HB-4
14	REF.	1	 UPPER TURNTABLE WELDMENT .....	UP-1



- Kit or Assembly - includes all items indented underneath.
-  See referenced page for component or assembly breakdown.

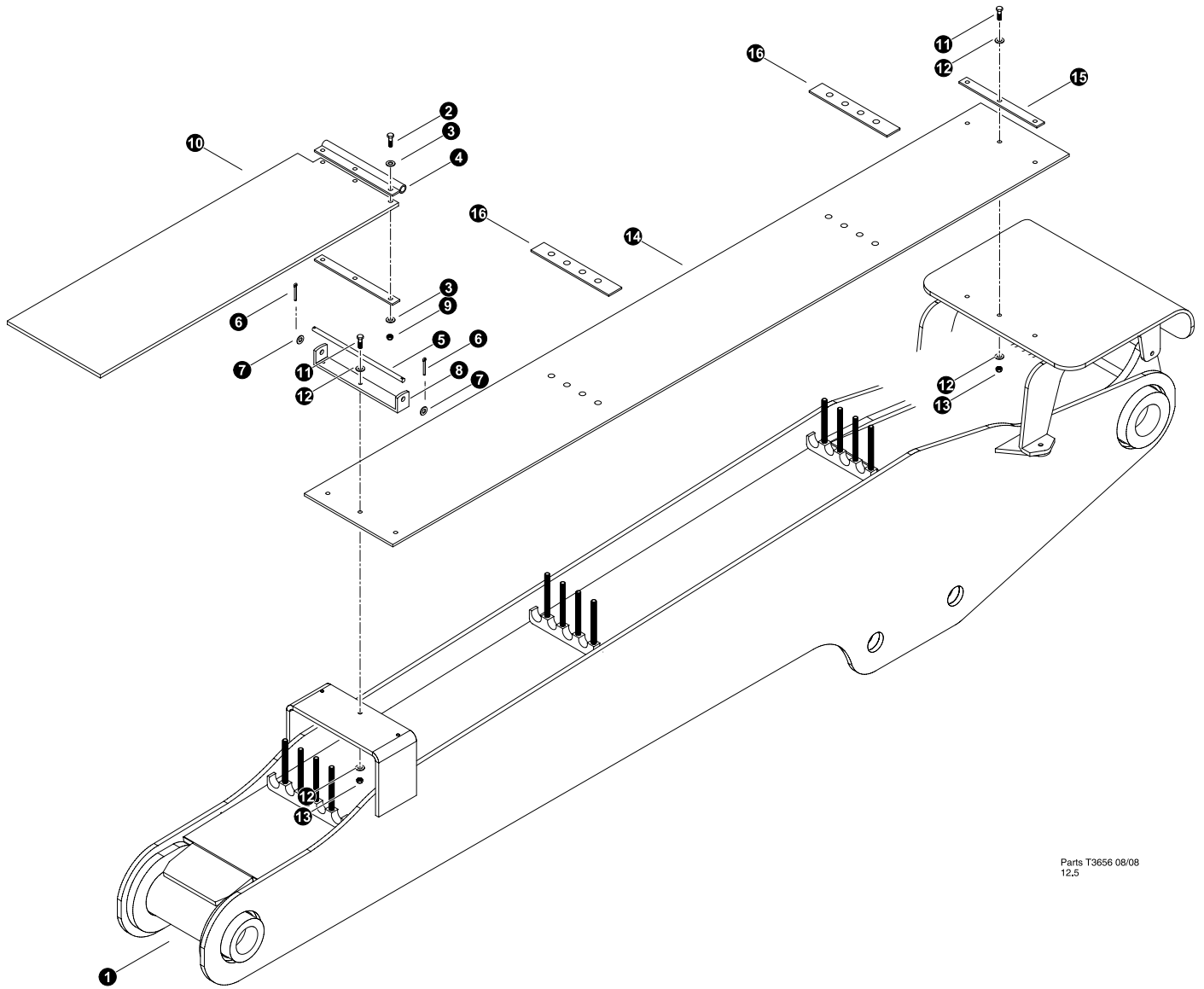


Parts T3271 08/24/05  
12.5

## MAIN BOOM GREASE LINES

REF	PART #	QTY	DESCRIPTION	SEE SECTION
1	REF	1	 MAIN BOOM ASSEMBLY .....	HB-1
2	22281-HB	6	FITTING, 90° - 5546132	
-	51977-HB	1	 KIT, hose - grease lines - <i>Feller Buncher</i>	
3	-HB	2	HOSE ASSEMBLY 2060-02-02PS-04JS	
4	-HB	2	HOSE ASSEMBLY 2052-02-02PS-04JS	
5	15658-HB	2	CONNECTOR, straight bulkhead - 2239-2-4S	
6	10704-HB	7	FITTING, straight grease - 1/8" pipe thread	



-  Kit or Assembly - includes all items indented underneath.
-  See referenced page for component or assembly breakdown.





Parts T3656 08/08  
12.5



### MAIN BOOM - DEBRIS SHIELD

REF	PART #	QTY	DESCRIPTION	SEE SECTION
1	REF.	1	 MAIN BOOM .....	HB-1
2	10731-HB	3	BOLT - .375" X 1.5"	
3	15528-HB	6	WASHER, SAE FLAT - .375"	
-	52820-HB	1	 HINGE, DEBRIS GUARD	
4	43315-HB	1	SUBASSEMBLY, HINGE TUBE	
5	43311-HB	1	PIN, HINGE	
6	-LB	2	PIN, cotter 3/16 X 1.5"	
7	15550-HB	2	WASHER, SAE FLAT - .75"	
8	43312-HB	1	PLATE, CHANNEL	
9	15507-HB	3	NUT, NYLOCK - .375"	
10	52838-HB	1	BELTING, GULLWING TO BOOM HINGED	
11	20084-HB	3	BOLT - .375" X 1.75"	
12	15528-HB	6	WASHER, SAE FLAT - .375"	
13	15507-HB	3	NUT, NYLOCK - .375"	
14	52823-HB	1	BELTING, F/B BOOM TOP	
15	-HB	1	PLATE, BELTING HOLD DOWN	
16	52824-HB	2	PLATE, BELTING HOLD DOWN - BOOM COVER	

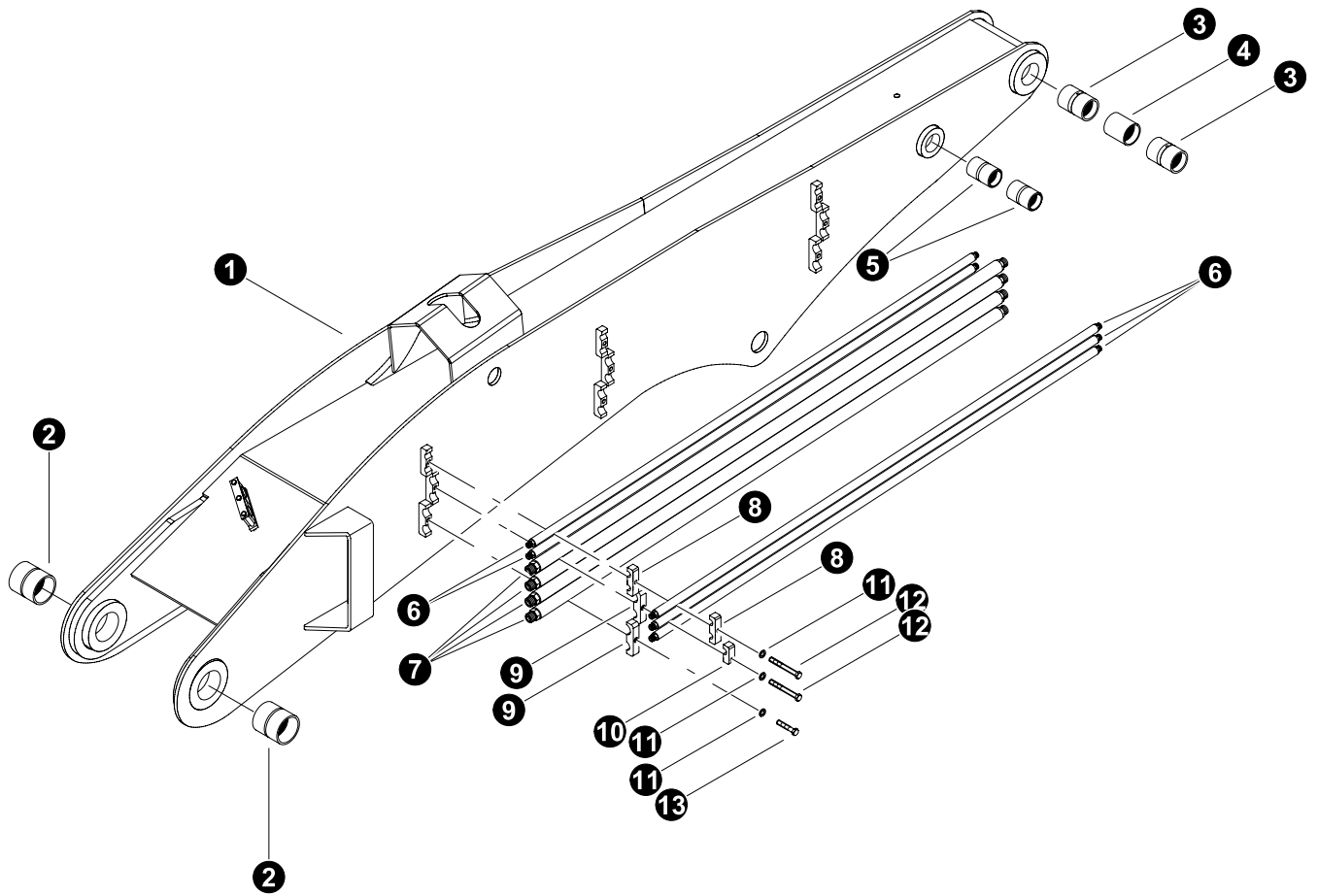
-  Kit or Assembly - includes all items indented underneath.
-  See referenced page for component or assembly breakdown.



# ***Section HB-2***

---

## ***Harvester Booms - Stick Boom***

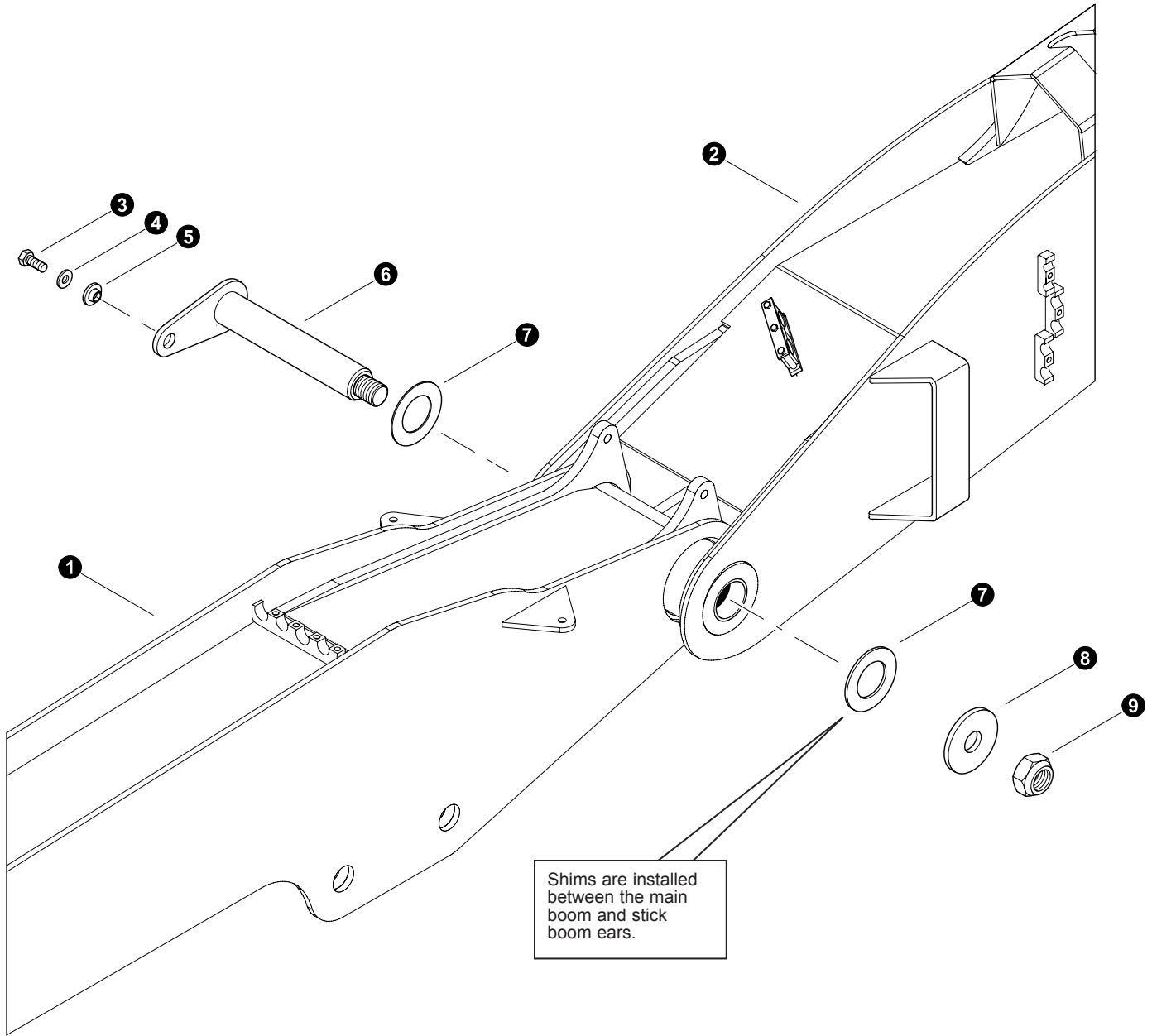


Parts T3272 08/29/2005  
6.25

## STICK BOOM COMPONENTS



REF	PART #	QTY	DESCRIPTION	SEE SECTION
1	51596-HB	1	WELDMENT, stick boom - TB 830 / 630	
2	18565-HB	2	BUSHING - 3.5" X 2.5"	
3	11704-HB	2	BUSHING - 2-1/2" x 4-1/4"	
4	12268-HB	1	SPACER, nose - 2-1/2" x 3-1/2"	
5	11704-HB	2	BUSHING - 2-1/2" x 4-1/4"	
6	16513-HB	5	TUBELINE - 1/2" x 80" ( <i>Straight</i> )	
7	16506-HB	4	TUBELINE - 1" x 84" ( <i>Straight</i> )	
8	15272-HB	3	CLAMP, saddle top tube - 1/2" x 1/2"	
9	12447-HB	6	CLAMP, SADDLE TOP TUBE - 1" & 1"	
10	23222-HB	3	CLAMP, SADDLE TOP TUBE - .5" (1 TUBE)	
11	10771-HB	9	WASHER, SAE flat - 5/8"	
12	10773-HB	6	BOLT - .625" X 3.5"	
13	15681-HB	3	BOLT - 5/8" X 2.25"	

- Kit or Assembly - includes all items indented underneath.

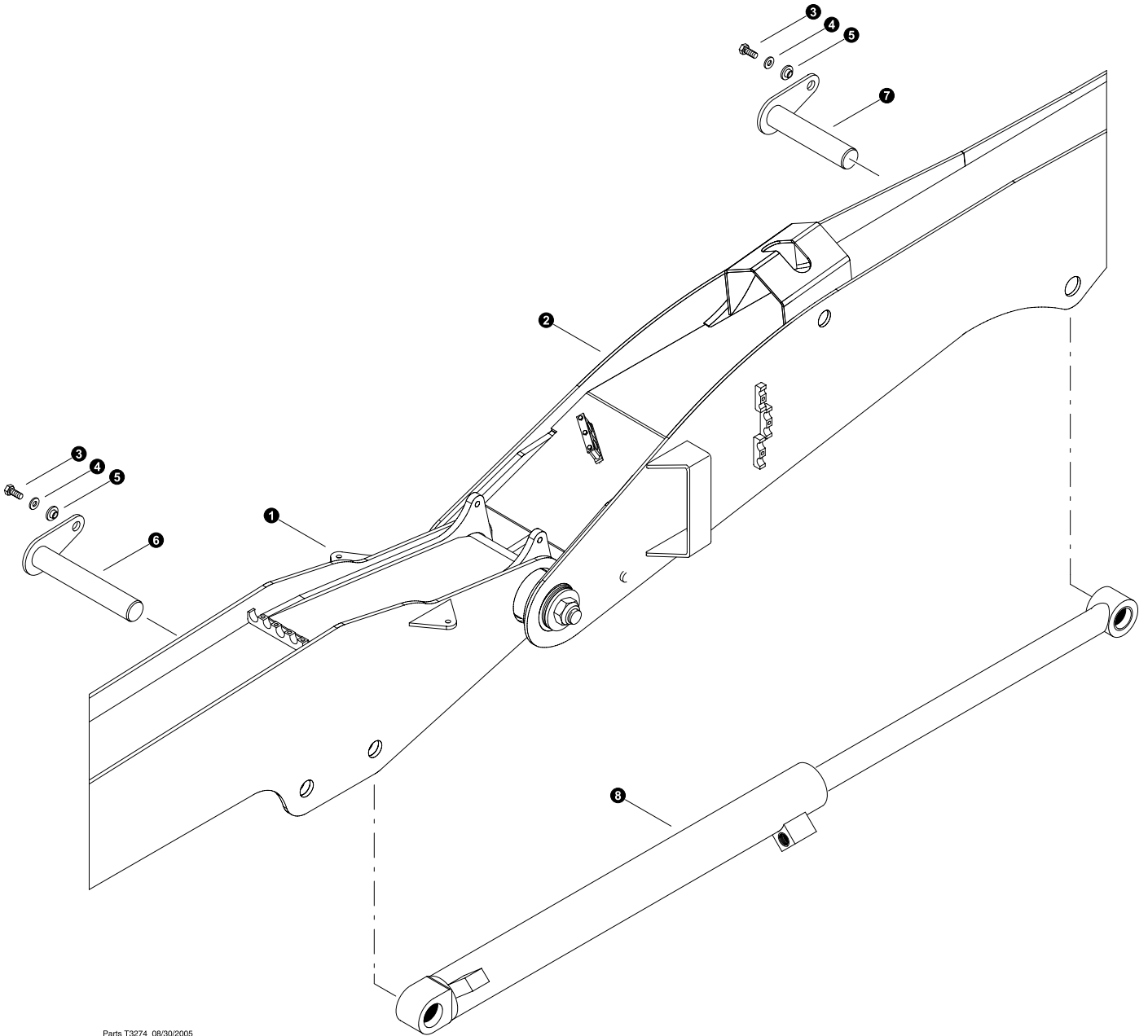


Parts T3273 08/29/2005  
12.50

## STICK BOOM INSTALLATION

REF	PART #	QTY	DESCRIPTION	SEE SECTION
1	REF.	1	 MAIN BOOM ASSEMBLY .....	HB-1
2	REF.	1	 STICK BOOM ASSEMBLY.....	HB-2
3	15549-HB	1	BOLT - 3/4" x 2"	
4	15550-HB	1	WASHER, SAE flat - 3/4"	
5	18570-HB	1	WASHER, pin retaining	
6	51644-HB	1	PIN ASSEMBLY, 3.50 DIA X 21.06 (2" NUT)	
7	18678-HB	AR	SHIM - 7 gauge	
	18679-HB	AR	SHIM - 10 gauge	
	18680-HB	AR	SHIM - 14 gauge	
8	19384-HB	1	WASHER, burned	
9	10728-HB	1	NUT, nylock - 2"	




 See referenced page for component or assembly breakdown.




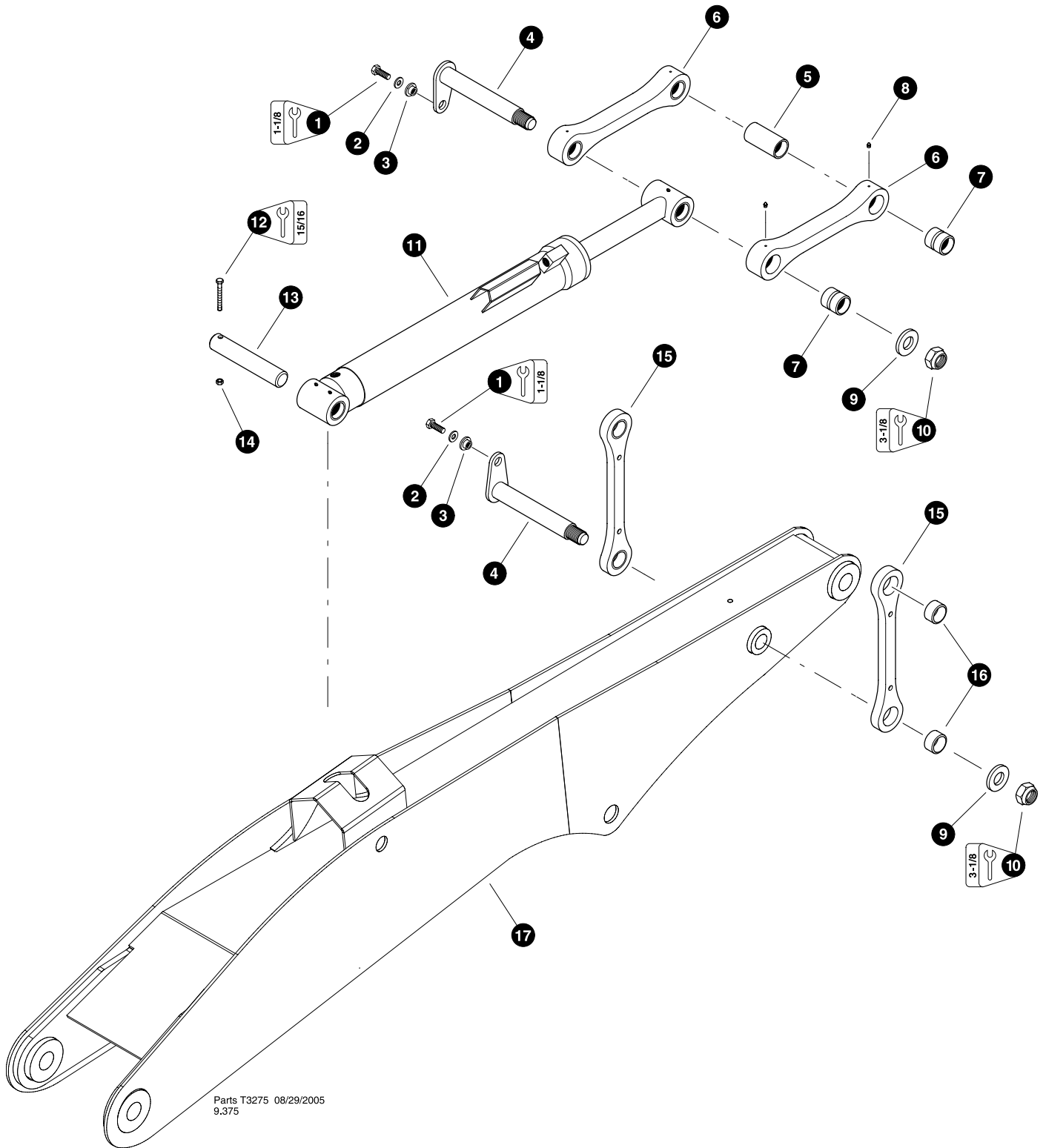
Parts T3274 08/30/2005  
12.5



## STICK BOOM (JIB) CYLINDER INSTALLATION

REF	PART #	QTY	DESCRIPTION	SEE SECTION
1	REF.	1	 MAIN BOOM ASSEMBLY .....	HB-1
2	REF.	1	 STICK BOOM ASSEMBLY.....	HB-2
3	15549-HB	1	BOLT - 3/4" x 2"	
4	15550-HB	1	WASHER, SAE flat - 3/4"	
5	18570-HB	1	WASHER, pin retaining	
6	21008-HB	1	PIN ASSEMBLY - 3" x 14-1/4"	
7	50738-HB	1	PIN ASSEMBLY, 2.99 DIA X 10.75"	
8	REF.	1	 STICK BOOM (JIB) CYLINDER .....	HB-4

 See referenced page for component or assembly breakdown.

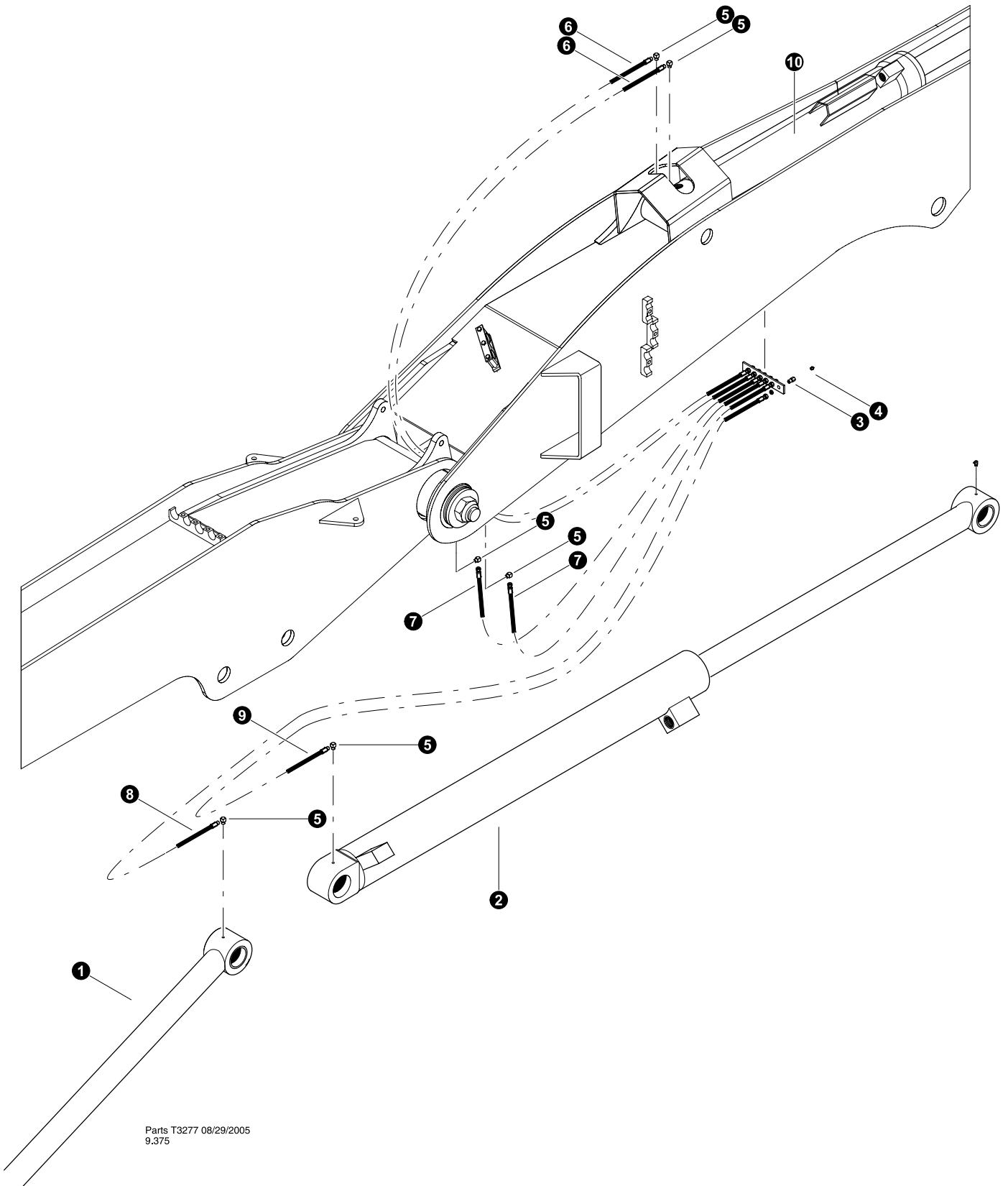


Parts T3275 08/29/2005  
9.375

### 4-BAR LINKAGE INSTALLATION





REF	PART #	QTY	DESCRIPTION	SEE SECTION
1	15549-HB	2	BOLT - 3/4" x 2"	
2	15550-HB	2	WASHER, SAE flat - 3/4"	
3	18570-HB	2	WASHER, pin retaining	
4	14246-HB	2	PIN, link mounting	
5	14243-HB	1	SPACER	
6	22451-HB	2	<input type="checkbox"/> LINK, connecting - top	
7	14241-HB	4	BUSHING - 2-1/2" x 3"	
8	10704-HB	4	FITTING, straight grease - 1/8" pipe thread	
9	12021-HB	2	WASHER, burned	
10	10728-HB	2	NUT, nylock - 2"	
11	REF.	1	<input type="checkbox"/> TOOL TILT CYLINDER .....	HB-4
12	10719-HB	1	BOLT - 5/8" x 4"	
13	51645-HB	1	PIN ASSEMBLY, 2.50 DIA X 14.75"	
14	15563-HB	1	NUT, nylock - 5/8"	
15	22450-HB	2	<input type="checkbox"/> LINK, connecting - side	
16	14242-HB	4	BUSHING - 2-1/2" x 1-1/2"	
17	REF.	1	<input type="checkbox"/> STICK BOOM ASSEMBLY.....	HB-2



- Kit or Assembly - includes all items indented underneath.
- See referenced page for component or assembly breakdown.

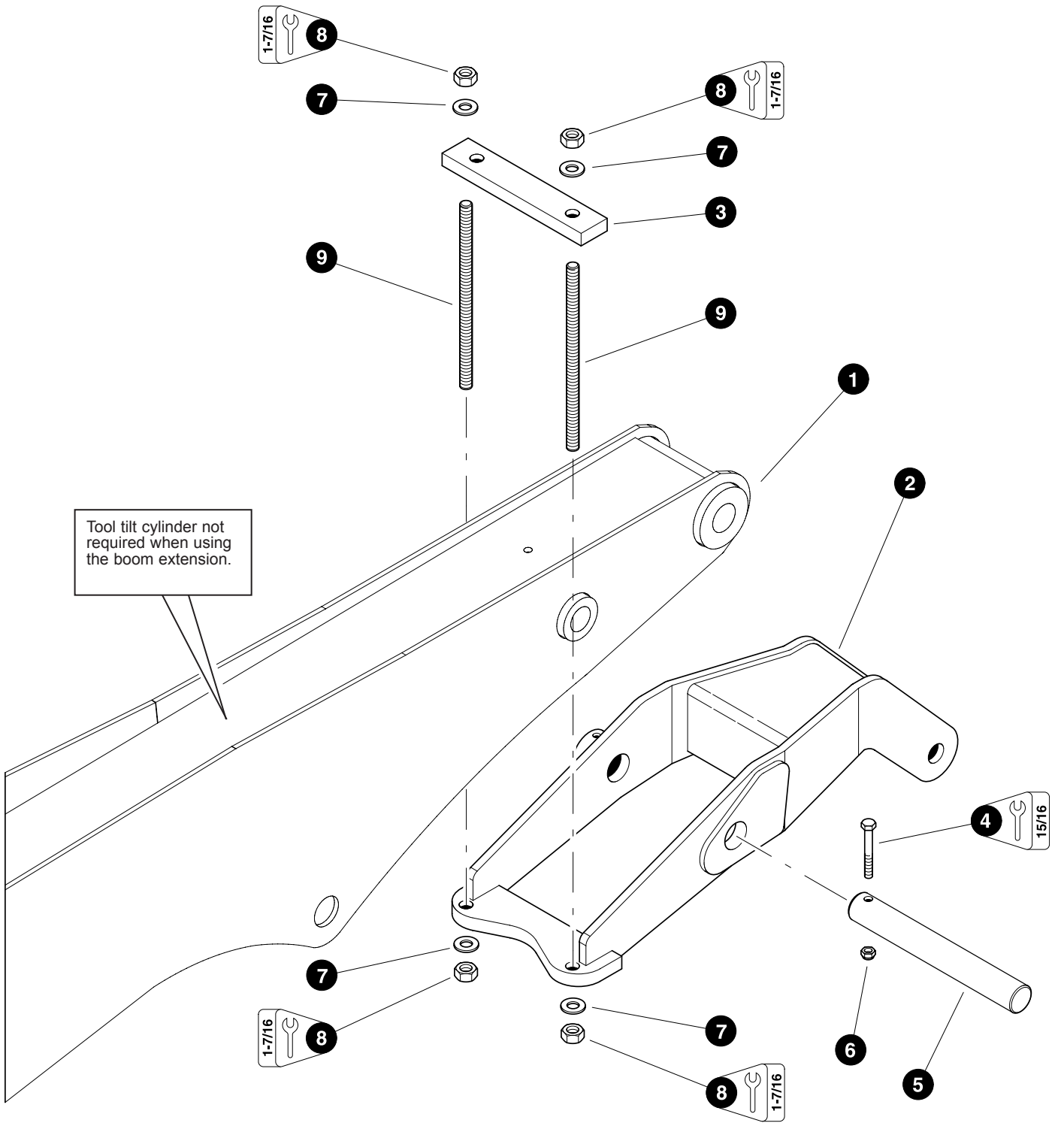


Parts T3277 08/29/2005  
9.375

## BOOM GREASE LINES



REF	PART #	QTY	DESCRIPTION	SEE SECTION
1	REF.	1	 MAIN BOOM CYLINDER.....	HB-4
2	REF.	1	 STICK BOOM CYLINDER.....	HB-4
3	15658-HB	2	CONNECTOR, straight bulkhead - 2239-2-4S	
4	10704-HB	7	FITTING, straight grease - 1/8" pipe thread	
5	22281-HB	6	FITTING, 90° - 5546132	
-	51977-HB	1	 KIT, hose - grease lines - <i>Feller Buncher</i>	
6	-HB	2	HOSE ASSEMBLY 2117.5-02-02PS-04JS	
7	-HB	2	HOSE ASSEMBLY 2072-02-02PS-04JS	
8	-HB	1	HOSE ASSEMBLY 2131-02-02PS-04JS	
9	-HB	1	HOSE ASSEMBLY 2122-02-02PS-04JS	
10	REF.	1	 TOOL CYLINDER .....	HB-4



-  See referenced page for component or assembly breakdown.
-  Kit or Assembly - includes all items indented underneath.



Parts T3276 08/30/2005  
12.5

## OPTIONAL BOOM EXTENSION INSTALLATION (Used with CTL and Grapple Attachments)

REF	PART #	QTY	DESCRIPTION	SEE SECTION
1	REF.	1	 STICK BOOM ASSEMBLY.....	HB-2
2	17691-HB	1	 WELDMENT, boom extension	
3	19024-HB	1	BAR, boom extension mounting	
4	10838-HB	1	BOLT - 5/8" x 5"	
5	10748-HB	1	PIN - 2-1/2" x 18-1/2"	
6	15563-HB	1	NUT, nylock - 5/8"	
7	15579-HB	4	WASHER, SAE flat - 1"	
8	18253-HB	4	NUT, lock - 1"	
9	19025-HB	2	ROD, threaded - 1" x 18" ( <i>Grade 8 ready rod</i> )	

-  See referenced page for component or assembly breakdown.
-  Kit or Assembly - includes all items indented underneath.

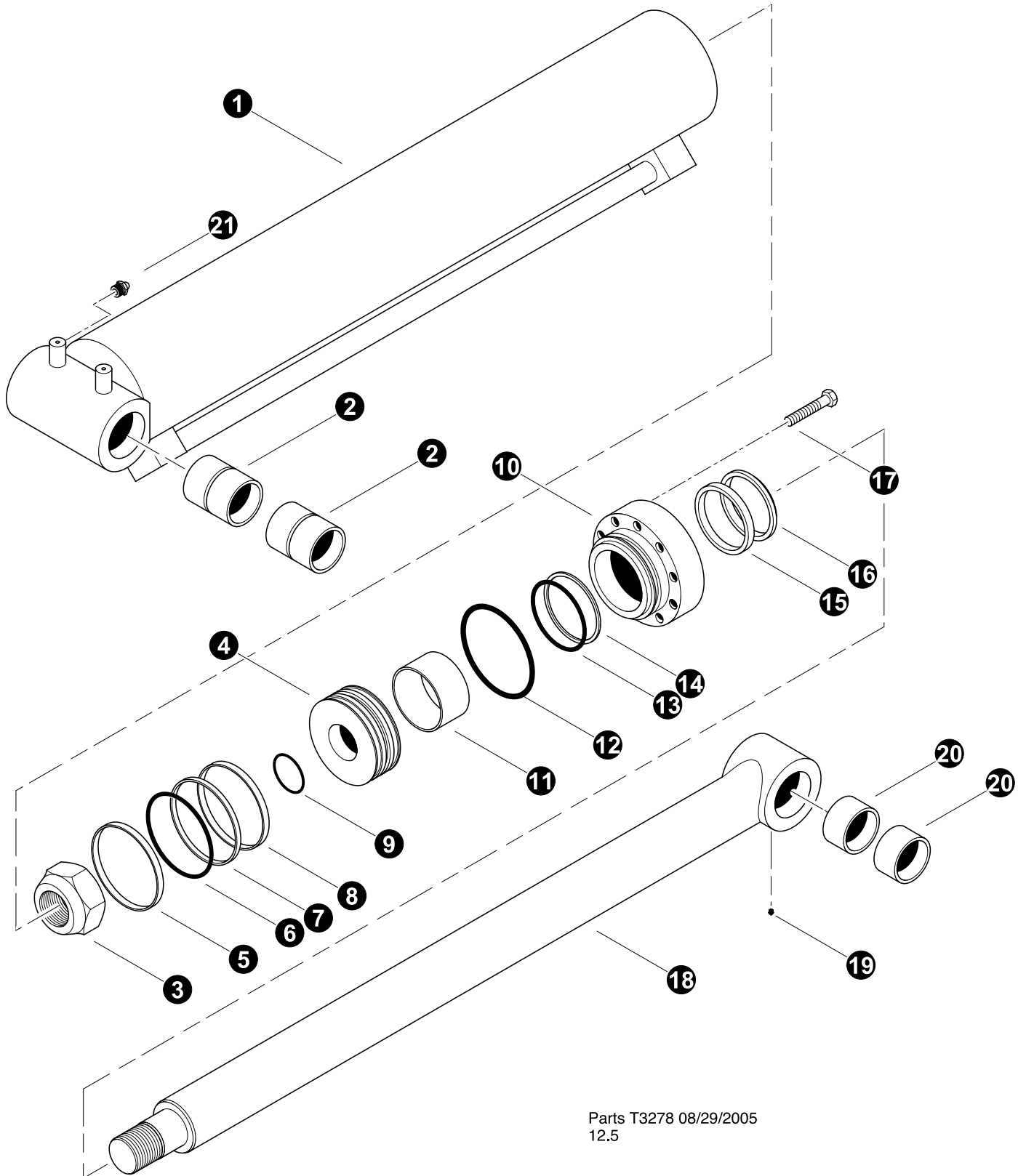




# ***Section HB-3***

---

## ***Harvester Booms - Cylinders***

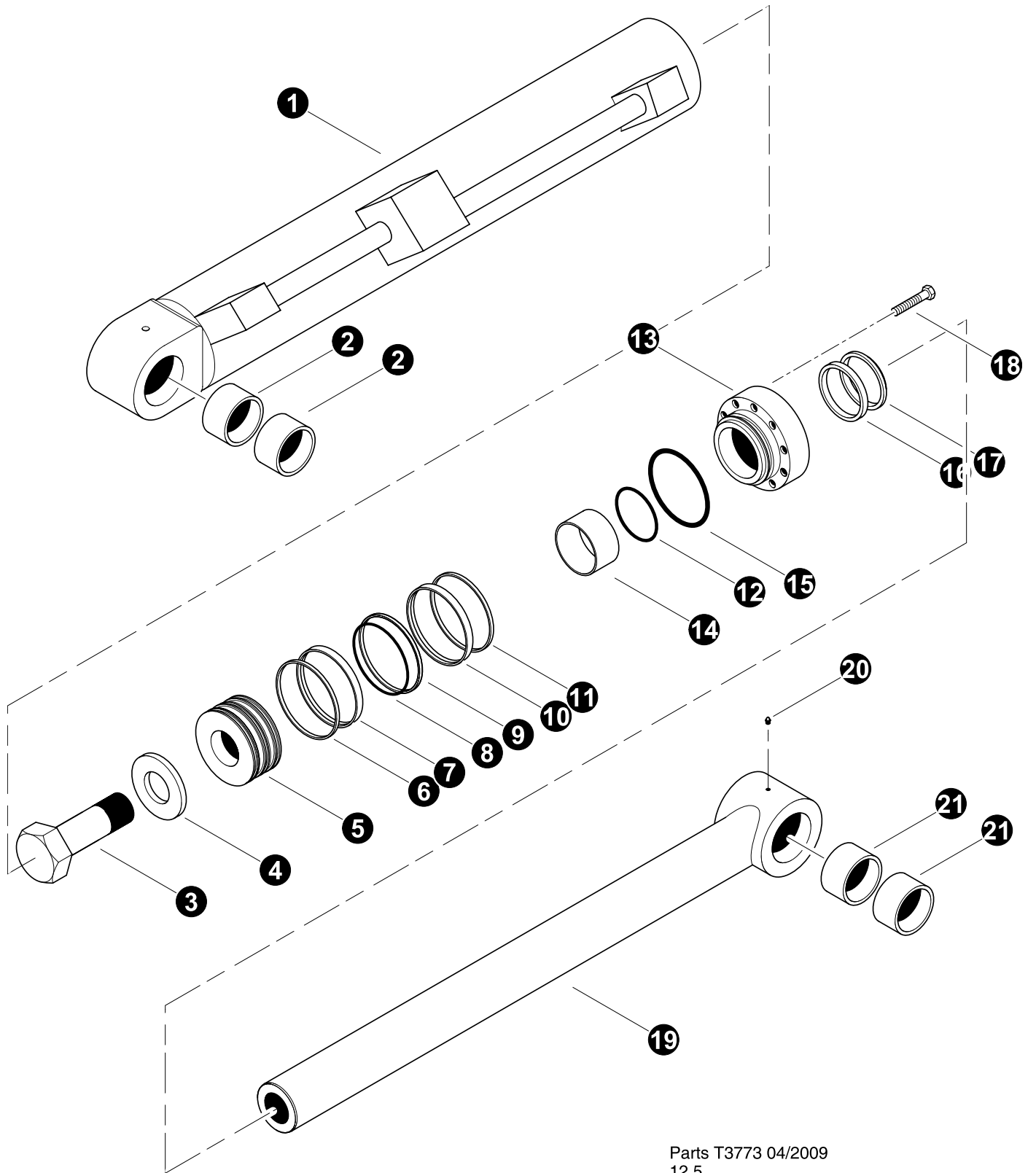


## MAIN BOOM (HOIST) CYLINDER - 6"

REF	PART #	QTY	DESCRIPTION	SEE SECTION
-	51975-FB	1	<input type="checkbox"/> MAIN BOOM CYLINDER ASSEMBLY	
1	203314B-FB	1	<input type="checkbox"/> BARREL ASSEMBLY	
2	11706-FB	2	BUSHING - 3" x 4-1/4"	
3	712096A-FB	1	NUT, 2.75"-11 (711181A) ( <b>ft.lbs (Nm)</b> )	
4	400990B-FB	1	<input type="checkbox"/> PISTON	
5	NSS	1	⌘ RING, piston wear	
6	NSS	1	⌘ O-RING, piston seal backup	
7	NSS	1	⌘ RING, piston wear	
8	NSS	1	⌘ RING, piston wear	
9	NSS	1	⌘ O-RING, piston seal	
10	501040B-FB	1	<input type="checkbox"/> BEARING, rod	
11	NSS	1	⌘ RING, rod bearing wear	
12	NSS	1	⌘ O-RING, rod bearing - outer	
13	NSS	1	⌘ RING, rod bearing o-ring backup	
14	NSS	1	⌘ O-RING, rod seal backup	
15	NSS	1	⌘ U-CUP, rod bearing	
16	NSS	1	⌘ WIPER, rod	
17	711001A-FB	12	BOLT - 5/8" x 2-1/4" ( <b>175 ft.lbs (233 Nm)</b> )	
18	301981B-FB	1	<input type="checkbox"/> ROD ASSEMBLY	
19	10704-HB	1	FITTING, straight grease - 1/8" pipe thread	
20	42486-HB	2	BUSHING - 3.5" X 3.0" X 3.0" UNDERSIZE	
21	54106-HB	1	FITTING, straight grease - 1/4" pipe	
-	52125-HB	1	KIT, seal repair - main boom cylinder	

Kit or Assembly - includes all items indented underneath.

⌘ Included in seal repair kit Part # 52125-HB.

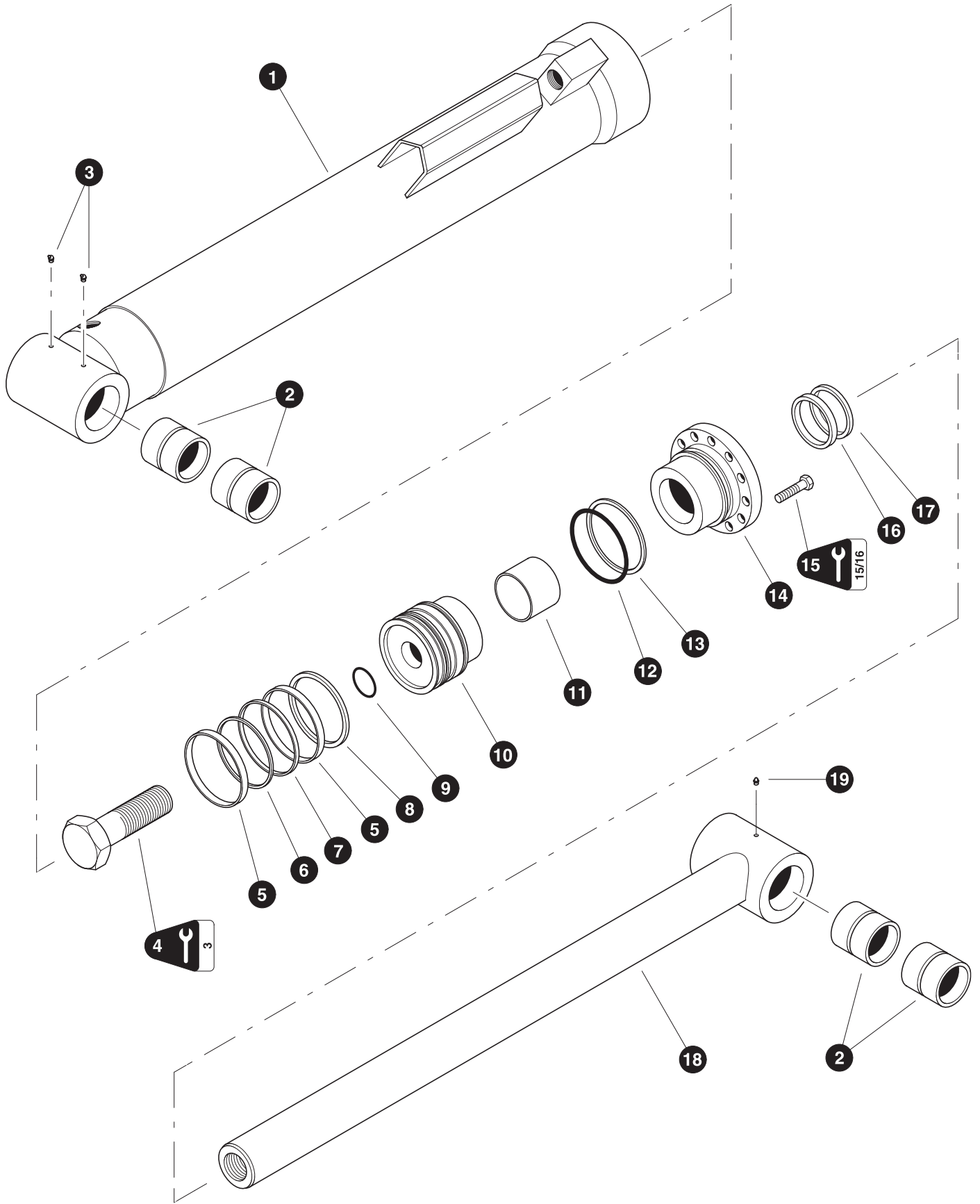


Parts T3773 04/2009  
12.5

**STICK BOOM (JIB) CYLINDER - 5"**

REF	PART #	QTY		DESCRIPTION	SEE SECTION
-	51976-HB	1	☐	STICK BOOM CYLINDER ASSEMBLY 150810B	
1	52880-HB	1	☐	BARREL ASSEMBLY (203320B)	
2	42486-HB	2		BUSHING - 3.5" X 3.0" X 3.0" UNDERSIZE	
3	19956-HB	1		BOLT, cylinder rod - 2" -12UN" <b>(2700 +/- 200 ft.lbs. (3600 +/- 265 Nm)) (USE LOCTITE #242)</b>	
4	718032A-HB	1		WASHER,	
5	53904-HB			PISTON	
6	NSS	1	⌘	RING, piston seal	
7	NSS	1	⌘	RING, piston wear	
8	NSS	1	⌘	O-RING, piston seal backup	
9	NSS	1	⌘	RING, piston seal	
10	NSS	1	⌘	RING, piston wear	
11	NSS	1	⌘	RING, piston seal	
12	NSS	1	⌘	O-RING	
13	53905-HB	1		BEARING, rod	
14	NSS	1	⌘	RING, rod bearing wear	
15	NSS	1	⌘	O-RING, rod bearing	
16	NSS	1	⌘	U-CUP, rod bearing	
17	NSS	1	⌘	WIPER, rod	
18	711001A-HB	1		BOLT, rod bearing <b>(175 +/- 5 ft.lbs. (237 Nm))</b>	
19	53903-HB	1	☐	ROD ASSEMBLY (301980B)	
20	10704-HB	1		FITTING, straight grease - 1/8" pipe thread	
21	42486-HB	2		BUSHING - 3.5" X 3.0" X 3.0" UNDERSIZE	
-	52117-HB	1		KIT, seal repair - stick boom cylinder (See Note Below)	

- ☐ Kit or Assembly - includes all items indented underneath.  
 ⌘ Included in seal repair kit Part # 52117-HB.

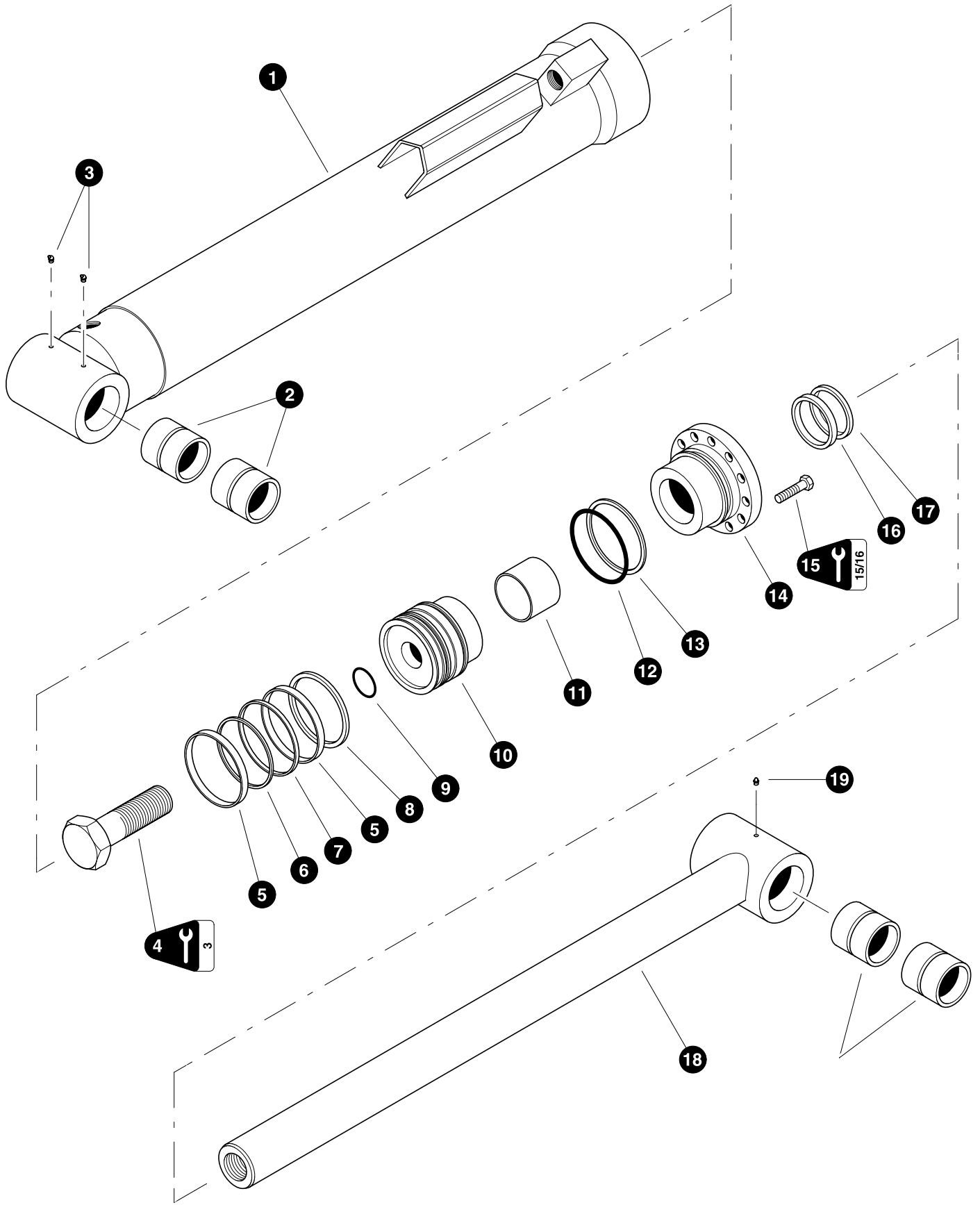


**FELLER BUNCHER TOOL CYLINDER**  
**(40" Stroke / 5" Diameter)**  
**840B-0377-071511 and Before**

(Please Verify Part Number Stamped on Base End of Cylinder Before Ordering Parts)

REF	PART #	QTY	DESCRIPTION	SEE SECTION
-	24006-HB	1	<input type="checkbox"/> CYLINDER, TOOL - FB (JARP)	
1	22985-HB	1	<input type="checkbox"/> BARREL ASSEMBLY	
2	14241-HB	2	BUSHING - 2-1/2" x 3"	
3	15683-HB	2	FITTING, 45 grease - 1/8" pipe thread	
4	24563-HB	1	BOLT, PISTON RETAINING <b>(2700 +/- 200 ft.lbs. (3600 +/- 265 Nm))</b>	
5	NSS	2	⌘ RING, piston wear	
6	NSS	1	⌘ RING, piston square	
7	NSS	1	⌘ RING, piston chem-cast	
8	NSS	1	⌘ RING, piston wear	
9	NSS	1	⌘ O-RING, piston	
10	22986-HB	1	PISTON	
11	NSS	1	⌘ RING, rod bearing wear	
12	NSS	1	⌘ O-RING, rod bearing	
13	NSS	1	⌘ RING, rod bearing back-up	
14	24562-HB	1	BEARING, rod	
15	15681-HB	12	BOLT - 5/8" x 2-1/4" <b>(175 ft.lbs (233 Nm))</b>	
16	NSS	1	⌘ U-CUP, rod bearing	
17	NSS	1	⌘ WIPER, rod	
18	22537-HB	1	<input type="checkbox"/> ROD ASSEMBLY	
19	10704-HB	1	FITTING, straight grease - 1/8" pipe thread	
-	22988-HB	1	KIT, seal repair - tool tilt cylinder	

- Kit or Assembly - includes all items indented underneath.  
⌘ Included in seal repair kit Part # 22988-HB.





**FELLER BUNCHER TOOL TILT CYLINDER****830B-0378-081711 and after****(Used With 4-Bar Linkage)(Jarp)**

(Please Verify Part Number Stamped on Base End of Cylinder Before Ordering Parts)

REF	PART #	QTY		DESCRIPTION	SEE SECTION
-	54398-FB	1	☐	CYLINDER, TOOL - FB (JARP)	
1	22985-FB	1	☐	BARREL ASSEMBLY	
2	14241-FB	2		BUSHING - 2-1/2" x 3"	
3	15683-FB	2		FITTING, 45 grease - 1/8" pipe thread	
4	24563-FB	1		BOLT, PISTON RETAINING <b>(4002 ft*lbs (3600 Nm) with Loctite 243)</b>	
5	NSS	2	⌘	RING, piston wear	
6	NSS	1	⌘	RING, piston square	
7	NSS	1	⌘	RING, piston chem-cast	
8	NSS	1	⌘	RING, piston wear	
9	NSS	1	⌘	O-RING, piston	
10	22986-FB	1		PISTON	
11	NSS	1	⌘	RING, rod bearing wear	
12	NSS	1	⌘	O-RING, rod bearing	
13	NSS	1	⌘	RING, rod bearing back-up	
14	24562-FB	1		BEARING, rod	
15	15681-FB	12		BOLT - 5/8" x 2-1/4" <b>(175 ft.FBs (233 Nm))</b>	
16	NSS	1	⌘	U-CUP, rod bearing	
17	NSS	1	⌘	WIPER, rod	
18	26675-FB	1	☐	ROD ASSEMBLY	
19	10704-FB	1		FITTING, straight grease - 1/8" pipe thread	
20	54397-FB	2		BUSHING - 3" x 3"	

☐ Kit or Assembly - includes all items indented underneath.

⌘ Included in seal repair kit Part # 22988-HB.

