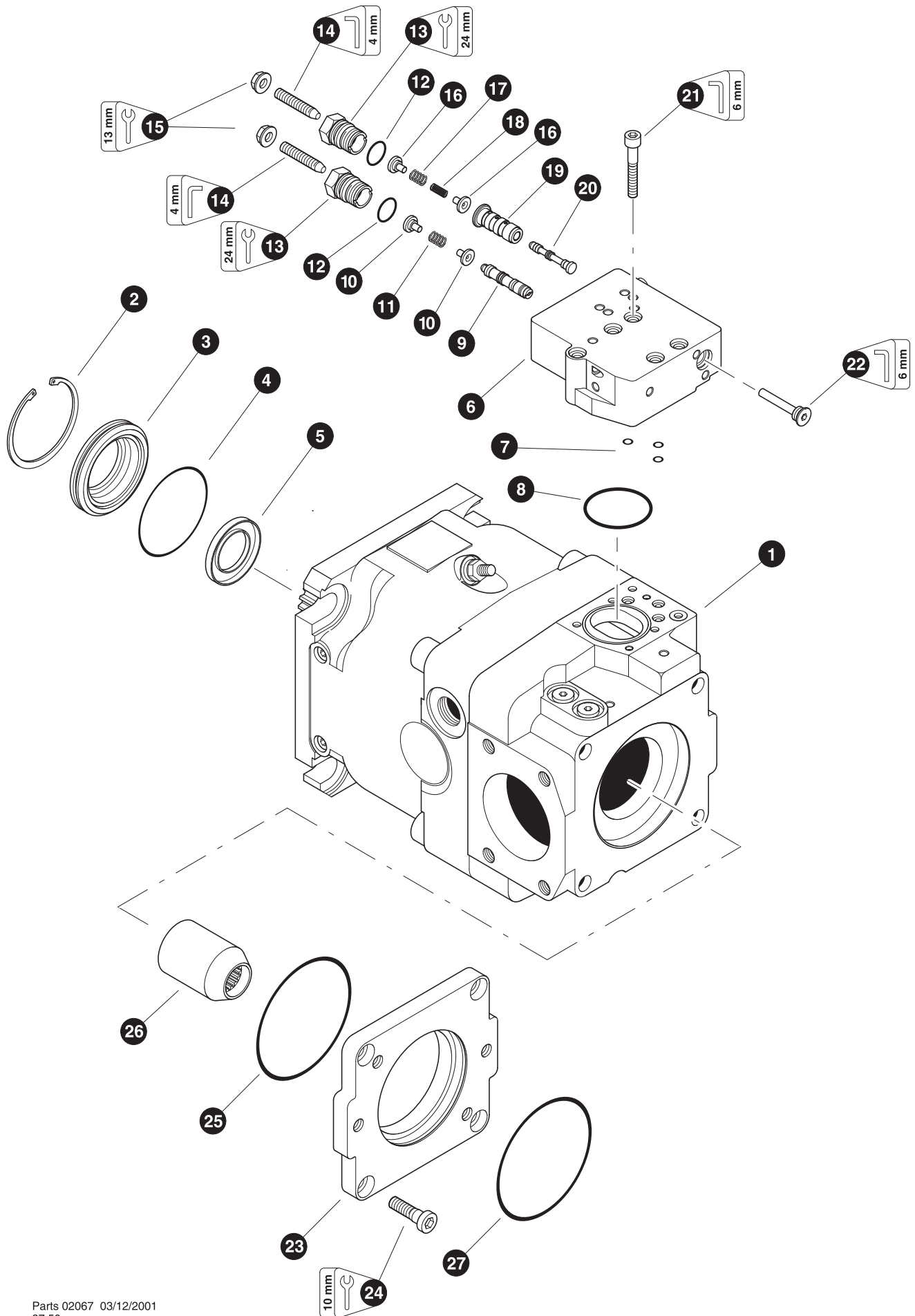


Section HH-1

Harvester Hydraulics - Implement Pump and Control Valve



Parts 02067 03/12/2001
37.50

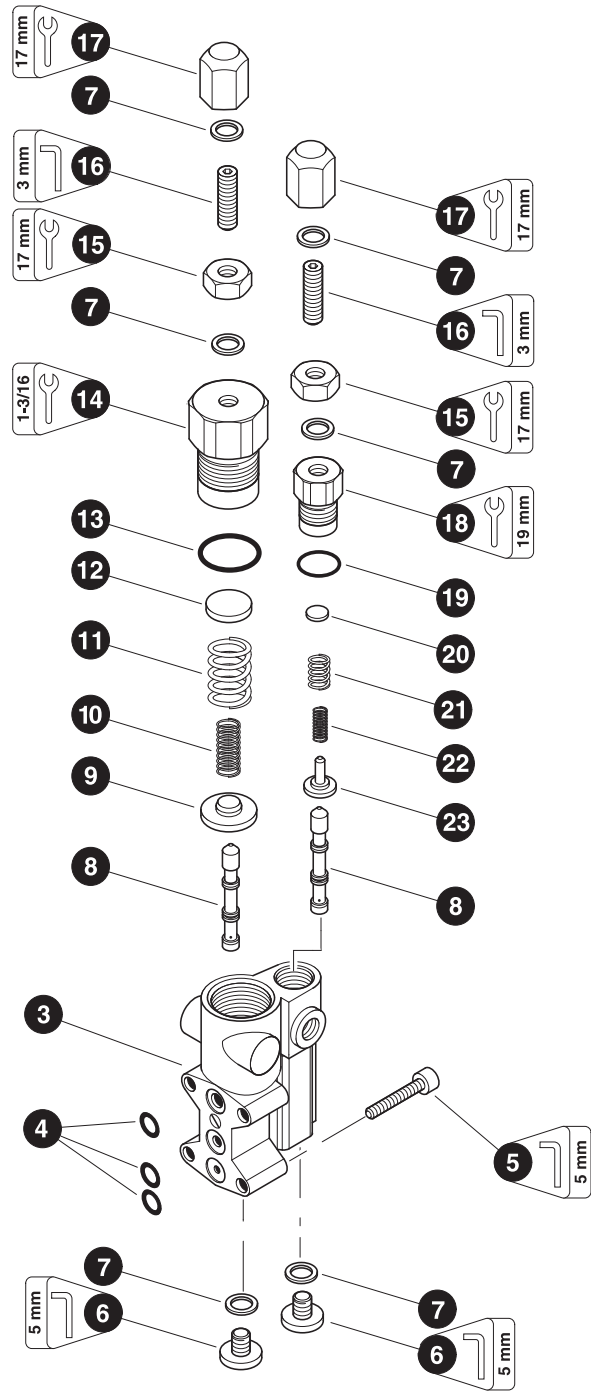
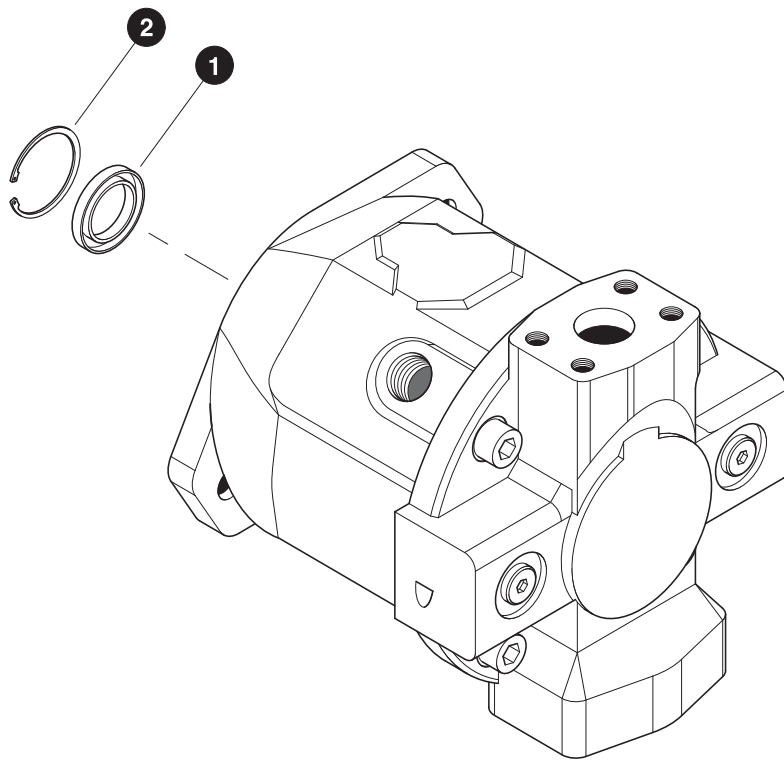
IMPLEMENT PUMP (Rexroth 145cc)

REF	PART #	QTY		DESCRIPTION	SEE SECTION
1	24505-HH	1	☐	PUMP, implement - Rexroth 145cc	
2	21546-HH	1		RING, seal retaining	
3	21547-HH	1		COVER, front	
4	21548-HH	1	⌘	O-RING, front cover	
5	18687-HH	1	⌘	SEAL, shaft	
6	18681-HH	1	☐	COMPENSATOR	
7	20809-HH	3	⌘	O-RING, quad	
8	20808-HH	1	⌘	O-RING, compensator	
9	NSS	1		SPOOL, POR pressure	
10	21551-HH	2		RETAINER, spring	
11	21552-HH	1		SPRING	
12	21553-HH	2	⌘	O-RING, compensator cap	
13	21554-HH	2		CAP, compensator	
14	20358-HH	2	⌘	NUT, seal	
15	21555-HH	2		SCREW, adjusting	
16	21558-HH	2		RETAINER, spring	
17	21556-HH	1		SPRING	
18	21557-HH	1		SPRING	
19	NSS	1		SLEEVE, spool	
20	NSS	1		SPOOL, stand-by pressure	
21	21559-HH	5		BOLT, allen head - 8mm x 50mm	
22	NSS	1		PLUG	
23	24424-HH	1	☐	KIT, FLANGE, thru drive vlo	
24	17608-HH	4		BOLT, allen head - 12mm-1.75P x 30mm	
25	17744-HH	1	⌘	O-RING, thru drive flange	
26	18843-HH	1		COUPLING, thru drive	
27	18844-HH	1		O-RING, thru drive cover	
--	18799-LH	1		KIT, seal repair (<i>Complete pump</i>)	

- ☐ Kit or Assembly - includes all items indented underneath.
 ⌘ Included in seal repair kit, PN# 18799-HH.

Note:

Due to warranty policy restrictions imposed by component suppliers, it is not recommended that the component be disassembled further than is shown in the illustration.

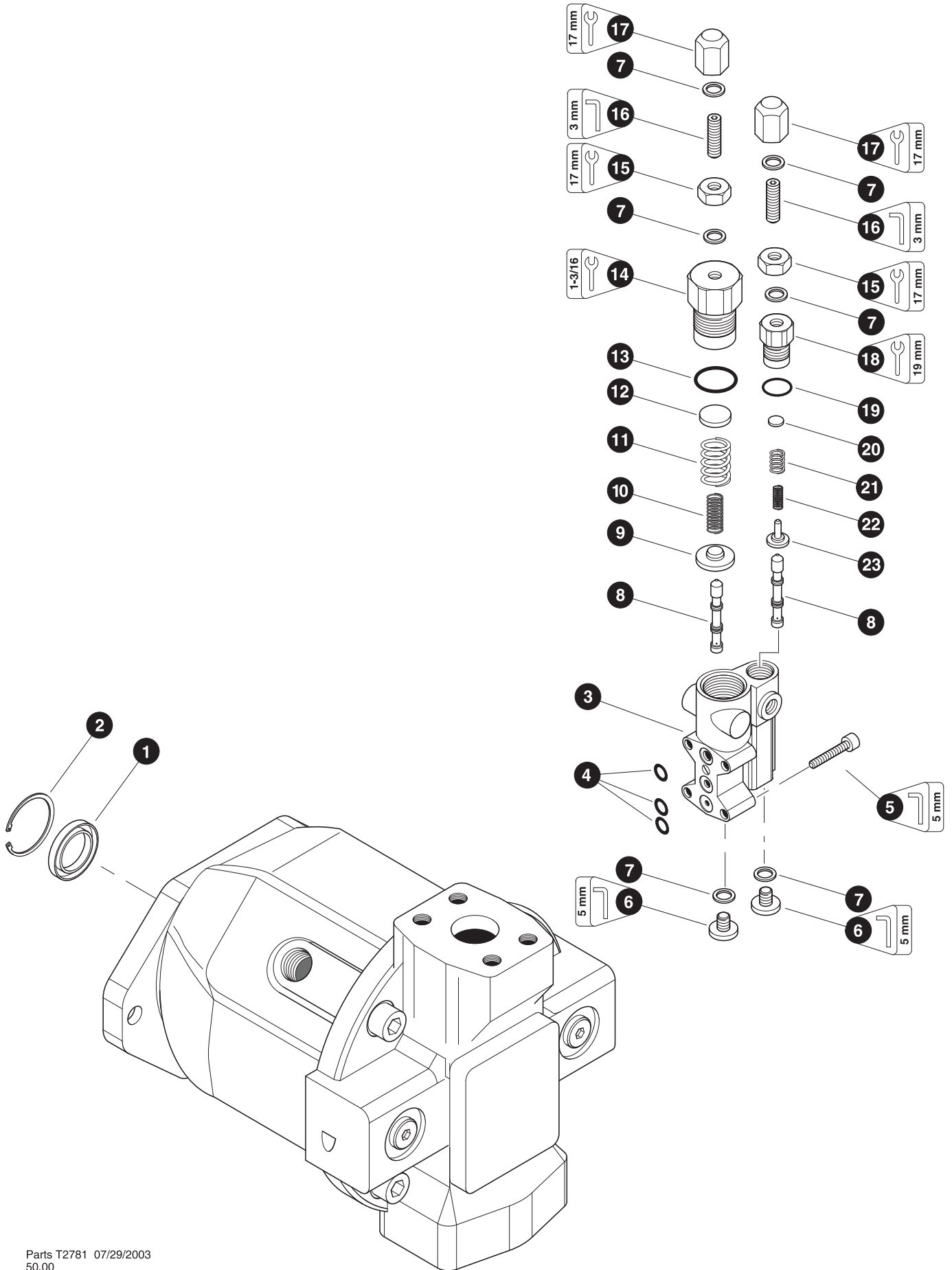


Parts 00867 01/01/2001
50.00

AUX - DISC SAW PUMP (45 cc)

REF	PART #	QTY		DESCRIPTION	SEE SECTION
--	15317-HH	1	☐	PUMP, disc saw	
1	15890-HH	1	⌘	SEAL, shaft	
2	21581-HH	1		RING, seal retaining	
--	15891-HH	1	☐	COMPENSATOR, pump control	
3	NSS	1		HOUSING ASSEMBLY	
4	16856-HH	3	⌘	O-RING	
5	21582-HH	4		BOLT, compensator mounting	
6	20339-HH	2		PLUG	
7	16855-HH	6	⌘	SEAL, ring	
8	NSS	2		SPOOL	
9	NSS	1		RETAINER, spring	
10	NSS	1		SPRING	
11	NSS	1		SPRING	
12	NSS	1		RETAINER, spring	
13	NSS	1	⌘	O-RING	
14	NSS	1		CAP, compensator	
15	17458-HH	2		NUT, jam - 8mm	
16	17459-HH	2		SCREW, adjustment - 8mm	
17	17697-HH	2		NUT, acorn	
18	NSS	1		CAP, compensator	
19	NSS	1	⌘	O-RING	
20	NSS	1		RETAINER, spring	
21	NSS	1		SPRING	
22	NSS	1		SPRING	
23	NSS	1		RETAINER, spring	
-	19757-HH	1		KIT, seal repair - disc saw pump	

- ☐ Kit or Assembly - includes all items indented underneath.
 ⌘ Included in seal repair kit Part # 16712-HH.

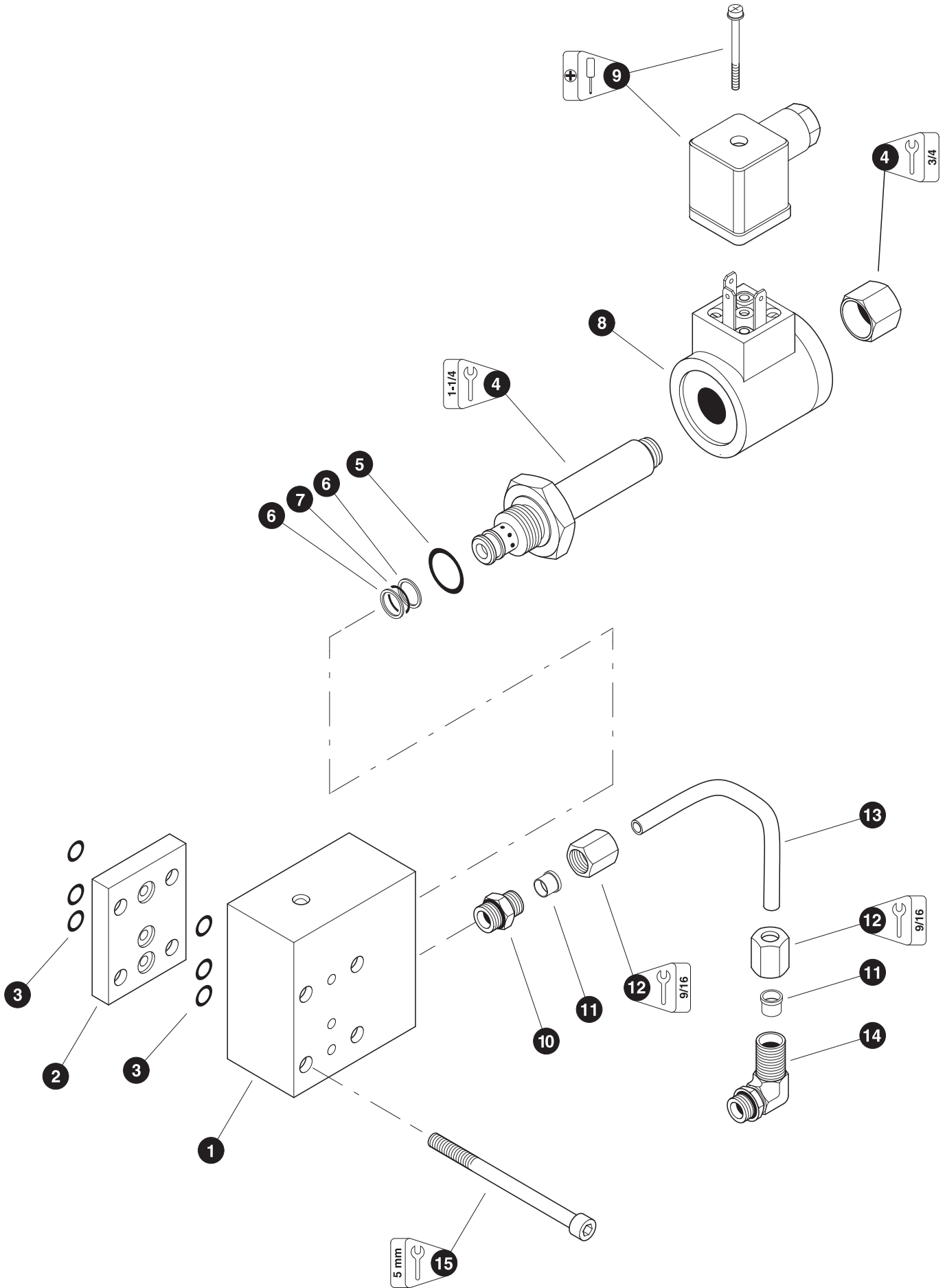


Parts T2781 07/29/2003
50.00

AUX - BRUSH PUMP (71 cc)

REF	PART #	QTY		DESCRIPTION	SEE SECTION
--	19509-HH	1	☐	PUMP, AUX - Brush cutter 71cc	
1	22881-HH	1		SEAL, shaft	
2	22882-HH	1		RING, seal retaining	
--	15891-HH	1	☐	COMPENSATOR, pump control	
3	NSS	1		HOUSING ASSEMBLY	
4	16856-HH	3	⌘	O-RING	
5	21582-HH	4		BOLT, compensator mounting	
6	20339-HH	2		PLUG	
7	16855-HH	6	⌘	SEAL, ring	
8	NSS	2		SPOOL	
9	NSS	1		RETAINER, spring	
10	NSS	1		SPRING	
11	NSS	1		SPRING	
12	NSS	1		RETAINER, spring	
13	NSS	1	⌘	O-RING	
14	NSS	1		CAP, compensator	
15	17458-HH	2		NUT, jam - 8mm	
16	17459-HH	2		SCREW, adjustment - 8mm	
17	17697-HH	2		NUT, acorn	
18	NSS	1		CAP, compensator	
19	NSS	1	⌘	O-RING	
20	NSS	1		RETAINER, spring	
21	NSS	1		SPRING	
22	NSS	1		SPRING	
23	NSS	1		RETAINER, spring	
-	19757-HH	1		KIT, seal repair - disc saw pump	

- ☐ Kit or Assembly - includes all items indented underneath.
 ⌘ Included in seal repair kit Part # 16712-OD.



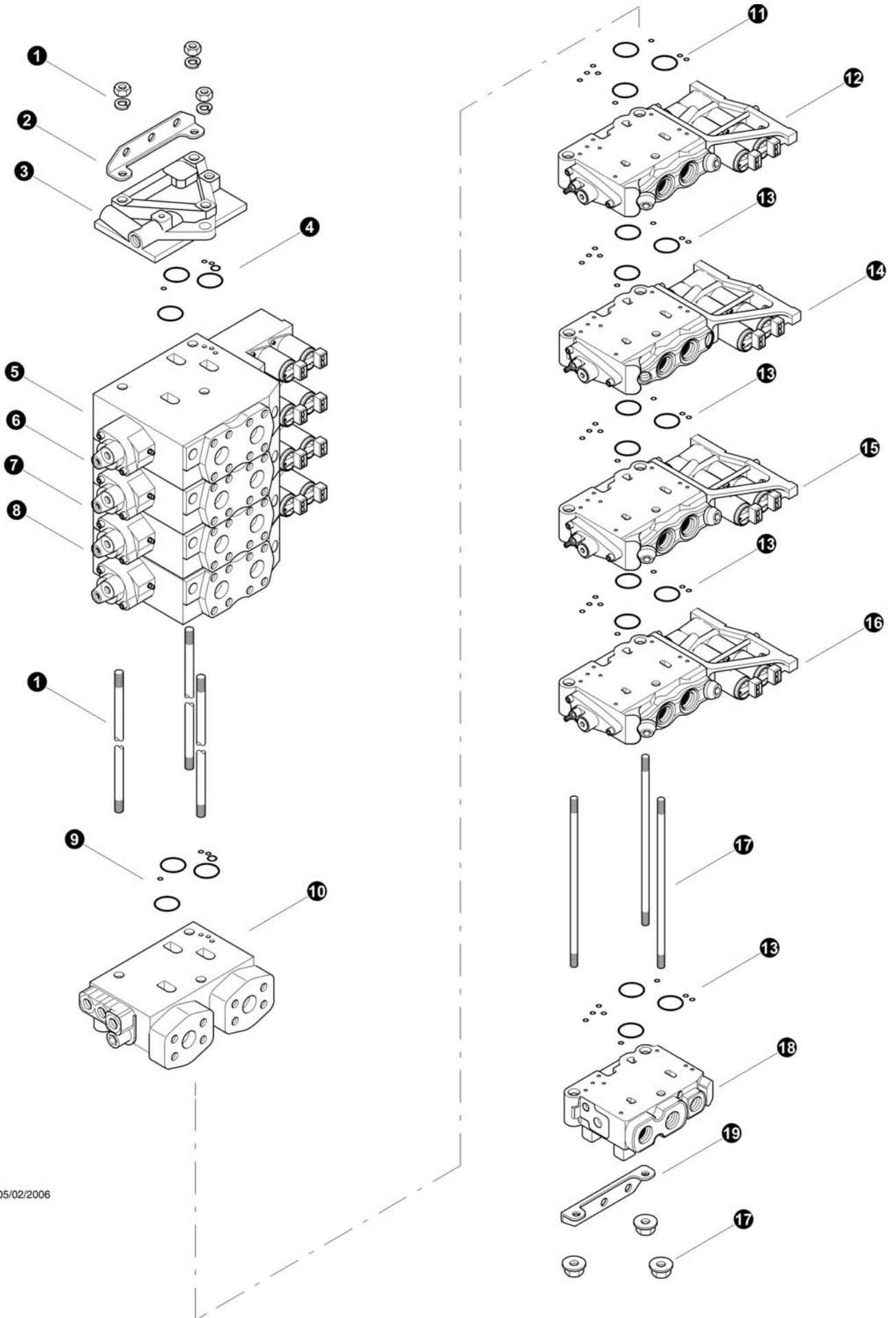
Parts 01325 01/01/2001
75.00

ELECTRIC COMPENSATOR CONTROL (Used With Disc Saw or Brush Pump)

REF	PART #	QTY	DESCRIPTION	SEE SECTION
-	19240-HH	1	☐ CONTROL, electric compensator	
1	22595-HH	1	BLOCK	
2	22596-HH	1	PLATE, block	
3	21604-HH	6	O-RING	
4	22597-HH	1	☐ CARTRIDGE, solenoid <i>(Includes nut)</i>	
5	NSS	1	⌘ O-RING, body	
6	NSS	2	⌘ RING, back-up - chamber	
7	NSS	1	⌘ O-RING, chamber	
8	22445-HH	1	COIL, solenoid - 24V	
9	17145-HH	1	CONNECTOR, electrical - Hirschmann <i>(Includes hardware)</i>	
10	22599-HH	1	CONNECTOR, tube	
11	22600-HH	2	FERRULE	
12	22601-HH	2	NUT, tube	
13	22602-HH	1	TUBE, hydraulic	
14	22604-HH	1	ELBOW, 90° tube	
15	22603-HH	4	BOLT, allen head	
-	22598-HH	1	KIT, seal repair - solenoid cartridge	










☐ Kit or Assembly - includes all items indented underneath.


⌘ Included in seal repair kit Part # 22598-HH.



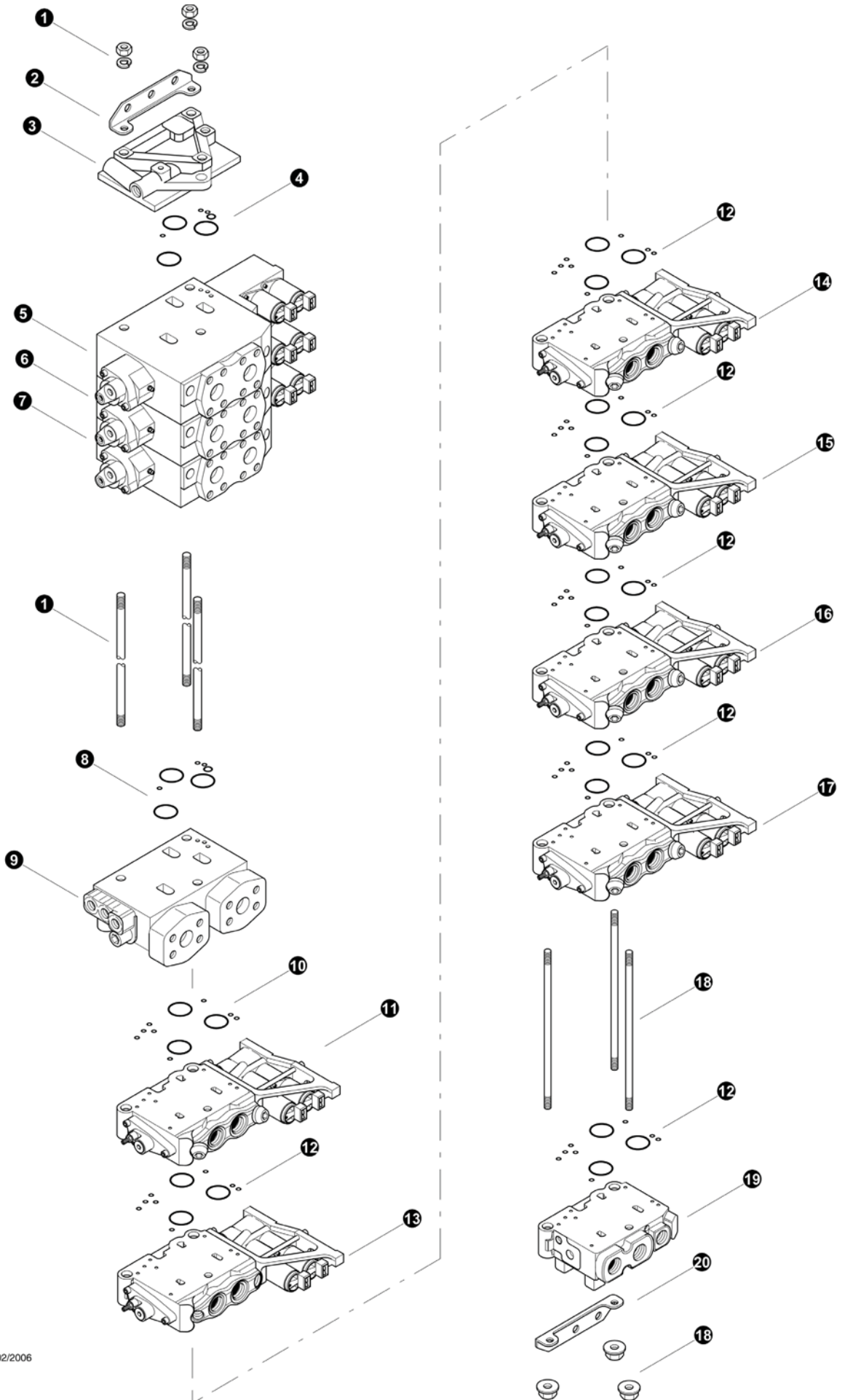
Parts T3467 05/02/2006
25.00

MAIN CONTROL VALVE (Fixed Harvester - 830 & 630)

REF	PART #	QTY	DESCRIPTION	SEE SECTION
-	52360-HH	1	VALVE, MAIN - IMP (4K220/3L90) 630 ROLLY	
1	---	1	ROD, tie - K220 (4-Section span) (9120092373)	
2	---	1	KIT, Bracket - K220 (9120092365)	
3	---	1	COVER, K220 Valve	
4	24649-HH	1	KIT, Seals - Voac Intersection (9120092315)	
5	REF	1	 VALVE SECTION - Harvester - High Flow	HH-1
6	REF.	1	 VALVE SECTION - Tool Cylinder function	HH-1
7	REF.	1	 VALVE SECTION - Main Boom function	HH-1
8	REF.	1	 VALVE SECTION - Stick Boom function	HH-1
9	24649-HH	1	KIT, Seals - Voac Parting "K" (9120092315)	
10	REF.	1	 MID INLET / OUTLET	HH-1
11	23404-HH	1	KIT, Seals - Voac Parting "L" (393000K820)	
12	REF	1	 VALVE SECTION - Harvester - Low Flow	HH-1
13	---	1	KIT, Seals - Voac Parting "L" (393000K820)	
14	REF.	1	 VALVE SECTION - Swing	HH-1
15	REF.	1	 VALVE SECTION - (optional) Cab Level	HH-1
16	REF.	1	 VALVE SECTION - Steer Cylinder.	HH-1
17	---	1	KIT, Tie Rods and Nuts - L90 (3-Section span) (393000K002)	
17	---	1	KIT, Tie Rods and Nuts - L90 (4-Section span) (393000K003)	
18	REF	1	COVER, L90 valve outlet.	HH-1
19	---	1	KIT, Bracket - L90 (393000K824)	











- Kit or Assembly - includes all items indented underneath.
-  See referenced page for component or assembly breakdown.


Shown are standard valve configurations, some machines have custom built valves, contact the factory for more informatoin if your valve doesn't match what is shown.



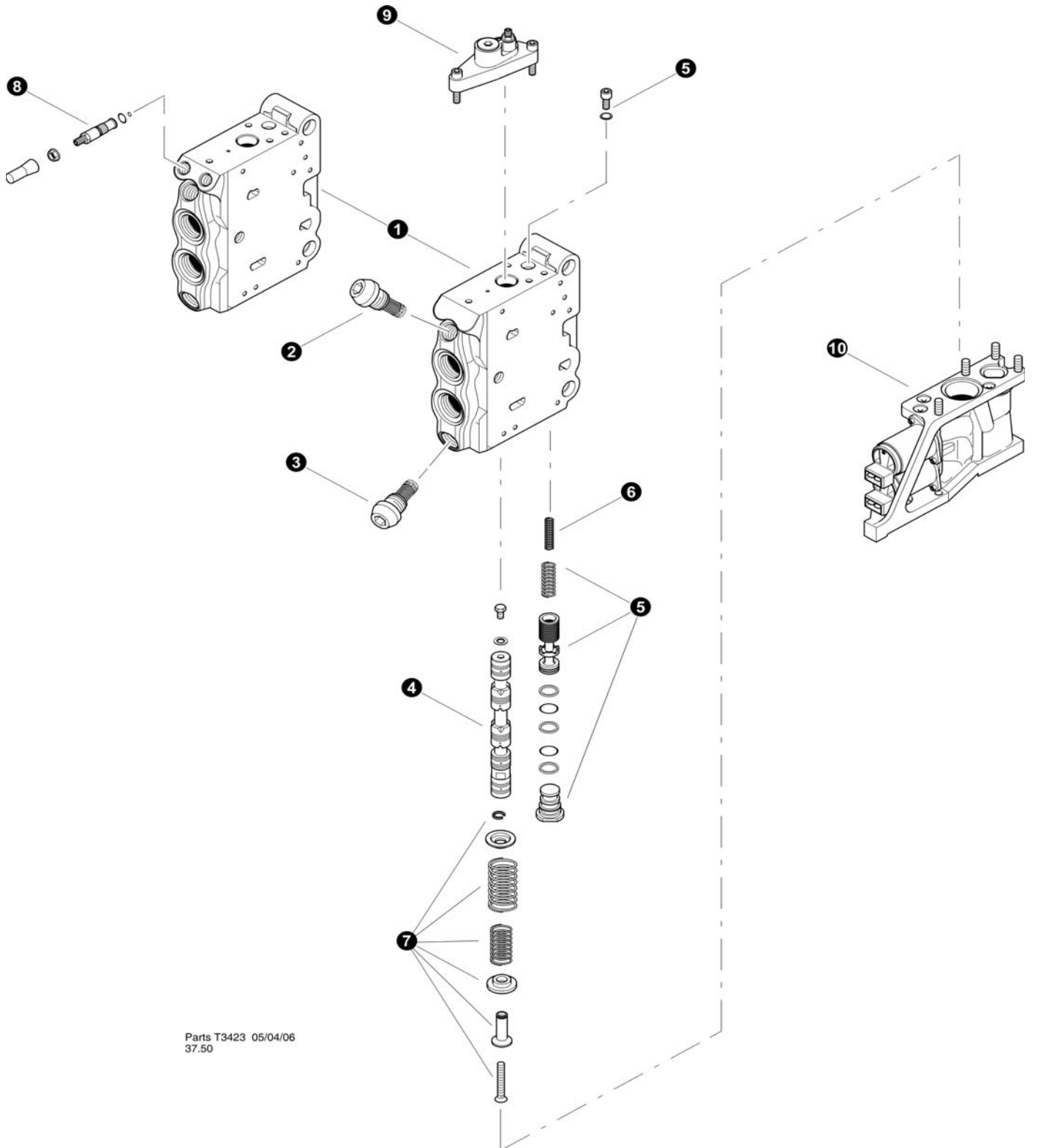
Parts T3468 05/02/2006
25.00

MAIN CONTROL VALVE (Disc Saw - 830 & 630)

REF	PART #	QTY	DESCRIPTION	SEE SECTION
-	52491-HH	1	VALVE, MAIN - IMP (3K220/6L90) DISC SAW 630	
1	---	1	ROD, tie - K220 (3-Section span) (9120092372)	
2	---	1	KIT, Bracket - K220 (9120092365)	
3	---	1	COVER, K220 Valve	
4	24649-HH	1	KIT, Seals - Voac Intersection (9120092315)	
5	REF.	1	 VALVE SECTION - Main Boom function	HH-1
6	REF.	1	 VALVE SECTION - Stick Boom function	HH-1
7	REF.	1	 VALVE SECTION - Tool Cylinder function	HH-1
8	24649-HH	1	KIT, Seals - Voac Parting "K" (9120092315)	
9	REF.	1	 MID INLET / OUTLET	HH-1
10	23404-HH	1	KIT, Seals - Voac Parting "L" (393000K820)	
11	REF.	1	 VALVE SECTION - Accumulator Clamp	HH-1
12	---	1	KIT, Seals - Voac Parting "L" (393000K820)	
13	REF.	1	 VALVE SECTION - Head Lateral Tilt	HH-1
14	REF.	1	 VALVE SECTION - Clamp Arms	HH-1
15	REF.	1	 VALVE SECTION - Cab Swing	HH-1
16	REF.	1	 VALVE SECTION - (optional) Cab Level	HH-1
17	REF.	1	 VALVE SECTION - Steer Cylinder.	HH-1
18	---	1	KIT, Tie Rods and Nuts - L90 (5-Section span) (393000K004)	
18	---	1	KIT, Tie Rods and Nuts - L90 (6-Section span) (393000K005)	
19	REF.	1	COVER, L90 valve outlet.	HH-1
20	---	1	KIT, Bracket - L90 (393000K824)	

- Kit or Assembly - includes all items indented underneath.
-  See referenced page for component or assembly breakdown.

Shown are standard valve configurations, some machines have custom built valves, contact the factory for more informatoin if your valve doesn't match what is shown.

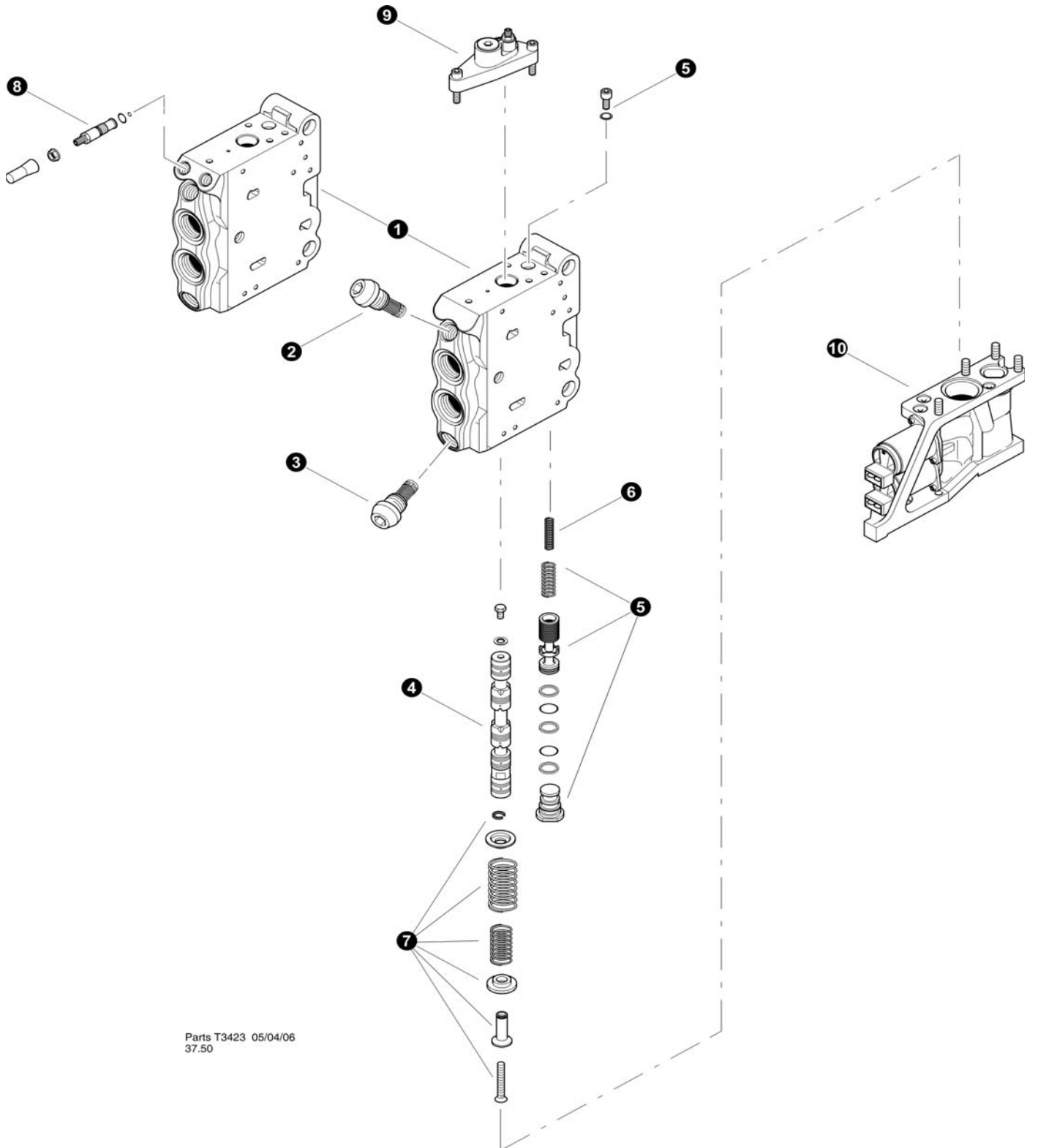


Parts T3423 05/04/06
37.50

L90LS VALVE SECTION

REF	PART #	QTY		DESCRIPTION	SEE SECTION
-	-HH	1	<input type="checkbox"/>	VALVE SECTION - Cab Swing function (L90LS-MS-US60-271)	
1	NSS	1		BODY	
2	---	1		CARTRIDGE, "A" port relief (300 Bar) (393000K572)	
3	---	1		CARTRIDGE, "B" port relief (300 Bar) (393000K572)	
4	---	1		SPOOL, swing - RCD	
5	---	1	<input type="checkbox"/>	KIT, "KH" COMPENSATOR, BLUE (393000K505)	
5	---	1	<input type="checkbox"/>	KIT, "KH" COMPENSATOR, GREEN (393000K506)	
-	---	1		KIT, compensator seals (393000K811)	
6	---	1		SPRING, (only used with KX compensator kit)	
7	23423-HH	1	<input type="checkbox"/>	KIT, spool centering spring (393000K343)	
8	---	2	<input type="checkbox"/>	KIT, FEED REDUCER (393000K817)	
-	---	2		KIT, feed reducer seals (393000K852)	
9	REF	1		END CAP ASSEMBLY - "A" port	HH-1
10	REF	1		END CAP ASSEMBLY - "B" port	HH-1
-	-LH	1	<input type="checkbox"/>	VALVE SECTION - Steer function (L90LS-MS-US60-270)	
1	NSS	1		BODY	
2	---	1		CARTRIDGE, "A" port relief (250 Bar) (393000K569)	
3	---	1		CARTRIDGE, "B" port relief (250 Bar) (393000K569)	
4	---	1		SPOOL, steer/shear RDX (393000S230)	
5	---	1	<input type="checkbox"/>	KIT, "KX" COMPENSATOR, BLUE (393000K616)	
5	---	1	<input type="checkbox"/>	KIT, "KX" COMPENSATOR, GREEN (393000K617)	
-	---	1		KIT, compensator seals (393000K811)	
6	---	1		SPRING, (only used with KX compensator kit)	
7	23423-HH	1	<input type="checkbox"/>	KIT, spool centering spring (393000K343)	
8	---	2	<input type="checkbox"/>	KIT, FEED REDUCER (393000K817)	
-	---	2		KIT, feed reducer seals (393000K852)	
9	REF	1		END CAP ASSEMBLY - "A" port	HH-1
10	REF	1		END CAP ASSEMBLY - "B" port	HH-1
-	-LH	1	<input type="checkbox"/>	VALVE SECTION - AUX Processor function (L90LS-MS-US60-281)	
1	NSS	1		BODY	
2	---	1		CARTRIDGE, "A" port relief (300 Bar) (393000K572)	
3	---	1		CARTRIDGE, "B" port relief (300 Bar) (393000K572)	
4	---	1		SPOOL, RKX (393000S490)	
5	---	1	<input type="checkbox"/>	KIT, "KX" COMPENSATOR, BLUE (393000K616)	
5	---	1	<input type="checkbox"/>	KIT, "KX" COMPENSATOR, GREEN (393000K617)	
-	---	1		KIT, compensator seals (393000K811)	
6	---	1		SPRING, (only used with KX compensator kit)	
7	23423-HH	1	<input type="checkbox"/>	KIT, spool centering spring (393000K343)	
8	---	2	<input type="checkbox"/>	KIT, FEED REDUCER (393000K817)	
-	---	2		KIT, feed reducer seals (393000K852)	
9	REF	1		END CAP ASSEMBLY - "A" port	HH-1
10	REF	1		END CAP ASSEMBLY - "B" port	HH-1

- Kit or Assembly - includes all items indented underneath.
- See referenced page for component or assembly breakdown.

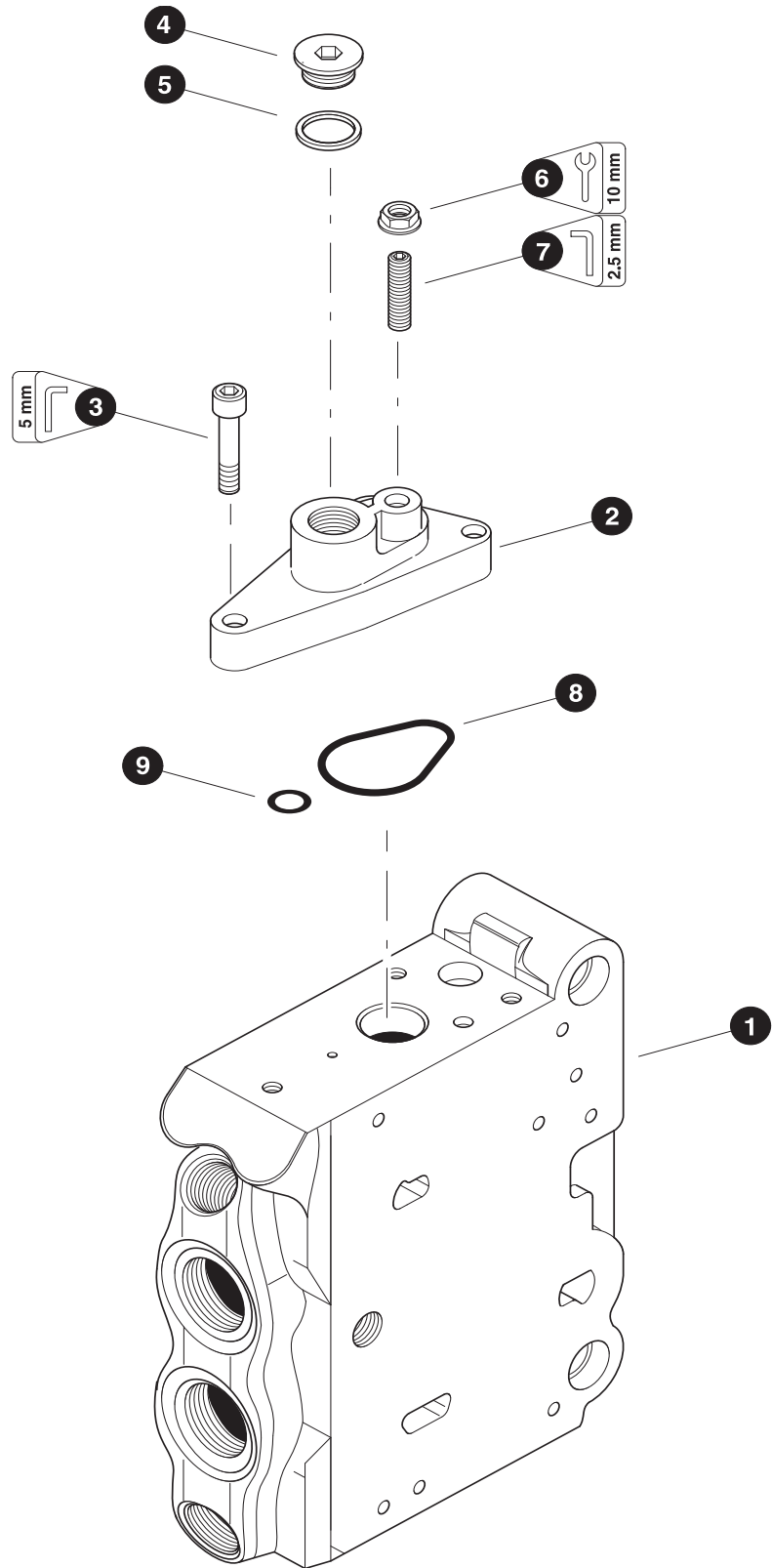


Parts T3423 05/04/06
37.50

L90LS VALVE SECTION continued.....

REF	PART #	QTY	DESCRIPTION	SEE SECTION
-	-HH	1	<input type="checkbox"/> VALVE SECTION - (Optional) Cab Level (L90LS-MS-US60-276)	
1	NSS	1	BODY	
2	---	1	CARTRIDGE, "A" port relief (300 Bar) (393000K572)	
3	---	1	CARTRIDGE, "B" port relief (300 Bar) (393000K572)	
4	---	1	SPOOL, ZEX ()	
5	---	1	<input type="checkbox"/> KIT, "KX" COMPENSATOR, BLUE (393000K616)	
5	---	1	<input type="checkbox"/> KIT, "KX" COMPENSATOR, GREEN (393000K617)	
-	---	1	KIT, compensator seals (393000K811)	
6	---	1	SPRING, (only used with KX compensator kit)	
7	23423-HH	1	<input type="checkbox"/> KIT, spool centering spring (393000K343)	
8	---	2	<input type="checkbox"/> KIT, FEED REDUCER (393000K817)	
-	---	2	KIT, feed reducer seals (393000K852)	
9	REF	1	<input type="book"/> END CAP ASSEMBLY - "A" port	HH-1
10	REF	1	<input type="book"/> END CAP ASSEMBLY - "B" port	HH-1
-	-HH	1	<input type="checkbox"/> VALVE SECTION - Accumulator Clamp (L90LS-MS-US60-274)	
1	NSS	1	BODY	
2	---	1	CARTRIDGE, "A" port relief (300 Bar) (393000K572)	
3	---	1	CARTRIDGE, "B" port relief (300 Bar) (393000K572)	
4	---	1	SPOOL, RKX (393000S490)	
5	---	1	<input type="checkbox"/> KIT, "KX" COMPENSATOR, BLUE (393000K616)	
5	---	1	<input type="checkbox"/> KIT, "KX" COMPENSATOR, GREEN (393000K617)	
-	---	1	KIT, compensator seals (393000K811)	
6	---	1	SPRING, (only used with KX compensator kit)	
7	23423-HH	1	<input type="checkbox"/> KIT, spool centering spring (393000K343)	
8	---	2	<input type="checkbox"/> KIT, FEED REDUCER (393000K817)	
-	---	2	KIT, feed reducer seals (393000K852)	
9	REF	1	<input type="book"/> END CAP ASSEMBLY - "A" port	HH-1
10	REF	1	<input type="book"/> END CAP ASSEMBLY - "B" port	HH-1
-	-HH	1	<input type="checkbox"/> VALVE SECTION - Head Lateral Tilt (L90LS-MS-US60-274)	
1	NSS	1	BODY	
2	---	1	CARTRIDGE, "A" port relief (300 Bar) (393000K572)	
3	---	1	CARTRIDGE, "B" port relief (300 Bar) (393000K572)	
4	---	1	SPOOL, RKX (393000S490)	
5	---	1	<input type="checkbox"/> KIT, "KX" COMPENSATOR, BLUE (393000K616)	
5	---	1	<input type="checkbox"/> KIT, "KX" COMPENSATOR, GREEN (393000K617)	
-	---	1	KIT, compensator seals (393000K811)	
6	---	1	SPRING, (only used with KX compensator kit)	
7	23423-HH	1	<input type="checkbox"/> KIT, spool centering spring (393000K343)	
8	---	2	<input type="checkbox"/> KIT, FEED REDUCER (393000K817)	
-	---	2	KIT, feed reducer seals (393000K852)	
9	REF	1	<input type="book"/> END CAP ASSEMBLY - "A" port	LH-1
10	REF	1	<input type="book"/> END CAP ASSEMBLY - "B" port	LH-1

- Kit or Assembly - includes all items indented underneath.
- See referenced page for component or assembly breakdown.



Parts 01734 08/08/2000
75.00

L90LS VALVE END CAP

REF	PART #	QTY		DESCRIPTION	SEE SECTION
1	NSS	1		VALVE SECTION BODY	
-	23414-HH	1	☐	KIT, end cap - "A" port side	
2	NSS	1		CAP, end	
3	-----	3		BOLT, allen head - 6mm-1.0P x 20mm (0211124703)	
4	15412-HH	1		PLUG - 6408-HHP-6	
5	-----	1	⌘	RING, seal (3-906)	
6	-----	1	⌘	NUT, seal - 6mm (3763131)	
7	-----	1		SCREW, adjustment (3764640)	
-	23415-HH	1	☐	KIT, seal repair - "A" port side end cap	
8	-----	1	⌘	O-RING (Large) (0663210509)	
9	-----	1	⌘	O-RING (Small) (06632114)	



See referenced page for component or assembly breakdown.



Kit or Assembly - includes all items indented underneath.



Included in seal repair kit PN# 23415-LH.

L90LS VALVE CONTROL CAP

REF	PART #	QTY		DESCRIPTION	SEE SECTION
1	NSS	1		VALVE SECTION BODY	
-	23416-HH	1	☐	KIT, end cap - "B" port side	
2	-----	1		CAP, end	
3	-----	2	⌘	O-RING (Small)	
4	-----	1	⌘	O-RING (Large)	
5	-----	1	⌘	O-RING (Small)	
6	-----	2		BOLT, allen head - 6mm-1.0P x 20mm (0211124703)	
7	-----	1	⌘	O-RING	
8	11383-HH	1		PLUG - 6408-HHP-4	
9	-----	1	⌘	RING, seal	
10	-----	1		PLUG (0686644203)	
11	-----	2		SCREW, allen head - 6mm-1.0P x 100mm (0211126403)	
12	20976-HH	2		SOLENOID - 24V	
13	-----	2	◆	O-RING (Large)	
14	-----	2	◆	O-RING (Medium)	
15	-----	2	◆	O-RING (Small)	
16	-----	4		SCREW, allen head - 4mm-.75P x 12mm (0211117103)	
17	---	1		DAMPER, pilot restrictor orifice 0.6 mm (3762396) - 1 DOT	
17	---	1		DAMPER, pilot restrictor orifice 0.8 mm (3762397) - 2 DOT	
17	---	1		DAMPER, pilot restrictor orifice 1 mm (3762398) - 3 DOT	
17	---	1		DAMPER, pilot restrictor orifice 1.1 mm (3762609) - 4 DOT	
17	---	1		DAMPER, pilot restrictor orifice 3 mm (3763308)	
18	19179-HH	2		CONNECTOR, (kit) voac controll valve	
-	23417-HH	1		KIT, seal repair - "B" port side end cap	
-	23418-HH	1		KIT, seal repair - solenoid	

📖 See referenced page for component or assembly breakdown.

☐ Kit or Assembly - includes all items indented underneath.

⌘ Included in seal repair kit PN# 23417-LH.

◆ Included in seal repair kit PN# 23418-LH.

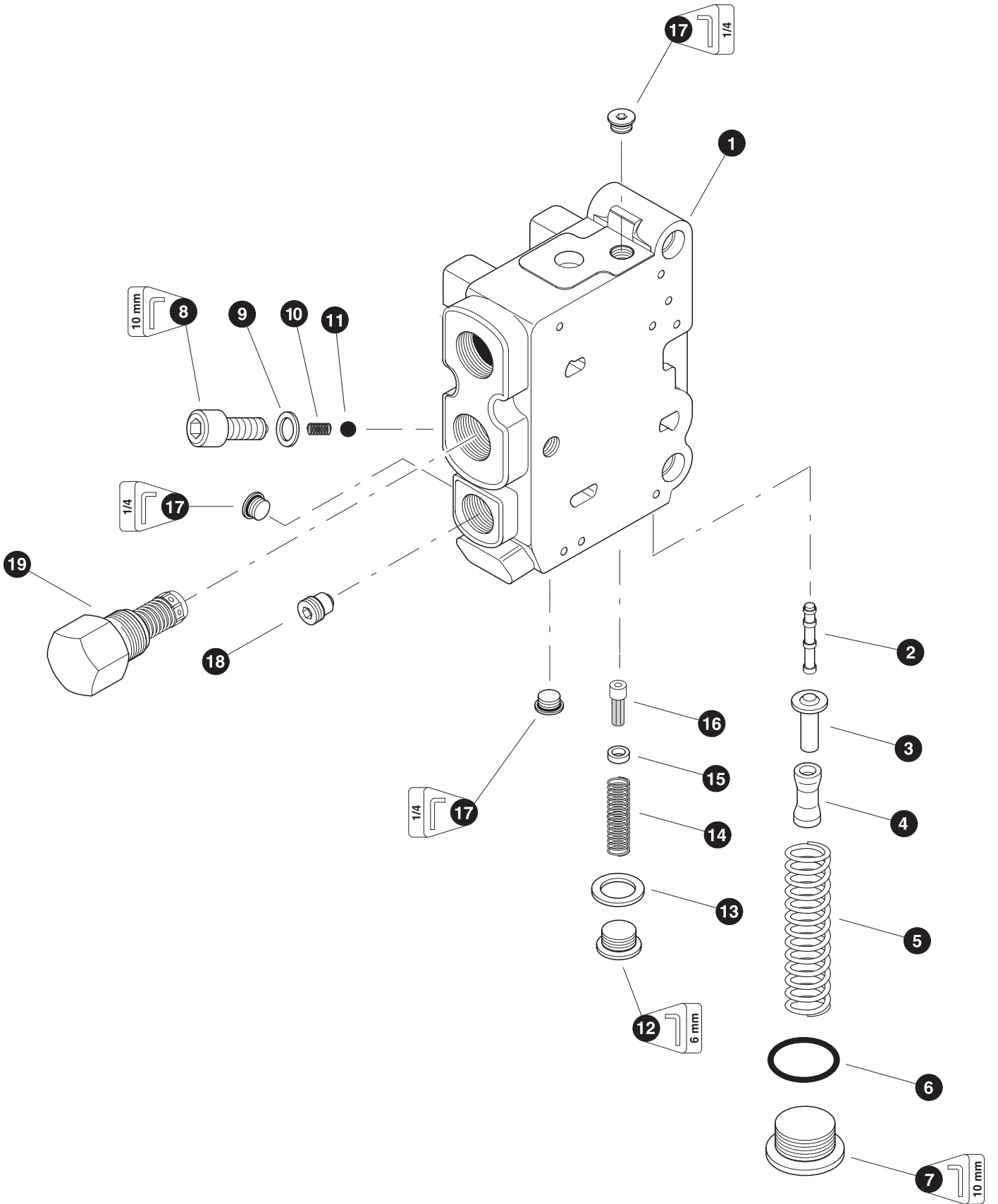
NOTE #1:

Orifice sizes vary depending upon function.

#3762396 0.6 mm

#3762397 0.8 mm

#3762398 1.0 mm



Parts 01319 09/16/99
62.00

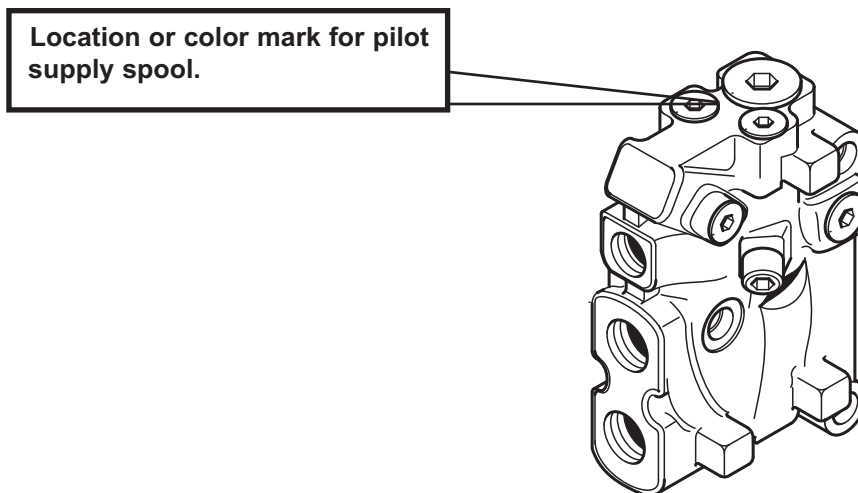
L90LS VALVE OUTLET

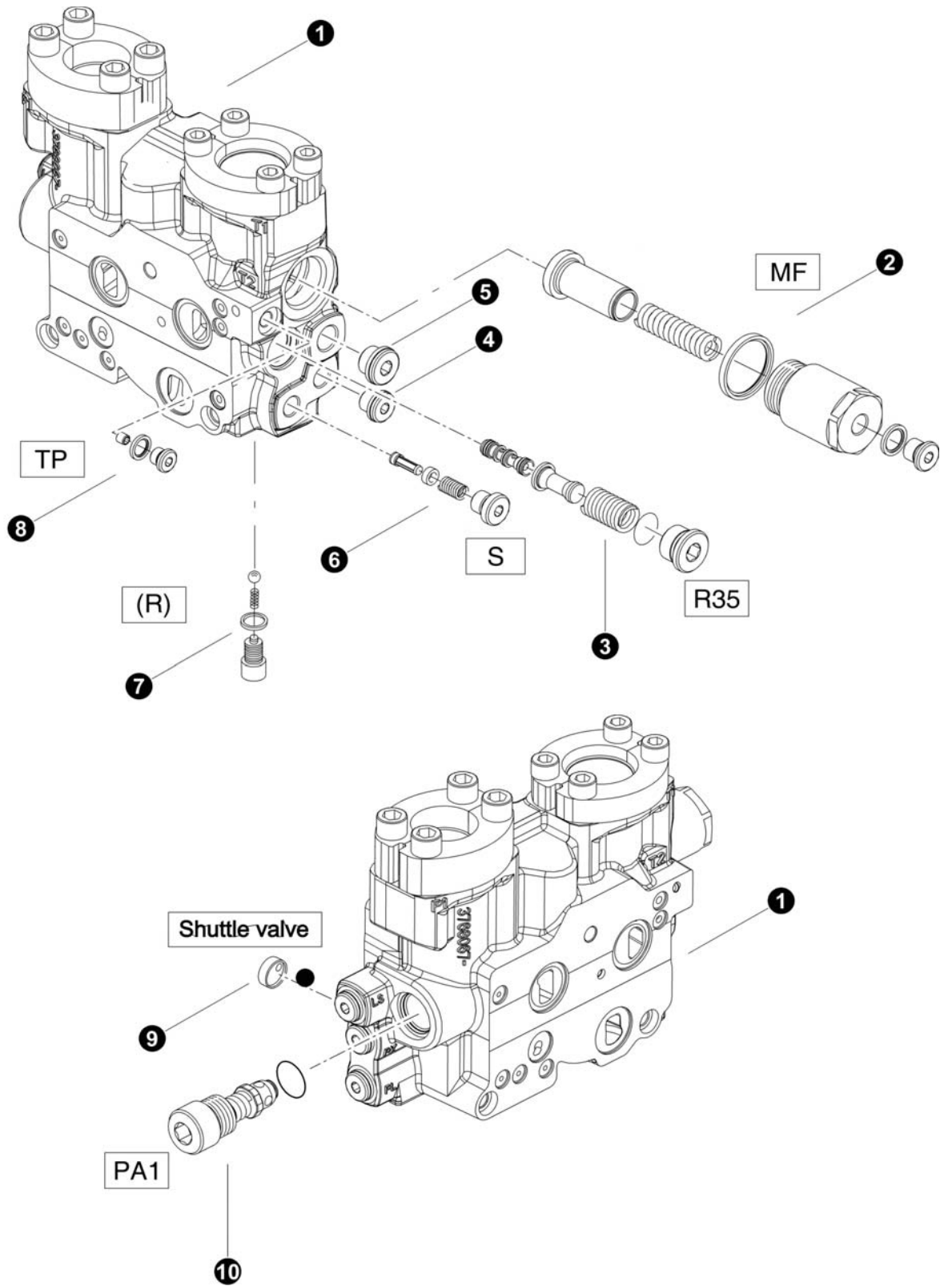
REF	PART #	QTY		DESCRIPTION	SEE SECTION
-	23412-HH	1	<input type="checkbox"/>	VALVE SECTION, outlet	
1	NSS	1		BODY, valve section	
-	23431-HH	1	<input type="checkbox"/>	KIT, pilot supply reducer (Green)(35 bar)(see note #1)	
	23432-HH	1	<input type="checkbox"/>	KIT, pilot supply reducer (Red)(35 bar)(see note #1)	
2	-----	1		SPOOL, pilot reducer	
3	-----	1		RETAINER, spring	
4	-----	1		SPACER, spring	
5	-----	1		SPRING	
6	-----	1		O-RING (0663909901)	
7	-----	1		PLUG (9126244413)	
8	-----	1		PLUG (9127320022)	
9	-----	1		RING, seal (06611005)	
10	-----	1		SPRING	
11	-----	1		BALL, check	
-	23433-HH	1	<input type="checkbox"/>	KIT, pilot supply strainer	
12	-----	1		PLUG (9127320020)	
13	-----	1		RING, seal (06611020)	
14	-----	1		SPRING	
15	-----	1		SPACER	
16	-----	1		STRAINER (9126386076)	
17	15412-HH	3		PLUG - 6408-HHP-6	
18	-----	1		PLUG, pilot drain (393000K078)	
19	-----	1		Counter press. valve - 130 PSI (393000K068)	

Kit or Assembly - includes all items indented underneath.

NOTE #1

Each section is color coded to insure proper fit, please check color mark before ordering.





Parts T3422 05/02/2006
50.00

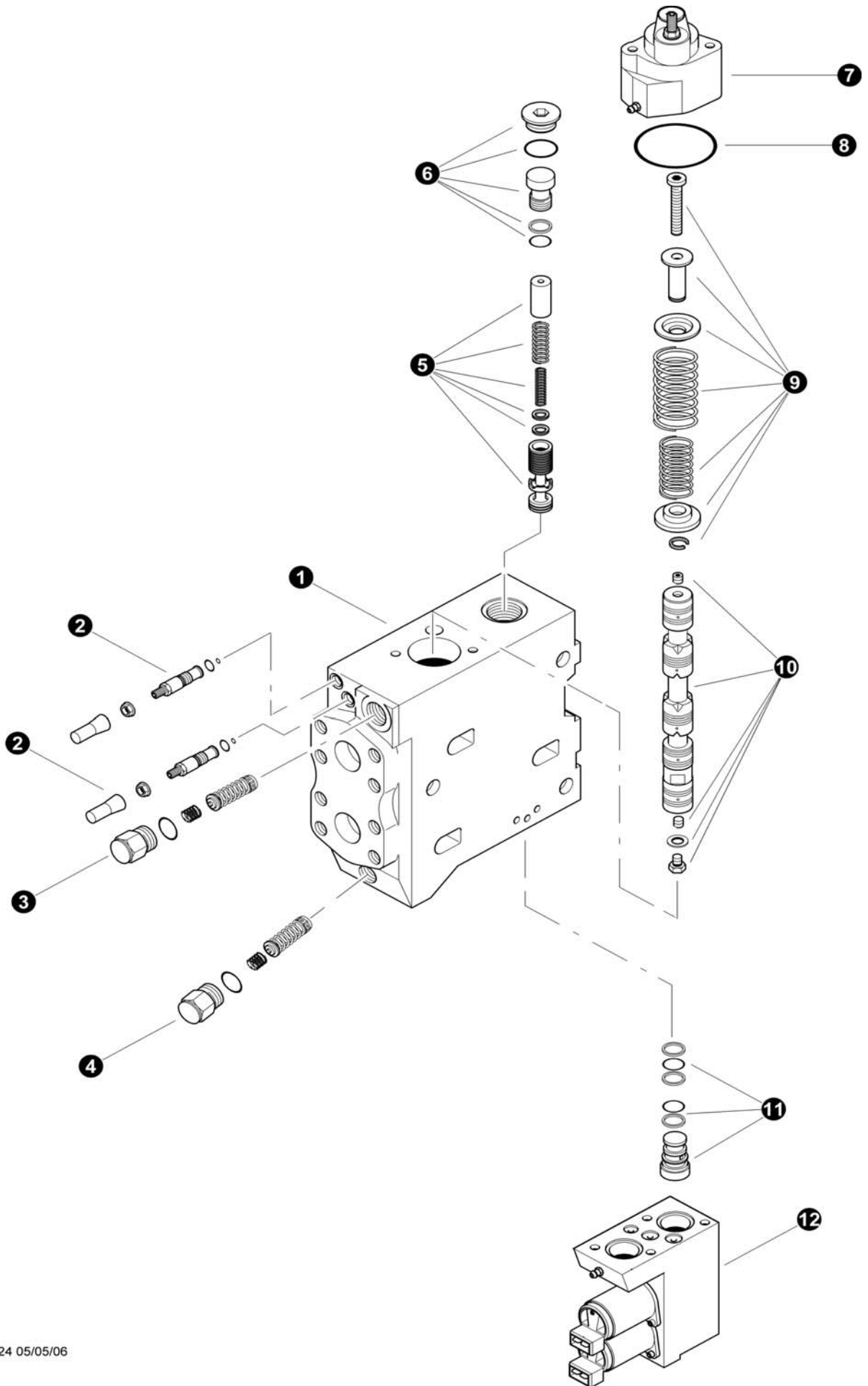
MID INLET SECTION K220 to L90

REF	PART #	QTY		DESCRIPTION	SEE SECTION
1	-HH	1	<input type="checkbox"/>	MID INLET SECTION -	
2	---	1		VALVE, Counter Pressure (9120092550)	
3	---	1		VALVE, Pilot Reducer 35 bar (9120092553)	
4	---	1		PLUG	
5	---	1		PLUG	
6	---	1		FILTER, Internal Pilot (9120092004)	
7	---	1		VALVE, Check (9120092554)	
8	---	1		PLUG, pilot tank conection (9120092555)	
9	---	1		SHUTTLE, Load Sence (9120092050)	
10	---	1		VALVE, main relief 300 bar (9120029264)	

Kit or Assembly - includes all items indented underneath.

NOTE #1

Each section is color coded to insure proper fit, please check color mark before ordering.



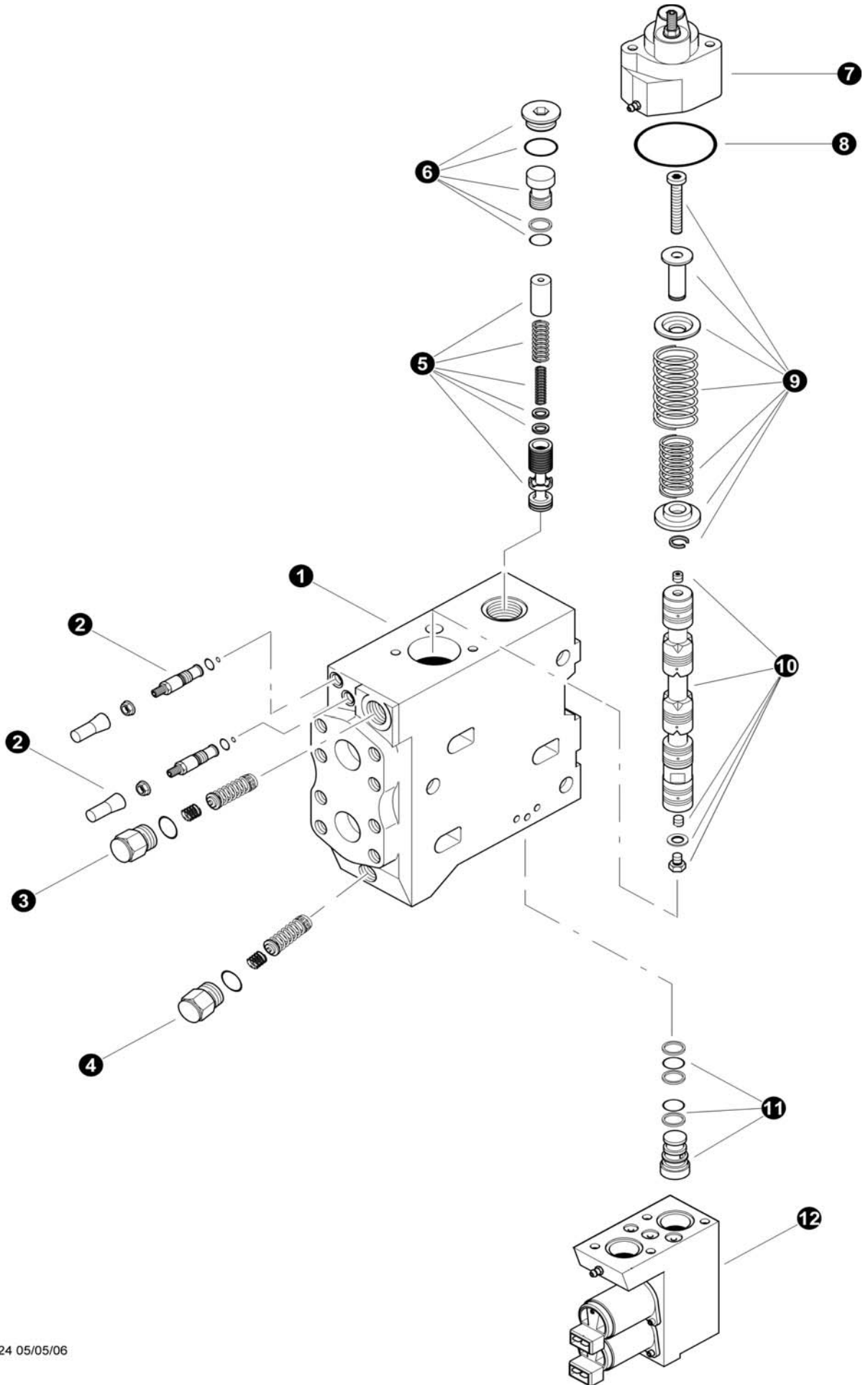
Parts T3424 05/05/06
37.5

VOAC K220 VALVE SECTION

REF	PART #	QTY		DESCRIPTION	SEE SECTION
-	-HH	1	<input type="checkbox"/>	VALVE SECTION - Main Boom function (K220LS-MS-US60-233)	
1	NSS	1		BODY	
2	---	2	<input type="checkbox"/>	KIT, FEED REDUCER (393000K817)	
-	---	2		KIT, feed reducer seals (393000K852)	
3	---	1		CARTRIDGE, "B" port relief (300 Bar) (9120029967)	
4	---	1		CARTRIDGE, "A" port relief (300 Bar) (9120029967)	
5	---	1		KIT, "K3" COMPENSATOR, BLUE (9120092056)	
5	---	1		KIT, "K3" COMPENSATOR, GREEN (9120092060)	
5	---	1		KIT, "K3" COMPENSATOR, RED (9120092064)	
6	---	1	<input type="checkbox"/>	PLUG 8, Compensator (9120092480)	
-	---	1		KIT, Plug 8 seals (9120092482)	
7	REF.	1		CAP, "B"port	HH-1
8	---	1		KIT, seals (9120092284)	
9	23423-HH	1		KIT, spool centering spring (393000K343)	
10	---	1		SPOOL, YXA	
11	---	1	<input type="checkbox"/>	PLUG 6, Compensator (3764731)	
-	---	1		KIT, Seal Plug 6 (9120092355)	
12	REF	1		END CAP ASSEMBLY - "A" port	HH-1
-	-HH	1	<input type="checkbox"/>	VALVE SECTION - Stick Boom function (K220LS-MS-US60-234)	
1	NSS	1		BODY	
2	---	2	<input type="checkbox"/>	KIT, FEED REDUCER (393000K817)	
-	---	2		KIT, feed reducer seals (393000K852)	
3	---	1		CARTRIDGE, "B" port relief (300 Bar) (9120029960)	
4	---	1		CARTRIDGE, "A" port relief (300 Bar) (9120029967)	
5	---	1		KIT, "K2" COMPENSATOR, BLUE (9120092063)	
5	---	1		KIT, "K2" COMPENSATOR, GREEN (9120092059)	
5	---	1		KIT, "K2" COMPENSATOR, RED (9120092055)	
6	---	1	<input type="checkbox"/>	PLUG 8, Compensator (9120092480)	
-	---	1		KIT, Plug 8 seals (9120092482)	
7	REF.	1		CAP, "B"port	HH-1
8	---	1		KIT, seals (9120092284)	
9	23423-HH	1		KIT, spool centering spring (393000K343)	
10	---	1		SPOOL, YXA	
11	---	1	<input type="checkbox"/>	PLUG 6, Compensator (3764731)	
-	---	1		KIT, Seal Plug 6 (9120092355)	
12	REF	1		END CAP ASSEMBLY - "A" port	HH-1

- Kit or Assembly - includes all items indented underneath.
- See referenced page for component or assembly breakdown.

9120092055

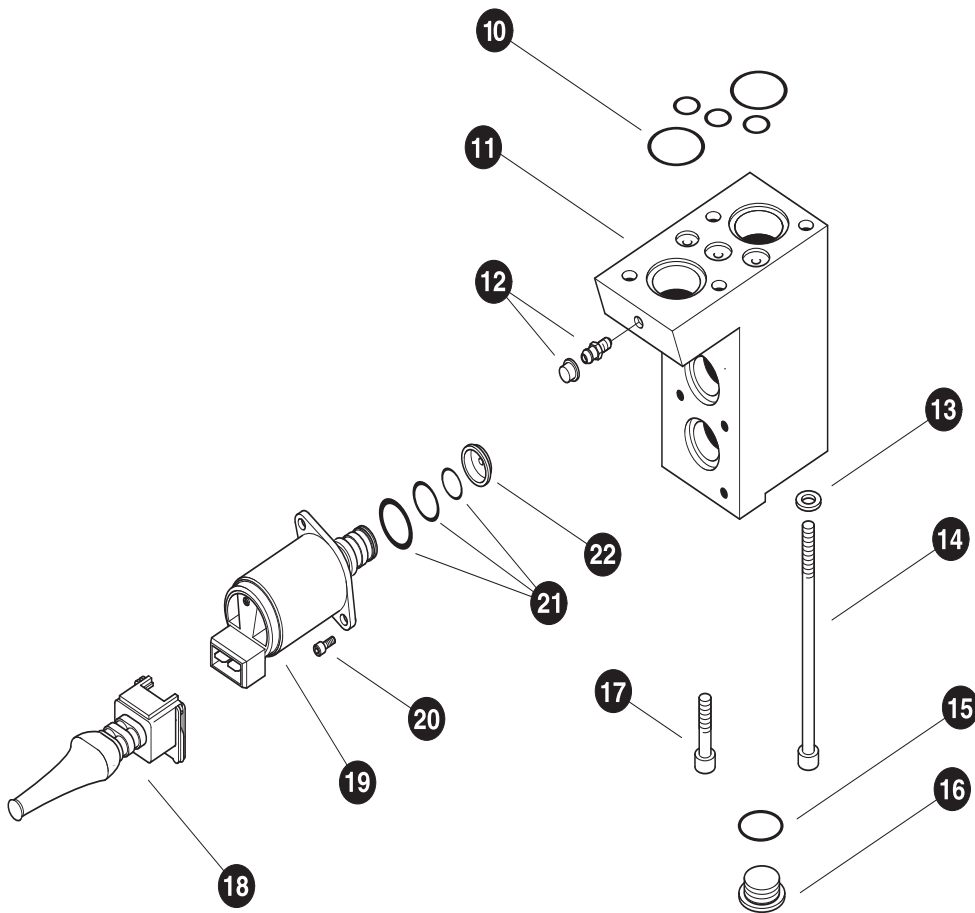
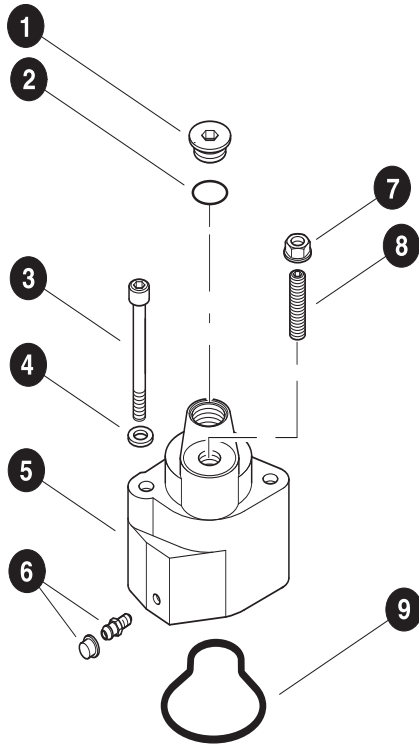


Parts T3424 05/05/06
37.5

VOAC K220 VALVE SECTION continued.....

REF	PART #	QTY	DESCRIPTION	SEE SECTION
-	-HH	1	<input type="checkbox"/> VALVE SECTION - Tool Cylinder function ((K220LS-MS-US60-236)	
1	NSS	1	BODY	
2	---	2	<input type="checkbox"/> KIT, FEED REDUCER (393000K817)	
-	---	2	KIT, feed reducer seals (393000K852)	
3	---	1	CARTRIDGE, "B" port relief (300 Bar) (9120029967)	
4	---	1	CARTRIDGE, "A" port relief (300 Bar) (9120029967)	
5	---	1	KIT, "K2" COMPENSATOR, BLUE (9120092063)	
5	---	1	KIT, "K2" COMPENSATOR, GREEN (9120092059)	
5	---	1	KIT, "K2" COMPENSATOR, RED (9120092055)	
6	---	1	<input type="checkbox"/> PLUG 8, Compensator (9120092480)	
-	---	1	KIT, Plug 8 seals (9120092482)	
7	REF.	1	<input type="book"/> CAP, "B"port	HH-1
8	---	1	KIT, seals (9120092284)	
9	23423-HH	1	KIT, spool centering spring (393000K343)	
10	---	1	SPOOL, YRX	
11	---	1	<input type="checkbox"/> PLUG 6, Compensator (3764731)	
-	---	1	KIT, Seal Plug 6 (9120092355)	
12	REF	1	<input type="book"/> END CAP ASSEMBLY - "A" port	HH-1
-	-HH	1	<input type="checkbox"/> VALVE SECTION - Harvester High Flow function ((K220LS-MS-US60-248)	
1	NSS	1	BODY	
2	---	2	<input type="checkbox"/> KIT, FEED REDUCER (393000K817)	
-	---	2	KIT, feed reducer seals (393000K852)	
3	---	1	CARTRIDGE, "B" port relief (330 Bar) (9120029265)	
4	---	1	CARTRIDGE, "A" port relief (330 Bar) (9120029265)	
5	---	1	KIT, "K3" COMPENSATOR, BLUE (9120092056)	
5	---	1	KIT, "K3" COMPENSATOR, GREEN (9120092060)	
5	---	1	KIT, "K3" COMPENSATOR, RED (9120092064)	
6	---	1	<input type="checkbox"/> PLUG 8, Compensator (9120092480)	
-	---	1	KIT, Plug 8 seals (9120092482)	
7	REF.	1	<input type="book"/> CAP, "B"port	HH-1
8	---	1	KIT, seals (9120092284)	
9	23423-HH	1	KIT, spool centering spring (393000K343)	
10	---	1	SPOOL, RAX	
11	---	1	<input type="checkbox"/> PLUG 6, Compensator (3764731)	
-	---	1	KIT, Seal Plug 6 (9120092355)	
12	REF	1	<input type="book"/> END CAP ASSEMBLY - "A" port	HH-1

- Kit or Assembly - includes all items indented underneath.
- See referenced page for component or assembly breakdown.



Parts T2762 07/15/03
50.00

VOAC K220 VALVE END CAPS

REF	PART #	QTY		DESCRIPTION	SEE SECTION
-	51264-HH	1	☐	CUP, PILOT - K220 W / FLOW LIMIT	
1	---	1		PLUG	
2	---	1	⌘	O-RING	
3	---	2		BOLT, M6 X 35mm (3764640)	
4	---	2		WASHER, M6	
5	---	1		CAP	
6	---	1		BLEEDER	
7	---	1	⌘	NUT, seal M6 (91267109)	
8	---	1		SCREW	
9	---	1	⌘	KIT, cup seals - includes orings, seal nut and bleeder (9120092284)	
-	---	1	☐	KIT, CONTROL "A port side" K220	
10	---	1	◆	KIT, O-RING	
11	---	1		CAP	
12	---	1		BLEEDER	
13	---	4		WASHER, M6	
14	---	2		BOLT, M6 X 110mm (0211126603)	
15	---	1	◆	O-RING	
16	---	1		PLUG	
17	---	2		BOLT, M6 X 22mm (0211124803)	
18	19179-HH	2		KIT, CONNECTOR -VOAC solenoid	
-	20976-HH	2		KIT, SOLENOID VALVE 24V	
19	---	1		SOLENOID VALVE 24V	
20	---	2		SCREW, 4mm x 12mm (0211117103)	
21	---	1		KIT, SEAL -SOLENOID VALVE (393000K813)	
22	---	1		DAMPER, pilot restrictor orifice 0.6 mm (3762396) - 1 DOT	
22	---	1		DAMPER, pilot restrictor orifice 0.8 mm (3762397) - 2 DOT	
22	---	1		DAMPER, pilot restrictor orifice 1 mm (3762398) - 3 DOT	
22	---	1		DAMPER, pilot restrictor orifice 1.1 mm (3762609) - 4 DOT	
22	---	1		DAMPER, pilot restrictor orifice 3 mm (3763308)	

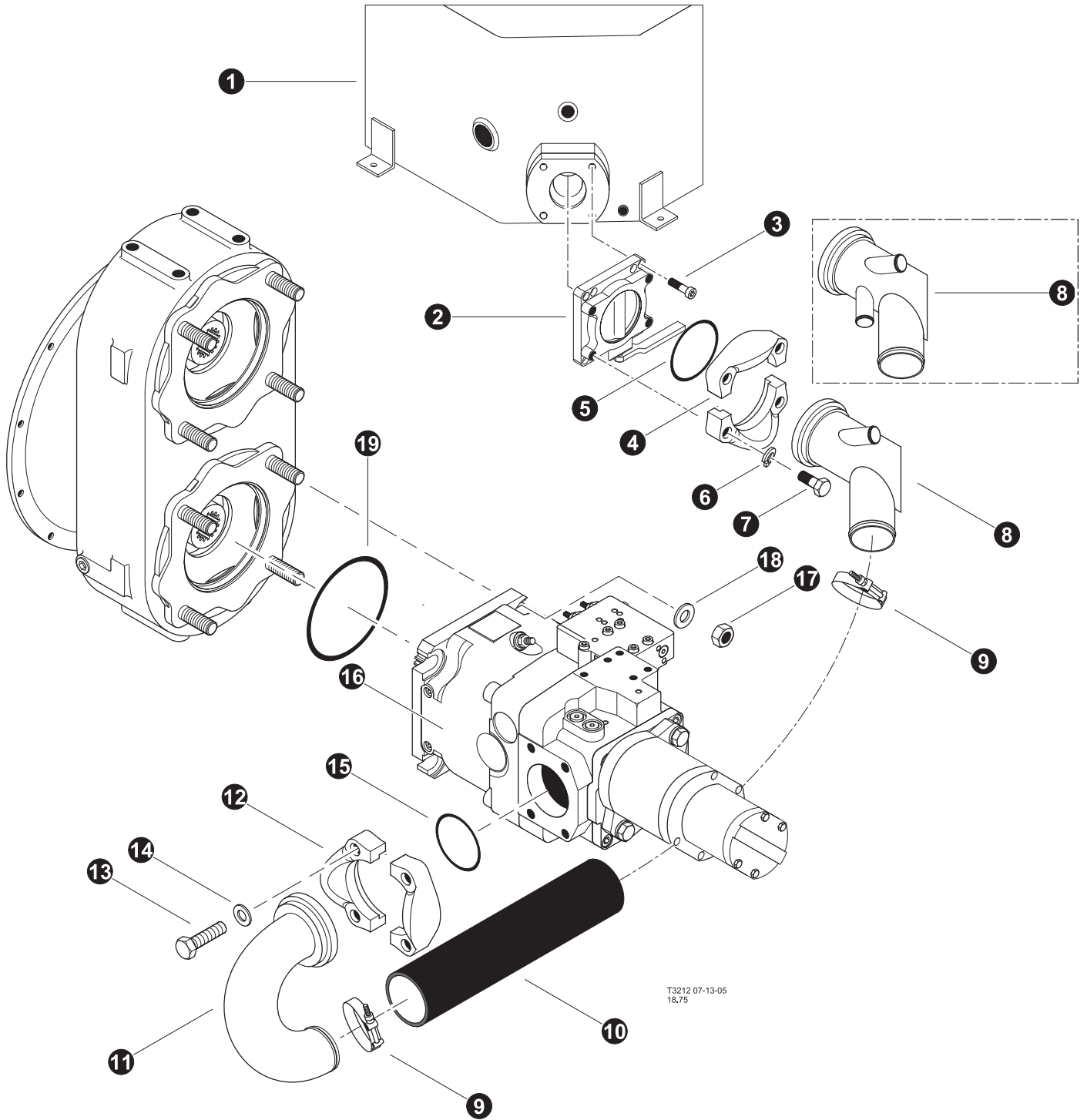
☐ Kit or Assembly - includes all items indented underneath.

⌘ Included in seal repair kit PN# - (9120092284)





◆ Included in seal repair kit PN# - (9120092284)




Section HH-2

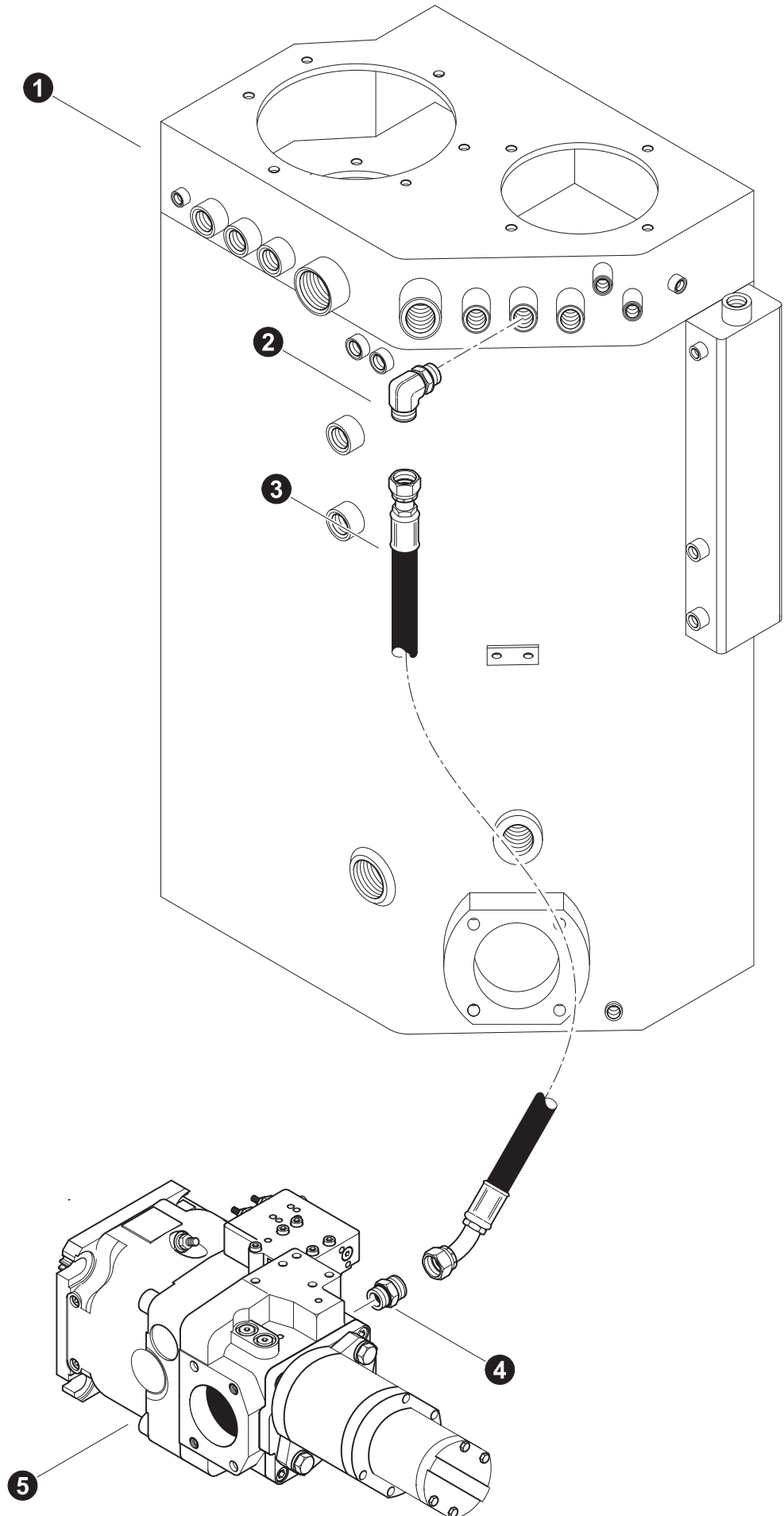
Feller Buncher Hydraulics - Supply, Tank, Load sense, and Drain Circuits



IMPLEMENT PUMP INSTALLATION


REF	PART #	QTY	DESCRIPTION	SEE SECTION
1	REF	1	 HYDRAULIC TANK ASSEMBLY	UP-2
2	51619-HH	1	VALVE, SHUT OFF - BUTTERFLY (4")	
3	23095-HH	4	BOLT, ALLEN HEAD - .625" x 2"	
4	51625-HH	1	 KIT, FLANGE - SUCTION TUBE (4")	
5		1	O-RING - SUCTION TUBE (4")	
6	10721-HH	4	WASHER, LOCK - .625"	
7	15526-HH	4	BOLT - .625" X 2"	
8	42461-HH	1	TUBE, SUCTION - 4" FLANGE - W/O DISC SAW	
8	51886-HH	1	TUBE, SUCTION - 4" FLANGE - WITH DISC SAW	
9	15190-HH	2	CLAMP, strap band - 3-1/8"	
10		1	HOSE ASSEMBLY - 1012 48-0-0	
11	51876-HH	1	TUBE, SUCTION 180 DEG 3.0" 630/830	
12	18306-HH	1	 KIT, split flange - 3" (Code 61)	
13	15562-HH	1	BOLT - 5/8" x 2"	
14	10721-HH	4	WASHER, lock - 5/8"	
15	18695-HH	1	O-RING - 3" SF	
16	REF	1	 IMPLEMENT PUMP.....	HH-1
17	10776-HH	4	NUT, hex - 3/4"	
18	15550-HH	4	WASHER, SAE flat - 3/4"	
19	15442-2-HH	1	O-RING, PUMP DRIVE PILOT	


-  See referenced page for component or assembly breakdown.
-  Bulk material - order length required in feet or meters.
-  Kit or Assembly - includes all items indented underneath.

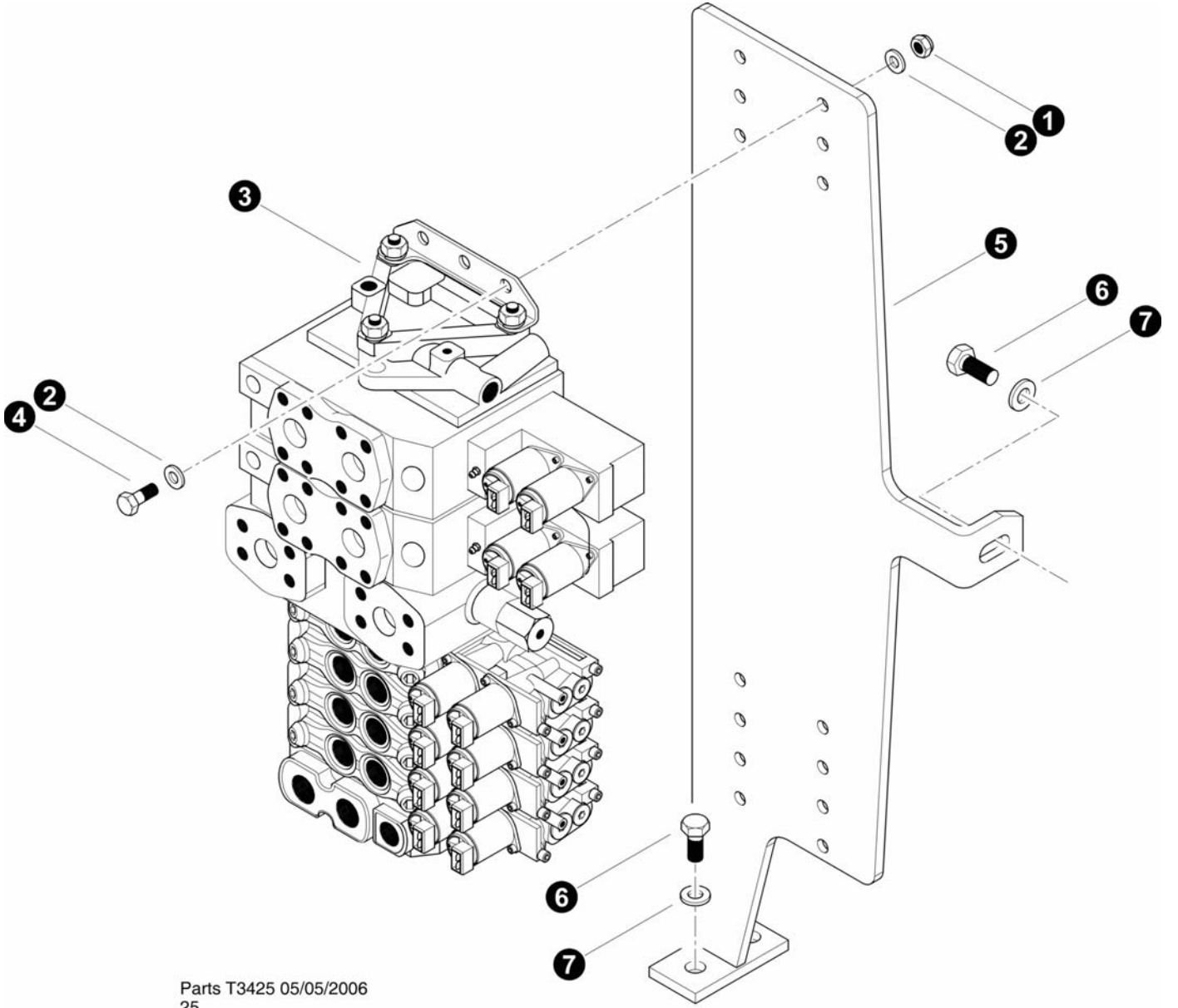


Parts T3632 08/08
18.75


IMPLEMENT PUMP CASE DRAIN LINE


REF	PART #	QTY	DESCRIPTION	SEE SECTION
1	REF.	1	HYDRAULIC TANK	UP-2
2	17688-HH	1	ELBOW, 90 - FF1868T-1212S	
3	-HH	1	HOSE ASSEMBLY - 2039-12-120S-1204 (<i>Implement pump case drain port to hydraulic tank</i>)	
4	15152-HH	1	CONNECTOR, STR - FF1852T-1212S	
5	REF.	1	 IMPLEMENT PUMP.....	HH-1

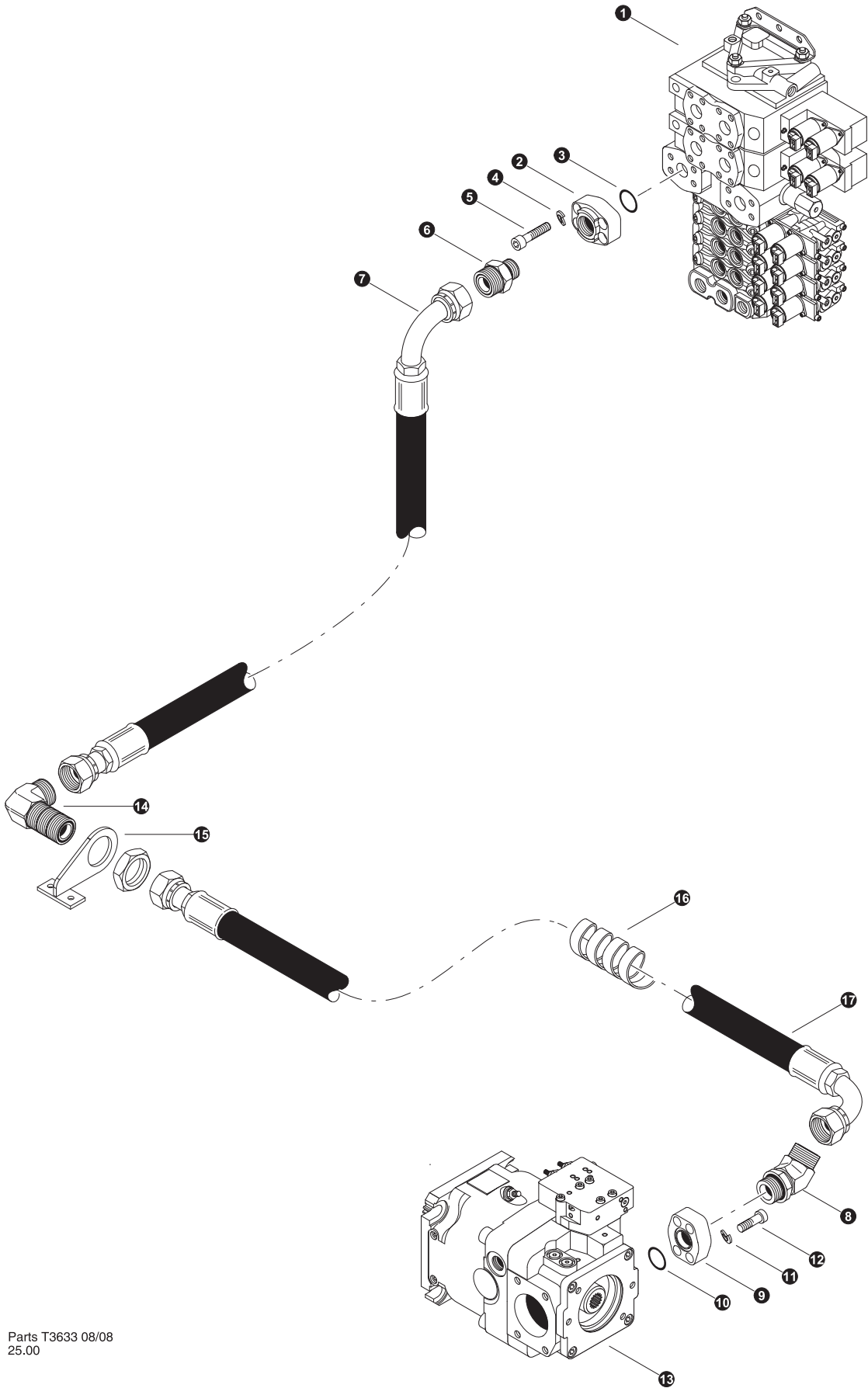
 See referenced page for component or assembly breakdown.



MAIN CONTROL VALVE MOUNTING





REF	PART #	QTY	DESCRIPTION	SEE SECTION
1	10813-HH	4	NUT, lock 3/8"	
2	10802-HH	8	WASHER, FLAT - .375"	
3	REF	1	 MAIN CONTROL VALVE	HH-1
4	15507-HH	4	BOLT, 3/8 X 1 1/4"	
5	52344-HH	1	BRACKET, MAIN VALVE CONTROL	
6	10739-HH	3	BOLT - .5" X 1.5"	
7	10804-HH	3	WASHER, FLAT - .5"	



 See referenced page for component or assembly breakdown.

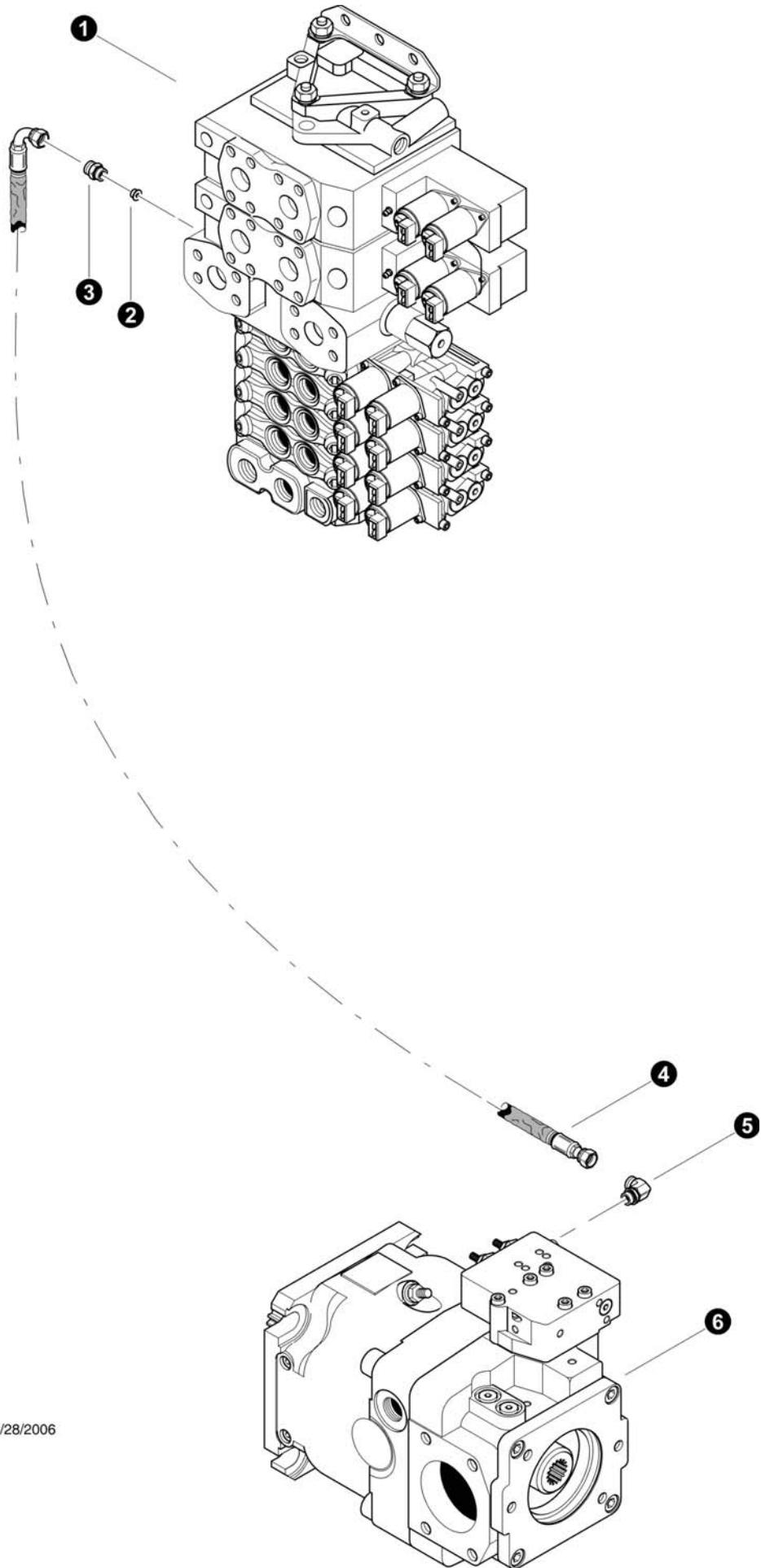


Parts T3633 08/08
25.00

IMPLEMENT PUMP PRESSURE LINE TO MAIN CONTROL VALVE



REF	PART #	QTY	DESCRIPTION	SEE SECTION
1	REF.	1	 MAIN CONTROL VALVE	HH-1
2	18397-HH	1	 CONNECTOR, FLANGE PAD - 1" C 62	
3	15377-HH	1	O-RING - 1"	
4	-	4	WASHER, lock	
5	18988-HH	4	BOLT, ALLEN HEAD - 12MM-1.75P X 45MM	
6	17063-HH	1	CONNECTOR, STR - FF1852T-2016S	
7	-HH	1	HOSE ASSEMBLY - 4025-20-20OS-2009 (<i>Pump Pressure Bulkhead to main control valve pressure inlet port "P1"</i>)	
8	17056-HH	1	ELBOW, 45 - FF2068T-2020S	
9	17016-HH	1	 CONNECTOR, FLANGE PAD - 1.25" C 62	
10	-	1	O-RING - 1.25"	
11	-	4	WASHER, lock	
12	-	4	BOLT, ALLEN HEAD	
13	REF.	1	 IMPLEMENT PUMP.	HH-1
14	52429-HH	1	ELBOW, BULKHEAD #16 UNION	
15	52347-HH	1	BRACKET, #16 Bulkhead Pump Pressure	
16	-HH	47"	WRAP, Plastic Spiral - SHW-32	
17	-HH	1	HOSE ASSEMBLY - 4047-20-20OS-2009 (<i>Pump Pressure Bulkhead to Implement Pump Pressure Port</i>)	


-  See referenced page for component or assembly breakdown.
-  Kit or Assembly - includes all items indented underneath.

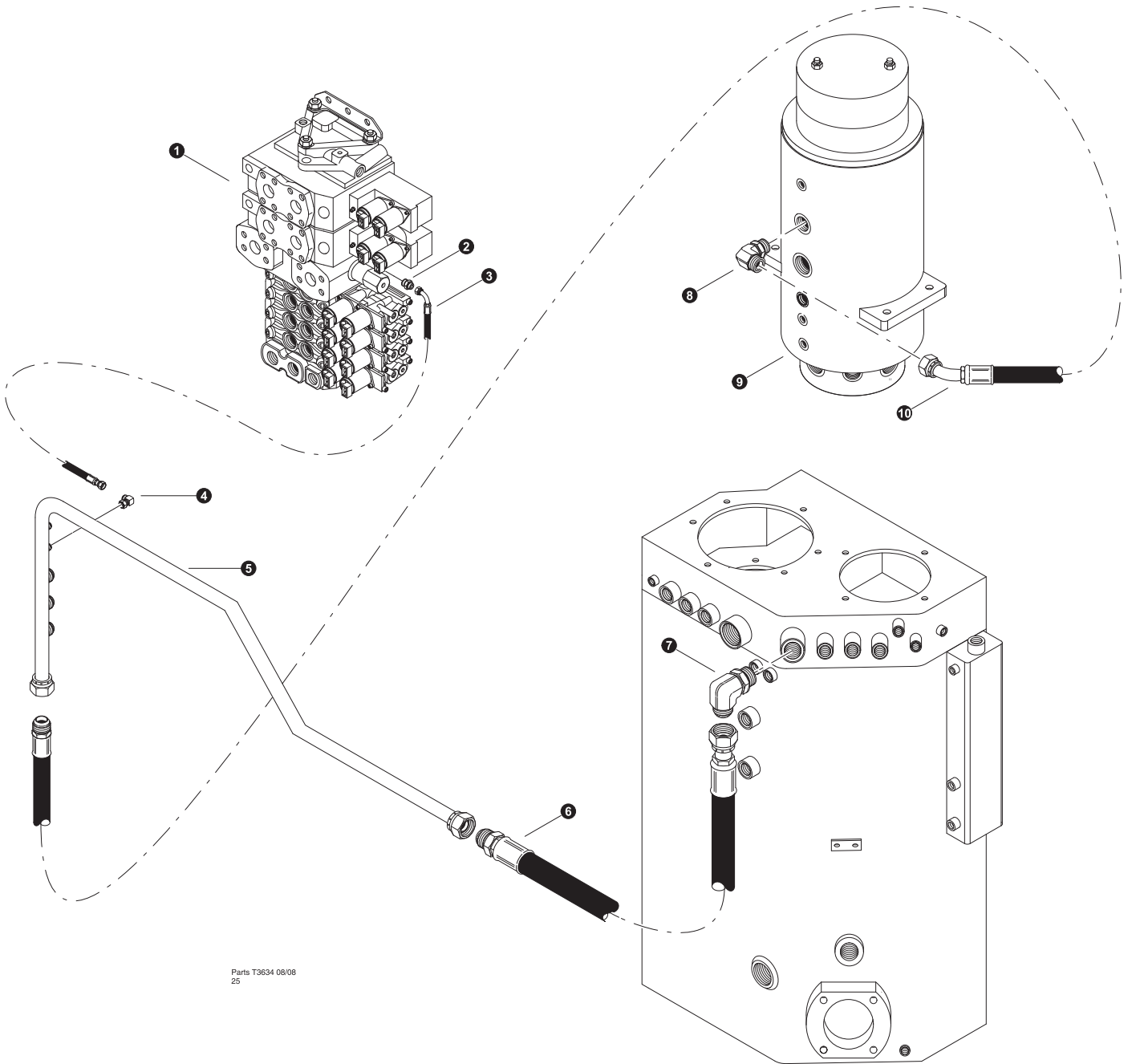


Parts T3430 05/28/2006
25.00

MAIN CONTROL VALVE LOAD SENSE LINE


REF	PART #	QTY	DESCRIPTION	SEE SECTION
1	REF.	1	 MAIN CONTROL VALVE	HH-1
2	15488-HH	1	CONNECTOR, STR - 6400-6 (<i>Tapped for 0.028" orifice</i>)	
3	18503-HH	1	ORIFICE - .028"	
4	-HH	1	HOSE ASSEMBLY - 2140-06-060S-0609-W (<i>Control Valve load sense "PL" port to Implement Pump controler</i>)	
5	16296-HH	2	ELBOW, 90° - FF1868T-0606	
6	REF.	1	 IMPLEMENT PUMP.	HH-1


 See referenced page for component or assembly breakdown.

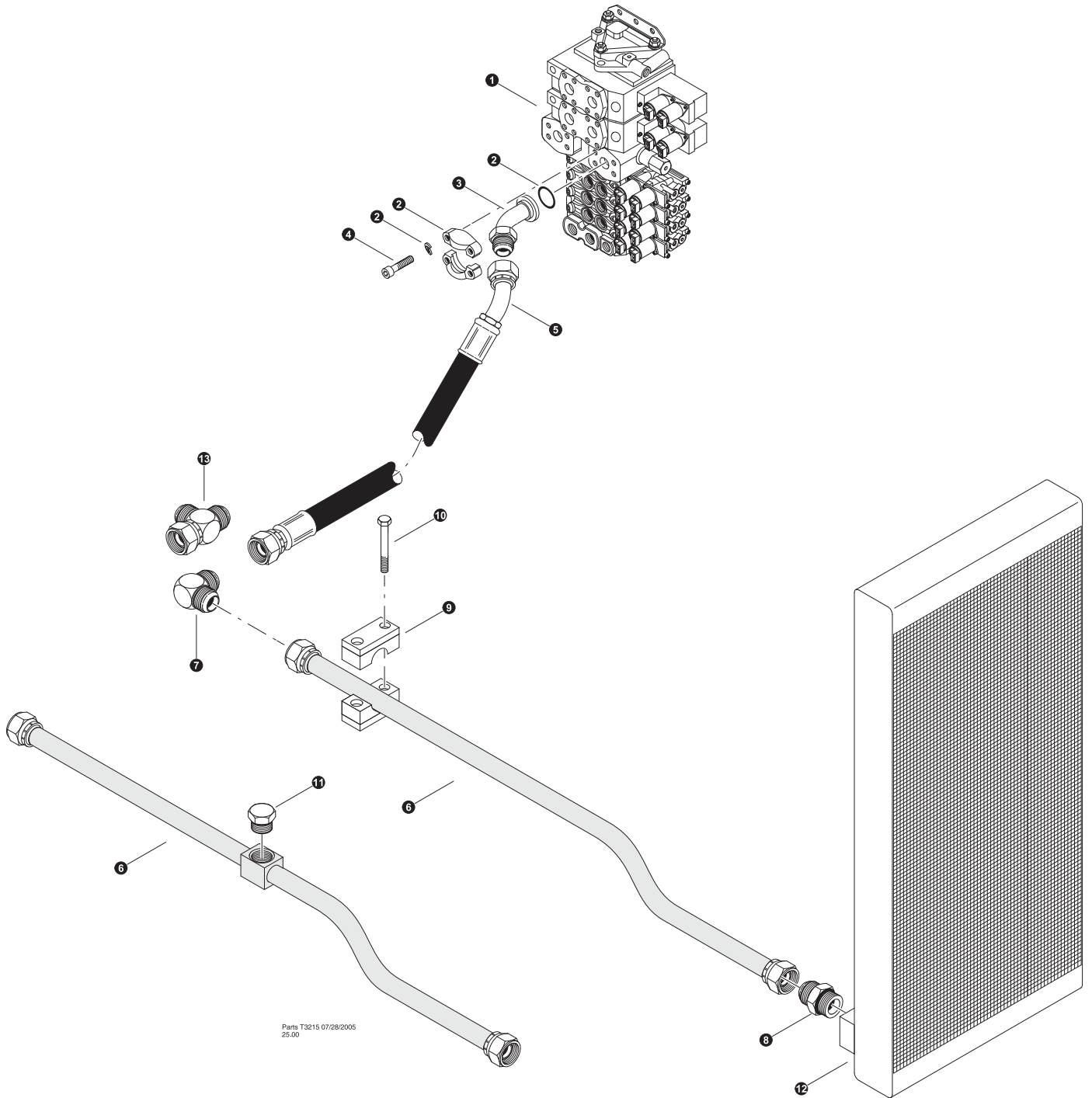


Parts T3634 08/08
25




MAIN CONTROL VALVE PILOT DRAIN LINE



REF	PART #	QTY	DESCRIPTION	SEE SECTION
1	REF.	1	 MAIN CONTROL VALVE	HH-1
2	22902-HH	1	CONNECTOR, STR - 848-TT-08X06	
3	-HH	1	HOSE ASSEMBLY - 2027-06-06JS-0409 <i>(Main control valve port "TP" to Case Drain Manifold Tube)</i>	
4	16661-HH	1	ELBOW, 90 SWIVEL - 6500-6	
5	52942-HH	1	TUBELINE, CASE DRAIN	
6	-HH	1	HOSE ASSEMBLY - 2026-16-16MJ-16FJ <i>(Case Drain Tube to Hydraulic Tank)</i>	
7	52968-HH	1	ELBOW, 90 - 16 C6XO JIC/ORB	
8	17688-HH	1	ELBOW, 90 - FF1868T-1212S	
9	REF	1	ROTORY MANIFOLD	UP-1
10	-HH	1	HOSE ASSEMBLY - 2056-12-1204-16MJ <i>(Rotory Manifold Port "10" to Case Drain Manifold Tube)</i>	

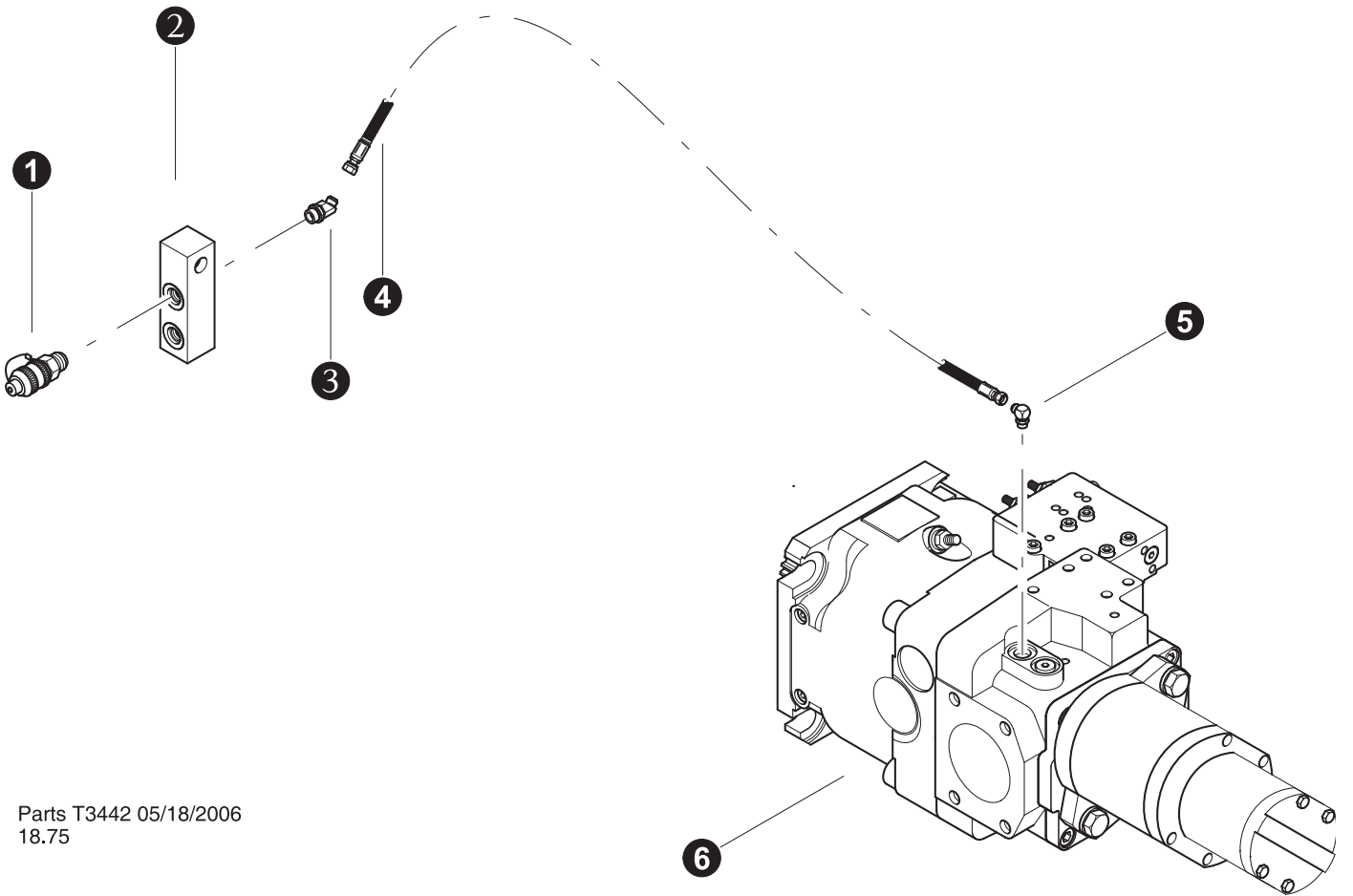
 See referenced page for component or assembly breakdown.



MAIN CONTROL VALVE RETURN LINE


REF	PART #	QTY	DESCRIPTION	SEE SECTION
1	REF.	1	 MAIN CONTROL VALVE	HH-1
2	15112-HH	1	 KIT, SPLIT FLANGE - 1.25" (CODE 61)	
-	15378-HH	1	O-RING - 1.25" SF (CODE 61/62)	
-	-HH	4	WASHER,	
3	52443-HH	1	ELBOW, 45 MALE JIC X O-RING FLANGE (61)	
4	-HH	4	BOLT, ALLEN HEAD - 10MM	
5	53244-HH	1	HOSE ASSEMBLY - 2024-20-20JS-20J4 (<i>Return Oil Tubeline to main control valve tank port "T1" Standard</i>)	
-	53245-HH	1	HOSE ASSEMBLY - 2020-20-20JS-20J4 (<i>Return Oil Tee to main control valve tank port "T1" - Harvester Application</i>)	
6	52599-HH	1	TUBELINE, OIL COOLER RETURN - Standard	
-	52384-HH	1	TUBELINE, OIL COOLER RETURN - Rolly II Harvester	
7	53614-HH	1	ELBOW, 90 JIC #24	
8	53616-HH	1	FITTING, STR - 24 X 20 - RETURN TUBE	
9	52372-HH	1	 CLAMP, STEEL TUBELINES (WHEEL DRIVE)	
10	16365-HH	2	BOLT - .375" X 2.75"	
11	18950-HH	1	PLUG - 6408-HHP-20	
12	REF	1	OIL COOLER BREAKDOWN	UP-3



-  See referenced page for component or assembly breakdown.
-  Kit or Assembly - includes all items indented underneath.

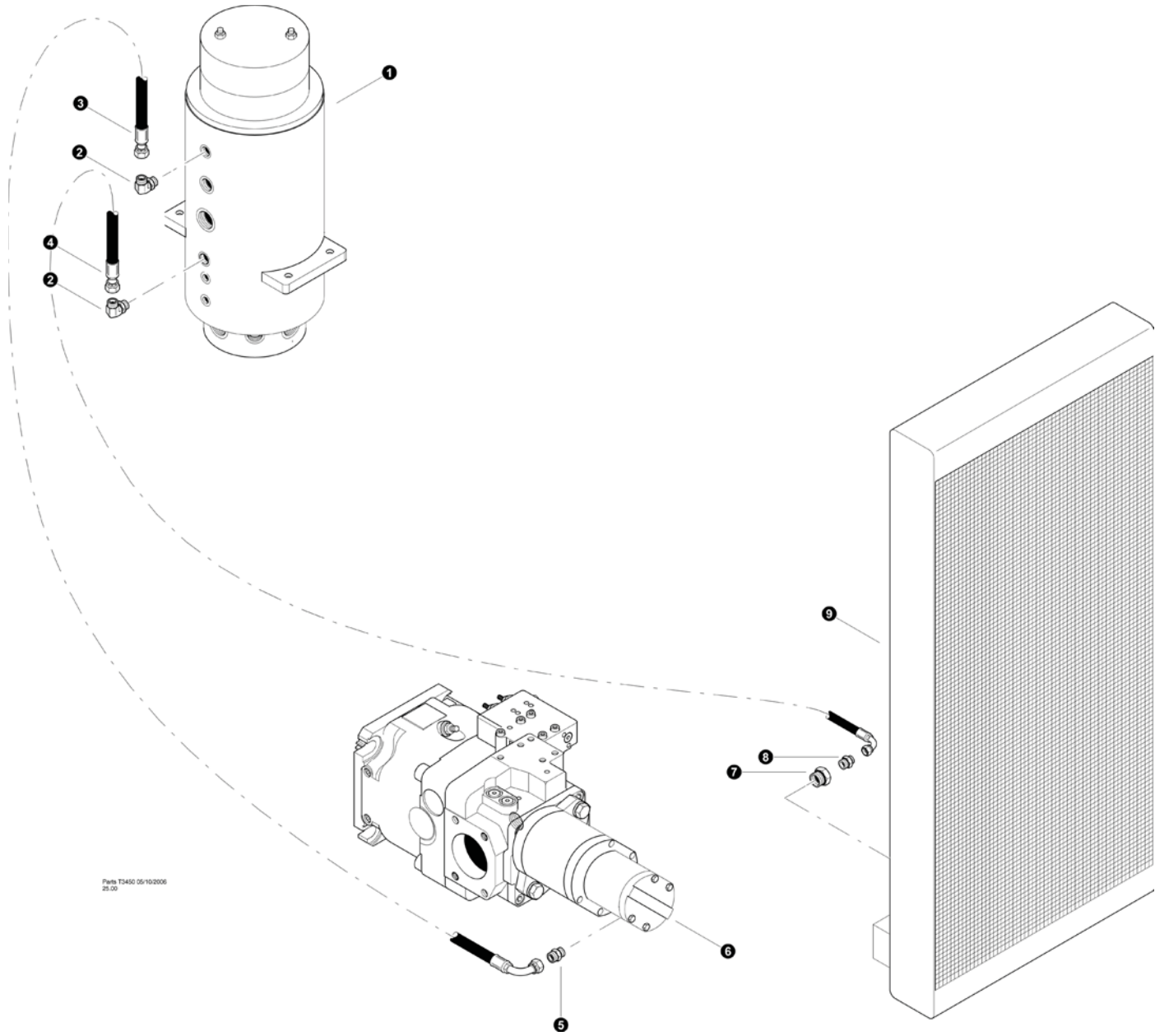


Parts T3442 05/18/2006
18.75

IMPLEMENT PUMP GAUGE PORT




REF	PART #	QTY	DESCRIPTION	SEE SECTION
1	16037-HH	1	TAP, gauge port (1/4" ORB)	
2	23544-HH	1	MANIFOLD, PRESSURE CHECK (2-PORT)	
3	51884-HH	1	ELBOW, 45 - (4 V50X-S)	
4	-HH	1	HOSE ASSEMBLY - 2052-02-04JS-04JS (Implement Pump to pressure check manifold) Part of kit #52203	
5	51889-HH	1	ELBOW, 90 - (4C50X-S)	
6	REF.	1	 MAIN CONTROL VALVE	HH-1



-  See referenced page for component or assembly breakdown.
-  Kit or Assembly - includes all items indented underneath.

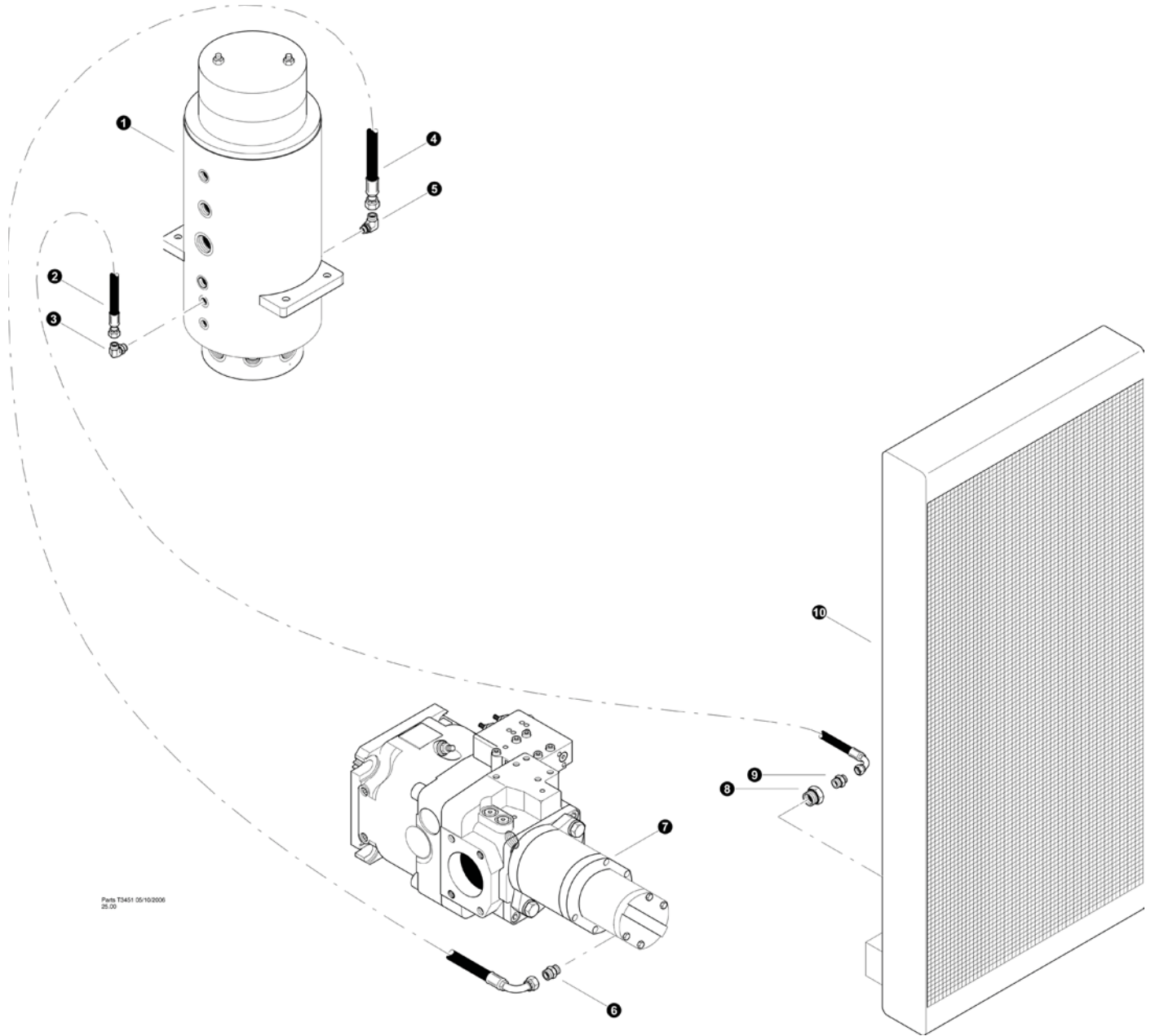


Parts T3450 05/10/2006
25.00




LOWER SOLENOID SUPPLY PUMP built without optional leveling



REF	PART #	QTY	DESCRIPTION	SEE SECTION
1	REF.	1	 ROTARY MANIFOLD.....	UP-1
2	16360-HH	2	ELBOW, 90 - FF1868T-0808S	
3	-HH	1	HOSE ASSEMBLY - 4076-08-08OS-08O9w (LSM Pump to Rotary Manifold port #12))	
4	-HH	1	HOSE ASSEMBLY - 2068-06-06OS-06O9w (Rotary Manifold port #6 to Oil Cooler Inlet)	
5	15117-HH	1	CONNECTOR, STR - FF1852T-0808S	
6	REF.	1	 LSM GEAR PUMP.....	WD-1
7	20067-HH	1	BUSHING, REDUCER - 6410-12-8	
8	22902-HH	1	CONNECTOR, STR - 848-TT-08X06	
9	REF.	1	 OIL COOLER.....	UP-3

-  See referenced page for component or assembly breakdown.
-  Kit or Assembly - includes all items indented underneath.



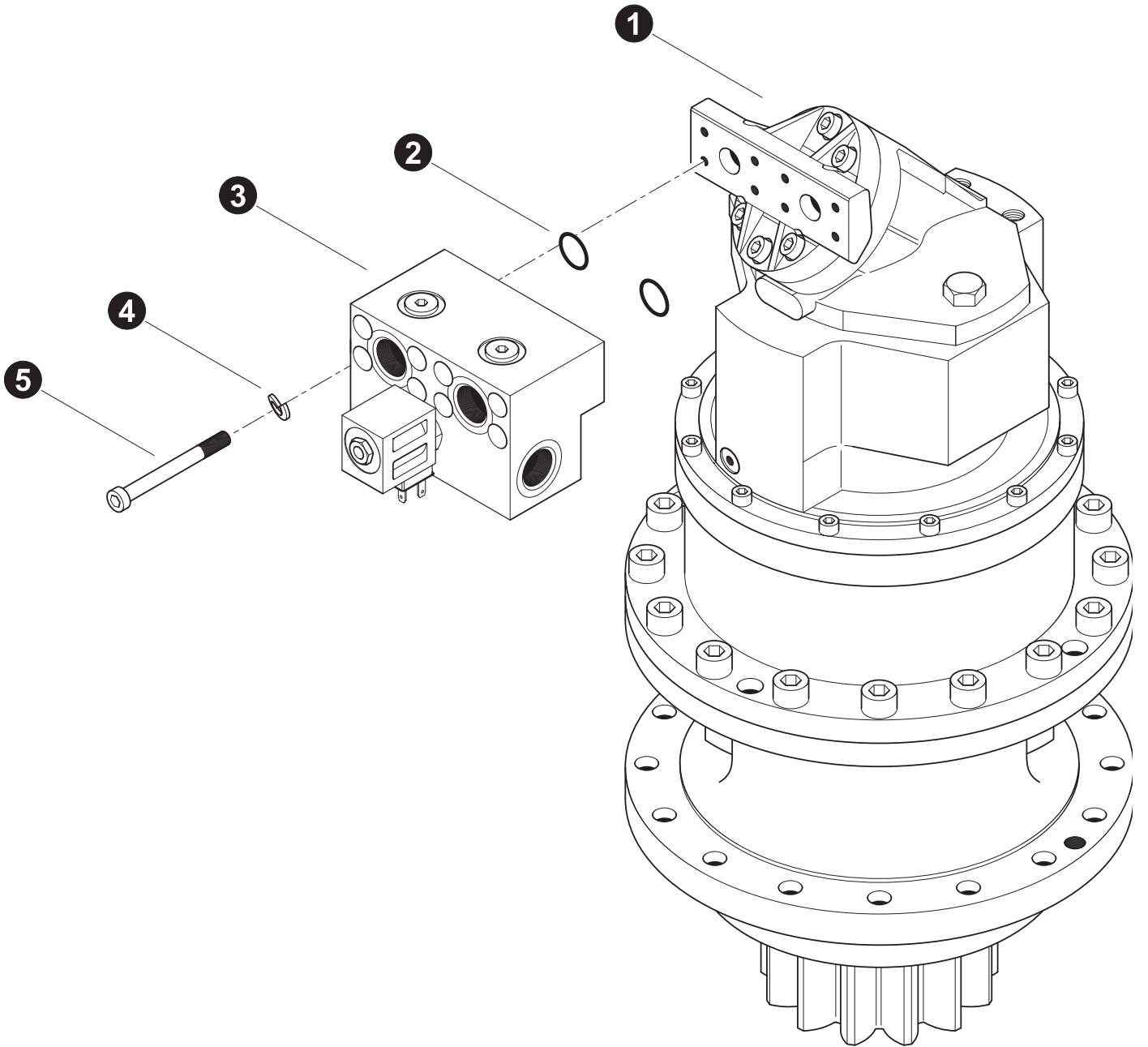
LOWER SOLENOID SUPPLY PUMP built with optional leveling

REF	PART #	QTY	DESCRIPTION	SEE SECTION
1	REF.	1	 ROTARY MANIFOLD.....	UP-1
2	-HH	1	HOSE ASSEMBLY - 2068-06-06OS-06O9w (Rotary Manifold port #6 to Oil Cooler Inlet)	
3	16296-HH	1	ELBOW, 90 - FF1868T-0606S	
4	-HH	1	HOSE ASSEMBLY - 4076-08-08OS-08O9w (LSM Pump to Rotary Manifold port #12)	
5	16360-HH	1	ELBOW, 90 - FF1868T-0808S	
6	15117-HH	1	CONNECTOR, STR - FF1852T-0808S	
7	REF.	1	 LSM GEAR PUMP.....	WD-1
8	20067-HH	1	BUSHING, REDUCER - 6410-12-8	
9	22902-HH	1	CONNECTOR, STR - 848-TT-08X06	
10	REF.	1	 OIL COOLER.....	UP-3

-  See referenced page for component or assembly breakdown.
-  Kit or Assembly - includes all items indented underneath.



Section HH-3


Feller Buncher Hydraulics - Swing Motor Hydraulics

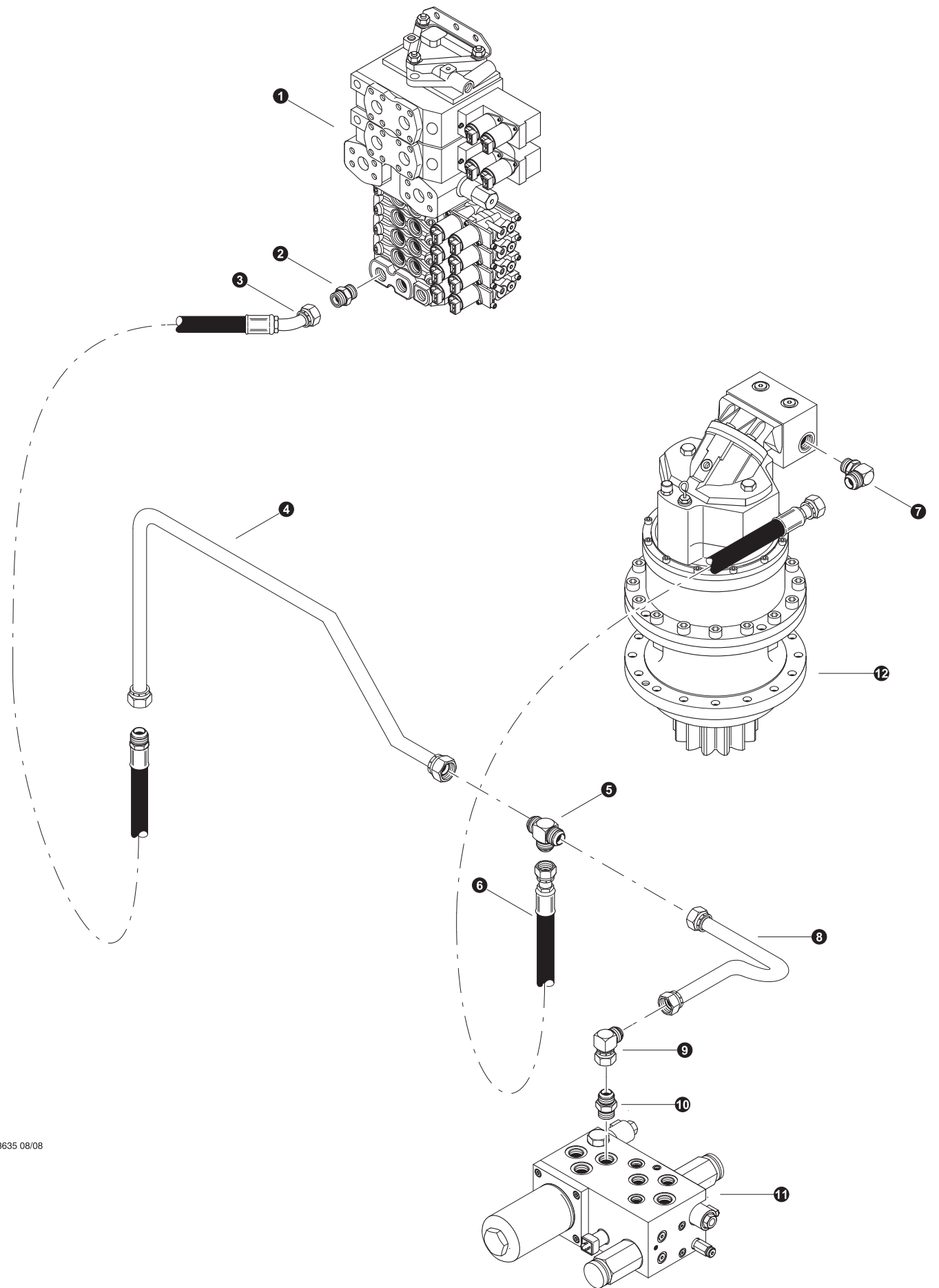


Parts T3234 07/29/2005
25.00

SWING MOTOR HYDRAULICS (anti-cavitation valve installation)



REF	PART #	QTY	DESCRIPTION	SEE SECTION
1	REF.	1	 MOTOR/GEARBOX - SWING	HH-3
2	-HH	2	O-RING, 3/4 code 62	
3	REF.	1	 ANTI-CAVITATION VALVE.....	HH-3
4	-HH	4	WASHER, LOCK - 10 mm HIGH COLLAR	
5	51389-HH	4	BOLT, ALLEN HEAD - 10MM-1.5P X 100MM	

 See referenced page for component or assembly breakdown.

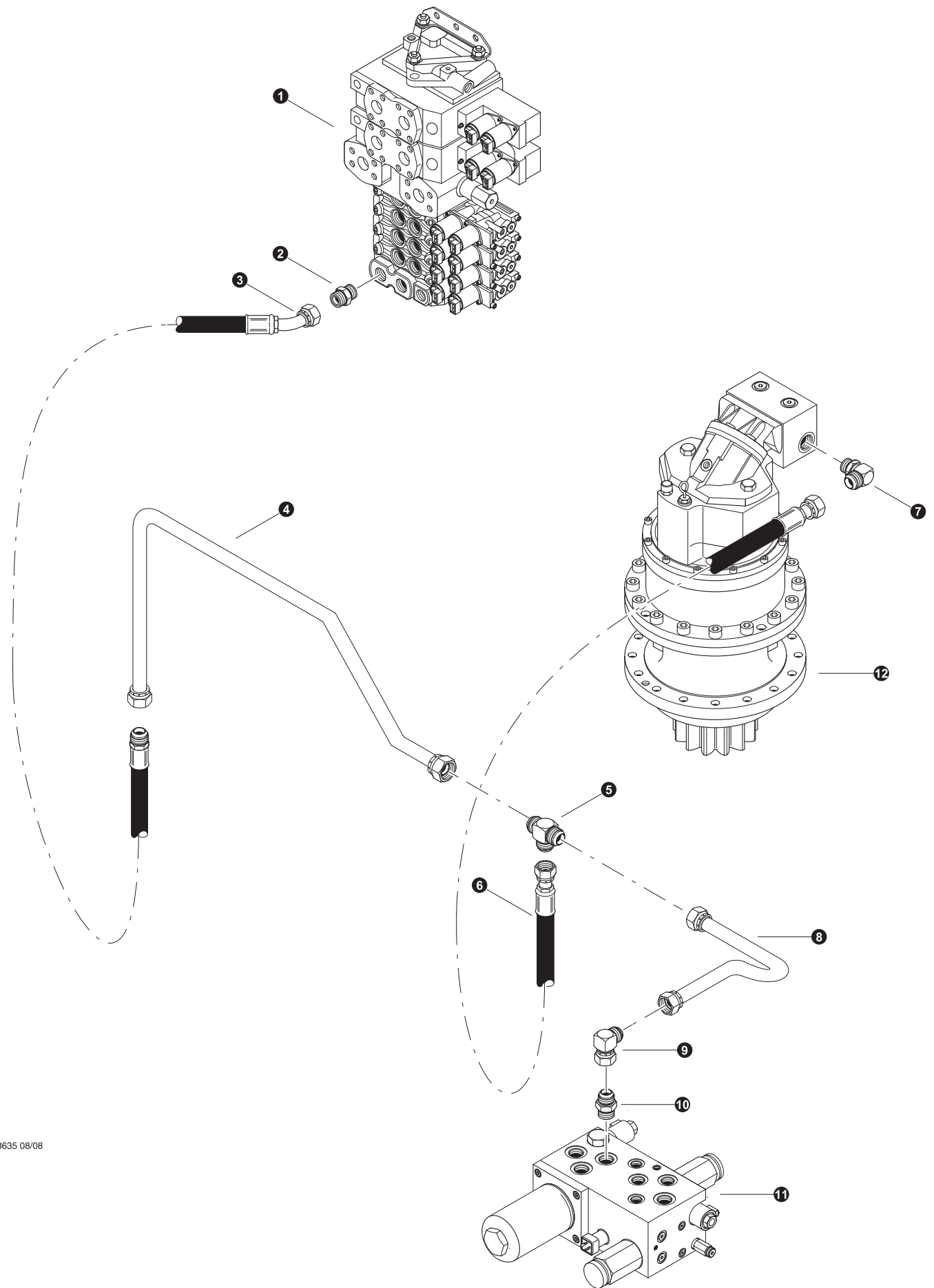


Parts T3635 08/08
25.00

**SWING MOTOR HYDRAULICS
(anti cavitaion block supply)
0351 / 0073 and before**



REF	PART #	QTY	DESCRIPTION	SEE SECTION
1	REF.	1	 MAIN CONTROL VALVE	HH-1
2	15152-HH	1	CONNECTOR, STR - FF1852T-1212S	
3	-HH	1	HOSE ASSEMBLY - 2035 -12-12O4-16MJ (<i>Anti-cav supply tube to main control valve port T3</i>)	
4	52943-HH	1	TUBELINE, REGEN/IMPLEMENT VALVE	
5	52970-HH	1	TEE, UNION - 16 JTXO	
6	-HH	1	HOSE ASSEMBLY - 2034 -16-16FJ-16FJ (<i>Anti-cav supply tube tee to swing motor</i>)	
7	53076-HH	1	ELBOW - 16-12 C50X-S	
8	53128-HH	1	TUBELINE, CHARGE/FAN MANIFOLD 'T1' PORT	
9	52968-HH	1	ELBOW, 90 - 16 C6XO JIC	
10	15497-HH	1	CONNECTOR, STR - 16 F5OX-S	
11	REF	1	FAN CONTROL MANIFOLD	UP-3
12	REF.	1	 MOTOR/GEARBOX - SWING	HH-3

 See referenced page for component or assembly breakdown.

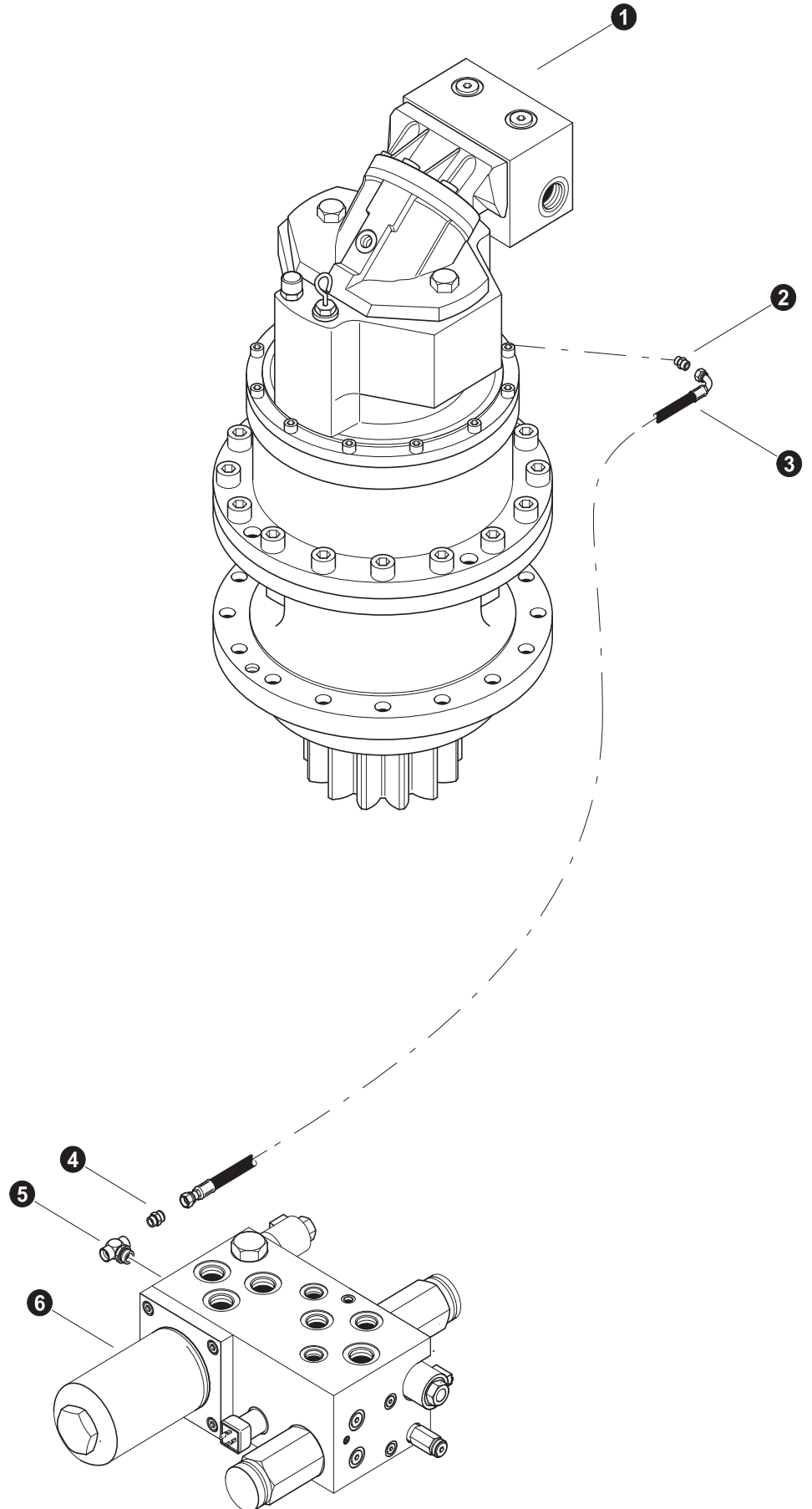


Parts T3635 08/08
25.00

**SWING MOTOR HYDRAULICS
(anti cavitation block supply)
0352/0074 and after**



REF	PART #	QTY	DESCRIPTION	SEE SECTION
1	REF.	1	 MAIN CONTROL VALVE	HH-1
2	15152-HH	1	CONNECTOR, STR - FF1852T-1212S	
3	-HH	1	HOSE ASSEMBLY - 2035 -12-12O4-16MJ (<i>Anti-cav supply tube to main control valve port T3</i>)	
4	52943-HH	1	TUBELINE, REGEN/IMPLEMENT VALVE	
5	52970-HH	1	TEE, UNION - 16 JTXO	
6	-HH	1	HOSE ASSEMBLY - 2035 -08-08OS-08JS (<i>Anti-cav supply tube tee to swing motor</i>)	
7	16360-HH	1	ELBOW 90 - 08-08	
8	53128-HH	1	TUBELINE, CHARGE/FAN MANIFOLD 'T1' PORT	
9	52968-HH	1	ELBOW, 90 - 16 C6XO JIC	
10	15497-HH	1	CONNECTOR, STR - 16 F5OX-S	
11	REF	1	FAN CONTROL MANIFOLD	UP-3
12	REF.	1	 MOTOR/GEARBOX - SWING	HH-3
13	-HH	1	CONNECTOR, 16-8 TRTXN-S	

 See referenced page for component or assembly breakdown.

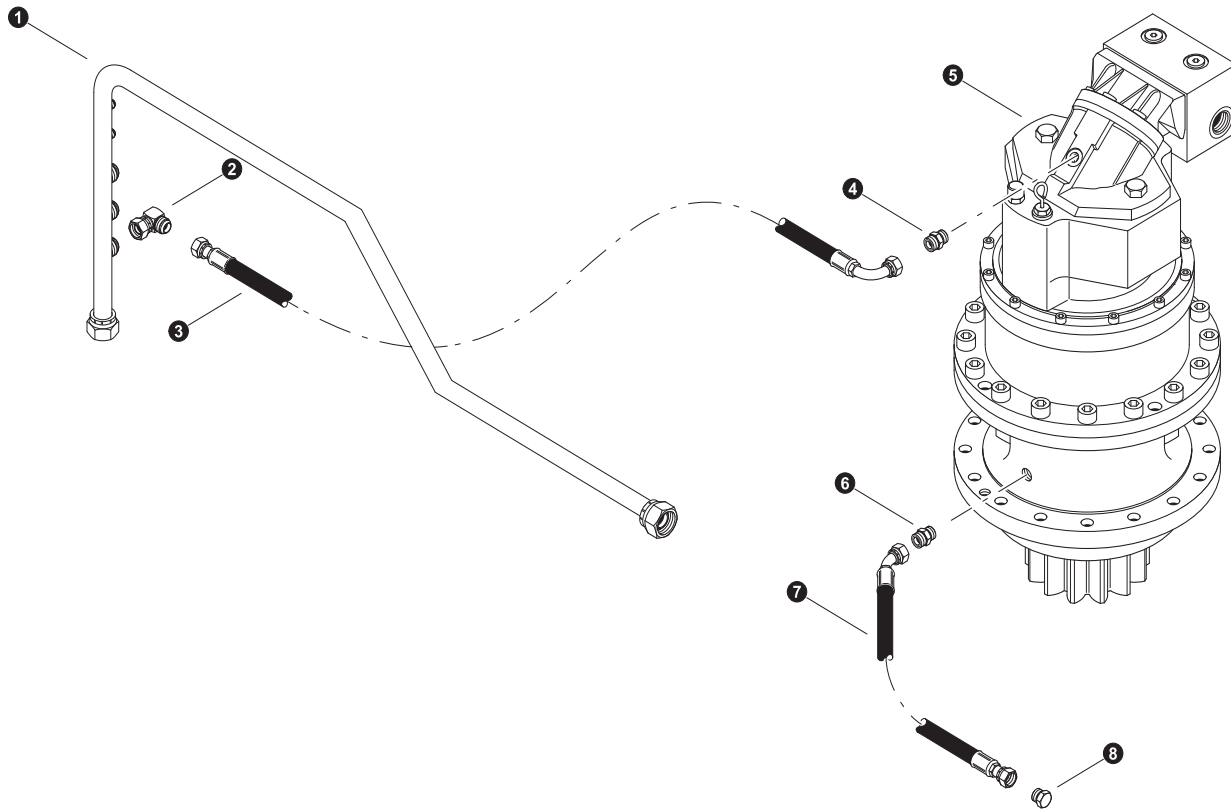


Parts T3636 08/08
25

SWING MOTOR HYDRAULICS (swing gearbox brake release)


REF	PART #	QTY	DESCRIPTION	SEE SECTION
1	REF.	1	 MOTOR/GEARBOX - SWING	HH-3
2	19469-HH	1	CONNECTOR, STR METRIC - 4M12F82EDMLO-S	
3	-HH	1	HOSE ASSEMBLY - 2069-04-040S-0409 (<i>swing motor gearbox brake release port to G1 port charge valve</i>)	
4	16541-HH	1	CONNECTOR, STR - FF1852T-0404S	
5	24293-HH	1	TEE - 4-G5G5JAO-S	
6	REF.	1	 CHARGE VALVE / FILTER ASSEMBLY	DH-3


 See referenced page for component or assembly breakdown.

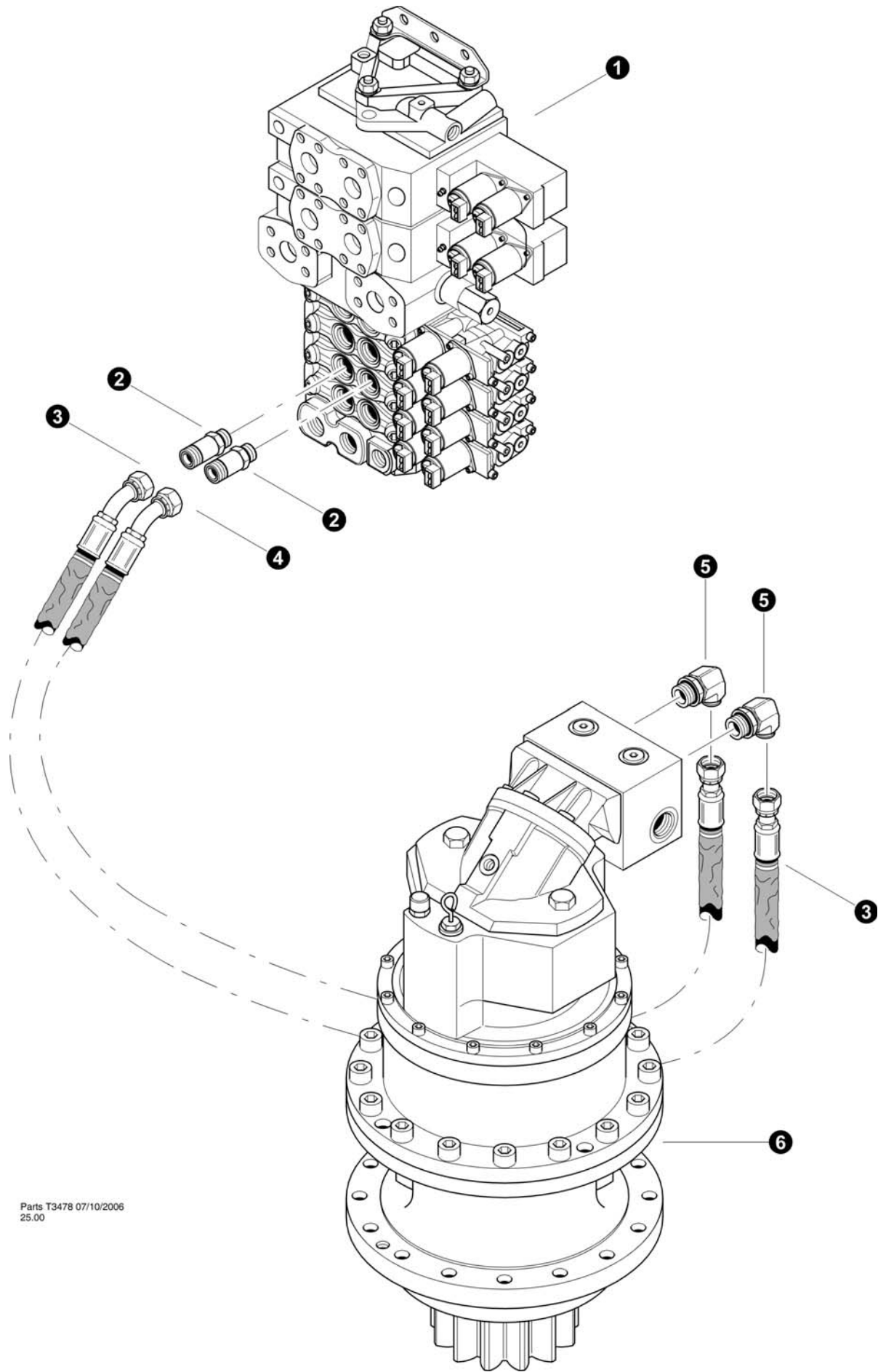


Parts T3637 08/08
25.00

SWING MOTOR HYDRAULICS (swing motor drain)



REF	PART #	QTY	DESCRIPTION	SEE SECTION
1	52450-HH	1	MANIFOLD, CASE DRAIN (3) #8 PORTS	
2	16360-HH	1	ELBOW, 90 - FF1868T-0808S	
3	-HH	1	HOSE ASSEMBLY - 2054-08-08JS-0809 (swing motor case drain to drain manifold tube)	
4	24182-HH	1	CONNECTOR, STR - 6002-08-8BSPP	
5	REF.	1	 MOTOR/GEARBOX - SWING	HH-3
6	24182-HH	1	CONNECTOR, STR - 6002-08-8BSPP	
7	-HH	1	HOSE ASSEMBLY - 2025-08-08OS-0804 (swing motor gearbox drain)	
8	11390-HH	1	PLUG - 2408-8	


 See referenced page for component or assembly breakdown.

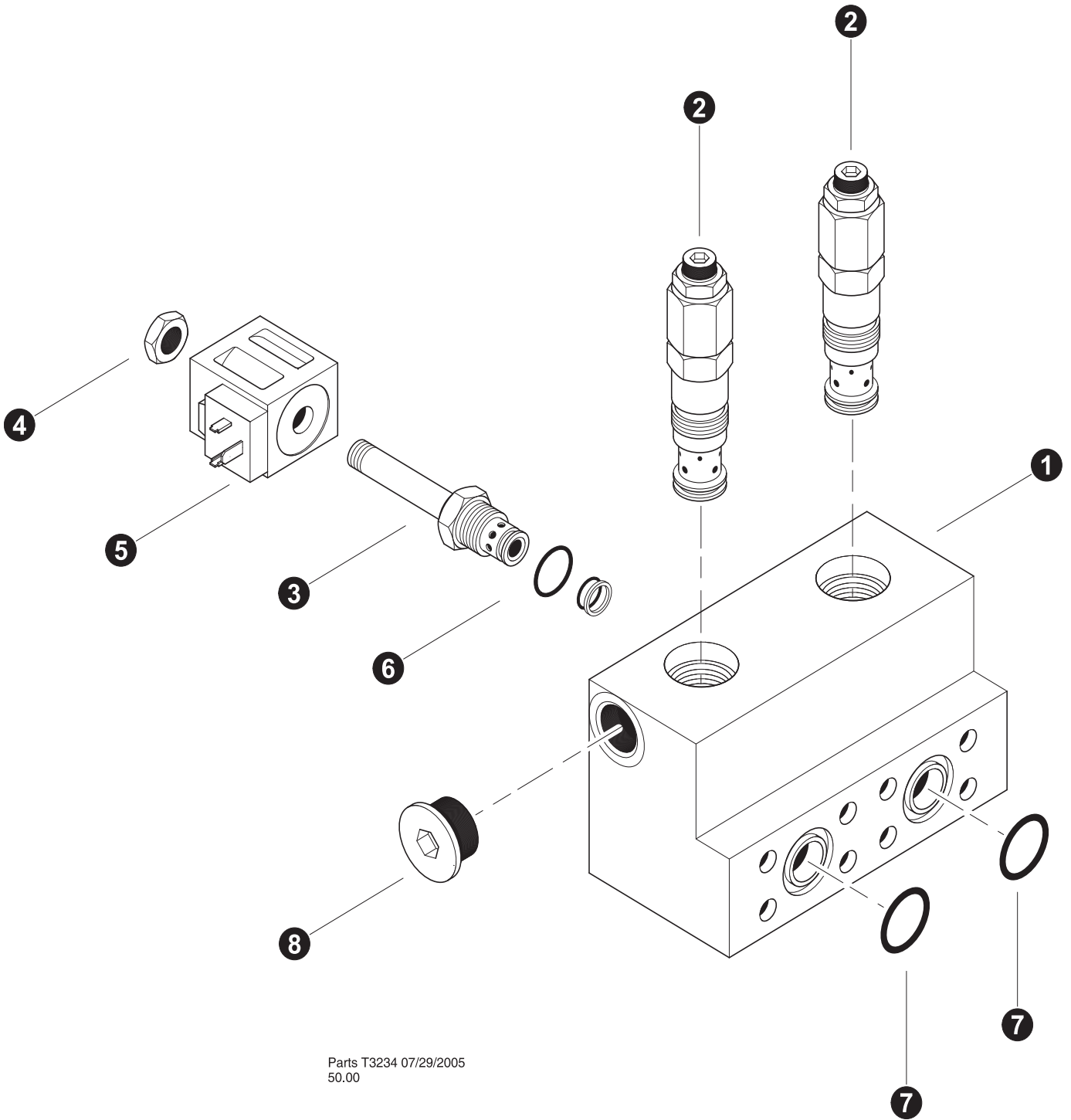


Parts T3478 07/10/2006
25.00

SWING MOTOR HYDRAULICS (Swing Motor to Valve Connection)

REF	PART #	QTY	DESCRIPTION	SEE SECTION
1	REF.	1	 MAIN CONTROL VALVE.....	HH-1
2	52554-HH	2	CONNECTOR, STR LONG - 10X10	
3	-HH	1	HOSE ASSEMBLY - 4037-10-100S-1004W (<i>Swing valve section work port A to swing motor anti-cav "V1"</i>)	
4	-HH	1	HOSE ASSEMBLY - 4036-10-100S-100SW (<i>Swing valve section work port B to swing motor anti-cav "V2"</i>)	
5	50036-HH	3	ELBOW, 90 - 849-TTO-10X12	
6	REF.	1	 MOTOR/GEARBOX - SWING.....	HH-3

 See referenced page for component or assembly breakdown.



Parts T3234 07/29/2005
50.00

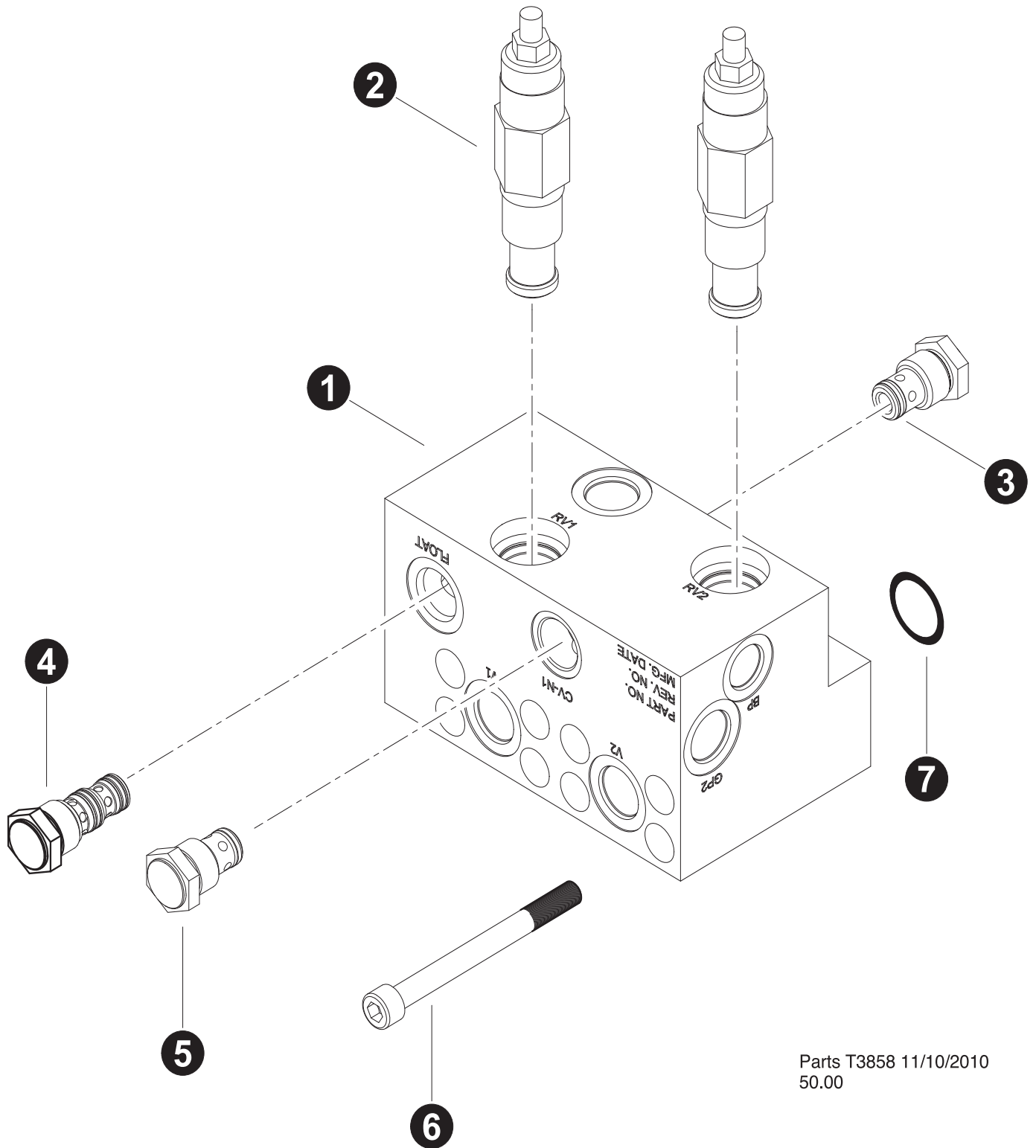
**SWING MOTOR HYDRAULICS
(anti-cavitation valve)
0351 / 0073 and before**

REF	PART #	QTY		DESCRIPTION	SEE SECTION
1	52015-HH	1		VALVE, SWING ANTI/CAV W/FLOAT LOW MOUNT	
2	51507-HH	2		CARTRIDGE, Anti-Cav (51055-20 D03 B)	
3	20597-HH	2	☐	CARTRIDGE, solenoid - 24V	
4	NSS	1		NUT	
5	22554-HH	1		COIL, SOLENOID - (PARKER)	
6	-HH	1	⌘	KIT, SEAL - solenoid valve	
7	-HH	2		O-RING - 3/4" code 62	
8	11385-HH	1		PLUG - 6408-12	

☐ Kit or Assembly - includes all items indented underneath.

Note:

Due to warranty policy restrictions imposed by component suppliers, it is not recommended that the component be disassembled further than is shown in the illustration.



Parts T3858 11/10/2010
50.00

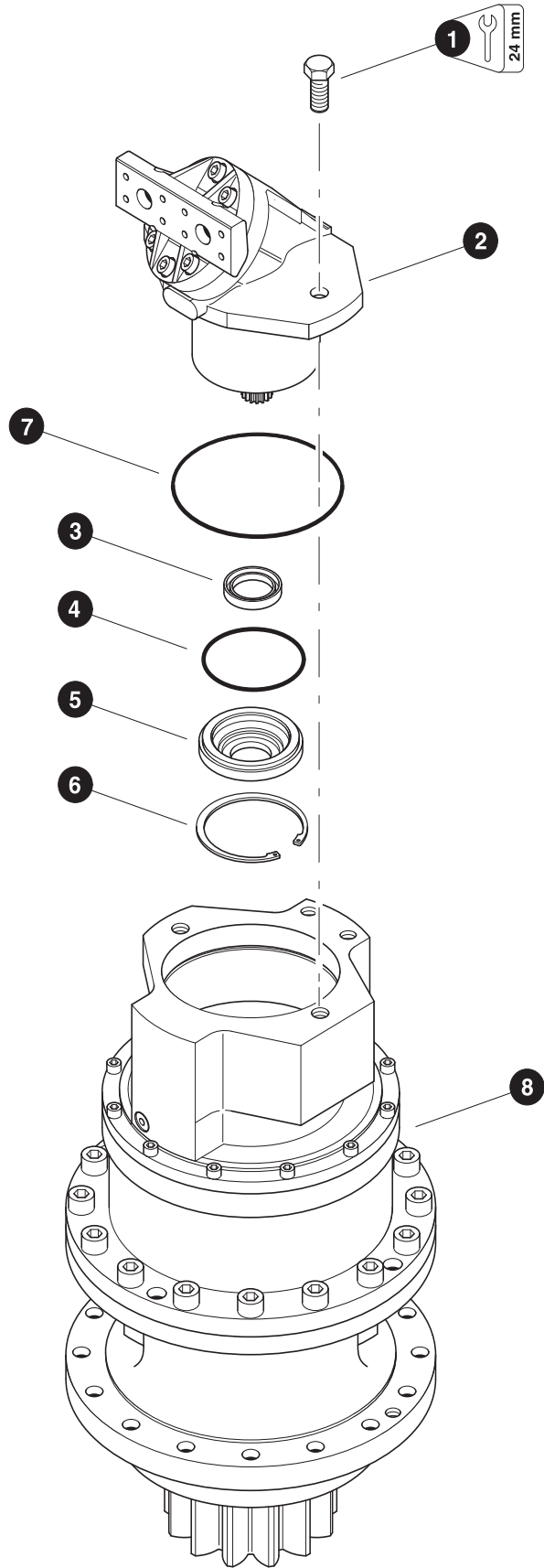
**SWING MOTOR HYDRAULICS
(anti-cavitation valve)
0352/0074 and after**

REF	PART #	QTY		DESCRIPTION	SEE SECTION
1	54162-LH	1	<input type="checkbox"/>	VALVE, SWING RAMPING RELIEF ANTI/CAV	
2	-LH	2		CARTRIDGE, Anti-Cav (991-001 SUN)	
3	-LH	1		CARTRIDGE, Check Valve - (CV1-10-P-0-5)	
4	-LH	1		PLUG, Cavity - (P10-2)	
5	-LH	1		CARTRIDGE, Check Valve - (CV1-10-P-0-5)	
6	-LH	8		BOLT, Allen M10-1.5 X 110MM	
7	-LH	2		O-RING - 3/4" code 62	

Kit or Assembly - includes all items indented underneath.

Note:

Due to warranty policy restrictions imposed by component suppliers, it is not recommended that the component be disassembled further than is shown in the illustration.



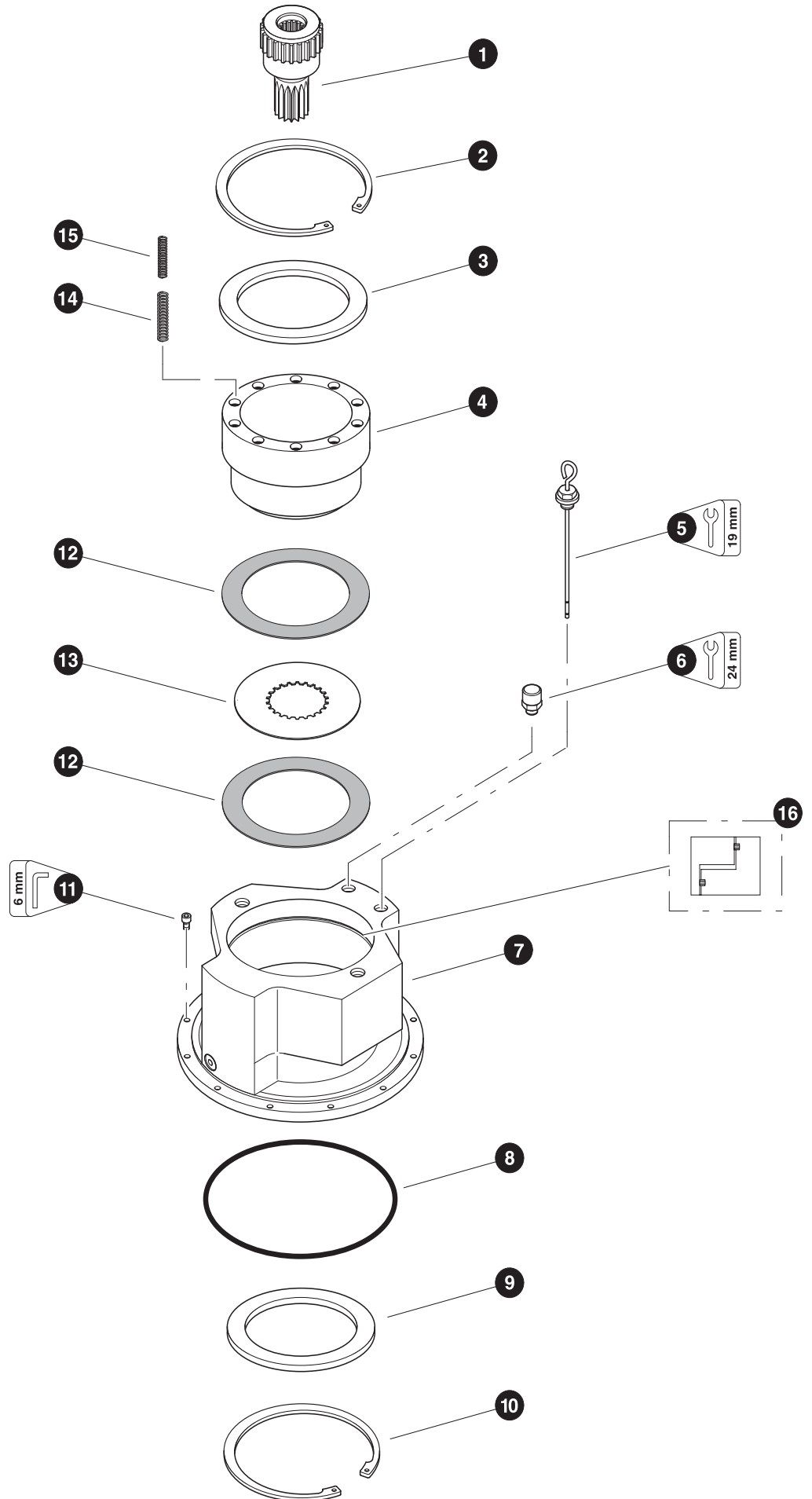
SWING MOTOR HYDRAULICS (swing motor installation)

REF	PART #	QTY		DESCRIPTION	SEE SECTION
--	20070-HH	1	<input type="checkbox"/>	MOTOR/GEARBOX, swing - Lohmann Gearbox & 45cc motor	
1	20661-HH	1		BOLT - 16mm-2.0P x 35mm	
2	17312-HH	1	<input type="checkbox"/>	MOTOR, hydraulic - Rexroth A2FE45 cc	
	17238-HH	1	<input type="checkbox"/>	MOTOR, hydraulic - Rexroth A2FE56 cc (Optional)	
3	21576-HH	1		SEAL, shaft - 45cc	
	51638-HH	1		SEAL, shaft - 56cc	
4	21577-HH	1		O-RING, front cover - 45cc	
	51639-HH	1		O-RING, front cover - 56cc	
5	21578-HH	1		COVER, front	
6	21579-HH	1		RING, seal retaining	
7	21580-HH	1		O-RING, motor pilot	
8	22694-HH	1		GEARBOX - Lohmann	

Kit or Assembly - includes all items indented underneath.

Note:

Due to warranty policy restrictions imposed by component suppliers, it is not recommended that the component be disassembled further than is shown in the illustration.



Parts 00626 11/10/2000
25.00

SWING MOTOR HYDRAULICS (swing gearbox breakdown)

REF	PART #	QTY		DESCRIPTION	SEE SECTION
-	22694-HH	1		GEARBOX - Lohmann	
1	21565-HH	1		SHAFT, brake	
2	21566-HH	1		RING, snap - upper brake	
3	21567-HH	1		PLATE, back-up - upper brake	
4	21568-HH	1		PISTON, brake	
5	21569-HH	1	☐	DIPSTICK	
	21571-HH	1		RING, seal	
6	21570-HH	1	☐	BREATHER	
	21571-HH	1		RING, seal	
7	NSS	1		HOUSING, brake	
8	21572-HH	1		O-RING, brake housing	
9	21573-HH	1		PLATE, back-up - lower brake	
10	21574-HH	1		RING, snap - lower brake	
11	21575-HH	12		BOLT, allen head - 8mm x 25mm	
12	NSS	5	⌘	DISC, brake	
13	NSS	4	⌘	DISC, spacer	
14	NSS	10	⌘	SPRING, outer	
15	NSS	10	⌘	SPRING, inner	
--	20788-HH	1		KIT, repair - brake disc	

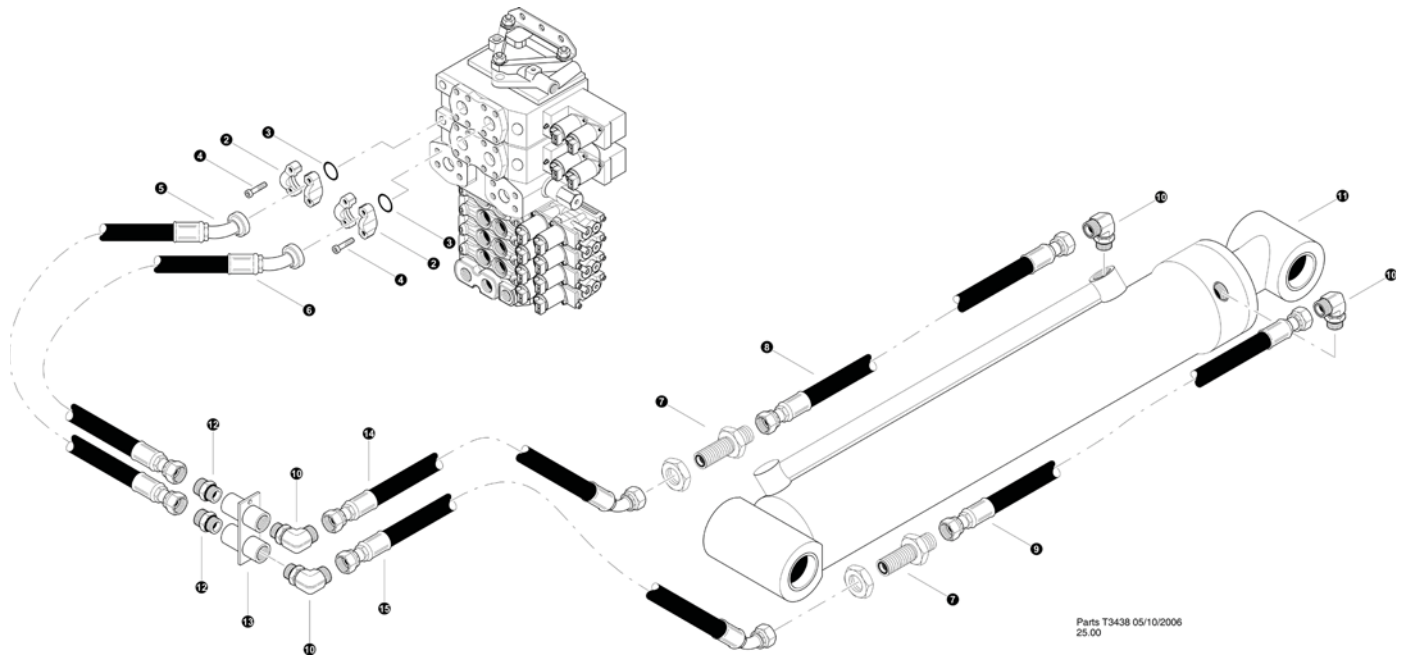
- ☐ Kit or Assembly - includes all items indented underneath.
 ⌘ Included in disc brake kit PN# 20788-UP.

Note:

Due to warranty policy restrictions imposed by component suppliers, it is not recommended that the component be disassembled further than is shown in the illustration.




Section HH-4

Feller Buncher Hydraulics - Implement Connections - Common

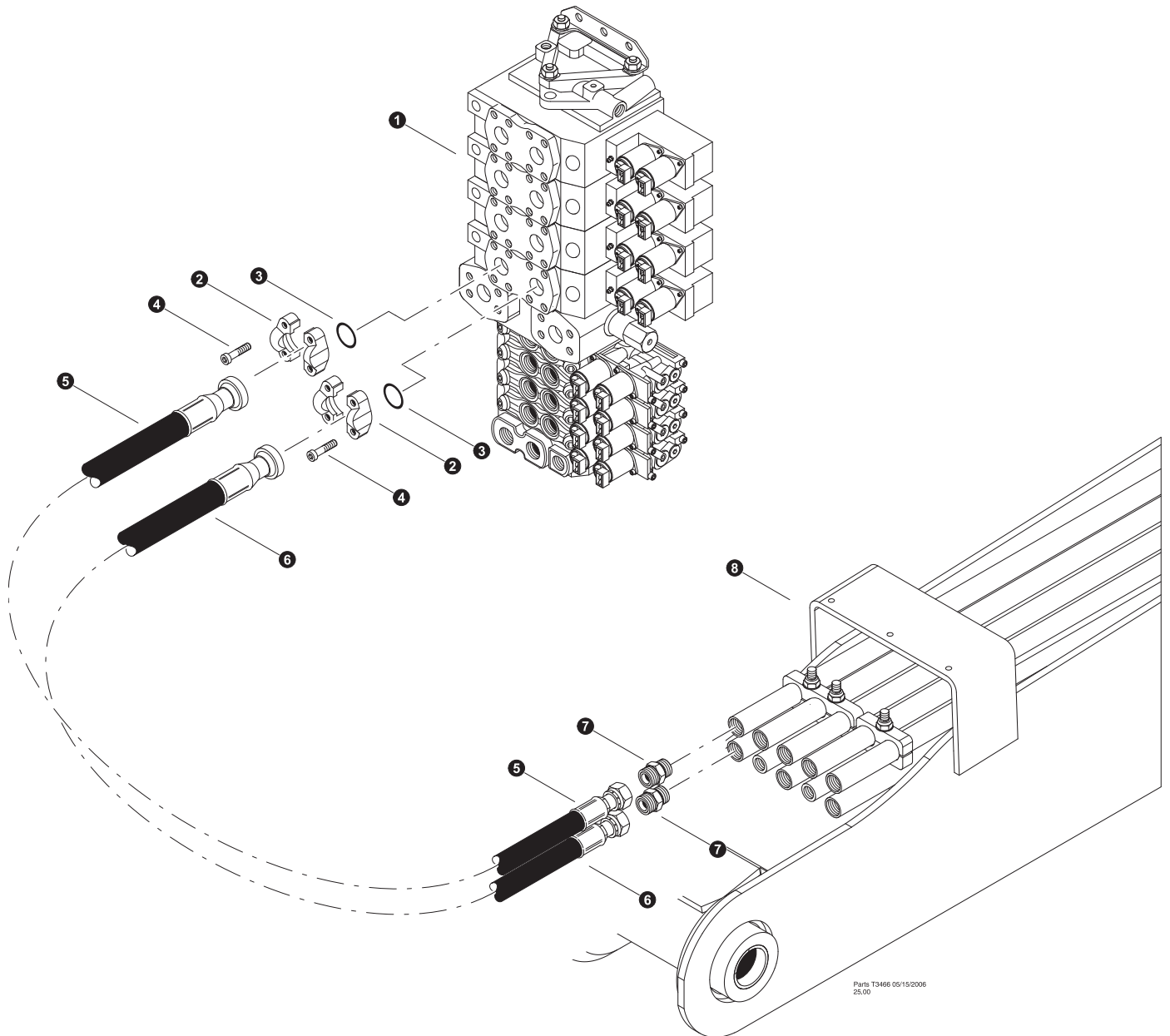


Parts T3438 05/10/2006
25.00

MAIN BOOM CYLINDER FUNCTION (Main Control Valve To Main Boom (Hoist) Cylinder)




REF	PART #	QTY	DESCRIPTION	SEE SECTION
1	REF.	1	 MAIN CONTROL VALVE	HH-1
2	15111-HH	2	 KIT, split flange - 1" SF (Code 61)	
3	15377-HH	2	O-RING - 1" SF	
4	18979-HH	8	BOLT, allen M10 X 45MM	
5	-HH	1	HOSE ASSEMBLY - 4031-16-160S-16PA4 (Main boom valve work port "B" to main boom cylinder bulkhead)	
6	-HH	1	HOSE ASSEMBLY - 4029.5-16-160S-16PA4 (Main boom valve work port "A" to main boom cylinder bulkhead)	
7	20033-HH	2	CONNECTOR, STR BULKHEAD - 832-TT-16	
8	-HH	1	HOSE ASSEMBLY - 4066-16-160S-160S (main boom bulkhead to main boom cylinder base port)	
9	50864-HH	1	HOSE ASSEMBLY - 4057.5-16-160S-160S (main boom bulkhead to main boom cylinder rod port)	
10	15228-HH	2	ELBOW, 90 - FF1868T-1616S	
11	REF.	1	 MAIN BOOM (HOIST) CYLINDER	HB-3
12	15525-HH	1	CONNECTOR, STR - FF1852T-1616S	
13	-HH	1	BULKHEAD, UPPER MAIN CYL	
14	-HH	1	HOSE ASSEMBLY - 4039-16-160S-1604 (main boom base bulkhead to bulkhead bracket "a" port)	
15	-HH	1	HOSE ASSEMBLY - 4033.5-16-160S-1604 (main boom rod bulkhead to bulkhead bracket "b" port)	

 See referenced page for component or assembly breakdown.

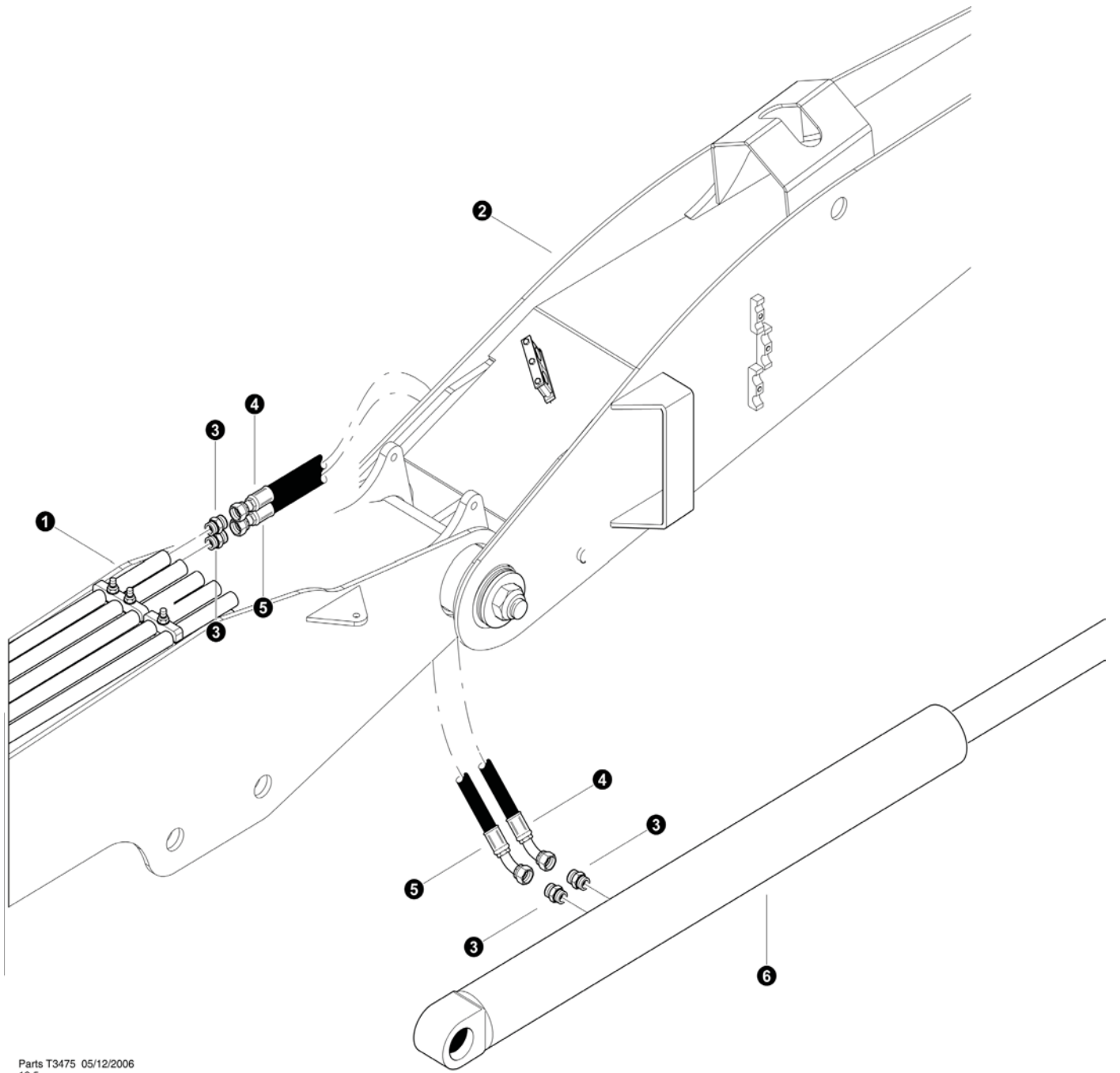


Parts T3466 05/19/2006
25.00

STICK BOOM CYLINDER FUNCTION (Main Control Valve To Main Boom Tube Lines)




REF	PART #	QTY	DESCRIPTION	SEE SECTION
1	REF.	1	 MAIN CONTROL VALVE.....	HH-1
2	15111-HH	2	 KIT, split flange - 1" SF (<i>Code 61</i>)	
3	15377-HH	2	O-RING - 1" SF	
4	18979-HH	8	BOLT, allen M10 X 45MM	
5	-HH	1	HOSE ASSEMBLY - 4050-16-160S-16PA (<i>Stick boom valve work port "B" to main boom tube line rod side</i>)	
6	-HH	1	HOSE ASSEMBLY - 4045.5-16-160S-16PA (<i>Stick boom valve work port "A" to main boom tube line base side</i>)	
7	15225-HH	6	CONNECTOR, STR - FF1852T-1616S	
8	REF.	1	 MAIN BOOM ASSEMBLY.....	HB-1


 See referenced page for component or assembly breakdown.

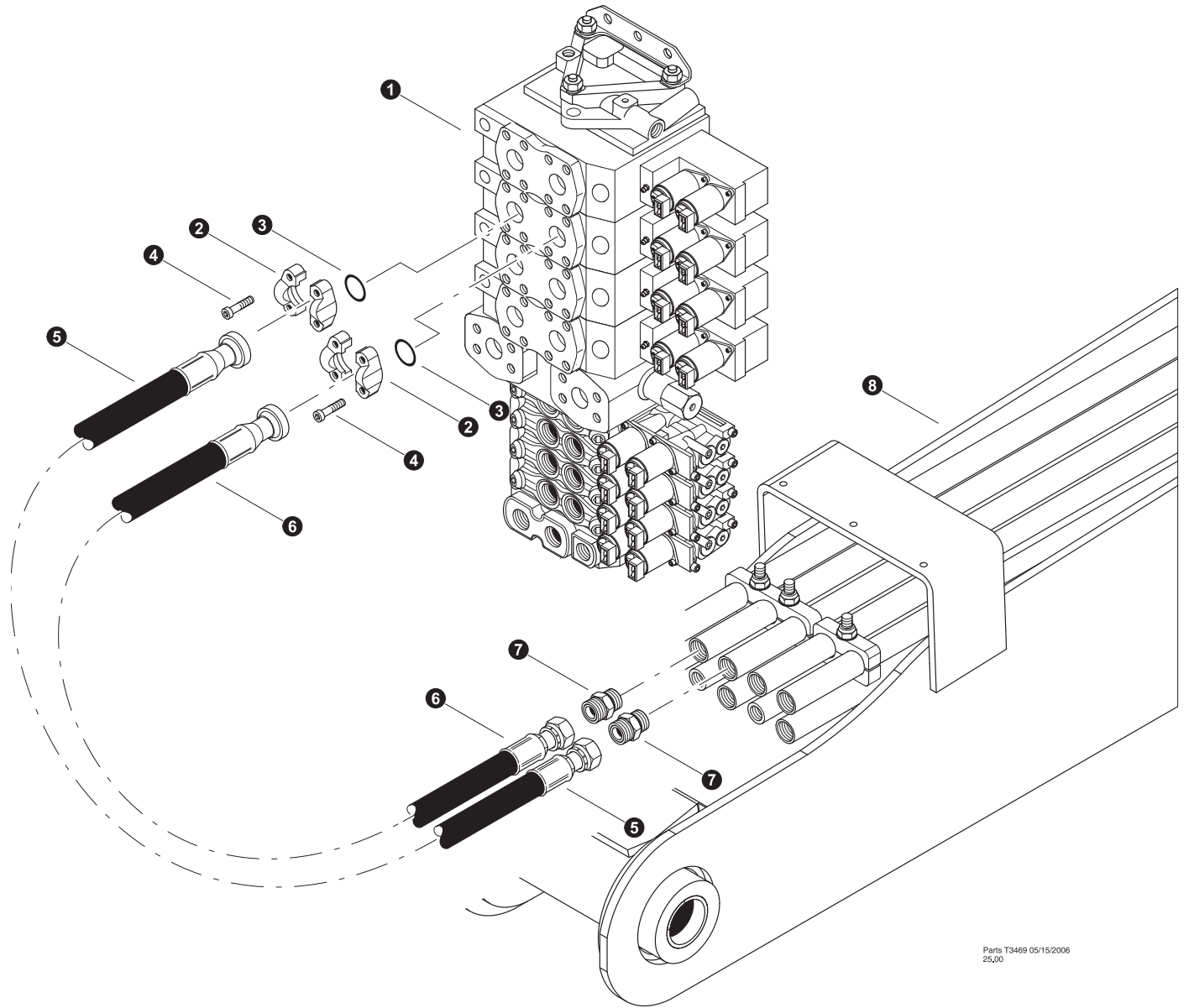


Parts T3475 05/12/2006
12.5

STICK BOOM CYLINDER FUNCTION (Main Boom To Stick Boom Cylinder)




REF	PART #	QTY	DESCRIPTION	SEE SECTION
1	REF.	1	 STICK BOOM CYLINDER.....	HB-3
2	REF.	1	 MAIN BOOM ASSEMBLY.....	HB-1
3	15225-HH	6	CONNECTOR, STR - FF1852T-1616S	
4	-HH	1	HOSE ASSEMBLY - 4084-16-160S-16O4 (<i>Main Boom to Stick Cylinder Rod</i>)	
5	-HH	1	HOSE ASSEMBLY - 4081-16-160S-16O4 (<i>Main Boom to Stick Cylinder Base</i>)	
6	REF.	1	 STICK CYLINDER.....	HB-3

 See referenced page for component or assembly breakdown.

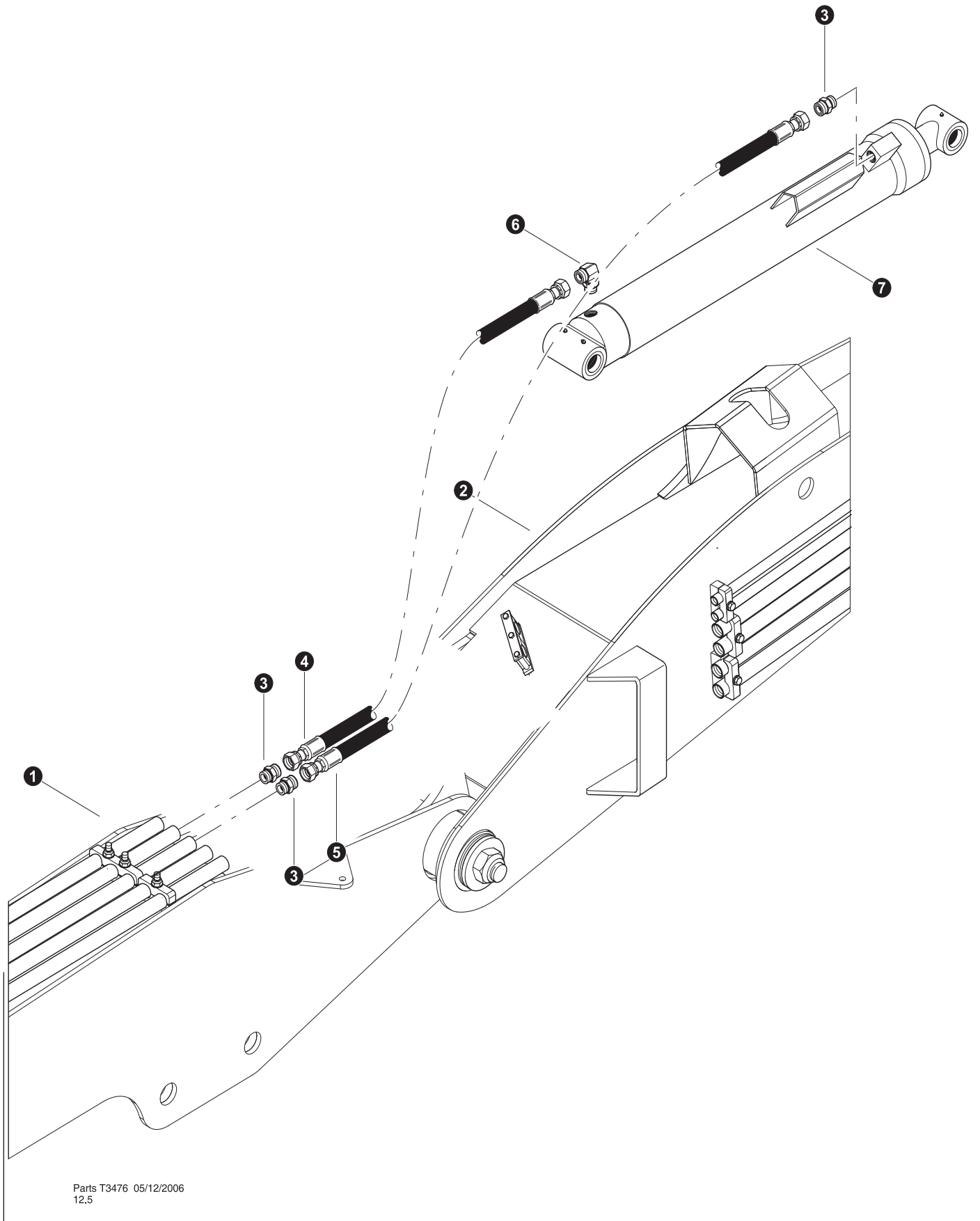


Parts T3469 05/15/2006
25,00

TOOL CYLINDER FUNCTION (Main Control Valve To Main Boom Tube Lines)




REF	PART #	QTY	DESCRIPTION	SEE SECTION
1	REF.	1	 MAIN CONTROL VALVE.....	HH-1
2	15111-HH	2	 KIT, split flange - 1" SF (Code 61)	
3	15377-HH	2	O-RING - 1" SF	
4	18979-HH	8	BOLT, allen M10 X 45MM	
5	-HH	1	HOSE ASSEMBLY - 4053-16-160S-16PA (Tool Cyl valve work port "B" to main boom tube line base side)	
6	-HH	1	HOSE ASSEMBLY - 4049-16-160S-16PA (Tool Cyl valve work port "A" to main boom tube line rod side)	
7	15225-HH	6	CONNECTOR, STR - FF1852T-1616S	
8	REF.	1	 MAIN BOOM ASSEMBLY.....	HB-1

 See referenced page for component or assembly breakdown.

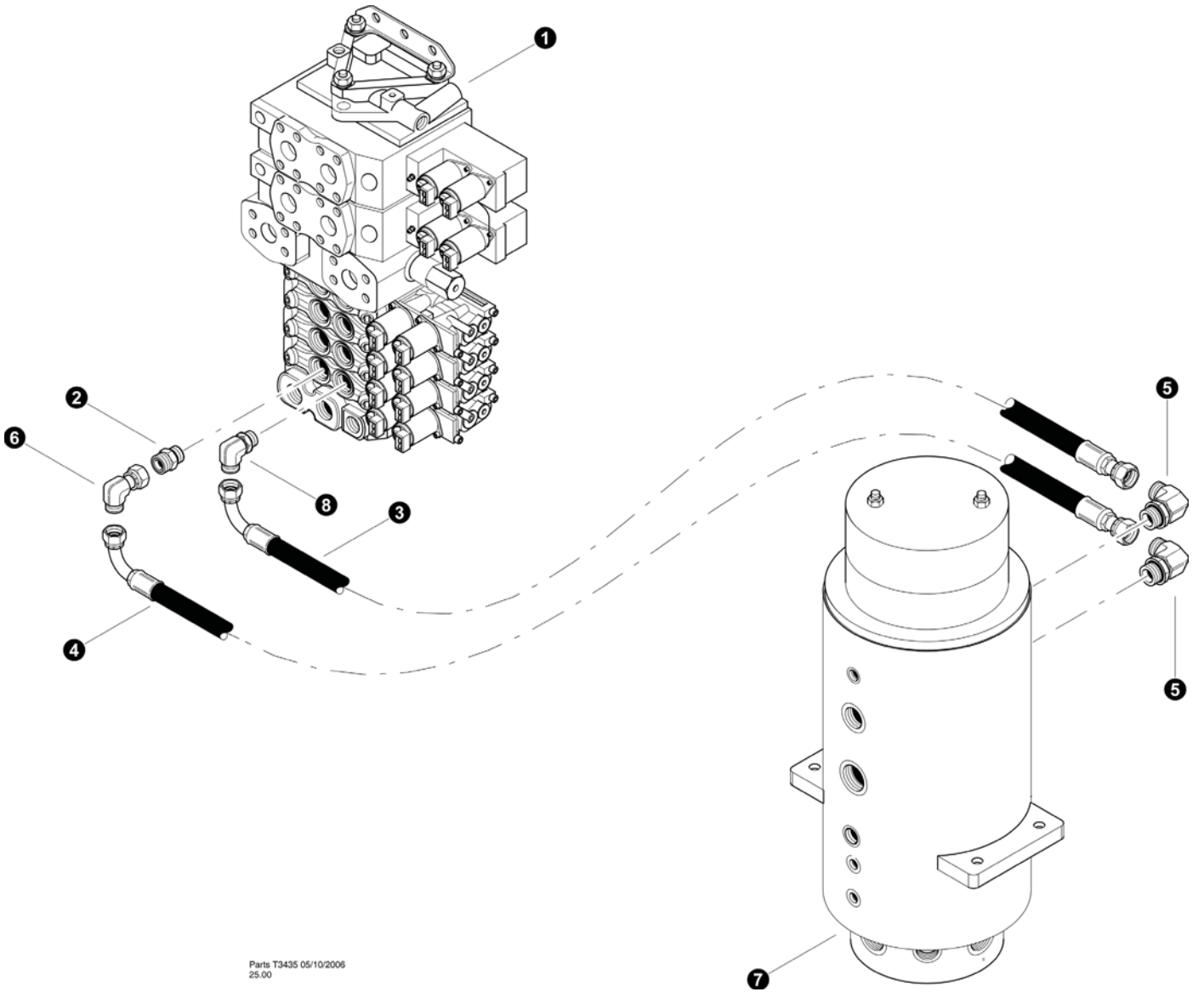


Parts T3476 05/12/2006
12.5

TOOL CYLINDER FUNCTION (Main Boom To Tool Cylinder)

REF	PART #	QTY	DESCRIPTION	SEE SECTION
1	REF.	1	 MAIN BOOM ASSEMBLY	HB-1
2	REF.	1	 STICK BOOM ASSEMBLY	HB-1
3	15225-HH	3	CONNECTOR, STR - FF1852T-1616S	
4	-HH	1	HOSE ASSEMBLY - 4108-16-160S-160S (<i>Main Boom to Tool Cylinder Rod</i>)	
5	-HH	1	HOSE ASSEMBLY - 4154-16-160S-160S (<i>Main Boom to Tool Cylinder Base</i>)	
6	15228-HH	1	ELBOW, 90 - FF1868T-1616S	
7	REF.	1	 TOOL CYLINDER	HB-3



 See referenced page for component or assembly breakdown.



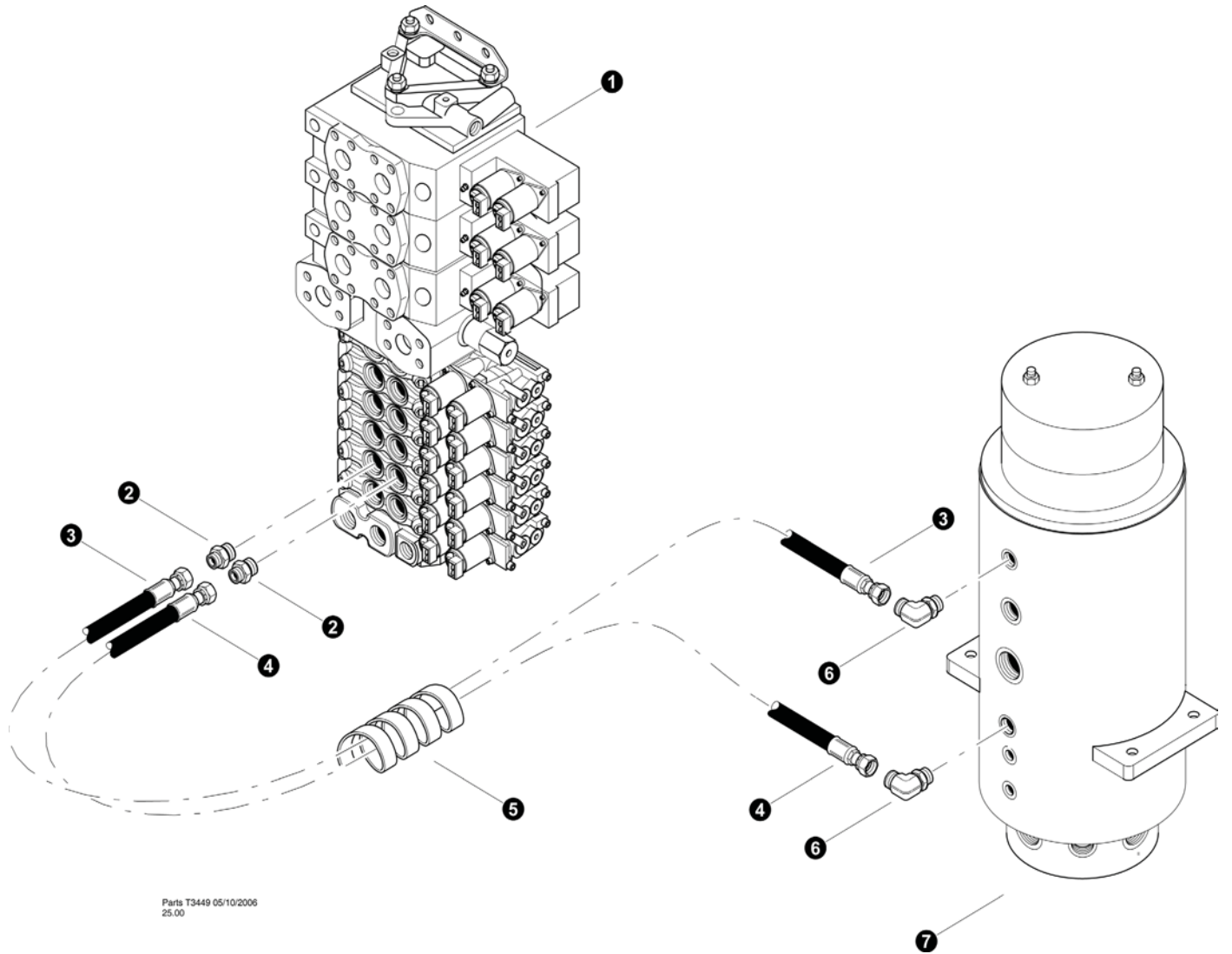
Parts T3435 05/10/2006
25.00

STEER FUNCTION LINES



(Main Control Valve To Upper Rotary Manifold Ports)

REF	PART #	QTY	DESCRIPTION	SEE SECTION
1	REF.	1	 MAIN CONTROL VALVE	HH-1
2	50039-HH	2	CONNECTOR, STR - 848-TTO-10X10	
3	-HH	1	HOSE ASSEMBLY - 4034.5-10-100S-1009(<i>Steer valve section work port "B" to rotary manifold #11 port</i>)	
4	-HH	1	HOSE ASSEMBLY - 4036-10-100S-1009(<i>Steer valve section work port "A" to rotary manifold #9 port</i>)	
5	50036-HH	3	ELBOW, 90 - 849-TTO-10X12	
6	51882-HH	3	ELBOW, 90 - SWIVEL (10 C6L0-S)	
7	REF.	1	 ROTORY MANIFOLD ASSEMBLY	UP-1
8	51881-HH	3	ELBOW, 90 - (10 C50L0-S)	

 See referenced page for component or assembly breakdown.



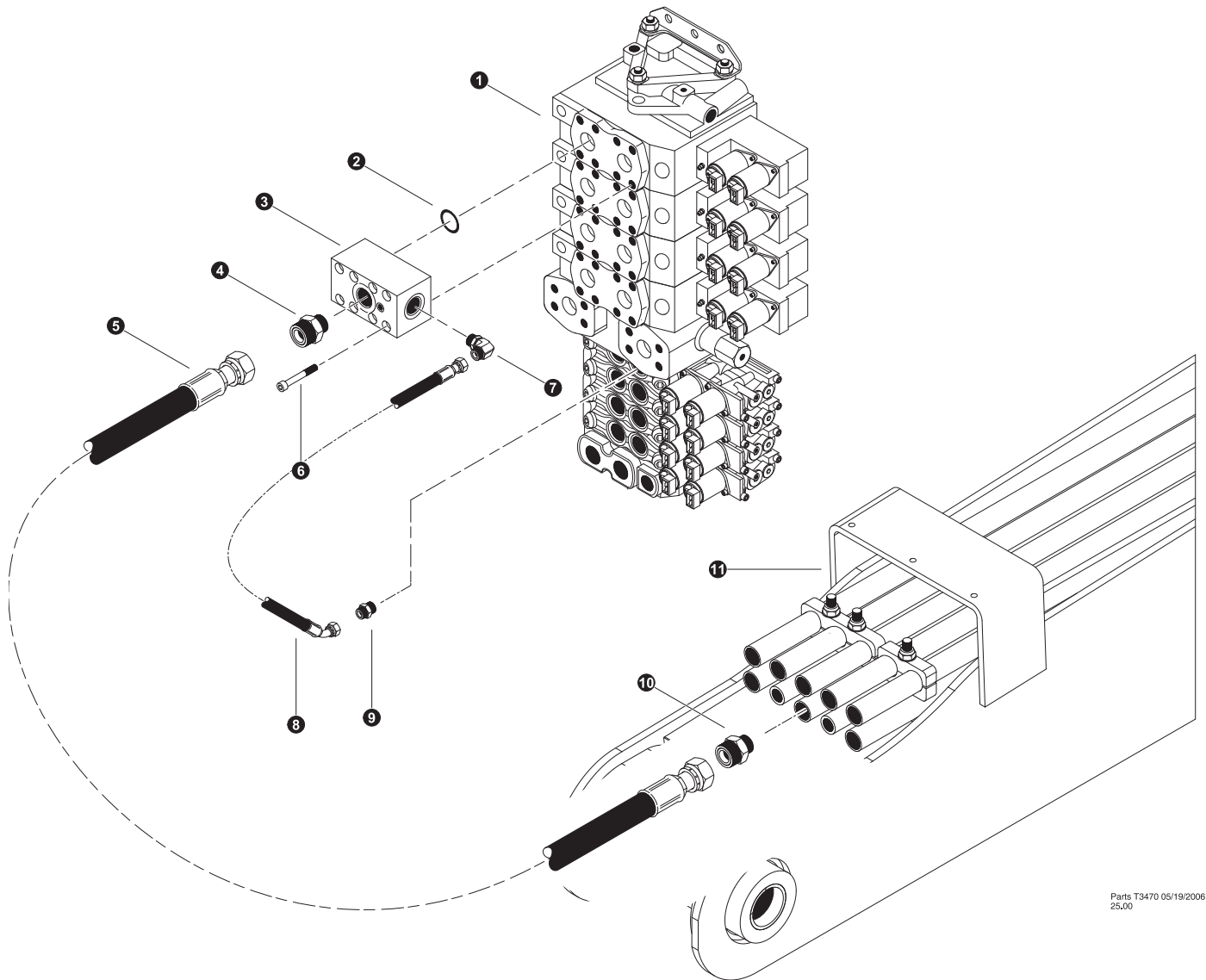
CAB LEVELING FUNCTION - OPTIONAL
(Main Control Valve To Rotary Manifold)

REF	PART #	QTY	DESCRIPTION	SEE SECTION
1	REF.	1	 MAIN CONTROL VALVE	HH-1
2	15115-HH	2	CONNECTOR, straight - FF1852T-0810S	
3	-HH	1	HOSE ASSEMBLY - 4035-08-080S-080S (<i>Cab Level section to Rotary Manifold</i>)	
4	-HH	1	HOSE ASSEMBLY - 4030-08-080S-080S (<i>Cab Level section to Rotary Manifold</i>)	
5	19677-HH	6 ft	PROTECTOR, HOSE - SPRIAL (1.25")(BULK)	
6	16360-HH	2	ELBOW, 90 - FF1868T-0808S	
7	REF.	1	 ROTORY MANIFOLD ASSEMBLY	UP-1

 See referenced page for component or assembly breakdown.



Section HH-5


Harvester / Feller Buncher Hydraulics - Implement Function Connections - Rolly II

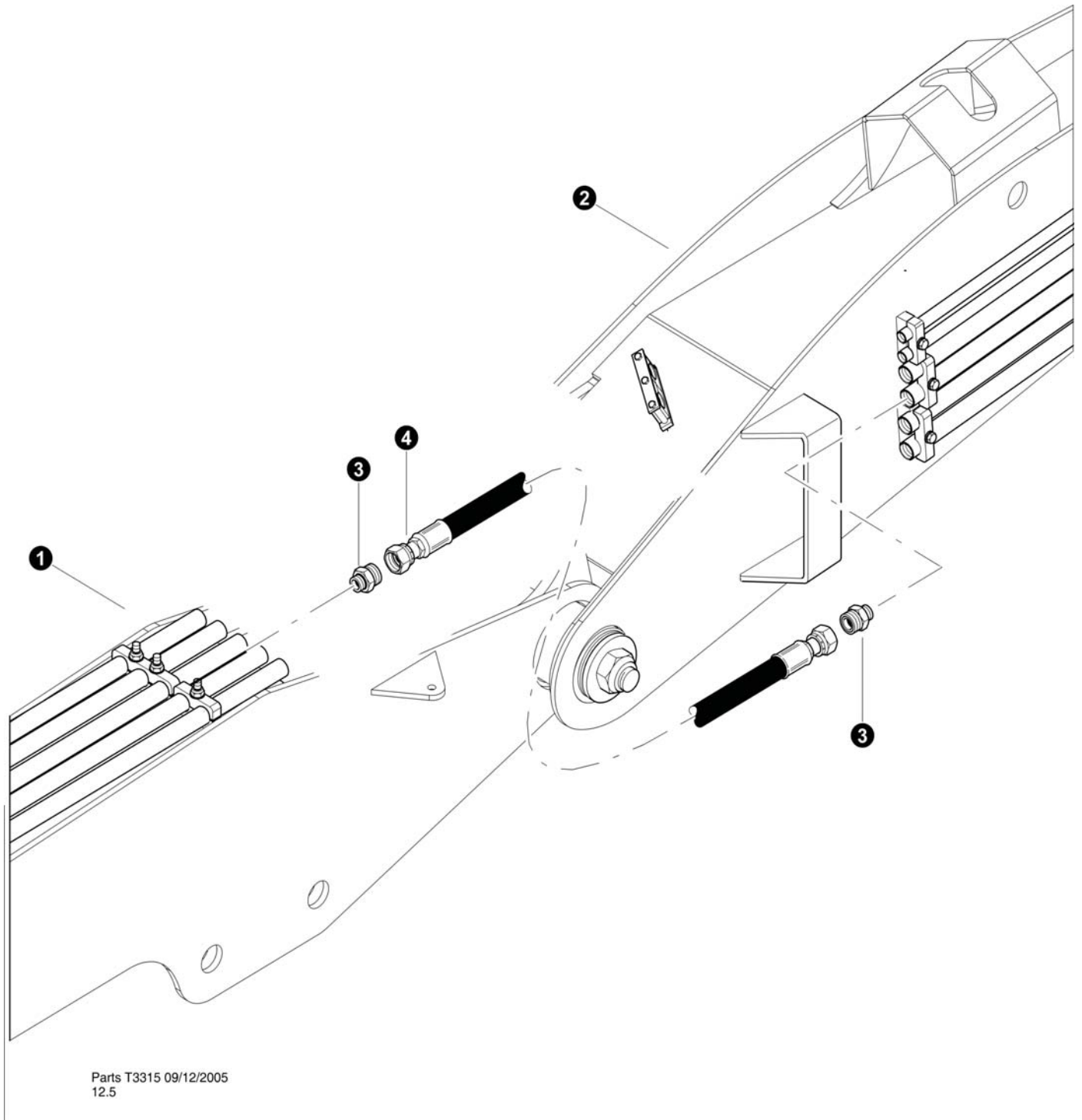


Parts T3470 05/19/2006
25.00



HARVESTER ATTACHMENT PRESSURE (Valve to Main Boom)

REF	PART #	QTY	DESCRIPTION	SEE SECTION
1	REF.	1	 MAIN CONTROL VALVE.....	HH-2
2	15377-HH	2	O-RING - 1" SF	
3	51807-HH	1	MANIFOLD, COMBINED FLOW - VOAC COMB	
4	17063-HH	1	CONNECTOR, STR - FF1852T-2016S	
5	-HH	1	HOSE ASSEMBLY - 4046-20-200S-200S	
6	50117-HH	8	BOLT, ALLEN HEAD - 10MM-1.5P X 75MM	
7	15372-HH	1	ELBOW, 90 - FF1868T-0812S	
8	-HH	1	HOSE ASSEMBLY - 4024-08-080S-0804	
9	15115-HH	2	CONNECTOR, STR - 848-TTO-08X10	
10	17063-HH	2	CONNECTOR, STR - FF1852T-2016S	
11	REF.	1	 MAIN BOOM ASSEMBLY	HB-1

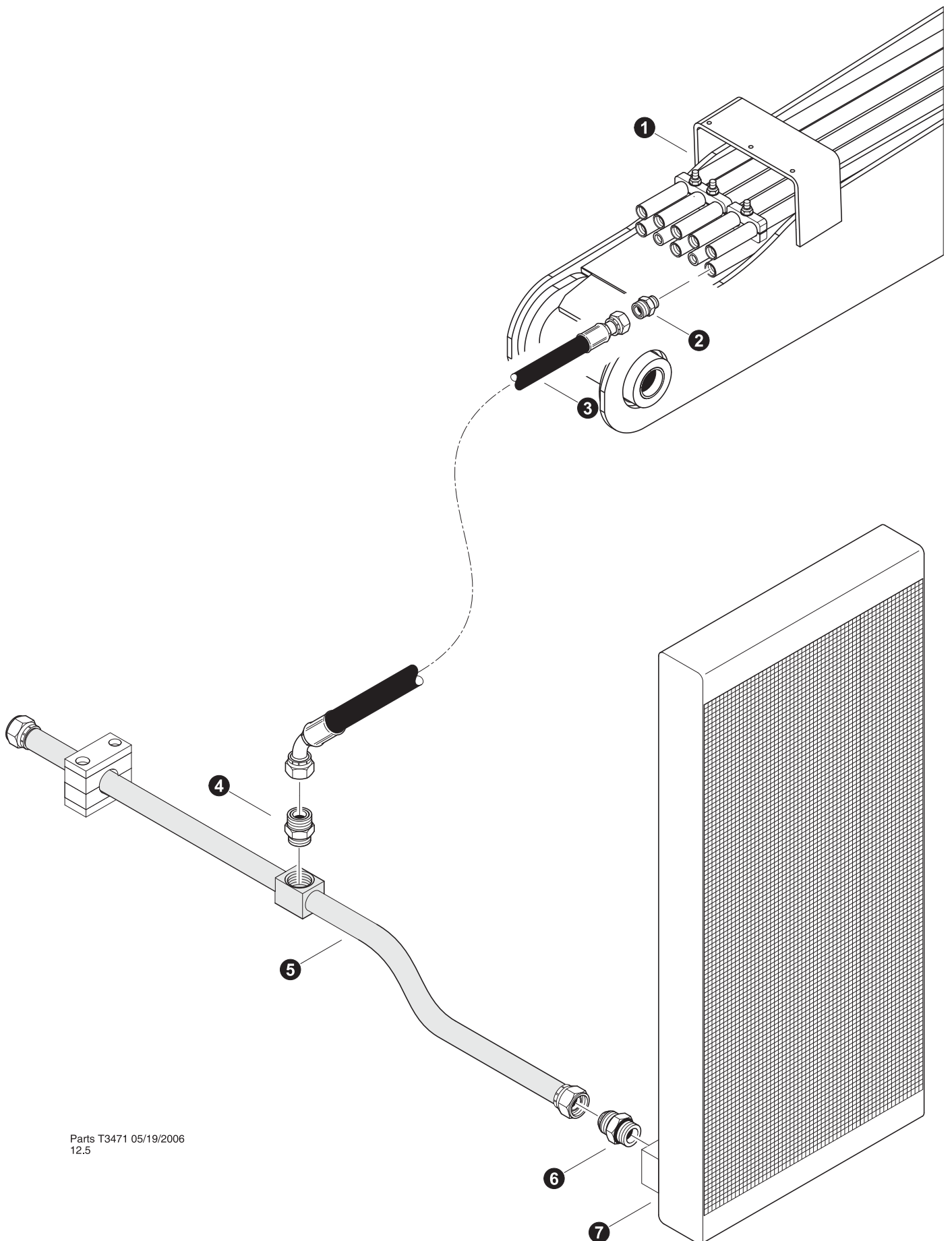
 See referenced page for component or assembly breakdown.



HARVESTER ATTACHMENT PRESSURE (Main Boom to Stick Boom)




REF	PART #	QTY	DESCRIPTION	SEE SECTION
1	REF.	1	 MAIN BOOM ASSEMBLY	HB-1
2	REF.	1	 STICK BOOM ASSEMBLY	HB-1
3	17063-HH	2	CONNECTOR, STR - FF1852T-2016S	
4	-HH	1	HOSE ASSEMBLY - 4075-20-200S-200S (<i>Main Boom to Stick Cyl</i>)	


 See referenced page for component or assembly breakdown.

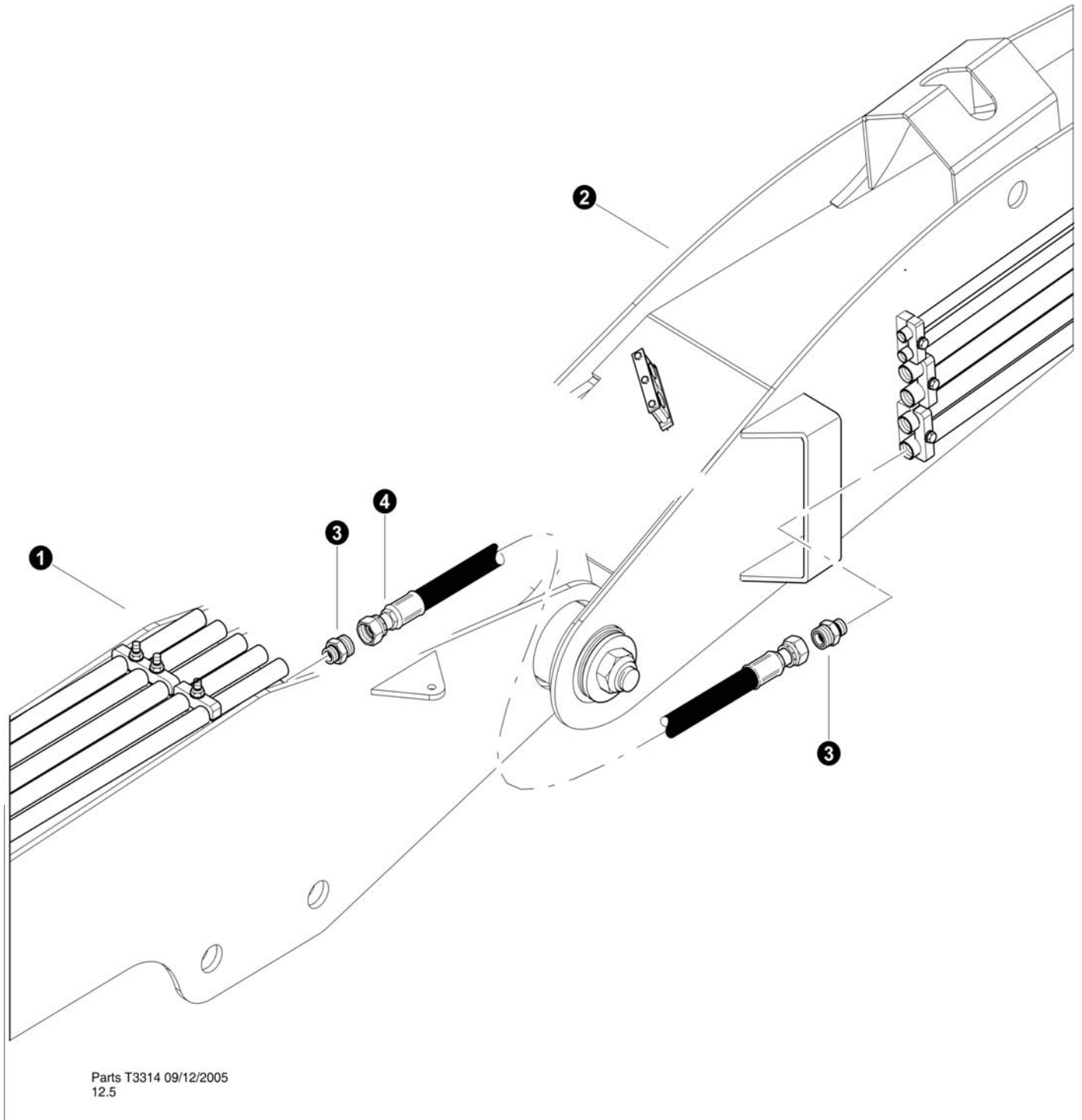


Parts T3471 05/19/2006
12.5

HARVESTER ATTACHMENT RETURN (Oil Cooler to Main Boom)



REF	PART #	QTY	DESCRIPTION	SEE SECTION
1	REF.	1	 MAIN BOOM ASSEMBLY	HB-1
2	16542-HH	1	CONNECTOR, STR - FF1852T-1620S	
3	-LH	1	HOSE ASSEMBLY - 2055-20-200S-2004 (<i>Attachment Return to Return Tube</i>)	
4	18474-LH	1	ELBOW, 90 - 849-TT-20	
5	52384-LH	1	 TUBELINE, OIL COOLER RETURN - KIT	
6	-LH	1	CONNECTOR, STR #24 with seal	
7	REF.	1	 OIL COOLER ASSEMBLY	UP-3


 See referenced page for component or assembly breakdown.

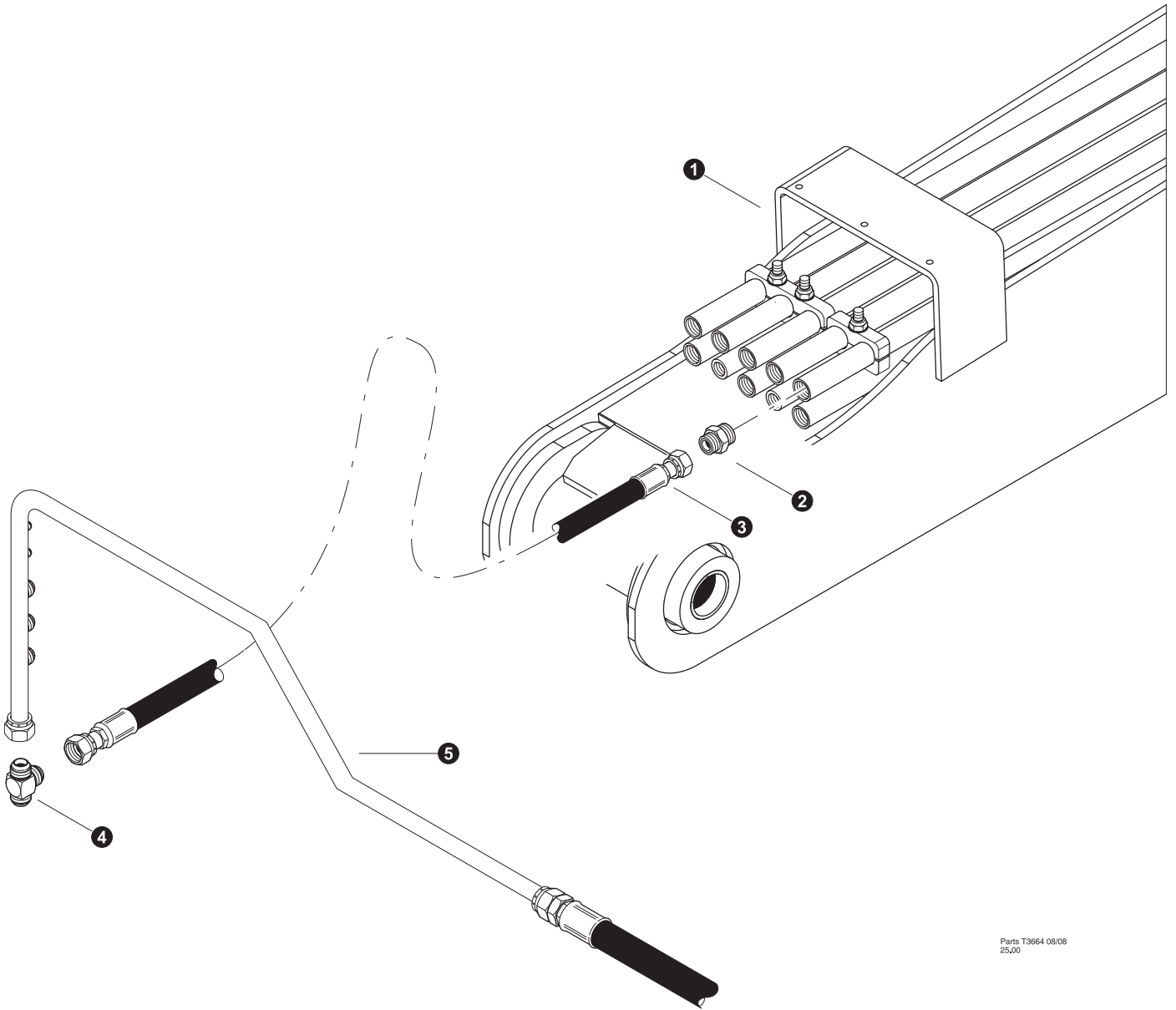


Parts T3314 09/12/2005
12.5

HARVESTER ATTACHMENT RETURN (Main Boom to Stick Boom)



REF	PART #	QTY	DESCRIPTION	SEE SECTION
1	REF.	1	 MAIN BOOM ASSEMBLY	HB-1
2	REF.	1	 STICK BOOM ASSEMBLY	HB-1
3	16542-HH	2	CONNECTOR, STR - FF1852T-1620S	
4	-HH	1	HOSE ASSEMBLY - 4073-20-200S-200S (<i>Main Boom to Stick Cyl</i>)	

 See referenced page for component or assembly breakdown.

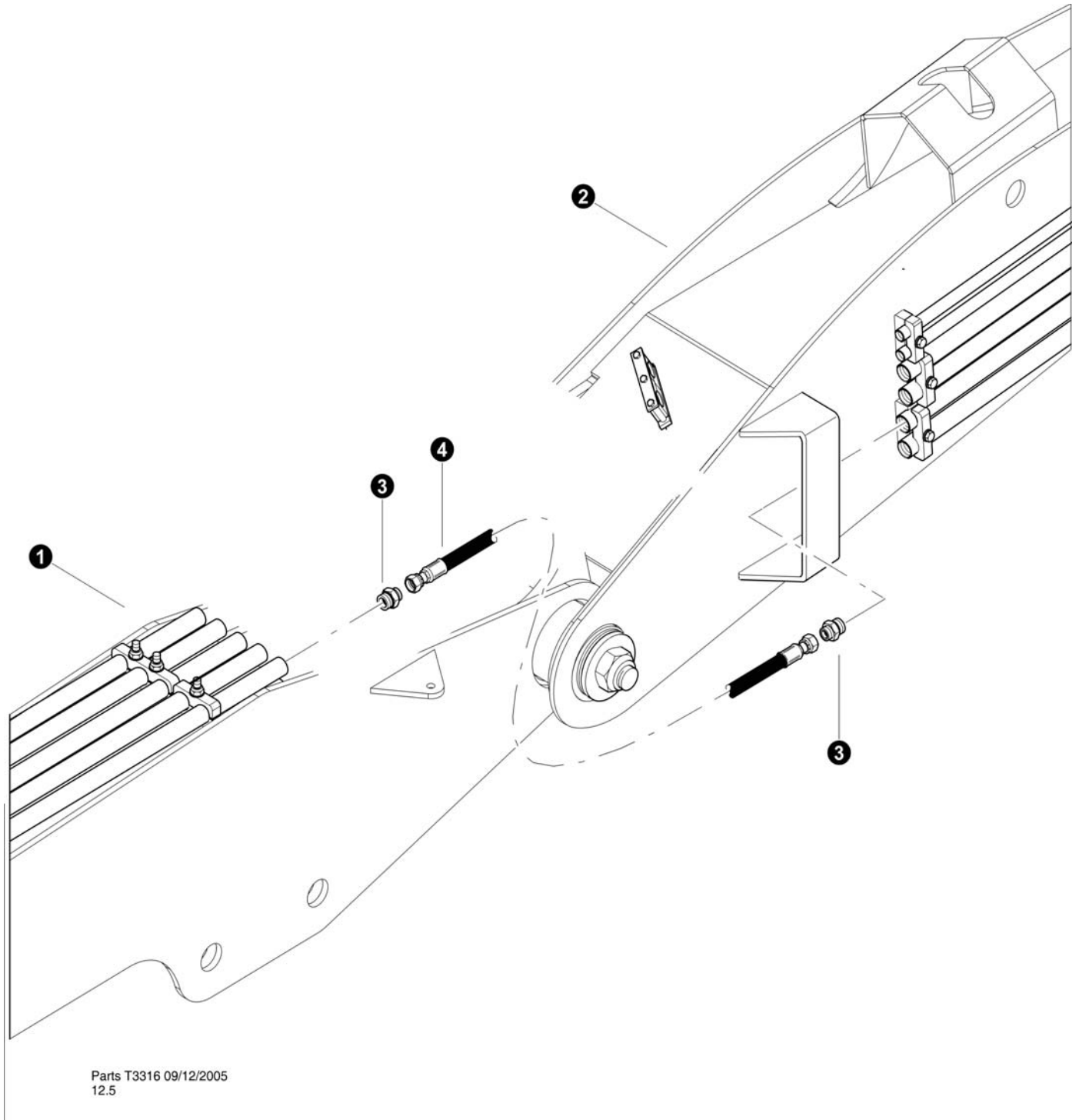


Parts T3664 08/08
25.00



HARVESTER ATTACHMENT CASE DRAIN (Oil Tank to Main Boom)

REF	PART #	QTY	DESCRIPTION	SEE SECTION
1	REF.	1	 MAIN BOOM ASSEMBLY	HB-1
2	15226-HH	1	CONNECTOR, STR - FF1852T-1216S	
3	-HH	1	HOSE ASSEMBLY - 2059-12-120S-16FJ (<i>Main Boom tube line to Case Tube</i>)	
4	52970-HH	1	TEE, UNION - 16 JTXO	
5	REF.	1	 CASE DRAIN TUBE	HH-2

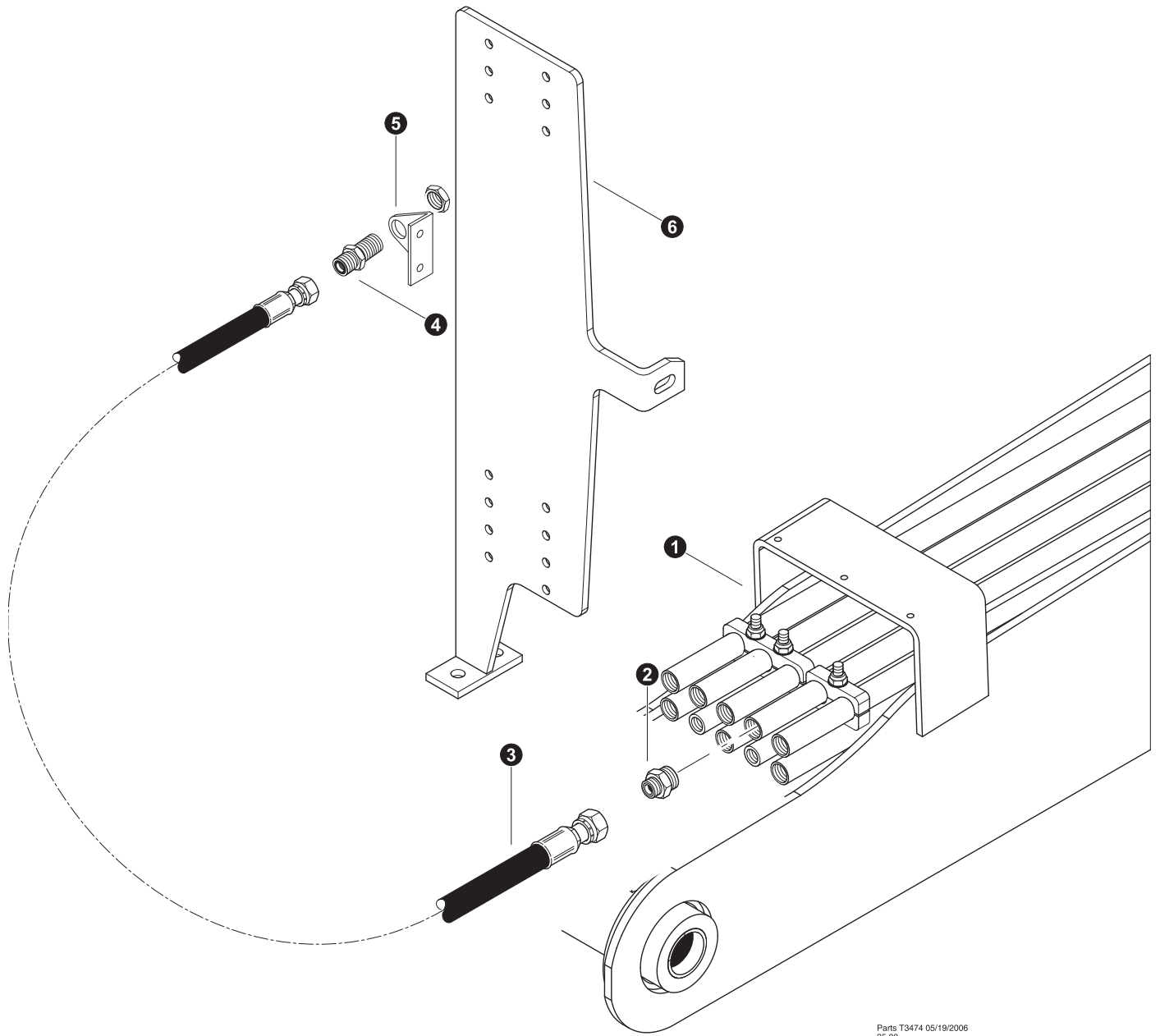
 See referenced page for component or assembly breakdown.



HARVESTER ATTACHMENT CASE DRAIN (Main Boom to Stick Boom)


REF	PART #	QTY	DESCRIPTION	SEE SECTION
1	REF.	1	 MAIN BOOM ASSEMBLY	HB-1
2	REF.	1	 STICK BOOM ASSEMBLY	HB-1
3	15225-HH	2	CONNECTOR, STR - FF1852T-1616S	
4	-HH	1	HOSE ASSEMBLY - 4073.5-16-160S-160S (<i>Main Boom to Stick Cyl</i>)	


 See referenced page for component or assembly breakdown.

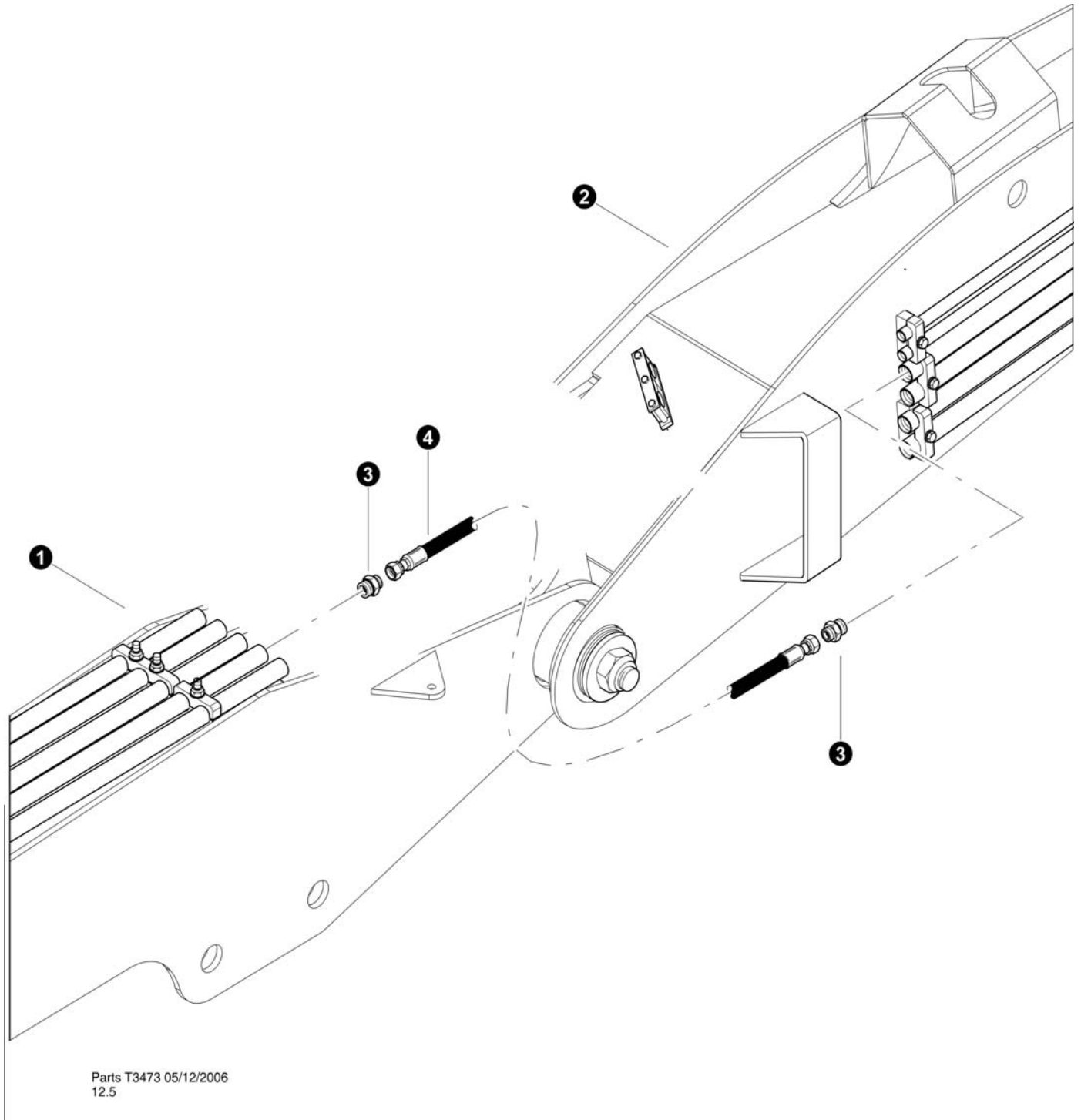


Parts T3474 05/19/2006
25.00



HARVESTER ATTACHMENT WIRE HOSE (Wire Hose Bracket to Main Boom)

REF	PART #	QTY	DESCRIPTION	SEE SECTION
1	REF.	1	 MAIN BOOM ASSEMBLY	HB-1
2	52866-HH	1	CONNECTOR, STR - 10-16 F50LO-S	
3	-HH	1	HOSE ASSEMBLY - 2066-10-100S-100S (<i>Main Boom tube line to Bulkhead</i>)	
4	50037-HH	1	CONNECTOR, STR BULKHEAD - 832-TT-10	
5	53053-HH	1	BRACKET, BULKHEAD - Rolly 2 wire	
6	REF	1	VALVE BRACKET	HH-1

 See referenced page for component or assembly breakdown.



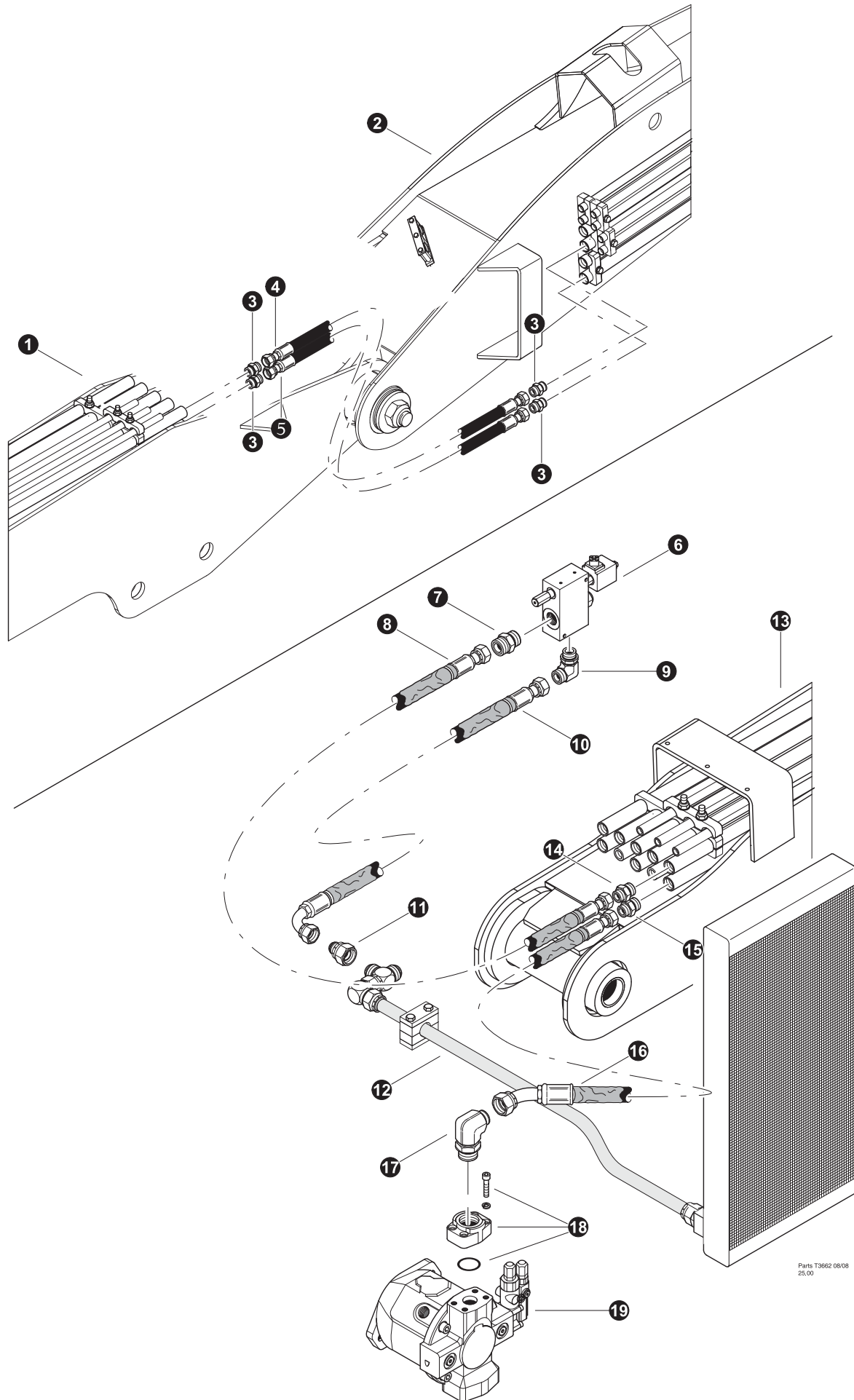
HARVESTER ATTACHMENT WIRE HOSE (Main Boom to Stick Boom)

REF	PART #	QTY	DESCRIPTION	SEE SECTION
1	REF.	1	 MAIN BOOM ASSEMBLY	HB-1
2	REF.	1	 STICK BOOM ASSEMBLY	HB-1
3	52866-HH	2	CONNECTOR, STR - 10-16 F50LO-S	
4	-HH	1	HOSE ASSEMBLY - 4075.5-10-100S-100S (<i>Main Boom to Stick Cyl</i>)	

 See referenced page for component or assembly breakdown.

Section HH-6








Harvester / Feller Buncher Hydraulics - Implement Function Connections - Disc Saw



Parts T39662 08/08
25/00

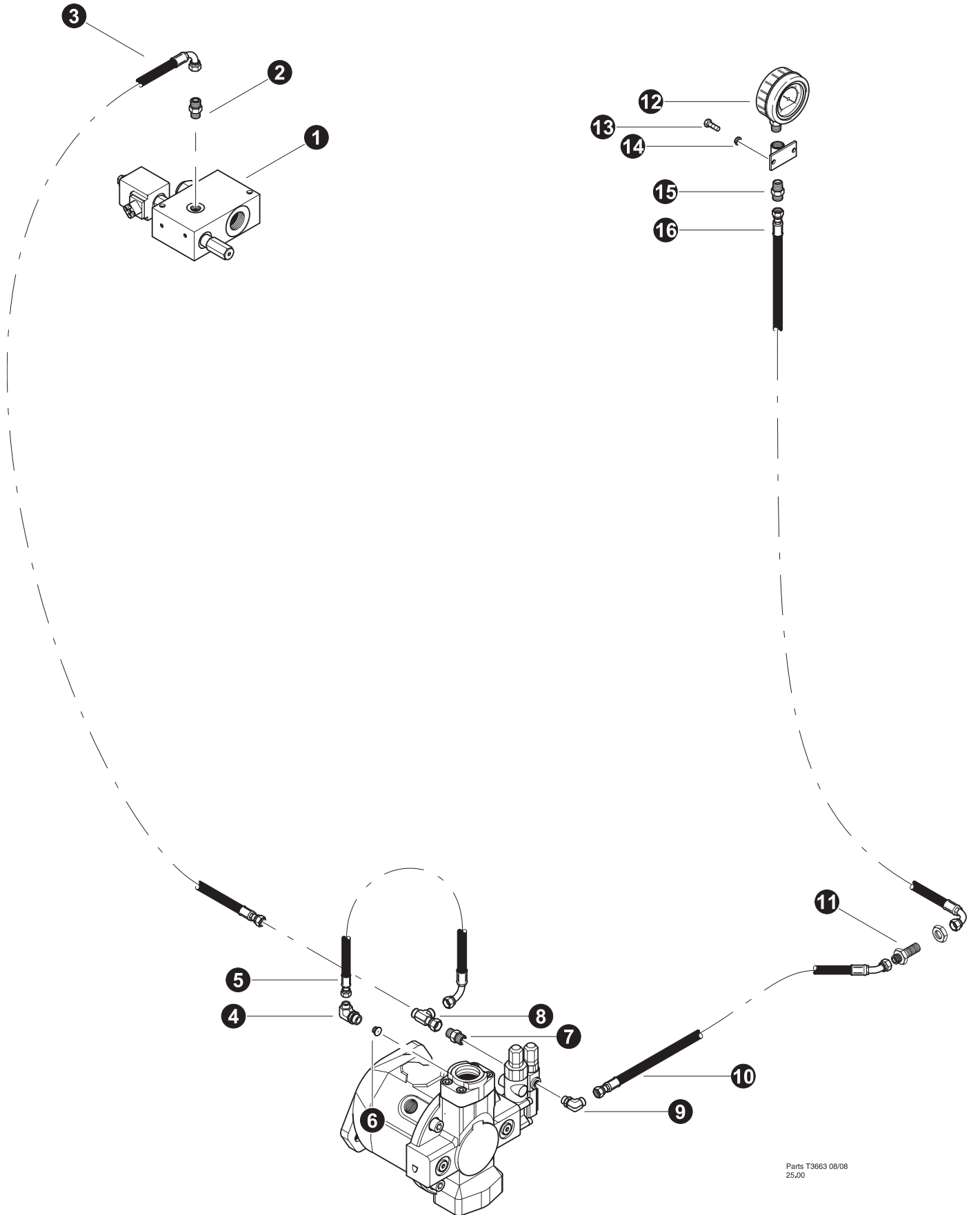
FELLER BUNCHER - DISC SAW HYDRAULICS

(Pressure and Tank Connections)

REF	PART #	QTY		DESCRIPTION	SEE SECTION
1	REF.	1		MAIN BOOM ASSEMBLY	HB-1
2	REF.	1		STICK BOOM ASSEMBLY	HB-2
3	15225-HH	4		CONNECTOR, straight - FF1852T-1616S	
4	-HH	1		HOSE ASSEMBLY - 4075-16-160S-16OS (<i>Main Boom tube line to Stick Boom Return</i>)	
5	-HH	1		HOSE ASSEMBLY - 4073-16-160S-16OS (<i>Main Boom tube line to Stick Boom Pressure</i>)	
6	REF.	1		SAW STOP VAVLE	HH-6
7	15152-HH	1		CONNECTOR, STR - FF1852T-1212S	
8	-HH	1		HOSE ASSEMBLY - 4073-12-120S-12OS (<i>Main Boom tube line to Disc Stop Block</i>)	
9	17688-HH	1		ELBOW, 90 - FF1868T-1212S	
10	-HH	1		HOSE ASSEMBLY - 4000-16-160S-16J9 (<i>Stop Block to Return Tube Tee</i>)	
11	53180-LH	1		FITTING, REDUCER TUBE END - 24-12	
12	REF.	1		RETURN TUBE ASSEMBLY	HH-2
13	REF.	1		MAIN BOOM ASSEMBLY	HB-1
14	15226-HH	1		CONNECTOR, STR - FF1852T-1216S	
15	15226-HH	1		CONNECTOR, STR - FF1852T-1216S	
16	-HH	1		HOSE ASSEMBLY - 4000-12-120S-12O4 (<i>Main Boom tube line to Disc Pump Pressure</i>)	
17	19128-HH	1		ELBOW, 90 - FF1868T-1216S	
18	22758-HH	1		CONNECTOR, flange pad - 1" (<i>Code 61</i>)(<i>Tapped for 1/4" SAE thread on side</i>)	
-	15377-HH	1		O-RING - 1" SF	
19	REF.	1		DISC SAW PUMP	HH-1




See referenced page for component or assembly breakdown.

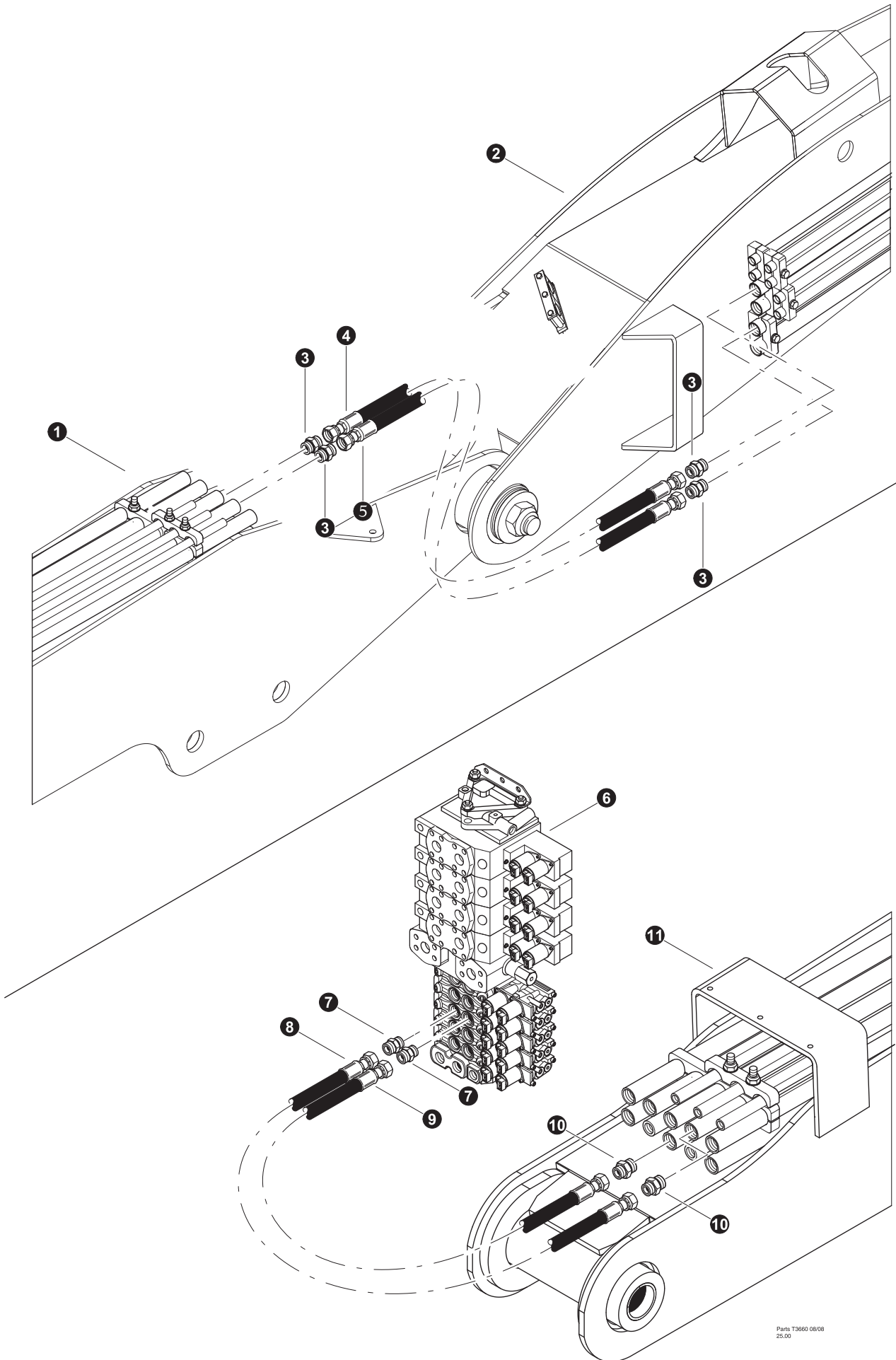


Parts T3663 08/08
25.00

FELLER BUNCHER - DISC SAW HYDRAULICS
(Disc Saw Pump Load Sense and Gauge Connections)

REF	PART #	QTY	DESCRIPTION	SEE SECTION
1	REF.	1	 SAW STOP VALVE	HH-6
2	15124-HH	1	CONNECTOR, STR - FF1852T-0406S	
3	-HH	1	HOSE ASSEMBLY - 2000-04-040S-0409 (<i>Disc stop block to disc saw pump load sense port</i>)	
4	15133-HH	1	ELBOW, 90° - FF1868T-0406S - must be tapped for orifice	
5	-HH	1	HOSE ASSEMBLY - 2009.5-04-040S-0409 (<i>Disc saw pump load sense port jumper</i>)	
6	17253-HH	1	ORIFICE - 0.040"	
7	16541-HH	1	CONNECTOR, straight - FF1852T-0404S	
8	15176-HH	1	TEE - FF2114T-0404S	
9	16540-HH	1	ELBOW, 90 - FF1868T-0404S	
10	-HH	1	HOSE ASSEMBLY - 2043-04-040S-0404 (<i>Disc saw pump to cab bulkhead</i>)	
11	18582-HH	1	CONNECTOR, STR BULKHEAD - FF1994T-0404S	
12	15343-OD	1	GAUGE, pressure - 6000 PSI	
13	15604-OD	2	BOLT - 1/4" x 3/4"	
14	10757-OD	2	WASHER, SAE FLAT - .25"	
15	15131-HH	1	CONNECTOR, straight - FF2031T-0404S	
16	-HH	1	HOSE ASSEMBLY - 2091-04-040S-0409 (<i>Gauge to Bulkhead</i>)	
17	12222-HH	1	BRACKET, disc saw gauge mount	





 See referenced page for component or assembly breakdown.




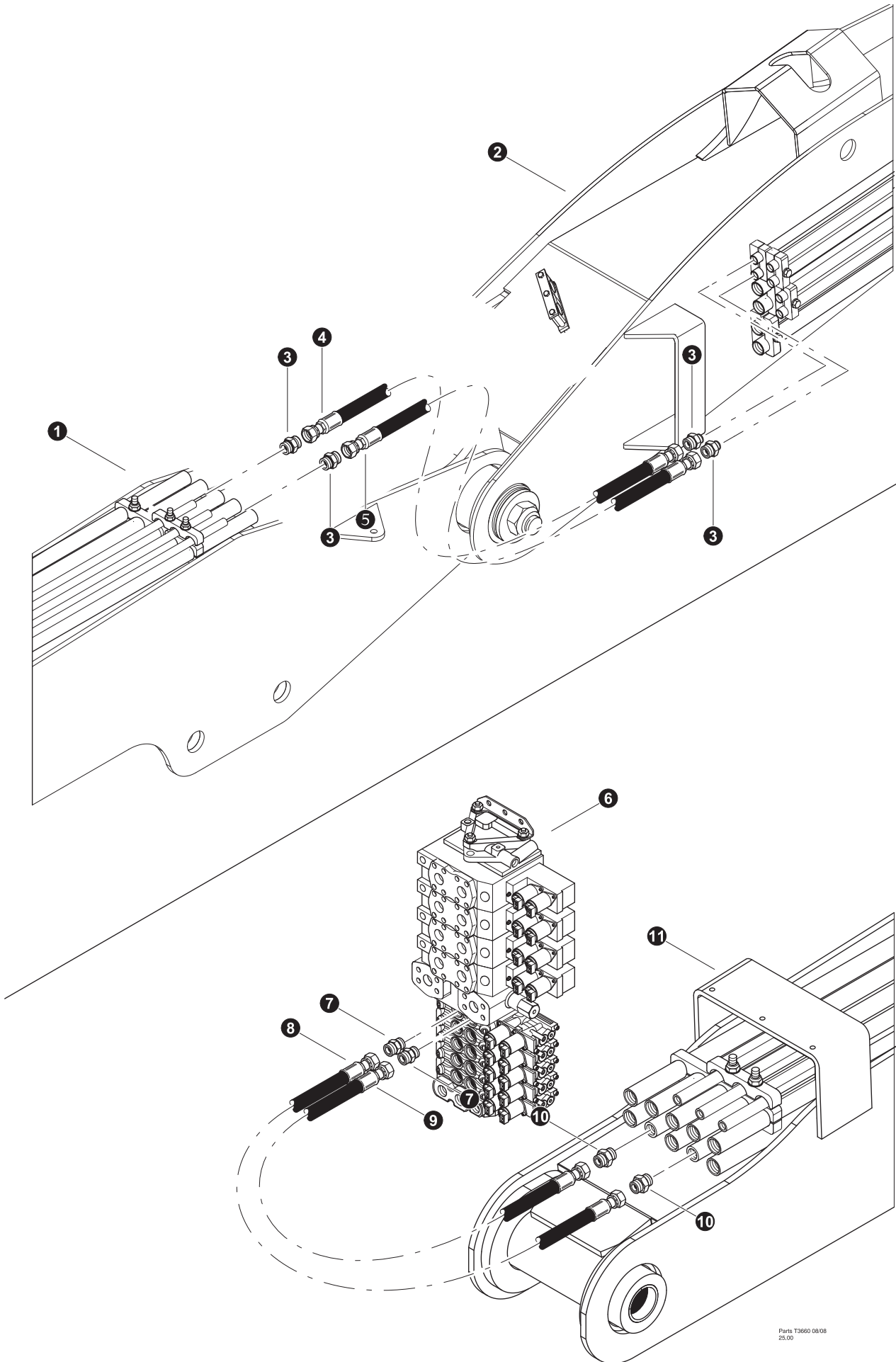
Parts T3660 08/08
25.00

FELLER BUNCHER - DISC SAW HYDRAULICS

(Clamp Cylinder Connection)





REF	PART #	QTY	DESCRIPTION	SEE SECTION
1	REF.	1	 MAIN BOOM ASSEMBLY	HB-1
2	REF.	1	 STICK BOOM ASSEMBLY	HB-2
3	52866-HH	4	CONNECTOR, STR - 10-16 F50LO-S	
4	-HH	1	HOSE ASSEMBLY - 4073.5-10-10OS-10OS (<i>Main Boom tube line to Stick Boom Clamp Rod</i>)	
5	-HH	1	HOSE ASSEMBLY - 4075.5-10-10OS-10OS (<i>Main Boom tube line to Stick Boom Clamp Base</i>)	
6	REF.	1	 VALVE ASSEMBLY	HH-1
7	50039-HH	1	CONNECTOR, STR - 848-TTO-10X10	
8	-HH	1	HOSE ASSEMBLY - 4061-10-10OS-10OS (<i>Main Boom tube line to Valve B Clamp Rod</i>)	
9	-HH	1	HOSE ASSEMBLY - 4061-10-10OS-10OS (<i>Main Boom tube line to Valve A Clamp Base</i>)	
10	52866-HH	2	CONNECTOR, STR - 10-16 F50LO-S	
11	REF.	1	 MAIN BOOM ASSEMBLY	HB-1

 See referenced page for component or assembly breakdown.

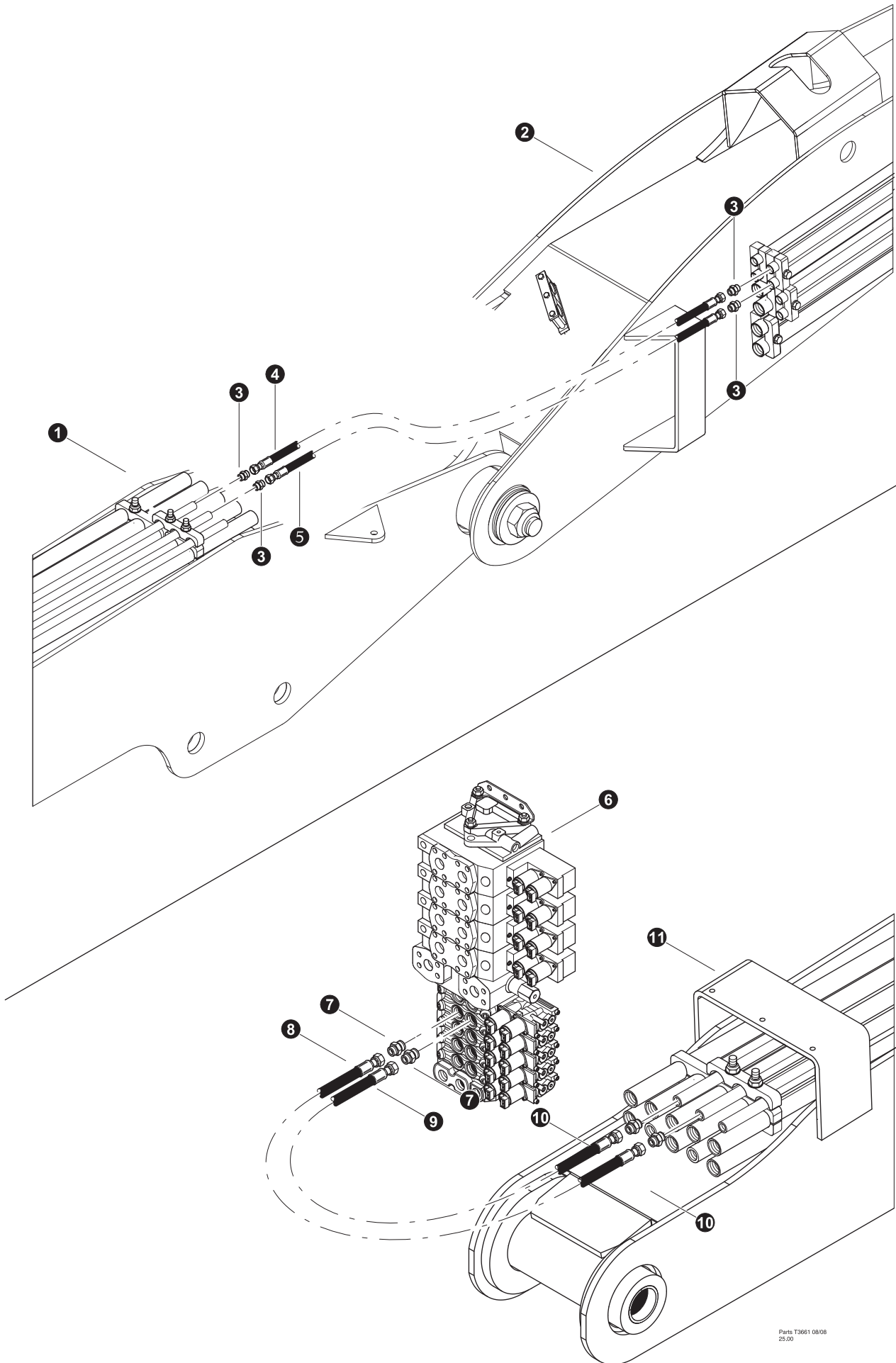


Parts T33660 08/08
25.00

FELLER BUNCHER - DISC SAW HYDRAULICS
(Accumulator Cylinder Connection)





REF	PART #	QTY		DESCRIPTION	SEE SECTION
1	REF.	1		MAIN BOOM ASSEMBLY	HB-1
2	REF.	1		STICK BOOM ASSEMBLY	HB-2
3	52866-HH	4		CONNECTOR, STR - 10-16 F50LO-S	
4	-HH	1		HOSE ASSEMBLY - 4079-10-10OS-10OS (<i>Main Boom tube line to Stick Boom Acc Rod</i>)	
5	-HH	1		HOSE ASSEMBLY - 4078-10-10OS-10OS (<i>Main Boom tube line to Stick Boom Acc Base</i>)	
6	REF.	1		VALVE ASSEMBLY	HH-1
7	50039-HH	1		CONNECTOR, STR - 848-TTO-10X10	
8	-HH	1		HOSE ASSEMBLY - 4057-10-10OS-10OS (<i>Main Boom tube line to Valve B Acc Rod</i>)	
9	-HH	1		HOSE ASSEMBLY - 4057-10-10OS-10OS (<i>Main Boom tube line to Valve A Acc Base</i>)	
10	52866-HH	2		CONNECTOR, STR - 10-16 F50LO-S	
11	REF.	1		MAIN BOOM ASSEMBLY	HB-1

 See referenced page for component or assembly breakdown.

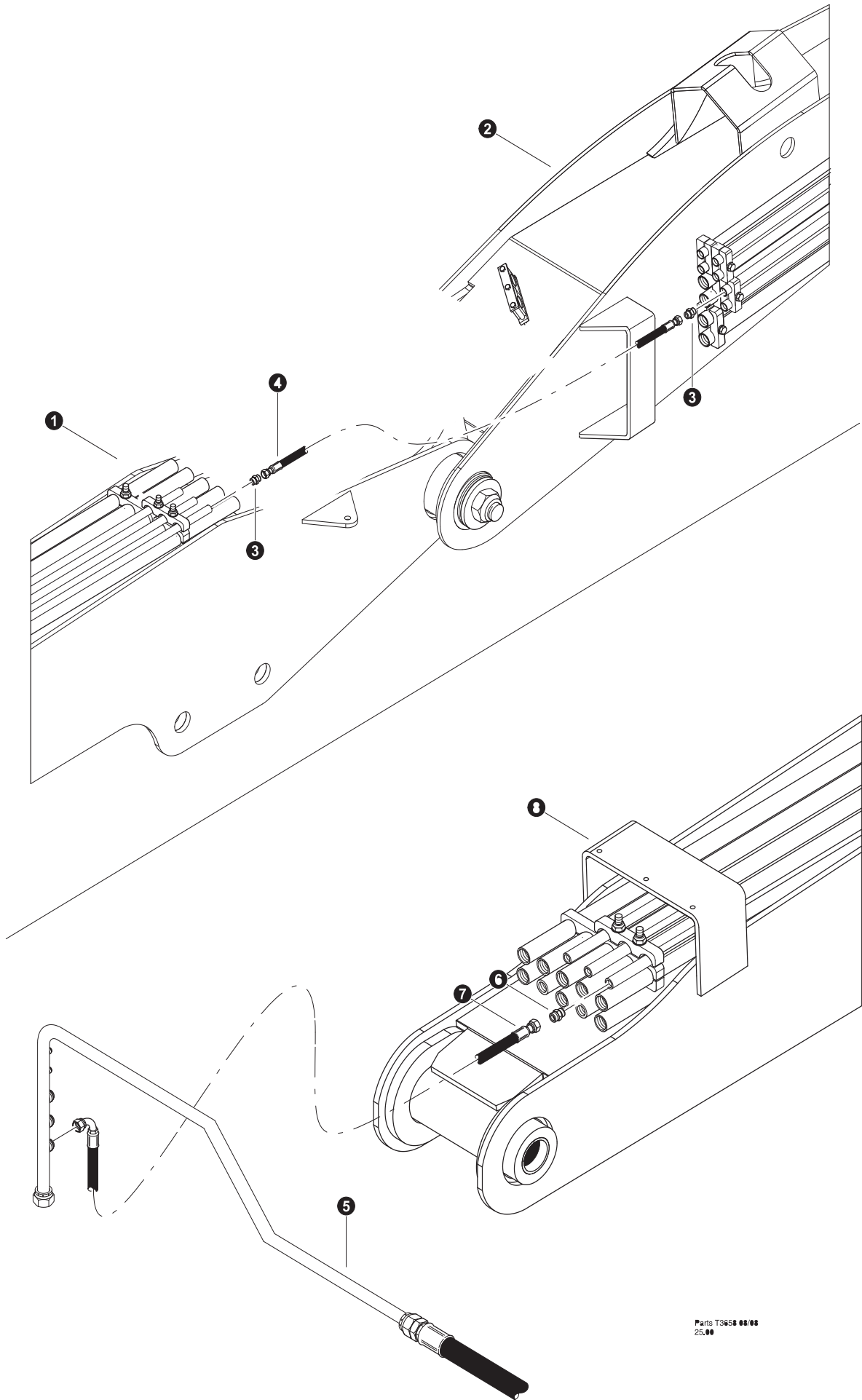


Parts T3661 08/08
25/50

FELLER BUNCHER - DISC SAW HYDRAULICS
(Lateral Tilt Connection)





REF	PART #	QTY		DESCRIPTION	SEE SECTION
1	REF.	1		MAIN BOOM ASSEMBLY	HB-1
2	REF.	1		STICK BOOM ASSEMBLY	HB-2
3	15117-HH	1		CONNECTOR, STR - FF1852T-0808S	
4	-HH	1		HOSE ASSEMBLY - 4082.5-08-08OS-08OS (<i>Main Boom tube line to Stick Boom Lateral Tilt</i>)	
5	-HH	1		HOSE ASSEMBLY - 4080.5-08-08OS-08OS (<i>Main Boom tube line to Stick Boom Lateral Tilt</i>)	
6	REF.	1		VALVE ASSEMBLY	HH-1
7	50039-HH	1		CONNECTOR, STR - 848-TTO-10X10	
8	-HH	1		HOSE ASSEMBLY - 4064-08-08OS-08OS (<i>Main Boom tube line to Valve B Lateral Tilt</i>)	
9	-HH	1		HOSE ASSEMBLY - 4064-08-08OS-08OS (<i>Main Boom tube line to Valve A Lateral Tilt</i>)	
10	15115-HH	2		CONNECTOR, STR - 848-TTO-08X10	
11	REF.	1		MAIN BOOM ASSEMBLY	HB-1

 See referenced page for component or assembly breakdown.



Parts T3658 02/08
25.00

FELLER BUNCHER - DISC SAW HYDRAULICS
(Case Drain Connection)

REF	PART #	QTY		DESCRIPTION	SEE SECTION
1	REF.	1		MAIN BOOM ASSEMBLY	HB-1
2	REF.	1		STICK BOOM ASSEMBLY	HB-2
3	15117-HH	1		CONNECTOR, STR - FF1852T-0808S	
4	-HH	1		HOSE ASSEMBLY - 4079.5-08-08OS-08OS (<i>Main Boom tube line to Stick Boom Lateral Tilt</i>)	
5	REF.	1		CASE DRAIN TUBE	HH-2
6	15117-HH	1		CONNECTOR, STR - FF1852T-0808S	
7	-HH	1		HOSE ASSEMBLY - 2072-08-080S-08J9 (<i>Main Boom tube line to Case Drain Tube</i>)	
8	REF.	1		MAIN BOOM ASSEMBLY	HB-1

 See referenced page for component or assembly breakdown.

FELLER BUNCHER - DISC SAW HYDRAULICS

(Saw Stop Valve)

REF	PART #	QTY	DESCRIPTION	SEE SECTION
-	23728-HH	1	☐ VALVE, SAW STOP - 24 Volt	
1	-HH	1	☐ CARTRIDGE, relief valve (RV08-20A-0-N-5 Hydraforce)	
2	NSS	1	⌘ O-RING, body	
3	NSS	1	⌘ O-RING, chamber	
4	NSS	1	⌘ RING, back-up - chamber	
5	NSS	1	HOUSING, valve body (204010901-40 M&W)	
6	-HH	1	☐ CARTRIDGE, saw stop solenoid (SV08-31M-0-N-24DG Hydraforce)	
7	NSS	1	NUT	
8	-HH	1	COIL, solenoid - 24 Volt (6306024 Hydraforce)	
9	NSS	1	◆ O-RING, body	
10	NSS	2	◆ RING, back-up - chamber	
11	NSS	2	◆ O-RING, chamber	
12	-HH	1	☐ CARTRIDGE, logic valve (EV16-S34-0-N-40 Hydraforce)	
13	NSS	1	■ O-RING, body	
14	NSS	2	■ RING, back-up - chamber (<i>Large</i>)	
15	NSS	1	■ O-RING, chamber (<i>Large</i>)	
16	NSS	2	■ RING, back-up - chamber (<i>Small</i>)	
17	NSS	1	■ O-RING, chamber (<i>Small</i>)	
-	-HH	1	☐ KIT, seal repair - complete saw stop valve	
-	-HH	1	○ KIT, seal repair - saw stop solenoid cartridge (SK08-3X-MM)	
-	-HH	1	○ KIT, seal repair - logic valve (SK16-3X-MM)	
-	-HH	1	○ KIT, seal repair - relief valve cartridge (SK08-2X-B)	

- ☐ Kit or Assembly - includes all items indented underneath.
- ⌘ Included in seal repair kit Part # -HH.(SK08-2X-B)
- ◆ Included in seal repair kit Part # -HH.(SK08-3X-MM)
- Included in seal repair kit Part # -HH.(SK16-3X-MM)

📖 See referenced page for component or assembly breakdown.

