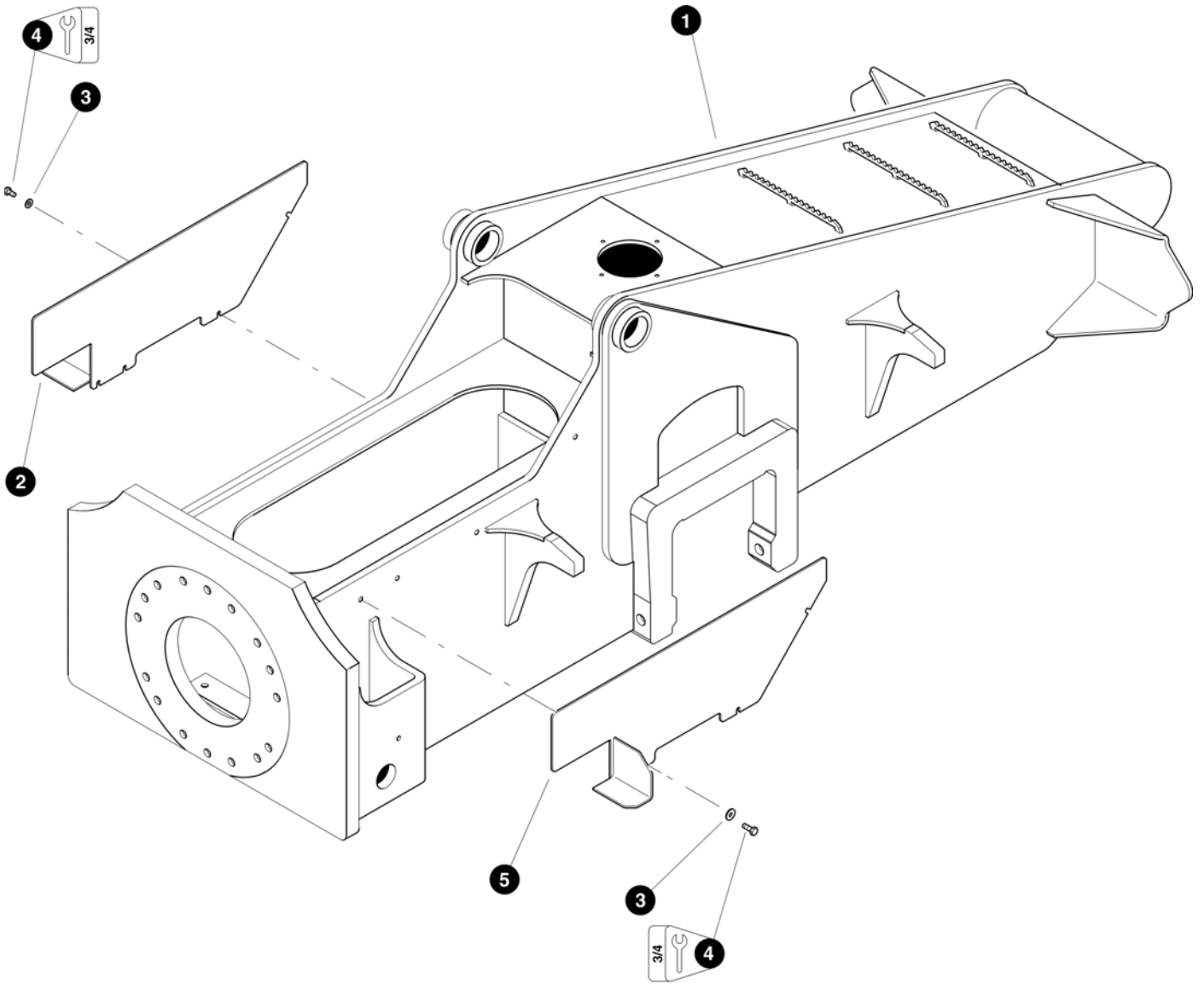


Section HL-1

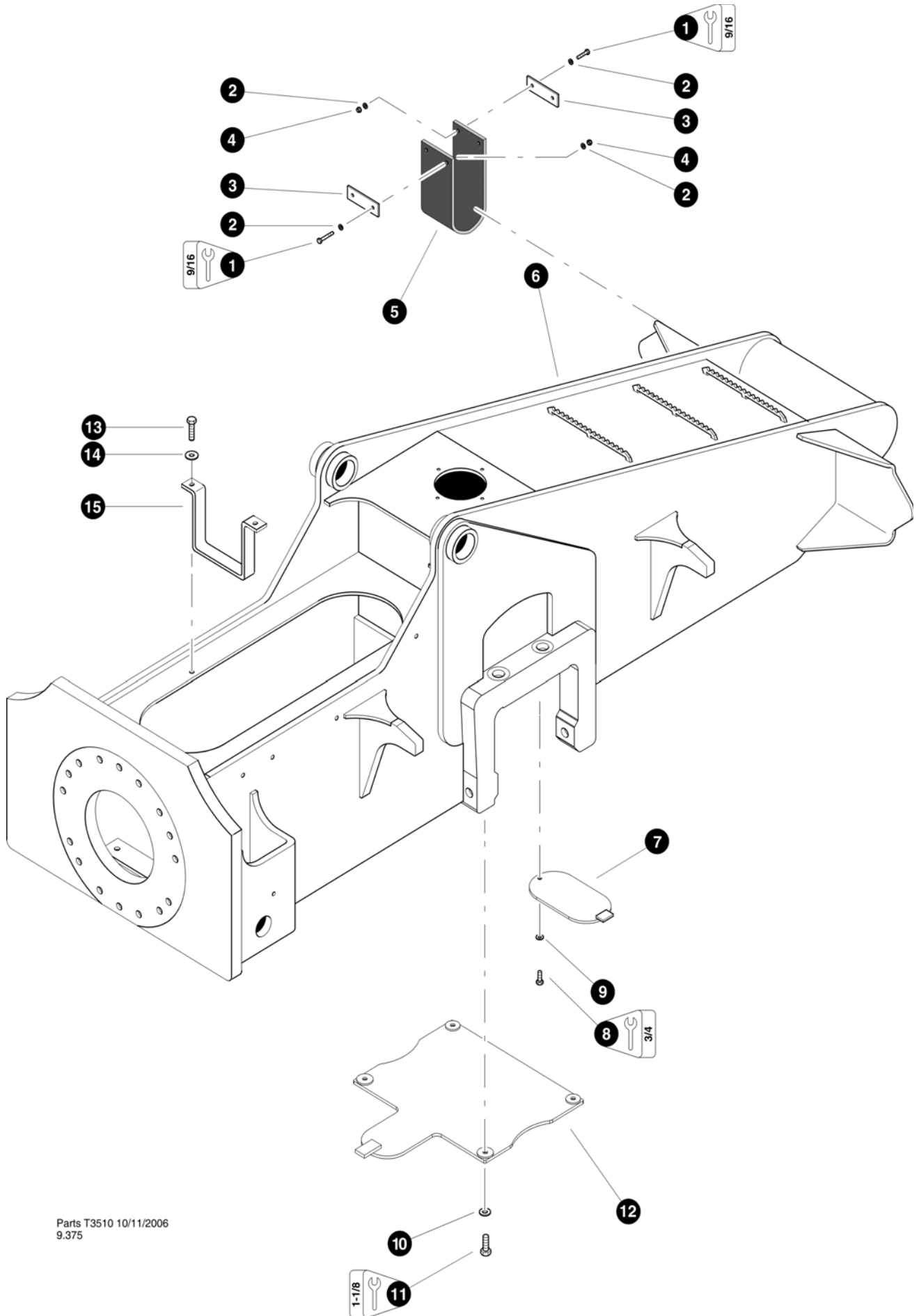
***TB 630 Leveling Front Frame -
Frame / Covers / Pins***



Parts T3509 10/15/2006
9.375


FRAME and ACCESS COVERS
(General)


REF	PART #	QTY	DESCRIPTION	SEE SECTION
1	52550-HL	1	FRONT FRAME WELDMENT	
2	51104-HL	2	COVER, access (left)	
3	15534-HL	10	WASHER, SAE flat - 1/2"	
4	10783-HL	6	BOLT - 1/2" x 1"	
5	51105-HL	1	COVER, access (right)	




Parts T3510 10/11/2006
9.375


FRAME ACCESS COVERS (Lower - Leveling Front Frame)

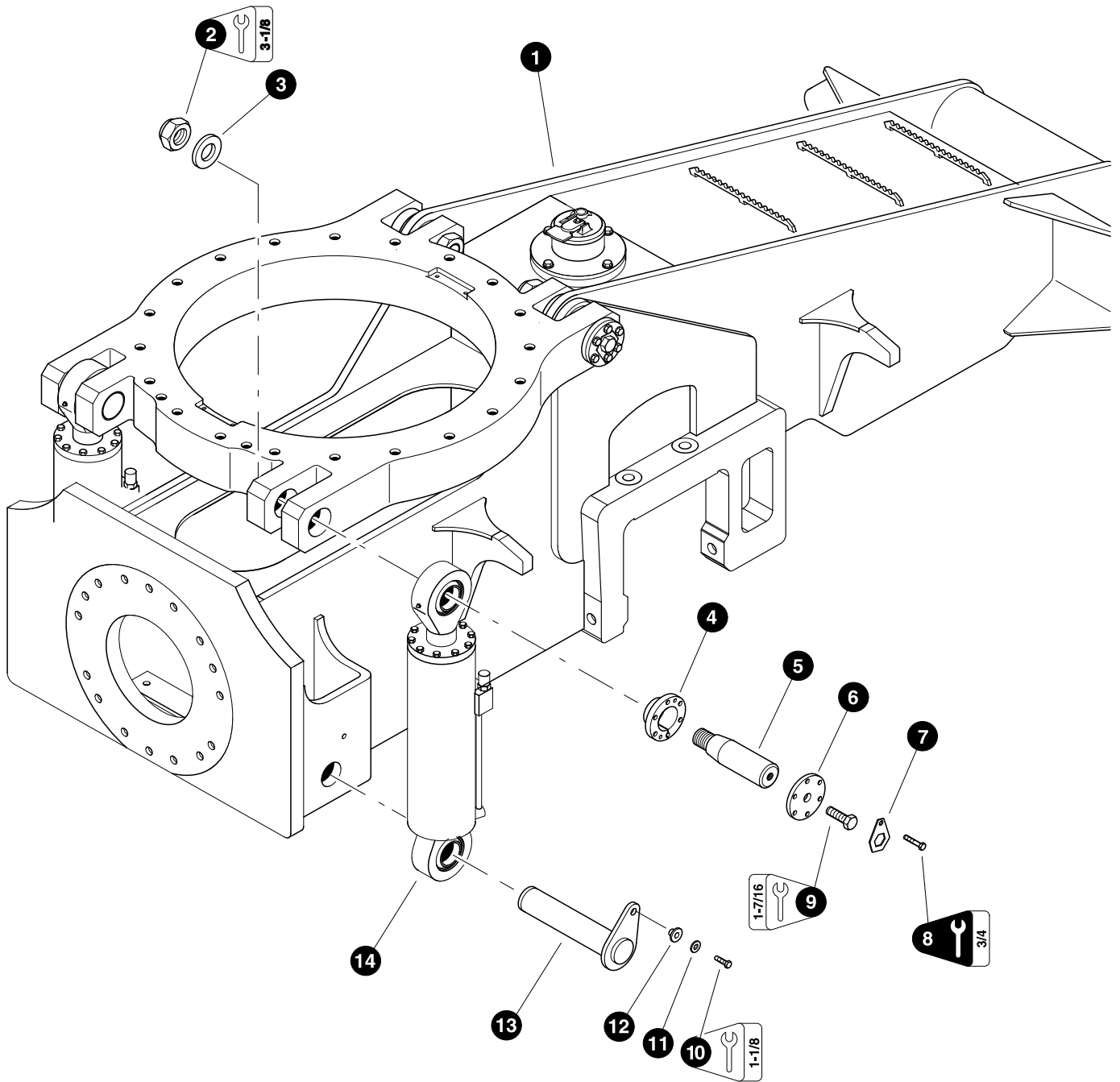
REF	PART #	QTY	DESCRIPTION	SEE SECTION
1	20084-HL	3	BOLT - 3/8" x 1-3/4"	
2	15528-HL	8	WASHER, SAE flat - 3/8"	
3	20209-HL	2	RETAINER, rubber step	
4	10813-HL	8	NUT, lock - 3/8"	
5	20210-HL	1	STEP, rubber	
6	REF.	1	 FRONT FRAME WELDMNT.	HL-1
7	52533-HL	1	COVER, access - axle box	
8	10783-HL	6	BOLT - 1/2" x 1"	
9	15534-HL	8	WASHER, SAE flat - 1/2"	
10	15550-HL	8	WASHER, SAE flat - 3/4"	
11	15549-HL	2	BOLT - 3/4" x 1 1/2"	
12	52215-HL	1	COVER, access - front frame axle	
13	10739-HL	2	BOLT - .5" X 1.5"	
14	15534-HL	4	WASHER, SAE flat - 1/2"	
15	40829-HL	1	BRACKET, HOSE BRACKET - 630 LEVELING	

 See referenced page for component or assembly breakdown.

CAB LEVELING COMPONENTS



REF	PART #	QTY	DESCRIPTION	SEE SECTION
1	85347-HL	1	PLATE, lower turntable	
2	10728-HL	2	NUT, nylock - 2"	
3	12021-HL	2	WASHER, burned	
4	12352-HL	2	HUB, taper - 1-1/4"	
5	18054-HL	2	PIN, chrome - 3" x 11-3/4"	
6	12115-HL	2	CAP, taper hub	
7	12116-HL	2	LOCK, center taper hub bolt	
8	15565-HL	12	BOLT - 1/2" x 2-1/2" (Torque to 100 ft.lbs. (133 Nm))	
9	15552-HL	2	BOLT - 1" x 2-1/2"	
10	REF.	1	 FRONT FRAME WELDMENT	HL-1
11	11706-HL	2	BUSHING - 3" x 4-1/4"	
12	19150-HL	AR	SHIM - 1/4" thick	
	16333-HL	AR	SHIM - 7 gauge (.179") thick	
	16637-HL	AR	SHIM - 10 gauge (.135") thick	
	16338-HL	AR	SHIM - 14 gauge (.075") thick	


 See referenced page for component or assembly breakdown.



Parts T2825 08/14/03
9.375

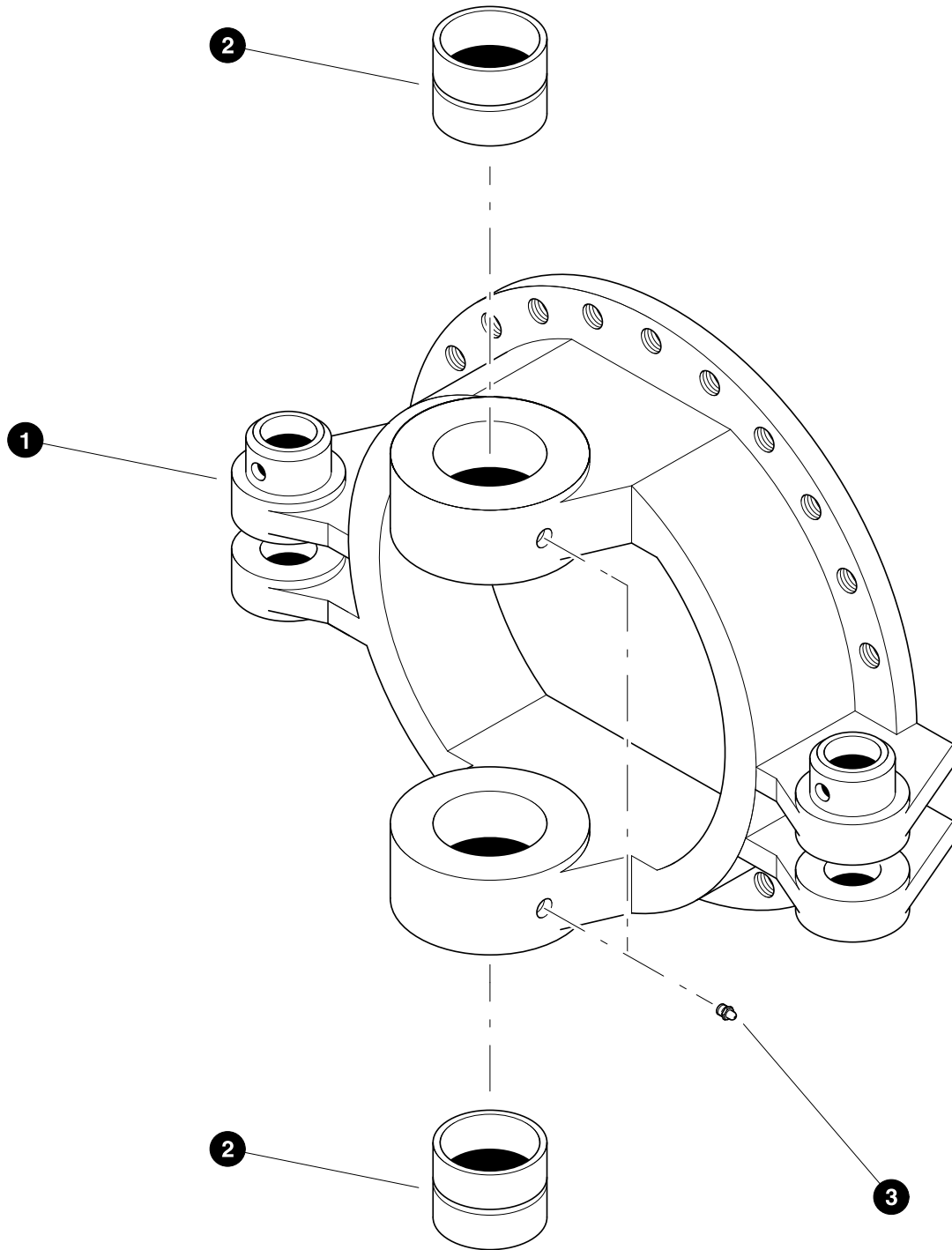
CAB LEVEL CYLINDER INSTALLATION

REF	PART #	QTY	DESCRIPTION	SEE SECTION
1	REF.	1	 FRONT FRAME WELDMENT	HL-1
2	10728-HL	2	NUT, nylock - 2"	
3	12021-HL	2	WASHER, burned	
4	12352-HL	2	HUB, taper - 1-1/4"	
5	18055-HL	2	PIN, Chrome - 3" x 11"	
6	12115-HL	2	CAP, taper hub	
7	12116-HL	2	LOCK, center taper hub bolt	
8	15565-HL	12	BOLT - 1/2" x 2-1/2" (Torque to 100 ft.lbs. (133 Nm))	
9	15552-HL	2	BOLT - 1" x 2-1/2"	
10	15549-HL	1	BOLT - 3/4" x 2"	
11	15550-HL	1	WASHER, SAE flat - 3/4"	
12	18570-HL	1	WASHER, pin retaining	
13	21008-HL	1	PIN ASSEMBLY - 3" x 14-1/4"	
14	REF.	2	 CAB LEVEL CYLINDER	HL-3

 See referenced page for component or assembly breakdown.

Section HL-2

TB 630 Leveling Front Frame - Frame & Drivetrain Installation

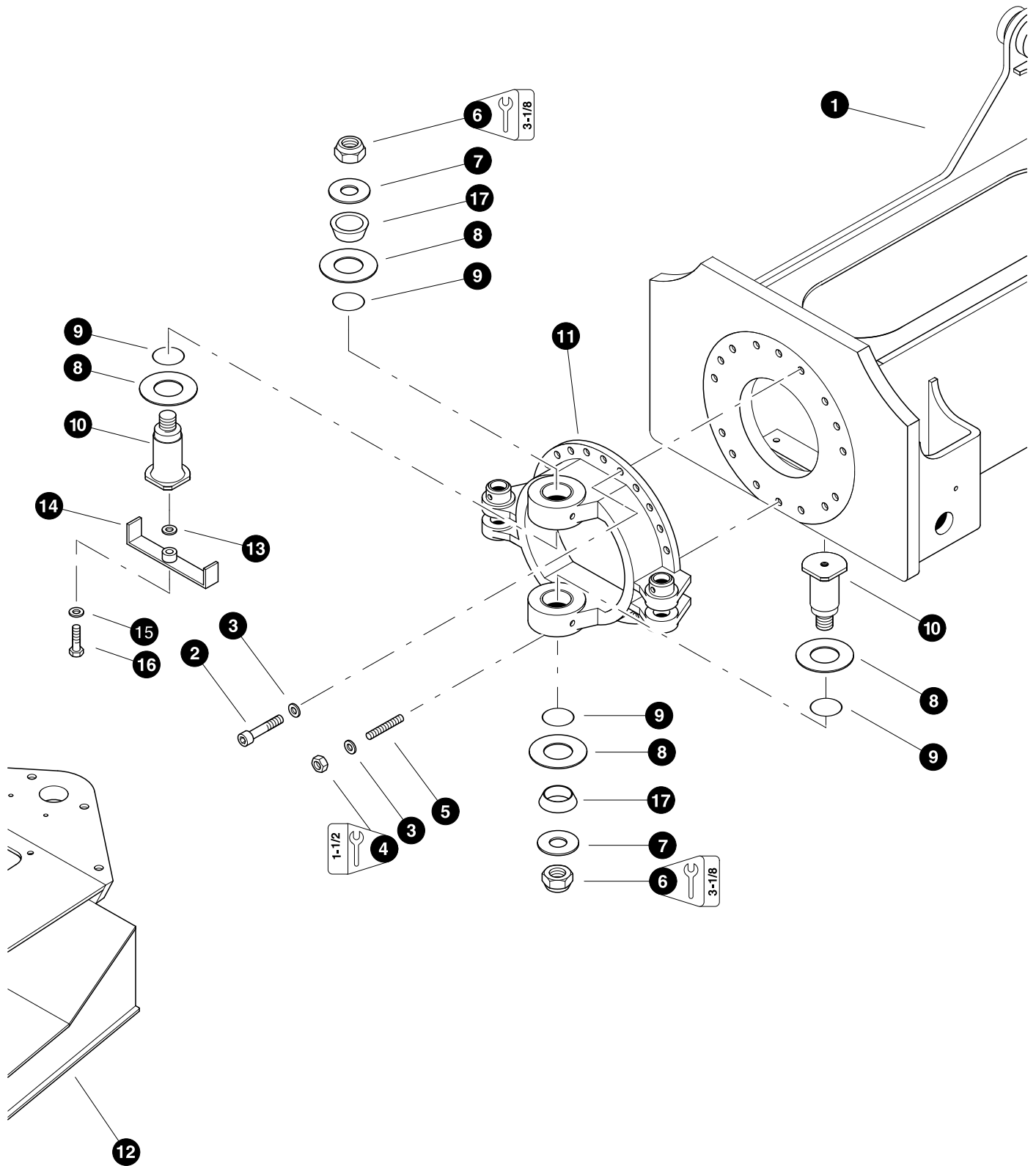


Parts 01720 07/27/2000
25.00

ARTICULATION CASTING



REF	PART #	QTY		DESCRIPTION	SEE SECTION
1	52037-HL	1	<input type="checkbox"/>	CASTING, HINGE PLATE - 630 (Thicker Boss)	
2	52021-HL	2		BUSHING - 3.5" X 3.75"(STRAIGHT GROOVES)	
3	10704-HL	2		FITTING, grease - 1/8" pipe thread	


- Kit or Assembly - includes all items indented underneath.



Parts T3666 08/18/2008
9.375

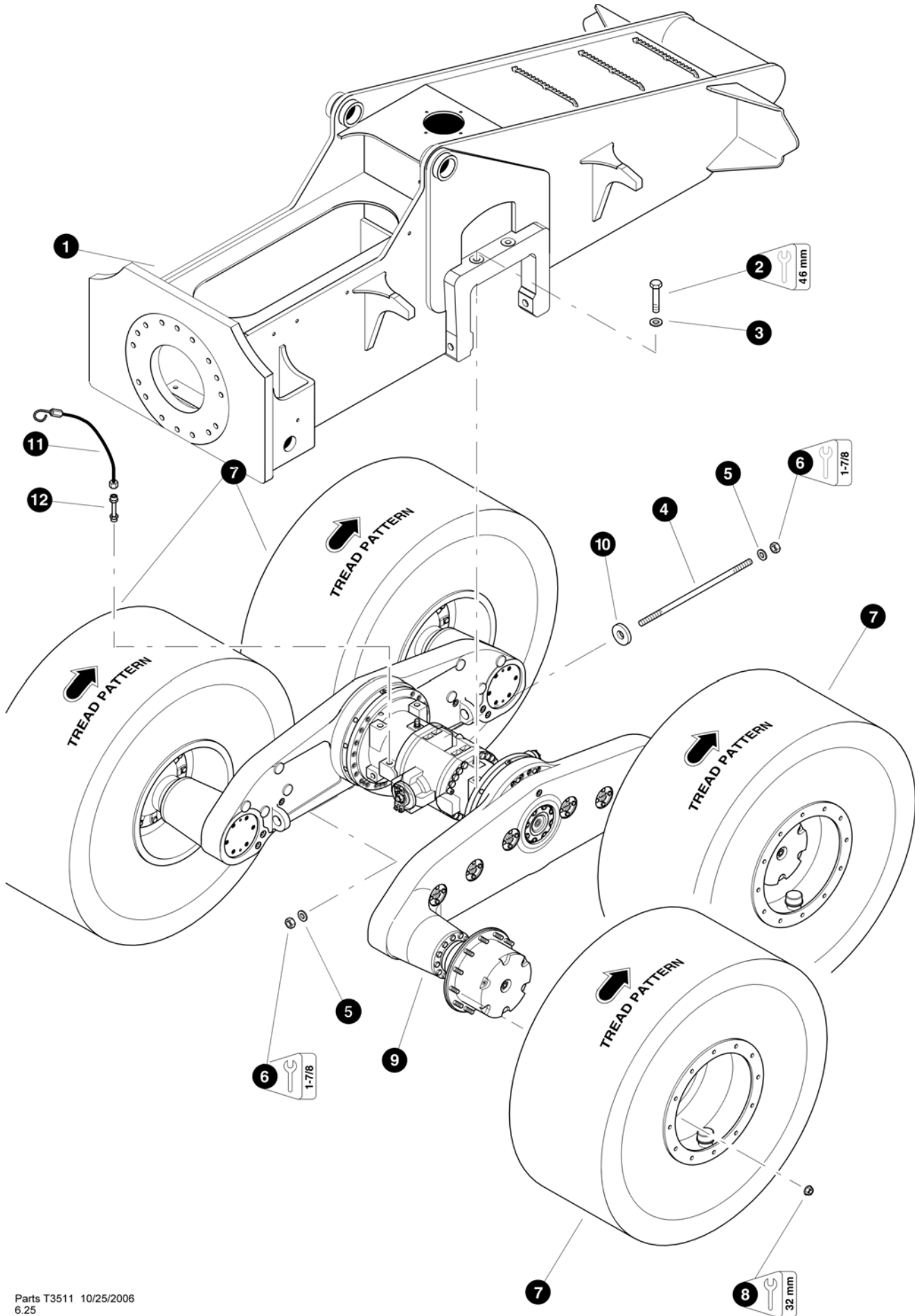
ARTICULATION INSTALLATION

REF	PART #	QTY	DESCRIPTION	SEE SECTION
1	REF.	1	 FRONT FRAME WELDMENT.	HL-1
2	50410-HL	14	BOLT, ALLEN - 1" x 5" (Torque to 1000 ft.lbs (1330 Nm) (see note #1)	
3	18532-HL	16	WASHER, SAE flat (THICK) - 1"	
4	19073-HL	2	NUT, 1" (Torque to 1000 ft.lbs (1330 Nm)	
5	50587-HL	2	STUD, 1" (see note #1)	
6	10728-HL	2	NUT, nylock - 2"	
7	51499-HL	2	WASHER, articulation pin (3/8")	
8	23106-HL	AR	WASHER, thrust - thin (Brass)	
	23105-HL	AR	WASHER, thrust - thick (Brass)	
9	21577-HL	AR	O-RING - thin	
	24546-HL	AR	O-RING - thick	
10	52605-FF	2	PIN - 3.5 X 10.00 ART. - VEE-CHROMED	
11	REF.	1	FRAME ARTICULATION CASTING	HL-2
12	REF.	1	 REAR FRAME WELDMENT.	HR-1
13	50464-HL	1	WASHER, SAE flat (THICK) - 3/4"	
14	40830-HL	1	BRACKET, articulation joint hose	
15	15550-HL	1	WASHER, SAE flat 3/4"	
16	10840-HL	1	BOLT - 3/4 X 3"	
17	52040-FF	2	HUB, TAPERED 3.5"	

 See referenced page for component or assembly breakdown.




NOTE #1


Use anti-seize lubricant on threads before assembly.

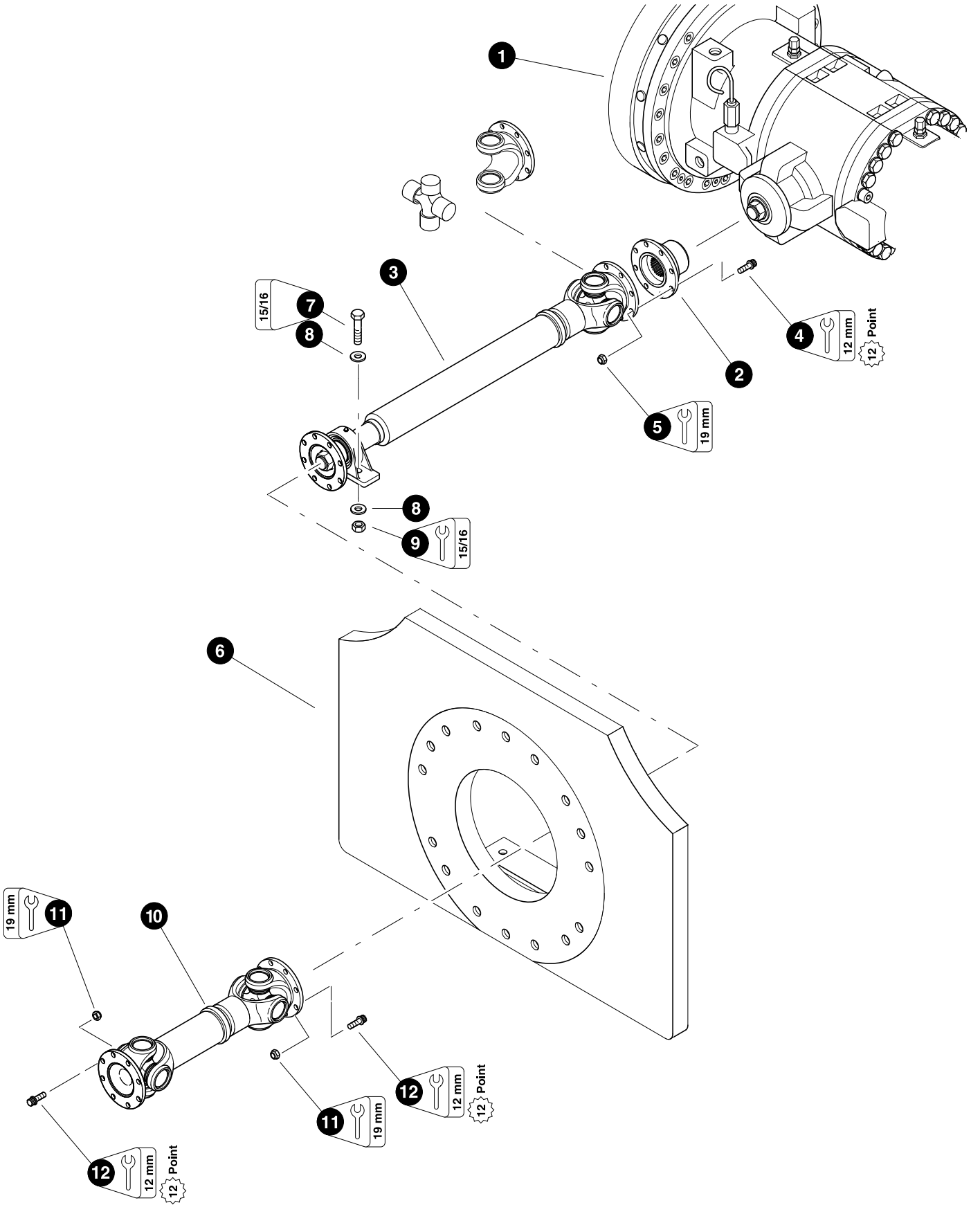


Parts T3511 10/25/2006
6.25





FRONT AXLE INSTALLATION


REF	PART #	QTY	DESCRIPTION	SEE SECTION
1	REF.	1	 FRONT FRAME WELDMENT	HL
2	23567-HL	4	BOLT - 30mm-3.5P x 220mm (Torque to 1100 ft.lbs. (1465 Nm))	
3	23568-HL	4	WASHER, hardened flat - 30mm	
4	52485-FF	2	STUD - 1.25" - 7 X 27.50" (Torque to 1200 ft.lbs. (1600 Nm))	
5	22531-HL	4	WASHER, SAE flat - 1-1/4"	
6	23989-HL	4	NUT, lock - 1-1/4"	
7	REF.	4	 WHEEL ASSEMBLY	AX-3
8	19361-HL	48	NUT, lug (Torque to 600 ft.lbs. (800 Nm))	
9	REF.	1	 FRONT AXLE	AX-1
10	24003-HL	2	SPACER, axle spreader stud	
11	21165-HL	1	TUBE, dipstick (top)	
-	21561-HL	1	BLADE, dipstick	
12	21164-HL	1	TUBE, dipstick (bottom)	

 See referenced page for component or assembly breakdown.



DRIVE SHAFT INSTALLATION

REF	PART #	QTY	DESCRIPTION	SEE SECTION
1	REF.	1	 FRONT AXLE	AX-1
2	23997-HL	1	YOKE, companion flange - axle (Torque to 590 ft lbs. (800 Nm) (See Note #2 Below)	
3	---	1	 DRIVE SHAFT, heavy duty (Center joint to front axle) (467889-61)	
	---	2	FITTING, 90° grease - 10mm	
	50466-HL	1	KIT, CROSS & BEARING	
	50467-HL	1	YOKE, FLANGE	
4	50261-HL	8	BOLT, 12 point - 12mm-1.75P x 35mm (See Note #1 Below)	
5	50262-HL	8	NUT, lock - 12mm	
6	REF.	1	 FRONT FRAME WELDMENT	HL-1
7	10720-HL	6	BOLT, - 5/8" x 3" (See Note #1 Below) (Torque to 130 ft.lbs. (175 Nm))	
8	23210-HL	4	WASHER, SAE flat 5/8" (extra thick)	
9	10816-HL	2	NUT, lock - 5/8"	
10	25968-HL	1	 DRIVE SHAFT (Center joint)	
	-----	2	FITTING, 90° grease - 10mm	
	50466-HL	2	KIT, CROSS & BEARING	
	50467-HL	2	YOKE, FLANGE	
11	50261-HL	16	BOLT, 12 point - 12mm-1.75P x 35mm (See Note #1 Below)	
12	50262-HL	16	NUT, lock - 12mm	

 See referenced page for component or assembly breakdown.

 Kit or Assembly - includes all items indented underneath.

Note #1:

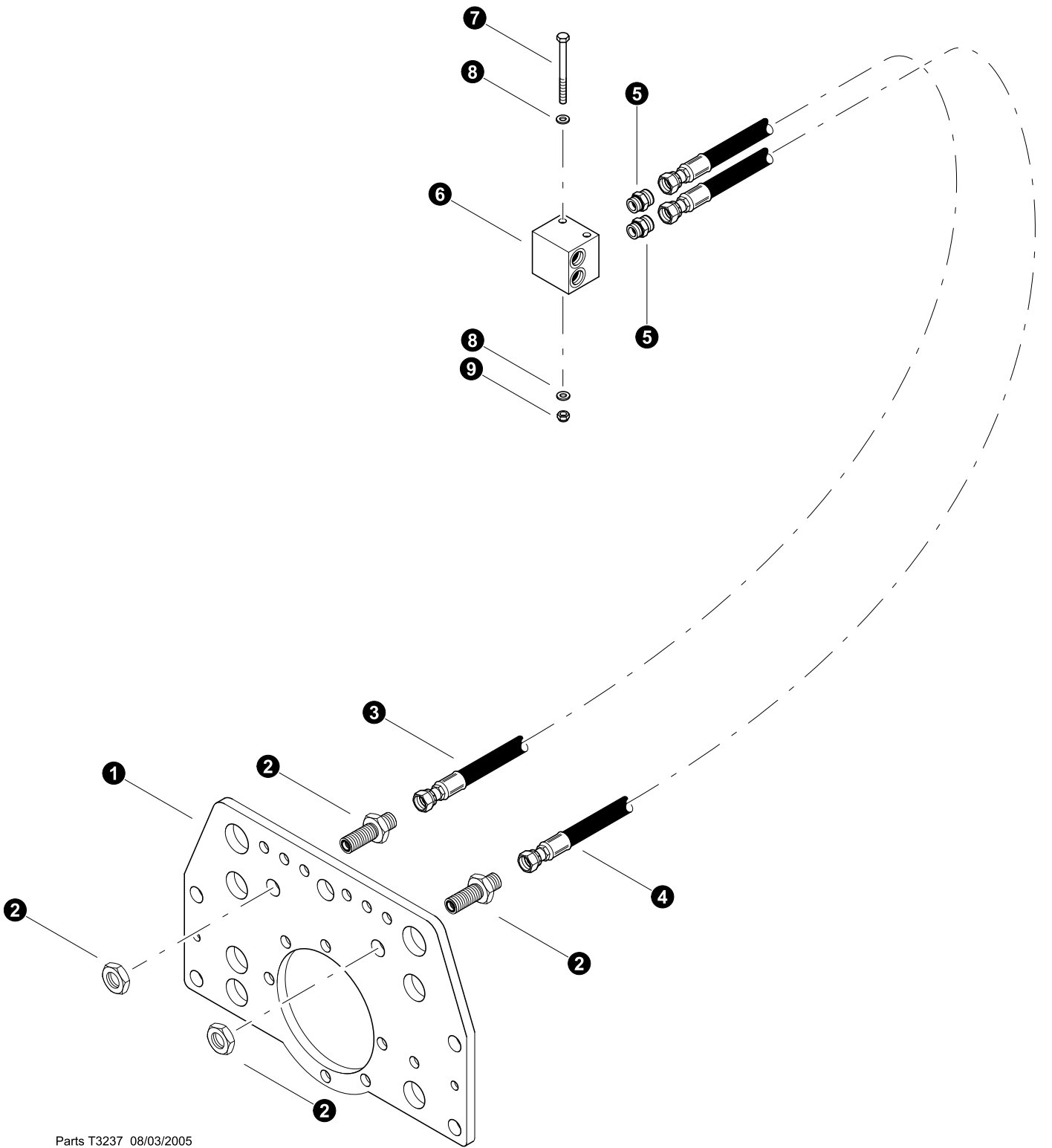
Use Loctite 243 (blue) on threads during installation.

Note #2:

Use Loctite 271 (red) on threads during installation.

Section HL-3

TB 630 Leveling Front Frame - Hydraulics



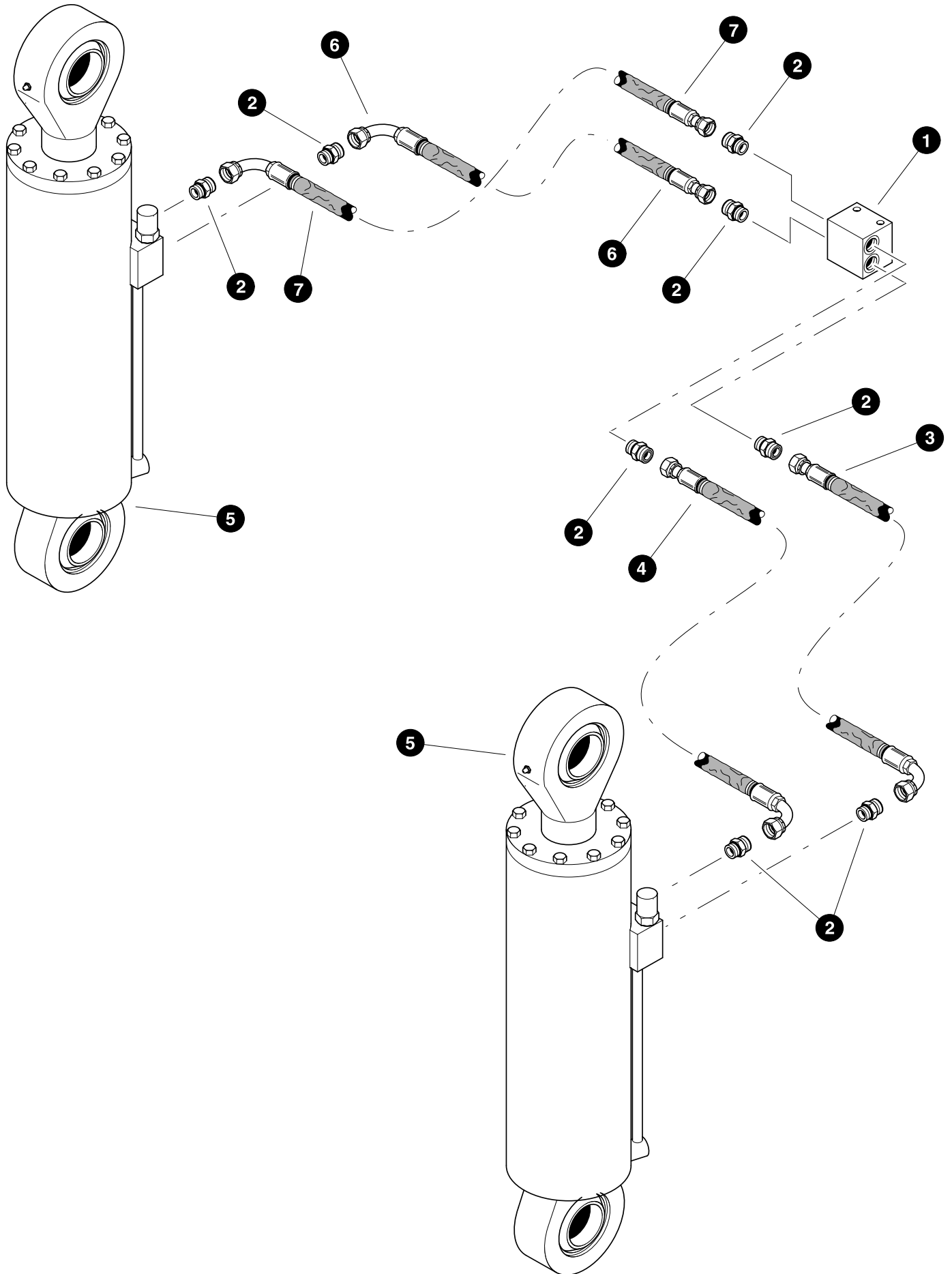
Parts T3237 08/03/2005
18.75

LEVELING HYDRAULICS (Bulkhead Plate to Leveling Manifold)


REF	PART #	QTY	DESCRIPTION	SEE SECTION
1	42201-HL	1	BRACKET, bearing mount - (bulkhead plate 630)	
2	20196-HL	2	CONNECTOR, STR BULKHEAD - FF1994T-0808S	
3	50928-HL	1	HOSE ASSEMBLY - 4057-08-08OD-08OS (Rear Frame Bulkhead Plate to Top Port of Leveling Manifold (Rod))	
4	-HL	1	HOSE ASSEMBLY - 4055-08-08OS-08OS (Rear Frame Bulkhead Plate to Bottom Port of Leveling Manifold(Base))	
5	22717-HL	1	MANIFOLD, leveling	
6	10813-HL	2	NUT, lock - 3/8"	
7	15528-HL	4	WASHER, SAE flat - 3/8"	
8	10753-HL	2	BOLT - 3/8" x 4-1/2"	




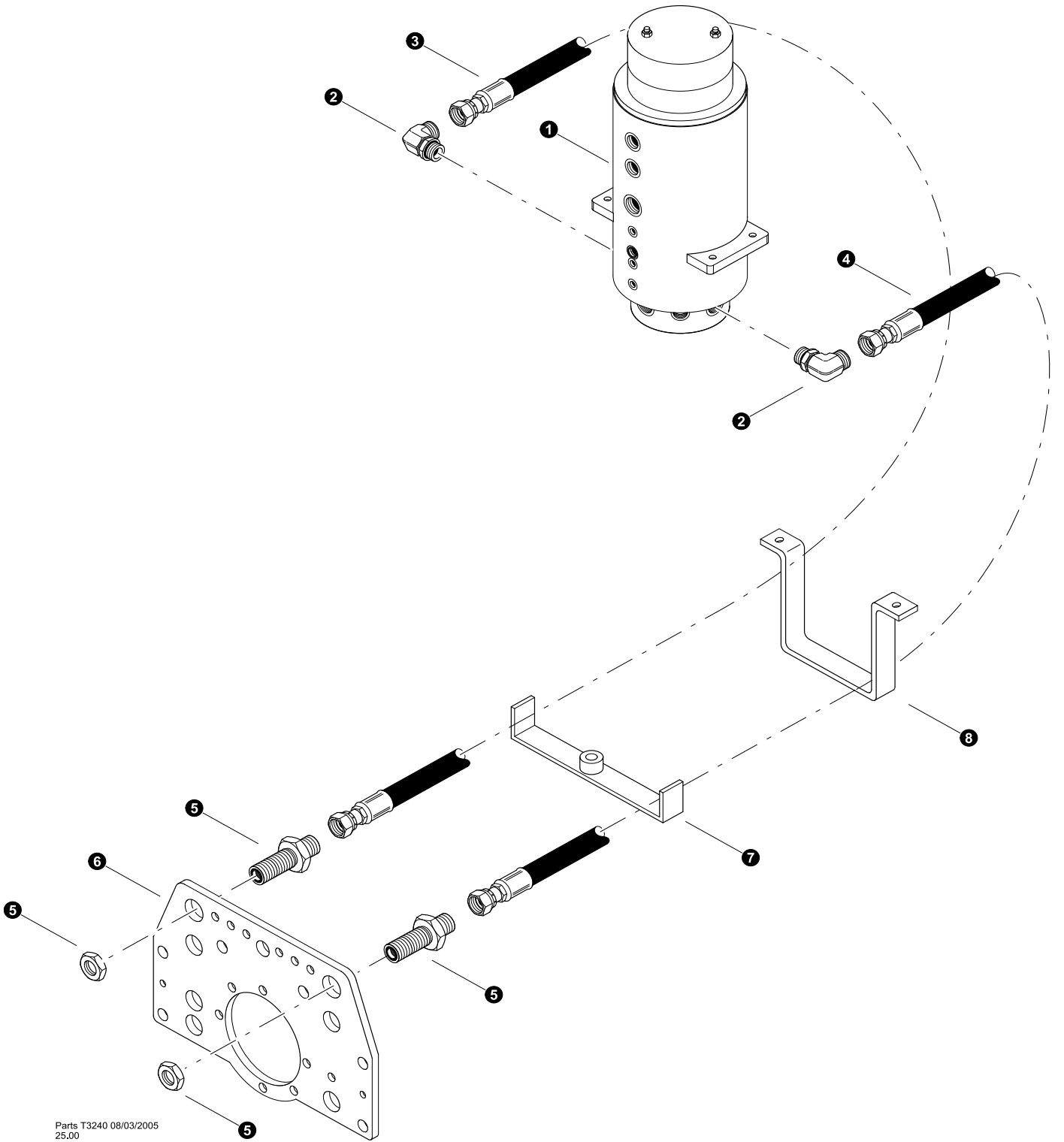
See referenced page for component or assembly breakdown.



LEVELING HYDRAULICS (Leveling Manifold to Leveling Cylinders)


REF	PART #	QTY	DESCRIPTION	SEE SECTION
1	22717-HL	1	MANIFOLD, leveling	
2	15115-HL	8	CONNECTOR, straight - FF1852T-081OS	
3	50324-HL	1	HOSE ASSEMBLY - 4025-08-08OS-08O9-W (Bottom RH port of leveling manifold to RH leveling cylinder base port)	
4	50323-HL	1	HOSE ASSEMBLY - 4023-08-08OS-08O9-W (Top RH port of leveling manifold to RH leveling cylinder rod port)	
5	REF	2	 LEVELING CYLINDER	HL-3
6	50323-HL	1	HOSE ASSEMBLY - 4023-08-08OS-08O9 (<i>Top LH port of leveling manifold to LH leveling cylinder rod port</i>)	
7	50324-HL	1	HOSE ASSEMBLY - 4025-08-08OS-08O9 (<i>Bottom LH port of leveling manifold to LH leveling cylinder base port</i>)	


 See referenced page for component or assembly breakdown.

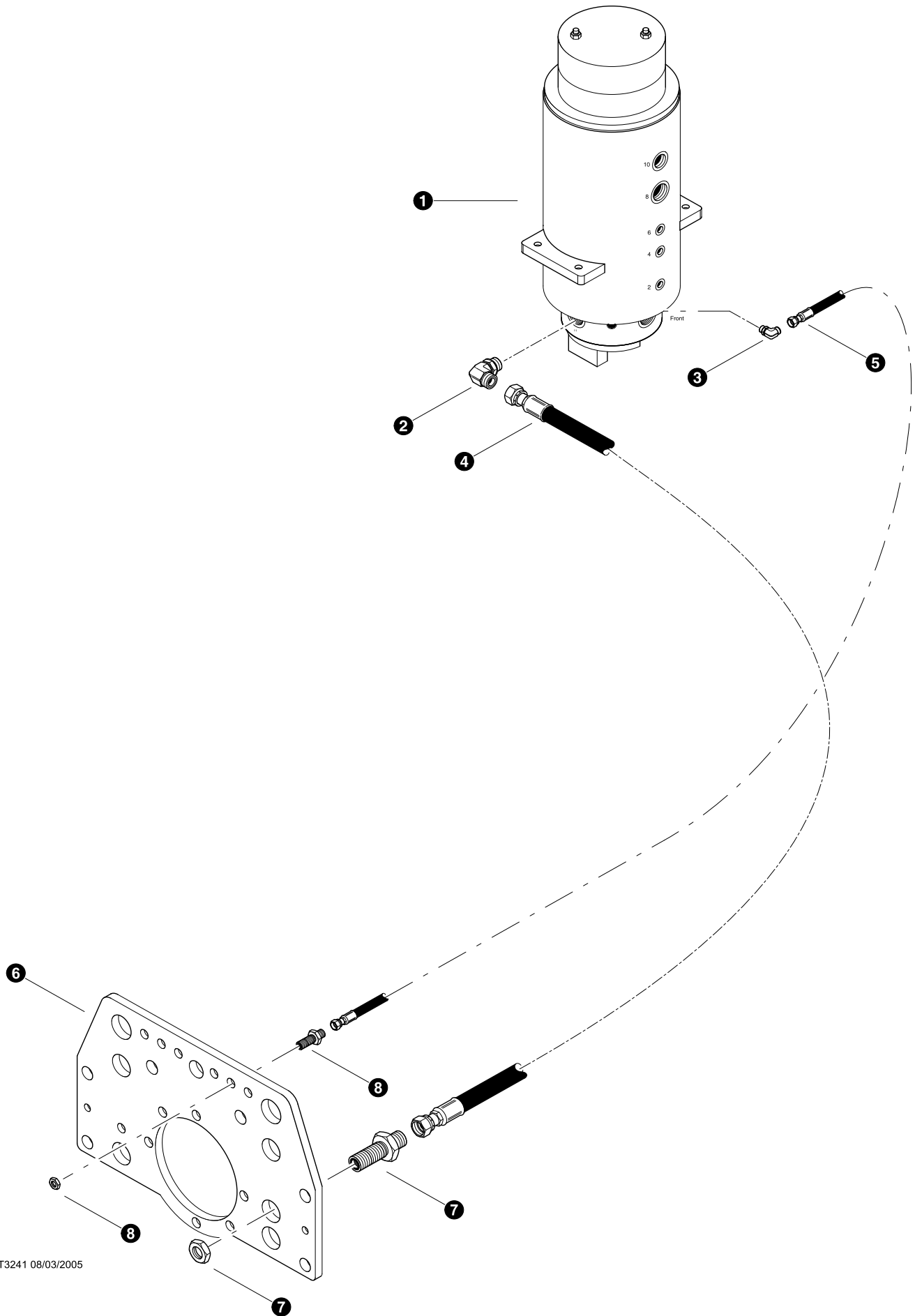


Parts T3240 08/03/2005
25.00

DRIVE MOTOR PRESSURE LINES
(Rotary Manifold to Rear Frame Bulkhead Plate)


REF	PART #	QTY	DESCRIPTION	SEE SECTION
1	REF.	1	 ROTORY MANIFOLD.....	UP-1
2	15228-HL	2	ELBOW, 90 - FF1868T-1616S	
3	50442-HL	1	HOSE ASSEMBLY - 6093-16-160S-160S (rear frame bulkhead plate to rotary manifold port #7)	
4	50441-HL	1	HOSE ASSEMBLY - 6093-16-160S-160S (rear frame bulkhead plate to rotary manifold port #8)	
5	20033-HL	2	CONNECTOR, STR BULKHEAD - 16	
6	42201-HL	1	BRACKET, bearing mount - (bulkhead plate 630)	
7	REF	1	ARTICULATION HOSE BRACKET.....	HL-2
8	REF	1	HOSE BRACKET - LEVELING 630.....	HL-1

 See referenced page for component or assembly breakdown.

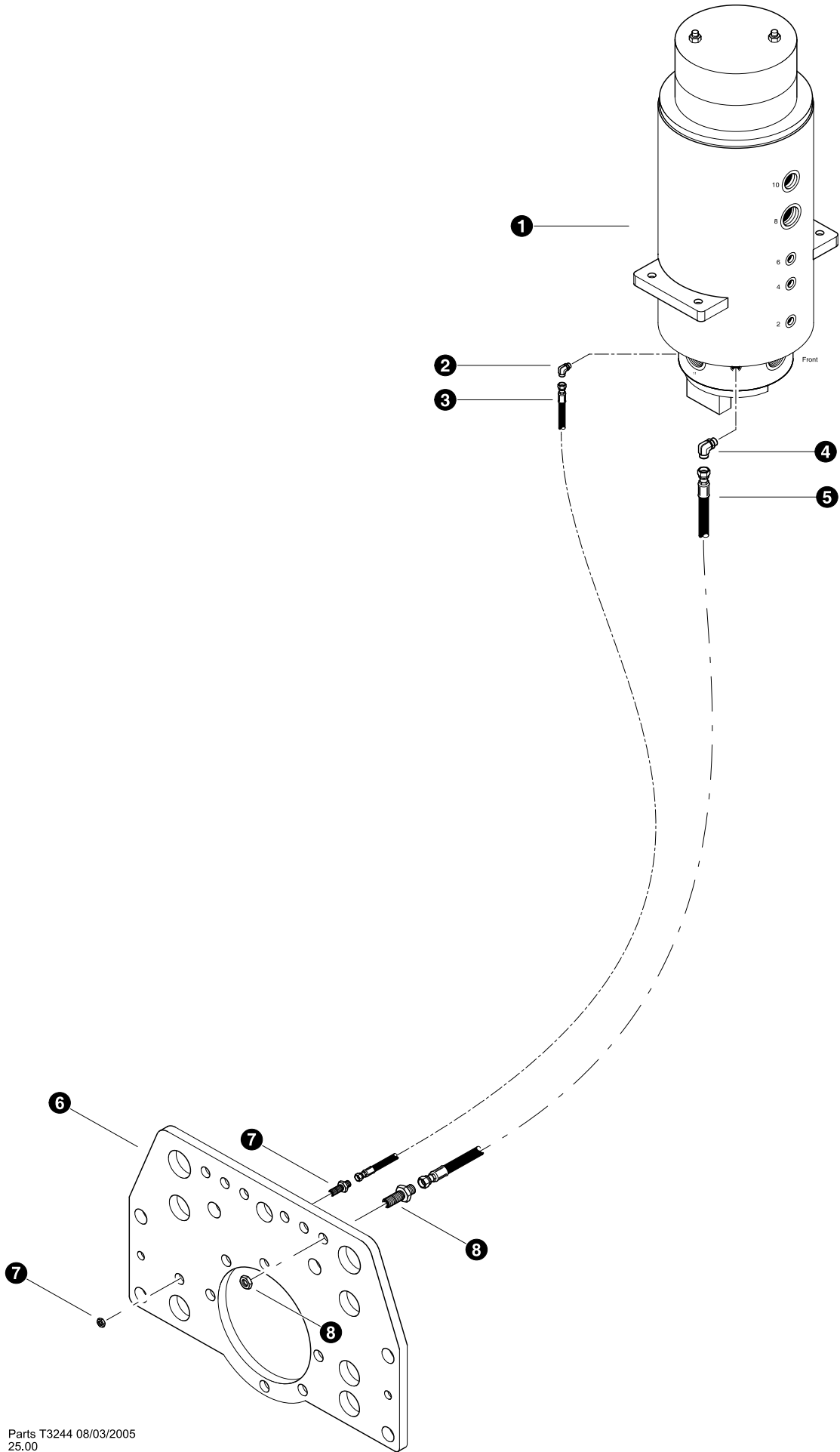


Parts T3241 08/03/2005
25.00

MOTOR CASE DRAIN & SOLENOID MANIFOLD PRESSURE (Rotary Manifold to Rear Frame Bulkhead Plate)


REF	PART #	QTY	DESCRIPTION	SEE SECTION
1	REF.	1	 ROTORY MANIFOLD	UP-1
2	17688-HL	1	ELBOW, 90 - FF1868T-1212S	
3	16296-HL	1	ELBOW, 90 - FF1868T-0606S	
4	50320-HL	1	HOSE ASSEMBLY - 4085-12-120S-120S (rear frame bulkhead plate to rotary manifold port #11)	
5	-HL	1	HOSE ASSEMBLY - 2086.5-06-060S-060S (rear frame bulkhead plate to rotary manifold port #4)	
6	42201-HL	1	BRACKET, bearing mount - (bulkhead plate 630)	
7	17009-HL	1	CONNECTOR, STR BULKHEAD - 2700-12	
8	50420-HL	1	CONNECTOR, STR BULKHEAD - 832-TT-06	

 See referenced page for component or assembly breakdown.

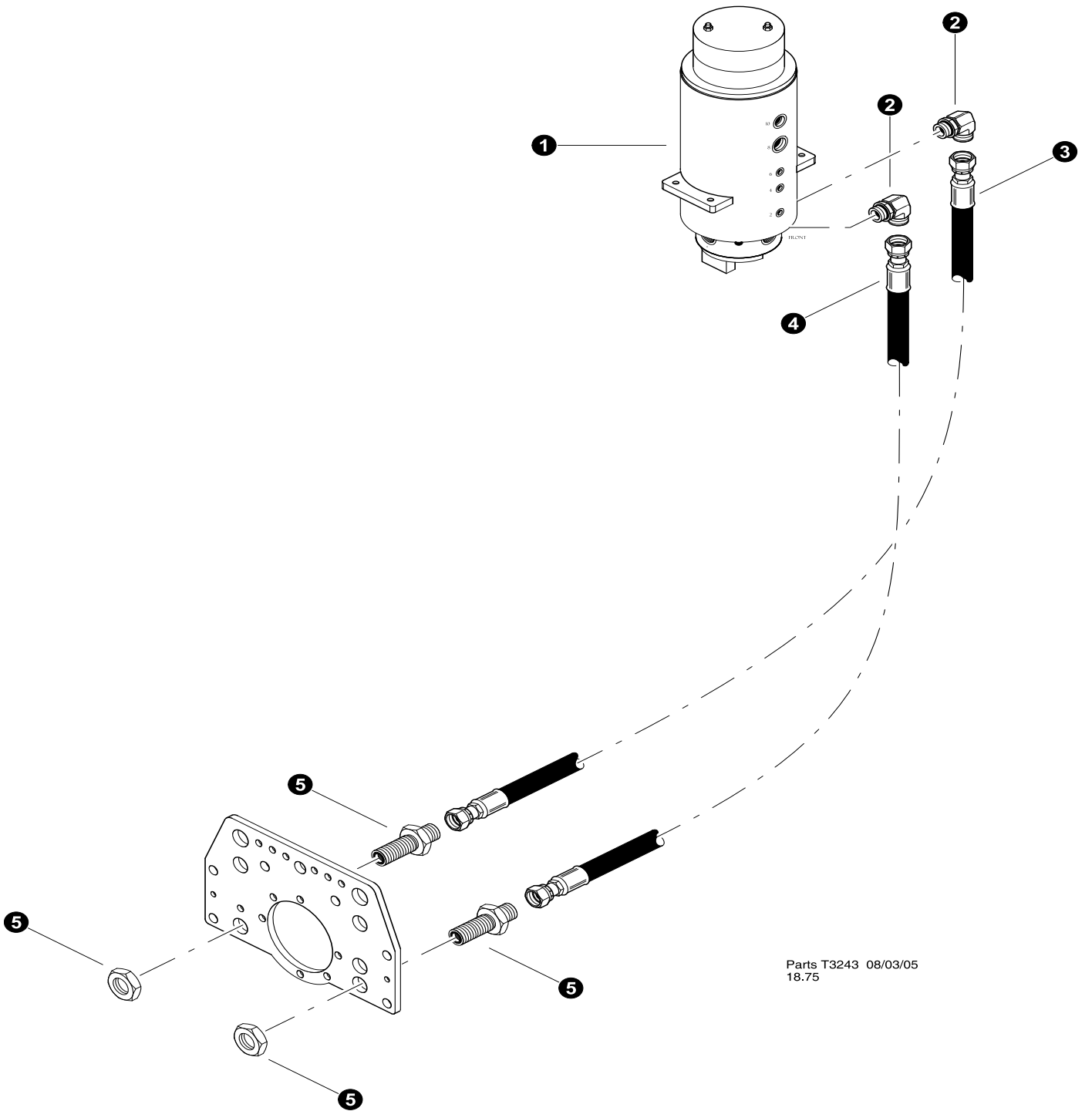


Parts T3244 08/03/2005
25.00

**MOTOR FLUSH RETURN & VALVE LOAD SENSE
(Rotary Manifold to Rear Frame Bulkhead Plate)**


REF	PART #	QTY	DESCRIPTION	SEE SECTION
1	REF.	1	 ROTORY MANIFOLD	UP-1
2	16540-HL	1	ELBOW, 90 - FF1868T-0404S	
3	50600-HL	1	HOSE ASSEMBLY - 4078-04-040S-040S (rear frame bulkhead plate to rotary manifold port #15)	
4	16296-HL	1	ELBOW, 90 - FF1868T-0606S	
5	-HL	1	HOSE ASSEMBLY - 208-06-060S-060S (rear frame bulkhead plate to rotary manifold port #3)	
6	42201-HL	1	BRACKET, bearing mount - (bulkhead plate 630)	
7	18582-HL	1	CONNECTOR, STR BULKHEAD - FF1994T-0404S	
8	50420-HL	1	CONNECTOR, STR BULKHEAD - 832-TT-06	


 See referenced page for component or assembly breakdown.

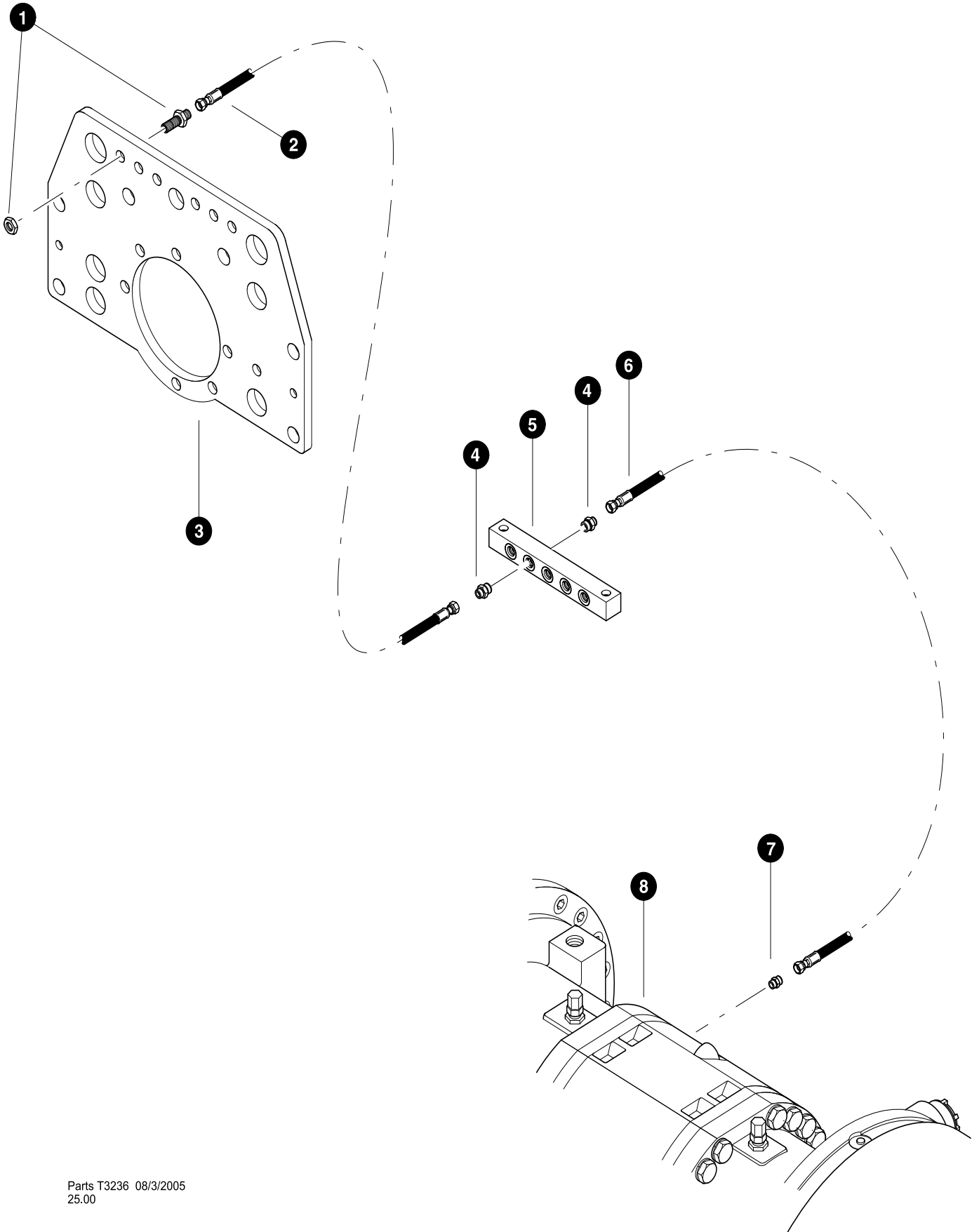


Parts T3243 08/03/05
18.75

STEER & LEVEL VALVE PRESSURE & TANK LINES (Rotary Manifold to Rear Frame Bulkhead Plate)


REF	PART #	QTY	DESCRIPTION	SEE SECTION
1	REF.	1	 ROTORY MANIFOLD.....	UP-1
2	17688-HL	1	ELBOW, 90 - FF1868T-1212S	
3	-HL	1	HOSE ASSEMBLY - 4088-12-120S-120S (rear frame bulkhead plate to rotary manifold port #10)	
4	50675-HL	1	HOSE ASSEMBLY - 4087-12-120S-120S (rear frame bulkhead plate to rotary manifold port #9)	
5	17009-HL	1	CONNECTOR, STR BULKHEAD - 2700-12	
6	42201-HL	1	BRACKET, bearing mount - (bulkhead plate 630)	

 See referenced page for component or assembly breakdown.

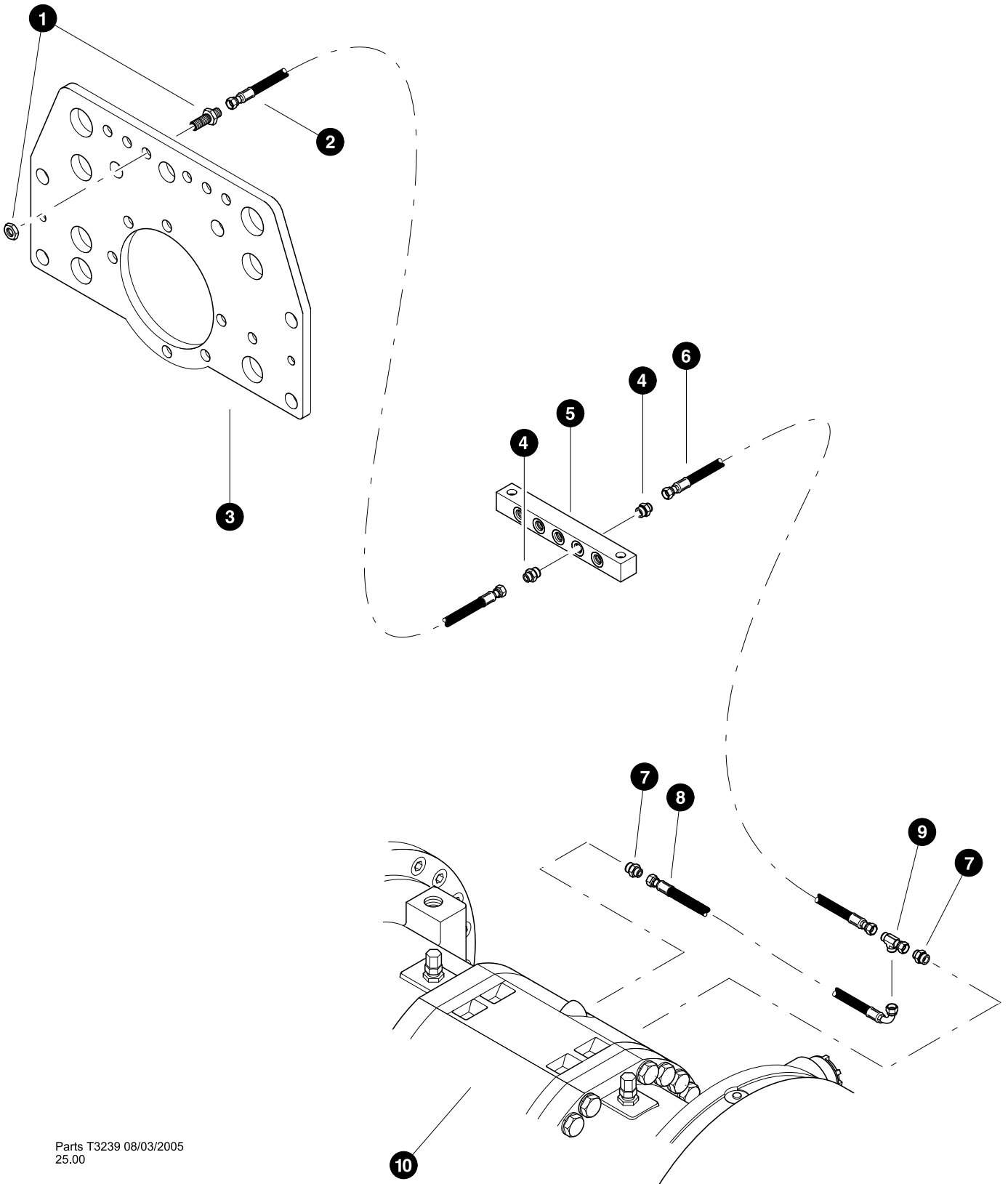


Parts T3236 08/3/2005
25.00

FRONT AXLE DIFFERENTIAL LOCK LINES (From Rear Frame Bulkhead Plate to Front Axle)


REF	PART #	QTY	DESCRIPTION	SEE SECTION
1	18582-HL	1	CONNECTOR, straight bulkhead - 04	
2	50575-HL	1	HOSE ASSEMBLY - 2087-04-040S-040S (Junction manifold to rear frame bulkhead plate)	
3	42201-HL	1	BRACKET, bearing mount - (bulkhead plate 630)	
4	15124-HL	2	CONNECTOR, straight - FF1852T-0404S	
5	22287-HL	1	MANIFOLD, GAUGE	
6	50573-HL	1	HOSE ASSEMBLY - 2044-04-040S-040S (Junction manifold to front axle)	
7	19470-HL	2	CONNECTOR, straight - 4M14F8OMLO-S	
8	REF.	1	 FRONT AXLE AX-1	

 See referenced page for component or assembly breakdown.

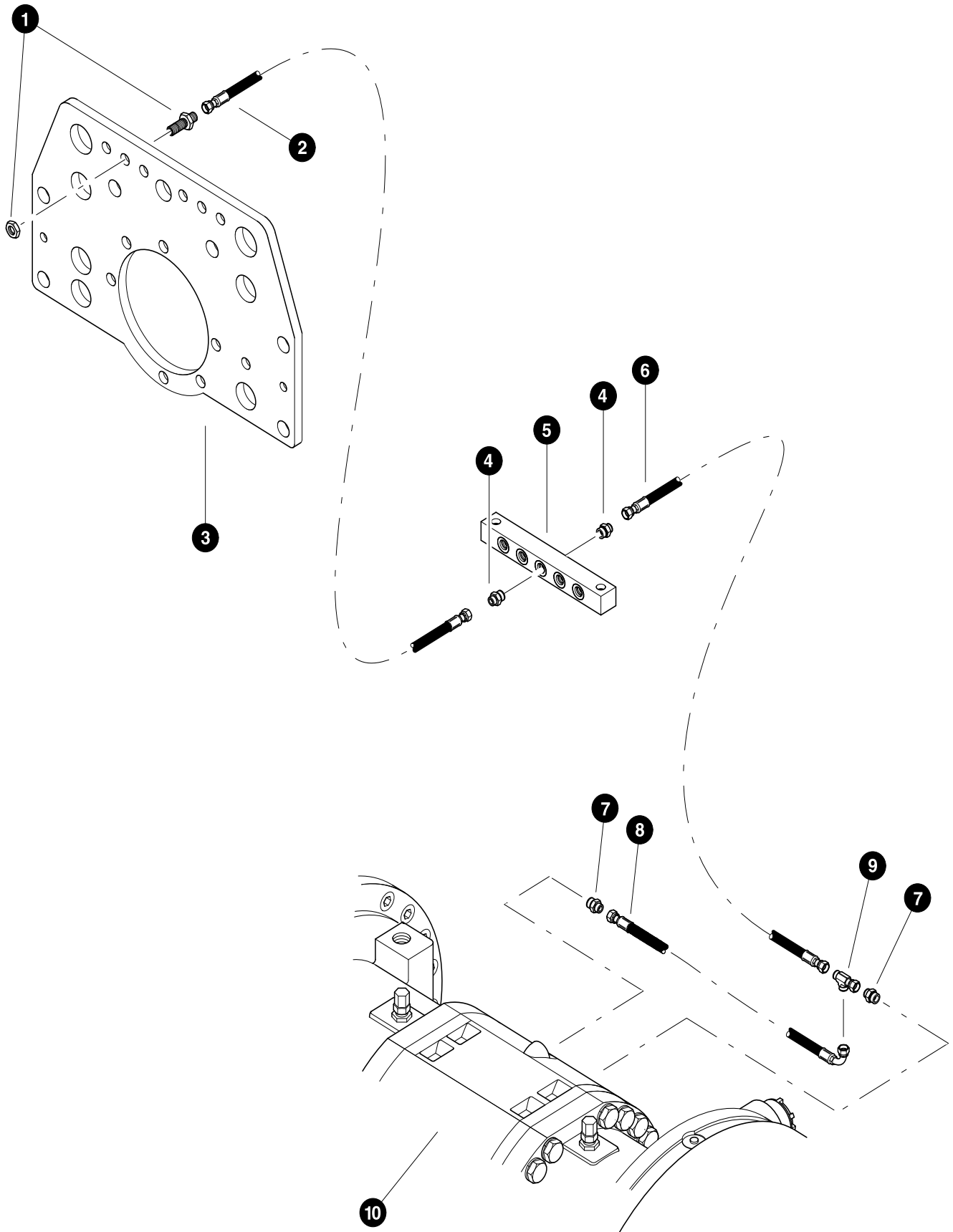


Parts T3239 08/03/2005
25.00

FRONT AXLE TRAVEL BRAKE LINES
(From Rear Frame Bulkhead Plate to Front Axel)


REF	PART #	QTY	DESCRIPTION	SEE SECTION
1	18582-HL	1	CONNECTOR, straight bulkhead - 04	
2	50575-HL	1	HOSE ASSEMBLY - 2087-04-040S-040S (Junction manifold to rear frame bulkhead plate)	
3	42201-HL	1	BRACKET, bearing mount - (bulkhead plate 630)	
4	15124-HL	2	CONNECTOR, straight - FF1852T-0404S	
5	22287-HL	1	MANIFOLD, GAUGE	
6	50573-HL	1	HOSE ASSEMBLY - 2044-04-040S-040S (Junction manifold to front axle tee)	
7	19470-HL	2	CONNECTOR, straight - 4M14F8OMLO-S	
8	50607-HL	1	HOSE ASSEMBLY - 2009.5-04-040S-0409	
9	15176-HL	2	TEE - FF2114T-0404S	
10	REF.	1	 FRONT AXLE	AX-1

 See referenced page for component or assembly breakdown.

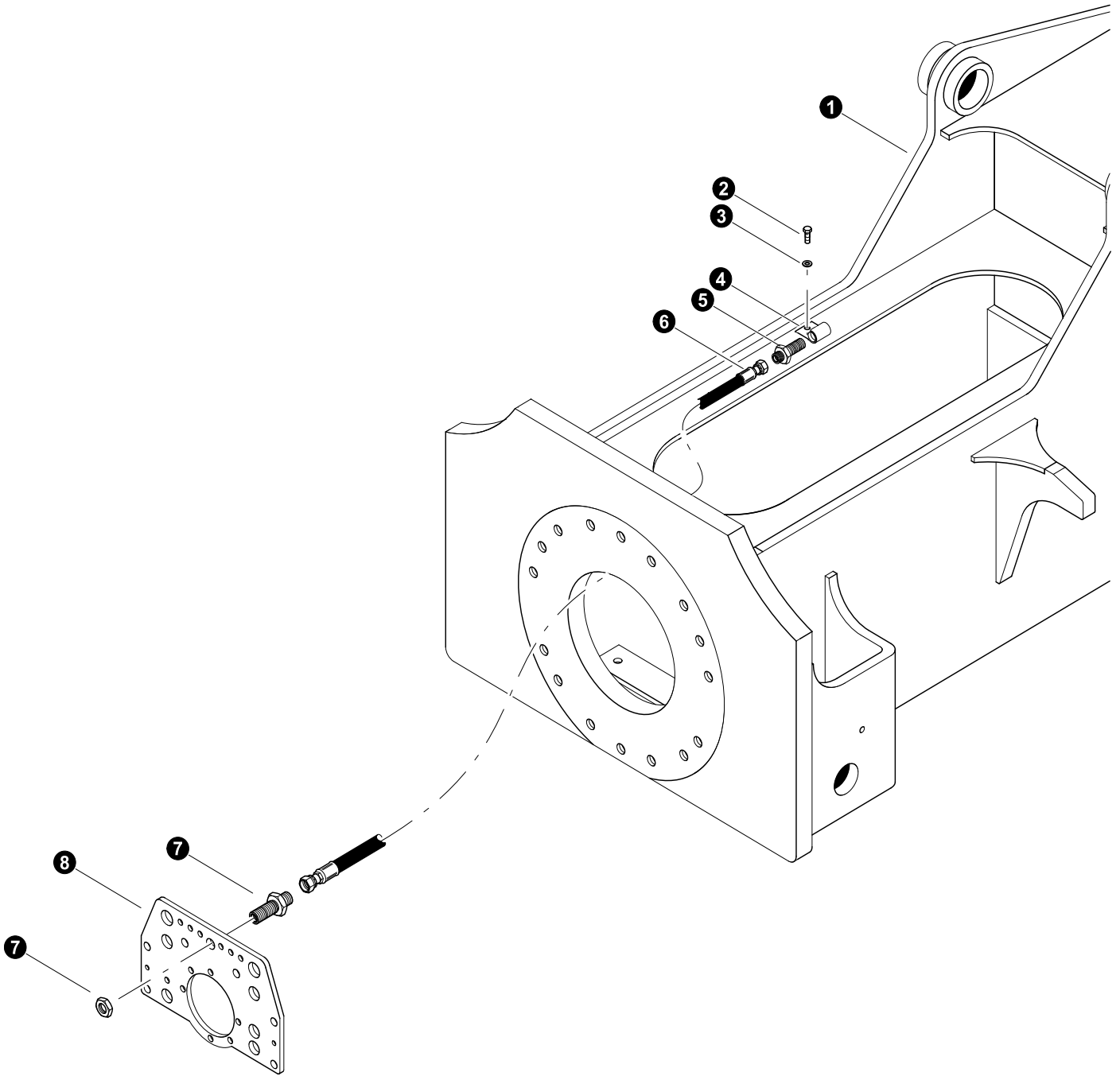


Parts T3238 08/03/2005
25.00

FRONT AXLE PARKING BRAKE LINES
(From Rear Frame Bulkhead Plate to Front Axel)


REF	PART #	QTY	DESCRIPTION	SEE SECTION
1	18582-HL	1	CONNECTOR, straight bulkhead - 04	
2	50575-HL	1	HOSE ASSEMBLY - 2087-04-040S-040S (Junction manifold to rear frame bulkhead plate)	
3	42201-HL	1	BRACKET, bearing mount - (bulkhead plate 630)	
4	15124-HL	2	CONNECTOR, straight - FF1852T-0404S	
5	22287-HL	1	MANIFOLD, GAUGE	
6	50573-HL	1	HOSE ASSEMBLY - 2044-04-040S-040S (Junction manifold to front axle tee)	
7	19470-HL	2	CONNECTOR, straight - 4M14F8OMLO-S	
8	50607-HL	1	HOSE ASSEMBLY - 2009.5-04-040S-0409	
9	15176-HL	2	TEE - FF2114T-0404S	
10	REF.	1	 FRONT AXLE	AX-1



 See referenced page for component or assembly breakdown.



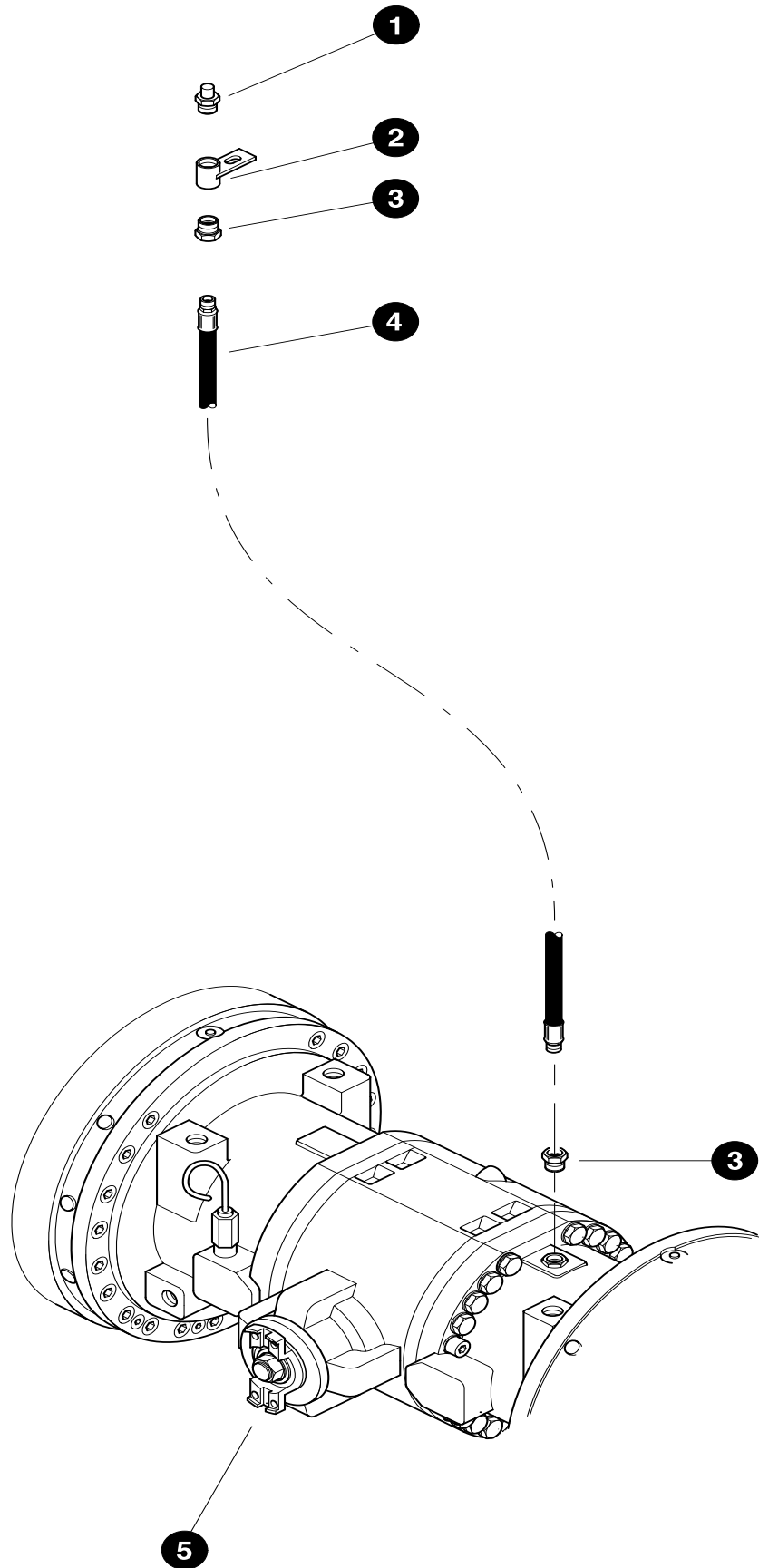
Parts T3242 08/05/2005
25.00

ELECTRICAL HARNESS HOSE (Front Frame to Rear Frame Bulkhead Plate)

REF	PART #	QTY	DESCRIPTION	SEE SECTION
1	REF.	1	 FRONT FRAME TB 630 - LEVELING	HL-1
2	11707-HL	1	BOLT, 3/8 X 1"	
3	15528-HL	1	WASHER, 3/8 sae flat	
4	22202-HL	1	BRACKET, 3/4 pipe union	
5	50037-HL	1	CONNECTOR, STR - BULKHEAD - 10	
6	-HL	1	HOSE ASSEMBLY - 2063-10-10OS-10OS	
7	50037-HL	1	CONNECTOR, STR BULKHEAD - 832-TT-10	
8	42201-HL	1	BRACKET, bearing mount - (bulkhead plate 630)	


 See referenced page for component or assembly breakdown.
 Item sold in bulk - per foot (please specify length)


Located upper
turntable riser.

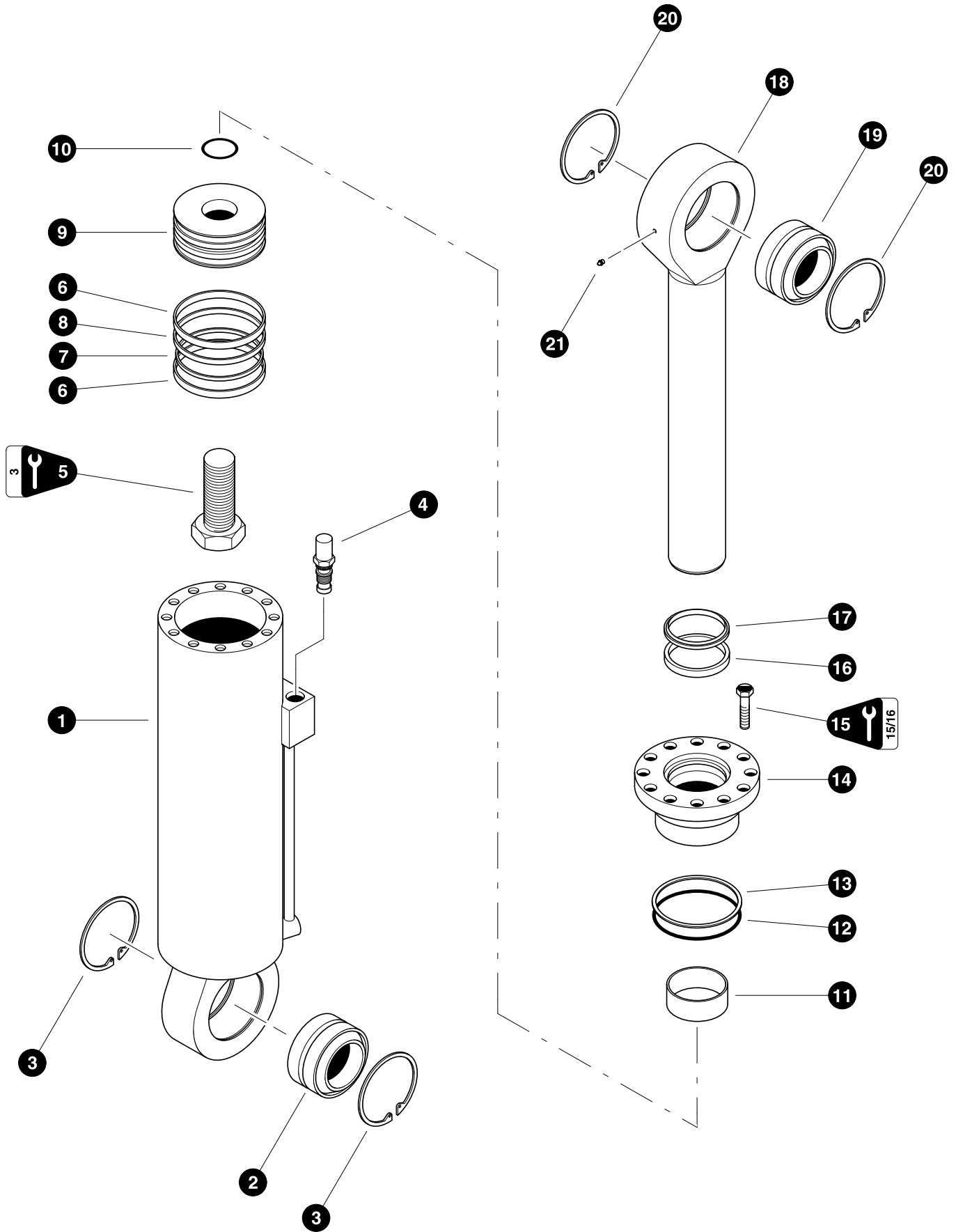


Parts T2838 08/25/2003
12.50

FRONT AXLE VENT LINE

REF	PART #	QTY	DESCRIPTION	SEE SECTION
1	22570-HL	1	VENT, axle	
2	50723-HL	1	BRACKET, vent mount - 8	
3	11312-HL	1	BUSHING, PIPE 4 - 8	
4	50571-HL	1	HOSE ASSEMBLY - 2032-08-04MP-04MP (Axle vent port to vent mounting bracket)	
5	REF.	1	 FRONT AXLE	AX-1

 See referenced page for component or assembly breakdown.



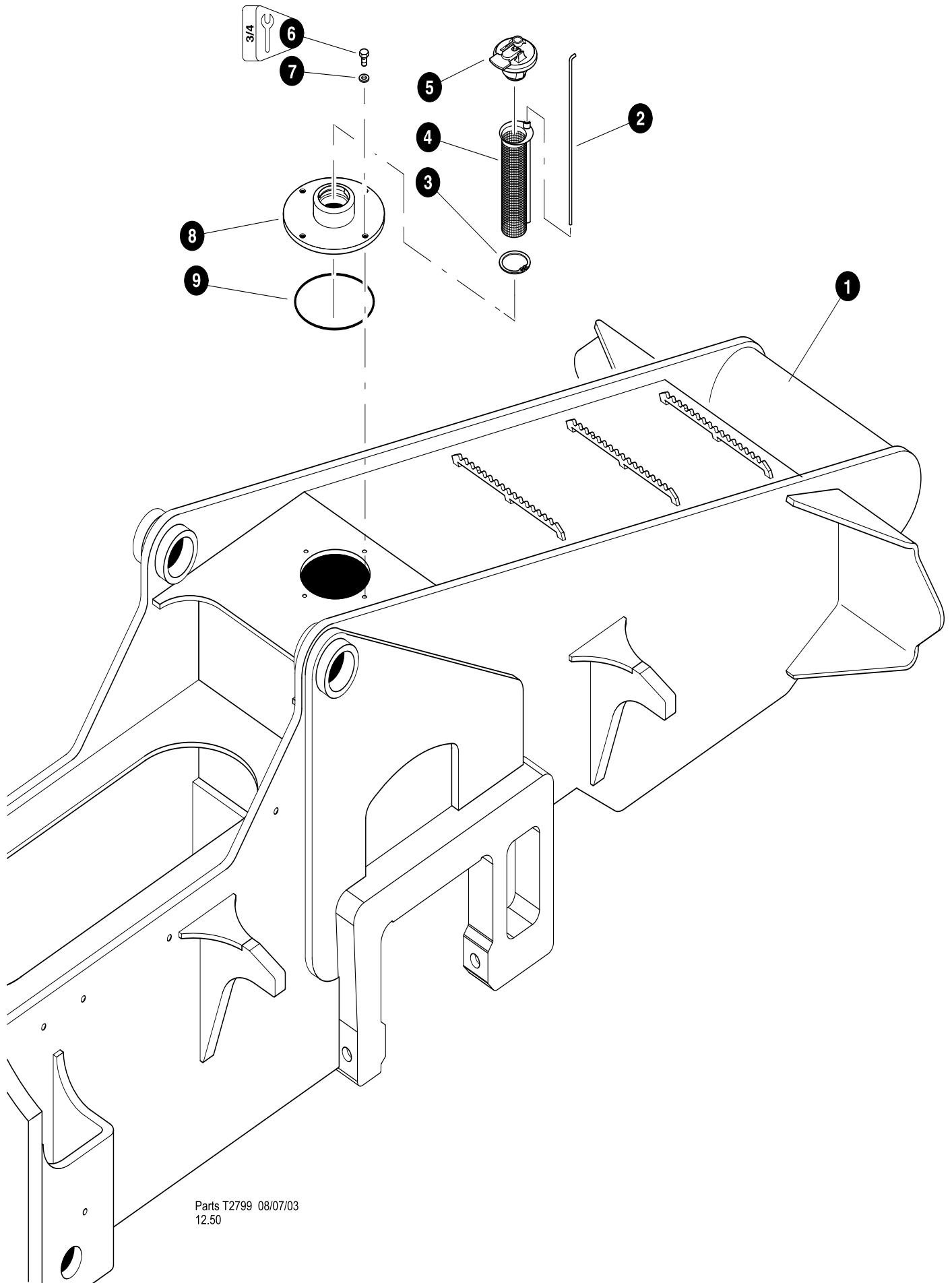
LEVELING CYLINDER BREAKDOWN

REF	PART #	QTY		DESCRIPTION	SEE SECTION
-	22547-HL	1	☐	LEVEL CYLINDER ASSEMBLY	
1	23482-HL	1	☐	BARREL ASSEMBLY	
2	12127-HL	1		BUSHING, spherical - 3"	
3	17833-HL	2		Ring, snap - 3" spherical bushing	
4	23216-HL	2		CARTRIDGE, holding	
5	19956-HL	1		BOLT, cylinder rod - 2" x 4-1/4" (2700 +/- 200 ft lbs (3600 +/- 265 Nm))	
6	NSS	2	⌘	RING, piston wear	
7	NSS	1	⌘	RING, piston square	
8	NSS	1	⌘	RING, piston chem-cast	
9	23483-HL	1		PISTON	
10	NSS	1	⌘	O-RING, piston	
11	NSS	1	⌘	RING, rod bearing wear	
12	NSS	1	⌘	O-RING, rod bearing	
13	NSS	1	⌘	RING, rod bearing back-up	
14	24567-HL	1	⌘	BEARING, rod	
15	15681-HL	12		BOLT - 5/8" x 2-1/4" (175 ft lbs (233Nm))	
16	NSS	1	⌘	U-CUP, rod bearing	
17	NSS	1	⌘	WIPER, rod	
18	23485-HL	1	☐	ROD ASSEMBLY	
19	12127-HL	1		BUSHING, spherical - 3"	
20	17833-HL	2		RING, snap - 3" spherical bushing	
21	10704-HL	1		FITTING, grease	
-	23486-HL	1		KIT, seal repair - level cylinder	


- ☐ Kit or Assembly - includes all items indented underneath.
 ⌘ Included in seal repair kit Part #23486-BF

Section HL-4

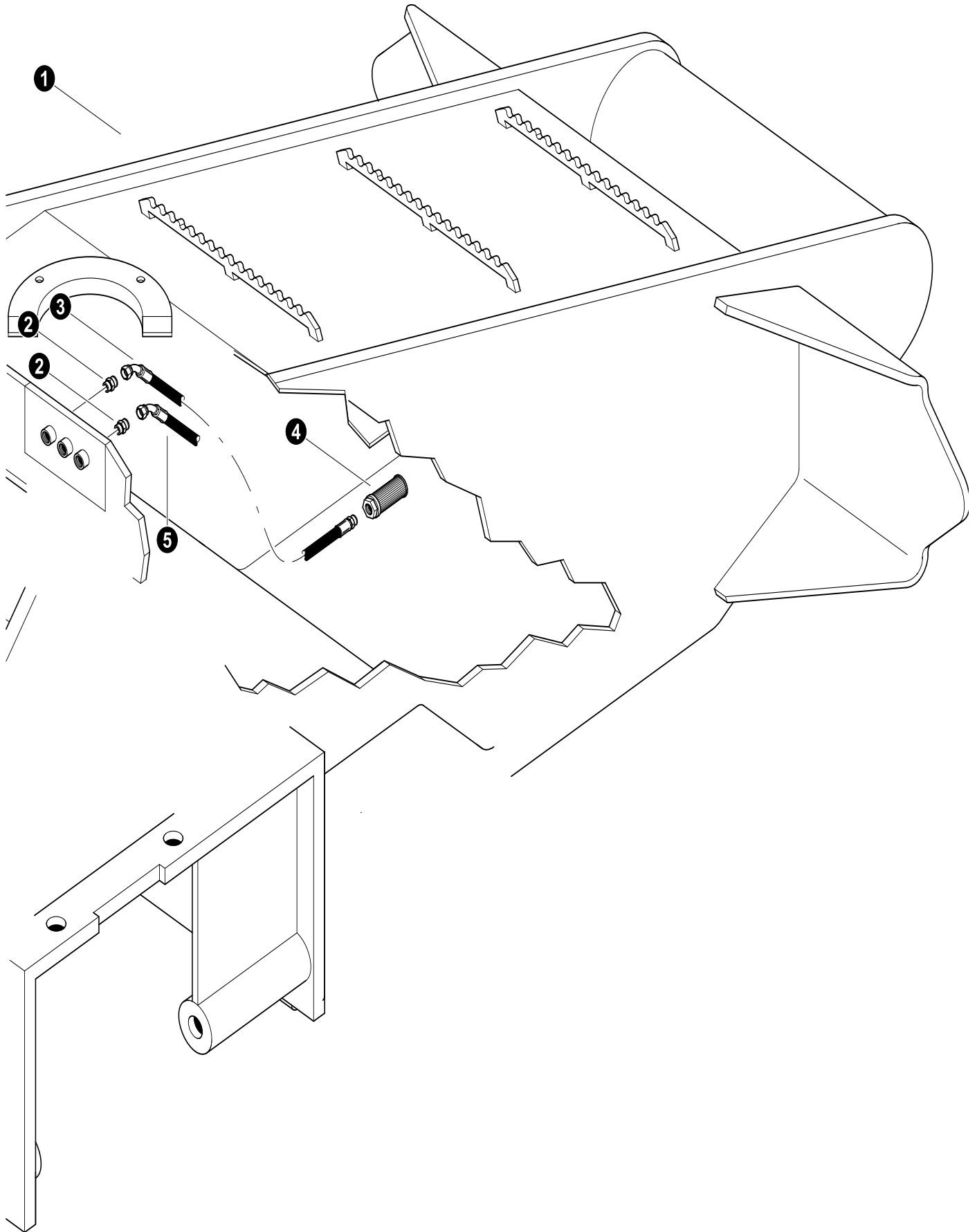
Leveling TB 630 Front Frame - Fuel Tank Components



FUEL FILL STRAINER INSTALLATION

REF	PART #	QTY	DESCRIPTION	SEE SECTION
1	REF.	1	 FRONT FRAME WELDMENT.	HL-1
2	17492-HL	1	DIPSTICK, fuel level	
3	17115-HL	1	RING, snap - fuel strainer retainer	
4	17114-HL	1	STRAINER, fuel	
5	16585-HL	1	CAP, FUEL - LOCKING	
6	10783-HL	4	BOLT - 1/2" x 1"	
7	15534-HL	4	WASHER, SAE flat - 1/2"	
8	14079-HL	1	COVER, fuel tank	
9	15600-HL	1	O-RING - 8"	


 See referenced page for component or assembly breakdown.




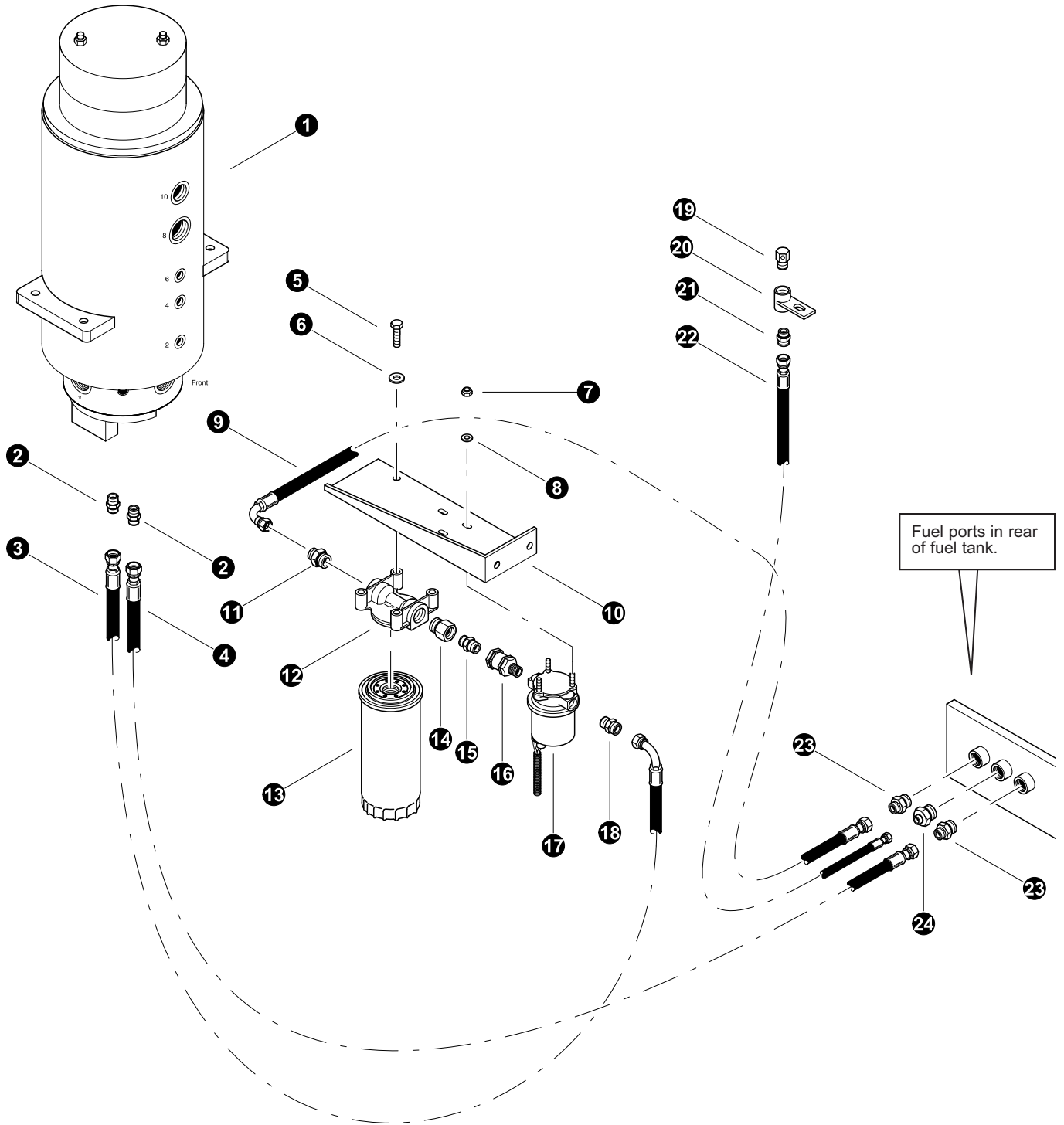
Parts T2798 08/05/03
18.75

FUEL LINES

(Supply & Return Lines Inside Fuel Tank)

REF	PART #	QTY	DESCRIPTION	SEE SECTION
1	REF.	1	 FRONT FRAME WELDMENT.	HL-1
2	15117-HL	2	CONNECTOR, straight - FF1852T-0808S	
3	50577-HL	1	HOSE ASSEMBLY - 2067-08-0804-08MP (Fuel supply)	
4	17271-HL	1	FILTER, screen	
5	50576-HL	1	HOSE ASSEMBLY - 2018-08-0804 (Fuel return)	


 See referenced page for component or assembly breakdown.



Parts T3245 08/03/2005
18.75

FUEL LINES

(Supply & Return Lines From Fuel Tank To Rotary Manifold)

REF	PART #	QTY	DESCRIPTION	SEE SECTION
1	REF.	1	 ROTARY MANIFOLD	UP-1
2	18034-HL	2	CONNECTOR, STR - FF1852T-0606S	
3	-HL	1	HOSE ASSEMBLY - 2049-06-060S-0609 (Fuel Lift Pump Out to Rotary Manifold port #2)	
4	-HL	1	HOSE ASSEMBLY - 2051.5-06-060S-0609 (Fuel Tank Return Port to Rotary Manifold port #1)	
5	11707-FF	2	BOLT - .375" X 1"	
6	15528-FF	4	WASHER, SAE flat - 3/8"	
7	10755-FF	3	NUT, hex - 1/4"	
8	10757-FF	3	WASHER, SAE flat - 1/4"	
9	-HL	1	HOSE ASSEMBLY - 2024-06-060S-0609 (Fuel Tank Supply to Fuel Filter Inlet Port)	
10	51752-FF	1	MOUNT, FUEL COMPONENTS	
11	51885-FF	1	CONNECTOR, STR - (6-10 F50L0-S)	
12	16574-FF	1	MOUNT, filter head	
13	16575-FF	1	FILTER, spin-on fuel	
14	19290-FF	1	BUSHING, REDUCER - 6410-10-8	
15	51982-FF	1	CONNECTOR, STR - (8-3/8 F50F-S)	
16	15652-FF	1	VALVE, check	
17	21966-FF	1	PUMP, fuel - 12 volt	
18	51878-FF	1	CONNECTOR, STR - MALE PIPE (6-6 FL0-S)	
19	22906-FF	1	BREATHER, fuel vent	
20	23393-FF	1	BRACKET, 800 Fuel tank vent	
21	15131-FF	1	CONNECTOR, straight - FF2031T-0404S	
22	50310-HL	1	HOSE ASSEMBLY - 2031-04-040S-0404 (Fuel Tank Vent)	
23	22902-FF	2	CONNECTOR, STR - 848-TT-08x06	
24	15504-FF	1	CONNECTOR, straight - FF2031T-0408S	



See referenced page for component or assembly breakdown.

