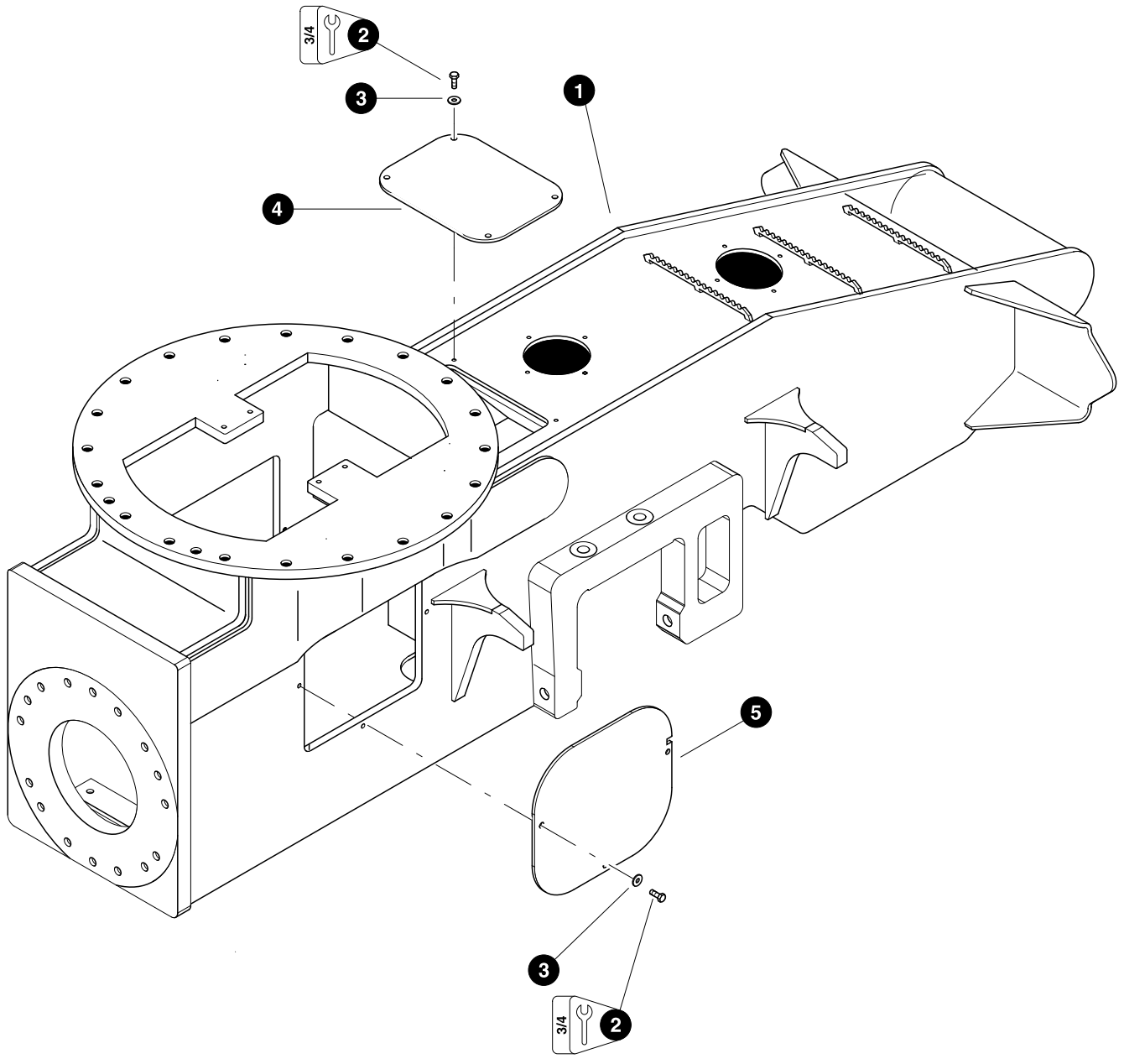


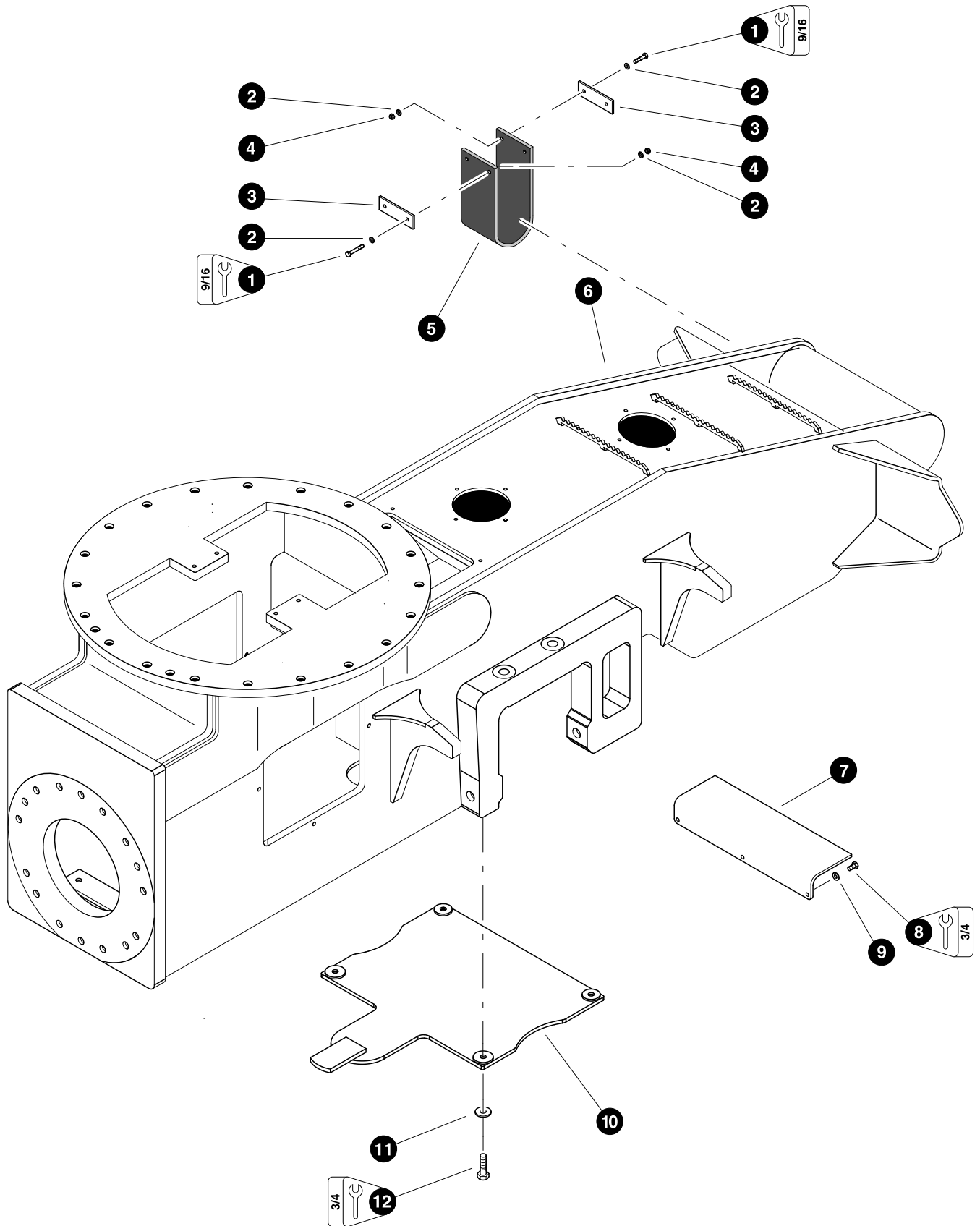
Section HN-1

TB 630 Non-Leveling Front Frame - Frame & Components Installation




FRAME ACCESS COVERS
(General)


REF	PART #	QTY	DESCRIPTION	SEE SECTION
1	40640-HN	1	FRONT FRAME WELDMENT	
2	10783-HN	10	BOLT - 1/2" x 1"	
3	15534-HN	14	WASHER, SAE flat - 1/2"	
4	40672-HN	1	COVER, access (non level top cover)	
5	40664-HN	2	COVER, access (non level side cover)	

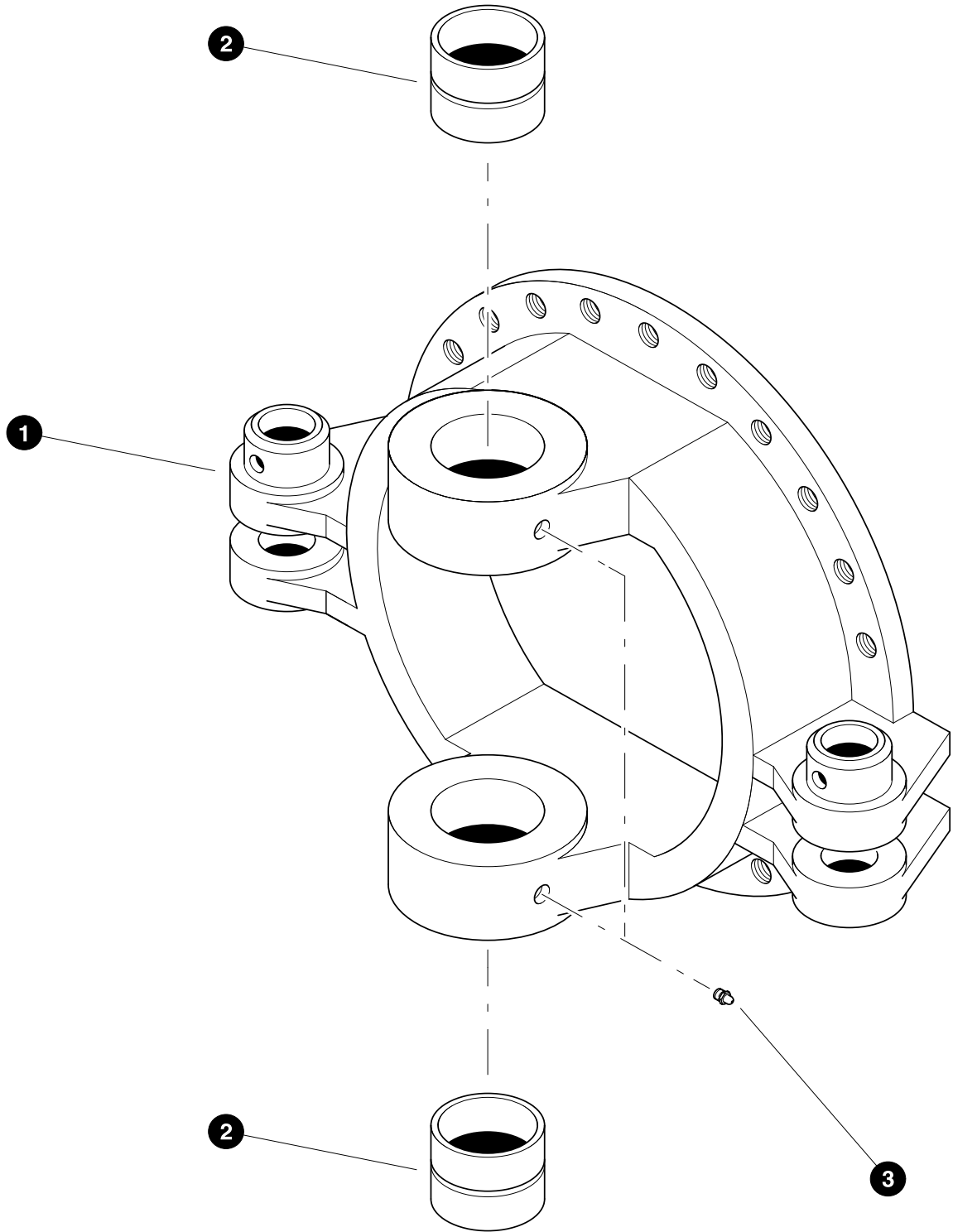


Parts T2970 03/15/04
9.375

FRAME ACCESS COVERS

REF	PART #	QTY	DESCRIPTION	SEE SECTION
1	20084-HN	3	BOLT - 3/8" x 1-3/4"	
2	15528-HN	8	WASHER, SAE flat - 3/8"	
3	20209-HN	2	RETAINER, rubber step	
4	10813-HN	8	NUT, lock - 3/8"	
5	20210-HN	1	STEP, rubber	
6	REF.	1	 FRONT FRAME WELDMENT.	HN-1
7	42414-HN	1	COVER, access - axle box	
8	10783-HN	6	BOLT - 1/2" x 1"	
9	15534-HN	8	WASHER, SAE flat - 1/2"	
10	51415-HN	1	COVER, access - front frame axle bottom	
11	15550-HN	2	WASHER, SAE flat - 3/4"	
12	15549-HN	2	BOLT - 3/4" x 1 1/2"	

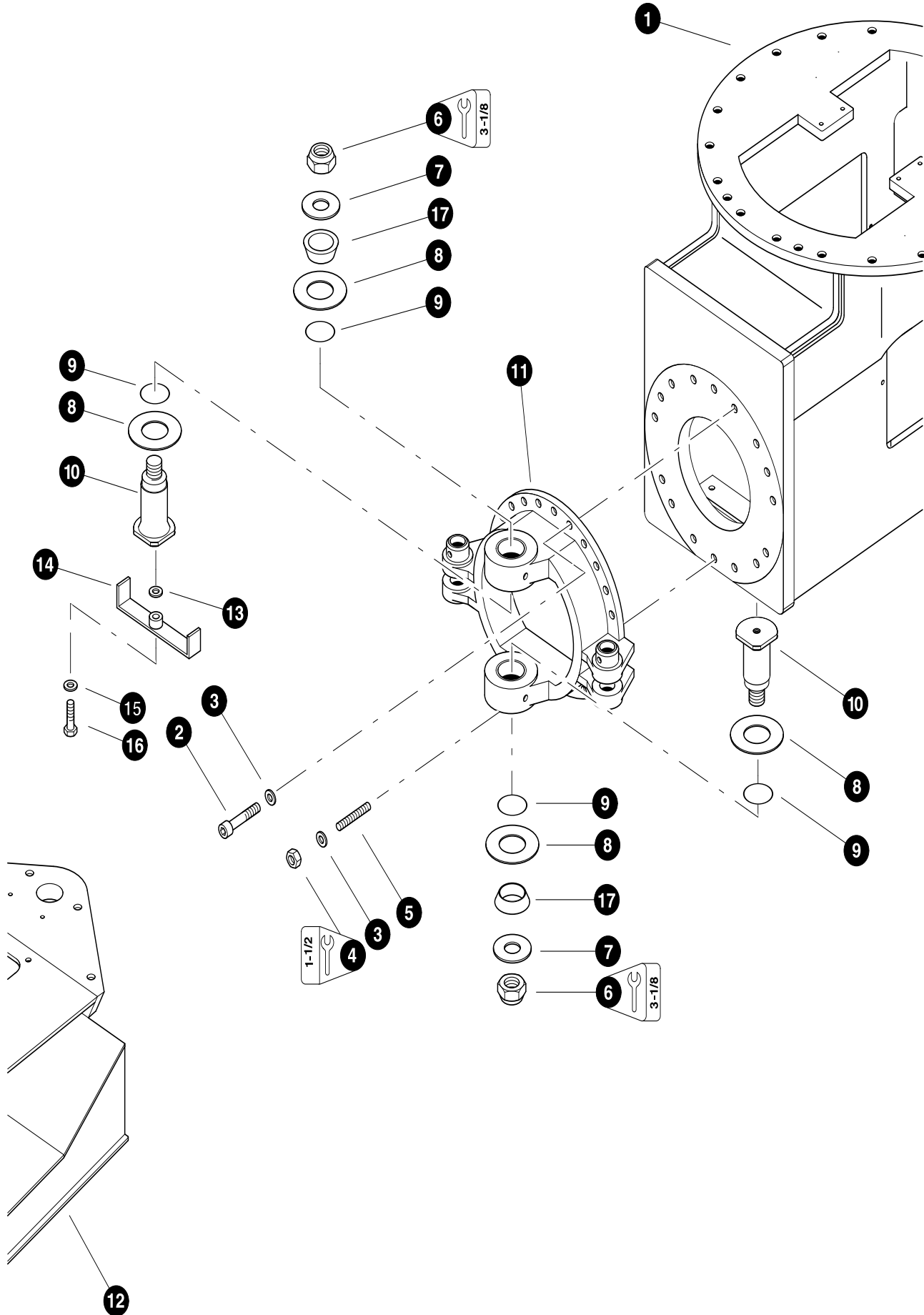
 See referenced page for component or assembly breakdown.



ARTICULATION CASTING



REF	PART #	QTY	DESCRIPTION	SEE SECTION
1	52037-HN	1	<input type="checkbox"/> CASTING, HINGE PLATE - 630 (Thicker Boss)	
2	52021-HN	2	BUSHING - 3.5" X 3.75"(STRAIGHT GROOVES)	
3	10704-HN	2	FITTING, grease - 1/8" pipe thread	


Kit or Assembly - includes all items indented underneath.



Parts T3667 08/18/2008
9.375

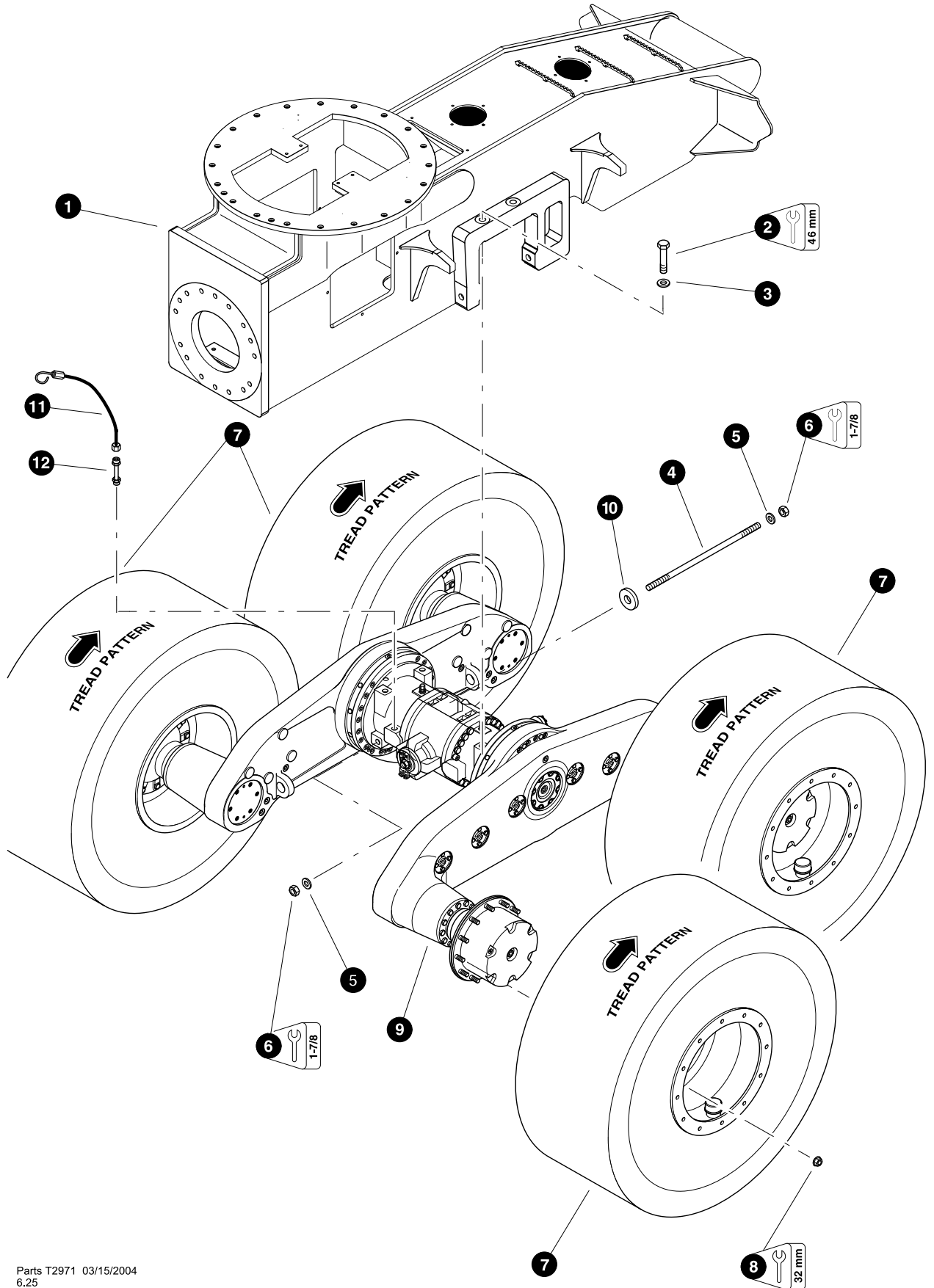
ARTICULATION ASSEMBLY

REF	PART #	QTY	DESCRIPTION	SEE SECTION
1	REF.	1	 FRONT FRAME WELDMENT.	HN-1
2	50410-HN	14	BOLT,ALLEN - 1" x 5" (Torque to 1000 ft.lbs (1330 Nm) (see note #1)	
3	18532-HN	16	WASHER, SAE flat (THICK) - 1"	
4	19073-HN	2	NUT, 1" (Torque to 1000 ft.lbs (1330 Nm)	
5	50587-HN	2	STUD, 1" (see note #1)	
6	10728-HN	2	NUT, nylock - 2"	
7	51499-HN	2	WASHER, articulation pin (3/8")	
8	23106-HN	AR	WASHER, thrust - thin (Brass)	
	23105-HN	AR	WASHER, thrust - thick (Brass)	
9	21577-HN	AR	O-RING - thin	
	24546-HN	AR	O-RING - thick	
10	52605-FF	2	PIN - 3.5 X 10.00 ART. - VEE-CHROMED	
11	REF.	1	FRAME ARTICULATION CASTING	HN-2
12	REF.	1	 REAR FRAME WELDMENT.	HR-1
13	50464-HN	1	WASHER, SAE flat (THICK) - 3/4"	
14	40830-HN	1	BRACKET, articulation joint hose	
15	15550-HN	1	WASHER, SAE flat 3/4"	
16	10840-HN	1	BOLT - 3/4 X 3"	

 See referenced page for component or assembly breakdown.




NOTE #1

Use anti-seize lubricant on threads before assembly.

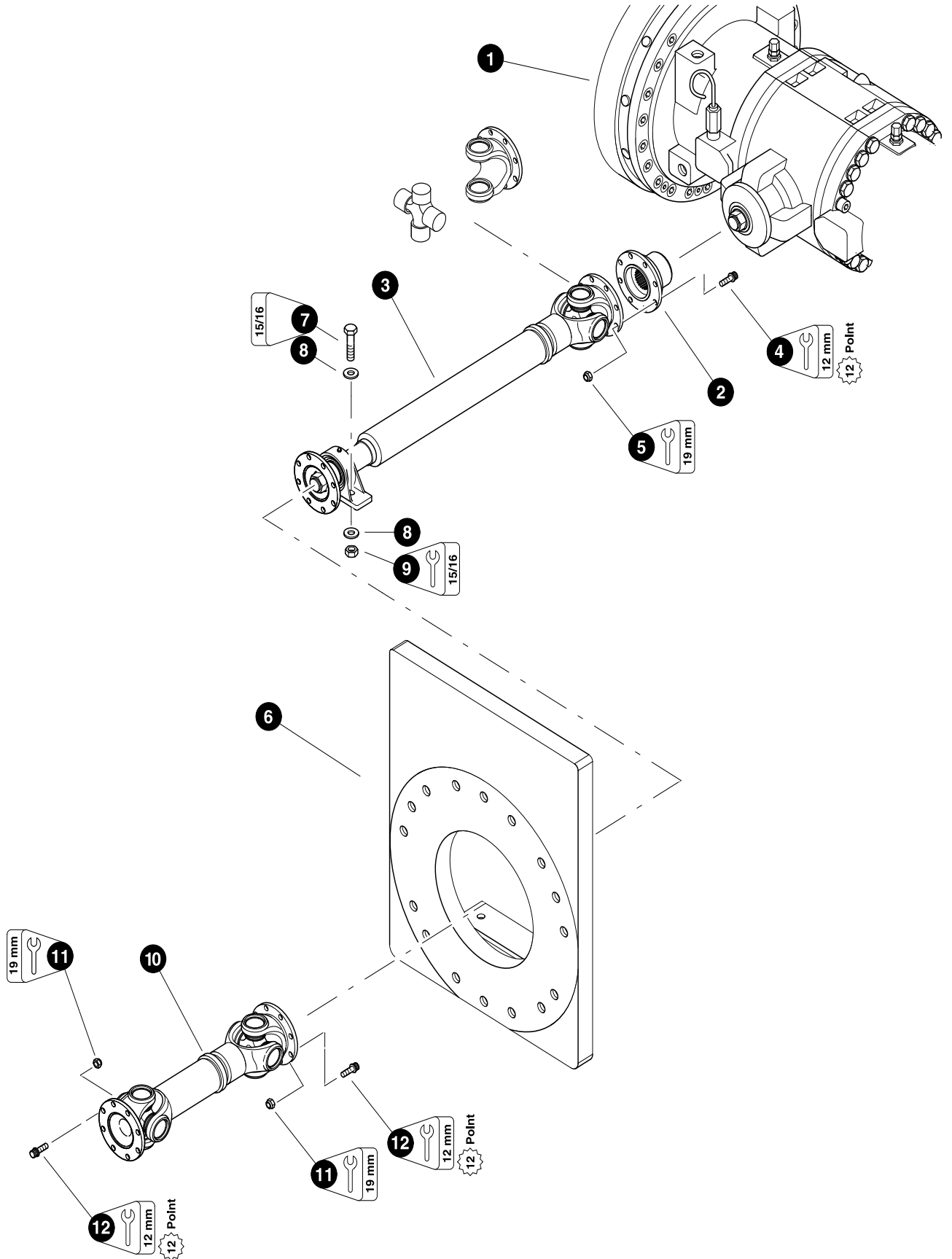


Parts T2971 03/15/2004
6.25





FRONT FRAME INSTALLATION



REF	PART #	QTY	DESCRIPTION	SEE SECTION
1	REF.	1	 FRONT FRAME WELDMNT	HN-1-2
2	23567-HN	4	BOLT - 30mm-3.5P x 220mm (Torque to 1100 ft.lbs. (1465 Nm))	
3	23568-HN	4	WASHER, hardened flat - 30mm	
4	23851-HN	2	STUD, axle spreader box - 1-1/4" (Torque to 1200 ft.lbs. (1600 Nm))	
5	22531-HN	4	WASHER, SAE flat - 1-1/4"	
6	23989-HN	4	NUT, lock - 1-1/4"	
7	REF.	4	 WHEEL ASSEMBLY	AX-3-2
8	19361-HN	48	NUT, lug (Torque to 600 ft.lbs. (800 Nm))	
9	REF.	1	 FRONT AXLE	AX-1-2
10	24003-HN	2	SPACER, axle spreader stud	
11	21165-HN	1	TUBE, dipstick (top)	
-	21561-HN	1	BLADE, dipstick	
12	21164-HN	1	TUBE, dipstick (bottom)	

 See referenced page for component or assembly breakdown.



DRIVE SHAFT INSTALLATION

REF	PART #	QTY		DESCRIPTION	SEE SECTION
1	REF.	1		FRONT AXLE	AX-1-2
2	23997-HN	1		YOKE, companion flange - axle (Torque to 590 ft lbs. (800 Nm) (See Note #2 Below)	
3	---	1		DRIVE SHAFT, heavy duty (Center joint to front axle) (467889-61)	
	---	2		FITTING, 90° grease - 10mm	
	50466-HN	1		KIT, CROSS & BEARING	
	50467-HN	1		YOKE, FLANGE	
4	50261-HN	8		BOLT, 12 point - 12mm-1.75P x 35mm (See Note #1 Below)	
5	50262-HN	8		NUT, lock - 12mm	
6	REF.	1		FRONT FRAME WELDMENT	HN-1-2
7	10720-HN	6		BOLT, - 5/8" x 3" (See Note #1 Below) (Torque to 130 ft.lbs. (175 Nm))	
8	23210-HN	4		WASHER, SAE flat 5/8" (extra thick)	
9	10816-HN	2		NUT, lock - 5/8"	
10	25968-HN	1		DRIVE SHAFT (Center joint)	
	-----	2		FITTING, 90° grease - 10mm	
	50466-HN	2		KIT, CROSS & BEARING	
	50467-HN	2		YOKE, FLANGE	
11	50261-HN	16		BOLT, 12 point - 12mm-1.75P x 35mm (See Note #1 Below)	
12	50262-HN	16		NUT, lock - 12mm	

-  See referenced page for component or assembly breakdown.
-  Kit or Assembly - includes all items indented underneath.

Note #1:

Use Loctite 242 (blue) during installation.

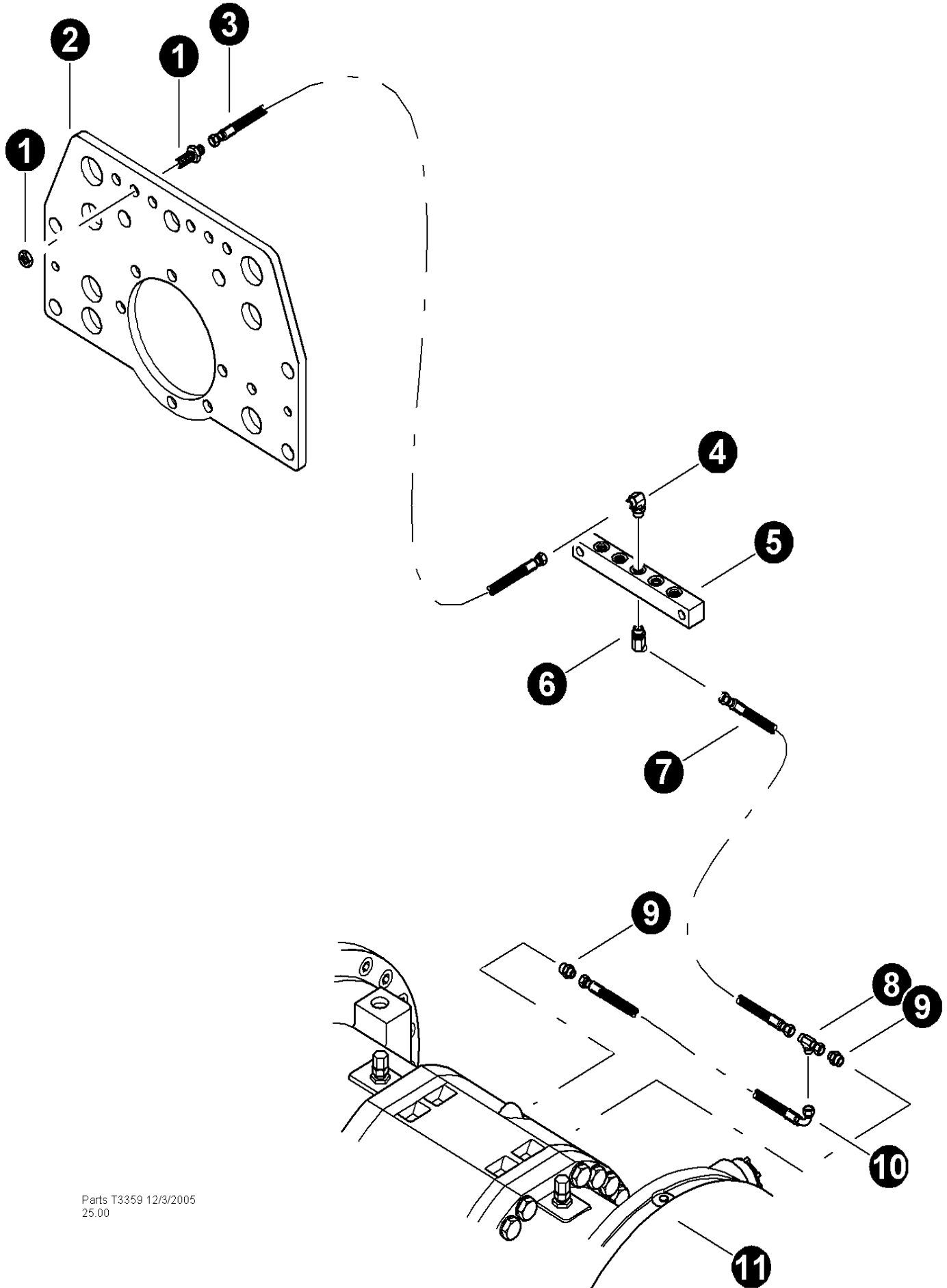
Note #2:

Use Loctite 271 (red) on threads during installation.

THIS PAGE LEFT BLANK FOR NOTES


Section HN-2


TB 630 Non-Leveling Front Frame - Hydraulics

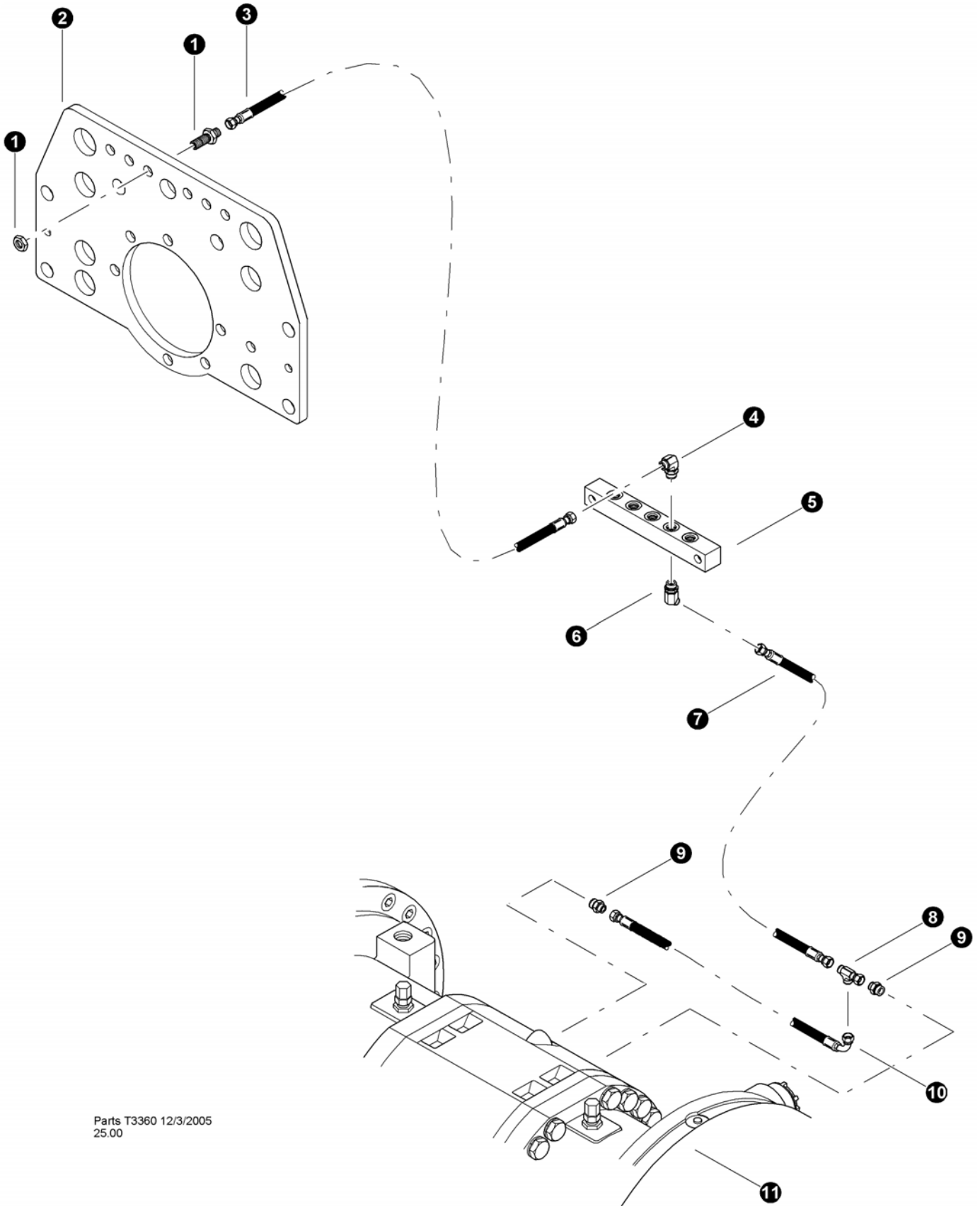


Parts T3359 12/3/2005
25.00

FRONT AXLE PARKING BRAKE LINES
(From Rear Frame Bulkhead Plate to Front Axle)


REF	PART #	QTY	DESCRIPTION	SEE SECTION
1	18582-HN	1	CONNECTOR, straight bulkhead - 04	
2	40006-HN	1	BRACKET, bearing mount 620	
3	50968-HN	1	HOSE ASSEMBLY - 2072-04-040S-040S (Junction manifold to rear frame bulkhead plate)	
4	15133-HN	1	ELBOW, 90 - FF1868T-0406S	
5	22287-HN	1	MANIFOLD, GAUGE	
6	17646-HN	1	ELBOW, 45 - FF2068T-0406S	
7	50970-HN	1	HOSE ASSEMBLY - 2053-04-040S-040S (Junction manifold to front axle parking brake tee)	
7	19470-HN	2	CONNECTOR, straight - 4M14F8OMLO-S	
8	15176-HN	2	TEE - FF2114T-0404S	
9	15124-HN	2	CONNECTOR, straight - FF1852T-0404S	
10	50607-HN	1	HOSE ASSEMBLY - 2009.5-04-040S-0409	
11	REF.	1	 FRONT AXLE	AX-1


 See referenced page for component or assembly breakdown.

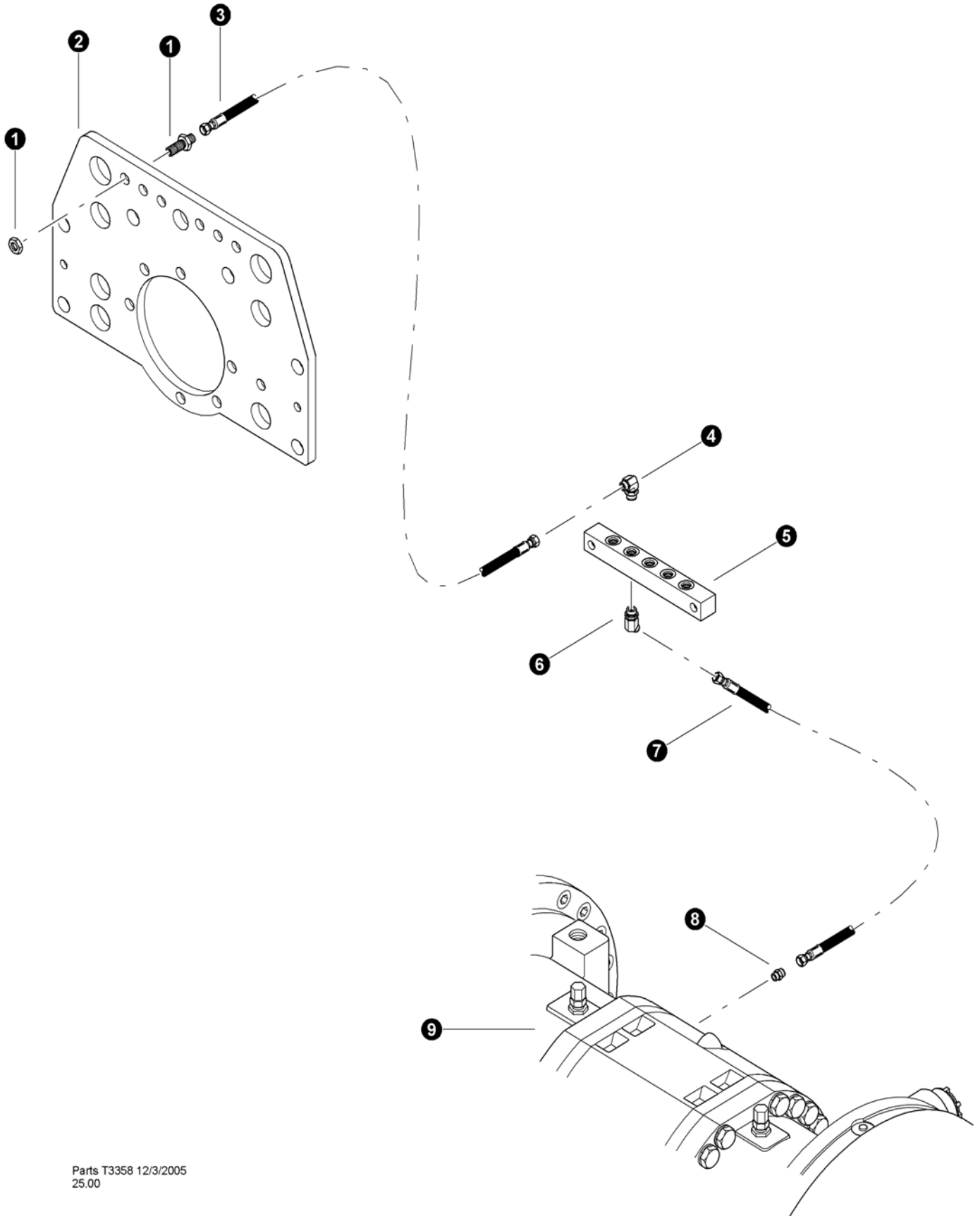


Parts T3360 12/3/2005
25.00

FRONT AXLE TRAVEL BRAKE LINES (From Rotary Manifold to Front Axle)


REF	PART #	QTY	DESCRIPTION	SEE SECTION
1	18582-HN	1	CONNECTOR, straight bulkhead - 04	
2	40006-HN	1	BRACKET, bearing mount 620	
3	50969-HN	1	HOSE ASSEMBLY - 2070-04-040S-040S (Junction manifold to rear frame bulkhead plate)	
4	15133-HN	1	ELBOW, 90 - FF1868T-0406S	
5	22287-HN	1	MANIFOLD, GAUGE	
6	17646-HN	1	ELBOW, 45 - FF2068T-0406S	
7	50970-HN	1	HOSE ASSEMBLY - 2053-04-040S-040S (Junction manifold to front axle parking brake tee)	
7	19470-HN	2	CONNECTOR, straight - 4M14F8OMLO-S	
8	15176-HN	2	TEE - FF2114T-0404S	
9	15124-HN	2	CONNECTOR, straight - FF1852T-0404S	
10	50607-HN	1	HOSE ASSEMBLY - 2009.5-04-040S-0409	
11	REF.	1	 FRONT AXLE	AX-1


 See referenced page for component or assembly breakdown.

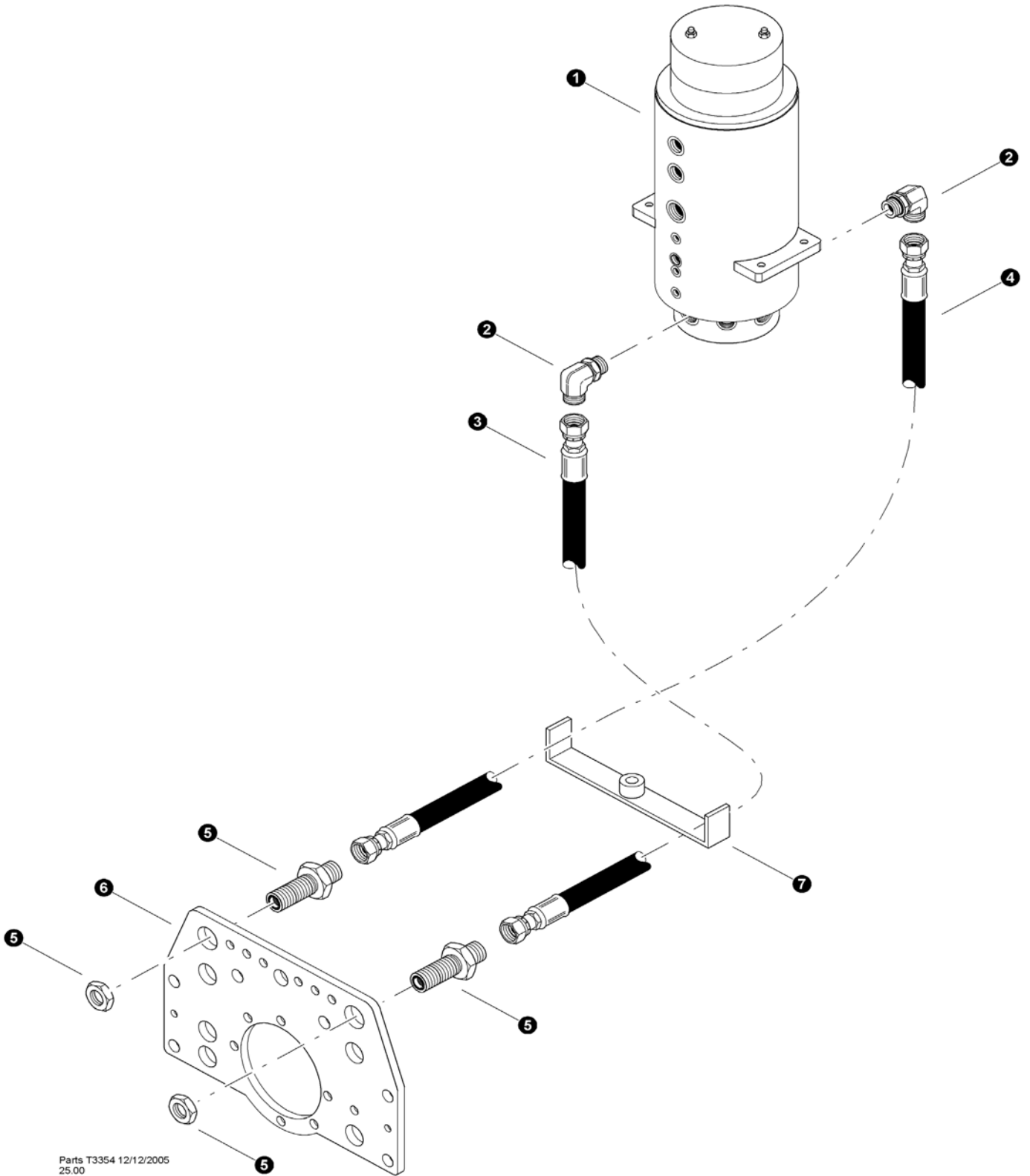


Parts T3358 12/3/2005
25.00


FRONT AXLE DIFFERENTIAL LOCK LINES (From Rear Frame Bulkhead Plate to Front Axle)

REF	PART #	QTY	DESCRIPTION	SEE SECTION
1	18582-HN	1	CONNECTOR, straight bulkhead - 04	
2	40006-HN	1	BRACKET, bearing mount 620	
3	50968-HN	1	HOSE ASSEMBLY - 2072-04-040S-040S (Junction manifold to rear frame bulkhead plate)	
4	15133-HN	1	ELBOW, 90 - FF1868T-0406S	
5	22287-HN	1	MANIFOLD, GAUGE	
6	17646-HN	1	ELBOW, 45 - FF2068T-0406S	
7	50970-HN	1	HOSE ASSEMBLY - 2053-04-040S-040S (Junction manifold to front axle diff lock)	
8	19470-HN	2	CONNECTOR, straight - 4M14F8OMLO-S	
9	REF.	1	 FRONT AXLE	AX-1

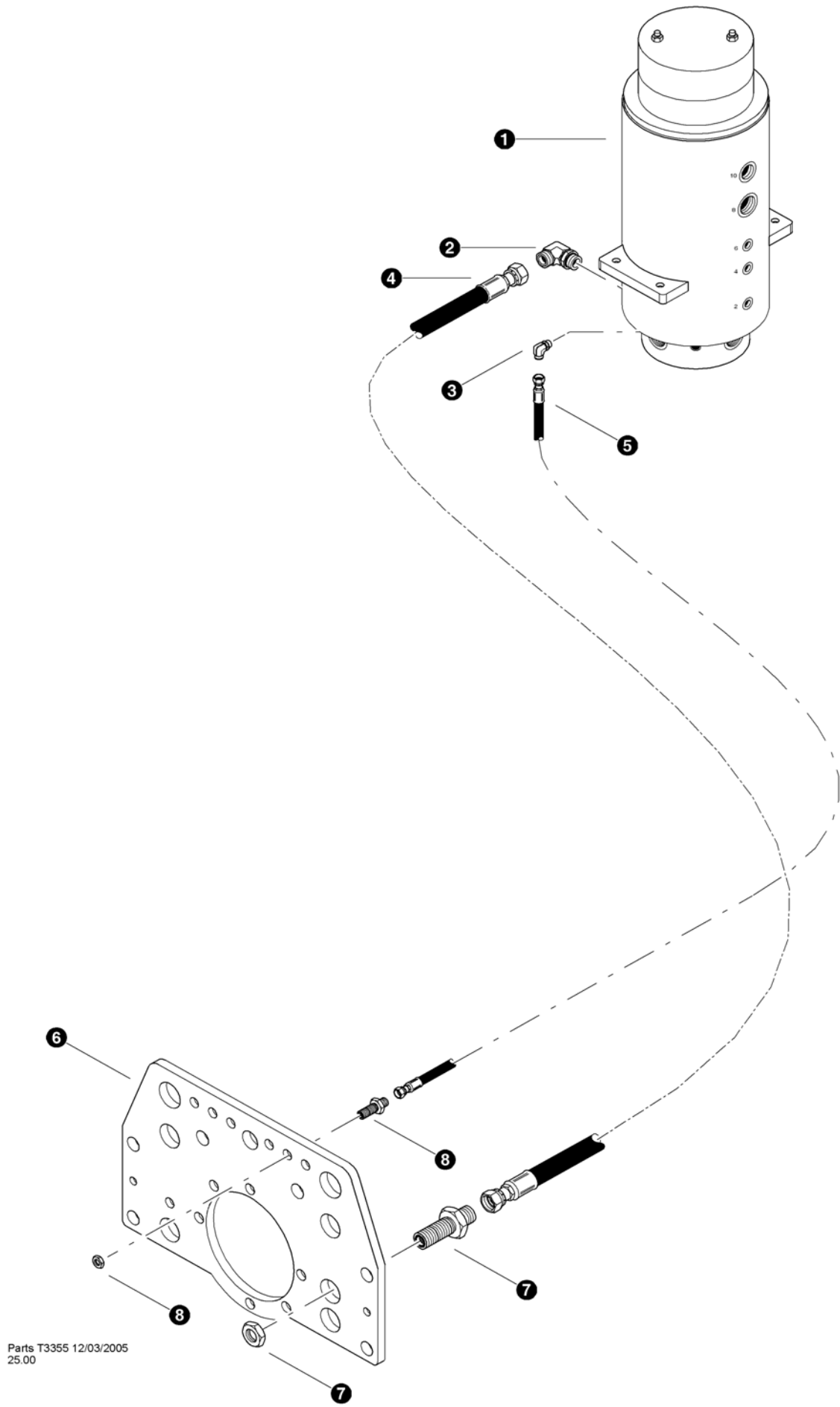
 See referenced page for component or assembly breakdown.



DRIVE MOTOR PRESSURE LINES
(Rotary Manifold to Rear Frame Bulkhead Plate)


REF	PART #	QTY	DESCRIPTION	SEE SECTION
1	REF.	1	 ROTORY MANIFOLD	UP-1
2	15228-HN	2	ELBOW, 90 - FF1868T-1616S	
3	50980-HN	1	HOSE ASSEMBLY - 6066-16-160S-160S (rear frame bulkhead plate to rotary manifold port #2)	
4	50979-HN	1	HOSE ASSEMBLY - 6076-16-160S-160S (rear frame bulkhead plate to rotary manifold port #1)	
5	20003-HN	2	CONNECTOR, STR BULKHEAD - 16	
6	40006-HN	1	BRACKET, bearing mount - (bulkhead plate 630)	
7	REF	1	ARTICULATION HOSE BRACKET.	HN-1


 See referenced page for component or assembly breakdown.

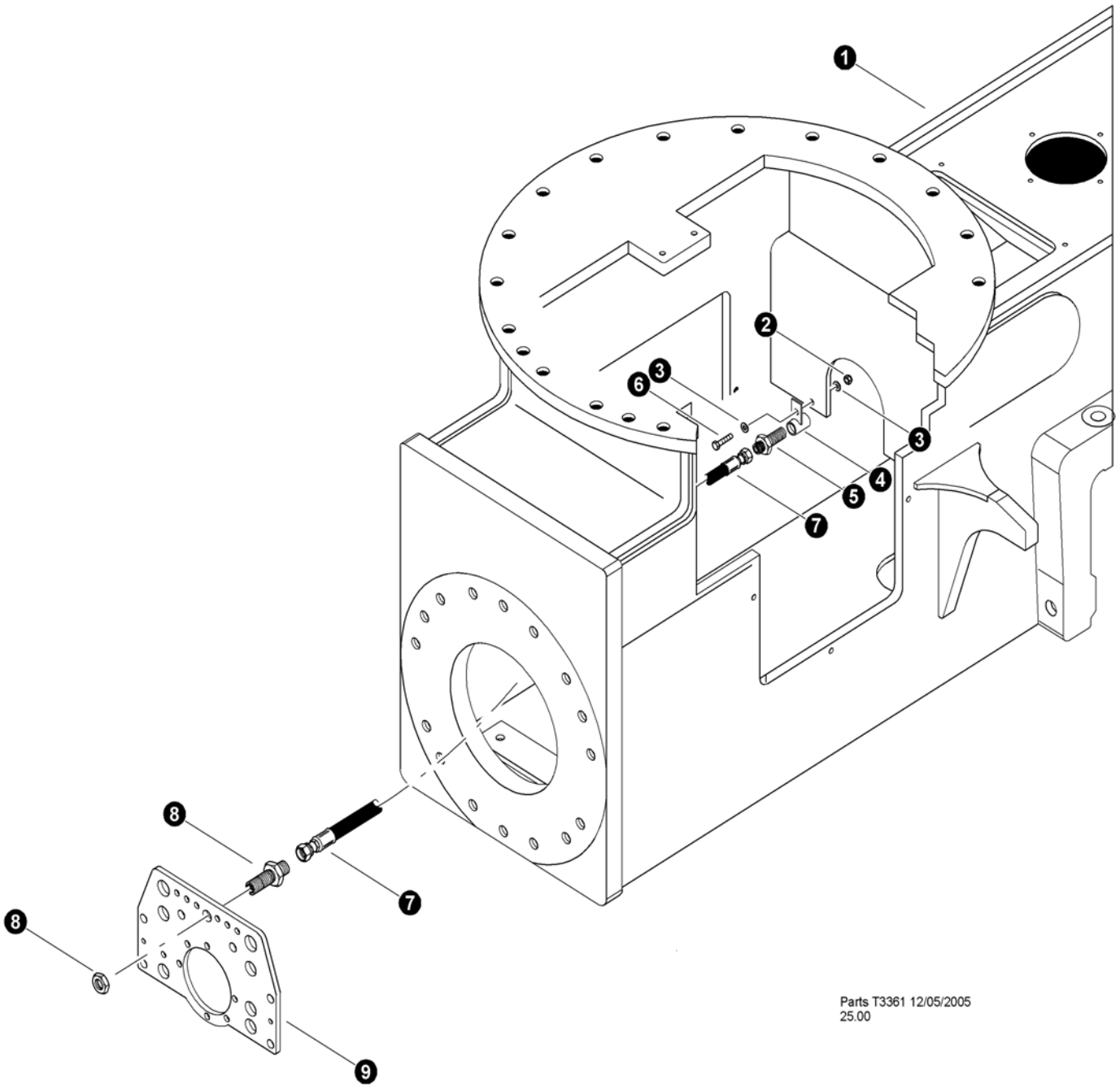


Parts T3355 12/03/2005
25.00


CASE DRAIN & LOWER SOLENOID VALVE PRESSURE (Rotary Manifold to Rear Frame Bulkhead Plate)



REF	PART #	QTY	DESCRIPTION	SEE SECTION
1	REF.	1	 ROTORY MANIFOLD	UP-1
2	17688-HN	1	ELBOW, 90 - FF1868T-1212S	
3	16296-HN	1	ELBOW, 90 - FF1868T-0606S	
4	51168-HN	1	HOSE ASSEMBLY - 4074-12-120S-120S (rear frame bulkhead plate to rotary manifold port #11)	
5	-HN	1	HOSE ASSEMBLY - 2071-06-060S-060S (rear frame bulkhead plate to rotary manifold port #4)	
6	42201-HN	1	BRACKET, bearing mount - (bulkhead plate 630)	
7	17009-HN	1	CONNECTOR, STR BULKHEAD - 2700-12	
8	50420-HN	1	CONNECTOR, STR BULKHEAD - 832-TT-06	

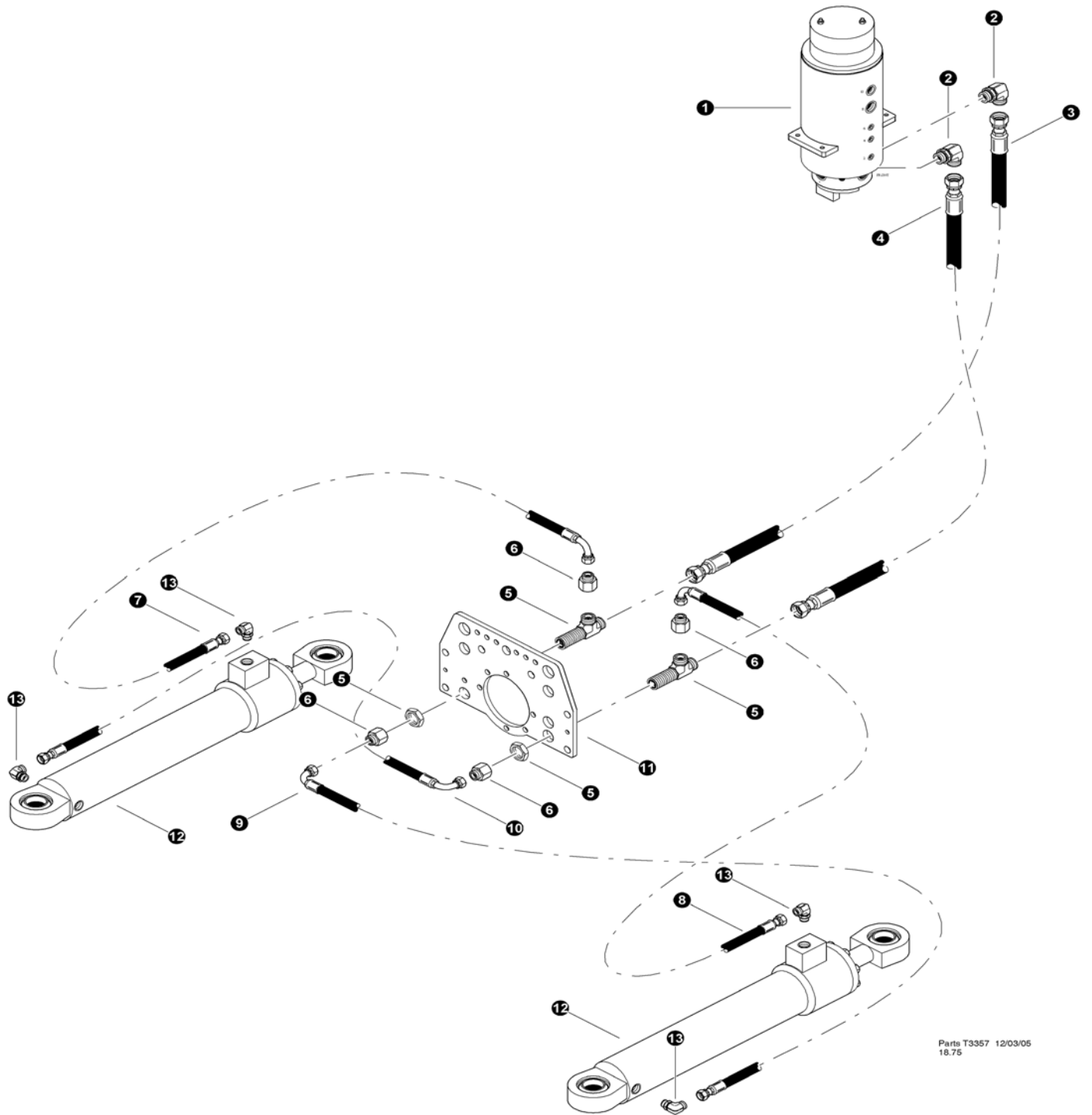
 See referenced page for component or assembly breakdown.



ELECTRICAL LINE (Front Frame to Rear Frame Bulkhead Plate)

REF	PART #	QTY	DESCRIPTION	SEE SECTION
1	REF.	1	 NON LEVELING FRONT FRAME 630.....	HN-1
2	10813-HN	1	NUT, LOCK - .375"	
3	15528-HN	2	WASHER, 3/8 sae flat	
4	51004-HN	1	BRACKET, VENT MOUNT (HORIZONTAL)	
5	50037-HN	1	CONNECTOR, STR - BULKHEAD - 10	
6	15529-HN	1	BOLT - .375" X 2"	
7	50977-HN	1	HOSE ASSEMBLY - 4070-10-10OS-10OS	
8	50037-HN	1	CONNECTOR, STR - BULKHEAD - 10	
9	40006-HN	1	BRACKET, bearing mount - (bulkhead plate 620)	



 See referenced page for component or assembly breakdown.
 Item sold in bulk - per foot (please specify length)



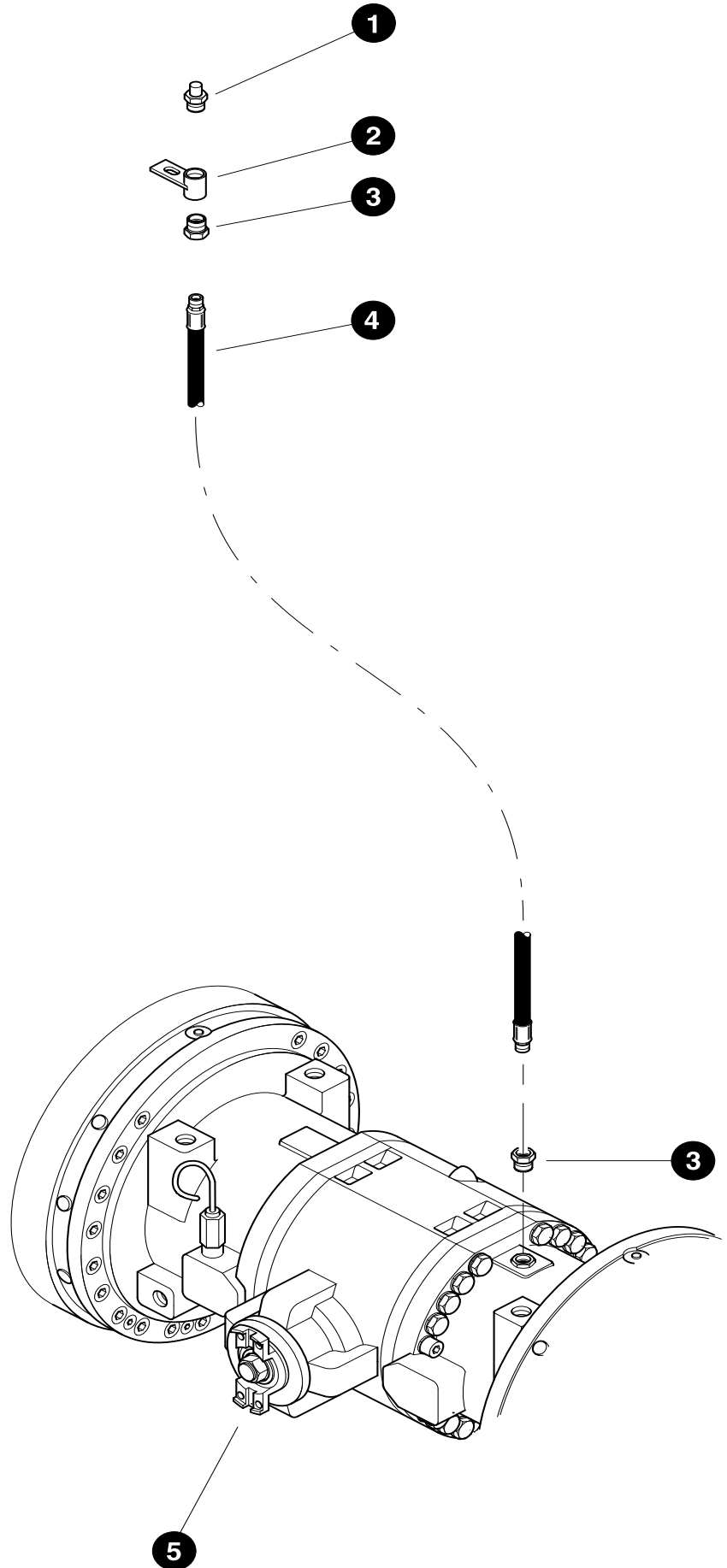
Parts T3357 12/03/05
18.75

STEERING HYDRAULICS


(Rotary Manifold to Rear Frame Bulkhead Plate)


REF	PART #	QTY	DESCRIPTION	SEE SECTION
1	REF.	1	 ROTORY MANIFOLD	UP-1
2	17688-HN	2	ELBOW, 90 - FF1868T-1212S	
3	50972-HN	1	HOSE ASSEMBLY - 4073-12-120S-12OS (rear frame bulkhead tee to rotary manifold port #10)	
4	50972-HN	1	HOSE ASSEMBLY - 4068-12-120S-12OS (rear frame bulkhead tee to rotary manifold port #9)	
5	22716-HN	2	TEE, BULKHEAD - 12	
6	18581-HN	4	CONNECTOR, REDUCER - ORS FF2281T-0812S	
7	50819-HN	1	HOSE ASSEMBLY - 4047-08-080S-0804 (<i>Left bulkhead tee to left steer cylinder rod port</i>)	
8	50819-HN	1	HOSE ASSEMBLY - 4047-08-080S-0804 (<i>Right bulkhead tee to right steer cylinder rod port</i>)	
9	-HN	1	HOSE ASSEMBLY - 4052-08-080S-0809 (<i>Left bulkhead tee to right steer cylinder base port</i>)	
10	-HN	1	HOSE ASSEMBLY - 4052-08-080S-0809 (<i>Right bulkhead tee to left steer cylinder base port</i>)	
11	40006-HN	1	BRACKET, bearing mount - (bulkhead plate 630)	
12	REF.	2	 STEER CYLINDER.	HR-4
13	16360-HN	4	ELBOW, 90° - FF1868T-0808S	

 See referenced page for component or assembly breakdown.



FRONT AXLE VENT LINE

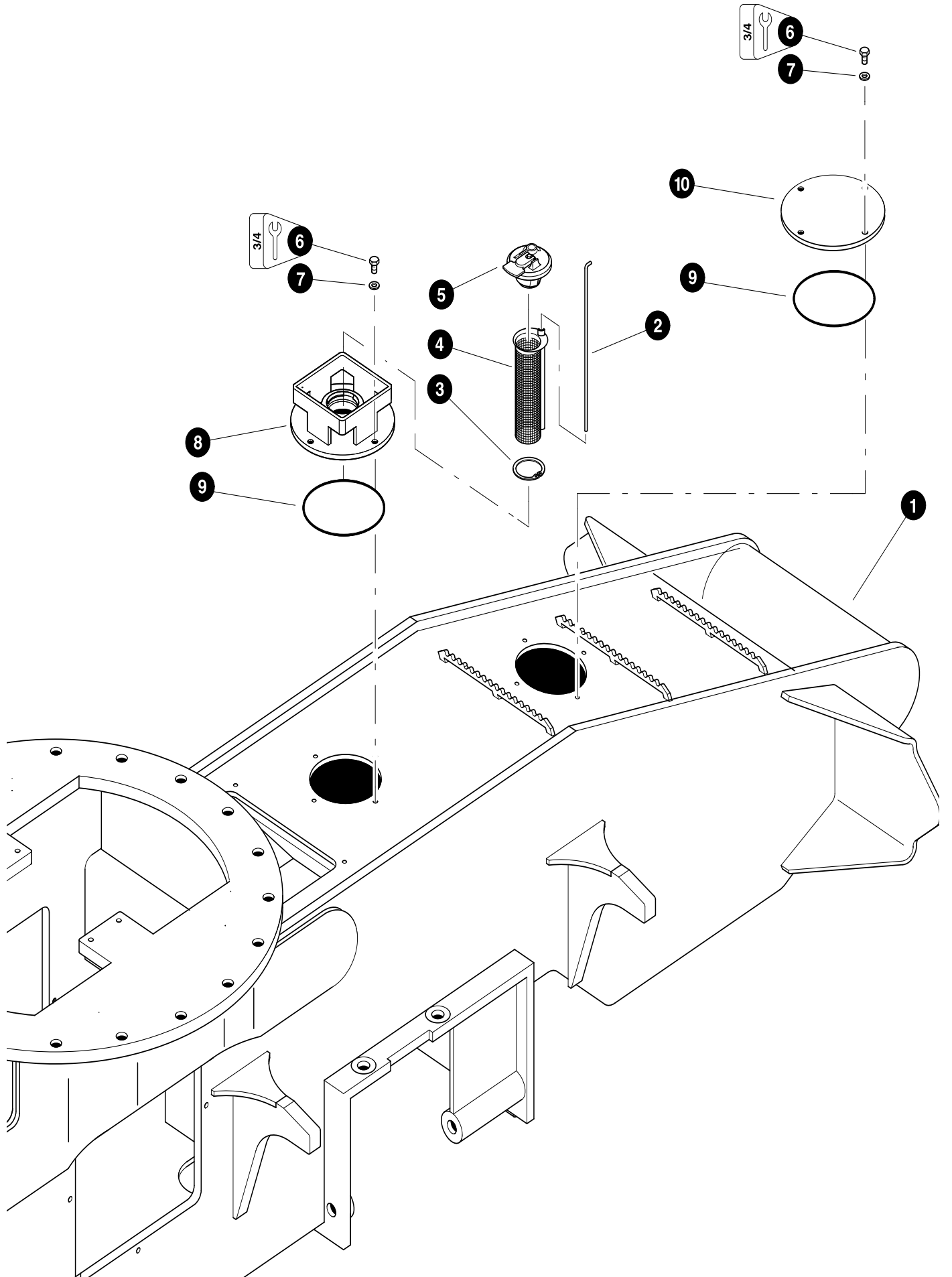
REF	PART #	QTY	DESCRIPTION	SEE SECTION
1	22570-HN	1	VENT, axle	
2	50723-HN	1	BRACKET, vent mount - 8	
3	11312-HN	1	BUSHING, PIPE 4 - 8	
4	50967-HN	1	HOSE ASSEMBLY - 2051-08-04MP-04MP (Axle vent port to vent mounting bracket)	
5	REF.	1	 FRONT AXLE	AX-1

 See referenced page for component or assembly breakdown.


THIS PAGE LEFT BLANK FOR NOTES

Section HN-3

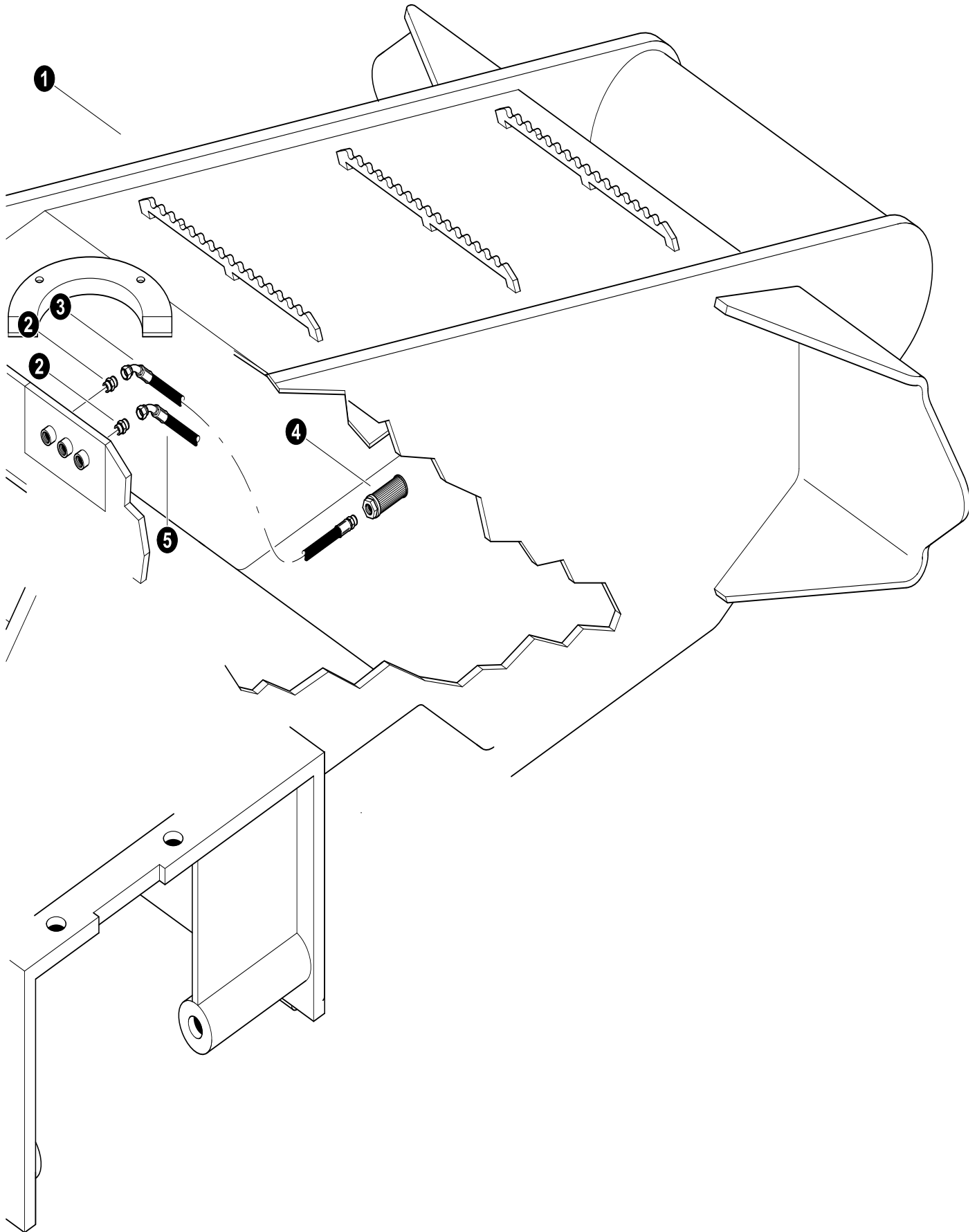
Non-Leveling TB 630 Front Frame - Fuel Tank Components



FUEL FILL STRAINER INSTALLATION


REF	PART #	QTY	DESCRIPTION	SEE SECTION
1	REF.	1	 FRONT FRAME WELDMNT.	HN-1-2
2	17492-HN	1	DIPSTICK, fuel level	
3	17115-HN	1	RING, snap - fuel strainer retainer	
4	17114-HN	1	STRAINER, fuel	
5	16585-HN	1	CAP, FUEL - LOCKING	
6	10783-HN	4	BOLT - 1/2" x 1"	
7	15534-HN	4	WASHER, SAE flat - 1/2"	
8	16516-HN	1	COVER, fuel tank	
9	15600-HN	1	O-RING - 8"	
10	12250-HN	1	COVER, access fuel tank	


 See referenced page for component or assembly breakdown.

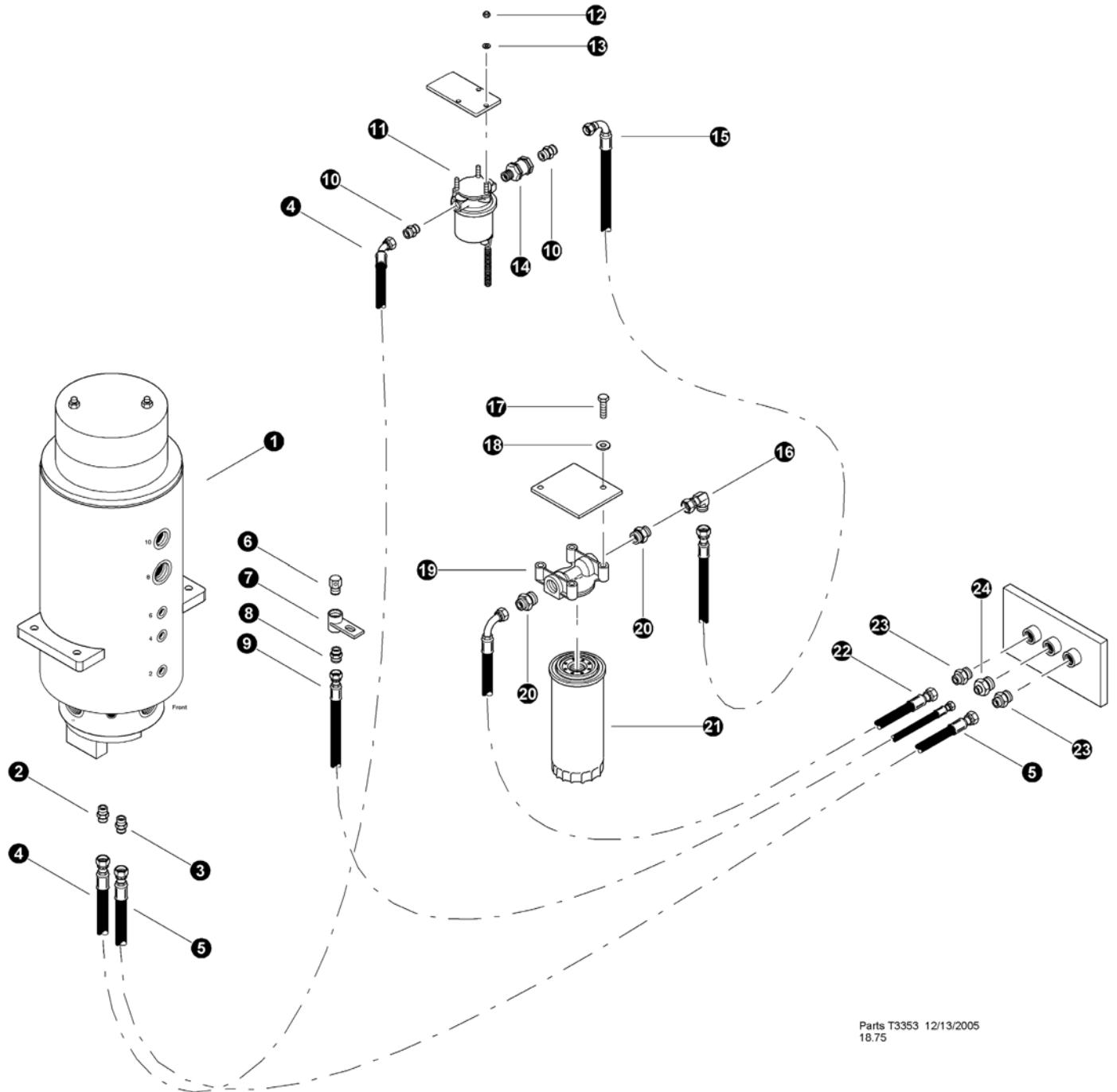


Parts T2798 08/05/03

FUEL LINES (Supply & Return Lines Inside Fuel Tank)

REF	PART #	QTY	DESCRIPTION	SEE SECTION
1	REF.	1	 FRONT FRAME WELDMENT.	HN-1-2
2	15117-HN	2	CONNECTOR, straight - FF1852T-0808S	
3	50576-HN	1	HOSE ASSEMBLY - 2018-08-0804 (Fuel return)	
4	17271-HN	1	FILTER, screen	
5	50577-HN	1	HOSE ASSEMBLY - 2067-08-0804-08MP (Fuel supply)	


 See referenced page for component or assembly breakdown.



Parts T3353 12/13/2005
18.75

FUEL LINES

(Supply & Return Lines From Fuel Tank To Rotary Manifold)

REF	PART #	QTY	DESCRIPTION	SEE SECTION
1	REF.	1	 ROTARY MANIFOLD	UP-1
2	18034-HN	1	CONNECTOR, STR - FF1852T-0606S	
3	18034-HN	1	CONNECTOR, STR - FF1852T-0606S	
4	-HN	1	HOSE ASSEMBLY - 2038-06-060S-0609 (Fuel Lift Pump Out to Rotary Manifold port #2)	
5	50611-HN	1	HOSE ASSEMBLY - 2052-06-060S-0609 (Fuel Tank Return to Rotary Manifold port #1)	
6	22906-HN	1	BREATHER, fuel vent	
7	23393-HN	1	BRACKET, 800 Fuel tank vent	
8	15131-HN	1	CONNECTOR, straight - FF2031T-0404S	
9	-HN	1	HOSE ASSEMBLY - 2043-04-040S-0404 (Fuel Tank Vent)	
10	51878-HN	2	CONNECTOR, STR - MALE PIPE (6-6 FL0-S)	
11	21966-HN	1	PUMP, fuel - 12 volt	
12	10755-HN	3	NUT, hex - 1/4"	
13	10757-HN	3	WASHER, SAE flat - 1/4"	
14	15652-HN	1	VALVE, check	
15	-HN	1	HOSE ASSEMBLY - 2022-06-060S-0609 (Fuel Filter Outlet to Fuel Pump Inlet - Check Valve)	
16	21125-HN	1	ELBOW, 90 SWIVEL - 1501-6-6	
17	11707-HN	2	BOLT - .375" X 1"	
18	15528-HN	4	WASHER, SAE flat - 3/8"	
19	16574-HN	1	MOUNT, filter head	
20	51885-HN	1	CONNECTOR, STR - (6-10 F50L0-S)	
21	16575-HN	1	FILTER, spin-on fuel	
22	-HN	1	HOSE ASSEMBLY - 2022-06-060S-0609 (Fuel Filter Inlet to Fuel Tank Supply Port)	
23	22902-HN	2	CONNECTOR, STR - 848-TT-08x06	
24	15504-HN	1	CONNECTOR, straight - FF2031T-0408S	

 See referenced page for component or assembly breakdown.

