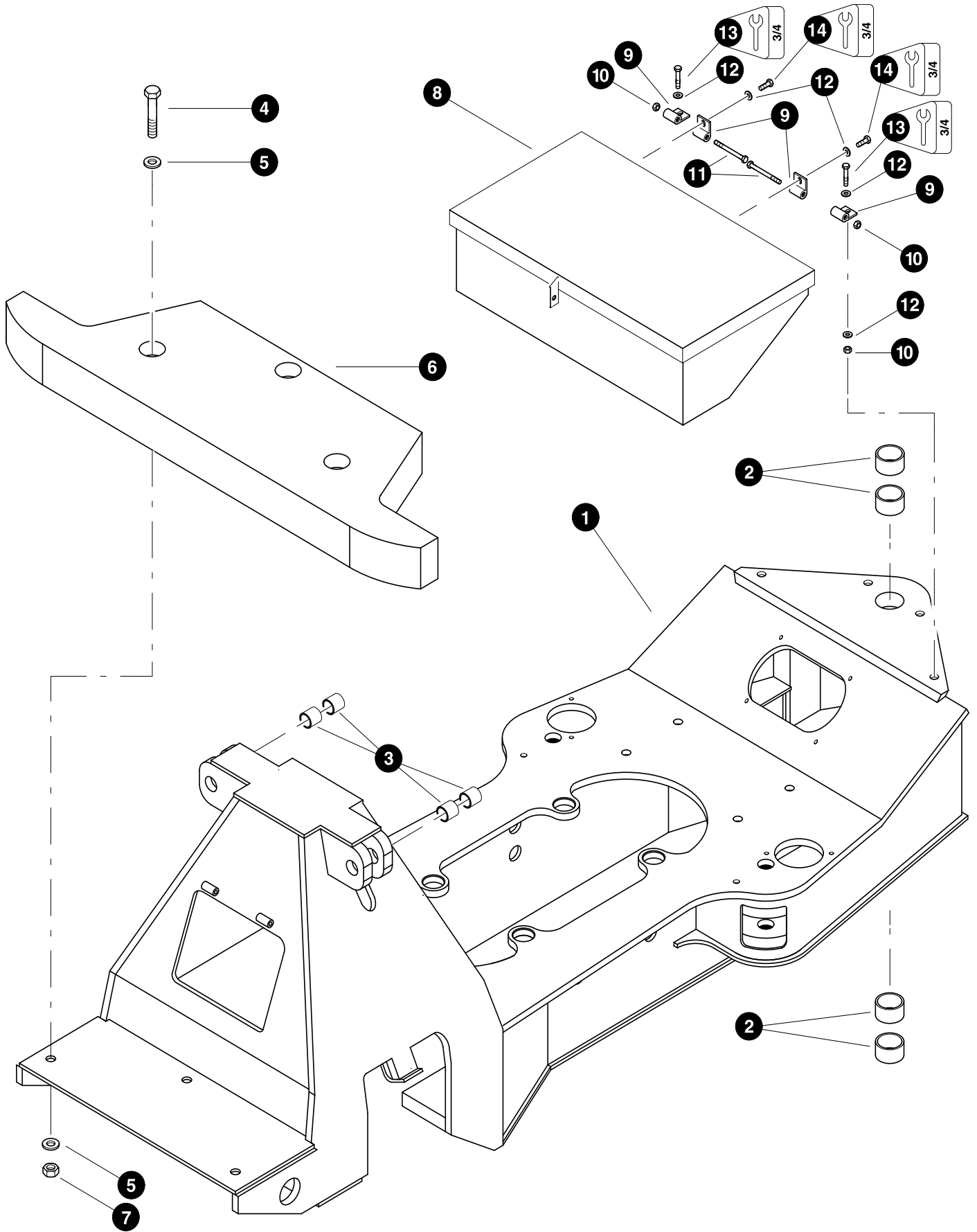


Section HR-1

TB 630 Rear Frame - Structural / Covers / Pins

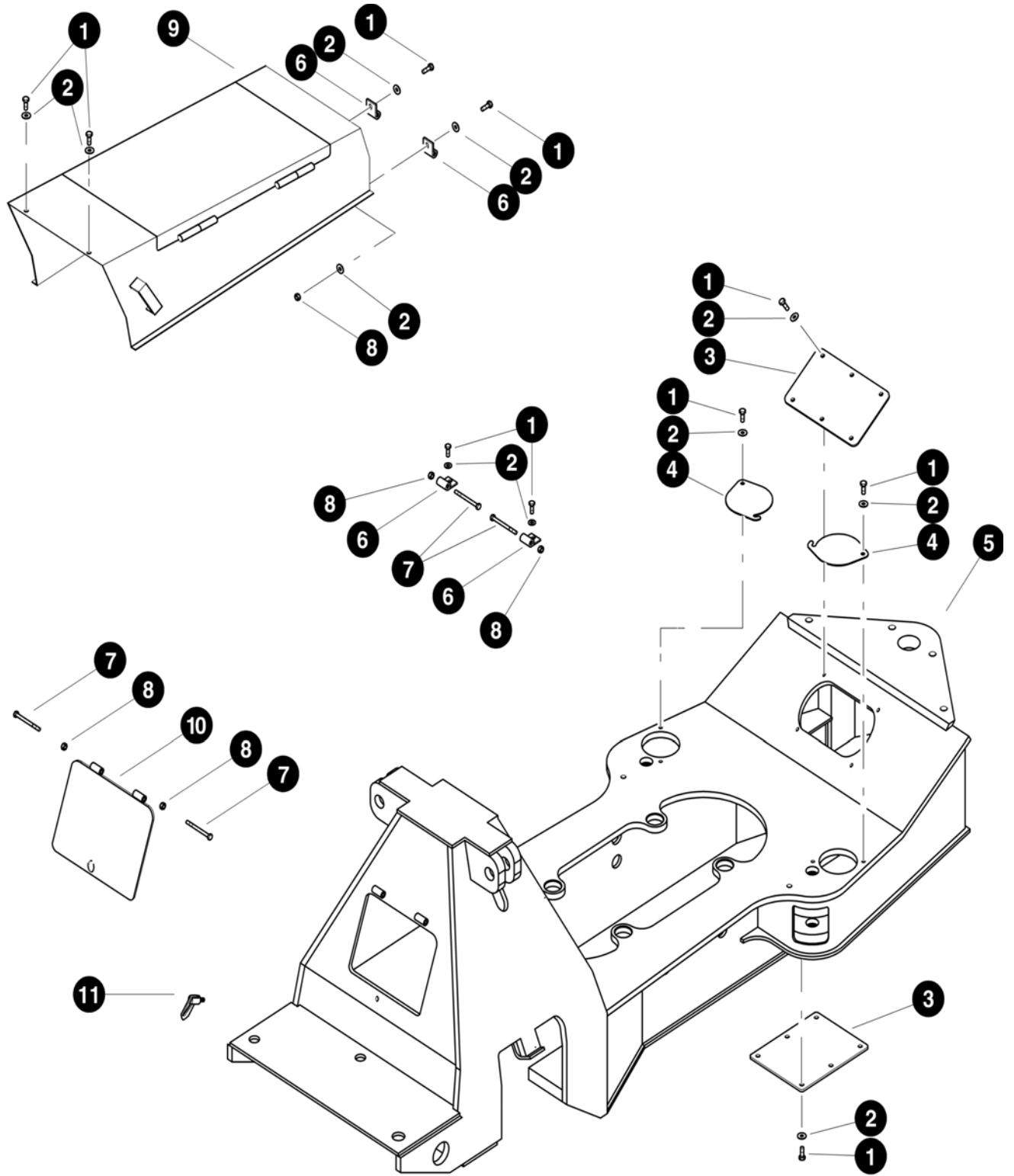


Parts T2856 08/22/2003
9.375


REAR FRAME COMPONENTS (TB 630)


REF	PART #	QTY	DESCRIPTION	SEE SECTION
1	52524-HR	1	<input type="checkbox"/> REAR FRAME WELDMENT (630) - new larger casting	
2	23104-HR	4	BUSHING - 3-1/2" x 1-1/2"	
3	10712-HR	4	BUSHING - 1-1/2" X 1-1/2"	
4	23387-HR	3	BOLT, 1" X 6.5"	
5	18532-HR	6	WASHER, 1" SAE FLAT (EXTRA THICK)	
6	40135-HR	1	COUNTER WEIGHT, (TB 630) (Optional)	
7	18253-HR	3	NUT, 1" LOCK	
8	51573-HR	1	TOOL BOX (Optional)	
9	16403-HR	4	BRACKET, HINGE	
10	10815-HR	4	NUT, lock - 1/2"	
11	10835-HR	2	BOLT - 1/2" x 4-1/2"	
12	15534-HR	6	WASHER, SAE flat - 1/2"	
13	10893-HR	2	BOLT - .5" X 3"	
14	10739-HR	2	BOLT - 1/2" x 1-1/2"	

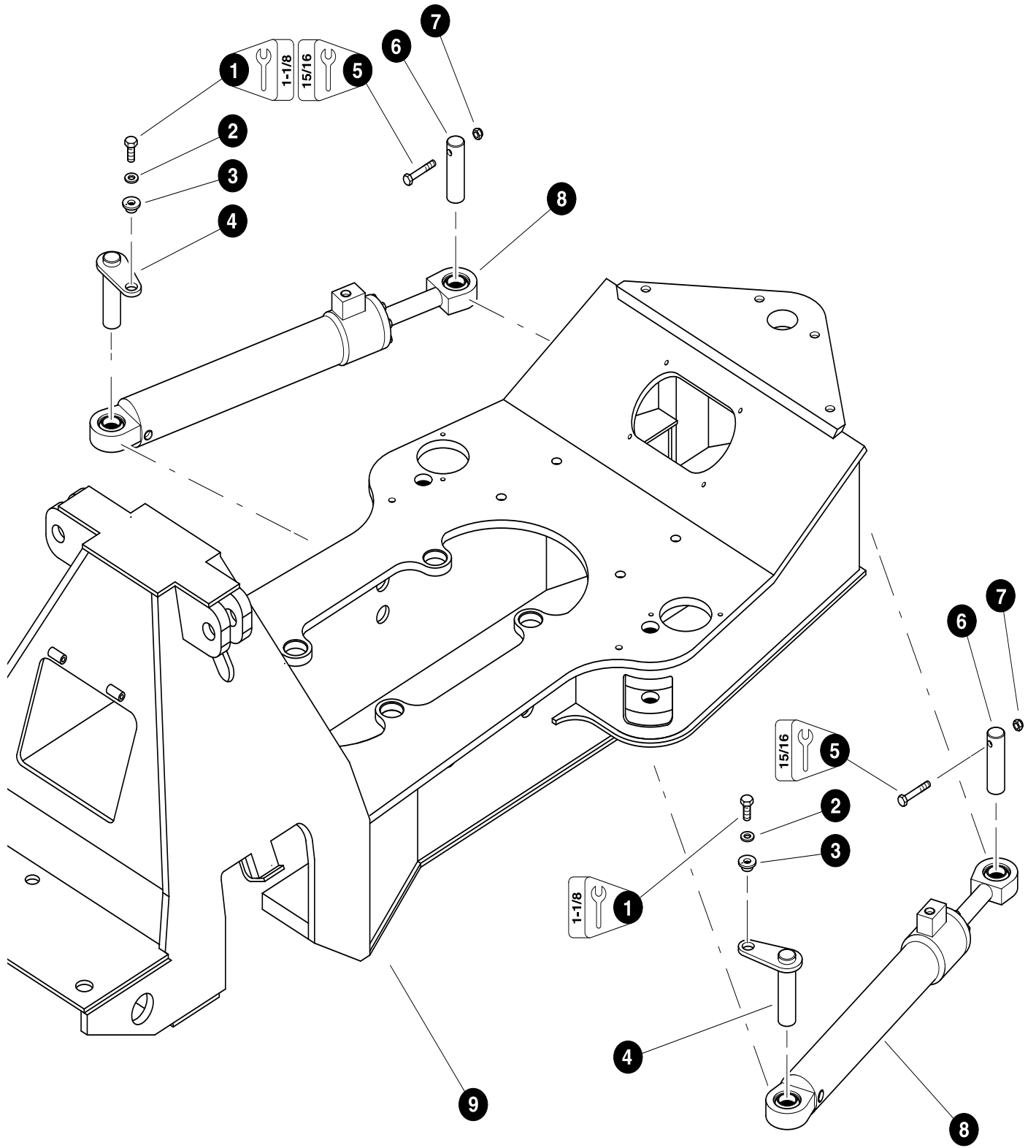
Kit or Assembly - includes all items indented underneath.



REAR FRAME ACCESS COVERS (TB 630)


REF	PART #	QTY	DESCRIPTION	SEE SECTION
1	10739-HR	14	BOLT - 1/2" x 1-1/2"	
2	15534-HR	16	WASHER, SAE flat - 1/2"	
3	19395-HR	2	COVER, access - steer box / axle	
4	12150-HR	2	COVER, access - steer cylinder	
5	REF.	1	 REAR FRAME WELDMENT	HR-1
6	16403-HR	4	BRACKET, HINGE	
7	10835-HR	4	BOLT - 1/2" x 4-1/2"	
8	10815-HR	6	NUT, lock - 1/2"	
9	40730-HR	1	COVER, access - gearbox (630) with access door	
10	40728-HR	1	COVER, access - tool box	
11	19771-HR	1	LATCH, CAM	


 See referenced page for component or assembly breakdown.

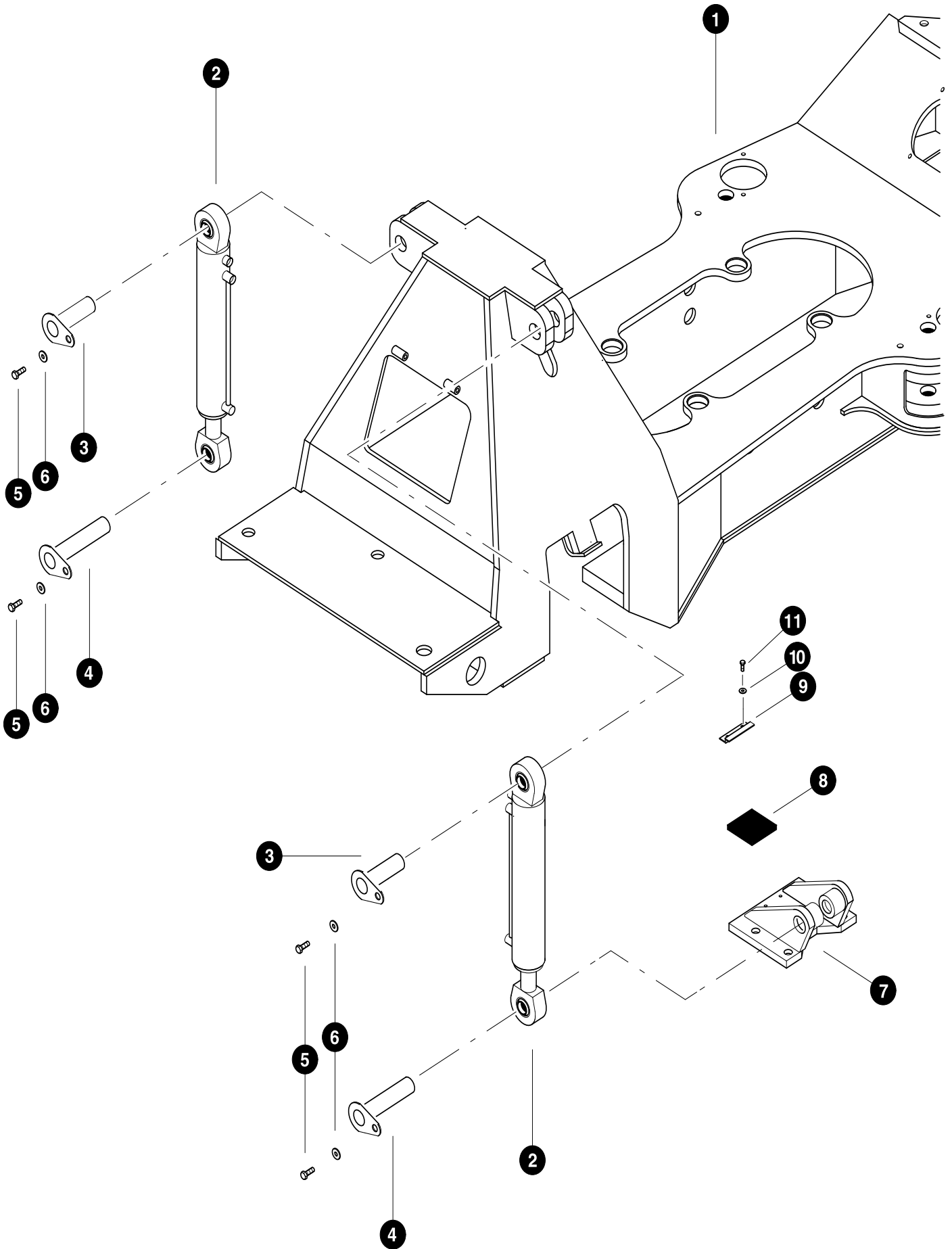


Parts T2858 08/25/03
9.375

STEER CYLINDER INSTALLATION (TB 630)



REF	PART #	QTY	DESCRIPTION	SEE SECTION
1	15549-HR	2	BOLT - 3/4" x 2"	
2	15550-HR	2	WASHER, SAE flat - 3/4"	
3	18570-HR	2	WASHER, pin retaining	
4	80769-HR	2	PIN, steer cylinder mounting - base	
5	10719-HR	2	BOLT - 5/8" x 4"	
6	19448-HR	2	PIN, steer cylinder mounting - rod	
7	15563-HR	2	NUT, nylock - 5/8"	
8	REF.	2	 STEER CYLINDER	HR-4
9	REF.	1	REAR FRAME WELDMENT	HR-1

 See referenced page for component or assembly breakdown.



Parts T2859 08/25/03
9.375

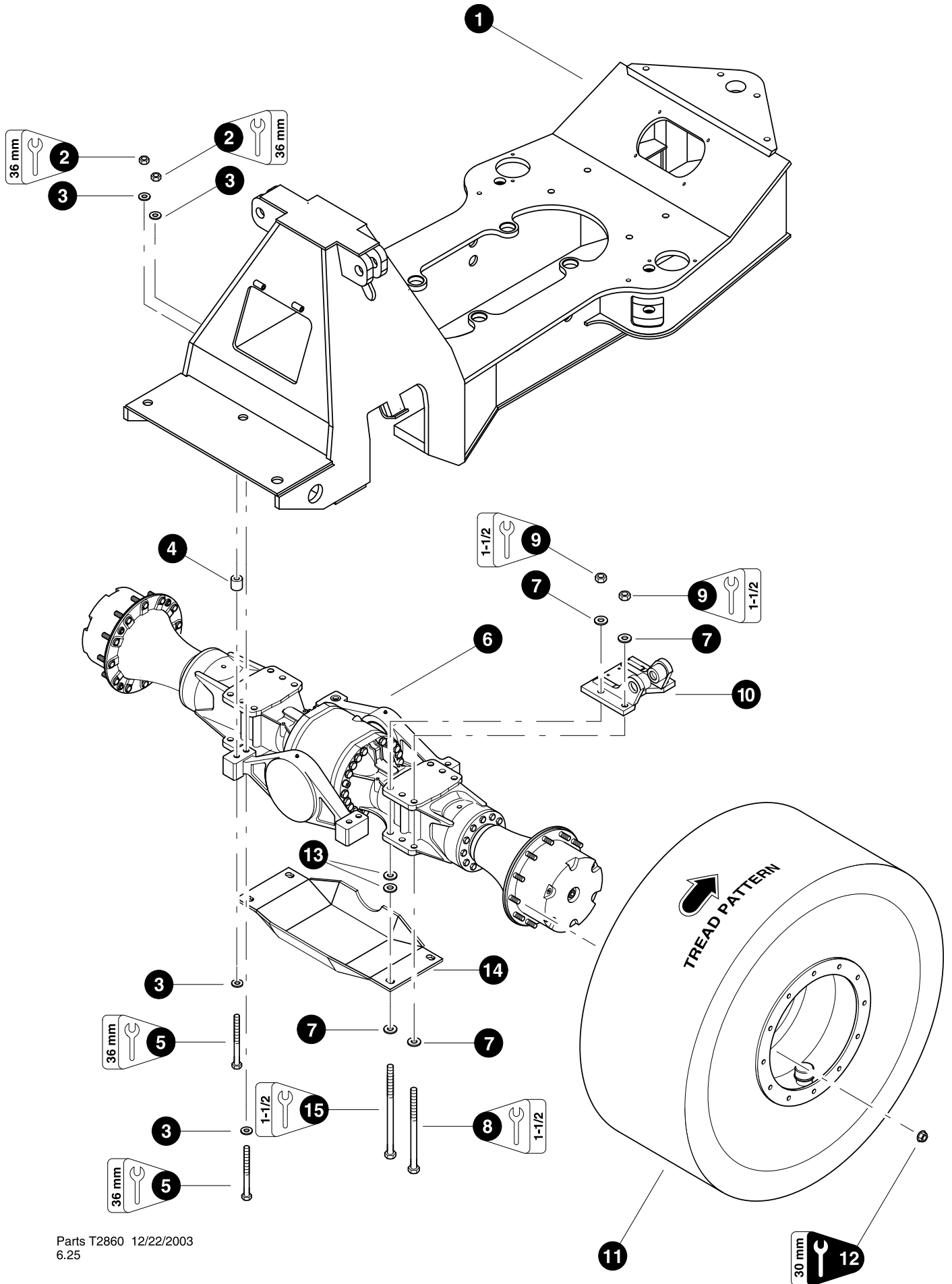
FRAME LOCK CYLINDER INSTALLATION (TB 630)

REF	PART #	QTY	DESCRIPTION	SEE SECTION
1	REF.	1	 REAR FRAME WELDMENT	HR-1
2	REF.	2	 FRAME LOCK CYLINDER	HR-4
3	50760-HR	2	PIN, frame lock cyl (top)	
4	50486-FR	2	PIN, frame lock cyl (bottom)	
5	10739-HR	4	BOLT - 1/2" x 1-1/2"	
6	15534-HR	4	WASHER, SAE flat - 1/2"	
7	40734-HR	2	WELDMENT, stablizer bracket	
8	51422-HR	2	CUSHION, RUBBER	
9	40683-HR	1	BRACKET, RUBBER SUPPORT	
10	15528-HR	2	WASHER, 3/8 SAE	
11	15542-HR	2	BOLT, 3/8 X 3/4	

 See referenced page for component or assembly breakdown.





Section HR-2

TB 630 Rear Frame - Frame & Drivetrain Installation



Parts T2860 12/22/2003
6.25

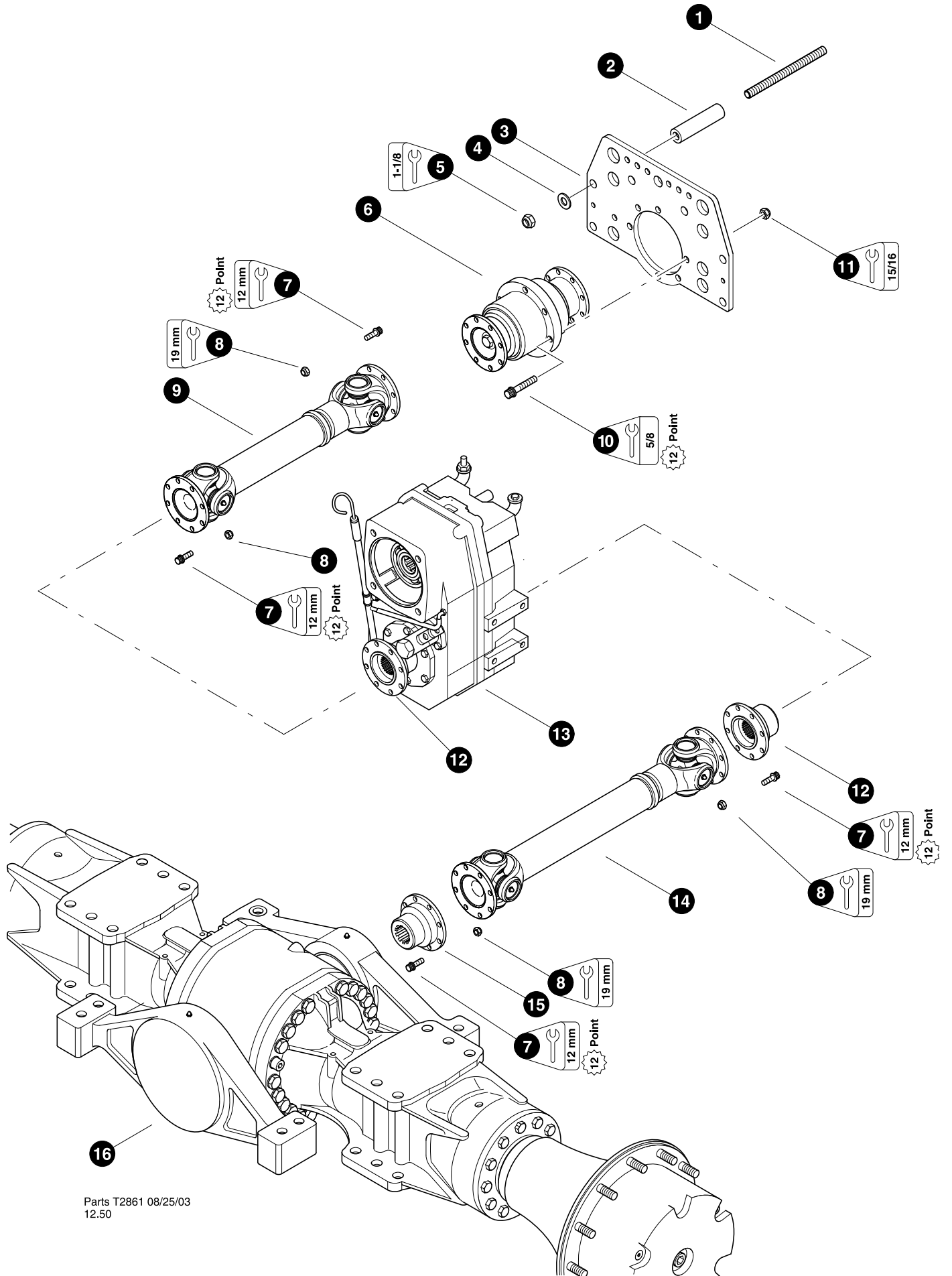
REAR AXLE INSTALLATION

REF	PART #	QTY	DESCRIPTION	SEE SECTION
1	REF.	1	 REAR FRAME WELDMENT	HR-1
2	50225-HR	8	NUT, 24mm (See Note #1 Below)	
3	50226-HR	16	WASHER, 7/8" SAE FLAT (EXTRA THICK)	
4	50022-HR	4	SPACER, TUBE (lineup pin 620 rear axel)	
5	50224-HR	8	BOLT, 24mm X 180mm (Torque to 600 ft.lbs.)	
6	REF.	1	 AXEL ASSY.	AX-2
7	18532-HR	16	WASHER, 1" SAE FLAT (EXTRA THICK)	
8	50487-HR	4	BOLT, 1" X 12" (Torque to 580 ft.lbs.)	
9	18253-HR	8	NUT, 1" LOCK	
10	REF.	1	 STABLIZER BRACKET	HR-1
11	REF.	4	 WHEEL ASSEMBLY	AX-3
12	19361-HR	24	NUT, lug (Torque to 600 ft.lbs.)	
13	42111-HR	8	WASHER, 7/8" SAE FLAT (EXTRA THICK) (special)	
14	51247-HR	1	PLATE, Skid - 620 (optional)	
15	42109-HR	4	BOLT, 1" X 13" (Torque to 580 ft.lbs.)	

 See referenced page for component or assembly breakdown.

Note #1:


Use Loctite 262 (red) during installation.



Parts T2861 08/25/03
12.50

DRIVE SHAFT INSTALLATION (NAF 2-SPEED SHAFTS)

REF	PART #	QTY	DESCRIPTION	SEE SECTION
1	26037-HR	4	STUD, 3/4 X 8.5 (see note #2)	
2	80721-HR	4	SPACER	
3	42201-FR	1	BRACKET, bearing mount	
4	15550-HR	4	WASHER, SAE flat 3/4	
5	10817-HR	4	NUT, lock - 3/4" (Torque to 230 ft lbs.)	
6	25218-HR	1	IDLER, driveshaft (HD)	
7	50261-HR	32	BOLT, 12 point - 12mm-1.75P x 35mm (See Note #1 Below)	
8	50262-HR	32	NUT, lock - 12mm	
9	- - -	1	<input type="checkbox"/> DRIVE SHAFT (Gearbox to Center) (458936-61)	
	50466-HR	2	KIT, CROSS & BEARING	
	50467-HR	2	YOKE, FLANGE (90mm)	
	50261-HR	16	BOLT, 12 point - 12mm-1.75P x 35mm (See Note #1 Below)	
	50262-HR	16	NUT, lock - 12mm	
10	50050-HR	6	BOLT, 12 point - 5/8" x 3" (See Note #1 Below) (Torque to 130 ft.lbs. (175 Nm))	
11	10816-HR	6	NUT, lock - 5/8"	
12	25966-HR	1	YOKE, companion flange - gearbox	
13	REF.	1	<input type="checkbox"/> GEARBOX ASSY.	AX-2
14	- - -	1	<input type="checkbox"/> DRIVE SHAFT (Gearbox to Axel) (464296-61)	
	50466-HR	2	KIT, CROSS & BEARING	
	50467-HR	2	YOKE, FLANGE (90mm)	
	50261-HR	16	BOLT, 12 point - 12mm-1.75P x 35mm (See Note #1 Below)	
	50262-HR	16	NUT, lock - 12mm	
15	23997-HR	1	YOKE, companion flange - AXLE	
16	REF.	1	<input type="checkbox"/> AXEL ASSY.	AX-2

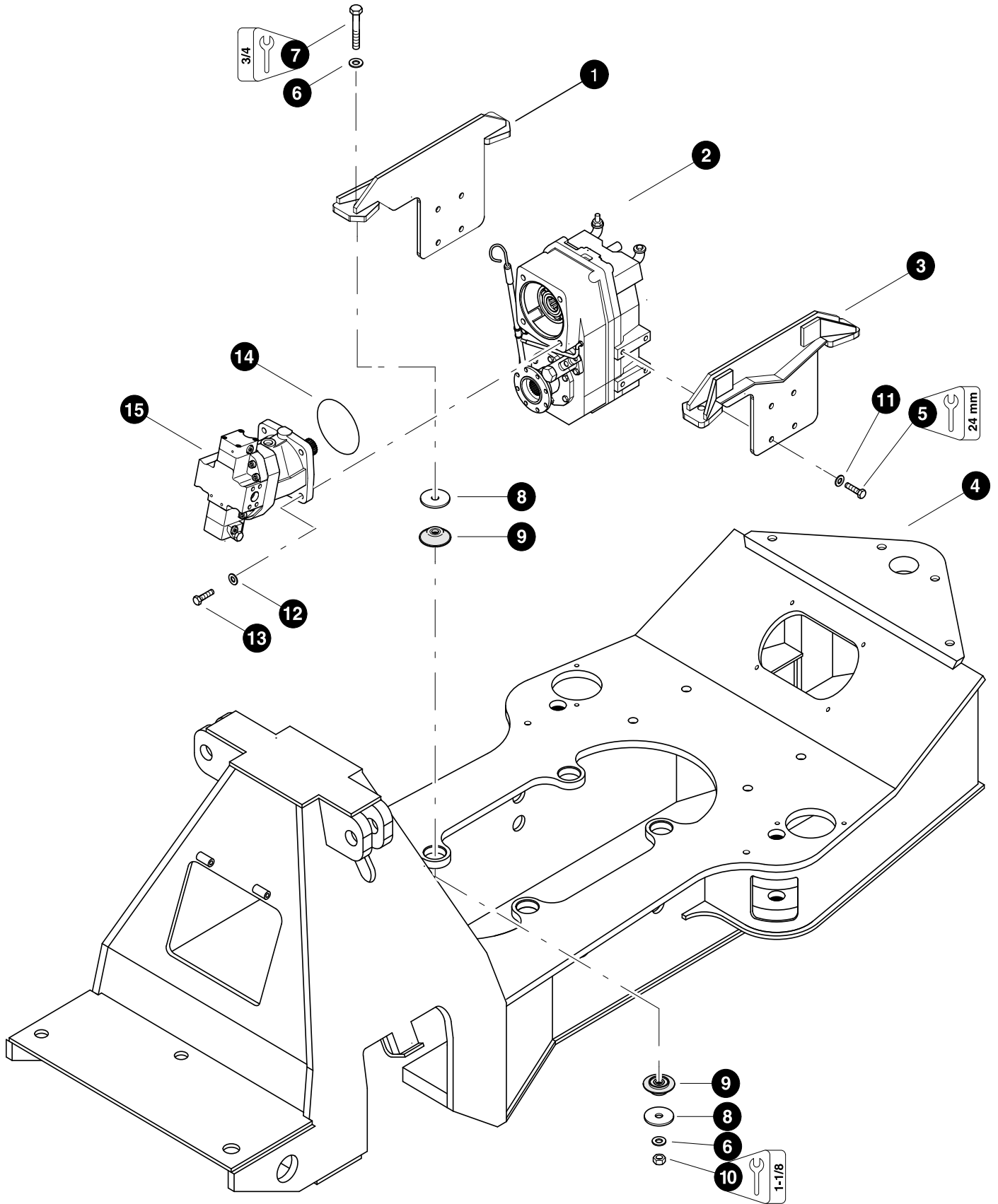
-  See referenced page for component or assembly breakdown.
- Kit or Assembly - includes all items indented underneath.

Note #1:

Use Loctite 242 (blue) during installation.




Note #2:

Use Loctite 262 (red) during installation.



Parts T2862 08/25/03
9.375

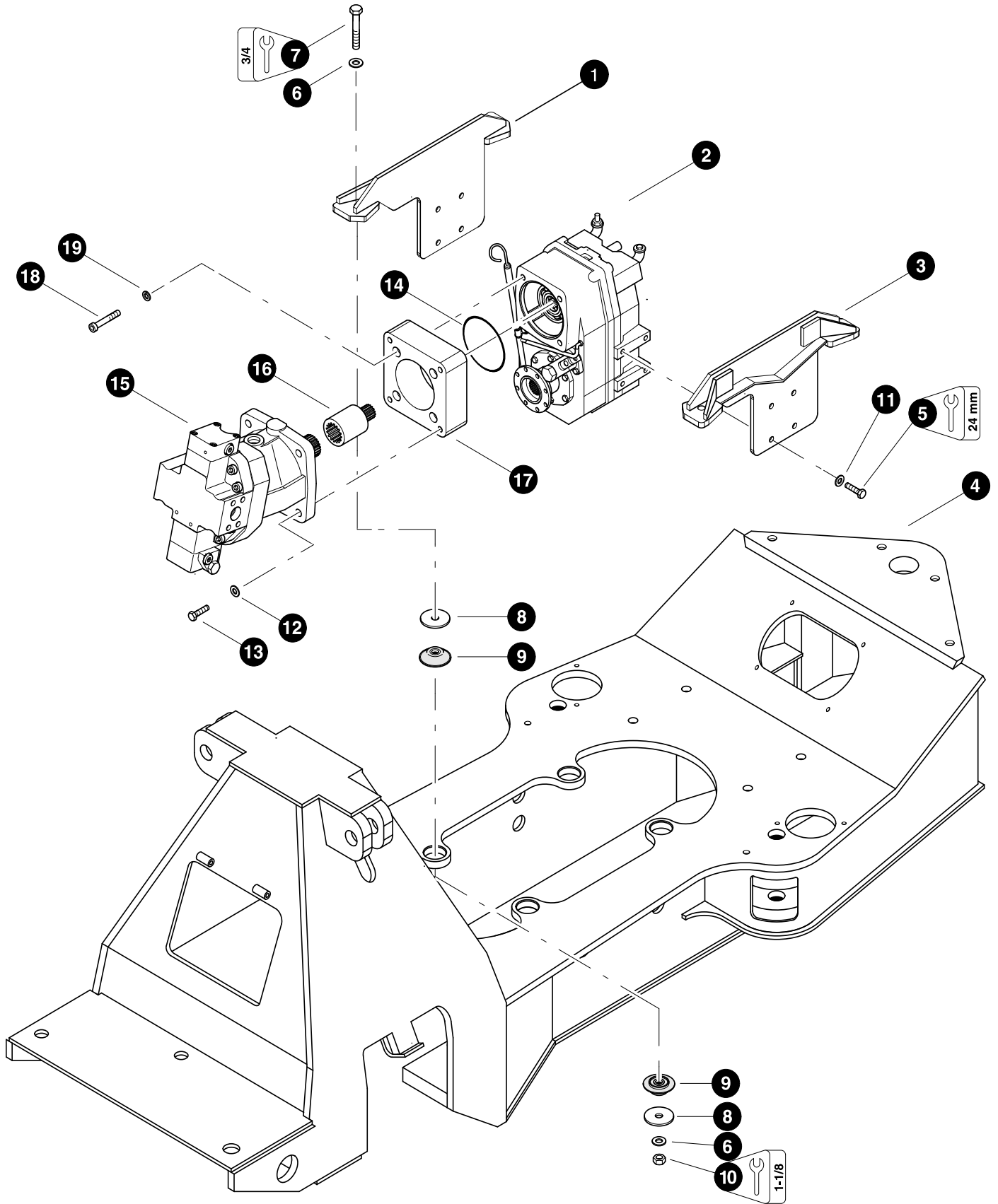
REAR FRAME GEARBOX MOUNTING (NAF - 2 SPEED GEARBOX)

REF	PART #	QTY	DESCRIPTION	SEE SECTION
1	50296-HR	1	MOUNT, NAF 2 SPEED gearbox LH	
2	REF.	1	 TRANSFER CASE.	AX-4
3	50297-HR	1	MOUNT, NAF 2 SPEED gearbox RH	
4	REF.	1	 REAR FRAME WELDMNT	HR-1
5	50382-HR	8	BOLT - 16mm 2.00 X 40mm <i>(Torque to 180 ft-lbs) (See Note #1 Below)</i>	
6	15550-HR	8	WASHER, SAE flat - 3/4"	
7	10844-HR	4	BOLT - 3/4" x 5"	
8	17918-HR	8	WASHER, isolator mount .875"	
9	17904-HR	8	ISOLATOR	
10	10817-HR	4	NUT, lock 3/4"	
11	10771-HR	8	WASHER, SAE flat - 5/8"	
12		4	WASHER, SAE flat - 20 mm (98273)	
13	18525-HR	4	BOLT - 20mm X 50mm <i>(See Note #1 Below)</i>	
14	20967-HR	1	O-RING, drive motor pilot	
15	REF.	1	 160cc Rexroth Hydrostatic Drive Motor.	HR-4

 See referenced page for component or assembly breakdown.




Note #1:


Use Loctite 242 (BLUE) during instation.



Parts T3344 09/25/03
9.375

REAR FRAME GEARBOX MOUNTING (200cc Motor & NAF - 2 SPEED GEARBOX)

REF	PART #	QTY	DESCRIPTION	SEE SECTION
1	50296-HR	1	MOUNT, NAF 2 SPEED gearbox LH	
2	REF.	1	 TRANSFER CASE.	AX-4
3	50297-HR	1	MOUNT, NAF 2 SPEED gearbox RH	
4	REF.	1	 REAR FRAME WELDMENT	HR-1
5	50382-HR	8	BOLT - 16mm 2.00 X 40mm <i>(Torque to 180 ft-lbs) (See Note #1 Below)</i>	
6	15550-HR	8	WASHER, SAE flat - 3/4"	
7	10844-HR	4	BOLT - 3/4" x 5"	
8	17918-HR	8	WASHER, isolator mount .875"	
9	17904-HR	8	ISOLATOR	
10	10817-HR	4	NUT, lock 3/4"	
11	10771-HR	8	WASHER, SAE flat - 5/8"	
12		4	WASHER, SAE flat - 20 mm (98273)	
13	18525-HR	4	BOLT - 20mm X 50mm <i>(See Note #1 Below)</i>	
14	20967-HR	1	O-RING, drive motor pilot	
15	REF.	1	 200cc Rexroth Hydrostatic Drive Motor.	HR-4
16	51278-HR	1	COUPLER, DRIVE MOTOR (200CC- REXROTH)	
17	51279-HR	1	FLANGE, WHEEL MOTOR MOUNT- REX 200CC	
18	18525-HR	4	BOLT - 20MM-2.5P X 50MM	
19	42110-HR	4	WASHER, FLAT - 20MM	

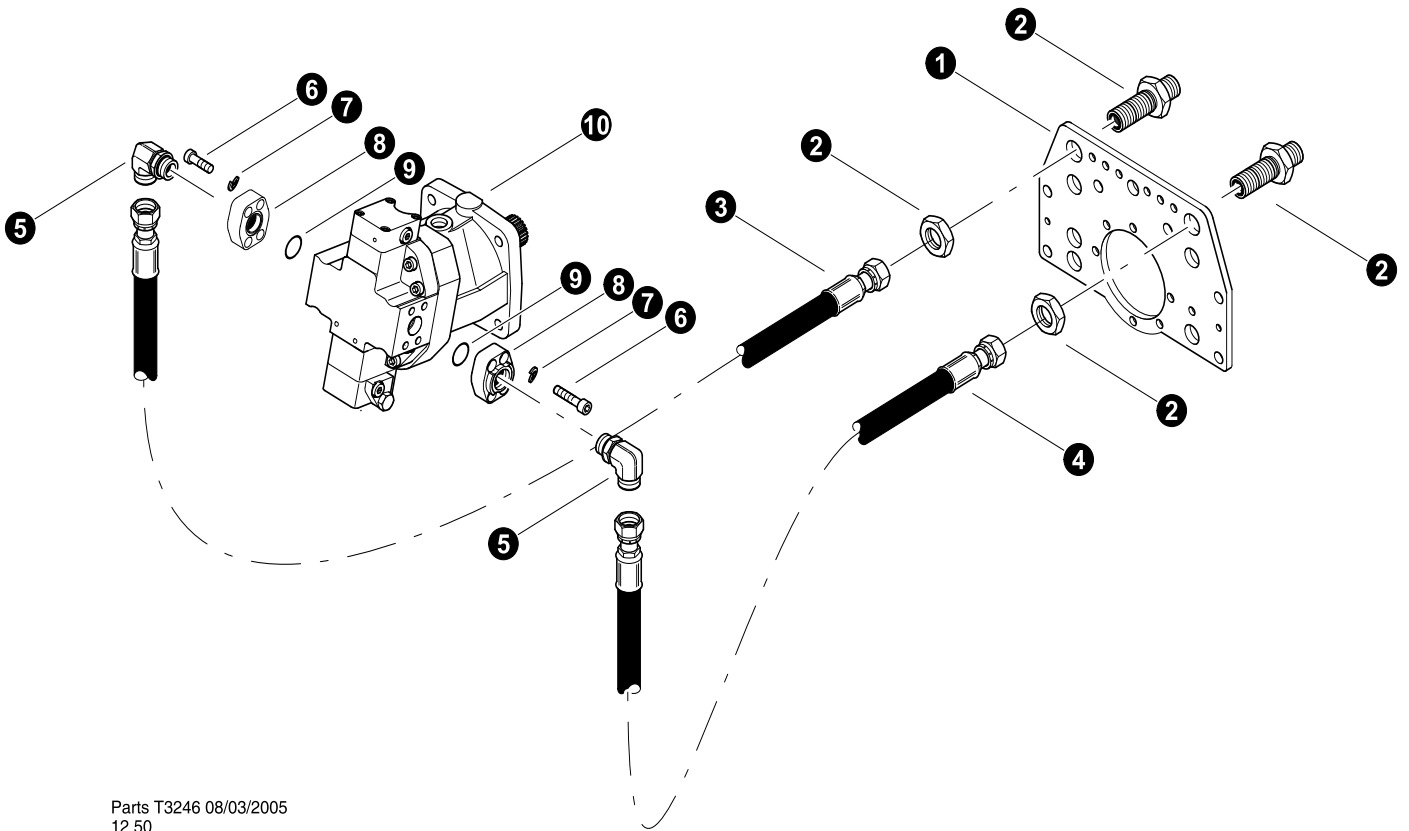
 See referenced page for component or assembly breakdown.

Note #1:

Use Loctite 242 (BLUE) during instation.

Section HR-3

TB 630 Rear Frame - Hydraulics



Parts T3246 08/03/2005
12.50

WHEEL DRIVE SYSTEM HYDRAULICS (Bulkhead Plate To Rear Drive Motor)

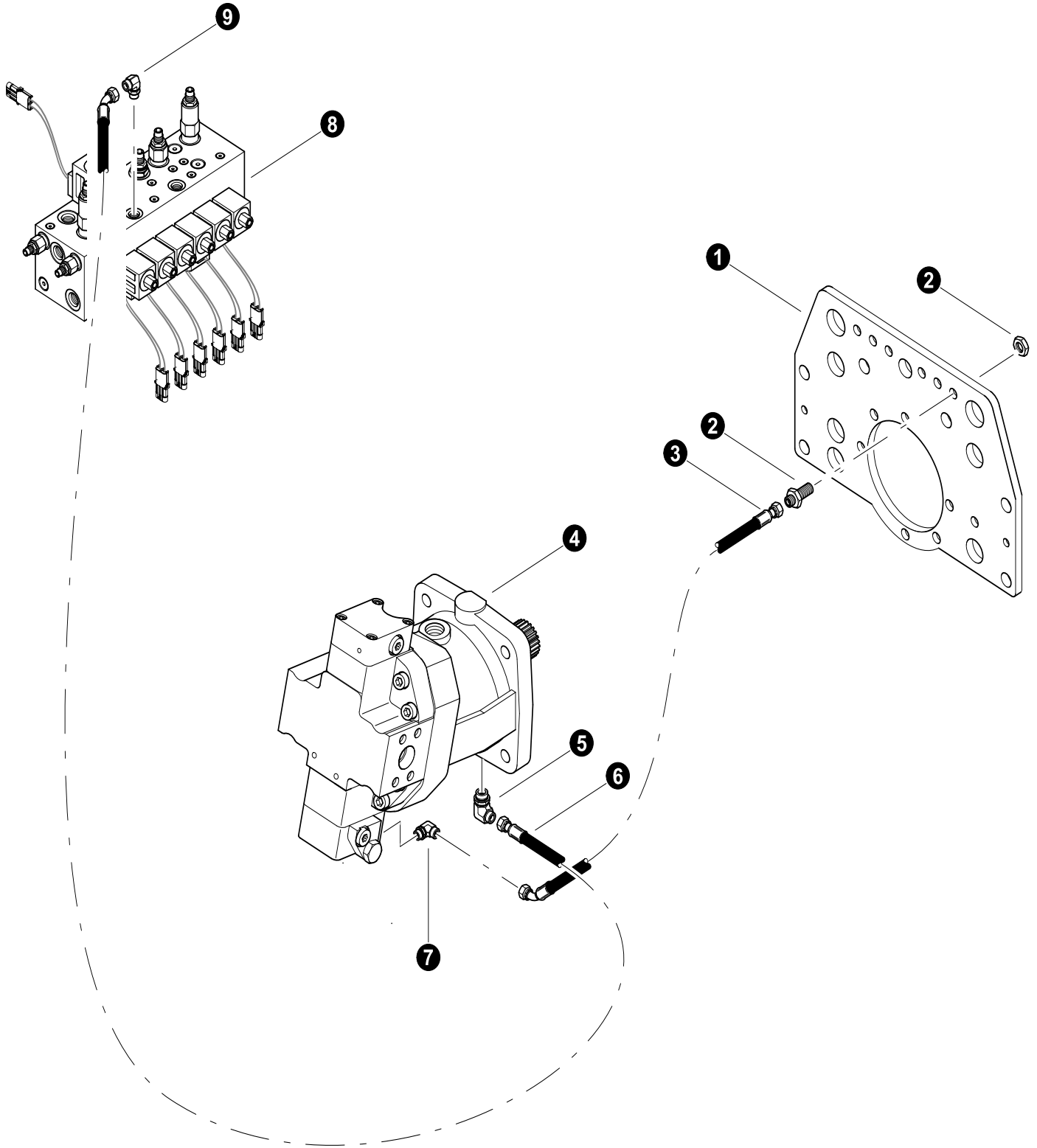
REF	PART #	QTY	DESCRIPTION	SEE SECTION
1	Ref	1	BRACKET, BEARING MOUNT	HR-1
2	20033-HR	2	CONNECTOR, BULKHEAD - 16	
3	50582-HR	1	HOSE ASSEMBLY - 6077-16-16JS-1604 (<i>bulkhead to drive motor</i>)	
4	50582-HR	1	HOSE ASSEMBLY - 6077-16-16JS-1604 (<i>bulkhead to drive motor</i>)	
5	15484-HR	2	ELBOW, 90 - FF6801 - 16	
6	50074-HR	8	BOLT, ALLEN 1/2 X 1 1/2"	
7	50075-HR	8	WASHER, LOCK 1/2	
8	17909-HR	2	<input type="checkbox"/> CONNECTOR, FLANGE PAD-W46K-20-20 CODE 61	
9	15378-HR	2	O-RING, 1.25"	
10	REF.	1	WHEEL DRIVE MOTOR	HR-4



See referenced page for component or assembly breakdown.





Assembly includes all items indented below.

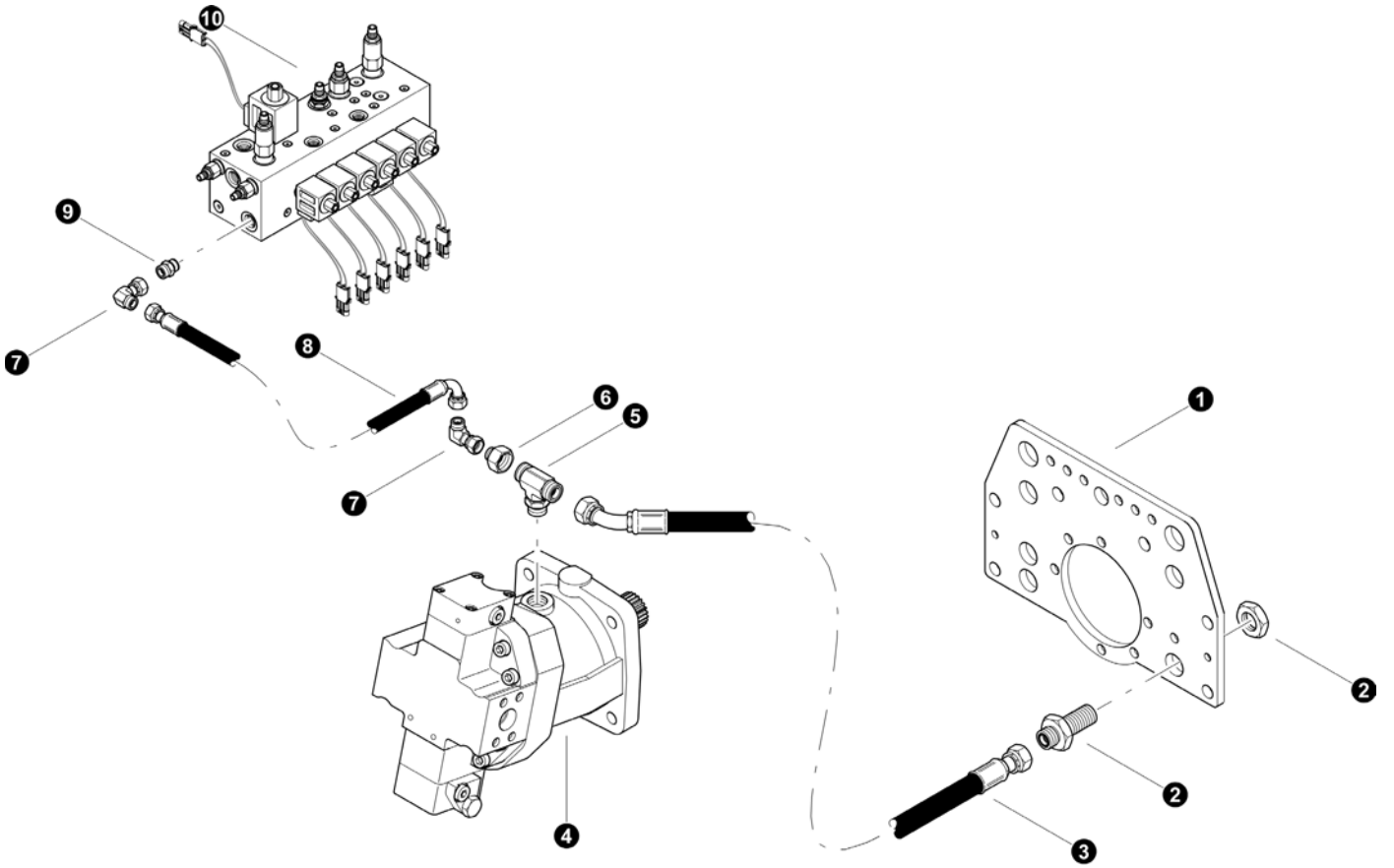


Parts T3249 08/05/05
18.75

WHEEL DRIVE SYSTEM HYDRAULICS
(Drive Motor - Flush Lines)
630B-0253 and Before


REF	PART #	QTY	DESCRIPTION	SEE SECTION
1	Ref	1	BRACKET, BEARING MOUNT	HR-1
2	50420-HR	1	CONNECTOR, STR BULKHEAD - 06	
3	-HR	1	HOSE ASSEMBLY - 2073-06-060S-0604 (<i>Bulkhead to motor flush drain</i>)	
4	REF.	1	 WHEEL DRIVE MOTOR	HR-4
5	22405-HR	1	ELBOW, 90 - 8-6 C5OLO-S	
6	-HR	1	HOSE ASSEMBLY - 2036-06-060S-0604 (<i>Lower Manifold Flush Port to motor flush</i>)	
7	16296-HR	1	ELBOW, 90 - FF1868T-0606S	
8	REF.	1	LOWER SOLENOID MANIFOLD	HR-4
9	16296-HR	1	ELBOW, 90 - FF1868T-0606S	


 See referenced page for component or assembly breakdown.

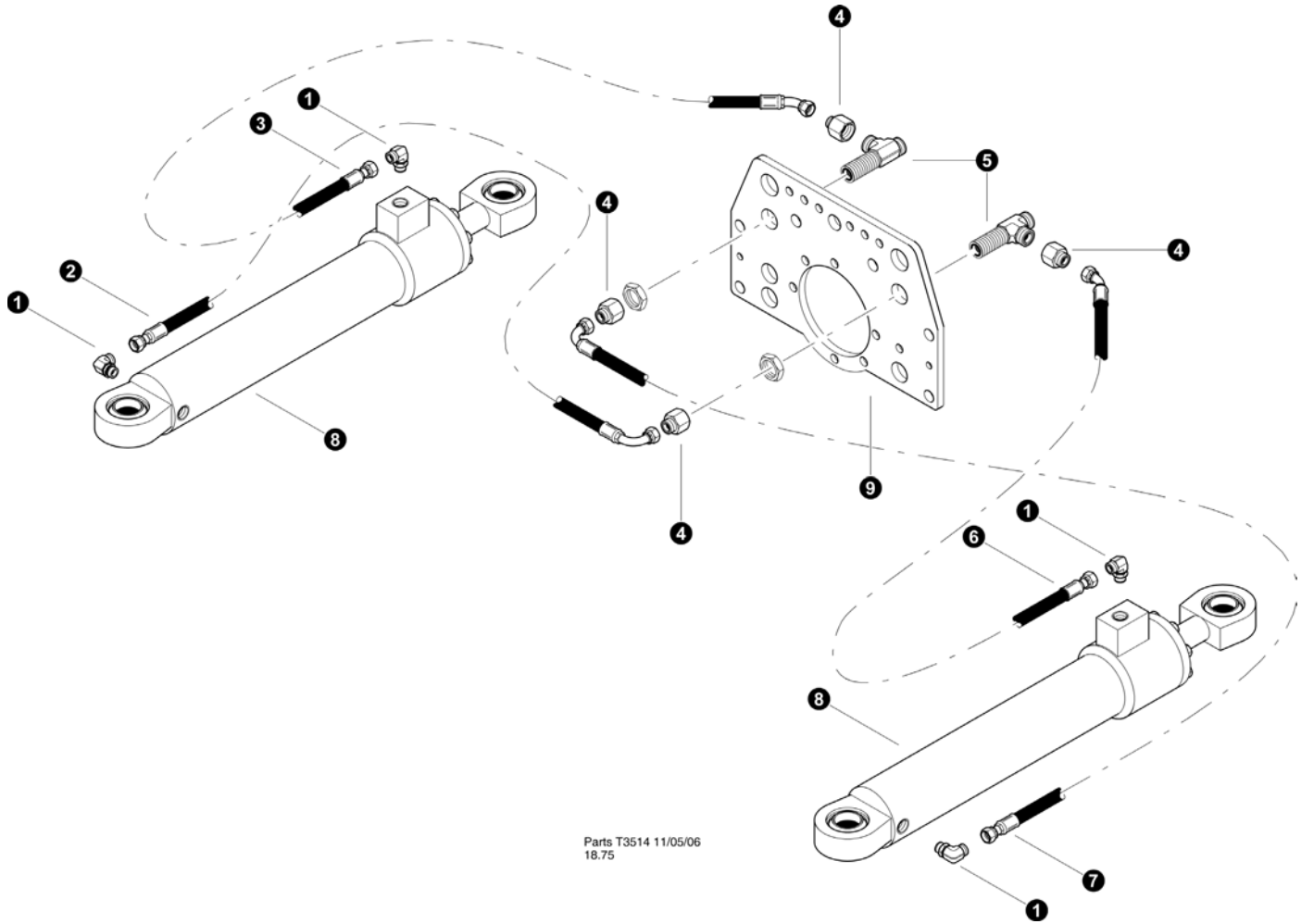


Parts T3513 11/05/06
18.75

WHEEL DRIVE SYSTEM HYDRAULICS
(Drive Motor - Case Drain)
630B-0253 and Before


REF	PART #	QTY	DESCRIPTION	SEE SECTION
1	Ref	1	BRACKET, BEARING MOUNT	HR-1
2	17009-HR	1	CONNECTOR, STR BULKHEAD - 2700-12	
3	50439-HR	1	HOSE ASSEMBLY - 2063.5-12-120S-1204 (<i>Bulkhead to motor case</i>)	
4	REF.	1	 WHEEL DRIVE MOTOR	HR-4
5	22907-HR	1	TEE - 845-TTO-12X12 RUN	
6	18581-HR	1	CONNECTOR, REDUCER - ORS FF2281T-0812S	
7	17085-HR	2	ELBOW, 90 SWIVEL - 6500-8	
8	-HR	1	HOSE ASSEMBLY - 2022-08-080S-0809 (<i>lower manifold tank port to wheel drive motor drain</i>)	
9	15117-HR	1	CONNECTOR, STR - FF1852T-0808S	
10	REF.	1	LOWER SOLENOID MANIFOLD	HR-4


 See referenced page for component or assembly breakdown.

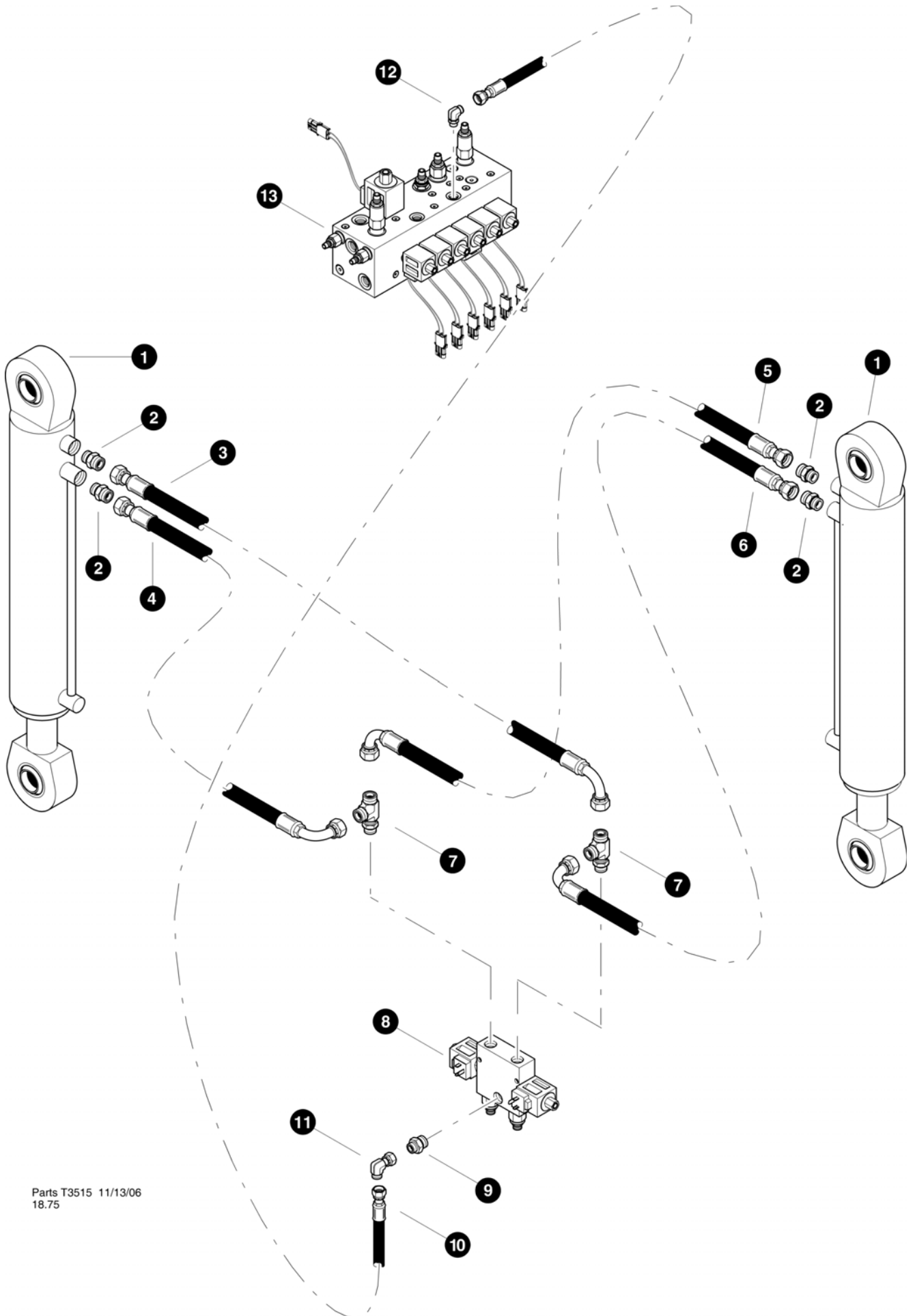


Parts T3514 11/05/06
18.75

LOWER CONTROL VALVE (Lower Control Valve - Steer Cylinders)




REF	PART #	QTY	DESCRIPTION	SEE SECTION
1	16360-HR	1	ELBOW, 90° - FF1868T-0808S	
2	-HR	1	HOSE ASSEMBLY - 4052-08-080S-0809 <i>(Right bulkhead tee to left steer cylinder base port)</i>	
3	-HR	1	HOSE ASSEMBLY - 4047-08-080S-0804 <i>(Left bulkhead tee to right steer cylinder rod port)</i>	
4	18581-HR	1	CONNECTOR, REDUCER - ORS FF2281T-0812S	
5	22716-HR	2	TEE, BULKHEAD - 12	
6	-HR	1	HOSE ASSEMBLY - 4047-08-080S-0804 <i>(Left bulkhead tee to right steer cylinder rod port)</i>	
7	-HR	2	HOSE ASSEMBLY - 4052-08-080S-0809 <i>(Right bulkhead tee to left steer cylinder base port)</i>	
8	REF.	2	 STEER CYLINDER	HR-4
9	REF.	1	BULKHEAD PLATE	HL/HN 2

 See referenced page for component or assembly breakdown.

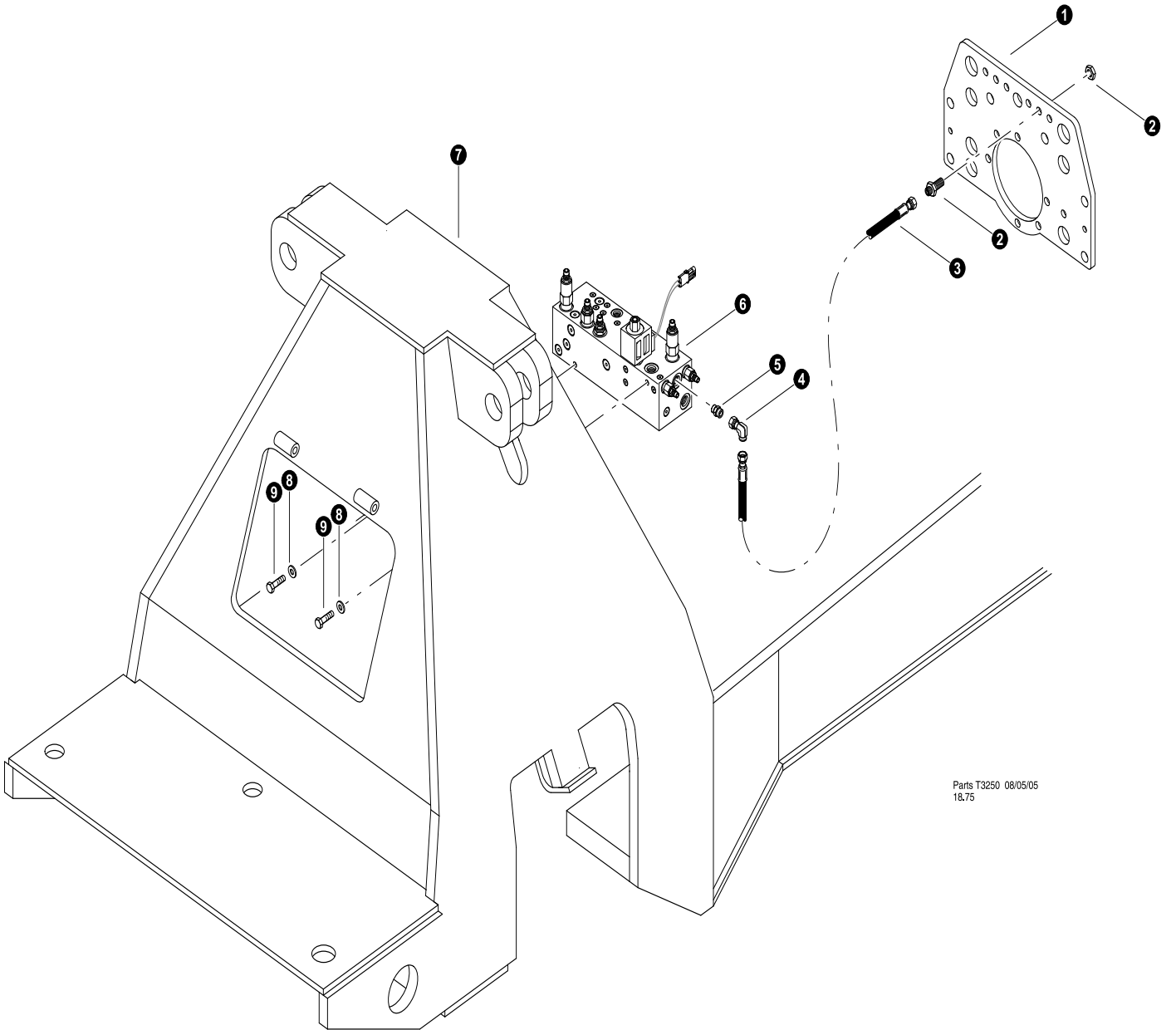


Parts T3515 11/13/06
18.75

LOWER CONTROL VALVE
(Lower Control Valve - Frame Lock Circuit)
630B-0253 and Before

REF	PART #	QTY	DESCRIPTION	SEE SECTION
1	REF.	1	 FRAME LOCK CYLINDERS	HR-4
2	15117-HR	1	CONNECTOR, STR. FF1852T - 0808	
3	50324-HR	1	HOSE ASSEMBLY - 4025-08-08OS-08O9 (Frame lock valve to cylinder)	
4	50324-HR	1	HOSE ASSEMBLY - 4025-08-08OS-08O9 (Frame lock valve to cylinder)	
5	50324-HR	1	HOSE ASSEMBLY - 4025-08-08OS-08O9 (Frame lock valve to cylinder)	
6	50324-HR	1	HOSE ASSEMBLY - 4025-08-08OS-08O9 (Frame lock valve to cylinder)	
7	51003-HR	2	TEE - 8 R50L0-S RUN	
8	REF.	1	 FRAME LOCK VALVE	HR-4
9	22901-HR	1	CONNECTOR, STR - 6-8 F5OLO-S	
10	-HR	1	HOSE ASSEMBLY - 2039-06-06OS-06OS (<i>Frame lock valve to Flush 2</i>)	
11	20035-HR	1	ELBOW, 90 SWIVEL - 6 C6LO-S	
12	16296-HR	1	ELBOW, 90 - FF1868T-0606S	
13	REF.	1	 LOWER VOAC CONTROL VALVE	HR-4


 See referenced page for component or assembly breakdown.

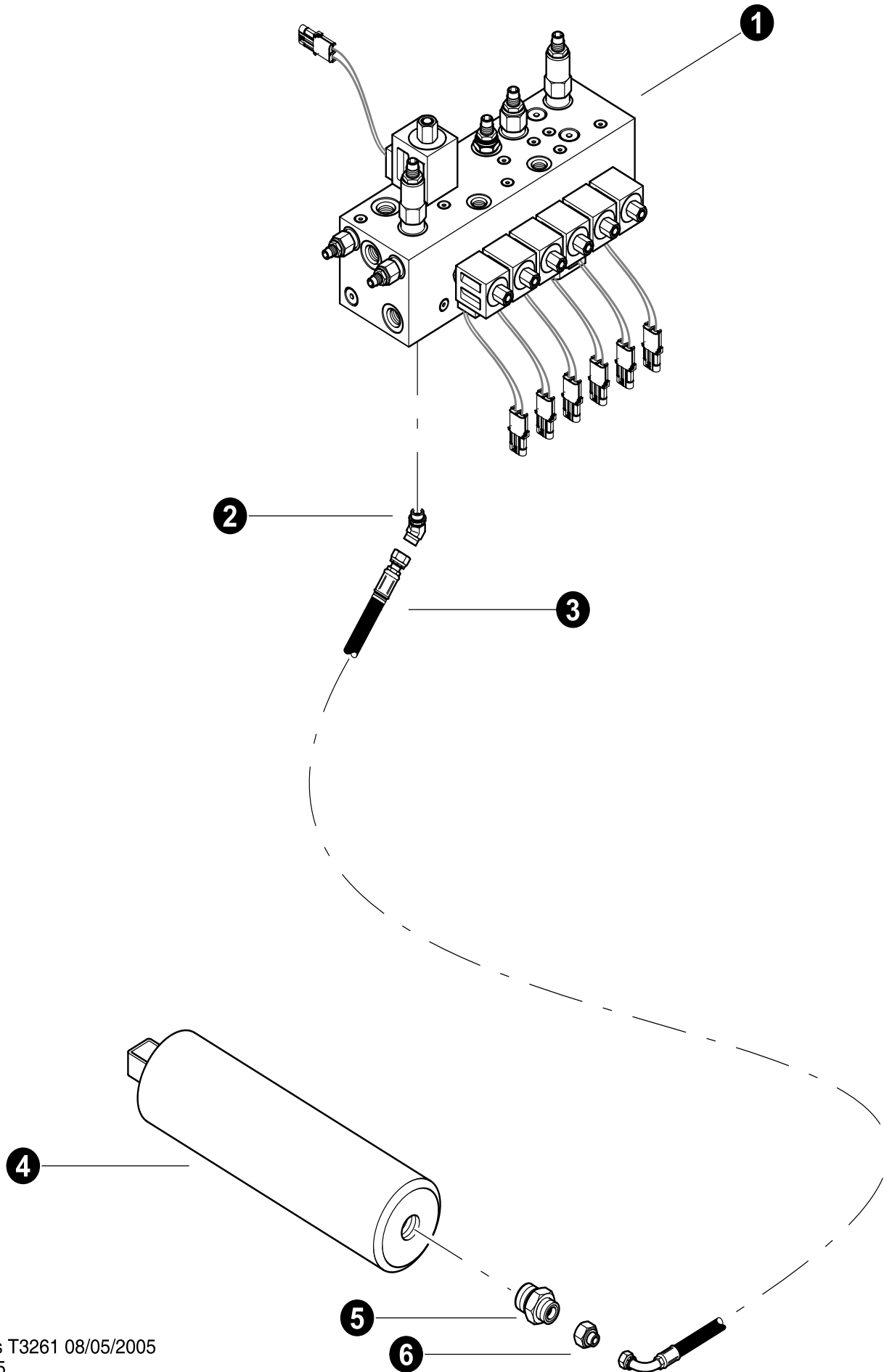


Parts T3250 08/05/05
18.75

LOWER SOLENOID VALVE
(Pressure Circuit)
630B-0253 and Before

REF	PART #	QTY	DESCRIPTION	SEE SECTION
1	Ref	1	BRACKET, BEARING MOUNT	HR-1
2	50420-HR	1	CONNECTOR, STR BULKHEAD - 06	
3	50432-HR	1	HOSE ASSEMBLY - 2095-06-060S-060S (<i>Bulkhead to lower solenoid manifold "P" port</i>)	
4	20035-HR	1	ELBOW, 90 SWIVEL - 6 C6LO-S	
5	18034-HR	1	CONNECTOR, STR - FF1852T-0606S	
6	REF	1	LOWER SOLENOID MANIFOLD	HR-4
7	REF	1	REAR FRAME - 630	HR-1


 See referenced page for component or assembly breakdown.

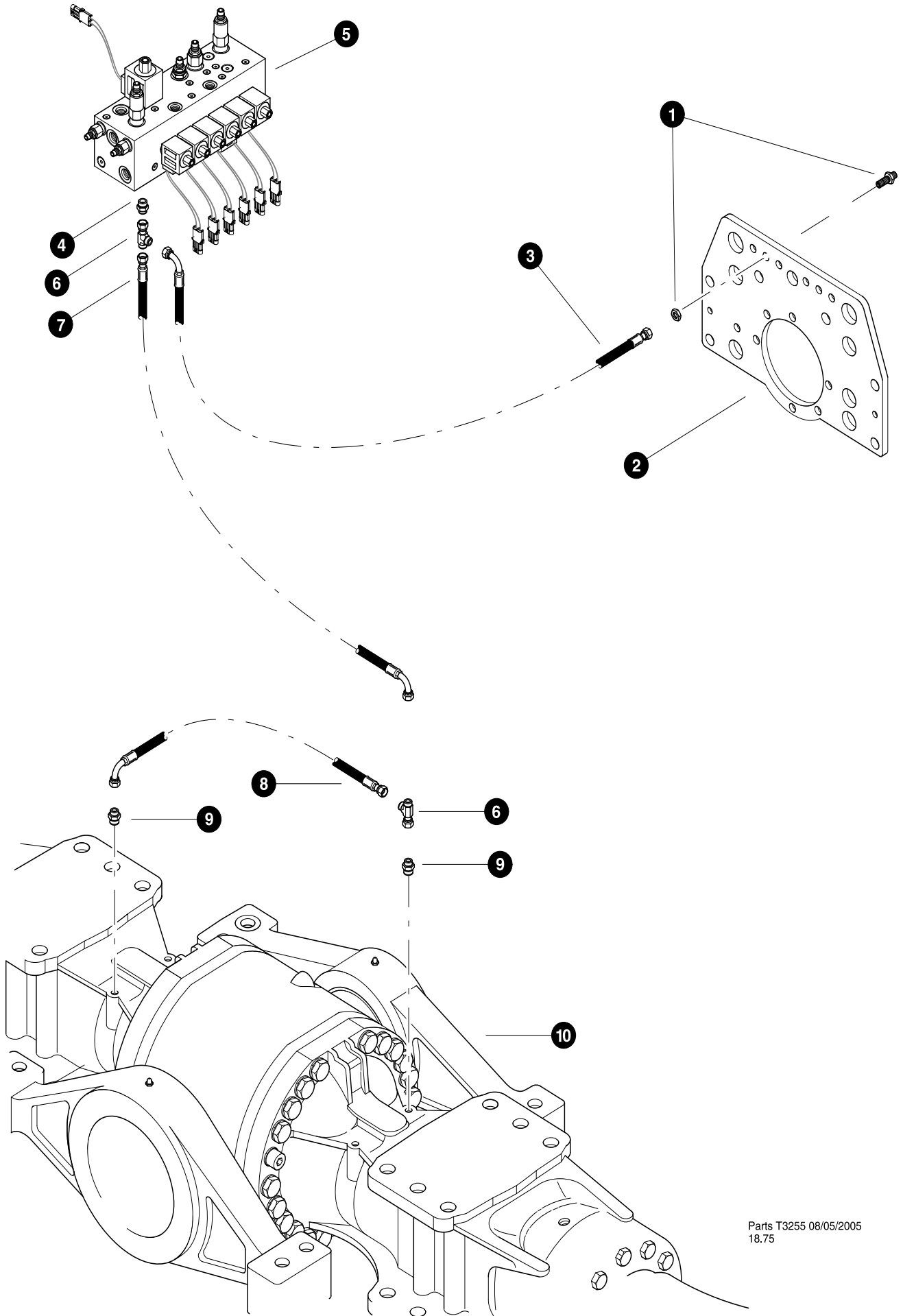


Parts T3261 08/05/2005
18.75

LOWER MONO-BLOCK HYDRAULICS
(Accumulator Circuit)
630B-0253 and Before


REF	PART #	QTY	DESCRIPTION	SEE SECTION
1	REF	1	LOWER SOLENOID MANIFOLD	HR-4
2	23322-HR	1	ELBOW, 45 - 6-4 V5OLO-S	
3	50304-HR	1	HOSE ASSEMBLY - 2032-04-04OS-04O9 ("ACC" port to accumulator)	
4	23130-HR	1	ACCUMULATOR, GAS PISTON (FWD)	
5	15238-HR	1	CONNECTOR, STR - FF1852T-0812S	
6	19221-HR	1	CONNECTOR, REDUCER - ORS FF2281T-0408S	

 See referenced page for component or assembly breakdown.

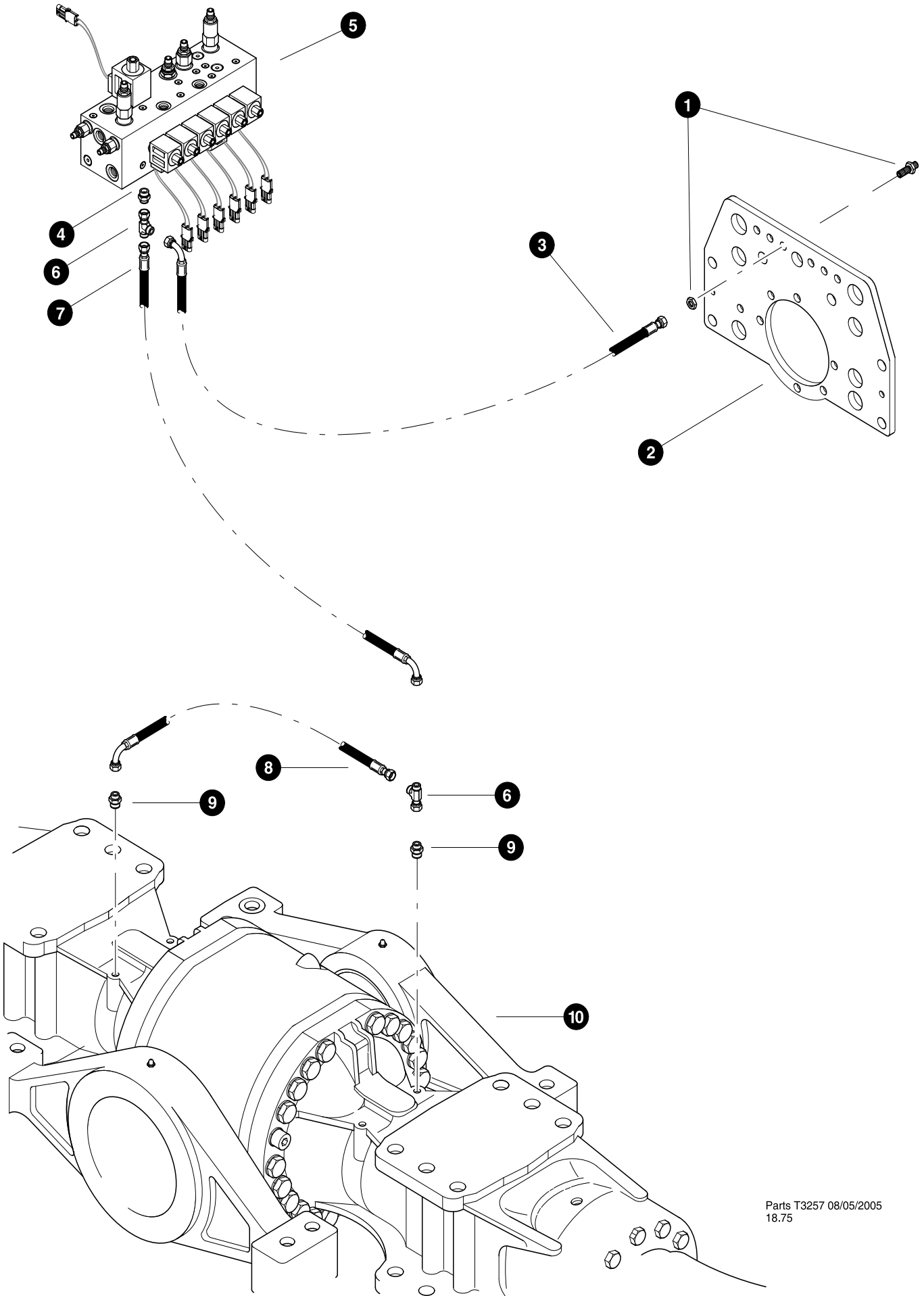


Parts T3255 08/05/2005
18.75

LOWER MONO-BLOCK HYDRAULICS
(Parking Brake Circuit)
630B-0253 and Before


REF	PART #	QTY	DESCRIPTION	SEE SECTION
1	18582-HR	1	CONNECTOR, STR BULKHEAD 04	
2	Ref	1	BRACKET, BEARING MOUNT	HR-1
3	50304-HR	1	HOSE ASSEMBLY - 2101-04-04OS-04O9 (<i>PB port to bulkhead</i>)	
4	15124-HR	1	CONNECTOR, STR. - 0406	
5	REF	1	LOWER SOLENOID MANIFOLD	HR-4
6	15176-HR		TEE - FF2114T-0404S	
7	50568-HR	1	HOSE ASSEMBLY - 2036-04-04OS-04O9 (<i>"PB" port to rear axel "PB" port</i>)	
8	50349-HR	1	HOSE ASSEMBLY - 2037-04-04OS-04O9 (<i>PB Brake jumper</i>)	
9	19470-HR	2	CONNECTOR, STR 04-14m	
10	REF.	1	 REAR AXEL ASSEMBLY	AX-2

 See referenced page for component or assembly breakdown.

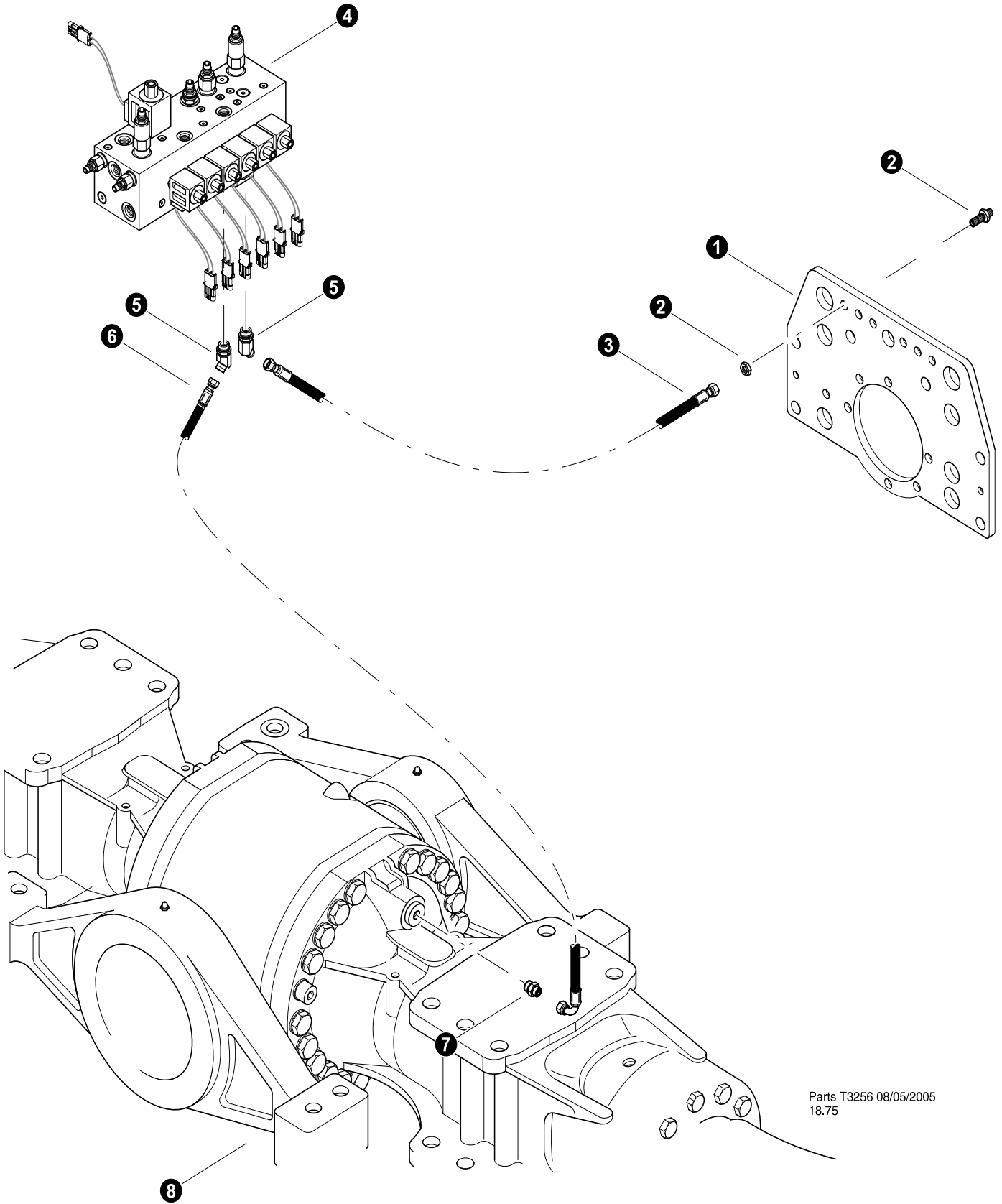


Parts T3257 08/05/2005
18.75

LOWER MONO-BLOCK HYDRAULICS
(Travel Brake Circuit)
630B-0253 and Before


REF	PART #	QTY	DESCRIPTION	SEE SECTION
1	18582-HR	1	CONNECTOR, STR BULKHEAD 04	
2	Ref	1	BRACKET, BEARING MOUNT	HR-1
3	50304-HR	1	HOSE ASSEMBLY - 2101-04-04OS-04O9 (TB port to bulkhead)	
4	15124-HR	1	CONNECTOR, STR. - 0406	
5	REF	1	LOWER SOLENOID MANIFOLD	HR-4
6	15176-HR		TEE - FF2114T-0404S	
7	-HR	1	HOSE ASSEMBLY - 2040-04-04OS-04O9 ("TB" port to rear axel "TB" port)	
8	50349-HR	1	HOSE ASSEMBLY - 2037-04-04OS-04O9 (TB Brake jumper)	
9	19470-HR	2	CONNECTOR, STR 04-14m	
10	REF.	1	 REAR AXEL ASSEMBLY.....	AX-2


 See referenced page for component or assembly breakdown.

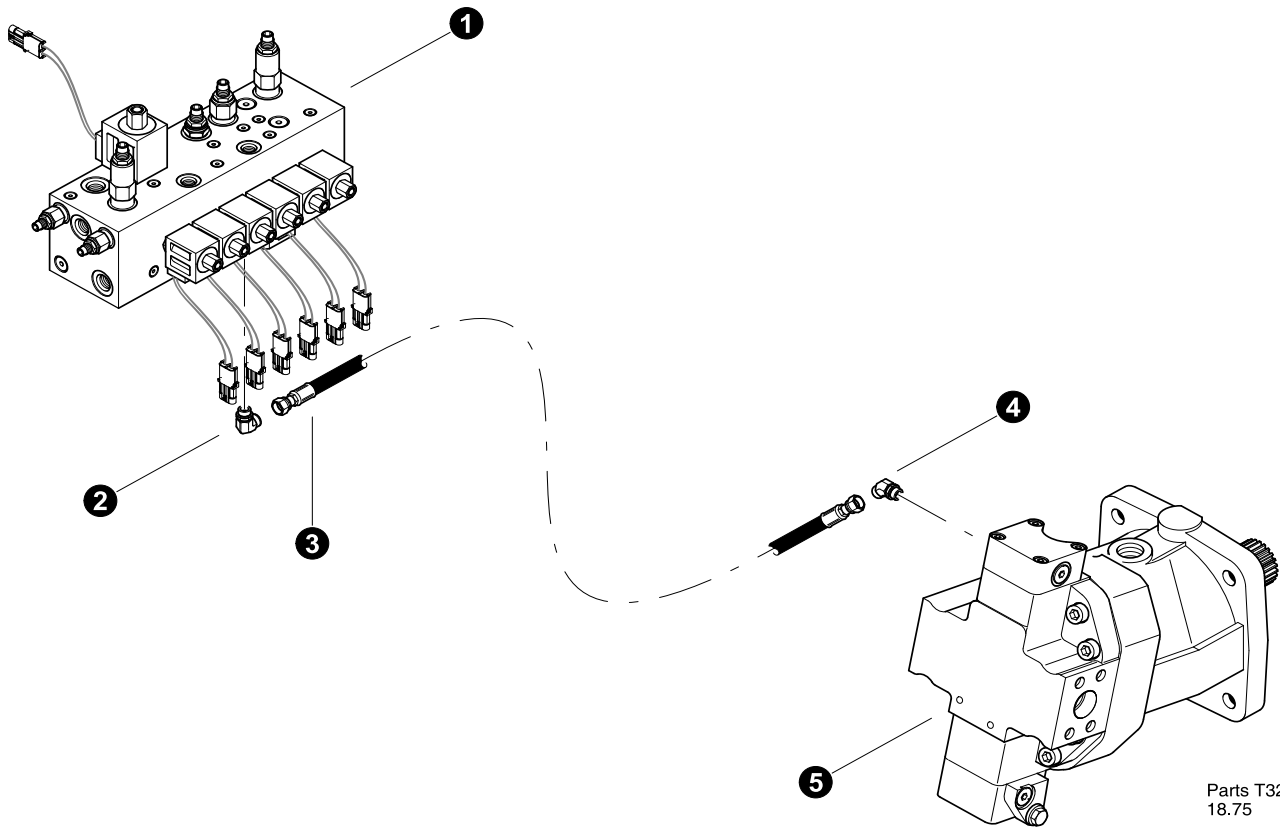


Parts T3256 08/05/2005
18.75

LOWER MONO-BLOCK HYDRAULICS
(Differential Lock Circuit)
630B-0253 and Before


REF	PART #	QTY	DESCRIPTION	SEE SECTION
1	Ref	1	BRACKET, BEARING MOUNT	HR-1
2	18582-HR	1	CONNECTOR, STR BULKHEAD 04	
3	50304-HR	1	HOSE ASSEMBLY - 2099-04-04OS-04OS (<i>DL2 port to bulkhead</i>)	
4	REF	1	LOWER SOLENOID MANIFOLD	HR-4
5	23322-HR	1	ELBOW, 45 - 6-4 V5OLO-S	
6	50301-HR	1	HOSE ASSEMBLY - 2038-04-04OS-04O9 (<i>"DL" port to rear axel</i>)	
7	19470-HR	2	CONNECTOR, STR 04-14m	
8	REF.	1	 REAR AXEL ASSEMBLY.....	AX-2


 See referenced page for component or assembly breakdown.

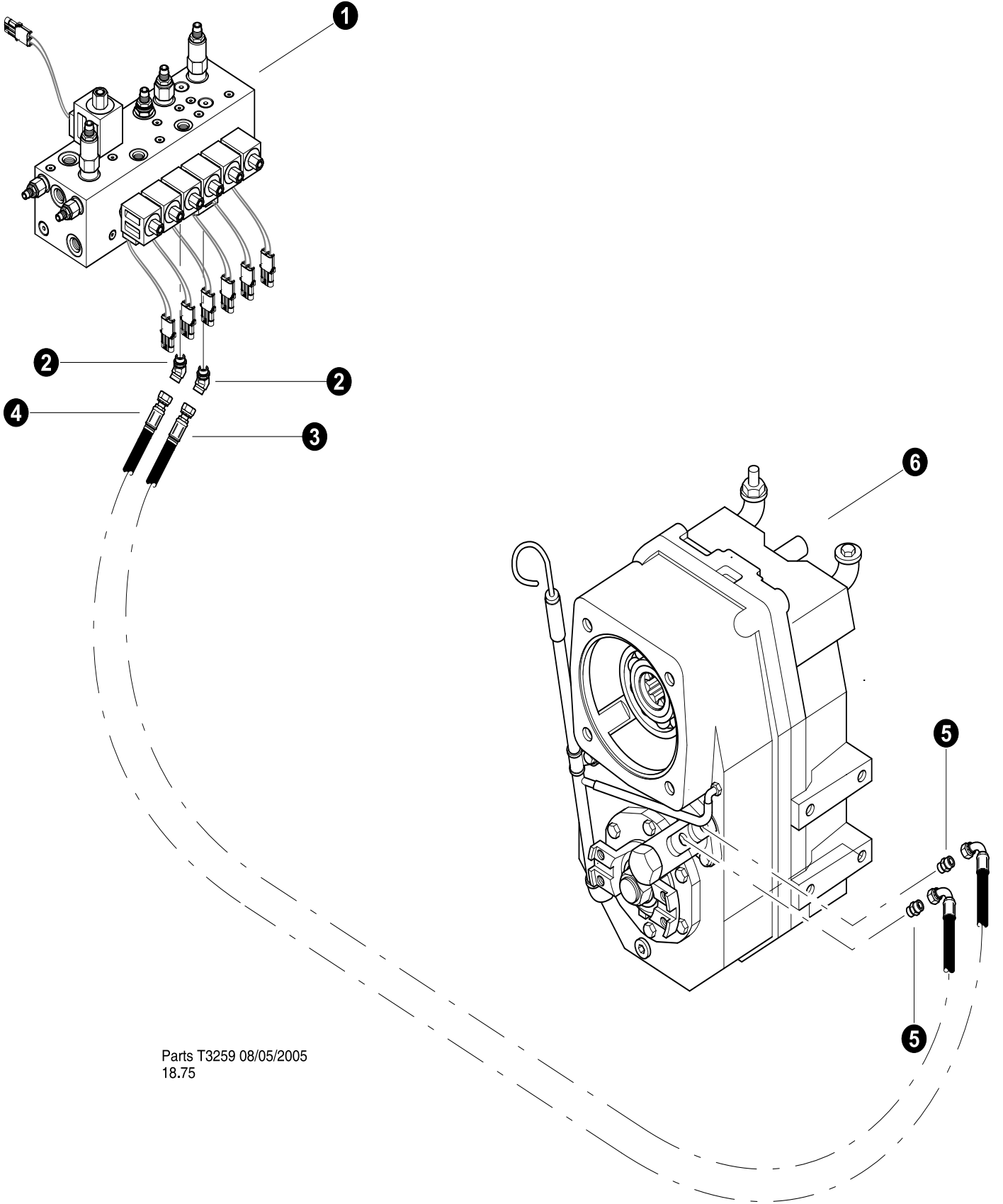


Parts T3258 08/05/2005
18.75

LOWER MONO-BLOCK HYDRAULICS
(Motor Shift Circuit)
630B-0253 and Before


REF	PART #	QTY	DESCRIPTION	SEE SECTION
1	REF	1	LOWER SOLENOID MANIFOLD	HR-4
2	15133-HR	2	ELBOW, 90 - FF1868T 0406	
3	50574-HR	1	HOSE ASSEMBLY - 2034-04-04OS-04OS (<i>MS port to drive motor</i>)	
4	17646-HR	1	ELBOW, 45 V50LOS 0406	
5	REF.	1	 WHEEL DRIVE MOTOR	HR-4


 See referenced page for component or assembly breakdown.

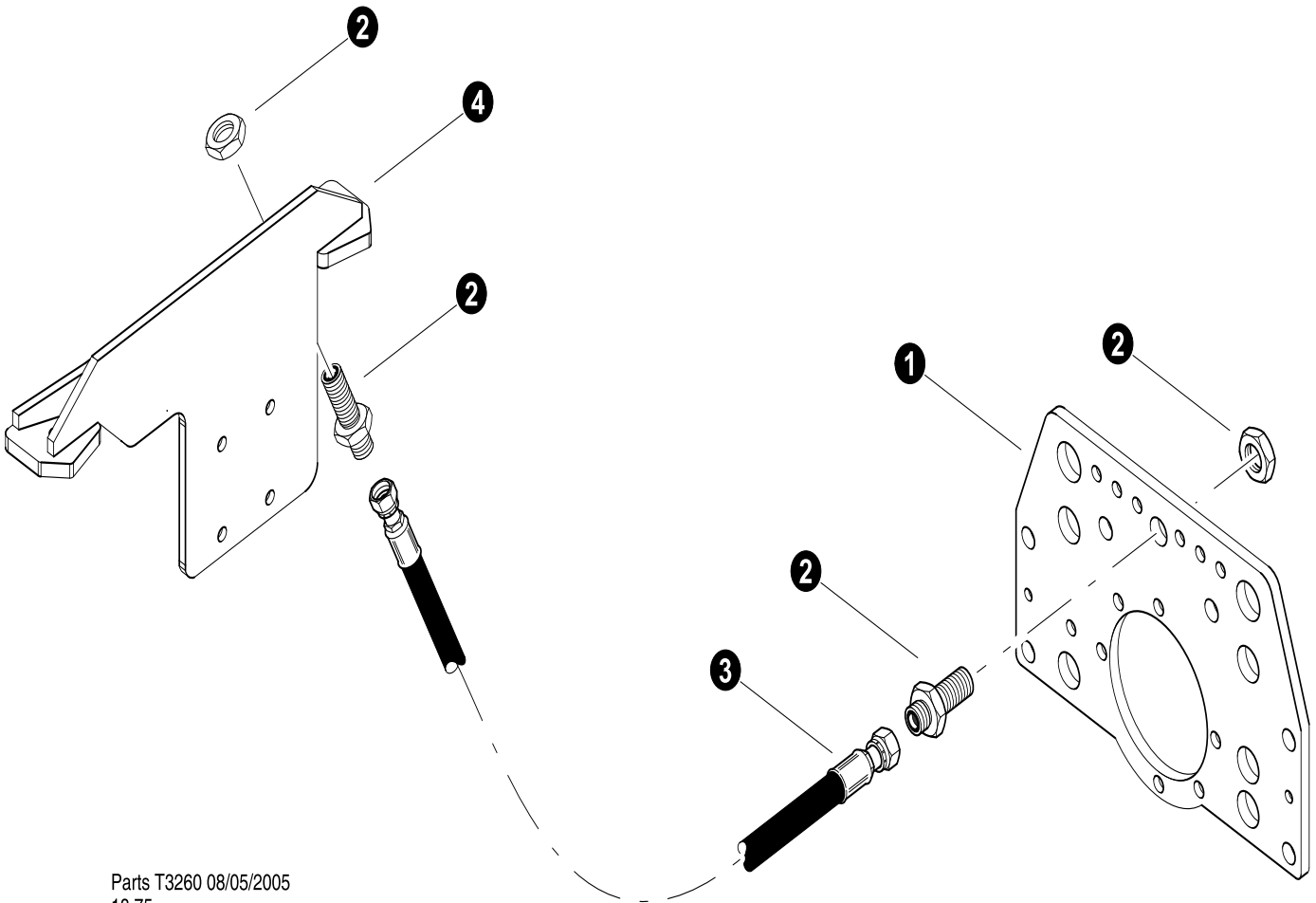


Parts T3259 08/05/2005
18.75

LOWER MONO-BLOCK HYDRAULICS
(GearBox Shift Circuit)
630B-0253 and Before

REF	PART #	QTY	DESCRIPTION	SEE SECTION
1	REF	1	LOWER SOLENOID MANIFOLD	HR-4
2	17646-HR	2	ELBOW, 45 V50LOS 0406	
3	-HR	1	HOSE ASSEMBLY - 2054-04-04OS-04O9 (GB port to GearBox)	
4	50570-HR	1	HOSE ASSEMBLY - 2056-04-04OS-04O9 (GA port to GearBox))	
5	19470-HR	2	CONNECTOR, STR 04-14m	
6	REF.	1	 GEARBOX ASSEMBLY	AX-2


 See referenced page for component or assembly breakdown.



Parts T3260 08/05/2005
18.75

ELECTRICAL HOSE

REF	PART #	QTY	DESCRIPTION	SEE SECTION
1	Ref	1	BRACKET, BEARING MOUNT	HR-1
2	50037-HR	2	CONNECTOR, STR BULKHEAD - 10	
3	15327-HR	1	HOSE ASSEMBLY - 2059-10-10OS-10OS (Bulkhead plate to gearbox)	
4	REF	1	GEARBOX MOUNT.....	HR-2

 See referenced page for component or assembly breakdown.

Section HR-4

TB 630 Rear Frame - Hydraulic Components Breakdown

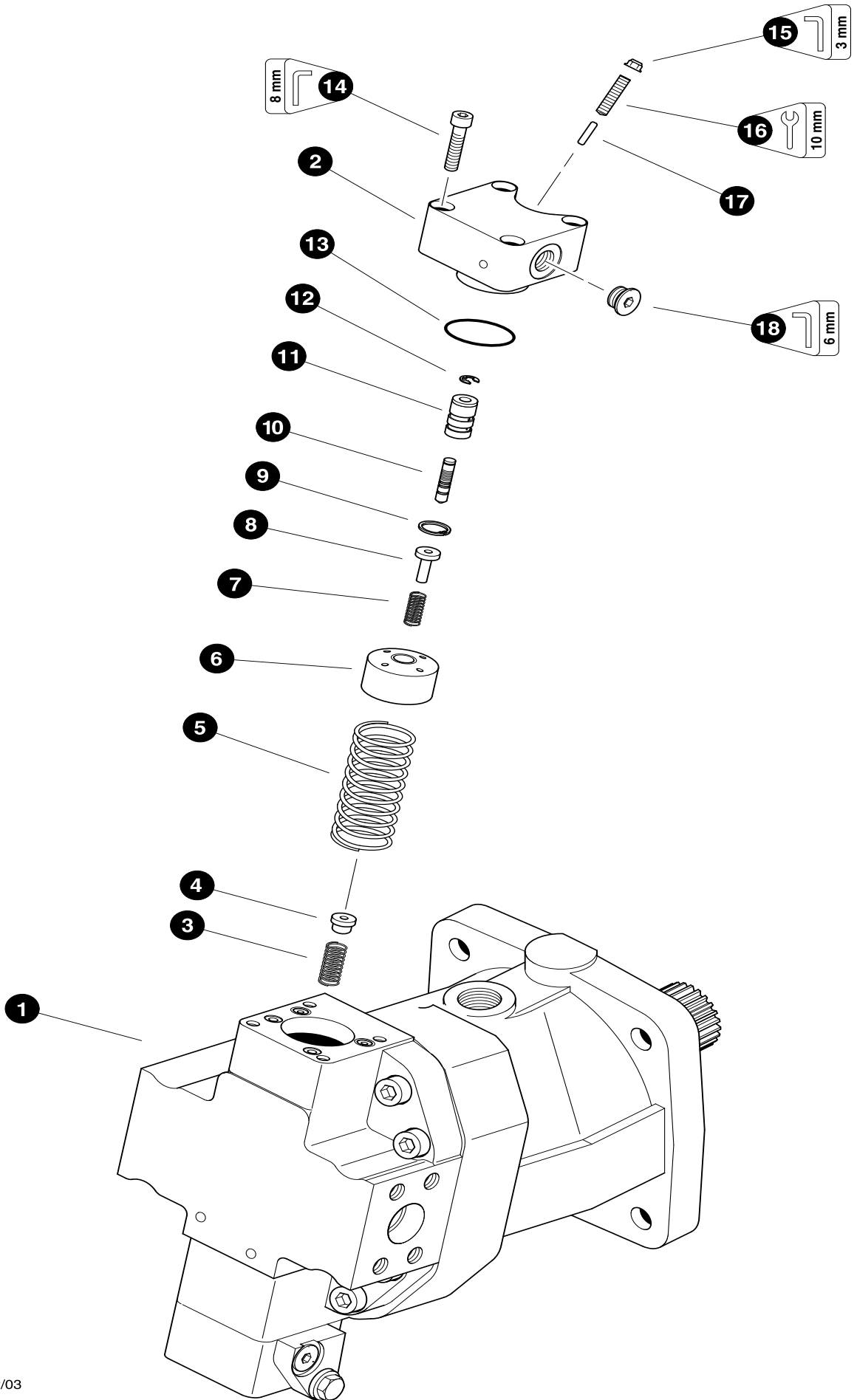
REXROTH 160cc MOTOR

REF	PART #	QTY		DESCRIPTION	SEE SECTION
1	52014-HR	1	☐	MOTOR, WHEEL: 70-160CC W/SP PICK/FLUSH (Vg Min = 70 cubic meters)	
2	20685-HR	1		RING, snap	
3	20686-HR	1		SHIM, shaft seal	
4	20687-HR	1	⌘	SEAL, shaft	
5	19692-HR	1		PLUG - 26mm-1.5P (BSPP thread)	
6	20688-HR	2		SCREW, adjusting (Displacement min & max)	
7	20689-HR	2	⌘	NUT, seal	
8	20690-HR	1	☐	STROKING PISTON COVER ASSEMBLY	
9	20691-HR	1		PLUG	
10	20713-HR	1	⌘	O-RING	
11	20714-HR	1		SHIM	
12	20715-HR	1		SPRING	
13	20716-HR	1		POPPET	
14	20718-HR	1		RING, snap	
15	20719-HR	2		PLUG	
16	20720-HR	2	⌘	O-RING	
17	20721-HR	2		SPRING	
18	20722-HR	2		RETAINER, spring	
19	NSS	1		SPOOL	
20	20693-HR	1		PLUG - 14mm-1.5P (BSPP thread)	
21	20723-HR	4		BOLT, allen head	
22	20724-HR	1	⌘	O-RING	
23	20717-HR	1		ORIFICE, flushing - 1.2mm	
24	NSS	8		O-RING	
25	REF.	1		STROKING PISTON CONTROL ASSEMBLY	HR-4-4
26	24656-HR	1		SENSOR, SPEED PICKUP (rexroth hydro motor)	
27	51098-HR	1		FITTING, speed pickup rexroth (sae)	
28	20967-HR	1		O-RING, WHEEL DRIVE MOTOR (gearbox pilot)	
-	20725-HR	1		KIT, seal repair - complete AA6VM160 motor	

- ☐ Kit or Assembly - includes all items indented underneath.
- ⌘ Included in seal repair kit Part # 20725-HR.

Note:

Due to warranty policy restrictions imposed by component suppliers, it is not recommended that the component be disassembled further than is shown in the illustration.



Parts T2811 08/12/03
37.50

REXROTH 160cc MOTOR

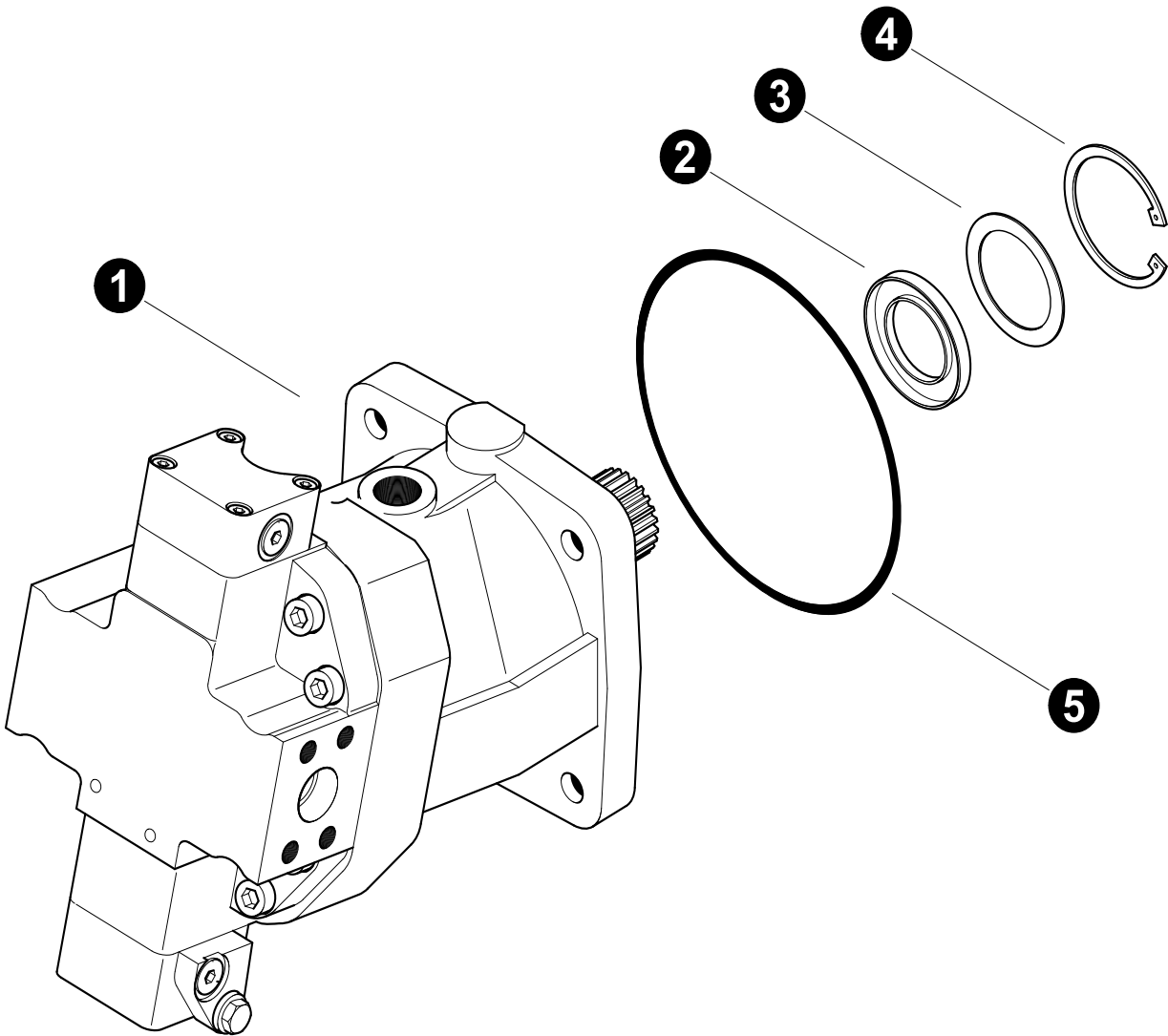
(HA2T CONTROLLER)

REF	PART #	QTY	DESCRIPTION	SEE SECTION
1	52014-HR	1	☐ MOTOR, WHEEL: 70-160CC W/SP PICK/FLUSH (<i>Vg Min = 70 cubic meters</i>)	
2	20726-HR	1	☐ CONTROL, MOTOR STROKE ASSEMBLY (<i>HA2T</i>)	
3	---	1	SPRING, (HU00444549)	
4	---	1	RETAINER, spring (HU00421860)	
5	---	1	SPRING (HU00651116)	
6	---	1	BUSHING, spring (HU00651118)	
7	20729-HR	1	SPRING	
8	---	1	RETAINER, spring (HU00921351)	
9	20731-HR	1	RING, snap	
10	---	1	SPOOL, control (HU00430748)	
11	20732-HR	1	BUSHING, control spool	
12	20734-HR	1	E-CLIP, control spo	
13	---	1	⌘ O-RING (68103-025)	
14	---	4	BOLT, allen head (60118-063)	
15	20737-HR	1	⌘ NUT, seal	
16	20738-HR	1	SCREW, adjusting (<i>Stroke control</i>)	
17	---	1	PIN, stroke adjustment (69116-019)	
18	20693-HR	1	PLUG - 14mm-1.5P (<i>BSPP thread</i>)	
-	20725-HR	1	KIT, seal repair - complete AA6VM160 motor	

- ☐ Kit or Assembly - includes all items indented underneath.
 ⌘ Included in seal repair kit Part # 20725-HR.

Note:

Due to warranty policy restrictions imposed by component suppliers, it is not recommended that the component be disassembled further than is shown in the illustration.



Parts T3262 08/09/2005
18.75

REXROTH 200cc MOTOR

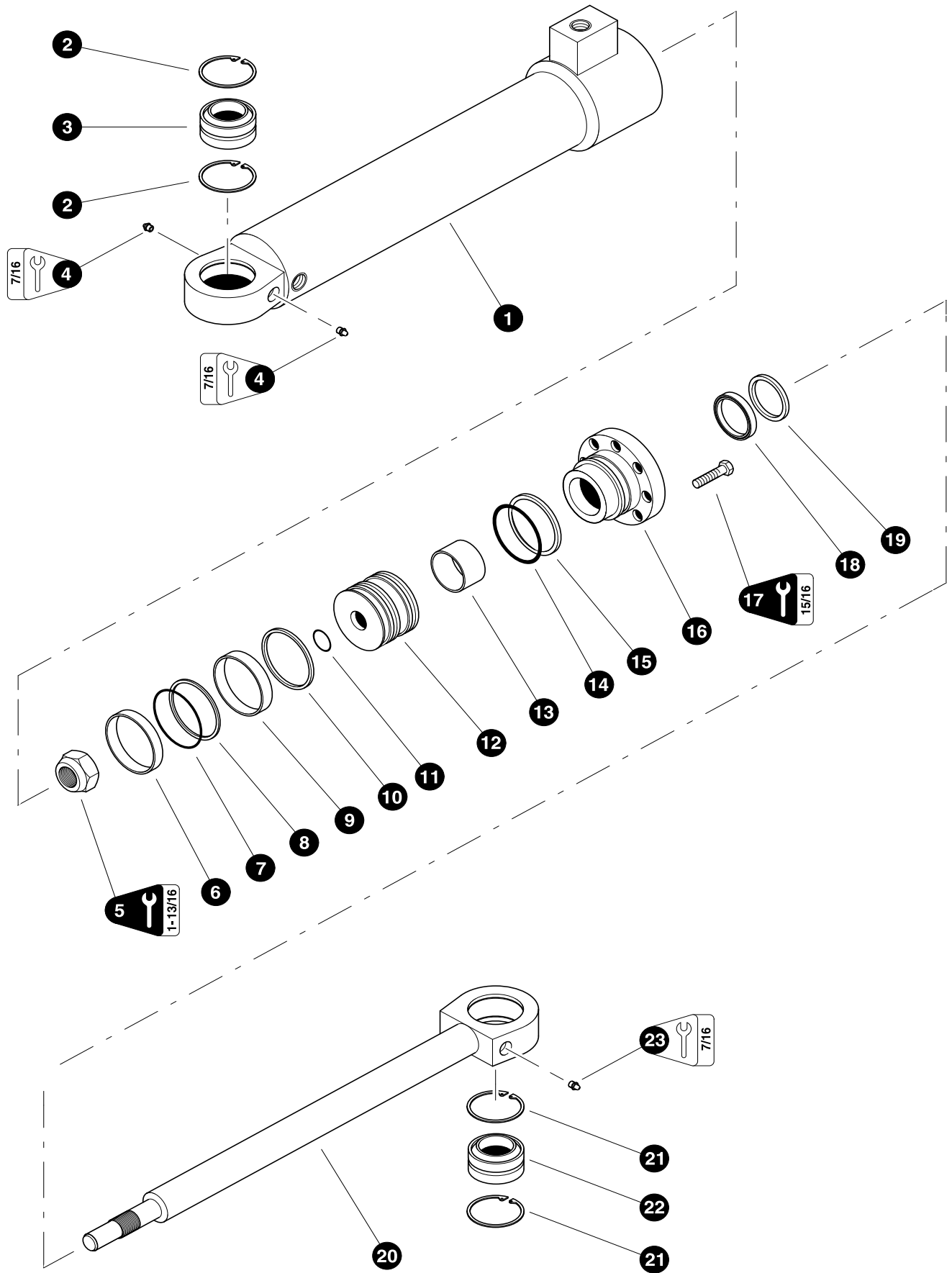
REF	PART #	QTY		DESCRIPTION	SEE SECTION
1	51224-HR	1	☐	MOTOR, WHEEL - 200CC (REXROTH)	
2	-HR	1	⌘	SEAL, shaft	
3	-HR	1		SHIM, shaft seal	
4	-HR	1		RING, snap	
5	-HR	1		O-RING, WHEEL DRIVE MOTOR (gearbox pilot)	
-	-HR	1		SENSOR, Speed indicator - 200cc Rex (HDD)	
-	-HR	1		KIT, seal repair - complete AA6VM200 motor (5660-635-005)	

☐ Kit or Assembly - includes all items indented underneath.

⌘ Included in seal repair kit Part # -HR (5660-635-005).

Note:

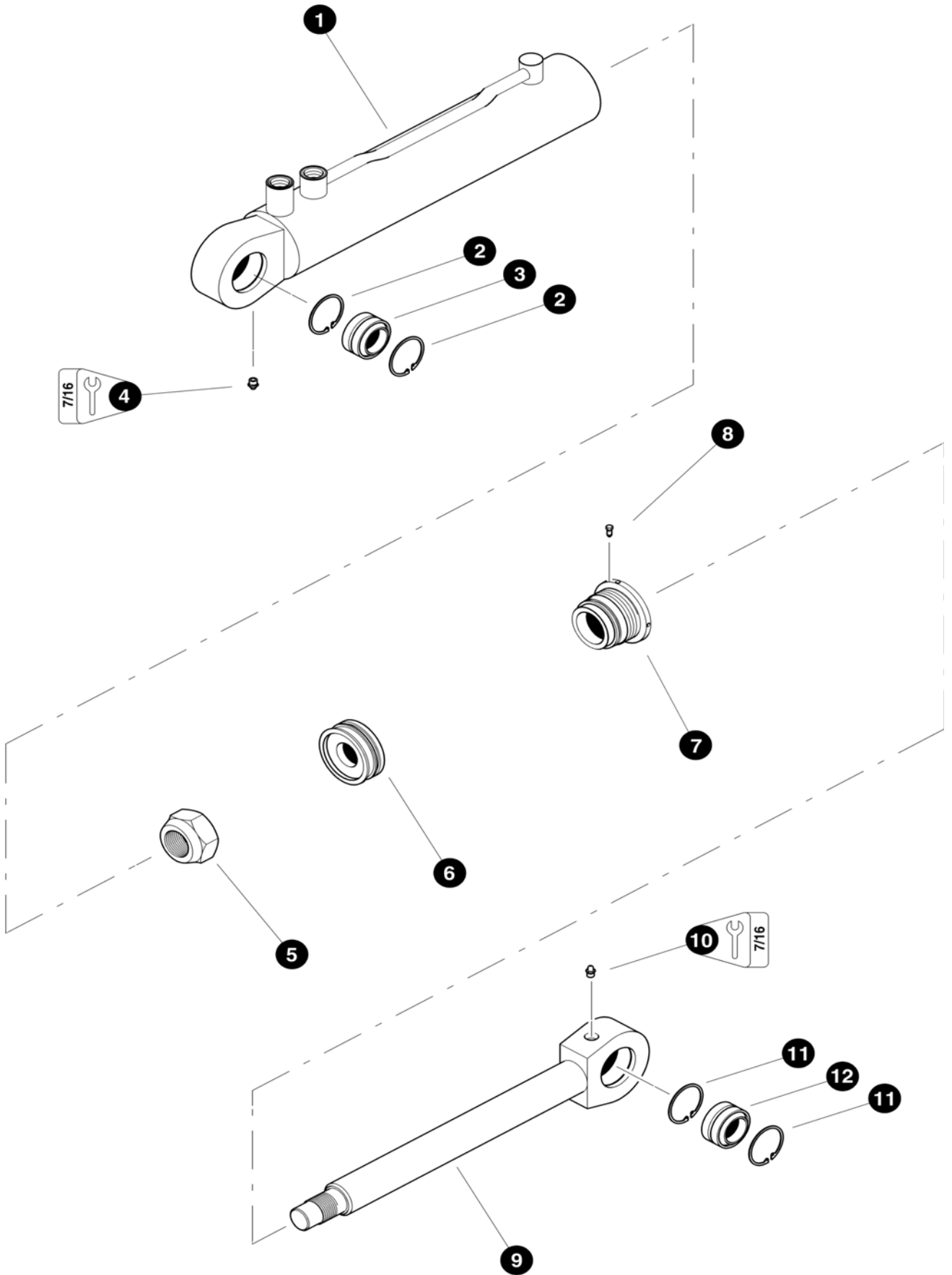
Due to warranty policy restrictions imposed by component suppliers, it is not recommended that the component be disassembled further than is shown in the illustration.



STEER CYLINDER (Jarp) (2 1/4 " Rod)

REF	PART #	QTY		DESCRIPTION	SEE SECTION
-	51584-FR	2	☐	CYLINDER, STEER (2.25" ROD) - JARP	
1	51681-FR	1	☐	BARREL ASSEMBLY	
2	19916-FR	2		RING, snap	
3	19917-FR	1		BUSHING, spherical - 2"	
4	10704-FR	1		FITTING, straight grease - 1/8" pipe thread	
5	-FR	1		NUT, cylinder rod - 1-3/4" (Torque to 885 +/- 60 ft.lbs. (1175 +/- 80 Nm))	
6	NSS	1	⌘	RING, piston wear	
7	NSS	1	⌘	RING, piston loader	
8	NSS	1	⌘	RING, piston chem-cast	
9	NSS	1	⌘	RING, piston wear	
10	NSS	1	⌘	RING, piston seal	
11	NSS	1	⌘	O-RING, piston	
12	-FR	1		PISTON	
13	NSS	1	⌘	RING, rod bearing wear	
14	NSS	1	⌘	O-RING, rod bearing	
15	NSS	1	⌘	RING, rod bearing back-up	
16	51685-FR	1		BEARING, rod	
17	15681-FR	8		BOLT - 5/8" x 2-1/4" (Torque to 175 ft.lbs (233 Nm))	
18	NSS	1	⌘	U-CUP, rod bearing	
19	NSS	1	⌘	WIPER, rod	
20	51682-FR	1	☐	ROD ASSEMBLY	
21	19916-FR	2		RING, snap	
22	19917-FR	1		BUSHING, spherical - 2"	
23	10704-FR	1		FITTING, straight grease - 1/8" pipe thread	
-	51683-FR	1		KIT, seal repair - steer cylinder	

- ☐ Kit or Assembly - includes all items indented underneath.
 ⌘ Included in seal repair kit Part # 19750-FR.

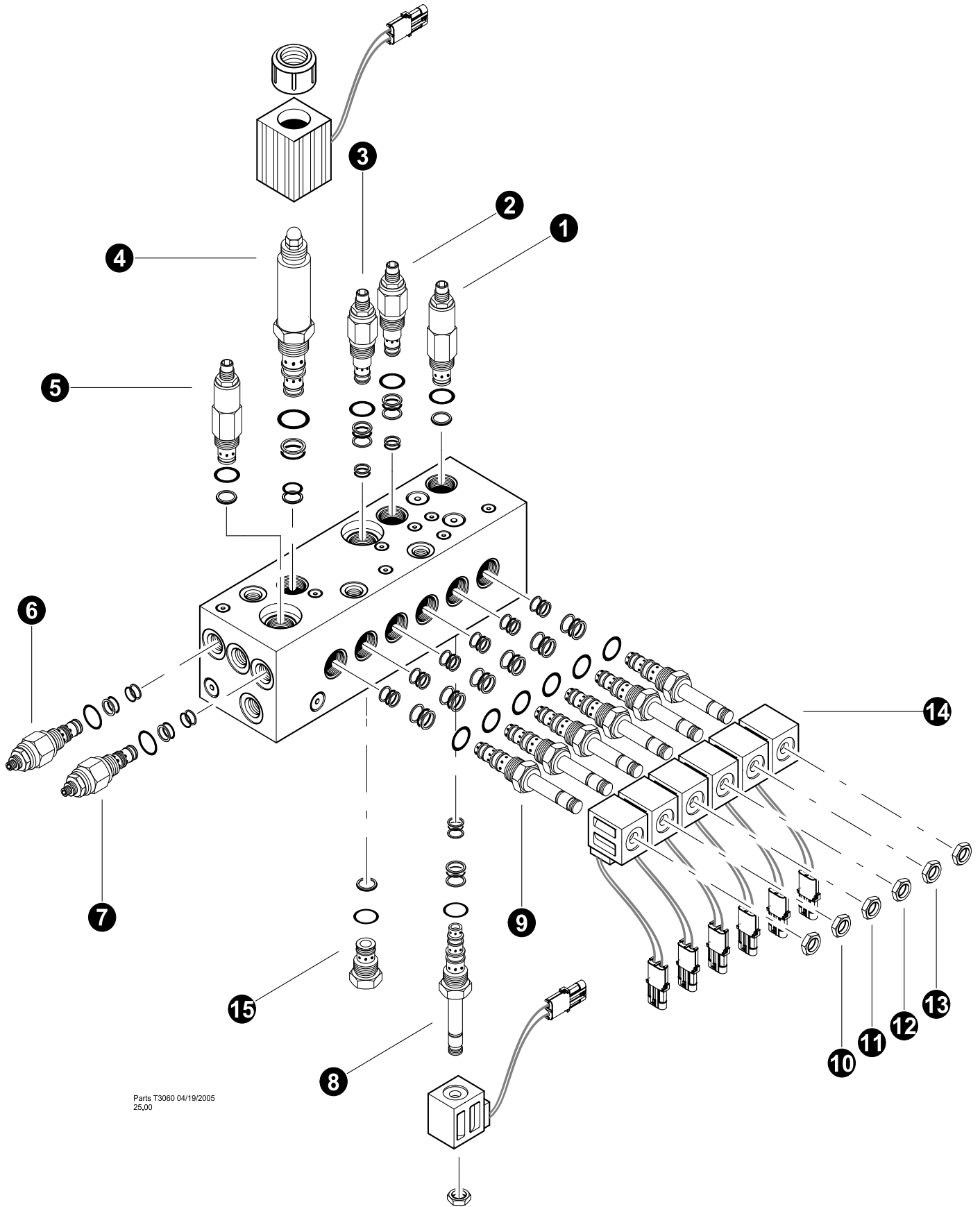


FRAME LOCK CYLINDER (Jarp)

(Please verify cylinder part number before ordering parts)

REF	PART #	QTY	DESCRIPTION	SEE SECTION
-	52111-HR	2	<input type="checkbox"/> CYLINDER, AXLE /FRAME LOCK - JARP	
1	52655-HR	1	<input type="checkbox"/> BARREL ASSEMBLY	
2	-HR	2	RING, snap	
3	-HR	1	BUSHING, spherical - 2"	
4	-HR	1	FITTING, straight grease - 1/8" pipe thread (717000A)	
5	52659-HR	1	NUT, cylinder rod - 1-1/4" (Torque to 770 ft-lbs.)	
6	52657-HR	1	PISTON	
7	52658-HR	1	BEARING, rod	
8	- - -	1	CAP SCREW (711127A)	
9	52656-HR	1	<input type="checkbox"/> ROD ASSEMBLY	
10	-HR	1	FITTING, straight grease - 1/8" pipe thread (717000A)	
11	-HR	2	RING, snap	
12	-HR	1	BUSHING, spherical - 2"	
-	52660-HR	1	KIT, seal repair - axel lock cylinder	

Kit or Assembly - includes all items indented underneath.



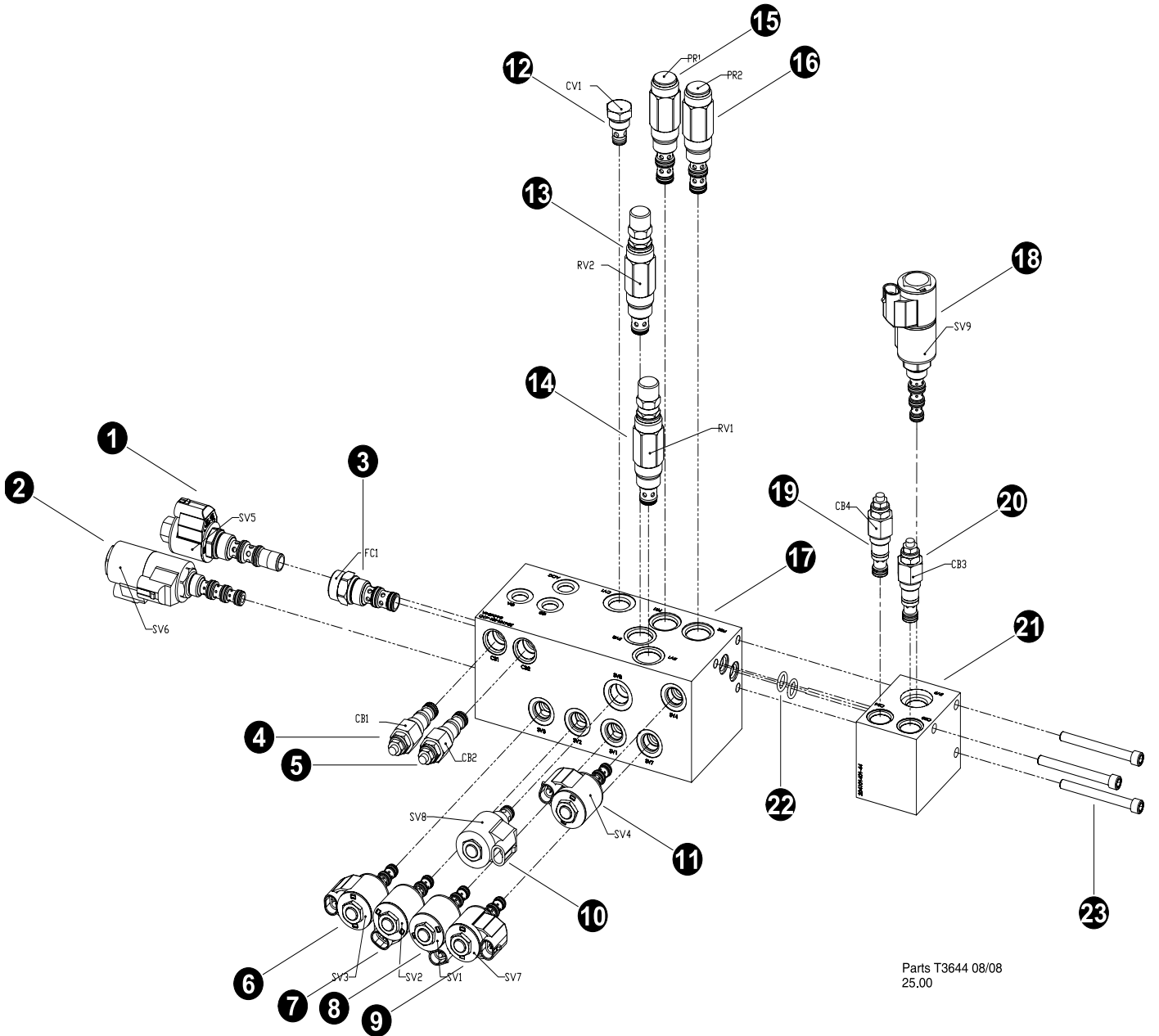
Parts T3060 04/19/2005
25.00

LOWER SOLENOID MANIFOLD BREAKDOWN

Used on Machines built before 04/23/08

REF	PART #	QTY	DESCRIPTION	SEE SECTION
-	51623-HR	1	<input type="checkbox"/> VALVE, LOWER MANIFOLD - CAN/BUS TF830 BLOCK, Lower Manifold (XM04033revC)	
		1		
1	52206-HR	1	CARTRIDGE, Secondary relief valve (RDH103S30) 900 psi KIT, Seal Repair (SK10-2N)	
2	52163-HR	1	CARTRIDGE, GB shift counter balance valve (CBPA-080N-S-0-30) KIT, Seal Repair (SKN-0828)	
3	52163-HR	1	CARTRIDGE, GB shift counter balance valve (CBPA-080N-S-0-30) KIT, Seal Repair (SKN-0828)	
4	52212-HR	1	CARTRIDGE, Travel Brake proportional valve (EPRR-10-N-10-0-24DL) KIT, Seal Repair (SK08-2N) Solenoid, 24 volt Proportional	
5	52162-HR	1	CARTRIDGE, Main relief valve (RDH103S30) 2000 psi KIT, Seal Repair (SK10-2N)	
6	52415-HR	1	CARTRIDGE, Park Brake reducing / relief valve (PRH081S10) 900 psi KIT, Seal Repair (SK08-3N)	
7	52207-HR	1	CARTRIDGE, Solenoids reducing / relief valve (PRH081S10) 425 psi KIT, Seal Repair (SK08-3N)	
8	52208-HR	1	CARTRIDGE, Frame Lock directional valve cartridge (DSH081NR) KIT, Seal Repair (SK08-2N)	
	52211-HR		COIL, 24 volt	
9	52209-HR	1	CARTRIDGE, Park Brake solenoid valve 3-way (DSH083) KIT, Seal Repair (SK08-3N)	
	52211-HR		COIL, 24 volt	
10	52209-HR	1	CARTRIDGE, Motor Shift "1" solenoid valve 3-way (DSH083) KIT, Seal Repair (SK08-3N)	
	52211-HR		COIL, 24 volt	
11	52209-HR	1	CARTRIDGE, Motor Shift "2" solenoid valve 3-way (DSH083) KIT, Seal Repair (SK08-3N)	
	52211-HR		COIL, 24 volt	
12	52209-HR	1	CARTRIDGE, Diff Lock solenoid valve 3-way (DSH083) KIT, Seal Repair (SK08-3N)	
	52211-HR		COIL, 24 volt	
13	52209-HR	1	CARTRIDGE, Gear Box Shift "A" solenoid valve 3-way (DSH083) KIT, Seal Repair (SK08-3N)	
	52211-HR		COIL, 24 volt	
14	52209-HR	1	CARTRIDGE, Gear Box Shift "B" solenoid valve 3-way (DSH083) KIT, Seal Repair (SK08-3N)	
	52211-HR		COIL, 24 volt	
15	52210-HR	1	CARTRIDGE, Accumulator check valve cartridge (CVH103P) KIT, Seal Repair (SK10-2N)	

- Kit or Assembly - includes all items indented underneath.
- ⌘ Included in

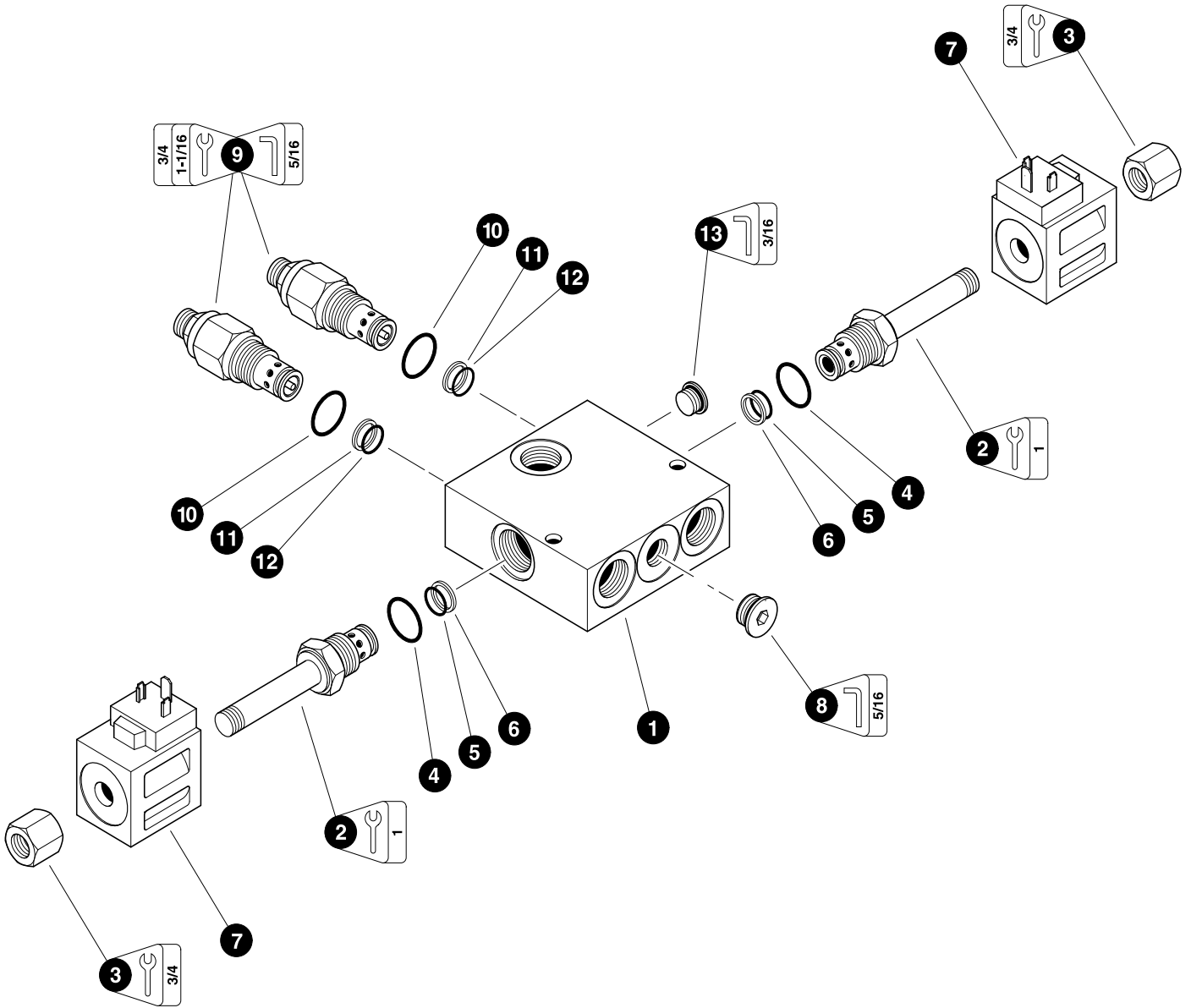


Parts T3644 08/08
25.00

Lower Solenoid Manifold Circuits and Components Breakdown Used on Machines built on 04/23/08 and After

REF	PART #	QTY	DESCRIPTION	SEE PAGE
-	53001-HR	1	<input type="checkbox"/> VALVE, LOWER MANIFOLD - Fluid Systems	
1	-HR	1	Valve, Proportional Pressure Reducing (TS98-31-0-N-24EY) Travel Brake	
2	-HR	1	Valve, Directional Control (SV08-47D-0-N-24EY) Gear Box Shift	
3	-HR	1	Valve, Flow Regulator/Press Comp (FR10-30F-0-N-3.6)	
4	-HR	1	Valve, Counterbalance (5008-3-500) Gear Shift Load Check Valve	
5	-HR	1	Valve, Counterbalance (5008-3-500) Gear Shift Load Check Valve	
6	-HR	1	Valve, Directional Control (SV07-31-0-N-24EY) Diff Lock	
7	-HR	1	Valve, Directional Control (SV07-31-0-N-24EY) Motor Shift 2	
8	-HR	1	Valve, Directional Control (SV07-31-0-N-24EY) Motor Shift 1	
9	-HR	1	Valve, Directional Control (SV07-31-0-N-24EY) Frame Lock	
10	-HR	1	Valve, Directional Control (SV08-21-0-N-24EY)	
11	-HR	1	Valve, Directional Control (SV07-34-0-N-24EY) Parking Brake	
12	-HR	1	Valve, Check (CV08-20-0-N-25)	
13	-HR	1	Valve, Pressure Relief (RV10-26C-0N-15)	
14	-HR	1	Valve, Pressure Relief (RV10-26C-0N-30) 3000 PSI	
15	-HR	1	Valve, Pressure Reducing (PR10-36H-0-N-15/4.25) 425 PSI	
16	-HR	1	Valve, Pressure Reducing (PR10-36H-0-N-15/9) 900 PSI	
17	-HR	1	BLOCK, (204101401-41C)	
-	53178-HR	1	<input type="checkbox"/> VALVE, GATE VALVE (204101401-54)	
18	-HR	1	Valve, Directional Control (SV08-47D-0-N-24EY) Gate Control	
19	-HR	1	Valve, Counterbalance (5008-3-5-000)	
20	-HR	1	Valve, Counterbalance (5008-3-5-000)	
21	-HR	1	BLOCK, (204101401-44)	
22	-HR	1	O-Rings	
23	-HR	1	Bolts,	

- Kit or Assembly - includes all items indented underneath.
- ⌘ Included in



FRAME LOCK VALVE

REF	PART #	QTY	DESCRIPTION	SEE SECTION
-	18865-HR	1	☐ VALVE, frame lock	
1	NSS	1	BODY	
2	20597-HR	2	☐ CARTRIDGE, solenoid - 24V	
3	NSS	1	NUT	
4	NSS	1	⌘ O-RING - body	
5	NSS	1	⌘ O-RING - chamber	
6	NSS	1	⌘ RING, back-up - chamber	
7	22554-HR	1	COIL, solenoid - 24V	
8	18949-HR	1	☐ PLUG - 6408-HHP-8	
	20321-HR	1	O-RING, ORB - #8	
9	20598-HR	2	☐ CARTRIDGE, relief	
10	NSS	1	◆ O-RING - body	
11	NSS	1	◆ RING, back-up - chamber	
12	NSS	1	◆ O-RING - chamber	
13	11383-HR	1	☐ PLUG - 6408-HHP-4	
	20319-HR	1	O-RING, ORB - #4	
-	20599-HR	1	KIT, seal repair - solenoid cartridge	
-	20600-HR	1	KIT, seal repair - relief cartridge	

- ☐ Kit or Assembly - includes all items indented underneath.
- ⌘ Included in seal repair kit Part # 20599.
- ◆ Included in spring capsule kit Part # 20600.

