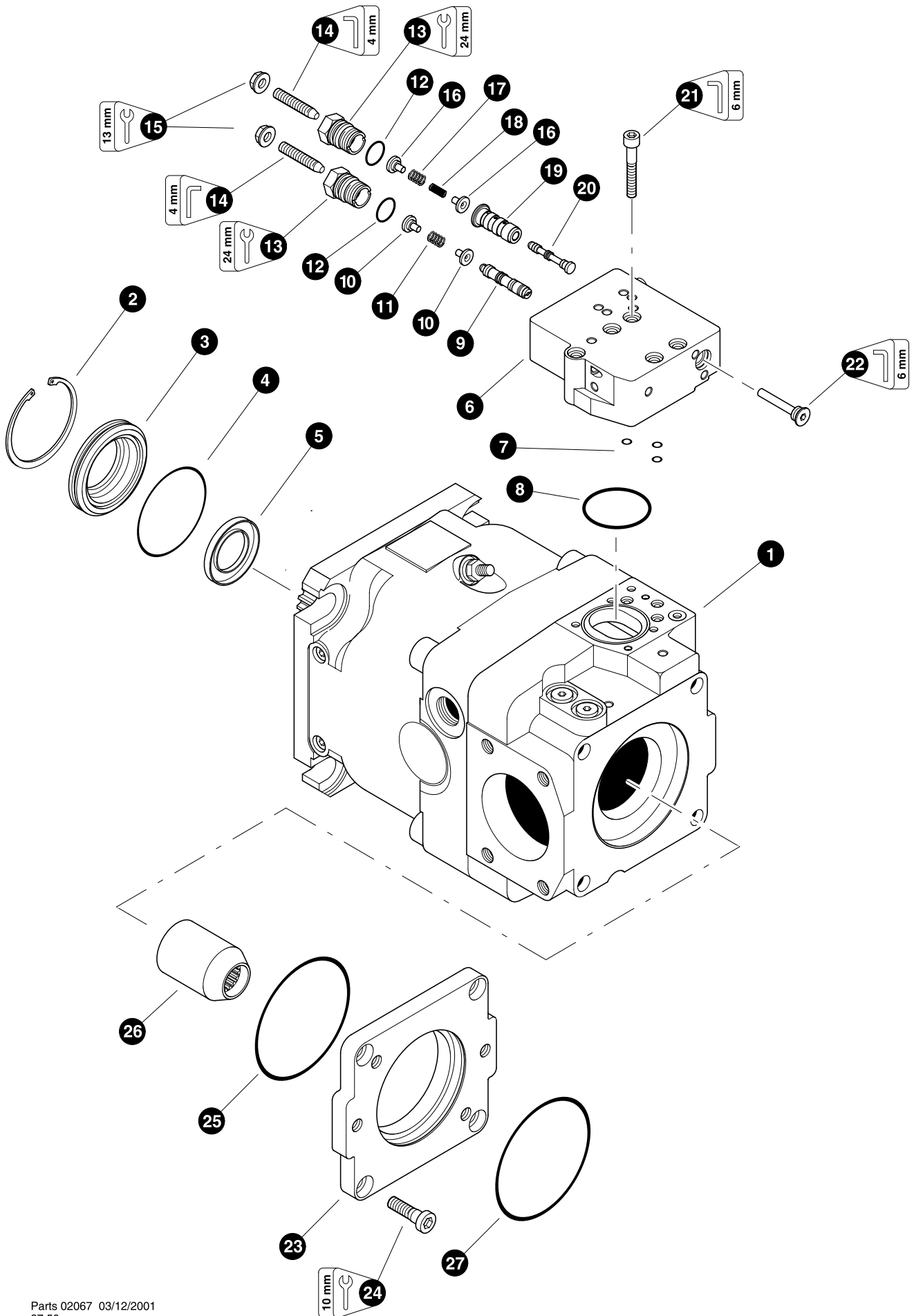


Section LH-1

Loader Boom Hydraulics - Implement Pump and Control Valve



Parts 02067 03/12/2001
37.50

IMPLEMENT PUMP (Rexroth 145cc)

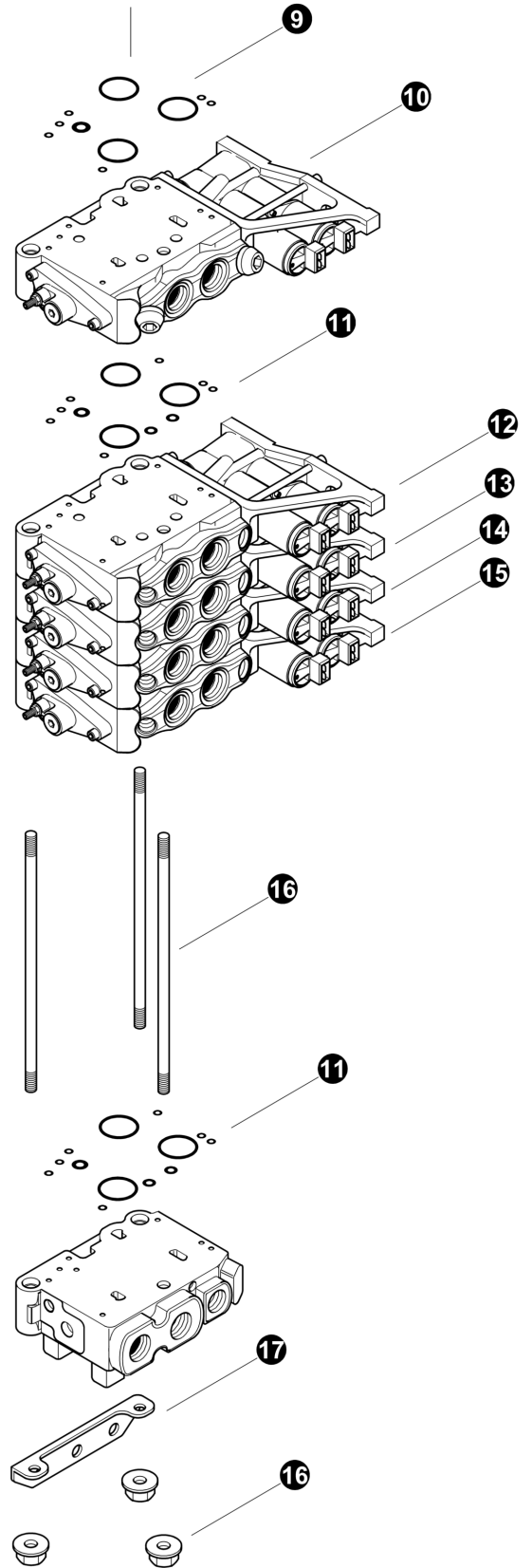
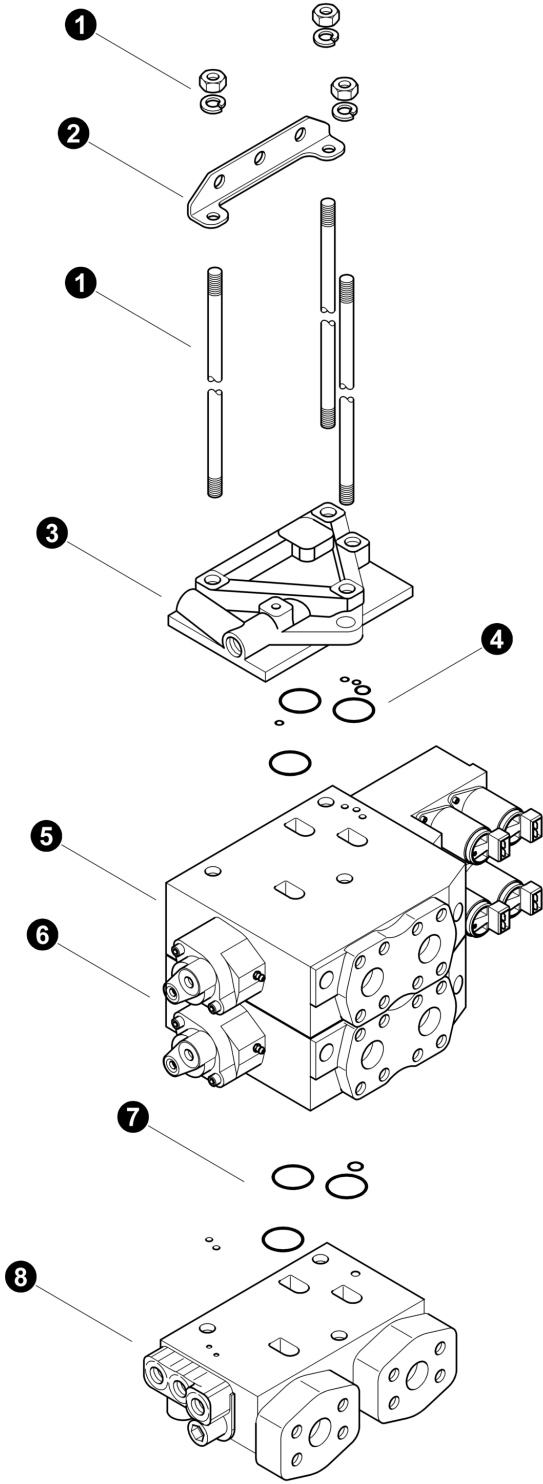
REF	PART #	QTY		DESCRIPTION	SEE SECTION
1	24505-LH	1	☐	PUMP, implement - Rexroth 145cc	
2	21546-LH	1		RING, seal retaining	
3	21547-LH	1		COVER, front	
4	21548-LH	1	⌘	O-RING, front cover	
5	18687-LH	1	⌘	SEAL, shaft	
6	18681-LH	1	☐	COMPENSATOR	
7	20809-LH	3	⌘	O-RING, quad	
8	20808-LH	1	⌘	O-RING, compensator	
9	NSS	1		SPOOL, POR pressure	
10	21551-LH	2		RETAINER, spring	
11	21552-LH	1		SPRING	
12	21553-LH	2	⌘	O-RING, compensator cap	
13	21554-LH	2		CAP, compensator	
14	20358-LH	2	⌘	NUT, seal	
15	21555-LH	2		SCREW, adjusting	
16	21558-LH	2		RETAINER, spring	
17	21556-LH	1		SPRING	
18	21557-LH	1		SPRING	
19	NSS	1		SLEEVE, spool	
20	NSS	1		SPOOL, stand-by pressure	
21	21559-LH	5		BOLT, allen head - 8mm x 50mm	
22	NSS	1		PLUG	
23	24424-LH	1	☐	KIT, FLANGE, thru drive v/o	
24	17608-LH	4		BOLT, allen head - 12mm-1.75P x 30mm	
25	17744-LH	1	⌘	O-RING, thru drive flange	
26	18843-LH	1		COUPLING, thru drive	
27	18844-LH	1		O-RING, thru drive cover	
--	18799-LH	1		KIT, seal repair (<i>Complete pump</i>)	

☐ Kit or Assembly - includes all items indented underneath.

⌘ Included in seal repair kit, PN# 18799-LH.











Note:



Due to warranty policy restrictions imposed by component suppliers, it is not recommended that the component be disassembled further than is shown in the illustration.



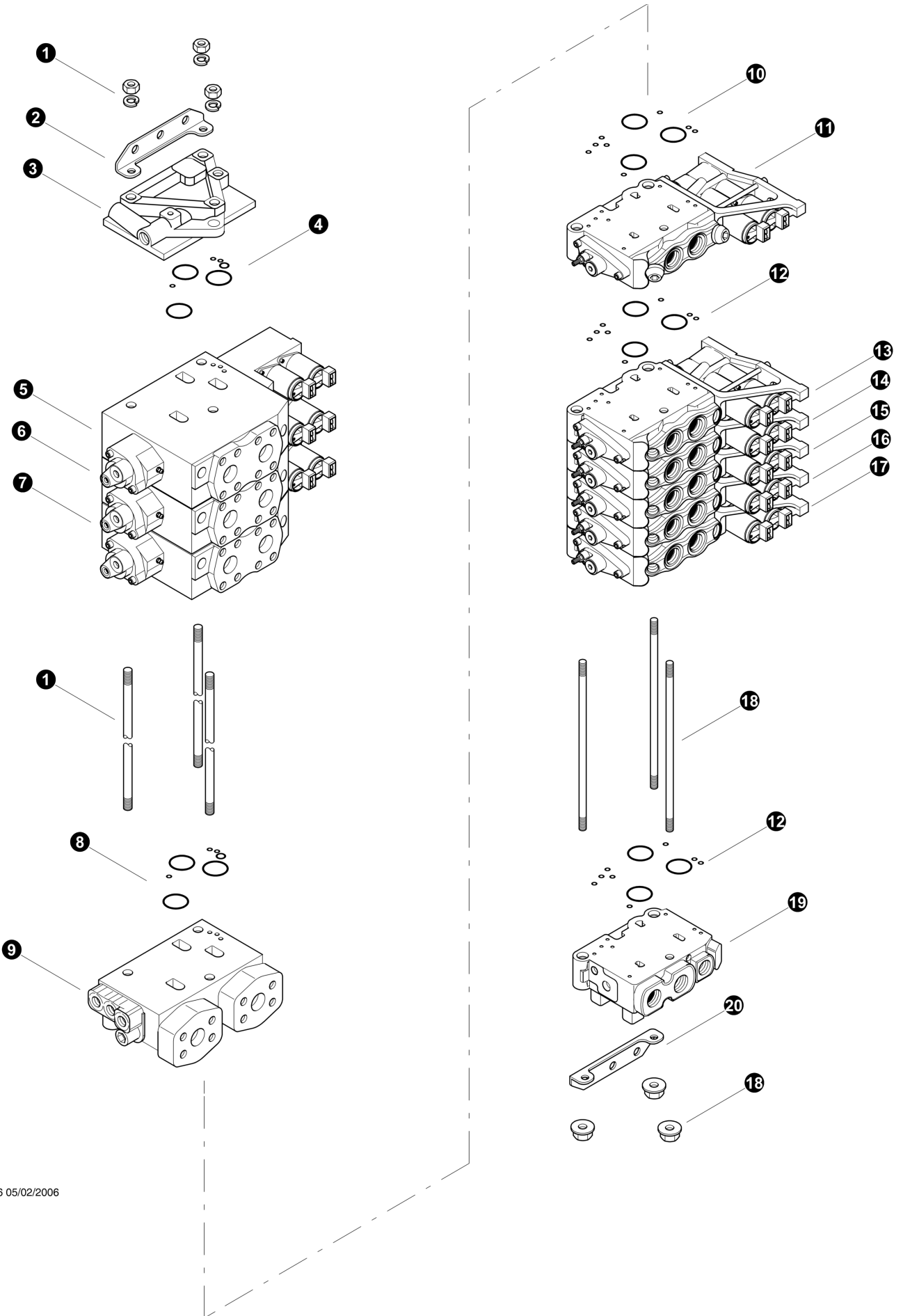
Parts T3421 05/02/2006
25.00

MAIN CONTROL VALVE (Forwarder TF 810, 830, 840)

REF	PART #	QTY	DESCRIPTION	SEE SECTION
-	52362-LH	1	 VALVE, MAIN - VOAC (24 volt / 6 sections) with out / squirt boom section	
-	52361-LH	1	VALVE, MAIN - VOAC (24 volt / 7 sections) with / squirt boom section	
1	---	1	KIT, Tie Rods and Nuts - K220 (2-Section span) (9120092371)	
2	---	1	KIT, Bracket - K220 (9120092365)	
3	---	1	COVER, K220 Valve	
4	24649-LH	1	KIT, Seals - Voac Intersection (9120092315)	
5	REF	1	 VALVE SECTION - Main Boom (830B-0314 and before)	LH-1
5	REF	1	 VALVE SECTION - Stick Boom (830B-0314 and before)	LH-1
6	REF	1	 VALVE SECTION - Stick Boom (830B-0315 and after)	LH-1
6	REF	1	 VALVE SECTION - Main Boom (830B-0315 and after)	LH-1
7	24649-LH	1	KIT, Seals - Voac Parting "K" (9120092315)	
8	REF	1	MID INLET, K220 to L90	LH-1
9	23404-LH	1	KIT, Seals - Voac Parting "L" (393000K820)	
10	REF	1	 VALVE SECTION - "OPTIONAL" Squirt Boom	LH-1
11	---	1	KIT, Seals - Voac Parting "L" (393000K820)	
12	REF	1	 VALVE SECTION - Rotate function	LH-1
13	REF	1	 VALVE SECTION - Grapple O/C function	LH-1
14	REF	1	 VALVE SECTION - Swing function	LH-1
15	REF	1	 VALVE SECTION - Steer function	LH-1
16	---	1	KIT, Tie Rods and Nuts - L90 (4-Section span) (393000K003)	
16	25133-LH	1	KIT, Tie Rods and Nuts - L90 (5-Section span) (393000K004)	
17	---	1	KIT, Bracket - L90 (393000K824)	
18	REF	1	COVER, L90 valve outlet.	LH-1














-  Kit or Assembly - includes all items indented underneath.
-  See referenced page for component or assembly breakdown.



Shown are standard valve configurations, some machines have custom built valves, contact the factory for more informatoin if your valve doesn't match what is shown.



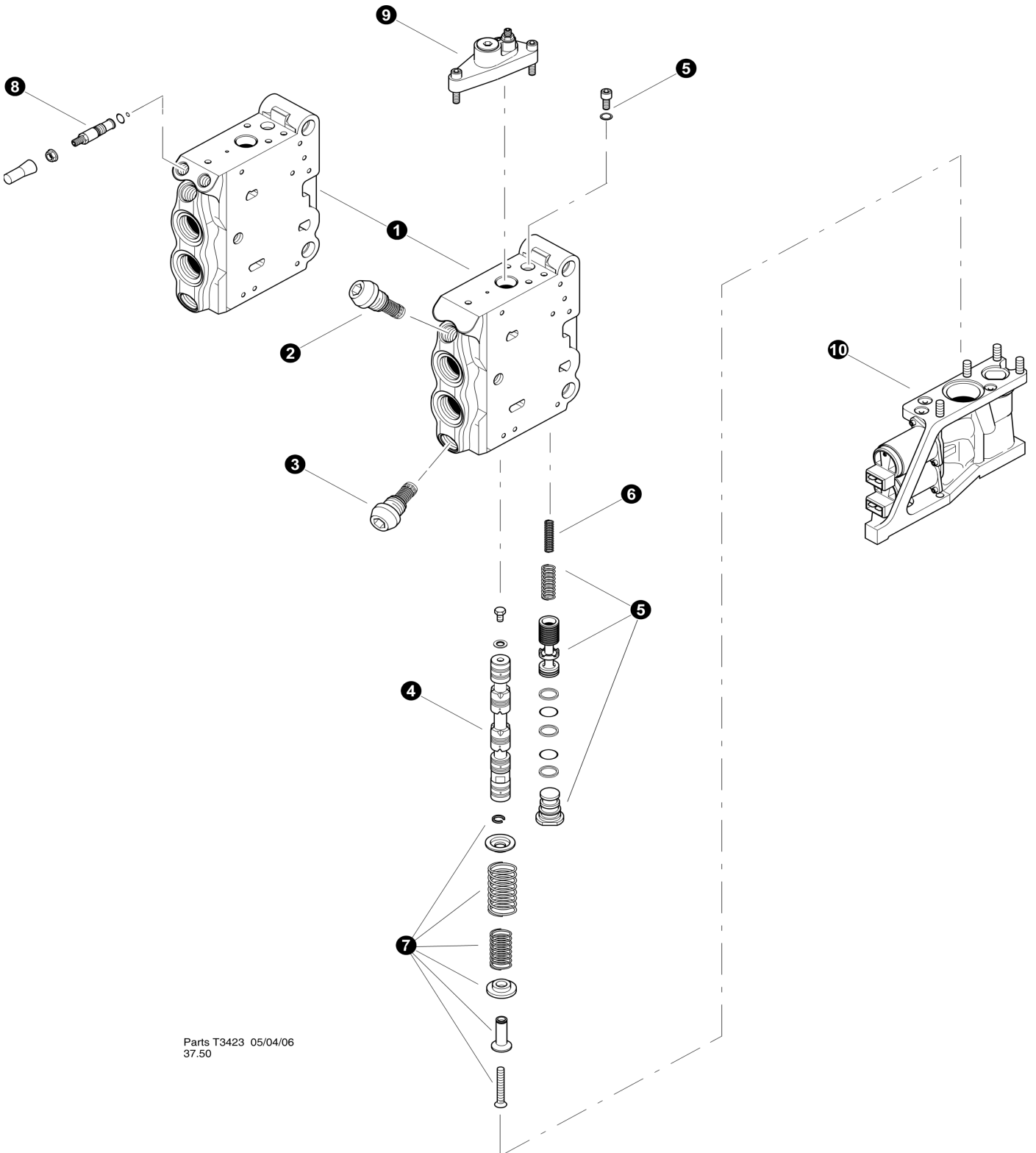
Parts T3446 05/02/2006
25.00

MAIN CONTROL VALVE (Harvester TF 830 & TB 630)

REF	PART #	QTY	DESCRIPTION	SEE SECTION
-	52496-LH	1	 VALVE, MAIN - VOAC (24 volt / 9 section) Log Max Harvester	
1	---	1	KIT, Tie Rods and Nuts - K220 (2-Section span) (9120092372)	
2	---	1	KIT, Bracket - K220 (9120092365)	
3	---	1	COVER, K220 Valve	
4	24649-LH	1	KIT, Seals - Voac Intersection (9120092315)	
5	REF	1	 VALVE SECTION - Harvester Press (830B-0314 and before) .	LH-1
5	REF	1	 VALVE SECTION - Stick Boom (830B-0315 and after)	LH-1
6	REF	1	 VALVE SECTION - Main Boom (830B-0314 and before)	LH-1
6	REF	1	 VALVE SECTION - Harvester Press (830B-0315 and after) . . .	LH-1
7	REF	1	 VALVE SECTION - Stick Boom (830B-0314 and before)	LH-1
7	REF	1	 VALVE SECTION - Main Boom (830B-0315 and after)	LH-1
8	24649-LH	1	KIT, Seals - Voac Parting "K" (9120092315)	
9	REF	1	MID INLET, K220 to L90	LH-1
10	23404-LH	1	KIT, Seals - Voac Parting "L" (393000K820)	
11	REF	1	 VALVE SECTION - "OPTIONAL" Squirt Boom	LH-1
12	---	1	KIT, Seals - Voac Parting "L" (393000K820)	
13	REF	1	 VALVE SECTION - Harvester - Low Flow	LH-1
14	REF	1	 VALVE SECTION - Rotate function	LH-1
15	REF	1	 VALVE SECTION - Swing function	LH-1
16	REF	1	 VALVE SECTION - Cab Level	LH-1
17	REF	1	 VALVE SECTION - Steer function	LH-1
18	---	1	KIT, Tie Rods and Nuts - L90 (6-Section span) (393000K005)	
19	REF	1	COVER, L90 valve outlet.	LH-1
20	---	1	KIT, Bracket - L90 (393000K824)	

-  Kit or Assembly - includes all items indented underneath.
-  See referenced page for component or assembly breakdown.

Shown are standard valve configurations, some machines have custom built valves, contact the factory for more informatoin if your valve doesn't match what is shown.

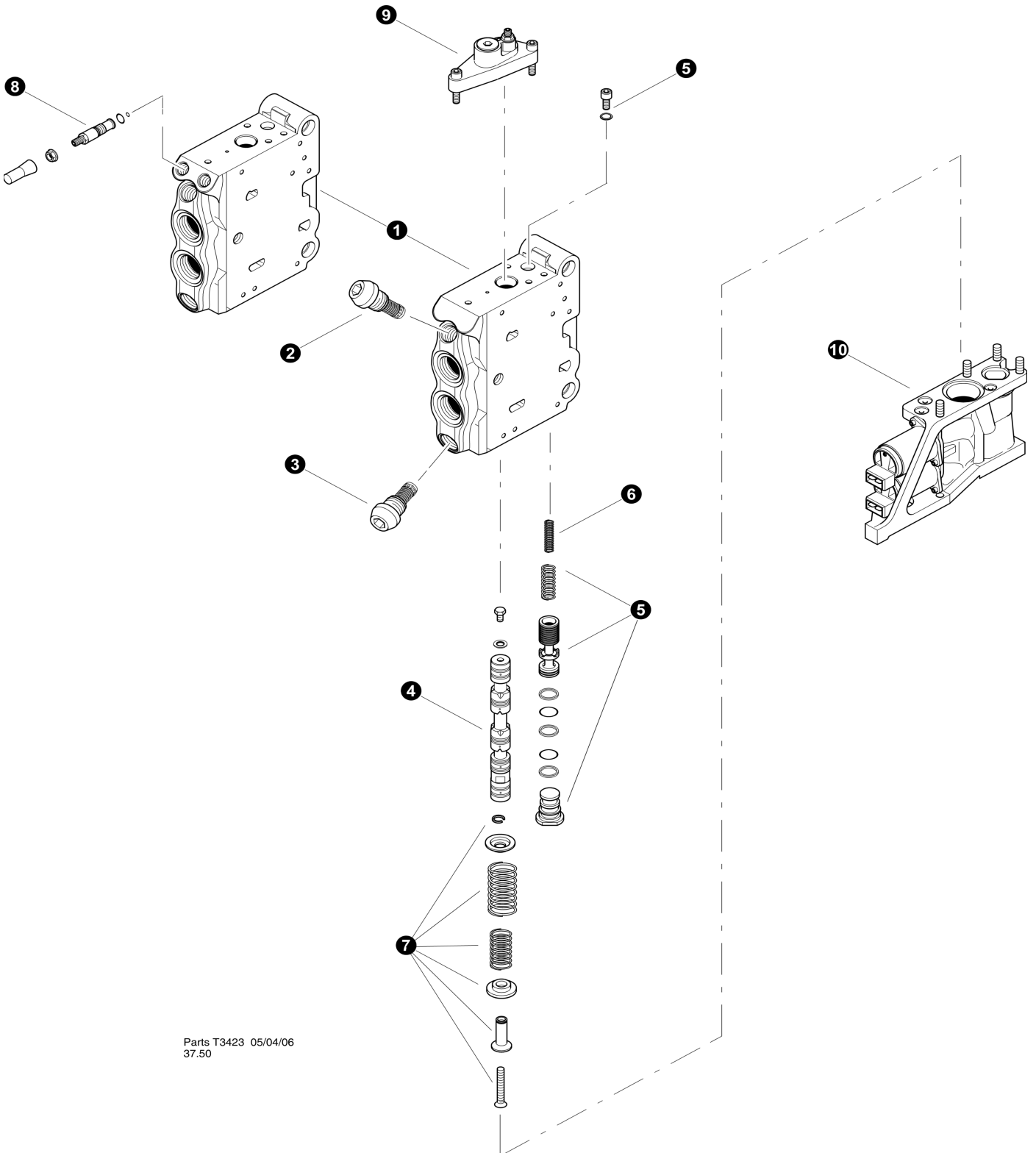


Parts T3423 05/04/06
37.50

L90LS VALVE SECTION

REF	PART #	QTY		DESCRIPTION	SEE SECTION
-	-LH	1	<input type="checkbox"/>	VALVE SECTION - (Optional) Squirt Boom function (L90LS-MS-US60-275)	
1	NSS	1		BODY	
2	---	1		CARTRIDGE, "A" port relief (250 Bar) (393000K569)	
3	---	1		CARTRIDGE, "B" port relief (250 Bar) (393000K569)	
4	---	1		SPOOL, RKX (393000S490)	
5	---	1	<input type="checkbox"/>	KIT, "KX" COMPENSATOR, BLUE (393000K616)	
5	---	1	<input type="checkbox"/>	KIT, "KX" COMPENSATOR, GREEN (393000K617)	
-	---	1		KIT, compensator seals (393000K811)	
6	---	1		SPRING, (only used with KX compensator kit)	
7	23423-LH	1	<input type="checkbox"/>	KIT, spool centering spring (393000K343)	
8	---	2	<input type="checkbox"/>	KIT, FEED REDUCER (393000K817)	
-	---	2		KIT, feed reducer seals (393000K852)	
9	REF	1		END CAP ASSEMBLY - "A" port	LH-1
10	REF	1		END CAP ASSEMBLY - "B" port	LH-1
-	-LH	1	<input type="checkbox"/>	VALVE SECTION - Grapple Rotate function (L90LS-MS-US60-273)	
1	NSS	1		BODY	
2	---	1		CARTRIDGE, "A" port relief (250 Bar) (393000K569)	
3	---	1		CARTRIDGE, "B" port relief (250 Bar) (393000K569)	
4	---	1		SPOOL, RKX (393000S490)	
5	---	1	<input type="checkbox"/>	KIT, "K" COMPENSATOR, BLUE (393000K169)	
5	---	1	<input type="checkbox"/>	KIT, "K" COMPENSATOR, GREEN (393000K469)	
-	---	1		KIT, compensator seals (393000K811)	
6	---	1		SPRING, (only used with KX compensator kit)	
7	23423-LH	1	<input type="checkbox"/>	KIT, spool centering spring (393000K343)	
8	---	2	<input type="checkbox"/>	KIT, FEED REDUCER (393000K817)	
-	---	2		KIT, feed reducer seals (393000K852)	
9	REF	1		END CAP ASSEMBLY - "A" port	LH-1
10	REF	1		END CAP ASSEMBLY - "B" port	LH-1
-	-LH	1	<input type="checkbox"/>	VALVE SECTION - Grapple Open / Close function (L90LS-MS-US60-272)	
1	NSS	1		BODY	
2	---	1		CARTRIDGE, "A" port relief (280 Bar) (393000K571)	
3	---	1		CARTRIDGE, "B" port relief (280 Bar) (393000K571)	
4	---	1		SPOOL, RKX (393000S490)	
5	---	1	<input type="checkbox"/>	KIT, "K" COMPENSATOR, BLUE (393000K169)	
5	---	1	<input type="checkbox"/>	KIT, "K" COMPENSATOR, GREEN (393000K469)	
-	---	1		KIT, compensator seals (393000K811)	
6	---	1		SPRING, (only used with KX compensator kit)	
7	23423-LH	1	<input type="checkbox"/>	KIT, spool centering spring (393000K343)	
8	---	2	<input type="checkbox"/>	KIT, FEED REDUCER (393000K817)	
-	---	2		KIT, feed reducer seals (393000K852)	
9	REF	1		END CAP ASSEMBLY - "A" port	LH-1
10	REF	1		END CAP ASSEMBLY - "B" port	LH-1

- Kit or Assembly - includes all items indented underneath.
- See referenced page for component or assembly breakdown.

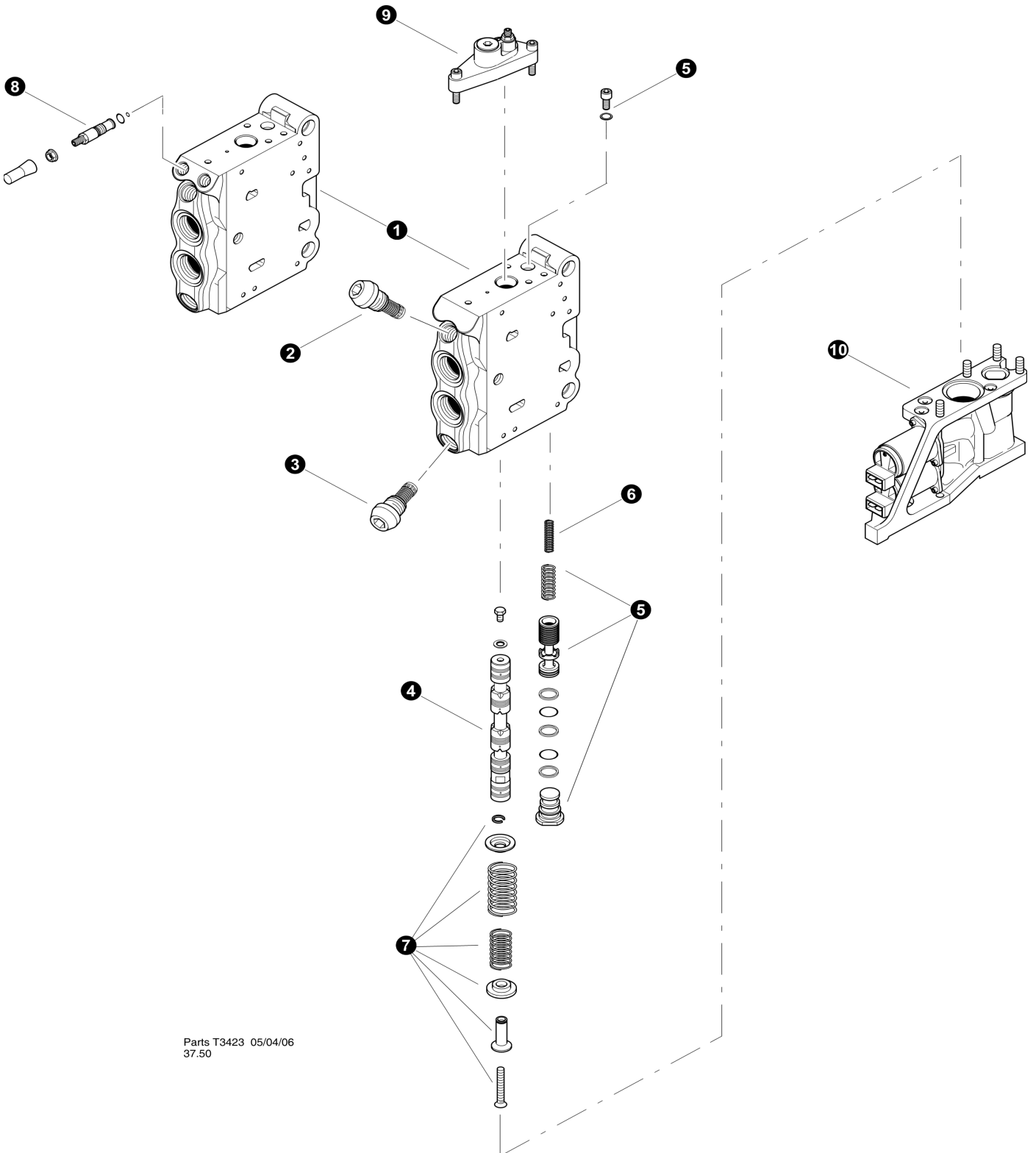


Parts T3423 05/04/06
37.50

L90LS VALVE SECTION (Continued...)

REF	PART #	QTY		DESCRIPTION	SEE SECTION
-	-LH	1	<input type="checkbox"/>	VALVE SECTION - Cab Swing function (L90LS-MS-US60-271)	
1	NSS	1		BODY	
2	---	1		CARTRIDGE, "A" port relief (300 Bar) (393000K572)	
3	---	1		CARTRIDGE, "B" port relief (300 Bar) (393000K572)	
4	---	1		SPOOL, RKX (393000S490)	
5	---	1	<input type="checkbox"/>	KIT, "KH" COMPENSATOR, BLUE (393000K505)	
5	---	1	<input type="checkbox"/>	KIT, "KH" COMPENSATOR, GREEN (393000K506)	
-	---	1		KIT, compensator seals (393000K811)	
6	---	1		SPRING, (only used with KX compensator kit)	
7	23423-LH	1	<input type="checkbox"/>	KIT, spool centering spring (393000K343)	
8	---	2	<input type="checkbox"/>	KIT, FEED REDUCER (393000K817)	
-	---	2		KIT, feed reducer seals (393000K852)	
9	REF	1		END CAP ASSEMBLY - "A" port	LH-1
10	REF	1		END CAP ASSEMBLY - "B" port	LH-1
-	-LH	1	<input type="checkbox"/>	VALVE SECTION - Steer function (L90LS-MS-US60-270)	
1	NSS	1		BODY	
2	---	1		CARTRIDGE, "A" port relief (250 Bar) (393000K569)	
3	---	1		CARTRIDGE, "B" port relief (250 Bar) (393000K569)	
4	---	1		SPOOL, RKX (393000S490)	
5	---	1	<input type="checkbox"/>	KIT, "KX" COMPENSATOR, BLUE (393000K616)	
5	---	1	<input type="checkbox"/>	KIT, "KX" COMPENSATOR, GREEN (393000K617)	
-	---	1		KIT, compensator seals (393000K811)	
6	---	1		SPRING, (only used with KX compensator kit)	
7	23423-LH	1	<input type="checkbox"/>	KIT, spool centering spring (393000K343)	
8	---	2	<input type="checkbox"/>	KIT, FEED REDUCER (393000K817)	
-	---	2		KIT, feed reducer seals (393000K852)	
9	REF	1		END CAP ASSEMBLY - "A" port	LH-1
10	REF	1		END CAP ASSEMBLY - "B" port	LH-1
-	-LH	1	<input type="checkbox"/>	VALVE SECTION - Cab Level function (L90LS-MS-US60-276)	
1	NSS	1		BODY	
2	---	1		CARTRIDGE, "A" port relief (300 Bar) (393000K572)	
3	---	1		CARTRIDGE, "B" port relief (300 Bar) (393000K572)	
4	---	1		SPOOL, ZEX ()	
5	---	1	<input type="checkbox"/>	KIT, "KX" COMPENSATOR, BLUE (393000K616)	
5	---	1	<input type="checkbox"/>	KIT, "KX" COMPENSATOR, GREEN (393000K617)	
-	---	1		KIT, compensator seals (393000K811)	
6	---	1		SPRING, (only used with KX compensator kit)	
7	23423-LH	1	<input type="checkbox"/>	KIT, spool centering spring (393000K343)	
8	---	2	<input type="checkbox"/>	KIT, FEED REDUCER (393000K817)	
-	---	2		KIT, feed reducer seals (393000K852)	
9	REF	1		END CAP ASSEMBLY - "A" port	LH-1
10	REF	1		END CAP ASSEMBLY - "B" port	LH-1

Kit or Assembly - includes all items indented underneath.
 See referenced page for component or assembly breakdown.

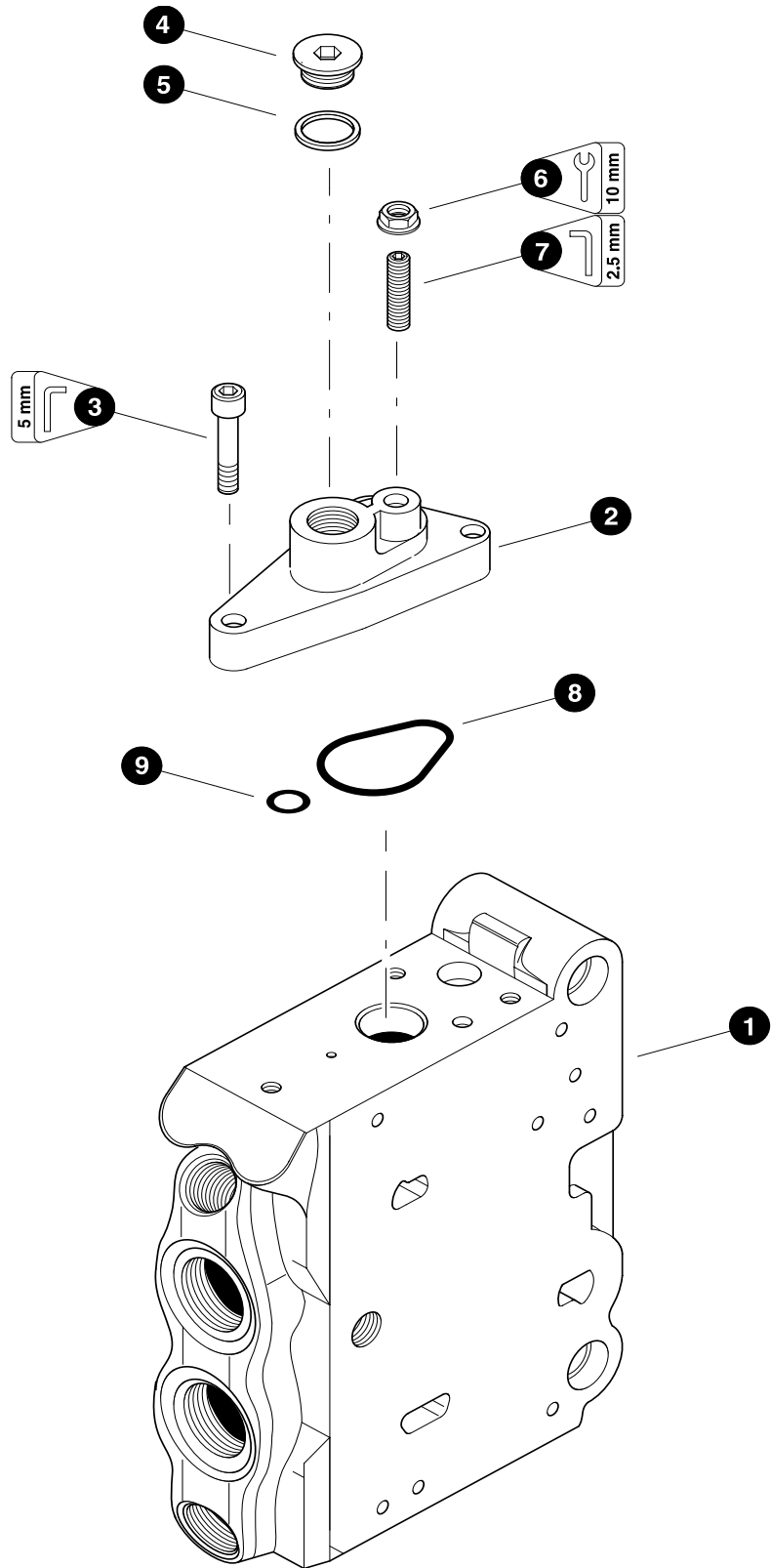


Parts T3423 05/04/06
37.50

L90LS VALVE SECTION (Continued...)





REF	PART #	QTY	DESCRIPTION	SEE SECTION
-	-LH	1	<input type="checkbox"/> VALVE SECTION - Low Flow Harvester function (L90LS-MS-US60-281)	
1	NSS	1	BODY	
2	---	1	CARTRIDGE, "A" port relief (300 Bar) (393000K572) STD	
	---	1	CARTRIDGE, "A" port relief (320 Bar) (393000K573)	
3	---	1	CARTRIDGE, "B" port relief (300 Bar) (393000K572) STD	
	---	1	CARTRIDGE, "A" port relief (320 Bar) (393000K573)	
4	---	1	SPOOL, RKX (393000S490)	
5	---	1	<input type="checkbox"/> KIT, "KX" COMPENSATOR, BLUE (393000K616)	
5	---	1	<input type="checkbox"/> KIT, "KX" COMPENSATOR, GREEN (393000K617)	
-	---	1	KIT, compensator seals (393000K811)	
6	---	1	SPRING, (only used with KX compensator kit)	
7	23423-LH	1	<input type="checkbox"/> KIT, spool centering spring (393000K343)	
8	---	2	<input type="checkbox"/> KIT, FEED REDUCER (393000K817)	
-	---	2	KIT, feed reducer seals (393000K852)	
9	REF	1	<input type="book"/> END CAP ASSEMBLY - "A" port	LH-1
10	REF	1	<input type="book"/> END CAP ASSEMBLY - "B" port	LH-1



- Kit or Assembly - includes all items indented underneath.
- See referenced page for component or assembly breakdown.

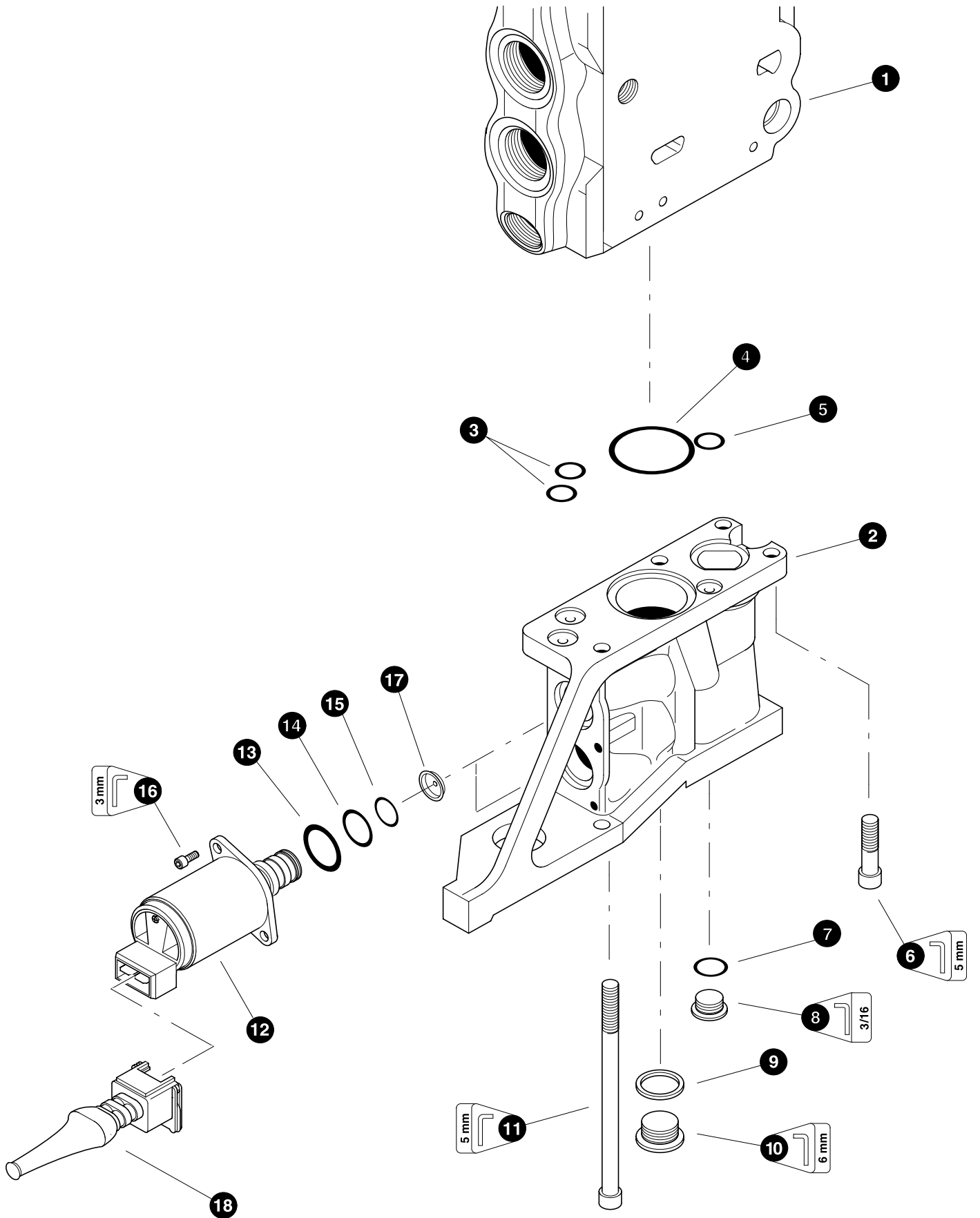


Parts 01734 08/08/2000
75.00

L90LS VALVE END CAP

REF	PART #	QTY	DESCRIPTION	SEE SECTION
1	NSS	1	VALVE SECTION BODY	
-	23414-LH	1	<input type="checkbox"/> KIT, end cap - "A" port side	
2	NSS	1	CAP, end	
3	-----	3	BOLT, allen head - 6mm-1.0P x 20mm (0211124703)	
4	15412-LH	1	PLUG - 6408-HHP-6	
5	-----	1	 RING, seal (3-906)	
6	-----	1	 NUT, seal - 6mm (3763131)	
7	-----	1	SCREW, adjustment (3764640)	
-	23415-LH	1	<input type="checkbox"/> KIT, seal repair - "A" port side end cap	
8	-----	1	 O-RING (Large) (0663210509)	
9	-----	1	 O-RING (Small) (06632114)	

-  See referenced page for component or assembly breakdown.
- Kit or Assembly - includes all items indented underneath.
-  Included in seal repair kit PN# 23415-LH.



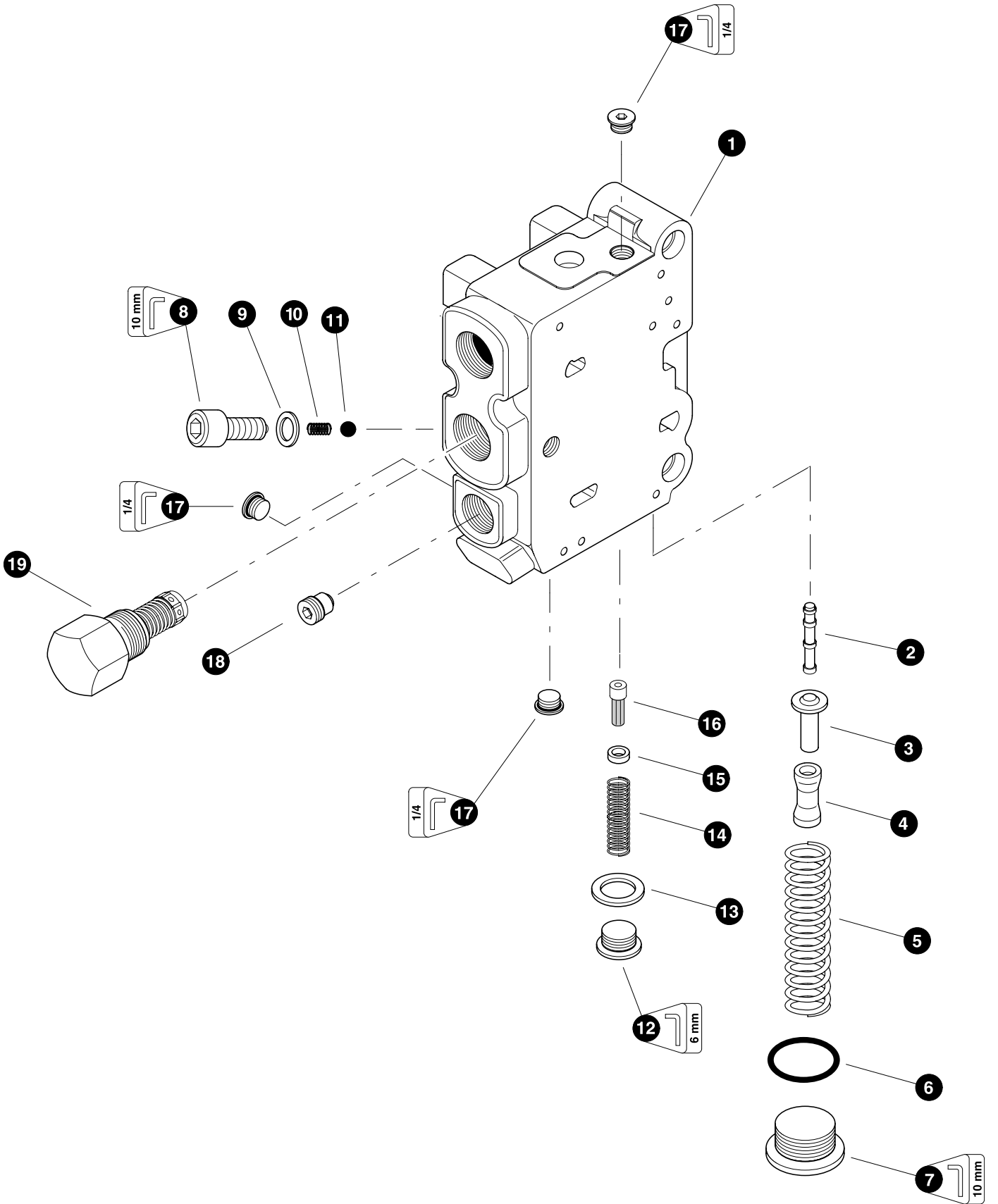
L90LS VALVE CONTROL CAP

REF	PART #	QTY		DESCRIPTION	SEE SECTION
1	NSS	1		VALVE SECTION BODY	
-	23416-LH	1	☐	KIT, end cap - "B" port side	
2	-----	1		CAP, end	
3	-----	2	⌘	O-RING (Small)	
4	-----	1	⌘	O-RING (Large)	
5	-----	1	⌘	O-RING (Small)	
6	-----	2		BOLT, allen head - 6mm-1.0P x 20mm (0211124703)	
7	-----	1	⌘	O-RING	
8	11383-LH	1		PLUG - 6408-HHP-4	
9	-----	1	⌘	RING, seal	
10	-----	1		PLUG (0686644203)	
11	-----	2		SCREW, allen head - 6mm-1.0P x 100mm (0211126403)	
12	20976-LH	2		SOLENOID - 24V	
13	-----	2	◆	O-RING (Large)	
14	-----	2	◆	O-RING (Medium)	
15	-----	2	◆	O-RING (Small)	
16	-----	4		SCREW, allen head - 4mm-.75P x 12mm (0211117103)	
17	-----	2		DAMPER, pilot restrictor orifice (voac solenoid)(see note #1 below)	
18	19179-LH	2		CONNECTOR, (kit) voac control valve	
-	23417-LH	1		KIT, seal repair - "B" port side end cap	
-	23418-LH	1		KIT, seal repair - solenoid	

- ☐ See referenced page for component or assembly breakdown.
- ☐ Kit or Assembly - includes all items indented underneath.
- ⌘ Included in seal repair kit PN# 23417-LH.
- ◆ Included in seal repair kit PN# 23418-LH.

NOTE #1:

Orifice sizes vary depending upon function.
 #3762396 0.6 mm
 #3762397 0.8 mm
 #3762398 1.0 mm



Parts 01319 09/16/99
62.00

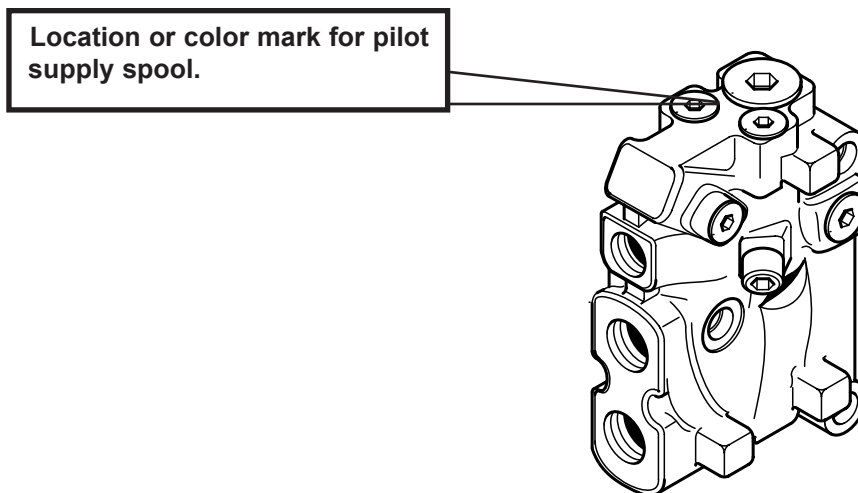
L90LS VALVE OUTLET

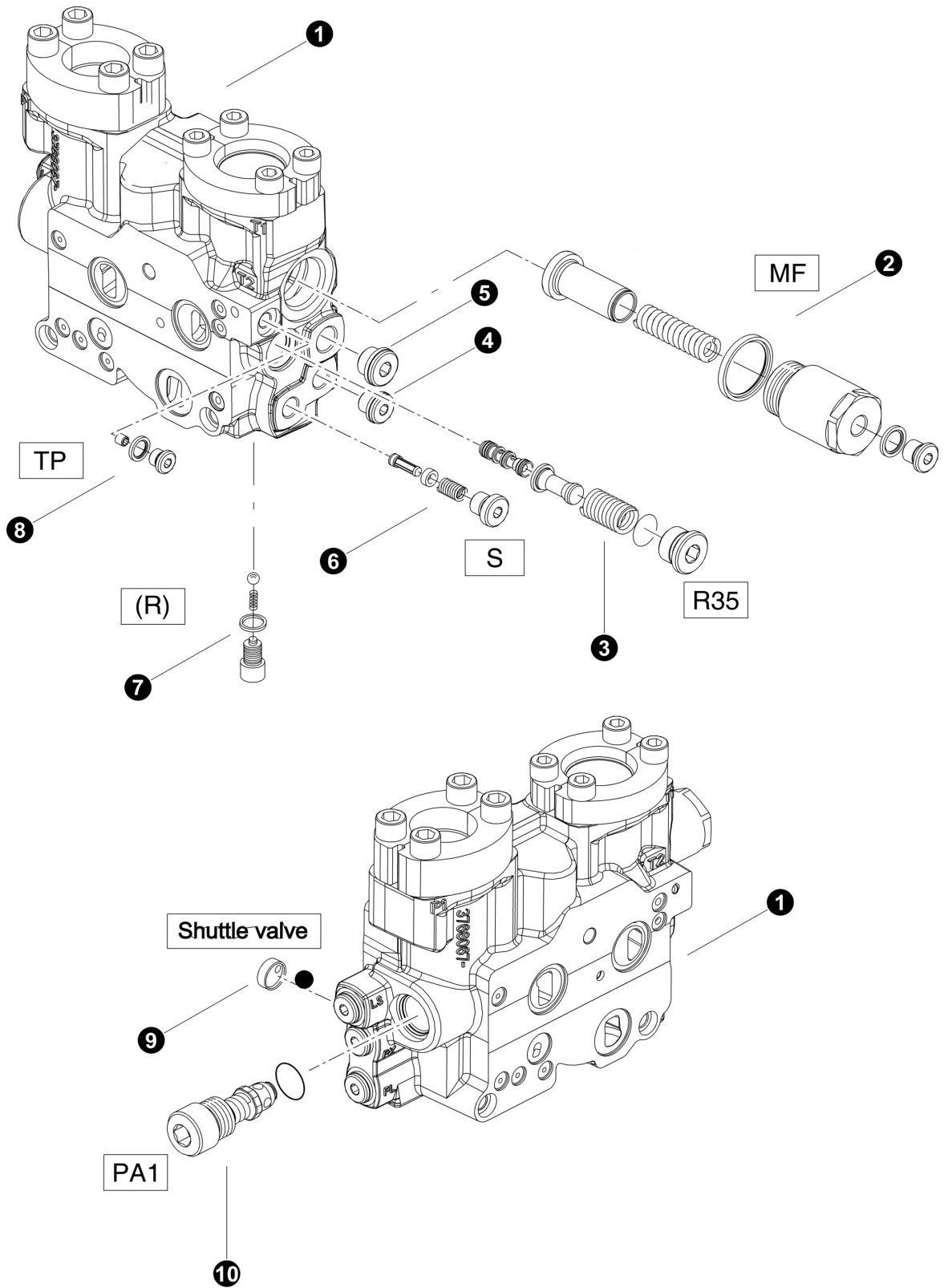
REF	PART #	QTY		DESCRIPTION	SEE SECTION
-	23412-LH	1	<input type="checkbox"/>	VALVE SECTION, outlet	
1	NSS	1		BODY, valve section	
-	23431-LH	1	<input type="checkbox"/>	KIT, pilot supply reducer (Green)(35 bar)(see note #1)	
	23432-LH	1	<input type="checkbox"/>	KIT, pilot supply reducer (Red)(35 bar)(see note #1)	
2	-----	1		SPOOL, pilot reducer	
3	-----	1		RETAINER, spring	
4	-----	1		SPACER, spring	
5	-----	1		SPRING	
6	-----	1		O-RING (0663909901)	
7	-----	1		PLUG (9126244413)	
8	-----	1		PLUG (9127320022)	
9	-----	1		RING, seal (06611005)	
10	-----	1		SPRING	
11	-----	1		BALL, check	
-	23433-LH	1	<input type="checkbox"/>	KIT, pilot supply strainer	
12	-----	1		PLUG (9127320020)	
13	-----	1		RING, seal (06611020)	
14	-----	1		SPRING	
15	-----	1		SPACER	
16	-----	1		STRAINER (9126386076)	
17	15412-LH	3		PLUG - 6408-HHP-6	
18	-----	1		PLUG, pilot drain (393000K078)	
19	-----	1		Counter press. valve - 130 PSI (393000K068)	

Kit or Assembly - includes all items indented underneath.

NOTE #1

Each section is color coded to insure proper fit, please check color mark before ordering.





Parts T3422 05/02/2006
50.00

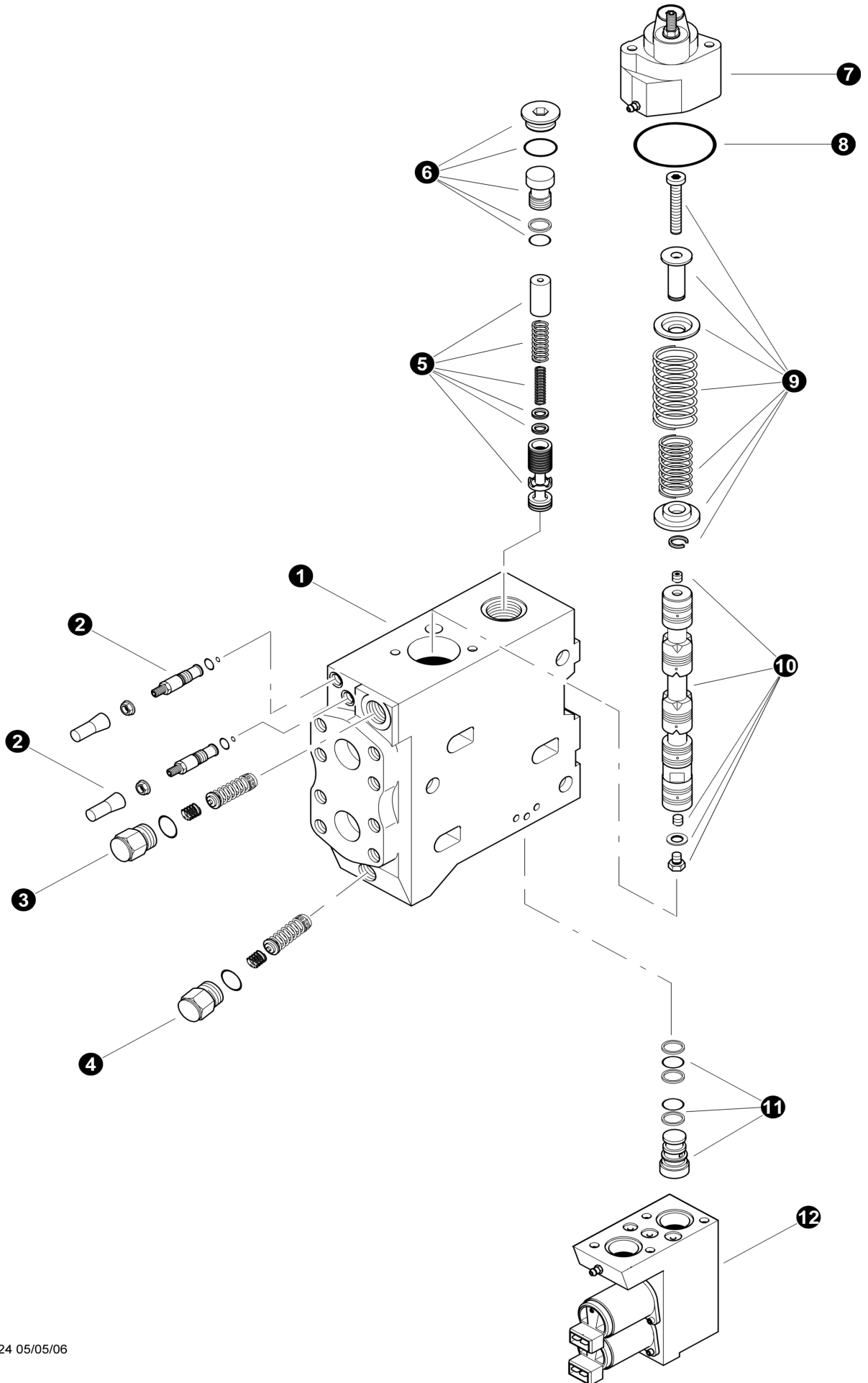
**MID INLET SECTION
K220 to L90**

REF	PART #	QTY		DESCRIPTION	SEE SECTION
1	-LH	1	<input type="checkbox"/>	MID INLET SECTION -	
2	---	1		VALVE, Counter Pressure (9120092550)	
3	---	1		VALVE, Pilot Reducer 35 bar (9120092553)	
4	---	1		PLUG	
5	---	1		PLUG	
6	---	1		FILTER, Internal Pilot (9120092004)	
7	---	1		VALVE, Check (9120092554)	
8	---	1		PLUG, pilot tank conection (9120092555)	
9	---	1		SHUTTLE, Load Sence (9120092050)	
10	---	1		VALVE, main relief 300 bar (9120029264)	

Kit or Assembly - includes all items indented underneath.

NOTE #1

Each section is color coded to insure proper fit, please check color mark before ordering.

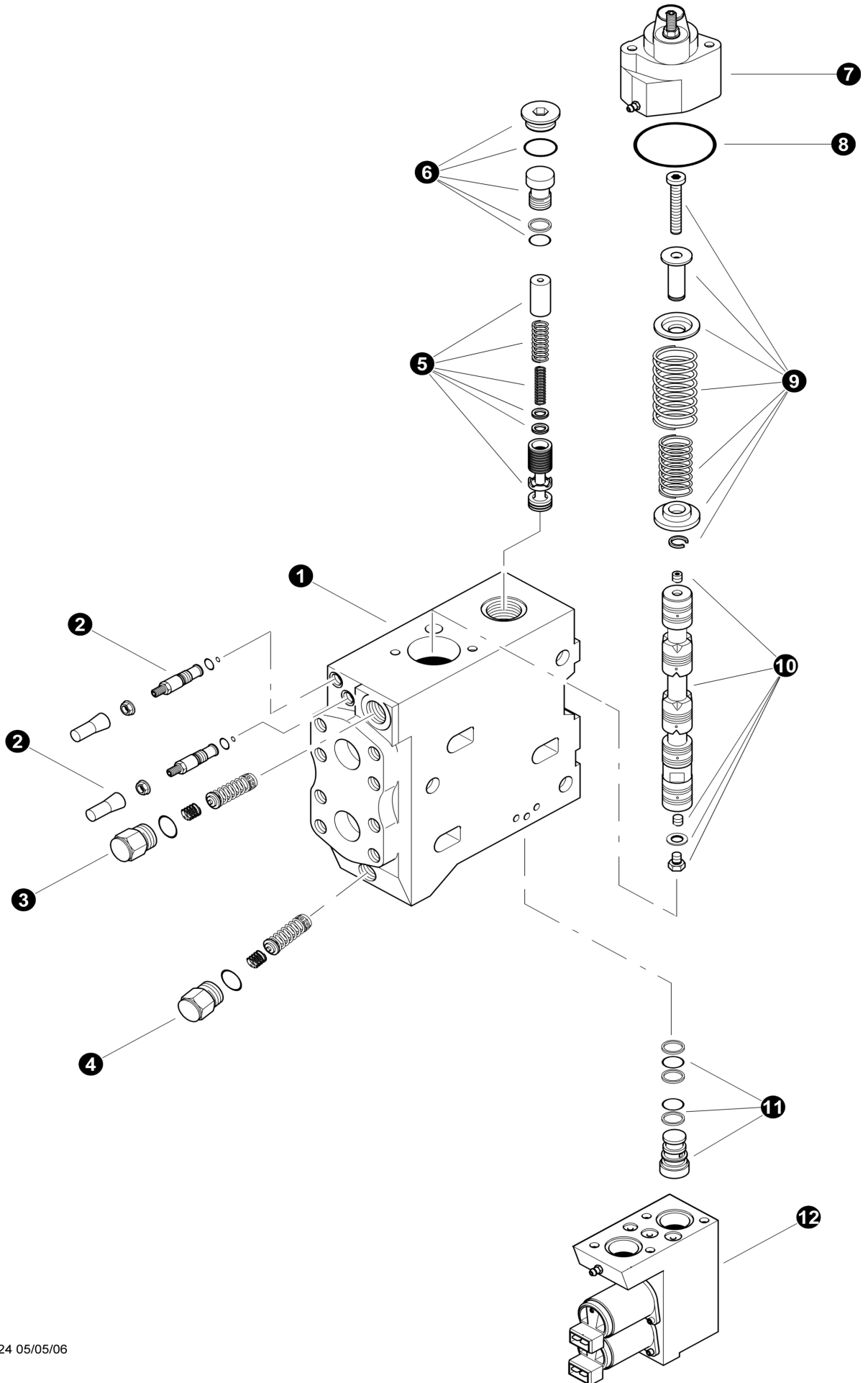


Parts T3424 05/05/06
37.5

VOAC K220 VALVE SECTION

REF	PART #	QTY	DESCRIPTION	SEE SECTION
-	-LH	1	<input type="checkbox"/> VALVE SECTION - Main Boom function (L90LS-MS-US60-231)	
1	NSS	1	BODY	
2	---	2	<input type="checkbox"/> KIT, FEED REDUCER (393000K817)	
-	---	2	KIT, feed reducer seals (393000K852)	
3	---	1	CARTRIDGE, "B" port relief (300 Bar) (9120029967)	
4	---	1	CARTRIDGE, "A" port relief (300 Bar) (9120029967)	
5	---	1	KIT, "K3" COMPENSATOR, BLUE (9120092056)	
5	---	1	KIT, "K3" COMPENSATOR, GREEN (9120092060)	
5	---	1	KIT, "K3" COMPENSATOR, RED (9120092064)	
6	---	1	<input type="checkbox"/> PLUG 8, Compensator (9120092480)	
-	---	1	KIT, Plug 8 seals (9120092482)	
7	REF.	1	<input type="book"/> CAP, "B"port	LH-1
8	---	1	KIT, seals (9120092284)	
9	23423-LH	1	KIT, spool centering spring (393000K343)	
10	---	1	SPOOL, YXA	
11	---	1	<input type="checkbox"/> PLUG 6, Compensator (3764731)	
-	---	1	KIT, Seal Plug 6 (9120092355)	
12	REF	1	<input type="book"/> END CAP ASSEMBLY - "A" port	LH-1
-	-LH	1	<input type="checkbox"/> VALVE SECTION - Stick Boom function (L90LS-MS-US60-232)	
1	NSS	1	BODY	
2	---	2	<input type="checkbox"/> KIT, FEED REDUCER (393000K817)	
-	---	2	KIT, feed reducer seals (393000K852)	
3	---	1	CARTRIDGE, "B" port relief (160 Bar) (9120029960)	
4	---	1	CARTRIDGE, "A" port relief (300 Bar) (9120029967)	
5	---	1	KIT, "K1" COMPENSATOR, BLUE (9120092054)	
5	---	1	KIT, "K1" COMPENSATOR, GREEN (9120092058)	
5	---	1	KIT, "K1" COMPENSATOR, RED (9120092062)	
6	---	1	<input type="checkbox"/> PLUG 8, Compensator (9120092480)	
-	---	1	KIT, Plug 8 seals (9120092482)	
7	REF.	1	<input type="book"/> CAP, "B"port	LH-1
8	---	1	KIT, seals (9120092284)	
9	23423-LH	1	KIT, spool centering spring (393000K343)	
10	---	1	SPOOL, YRX	
11	---	1	<input type="checkbox"/> PLUG 6, Compensator (3764731)	
-	---	1	KIT, Seal Plug 6 (9120092355)	
12	REF	1	<input type="book"/> END CAP ASSEMBLY - "A" port	LH-1

- Kit or Assembly - includes all items indented underneath.
- See referenced page for component or assembly breakdown.

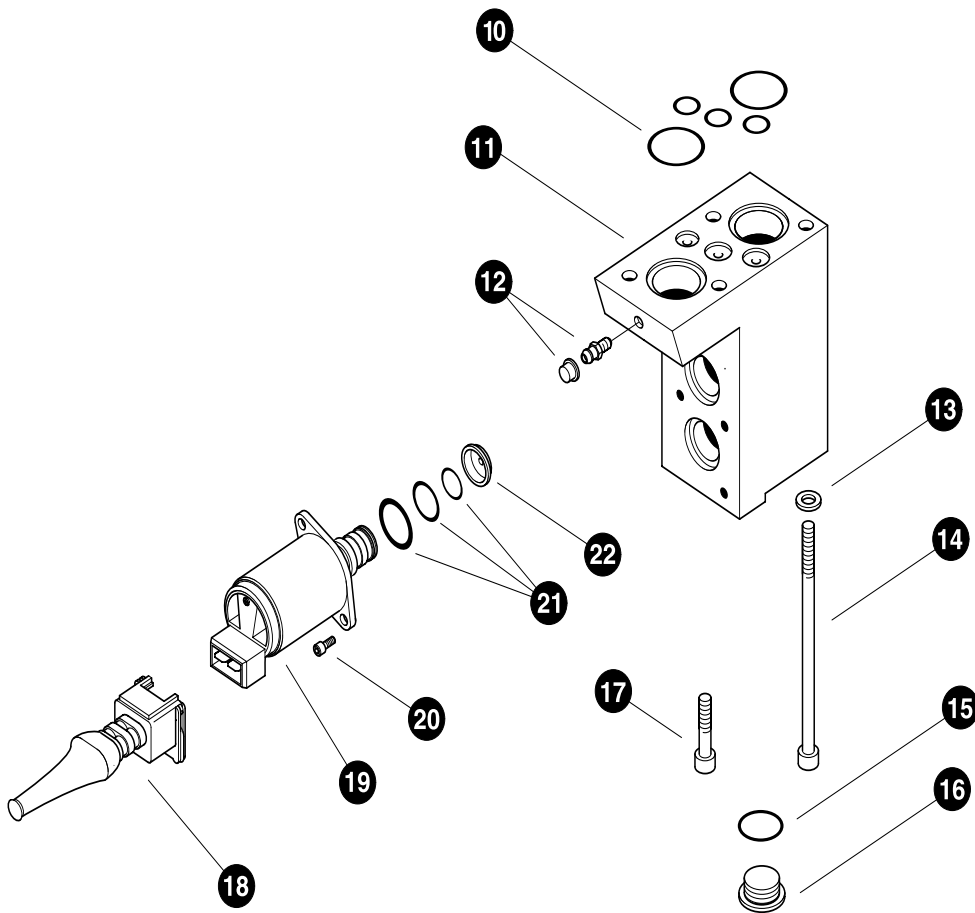
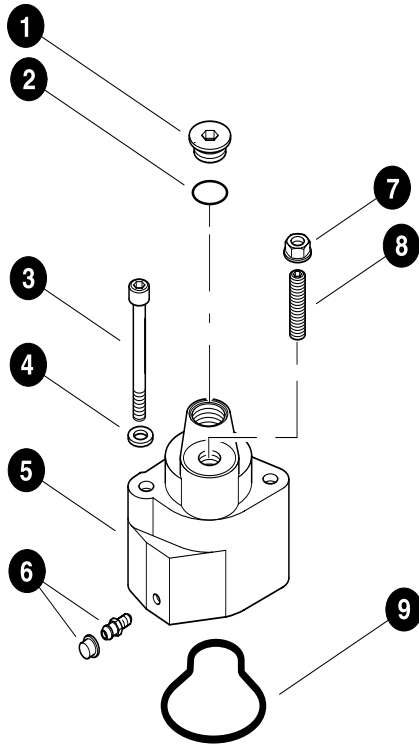


Parts T3424 05/05/06
37.5

VOAC K220 VALVE SECTION (Continued...)

REF	PART #	QTY	DESCRIPTION	SEE SECTION
-	-LH	1	<input type="checkbox"/> VALVE SECTION - Harvester High Flow function (L90LS-MS-US60-248)	
1	NSS	1	BODY	
2	---	2	<input type="checkbox"/> KIT, FEED REDUCER (393000K817)	
-	---	2	KIT, feed reducer seals (393000K852)	
3	---	1	CARTRIDGE, "B" port relief (330 Bar) (9120029265)	
4	---	1	CARTRIDGE, "A" port relief (330 Bar) (9120029265)	
5	---	1	KIT, "K3" COMPENSATOR, BLUE (9120092056)	
5	---	1	KIT, "K3" COMPENSATOR, GREEN (9120092060)	
5	---	1	KIT, "K3" COMPENSATOR, RED (9120092064)	
6	---	1	<input type="checkbox"/> PLUG 8, Compensator (9120092480)	
-	---	1	KIT, Plug 8 seals (9120092482)	
7	REF.	1	<input type="book"/> CAP, "B"port	LH-1
8	---	1	KIT, seals (9120092284)	
9	23423-LH	1	KIT, spool centering spring (393000K343)	
10	---	1	SPOOL, YXA	
11	---	1	<input type="checkbox"/> PLUG 6, Compensator (3764731)	
-	---	1	KIT, Seal Plug 6 (9120092355)	
12	REF	1	<input type="book"/> END CAP ASSEMBLY - "A" port	LH-1

- Kit or Assembly - includes all items indented underneath.
- See referenced page for component or assembly breakdown.



Parts T2762 07/15/03
50.00

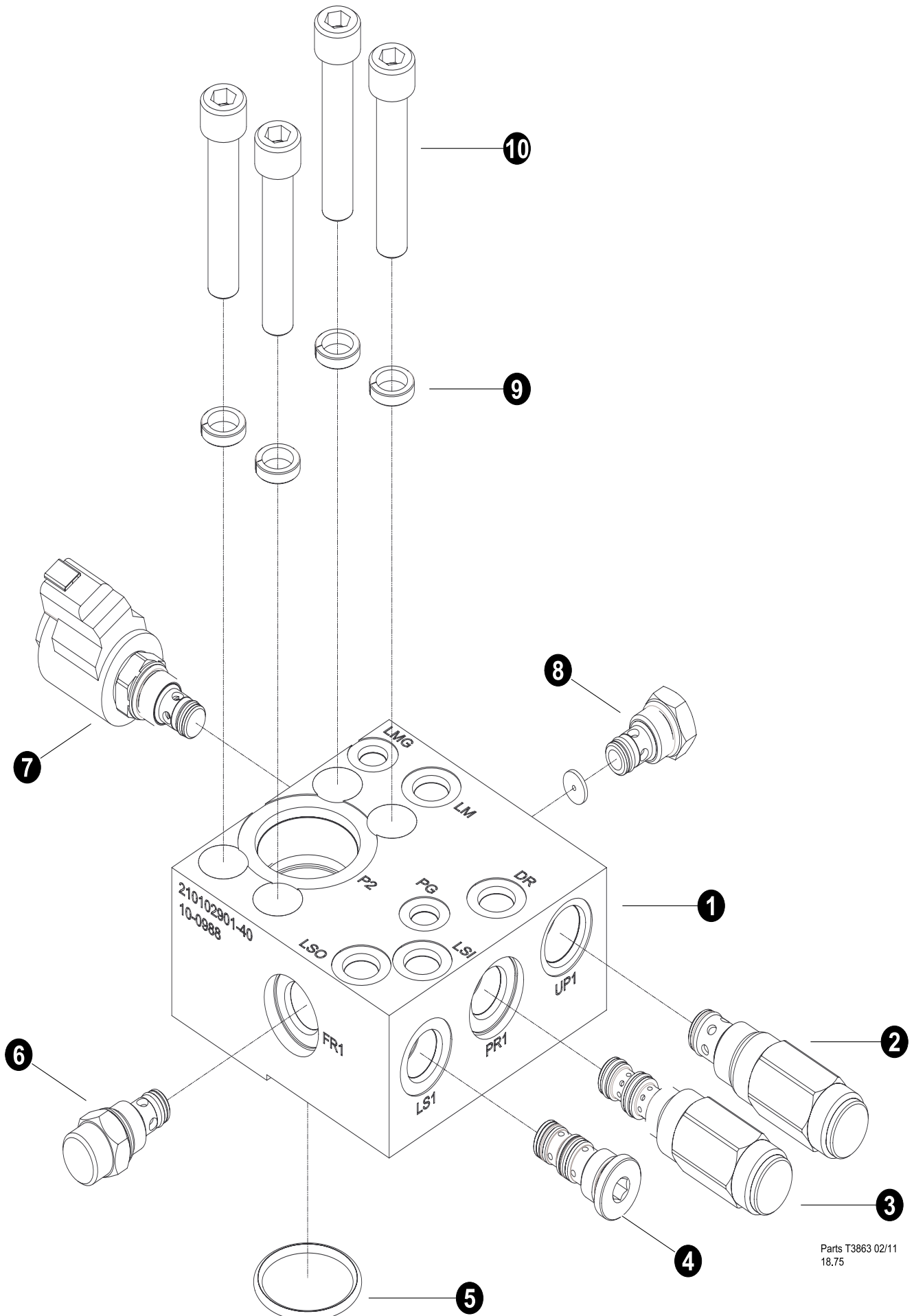
VOAC K220 VALVE END CAPS

REF	PART #	QTY		DESCRIPTION	SEE SECTION
-	51264-FH	1	☐	CUP, PILOT - K220 W / FLOW LIMIT	
1	---	1		PLUG	
2	---	1	⌘	O-RING	
3	---	2		BOLT, M6 X 35mm (3764640)	
4	---	2		WASHER, M6	
5	---	1		CAP	
6	---	1		BLEEDER	
7	---	1	⌘	NUT, seal M6 (91267109)	
8	---	1		SCREW	
9	26418-FH	1	⌘	KIT, cup seals - includes orings, seal nut and bleeder (9120092284)	
-	---	1	☐	KIT, CONTROL "A port side" K220	
10	26417-FH	1	◆	KIT, O-RING	
11	---	1		CAP	
12	---	1		BLEEDER	
13	---	4		WASHER, M6	
14	---	2		BOLT, M6 X 110mm (0211126603)	
15	---	1	◆	O-RING	
16	---	1		PLUG	
17	---	2		BOLT, M6 X 22mm (0211124803)	
18	19179-FH	2		KIT, CONNECTOR -VOAC solenoid	
-	20976-FH	2		KIT, SOLENOID VALVE 24V	
19	---	1		SOLENOID VALVE 24V	
20	---	2		SCREW, 4mm x 12mm (0211117103)	
21	---	1		KIT, SEAL -SOLENOID VALVE (393000K813)	
22	---	1		DAMPER, pilot restrictor orifice 0.6 mm (3762396) - 1 DOT	
22	---	1		DAMPER, pilot restrictor orifice 0.8 mm (3762397) - 2 DOT	
22	---	1		DAMPER, pilot restrictor orifice 1 mm (3762398) - 3 DOT	
22	---	1		DAMPER, pilot restrictor orifice 1.1 mm (3762609) - 4 DOT	
22	---	1		DAMPER, pilot restrictor orifice 3 mm (3763308)	

☐ Kit or Assembly - includes all items indented underneath.

⌘ Included in seal repair kit PN# - 26418-FH

◆ Included in seal repair kit PN# - 26417-FH



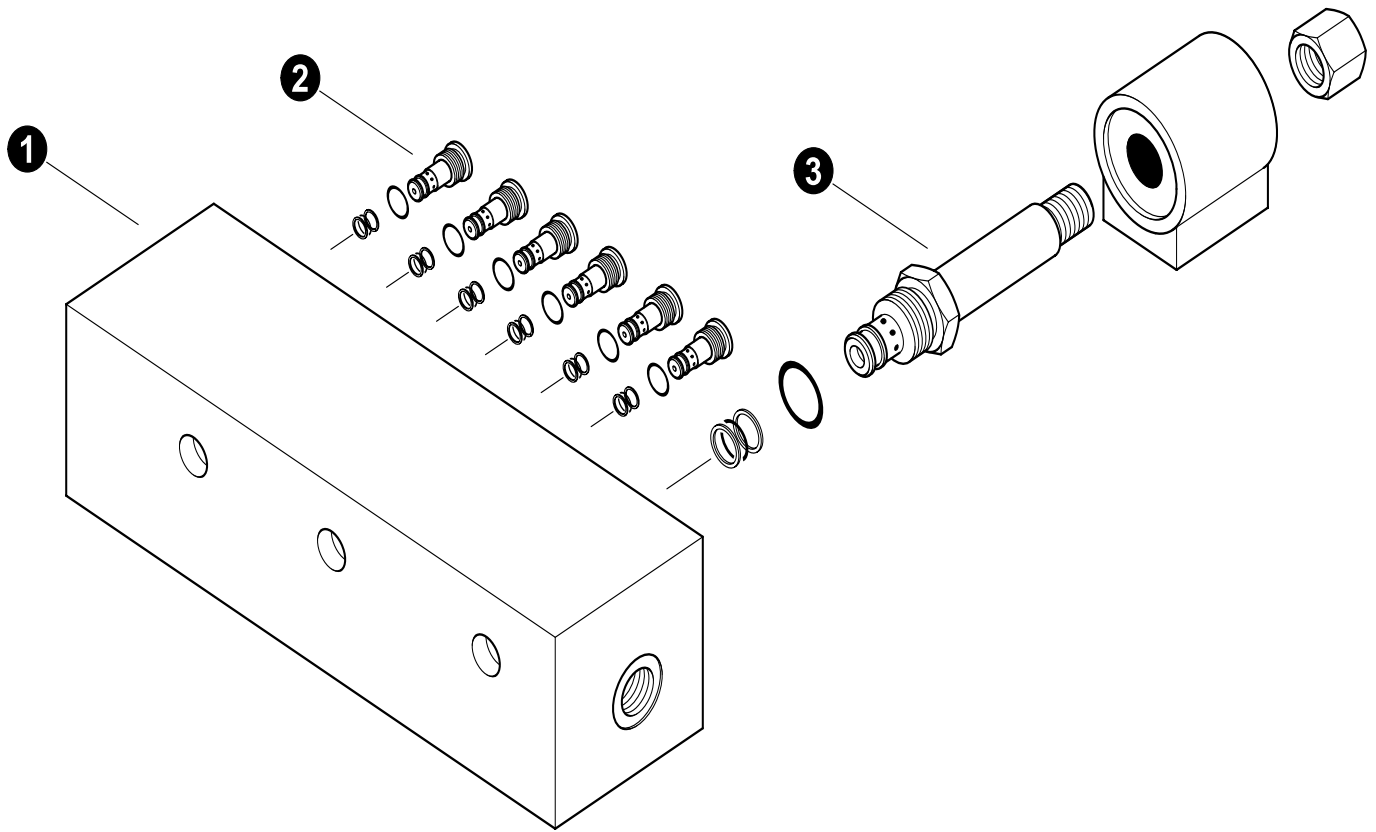
Parts T3863 02/11
18.75

UPPER MANIFOLD LOWER BLOCK SUPPLY PRESSURE

Machine 0355-020111 and after

REF	PART #	QTY	DESCRIPTION	SEE SECTION
1	54264-LB	1	☐ VALVE, LOWER MANIFOLD PRESSURE CONTROL	
2	-LB	1	⊙ UP1 Valve, Unloading - UP10-3005F-0-N-90-30/28	
3	-LB	1	⌘ PR1 Valve, Relief - PR58-38H-0-N-32/32.0	
4	-LB	1	LS1 Valve, Shuttle - 04.94.05.00.56.00	
5	-LB	1	O-RING - 1.25"	
6	-LB	1	◆ FR1 Valve, Flow Control - FR08-20F0-N-.25	
7	-LB	1	* SV1 Valve, Solenoid - SF08-20-0-P-24ERZ	
8	-LB	1	▲ CV1 Valve, Check - CV08-20-0-N-25	
-	-LB	1	OR1 Orifice - 7051078	
9	-LB	4	LOCK WASHER - 1/2"	
10	-LB	4	ALLEN BOLT - 1/2" 13 UNC X 2.75"	

- ☐ Kit or Assembly - includes all items indented underneath.
- ⌘ Seal Repair Kit (SK10-3N-BM)
- ◆ Seal Repair Kit (SK08-2X-M)
- ⊙ Seal Repair Kit (SK10-2N-B)
- ▲ Seal Repair Kit (SK08-2N-T)
- * Seal Repair Kit (SK08-2P-T)



Parts T3882 09/19/2011
25.00

UPPER MANIFOLD LOWER BLOCK SUPPLY PRESSURE

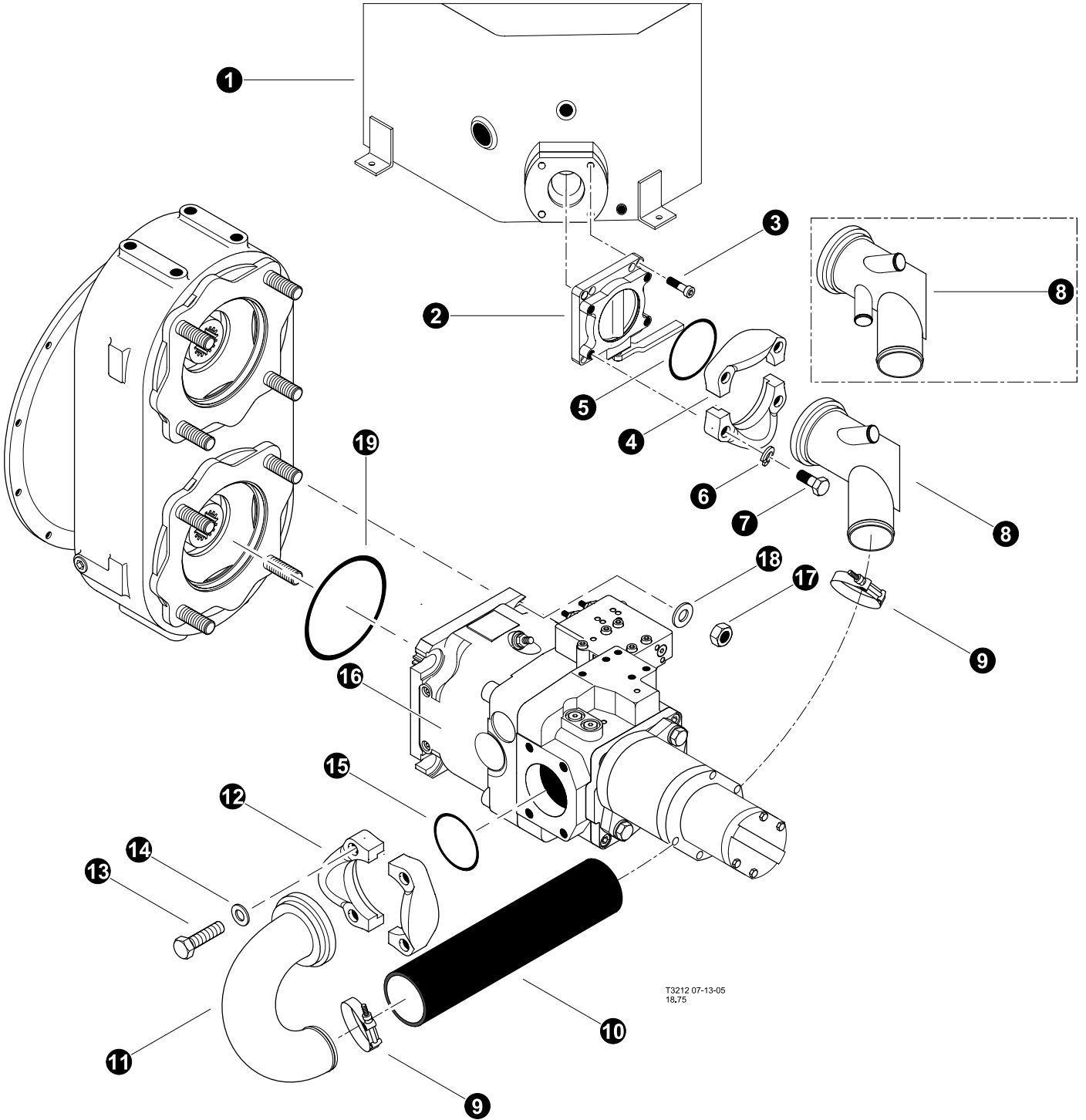
Machine 0355-020111 and after

REF	PART #	QTY	DESCRIPTION	SEE SECTION
1	52912-LH	1	☐ VALVE, COMBO DRAIN	
2	-LH	6	⌘ Shuttle - Drain (CV04-20-0-N-05)	
3	-LH	1	◆ Valve, Solenoid - (SF08-23-0-P-24ERZ)	





- ☐ Kit or Assembly - includes all items indented underneath.
- ⌘ Seal Repair Kit (SK04-2X-T)
- ◆ Seal Repair Kit (SK08-2P-T)




Section LH-2

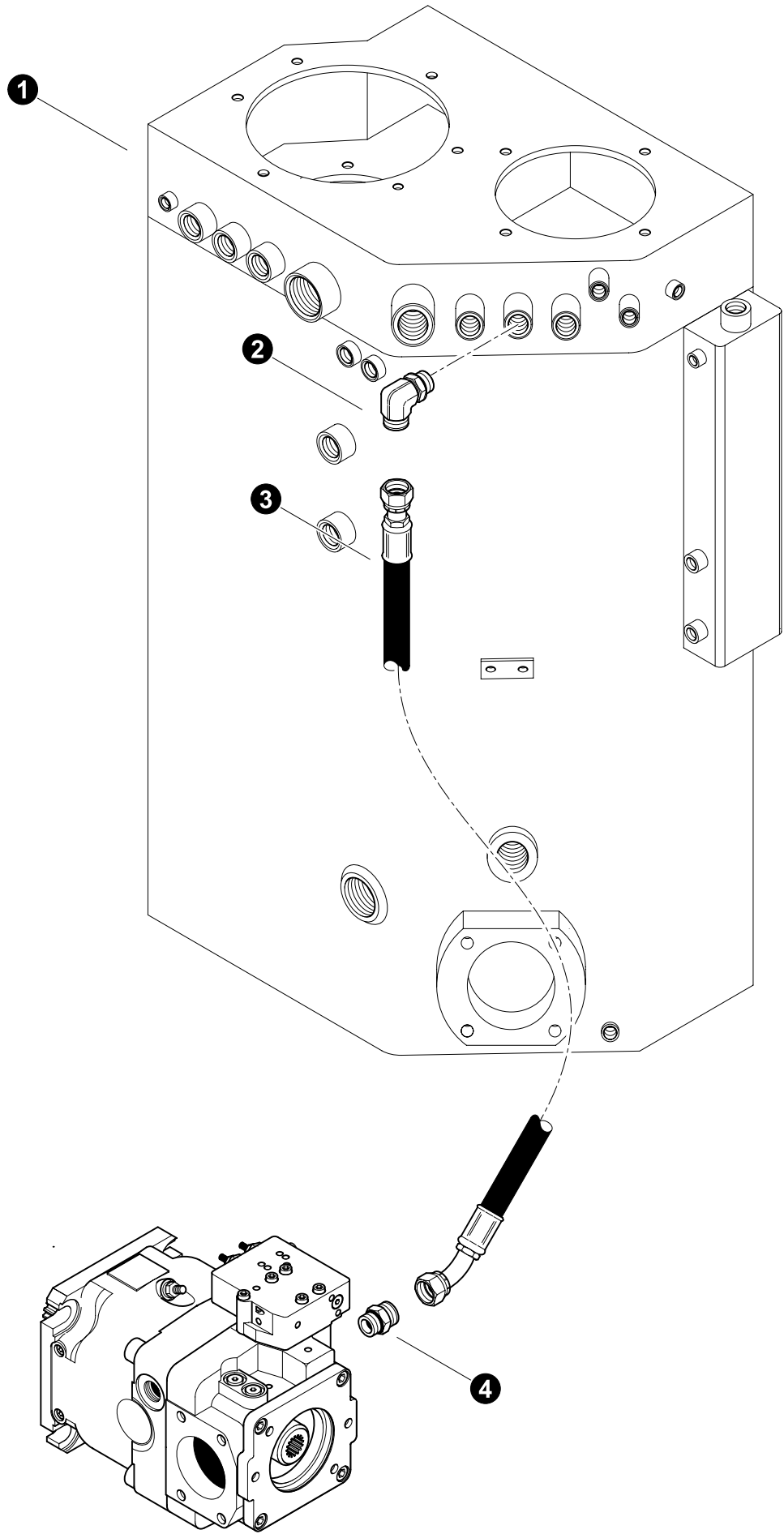
Loader Boom Hydraulics - Supply, Tank, Load sense, and Drain Circuits



IMPLEMENT PUMP INSTALLATION


REF	PART #	QTY	DESCRIPTION	SEE SECTION
1	REF	1	 HYDRAULIC TANK ASSEMBLY	UP-2
2	51619-LH	1	VALVE, SHUT OFF - BUTTERFLY (4")	
3	23095-LH	4	BOLT, ALLEN HEAD - .625" x 2"	
4	51625-LH	1	 KIT, FLANGE - SUCTION TUBE (4")	
5		1	O-RING - SUCTION TUBE (4")	
6	10721-LH	4	WASHER, LOCK - .625"	
7	15526-LH	4	BOLT - .625" X 2"	
8	42461-LH	1	TUBE, SUCTION - 4" FLANGE - W/O DISC SAW	
8	51886-LH	1	TUBE, SUCTION - 4" FLANGE - WITH DISC SAW	
9	15613-LH	2	CLAMP, STRAP BAND - 3.5"	
10	52146-LH	1	HOSE ASSEMBLY - 1012 48-0-0	
11	51876-LH	1	TUBE, SUCTION 180 DEG 3.0" 630/830	
12	18306-LH	1	 KIT, split flange - 3" (Code 61)	
13	15562-LH	1	BOLT - 5/8" x 2"	
14	10721-LH	4	WASHER, lock - 5/8"	
15	18695-LH	1	O-RING - 3" SF	
16	REF	1	 IMPLEMENT PUMP.....	LH-1
17	10776-LH	4	NUT, hex - 3/4"	
18	15550-LH	4	WASHER, SAE flat - 3/4"	
19	15442-2-LH	1	O-RING, PUMP DRIVE PILOT	


-  See referenced page for component or assembly breakdown.
-  Bulk material - order length required in feet or meters.
-  Kit or Assembly - includes all items indented underneath.

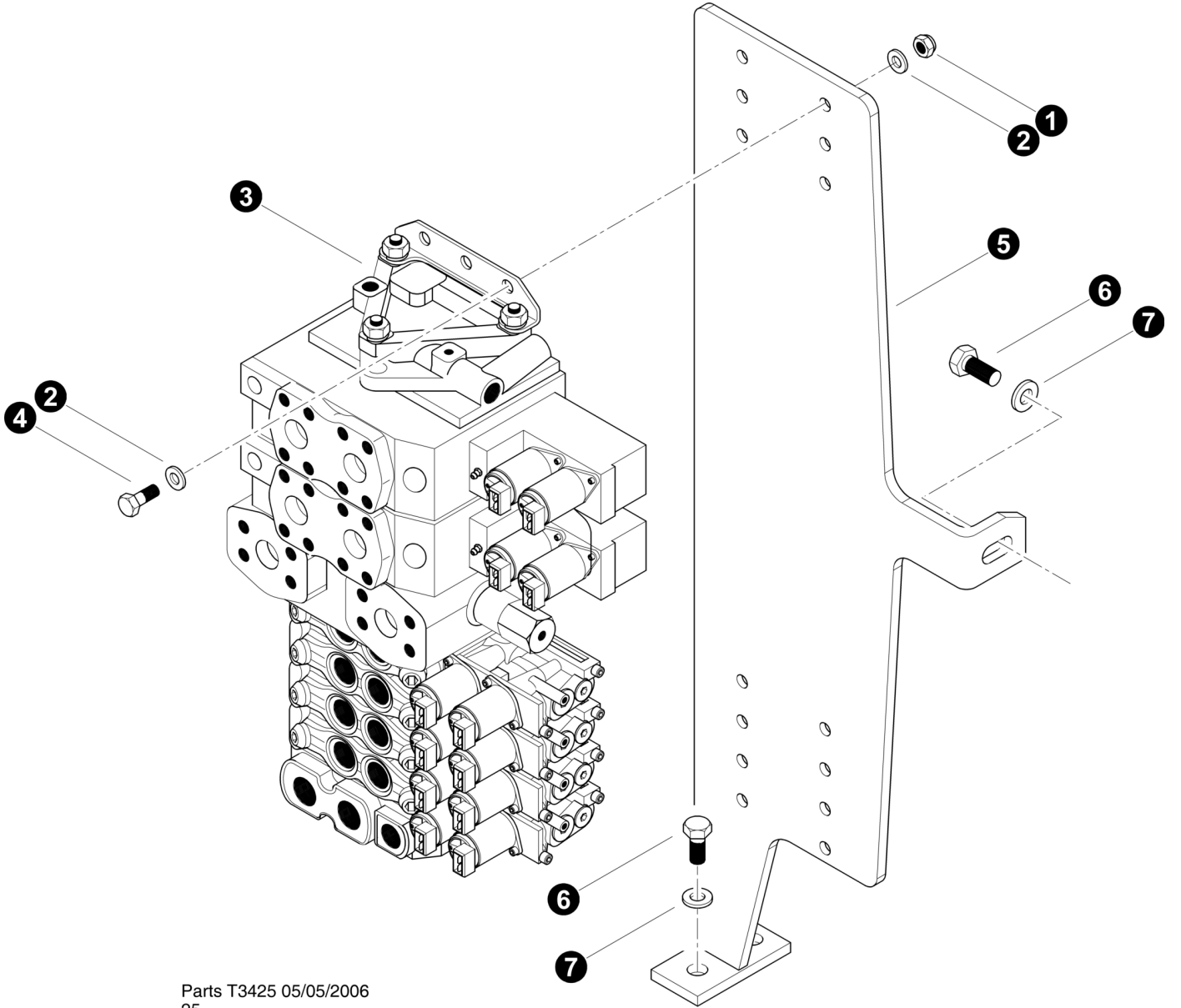


Parts T3632 08/08
18.75

IMPLEMENT PUMP CASE DRAIN LINE


REF	PART #	QTY	DESCRIPTION	SEE SECTION
1	REF.	1	HYDRAULIC TANK	UP-2
2	17688-LH	1	ELBOW, 90 - FF1868T-1212S	
3	-LH	1	HOSE ASSEMBLY - 2039-12-120S-1204 (<i>Implement pump case drain port to hydraulic tank</i>)	
4	15152-LH	1	CONNECTOR, STR - FF1852T-1212S	
5	REF.	1	 IMPLEMENT PUMP.....	LH-1


 See referenced page for component or assembly breakdown.

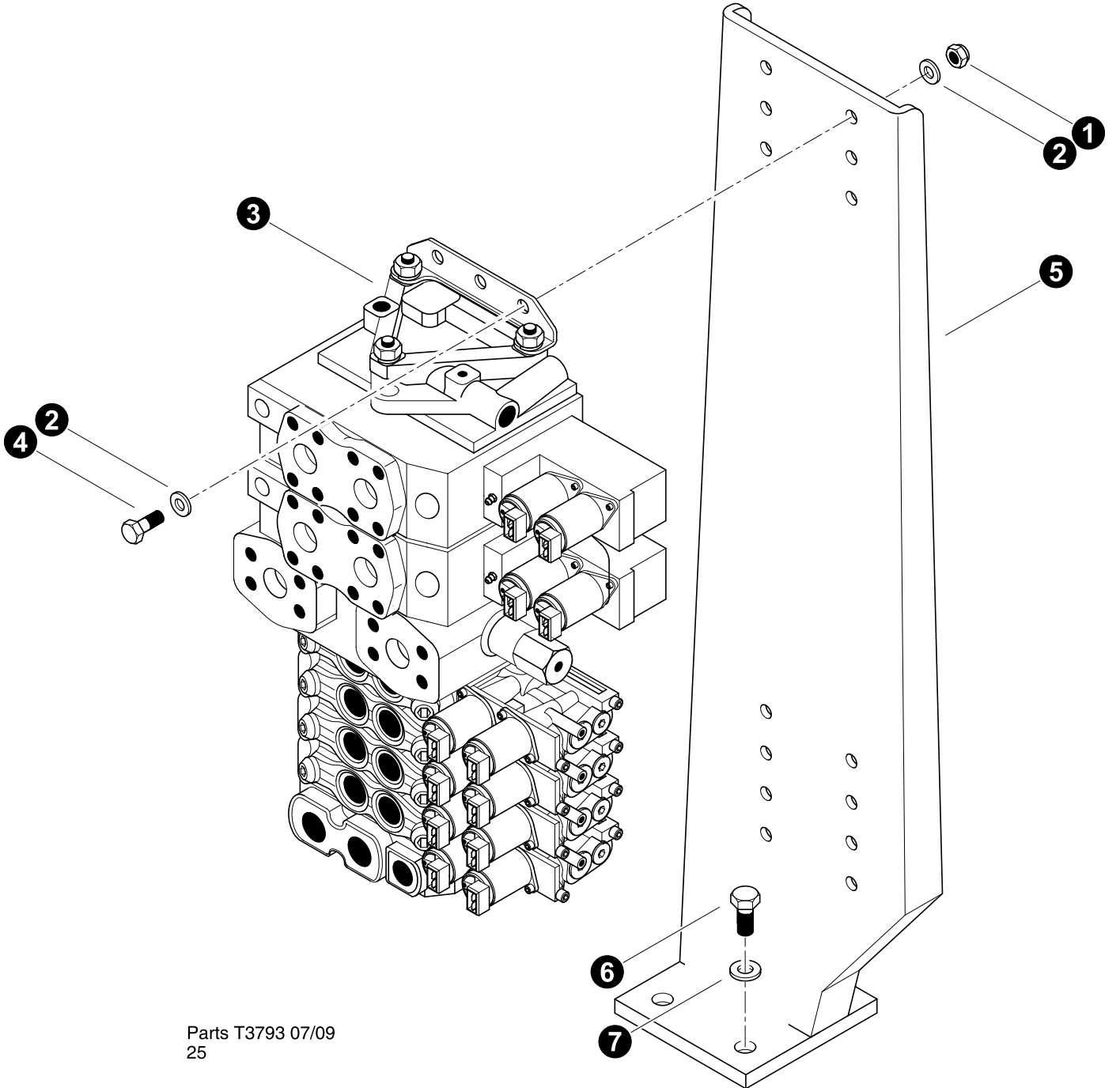


Parts T3425 05/05/2006
25

MAIN CONTROL VALVE MOUNTING
(machine 830B-0314-071609 and before)


REF	PART #	QTY	DESCRIPTION	SEE SECTION
1	10813-LH	4	NUT, lock 3/8"	
2	10802-LH	8	WASHER, FLAT - .375"	
3	REF	1	 MAIN CONTROL VALVE	LH-1
4	15507-LH	4	BOLT, 3/8 X 1 1/4"	
5	52344-LH	1	BRACKET, MAIN VALVE CONTROL	
6	10739-LH	3	BOLT - .5" X 1.5"	
7	10804-LH	3	WASHER, FLAT - .5"	

 See referenced page for component or assembly breakdown.

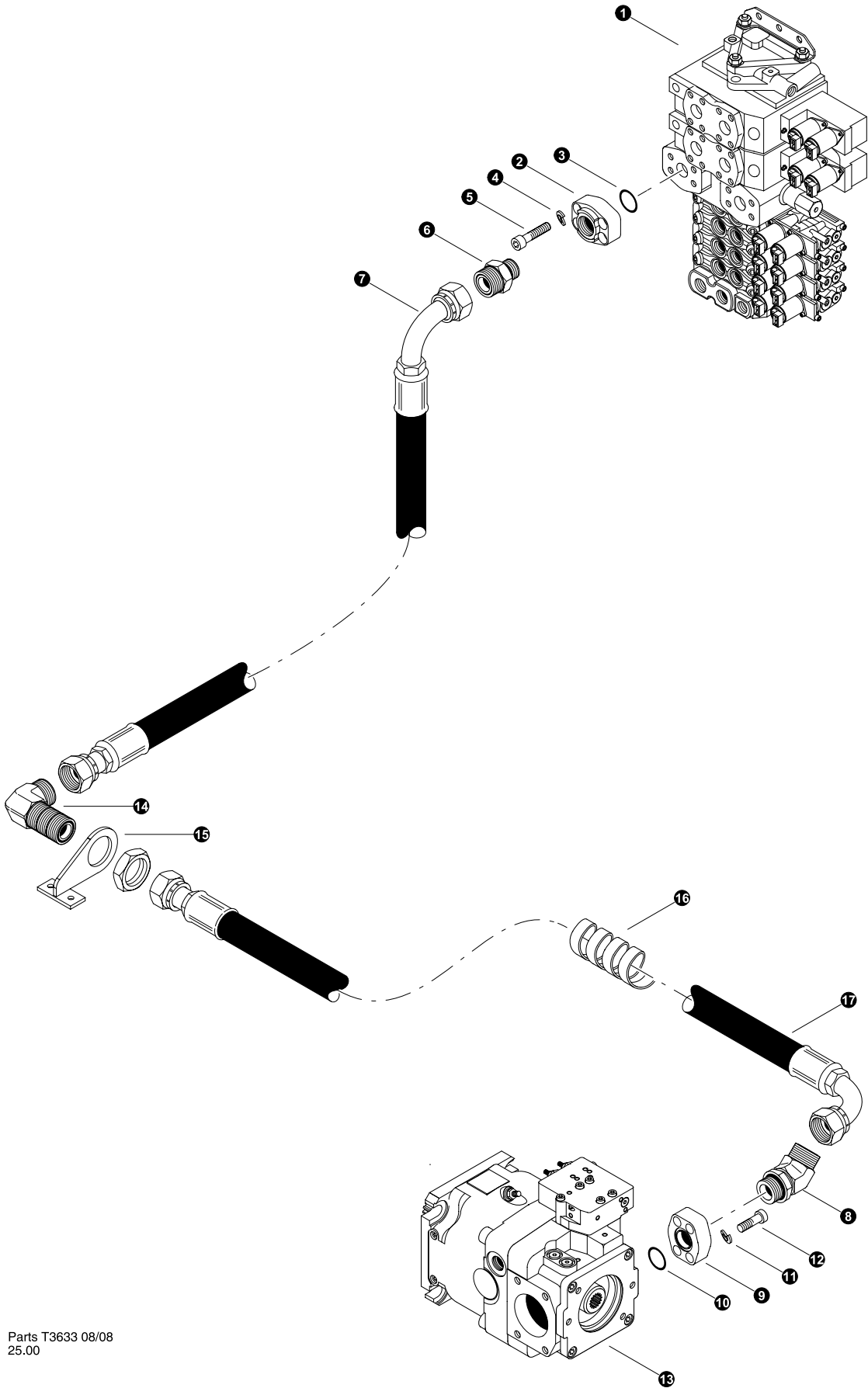


Parts T3793 07/09
25

MAIN CONTROL VALVE MOUNTING (machine 830B-0315 and after)





REF	PART #	QTY	DESCRIPTION	SEE SECTION
1	10813-LH	4	NUT, lock 3/8"	
2	10802-LH	8	WASHER, FLAT - .375"	
3	REF	1	 MAIN CONTROL VALVE	LH-1
4	15507-LH	4	BOLT, 3/8 X 1 1/4"	
5	53871-LH	1	BRACKET, MAIN VALVE CONTROL	
6	10739-LH	4	BOLT - .5" X 1.5"	
7	10804-LH	4	WASHER, FLAT - .5"	



 See referenced page for component or assembly breakdown.

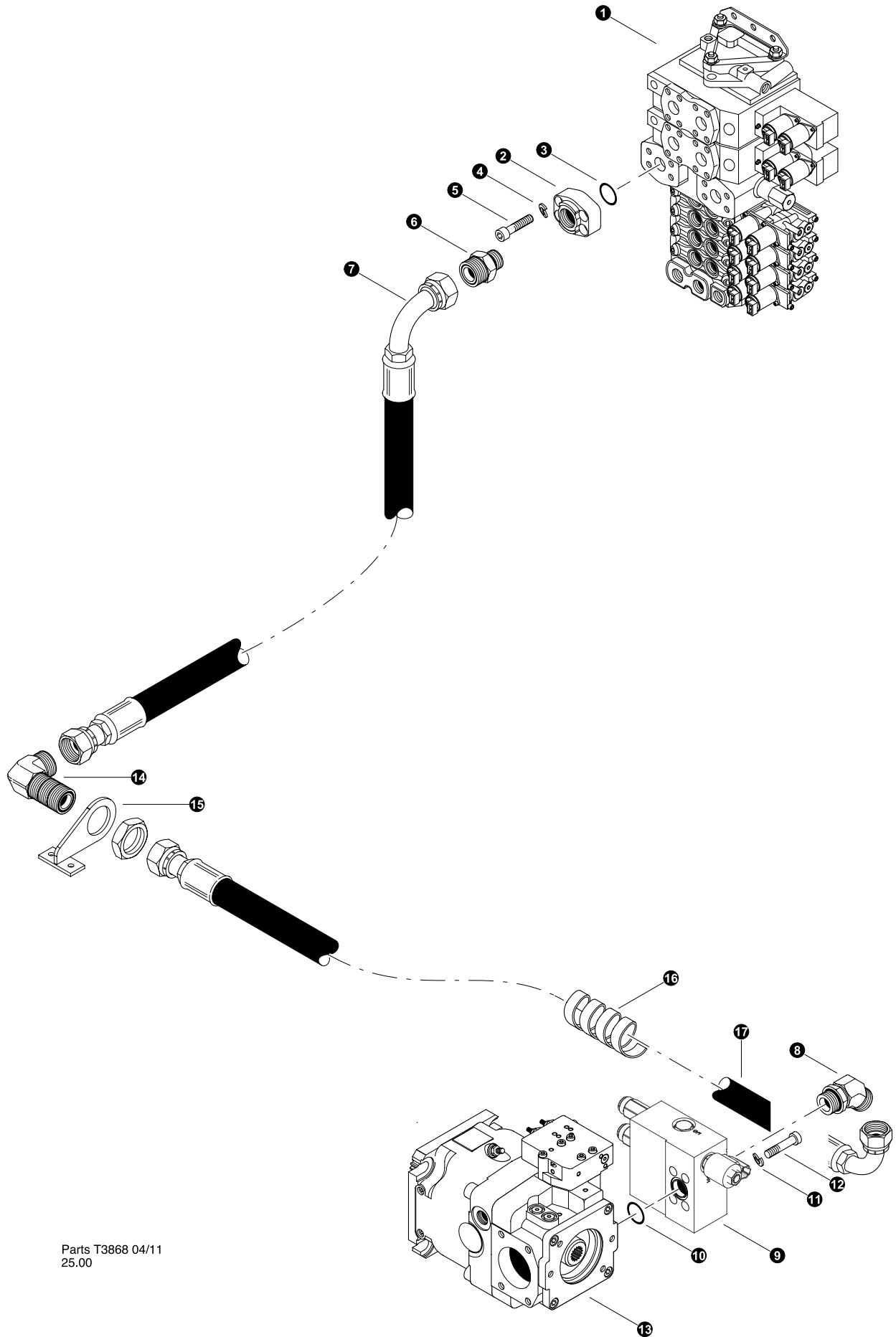


Parts T3633 08/08
25.00

IMPLEMENT PUMP PRESSURE LINE TO MAIN CONTROL VALVE Machines built before 0354-011211

REF	PART #	QTY	DESCRIPTION	SEE SECTION
1	REF.	1	 MAIN CONTROL VALVE	LH-1
2	18397-LH	1	 CONNECTOR, FLANGE PAD - 1" C 62	
3	15377-LH	1	O-RING - 1"	
4	-	4	WASHER, lock	
5	18988-LH	4	BOLT, ALLEN HEAD - 12MM-1.75P X 45MM	
6	17063-LH	1	CONNECTOR, STR - FF1852T-2016S	
7	-LH	1	HOSE ASSEMBLY - 4025-20-20OS-2009 (<i>Pump Pressure Bulkhead to main control valve pressure inlet port "P1"</i>) 830B-0244 to 830B-0314	
7	-LH	1	HOSE ASSEMBLY - 4029-20-20OS-2009 (<i>Pump Pressure Bulkhead to main control valve pressure inlet port "P1"</i>) 830B-0315 and newer	
8	17056-LH	1	ELBOW, 45 - FF2068T-2020S	
9	17016-LH	1	 CONNECTOR, FLANGE PAD - 1.25" C 62	
10	-	1	O-RING - 1.25"	
11	-	4	WASHER, lock	
12	-	4	BOLT, ALLEN HEAD	
13	REF.	1	 IMPLEMENT PUMP.	LH-1
14	52429-LH	1	ELBOW, BULKHEAD #16 UNION	
15	52347-LH	1	BRACKET, #16 Bulkhead Pump Pressure	
16	-LH	47"	WRAP, Plastic Spiral - SHW-32	
17	-LH	1	HOSE ASSEMBLY - 4047-20-20OS-2009 (<i>Pump Pressure Bulkhead to Implement Pump Pressure Port</i>)	

-  See referenced page for component or assembly breakdown.
-  Kit or Assembly - includes all items indented underneath.

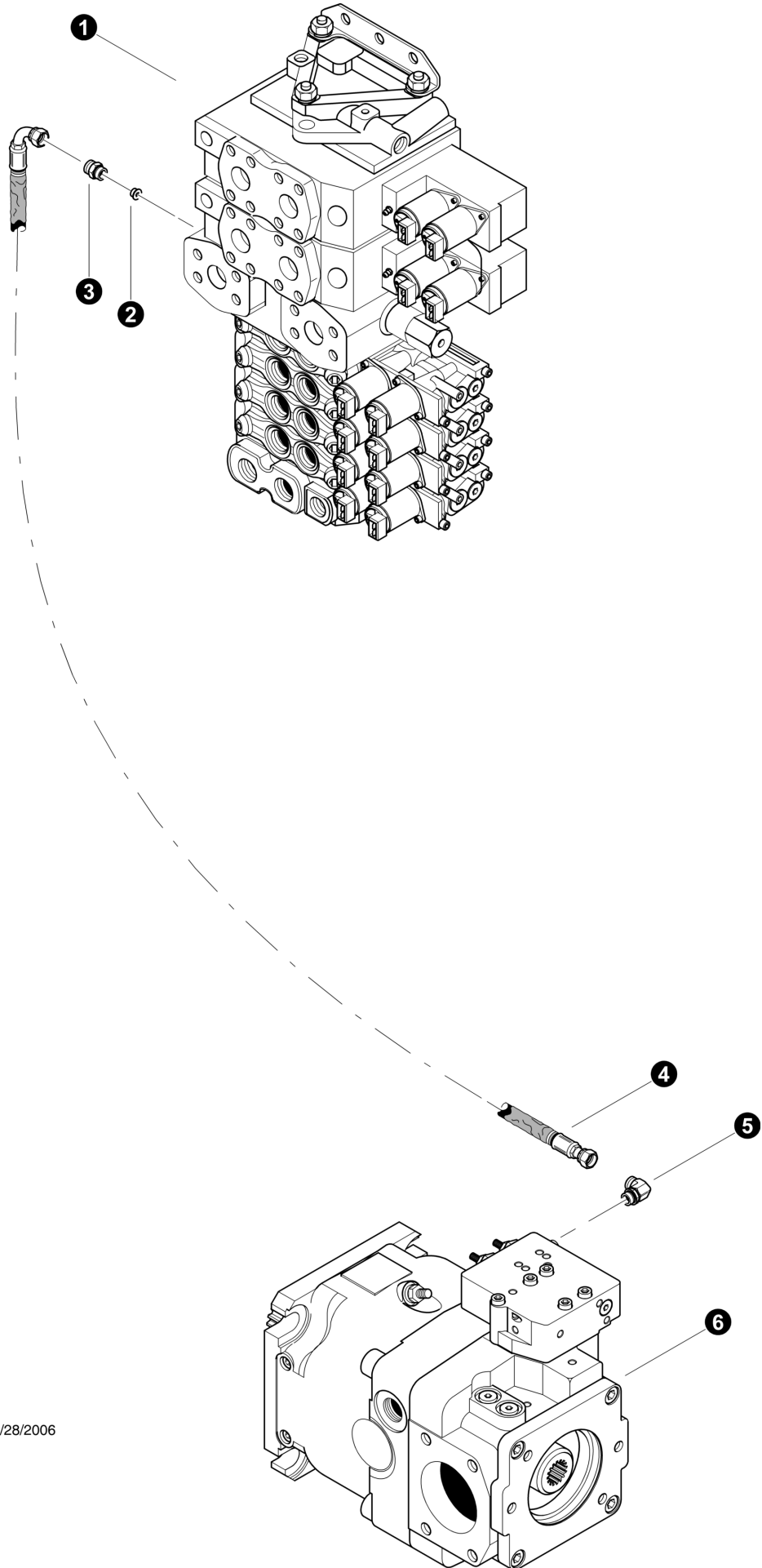


Parts T3868 04/11
25.00

IMPLEMENT PUMP PRESSURE LINE TO MAIN CONTROL VALVE Machine 0355-020111 and after

REF	PART #	QTY		DESCRIPTION	SEE SECTION
1	REF.	1		MAIN CONTROL VALVE	LH-1
2	18397-LH	1		CONNECTOR, FLANGE PAD - 1" C 62	
3	15377-LH	1		O-RING - 1"	
4	-	4		WASHER, lock	
5	18988-LH	4		BOLT, ALLEN HEAD - 12MM-1.75P X 45MM	
6	17063-LH	1		CONNECTOR, STR - FF1852T-2016S	
7	-LH	1		HOSE ASSEMBLY - 4025-20-20OS-2009 (<i>Pump Pressure Bulkhead to main control valve pressure inlet port "P1"</i>) 830B-0244 to 830B-0314	
7	-LH	1		HOSE ASSEMBLY - 4029-20-20OS-2009 (<i>Pump Pressure Bulkhead to main control valve pressure inlet port "P1"</i>) 830B-0315 and newer	
8	17056-LH	1		ELBOW, 45 - FF2068T-2020S	
9	54264-LB	1		VALVE, LOWER MANIFOLD PRESSURE CONTROL	LH-1
10	-	1		O-RING - 1.25"	
11	-	4		LOCK WASHER - 1/2"	
12	-	4		ALLEN BOLT - 1/2" 13 UNC X 2.75"	
13	REF.	1		IMPLEMENT PUMP.	LH-1
14	52429-LH	1		ELBOW, BULKHEAD #16 UNION	
15	52347-LH	1		BRACKET, #16 Bulkhead Pump Pressure	
16	-LH	47"		WRAP, Plastic Spiral - SHW-32	
17	-LH	1		HOSE ASSEMBLY - 4047-20-20OS-2009 (<i>Pump Pressure Bulkhead to Implement Pump Pressure Port</i>)	



- See referenced page for component or assembly breakdown.
- Kit or Assembly - includes all items indented underneath.




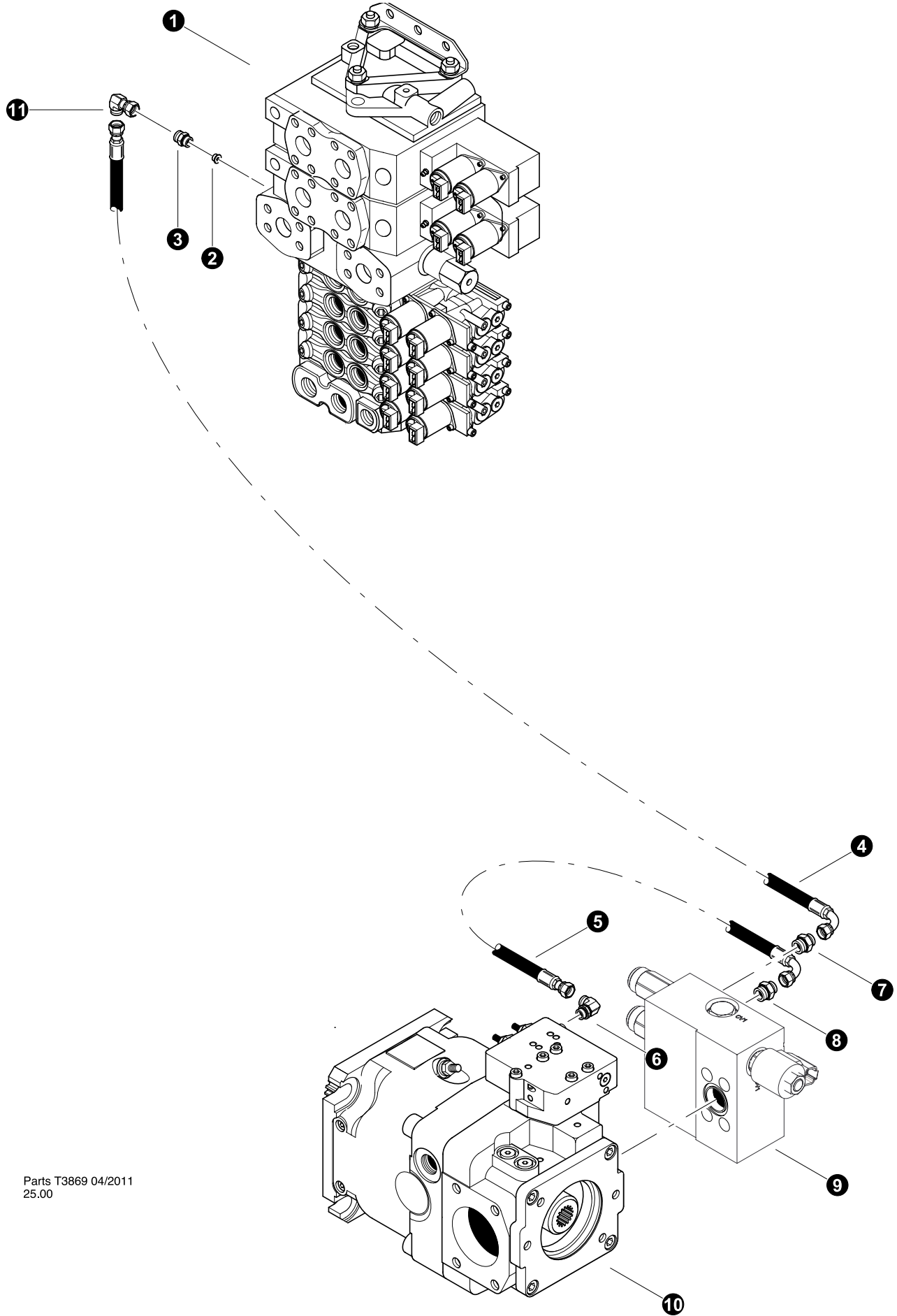
Parts T3430 05/28/2006
25.00

MAIN CONTROL VALVE LOAD SENSE LINE

Machines built before 0354-011211

REF	PART #	QTY	DESCRIPTION	SEE SECTION
1	REF.	1	 MAIN CONTROL VALVE	LH-1
2	15488-LH	1	CONNECTOR, STR - 6400-6 (<i>Tapped for 0.028" orifice</i>)	
3	18503-LH	1	ORIFICE - .028"	
4	-LH	1	HOSE ASSEMBLY - 2140-06-060S-0609-W (<i>Control Valve load sense "PL" port to Implement Pump controler</i>)	
5	16296-LH	2	ELBOW, 90° - FF1868T-0606	
6	REF.	1	 IMPLEMENT PUMP.	LH-1



 See referenced page for component or assembly breakdown.



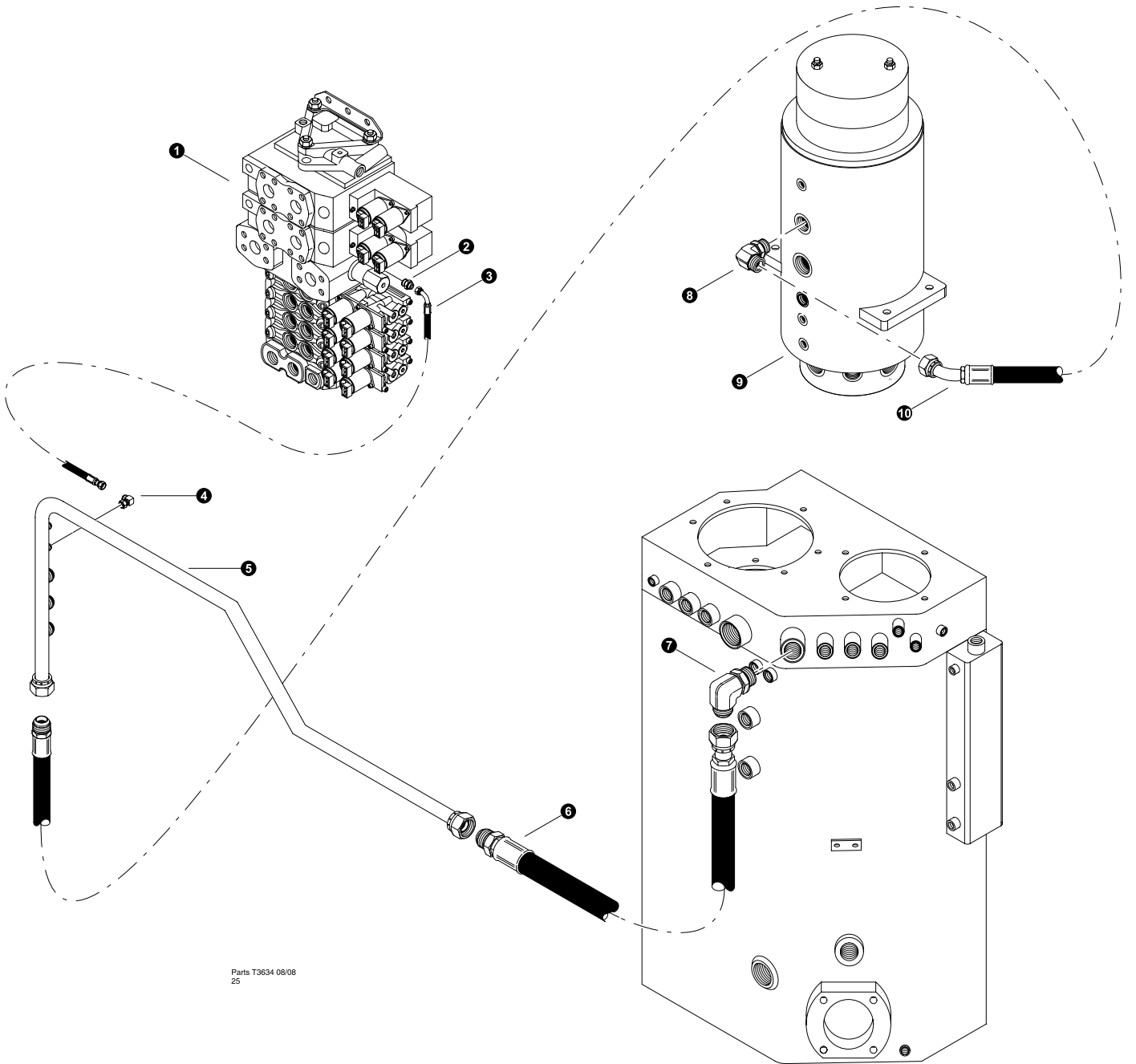
Parts T3869 04/2011
25.00

MAIN CONTROL VALVE LOAD SENSE LINE

Machine 0355-020111 and after


REF	PART #	QTY	DESCRIPTION	SEE SECTION
1	REF.	1	 MAIN CONTROL VALVE	LH-1
2	15488-LH	1	CONNECTOR, STR - 6400-6 (<i>Tapped for 0.028" orifice</i>)	
3	18503-LH	1	ORIFICE - .028"	
4	-LH	1	HOSE ASSEMBLY - 2090-06-060S-0609-W (<i>Control Valve load sense "PL" port to Implement Pump controler "LSI"</i>)	
5	-LH	1	HOSE ASSEMBLY - 2021-06-060S-0609-W (<i>Lower Manifold Control "LSO" port to Implement Pump Load Sense</i>)	
6	16296-LH	2	ELBOW, 90° - FF1868T-0606	
7	15488-LH	1	CONNECTOR, STR - 6400-6	
8	15488-LH	1	CONNECTOR, STR - 6400-6	
9	54264-LB	1	VALVE, LOWER MANIFOLD PRESSURE CONTROL	LH-1
10	REF.	1	 IMPLEMENT PUMP.	LH-1
11	23267-LH	1	ELBOW, 90 SWIVEL - 6901-6-6	

 See referenced page for component or assembly breakdown.

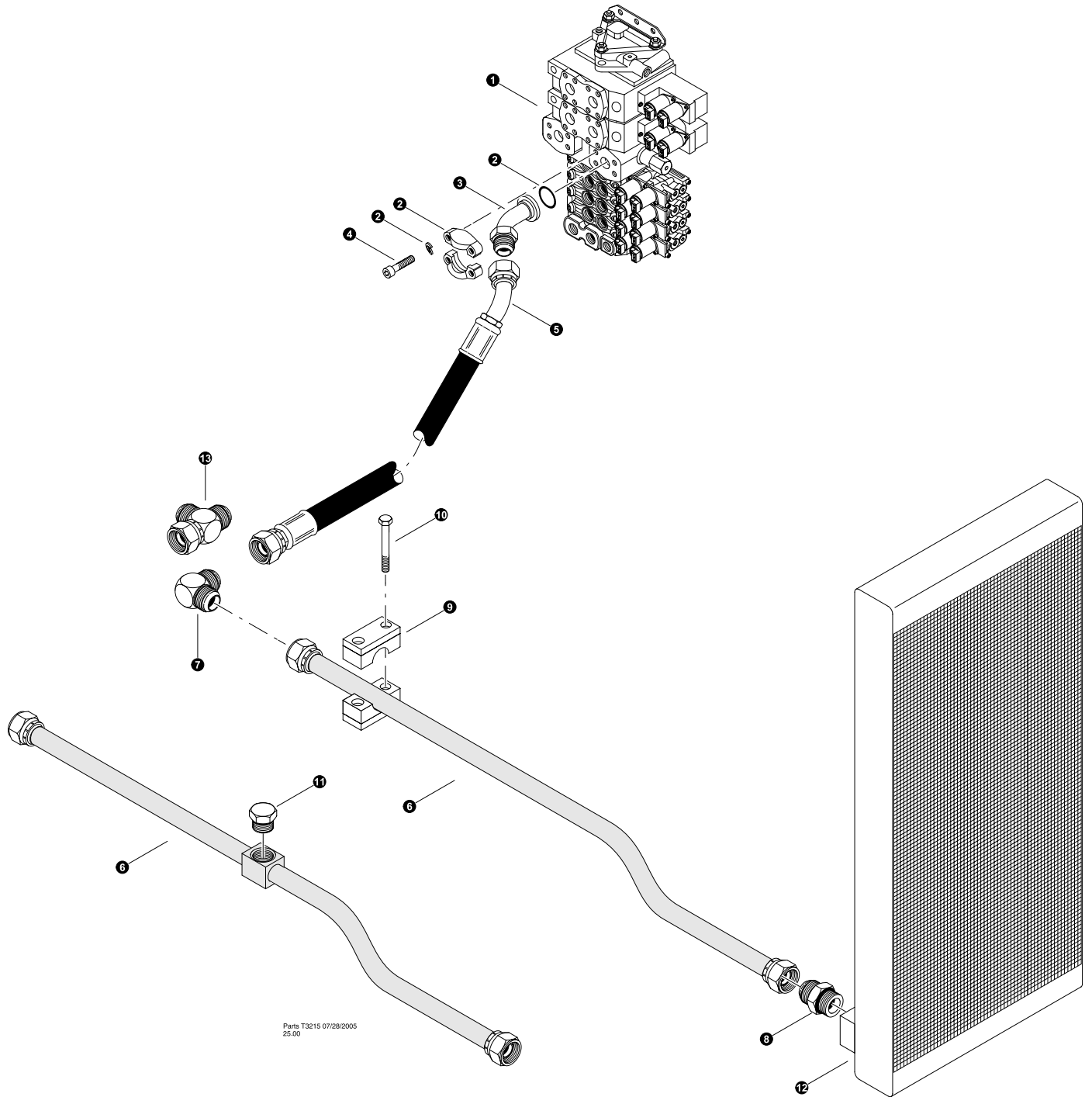


Parts T3634 08/08
25




MAIN CONTROL VALVE PILOT DRAIN LINE



REF	PART #	QTY	DESCRIPTION	SEE SECTION
1	REF.	1	 MAIN CONTROL VALVE	LH-1
2	22902-LH	1	CONNECTOR, STR - 848-TT-08X06	
3	-LH	1	HOSE ASSEMBLY - 2027-06-06JS-0409 <i>(Main control valve port "TP" to Case Drain Manifold Tube)</i>	
4	16661-LH	1	ELBOW, 90 SWIVEL - 6500-6	
5	52942-LH	1	TUBELINE, CASE DRAIN	
6	-LH	1	HOSE ASSEMBLY - 2026-16-16MJ-16FJ <i>(Case Drain Tube to Hydraulic Tank)</i>	
7	52968-LH	1	ELBOW, 90 - 16 C6XO JIC/ORB	
8	17688-LH	1	ELBOW, 90 - FF1868T-1212S	
9	REF	1	ROTORY MANIFOLD	UP-1
10	-LH	1	HOSE ASSEMBLY - 2056-12-1204-16MJ <i>(Rotory Manifold Port "10 or V1" to Case Drain Manifold Tube)</i>	

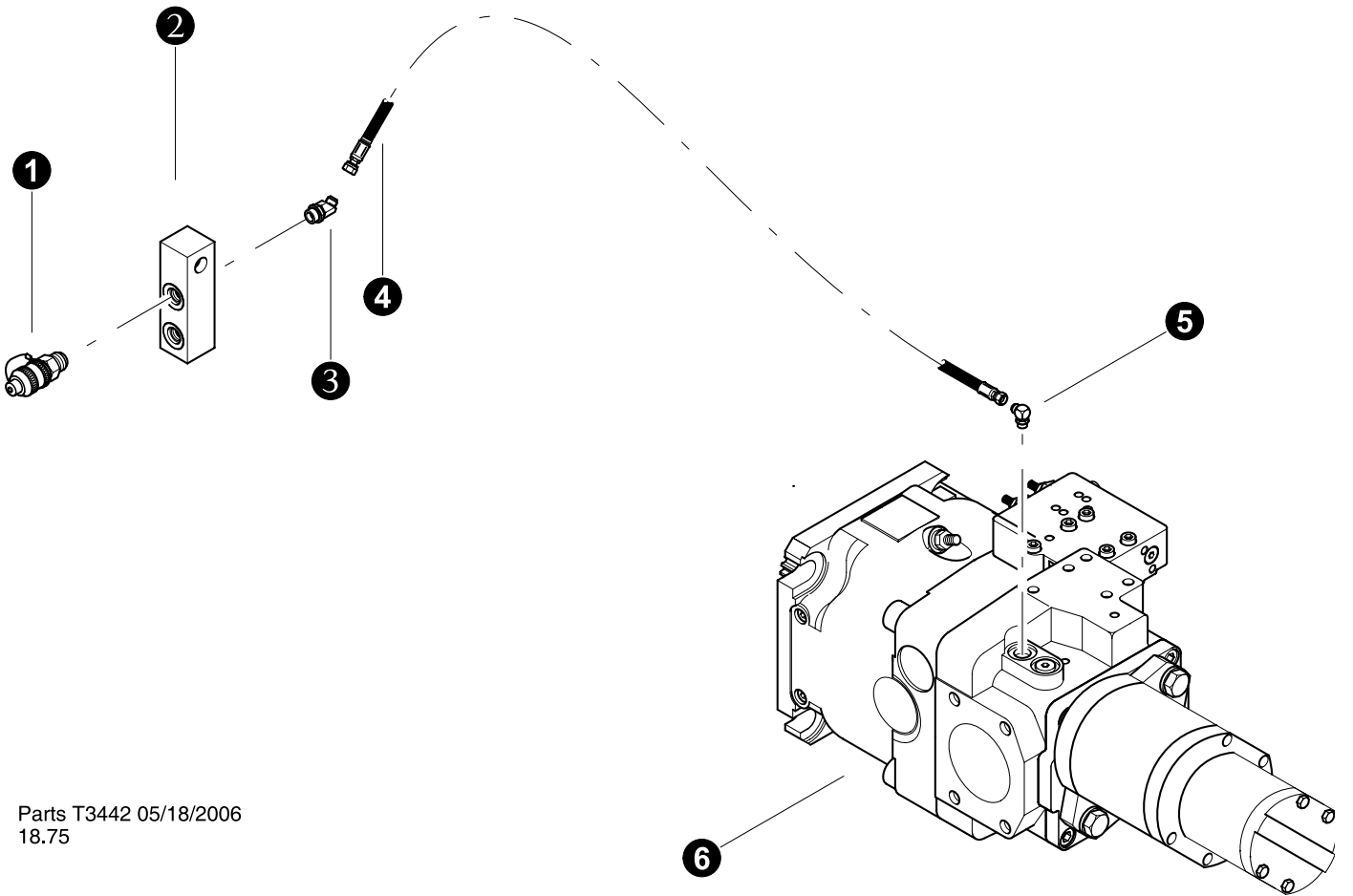
 See referenced page for component or assembly breakdown.



MAIN CONTROL VALVE RETURN LINE


REF	PART #	QTY	DESCRIPTION	SEE SECTION
1	REF.	1	 MAIN CONTROL VALVE	LH-1
2	15112-LH	1	 KIT, SPLIT FLANGE - 1.25" (CODE 61)	
-	15378-LH	1	O-RING - 1.25" SF (CODE 61/62)	
-	-LH	4	WASHER,	
3	52443-LH	1	ELBOW, 45 MALE JIC X O-RING FLANGE (61)	
4	-LH	4	BOLT, ALLEN HEAD - 10MM	
5	53244-LH	1	HOSE ASSEMBLY - 2024-20-20JS-20J4 (<i>Return Oil Tubeline to main control valve tank port "T1" Standard</i>)	
-	53245-LH	1	HOSE ASSEMBLY - 2020-20-20JS-20J4 (<i>Return Oil Tee to main control valve tank port "T1" - Harvester Application</i>)	
6	52599-LH	1	TUBELINE, OIL COOLER RETURN - Standard	
-	52384-LH	1	TUBELINE, OIL COOLER RETURN - Rolly II Harvester	
7	53614-LH	1	ELBOW, 90 JIC #24	
8	53616-LH	1	FITTING, STR - 24 X 20 - RETURN TUBE	
9	52372-WD	1	 CLAMP, STEEL TUBELINES (WHEEL DRIVE)	
10	16365-WD	2	BOLT - .375" X 2.75"	
11	18950-LH	1	PLUG - 6408-HHP-20	
12	REF	1	OIL COOLER BREAKDOWN	UP-3



-  See referenced page for component or assembly breakdown.
-  Kit or Assembly - includes all items indented underneath.

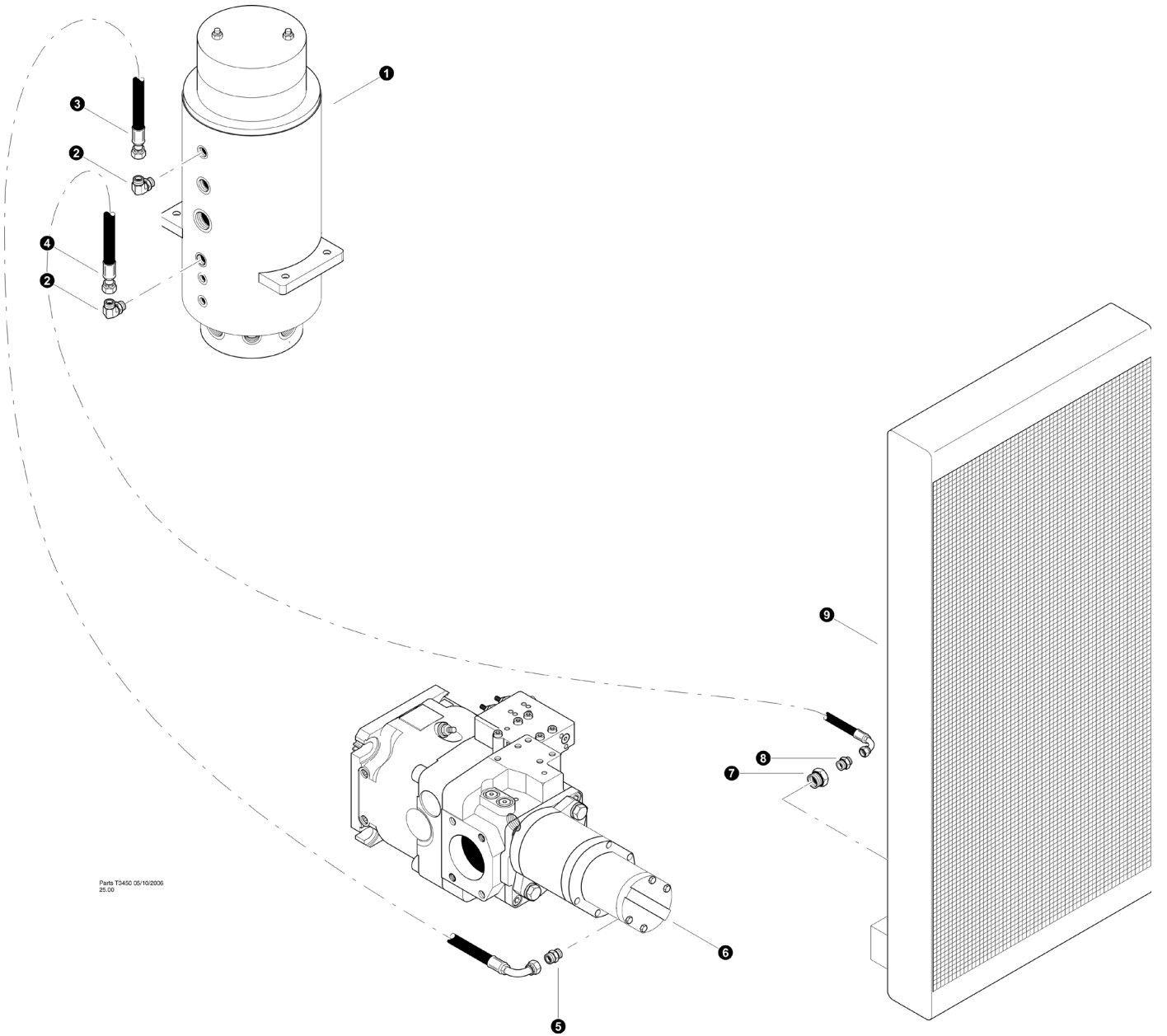


Parts T3442 05/18/2006
18.75




IMPLEMENT PUMP GAUGE PORT



REF	PART #	QTY	DESCRIPTION	SEE SECTION
1	16037-LH	1	TAP, gauge port (1/4" ORB)	
2	23544-DH	1	MANIFOLD, PRESSURE CHECK (2-PORT)	
3	51884-LH	1	ELBOW, 45 - (4 V50X-S)	
4	-LH	1	HOSE ASSEMBLY - 2052-02-04JS-04JS (Implement Pump to pressure check manifold) Part of kit #52203	
5	51889-LH	1	ELBOW, 90 - (4C50X-S)	
6	REF.	1	 MAIN CONTROL VALVE	LH-1

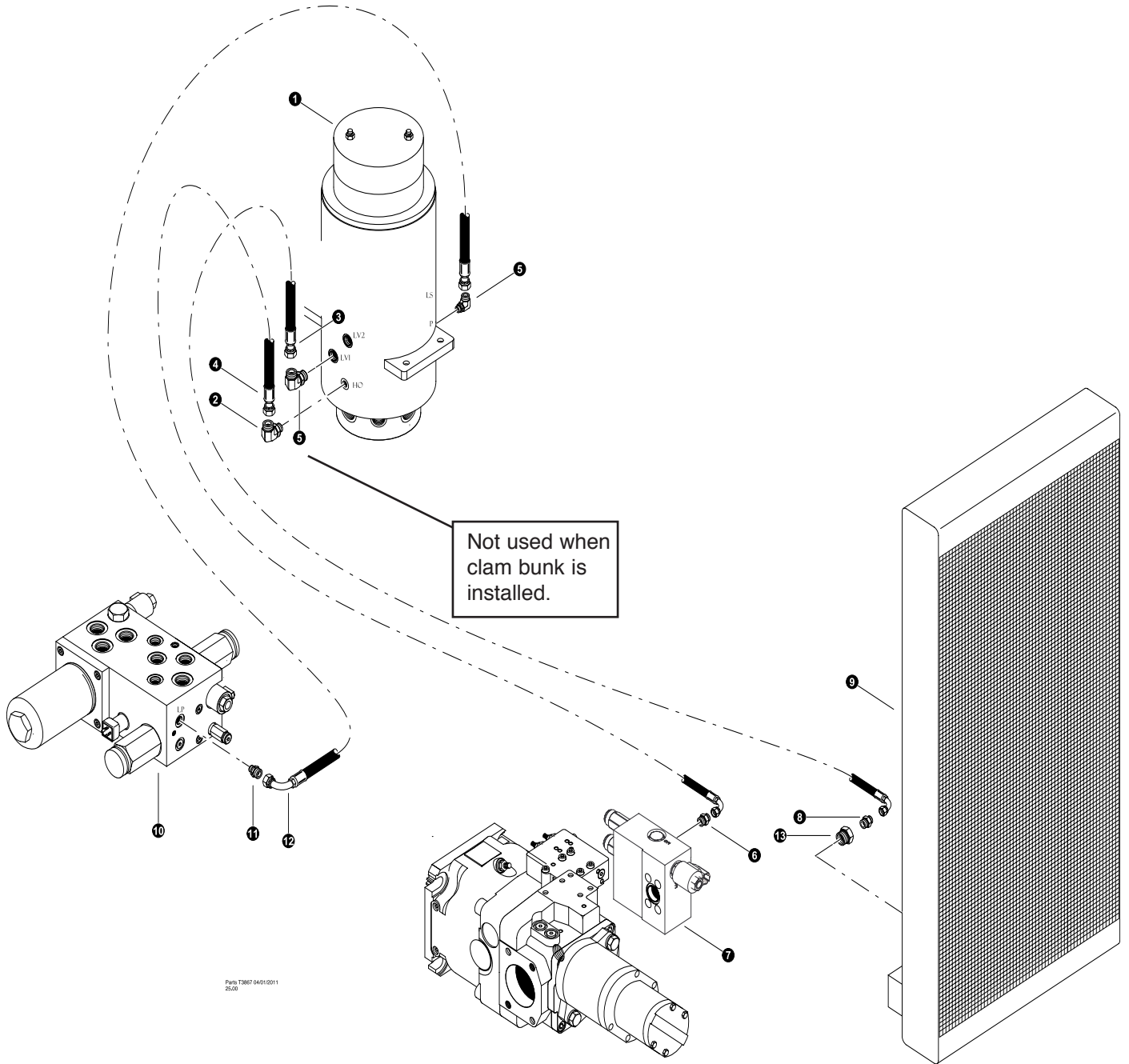
-  See referenced page for component or assembly breakdown.
-  Kit or Assembly - includes all items indented underneath.



**LOWER SOLENOID SUPPLY PUMP
built without optional leveling
Machines built before 0354-011211**




REF	PART #	QTY		DESCRIPTION	SEE SECTION
1	REF.	1		ROTARY MANIFOLD.....	UP-1
2	16360-LH	2		ELBOW, 90 - FF1868T-0808S	
3	-LH	1		HOSE ASSEMBLY - 4076-08-08OS-08O9w (LSM Pump to Rotary Manifold port #12 or P1))	
4	-LH	1		HOSE ASSEMBLY - 2068-06-06OS-06O9w (Rotary Manifold port #6 or HO to Cooler Inlet)	
Oil	15117-LH	1		CONNECTOR, STR - FF1852T-0808S	
6	REF.	1		LSM GEAR PUMP.....	WD-1
7	20067-LH	1		BUSHING, REDUCER - 6410-12-8	
8	22902-LH	1		CONNECTOR, STR - 848-TT-08X06	
9	REF.	1		OIL COOLER.....	UP-3



-  See referenced page for component or assembly breakdown.
-  Kit or Assembly - includes all items indented underneath.

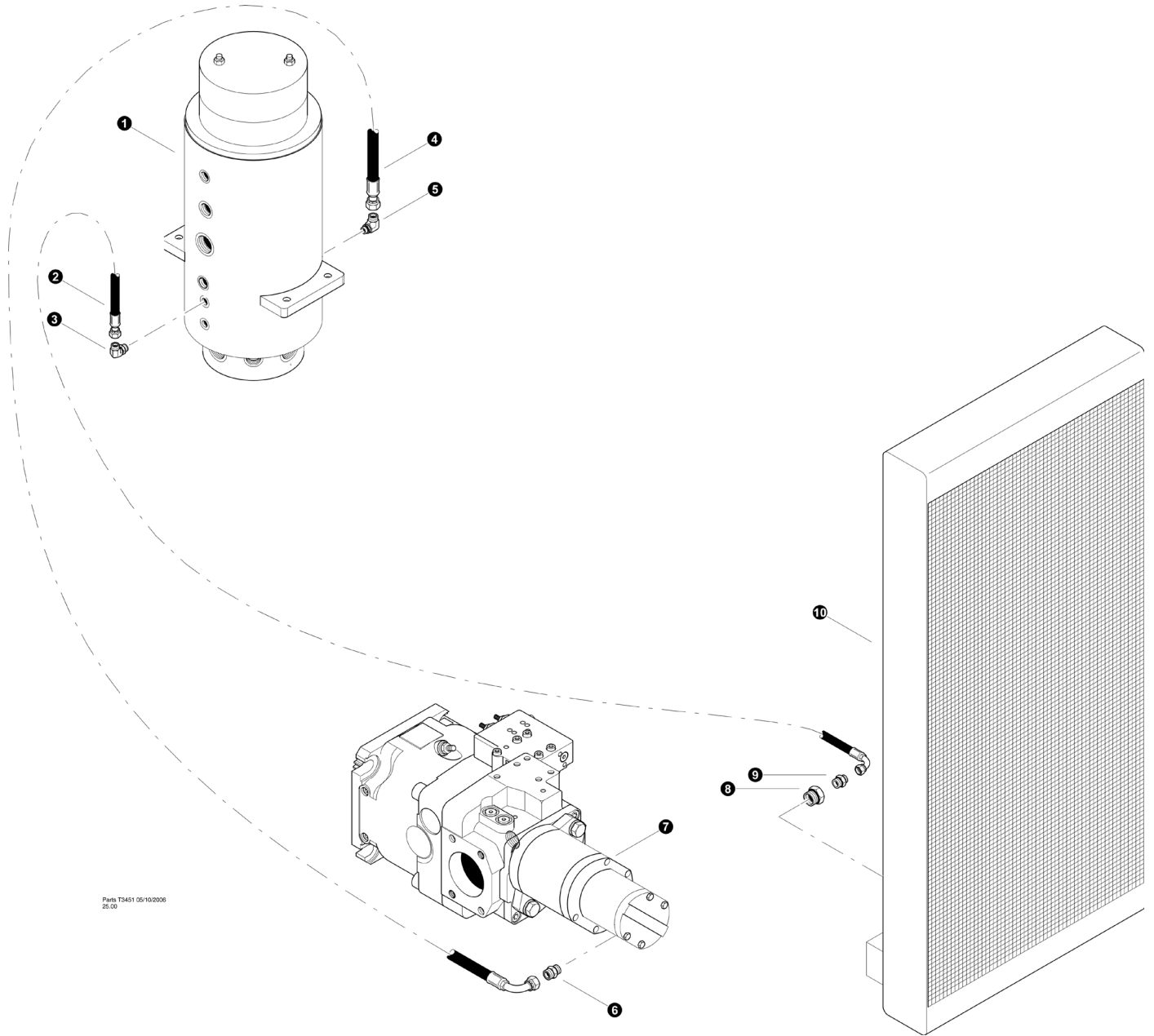


Parts T887 04/01/2011
25/01




**LOWER SOLENOID SUPPLY PUMP
built without Optional Leveling
Machine 0355-020111 and after**



REF	PART #	QTY	DESCRIPTION	SEE SECTION
1	REF.	1	 ROTARY MANIFOLD.	UP-1
2	16296-LH	2	ELBOW, 90° - FF1868T-0606	
3	-LH	1	HOSE ASSEMBLY - 2072-08-08OS-08O9w (LSM Pump to Rotary Manifold port #LV1 or Oil Cooler Inlet))	
4	-LH	1	HOSE ASSEMBLY - 2072-06-08OS-08O9w (Rotary Manifold port HO to Lower Manifold Pressure Control Valve Port HP)	
5	22405-LH	2	ELBOW, 90 - 8-6 C5OLO-S	
6	15117-LH	1	CONNECTOR, STR - FF1852T-0808S	
7	54264-LB	1	VALVE, LOWER MANIFOLD PRESSURE CONTROL	LH-1
8	15117-LH	1	CONNECTOR, STR - FF1852T-0808S	
9	REF.	1	 OIL COOLER.	UP-3
10	REF.	1	 CHARGE/FAN MANIFOLD	UP-3
11	15117-LH	1	CONNECTOR, STR - FF1852T-0808S	
12	-LH	1	HOSE ASSEMBLY - 2086-06-06OS-06O9w (Rotary Manifold port #P to LP Charge/Fan Manifold)	
13	20067-LH	1	BUSHING, REDUCER - 6410-12-8	

-  See referenced page for component or assembly breakdown.
-  Kit or Assembly - includes all items indented underneath.



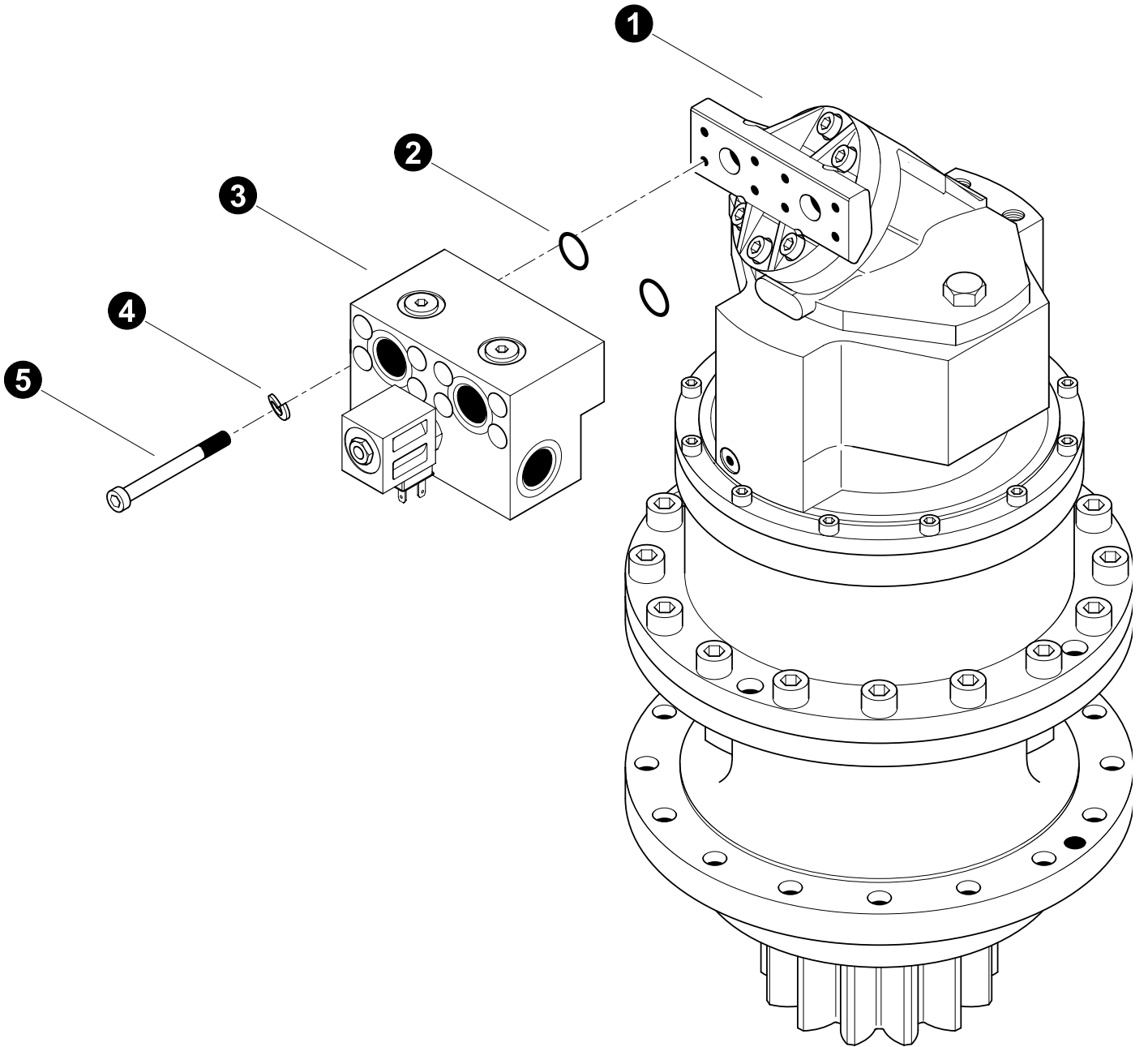
**LOWER SOLENOID SUPPLY PUMP
built with optional leveling
Machines built before 0354-011211**

REF	PART #	QTY	DESCRIPTION	SEE SECTION
1	REF.	1	 ROTARY MANIFOLD.....	UP-1
2	-LH	1	HOSE ASSEMBLY - 2068-06-06OS-06O9w (Rotary Manifold port #6 to Oil Cooler Inlet)	
3	16296-LH	1	ELBOW, 90 - FF1868T-0606S	
4	-LH	1	HOSE ASSEMBLY - 4076-08-08OS-08O9w (LSM Pump to Rotary Manifold port #12)	
5	16360-LH	1	ELBOW, 90 - FF1868T-0808S	
6	15117-LH	1	CONNECTOR, STR - FF1852T-0808S	
7	REF.	1	 LSM GEAR PUMP.....	WD-1
8	20067-LH	1	BUSHING, REDUCER - 6410-12-8	
9	22902-LH	1	CONNECTOR, STR - 848-TT-08X06	
10	REF.	1	 OIL COOLER.....	UP-3

-  See referenced page for component or assembly breakdown.
-  Kit or Assembly - includes all items indented underneath.



Section LH-3

Loader Boom Hydraulics - Swing Motor Hydraulics

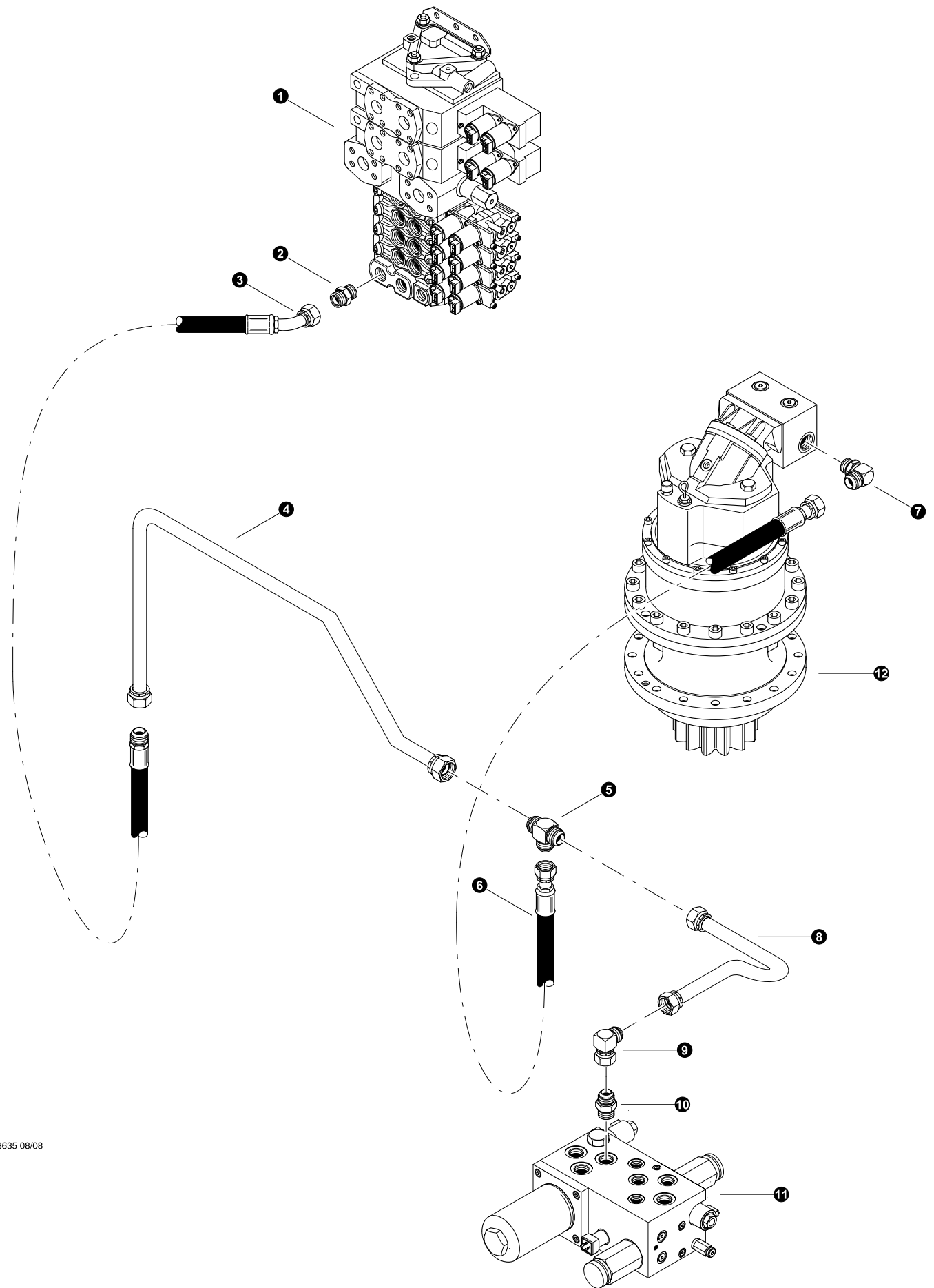


Parts T3234 07/29/2005
25.00

SWING MOTOR HYDRAULICS (anti-cavitation valve installation)



REF	PART #	QTY		DESCRIPTION	SEE SECTION
1	REF.	1		MOTOR/GEARBOX - SWING	LH-3
2	-LH	2		O-RING, 3/4 code 62	
3	REF.	1		ANTI-CAVITATION VALVE	LH-3
4	-LH	4		WASHER, LOCK - 10 mm HIGH COLLAR	
5	51389-LH	4		BOLT, ALLEN HEAD - 10MM-1.5P X 100MM	

 See referenced page for component or assembly breakdown.

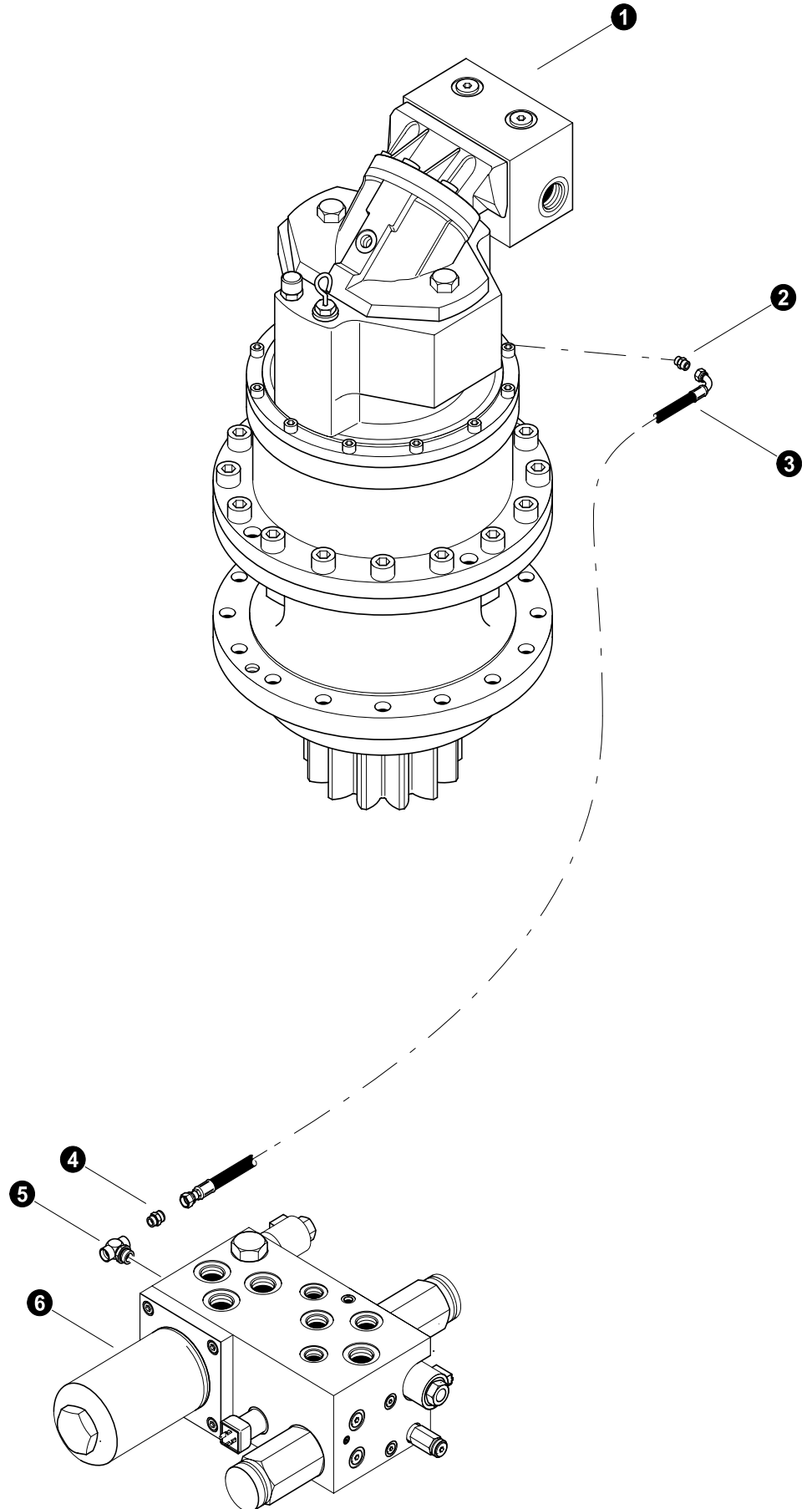


Parts T3635 08/08
25.00

SWING MOTOR HYDRAULICS (anti cavitation block supply)



REF	PART #	QTY	DESCRIPTION	SEE SECTION
1	REF.	1	 MAIN CONTROL VALVE	LH-1
2	15152-LH	1	CONNECTOR, STR - FF1852T-1212S	
3	-LH	1	HOSE ASSEMBLY - 2035 -12-12O4-16MJ (<i>Anti-cav supply tube to main control valve port T3</i>)	
4	52943-LH	1	TUBELINE, REGEN/IMPLEMENT VALVE	
5	52970-LH	1	TEE, UNION - 16 JTXO	
6	-LH	1	HOSE ASSEMBLY - 2034 -16-16FJ-16FJ (<i>Anti-cav supply tube tee to swing motor</i>)	
7	53076-LH	1	ELBOW - 16-12 C50X-S	
8	53128-UP	1	TUBELINE, CHARGE/FAN MANIFOLD 'T1' PORT	
9	52968-UP	1	ELBOW, 90 - 16 C6XO JIC	
10	15497-UP	1	CONNECTOR, STR - 16 F5OX-S	
11	REF	1	FAN CONTROL MANIFOLD	UP-3
12	REF.	1	 MOTOR/GEARBOX - SWING	LH-3

 See referenced page for component or assembly breakdown.

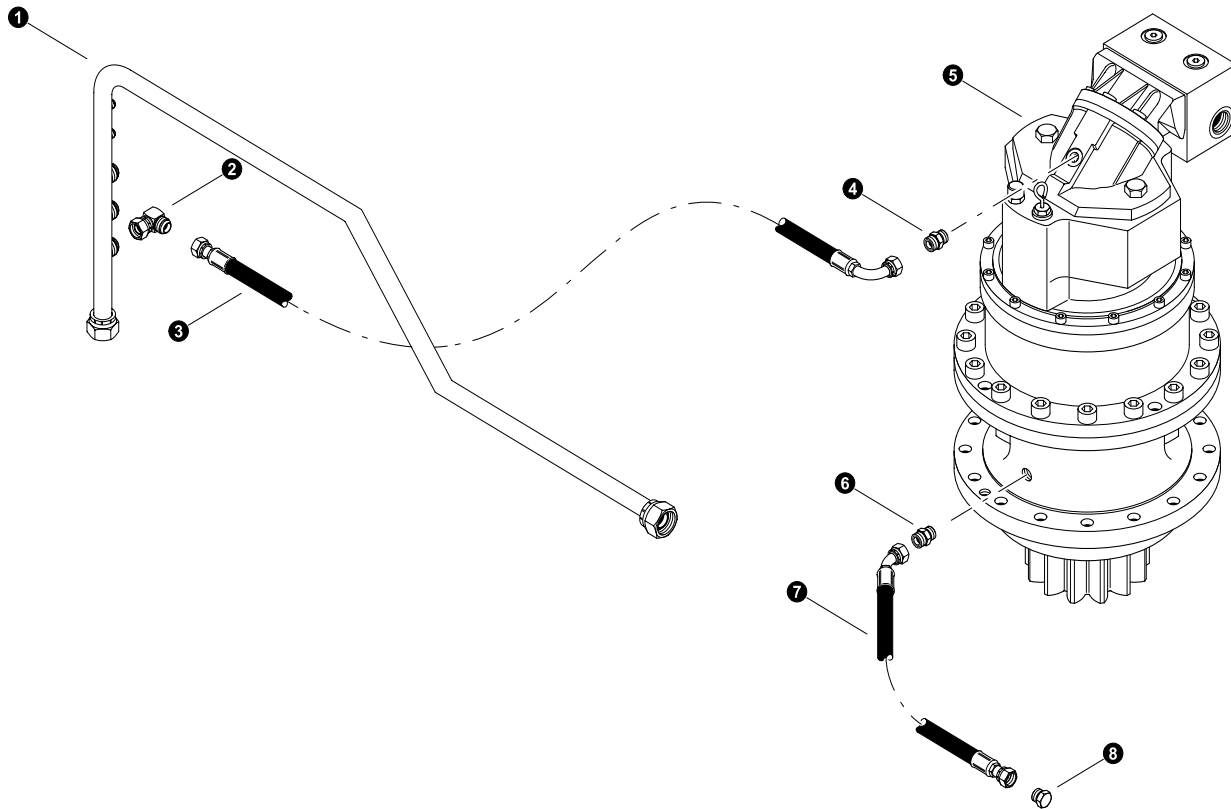


Parts T3636 08/08
25

SWING MOTOR HYDRAULICS (swing gearbox brake release)


REF	PART #	QTY	DESCRIPTION	SEE SECTION
1	REF.	1	 MOTOR/GEARBOX - SWING	LH-3
2	19469-LH	1	CONNECTOR, STR METRIC - 4M12F82EDMLO-S	
3	-LH	1	HOSE ASSEMBLY - 2069-04-040S-0409 (<i>swing motor gearbox brake release port to G1 port charge valve</i>)	
4	16541-LH	1	CONNECTOR, STR - FF1852T-0404S	
5	24293-LH	1	TEE - 4-G5G5JAO-S	
6	REF.	1	 CHARGE VALVE / FILTER ASSEMBLY	WD-3

 See referenced page for component or assembly breakdown.

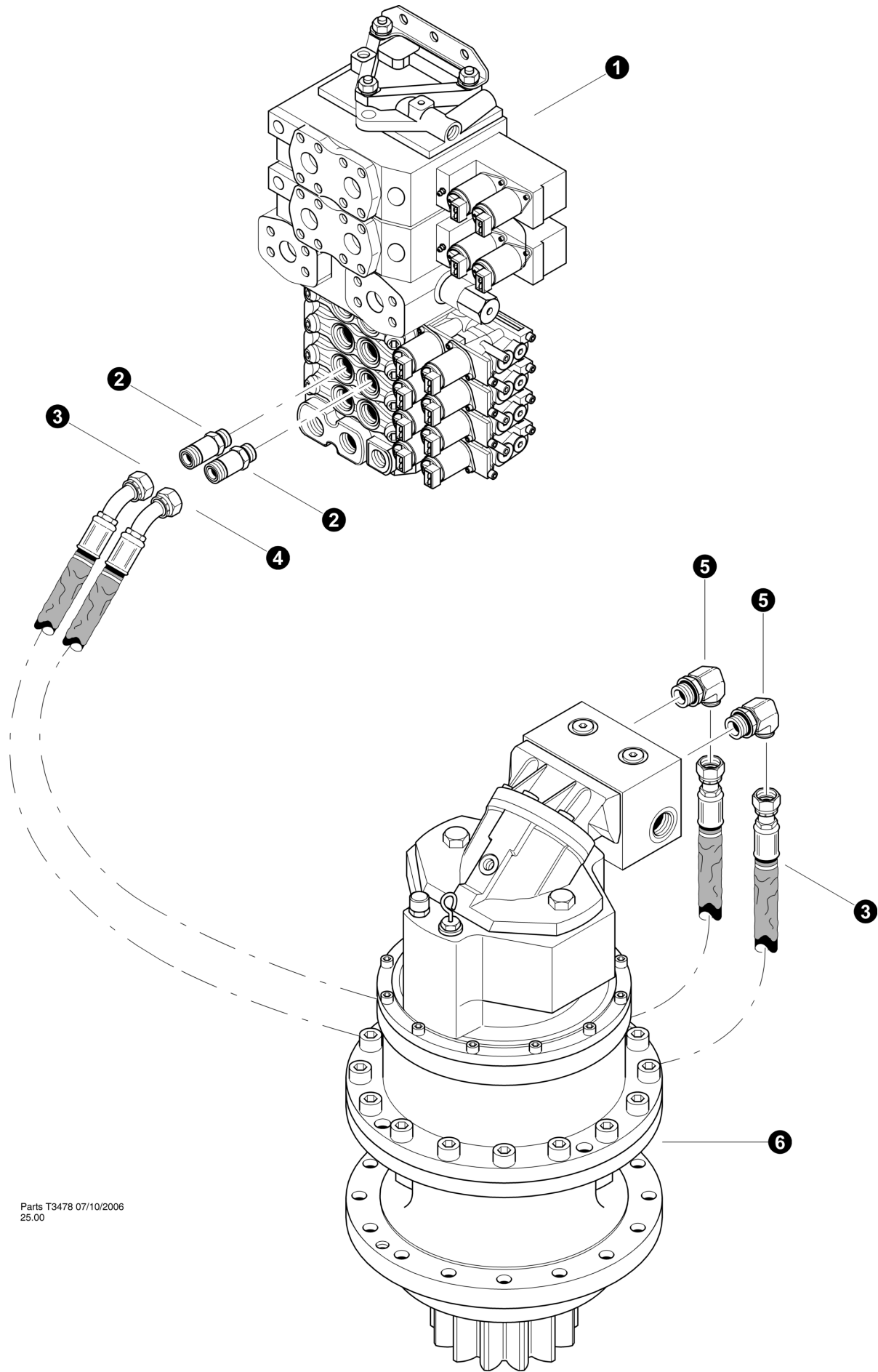


Parts T3637 08/08
25.00

SWING MOTOR HYDRAULICS (swing motor drain)



REF	PART #	QTY	DESCRIPTION	SEE SECTION
1	52942-LH	1	MANIFOLD, CASE DRAIN (3) #8 PORTS	
2	16360-LH	1	ELBOW, 90 - FF1868T-0808S	
3	-LH	1	HOSE ASSEMBLY - 2054-08-08JS-0809 (swing motor case drain to drain manifold tube)	
4	24182-LH	1	CONNECTOR, STR - 6002-08-8BSPP	
5	REF.	1	 MOTOR/GEARBOX - SWING LH-3	
6	24182-LH	1	CONNECTOR, STR - 6002-08-8BSPP	
7	-LH	1	HOSE ASSEMBLY - 2025-08-08OS-0804 (swing motor gearbox drain)	
8	11390-LH	1	PLUG - 2408-8	


 See referenced page for component or assembly breakdown.

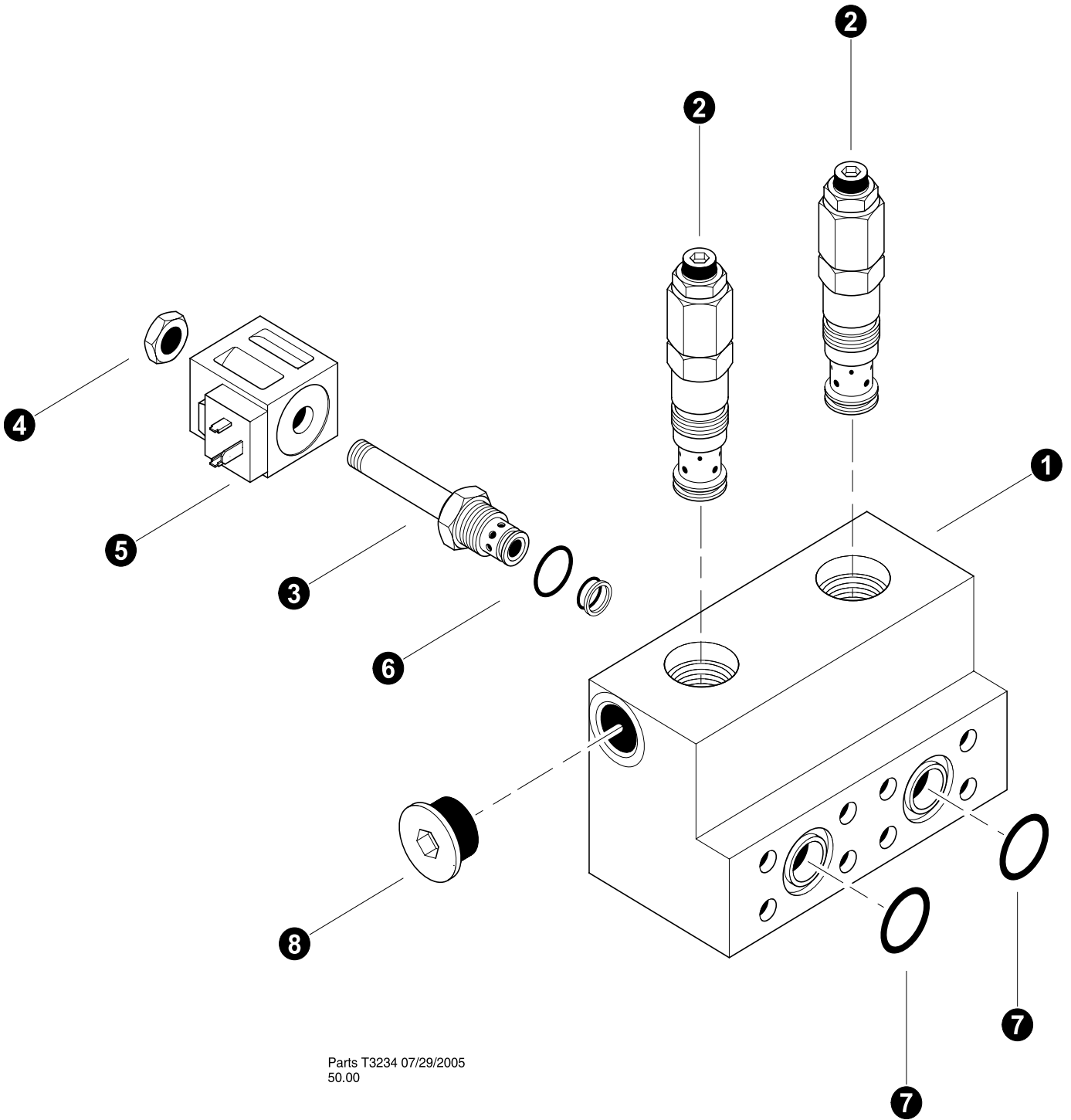


Parts T3478 07/10/2006
25.00

SWING MOTOR HYDRAULICS (Swing Motor to Valve Connection)

REF	PART #	QTY	DESCRIPTION	SEE SECTION
1	REF.	1	 MAIN CONTROL VALVE.....	LH-1
2	52554-LH	2	CONNECTOR, STR LONG - 10X10	
3	-LH	1	HOSE ASSEMBLY - 4037-10-100S-1004W (<i>Swing valve section work port A to swing anti-cav "V1"</i>)	830B-0244 to 830B-0314
3	-LH	1	HOSE ASSEMBLY - 4040-10-100S-1004W (<i>Swing valve section work port A to swing anti-cav "V1"</i>)	830B-0315 and newer
4	-LH	1	HOSE ASSEMBLY - 4036-10-100S-100SW (<i>Swing valve section work port B to swing anti-cav "V2"</i>)	830B-0244 to 830B-0314
4	-LH	1	HOSE ASSEMBLY - 4036.5-10-100S-100SW (<i>Swing valve section work port B to swing anti-cav "V2"</i>)	830B-0315 and newer
5	50036-LH	3	ELBOW, 90 - 849-TTO-10X12	
6	REF.	1	 MOTOR/GEARBOX - SWING.....	LH-3

 See referenced page for component or assembly breakdown.



Parts T3234 07/29/2005
50.00

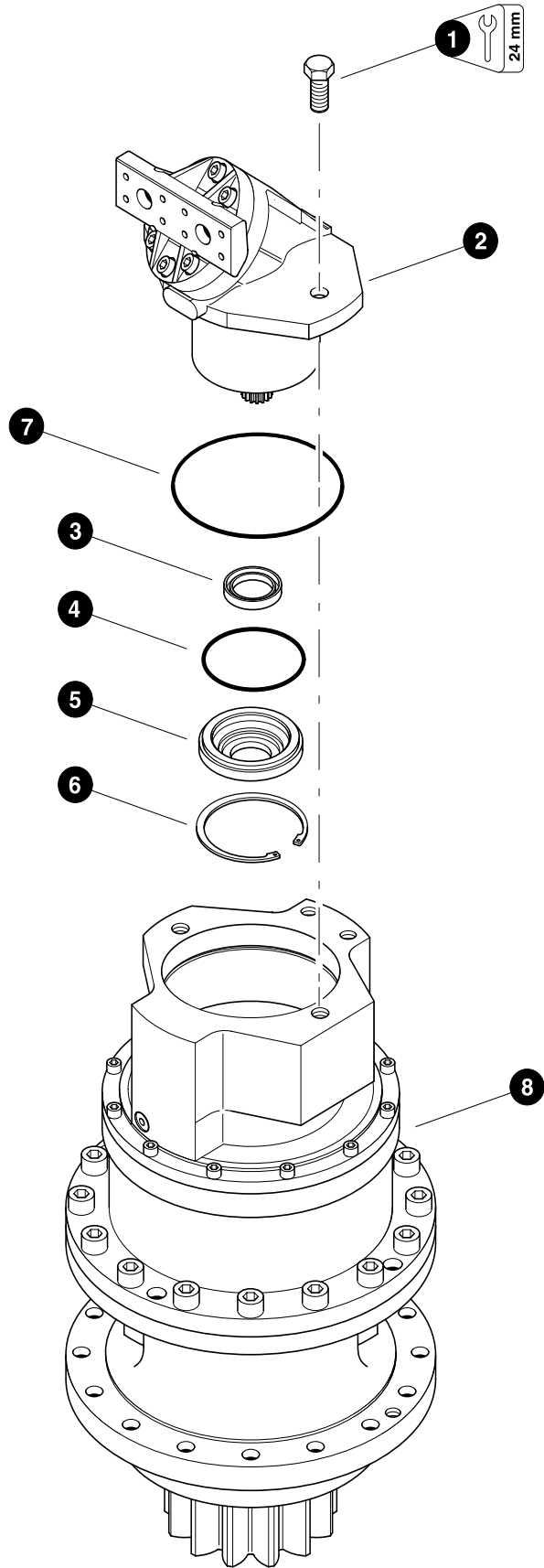
SWING MOTOR HYDRAULICS (anti-cavitation valve)

REF	PART #	QTY		DESCRIPTION	SEE SECTION
1	52015-LH	1		VALVE, SWING ANTI/CAV W/FLOAT LOW MOUNT	
2	51507-LH	2		CARTRIDGE, Anti-Cav (51055-20 D03 B)	
3	53740-LH	2	☐	CARTRIDGE, solenoid - 24V	
4	NSS	1		NUT	
5	22554-LH	1		COIL, SOLENOID - (PARKER)	
6	-LH	1	⌘	KIT, SEAL - solenoid valve	
7	-LH	2		O-RING - 3/4" code 62	
8	11385-LH	1		PLUG - 6408-12	

☐ Kit or Assembly - includes all items indented underneath.

Note:

Due to warranty policy restrictions imposed by component suppliers, it is not recommended that the component be disassembled further than is shown in the illustration.



SWING MOTOR HYDRAULICS (swing motor installation)

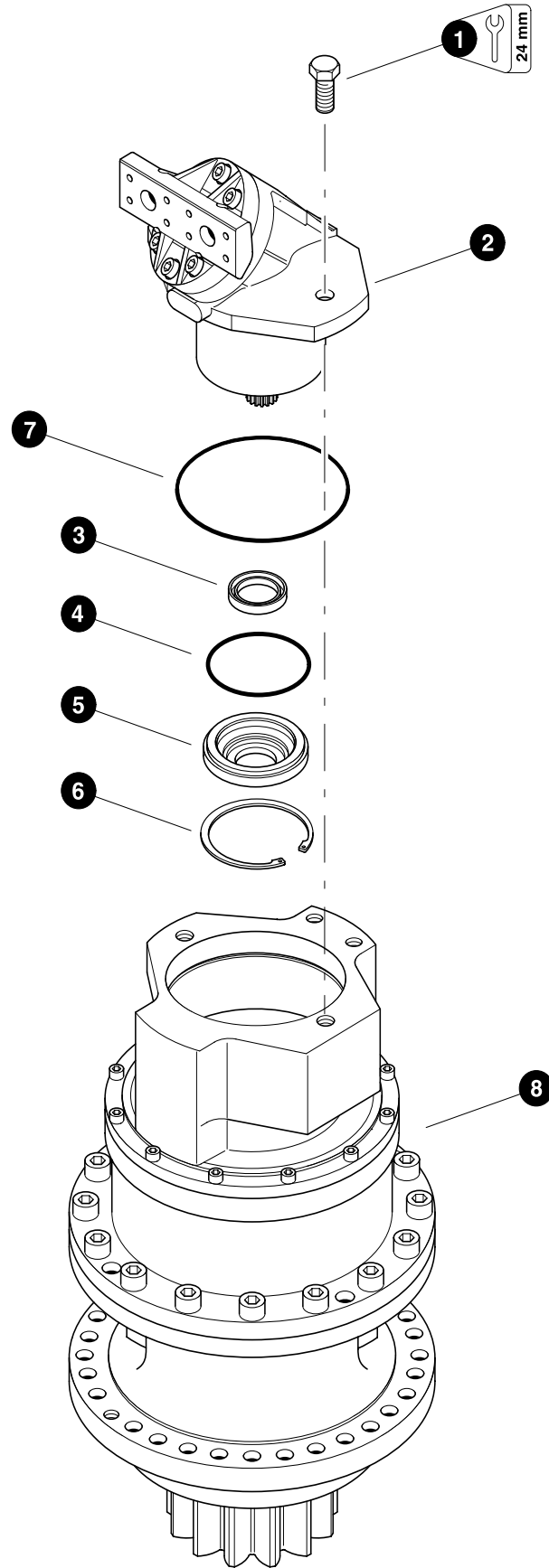
(Machine 0327-123109 and before)

REF	PART #	QTY	DESCRIPTION	SEE SECTION
--	20070-LH	1	<input type="checkbox"/> MOTOR/GEARBOX, swing - Lohmann Gearbox & 45cc motor	
1	20661-LH	1	BOLT - 16mm-2.0P x 35mm	
2	17312-LH	1	<input type="checkbox"/> MOTOR, hydraulic - Rexroth A2FE45 cc	
	17238-LH	1	<input type="checkbox"/> MOTOR, hydraulic - Rexroth A2FE56 cc (Optional)	
3	21576-LH	1	SEAL, shaft - 45cc	
	51638-LH	1	SEAL, shaft - 56cc	
4	21577-LH	1	O-RING, front cover - 45cc	
	51639-LH	1	O-RING, front cover - 56cc	
5	21578-LH	1	COVER, front	
6	21579-LH	1	RING, seal retaining	
7	21580-LH	1	O-RING, motor pilot	
8	22694-LH	1	GEARBOX - Lohmann	

Kit or Assembly - includes all items indented underneath.

Note:

Due to warranty policy restrictions imposed by component suppliers, it is not recommended that the component be disassembled further than is shown in the illustration.



SWING MOTOR HYDRAULICS (swing motor installation)

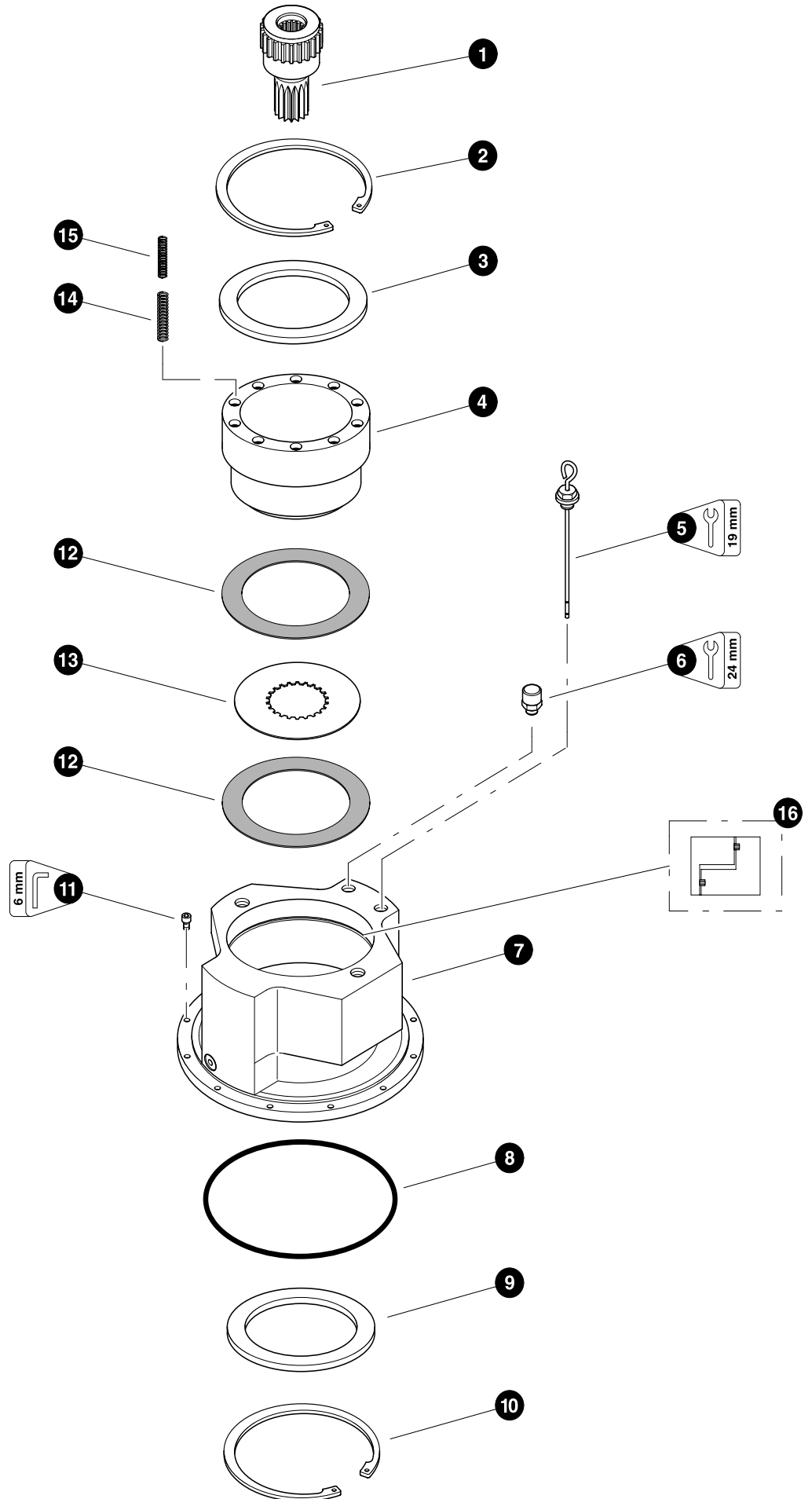
(Machine 0328-021010 and after)

REF	PART #	QTY	DESCRIPTION	SEE SECTION
--	52745-LH	1	<input type="checkbox"/> MOTOR, SWING - ECCENTRIC L&S W/56 MOTOR	
1	20661-LH	1	BOLT - 16mm-2.0P x 35mm	
2	17238-LH	1	<input type="checkbox"/> MOTOR, hydraulic - Rexroth A2FE56 cc	
3	21576-LH	1	SEAL, shaft - 45cc	
	51638-LH	1	SEAL, shaft - 56cc	
4	21577-LH	1	O-RING, front cover - 45cc	
	51639-LH	1	O-RING, front cover - 56cc	
5	21578-LH	1	COVER, front	
6	21579-LH	1	RING, seal retaining	
7	21580-LH	1	O-RING, motor pilot	
8	-LH	1	GEARBOX - Lohmann	

Kit or Assembly - includes all items indented underneath.

Note:

Due to warranty policy restrictions imposed by component suppliers, it is not recommended that the component be disassembled further than is shown in the illustration.



Parts 00626 11/10/2000
25.00

SWING MOTOR HYDRAULICS (swing gearbox brake assembly)

REF	PART #	QTY		DESCRIPTION	SEE SECTION
-	22694-LH	1		GEARBOX - Lohmann (Machine 0327-123109 and before)	
-	-LH	1		GEARBOX - Lohmann (Machine 0328-021010 and after)	
1	21565-LH	1		SHAFT, brake	
2	21566-LH	1		RING, snap - upper brake	
3	21567-LH	1		PLATE, back-up - upper brake	
4	21568-LH	1		PISTON, brake	
5	21569-LH	1	☐	DIPSTICK	
	21571-LH	1		RING, seal	
6	21570-LH	1	☐	BREATHER	
	21571-LH	1		RING, seal	
7	NSS	1		HOUSING, brake	
8	21572-LH	1		O-RING, brake housing	
9	21573-LH	1		PLATE, back-up - lower brake	
10	21574-LH	1		RING, snap - lower brake	
11	21575-LH	12		BOLT, allen head - 8mm x 25mm	
12	NSS	5	⌘	DISC, brake	
13	NSS	4	⌘	DISC, spacer	
14	NSS	10	⌘	SPRING, outer	
15	NSS	10	⌘	SPRING, inner	
--	21418-FH	1		KIT, repair - brake disc	

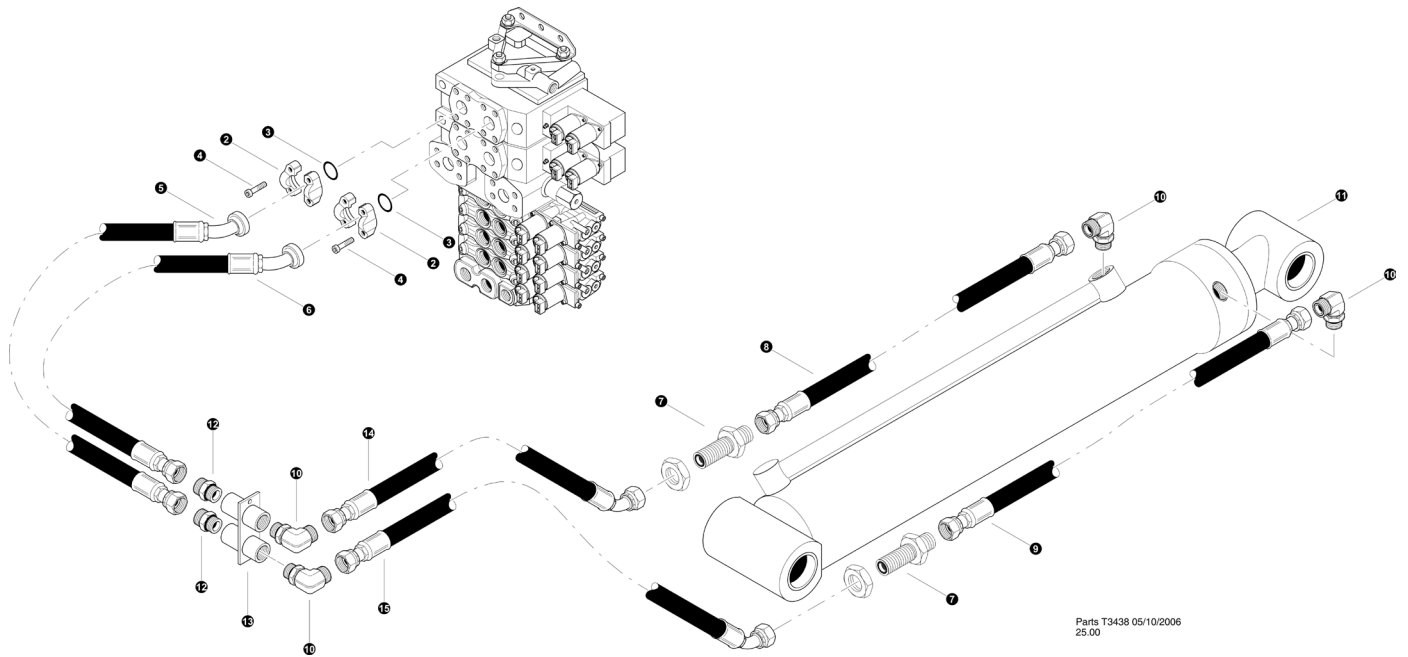
- ☐ Kit or Assembly - includes all items indented underneath.
 ⌘ Included in disc brake kit PN# 20788-UP.

Note:

Due to warranty policy restrictions imposed by component suppliers, it is not recommended that the component be disassembled further than is shown in the illustration.

Section LH-4




Loader Boom Hydraulics - Implement Connections - Forwarder



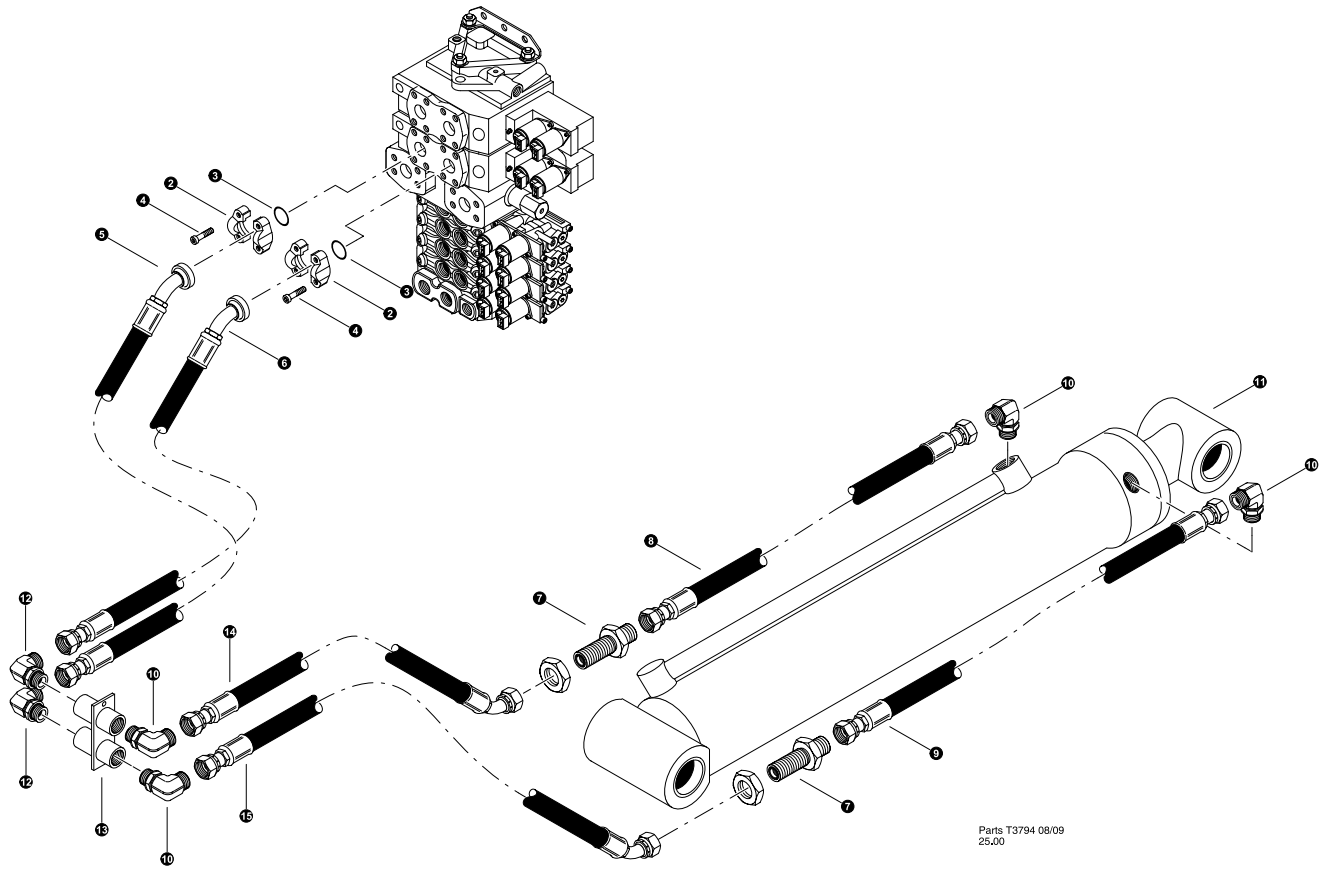
Parts T3438 05/10/2006
25.00

MAIN BOOM CYLINDER FUNCTION (Main Control Valve To Main Boom (Hoist) Cylinder)

830B-0244 to 830B-0314

REF	PART #	QTY	DESCRIPTION	SEE SECTION
1	REF.	1	 MAIN CONTROL VALVE	LH-1
2	15111-LH	2	 KIT, split flange - 1" SF (Code 61)	
3	15377-LH	2	O-RING - 1" SF	
4	18979-LH	8	BOLT, allen M10 X 45MM	
5	-LH	1	HOSE ASSEMBLY - 4031-16-160S-16PA4 (Main boom valve work port "B" to main boom cylinder bulkhead)	
6	-LH	1	HOSE ASSEMBLY - 4029.5-16-160S-16PA4 (Main boom valve work port "A" to main boom cylinder bulkhead)	
7	20033-LH	2	CONNECTOR, STR BULKHEAD - 832-TT-16	
8	-LB	1	HOSE ASSEMBLY - 4053-16-160S-160S (main boom bulkhead to main boom cylinder base port)	
9	50864-LH	1	HOSE ASSEMBLY - 4066-16-160S-160S (main boom bulkhead to main boom cylinder rod port)	
10	15228-LH	2	ELBOW, 90 - FF1868T-1616S	
11	REF.	1	 MAIN BOOM (HOIST) CYLINDER	LB-3
12	15525-LH	1	CONNECTOR, STR - FF1852T-1616S	
13	-LH	1	BULKHEAD, UPPER MAIN CYL	
14	-LH	1	HOSE ASSEMBLY - 4039-16-160S-1604 (main boom base bulkhead to bulkhead bracket "a" port)	
15	-LH	1	HOSE ASSEMBLY - 4033.5-16-160S-1604 (main boom rod bulkhead to bulkhead bracket "b" port)	




 See referenced page for component or assembly breakdown.



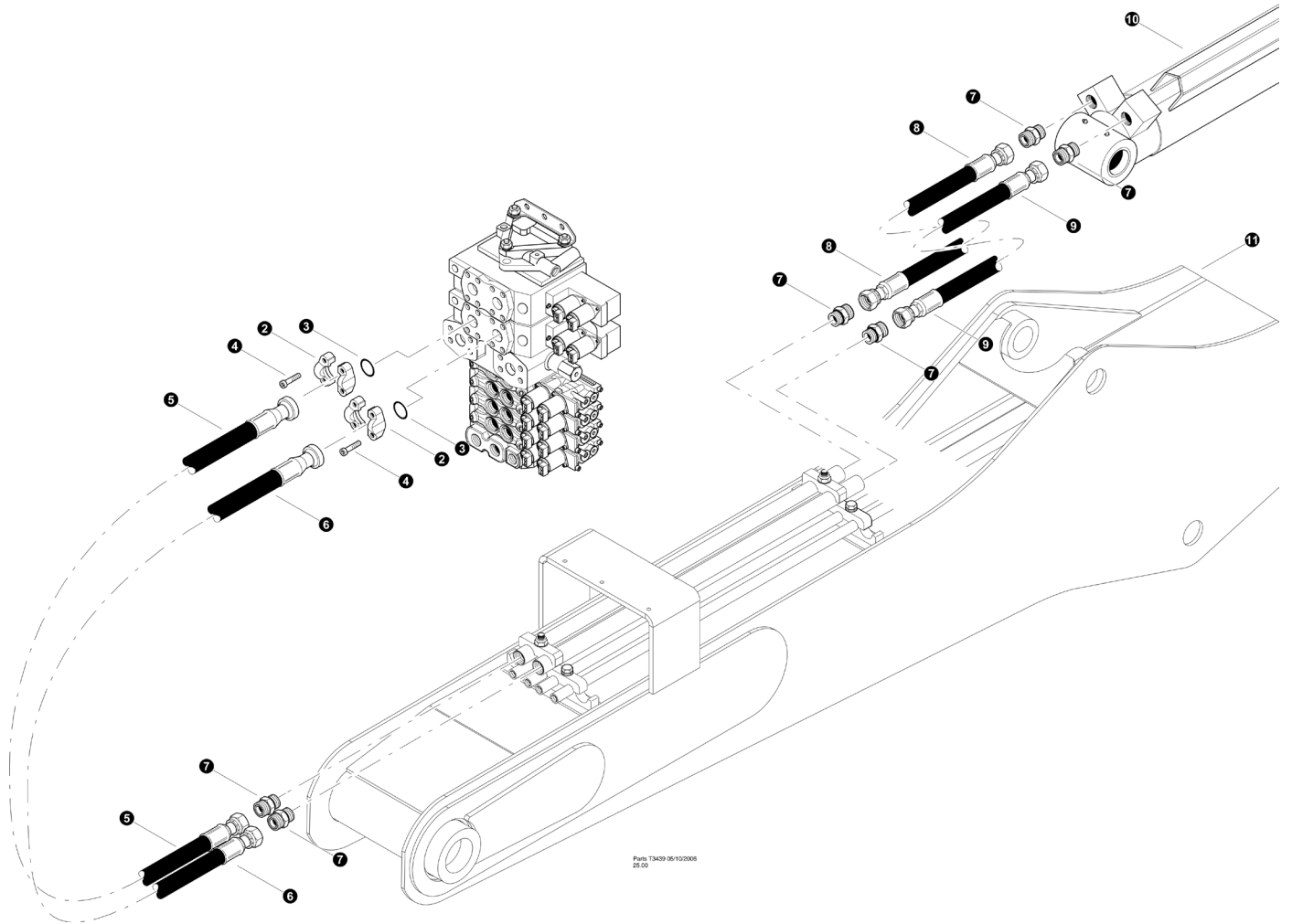
Parts T3794 08/09
25.00

MAIN BOOM CYLINDER FUNCTION (Main Control Valve To Main Boom (Hoist) Cylinder)

Machine 830B-0315 and newer






REF	PART #	QTY	DESCRIPTION	SEE SECTION
1	REF.	1	 MAIN CONTROL VALVE	LH-1
2	15111-LH	2	 KIT, split flange - 1" SF (Code 61)	
3	15377-LH	2	O-RING - 1" SF	
4	18979-LH	8	BOLT, allen M10 X 45MM	
5	-LH	1	HOSE ASSEMBLY - 4020-16-160S-16PA4 (<i>Main boom valve work port "B" to main boom cylinder bulkhead</i>)	
6	-LH	1	HOSE ASSEMBLY - 4019-16-160S-16PA4 (<i>Main boom valve work port "A" to main boom cylinder bulkhead</i>)	
7	20033-LH	2	CONNECTOR, STR BULKHEAD - 832-TT-16	
8	-LB	1	HOSE ASSEMBLY - 4053-16-160S-160S (<i>main boom bulkhead to main boom cylinder base port</i>)	
9	50864-LH	1	HOSE ASSEMBLY - 4066-16-160S-160S (<i>main boom bulkhead to main boom cylinder rod port</i>)	
10	15228-LH	2	ELBOW, 90 - FF1868T-1616S	
11	REF.	1	 MAIN BOOM (HOIST) CYLINDER	LB-3
12	15525-LH	1	CONNECTOR, STR - FF1852T-1616S	
13	-LH	1	BULKHEAD, UPPER MAIN CYL	
14	-LH	1	HOSE ASSEMBLY - 4039-16-160S-1604 (<i>main boom base bulkhead to bracket "a" port</i>)	
15	-LH	1	HOSE ASSEMBLY - 4033.5-16-160S-1604 (<i>main boom rod bulkhead to bracket "b" port</i>)	

 See referenced page for component or assembly breakdown.

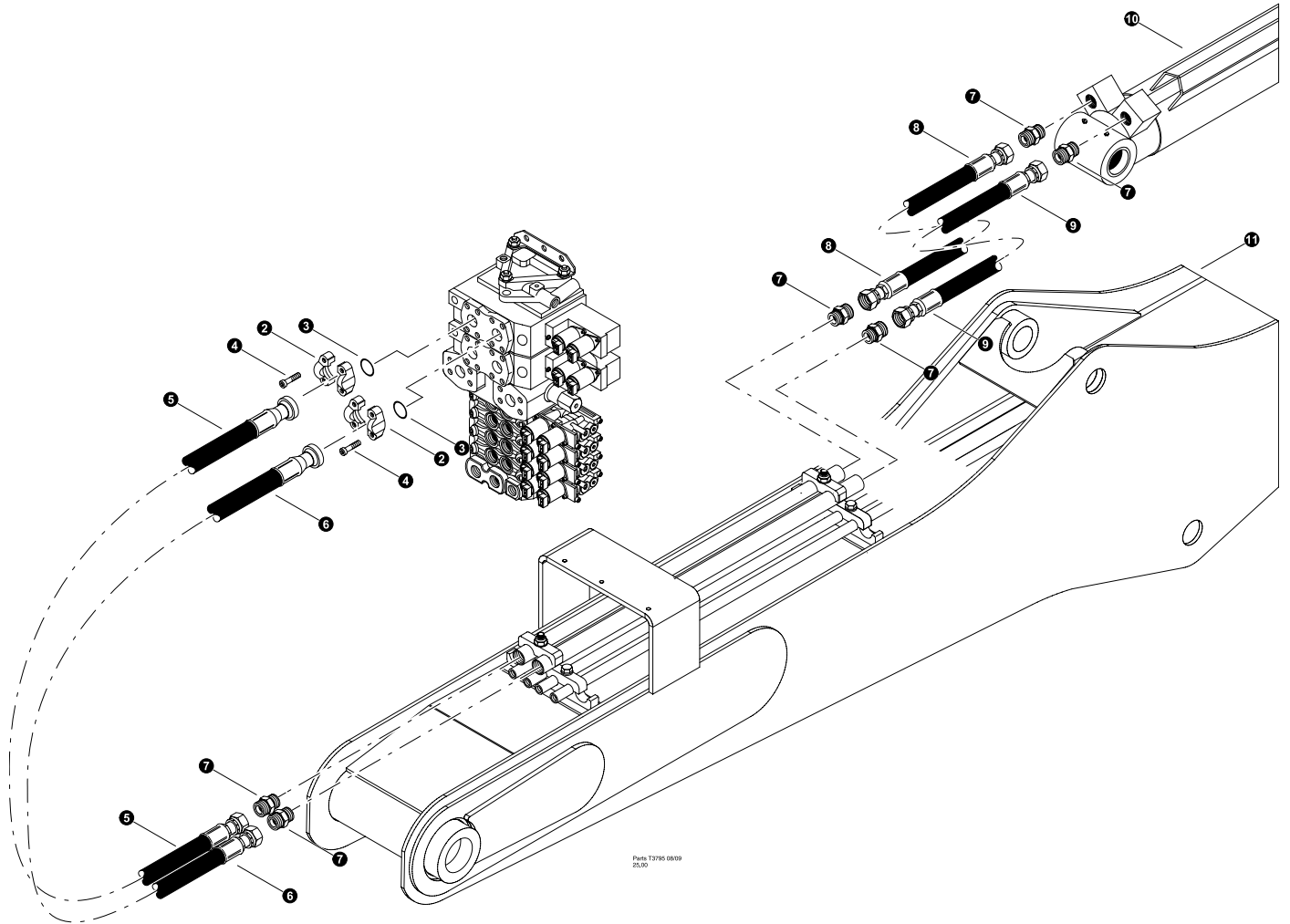


STICK BOOM CYLINDER FUNCTION (Main Control Valve To Main Boom Tube Lines)

830B-0244 to 830B-0314

REF	PART #	QTY	DESCRIPTION	SEE SECTION
1	REF.	1	 MAIN CONTROL VALVE	LH-1
2	15111-LH	2	 KIT, split flange - 1" SF (Code 61)	
3	15377-LH	2	O-RING - 1" SF	
4	18979-LH	8	BOLT, allen M10 X 45MM	
5	-LH	1	HOSE ASSEMBLY - 4053-16-1609-16PA (<i>Stick boom valve work port "B" to main boom tube line base side</i>)	
6	-LH	1	HOSE ASSEMBLY - 4053-16-1604-16PA (<i>Stick boom valve work port "A" to main boom tube line rod side</i>)	
7	18406-LH	6	 CONNECTOR, STR - FF1852T-1612S	
8	-LH	1	HOSE ASSEMBLY - 4019.5-16-160S-16O4 (<i>Stick Cylinder to main boom tube line base side</i>)	
9	-LH	1	HOSE ASSEMBLY - 4019.5-16-16OS-16O4 (<i>Stick Cylinder to main boom tube line rod side</i>)	
10	REF.	1	 STICK BOOM CYLINDER	LB-3
11	REF.	1	 MAIN BOOM ASSEMBLY	LB-1






 See referenced page for component or assembly breakdown.



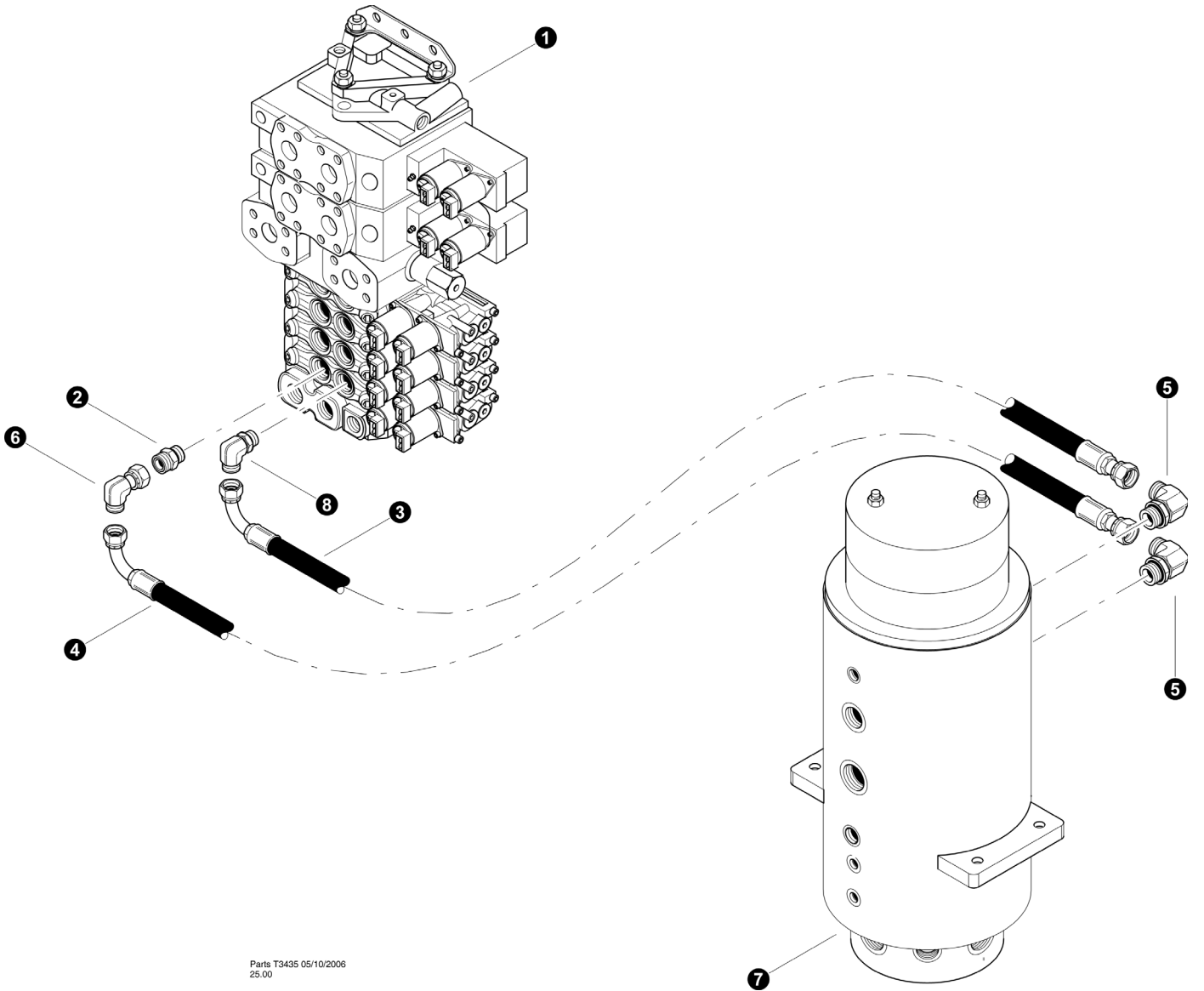
Part 13785-08/09
20.00

STICK BOOM CYLINDER FUNCTION (Main Control Valve To Main Boom Tube Lines)

Machine 830B-0315 and newer

REF	PART #	QTY	DESCRIPTION	SEE SECTION
1	REF.	1	 MAIN CONTROL VALVE	LH-1
2	15111-LH	2	 KIT, split flange - 1" SF (Code 61)	
3	15377-LH	2	O-RING - 1" SF	
4	18979-LH	8	BOLT, allen M10 X 45MM	
5	-LH	1	HOSE ASSEMBLY - 4052.5-16-1609-16PA (<i>Stick boom valve work port "B" to main boom tube line base side</i>)	
6	-LH	1	HOSE ASSEMBLY - 4053-16-1604-16PA (<i>Stick boom valve work port "A" to main boom tube line rod side</i>)	
7	18406-LH	6	 CONNECTOR, STR - FF1852T-1612S	
8	-LH	1	HOSE ASSEMBLY - 4019.5-16-160S-16O4 (<i>Stick Cylinder to main boom tube line base side</i>)	
9	-LH	1	HOSE ASSEMBLY - 4019.5-16-16OS-16O4 (<i>Stick Cylinder to main boom tube line rod side</i>)	
10	REF.	1	 STICK BOOM CYLINDER	LB-3
11	REF.	1	 MAIN BOOM ASSEMBLY	LB-1



 See referenced page for component or assembly breakdown.



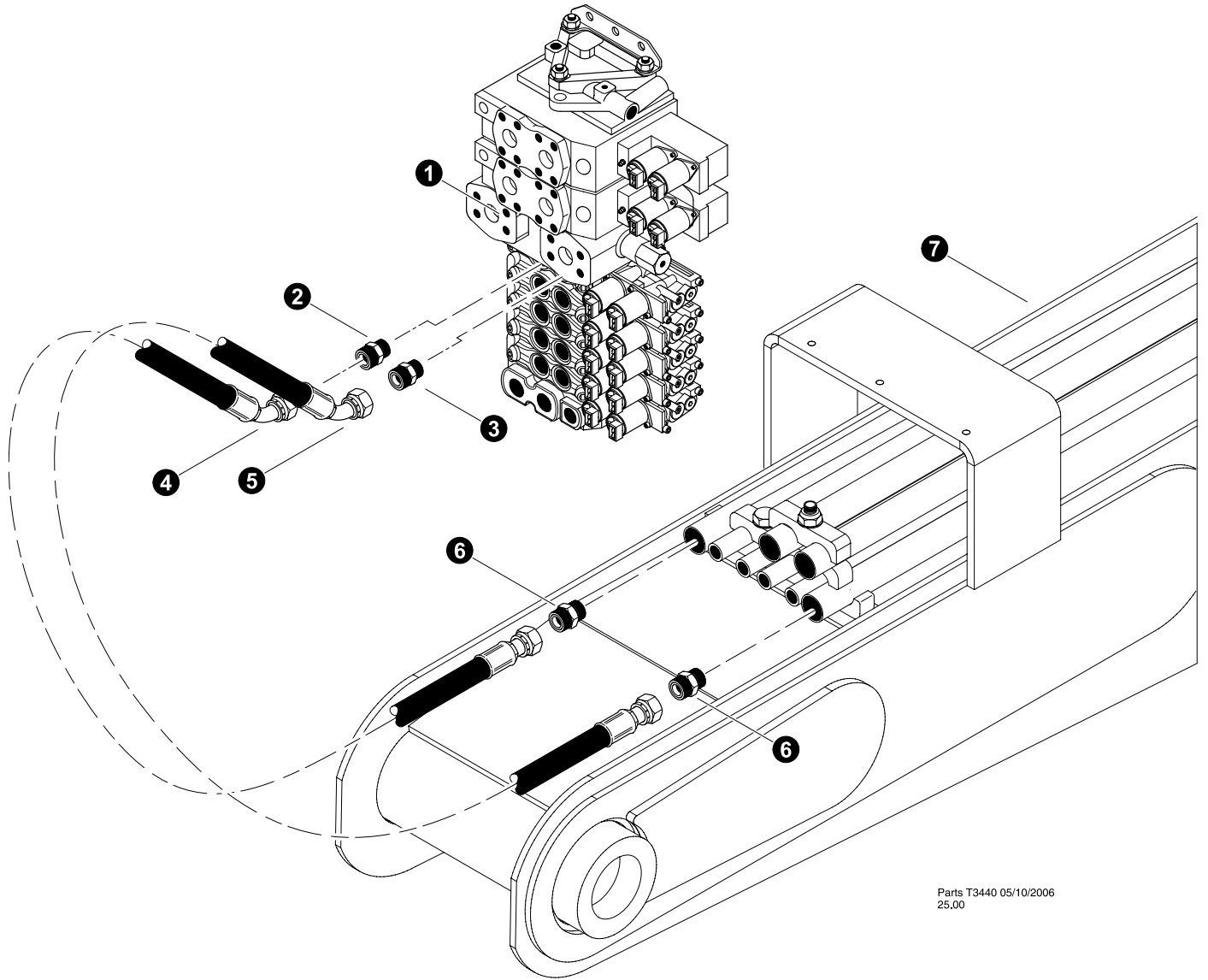
Parts T3435 05/10/2006
25.00

STEER FUNCTION LINES

(Main Control Valve To Upper Rotary Manifold Ports)



REF	PART #	QTY	DESCRIPTION	SEE SECTION
1	REF.	1	 MAIN CONTROL VALVE	LH-1
2	50039-LH	2	CONNECTOR, STR - 848-TTO-10X10	
3	-LH	1	HOSE ASSEMBLY - 4034.5-10-100S-1009(<i>Steer valve section work port "B" to rotary manifold #11 or ST1 port</i>)	
4	-LH	1	HOSE ASSEMBLY - 4036-10-100S-1009(<i>Steer valve section work port "A" to rotary manifold #9 or ST2 port</i>)	
5	50036-LH	3	ELBOW, 90 - 849-TTO-10X12	
6	51882-LH	3	ELBOW, 90 - SWIVEL (10 C6L0-S)	
7	REF.	1	 ROTORY MANIFOLD ASSEMBLY	UP-1
8	51881-LH	3	ELBOW, 90 - (10 C50L0-S)	

 See referenced page for component or assembly breakdown.

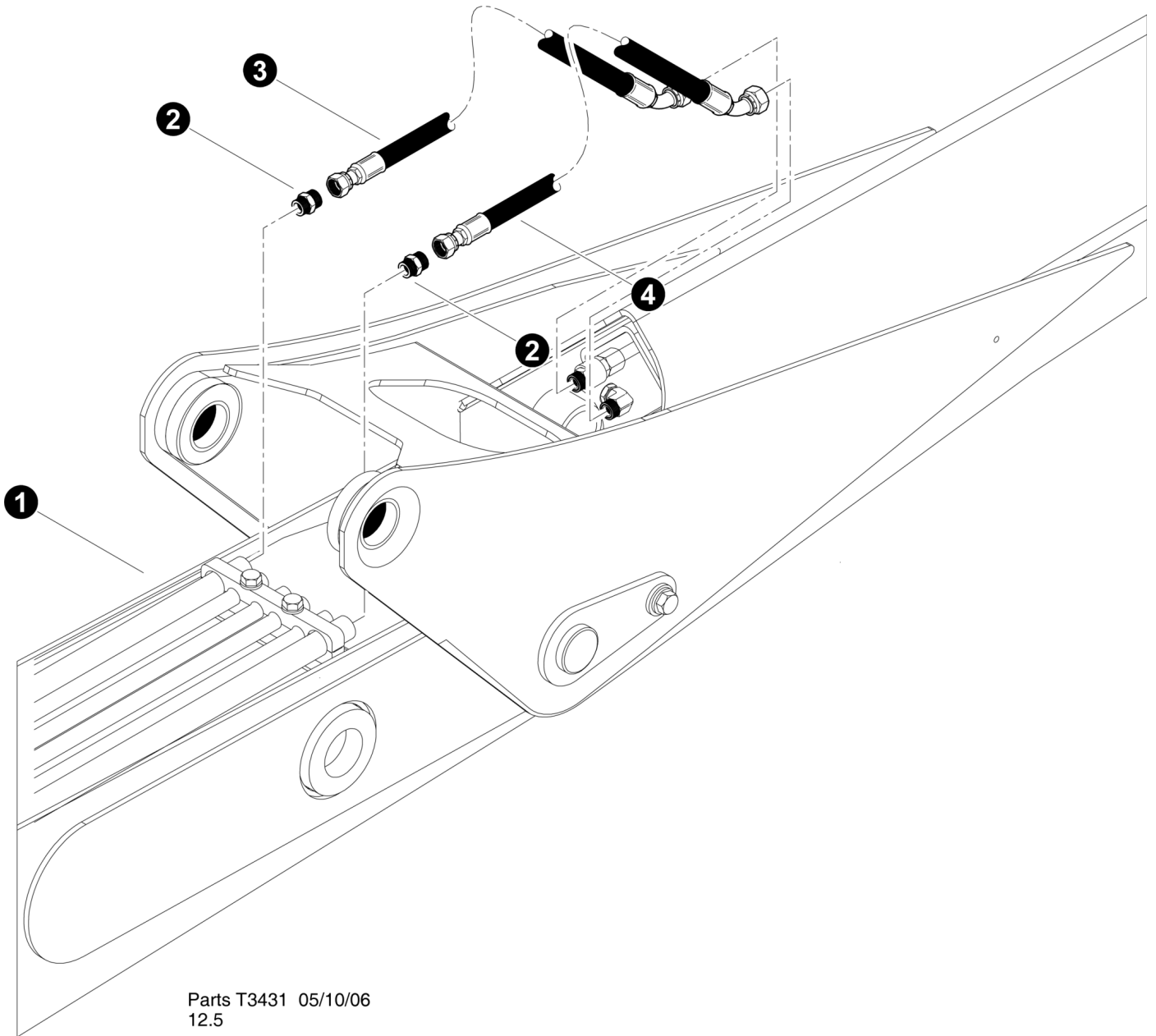


Parts T3440 05/10/2006
25.00

“Optional” SQUIRT BOOM CONNECTIONS
(Main Control Valve To Squirt Cylinder tube lines)

REF	PART #	QTY	DESCRIPTION	SEE SECTION
1	REF.	1	 MAIN CONTROL VALVE (with optional squirt/tele)	LH-1
2	16851-LH	1	CONNECTOR, STR - FF1852T-1210S	
3	16851-LH	1	CONNECTOR, STR - FF1852T-1210S	
4	-LH	1	HOSE ASSEMBLY - 4051-12-120S-1204 (<i>Squirt Boom Section “A” port to Main Boom</i>)	
5	-LH	1	HOSE ASSEMBLY - 4053-12-120S-1204 (<i>Squirt Boom Section “B” port to Main Boom</i>)	
6	15152-LH	2	CONNECTOR, STR - FF1852T-1212S	
7	REF.	1	 MAIN BOOM ASSEMBLY	LB-1


 See referenced page for component or assembly breakdown.



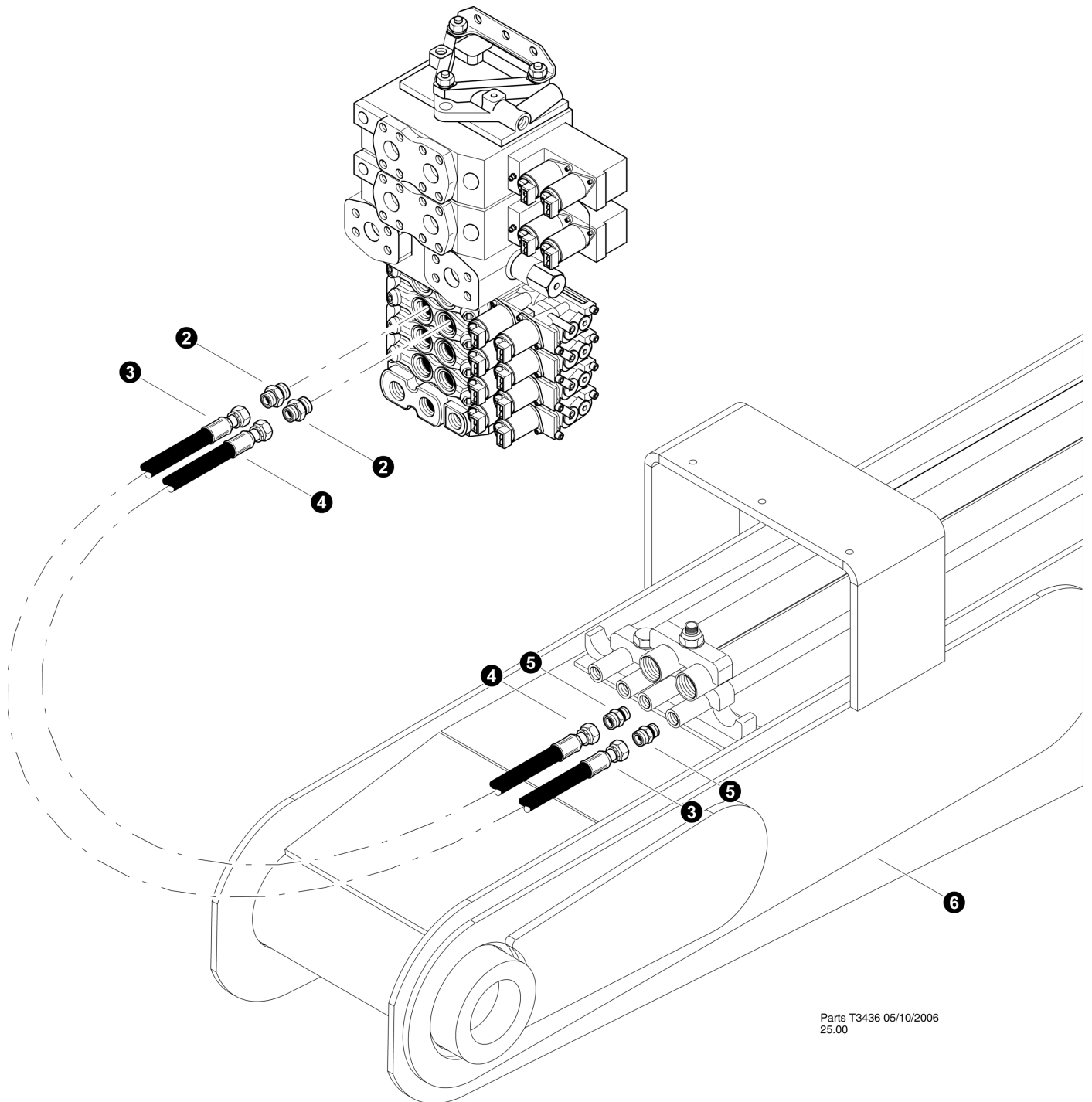
Parts T3431 05/10/06
12.5

“Optional” SQUIRT BOOM CONNECTIONS
(Main Boom To Squirt Cylinder)

Typical Forwarder - Machine SN 0144 02/14/06 and after

REF	PART #	QTY	DESCRIPTION	SEE SECTION
1	REF.	1	 MAIN / SQUIRT BOOM ASSEMBLY	LB-1
2	15152-LH	2	CONNECTOR, STR - FF1852T-1212S	
3	-LH	1	HOSE ASSEMBLY - 4042-12-120S-1204 (<i>Main Boom tube line to Squirt Boom Cylinder</i>)	
4	-LH	1	HOSE ASSEMBLY - 4042-12-120S-1204 (<i>Main Boom tube line to Squirt Boom Cylinder</i>)	



 See referenced page for component or assembly breakdown.



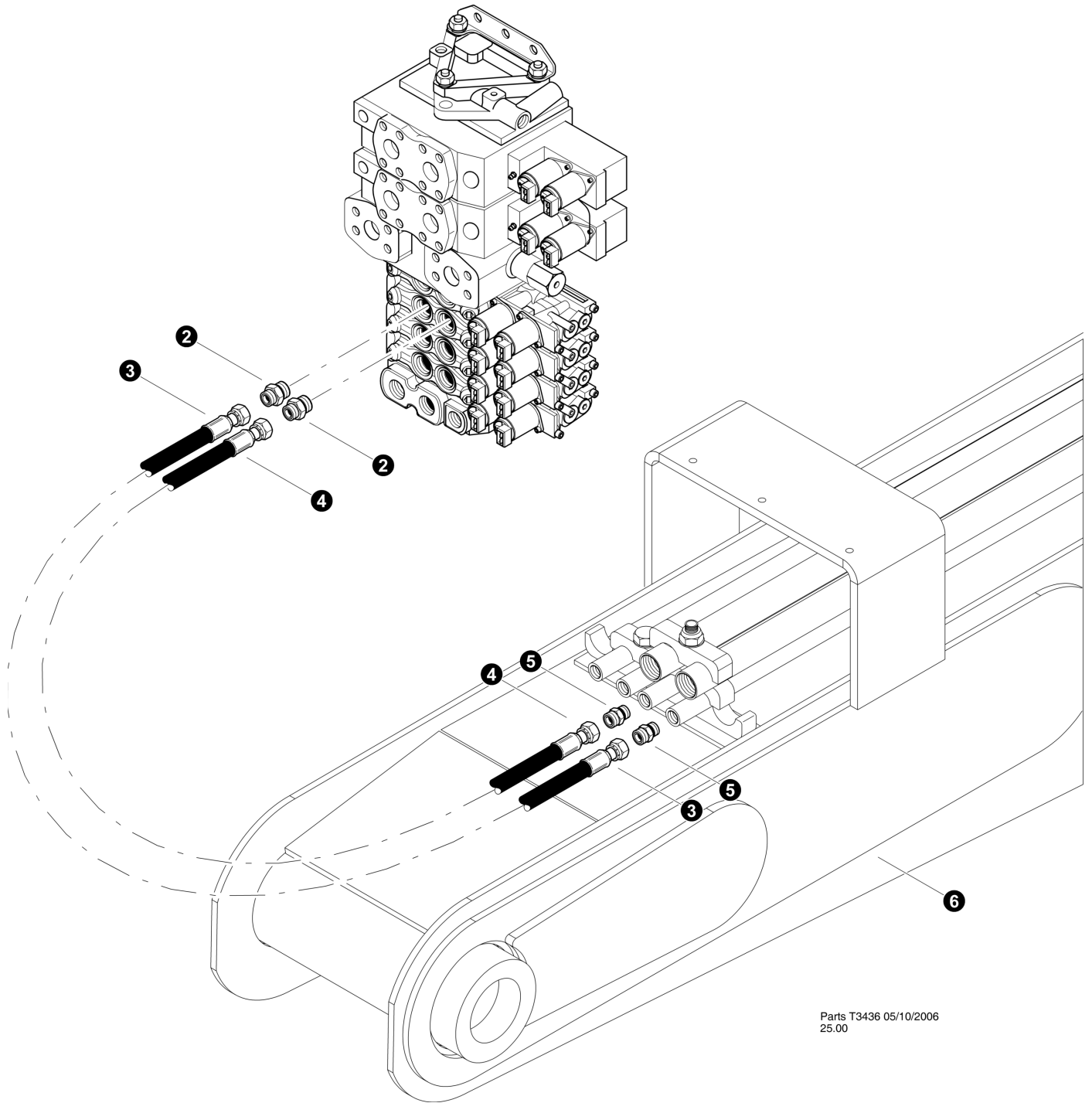
Parts T3436 05/10/2006
25.00

GRAPPLE OPEN/CLOSE FUNCTION
(Main Control Valve To Main Boom Tube Lines)

830B-0244 to 830B-0314

REF	PART #	QTY	DESCRIPTION	SEE SECTION
1	REF.	1	 MAIN CONTROL VALVE	LH-1
2	50039-LH	2	CONNECTOR, STR - 848-TTO-10X10	
3	-LH	1	HOSE ASSEMBLY - 4060-10-100S-100S (<i>Grapple valve section work port "A" to main boom right outside tube line</i>)	
4	-LH	1	HOSE ASSEMBLY - 4059-10-100S-100S (<i>Grapple valve section work port "B" to main boom right inside tube line</i>)	
5	15115-LH	2	CONNECTOR, straight - FF1852T-0810S	
6	REF.	1	 MAIN BOOM ASSEMBLY	LB-1



 See referenced page for component or assembly breakdown.




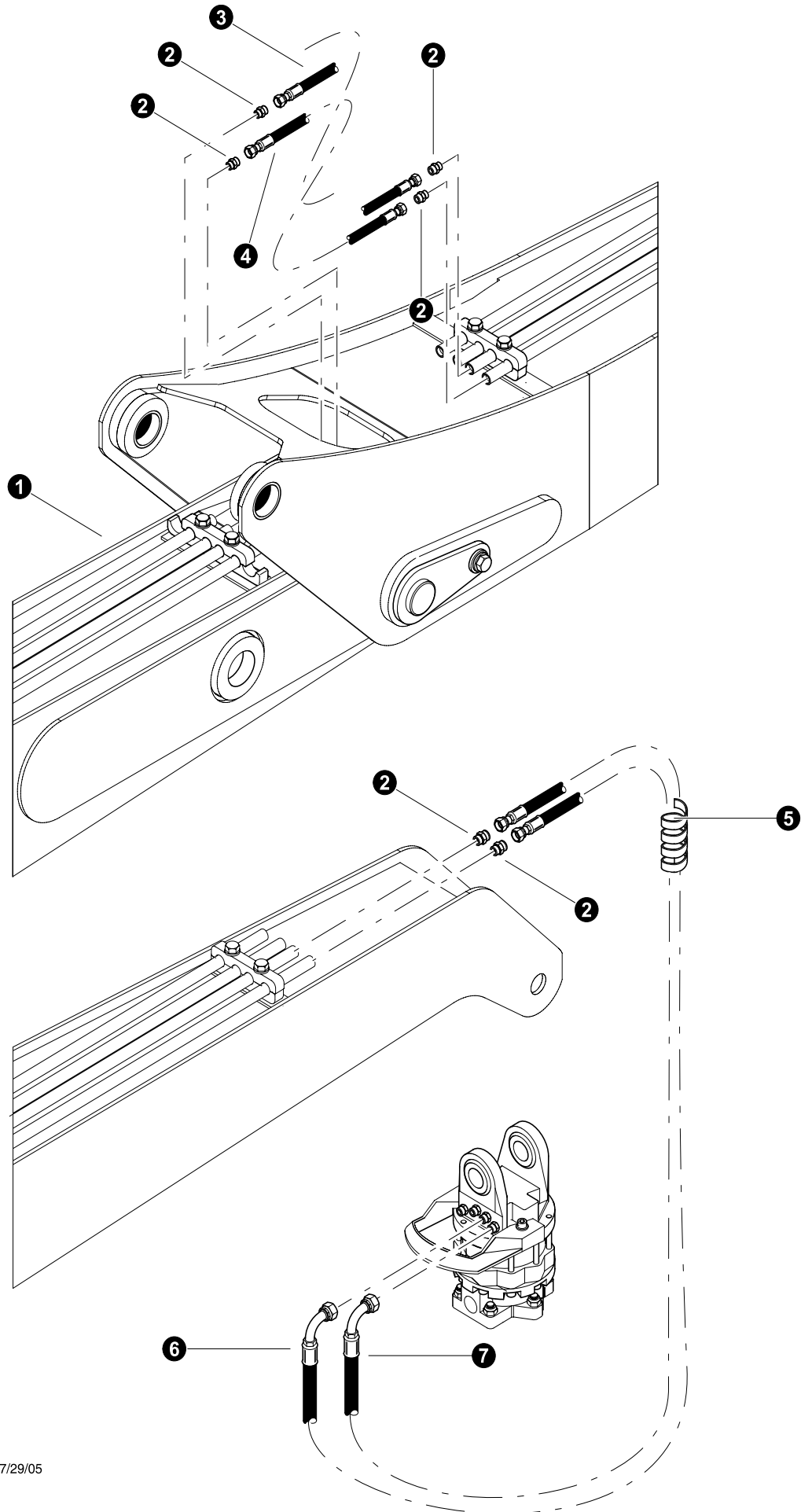
Parts T3436 05/10/2006
25.00

GRAPPLE OPEN/CLOSE FUNCTION (Main Control Valve To Main Boom Tube Lines)

Machine 830B-0315 and newer


REF	PART #	QTY	DESCRIPTION	SEE SECTION
1	REF.	1	 MAIN CONTROL VALVE	LH-1
2	50039-LH	2	CONNECTOR, STR - 848-TTO-10X10	
3	-LH	1	HOSE ASSEMBLY - 4066-10-100S-100S (<i>Grapple valve section work port "A" to main boom right outside tube line</i>)	
4	-LH	1	HOSE ASSEMBLY - 4066-10-100S-100S (<i>Grapple valve section work port "B" to main boom right inside tube line</i>)	
5	15115-LH	2	CONNECTOR, straight - FF1852T-0810S	
6	REF.	1	 MAIN BOOM ASSEMBLY	LB-1

 See referenced page for component or assembly breakdown.

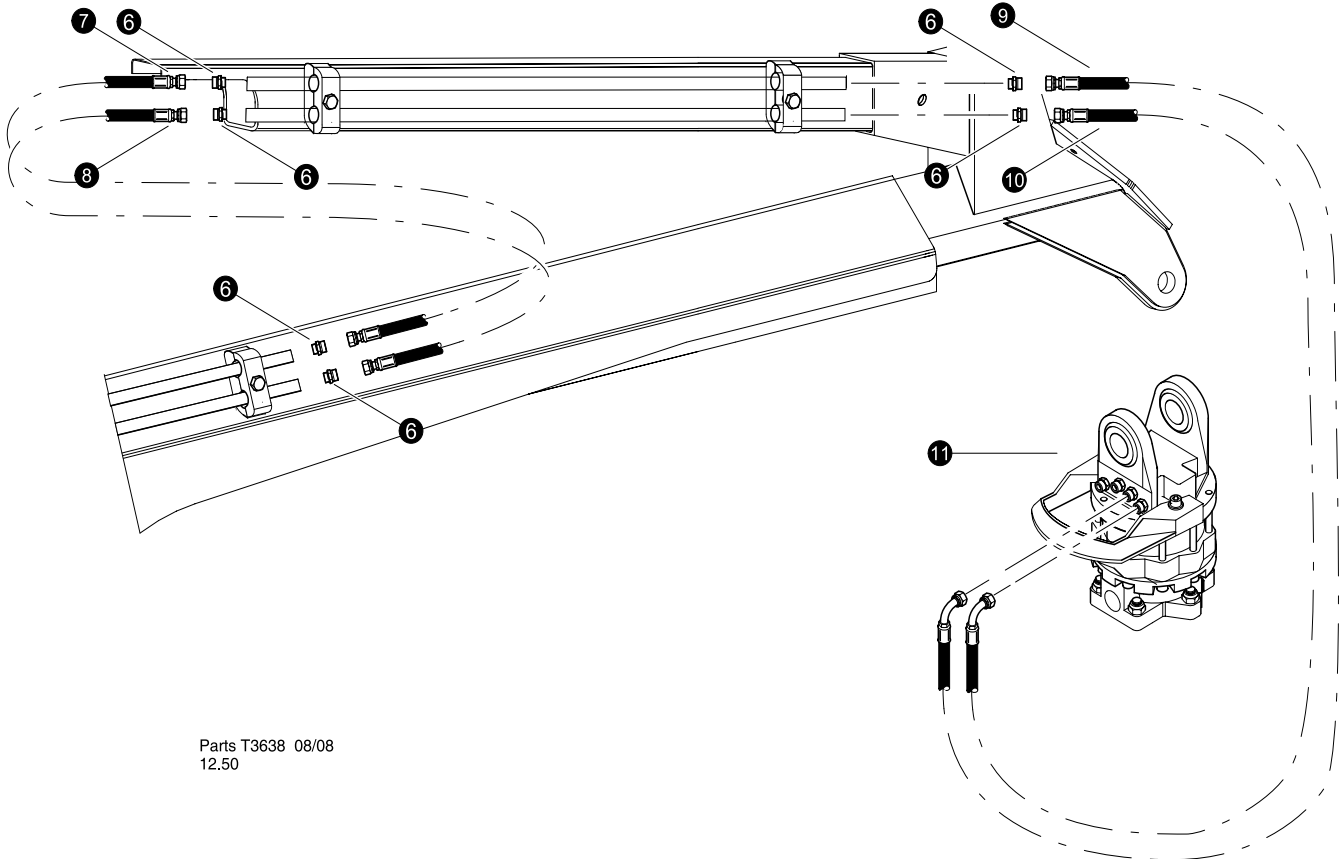
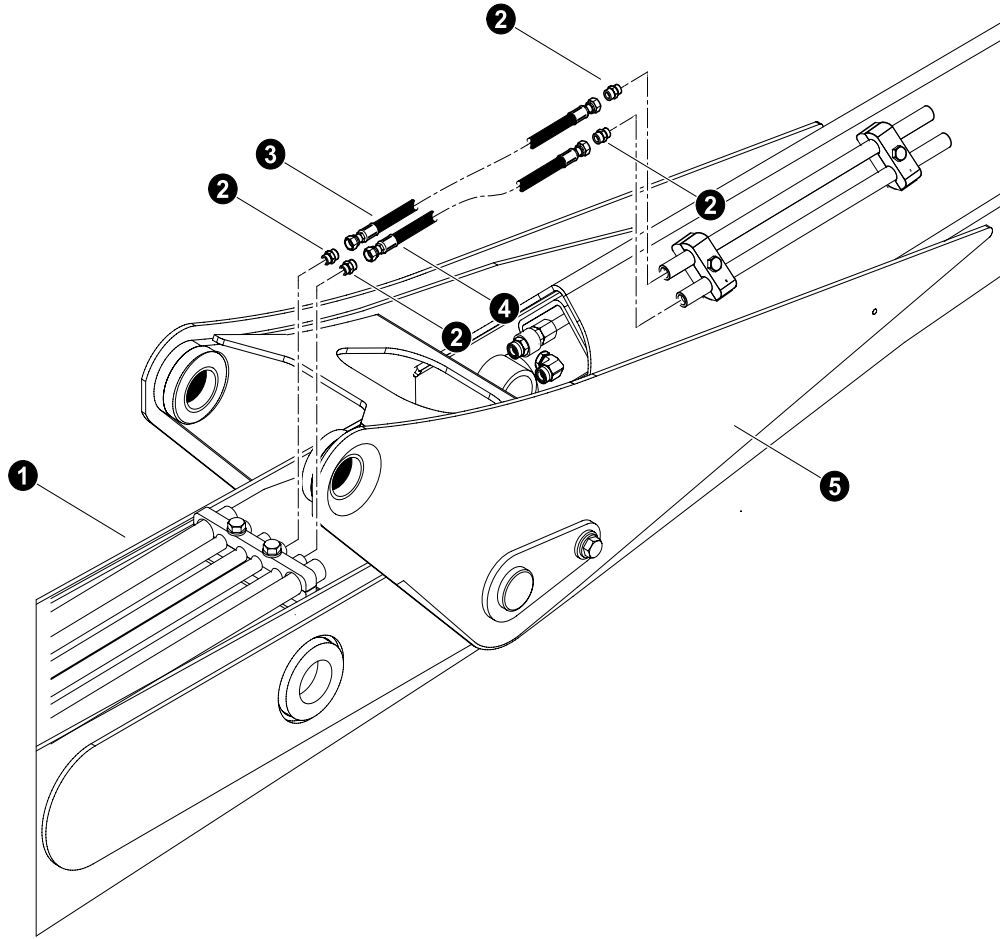


Parts T3327 07/29/05
12.5

GRAPPLE OPEN/CLOSE FUNCTION (Main & Stick Boom Tube lines to Grapple)




REF	PART #	QTY	DESCRIPTION	SEE SECTION
1	REF.	1	 LOADER BOOM ASSEMBLY	LB
2	15115-LH	2	CONNECTOR, straight - FF1852T-0810S	
3	-LH	1	HOSE ASSEMBLY - 4045-10-100S-100S (<i>main boom to stick boom tube lines</i>)	
4	-LH	1	HOSE ASSEMBLY - 4045-10-100S-100S (<i>main boom to stick boom tube lines</i>)	
5	19677-LH	6 ft	PROTECTOR, HOSE - SPRIAL (1.25")(BULK)	
6	51482-LH	1	HOSE ASSEMBLY - 4069-08-080S-0809 (<i>stick boom tube lines to grapple rotator</i>)	
7	51482-LH	1	HOSE ASSEMBLY - 4069-08-080S-0809 (<i>stick boom tube lines to grapple rotator</i>)	

 See referenced page for component or assembly breakdown.

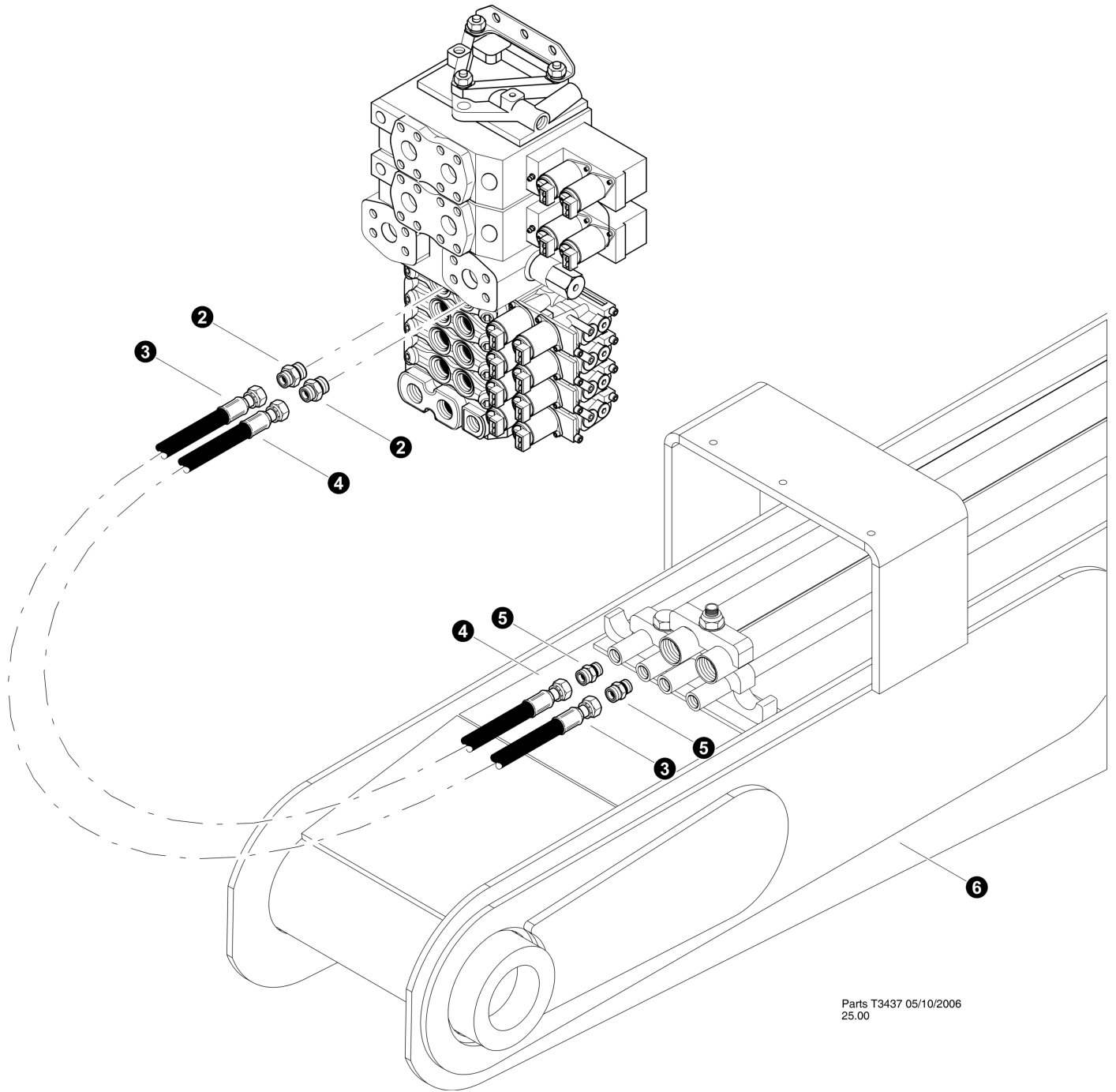


Parts T3638 08/08
12.50

**“Optional” SQUIRT BOOM CONNECTIONS
(Grapple Open and Close)**

REF	PART #	QTY	DESCRIPTION	SEE SECTION
1	REF.	1	 MAIN BOOM ASSEMBLY	LB-1
2	15117-LH	2	CONNECTOR, STR - FF1852T-0808S	
3	-LH	1	HOSE ASSEMBLY - 4049-10-100S-100S (<i>Main Boom tube line to Squirt Boom tube line</i>)	
4	-LH	1	HOSE ASSEMBLY - 4049-10-100S-100S (<i>Main Boom tube line to Squirt Boom tube line</i>)	
5	REF.	1	 SQUIRT BOOM ASSEMBLY	LB-1
6	15115-LH	2	CONNECTOR, straight - FF1852T-0810S	
6	15117-LH	2	CONNECTOR, STR - FF1852T-0808S	
7	- - -	2	HOSE ASSEMBLY - 4093-10-100S-100S (<i>Squirt boom lowertube line to Singer lower tubeline</i>)	
8	- - -	2	HOSE ASSEMBLY - 4093-10-100S-100S (<i>Squirt boom lowertube line to Singer lower tubeline</i>)	
9	-LH	1	HOSE ASSEMBLY - 4069-08-080S-0809 (<i>Squirt boom top cab-side hoseline to grapple</i>)	
10	-LH	1	HOSE ASSEMBLY - 4069-08-080S-0809 (<i>Squirt boom bottom cab-side hoseline to grapple</i>)	
11	REF.	1	 ROTATOR, GV17.	LB-5



 See referenced page for component or assembly breakdown.



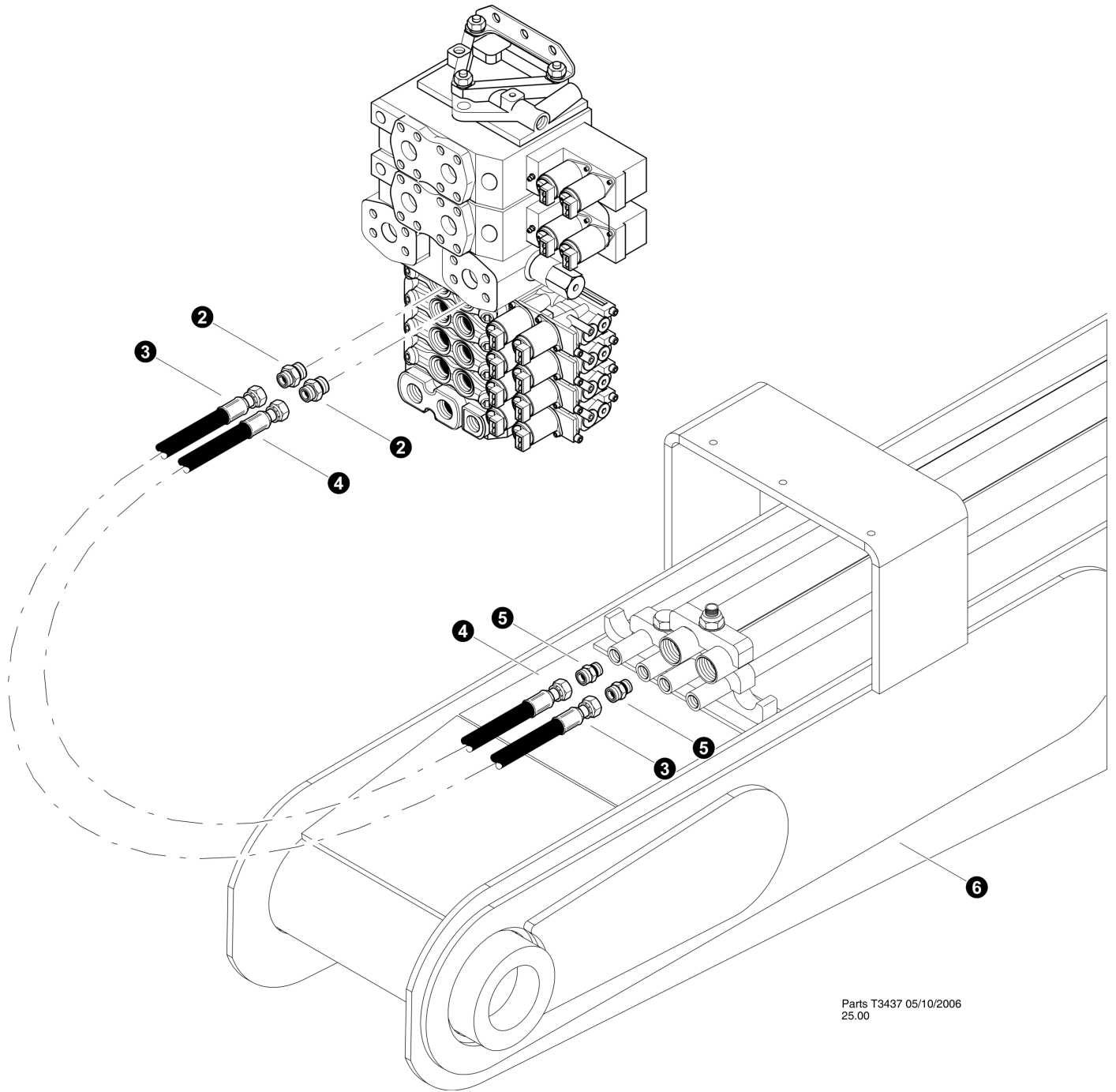
Parts T3437 05/10/2006
25.00

GRAPPLE ROTATE FUNCTION (Main Control Valve To Main Boom Tube Lines)

830B-0244 to 830B-0314

REF	PART #	QTY	DESCRIPTION	SEE SECTION
1	REF.	1	 MAIN CONTROL VALVE	LH-1
2	50039-LH	2	CONNECTOR, STR - 848-TTO-10X10	
3	-LH	1	HOSE ASSEMBLY - 4058-10-100S-100S (<i>Grapple rotate section work port "A" to main boom left outside tube line</i>)	
4	-LH	1	HOSE ASSEMBLY - 4057-10-100S-100S (<i>Grapple rotate section work port "B" to main boom left inside tube line</i>)	
5	15115-LH	2	CONNECTOR, straight - FF1852T-0810S	
6	REF.	1	 MAIN BOOM ASSEMBLY	LB-1



 See referenced page for component or assembly breakdown.




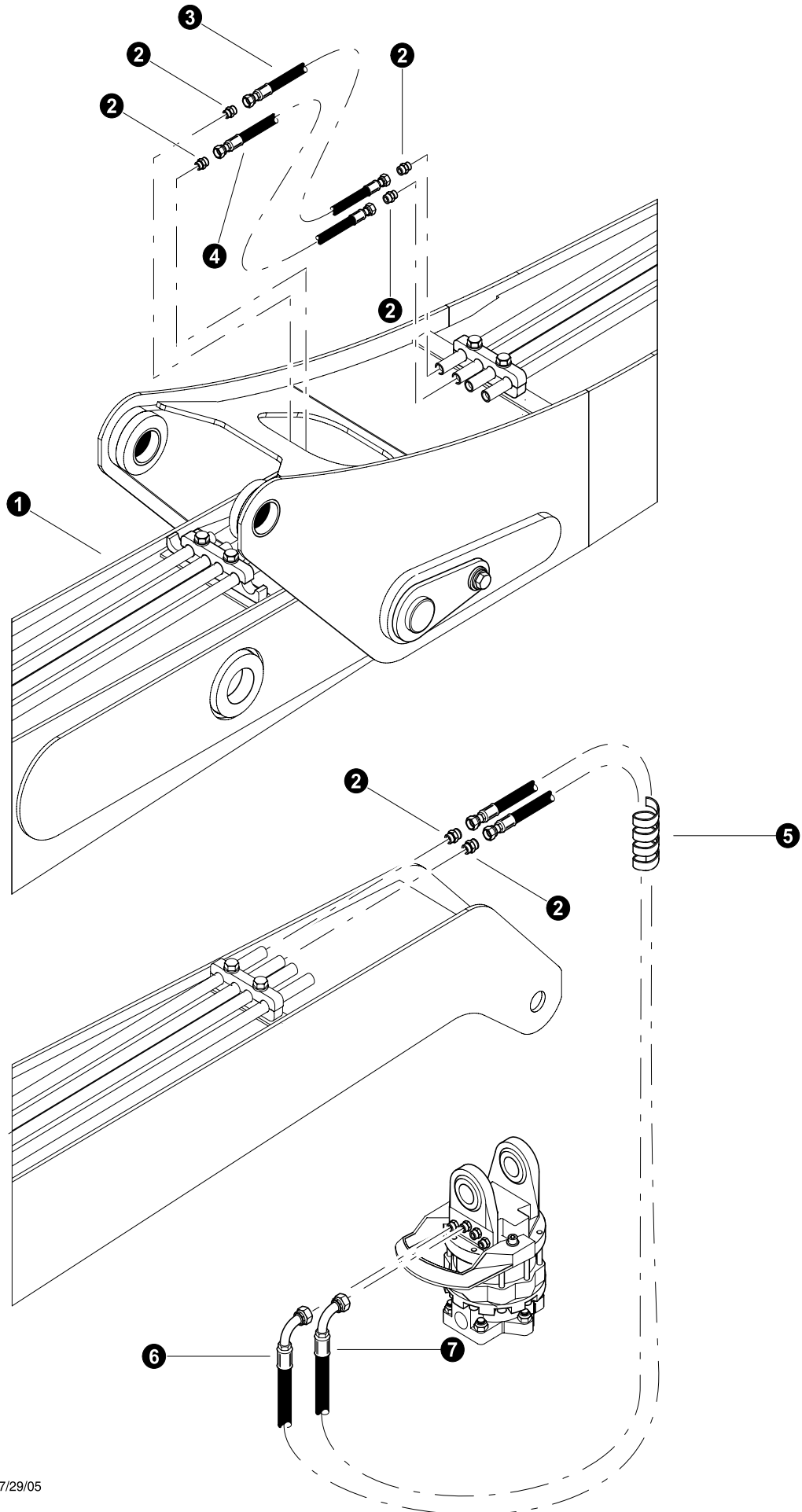
Parts T3437 05/10/2006
25.00

GRAPPLE ROTATE FUNCTION (Main Control Valve To Main Boom Tube Lines)

Machine 830B-0315 and newer


REF	PART #	QTY	DESCRIPTION	SEE SECTION
1	REF.	1	 MAIN CONTROL VALVE	LH-1
2	50039-LH	2	CONNECTOR, STR - 848-TTO-10X10	
3	-LH	1	HOSE ASSEMBLY - 4060-10-100S-100S (<i>Grapple rotate section work port "A" to main boom left outside tube line</i>)	
4	-LH	1	HOSE ASSEMBLY - 4063-10-100S-100S (<i>Grapple rotate section work port "B" to main boom left inside tube line</i>)	
5	15115-LH	2	CONNECTOR, straight - FF1852T-0810S	
6	REF.	1	 MAIN BOOM ASSEMBLY	LB-1

 See referenced page for component or assembly breakdown.

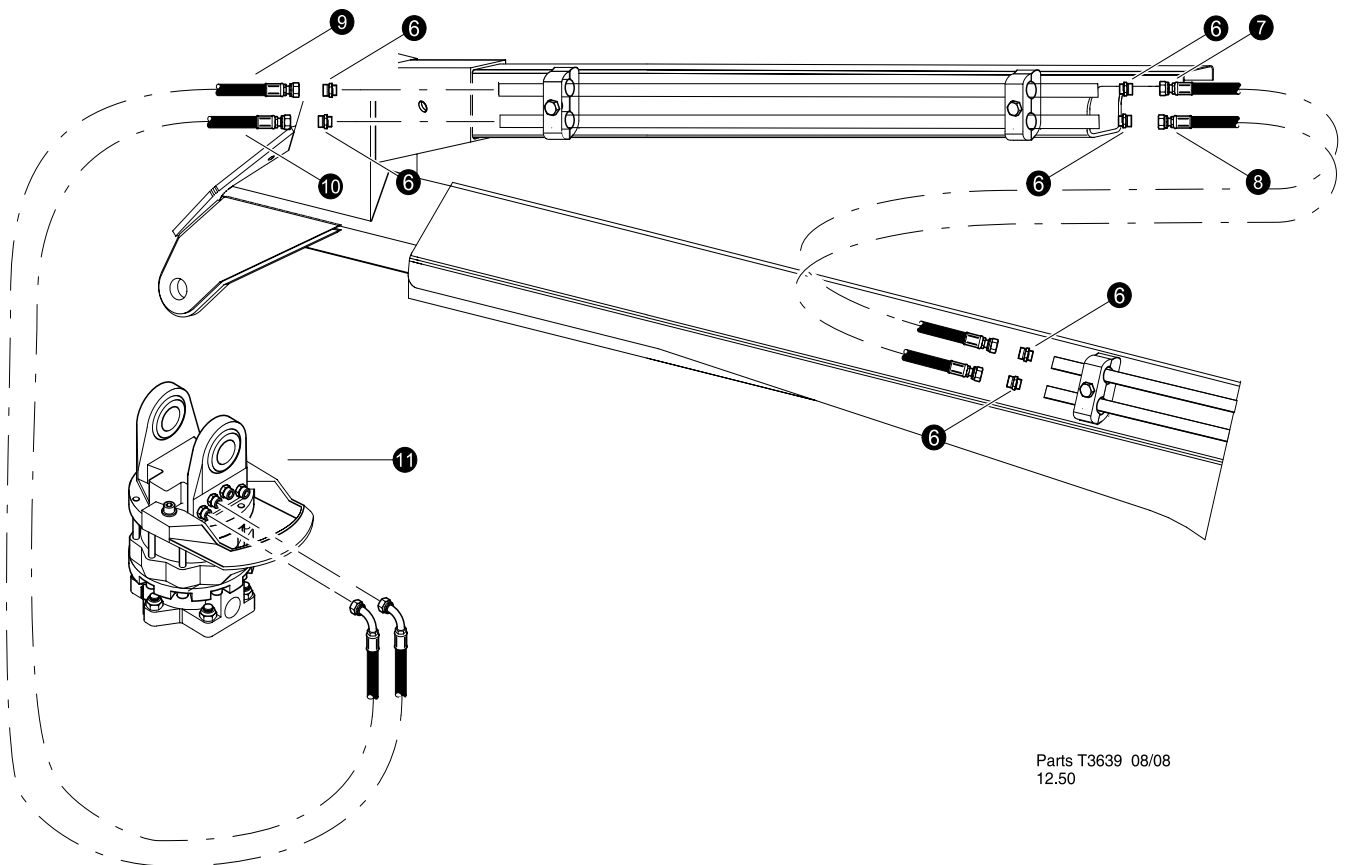
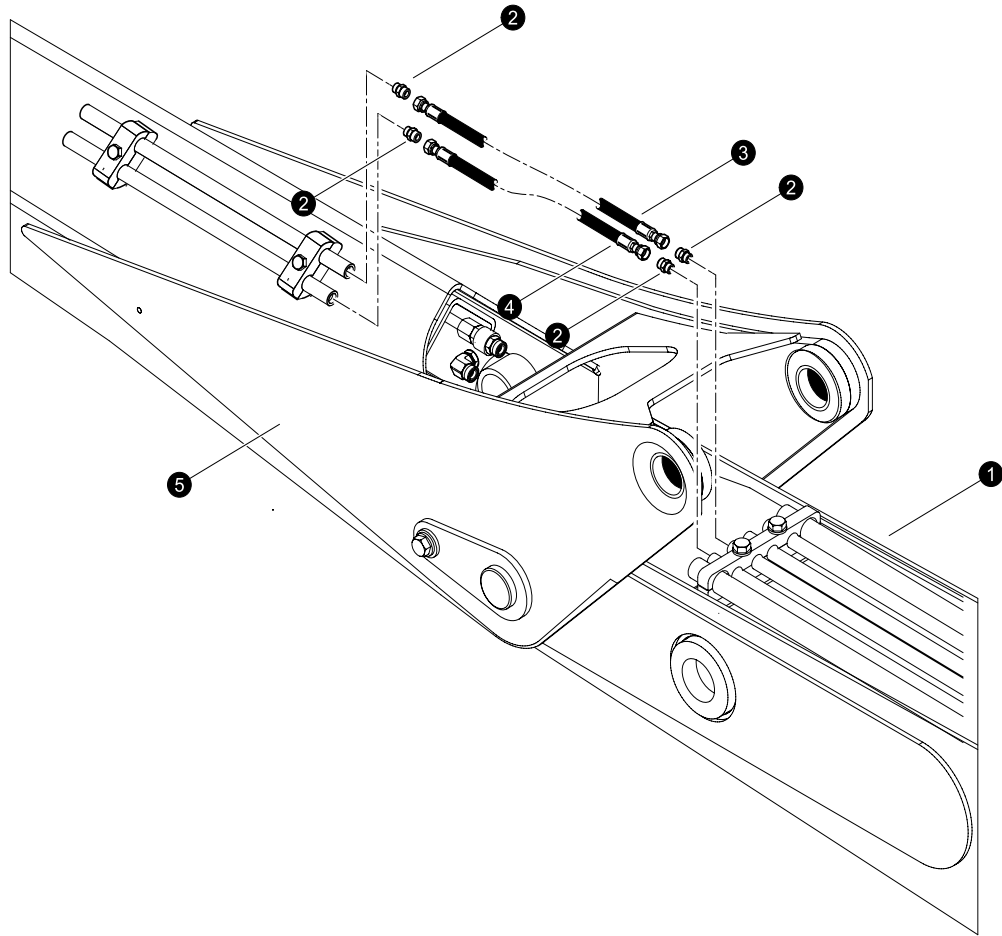


Parts T3325 07/29/05
12.5

GRAPPLE ROTATE FUNCTION (Main & Stick Boom Tube lines to Grapple)




REF	PART #	QTY	DESCRIPTION	SEE SECTION
1	REF.	1	 LOADER BOOM ASSEMBLY	LB
2	15117-LH	2	CONNECTOR, STR - FF1852T-0808S	
3	-LH	1	HOSE ASSEMBLY - 4045-08-080S-080S (<i>main boom to stick boom tube lines</i>)	
4	-LH	1	HOSE ASSEMBLY - 4045-08-080S-080S (<i>main boom to stick boom tube lines</i>)	
5	19677-LH	6 ft	PROTECTOR, HOSE - SPRIAL (1.25")(BULK)	
6	51482-LH	1	HOSE ASSEMBLY - 4069-08-080S-0809 (<i>stick boom tube lines to grapple rotator</i>)	
7	51482-LH	1	HOSE ASSEMBLY - 4069-08-080S-0809 (<i>stick boom tube lines to grapple rotator</i>)	

 See referenced page for component or assembly breakdown.



Parts T3639 08/08
12.50

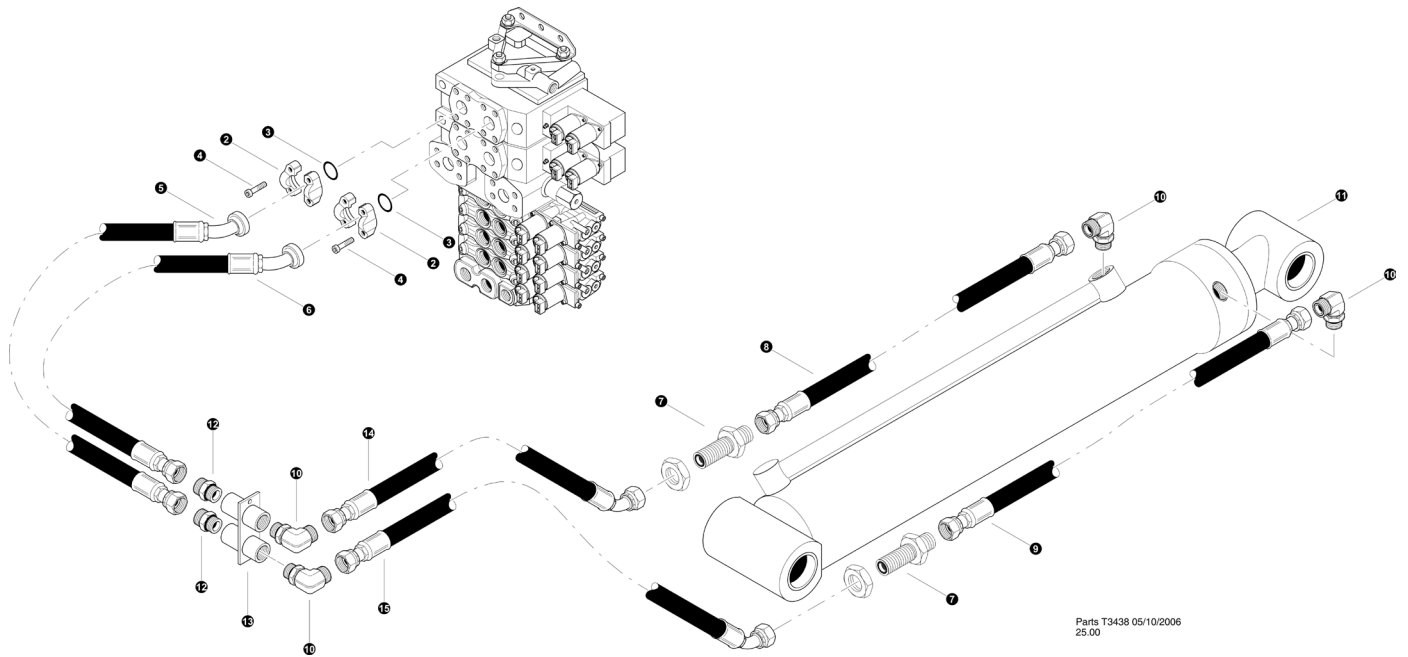
“Optional” SQUIRT BOOM CONNECTIONS (Grapple Rotate)

REF	PART #	QTY	DESCRIPTION	SEE SECTION
1	REF.	1	 MAIN BOOM ASSEMBLY	LB-1
2	15117-LH	2	CONNECTOR, STR - FF1852T-0808S	
3	-LH	1	HOSE ASSEMBLY - 4049-08-080S-080S (<i>Main Boom tube line to Squirt Boom tube line</i>)	
4	-LH	1	HOSE ASSEMBLY - 4049-08-080S-080S (<i>Main Boom tube line to Squirt Boom tube line</i>)	
5	REF.	1	 SQUIRT BOOM ASSEMBLY	LB-1
6	15117-LH	2	CONNECTOR, STR - FF1852T-0808S	
7	- - -	2	HOSE ASSEMBLY - 4093-08-080S-080S (<i>Squirt boom lowertube line to Singer lower tubeline</i>)	
8	- - -	2	HOSE ASSEMBLY - 4093-08-080S-080S (<i>Squirt boom lowertube line to Singer lower tubeline</i>)	
9	-LH	1	HOSE ASSEMBLY - 4069-08-080S-0809 (<i>Squirt boom top cab-side hoseline to grapple middle cab-side port</i>)	
10	-LH	1	HOSE ASSEMBLY - 4069-08-080S-0809 (<i>Squirt boom bottom cab-side hoseline to grapple outer cab-side port</i>)	
11	REF.	1	 ROTATOR, GV17.	LB-5

 See referenced page for component or assembly breakdown.




Section LH-5

Loader Boom Hydraulics - Implement Connections - Harvester

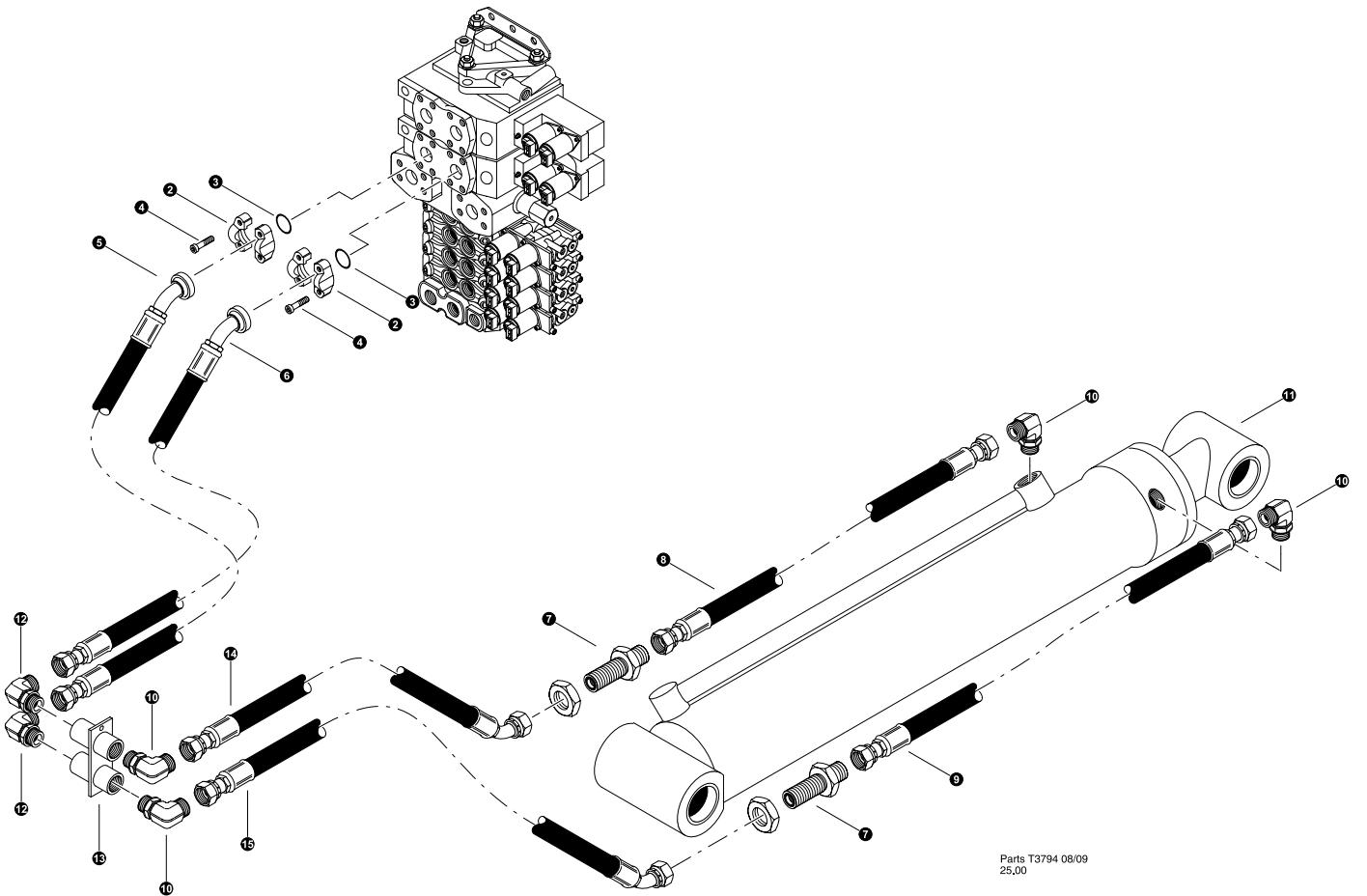


MAIN BOOM CYLINDER FUNCTION (Main Control Valve To Main Boom (Hoist) Cylinder)

830B-0244-021808 to 830B-0314-071609

REF	PART #	QTY	DESCRIPTION	SEE SECTION
1	REF.	1	 MAIN CONTROL VALVE	LH-1
2	15111-LH	2	 KIT, split flange - 1" SF (Code 61)	
3	15377-LH	2	O-RING - 1" SF	
4	18979-LH	8	BOLT, allen M10 X 45MM	
5	-LH	1	HOSE ASSEMBLY - 4031-16-160S-16PA4 (<i>Main boom valve work port "B" to main boom cylinder bulkhead</i>)	
6	-LH	1	HOSE ASSEMBLY - 4029.5-16-160S-16PA4 (<i>Main boom valve work port "A" to main boom cylinder bulkhead</i>)	
7	20033-LH	2	CONNECTOR, STR BULKHEAD - 832-TT-16	
8	-LB	1	HOSE ASSEMBLY - 4053-16-160S-160S (<i>main boom bulkhead to main boom cylinder base port</i>)	
9	50864-LH	1	HOSE ASSEMBLY - 4066-16-160S-160S (<i>main boom bulkhead to main boom cylinder rod port</i>)	
10	15228-LH	2	ELBOW, 90 - FF1868T-1616S	
11	REF.	1	 MAIN BOOM (HOIST) CYLINDER	LB-3
12	15525-LH	1	CONNECTOR, STR - FF1852T-1616S	
13	-LH	1	BULKHEAD, UPPER MAIN CYL	
14	-LH	1	HOSE ASSEMBLY - 4039-16-160S-1604 (<i>main boom base bulkhead to bulkhead "a" port</i>)	
15	-LH	1	HOSE ASSEMBLY - 4033.5-16-160S-1604 (<i>main boom rod bulkhead to bulkhead "b" port</i>)	




 See referenced page for component or assembly breakdown.



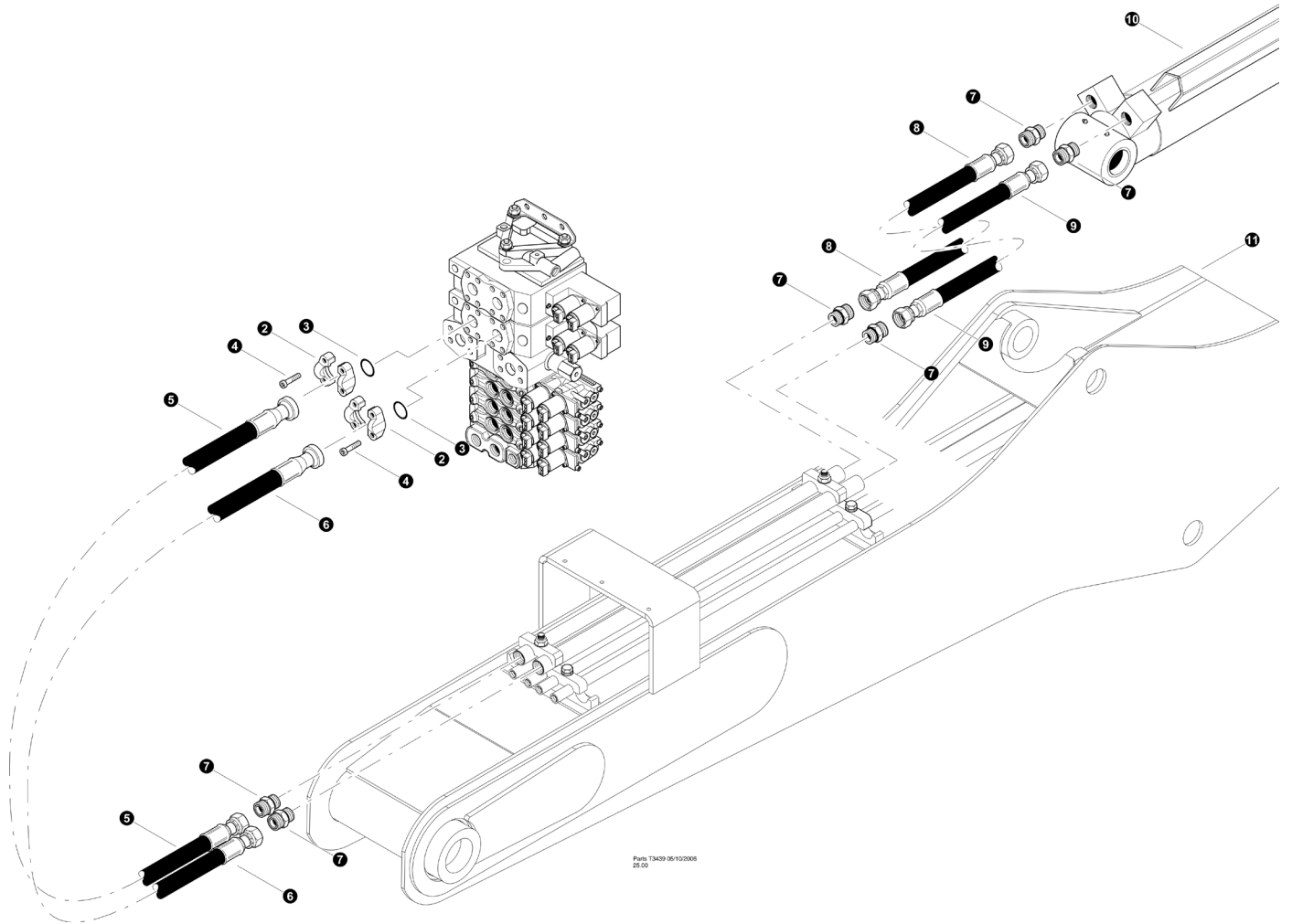
Parts T3794 08/09
25,00

MAIN BOOM CYLINDER FUNCTION (Main Control Valve To Main Boom (Hoist) Cylinder)

Machine 830B-0315-080609 and newer






REF	PART #	QTY	DESCRIPTION	SEE SECTION
1	REF.	1	 MAIN CONTROL VALVE	LH-1
2	15111-LH	2	 KIT, split flange - 1" SF (Code 61)	
3	15377-LH	2	O-RING - 1" SF	
4	18979-LH	8	BOLT, allen M10 X 45MM	
5	-LH	1	HOSE ASSEMBLY - 4020-16-160S-16PA4 (Main boom valve work port "B" to main boom cylinder bulkhead)	
6	-LH	1	HOSE ASSEMBLY - 4019-16-160S-16PA4 (Main boom valve work port "A" to main boom cylinder bulkhead)	
7	20033-LH	2	CONNECTOR, STR BULKHEAD - 832-TT-16	
8	-LB	1	HOSE ASSEMBLY - 4053-16-160S-160S (main boom bulkhead to main boom cylinder base port)	
9	50864-LH	1	HOSE ASSEMBLY - 4066-16-160S-160S (main boom bulkhead to main boom cylinder rod port)	
10	15228-LH	2	ELBOW, 90 - FF1868T-1616S	
11	REF.	1	 MAIN BOOM (HOIST) CYLINDER	LB-3
12	15525-LH	1	CONNECTOR, STR - FF1852T-1616S	
13	-LH	1	BULKHEAD, UPPER MAIN CYL	
14	-LH	1	HOSE ASSEMBLY - 4039-16-160S-1604 (main boom base bulkhead to bracket "a" port)	
15	-LH	1	HOSE ASSEMBLY - 4033.5-16-160S-1604 (main boom rod bulkhead to bracket "b" port)	

 See referenced page for component or assembly breakdown.

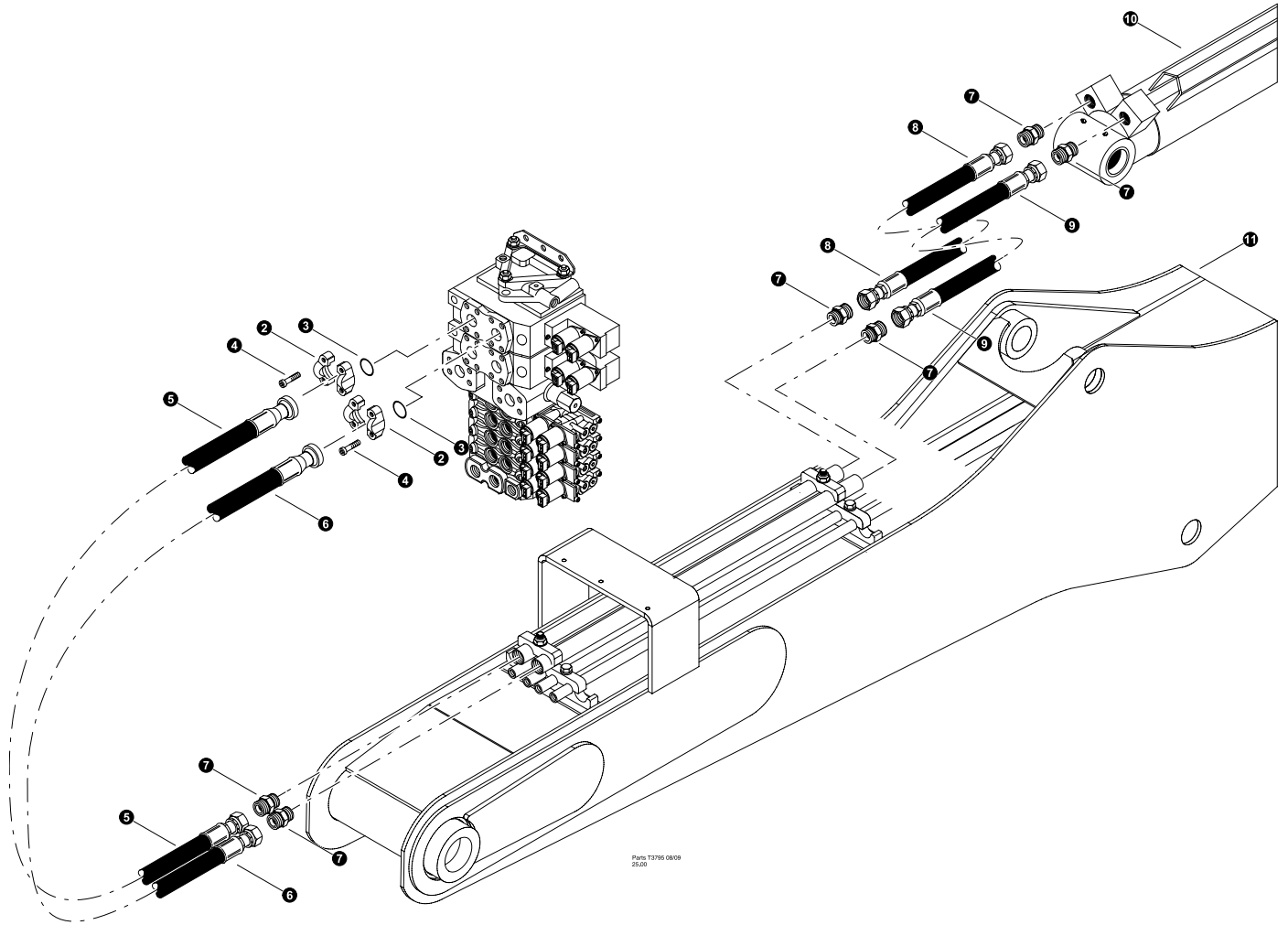


STICK BOOM CYLINDER FUNCTION
(Main Control Valve To Main Boom Tube Lines)

830B-0244-021808 to 830B-0314-071609






REF	PART #	QTY	DESCRIPTION	SEE SECTION
1	REF.	1	 MAIN CONTROL VALVE	LH-1
2	15111-LH	2	 KIT, split flange - 1" SF (Code 61)	
3	15377-LH	2	O-RING - 1" SF	
4	18979-LH	8	BOLT, allen M10 X 45MM	
5	-LH	1	HOSE ASSEMBLY - 4053-16-1609-16PA (<i>Stick boom valve work port "B" to main boom tube line base side</i>)	
6	-LH	1	HOSE ASSEMBLY - 4053-16-1604-16PA (<i>Stick boom valve work port "A" to main boom tube line rod side</i>)	
7	18406-LH	6	 CONNECTOR, STR - FF1852T-1612S	
8	-LH	1	HOSE ASSEMBLY - 4019.5-16-160S-16O4 (<i>Stick Cylinder to main boom tube line base side</i>)	
9	-LH	1	HOSE ASSEMBLY - 4019.5-16-16OS-16O4 (<i>Stick Cylinder to main boom tube line rod side</i>)	
10	REF.	1	 STICK BOOM CYLINDER	LB-3
11	REF.	1	 MAIN BOOM ASSEMBLY	LB-1

 See referenced page for component or assembly breakdown.

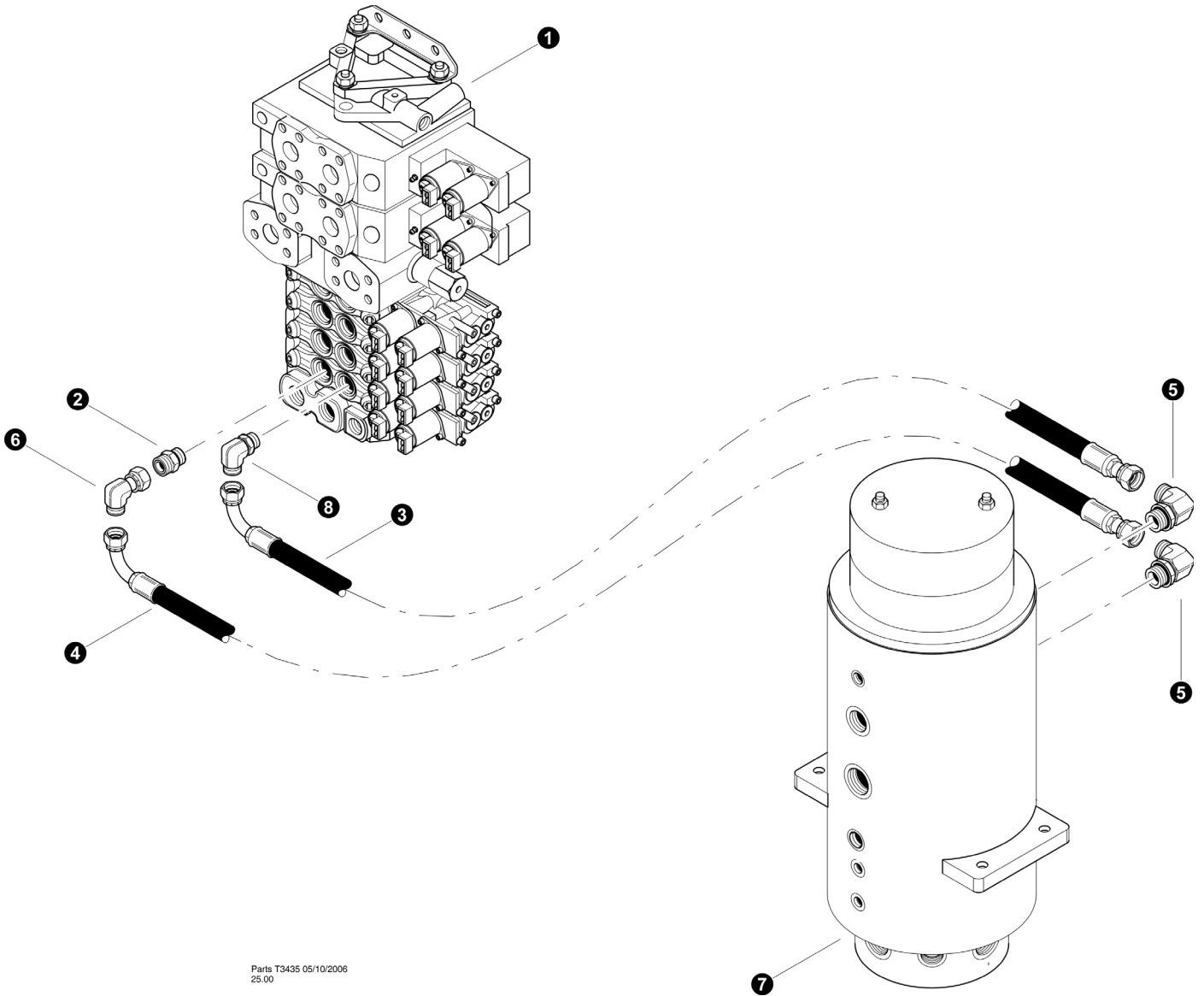


STICK BOOM CYLINDER FUNCTION (Main Control Valve To Main Boom Tube Lines)

Machine 830B-0315-080609 and newer

REF	PART #	QTY	DESCRIPTION	SEE SECTION
1	REF.	1	 MAIN CONTROL VALVE	LH-1
2	15111-LH	2	 KIT, split flange - 1" SF (Code 61)	
3	15377-LH	2	O-RING - 1" SF	
4	18979-LH	8	BOLT, allen M10 X 45MM	
5	-LH	1	HOSE ASSEMBLY - 4052.5-16-1609-16PA (<i>Stick boom valve work port "B" to main boom tube line base side</i>)	
6	-LH	1	HOSE ASSEMBLY - 4053-16-1604-16PA (<i>Stick boom valve work port "A" to main boom tube line rod side</i>)	
7	18406-LH	6	 CONNECTOR, STR - FF1852T-1612S	
8	-LH	1	HOSE ASSEMBLY - 4019.5-16-160S-16O4 (<i>Stick Cylinder to main boom tube line base side</i>)	
9	-LH	1	HOSE ASSEMBLY - 4019.5-16-16OS-16O4 (<i>Stick Cylinder to main boom tube line rod side</i>)	
10	REF.	1	 STICK BOOM CYLINDER	LB-3
11	REF.	1	 MAIN BOOM ASSEMBLY	LB-1



 See referenced page for component or assembly breakdown.



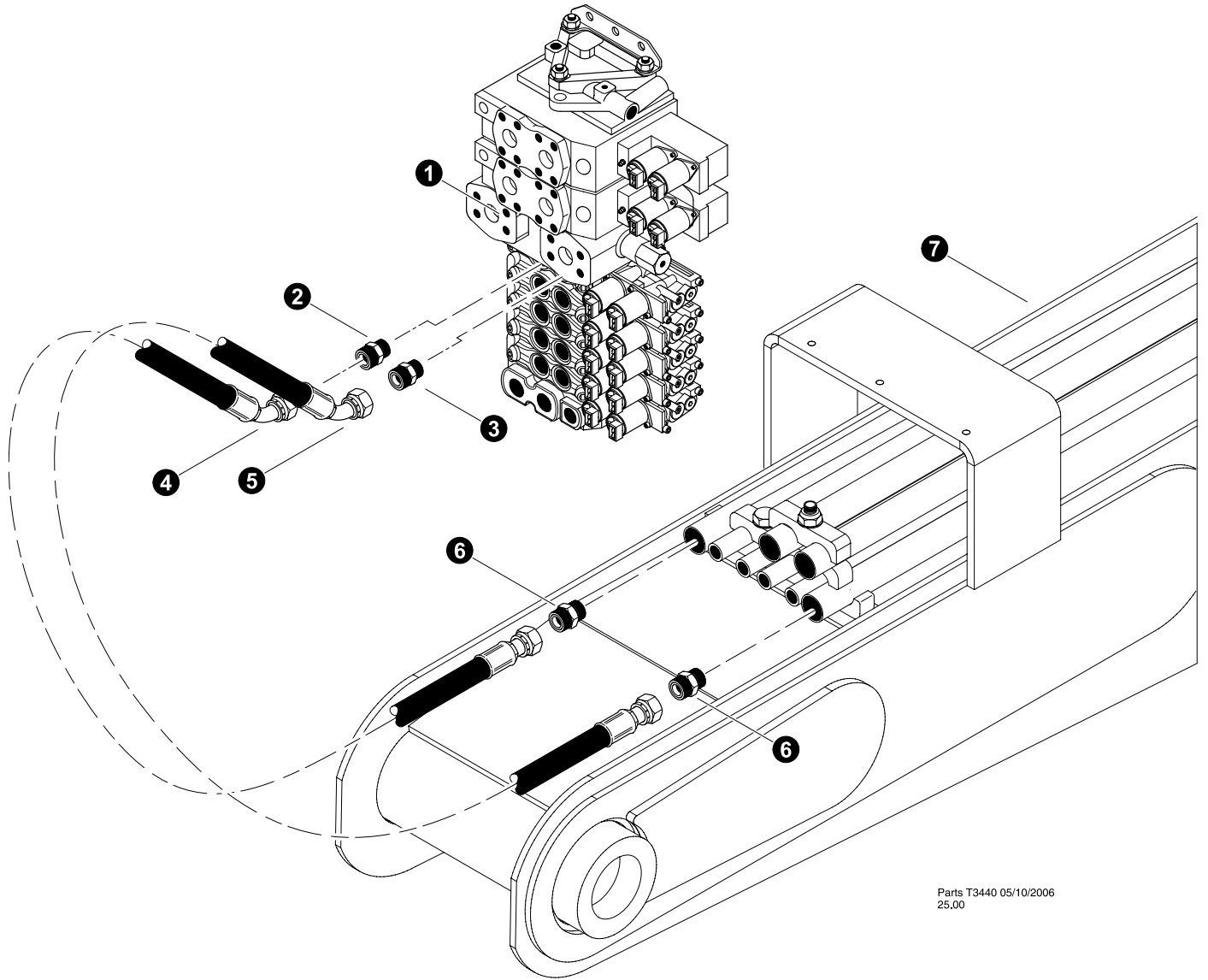
Parts T3435 05/10/2006
25.00

STEER FUNCTION LINES

(Main Control Valve To Upper Rotary Manifold Ports)



REF	PART #	QTY	DESCRIPTION	SEE SECTION
1	REF.	1	 MAIN CONTROL VALVE	LH-1
2	50039-LH	2	CONNECTOR, STR - 848-TTO-10X10	
3	-LH	1	HOSE ASSEMBLY - 4034.5-10-100S-1009(<i>Steer valve section work port "B" to rotary manifold #11 or ST1 port</i>)	
4	-LH	1	HOSE ASSEMBLY - 4036-10-100S-1009(<i>Steer valve section work port "A" to rotary manifold #9 or ST2 port</i>)	
5	50036-LH	3	ELBOW, 90 - 849-TTO-10X12	
6	51882-LH	3	ELBOW, 90 - SWIVEL (10 C6L0-S)	
7	REF.	1	 ROTORY MANIFOLD ASSEMBLY	UP-1
8	51881-LH	3	ELBOW, 90 - (10 C50L0-S)	

 See referenced page for component or assembly breakdown.

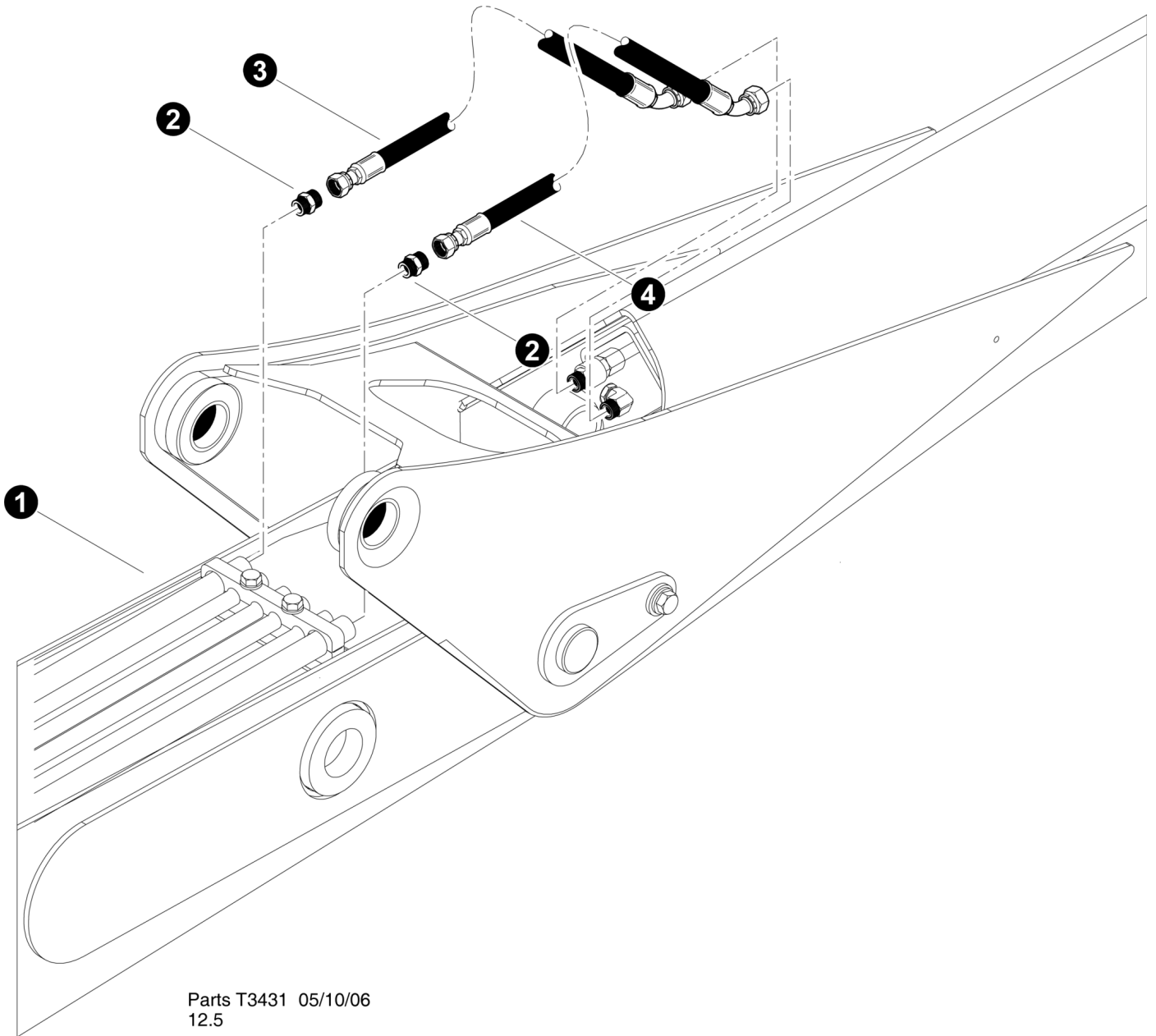


Parts T3440 05/10/2006
25.00


“Optional” SQUIRT BOOM CONNECTIONS
(Main Control Valve To Squirt Cylinder tube lines)


REF	PART #	QTY	DESCRIPTION	SEE SECTION
1	REF.	1	 MAIN CONTROL VALVE (with optional squirt/tele)	LH-1
2	16851-LH	1	CONNECTOR, STR - FF1852T-1210S	
3	16851-LH	1	CONNECTOR, STR - FF1852T-1210S	
4	-LH	1	HOSE ASSEMBLY - 4051-12-120S-1204 (<i>Squirt Boom Section“A” port to Main Boom</i>)	
5	-LH	1	HOSE ASSEMBLY - 4053-12-120S-1204 (<i>Squirt Boom Section“B” port to Main Boom</i>)	
6	15152-LH	2	CONNECTOR, STR - FF1852T-1212S	
7	REF.	1	 MAIN BOOM ASSEMBLY	LB-1

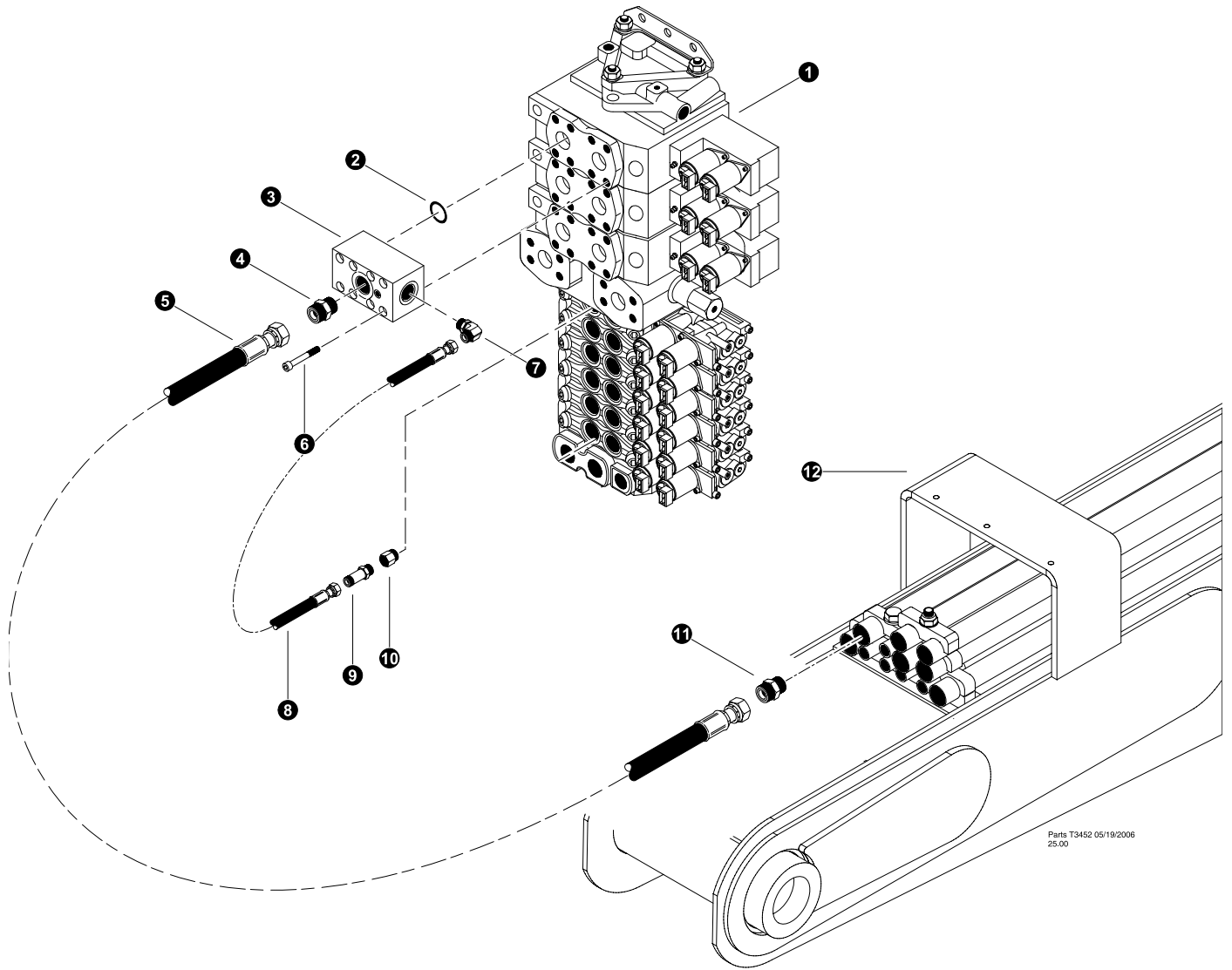
 See referenced page for component or assembly breakdown.



“Optional” SQUIRT BOOM CONNECTIONS
(Main Boom To Squirt Cylinder)



REF	PART #	QTY	DESCRIPTION	SEE SECTION
1	REF.	1	 MAIN / SQUIRT BOOM ASSEMBLY	LB-1
2	15152-LH	2	CONNECTOR, STR - FF1852T-1212S	
3	-LH	1	HOSE ASSEMBLY - 4042-12-120S-1204 (<i>Main Boom tube line to Squirt Boom Cylinder</i>)	
4	-LH	1	HOSE ASSEMBLY - 4042-12-120S-1204 (<i>Main Boom tube line to Squirt Boom Cylinder</i>)	

 See referenced page for component or assembly breakdown.

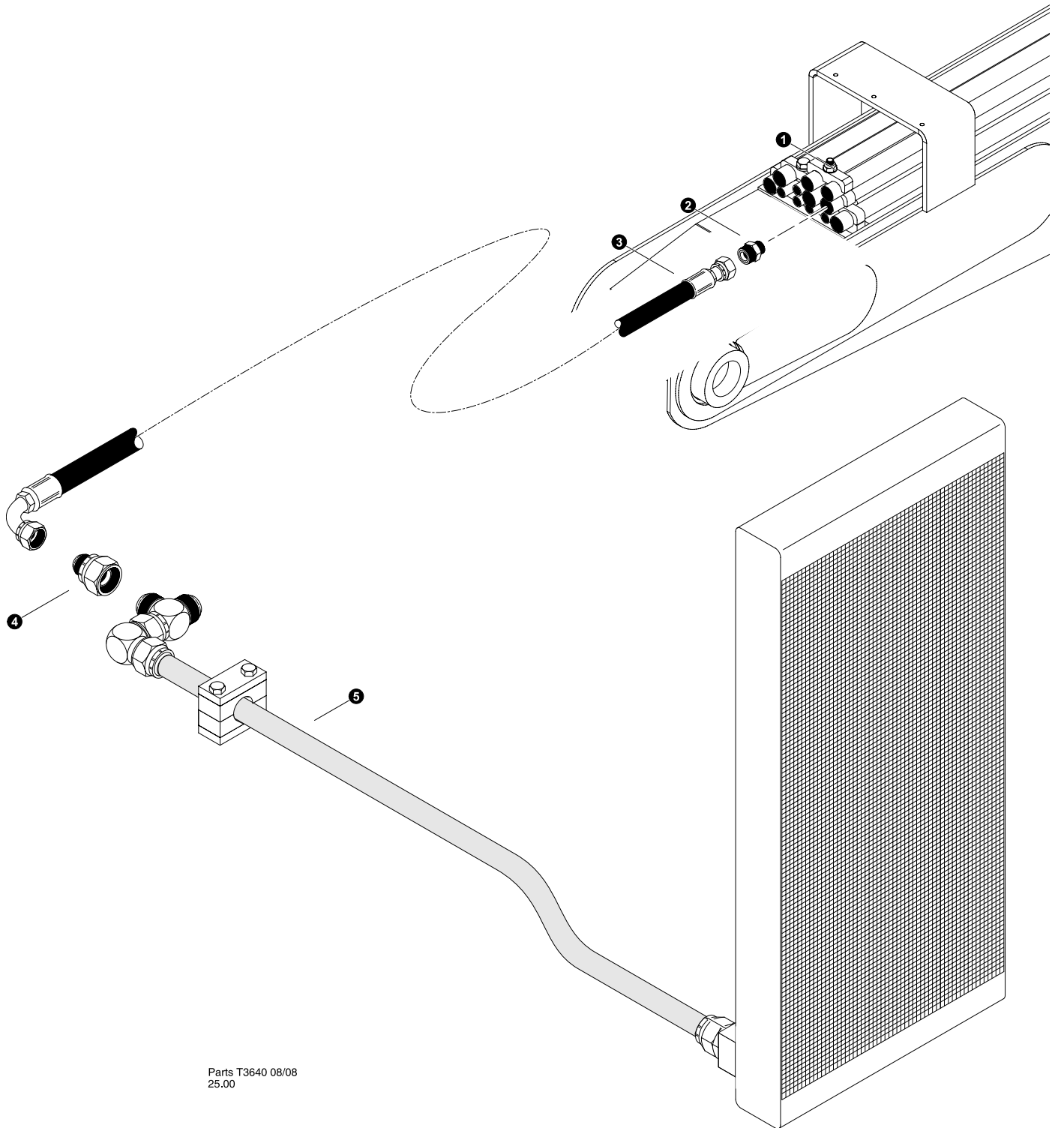


Parts T3452 05/19/2006
25.00

HARVESTER WITH SQUIRT BOOM CONNECTIONS
(Pressure and Tank Connections)
Pressure Line



REF	PART #	QTY	DESCRIPTION	SEE SECTION
1	REF.	1	 MAIN CONTROL VALVE	LH-2
2	15377-LH	2	O-RING - 1" SF	
3	51807-LH	1	MANIFOLD, COMBINED FLOW - VOAC COMBO	
4	15225-LH	2	CONNECTOR, STR - FF1852T-1616S	
5	-LH	1	HOSE ASSEMBLY - 4046-16-160S-160S (<i>Combined flow block to Main Boom</i>)	
6	50117-LH	8	BOLT, ALLEN HEAD - 10MM-1.5P X 75MM	
7	15372-LH	1	ELBOW, 90 - FF1868T-0812S	
8	-LH	1	HOSE ASSEMBLY - 4023-08-080S-080S (<i>L90 processor valve to combined flow block</i>)	
9	19091-LH	1	CONNECTOR, STR LONG - 848L-TTO-08X08	
10	19290-LH	1	BUSHING, REDUCER - 6410-10-8	
11	15225-LH	2	CONNECTOR, STR - FF1852T-1616S	
12	REF.	1	 MAIN BOOM ASSEMBLY	LB-1


 See referenced page for component or assembly breakdown.

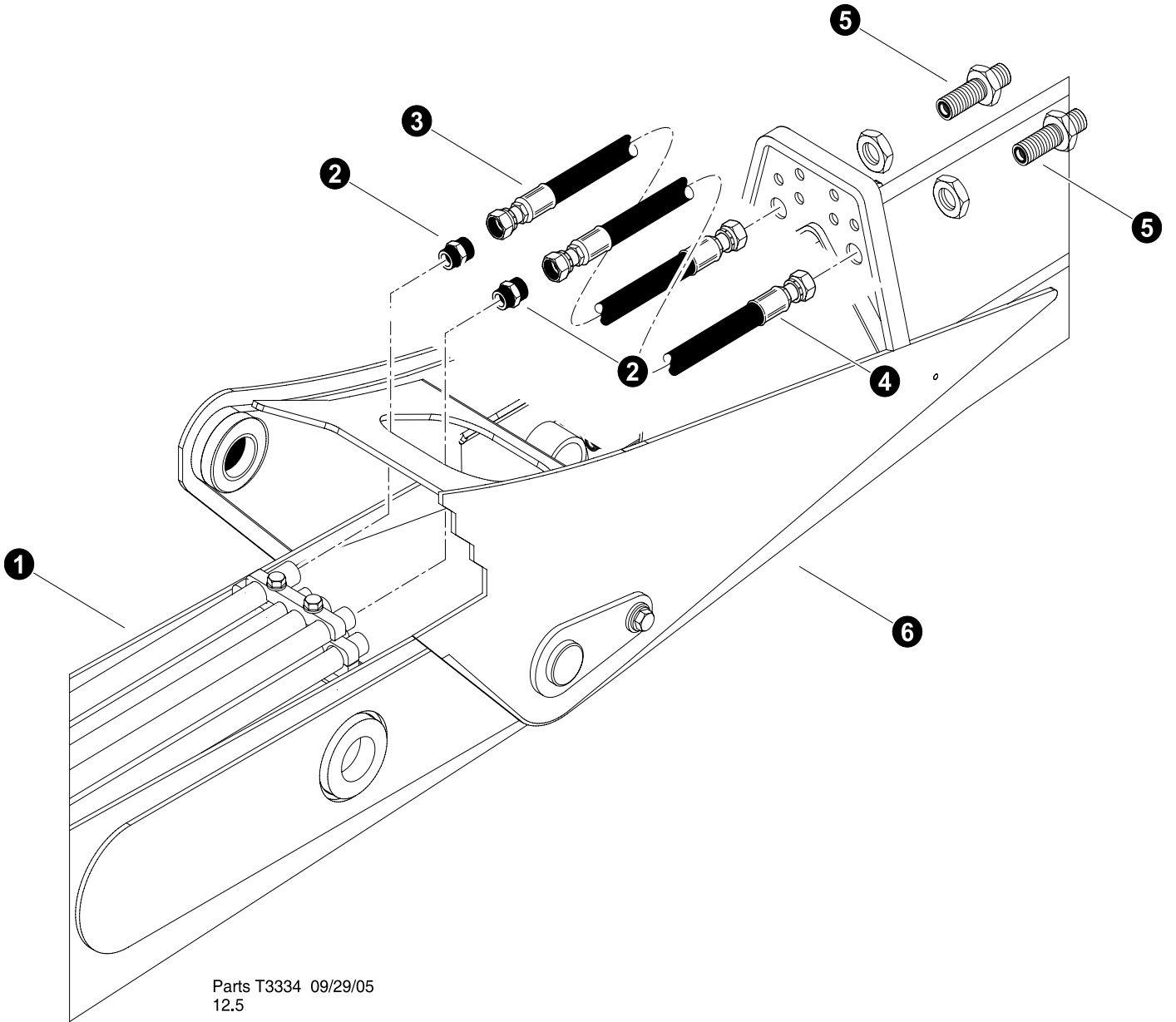


Parts T3640 08/08
25.00



HARVESTER WITH SQUIRT BOOM CONNECTIONS
(Main Boom - Pressure and Tank Connections)
Return Line

REF	PART #	QTY	DESCRIPTION	SEE SECTION
1	REF.	1	 MAIN BOOM ASSEMBLY	LB-1
2	15225-LH	2	CONNECTOR, STR - FF1852T-1616S	
3	-LH	1	HOSE ASSEMBLY - 2076-16-160S-1604 (<i>Attachment Return to Return Tube</i>)	
4	53182-LH	1	FITTING, REDUCER TUBE END - 24-16	
5	REF.	1	 RETURN OIL TUBE.....	LH-2

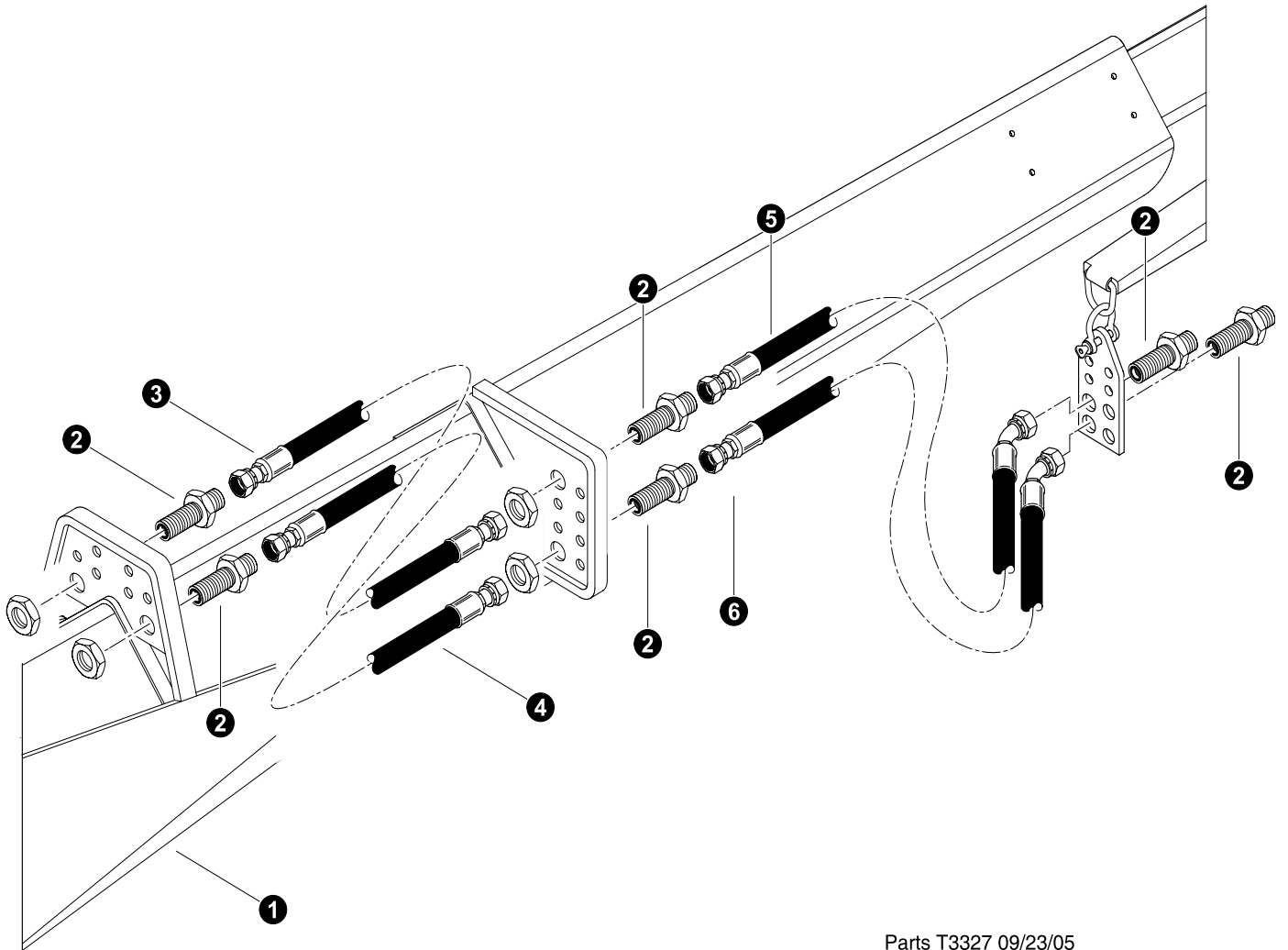
 See referenced page for component or assembly breakdown.



HARVESTER WITH SQUIRT BOOM CONNECTIONS
(Main to Squirt Boom - Pressure and Tank Connections)


REF	PART #	QTY	DESCRIPTION	SEE SECTION
1	REF.	1	 MAIN BOOM ASSEMBLY	LB-1
2	15225-LH	2	CONNECTOR, STR - FF1852T-1616S	
3	-LH	1	HOSE ASSEMBLY - 4049-08-160S-160S (<i>Main Boom tube line to Squirt Boom</i>)	
4	-LH	1	HOSE ASSEMBLY - 4049-08-160S-160S (<i>Main Boom tube line to Squirt Boom</i>)	
5	20033-LH	2	CONNECTOR, STR BULKHEAD - 832-TT-16	
6	REF.	1	 SQUIRT BOOM ASSEMBLY	LB-1


 See referenced page for component or assembly breakdown.

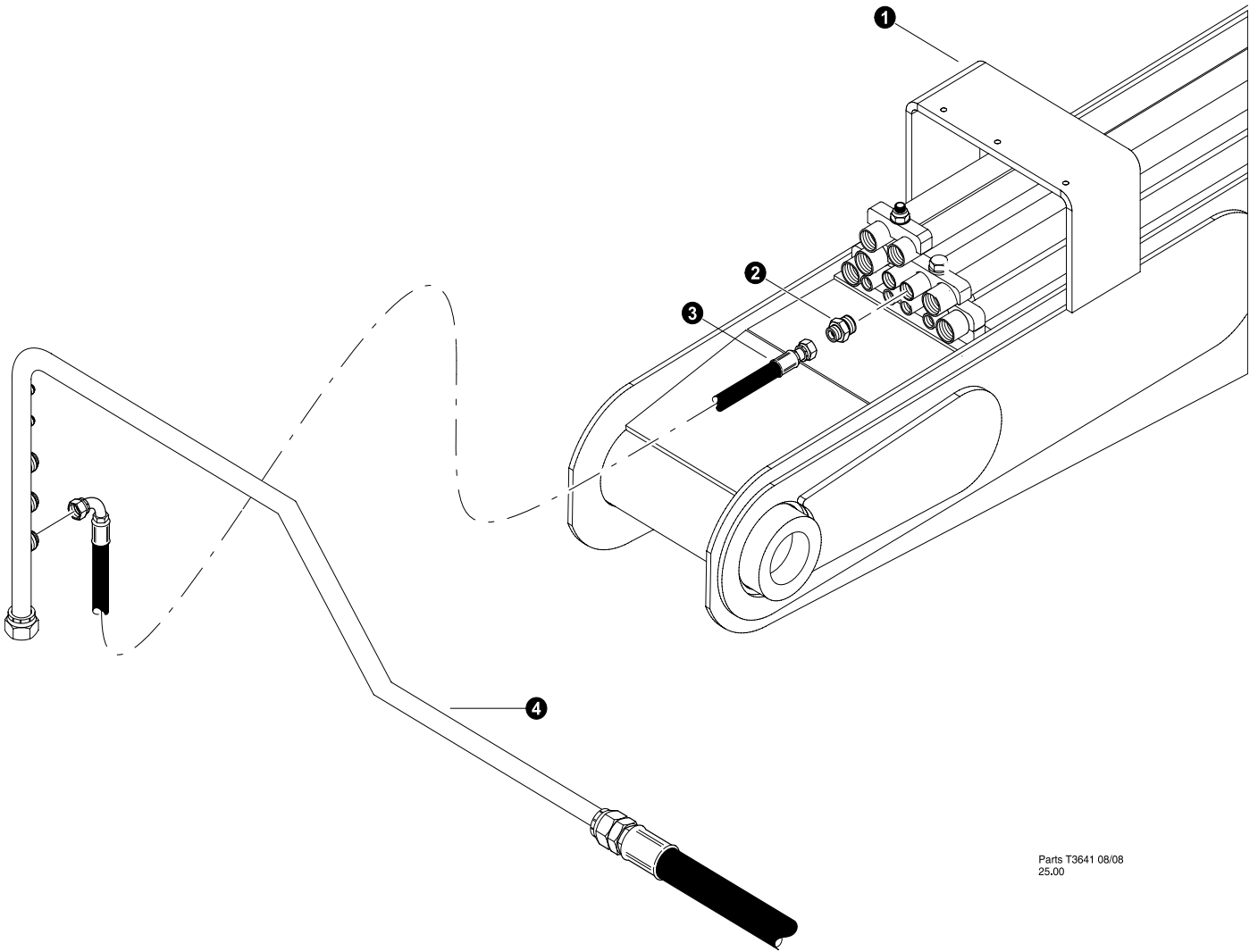


Parts T3327 09/23/05
12.5

HARVESTER WITH SQUIRT BOOM CONNECTIONS
(Squirt Boom - Pressure and Tank Connections)



REF	PART #	QTY	DESCRIPTION	SEE SECTION
1	REF.	1	 SQUIRT BOOM ASSEMBLY	LB-1
2	20033-LH	2	CONNECTOR, STR BULKHEAD - 832-TT-16	
3	-LH	1	HOSE ASSEMBLY - 4039.5-16-160S-160S (<i>Squirt Boom Pressure Hose</i>)	
4	-LH	1	HOSE ASSEMBLY - 4038-16-160S-160S (<i>Squirt Boom Return Hose</i>)	
5	-LH	1	HOSE ASSEMBLY - 4106-16-160S-1604 (<i>Squirt Boom Pressure Hose</i>)	
6	-LH	1	HOSE ASSEMBLY - 4110-16-160S-1604 (<i>Squirt Boom Return Hose</i>)	


 See referenced page for component or assembly breakdown.

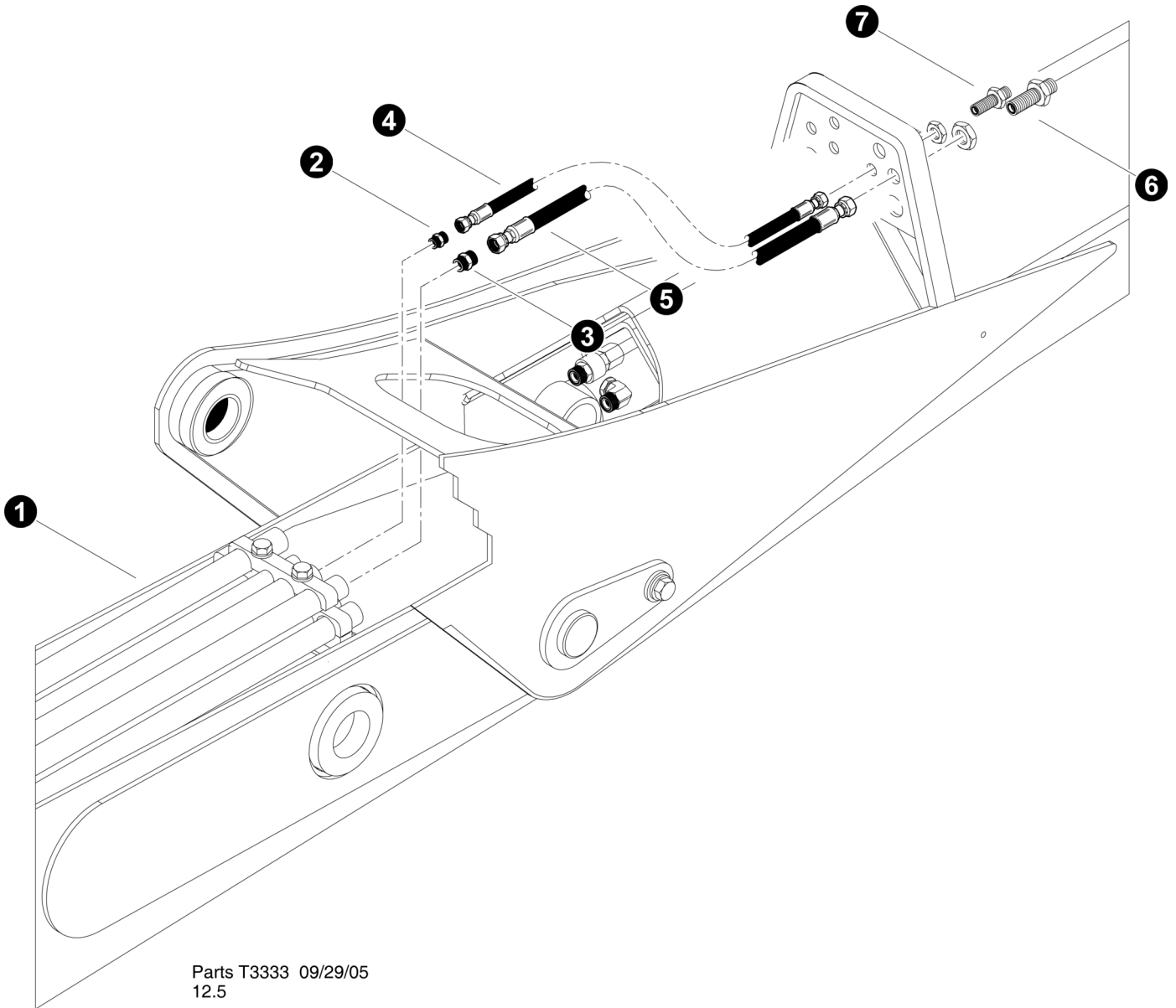


Parts T3641 08/08
25.00


**HARVESTER WITH SQUIRT BOOM CONNECTIONS
(Main Boom - Case Drain Connections)**

REF	PART #	QTY	DESCRIPTION	SEE SECTION
1	REF.	1	 MAIN BOOM ASSEMBLY	LB-1
2	15238-LH	1	CONNECTOR, STR - FF1852T-0812S	
3	-LH	1	HOSE ASSEMBLY - 2072-08-080S-08J9 (<i>Main Boom tube line to Case Drain Tube</i>)	
4	REF.	1	 CASE DRAIN TUBE	LH-2

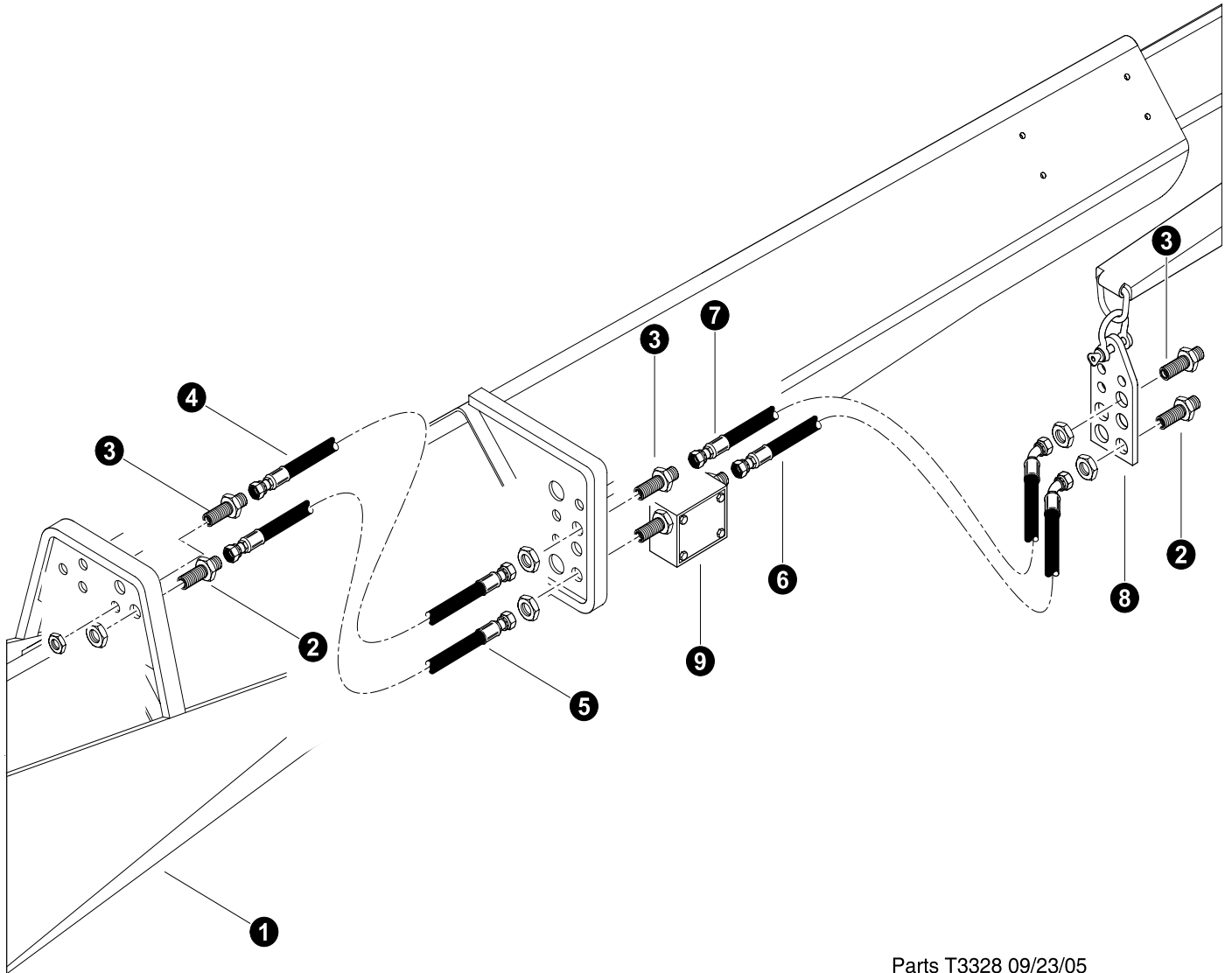
 See referenced page for component or assembly breakdown.



**HARVESTER WITH SQUIRT BOOM CONNECTIONS
(Main to Squirt Boom - Wire and Case Drain Connections)**


REF	PART #	QTY	DESCRIPTION	SEE SECTION
1	REF.	1	 MAIN BOOM ASSEMBLY	LB-1
2	15152-LH	1	CONNECTOR, STR - FF1852T-1212S	
3	15152-LH	1	CONNECTOR, STR - FF1852T-1212S	
4	-LH	1	HOSE ASSEMBLY - 4049-12-120S-120S (<i>Case Drain Main Boom tube line to Squirt Boom</i>)	
5	-LH	1	HOSE ASSEMBLY - 2049-12-120S-120S (<i>Wire tube line to Squirt Boom</i>)	
6	19754-LH	1	CONNECTOR, STR BULKHEAD - 12 WLO-WLNL-S	
7	19754-LH	1	CONNECTOR, STR BULKHEAD - 12 WLO-WLNL-S	

 See referenced page for component or assembly breakdown.

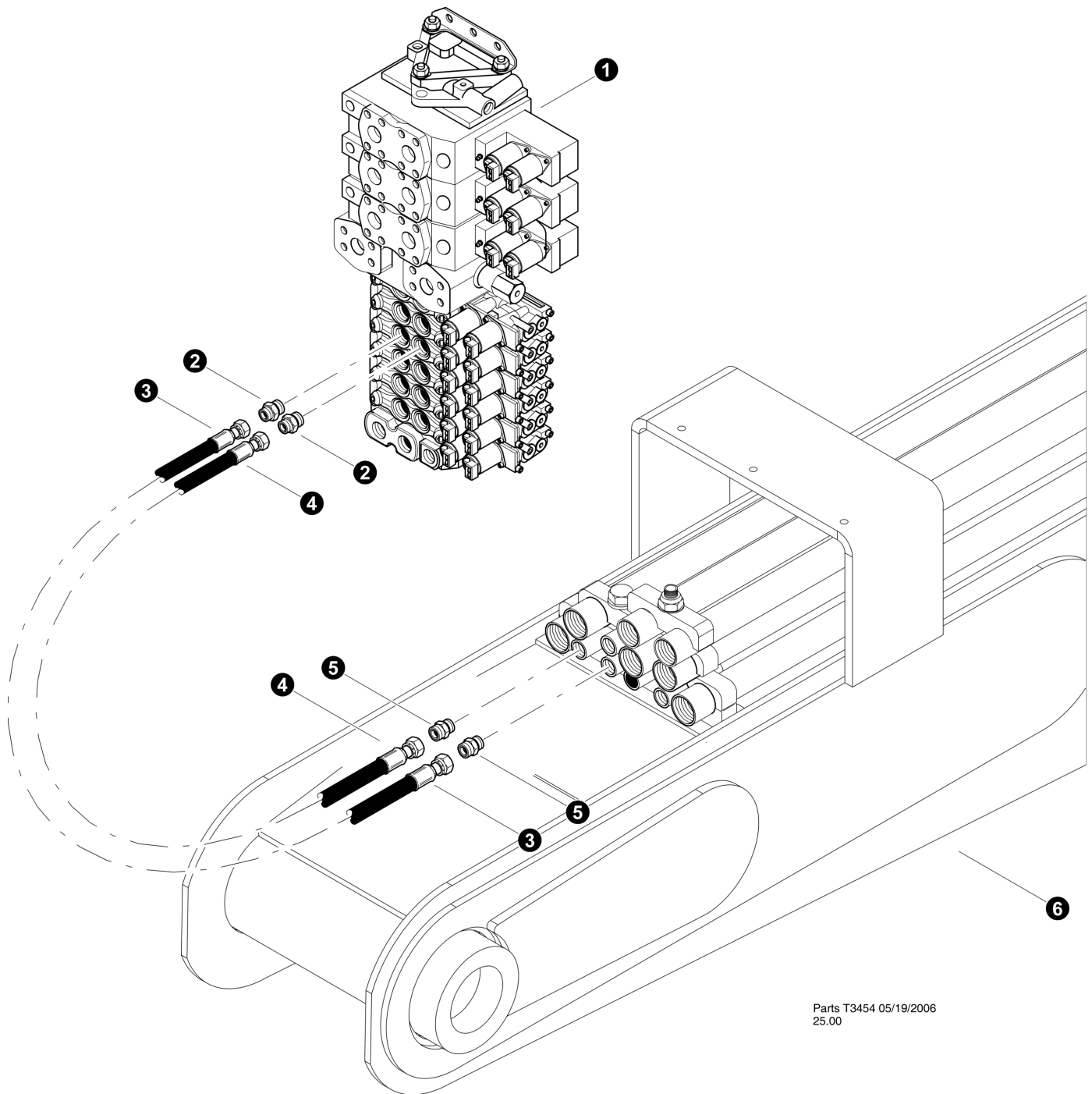


Parts T3328 09/23/05
12.5

**HARVESTER WITH SQUIRT BOOM CONNECTIONS
(Squirt Boom - Wire and Case Drain Connections)**



REF	PART #	QTY	DESCRIPTION	SEE SECTION
1	REF.	1	 SQUIRT BOOM ASSEMBLY	LB-1
2	15152-LH	1	CONNECTOR, STR - FF1852T-1212S	
3	15152-LH	1	CONNECTOR, STR - FF1852T-1212S	
4	-LH	1	HOSE ASSEMBLY - 4038.5-12-120S-120S (<i>Squirt Boom Case Drain Hose</i>)	
5	-LH	1	HOSE ASSEMBLY - 4038-12-120S-120S (<i>Squirt Boom Wire Hose</i>)	
6	-LH	1	HOSE ASSEMBLY - 4102-12-120S-1204 (<i>Squirt Boom Wire Hose</i>)	
7	-LH	1	HOSE ASSEMBLY - 4110-12-120S-1204 (<i>Squirt Boom Case Drain Hose</i>)	
8	21065-LH	1	PLATE, bulkhead stinger	
9	52613-LH	1	BOX JUNCTION -ELECTRICAL CONN- HARVESTER	

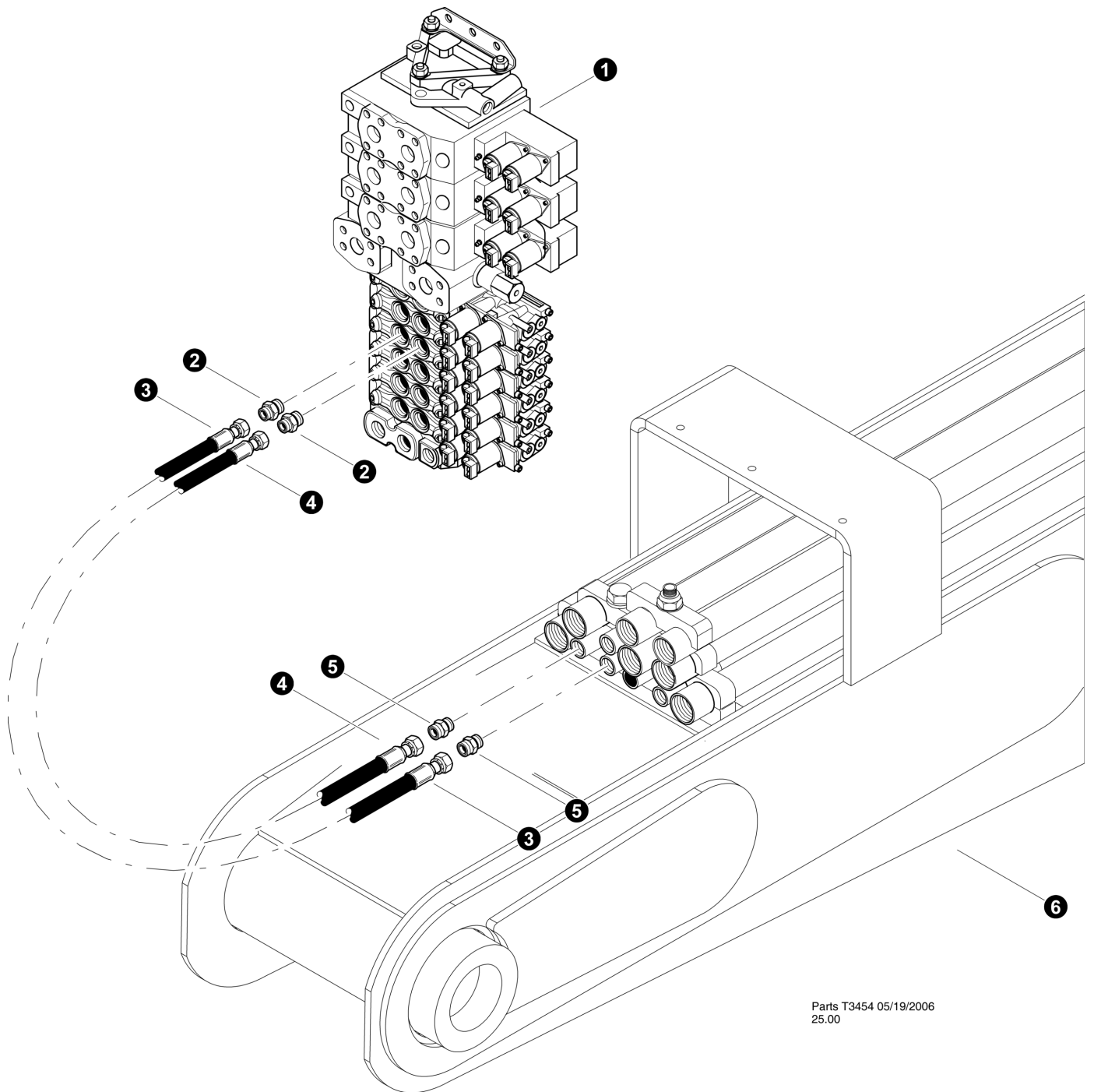
 See referenced page for component or assembly breakdown.



Parts T3454 05/19/2006
25.00



HARVESTER WITH SQUIRT BOOM CONNECTIONS
(Main Boom - Head Rotate Connections)
 830B-0244-021808 to 830B-0314-071609

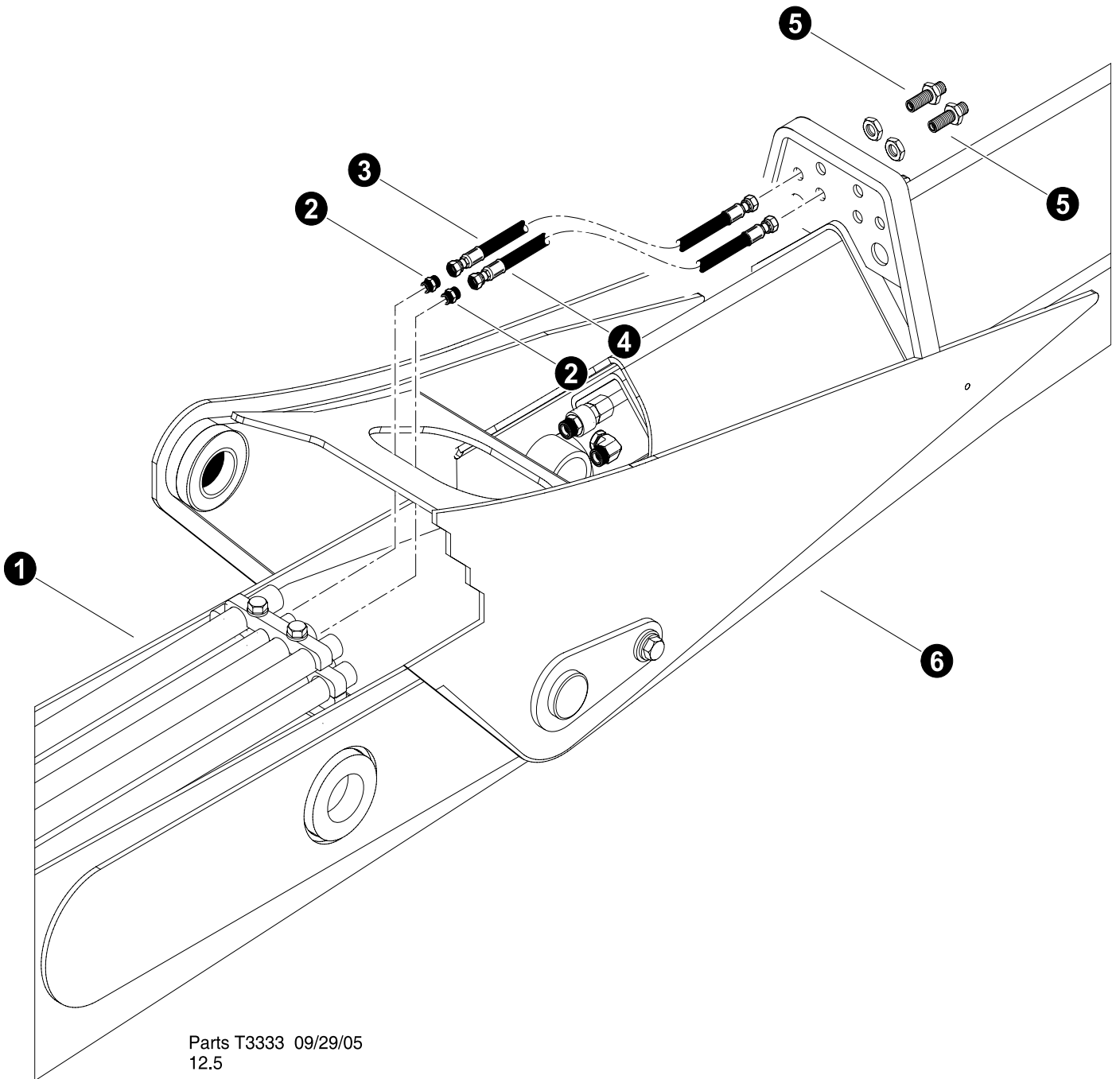
REF	PART #	QTY	DESCRIPTION	SEE SECTION
1	REF.	1	 MAIN CONTROL VALVE	LH-2
2	15115-LH	2	CONNECTOR, straight - FF1852T-0810S	
3	-LB	1	HOSE ASSEMBLY - 4057-08-080S-080S (<i>Rotate valve section work port "A" to main boom left inside tube line</i>)	
4	-LB	1	HOSE ASSEMBLY - 4056-08-080S-080S (<i>Rotate valve section work port "B" to main boom left outside tube line</i>)	
5	15117-LH	2	CONNECTOR, STR - FF1852T-0808S	
6	REF.	1	 MAIN BOOM ASSEMBLY	LB-1





Parts T3454 05/19/2006
25.00

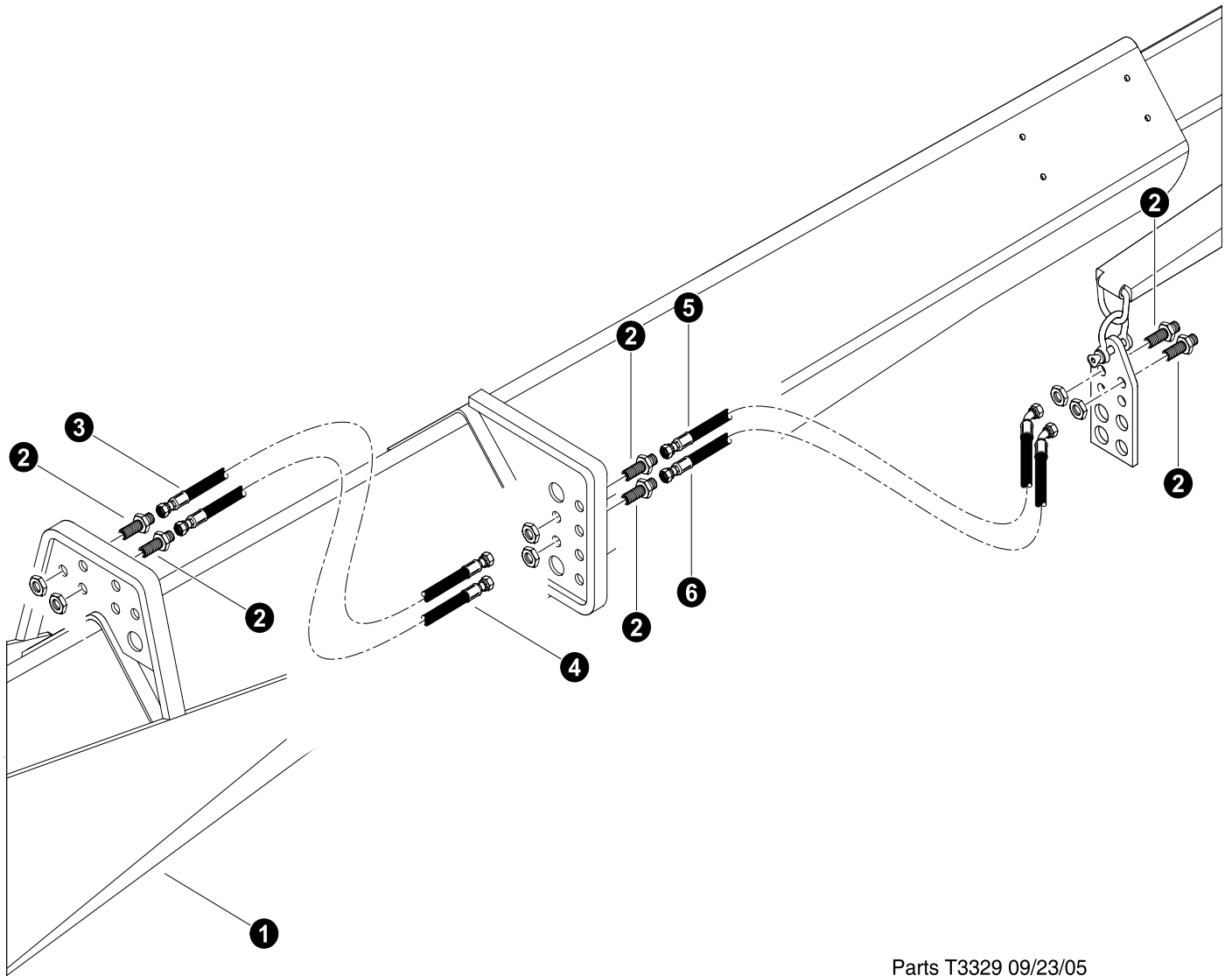
HARVESTER WITH SQUIRT BOOM CONNECTIONS
(Main Boom - Head Rotate Connections)
 Machine 830B-0315-080609 and newer

REF	PART #	QTY	DESCRIPTION	SEE SECTION
1	REF.	1	 MAIN CONTROL VALVE	LH-2
2	15115-LH	2	CONNECTOR, straight - FF1852T-0810S	
3	-LB	1	HOSE ASSEMBLY - 4060-08-080S-080S (<i>Rotate valve section work port "A" to main boom left inside tube line</i>)	
4	-LB	1	HOSE ASSEMBLY - 4063-08-080S-080S (<i>Rotate valve section work port "B" to main boom left outside tube line</i>)	
5	15117-LH	2	CONNECTOR, STR - FF1852T-0808S	
6	REF.	1	 MAIN BOOM ASSEMBLY	LB-1




**HARVESTER WITH SQUIRT BOOM CONNECTIONS
(Main to Squirt Boom - Head Rotate Connections)**

REF	PART #	QTY	DESCRIPTION	SEE SECTION
1	REF.	1	 MAIN BOOM ASSEMBLY	LB-1
2	15117-LH	2	CONNECTOR, STR - FF1852T-0808S	
3	-LH	1	HOSE ASSEMBLY - 4049-08-080S-080S (<i>Main Boom tube line to Squirt Boom</i>)	
4	-LH	1	HOSE ASSEMBLY - 4049-08-080S-080S (<i>Main Boom tube line to Squirt Boom</i>)	
5	20196-LH	2	CONNECTOR, STR BULKHEAD - FF1994T-0808S	
6	REF.	1	 SQUIRT BOOM ASSEMBLY	LB-1



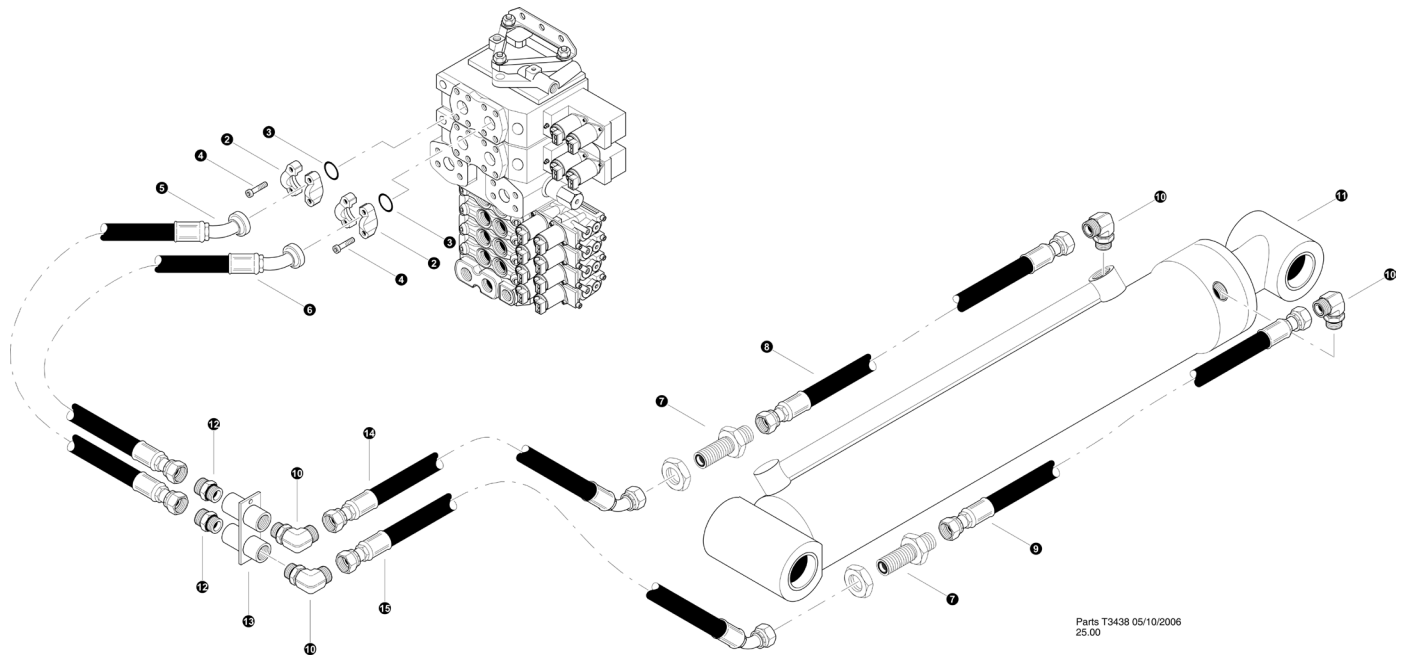
Parts T3329 09/23/05
12.5

HARVESTER WITH SQUIRT BOOM CONNECTIONS
(Squirt Boom - Head Rotate Connections)

REF	PART #	QTY	DESCRIPTION	SEE SECTION
1	REF.	1	 SQUIRT BOOM ASSEMBLY	LB-1
2	20196-LH	2	CONNECTOR, STR BULKHEAD - FF1994T-0808S	
3	-LH	1	HOSE ASSEMBLY - 4040-08-080S-080S (<i>Squirt Boom Rotate Hose</i>)	
4	-LH	1	HOSE ASSEMBLY - 4040.5-08-080S-080S (<i>Squirt Boom Rotate Hose</i>)	
5	-LH	1	HOSE ASSEMBLY - 4110-08-080S-0804 (<i>Squirt Boom Rotate Hose</i>)	
6	-LH	1	HOSE ASSEMBLY - 4110-08-080S-0804 (<i>Squirt Boom Rotate Hose</i>)	




Section LH-6

Loader Boom Hydraulics - Implement Connections - Combo

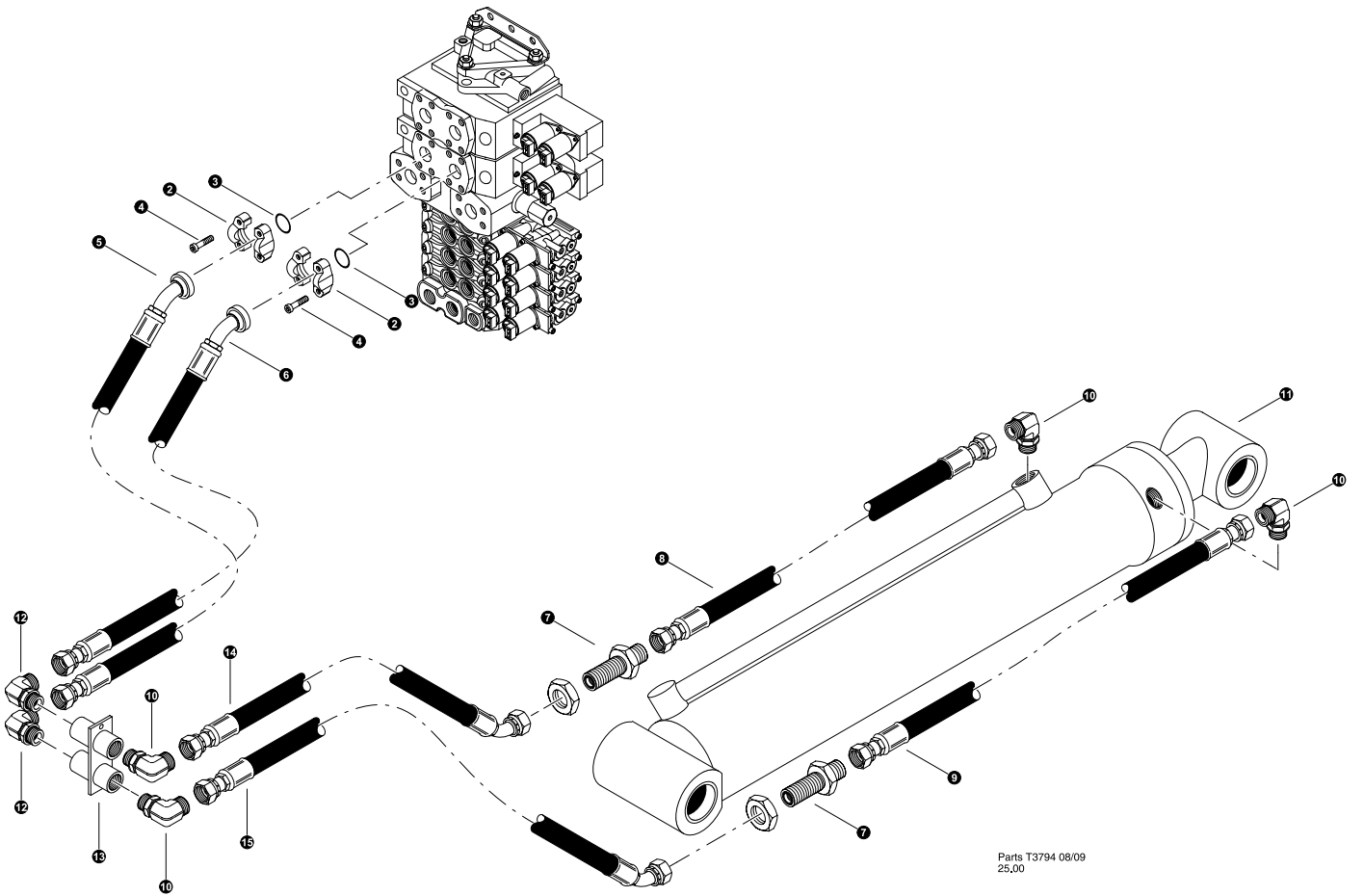


MAIN BOOM CYLINDER FUNCTION (Main Control Valve To Main Boom (Hoist) Cylinder)

830B-0244-021808 to 830B-0314-071609




REF	PART #	QTY	DESCRIPTION	SEE SECTION
1	REF.	1	 MAIN CONTROL VALVE	LH-1
2	15111-LH	2	 KIT, split flange - 1" SF (Code 61)	
3	15377-LH	2	O-RING - 1" SF	
4	18979-LH	8	BOLT, allen M10 X 45MM	
5	-LH	1	HOSE ASSEMBLY - 4031-16-160S-16PA4 (Main boom valve work port "B" to main boom cylinder bulkhead)	
6	-LH	1	HOSE ASSEMBLY - 4029.5-16-160S-16PA4 (Main boom valve work port "A" to main boom cylinder bulkhead)	
7	20033-LH	2	CONNECTOR, STR BULKHEAD - 832-TT-16	
8	-LB	1	HOSE ASSEMBLY - 4053-16-160S-160S (main boom bulkhead to main boom cylinder base port)	
9	50864-LH	1	HOSE ASSEMBLY - 4066-16-160S-160S (main boom bulkhead to main boom cylinder rod port)	
10	15228-LH	2	ELBOW, 90 - FF1868T-1616S	
11	REF.	1	 MAIN BOOM (HOIST) CYLINDER	LB-3
12	15525-LH	1	CONNECTOR, STR - FF1852T-1616S	
13	-LH	1	BULKHEAD, UPPER MAIN CYL	
14	-LH	1	HOSE ASSEMBLY - 4039-16-160S-1604 (main boom base bulkhead to bulkhead bracket "a" port)	
15	-LH	1	HOSE ASSEMBLY - 4033.5-16-160S-1604 (main boom rod bulkhead to bulkhead bracket "b" port)	

 See referenced page for component or assembly breakdown.

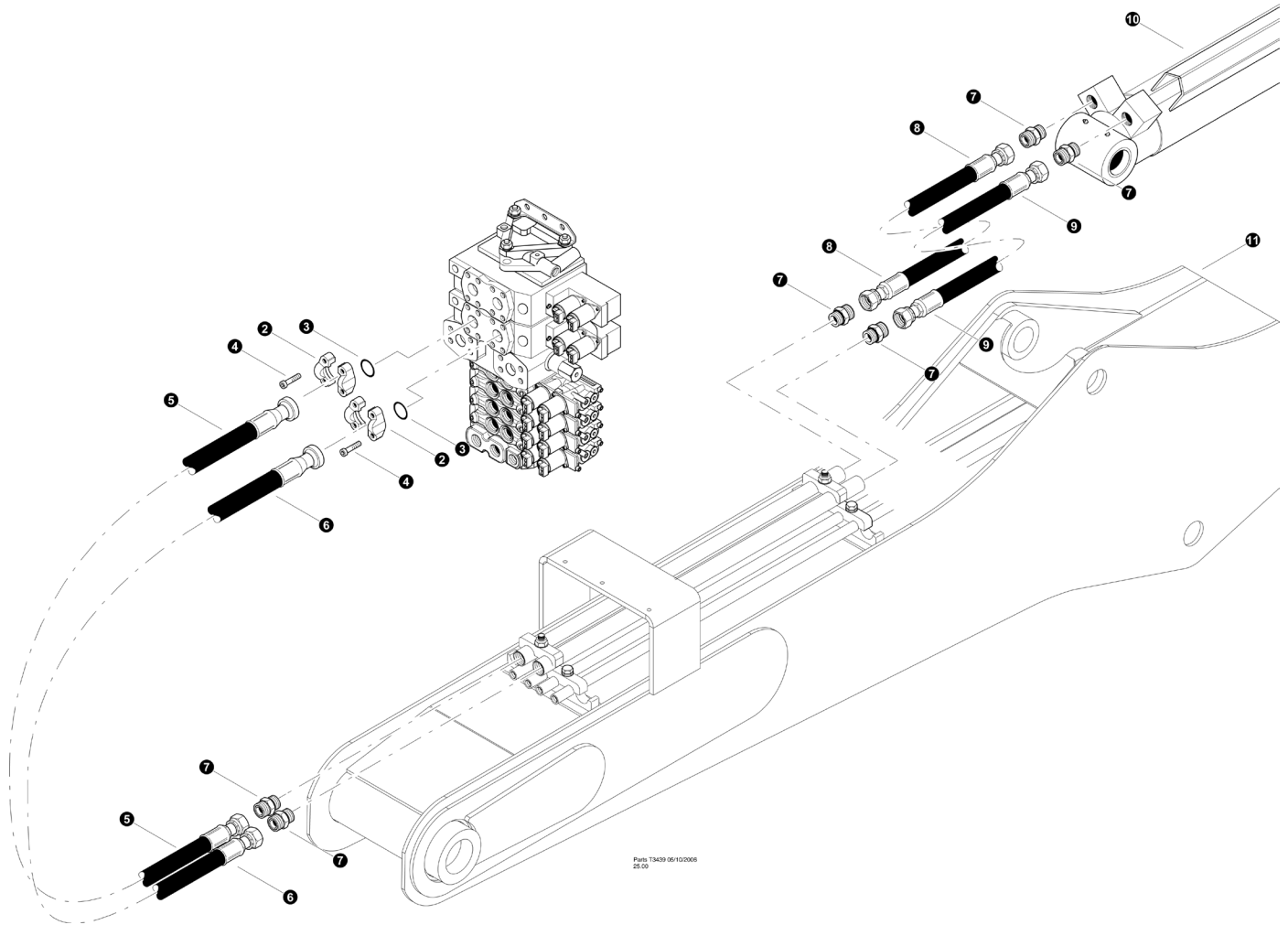


MAIN BOOM CYLINDER FUNCTION (Main Control Valve To Main Boom (Hoist) Cylinder)

Machine 830B-0315-080609 and newer

REF	PART #	QTY	DESCRIPTION	SEE SECTION
1	REF.	1	 MAIN CONTROL VALVE	LH-1
2	15111-LH	2	 KIT, split flange - 1" SF (Code 61)	
3	15377-LH	2	O-RING - 1" SF	
4	18979-LH	8	BOLT, allen M10 X 45MM	
5	-LH	1	HOSE ASSEMBLY - 4020-16-160S-16PA4 (Main boom valve work port "B" to main boom cylinder bulkhead)	
6	-LH	1	HOSE ASSEMBLY - 4019-16-160S-16PA4 (Main boom valve work port "A" to main boom cylinder bulkhead)	
7	20033-LH	2	CONNECTOR, STR BULKHEAD - 832-TT-16	
8	-LB	1	HOSE ASSEMBLY - 4053-16-160S-160S (main boom bulkhead to main boom cylinder base port)	
9	50864-LH	1	HOSE ASSEMBLY - 4066-16-160S-160S (main boom bulkhead to main boom cylinder rod port)	
10	15228-LH	2	ELBOW, 90 - FF1868T-1616S	
11	REF.	1	 MAIN BOOM (HOIST) CYLINDER	LB-3
12	15525-LH	1	CONNECTOR, STR - FF1852T-1616S	
13	-LH	1	BULKHEAD, UPPER MAIN CYL	
14	-LH	1	HOSE ASSEMBLY - 4039-16-160S-1604 (main boom base bulkhead to bracket "a" port)	
15	-LH	1	HOSE ASSEMBLY - 4033.5-16-160S-1604 (main boom rod bulkhead to bracket "b" port)	






 See referenced page for component or assembly breakdown.



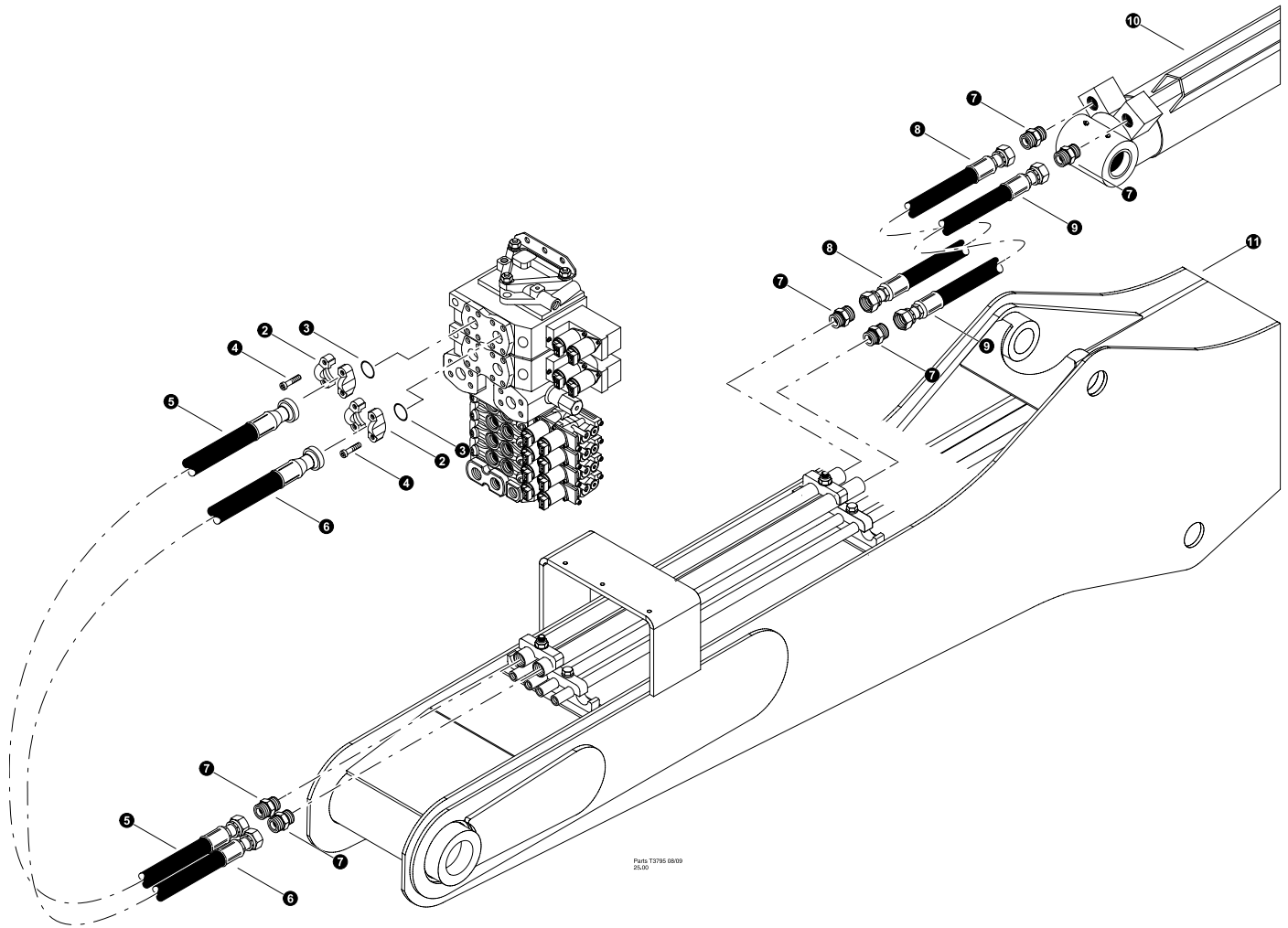
Part: 13459 06102008
25/01

STICK BOOM CYLINDER FUNCTION (Main Control Valve To Main Boom Tube Lines)

830B-0244-021808 to 830B-0314-071609






REF	PART #	QTY	DESCRIPTION	SEE SECTION
1	REF.	1	 MAIN CONTROL VALVE	LH-1
2	15111-LH	2	 KIT, split flange - 1" SF (Code 61)	
3	15377-LH	2	O-RING - 1" SF	
4	18979-LH	8	BOLT, allen M10 X 45MM	
5	-LH	1	HOSE ASSEMBLY - 4053-16-1609-16PA (<i>Stick boom valve work port "B" to main boom tube line base side</i>)	
6	-LH	1	HOSE ASSEMBLY - 4053-16-1604-16PA (<i>Stick boom valve work port "A" to main boom tube line rod side</i>)	
7	18406-LH	6	 CONNECTOR, STR - FF1852T-1612S	
8	-LH	1	HOSE ASSEMBLY - 4019.5-16-160S-16O4 (<i>Stick Cylinder to main boom tube line base side</i>)	
9	-LH	1	HOSE ASSEMBLY - 4019.5-16-16OS-16O4 (<i>Stick Cylinder to main boom tube line rod side</i>)	
10	REF.	1	 STICK BOOM CYLINDER	LB-3
11	REF.	1	 MAIN BOOM ASSEMBLY	LB-1

 See referenced page for component or assembly breakdown.

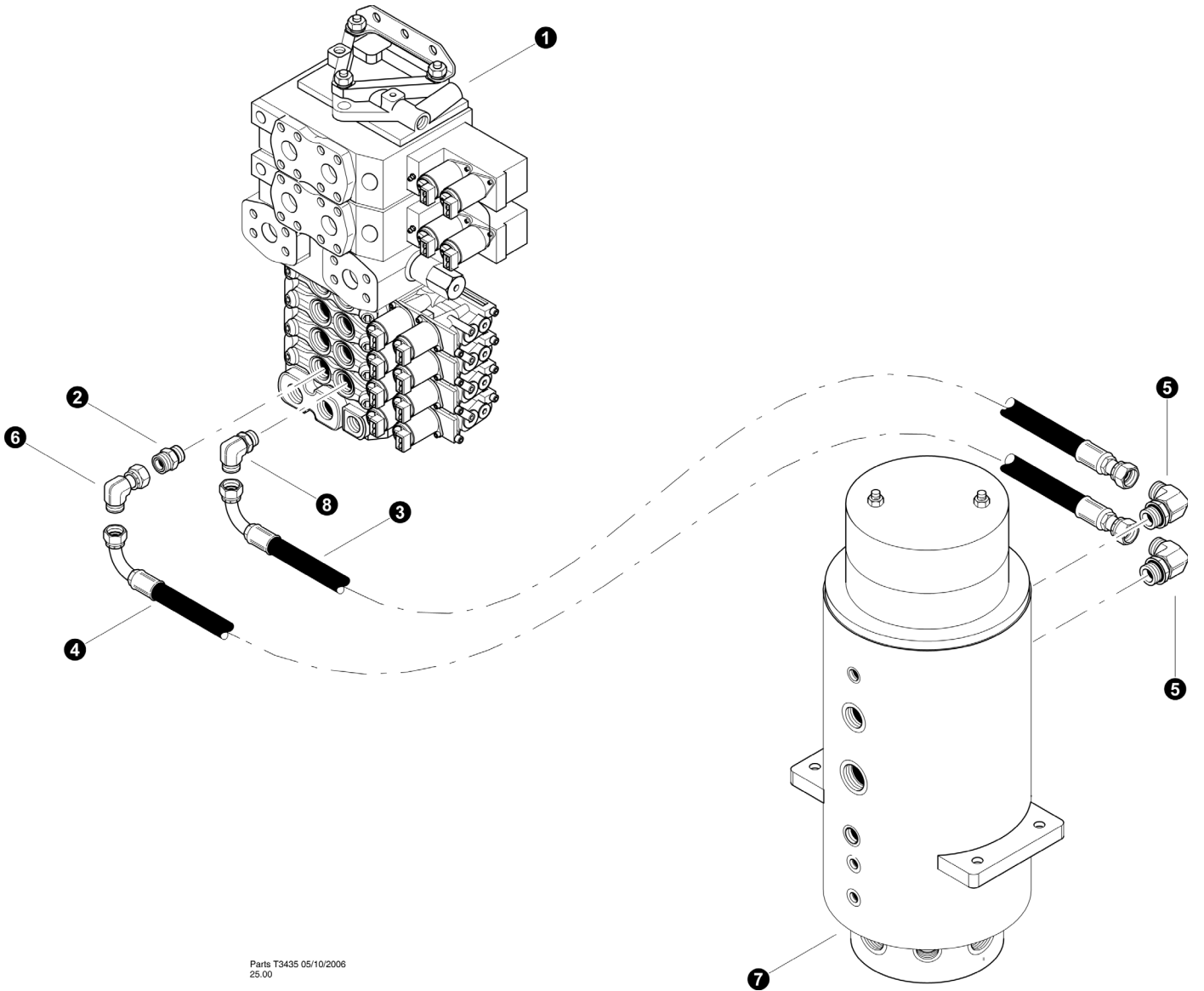


STICK BOOM CYLINDER FUNCTION (Main Control Valve To Main Boom Tube Lines)

Machine 830B-0315-080609 and newer

REF	PART #	QTY	DESCRIPTION	SEE SECTION
1	REF.	1	 MAIN CONTROL VALVE	LH-1
2	15111-LH	2	 KIT, split flange - 1" SF (Code 61)	
3	15377-LH	2	O-RING - 1" SF	
4	18979-LH	8	BOLT, allen M10 X 45MM	
5	-LH	1	HOSE ASSEMBLY - 4052.5-16-1609-16PA (<i>Stick boom valve work port "B" to main boom tube line base side</i>)	
6	-LH	1	HOSE ASSEMBLY - 4053-16-1604-16PA (<i>Stick boom valve work port "A" to main boom tube line rod side</i>)	
7	18406-LH	6	 CONNECTOR, STR - FF1852T-1612S	
8	-LH	1	HOSE ASSEMBLY - 4019.5-16-160S-16O4 (<i>Stick Cylinder to main boom tube line base side</i>)	
9	-LH	1	HOSE ASSEMBLY - 4019.5-16-16OS-16O4 (<i>Stick Cylinder to main boom tube line rod side</i>)	
10	REF.	1	 STICK BOOM CYLINDER	LB-3
11	REF.	1	 MAIN BOOM ASSEMBLY	LB-1



 See referenced page for component or assembly breakdown.



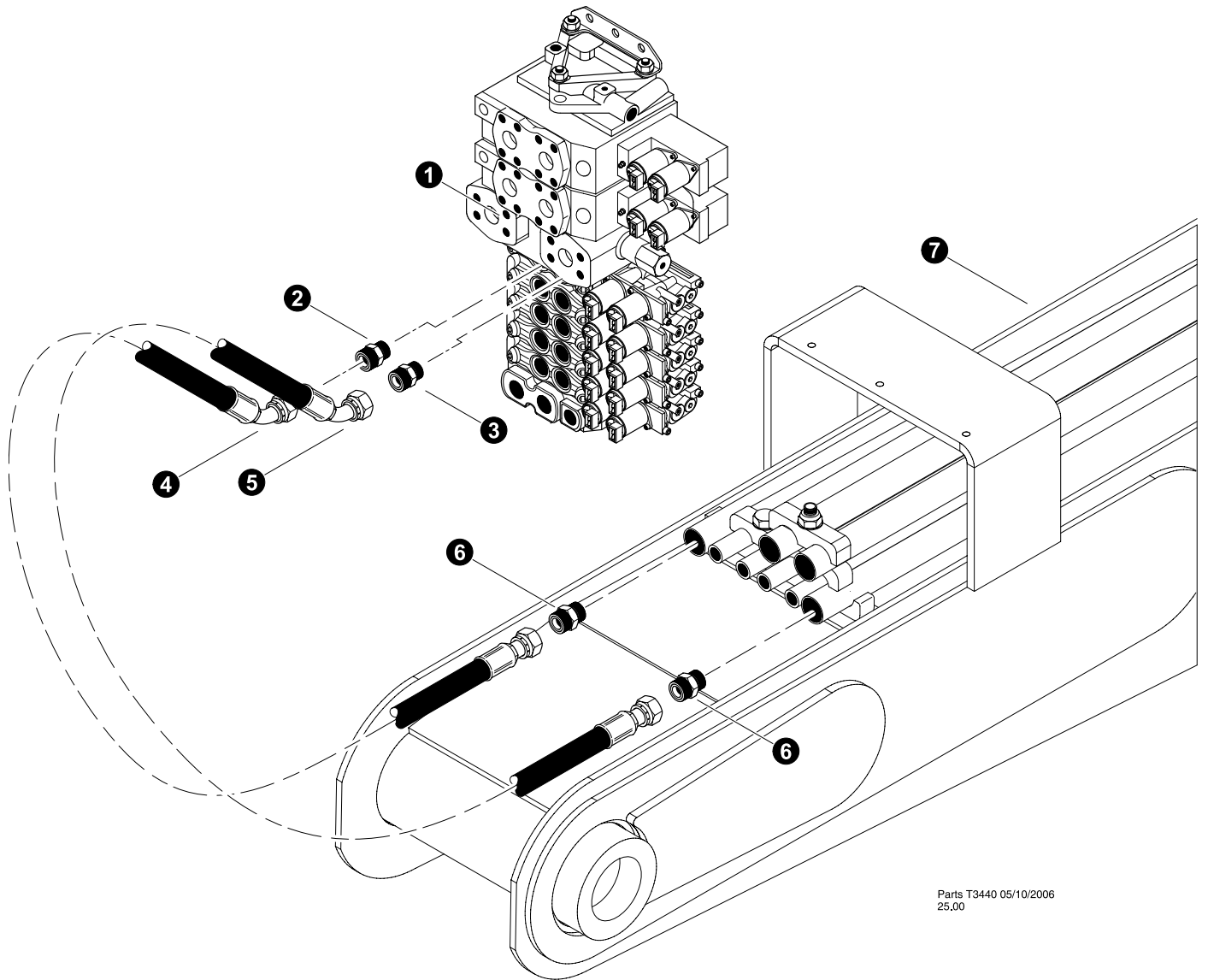
Parts T3435 05/10/2006
25.00

STEER FUNCTION LINES

(Main Control Valve To Upper Rotary Manifold Ports)



REF	PART #	QTY	DESCRIPTION	SEE SECTION
1	REF.	1	 MAIN CONTROL VALVE	LH-1
2	50039-LH	2	CONNECTOR, STR - 848-TTO-10X10	
3	-LH	1	HOSE ASSEMBLY - 4034.5-10-100S-1009(<i>Steer valve section work port "B" to rotary manifold #11 port</i>)	
4	-LH	1	HOSE ASSEMBLY - 4036-10-100S-1009(<i>Steer valve section work port "A" to rotary manifold #9 port</i>)	
5	50036-LH	3	ELBOW, 90 - 849-TTO-10X12	
6	51882-LH	3	ELBOW, 90 - SWIVEL (10 C6L0-S)	
7	REF.	1	 ROTORY MANIFOLD ASSEMBLY	UP-1
8	51881-LH	3	ELBOW, 90 - (10 C50L0-S)	

 See referenced page for component or assembly breakdown.

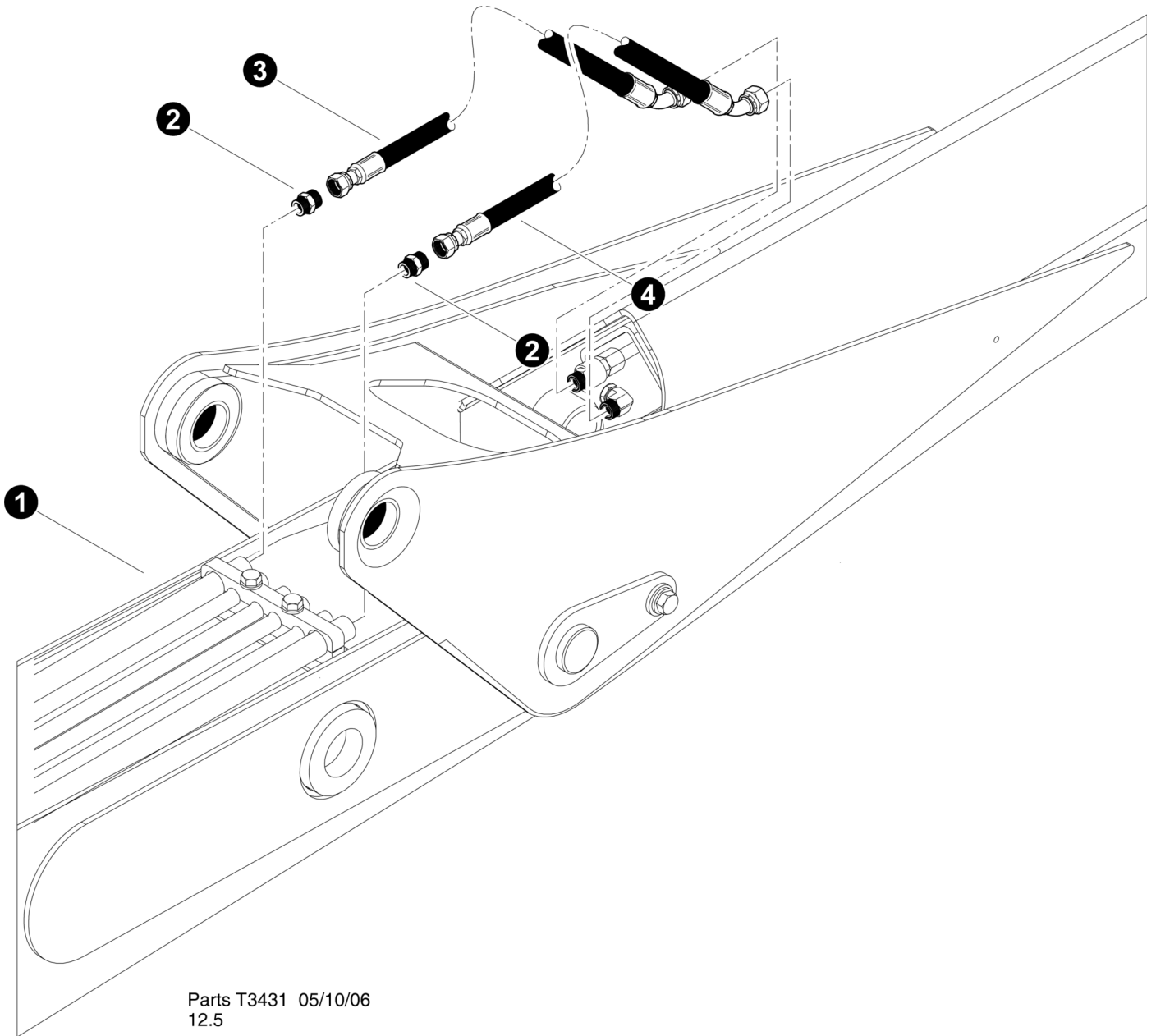


Parts T3440 05/10/2006
25.00


“Optional” SQUIRT BOOM CONNECTIONS
(Main Control Valve To Squirt Cylinder tube lines)

REF	PART #	QTY	DESCRIPTION	SEE SECTION
1	REF.	1	 MAIN CONTROL VALVE (with optional squirt/tele)	LH-1
2	16851-LH	1	CONNECTOR, STR - FF1852T-1210S	
3	16851-LH	1	CONNECTOR, STR - FF1852T-1210S	
4	-LH	1	HOSE ASSEMBLY - 4051-12-120S-1204 (<i>Squirt Boom Section “A” port to Main Boom</i>)	
5	-LH	1	HOSE ASSEMBLY - 4053-12-120S-1204 (<i>Squirt Boom Section “B” port to Main Boom</i>)	
6	15152-LH	2	CONNECTOR, STR - FF1852T-1212S	
7	REF.	1	 MAIN BOOM ASSEMBLY	LB-1

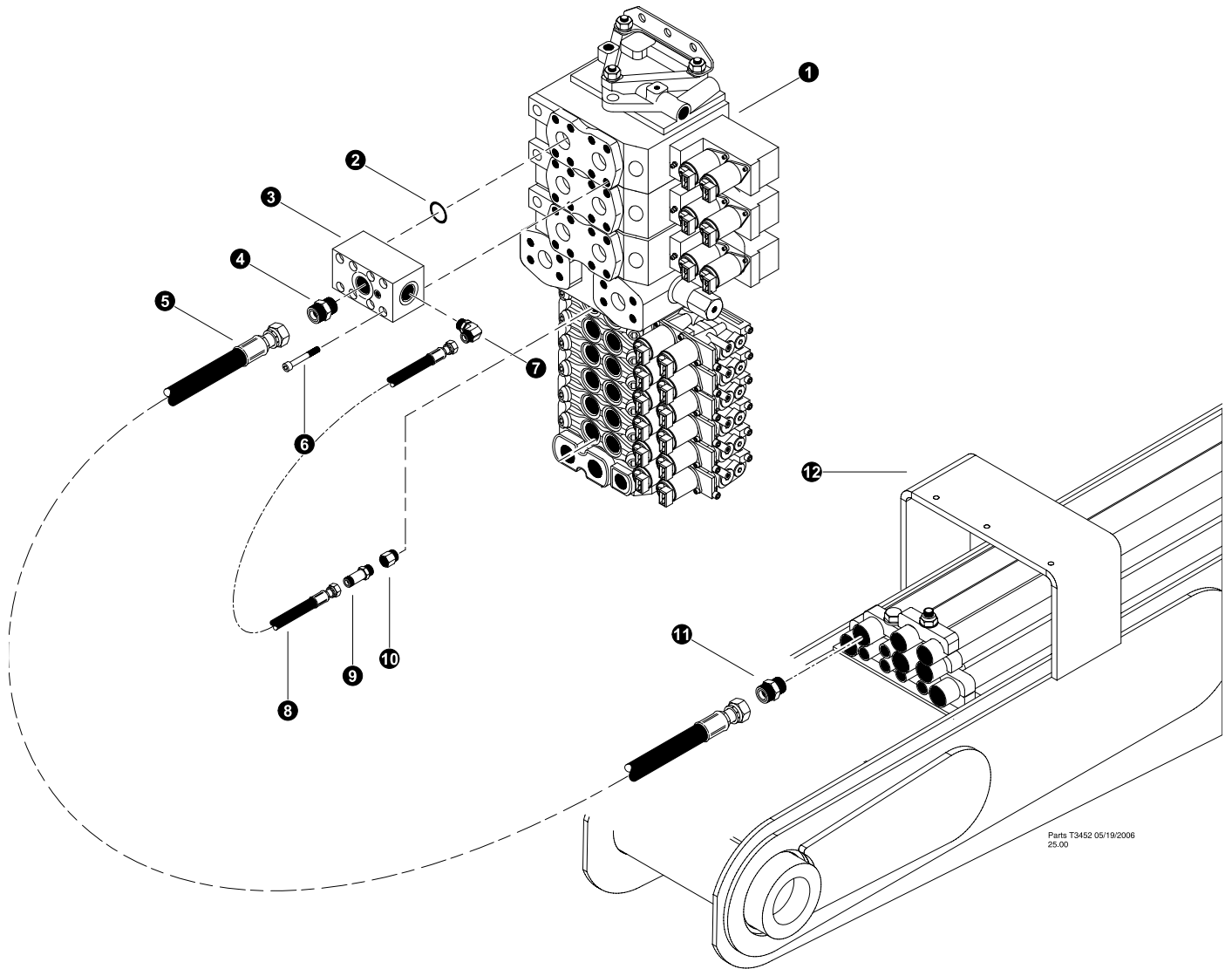
 See referenced page for component or assembly breakdown.



“Optional” SQUIRT BOOM CONNECTIONS
(Main Boom To Squirt Cylinder)



REF	PART #	QTY	DESCRIPTION	SEE SECTION
1	REF.	1	 MAIN / SQUIRT BOOM ASSEMBLY	LB-1
2	15152-LH	2	CONNECTOR, STR - FF1852T-1212S	
3	-LH	1	HOSE ASSEMBLY - 4042-12-120S-1204 (<i>Main Boom tube line to Squirt Boom Cylinder</i>)	
4	-LH	1	HOSE ASSEMBLY - 4042-12-120S-1204 (<i>Main Boom tube line to Squirt Boom Cylinder</i>)	

 See referenced page for component or assembly breakdown.

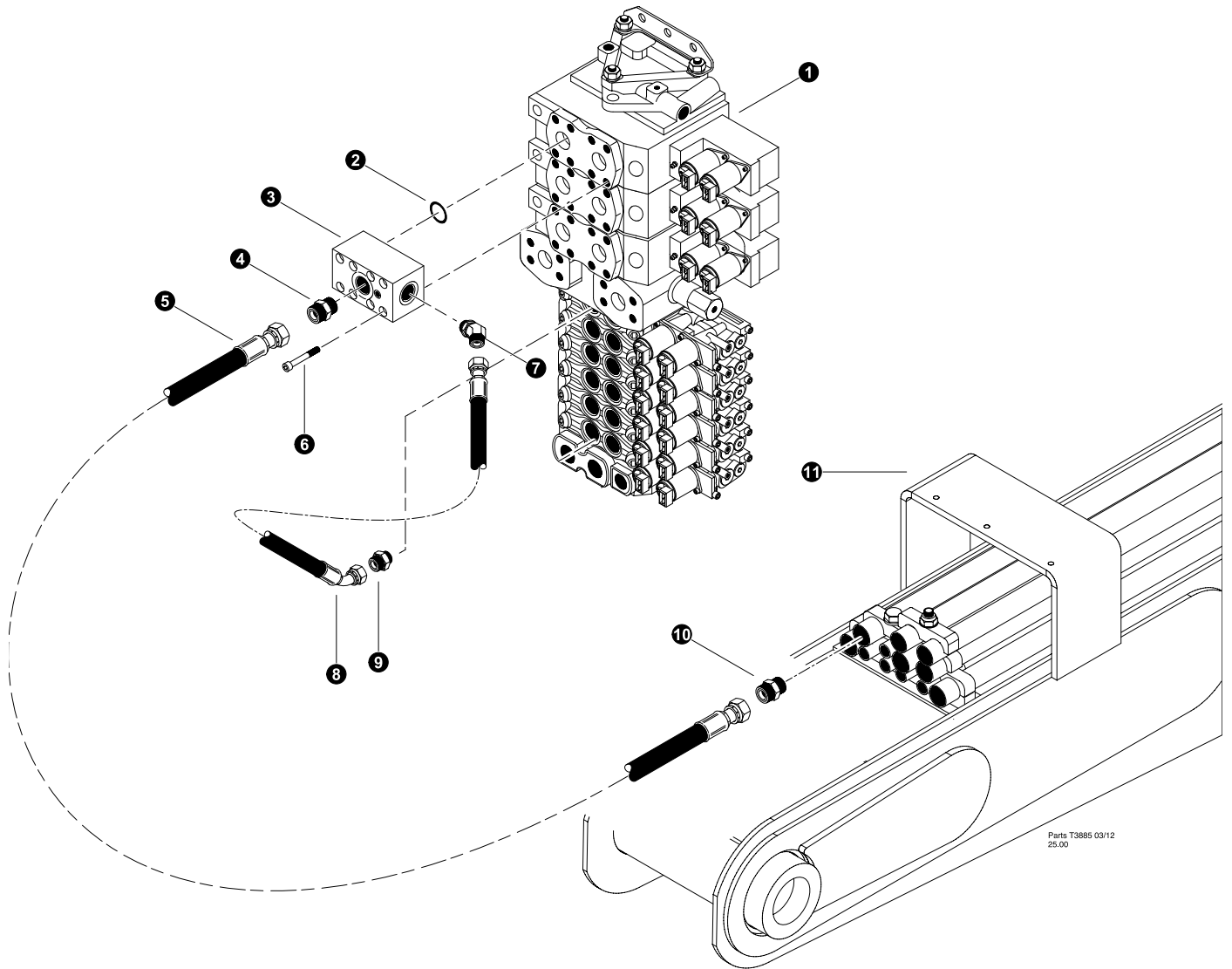


Parts T3452 05/19/2006
25.00

HARVESTER WITH SQUIRT BOOM CONNECTIONS
(Pressure and Tank Connections)
Pressure Line



REF	PART #	QTY	DESCRIPTION	SEE SECTION
1	REF.	1	 MAIN CONTROL VALVE	LH-2
2	15377-LH	2	O-RING - 1" SF	
3	51807-LH	1	MANIFOLD, COMBINED FLOW - VOAC COMBO	
4	15225-LH	2	CONNECTOR, STR - FF1852T-1616S	
5	-LH	1	HOSE ASSEMBLY - 4046-16-160S-160S (<i>Combined flow block to Main Boom</i>)	
6	50117-LH	8	BOLT, ALLEN HEAD - 10MM-1.5P X 75MM	
7	15372-LH	1	ELBOW, 90 - FF1868T-0812S	
8	-LH	1	HOSE ASSEMBLY - 4023-08-080S-080S (<i>L90 processor valve to combined flow block</i>)	
9	19091-LH	1	CONNECTOR, STR LONG - 848L-TTO-08X08	
10	19290-LH	1	BUSHING, REDUCER - 6410-10-8	
11	15225-LH	2	CONNECTOR, STR - FF1852T-1616S	
12	REF.	1	 MAIN BOOM ASSEMBLY	LB-1


 See referenced page for component or assembly breakdown.

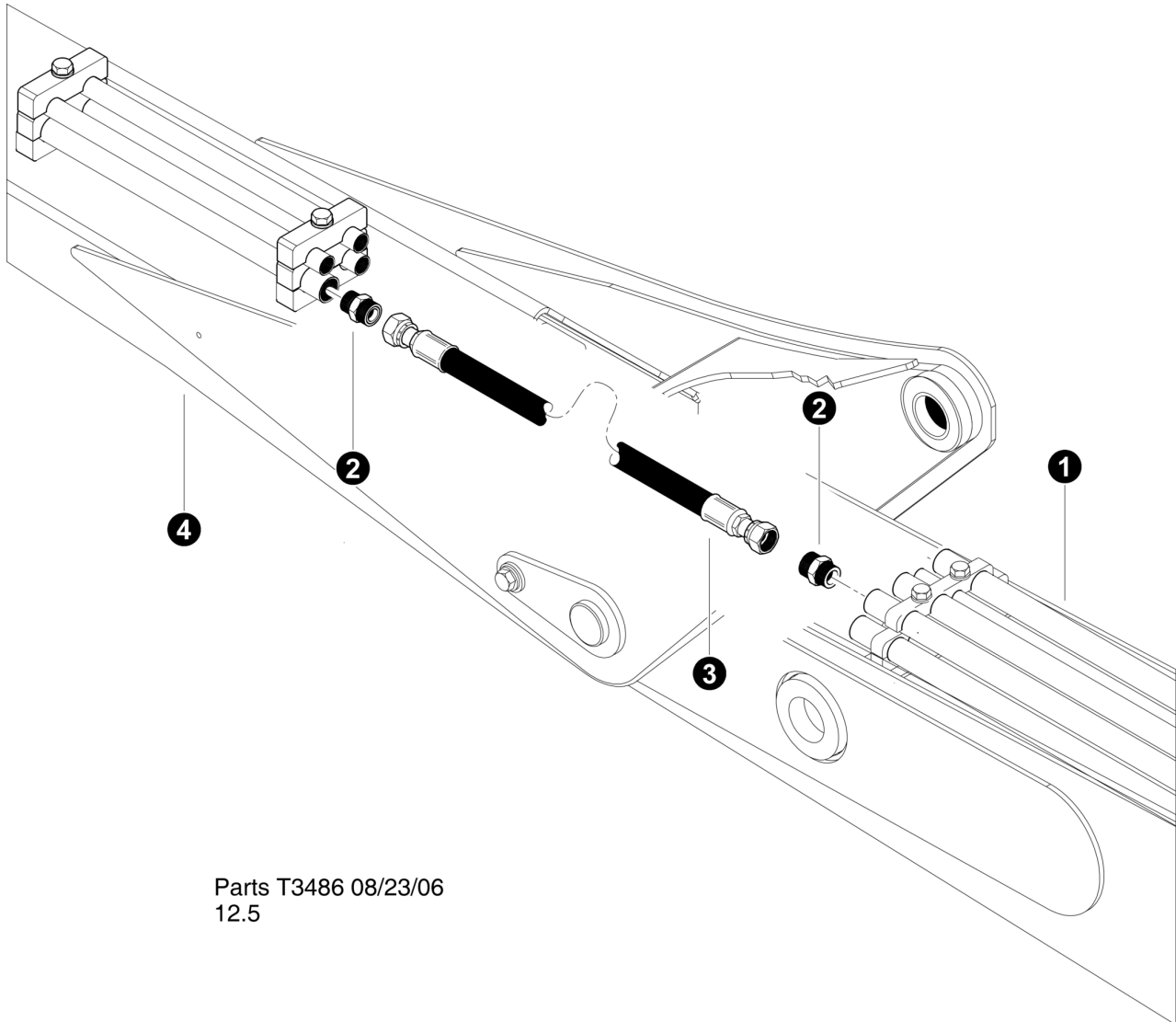


Parts T3885 03/12
25.00

**HARVESTER WITH SQUIRT BOOM CONNECTIONS
(Pressure and Tank Connections)
Pressure Line - *UPDATED 2011***



REF	PART #	QTY	DESCRIPTION	SEE SECTION
1	REF.	1	 MAIN CONTROL VALVE	LH-2
2	15377-LH	2	O-RING - 1" SF	
3	51807-LH	1	MANIFOLD, COMBINED FLOW - VOAC COMBO	
4	15225-LH	2	CONNECTOR, STR - FF1852T-1616S	
5	-LH	1	HOSE ASSEMBLY - 4046-16-160S-160S (<i>Combined flow block to Main Boom</i>)	
6	50117-LH	8	BOLT, ALLEN HEAD - 10MM-1.5P X 75MM	
7	19127-LH	1	ELBOW, 45 - 1212	
8	-LH	1	HOSE ASSEMBLY - 4034-12-120S-1204 (<i>L90 processor valve to combined flow block</i>)	
9	16851LH	1	CONNECTOR, STR 12-10	
10	15225-LH	2	CONNECTOR, STR - FF1852T-1616S	
11	REF.	1	 MAIN BOOM ASSEMBLY	LB-1

 See referenced page for component or assembly breakdown.

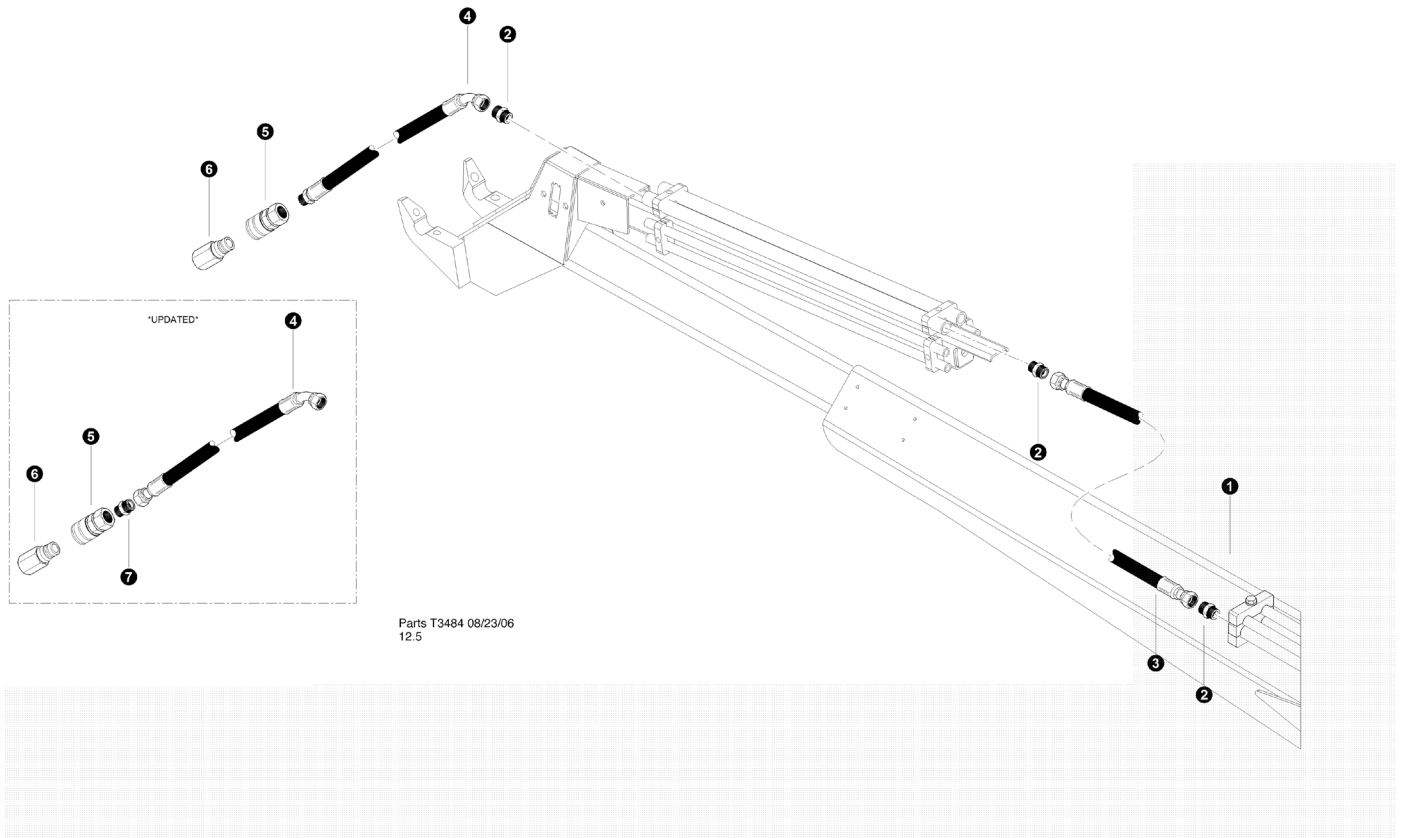


Parts T3486 08/23/06
12.5


**COMBO HARVESTER WITH SQUIRT BOOM CONNECTIONS
(Main to Squirt Boom - Pressure Connection)**

REF	PART #	QTY		DESCRIPTION	SEE SECTION
1	REF.	1		MAIN BOOM ASSEMBLY	LB-1
2	15225-LH	2		CONNECTOR, STR - FF1852T-1616S	
3	-LH	1		HOSE ASSEMBLY - 4054-16-160S-160S	
4	REF.	1		SQUIRT BOOM ASSEMBLY	LB-2

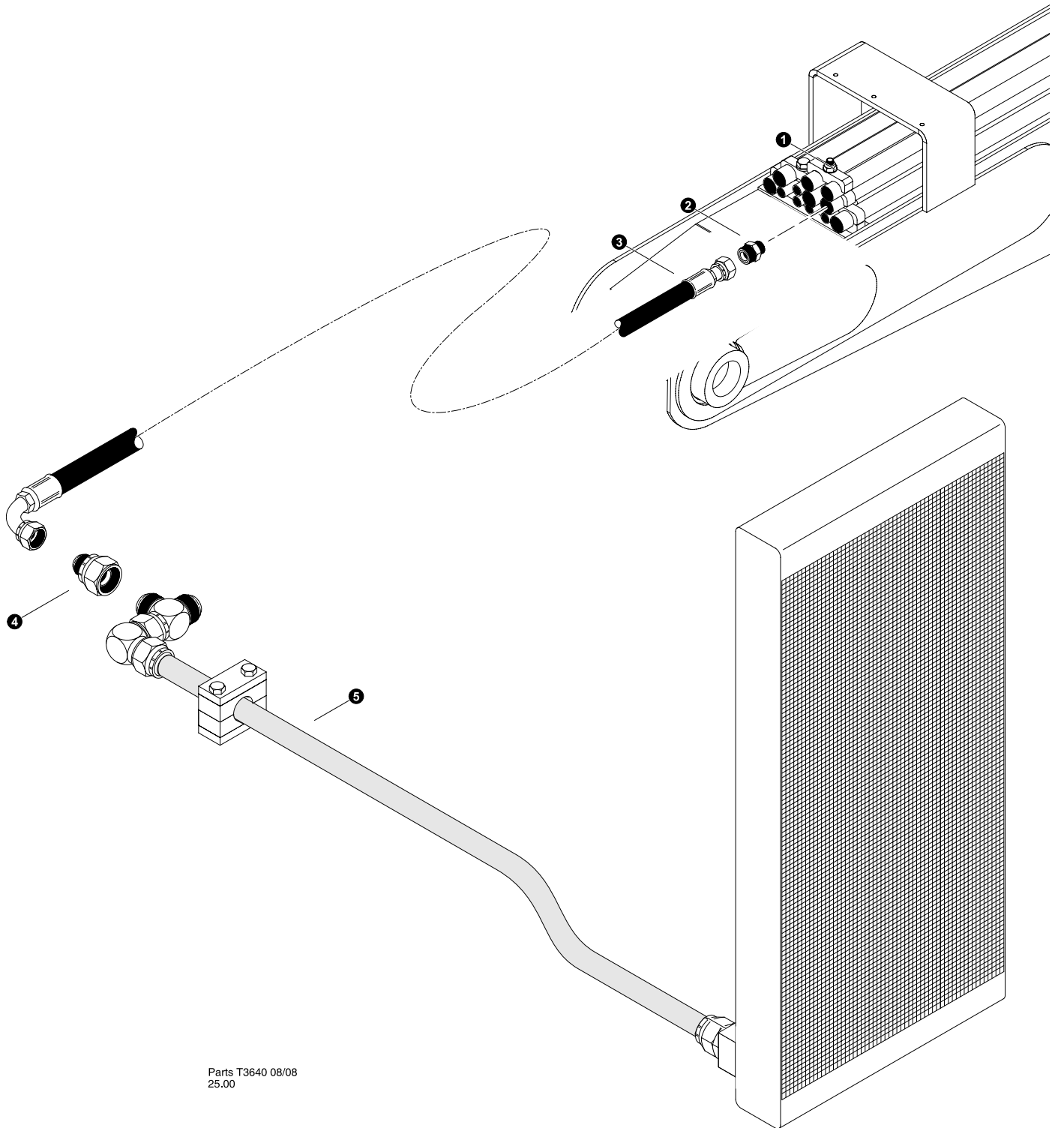
 See referenced page for component or assembly breakdown.



**COMBO HARVESTER WITH SQUIRT BOOM CONNECTIONS
(Squirt Boom - Pressure Connection)**



REF	PART #	QTY	DESCRIPTION	SEE SECTION
1	REF.	1	 SQUIRT BOOM ASSEMBLY	LB-2
2	15225-LH	3	CONNECTOR, STR - FF1852T-1616S	
3	-LH	1	HOSE ASSEMBLY - 4092-16-160S-160S	
4	-LH	1	HOSE ASSEMBLY - 4024-16-16RA -1604	
	-LH	1	HOSE ASSEMBLY - 4024-16-16OS -1604 *UPDATED*	
5	51271-LH	1	QUICK DISCONNECT - 1"FEM X 1"PORT	
6	24862-LH	1	QUICK DISCONNECT - 1" MALE X 1" PORT	
7	15225-LH	3	CONNECTOR, STR - FF1852T-1616S	


 See referenced page for component or assembly breakdown.

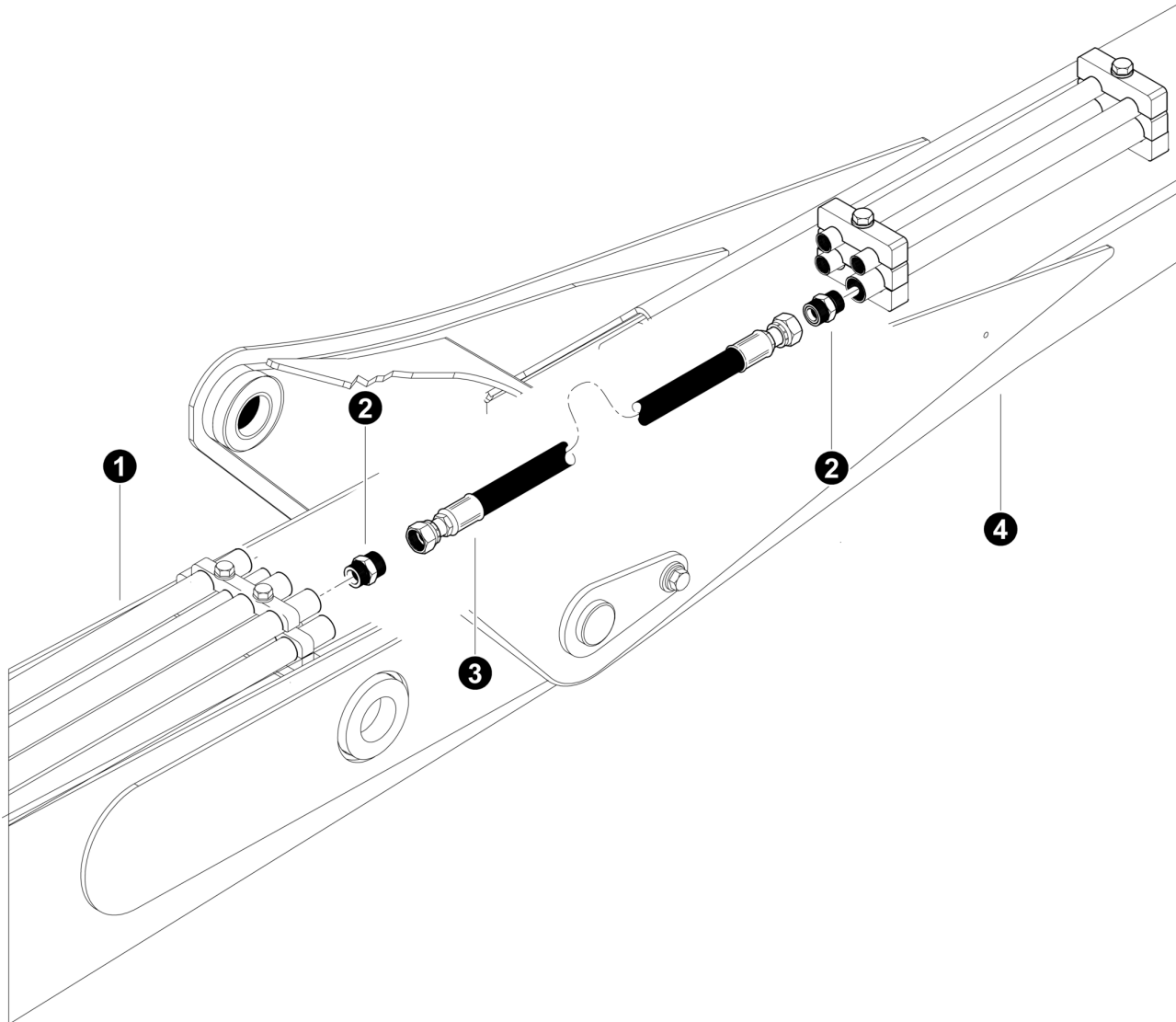


Parts T3640 08/08
25.00

HARVESTER WITH SQUIRT BOOM CONNECTIONS
(Main Boom - Pressure and Tank Connections)
Return Line



REF	PART #	QTY	DESCRIPTION	SEE SECTION
1	REF.	1	 MAIN BOOM ASSEMBLY	LB-1
2	15225-LH	2	CONNECTOR, STR - FF1852T-1616S	
3	-LH	1	HOSE ASSEMBLY - 2076-16-160S-1604 (<i>Attachment Return to Return Tube</i>)	
4	53182-LH	1	FITTING, REDUCER TUBE END - 24-16	
5	REF.	1	 RETURN OIL TUBE.	LH-2

 See referenced page for component or assembly breakdown.

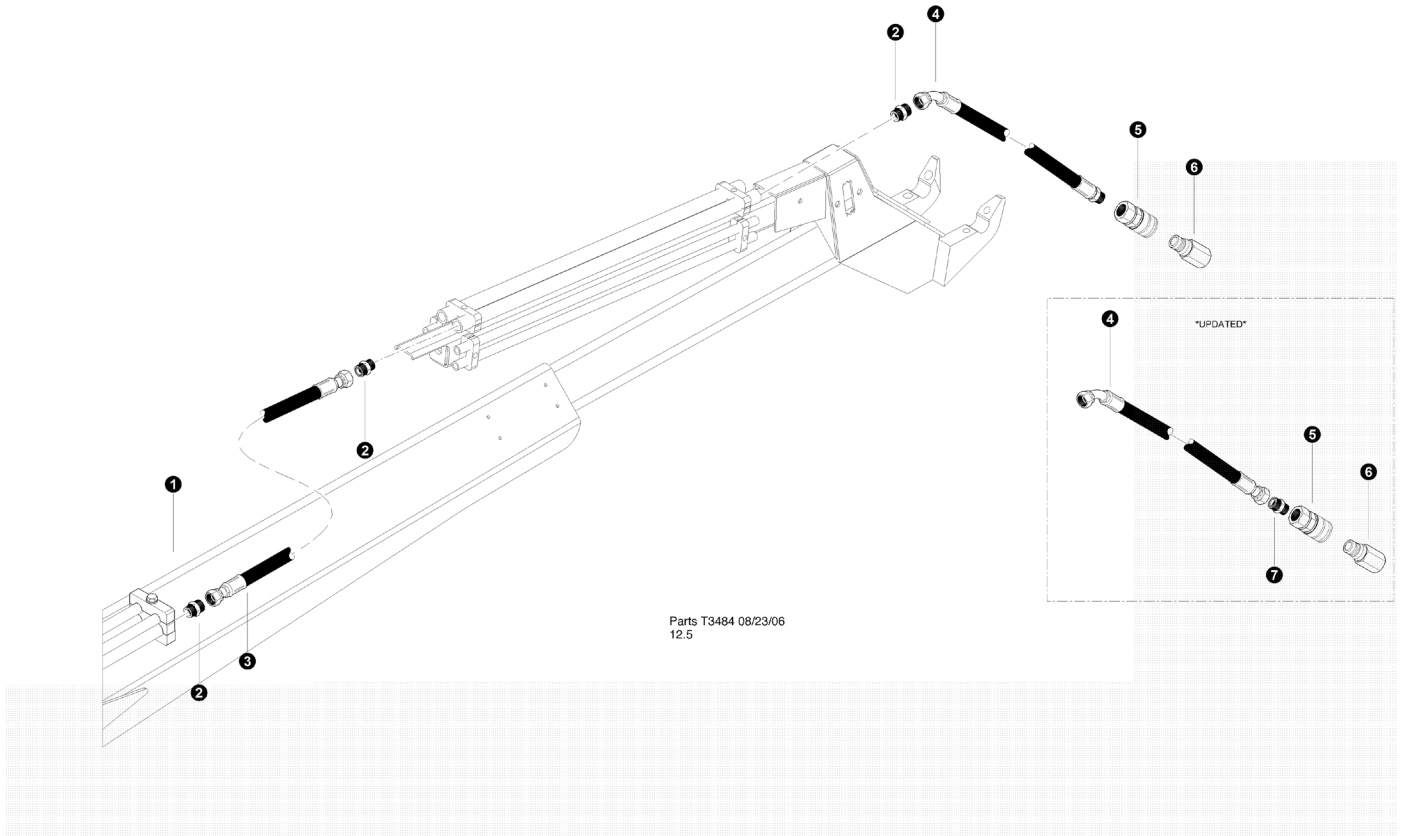


Parts T3485 08/23/06
12.5

**COMBO HARVESTER WITH SQUIRT BOOM CONNECTIONS
(Main to Squirt Boom - Return Connection)**


REF	PART #	QTY		DESCRIPTION	SEE SECTION
1	REF.	1		MAIN BOOM ASSEMBLY	LB-1
2	15225-LH	2		CONNECTOR, STR - FF1852T-1616S	
3	-LH	1		HOSE ASSEMBLY - 4054-16-160S-160S	
4	REF.	1		SQUIRT BOOM ASSEMBLY	LB-2

 See referenced page for component or assembly breakdown.

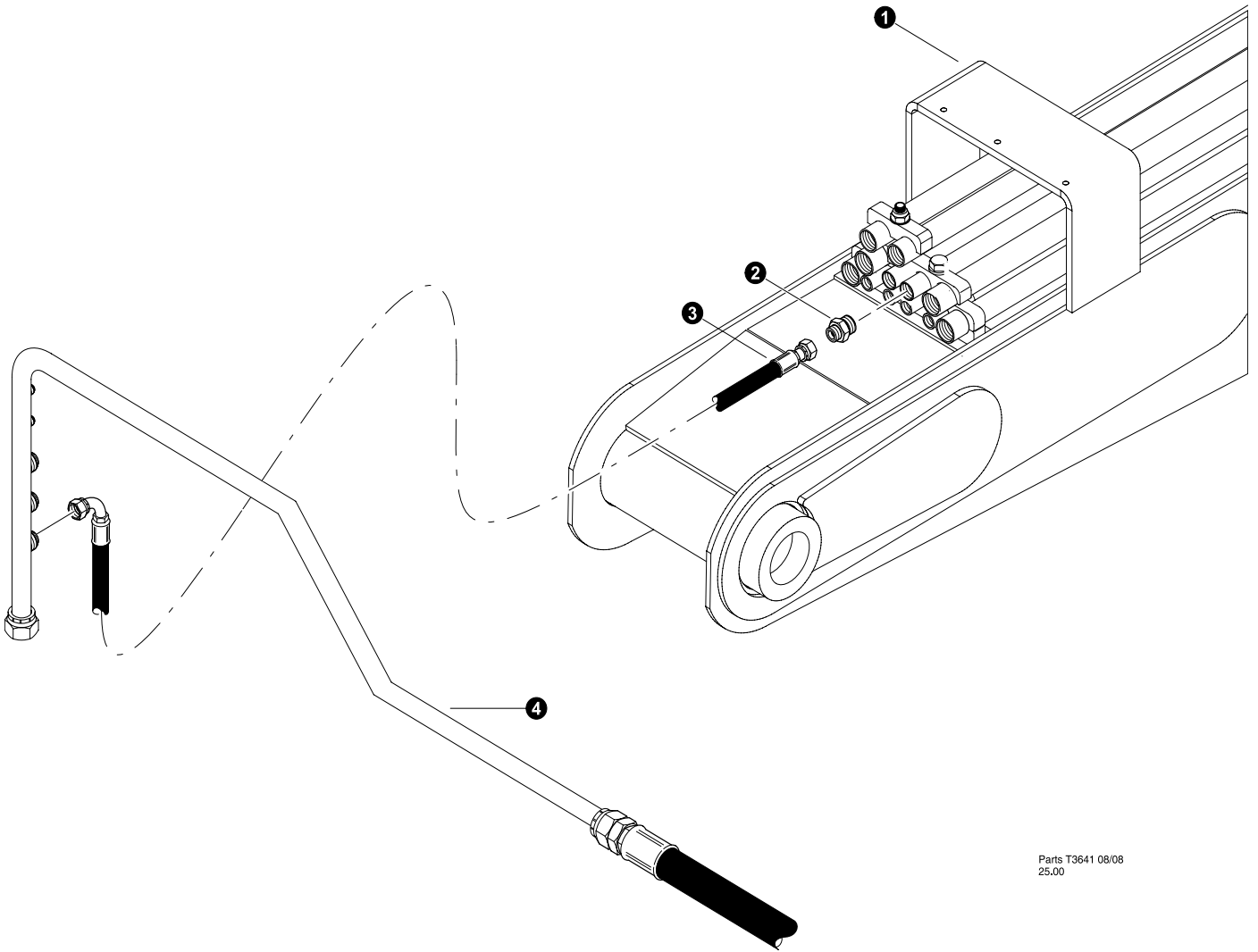


Parts T3484 08/23/06
12.5

**COMBO HARVESTER WITH SQUIRT BOOM CONNECTIONS
(Squirt Boom - Return Connection)**



REF	PART #	QTY	DESCRIPTION	SEE SECTION
1	REF.	1	 SQUIRT BOOM ASSEMBLY	LB-2
2	15225-LH	3	CONNECTOR, STR - FF1852T-1616S	
3	-LH	1	HOSE ASSEMBLY - 4092-16-160S-160S	
4	-LH	1	HOSE ASSEMBLY - 4020-16-16RA -1604	
	-LH	1	HOSE ASSEMBLY - 4020-16-16RA -1604 *UPDATED*	
5	51271-LH	1	QUICK DISCONNECT - 1" FEM X 1" PORT	
6	24862-LH	1	QUICK DISCONNECT - 1" MALE X 1" PORT	
7	15225-LH	3	CONNECTOR, STR - FF1852T-1616S	


 See referenced page for component or assembly breakdown.

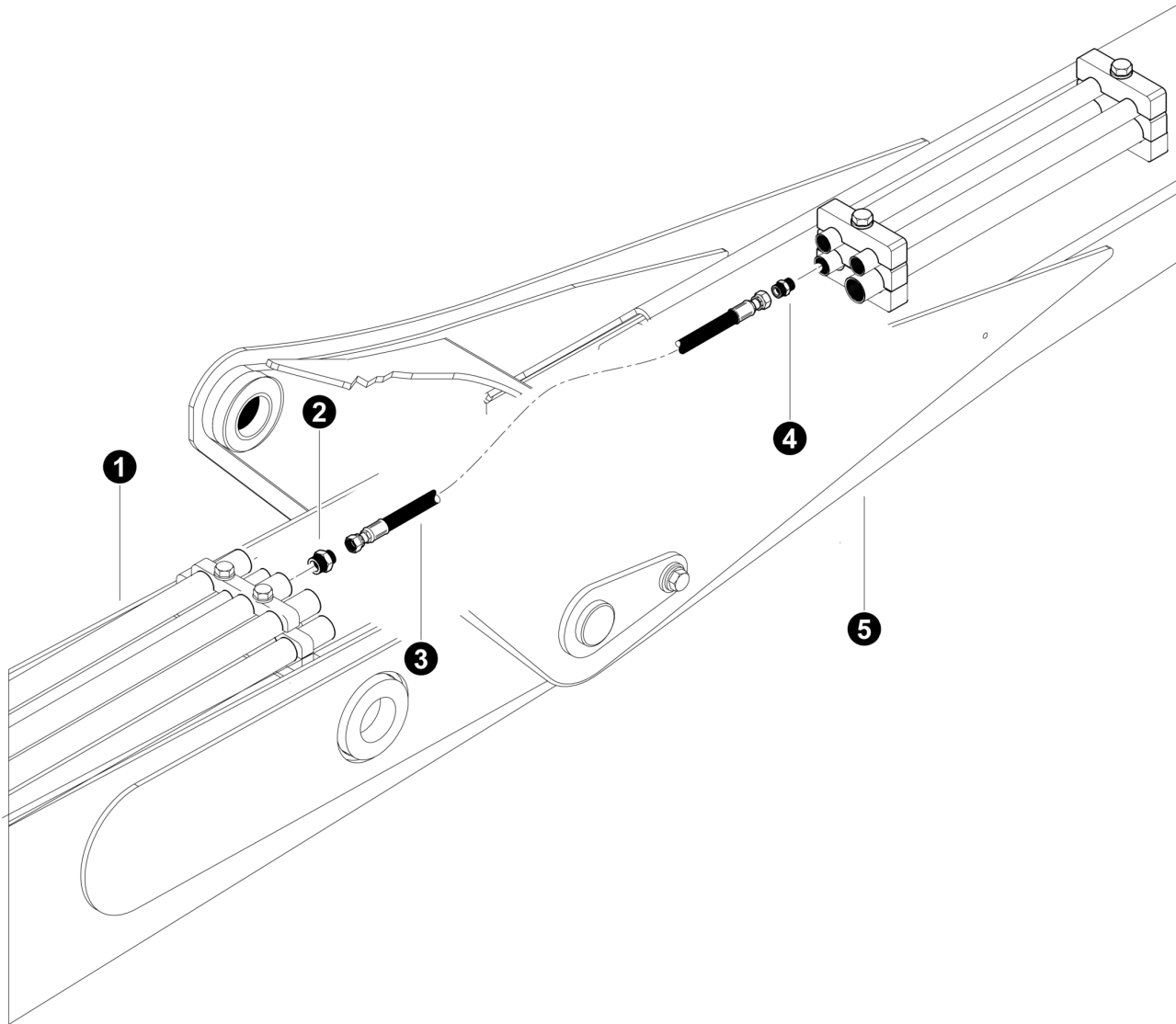


Parts T3641 08/08
25.00

**HARVESTER WITH SQUIRT BOOM CONNECTIONS
(Main Boom - Case Drain Connections)**



REF	PART #	QTY	DESCRIPTION	SEE SECTION
1	REF.	1	 MAIN BOOM ASSEMBLY	LB-1
2	15238-LH	1	CONNECTOR, STR - FF1852T-0812S	
3	-LH	1	HOSE ASSEMBLY - 2072-08-080S-08J9 (<i>Main Boom tube line to Case Drain Tube</i>)	
4	REF.	1	 CASE DRAIN TUBE	LH-2


 See referenced page for component or assembly breakdown.

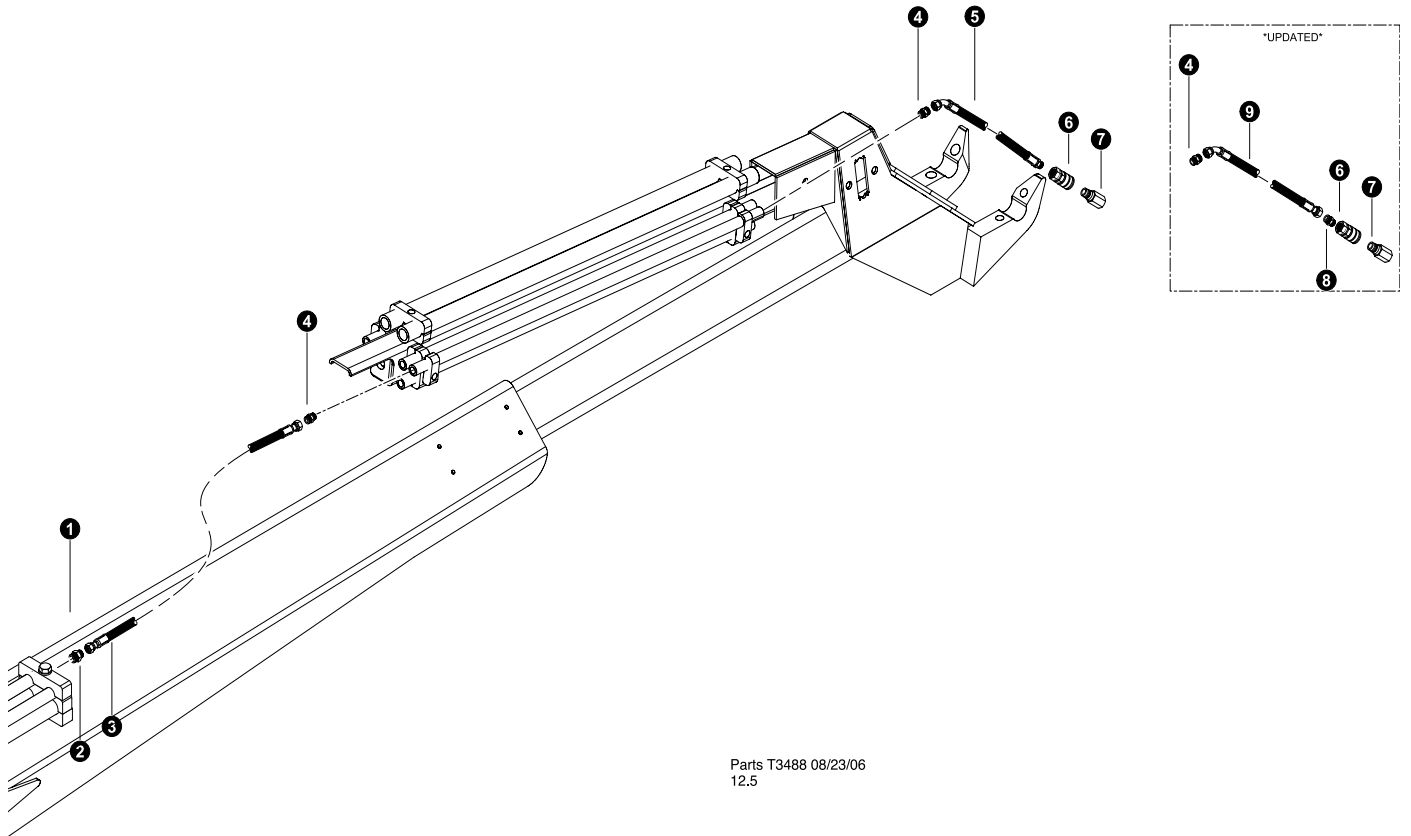


Parts T3489 08/23/06
12.5


**COMBO HARVESTER WITH SQUIRT BOOM CONNECTIONS
(Main to Squirt Boom - Case Drain Connections)**

REF	PART #	QTY	DESCRIPTION	SEE SECTION
1	REF.	1	 MAIN BOOM ASSEMBLY	LB-1
2	15238-LH	1	CONNECTOR, STR - FF1852T-0812S	
3	-LH	1	HOSE ASSEMBLY - 4049-08-080S-080S	
4	15117-LH	1	CONNECTOR, STR - FF1852T-0808S	
5	REF.	1	 SQUIRT BOOM ASSEMBLY	LB-2

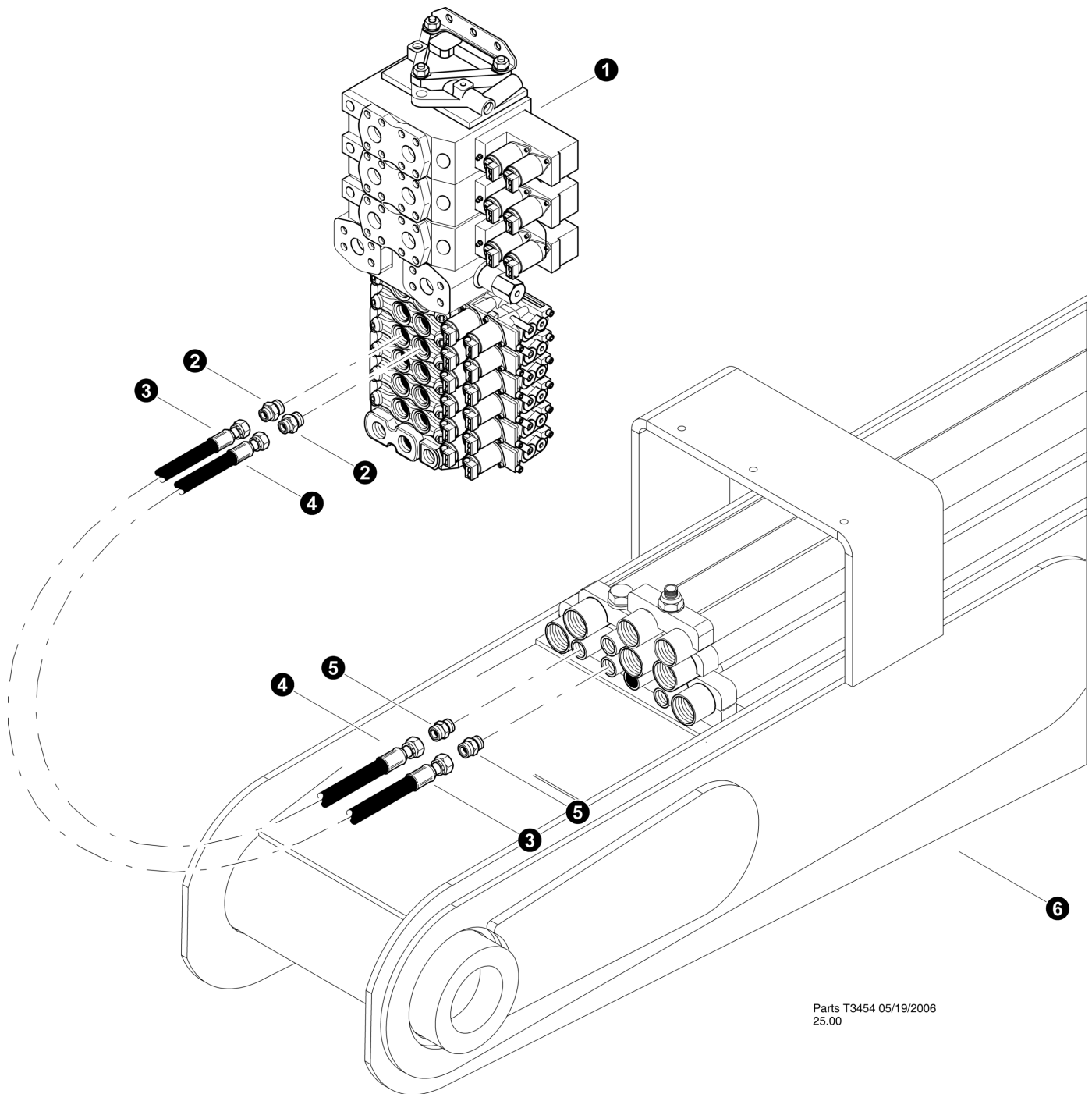
 See referenced page for component or assembly breakdown.



**HARVESTER WITH SQUIRT BOOM CONNECTIONS
(Squirt Boom - Case Drain Connections)**



REF	PART #	QTY	DESCRIPTION	SEE SECTION
1	REF.	1	 SQUIRT BOOM ASSEMBLY	LB-2
2	15117-LH	1	CONNECTOR, STR - FF1852T-0808S	
3	-LH	1	HOSE ASSEMBLY - 4092-08-080S-080S	
4	15117-LH	1	CONNECTOR, STR - FF1852T-0808S	
5	-LH	1	HOSE ASSEMBLY - 4024-08-080S -08RA	
	-LH	1	HOSE ASSEMBLY - 4024-08-080S -08OS *updated*	
6	51272-LH	1	QUICK DISCONNECT - .5"FEM X .75 PORT	
	52873-LH	1	QUICK DISCONNECT- .75" FEMALE CASE DRAIN *updated*	
7	24864-LH	1	QUICK DISCONNECT - .5" MALE X .75" PORT	
	52874-LH	1	QUICK DISCONNECT- .75" MALE CASE DRAIN *updated*	
8	15238-LH	1	CONNECTOR, STR - FF1852T-0812S	

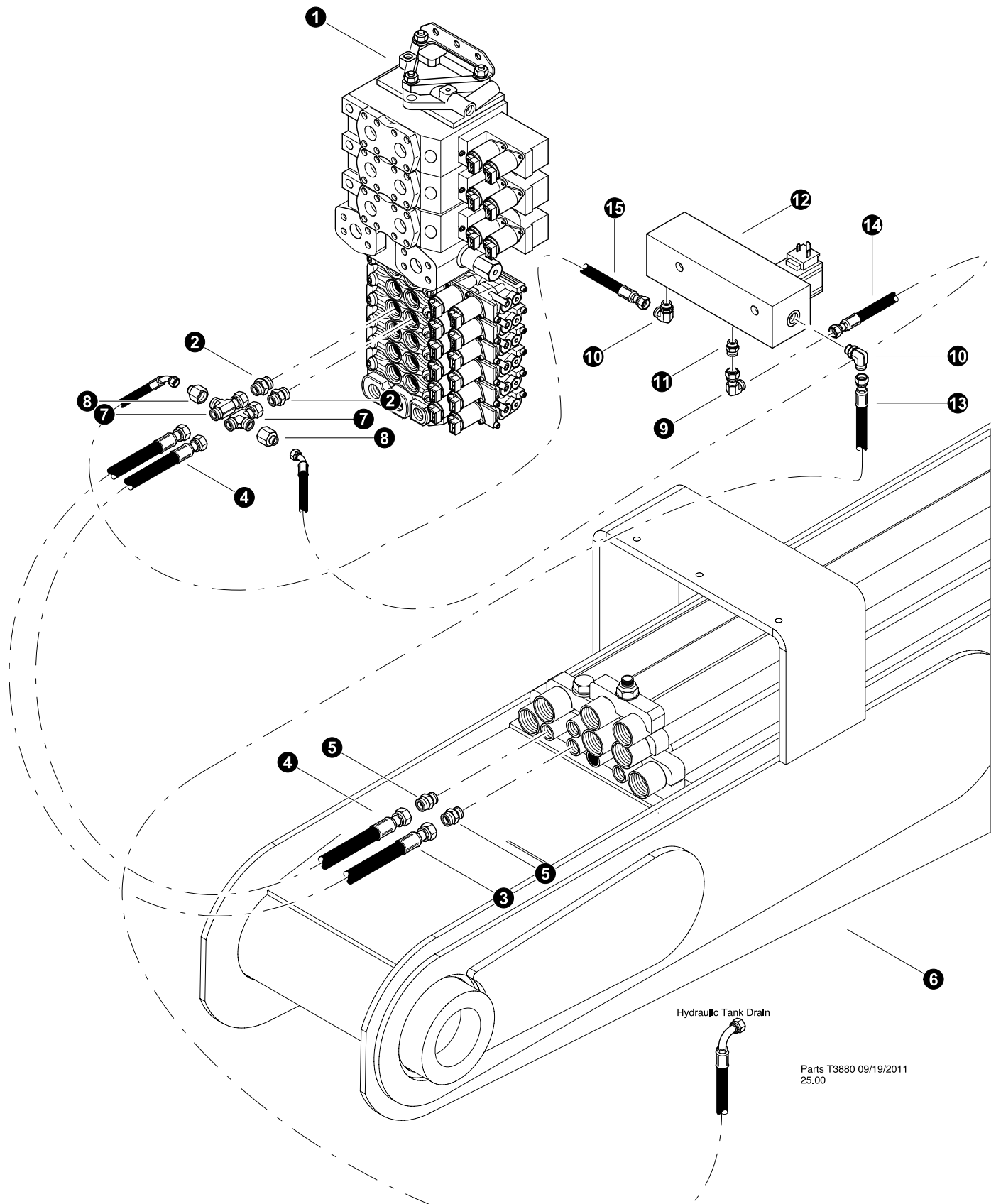
 See referenced page for component or assembly breakdown.





Parts T3454 05/19/2006
25.00

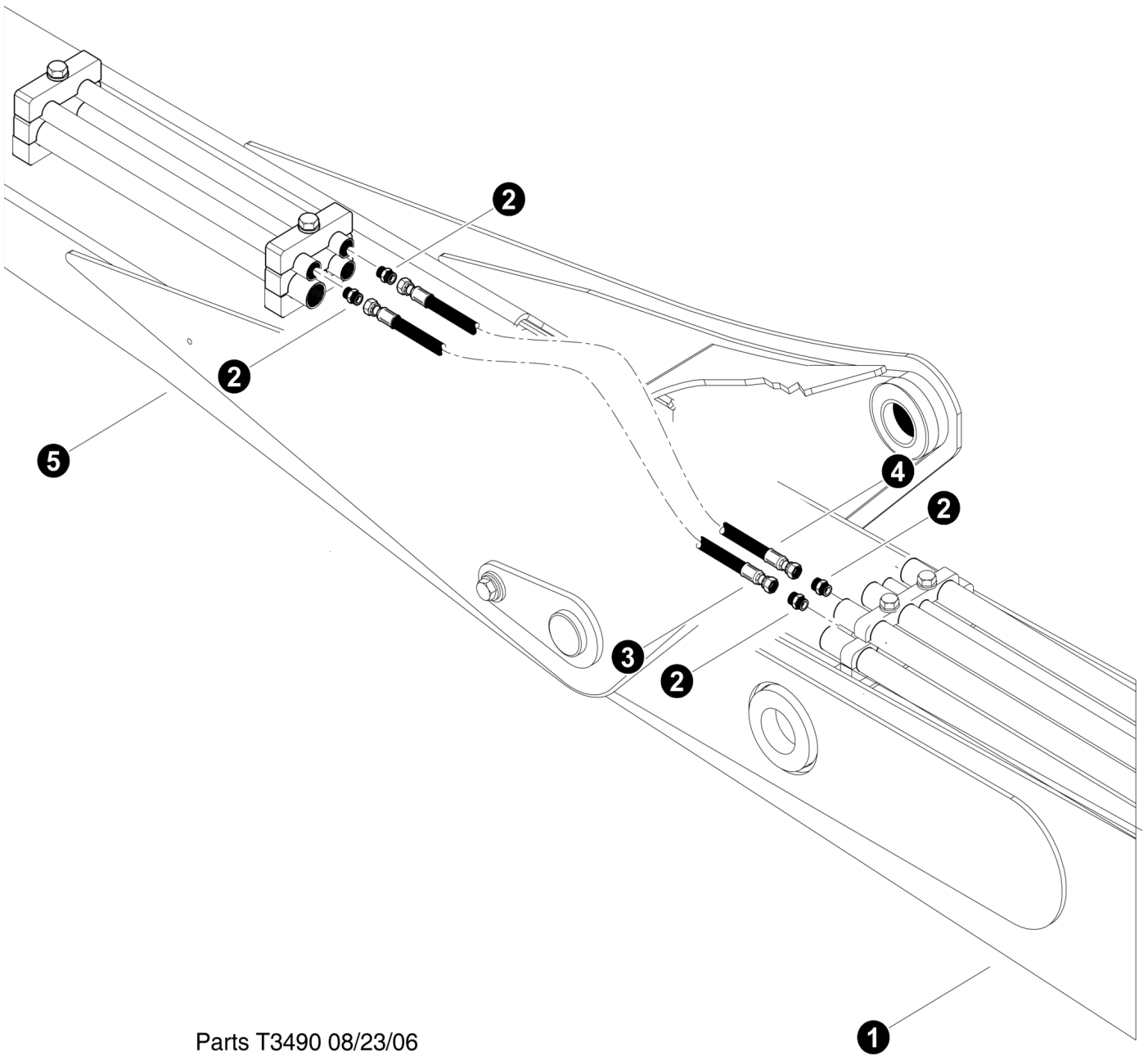
COMBO HARVESTER WITH SQUIRT BOOM CONNECTIONS
(Main Boom - Head Rotate Connections)
 830B-0244-021808 to 830B-0314-071609

REF	PART #	QTY	DESCRIPTION	SEE SECTION
1	REF.	1	 MAIN CONTROL VALVE	LH-2
2	15115-LH	2	CONNECTOR, straight - FF1852T-0810S	
3	-LB	1	HOSE ASSEMBLY - 4057-08-080S-080S (<i>Rotate valve section work port "A" to main boom left inside tube line</i>)	
4	-LB	1	HOSE ASSEMBLY - 4056-08-080S-080S (<i>Rotate valve section work port "B" to main boom left outside tube line</i>)	
5	15117-LH	2	CONNECTOR, STR - FF1852T-0808S	
6	REF.	1	 MAIN BOOM ASSEMBLY	LB-1





COMBO HARVESTER WITH SQUIRT BOOM CONNECTIONS
(Main Boom - Head Rotate Connections)
 Machine 830B-0315-080609 and newer

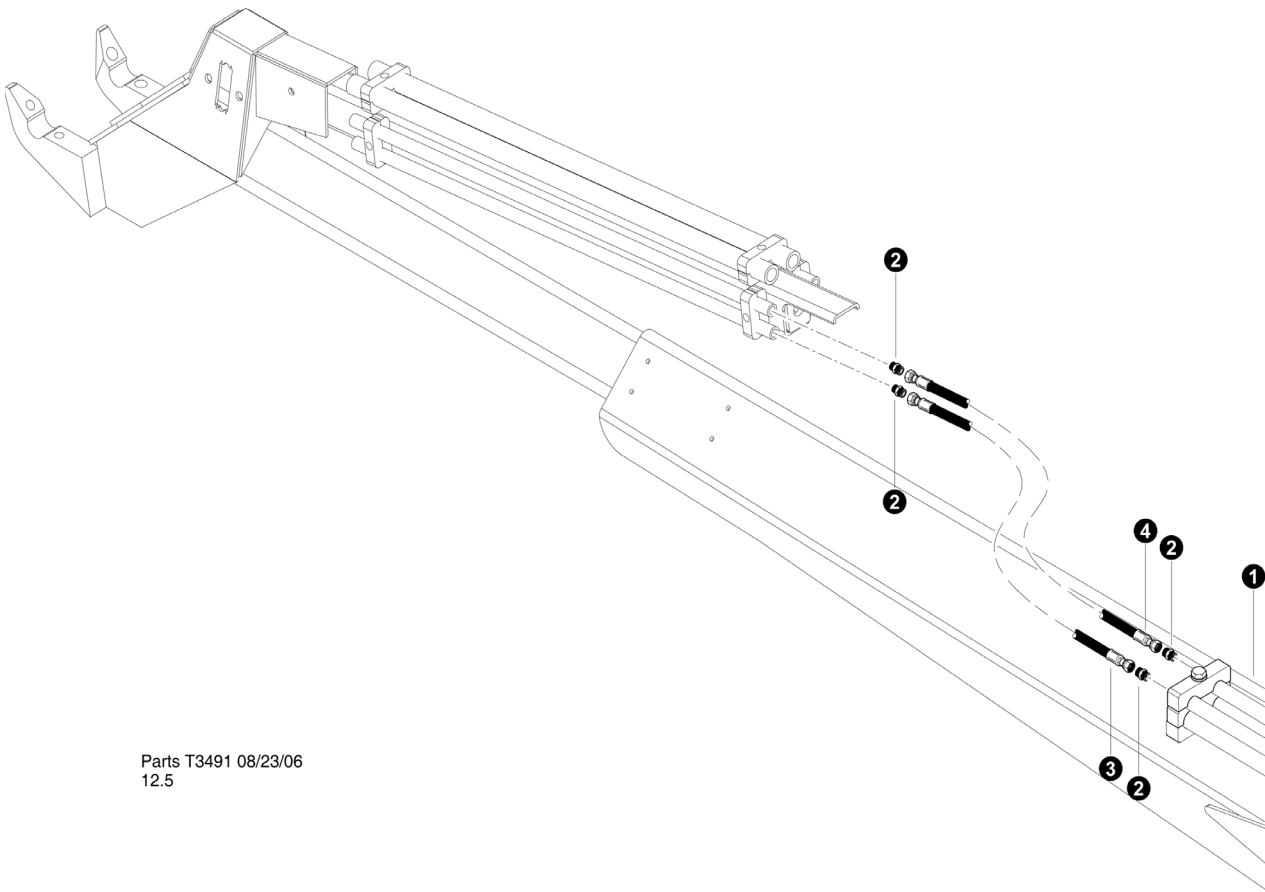
REF	PART #	QTY	DESCRIPTION	SEE SECTION
1	REF.	1	 MAIN CONTROL VALVE	LH-2
2	15115-LH	2	CONNECTOR, straight - FF1852T-0810S	
3	-LB	1	HOSE ASSEMBLY - 4063-08-080S-080S (<i>Rotate valve section work port "A" to main boom left inside tube line</i>)	
4	-LB	1	HOSE ASSEMBLY - 4060-08-080S-080S (<i>Rotate valve section work port "B" to main boom left outside tube line</i>)	
5	15117-LH	2	CONNECTOR, STR - FF1852T-0808S	
6	REF.	1	 MAIN BOOM ASSEMBLY	LB-1
7	24186-LH	2	TEE - FF1898T-0808S	
8	19221-LH	2	CONNECTOR, REDUCER - ORS FF2281T-0408S	
9	15145-LH	1	ELBOW, 90 SWIVEL - FF2098T-0404S	
10	15133-LH	2	ELBOW, 90 - FF1868T-0406S	
11	15124-LH	1	CONNECTOR, STR - FF1852T-0406S	
12	52912-LH	1	VALVE, COMBO DRAIN	LH-1
13	-LH	1	HOSE ASSEMBLY - 2110-04-040S-0409	
14	-LH	1	HOSE ASSEMBLY - 2040-04-040S-0404	
15	-LH	1	HOSE ASSEMBLY - 2032-04-040S-0409	



Parts T3490 08/23/06
12.5


COMBO HARVESTER WITH SQUIRT BOOM CONNECTIONS
(Main to Squirt Boom - Head Rotate Connections)

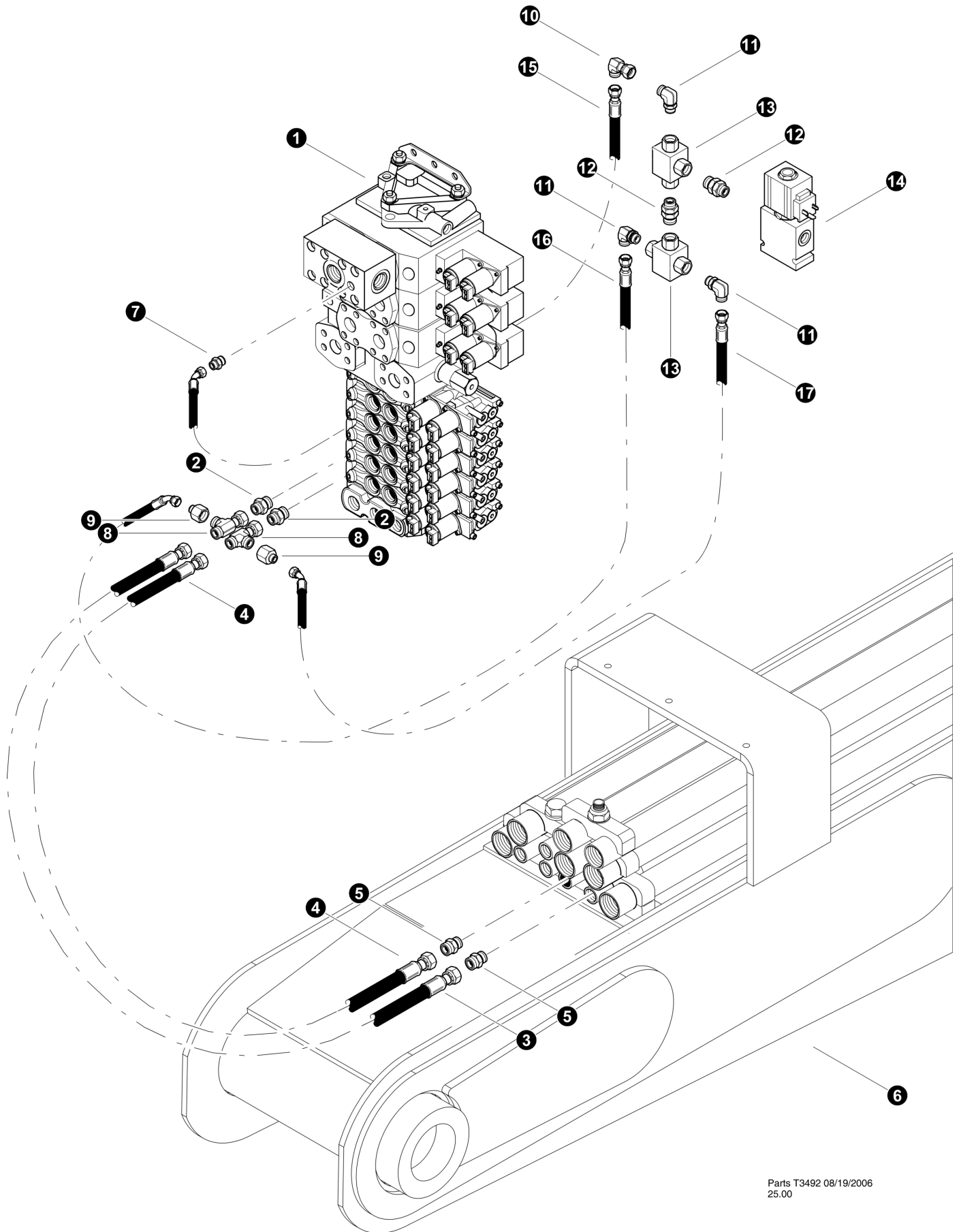
REF	PART #	QTY	DESCRIPTION	SEE SECTION
1	REF.	1	 MAIN BOOM ASSEMBLY	LB-1
2	15117-LH	1	CONNECTOR, STR - FF1852T-0808S	
3	-LH	1	HOSE ASSEMBLY - 4049-08-080S-080S	
4	-LH	1	HOSE ASSEMBLY - 4049-08-080S-080S	
5	REF.	1	 SQUIRT BOOM ASSEMBLY	LB-2



Parts T3491 08/23/06
12.5



HARVESTER WITH SQUIRT BOOM CONNECTIONS
(Squirt Boom - Head Rotate Connections)

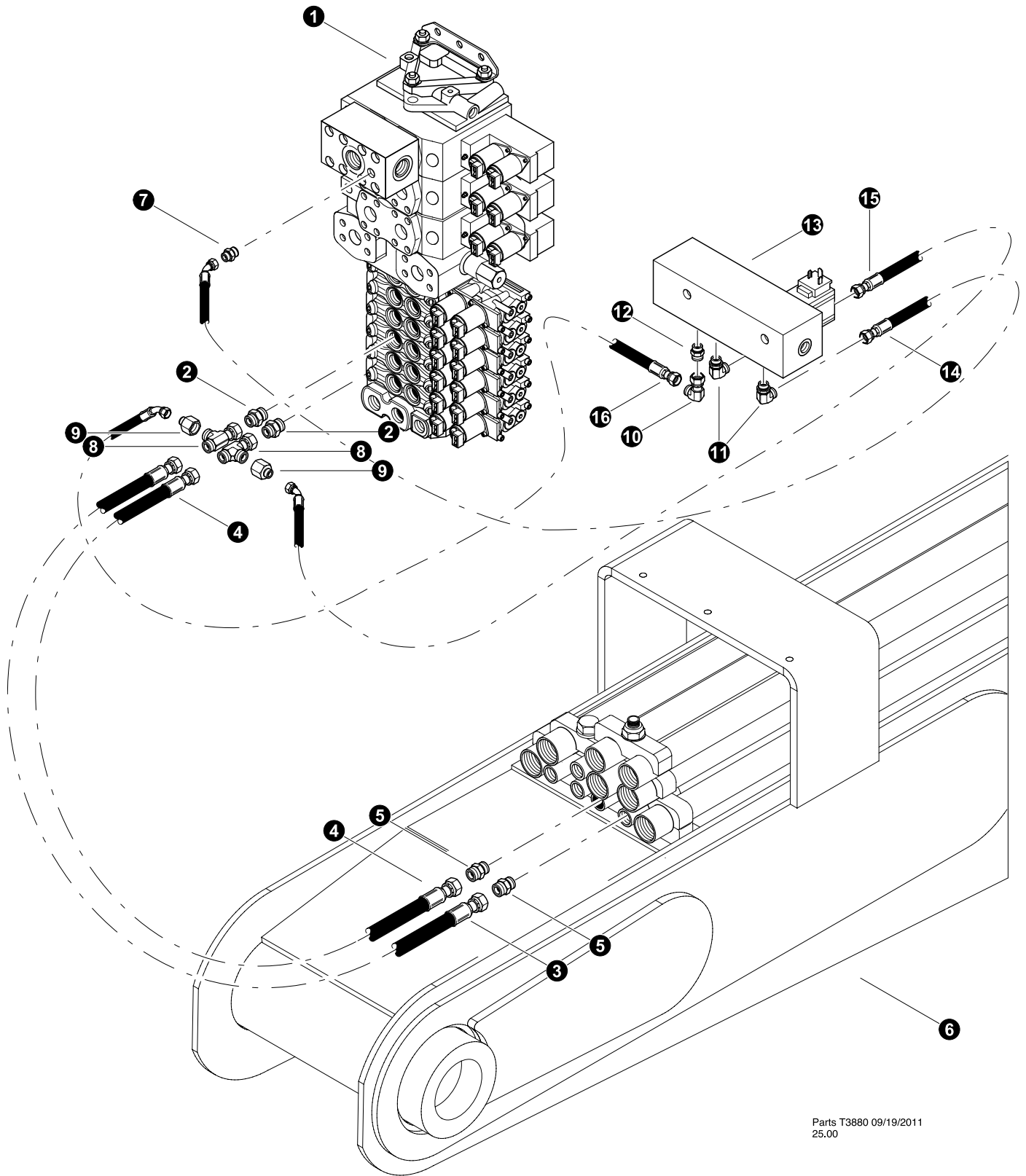
REF	PART #	QTY	DESCRIPTION	SEE SECTION
1	REF.	1	 SQUIRT BOOM ASSEMBLY	LB-2
2	15117-LH	1	CONNECTOR, STR - FF1852T-0808S	
3	-LH	1	HOSE ASSEMBLY - 4092-08-080S-080S	
4	-LH	1	HOSE ASSEMBLY - 4092-08-080S-080S	



Parts T3492 08/19/2006
25.00



COMBO HARVESTER WITH SQUIRT BOOM CONNECTIONS
(Main Boom - Grapple Open & Close Connections)
 830B-0244-021808 to 830B-0314-071609

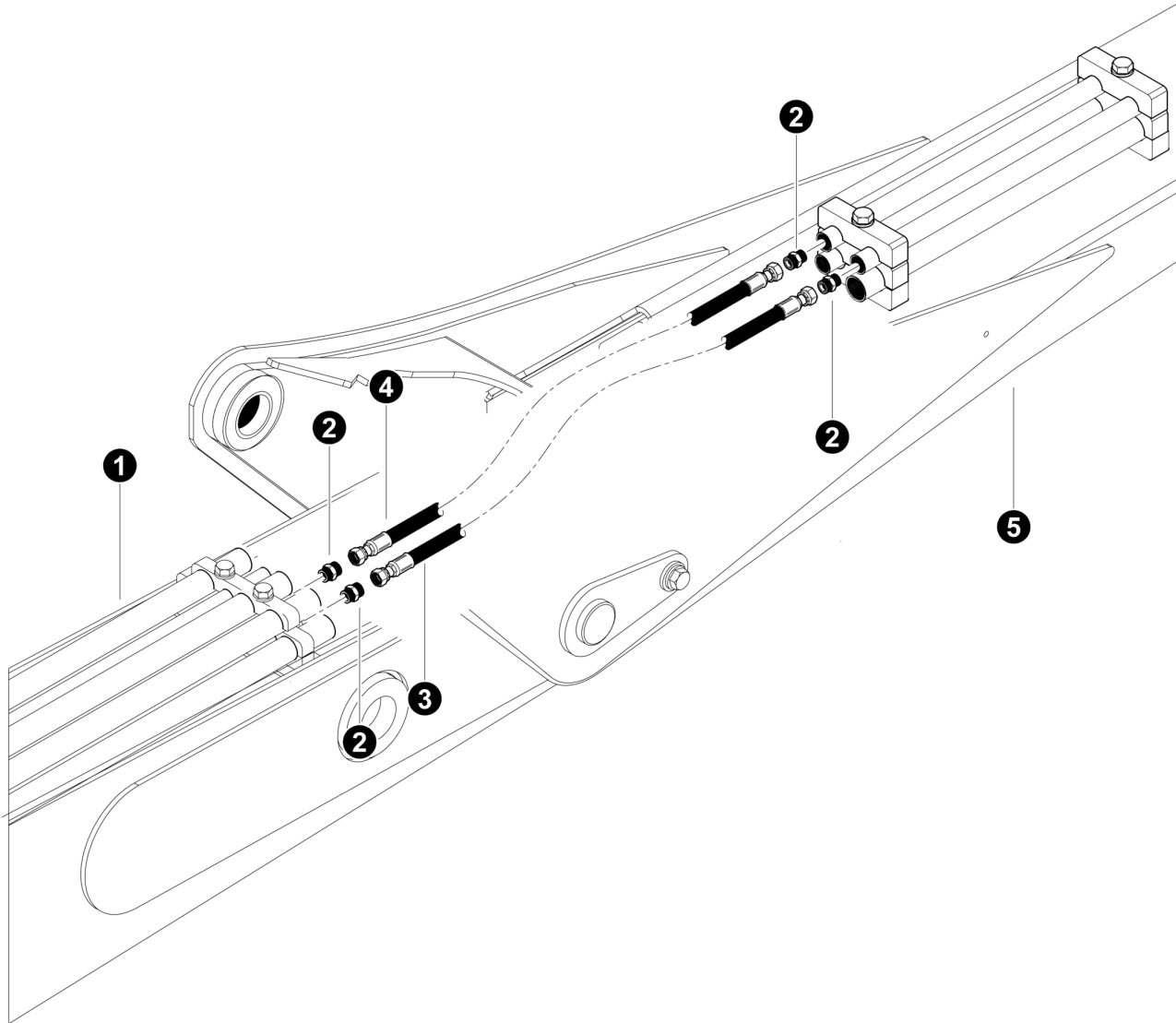
REF	PART #	QTY	DESCRIPTION	SEE SECTION
1	REF.	1	 MAIN CONTROL VALVE	LH-2
2	15115-LH	2	CONNECTOR, straight - FF1852T-0810S	
3	-LH	1	HOSE ASSEMBLY - 4059-08-080S-080S (<i>Grapple valve section work port "A" to main boom Right inside tube line</i>)	
4	-LH	1	HOSE ASSEMBLY - 4058-08-080S-080S (<i>Grapple valve section work port "B" to main boom Right outside tube line</i>)	
5	15117-LH	2	CONNECTOR, STR - FF1852T-0808S	
6	REF.	1	 MAIN BOOM ASSEMBLY	LB-1
7	16541-LH	1	CONNECTOR, STR - FF1852T-0404S	
8	24186-LH	2	TEE - FF1898T-0808S	
9	19221-LH	2	CONNECTOR, REDUCER - ORS FF2281T-0408S	
10	15145-LH	1	ELBOW, 90 SWIVEL - FF2098T-0404S	
11	15133-LH	3	ELBOW, 90 - FF1868T-0406S	
12	19366-LH	2	CONNECTOR, STR - 6403-NWO-6	
13	50690-LH	2	VALVE, SHUTTLE - LS SIGNAL (CURRENT)	
14	24255-LH	1	VALVE, LOAD SENSE/PARK BRAKE 2POS/3WAY24	
15	-LH	1	HOSE ASSEMBLY - 2057-04-040S-0404	
16	-LH	1	HOSE ASSEMBLY - 2029-04-040S-0404	
17	-LH	1	HOSE ASSEMBLY - 2028-04-040S-0409	



Parts T3880 09/19/2011
25.00



COMBO HARVESTER WITH SQUIRT BOOM CONNECTIONS
(Main Boom - Grapple Open & Close Connections)
 Machine 830B-0315-080609 and newer

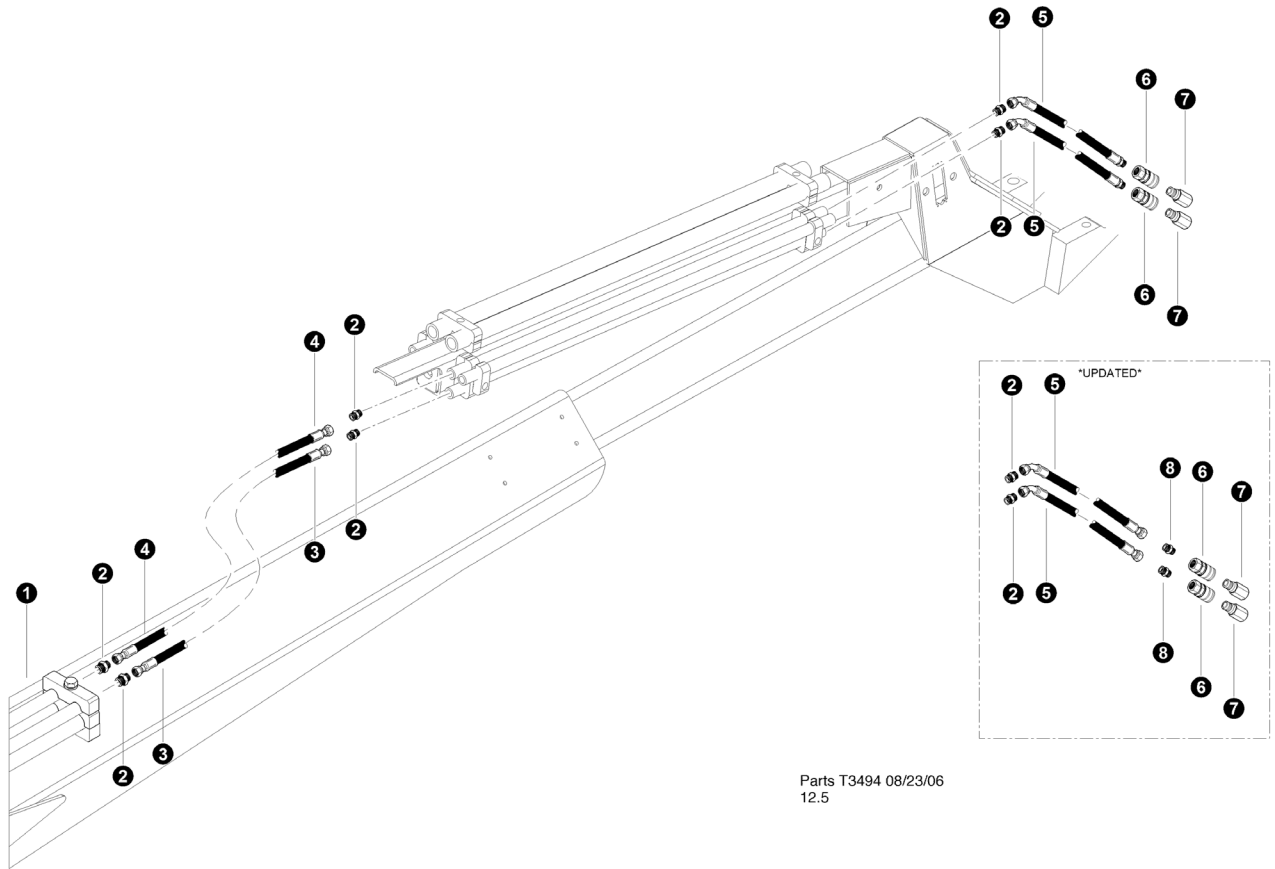
REF	PART #	QTY	DESCRIPTION	SEE SECTION
1	REF.	1	 MAIN CONTROL VALVE	LH-2
2	15115-LH	2	CONNECTOR, straight - FF1852T-0810S	
3	-LH	1	HOSE ASSEMBLY - 4065-08-080S-080S (<i>Grapple valve section work port "A" to main boom Right inside tube line</i>)	
4	-LH	1	HOSE ASSEMBLY - 4065-08-080S-080S (<i>Grapple valve section work port "B" to main boom Right outside tube line</i>)	
5	15117-LH	2	CONNECTOR, STR - FF1852T-0808S	
6	REF.	1	 MAIN BOOM ASSEMBLY	LB-1
7	16541-LH	1	CONNECTOR, STR - FF1852T-0404S	
8	24186-LH	2	TEE - FF1898T-0808S	
9	19221-LH	2	CONNECTOR, REDUCER - ORS FF2281T-0408S	
10	15145-LH	1	ELBOW, 90 SWIVEL - FF2098T-0404S	
11	15133-LH	3	ELBOW, 90 - FF1868T-0406S	
12	19366-LH	2	CONNECTOR, STR - 6403-NWO-6	
13	52912-LH	1	VALVE, COMBO DRAIN	LH-1
14	-LH	1	HOSE ASSEMBLY - 2057-04-040S-0404	
15	-LH	1	HOSE ASSEMBLY - 2032-04-040S-0404	
16	-LH	1	HOSE ASSEMBLY - 2023-04-040S-0409	



Parts T3485 08/23/06
12.5


COMBO HARVESTER WITH SQUIRT BOOM CONNECTIONS
(Main to Squirt Boom - Grapple Open & Close Connections)

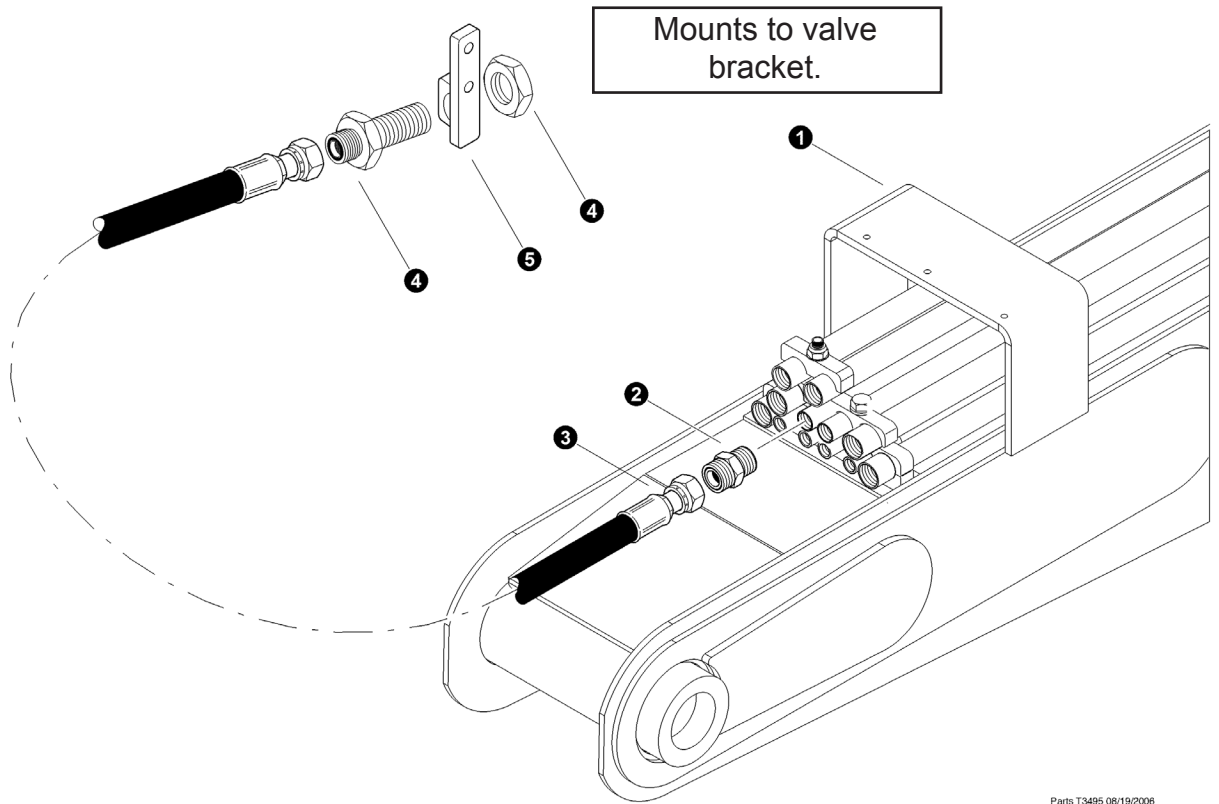
REF	PART #	QTY	DESCRIPTION	SEE SECTION
1	REF.	1	 MAIN BOOM ASSEMBLY	LB-1
2	15117-LH	1	CONNECTOR, STR - FF1852T-0808S	
3	-LH	1	HOSE ASSEMBLY - 4049-08-080S-080S	
4	-LH	1	HOSE ASSEMBLY - 4049-08-080S-080S	
5	REF.	1	 SQUIRT BOOM ASSEMBLY	LB-2



Parts T3494 08/23/06
12.5


COMBO HARVESTER WITH SQUIRT BOOM CONNECTIONS
(Squirt Boom - Grapple Open & Close Connections)

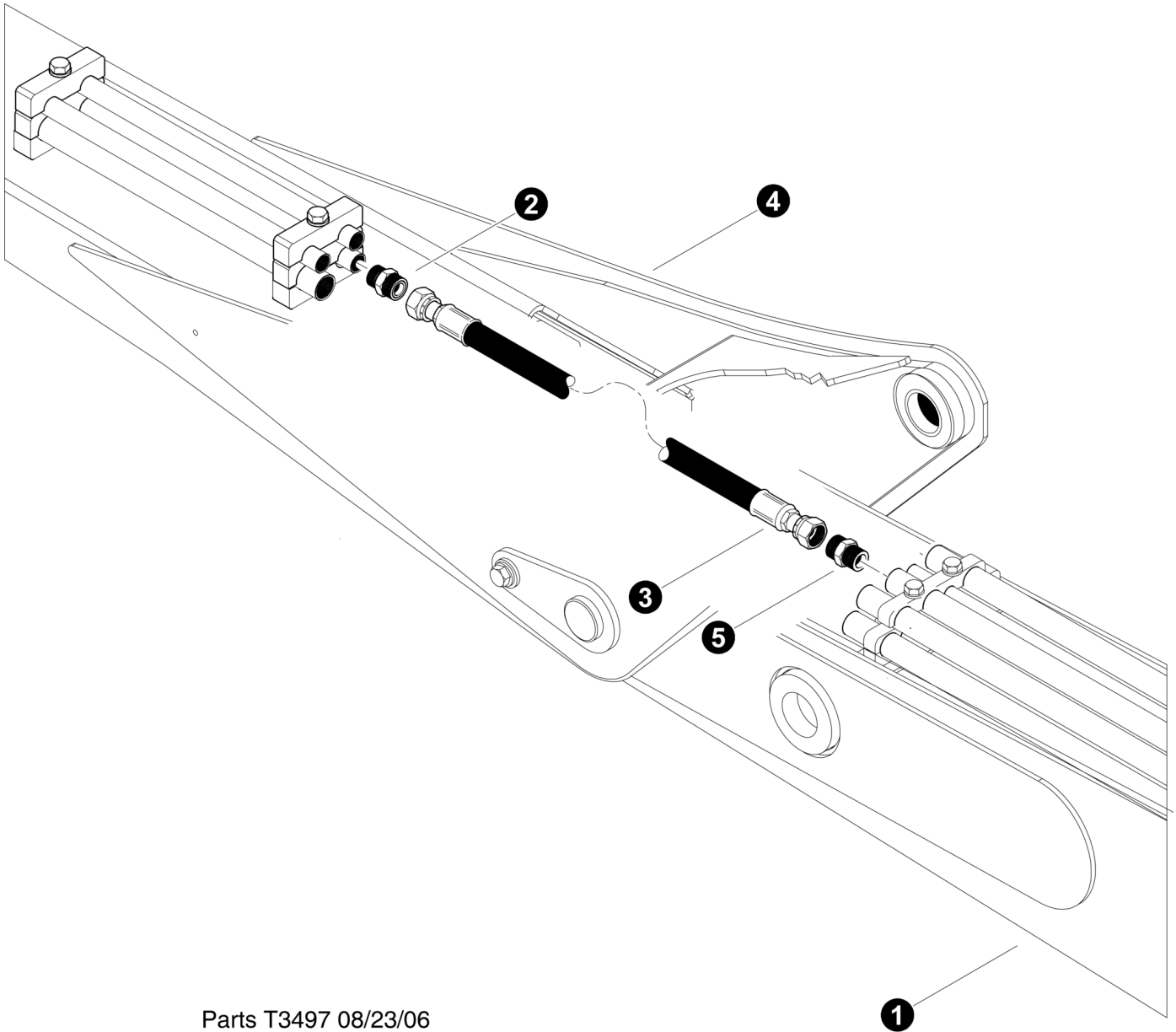
REF	PART #	QTY	DESCRIPTION	SEE SECTION
1	REF.	1	 SQUIRT BOOM ASSEMBLY	LB-2
2	15117-LH	1	CONNECTOR, STR - FF1852T-0808S	
3	-LH	1	HOSE ASSEMBLY - 4092-08-080S-080S	
4	-LH	1	HOSE ASSEMBLY - 4092-08-080S-080S	
5	-LH	2	HOSE ASSEMBLY - 4024-08-080S -08RA	
	-LH	2	HOSE ASSEMBLY - 4024-08-080S -08OS *UPDATED*	
6	51272-LH	1	QUICK DISCONNECT - .5"FEM X .75" PORT	
7	24864-LH	1	QUICK DISCONNECT - .5" MALE X .75" PORT	
8	15238-LH	2	CONNECTOR, STR - 1208S	



Parts T3495 08/19/2006
25.00



**COMBO HARVESTER WITH SQUIRT BOOM CONNECTIONS
(Main Boom - Harvester Wire Connections)**

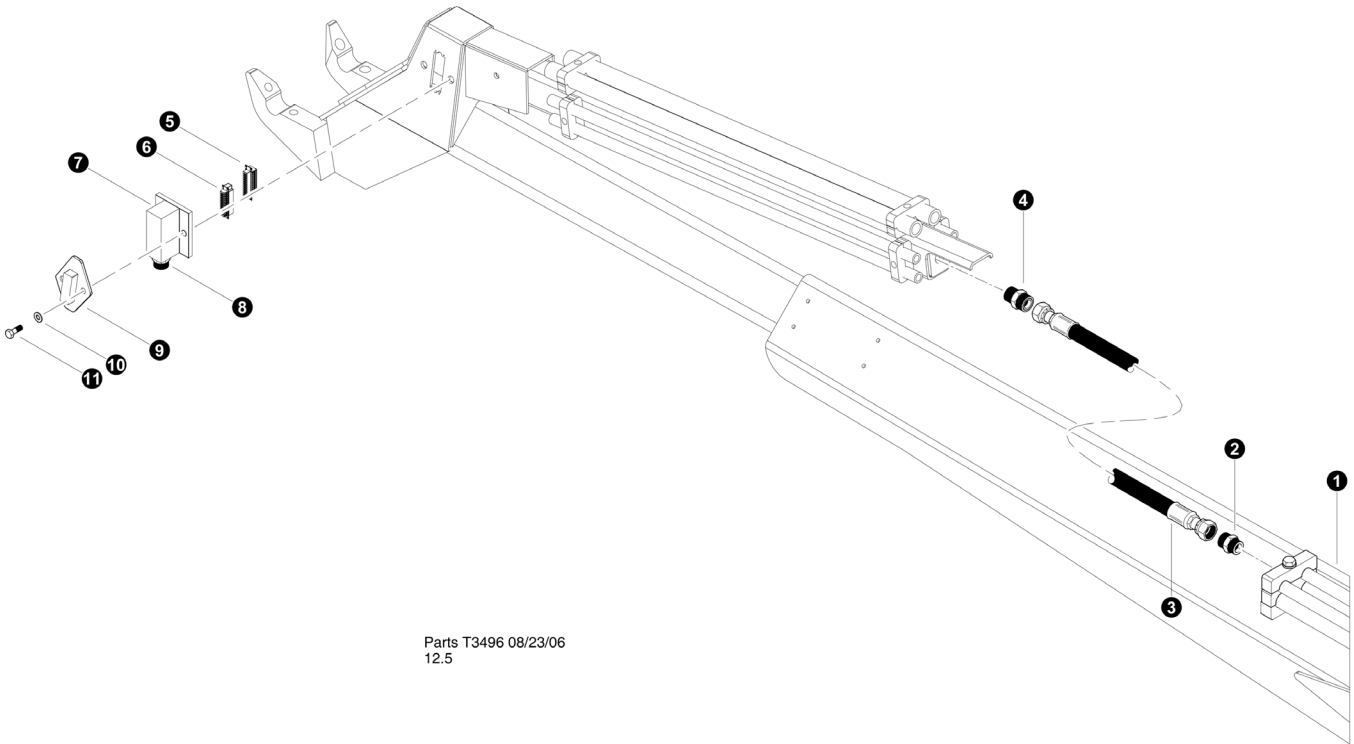
REF	PART #	QTY	DESCRIPTION	SEE SECTION
1	REF.	1	 MAIN BOOM ASSEMBLY	LB-1
2	15152-LH	1	CONNECTOR, STR - 12-12	
3	-LH	1	HOSE ASSEMBLY - 2072-12-120S-120S	
4	50037-LH	1	CONNECTOR, STR BULKHEAD - 12	
5	53053-LH	1	BRACKET, ELECTRICAL CORD CUT. HEADS	



Parts T3497 08/23/06
12.5


COMBO HARVESTER WITH SQUIRT BOOM CONNECTIONS
(Main to Squirt Boom - Wire Connections)

REF	PART #	QTY		DESCRIPTION	SEE SECTION
1	REF.	1		MAIN BOOM ASSEMBLY	LB-1
2	15225-LH	2		CONNECTOR, STR - FF1852T-1616S	
3	-LH	1		HOSE ASSEMBLY - 4054-16-160S-160S	
4	REF.	1		SQUIRT BOOM ASSEMBLY	LB-2
5	11303-LH	1		CONNECTOR, STR - 2404-16-16	



Parts T3496 08/23/06
12.5

**COMBO HARVESTER WITH SQUIRT BOOM CONNECTIONS
(Squirt Boom - Wire Connections)**

REF	PART #	QTY	DESCRIPTION	SEE SECTION
1	REF.	1	 SQUIRT BOOM ASSEMBLY	LB-2
2	15225-LH	3	CONNECTOR, STR - FF1852T-1616S	
3	-LH	1	HOSE ASSEMBLY - 4092-16-160S-160S	
4	11303-LH	1	CONNECTOR, STR - 2404-16-16	
5	50479-LH	1	CONNECTOR, ELECTRICAL - 24PIN (FEMALE)	
6	50478-LH	1	CONNECTOR, ELECTRICAL - 24PIN (MALE)	
7	40681-LH	1	COVER, QUICK CHANGE ELEC CONNECTOR	
8	15225-LH	3	CONNECTOR, STR - FF1852T-1616S	
9	40703-LH	1	COVER, ELECTRICAL (quick change)	
10	15534-LH	2	WASHER, SAE FLAT - .5"	
11	10783-LH	2	BOLT - .5" X 1"	

THIS PAGE LEFT BLANK FOR NOTES
