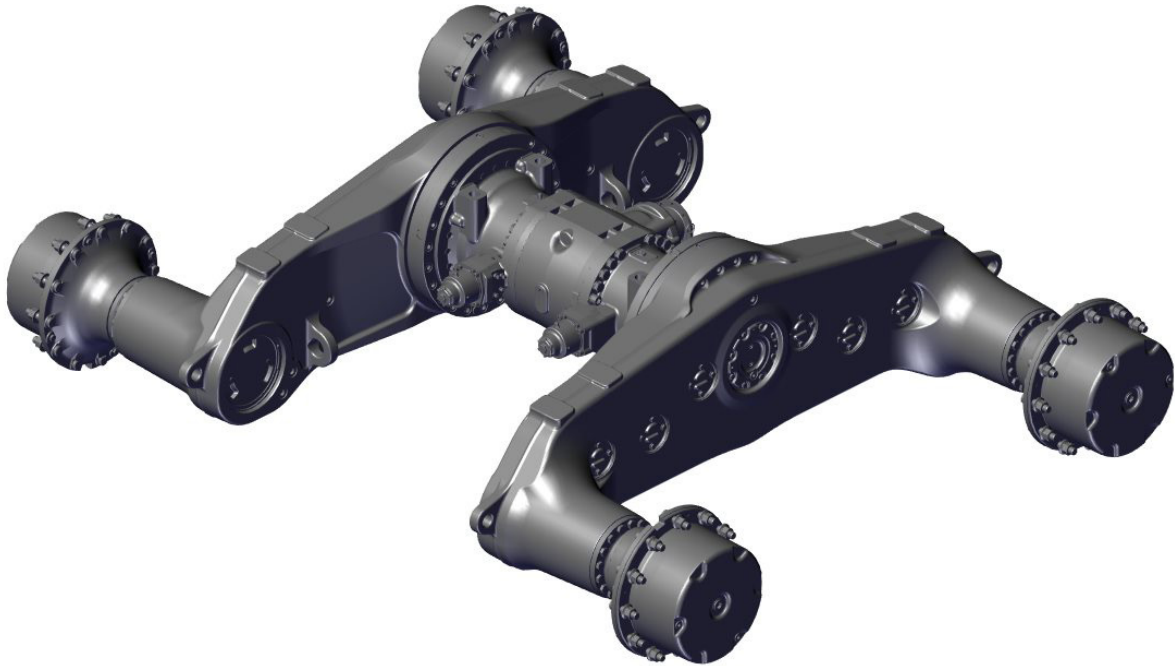


Section AX-1

Axles, Gearboxes & Wheels - Gearboxes (*TIM 08*) 830 - *Rear Axle*



TIM 08 Axle Differential

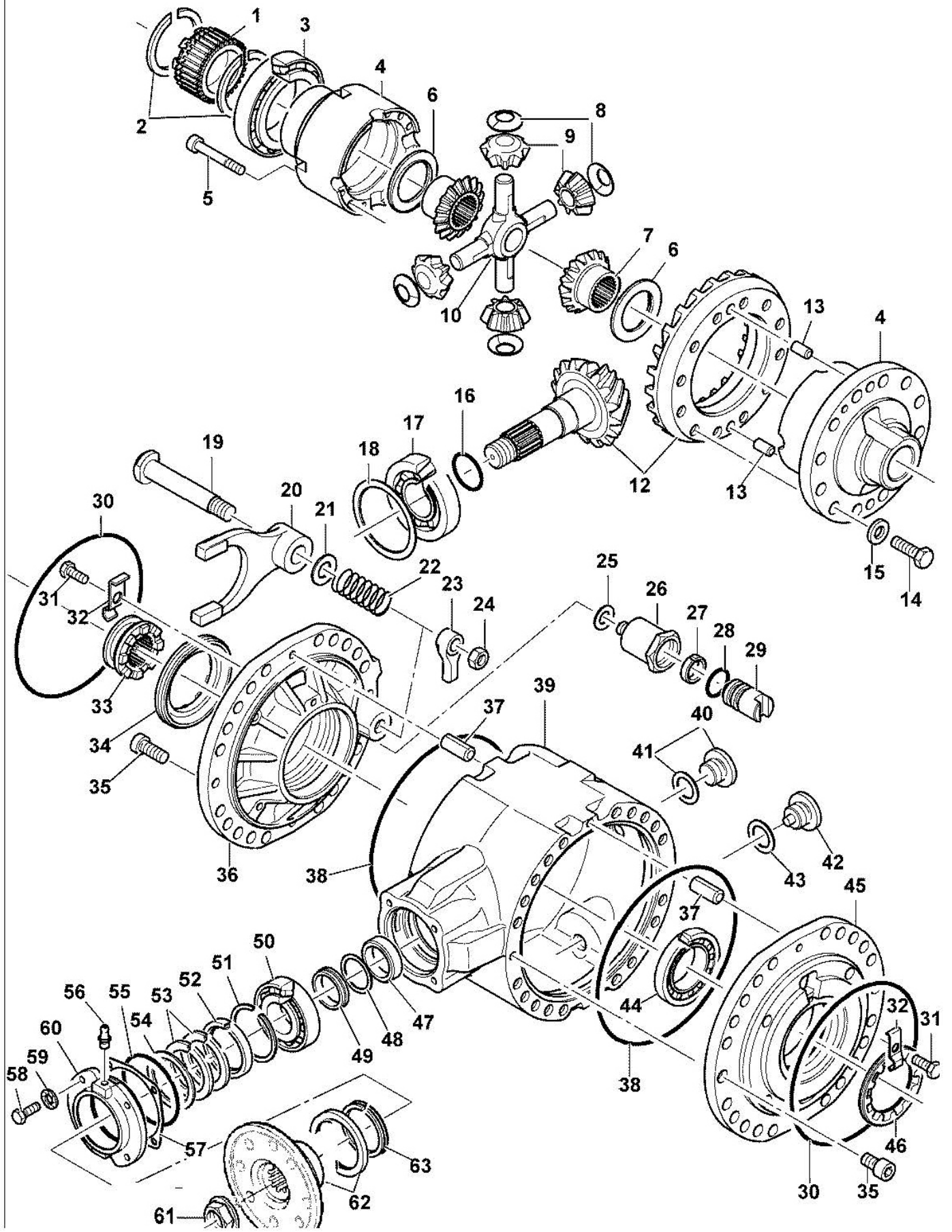
REF	PART #	QTY	DESCRIPTION	SEE PAGE
1	23492	1	AXLE, TANDEM - TIM 08	



See referenced page for component or assembly breakdown.



Kit or Assembly - includes all items indented underneath.



TIM 08 Axle Differential

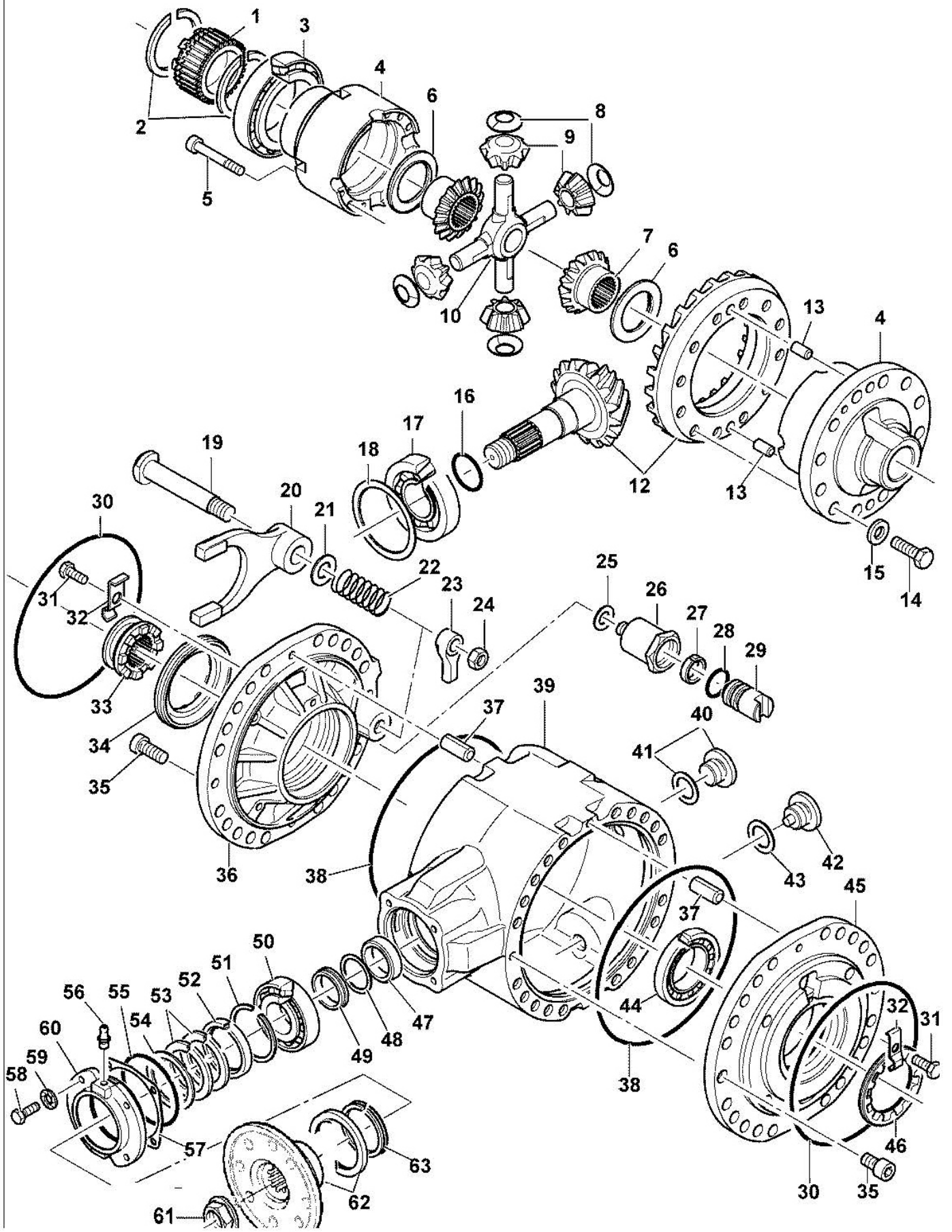
REF	PART #	QTY	DESCRIPTION	SEE PAGE
---	2401.324	1	Differential complete	
---	2219.131	1	Diff.-cage cpl-Pos. 1/2/4/5/6/7/8/9/10	
1	9813.103	1	Coupling sleeve	
2	1220.311	2	Snap ring	
3	1110.175	1	Tapered roller bearing	
4	2102.146	1	Differential cage	
5	1020.335	12	Allen screw	
6	7316.067	2	<input type="checkbox"/> Adjusting kit	
	7316.101	n/a	Thrust washer D95x1.50	
	7316.102	n/a	Thrust washer D95x1.70	
	7316.103	n/a	Thrust washer D95x2.00	
	7316.104	n/a	Thrust washer D95x2.20	
7	7513.046	2	Differential gear	
8	7518.022	4	Thrust washer	
9	7514.038	4	Compensating gear	
10	7515.028	1	Cross bolt	
11	---			
12	2101.315	1	Crown wheel/pinion	
13	1200.228	4	Dowel pin	
14	1510.558	16	Hexagon bolt	
15	7316.045	16	Washer	
16	1170.013	1	O-Ring	
17	1110.114	1	Tapered roller bearing	
18	7317.026	1	<input type="checkbox"/> Adjusting kit	
	7317.251	n/a	Adjusting washer D120xD145.5x2.25	
	7317.514	n/a	Adjusting washer D120xD145.5x2.30	
	7317.513	n/a	Adjusting washer D120xD145.5x2.35	
	7317.512	n/a	Adjusting washer D120xD145.5x2.40	
	7317.511	n/a	Adjusting washer D120xD145.5x2.45	
	7317.120	n/a	Adjusting washer D120xD145.5x2.50	
	7317.510	n/a	Adjusting washer D120xD145.5x2.55	
	7317.509	n/a	Adjusting washer D120xD145.5x2.60	
	7317.508	n/a	Adjusting washer D120xD145.5x2.65	
	7317.507	n/a	Adjusting washer D120xD145.5x2.70	
	7317.119	n/a	Adjusting washer D120xD145.5x2.75	
	7317.506	n/a	Adjusting washer D120xD145.5x2.80	
	7317.505	n/a	Adjusting washer D120xD145.5x2.85	
	7317.504	n/a	Adjusting washer D120xD145.5x2.90	
	7317.503	n/a	Adjusting washer D120xD145.5x2.95	
	7317.118	n/a	Adjusting washer D120xD145.5x3.00	
19	9816.132	1	Shifting rod	
20	9809.066	1	Shifting fork	
21	7317.023	1	<input type="checkbox"/> Adjusting kit	
	7317.111	n/a	Adjusting washer D20.4xD34.6x1.5	
	7317.112	n/a	Adjusting washer D20.4xD34.6x2.0	
	7317.113	n/a	Adjusting washer D20.4xD34.6x2.5	
	7317.114	n/a	Adjusting washer D20.4xD34.6x3.0	
22	7331.016	1	Compression spring	
23	9809.116	1	Shifting lever	
24	1060.003	1	Hexagon nut	
25	1170.010	1	O-Ring	
26	5263.061	1	Cylinder	



See referenced page for component or assembly breakdown.



Kit or Assembly - includes all items indented underneath.



TIM 08 Axle Differential Continued.....

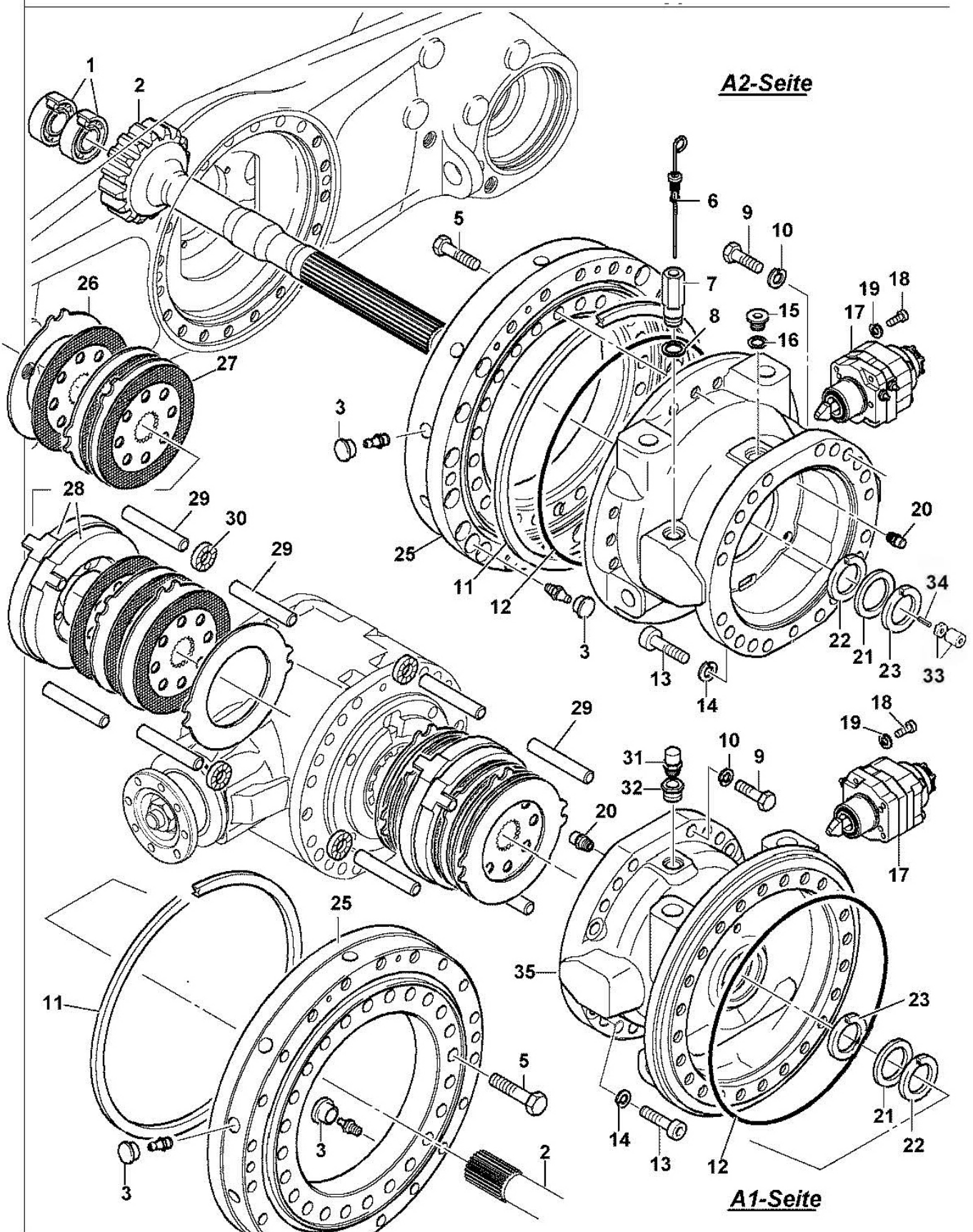
REF	PART #	QTY	DESCRIPTION	SEE PAGE
27	1180.734	1	Lip seal	
28	1180.811	1	Piston packing	
29	5252.100	1	Piston	
30	1170.716	2	O-Ring	
31	1010.129	2	Hexagon bolt	
32	9566.010	2	Locking plate	
33	9813.104	1	Shifting sleeve	
34	7329.012	1	Nut	
35	1020.212	4	Allen screw	
36	7527.140	1	Flange	
37	1200.481	2	Clamping sleeve	
38	1170.702	2	O-Ring	
39	7506.313	1	Differential housing	
40	1040.103	1	Screw plug	
41	1180.507	1	Seal ring	
42	9556.021	1	Screw plug	
43	1180.502	1	Seal ring	
44	1110.007	1	Tapered roller bearing	
45	7527.139	1	Flange	
46	7329.082	1	Nut M128x1.5	
47	7311.070	1	Spacer bushing	
48	7317.037	1	<input type="checkbox"/> Adjusting kit	
	7317.185	n/a	Adjusting washer D55xD68x0.96	
	7317.184	n/a	Adjusting washer D55xD68x1.00	
	7317.183	n/a	Adjusting washer D55xD68x1.04	
	7317.182	n/a	Adjusting washer D55xD68x1.08	
	7317.181	n/a	Adjusting washer D55xD68x1.12	
	7317.180	n/a	Adjusting washer D55xD68x1.16	
	7317.179	n/a	Adjusting washer D55xD68x1.20	
	7317.178	n/a	Adjusting washer D55xD68x1.24	
	7317.177	n/a	Adjusting washer D55xD68x1.28	
	7317.176	n/a	Adjusting washer D55xD68x1.32	
	7317.175	n/a	Adjusting washer D55xD68x1.36	
	7317.174	n/a	Adjusting washer D55xD68x1.40	
	7317.173	n/a	Adjusting washer D55xD68x1.44	
49	7311.071	1	Spacer bushing D70x12.26	
49	7311.062	1	Spacer bushing D70x11.3	
49	7311.063	1	Spacer bushing D70x11.78	
50	1110.186	1	Tapered roller bearing	
51	1220.932	1	Seeger snap ring	
52	7308.054	1	Radial seal	
53	7308.055	2	Seal ring	
54	7315.110	1	Washer	
55	1170.534	1	O-Ring	
56	1250.103	1	Tapered lube nipple	
57	7319.091	1	Gasket	
58	1010.201	4	Hexagon bolt	
59	1190.011	4	Lock washer	
60	7301.077	1	Cover	
61	7329.057	1	Nut	
62	7521.236	1	Cardan flange	
63	1180.125	1	V-Ring	



See referenced page for component or assembly breakdown.



Kit or Assembly - includes all items indented underneath.



TIM 08 Axle
Axle housing A1-Side

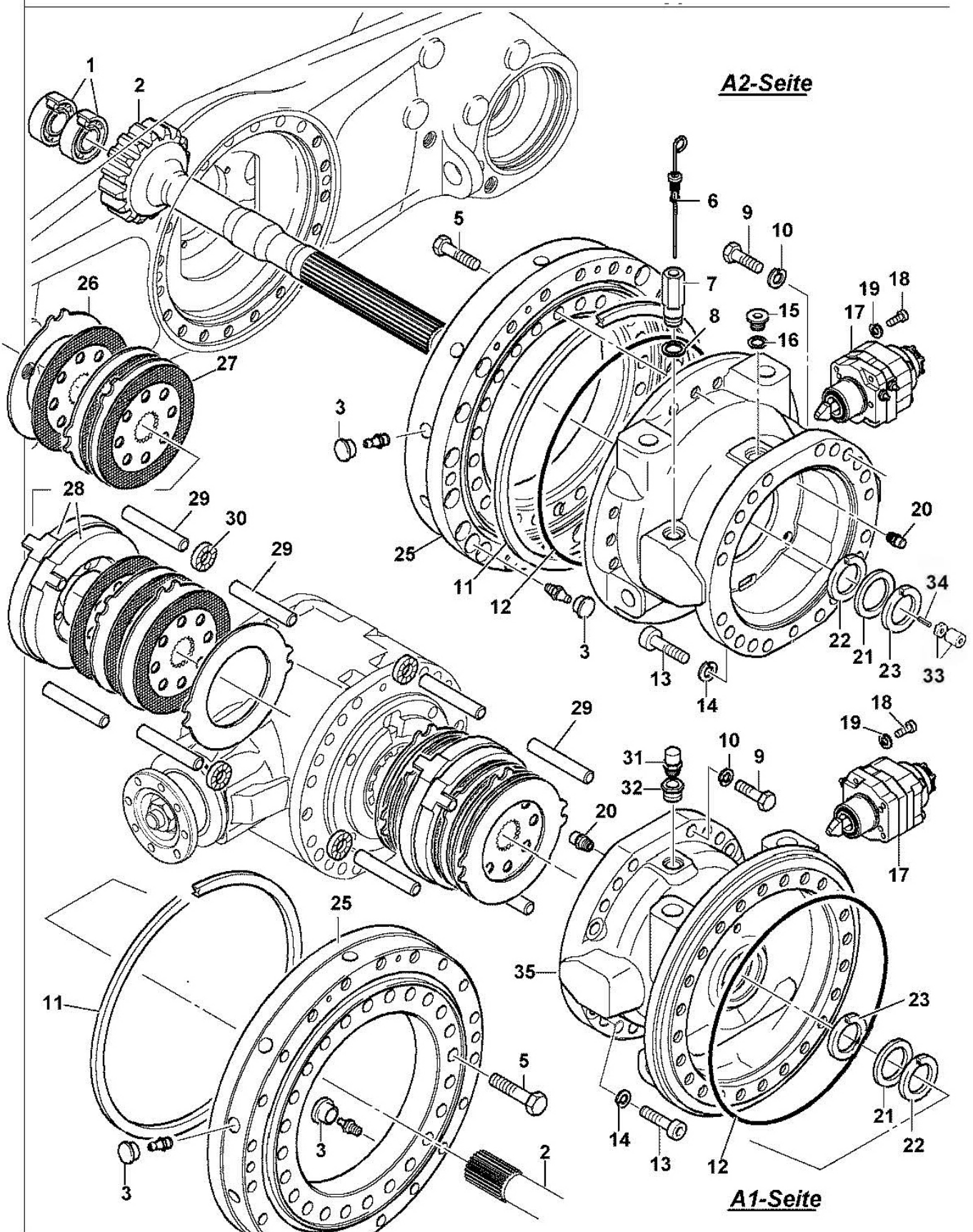
REF	PART #	QTY	DESCRIPTION	SEE PAGE
1	1130.067	2	Cylindrical roller bearing	
2	7818.175	1	Sun gear shaft	
3	1750.683	4	Plug	
4	---			
5	1010.669	24	Hexagon bolt	
6	---			
7	---			
8	---			
9	1010.668	16	Hexagon bolt	
10	1190.014	16	Detent edged ring	
11	7308.071	1	Scraper ring	
12	1170.726	1	O-Ring	
13	1020.620	4	Allen screw	
14	1190.014	4	Detent edged ring	
15	---			
16	---			
17	5350.090	1	Spring brake cylinder	
18	1020.260	3	Allen screw	
19	1190.031	3	Detent edged ring	
20	1250.002	1	Breather	
21	7315.187	1	Washer	
22	1160.236	1	Oil seal	
23	7308.063	1	Seal ring	
24	---			
25	7305.051	1	Slewing ring	
26	7344.036	6	Intermediate disk	
27	7345.057	6	Lined disk	
28	5504.002	1	Operating disk assembly	
29	7321.151	4	Pin	
30	1190.211	2	Toothed ring	
31	1250.015	1	Breather	
32	1750.705	1	Reducing nipple	
33	2108.101	1	Adjusting set	
	7321.186	1	Adjusting pin	
	7315.300	n/a	Washer 1.0 Thick	
	7315.301	n/a	Washer 1.5 Thick	
34	1200.480	1	Clamping sleeve	
35	7276.114	1	Axle housing - A1 Side	



See referenced page for component or assembly breakdown.



Kit or Assembly - includes all items indented underneath.



TIM 08 Axle
Axle housing A2-Side

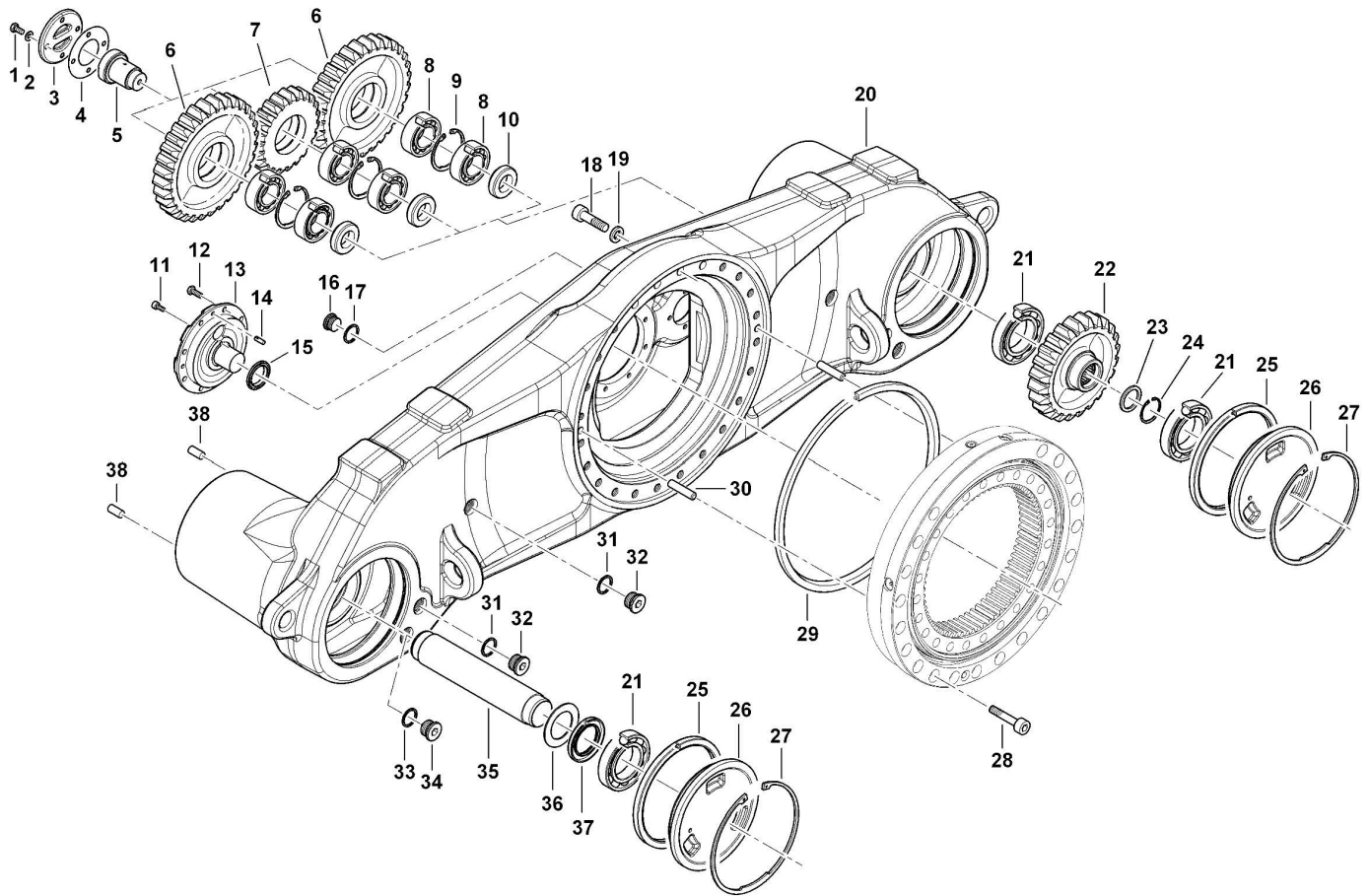
REF	PART #	QTY	DESCRIPTION	SEE PAGE
1	1130.067	2	Cylindrical roller bearing	
2	7818.175	1	Sun gear shaft	
3	1750.683	4	Plug	
4	---			
5	1010.669	24	Hexagon bolt	
6	7325.026	1	Oil dip stick	
7	7322.074	1	Threaded stud	
8	1180.541	1	Seal ring	
9	1010.668	16	Hexagon bolt	
10	1190.014	16	Detent edged ring	
11	7308.071	1	Scraper ring	
12	1170.726	1	O-Ring	
13	1020.620	4	Allen screw	
14	1190.014	4	Detent edged ring	
15	1040.151	1	Screw plug	
16	1180.541	1	Seal ring	
17	5350.090	1	Spring brake cylinder	
18	1020.260	3	Allen screw	
19	1190.031	3	Detent edged ring	
20	1250.002	1	Breather	
21	7315.187	1	Washer	
22	1160.236	1	Oil seal	
23	7308.063	1	Seal ring	
24	7276.115	1	Axle housing - A2 Side	
25	7305.051	1	Slewing ring	
26	7344.036	6	Intermediate disk	
27	7345.057	6	Lined disk	
28	5504.002	1	Operating disk assembly	
29	7321.151	4	Pin	
30	1190.211	2	Toothed ring	
31	-			
32	1750.705	1	Reducing nipple	
33	2108.101	1	Adjusting set	
	7321.186	1	Adjusting pin	
	7315.300	n/a	Washer 1.0 Thick	
	7315.301	n/a	Washer 1.5 Thick	
34	1200.480	1	Clamping sleeve	



See referenced page for component or assembly breakdown.



Kit or Assembly - includes all items indented underneath.



TIM 08 Axle Bogie Housing

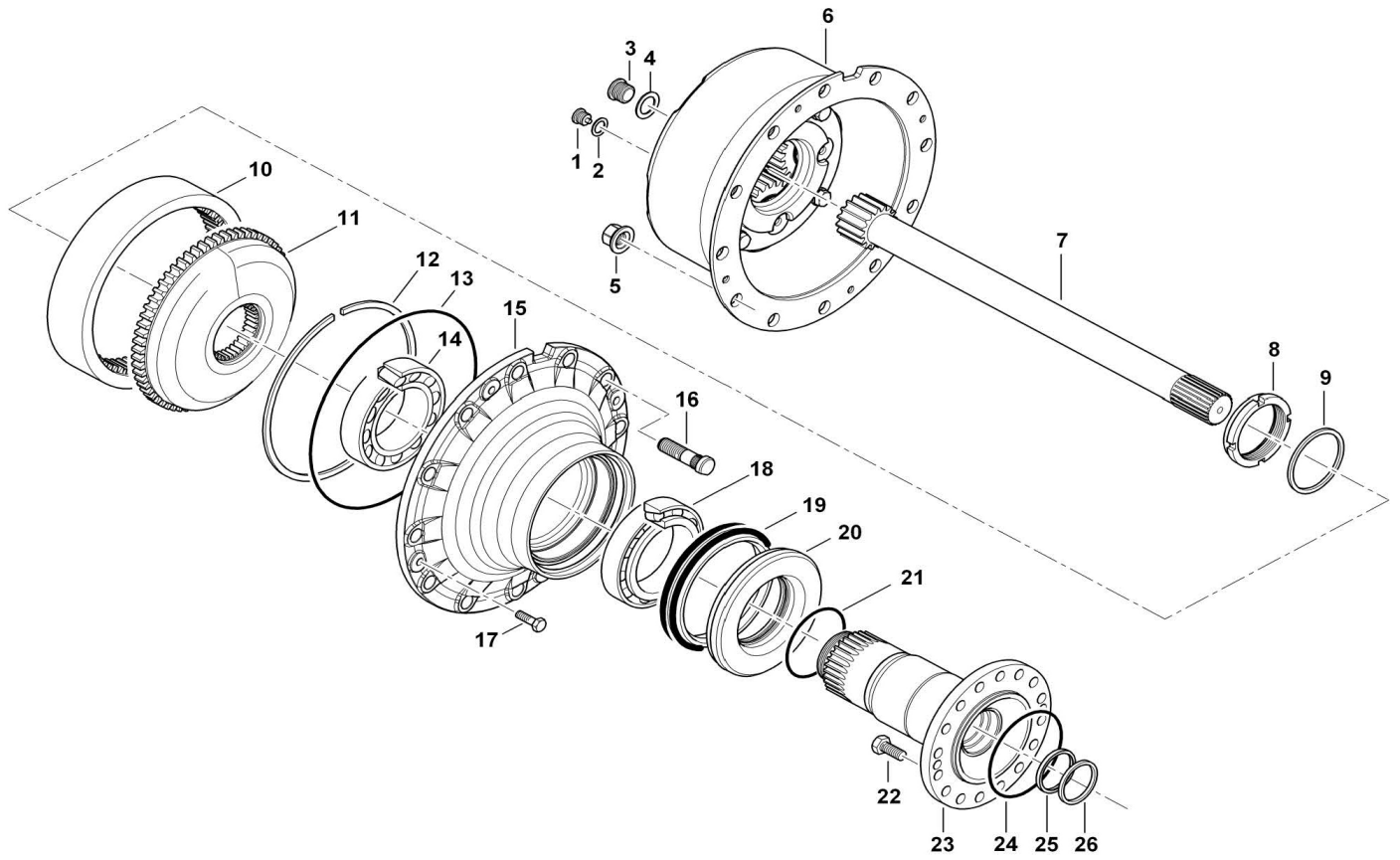
REF	PART #	QTY	DESCRIPTION	SEE PAGE
---	2405.178		Bogie housing Complete (two per axle)	
1	1010.233	24	Hexagon bolt	
2	7316.048	24	Washer	
3	7302.011	6	Cover	
4	7319.161	6	Gasket	
5	7321.131	6	Pin	
6	9804.356	4	Spur gear	
7	9804.313	2	Spur gear	
8	1130.057	12	Cylindrical roller bearing	
9	1220.702	6	Seeger circlip ring	
10	7311.089	6	Spacer bushing	
11	1020.113	2	Allen screw	
12	1010.234	8	Hexagon bolt	
13	7321.120	1	Bearing pin	
14	1200.309	1	Grooved dowel pin	
15	1180.841	1	Shaft seal	
16	1040.103	1	Screw plug	
17	1180.507	1	Seal ring	
18	1020.618	4	Allen screw	
19	7316.044	4	Washer	
20	7277.126	1	Bogie housing	
21	1120.107	4	Deep groove ball bearing	
22	9804.352	2	Spur gear	
23	1210.110	2	Seeger support washer	
24	1220.714	2	Seeger circlip ring	
25	7308.051	2	Seal ring	
26	7302.082	2	Cover	
27	1220.837	2	Seeger circlip ring	
28	1020.618	20	Allen screw	
29	7308.040	1	Seal ring	
30	1200.206	2	Dowel pin	
31	1180.507	4	Seal ring	
32	1040.103	4	Screw plug	
33	1180.507	2	Seal ring	
34	7323.013	2	Screw plug	
35	7343.030	2	Tube	
36	7315.106	2	Washer	
37	1160.275	2	Oil seal	
38	1200.286	4	Dowel pin	



See referenced page for component or assembly breakdown.



Kit or Assembly - includes all items indented underneath.



TIM 08 Axle Wheel End

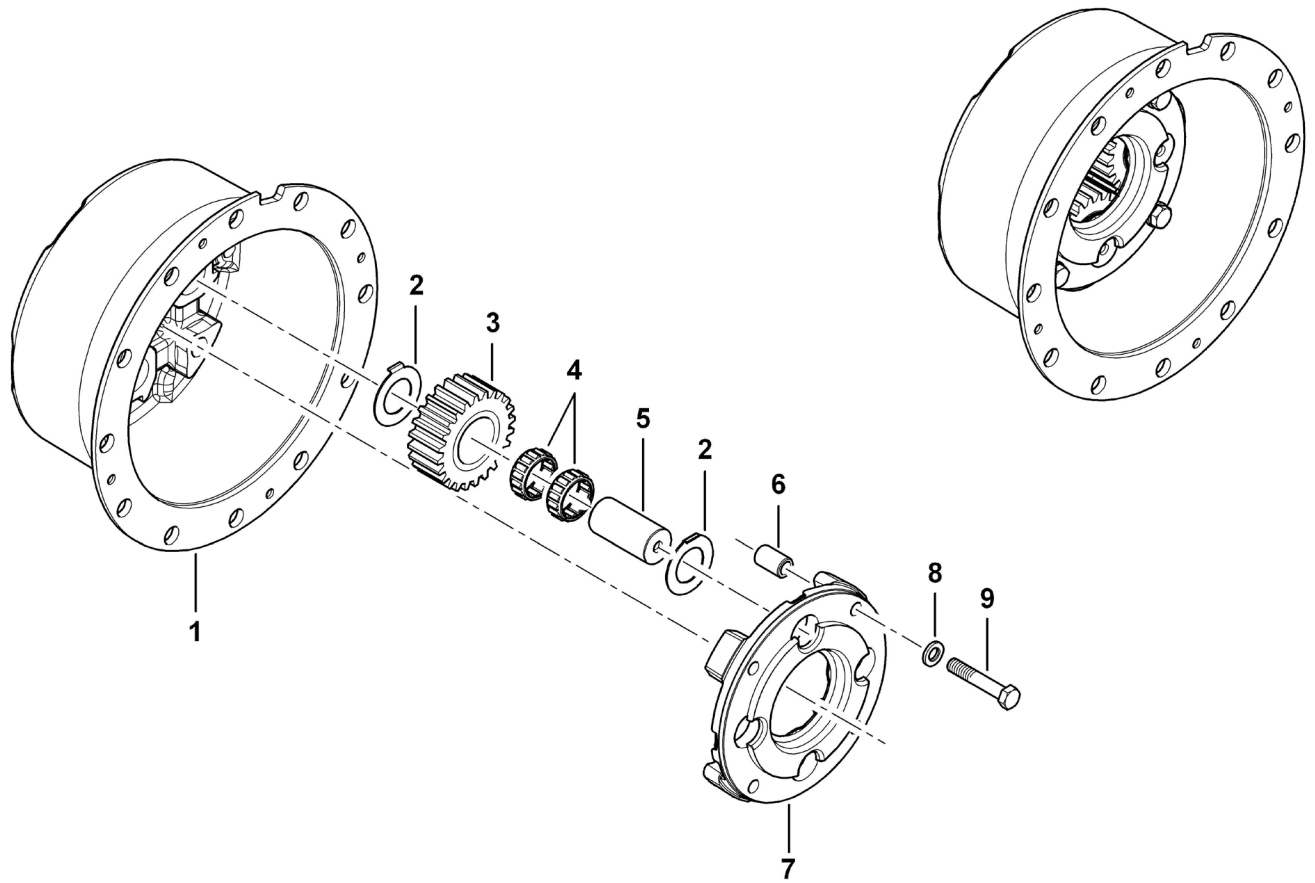
REF	PART #	QTY	DESCRIPTION	SEE PAGE
---	2402.157	4	Wheel end complete	
1	9556.021	2	Screw plug	
2	1180.502	2	Seal ring	
3	7323.016	1	Screw plug	
4	2108.017	1	☐ Shim kit	
	1210.296	n/a	Seeger adjusting washer 30x42x0.5	
	1210.295	n/a	Seeger adjusting washer 30x42x1.0	
	1210.113	n/a	Seeger support washer	
5	1060.408	12	Wheel nut with rotating washer	
6	2218.014	1	Planetary gear drive COMPLETE	
7	7818.086	1	Sun gear shaft	
8	7329.073	1	Nut M85x2	
9	7317.047	1	☐ Adjusting kit	
	7317.199	n/a	Adjusting washer D86xD105.5x2.500	
	7317.200	n/a	Adjusting washer D86xD105.5x2.375	
	7317.201	n/a	Adjusting washer D86xD105.5x2.250	
	7317.202	n/a	Adjusting washer D86xD105.5x2.125	
	7317.203	n/a	Adjusting washer D86xD105.5x2.000	
	7317.204	n/a	Adjusting washer D86xD105.5x1.875	
	7317.205	n/a	Adjusting washer D86xD105.5x1.750	
	7317.206	n/a	Adjusting washer D86xD105.5x1.625	
	7317.207	n/a	Adjusting washer D86xD105.5x1.500	
	7317.208	n/a	Adjusting washer D86xD105.5x1.375	
10	7801.042	1	Ring gear	
11	7804.044	1	Ring gear carrier	
12	1220.913	1	Seeger snap ring	
13	1170.755	1	O-Ring	
14	1110.221	1	Tapered roller bearing	
15	7828.143	1	Wheel hub	
16	7133.018	12	Wheel bolt	
17	1110.222	1	Tapered roller bearing	
18	7322.088	4	Hexagon bolt	
19	1180.325	1	Face seal	
20	7306.032	1	Spindle ring	
21	1170.547	1	O-Ring	
22	7322.069	16	Hexagon bolt	
23	7814.182	1	Spindle	
24	1170.553	1	O-Ring	
25	1160.244	1	Oil seal	
26	7315.107	1	Washer	



See referenced page for component or assembly breakdown.



Kit or Assembly - includes all items indented underneath.



TIM 08 Axle Planetary Assembly

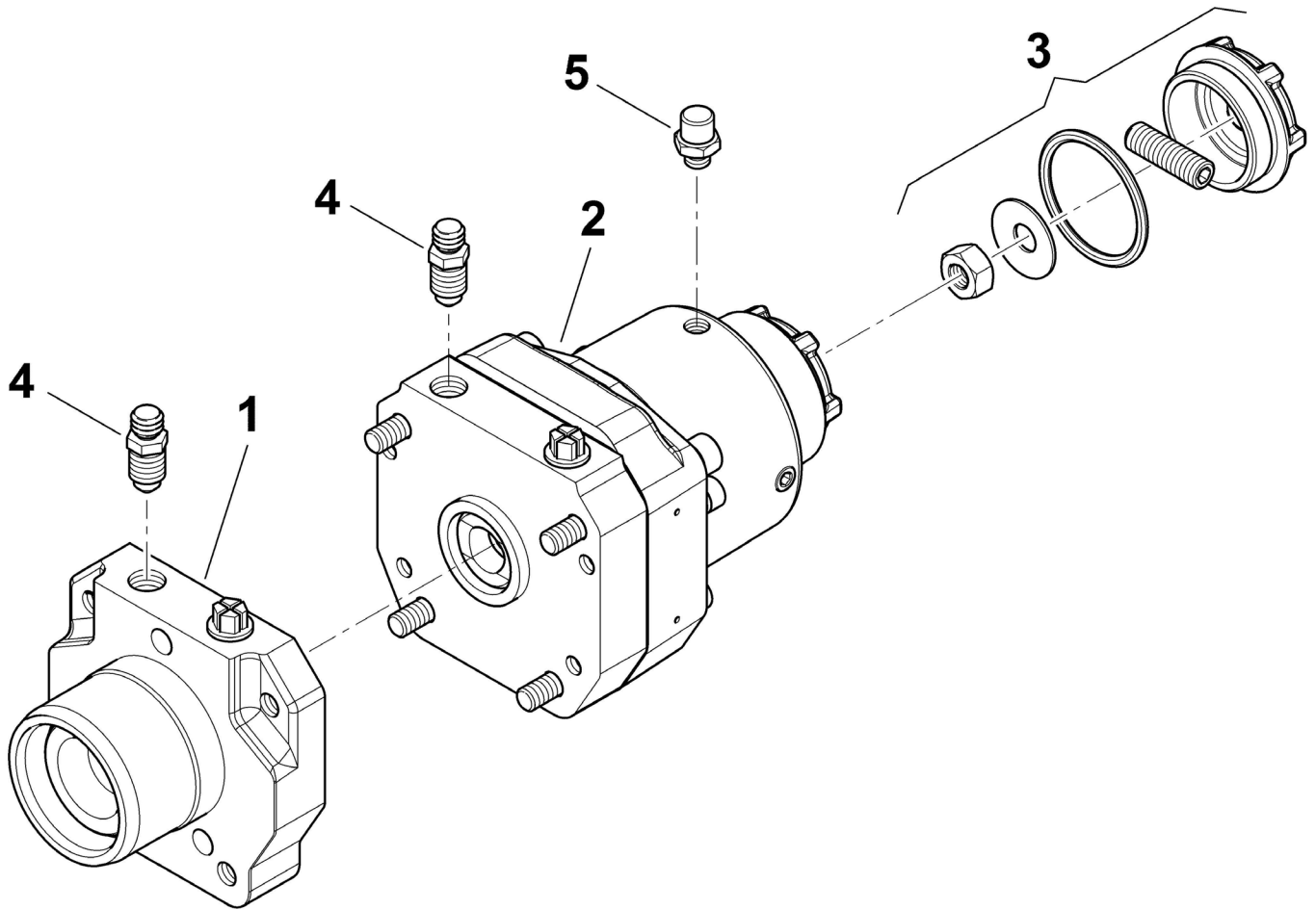
REF	PART #	QTY	DESCRIPTION	SEE PAGE
---	2218.014	1	Planetary gear drive	
1	7821.271	1	Planet carrier	
2	9633.010	8	Thrust washer	
3	7806.060	4	Planet gear	
4	7305.071	4	Two-row roller bearing	
5	7807.056	4	Planetary pin	
6	7313.018	4	Shear pin	
7	7821.179	1	Planet carrier	
8	7316.045	4	Washer	
9	1010.536	4	Hexagon bolt	



See referenced page for component or assembly breakdown.



Kit or Assembly - includes all items indented underneath.



TIM 08 Axle Brake Cylinder

REF	PART #	QTY	DESCRIPTION	SEE PAGE
--	52746-AX		<input type="checkbox"/> Spring loaded cyl. complete	
1	5350.097	1	Brake cylinder (lower part)	
2	5350.100	1	Spring brake (upper part)	
3	2208.004	1	Park brake release kit	
4	1250.598	2	Breather valve	
5	1250.002	1	Breather	
-	53969-AX		Seal Kit Brake Cylinder	



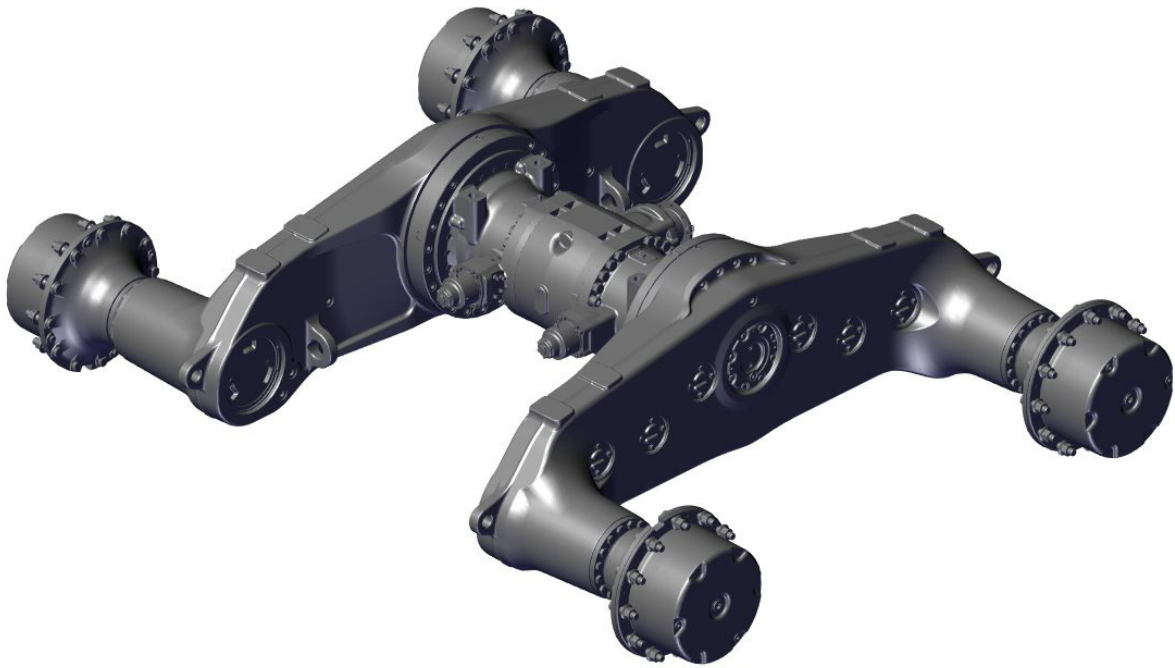
See referenced page for component or assembly breakdown.



Kit or Assembly - includes all items indented underneath.

Section AX-2

Axles, Gearboxes & Wheels - Gearboxes (*TIM 17*) 630 & 830 - *Front Axle*



TIM 17 Axle Differential

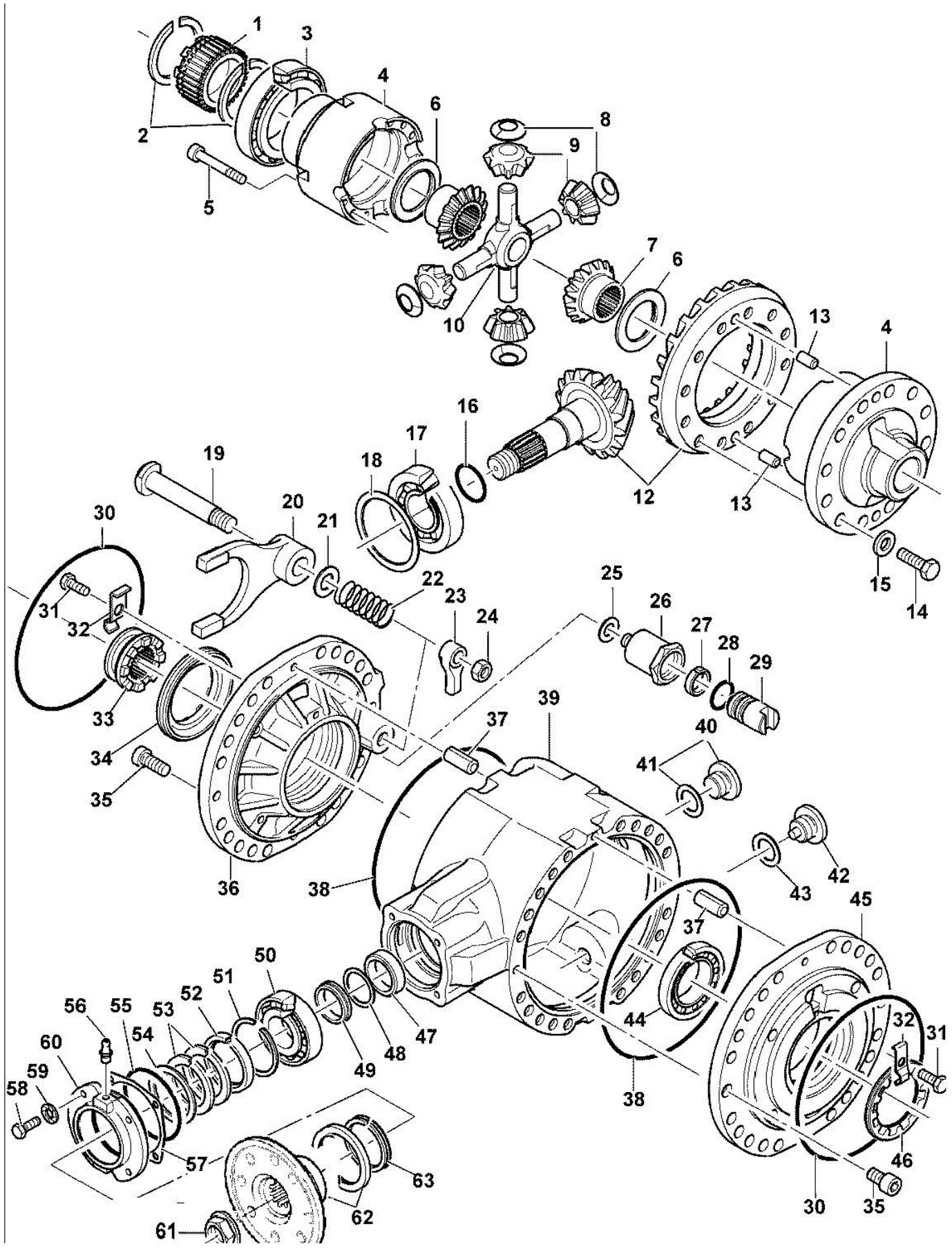
REF	PART #	QTY	DESCRIPTION	SEE PAGE
1	51139	1	AXLE, TANDEM - TIM 17	



See referenced page for component or assembly breakdown.



Kit or Assembly - includes all items indented underneath.



TIM 17 Axle Differential

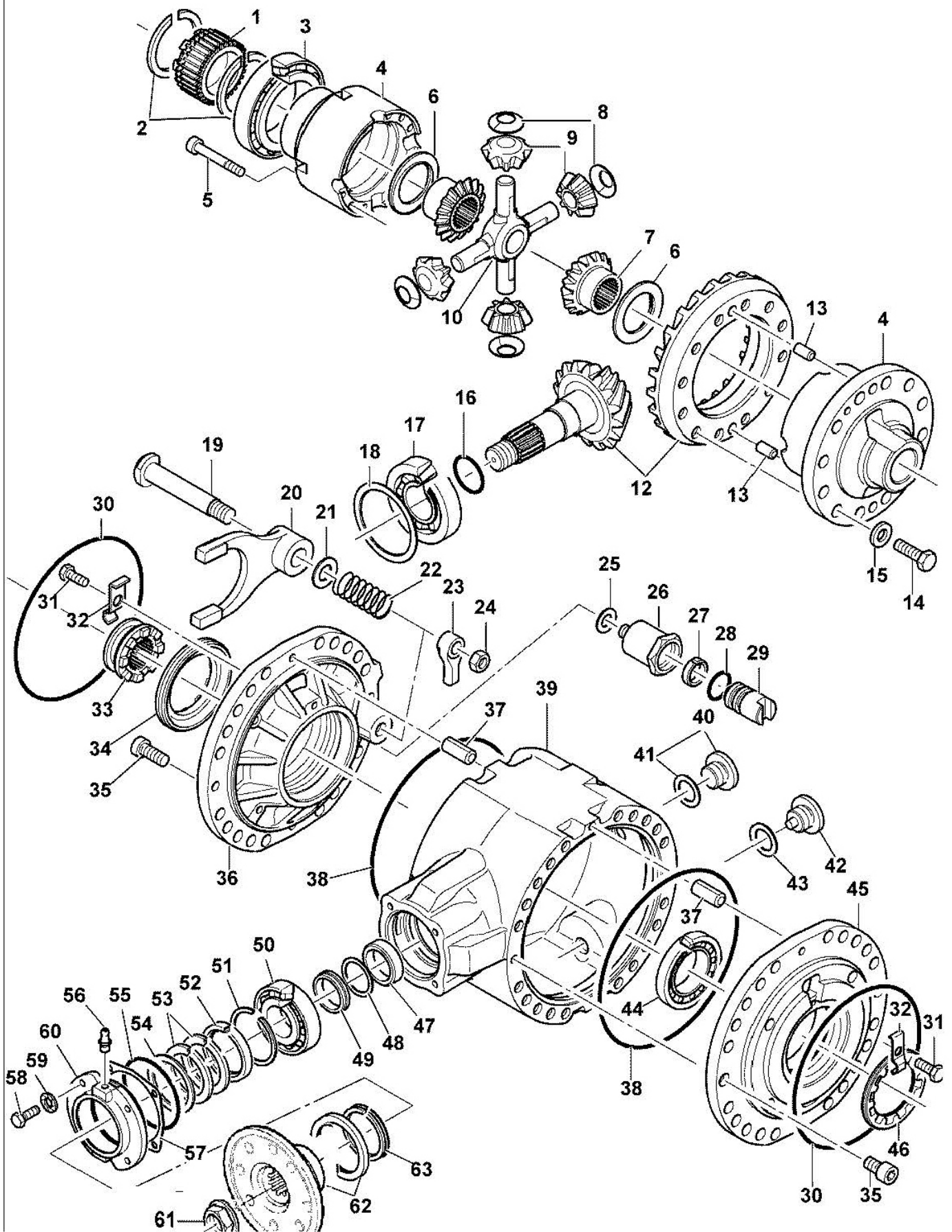
REF	PART #	QTY	DESCRIPTION	SEE PAGE
---	2401.418	1	<input type="checkbox"/> Differential Complete	
---	2219.131	1	Diff.-cage cpl- Pos. 1/2/4/5/6/7/8/9/10	
1	9813.103	1	Coupling sleeve	
2	1220.311	2	Snap ring	
3	1110.175	1	Tapered roller bearing	
4	2102.146	1	Differential cage	
5	1020.335	12	Allen screw	
6	7316.067	2	<input type="checkbox"/> Adjusting kit	
	7316.101	n/a	Thrust washer D95x1.50	
	7316.102	n/a	Thrust washer D95x1.70	
	7316.103	n/a	Thrust washer D95x2.00	
	7316.104	n/a	Thrust washer D95x2.20	
7	7513.046	2	Differential gear	
8	7518.022	4	Thrust washer	
9	7514.038	4	Compensating gear	
10	7515.028	1	Cross bolt	
11	---			
12	2101.336	1	Crown wheel/pinion	
13	1200.228	4	Dowel pin	
14	1510.558	16	Hexagon boltM16x1.5x40	
15	7316.045	16	Washer	
16	1170.013	1	O-Ring	
17	1110.114	1	Tapered roller bearing	
18	7317.026	1	<input type="checkbox"/> Adjusting kit	
	7317.251	n/a	Adjusting washer D120xD145.5x2.25	
	7317.514	n/a	Adjusting washer D120xD145.5x2.30	
	7317.513	n/a	Adjusting washer D120xD145.5x2.35	
	7317.512	n/a	Adjusting washer D120xD145.5x2.40	
	7317.511	n/a	Adjusting washer D120xD145.5x2.45	
	7317.120	n/a	Adjusting washer D120xD145.5x2.50	
	7317.510	n/a	Adjusting washer D120xD145.5x2.55	
	7317.509	n/a	Adjusting washer D120xD145.5x2.60	
	7317.508	n/a	Adjusting washer D120xD145.5x2.65	
	7317.507	n/a	Adjusting washer D120xD145.5x2.70	
	7317.119	n/a	Adjusting washer D120xD145.5x2.75	
	7317.506	n/a	Adjusting washer D120xD145.5x2.80	
	7317.505	n/a	Adjusting washer D120xD145.5x2.85	
	7317.504	n/a	Adjusting washer D120xD145.5x2.90	
	7317.503	n/a	Adjusting washer D120xD145.5x2.95	
	7317.118	n/a	Adjusting washer D120xD145.5x3.00	
19	9816.132	1	Shifting rod	
20	9809.066	1	Shifting fork	
21	7317.023	1	<input type="checkbox"/> Adjusting kit	
	7317.111	n/a	Adjusting washer D20.4xD34.6x1.5	
	7317.112	n/a	Adjusting washer D20.4xD34.6x2.0	
	7317.113	n/a	Adjusting washer D20.4xD34.6x2.5	
	7317.114	n/a	Adjusting washer D20.4xD34.6x3.0	
22	7331.016	1	Compression spring	
23	9809.116	1	Shifting lever	
24	1060.003	1	Hexagon nut	
25	1170.010	1	O-Ring	
26	5263.061	1	Cylinder	



See referenced page for component or assembly breakdown.



Kit or Assembly - includes all items indented underneath.



**TIM 17 Axle
Differential Continued.....**

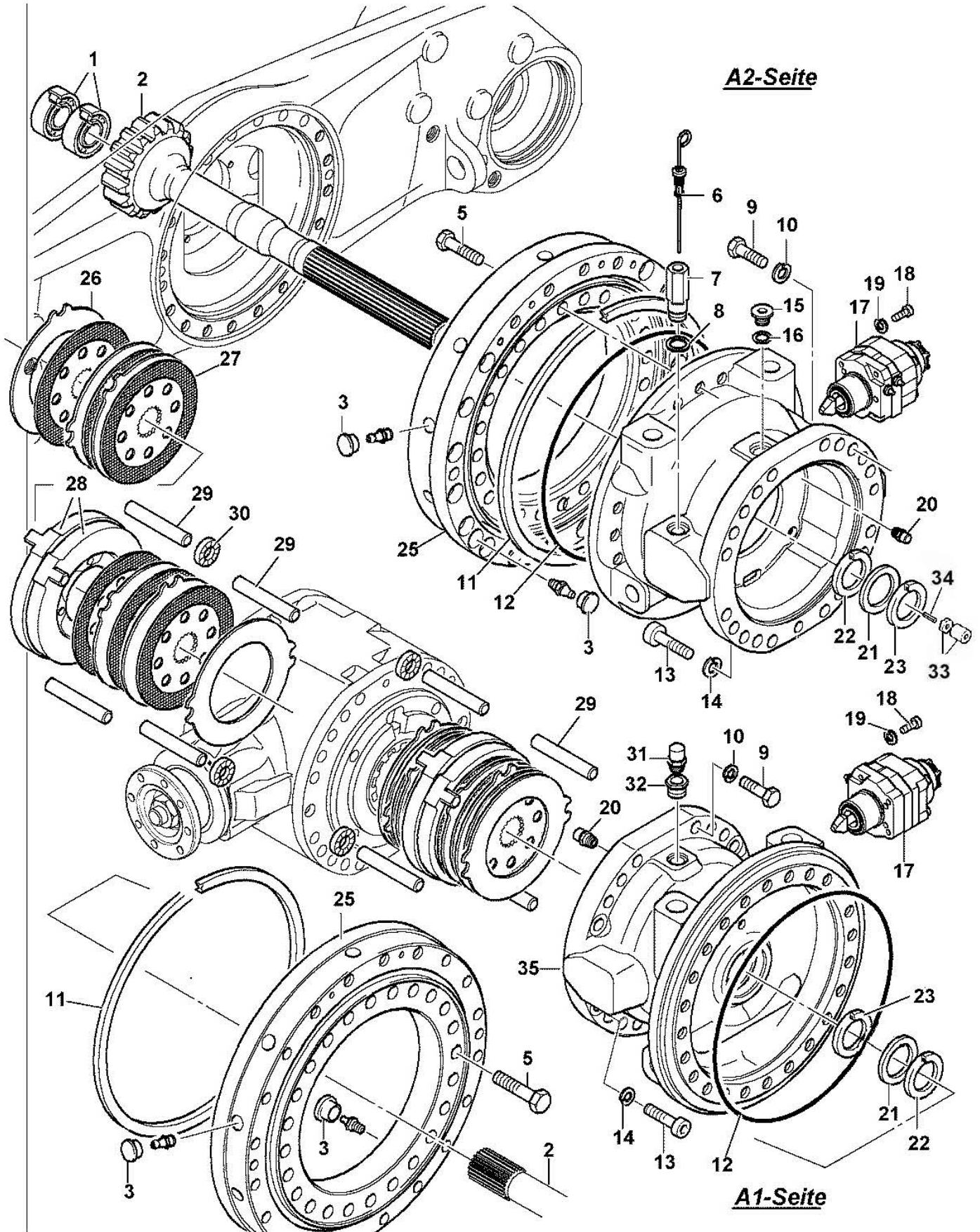
REF	PART #	QTY	DESCRIPTION	SEE PAGE
27	1180.734	1	Lip seal	
28	1180.811	1	Piston packing	
29	5252.100	1	Piston	
30	1170.716	2	O-Ring	
31	1010.129	2	Hexagon bolt	
32	9566.010	2	Locking plate	
33	9813.104	1	Shifting sleeve	
34	7329.012	1	Nut	
35	1020.212	4	Allen screw	
36	7527.140	1	Flange	
37	1200.481	2	Clamping sleeve	
38	1170.702	2	O-Ring	
39	7506.269	1	Differential housing	
40	1040.103	1	Screw plug	
41	1180.507	1	Seal ring	
42	9556.021	1	Screw plug	
43	1180.502	1	Seal ring	
44	1110.007	1	Tapered roller bearing	
45	7527.139	1	Flange	
46	7329.082	1	Nut	
47	7311.070	1	Spacer bushing	
48	7317.037	1	<input type="checkbox"/> Adjusting kit	
	7317.185	n/a	Adjusting washer D55xD68x0.96	
	7317.184	n/a	Adjusting washer D55xD68x1.00	
	7317.183	n/a	Adjusting washer D55xD68x1.04	
	7317.182	n/a	Adjusting washer D55xD68x1.08	
	7317.181	n/a	Adjusting washer D55xD68x1.12	
	7317.180	n/a	Adjusting washer D55xD68x1.16	
	7317.179	n/a	Adjusting washer D55xD68x1.20	
	7317.178	n/a	Adjusting washer D55xD68x1.24	
	7317.177	n/a	Adjusting washer D55xD68x1.28	
	7317.176	n/a	Adjusting washer D55xD68x1.32	
	7317.175	n/a	Adjusting washer D55xD68x1.36	
	7317.174	n/a	Adjusting washer D55xD68x1.40	
	7317.173	n/a	Adjusting washer D55xD68x1.44	
49	7311.071	1	Spacer bushing D70x12.26	
49	7311.062	1	Spacer bushing D70x11.3	
49	7311.063	1	Spacer bushing D70x11.78	
50	1110.186	1	Tapered roller bearing	
51	1220.932	1	Seeger snap ring	
52	7308.054	1	Radial seal	
53	7308.055	2	Seal ring	
54	7315.110	1	Washer	
55	1170.534	1	O-Ring	
56	1250.103	1	Tapered lube nipple	
57	7319.091	1	Gasket	
58	1010.201	4	Hexagon bolt	
59	1190.011	4	Lock washer	
60	7301.077	1	Cover	
61	7329.057	1	Nut	
62	7521.236	1	Cardan flange	
63	1180.125	1	V-Ring	



See referenced page for component or assembly breakdown.



Kit or Assembly - includes all items indented underneath.



TIM 17 Axle
Axle housing A1-Side

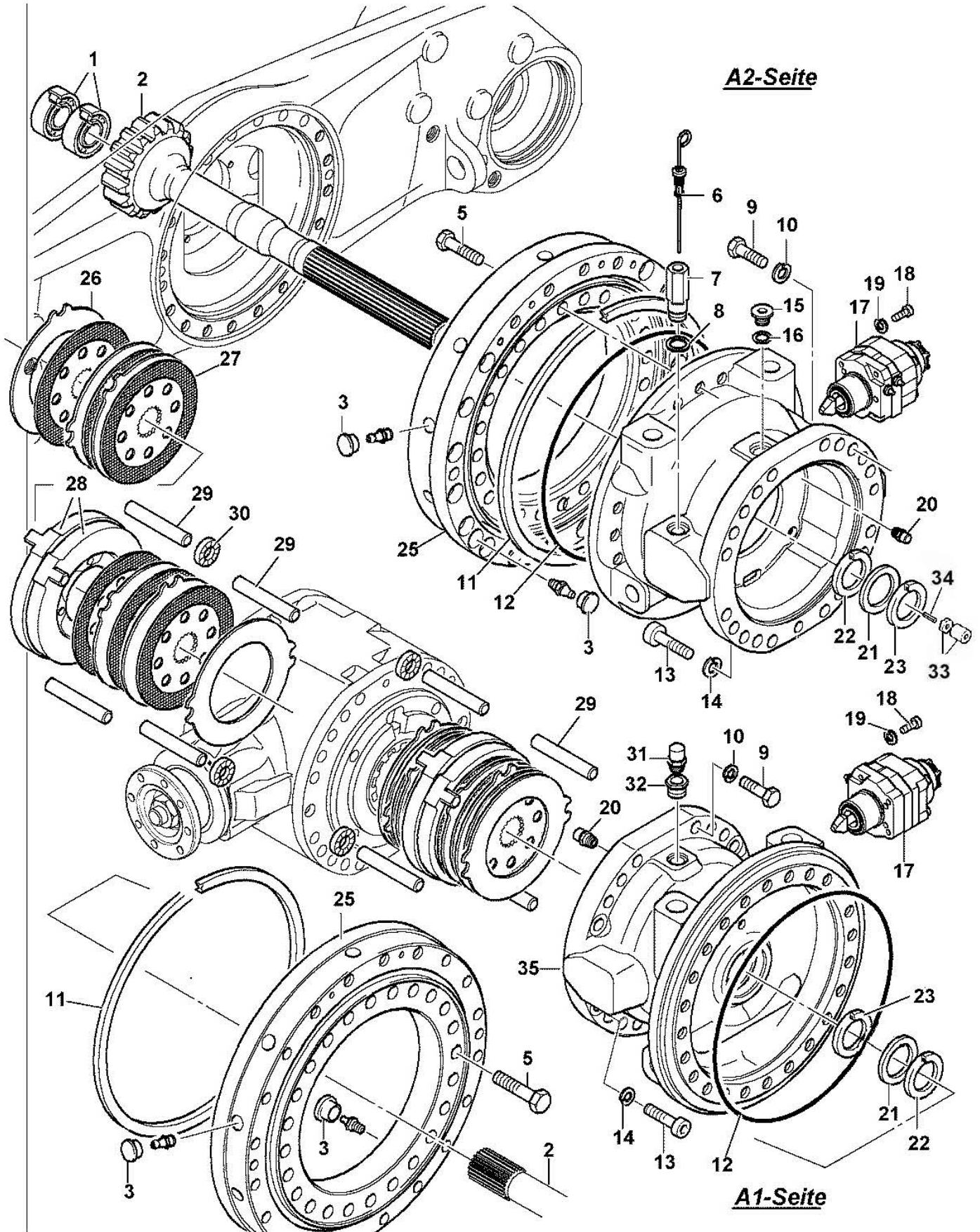
REF	PART #	QTY	DESCRIPTION	SEE PAGE
1	1130.067	2	Cylindrical roller bearing	
2	7818.175	1	Sun gear shaft	
3	1750.683	4	Plug	
4	---			
5	1010.669	24	Hexagon bolt	
6	---			
7	---			
8	---			
9	1010.668	16	Hexagon bolt	
10	1190.014	16	Detent edged ring	
11	7308.071	1	Scraper ring	
12	1170.726	1	O-Ring	
13	1020.620	4	Allen screw	
14	1190.014	4	Detent edged ring	
15	---			
16	---			
17	5350.090	1	Spring brake cylinder	
18	1020.260	3	Allen screw	
19	1190.031	3	Detent edged ring	
20	1250.002	1	Breather	
21	7315.187	1	Washer	
22	1160.236	1	Oil seal	
23	7308.063	1	Seal ring	
24	---			
25	7305.051	1	Slewing ring	
26	7344.036	6	Intermediate disk	
27	7345.057	6	Lined disk	
28	5504.002	1	Operating disk assembly	
29	7321.151	4	Pin	
30	1190.211	2	Toothed ring	
31	1250.015	1	Breather	
32	1750.705	1	Reducing nipple	
33	2108.101	1	Adjusting set	
	7321.186	1	Adjusting pin	
	7315.300	n/a	Washer 1.0 thick	
	7315.301	n/a	Washer 1.5 thick	
34	1200.480	1	Clamping sleeve	
35	7276.114	1	Axle housing A1 Side	



See referenced page for component or assembly breakdown.



Kit or Assembly - includes all items indented underneath.



TIM 17 Axle
Axle housing A2-Side

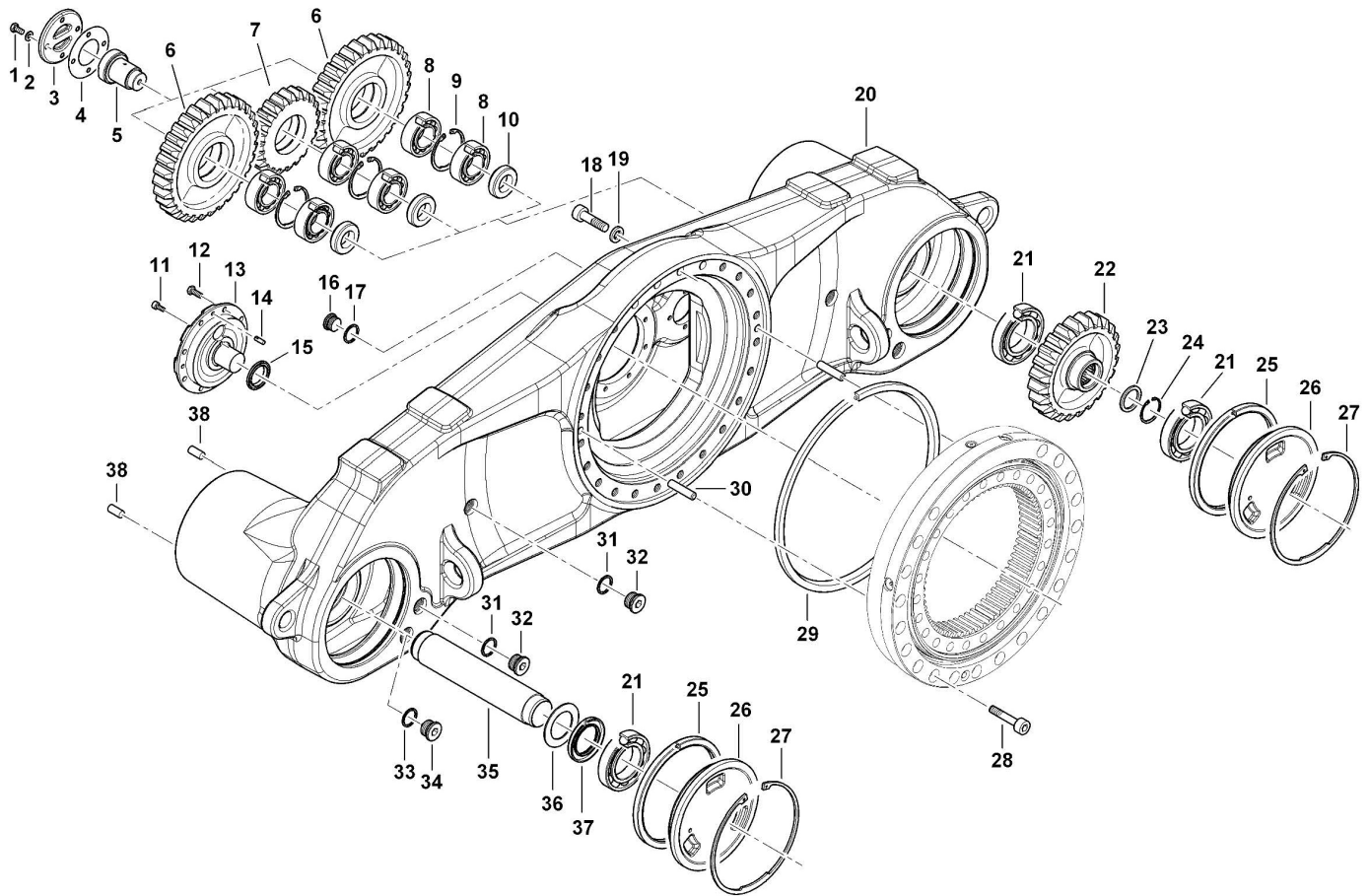
REF	PART #	QTY	DESCRIPTION	SEE PAGE
1	1130.067	2	Cylindrical roller bearing	
2	7818.175	1	Sun gear shaft	
3	1750.683	4	Plug	
4	---			
5	1010.669	24	Hexagon bolt	
6	7325.037	1	Oil dip stick	
7	7322.074	1	Threaded stud	
8	1180.541	1	Seal ring	
9	1010.668	16	Hexagon bolt	
10	1190.014	16	Detent edged ring	
11	7308.071	1	Scraper ring	
12	1170.726	1	O-Ring	
13	1020.620	4	Allen screw	
14	1190.014	4	Detent edged ring	
15	1040.151	1	Screw plug	
16	1180.541	1	Seal ring	
17	5350.090	1	Spring brake cylinder	
18	1020.260	3	Allen screw	
19	1190.031	3	Detent edged ring	
20	1250.002	1	Breather	
21	7315.187	1	Washer	
22	1160.236	1	Oil seal	
23	7308.063	1	Seal ring	
24	7276.115	1	Axle housing A2 Side	
25	7305.051	1	Slewing ring	
26	7344.036	6	Intermediate disk	
27	7345.057	6	Lined disk	
28	5504.002	1	Operating disk assembly	
29	7321.151	4	Pin	
30	1190.211	2	Toothed ring	
31	-			
32	1750.705	1	Reducing nipple	
33	2108.101	1	Adjusting set	
	7321.186	1	Adjusting pin	
	7315.300	n/a	Washer 1.0 Thick	
	7315.301	n/a	Washer 1.5 Thick	
34	1200.480	1	Clamping sleeve	



See referenced page for component or assembly breakdown.



Kit or Assembly - includes all items indented underneath.



TIM 17 Axle Bogie Housing

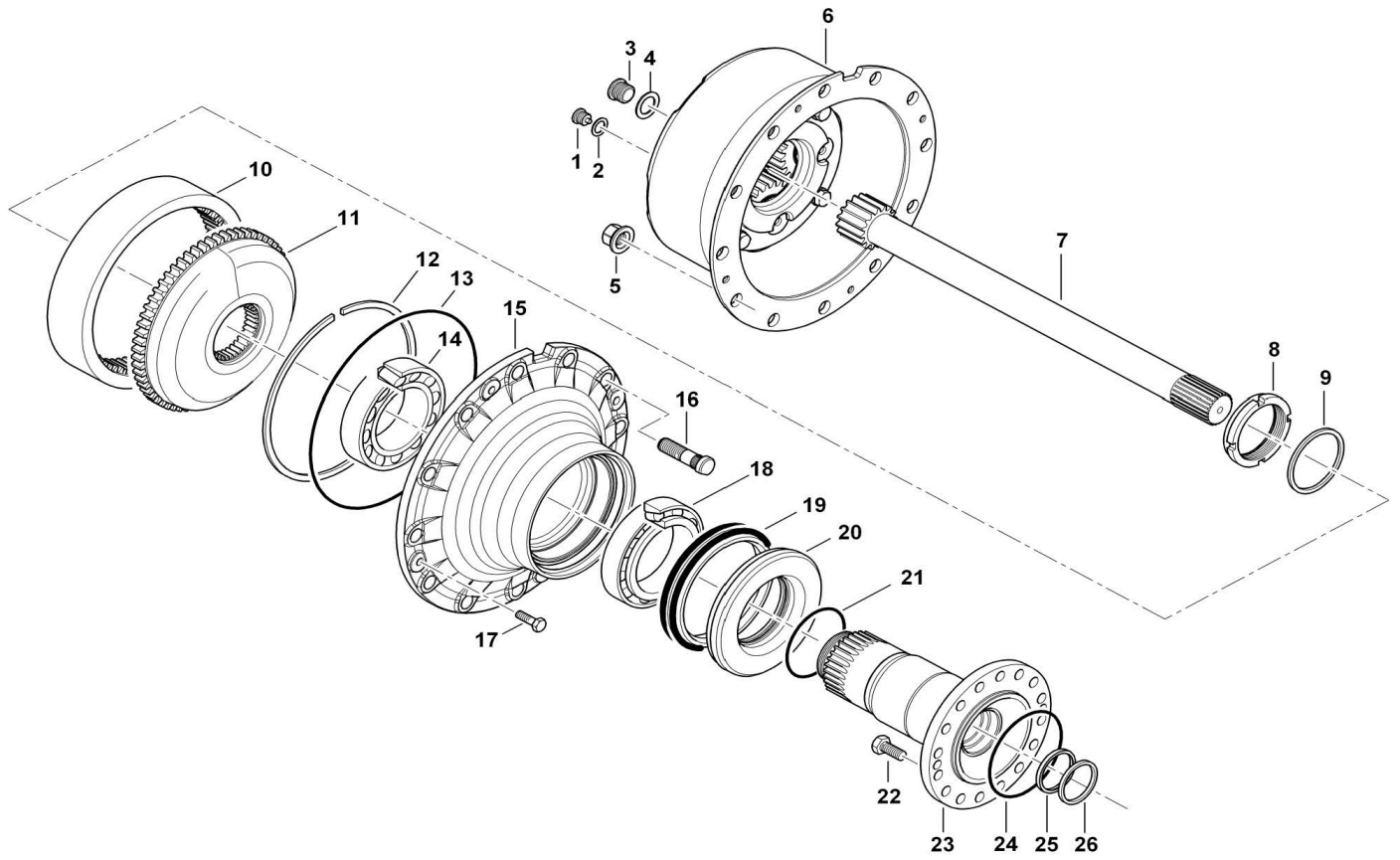
REF	PART #	QTY	DESCRIPTION	SEE PAGE
---	2405.178		Bogie housing Complete (two per axle)	
1	1010.233	24	Hexagon bolt	
2	7316.048	24	Washer	
3	7302.011	6	Cover	
4	7319.161	6	Gasket	
5	7321.131	6	Pin	
6	9804.356	4	Spur gear	
7	9804.313	2	Spur gear	
8	1130.057	12	Cylindrical roller bearing	
9	1220.702	6	Seeger circlip ring	
10	7311.089	6	Spacer bushing	
11	1020.113	2	Allen screw	
12	1010.234	8	Hexagon bolt	
13	7321.120	1	Bearing pin	
14	1200.309	1	Grooved dowel pin	
15	1180.841	1	Shaft seal	
16	1040.103	1	Screw plug	
17	1180.507	1	Seal ring	
18	1020.618	4	Allen screw	
19	7316.044	4	Washer	
20	7277.126	1	Bogie housing	
21	1120.107	4	Deep groove ball bearing	
22	9804.352	2	Spur gear	
23	1210.110	2	Seeger support washer	
24	1220.714	2	Seeger circlip ring	
25	7308.051	2	Seal ring	
26	7302.082	2	Cover	
27	1220.837	2	Seeger circlip ring	
28	1020.618	20	Allen screw	
29	7308.040	1	Seal ring	
30	1200.206	2	Dowel pin	
31	1180.507	4	Seal ring	
32	1040.103	4	Screw plug	
33	1180.507	2	Seal ring	
34	7323.013	2	Screw plug	
35	7343.030	2	Tube	
36	7315.106	2	Washer	
37	1160.275	2	Oil seal	
38	1200.286	4	Dowel pin	



See referenced page for component or assembly breakdown.



Kit or Assembly - includes all items indented underneath.



TIM 17 Axle Wheel End

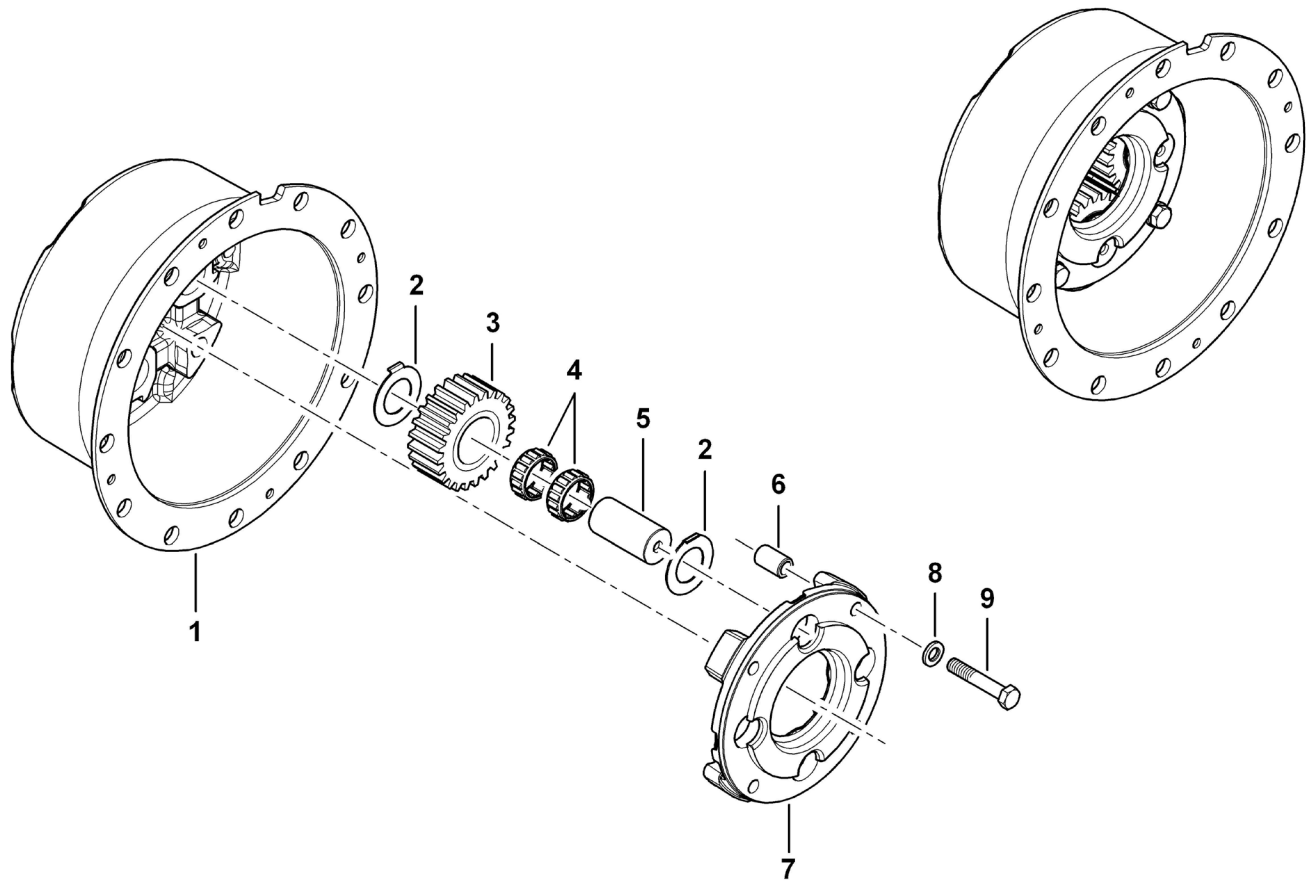
REF	PART #	QTY	DESCRIPTION	SEE PAGE
---	2402.157	4	Wheel end complete	
1	9556.021	2	Screw plug	
2	1180.502	2	Seal ring	
3	7323.016	1	Screw plug	
4	2108.017	1	☐ Shim kit	
	1210.296	n/a	Seeger adjusting washer 30x42x0.5	
	1210.295	n/a	Seeger adjusting washer 30x42x1.0	
	1210.113	n/a	Seeger support washer	
5	1060.408	12	Wheel nut with rotating washer	
6	2218.014	1	Planetary gear drive COMPLETE	
7	7818.086	1	Sun gear shaft	
8	7329.073	1	Nut M85x2	
9	7317.047	1	☐ Adjusting kit	
	7317.199	n/a	Adjusting washer D86xD105.5x2.500	
	7317.200	n/a	Adjusting washer D86xD105.5x2.375	
	7317.201	n/a	Adjusting washer D86xD105.5x2.250	
	7317.202	n/a	Adjusting washer D86xD105.5x2.125	
	7317.203	n/a	Adjusting washer D86xD105.5x2.000	
	7317.204	n/a	Adjusting washer D86xD105.5x1.875	
	7317.205	n/a	Adjusting washer D86xD105.5x1.750	
	7317.206	n/a	Adjusting washer D86xD105.5x1.625	
	7317.207	n/a	Adjusting washer D86xD105.5x1.500	
	7317.208	n/a	Adjusting washer D86xD105.5x1.375	
10	7801.042	1	Ring gear	
11	7804.044	1	Ring gear carrier	
12	1220.913	1	Seeger snap ring	
13	1170.755	1	O-Ring	
14	1110.221	1	Tapered roller bearing	
15	7828.143	1	Wheel hub	
16	7133.018	12	Wheel bolt	
17	1110.222	1	Tapered roller bearing	
18	7322.088	4	Hexagon bolt	
19	1180.325	1	Face seal	
20	7306.032	1	Spindle ring	
21	1170.547	1	O-Ring	
22	7322.069	16	Hexagon bolt	
23	7814.182	1	Spindle	
24	1170.553	1	O-Ring	
25	1160.244	1	Oil seal	
26	7315.107	1	Washer	



See referenced page for component or assembly breakdown.



Kit or Assembly - includes all items indented underneath.



TIM 17 Axle Planetary Assembly

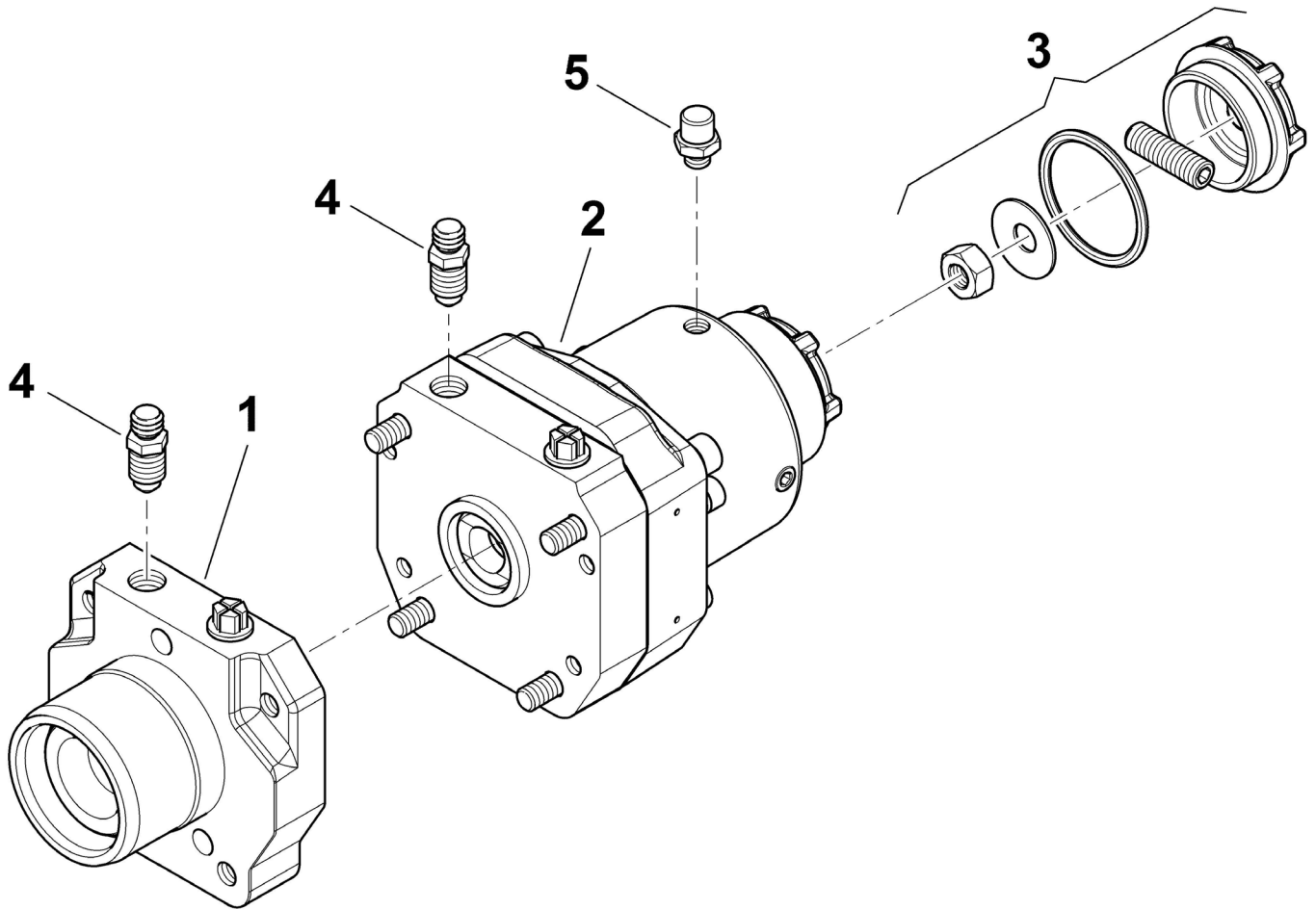
REF	PART #	QTY	DESCRIPTION	SEE PAGE
---	2218.014	1	Planetary gear drive	
1	7821.271	1	Planet carrier	
2	9633.010	8	Thrust washer	
3	7806.060	4	Planet gear	
4	7305.071	4	Two-row roller bearing	
5	7807.056	4	Planetary pin	
6	7313.018	4	Shear pin	
7	7821.179	1	Planet carrier	
8	7316.045	4	Washer	
9	1010.536	4	Hexagon bolt	



See referenced page for component or assembly breakdown.



Kit or Assembly - includes all items indented underneath.



TIM 17 Axle Brake Cylinder

REF	PART #	QTY	DESCRIPTION	SEE PAGE
--	52746-AX		<input type="checkbox"/> Spring loaded cyl. complete	
1	5350.097	1	Brake cylinder (lower part)	
2	5350.100	1	Spring brake (upper part)	
3	2208.004	1	Park brake release kit	
4	1250.598	2	Breather valve	
5	1250.002	1	Breather	
-	53969-AX		Seal Kit Brake Cylinder	



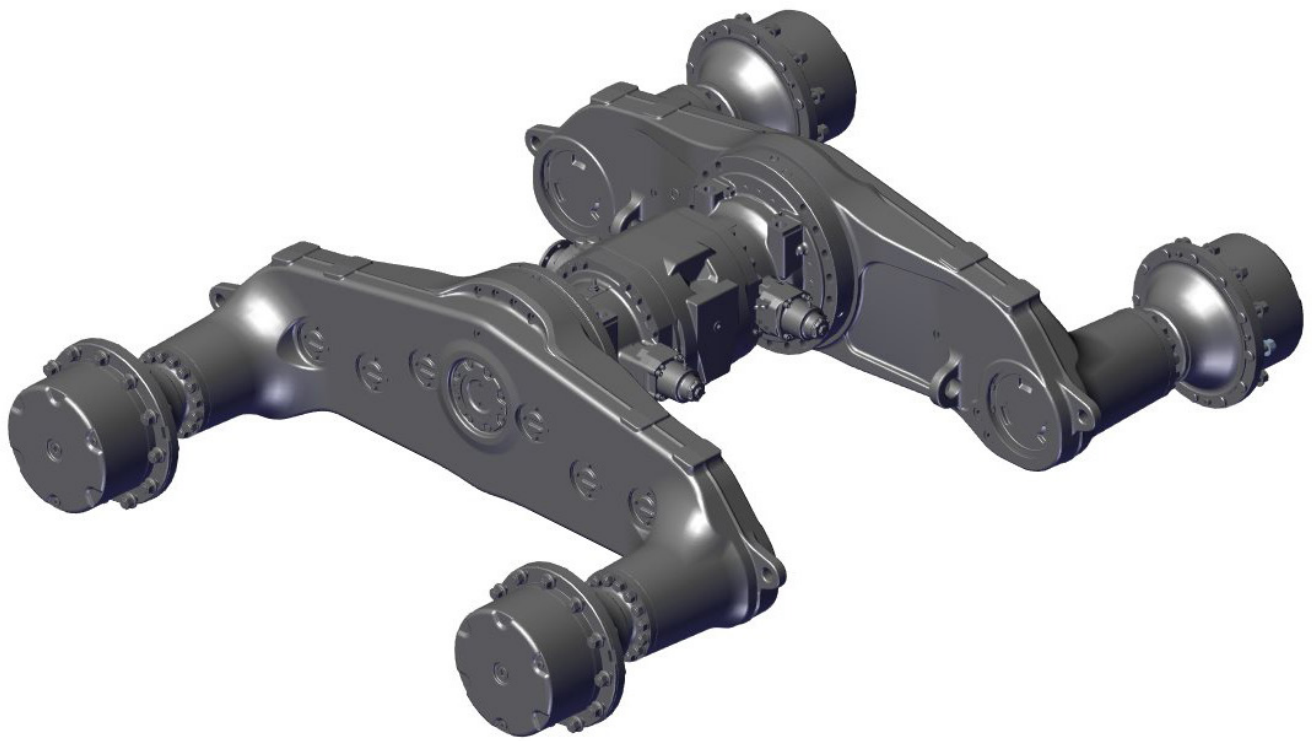
See referenced page for component or assembly breakdown.



Kit or Assembly - includes all items indented underneath.

Section AX-3

Axles, Gearboxes & Wheels - Gearboxes (*TIM 23*) 840 - *Bogie Axles*



Complete Axle

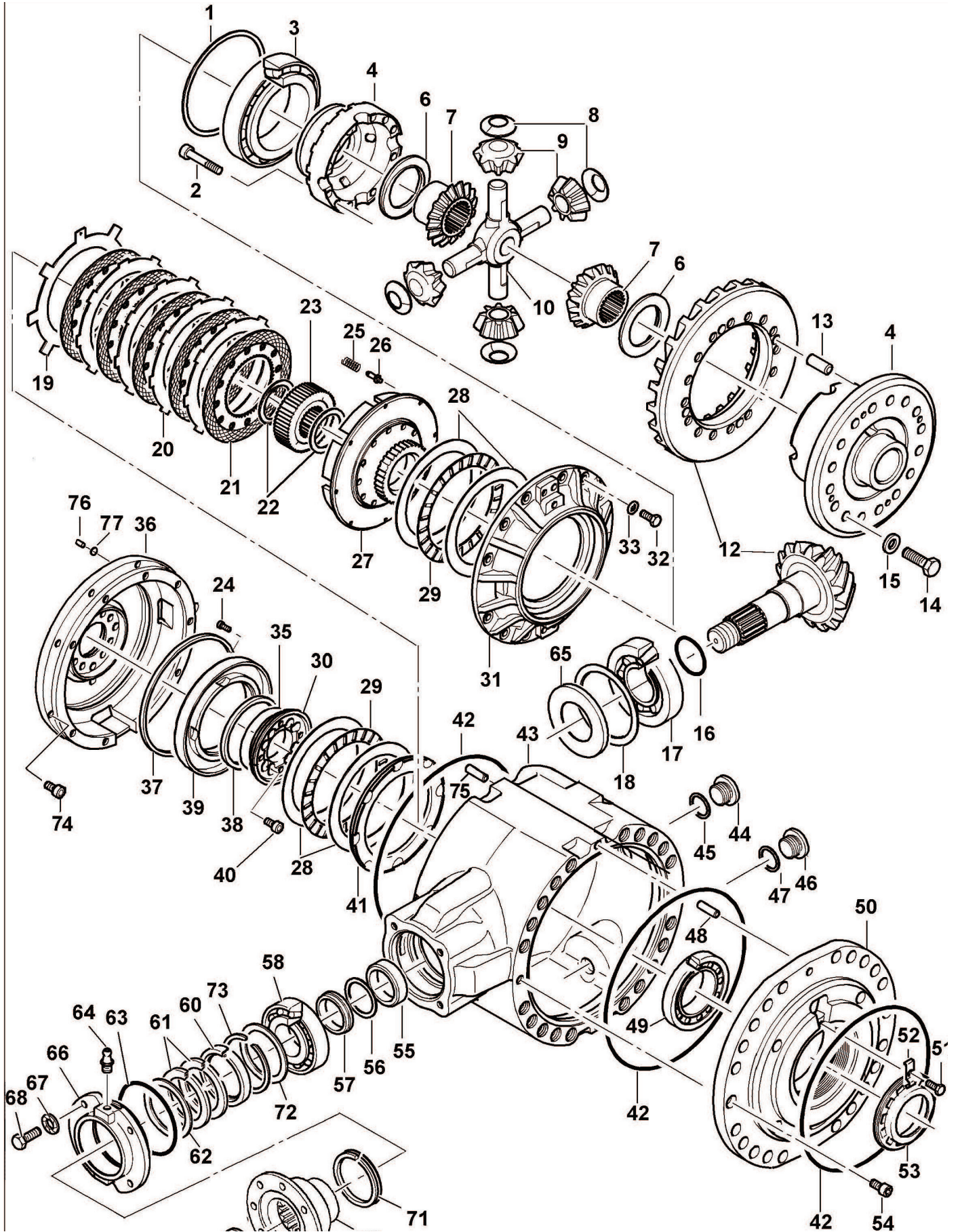
REF	PART #	QTY	DESCRIPTION	SEE PAGE
1	53625	2	AXLE, TANDEM - TIM 23 (NON BALANCED) 840C	



See referenced page for component or assembly breakdown.



Kit or Assembly - includes all items indented underneath.



Differential

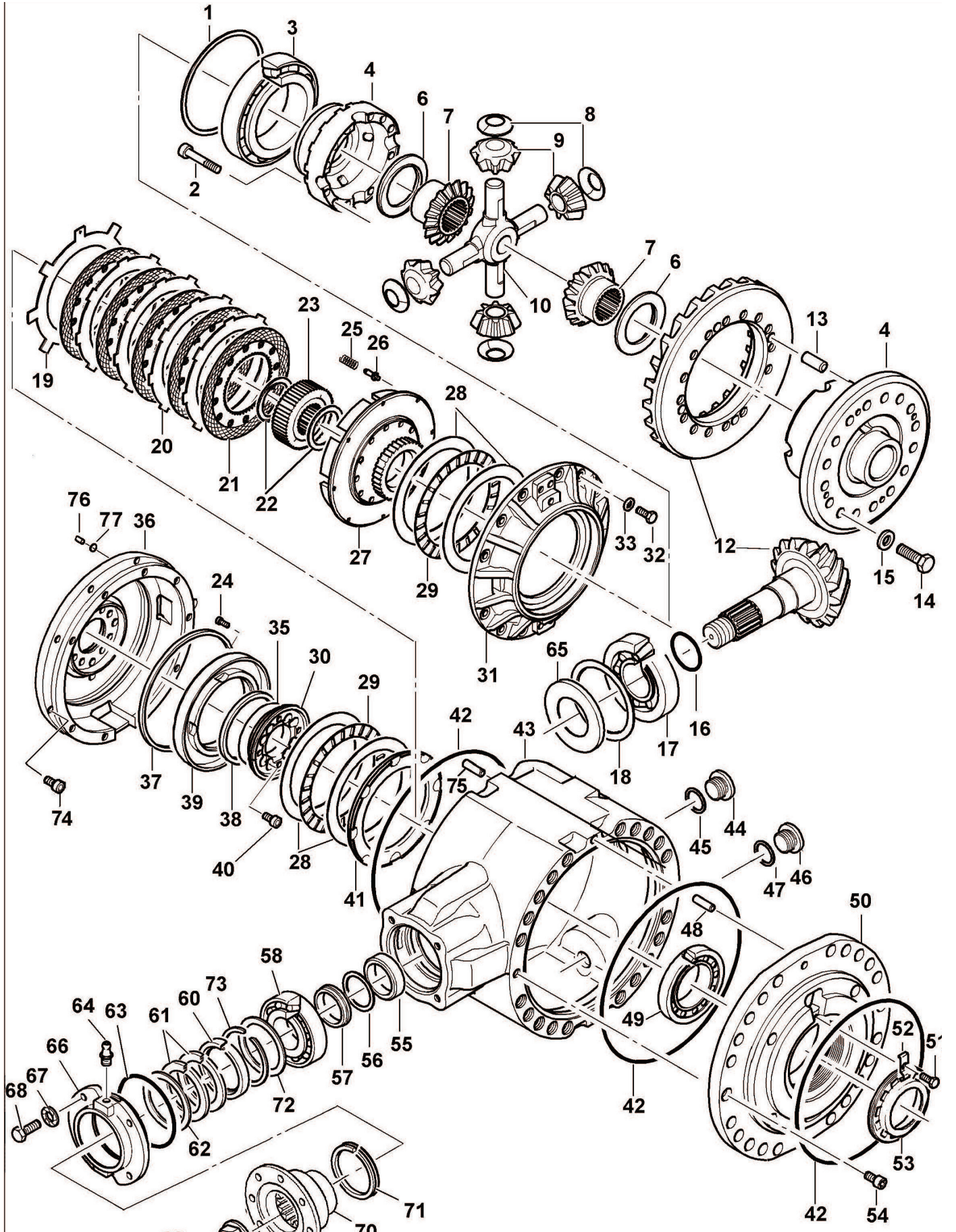
REF	PART #	QTY	DESCRIPTION	SEE PAGE
---	2401.496	1	Differential complete	
---	2219.086	1	Diff.-cage complete	
---	7570.016	1	Multiple disk diff. lock	
1	2108.060	1	<input type="checkbox"/> Shim kit s=1,0 - 2,25	
1	7317.297	na	Adjusting washer	s=1,5
1	7317.298	na	Adjusting washer	s=1,55
1	7317.299	na	Adjusting washer	s=1,6
1	7317.300	na	Adjusting washer	s=1,65
1	7317.301	na	Adjusting washer	s=1,7
1	7317.302	na	Adjusting washer	s=1,75
1	7317.303	na	Adjusting washer	s=1,8
1	7317.304	na	Adjusting washer	s=1,85
1	7317.305	na	Adjusting washer	s=1,9
1	7317.306	na	Adjusting washer	s=1,95
1	7317.307	na	Adjusting washer	s=2,0
1	7317.308	na	Adjusting washer	s=2,05
1	7317.309	na	Adjusting washer	s=2,1
1	7317.310	na	Adjusting washer	s=2,15
1	7317.311	na	Adjusting washer	s=2,2
1	7317.312	na	Adjusting washer	s=2,25
1	7317.323	na	Adjusting washer	s=1,0
1	7317.324	na	Adjusting washer	s=1,2
2	1020.374	12	Allen screw	
3	1110.233	1	Tapered-roller bearing	
4	2102.188	1	Differential cage	
5	---			
6	7517.014	2	<input type="checkbox"/> Adjusting kit	s=1,5 - 4,0
6	7517.028	na	Thrust washer	s=2,8
6	7517.029	na	Thrust washer	s=3,0
6	7517.030	na	Thrust washer	s=3,2
6	7517.031	na	Thrust washer	s=2,0
6	7517.032	na	Thrust washer	s=2,2
6	7517.033	na	Thrust washer	s=2,6
6	7517.034	na	Thrust washer	s=4,0
6	7517.035	na	Thrust washer	s=3,4
6	7517.036	na	Thrust washer	s=3,6
6	7517.037	na	Thrust washer	s=3,8
7	7513.055	2	Differential gear	
8	7518.030	4	Thrust washer	
9	7514.033	4	Compensating gear	
10	7515.032	1	Cross bolt	
11	---			
12	2101.355	1	Crown wheel/pinion	
13	1200.228	4	Dowel pin	
14	1510.559	16	Hexagon bolt	
15	7316.045	16	Washer 16.1x30x4 C45 HARDENED	
16	1170.013	1	O-ring OR 42x4.5 72NBR872	
17	1110.223	1	Tapered-roller bearing	
18	2108.047	1	<input type="checkbox"/> Shim kit s=3,0 - 2,5 step 0,25	
18	7317.247	na	Adjusting washer	s=3,0
18	7317.248	na	Adjusting washer	s=2,75
18	7317.249	na	Adjusting washer	s=2,5



See referenced page for component or assembly breakdown.



Kit or Assembly - includes all items indented underneath.



Differential Continued.....

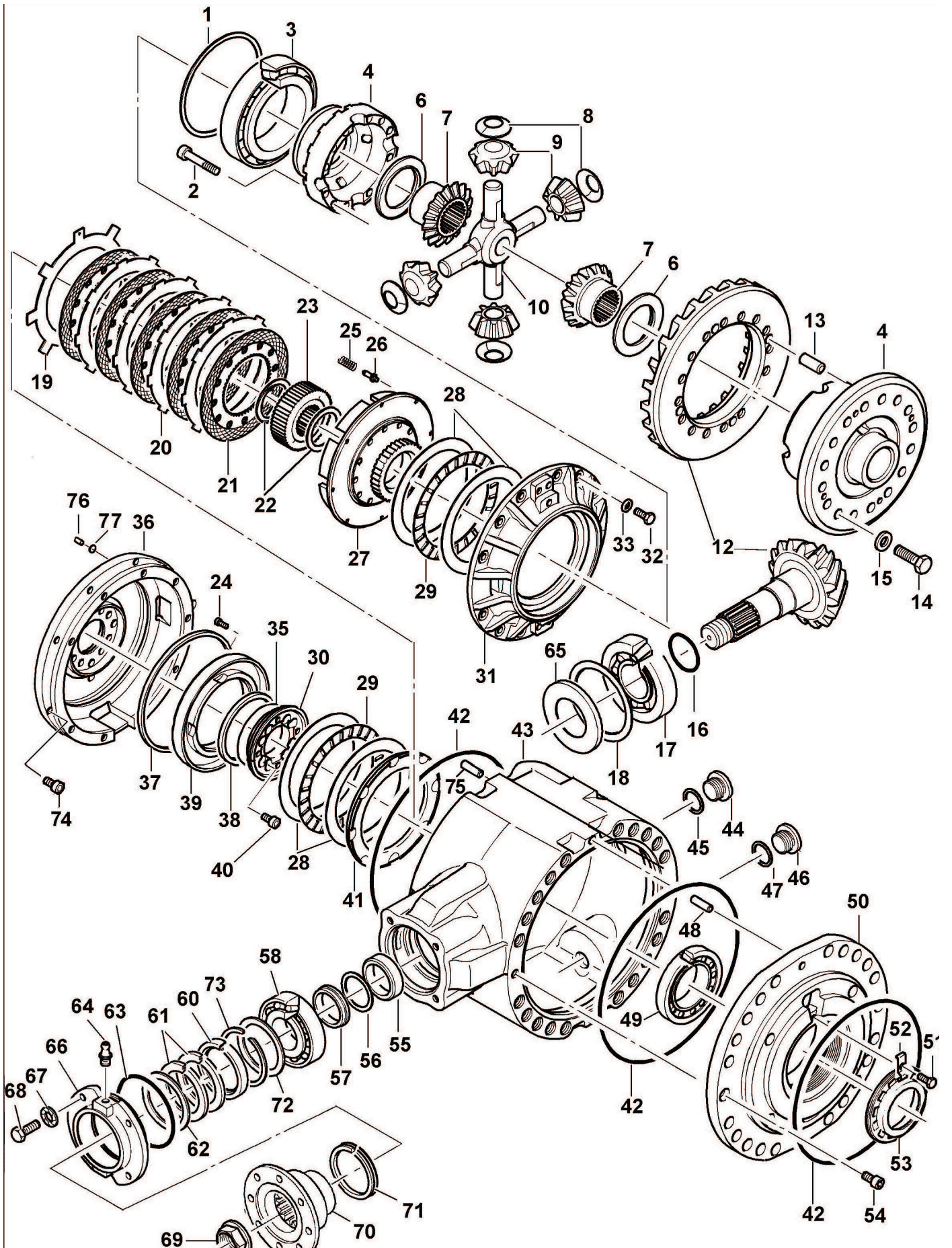
REF	PART #	QTY	DESCRIPTION	SEE PAGE
19	7344.050	1	Steel disk	
20	7344.049	5	Steel disk	
21	7345.056	6	Lined disk	
22	7316.125	2	Thrust washer	
23	9867.106	1	Disk carrier	
24	1020.029	1	Allen screw	
25	7331.048	8	Compression spring	
26	7322.113	8	Bolt	
27	9867.107	1	Disk carrier	
28	1130.596	4	Washer	
29	1130.283	2	Thrust needle cage	
30	5252.176	1	Piston	
31	7527.175	1	Flange	
32	1010.266	11	Hexagon bolt	
33	7316.048	11	Washer	
34	---			
35	1170.612	1	O-ring	
36	7527.239	1	Flange	
37	1180.879	1	Shaft packing	
38	1180.911	1	Piston packing	
39	5252.143	1	Piston	
40	1020.220	8	Allen screw	
41	7316.176	1	Thrust washer	
42	1170.735	3	O-ring	
43	7506.400	1	Differential housing	
44	1040.151	1	Screw plug	
45	1180.541	1	Seal ring	
46	7323.025	1	Screw plug	
47	1180.541	1	Seal ring	
48	1200.235	1	Dowel pin	
49	1110.111	1	Tapered-roller bearing	
50	7527.283	1	Flange	
51	1010.129	1	Hexagon bolt	
52	9566.019	1	Locking plate	
53	7329.133	1	Nut	
54	1020.216	2	Allen screw	
55	7311.116	1	Spacer bushing	
56	2108.046	1	<input type="checkbox"/> Shim kit	
56	7317.234	na	Adjusting washer	s=0,96
56	7317.235	na	Adjusting washer	s=1,0
56	7317.236	na	Adjusting washer	s=1,04
56	7317.237	na	Adjusting washer	s=1,08
56	7317.238	na	Adjusting washer	s=1,12
56	7317.239	na	Adjusting washer	s=1,16
56	7317.240	na	Adjusting washer	s=1,20
56	7317.241	na	Adjusting washer	s=1,24
56	7317.242	na	Adjusting washer	s=1,28
56	7317.243	na	Adjusting washer	s=1,32
56	7317.244	na	Adjusting washer	s=1,36
56	7317.245	na	Adjusting washer	s=1,40
56	7317.246	na	Adjusting washer	s=1,44



See referenced page for component or assembly breakdown.



Kit or Assembly - includes all items indented underneath.



Differential Continued.....

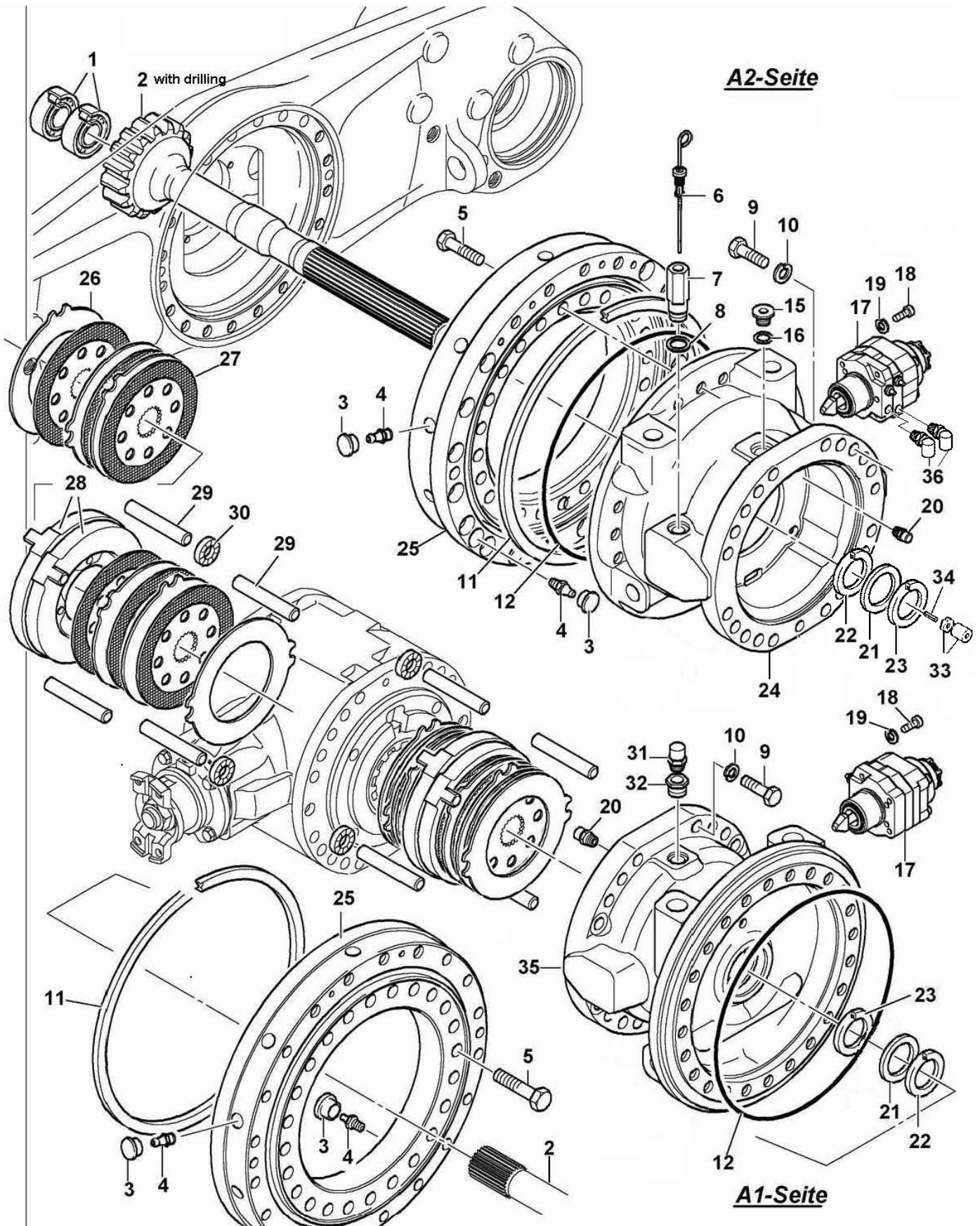
REF	PART #	QTY	DESCRIPTION	SEE PAGE
57	2108.045	1	<input type="checkbox"/> Spacer bushing Kit.D58xD76x"s"	
57	7311.117	na	Spacer bushings=11,51	
57	7311.118	na	Spacer bushings=11,99	
57	7311.119	na	Spacer bushings=12,47	
58	1110.229	1	Tapered-roller bearing	
59	---			
60	7308.054	1	Radial seal	
61	7308.055	2	Seal ring	
62	7315.110	1	Washer	
63	1170.526	1	O-ring OR	
64	1250.103	1	Tapered lube nipple	
65	7301.064	1	Cover	
66	7301.124	1	Cover	
67	1190.011	4	Lock washer	
68	1010.201	4	Hexagon bolt	
69	7329.057	1	Nut M40x1.5 bonded	
70	7521.236	1	Cardan flange	
71	1180.125	1	V-ring	
72	7315.181	1	Washer	
73	1220.932	1	Seeger snap ring	
74	1020.228	12	Allen screw	
75	1200.286	1	Dowel pin	
76	7312.079	1	Bushing	
77	1170.006	1	O-ring	



See referenced page for component or assembly breakdown.



Kit or Assembly - includes all items indented underneath.



Axle Beams - A1

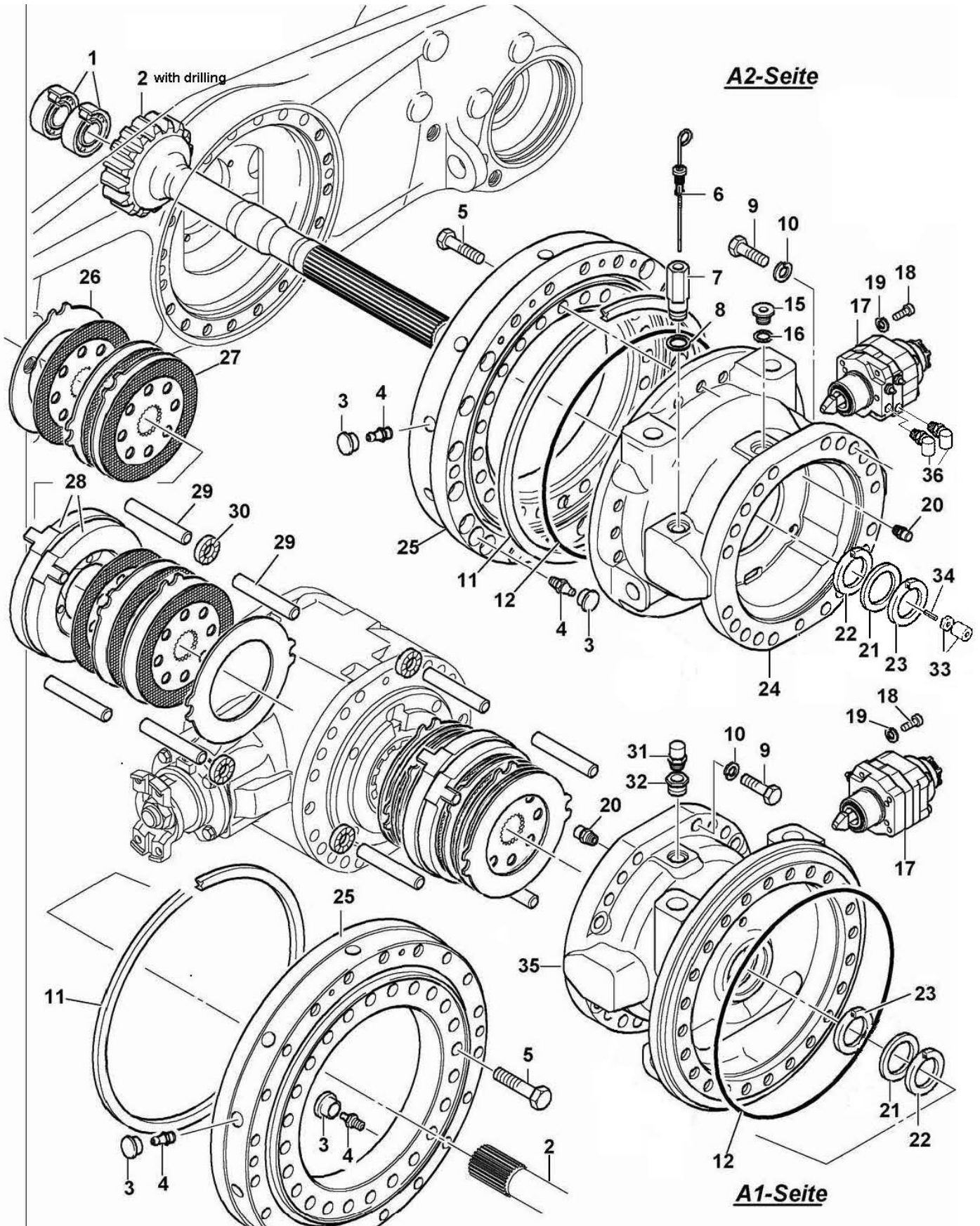
REF	PART #	QTY	DESCRIPTION	SEE PAGE
---	2403.160	1	Axle housing complete A1	
1	1130.067	2	Cylindrical roller bearing	
2	7818.183	1	Sun gear shaft	
3	1750.683	4	Plug	
4	1250.104	2	Tapered lube nipple	
5	1010.669	24	Hexagon bolt	
6	---			
7	---			
8	---			
9	1010.664	18	Hexagon bolt	
10	7316.044	18	Washer	
11	7308.071	1	Scraper ring	
12	1170.726	1	O-ring	
13	---			
14	---			
15	---			
16	---			
17	5350.090	1	Spring brake cylinder	
18	1020.260	3	Allen screw	
19	1190.031	3	Detent edged ring	
20	1250.002	1	Breather	
21	7315.187	1	Washer	
22	1160.236	1	Oil seal	
23	7308.063	1	Seal ring	
24	---			
25	7305.050	1	Slewing ring	
26	7344.036	6	Intermediate disk	
27	7345.057	6	Lined disk	
28	5504.002	1	Operating disk assembly	
29	7321.151	4	Pin	
30	1190.211	2	Toothed ring	
31	1250.015	1	Breather	
32	1750.705	1	Reducing nipple	
33	---			
34	---			
35	7276.137	1	Axle housing	
36	1750.900	1	Adapter	



See referenced page for component or assembly breakdown.



Kit or Assembly - includes all items indented underneath.



Axle Beams - A2

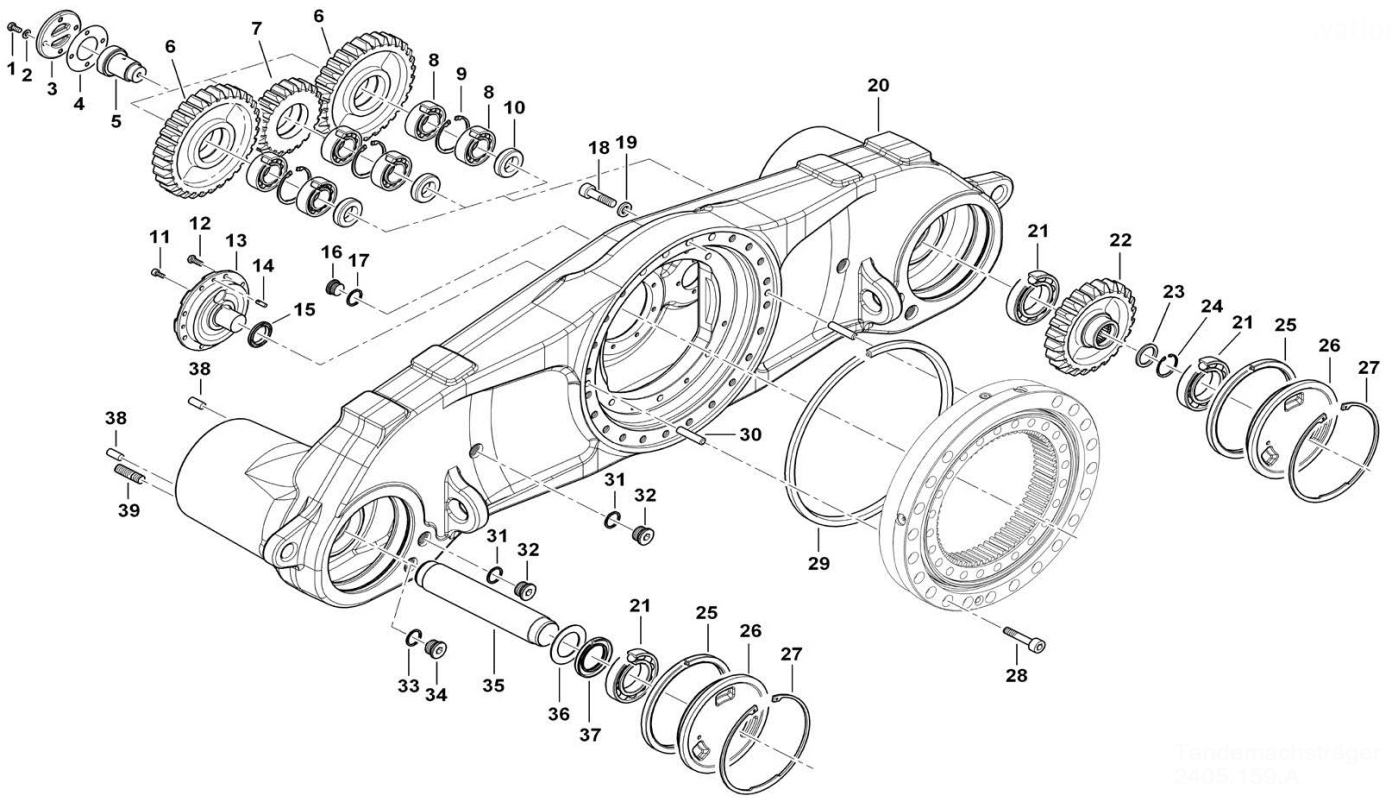
REF	PART #	QTY	DESCRIPTION	SEE PAGE
---	2403.161	1	Axle housing complete A2	
1	1130.067	2	Cylindrical roller bearing	
2	7818.182	1	Sun gear shaft	
3	1750.683	4	Plug	
4	1250.104	2	Tapered lube nipple	
5	1010.669	24	Hexagon bolt	
6	7325.037	1	Oil dip stick	
7	7322.074	1	Threaded stud	
8	1180.541	1	Seal ring	
9	1010.662	18	Hexagon bolt	
10	7316.044	18	Washer	
11	7308.071	1	Scraper ring	
12	1170.726	1	O-ring	
13	---			
14	---			
15	1040.151	1	Screw plug	
16	1180.541	1	Seal ring	
17	5350.090	1	Spring brake cylinder	
18	1020.260	3	Allen screw	
19	1190.031	3	Detent edged ring	
20	1250.002	1	Breather	
21	7315.187	1	Washer	
22	1160.236	1	Oil seal	
23	7308.063	1	Seal ring	
24	7276.136	1	Axle housing	
25	7305.050	1	Slewing ring	
26	7344.036	6	Intermediate disk	
27	7345.057	6	Lined disk	
28	5504.002	1	Operating disk assembly	
29	7321.096	4	Pin	
30	1190.211	2	Toothed ring	
31	---			
32	---			
33	2108.103	1	Adjusting kit	
33	7321.191	1	Adjusting pin	
33	7315.300	3	Washer	
33	7315.301	3	Washer	
34	1200.480	1	Clamping sleeve	
35	---			
36	1750.900	1	Adapter	



See referenced page for component or assembly breakdown.



Kit or Assembly - includes all items indented underneath.



Bogie Housing

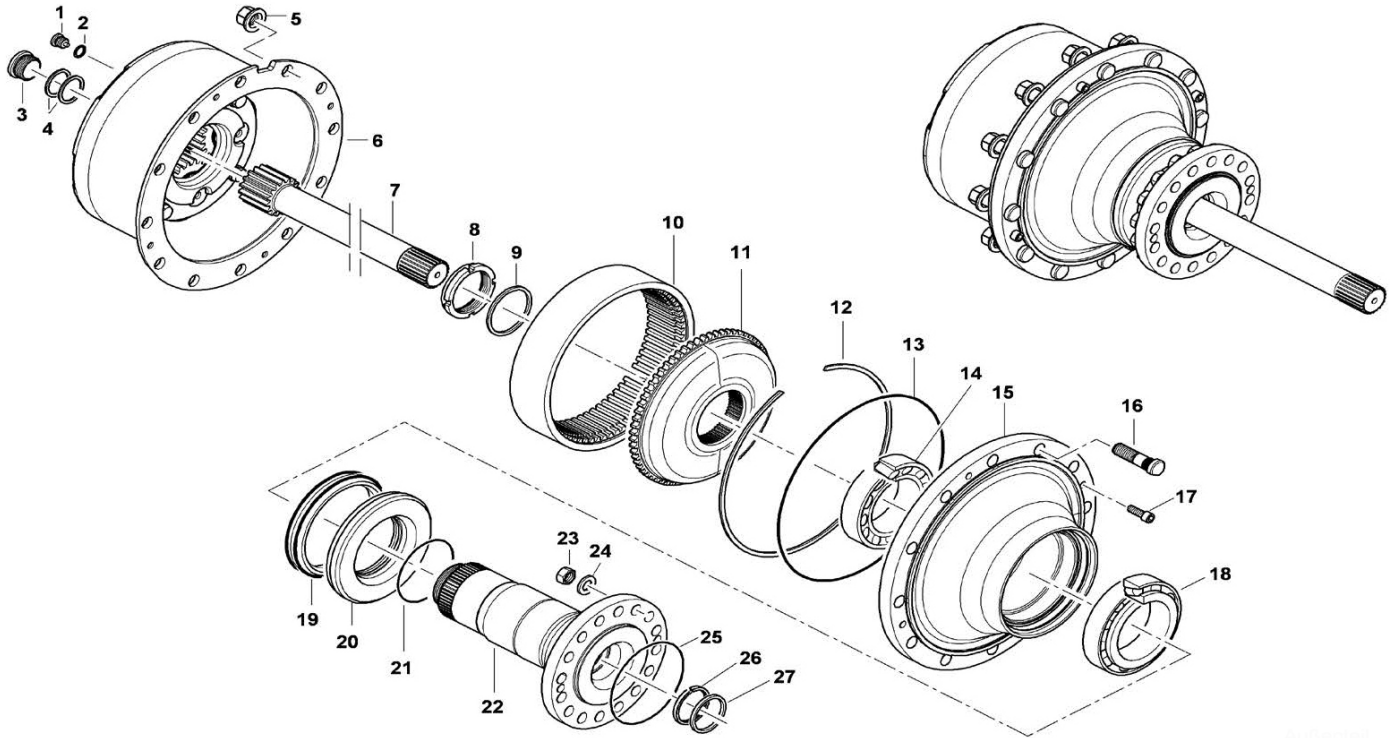
REF	PART #	QTY	DESCRIPTION	SEE PAGE
---	2405.159	2	Bogie housing complete	
1	1010.233	24	Hexagon bolt	
2	7316.048	24	Washer	
3	7302.011	6	Cover	
4	7319.161	6	Gasket	
5	7321.131	6	Pin	
6	9804.532	4	Spur gear	
7	9804.589	2	Spur gear	
8	1130.057	12	Cylindrical roller bearing	
9	1220.702	6	Seeger circlip ring	
10	7311.089	6	Spacer bushing	
11	1020.113	2	Allen screw	
12	1010.234	8	Hexagon bolt	
13	7321.120	1	Bearing pin	
14	1200.309	1	Grooved dowel pin	
15	1180.841	1	Shaft seal	
16	1040.103	1	Screw plug	
17	1180.507	1	Seal ring	
18	1020.618	4	Allen screw	
19	7316.044	4	Washer	
20	7277.148	1	Bogie housing	
21	1120.107	4	Deep groove ball bearing	
22	9804.533	2	Spur gear	
23	1210.110	2	Seeger support washer	
24	1220.714	2	Seeger circlip ring	
25	7308.051	2	Seal ring	
26	7302.082	2	Cover	
27	1220.837	2	Seeger circlip ring	
28	1020.618	20	Allen screw	
29	7308.040	1	Seal ring	
30	1200.206	2	Dowel pin	
31	1180.507	4	Seal ring	
32	1040.103	4	Screw plug	
33	1180.507	2	Seal ring	
34	7323.013	2	Screw plug	
35	7343.030	2	Tube	
36	7315.106	2	Washer	
37	1160.275	2	Oil seal	
38	1200.286	4	Dowel pin	
39	1030.614	32	Stud	



See referenced page for component or assembly breakdown.



Kit or Assembly - includes all items indented underneath.



Publinter
2007-2008

Wheel end complete

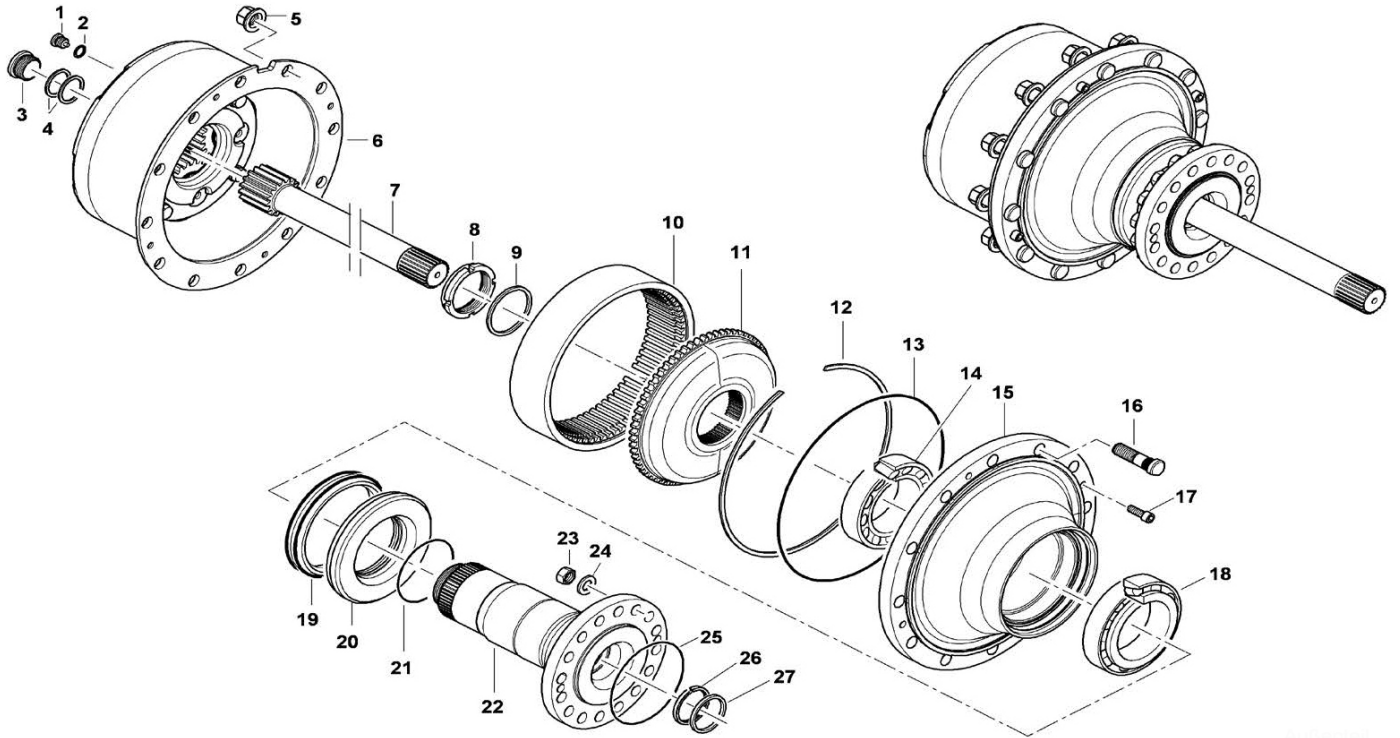
REF	PART #	QTY	DESCRIPTION	SEE PAGE
---	2402.255	4	Wheel end complete	
1	9556.021	2	Screw plug	
2	1180.502	2	Seal ring	
3	7323.016	1	Screw plug	
4	2108.017	1	Adjusting kit	
4	1210.113	1	Seeger support washer	
4	1210.295	2	Seeger adjusting washer	
4	1210.296	1	Seeger adjusting washer	
5	1060.408	12	Wheel nut with rotating washer	
6	2218.038	1	Planetary gear drive cpl.	
7	7818.153	1	Sun gear shaft	
8	7329.073	1	Nut	
9	7317.047	1	<input type="checkbox"/> Adjusting kit	
9	7317.199	na	Adjusting washer D86xD105.5x2.500	
9	7317.200	na	Adjusting washer D86xD105.5x2.375	
9	7317.201	na	Adjusting washer D86xD105.5x2.250	
9	7317.202	na	Adjusting washer D86xD105.5x2.125	
9	7317.203	na	Adjusting washer D86xD105.5x2.000	
9	7317.204	na	Adjusting washer D86xD105.5x1.875	
9	7317.205	na	Adjusting washer D86xD105.5x1.750	
9	7317.206	na	Adjusting washer D86xD105.5x1.625	
9	7317.207	na	Adjusting washer D86xD105.5x1.500	
9	7317.208	na	Adjusting washer D86xD105.5x1.375	
10	7801.065	1	Ring gear	
11	7804.058	1	Ring gear carrier	
12	1220.913	1	Seeger snap ring	
13	1170.755	1	O-Ring	
14	1110.221	1	Tapered-roller bearing	
15	7828.164	1	Wheel hub	
16	7133.032	12	Wheel bolt	
17	1020.345	4	Allen screw	
18	1110.222	1	Tapered-roller bearing	
19	1180.325	1	Face seal	
20	7306.032	1	Spindle ring	
21	1170.547	1	O-Ring	
22	7814.233	1	Spindle	
23	1060.010	16	Hexagon nut	
24	7316.050	16	Washer	
25	1170.553	1	O-Ring	
26	1160.244	1	Oil seal	
27	7315.107	1	Washer	



See referenced page for component or assembly breakdown.



Kit or Assembly - includes all items indented underneath.



Publication
2007-05-16

Planetary gear drive

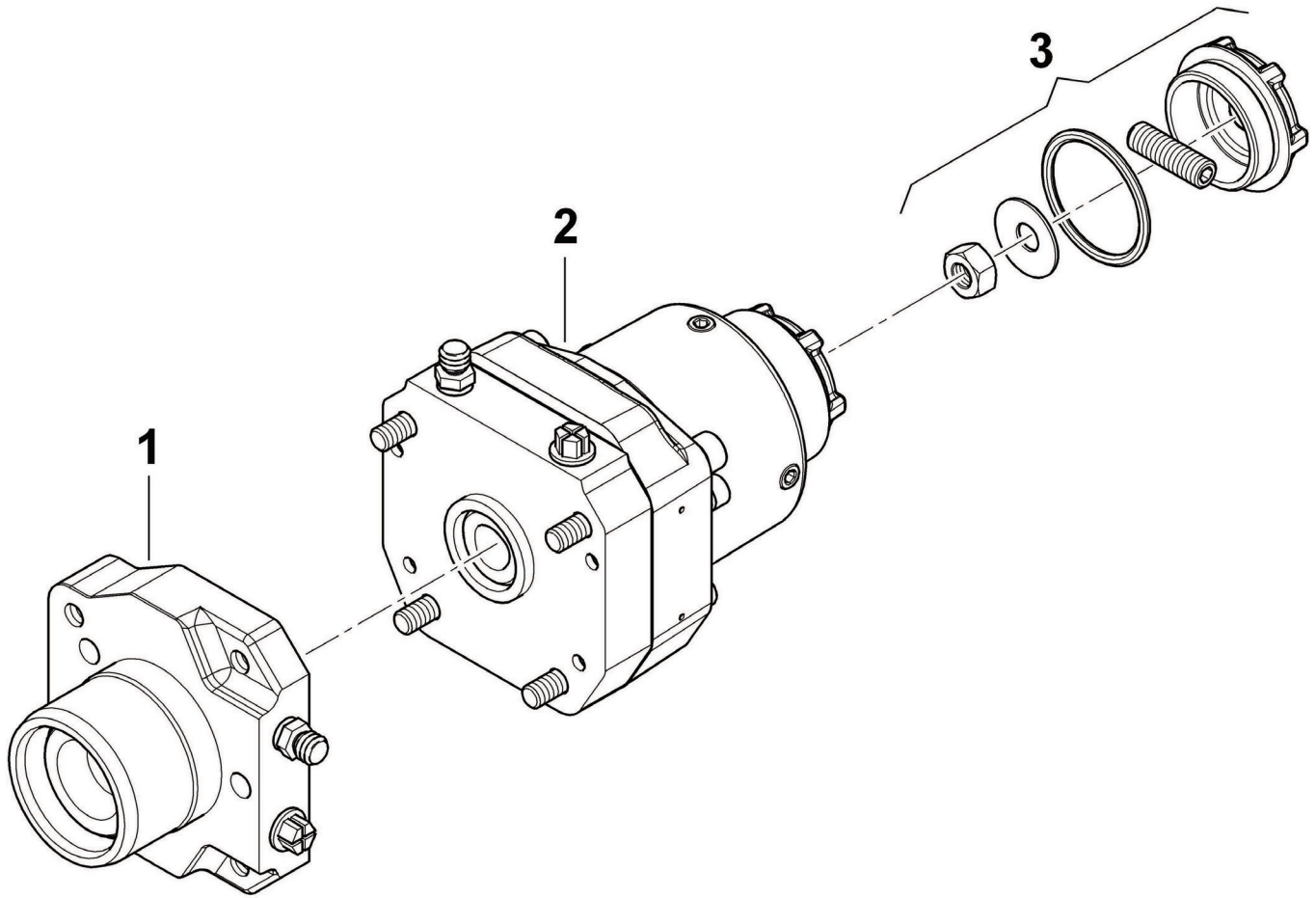
REF	PART #	QTY	DESCRIPTION	SEE PAGE
---	2218.038	1	Planetary gear drive	
1	1010.536	4	Hexagon screw	
2	7316.045	4	Washer	
3	7821.179	1	Planet carrier	
4	7313.018	4	Shear pin	
5	9633.010	8	Thrust washer	
6	7305.070	4	VRS kit	
7	7806.103	4	Planet gear	
8	7807.085	4	Planetary pin	
9	7821.349	1	Planet carrier	



See referenced page for component or assembly breakdown.



Kit or Assembly - includes all items indented underneath.



Brake Cylinder

REF	PART #	QTY	DESCRIPTION	SEE PAGE
- - -	5350.090	1	Spring loaded cylinder	
1	5350.097	1	Brake cylinder	
2	5350.100	1	Spring loaded	
3	2208.004	1	Emergency kit	



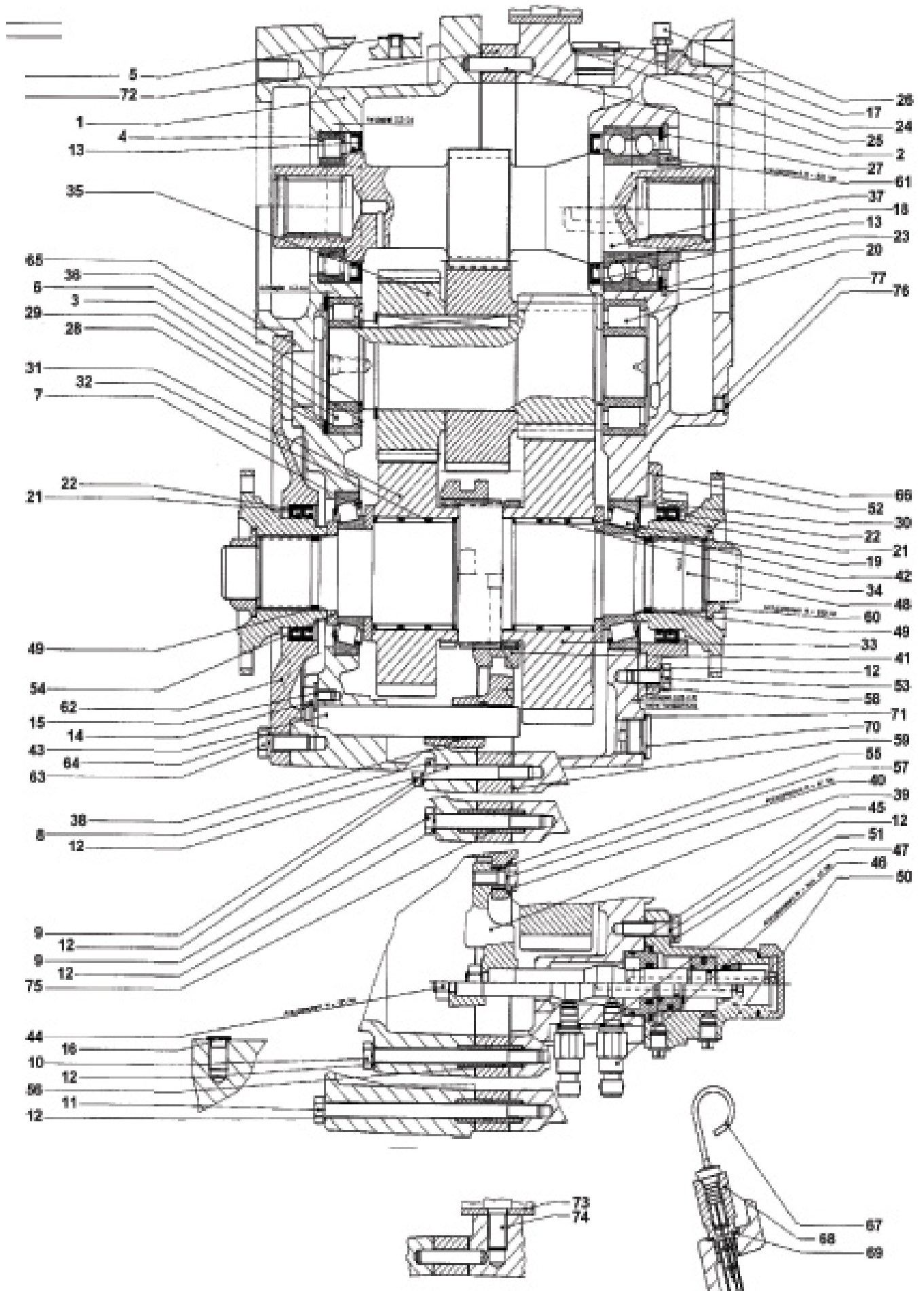
See referenced page for component or assembly breakdown.



Kit or Assembly - includes all items indented underneath.

Section AX-5

Axles, Gearboxes & Wheels - *TIM 15 Gearbox* *(Dual Motor - 830/840)*



TIM 15 - DUAL MOTOR GEARBOX

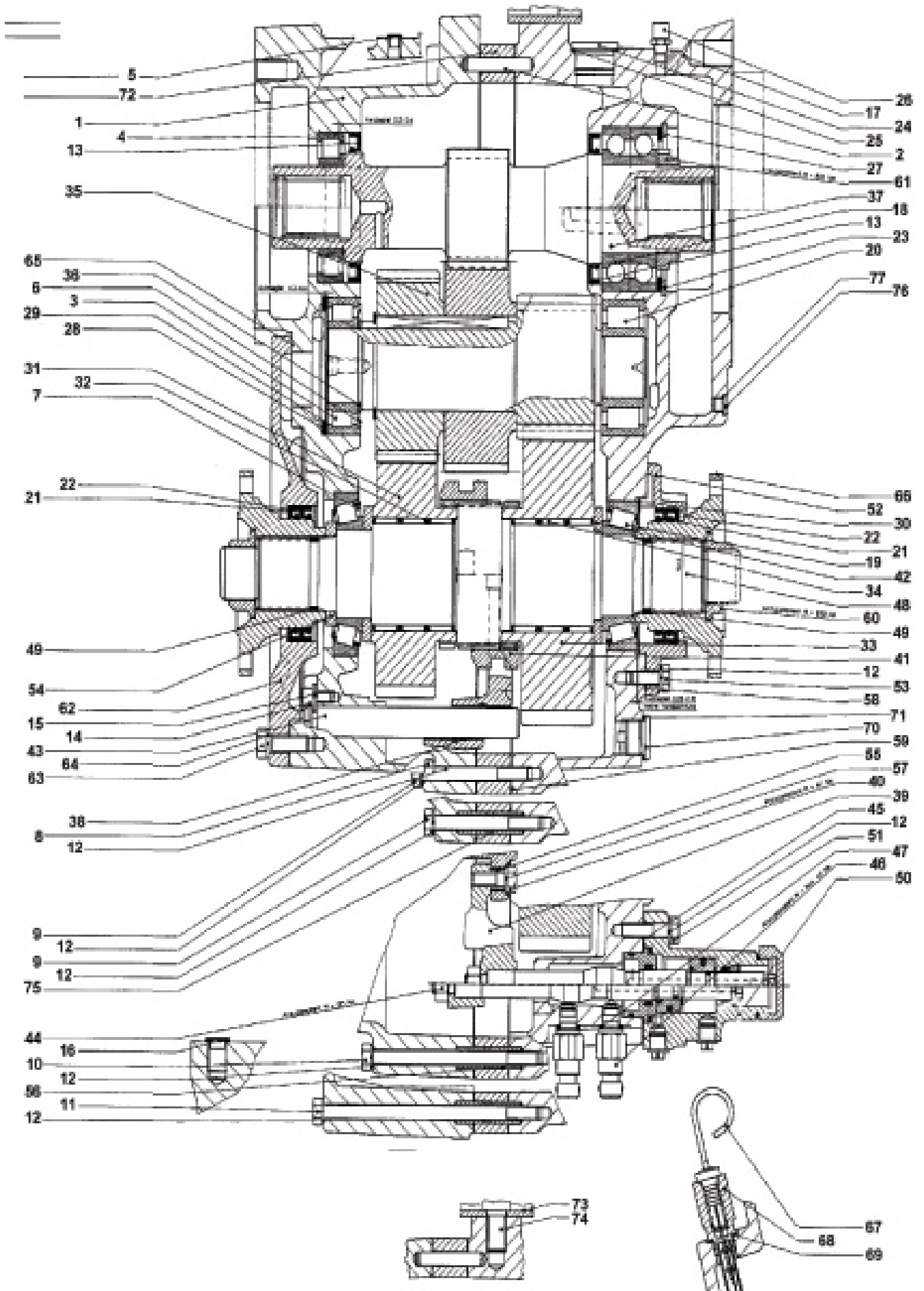
REF	PART #	QTY	DESCRIPTION	SEE PAGE
-	50371-AX		GEARBOX, DUAL MOTOR-2SP - NAF	
1	9801.517	1	Housing	
2	1200.602	2	Straight pin	
3	1130.049	1	Cylinder roller bearing	
4	1130.076	1	Cylinder roller bearing	
5	1250.620	1	Plug	
6	1180.760	1	Nilos-ring	
7	1110.119	1	Tapered roller bearing	
8	1510.212	6	Hexagon screw	
9	1510.213	4	Hexagon screw	
10	1010.225	1	Hexagon screw	
11	1510.215	2	Hexagon screw	
12	23722-AX	13	Locking clip	
13	1160.220	2	Oil seal	
14	1020.113	1	Allen screw	
15	7316.057	2	Washer	
16	1250.626	8	Plug	
17	9801.434	1	Housing	
18	1130.579	2	Tapered-roller bearing	
19	1110.014	1	Tapered-roller bearing	
20	1130.058	1	Cylinder roller bearing	
21	1160.121	2	Oil seal	
22	1160.217	2	Oil seal	
23	1220.802	1	Seeger-ring	
24	1040.180	1	Screw plug	
25	1180.518	1	Seal ring	
26	1250.001	1	Breather	
27	1210.125	1	Supporting washer	
28	1210.119	1	Supporting washer	
29	2108.013	1	Adjusting kit	
30	2108.021	1	Adjusting kit	
31	9804.520	1	Gear	
32	1130.272	2	Needle roller cages	
33	9804.522	1	Gear	
34	1130.272	3	Needle roller cages	
35	2205.156	1	Gear block	
36	1210.121	1	Supporting washer	
37	9805.310	1	Drive pinion	
38	9809.110	1	Shifting lever complete	
39	9809.118	1	Shifting lever complete	
40	1010.219	1	Hexagon screw	
41	9813.149	1	Washer	
42	7315.060	2	Shifting sleeve	
43	9816.119	1	Washer	
44	1060.003	1	Shifting rod	
45	2108.049	1	Hex. nut	
46	54093-AX	2	SWITCH, NAF GEARBOX	
47	2108.003	2	Adjusting kit	
48	7222.080	1	Shaft	
49	1170.065	2	O-ring	
50	9880.098	1	Shift cylinder complete	



See referenced page for component or assembly breakdown.



Kit or Assembly - includes all items indented underneath.



TIM 15 - DUAL MOTOR GEARBOX

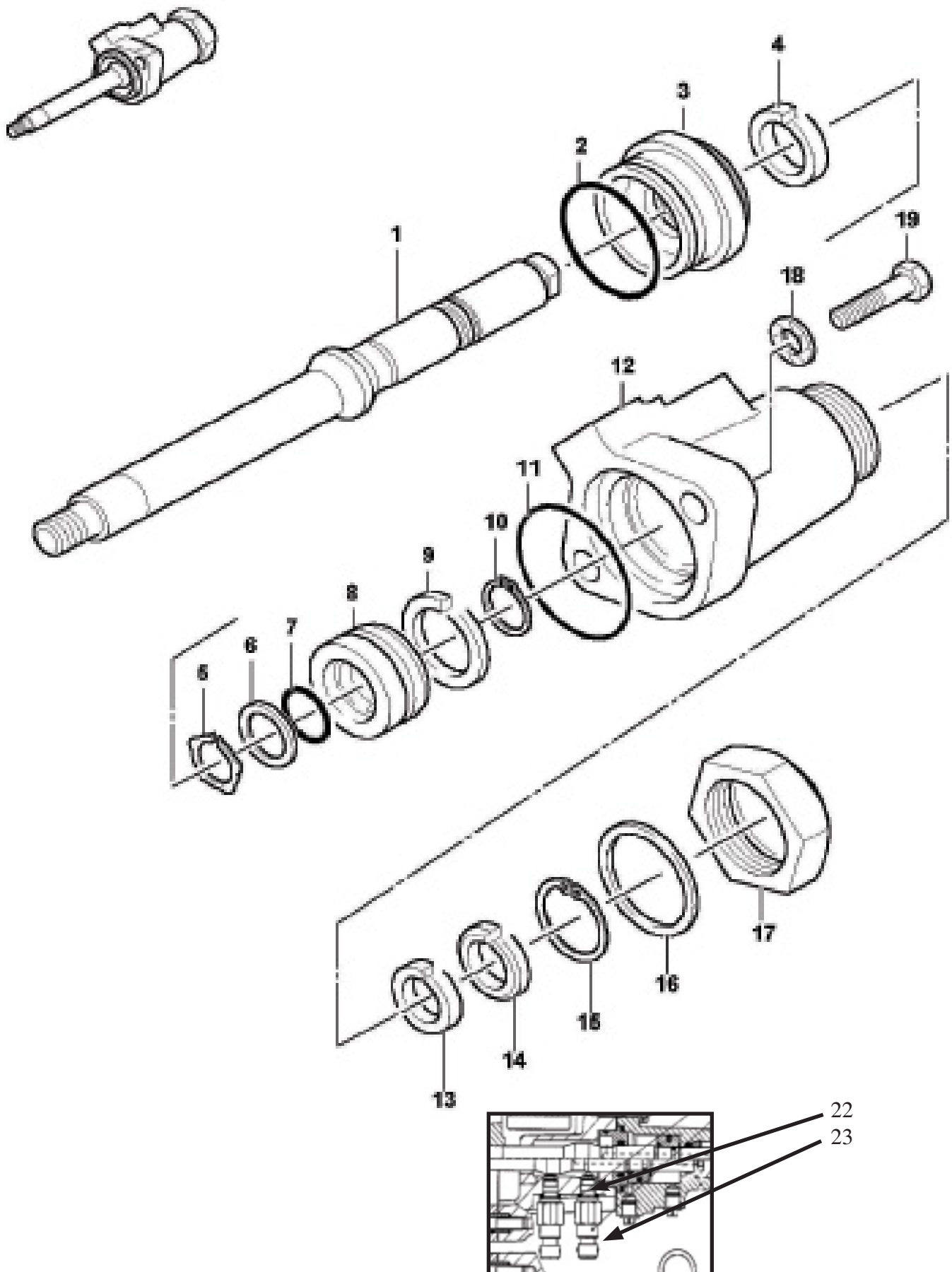
REF	PART #	QTY	DESCRIPTION	SEE PAGE
51	1010.242	2	Hexagon screw	
52	7301.029	1	Cover	
53	1010.201	6	Hexagon screw	
54	7311.163	1		
55	7311.111	1	Spacer bushing	
56	7313.012	12	Shear bushing	
57	7316.048	1	Washer	
58	7319.033	1	Gasket	
59	7319.129	2	Gasket	
60	7329.057	2	Nut	
61	7329.093	1	Nut	
62	7301.141	1	Cover	
63	1010.346	9	Hexagon screw	
64	1190.017	9	Locking clip	
65	7319.030	1	Gasket	
66	52906-AX	2	Cardan flange	
67	7325.046	1	Dipstick	
68	7343.027	1	Tube	
69	1180.508	1	Seal ring	
70	7323.025	1	Screw plug	
71	1180.541	1	Seal ring	
72	9801.389	1		
73	7412.016	1		
74	1020.522	1		
75	7312.084	6		
76	1040.115	1		
77	1180.505	1		
--	7340.018	1	Type plate	
--	1200.110	2	Pin	



See referenced page for component or assembly breakdown.



Kit or Assembly - includes all items indented underneath.



TIM 15 - DUAL MOTOR GEARBOX

REF	PART #	QTY	DESCRIPTION	SEE PAGE
-	52907-AX	1	<input type="checkbox"/> Complete Shift Cylinder	
1	9816137	1	Shifting rod	
2	1170.005	1	O-ring	
3	7307.097	1	Eccentric ring	
4	50519-AX	1	Shaft seal	
5	50127-AX	1	Seeger-k-ring	
6	7315.090	1	Washer	
7	1170.092	1	O-ring	
8	5252.097	1	Piston	
9	1180.767	1	Shaft seal	
10	1220.053	1	Seeger-ring	
11	1170.013	1	O-ring	
12	5263.086	1	Cylinder	
13	1180.643	1	Shaft seal	
14	7307.080	1	Eccentric ring	
15	50129-AX	1	Seeger-ring	
16	50521-AX	1	Seal Ring	
17	7302.003	1	Cover	
18	1190.015	2	Locking Clip	
19	1010.242	2	Bolt	
20	1020.260	1	Allen Screw	
21	2108.080	1	Shim kit	
21	7311.168	1	Washer	
21	7311.169	1	Washer	
21	7311.170	1	Washer	
22	2108.003	2	Adjusting kit	
23	54093-AX	2	SWITCH, NAF GEARBOX	



See referenced page for component or assembly breakdown.

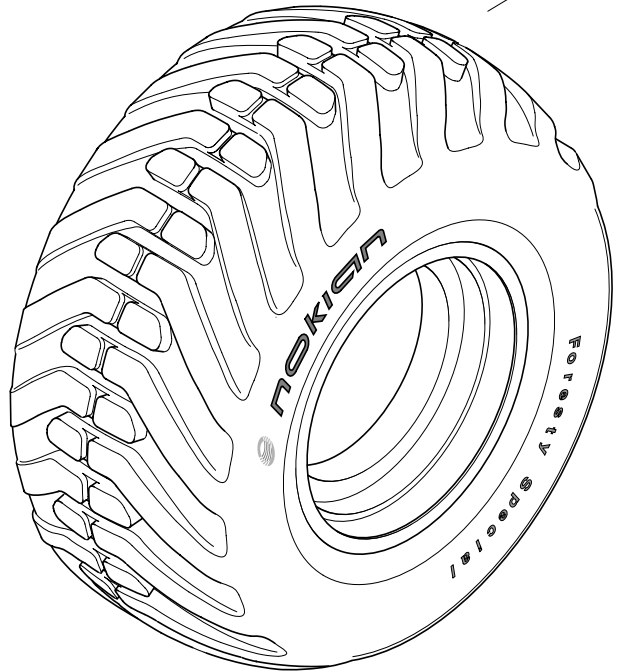


Kit or Assembly - includes all items indented underneath.

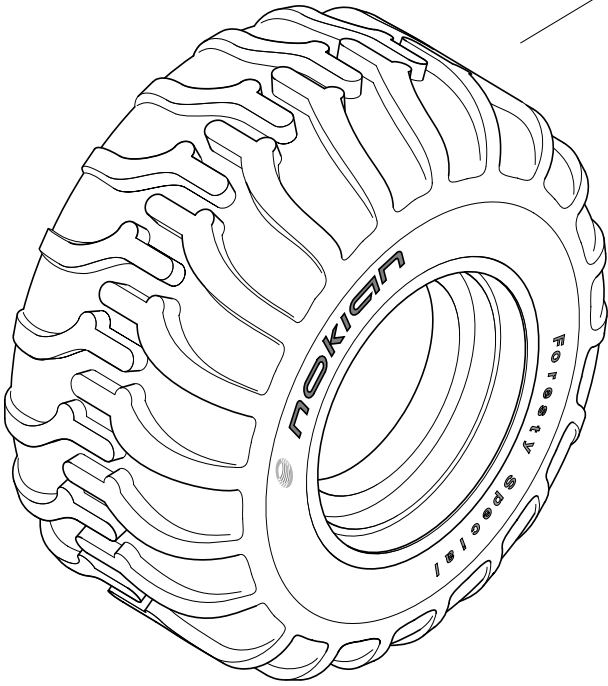
Section AX-7

Axles, Gearboxes & Wheels - Tires and Wheels

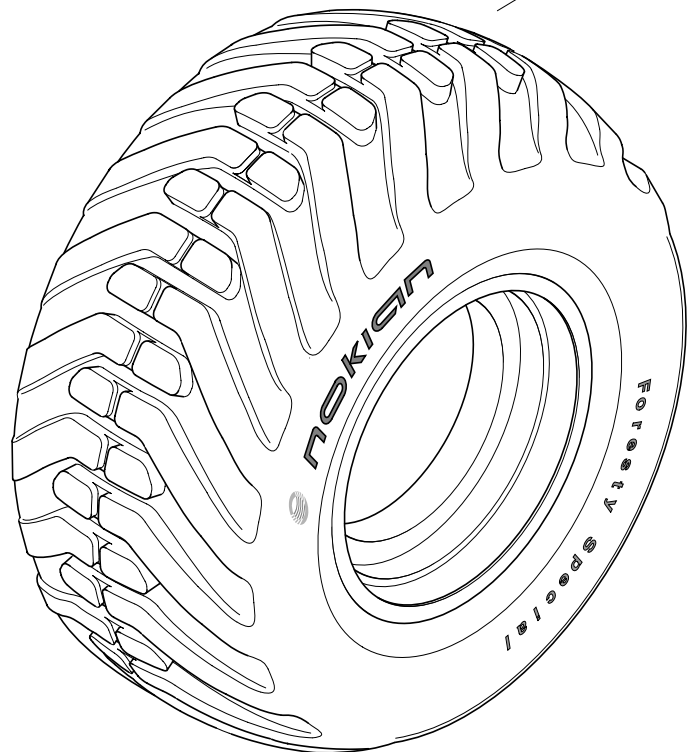
2



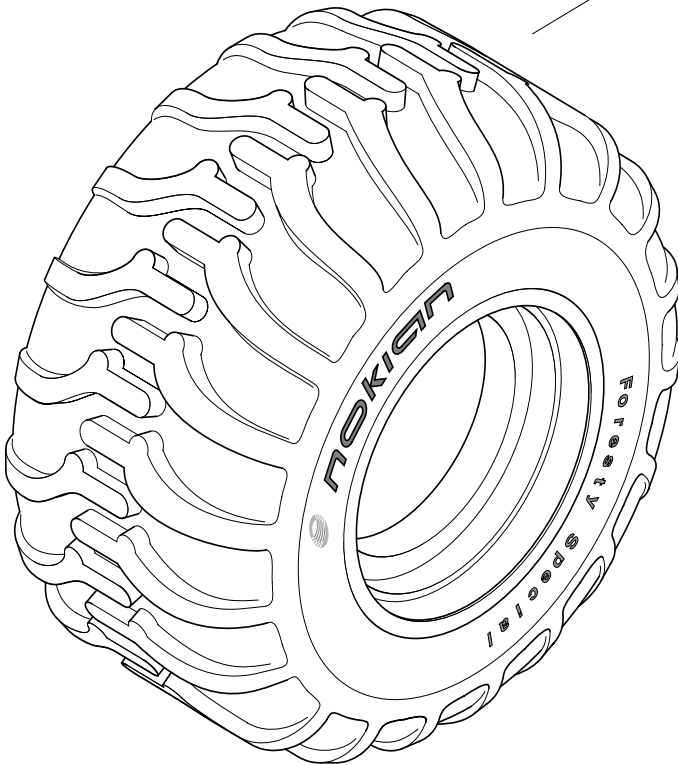
1



4



3



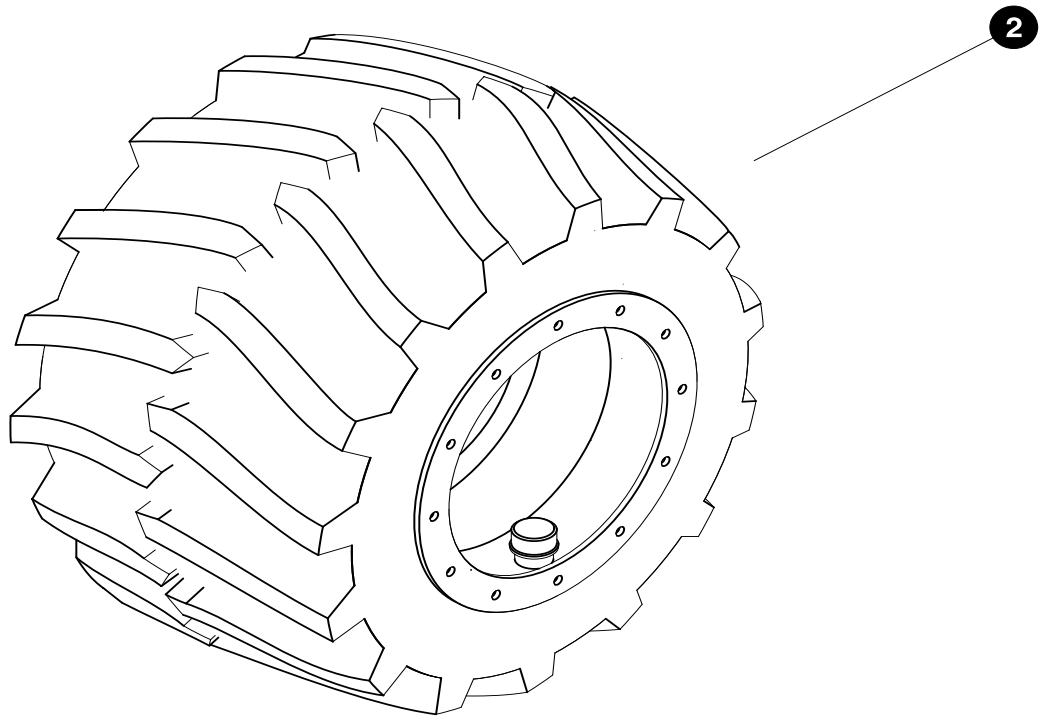
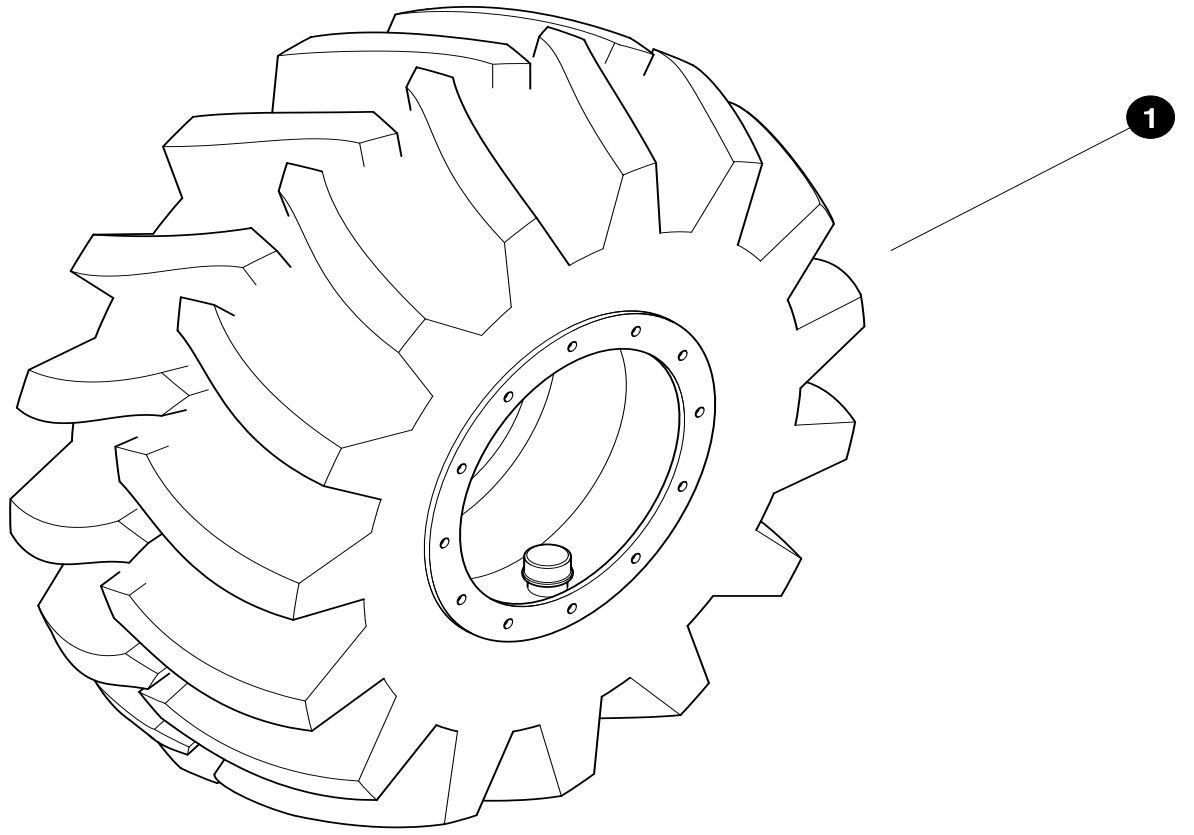
WHEEL ASSEMBLIES (NOKIAN)

REF	PART #	QTY	DESCRIPTION	SEE PAGE
1	20006-AX		<input type="checkbox"/> WHEELASSEMBLY, 700/55-26.5" - LH (<i>Aggressive tread</i>)	
1	20007-AX		<input type="checkbox"/> WHEELASSEMBLY, 700/55-26.5" - RH (<i>Aggressive tread</i>)	
-	---	1	TIRE - 700/55-26.5"/20 ply (<i>Nokian</i>) (T486091)	
-	21137-AX	1	RIM, wheel - 750/55-26.5"	
-	---	1	PLUG, black pipe - valve stem cover (T499985)	
-	---	1	TUBE, tire - 700/55-26.5" (3550167)	
2	19053-AX		<input type="checkbox"/> WHEELASSEMBLY, 700/55-26.5" - LH (<i>Non-aggressive tread</i>)	
2	20005-AX		<input type="checkbox"/> WHEELASSEMBLY, 700/55-26.5" - RH(<i>Non-aggressive tread</i>)	
-	---	1	TIRE - 700/55-26.5"/20 ply (<i>Nokian</i>) (T486095)	
-	21137-AX	1	RIM, wheel - 750/55-26.5"	
-	---	1	PLUG, black pipe - valve stem cover (T499985)	
-	---	1	TUBE, tire - 700/55-26.5" (3550167)	
3	23673-L-AX		<input type="checkbox"/> WHEELASSEMBLY, 750/55-26.5" - LH (<i>Aggressive tread</i>)	
3	23673-R-AX		<input type="checkbox"/> WHEELASSEMBLY, 750/55-26.5" - RH (<i>Aggressive tread</i>)	
-	23674-AX	1	TIRE - 750/55-26.5"/20 ply (<i>Nokian</i>)(<i>Aggressive tread</i>)	
-	21137-AX	1	RIM, wheel - 750/55-26.5"	
-	---	1	PLUG, black pipe - valve stem cover (T499985)	
-	20313-AX	1	TUBE, tire - 750/55-26.5"	
4	20310-L-AX		<input type="checkbox"/> WHEELASSEMBLY, 750/55-26.5" - LH (<i>Non-aggressive tread</i>)	
4	20310-R-AX		<input type="checkbox"/> WHEELASSEMBLY, 750/55-26.5" - RH(<i>Non-aggressive tread</i>)	
-	20312-AX	1	TIRE - 750/55-26.5"/20 ply (<i>Nokian</i>)(<i>Non-aggressive tread</i>)	
-	21137-AX	1	RIM, wheel - 750/55-26.5"	
-	---	1	PLUG, black pipe - valve stem cover (T499985)	
-	20313-AX	1	TUBE, tire - 750/55-26.5"	

Kit or Assembly - includes all items indented underneath.

Note:

LH and RH wheels are the result of the tire being mounted on the rim so that the tread is running the same direction on both sides of the machine when installed.



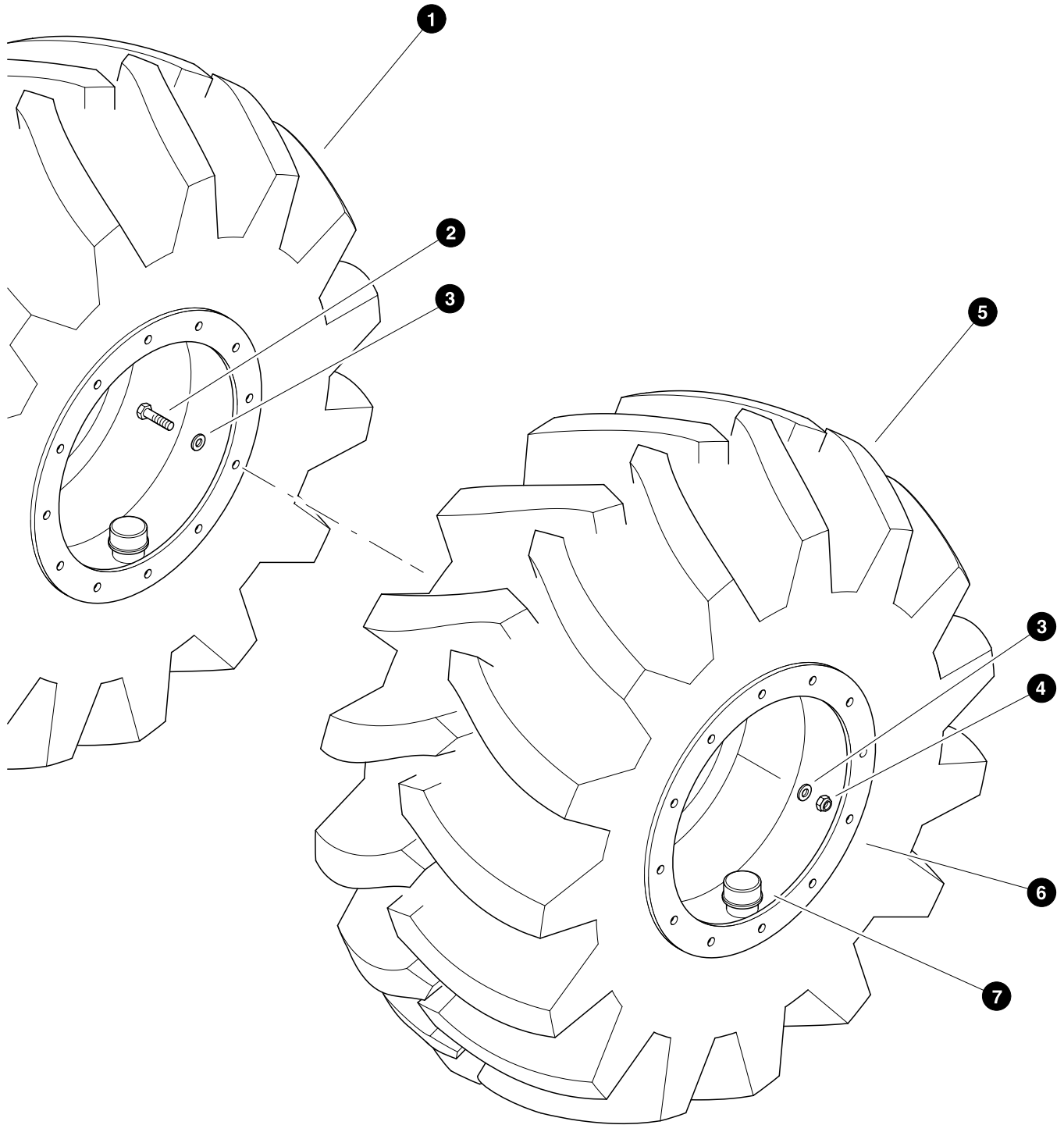
WHEEL ASSEMBLIES (FIRESTONE)

REF	PART #	QTY	DESCRIPTION	SEE PAGE
1	20915-L-AX		<input type="checkbox"/> WHEELASSEMBLY, 28L-26 - LH <i>(With spacer for dual tires)</i>	
1	20915-R-AX		<input type="checkbox"/> WHEELASSEMBLY, 28L-26 - RH <i>(With spacer for dual tires)</i>	
-	19795-AX	1	TIRE/TUBE - 28L-26/14 ply <i>(Firestone)</i>	
-	22409-AX	1	RIM, wheel - 28L-26 <i>(With spacer for dual tires)</i>	
-	NSS	1	CAP, black pipe - vavle stem cover	
-	19798-AX	1	TUBE, tire - 28L-26	
2	19909-L-AX		<input type="checkbox"/> WHEELASSEMBLY, 54 x 37" - LH (high floation)	
2	19909-R-AX		<input type="checkbox"/> WHEELASSEMBLY, 54 x 37" - RH (high floation)	
-	19791-AX	1	TIRE - 54 x 37"/12 ply <i>(Firestone)</i>	
-	19803-AX	1	RIM, wheel - 54 x 37"	
-	NSS	1	CAP, black pipe - vavle stem cover	

- Kit or Assembly - includes all items indented underneath.



Note:


LH and RH wheels are the result of the tire being mounted on the rim so that the tread is running the same direction on both sides of the machine when installed.



Parts 01863 09/25/2000
12.50

WHEEL ASSEMBLIES
(Dual Configuration - 28L-26 & 23.1-26 - 16 Wheels Total)
(Firestone dual tires)

REF	PART #	QTY	DESCRIPTION	SEE PAGE
1	REF.		 WHEEL ASSEMBLY, 28L-26 - LH	AX-3-2
	REF.		 WHEEL ASSEMBLY, 28L-26 - RH	AX-3-2
2	10840-AX	96	BOLT - 3/4" x 3"	
3	15550-AX	192	WASHER, SAE flat - 3/4"	
4	10817-AX	96	NUT, lock - 3/4"	
--	19911-L-AX	4	<input type="checkbox"/> WHEEL ASSEMBLY, 23.1-26 - LH	
--	19911-R-AX	4	<input type="checkbox"/> WHEEL ASSEMBLY, 23.1-26 - RH	
5	19800-AX	1	TIRE/TUBE - 23.1-26/14 ply (<i>Firestone</i>)	
6	19920-AX	1	RIM, wheel - 23.1-26	
7	NSS	1	CAP, black pipe	

-  See referenced page for component or assembly breakdown.
- Kit or Assembly - includes all items indented underneath.

Note:

LH and RH wheels are the result of the tire being mounted on the rim so that the tread is running the same direction on both sides of the machine when installed.

