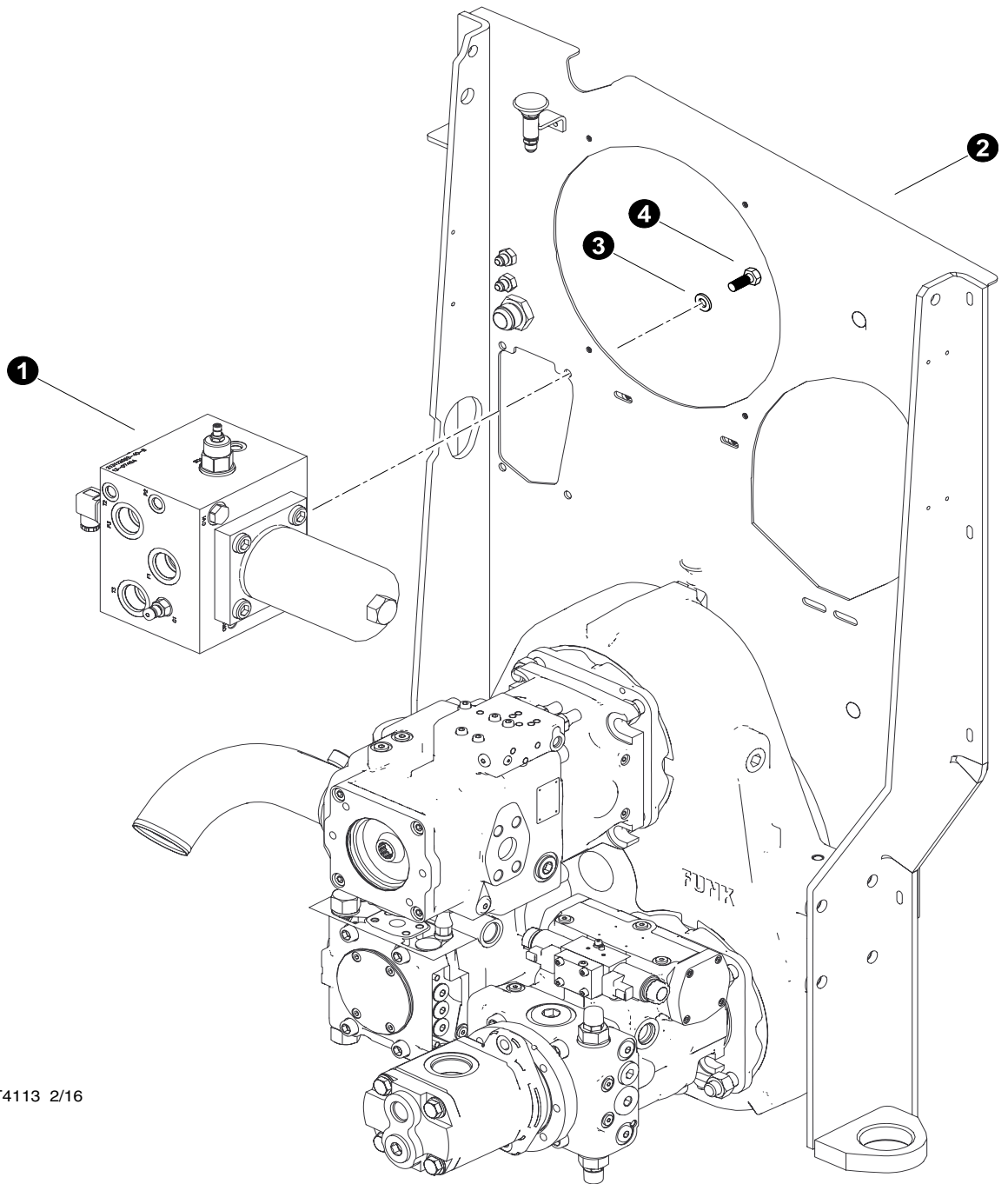


Section DH-1

Drive Hydraulics - Charge Pressure Circuit




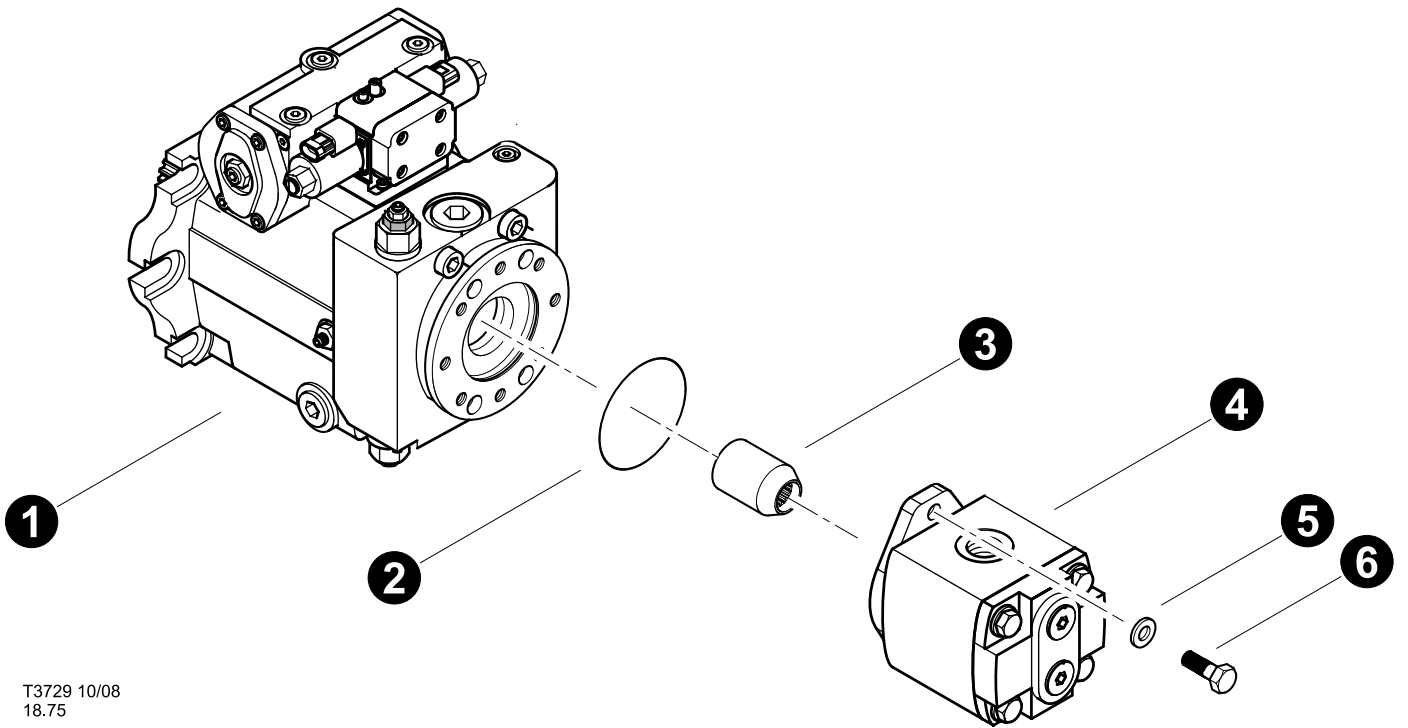
Parts T4113 2/16
25.00

CHARGE FILTER MANIFOLD INSTALLATION

REF	PART #	QTY	DESCRIPTION	SEE SECTION
1	REF	1	VALVE, FAN CONTROL.....	UP-3
2	REF	1	BARRIER, ENGINE	EE
3	15528-DH	4	WASHER, .375"	
4	11707-DH	4	BOLT, .375" X 1"	



 See referenced page for component or assembly breakdown.


 Kit or Assembly - includes all items indented underneath.

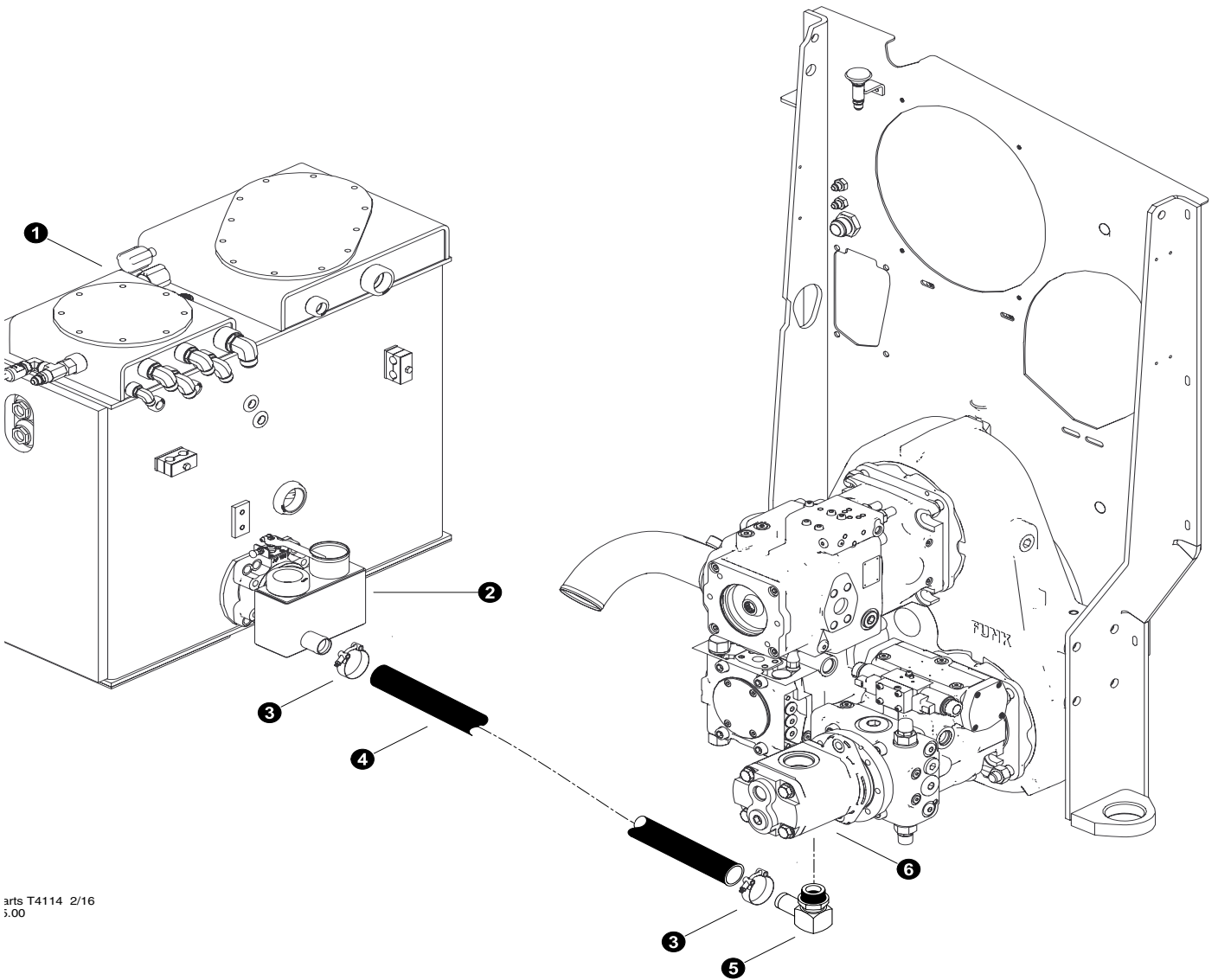


T3729 10/08
18.75

CHARGE PUMP INSTALLATION




REF	PART #	QTY	DESCRIPTION	SEE SECTION
1	REF.	1	 Wheel DRIVE PUMP	DH-3
2	21624-DH	1	O-RING, CHARGE PUMP PILOT (AA4VG90)	
3	R909650371-DH	1	COUPLING, Charge Pump	
4	REF	1	 CHARGE PUMP ASSEMBLY.....	DH-4
5	18735-DH	2	WASHER, FLAT - 12MM	
6	18415-DH	2	BOLT - 12MM-1.75P X 30MM	

 See referenced page for component or assembly breakdown.



arts T4114 2/16
3.00

CHARGE PUMP INLET (SUCTION)

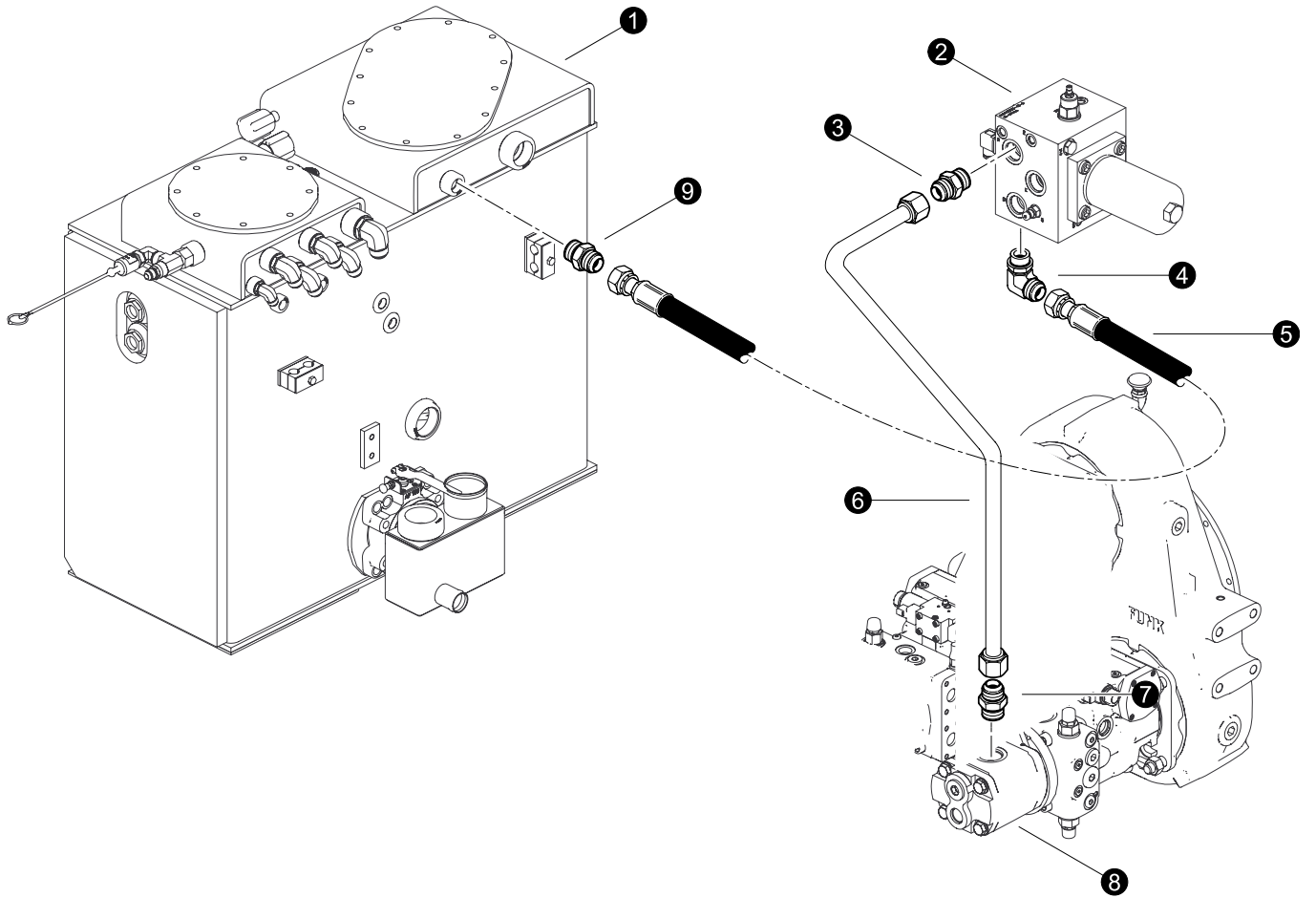
REF	PART #	QTY		DESCRIPTION	SEE SECTION
1	REF	1		HYDRAULIC TANK ASSEMBLY.....	UP-2
2	REF	1		SUCTION ASSEMBLY	UP-2
3	15641-DH	2		CLAMP, strap band - 2"	
4	-DH	1		HOSE ASSEMBLY - 2017-24-0-0	
5	22726-DH	1		KING NIPPLE, 90 O-RING - 4601-24	
6	REF.	1		CHARGE PUMP.....	DH-4




See referenced page for component or assembly breakdown.



Kit or Assembly - includes all items indented underneath.

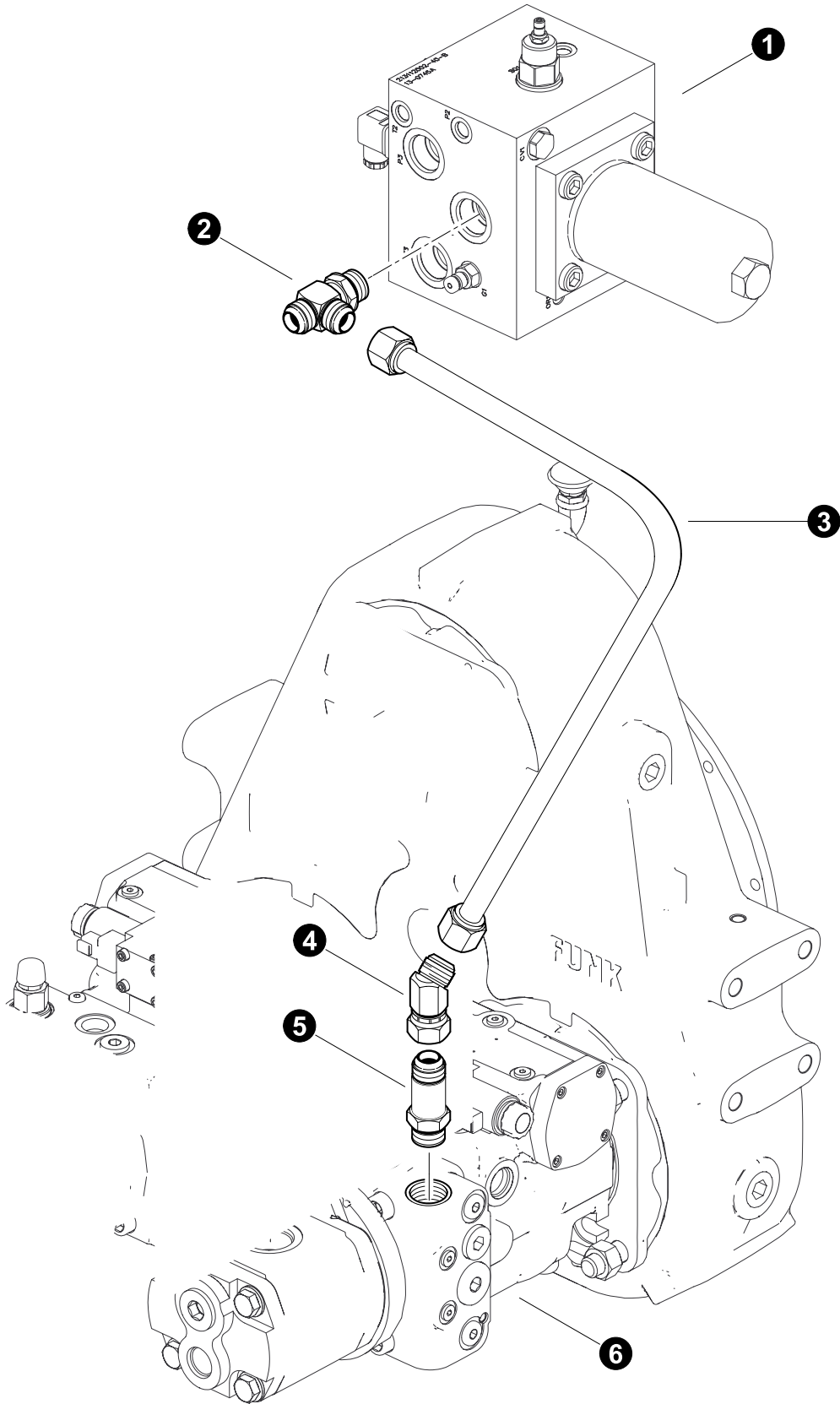


CHARGE CIRCUIT (Pressure, Tank, and Regen)


REF	PART #	QTY	DESCRIPTION	SEE SECTION
1	REF	1	HYDRAULIC TANK ASSEMBLY.....	UP-2
2	REF	1	Wheel DRIVE CHARGE PUMP	DH-4
3	15497-DH	1	CONNECTOR, STR - 16 F5OX-S	
4	11306-DH	1	ELBOW, 90 12 C5OX-S	
5	-DH	1	HOSE ASSEMBLY - 2023 12 12JS 12JS (T3 port to Hyd Tank Return)	
6	55232-DH	1	TUBELINE, CHRG PUMP TO CHRG MAN P3	
7	15498-DH	1	CONNECTOR, STR - 6400-16-20	
8	REF.	1	 CHARGE PUMP.....	DH-4
9	11324-DH	1	CONNECTOR, STR - 6400-12	


 See referenced page for component or assembly breakdown.

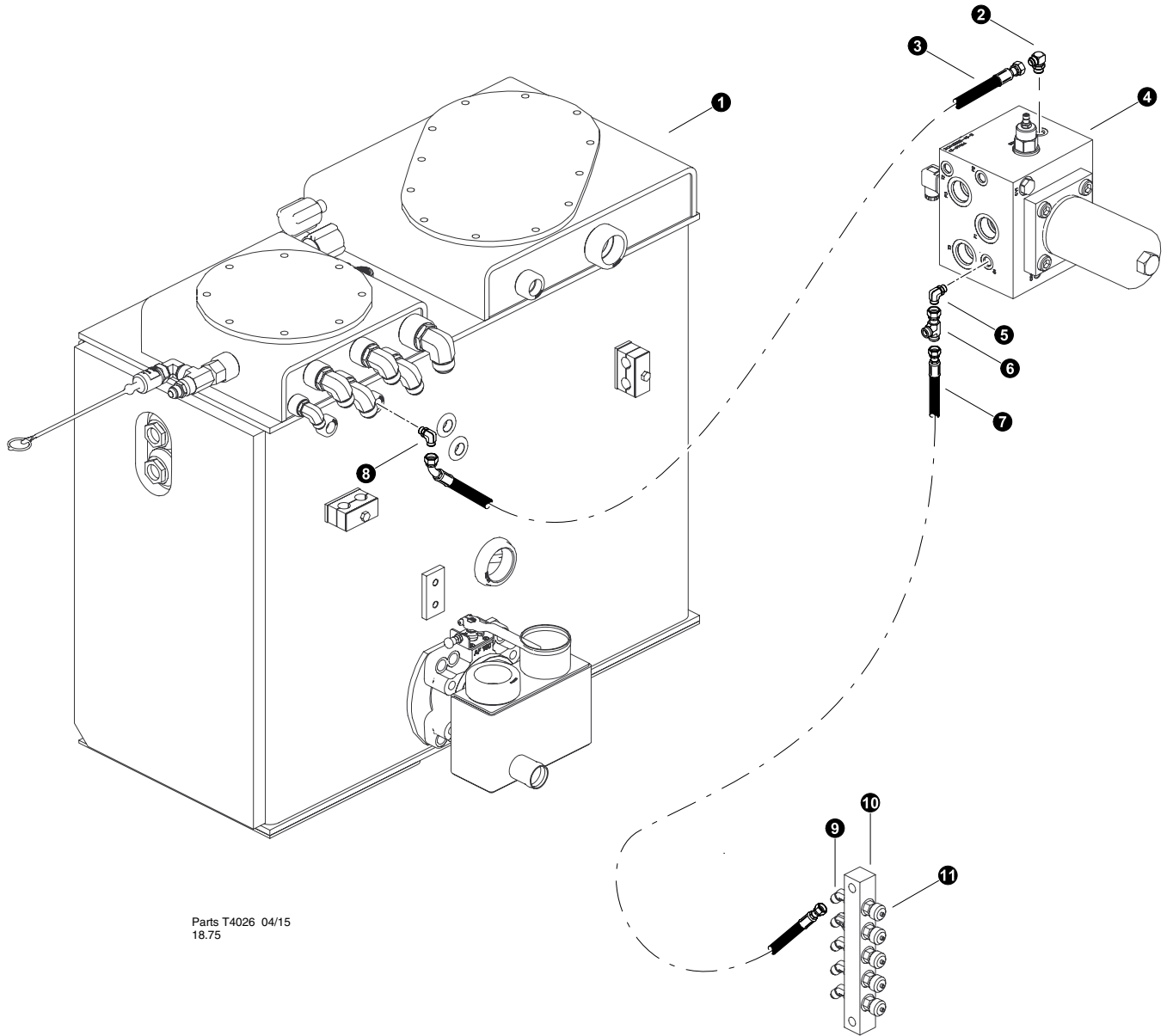
 Kit or Assembly - includes all items indented underneath.



WHEEL DRIVE PUMP CHARGE PRESSURE INLET

REF	PART #	QTY	DESCRIPTION	SEE SECTION
1	REF	1	FAN CONTROL / CHARGE MANIFOLD	UP-3
2	55379-DH	1	FITTING, STRAIGHT - 16 R5OX-S	
3	55231-DH	1	TUBELING, CHRГ VALVE F1 T/WHEEL FA C-SER	
4	15110-DH	1	ELBOW, 45 SWIVEL - 16 V6X-S	
5	53034-DH	1	CONNECTOR, STR - LONG 16 JIC X ORB	
6	REF.	1	 Wheel DRIVE PUMP	DH-4

 See referenced page for component or assembly breakdown.




Parts T4026 04/15
18.75

CHARGE FILTER MANIFOLD DRAIN LINE

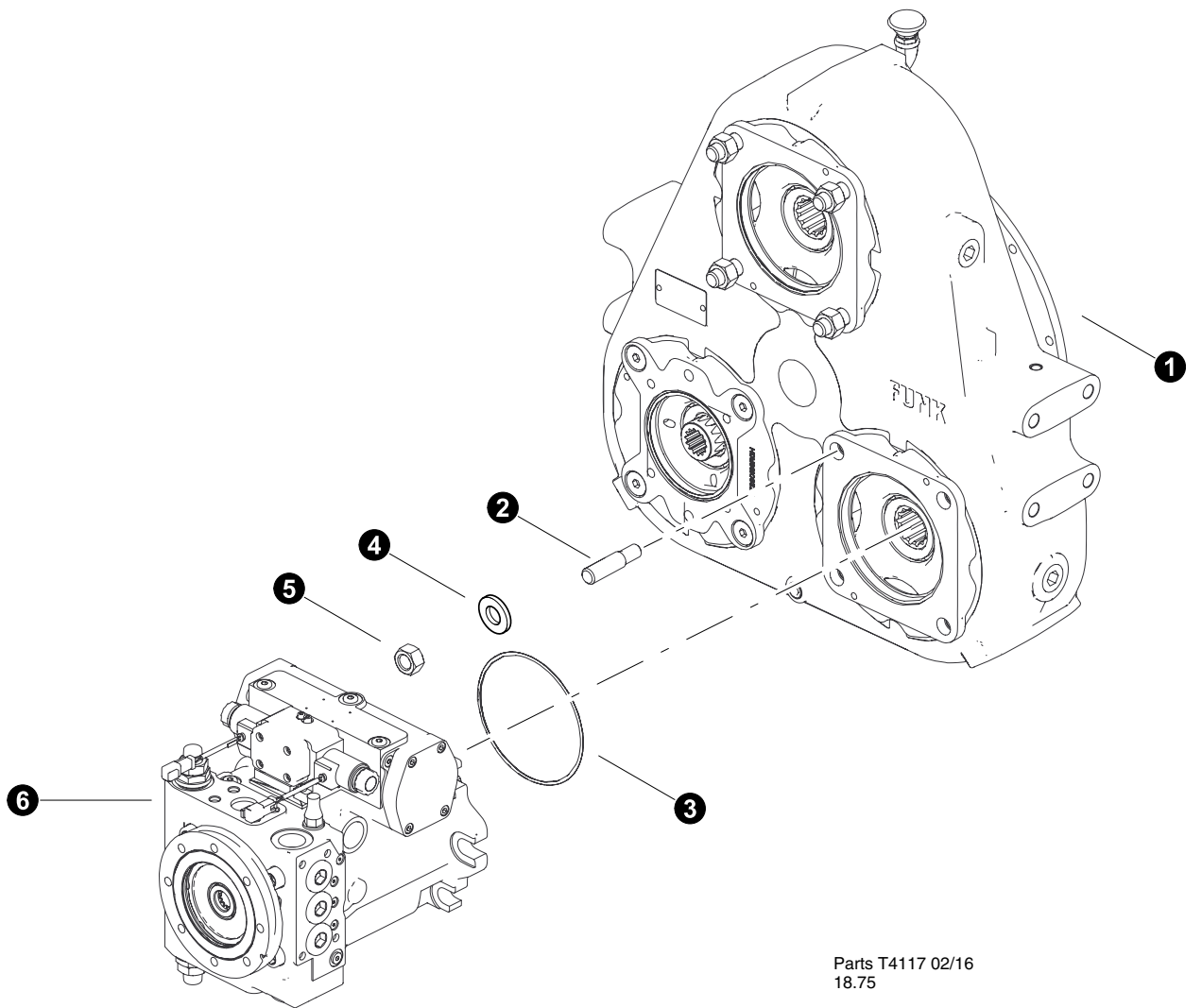
REF	PART #	QTY	DESCRIPTION	SEE SECTION
1	REF	1	HYDRAULIC TANK ASSEMBLY.....	UP-2
2	15480-DH	1	ELBOW, 90 - 6801-6	
3	-DH	1	HOSE ASSEMBLY - 2055 06 06JS 04J4	
4	REF	1	CHARGE MANIFOLD.....	UP-3
5	51889-DH	1	ELBOW, 90 - (4C50X-S)	
6	55677-DH	1	FITTING, 4 R6X-S	
7	-DH	1	HOSE ASSEMBLY - 7056 04 04JS 04JS	
8	53145-DH	1	FITTING, 6-8 C50X-S - JIC	
9	51884-DH	1	ELBOW, 45 - (4 V50X-S)	
10	22287-DH	1	MANIFOLD, PRESSURE CHECK - 5 PORT	
11	16037-DH	1	Gauge Tap 1/4" Sae	

 See referenced page for component or assembly breakdown.

 Kit or Assembly - includes all items indented underneath.



Section DH-2

Drive Hydraulics - Wheel Drive Pump Circuit



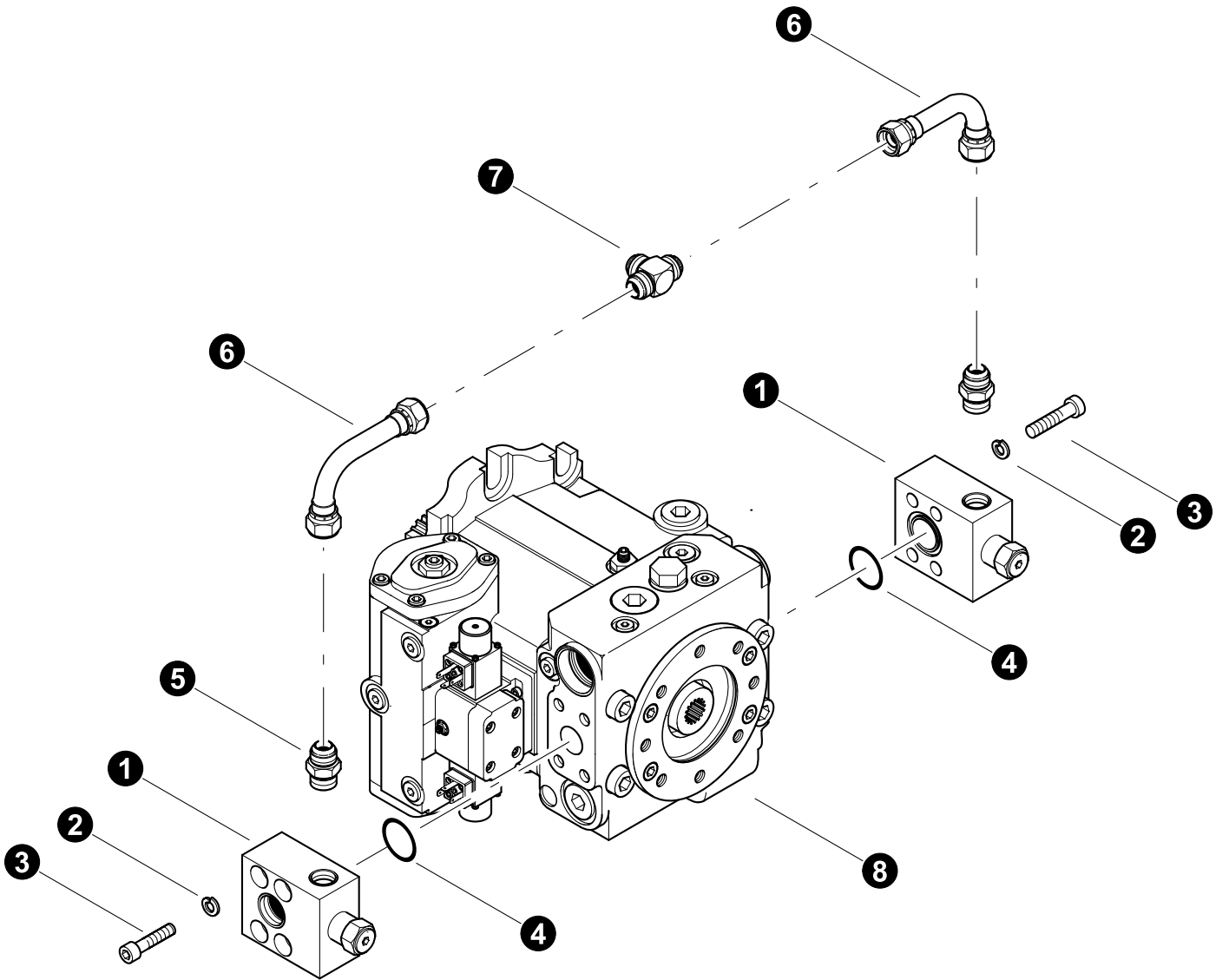
Parts T4117 02/16
18.75

WHEEL DRIVE PUMP INSTALLATION

REF	PART #	QTY	DESCRIPTION	SEE SECTION
1	REF.	1	 TRANSMISSION double pump drive	EE-4
2	18293-EE	4	STUD, "D" Mount (See Note #1)	
3	15442-2-DH	1	O-RING, PUMP DRIVE PILOT - DRIVE	
4	15550-DH	4	WASHER, SAE flat - 3/4"	
5	10776-DH	4	NUT, hex - 3/4"	
6	REF.	1	 WHEEL DRIVE PUMP	DH-3

 See referenced page for component or assembly breakdown.


Note #1:
Use Loctite 272 (blue) during installation.




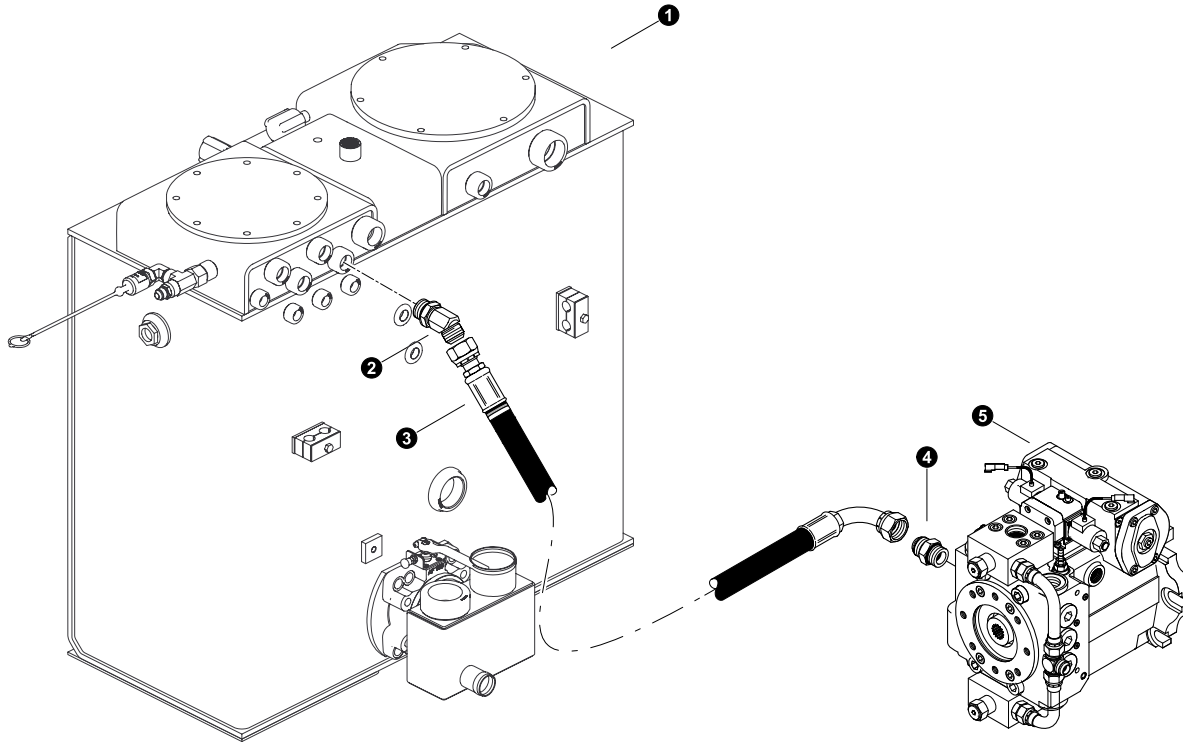
Parts T3192 07/14/2005
18.75

WHEEL DRIVE SYSTEM

Anti-Cavitation Block Installation

REF	PART #	QTY	DESCRIPTION	SEE SECTION
1	51773-DH	2	MANIFOLD, KIT ANTI CAV- WHEEL DRIVE	
2	50075-DH	8	WASHER, LOCK - .5" HIGH COLLAR	
3	17141-DH	8	BOLT, ALLEN HEAD - .5" X 2.75"	
4	15378-DH	2	O-RING - 1.25" SF (CODE 61/62)	
5	11324-DH	2	CONNECTOR, STR - 6400-12	
6	52100-DH	2	TUBE, HYDRAULIC - FORMED 90 DRIVE PUMP	
7	52090-DH	1	TEE - 12WJJTX-S	
8	REF.	1	 WHEEL DRIVE PUMP	DH-3



 See referenced page for component or assembly breakdown.




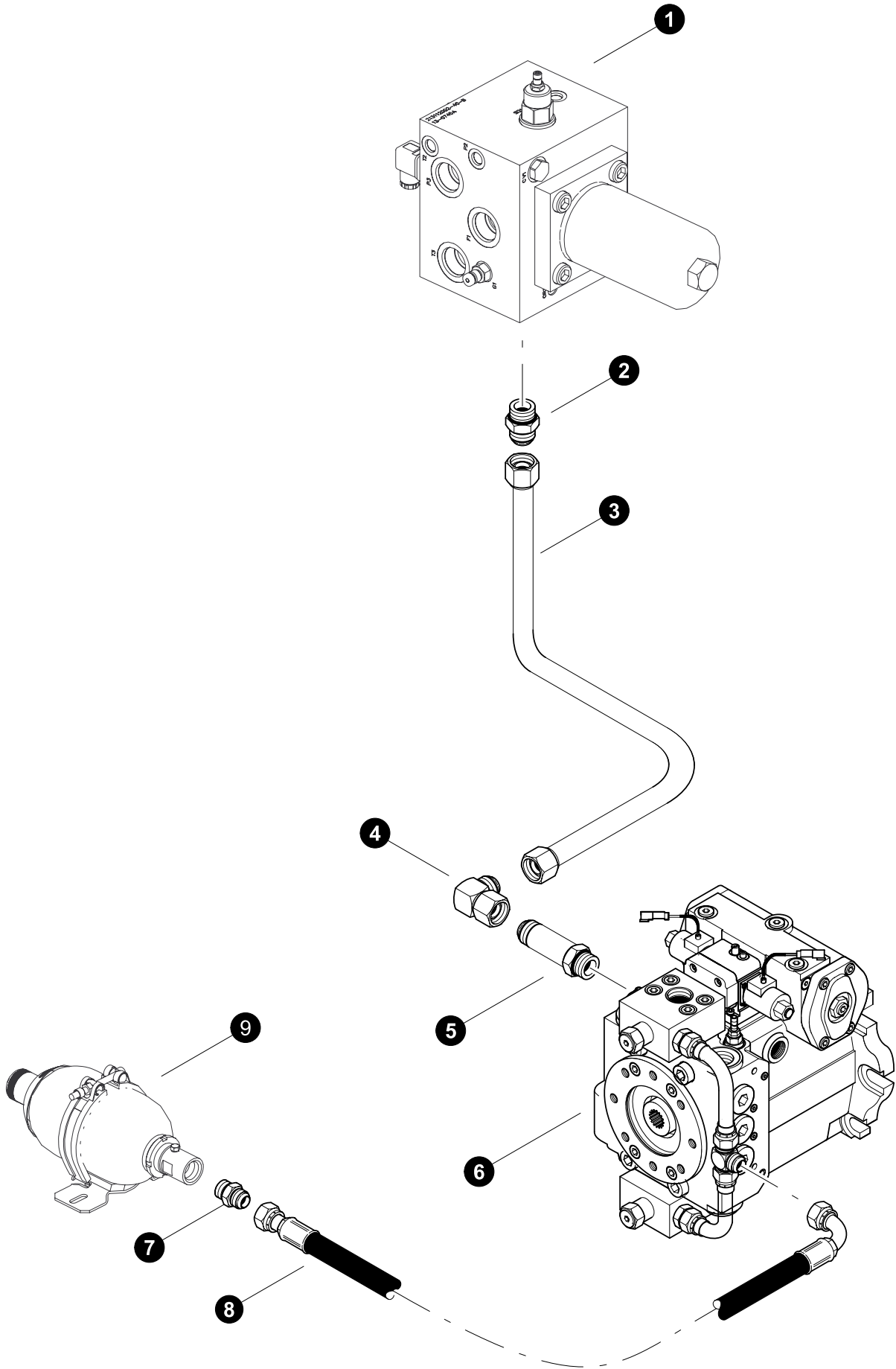
Parts T4118 02/16
18.75

WHEEL DRIVE SYSTEM

Case Drain Hose

REF	PART #	QTY	DESCRIPTION	SEE SECTION
1	REF.	1	 HYDRAULIC TANK ASSEMBLY.....	UP-2
2	15474-DH	1	ELBOW, 45 - 6802-12	
3		1	HOSE ASSEMBLY - 2038 12-12OS-12O9 Pump Case to Hydraulic Tank	
4	15152-DH	1	CONNECTOR, STR - FF1852T-1212S	
5	REF.	1	 WHEEL DRIVE PUMP	DH-3



 See referenced page for component or assembly breakdown.



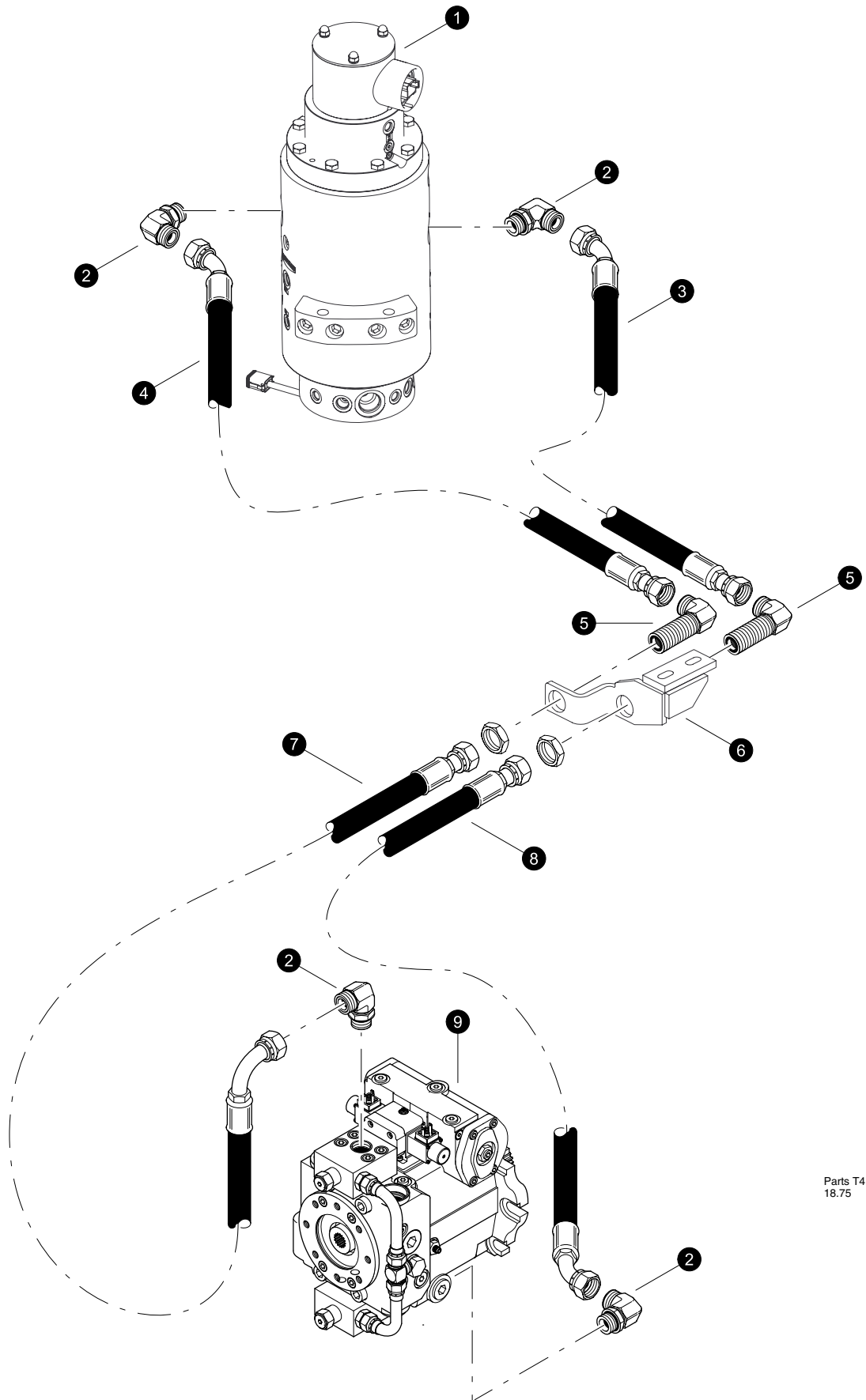
Parts T4119 02/16
18.75

WHEEL DRIVE SYSTEM

Anti-Cavitaion Connections

REF	PART #	QTY	DESCRIPTION	SEE SECTION
1	REF.	1	 FAN DRIVE / CHARGE FILTER MANIFOLD	UP-3
2	15495-DH	1	CONNECTOR, STR - 12-16 F5OX-S	
3	55228-DH	1	TUBELINE, CHRGMAN F2 TO EARMUFF	
4	15477-DH	1	ELBOW, 90 SWIVEL - 12 C6X-S	
5	55356-DH	1	FITTING, 12 FF5OX-S	
6	REF.	1	 WHEEL DRIVE PUMP	DH-3
7	15152-DH	1	CONNECTOR, STR - FF1852T-1212S	
8	-DH	1	HOSE ASSEMBLY - 2022 12-12OS-12O9	
9	51709-DH	1	ACCUMULATOR, GAS - WHEEL DRIVE	



 See referenced page for component or assembly breakdown.





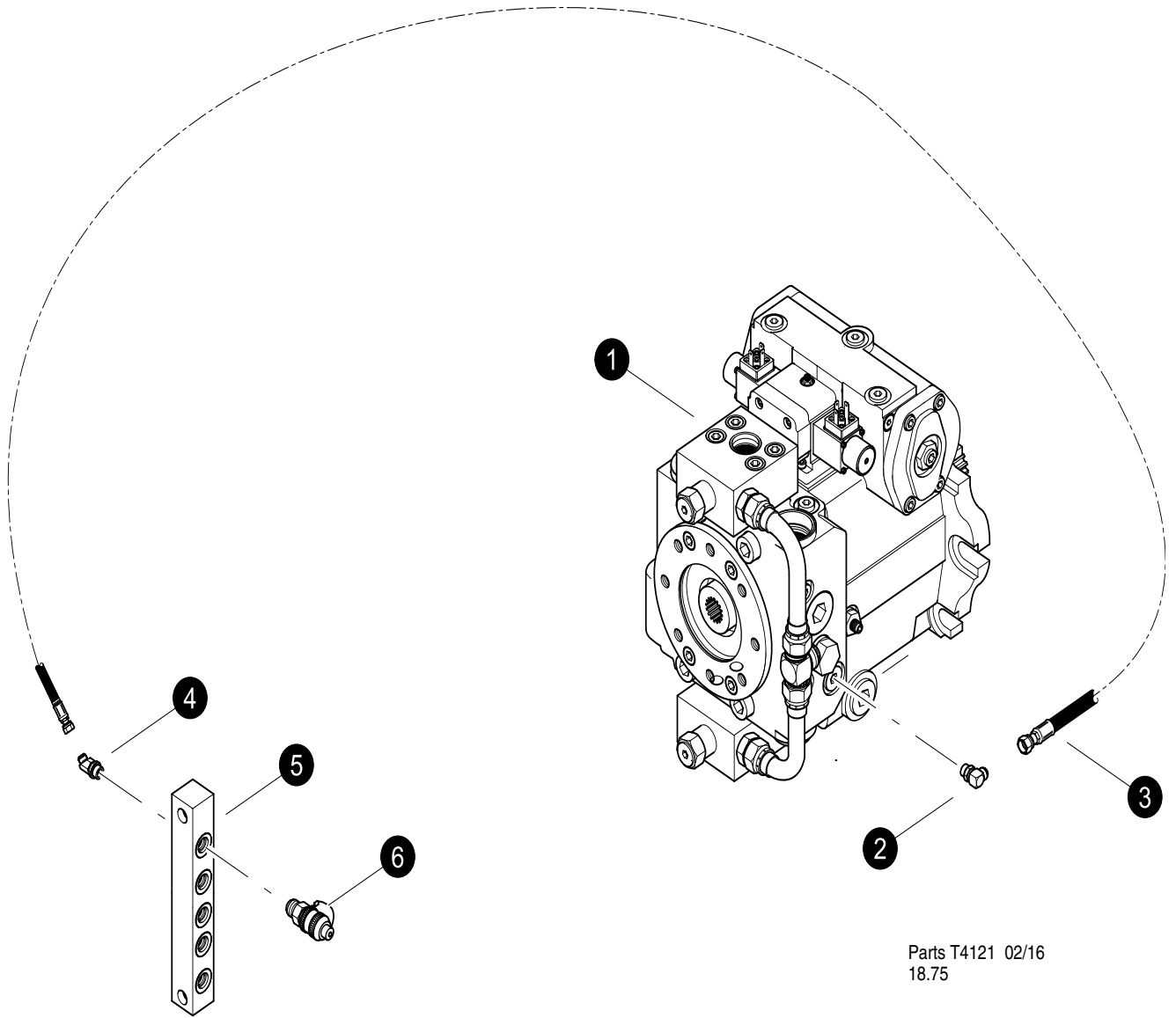
Parts T4120 02/16
18.75

WHEEL DRIVE SYSTEM


Drive Pump Pressure Connections

REF	PART #	QTY	DESCRIPTION	SEE SECTION
1	REF.	1	 ROTORY MANIFOLD	UP-1
2	15228-DH	4	ELBOW, 90 - FF1868T-1616S	
3	-DH	1	HOSE ASSEMBLY - 6042 16-16OS-16O4 Rotary WD1 Port	
4	-DH	1	HOSE ASSEMBLY - 6046 16-16OS-16O4 Rotary WD2 Port	
5	53680-DH	4	FITTING, BULKHEAD UNION ELBOW 16 WELO-WN	
6	47508-DH	1	WELDMENT, MACH DRIVE HOSE	
7	-DH	1	HOSE ASSEMBLY - 6041CS 16-16OS-16O9L Wheel Drive Pump	
8	-DH	1	HOSE ASSEMBLY - 6025 16-16OS-16O4 Wheel Drive Pump	
9	REF.	1	 WHEEL DRIVE PUMP	DH-3

-  See referenced page for component or assembly breakdown.
-  Kit or Assembly - includes all items indented underneath.



WHEEL DRIVE PUMP GAUGE PORTS

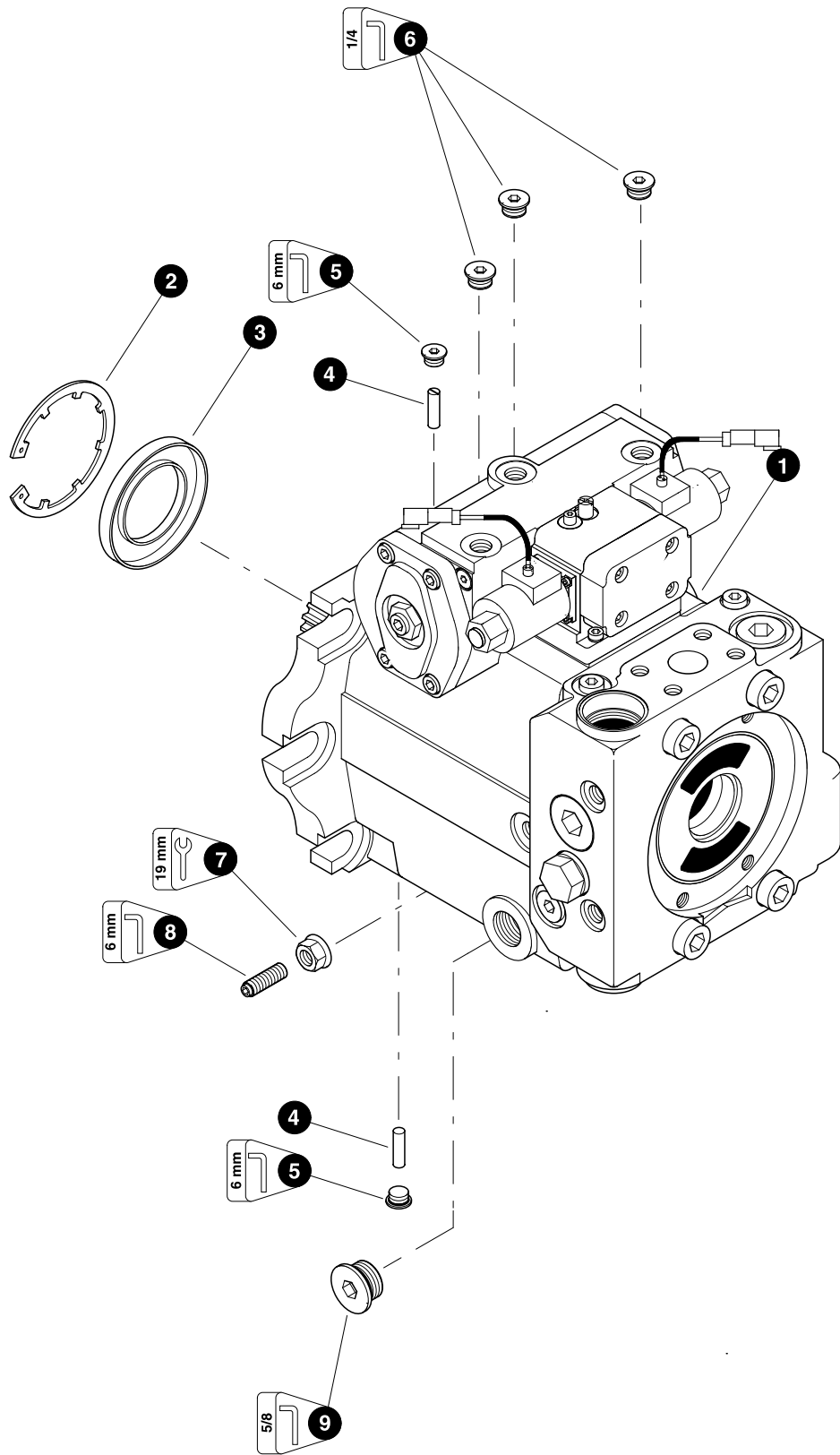
REF	PART #	QTY	DESCRIPTION	SEE SECTION
1	REF.	1	 Wheel Drive Pump	DH-3
2	51889-DH	1	ELBOW, 90 - (4C50X-S)	
3	-DH	1	7057 -02-04JS-04JS (Wheel Drive Pump gauge port to pressure check manifold) Part of kit #55687	
4	51884-DH	1	ELBOW, 45 - (4 V50X-S)	
5	16037-DH	1	Gauge Tap 1/4" Sae	
6	16037-DH	1	TAP, gauge port (1/4" ORB)	

 See referenced page for component or assembly breakdown.

THIS PAGE LEFT BLANK FOR NOTES

Section DH-3

Drive Hydraulics - Wheel Drive System Components



Parts T2676 05/15/2003
37.50

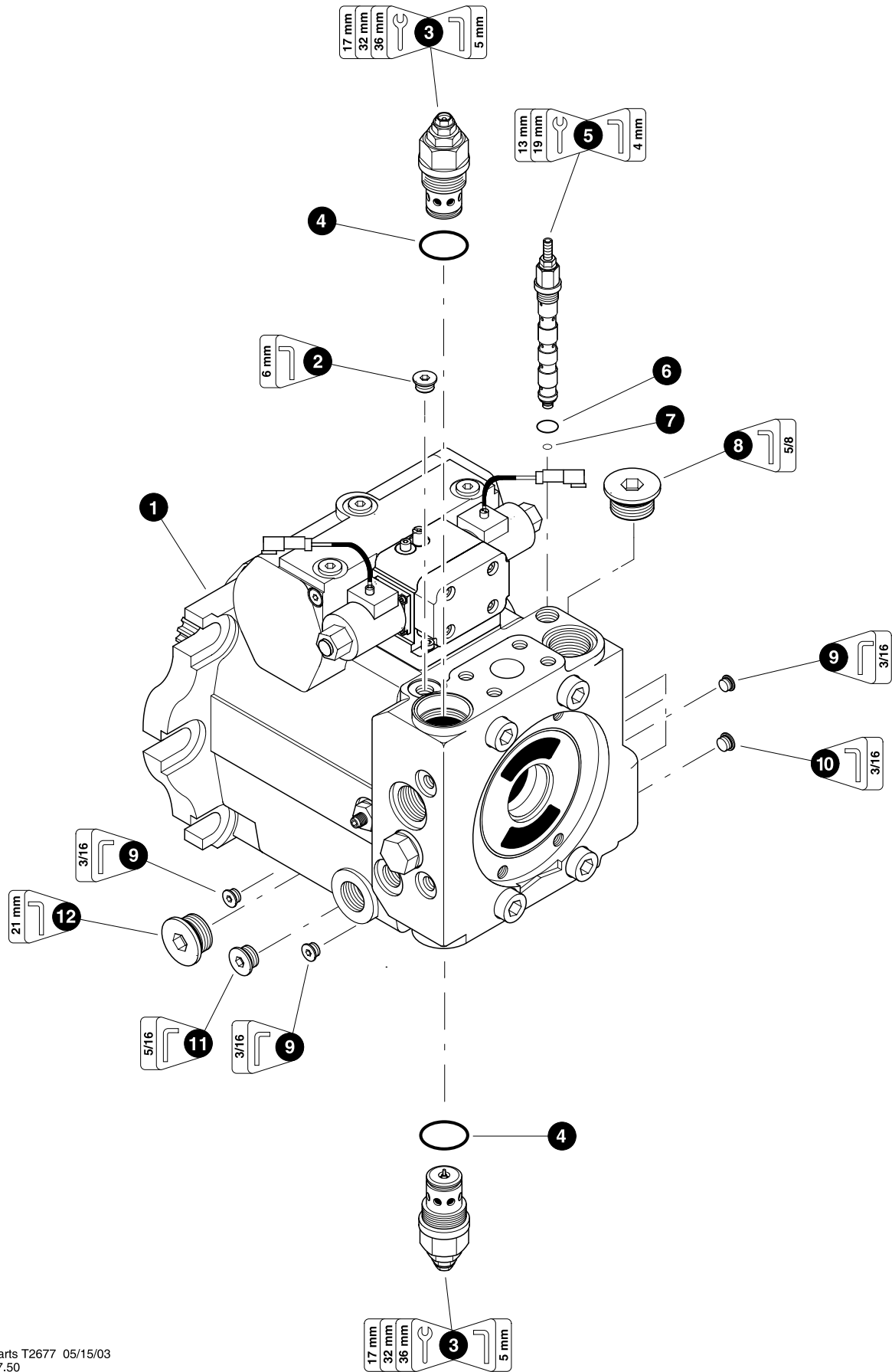
WHEEL DRIVE PUMP - REXROTH AA4VG125 (Forward Cast Housing Components)

REF	PART #	QTY		DESCRIPTION	SEE SECTION
1	55506-DH	1	☐	PUMP, WHEEL 125CC - C SEREIS MACHINE	
2	20315-DH	1		RING, snap	
3	19353-DH	1	⌘	SEAL, shaft	
4	20318-DH	2		PIN, cradle	
5	20317-DH	2	⌘	PLUG - 12mm-1.5P	
6	15412-DH	4	☐	PLUG - 6408-HHP-6	
	20320-DH	1	⌘	O-RING, ORB - #6	
7	20329-DH	1	⌘	NUT, seal - 12mm-1.5P	
8	20327-DH	1		PIN, threaded - 12mm-1.5P	
9	19847-DH	1	☐	PLUG - 6408-HHP-16	
	20324-DH	1	⌘	O-RING, ORB - #16	
-	19356-DH	1		KIT, seal repair - complete AA4VG125 pump	

- ☐ Kit or Assembly - includes all items indented underneath.
 ⌘ Included in seal repair kit Part # 19356-WD.


















Note:

Due to warranty policy restrictions imposed by Timbco's component suppliers, it is not recommended that the component be disassembled further than is shown in the illustration.



Parts T2677 05/15/03
37.50

WHEEL DRIVE PUMP - REXROTH AA4VG125 (Rear Port Block Components)

REF	PART #	QTY		DESCRIPTION	SEE SECTION
1	REF.	1		WHEEL DRIVE PUMP - Rexroth AA4VG125.....	DH-3
2	20317-DH	1		PLUG - 12mm-1.5P	
3	20330-DH	2		CARTRIDGE, high pressure relief valve	
	20331-DH	1		NUT, seal - 10mm-1.0P	
4	20332-DH	1		O-RING, HPRV cartridge	
5	20254-DH	1		CARTRIDGE, POR relief valve	
6	20337-DH	1		O-RING, POR relief valve - body	
7	20338-DH	1		O-RING, POR relief valve - chamber	
8	19847-DH	1		PLUG - 6408-HHP-16	
	20324-DH	1		O-RING, ORB - #16	
9	20339-DH	4		PLUG - 8mm-1.0P	
10	11383-DH	2		PLUG - 6408-HHP-4	
	20319-DH	1		O-RING, ORB - #4	
11	19271-DH	2		PLUG - 6408-HHP-10	
	20322-DH	1		O-RING, ORB - #10	
12	20333-DH	1		PLUG - 42mm-2.0P	
	20334-DH	1		O-RING, ORB - 42mm-2.0P	
-	19356-DH	1		KIT, seal repair - complete AA4VG125 pump	



See referenced page for component breakdown.



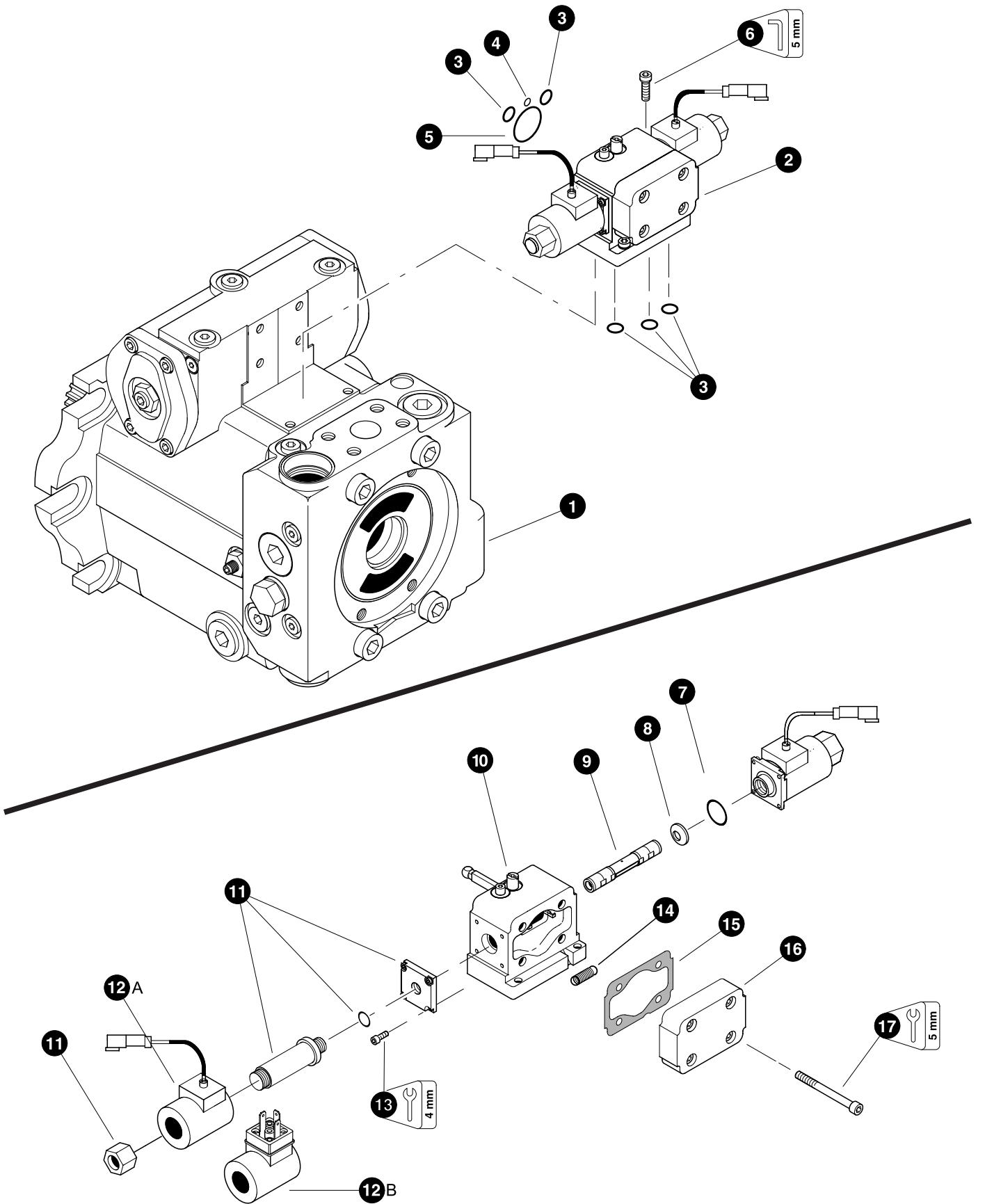
Kit or Assembly - includes all items indented underneath.



Included in seal repair kit Part # 19356-WD.








Note:




Due to warranty policy restrictions imposed by Timbco's component suppliers, it is not recommended that the component be disassembled further than is shown in the illustration.

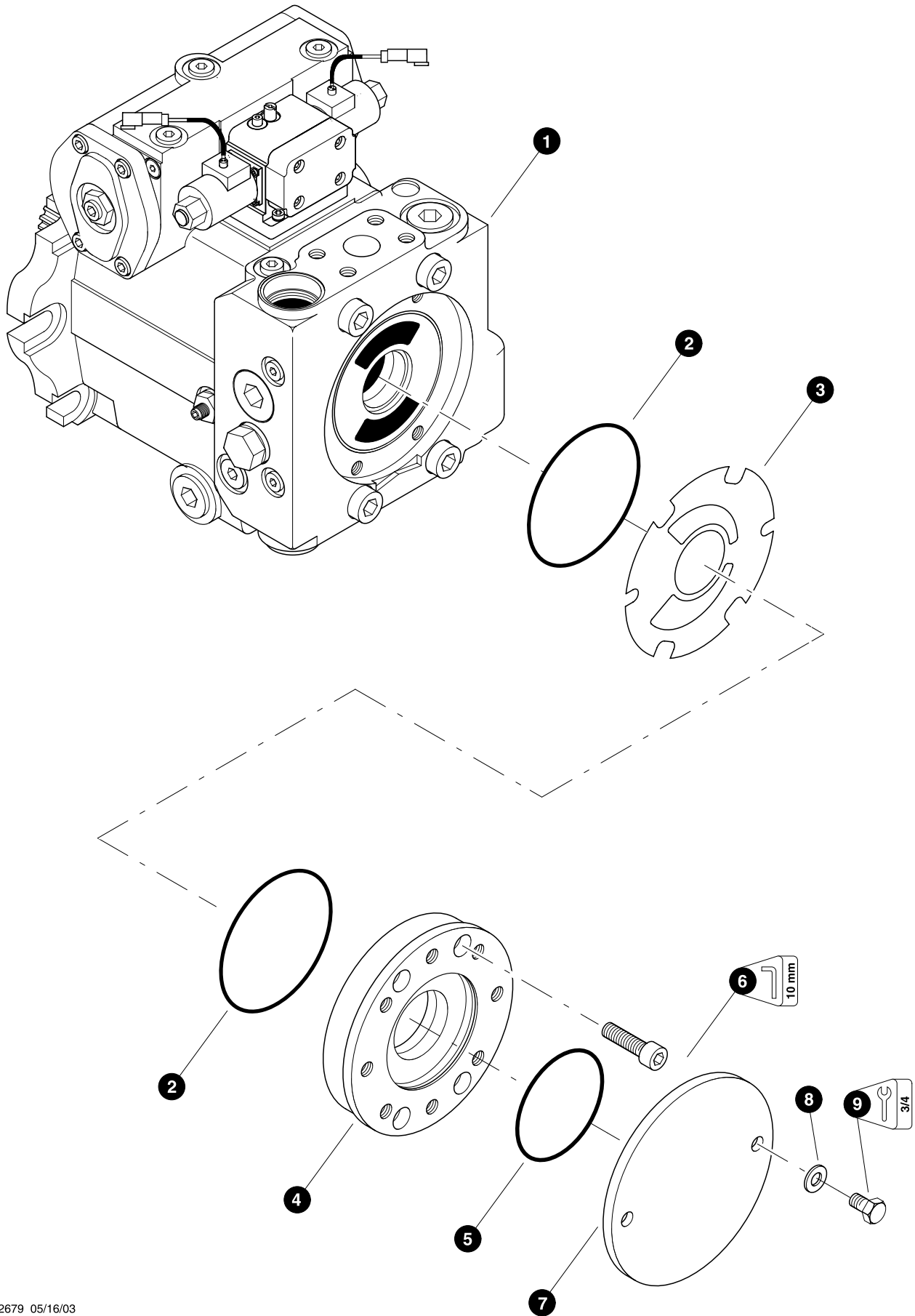


Parts T2678 05/16/03
37.50

WHEEL DRIVE PUMP - REXROTH AA4VG125 (Stroke Control Assembly)




REF	PART #	QTY		DESCRIPTION	SEE SECTION
1	REF.	1		WHEEL DRIVE PUMP - Rexroth AA4VG125.....	DH-3
2	50935-DH	1		VALVE, stroke control - 24V current	
3	20342-DH	5		O-RING, stroke control	
4	20343-DH	1		O-RING, stroke control	
5	20344-DH	1		O-RING, stroke control	
6	20345-DH	2		BOLT, allen head - 6mm x 20mm	
7	-	2		O-RING, (09083764)	
8	-	2		SPRING, CUP (02601640)	
9	NSS	1		SPOOL,	
10	-	1		MODULE, stroke control - (02046894)	
11	-	2		COIL STEM, assembly (02046037)	
12a	50465-DH	2		COIL, solenoid - 24V	
12b	50043-DH	2		COIL, solenoid - (hershman style connector 24v) (old style)	
13	-	8		BOLT, allen head - 4mm (09083183)	
14	-	1		SPRING, stroke centering (02063327)	
15	-	1		GASKET, (09651478)	
16	-	1		COVER, (09443201)	
17	-	4		BOLT, allen head - 6mm (09085831)	
-	19356-DH	1		KIT, seal repair - complete AA4VG125 pump	




-  See referenced page for component breakdown.
-  Kit or Assembly - includes all items indented underneath.
-  Included in seal repair kit Part # 19356-WD



Parts T2679 05/16/03
37.50

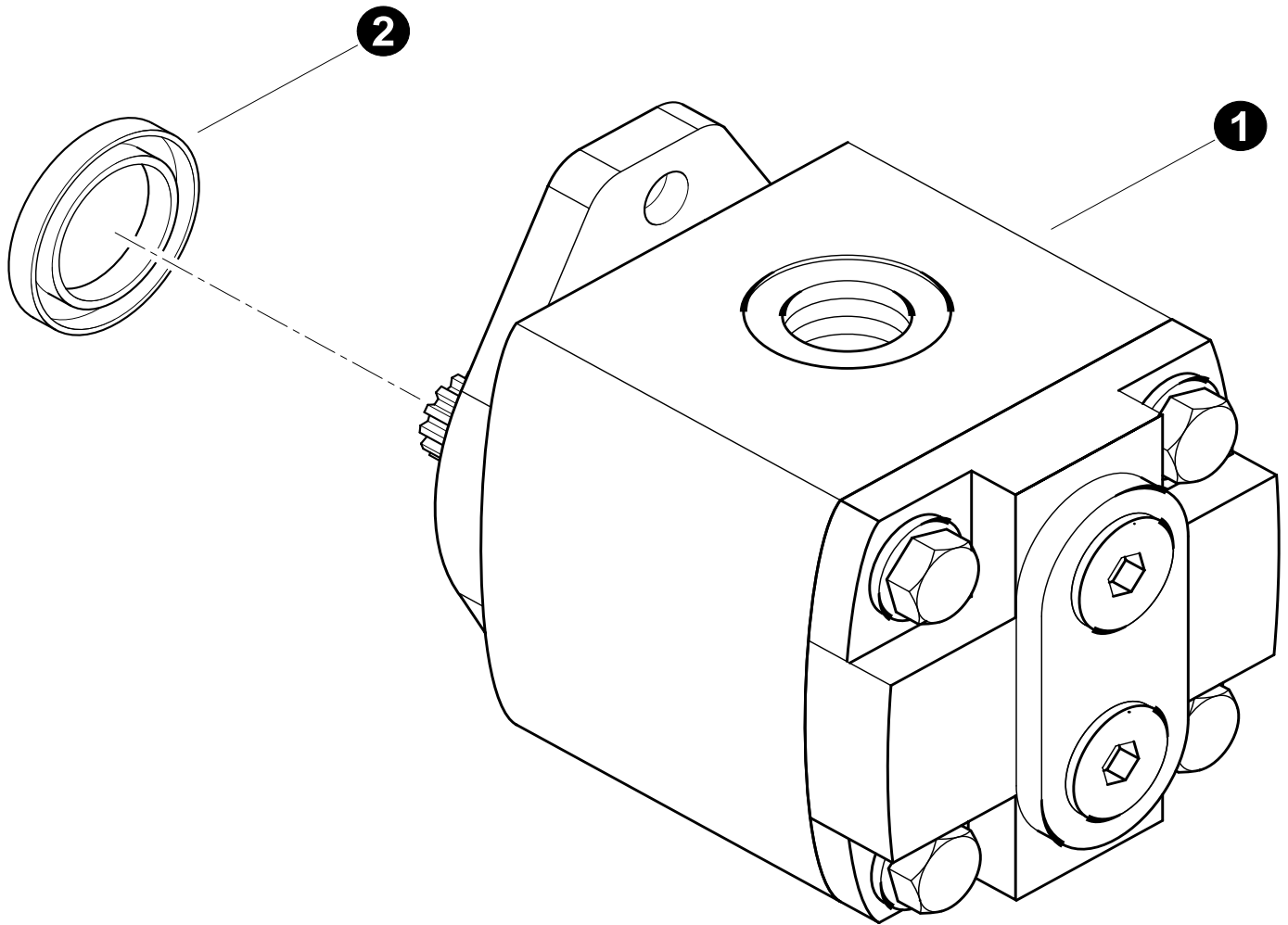
WHEEL DRIVE PUMP - REXROTH AA4VG125 (Thru Drive Components)

REF	PART #	QTY		DESCRIPTION	SEE SECTION
1	REF.	1		WHEEL DRIVE PUMP - Rexroth AA4VG125.....	DH-3
-	-----	1		THRU DRIVE ASSEMBLY (No gear charge pump)	
2	20368-DH	2		O-RING, thru drive wear plate	
3	20369-DH	1		PLATE, wear	
4	NSS	1		HOUSING	
5	21624-DH	1		O-RING, thru drive pilot (SAE "B")	
6	18954-DH	4		BOLT, allen head - 12mm-1.75P x 40mm	
7	18414	1		COUPLING, thru drive	
8	18040	1		WASHER, flat - .5"	
9	10783	1		BOLT - .5" X 1"	
-	19356-DH	1		KIT, seal repair - complete AA4VG125 pump	

-  See referenced page for component breakdown.
-  Kit or Assembly - includes all items indented underneath.
-  Included in seal repair kit Part # 19356-WD.

Note:

Due to warranty policy restrictions imposed by Timbco's component suppliers, it is not recommended that the component be disassembled further than is shown in the illustration.



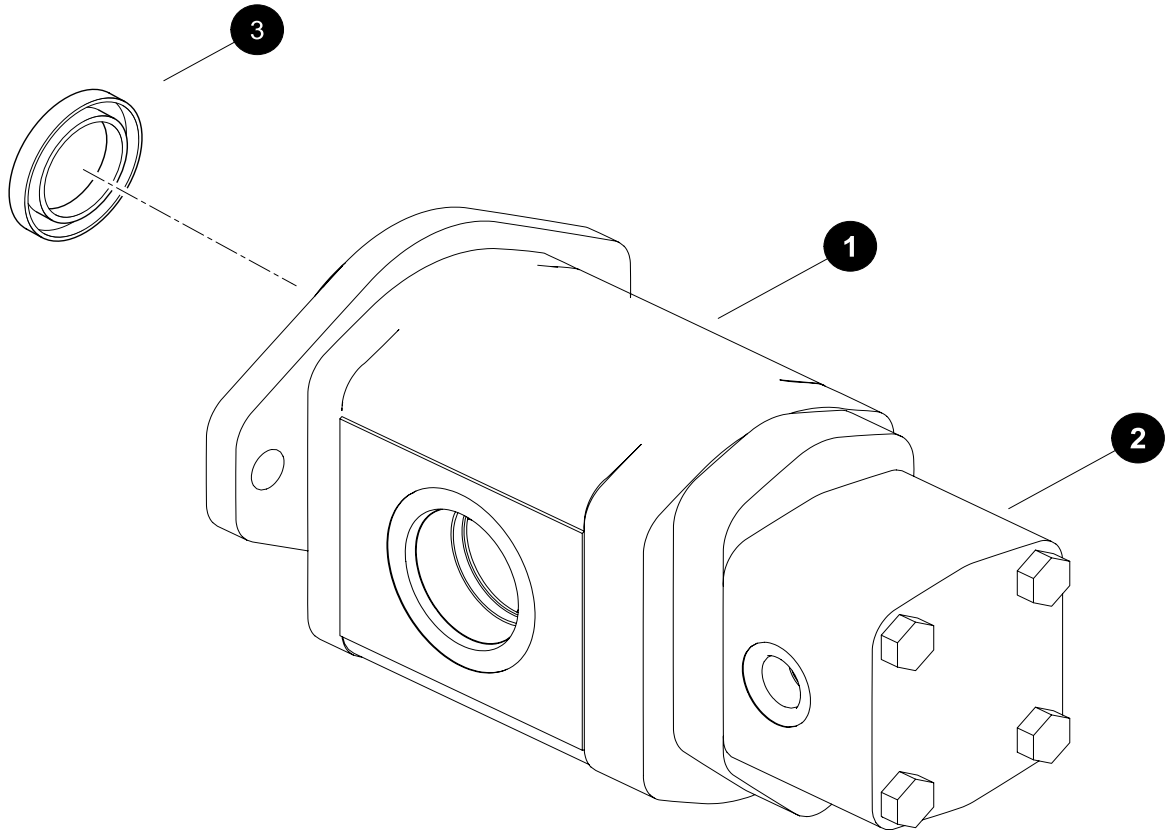
Parts T3739 10/08
50.00

Charge Pump Breakdown

Single Pump (Early C Models)

REF	PART #	QTY		DESCRIPTION	SEE SECTION
1	52566-DH	1	<input type="checkbox"/>	PUMP, CHARGE Wheel MACHINE	
2	52160-DH	1		SEAL, shaft - Wheel charge pump	

- Kit or Assembly - includes all items indented underneath.



Parts T3739 10/08
50.00

Charge Pump Breakdown

Dual Pump

REF	PART #	QTY	DESCRIPTION	SEE SECTION
1	57609-DH	1	<input type="checkbox"/> PUMP, CHARGE TRACK MACHINE	
2	-DH	1	PUMP, SMALL CHARGE	
3	-DH	1	Shaft Seal 25.4-38.1-6.35 NBR	

- Seal kit for 3GP (front pump) #12003G
- Seal kit for 2SP (rear pump) #120029

Kit or Assembly - includes all items indented underneath.

