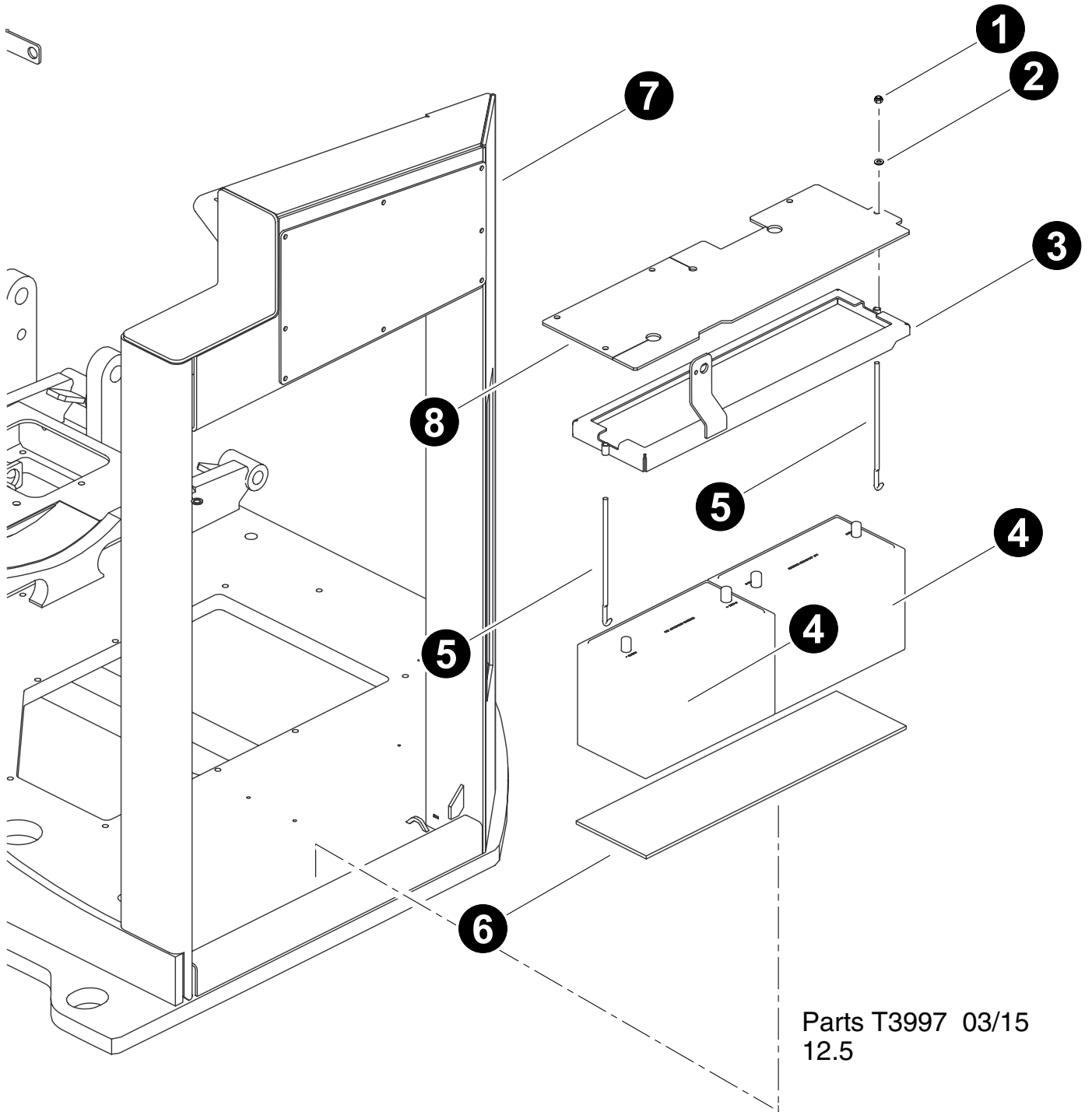



Section ES-1

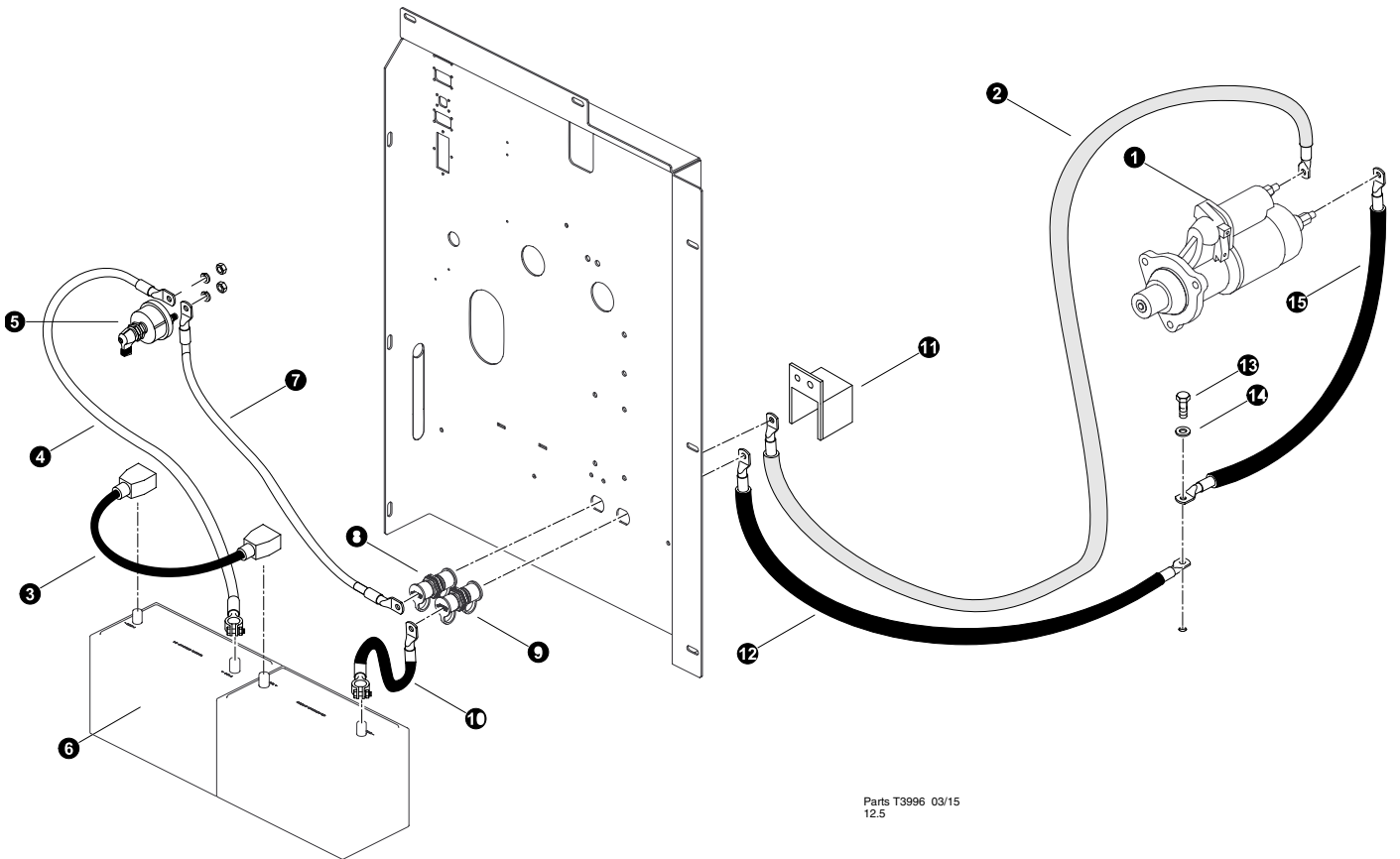
Electrical System - Engine Compartment



ENGINE ELECTRICAL SYSTEM Battery Installation



REF	PART #	QTY	DESCRIPTION	SEE SECTION
1	10788-ES	2	NUT, NYLOCK - .3125"	
2	15559-ES	2	WASHER, SAE FLAT - .3125"	
3	45537-ES	1	BRACKET, BATTERY HOLD DOWN	
4	17150-ES	2	BATTERY, HEAVY DUTY	
5	51722-ES	1	HOLD DOWN, BATTERY - (2 PER PACK)	
6	45720-ES	1	RUBBER, ISOLATOR - BATTERY HOLD DOWN	
7	REF.	1	 UPPER TURNTABLE ASSEMBLY	UP-1
8	46564-ES	1	RUBBER, ISOLATOR - BATT COVER (C SERIES)	

 See referenced page for component or assembly breakdown.

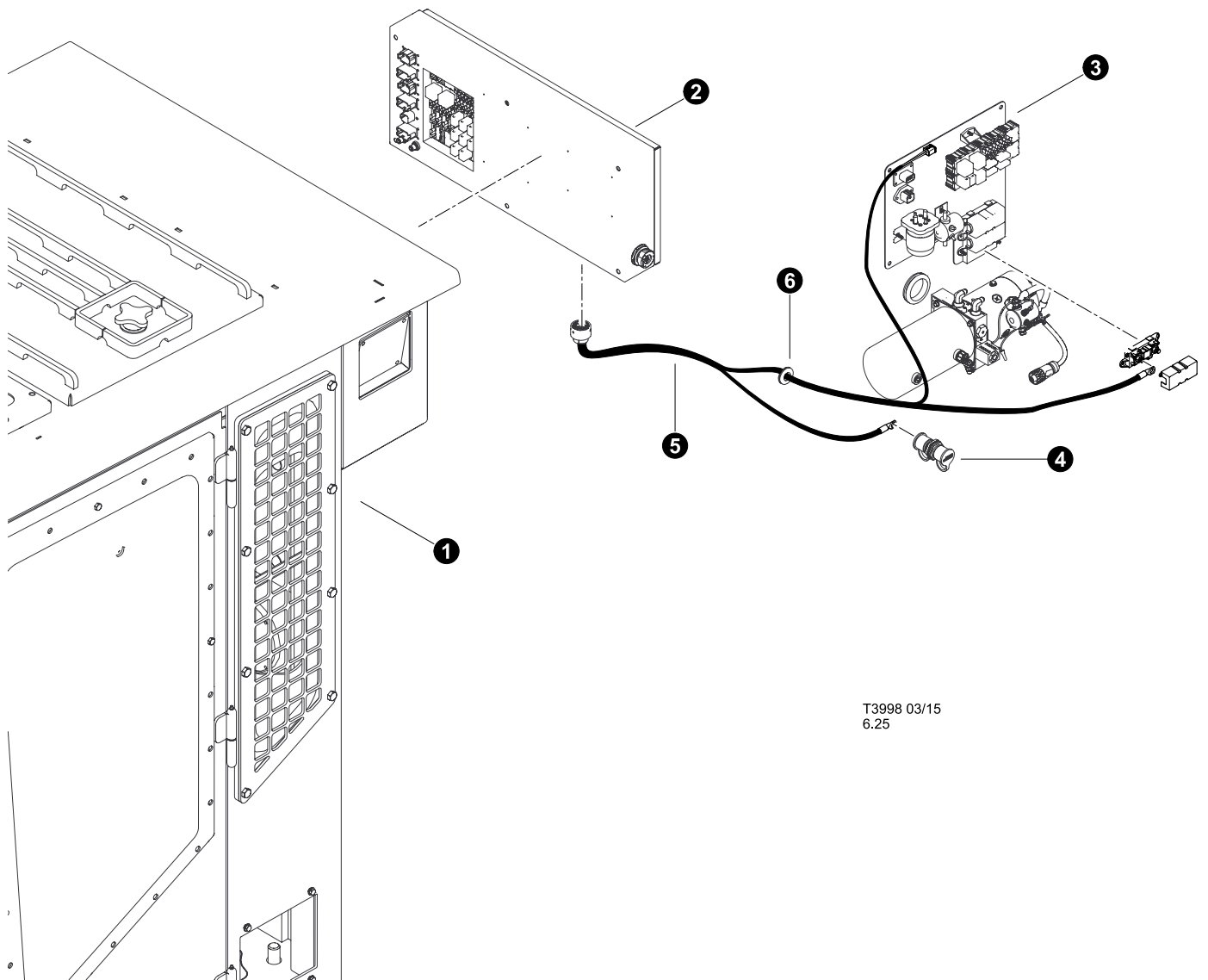


Parts T3996 03/15
12.5

ENGINE ELECTRICAL SYSTEM Battery Cables

REF	PART #	QTY	DESCRIPTION	SEE SECTION
1	REF.	1	 STARTER	EE
2	55327-ES	1	CABLE, MASTER DISC. TO STARTER POS	
3	24300-ES	1	CABLE, BATTERY POS/NEG JUMPER	
4	55334-ES	1	CABLE, BAT. POSITIVE TO MAST. DISCONNECT	
5	25200-ES	1	SWITCH, MASTER SHUT-OFF(1/2" STUD)	
6	REF	1	 BATTERY ASSEMBLY	ES-1
7	55333-ES	1	CABLE, MASTER DISC. to POWER + STUD	
8	54643-ES	1	STUD, THRU BATTERY CABLE POSITIVE +	
9	54642-ES	1	STUD, THRU BATTERY CABLE 1/2" NEGATIVE -	
10	55337-ES	1	CABLE, BATTER to GROUND STUD	
11	54614-ES	1	COVER, Positive battery post	
12	55329-ES	1	CABLE, Negative Stud to Upper Frame Grounding Bolt	
13	10783-ES	1	BOLT - .5" X 1"	
14	15534-ES	1	WASHER, SAE FLAT - .5"	
15	55328-ES	1	CABLE, Upper Frame Grounding Bolt to Starter Ground	




 See referenced page for component or assembly breakdown.




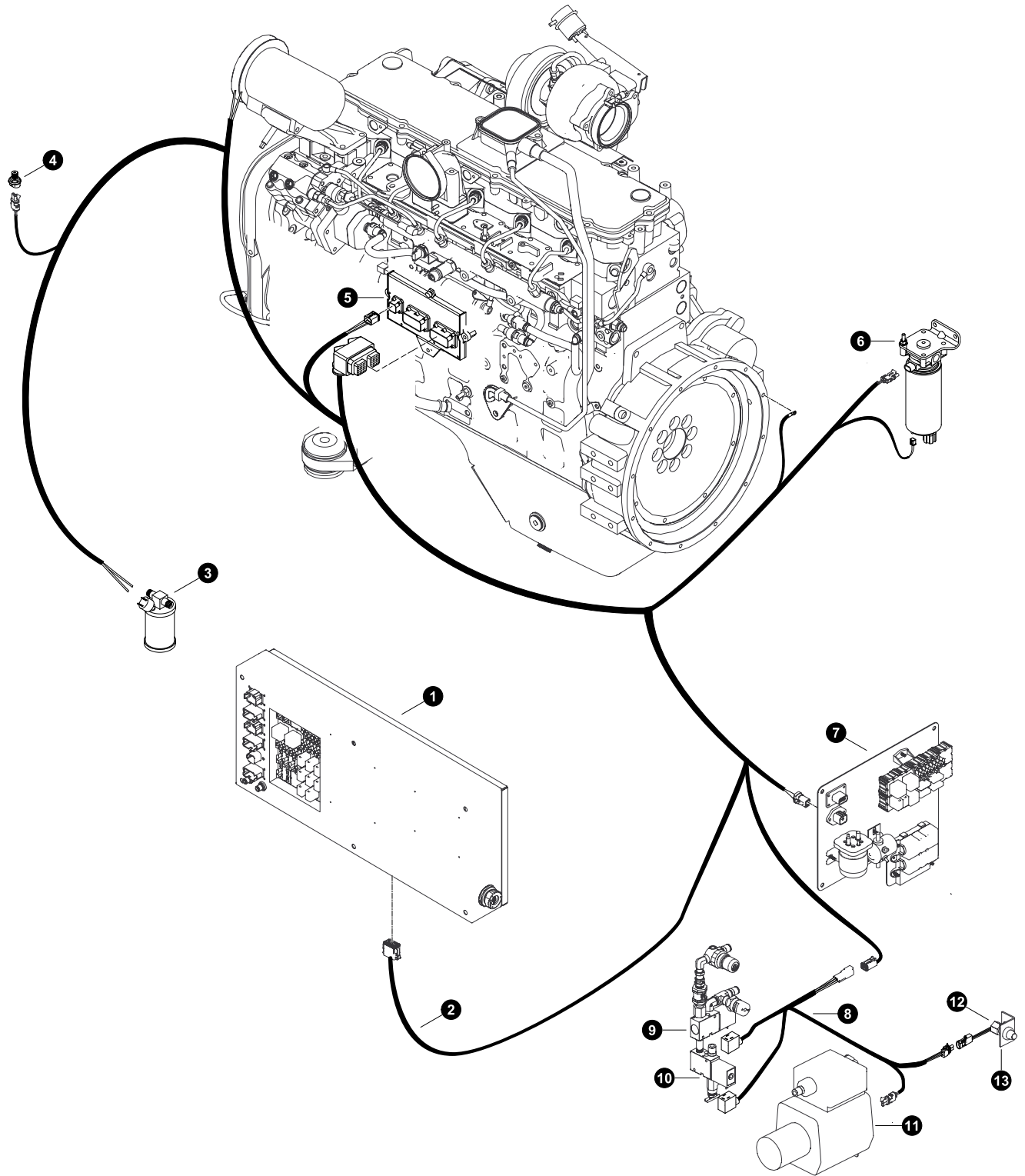
T3998 03/15
6.25

ENGINE ELECTRICAL SYSTEM








Cab Load Center Power Harness

REF	PART #	QTY	DESCRIPTION	SEE SECTION
1	REF	1	 CAB ASSEMBLY.....	OC-1
2	REF	1	 CAB ELECTRICAL CENTER.....	ES-2
3	REF	1	 ENGINE ELECTRICAL CENTER.....	ES-1
4	54643-ES	1	STUD, THRU BATTERY CABLE POSITIVE	
5	54581-ES	1	HARNESS, CAB Load Center Power	
6	-ES	1	GROMMET	

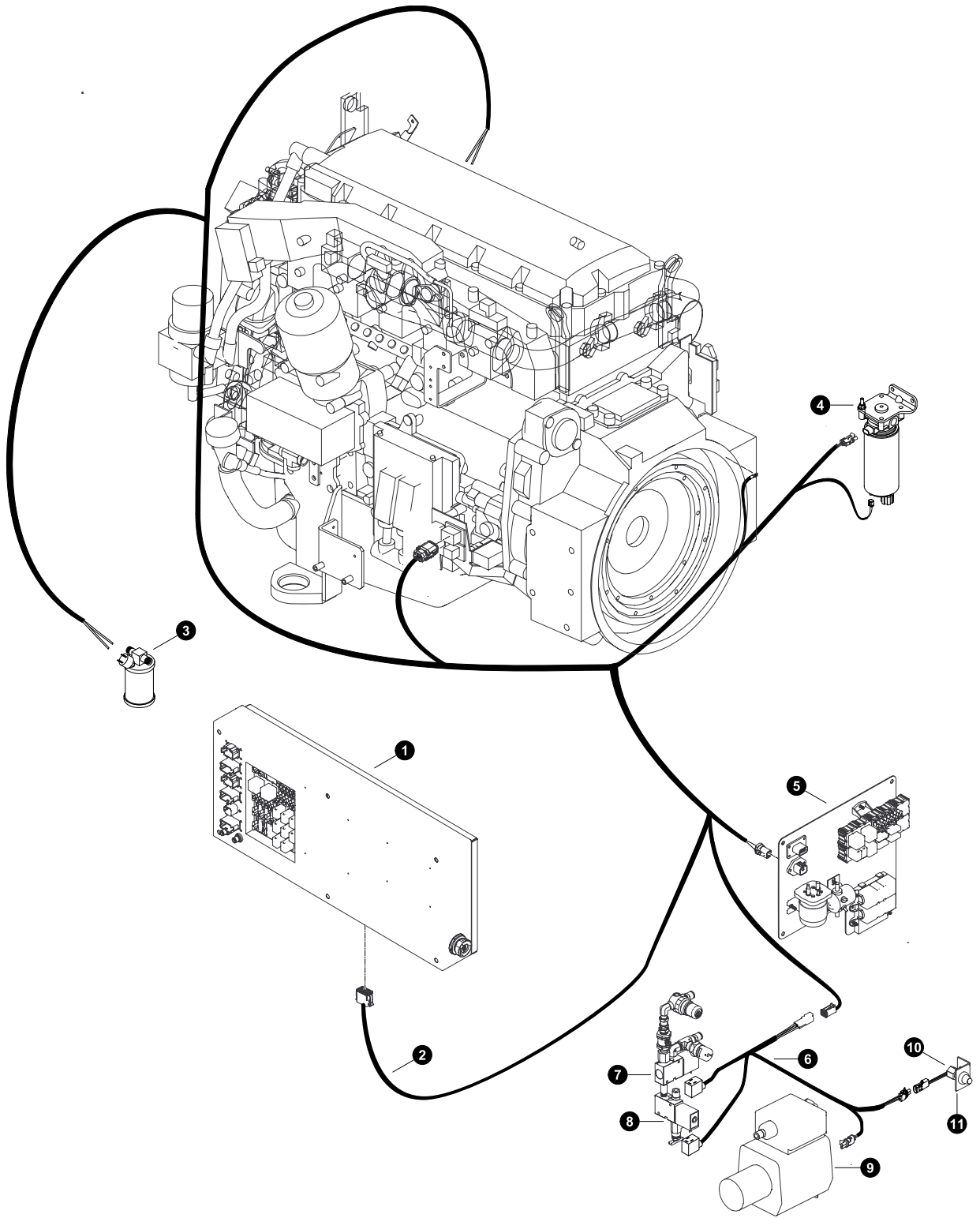
 See referenced page for component or assembly breakdown.









ENGINE ELECTRICAL SYSTEM
Main Engine Electrical Harness
(Cummins QSC Tier3)

REF	PART #	QTY	DESCRIPTION	SEE SECTION
1	REF	1	 CAB ELECTRICAL CENTER	ES-2
2	55191-ES	1	HARNESS, Engine - Tier3 Cummins C Series	
3	REF	1	DRIER, AC System	OC-3
4	52661-ES	1	SENSOR, LOW COOLANT - TIER 3	
5	REF.	1	 ENGINE ECU	EE-1
6	REF	1	 FUEL HEATER / FILTER ASSEMBLY	EE-1
7	REF	1	 ENGINE ELECTRICAL CENTER	ES-1
8	55193-ES	1	HARNESS, VAC VENT Fill - C Series	
9	REF.	1	 VACUUM VALVE	UP-2
10	REF.	1	 VENT VALVE	UP-2
11	REF.	1	 VACUUM PUMP	UP-2
12	25104-ES	1	SWITCH, FILL PUMP	

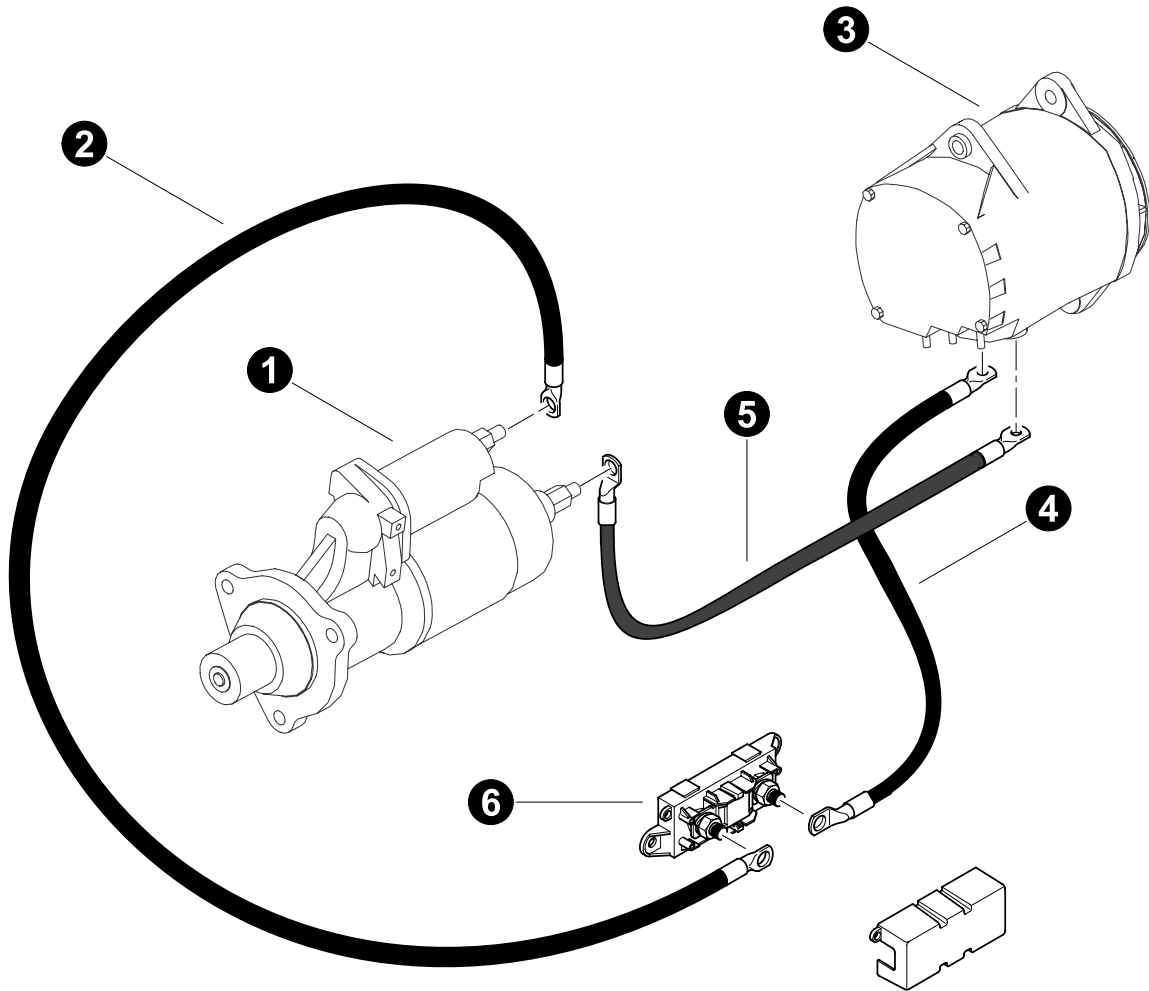
 See referenced page for component or assembly breakdown.



ENGINE ELECTRICAL SYSTEM
Main Engine Electrical Harness
(Volvo Tier4)



REF	PART #	QTY	DESCRIPTION	SEE SECTION
1	REF	1	 CAB ELECTRICAL CENTER	ES-2
2	55191-ES	1	HARNESS, Engine - Tier3 Cummins C Series	
3	REF	1	DRIER, AC System	OC-3
4	52661-ES	1	SENSOR, LOW COOLANT - TIER 3	
5	REF	1	 FUEL HEATER / FILTER ASSEMBLY	EE-1
6	REF	1	 ENGINE ELECTRICAL CENTER	ES-1
7	55193-ES	1	HARNESS, VAC VENT Fill - C Series	
8	REF.	1	 VACUUM VALVE	UP-2
9	REF.	1	 VENT VALVE	UP-2
10	REF.	1	 VACUUM PUMP	UP-2
11	25104-ES	1	SWITCH, FILL PUMP	


 See referenced page for component or assembly breakdown.

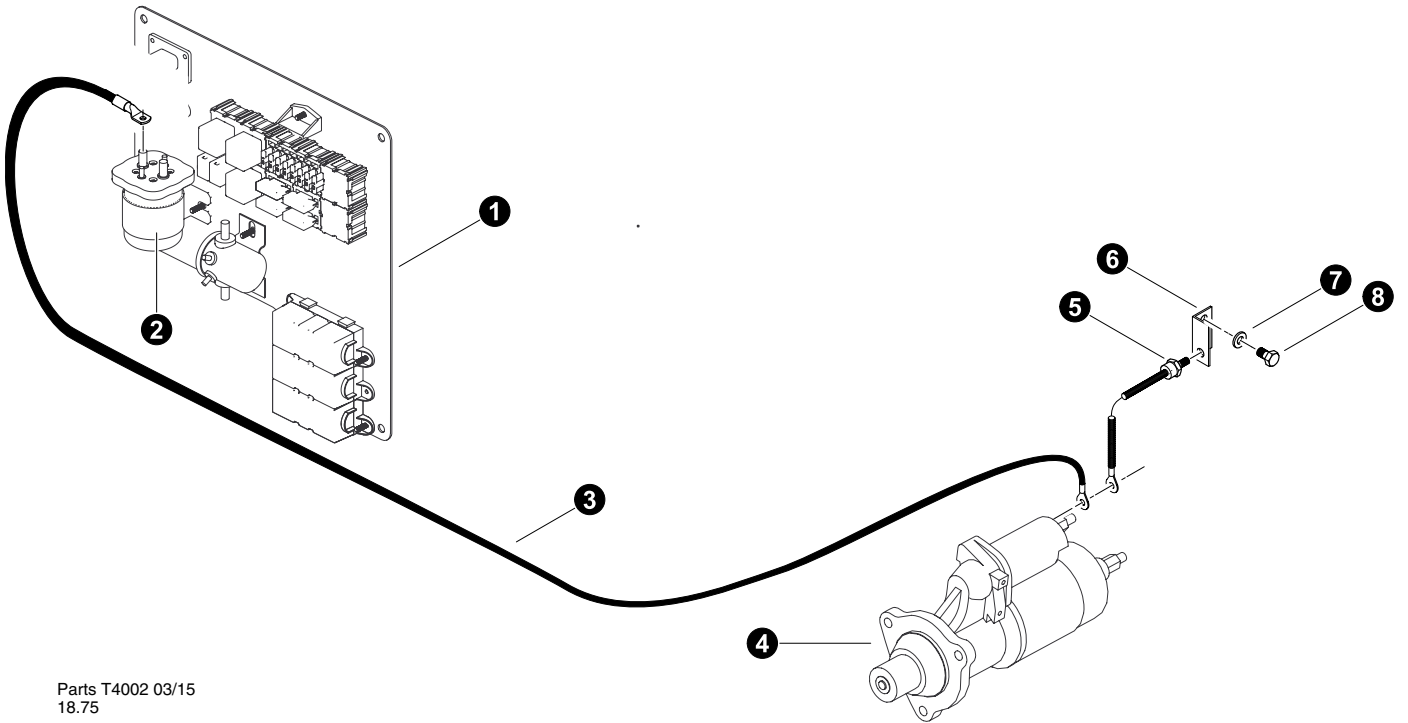


Parts T4000 03/15
18.75

ENGINE ELECTRICAL SYSTEM Alternator Electrical




REF	PART #	QTY		DESCRIPTION	SEE SECTION
1	REF.	1		STARTER	EE
2	55332-ES	1		CABLE, BATTERY - POSITIVE - "C" - 26"	
3	REF.	1		ALTERNATOR	EE
4	55330-ES			CABLE, BATTERY - POSITIVE - "C" - 32"	
5	55331-ES	1		CABLE, BATTERY - NEGATIVE - "C" - 38"	
6	22247-ES	1		HOLDER, FUSE MEGA	
-	23619-ES	1		FUSE, 100 AMP (MEGA)	


 See referenced page for component or assembly breakdown.

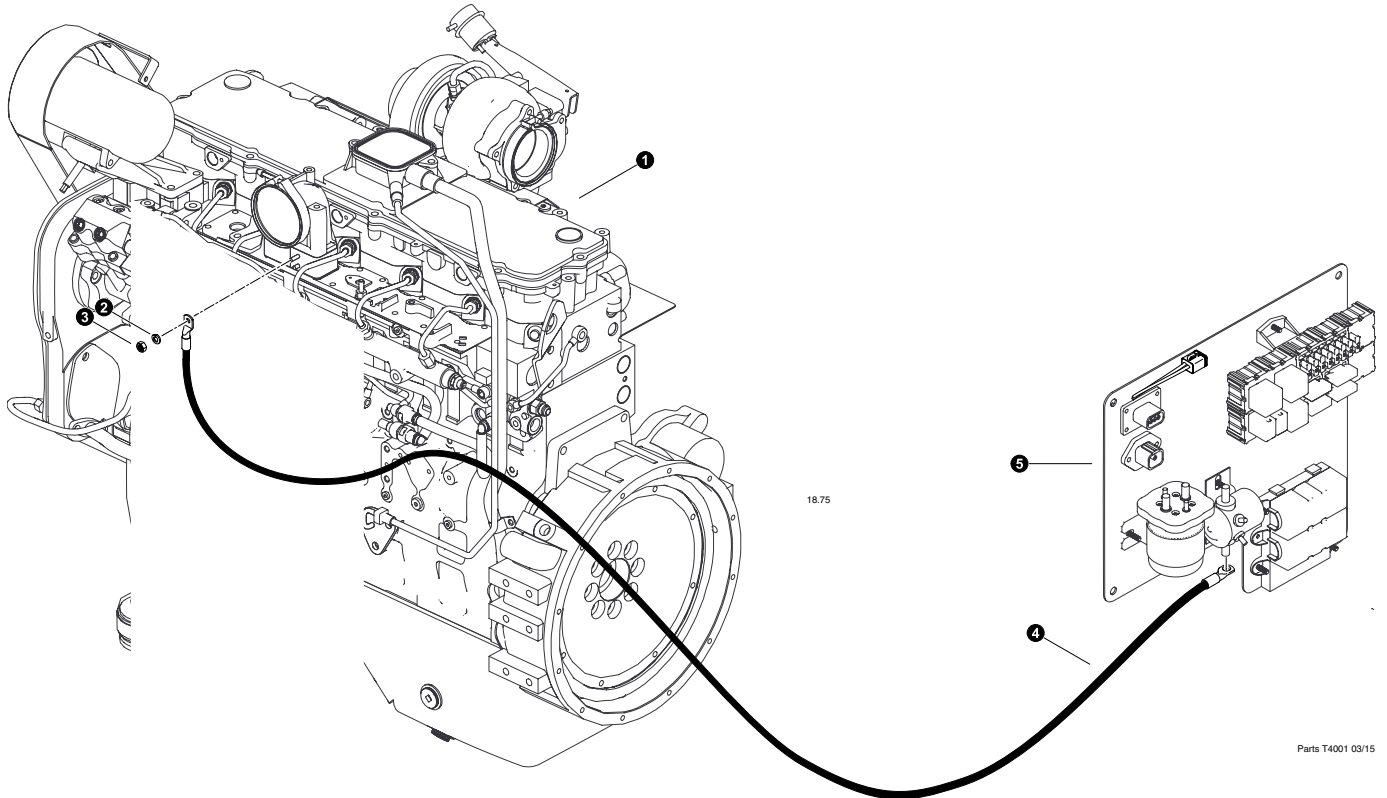


Parts T4002 03/15
18.75

ENGINE ELECTRICAL SYSTEM
Starter Electrical
(Cummins QSC Only)



REF	PART #	QTY		DESCRIPTION	SEE SECTION
1	REF.	1		ENGINE ELECTRICAL CENTER ASSEMBLY.....	ES-1
2	REF.	1		STARTER RELAY.....	ES-1
3	55194-ES	1		CABLE, START RELAY TO STARTER SOL.	
4	REF.	1		STARTER.....	EE
5	25052-ES	1		DIODE, assembly engine start relay	
6	25058-ES	1		BRACKET, DIODE MOUNTING (CUM. C ENG.)	
7	15528-ES	1		WASHER, SAE FLAT - .375"	
8	18416-ES	1		BOLT - 10MM-1.5P X 25MM	

 See referenced page for component or assembly breakdown.

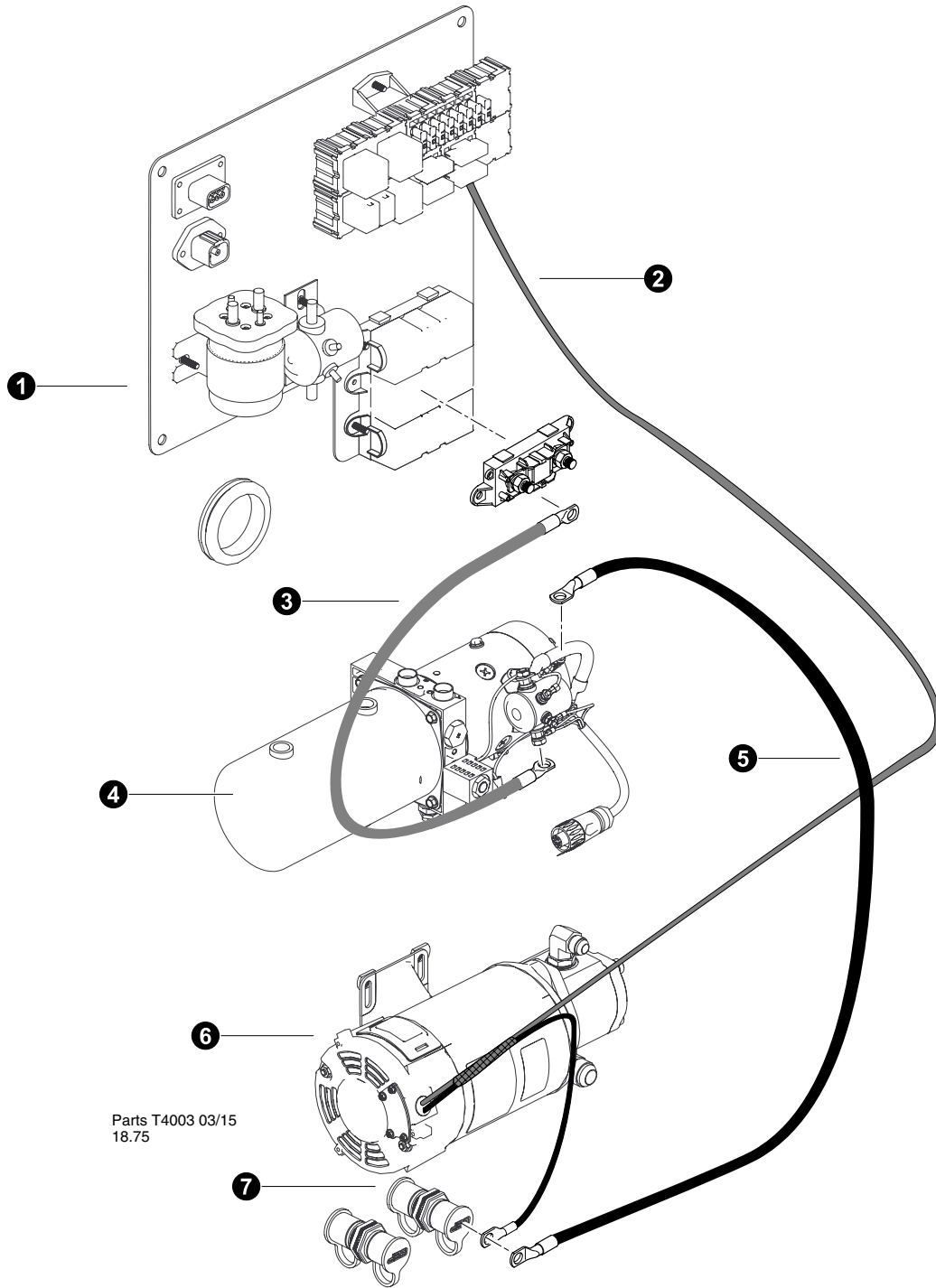


Parts T4001 03/15

ENGINE ELECTRICAL SYSTEM
Grid Heater Cable
(Cummins QSC Only)

REF	PART #	QTY		DESCRIPTION	SEE SECTION
1	EF.	1		ENGINE	EE-1
2	10756-ES	1		WASHER, LOCK - .25"	
3	16117-ES	1		NUT, HEX - 6MM	
4	55446-ES	1		CABLE, GRID HEATER (C-Series)	
5	REF.	1		ENGINE ELECTRICAL CENTER ASSEMBLY.....	ES-1

 See referenced page for component or assembly breakdown.



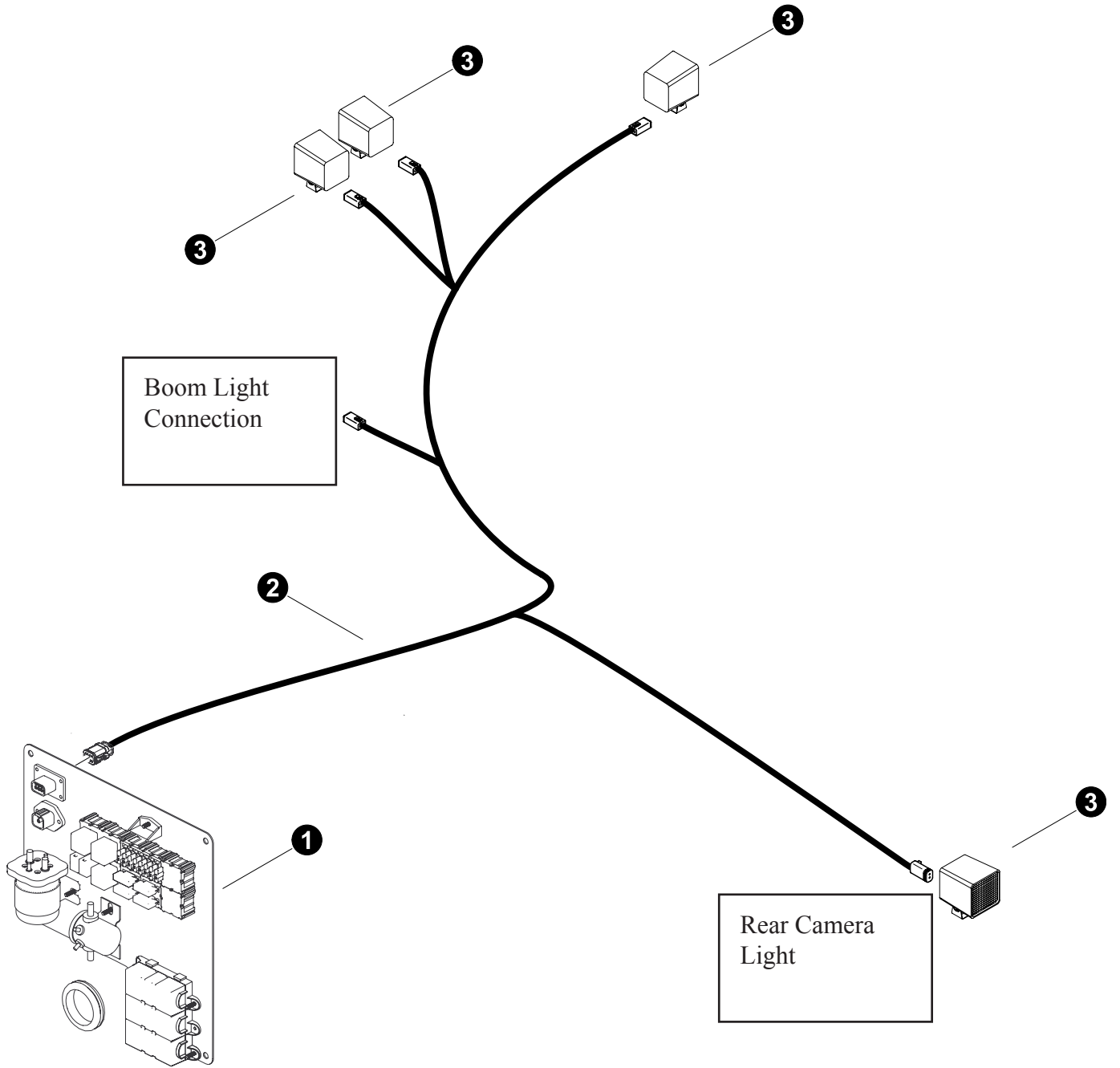
Parts T4003 03/15
18.75

ENGINE ELECTRICAL SYSTEM

Fill Pump and Gull Wing Lift Pump Harness



REF	PART #	QTY		DESCRIPTION	SEE SECTION
1	REF.	1	<input type="checkbox"/>	ENGINE ELECTRICAL CENTER ASSEMBLY.....	ES-1
2	NSS	1		HARNESS, Fill Pump (part of Engine Electrical Center)	
3	53019-ES	1		CABLE, FILL PUMP/DOOR PUMP (SN 0073 and 0351 and Before)	
4	REF.	1	<input type="checkbox"/>	GULLWING DOOR LIFT PUMP	UP-1
5	55336-ES	1		BH Panel Ground Lug to Lift Pump	
6	REF	1	<input type="checkbox"/>	FILL PUMP ASSEMBLY	UP-2
7	54642-ES	1		STUD, THRU BATTERY CABLE 1/2" NEGATIVE	


- See referenced page for component or assembly breakdown.
- Assembly that includes all items indented below.

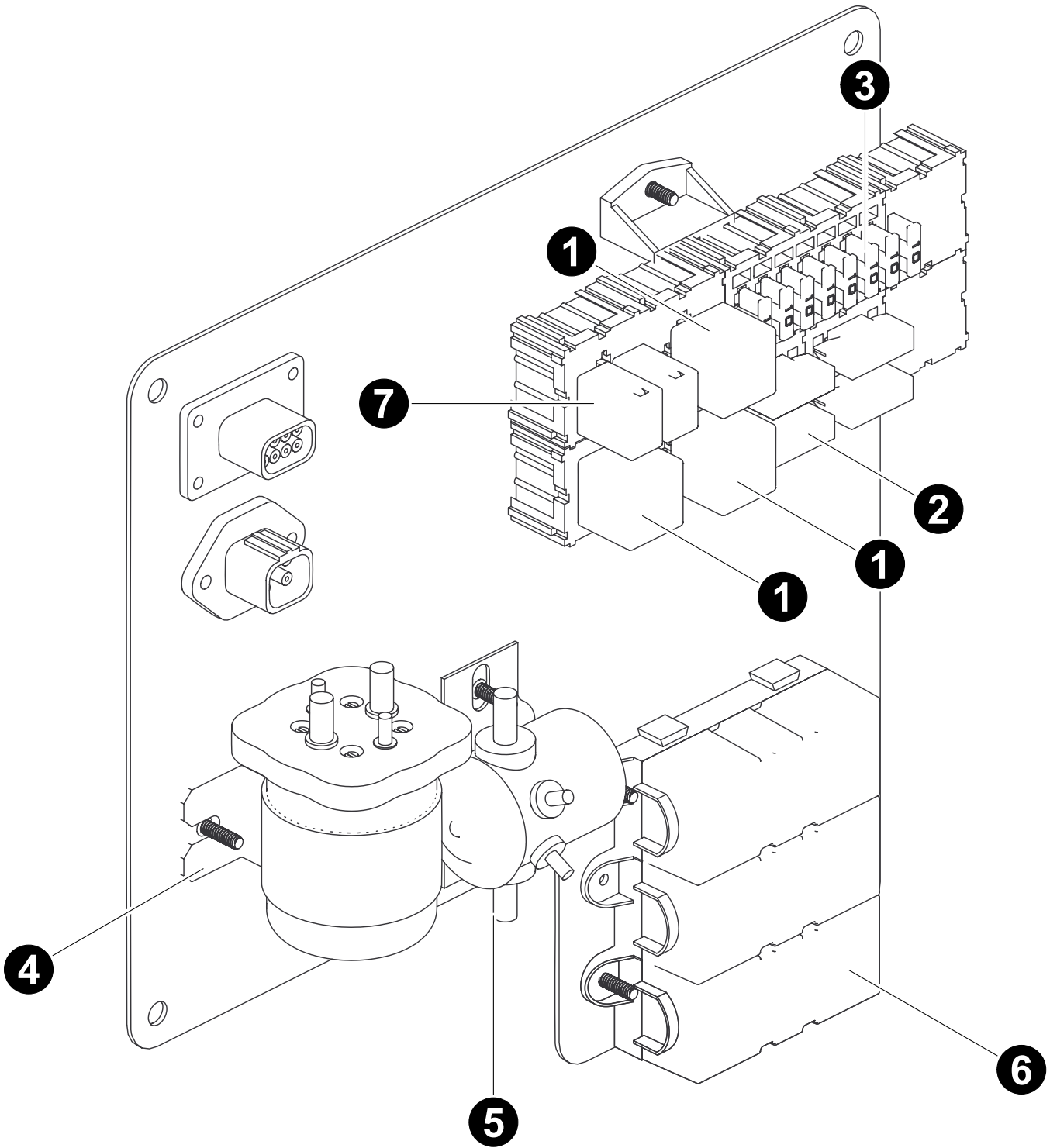


Parts T4004 03/15
18.75

FRONT DOOR, BOOM and REAR LIGHT HARNESSES

REF	PART #	QTY	DESCRIPTION	SEE SECTION
1	REF.	1	 ENGINE ELECTRICAL CENTER ASSEMBLY.....	ES-1
2	54542-ES	1	HARNESS, Lights-Front Door - Tier4	
3	REF.	1	 LIGHTS	ES-1

 See referenced page for component or assembly breakdown.



Parts T4005 03/15

ENGINE ELECTRICAL SYSTEM

Engine Electrical Center Breakdown

REF	PART #	QTY	DESCRIPTION	SEE SECTION
-	46695-ES	1	<input type="checkbox"/> LOAD CENTER - ENG Comp MD4 C-series	
1	51755-ES	3	RELAY, 70 AMP - LIGHTS / IGNITION / ACCESORY / Fill Pump	
2	21892-ES	2	FUSE, MAXI - 30 AMP (lights)	
	21893-ES	2	FUSE, MAXI - 50 AMP (starter, fill pump)	
3	24512-ES	4	FUSE, ATO - 10 AMP (lights)	
	51754-ES	1	FUSE, ATO - 20 AMP (Engine Pre Heater)	
	50401-ES	1	FUSE, ATO - 30 AMP (Cummins ECU)	
4	25117-ES	1	RELAY, STARTER - 24 volt (WHITE/ROGERS)	
5	25199-ES	1	RELAY, GRID HEATER - 24 volt (COLE HERSEE)	
6	23619-ES	3	FUSE, 100 AMP - MEGA (cab power supply, gull wing lift pump, grid heater, alternator)	
7	53645-ES	2	RELAY, AZ988-1C-24DE-C1 / American Zettler	
	21890-ES	1	FUSE, MINI - 5 AMP (Horn)	
	21887-ES	1	FUSE, MINI - 15 AMP (Gear Box Pump)	

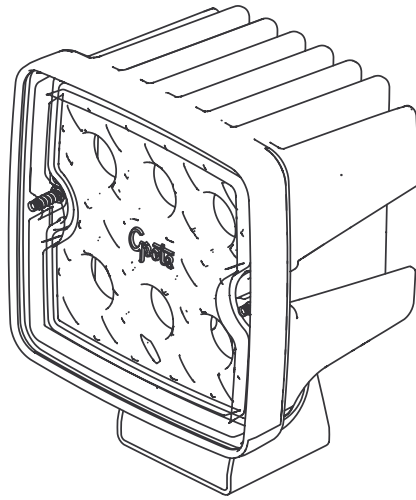


See referenced page for component or assembly breakdown.

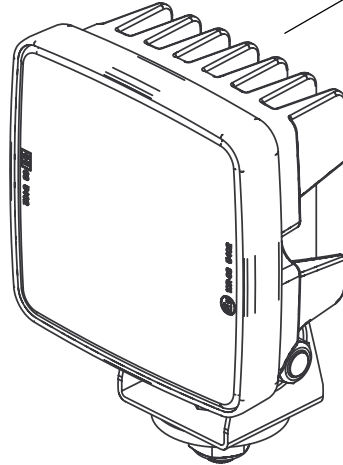


Assembly that includes all items indented below.

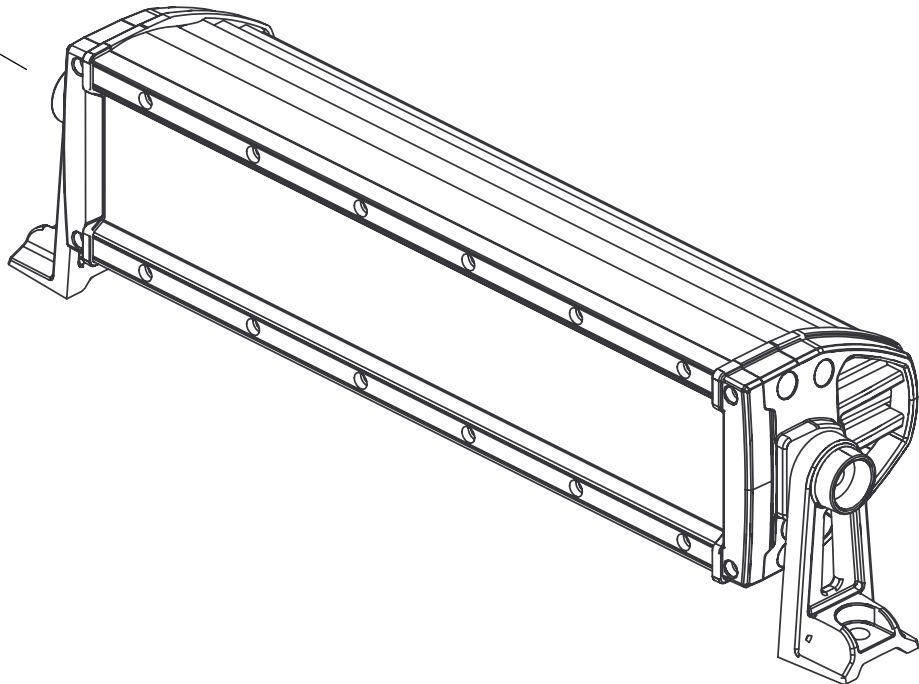
1



2



3



ENGINE ELECTRICAL SYSTEM

Lights

REF	PART #	QTY	DESCRIPTION	SEE SECTION
1	54670-ES	1	LIGHT, LED - C SERIES - SPOT/FLOOD	
2	50999-ES	1	LIGHT, LED - BOOM / Gullwing MOUNTED - FLOOD	
3	55550-ES	1	LIGHT, CAB - 10" LED LIGHT BAR	



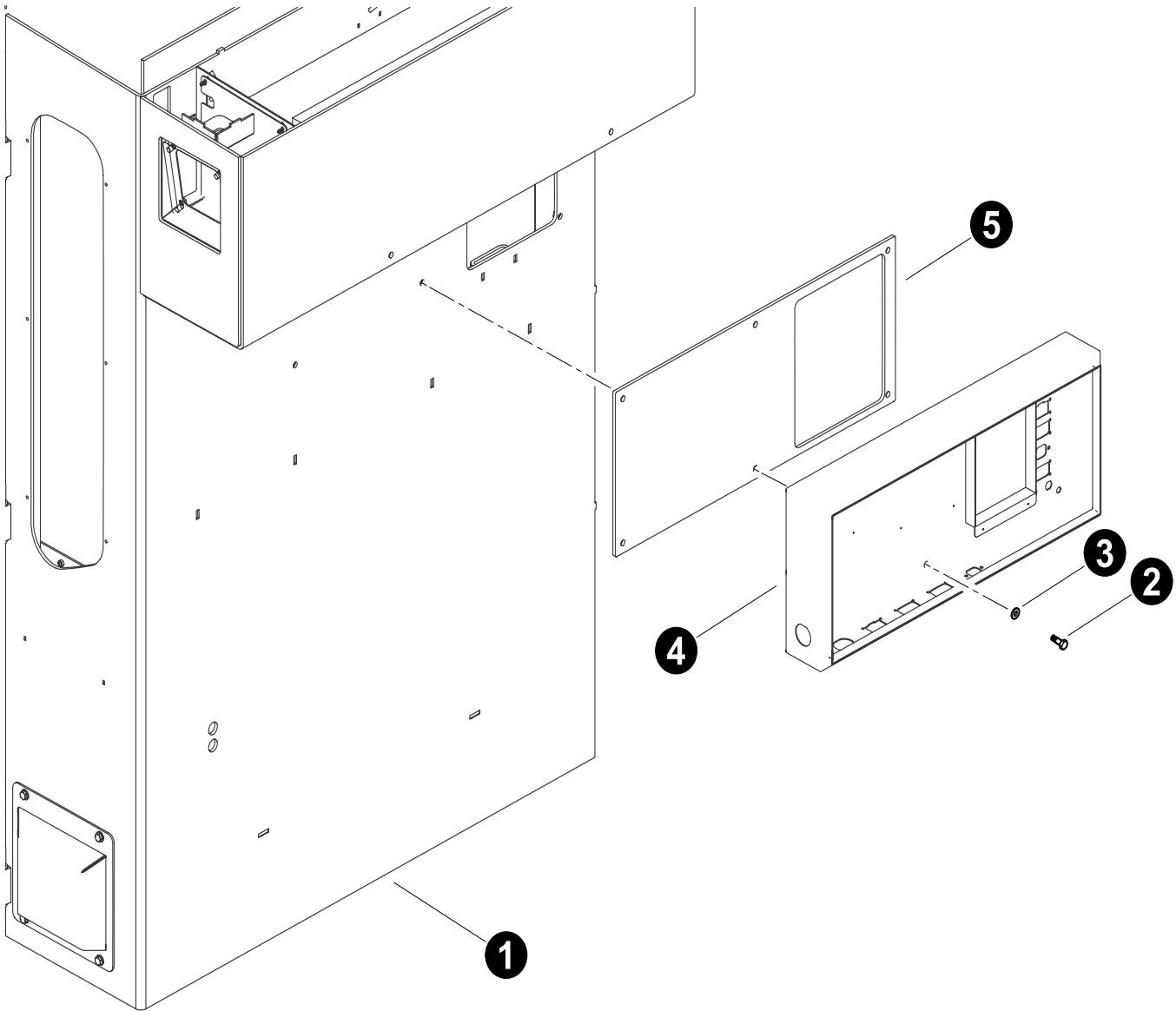
See referenced page for component or assembly breakdown.



Assembly that includes all items indented below.



Section ES-2



Electrical System - Operator's Cab

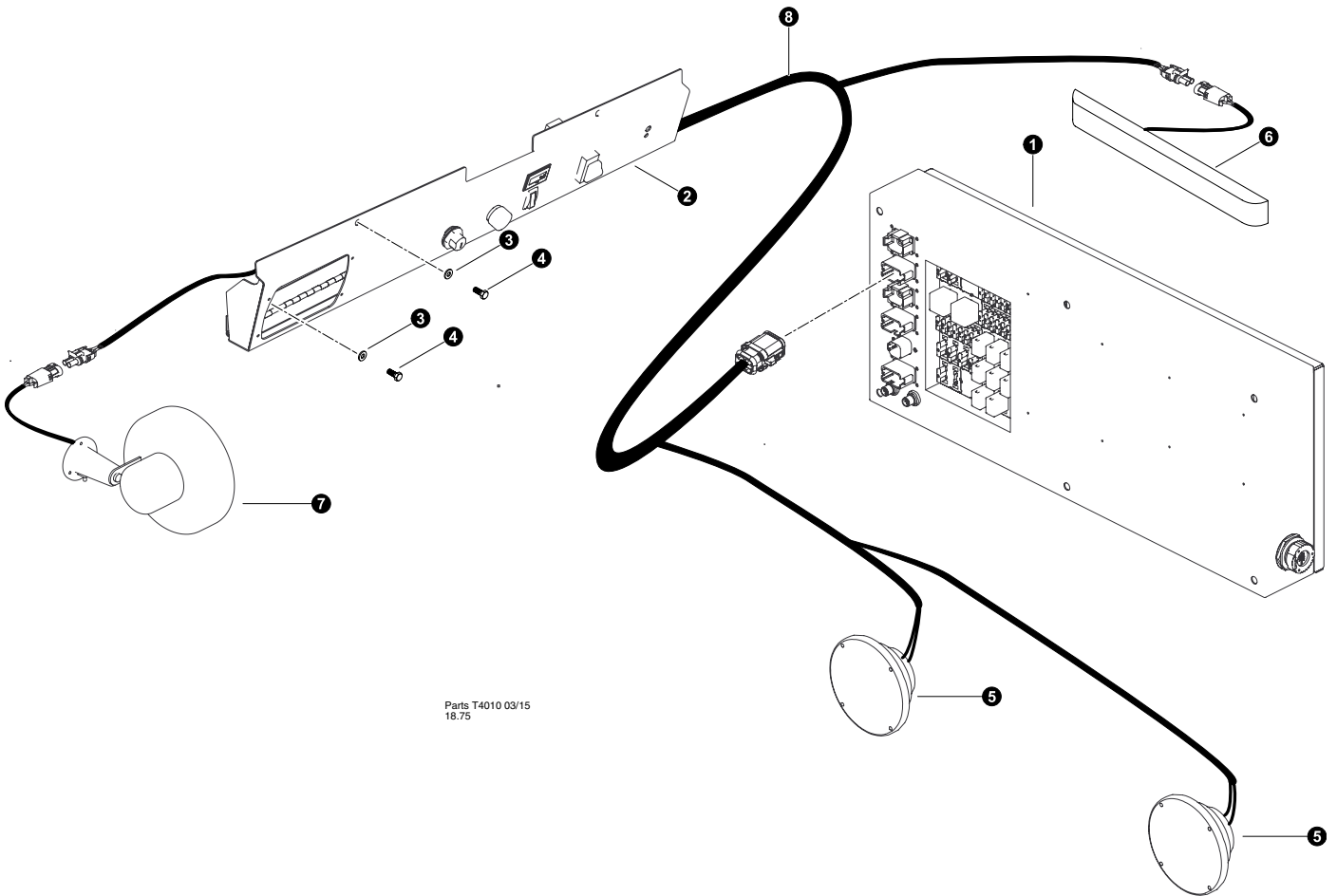


Parts T4009 03/15
18.75

MAIN ELECTRICAL CENTER INSTALLATION



REF	PART #	QTY	DESCRIPTION	SEE SECTION
1	REF	1	 OPERATOR'S CAB ASSEMBLY	OC-1
2	18309-ES	5	BOLT - .25" X 1.25"	
3	10757-ES	5	WASHER, SAE FLAT - .25"	
4	REF	1	 MAIN ELECTRICAL CENTER ASSEMBLY	ES-2
5	46684-ES	1	RUBBER, CAB TO ELECTRICAL BOX - C MODEL	



-  Kit or Assembly - includes all items indented underneath.
-  See referenced page for component or assembly breakdown.

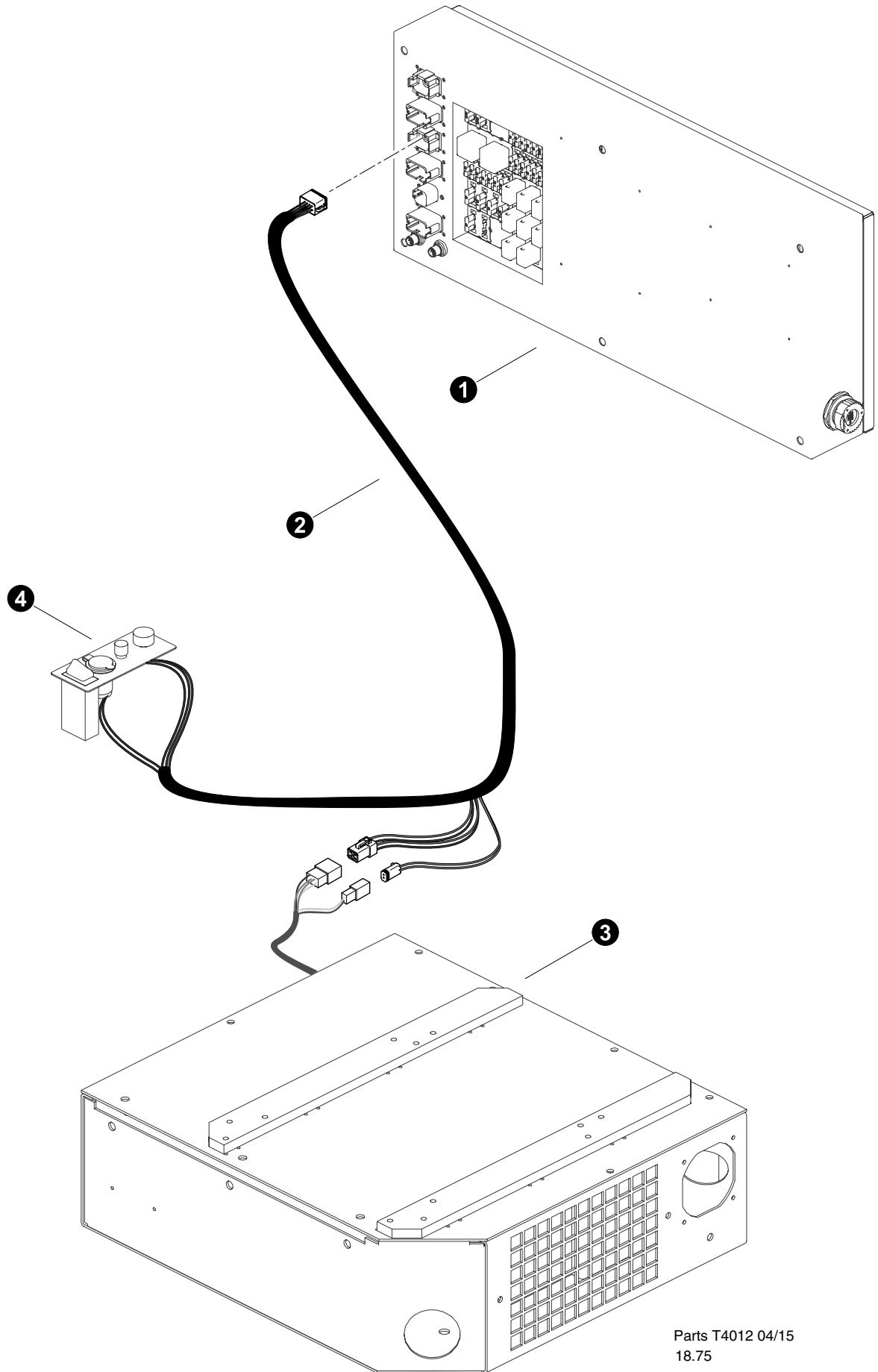


Parts T4010 03/15
18.75

UPPER DASH INSTALLATION




REF	PART #	QTY	DESCRIPTION	SEE SECTION
1	REF	1	 MAIN ELECTRICAL CENTER ASSEMBLY	ES-2
2	REF	1	 UPPER DASH ASSEMBLY	ES-2
3	10757-ES	7	WASHER, SAE FLAT - .25"	
4	15604-ES	7	BOLT - .25" X .75"	
5	52639-ES	2	SPEAKER, HEAVY DUTY - ASA	
6	55092-ES	1	LIGHT, DOME - 24V LED	
7	23279-ES	1	FAN, WINDSHIELD DEFROST - 24V	
8	54500-ES	1	HARNESS, DASH C Series	



-  Kit or Assembly - includes all items indented underneath.
-  See referenced page for component or assembly breakdown.

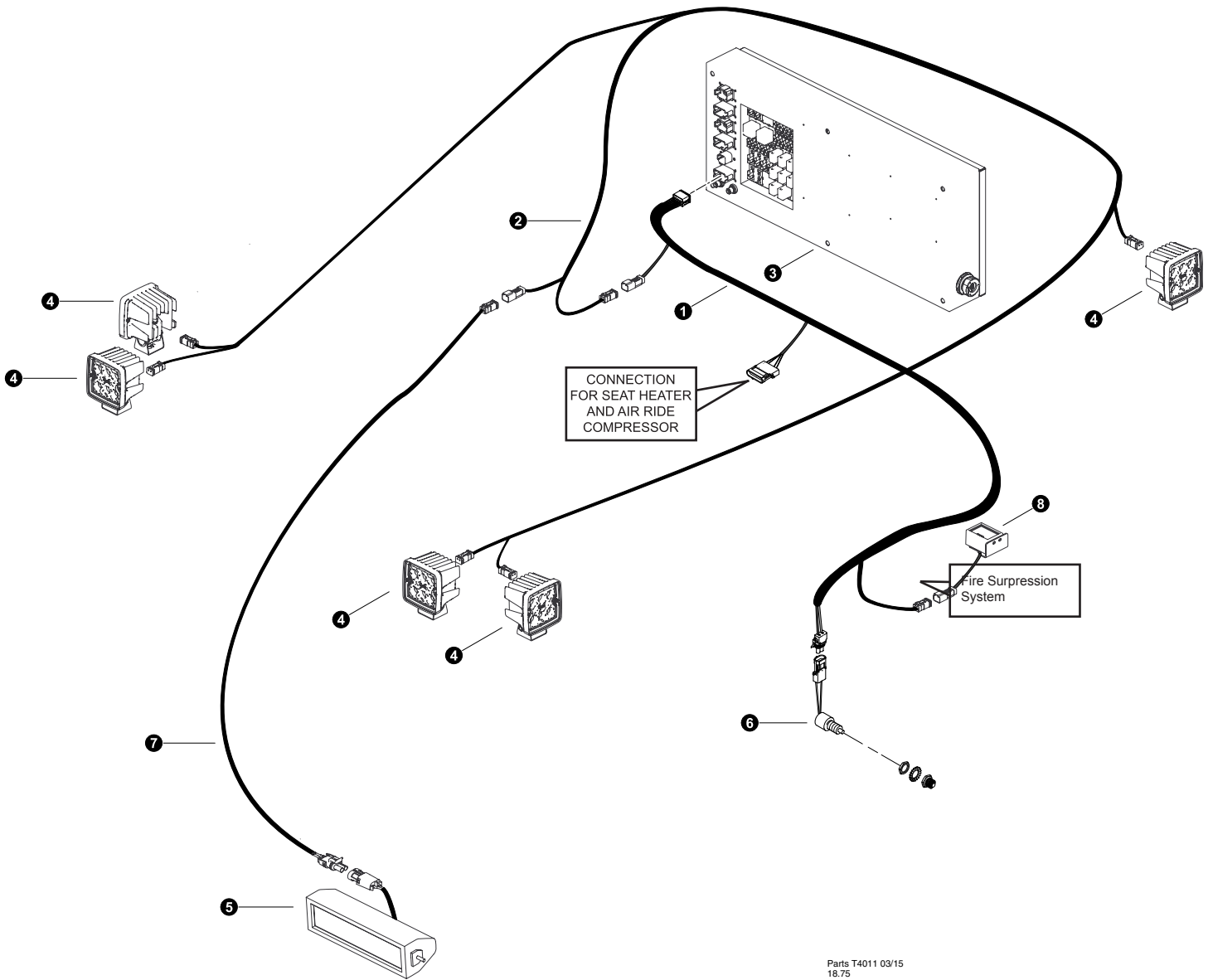


Parts T4012 04/15
18.75

A/C AND HEATER CONNECTIONS

REF	PART #	QTY	DESCRIPTION	SEE SECTION
1	REF	1	 MAIN ELECTRICAL CENTER ASSEMBLY	ES-2
2	54503-ES	1	HARNESS, Heater Controls	
3	REF	1	 HEATER A/C UNIT ASSEMBLY	OC-2
4	REF	1	 AC-Heater Control Panel	ES-2

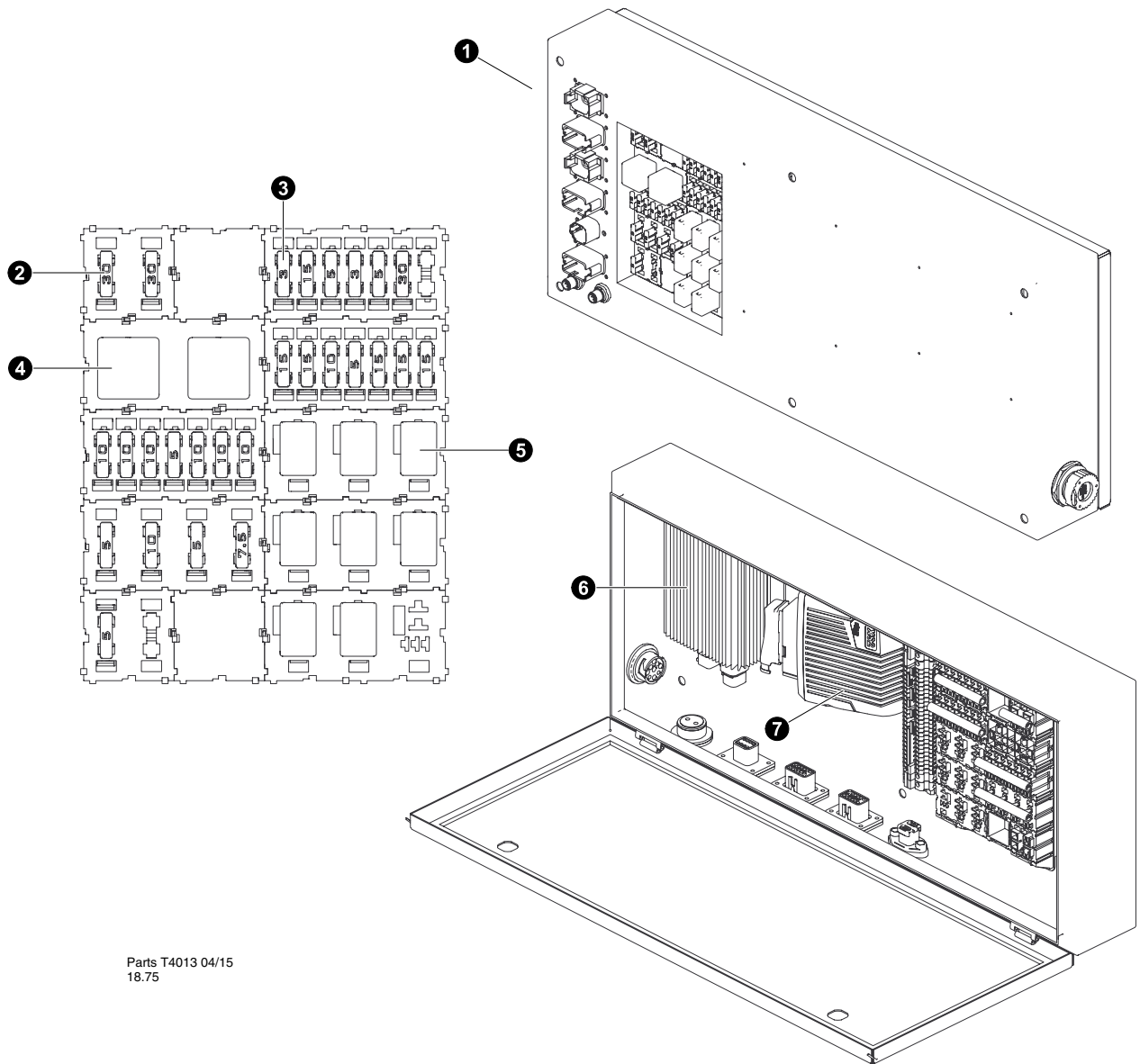
-  Kit or Assembly - includes all items indented underneath.
-  See referenced page for component or assembly breakdown.



OPERATOR'S CAB ELECTRICAL HARNESS (Lights and Radio)

REF	PART #	QTY	DESCRIPTION	SEE SECTION
1	54501-ES	1	<input type="checkbox"/> HARNESS, CAB - LOWER	
2	NSS	1	HARNESS, CAB LIGHTS.....	REF
3		<input type="checkbox"/>	MAIN ELECTRICAL CENTER ASSEMBLY	ES-2
4	REF	3	LIGHT ASSEMBLIES	ES-2
5	REF	3	LIGHT ASSEMBLIES	ES-2
6	25104-ES	1	SWITCH, FILL PUMP / DOOR	
7	57202-ES	1	HARNESS, CAB FRONT LOWER LIGHT	

- Kit or Assembly - includes all items indented underneath.
- See referenced page for component or assembly breakdown.

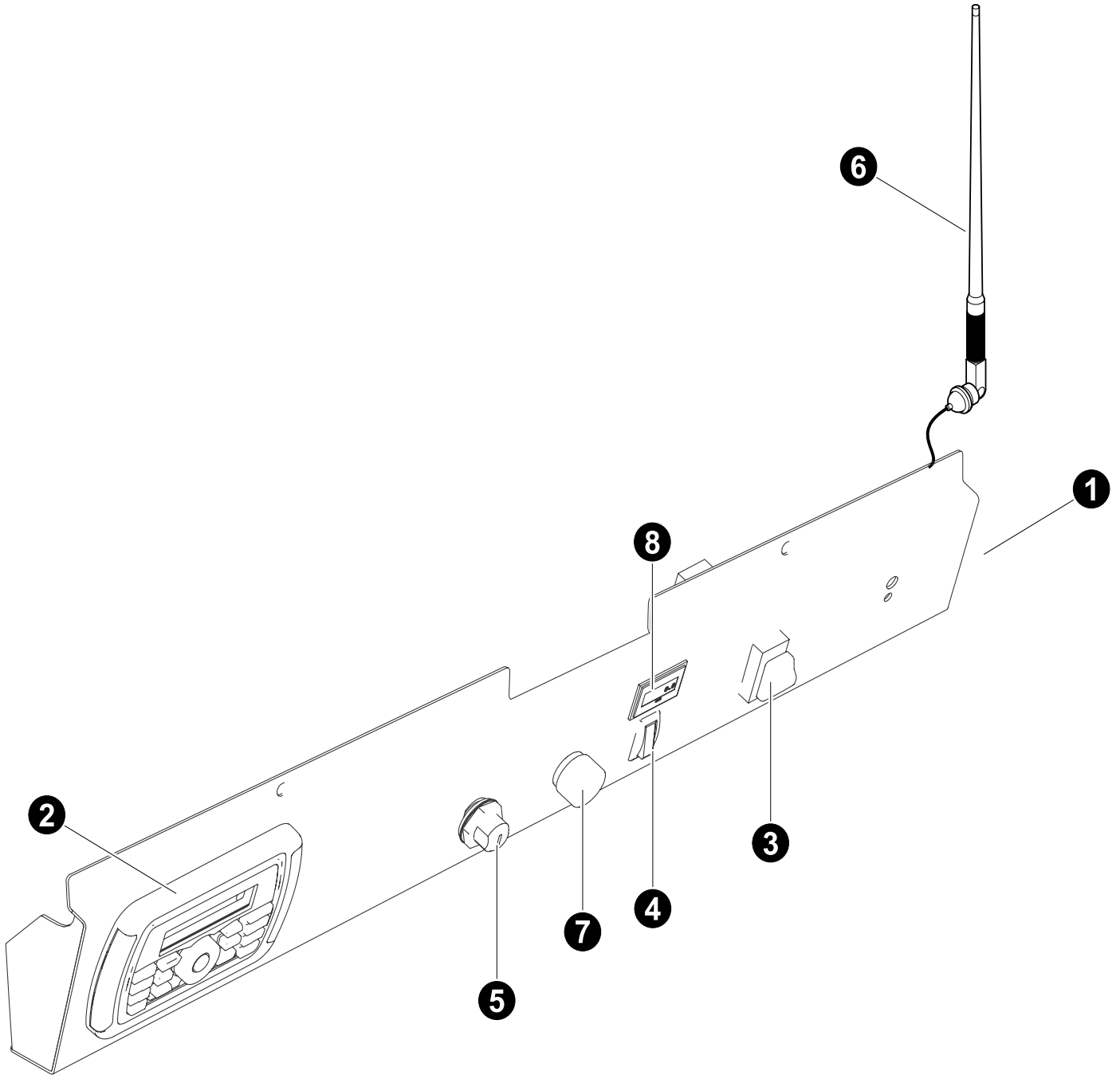


Parts T4013 04/15
18.75

MAIN ELECTRICAL CENTER BREAKDOWN

REF	PART #	QTY	DESCRIPTION	SEE SECTION
1	55189-ES	1	☐ LOAD CENTER - TIER 4F (C SERIES LH CAB)	
2	50401-ES	2	FUSE, ATO - 30 AMP (SPADE STYLE)	
3	24511-ES	2	FUSE, ATO - 3 AMP (SPADE STYLE)	
	24533-ES	7	FUSE, ATO - 5 AMP (SPADE STYLE)	
	24534-ES	1	FUSE, ATO - 7.5 AMP (SPADE STYLE)	
	24512-ES	8	FUSE, ATO - 10 AMP (SPADE STYLE)	
	50400-ES	6	FUSE, ATO - 15 AMP (SPADE STYLE)	
	50401-ES	1	FUSE, ATO - 30 AMP (SPADE STYLE)	
4	24323-ES	2	RELAY, 896H-1CH-D-24VDC (SPDT 30/50A 24VDC)	
5	53645-ES	8	RELAY, AZ988-1C-24DE-C1 (SPDT 30A 24VDC)	
6	55483-ES	1	CONVERTER, 24V TO 12V - "C" SERIES	
7	53095-ES	1	MODULE, XA2 - IQAN	
-	51753-ES	1	KIT, ELECTRICAL- FUSE/RELAY- 830/630 24V	

- ☐ Kit or Assembly - includes all items indented underneath.
 📖 See referenced page for component or assembly breakdown.

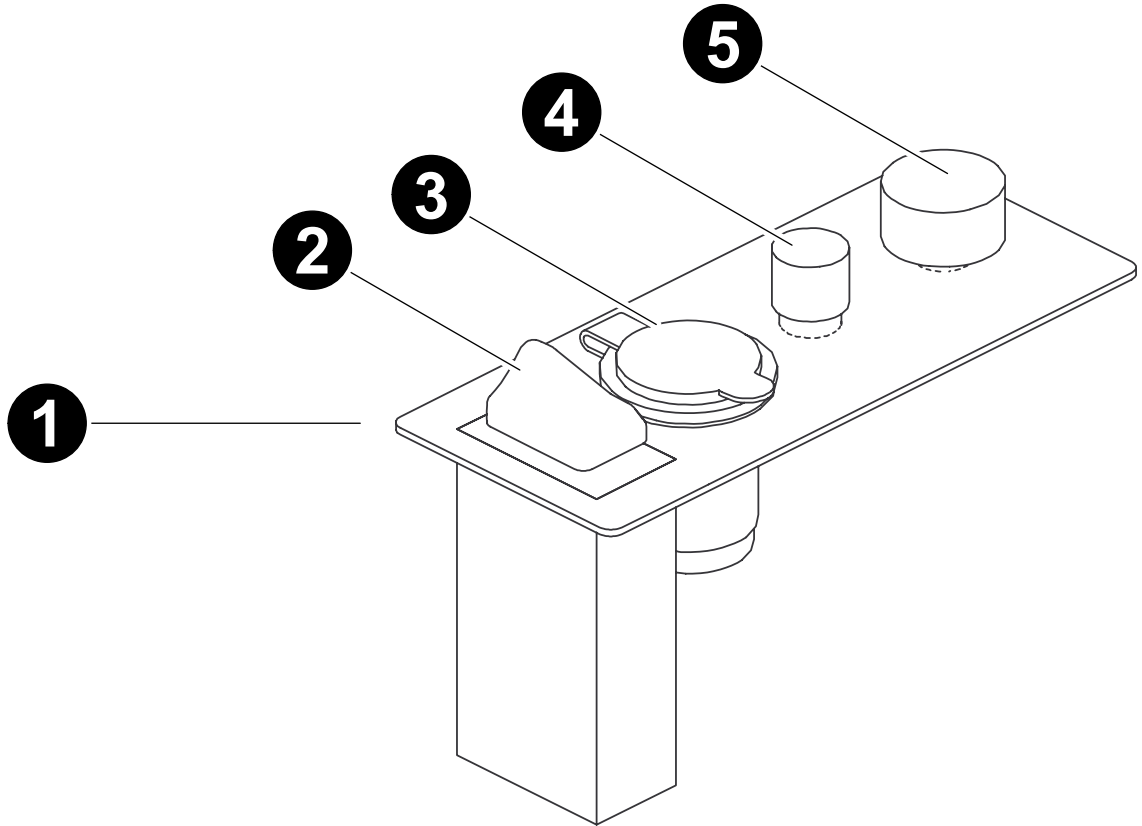


Parts T4014 04/15
18.75

UPPER DASH BREAKDOWN

REF	PART #	QTY	DESCRIPTION	SEE SECTION
1	1051874-ES	1	PANEL, DASH Left C cab	
-	REF	1	DECAL, Dash	UP-4
2	55400-ES	1	RADIO, C SERIES W/USB PORT BLUETOOTH	
3	51673-ES	1	SWITCH, VENT/ VACUUM	
4	51664-ES	1	SWITCH, LIGHT	
5	52414-ES	1	<input type="checkbox"/> SWITCH, IGNITION	
-	52417-ES	2	KEY, IGNITION	
6	24583-ES	1	ANTENNA, radio 1" hole	
6	51673-ES	1	SWITCH, VENT/ VACUUM	
7	53242-ES	1	SWITCH, EMERGENCY STOP	
8	15025-ES	1	GAUGE, HOURMETER	



- Kit or Assembly - includes all items indented underneath.
- See referenced page for component or assembly breakdown.



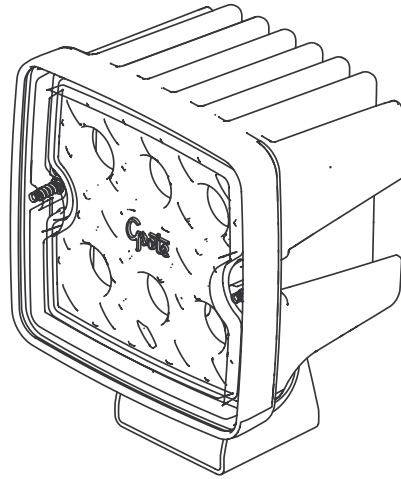
Parts T4015 04/15
18.75

UPPER DASH BREAKDOWN

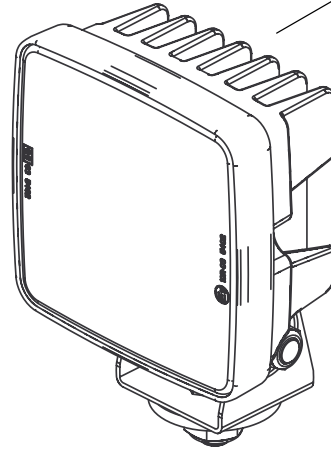
REF	PART #	QTY	DESCRIPTION	SEE SECTION
1	-ES	1	DASH ASSEMBLY - HEATER - AC	
-	REF	1	DECAL, Dash HEATER AC	UP-4
2	51671-ES	1	SWITCH, AC/HEAT MODE - OTTO (1 PER)	
3	55662-ES	1	POWER, POINT - AUX - C SERIES	
4	-ES	1	CONTROL, WATER VALVE	OC-4
5	54506-ES	1	FAN SPEED CONTROL (BT1-0147)	

-  Kit or Assembly - includes all items indented underneath.
-  See referenced page for component or assembly breakdown.

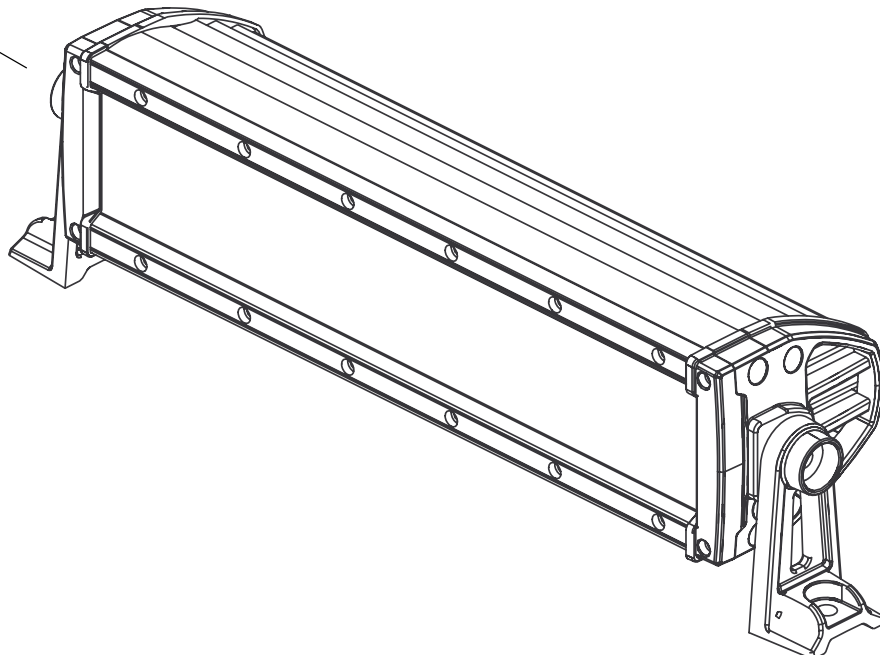
1



2



3



Parts T4006 03/15

CAB LIGHTS BREAKDOWN

REF	PART #	QTY	DESCRIPTION	SEE SECTION
1	54670-ES	1	LIGHT, LED - C SERIES - FLOOD	
2	50999-ES	1	LIGHT, BOOM MOUNTED - LED LAMPS	
3	55550-ES	1	LIGHT, CAB - 10" LED LIGHT BAR	



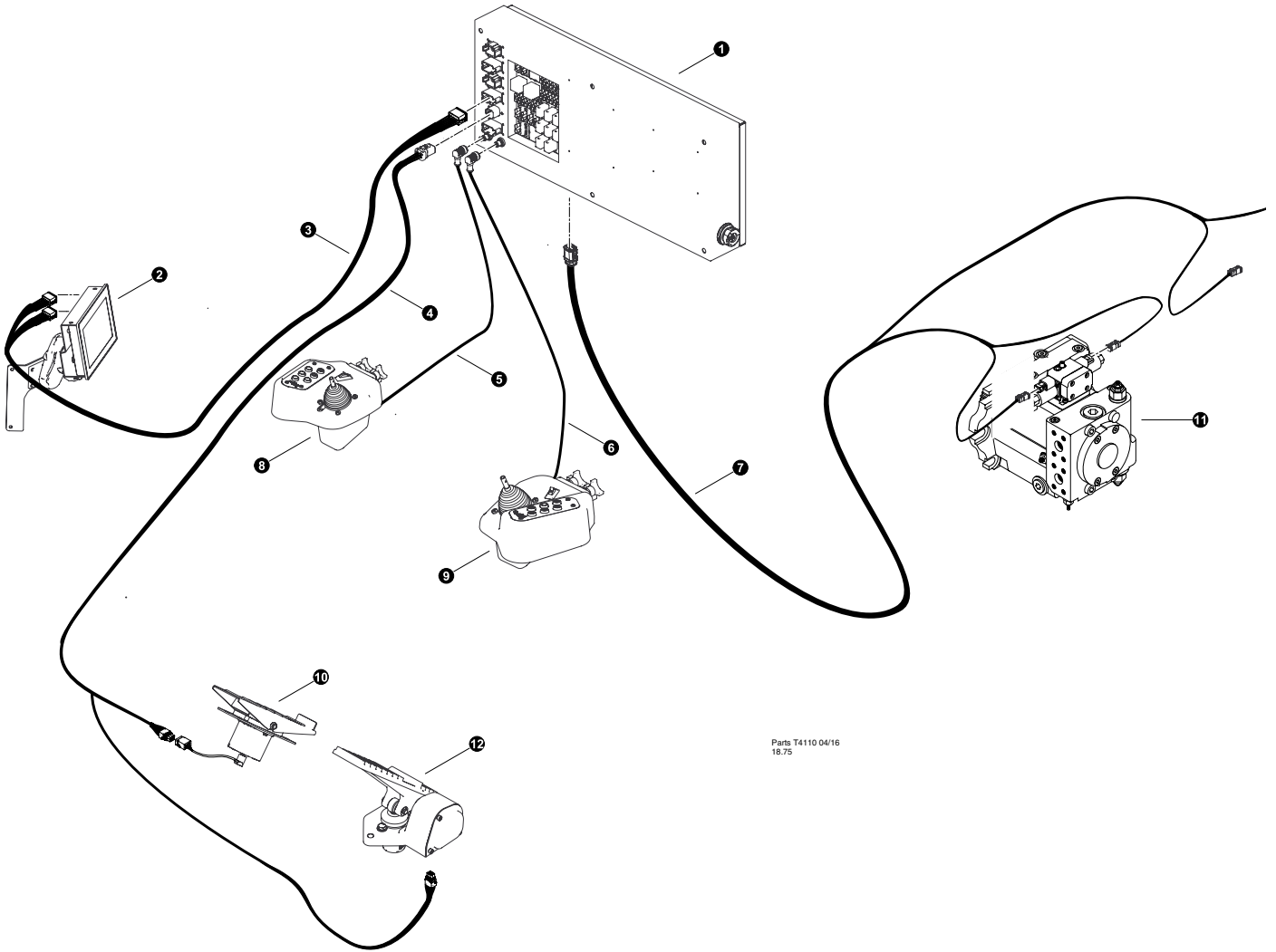
See referenced page for component or assembly breakdown.



Assembly that includes all items indented below.







Section ES-3


Electrical System - IQAN Control System

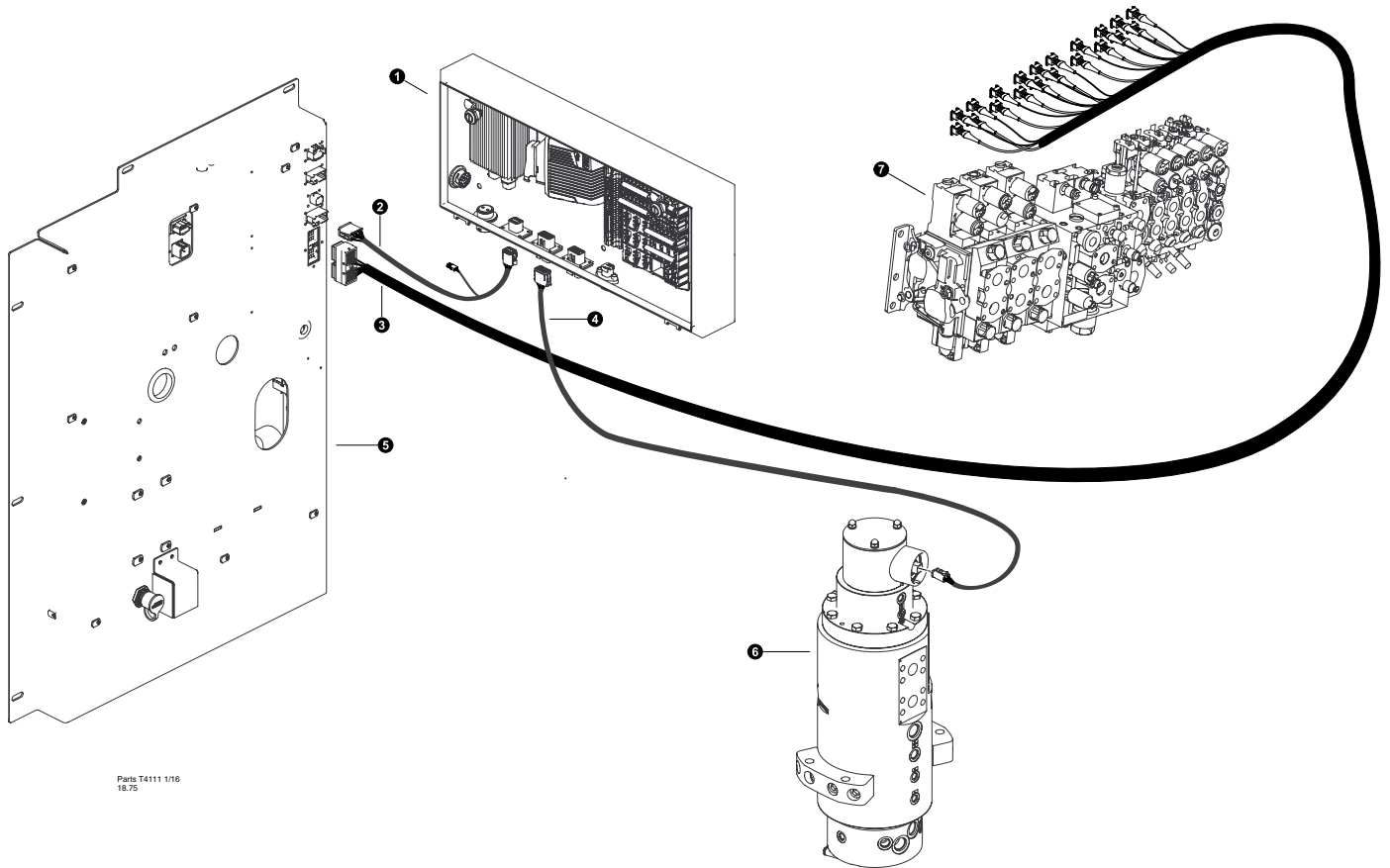


Parts T4110 04/16
18.75

IQAN - CAB CONTROL HARNESS





REF	PART #	QTY	DESCRIPTION	SEE SECTION
1	REF.	1	 CAB ELECTRICAL CENTER	ES-2
2	REF.	1	 MDL PANEL ASSEMBLY	ES-3
3	55392-ES	1	HARNESS, MD4 to Load Center	
4	55394-ES	1	HARNESS, Pedals to Load Center	
5	55420-ES	1	HARNESS, INTERCONNECT JOYSTICK POD RH	
6	55419-ES	1	HARNESS, INTERCONNECT JOYSTICK POD LH	
7	54528-ES	1	HARNESS, Hydro Pumps	
8	REF.	1	 RIGHT JOYSTICK CONTROL POD	ES-3
9	REF.	1	 LEFT JOYSTICK CONTROL POD	ES-3
10	REF.	1	 DRIVE PEDAL CONTROL	ES-3
11	REF.	1	 WHEEL DRIVE PUMP	WD-1
12	REF.	1	BRAKE PEDAL	ES-3

 See referenced page for component or assembly breakdown.

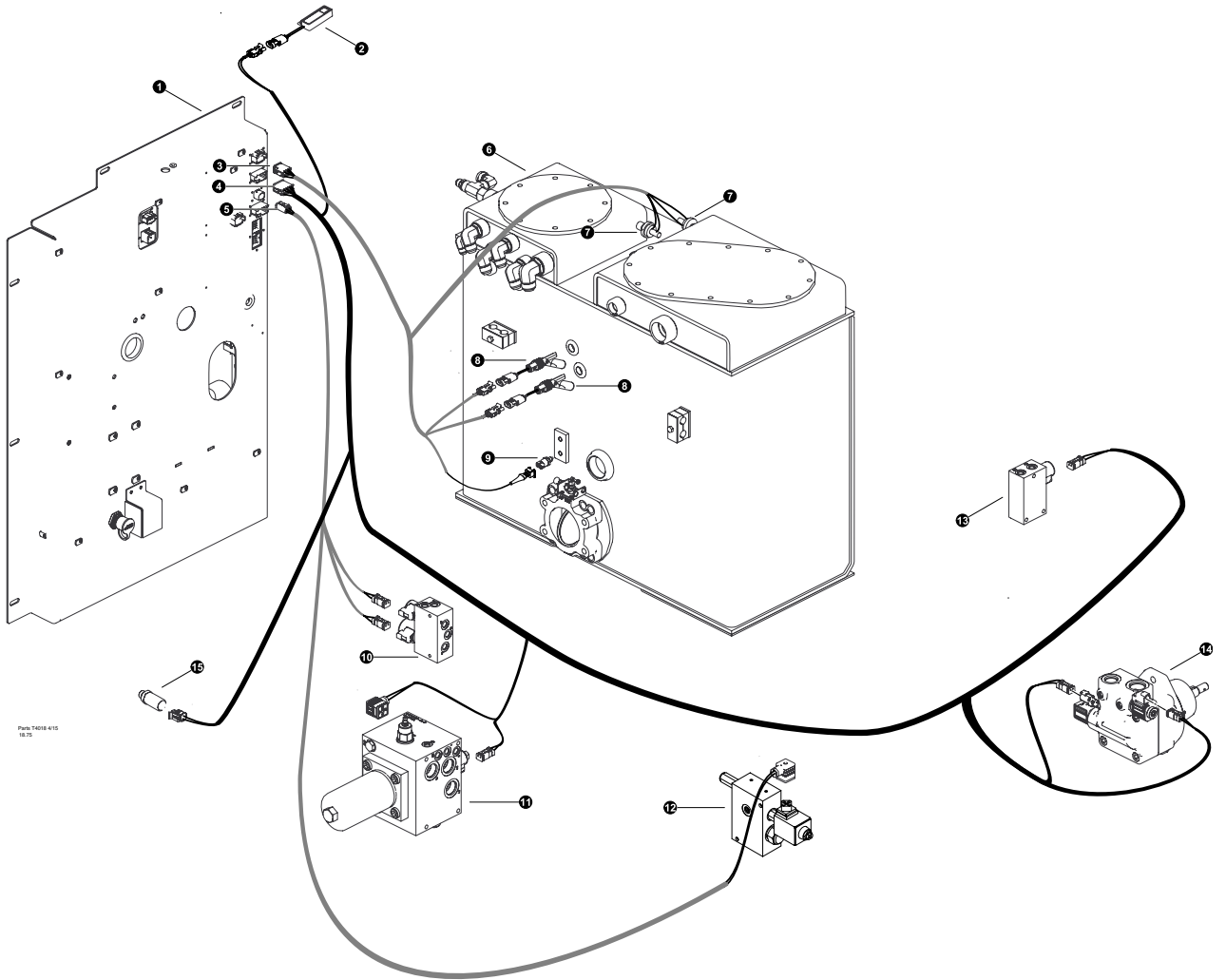


Parts T4111 1/16
18.75










IQAN - Control Valve, XA2 Panel, and Rotary Manifold

REF	PART #	QTY	DESCRIPTION	SEE SECTION
1	REF.	1	 CAB ELECTRICAL CENTER	ES-2
2	54527-ES	1	HARNESS, XA2 panel to Cab Load Center	
3	54524-ES	1	HARNESS, VALVE MD4	
4	54530-ES	1	HARNESS, Rotary Manifold	
5	REF	1	 XA2 PANEL ASSEMBLY	ES-3
6	REF	1	 ROTORY MANIFOLD	UP-1
7	REF.	1	 MAIN CONTROL VALVE	LH/HH

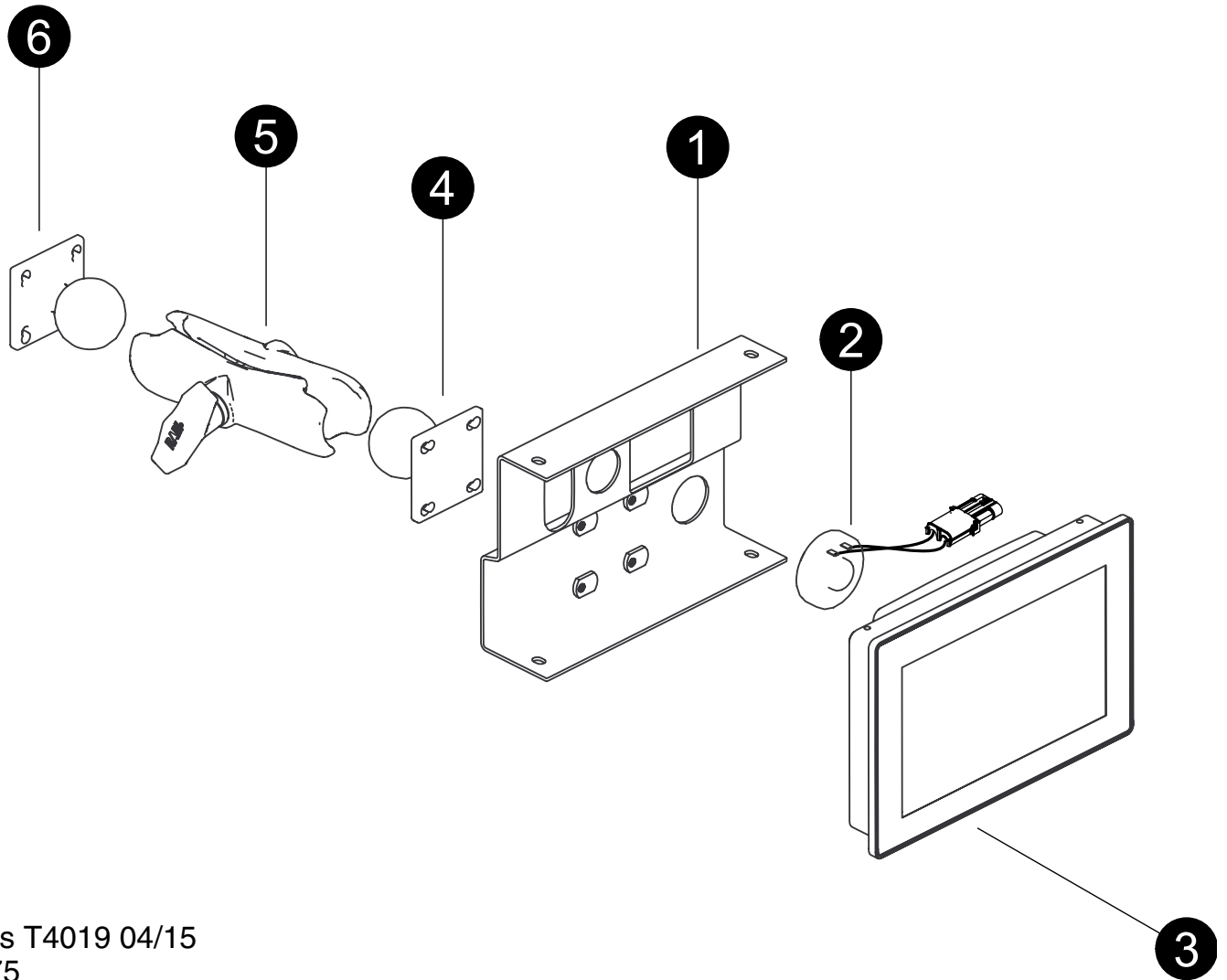
 See referenced page for component or assembly breakdown.



IQAN - Tank Sensors, Fan, Charge System

REF	PART #	QTY	DESCRIPTION	SEE SECTION
1	REF	1	XA2 PANEL ASSEMBLY.....	ES-3
2	55264-ES	1	SWITCH, LIMIT - GULLWING (MAGNETIC)	
3	54525-ES	1	HARNESS, Hydraulic Tank Sensors	
4	54526-ES	1	HARNESS, Charge System and Fans	
5	55192-ES	1	HARNESS, Parking Brake, Motor Shift, and Disc Saw	
6	REF	1	 HYDRAULIC TANK ASSEMBLY.....	UP-2
7	REF	1	 HYDRAULIC TANK ASSEMBLY - Pressure Switches	UP-2
8	REF	1	 HYDRAULIC TANK ASSEMBLY - Level Switches	UP-2
9	REF	1	 HYDRAULIC TANK ASSEMBLY - Tempature Sender	UP-2
10	REF.	1	 PARKING BRAKE/MOTOR SHIFT VALVE ASSEMBLY.....	WD
11	REF.	1	 TRACK DRIVE CHARGE VALVE ASSEMBLY.....	WD
12	REF.	1	 DISC SAW STOP VALVE ASSEMBLY	HH
13	REF	1	 SWING MOTOR BRAKE VALVE	LH//HH
14	REF	1	 FAN MOTOR CONTROL	UP-3
15	24532-ES	1	TRANSDUCER, PRESSURE	

 See referenced page for component or assembly breakdown.



Parts T4019 04/15
18.75

IQAN - MD4 panel

REF	PART #	QTY	DESCRIPTION	SEE SECTION
1	46800-ES	1	ENCLOSURE, MD4	
2	55318-ES	1	MODULE, MD4 - SCREEN	
-	53112-ES	1	Software, Dealer MD4 (IQAN Active Studio)	
3	53025-ES	1	SIREN, WARNING MD4 Panel	
4	55452-ES	1	MOUNT, RAM - BASE - C SERIES	
5	55451-ES	1	MOUNT, RAM - DOUBLE SOCKET ARM - C SER.	
6	55452-ES	1	MOUNT, RAM - BASE - C SERIES	



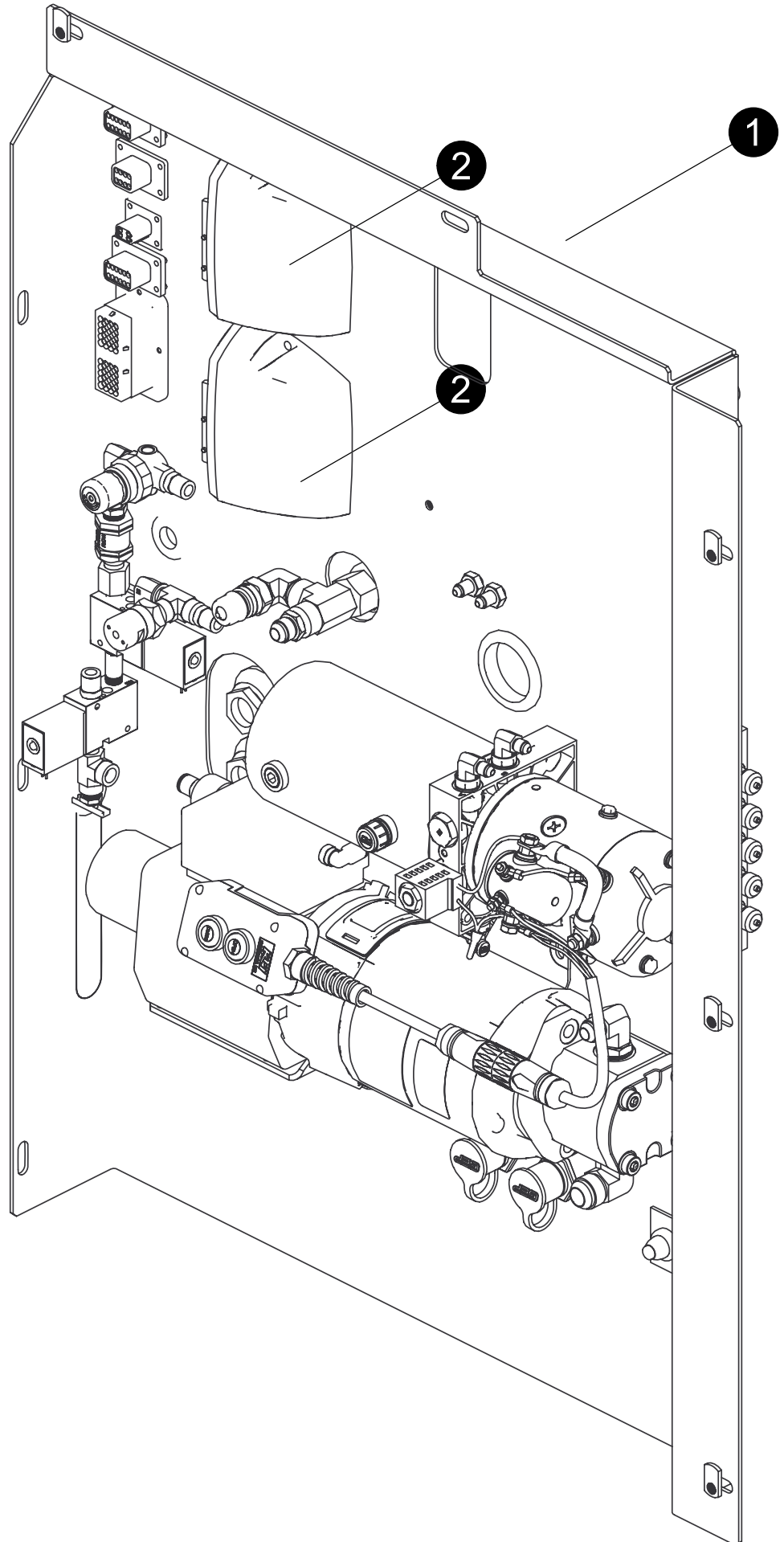
See referenced page for component or assembly breakdown.



Kit or Assembly - includes all items indented underneath.



Included in repair kit



Parts T4020 04/15

18.75

IQAN - XA2 Panel

REF	PART #	QTY	DESCRIPTION	SEE SECTION
1	NSS	1	<input type="checkbox"/> PANEL, XA2 MD4 SYSTEM MODULE, XA2 - IQAN	
2	53095-ES	2		



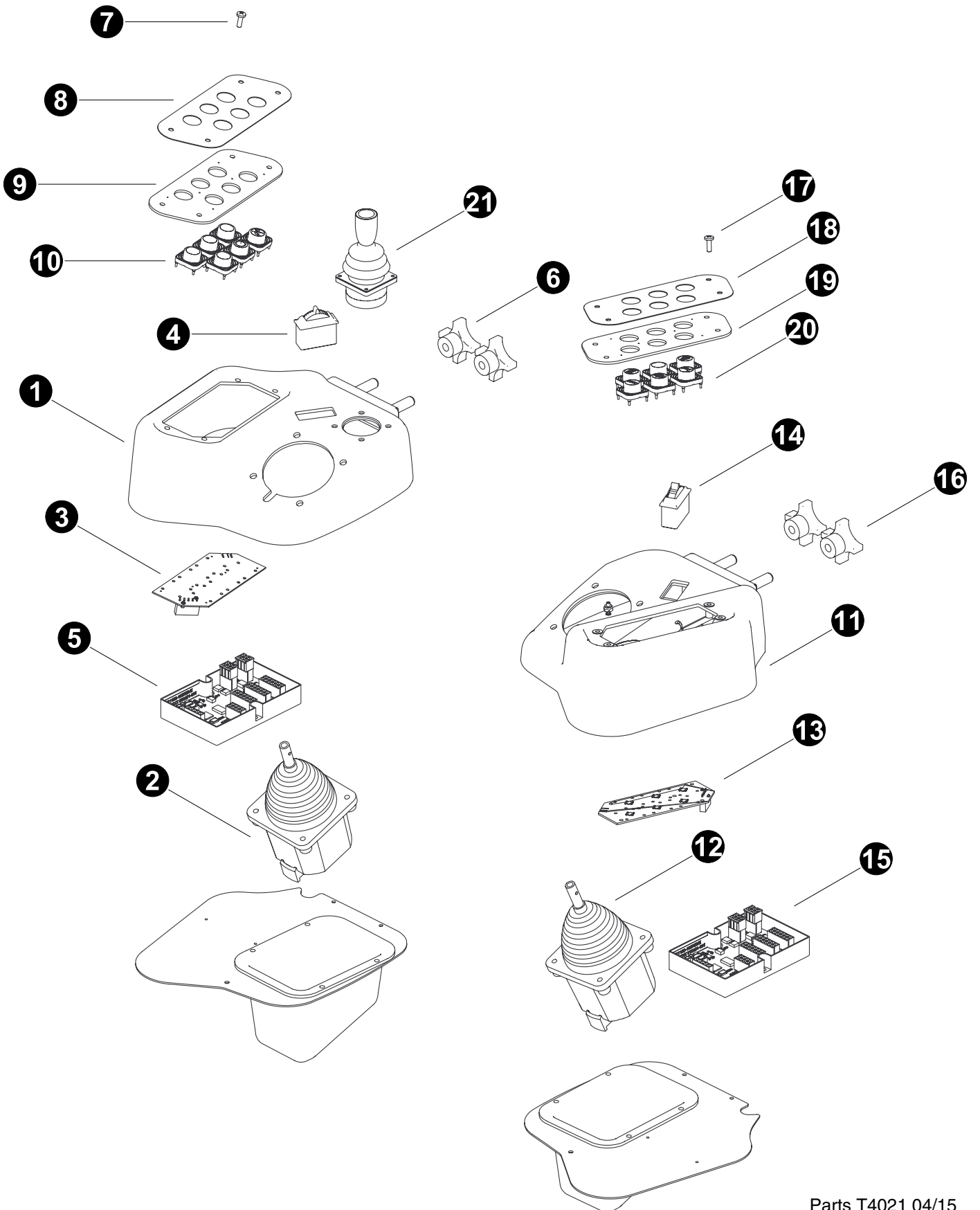
See referenced page for component or assembly breakdown.



Kit or Assembly - includes all items indented underneath.



Included in repair kit



Parts T4021 04/15
18.75

IQAN - LEFT AND RIGHT CONTROL PODS

REF	PART #	QTY	DESCRIPTION	SEE SECTION
1	55422-ES	1	POD, JOYSTICK - RH (C-SERIES TRACK)	
2	54126-ES	1	JOYSTICK, MDL (P&G) CAN RIGHT	
3	55666-ES	1	Panel, 6-Switch RIGHT Side	
4	55703-ES	1	THUMBWHEEL - Travel Speed	
5	55707-ES	1	BOARD, CIRCUIT - POD RH C-SERIES	
6	-ES	2	KNOB, (DK-57)	
7	-ES	1	SCREW, 8-32 1/2"	
8	-ES	1	COVER, SWITCHES (M13355-227)	
9	-ES	1	SPACER, SWITCHES	
10	-ES	1	BUTTON, BLANK (M13361)	
-	-ES	1	BUTTON, DISC SAW (M13361-009)	
-	-ES	1	BUTTON, MOTOR SHIFT (M13361-010)	
11	55417-ES	1	POD, JOYSTICK - LH (C-SERIES WHEEL/TRACK)	
12	54125-ES	1	JOYSTICK, MDL (P&G) CAN LEFT	
13	55667-ES	1	Panel, 6-Switch LEFT Side	
14	55703-ES	1	THUMBWHEEL - Engine Speed	
15	55708-ES	1	BOARD, CIRCUIT - POD LH C-SERIES	
16	-ES	2	KNOB, (DK-57)	
17	-ES	1	SCREW, 8-32 1/2"	
18	-ES	1	COVER, SWITCHES (M13355-227)	
19	-ES	1	SPACER, SWITCHES	
20	-ES	1	BUTTON, BLANK (M13361)	
-	-ES	1	BUTTON, ARMING (M13361-004)	
-	-ES	1	BUTTON, CHARGE HEATER (M13361-005)	
-	-ES	1	BUTTON, PARKING BRAKE (M13361-003)	
-	-ES	1	BUTTON, HORN (M13361-006)	
-	-ES	1	BUTTON, AUTO THROTTLE (M13361-007)	
21	57423-ES	1	JOYSTICK, STEER-BLADE C Model	



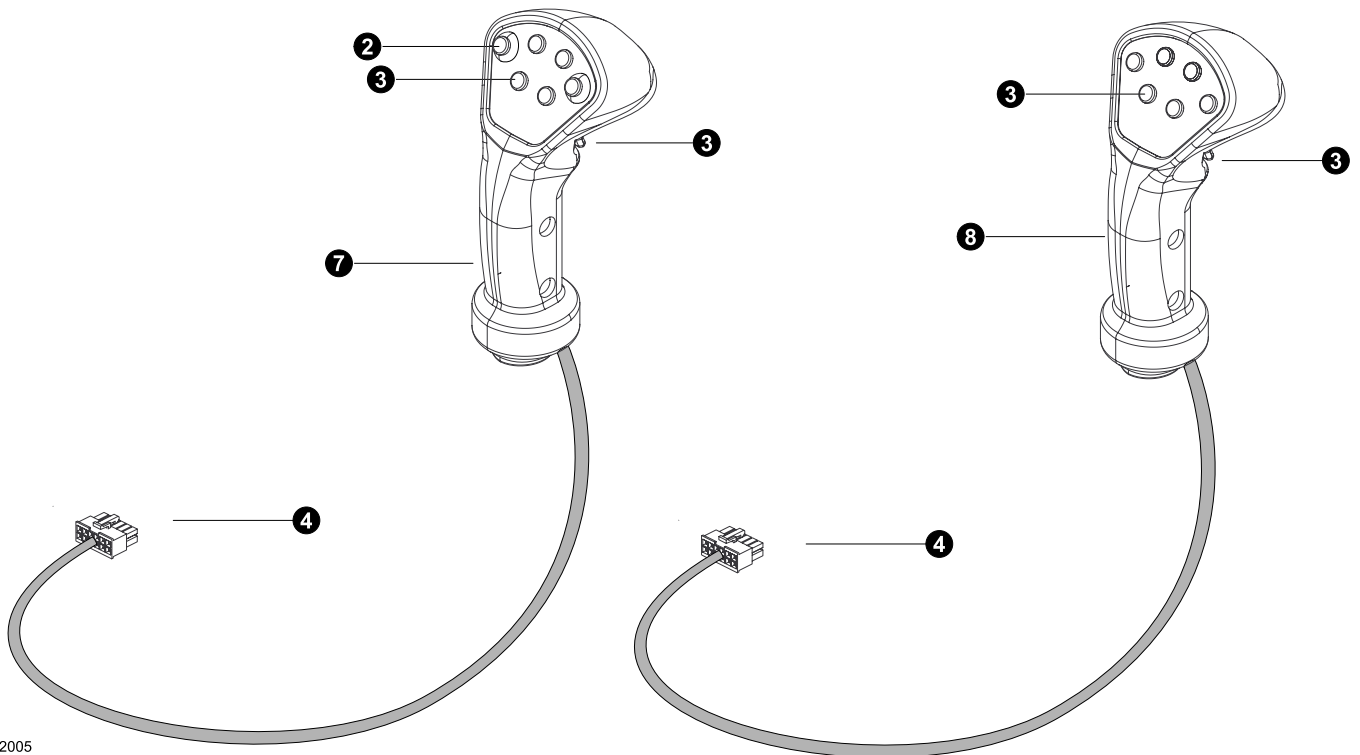
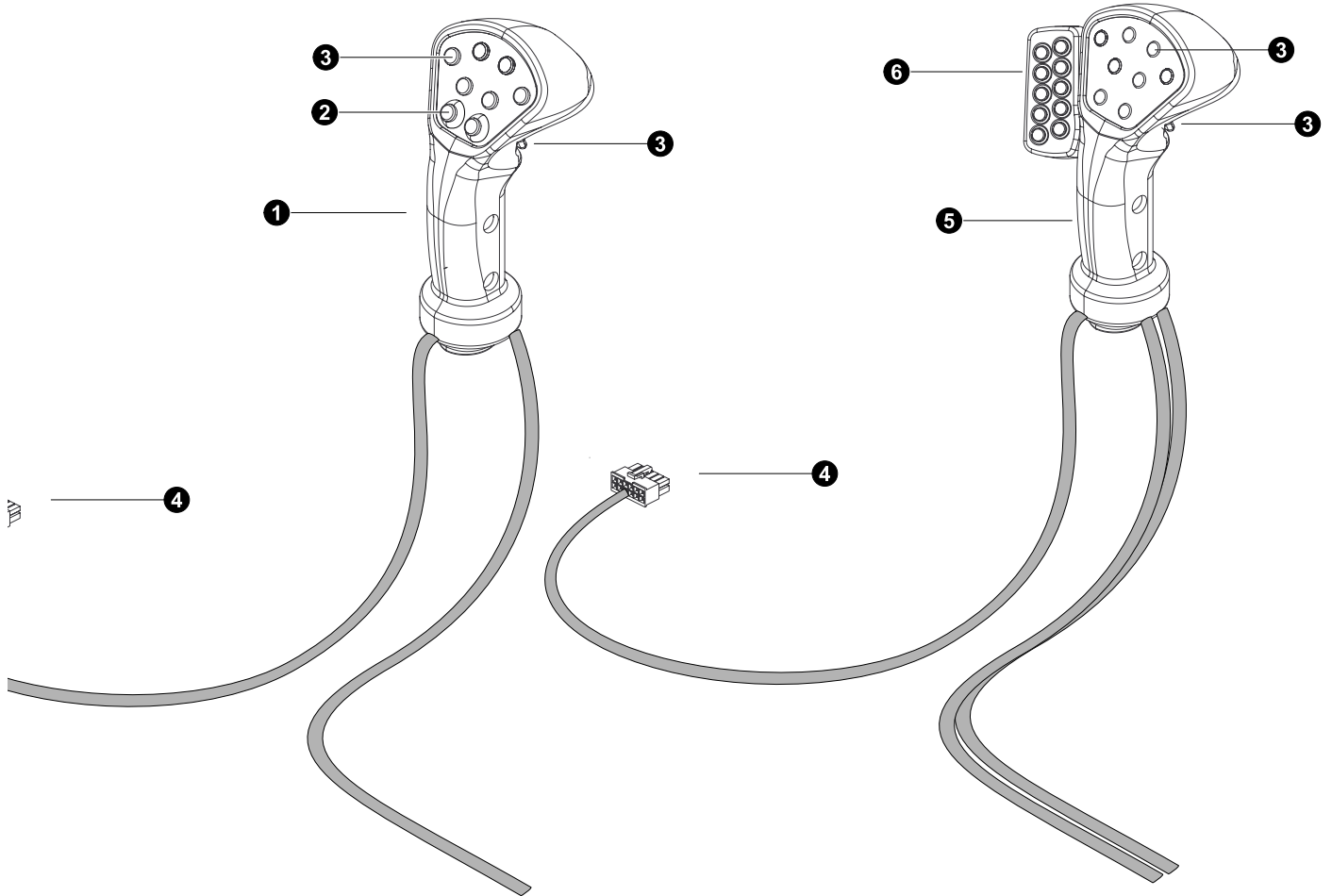
See referenced page for component or assembly breakdown.



Kit or Assembly - includes all items indented underneath.



Included in repair kit



06/2005

HANDCONTROL BREAKDOWN

REF	PART #	QTY	DESCRIPTION	SEE SECTION
1	51567-ES	1	HAND CONTROL, SURE GRIP - LH (LOGMAX)	
2	51947-ES	2	SWITCH, PUSH BUTTON REPAIR KIT (PROPORTIONAL)	
-	52094-ES	2	KIT, REPAIR - PROPORTIONAL BUTTON COVER	
3	20961-ES	8	SWITCH, PUSH BUTTON (DIGITAL)	
4	-ES	1	CONNECTOR, PLUG - 12 PIN MOLEX (039012120)	
5	51566-ES	1	HAND CONTROL, SURE GRIP - RH W/KEYPAD (LOGMAX)	
6	52095-ES	10	SWITCH, PUSH BUTTON (SURE GRIP KEYPAD)	
7	55656-ES	1	HAND CONTROL, UPPER - SURE GRIP - Digital and Proportional	
8	55655-ES	1	HAND CONTROL, UPPER - SURE GRIP - Digital Buttons Only	



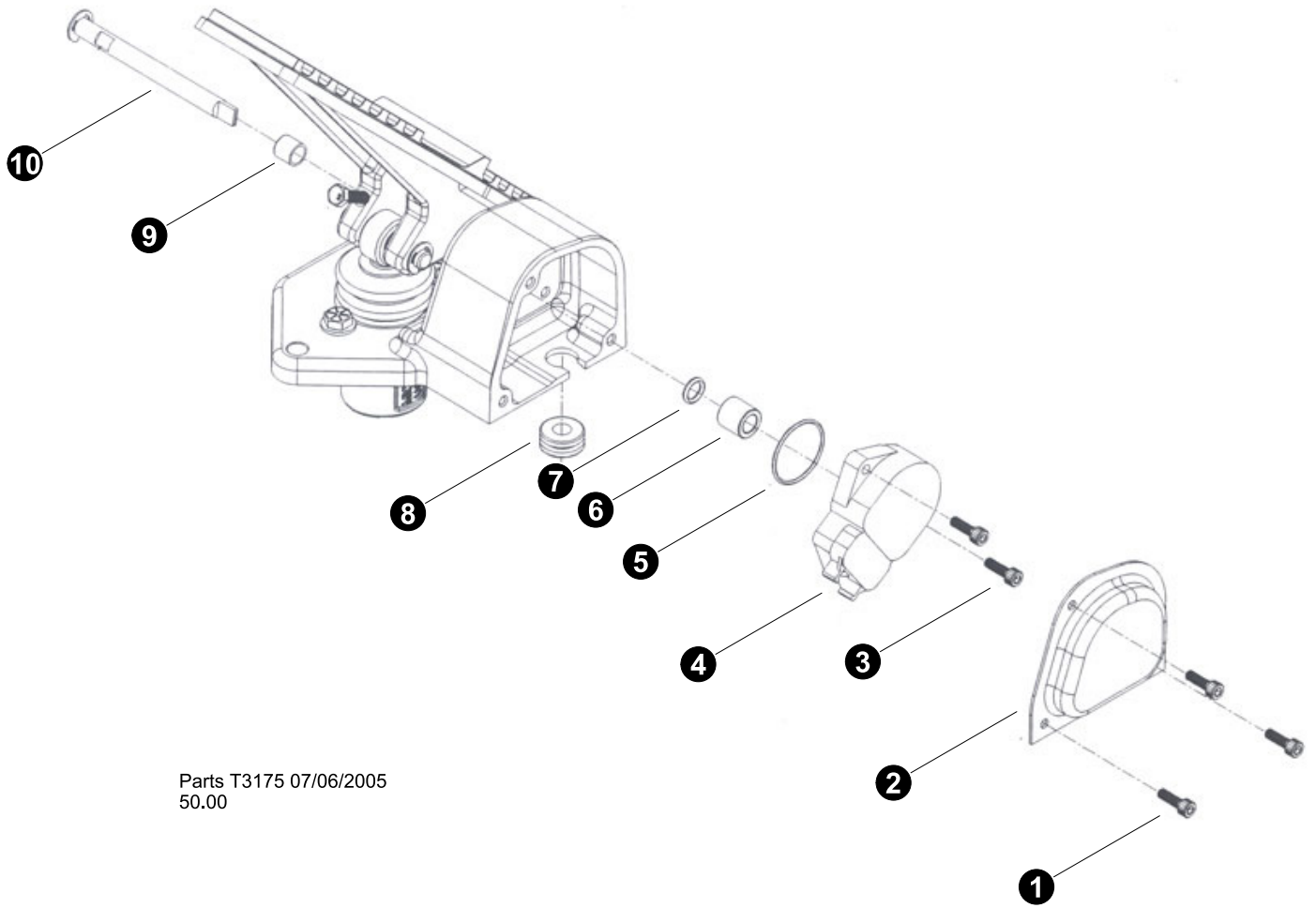
See referenced page for component or assembly breakdown.



Kit or Assembly - includes all items indented underneath.



Included in repair kit

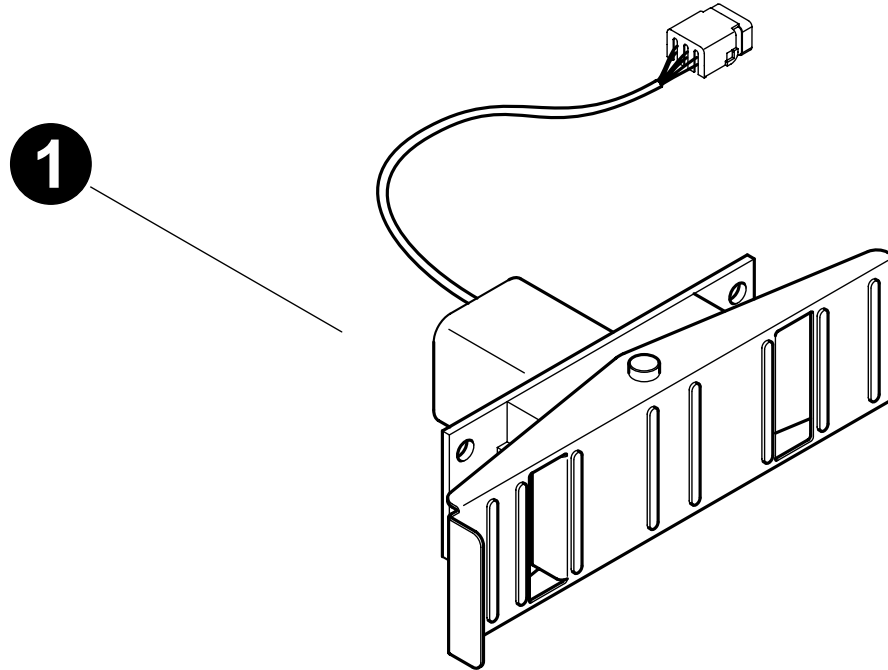


Parts T3175 07/06/2005
50.00

WHEEL DRIVE BRAKE PEDAL

REF	PART #	QTY	DESCRIPTION	SEE SECTION
-	51626-ES	1	☐ PEDAL, BRAKE CONTROL - ELECTRONIC TF830	
1	-	3	SCREW	
2	-	1	COVER	
3	-	2	⌘ SCREW	
4	-	1	⌘ POSITION SENSOR	
5	-	1	⌘ O-RING	
6	-	1	⌘ BEARING	
7	-	1	⌘ ORING	
8	-	1	⌘ GROMMET	
9	-	1	BEARING	
10	-	1	PIN	
-	52096-ES	1	⌘ KIT, REPAIR - MICO BRAKE PEDAL	

- ☐ See referenced page for component or assembly breakdown.
- ☐ Kit or Assembly - includes all items indented underneath.
- ⌘ Included in repair kit



Parts T3176 07/06/2005
50.00

WHEEL DRIVE CONTROL PEDALS

REF	PART #	QTY	DESCRIPTION	SEE SECTION
1	51491-ES	1	PEDAL, FOOT CONTROL - DUAL AXIS , OTTO CONTROLS (SEALED)	

Disassembly of these components is not recommended.

 See referenced page for component or assembly breakdown.

THIS PAGE LEFT BLANK FOR NOTES
