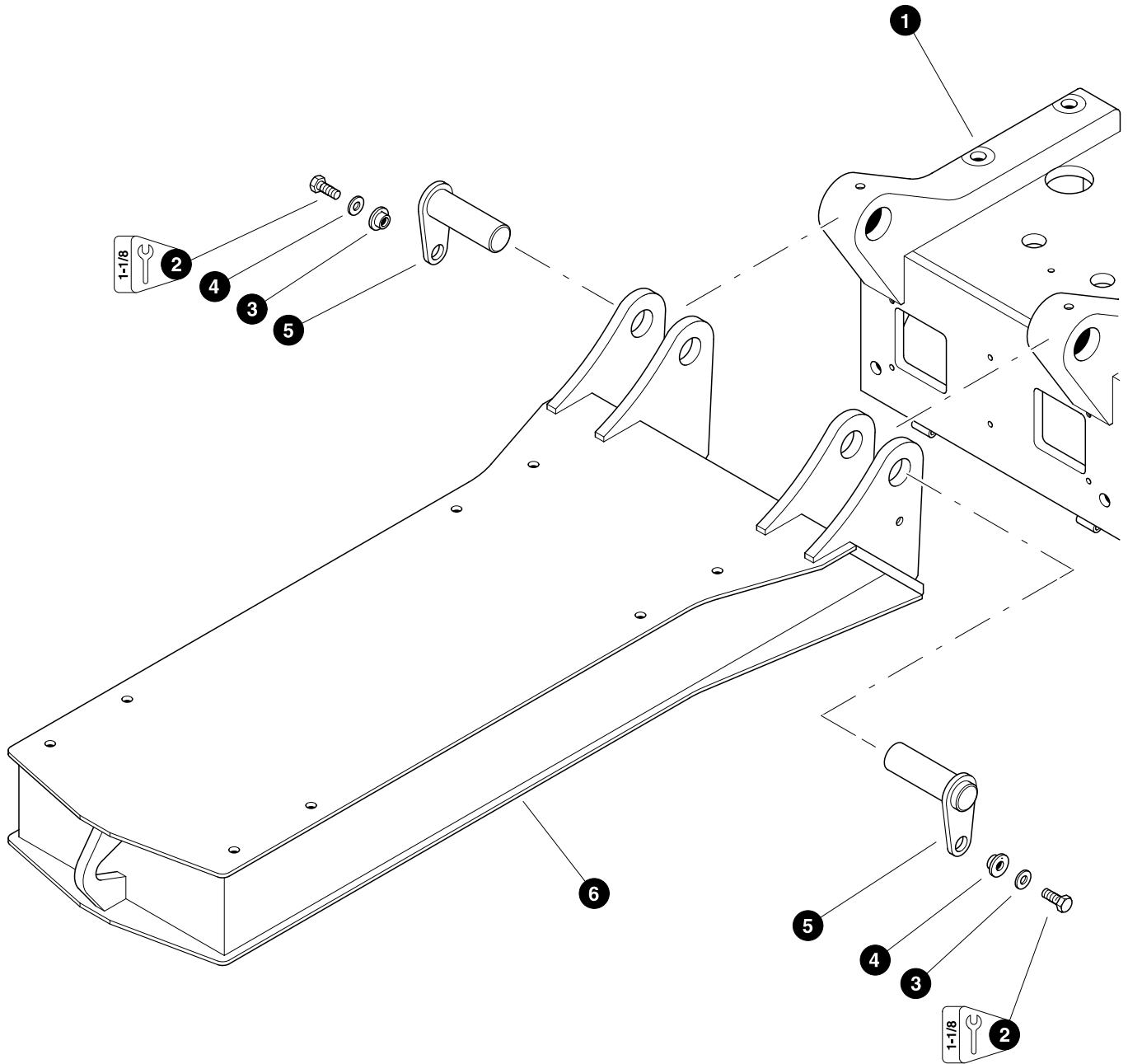



Section FB-1

Bunks, Log Stakes & Headacke Rack - Installation

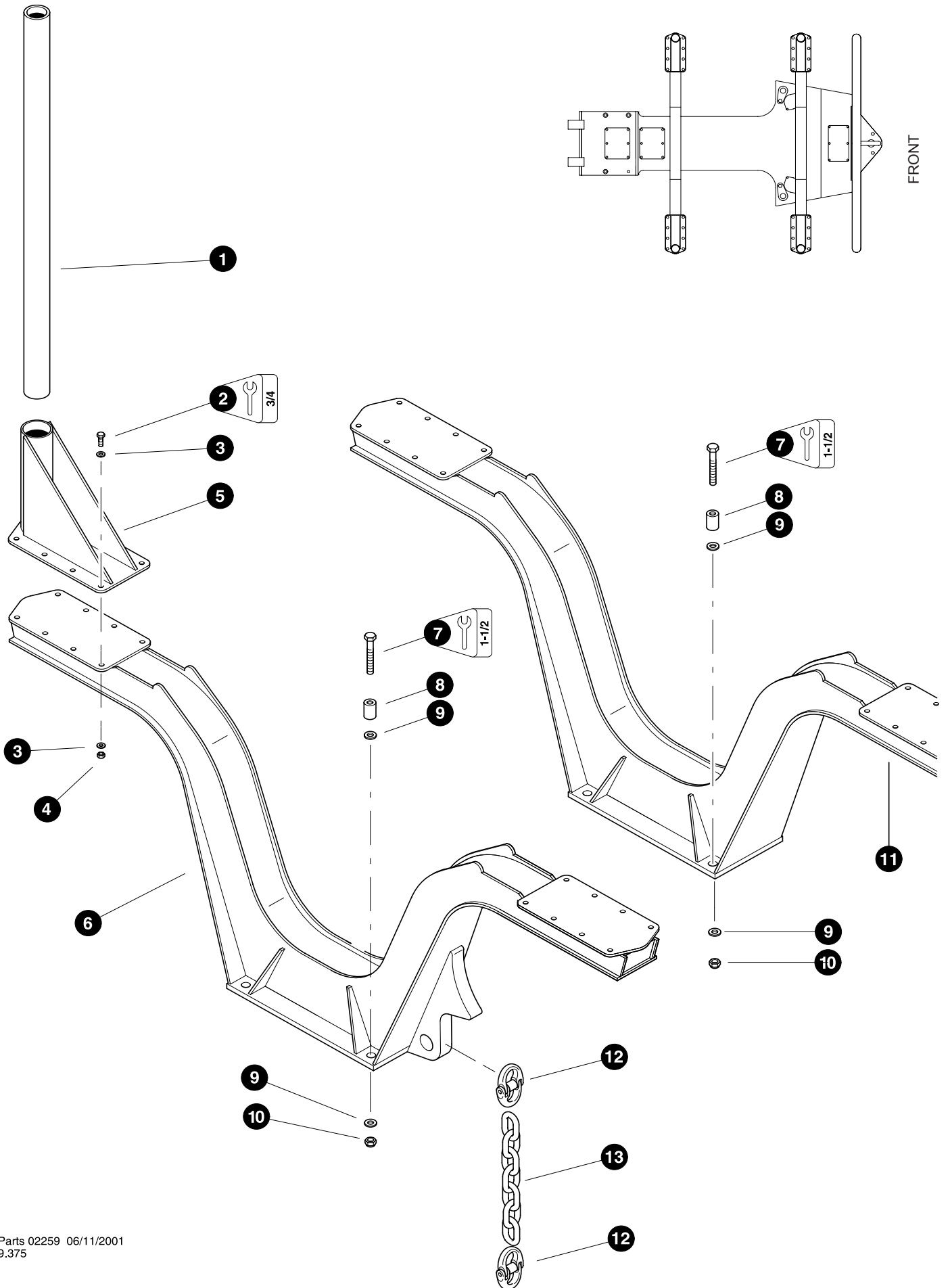


Parts 01917 11/27/2000
12.50

FLOATING BUNK INSTALLATION (Typical)

REF	PART #	QTY	DESCRIPTION	SEE SECTION
1	REF	1	 REAR FRAME WELDMNT	FR-1
2	15549-FB	2	BOLT - 3/4" x 2"	
3	18570-FB	2	WASHER, pin retaining	
4	15550-FB	2	WASHER, SAE flat - 3/4"	
5	23434-FB	2	PIN, floating bunk - 2-1/2" x 7-7/8"	
6	13481-FB	1	WELDMNT, FLOATING BUNK - FWD (2.5")	

 See referenced page for component or assembly breakdown.



Parts 02259 06/11/2001
9,375

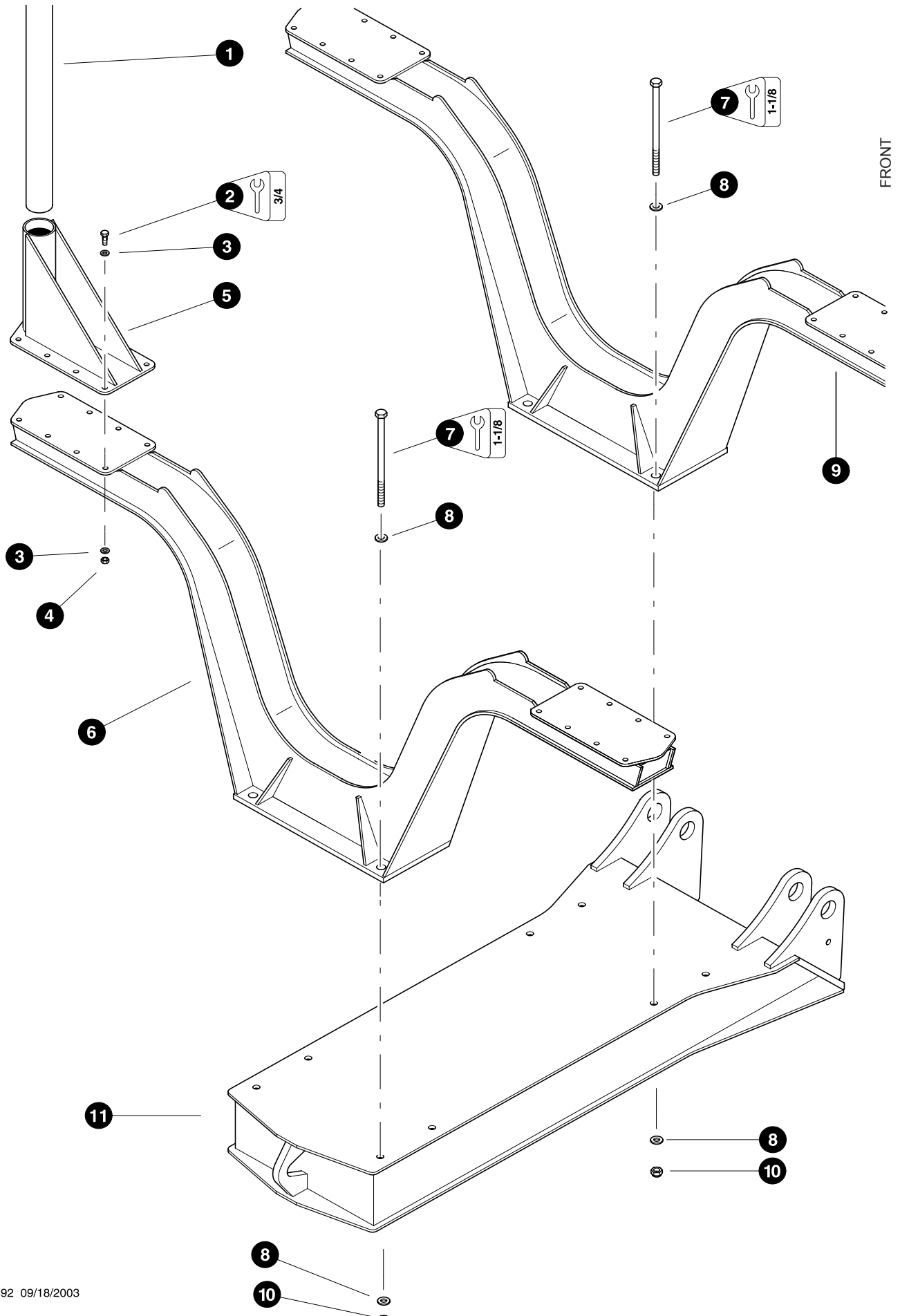
LOG BUNK & STAKE INSTALLATION (Typical - Forwarder)

(Rear Frame Installation)

REF	PART #	QTY	DESCRIPTION	SEE SECTION
1	21013-FB	4	TUBE, log stake	
2	10736-FB	24	BOLT - 1/2" x 2"	
3	15534-FB	48	WASHER, SAE flat - 1/2"	
4	10815-FB	24	NUT, lock - 1/2"	
5	80398-FB	4	WELDMENT, log stake pocket	
6	50982-FB	1	BUNK, log bunk w/axle stops and 2" riser - <i>(Used on machines with Standard 700/50x26.5 or Optional 750/50x26.5 wheels)</i>	
7	50263-FB	8	BOLT - 1"X 5.5" <i>(Used when mounting log bunk to the rear frame)</i>	
8	12463-FB	8	SPACER, 1"	
9	18532-FB	16	WASHER, SAE flat - 1"	
10	18253-FB	16	NUT, lock - 1"	
11	50981-FB	1	BUNK, log bunk w/ 2" riser - <i>(Used on machines with Standard 700/50x26.5 or Optional 750/50x26.5 wheels)</i>	
12	24416-FB	4	LINK, connecting - 3/4"	
13	24442-FB	2	CHAIN, axle stop - 3/4" <i>(7 Links)</i>	

Note:


When ordering log bunk weldments, be sure to specify whether or not an axle stop is required. See illustration at left.



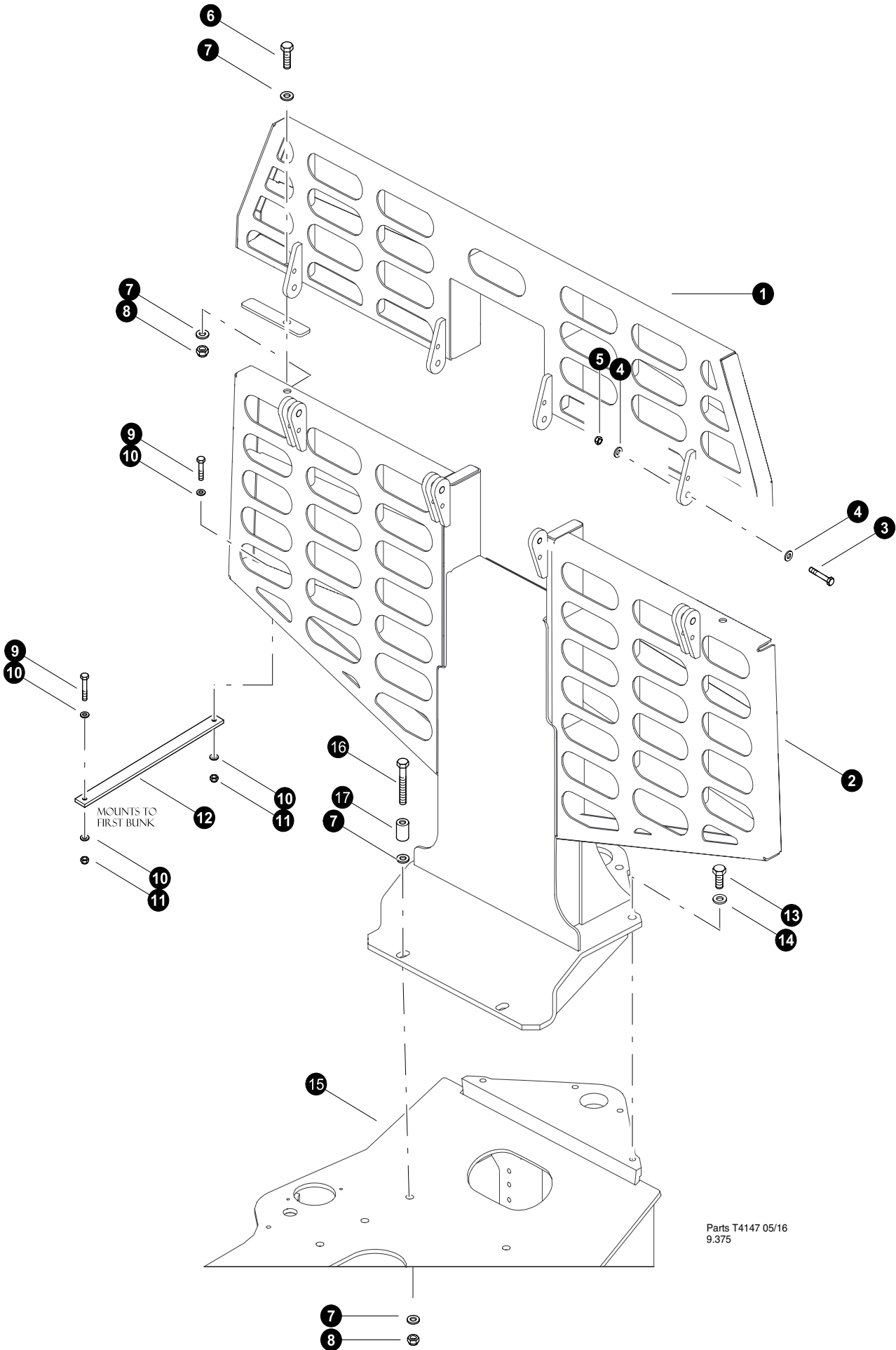
Parts T2892 09/18/2003
9.375

LOG BUNK & STAKE INSTALLATION (Typical - Forwarder)

(Floating Bunk Installation)



REF	PART #	QTY	DESCRIPTION	SEE SECTION
1	21013-FB	4	TUBE, log stake	
2	10736-FB	24	BOLT - 1/2" x 2"	
3	15534-FB	48	WASHER, SAE flat - 1/2"	
4	10815-FB	24	NUT, lock - 1/2"	
5	80398-FB	4	WELDMENT, log stake pocket	
6	50981-FB	3	BUNK, log bunk - 28" <i>(Used on machines with Standard 700/50x26.5 or Optional 750/50x26.5 wheels)</i>	
7	20905-FB	8	BOLT - 3/4"X 12" <i>(Used when mounting log bunk to the floating bunk)</i>	
8	15550-FB	16	WASHER, SAE flat - 3/4"	
9	80742-FB	2	BUNK, log bunk - <i>(Used on machines with Standard 700/50x26.5 or Optional 750/50x26.5 wheels)</i>	
10	10817-FB	16	NUT, lock - 3/4"	
11	REF.	1	 FLOATING BUNK	FB-1



 See referenced page for component or assembly breakdown.



HEADACHE RACK INSTALLATION

(Typical - Forwarder)

REF	PART #	QTY	DESCRIPTION	SEE SECTION
-	52238-FB	1	 HEADACHE RACK ASSY. - TF-830 STRAIGHT	
1	52236-FB	1	HEADACHE RACK BASE-REPAIR PART - STRT	
2	52237-FB	1	HEADACHE RACK TOP-REPAIR PART	
3	10841-FB	4	BOLT - .75" X 3.5"	
4	15550-FB	8	WASHER, SAE FLAT - .75"	
5	10817-FB	4	NUT, LOCK - 3/4	
6	15552-FB	2	BOLT - 1" x 2-1/2"	
7	18532-FB	8	WASHER, SAE flat - 1"	
8	18253-FB	2	NUT, LOCK - 1"	
9	15526-FB	4	BOLT - .625" X 2"	
10	10771-FB	8	WASHER, SAE FLAT - .625"	
11	10816-FB	4	NUT, LOCK - .625"	
12	51989-FB	2	BAR, STABILIZER - LOG RACK 830 SWEEP BK	
13	15552-FB	4	BOLT - 1" x 2-1/2"	
14	15579-FB	4	WASHER, FLAT 1"	
15	REF.	1	 REAR FRAME	FR-1
16	50263-FB	8	BOLT - 1"X 5.5"	
17	12463-FB	8	SPACER, 1"	

-  Kit or Assembly - includes all items indented underneath.
-  See referenced page for component or assembly breakdown.

