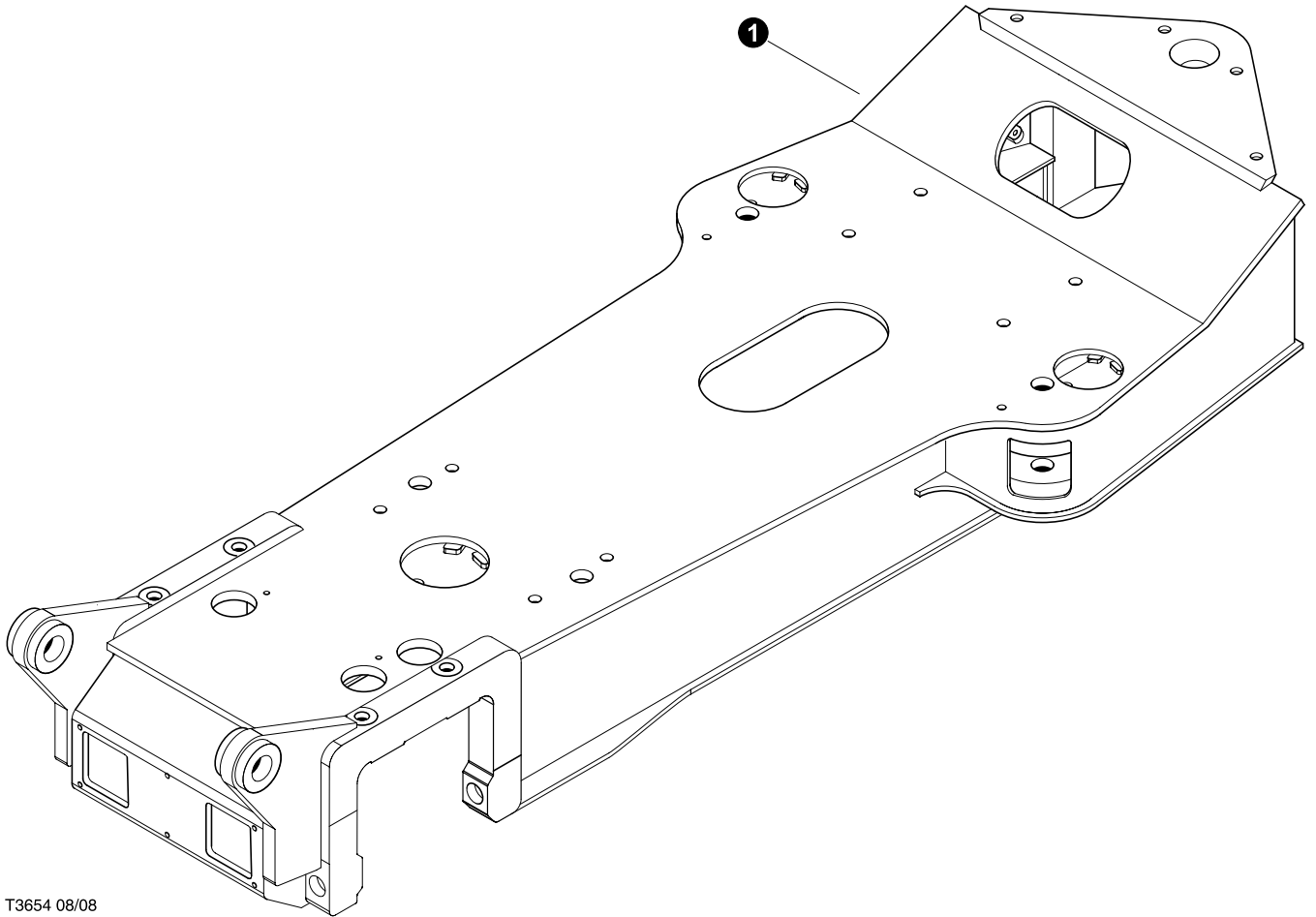


# ***Section FR-1***

---

## ***830 / 840 Rear Frame - Structural / Covers / Pins***

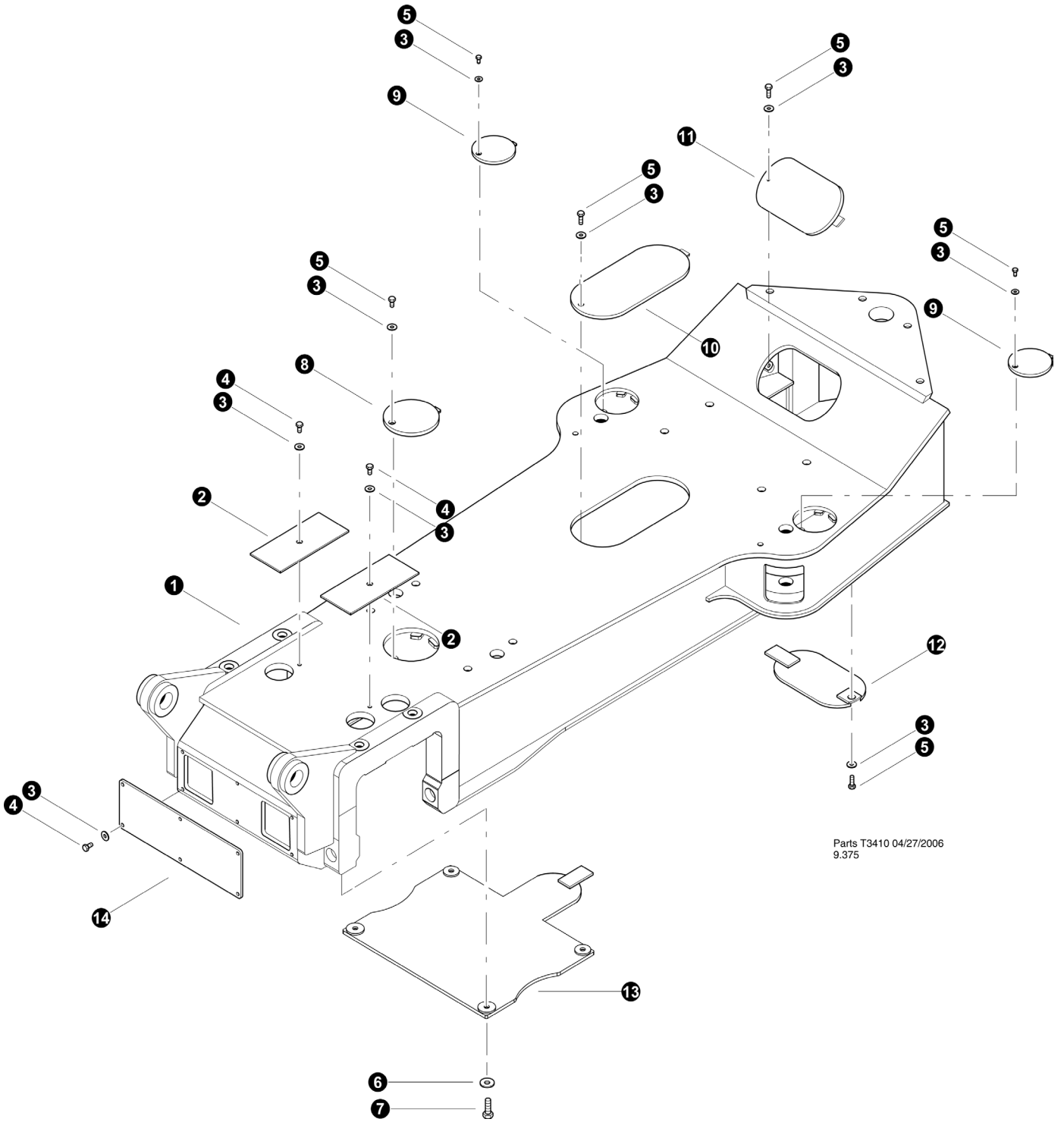


Parts T3654 08/08  
9.375

**REAR FRAME WELDMENT**


REF	PART #	QTY	DESCRIPTION	SEE SECTION
1	52914-FR	1	FRAME, REAR STD 830 NON-LEVEL TAPER PIN ( <i>Standard length</i> )	
	52915-FR	1	FRAME, REAR +24 830 NON-LEVEL TAPER PIN ( <i>24" longer</i> )	
	52916-FR	1	FRAME, REAR +46 830 NON-LEVEL TAPER PIN ( <i>46" longer</i> )	

- Kit or Assembly - includes all items indented underneath.



Parts T3410 04/27/2006  
9.375

## REAR FRAME ACCESS COVERS

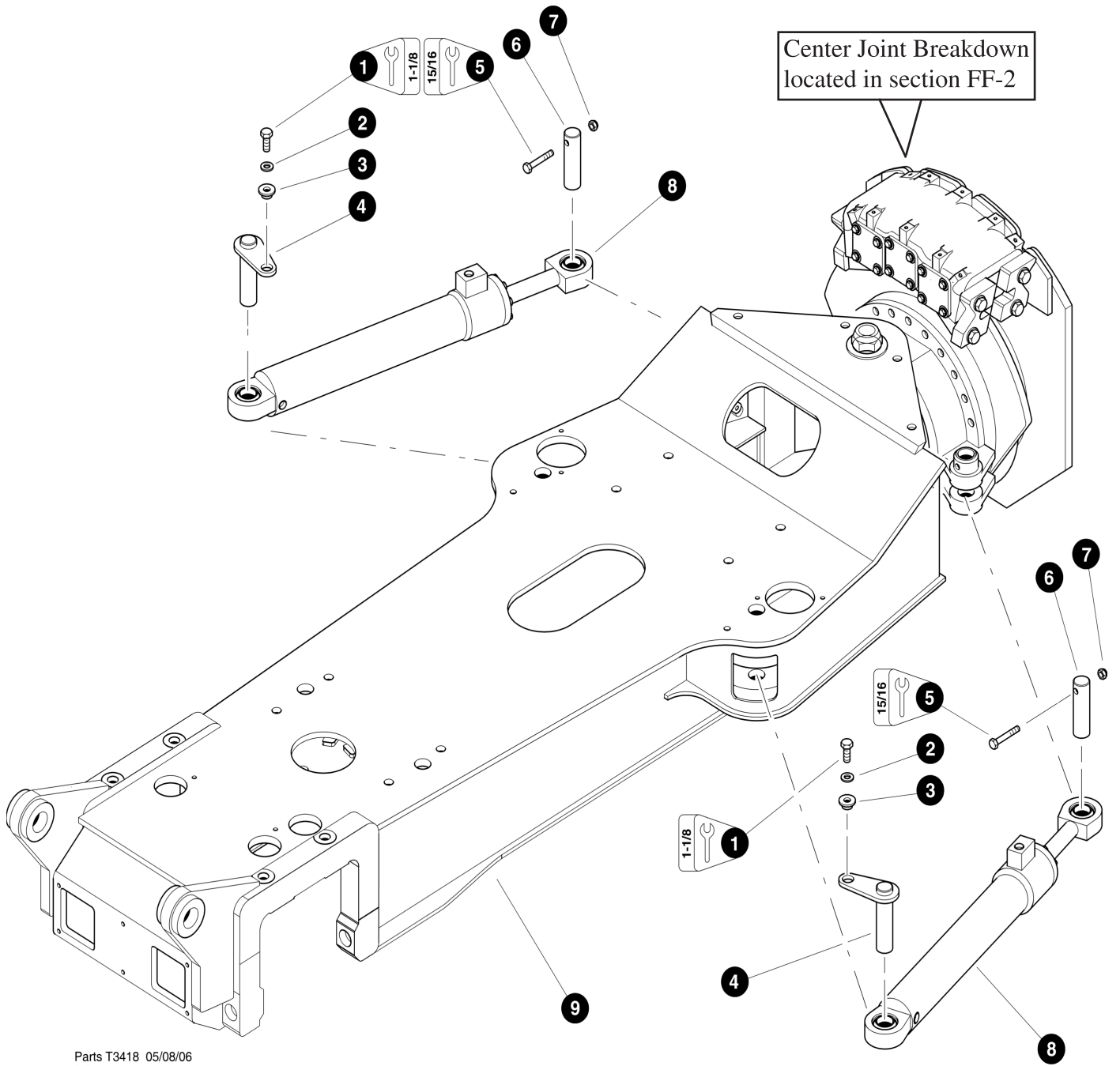
REF	PART #	QTY	DESCRIPTION	SEE SECTION
1	REF.	1	 REAR FRAME WELDMENT .....	FR-1
2	42162-FR	2	COVER, access - rear frame axle top	
3	15534-FR	39	WASHER, SAE flat - 1/2"	
4	10783-FR	9	BOLT - 1/2" x 1"	
5	10739-FR	30	BOLT - 1/2" x 1-1/2"	
6	10771-FR	16	WASHER, SAE flat - 5/8	
7	15681-FR	8	BOLT, 5/8 X 2.25"	
8	52446-FR	1	COVER, TOP REAR ROUND 8"	
9	52475-FR	2	COVER, TOP REAR ROUND 6"	
10	52537-FR	1	COVER, TOP REAR OBLONG 9 X 24	
11	52477-FR	1	COVER, TOP REAR OBLONG 8 X 14	
12	52846-FR	1	COVER, BOTTOM REAR (standar frame)	
13	52215-FR	1	COVER, AXLE BOTTOM AXLE-5" END - NEW	
14	52489-FR	1	COVER, access - axle box end	



See referenced page for component or assembly breakdown.




Kit or Assembly - includes all items indented underneath.



Parts T3418 05/08/06  
9.375

## STEER CYLINDER INSTALLATION

REF	PART #	QTY	DESCRIPTION	SEE SECTION
1	15549-FR	2	BOLT - 3/4" x 2"	
2	15550-FR	2	WASHER, SAE flat - 3/4"	
3	18570-FR	2	WASHER, pin retaining	
4	80769-FR	2	PIN, steer cylinder mounting - base	
5	10719-FR	2	BOLT - 5/8" x 4"	
6	19448-FR	2	PIN, steer cylinder mounting - rod	
7	15563-FR	2	NUT, nylock - 5/8"	
8	REF.	2	 STEER CYLINDER .....	FR-3
9	REF.	1	REAR FRAME WELDMENT .....	FR-1

 See referenced page for component or assembly breakdown.

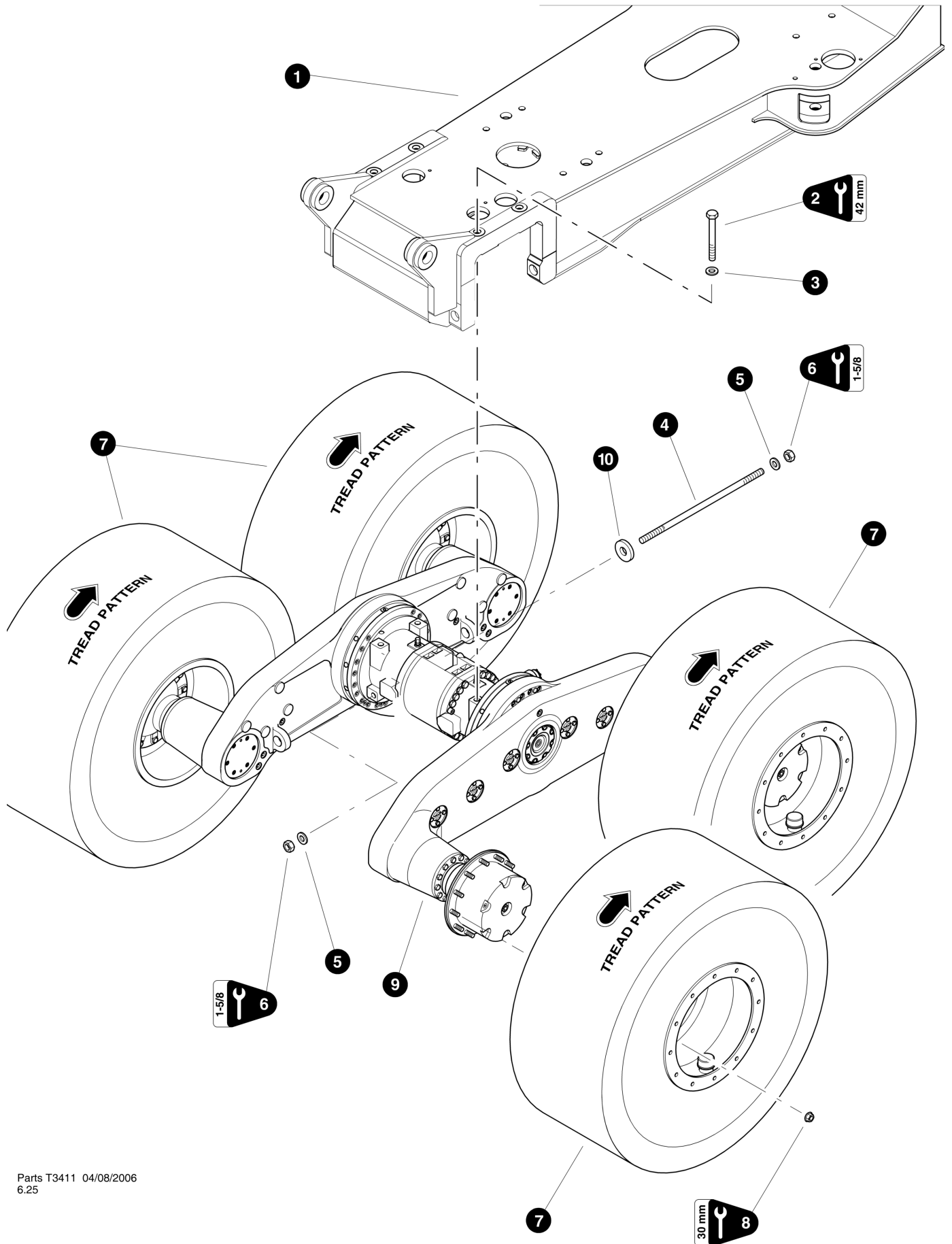




## ***Section FR-2***




---

### ***830, 840 Rear Frame - Frame & Drivetrain Installation***

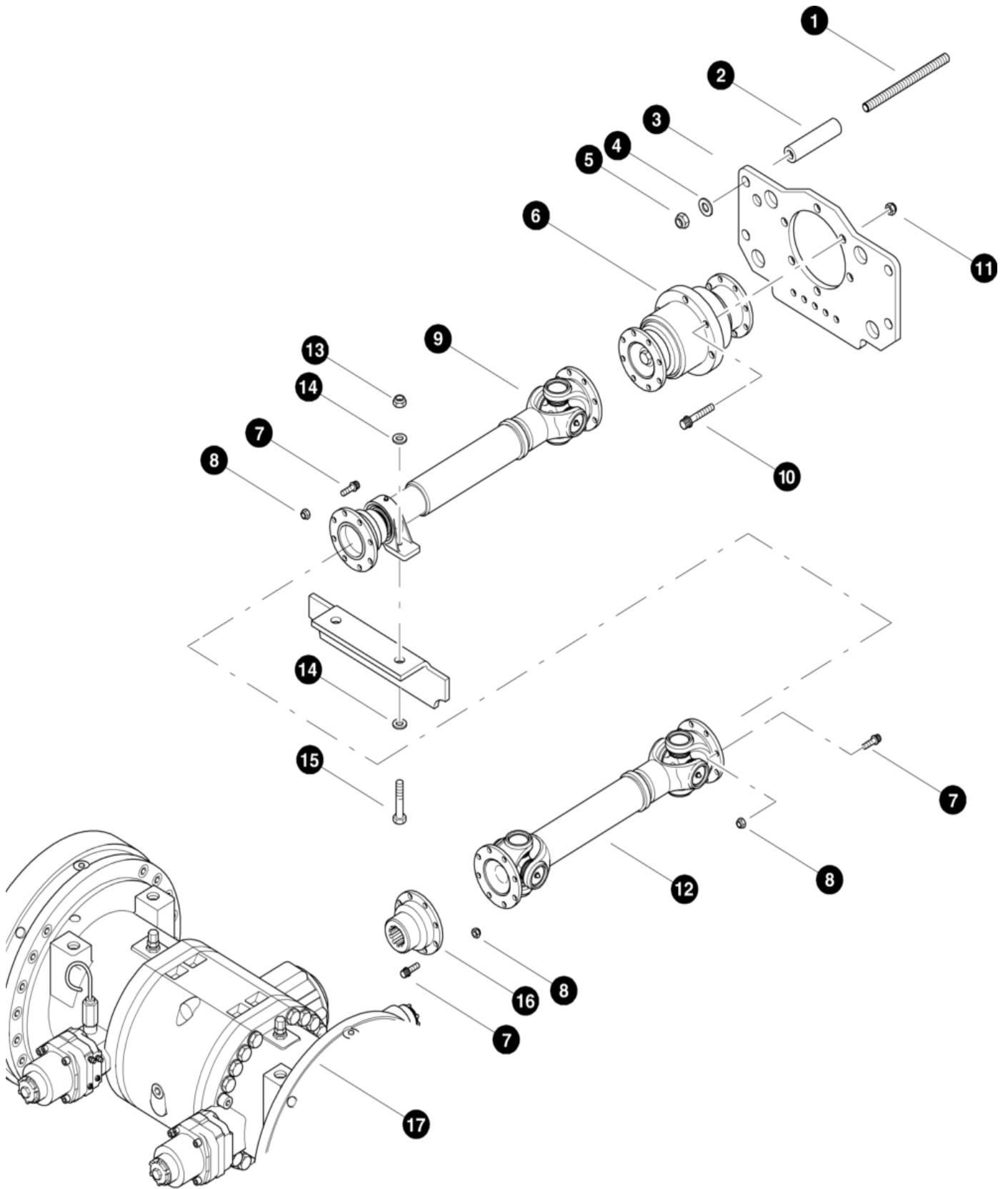


Parts T3411 04/08/2006  
6.25

## REAR AXLE INSTALLATION

REF	PART #	QTY	DESCRIPTION	SEE SECTION
1	REF.	1	 REAR FRAME WELDMENT . . . . .	FR-1
2	23567-FR	4	BOLT - 30mm-3.5P x 220mm ( <b>Torque to 1100 ft.lbs. (1465 Nm)</b> )	
3	23990-FR	4	WASHER, SAE FLAT - 1.25" (EXTRA THICK)	
4	52485-FF	2	STUD - 1.25" - 7 X 27.50" ( <b>Torque to 1200 ft.lbs. (1600 Nm)</b> )	
5	22531-FR	4	WASHER, SAE flat - 1-1/4"	
6	23989-FF	4	NUT, lock - 1-1/4" (Torque to 1200 ft.lbs. (1600 Nm))	
7	REF.	4	 WHEEL ASSEMBLY . . . . .	AX-5
8	19361-FR	48	NUT, lug ( <b>Torque to 600 ft.lbs. (800 Nm)</b> )	
9	REF.	1	 REAR AXLE . . . . .	AX-1
10	24003-FR	2	SPACER, axle spreader box	


 See referenced page for component or assembly breakdown.



Parts T3412 04/28/06  
12.50

## DRIVE SHAFT INSTALLATION (NAF 2-SPEED SHAFTS) (STANDARD FRAME)

REF	PART #	QTY	DESCRIPTION	SEE SECTION
1	26037-FR	4	STUD, 3/4 X 8.5 (see note #2)	
2	80721-FR	4	SPACER	
3	52486-FR	1	BRACKET, bearing mount	
4	15550-FR	4	WASHER, SAE flat 3/4	
5	10817-FR	4	NUT, lock - 3/4"	
6	25218-FR	1	IDLER, driveshaft (HD)	
7	50261-FR	24	BOLT, 12 point - 12mm-1.75P x 35mm (See Note #1 Below)	
8	50262-FR	24	NUT, lock - 12mm	
9	50791-FR	1	<input type="checkbox"/> DRIVE SHAFT (Gearbox to Center) (500793-61)	
	50466-FR	2	KIT, CROSS & BEARING	
	50467-FR	2	YOKE, FLANGE (90mm)	
	51594-FR	1	BEARING, PILLOW BLOCK	
10	50050-FR	6	BOLT, 12 point - 5/8" x 3" (See Note #1 Below)(Torque to 130 ft.lbs. (175 Nm))	
11	10816-FR	6	NUT, lock - 5/8"	
12	50791-FR	1	<input type="checkbox"/> DRIVE SHAFT (Gearbox to Center) (498347-61)	
	50466-FR	2	KIT, CROSS & BEARING	
	50467-FR	2	YOKE, FLANGE (90mm)	
13	10816-FR	2	NUT, LOCK - .625"	
14	23210-FR	4	WASHER, SAE FLAT - .625" (EXTRA THICK)	
15	15517-FR	2	BOLT - .625" X 2.5"	
16	23997-FR	1	YOKE, companion flange - AXLE	
17	REF.	1	<input type="checkbox"/> AXEL ASSY.....	AX

-  See referenced page for component or assembly breakdown.
- Kit or Assembly - includes all items indented underneath.

**Note #1:**

Use Loctite 242 (blue) during installation.

**Note #2:**

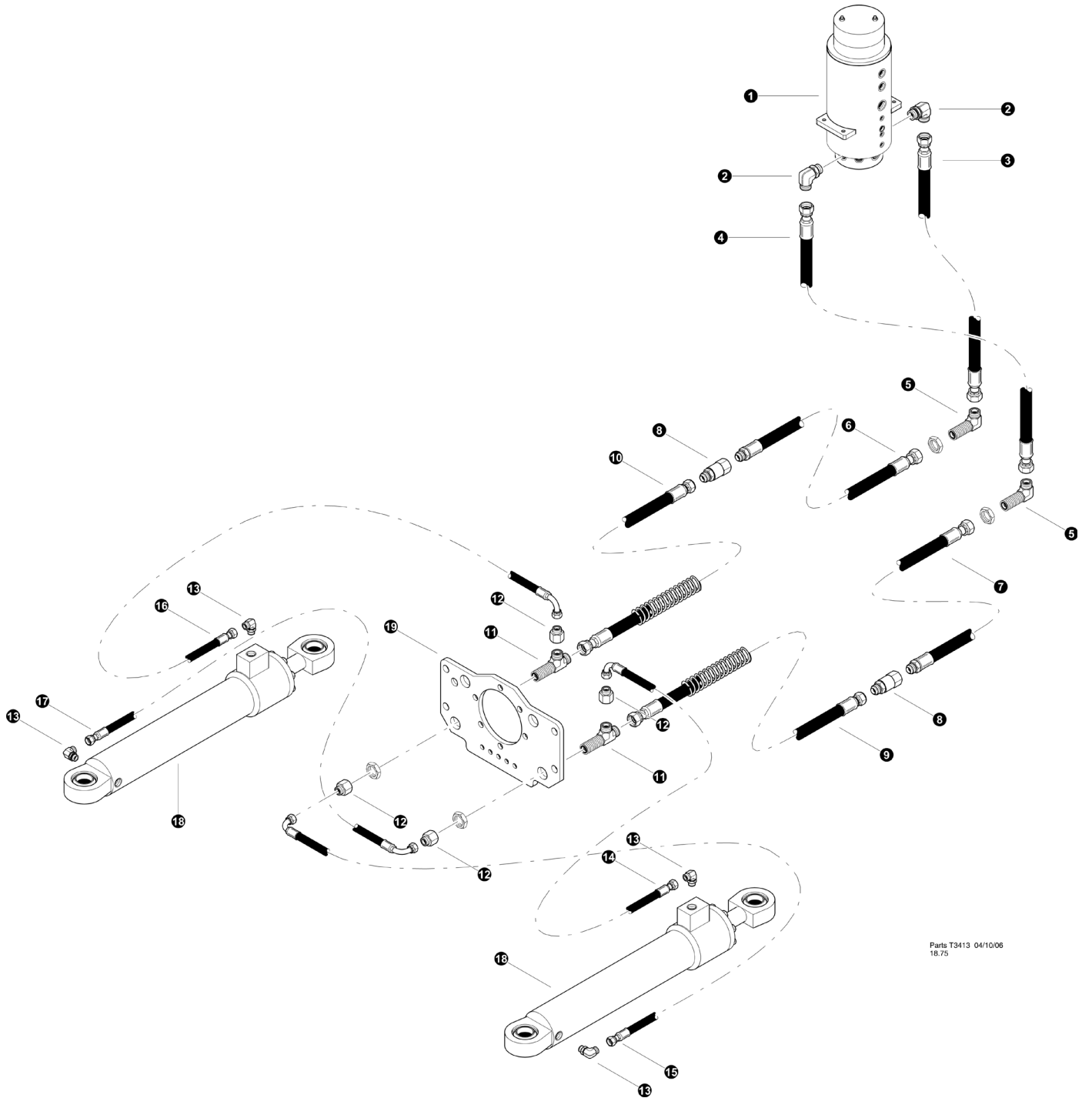
Use Loctite 262 (red) during installation.



# Section FR-3

---

## 830 / 840 REAR FRAME - Hydraulic Circuits





Parts T3413 04/10/06  
18.75

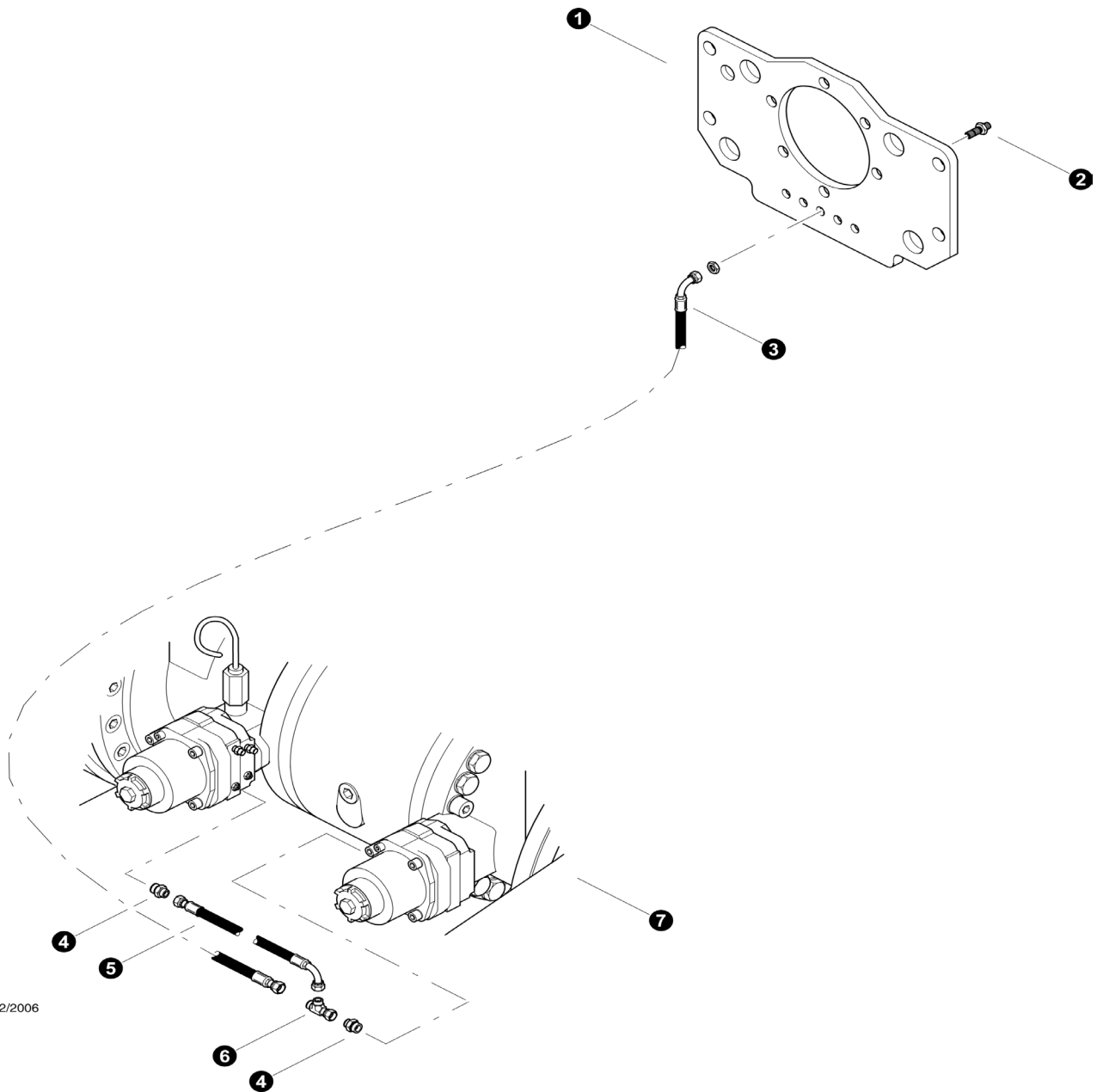


## REAR FRAME HYDRAULICS

### Steering Connections (Standard Front and Rear Frames)

REF	PART #	QTY	DESCRIPTION	SEE SECTION
1	REF.	1	 ROTARY MANIFOLD. . . . .	UP-1
2	17688-FR	2	ELBOW, 90 - FF1868T-1212S	
3	-FR	1	HOSE ASSEMBLY - 4040-12-120S-1204 (Lower rotary manifold port #9 to Right bulkhead fitting)	
4	-FR	1	HOSE ASSEMBLY - 4034-12-120S-1204 (Lower rotary manifold port #10 to Left bulkhead fitting)	
5	24188-FR	2	ELBOW, 90 BULKHEAD - 855BH-TT-12	
6	-FR	1	HOSE ASSEMBLY - 4050-12-120S-12MJ (with Spring Protector)	
7	-FR	1	HOSE ASSEMBLY - 4050-12-120S-12MJ (with Spring Protector)	
8	18782-FR	2	SWIVEL, INLINE STR LS2406-1212	
9	-FR	1	HOSE ASSEMBLY - 4040-12-120S-12FJ (with Spring Protector)	
10	-FR	1	HOSE ASSEMBLY - 4040-12-120S-12FJ (with Spring Protector)	
11	20029-FR	2	TEE, BULKHEAD RUN - 12 WJJLO-WLNL-S	
12	18581-FR	1	CONNECTOR, REDUCER - ORS FF2281T-0812S	
13	16360-FR	4	ELBOW, 90° - FF1868T-0808S	
14	-FR	1	HOSE ASSEMBLY - 4046-08-080S-0809 (Right bulkhead tee to Right steer cylinder rod port)	
15	-FR	1	HOSE ASSEMBLY - 4044-08-080S-0809 (Left bulkhead tee to Right steer cylinder base port)	
16	-FR	1	HOSE ASSEMBLY - 4046-08-080S-0809 (Left bulkhead tee to left steer cylinder rod port)	
17	-FR	1	HOSE ASSEMBLY - 4044-08-080S-0809 (Right bulkhead tee to Left steer cylinder base port)	
18	REF.	2	 STEER CYLINDERS. . . . .	FR-3
19	52486-FR	1	BRACKET, BRG MOUNT - DRIVELINE 830	


 See referenced page for component or assembly breakdown.



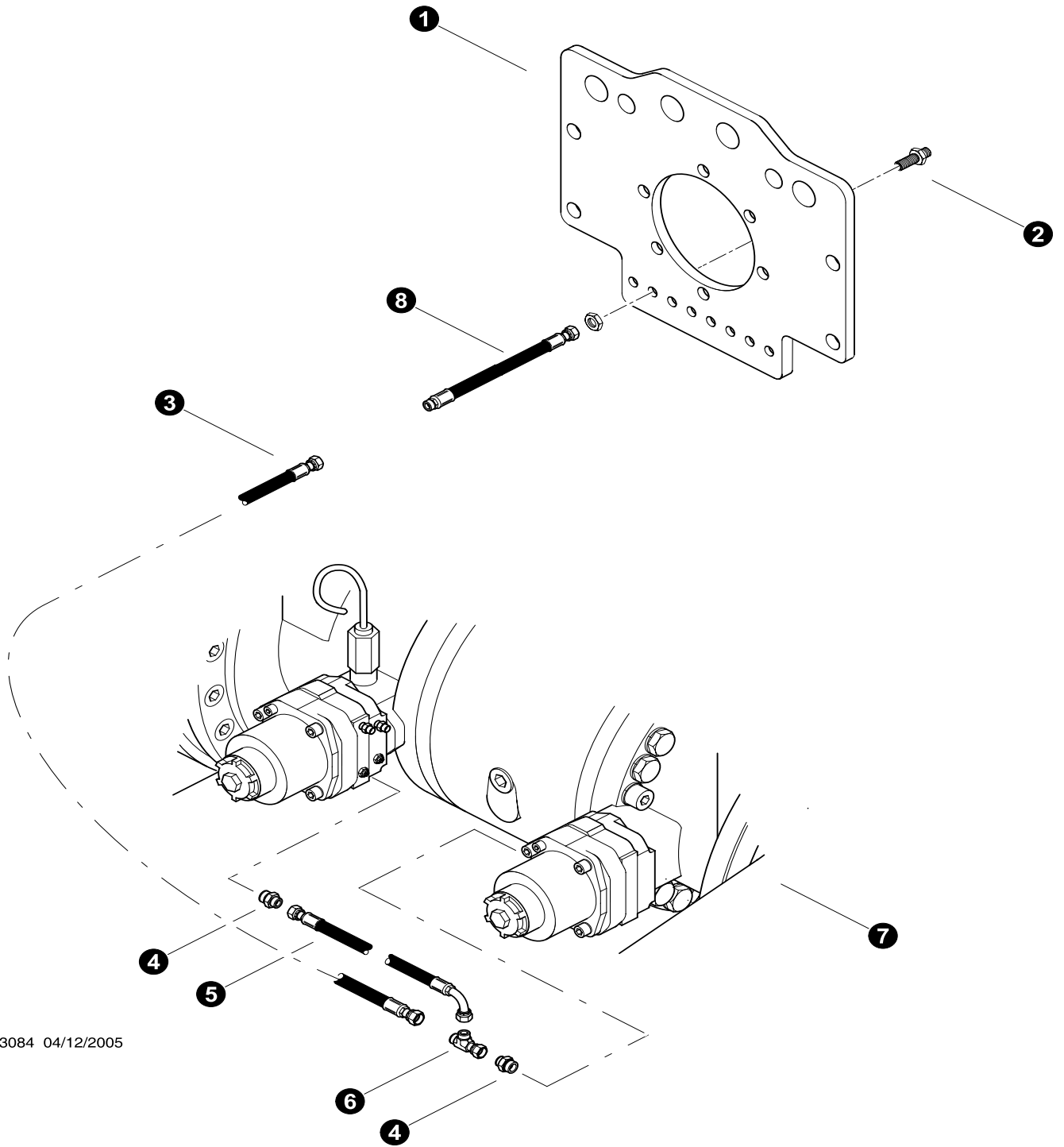
Parts T3414 04/12/2006  
18.75

## REAR FRAME HYDRAULICS

### Lower Solenoid Manifold Connections - Parking Brake (Standard Front and Rear Frames)

REF	PART #	QTY	DESCRIPTION	SEE SECTION
1	52486-FR	1	BRACKET, BRG MOUNT - DRIVELINE 830	
2	18582-FR	1	CONNECTOR, STR BULKHEAD - FF1994T-0404S	
3	-FR	1	HOSE ASSEMBLY - 2124-04-04OS-0409 (Rear frame PB bulkhead to Rear Axle)	
4	19470-FR	2	CONNECTOR, STR 04-14m	
5	50607-FR	1	HOSE ASSEMBLY - 2009.5-04-04OS-0409 (PB jumper hose on rear axel)	
6	15176-FR	2	TEE - 04	
7	REF.	1	 REAR AXLE ASSEMBLY.....	AX


 See referenced page for component or assembly breakdown.




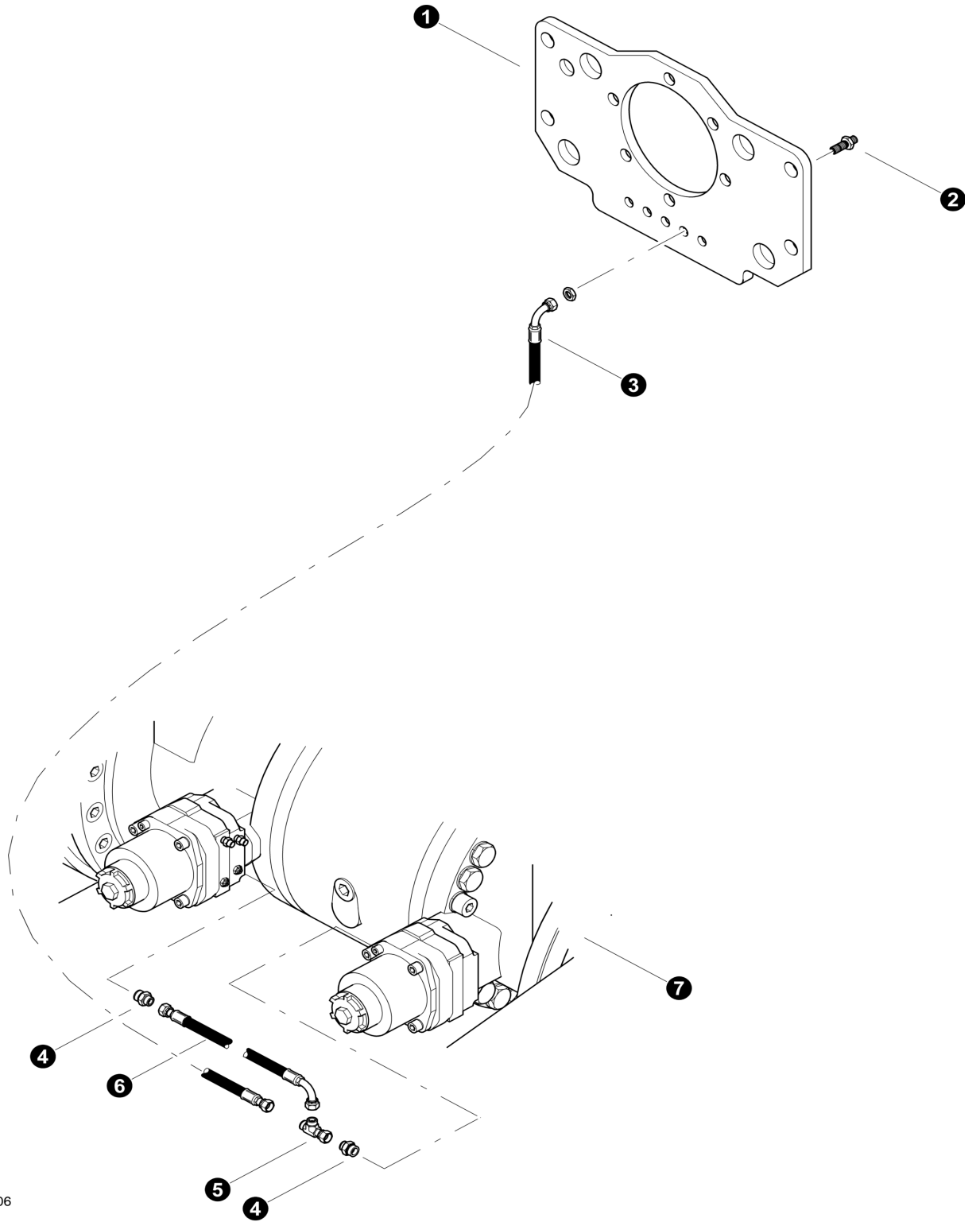
Parts T3084 04/12/2005  
18.75

## REAR FRAME HYDRAULICS

### Lower Solenoid Manifold Connections - Parking Brake (Standard Front and 2 foot longer Rear Frame)

REF	PART #	QTY	DESCRIPTION	SEE SECTION
1	42290-FR	1	BRACKET, bearing mount	
2	18582-FR	1	CONNECTOR, STR BULKHEAD - FF1994T-0404S	
3	-FR	1	HOSE ASSEMBLY - 2129-04-04OS-04OS (Rear frame PB bulkhead to Rear Axle)	
4	19470-FR	2	CONNECTOR, STR 04-14m	
5	50607-FR	1	HOSE ASSEMBLY - 2009.5-04-04OS-0409 (PB jumper hose on rear axel)	
6	15176-FR	2	TEE - 04	
7	REF.	1	 REAR AXLE ASSEMBLY . . . . .	AX
8	24886-FR	1	HOSE ASSEMBLY - 4024-04-04OS-04OM (PB 2' jumper hose)	


 See referenced page for component or assembly breakdown.



Parts T3415 04/10/2006  
18.75

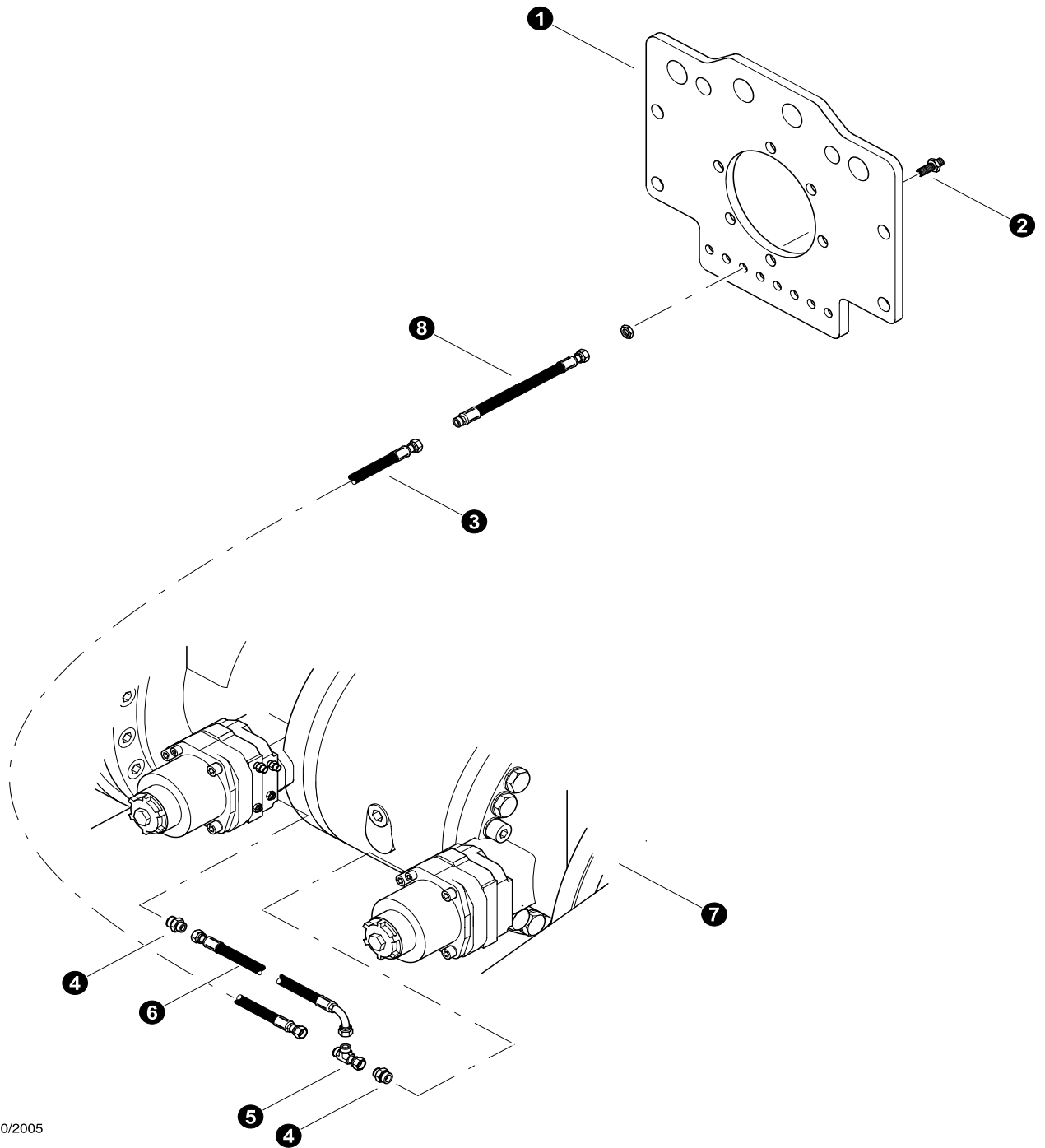
## REAR FRAME HYDRAULICS

### Lower Solenoid Manifold Connections - Travel Brake (Standard Front and Rear Frames)

REF	PART #	QTY	DESCRIPTION	SEE SECTION
1	52486-FR	1	BRACKET, BRG MOUNT - DRIVELINE 830	
2	18582-FR	1	CONNECTOR, STR BULKHEAD - FF1994T-0404S	
3	-FR	1	HOSE ASSEMBLY - 2124-04-04OS-04O9 (Rear frame TB bulkhead to Rear Axle)	
4	19470-FR	2	CONNECTOR, STR 04-14m	
5	15176-FR	2	TEE - 04	
6	50607-FR	1	HOSE ASSEMBLY - 2009.5-04-04OS-04O9 (TB jumper hose on rear axel)	
7	REF.	1	 REAR AXLE ASSEMBLY..... AX	



See referenced page for component or assembly breakdown.




Parts T3085 04/10/2005  
18.75



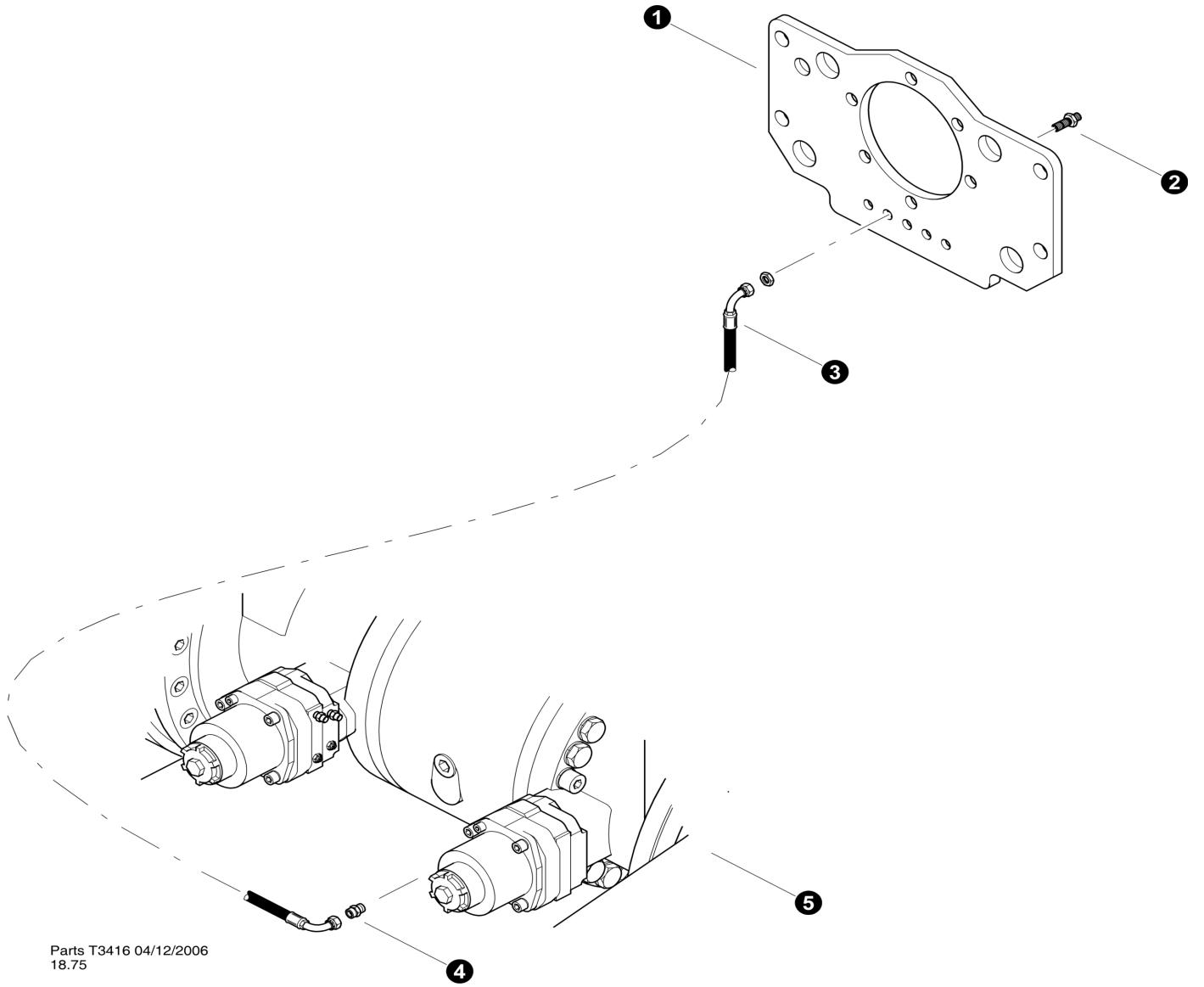
## REAR FRAME HYDRAULICS

### Lower Solenoid Manifold Connections - Travel Brake (Standard Front and 2 foot longer Rear Frame)

REF	PART #	QTY	DESCRIPTION	SEE SECTION
1	42290-FR	1	BRACKET, bearing mount	
2	18582-FR	1	CONNECTOR, STR BULKHEAD - FF1994T-0404S	
3	-FR	1	HOSE ASSEMBLY - 2129-04-04OS-04OS (Rear frame TB bulkhead to Rear Axle)	
4	19470-FR	2	CONNECTOR, STR 04-14m	
5	50607-FR	1	HOSE ASSEMBLY - 2009.5-04-04OS-04O9 (TB jumper hose on rear axel)	
6	15176-FR	2	TEE - 04	
7	REF.	1	 REAR AXLE ASSEMBLY.....	AX
8	24886-FR	1	HOSE ASSEMBLY - 4024-04-04OS-04OM (PB 2' jumper hose)	




See referenced page for component or assembly breakdown.



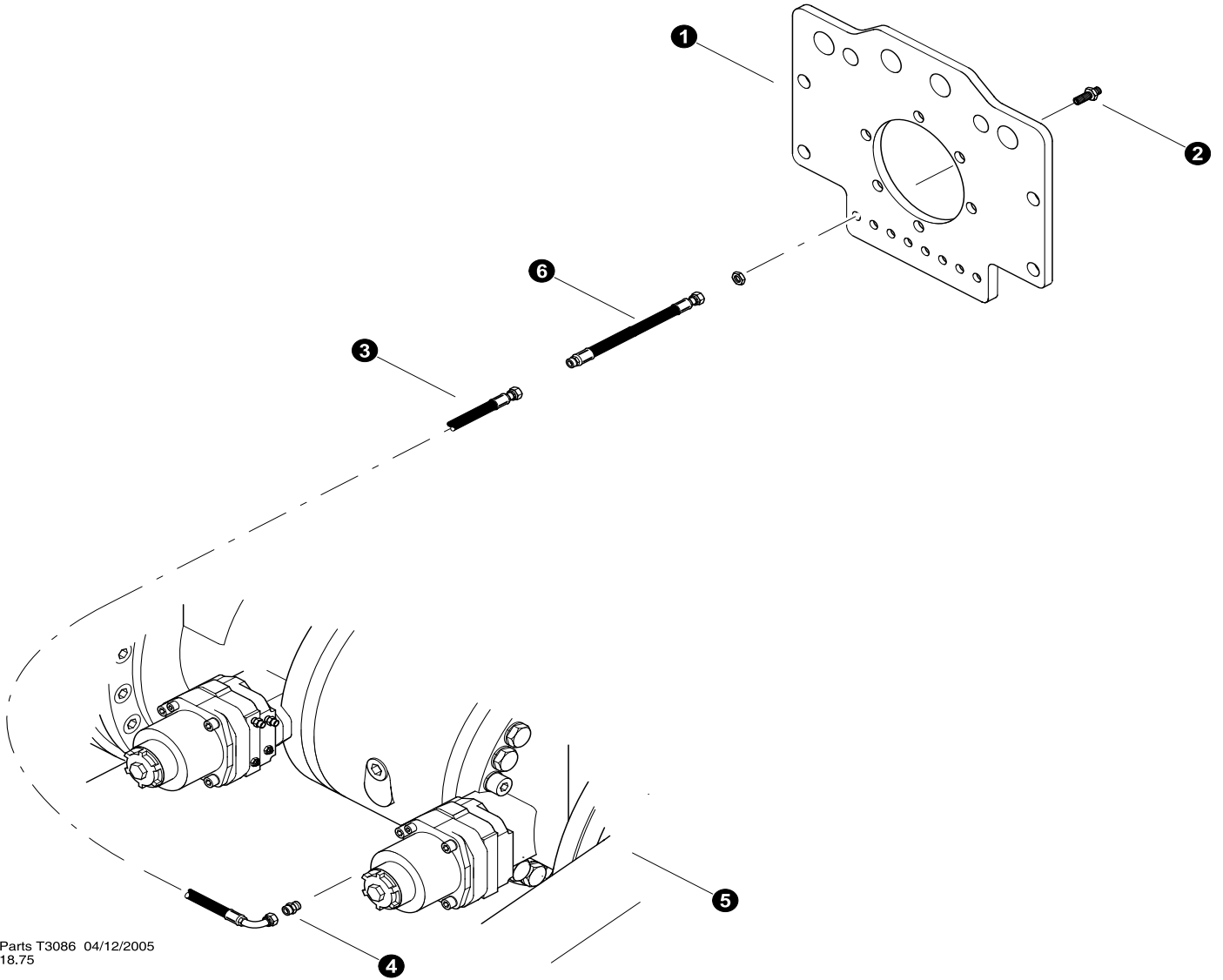
## REAR FRAME HYDRAULICS

### Lower Solenoid Manifold Connections - Differential Lock (Standard Front and Rear Frames)

REF	PART #	QTY	DESCRIPTION	SEE SECTION
1	52486-FR	1	BRACKET, BRG MOUNT - DRIVELINE 830	
2	18582-FR	1	CONNECTOR, STR BULKHEAD - FF1994T-0404S	
3	-FR	1	HOSE ASSEMBLY - 2128-04-04OS-04O9 (Rear frame TB bulkhead to Rear Axle)	
4	19470-FR	1	CONNECTOR, STR 04-14m	
5	REF.	1	 REAR AXLE ASSEMBLY.....	AX




See referenced page for component or assembly breakdown.



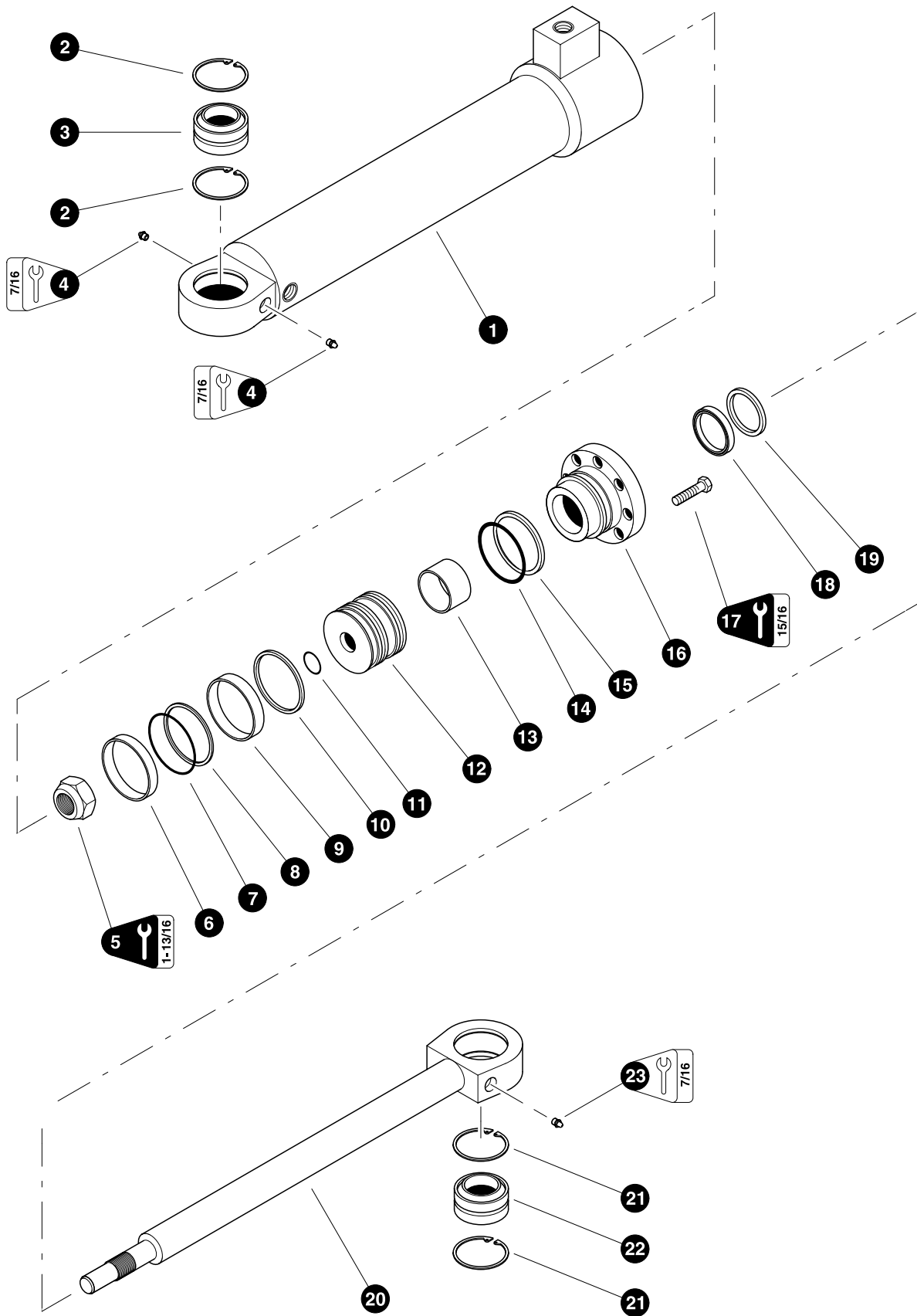
## REAR FRAME HYDRAULICS

### Lower Solenoid Manifold Connections - Differential Lock (Standard Front and 2 foot longer Rear Frame)

REF	PART #	QTY	DESCRIPTION	SEE SECTION
1	42290-FR	1	BRACKET, bearing mount	
2	18582-FR	1	CONNECTOR, STR BULKHEAD - FF1994T-0404S	
3	-FR	1	HOSE ASSEMBLY - 2129-04-04OS-04OS (Rear frame TB bulkhead to Rear Axle)	
4	19470-FR	1	CONNECTOR, STR 04-14m	
5	REF.	1	 REAR AXLE ASSEMBLY.....	AX
6	24886-FR	1	HOSE ASSEMBLY - 4024-04-04OS-04OM (PB 2' jumper hose) .	



See referenced page for component or assembly breakdown.



00194 01/17/97  
18.75

## STEER CYLINDER (Jarp 2.25" Rod)

REF	PART #	QTY		DESCRIPTION	SEE SECTION
-	51584-FR	2	☐	CYLINDER, STEER (2.25" ROD) - JARP	
1	51681-FR	1	☐	BARREL ASSEMBLY	
2	19916-FR	2		RING, snap	
3	19917-FR	1		BUSHING, spherical - 2"	
4	10704-FR	1		FITTING, straight grease - 1/8" pipe thread	
5	-FR	1		NUT, cylinder rod - 1-3/4" <b>(Torque to 885 +/- 60 ft.lbs. (1175 +/- 80 Nm))</b>	
6	NSS	1	⌘	RING, piston wear	
7	NSS	1	⌘	RING, piston loader	
8	NSS	1	⌘	RING, piston chem-cast	
9	NSS	1	⌘	RING, piston wear	
10	NSS	1	⌘	RING, piston seal	
11	NSS	1	⌘	O-RING, piston	
12	-FR	1		PISTON	
13	NSS	1	⌘	RING, rod bearing wear	
14	NSS	1	⌘	O-RING, rod bearing	
15	NSS	1	⌘	RING, rod bearing back-up	
16	51685-FR	1		BEARING, rod	
17	15681-FR	8		BOLT - 5/8" x 2-1/4" <b>(Torque to 175 ft.lbs (233 Nm))</b>	
18	NSS	1	⌘	U-CUP, rod bearing	
19	NSS	1	⌘	WIPER, rod	
20	51682-FR	1	☐	ROD ASSEMBLY	
21	19916-FR	2		RING, snap	
22	19917-FR	1		BUSHING, spherical - 2"	
23	10704-FR	1		FITTING, straight grease - 1/8" pipe thread	
-	51683-FR	1		KIT, seal repair - steer cylinder	

- ☐ Kit or Assembly - includes all items indented underneath.  
 ⌘ Included in seal repair kit Part # 51683-FR.

