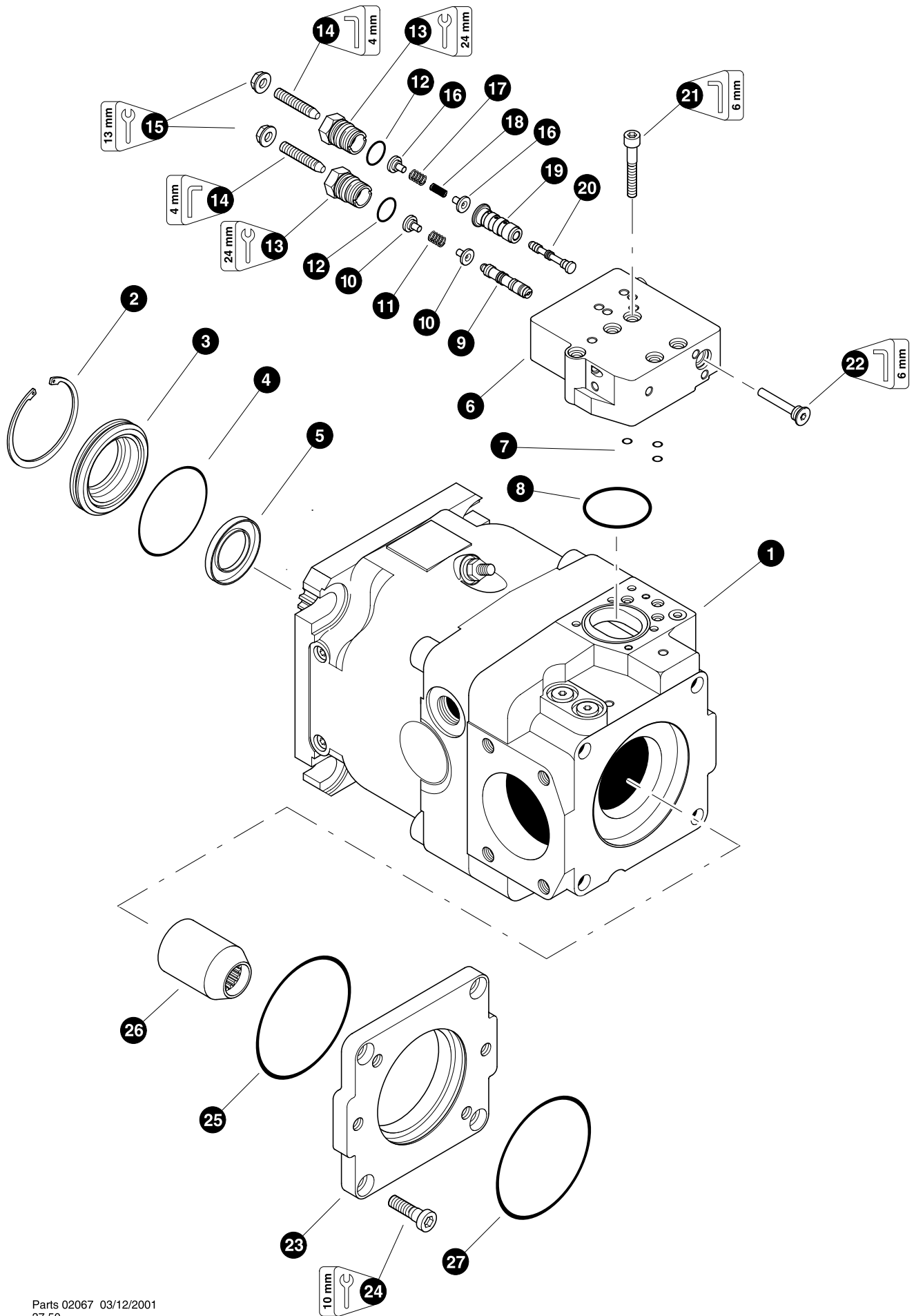


Section LH-1

Loader Boom Hydraulics - Implement Pump and Control Valve



Parts 02067 03/12/2001
37.50

IMPLEMENT PUMP (Rexroth 145cc)

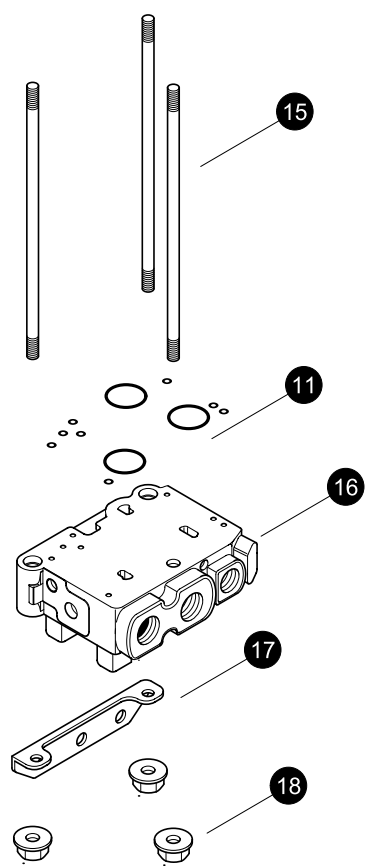
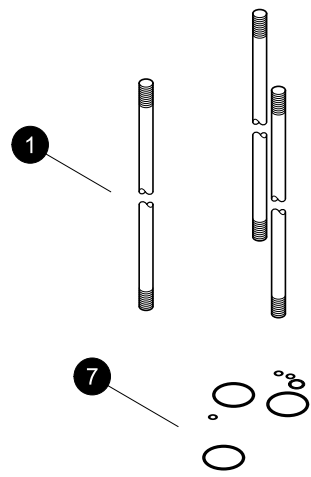
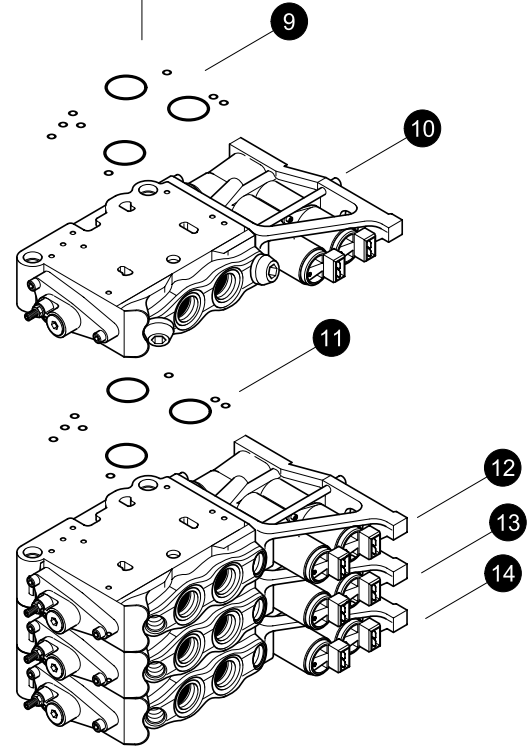
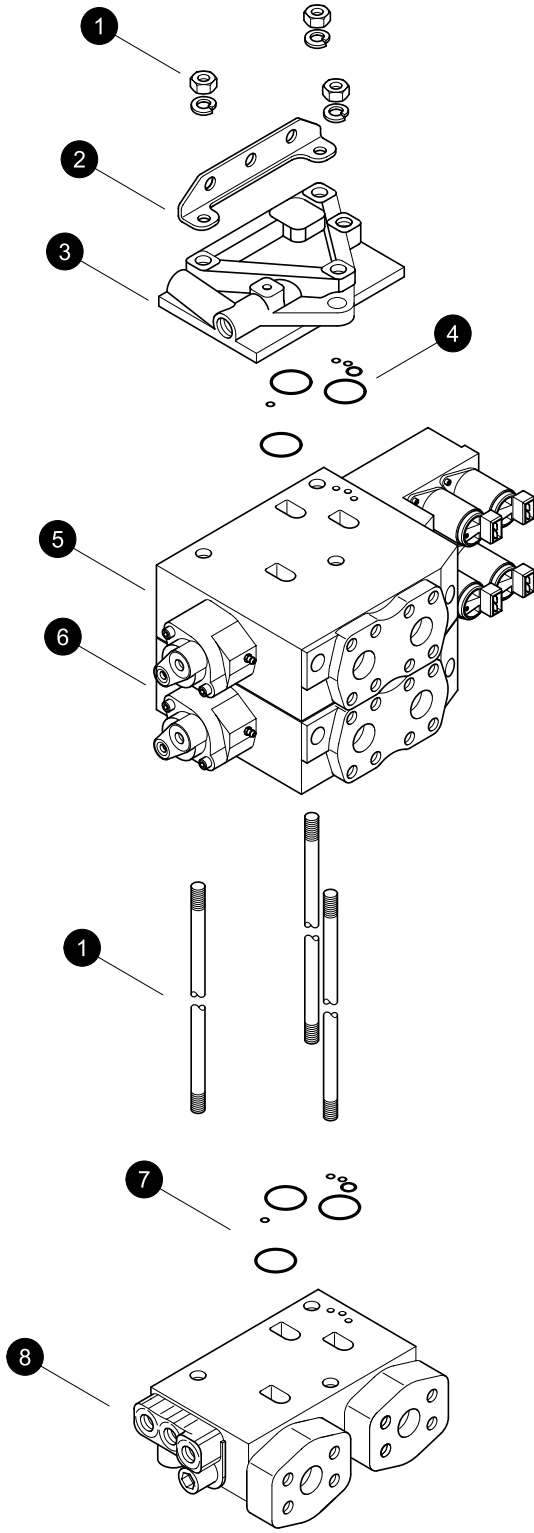
REF	PART #	QTY		DESCRIPTION	SEE SECTION
1	24505-LH	1	☐	PUMP, implement - Rexroth 145cc	
2	21546-LH	1		RING, seal retaining	
3	21547-LH	1		COVER, front	
4	21548-LH	1	⌘	O-RING, front cover	
5	18687-LH	1	⌘	SEAL, shaft	
6	18681-LH	1	☐	COMPENSATOR	
7	20809-LH	3	⌘	O-RING, quad	
8	20808-LH	1	⌘	O-RING, compensator	
9	NSS	1		SPOOL, POR pressure	
10	21551-LH	2		RETAINER, spring	
11	21552-LH	1		SPRING	
12	21553-LH	2	⌘	O-RING, compensator cap	
13	21554-LH	2		CAP, compensator	
14	20358-LH	2	⌘	NUT, seal	
15	21555-LH	2		SCREW, adjusting	
16	21558-LH	2		RETAINER, spring	
17	21556-LH	1		SPRING	
18	21557-LH	1		SPRING	
19	NSS	1		SLEEVE, spool	
20	NSS	1		SPOOL, stand-by pressure	
21	21559-LH	5		BOLT, allen head - 8mm x 50mm	
22	NSS	1		PLUG	
23	24424-LH	1	☐	KIT, FLANGE, thru drive v/o	
24	17608-LH	4		BOLT, allen head - 12mm-1.75P x 30mm	
25	17744-LH	1	⌘	O-RING, thru drive flange	
26	18843-LH	1		COUPLING, thru drive	
27	18844-LH	1		O-RING, thru drive cover	
--	18799-LH	1		KIT, seal repair (<i>Complete pump</i>)	

☐ Kit or Assembly - includes all items indented underneath.

⌘ Included in seal repair kit, PN# 18799-LH.








Note:



Due to warranty policy restrictions imposed by component suppliers, it is not recommended that the component be disassembled further than is shown in the illustration.



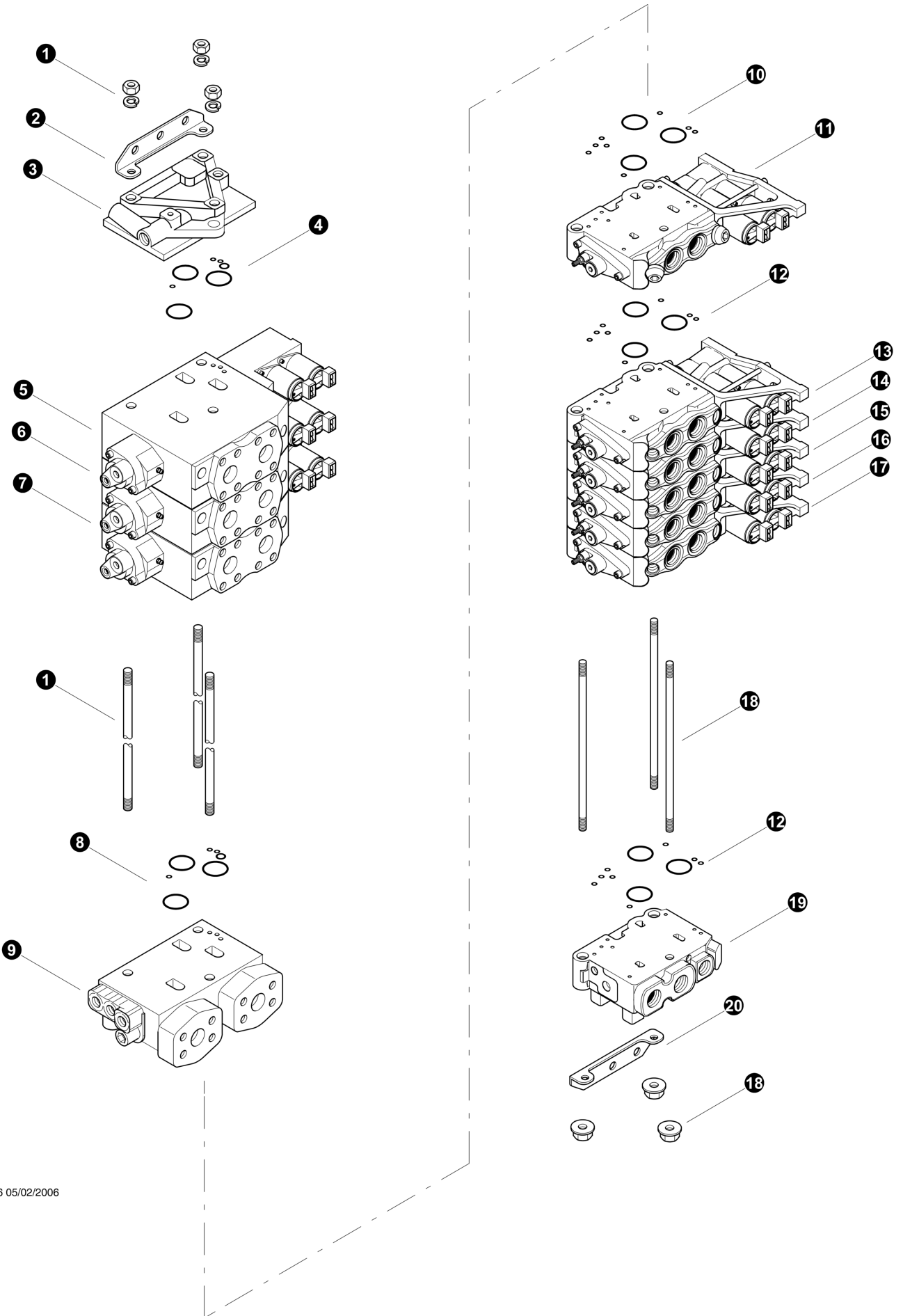
Parts T4122 03/2016
25.00

MAIN CONTROL VALVE (Forwarder TF830, TF840)

REF	PART #	QTY	DESCRIPTION	SEE SECTION
-	52362-LH	1	 VALVE, MAIN - VOAC (24 volt / 6 sections) with out / squirt boom section	
-	52361-LH	1	VALVE, MAIN - VOAC (24 volt / 7 sections) with / squirt boom section	
1	---	1	KIT, Tie Rods and Nuts - K220 (2-Section span) (9120092371)	
2	---	1	KIT, Bracket - K220 (9120092365)	
3	---	1	COVER, K220 Valve	
4	24649-LH	1	KIT, Seals - Voac Intersection (9120092315)	
5	REF	1	 VALVE SECTION - Stick Boom	LH-1
6	REF	1	 VALVE SECTION - Main Boom	LH-1
7	24649-LH	1	KIT, Seals - Voac Parting "K" (9120092315)	
8	REF	1	MID INLET, K220 to L90	LH-1
9	23404-LH	1	KIT, Seals - Voac Parting "L" (393000K820)	
10	REF	1	 VALVE SECTION - "OPTIONAL" Squirt Boom.	LH-1
11	---	1	KIT, Seals - Voac Parting "L" (393000K820)	
12	REF	1	 VALVE SECTION - Rotate function	LH-1
13	REF	1	 VALVE SECTION - Grapple O/C function	LH-1
14	REF	1	 VALVE SECTION - Steer function	LH-1
15	---	1	KIT, Tie Rods and Nuts - L90 (4-Section span) (393000K003)	
15	25133-LH	1	KIT, Tie Rods and Nuts - L90 (5-Section span) (393000K004)	
16	-LH	1	END COVER, L90 Valve	
17	---	1	KIT, Bracket - L90 (393000K824)	
18	REF	1	COVER, L90 valve outlet.	LH-1

-  Kit or Assembly - includes all items indented underneath.
-  See referenced page for component or assembly breakdown.

Shown are standard valve configurations, some machines have custom built valves, contact the factory for more informatoin if your valve doesn't match what is shown.



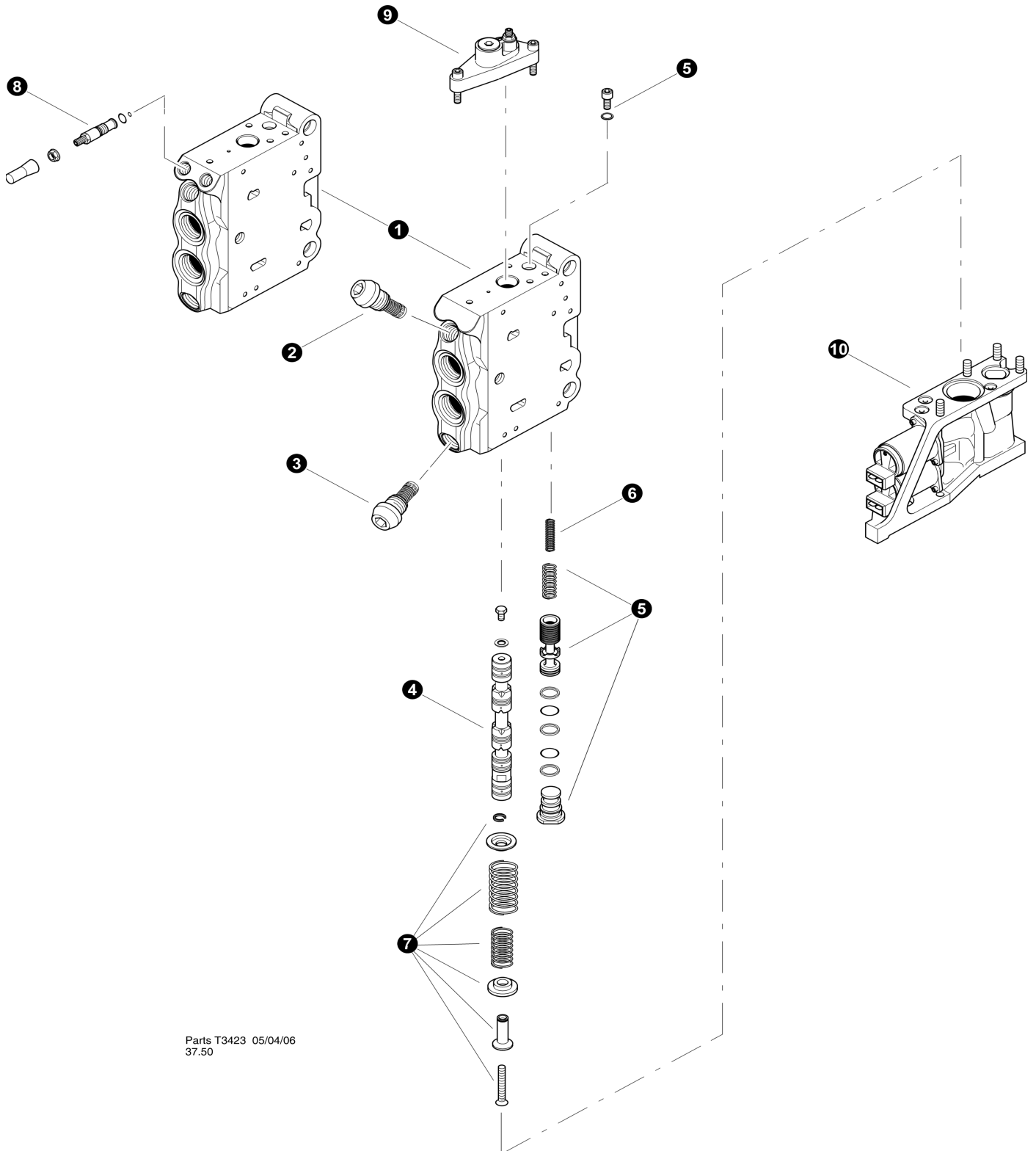
Parts T3446 05/02/2006
25.00

MAIN CONTROL VALVE (Harvester TF 830 & TB 630)

REF	PART #	QTY		DESCRIPTION	SEE SECTION
-	52496-LH	1	☐	VALVE, MAIN - VOAC (24 volt / 9 section) Log Max Harvester	
1	---	1		KIT, Tie Rods and Nuts - K220 (2-Section span) (9120092372)	
2	---	1		KIT, Bracket - K220 (9120092365)	
3	---	1		COVER, K220 Valve	
4	24649-LH	1		KIT, Seals - Voac Intersection (9120092315)	
5	REF	1	☐	VALVE SECTION - Harvester Press (830B-0314 and before) .	LH-1
5	REF	1	☐	VALVE SECTION - Stick Boom (830B-0315 and after)	LH-1
6	REF	1	☐	VALVE SECTION - Main Boom (830B-0314 and before)	LH-1
6	REF	1	☐	VALVE SECTION - Harvester Press (830B-0315 and after) . . .	LH-1
7	REF	1	☐	VALVE SECTION - Stick Boom (830B-0314 and before)	LH-1
7	REF	1	☐	VALVE SECTION - Main Boom (830B-0315 and after)	LH-1
8	24649-LH	1		KIT, Seals - Voac Parting "K" (9120092315)	
9	REF	1		MID INLET, K220 to L90	LH-1
10	23404-LH	1		KIT, Seals - Voac Parting "L" (393000K820)	
11	REF	1	☐	VALVE SECTION - "OPTIONAL" Squirt Boom	LH-1
12	---	1		KIT, Seals - Voac Parting "L" (393000K820)	
13	REF	1	☐	VALVE SECTION - Harvester - Low Flow	LH-1
14	REF	1	☐	VALVE SECTION - Rotate function	LH-1
15	REF	1	☐	VALVE SECTION - Spare	LH-1
16	REF	1	☐	VALVE SECTION - Cab Level	LH-1
17	REF	1	☐	VALVE SECTION - Steer function	LH-1
18	---	1		KIT, Tie Rods and Nuts - L90 (6-Section span) (393000K005)	
19	REF	1		COVER, L90 valve outlet.	LH-1
20	---	1		KIT, Bracket - L90 (393000K824)	

- ☐ Kit or Assembly - includes all items indented underneath.
- ☐ See referenced page for component or assembly breakdown.

Shown are standard valve configurations, some machines have custom built valves, contact the factory for more informatoin if your valve doesn't match what is shown.

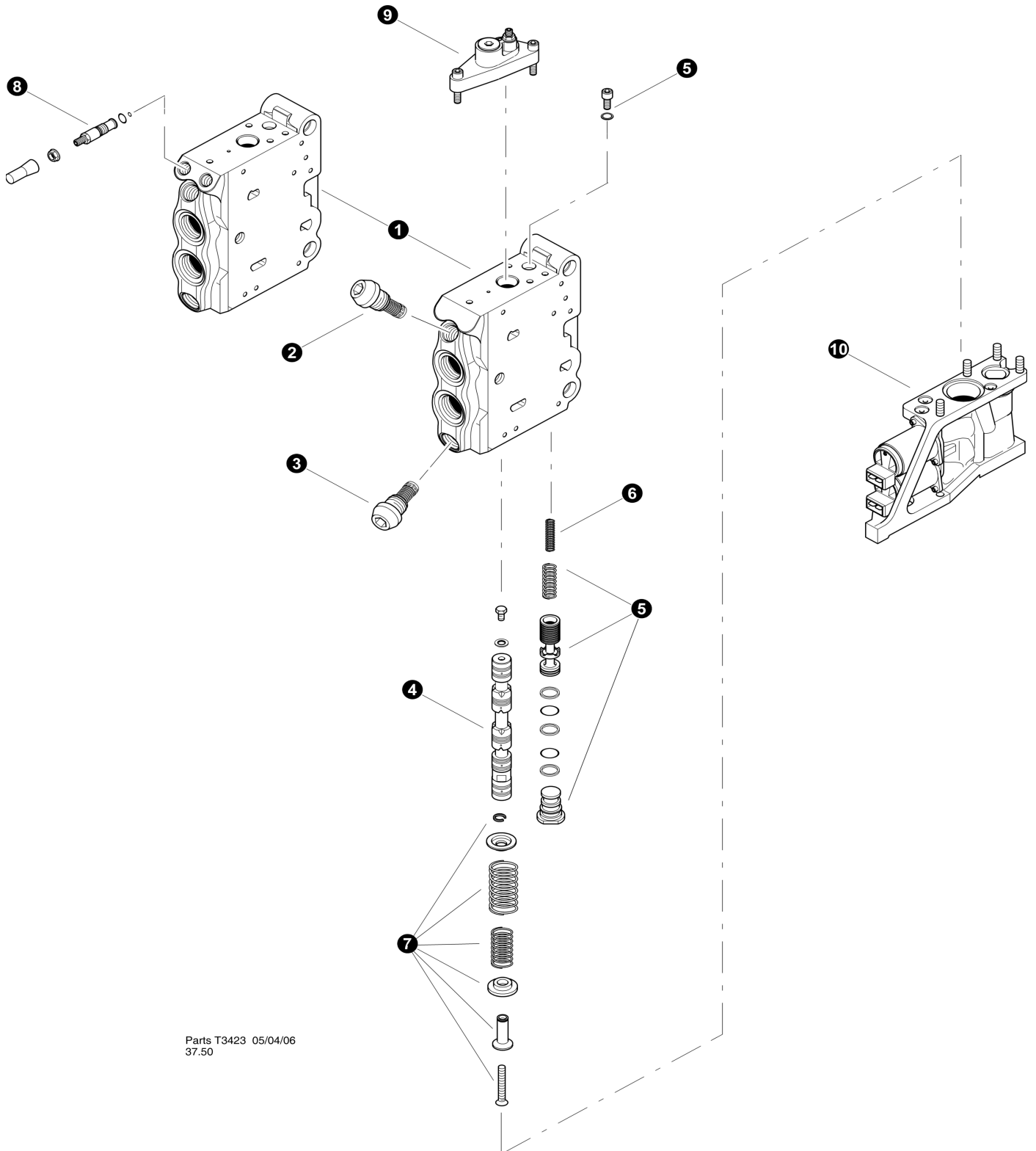


Parts T3423 05/04/06
37.50

L90LS VALVE SECTION

REF	PART #	QTY		DESCRIPTION	SEE SECTION
-	-LH	1	<input type="checkbox"/>	VALVE SECTION - (Optional) Squirt Boom function (L90LS-MS-US60-275)	
1	NSS	1		BODY	
2	---	1		CARTRIDGE, "A" port relief (250 Bar) (393000K569)	
3	---	1		CARTRIDGE, "B" port relief (250 Bar) (393000K569)	
4	---	1		SPOOL, RKX (393000S490)	
5	---	1	<input type="checkbox"/>	KIT, "KX" COMPENSATOR, BLUE (393000K616)	
5	---	1	<input type="checkbox"/>	KIT, "KX" COMPENSATOR, GREEN (393000K617)	
-	---	1		KIT, compensator seals (393000K811)	
6	---	1		SPRING, (only used with KX compensator kit)	
7	23423-LH	1	<input type="checkbox"/>	KIT, spool centering spring (393000K343)	
8	---	2	<input type="checkbox"/>	KIT, FEED REDUCER (393000K817)	
-	---	2		KIT, feed reducer seals (393000K831)	
9	REF	1		END CAP ASSEMBLY - "A" port	LH-1
10	REF	1		END CAP ASSEMBLY - "B" port	LH-1
-	-LH	1	<input type="checkbox"/>	VALVE SECTION - Grapple Rotate function (L90LS-MS-US60-273)	
1	NSS	1		BODY	
2	---	1		CARTRIDGE, "A" port relief (250 Bar) (393000K569)	
3	---	1		CARTRIDGE, "B" port relief (250 Bar) (393000K569)	
4	---	1		SPOOL, RKX (393000S490)	
5	---	1	<input type="checkbox"/>	KIT, "K" COMPENSATOR, BLUE (393000K169)	
5	---	1	<input type="checkbox"/>	KIT, "K" COMPENSATOR, GREEN (393000K469)	
-	---	1		KIT, compensator seals (393000K811)	
6	---	1		SPRING, (only used with KX compensator kit)	
7	23423-LH	1	<input type="checkbox"/>	KIT, spool centering spring (393000K343)	
8	---	2	<input type="checkbox"/>	KIT, FEED REDUCER (393000K817)	
-	---	2		KIT, feed reducer seals (393000K852)	
9	REF	1		END CAP ASSEMBLY - "A" port	LH-1
10	REF	1		END CAP ASSEMBLY - "B" port	LH-1
-	-LH	1	<input type="checkbox"/>	VALVE SECTION - Grapple Open / Close function (L90LS-MS-US60-272)	
1	NSS	1		BODY	
2	---	1		CARTRIDGE, "A" port relief (280 Bar) (393000K571)	
3	---	1		CARTRIDGE, "B" port relief (280 Bar) (393000K571)	
4	---	1		SPOOL, RKX (393000S490)	
5	---	1	<input type="checkbox"/>	KIT, "K" COMPENSATOR, BLUE (393000K169)	
5	---	1	<input type="checkbox"/>	KIT, "K" COMPENSATOR, GREEN (393000K469)	
-	---	1		KIT, compensator seals (393000K811)	
6	---	1		SPRING, (only used with KX compensator kit)	
7	23423-LH	1	<input type="checkbox"/>	KIT, spool centering spring (393000K343)	
8	---	2	<input type="checkbox"/>	KIT, FEED REDUCER (393000K817)	
-	---	2		KIT, feed reducer seals (393000K852)	
9	REF	1		END CAP ASSEMBLY - "A" port	LH-1
10	REF	1		END CAP ASSEMBLY - "B" port	LH-1

- Kit or Assembly - includes all items indented underneath.
- See referenced page for component or assembly breakdown.

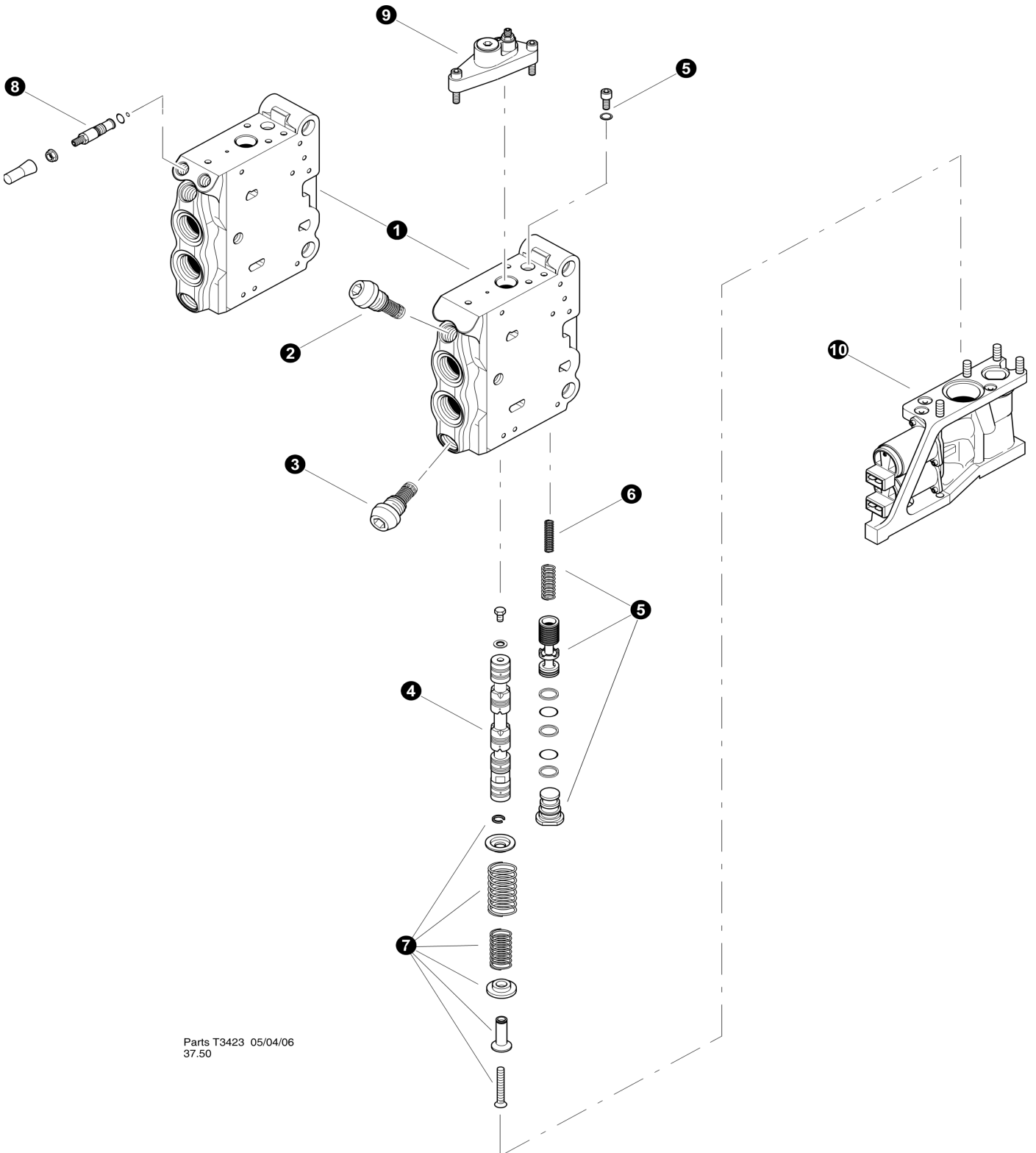


Parts T3423 05/04/06
37.50

L90LS VALVE SECTION (Continued...)

REF	PART #	QTY		DESCRIPTION	SEE SECTION
-	-LH	1	<input type="checkbox"/>	VALVE SECTION - Cab Swing function (L90LS-MS-US60-271)	
1	NSS	1		BODY	
2	---	1		CARTRIDGE, "A" port relief (300 Bar) (393000K572)	
3	---	1		CARTRIDGE, "B" port relief (300 Bar) (393000K572)	
4	---	1		SPOOL, RKX (393000S490)	
5	---	1	<input type="checkbox"/>	KIT, "KH" COMPENSATOR, BLUE (393000K505)	
5	---	1	<input type="checkbox"/>	KIT, "KH" COMPENSATOR, GREEN (393000K506)	
-	---	1		KIT, compensator seals (393000K811)	
6	---	1		SPRING, (only used with KX compensator kit)	
7	23423-LH	1	<input type="checkbox"/>	KIT, spool centering spring (393000K343)	
8	---	2	<input type="checkbox"/>	KIT, FEED REDUCER (393000K817)	
-	---	2		KIT, feed reducer seals (393000K852)	
9	REF	1		END CAP ASSEMBLY - "A" port	LH-1
10	REF	1		END CAP ASSEMBLY - "B" port	LH-1
-	-LH	1	<input type="checkbox"/>	VALVE SECTION - Steer function (L90LS-MS-US60-270)	
1	NSS	1		BODY	
2	---	1		CARTRIDGE, "A" port relief (250 Bar) (393000K569)	
3	---	1		CARTRIDGE, "B" port relief (250 Bar) (393000K569)	
4	---	1		SPOOL, RKX (393000S490)	
5	---	1	<input type="checkbox"/>	KIT, "KX" COMPENSATOR, BLUE (393000K616)	
5	---	1	<input type="checkbox"/>	KIT, "KX" COMPENSATOR, GREEN (393000K617)	
-	---	1		KIT, compensator seals (393000K811)	
6	---	1		SPRING, (only used with KX compensator kit)	
7	23423-LH	1	<input type="checkbox"/>	KIT, spool centering spring (393000K343)	
8	---	2	<input type="checkbox"/>	KIT, FEED REDUCER (393000K817)	
-	---	2		KIT, feed reducer seals (393000K852)	
9	REF	1		END CAP ASSEMBLY - "A" port	LH-1
10	REF	1		END CAP ASSEMBLY - "B" port	LH-1
-	-LH	1	<input type="checkbox"/>	VALVE SECTION - Cab Level function (L90LS-MS-US60-276)	
1	NSS	1		BODY	
2	---	1		CARTRIDGE, "A" port relief (300 Bar) (393000K572)	
3	---	1		CARTRIDGE, "B" port relief (300 Bar) (393000K572)	
4	---	1		SPOOL, ZEX ()	
5	---	1	<input type="checkbox"/>	KIT, "KX" COMPENSATOR, BLUE (393000K616)	
5	---	1	<input type="checkbox"/>	KIT, "KX" COMPENSATOR, GREEN (393000K617)	
-	---	1		KIT, compensator seals (393000K811)	
6	---	1		SPRING, (only used with KX compensator kit)	
7	23423-LH	1	<input type="checkbox"/>	KIT, spool centering spring (393000K343)	
8	---	2	<input type="checkbox"/>	KIT, FEED REDUCER (393000K817)	
-	---	2		KIT, feed reducer seals (393000K852)	
9	REF	1		END CAP ASSEMBLY - "A" port	LH-1
10	REF	1		END CAP ASSEMBLY - "B" port	LH-1

- Kit or Assembly - includes all items indented underneath.
- See referenced page for component or assembly breakdown.

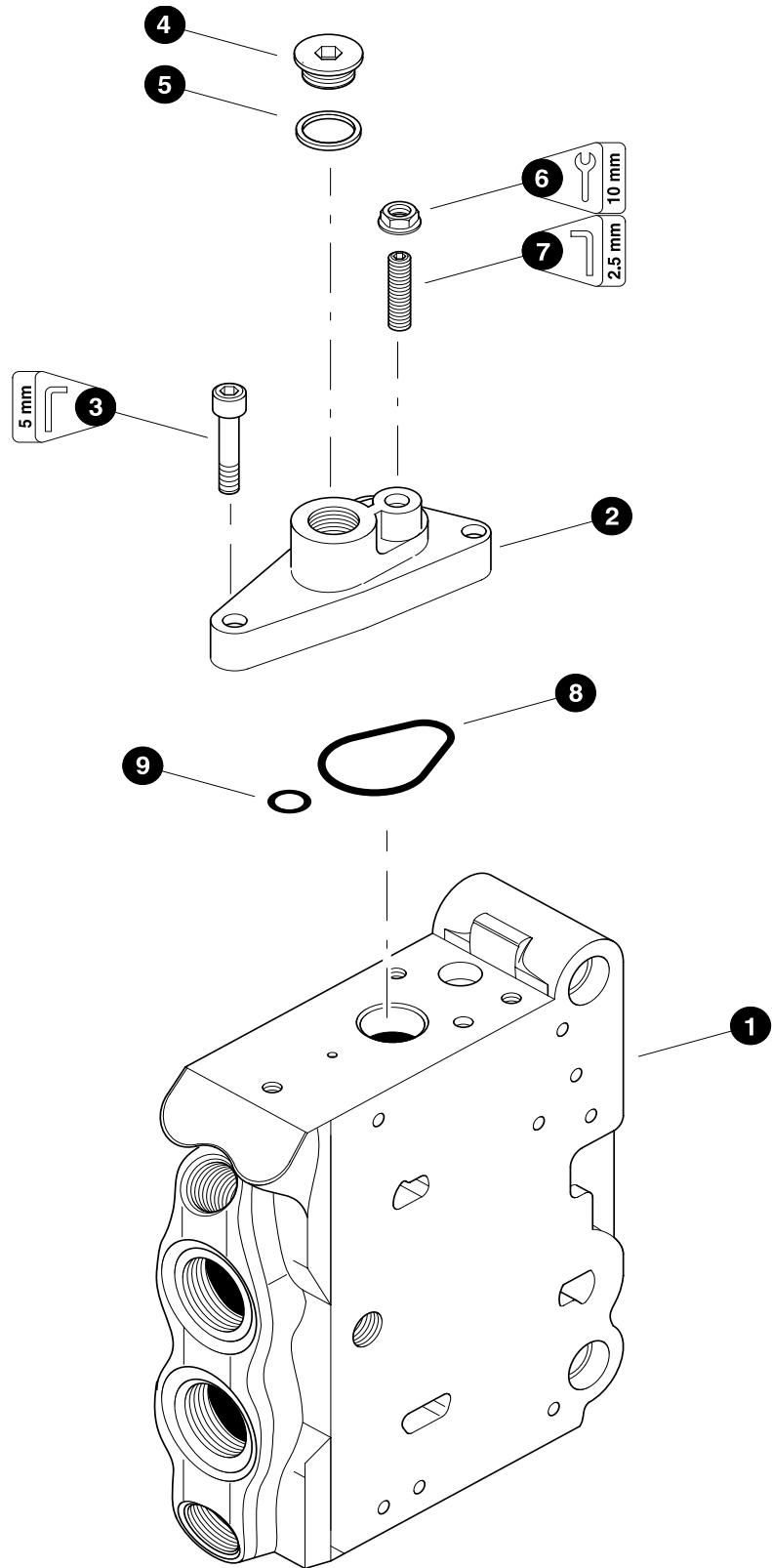


Parts T3423 05/04/06
37.50

L90LS VALVE SECTION (Continued...)

REF	PART #	QTY	DESCRIPTION	SEE SECTION
-	-LH	1	<input type="checkbox"/> VALVE SECTION - Low Flow Harvester function (L90LS-MS-US60-281)	
1	NSS	1	BODY	
2	---	1	CARTRIDGE, "A" port relief (300 Bar) (393000K572) STD	
	---	1	CARTRIDGE, "A" port relief (320 Bar) (393000K573)	
3	---	1	CARTRIDGE, "B" port relief (300 Bar) (393000K572) STD	
	---	1	CARTRIDGE, "A" port relief (320 Bar) (393000K573)	
4	---	1	SPOOL, RKX (393000S490)	
5	---	1	<input type="checkbox"/> KIT, "KX" COMPENSATOR, BLUE (393000K616)	
5	---	1	<input type="checkbox"/> KIT, "KX" COMPENSATOR, GREEN (393000K617)	
-	---	1	KIT, compensator seals (393000K811)	
6	---	1	SPRING, (only used with KX compensator kit)	
7	23423-LH	1	<input type="checkbox"/> KIT, spool centering spring (393000K343)	
8	---	2	<input type="checkbox"/> KIT, FEED REDUCER (393000K817)	
-	---	2	KIT, feed reducer seals (393000K852)	
9	REF	1	<input type="book"/> END CAP ASSEMBLY - "A" port	LH-1
10	REF	1	<input type="book"/> END CAP ASSEMBLY - "B" port	LH-1

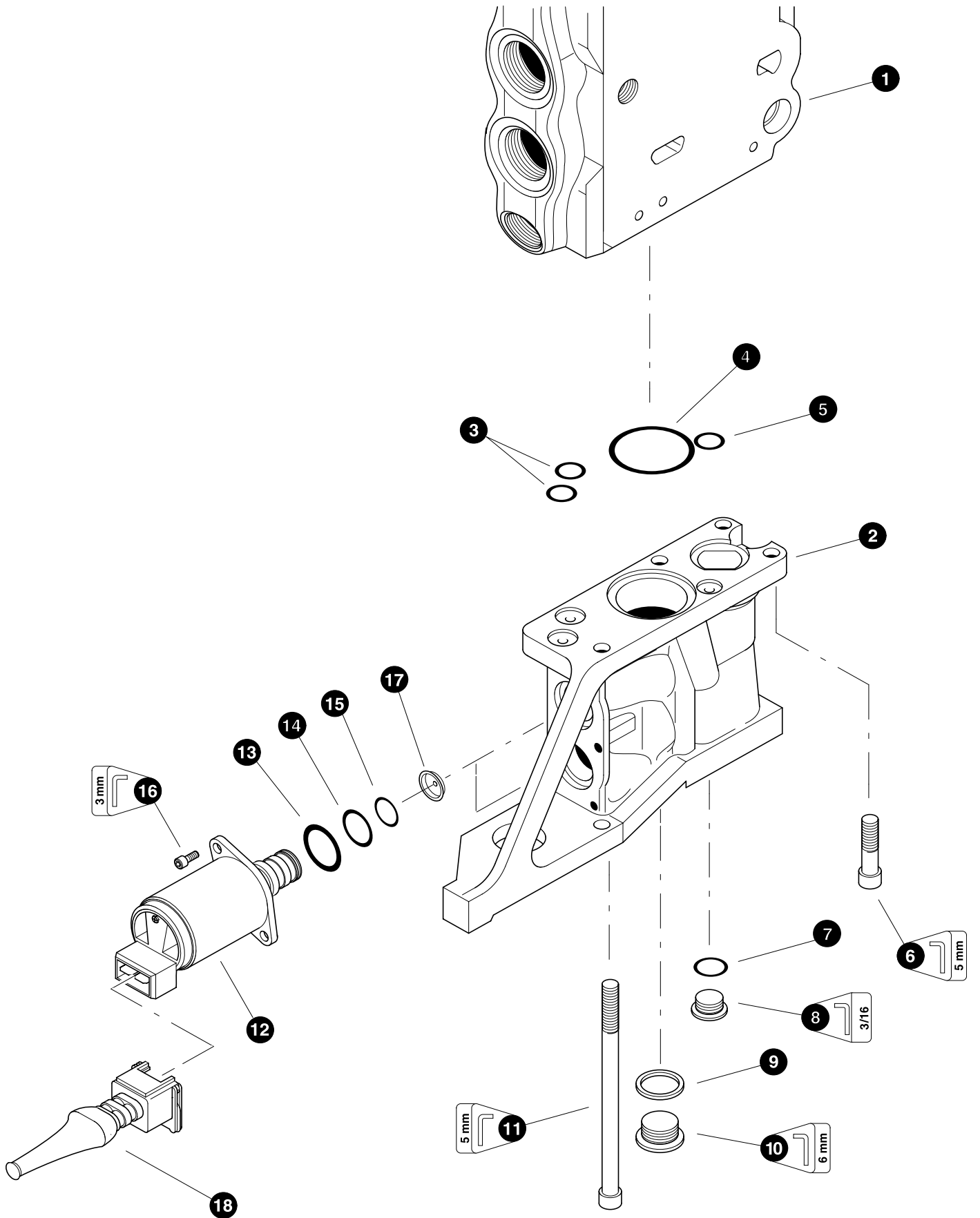
- Kit or Assembly - includes all items indented underneath.
- See referenced page for component or assembly breakdown.



L90LS VALVE END CAP

REF	PART #	QTY	DESCRIPTION	SEE SECTION
1	NSS	1	VALVE SECTION BODY	
-	23414-LH	1	<input type="checkbox"/> KIT, end cap - "A" port side	
2	NSS	1	CAP, end	
3	-----	3	BOLT, allen head - 6mm-1.0P x 20mm (0211124703)	
4	15412-LH	1	PLUG - 6408-HHP-6	
5	-----	1	<input type="checkbox"/> RING, seal (3-906)	
6	-----	1	<input type="checkbox"/> NUT, seal - 6mm (3763131)	
7	-----	1	<input type="checkbox"/> SCREW, adjustment (3764640)	
-	23415-LH	1	<input type="checkbox"/> KIT, seal repair - "A" port side end cap	
8	-----	1	<input type="checkbox"/> O-RING (Large) (0663210509)	
9	-----	1	<input type="checkbox"/> O-RING (Small) (06632114)	

- See referenced page for component or assembly breakdown.
- Kit or Assembly - includes all items indented underneath.
- Included in seal repair kit PN# 23415-LH.



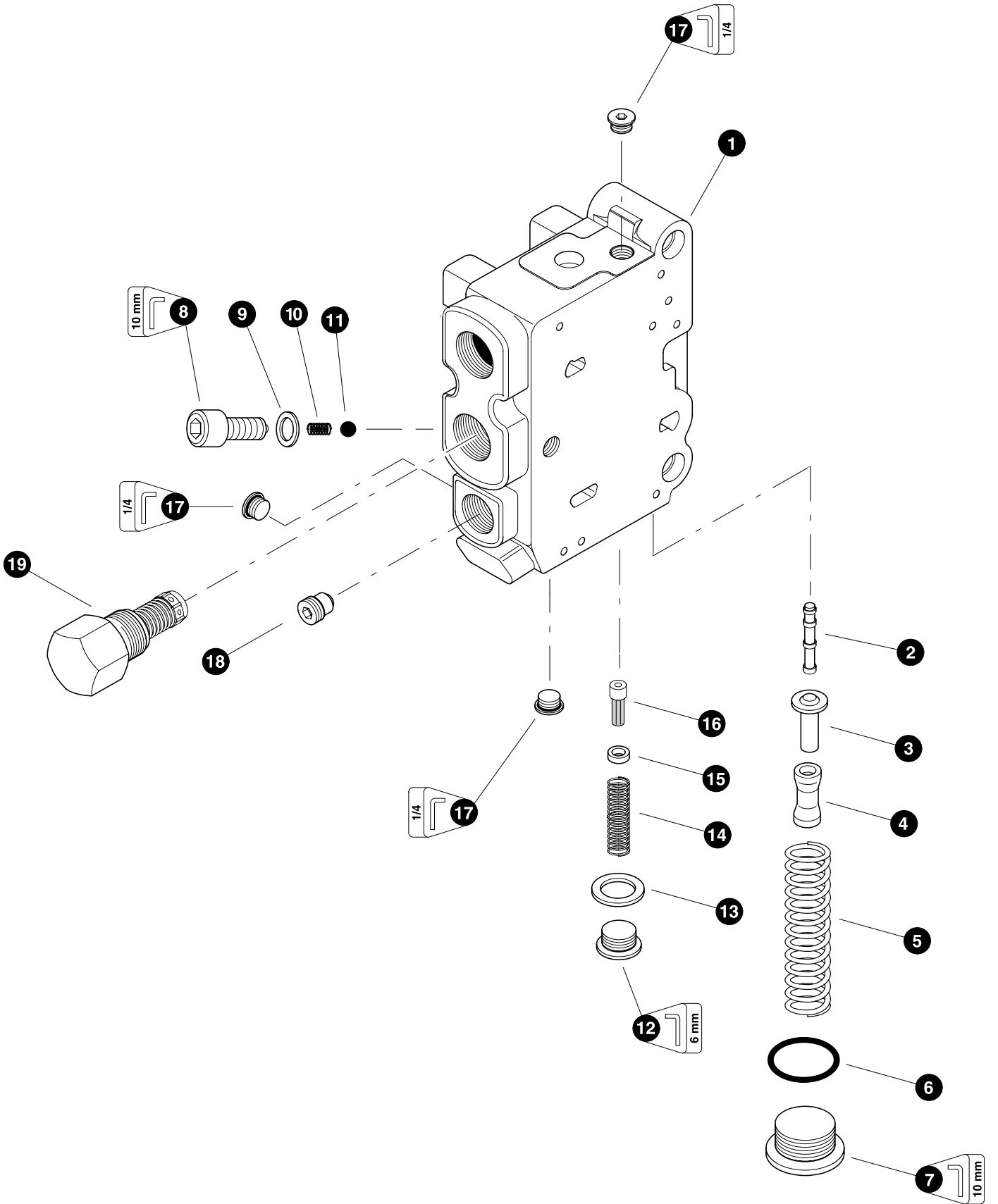
L90LS VALVE CONTROL CAP

REF	PART #	QTY		DESCRIPTION	SEE SECTION
1	NSS	1		VALVE SECTION BODY	
-	23416-LH	1	☐	KIT, end cap - "B" port side	
2	-----	1		CAP, end	
3	-----	2	⌘	O-RING (Small)	
4	-----	1	⌘	O-RING (Large)	
5	-----	1	⌘	O-RING (Small)	
6	-----	2		BOLT, allen head - 6mm-1.0P x 20mm (0211124703)	
7	-----	1	⌘	O-RING	
8	11383-LH	1		PLUG - 6408-HHP-4	
9	-----	1	⌘	RING, seal	
10	-----	1		PLUG (0686644203)	
11	-----	2		SCREW, allen head - 6mm-1.0P x 100mm (0211126403)	
12	20976-LH	2		SOLENOID - 24V	
13	-----	2	◆	O-RING (Large)	
14	-----	2	◆	O-RING (Medium)	
15	-----	2	◆	O-RING (Small)	
16	-----	4		SCREW, allen head - 4mm-.75P x 12mm (0211117103)	
17	-----	2		DAMPER, pilot restrictor orifice (voac solenoid)(see note #1 below)	
18	19179-LH	2		CONNECTOR, (kit) voac control valve	
-	23417-LH	1		KIT, seal repair - "B" port side end cap	
-	23418-LH	1		KIT, seal repair - solenoid	

- ☐ See referenced page for component or assembly breakdown.
- ☐ Kit or Assembly - includes all items indented underneath.
- ⌘ Included in seal repair kit PN# 23417-LH.
- ◆ Included in seal repair kit PN# 23418-LH.

NOTE #1:

Orifice sizes vary depending upon function.
 #3762396 0.6 mm
 #3762397 0.8 mm
 #3762398 1.0 mm



Parts 01319 09/16/99
62.00

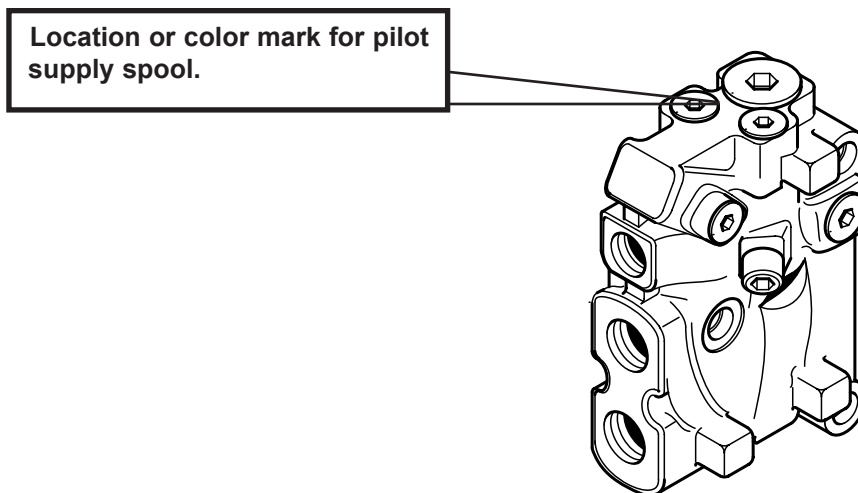
L90LS VALVE OUTLET

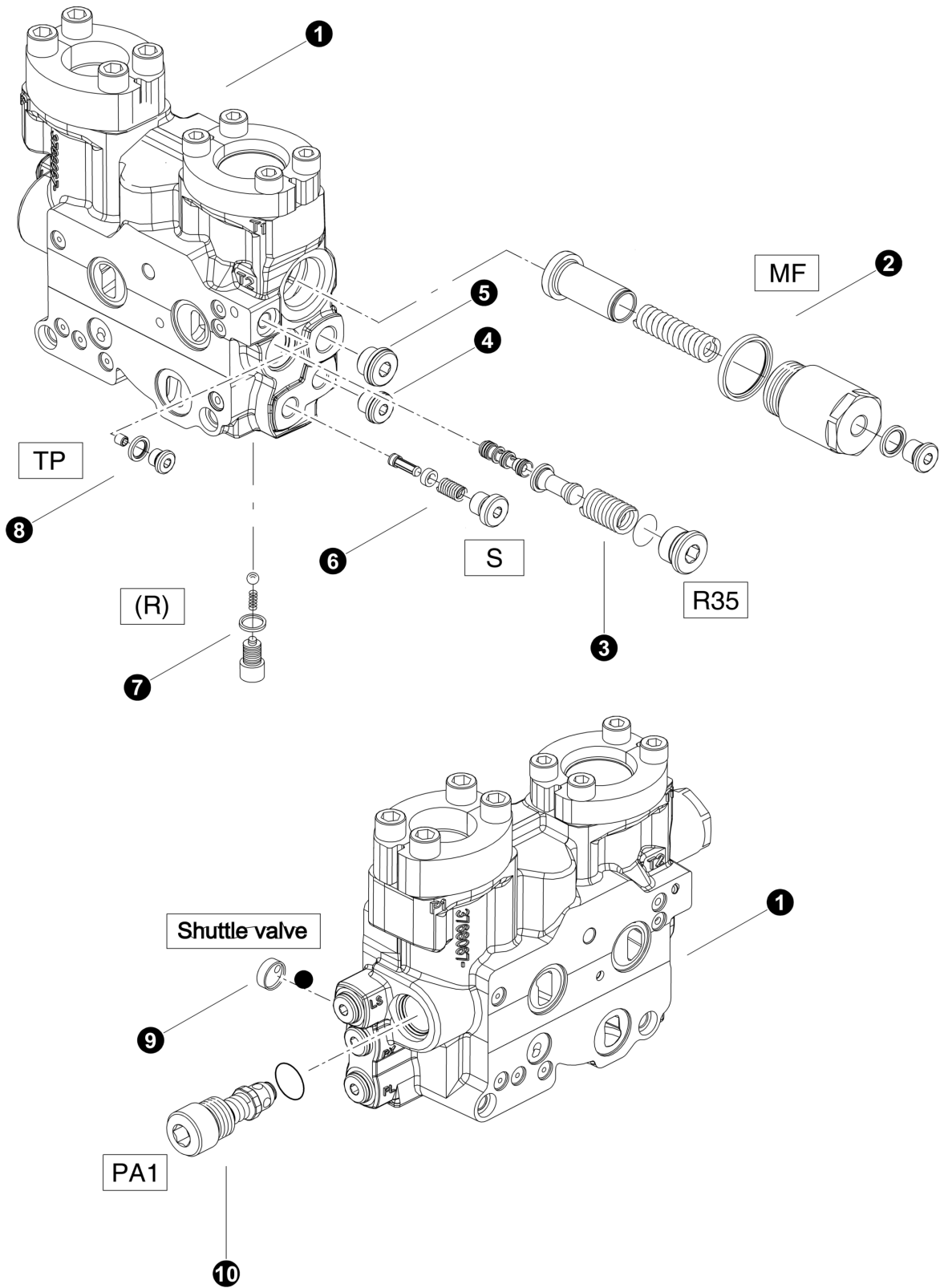
REF	PART #	QTY		DESCRIPTION	SEE SECTION
-	23412-LH	1	<input type="checkbox"/>	VALVE SECTION, outlet	
1	NSS	1		BODY, valve section	
-	23431-LH	1	<input type="checkbox"/>	KIT, pilot supply reducer (Green)(35 bar)(see note #1)	
	23432-LH	1	<input type="checkbox"/>	KIT, pilot supply reducer (Red)(35 bar)(see note #1)	
2	-----	1		SPOOL, pilot reducer	
3	-----	1		RETAINER, spring	
4	-----	1		SPACER, spring	
5	-----	1		SPRING	
6	-----	1		O-RING (0663909901)	
7	-----	1		PLUG (9126244413)	
8	-----	1		PLUG (9127320022)	
9	-----	1		RING, seal (06611005)	
10	-----	1		SPRING	
11	-----	1		BALL, check	
-	23433-LH	1	<input type="checkbox"/>	KIT, pilot supply strainer	
12	-----	1		PLUG (9127320020)	
13	-----	1		RING, seal (06611020)	
14	-----	1		SPRING	
15	-----	1		SPACER	
16	-----	1		STRAINER (9126386076)	
17	15412-LH	3		PLUG - 6408-HHP-6	
18	-----	1		PLUG, pilot drain (393000K078)	
19	-----	1		Counter press. valve - 130 PSI (393000K068)	

Kit or Assembly - includes all items indented underneath.

NOTE #1

Each section is color coded to insure proper fit, please check color mark before ordering.





Parts T3422 05/02/2006
50.00

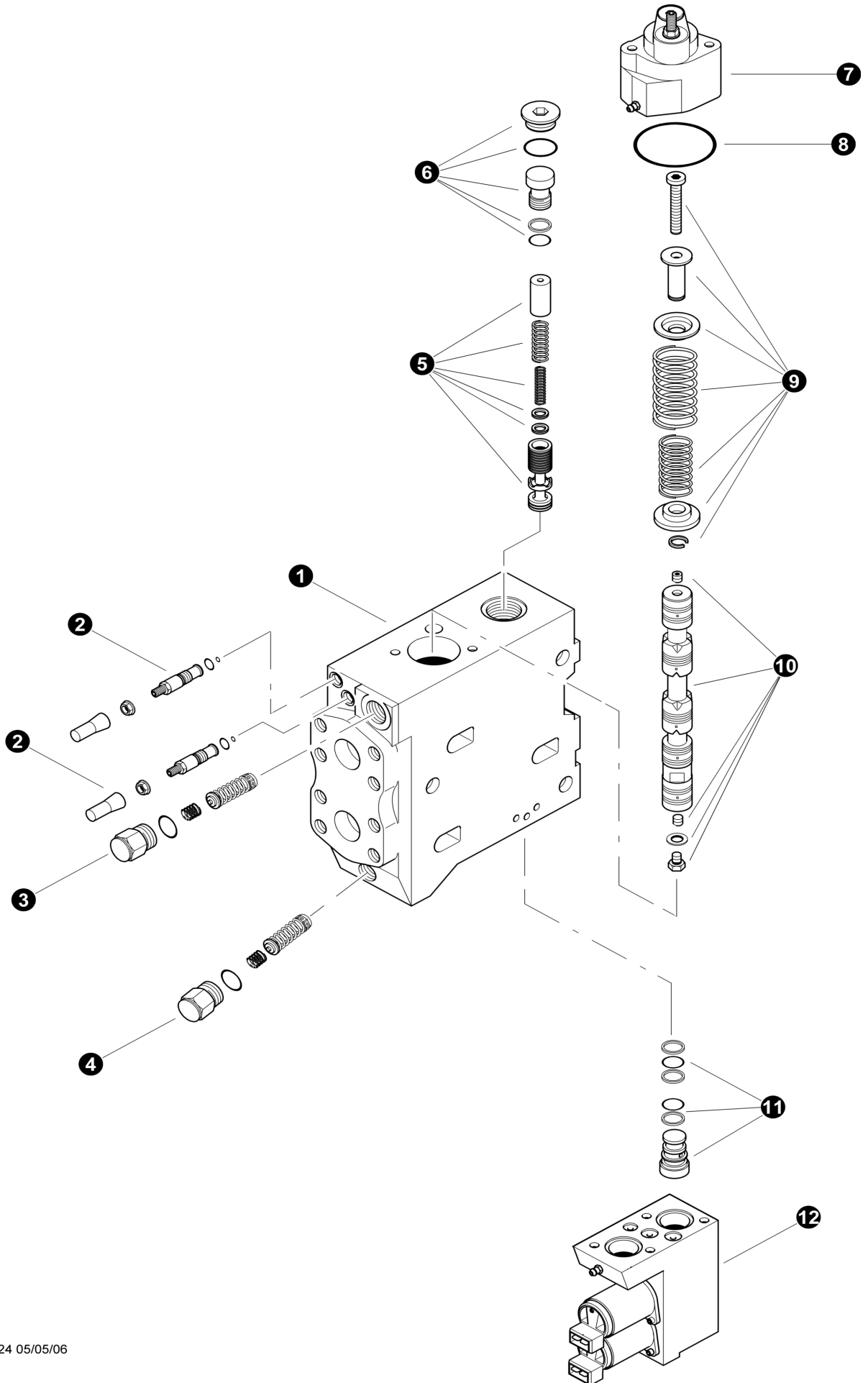
**MID INLET SECTION
K220 to L90**

REF	PART #	QTY		DESCRIPTION	SEE SECTION
1	-LH	1	<input type="checkbox"/>	MID INLET SECTION -	
2	---	1		VALVE, Counter Pressure (9120092550)	
3	---	1		VALVE, Pilot Reducer 35 bar (9120092553)	
4	---	1		PLUG	
5	---	1		PLUG	
6	---	1		FILTER, Internal Pilot (9120092004)	
7	---	1		VALVE, Check (9120092554)	
8	---	1		PLUG, pilot tank conection (9120092555)	
9	---	1		SHUTTLE, Load Sence (9120092050)	
10	---	1		VALVE, main relief 300 bar (9120029264)	

Kit or Assembly - includes all items indented underneath.

NOTE #1

Each section is color coded to insure proper fit, please check color mark before ordering.

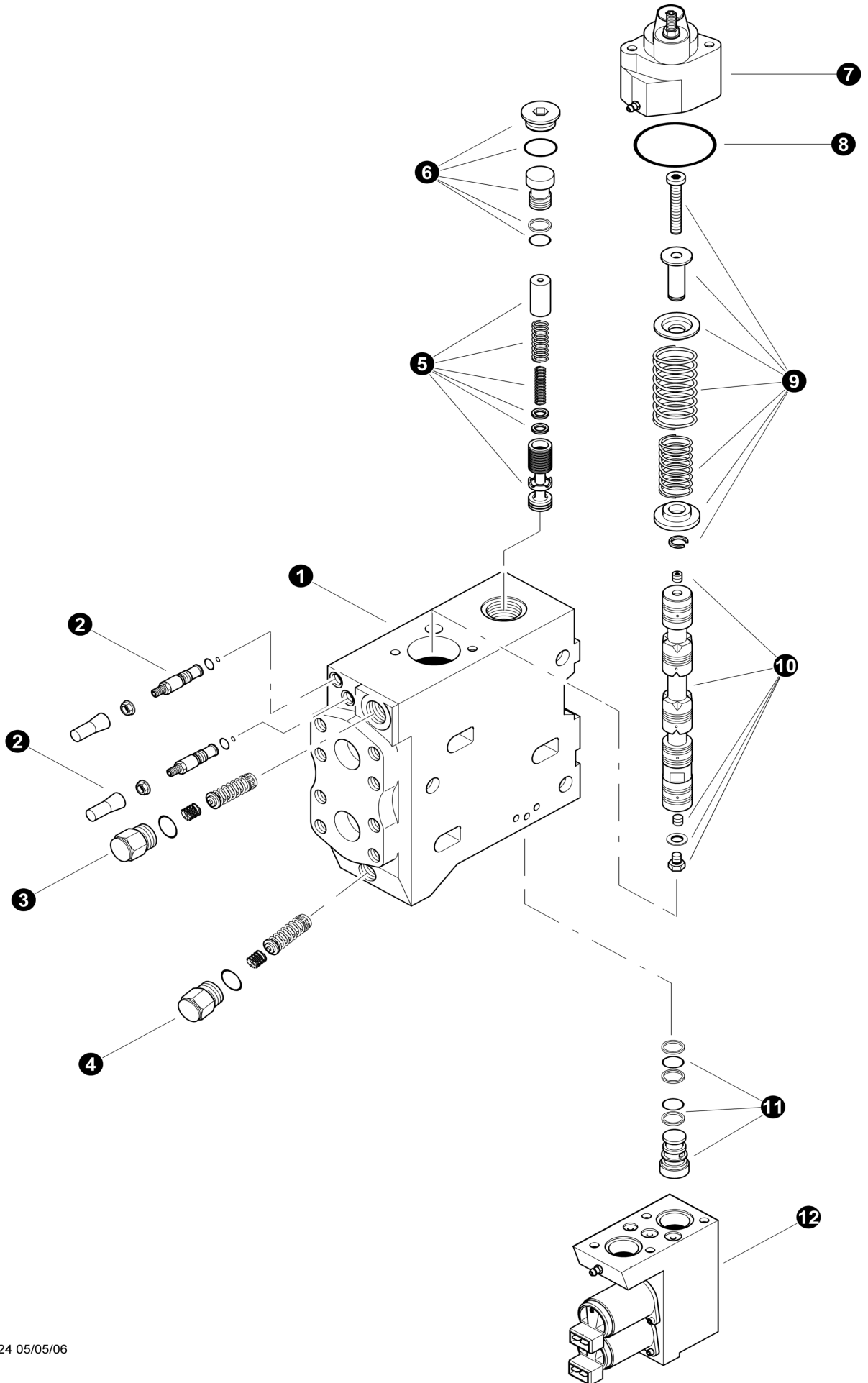


Parts T3424 05/05/06
37.5

VOAC K220 VALVE SECTION

REF	PART #	QTY	DESCRIPTION	SEE SECTION
-	-LH	1	<input type="checkbox"/> VALVE SECTION - Main Boom function (L90LS-MS-US60-231)	
1	NSS	1	BODY	
2	---	2	<input type="checkbox"/> KIT, FEED REDUCER (393000K817)	
-	---	2	KIT, feed reducer seals (393000K852)	
3	---	1	CARTRIDGE, "B" port relief (300 Bar) (9120029967)	
4	---	1	CARTRIDGE, "A" port relief (300 Bar) (9120029967)	
5	---	1	KIT, "K3" COMPENSATOR, BLUE (9120092056)	
5	---	1	KIT, "K3" COMPENSATOR, GREEN (9120092060)	
5	---	1	KIT, "K3" COMPENSATOR, RED (9120092064)	
6	---	1	<input type="checkbox"/> PLUG 8, Compensator (9120092480)	
-	---	1	KIT, Plug 8 seals (9120092482)	
7	REF.	1	<input type="book"/> CAP, "B"port	LH-1
8	---	1	KIT, seals (9120092284)	
9	23423-LH	1	KIT, spool centering spring (393000K343)	
10	---	1	SPOOL, YXA	
11	---	1	<input type="checkbox"/> PLUG 6, Compensator (3764731)	
-	---	1	KIT, Seal Plug 6 (9120092355)	
12	REF	1	<input type="book"/> END CAP ASSEMBLY - "A" port	LH-1
-	-LH	1	<input type="checkbox"/> VALVE SECTION - Stick Boom function (L90LS-MS-US60-232)	
1	NSS	1	BODY	
2	---	2	<input type="checkbox"/> KIT, FEED REDUCER (393000K817)	
-	---	2	KIT, feed reducer seals (393000K852)	
3	---	1	CARTRIDGE, "B" port relief (160 Bar) (9120029960)	
4	---	1	CARTRIDGE, "A" port relief (300 Bar) (9120029967)	
5	---	1	KIT, "K1" COMPENSATOR, BLUE (9120092054)	
5	---	1	KIT, "K1" COMPENSATOR, GREEN (9120092058)	
5	---	1	KIT, "K1" COMPENSATOR, RED (9120092062)	
6	---	1	<input type="checkbox"/> PLUG 8, Compensator (9120092480)	
-	---	1	KIT, Plug 8 seals (9120092482)	
7	REF.	1	<input type="book"/> CAP, "B"port	LH-1
8	---	1	KIT, seals (9120092284)	
9	23423-LH	1	KIT, spool centering spring (393000K343)	
10	---	1	SPOOL, YRX	
11	---	1	<input type="checkbox"/> PLUG 6, Compensator (3764731)	
-	---	1	KIT, Seal Plug 6 (9120092355)	
12	REF	1	<input type="book"/> END CAP ASSEMBLY - "A" port	LH-1

- Kit or Assembly - includes all items indented underneath.
- See referenced page for component or assembly breakdown.

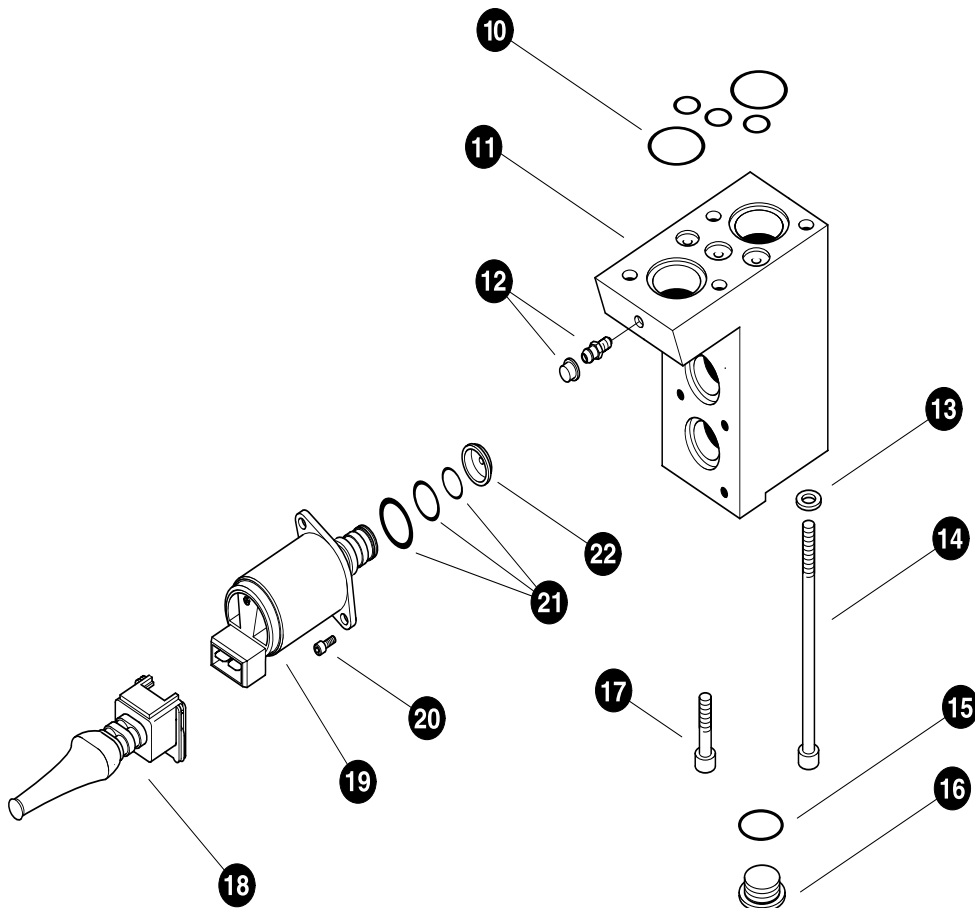
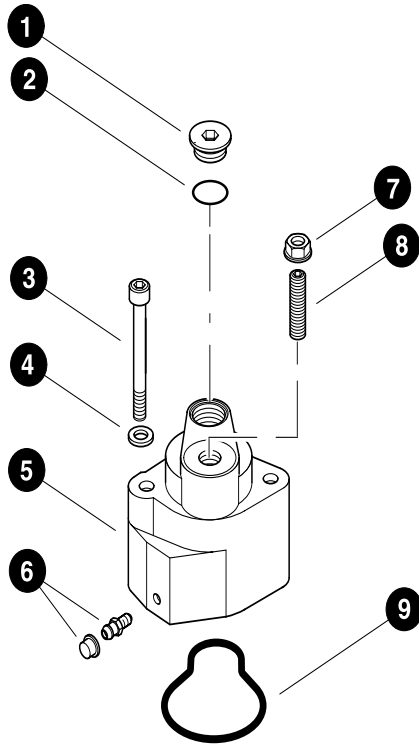


Parts T3424 05/05/06
37.5

VOAC K220 VALVE SECTION (Continued...)

REF	PART #	QTY	DESCRIPTION	SEE SECTION
-	-LH	1	<input type="checkbox"/> VALVE SECTION - Harvester High Flow function (L90LS-MS-US60-248)	
1	NSS	1	BODY	
2	---	2	<input type="checkbox"/> KIT, FEED REDUCER (393000K817)	
-	---	2	KIT, feed reducer seals (393000K852)	
3	---	1	CARTRIDGE, "B" port relief (330 Bar) (9120029265)	
4	---	1	CARTRIDGE, "A" port relief (330 Bar) (9120029265)	
5	---	1	KIT, "K3" COMPENSATOR, BLUE (9120092056)	
5	---	1	KIT, "K3" COMPENSATOR, GREEN (9120092060)	
5	---	1	KIT, "K3" COMPENSATOR, RED (9120092064)	
6	---	1	<input type="checkbox"/> PLUG 8, Compensator (9120092480)	
-	---	1	KIT, Plug 8 seals (9120092482)	
7	REF.	1	<input type="book"/> CAP, "B"port	LH-1
8	---	1	KIT, seals (9120092284)	
9	23423-LH	1	KIT, spool centering spring (393000K343)	
10	---	1	SPOOL, YXA	
11	---	1	<input type="checkbox"/> PLUG 6, Compensator (3764731)	
-	---	1	KIT, Seal Plug 6 (9120092355)	
12	REF	1	<input type="book"/> END CAP ASSEMBLY - "A" port	LH-1

- Kit or Assembly - includes all items indented underneath.
- See referenced page for component or assembly breakdown.



Parts T2762 07/15/03
50.00

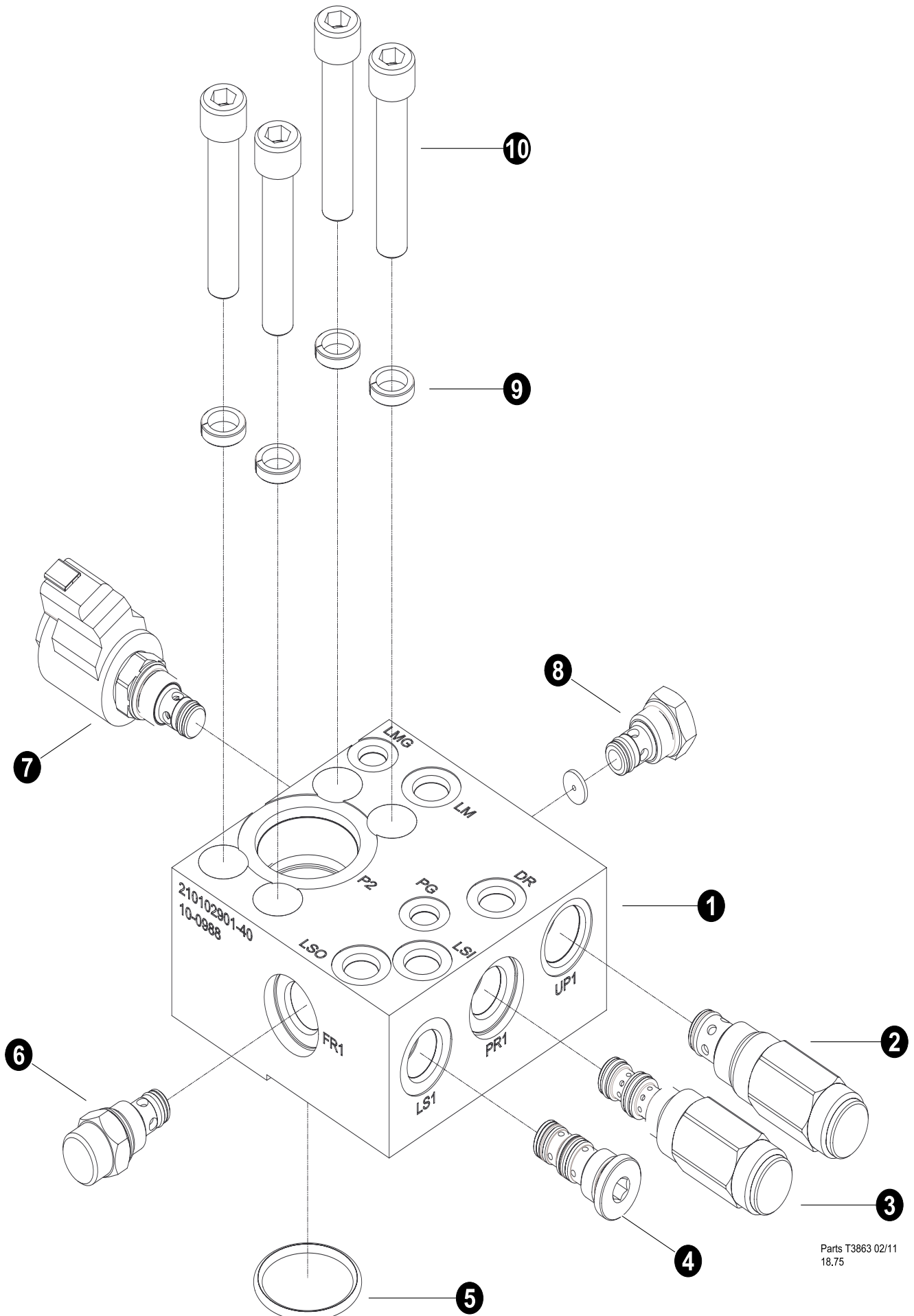
VOAC K220 VALVE END CAPS

REF	PART #	QTY		DESCRIPTION	SEE SECTION
-	51264-FH	1	☐	CUP, PILOT - K220 W / FLOW LIMIT	
1	---	1		PLUG	
2	---	1	⌘	O-RING	
3	---	2		BOLT, M6 X 35mm (3764640)	
4	---	2		WASHER, M6	
5	---	1		CAP	
6	---	1		BLEEDER	
7	---	1	⌘	NUT, seal M6 (91267109)	
8	---	1		SCREW	
9	26418-FH	1	⌘	KIT, cup seals - includes orings, seal nut and bleeder (9120092284)	
-	---	1	☐	KIT, CONTROL "A port side" K220	
10	26417-FH	1	◆	KIT, O-RING	
11	---	1		CAP	
12	---	1		BLEEDER	
13	---	4		WASHER, M6	
14	---	2		BOLT, M6 X 110mm (0211126603)	
15	---	1	◆	O-RING	
16	---	1		PLUG	
17	---	2		BOLT, M6 X 22mm (0211124803)	
18	19179-FH	2		KIT, CONNECTOR -VOAC solenoid	
-	20976-FH	2		KIT, SOLENOID VALVE 24V	
19	---	1		SOLENOID VALVE 24V	
20	---	2		SCREW, 4mm x 12mm (0211117103)	
21	---	1		KIT, SEAL -SOLENOID VALVE (393000K813)	
22	---	1		DAMPER, pilot restrictor orifice 0.6 mm (3762396) - 1 DOT	
22	---	1		DAMPER, pilot restrictor orifice 0.8 mm (3762397) - 2 DOT	
22	---	1		DAMPER, pilot restrictor orifice 1 mm (3762398) - 3 DOT	
22	---	1		DAMPER, pilot restrictor orifice 1.1 mm (3762609) - 4 DOT	
22	---	1		DAMPER, pilot restrictor orifice 3 mm (3763308)	

☐ Kit or Assembly - includes all items indented underneath.

⌘ Included in seal repair kit PN# - 26418-FH

◆ Included in seal repair kit PN# - 26417-FH

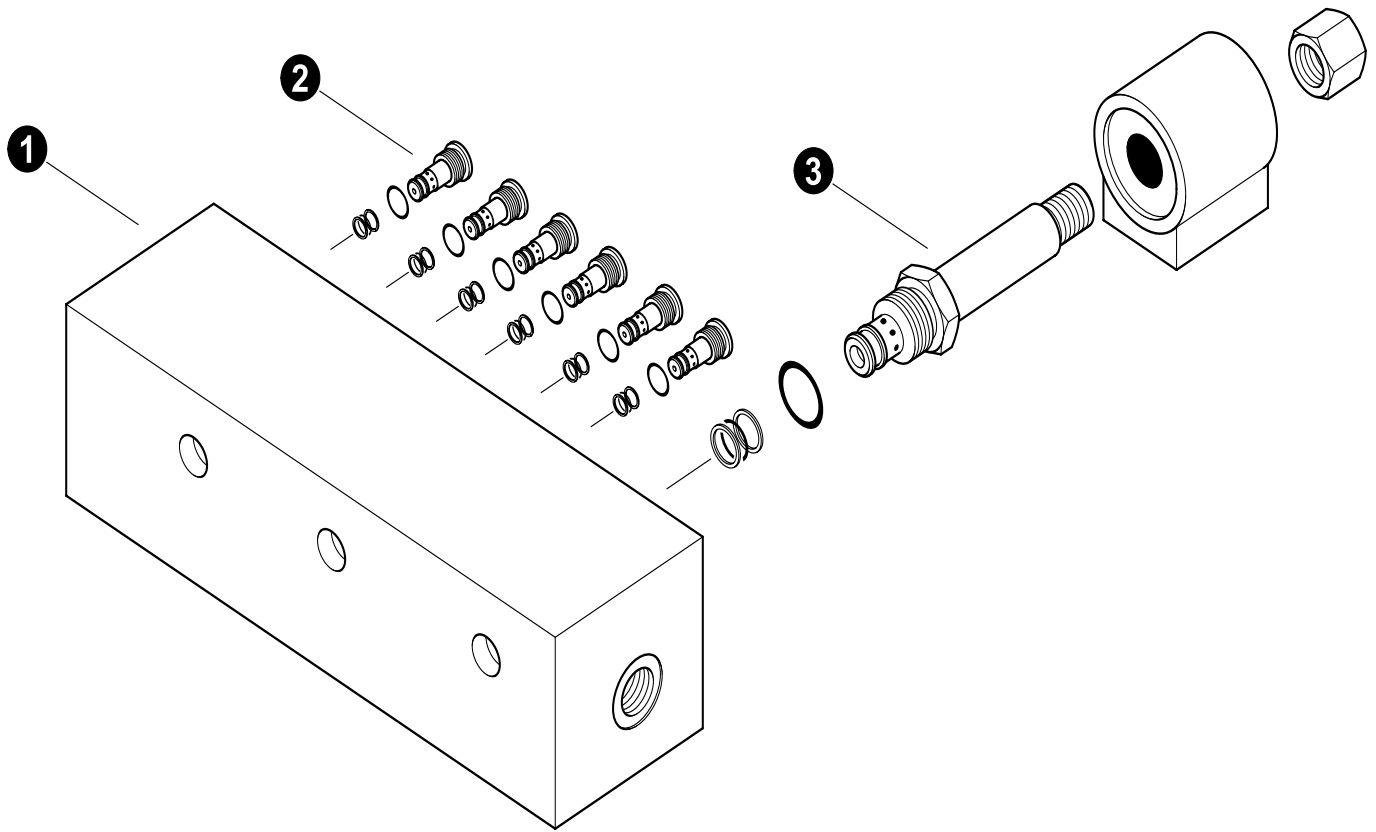


Parts T3863 02/11
18.75

UPPER MANIFOLD LOWER BLOCK SUPPLY PRESSURE

REF	PART #	QTY	DESCRIPTION	SEE SECTION
1	54264-LB	1	☐ VALVE, LOWER MANIFOLD PRESSURE CONTROL	
2	-LB	1	⊙ UP1 Valve, Unloading - UP10-3005F-0-N-90-30/28	
3	-LB	1	⌘ PR1 Valve, Relief - PR58-38H-0-N-32/32.0	
4	-LB	1	LS1 Valve, Shuttle - 04.94.05.00.56.00	
5	-LB	1	O-RING - 1.25"	
6	-LB	1	◆ FR1 Valve, Flow Control - FR08-20F0-N-.25	
7	-LB	1	* SV1 Valve, Solenoid - SF08-20-0-P-24ERZ	
8	-LB	1	▲ CV1 Valve, Check - CV08-20-0-N-25	
-	-LB	1	OR1 Orifice - 7051078	
9	-LB	4	LOCK WASHER - 1/2"	
10	-LB	4	ALLEN BOLT - 1/2" 13 UNC X 2.75"	

- ☐ Kit or Assembly - includes all items indented underneath.
- ⌘ Seal Repair Kit (SK10-3N-BM)
- ◆ Seal Repair Kit (SK08-2X-M)
- ⊙ Seal Repair Kit (SK10-2N-B)
- ▲ Seal Repair Kit (SK08-2N-T)
- * Seal Repair Kit (SK08-2P-T)



Parts T3882 09/19/2011
25.00

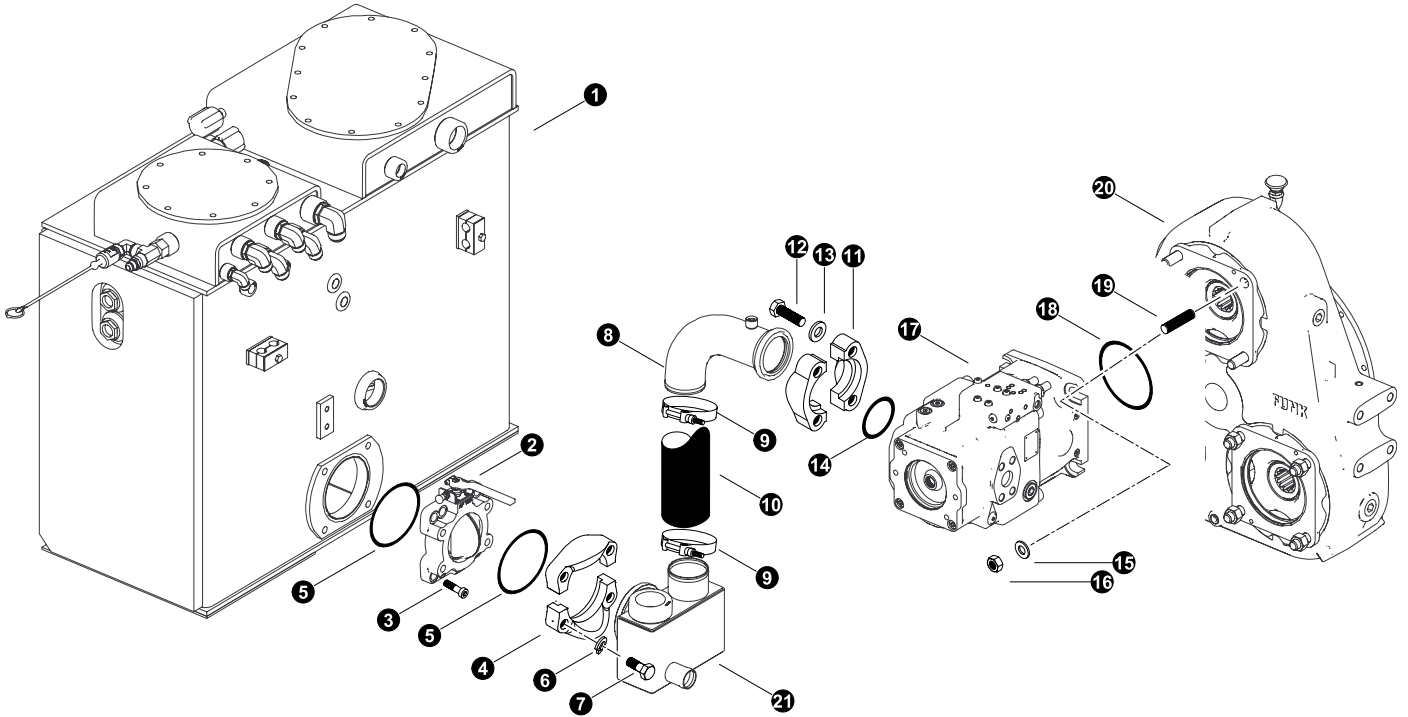
UPPER MANIFOLD LOWER BLOCK SUPPLY PRESSURE

REF	PART #	QTY	DESCRIPTION	SEE SECTION
1	52912-LH	1	☐ VALVE, COMBO DRAIN	
2	-LH	6	⌘ Shuttle - Drain (CV04-20-0-N-05)	
3	-LH	1	◆ Valve, Solenoid - (SF08-23-0-P-24ERZ)	

- ☐ Kit or Assembly - includes all items indented underneath.
- ⌘ Seal Repair Kit (SK04-2X-T)
- ◆ Seal Repair Kit (SK08-2P-T)





Section LH-2




Loader Hydraulics - Supply, Tank, Load sense, and Drain Circuits

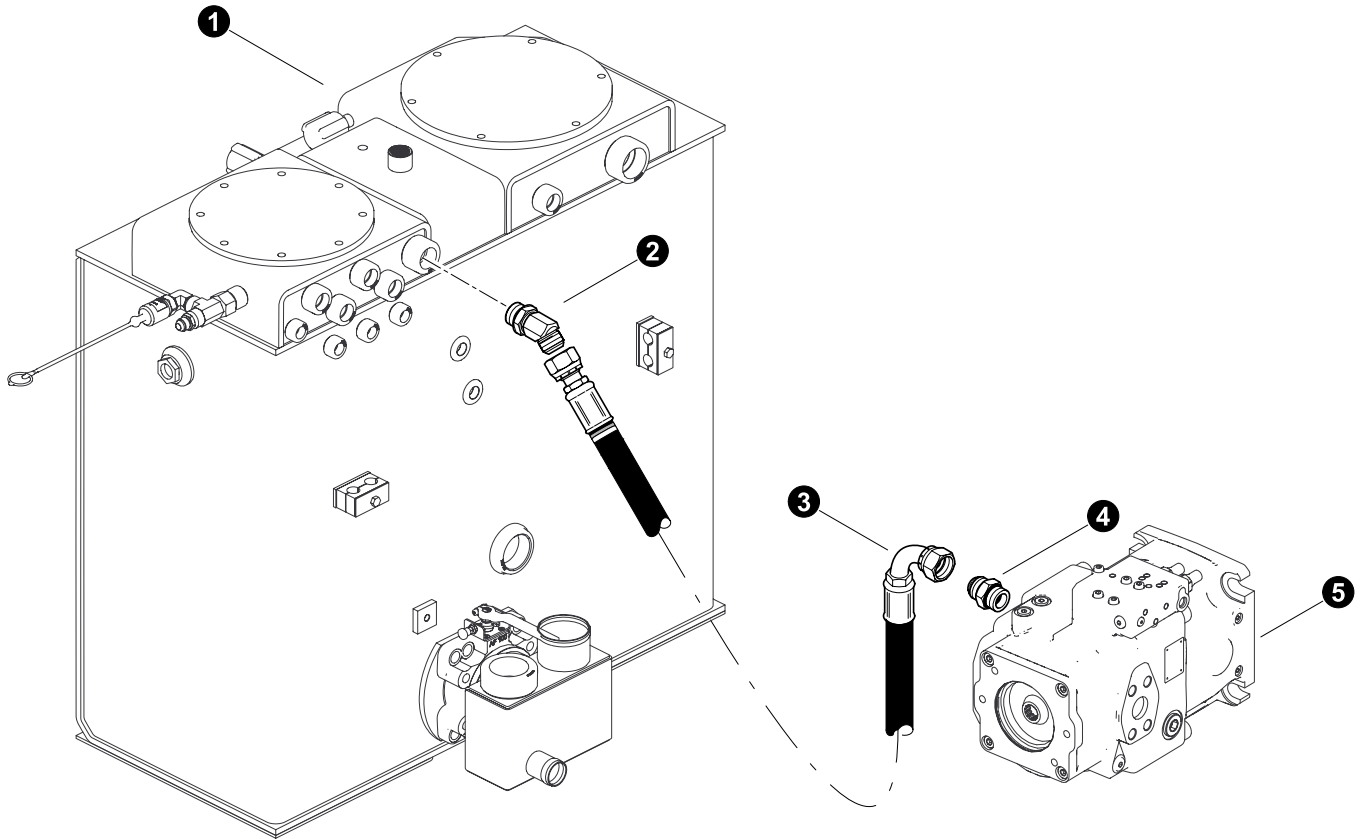


T4652 5/15
19/25

IMPLEMENT PUMP INSTALLATION


REF	PART #	QTY	DESCRIPTION	SEE SECTION
1	REF	1	 HYDRAULIC TANK ASSEMBLY	UP-2
2	54786-LH	1	VALVE, SHUT OFF - BUTTERFLY (4")	
3	23095-LH	4	BOLT, ALLEN HEAD - .625" x 2"	
4	51625-LH	1	 KIT, FLANGE - SUCTION TUBE (4")	
5		1	O-RING - SUCTION TUBE (4")	
6	10721-LH	4	WASHER, LOCK - .625"	
7	-LH	4	M16X2.0X50MM (83514A)	
8	46265-LH	1	TUBE, SUCTION - IMP PUMP / C SERIES	
-	55615-LH	1	FITTING, ADAPTOR - BLEED - SUCTION TUBE	
9	15613-FF	2	CLAMP, STRAP BAND - 3.5"	
10	-LH	1	HOSE ASSEMBLY - 2010.5 48-0-0	
11	22639-LH	1	 KIT, split flange - 3" (Code 61)	
12	15562	4	BOLT - 5/8" x 2"	
13	10721-LH	4	WASHER, LOCK - .625"	
14	18695-LH	1	O-RING - 3" SF	
15	15550-LH	4	WASHER, SAE flat - 3/4	
16	10776-LH	4	NUT, hex - 3/4"	
17	REF	1	 IMPLEMENT PUMP.	LH-1
18	15442-2-LH	1	O-RING, PUMP DRIVE PILOT	
19	40281351-FF	4	STUD, "D" Mount	
20	REF	1	PUMP DRIVE GEARBOX	EE-4
21	46200-LH	1	WELDMENT, SUCTION TUBE, C-MODEL	


-  See referenced page for component or assembly breakdown.
-  Bulk material - order length required in feet or meters.
-  Kit or Assembly - includes all items indented underneath.

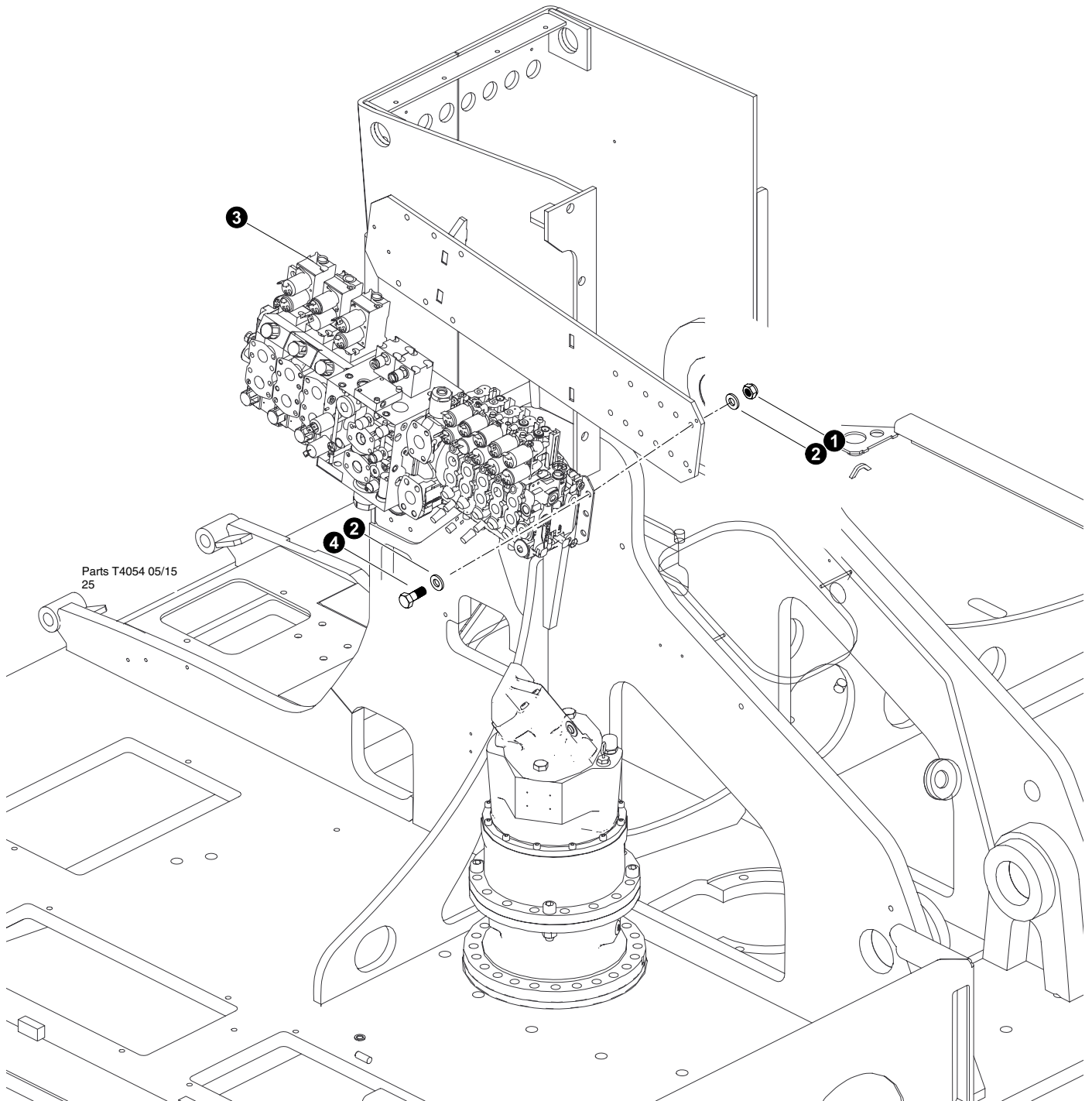


Parts T4053 05/15
18.75


IMPLEMENT PUMP CASE DRAIN LINE

REF	PART #	QTY	DESCRIPTION	SEE SECTION
1	REF.	1	HYDRAULIC TANK	UP-2
2	15474-LH	2	ELBOW, 45 - 6802-12	
3	-LH	1	HOSE ASSEMBLY - 2030-12-12JS-12J9 (<i>Implement pump case drain port to hydraulic tank</i>)	
4	11324-LH	1	CONNECTOR, STR - 6400-12	
5	REF.	1	 IMPLEMENT PUMP.....	LH-1

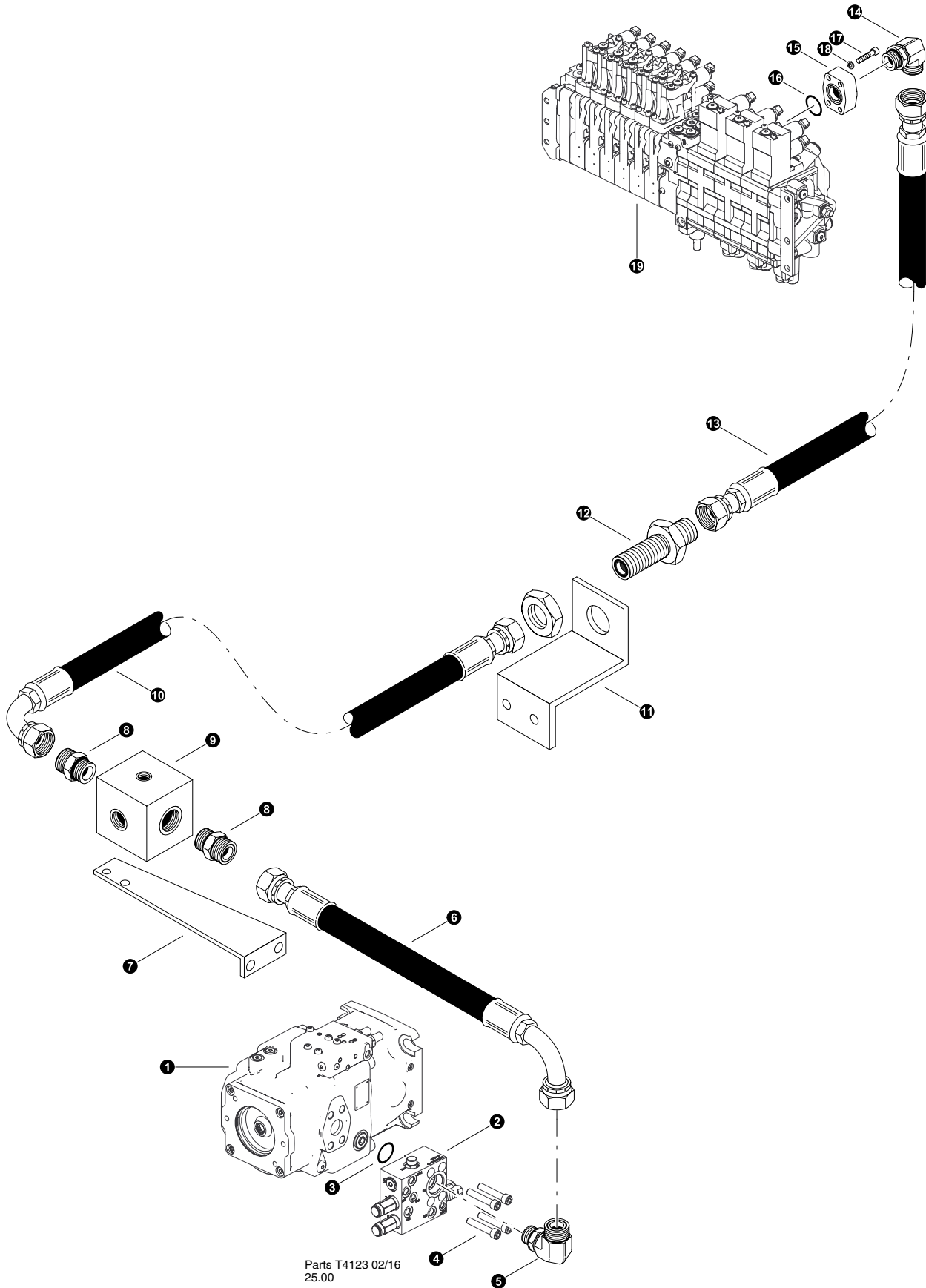
 See referenced page for component or assembly breakdown.







MAIN CONTROL VALVE MOUNTING

REF	PART #	QTY	DESCRIPTION	SEE SECTION
1	10813-LH	4	NUT, lock 3/8"	
2	10802-LH	8	WASHER, FLAT - .375"	
3	REF	1	 MAIN CONTROL VALVE	LH-1
4	15507-LH	4	BOLT, 3/8 X 1 1/4"	

 See referenced page for component or assembly breakdown.

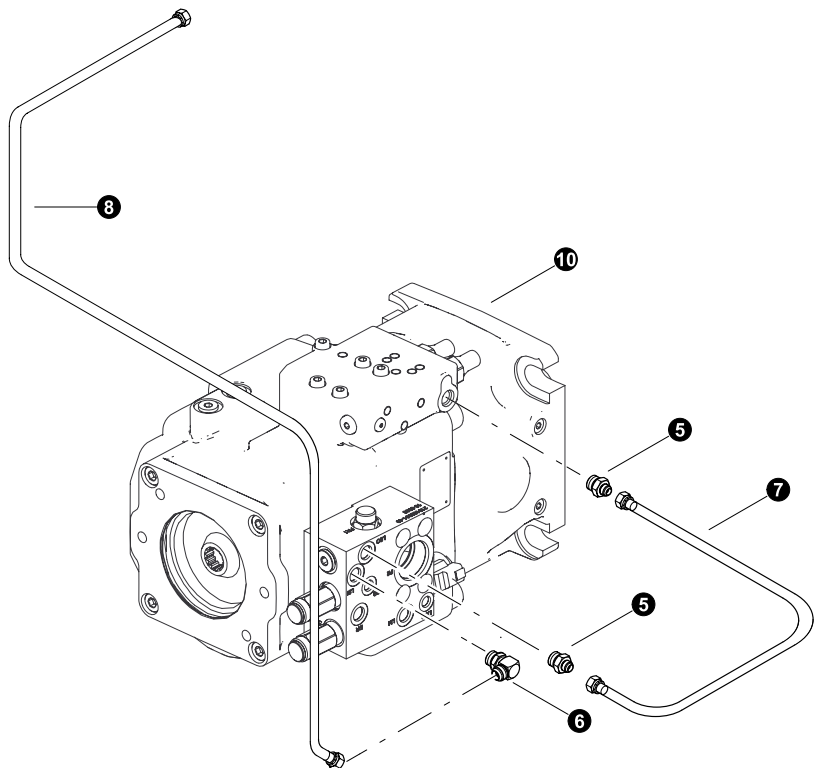
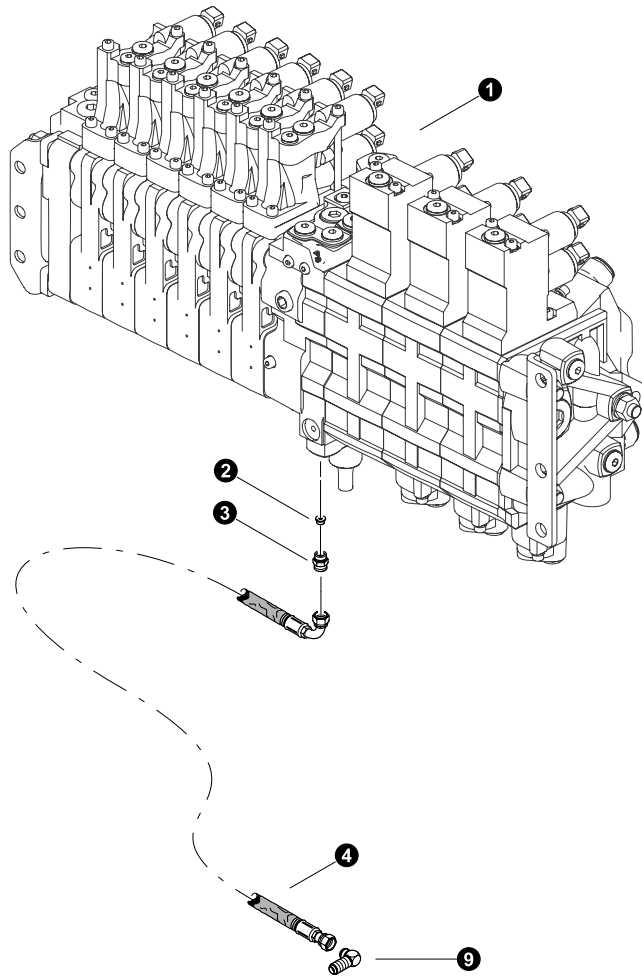


IMPLEMENT PUMP PRESSURE LINE TO MAIN CONTROL VALVE

REF	PART #	QTY	DESCRIPTION	SEE SECTION
1	REF.	1	 IMPLEMENT PUMP.....	LH-1
2	54264-LB	1	 VALVE, LOWER MANIFOLD PRESSURE CONTROL.....	LH-1
3	-	1	O-RING - 1.25"	
4	-	4	ALLEN BOLT - 1/2" 13 UNC X 2.75"	
5	17055-LH	1	ELBOW, 90 - FF1868T-2020S	
6	55561-LH	1	HOSE ASSEMBLY - 4016-20-20OS-20OL9 (<i>Pump Pressure Bulkhead to Implement Pump Pressure Port</i>)	
7	46963-LH	1	BRACKET, IMPLEMENT PSI - C SERIES	
8	17344-LH	2	CONNECTOR, STR - FF1852T-2020S	
9	51450-LH	1	MANIFOLD, RETURN CHECK	
10	-LH	1	HOSE ASSEMBLY - 5042.5-20-20OS-20O9 (<i>Pump Pressure Bulkhead to Pump Pressure Bulkhead</i>)	
11	46296-LH	1	PLATE, IMPLEMENT PSI BULKHEAD	
12	54743-LH	1	FITTING, 20 WLO-WLNL-S	
13	-LH	1	HOSE ASSEMBLY - 4030-20-20OS-20O4 (<i>Pump Pressure Bulkhead to main control valve pressure inlet port "P1"</i>)	
14	50470-LH	1	ELBOW, 90 - 849-TT0-16X20	
15	18397-LH	1	 CONNECTOR, FLANGE PAD - 1" C 62	
16	15377-LH	1	O-RING - 1"	
17	18988-LH	4	BOLT, ALLEN HEAD - 12MM-1.75P X 45MM	
18	-	4	WASHER, lock	
19	REF.	1	 MAIN CONTROL VALVE.....	LH-1



 See referenced page for component or assembly breakdown.


 Kit or Assembly - includes all items indented underneath.

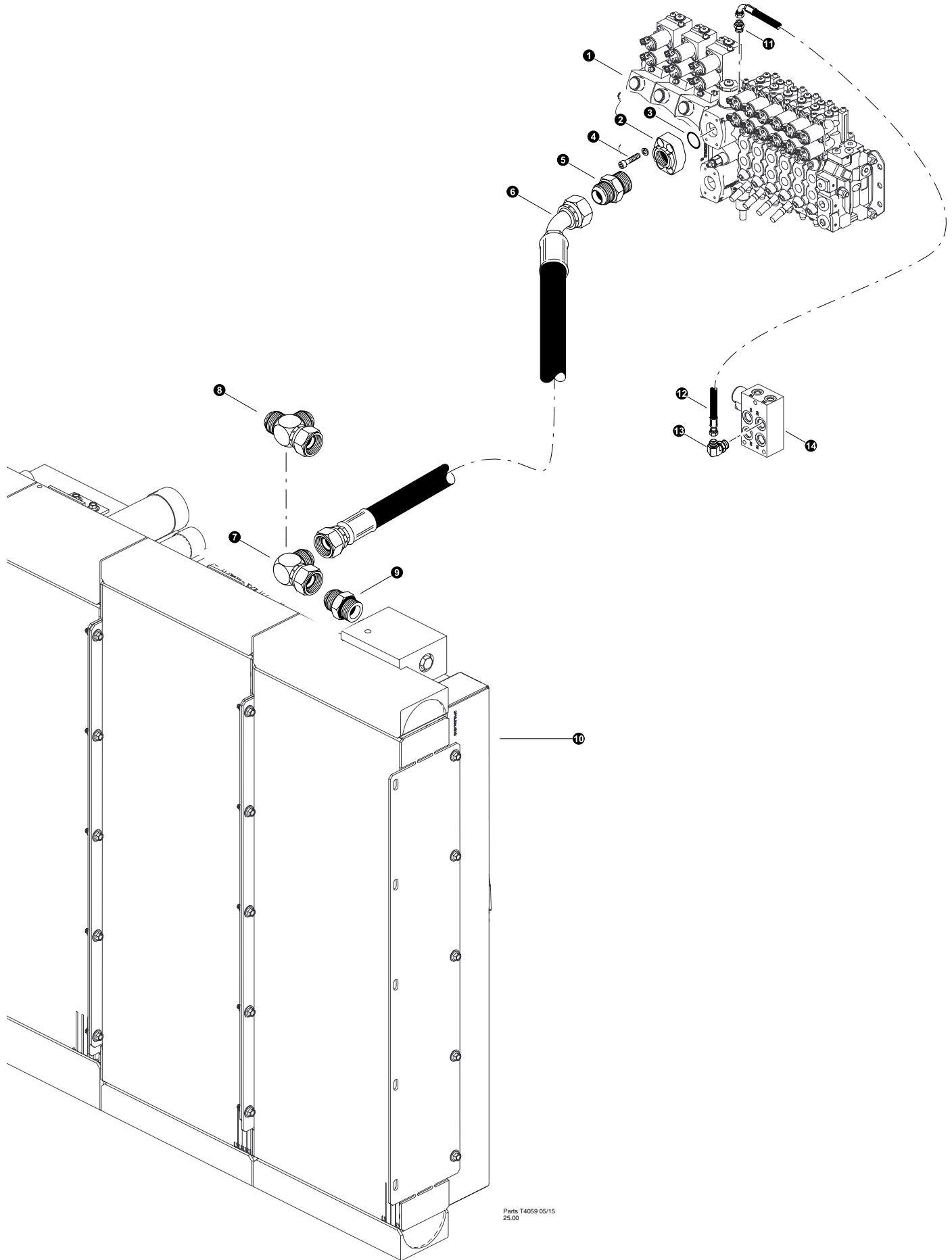


124 03/16

MAIN CONTROL VALVE LOAD SENSE LINE


REF	PART #	QTY	DESCRIPTION	SEE SECTION
1	REF.	1	 MAIN CONTROL VALVE	LH-1
2	15488-LH	1	CONNECTOR, STR - 6400-6 (<i>Tapped for 0.028" orifice</i>)	
3	18503-LH	1	ORIFICE - .028"	
4	-LH	1	HOSE ASSEMBLY - 2090-06-060S-0609-W (<i>Control Valve load sense "PL" port to Implement Pump controler</i>)	
5	15488-LH	2	CONNECTOR, STR - 6400-6	
6	15480-LH	1	ELBOW, 90 - 6801-6	
7	55237-LH	1	TUBELINE, IMP P BLOCK LSO / IMP LS C-SER	
8	55235-LH	1	TUBELINE, IMP PUMP LS1 / JIC BULKHEAD C-	
9	55347-LH	1	FITTING, ELBOW - BULKHEAD 6 WETX-WLN-S	
10	REF.	1	 IMPLEMENT PUMP.	LH-1

 See referenced page for component or assembly breakdown.



Parts T4059 05/15
25.00

MAIN CONTROL VALVE RETURN LINE AND DRAIN

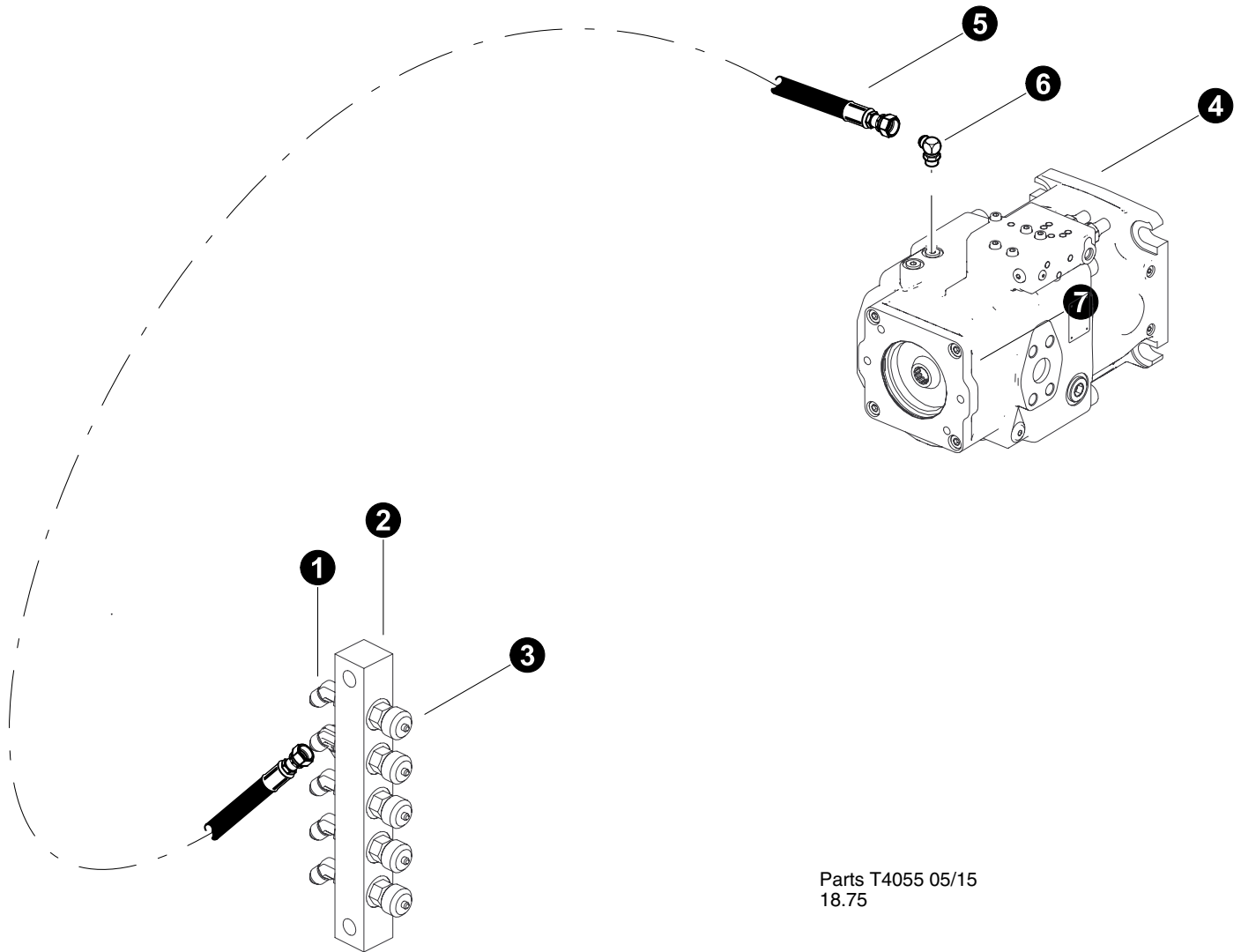
REF	PART #	QTY	DESCRIPTION	SEE SECTION
1	REF.	1	 MAIN CONTROL VALVE	LH-1
2	17909-LH	1	CONNECTOR, FLANGE PAD-W46K-20-20 CODE 61	
3	15378-LH	1	O-RING - 1.25" SF (CODE 61/62)	
4	-LH	4	BOLT, ALLEN HEAD - 10MM	
5	53616-LH	1	FITTING, STR - 24 X 20 - RETURN TUBE	
6	-LH	1	HOSE ASSEMBLY - 2023-24-24JS-20J4 (<i>Cooler to main control valve tank port "T1"</i>)	
7	54714-LH	1	ELBOW, 90 SWIVEL 24C6X-S (24 JICMF)	
8	53183-LH	1	FITTING, SWIVEL NUT RUN TEE #24 (DISC SAW OPTION)	
9	22319-LH	1	CONNECTOR, STR - THERMAL BYPASS (GT)	
10	REF	1	OIL COOLER BREAKDOWN	UP-3



See referenced page for component or assembly breakdown.




Kit or Assembly - includes all items indented underneath.



Parts T4055 05/15
18.75

IMPLEMENT PUMP GAUGE PORT

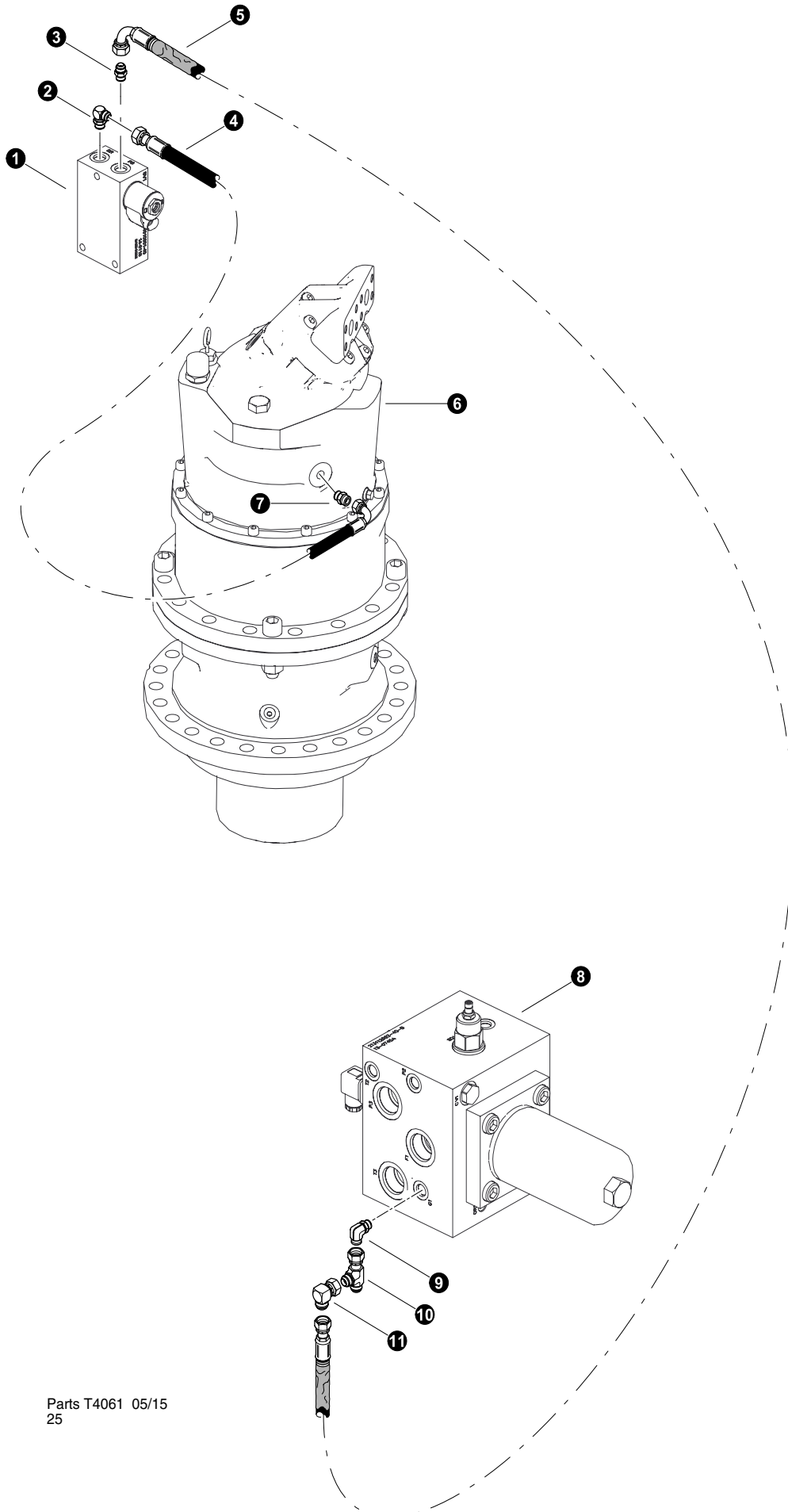
REF	PART #	QTY	DESCRIPTION	SEE SECTION
1	51884-LH	1	ELBOW, 45 - (4 V50X-S)	
2	22287-LH	1	MANIFOLD, PRESSURE CHECK - 5 PORT	
3	16037-LH	1	Gauge Tap 1/4" Sae	
4	REF.	1	 IMPLEMENT PUMP.....	LH-1
5	-LH	1	HOSE ASSEMBLY - 7046-04-04JS-04JS (Implement Pump to pressure check manifold)	
6	51931-LH	1	ELBOW, 90 - 4-6 C50X-S (JIC)	

 See referenced page for component or assembly breakdown.

 Kit or Assembly - includes all items indented underneath.




Section LH-3

Loader Hydraulics - Swing Motor Hydraulics

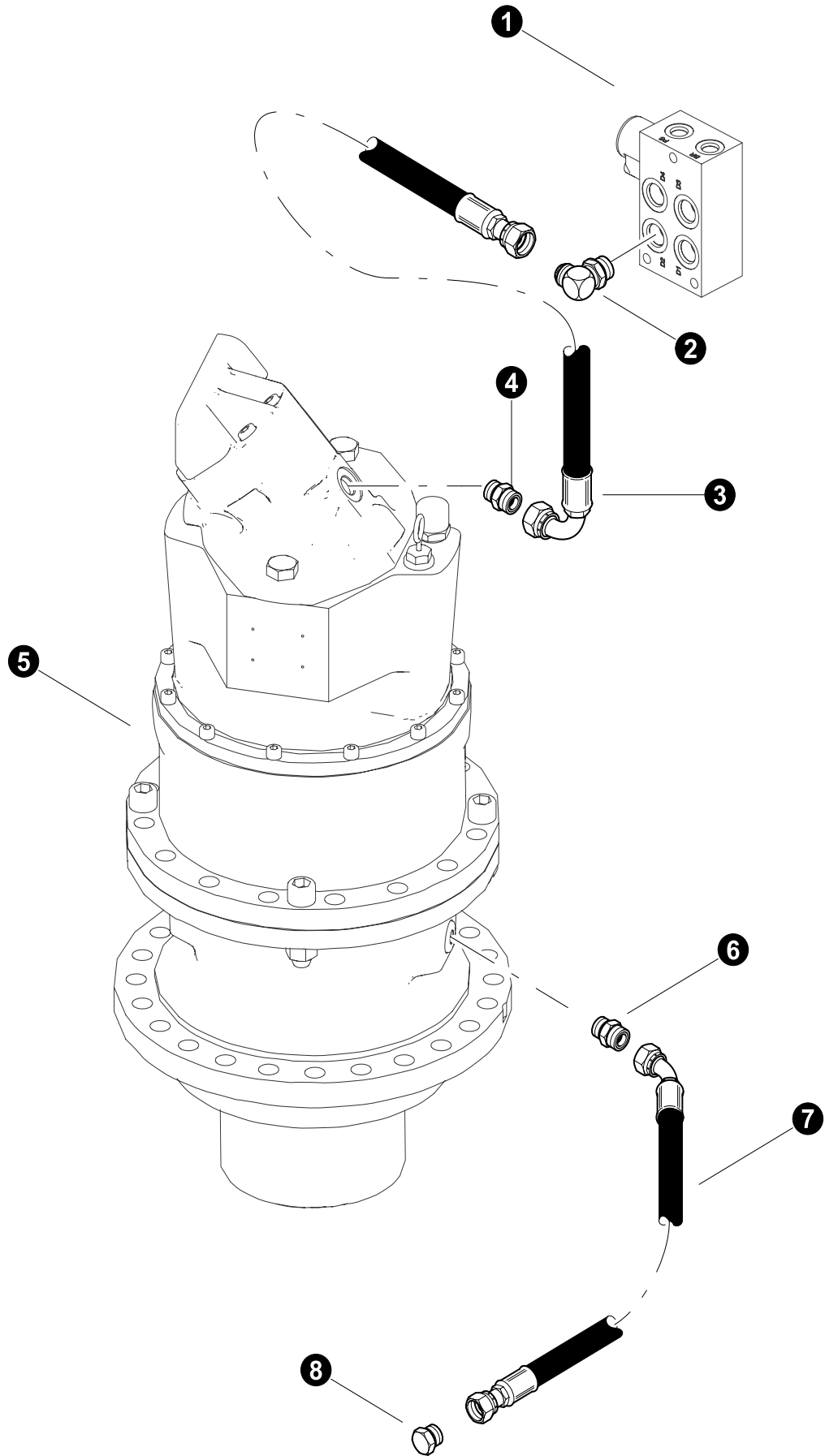


Parts T4061 05/15
25

SWING MOTOR HYDRAULICS (swing gearbox brake release)



REF	PART #	QTY	DESCRIPTION	SEE SECTION
1	REF.	1	 MANIFOLD, CASE DRAIN/SWING LOCK	LH-3
2	51931-LH	1	ELBOW, 90 - 4-6 C50X-S (JIC)	
3	54809-LH	1	CONNECTOR, STR - 4 JIC x -6 ORB	
4	-LH	1	HOSE ASSEMBLY - 2024-04-04JS-0409 (<i>PS port to G1 port charge valve</i>)	
5	-LH	1	HOSE ASSEMBLY - 2092-04-040S-0409 (<i>swing motor brake release port to BR port</i>)	
6	REF.	1	 MOTOR/GEARBOX - SWING	LH-3
7	19469-LH	1	CONNECTOR, STR METRIC - 4M12F82EDMLO-S	
8	REF.	1	 CHARGE VALVE / FILTER ASSEMBLY	DH-3
9	51931-DH	1	ELBOW, 90 - 4-6 C50X-S (JIC)	
10	55677-DH	1	FITTING, 4 R6X-S	
11	17023-DH	1	ELBOW, 90 SWIVEL - 6500-4	

 See referenced page for component or assembly breakdown.

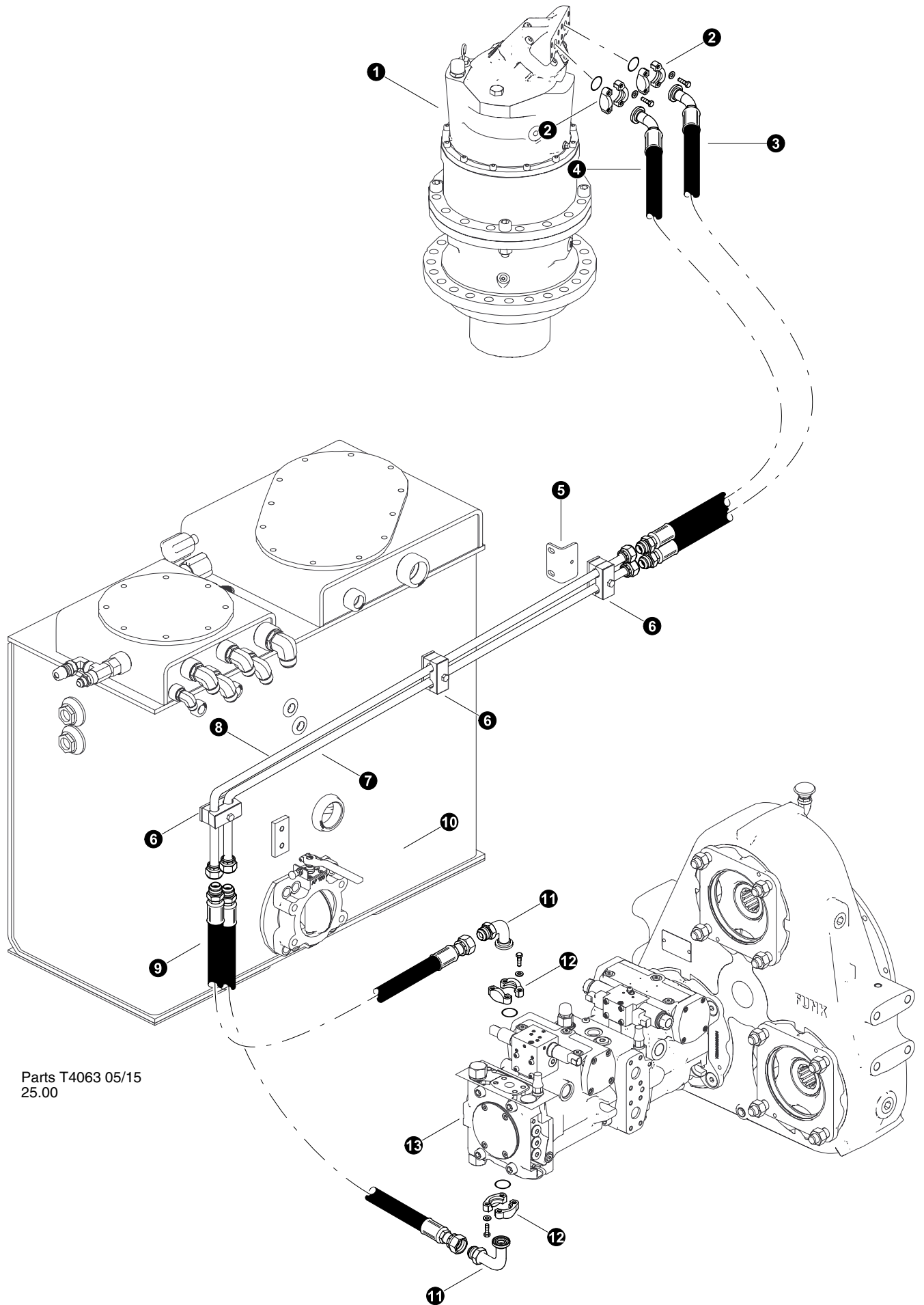


Parts T4062 05/15
25.00

SWING MOTOR HYDRAULICS (swing motor drain)



REF	PART #	QTY	DESCRIPTION	SEE SECTION
1	REF.	1	 MANIFOLD, CASE DRAIN/SWING LOCK	LH-3
2	15481-LH	1	ELBOW, 90 - 6801-8	
3	-LH	1	HOSE ASSEMBLY - 2020-08-08JS-0809 (swing motor case drain to drain manifold D2)	
4	24182-LH	1	CONNECTOR, STR - 6002-08-8BSPP	
5	REF.	1	 MOTOR/GEARBOX - SWING	LH-3
6	52493-LH	1	CONNECTOR, MALE ISO 6149	
7	-LH	1	HOSE ASSEMBLY - 2028-08-08OS-0804 (swing motor gearbox drain)	
8	16032-LH	1	PLUG - FF9767-08S	

 See referenced page for component or assembly breakdown.

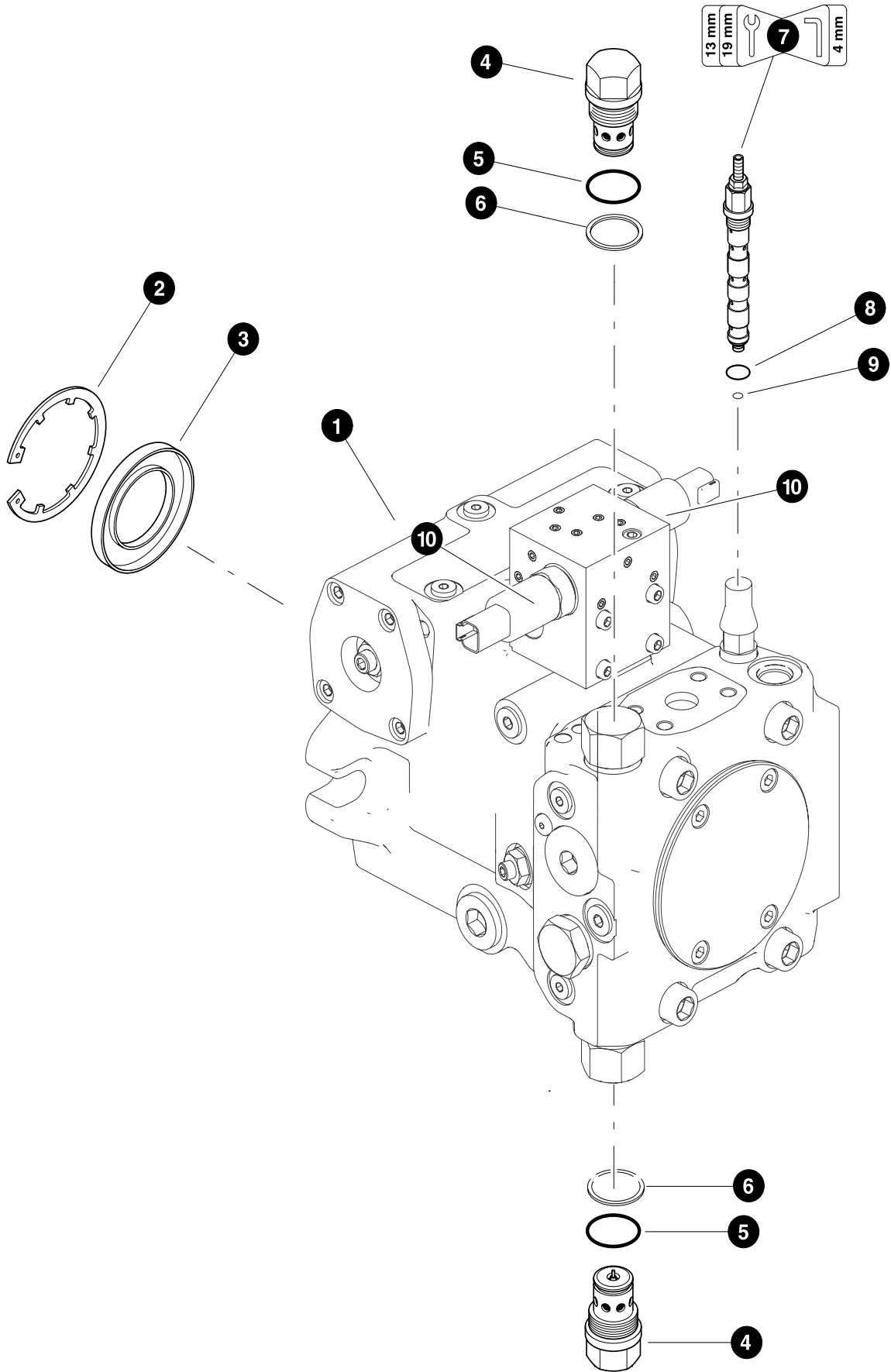


Parts T4063 05/15
25.00

SWING MOTOR HYDRAULICS (Swing Motor to Valve Connection)

REF	PART #	QTY	DESCRIPTION	SEE SECTION
1	REF.	1	 MOTOR/GEARBOX - SWING	LH-3
2	16660-LH	2	KIT, SPLIT FLANGE - .75 (CODE 62)	
3	-LH	1	HOSE ASSEMBLY - 4033-12-12MJ-12PH4 (<i>Swing Motor to tubeline</i>)	
4	-LH	1	HOSE ASSEMBLY - 4031-12-12MJ-12PH4 (<i>Swing Motor to tubeline</i>)	
5	46366-LH	1	BRACKET, TUBELINE - SWING MOTOR	
6	55320-LH	3	CLAMP, TUBELINE	
7	55229-LH	1	TUBELINE, SWING HYD PUMP	
8	55178-LH	1	TUBELINE, SWING HYD PUMP	
9	-LH	1	HOSE ASSEMBLY - 4025.5-12-12MJ-12J9 (<i>Swing Pump to tubeline</i>)	
10	-LH	1	HOSE ASSEMBLY - 4035-12-12MJ-12J9 (<i>Swing Pump to tubeline</i>)	
11	55427-LH	2	FITTING, ELBOW - 6NH3-12-12	
12	16660-LH	2	KIT, SPLIT FLANGE - .75 (CODE 62)	
13	REF.	1	 SWING PUMP	LH-3

 See referenced page for component or assembly breakdown.



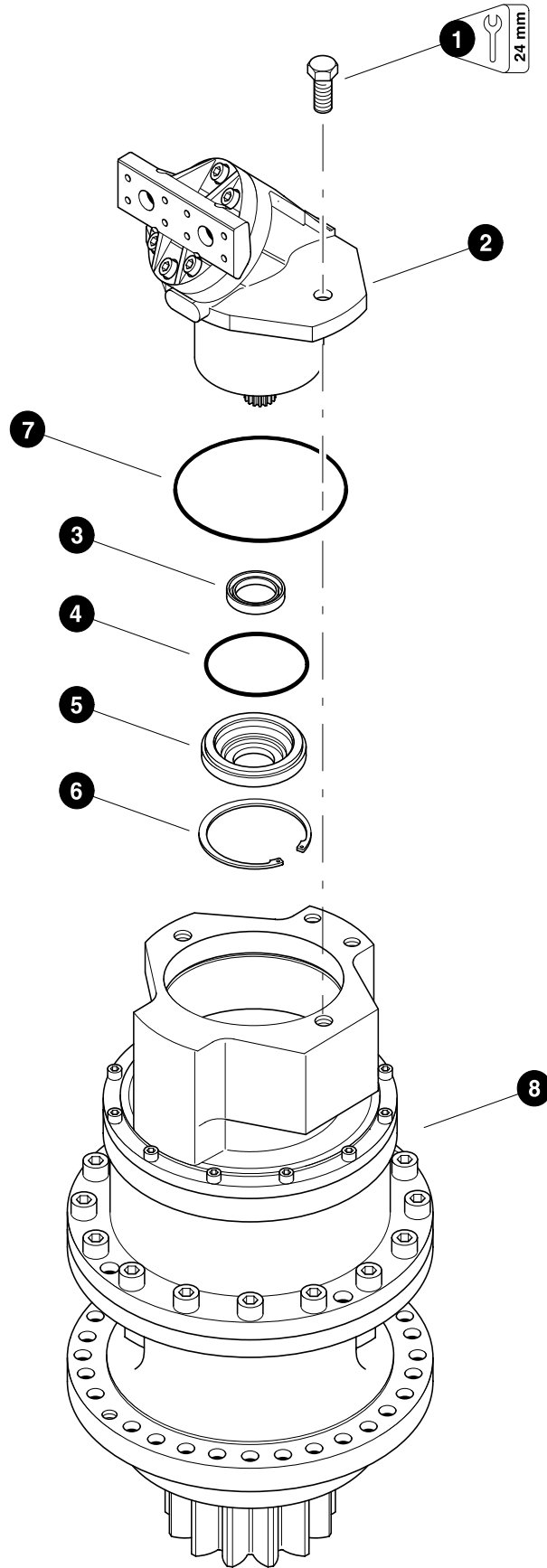
HYDROSTATIC SWING PUMP (Rexroth 56cc)

REF	PART #	QTY		DESCRIPTION	SEE SECTION
1	54560-LH	1	<input type="checkbox"/>	PUMP, HYDROSTATIC - SWING	
2	R902600000	1		RETAINING RING	
3	R902601649	1		SHAFT SEAL RING	
4	R902016386	2		PRESSURE RELIEF VALVE	
5	R909831768	2		BACK-UP RING	
6	R909831768	2		BACK-UP RING	
7	R909446763	1		PRESSURE OVERRIDE VALVE	
8	R909083752	1		O-RING	
9	R909086380	1		O-RING	
10	R901121566	2		PRESSURE REDUCING VALVE	

- Kit or Assembly - includes all items indented underneath.
- ⌘ Included in seal repair kit, PN# -LH.

Note:

Due to warranty policy restrictions imposed by component suppliers, it is not recommended that the component be disassembled further than is shown in the illustration.



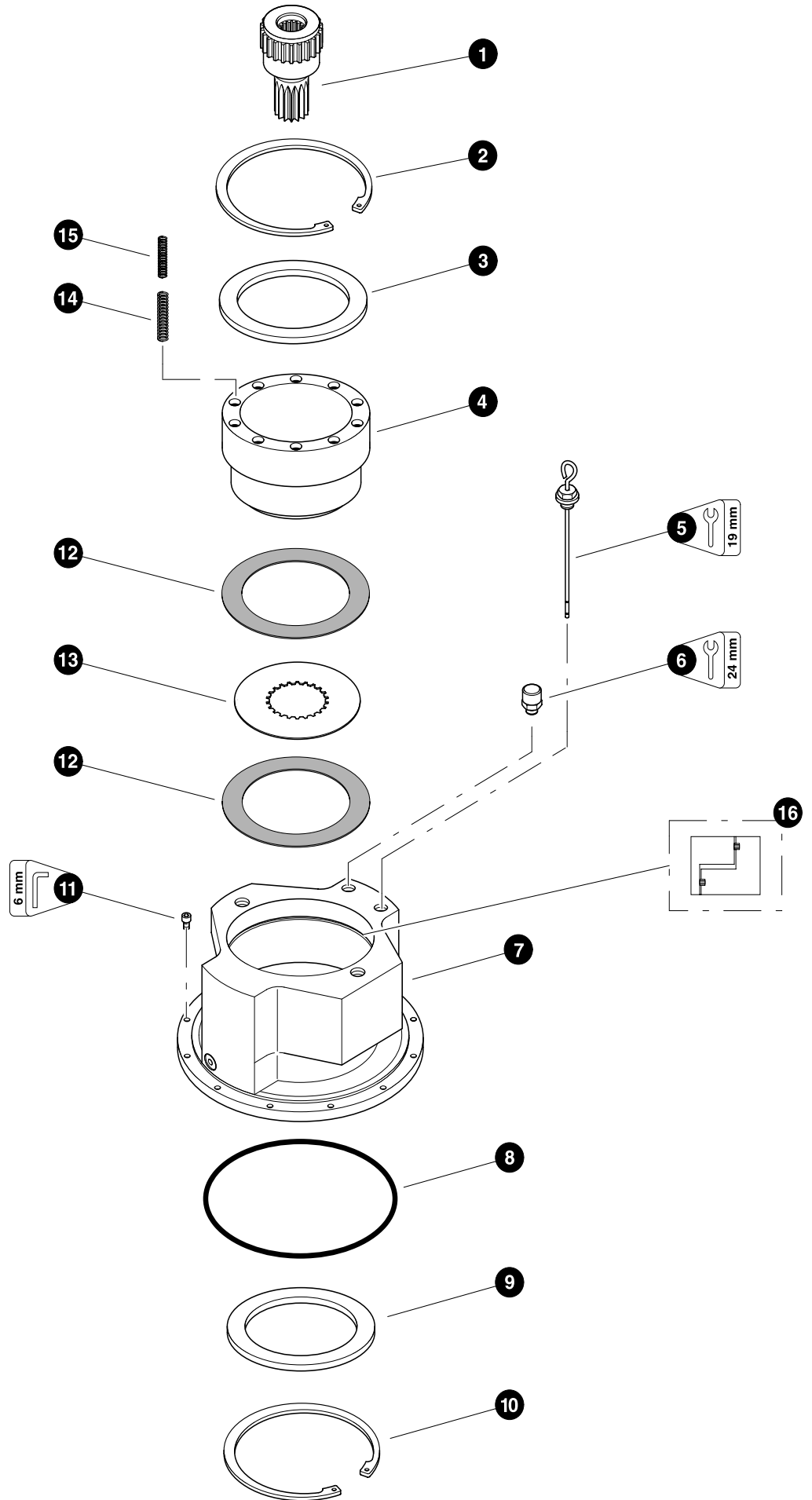
SWING MOTOR HYDRAULICS (swing motor installation)

REF	PART #	QTY		DESCRIPTION	SEE SECTION
--	52745-LH	1	<input type="checkbox"/>	MOTOR, SWING - ECCENTRIC L&S W/56 MOTOR	
1	20661-LH	1		BOLT - 16mm-2.0P x 35mm	
2	17238-LH	1	<input type="checkbox"/>	MOTOR, hydraulic - Rexroth A2FE56 cc	
3	21576-LH	1		SEAL, shaft - 45cc	
	51638-LH	1		SEAL, shaft - 56cc	
4	21577-LH	1		O-RING, front cover - 45cc	
	51639-LH	1		O-RING, front cover - 56cc	
5	21578-LH	1		COVER, front	
6	21579-LH	1		RING, seal retaining	
7	21580-LH	1		O-RING, motor pilot	
8	-LH	1		GEARBOX - Lohmann	

Kit or Assembly - includes all items indented underneath.

Note:

Due to warranty policy restrictions imposed by component suppliers, it is not recommended that the component be disassembled further than is shown in the illustration.



Parts 00626 11/10/2000
25.00

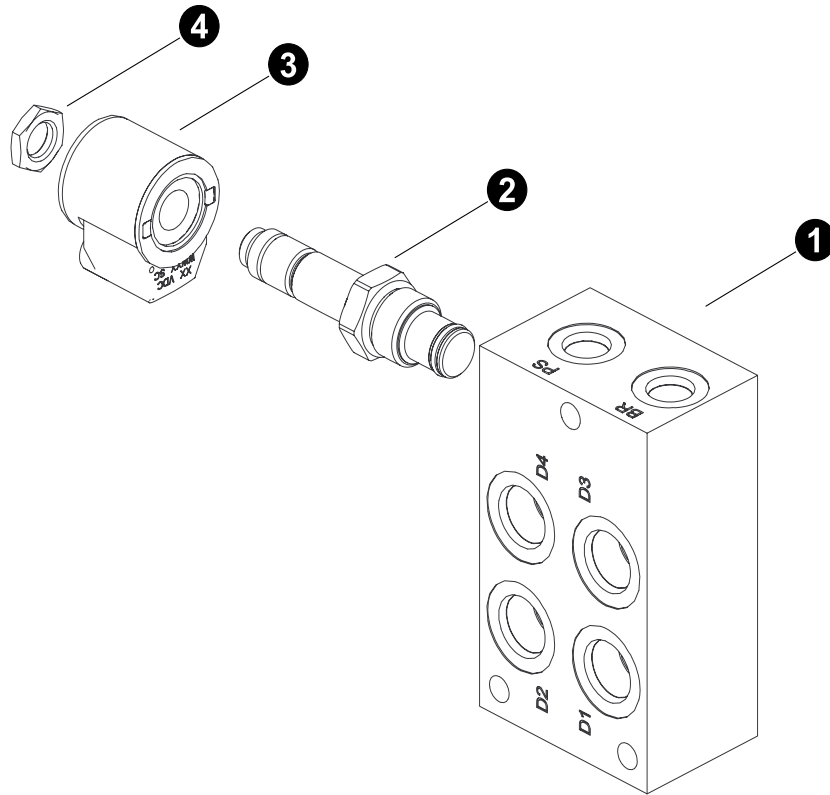
SWING MOTOR HYDRAULICS (swing gearbox brake)

REF	PART #	QTY		DESCRIPTION	SEE SECTION
-	54394-LH	1		GEARBOX - Lohmann ECCENTRIC	
1	21565-LH	1		SHAFT, brake	
2	21566-LH	1		RING, snap - upper brake	
3	21567-LH	1		PLATE, back-up - upper brake	
4	21568-LH	1		PISTON, brake	
5	21569-LH	1	☐	DIPSTICK	
	21571-LH	1		RING, seal	
6	21570-LH	1	☐	BREATHER	
	21571-LH	1		RING, seal	
7	NSS	1		HOUSING, brake	
8	21572-LH	1		O-RING, brake housing	
9	21573-LH	1		PLATE, back-up - lower brake	
10	21574-LH	1		RING, snap - lower brake	
11	21575-LH	12		BOLT, allen head - 8mm x 25mm	
12	NSS	5	⌘	DISC, brake	
13	NSS	4	⌘	DISC, spacer	
14	NSS	10	⌘	SPRING, outer	
15	NSS	10	⌘	SPRING, inner	
--	21418-LH	1		KIT, repair - brake disc	

- ☐ Kit or Assembly - includes all items indented underneath.
 ⌘ Included in disc brake kit PN# 20788-UP.

Note:

Due to warranty policy restrictions imposed by component suppliers, it is not recommended that the component be disassembled further than is shown in the illustration.



Parts T4064 05/15
25.00

SWING BRAKE/DRAIN MANIFOLD

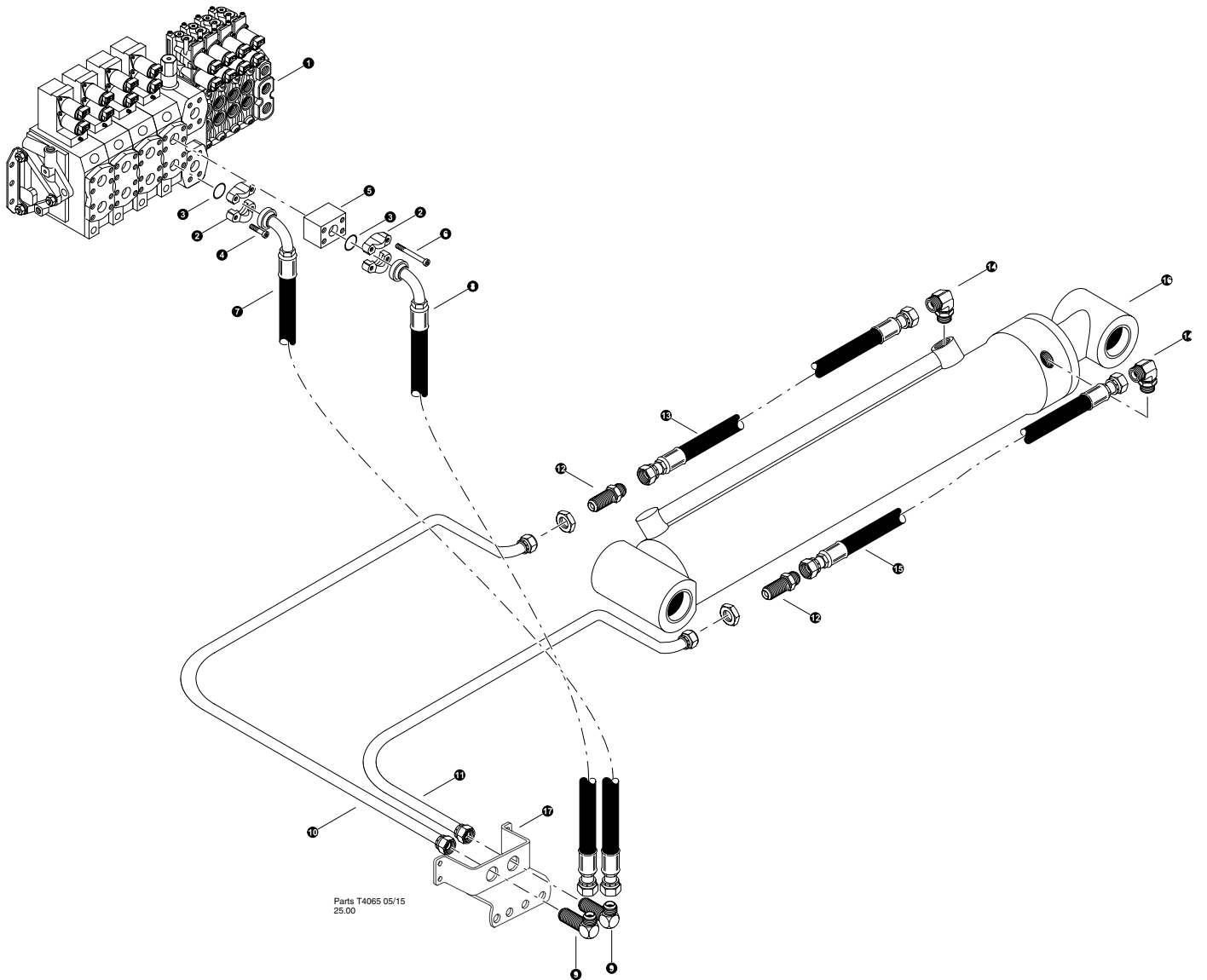
REF	PART #	QTY	DESCRIPTION	SEE SECTION
-	55259-LH	1	MANIFOLD, CASE DRAIN/SWING LOCK - C	
1	-LH	1	MANIFOLD, (214010901-40-A)	
2	-LH	1	CARTRIDGE VALVE, (S08-30)	
3	-LH	1	COIL, (4303424)	
4	-LH	1	NUT, (7004400)	
-	SK08-3X-MM	1	SEAL KIT FOR S08-30 VALVE	

Note:




Due to warranty policy restrictions imposed by component suppliers, it is not recommended that the component be disassembled further than is shown in the illustration.

Section FH-4

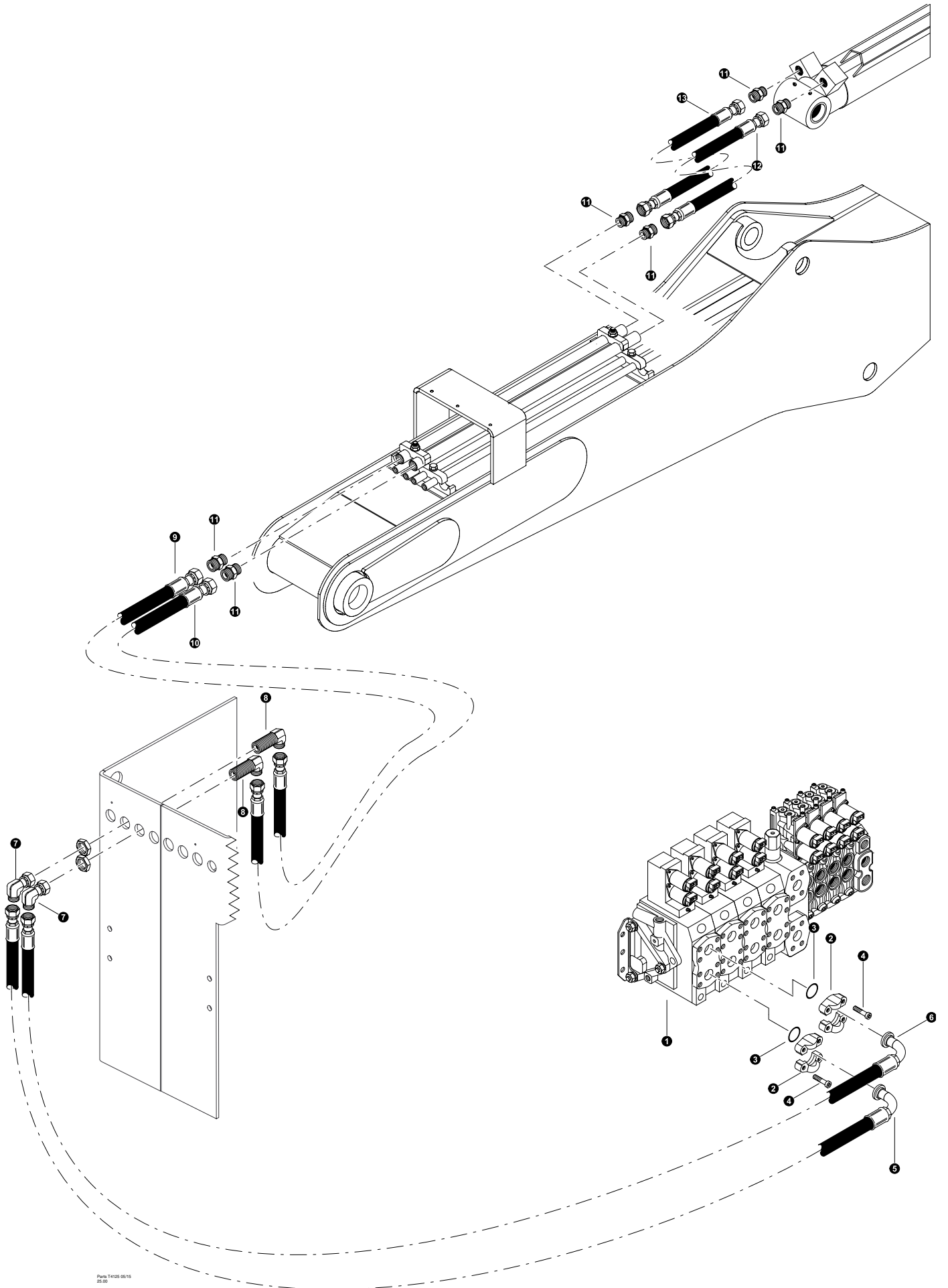
Forwarder Hydraulics - Standard Forwarder



MAIN BOOM CYLINDER FUNCTION
(Main Control Valve To Main Boom (Hoist) Cylinder)



REF	PART #	QTY	DESCRIPTION	SEE SECTION
1	REF.	1	 MAIN CONTROL VALVE	LH-1
2	15111-LH	2	 KIT, split flange - 1" SF (Code 61)	
3	15377-LH	2	O-RING - 1" SF	
4	18979-LH	8	BOLT, allen M10 X 45MM	
5	46248-LH	1	MANIFOLD, VALVE BLOCK SAE 1" CODE 62	
6	55664-LH	4	BOLT - 10MM-1.5P X 80MM	
7	-LH	1	HOSE ASSEMBLY - 4029-16-160S-16PA4 (<i>Main boom valve work port "B" to main boom cylinder bulkhead</i>)	
8	-LH	1	HOSE ASSEMBLY - 4033-16-160S-16PA4 (<i>Main boom valve work port "A" to main boom cylinder bulkhead</i>)	
9	54687-LH	2	ELBOW, BULK UNION WETX-WLN-S (16X16JIC)	
10	55168-LH	1	TUBELINE, MAIN BOOM CYLINDER A	
11	55169-LH	1	TUBELINE, MAIN BOOM CYLINDER B	
12	15351-LH	2	CONNECTOR, STR BULKHEAD - 2041-16-16S	
13	-LH	1	HOSE ASSEMBLY - 4068-16-16JS-16JS (<i>main boom bulkhead to main boom cylinder base port</i>)	
14	15484-LH	2	ELBOW, 90 - 16 C5OX-S	
15	-LH	1	HOSE ASSEMBLY - 4059-16-16JS-16JS (<i>main boom bulkhead to main boom cylinder rod port</i>)	
16	REF.	1	 MAIN BOOM (HOIST) CYLINDER	FB-3
17	47145-LH	1	BULKHEAD, UPPER - WHEELED	

 See referenced page for component or assembly breakdown.



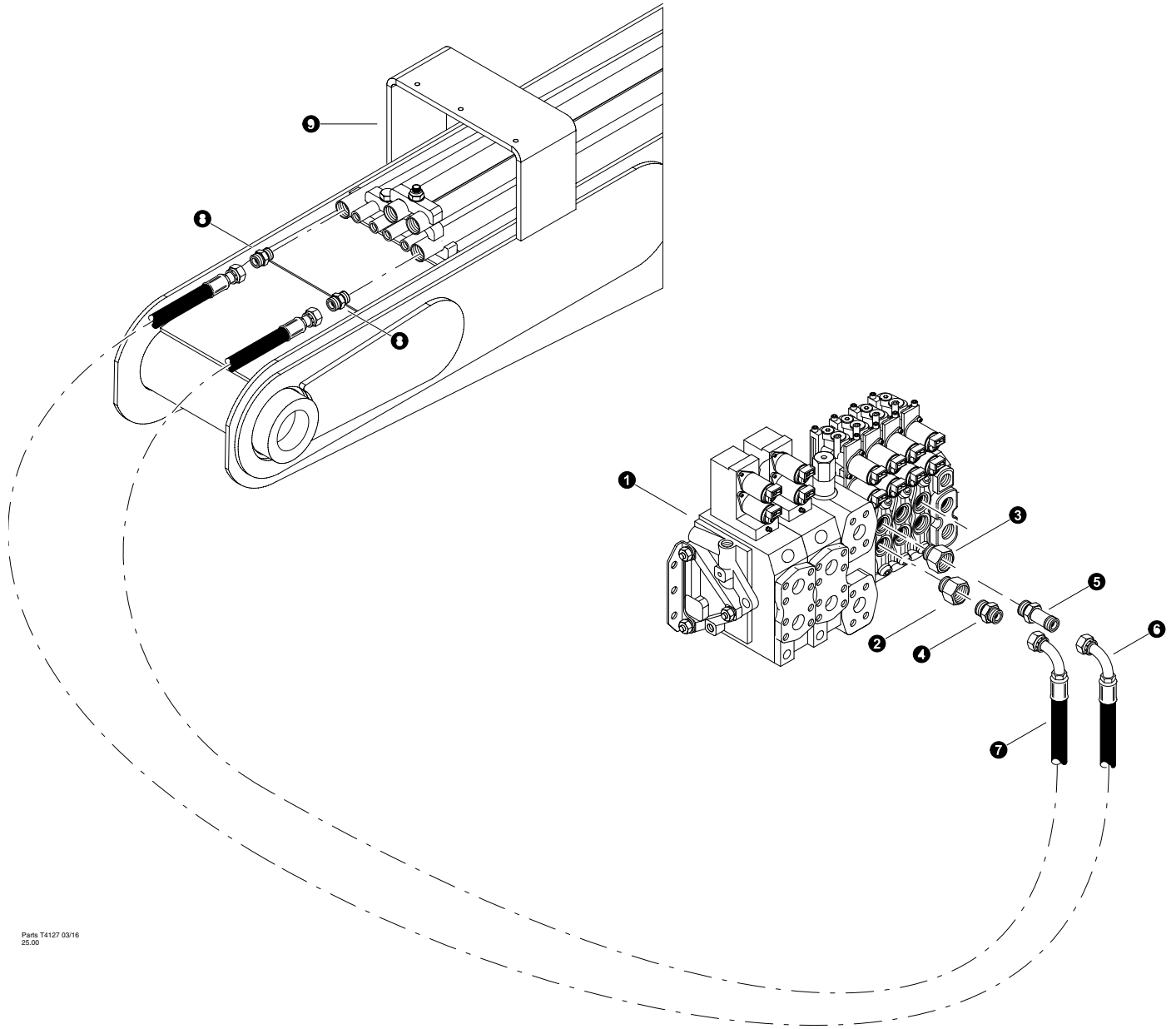
Part 7425 05/15
25.00

STICK BOOM CYLINDER FUNCTION
(Main Control Valve To Main Boom Tube Lines)

REF	PART #	QTY	DESCRIPTION	SEE SECTION
1	REF.	1	 MAIN CONTROL VALVE	LH-1
2	15111-LH	2	 KIT, split flange - 1" SF (Code 61)	
3	15377-LH	2	O-RING - 1" SF	
4	18979-LH	8	BOLT, allen M10 X 45MM	
5	-LH	1	HOSE ASSEMBLY - 4042-16-160S-16PA9 (<i>Stick boom valve work port "B" to Bulkhead</i>)	
6	-LH	1	HOSE ASSEMBLY - 4039-16-160S-16PA9 (<i>Stick boom valve work port "A" to Bulkhead</i>)	
7	17682-LH	2	ELBOW, 90 SWIVEL - FF2098T-1616S	
8	53680-LH	2	FITTING, BULKHEAD UNION ELBOW 16 WELO-WN	
9	-LH	1	HOSE ASSEMBLY - 4039-16-160S-16OS-AG (<i>Stick boom TUBELINE to Bulkhead</i>)	
10	-LH	1	HOSE ASSEMBLY - 4039-16-160S-16OS-AG (<i>Stick boom TUBELINE to Bulkhead</i>)	
11	15225-LH	2	CONNECTOR, STR - FF1852T-1616S	
12	-LH	1	HOSE ASSEMBLY - 4019.5-16-160S-16O4 (<i>Stick Cylinder to main boom tube line base side</i>)	
13	-LH	1	HOSE ASSEMBLY - 4019.5-16-16OS-16O4 (<i>Stick Cylinder to main boom tube line rod side</i>)	





See referenced page for component or assembly breakdown.

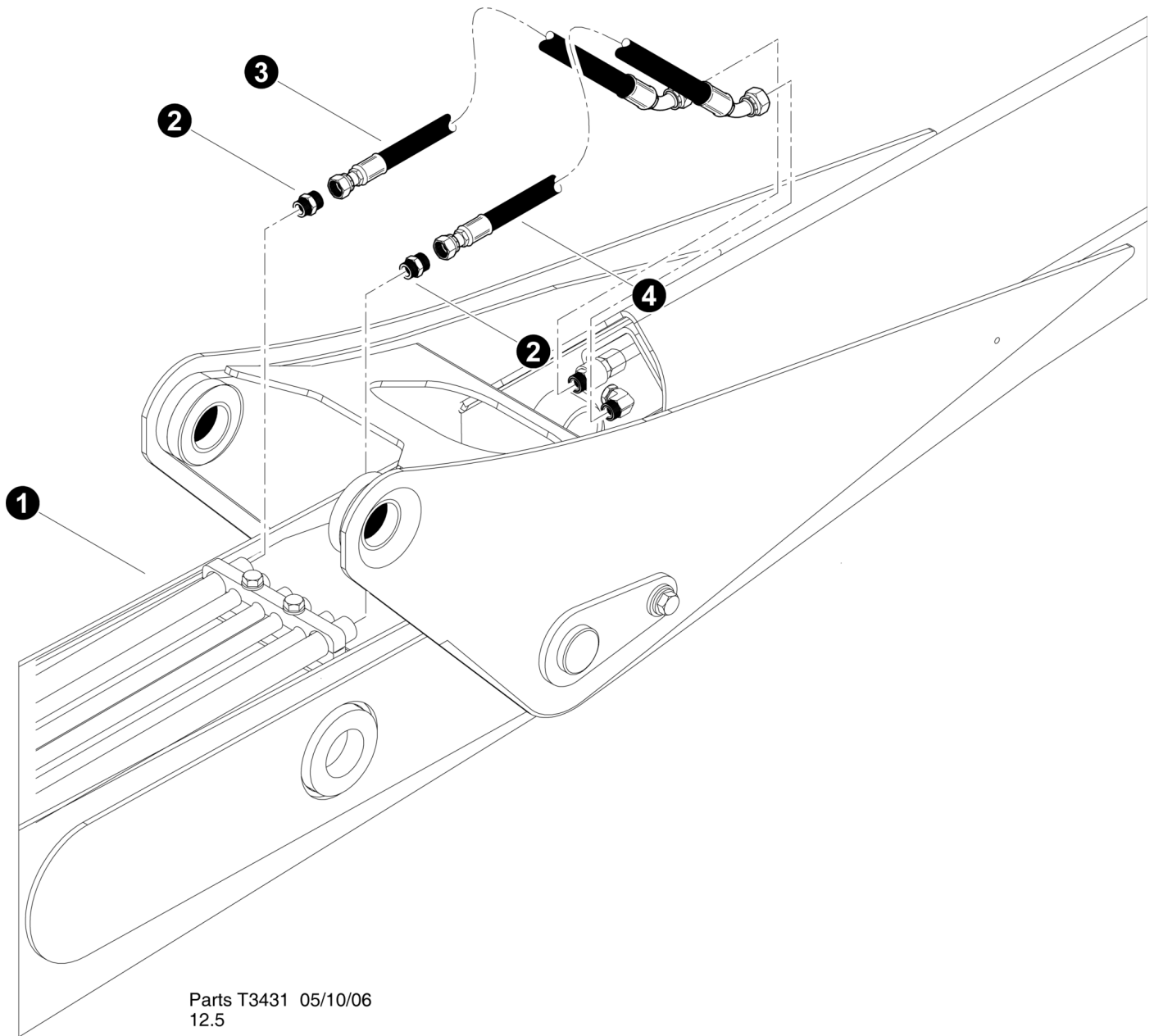


Part T4127 03/16
25.00


SQUIRT BOOM FUNCTION (Optional)
(Main Control Valve To Main Boom Tube Lines)


REF	PART #	QTY	DESCRIPTION	SEE SECTION
1	REF.	1	 MAIN CONTROL VALVE	LH-1
2	19289-LH	2	BUSHING, reducer - 6410-10-12	
3	19289-LH	2	BUSHING, reducer - 6410-10-12	
4	15152-LH	1	CONNECTOR, straight - FF1852T-1212S	
5	19092-LH	1	CONNECTOR, straight long - FF1854T-1212S	
6	-LH	1	HOSE ASSEMBLY - 4057-12-12OS-12O9 (<i>Squirt Cyl valve work port "A" to Boom</i>)	
7	-LH	1	HOSE ASSEMBLY - 4063-12-12OS-12O9 (<i>Squirt Cyl valve work port "B" to Boom</i>)	
8	15152-LH	2	CONNECTOR, straight - FF1852T-1212S	
9	REF.	1	 MAIN BOOM ASSEMBLY	LB-1-2

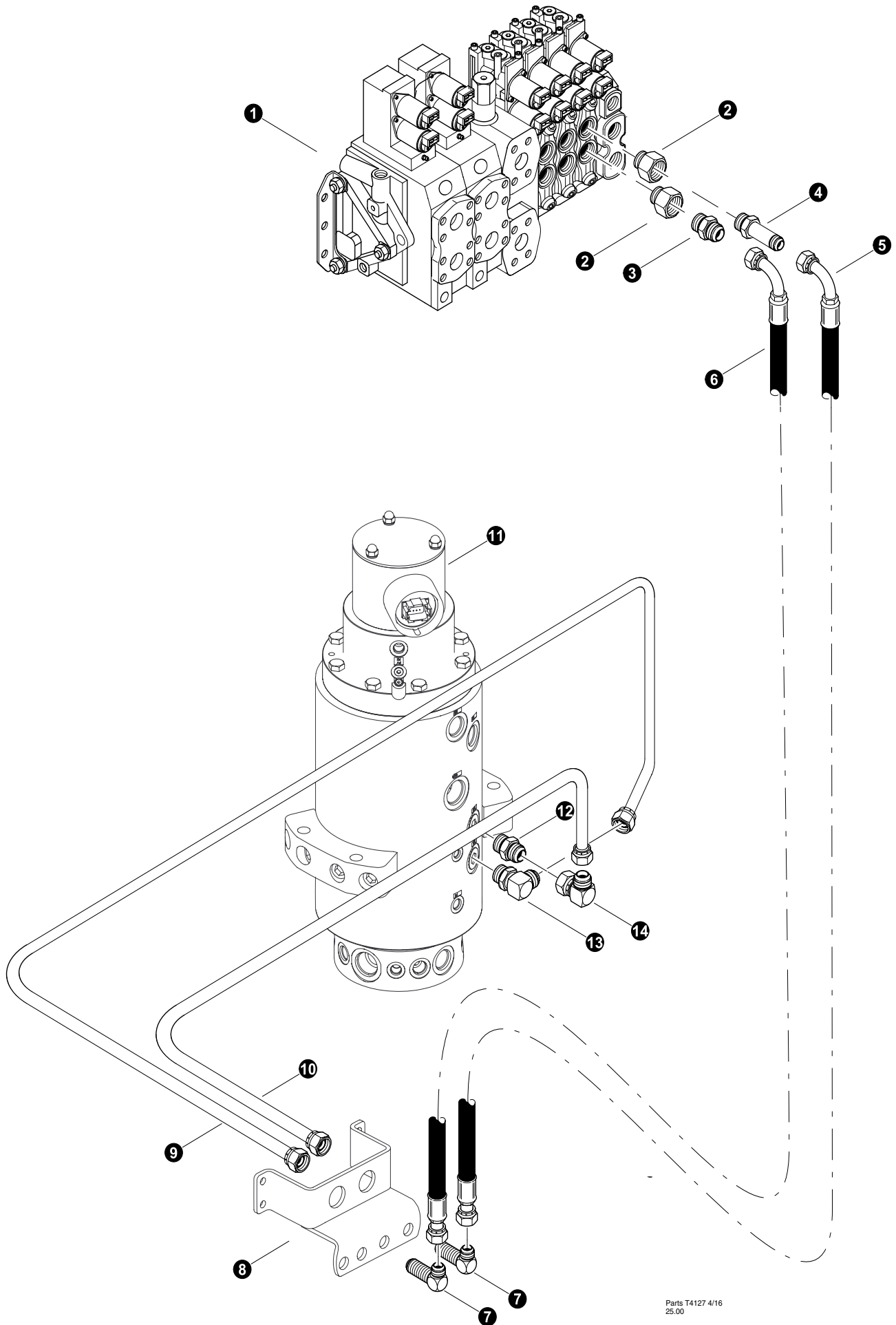
 See referenced page for component or assembly breakdown.



“Optional” SQUIRT BOOM CONNECTIONS
(Main Boom To Squirt Cylinder)

REF	PART #	QTY	DESCRIPTION	SEE SECTION
1	REF.	1	 MAIN / SQUIRT BOOM ASSEMBLY	LB-1
2	15152-LH	2	CONNECTOR, STR - FF1852T-1212S	
3	-LH	1	HOSE ASSEMBLY - 4042-12-120S-1204 (<i>Main Boom tube line to Squirt Boom Cylinder</i>)	
4	-LH	1	HOSE ASSEMBLY - 4042-12-120S-1204 (<i>Main Boom tube line to Squirt Boom Cylinder</i>)	



 See referenced page for component or assembly breakdown.



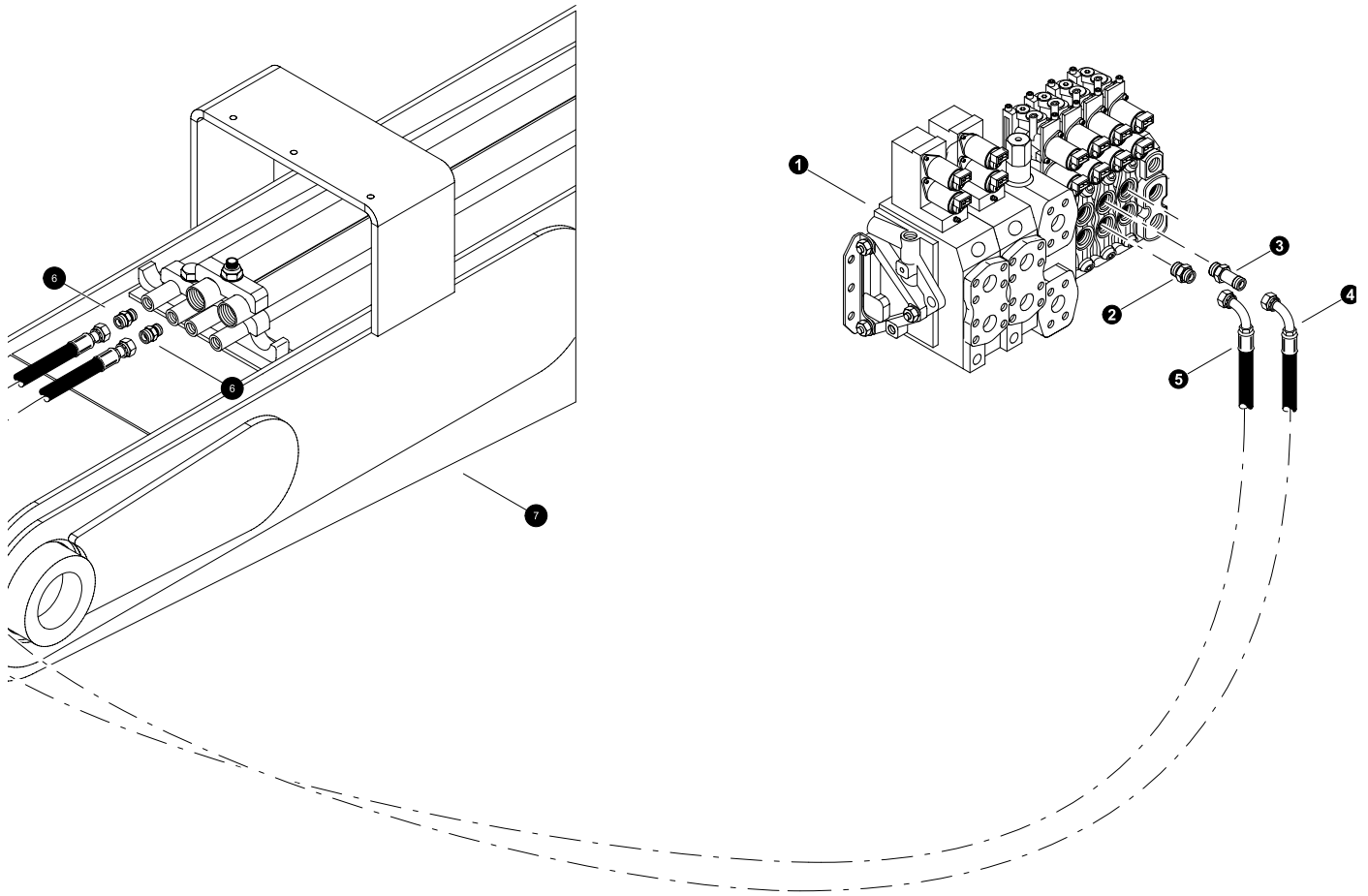
Parts T4127 4/16
25.00

STEERING



(Main Control Valve To Rotary Manifold)

REF	PART #	QTY	DESCRIPTION	SEE SECTION
1	REF.	1	 MAIN CONTROL VALVE	LH-1
2	19289-LH	2	BUSHING, reducer - 6410-10-12	
3	15152-LH	1	CONNECTOR, straight - FF1852T-1212S	
4	19092-LH	1	CONNECTOR, straight long - FF1854T-1212S	
5	-LH	1	HOSE ASSEMBLY - 4038-12-12JS-12J9 (<i>Steering valve work port "A" to Bulkhead</i>)	
6	-LH	1	HOSE ASSEMBLY - 4036-12-12JS-12J9 (<i>Steering valve work port "B" to Bulkhead</i>)	
7	54704-LH	2	ELBOW, 90 BULK 12 WETX-WLN-S (12 JIC MM)	
8	47145-LH	1	BULKHEAD, UPPER - WHEELED	
9	55256-LH	1	TUBELINE, FRONT STEER BH-LV1 RM WHEELED	
10	55255-LH	1	TUBELINE, REAR STEER BH-LV2 RM WHEELED	
11	REF.	1	 ROTORY MANIFOLD ASSEMBLY	UP-1
12	11324-LH	1	CONNECTOR, STR - 6400-12	
13	11306-LH	1	ELBOW, 90 12 C5OX-S	
14	15477-LH	1	ELBOW, 90 SWIVEL - 12 C6X-S	

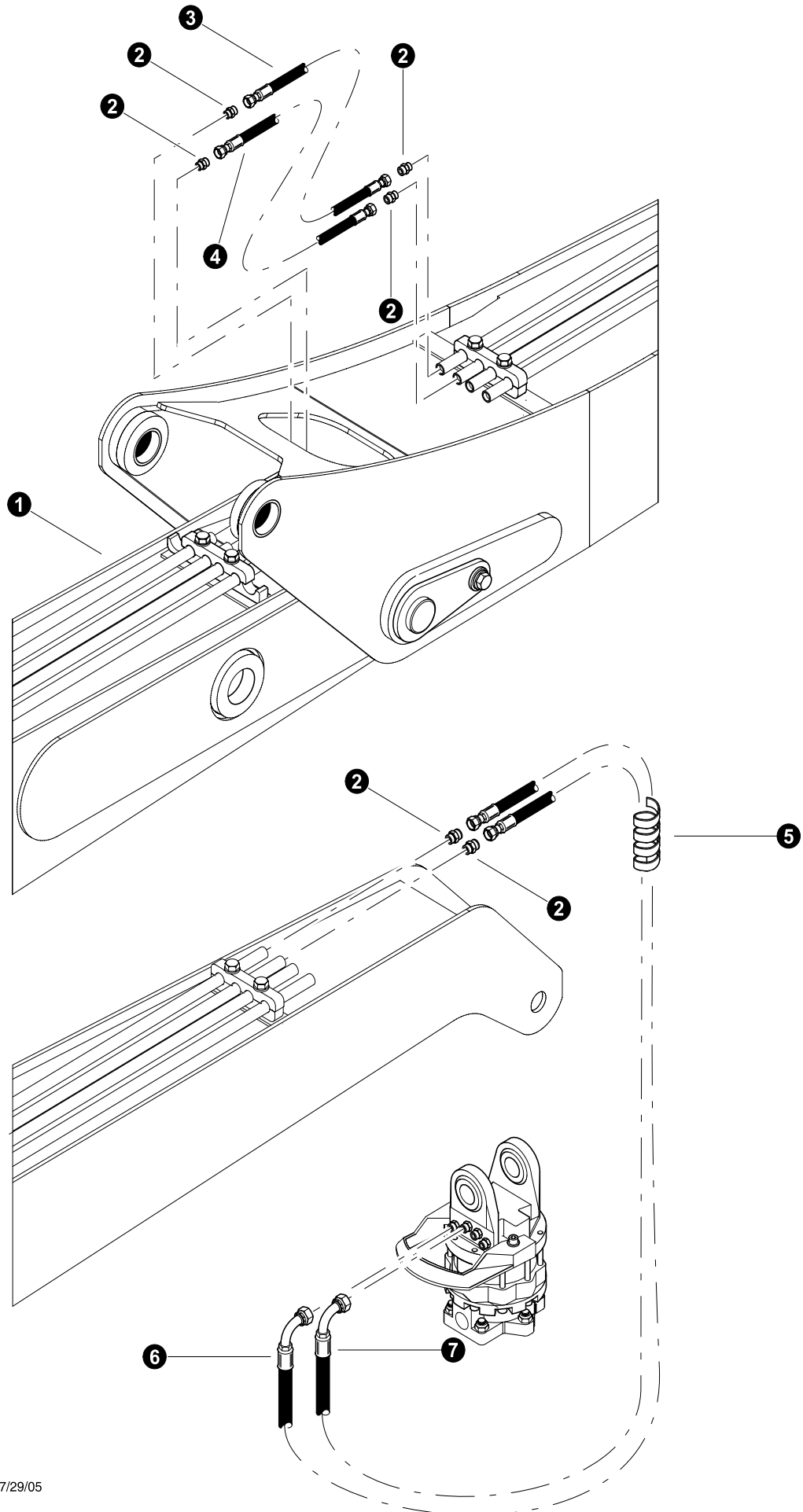
 See referenced page for component or assembly breakdown.



GRAPPLE ROTATE FUNCTION (Main Control Valve To Main Boom Tube Lines)


REF	PART #	QTY	DESCRIPTION	SEE SECTION
1	REF.	1	 MAIN CONTROL VALVE	LH-1
2	50039-LH	2	FITTING, STRAIGHT - 10	
3	52554-LH	1	FITTING, STRAIGHT LONG - 10	
4	-LH	1	HOSE ASSEMBLY - 4065-10-10JS-1009	
5	-LH	1	HOSE ASSEMBLY - 4065-10-10JS-1009	
6	15117-LH	2	CONNECTOR, STR - FF1852T-0808S	
7	REF.	1	 MAIN BOOM ASSEMBLY	LB-1-2

 See referenced page for component or assembly breakdown.

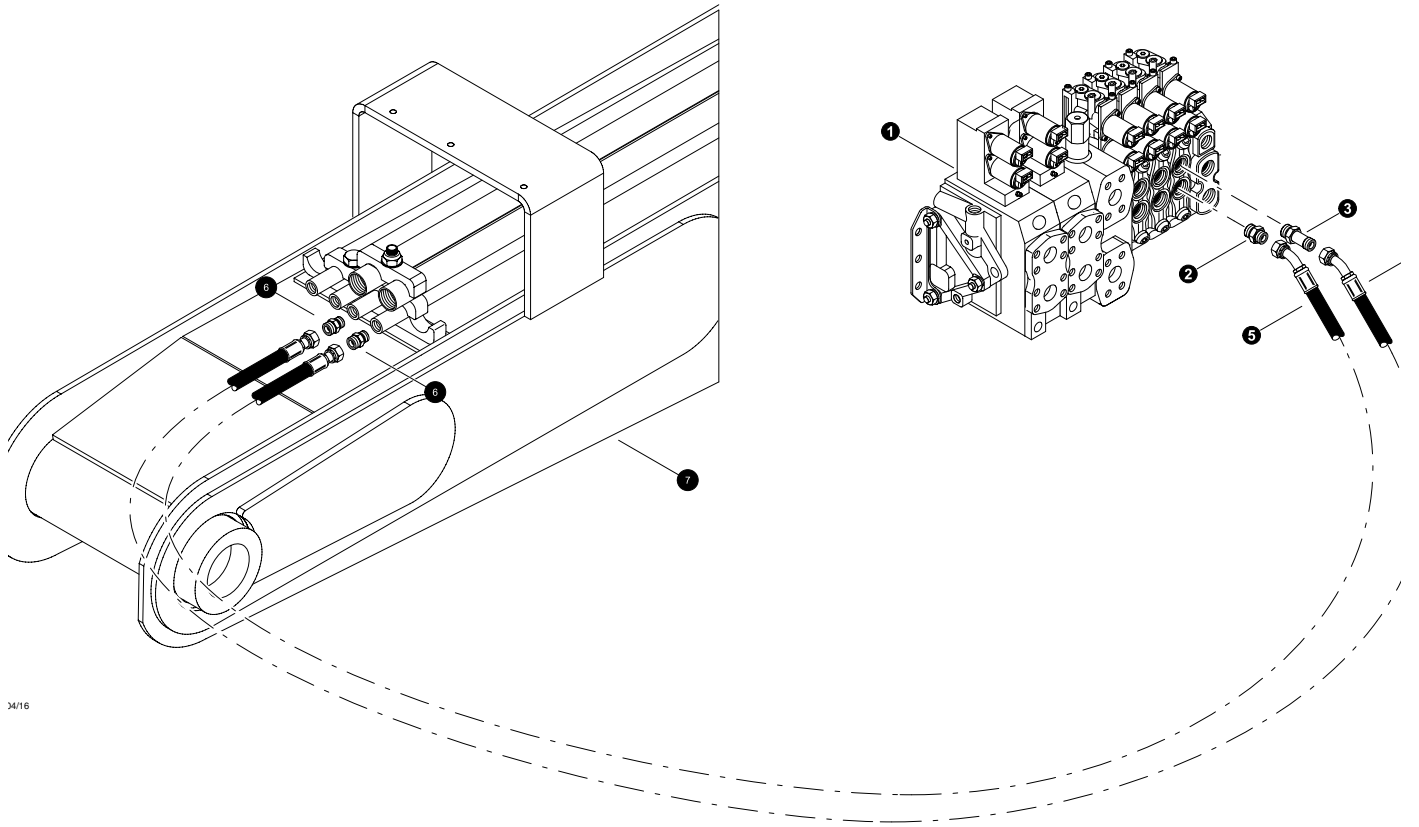


Parts T3325 07/29/05
12.5

GRAPPLE ROTATE FUNCTION (Main Boom Tube Lines to Stick Boom)



REF	PART #	QTY	DESCRIPTION	SEE SECTION
1	REF.	1	 LOADER BOOM ASSEMBLY	LB
2	15117-LH	2	CONNECTOR, STR - FF1852T-0808S	
3	-LH	1	HOSE ASSEMBLY - 4045-08-080S-080S (<i>main boom to stick boom tube lines</i>)	
4	-LH	1	HOSE ASSEMBLY - 4045-08-080S-080S (<i>main boom to stick boom tube lines</i>)	
5	19677-LH	6 ft	PROTECTOR, HOSE - SPRIAL (1.25")(BULK)	
6	51482-LH	1	HOSE ASSEMBLY - 4069-08-080S-0809 (<i>stick boom tube lines to grapple rotator</i>)	
7	51482-LH	1	HOSE ASSEMBLY - 4069-08-080S-0809 (<i>stick boom tube lines to grapple rotator</i>)	


 See referenced page for component or assembly breakdown.

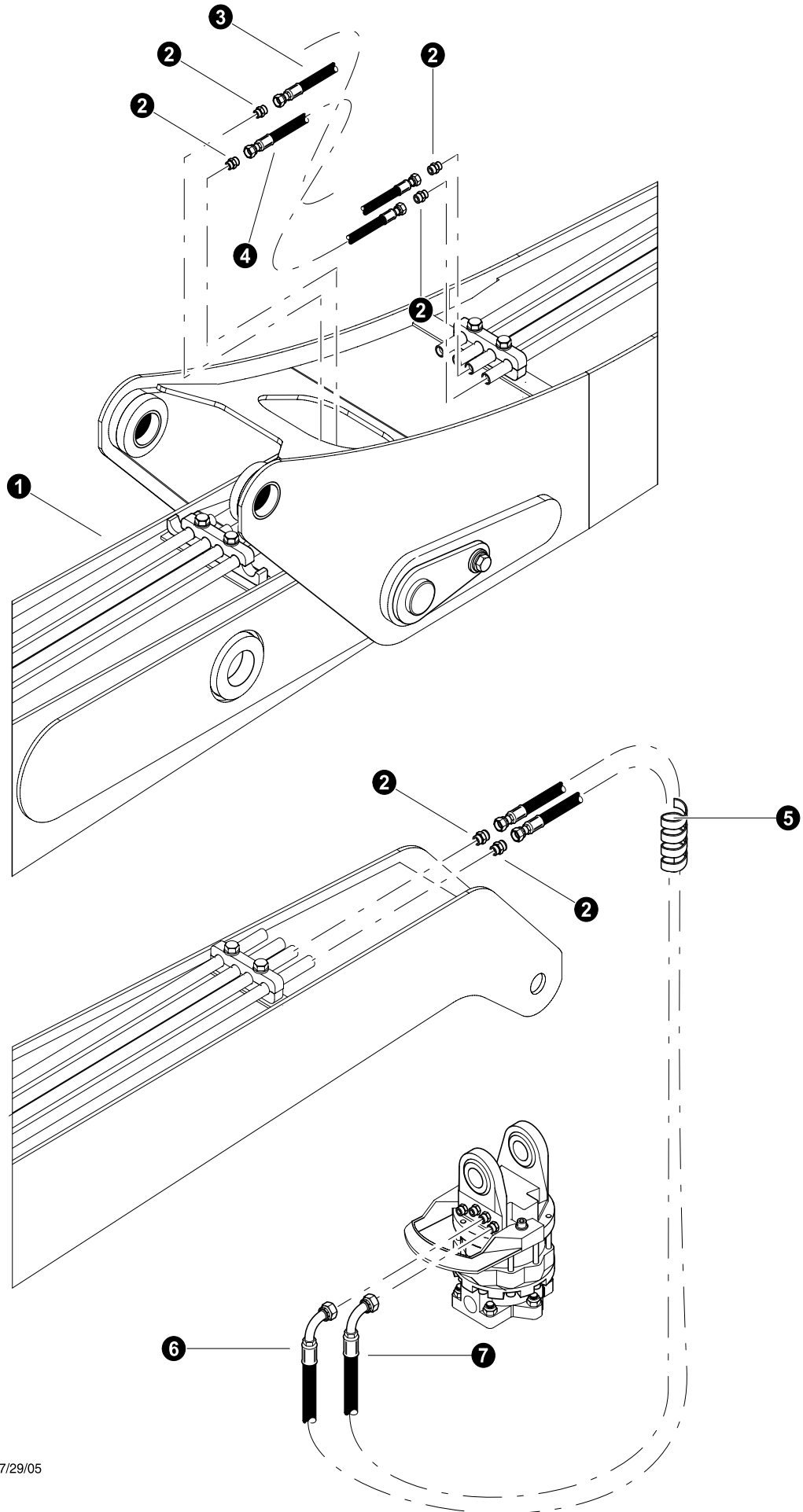


34/16

**GRAPPLE OPEN/CLOSE FUNCTION
(Main Control Valve To Main Boom Tube Lines)**


REF	PART #	QTY	DESCRIPTION	SEE SECTION
1	REF.	1	 LOADER BOOM ASSEMBLY	LB
2	50039-LH	2	FITTING, STRAIGHT - 10	
3	52554-LH	1	FITTING, STRAIGHT LONG - 10	
4	-LH	1	HOSE ASSEMBLY - 4059-10-100S-1004-W	
5	-LH	1	HOSE ASSEMBLY - 4060-10-100S-1004-W	
6	15117-LH	2	CONNECTOR, STR - FF1852T-0808S	
7	REF.	1	 MAIN BOOM ASSEMBLY	LB-1-2

 See referenced page for component or assembly breakdown.



Parts T3327 07/29/05
12.5

GRAPPLE OPEN/CLOSE FUNCTION (Main Boom Tube Lines to Stick Boom)

REF	PART #	QTY	DESCRIPTION	SEE SECTION
1	REF.	1	 LOADER BOOM ASSEMBLY	LB
2	15115-LH	2	CONNECTOR, straight - FF1852T-0810S	
3	-LH	1	HOSE ASSEMBLY - 4045-10-100S-100S (<i>main boom to stick boom tube lines</i>)	
4	-LH	1	HOSE ASSEMBLY - 4045-10-100S-100S (<i>main boom to stick boom tube lines</i>)	
5	19677-LH	6 ft	PROTECTOR, HOSE - SPRIAL (1.25")(BULK)	
6	51482-LH	1	HOSE ASSEMBLY - 4069-08-080S-0809 (<i>stick boom tube lines to grapple rotator</i>)	
7	51482-LH	1	HOSE ASSEMBLY - 4069-08-080S-0809 (<i>stick boom tube lines to grapple rotator</i>)	

 See referenced page for component or assembly breakdown.

