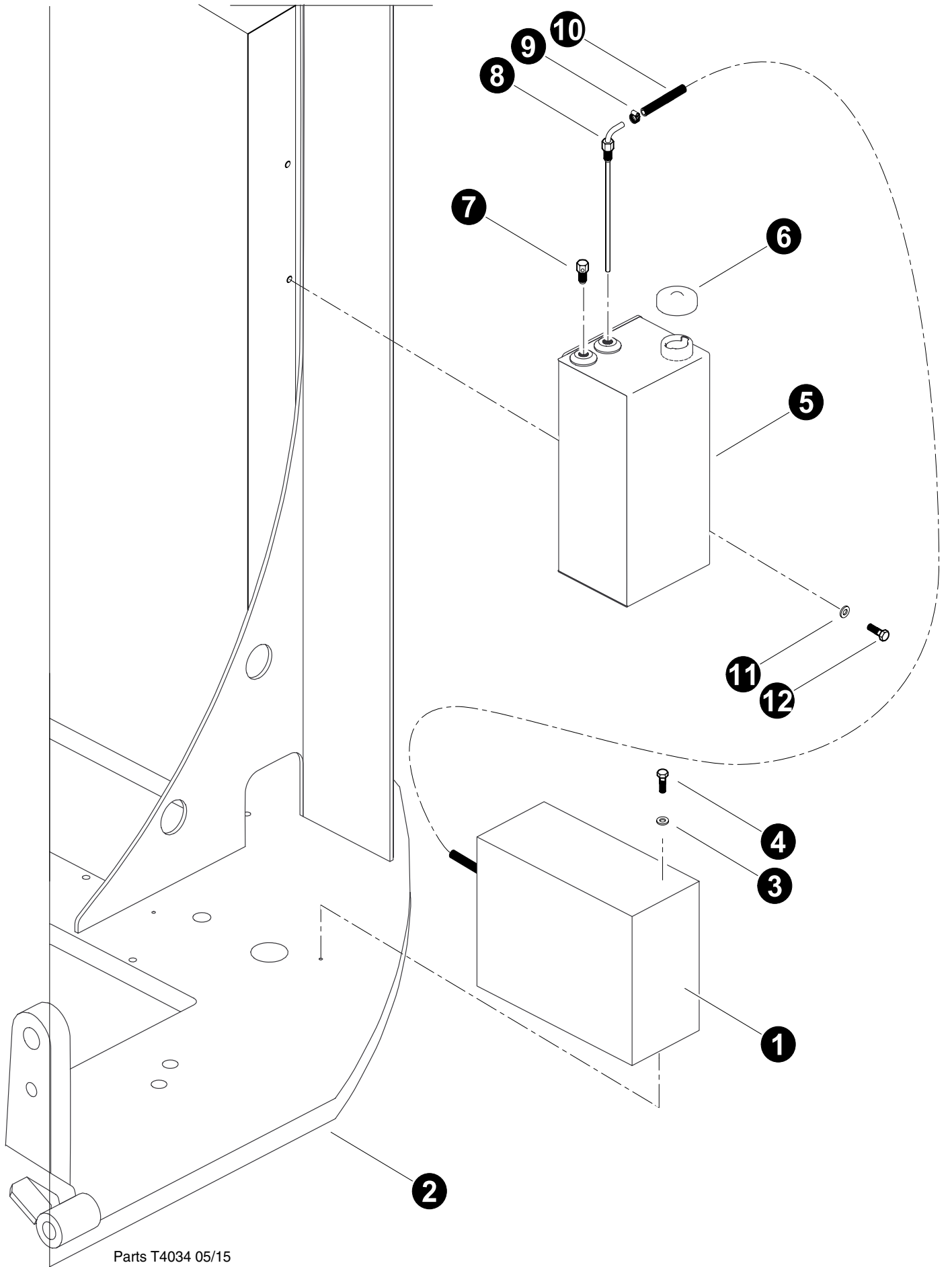




Section OH-1



Optional Heaters- Espar Heater Installation

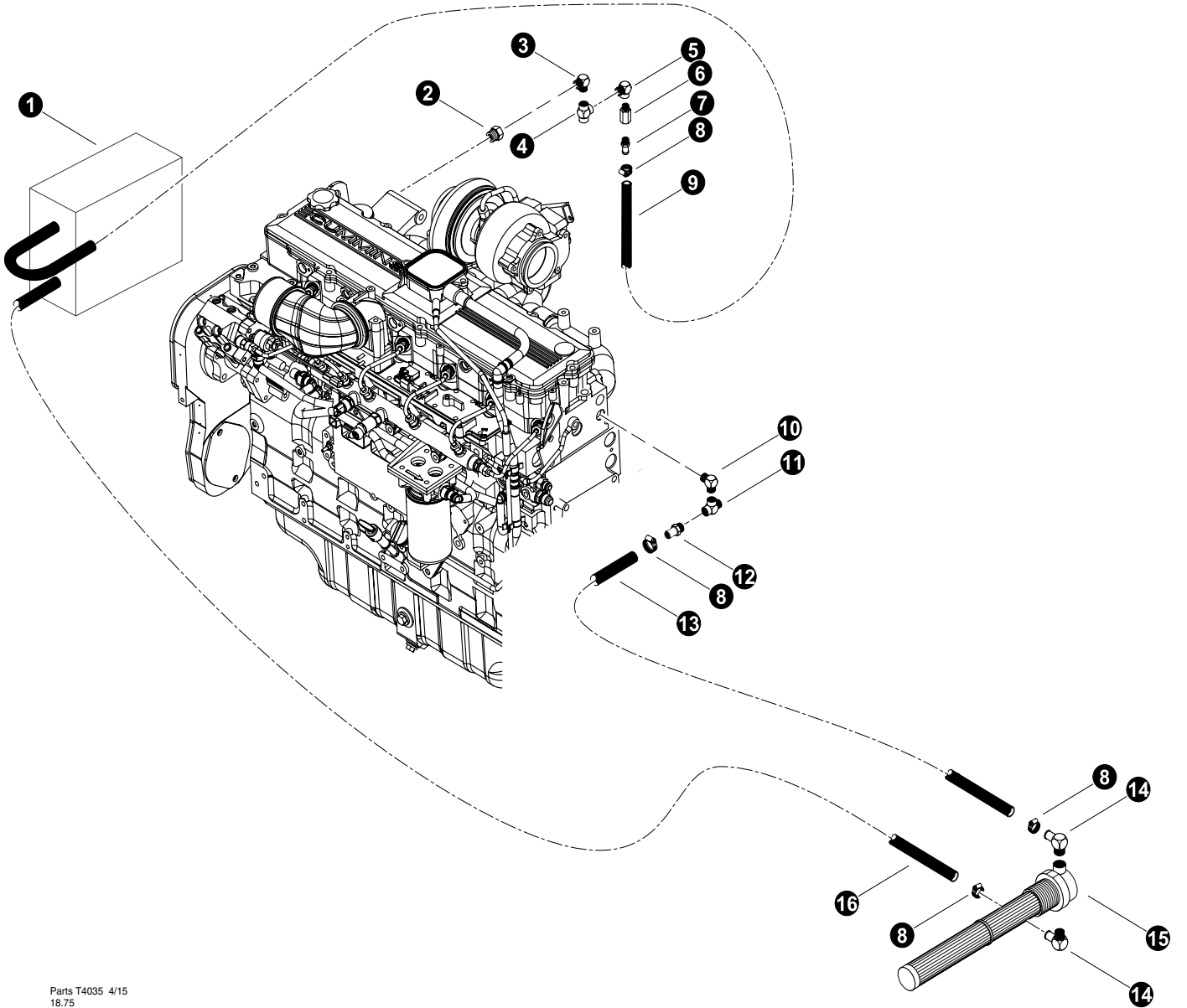


Parts T4034 05/15
25.00

Espar Heater (Heater Installation)

REF	PART #	QTY	DESCRIPTION
1	REF	1	 ESPAR PRE-HEATER SYSTEM OH-2
2	REF	1	 UPPER TURNTABLE UP-1
3	10757-OH	2	WASHER, SAE FLAT - .25"
4	15604-OH	2	BOLT - .25" X .75"
5	46673-OH	1	TANK, ESPAR FUEL - C SERIES
6	52965-OH	1	CAP, ESPAR FUEL TANK
7	22906-OH	1	BEATHER, fuel vent
8	-OH	1	SUCTION TUBE, ESPAR FUEL TANK
9	10759-OH	1	CLAMP, HOSE - WORM STYLE - .875"
10	-OH		HOSE, ESPAR





-  Kit or Assembly - includes all items indented underneath.
-  See referenced page for component or assembly breakdown.






Parts T4035 4/15
18.75

Heat Element is
Treaded into rear
of the hydraulic
tank.

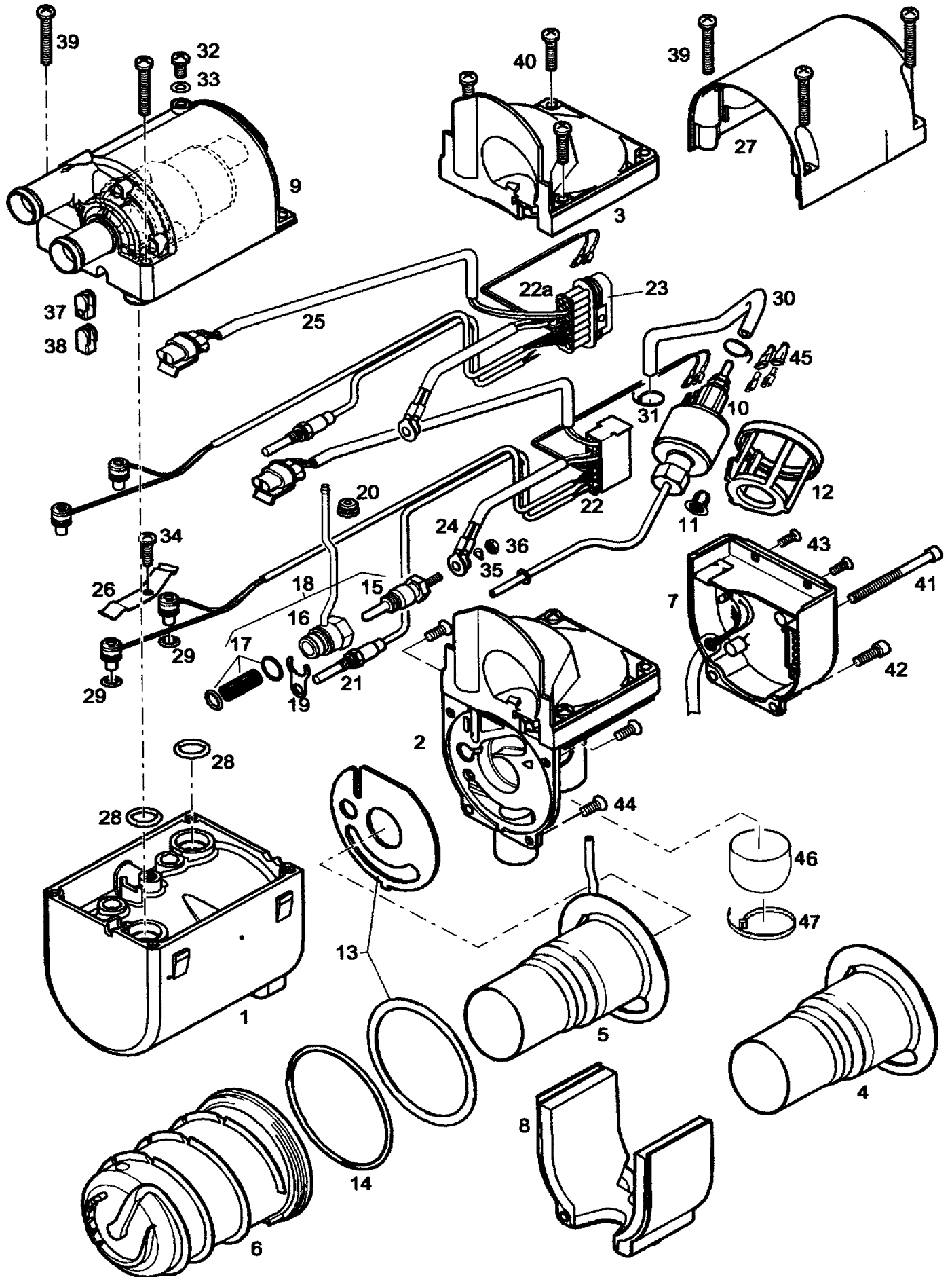
**Espar Heater
(Heater Installation)
Cummins QSC 8.3L**

REF	PART #	QTY	DESCRIPTION
1	REF	1	 ESPAR PRE-HEATER SYSTEM OH-2
2	15513-OH	1	BUSHING, REDUCER - 5406-12-8
3	52785-OH	1	ELBOW, MALE PIPE - 3/4 X 1/2 CR-S
4	16125-OH	1	TEE, BLACK - .5"
5	52786-OH	2	ELBOW, 1/2" X 3/8" CD-S
6	15652-OH	2	VALVE, CHECK
7	51502-OH	1	NIPPLE, KING - .38NPT X .63 HOSE
8	16256-OH	8	CLAMP, hose - worm style - 7/8"
9	52035-OH	33"	 HOSE, HEATER - (BULK ROLL) .625" X 250'
10	52785-OH	1	ELBOW, MALE PIPE - 3/4 X 1/2 CR-S
11	51879-OH	1	TEE, RUN - .5" (1/2 MR0-S)
12	51774-OH	1	NIPPLE, KING - 1/2" NPT X 5/8" HOSE
13	16717-OH	33"	 HOSE, HEATER - (BULK ROLL) .625" X 250' - 61"
14	51974-OH	2	ELBOW, 90 - 4501-10-12
15	51614-OH	1	HEATER, element - Artic Fox
16	16717-OH	33"	 HOSE, HEATER - (BULK ROLL) .625" X 250' - 94"

-  Bulk material - order length required in feet or meters.
 Kit or Assembly - includes all items indented underneath.
 See referenced page for component or assembly breakdown.

Section OH-2

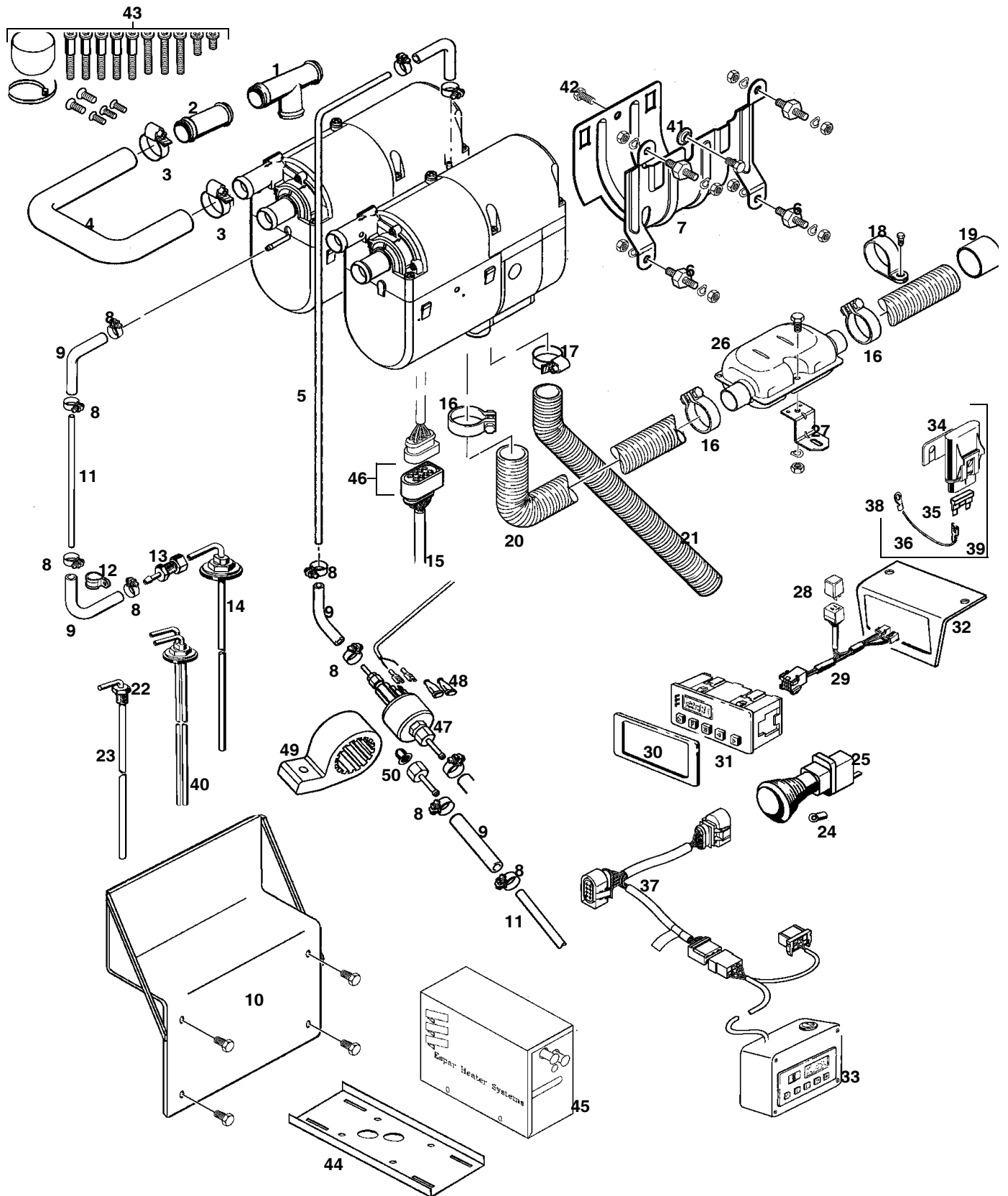
Optional Heaters- Espar Parts Breakdown



Espar hydronic - Pre Heater (heater breakdown)

REF	PART #	QTY	DESCRIPTION
-	51578-OH	1	<input type="checkbox"/> KIT, PREHEATER - ESPAR (24V)
1		1	OUTER CASING (251922010101)
2		1	CUMBUSTION AIR BLOWER with COVER (252146991500) .
3		1	COVER (252137010002)
4		1	BURNER
5		1	BURNER (252146100000)
6		1	HEAT EXCHANGER (251922060001)
7		1	CONTROL UNIT (225202001003)
8		1	COVER
9		1	WATER PUMP (252118250000)
10		1	FUEL METERING PUMP (251942450000)
11		1	STRAINER
12		1	PUMP HOLDER (251864990021)
13		1	SEAL & GASKET (251864990021)
14		1	O-RING (32075104)
15		1	GLOW PIN (252107011000)
16		1	GLOW PIN CONNECTION
17		1	LINING AND 2 O-RINGS
18		1	PLUG CONNECTION COMPLETE (252147011300)
19		1	HOLDER (201752010004)
20		1	SLEEVE (201752010002)
21		1	FLAME SENSOR (251920350000)
22		1	OVERHEAT & TEMP SENSORS \ CABLE & CONNECTORS (252147012000)
23		1	CONTROL UNIT PLUG - COMPLETE (221000301010)
24		1	CABLE SECTION, GLOW PLUG (251920011800)
25		1	CABLE, WATER PUMP (201753011800)
26		1	SPRING LEAF (251922010005)
27		1	COVER FUEL METERING PUMP (251917010003)
28		1	ORING (32075119)
29		1	ORING, SENSOR (32075111)
30		1	FUEL HOSE (251917010011)
31		1	HOSE CLIP (20931071)
32		1	BLEED SCREW (251917250012)
33		1	BLEED SCREW WASHER
34		1	TAPITE SCREW (10910104)
35		1	SPRING WASHER (17122112)
36		1	NUT (11010024)
37		1	SLEEVE (251917010005)
38		1	GROMMET
39		1	BOLT M5X35 (10910027)
40		1	BOLT M5X25 (10910102)
41		1	BOLT (10010300)
42		1	BOLT M5X16 (10910101)
43		1	SCREW M4X10 (10910100)
44		1	SCREW (10210400)
45		1	BOOT (32031120)
46		1	DUST COVER (CA000073)

Kit or Assembly - includes all items indented underneath.



Espar hydronic - Pre Heater (heater breakdown)

REF	PART #	QTY	DESCRIPTION
-	51578-OH	1	<input type="checkbox"/> KIT, PREHEATER - ESPAR (24V
1		1	T-PIECE 20MM (201673801100)
2		1	CONNECTING PIPE (201534880001)
3		1	CLAMP 20MM-32MM (102065020032)
4		1	HOSE (251917800001)
5		1	1.5M PLASTIC FUEL LINE (09031118)
6		1	MOUNT (201185000001)
7		1	HEATER BRACKET (251864800001)
8		1	HOSE CLAMP 9 MM (102063009098)
9		1	HOSE, FUEL (36075300)
10		1	BRACKET (CA010085)
11		1	FUEL LINE 2MM (09031117)
12		1	CLAMP, PIPE 10MM (15200147)
13		1	FUEL PIPE REDUCER (CA012092)
14		1	FUEL PICK UP (CA012056)
15		1	MAIN HEATER HARNESS (CA160502-001)
16		1	EXHAUST CLAMP 27-30MM (15261102)
17		1	INTAKE HOSE CLAMP102064016025)
18		1	C CLAMP 28MM (15210051)
19		1	EXHAUST SLEEVE (251729800600)
20		1	EXHAUST HOSE (36061299)
21		1	INTAKE HOSE (36000099)
22		1	COMPRESSION FITTING
23		1	STRAIT PICKUP TUBE
24		1	BULB 24V (20700006)
25		1	SWITCH 24V (CA100004)
26		1	MUFFLER (251864810100)
27		1	CLAMP (201533880007)
28		1	RELAY 24V (20300092)
29		1	HARNESS ADAPTER, TIMER (CA160008001)
30		1	BEZEL, TIMER (251482700700)
31		1	TIMER, 7 DAY (221000303600) KIT WHARNESS (CA100136)
32		1	BRACKET, TIMER (CA010061)
33		1	FAULT CODE DEVICE (CA105020)
34		1	MAIN FUSE HOLDER (CA107001)
35		1	FUSE (CA107005)
36		1	WIRE, RED (CA161908)
37		1	HARNESS, FAULT CODE (CA105028)
38		1	TERMINAL 3/8" (CA190014)
39		1	FUSE LINK HARNESS (CA165108)
40		1	DOUBLE PICKUP (CA012057001)
41		1	SPACER (251864800002)
42		1	SCREW (CA300103)
43		1	REPLACEMENT HARDWARE KIT (CA100190)
44		1	BRACKET, FRAME MOUNT (CA010028)
45		1	BOX, BASE (CA010101) LID (CA010102)
46		1	PLUG CABLES - COMPLETE (221000301021)
47		1	FUEL PUMP 24V (221000500300)
48		1	BOOT SLEEVE (32031120)
49		1	FUEL PUMP HOLDER (221000500300)
50		1	FILTER, FUEL (224502000100)

