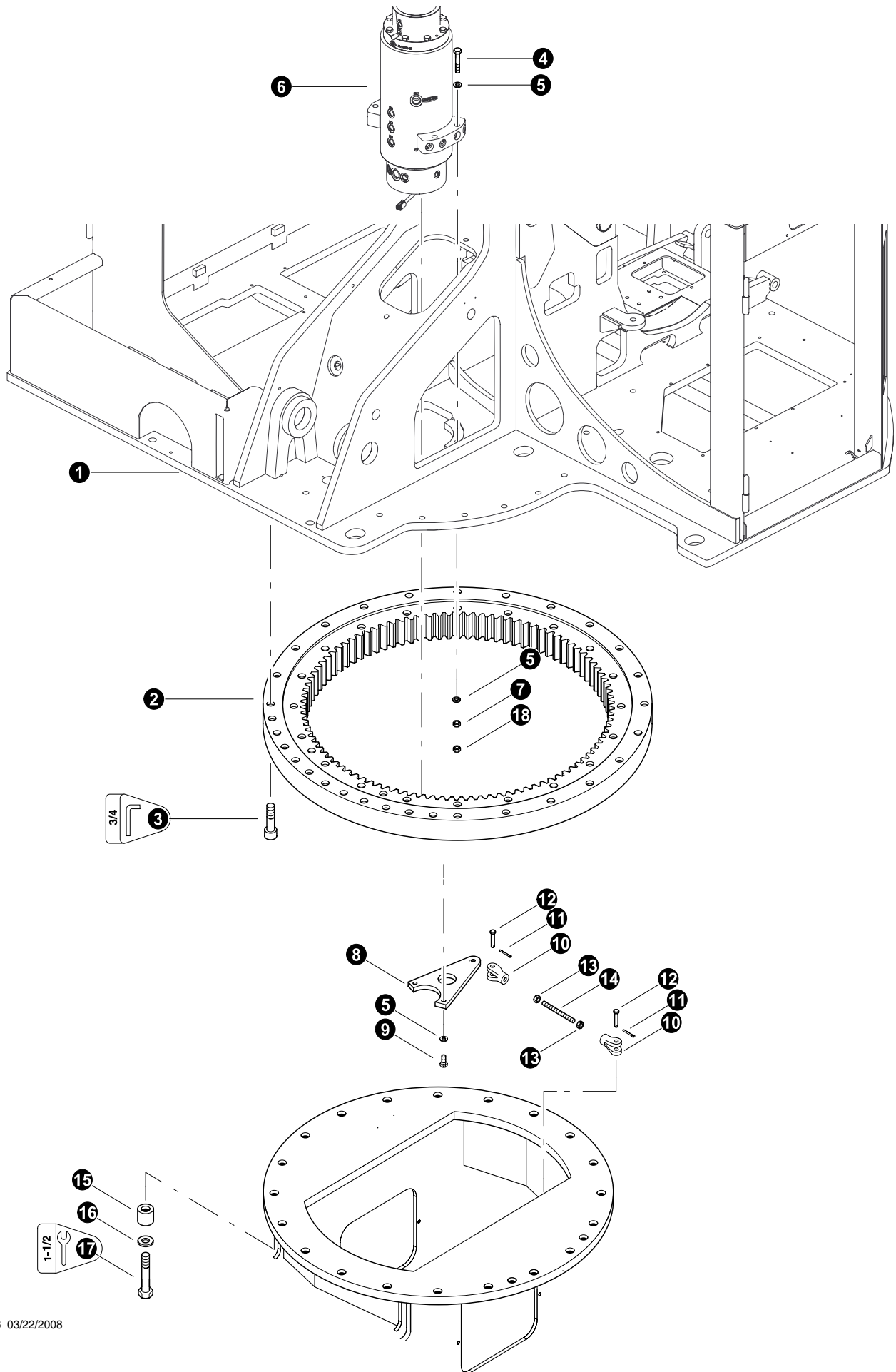




Section UP-1



Upper Turntable - Structural Components, Doors, and Covers



T3556 03/22/2008
9.375

UPPER TURNTABLE INSTALLATION (Non-Leveling Machines)

REF	PART #	QTY	DESCRIPTION	SEE SECTION
1	46011-UP	1	WELDMENT, UPPER - C SERIES (LH) COMPLETE	
2	19631-UP	1	BEARING, swing	
3	51690-UP	30	BOLT, ALLEN HEAD - 1" X 4.5" (Torque to 1000 ft.lbs (1355 Nm))	
4	15565-UP	4	BOLT - 1/2" x 2-1/2"	
5	15534-UP	10	WASHER, SAE flat - 1/2"	
6	REF.	1	 ROTARY MANIFOLD	UP-1
7	10815-UP	4	NUT, lock - 1/2"	
8	52379-UP	1	BRACKET, SWIVEL LOCK - TORQUE ARM NEW	
9	22463-UP	2	BOLT, special - 1/2" x 1-1/4" (Hole drilled in head for safety wire)(See Note 1 Below)	
	22464-UP	10"	WIRE, safety - 16 gauge	
10	52381-UP	2	 YOKE, ROTARY MANIFOLD (810) 5/8 X 5/8	
11	-UP	2	KEY, COTTER	
12	-UP	2	PIN,	
13	52395-UP	2	NUT, JAM .63-18NF HEX (PLATED)	
14	52394-UP	1	STUD, 5/8"-18NF X 7.5 LG (ZINC PLATED)	
15	12463-UP	24	SPACER, bolt - upper turntable mounting	
16	18532-UP	24	WASHER, SAE FLAT THICK - 1"	
17	18535-UP	24	BOLT - 1" x 5" (Torque to 1000 ft.lbs (1350 Nm))	
18	17515-UP	4	NUT, HEX - .625"	

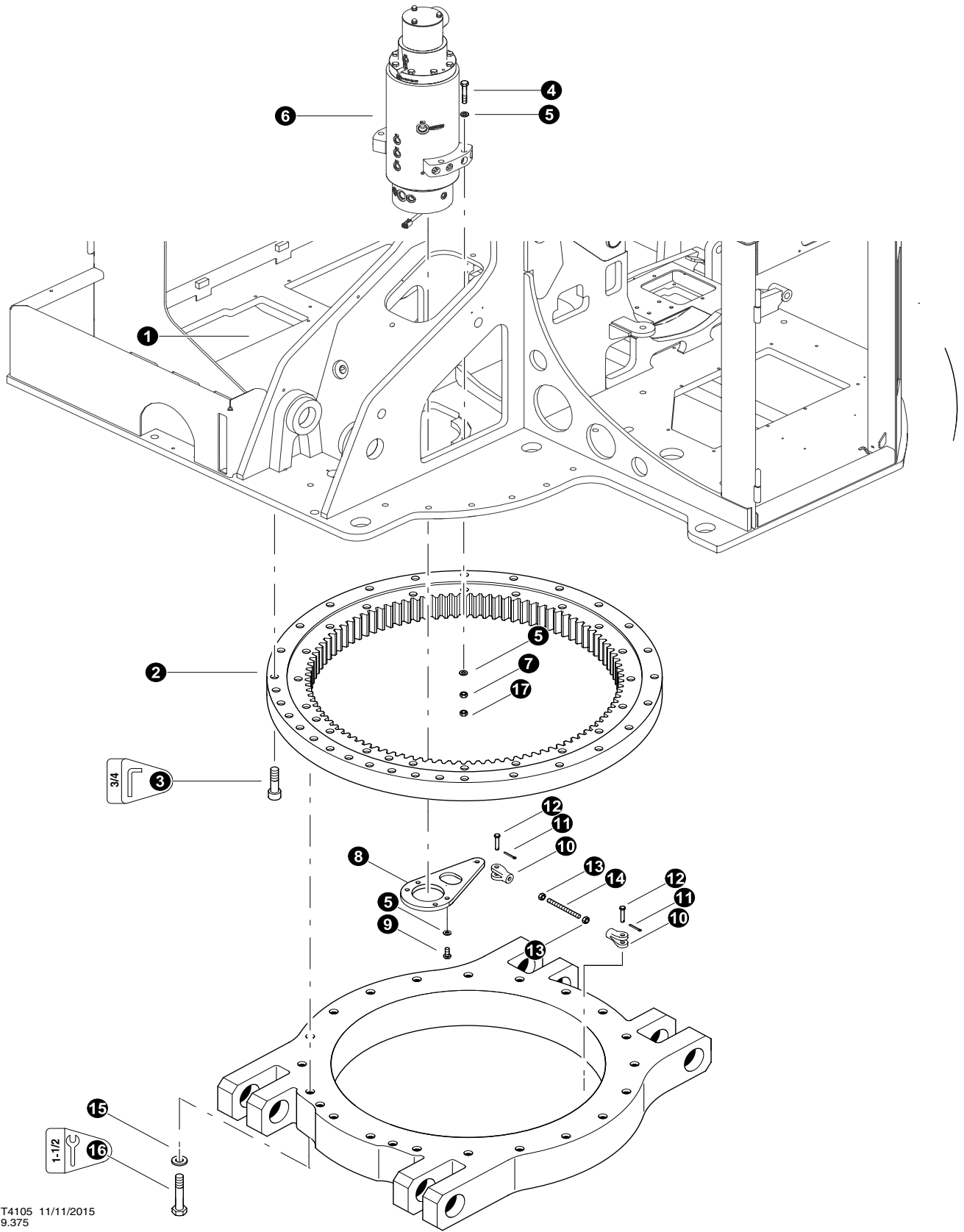
-  See reference page for component or assembly breakdown.
 Kit or Assembly - includes all items indented underneath.

Note: 1

Use Loctite 272 (blue) during installation.



Note: 2



Use Loctite 272 (red - high strength) during installation.



T4105 11/11/2015
9.375

UPPER TURNTABLE INSTALLATION (Leveling Machine)

REF	PART #	QTY	DESCRIPTION	SEE SECTION
1	46011-UP	1	WELDMENT, UPPER - C SERIES (LH) COMPLETE	
2	19631-UP	1	BEARING, swing	
3	51690-UP	30	BOLT, ALLEN HEAD - 1" X 4.5" (Torque to 1000 ft.lbs (1355 Nm))	
4	15565-UP	4	BOLT - 1/2" x 2-1/2"	
5	15534-UP	10	WASHER, SAE flat - 1/2"	
6	REF.	1	 ROTARY MANIFOLD	UP-1
7	10815-UP	4	NUT, lock - 1/2"	
8	52379-UP	1	BRACKET, SWIVEL LOCK - TORQUE ARM NEW	
9	22463-UP	2	BOLT, special - 1/2" x 1-1/4" (Hole drilled in head for safety wire)(See Note 1 Below)	
	22464-UP	10"	WIRE, safety - 16 gauge	
10	52381-UP	2	 YOKE, ROTARY MANIFOLD (810) 5/8 X 5/8	
11	-UP	2	KEY, COTTER	
12	-UP	2	PIN,	
13	52395-UP	2	NUT, JAM .63-18NF HEX (PLATED)	
14	52394-UP	1	STUD, 5/8"-18NF X 7.5 LG (ZINC PLATED)	
15	18532-UP	24	WASHER, SAE FLAT THICK - 1"	
16	18535-UP	24	BOLT - 1" x 5" (Torque to 1000 ft.lbs (1350 Nm))	
17	17515-UP	4	NUT, HEX - .625"	

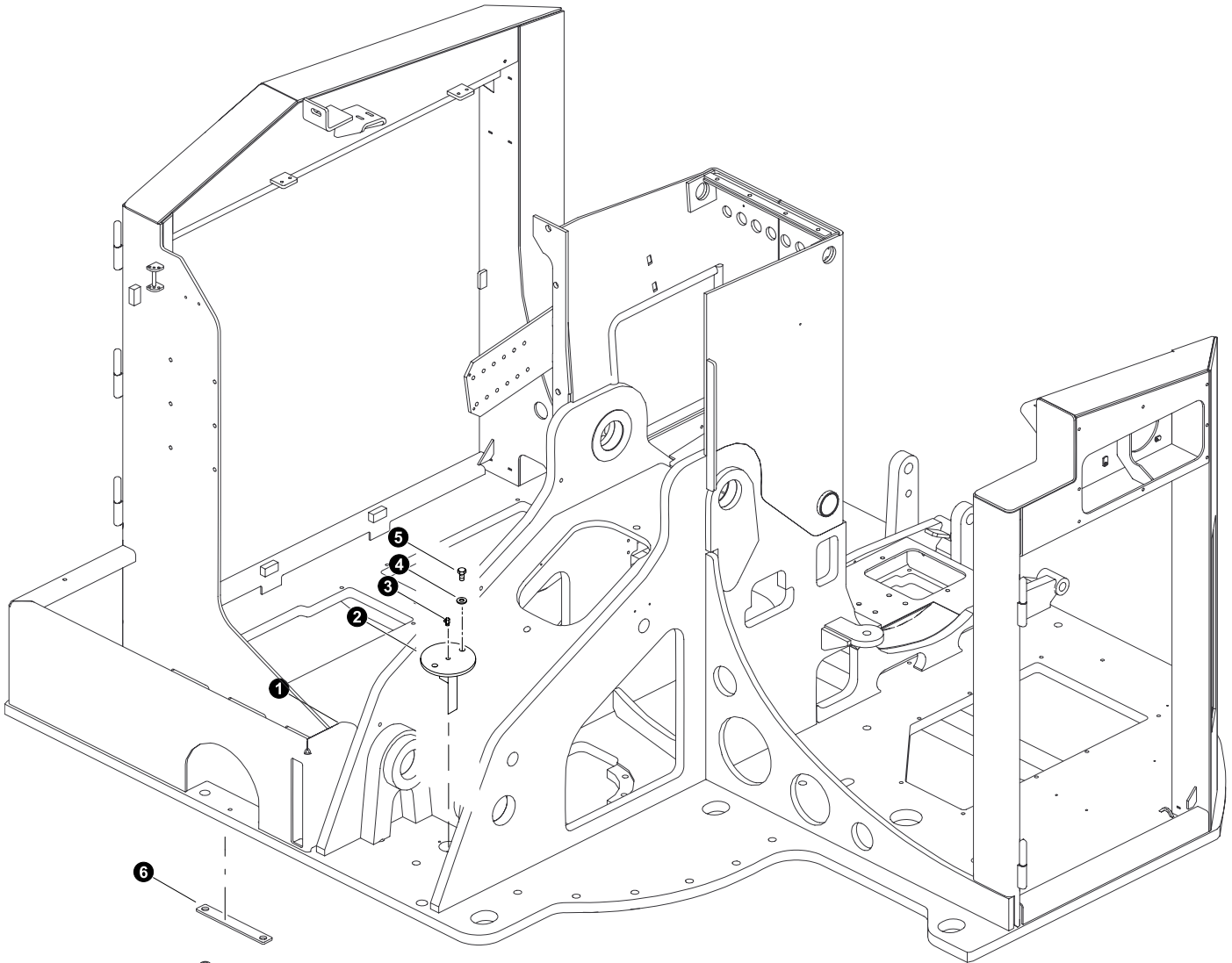
-  See reference page for component or assembly breakdown.
 Kit or Assembly - includes all items indented underneath.

Note: 1

Use Loctite 272 (blue) during installation.


Note: 2



Use Loctite 272 (red - high strength) during installation.



T3935 03/22/2015
9.375

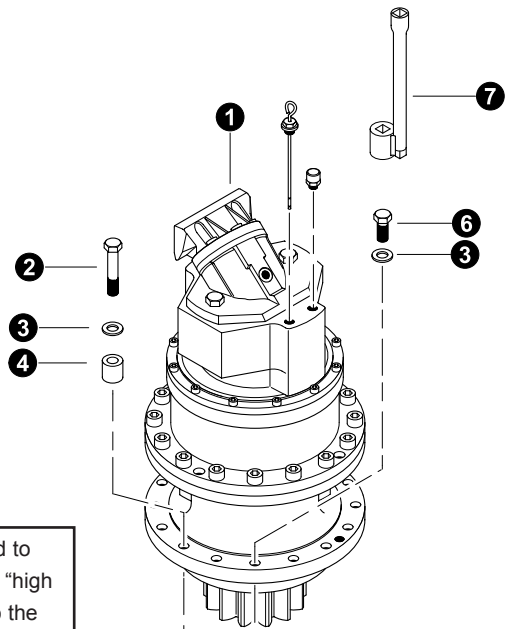
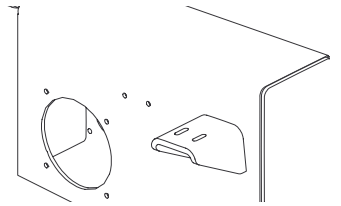
UPPER TURNTABLE INSTALLATION (Swing Bearing Grease Cup - Front Step)

REF	PART #	QTY	DESCRIPTION	SEE SECTION
1	REF.	1	 UPPER TURNTABLE WELDMENT	UP-1
2	17612-UP	1	CUP, BULL GEAR GREASE - WIDE GEAR	
3	15662-UP	1	FITTING, GREASE - .25-28" - 90	
4	15528-UP	2	WASHER, SAE FLAT - .375"	
5	15542-UP	2	BOLT - .375" X .75"	
6	46570-UP	1	STEP, FRONT TOP	
7	54018-UP	2	SPACER, FRONT STEP	
8	54017-UP	1	STEP, FRONT BOTTOM	
9	10839-UP	4	BOLT - .75" X 1.5"	
10	15550-UP	4	WASHER, SAE FLAT - .75"	
11	10783-UP	1	BOLT - .5" X 1"	

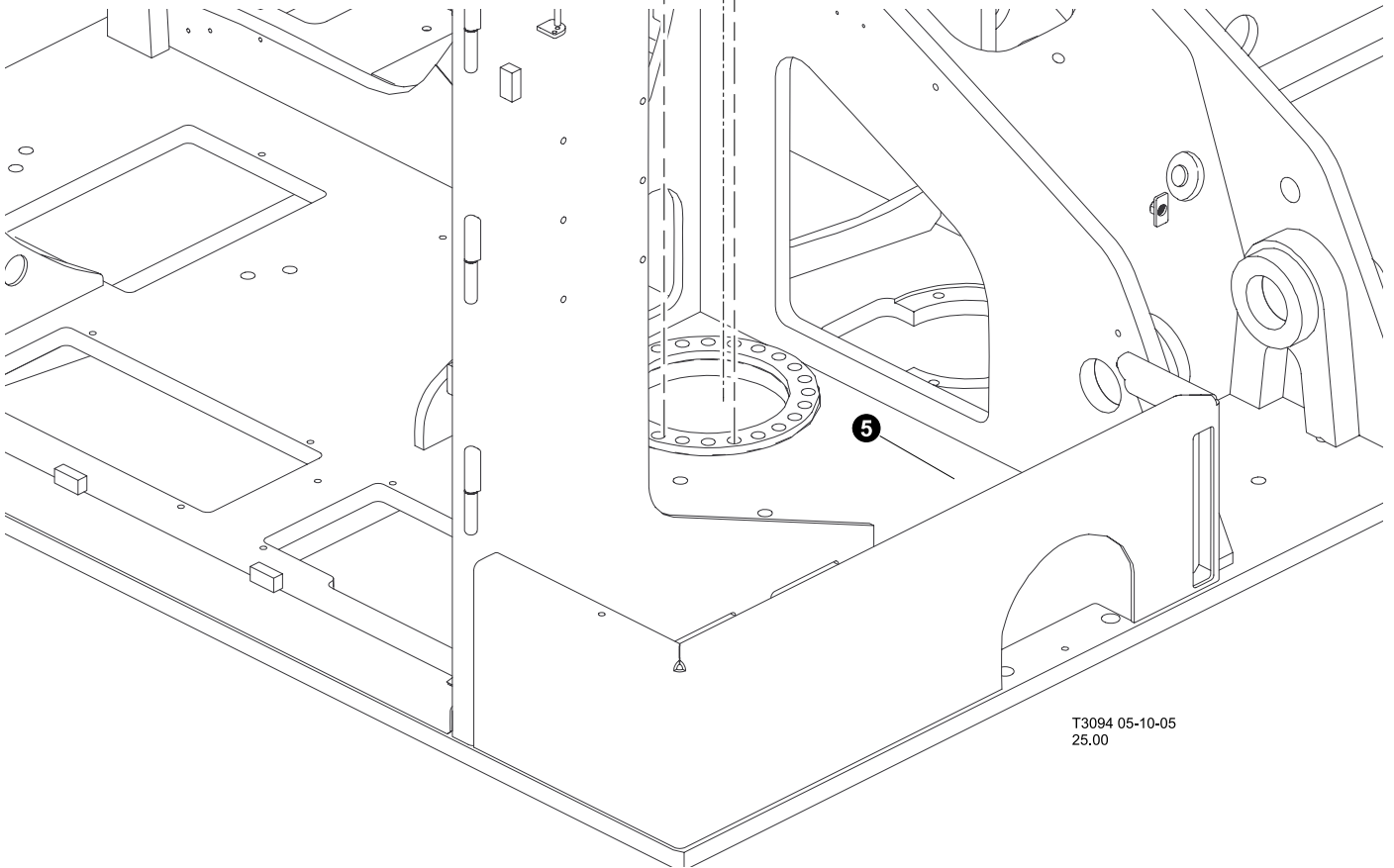
-  See reference page for component or assembly breakdown.
-  Kit or Assembly - includes all items indented underneath.

Note: 1

Use Loctite 272 (blue) during installation.





Eccentric swing motors need to be installed by matching the "high side" of the swing bearing to the swing motor gear. Then turn the motor until it becomes tight and then back the motor up and use the closest set of bolt holes to fasten the motor down.



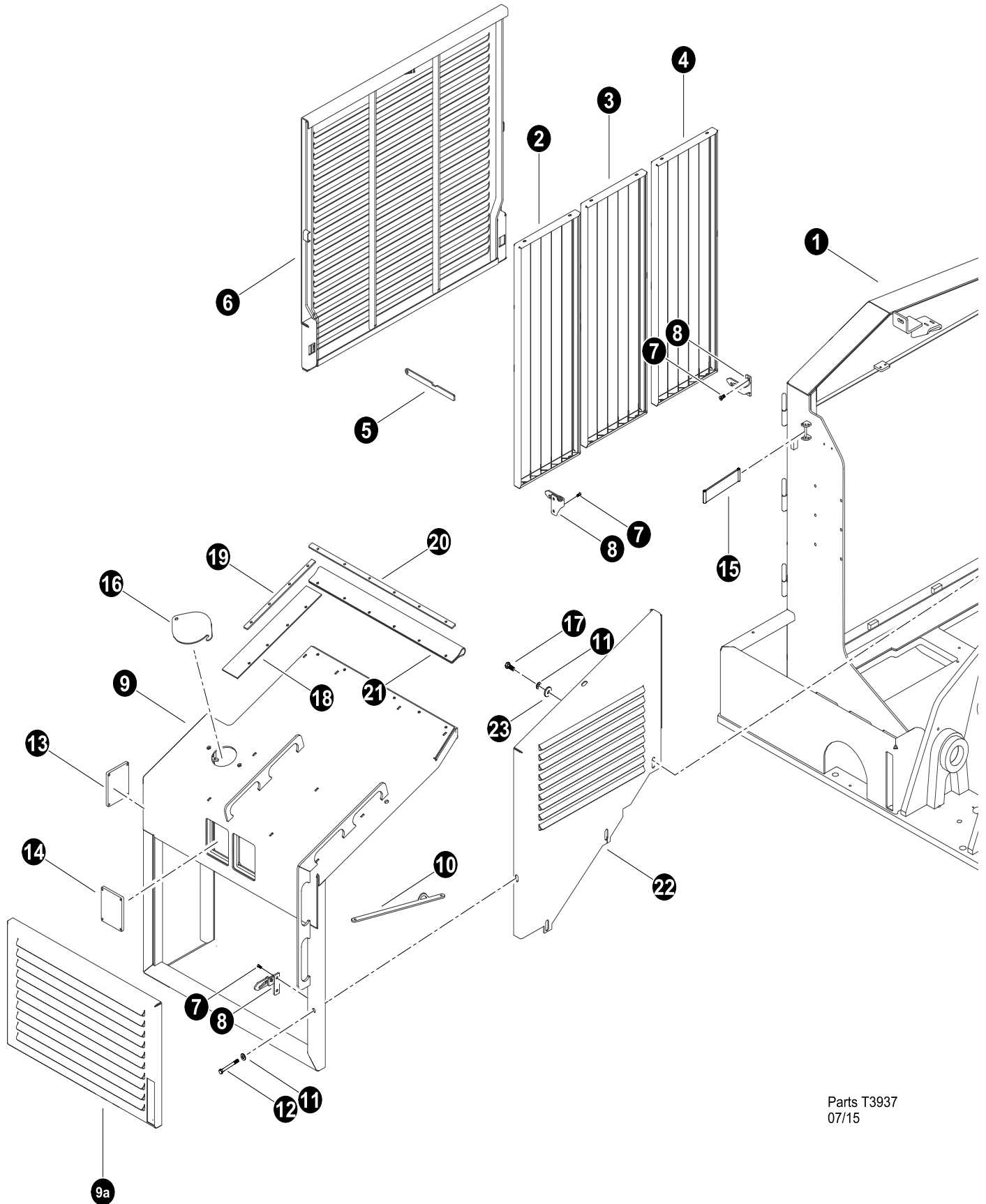
T3094 05-10-05
25.00

SWING MOTOR INSTALLATION (Lohmann/Rexroth)

REF	PART #	QTY	DESCRIPTION	SEE SECTION
1	REF.	1	 SWING MOTOR - Lohmann/Rexroth	LH,HH
2	10720-UP	23	BOLT - 5/8" x 3.75" (Torque to 230 ft.lbs (310 Nm)) (see note 1)	
3	58098-UP	23	WASHER, LOCKING	
4	19242-UP	23	SPACER, bolt	
5	REF.	1	 UPPER TURNTABLE WELDMENT	UP-1
6	15517-UP	1	BOLT - .625" X 2.5" (Torque to 230 ft.lbs (310 Nm)) (see note 1)	
7	-UP	1	TOOL, Swing Motor Torque Socket	


Special Note:

 See reference page for component or assembly breakdown.



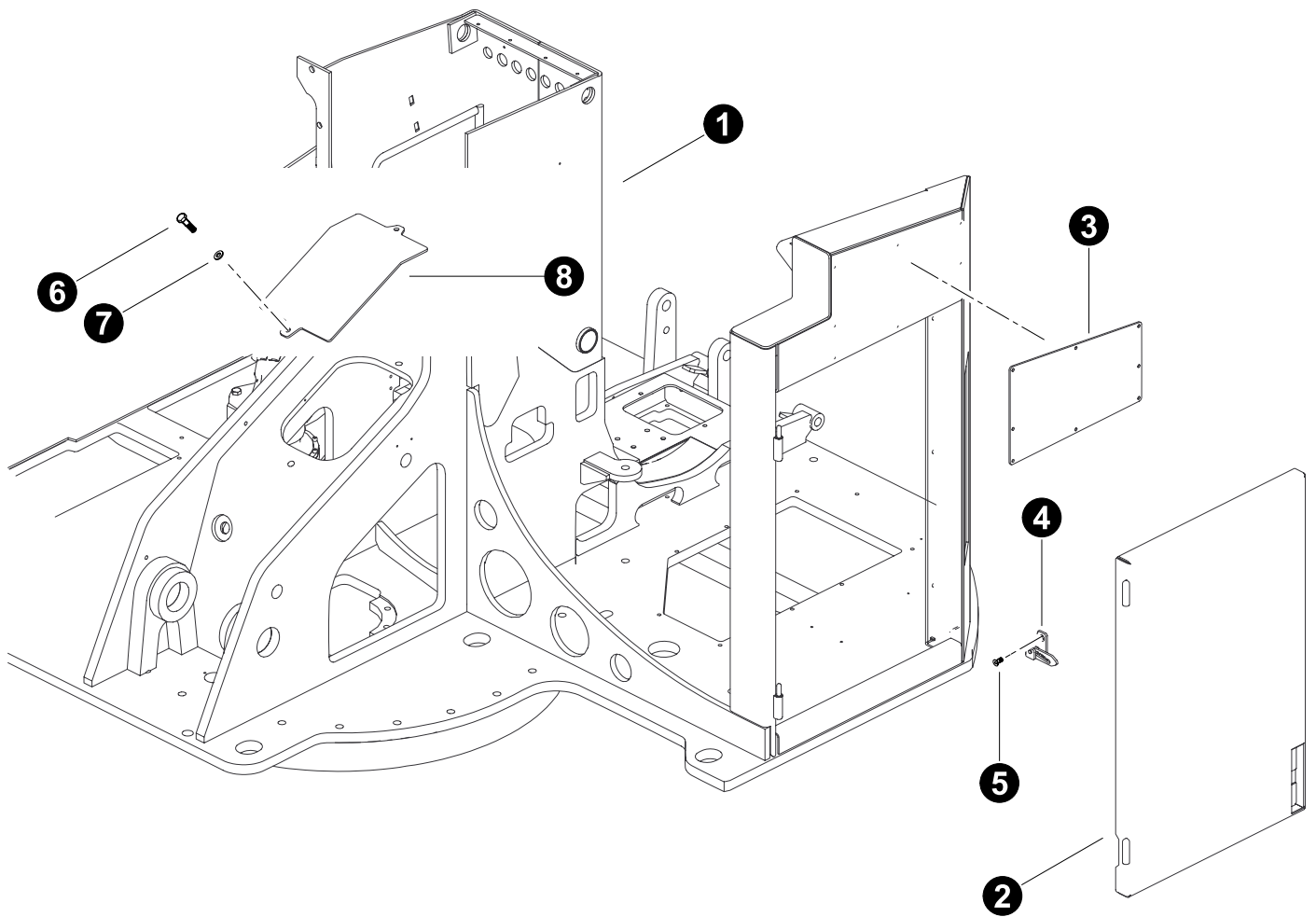
Parts T3937
07/15

UPPER TURNTABLE GUARDS, PANELS & COVERS INSTALLATION (Front Door and Side Radiator Door Install)

REF	PART #	QTY	DESCRIPTION	SEE SECTION
1	REF.	1	 UPPER TURNTABLE WELDMENT	UP-1
2	54493-UP	1	SCREEN, RADIATOR ENDS	
3	54494-UP	1	SCREEN, RADIATOR CENTER	
4	54493-UP	1	SCREEN, RADIATOR ENDS	
5	54481-UP	1	BAR, RADIATOR DOOR OPENING	
6	54838-UP	1	DOOR, - RADIATOR/COOLER "C" SERIES	
7	51850-UP	6	BOLT, CAM LATCH - FHSCS 3/8 - 16 X 1 ZB	
8	51657-UP	2	LATCH, CAM - DOOR R.H. (RADIATOR-GULLW)	
-	51658-UP	1	LATCH, CAM - DOOR L.H. (RADIATOR-GULLW)	
9	46160-UP	1	DOOR, FRONT SWING OUT - C SERIES LH	
9a	46095-UP	1	DOOR, FRONT - C SERIES (LH CAB)	
10	46513-UP	1	DOOR, FRONT PROP-ROD - C MODEL	
11	15534-UP	4	WASHER, SAE FLAT - .5"	
12	10834-UP	2	BOLT - .5" X 4"	
13	53081-UP	1	LEXAN, LIGHT	
14	53081-UP	2	LEXAN, LIGHT	
15	51981-UP	1	STRAP, DOOR STOP - 830/630	
16	12150-UP	1	COVER, ACCESS - RAD FILL / STEER CYL	
17	10783-UP	2	BOLT - .5" X 1"	
18	47151-UP	1	RUBBER, SWING OUT DOOR FLAP	
19	46989-UP	1	BAR, RUBBER - FRONT DOOR SHORT	
20	46987-UP	1	BAR, RUBBER - FRONT DOOR LONG	
21	46988-UP	1	RUBBER, FRONT DOOR SEAL	
22	47106-UP	1	PANEL, INNER - C MODEL	
23	54148-UP	2	WASHER, BURNED - .66" X 2" x 1/4"	




See reference page for component or assembly breakdown.

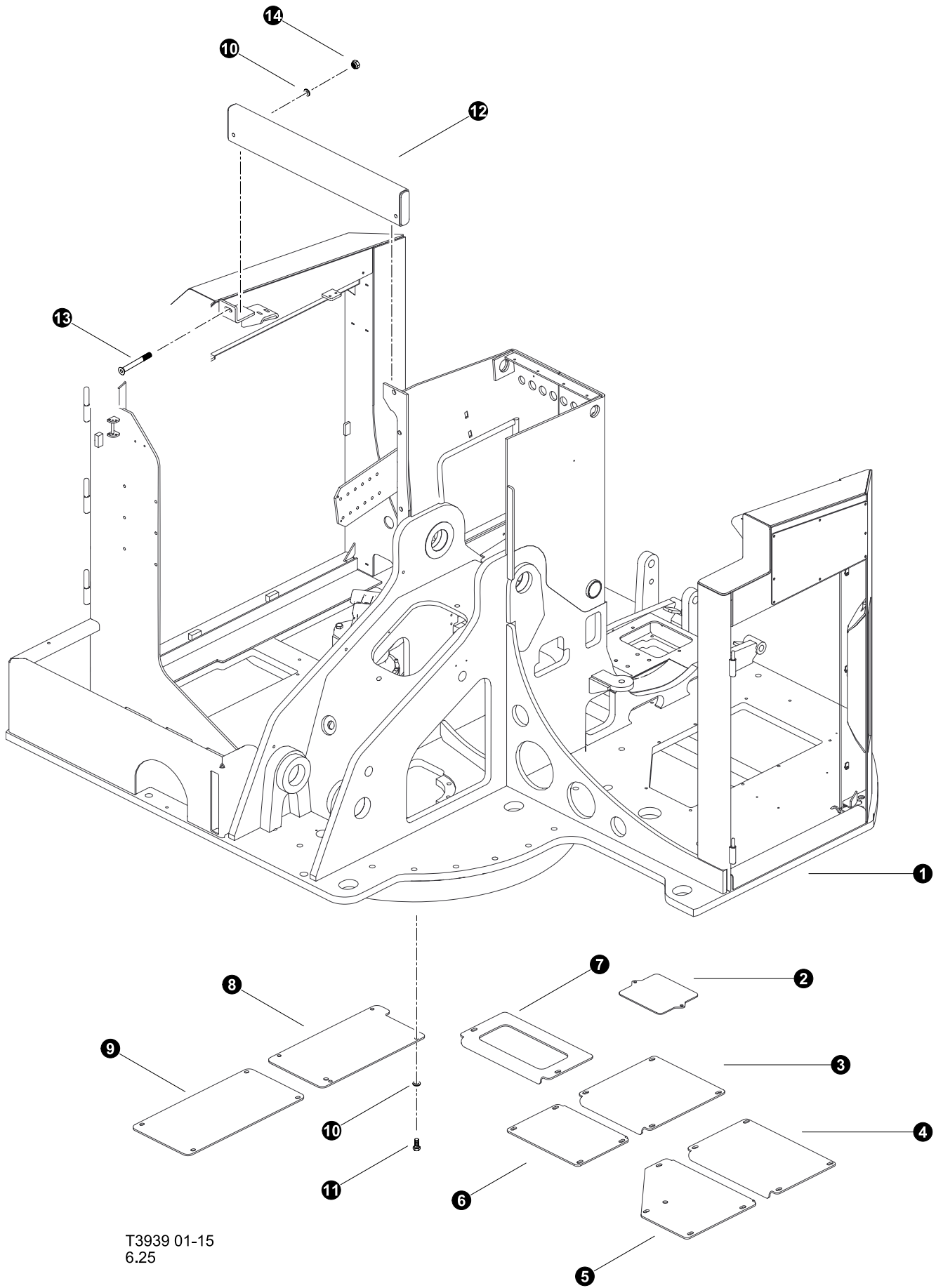


T3938 03-2015
6.25

UPPER TURNTABLE GUARDS, PANELS & COVERS INSTALLATION (Rear Panels and Oil Cooler Door Installation)


REF	PART #	QTY	DESCRIPTION	SEE SECTION
1	REF.	1	 UPPER TURNTABLE WELDMENT	UP-1
2	46162-UP	1	WELDMENT, DOOR ELECTRICAL -C SERIES LH	
3	46994-UP	1	PLATE, AIR INTAKE COVER - CUMMINS	
-	46857-UP	1	PLATE, AIR INTAKE GRILLE (Volvo)	
4	51657-UP	2	LATCH, CAM - DOOR R.H. (RADIATOR-GULLW)	
5	51850-UP	6	BOLT, CAM LATCH - FHSCS 3/8 - 16 X 1 ZB	
6	10783-UP	2	BOLT - .5" X 1"	
7	15534-UP	2	WASHER, SAE FLAT - .5"	
8	46538-UP	1	COVER, CENTER PLATE - C MODEL	

 See reference page for component or assembly breakdown.



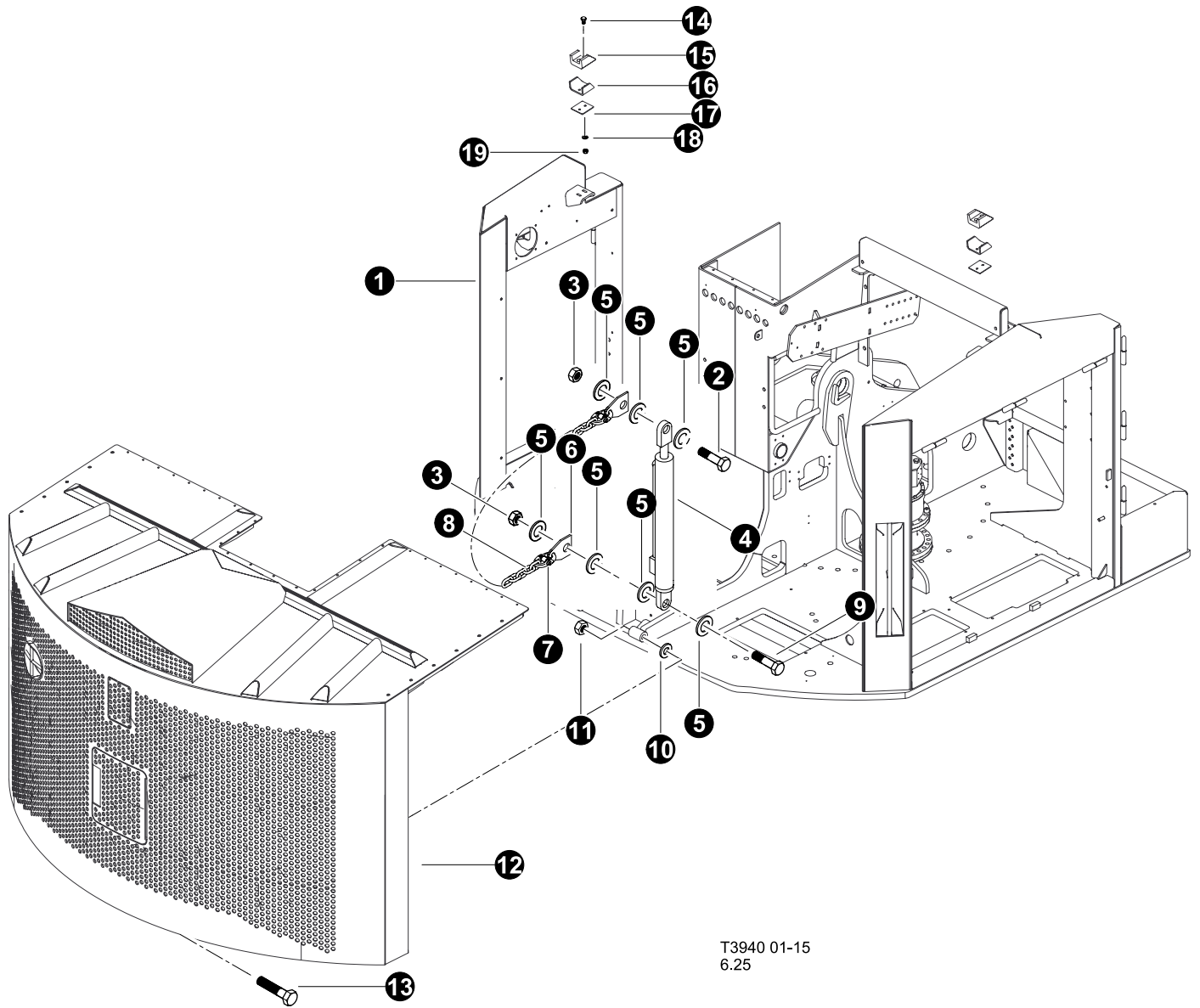
T3939 01-15
6.25

UPPER TURNTABLE GUARDS, PANELS & COVERS INSTALLATION (COVER INSTALLATIONS)

REF	PART #	QTY	DESCRIPTION	SEE SECTION
1	REF.	1	 UPPER TURNTABLE WELDMENT	UP-1
2	54569-UP	1	COVER, UPPER REAR TUBELINE	
3	46466-UP	1	COVER, BOTTOM OIL PAN- REAR "C"	
4	46467-UP	1	COVER, BOTTOM OIL PAN - FRONT "C"	
5	46469-UP	1	COVER, TRIPLE DRIVE - FRONT "C"	
6	46468-UP	1	COVER, TRIPLE DRIVE - REAR "C"	
7	46656-UP	1	WELDMENT, COVER OIL PAN - C SERIES	
8	46462-UP	2	COVER, BOTTOM REAR - COOLER "C"	
9	46463-UP	1	COVER, BOOTOM FRONT - COOLER "C"	
10	15534-UP	30	WASHER, SAE FLAT - .5"	
11	10783-UP	28	BOLT - .5" X 1"	
12	46852-UP	1	WELDMENT, COOLER SUPPORT	
13	55631-UP	2	BOLT - .5 x 3.5" - COUNTER SUNK	
14	10815-UP	2	NUT, LOCK - .5"	







See reference page for component or assembly breakdown.



T3940 01-15
6.25

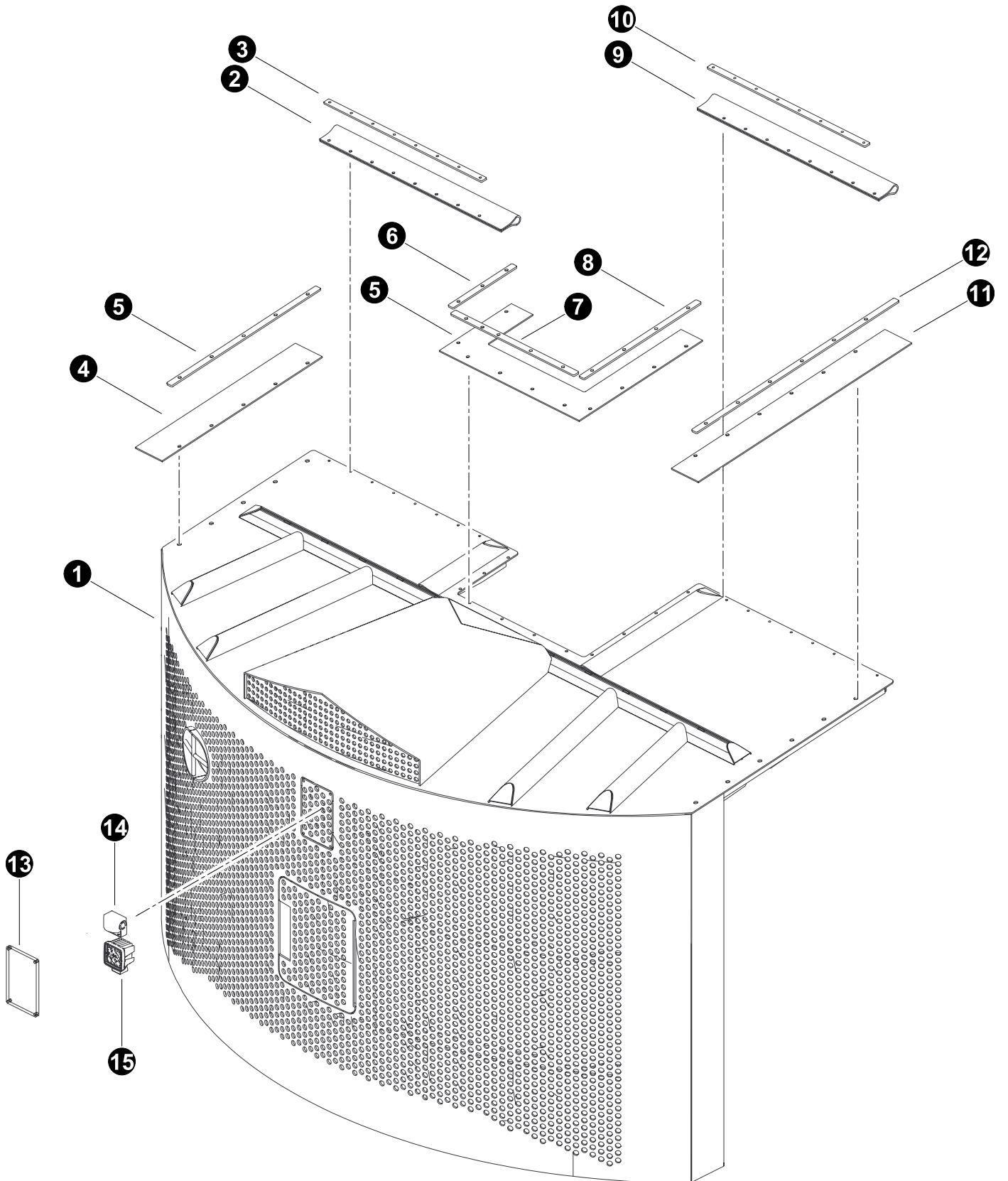
UPPER TURNTABLE GUARDS, PANELS & COVERS INSTALLATION (Gull Wing Door Installation)

REF	PART #	QTY	DESCRIPTION	SEE SECTION
1	REF.	1	 UPPER TURNTABLE WELDMENT	UP-1
2	55114-UP	1	BOLT, GULLWING - ROD END 1.25" X 8"	
3	52026-UP	2	NUT,HEX GULLWING CYL. - 1.25" - GRD 9 (See Note1)	
4	REF.	1	 GULL WING CYLINDER.	UP-1
5	22531-UP	4	WASHER, SAE FLAT - 1.25"	
6	52844-UP	2	LINK, GULLWING SAFETY CHAIN	
7	54260-UP	2	CLEVIS, 3/8" - GULLWING (2 PER) NEW	
8	54261UP	1	CHAIN, 23 LINK - GULLWING GR 80	
9	52025-UP	1	BOLT, GULLWING CYL. - 1.25" - 7 X 7"	
10	15579-UP	4	WASHER, SAE FLAT - 1"	
11	18253-UP	2	NUT, LOCK - 1"	
12	REF	1	 DOOR, GULLWING - ASSEMBLY	UP-1
13	15580-UP	2	BOLT, GULLWING CYL. - 1" - 8"	
14	10823-UP	4	BOLT - .3125" X 2"	
15	54511-UP	2	ISOLATOR, GULLWING MOUNTING-UHMW BLOCK	
16	54512-UP	2	CHANNEL, ISOLATOR MOUNT - GULLWING	
17	54520-UP	2	SPACER, GULLWING ISOLATOR	
18	15559-UP	4	WASHER, SAE FLAT - .3125"	
19	1078 8-UP	4	NUT, NYLOCK - .3125"	

 See reference page for component or assembly breakdown.

Note: 1

Use Loctite 272 (blue) during installation.



UPPER TURNTABLE GUARDS, PANELS & COVERS INSTALLATION (Gull Wing Assembly and Installation)

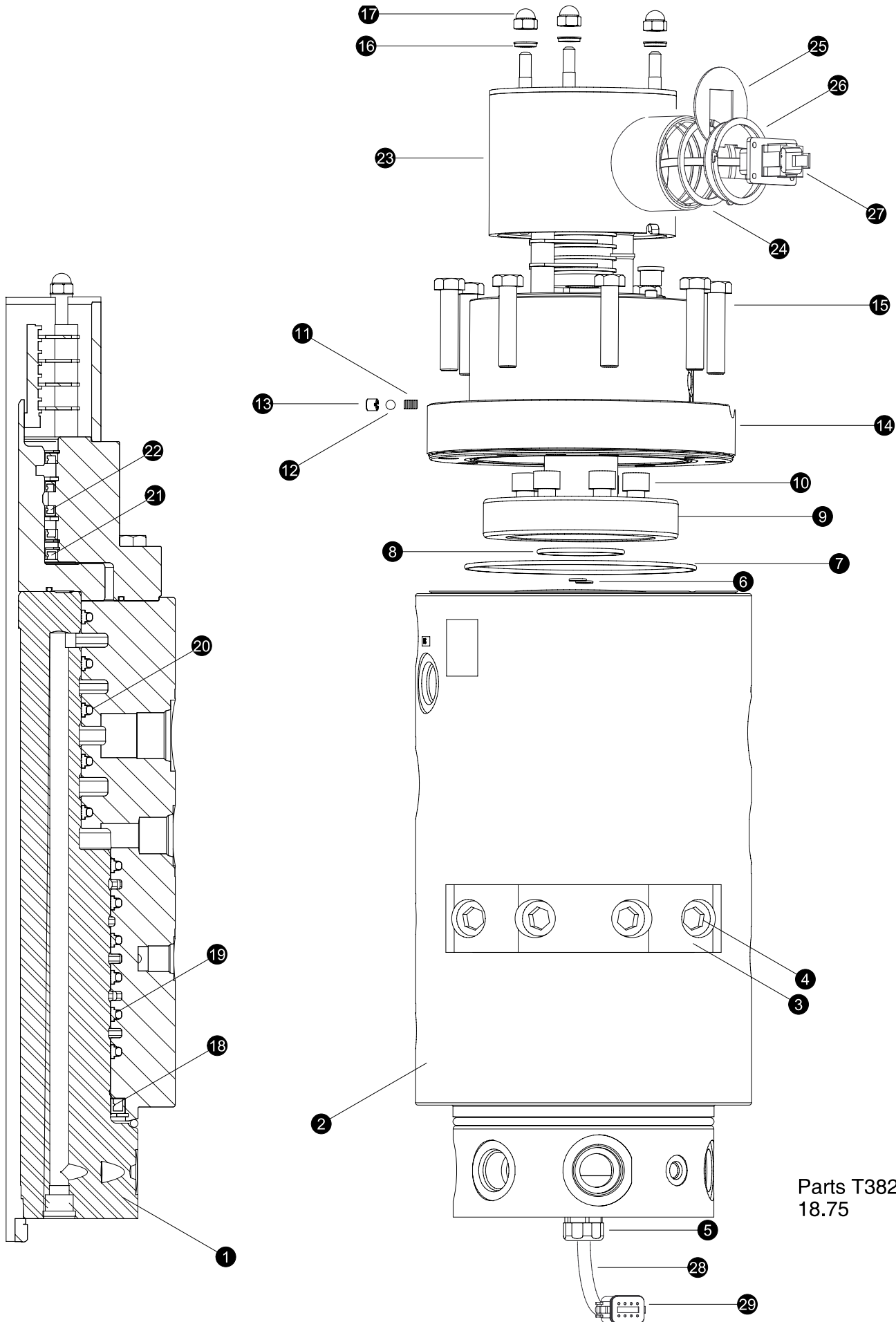
REF	PART #	QTY	DESCRIPTION	SEE SECTION
1	46110-UP	1	DOOR, GULLWING C-SERIES (LH CAB)	
2	46627-UP	1	RUBBER, FLAP - GULL FRONT (C SERIES)	
3	46616-UP	1	BAR, RUBBER HOLD DOWN - GULL RH/LH FRONT	
4	46621-UP	1	RUBBER, FLAP - GULL SHORT SIDE	
5	46626-UP	1	RUBBER, FLAP - GULL - CENTER (C SERIES)	
6	46623-UP	1	BAR, RUBBER HOLD DOWN - GULL CENTER SHOR	
7	46625-UP	1	BAR, RUBBER HOLD DOWN - GULL CENTER	
8	46624-UP	1	BAR, RUBBER HOLD DOWN - GULL CENTER LONG	
9	46627-UP	1	RUBBER, FLAP - GULL FRONT (C SERIES)	
10	46616-UP	1	BAR, RUBBER HOLD DOWN - GULL RH/LH FRONT	
11	46622-UP	1	RUBBER, FLAP - GULL LONG SIDE	
12	46619-UP	1	BAR, RUBBER HOLD DOWN - GULL LONG SIDE	
13	53065-UP	1	LEXAN, GULLWING CAMERA/LIGHT	
14	VCCS150	1	REAR VIEW CAMERA	
15	50999-UP	1	LIGHT, - LED WORK LIGHT	



See reference page for component or assembly breakdown.



Item sold in bulk (per foot). Please specify on order amount needed.



Parts T3827 1209
18.75

UPPER TURNTABLE GUARDS, PANELS & COVERS INSTALLATION (Gull Wing Options)

(HYDRA DYNE ROTARY MANIFOLD)

REF	PART #	QTY		DESCRIPTION	SEE SECTION
-	53605-UP	1	☐	MANIFOLD, ROTARY - 12 PORT (Hydra Dyne) (0327-present)	
1	TP121431	1		SPOOL, ROTARY -	
2	TP121432	1		BARREL, 12 PASS ROTARY -	
3	HD1214003	2		MOUNTING PLATE -	
4		8		BOLT, Allen - M16 X 40MM (202 FTLBS)	
5	HD121417	2		FITTING, Liquid tight (electrical)	
6	N1470-012	2		O-RING - 1/2" X 3/8" X 1/6"	
7	N1470-258	1		O-RING - 6 1/4" X 6" X 1/8"	
8	N1407-227	1		O-RING - 2 3/8" X 2 1/8" X 1/8"	
9	HD1414006	1		SPOOL, FUEL	
10		6		BOLT, ALLEN HEAD - 12MM-1.75P X 20MM (81 FTLBS)	
11	C0610-041-0095S	1		SPRING,	
12		1		BALL, STEEL 1/4"	
13	329-008	1		INSERT, EZ LOCK	
14	HD1414-005	1		CAP, FUEL	
15		8		BOLT, M12 X 55MM (70 FTLBS)	
16	33156	3		WASHER, SEAL	
17	70961	3		NUT, ACORN	
18	U90-363	1		ORING, URETHANE	
-	HD1014007	1		SEAL, ENVIRO 140MM	
-	WH-629	1		SPIRAL SNAP RING	
19	RN140250AR0	6		GLIDELOC SEAL	
-	N1173-70-359	6		ORING HNBR 70	
20	RN100250AR0	5		GLIDELOC SEAL	
-	N1173-70-346	5		ORING HNBR 70	
21	HD050068070	3		SEAL, ENVIRO 50MMX68X7	
-	WH-267	3		SPIRAL SNAP RING	
22	HD050065070	3		SEAL, ENVIRO 50MMX65X7	
-	WHM-256	3		SPIRAL SNAP RING	
23	54100-UP	1	☐	SLIP RING UNIT (8 WIRE)	
-	S08XP08HDT1	1		ELECTRICAL RINGS AND SHOES ASSEMBLY (8 WIRE)	
24	-UP	1		SEAL	
25	HD121419	1		PLATE, connector mount	
26	HD121420	1		PLATE, connector mount	
-	WHM-250	1		SNAP RING	
27	AD13093			RECEPTICAL, 8 - PIN (AD13096 - lock / AD13013 pins)	
28	-UP			HARNESS,	
-	HD091415	1		COVER, SLIP RING	
-	HD091412	1		CAP, TOP - SLIP RING	
29	AD13092			CONNECTOR, 8 - SOCKET (AD13097 - lock / AD1301 - sockets)	
-	-UP	1	⌘	KIT, SEAL REPAIR - ROTARY MAN - 52377	



See reference page for component or assembly breakdown.

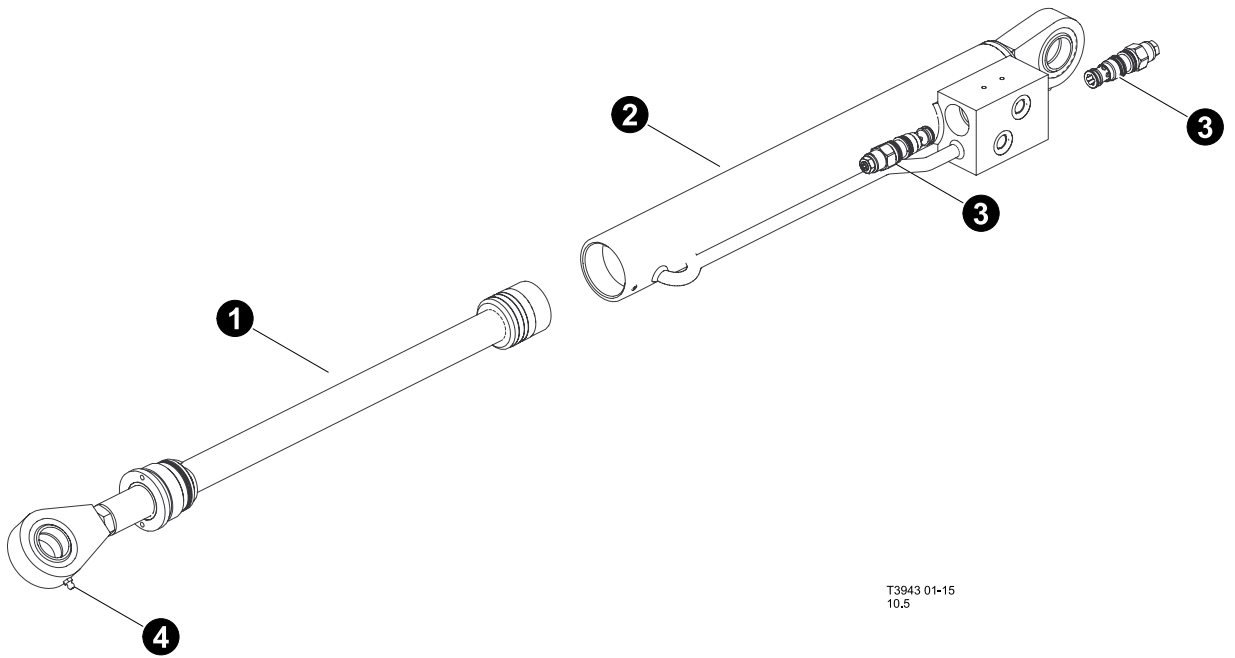


Kit or Assembly - includes all items indented underneath.



Parts Included in Seal Repair Kit.

Please contact TimberPro Dealer or Factory before attempting to disassemble or repair rotary manifold. Rotary manifolds need to be serviced by authorized TimberPro service technicians only.



T3943 01-15
10.5

UPPER TURNTABLE GUARDS, PANELS & COVERS INSTALLATION (Gull Wing Lift Cylinder Breakdown)

REF	PART #	QTY	DESCRIPTION	SEE SECTION
-	55137-UP	1	<input type="checkbox"/> CYLINDER, GULLWING LIFT - COLUMBUS	
1		1	ROD ASSEMBLY ()	
2		1	BARREL ASSEMBLY (BRL2.00-5656)	
3		2	CARTRIDGE, COUNTER BALANCE (VAL0700)	
4		2	GREASE FITTING (ZRK2500)	
	55501-UP	1	SEAL KIT, RKT2.000-1082	

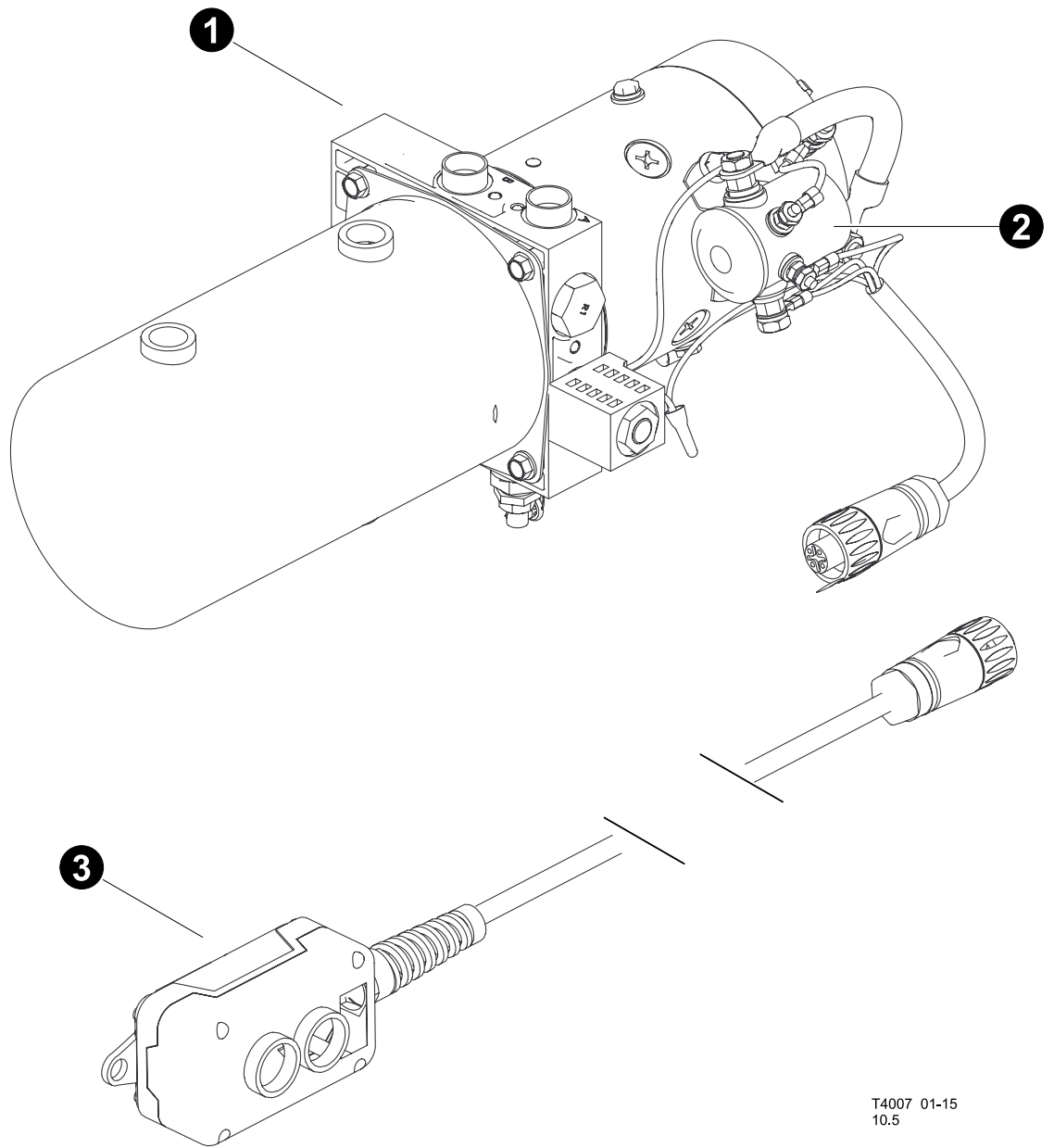


See reference page for component or assembly breakdown.



Kit or Assembly - includes all items indented underneath.

Please contact TimberPro Dealer or Factory before attempting to disassemble or repair rotary manifold. Rotary manifolds need to be serviced by authorized TimberPro service technicians only.



T4007 01-15
10.5

UPPER TURNTABLE GUARDS, PANELS & COVERS INSTALLATION (Gull Wing Pump)

REF	PART #	QTY	DESCRIPTION	SEE SECTION
1	51577-UP	1	<input type="checkbox"/> PUMP, POWER UNIT - GULL WING W/PENDANT	
2	K-03463	1	24VDC SOLENOID	
3	395-23	1	PENDANT w/2 buttons	



See reference page for component or assembly breakdown.

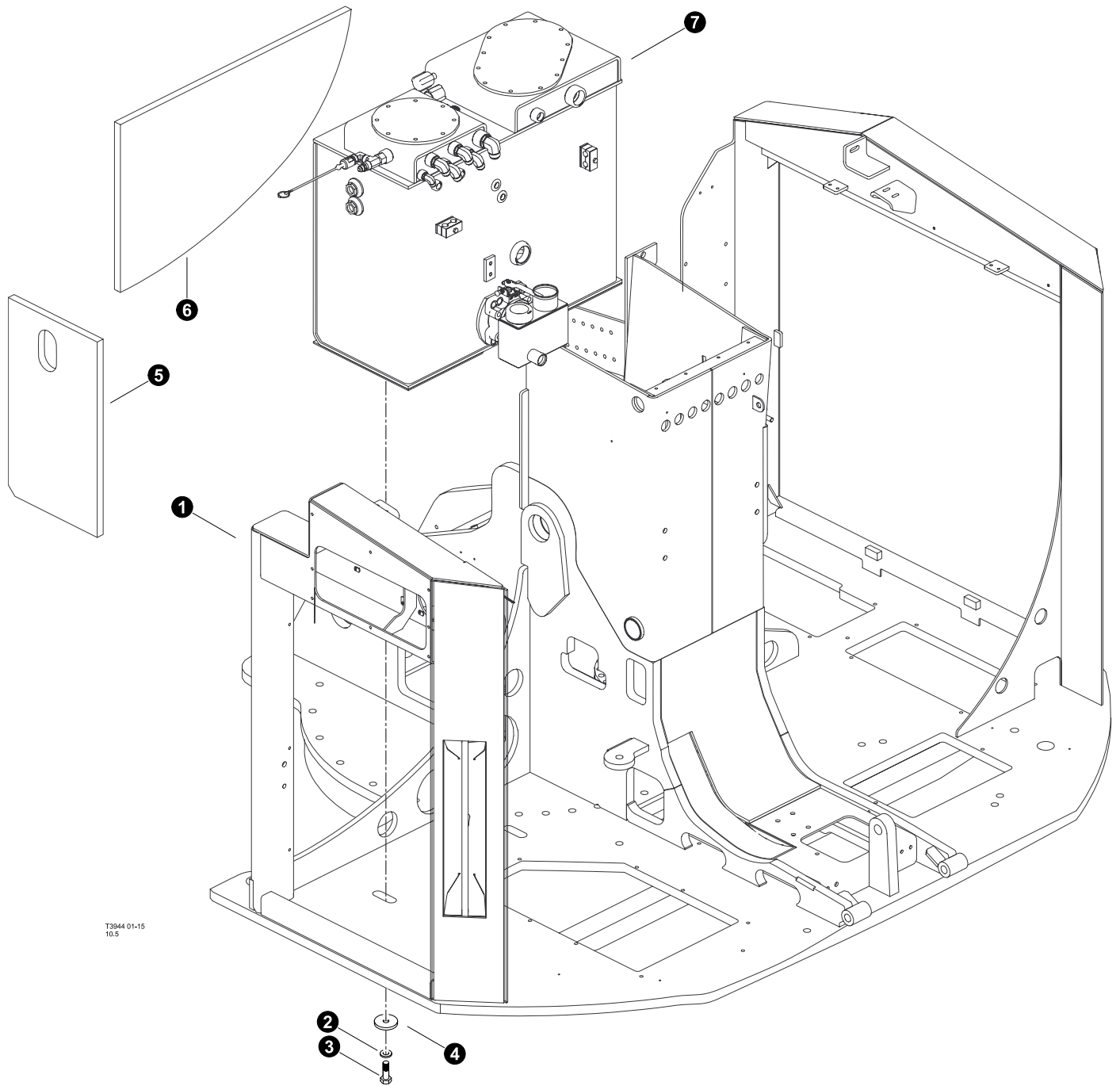


Kit or Assembly - includes all items indented underneath.

THIS PAGE LEFT BLANK FOR NOTES



Section UP-2



Upper Turntable - Hydraulic Tank



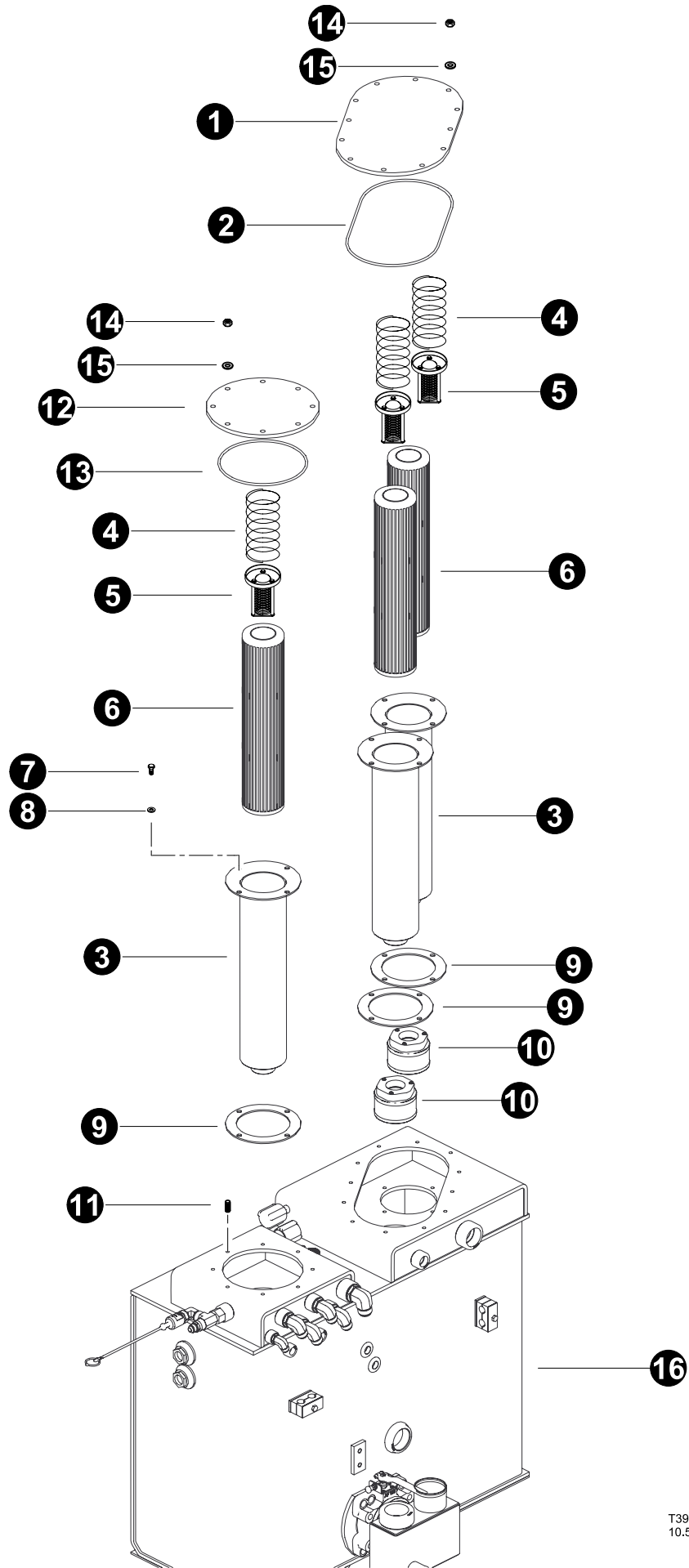
T3044 01-15
10.5

HYDRAULIC TANK INSTALLATION

REF	PART #	QTY		DESCRIPTION	SEE SECTION
1	REF	1		UPPER TURNTABLE WELDMENT	UP-1
2	54148-UP	2		WASHER, BURNED	
3	15681-UP	2		BOLT - .625" X 3"	
4	17918-UP	2		WASHER, isolator mount .875"	
5	46692-UP	1		FOAM, HYDRAULIC TANK - C-MODEL	
6	46652-UP	1		INSULATION, CAB TO HYD TANK	
7	REF	1		HYDRAULIC TANK ASSEMBLY	UP-2

-  See reference page for component or assembly breakdown.
-  Kit or Assembly - includes all items indented underneath.

Please contact TimberPro Dealer or Factory before attempting to disassemble or repair rotary manifold. Rotary manifolds need to be serviced by authorized TimberPro service technicians only.



T3946 01-15
10.5

HYDRAULIC TANK FILTER ASSEMBLES

Machines 0324 - 0558 and Before

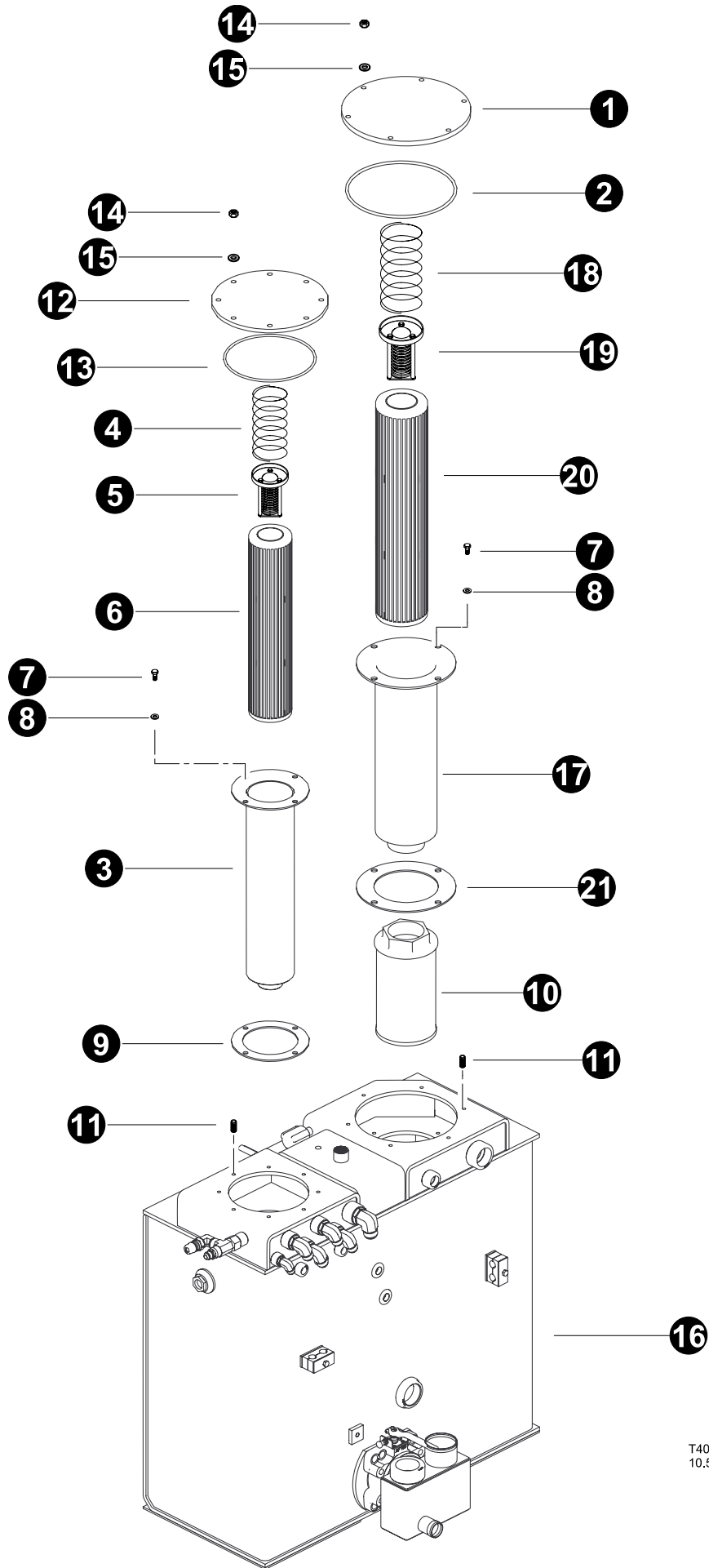
REF	PART #	QTY	DESCRIPTION	SEE SECTION
1	44738-UP	1	COVER - RETURN FILTER	
2	54417-UP	1	O-RING	
3	51621-UP	1	<input type="checkbox"/> FILTER KIT, HYD. TANK MAIN RETURN	
4		1	SPRING, CASE DRAIN FILTER	
5		1	BYPASS CHECK, CASE DRAIN FILTER	
6	22647-UP	1	ELEMENT, RETURN FILTER (Case Drain)	
7	15542-UP	8	BOLT - .375" X .75"	
8	15528-UP	8	WASHER, SAE FLAT - .375"	
9		1	SEAL, Gasket (LFT-642)	
10	54851-UP	1	DIFFUSER, RETURN LRT FILTER - C SERIES	
11	42393-UP	1	STUD - .5"-13NC X .5"-20NF X 2.0LG"	
12	44737-UP	1	COVER - CASE DRAIN	
13	15600-UP	1	O-RING - 8" DIA. -369	
14	42394-UP	10	NUT, HEX .5-20NF	
15	15534-UP	10	WASHER, SAE FLAT - .5"	
16	REF	1	<input type="checkbox"/> HYDRAULIC TANK ASSEMBLY.....	UP-2



See reference page for component or assembly breakdown.



Kit or Assembly - includes all items indented underneath.



T4092 06-15
10.5

HYDRAULIC TANK FILTER ASSEMBLES

Machines 0325 - 0559 and After

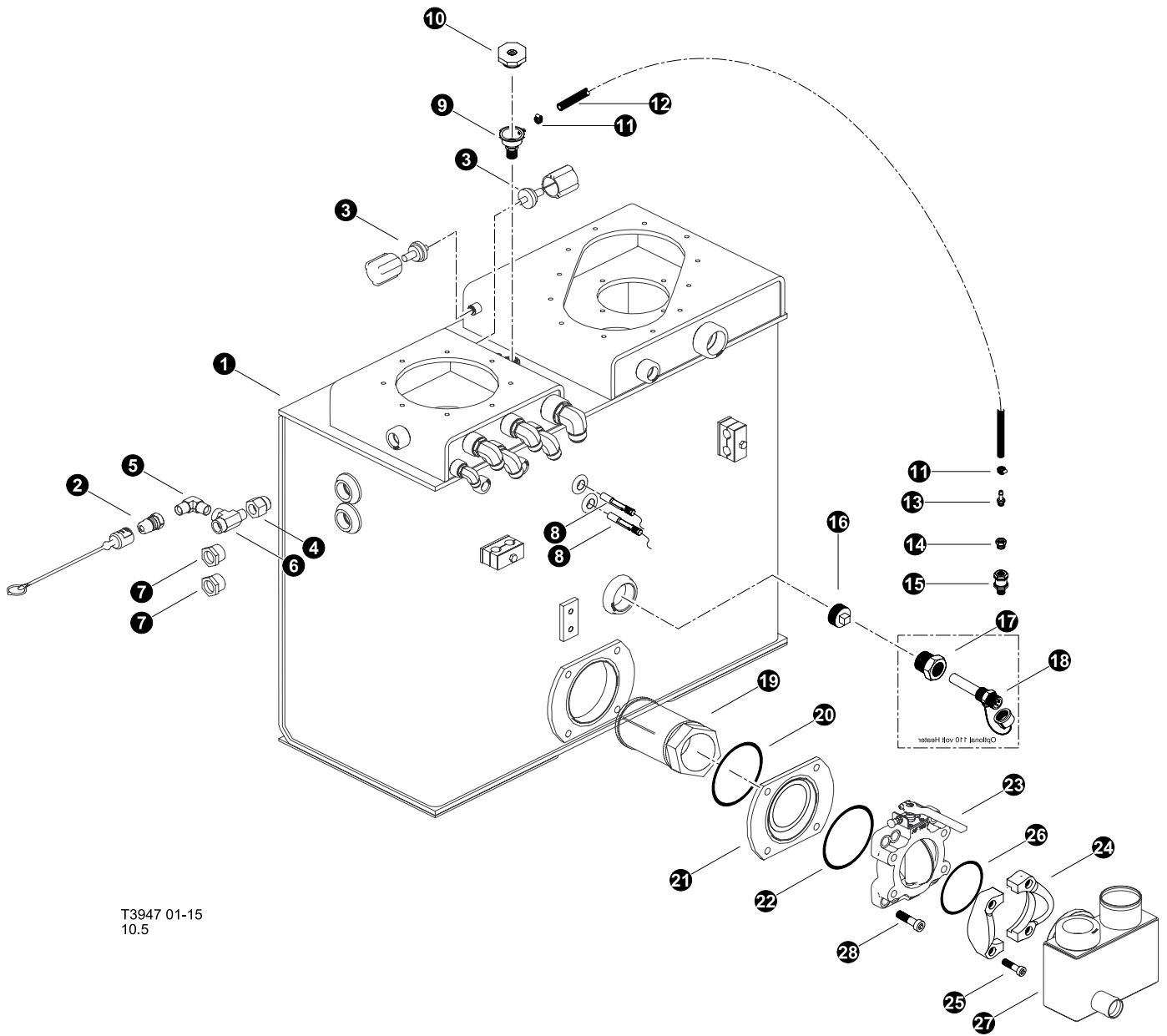
REF	PART #	QTY	DESCRIPTION	SEE SECTION
1	46568-UP	1	COVER - RETURN FILTER	
2	42310-UP	1	O-RING - 13" DIA. -382	
3	51621-UP	1	<input type="checkbox"/> FILTER KIT, HYD. TANK MAIN RETURN	
4		1	SPRING, CASE DRAIN FILTER	
5		1	BYPASS CHECK, CASE DRAIN FILTER	
6	22647-UP	1	ELEMENT, RETURN FILTER (Case Drain)	
7	15542-UP	8	BOLT - .375" X .75"	
8	15528-UP	8	WASHER, SAE FLAT - .375"	
9		1	SEAL, Gasket (LFT-642)	
10	51624-UP	1	DIFFUSER, RETURN LRT FILTER - C SERIES	
11	42393-UP	1	STUD - .5"-13NC X .5"-20NF X 2.0LG"	
12	44737-UP	1	COVER - CASE DRAIN	
13	15600-UP	1	O-RING - 8" DIA. -369	
14	42394-UP	10	NUT, HEX .5-20NF	
15	15534-UP	10	WASHER, SAE FLAT - .5"	
16	REF	1	<input type="checkbox"/> HYDRAULIC TANK ASSEMBLY.....	UP-2
17	51620-UP	1	<input type="checkbox"/> FILTER KIT, HYD. TANK MAIN RETURN	
18	BFT-162	1	COMPRESSION SPRING	
19	A-LFT-843	1	BYPASS VALVE	
20	52350-UP	1	ELEMENT, MAIN RETURN HYD TANK	
21	-UP	1	SEAL, Gasket	



See reference page for component or assembly breakdown.



Kit or Assembly - includes all items indented underneath.



T3947 01-15
10.5

HYDRAULIC TANK ASSEMBLY

Hydraulic Tank Components installation

REF	PART #	QTY		DESCRIPTION	SEE SECTION
1	46150-UP	1		WELDMENT, HYDRAULIC TANK - SHORT (C SERIES SN 0324 - 0558 and Before)	
1	47171-UP	1		WELDMENT, HYDRAULIC TANK - TALL (C SERIES SN 0325 - 0559 and After)	
2	17307M-UP	1		QUICK DISCONNECT - .5" (MALE)	
-	17323F-UP	1		COVER, DUST - QUICK DISCONNECT (FEMALE)	
3	51764-UP	2		SWITCH, PRESSURE - SCHROEDER (830/630)	
4	16805-UP	1		BUSHING, REDUCER - 6405-12-8	
5	17487-UP	1		ELBOW, 90 - 5500-8	
6	-UP	1		TEE - 8	
7	24308-UP	2		SIGHT GLASS	
8	51379-UP	2		SWITCH, HYD. OIL LEVEL .50 NPT GEMS	
-	24531-UP	1		TRANSDUCER, HYD TEMP (IQAN SYSTEM)	
9	17156-UP	1		STEM, HYDRAULIC TANK RELIEF CAP	
10	18135-UP	1		CAP, HYD. RESERVOIR RELIEF - 13 PSI	
11	16202-UP	1		CLAMP, HOSE - WORM STYLE - .625"	
12	16238-UP	5 ft	✂	HOSE, FUEL LINE (BULK ROLL) - .3125"	
13	16990-UP	1		CONNECTOR, STR HOSE BARB - 4244-5-4	
14	11318-UP	1		BUSHING, REDUCER - 5406-6-4	
15	15652-UP	1		VALVE, CHECK - HYDRAULIC/FUEL TAN	
16	53105-UP	1		PLUG, BLACK PIPE - 2.0" HYD. TANK 830/630	
17	26397-UP	1		BUSHING, BLACK - 2" X 1.25"	
18	20069-UP	1		ELEMENT, HEATER - HYD. TANK (120V 600W) (OPTIONAL)	
19	15842-UP	1		FILTER, SCREEN - IMPLEMENT	
20	51726-UP	1		O-RING, HDYRAULIC TANK	
21	42306-UP	1		PLATE, INTER.-SUCTION PORT 100mm VALVE	
22	51726-UP	1		O-RING, HDYRAULIC TANK	
23	54786-UP	1		VALVE, SHUT OFF - BUTTERFLY (4")	
24	51625-UP	1	☐	KIT, FLANGE - SUCTION TUBE (4")	
25	-UP	4		BOLT	
26	-UP	1		O-RING	
27	46200-UP	1		WELDMENT, SUCTION TUBE, C-MODEL	
28	18918-UP	4		BOLT, ALLEN HEAD - .5" X 2.5"	



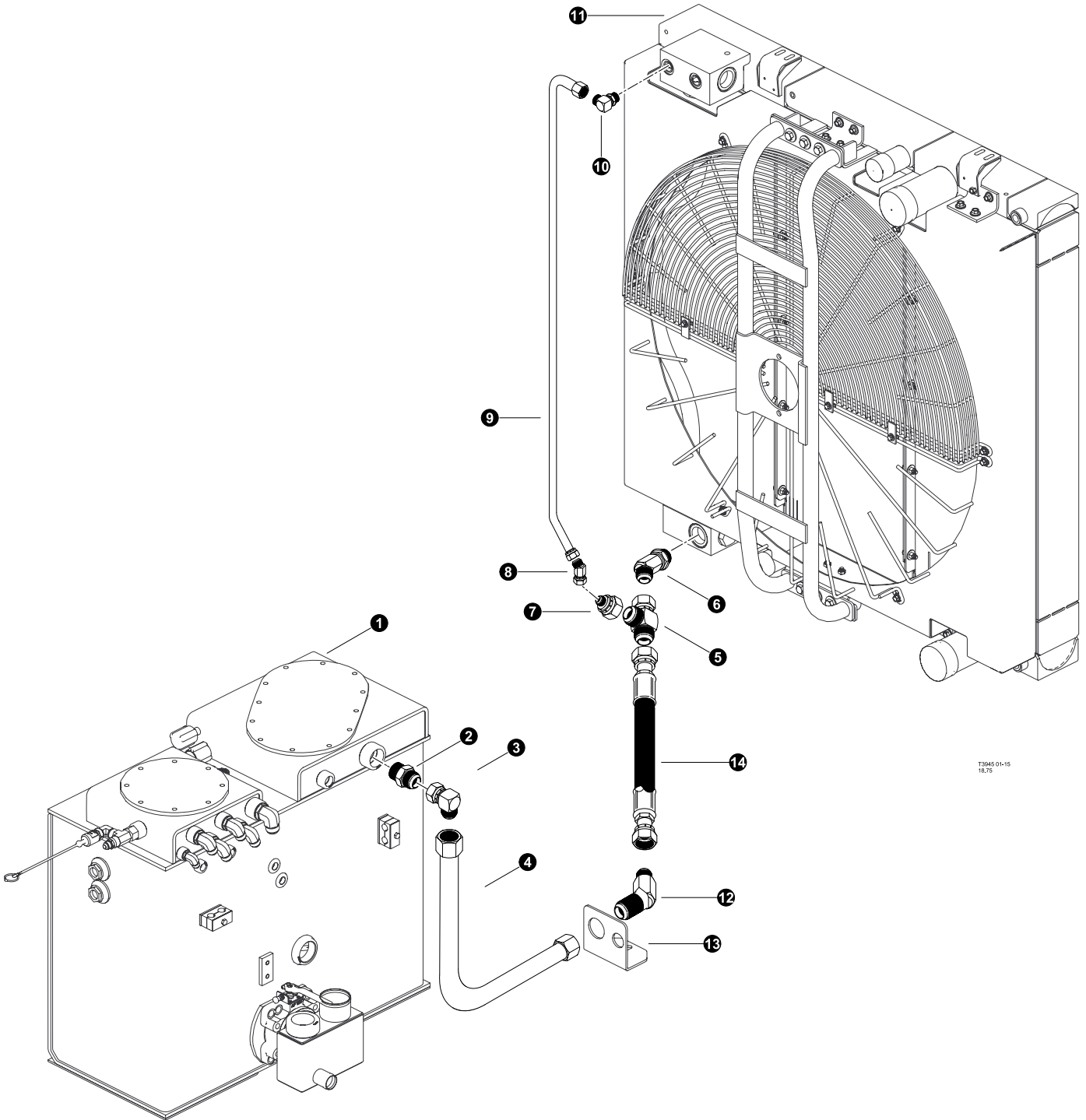
See reference page for component or assembly breakdown.



Kit or Assembly - includes all items indented underneath.





Sold in bulk per foot - Please specify length when ordering.





T3945 01-15
18,75

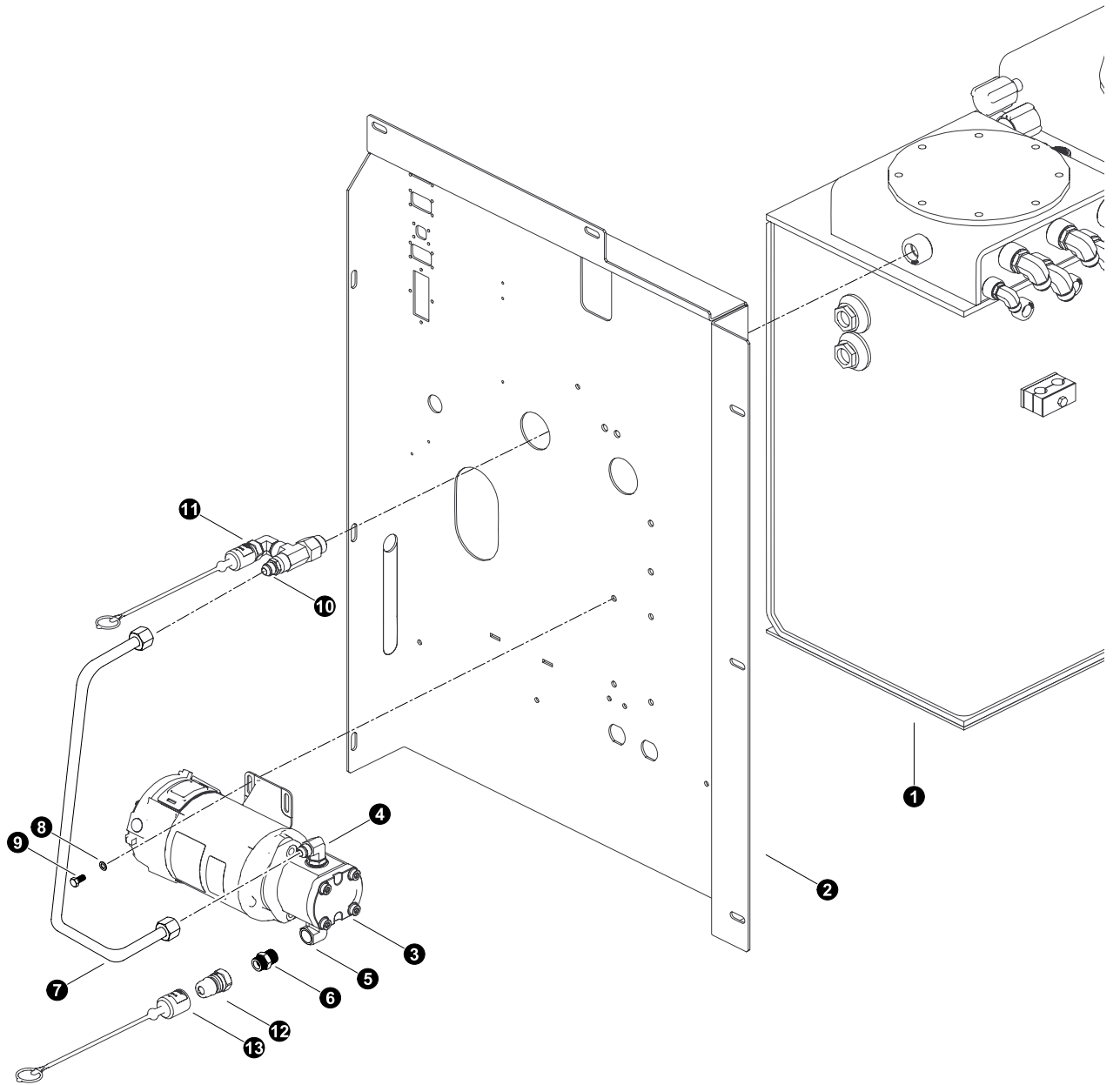
HYDRAULIC TANK

Hydraulic Tank Return Line to Oil Cooler


REF	PART #	QTY		DESCRIPTION	SEE SECTION
1	REF	1		HYDRAULIC TANK ASSEMBLY.	UP-2
2	22319-UP	1		CONNECTOR, STR JIC 24	
4	55166-UP	1		CONNECTOR, STR - 848-TTO-24X24	
3	54714-UP	1		ELBOW, 90 SWIVEL 24C6X-S (24 JICMF)	
5	53183-UP	1		FITTING, SWIVEL NUT RUN TEE #24	
6	55342-UP	1		FITTING, ELBOW - 45DEG - 24 V5OX-S	
7	53180-UP	1		FITTING, REDUCER TUBE END - 24-12	
8	15472-UP	1		ELBOW, 45 SWIVEL - 12 V6X-S	
9	55623-UP	1		TUBELINE, SPIKE TO LOWER TUBE - C MODEL	
10	11306-UP	1		ELBOW, 90 12 C5OX-S	
11	REF	1		HYDRAULIC OIL COOLER / RADIATOR ASSEMBLY.	UP-3
12	55370-UP	1		FITTING, ELBOW - 2702-24-24	
13	46246-UP	1		PLATE, BULKHEAD - COOLER	
14	-UP	1		HOSE ASSEMBLY - 2038-24JS-24JS	

-  See reference page for component or assembly breakdown.
-  Kit or Assembly - includes all items indented underneath.

Please contact TimberPro Dealer or Factory before attempting to disassemble or repair rotary manifold. Rotary manifolds need to be serviced by authorized TimberPro service technicians only.



HYDRAULIC TANK (Standard Hydraulic Tank Fill Pump System)

REF	PART #	QTY		DESCRIPTION	SEE SECTION
1	REF	1		HYDRAULIC TANK ASSEMBLY.....	UP-2
2	46037-UP	1		WELDMENT, ELEC PANEL, C-MODEL	
3	REF	1		FILL PUMP ASSEMBLY.....	UP-2
4	15482-UP	1		ELBOW, 90 - 6801-10-8	
5	22383-UP	1		ELBOW, 90 - 12 AOEG5-S	
6	54998-UP	1		FITTING, FILL PUMP - C-MODEL	
7	55164-UP	1		TUBELINE, FILL PUMP / TANK - C SERIES	
8	15542-UP	4		BOLT - .375" X .75"	
9	15528-UP	4		WASHER, SAE FLAT - .375"	
10	-UP	1		CONNECTOR, STR - 2404-8-8	
11	17307M-UP	1		QUICK DISCONNECT - .5" (MALE)	
12	55620-UP	1		NIPPLE, 60 SERIES - H6-63-T12	
13	55617-UP	1		CAP, QUICK CONNECT - RUBBER (RED)	



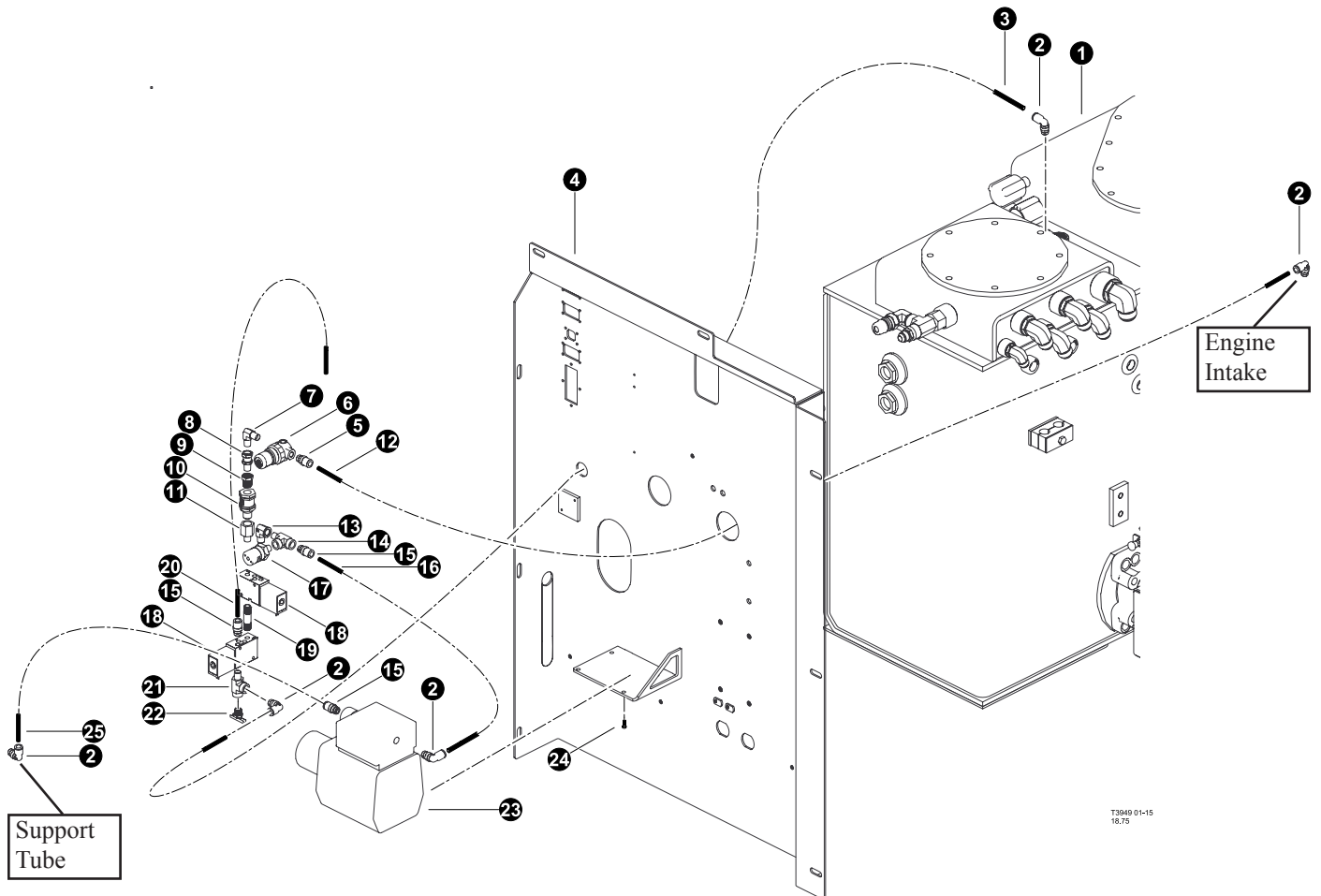
See reference page for component or assembly breakdown.









Kit or Assembly - includes all items indented underneath.






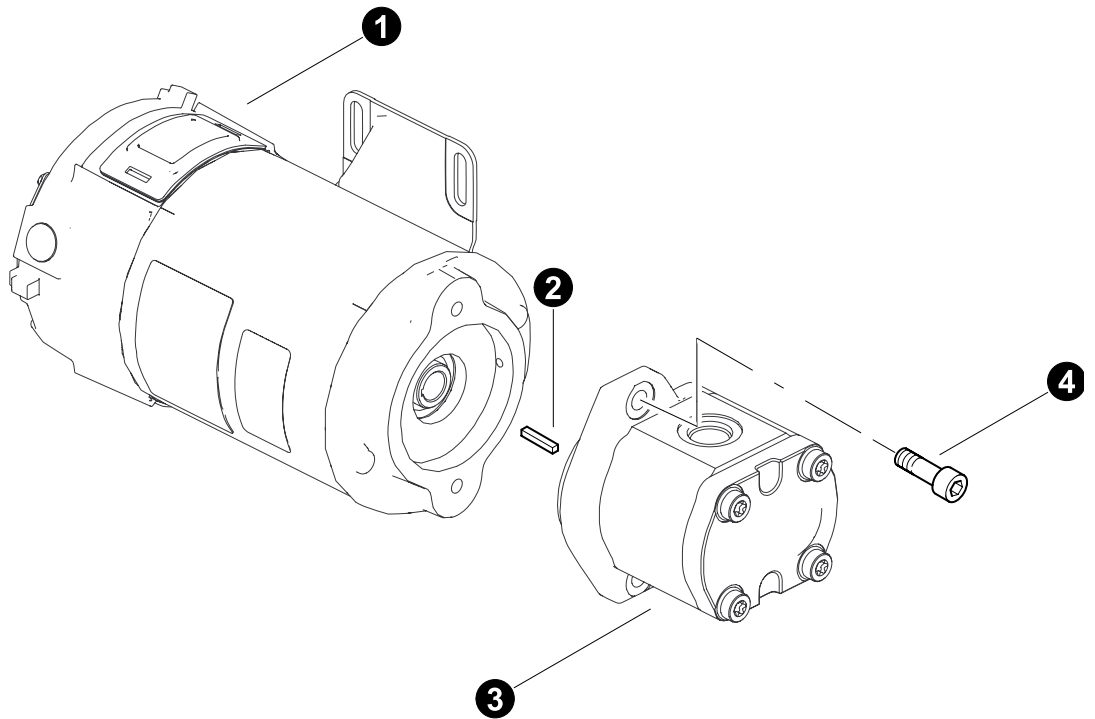
Sold in bulk per foot - Please specify length when ordering.



HYDRAULIC TANK (Hydraulic Tank Vent / Vacuum System)

REF	PART #	QTY		DESCRIPTION	SEE SECTION
1	REF	1		HYDRAULIC TANK ASSEMBLY.....	UP-2
2	51739-UP	4		CONNECTOR, ELBOW -PUSH ON (VACUUM)	
3	51738-UP	ft		HOSE, 3/8" PUSH ON - VACUUM PUMP	
4	46037-UP	1		WELDMENT, ELEC PANEL, C-MODEL	
5	52506-UP	2		CONNECTOR, STR - PUSH HOSE 3/8 (VACUUM)	
6	15649-UP	1		REGULATOR, TURBO BOOST	
7	52741-UP	1		ELBOW, MALE PIPE - 1/4 CR-S	
8	11331-UP	1		CONNECTOR, STR SWIVEL - 1404-4-4	
9	11318-UP	1		BUSHING, REDUCER - 5406-6-4	
10	15652-UP	1		VALVE, CHECK - HYDRAULIC/FUEL TANK	
11	52145-UP	1		ADAPTER, EXPANDER - 3/8 X 1/4 FG-S	
12	51738-UP	ft		HOSE, 3/8" PUSH ON - VACUUM PUMP	
13	21147-UP	1		ELBOW, 90 STREET .25" NPT - BRASS	
14	10393-UP	1		TEE - 5602-4	
15	52506-UP	2		CONNECTOR, STR - PUSH HOSE 3/8 (VACUUM)	
16	51738-UP	ft		HOSE, 3/8" PUSH ON - VACUUM PUMP	
17	51737-UP	1		SWITCH, PRESSURE - VACUUM PUMP (HYD TANK)	
18	51616-UP	2		VALVE, VACUUM PUMP - HYD TANK	
19	16314-UP	1		NIPPLE, PIPE - .25" X 2"	
20	51738-UP	ft		HOSE, 3/8" PUSH ON - VACUUM PUMP	
21	10393-UP	1		TEE - 5602-4	
22	53108-UP	1		VALVE, TANK VENT - DC602-6	
23	REF.	1		PUMP, VACUUM - HYD TANK.....	UP-2
24	16129-UP	4		SCREW, MACHINE - #10-24 X .75"	
25	51738-UP	ft		HOSE, 3/8" PUSH ON - VACUUM PUMP	

-  See reference page for component or assembly breakdown.
 Kit or Assembly - includes all items indented underneath.
 Sold in bulk per foot - Please specify length when ordering.



T3950 01/15

HYDRAULIC FILL PUMP BREAKDOWN

REF	PART #	QTY	DESCRIPTION	SEE SECTION
-	-UP	1	<input type="checkbox"/> ASSEMBLY - HYDRAULIC FILL PUMP with COOLER LOOP	
1	51503-UP	1	MOTOR, HYD OIL FILL (ELECTRIC) - 24V	
2	-UP	1	KEY,	
3	16800-UP	1	PUMP, electric hydraulic oil fill	
4	-UP	2	BOLT, ALLEN HEAD - .375" X 1"	



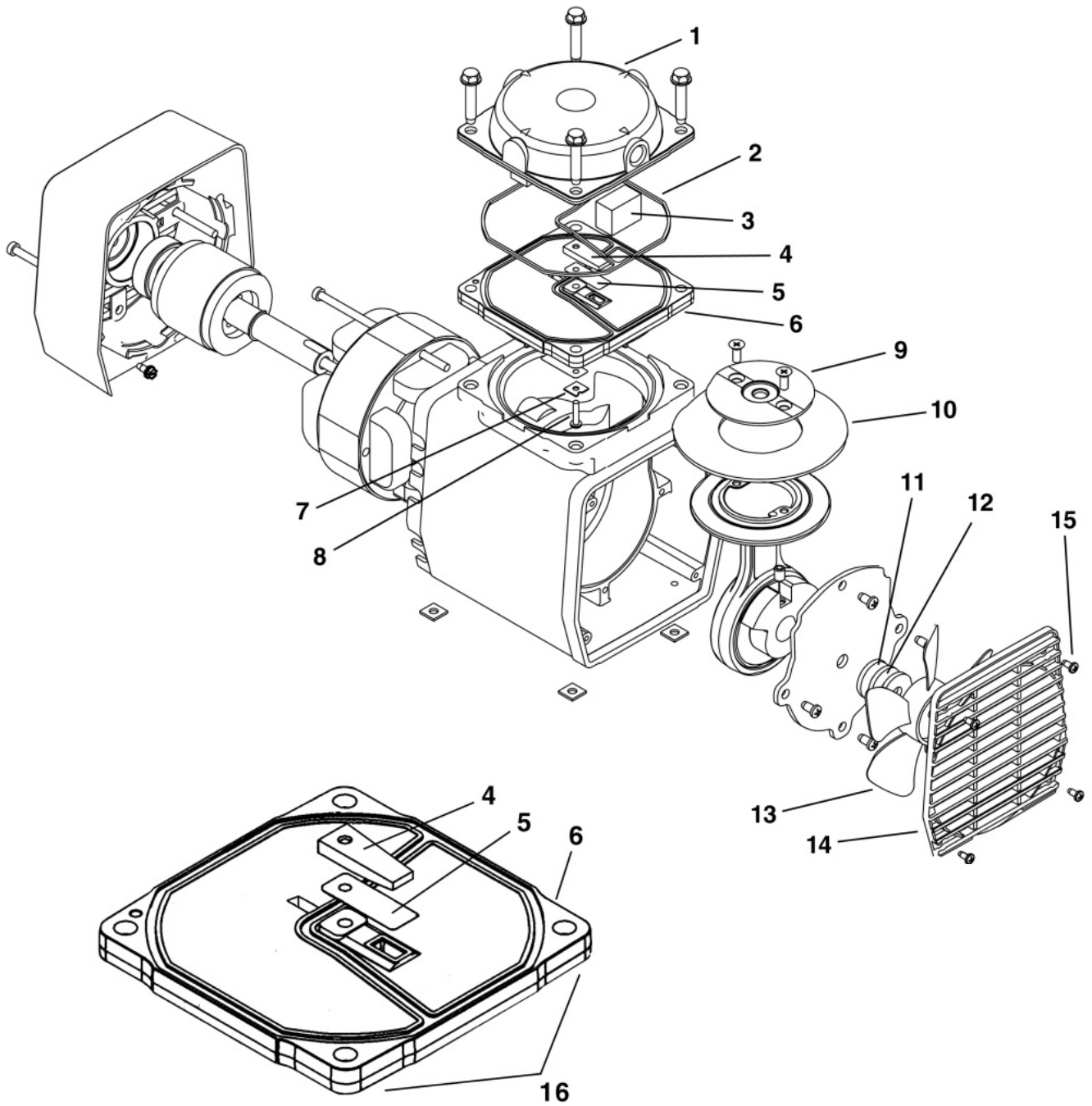
See reference page for component or assembly breakdown.



Kit or Assembly - includes all items indented underneath.



Sold in bulk per foot - Please specify length when ordering.



VACUUM PUMP BREAKDOWN

REF	PART #	QTY		DESCRIPTION	SEE SECTION
-	51615-UP	1	☐	VACUUM PUMP	
1	-UP	1		HEAD (AP500)	
2	-UP	1		O-RING, HEAD (AP513)	
3	-UP	2		FILTER, MUFFLER (AT712A)	
4	-UP	1		VALVE, LIMITER (AP110)	
5	-UP	2		VALVE, LEAF (AF817)	
6	-UP	1		PLATE, VALVE (AP504)	
7	-UP	1		RETAINER, VALVE (AF819A)	
8	-UP	1		SCREW, VALVE (BB330A)	
9	-UP	1		PLATE, RETAINER (AF809)	
10	-UP	1		DIAPHRAGM, COMPRESSOR (AF818A)	
10	-UP	1		DIAPHRAGM, VACUUM (AF818B)	
11	-UP	3		SPACER, FELT (AA929)	
12	-UP	1		SPACER (AD996)	
13	-UP	1		FAN (AF533)	
14	-UP	1		GRILL (AF807)	
15	-UP	4		RIVET (AP534)	
16	-UP	1		ASSEMBLY, VALVE PLATE (AP519)	



See reference page for component or assembly breakdown.



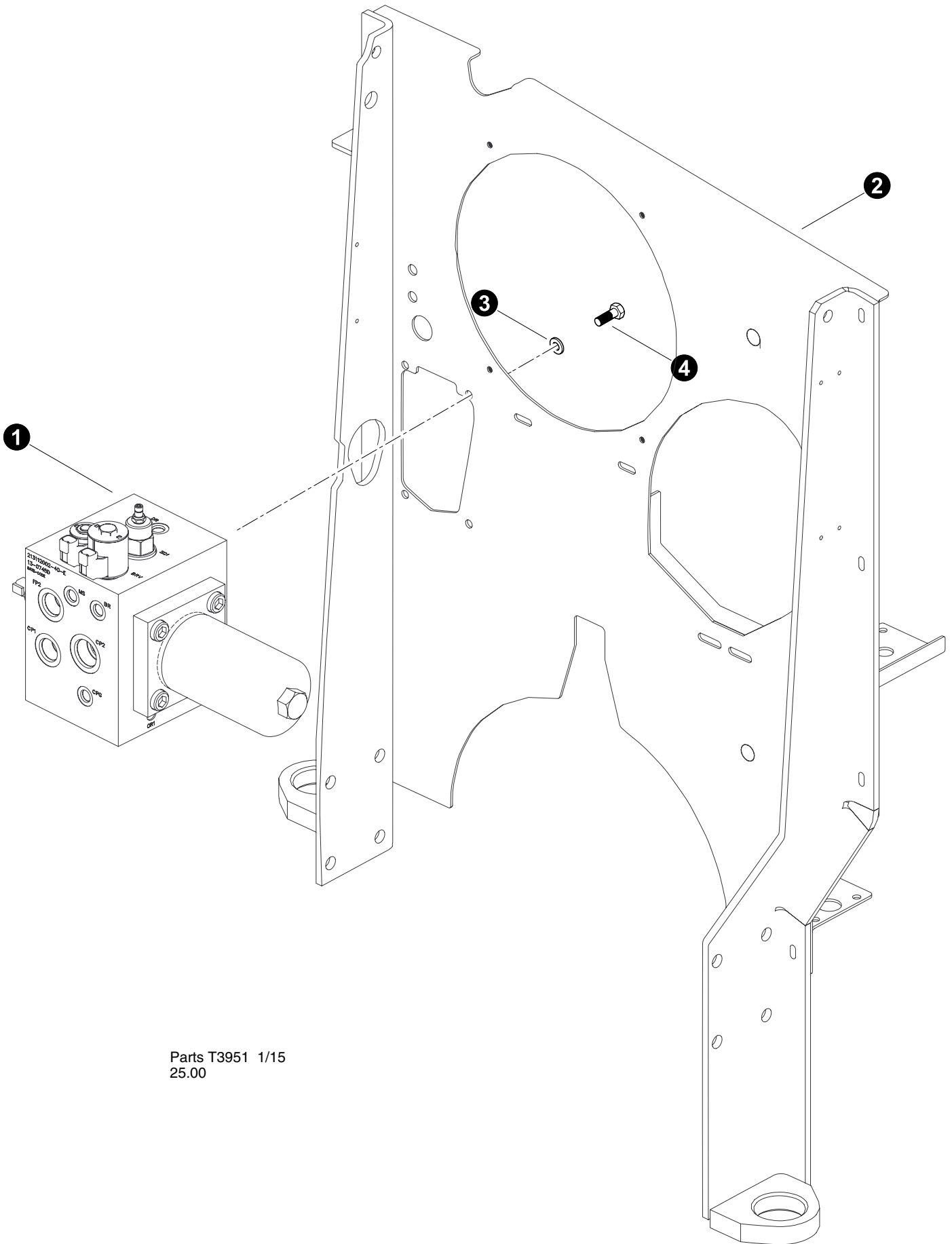
Kit or Assembly - includes all items indented underneath.



Sold in bulk per foot - Please specify length when ordering.

Section UP-3

Upper Turntable - Radiator and Oil Cooler Fan Drive System



Parts T3951 1/15
25.00

RADIATOR AND COOLER FAN CIRCUIT

Charge Manifold installation

REF	PART #	QTY	DESCRIPTION	SEE SECTION
1	REF	1	VALVE, CHARGE MANIFOLD	UP-3
2	REF	1	BARRIER, ENGINE - C MODEL	EE
3	15528-UP	3	WASHER, SAE FLAT - .375"	
4	11707-UP	4	BOLT - .375" X 1"	

 See referenced page for component or assembly breakdown.

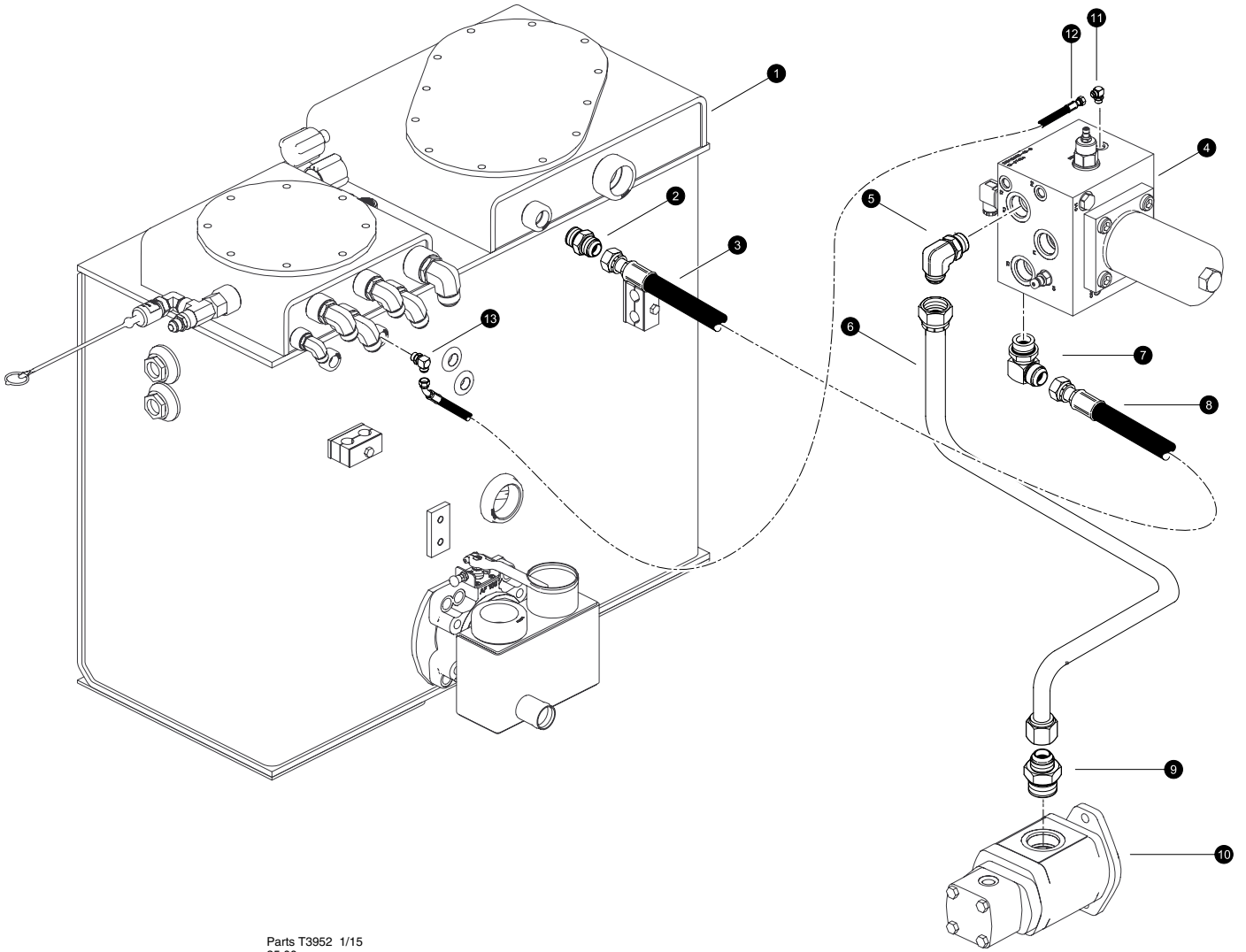
Kit or Assembly - includes all items indented underneath.

Note #1:

Use Loctite 271 (*red*) during installation.

Note #2:

Use Loctite 272 (*blue*) during installation.



Parts T3952 1/15
25.00

RADIATOR AND COOLER FAN CIRCUIT**Charge Manifold Pressure and Tank Connections**

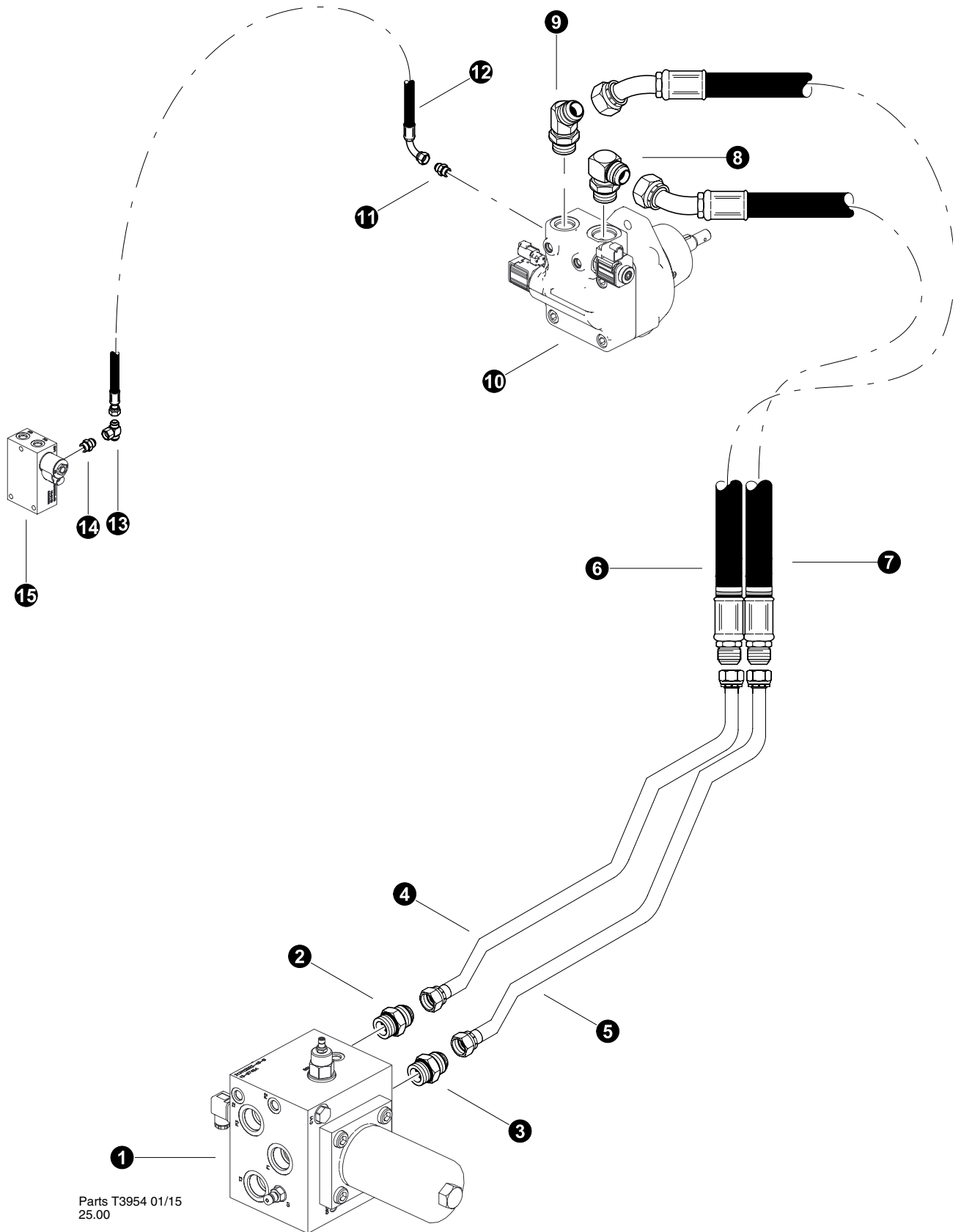
REF	PART #	QTY	DESCRIPTION	SEE SECTION
1	REF	1	HYDRAULIC TANK ASSEMBLY.....	UP-2
2	11324-UP	1	CONNECTOR, STR - 6400-12	
3	-UP	1	HOSE ASSEMBLY - 2023 12 12JS 12JS (T3 port to Hyd Tank Return)	
4	REF	1	FAN CONTROL MANIFOLD.....	UP-3
5	15484-UP	1	ELBOW, 90 - 16 C50X-S	
6	55160-UP	1	TUBELINE , CHRГ PUMP TO CHRГ FILTER P3	
7	11306-UP	1	ELBOW, 90 12 C50X-S	
8	-UP	1	HOSE ASSEMBLY - 2023 12 12JS 12JS (T3 port to Hyd Tank Return)	
9	15498-UP	1	CONNECTOR, STR - 6400-16-20	
10	REF	1	TRACK DRIVE CHARGE PUMP	WD-3
10	52971-UP	1	ELBOW, 90 - 16 CC50X JIC/ORB (LONG)	
11	15480-UP	1	ELBOW, 90 - 6801-6	
12	-UP	1	HOSE ASSEMBLY - 2055 06-06JS 06J4 (Charge Manifold DR to Tank)	
13	53145-UP	1	FITTING, 6-8 C50X-S - JIC	



See referenced page for component or assembly breakdown.



Kit or Assembly - includes all items indented underneath.



RADIATOR AND COOLER FAN CIRCUIT**Oil Cooler Fan Motor Pressure and Tank**

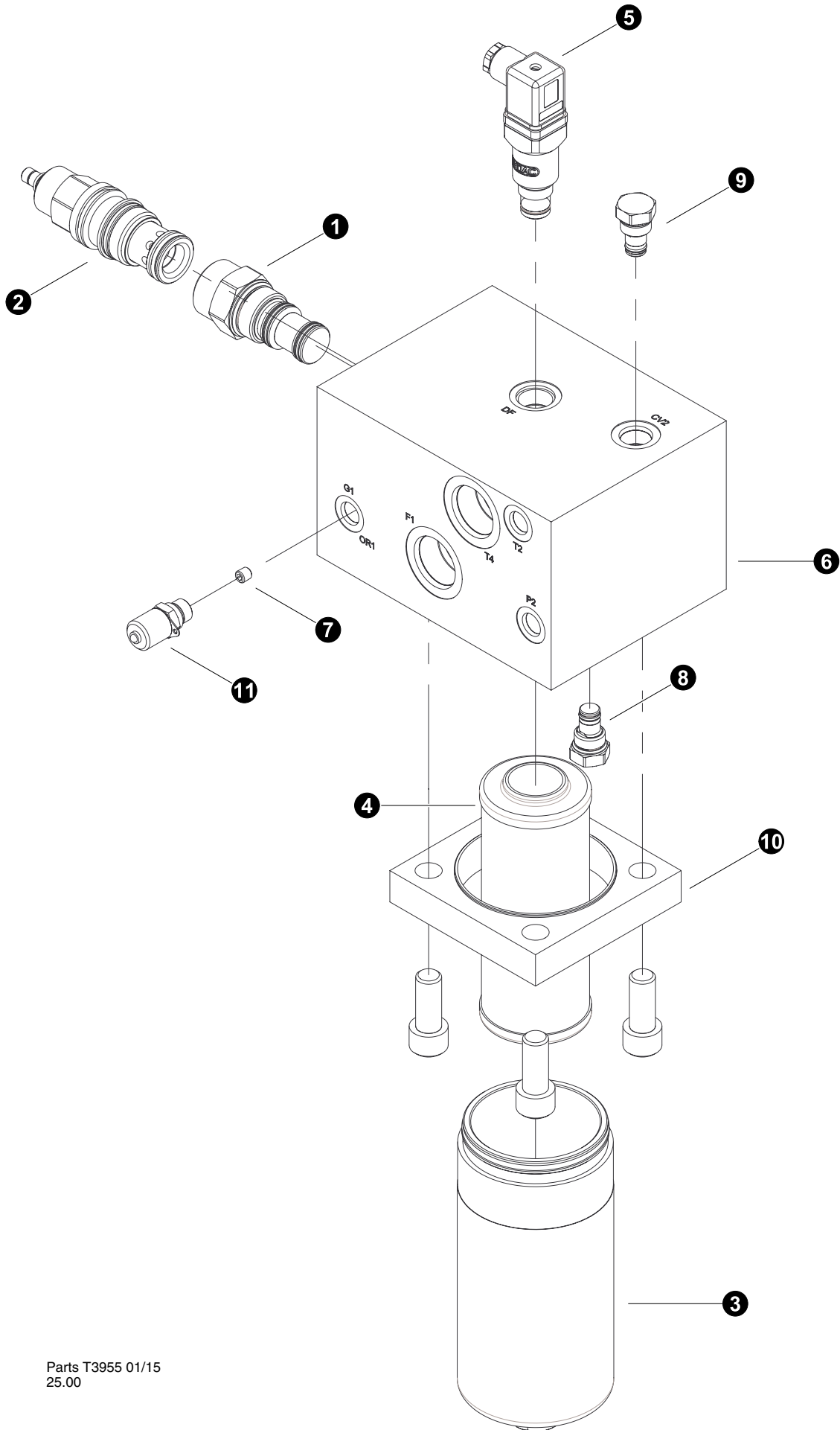
REF	PART #	QTY	DESCRIPTION	SEE SECTION
1	REF	1	FAN CONTROL MANIFOLD.....	UP-3
2	15497-UP	1	CONNECTOR, STR - 16 F5OX-S	
3	15497-UP	1	CONNECTOR, STR - 16 F5OX-S	
4	55176-UP	1	TUBELINE, CHARGE MAN P4 TO FAN MTR P (Cummins)	
-	55517-UP	1	TUBELINE, CHARGE MAN P4 TO FAN MTR P (Volvo)	
5	55175-UP	1	TUBELINE, CHARGE MAN P1 TO FAN MTR T (Cummins)	
-	55518-UP	1	TUBELINE, CHARGE MAN P1 TO FAN MTR T (Volvo)	
6	-UP	1	HOSE ASSEMBLY - 2020 12 12J4 16MJ (Fan Motor Pressure - Cummins)	
-	-UP	1	HOSE ASSEMBLY - 2024 12 12J4 16MJ (Fan Motor Pressure - Volvo)	
7	-UP	1	HOSE ASSEMBLY - 2018 16 12J4 16MJ (Fan Motor Return - Cummins)	
-	-UP	1	HOSE ASSEMBLY - 2022.5 16 12J4 16MJ (Fan Motor Return - Volvo)	
8	15484-UP	1	ELBOW, 90 - 16 C5OX-S	
9	15474-UP	1	ELBOW, 45 - 6802-12	
10	REF	1	FAN DRIVE MOTOR	UP-3
11	15488-UP	1	CONNECTOR, STR - 6400-6	
12	-UP	1	HOSE ASSEMBLY - 2072 -06 06JS 06J9 (Fan Drain to Drain Manifold)	
13	-UP	1	TEE - 6 JIC	
14	53103-UP	1	FITTING, 6-8 - ORB-JIC	
15	REF	1	DRAIN MANIFOLD (SWING BRAKE)	FH-LH-HH



See referenced page for component or assembly breakdown.



Kit or Assembly - includes all items indented underneath.



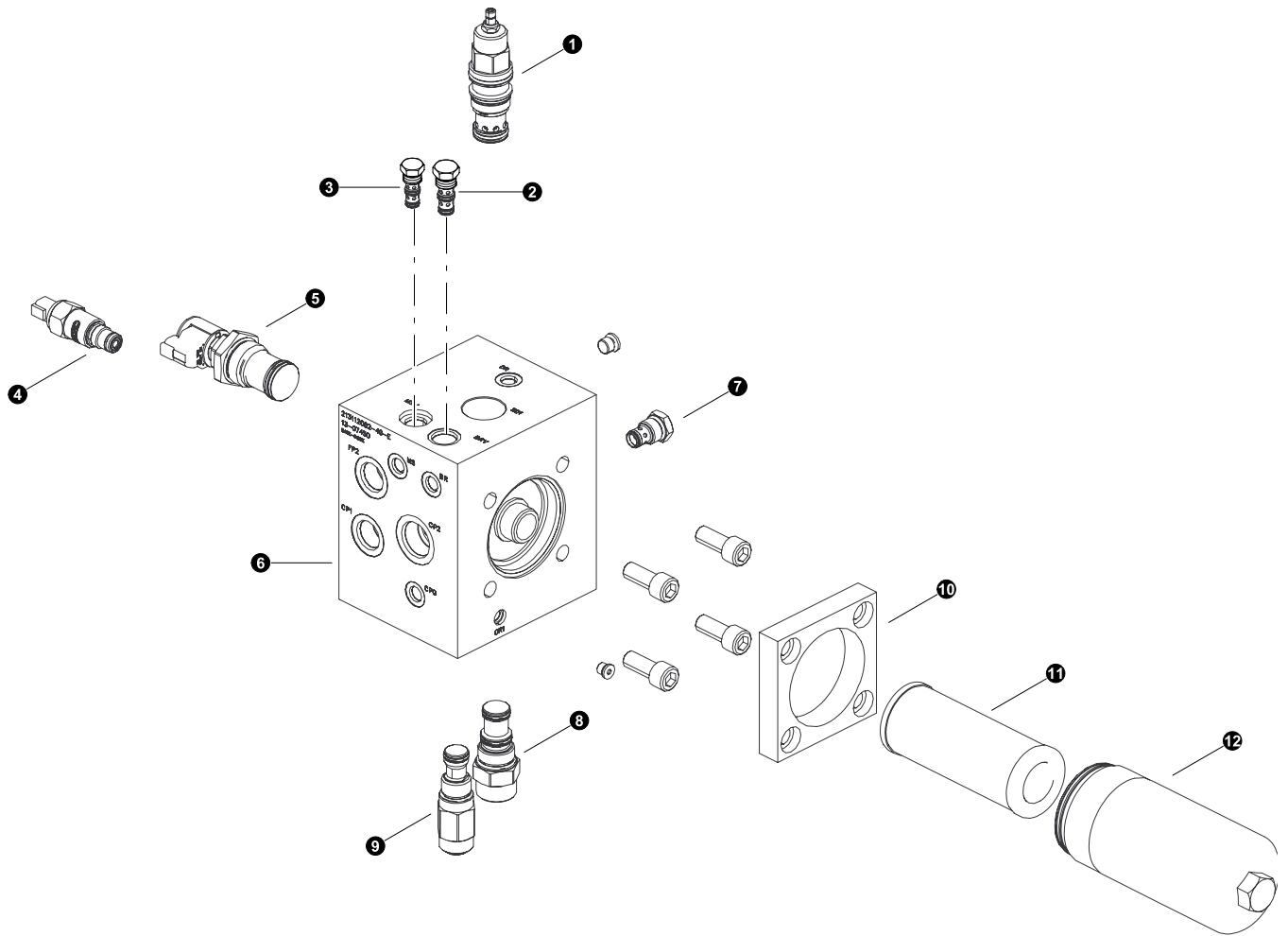
Parts T3955 01/15
25.00

RADIATOR AND COOLER FAN CIRCUIT

Charge Manifold Breakdown Single Charge Pump

REF	PART #	QTY	DESCRIPTION	SEE SECTION
-	55146-UP	1	<input type="checkbox"/> MANIFOLD, CHARGE / COOLER LOOP - C SERIES	
1	-UP	1	CARTRIDGE, HYDRAFORCE (EP16-S35T-0-N-90)	
2	-UP	1	CARTRIDGE, HYDRAFORCE (RSHC-LDN)	
3	19864-UP	1	<input type="checkbox"/> CANISTER	
-	19863-UP	1	O-RING, canister	
-	19862-UP	1	RING, back-up - canister	
4	19861-UP	1	ELEMENT, hydrostatic charge filter (0240D020BN4HC)	
5	17675-UP	1	SWITCH, filter indicator (VM5C.0)	
6	-UP	1	BLOCK, Manifold (213071001-40)	
7	-UP	1	0.8mm ORIFICE	
8	-UP	1	CARTRIDGE, HYDRAFORCE (CV08-20-0-N-4)	
9	-UP	1	CARTRIDGE, HYDRAFORCE (CV08-20-0-N-60)	
10	-UP	1	FLANGE, Filter canister (205022401-40-B)	
11	-UP	1	TEST PORT (06007030)	

Kit or assembly. Includes all items indented underneath.



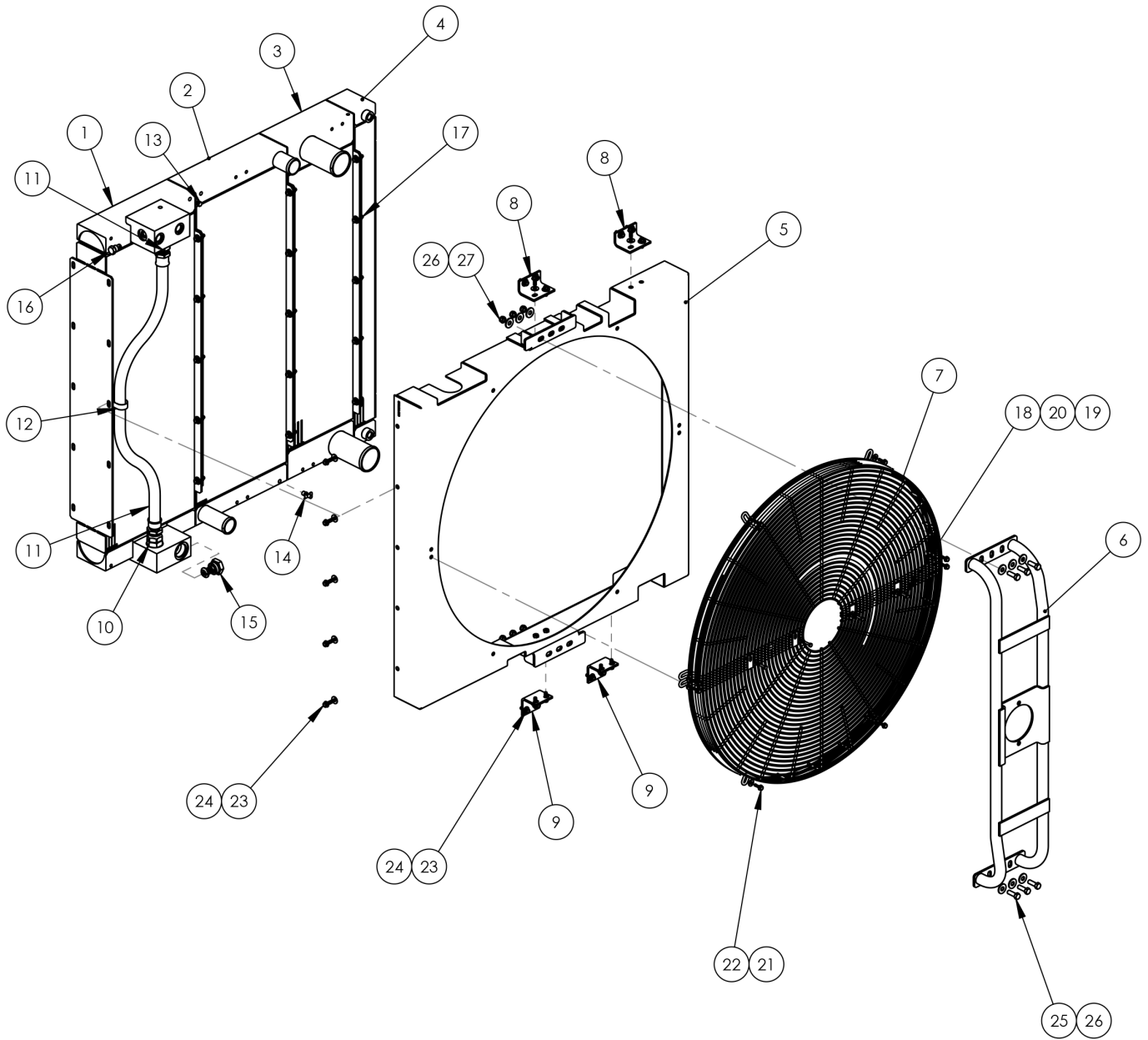
Parts T4254 12/16
25.00

RADIATOR AND COOLER FAN CIRCUIT

Charge Manifold Breakdown Dual Charge Pump Model

REF	PART #	QTY	DESCRIPTION	SEE SECTION
-	57615-UP	1	<input type="checkbox"/> MANIFOLD, CHARGE / COOLER LOOP - DUAL FLOW	
1	-UP	1	CARTRIDGE, HYDRAFORCE (RSHC-LAN)	
2	-UP	1	CARTRIDGE, PLUG	
3	-UP	1	CARTRIDGE, PLUG	
4	-UP	1	SWITCH, filter indicator VD_CD	
5	-UP	1	CARTRIDGE, HYDRAFORCE (SF20-23-0-N-24ERZ)	
-	4304024-UP	1	COIL, 24VDC	
-	7004400-UP	1	NUT 7004400	
6	-UP	1	BLOCK, Manifold (213071001-40)	
7	-UP	1	CARTRIDGE, HYDRAFORCE (CV10-20-0-N-05)	
8	-UP	1	CARTRIDGE, HYDRAFORCE (EP16-S35T-0-N-90)	
9	-UP	1	CARTRIDGE, HYDRAFORCE (RV12-26F-0-N-15/15)	
10	-UP	1	FLANGE, Filter canister (205022401-40-B)	
11	19861-UP	1	ELEMENT, hydrostatic charge filter (0240D020BN4HC)	
12	19864-UP	1	<input type="checkbox"/> CANISTER	
-	19863-UP	1	O-RING, canister	
-	19862-UP	1	RING, back-up - canister	

Kit or assembly. Includes all items indented underneath.



RADIATOR AND COOLER FAN CIRCUIT**Radiator / Oil Cooler Breakdown**

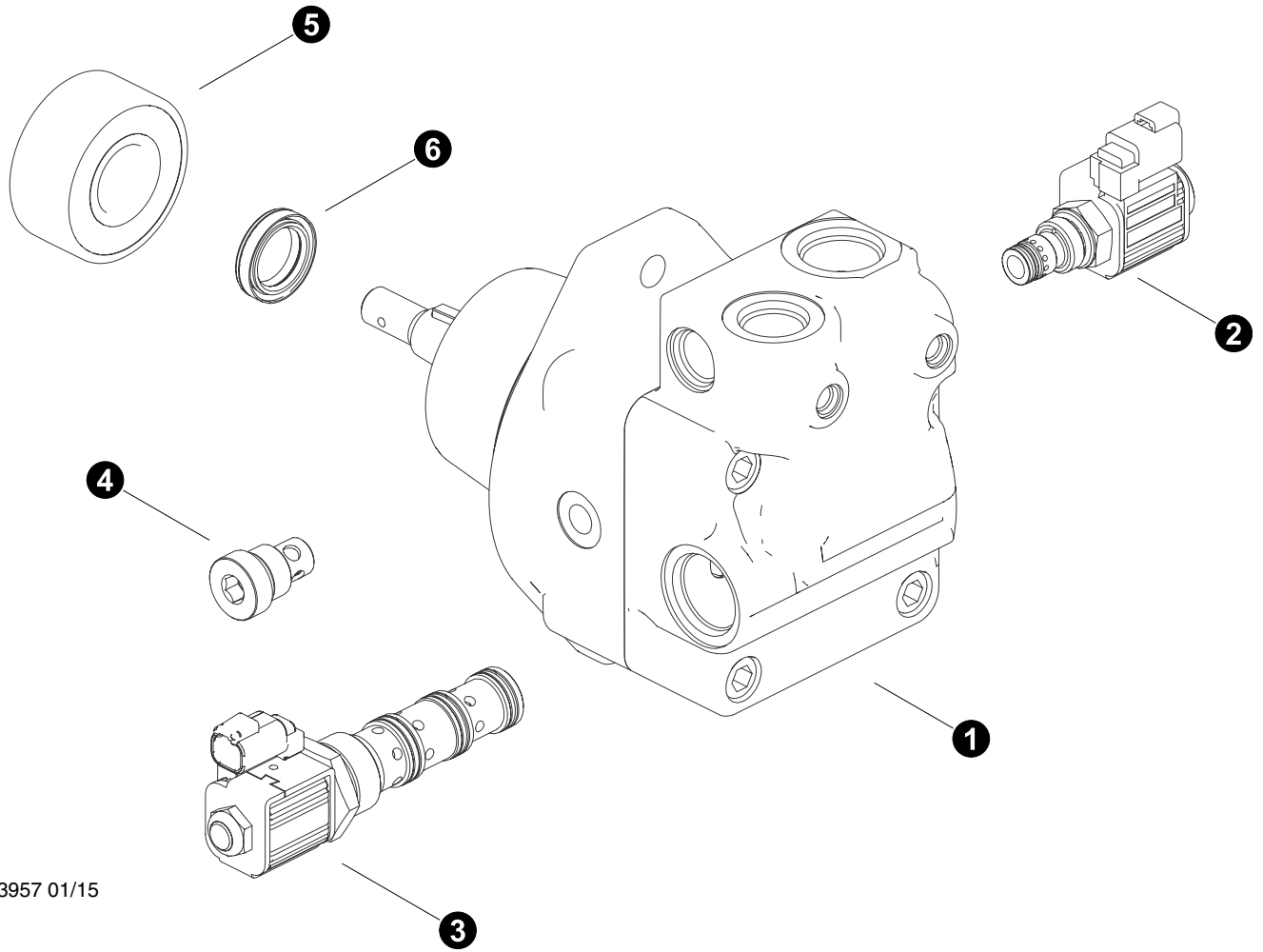
REF	PART #	QTY		DESCRIPTION	SEE SECTION
-	55503-UP	1	<input type="checkbox"/>	RADIATOR / OIL COOLER - TIER 4F LH (AKG)	
1	3918.006.1000	1		Hyd Oil Cooler	
2	3918.006.2000	1		Radiator 1	
3	3918.006.5000	1		Charge Air Cooler	
4	3918.006.6000	1		Gearbox Oil Cooler	
5	3918.006.4010	1		Shroud	
6	3918.003.0060	1		Fan Motor Mt	
7	3918.003.4040	1		Finger Guard	
8	3806.061.0001	2		Bracket	
9	3824.060.0002	2		Bracket	
10	609622	2		Adapter	
11	8080.026.0000	1		Hose Assy	
12	8055.008.0000	1		P-Clip	
13	603.275	1		Plug	
14	608.952	1		Pit-Cock	
15	8060.075.0000	1		By-Pass	
16	609004	1		Check Valve	
17		30		Bolt Kit - HDW-SET_375_BW-55-WN	
18	8050.047.0000	4		Bolt	
19	8054.030.0000	4		Washer	
20	8054.031.0000	4		Washer	
21	8054.033.0000	8		Washer	
22	8050.035.0000	8		Bolt	
23	8050.038.0000	21		Bolt	
24	8054.036.0000	21		Washer	
25	8050.066.0000	6		Bolt	
26	8054.042.0000	12		Washer	
27	8049.001.0000	6		Nut	



See referenced page for component or assembly breakdown.



Kit or Assembly - includes all items indented underneath.



Parts T3957 01/15
25

RADIATOR AND COOLER FAN CIRCUIT

Fan Drive Motors

REF	PART #	QTY	DESCRIPTION	SEE SECTION
1	55215-UP	1	<input type="checkbox"/> MOTOR, FAN DRIVE - RADIATOR W/FAN CONTR0	
2	57603-UP	1	ASSEMBLY, Fan Reverse Valve	
3	57604-UP	1	ASSEMBLY, Fan Control	
4	S24_94046	1	ASSEMBLY, Check Valve	
5	230_90022_3	1	BEARING	
6	620_30279	1	SHAFT SEAL	



See referenced page for component or assembly breakdown.



Kit or Assembly - includes all items indented underneath.

Section UP-4

Upper Turntable - Decals

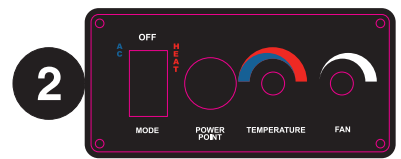
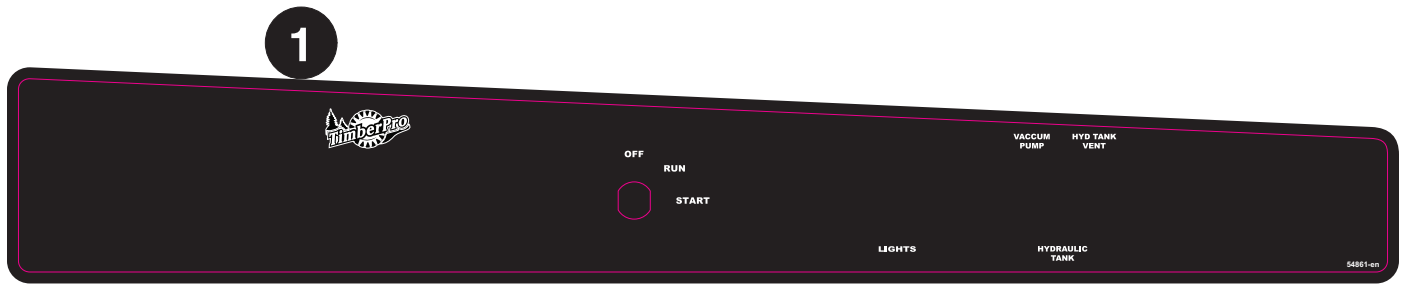


UPPER TURNTABLE DECALS

OUTER DECALS

REF	PART #	QTY	DESCRIPTION	SEE SECTION
-	53058EN-UP	1	<input type="checkbox"/> KIT, DECAL - Keep Clear and Logos (ENGLISH)	
	53058FR-UP	1	<input type="checkbox"/> KIT, DECAL - Keep Clear and Logos (FRENCH)	
	53058SP-UP	1	<input type="checkbox"/> KIT, DECAL - Keep Clear and Logos (SPANISH)	
	53058BR-UP	1	<input type="checkbox"/> KIT, DECAL - Keep Clear and Logos (Brazilian Portuguese)	
	53058GR-UP	1	<input type="checkbox"/> KIT, DECAL - Keep Clear and Logos (GERMAN)	
1	50695-UP	4	DECAL, TIMBERPRO LOGO - 16"	
2	50694-UP	3	DECAL, TIMBERPRO LOGO - 10"	
3	16059EN-UP	2	DECAL, KEEP CLEAR 250 FEET (ENGLISH)	
	-UP	2	DECAL, KEEP CLEAR 90 M (FRENCH)	
	-UP	2	DECAL, KEEP CLEAR 90 M (SPANISH)	
	-UP	2	DECAL, KEEP CLEAR 90 M (Brazilian Portuguese)	
	-UP	2	DECAL, KEEP CLEAR 90 M (GERMAN)	
4	55292-UP	1	DECAL, GULLWING STRIPE - C SERIES - BLACK	
5&6	55538-UP	1	<input type="checkbox"/> DECAL, MODEL # - TB630-C	
-	55540-UP	1	<input type="checkbox"/> DECAL, MODEL # - TF830-C	
-	55539-UP	1	<input type="checkbox"/> DECAL, MODEL # - TF840-C	
7	51917-UP	1	DECAL, KEEP CLEAR 250 FEET - GULLWING - (ENGLISH)	
-	51917FR-UP	1	DECAL, KEEP CLEAR 250 FEET - GULLWING - (FRENCH)	
-	51917SP-UP	1	DECAL, KEEP CLEAR 250 FEET - GULLWING - (SPANISH)	
-	51917BR-UP	1	DECAL, KEEP CLEAR 250 FEET - GULLWING - (Brazilian Portuguese)	
-	51917GR-UP	1	DECAL, KEEP CLEAR 250 FEET - GULLWING - (GERMAN)	

Kit or assembly. Includes all items indented underneath.



UPPER TURNTABLE DECALS**CAB DASH DECALS**

REF	PART #	QTY		DESCRIPTION	SEE SECTION
-	54861EN-UP	1	<input type="checkbox"/>	DECAL, DASH - C MODEL (ENGLISH)	
	54861FR-UP	1	<input type="checkbox"/>	DECAL, DASH - C MODEL (FRENCH)	
	54861SP-UP	1	<input type="checkbox"/>	DECAL, DASH - C MODEL (SPANISH)	
	54861GR-UP	1	<input type="checkbox"/>	DECAL, DASH - C MODEL (GERMAN)	
	54861BR-UP	1	<input type="checkbox"/>	DECAL, DASH - C MODEL (Brazilian Portuguese)	
1	-UP	1		DECAL, DASH - UPPER	
1	-UP	1		DECAL, DASH - LOWER/HEATER	

- Kit or assembly. Includes all items indented underneath.

1 CAUTION



DO NOT SPRAY WITH DIRECT BLAST OF WATER OR PRESSURE WASHER.

DAMAGE TO ELECTRICAL COMPONENTS COULD RESULT.

PN# 54766

Charge Pressure Implement Pump Swing Pump L Drive Pump R Drive Pump **2**

3 CAUTION
For proper engine ECU shutdown procedure. Please allow 2 minutes minimum before turning off master disconnect switch.

4 DIESEL FUEL FOR PRE-HEATER ONLY!

PN 25959

5 DANGER

MAXIMUM SUPPORTED WEIGHT OF GULLWING WORK PLATFORM NOT TO EXCEED 500 LBS (227 kg)

PN# 52672

10

MAIN BOOM CYL ROD

MAIN BOOM CYL ROD

STICK CYL BASE

STICK CYL BASE

4-BAR FRONT TOP

MAIN BOOM PIN

MAIN BOOM PIN

SWING GEAR BOX BEARING

SWING GEAR

11 NOTICE

FOR SAFETY, PRACTICE THE FOLLOWING SAFETY MEASURES.

GENERAL SAFETY RULES

- To operate this piece of machinery YOU MUST BE TRAINED AND QUALIFIED.
- Study the operator's manual and check your company's regulations and safety procedures.
- Get to know capabilities and limitations of equipment and correct operating procedures.
- Operate equipment only when you feel physically fit and not under the influence of alcohol or drugs.
- Keep a serviceable first aid kit in good order on the vehicle.
- Maintain a charged fire extinguisher on the vehicle AND KNOW HOW TO USE IT.
- Do not remove mufflers, spark arrestors, protection guards.
- Clean out debris from high heat areas, such as engine compartment, on at least a daily basis and always after quitting operations for the day.
- Keep floor, steps and running boards clean and free of oil, ice, mud and loose objects.
- Inspect equipment daily for signs of failure or beginning of failure.
- When fueling, servicing or repairing, set booms on the ground and shut down engine.
- Controls should not be changed without written consent from the factory.

OPERATING SAFETY MEASURES

- Check all controls and functions for correct response before beginning work cycle with equipment.
- Use seat belt at all times when operating the machine.
- Operate all controls from the operator's station only.
- Whenever leaving the operator's seat, stop the engine. Set booms on the ground so they are not supported by the hydraulics.
- Be very careful when operating on slopes. Whenever possible, travel straight up or down to minimize possibility of rollover.
- Be aware of people around the equipment at all times. When engine is running, maintain a safe operating distance between the equipment and other personnel and follow the approved signaling practices.
- Use recommended protective clothing and devices such as gloves, safety boots, safety hats, goggles and ear protection when necessary.
- Carry no passengers.

PN# 19002

6

DO NOT FULLY PUMP UP USE ONLY EXACT AMOUNT OF DEXRON III OR EQUAL FLUID WHEN FILLING RESERVOIR

ADD OIL

51900

7 NOTICE

GREASE FILTER CANISTER THREADS BEFORE INSTALLATION. FAILURE TO DO SO MAY CAUSE THE FILTER CANISTER THREADS TO SEIZE.

PN# 23451

8 FIRE EXTINGUISHER LOCATED INSIDE



9 FIRE SUPPRESSION MANUAL OVERRIDE ACTUATOR LOCATED INSIDE THIS COVER.



14 WARNING



FAN GUARD MUST BE BOLTED IN PLACE BEFORE OPERATING THIS UNIT. KEEP CLEAR OF ALL MOVING PARTS. SERIOUS PERSONAL INJURY COULD RESULT.

PN# 15105

15 CAUTION

SECURE COVER BEFORE WORKING UNDER SERIOUS PERSONAL INJURY CAN RESULT

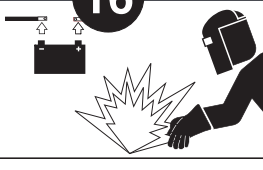
PN 50309

17

ON OFF MASTER ELECTRICAL DISCONNECT

Turn "OFF" when leaving machine unattended.

16 NOTICE



REMOVE RED POSITIVE BATTERY CABLE & BLACK NEGATIVE BATTERY CABLE BEFORE WELDING.

FAILURE TO DO SO MAY RESULT IN DAMAGE TO ELECTRICAL COMPONENTS.

PN# 52481

13 VERY IMPORTANT

HYDRAULIC LEAK COOLERS: TURN OFF ENGINE, ACTIVATE MAIN PUMP AND ONLY LEAVE ON UNIT IF LEAK IS REMOVED TO PREVENT START UP TURN TO VENT FOR 60 SECONDS TO PREVENT PUMP DAMAGE.

12



MADE IN U.S.A.

18 NOTICE

ALWAYS REPLACE FUSE WITH THE ONE THAT SPECIFIED. THIS MACHINE IS EQUIPPED WITH A 24 VDC ELECTRICAL SYSTEM

PN 51226

19

TimberPro Inc.
1407 Industrial Dr
Shawano WI 54186
715-524-0299
www.timberpro.com

US Pat. D523029
US Pat. Pending 11/206434
US Pat. Pending 12/741115

PN# 52007

22 NOTICE

THIS AIR CLEANER IS EQUIPPED WITH A DROP VACUATOR VALVE. PLEASE CLEAN DAILY



23 NOTICE

GEARBOX DIPSTICK IS LOCATED ON THE FRONT OF DRIVE GEARBOX. PLEASE CHECK DAILY



(Factory filled with SAE 75W-90 Synthetic)

20

COOLANT PRE-HEATER

20

THIS MACHINE IS EQUIPPED WITH A 24VDC ELECTRICAL SYSTEM. ALWAYS REPLACE FUSE WITH THE ONE THAT IS SPECIFIED.

20

NOTICE

100 AMP CAB ELEC CENTER

100 AMP CUMMINS HEAT GRID

100 AMP DOOR LIFT PUMP

ENGINE COMPUTER
HORN
LIGHTS
LIGHTS
LIGHTS
LIGHTS
LIGHTS
LIGHTS
LIGHTS

COOLANT PRE-HEATER
HORN
LIGHTS
LIGHTS
LIGHTS
LIGHTS
LIGHTS
LIGHTS
LIGHTS

ENGINE STARTER
FILL PUMP
FILL PUMP


STARTER RELAY
CUMMINS GRID HEATER RELAY

LIGHT RELAY 1
LIGHT RELAY 2
GEAR PUMP
FILL PUMP RELAY

5 15

PN# 53006

21 WARNING



ALL GUARDS MUST BE BOLTED IN PLACE BEFORE OPERATING THIS UNIT. KEEP CLEAR OF ALL MOVING PARTS. SERIOUS PERSONAL INJURY COULD RESULT.

PN# 53009

24



25 CAUTION



HOT

THE HYDRAULIC TANK IS UNDER PRESSURE. 13 psi (1 bar)

VENT TANK BEFORE PERFORMING MAINTENANCE. SEE MANUAL FOR MORE INFORMATION.

PN# 11007

26

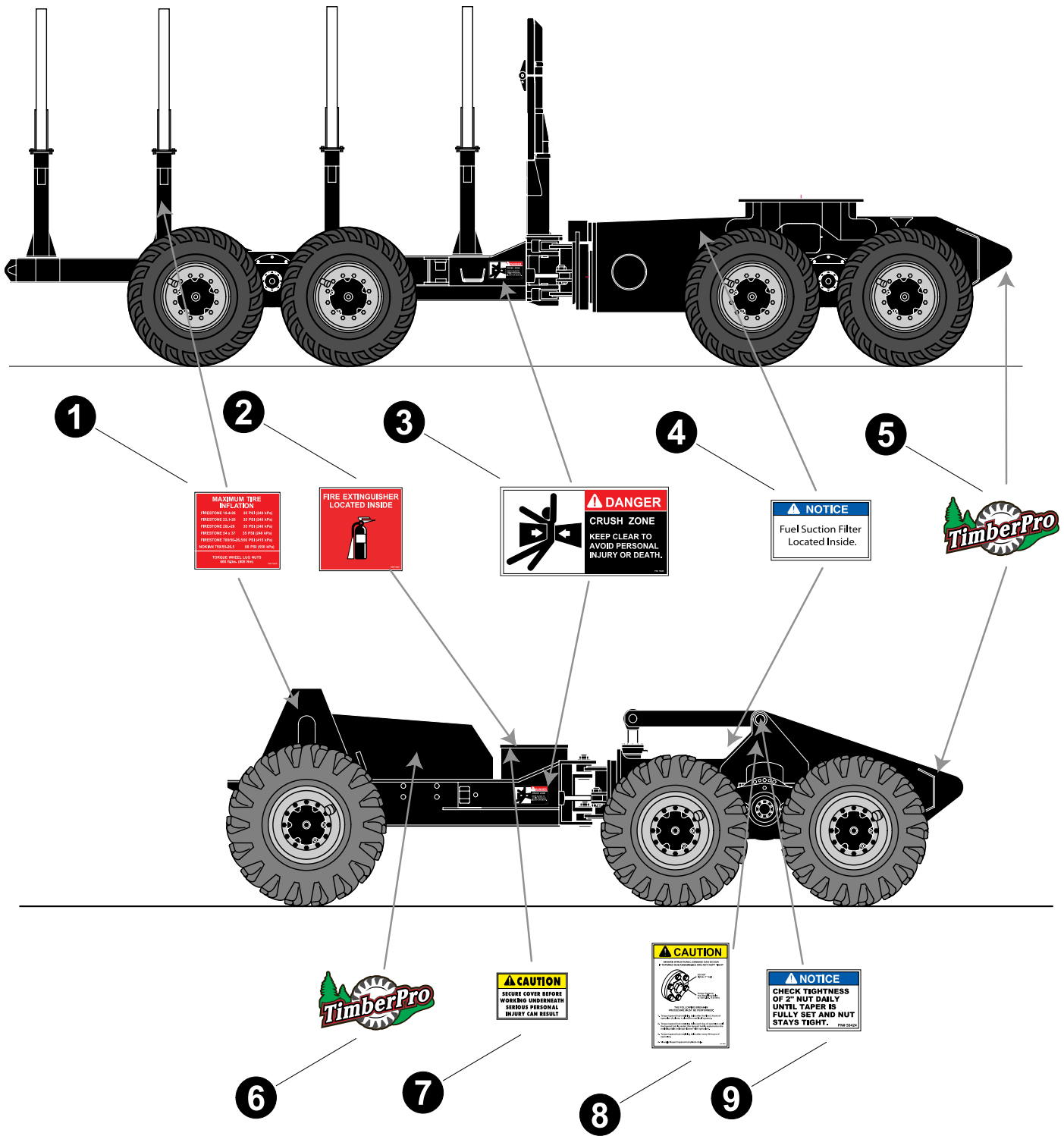
EMERGENCY ESCAPE

UPPER TURNTABLE DECALS

WARNING - INFO - CAUTION DECALS

REF	PART #	QTY	DESCRIPTION	SEE SECTION
-	55493EN-UP	1	<input type="checkbox"/> KIT, DECAL - "C" SERIES Outside (ENGLISH)	
-	55493FR-UP	1	<input type="checkbox"/> KIT, DECAL - "C" SERIES Outside (FRENCH)	
-	55493SP-UP	1	<input type="checkbox"/> KIT, DECAL - "C" SERIES Outside (SPANISH)	
-	55493GR-UP	1	<input type="checkbox"/> KIT, DECAL - "C" SERIES Outside (GERMAN)	
-	55493BR-UP	1	<input type="checkbox"/> KIT, DECAL - "C" SERIES Outside (Brazilian Portuguese)	
1	-UP	1	DECAL, Direct Water Spray	
2	-UP	1	DECAL, Pump Pressure Label	
3	-UP	1	DECAL, ECU Shutdown Warning	
4	-UP	1	DECAL, Pre-Heater Fuel	
5	-UP	1	DECAL, Gullwing Weight Warning	
6	-UP	1	DECAL, Gullwing Pump Oil Level	
7	-UP	1	DECAL, Charge Filter Grease Threads	
8	-UP	1	DECAL, Fire Extinguisher Inside	
9	-UP	1	DECAL, Fire Suppression Actuator	
10	-UP	1	DECAL, Boom Grease Locations	
11	-UP	1	DECAL, Operator Notice	
12	-UP	1	DECAL, Made in USA	
13	-UP	1	DECAL, Vacuum Pump Warning	
14	-UP	1	DECAL, Fan Guards	
15	-UP	1	DECAL, Secure Cover	
16	-UP	1	DECAL, Battery Cable Weld Warning	
17	-UP	1	DECAL, Master Disconnect Warning	
18	-UP	1	DECAL, Fuse Warning	
19	-UP	1	DECAL, US Patent Label	
20	-UP	1	DECAL, Relay Fuse Warning	
21	-UP	1	DECAL, Moving Parts Guard Warning	
22	-UP	1	DECAL, Air Cleaner Valve	
23	-UP	1	DECAL, Gearbox Dipstick	
24	-UP	1	DECAL, Emergency Escape Circle	
25	-UP	1	DECAL, Hot - Pressure Tank Warning	
26	-UP	1	DECAL, Emergency Escape	

Kit or assembly. Includes all items indented underneath.



UPPER TURNTABLE DECALS**LOWER FRAME DECALS**

REF	PART #	QTY	DESCRIPTION	SEE SECTION
1	50964-UP	2	DECAL, TIMBERPRO LOGO - 10" WHEEL	
2	19678-UP	4	DECAL, TIRE PRESSURE	
3	16060-UP	8	DECAL, DANGER CRUSH ZONE	
4	51261-UP	1	DECAL, Fuel Suction Filter location	
5	50695-UP	2	DECAL, TIMBERPRO LOGO - 18" WHEEL	
6	50424-UP	2	DECAL, TORQUE 2" NUT NOTICE	
7	50359-UP	2	DECAL, SECURE COVER CAUTION	
8	18066-UP	2	DECAL, TAPERED HUB TORQUE	
9	50424-UP	2	DECAL, TORQUE 2" NUT NOTICE	

