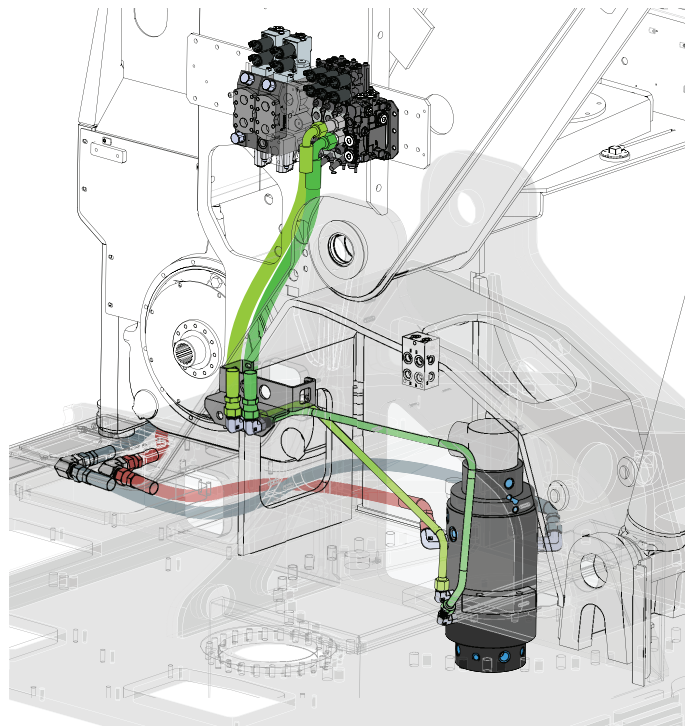
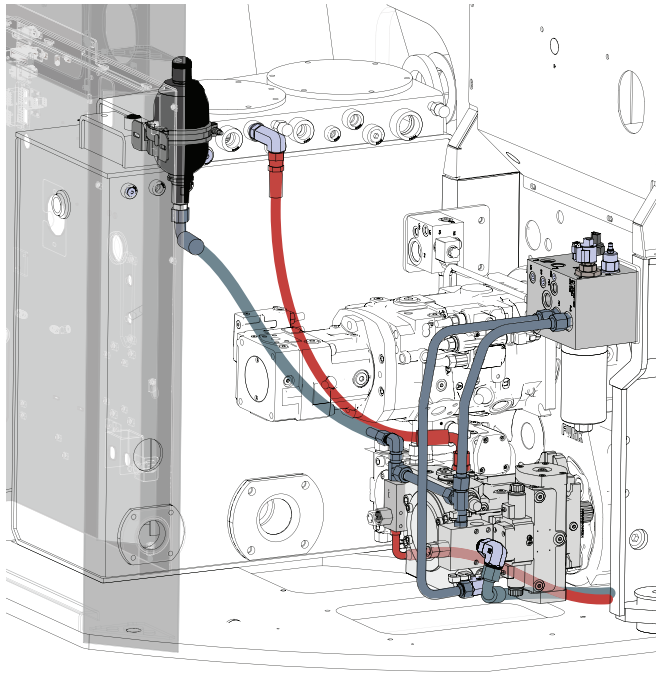


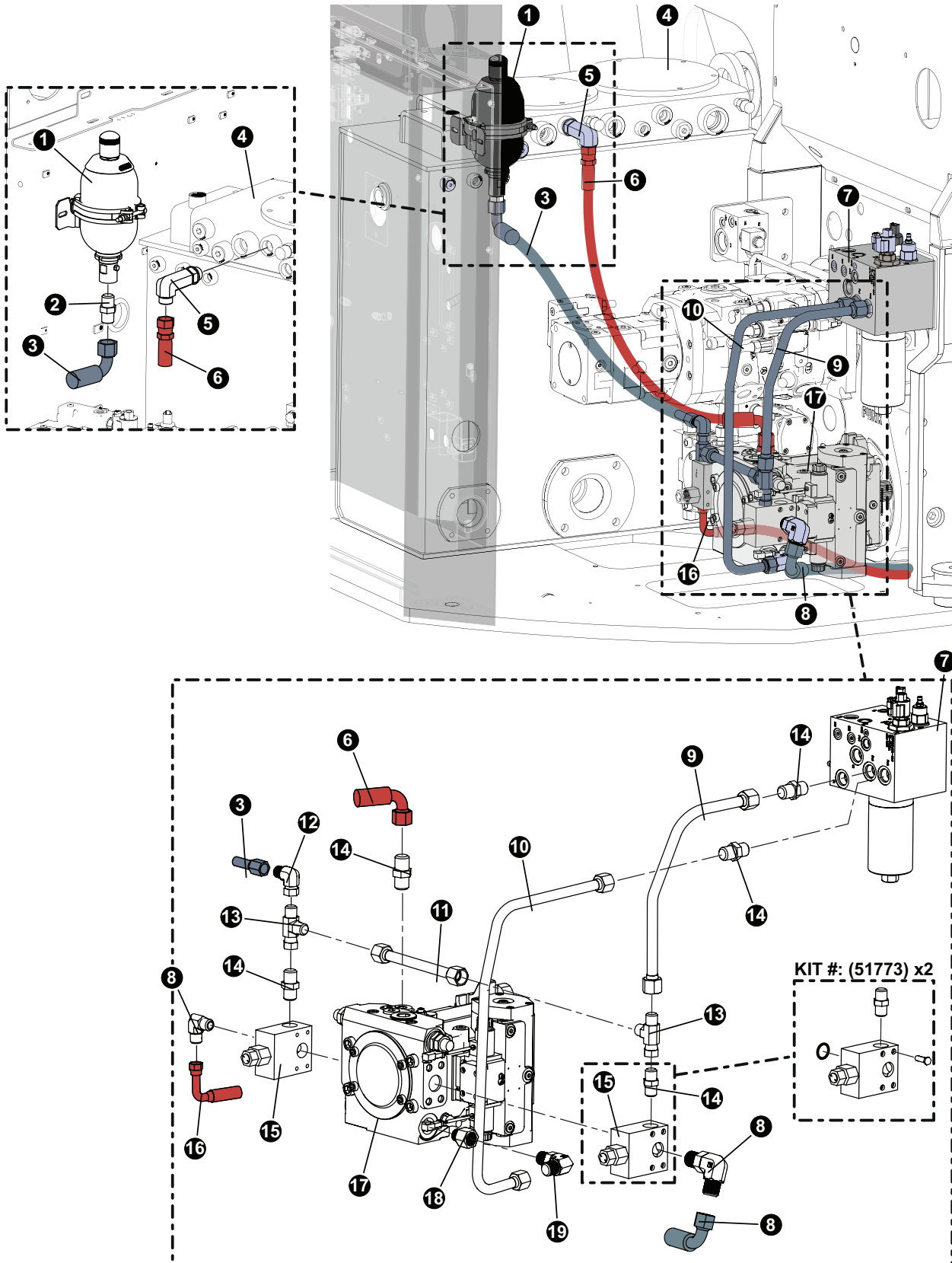
830/840 DRIVE SYSTEM COMPONENT SECTION DH-1



830/840 DRIVE SYSTEM

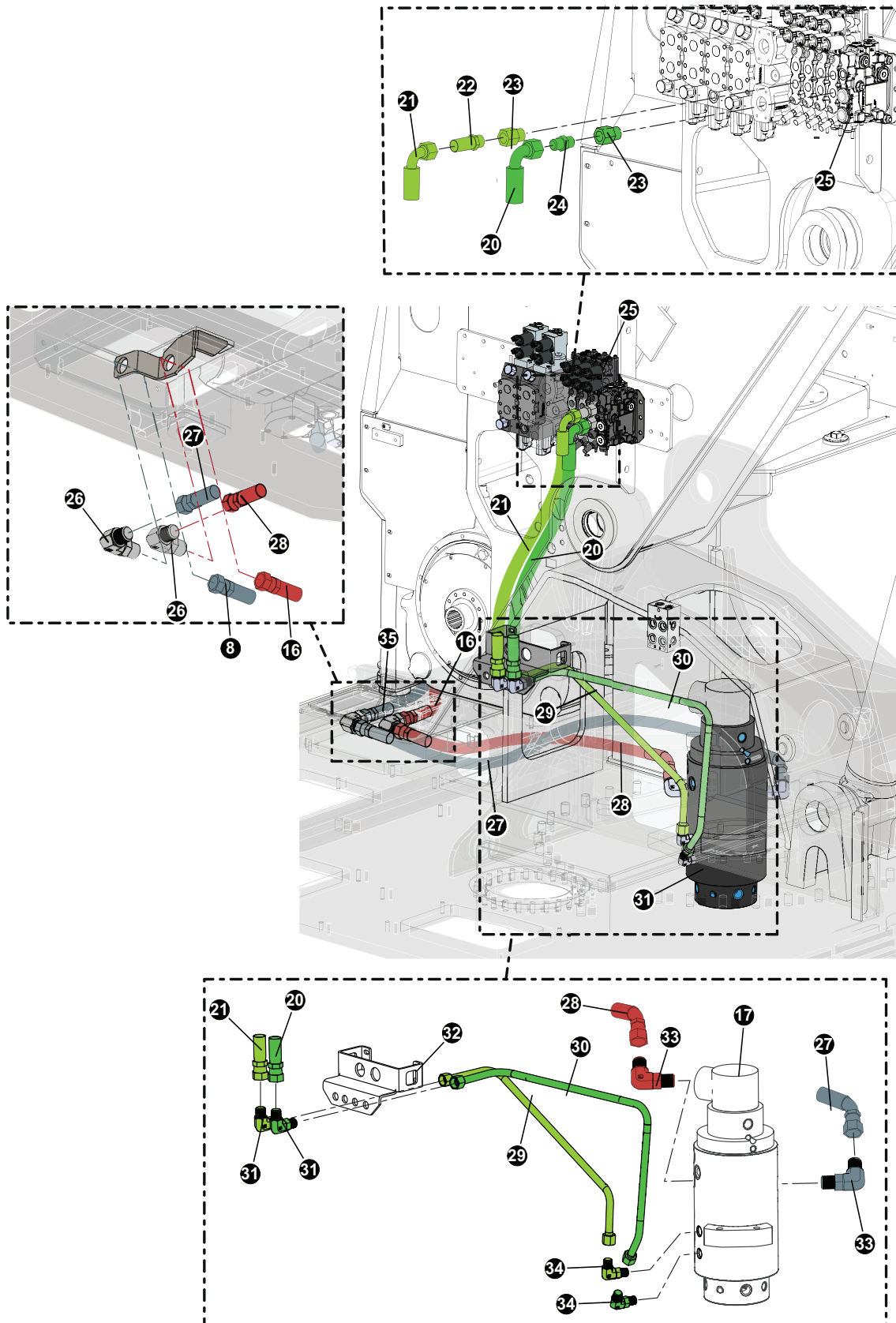
DRIVE HYDRAULICS ASSM. AND INSTALLATION

WHEEL DRIVE PUMP HYDRAULIC CIRCUIT



DRIVE HYDRAULICS ASSM. AND INSTALLATION

WHEEL DRIVE PUMP HYDRAULIC CIRCUIT



DRIVE HYDRAULICS ASSM. AND INSTALLATION

WHEEL DRIVE PUMP HYDRAULIC CIRCUIT

REF	PART #	QTY	DESCRIPTION	SEE SECTION
1	51709	1	ACCUMULATOR, GAS - WHEEL DRIVE	
2	15152	1	CONNECTOR, STR - FF1852T-1212S	
3	57978 (Kit #)	1	HOSE ASSEMBLY - P# 387TC33 12-12JS-12J9 (Steering B-Port to Rear BH 5)	
4	(Click Here)	1	Hydraulic Tank	UP-2
5	57444	1	FITTING, 12 CC5OLO-S	
6	57978 (Kit #)	1	HOSE ASSEMBLY - P# 187TC41 12-12OS-12O9 (Wheel Pump Case)	
7	(Click Here)	1	Charge Cooler	UP-3
8	15228	2	ELBOW, 90 - FF1868T-1616S	
9	58003	1	TUBELINE, FA1 TO ANTI-CAV PORT 3	
10	58002	1	TUBELINE, FA2 TO DRIVE PUMP FA	
11	58019	1	TUBELINE, PORT 3 TO PORT 3 125CC	
12	15477	1	ELBOW, 90 SWIVEL - 12 C6X-S	
13	58020	2	FITTING, 12-R6X-S	
14	11324	2	CONNECTOR, STR - 6400-12	
15	51773	2	MANIFOLD, ANTI-CAV WHEEL PUMP - 125CC	
16	57978 (Kit #)	1	HOSE ASSEMBLY - P# 797TC24 16-16OS-16O9L (Drive Pump to BH)	
17	55506	1	PUMP, WHEEL 125CC - C-D SEREIS MACHINE	
18	25040	1	BUSHING, REDUCER - 6410-16-12	
19	11306	1	ELBOW, 90 12 C5OX-S	
20	57978 (Kit #)	1	HOSE ASSEMBLY - P# 787TC38 12-12JS-12O9 (Steering B-Port to Rear BH 5)	
21	57978 (Kit #)	1	HOSE ASSEMBLY - P# 787TC40 12-12JS-12O9 (Steering B-Port to Rear BH 4)	
22	19091	1	CONNECTOR, STR LONG - 848L-TTO-08X08	
23	19290	2	BUSHING, REDUCER - 6410-10-8	
24	15117	2	CONNECTOR, STR - FF1852T-0808S	
25	(Click Here)	1	Main Control Valve	
26	53680	2	FITTING, BULKHEAD UNION ELBOW 16 WELO-WN	
27	57978 (Kit #)	1	HOSE ASSEMBLY - P# 797TC57 16-16OS-12O4 (DR RM to BH)	
28	57978 (Kit #)	1	HOSE ASSEMBLY - P# 797TC50 16-16OS-12O4 (DR RM to BH)	
29	55255	1	TUBELINE, REAR STEER BH-LV2 RM WHEELED	
30	55256	1	TUBELINE, FRONT STEER BH-LV1 RM WHEELED	
31	24187	2	ELBOW, 90 BULKHEAD - 855BH-TT-08	
32	60559	1	BULHEAD, FRONT - TM	
33	15228	2	ELBOW, 90 - FF1868T-1616S	
34	16360	2	ELBOW, 90 - FF1868T-0808S	
35	57978 (Kit #)	1	HOSE ASSEMBLY - P# 797TC28 16-16OS-16O9 (Drive Pump to BH)	



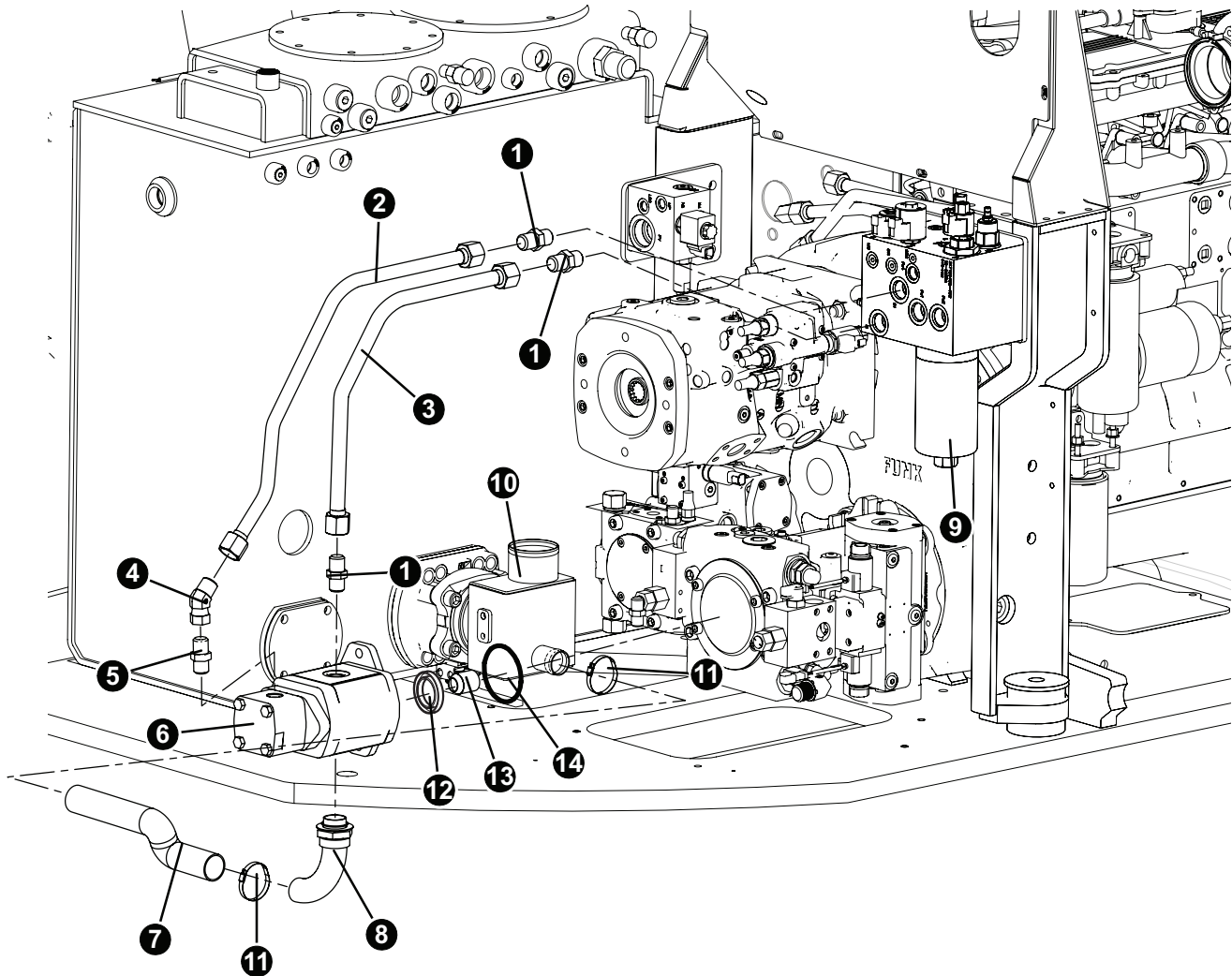
See referenced page for component or assembly breakdown.



Included in seal repair kit Part # 20953.

DRIVE HYDRAULICS ASSM. AND INSTALLATION

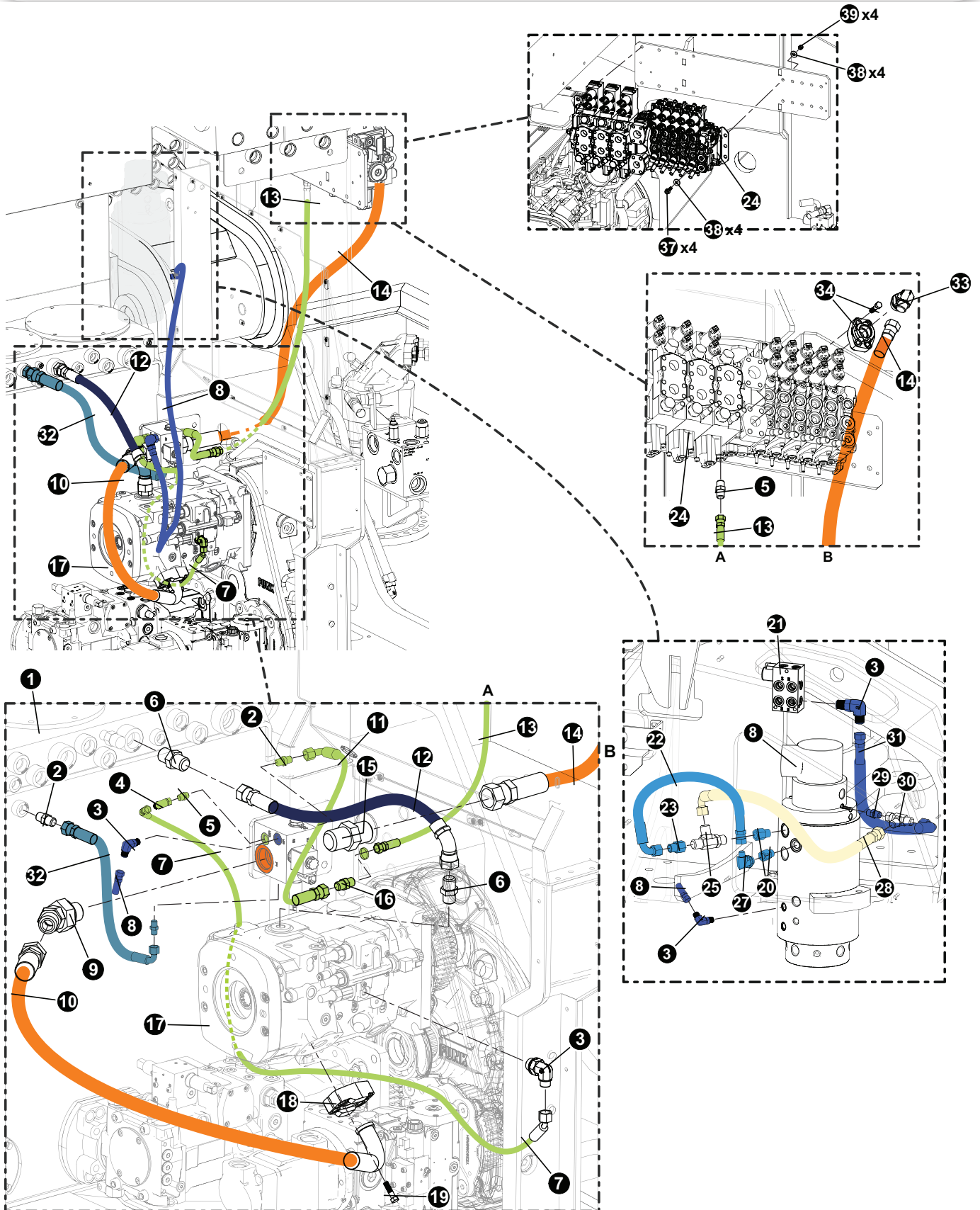
CHARGE PUMP HYDRAULIC CIRCUIT



REF	PART #	QTY	DESCRIPTION	SEE SECTION
1	11324	1	CONNECTOR, STR - 6400-12	
2	58004	1	TUBELINE, C1 TO FRONT CHARGE PUMP	
3	58003	1	TUBELINE, FA1 TO ANTI-CAV PORT 3	
4	15472	1	ELBOW, 45 SWIVEL - 12 V6X-S	
5	15494	1	CONNECTOR, STR - 6400-12-10	
6	57609	1	PUMP, CHARGE - DUAL FLOW - C-SERIES`	
7	(See Description)	1	Charge Pump Suction Hose (Hose Description: 7216-150217 24-0-0)	
8	57663	1	FITTING, ELBOW - HOSE END 90°	
9	(Click Here)	1	MANIFOLD, CHARGE / COOLER - D Silver	UP-3
10	(Click Here)	1	CANISTER, SUCTION D-MOD	UP-2
11	55614	2	CLAMP, CONSTANT TORQUE - 1.75"	
12	58177	1	SEAL, SHAFT - 57609 CHARGE PUMP	
13	R909650371	1	COUPLING, Charge Pump	
14	21624	1	O-RING, CHARGE PUMP PILOT (AA4VG90)	

DRIVE HYDRAULICS ASSM. AND INSTALLATION

WHEEL DRIVE CHARGE PRESSURE CIRCUIT



DRIVE HYDRAULICS ASSM. AND INSTALLATION

WHEEL DRIVE CHARGE PRESSURE CIRCUIT

REF	PART #	QTY	DESCRIPTION	SEE SECTION
1	(Click Here)	1	WELDMENT, HYD. TANK - D SERIES	UP-2-6
2	20031	1	ELBOW, 90 - 6-8 C5OLO-S	
3	16296	1	ELBOW, 90 - FF1868T-0606S	
4				
5	18034	2	CONNECTOR, STR - FF1852T-0606S	
6	15226	2	CONNECTOR, STR - FF1852T-1216S	
7	57978 (Kit #)	1	HOSE ASSEMBLY - P# 787TC37 06-06OS-0604) (Imp. Pump to Eng. Blkhd, LOADSENSE)	
8	57978	1	HOSE ASSEMBLY - P# 487TC74 06-06OS-06Os-W (Low Pressure to RM)	
9	17056	1	ELBOW, 45 - FF2068T-2020S	
10	58027	1	HOSE ASSEMBLY- P# 787TC40 20-20OS-20PH9 (Pressure Control Manifold to Implement Pump)	
11	57978 (Kit #)	1	HOSE ASSEMBLY - P# 787TC16 06-06OS-0609 (PCM to Eng. Blkhd, LOAD SENSE)	
12	57943	1	HOSE ASSEMBLY - P# 187TC21 12-12OS-12O4 (Imp. Pump to Hyd. Tank, IMP CASE)	
13	(See Description)	1	HOSE ASSEMBLY, LOAD SENSE - P# 471TC68 06-06OS-06W (Engine Bulkhead to Control Valve)	
14	(See Desc.)	1	HOSE ASSEMBLY - P# 787TC65 20-20OS-20OS-SW (Pressure Control Manifold to Control Valve)	
16	18582	2	CONNECTOR, STR BULKHEAD - FF1994T-0404S	
17	(Click Here)	1	<input type="checkbox"/> PUMP, IMPLEMENT - REX 145CC/40 W/HP CONT.....	FH-1-2
18	15114	1	KIT, SPLIT FLANGE - 1.25" (CODE 62)	
19	10736	4	BOLT - .5" X 2"	
20	55345	2	FITTING, MALE SAE X FEMALE SAE	
21	(Click Here)	1	MANIFOLD, CASE DRAIN/SWING LOCK	
22	55559 (Kit #)	1	HOSE ASSEMBLY - P# 387TC15 04-04JS-04JS (EVO SEAL JUMPER)	
23	55619	1	REDUCER, TUBE END W/LG NUT - 6-4 TRTXN-S	
24	(Click Here)	1	VALVE, MAIN - IMP (4K220/3L90)	FH-1-9
25	55701	1	FITTING, TEE - 6 R5OX-S	
27	51931	1	ELBOW, 90 - 4-6 C5OX-S (JIC)	
28	55559 (Kit #)	1	HOSE ASSEMBLY - P# 387TC15 06-06JS-06JS (EVO SEAL JUMPER)	
29	15487	1	CONNECTOR, STR - 6400-6-4	
30	57425	1	FITTING, 6 JIC BRANCH TEE	
31	55559 (Kit #)	1	HOSE ASSEMBLY - P# 387TC24 04-04JS-04J9 (EVO SEAL)	
33	21143	1	ELBOW, 90 - 20-16 C5OLO-S	
34	18397	1	CONNECTOR, FLANGE PAD - W48-16-16U(C 62)	
37	10402	4	BOLT, 3/8 X 1 1/4"	
38	10802	8	WASHER, FLAT - .375"	
39	10813	4	NUT, lock 3/8"	
41	17344	1	CONNECTOR, STR - FF1852T-2020S	



See referenced page for component or assembly breakdown.



Kit or Assembly - includes all items indented underneath.

PAGE INTENTIONALLY LEFT BLANK