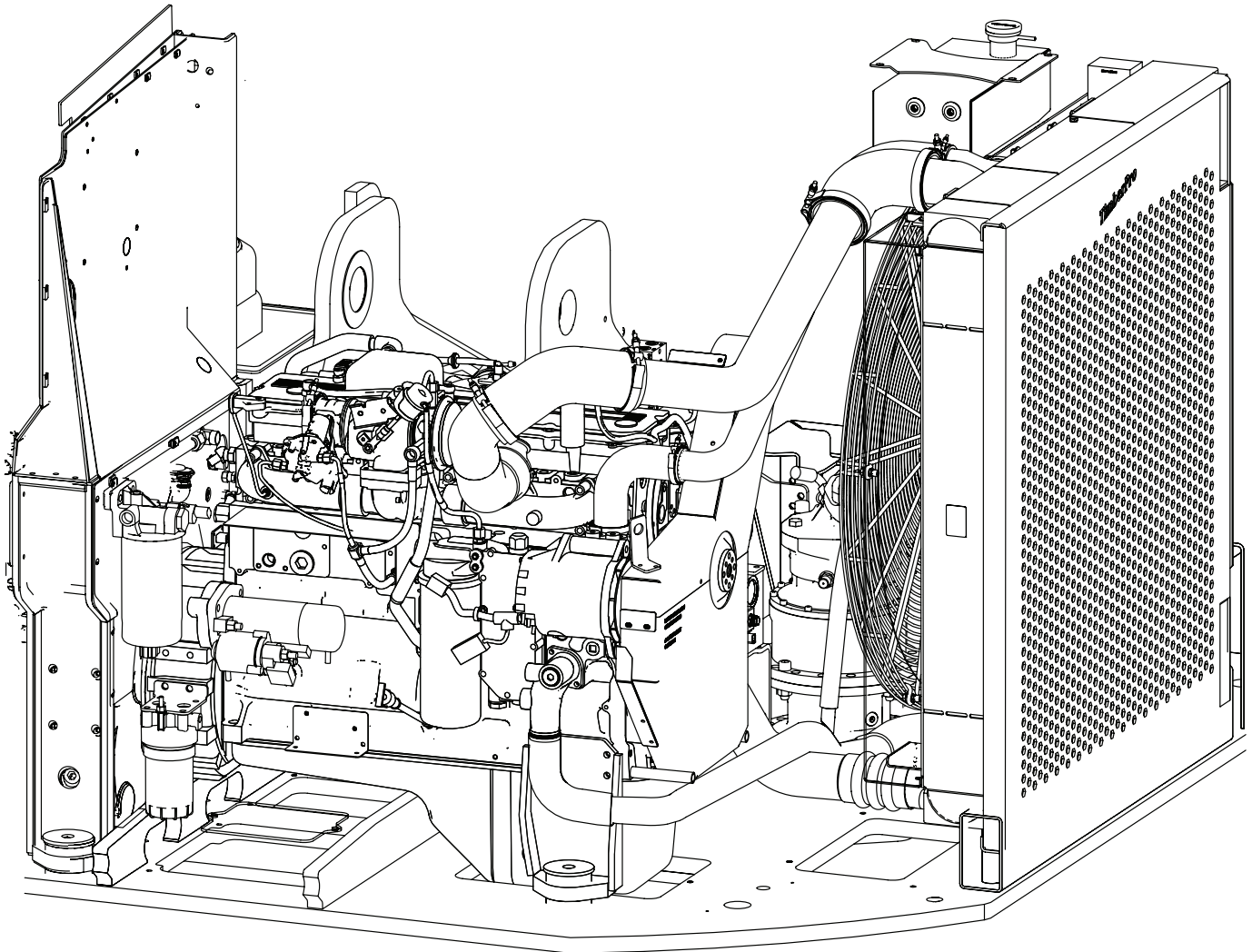


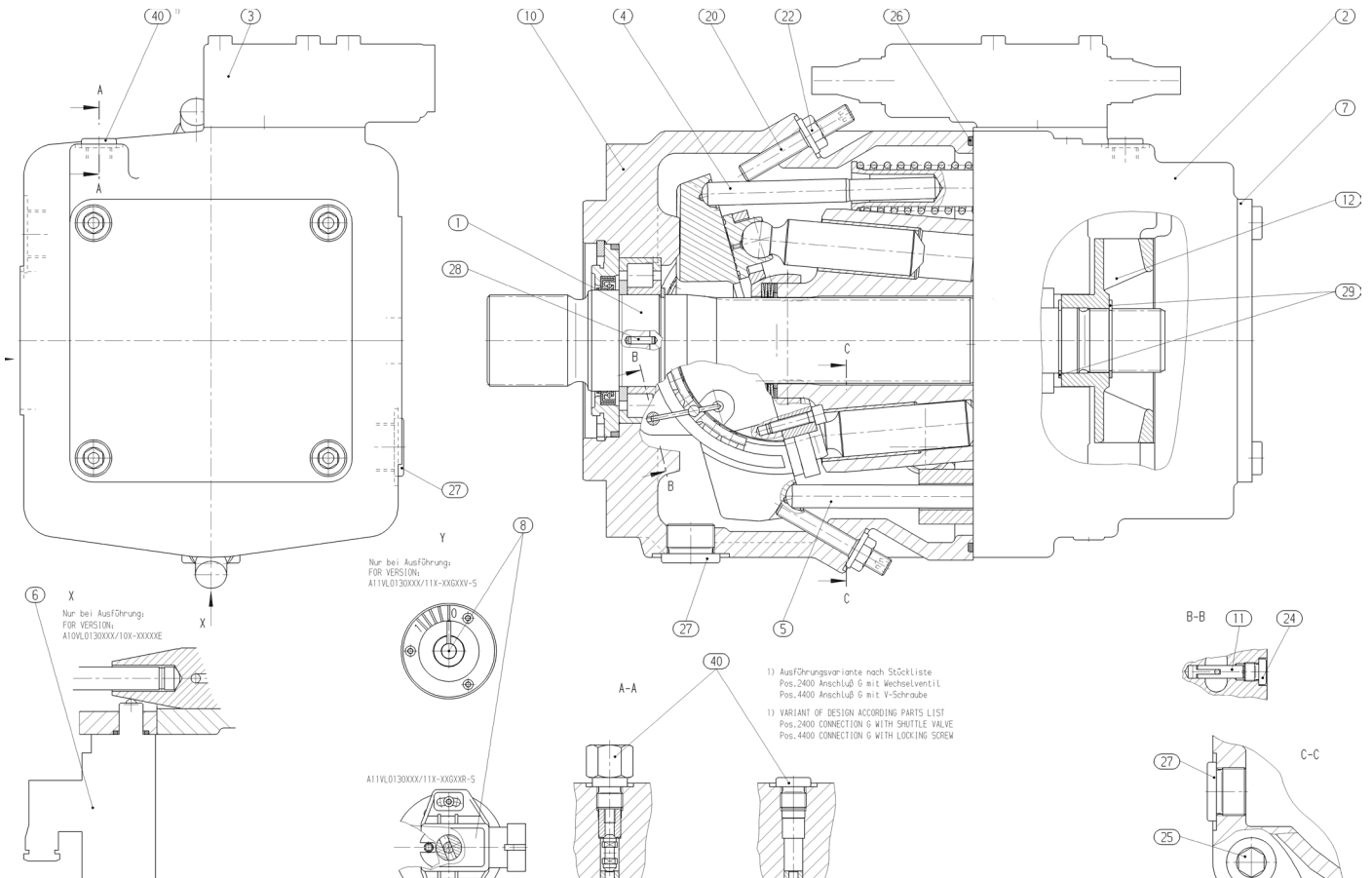
630/830/840 L9 STAGE V ENGINE INSTALLATION AND PARTS SECTION EE-1-1



ENGINE INSTALLATION AND ATTRIBUTING COMPONENTS

ENGINE AND ATTRIBUTING COMPONENTS

57761 Implement Pump Parts Breakdown (Rexroth #R902232637)



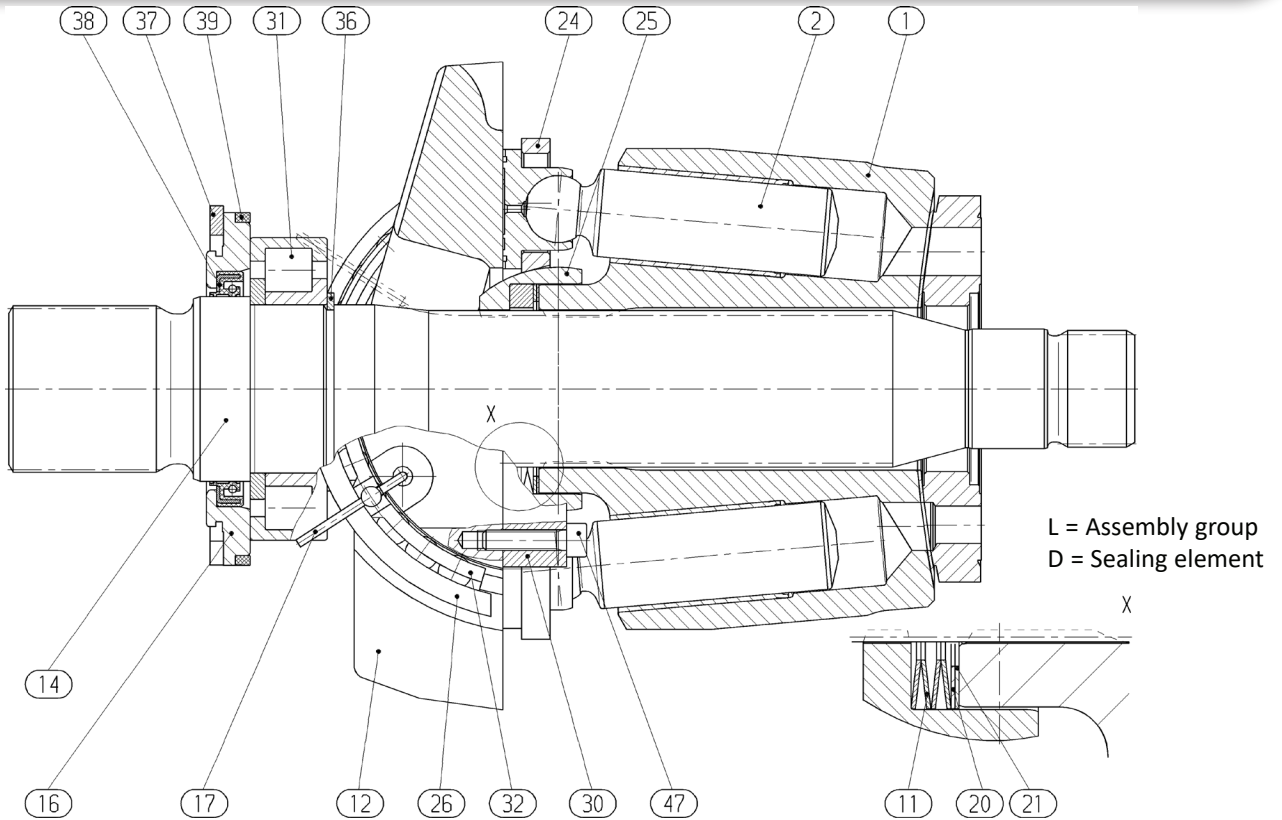
IMPLEMENT PUMP (PART #R902232637)

POS.	MATERIAL NUMBER	DESIGNATION	QUANTITY
1	R902152756	ROTARY GROUP	1 UNIT L
2	R902234899	CONNECTION PLATE, LL	1 UNIT L
3	R909600081	REGULATOR	1 UNIT L
4	R909601774	CONTROL	1 UNIT L
5	R909601775	CONTROL	1 UNIT L
7	R902005947	BELL HOUSING	1 UNIT L
10	R902117357	HOUSING	1 UNIT
11	R902132714	PIVOT PIN	4 UNIT
12	R909921290	IMPELLER, LEFT-HAND ROTATION	1 UNIT
20	R909449078	SETSCREW	2 UNIT
22	R909152426	SEALING NUT 2	UNIT D
24	R909153364	SCREW PLUG 4	UNIT D
25	R909830782	SOCKET HEAD CAP SCREW	4 UNIT
26	R909083835	O-RING	1 UNIT D
27	R909154480	SCREW PLUG	1 UNIT
28	R913016373	SLOTTED SPRING PIN	2 UNIT
29	R909083360	RETAINING RING	2 UNIT
40	R909153371	SCREW PLUG	1 UNIT

L = Assembly group D = Sealing element

ENGINE AND ATTRIBUTING COMPONENTS

57761 Implement Pump Parts Breakdown (Rexroth #R902232637)

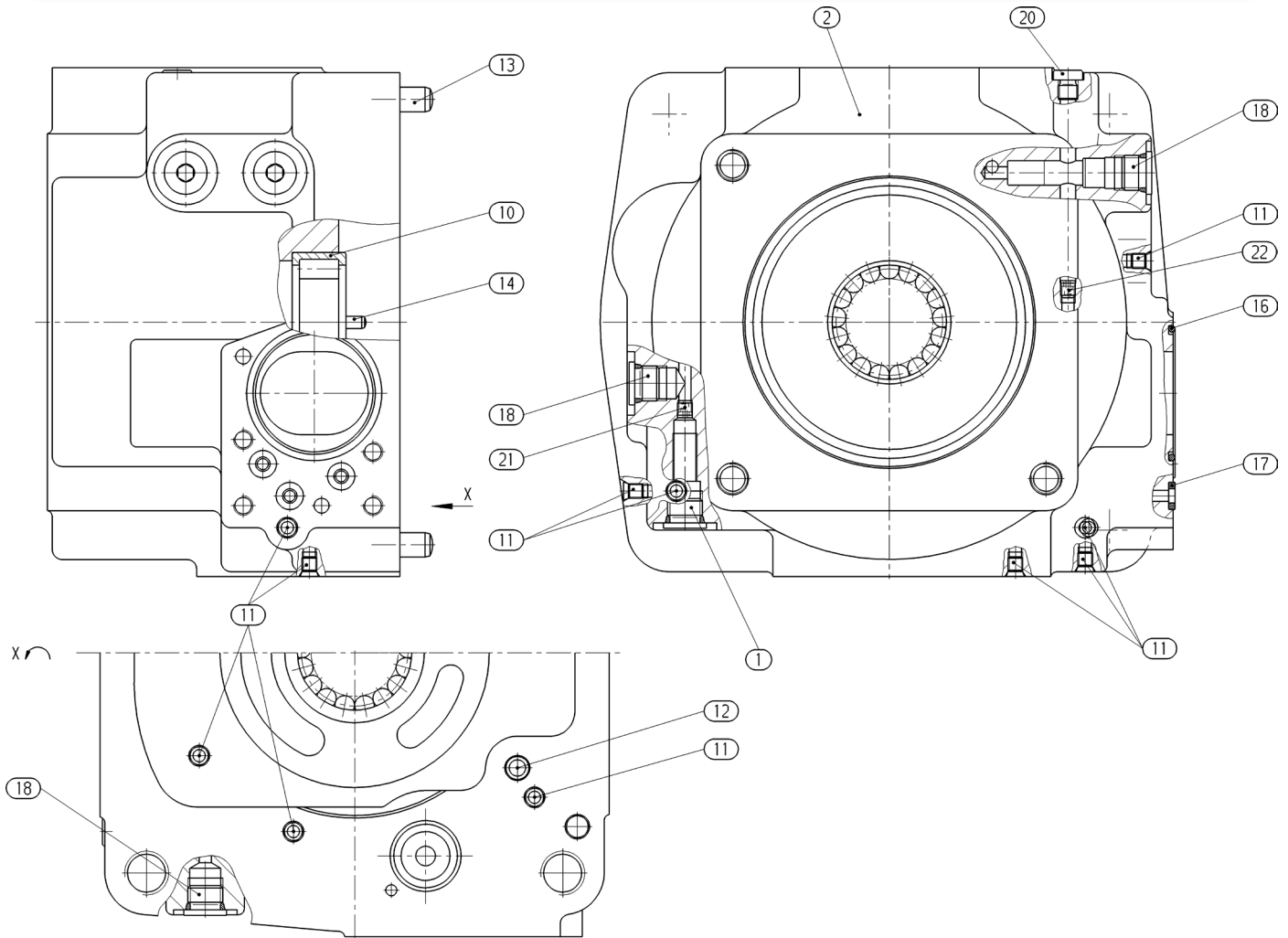


ROTARY GROUP (PART #R902152756)

POS.	MATERIAL NUMBER	DESIGNATION	QUANTITY
1	R902071734	CYLINDER	1 UNIT L
2	R902114307	PISTON PAD	9 UNIT
11	R909074128	CUP-SPRING STACK	1 UNIT
12	R902213209	CRADLE	1 UNIT
14	R909650314	DRIVE SHAFT	1 UNIT
16	R902034801	LOCKING RING	1 UNIT D
17	R909417959	WIRE	4 UNIT
20	R909078319	SHIM RING	1 UNIT
20	R909412706	SHIM RING	1 UNIT
20	R909412707	SHIM RING	1 UNIT
20	R909413043	SHIM RING	1 UNIT
21	R909412706	SHIM RING	1 UNIT
24	R902210083	RETAINING PLATE	1 UNIT
25	R902041873	RETAINING BALL	1 UNIT
26	R902066599	BEARING SHELL PAIR	1 UNIT
30	R909431891	RETAINING SEGMENT	2 UNIT
31	R902603914	CYL. ROLLER BEARING	1 UNIT
32	R913010011	CAGE PAIR	1 UNIT
36	R909084416	RETAINING RING	1 UNIT
37	R909154528	RETAINING RING	1 UNIT
38	R913043034	ROTARY SHAFT LIP SEAL	1 UNIT D
39	R909086949	O-RING	1 UNIT D
47	R909831330	SOCKET HEAD CAP SCREW	4 UNIT
98	R902002458	SEAL KIT	1 UNIT

ENGINE AND ATTRIBUTING COMPONENTS

57761 Implement Pump Parts Breakdown (Rexroth #R902232637)



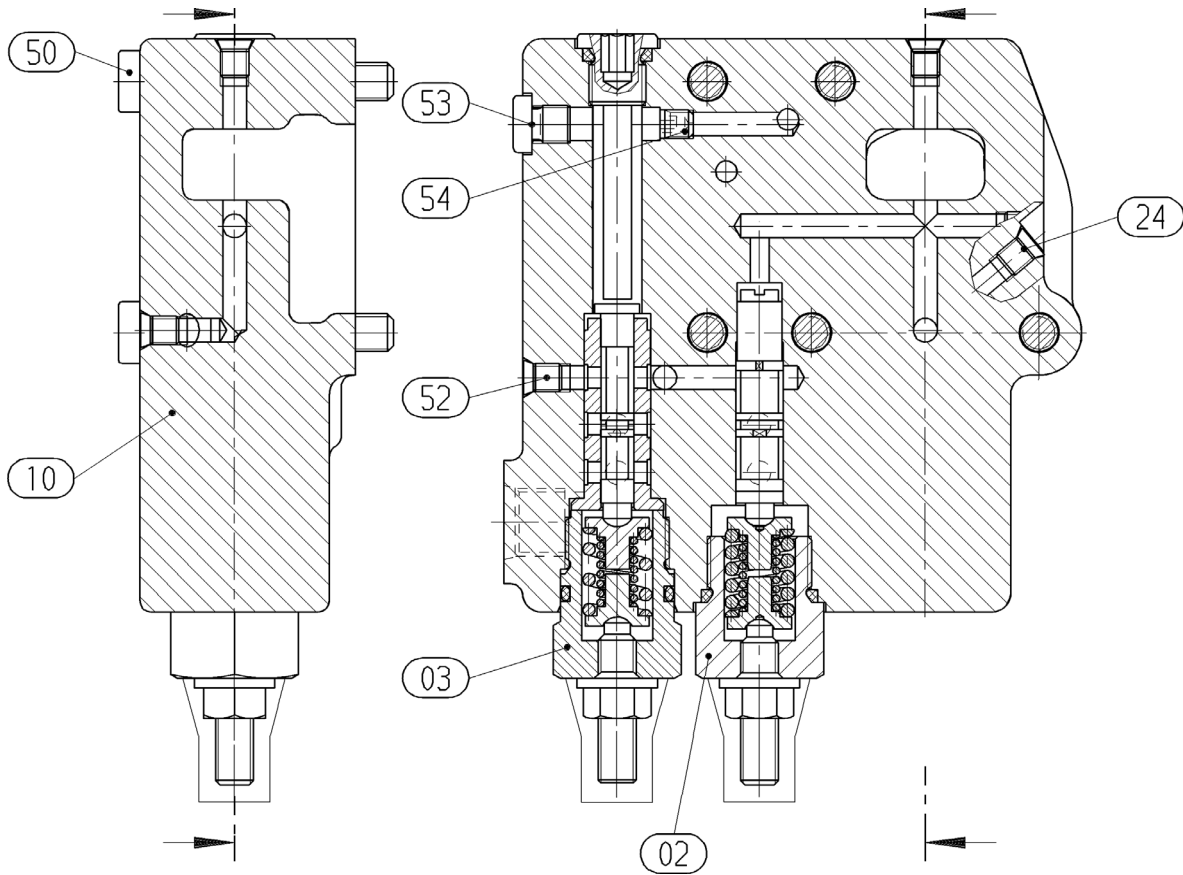
CONNECTION PLATE (PART #R902234899)

POS.	MATERIAL NUMBER	DESIGNATION	QUANTITY
1	R909151979	SCREW PLUG	1 UNIT
2	R902237832	CONNECTION PLATE, LL	1 UNIT
10	R909156310	CYL. ROLLER BEARING	1 UNIT
11	R909831318	DOUBLE BREAK-OFF PLUG	6 UNIT
12	R909831319	DOUBLE BREAK-OFF PLUG	1 UNIT
13	R913009671	STRAIGHT PIN	2 UNIT
14	R909087755	STRAIGHT PIN	1 UNIT
16	R909152464	O-RING	1 UNIT D
17	R902602890	R-RING	3 UNIT D
18	R909153371	SCREW PLUG	2 UNIT D
20	R909154024	SCREW PLUG	1 UNIT D
21	R909157345	NOZZLE	1 UNIT
22	R909157343	NOZZLE	1 UNIT
98	R902002458	SEAL KIT	1 UNIT

L = Assembly group D = Sealing element

ENGINE AND ATTRIBUTING COMPONENTS

57761 Implement Pump Parts Breakdown (Rexroth #R90232637)



REGULATOR (PART #R909600081)

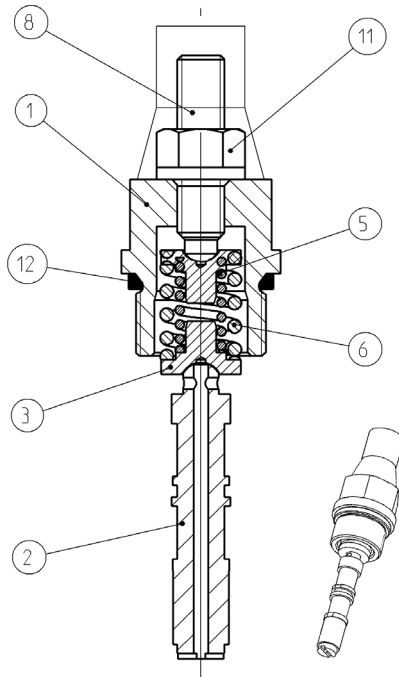
POS.	MATERIAL NUMBER	DESIGNATION	QUANTITY
2	R909609420	CONTROL ELEMENT	1 UNIT L
3	R909606784	CONTROL ELEMENT	1 UNIT L
10	R902002701	CONTROL HOUSING	1 UNIT
24	R909445306	DOUBLE BREAK-OFF PLUG	1 UNIT
50	R909083044	SOCKET HEAD CAP SCREW	5 UNIT
52	R909831318	DOUBLE BREAK-OFF PLUG	7 UNIT
53	R909154024	SCREW PLUG	1 UNIT D
54	R909156490	NOZZLE	1 UNIT
98	R902002476	SEAL KIT	1 UNIT D

L = Assembly group D = Sealing element

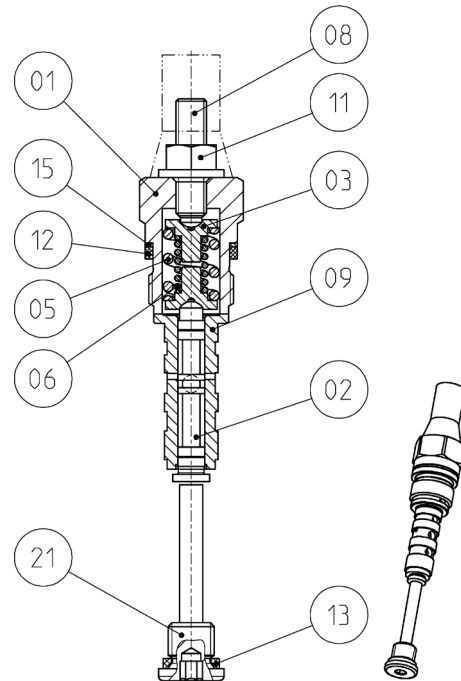
ENGINE AND ATTRIBUTING COMPONENTS

57761 Implement Pump Parts Breakdown (Rexroth #R902232637)

CONTROL ELEMENT (R909609420)



CONTROL ELEMENT (R909606784)



L = Assembly group
D = Sealing element

CONTROL ELEMENT (PART #R909609420)

POS.	MATERIAL NUMBER	DESIGNATION	QUANTITY
1	R909440779	SCREW PLUG	1 UNIT
2	R902004621	CONTROL PISTON	1 UNIT
3	R909444160	SPRING BOLT	2 UNIT
5	R909436395	COMPRESSION SPRING	1 UNIT
6	R909436795	COMPRESSION SPRING	1 UNIT
8	R909444953	SETSCREW	1 UNIT
11	R909152707	SEALING NUT	1 UNIT D
12	R909083758	O-RING	1 UNIT D
98	R902002458	SEAL KIT	1 UNIT

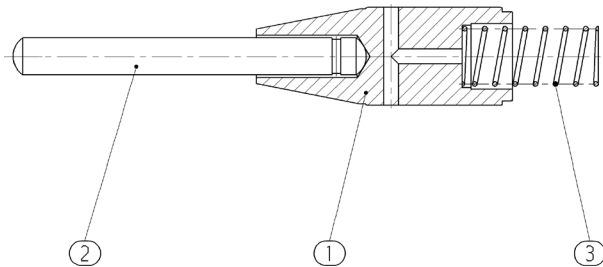
CONTROL ELEMENT (PART #R909606784)

POS.	MATERIAL NUMBER	DESIGNATION	QUANTITY
1	R902262155	SCREW PLUG	1 UNIT
2	R909449719	CONTROL PISTON	1 UNIT
3	R909436839	SPRING BOLT	2 UNIT
5	R909436394	COMPRESSION SPRING	1 UNIT
6	R909436395	COMPRESSION SPRING	1 UNIT
8	R909444953	SETSCREW	1 UNIT
9	R902004934	CONTROL SLEEVE	1 UNIT
11	R909152707	SEALING NUT	1 UNIT D
12	R909083758	O-RING	1 UNIT D
13	R909083749	O-RING	1 UNIT D
15	R900228795	BACKUP RING	1 UNIT
21	R902029166	SCREW PLUG	1 UNIT
98	R902221227	SEAL KIT	1 UNIT

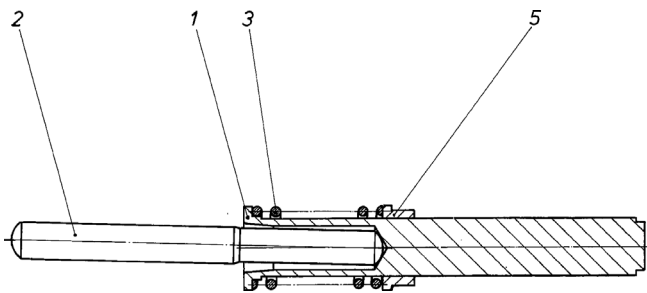
ENGINE AND ATTRIBUTING COMPONENTS

57761 Implement Pump Parts Breakdown (Rexroth #R902232637)

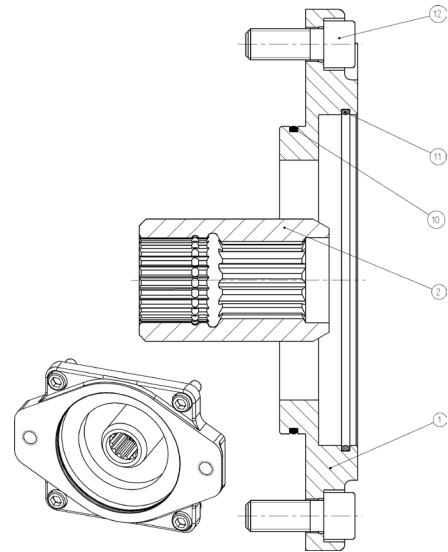
CONTROL (R909601775)



CONTROL (R909601774)



BELL HOUSING (R902005947)



CONTROL (R909601775)

POS.	MATERIAL NUMBER	DESIGNATION	QUANTITY
1	R909921505	RESET PISTON	1 UNIT
2	R909445769	RESET ROD	1 UNIT
2	R909445770	RESET ROD	1 UNIT
2	R909445771	RESET ROD	1 UNIT
3	R909443435	COMPRESSION SPRING	1 UNIT

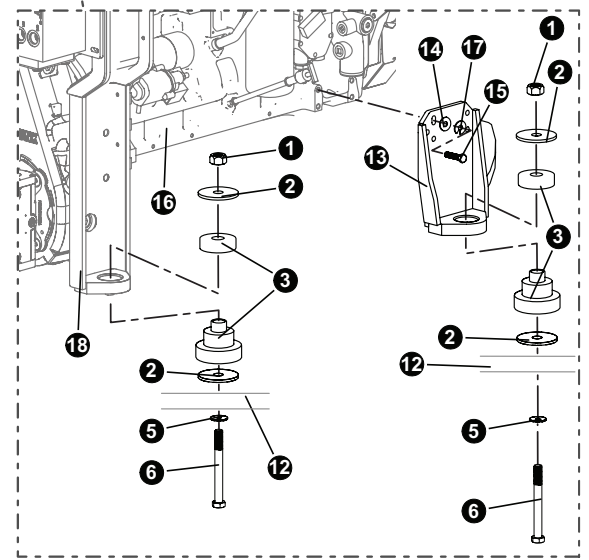
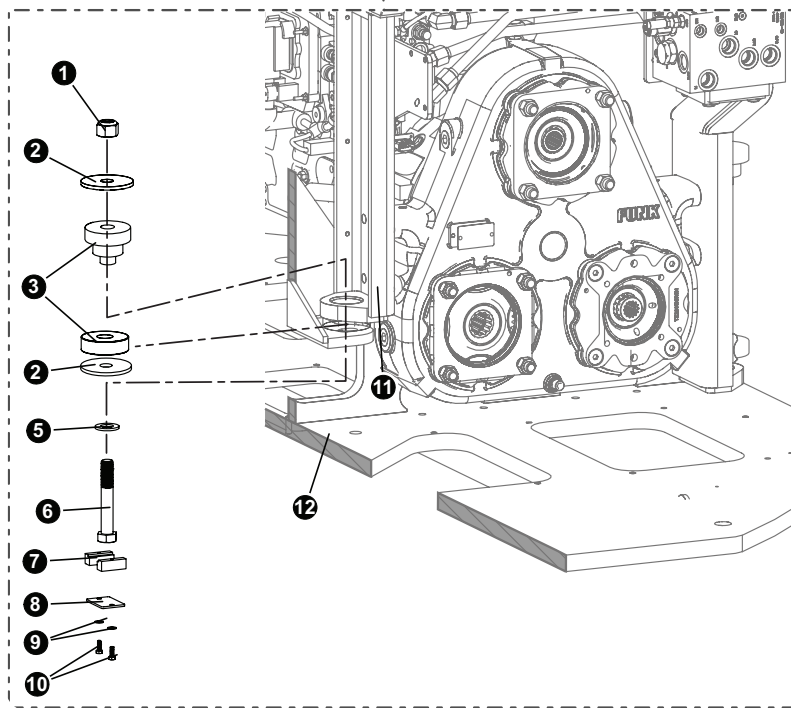
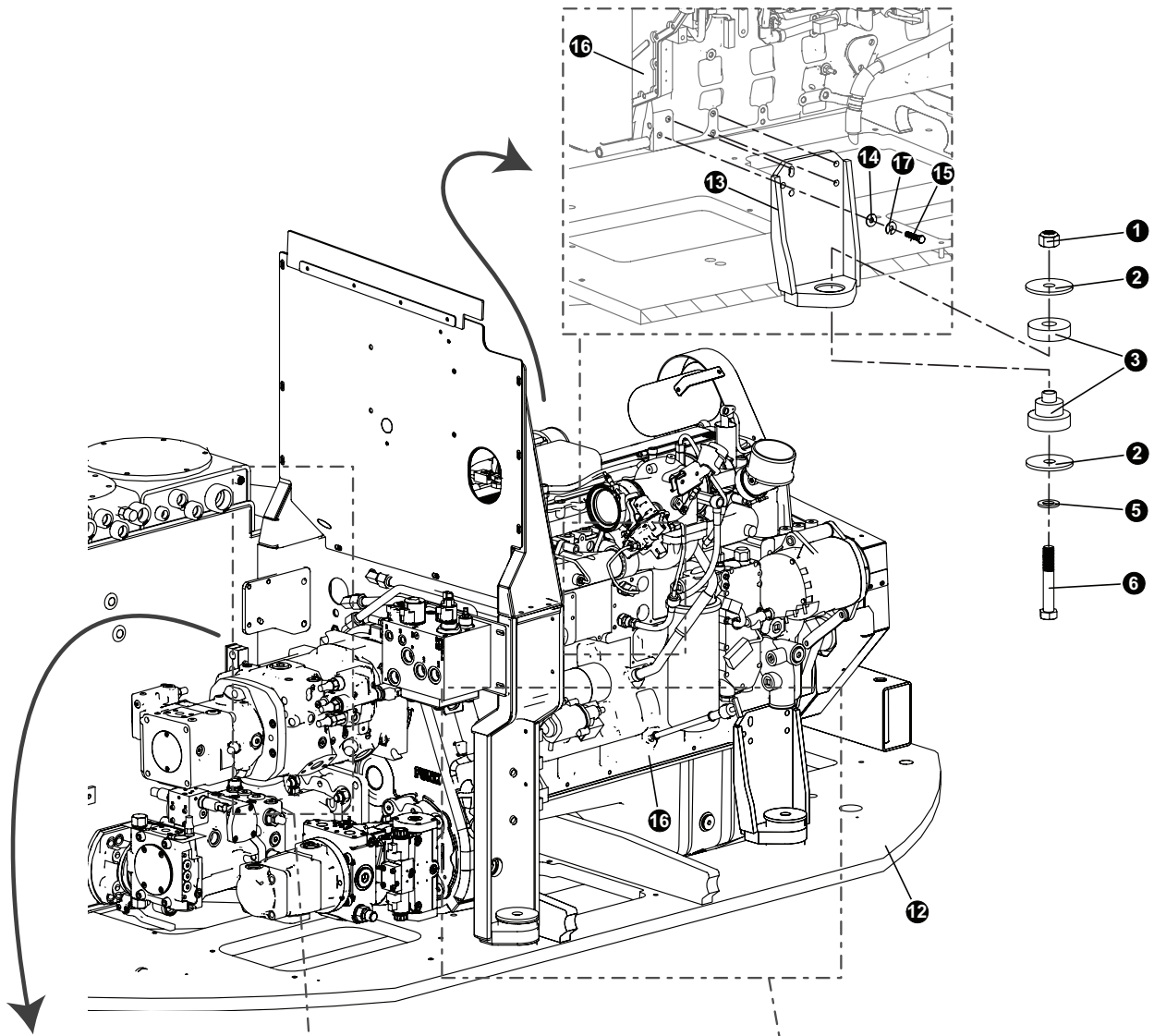
CONTROL (R909601774)

POS.	MATERIAL NUMBER	DESIGNATION	QUANTITY
1	R909651037	POSITIONING PISTON	1 UNIT
2	R909651029	ADJUSTING ROD	1 UNIT
3	R909444263	COMPRESSION SPRING	1 UNIT
5	R902025363	BUSHING	1 UNIT

BELL HOUSING (R902005947)

POS.	MATERIAL NUMBER	DESIGNATION	QUANTITY
1	R902005948	FLANGE	1 UNIT
2	R902088365	COUPLING HUB	1 UNIT
10	R902600381	O-RING	1 UNIT D
11	R913002054	O-RING	1 UNIT D
12	R909083087	SOCKET HEAD CAP SCREW	4 UNIT
98	R902095514	SEAL KIT	1 UNIT

L = Assembly group D = Sealing element



ENGINE AND ATTRIBUTING COMPONENTS

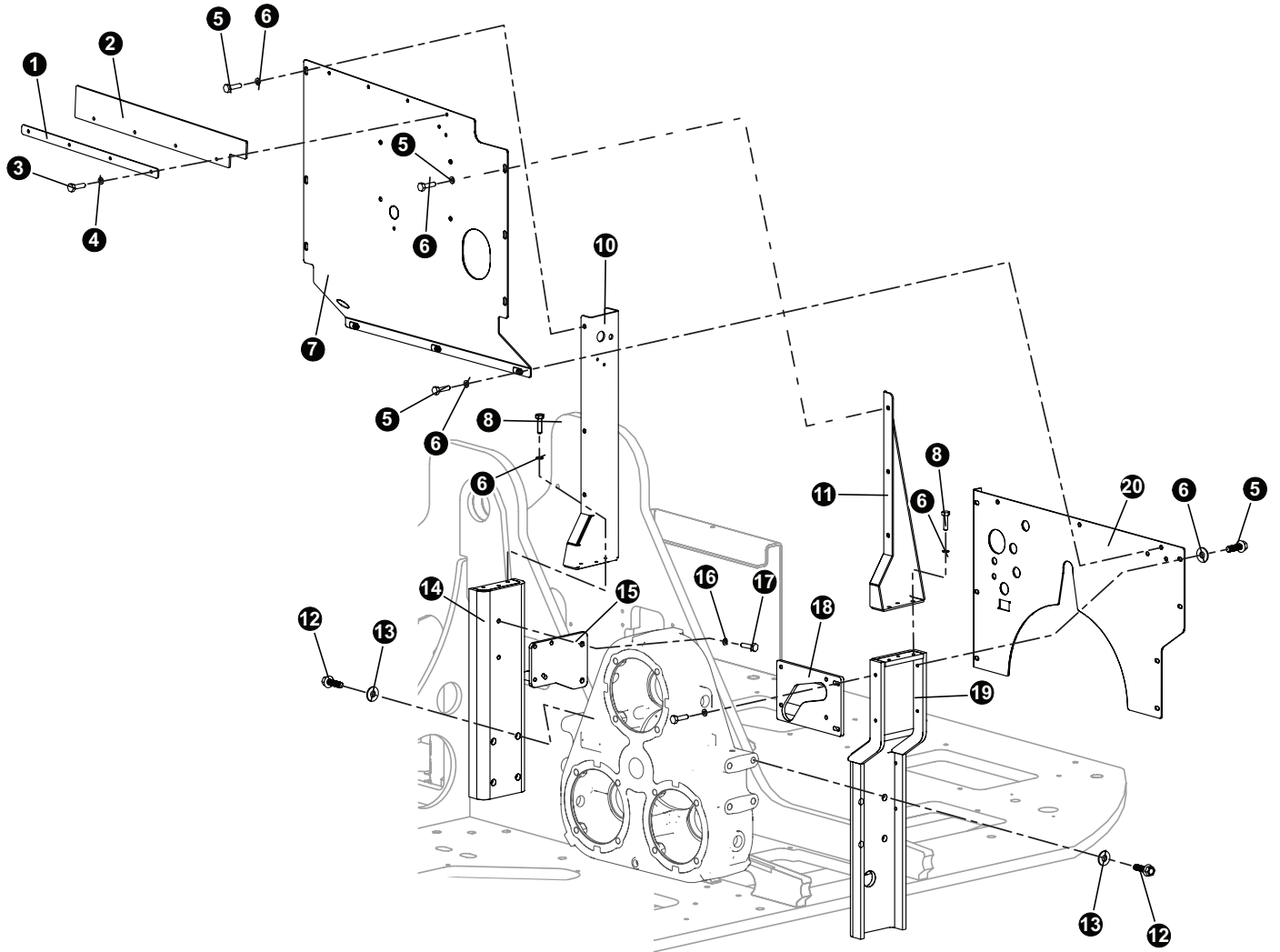
CUMMINS L9 - STAGE V 338 HP D-SERIES

REF	PART #	QTY	DESCRIPTION	SEE SECTION
1	50334	4	NUT, LOCK .875"	
2	60268	8	WASHER, ENGINE MOUNT D-MOD	
3	60270	4	ISOLATOR, ENGINE MOUNT - D SERIES	
5	10718	6	WASHER, SAE FLAT - .875"	
6	21540	4	BOLT - .875" X 6"	
7	60555	4	MOUNT, GEARBOX - REAR (D-SERIES)	
8	60558	1	COVER, RETAINER	
9	10757	2	1/4" FLAT WASHER	
10	23264	2	BOLT - .25" X .5"	
11	(See Next Page)	1	MOUNT, ENGINE - INNER REAR (D MODEL)	(See Next Page)
12	(Click Here)	1	WELDMENT, D UPPER TURNTABLE	UP-1
13	60269	8	MOUNT, ENGINE - FRONT (D MODEL)	
14	18735	8	WASHER, FLAT - 12MM	
15	15551	4	BOLT - 12mm-1.75P x 40mm (Torque to 92 ft.lbs. (122 Nm))	
16	57762	1	ENGINE, CUMMINS L9 -STAGE V 338 HP D A057G097 SM13" A055V395 SUPPLY MODULE A047S305 CCV A050D461 DEF SUCTION 24132 DEF PRESSURE A053N830 DEF RETURN A051Y803 15GAL. DEF TANK 4387333 DEF TANK CAP Q312516 GASKET A035R793 - 5" V.BAND CLAMP 2897332 TBAP SENSOR 4383933 LCL SENSOR 3400698 ALTERNATOR 5367768 STARTER WF2076 COOLANT FILTER 5491433 NOX Sensor (inlet) 5491434 NOX Sensor (outlet) 4954905 sensor - coolant temp 4388441 def hose white 4377353 def hose yellow SCR6E400FAFC215 def hose (24132) FILTERS: <ul style="list-style-type: none"> • 4353889 DEF TANK • 5303604 SUPPLY MODULE 	
17	53760	2	1/2" LOCKWASHER KNURLED	
18	(See Next Page)	1	MOUNT, ENGINE - REAR (D MODEL)	(See Next Page)

Kit or Assembly - includes all items indented underneath.

ENGINE AND ATTRIBUTING COMPONENTS

CUMMINS STAGE V D-SERIES TRIPLE DRIVE BULKHEAD BARRIER PANELS



ENGINE AND ATTRIBUTING COMPONENTS

CUMMINS STAGE V D-SERIES TRIPLE DRIVE BULKHEAD BARRIER PANELS

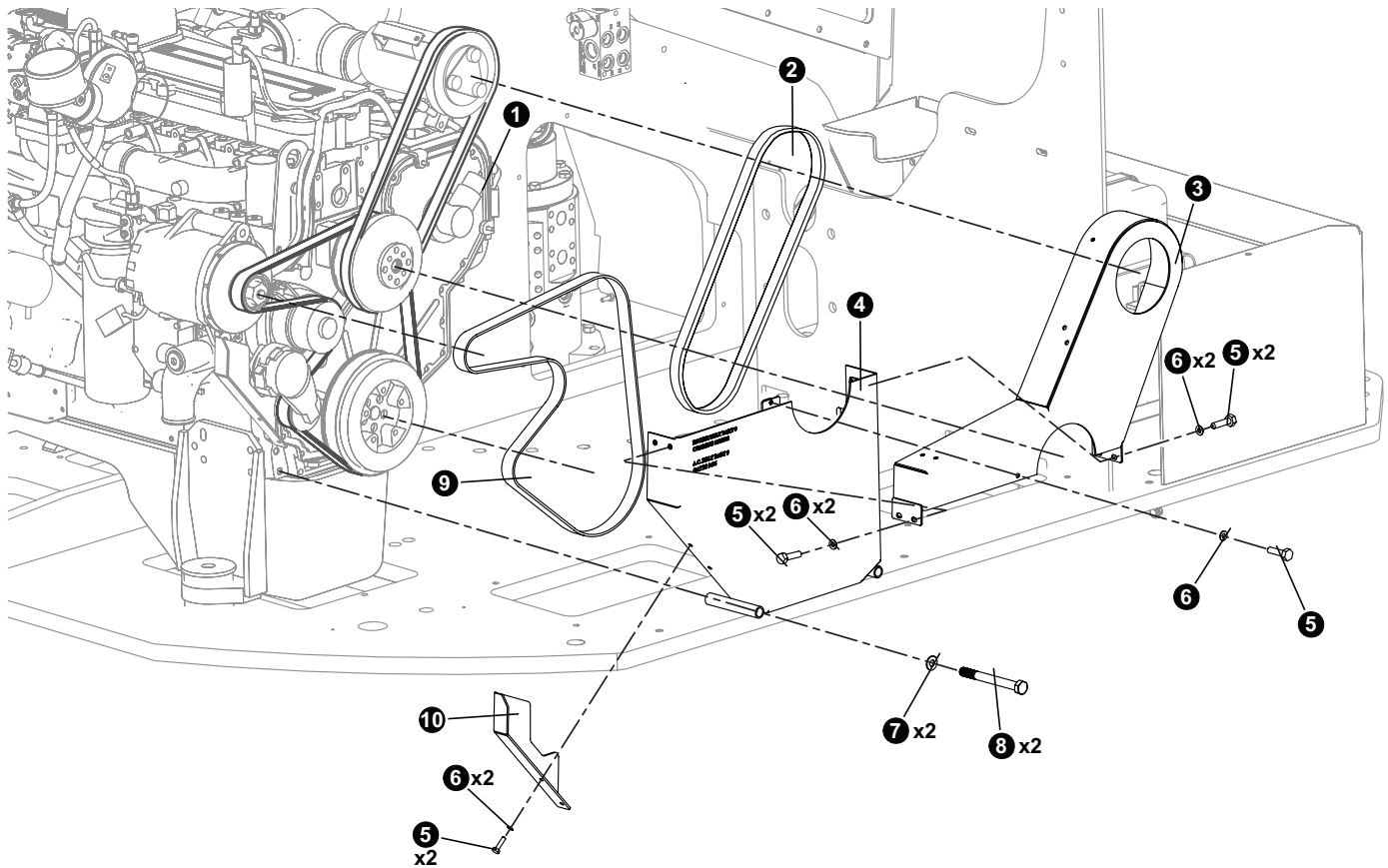
REF	PART #	QTY	DESCRIPTION	SEE SECTION
1	47205	1	BAR, BARRIER PANEL - ENGINE	
2	47206	1	RUBBER, ENGINE BARRIER PANEL	
3	15576	4	BOLT - .25" X 1"	
4	10757	4	1/4" WASHER	
5	15542	9	BOLT - .375" X .75"	
6	15528	20	WASHER, SAE FLAT - .375"	
7	60528	1	BARRIER PANEL, UPPER ENGINE - D SERIES	
8	11707	6	BOLT - .375" X 1"	
10	60392	1	PLATE, UPPER G-BOX 2 - D SERIES	
11	60389	1	WELDMENT, G-BOX UPPER - D SERIES	
12	15526	8	BOLT - .625" X 2"	
13	10771	8	WASHER, SAE FLAT - .625"	
14	60300	1	MOUNT, ENGINE - INNER REAR (D MODEL)	
15	60444	1	MOUNT, MANIFOLD	
16	10805	2	WASHER, SAE FLAT - .5"	
17	50100	2	BOLT - .5" X 1.25"	
18	60391	1	PLATE, CHARGE BLOCK MOUNT - D	
19	60295	1	MOUNT, ENGINE - REAR (D MODEL)	
20	60396	1	WELDMENT, LOWER ENG BARRIER PANEL	

Kit or Assembly - includes all items indented underneath.

ENGINE AND ATTRIBUTING COMPONENTS

CUMMINS STAGE V BELTS AND GUARDS INSTALLATION

SERIAL # 830D-0725-013120 AND BEFORE

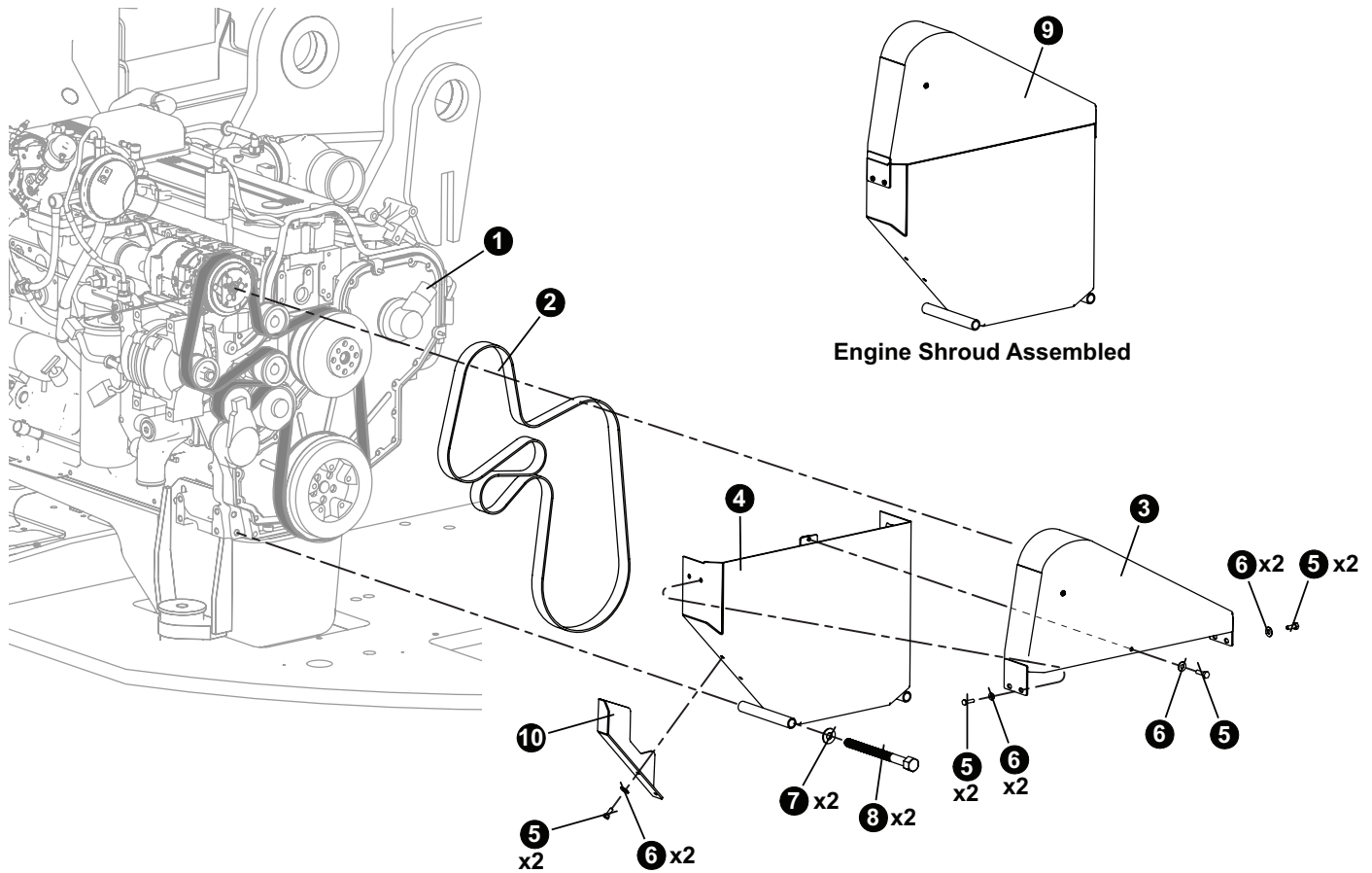


REF	PART #	QTY	DESCRIPTION	SEE SECTION
1	(Click Here)	1	ENGINE, CUMMINS	EE-1
2	55584	1	BELT, A/C COMPRESSOR - C - D SERIES - CU	
	46268	1	SHROUD, ASSY BELT GUARD 300HP & D-MOD	
3	- 46272	1	SHROUD, ENGINE BELT TOP	
4	- 46275	1	SHROUD, ENGINE BELT LOWER 300HP & D-MOD	
5	15604	7	BOLT - .25" X .75"	
6	10757	7	1/4" FLAT WASHER	
7	18735 (Mfgr. #)	2	12mm Washer	
8	53110	2	BOLT - 12MM X 150MM FAN GUARD (830-B)	
9	58055	1	BELT, FAN - ENGINE (D-SERIES)	
10	46288	1	SHROUD, FAN - BOTTOM	

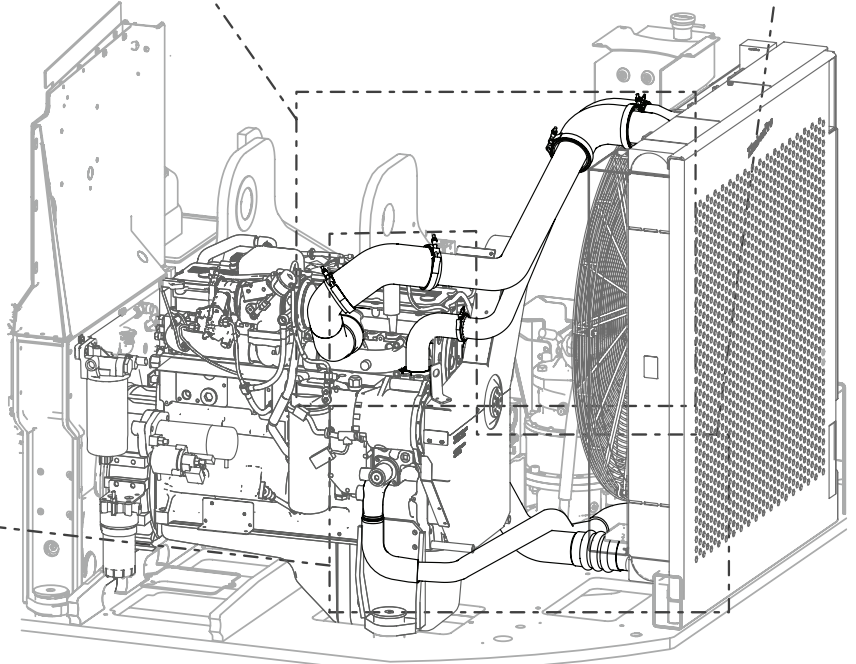
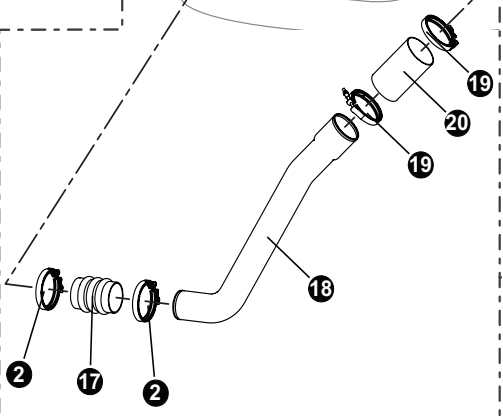
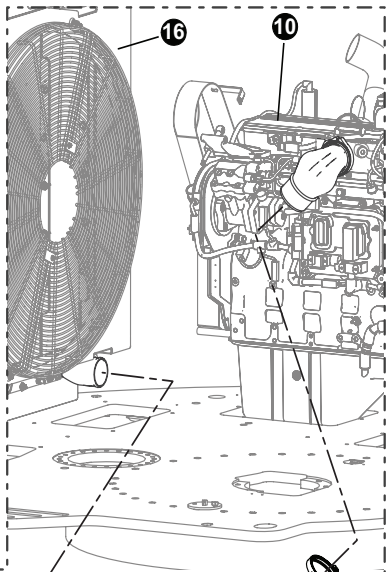
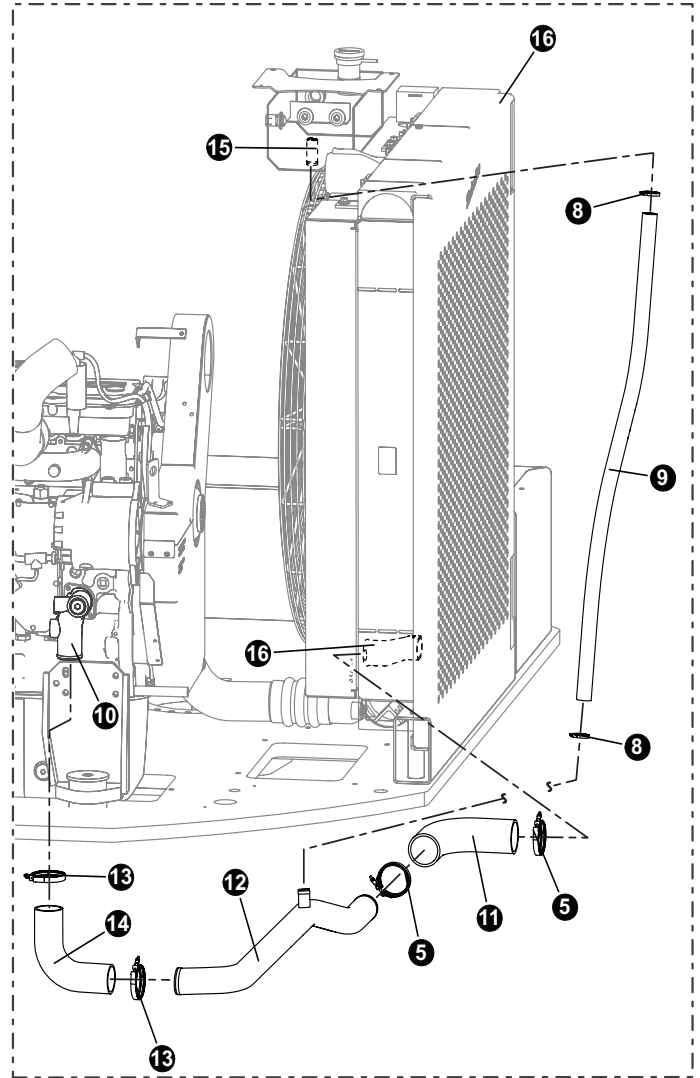
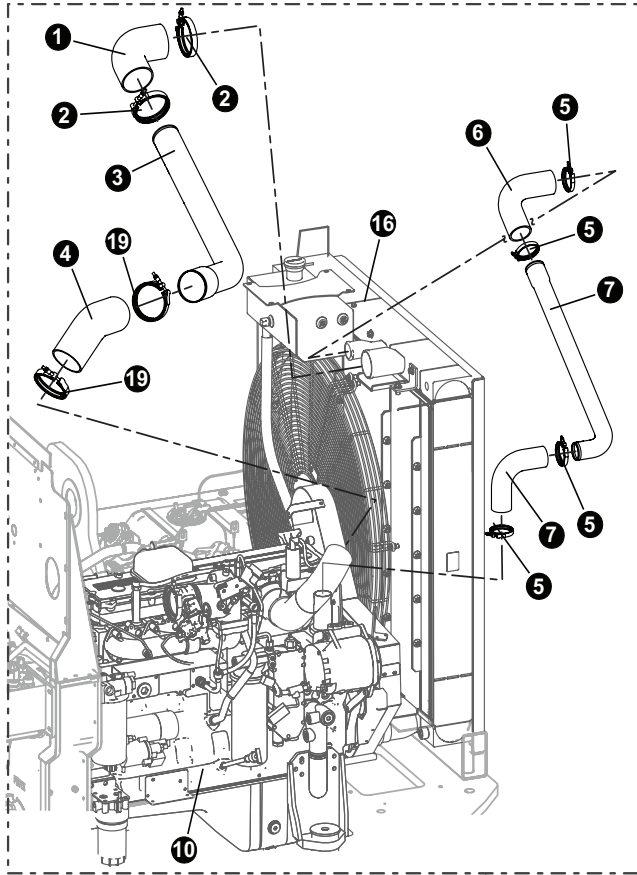
ENGINE AND ATTRIBUTING COMPONENTS

CUMMINS STAGE V BELTS AND GUARDS INSTALLATION

SERIAL # TL-745D-0718-010320 AND AFTER





REF	PART #	QTY	DESCRIPTION	SEE SECTION
1	(Click Here)	1	ENGINE, CUMMINS	EE-1
2	(See Description)	1	BELT, A/C COMPRESSOR - D SERIES - (CUMMINS Part #3972381)	
9	60780	1	SHROUD, ASSY BELT GUARD 300HP & D-MOD	
3	- 60782	1	SHROUD, ENGINE BELT TOP	
4	- 60778	1	SHROUD, ENGINE BELT LOWER 300HP & D-MOD	
5	15604	7	BOLT - .25" X .75"	
6	10757	7	1/4" FLAT WASHER	
7	18735 (Mfgr. #)	2	12mm Washer	
8	53110	2	BOLT - 12MM X 150MM FAN GUARD (830-B)	
10	46288	1	SHROUD, FAN - BOTTOM	




ENGINE AND ATTRIBUTING COMPONENTS

CUMMINS STAGE V AIR TO AIR CONNECTION

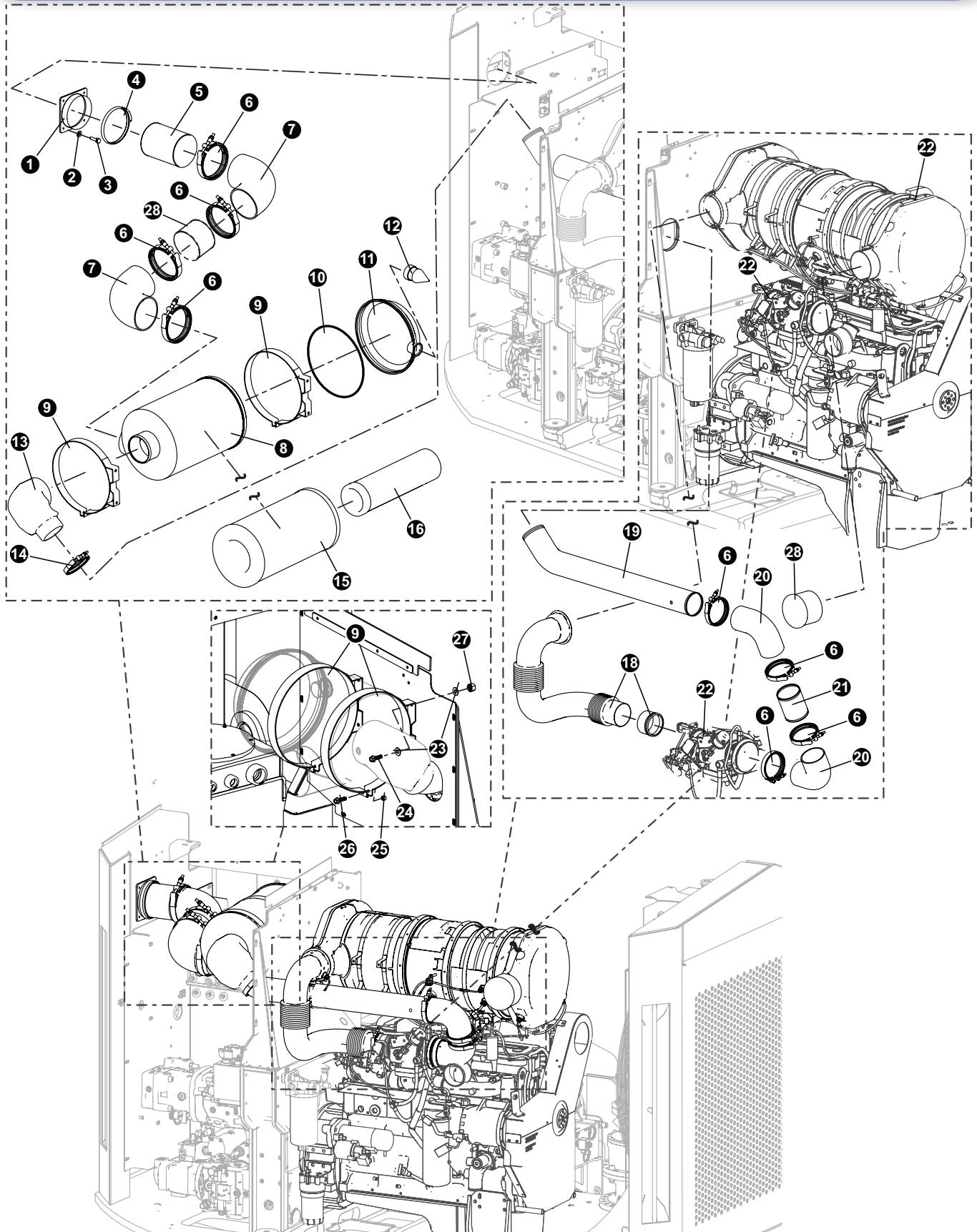
REF	PART #	QTY	DESCRIPTION	SEE SECTION
1	52753	1	ELBOW, 90 - 3.5" X 6" SILICONE	
2	52862	6	CLAMP, HOSE - CUMMINS HUMP	
3	60440	1	TUBE, UPPER CAC TO MANIFOLD	
4	52729	1	ELBOW, 48 - 4" BOOT(AIR TO AIR)	
5	18103	2	CLAMP, CONSTANT TORQUE - #40	
6	58167	1	HOSE, RAD UPPER D-UPDATE 2 1/2" ID	
7	48918	1	WELDMENT, LOWER RADIATOR TUBE	
8	15629	2	CLAMP, HOSE - WORM STYLE - 1.5"	
9	(See Description)	1	HOSE, (Supplier #8031957 16-0-0-SW)	
10	(Click Here)	1	ENGINE, CUMMINS	EE-1
11	58149	1	HOSE, RAD 90 DEG D-MOD 2 1/2 ID	
12	61246	1	TUBE, LOWER RAD D-SERIES W/ TUBE FLARE	
13	18104	2	CLAMP, CONSTANT TORQUE - #36	
14	57992	1	HOSE, RADIATOR - D-SERIES	
15	60665	1	TANK, SURGE - D	
16	(Click Here)	1	 RADIATOR / COOLER ASSEMBLY	UP-3
17	52861	4	HOSE, HUMP - SILICONE (3 WIRE CUMMINS)	
18	60436	1	TUBE, LOWER CAC TO MANIFOLD	
19	15697	2	CLAMP, STRAP BAND - 4.5"	
20	55646	1	HOSE, AIR TO AIR - CUMMINS - 4" X 4" STR	

 See referenced page for component or assembly breakdown.

 Kit or Assembly - includes all items indented underneath.


ENGINE AND ATTRIBUTING COMPONENTS

AIR CLEANER INSTALLATION



ENGINE AND ATTRIBUTING COMPONENTS

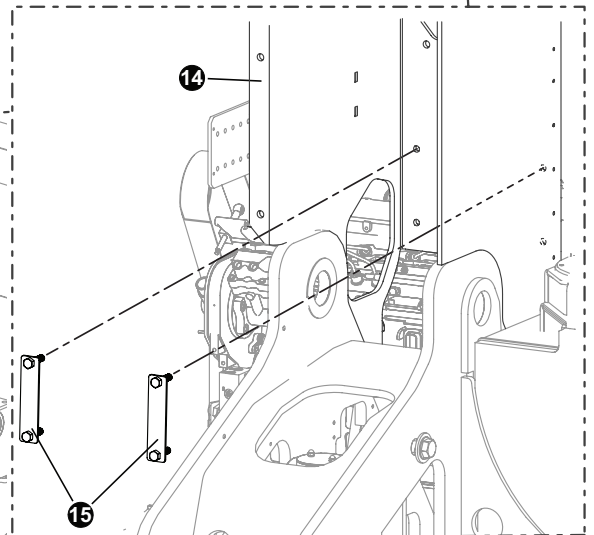
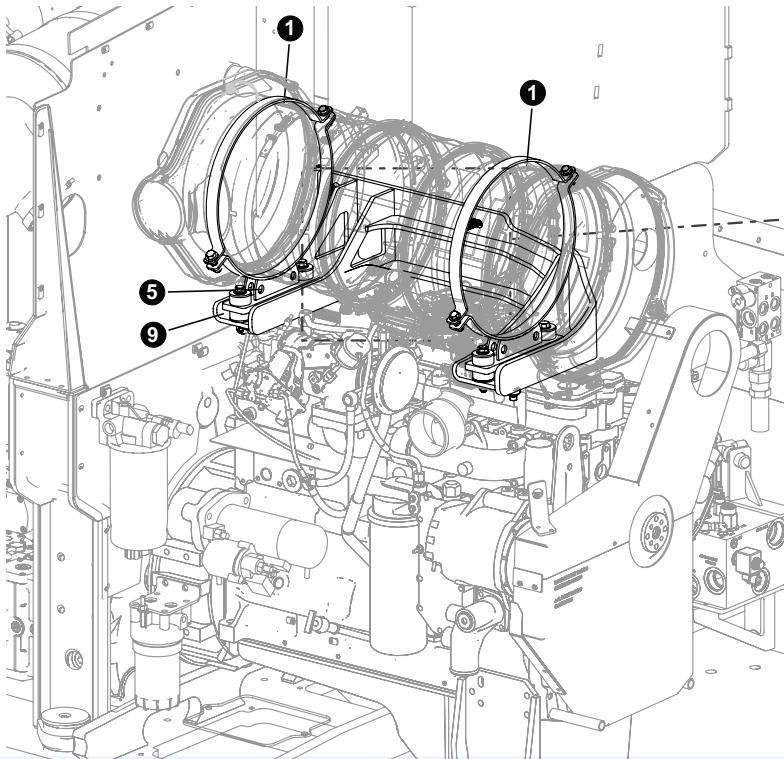
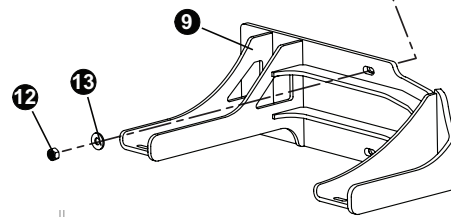
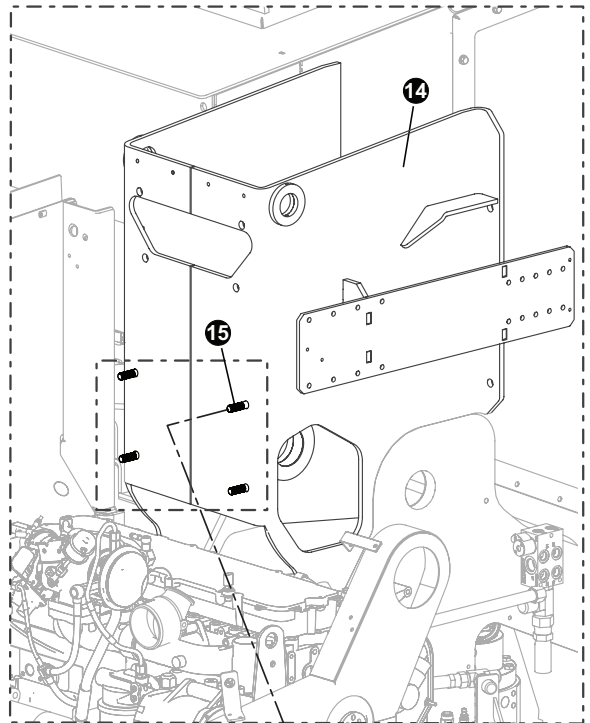
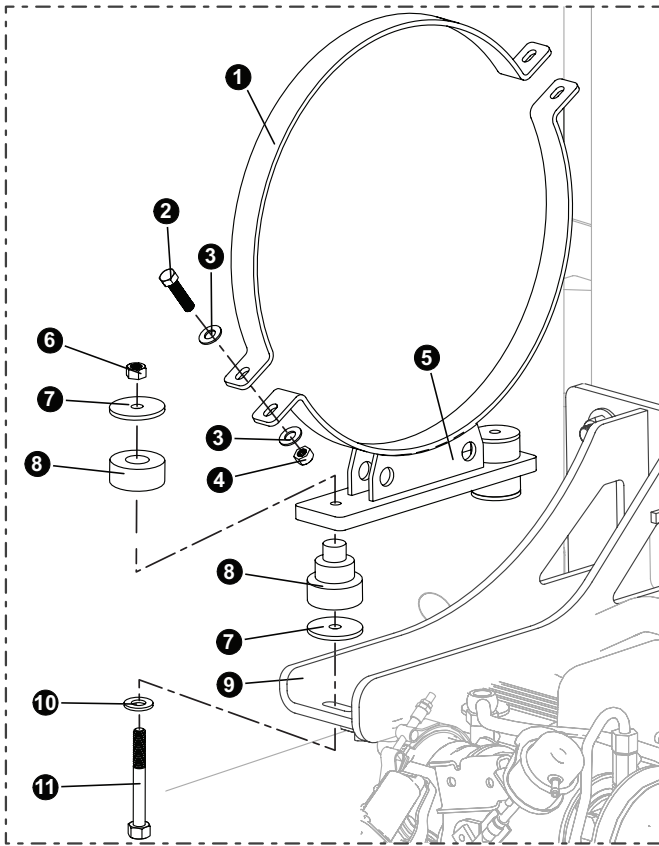
AIR CLEANER INSTALLATION

REF	PART #	QTY	DESCRIPTION	SEE SECTION
1	46868	1	WELDMENT, AIR INTAKE FLANGE C/D/765	
2	15605	2	BOLT - .3125" X .75"	
3	10801	2	5/16" WASHER	
4	55498	1	 CLAMP, AIR INLET	
5	55499	1	TUBE, AIR INLET - TIER 4	
6	58030	8	CLAMP, T-BOLT - AIR INTAKE ELBOWS	
7	57495	2	ELBOW, RUBBER - 90 DEGREE 6" X 6"	
8	51729	1	AIR CLEANER ASSEMBLY - 830/630	
9	20450	1	BAND, AIR CLEANER CLAMP	
10	P537699 (Sup. #)	1	O-RING, RUBBER	
11	55074	1	COVER, AIR CLEANER - 830/735	
12	52053	1	BOOT, AIR CLEANER	
13	54667	1	ELBOW, RUBBER 90 AIR INTAKE-COBRA	
14	15697	1	CLAMP, STRAP BAND - 4.5"	
15	51756	1	FILTER, AIR CLEANER - PRIMARY	
16	51757	1	FILTER, AIR CLEANER - SECONDARY	
18	60260	1	TUBE, EXHAUST TURBO TO DOC - D SERIES	
19	60406	1	TUBE, AIR FILTER TO TURBO	
20	55634	2	ELBOW, RUBBER - 4" x 4" - CUMMINS	
21	60525	1	TUBE, BREATHER TO TURBO - 4"OD X 3"L	
22	(Click Here)	1	ENGINE, CUMMINS L9 -STAGE V 338 HP D.....	EE-1
23	10802	8	3/8" WASHER	
24	11707	4	BOLT - .375" X 1"	
25	10812	2	5/16" LOCKNUT	
26	10822	2	BOLT - .3125" X 1.25"	
27	10813	4	BOLT - 3/8-16 X 1	
28	60548	1	TUBE, 6" - AIR INTAKE	

 See referenced page for component or assembly breakdown.

ENGINE AND ATTRIBUTING COMPONENTS

CUMMINS STAGE V MUFFLER AND MUFFLER WELDMENT INSTALLATION

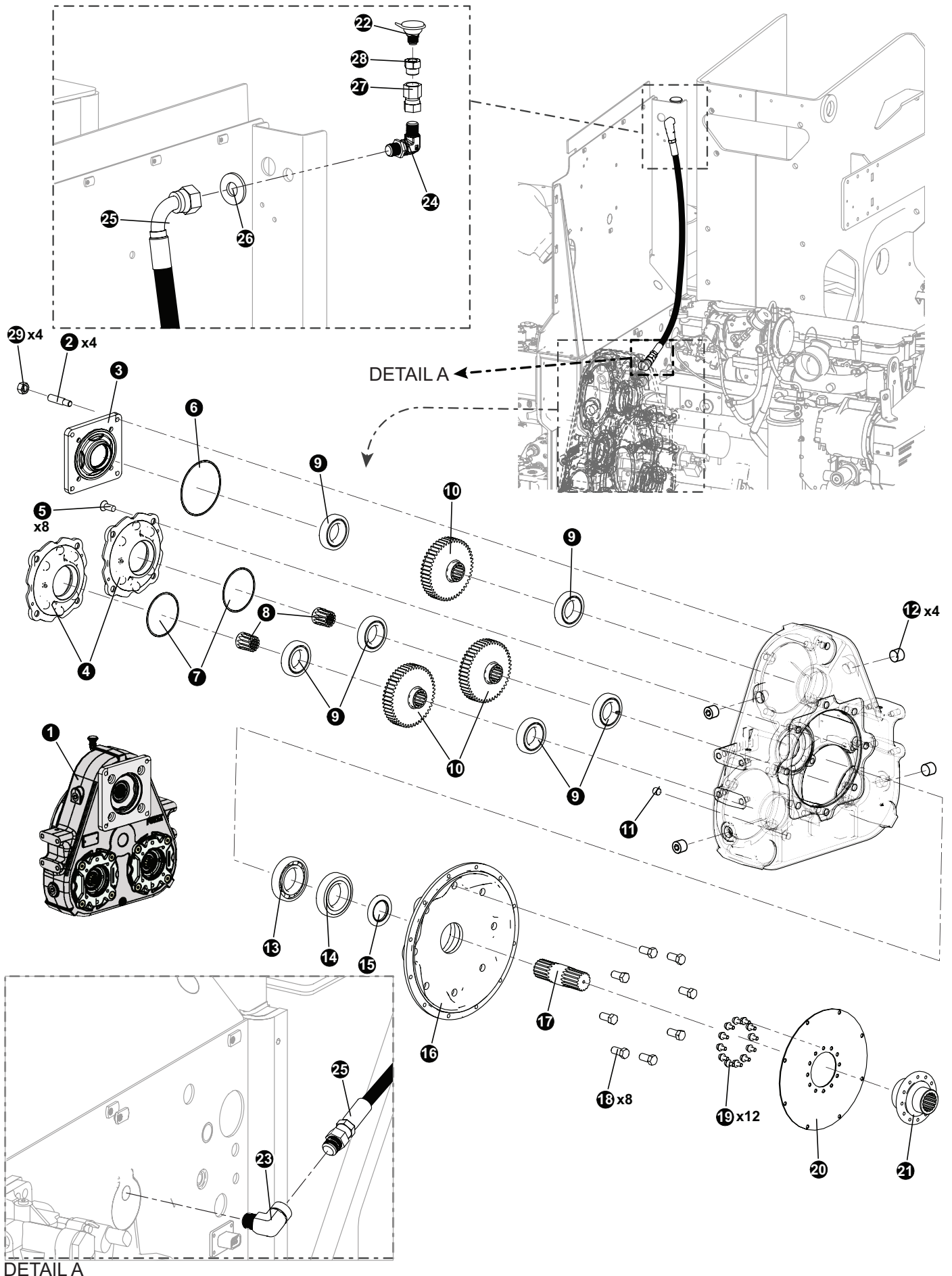


ENGINE AND ATTRIBUTING COMPONENTS

CUMMINS STAGE V MUFFLER AND MUFFLER WELDMENT INSTALLATION

REF	PART #	QTY	DESCRIPTION	SEE SECTION
1	60381	2	STRAP, SINGLE CAN MOUNT - AFTER TREATMENT	
2	10822	4	BOLT - .3125" X 1.25"	
3	10801	8	5/16" WASHER	
4	10812	4	5/16-18 LOCKNUT	
5	60380	2	WELDMENT, SCR MTG CLAMP - D SERIES	
6	10815	4	1/2" LOCKNUT	
7	46674	8	WASHER, FENDER - ISOLATOR	
8	55560	4	ISOLATOR, RUBBER - VOLVO MUFFLER - T4F	
9	60373	1	WELDMENT, ATFER TREATMENT MOUNT - D SERIES	
10	10804	4	1/2" FLAT WASHER	
11	15553	4	BOLT - .5" X 3.5"	
12	10816	2	5/8-11 LOCKNUT	
13	10805	2	5/8" WASHER	
14	(Click Here)	1	WELDMENT, BOOM SURROUND D-STAGE 5	<u>UP-1</u>
15	60109	2	PLATE, SCR STUD	

 See referenced page for component or assembly breakdown.



ENGINE AND ATTRIBUTING COMPONENTS PUMP DRIVE TRANSMISSION BREAKDOWN

REF	PART #	QTY	DESCRIPTION	SEE SECTION
-	55673	1	<input type="checkbox"/> TRANSMISSION, TRIPLE PUMP DRIVE (.723:1)	
1	F13015000	4	NUT	
2	18293	4	THREADED STUD (Supplier # 40281351)	
3	18292	1	COVER, TOP	
4	54767	2	COVER, BOTTOM (Supplier # YZ280186)	
5	F1122824	8	FASTENER	
6	F37030258	1	GASKET	
7	F37030248	2	GASKET	
8	16330	2	ADAPTOR SLEEVE (Supplier # 4028056)	
9	YZ104564_ASM	3	BEARING,	
10	51408	3	GEAR,	
11	F202004	1	INSERT COVER	
12	F1900316	4	INSERT COVER	
13	18892	1	BEARING (Supplier # F40214)	
14	18891	1	BEARING (Supplier # F40214S)	
15	18027	4	SEAL	
16	4059411	1	COVER, engine adapter housing (See Note #2 Below)	
17	18388	1	SHAFT	
18	F1008024	8	FASTENER	
19	YZ280039	12	FASTENER	
20	18028-EE	1	PLATE	
21	YZ100938	1	PINION FLANGE YOKE	
22	21304	1	VENT AP	
23	16251	1	ELBOW, 90 STREET - 5502-4	
24	55347	1	FITTING, ELBOW - BULKHEAD 6 WETX-WLN-S	
25	(See Description)	1	HOSE, Supplier Part # 387TC 38 06-06JS-06J9 (Triple Drive Vent Hose)	
26	98631 (Supplier #)	1	5/8" TRU TORQ, EXTRA THICK FLAT WASHER: 15/64" THICK, 21/32" ID, 5/16" OD	
27	57422	1	FITTING, 6-6 G6X-S	
28	11318	1	BUSHING, REDUCER - 5406-6-4	

Kit or Assembly - includes all items indented underneath.

Note #1:

Use Loctite 272 (blue) during installation.

Note #2:

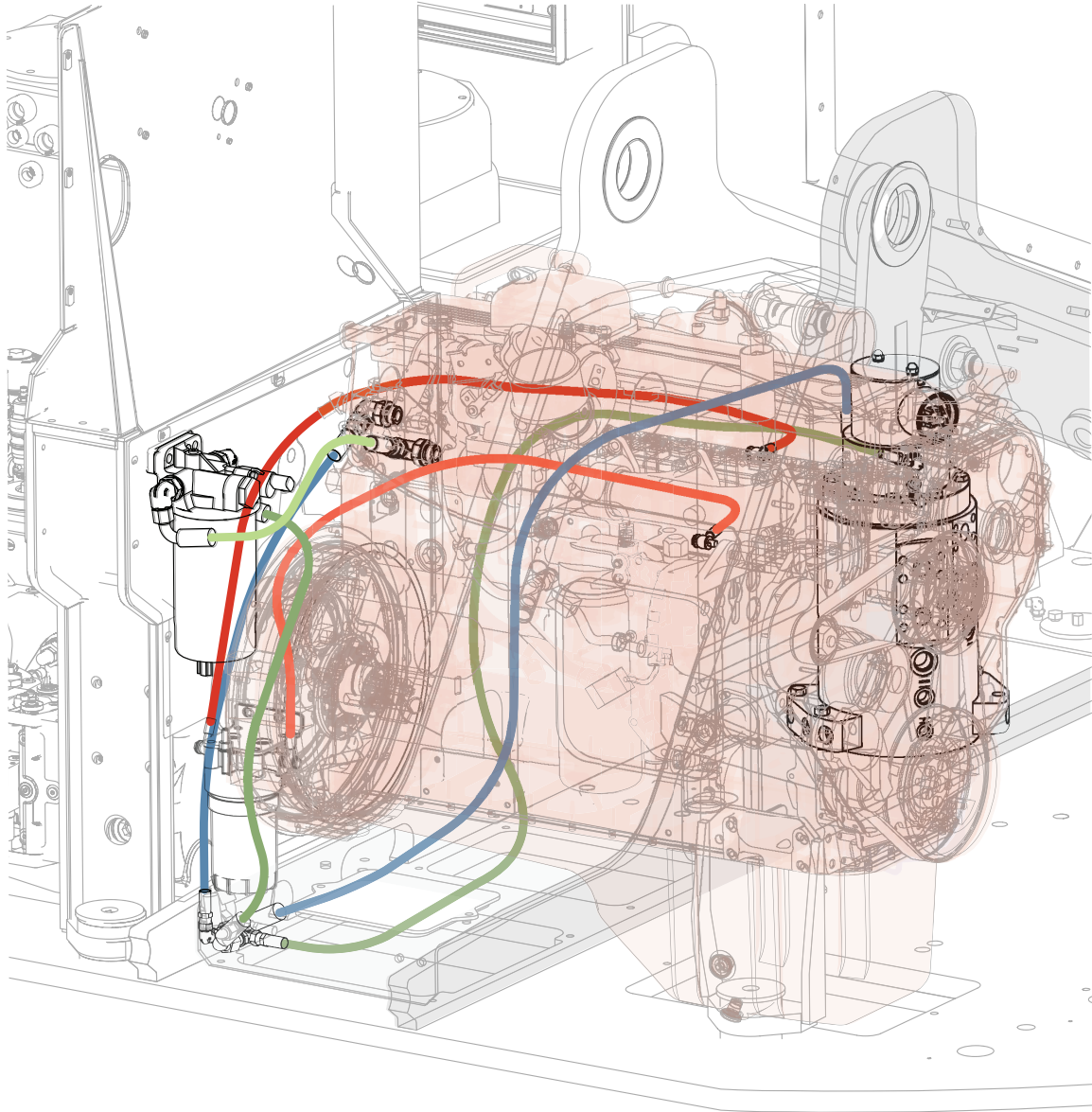
Use Silicone sealant during installation.

Note #3:

Use teflon sealant during installation.

PAGE INTENTIONALLY LEFT BLANK

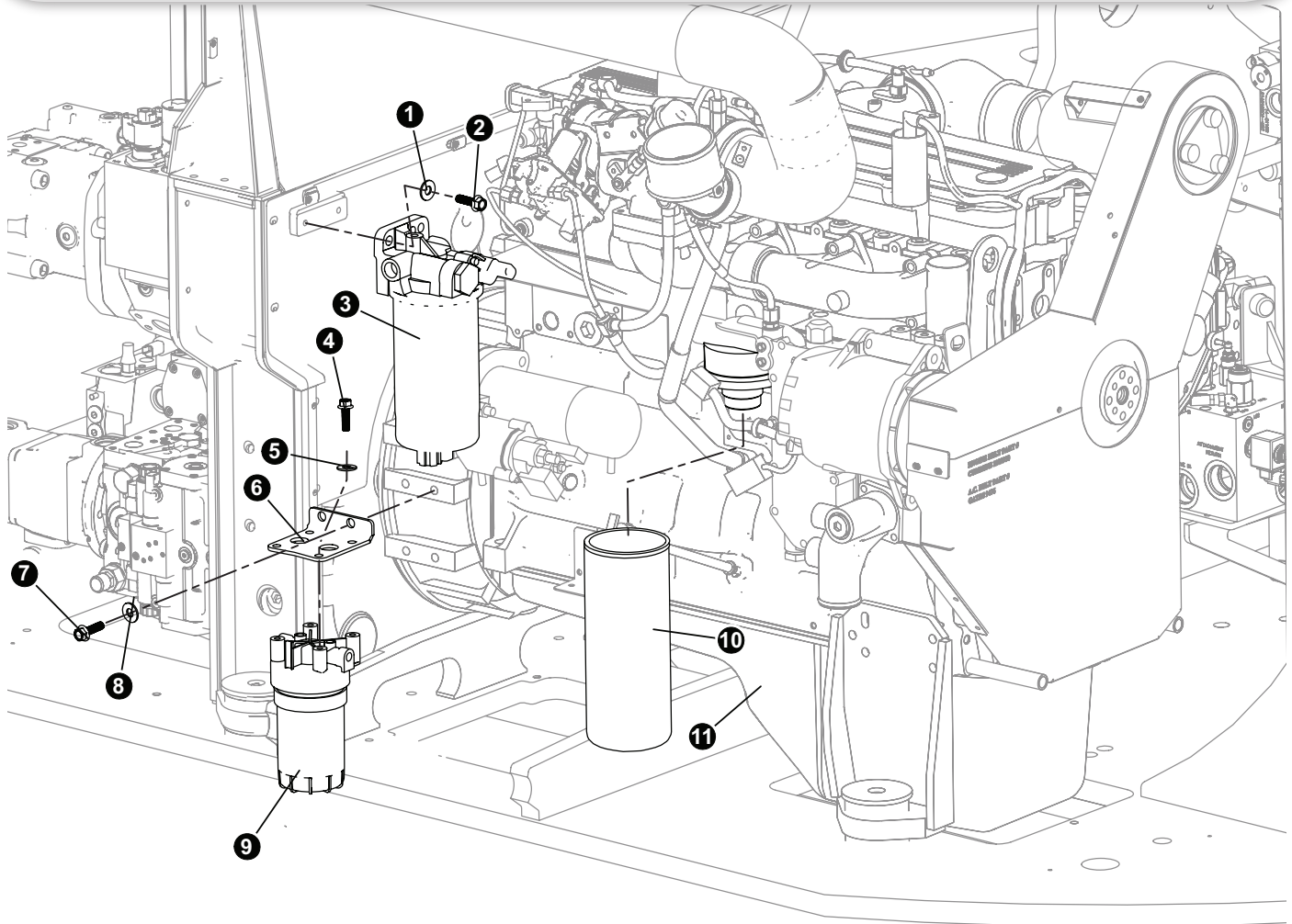
630/830/840 ENGINE FUEL SYSTEM AT UPPER TURNTABLE SECTION EE-1-2



ENGINE SYSTEMS AT UPPER TURNTABLE

FUEL SYSTEM AT UPPER TURNTABLE

CUMMINS STD ENGINE (57762) REPLACEMENT PARTS




FUEL SYSTEM AT UPPER TURNTABLE CUMMINS STD ENGINE (57762) REPLACEMENT PARTS

REF	PART #	QTY	DESCRIPTION	SEE SECTION
1	15528	2	WASHER, SAE FLAT - .375"	
2	10402	1	BOLT - .375" X 1.25"	
3	58052	1	FUEL PRO FILTER - STAGE 1	
4	25059	2	BOLT - 8MM-1.25P X 20MM	
5	10801	3	5/16" FLAT WASHER	
6	60405	1	MOUNT, FILTER - FUEL	
7	15556	2	BOLT - 12MM-1.75P X 20MM	
8	18735	2	WASHER, FLAT - 12MM	
9	58053	1	FILTER, FUEL - STAGE 2	
10	58054	1	FILTER, ENGINE OIL (D-SERIES)	
11	(Click Here)	1	ENGINE, CUMMINS	EE-1
13	15604	1	BOLT - .25" X .75"	
14	10757	1	WASHER, .25 FLAT	
15	46268	1	SHROUD, ASSY BELT GUARD 300HP & D-MOD (Bracket is assembled with entire Shroud Assembly - See next page for 46268 assembly parts.	
16	10812	1	5/16" NUT	
17	10822	1	BOLT - .3125" X 1.25"	
18	55135	1	COMPRESSOR, A/C - C MODEL / SKIDDER	
19	5367768 (Sup. #)	1	STARTER, CUMMINS	
20	24604	1	BOLT - 10MM-1.5P X 125MM (FLANGE HEAD)	
21	3400698 (Sup. #)	1	ALTERNATOR, CUMMINS	

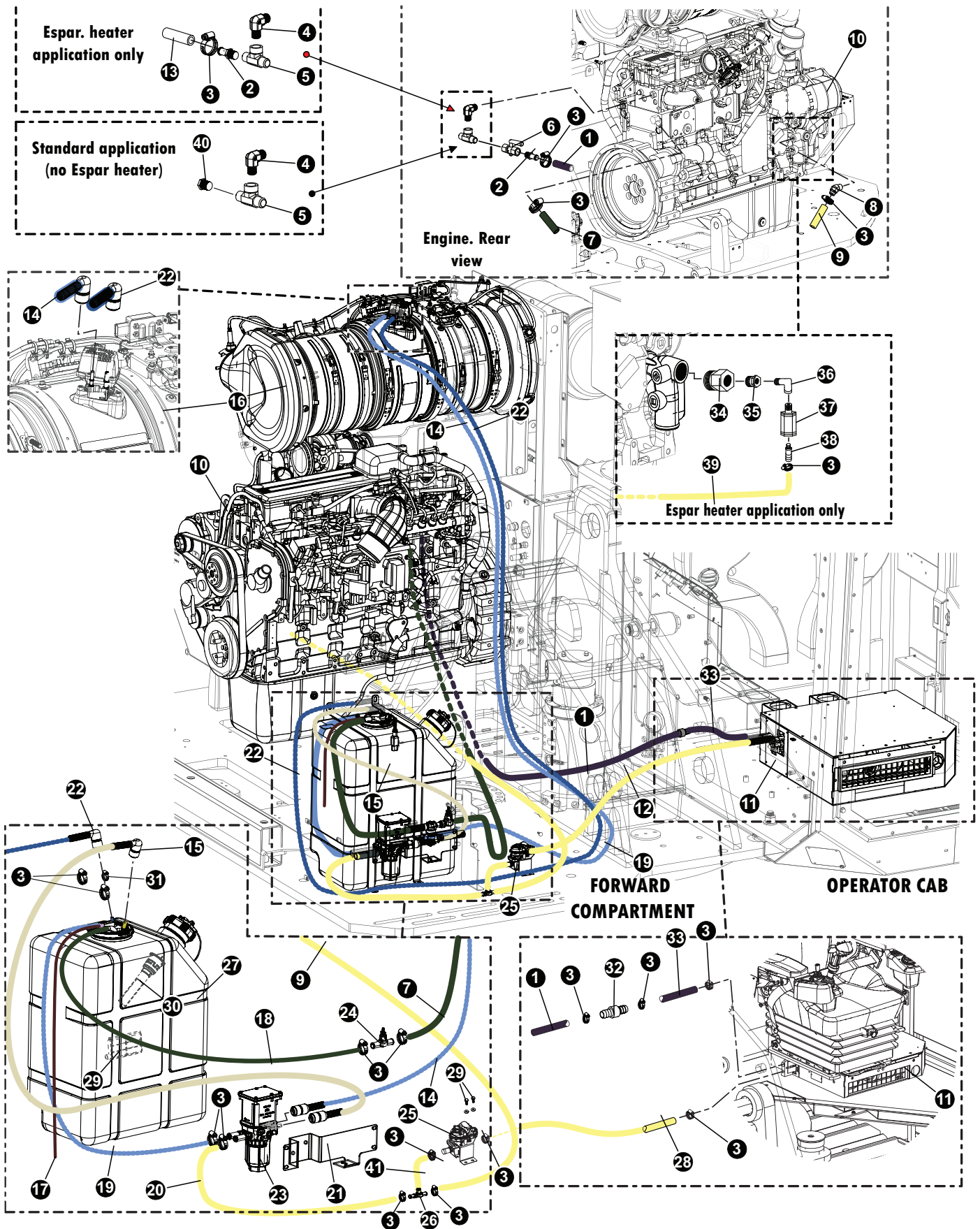


See referenced page for component or assembly breakdown.

FUEL SYSTEM AT UPPER TURNTABLE FUEL SUPPLY AND RETURN LINES

REF	PART #	QTY	DESCRIPTION	SEE SECTION
1	53103	1	FITTING, 6-8 - ORB-JIC 830-B	
2	(See Description)	1	HOSE ASSEMBLY - 221FR25-06-06JS-06J9	
3	(See Description)	1	HOSE ASSEMBLY - 221FR35-06-06JS-06J9	
4	WASHER	1	(CONTACT YOUR CUMMINS DEALER FOR REPLACEMENT PART)	
5	HOSE	1	(CONTACT YOUR CUMMINS DEALER FOR REPLACEMENT PART)	
6	FASTENER	1	(CONTACT YOUR CUMMINS DEALER FOR REPLACEMENT PART)	
7	FASTENER	1	(CONTACT YOUR CUMMINS DEALER FOR REPLACEMENT PART)	
8	53073	1	ELBOW, 90 6-JIC X 10-ORB	
9	(Click Here)	1	FUEL PRO FILTER - STAGE 1	<u>EE-1</u>
10	55347	2	FITTING, ELBOW - BULKHEAD 6 WETX-WLN-S	
11	(See Description)	1	HOSE ASSEMBLY - 221FR28-06-06JS-06J9	
12	(Click Here)	1	FILTER, FUEL - STAGE 2.	<u>EE-1</u>
13	15556	2	BOLT - 12MM-1.75P X 20MM	
14	25059	2	BOLT - 8MM-1.25P X 20MM	
15	53073	1	ELBOW, 90 6-JIC X 10-ORB	
16	(See Description)	1	HOSE ASSEMBLY - 2081-06-06JS-06J9	
17	(See Description)	1	HOSE ASSEMBLY - 2081-06-06JS-06J9	
18	15480	2	ELBOW, 90 - 6801-6	
19	(Click Here)	1	ROTARY MANIFOLD	<u>UP-1</u>
20	(Click Here)	1	TRIPLE DRIVE BULKHEAD.	<u>EE-1</u>
21	(Click Here)	1	 ENGINE - Cummins.	<u>EE-1</u>
22	10801	2	WASHER, 5/16"	
23	18735	2	WASHER, FLAT - 12MM	

 See referenced page for component or assembly breakdown.






DEF TANK SYSTEM - C SERIES CAB

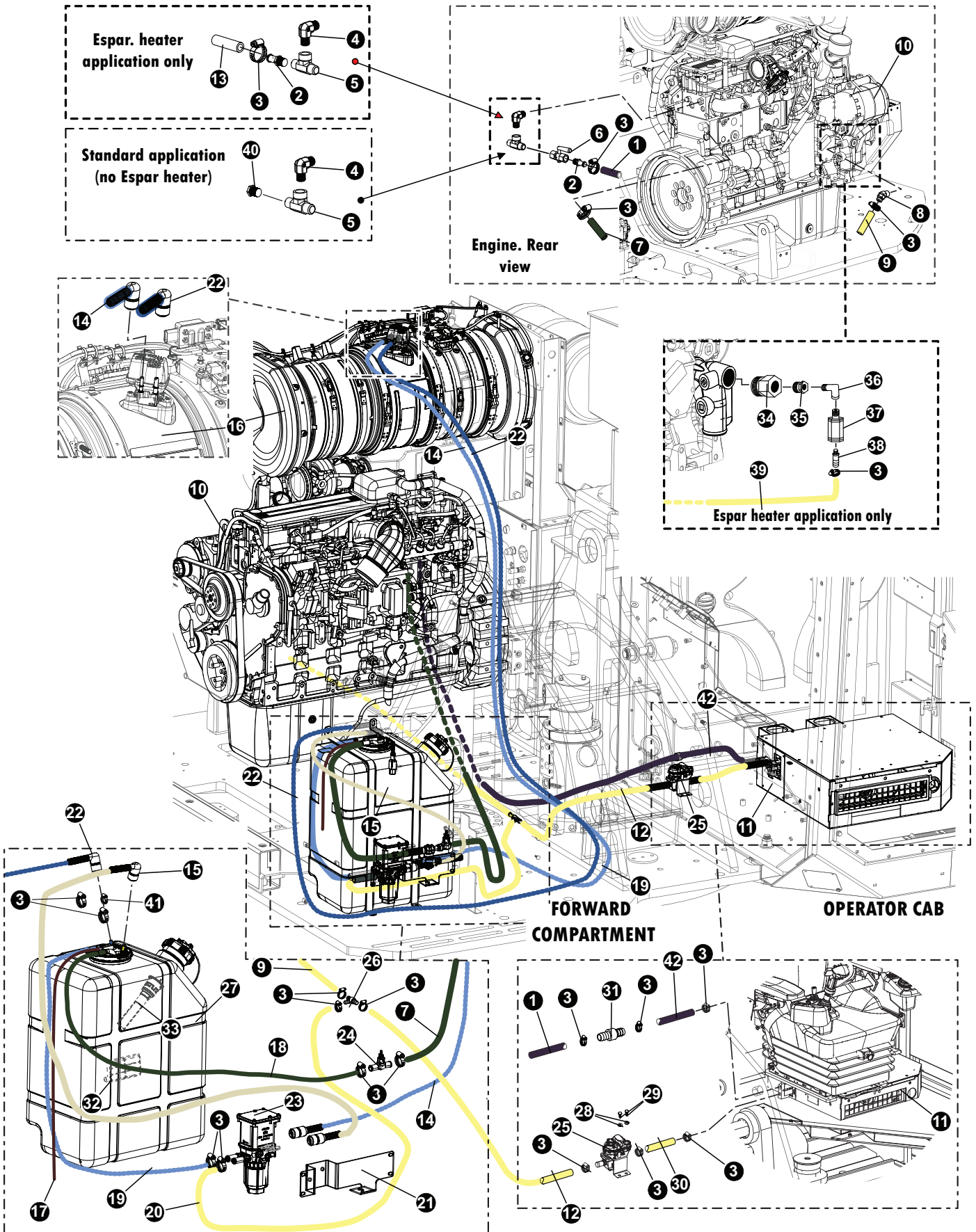
PRESSURE LINES, RETURN LINES, AND ATTRIBUTING COMPONENTS

REF	PART #	QTY	DESCRIPTION	SEE SECTION
1	547801		HOSE, HEATER - 5/8" X 110" WRAPPED (Engine to AC heater unit)	
2	517742		CONNECTOR, STR HOSE BARB - .5 X 5/8	
3	1625620		CLAMP, HOSE - WORM STYLE - 1"	
4	527851		ELBOW, MALE PIPE - 3/4 X 1/2 CR-S	
5	518791		TEE, RUN - .5" (1/2 MR0-S)	
6	517141		VALVE, BALL - WATER SHUT OFF HEATER 1/2"	
7	581141		HOSE, HEATER 5/8 X 140" (Engine to coolant control valve)	
8	578051		FITTING, 179HB-10-8	
9	547801		HOSE, HEATER - 5/8" X 110" WRAPPED (Engine to Tee Connector)	
10	(Click Here)	1	ENGINE, CUMMINS L9 -STAGE V 338 HP D	EE-1
11	(Click Here)	1	KIT, HEATER/AC - D SERIES - LEFT CAB	OC-4
12	284661		HOSE, HEATER - 5/8" (Elbow from water control valve to tee connector)	
13	527381		HOSE, HEATER - 5/8" X 80" WRAPPED (Engine to Espar Unit)	
14	(See Description)	1	HOSE, DEF RETURN (Supplier Part # 4388441)	
15	(See Description)	1	HOSE, DEF PRESSURE (Supplier Part # 4377353)	
16	(See Description)	1	Singular Can Assembly. (Supplier Part # A059S306)	
17	162381		HOSE, FUEL LINE .3125" x 24" (DEF Tank Breather)	
18	580241		HOSE, HEATER - 5/8" X 64" LF(GATES 28473) (DEF Tank OUT to SCR Water Valve) Hose cut to 34"	
19	580241		HOSE, HEATER - 5/8" X 64" LF(GATES 28473) (DEF Tank IN to Doser Pump) Hose cut to 34"	
20	580241		HOSE, HEATER - 5/8" X 64" (GATES 28473) (Doser Pump to Tee Hose Barb) Hose cut to 46"	
21	601341		PLATE, DEF DOSER MOUNT - STAGE V	
22	(See Description)	1	HOSE, (Supplier Part # SCR6E400FAFC215)	
23	(See Description)	1	PUMP, DOSER (Supplier Part # A055V395)	
24	(See Description)	1	VALVE, COOLANT CONTROL (Supplier Part # A0475305-10)	
25	580691		VALVE, WATER KIT	
26	579031		TEE, HOSE BARB - 5/8" PIPE	
27	(See Description)	1	TANK, DEF 15 GAL. (Supplier Part # 4353889)	
28	212271		HOSE, HEATER - .625" X 72"	
29	58093	1	FILTER, DEF TANK	
30	589721		FILTER, DEF TANK STRAINER - (4387114)	
31	162021		CLAMP, HOSE - WORM STYLE - .625"	
32	525781		BARB, HOSE 5/8" BRASS SPLICER	
33	212271		HOSE, HEATER - .625" X 55"	
34				
35	155131		BUSHING, REDUCER - 5406-12-8	
36	527861		ELBOW, 90° STREET -1/2 X 3/8 CD-S	
37	15652		VALVE, CHECK - HYDRAULIC/FUEL	
38	16009	1	CONNECTOR, STR HOSE BARB	
39	520351		HOSE, ESPAR INSTALLATION	
40	174881		PLUG - 5406-HHP-8/ 1/2 HEX PIPE	
41	(See Description)		5/8" Heater Hose, 90 Deg. (28466, Gates)	

IMPORTANT:

58057, FAN, DEF - STAGE 5 D-SERIES IS AN OBSOLETE PART. FAN IS NOT NEEDED PER SR. MANAGEMENT AND CANNOT BE REPLACED.

-  See reference page for component or assembly breakdown.
-  Kit or Assembly - includes all items indented underneath.
-  Sold in bulk per foot - Please specify length when ordering.






DEF TANK SYSTEM - D SERIES CAB

PRESSURE LINES, RETURN LINES, AND ATTRIBUTING COMPONENTS

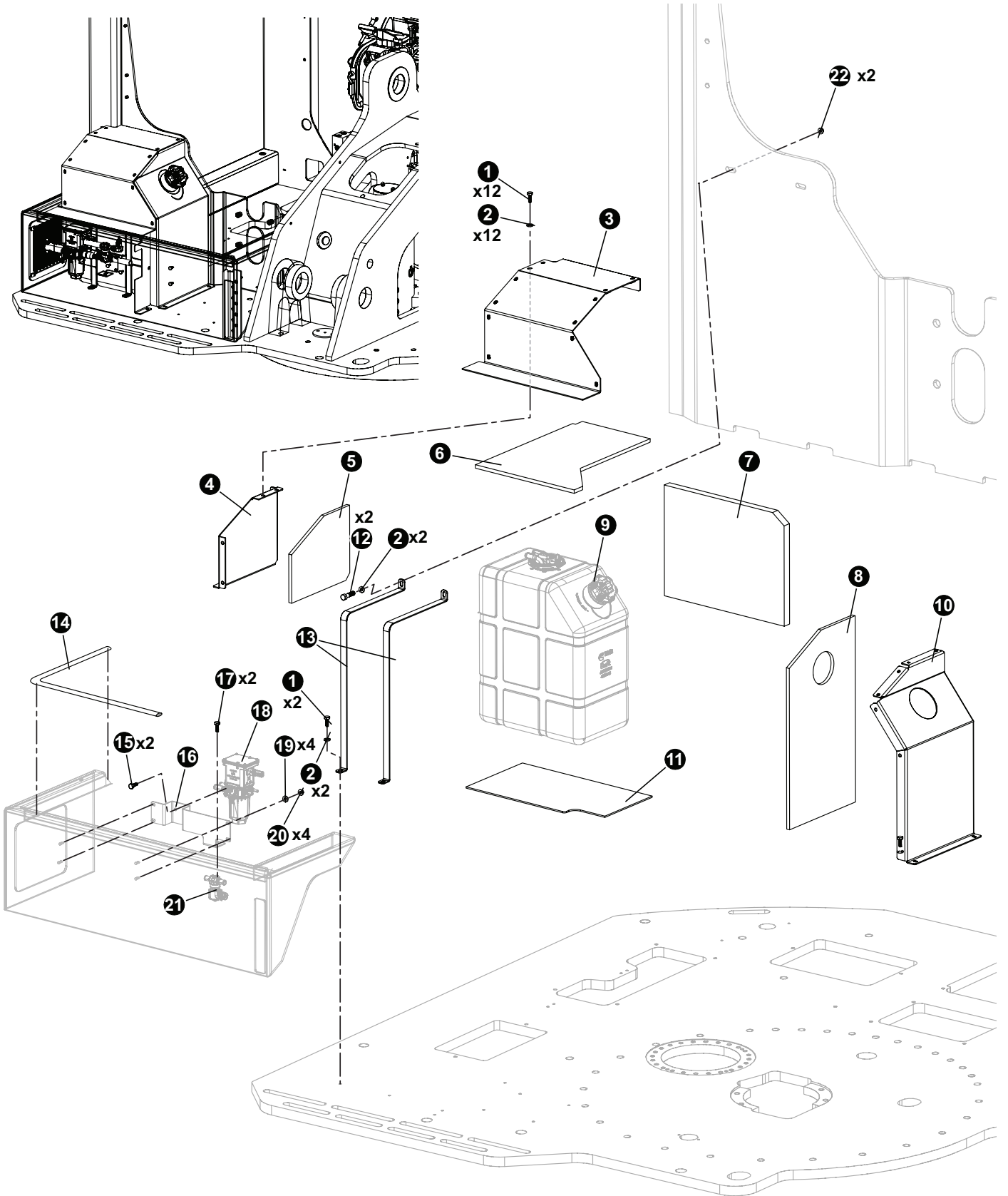
REF	PART #	QTY	DESCRIPTION	SEE SECTION
1	54780	1	HOSE, HEATER - 5/8" X 110" WRAPPED	
2	51774	2	CONNECTOR, STR HOSE BARB - .5 X 5/8	
3	16256	20	CLAMP, HOSE - WORM STYLE - 1"	
4	52785	1	ELBOW, MALE PIPE - 3/4 X 1/2 CR-S	
5	51879	1	TEE, RUN - .5" (1/2 MRO-S)	
6	51714	1	VALVE, BALL - WATER SHUT OFF HEATER 1/2"	
7	58114	1	HOSE, HEATER 5/8 X 140 WRAPPED SCR VALVE	
8	57805	1	FITTING, 179HB-10-8	
9	54780	1	HOSE, HEATER - 5/8" X 110" WRAPPED	
10	(Click Here)	1	ENGINE, CUMMINS L9 -STAGE V 338 HP D	EE-1
11	(Click Here)	1	KIT, HEATER/AC - D SERIES - LEFT CAB	OC-4
12	(See description)	1	HOSE, HEATER - 5/8" X 52" Water Valve to T (Supplier Part #BH-537)	
13	52738	1	HOSE, HEATER - 5/8" X 80" (Engine to Espar Unit)	
14	(See Description)	1	HOSE, DEF RETURN (Supplier Part # 4388441)	
15	(See Description)	1	HOSE, DEF PRESSURE (Supplier Part # 4377353)	
16	(See Description)	1	Singular Can Assembly (Supplier Part #A059S306)	
17	16238	1	VENT HOSE, FUEL LINE (BULK ROLL) - .3125" Cut to 24"	
18	58024	1	HOSE, HEATER - 5/8" X 64" LF(GATES 28473) (DEF Tank OUT to SCR Water Valve) Hose cut to 34"	
19	58024	1	HOSE, HEATER - 5/8" X 64" LF(GATES 28473) (DEF Tank IN to Doser Pump) Hose cut to 34"	
20	58024	1	HOSE, HEATER - 5/8" X 64" (GATES 28473) (Doser Pump to Tee Hose Barb) Hose cut to fit.	
21	60134	1	PLATE, DEF DOSER MOUNT - STAGE V	
22	(See Description)	1	HOSE, (Supplier Part # SCR6E400FAFC215)	
23	(See Description)	1	PUMP, DOSER (Supplier Part # A055V395)	
24	(See Description)	1	VALVE, COOLANT CONTROL (Supplier Part # A0475305-10)	
25	58069	1	VALVE, WATER KIT	
26	57903	1	TEE, HOSE BARB - 5/8" PIPE	
27	(See Description)	1	TANK, DEF 15 GAL. (Supplier Part # 4353889)	
28	10800	4	WASHER, FLAT - .25"	
29	15604	2	BOLT - .25" X .75"	
30	(See Description)	1	HOSE, HEATER - 5/8" X 8" (Supplier Part #BH-537)	
31	52578	1	BARB, HOSE 5/8" BRASS SPLICER	
32	58093	1	FILTER, DEF TANK (Service Part)	
33	58972	1	FILTER, DEF TANK STRAINER - (4387114) (Service Part)	
34		1	Reducer	
35	15513	1	BUSHING, REDUCER - 5406-12-8	
36	52786	1	ELBOW, 90° STREET -1/2 X 3/8 CD-S	
37	15652	1	VALVE, CHECK - HYDRAULIC/FUEL	
38		1		
39	52035	1	HOSE, ESPAR INSTALLATION	
40	17488	1	PLUG - 5406-HHP-8/ 1/2 HEX PIPE	
41	16202	1	CLAMP, HOSE - WORM STYLE - .625"	
42	(See Description)	1	HOSE, HEATER - 5/8" X 60" (Supplier Part #BH-537)	

IMPORTANT:

58057, FAN, DEF - STAGE 5 D-SERIES IS AN OBSOLETE PART. FAN IS NOT NEEDED PER SR. MANAGEMENT AND CANNOT BE REPLACED.




-  See reference page for component or assembly breakdown.
-  Kit or Assembly - includes all items indented underneath.
-  Sold in bulk per foot - Please specify length when ordering.

DEF TANK ASSEMBLY AND INSTALLATION



DEF TANK ASSEMBLY AND INSTALLATION

REF	PART #	QTY	DESCRIPTION	SEE SECTION
1	15542	14	BOLT - .375" X .75"	
2	10802	16	WASHER, FLAT - .375"	
3	60655	1	PLATE, DEF TANK SHROUD	
4	60657	1	SHROUD, DEF TANK - END COVER	
5	58033	1	INSULATION, DEF TANK END COVER	
6	58034	1	INSULATION, DEF TANK TOP COVER	
7	58036	1	INSULATION, UPPER TO DEF TANK	
8	58035	1	INSULATION, DEF TANK FILL PANEL	
9	(Click Here)	1	DEF TANK 15 GAL.....	<u>UP-2</u>
10	60660	1	SHROUD, DEF TANK - END	
11	58037	1	FLOORMAT, DEF TANK D-MOD	
12	10822	1	BOLT - .3125" X 1.25"	
13	47942	1	STRAP, DEF TANK - CUMMINS	
14	18126	1	WEATHERSTRIPPING, RUBBER-DOOR SEAL (Lineal Foot)	
15	(See Description)	4	BOLT, ALLEN HEAD, M8x20mm (Lawson Part Number: 80511)	
16	(Click Here)	1	PLATE, DEF DOSER MOUNT - STAGE V	<u>UP-2</u>
17	(See Description)	1	BOLT, ALLEN HEAD, M5x12mm (Lawson Part Number: 80498)	
18	(Click Here)	1	PUMP, DOSER	<u>UP-2</u>
19	10800	4	WASHER, FLAT - .25"	
20	10811	4	NUT, LOCK - .25"	
21	(Click Here)	1	VALVE, COOLANT CONTROL.....	<u>UP-2</u>

-  See reference page for component or assembly breakdown.
-  Kit or Assembly - includes all items indented underneath.
-  Sold in bulk per foot - Please specify length when ordering.

PAGE INTENTIONALLY LEFT BLANK