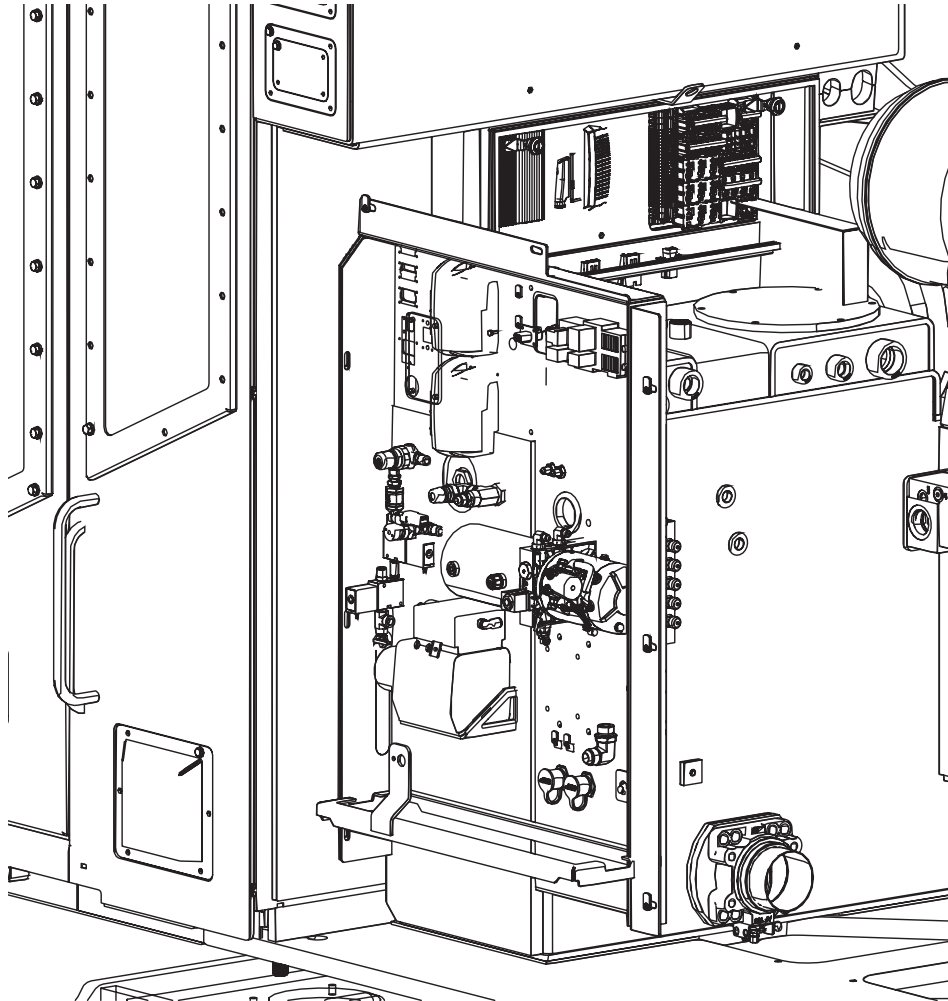
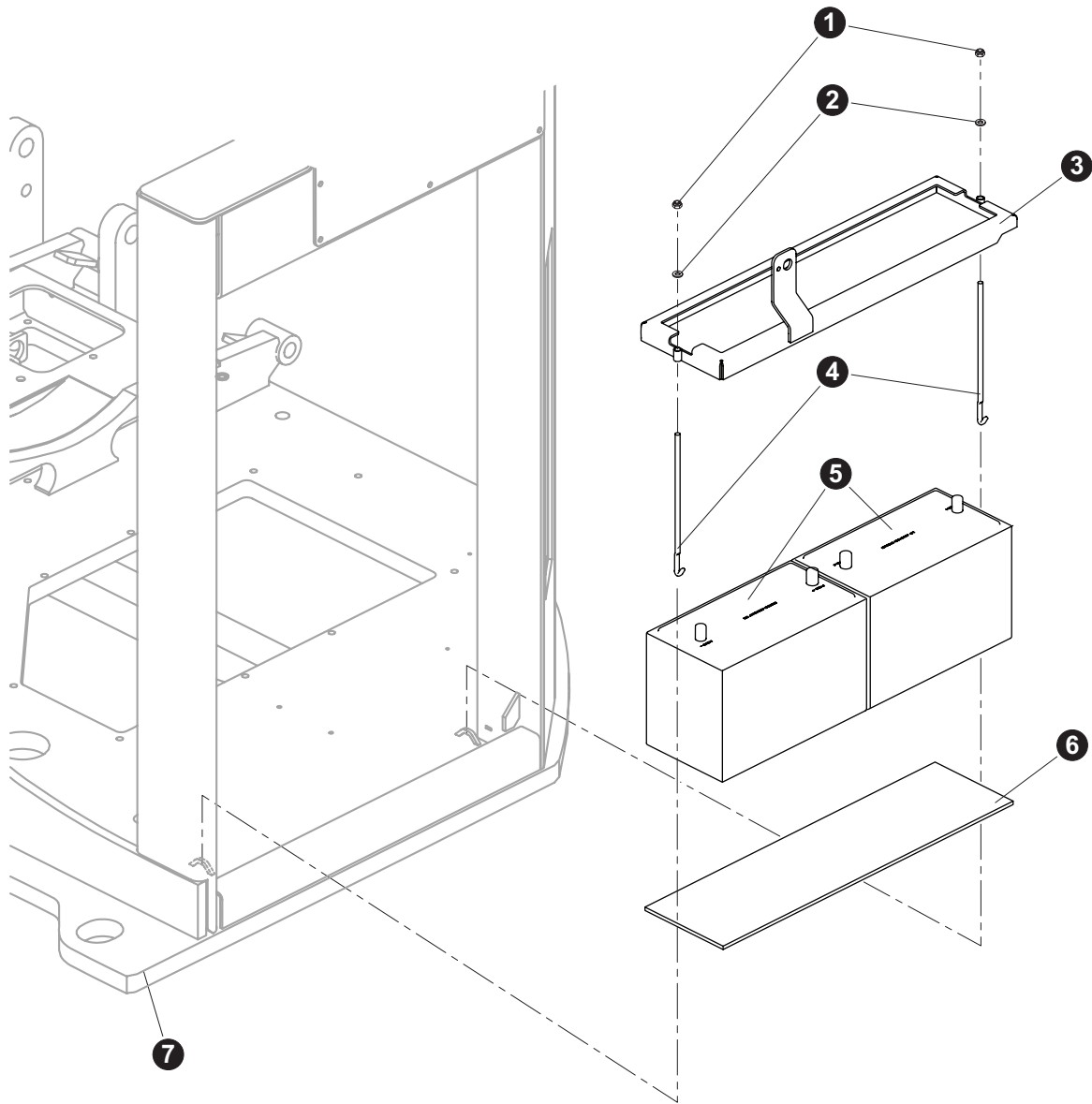


SECTION ES-1

ELECTRICAL SYSTEM






Parts T4263 07/18

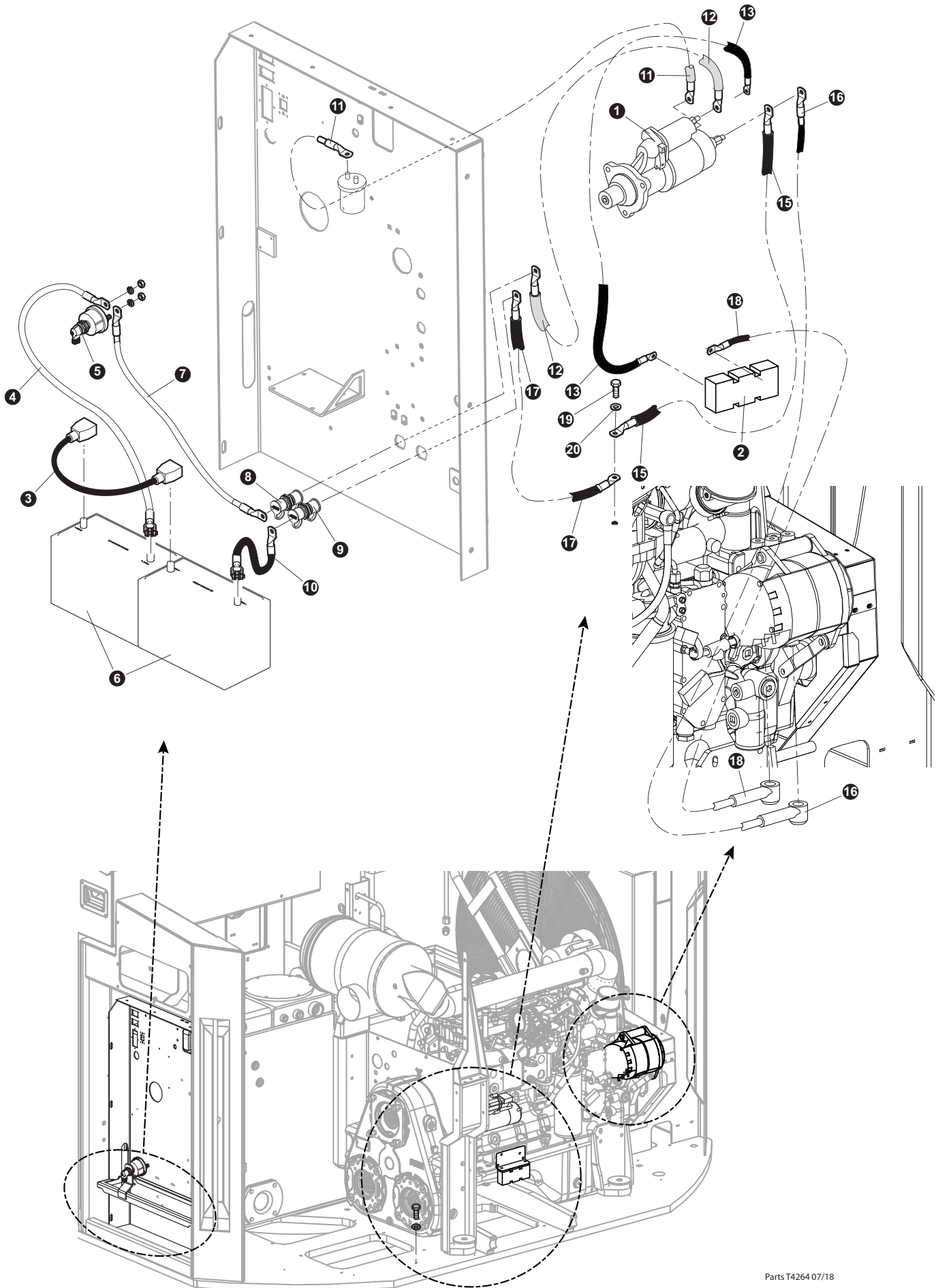
ELECTRICAL SYSTEM

BATTERY INSTALLATION

REF	PART #	QTY	DESCRIPTION	SEE SECTION
1	10788	2	NUT, NYLOCK - .3125"	
2	15559	2	WASHER, SAE FLAT - .3125"	
3	45537	1	BRACKET, BATTERY HOLD DOWN	
4	51722	1	HOLD DOWN, BATTERY - (2 PER PACK)	
5	17150	2	BATTERY, HEAVY DUTY	
6	45720	1	RUBBER, ISOLATOR - BATTERY HOLD DOWN	
7	(Click Here)	1	 UPPER TURNTABLE ASSEMBLY	UP-1





See referenced page for component or assembly breakdown.



Parts T4264 07/18

ELECTRICAL SYSTEM

BATTERY, STARTER, AND ALTERNATOR CABLES - CUMMINS STG5

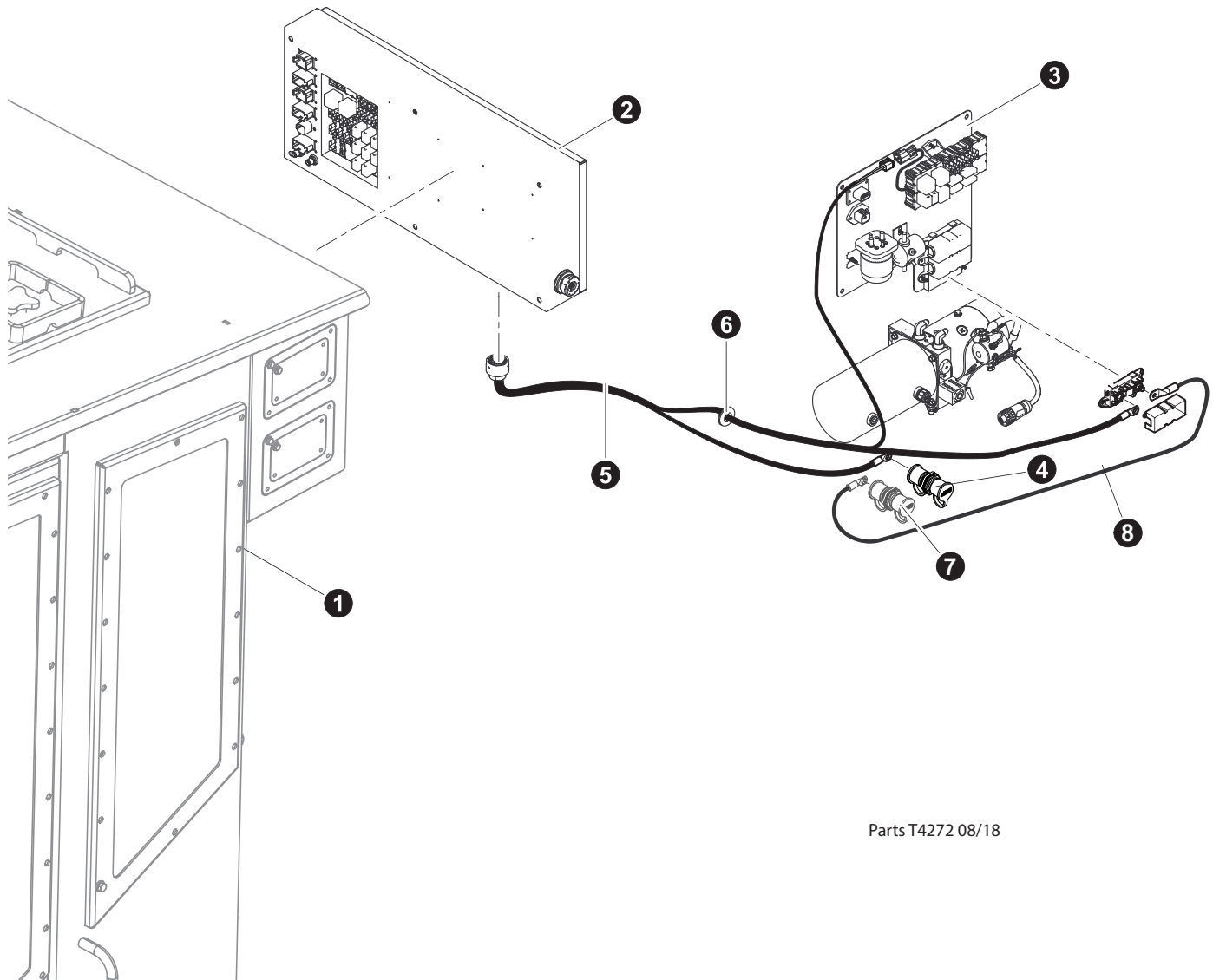
REF	PART #	QTY	DESCRIPTION	SEE SECTION
1	(Click Here)	1	 STARTER	EE-1
2	22247	1	HOLDER, FUSE MEGA	
3	24300	1	CABLE, BATTERY POS/NEG JUMPER	
4	55334	1	CABLE, BAT. POSITIVE TO MAST. DISCONNECT	
5	25200	1	SWITCH, MASTER SHUT-OFF(1/2" STUD)	
6	(Click Here)	1	 BATTERY ASSEMBLY	ES-1
7	55333	1	CABLE, MASTER DISC. to POWER + STUD	
8	54643	1	STUD, THRU BATTERY CABLE POSITIVE +	
9	54642	1	STUD, THRU BATTERY CABLE 1/2" NEGATIVE -	
10	55337	1	CABLE, BATTERY to GROUND STUD	
11	55194	1	HARNES, START RELAY TO STARTER SOL.	
11	54614	1	COVER, Positive battery post	
12	55327	1	CABLE, MASTER DISC. TO STARTER POS	
13	55332	1	CABLE, BATTERY - POSITIVE - 26"	
15	55328	1	CABLE, Upper Frame Grounding Bolt to Starter Ground	
16	57922	1	CABLE, BATTERY - NEGATIVE - "D" - 30.5"	
17	55329	1	CABLE, Negative Stud to Upper Frame Grounding Bolt	
18	57921	1	CABLE, BATTERY - 28"	
19	10783	1	BOLT - .5" X 1"	
20	15534	1	WASHER, SAE FLAT - .5"	



See referenced page for component or assembly breakdown.

ELECTRICAL SYSTEM

CAB LOAD CENTER POWER HARNESS



Parts T4272 08/18

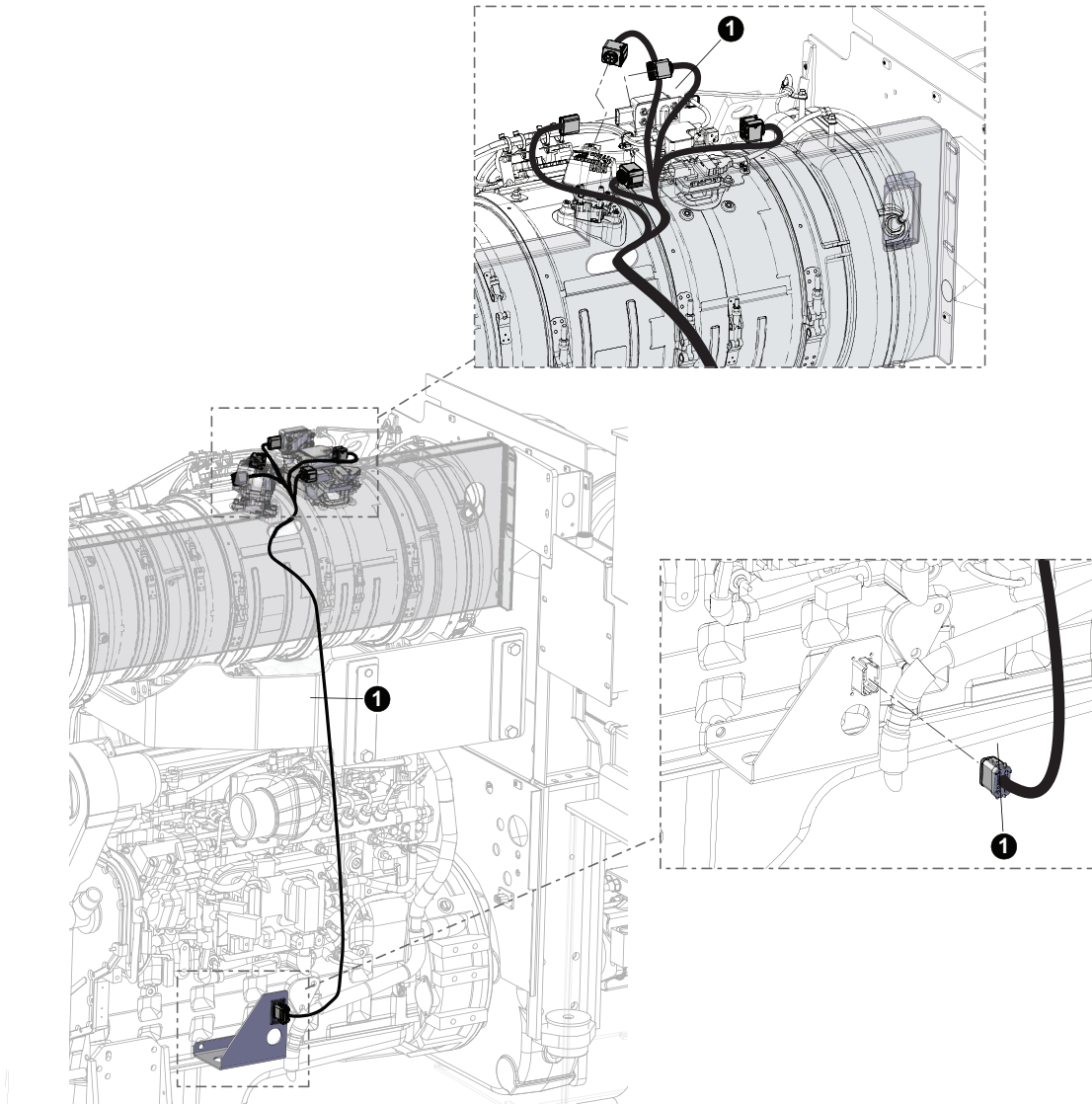
REF	PART #	QTY	DESCRIPTION	SEE SECTION
1	(Click Here)	1	CAB ASSEMBLY	OC-1
2	(Click Here)	1	CAB ELECTRICAL CENTER	ES-2
3	(Click Here)	1	ENGINE ELECTRICAL CENTER	ES-1
4	54642	1	STUD, THRU BATTERY CABLE 1/2" NEGATIVE	
5	54581	1	HARNESS, CAB Load Center Power	
6	42514	1	GROMMET, .875 I.D.	
7	54643	1	STUD, THRU BATTERY CABLE POSITIVE	
8	58096	1	HARNESS, FUSE TO STUD, POSITIVE	



See referenced page for component or assembly breakdown.

ELECTRICAL SYSTEM

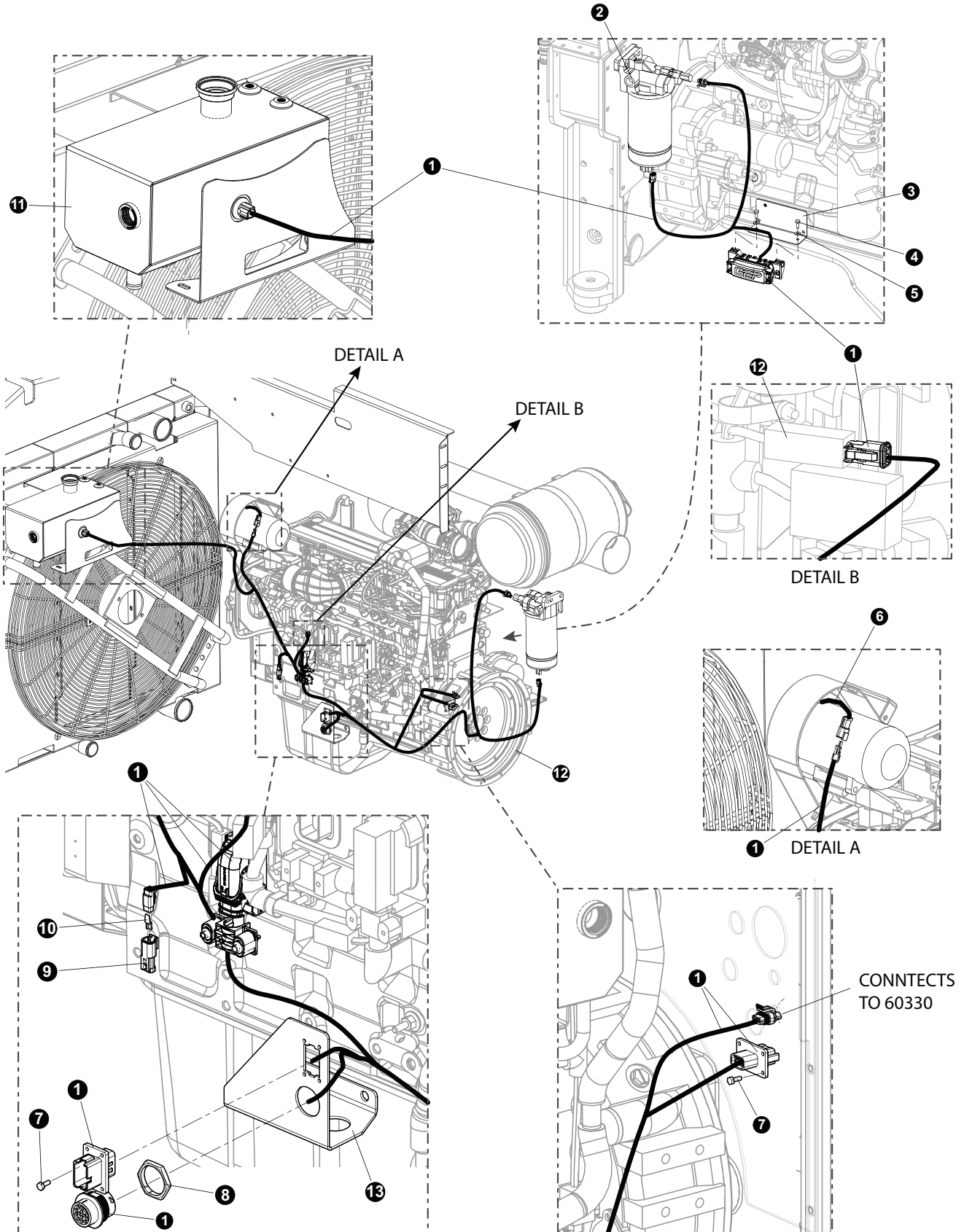
CUMMINS STAGE 5 AFTER-TREATMENT HARNESS



REF	PART #	QTY	DESCRIPTION	SEE SECTION
1	60329	1	HARNESS, AFTER TREATMENT - CUMMINS STG5	







See referenced page for component or assembly breakdown.



ELECTRICAL SYSTEM

ENGINE HARNESS - CUMMINS STG 5

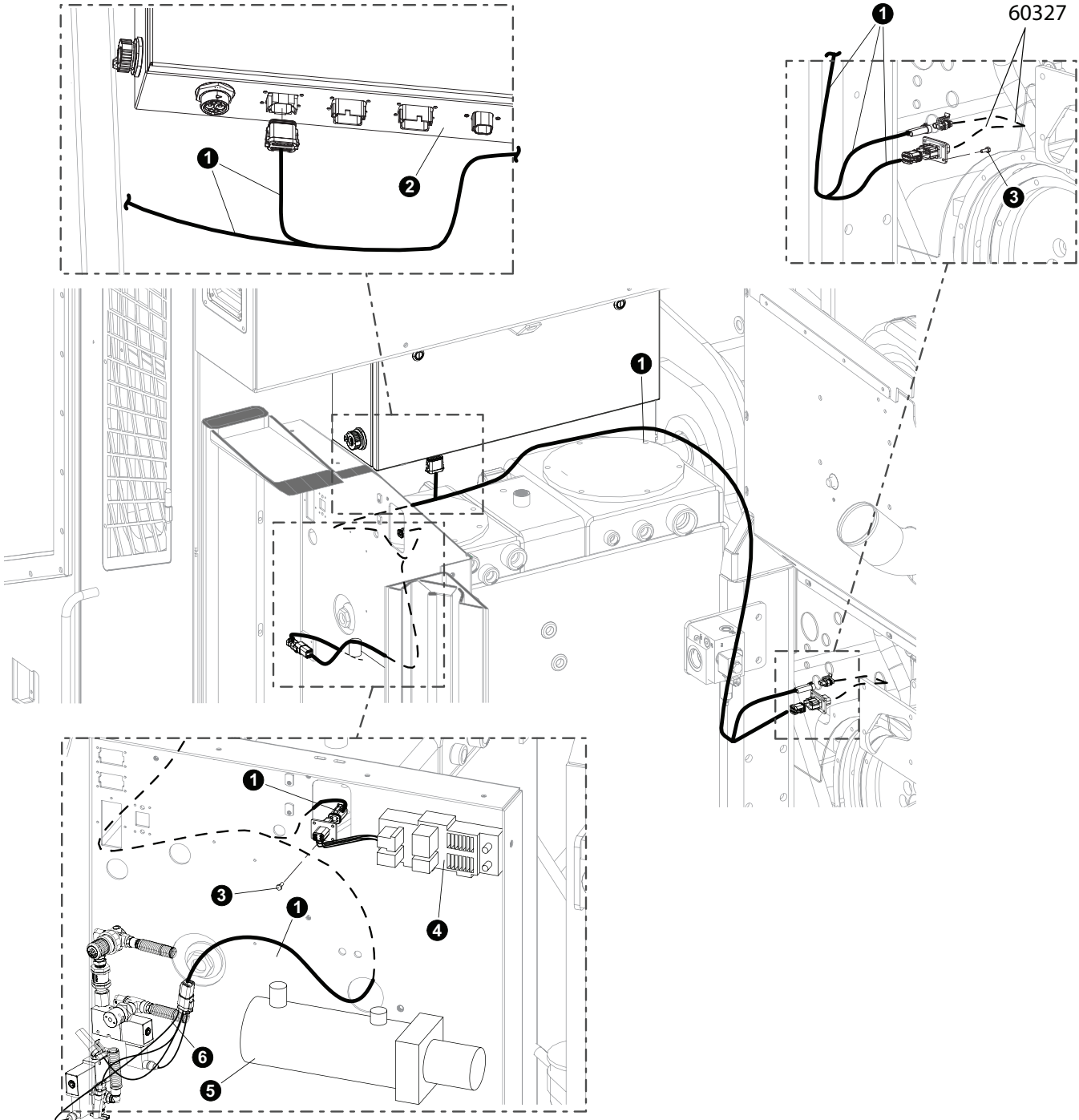
REF	PART #	QTY	DESCRIPTION	SEE SECTION
1	60327	1	HARNESS, ENGINE - CUMMINS STG5	
2	(Click Here)	1	 FUEL HEATER / FILTER ASSEMBLY	EE-1
3	60433	1	HOLDER, FUSE	
4	16133	1	M6x1.0x16mm BOLT	
5	10800	1	WASHER, FLAT - .25"	
6	(Click Here)	1	 COMPRESSOR, A/C	EE-1
7	10374 (Sup. #)	8	10-24x1/2" BOLT (LAWSON)	
8	2411-001-1805	1	SERIES HDP20 RECEPTACLE (LADD DISTRIBUTION)	
9	DTM04-2P-EP10	1	END OF LINE RESISTOR (LADD DISTRIBUTION)	
10	WM-2SB (Sup. #)	1	VENT VALVE	
11	(Click Here)	1	 TANK, BURP - D SERIES (HI VOLUME)	UP-2
12	(Click Here)	1	 ENGINE, CUMMINS L9 -STAGE V 338 HP	EE-1
13	60572	1	PLATE, WIRE HOLDER	



See referenced page for component or assembly breakdown.




WIRE HARNESS

60327



ELECTRICAL SYSTEM

HARNESS, CAB TO ENGINE - CUMMINS STG5

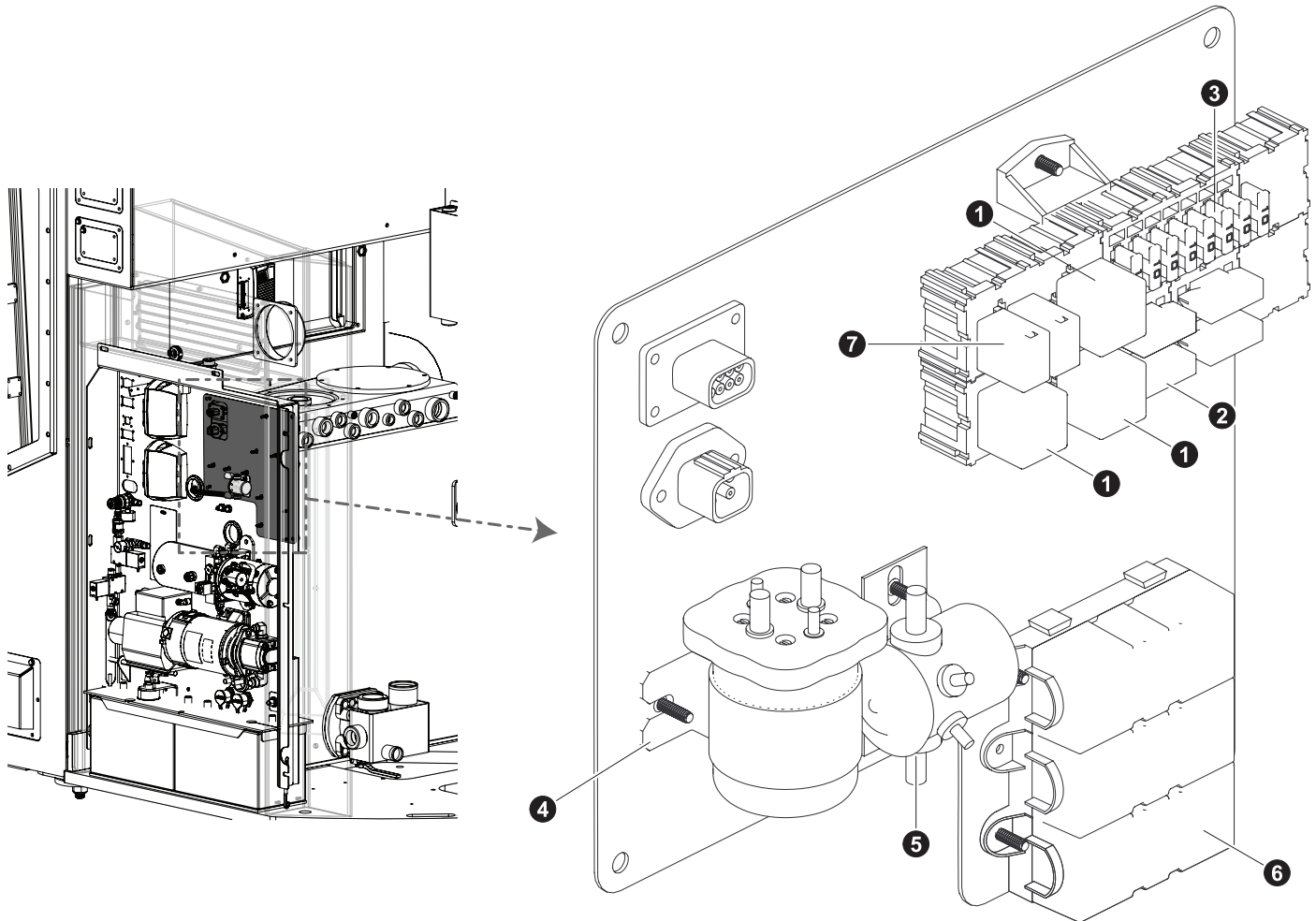
REF	PART #	QTY	DESCRIPTION	SEE SECTION
1	60330	1	HARNESS, CAB TO ENGINE - CUMMINS STG5	
2	(Click Here)	1	 CAB ELECTRICAL CENTER	ES-2
3	22862	8	SCREW, MACHINE - #10-24 X .5" (BUTTON)	
4	(Click Here)	1	 ENGINE ELECTRICAL CENTER	ES-1
5	(Click Here)	1	 GULLWING LIFT PUMP	UP-1
6	55193	1	HARNESS, vac vent Fill	



See referenced page for component or assembly breakdown.

ELECTRICAL SYSTEM

ENGINE ELECTRICAL CENTER BREAKDOWN



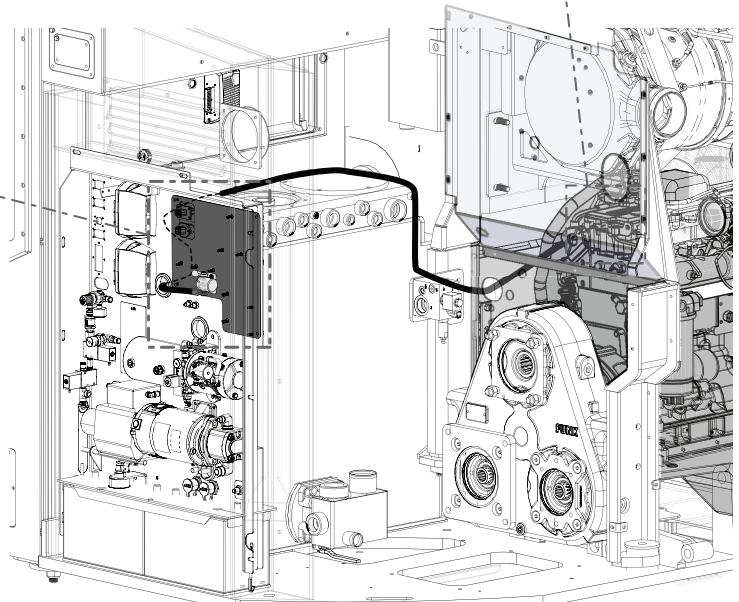
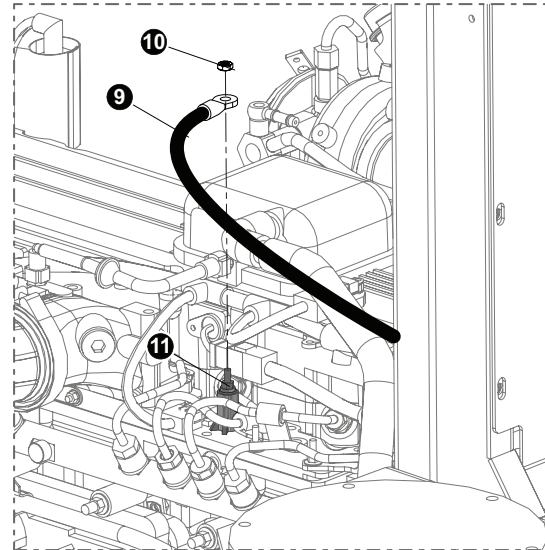
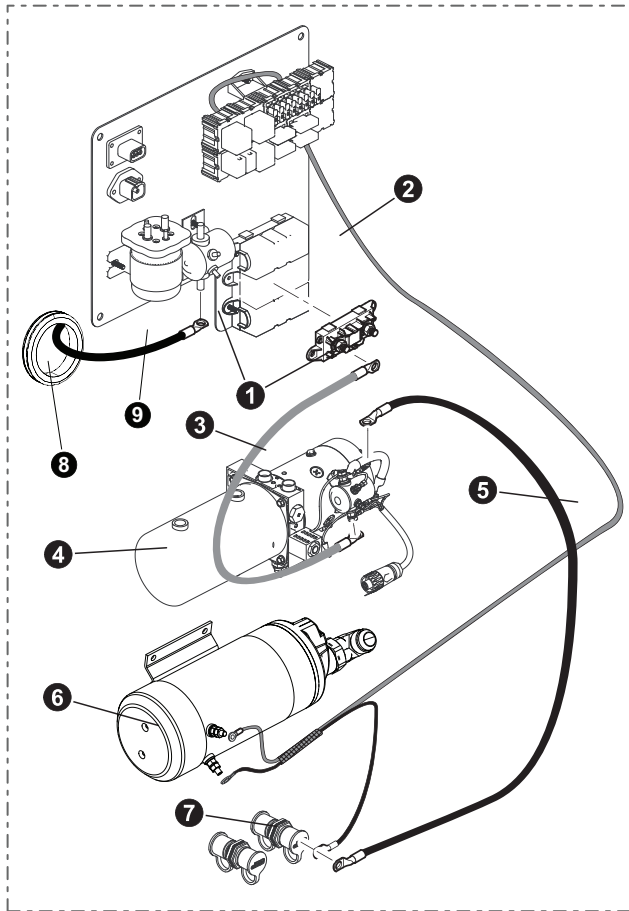
REF	PART #	QTY	DESCRIPTION	SEE SECTION
-	46695	1	<input type="checkbox"/> LOAD CENTER - ENG Comp MD4	
1	51755	3	RELAY, 70 AMP - LIGHTS / IGNITION / ACCESORY / Fill Pump	
2	21892	2	FUSE, MAXI - 30 AMP (lights)	
	21893	2	FUSE, MAXI - 50 AMP (starter, fill pump)	
3	24512	4	FUSE, ATO - 10 AMP (lights)	
	51754	1	FUSE, ATO - 20 AMP (Engine Pre Heater)	
	50401	1	FUSE, ATO - 30 AMP (Cummins ECU)	
4	25117	1	RELAY, STARTER - 24 volt (WHITE/ROGERS)	
5	25199	1	RELAY, GRID HEATER - 24 volt (COLE HERSEE)	
6	23619	3	FUSE, 100 AMP - MEGA (cab power supply, gull wing lift pump, grid heater, alter nator)	
7	53645	2	RELAY, AZ988-1C-24DE-C1 / American Zettler	
	21890	1	FUSE, MINI - 5 AMP (Horn)	
	21887	1	FUSE, MINI - 15 AMP (Gear Box Pump)	

See referenced page for component or assembly breakdown.

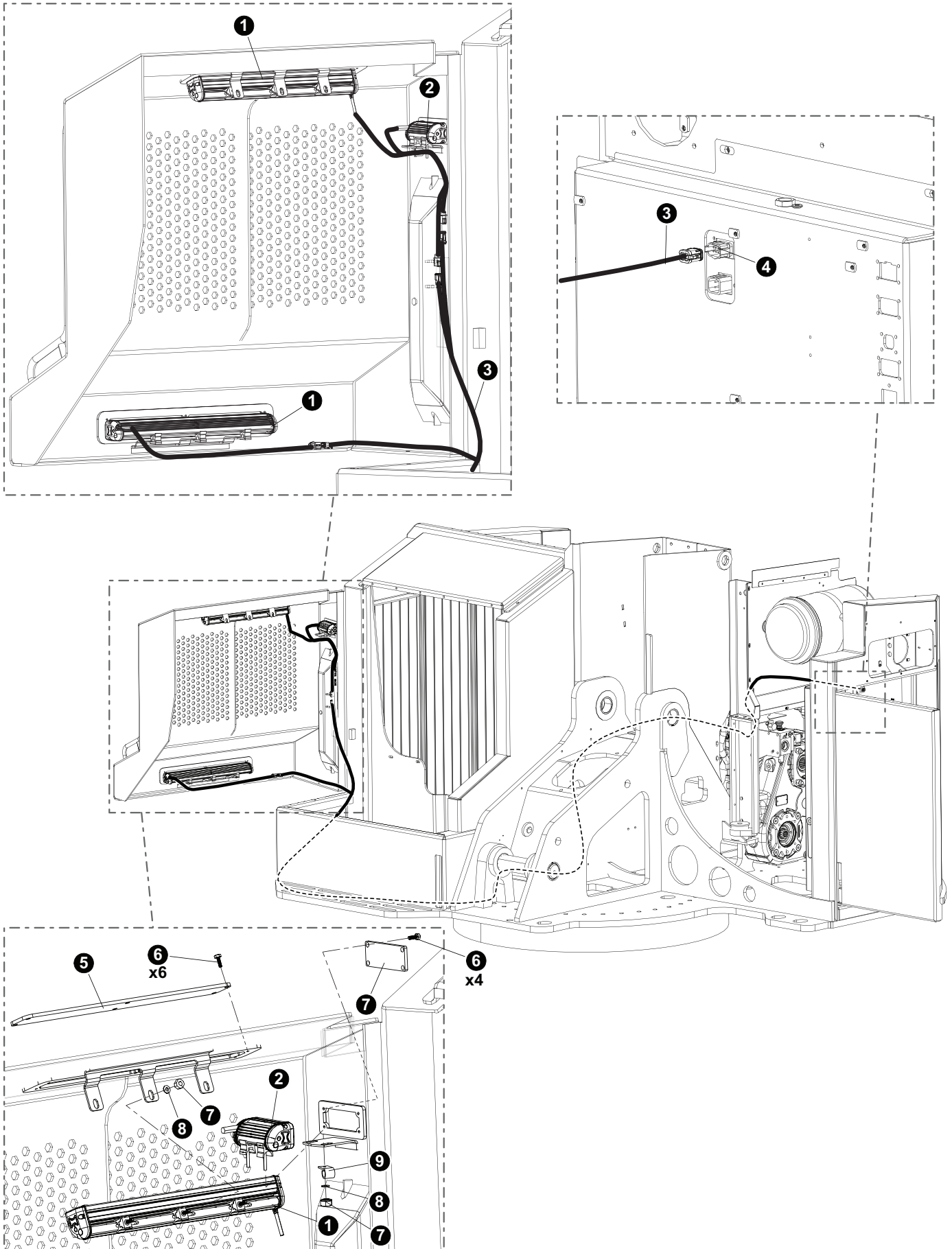
Assembly that includes all items indented below

ELECTRICAL SYSTEM

FILL PUMP AND GULL WING PUMP HARNESS




REF	PART #	QTY	DESCRIPTION	SEE SECTION
1	(Click Here)	1	ENGINE ELECTRICAL CENTER ASSEMBLY	ES-1
2	(See Description)	1	HARNESS, Fill Pump (part of Engine Electrical Center Assembly)	
3	55338	1	CABLE, FILL PUMP/DOOR PUMP	
4	(Click Here)	1	GULLWING DOOR LIFT PUMP	UP-1
5	55336	1	CABLE, BATTERY - NEGATIVE - 24"	
6	(Click Here)	1	FILL PUMP ASSEMBLY	UP-2
7	54642	1	STUD, THRU BATTERY CABLE 1/2" NEGATIVE	
8	53088	1	GROMMET, PROTECTOR	
9	55446	1	CABLE, GRID HEATER FUSE	
11	(Click Here)	1	ENGINE, CUMMINS L9 -STAGE V 338 HP D	EE-1



ELECTRICAL SYSTEM

FRONT DOOR, LIGHT HARNESES

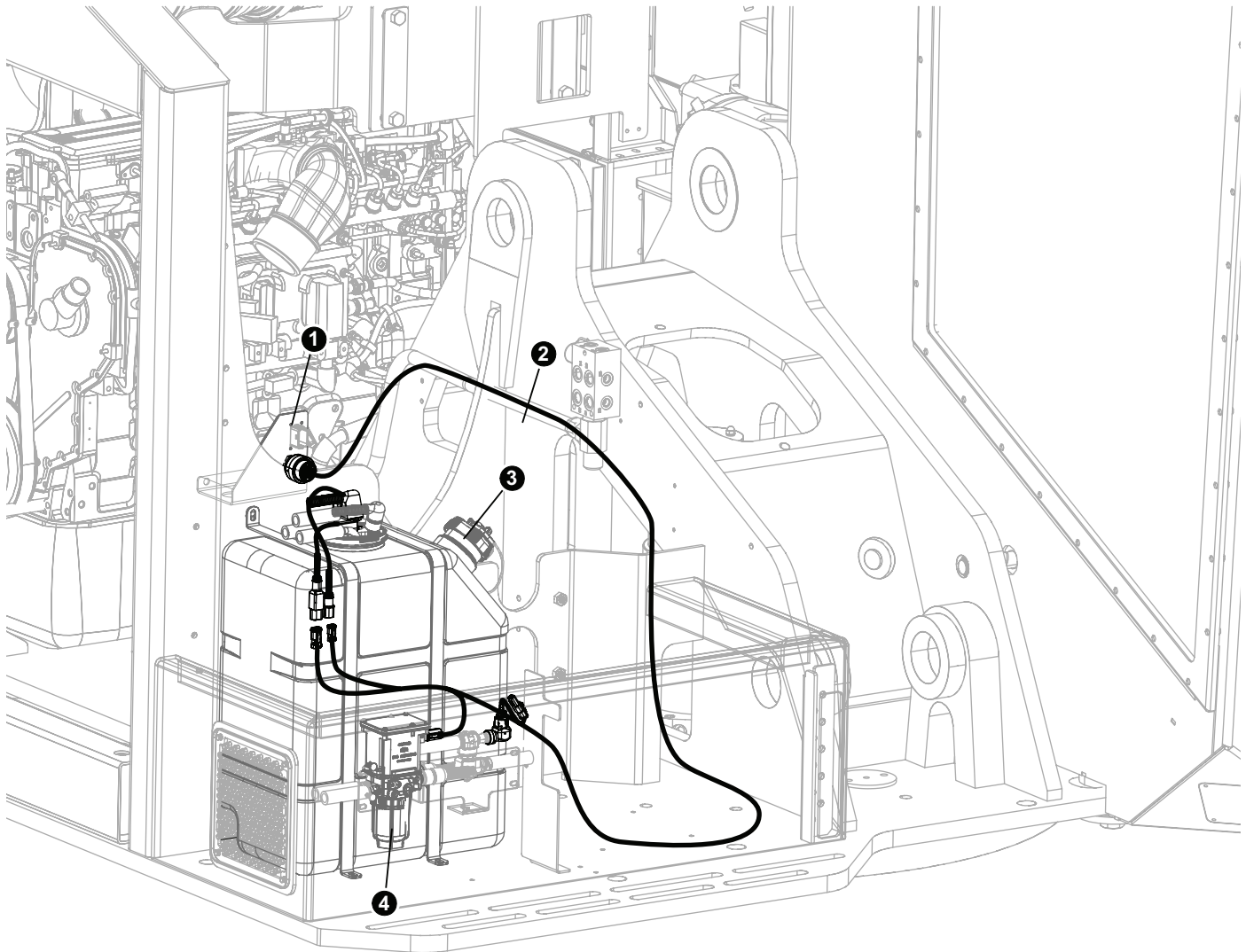
REF	PART #	QTY	DESCRIPTION	SEE SECTION
1	57781	2	LIGHT, BAR - LED (D-SERIES) 15 LED	
2	57783	1	LIGHT, BAR - LED (D-SERIES) 3 LED	
3	54542	1	HARNESS, Lights-Front Door	
4	(Click Here)	1	 MAIN ELECTRICAL PANEL	ES-3
5	60132	1	LEXAN, 15 LED LIGHT GUARD - D-MODEL	
6	15604	10	BOLT - .25" X .75"	
7	16131	2	NUT, NYLOCK - #10-24	
8	10757	6	WASHER, .25"	
9	58227	1	CLAMP, CUSHION LOOP 1/4 INCH	



See referenced page for component or assembly breakdown.

ELECTRICAL SYSTEM

CUMMINS DEF TANK ELECTRICAL WIRE HARNESS



REF	PART #	QTY	DESCRIPTION	SEE SECTION
1	(Click Here)	1	ENGINE, CUMMINS L9 -STAGE V 338 HP D	EE-1
2	60328	1	HARNESS, DEF TANK - CUMMINS STG5	
3	(Click Here)	1	TANK, DEF	UP-2
4	(Click Here)	1	PUMP, DOSER	UP-2

IMPORTANT:

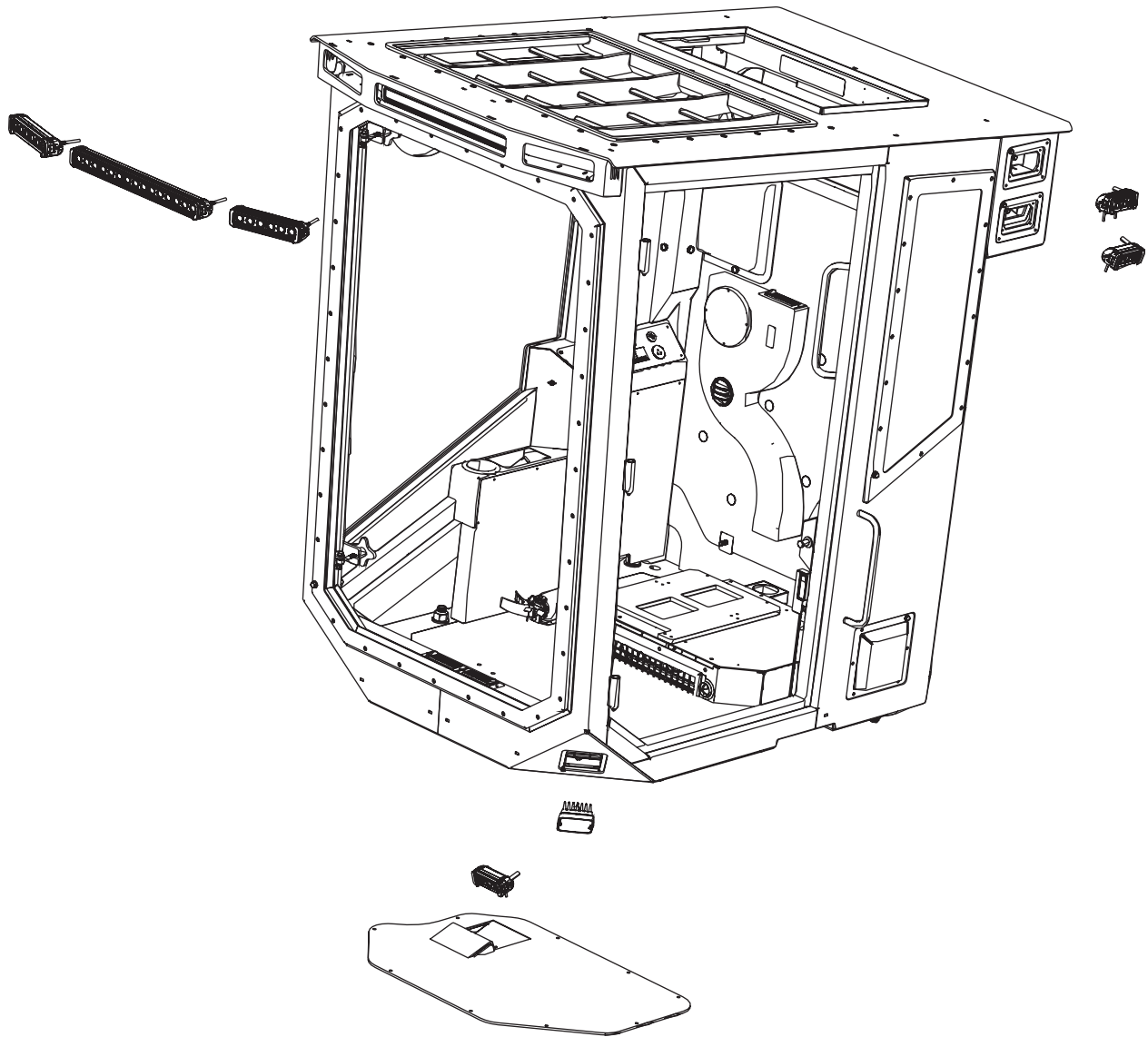
58057, FAN, DEF - STAGE 5 D-SERIES IS AN OBSOLETE PART. FAN IS NOT NEEDED PER SR. MANAGEMENT AND CANNOT BE REPLACED. WIRE HARNESS 58059, HARNESS, DEF FAN IS OBSOLETE AS WELL.

See referenced page for component or assembly breakdown.

Assembly that includes all items indented below.

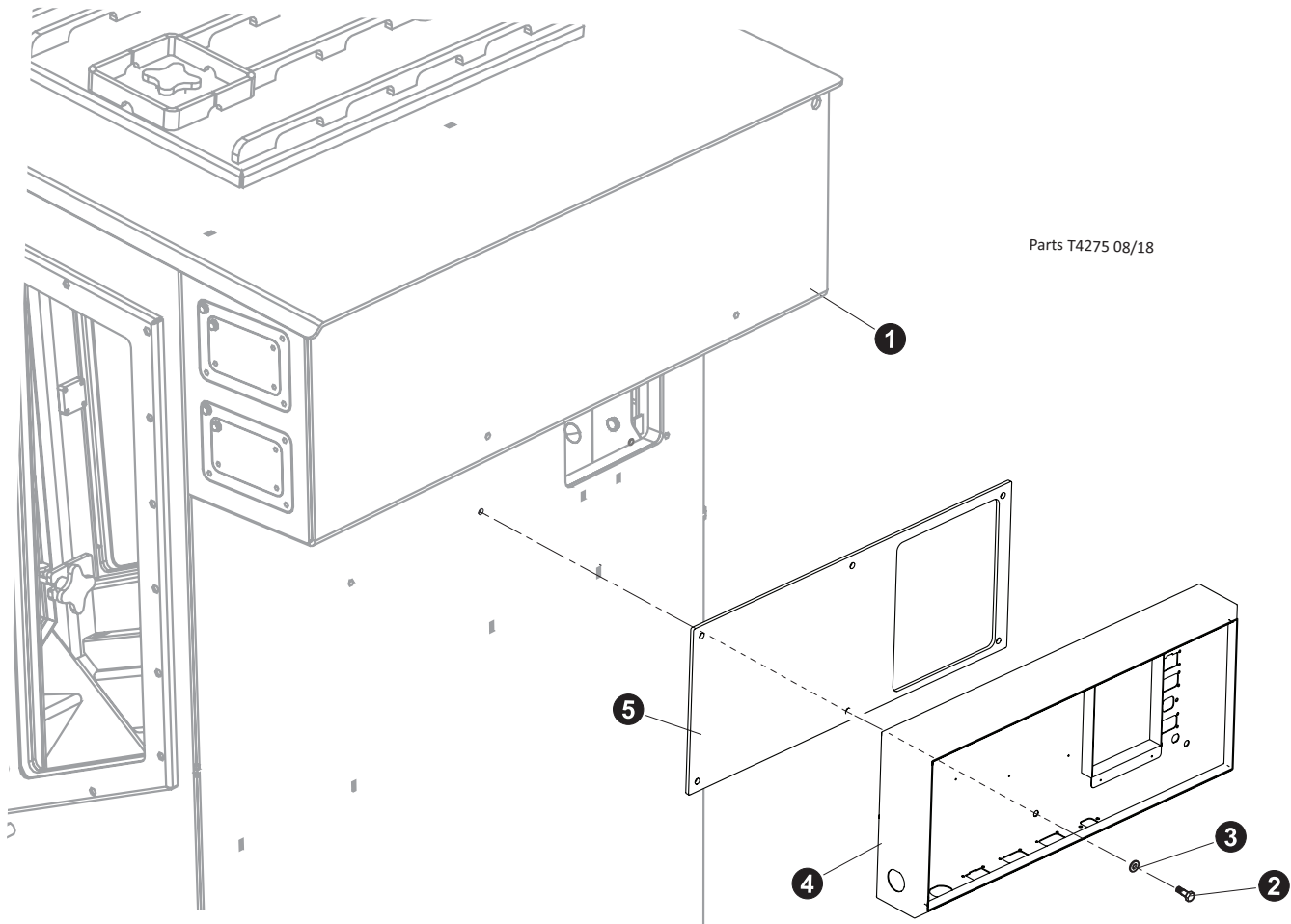
SECTION ES-2



ELECTRICAL SYSTEM - OPERATOR CAB





ELECTRICAL SYSTEM

OPERATOR CAB - MAIN ELECTRICAL CENTER INSTALLATION

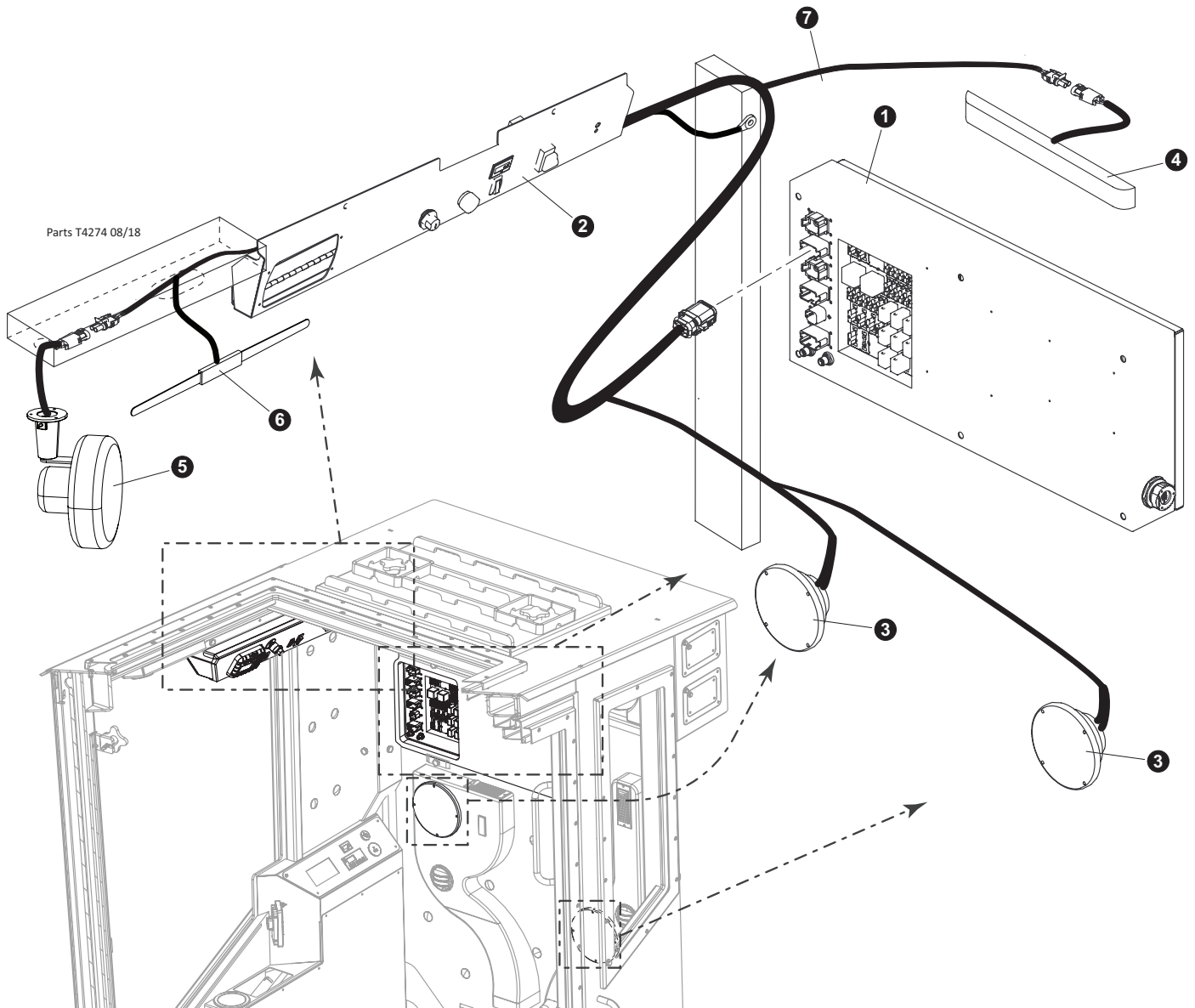


REF	PART #	QTY	DESCRIPTION	SEE SECTION
1	(Click Here)	1	 OPERATOR'S CAB ASSEMBLY	OC-1
2	18309	5	BOLT - .25" X 1.25"	
3	10757	5	WASHER, SAE FLAT - .25"	
4	(Click Here)	1	 MAIN ELECTRICAL CENTER ASSEMBLY	ES-2
5	46684	1	RUBBER, CAB TO ELECTRICAL BOX	

-  **Kit or Assembly - includes all items indented underneath.**
-  **See referenced page for component or assembly breakdown.**

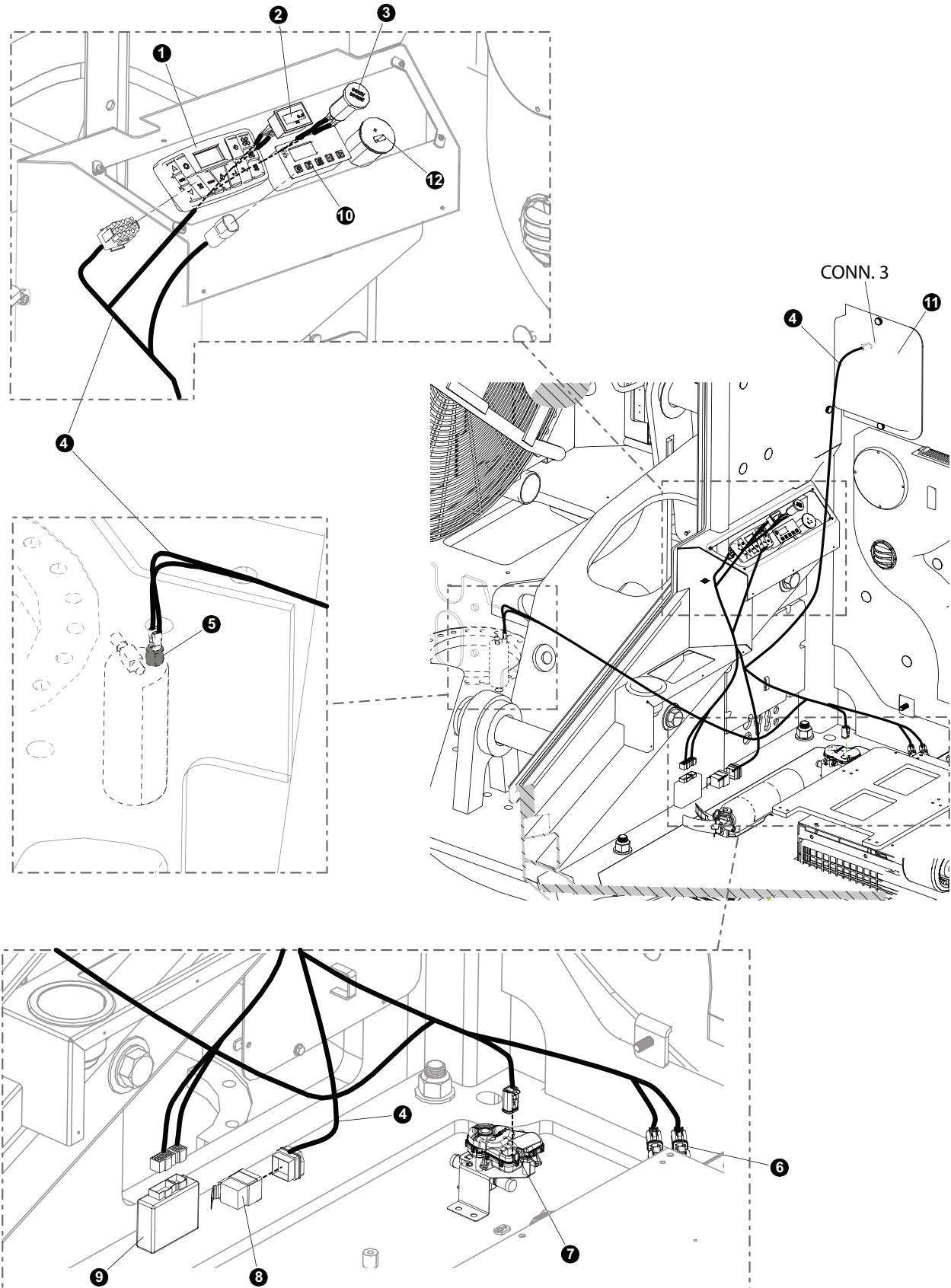
ELECTRICAL SYSTEM

OPERATOR CAB - UPPER DASH INSTALLATION



REF	PART #	QTY	DESCRIPTION	SEE SECTION
1	(Click Here)	1	MAIN ELECTRICAL CENTER ASSEMBLY	ES-2
2	(Click Here)	1	UPPER DASH ASSEMBLY	ES-2
3	57857	2	SPEAKER, CAB - D-SERIES	
4	23614	1	LIGHT, DOME - 24V LED	
5	23279	1	FAN, WINDSHIELD DEFROST - 24V	
6	57858	1	ANTENNA, CAB - D-SERIES	
7	57737	1	HARNES, CAB - Upper DASH (D-Series)	

- Kit or Assembly - includes all items indented underneath.**
- See referenced page for component or assembly breakdown.**



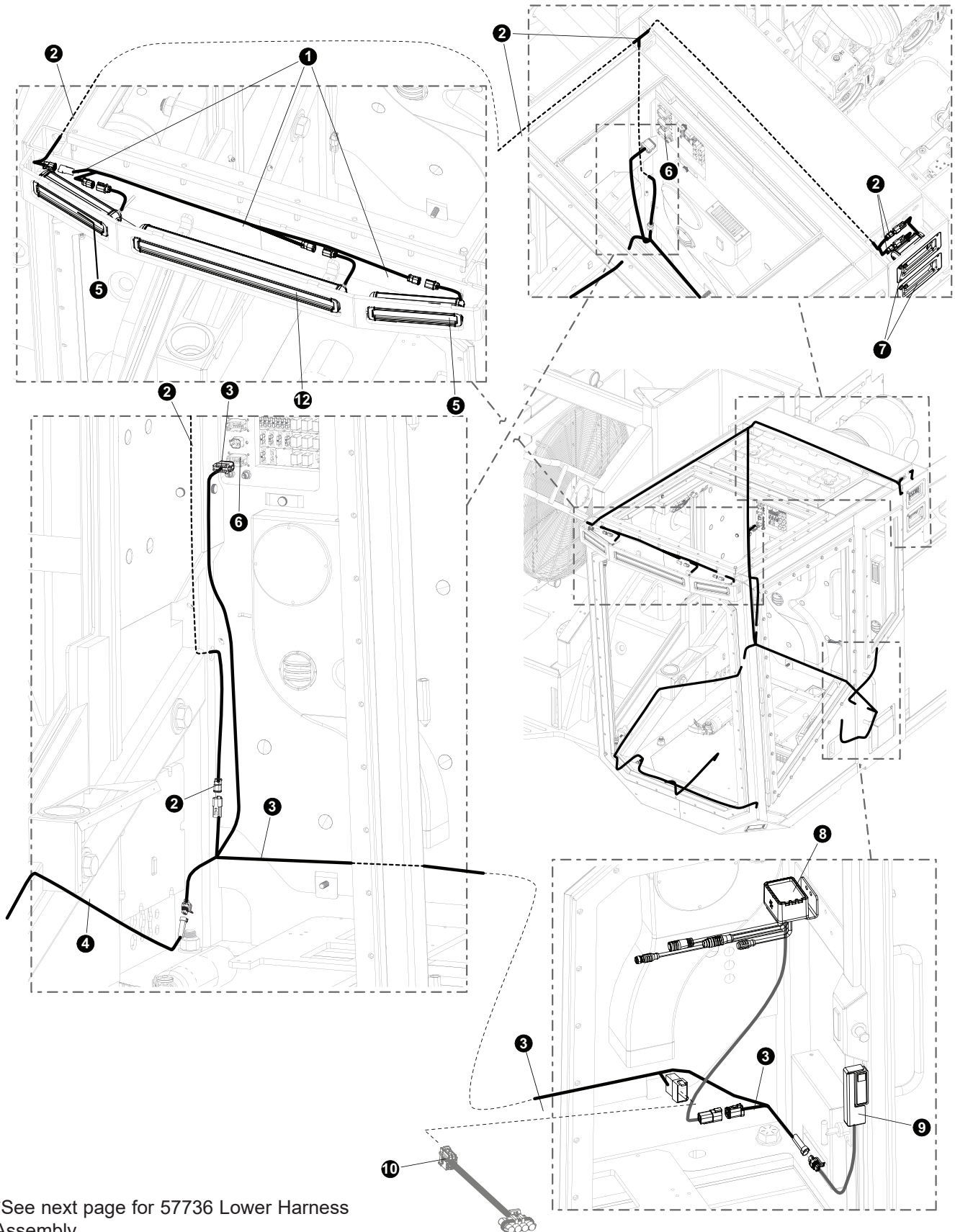
ELECTRICAL SYSTEM

OPERATOR CAB - UPPER DASH INSTALLATION

REF	PART #	QTY	DESCRIPTION	SEE SECTION
1	58162	1	FOX CONTROL PANEL (PART OF KIT BK1184) (BT1-9007)	
2	52401	1	GAUGE, HOUR METER - CURRENT	
3	55662	1	12 V DC SOCKET	
4	57861	1	HARNESS, CAB - Heat A/C CONTROL (D-Series)	
5	15040	1	SWITCH, BINARY - BADGER	
6	(Click Here)	1	THERMOSTAT	OC-4
7	(Click Here)	1	WATER VALVE	OC-4
8	58078	1	RELAY, HEATER/AC CONTROL - D-SERIES CAB	
9	58163	1	BOARD, CONTROL - HEATER/AC (49493 KIT)	
10	(See Description)	1	ENGINE HEATER TIMER (Part # 221000341500)	
11	(Click Here)	1	CAB ELECTRICAL CENTER	ES-1
11	(Click Here)	1	COVER, CAB ELECTRICAL CENTER	OC-3
12	55401	1	ADAPTER, PANEL MOUNT USB	



See referenced page for component or assembly breakdown.



*See next page for 57736 Lower Harness Assembly

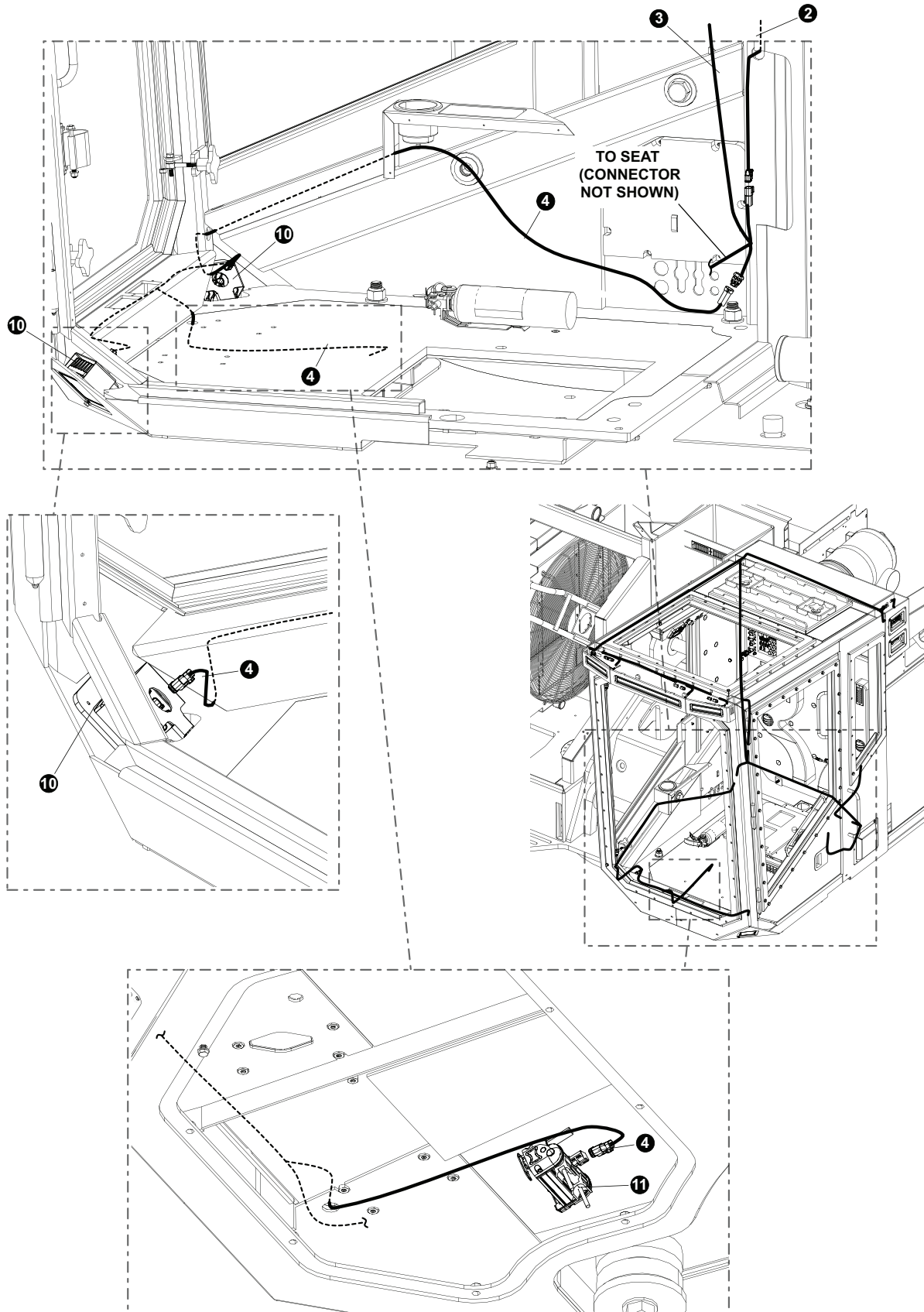
ELECTRICAL SYSTEM

OPERATOR CAB - FORWARD AND REAR LIGHT WIRE HARNESS

REF	PART #	QTY	DESCRIPTION	SEE SECTION
1	57736	1	HARNESS, CAB - (D-SERIES) (Cab Lights - Front Upper)	
2	57736	1	HARNESS, CAB - (D-SERIES) (Cab Lights - Upper)	
3	57736	1	HARNESS, CAB - (D-SERIES) (Cab Lights - Mid)	
4	57736	1	HARNESS, CAB - (D-SERIES) (Cab Lights - Lower)	
5	(Click Here)	1	LIGHT, BAR - LED (D-SERIES CAB) 6 LED	ES-1
6	(Click Here)	1	CAB ELECTRICAL CENTER	ES-2
7	(Click Here)	2	LIGHT, BAR - LED (D-SERIES) 3 LED	ES-1
8	(Click Here)	1	110 CONTROL MODULE	OC-5
9	55264	1	SWITCH, LIMIT - GULLWING (MAGNETIC)	
10	57935	1	HARNESS, Be-Ge Seat Adapter (Required with BeGe Seats)	
12	(Click Here)	1	LIGHT, BAR - LED (D-SERIES CAB) 15 LED	ES-1



See referenced page for component or assembly breakdown.



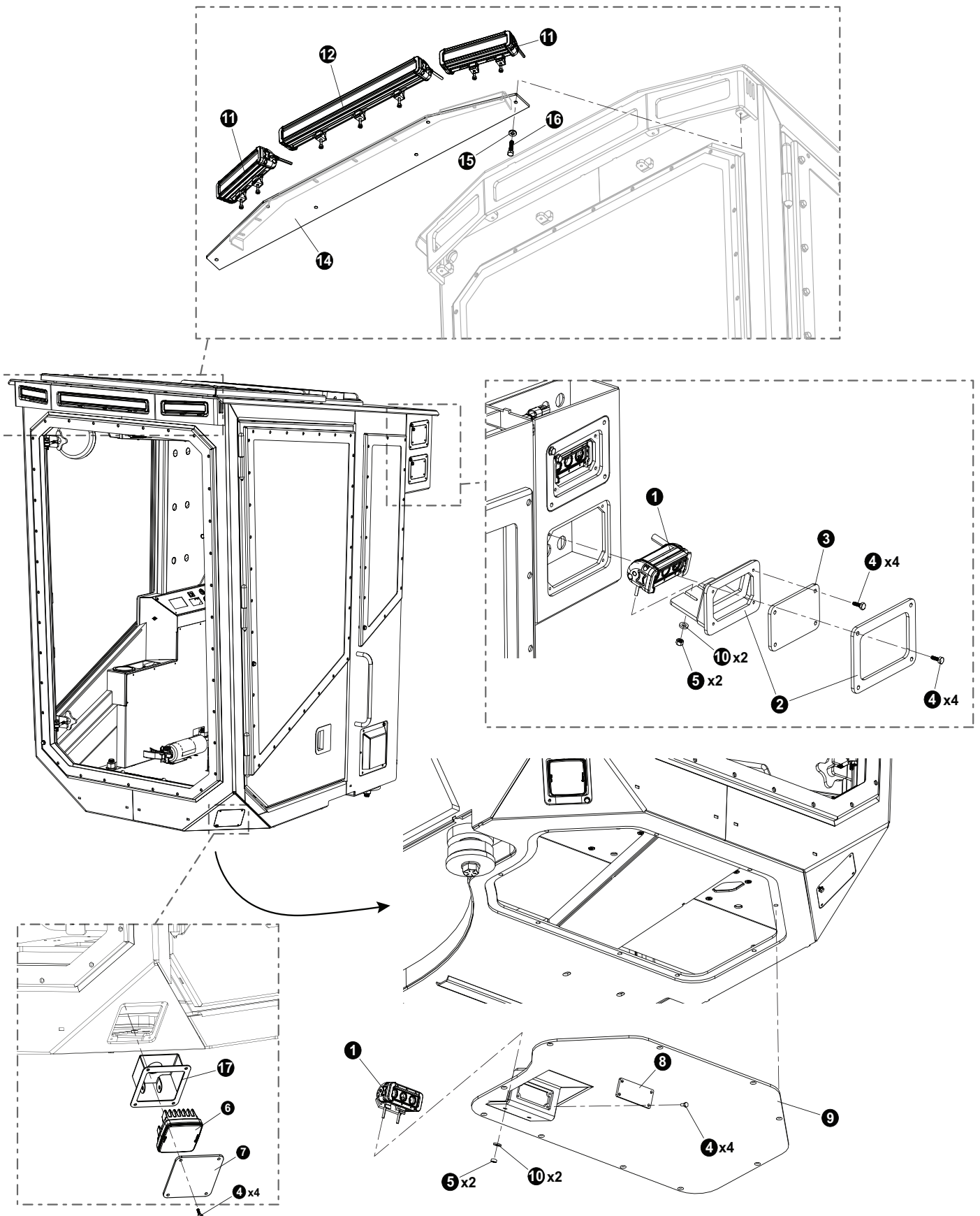
ELECTRICAL SYSTEM

OPERATOR CAB - FORWARD AND REAR LIGHT WIRE HARNESS

REF	PART #	QTY	DESCRIPTION	SEE SECTION
2	57736	1	HARNESS, CAB - (D-SERIES) (Cab Lights - Upper)	
3	57736	1	HARNESS, CAB - (D-SERIES) (Cab Lights - Mid)	
4	57736	1	HARNESS, CAB - (D-SERIES) (Cab Lights - Lower)	
10	(Click Here)	2	LIGHT, BOOM MOUNTED - LED LAMPS	ES-1
11	(Click Here)	1	IGHT, BAR - LED (D-SERIES CAB) 15 LED	ES-1



See referenced page for component or assembly breakdown.



ELECTRICAL SYSTEM

OPERATOR CAB - FORWARD, REAR, AND BELLY PAN LIGHTS

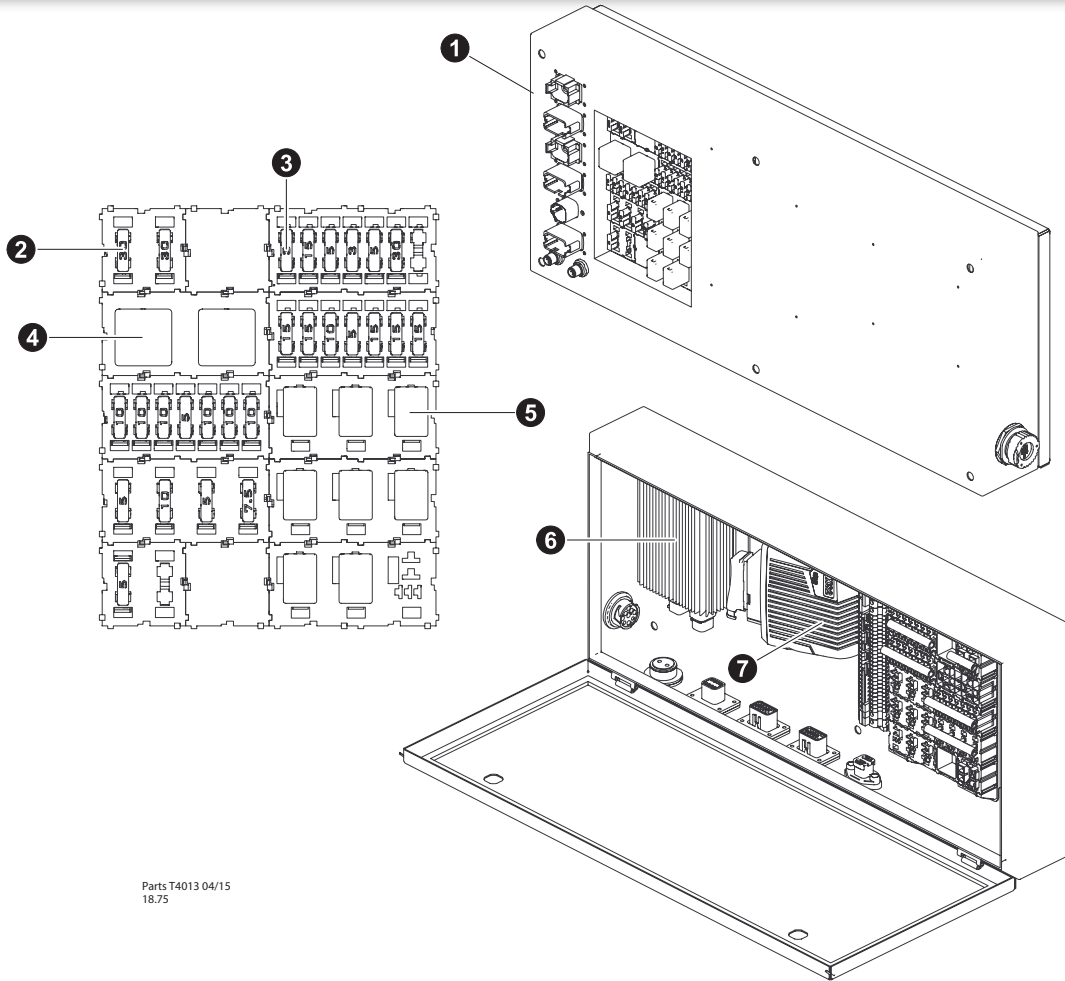
REF	PART #	QTY	DESCRIPTION	SEE SECTION
1	57783	3	LIGHT, BAR - LED (D-SERIES) 3 LED	
2	49223	2	BRACKET, LIGHT MOUNT REAR D-SEREIS	
3	49222	2	LEXON, LIGHT - CAB REAR D-SERIES	
4	15604	28	BOLT - .25" X .75"	
5	16131	6	NUT - .25"	
6	50999	2	LIGHT, BOOM MOUNTED - LED LAMPS	
7	49224	2	LEXON, LIGHT - FRONT LOWER D-SERIES	
8	49227	2	LEXON, LIGHT - UNDER CAB D-SERIES	
9	(Click Here)	1	COVER, MOUNT - 3 LED LIGHTS D-SERIES	OC-1
10	10757	6	WASHER, .25"	
11	57782	2	LIGHT, BAR - LED (D-SERIES CAB) 6 LED	
12	57781	1	LIGHT, BAR - LED (D-SERIES CAB) 15 LED	
14	49184	1	BRKT, FORMED, FRONT LIGHT	
17	49228	1	BRACKET, LIGHT FRONT D-SERIES	



See referenced page for component or assembly breakdown.

ELECTRICAL SYSTEM

OPERATOR CAB - MAIN ELECTRICAL CENTER BREAKDOWN

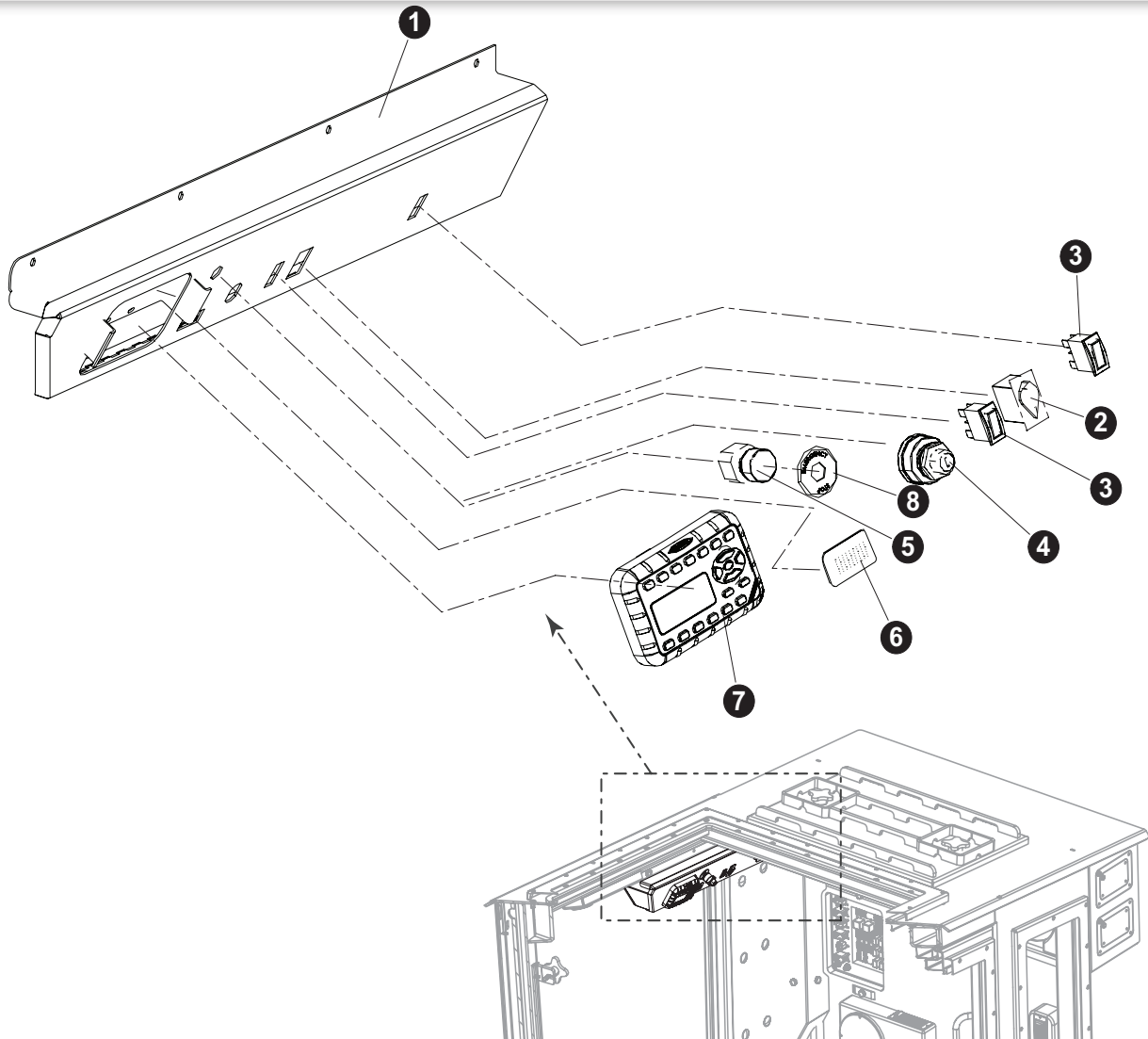


REF	PART #	QTY	DESCRIPTION	SEE SECTION
1	(See Description)	1	☐ LOAD CENTER (SUPPLIER PART # GS17253100REVB)	
2	50401	2	FUSE, ATO - 30 AMP (SPADE STYLE)	
3	24511	2	FUSE, ATO - 3 AMP (SPADE STYLE)	
	24533	7	FUSE, ATO - 5 AMP (SPADE STYLE)	
	24534	1	FUSE, ATO - 7.5 AMP (SPADE STYLE)	
	24512	8	FUSE, ATO - 10 AMP (SPADE STYLE)	
	50400	6	FUSE, ATO - 15 AMP (SPADE STYLE)	
	50401	1	FUSE, ATO - 30 AMP (SPADE STYLE)	
4	24323	2	RELAY, 896H-1CH-D-24VDC (SPDT 30/50A 24VDC)	
5	53645	8	RELAY, AZ988-1C-24DE-C1 (SPDT 30A 24VDC)	
6	55483	1	CONVERTER, 24V TO 12V - "C" SERIES	
7	53095	1	MODULE, XA2 - IQAN	
-	51753	1	KIT, ELECTRICAL- FUSE/RELAY- 830/630 24V	

- ☐ Kit or Assembly - includes all items indented underneath.
- 📖 See referenced page for component or assembly breakdown.

ELECTRICAL SYSTEM

OPERATOR CAB - UPPER DASH BREAKDOWN



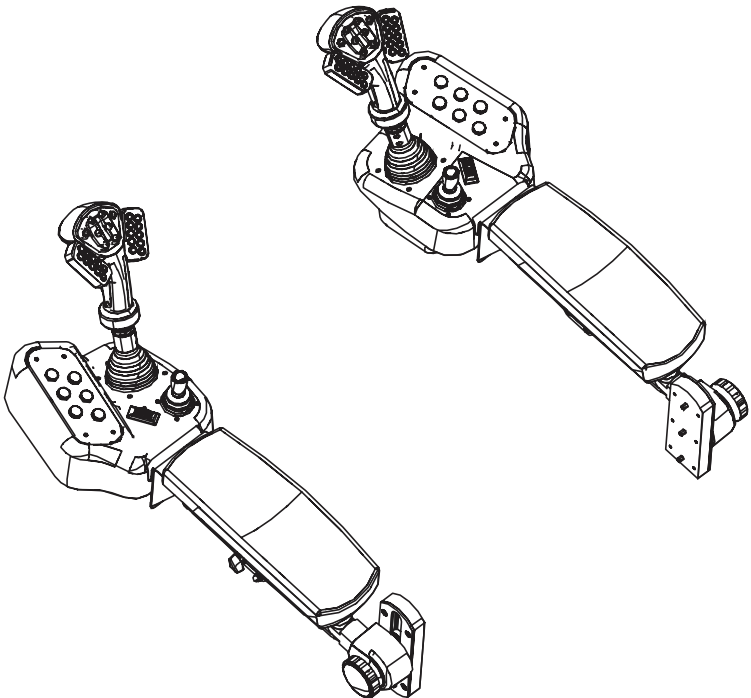
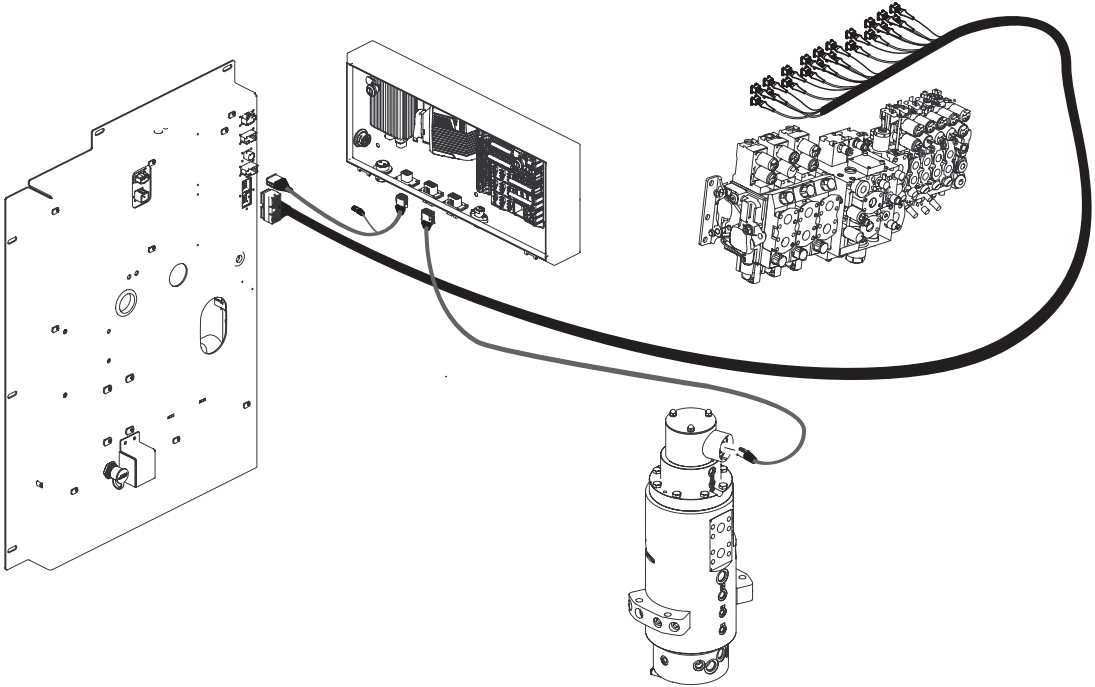
REF	PART #	QTY	DESCRIPTION	SEE SECTION
1	49540	1	PANEL, UPPER WELDMENT	
2	51673	1	SWITCH, VENT/ VACUUM	
3	51664	2	SWITCH, LIGHT - OTTO (1 PER)	
4	52414	1	SWITCH, IGNITION	
-	52417	2	<input type="checkbox"/> KEY, IGNITION	
5	23279	1	SWITCH, EMERGENCY STOP	
6	57876	1	SWITCH, VENT/ VACUUM	
7	57803	1	RADIO, D SERIES W/ HANDS FREE CALLING	
8	53243	1	RING, EMERGENCY STOP	

Kit or Assembly - includes all items indented underneath.
 See referenced page for component or assembly breakdown.

PAGE INTENTIONALLY LEFT BLANK

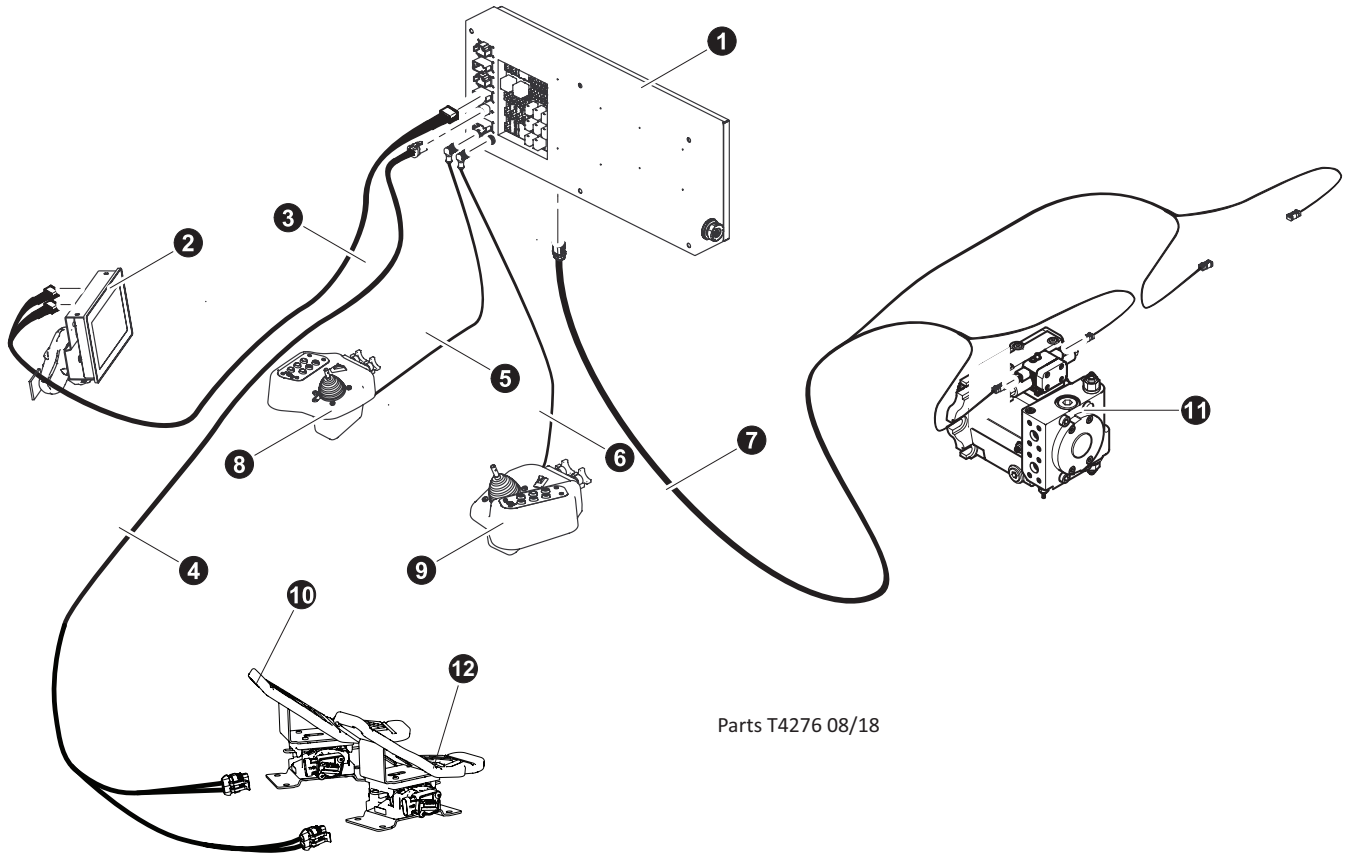
SECTION ES-3

ELECTRICAL SYSTEM - IQAN CONTROL SYSTEM



ELECTRICAL SYSTEM

IQAN CONTROL SYSTEM - CAB CONTROL HARNESS



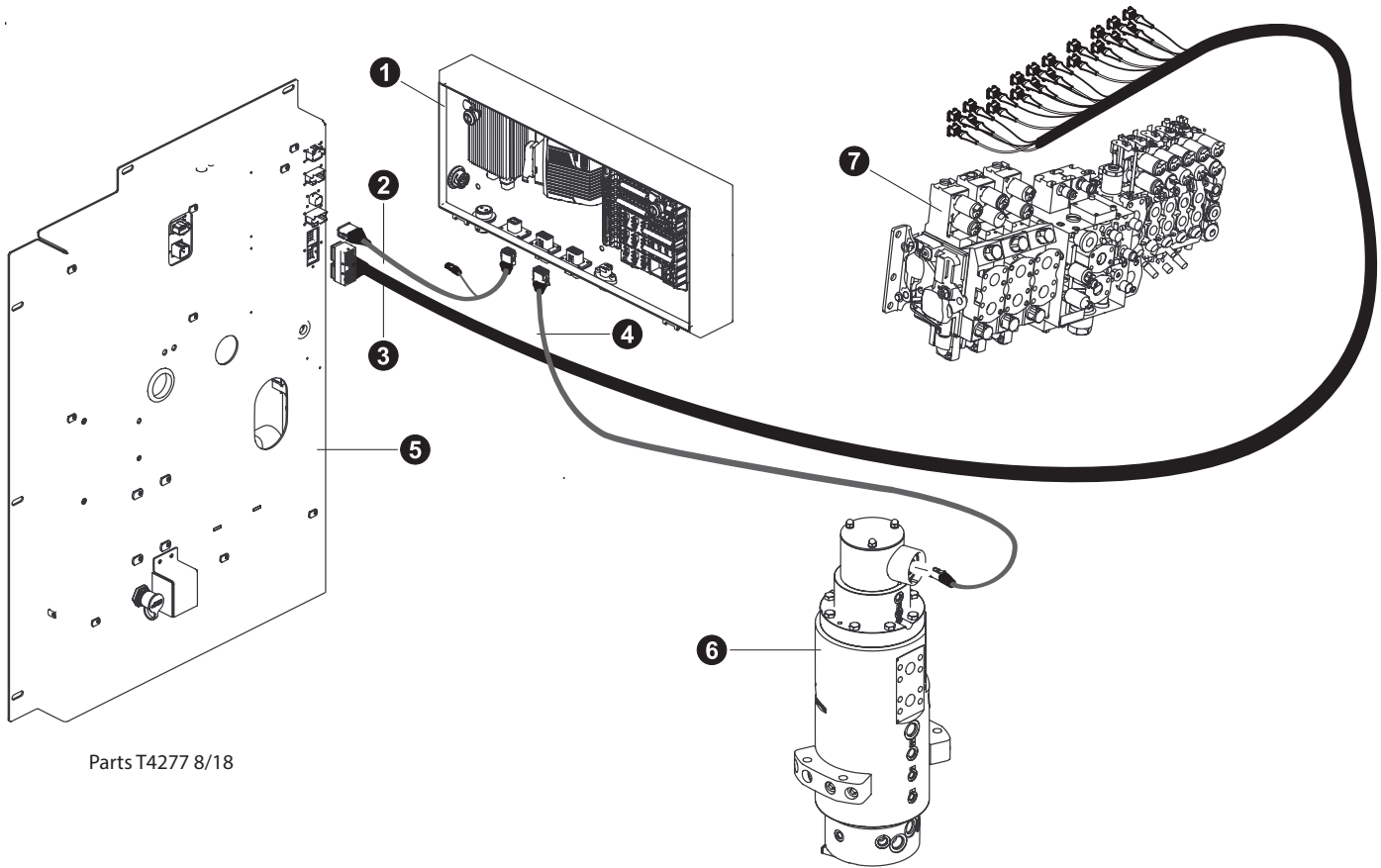
Parts T4276 08/18

REF	PART #	QTY	DESCRIPTION	SEE SECTION
1	(Click Here)	1	CAB ELECTRICAL CENTER	ES-2
2	(Click Here)	1	MD4 PANEL ASSEMBLY	ES-3
3	55392	1	HARNESS, MD4 to Load Center	
4	57758	1	HARNESS, Pedals to Load Center	
5	55420	1	HARNESS, INTERCONNECT JOYSTICK POD RH	
6	55419	1	HARNESS, INTERCONNECT JOYSTICK POD LH	
7	54528	1	HARNESS, Hydro Pumps	
8	(Click Here)	1	RIGHT JOYSTICK CONTROL POD	ES-3
9	(Click Here)	1	LEFT JOYSTICK CONTROL POD	ES-3
10	(Click Here)	1	DRIVE PEDAL CONTROL	ES-3
11	REF.	1	WHEEL DRIVE PUMP	WD-1
12	(Click Here)	1	BRAKE PEDAL	ES-3

See referenced page for component or assembly breakdown.

ELECTRICAL SYSTEM

IQAN CONTROL SYSTEM - CONTROL VALVE, XA2 PANEL, AND ROTARY MANIFOLD



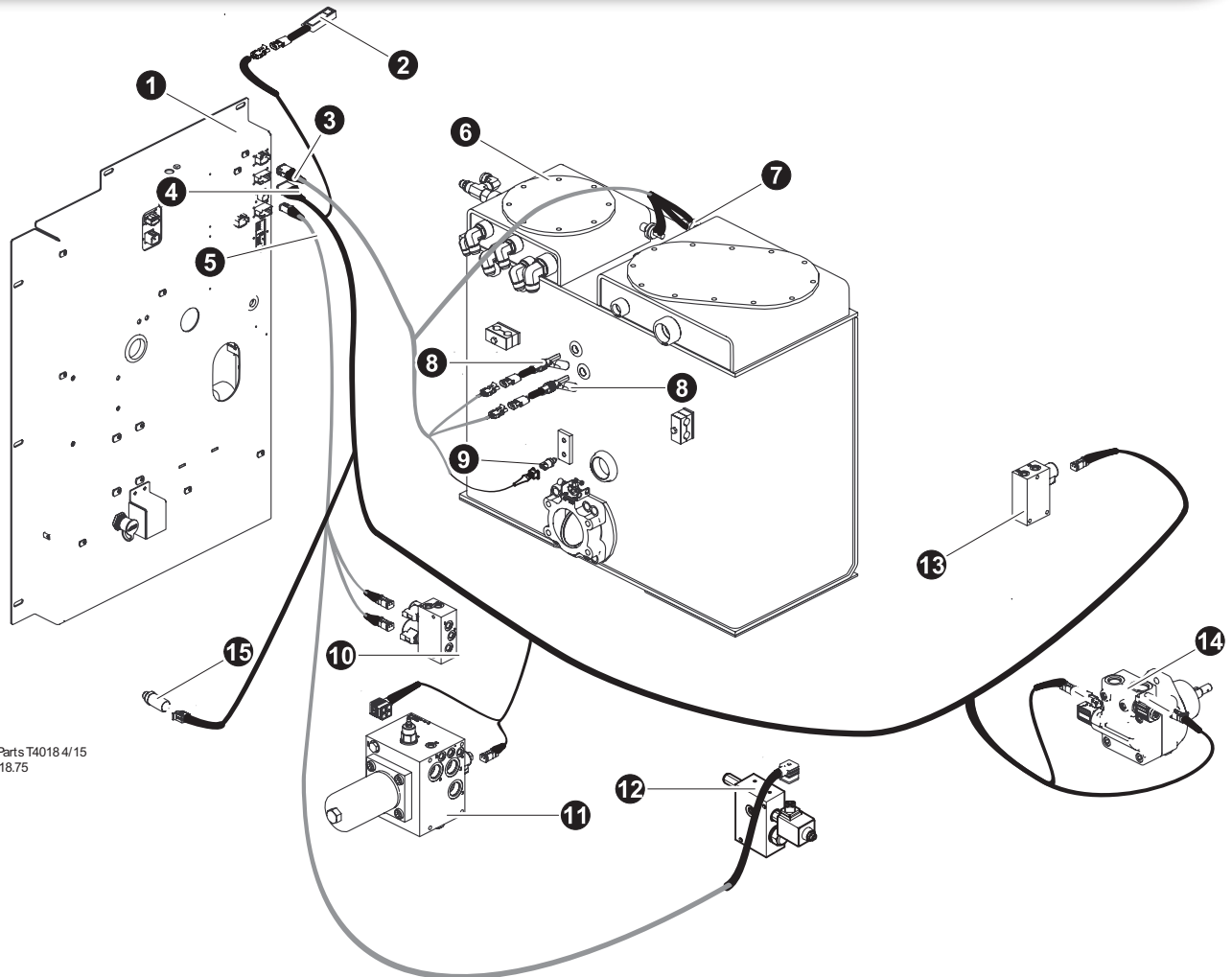
Parts T4277 8/18

REF	PART #	QTY	DESCRIPTION	SEE SECTION
1	(Click Here)	1	CAB ELECTRICAL CENTER	ES-2
2	54527	1	HARNESS, XA2 panel to Cab Load Center	
3	58071	1	HARNESS, VALVE MD4	
4	54843	1	HARNESS, Rotary Manifold	
5	(Click Here)	1	XA2 PANEL ASSEMBLY	ES-3
6	(Click Here)	1	ROTORY MANIFOLD	UP-1
7	(Click Here)	1	MAIN CONTROL VALVE	FH-1

See referenced page for component or assembly breakdown.

ELECTRICAL SYSTEM

IQAN CONTROL SYSTEM - TANK SENSORS, FAN, CHARGE SYSTEM



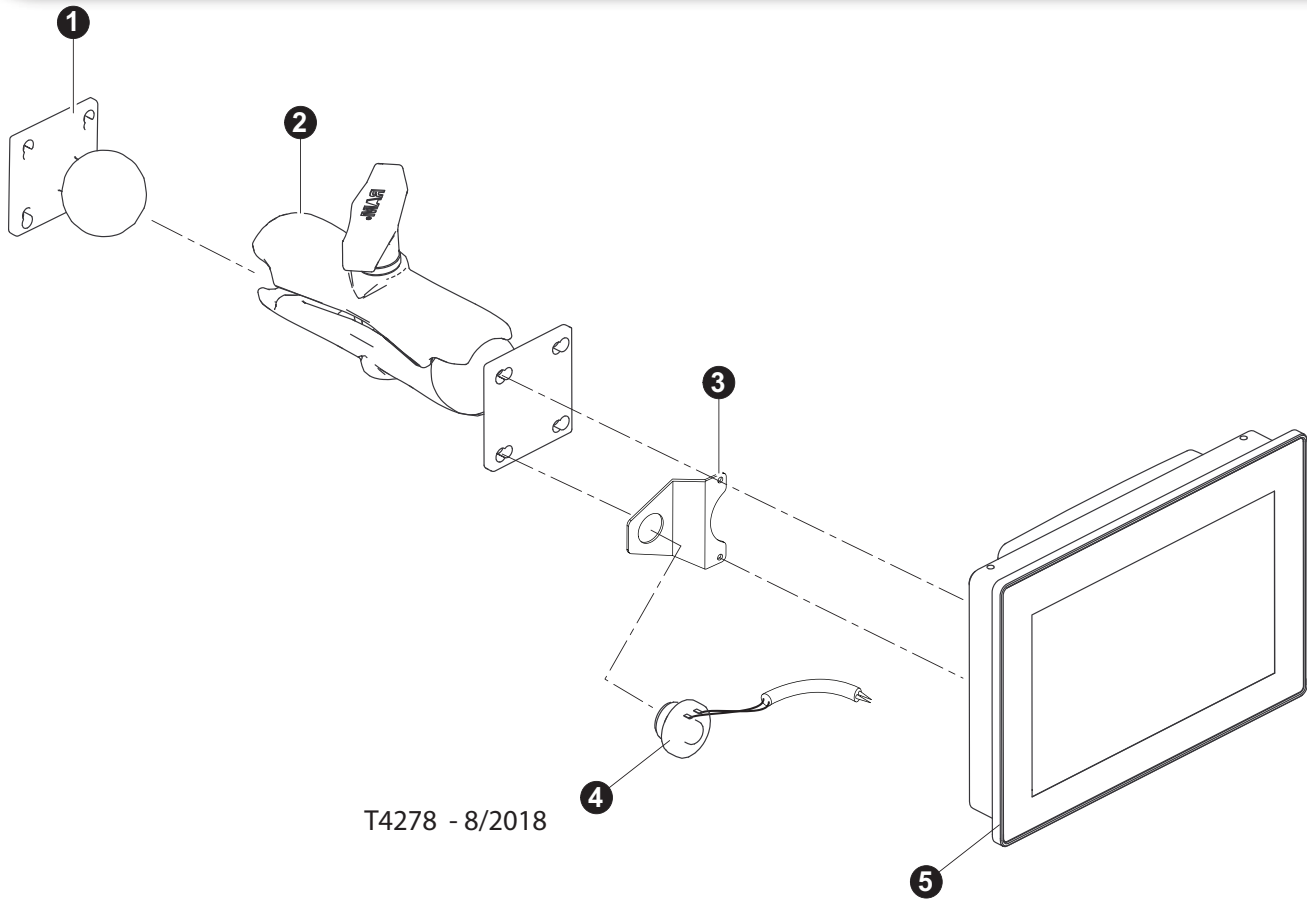
Parts T40184/15
18.75

REF	PART #	QTY	DESCRIPTION	SEE SECTION
1	(Click Here)	1	XA2 PANEL ASSEMBLY	ES-3
2	55264	1	SWITCH, LIMIT - GULLWING (MAGNETIC)	
3	60395	1	HARNESS, Hydraulic Tank Sensors	
4	57917	1	HARNESS, Charge System and Fans	
5	54527	1	HARNESS, Parking Brake, Motor Shift, and Disc Saw	
6	(Click Here)	1	HYDRAULIC TANK ASSEMBLY	UP-2
7	(Click Here)	1	HYDRAULIC TANK ASSEMBLY - Pressure Switches	UP-2
8	(Click Here)	1	HYDRAULIC TANK ASSEMBLY - Level Switches	UP-2
9	REF.	1	HYDRAULIC TANK ASSEMBLY - Tempature Sender	UP-2
10	REF.	1	PARKING BRAKE/MOTOR SHIFT VALVE ASSEMBLY	WD
11	REF.	1	TRACK DRIVE CHARGE VALVE ASSEMBLY	WD
12	REF.	1	DISC SAW STOP VALVE ASSEMBLY	HH
13	REF.	1	SWING MOTOR BRAKE VALVE	LH//HH
14	REF.	1	FAN MOTOR CONTROL	UP-3
15	24532	1	TRANSDUCER, PRESSURE	

See referenced page for component or assembly breakdown.

ELECTRICAL SYSTEM

IQAN CONTROL SYSTEM - MD4 PANEL



REF	PART #	QTY	DESCRIPTION	SEE SECTION
1	57531	1	MOUNT, RAM - BASE	
2	57240	1	MOUNT, RAM - MD4	
3	47502	1	PLATE, BEEPER MOUNT: MD4-10 SCREEN	
4	53115	1	SIREN, WARNING - B,C,D SERIES DASH	
-	53112	1	Software, Dealer MD4 (IQAN Active Studio)	
5	57385	1	MODULE, MD4 -10: SCREEN LARGE	

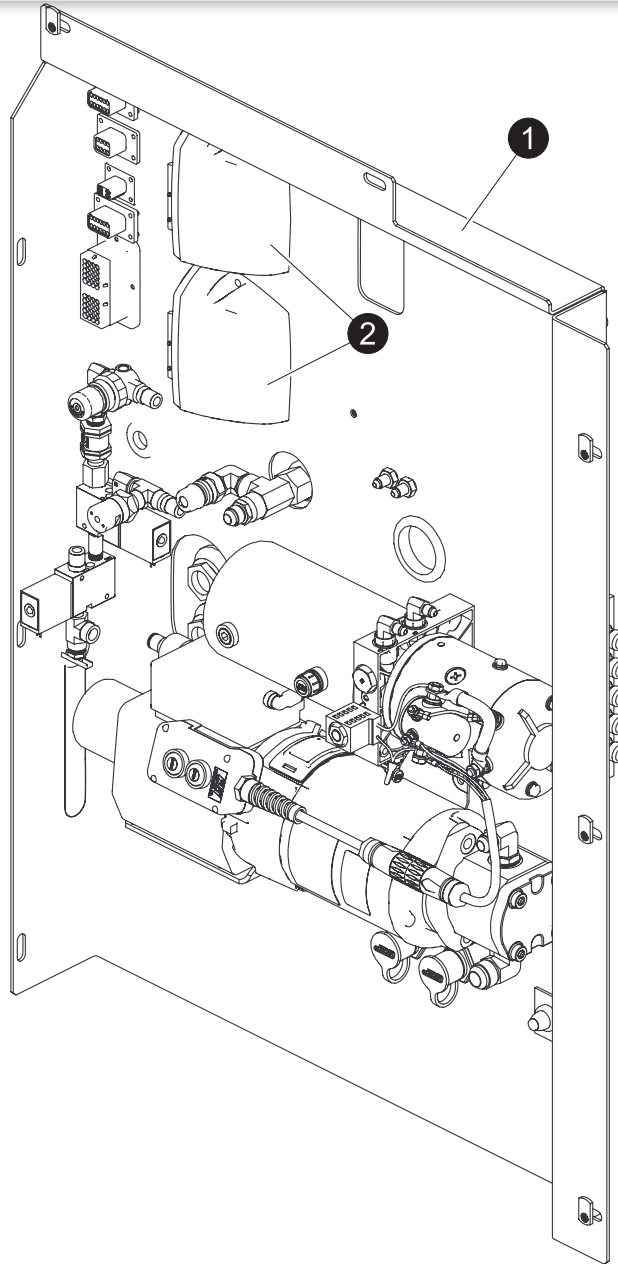
 See referenced page for component or assembly breakdown.

 Kit or Assembly - includes all items indented underneath.

 Included in repair kit

ELECTRICAL SYSTEM

IQAN CONTROL SYSTEM - XA2 PANEL



Parts T4020 04/15

18.75

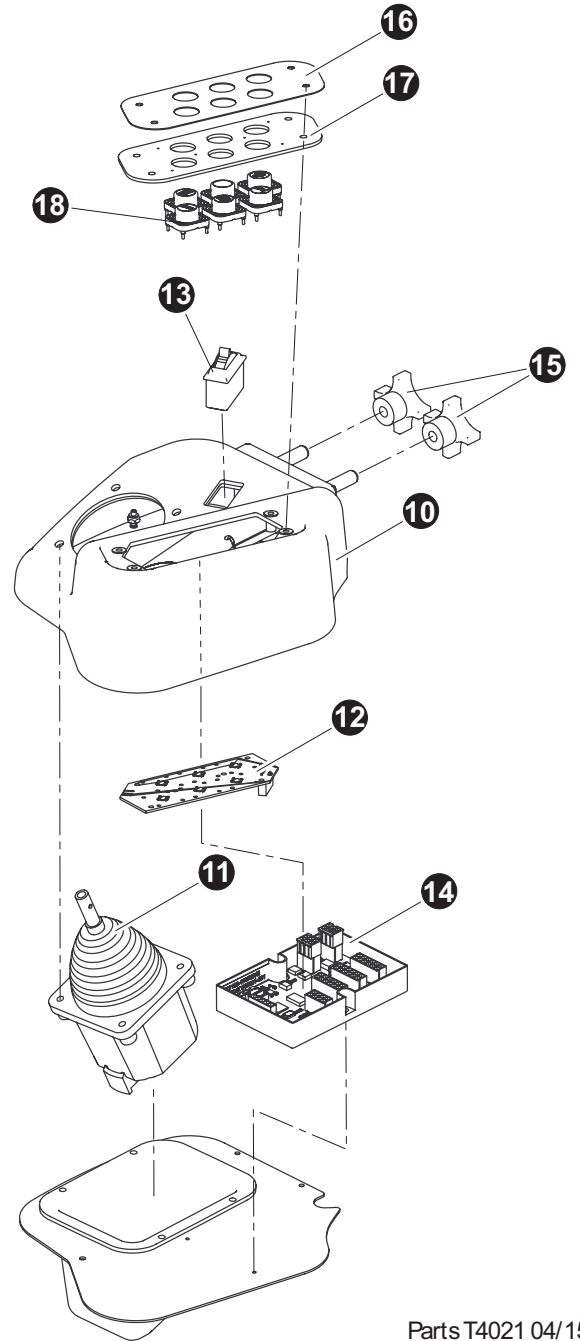
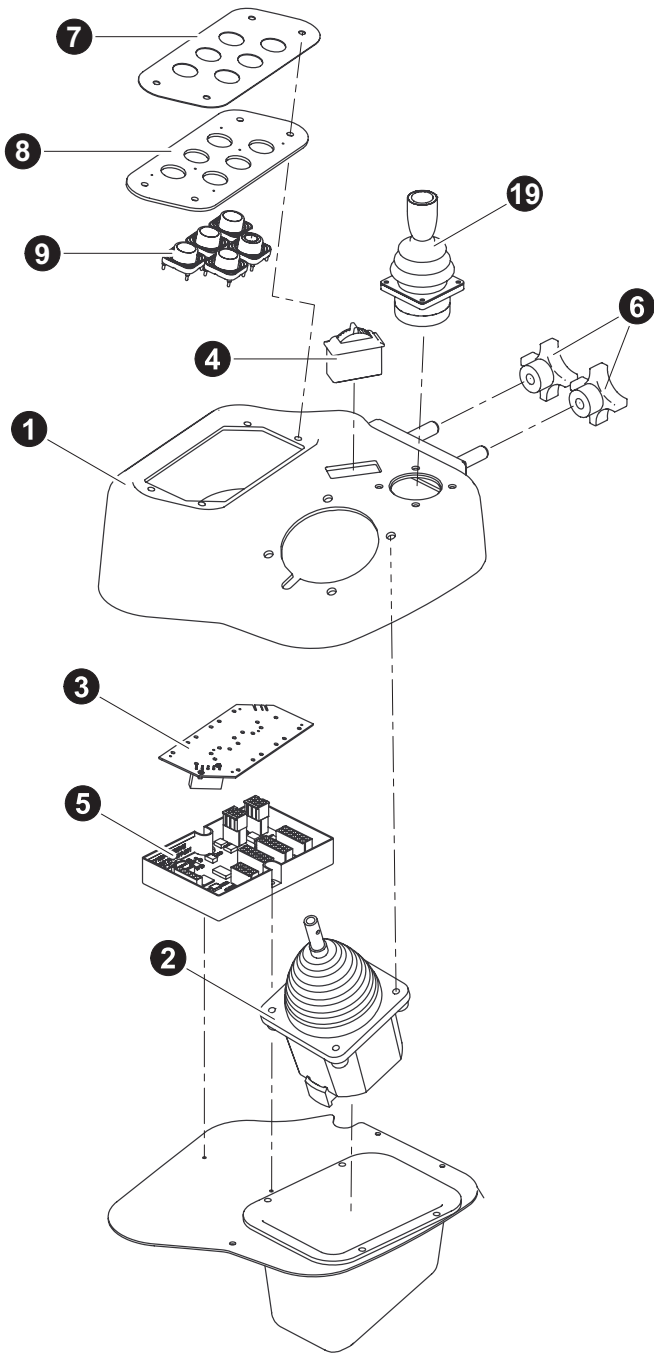
REF	PART #	QTY	DESCRIPTION	SEE SECTION
1	53621	1	☐ PANEL, XA2 MDL SYSTEM	
2	53095	2	☐ MODULE, XA2 - IQAN	

📖 See referenced page for component or assembly breakdown.

☐ Kit or Assembly - includes all items indented underneath.

⌘ Included in repair kit

PAGE INTENTIONALLY LEFT BLANK



Parts T4021 04/15
18.75

ELECTRICAL SYSTEM

IQAN CONTROL SYSTEM - LEFT AND RIGHT CONTROL PODS

REF	PART #	QTY	DESCRIPTION	SEE SECTION
1	55422	1	POD, JOYSTICK - RH (C&D RH TRACK)	
2	54126	1	JOYSTICK, MDL (P&G) CAN RIGHT	
3	55666	1	Panel, 6-Switch RIGHT Side	
4	55703	1	THUMBWHEEL - Travel Speed	
5	55707	1	BOARD, CAN DRIVER - RH (PLASTIC POD)	
6	DK-57 (Sup.#)	2	KNOB,	
7	M13355-227 (Sup.#)	1	COVER, SWITCHES	
8	M13355-231 (Sup.#)	1	SPACER, SWITCHES	
9	M13361 (Sup.#)	1	BUTTON, BLANK	
-	M13361-009 (Sup.#)	1	BUTTON, DISC SAW	
-	M13361-010 (Sup.#)	1	BUTTON, MOTOR SHIFT	
10	55417	1	POD, JOYSTICK - LH (C&D SERIES) WHEEL/TRACK	
11	54125	1	JOYSTICK, MDL (P&G) CAN LEFT	
12	55667	1	Panel, 6-Switch LEFT Side	
13	55703	1	THUMBWHEEL - Engine Speed	
14	55708	1	BOARD, CAN DRIVER - LH (PLASTIC POD)	
15	DK-57 (Sup.#)	2	KNOB,	
16	M13355-227 (Sup.#)	1	COVER, SWITCHES	
17	M13355-231 (Sup.#)	1	SPACER, SWITCHES	
18	M13361 (Sup.#)	1	BUTTON, BLANK	
-	M13361-004 (Sup.#)	1	BUTTON, ARMING	
-	M13361-005 (Sup.#)	1	BUTTON, CHARGE HEATER	
-	M13361-003 (Sup.#)	1	BUTTON, PARKING BRAKE	
-	M13361-006 (Sup.#)	1	BUTTON, HORN	
-	M13361-007 (Sup.#)	1	BUTTON, AUTO THROTTLE	
19	57423	1	JOYSTICK, STEER - PLASTIC POD	



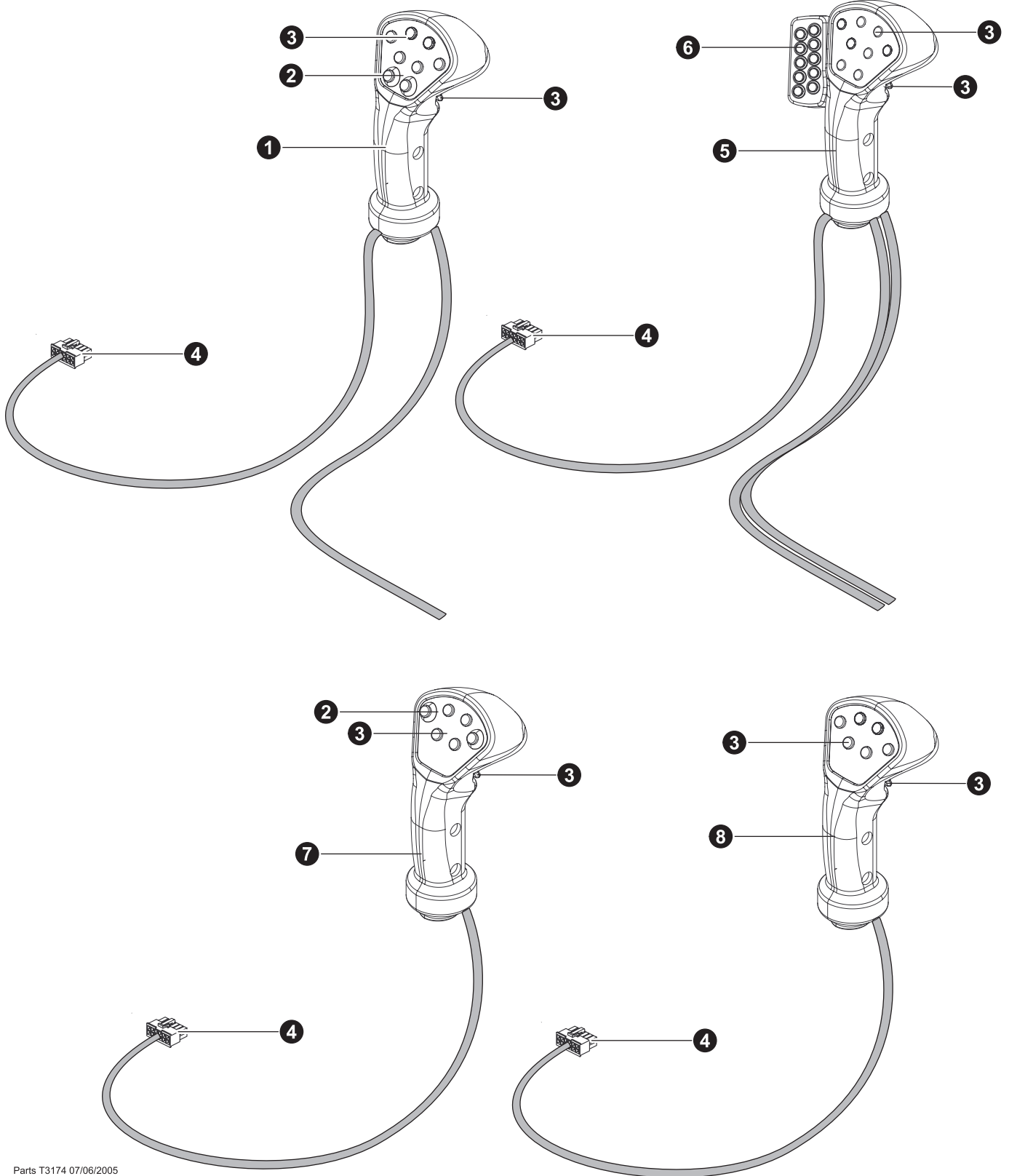
See referenced page for component or assembly breakdown.



Kit or Assembly - includes all items indented underneath.



Included in repair kit






Parts T3174 07/06/2005
50.00

ELECTRICAL SYSTEM

IQAN CONTROL SYSTEM - HAND CONTROLS

REF	PART #	QTY	DESCRIPTION	SEE SECTION
1	51567	1	HAND CONTROL, SURE GRIP - LH (LOGMAX)	
2	51947	2	SWITCH, PUSH BUTTON REPAIR KIT (PROPORTIONAL)	
-	52094	2	KIT, REPAIR - PROPORTIONAL BUTTON COVER	
3	20961	8	SWITCH, PUSH BUTTON (DIGITAL)	
4	039012120 (Sup.#)	1	CONNECTOR, PLUG - 12 PIN MOLEX	
5	51566	1	HAND CONTROL, SURE GRIP - RH W/KEYPAD (LOGMAX)	
6	52095	10	SWITCH, PUSH BUTTON (SURE GRIP KEYPAD)	
7	55656	1	HAND CONTROL, UPPER - SURE GRIP - Digital and Proportional	
8	55655	1	HAND CONTROL, UPPER - SURE GRIP - Digital Buttons Only	

-  See referenced page for component or assembly breakdown.
-  Kit or Assembly - includes all items indented underneath.
-  Included in repair kit

PAGE INTENTIONALLY LEFT BLANK