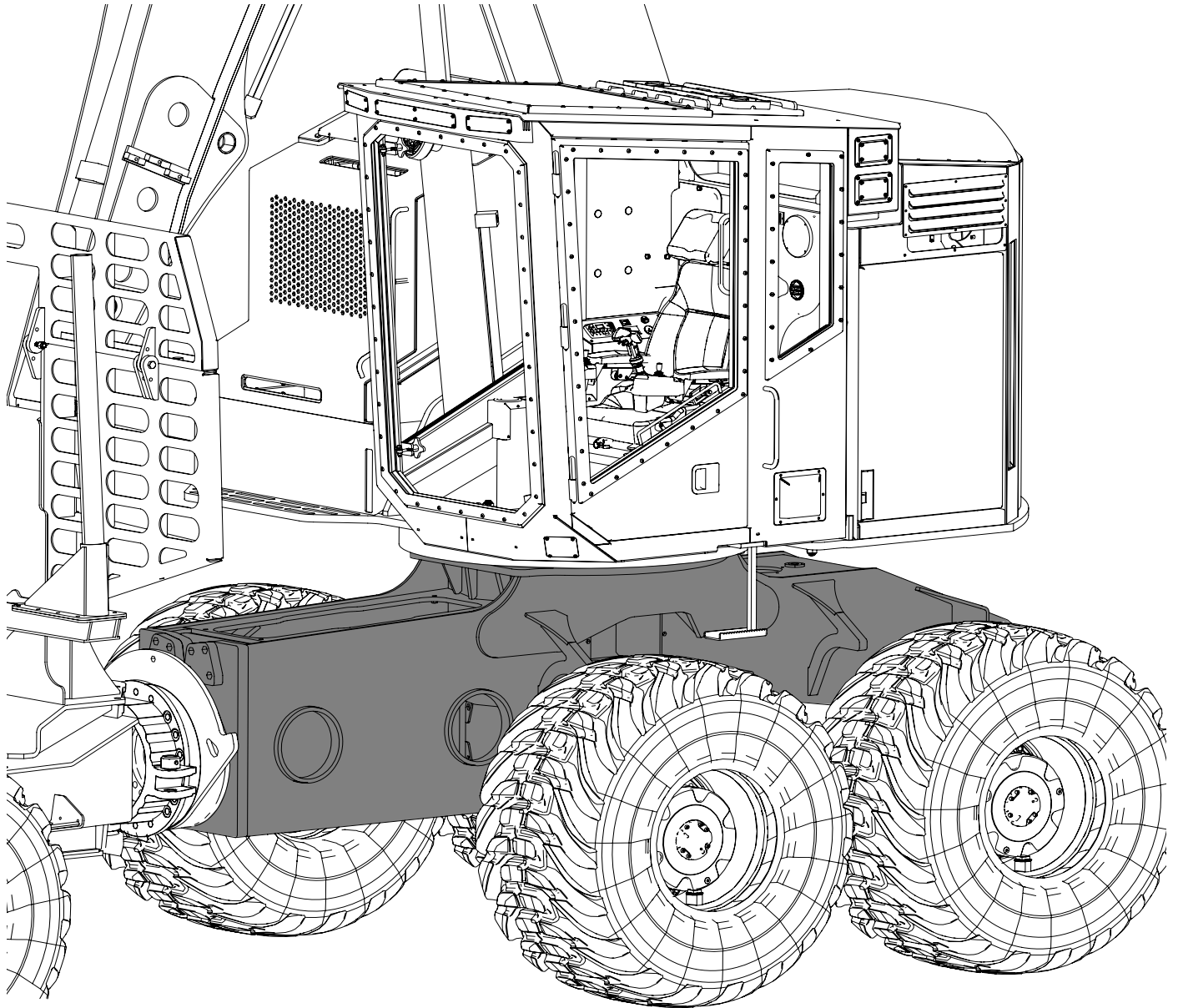


830/840 NON-LEVELING FRONT FRAME

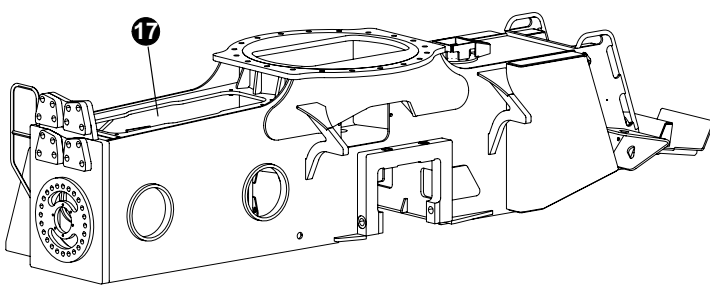
SECTION LF-2-1



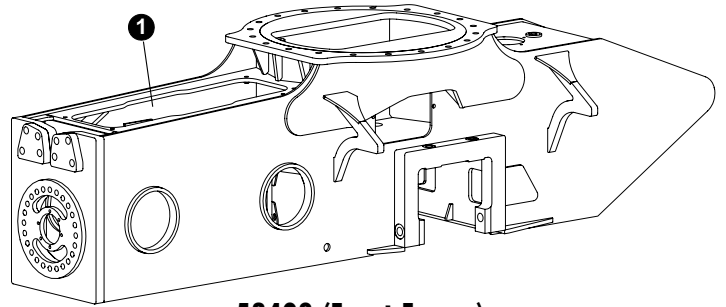
LOWER FRAME, FRONT FRAME COMPONENTS

LOWER FRAME, FRONT FRAME COMPONENTS

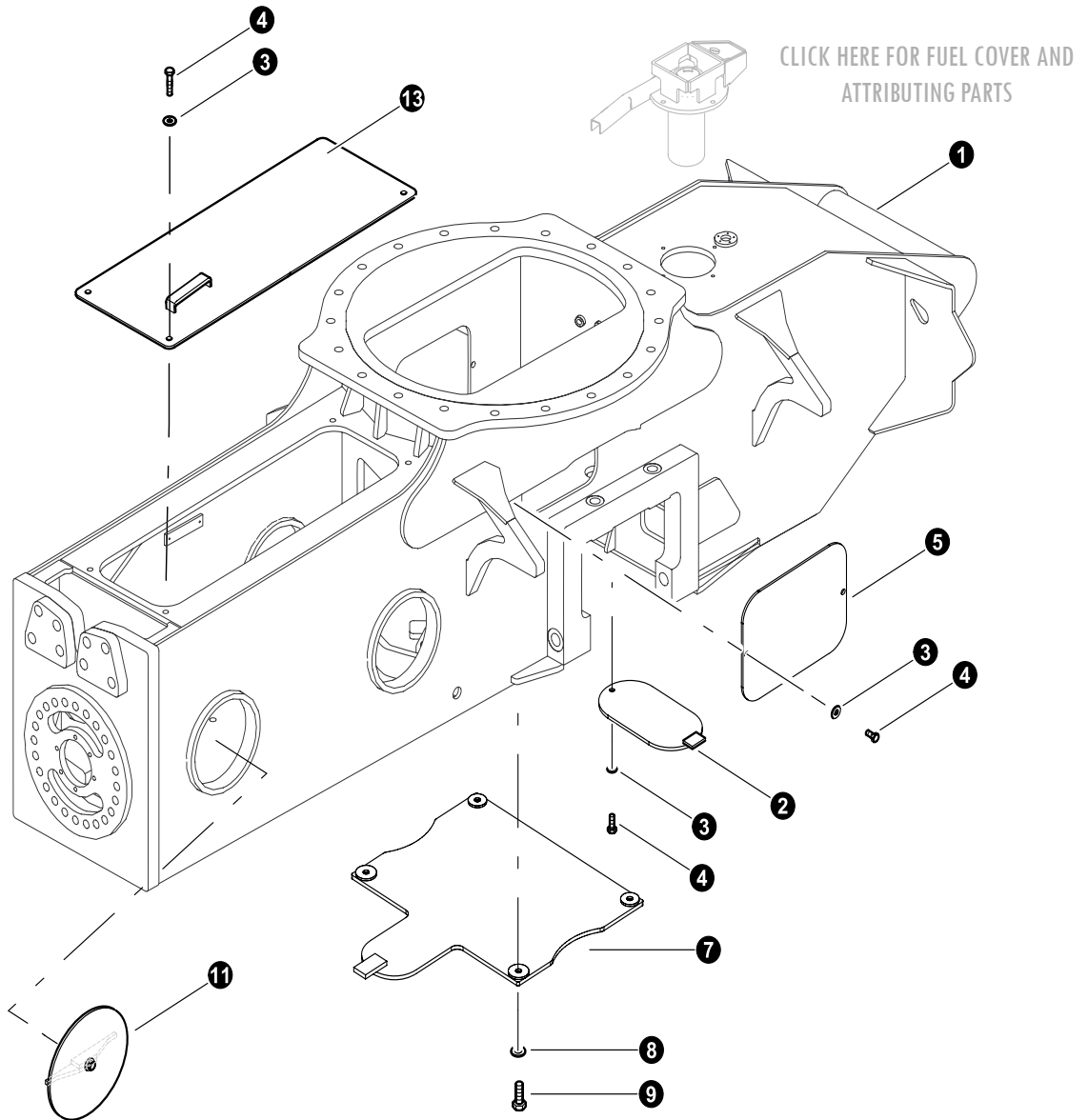
FRONT FRAME WELDMENT AND COVERS



53804 (Front Frame)





52408 (Front Frame)



LOWER FRAME, FRONT FRAME COMPONENTS

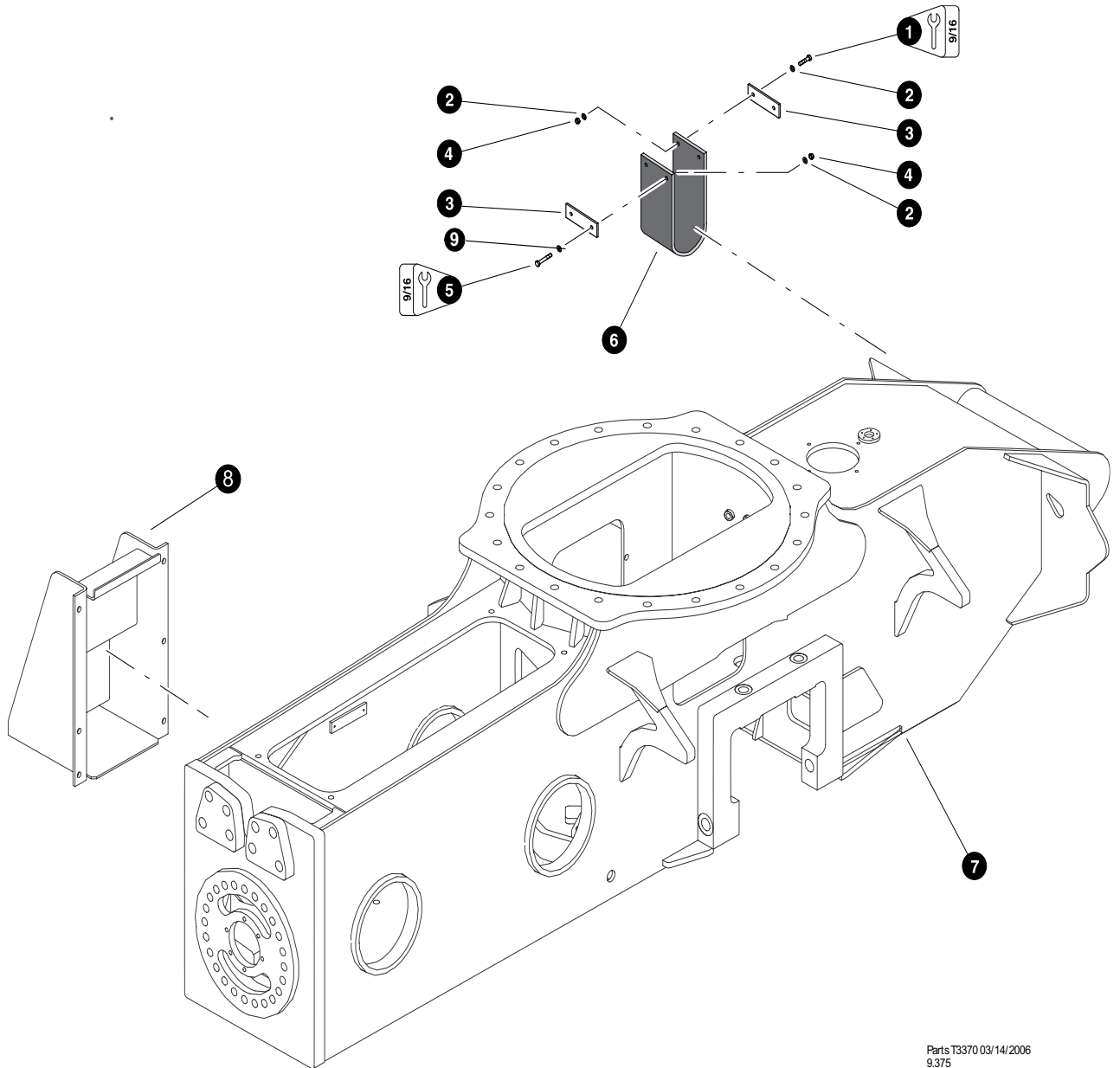
FRONT FRAME WELDMENT AND COVERS

REF	PART #	QTY	DESCRIPTION	SEE SECTION
1	52408	1	WELDMENT, front frame 800D	
2	52533	1	COVER, AXLE BOX END (WITH FUEL SENSOR)	
3	15534	9	WASHER, SAE flat - 1/2"	
4	18933	5	BOLT - 1/2" x 1 3/4"	
5	40894	2	COVER, RISER	
7	52215	1	COVER, AXLE BOTTOM	
8	15550	4	WASHER, SAE flat - 3/4	
9	10839	4	BOLT - 3/4" X 1.5"	
11	52357	4	COVER, ROUND - FRONT FRAME	
12	15565	2	BOLT - 1/2" X 1 1/4"	
13	52371	1	COVER, TOP REAR	
14	15600	1	O-RING, fuel tank cover	
15	(Click Here)	1	 COVER, FUEL	EE-1-4
16	(Click Here)	1	CAP, FUEL (locking)	EE-1-4
17	53804	1	FRAME, FRONT 830/840 FORWARDER-EXPORT	

 See referenced page for component or assembly breakdown.

LOWER FRAME, FRONT FRAME COMPONENTS


FRONT FRAME STEPS INSTALLATION



Parts T3370 03/14/2006
9.375

LOWER FRAME, FRONT FRAME COMPONENTS

FRONT FRAME STEPS INSTALLATION

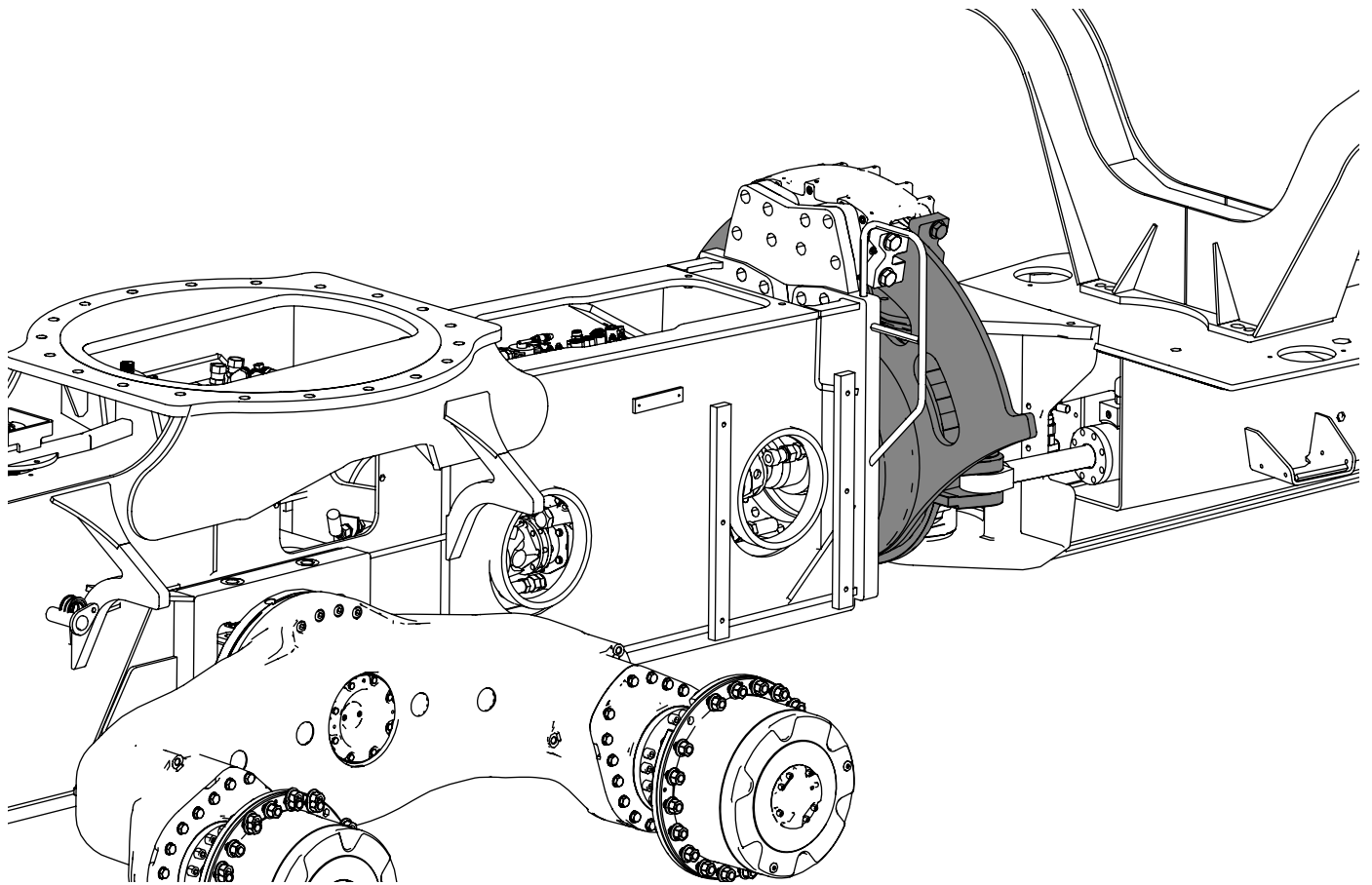
REF	PART #	QTY	DESCRIPTION	SEE SECTION
1	10731	2	BOLT - 3/8" x 1-1/2"	
2	15528	4	WASHER, SAE flat - 3/8"	
3	20209	2	RETAINER, rubber step	
4	10813	8	NUT, lock - 3/8"	
5	20084	2	BOLT - 3/8" x 1-3/4"	
6	20210	1	STEP, rubber	
7	(See Previous Page)	1	 FRONT FRAME WELDMENT	(See Previous Page)
8	54792	1	STEP, 830 BOLT-ON	
9	(See Description)	4	WASHER, THICK, 3/8" (LAWSON #98627)	

 See referenced page for component or assembly breakdown.

PAGE INTENTIONALLY LEFT BLANK

830/840 ARTICULATION

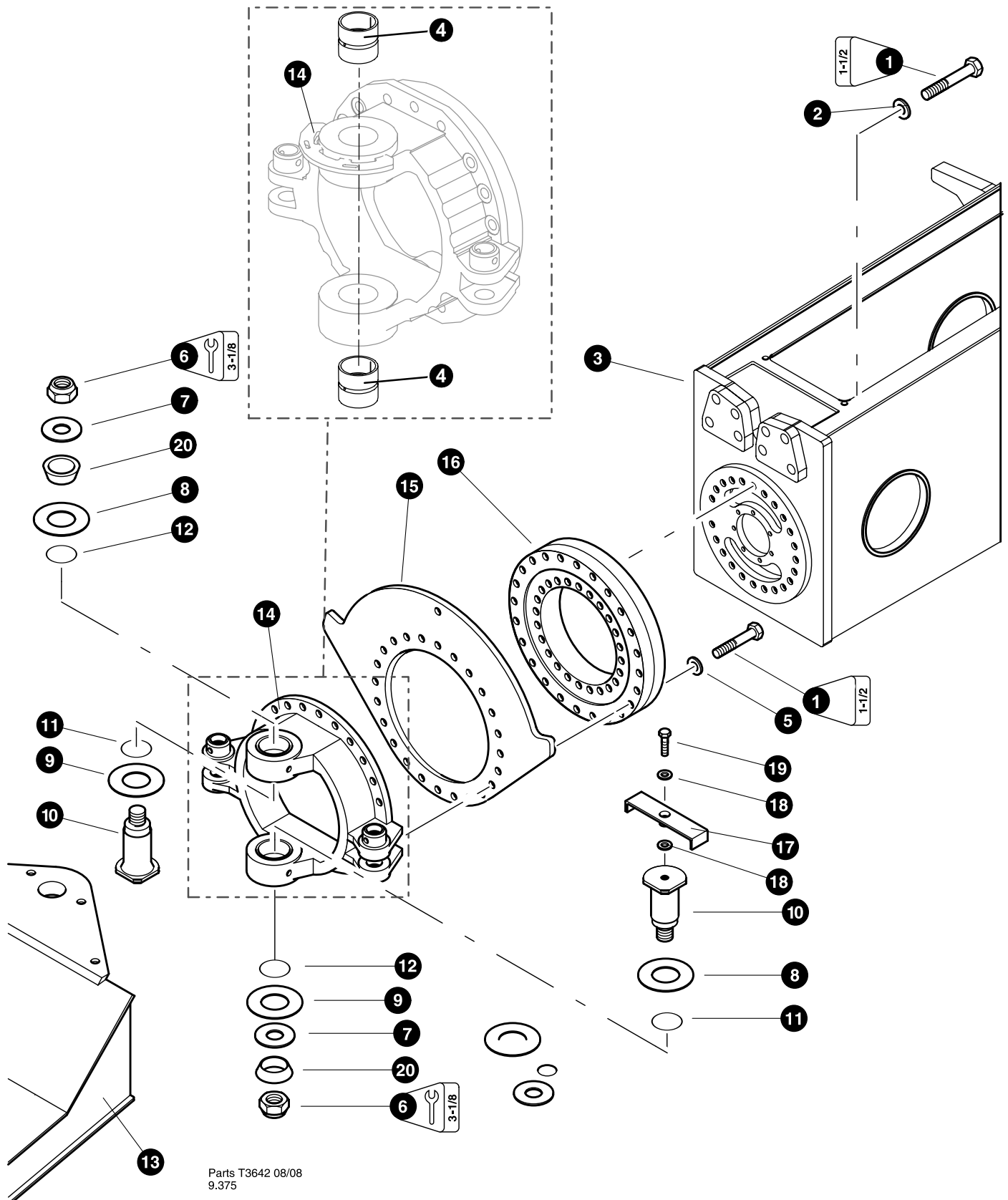
SECTION LF-2-2



FRONT FRAME ARTICULATION AND DRIVE COMPONENT INSTALLATION




FRONT FRAME ARTICULATION/DRIVE INSTALLATION

FRONT FRAME ARTICULATION INSTALLATION



FRONT FRAME ARTICULATION/DRIVE INSTALLATION

FRONT FRAME ARTICULATION INSTALLATION

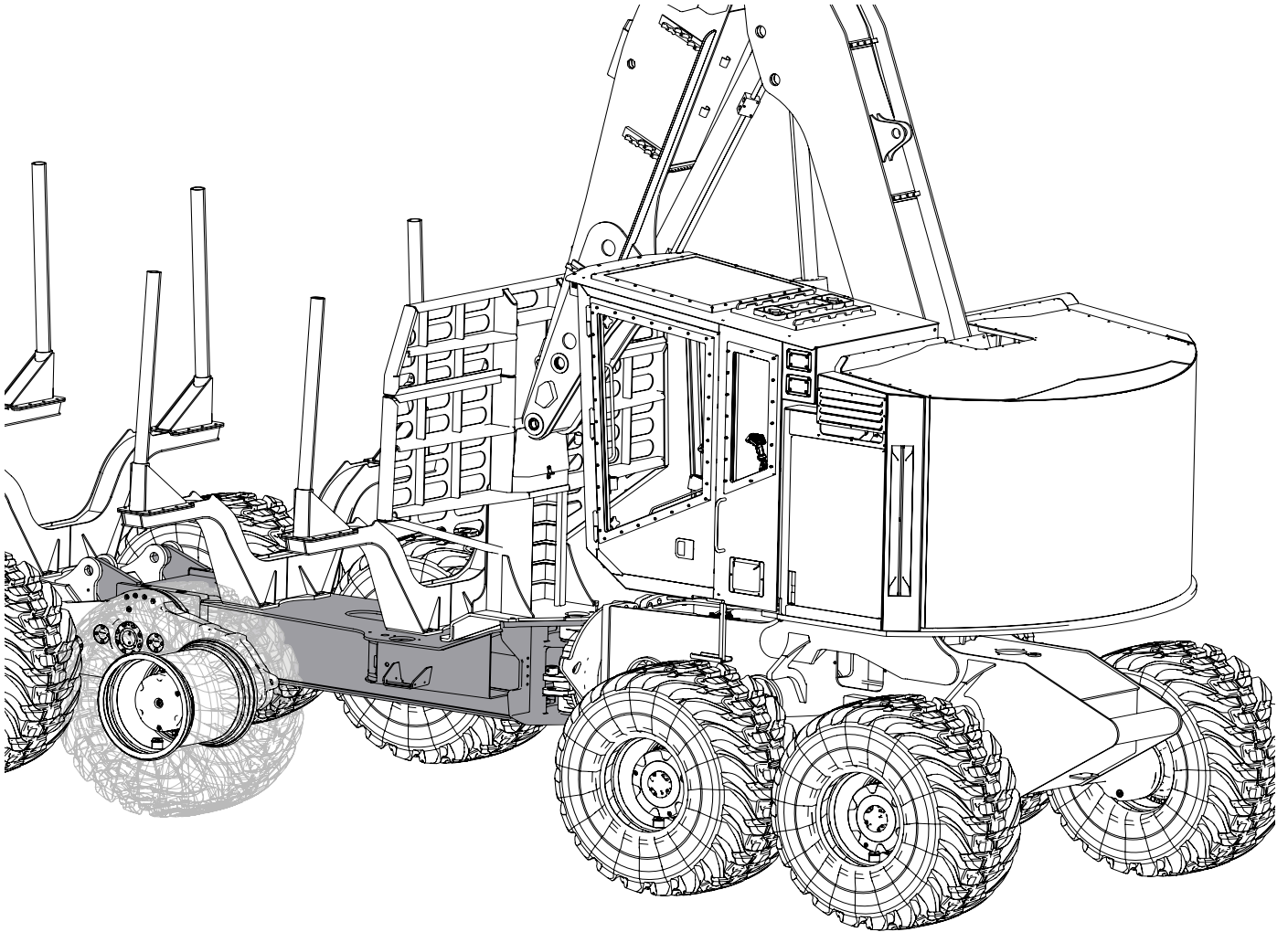
REF	PART #	QTY	DESCRIPTION	SEE SECTION
1	18672	47	BOLT - 1" X 7-1/2" (Torque to 1000 ft.lbs (1330 Nm) 2" Bearing Plate	
2	18532	24	WASHER, SAE FLAT - 1" (EXTRA THICK)	
3	(Click Here)	1	 FRONT FRAME WELDMENT	LF-2-1
4	52021	2	BUSHING - 3.5" X 3.75"(STRAIGHT GROOVES)	
5	15579	23	WASHER, SAE flat - 1"	
6	10728	2	NUT, nylock - 2"	
7	51499	2	WASHER, articulation pin (3/8" thick)	
8	23106	2	WASHER, thrust - thin (Brass)	
9	23105	2	WASHER, thrust - thick (Brass)	
10	52023	2	PIN - 3.5 X 10.75" TAPERED	
11	21577	2	O-RING - thin	
12	24546	2	O-RING - thick	
13	(Click Here)	1	 REAR FRAME WELDMENT.	LF-2-3
14	52038	1	 FRAME ARTICULATION CASTING	
15	52575	1	PLATE, DISK - FRAME BRAKE HD BRG 26" RAD	
16	53610	1	BEARING, ARTICULATION - PRELOAD SERIES 3	
17	40830	1	BRACKET, HOSE HOLD DWN - 830LEV&630 ONLY	
18	15550	2	WASHER, SAE flat - 3/4"	
19	10840	1	BOLT - .75" X 3"	
20	52040	2	HUB, TAPERED 3.5"	

 See referenced page for component or assembly breakdown.

PAGE INTENTIONALLY LEFT BLANK

830/840 NON-LEVELING REAR FRAME

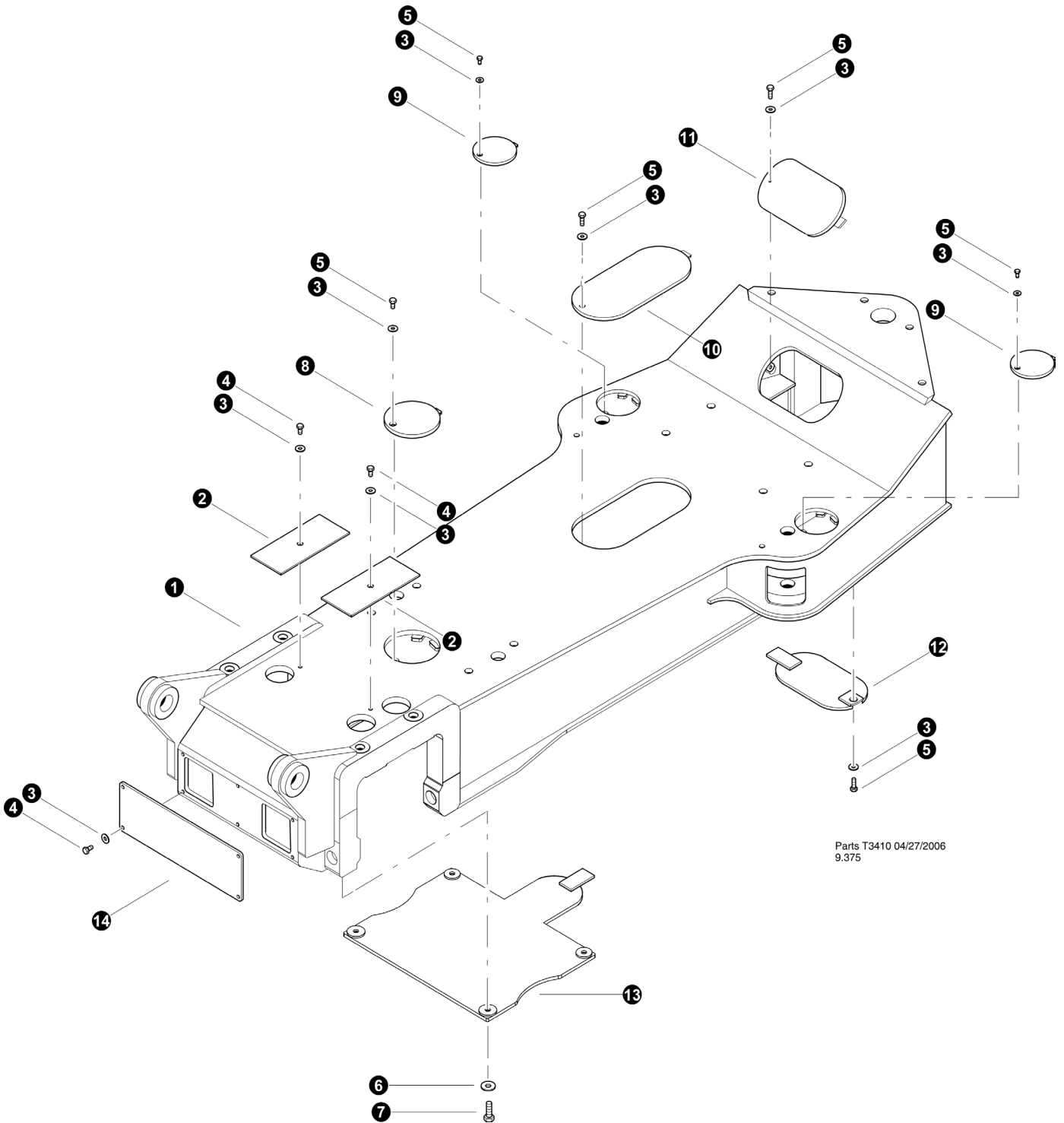
SECTION LF-2-3



LOWER FRAME, REAR FRAME COMPONENTS

LOWER FRAME, REAR FRAME COMPONENTS



REAR FRAME WELDMENT AND COVERS



LOWER FRAME, REAR FRAME COMPONENTS

REAR FRAME WELDMENT AND COVERS

REF	PART #	QTY	DESCRIPTION	SEE SECTION
1	52914	1	FRAME, REAR STD 830 NON-LEVEL TAPER PIN (Standard length)	
	52915	1	FRAME, REAR +24 830 NON-LEVEL TAPER PIN (24" longer)	
	52916	1	FRAME, REAR +36 830 NON-LEVEL TAPER PIN (36" longer)	
2	42162	2	COVER, access - rear frame axle top	
3	15534	12	WASHER, SAE flat - 1/2" (Qty. 12 on Std. machine)	
4	50100	6	BOLT - 1/2" x 1 1/4"	
5	18933	6	BOLT - 1/2" x 1 3/4"	
6	15550	4	WASHER, SAE flat, 3/4"	
7	10839	4	BOLT, 3/4 X 1 1/4"	
8	52446	1	COVER, TOP REAR ROUND 8"	
9	52475	2	COVER, TOP REAR ROUND 6"	
10	52539	1	COVER, TOP REAR OBLONG 9 X 24	
11	52477	1	COVER, TOP REAR OBLONG 8 X 14	
12	52846	1	COVER, BOTTOM REAR (standar frame)	
13	52215	1	COVER, AXLE BOTTOM AXLE-5" END - NEW	
14	52489	1	COVER, access - axle box end	

-  See referenced page for component or assembly breakdown.
-  Kit or Assembly - includes all items indented underneath.

PAGE INTENTIONALLY LEFT BLANK