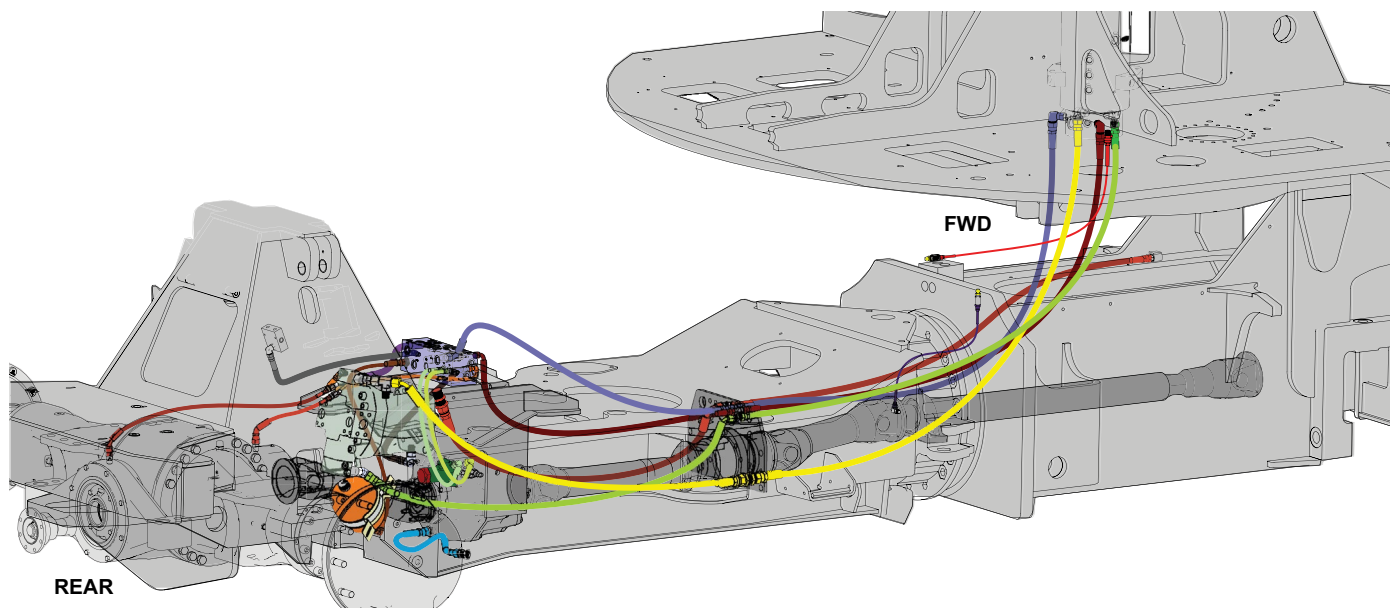
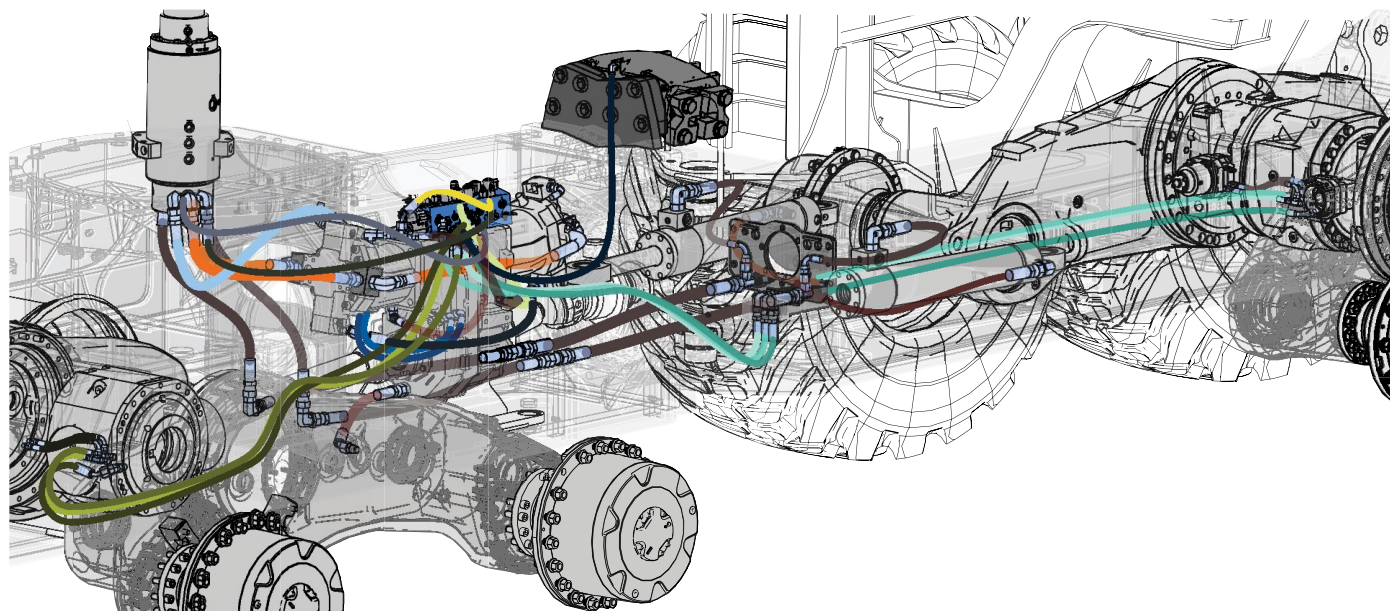


630/830/840 FORWARD AND REAR HYDRAULICS AT LOWER FRAME SECTION LFH-1



630 LOWER FRAME

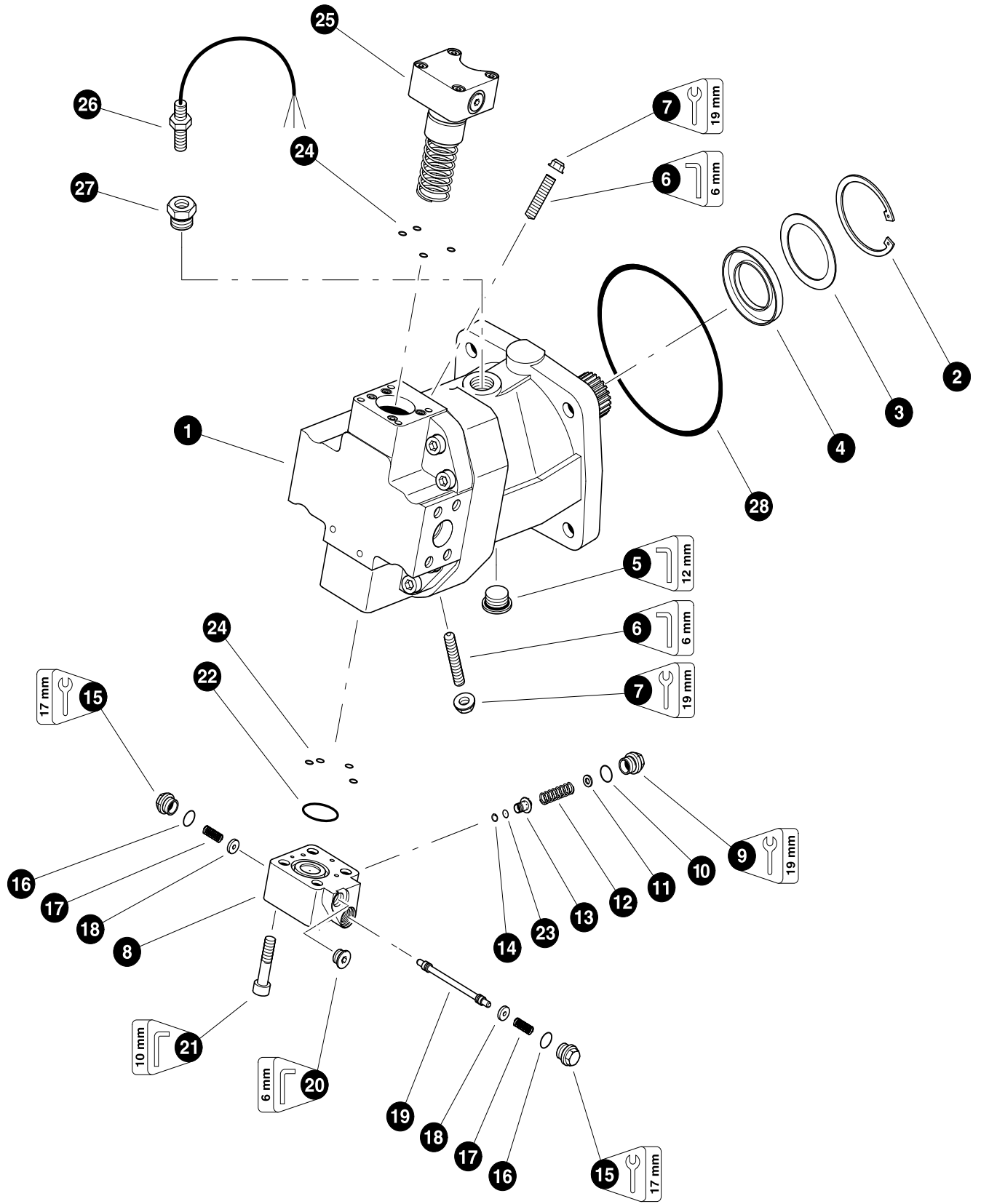


830/840 LOWER FRAME

LOWER FRAME HYDRAULICS PARTS AND ASSEMBLIES

LOWER FRAME HYDRAULICS

630/830/840 WHEEL DRIVE MOTOR - REXROTH 160 CC (STANDARD OPTION)



LOWER FRAME HYDRAULICS

630/830/840 WHEEL DRIVE MOTOR - REXROTH 160 CC (STANDARD OPTION)

REF	PART #	QTY		DESCRIPTION	SEE SECTION
1	51869	(Varies)	☐	MOTOR, wheel drive - Rexroth AA6VM160 (Front) (w/speed counter ring) (Vg Min = 0 cubic meters) (flushing) (630 - 1 motor) (830/840 - 2 motors)	
2	20685	1		RING, snap	
3	20686	1		SHIM, shaft seal	
4	20687	1	⌘	SEAL, shaft	
5	19692	1		PLUG - 26mm-1.5P (BSPP thread)	
6	51987	1		SCREW, adjusting (0 - Displacement min)(needed for front motor)	
	20688	2		SCREW, adjusting (Displacement min & max)	
7	20689	2	⌘	NUT, seal	
8	20690	1	☐	STROKING PISTON COVER ASSEMBLY	
9	20691	1		PLUG	
10	20713	1	⌘	O-RING	
11	20714	1		SHIM	
12	20715	1		SPRING	
13	20716	1		POPPET	
14	20718	1		RING, snap	
15	20719	2		PLUG	
16	20720	2	⌘	O-RING	
17	20721	2		SPRING	
18	20722	2		RETAINER, spring	
19	NSS	1		SPOOL	
20	20693	1		PLUG - 14mm-1.5P (BSPP thread)	
21	20723	4		BOLT, allen head	
22	20724	1	⌘	O-RING	
23	20717	1		ORIFICE, flushing - 1.2mm	
24	NSS	8		O-RING	
25	(See Next Page)	1		STROKING PISTON CONTROL ASSEMBLY	(See Next Page)
26	25280	1		SENSOR, SPEED PICKUP (rexroth hydro motor)	
27	51098	1		FITTING, speed pickup rexroth (sae)	
28	20967	1		O-RING, WHEEL DRIVE MOTOR (gearbox pilot)	
-	20725	1		KIT, seal repair - complete AA6VM160 motor	

☐ Kit or Assembly - includes all items indented underneath.

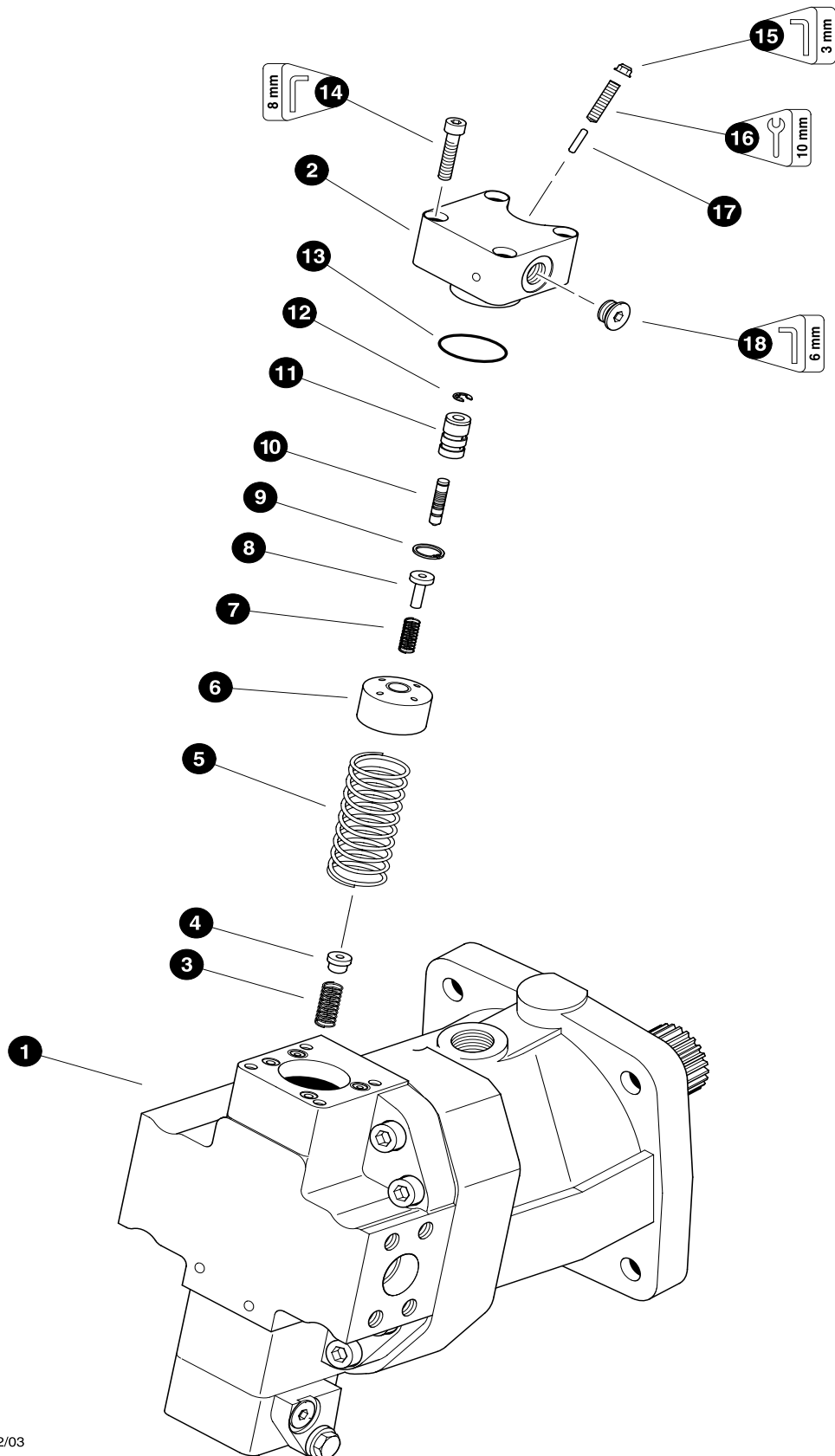
⌘ Included in seal repair kit Part # 20725.

NOTE:

Due to warranty policy restrictions imposed by component suppliers, it is not recommended that the component be disassembled further than is shown in the illustration.

LOWER FRAME HYDRAULICS

630/830/840 WHEEL DRIVE MOTOR - REXROTH 160 CC (HA2T CONTROLLER OPTION)



Parts T2811 08/12/03
37.50

LOWER FRAME HYDRAULICS

630/830/840 WHEEL DRIVE MOTOR - REXROTH 160 CC (HA2T CONTROLLER OPTION)

REF	PART #	QTY	DESCRIPTION	SEE SECTION
1	51869-0	1	☐ MOTOR, wheel drive - Rexroth AA6VM160 (Front)(830/840 ONLY) (w/speed counter ring) (Vg Min = 0 cubic meters) (flushing)	
	51869-70	1	☐ MOTOR, wheel drive - Rexroth AA6VM160 (Rear) (w/speed counter ring) (Vg Min = 70 cubic meters) (flushing)	
2	20726	1	☐ CONTROL, MOTOR STROKE ASSEMBLY (HA2T)	
3	---	1	SPRING, (HU00444549)	
4	---	1	RETAINER, spring (HU00421860)	
5	---	1	SPRING (HU00651116)	
6	---	1	BUSHING, spring (HU00651118)	
7	20729	1	SPRING	
8	---	1	RETAINER, spring (HU00921351)	
9	20731	1	RING, snap	
10	---	1	SPOOL, control (HU00430748)	
11	20732	1	BUSHING, control spool	
12	20734	1	E-CLIP, control spo	
13	---	1	⌘ O-RING (68103-025)	
14	---	4	BOLT, allen head (60118-063)	
15	20737	1	⌘ NUT, seal	
16	20738	1	SCREW, adjusting (Stroke control)	
17	---	1	PIN, stroke adjustment (69116-019)	
18	20693	1	PLUG - 14mm-1.5P (BSPP thread)	
-	20725	1	KIT, seal repair - complete AA6VM160 motor	

- ☐ Kit or Assembly - includes all items indented underneath.
 ⌘ Included in seal repair kit Part # 20725

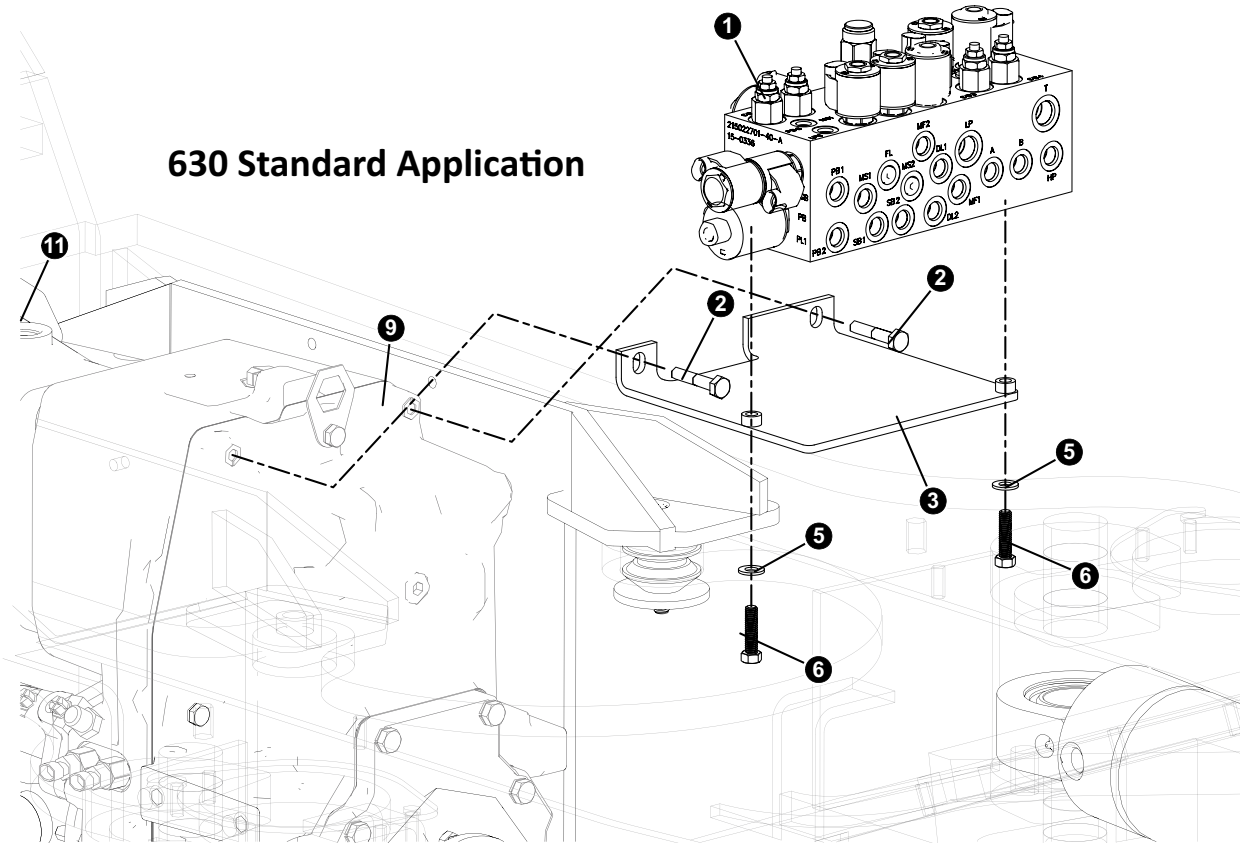
NOTE:

Due to warranty policy restrictions imposed by component suppliers, it is not recommended that the component be disassembled further than is shown in the illustration.

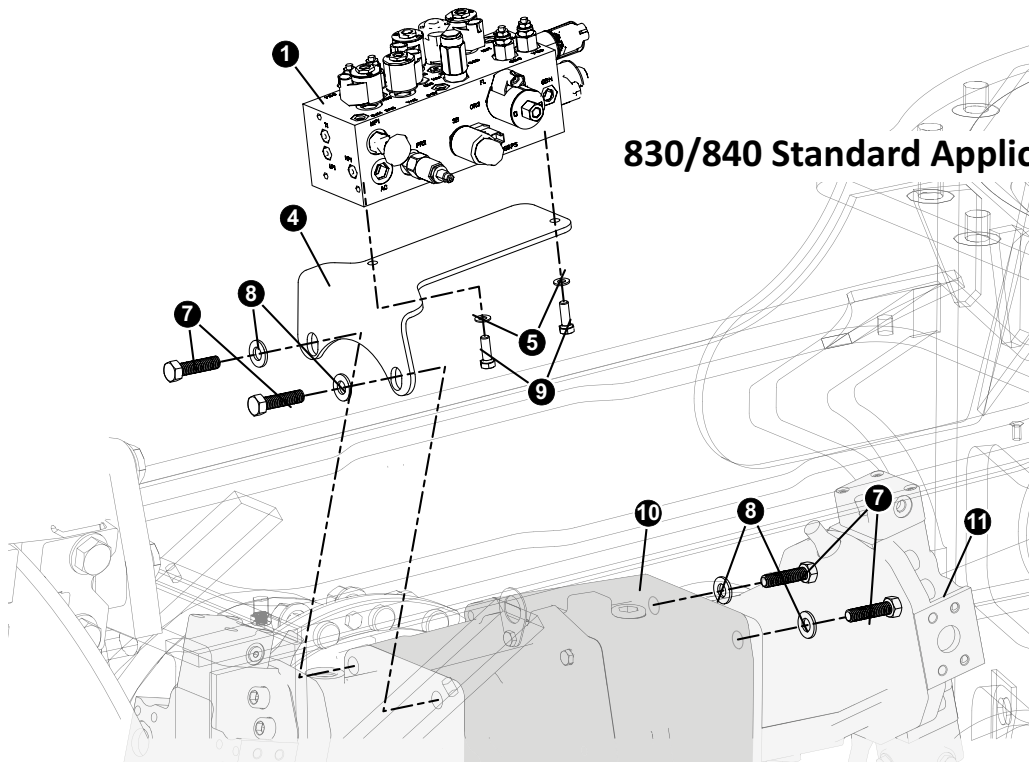
LOWER FRAME HYDRAULICS

830/840 LOWER FRAME MAIN CONTROL VALVE INSTALLATION

630 Standard Application





830/840 Standard Application



LOWER FRAME HYDRAULICS

830/840 LOWER FRAME MAIN CONTROL VALVE INSTALLATION

REF	PART #	QTY	DESCRIPTION	SEE SECTION
1	(See Next Page)	1	 LOWER SOLENOID MANIFOLD	(See Next Page)
2	16054	2	BOLT - 10MM-1.5P X 60MM	
3	54613	1	BRACKET, 630 REAR MANIFOLD	
4	60648	1	PLATE, MANIFOLD MTG NAF (SAME AS 60704)	
5	15559	2	WASHER, SAE FLAT - .3125"	
6	10822	2	BOLT - .3125" X 1 1/4"	
7	18525	8	BOLT, - 20mm X 50 mm <i>(See Note #1 Below)</i> (Torque to 180 ft-lbs)	
8	42110	8	WASHER, FLAT - 20MM	
9	(Click Here)	1	Gear Box	DR-1
10	(See Previous Pages)	(Varies)	Motor	(See Previous Pages)
11	(Click Here)	1	Gear Box	DR-2

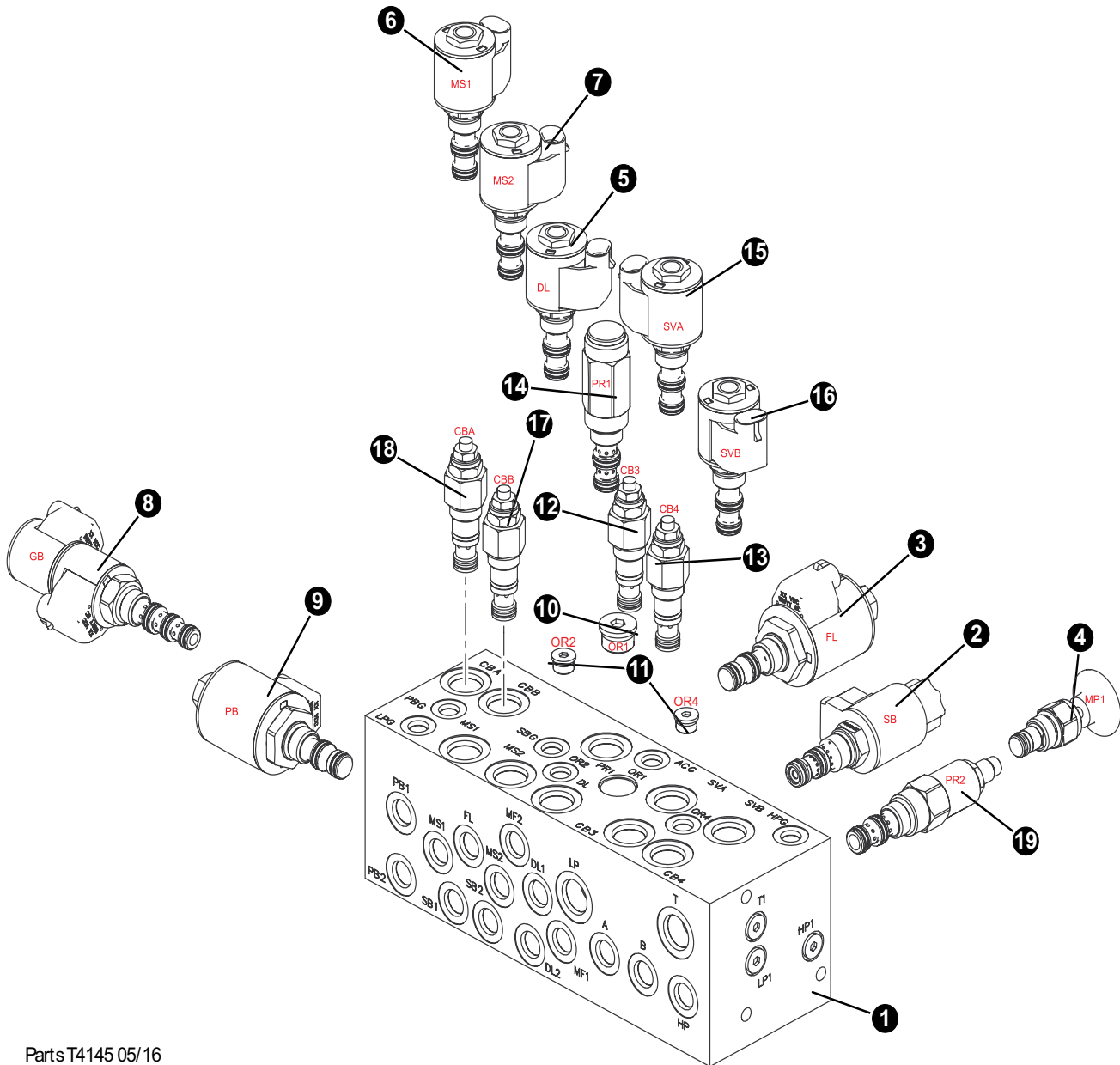
 See referenced page for component or assembly breakdown.

Note #1:

Use Loctite 242 (BLUE) during install.

LOWER FRAME HYDRAULICS

630/830/840 LOWER FRAME MAIN CONTROL VALVE ASSEMBLY



Parts T4145 05/16
25.00

LOWER FRAME HYDRAULICS

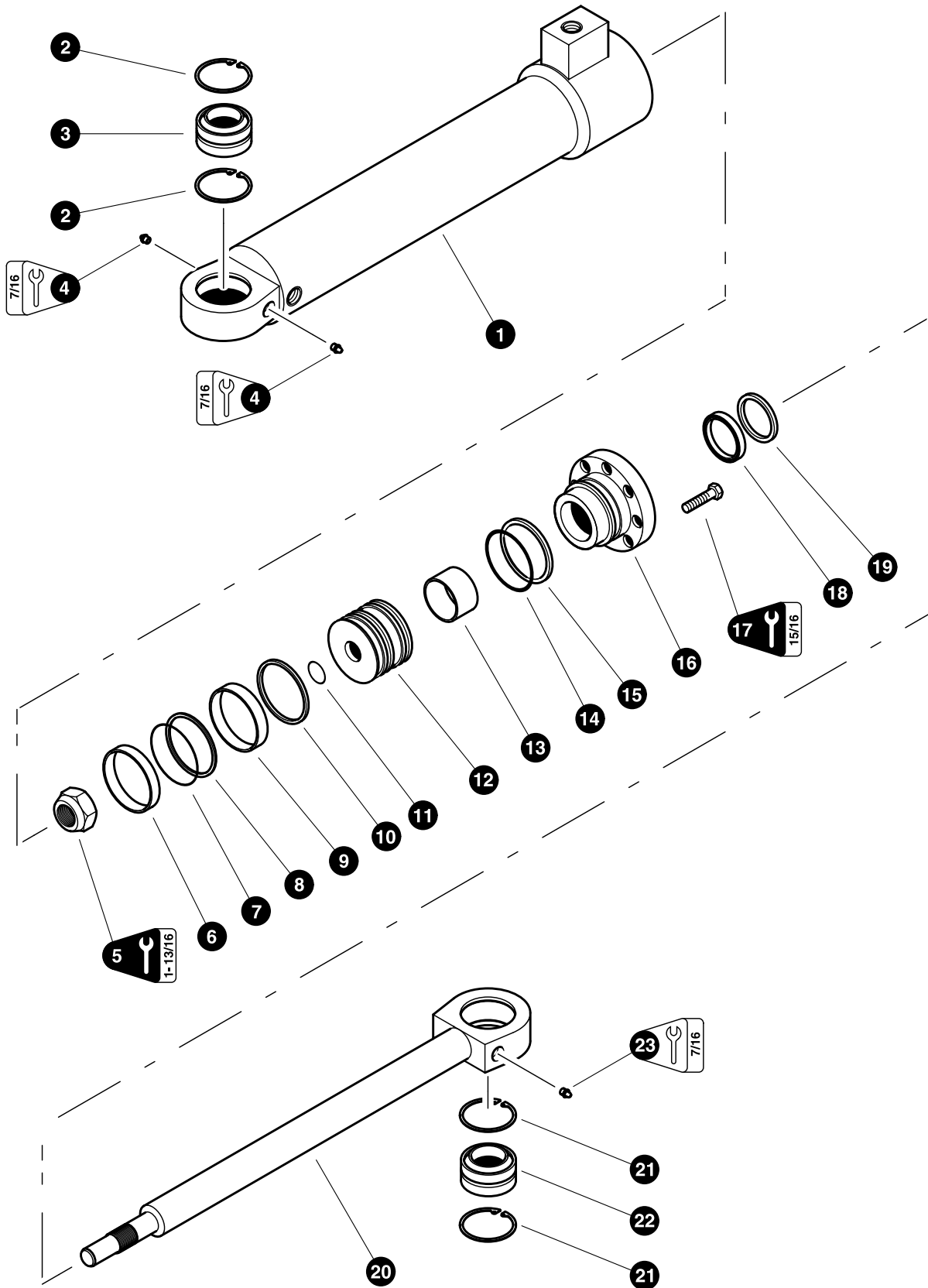
630/830/840 LOWER FRAME MAIN CONTROL VALVE ASSEMBLY

REF	PART #	QTY	DESCRIPTION	SEE SECTION
1	54263	1	☐ VALVE, LOWER MANIFOLD - Fluid Systems (FSC #215022701-50)	
2	55403	1	■ Valve, Proportional (PDR08-01-C-N-110-24PN-8.8) Service Brake (SB)	
3	58082	1	⌘ Valve, Directional Control (WS08D-58-C-N-0) Frame Lock (OR3)	
4	-	1	☒ Valve, Manual Directional Valve (MP08-20J-0-N) (MP1)	
5	-	1	⌘ Valve, Directional Control (SV08-31-0-N-24EYZ) Differential Lock (DL)	
6	-	1	⌘ Valve, Directional Control (SV08-31-0-N-24EYZ) Motor Shift 1 (MS1)	
7	-	1	⌘ Valve, Directional Control (SV08-31-0-N-24EYZ) Motor Shift 2 (MS2)	
8	-	1	◆ Valve, Directional Control (SV08-47D-0-N-24EYZ) Gear Box (GB)	
9	58082	1	⌘ Valve, Directional Control (WS08D-58-C-N-0) Parking Brake (PB)	
10	-	1	VENTURI PLUG, (210101804-90) (OR1)	
11	-	1	PLUG, ORIFICE .052" 1/16"-27NPTF (OR2, OR4)	
12	54128	1	❖ Valve, Counterbalance (5008-3-500) (CB3)	
13	54128	1	❖ Valve, Counterbalance (5008-3-500) (CB4)	
14	-	1	⊗ Valve, Pressure Reducing (PR58-38H-0-N-20/9.0) 900PSI PARK BRAKE (PR1)	
15	-	1	⌘ Valve, Directional Control (SV08-30-0-V-24EYZ) Step Valve A (SVA)	
16	-	1	⌘ Valve, Directional Control (SV08-30-0-N-24EYZ) Step Valve B (SVB)	
17	54128	1	❖ Valve, Counterbalance (5008-3-500) Gear Shift Load Check Valve (CBB)	
18	54128	1	❖ Valve, Counterbalance (5008-3-500) Gear Shift Load Check Valve (CBA)	
19	-	1	⊗ Valve, Pressure Reducing (DR08-01-C-N-220V) (PR2)	
-	53921	1	☐ VALVE, GATE VALVE (optional)	

- ☐ Kit or Assembly - includes all items indented underneath.
- ⌘ Seal Repair Kit (TP# 17799; Supp. # SK08-3N-MM) / Coil (4303810) / Nut (7004400)
- Seal Repair Kit (TP# 20293; Supp. # SK10-3N-BM)
- Seal Repair Kit (03054795) / Coil (24PN-8.8-40-1836)
- ◆ Seal Repair Kit (SK08-4N-MMM) / Coil (4303810) / Nut (7004400) / Spacer (4534720)
- ❖ Seal Repair Kit (12106)
- ☒ Seal Repair Kit (SK08-2X-T)
- ⊗ Seal Repair Kit (SK08-3X-BM)

LOWER FRAME HYDRAULICS

630/830/840 JARP STEERING CYLINDER ASSEMBLY



00194 01/17/97

LOWER FRAME HYDRAULICS

630/830/840 JARP STEERING CYLINDER ASSEMBLY

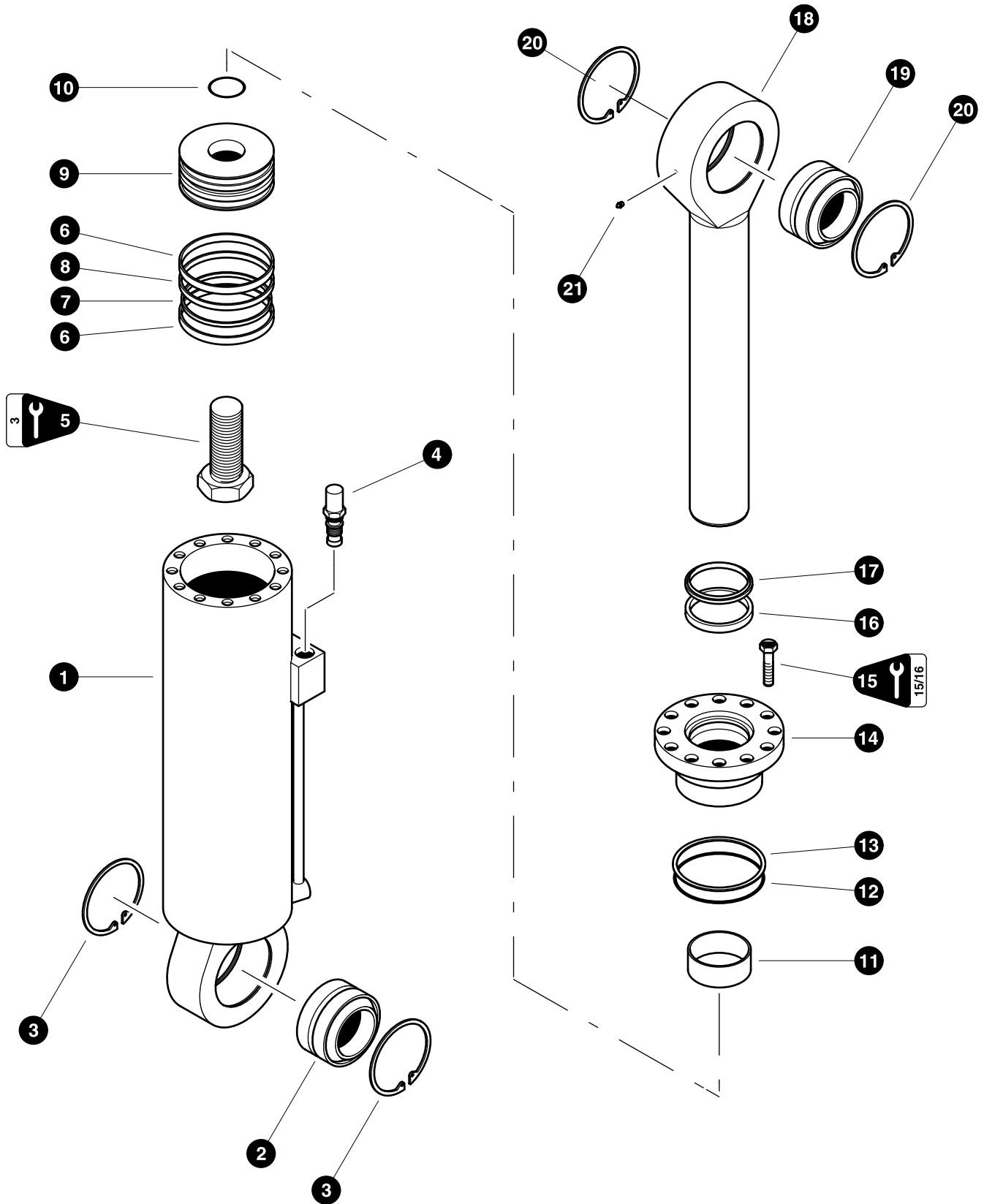
REF	PART #	QTY	DESCRIPTION	SEE SECTION
-	51584	2	☐ CYLINDER, STEER (2.25" ROD) - JARP	
1	51681	1	☐ BARREL ASSEMBLY	
2	19916	2	RING, snap	
3	19917	1	BUSHING, spherical - 2"	
4	10704	1	FITTING, straight grease - 1/8" pipe thread	
5		1	NUT, cylinder rod - 1-3/4" (Torque to 885 +/- 60 ft.lbs.(1175 +/- 80 Nm))	
6	NSS	1	⌘ RING, piston wear	
7	NSS	1	⌘ RING, piston loader	
8	NSS	1	⌘ RING, piston chem-cast	
9	NSS	1	⌘ RING, piston wear	
10	NSS	1	⌘ RING, piston seal	
11	NSS	1	⌘ O-RING, piston	
12		1	PISTON	
13	NSS	1	⌘ RING, rod bearing wear	
14	NSS	1	⌘ O-RING, rod bearing	
15	NSS	1	⌘ RING, rod bearing back-up	
16	51685	1	BEARING, rod	
17	15681	8	BOLT - 5/8" x 2-1/4" (Torque to 175 ft.lbs (233 Nm))	
18	NSS	1	⌘ U-CUP, rod bearing	
19	NSS	1	⌘ WIPER, rod	
20	51682	1	☐ ROD ASSEMBLY	
21	19916	2	RING, snap	
22	19917	1	BUSHING, spherical - 2"	
23	10704	1	FITTING, straight grease - 1/8" pipe thread	
-	51683	1	KIT, seal repair - steer cylinder	

☐ Kit or Assembly - includes all items indented underneath.

⌘ Included in seal repair kit Part # 51683.

LOWER FRAME HYDRAULICS

630 JARP LEVELING CYLINDER ASSEMBLY



LOWER FRAME HYDRAULICS

630 JARP LEVELING CYLINDER ASSEMBLY

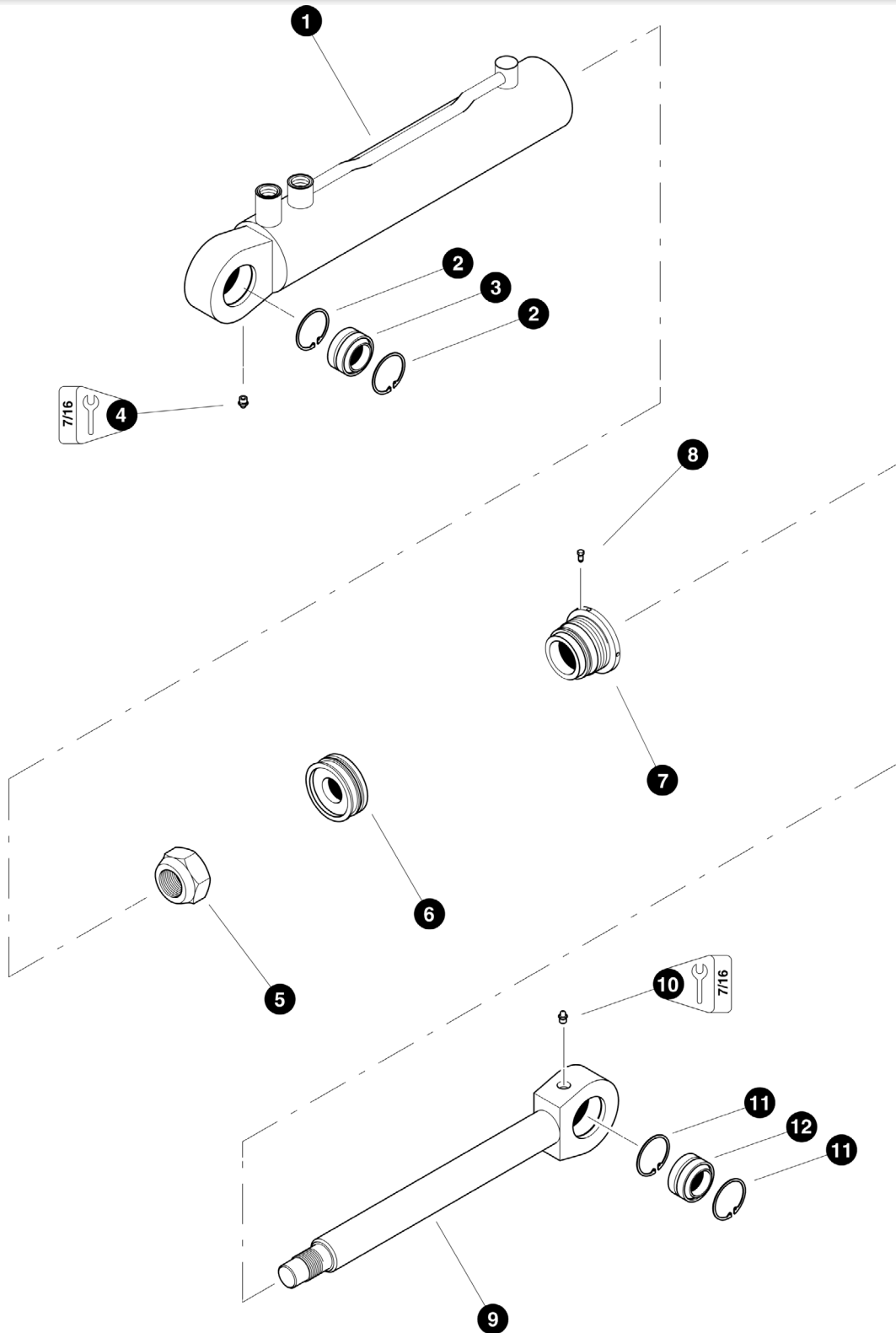
REF	PART #	QTY	DESCRIPTION	SEE SECTION
-	22547	1	☐ LEVEL CYLINDER ASSEMBLY	
1	23482	1	☐ BARREL ASSEMBLY	
2	12127	1	BUSHING, spherical - 3"	
3	17833	2	Ring, snap - 3" spherical bushing	
4	23216	2	CARTRIDGE, holding	
5	19956	1	BOLT, cylinder rod - 2" x 4-1/4" (2700 +/- 200 ft lbs (3600 +/- 265 Nm))	
6	NSS	2	⌘ RING, piston wear	
7	NSS	1	⌘ RING, piston square	
8	NSS	1	⌘ RING, piston chem-cast	
9	23483	1	PISTON	
10	NSS	1	⌘ O-RING, piston	
11	NSS	1	⌘ RING, rod bearing wear	
12	NSS	1	⌘ O-RING, rod bearing	
13	NSS	1	⌘ RING, rod bearing back-up	
14	24567	1	⌘ BEARING, rod	
15	15681	12	BOLT - 5/8" x 2-1/4" (175 ft lbs (233Nm))	
16	NSS	1	⌘ U-CUP, rod bearing	
17	NSS	1	⌘ WIPER, rod	
18	23485	1	☐ ROD ASSEMBLY	
19	12127	1	BUSHING, spherical - 3"	
20	17833	2	RING, snap - 3" spherical bushing	
21	10704	1	FITTING, grease	
-	23486	1	KIT, seal repair - level cylinder	

☐ Kit or Assembly - includes all items indented underneath.

⌘ Included in seal repair kit Part #23486

LOWER FRAME HYDRAULICS

630 JARP FRAME-LOCK BRAKE CYLINDER ASSEMBLY



T3512 11/06/06
18.75

LOWER FRAME HYDRAULICS

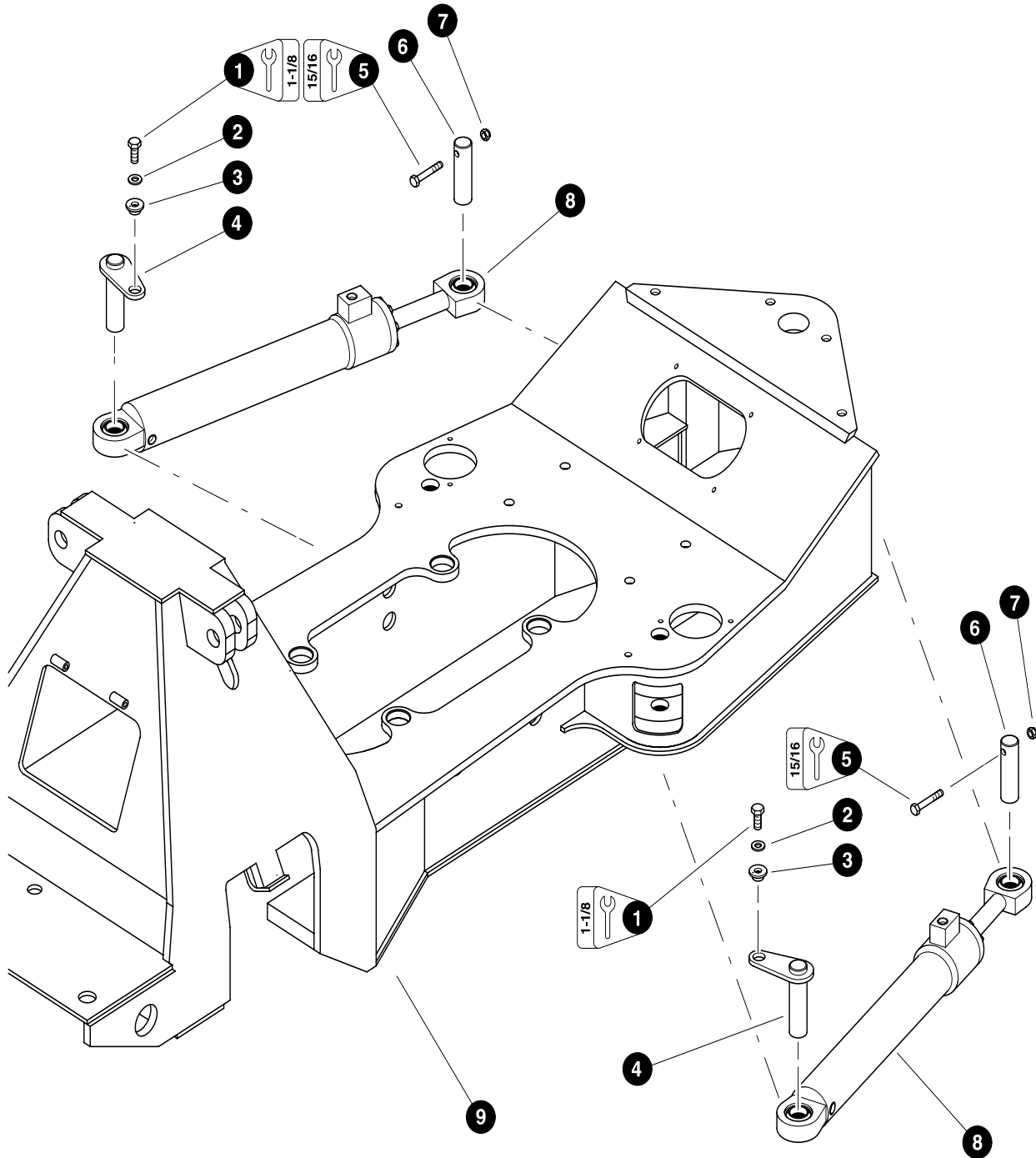
630 JARP FRAME-LOCK BRAKE CYLINDER ASSEMBLY

REF	PART #	QTY	DESCRIPTION	SEE SECTION
-	52111	2	<input type="checkbox"/> CYLINDER, AXLE /FRAME LOCK - JARP	
1	52655	1	<input type="checkbox"/> BARREL ASSEMBLY	
2		2	RING, snap	
3		1	BUSHING, spherical - 2"	
4		1	FITTING, straight grease - 1/8" pipe thread (717000A)	
5	52659	1	NUT, cylinder rod - 1-1/4" (Torque to 770 ft-lbs.)	
6	52657	1	PISTON	
7	52658	1	BEARING, rod	
8	- - -	1	CAP SCREW (711127A)	
9	52656	1	<input type="checkbox"/> ROD ASSEMBLY	
10		1	FITTING, straight grease - 1/8" pipe thread (717000A)	
11		2	RING, snap	
12		1	BUSHING, spherical - 2"	
-	52660	1	KIT, seal repair - axel lock cylinder	

Kit or Assembly - includes all items indented underneath.

LOWER FRAME HYDRAULICS



630 STEERING CYLINDER INSTALLATION




Parts T2858 08/25/03
9.375

LOWER FRAME HYDRAULICS

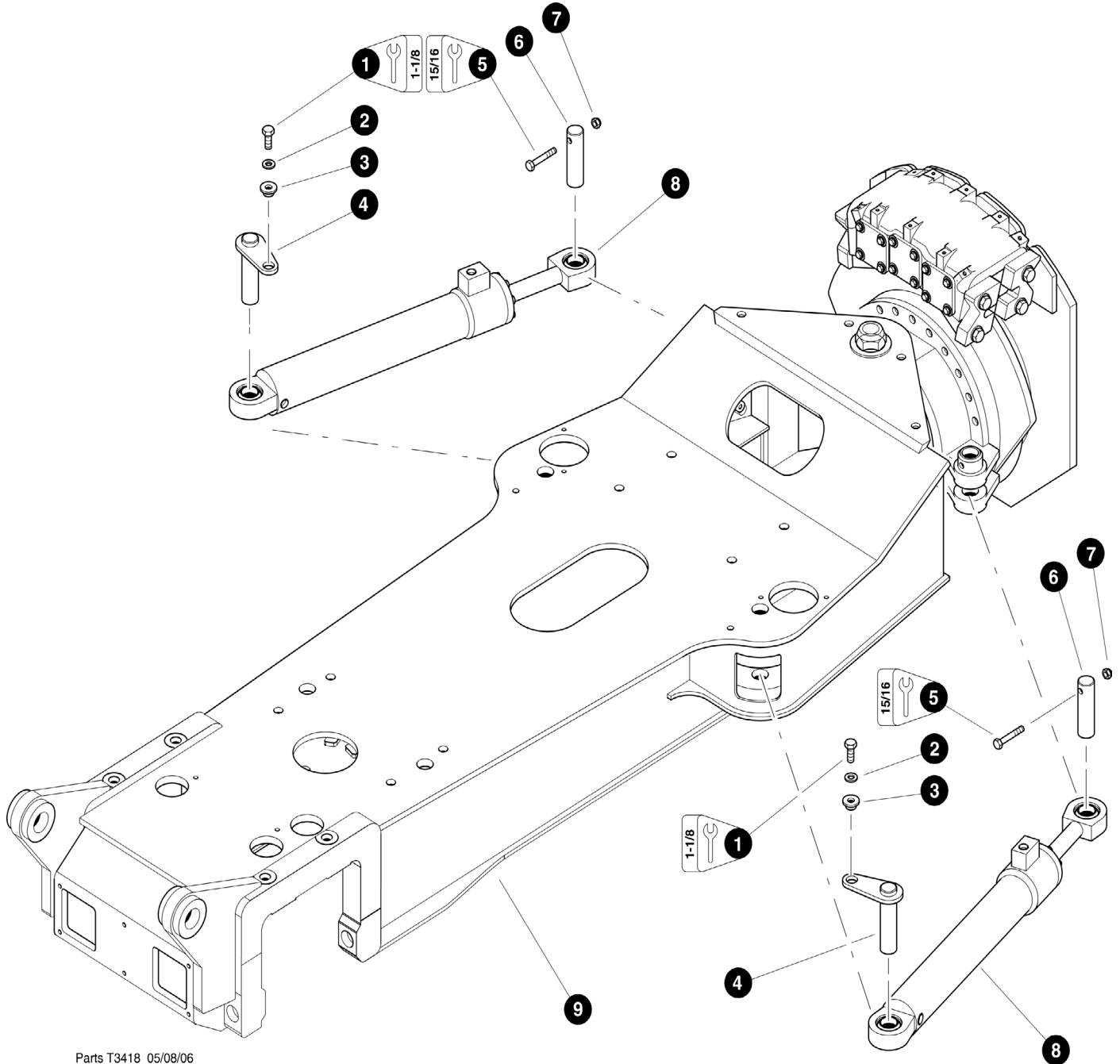
630 STEERING CYLINDER INSTALLATION

REF	PART #	QTY	DESCRIPTION	SEE SECTION
1	15549	2	BOLT - 3/4" x 2"	
2	15550	2	WASHER, SAE flat - 3/4"	
3	18570	2	WASHER, pin retaining	
4	80769	2	PIN, steer cylinder mounting - base	
5	10719	2	BOLT - 5/8" x 4"	
6	19448	2	PIN, steer cylinder mounting - rod	
7	10771	2	NUT - 5/8"	
8	(Click Here)	2	 STEER CYLINDER	LFH-1-10
9	(Click Here)	1	 REAR FRAME WELDMENT	LF-1-3

 See referenced page for component or assembly breakdown.

LOWER FRAME HYDRAULICS



830 STEERING CYLINDER INSTALLATION



Parts T3418 05/08/06
9.375

LOWER FRAME HYDRAULICS

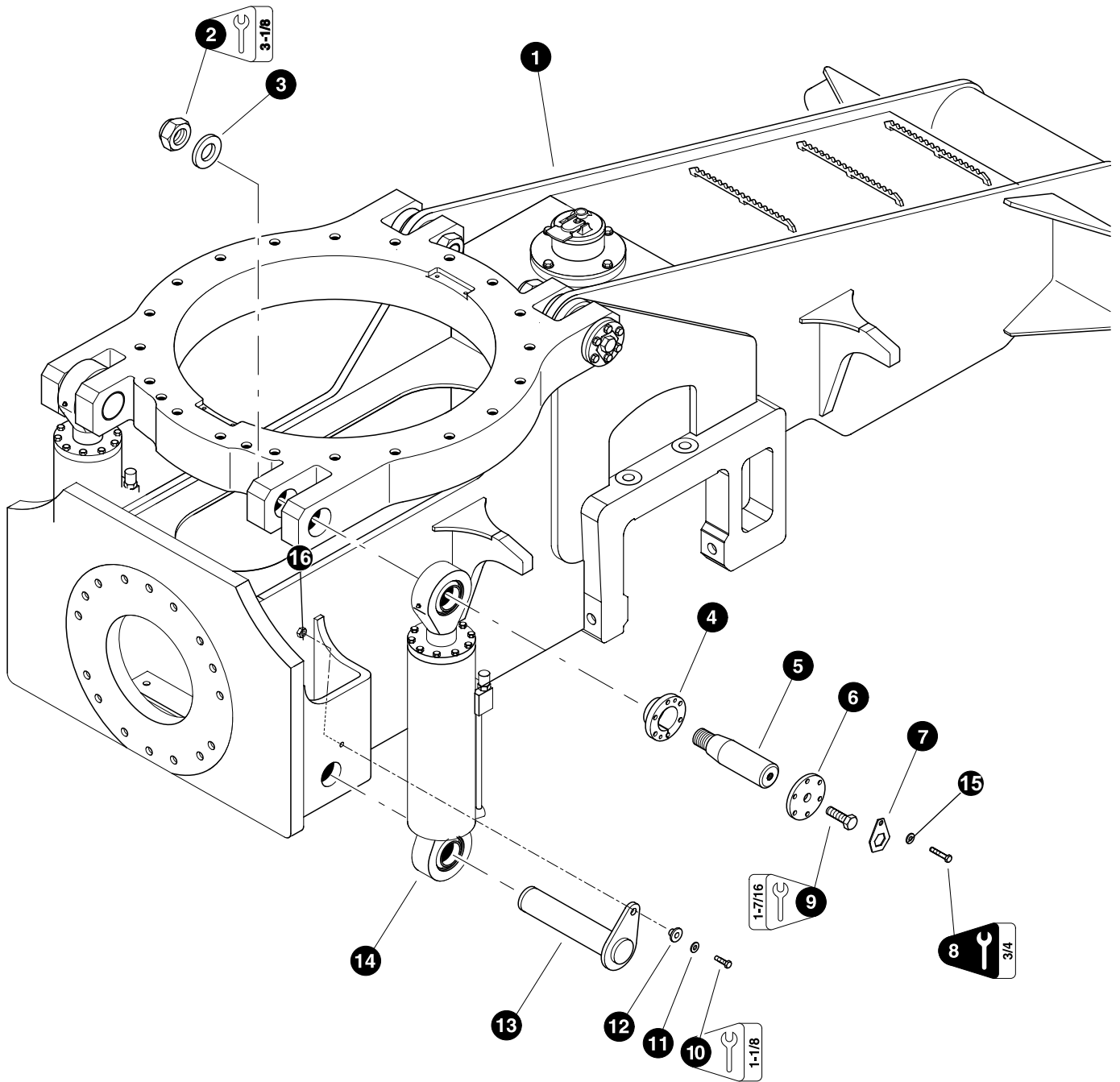
830 STEERING CYLINDER INSTALLATION

REF	PART #	QTY	DESCRIPTION	SEE SECTION
1	15549	2	BOLT - 3/4" x 2"	
2	15550	2	WASHER, SAE flat - 3/4"	
3	18570	2	WASHER, pin retaining	
4	80769	2	PIN, steer cylinder mounting - base	
5	10719	2	BOLT - 5/8" x 4"	
6	19448	2	PIN, steer cylinder mounting - rod	
7	10771	2	NUT - 5/8"	
8	(Click Here)	2	 STEER CYLINDER	LFH-1-10
9	(Click Here)	1	 REAR FRAME WELDMENT	LF-2-3

 See referenced page for component or assembly breakdown.



LOWER FRAME HYDRAULICS


630 LEVELING CYLINDER INSTALLATION



Parts T2825 08/14/03
9.375

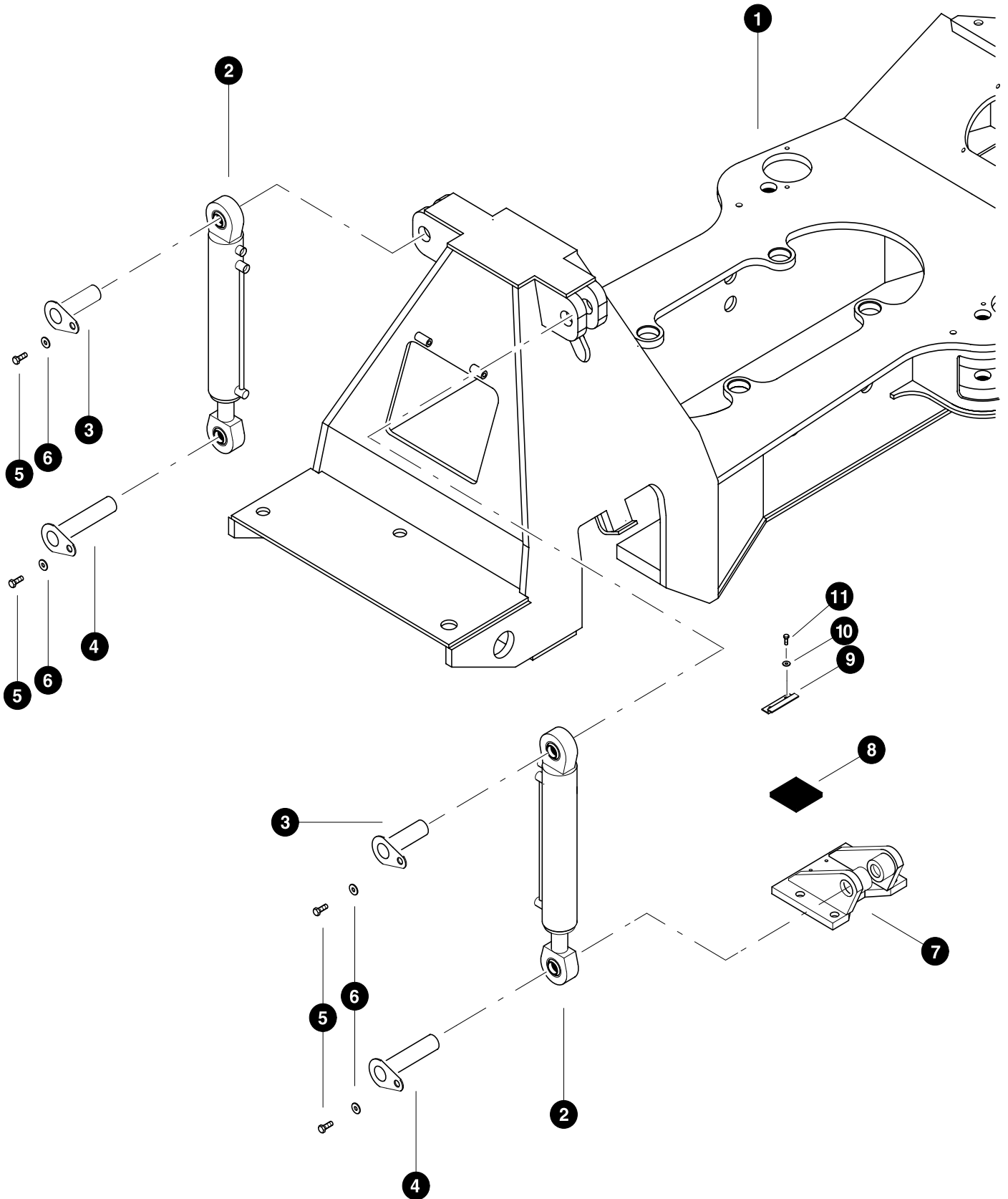
LOWER FRAME HYDRAULICS 630 LEVELING CYLINDER INSTALLATION

REF	PART #	QTY	DESCRIPTION	SEE SECTION
1	(Click Here)	1	 FRONT FRAME WELDMENT	LF-1-1
2	10728	2	NUT, nylock - 2"	
3	12021	2	WASHER, burned	
4	12352	2	HUB, taper - 1-1/4"	
5	18055	2	PIN, Chrome - 3" x 11"	
6	12115	2	CAP, taper hub	
7	12116	2	LOCK, center taper hub bolt	
8	15565	12	BOLT - 1/2" x 2-1/2" (Torque to 100 ft.lbs. (133 Nm))	
9	15552	2	BOLT - 1" x 2-1/2"	
10	15549	1	BOLT - 3/4" x 2"	
11	15550	1	WASHER, SAE flat - 3/4"	
12	18570	1	WASHER, pin retaining	
13	21008	1	PIN ASSEMBLY - 3" x 14-1/4"	
14	(Click Here)	2	 CAB LEVEL CYLINDER	LFH-1-12

 See referenced page for component or assembly breakdown.

LOWER FRAME HYDRAULICS



630 FRAME-LOCK BRAKE CYLINDER INSTALLATION




Part Number: 630/830/840

LOWER FRAME HYDRAULICS

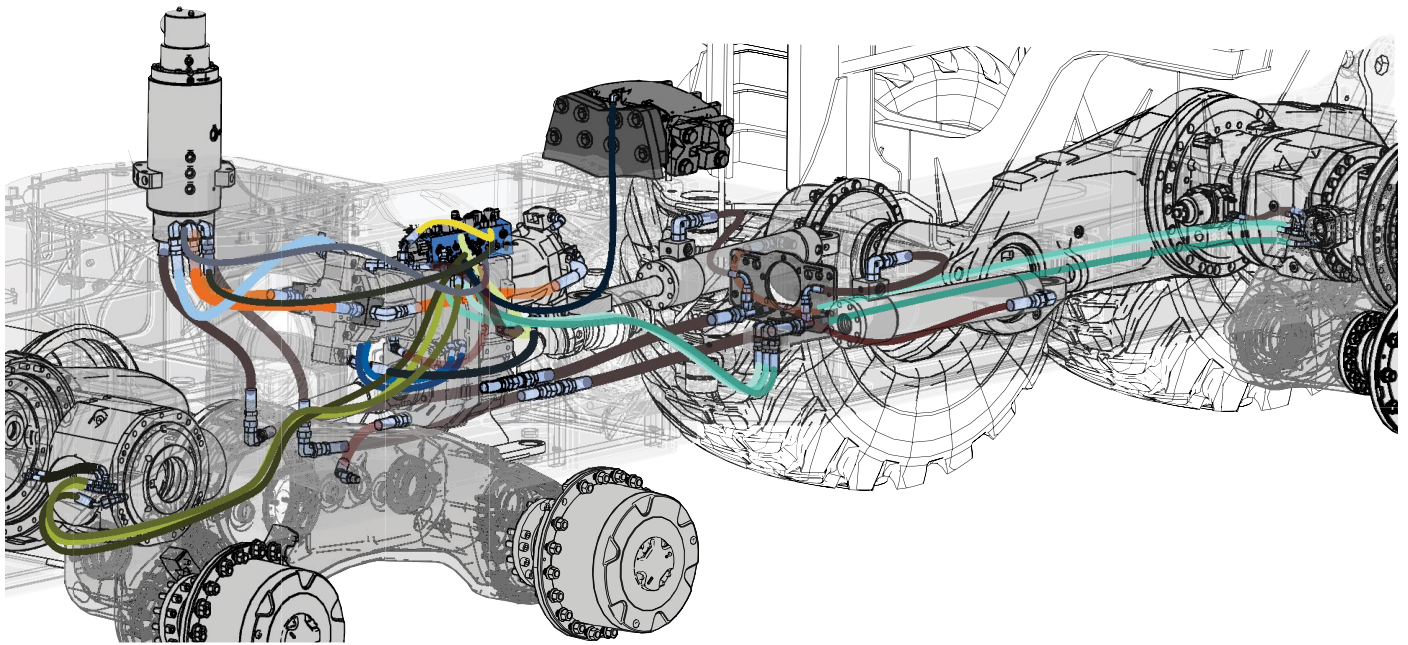
630 FRAME-LOCK BRAKE CYLINDER INSTALLATION

REF	PART #	QTY	DESCRIPTION	SEE SECTION
1	(Click Here)	1	 REAR FRAME WELDMENT	LF-3
2	(Click Here)	2	 FRAME LOCK CYLINDER	LFH-1-14
3	50760	2	PIN, frame lock cyl (top)	
4	50486	2	PIN, frame lock cyl (bottom)	
5	10739	4	BOLT - 1/2" x 1-1/2"	
6	15534	4	WASHER, SAE flat - 1/2"	
7	40734	2	WELDMENT, stablizer bracket	
8	51422	2	CUSHION, PLASTIC	
9	40683	2	BRACKET, RUBBER SUPPORT	
10	15528	4	WASHER, 3/8 SAE	
11	15542	4	BOLT, 3/8 X 3/4	

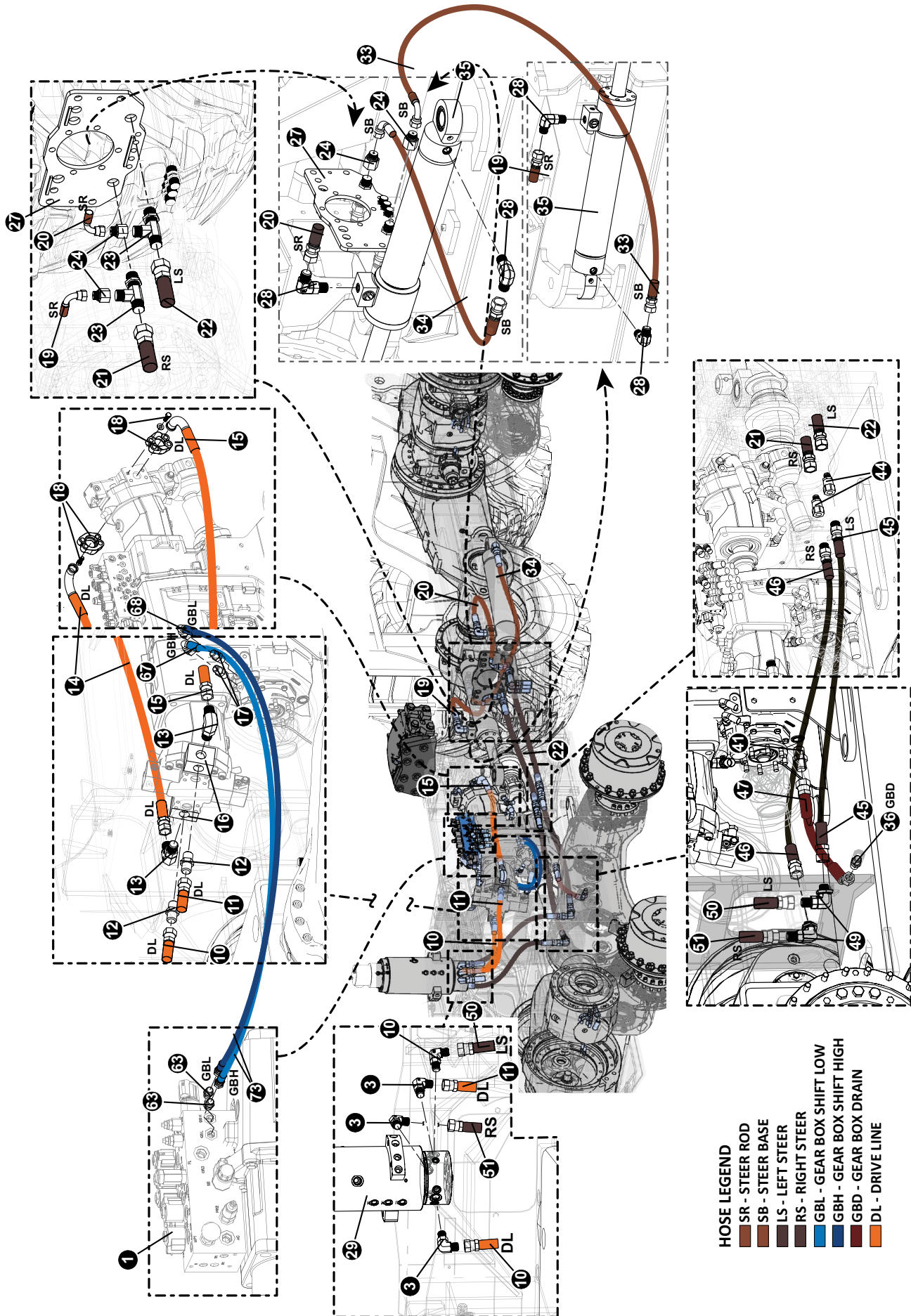
 See referenced page for component or assembly breakdown.

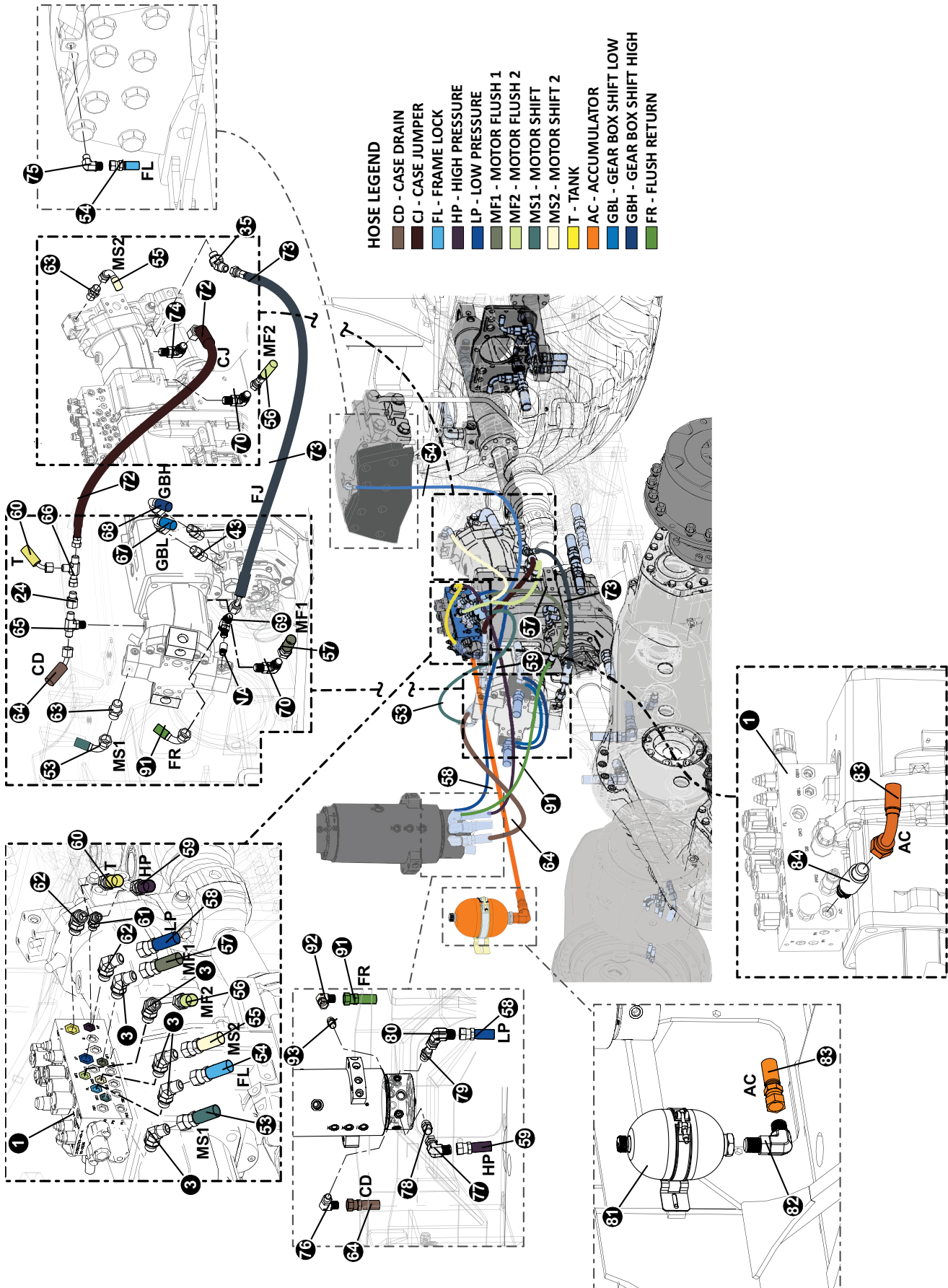
PAGE INTENTIONALLY LEFT BLANK

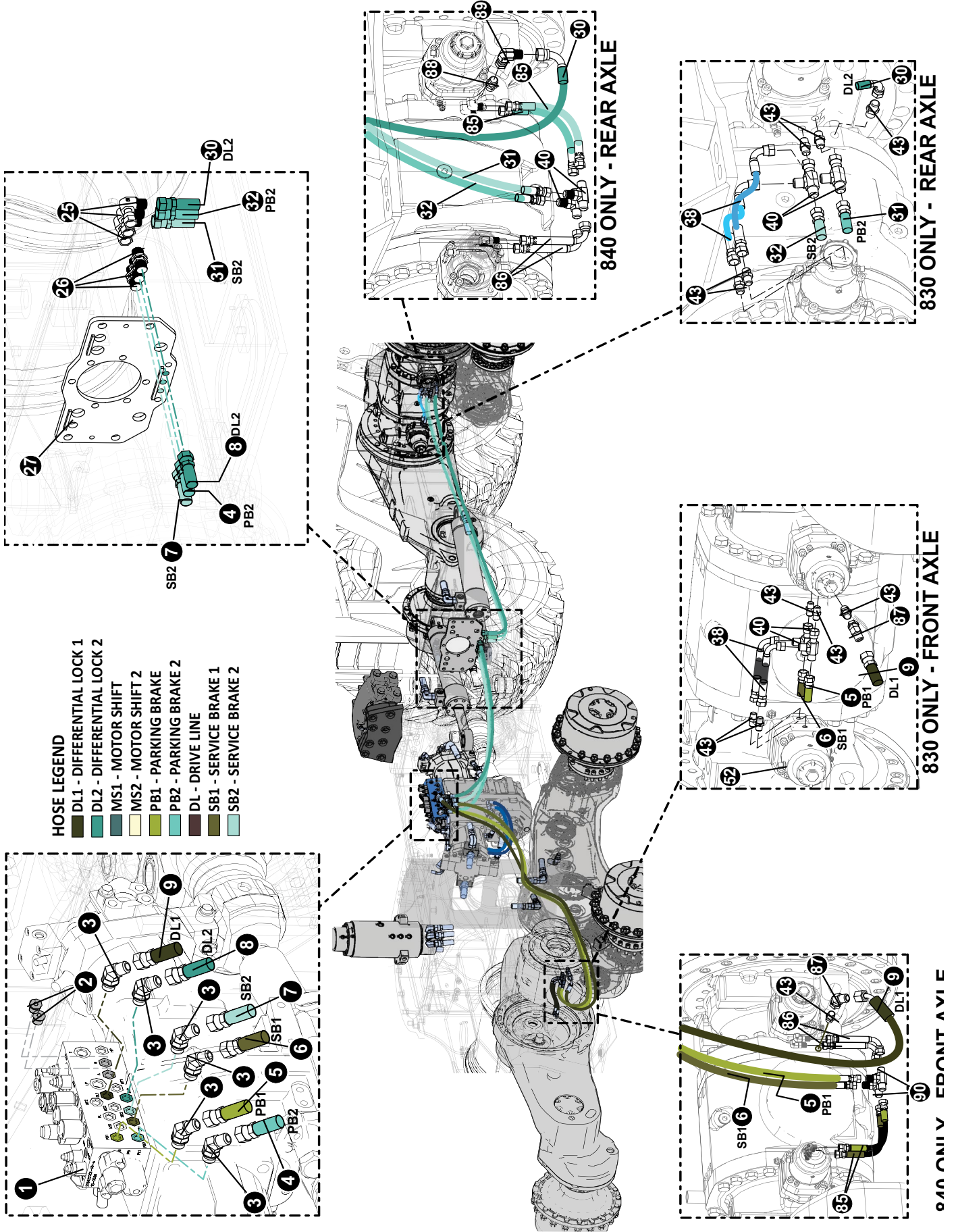
830/840 FORWARD AND REAR HYDRAULICS AT LOWER FRAME SECTION LFH-3



LOWER FRAME HYDRAULICS







LOWER FRAME HYDRAULICS

830 AND 840 HOSE AND FITTING ASSEMBLY (CONT'D)

REF	PART #	QTY	DESCRIPTION	SEE SECTION
1	(Click Here)	1	VALVE, LOWER MANIFOLD - VAC BRAKE/DIFF	
2	(See Description)	2	Plug (Supplier Part # 6409-04-54263)	
3	17646	12	ELBOW, 45 - FF2068T-0406S	
4	(See Description)	1	Hose (Part #471TC92-04-04OS-04OS) PB-2 MCV (Main Control Valve) to BH	
5	(See Description)	1	Hose (Part #471TC84-04-04OS-04OS) PB-1 MCV to Front Axle	
6	(See Description)	1	Hose (Part #471TC83-04-04OS-04OS) SB-1 MCV to Front Axle	
7	(See Description)	1	Hose (Part #471TC94-04-04OS-04OS) SB-2 MCV to BH	
8	(See Description)	1	Hose (Part #471TC92.5-04-04OS-04OS) DL-2 MCV to BH	
9	(See Description)	1	Hose (Part #471TC85-04-04OS-04O4) DL-1 MCV to Front Axle	
10	(See Description)	1	Hose (Part #797TC33-16-16OS-16OS) DL to Rotary Manifold	
11	(See Description)	1	Hose (Part #797TC33-16-16OS-16OS) DL to Rotary Manifold	
12	15225	2	CONNECTOR, straight - 6400-16	
13	15228	2	ELBOW, 90 - 6801-16	
14	(See Description)	1	Hose (Part #797TC39-16-16OS-20PH9) DRIVE-LINE-JUMPER	
15	(See Description)	1	Hose (Part #797TC37.5-16-16OS-20PH9) DRIVE-LINE-JUMPER	
16	51869	2	MANIFOLD, REXROTH 160CC MOTOR(S)	
17	19470	2	CONNECTOR, STR METRIC - 4M14F8OMLOS	
18	15114	2	KIT, SPLIT FLANGE - 1.25" (CODE 62)	
		8	BOLT, supplied with 15114 Kit	
		8	LOCK WASHER, supplied with 15114 Kit	
		2	ORING - 1.25" SF (CODE 61/62), supplied with 15114 Kit	
19	(See Description)	1	Hose (Part #787TC4608-08OS-08O9) STEER ROD	
20	(See Description)	1	Hose (Part #787TC4608-08OS-08O9) STEER ROD	
21	(See Description)	1	Hose (Part #787TC40 12-12OS-12JS-SG) RIGHT STEER	
22	(See Description)	1	Hose (Part #787TC40 12-12OS-12JS-SG) LEFT STEER	
23	20029	2	TEE, BULKHEAD RUN - 12 WJJLO	
24	18581	4	CONNECTOR, REDUCER - ORS FF2281T-0812S	
25	15145	(Varies)	ELBOW, 90 SWIVEL - 6500-4	
26	18582	(Varies)	CONNECTOR, STR BULKHEAD - FF1994T-0404S	
27	52486	1	BRACKET, BRG MOUNT - DRIVE 830	
28	16360	2	ELBOW, 90 - FF1868T-0808S	
29	(Click Here)	1	Rotary Manifold	
30	(See Description)	1	Hose (Part #471TC130-04-04OS-04O9) DL2 to Rear Axle	
31	(See Description)	1	Hose (Part #471TC126-04-04OS-04O9) SB2 to Rear Axle	
32	(See Description)	1	Hose (Part #471TC126-04-04OS-04O9) PB2 to Rear Axle	
33	(See Description)	1	Hose (Part #787TC44-08-08OS-08O4) Steer Base	
34	(See Description)	1	Hose (Part #787TC44-08-08OS-08O4) Steer Base	
35	51584	2	CYLINDER, STEER - 2.25" ROD (JARP)	
36	15201	1	CONNECTOR, STR - FF2031T-1212S	
38	(See Description)	4	Hose (Part #471TC9.5-04-04JS-04J9) Differential Lock & Parking Brake Jumper	
40	15176	4	TEE - FF2114T-0404S	
41	19375	1	CONNECTOR, STR - 12F42EDMLO-S	
43	19470	2	CONNECTOR, STR METRIC - 4M14F8OMLOS	
44	18782	2	SWIVEL, INLINE STR LS2406-1212	
45	(See Description)	1	Hose (Part #787TC49 12-12OS-12MJ-SG) LEFT STEER	
46	(See Description)	1	Hose (Part #787TC49 12-12OS-12MJ-SG) RIGHT STEER	
47	(See Description)	1	Hose (Part #471TC24-12-12OS-12O4) Gear Box Drain	
49	24188	2	ELBOW, 90 BULKHEAD - 855BH-TT-12	
50	(See Description)	1	Hose (Part #787TC44-12-12OS-12OS) LS to Rotary Manifold	
51	(See Description)	1	Hose (Part #787TC40-12-12OS-12OS) RS to Rotary Manifold	
52	(Click Here)	1	Front Axle	
53	(See Description)	1	Hose (Part #471TC23-04-04OS-04O9) MS1 to MCV (Main Control Valve)	

LOWER FRAME HYDRAULICS

830 AND 840 HOSE AND FITTING ASSEMBLY (CONT'D)

REF	PART #	QTY	DESCRIPTION	SEE SECTION
54	(See Description)	1	Hose (Part #471TC74-04-04OS-04OS) Frame Lock Brake to MCV	
55	(See Description)	1	Hose (Part #471TC45-04-04OS-04OS) MS2 to MCV	
56	(See Description)	1	Hose (Part #471TC46-06-06OS-06OS) MF2 to Rear Motor	
57	(See Description)	1	Hose (Part #471TC26.5-06-06OS-06OS) MF1 to Front Motor	
58	(See Description)	1	Hose (Part #471TC72-08-08OS-08OS) LP1 to MCV	
59	(See Description)	1	Hose (Part #471TC72-06-06OS-06OS) HP to MCV	
60	(See Description)	1	Hose (Part #471TC22-08-08OS-08O9) Case "T" to Manifold Tank	
61	23015	1	ELBOW, 45 - 6 VSOLO-S	
62	19126	2	ELBOW, 45 - FF2068T-0808S	
63	15124	2	CONNECTOR, STR - FF1852T-0406S	
64	(See Description)	1	Hose (Part #471TC53-12-12OS-12O4) Case Drain to Rotary Manifold	
65	20027	1	TEE - FF1861T-1212S	
66	15433	1	TEE - FF2114T-0808S	
67	(See Description)	1	Hose (Part #471TC36-04-04OS-04O9) GB (GearBox Shift Line)	
68	(See Description)	1	Hose (Part #471TC36-04-04OS-04O9) GA (GearBox Shift Line)	
69	20066	1	TEE - 8 SSOLO-S - BRANCH	
70	23034	2	ELBOW, 90 - 6-10 C5OLO-S	
72	(See Description)	1	Hose (Part #471TC39.5-08-08OS-08O4) Case Jumper	
73	(See Description)	1	Hose (Part #471TC43-08-08OS-08O4) Flush Jumper	
74	15372	1	ELBOW, 90 - FF1868T-0812S	
75	16540	1	ELBOW, 90 - FF1868T-0404S	
76	17688	1	ELBOW, 90 - FF1868T-1212S	
77	20035	1	ELBOW, 90 SWIVEL - 6 C6LO-S	
78	53130	1	FITTING, STRAIGHT THREAD CONNECTOR 6-4	
79	15457	1	CONNECTOR, STR - FF1852T-0806S	
80	16297	1	ELBOW, 90 SWIVEL - FF2098T-0808S	
81	53970	1	ACCUMULATOR, LOWER BRAKE MANIFOLD	
82	16360	1	ELBOW, 90 - FF1868T-0808S	
83	(See Description)	1	Hose (Part #471TC 66 08-08OS 08O9) Accumulator to Main Control Valve	
84	19091	1	CONNECTOR, STR LONG - 848L-TTO-08X08	
85	(See Description)	2	Hose (Part #471TC 13.5 04-04OS-06OS) Motor Flush 2 and Parking Brake 1	
86	(See Description)	2	Hose (Part #471TC 04 04-06OS-04O9) Motor Flush 2 and Parking Brake 1	
87	53719	1	FITTING, SWIVEL NUT ELBOW - 45 DEG	
88	53137	1	FITTING, CONNECTOR - #4 ORF - 14MM	
89	15145	1	ELBOW, 90 SWIVEL - FF2098T-0404S	
90	15139	2	TEE - FF1898T-0404S	
91	(See Description)	1	Hose (Part #471TC51-08-08OS-08O9) Flush Return	
92	16297	1	ELBOW, 90 SWIVEL - FF2098T-0808S	
93	15457	1	CONNECTOR, STR - FF1852T-0806S	
94	(See Description)	1	Hose (Part #387TC32 04-04OS-04OS) Front Axle Vent	