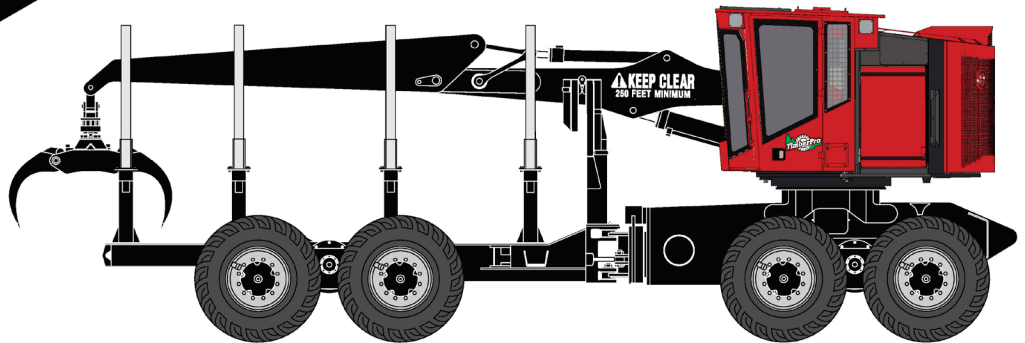


# **TIMBERPRO**

## **830D & 840D Series Parts Manual**



TimberPro Inc.  
1407 Industrial Dr - P.O. Box 415  
Shawano, WI 54166  
(715)524-7899  
[www.timberpro.com](http://www.timberpro.com)

P/N: 58638 REV: 03

---

## SECTION INDX

INTRODUCTION	
ENGINE.....	A
ENGINE RELATED PARTS.....	B
COOLING SYSTEM.....	C
FUEL SYSTEM AND RELATED PARTS.....	D
ELECTRICAL SYSTEM.....	E
FRAME.....	F
HYDRAULIC SYSTEM.....	H
LOWER FRAME & RELATED PARTS.....	J
OPERATORS COMPARTMENT & CONTROL SYSTEM.....	K
REVO FRAME.....	M
SWING CIRCLE & RELATED PARTS.....	N
WHEEL & TIRES.....	S
WORK EQUIPMENT.....	T
MARKS & PLATES.....	U
MISCELLANEOUS.....	W



# **INTRODUCTION**



# INTRODUCTION

---

## GENERAL

This parts book lists engine and chassis service parts for the machine shown on the title page.

We reserve the right to make changes or add improvements at any time without incurring any obligation to install such changes on products previously sold.

## ILLUSTRATIONS

Illustrated items are given item numbers which correspond to the same number in the parts list. Item numbers may point to more than one identical item. The quantity of items shipped will depend on the quantity ordered. Illustrations are of typical parts only.

## METHOD OF LISTING

The parts list and its associated illustration is the essential content of the Parts Book. Each parts list is arranged in numeric sequence by page number.

The parts list form is divided into six columns for easy use:

1. **ITEM Column** - This column contains keys to the illustration so the part can be located on the associated illustration. If there is no key number for the part, the part is non-illustrated and is not on the associated illustration.
2. **PART NUMBER Column** - This column contains the part number of each serviceable part. The part number, in conjunction with the description of the part, is the key to locating needed service parts.
3. **DESCRIPTION Column** - This column contains the description of each part. It can be used to find needed parts when the part number is not known. Indentation of an item indicates that it is a component part (or subassembly) of the item under which it is indented.
4. **QTY Column** - This column contains the quantity of each part number listed as needed for the product it is a part of.

## PRODUCT GRAPHICS

The owner and/or operator must replace any and all safety and warning product graphics if they are defaced or removed from the machine.

# INTRODUCTION

---

## ORDERING PARTS

When ordering parts, always give the following information:

1. The complete part number, including prefix or suffix letters, the name of the part and the quantity required.
2. The complete model number, machine serial number and engine serial number of the machine. See PRODUCT IDENTIFICATION NUMBERS, which follows.
3. When ordering parts for items which have their own serial numbers (such as transmissions, torque converters or axles) also include the serial numbers of the transmission, torque converter and/or axle. We recommend that you write the model and machine serial numbers of your machine and all major components in the spaces provided below.

Date Received \_\_\_\_\_

Machine Model \_\_\_\_\_ Serial No. \_\_\_\_\_

Engine Model \_\_\_\_\_ Serial No. \_\_\_\_\_

Hydraulic Pump Model \_\_\_\_\_ Serial No. \_\_\_\_\_

Final Drive Model \_\_\_\_\_ Serial No. \_\_\_\_\_

\_\_\_\_\_

\_\_\_\_\_

\_\_\_\_\_

\_\_\_\_\_

## PRODUCT IDENTIFICATION NUMBERS

Machine Model	Engine Model	Chassis Serial Number

# Table Of Contents

---

A0000 - 2222600 - ENGINE	18
A0000 - 2222600 - ENGINE	18
A0050 - 2243200 - ENGINE HYDRAULIC FITTINGS	20
A0050 - 2243200 - ENGINE HYDRAULIC FITTINGS	22
B-2220000, B-2221000 - ENGINE PANELS	24
B0100 - 2220000 - B0101- 2220600 - ENGINE INSTALLATION	26
B0110 - 2220200 - ENGINE SHROUD	27
B0200 - 2220300 - ENGINE AIR INTAKE	28
B0200 - 2220300 - B0300 - 2220400 - ENGINE AFTER TREATMENT	30
B0600 - 2243300 - TRIPPLE DRIVE GEARBOX INSTALLATION	31
B0600 - 2243300 - TRIPPLE DRIVE GEARBOX INSTALLATION	32
B0600 - 2243300 - TRIPPLE DRIVE GEARBOX INSTALLATION	33
B0720 - 2220900 - HEATER HOSES	34
B1579 - 2221000 - ENGINE SHIELDS	35
B1580 - 2227200 - ELECTRICAL LOAD CENTER	36
B1580 - 2227200 - ELECTRICAL CENTER	37
B1580 - 2227200 - HYDRAULIC FITTING KIT - ELECTRICAL PANEL	38
B100-00155 - ELECTRICAL PANEL S/N: UP TO 1237	40
B100-00160 - ELECTRICAL PANEL S/N: 1238 & FORWARD	41
B1580 - 2227200 - ELECTRICAL PANEL INSTALLATION	42
B6519 - 2221100 - 120V ENGINE BLOCK HEATER	43
C0100 - 2221200 - COOLER FAN AND MOTOR INSTALLATION	45
C0100 - 2221200 - COOLING FAN MOTOR COMPONENTS	46
C0100 - 2221200 - COOLER BREAKDOWN	47
C0100 - 2221200 - COOLER FAN SHROUD	48
C0100 - 2221200 - RADIATOR/COOLER COMPONENTS	49
C0101 - 2221300 - RADIATOR SURGE TANK INSTALLATION	50
C0101 - 2221300 - COOLING UNIT RELATED PARTS	51
C0120 - 2221400 - RADIATOR HOSES AND AIR TUBES	52
D0200 - 2243400 - FUEL TANK COMPONENTS	54
D0200 - 2243400 - LOWER FRAME FUEL LINES	56
D0200 - 2243400 - FUEL LINES (BULKHEAD FITTINGS TO ROTARY MANIFOLD)	58
D0200 - 2243400 - ENGINE FUEL LINES	60
D0500 - 2221800 - DEF TANK COMPONENTS & COVERS	62
E0200 - 2222000 - ELECTRICAL HARNESS - (IQAN SYSTEM)	65
E0100 - 2221900 - BATTERY INSTALLATION	65
E-2227300 - IQAN LOAD CENTER COMPONENTS S/N: UP TO 1237	66
E-2227300 - IQAN LOAD CENTER XC43 COMPONENTS S/N: 1238 & FORWARD	67
E100-00020 - ELECTRICAL HARNESS - (IQAN SYSTEM) (HYD. TANK SENSORS, FAN MOTOR & CHARGE SYSTEM)	68
E0200 - 2222000 - ELECTRICAL HARNESS - (LOAD CENTER POWER)	69
E0200 - 2222000 - ELECTRICAL HARNESS - (CAB TO ENGINE)	69
E0200 - 2222000 - ELECTRICAL HARNESS - (FRONT DOOR)	70
E0200 - 2222000 - ELECTRICAL HARNESS ACCESSORIES	71
E0200 - 2222000 - STARTER AND ALTERNATOR ELECTRICAL CABLES	72
E0200 - 2222000 - ENGINE ELECTRICAL HARNESS	73

---

Description	Page#
E0200 - 2222000 - ENGINE ECU GROUND HARNESS	74
E0200 - 2222000 - ENGINE AFTER TREATMENT ELECTRICAL HARNESS	75
E0200 - 2222000 - GRID HEATER, FILL PUMP & GULLWING PUMP ELECTRICAL HARNESSES	76
E0200 - 2222000 - STARTER CABLES	77
E0200 - 2222000 - DEF TANK ELECTRICAL WIRE HARNESS	78
E0210 - 2222100 - BATTERY CABLES	79
E0310 - 2222200 - CABIN EXTERIOR LIGHTS	80
E0315 - 2228600 - WORKING LIGHTS - FRONT DOOR	81
E0410 - 2222300 - HORN AND BACK UP ALARM	82
E0410 - 2222300 - HORN AND BACK UP ALARM	83
E0450 - 2221600 - 2222400 - CABIN ACCESSORIES-CAMERA	85
E0450 - 2221600 - 2222400 - COVER, CAMERA INSTALL	86
E0450 - 2221600 - 2222400 - COVER, CAMERA NON-SELECT	87
E0455 - 2255900 - LIGHTS, FLOATING REAR BUNK	88
E1001 - 2241900 - CONTROL HARNESS, PROCESSOR, U	90
E100-00215 - LEFT & RIGHT CONTROL PODS	92
F2420 - 2245400 - TRANSFER CASE	96
F2420 - 2245400 - GEARBOX	98
F2420 - 2245400 - GEARBOX	100
F2420 - 2245400 - GEARBOX	102
F2420 - 2245400 - MOTOR, WHEEL 160CC	104
F2420 - 2245400 - MOTOR, WHEEL 160CC	106
F3240 - 2244800 - DRIVELINE, ST, 830, U	108
F3240 - 2244900 - DRIVELINE, ST+2, 830, U	110
F3240 - 2245000 - DRIVELINE, ST+3, 830, U	112
F3240 - 2245100 - DRIVELINE, ST+4, 830, U	114
F3240 - 2247300 - DRIVELINE, ST, 840, U	116
F3240 - 2247400 - DRIVELINE, ST+4, 840, U	118
F3250 - 2247600 - DRIVELINE ASSY TF840+4' REAR FRAME - 4 BOLT FLANGE - (TANGUAY) (UP TO S/N:0934)	120
F4400 - 2245500 - AXLE, FRONT, ST, U	122
F4400 - 2245600 - AXLE, FRONT, HD, U	123
F4500 - 2245700 - AXLE, REAR, ST, U	124
F4500 - 2245800 - AXLE, REAR, HD, U	125
F4400 - 2245500 - F4400 - 2245600 - F4500 - 2245700 - F4500 - 2245800 - TANDEM AXLE ASSEMBLY - 830D	126
F4400 - 2245500 - F4400 - 2245600 - F4500 - 2245700 - F4500 - 2245800 - DIFFERENTIAL - 830D	128
F4400 - 2245500 - F4400 - 2245600 - F4500 - 2245700 - F4500 - 2245800 - REAR DIFFERENTIAL ASSEMBLY & INSTALLATION - 830D	130
F4400 - 2245500 - F4400 - 2245600 - F4500 - 2245700 - F4500 - 2245800 - AXLE HOUSING A1 SIDE ASSEMBLY & INSTALLATION 830D	132
F4400 - 2245500 - F4400 - 2245600 - F4500 - 2245700 - F4500 - 2245800 - AXLE HOUSING A2 SIDE ASSEMBLY & INSTALLATION 830D	134
F4400 - 2245500 - F4400 - 2245600 - F4500 - 2245700 - F4500 - 2245800 - PLANETARY ASSEMBLY 830	136

Description	Page#
F4400 - 2245500 - F4400 - 2245600 - F4500 - 2245700 - F4500 - 2245800 - BRAKE CYLINDER ASSEMBLY & INSTALLATION 830D	138
F4400 - 2245500 - F4400 - 2245600 - F4500 - 2245700 - F4500 - 2245800 G100-00060 - BRAKE CYLINDER ASSEMBLY & INSTALLATION 840D	139
F4400 - 2245500 - F4400 - 2245600 - F4500 - 2245700 - F4500 - 2245800 G100-00070 - REAR TANDEM AXLE ASSEMBLY & INSTALLATION 840D	140
F4400 - 2245500 - F4400 - 2245600 - F4500 - 2245700 - F4500 - 2245800 - REAR DIFFERENTIAL ASSEMBLY & INSTALLATION 840D	142
F4400 - 2245500 - F4400 - 2245600 - F4500 - 2245700 - F4500 - 2245800 - REAR DIFFERENTIAL ASSEMBLY & INSTALLATION 840D	144
F4400 - 2245500 - F4400 - 2245600 - F4500 - 2245700 - F4500 - 2245800 - REAR DIFFERENTIAL ASSEMBLY & INSTALLATION 840D	146
F4400 - 2245500 - F4400 - 2245600 - F4500 - 2245700 - F4500 - 2245800 - REAR DIFFERENTIAL ASSEMBLY & INSTALLATION 840D	146
F4400 - 2245500 - F4400 - 2245600 - F4500 - 2245700 - F4500 - 2245800 - AXLE HOUSING A1 SIDE ASSEMBLY & INSTALLATION 840D	148
F4400 - 2245500 - F4400 - 2245600 - F4500 - 2245700 - F4500 - 2245800 - AXLE HOUSING A2 SIDE ASSEMBLY & INSTALLATION 840D	150
F4400 - 2245500 - F4400 - 2245600 - F4500 - 2245700 - F4500 - 2245800 - PLANETARY AND WHEEL END ASSEMBLY & INSTALLATION 840D	152
F4400 - 2245500 - F4400 - 2245600 - F4500 - 2245700 - F4500 - 2245800 - PLANETARY ASSEMBLY 840D	154
H0110 - 2243600 - HYDRAULIC TANK - SINGLE PUMP SUCTION	158
H0110 - 2243600 - HYDRAULIC TANK - DUAL PUMP SUCTION	160
H0110 - 2243600 - HYDRAULIC TANK FITTINGS	162
H0111 - 2223300 - HYD TANK HEATER U. (120V)	163
H0115 - 2223200 - HYDRAULIC TANK INSTALLATION	164
H0050 - 2243500 - HYDRAULIC PUMP SUCTIONS	165
H0050 - 2243500 - HOC MANIFOLD & CASE MANIFOLD PIPING - (K220/L90 VALVE)	166
H0050 - 2243500 - IMPLEMENT PUMP & SWING PUMP PIPING - COMMON	168
H0050 - 2243500 - IMPLEMENT PUMP PRESSURE & LOAD SENSE PIPING - (K220/L90 VALVE)	170
H0050 - 2243500 - CHARGE PUMP PIPING	172
H0050 - 2243500 - WHEEL PUMP UPPER PIPING	174
H0050 - 2243500 - STEER PIPING (UPPER) - VALVE TO ROTARY MANIFOLD	176
H0050 - 2243500 - HIGH/LOW PRESSURE & CASE DRAIN	177
H0050 - 2243500 - COOLING FAN MOTOR PIPING - (COMMON)	178
H0050 - 2243500 - HYDRAULIC TANK SURGE TANK INSTALLATION AND PIPING - (COMMON)	179
H0050 - 2243500 - GULLWING CYLINDER & HYDRAULIC TANK FILL PIPING - (COMMON)	180
H0050 - 2243500 - HYDRAULIC TANK FILL HOSE ASSEMBLY - (COMMON)	181
H0050 - 2243500 - BOOM LIGHT WIRE HOSE ASSEMBLY	182
H0130 - 2249200 - GRAPPLE ROTATE & OPEN/CLOSE PIPING - MAIN BOOM HULTDINS GRAPPLE - (STD STICK)	183
H0130 - 2249200 - GRAPPLE ROTATE & OPEN/CLOSE PIPING - MAIN BOOM ROTOBEC GRAPPLE - (STD STICK)	184
H0130 - 2249200 - BOOM LIGHT WIRE HOSE ASSEMBLY - MAIN BOOM TO STANDARD STICK	185
H0130 - 2249200 - MAIN BOOM GREASE LINES - FIXED STICK BOOM	186
H0130 - 2249300 - GRAPPLE ROTATE & OPEN/CLOSE PIPING - MAIN BOOM HULTDINS GRAPPLE - (SQUIRT STICK)	187
H0130 - 2249300 - GRAPPLE ROTATE & OPEN/CLOSE PIPING - MAIN BOOM ROTOBEC GRAPPLE - (SQUIRT STICK)	188
H0130 - 2249300 - BOOM GREASE LINES - SQUIRT STICK BOOM	190
H0130 - 2249400 - SAW OPTION HYDRAULICS - MAIN BOOM TO STANDARD STICK	192

Description	Page#
H0130 - 2249400 - SAW OPTION HYDRAULICS - MAIN BOOM TO SQUIRT BOOM	193
H0050 - 2243500 - GRAPPLE ROTATE PIPING - VALVE TO MAIN BOOM TUBELINES	194
H0050 - 2243500 - GRAPPLE OPEN/CLOSE PIPING - VALVE TO MAIN BOOM TUBELINES	195
H0130 - 2249300 - SQUIRT BOOM CYLINDER PIPING - MAIN BOOM TO CYLINDER	196
H0130 - 2249300 - BOOM LIGHT WIRE HOSE ASSEMBLY - MAIN BOOM TO SQUIRT BOOM	197
H0130 - 2249300 - SQUIRT BOOM CYLINDER PIPING - VALVE TO MAIN BOOM	198
H0130 - 2249400 - SAW OPTION HYDRAULICS - VALVE TO MAIN BOOM	199
H0130 - 2249400 - BOOM GREASE LINES - SQUIRT STICK BOOM	200
H0130 - 2249500/ 2249800 - COMBO HYDRAULIC HOSE ROUTINGS - VALVE TO MAIN BOOM	202
H0130 - 2249500/ 2249800 - COMBO HYD HOSE ROUTINGS - (SQUIRT BOOM) - MAIN BOOM TO HULDINS GRAPPLE	204
H0130 - 2249500 - COMBO HYD HOSE ROUTINGS - (SQUIRT BOOM) - MAIN BOOM TO ROTOBEC GRAPPLE	206
H0130 - 2249300 - BOOM GREASE LINES - SQUIRT STICK BOOM	208
H0050 - 2243500 - MAIN BOOM CYLINDER PIPING - VALVE TO BULKHEAD - (K220/L90 VALVE)	210
H0050 - 2243500 - MAIN BOOM CYLINDER PIPING - BULKHEAD TO CYLINDER	211
H0050 - 2243500 - STICK BOOM CYLINDER PIPING - VALVE TO HD CYLINDER	212
H0050 - 2243500 - STICK BOOM CYLINDER PIPING - VALVE TO STANDARD CYLINDER	213
H0120 - 2247700, H0120 - 2247800, H0120 - 2247900, H0120 - 2248900, H0120 - 2249000,	216
H0120 - 2249100 - MAIN VALVE INSTALLATION - (K220/L90 VALVE)	216
H0120 - 2247700 - MAIN VALVE HYD. FITTINGS - (FIXED STICK BOOM)	218
H0120 - 2247800 - MAIN VALVE HYD. FITTINGS - (SQUIRT STICK BOOM)	219
H0120 - 2247900, H0120 - 2248900 - MAIN VALVE HYD. FITTINGS - (SQUIRT STICK BOOM WITH BLADE OR GRAPPLE SAW)	220
H0120 - 2249000 - MAIN VALVE HYD. FITTINGS - (PROCESSOR WITH SQUIRT STICK BOOM)	222
H0120 - 2249100 - MAIN VALVE HYD. FITTINGS - (PROCESSOR WITH SQUIRT STICK BOOM & BLADE)	224
H0120 - 2247700, H0120 - 2247800, H0120 - 2247900, H0120 - 2248900, H0120 - 2249000, H-2249100	
BOOM HOSE PLATE	226
H0125 - 2255500 - ACCESSORIES, ROTARY MANIFOLD	228
H0125 - 2255500 - ACCESSORIES, ROTARY MANIFOLD	230
H0125 - 2255500 - ACCESSORIES, ROTARY MANIFOLD	232
H0125 - 2255500 - ACCESSORIES, ROTARY MANIFOLD	234
H0125 - 2255500 - ACCESSORIES, ROTARY MANIFOLD	236
H0125 - 2255600 - ACCESSORIES, ROTARY MANIFOLD, BLADE	238
H0125 - 2255600 - ACCESSORIES, ROTARY MANIFOLD, BLADE	240
H0125 - 2255600 - ACCESSORIES, ROTARY MANIFOLD, BLADE	242
H0125 - 2255600 - ACCESSORIES, ROTARY MANIFOLD, BLADE	244
H0125 - 2255600 - ACCESSORIES, ROTARY MANIFOLD, BLADE	246
H0120 - 2247700 - MAIN VALVE - FIXED STICK W/GRAPPLE	248
H0120 - 2247700 - K220 MAIN VALVE SECTION - OUTLET	249
H0120 - 2247700 - K220 MAIN VALVE SECTION - STICK BOOM	250
H0120 - 2247700 - K220 MAIN VALVE SECTION - MAIN BOOM	251
H0120 - 2247700 - K220 MAIN VALVE SECTION - INLET	252
H0120 - 2247700 - L90 MAIN VALVE SECTION - GRAPPLE ROTATE	253
H0120 - 2247700 - L90 MAIN VALVE SECTION - GRAPPLE O/C	254
H0120 - 2247700 - L90 MAIN VALVE SECTION - STEER	255
H0120 - 2247700 - L90 VALVE SECTION - OUTLET	256

Description	Page#
H0120 - 2247800 - MAIN VALVE - SQUIRT STICK W/GRAPPLE	258
H0120 - 2247800 - K220 MAIN VALVE SECTION - OUTLET	259
H0120 - 2247800 - K220 MAIN VALVE SECTION - STICK BOOM	260
H0120 - 2247800 - K220 MAIN VALVE SECTION - MAIN BOOM	261
H0120 - 2247800 - K220 MAIN VALVE SECTION - INLET	262
H0120 - 2247800 - LS90 VALVE SECTION SQUIRT	263
H0120 - 2247800 - L90 MAIN VALVE SECTION - GRAPPLE ROTATE/BLADE	264
H0120 - 2247800 - L90 MAIN VALVE SECTION - GRAPPLE O/C	265
H0120 - 2247800 - L90 MAIN VALVE SECTION - STEER	266
H0120 - 2247800 - LS90 VALVE SECTION OUTLET	267
H0120 - 2247900 - SQUIRT STICK W/GRAPPLE + BLADE	268
H0120 - 2247900 - K220 MAIN VALVE SECTION - OUTLET	269
H0120 - 2247900 - K220 MAIN VALVE SECTION - STICK BOOM	270
H0120 - 2247900 - K220 MAIN VALVE SECTION - MAIN BOOM	271
H0120 - 2247900 - K220 MAIN VALVE SECTION - INLET	272
H0120 - 2247900 - LS90 VALVE SECTION SQUIRT	273
H0120 - 2247900 - L90 MAIN VALVE SECTION - GRAPPLE ROTATE	274
H0120 - 2247900 - L90 MAIN VALVE SECTION - GRAPPLE O/C	275
H0120 - 2247900 - L90 MAIN VALVE SECTION - STEER	276
H0120 - 2247900 - L90 MAIN VALVE SECTION - BLADE	277
H0120 - 2247900 - LS90 VALVE SECTION OUTLET	278
H0120 - 2248900 - MAIN VALVE - SQUIRT STICK W/GRAPPLE + SAW	280
H0120 - 2248900 - K220 MAIN VALVE SECTION - OUTLET	281
H0120 - 2248900 - K220 MAIN VALVE SECTION - STICK BOOM	282
H0120 - 2248900 - K220 MAIN VALVE SECTION - MAIN BOOM	283
H0120 - 2248900 - K220 MAIN VALVE SECTION - INLET	284
H0120 - 2248900 - LS90 VALVE SECTION SQUIRT	285
H0120 - 2248900 - L90 MAIN VALVE SECTION - GRAPPLE ROTATE	286
H0120 - 2248900 - L90 MAIN VALVE SECTION - GRAPPLE O/C	287
H0120 - 2248900 - L90 MAIN VALVE SECTION - STEER	288
H0120 - 2248900 - L90 MAIN VALVE SECTION - SAW	289
H0120 - 2248900 - LS90 VALVE SECTION OUTLET	290
H0120 - 2249000 - MAIN VALVE - SQUIRT STICK COMBO	292
H0120 - 2249000 - K220 MAIN VALVE SECTION - OUTLET	293
H0120 - 2249000 - K220 MAIN VALVE SECTION - STICK BOOM	294
H0120 - 2249000 - K220 MAIN VALVE SECTION - PROCESSOR	295
H0120 - 2249000 - K220 MAIN VALVE SECTION - PROCESSOR	296
H0120 - 2249000 - K220 MAIN VALVE SECTION - MAIN BOOM	297
H0120 - 2249000 - K220 MAIN VALVE SECTION - INLET	298
H0120 - 2249000 - LS90 VALVE SECTION SQUIRT	299
H0120 - 2249000 - L90 MAIN VALVE SECTION - GRAPPLE ROTATE	300
H0120 - 2249000 - LS90 VALVE SECTION - O/C	301
H0120 - 2249000 - L90 MAIN VALVE SECTION - STEER	302
H0120 - 2249000 - LS90 VALVE SECTION OUTLET	303
H0120 - 2249100 - MAIN VALVE - SQUIRT STICK COMBO W/BLADE	304
H0120 - 2249100 - K220 MAIN VALVE SECTION - OUTLET	305
H0120 - 2249100 - K220 MAIN VALVE SECTION - STICK BOOM	306

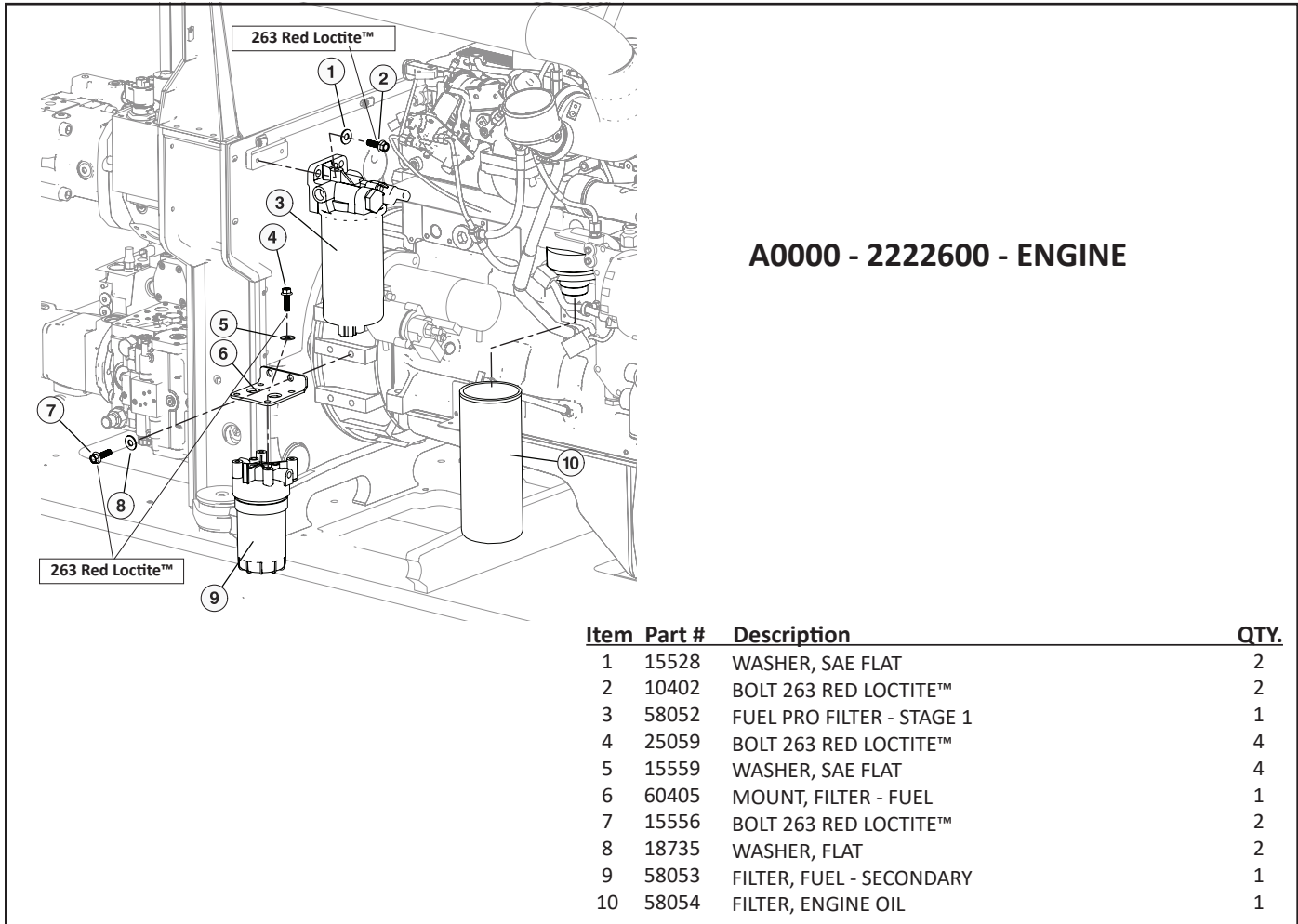
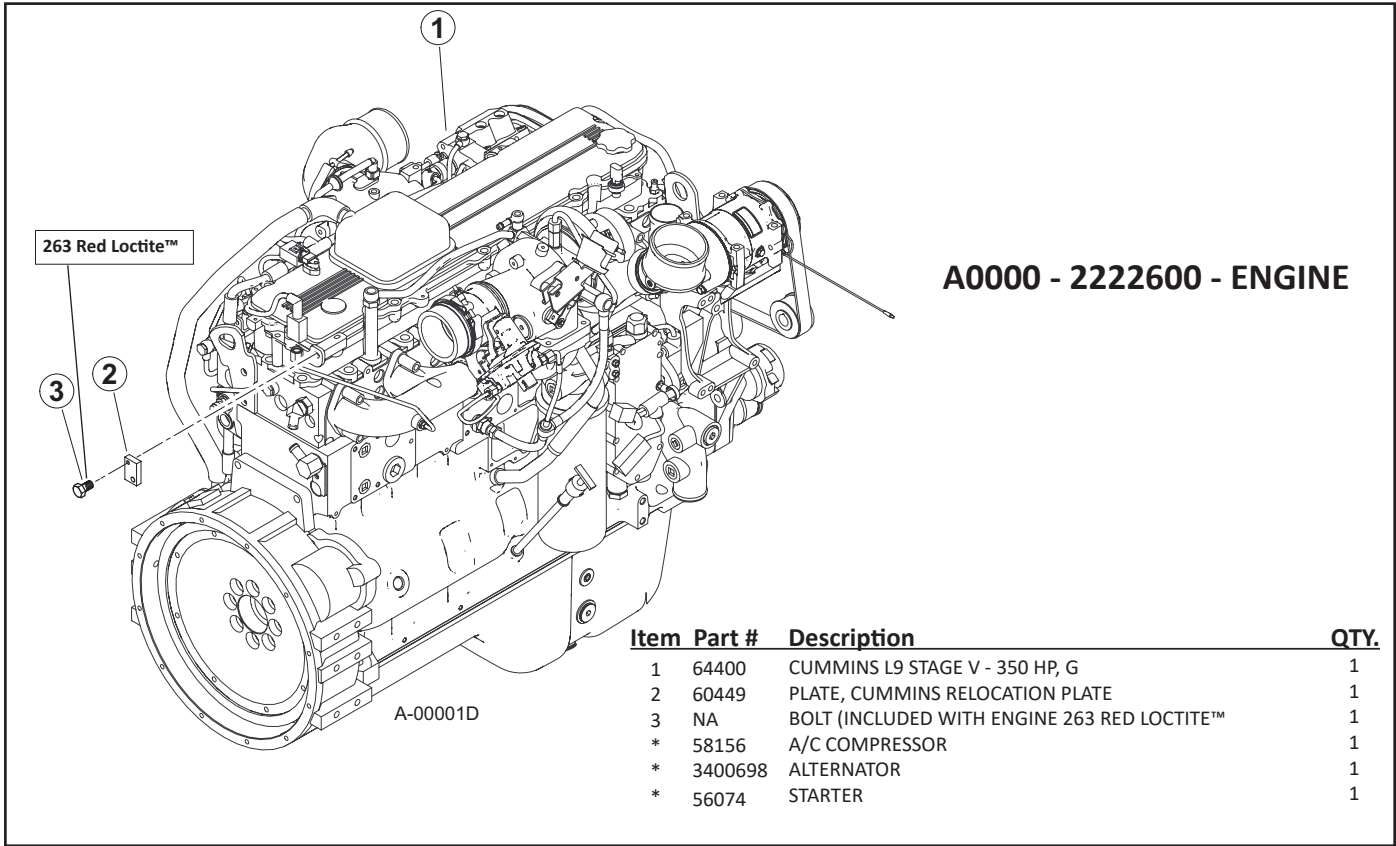
Description	Page#
H0120 - 2249100 - K220 MAIN VALVE SECTION - PROCESSOR	307
H0120 - 2249100 - K220 MAIN VALVE SECTION - PROCESSOR	308
H0120 - 2249100 - K220 MAIN VALVE SECTION - MAIN BOOM	309
H0120 - 2249100 - K220 MAIN VALVE SECTION - INLET	310
H0120 - 2249100 - LS90 VALVE SECTION SQUIRT	311
H0120 - 2249100 - L90 MAIN VALVE SECTION - GRAPPLE ROTATE	312
H0120 - 2249100 - L90 MAIN VALVE SECTION - GRAPPLE O/C	313
H0120 - 2249100 - L90 MAIN VALVE SECTION - STEER	314
H0120 - 2249100 - LS90 VALVE SECTION OUTLET	315
H0210 - 2225000 - IMPLEMENT PUMP - 145CC	316
H0210 - 2225000 - IMPLEMENT PUMP - 145CC	317
H0210 - 2225000 - IMPLEMENT PUMP - 145CC	318
H0210 - 2225000 - IMPLEMENT PUMP - 145CC	320
H0210 - 2225000 - IMPLEMENT PUMP - 145CC	322
H0210 - 2225100 - IMPLEMENT PUMP - 175CC	324
H0210 - 2225100 - IMPLEMENT PUMP - 175CC	325
H0210 - 2225100 - IMPLEMENT PUMP - 175CC	326
H0210 - 2225100 - IMPLEMENT PUMP SUCTION	328
H0220 - 2225200 - IMPLEMENT PUMP COVER - NO AUX PUMP	329
H0221 - 2243800 - MANIFOLD, IMPLEMENT HYD, FWDR, U	330
H0225 - 2243900 - PUMP,WHEEL DRIVE, U	331
H0230 - 2244000 - PUMP, SWING, U	332
H0230 - 2244000 - SWING PUMP COMPONENTS	333
H0230 - 2244000 - SWING LOCK-CASE DRAIN MANIFOLD	334
H0230 - 2244000 - SWING LOCK-CASE DRAIN MANIFOLD COMPONENTS	335
H0240 - 2244100 - CHARGE PUMP SUCTION	336
H0240 - 2244100 - CHARGE PUMP	337
H0240 - 2244100 - CHARGE PUMP COMPONENTS	338
H0240 - 2244100 - PUMP, CHARGE PRESSURE, U	339
H0310 - 2225900 - CHARGE OIL MANIFOLD	340
H0310 - 2225900 - CHARGE OIL MANIFOLD COMPONENTS	341
H0315 - 2244200 - AUCCUMULATOR & COMPONENTS	342
H0320 - 2226000 - MANIFOLD, OIL COOLER CNTRL/SAW STOP	344
H0320 - 2226000 - MANIFOLD, OIL COOLER CNTRL/SAW STOP COMPONENTS	345
H0320 - 2226000 - RETURN MANIFOLD	346
H1713 - 2226100 - GULLWING DOOR HYD PUMP	347
H1713 - 2226100 - GULLWING DOOR HYD PUMP COMPONENTS	348
H1713 - 2226100 - GULLWING DOOR HYD PUMP COMPONENTS	349
H1713 - 2226100 - GULLWING DOOR CYLINDER	350
H1713 - 2226100 - GULLWING DOOR CYLINDER COMPONENTS	351
H4120 - 2246900 - H4120 - 2247000 - ACCESSORIES HYDRAULIC FITTINGS, FRAME 830 & 840	352
H4120 - 2246900 - H4120 - 2247000 - ACCESSORIES HYDRAULIC FITTINGS, FRAME 830 & 840	354
H4120 - 2246900 - H4120 - 2247000 - ACCESSORIES HYDRAULIC HOSES, FRAME 830 & 840	356
H4120 - 2246900 - H4120 - 2247000 - ACCESSORIES HYDRAULIC HOSES, FRAME 830 & 840	358
H4120 - 2246900 - LOWER CONTROL MANIFOLD	360
H4220 - 2248000 - ACCESSORIES, HYDRAULIC, BLADE	362

Description	Page#
H4300 - 2247100 - DRIVE HYDRAULIC CONTROL	364
H4300 - 2247100 - DRIVE HYDRAULIC CONTROL	366
H4310 - 2245300 - STEERING HYD, U	368
H4310 - 2245300 - STEERING CYLINDER	369
J3140 - 2245200 - FRAME ARTICULATION	372
J4110 - 2244600 - FRONT FRAME, ST, U.	374
J4110 - 2244600 - J4110 - 2244700 - J4110 - 2246800 FRONT FRAME, ST, U.	375
J4110 - 2244700 - J4110 - 2246800 - FRONT FRAME, BLADE OPT, U	376
J4110 - 2246800 - FRONT FRAME, STEP, EU, U	377
J4110 - 2246800 - FRONT FRAME, STEP, EU, U	378
J4120 - 2242800 - REAR FRAME, ST, U	379
J4120 - 2242800 - REAR FRAME, ST, U	380
J4120 - 2242900 - REAR FRAME, ST+2, U	381
J4120 - 2242900 - J4120 - 2243000 - REAR FRAME, ST+2, U	382
J4120 - 2243000 - REAR FRAME, ST+3, U	383
J4120 - 2243100 - REAR FRAME, ST+4, U	384
J4120 - 2243100 - REAR FRAME, ST+4, U	385
J4125 - 2245900 - FLOATING BUNK, U	386
J4126 - 2246100 - HEADACHE RACK, U	387
J4167- 2246000 - LOG BUNK, ST, U	388
K0110 - 2226400 - CABIN SEAT, SEATS INC	391
K0110 - 2226400 - CABIN SEAT, SEATS INC	392
K0110 - 2226400 - CABIN SEAT, SEATS INC	394
K0110 - 2226400 - CABIN SEAT, SEATS INC	396
K-2241300 - CABIN SEAT - BE-GE	398
K0110 - 2241300 - CABIN SEAT - BE-GE	399
K0200 - 2226500 - CABIN DOORS	400
K0201 - 2226600 - CABIN WINDOWS	402
K0202 - 2241400 - CABIN INSULATION	404
K0202 - 2241400 - FLOORMAT - FB/TH	406
K0203 - 2226800 - CABIN TRIM	408
K0215 - 2228500 - CABIN WELDMENT	410
K0220 - 2226900 - CABIN MOUNTING	412
K0225 - 244400 - CABIN ENTRY STEP	414
K0230 - 2241500 - JOYSTICKS - TRACK STD	415
K0230 - 2227900 - JOYSTICKS - PROCESSOR	416
K100-105 - JOYSTICKS - HARNESS	417
K0231 - 2227300 - CABIN ELECTRICAL COMPONENTS	418
K0232 - 2236700 - CABIN WIRE HARNESS	420
K0233 - 2241600 - CABIN CONTROLS - TRACK	421
K0710 - 2227500 - CABIN HVAC	422
K0710 - 2227500 - CABIN HEATER / AIR CONDITIONING BOX COMPONENTS	423
K0710 - 2227500 - HEATER / AIR CONDITIONING CONTROLLER	424
K0710 - 2227500 - HEATER / AIR CONDITIONING BINARY SWITCH	425
K0710 - 2227500 - HEATER / AIR CONDITIONING BINARY AIR TEMP SENSOR	427
K0710 - 2227500 - CABIN HEATER WATER VALVE	427
K0710 - 2227500 - AIR CONDITIONING DRIER	428

<b>Description</b>	<b>Page#</b>
K0710 - 2227500 - AIR CONDITIONING / HEATER HOSES	429
K0710 - 2227500 - DEROST CABIN FAN	430
K0710 - 2227500 - HVAC MOUNTING	431
K0810 - 2227600 - CABIN RADIO	432
K0830 - 2205030 - CABIN FIRE EXTINGUISHER	433
K4208 - 2255700 - KOMTRAX COMPONENTS & INSTALLATION	434
K-2255700 - KOMTRAX COMPONENTS & INSTALLATION - (IRIDIUM ANTENNA)	436
M1110 - 2228400 - GULLWING DOOR INSTALLATION	438
M1110 - 2228400 - GULLWING DOOR DEBRIS GUARDS	440
M1110 - 2228400 - GULLWING DOOR EXHAUST TIP	441
M1110 - GULLWING WALKWAY	442
M1810 - 2228700 - UPPER TURNTABLE DOOR & COVERS	444
M1810 - 2228700 - UPPER TURNTABLE DOOR & COVERS	446
M1810 - 2228700 - HEAT SHIELD, PADDING, AND TRIM INSTALLATION	448
M1810 - 2228700 - STRUCTURE PANELS	449
M-2228700 - UPPER TURNTABLE DOOR & COVERS - (DOOR PROP)	450
J1110 - 2228100 - BULKHEAD FITTING BRACKET	452
N1110 - 2228900 - SWING CIRCLE	454
N1111 - 2228900 - SWING CIRCLE BEARING	455
J1115 - 2244300 - WORK EQUIPMENT & SWING COMPONENT GREASE HOSES	456
N1210 - 2229100 - SWING MOTOR COMPONENTS	458
N1310 - 2244500 - ROTARY MANIFOLD INSTALLATION	460
N1310 - 2244500 - ROTARY MANIFOLD SWIVEL LOCK ARM	461
N1310 - 2244500 - ROTARY MANIFOLD	462
S0120 - 2242200 - S0120 - 2242300 - S0120 - 2242400 S0120 - 2242500 - WHEELS & TIRES	466
T1110 - 2246400 - T1120 - 2246500 - MAIN BOOM ASSEMBLY	470
H0130 - 2249200 - MAIN BOOM COMPONENTS - STANDARD HYDRAULICS	471
T1140 - 2246600 - STICK BOOM CYLINDER - 5.5"	472
T1140 - 2246600-SP - STICK BOOM CYLINDER - 5.5"	474
T1140 - 2246700 - STICK BOOM CYLINDER - 6.0"	476
T1140 - 2246700-SP - STICK BOOM CYLINDER - 6.0"	478
T1110 - 2246400 - MAIN BOOM ASSEMBLY	480
T1120 - 2246500 - MAIN CYLINDER INSTALLATION	481
T1120 - 2246500 - MAIN CYLINDER	482
T1120 - 2246500-SP - MAIN BOOM CYLINDER	484
T1110 - 2246400 - MAIN BOOM DEBRIS DEFLECTOR	486
T1200 - 2248300 - FIXED STICK BOOM ASSEMBLY	487
H0130 - 2249200 - FIXED STICK BOOM COMPONENTS - STANDARD HYDRAULICS	488
T1215 - 2248500 - FIXED STICK BOOM INSTALLATION	489
T1200 - 2248400 - STANDARD SQUIRT BOOM ASSEMBLY	490
T1200 - 2249900 - QUICK ATTACH SQUIRT BOOM ASSEMBLY - COMBO HYDRAULICS	491
T1215 - 2248600 - STANDARD SQUIRT BOOM INSTALLATION	492
T1215 - 2250000 - QUICK ATTACH STANDARD SQUIRT BOOM INSTALLATION	493
H0130 - 2249300 - MAIN BOOM COMPONENTS - STANDARD HYDRAULICS WITH SQUIRT	494
H0130 - 2249300 - SQUIRT BOOM COMPONENTS - STANDARD HYDRAULICS	495
H0130 - 2249400 - MAIN BOOM COMPONENTS - STANDARD HYDRAULICS WITH SAW & SQUIRT	496
H0130 - 2249400 - SQUIRT BOOM COMPONENTS - STANDARD HYDRAULICS WITH SAW OPTION	497

Description	Page#
H0130 - 2249500 - MAIN BOOM COMPONENTS - COMBO HYDRAULICS WITH SQUIRT BOOM	498
H0130 - 2249500 - SQUIRT BOOM COMPONENTS - COMBO HYDRAULICS	499
H4230 - 2249800 - PROCESSOR ATTACHMENT ELEC. JUNCTION BOX	500
T1200 - 2248400-SP - SQUIRT BOOM ASSEMBLY	502
T1200 - 2248400-SP - SQUIRT BOOM CYLINDER	504
T2115 - 2248100 - FIXED HEEL U . (FIXED ARM)	506
T2115 - 228200 - FIXED HEEL U . (SQUIRT ARM)	507
T1215 - 2248500 T1215 - 2248600 - WORK LIGHT INSTALLATION	508
J1115 - 2244300 - WORK EQUIPMENT & SWING COMPONENT GREASE HOSES	510
T1290 - 2248700 - GRAPPLE SNUBBER - 2.05" HULTDINS	512
T1290 - 2248800 - GRAPPLE SNUBBER - 2.00" - ROTOBEC	513
T1290 - 2255400 - GRAPPLE SNUBBER - ROTOBEC 420S	514
T1290 - 2254500 - GRAPPLE MOUNT - SOLID LINK, 2.05" PIN	515
T1290 - 2254700 - GRAPPLE MOUNT - SOLID LINK, 2.50" PIN	516
T1290 - 2248700-SP - GRAPPLE SNUBBER COMPONENTS	518
T1295 - 2255000 - T1295 - 2255100 - T1295 - 2255200 - T1295 - 2255300 - GRAPPLE ROTATOR	520
T1295 - 2255000 - GRAPPLE - HULTDINS 360S	521
T1295 - 2255100 - GRAPPLE - HULTDINS 360S WITH 550 SAW	522
T1295 - 2255200 - GRAPPLE - HULTDINS 420S	523
T1295 - 2255300 - GRAPPLE - HULTDINS 520S	524
T4710 - 2246200 - BLADE, U	526
T4710 - 2246200 - BLADE, U	527
U0100 - 2242600 - MODEL DECAL U. TF830D	529
U0100 - 2242700 - MODEL DECAL U. TF840D	529
U100-00070 - GULLWING, DECALS	530
U100-00060 - BOOM, DECALS	530
U100-00080 - LOGO & WEB	530
U0105 - 2236300 - MODEL DECAL U. TL700D SPANISH	531
U100-00090 - DECAL, DASH	531
U100-00100 - CAB DECALS	531
U100-000110 - OUTSIDE DECALS	532
U0120 - 2236600 - SERIAL PLATE	533
W1112 - 2236900 - ESPAR HEATER	536
W1112 - 2236900 - ESPAR HEATER COMPONENTS	538
W1112 - 2236900 - ESPAR HEATER COMPONENTS	540
W1301 - 2232300 - HYD TANK FILL PUMP	542
W1302 - 2232600 - DAFO DISTRIBUTION COMPONENTS	544
W1302 - 2232600 - DAFO DISTRIBUTION, DETECTION / ACTUATION CABLE INSTALLATION	546
W1302 - 2232600 - DAFO DISTRIBUTION, THERMAL BLANKET	548
W1302 - 2232600 - DAFO DISTRIBUTION, DETECTION / ACTUATION CABLE INSTALLATION	550
W1303 - 2232700 - HYD TANK VACUUM PUMP	552
W1303 - 2232700 - HYD TANK VACUUM PUMP COMPONENTS	553
W1304 - 2232900 - FIRE EXTINGUISHER - 10LB	554
D0200 - 2243400 - AUTO LEVELING, NO SELECT, U (STANDARD MACHINE FUEL HARNESS)	555

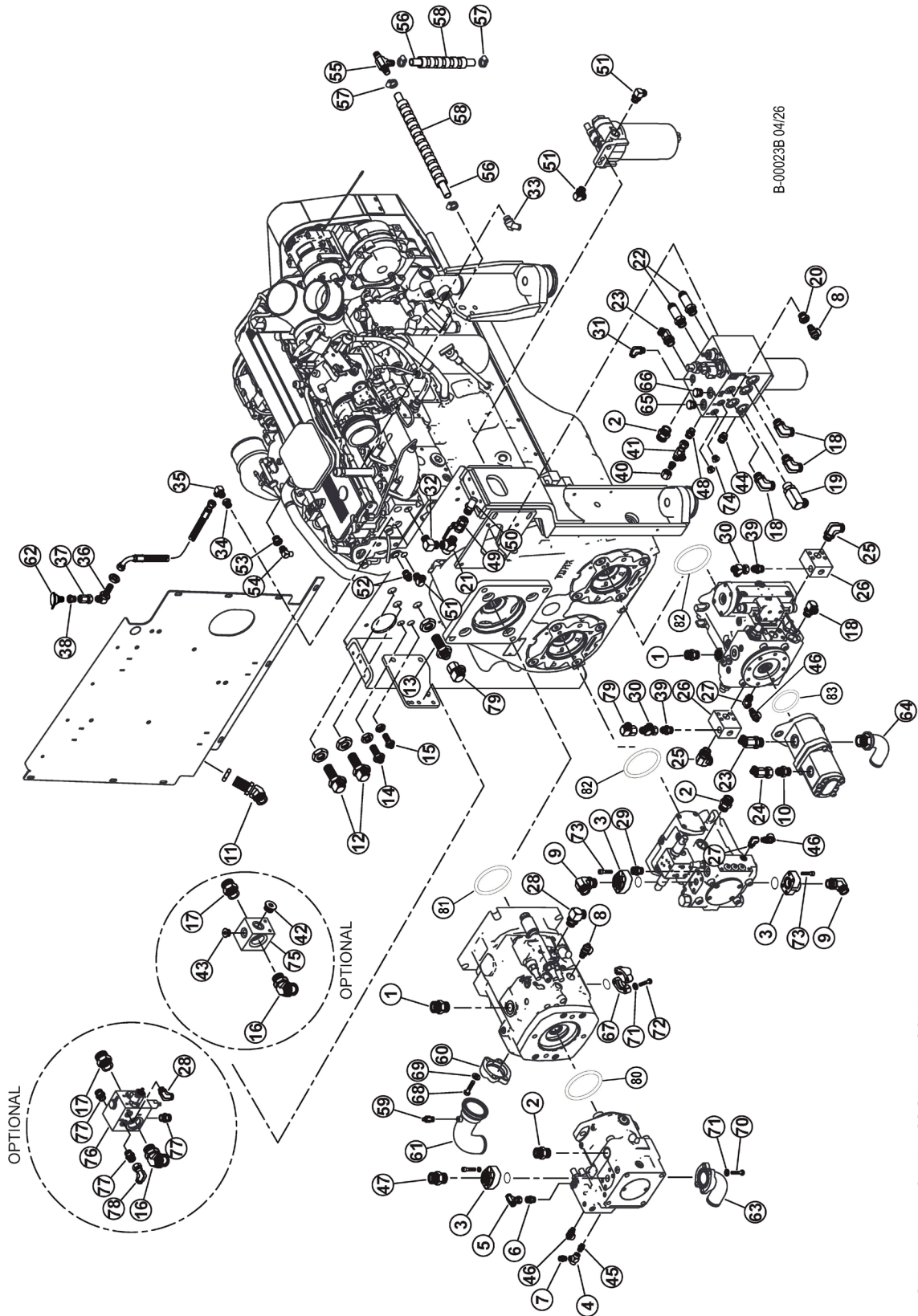
**ENGINE - (A)**



# **ENGINE RELATED PARTS - (B)**

# A0050 - 2243200 - ENGINE HYDRAULIC FITTINGS

ADD MOLUB-ALLOY PASTE WHITE T, TO THE SPIINES ON ALL PUMPS



B-00023B 04/26

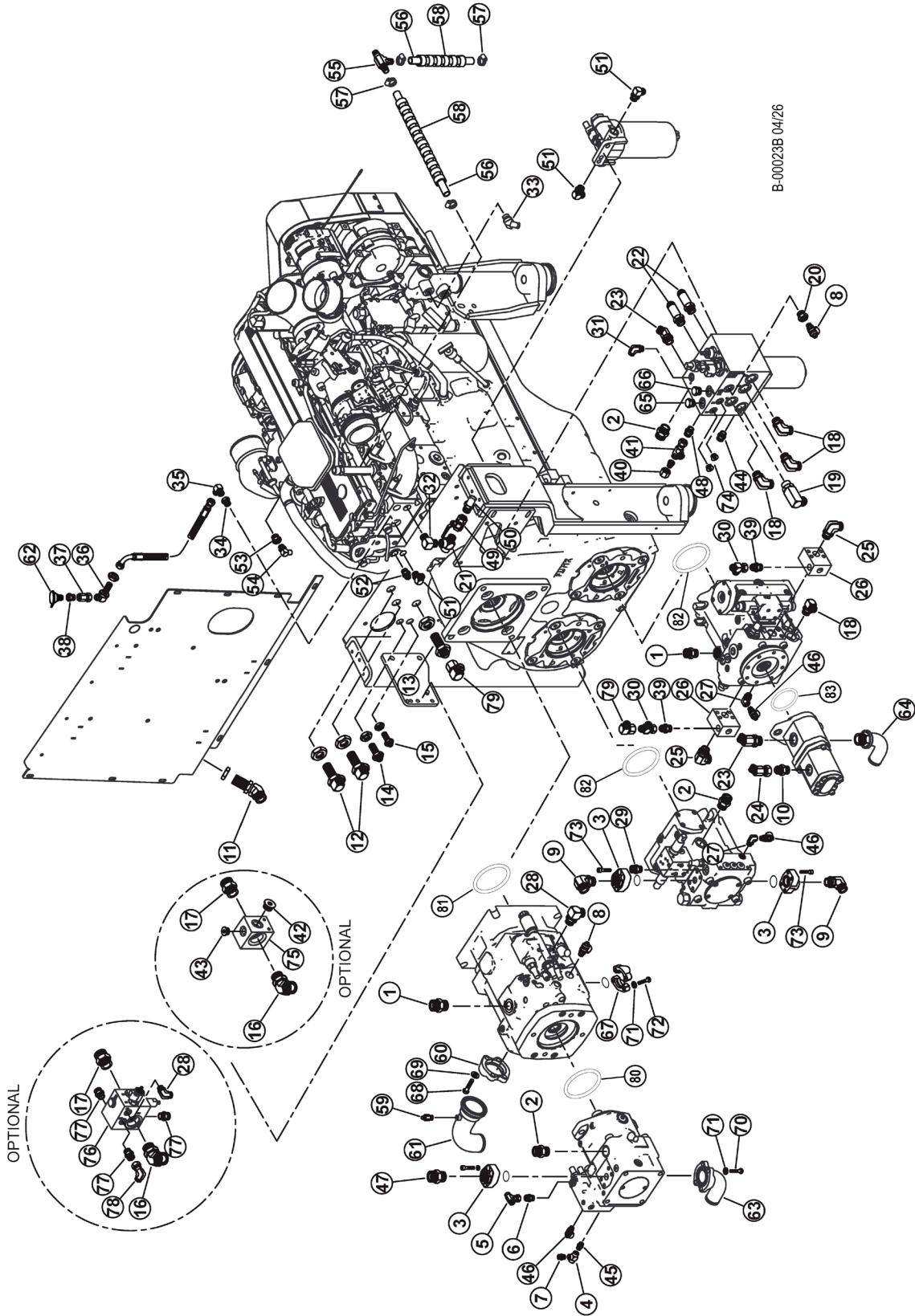
NOTE: HYDRAULIC FITTINGS GET 545 LOCTITE™

## A0050 - 2243200 - ENGINE HYDRAULIC FITTINGS

Item	Part #	Description	Qty.
1	15226	CONNECTOR, STR - FF1852T-1216S	2
2	15152	CONNECTOR, STR - FF1852T-1212S	3
3	19808	CONNECTOR, FLANGE PAD -FP62-12-12ORB-MK	3
4	52186	TEE, RUN - MALE (4 AOG5J5-S)	1
5	23541	TEE - 4 S6LO-S	1
6	15129	TEE, BULKHEAD BRANCH - 203002-5-5S	1
7	55214	CONNECTOR, STR - 848-TTO-04X04 (W/.031)	1
8	57820	TAP, GAUGE PORT # 6 SAE - ORING BOSS	2
9	17688	ELBOW, 90 - FF1868T-1212S	2
10	15494	CONNECTOR, STR - 6400-12-10	1
11	54316	ELBOW, BULKHEAD UNION 45DEG #16	1
12	54704	ELBOW, 90 BULK 12 WETX-WLN-S	2
13	17009	CONNECTOR, STR BULKHEAD - 2700-12	1
14	50420	CONNECTOR, STR BULKHEAD - 832-TT-06	1
15	18582	CONNECTOR, STR BULKHEAD - FF1994T-0404S	1
16	17056	ELBOW, 45 - FF2068T-2020S	1
17	17344	CONNECTOR, STR - FF1852T-2020S	1
18	11306	ELBOW, 90 12 C5OX-S	4
19	58379	ELBOW, LONG, 3/4 JIC(M) - 3/4 ORB(M)	1
20	22909	BUSHING, REDUCER - 6410-8-6	1
21	51879	TEE, RUN - .5" (1/2 MRO-S)	1
22	55356	FITTING, 12 FF5OX-S	2
23	15474	ELBOW, 45 - 6802-12	2
24	15472	ELBOW, 45 SWIVEL - 12 V6X-S	1
25	15228	ELBOW, 90 - FF1868T-1616S	2
26	51773	MANIFOLD, ANTI-CAV WHEEL PUMP - 125CC	2
27	57641	FITTING, EBLow - FEMALE 4-AOEG5-S	2
28	16296	ELBOW, 90 - FF1868T-0606S	1
29	15489	CONNECTOR, STR - 6400-8-8	1
30	55341	FITTING, STRAIGHT RUN TEE - 12 R5OX-S	2
31	16296	ELBOW, 90 - FF1868T-0606S	1
32	52785	ELBOW, MALE PIPE - 3/4 X 1/2 CR-S	1
33	57805	FITTING, 179HB-10-8	1
34	11312	BUSHING, REDUCER - 5406-8-4	1
35	55205	FITTING, ELBOW - 6 CTX-S	1
36	55347	FITTING, ELBOW - BULKHEAD 6 WETX-WLN-S	1
37	57422	FITTING, 6-6 G6X-S	1
38	11318	BUSHING, REDUCER - 5406-6-4	1
39	58020	FITTING, 12-R6X-S	2
40	19221	CONNECTOR, REDUCER - ORS FF2281T-0408S	1
41	15433	TEE - FF2114T-0808S	1
42	15584	PLUG - 6408-HHP-12	1
43	18949	PLUG - 6408-HHP-8	1
44	55380	FITTING, STRAIGHT - 8-12 F5OX-S	1
45	16294	BUSHING, REDUCER - 6410-6-4	1
46	57819	TAP, GAUGE PORT - #4 SAE Oring Boss- ST	2
47	18406	CONNECTOR, STR - FF1852T-1612S	1
48	15457	CONNECTOR, STR - FF1852T-0806S	1
49	51714	VALVE, BALL - WATER SHUT OFF HEATER 1/2"	1
50	51774	CONNECTOR, STR HOSE BARB - .5 X 5/8	1
51	53073	ELBOW, 90 6-JIC X 10-ORB)	2
52	53103	FITTING, 6-8 - ORB-JIC 830-B	1
53	58388	REDUCER, M27-2 (M) ORING - 1/2 NPTF(F)	1
54	58389	ELBOW, 1/2 (M)NPTF - 3/8" TUBE (PUSH CON	1
55	57902	TEE, HOSE BARB - 3/8"	1
56	55411	HOSE, COOLENT - 3/8"	AR
57	16202	CLAMP, HOSE - WORM STYLE - .625"	4
58	27846	WRAP, SPIRAL HOSE - 3/8" I.D. .052" WALL	AR
59	55615	FITTING, ADAPTOR - BLEED - SUCTION TUBE	1
60	22639	KIT, SPLIT FLANGE - 3" (CODE 61)(METRIC)	1
61	46265	TUBE, SUCTION - IMP PUMP	1
62	21304	BREATHER, PUMP TRANSMISSION -TRIPLE PUMP	1
63	55713	FLANGE, ELBOW - 1988-32-32	1
64	57663	FITTING, ELBOW - HOSE END 90°	1
65	55085	PLUG, CAVITY - CP08-30-N	1
66	58088	PLUG, CAVITY CP10-30-0-N	1

# A0050 - 2243200 - ENGINE HYDRAULIC FITTINGS

ADD MOLUB-ALLOY PASTE WHITE T, TO THE SPIINES ON ALL PUMPS

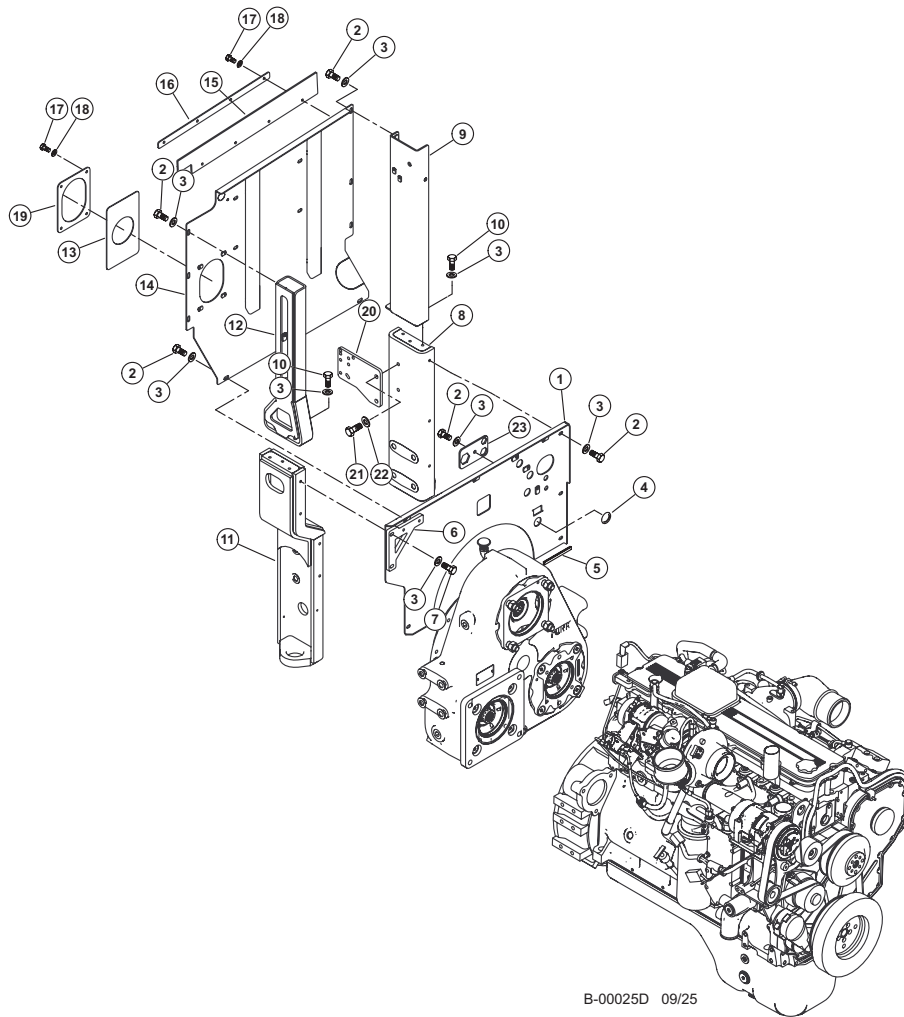


NOTE: HYDRAULIC FITTINGS GET 545 LOCTITE™

## A0050 - 2243200 - ENGINE HYDRAULIC FITTINGS

<b>Item</b>	<b>Part #</b>	<b>Description</b>	<b>Qty.</b>
67	15114	KIT, SPLIT FLANGE - 1.25" (CODE 62)	1
68	58378	BOLT - 5/8-11 X 1 3/4" HEX HEAD	4
69	10771	WASHER, SAE FLAT - .625"	4
70	10739	BOLT - .5" X 1.5"	4
71	10710	WASHER, LOCK - .5"	8
72	10736	BOLT - .5" X 2"	4
73	35337	SOC HD C/SCR	8
74	15412	PLUG - 6408-HHP-6	2
75	51450	MANIFOLD, RETURN CHECK - (OPTIONAL)	1
76	58021	VALVE, LOWER MANIFOLD PRES, CNTRL D-SER - (OPTIONAL)	1
77	18034	CONNECTOR, STR - FF1852T-0606S	3
78	20035	ELBOW, 90 SWIVEL - 6 C6LO-S	1
79	15477	ELBOW, 90 SWIVEL - 12 C6X-S	2
80	19491	ORING, THRU-DRIVE - 55458	1
81	15442-2	O-RING, PUMP DRIVE PILOT - DRIVE	1
82	53718	ORING, TRACK DRIVE PUMP PILOT	2
83	21624	O-RING, CHARGE PUMP PILOT (AA4VG90)	1

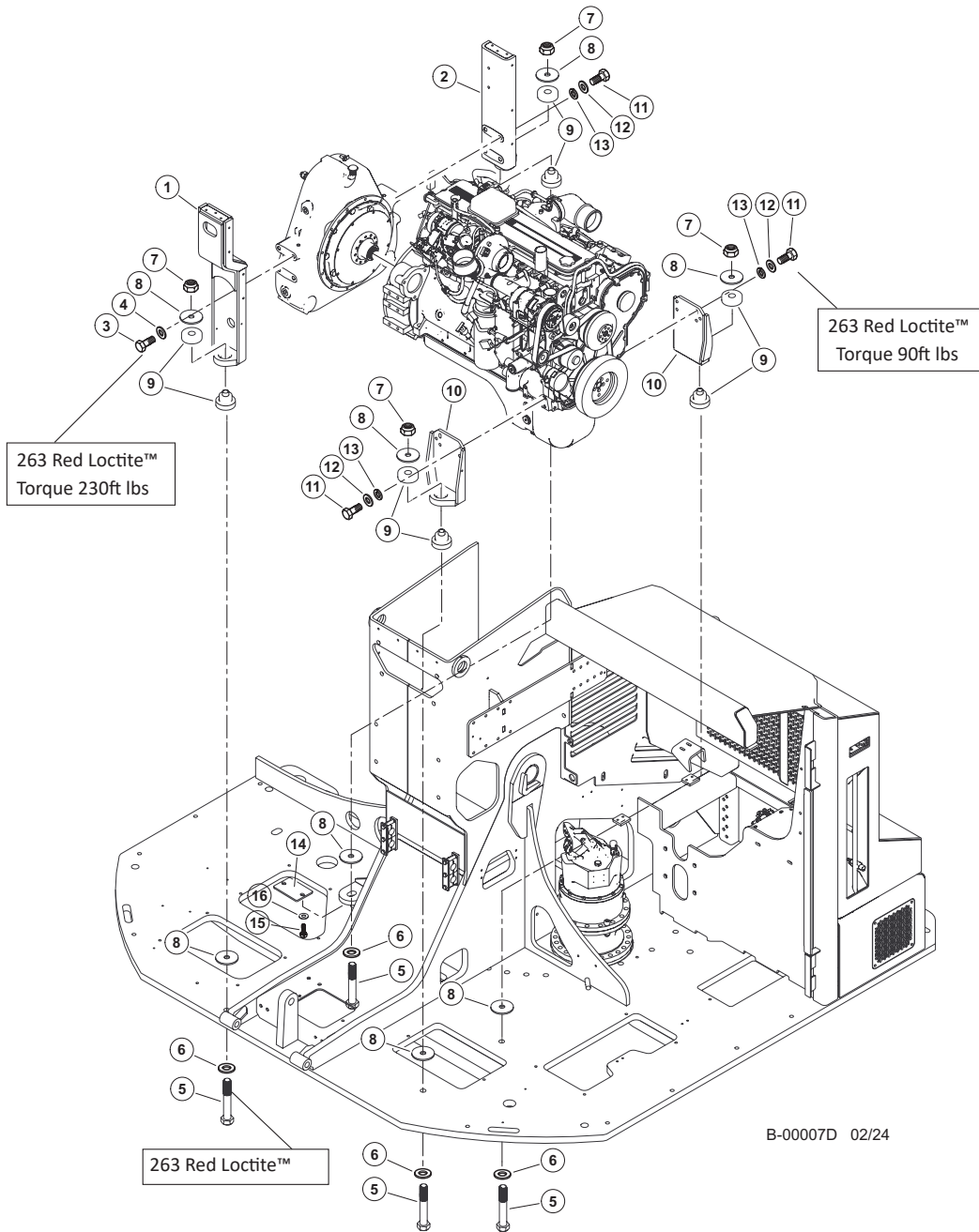
## B-2220000, B-2221000 - ENGINE PANELS



Item	Part #	Description	Qty.
1	603960	WELDMENT, ENGINE BARRIER PANEL - STD	1
2	15542	BOLT - .375" X .75" 263 RED LOCTITE™	13
3	15528	WASHER, SAE FLAT - .375"	21
4	42514	GROMMET, .875 I.D.	1
5	53214	CHANNEL, EDGE PROTECTOR	6"
6	60540	PLATE, FUEL FILTER SPACER	1
7	10402	BOLT - .375" X 1.25" 263 RED LOCTITE™	2
8	60300	MOUNT, ENGINE - INNER REAR	1
9	603920	WELDMENT, FIREWALL UPRIGHT	1
10	11707	BOLT - .375" X 1" 263 RED LOCTITE™	6
11	60295	MOUNT, ENGINE - REAR	1
12	60389	WELDMENT, G-BOX UPPER - D SERIES	1
13	673430	SHEET, RUBBER SEAL	1
14	632950	WELDMENT, UPPER FIREWALL	1
15	47206	RUBBER, ENGINE BARRIER	1
16	47205	BAR, BARRIER PANEL - ENGINE	1
17	15604	BOLT - .25" X .75" 263 RED LOCTITE™	8
18	10757	WASHER, SAE FLAT - .25"	8
19	673440	PLATE, SEAL SLOT	1
20	60444	MOUNT, MANIFOLD	1
21	50100	BOLT - .5" X 1.25" 263 RED LOCTITE™	2
22	10805	WASHER, FLAT - .625"	2
23	670830	LOCK PLATE, STRAIGHT BULKHEAD - STD	1

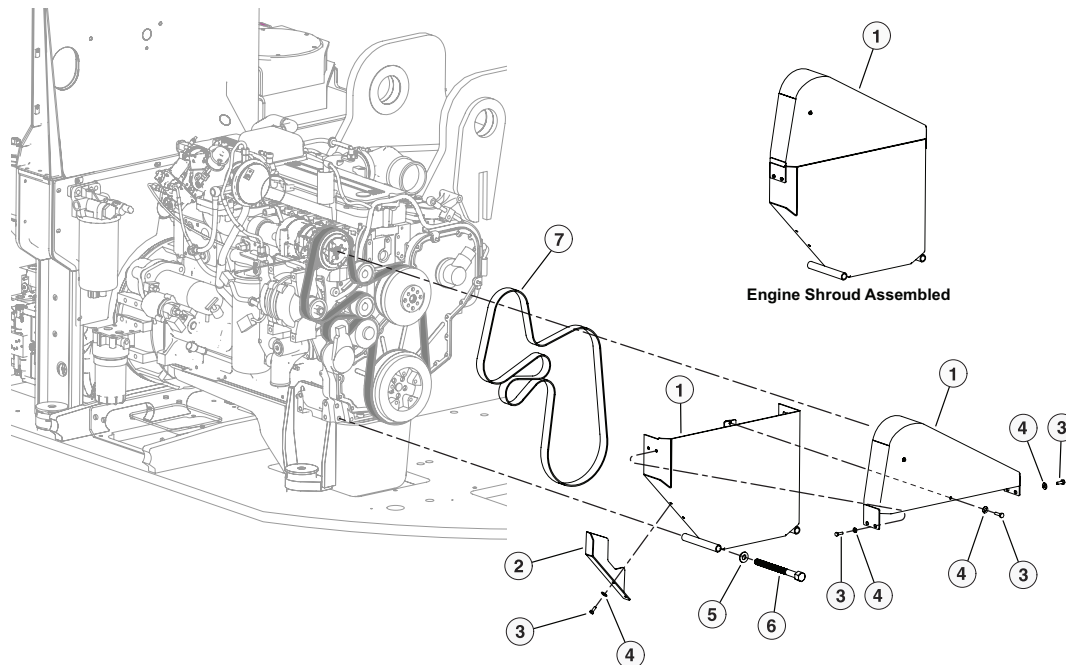


# B0100 - 2220000 - B0101- 2220600 - ENGINE INSTALLATION

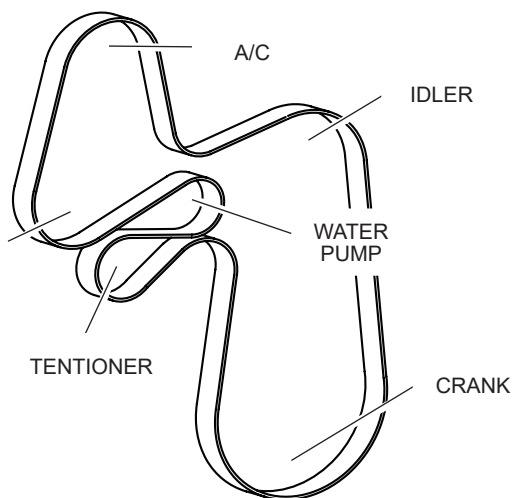
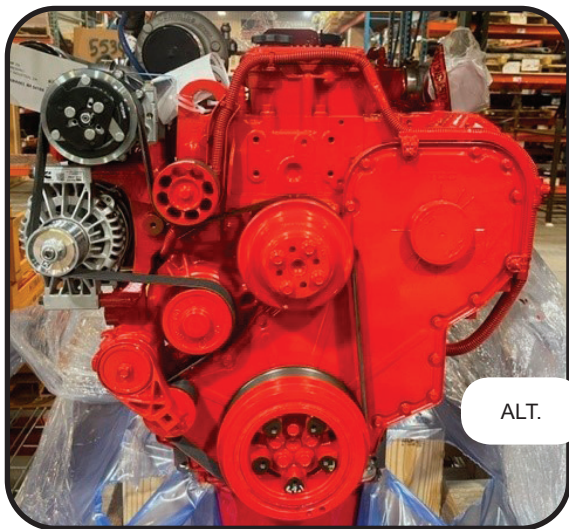


Item	Part #	Description	Qty.
1	60295	MOUNT, ENGINE - REAR	1
2	60392	PLATE, UPPER G-BOX 2 - D SEREIS	1
3	58378	BOLT - 5/8-11 X 1 3/4" HEX HEAD 263 RED LOCTITE™ (TORQUE 230FT LBS)	8
4	10771	WASHER, SAE FLAT - .625"	8
5	21540	BOLT - .875" X 6" 263 RED LOCTITE™	4
6	10718	WASHER, SAE FLAT - .875"	4
7	50334	NUT, LOCK .875"	4
8	60268	WASHER, ENGINE MOUNT	8
9	60270	ISOLATOR, ENGINE MOUNT	4
10	60269	MOUNT, ENGINE - FRONT	2
11	15551	BOLT - 12MM-1.75P X 40MM 263 RED LOCTITE™ (TORQUE 90FT LBS)	8
12	18735	WASHER, FLAT - 12MM	8
13	53760	WASHER, ENGINE MOUNT - SHURE-LOK	8
14	60558	COVER, RETAINER	1
15	23264	BOLT - .25" X .5"	2
16	10757	WASHER, SAE FLAT - .25"	2

# B0110 - 2220200 - ENGINE SHROUD

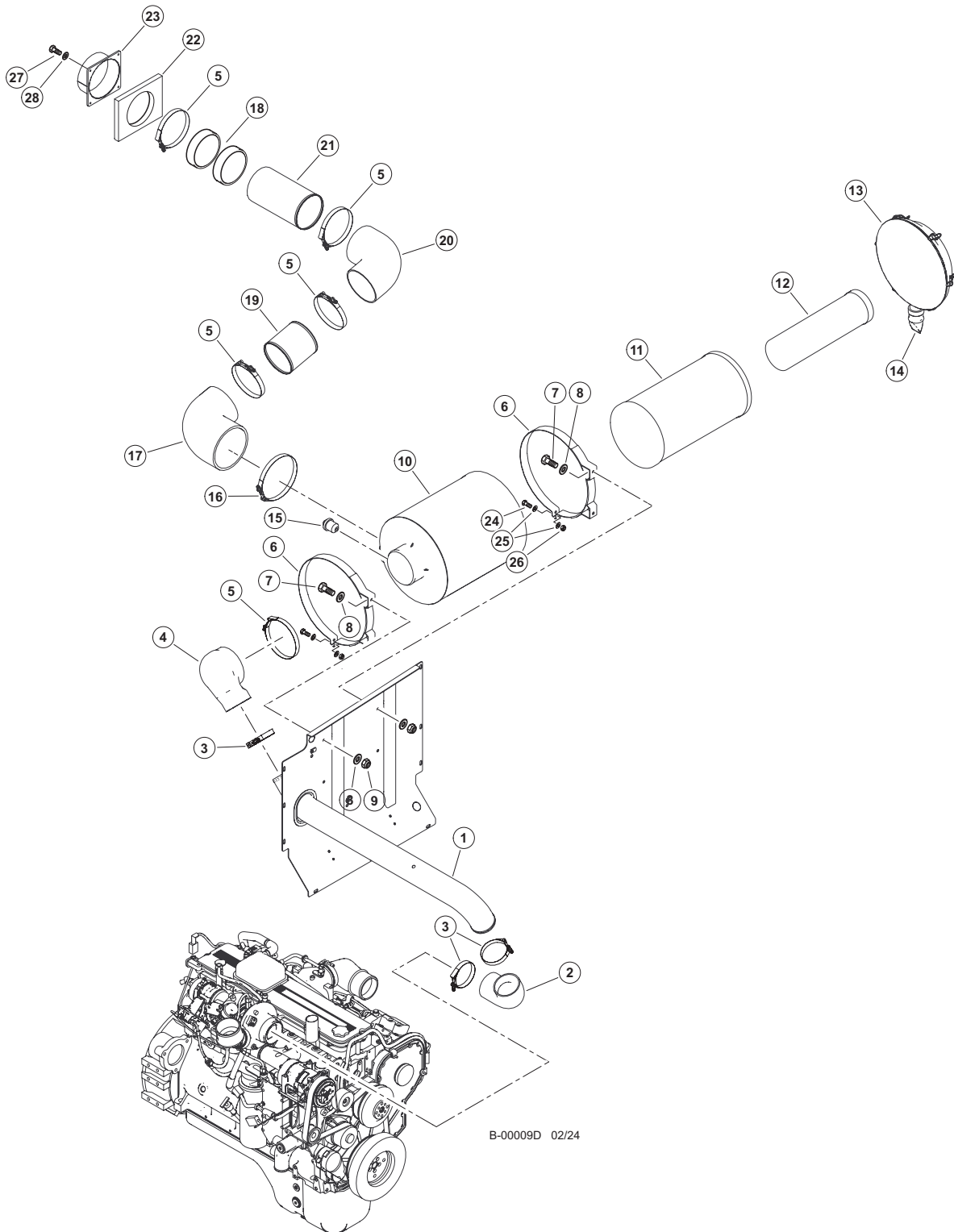


B-00008D 02/24



Item	Part #	Description	Qty.
1	60780	GUARD, FAN - STAGE 5	1
2	46288	SHROUD, FAN - BOTTOM	1
3	15604	BOLT - .25" X .75"	2
4	10757	WASHER, SAE FLAT - .25"	2
5	51772	BOLT - 12MM X 180MM FAN GUARD	1
6	18735	WASHER, FLAT - 12MM	1
7	59058	BELT, ENGINE	1

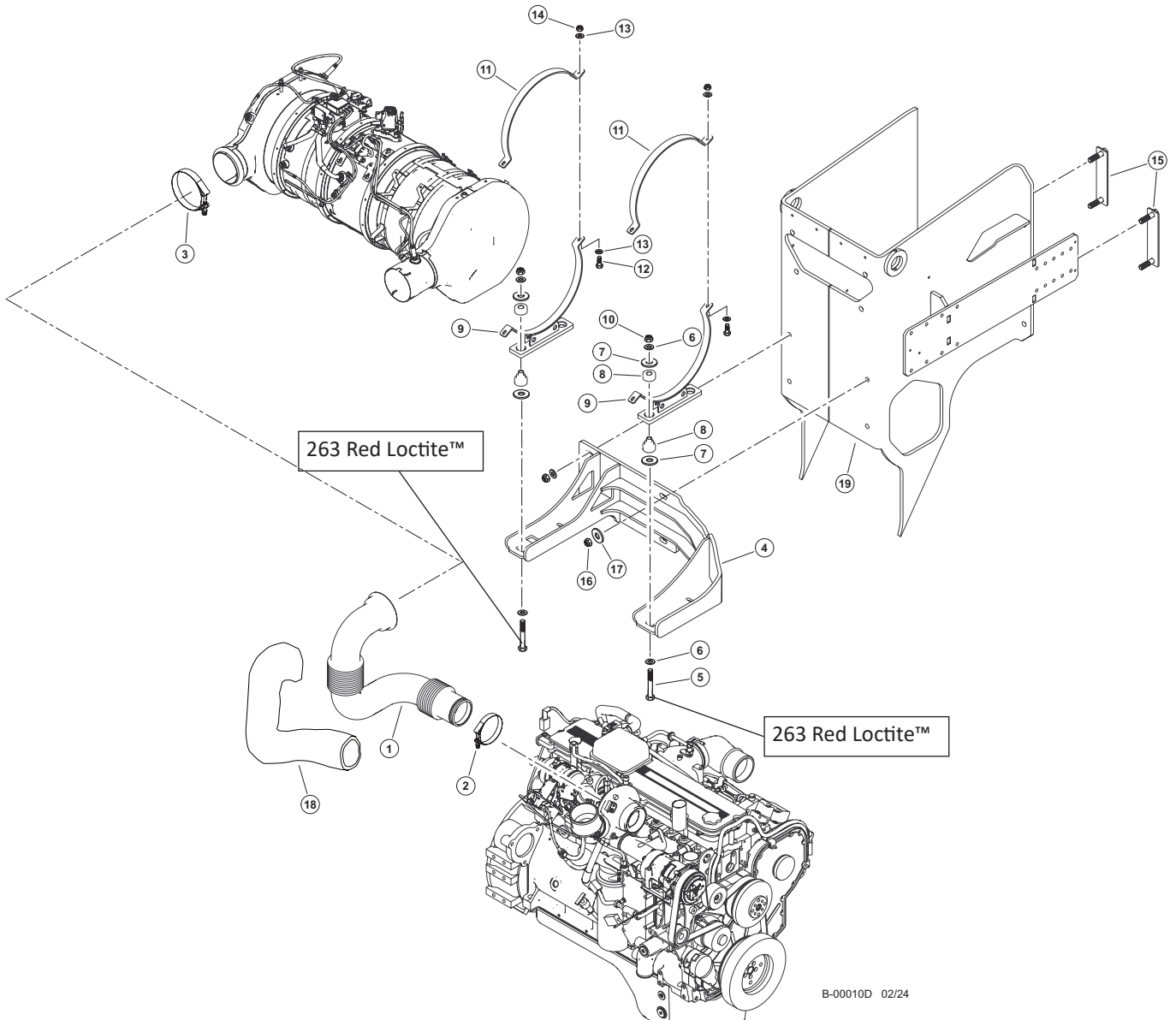
# B0200 - 2220300 - ENGINE AIR INTAKE



## B0200 - 2220300 - ENGINE AIR INTAKE

Item	Part #	Description	Qty.
1	63299	TUBE, AIR CLEANER TO TURBO - WELDMENT	1
2	55634	ELBOW, RUBBER - 4" x 4"	1
3	15697	CLAMP, STRAP BAND - 4.5"	3
4	58981	ELBOW, RUBBER - COBRA 6" X 4"	1
5	58030	CLAMP, T-BOLT - AIR INTAKE ELBOWS	5
6	58260	BAND, AIR CLEANER - TAILSWNG STG V	2
7	11704	BOLT - .375" X 1"	4
8	10802	WASHER, FLAT - .375"	8
9	10813	NUT, LOCK - .375"	4
10	58136	AIR CLEANER ASSEMBLY - STAGE V	1
11	58276	FILTER, AIR CLEANER - PRIMARY	1
12	58277	FILTER, AIR CLEANER - SECONDARY	1
13	58275	COVER, AIR CLEANER	1
14	16608	BOOT, AIR CLEANER DUST	1
15	16114	INDICATOR, AIR CLEANER FILTER SERVICE	1
16	59004	CLAMP, T-BOLT - 750 SIZE - LRG AIR CLEAN	1
17	58985	ELBOW, RUBBER 7X6 90DEG	1
18	42378FT	WEATHERSTRIPPING, WINDOW 5/16x3/4x500'	38"
19	60548	TUBE, 6" - AIR INTAKE	1
20	57495	ELBOW, RUBBER - 90 DEGREE 6" X 6"	1
21	63303	TUBE, AIR CLEANER 6" X 11" D-MOD	1
22	47344	FOAM	AR
23	60820	AIR INTAKE	1
24	15591	BOLT - .3125" X 1.5"	2
25	10801	WASHER, FLAT - .3125"	4
26	10812	NUT, LOCK - .3125"	2
27	15604	BOLT - .25" X .75"	4
28	10757	WASHER, SAE FLAT - .25"	4

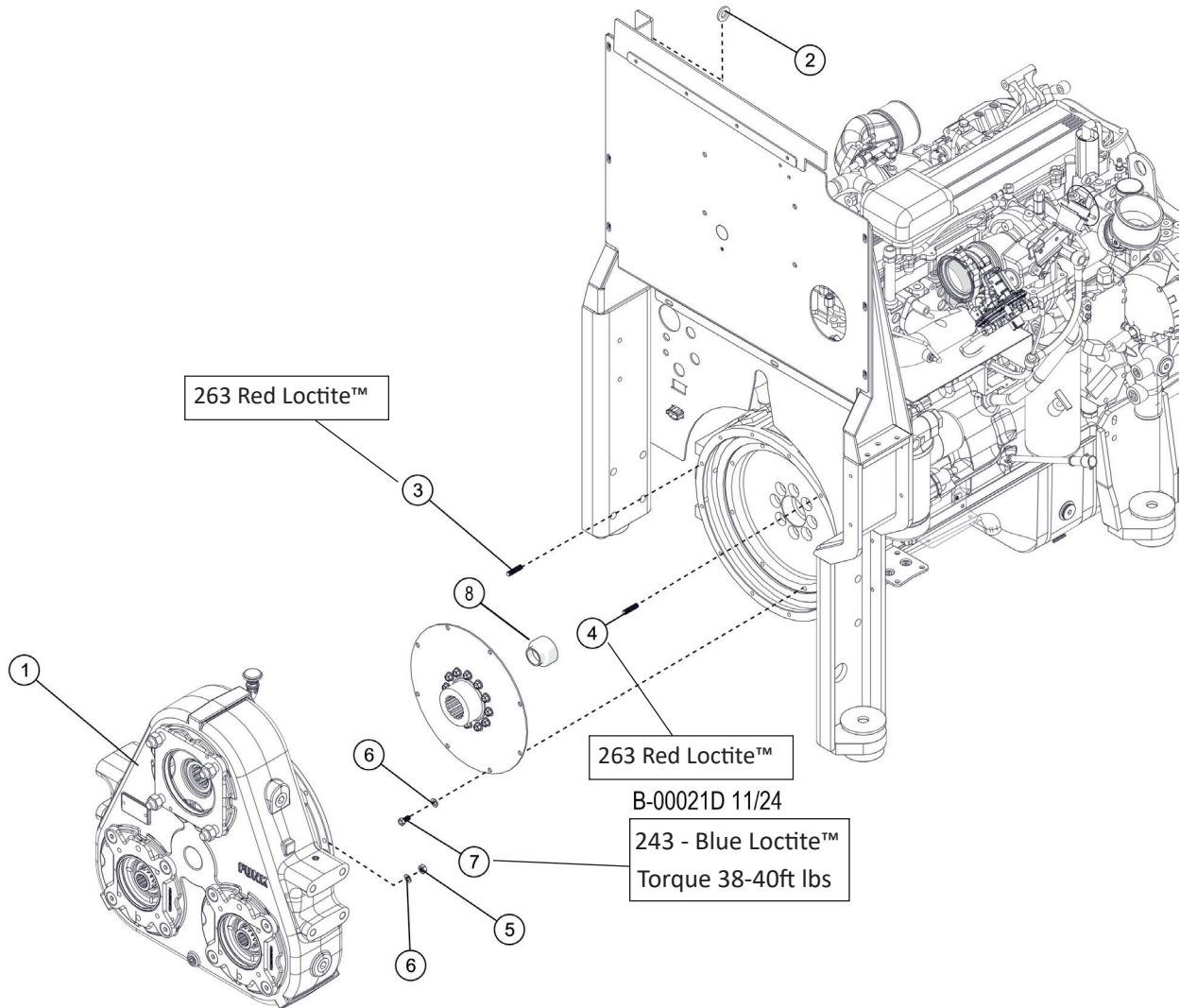
## B0200 - 2220300 - B0300 - 2220400 - ENGINE AFTER TREATMENT



B-00010D 02/24

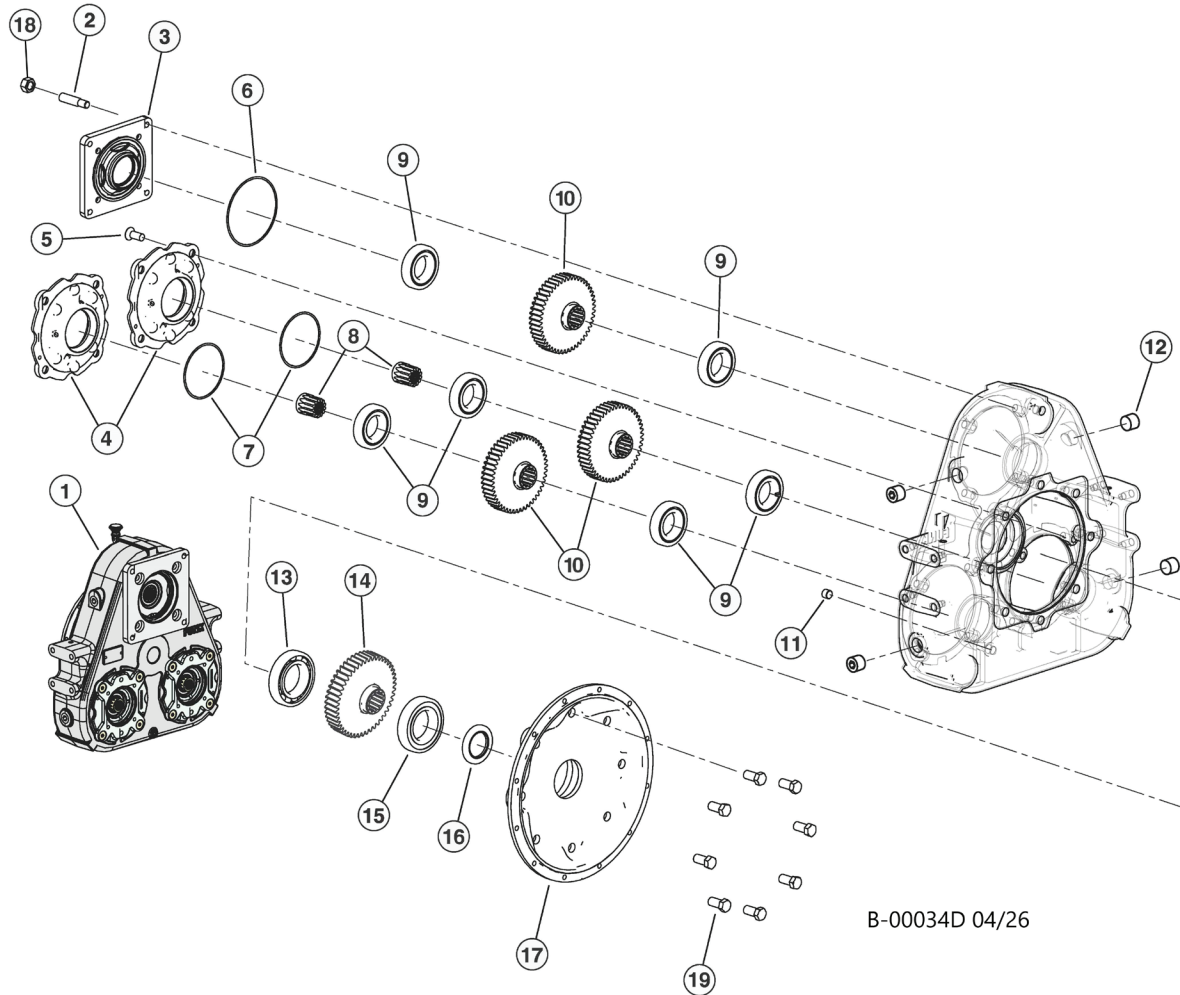
Item	Part #	Description	Qty.
1	60260	PIPE, EXHAUST TURBO TO DOC	1
2	SEE DESCRIPTION	CLAMP (Contact your Cummins dealer for replacement part)	-
3	SEE DESCRIPTION	CLAMP (Contact your Cummins dealer for replacement part)	-
4	60373	WELDMENT, ATFER TREATMENT MOUNT	1
5	15553	BOLT - .5" X 3.5" 263 RED LOCTITE™	4
6	10804	WASHER, FLAT - .5"	8
7	46674	WASHER, FENDER - ISOLATOR	8
8	55560	ISOLATOR, RUBBER - MUFFLER - T4F	4
9	60380	WELDMENT, SCR MTG CLAMP	2
10	10815	NUT, LOCK - .5"	4
11	60381	STRAP, SINGLE CAN MOUNT - AFTER TREATMENT	2
12	10822	BOLT - .3125" X 1.25"	4
13	10801	WASHER, FLAT - .3125"	8
14	10812	NUT, LOCK - .3125"	4
15	60109	PLATE, SCR STUD	2
16	10816	NUT, LOCK - .625"	4
17	10805	WASHER, FLAT - .625"	4
18	57841	INSULATION, EXHAUST PIPE	1
19	47975	WELDMENT, BOOM SURROUND D-STAGE 5	1

## B0600 - 2243300 - TRIPPLE DRIVE GEARBOX INSTALLATION



Item	Part #	Description	Qty.
1	55308	TRANSMISSION, TRIPLE PUMP DRIVE (.723:1)	1
2	23210	WASHER, SAE FLAT - .625" (EXTRA THICK)	1
3	59093	STUD, M10-1.5X60MM 263 RED LOCTITE™	11
4	15531	STUD, 10MM -1.5P X 45MM 263 RED LOCTITE™	1
5	15530	NUT, M10x1.5 HEX	12
6	15528	WASHER, SAE FLAT - .375"	20
7	15542	BOLT - .375" X .75" BOLT - .375" X .75" 263 RED LOCTITE™ (TORQUE 38-40FT LBS)	8
8	65483	SHAFT SEAL	1

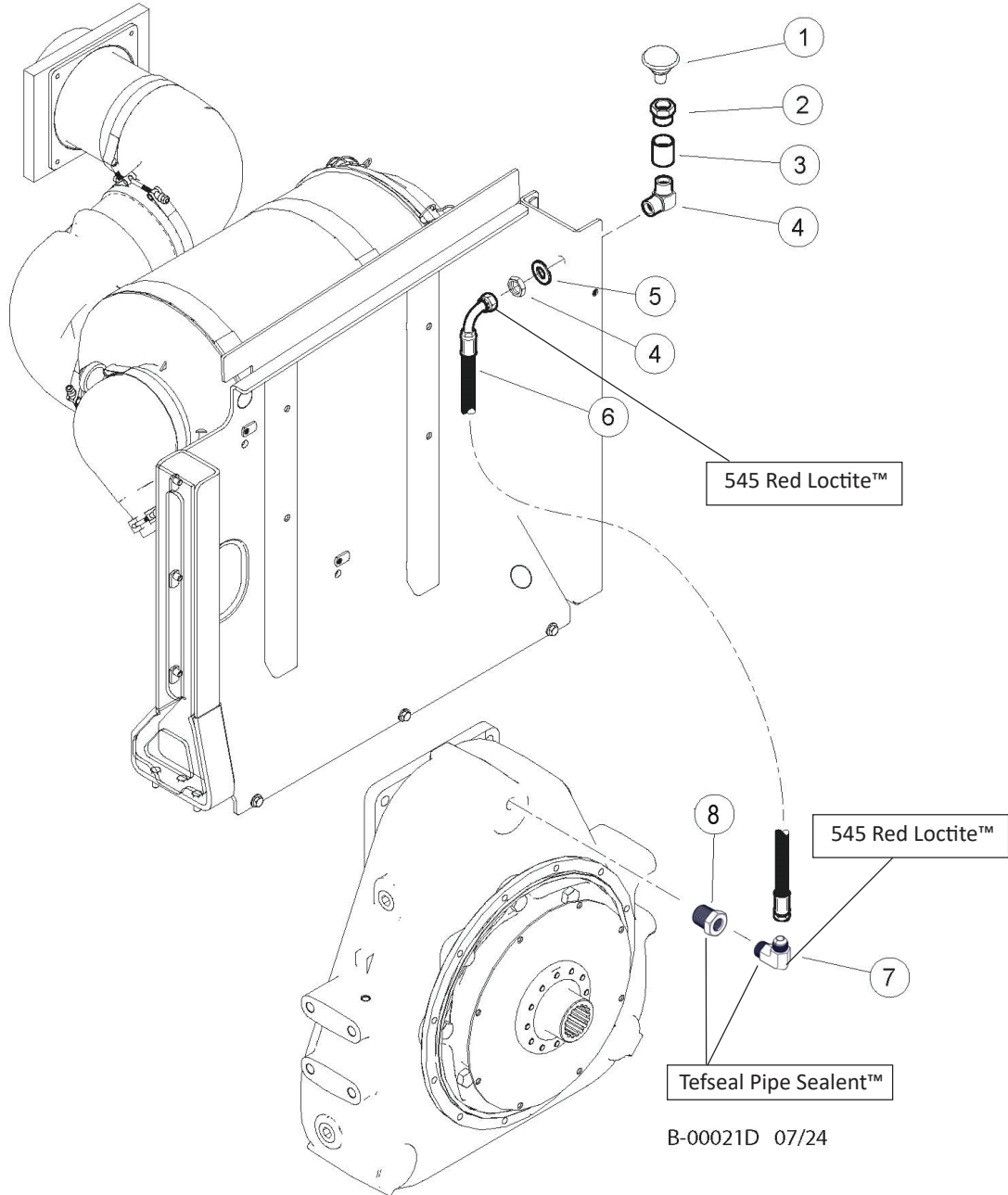
## B0600 - 2243300 - TRIPPLE DRIVE GEARBOX INSTALLATION



B-00034D 04/26

Item	Part #	Description	Qty.
1	55308	TRANSMISSION, TRIPLE DRIVE - WHEELED C	1
2	18293	STUD, FUNK - D PAD ADAPTER	4
3	18292	ADAPTER, PUMP PAD - SAE D (FUNK IMP)	1
4	54767	ADAPTER, PUMP PAD - SAE C - TRACK PUMP	2
5	F1122824	FASTENER	8
6	F37030258	O-RING	1
7	F37030248	O-RING	2
8	16330	ADAPTER, SPLINE - FUNK	2
9	YZ104564	BEARING	6
10	65576	GEAR, LONG NOSE, 47T FUNK GB	3
11	F202004	PLUG	1
12	F1900316	PLUG	4
13	18892	BEARING, FUNK TRI DRIVE - CENTER	1
14	54401	GEAR, FUNK TRIPLE - CENTER	1
15	18891	BEARING, FUNK TRI DRIVE - CENTER	1
16	18027	SEAL, SHAFT - FUNK	1
17	4059412	COVER	1
18	F13015000	NUT	8
19	F1008024	FASTENER	4

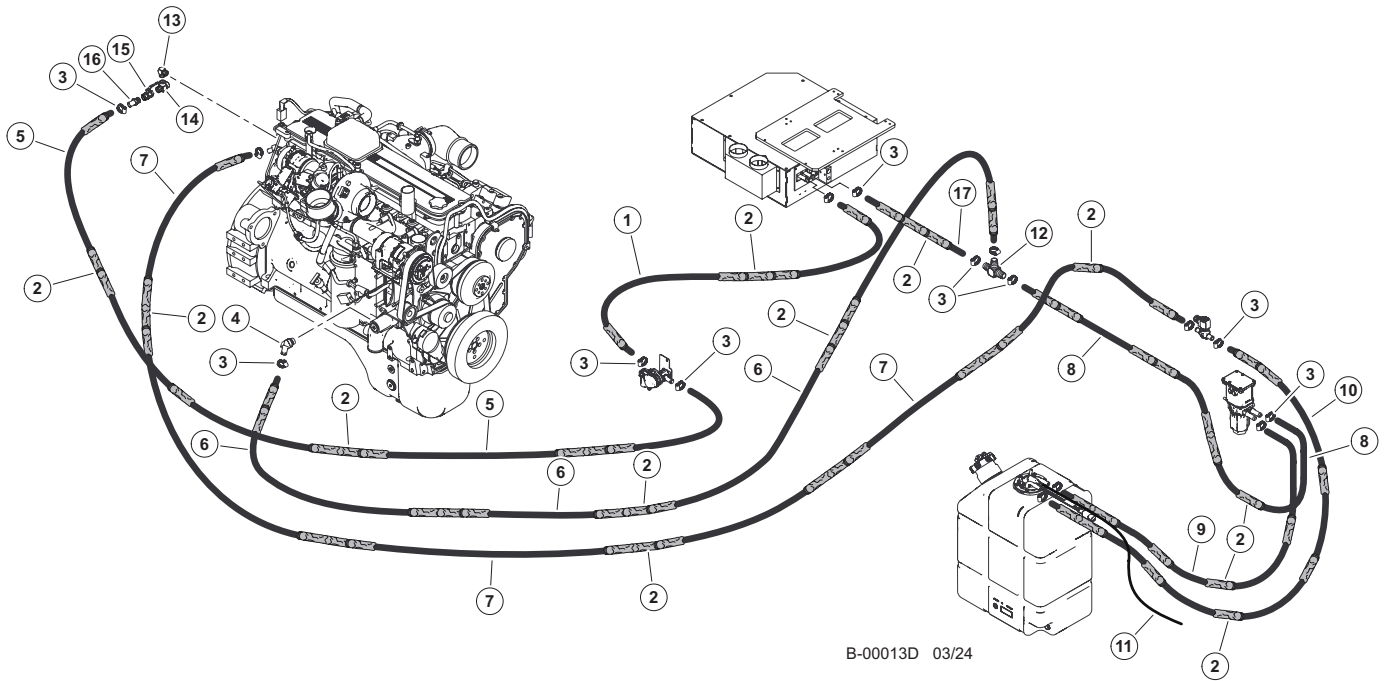
## B0600 - 2243300 - TRIPPLE DRIVE GEARBOX INSTALLATION



B-00021D 07/24

Item	Part #	Description	Qty.
1	21304	BREATHER, PUMP TRANSMISSION -TRIPLE PUMP	1
2	11318	BUSHING, REDUCER - 5406-6-4	1
3	57422	FITTING, 6-6 G6X-S	1
4	55347	FITTING, ELBOW - BULKHEAD 6 WETX-WLN-S	1
5	23210	5/8" TRU TORQ, EXTRA THICK FLAT WASHER: 15/64" THICK, 21/32" ID, 1 5/16"	1
6	65938 - (57941 - KIT)	HOSE, HYD, 387TC38 06-06JS-06J9 (BREATHER) 545 RED LOCTITE™	1
7	55205	FITTING, ELBOW - 6 CTX-S TEFSEAL PIPE SEALENT™	1
8	11312	BUSHING, REDUCER - 5406-8-4 TEFSEAL PIPE SEALENT™	1

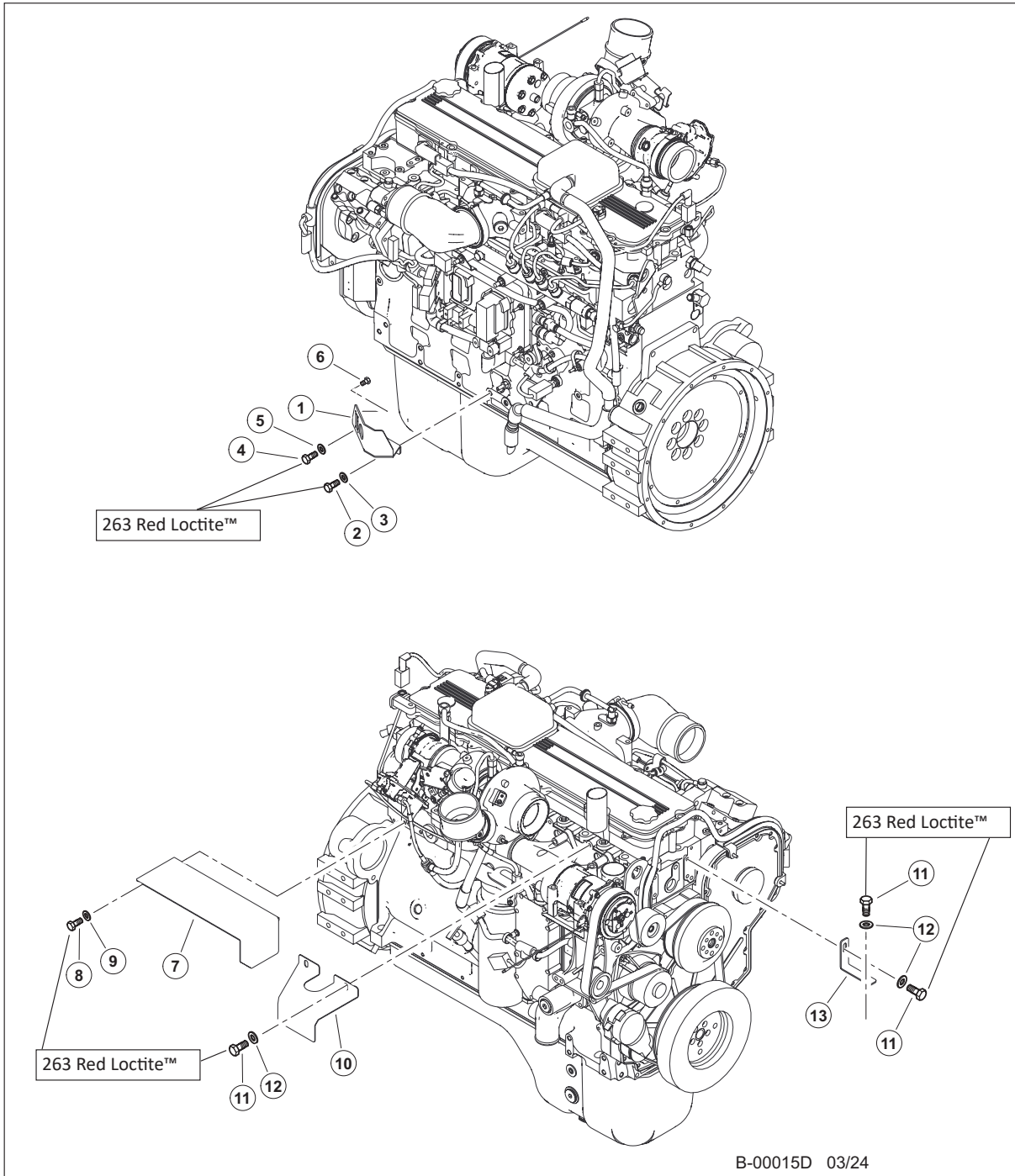
## B0720 - 2220900 - HEATER HOSES



B-00013D 03/24

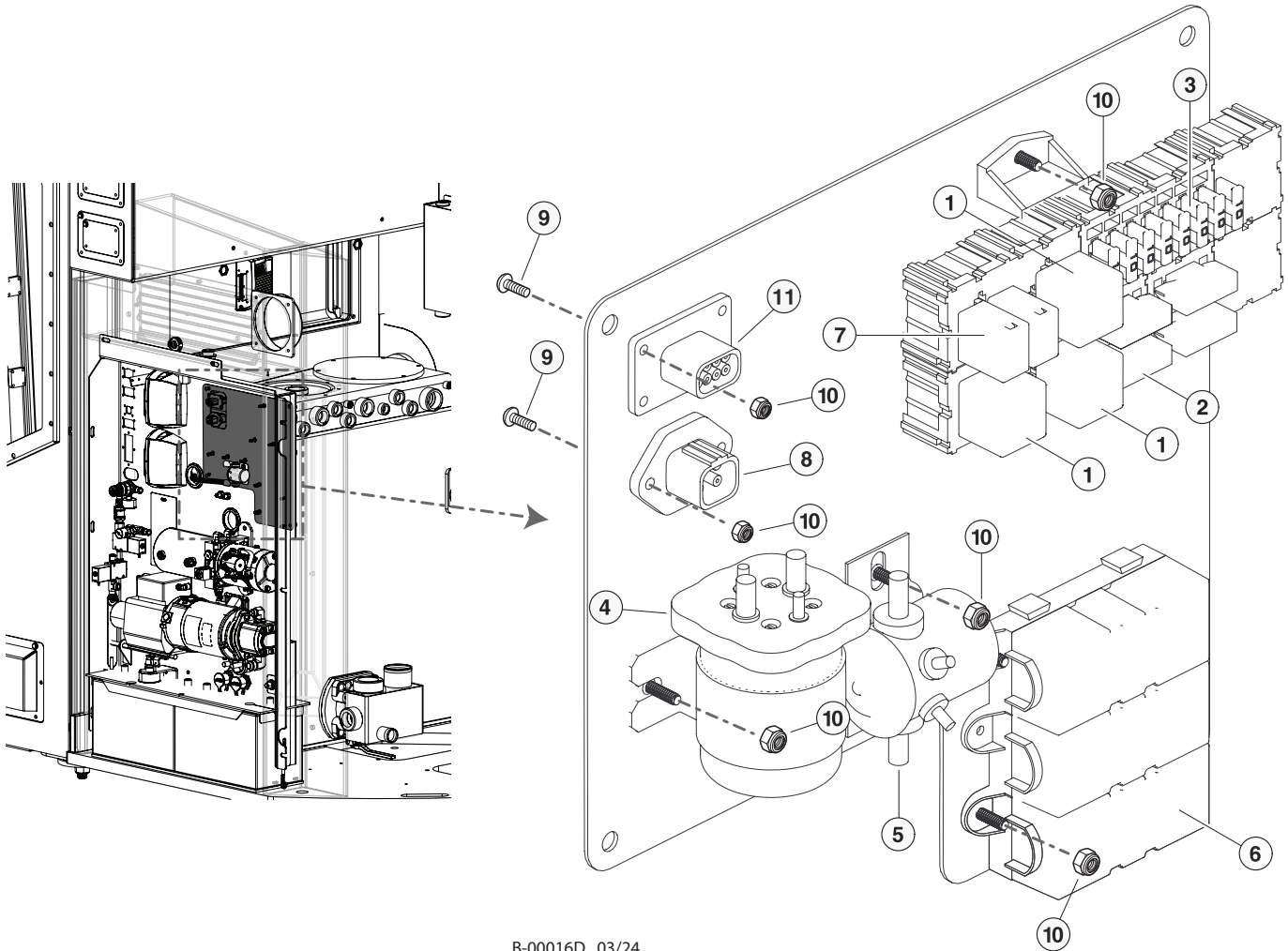
Item	Part #	Description	Qty.
1	BH-566	5/8" HEATER HOSE	1
2	50188	SLEEVE, PROTECTIVE HOSE	AR
3	58977	CLAMP, HOSE - AC UPDATE	16
4	57805	FITTING, 179HB-10-8	1
5	54780	HOSE, HEATER - 5/8" X 110" WRAPPED	1
6	54780	HOSE, HEATER - 5/8" X 110" WRAPPED	1
7	58114	HOSE, HEATER 5/8 X 140 WRAPPED SCR VALVE	1
8	58024	HOSE, HEATER - 5/8" X 64" (GATES 28473)	1
9	58024	HOSE, HEATER - 5/8" X 64" (GATES 28473)	1
10	58024	HOSE, HEATER - 5/8" X 64" (GATES 28473)	1
11	16238	HOSE, VENT (BULK ROLL) - .3125"	3'
12	57903	TEE, HOSE BARB - 5/8" PIPE	1
13	52785	ELBOW, MALE PIPE - 3/4 X 1/2 CR-S	1
14	51879	TEE, RUN - .5" (1/2 MRO-S)	1
15	51714	VALVE, BALL - WATER SHUT OFF HEATER 1/2"	1
16	51774	CONNECTOR, STR HOSE BARB - .5 X 5/8 (830	1
17	681790	5/8" HEATER HOSE	1

## B1579 - 2221000 - ENGINE SHIELDS



Item	Part #	Description	Qty.
1	60833	PLATE, ECM BH MOUNT	1
2	15556	BOLT - 12MM-1.75P X 20MM 263 RED LOCTITE™	1
3	18735	WASHER, FLAT - 12MM	1
4	17395	BOLT - 10MM-1.5P X 20MM 263 RED LOCTITE™	1
5	15528	WASHER, SAE FLAT - .375" OR 3/8"	1
6	59100	#10 SELF TAPPING SCREW	2
7	46199	SHIELD, STARTER	1
8	25059	BOLT - 8MM-1.25P X 20MM 263 RED LOCTITE™	2
9	15559	WASHER, SAE FLAT - .3125"	2
10	60825	PANEL, HEAT SHIELD - STAGE V	1
11	17395	BOLT - 10MM-1.5P X 20MM 263 RED LOCTITE™	4
12	15528	WASHER, SAE FLAT - .375" OR 3/8"	4
13	693360	WELDMENT, SUPPORT, ENGINE SHROUD	1

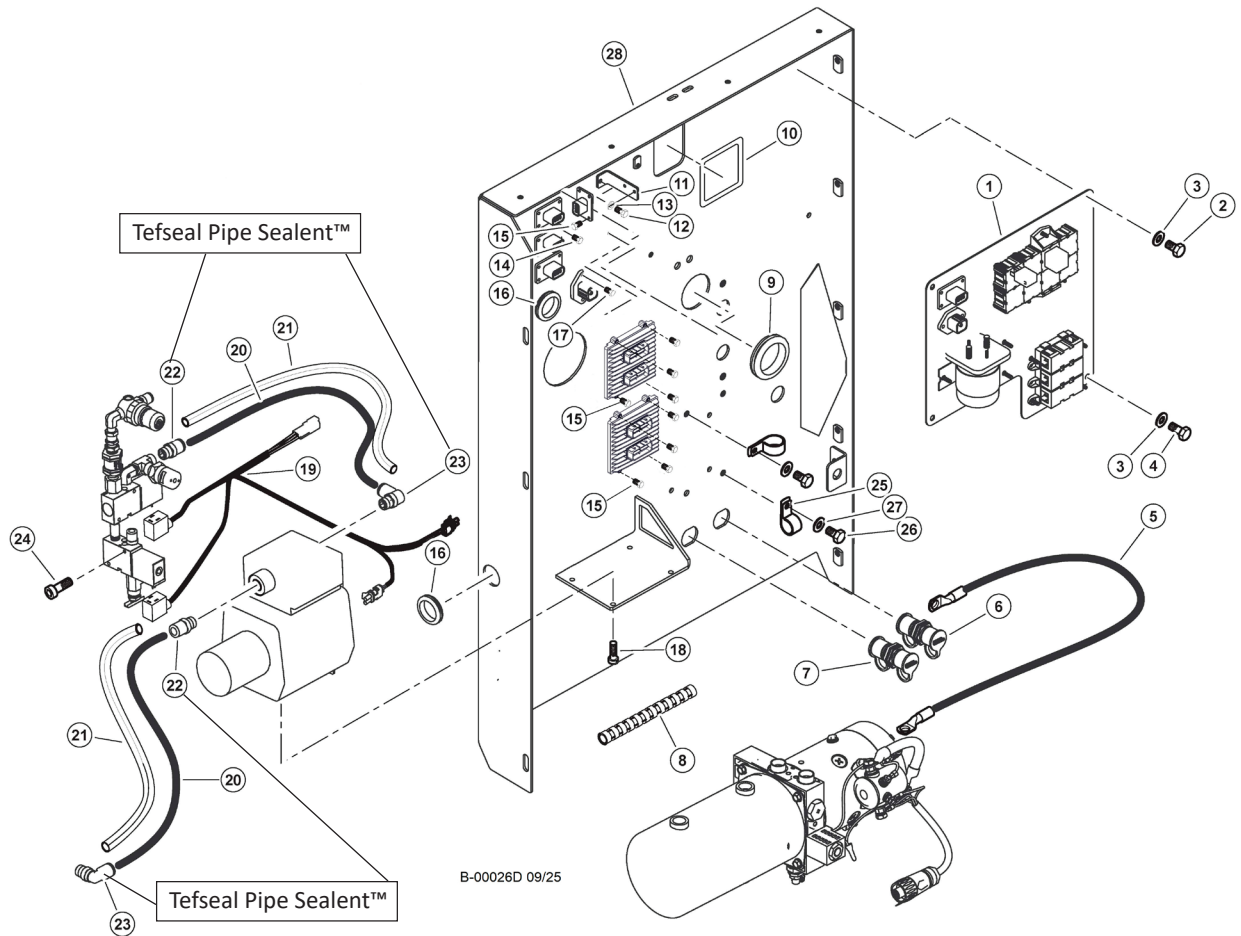
## B1580 - 2227200 - ELECTRICAL LOAD CENTER



B-00016D 03/24

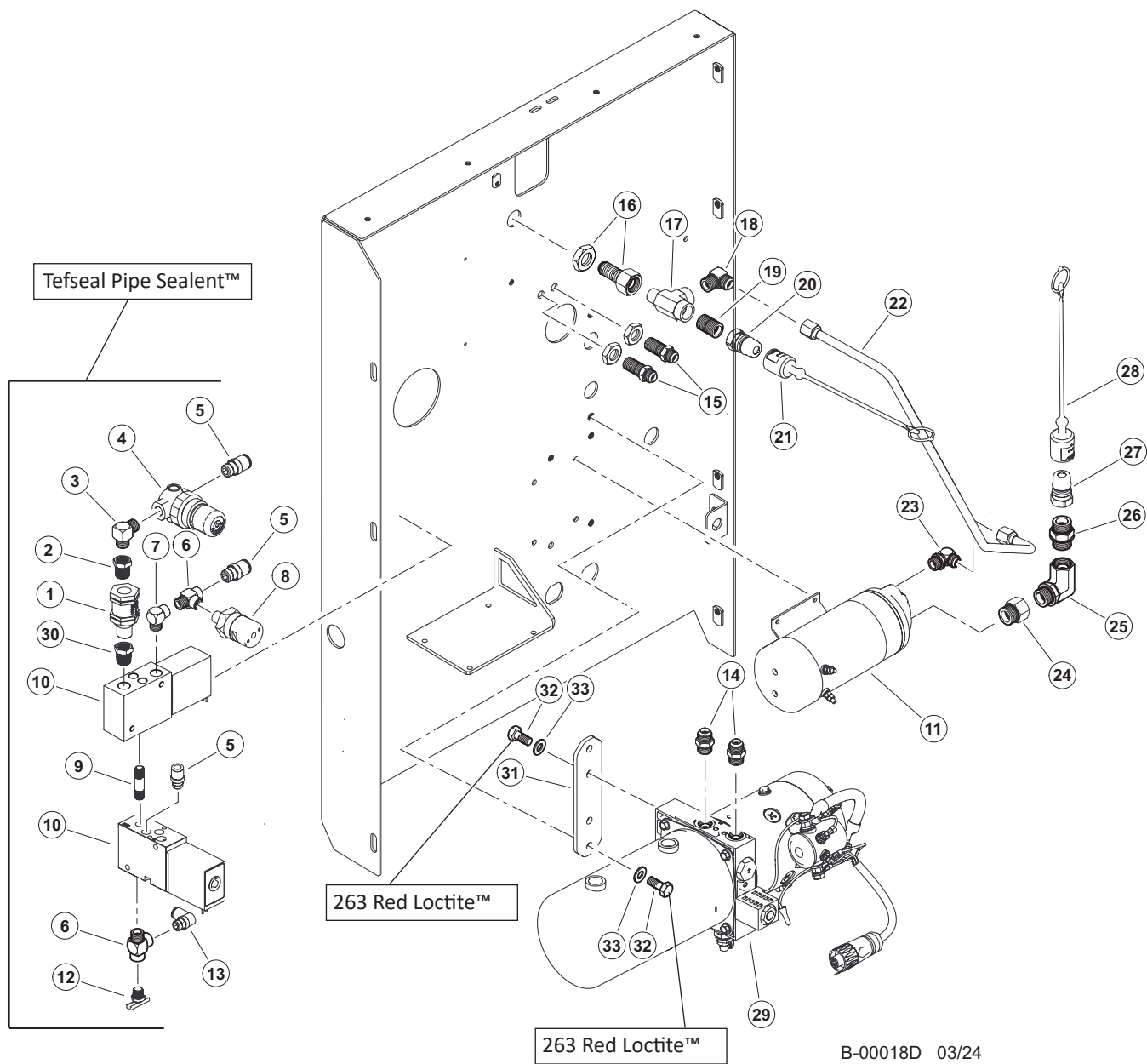
Item	Part #	Description	Qty.
	46695	LOAD CENTER - ENG COMP MD4 C-SERIES	
1	51755	RELAY, 70 AMP - LIGHTS/FILL PUMP/ACCESOR	3
2	21892	RELAY, 70 AMP - LIGHTS/FILL PUMP/ACCESOR	2
	21893	FUSE, MAXI - 50 AMP (SPADE STYLE)	2
3	24512	FUSE, ATO - 10 AMP (SPADE STYLE)	4
	51754	FUSE, ATO - 20 AMP (SPADE STYLE)	1
	50401	FUSE, ATO - 30 AMP (SPADE STYLE)	1
4	25117	RELAY, START SIGNAL 24-V (WHITE/ROGERS)	1
5	25199	RELAY, START/GRID 24-V (COLE HERSEE)	1
6	23619	FUSE, 100 AMP (MEGA)	3
7	53645	RELAY, ZETTLER AZ988-1C-24DE-C1 (LATCH)	2
	21890	FUSE, MINI - 5 AMP (SPADE STYLE)	1
	21887	FUSE, MINI - 15 AMP (SPADE STYLE)	1
8	AD13100-2	12GA 4 POS DTP CONNECTOR RECEPTACLE W/L012 DTP044PL012	1
9	59089	BUTTON HEAD CAP SCREW STEEL #10-24 X 3/4"	4
10	16131	LOCKNUT WITH NYLON INSERT GRADE A #10-24	16
11	AD13093-1	8 POSITION DEUTSCH HOUSING W/PANEL MOUNT DT0408PAL012	1

## B1580 - 2227200 - ELECTRICAL CENTER



Item	Part #	Description	Qty.
1	46695	LOAD CENTER - ENG COMP MD4 C-SERIES	1
2	23264	BOLT - .25" X .5"	3
3	10757	WASHER, SAE FLAT - .25"	4
4	18309	BOLT - .25" X 1.25"	1
5	55366	CABLE, BATTERY - NEGATIVE - 24"	1
6	54642	STUD, THRU BATTERY CABLE 1/2" NEGATIVE	1
7	54343	STUD, THRU BATTERY CABLE POSITIVE	1
8	27846	WRAP, SPIRAL HOSE - 3/8" I.D. .052" WALL	AR
9	53088	GROMMET, PROTECTOR	1
10	55012	WEATHERSTRIPPING, RUBBER-DOOR SEAL THIN	1'
11	46407	BRACKET, PLUG MOUNT	1
12	23264	BOLT - .25" X .5"	1
13	10757	WASHER, SAE FLAT - .25"	1
14	53685	SCREW - #8-32 X .5" (SELF TAPPING)	12
15	692850	SCREW, SELF TAP #10-24 X 1.0"	10
16	57899	GROMMET, RUBBER - 1" ID X 1.75" OD	2
17	59101	CAP SCREW GRADE 12.9 M5-0.8 X 12MM	2
18	58392	BUTTON HEAD CAP SCREW STEEL #10-32 X 1/2"	4
19	55193	HARNESS, VAC VENT FILL	1
20	51738	HOSE, VACUUM PUMP 3/8" PUSH ON	AR
21	17449	LOOM, SPLIT - .5" (BULK)	AR
22	52506	CONNECTOR, STR - PUSH HOSE - 1/4" VACUUM TEFSEAL PIPE SEALANT™	2
23	51739	CONNECTOR, ELBOW-PUSH ON (VACUUM) (1/4") TEFSEAL PIPE SEALANT™	2
24	58391	CAP SCREW ALLOY STEEL #8-32 X 1-1/4"	2
25	59092	P-CLIP, 1/2" ID, CUSHIONED	2
26	15605	BOLT - .3125" X .75"	2
27	15559	WASHER, SAE FLAT - .3125"	2
28	607970	PANEL, ELECTRICAL CENTER	1

# B1580 - 2227200 - HYDRAULIC FITTING KIT - ELECTRICAL PANEL



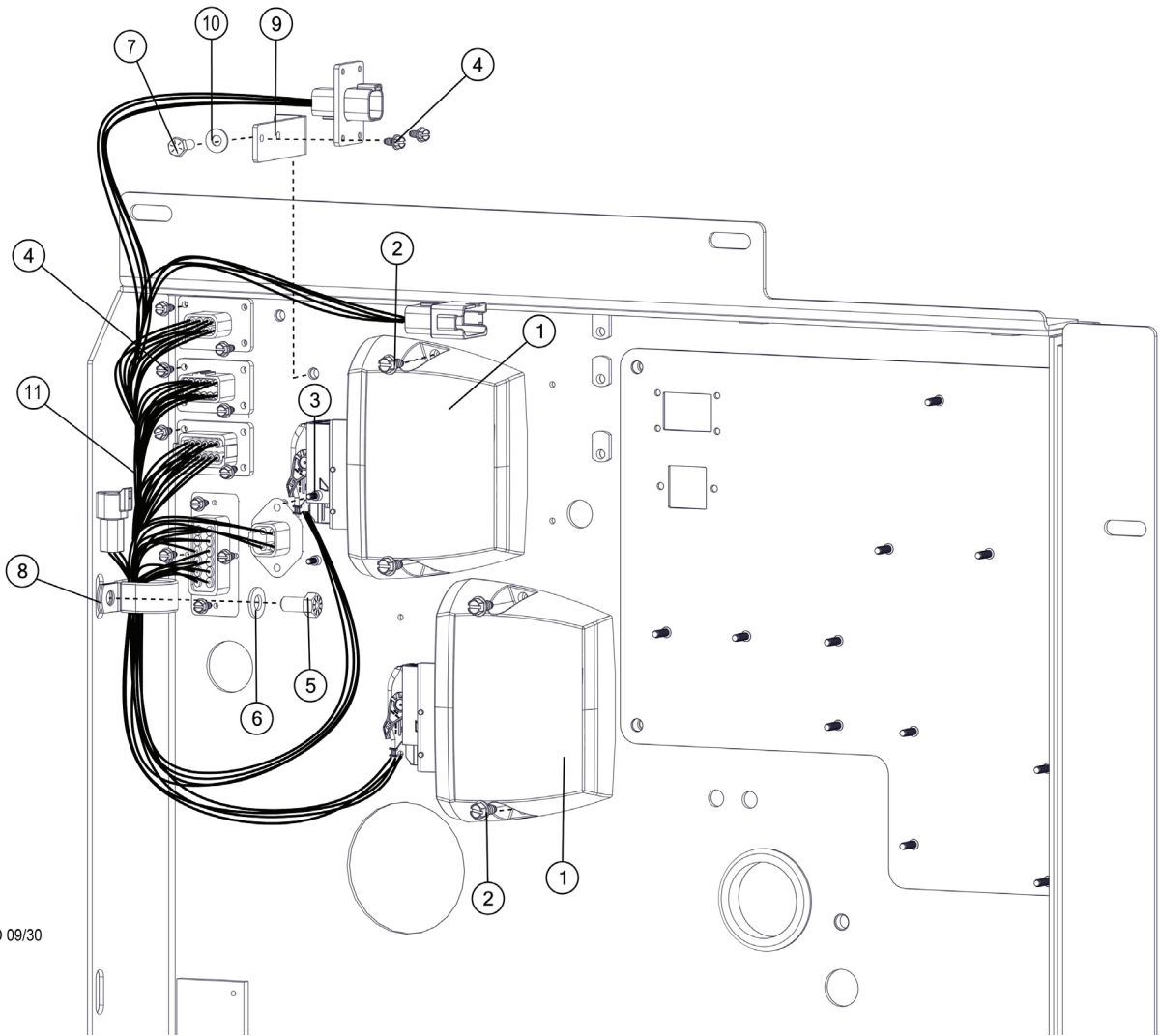
B-00018D 03/24

## B1580 - 2227200 - HYDRAULIC FITTING KIT - ELECTRICAL PANEL

Item	Part #	Description	Qty.
	57488	KIT, FITTING - ELECTRICAL PANEL	
1	*15652	VALVE, CHECK - HYDRAULIC/FUEL TEFSEAL PIPE SEALANT™	1
2	*11318	BUSHING, REDUCER - 5406-6-4 TEFSEAL PIPE SEALANT™	1
3	*52741	ELBOW, MALE PIPE - 1/4 CR-S TEFSEAL PIPE SEALANT™	1
4	15649	REGULATOR, TURBO BOOST	1
5	52506	CONNECTOR, STR - PUSH HOSE - 1/4" VACUUM TEFSEAL PIPE SEALANT™	3
6	*10393	TEE - 1/4 MRO TEFSEAL PIPE SEALANT™	2
7	*21147	ELBOW, 90 STREET .25" NPT - BRASS TEFSEAL PIPE SEALANT™	1
8	51737	SWITCH, PRESSURE - VACUUM PUMP TEFSEAL PIPE SEALANT™	1
9	16314	NIPPLE, PIPE - .25" X 2" TEFSEAL PIPE SEALANT™	1
10	51616	VALVE, 3-WAY VACUUM PUMP	2
11	55691	PUMP, HYDRAULIC OIL FILL - HYDAC (24 VOLT)	1
12	53108	PETCOCK, HYD TANK VENT/RAD DRAIN 1/4 TEFSEAL PIPE SEALANT™	1
13	51739	CONNECTOR, ELBOW -PUSH ON (VACUUM) (1/4") TEFSEAL PIPE SEALANT™	1
14	*54809	CONNECTOR, STR - 4 JIC x -6 ORB	2
15	*54808	90° BULKHEAD UNION ELBOW -4 JIC WITH L/N	2
16	54799	BULKHEAD CONN -8JIC X-8 ORB	1
17	*51879	TEE, RUN - .5" (1/2 MRO-S)	1
18	*55697	FITTING, ELBOW - MALE - 8-8 CTX-S	1
19	16126	NIPPLE, CLOSE - 1/2"	1
20	*17307M	QUICK DISCONNECT - .5" (MALE)	1
21	*17323F	COVER, DUST - QUICK DISCONNECT (FEMALE)	1
22	57664	TUBELINE, FILL PUMP - ALL MACHINES	1
23	*55712	FITTING, ELBOW - MALE 8-8C4OMXS	1
24	*55711	FITTING, 3/4 - 12F40HG55	1
25	*22383	ELBOW, 90 - 12 AOEG5-S	1
26	54998	FITTING, FILL PUMP	1
27	*55620	NIPPLE, 60 SERIES - H6-63-T12	1
28	*55617	CAP, QUICK CONNECT - RUBBER (RED)	1
29	51577	PUMP, POWER UNIT - GULLWING W/PEND	1
30	*52145	ADAPTER, EXPANDER - 3/8 X 1/4 FG-S TEFSEAL PIPE SEALANT™	1
31	47542	PLATE, GULLWING PUMP	1
32	15542	BOLT - .375" X .75" 263 RED LOCTITE™	4
33	15528	WASHER, SAE FLAT - .375"	4

(\* EQUALS ITEMS INCLUDED IN KIT #54788)

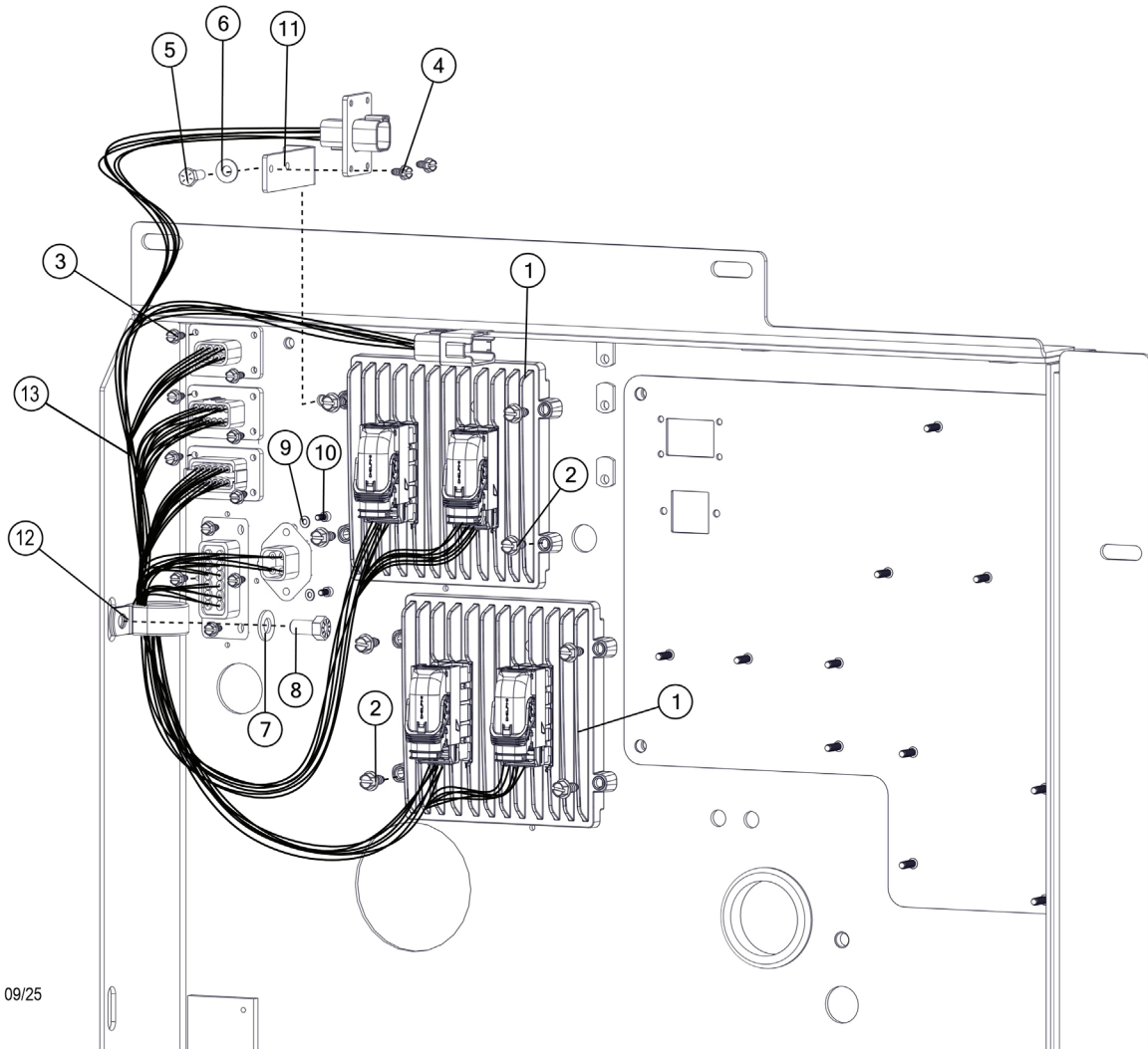
## B100-00155 - ELECTRICAL PANEL S/N: UP TO 1237



B-00028D 09/30

Item	Part #	Description	Qty.
1	53095	MODULE, XA2 - IQAN	2
2	59100	SCREW, SELF TAP #10-24 X 1/2"L	4
3	59101	SCREW, M5-0.8 x 12, SOCKET HEAD	2
4	59100	SCREW, SELF TAP #10-24 X 1/2"L	12
5	11707	BOLT - .375" X 1"	1
6	15528	WASHER, SAE FLAT - .375"	1
7	23264	BOLT - .25" X .5"	1
8	16119	CLAMP, HOSE - COATED STRAP - 1"	1
9	46407	BRACKET, PLUG MOUNT	1
10	10757	WASHER, SAE FLAT - .25"	1
11	55460	HARNESS, XA2 MODULE - C SERIES	12

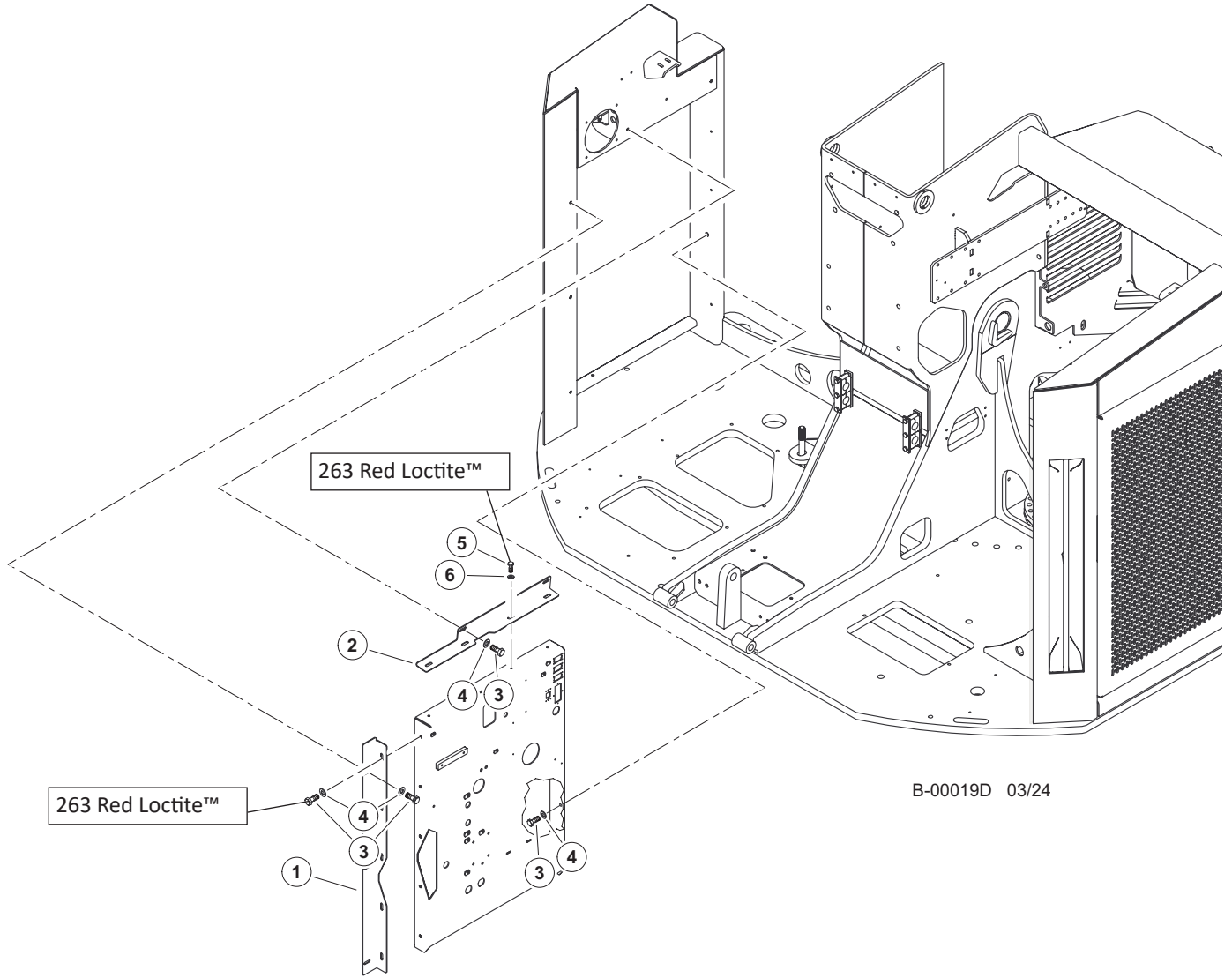
## B100-00160 - ELECTRICAL PANEL S/N: 1238 & FORWARD



B-00027D 09/25

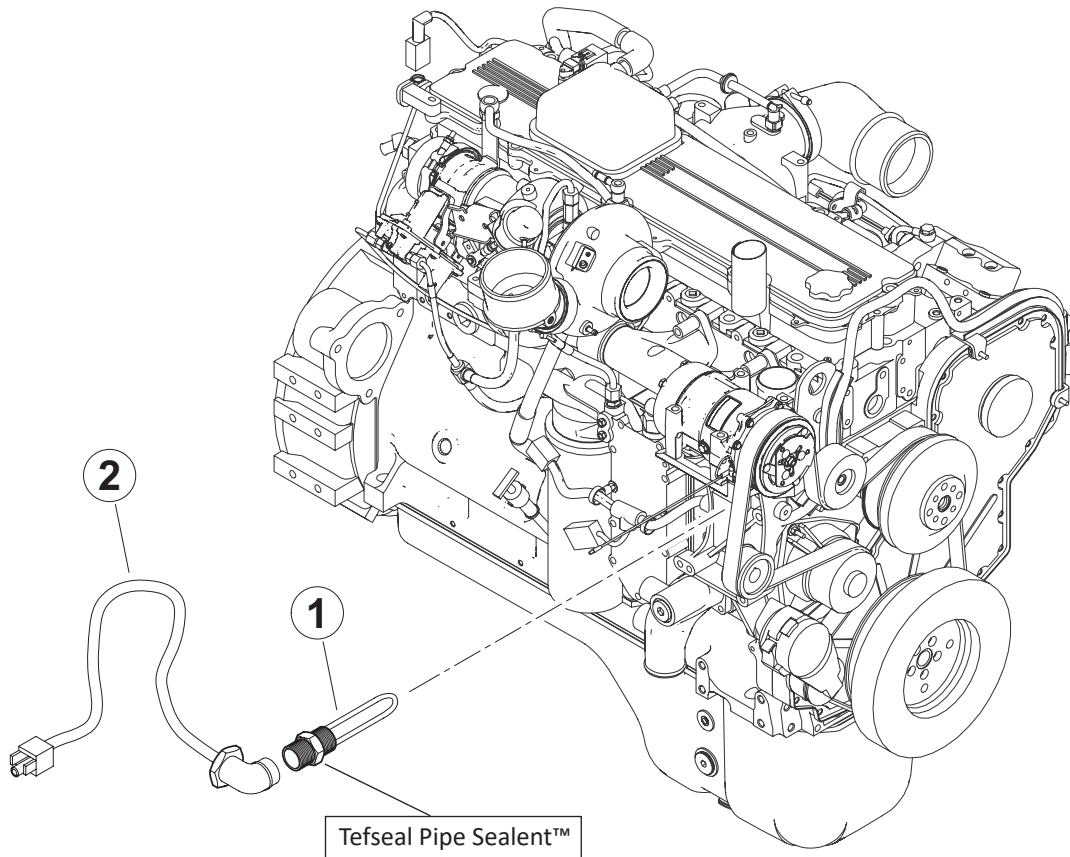
Item	Part #	Description	Qty.
1	669510	MODULE, EXPANSION - IQAN XC43	2
2	692850	SCREW, SELF TAP #10-24 X 1.0"	8
3	59102	SCREW, #8-32 X 1/2"L, HEX HD, SELF TAP	10
4	59100	SCREW, SELF TAP #10-24 X 1/2"L	2
5	23264	BOLT - .25" X .5"	1
6	10757	WASHER, SAE FLAT - .25"	1
7	15528	WASHER, SAE FLAT - .375"	1
8	11707	BOLT - .375" X 1"	1
9	692840	WASHER, SAE FLAT - #6	2
10	692830	BOLT, SHCS M4-0.7 X 12 GR 12.9	2
11	46407	BRACKET, PLUG MOUNT	1
12	16119	CLAMP, HOSE - COATED STRAP - 1"	1
13	692860	HARNES, EXTERIOR, XC43	1

## B1580 - 2227200 - ELECTRICAL PANEL INSTALLATION



<b>Item</b>	<b>Part #</b>	<b>Description</b>	<b>Qty.</b>
1	47268	ANGLE, MOUNTING - ELECTRICAL PANEL	1
2	47870	ANGLE, MOUNTING - ELECTRICAL PANEL	1
3	15542	BOLT - .375" X .75" 263 RED LOCTITE™	11
4	15528	WASHER, SAE FLAT - .375"	13
5	15604	BOLT - .25" X .75" 263 RED LOCTITE™	4
6	10800	WASHER, FLAT - .25"	4

# B6519 - 2221100 - 120V ENGINE BLOCK HEATER

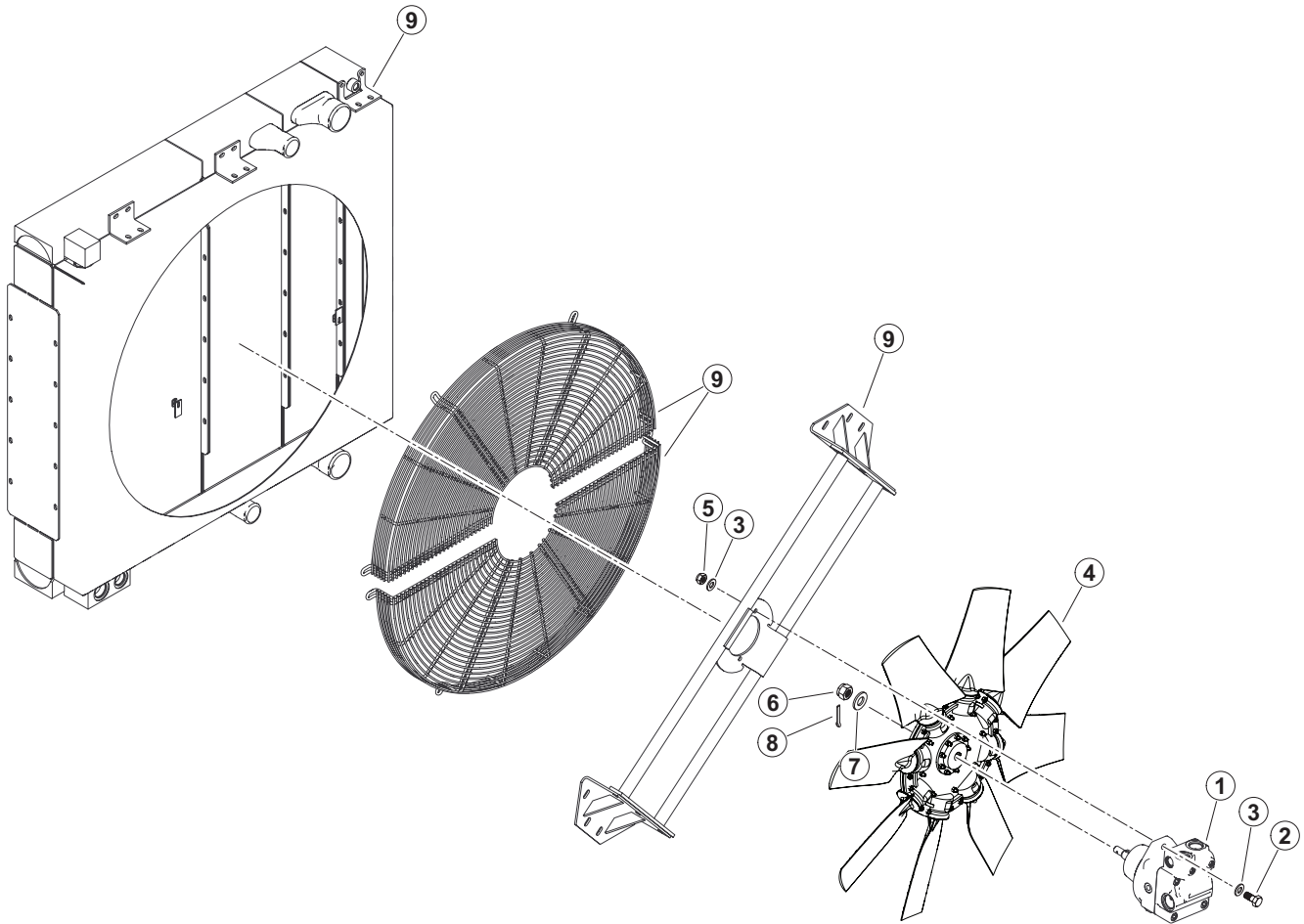


B-00020D 03/24

<b>Item</b>	<b>Part #</b>	<b>Description</b>	<b>Qty.</b>
1	24377	HEATER, ENGINE BLOCK TEFSEAL PIPE SEALANT™	1
2	58344	CORD, ENGINE HEATER	1

# **COOLING SYSTEM - (C)**

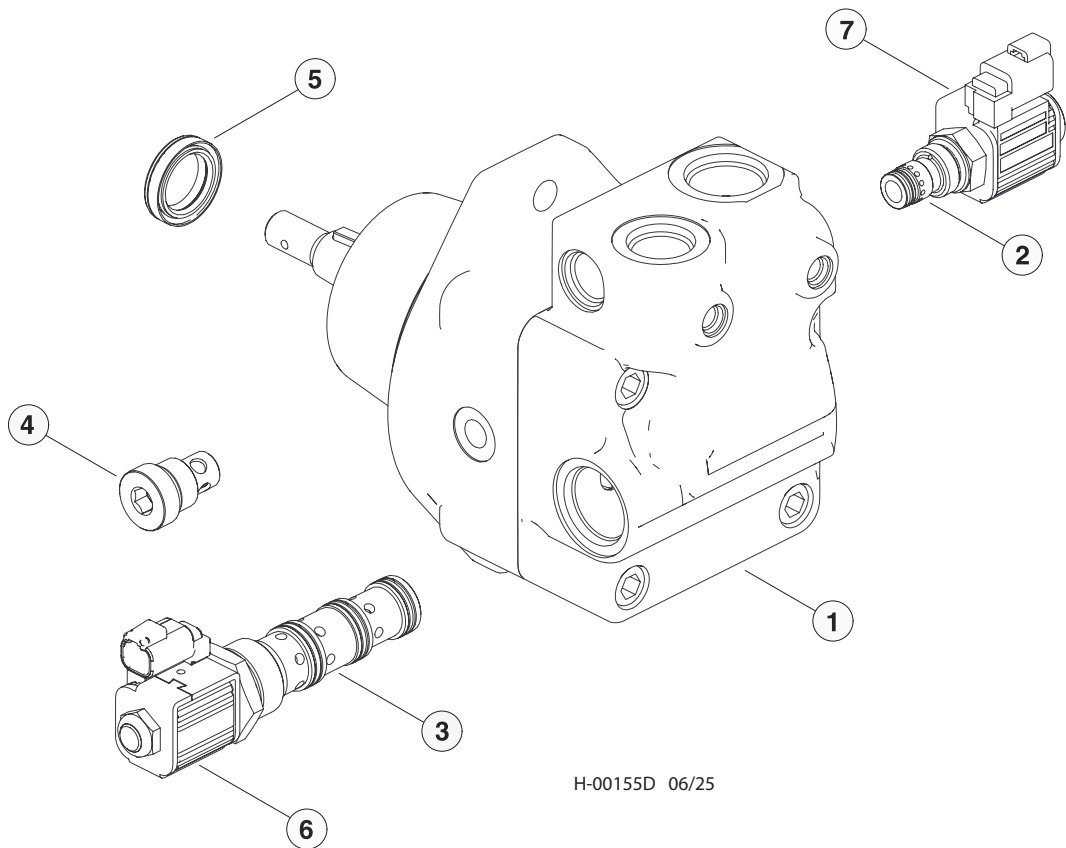
## C0100 - 2221200 - COOLER FAN AND MOTOR INSTALLATION



C-00001D 03/24

Item	Part #	Description	Qty.
1	55215	MOTOR, FAN DRIVE - RADIATOR W/FAN CONTROL	1
2	18933	BOLT - .5" X 1.75"	2
3	15534	WASHER, SAE FLAT - .5"	4
4	58129	FAN, RADIATOR - 42"	1
5	10815	NUT, LOCK - .5"	2
6	53189	NUT, CASTLE - M16-1.5	1
7	10771	WASHER, SAE FLAT - .625"	1
8	56109	COTTER PIN - 1/8" X 1.00"	1
9	58238	RADIATOR / OIL COOLER - STAGE V # 24 PORT	1

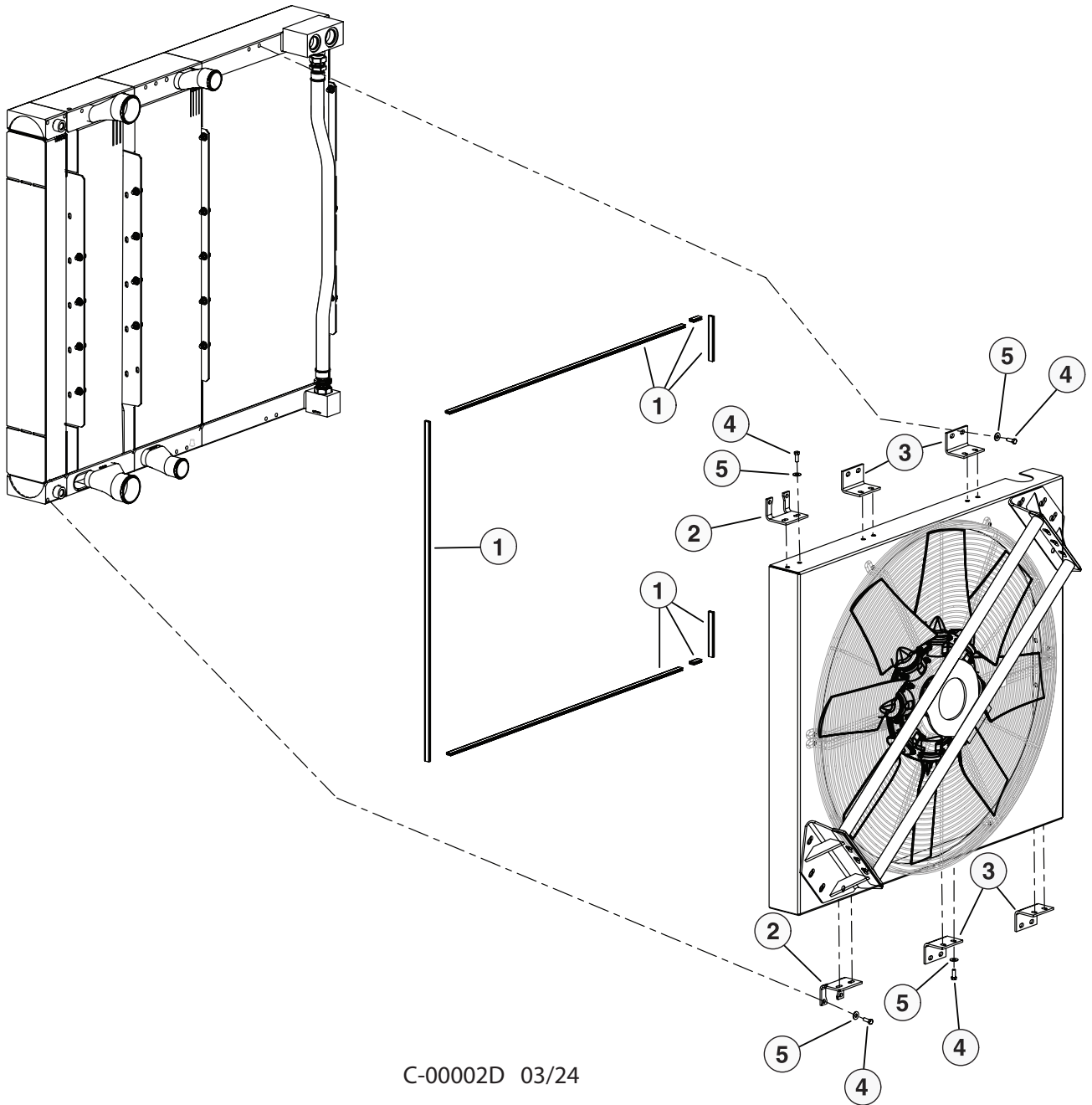
## C0100 - 2221200 - COOLING FAN MOTOR COMPONENTS



H-00155D 06/25

<b>Item</b>	<b>Part #</b>	<b>Description</b>	<b>Qty.</b>
1	55215	MOTOR, FAN DRIVE - RADIATOR W/FAN CONTROL	1
2	57603	VALVE, PROPORT. FAN MOTOR (SMALL)	1
3	57604	VALVE, REVERSING FAN MOTOR (LARGE)	1
4	58171	ASSEMBLY, CHECK VALVE	1
5	57688	SHAFT SEAL	1
6	58627	COIL	1
7	CCP024H	COIL	1

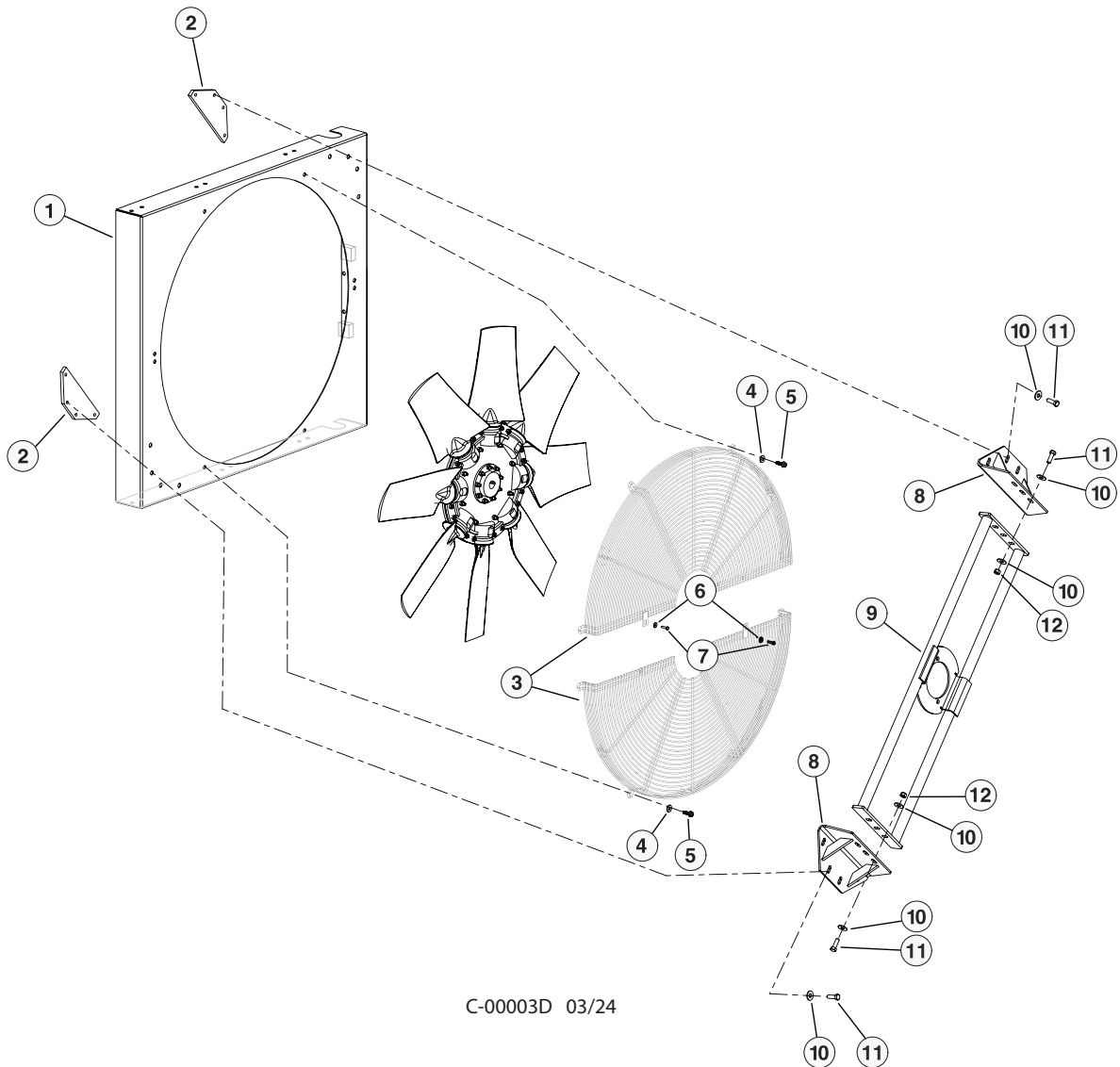
# C0100 - 2221200 - COOLER BREAKDOWN



C-00002D 03/24

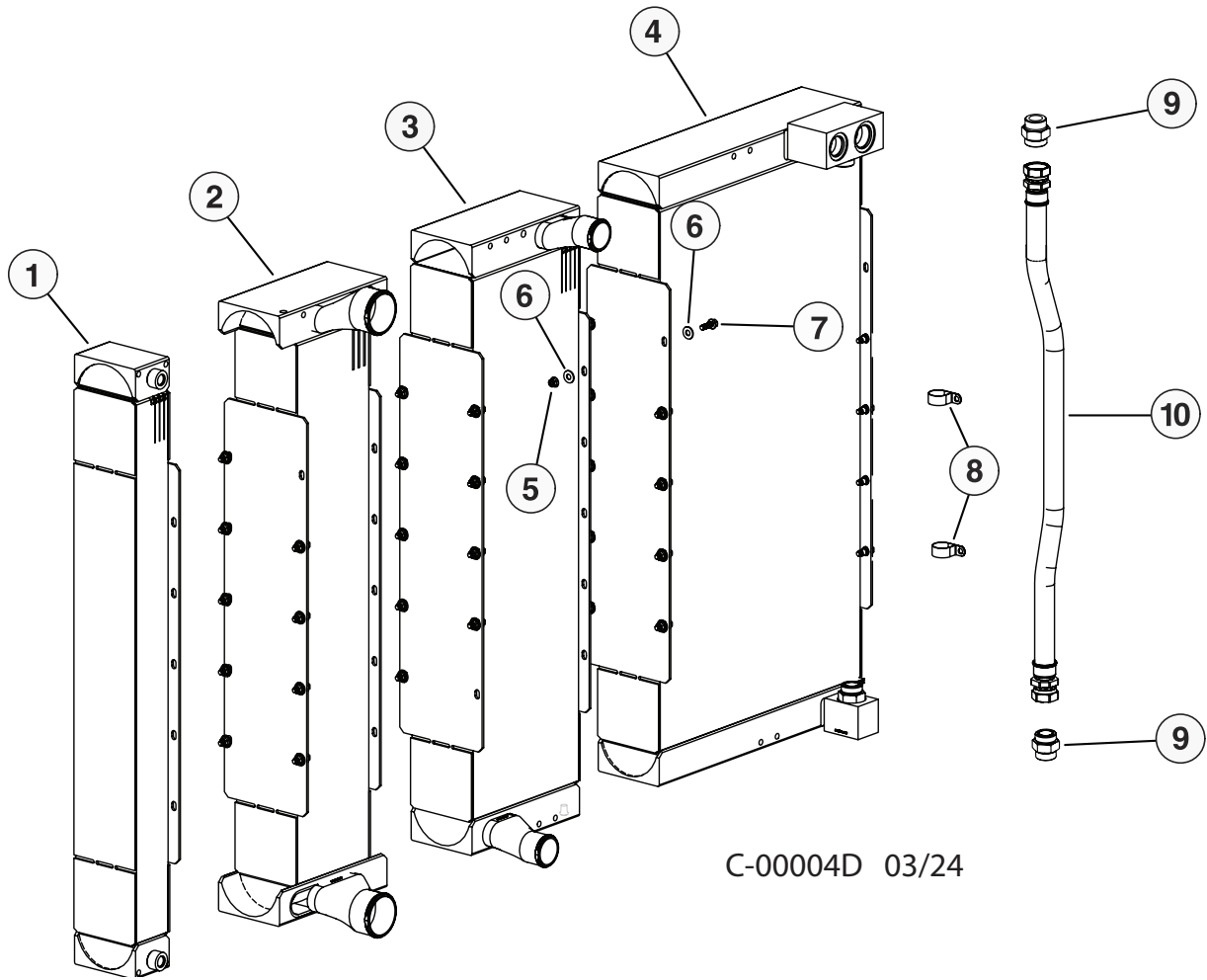
Item	Part #	Description	Qty.
1	8065.059.0000-3918.13	Weatherstrip	1
2	3918.013.0009-032519	Bracket	2
3	3562.074.0001-032519	Bracket	4
4	8050.058.0000-032519	Bolt	24
5	603784-032519	Washer	24

## C0100 - 2221200 - COOLER FAN SHROUD



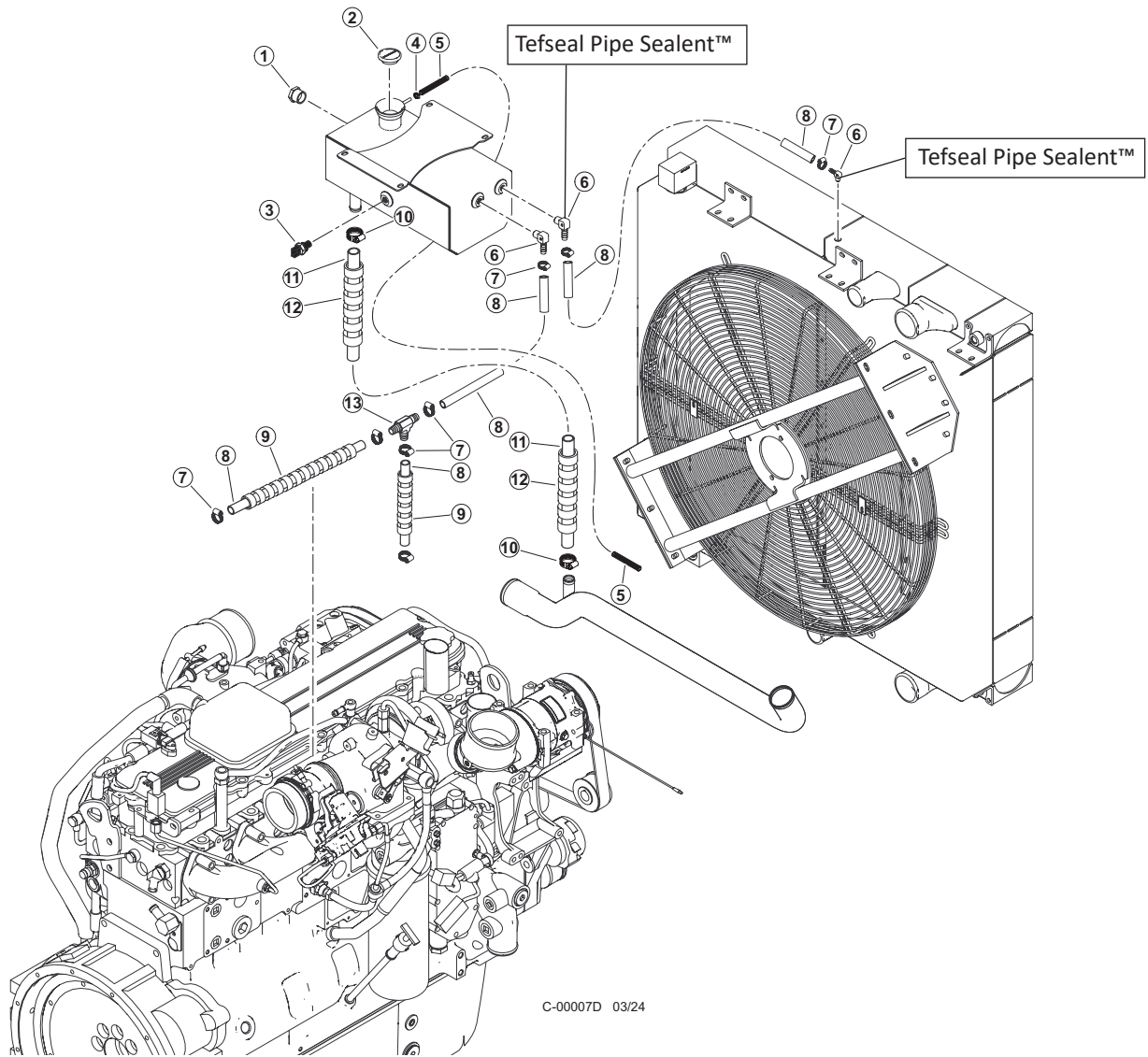
Item	Part #	Description	Qty.
1	3918.013.4010	FAN SHROUD	1
2	3918.013.4012-032519	BRACKET	2
3	3703.293.4030-032519	GUARD	1
4	603784-032519	WASHER	8
5	8050.059.0000-032519	BOLT	8
6	8054.019.0000-032519	WASHER	2
7	600050-032519	BOLT	2
8	3918.013.5002-032519	BRACKET	2
9	8049.062.0000-032519	FAN MOTOR MOUNT	1
10	601827-032519	WASHER	20
11	8050.066.0000-032519	BOLT	14
12	8049.062.0000-032519	NUT	6

## C0100 - 2221200 - RADIATOR/COOLER COMPONENTS



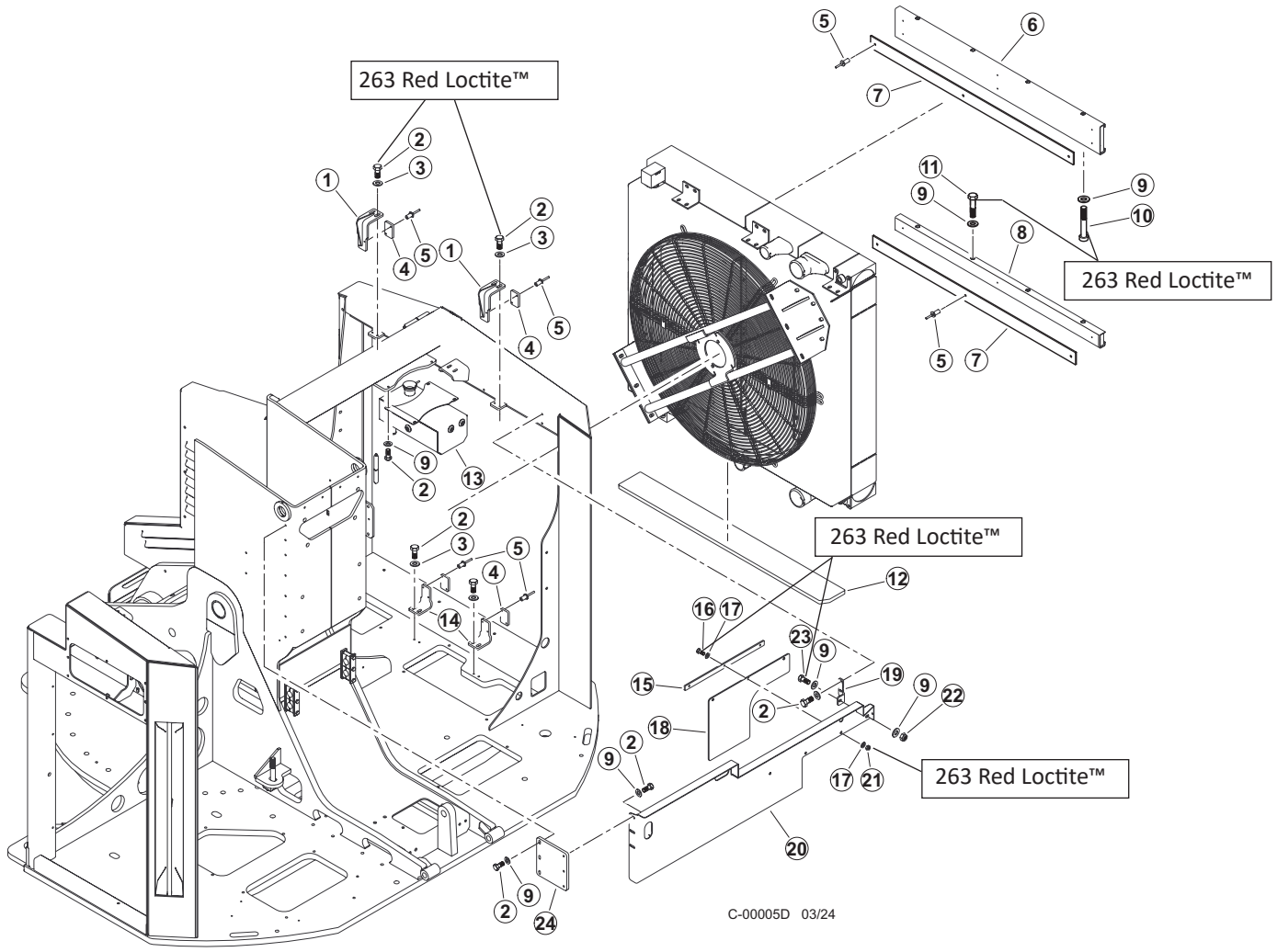
Item	Part #	Description	Qty.
1	3918.013.1700-032519	AC CONDENSER COOLER	1
2	3918.013.3000-032519	CAC COOLER	1
3	3918.013.2000-032519	RADIATOR COOLER	1
4	58168	CORE, OIL COOLER - STAGE V UPDATED	1
5	600862AX-032519	NUT	15
6	603784-032519	WASHER	30
7	8050.059.0000-032519	BOLT	15
8	8055.008.0000-032519	CLAMP	2
9	22448	CONNECTOR, STR - 848-TTO-24X24	2
10	3918.013.0010-032519	HOSE ASSEMBLY - 187TC30.5-24-24OS-24OS	1

## C0101 - 2221300 - RADIATOR SURGE TANK INSTALLATION



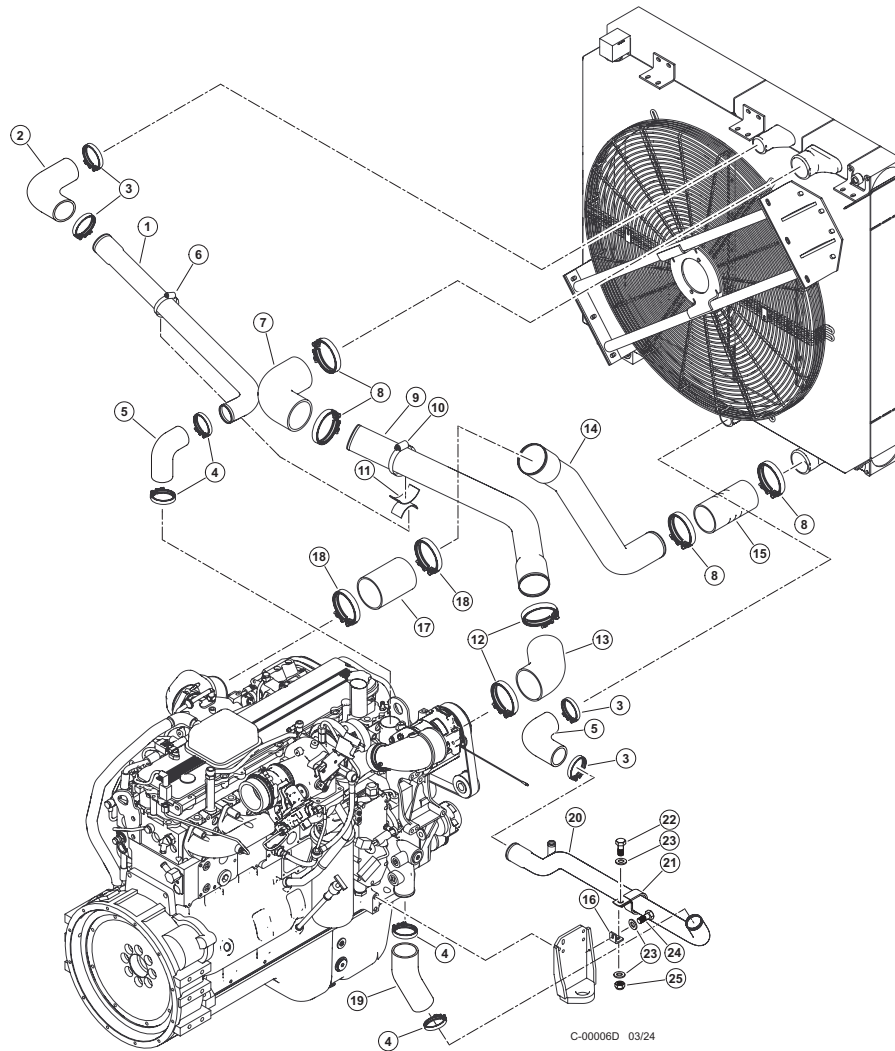
Item	Part #	Description	Qty.
1	24308	SIGHT GLASS - HYDRAULIC TANK/TRIPLE BOX	1
2	57893	CAP, RADIATOR 15 # D-SERIES COOLER	1
3	58117	SENSOR, LOW COOLANT - STAGE 5	1
4	16202	CLAMP, HOSE - WORM STYLE - .625"	1
5	16238	HOSE, FUEL LINE (BULK ROLL) - .3125"	86"
6	52586	ELBOW, 90 MALE HOSE BARB 6-4 TEFSEAL PIPE SEALANT™	3
7	16202	CLAMP, HOSE - WORM STYLE - .625"	6
8	55411	HOSE, COOLENT - 3/8"	AR
9	27846	WRAP, SPIRAL HOSE - 3/8" I.D. .052" WALL	AR
10	16202	CLAMP, HOSE - WORM STYLE - .625"	2
11	(57941 - KIT)	HOSE, HEATER, 803195716-0-0-SW (RADIATOR BURP TANK)	1
12	19677	PROTECTOR, HOSE - SPRIAL (1.25")(BULK)	AR
13	57902	TEE, HOSE BARB - 3/8"	1

## C0101 - 2221300 - COOLING UNIT RELATED PARTS



Item	Part #	Description	Qty.
1	60689	WELDMENT, COOLER TOP CLAMP HOLD DOWN	2
2	10402	BOLT - .375" X 1.25" 263 RED LOCTITE™	20
3	10802	WASHER, FLAT - .375"	8
4	60106	RUBBER, COOLER MOUNTING - D-SERIES	4
5	41029	3/16" DIAMETER DOME HEAD RIVET	14
6	60623	WELDMENT, COOLER SILL - TOP	1
7	61111	RUBBER, COOLER FRONT - D SERIES	2
8	60627	WELDMENT, SILL COOLER - BOTTOM	1
9	58217	BOLT, ALLEN 3/8-16 X 7 COOLER SILL D TOP	4
10	15528	WASHER, SAE FLAT - .375" 263 RED LOCTITE™	22
11	10713	BOLT - .375" X 3.5" 263 RED LOCTITE™	4
12	61247	RUBBER, COOLER FRONT, 3/4" THICK	1
13	60665	TANK, SURGE	1
14	60149	PLATE, COOLER CLAMP HOLD DOWN	2
15	60703	BAR, MOUNT - ENGINE BARRIER	1
16	18309	BOLT - .25" X 1.25" 263 RED LOCTITE™	3
17	10800	WASHER, FLAT - .25"	6
18	58150	BELTING, SCR SPRAY PROTECTOR	1
19	60685	BRACKET, BARRIER PANEL	1
20	60443	BARRIER, COOLER PANEL	1
21	10811	NUT, LOCK - .25"	3
22	10813	NUT, LOCK - .375"	1
23	10402	BOLT - .375" X 1.25" 263 RED LOCTITE™	1
24	60508	PLATE, BARRIER PANEL MTG	1

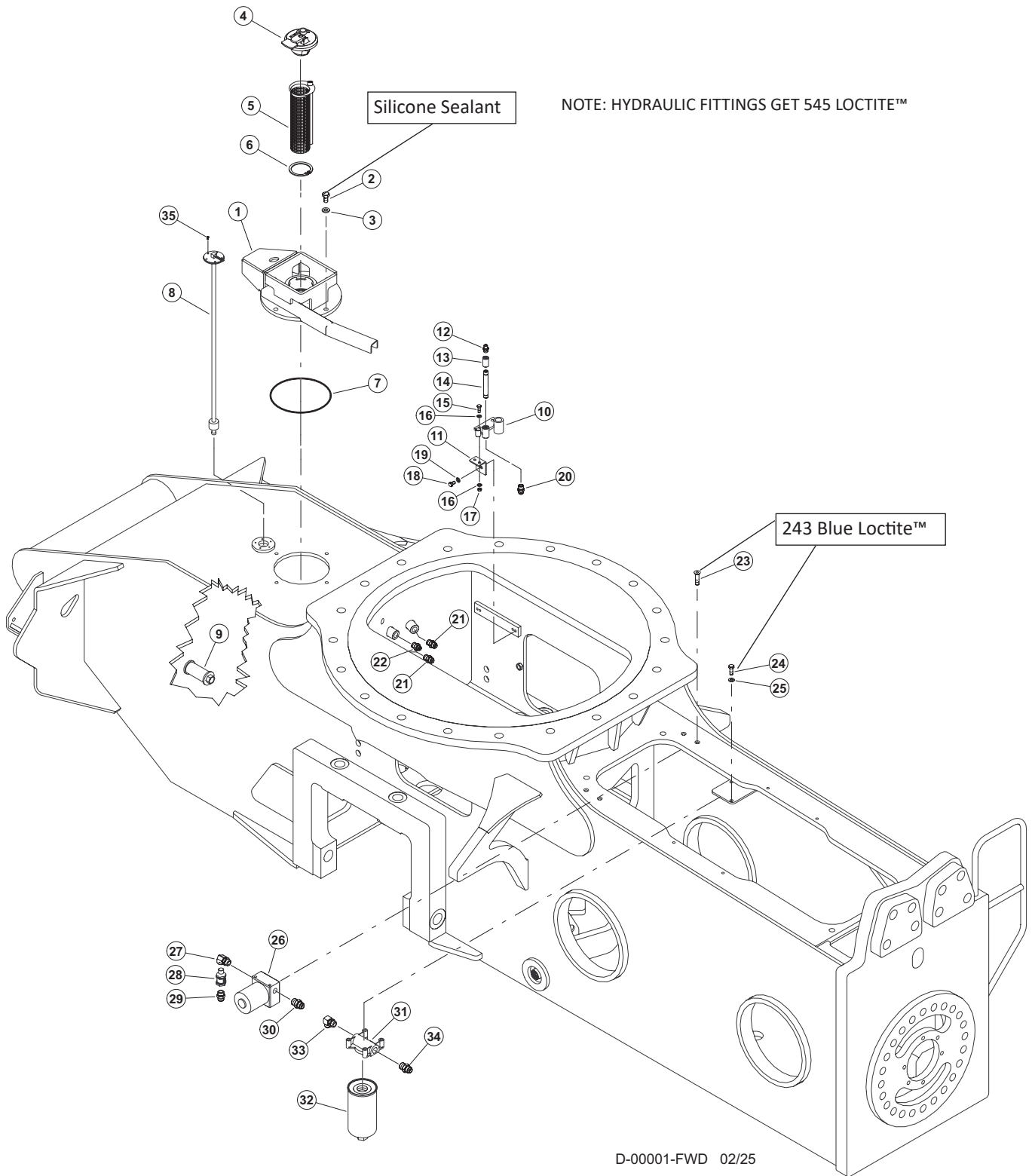
## C0120 - 2221400 - RADIATOR HOSES AND AIR TUBES



Item	Part #	Description	Qty.
1	48918	TUBE, UPPER RADIATOR	1
2	58167	HOSE, RAD UPPER D-UPDATE 2 1/2" ID	1
3	18103	CLAMP, CONSTANT TORQUE - #40	4
4	18104	CLAMP, CONSTANT TORQUE - #36	4
5	15617	HOSE, 90 DEGREE RADIATOR - 2 1/4 ID	2
6	54788	CLAMP, STANDOFF - WATER/AIR TUBE	1
7	52753	ELBOW, 90 - 3.5" X 6" SILICONE C-SERIES	1
8	52862	CLAMP, HOSE - CUMMINS HUMP	4
9	60440	TUBE, UPPER CAC TO MANIFOLD	1
10	15597	CLAMP, HOSE - WORM STYLE - 4"	1
11	46844	STANDOFF, AIR TUBE/WATER TUBE	1
12	15697	CLAMP, STRAP BAND - 4.5"	2
13	52729	ELBOW, 48 - 4" BOOT(AIR TO AIR TIER 3 C)	1
14	60436	TUBE, LOWER CAC TO MANIFOLD	1
15	52861	HOSE, HUMP - SILICONE (3 WIRE)	1
16	46421	BRACKET, COOLER LINE SUPPORT	1
17	55646	HOSE, AIR TO AIR - CUMMINS - 4" X 4" STR	1
18	15697	CLAMP, STRAP BAND - 4.5"	2
19	57992	HOSE, RADIATOR - D-SERIES	1
20	61246	TUBE, LOWER RAD D-SERIES W/ TUBE FLARE	1
21	0708830	P-CLIP, CUSHIONED, 2.25" ID	1
22	15576	BOLT - .25" X 1"	1
23	10757	WASHER, SAE FLAT - .25"	3
24	18309	BOLT - .25" X 1.25"	1
25	10811	NUT, LOCK - .25"	1

# **FUEL SYSTEM AND RELATED PARTS - (D)**

# D0200 - 2243400 - FUEL TANK COMPONENTS



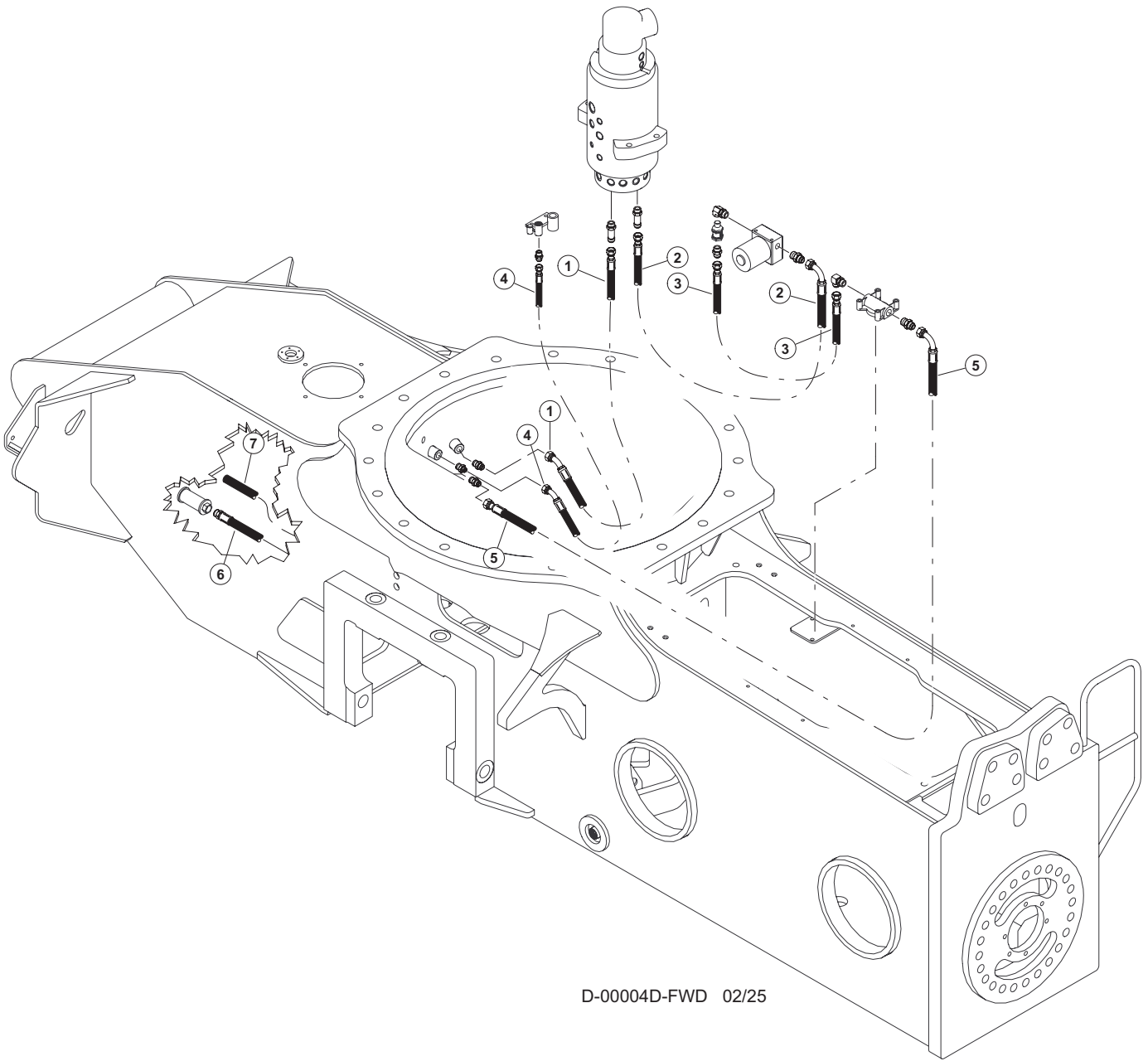
D-00001-FWD 02/25

## D0200 - 2243400 - FUEL TANK COMPONENTS

Item	Part #	Description	Qty.
1	47591	COVER, FUEL TANK ACCESS W/GAUGE	1
2	50100	BOLT - .5" X 1.25" SILICONE SEALANT	4
3	22666	WASHER, SAE FLAT - .5" (EXTRA THICK)	4
4	16585	CAP, FUEL	1
5	17114	STRAINER, FUEL SYSTEM	1
6	17115	RING, SNAP - FUEL STRAINER RETAINER	1
7	15600	O-RING - 8" DIA. -369	1
8	57221	SENDER, FUEL LEVEL W/FLOAT (WHEEL - 28")	1
9	17271	FILTER, SCREEN - FUEL SYSTEM	1
10	52218	BRACKET, VENT MOUNT (.50/.25/.13NPT)	1
11	53011	BRACKET	1
12	22906	BREATHER, FUEL TANK	1
13	16885	COUPLING, PIPE - .25"	1
14	54006	NIPPLE, FUEL VENT - 1/4" X 6"	1
15	15576	BOLT - .25" X 1"	1
16	10757	WASHER, SAE FLAT - .25"	2
17	10811	NUT, LOCK - .25"	1
18	15542	BOLT - .375" X .75"	1
19	15528	WASHER, SAE FLAT - .375"	1
20	15131	CONNECTOR, STR - FF2031T-0404S	1
21	22901	CONNECTOR, STR - 6-8 F5OLO-S	2
22	15504	CONNECTOR, STR - FF1852T-0408S	1
23	59142	SCREW, FLAT HD SOCKET C/S, 5/16X1-1/4 243 BLUE LOCTITE™	2
24	15605	BOLT - .3125" X .75" 243 BLUE LOCTITE™	2
25	15559	WASHER, SAE FLAT - .3125"	2
26	57784	PUMP, FUEL - AIR DOG	1
27	57824	FITTING, ELBOW FEMALE - RAPTOR FUEL PUMP	1
28	15652	VALVE, CHECK - HYDRAULIC/FUEL	1
29	16009	FITTING, 6 FTX-S PIPE-JIC	1
30	18034	CONNECTOR, STR - FF1852T-0606S	1
31	16574	MOUNT, FILTER HEAD ASSEMBLY	1
32	51751	FILTER, FUEL - 8"	1
33	53073	ELBOW, 90 6-JIC X 10-ORB)	1
34	51885	CONNECTOR, STR - (6-10 F5OLO-S)	1
35	22862	SCREW, MACHINE - #10-24 X .5" (BUTTON)	5

# D0200 - 2243400 - LOWER FRAME FUEL LINES

NOTE: HYDRAULIC FITTINGS GET 545 LOCTITE™

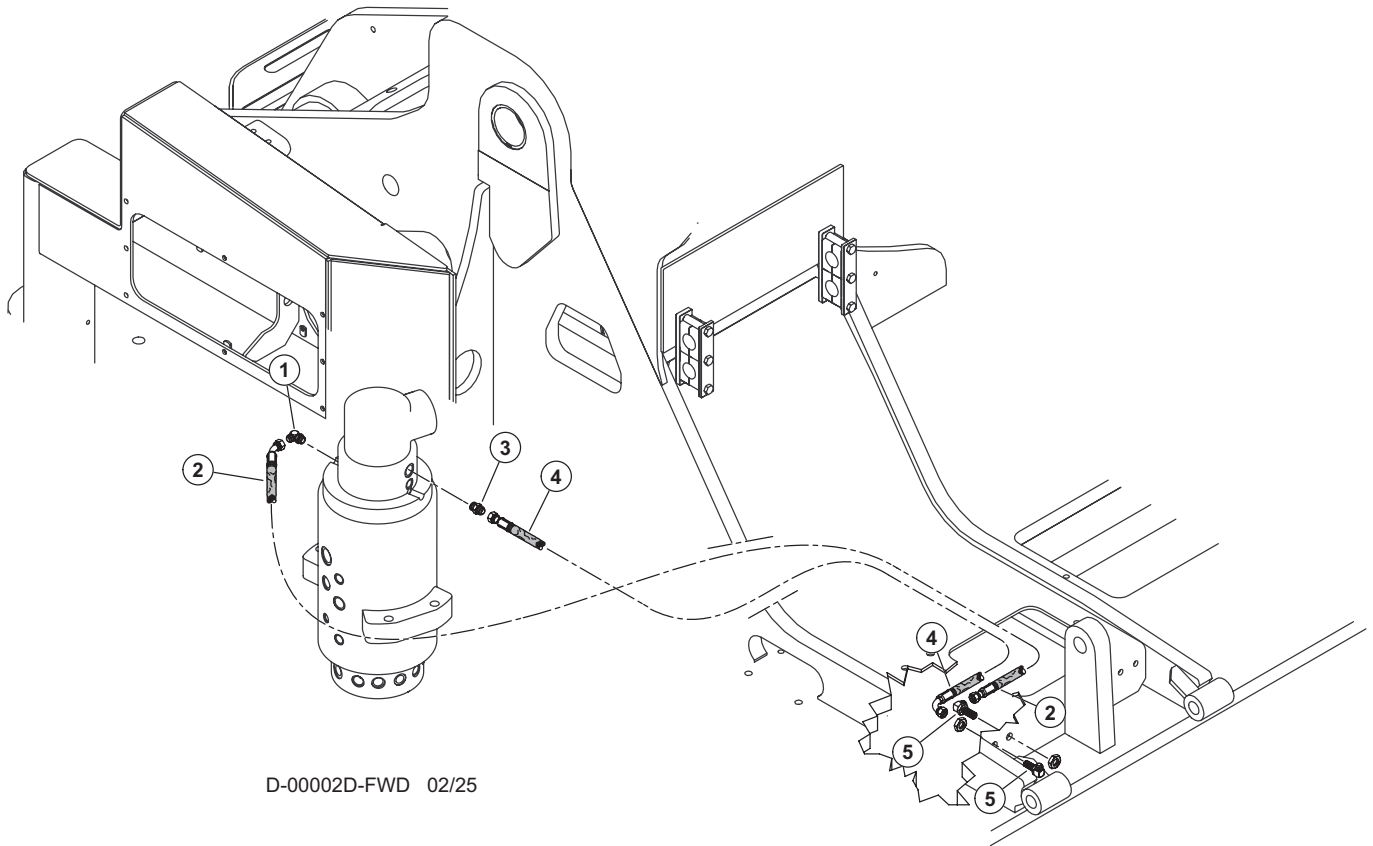


## D0200 - 2243400 - LOWER FRAME FUEL LINES

<b>Item</b>	<b>Part #</b>	<b>Description</b>	<b>Qty.</b>
1	59512	HOSE, HYD, - 387TC31 06-06OS-06O4 (FUEL RETURN)	1
2	59118	HOSE, HYD, - 387TC47 06-06OS-06O9 (FUEL - ROTARY MANIFOLD TO PUMP)	1
3	58064	HOSE, HYD ,- (FUEL RAPTOR PUMP)	1
4	59508	HOSE, HYD, - 387TC22.5 04-04OS-04O4 (FUEL TANK VENT)	1
5	59523	HOSE, HYD, - 387TC70-06-06OS-06O9(FUEL SUPPLY)	1
6	59522	HOSE, HYD, - 187TC67 08-08MP-08O4 (FUEL TANK SUPPLY)	1
7	59505	HOSE, HYD, - 187TC18 08-08O4-OPEN (FUEL TANK RETURN)	1

## D0200 - 2243400 - FUEL LINES (BULKHEAD FITTINGS TO ROTARY MANIFOLD)

NOTE: HYDRAULIC FITTINGS GET 545 LOCTITE™



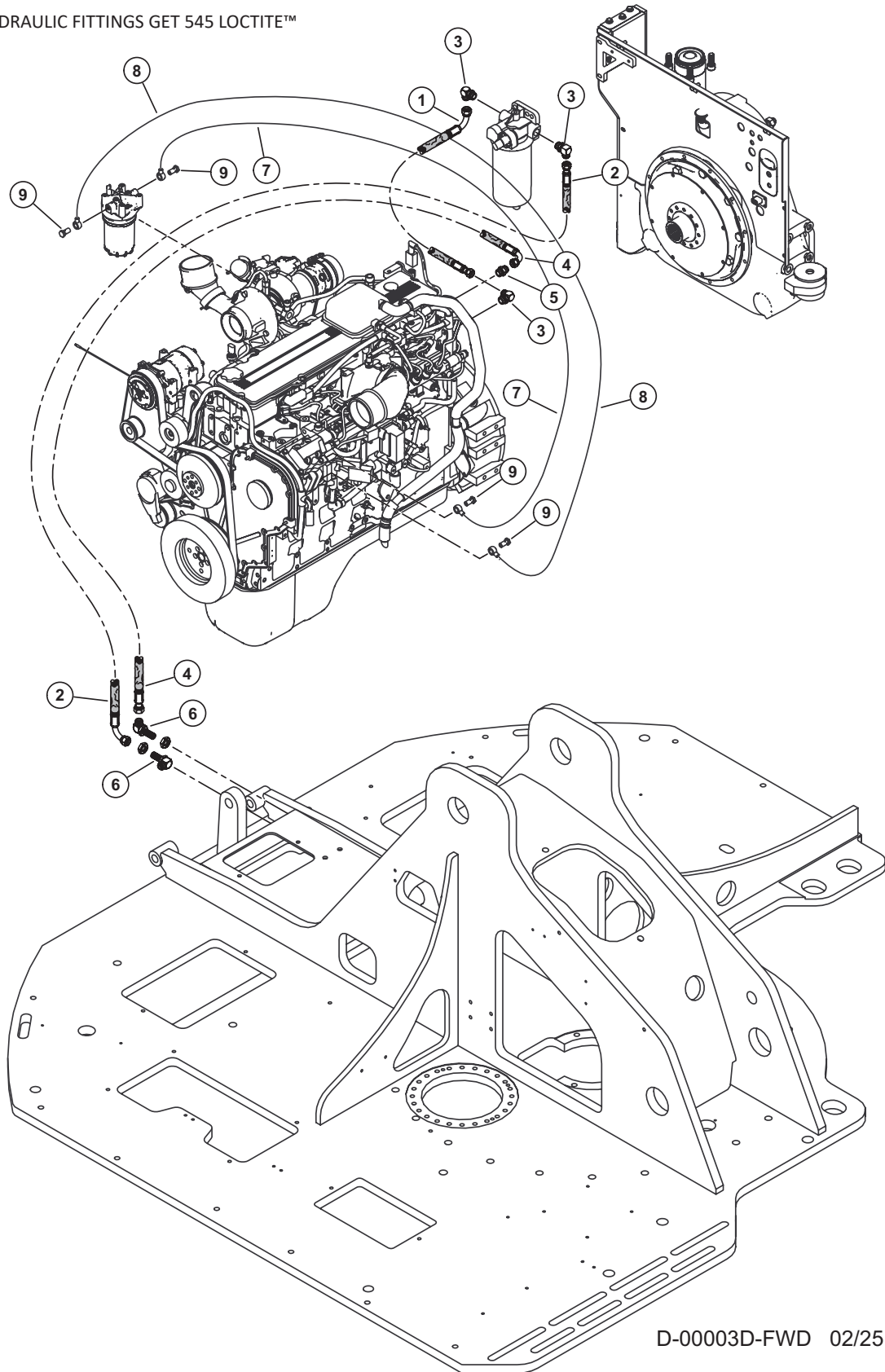
D-00002D-FWD 02/25

Item	Part #	Description	Qty.
1	15488	CONNECTOR, STR - 6400-6	1
2	(55705 - KIT)	HOSE ASSY - 221FR81 06-06FJ-06J4-W (ENGINE FUEL-WATER SEPARATOR (RIGHT SIDE) TO REVO BULKHEAD)	1
3	15457	CONNECTOR, STR - FF1852T-0806S	1
4	(55705 - KIT)	HOSE ASSY - 221FR81 06-06FJ-06F9-W (ENGINE FUEL-WATER SEPARATOR (RIGHT SIDE) TO REVO BULKHEAD)	1
5	55347	FITTING, ELBOW - BULKHEAD 6 WETX-WLN-S	2



# D0200 - 2243400 - ENGINE FUEL LINES

NOTE: HYDRAULIC FITTINGS GET 545 LOCTITE™

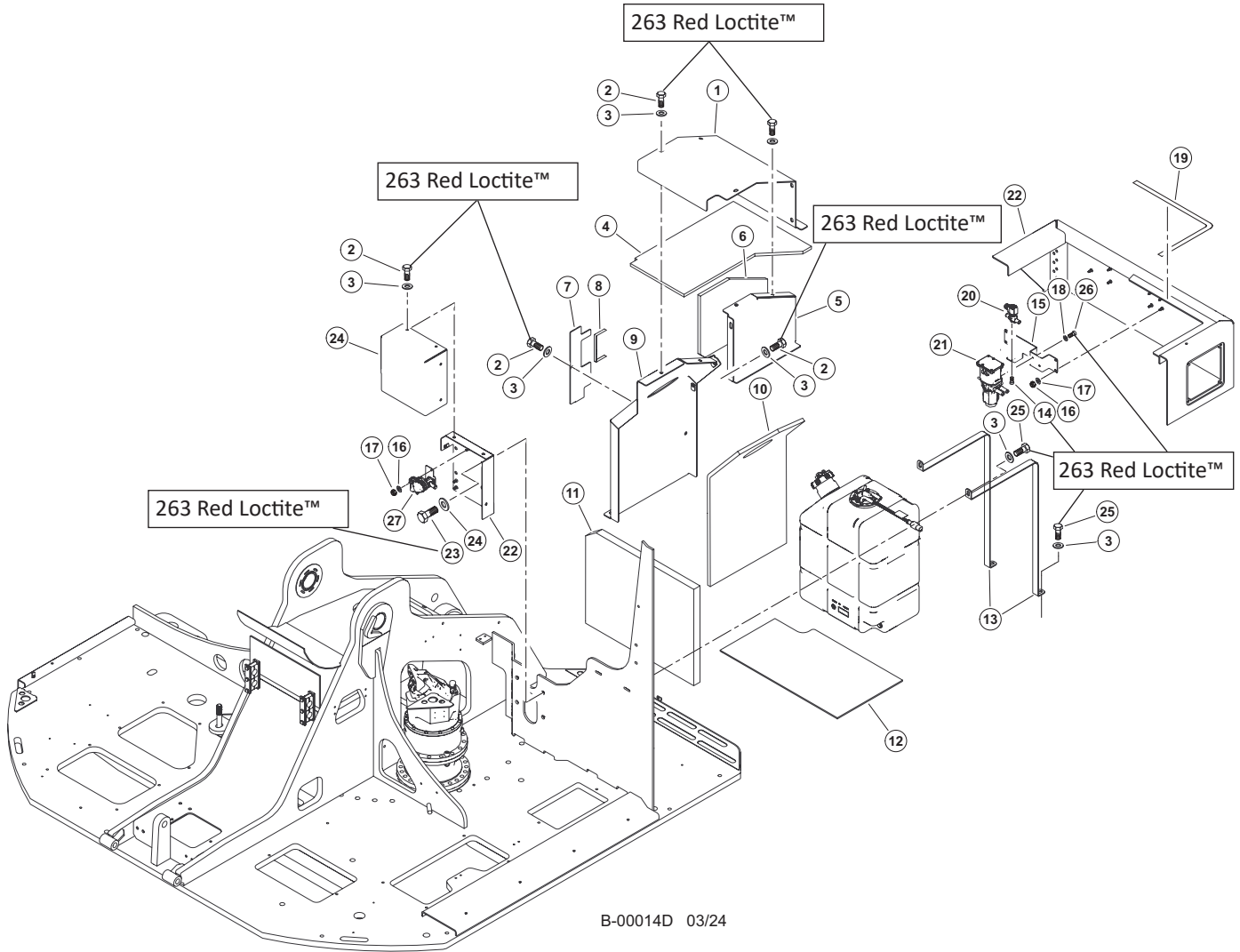


D-00003D-FWD 02/25

## D0200 - 2243400 - ENGINE FUEL LINES

<u>Item</u>	<u>Part #</u>	<u>Description</u>	<u>Qty.</u>
1	(HOSE KIT - 57998)	HOSE ASSEMBLY - 221FR25 06-06JS-06J9-W	1
2	(HOSE KIT - 57998)	HOSE ASSEMBLY - 221FR35 06-06JS-06J9-W	1
3	53073	ELBOW, 90 6-JIC X 10-ORB	3
4	(HOSE KIT - 57998)	HOSE ASSEMBLY - 221FR28 06-06JS-06J9-W	1
5	53103	FITTING, 6-8 - ORB-JIC 830-B	1
6	55347	FITTING, ELBOW - BULKHEAD 6 WETX-WLN-S	2
7	SEE DESCRIPTION	FUEL HOSE ASSEMBLY (Contact your Cummins dealer for replacement part)	-
8	SEE DESCRIPTION	FUEL HOSE ASSEMBLY (Contact your Cummins dealer for replacement part)	-
9	SEE DESCRIPTION	FUEL HOSE FITTING (Contact your Cummins dealer for replacement part)	-

# D0500 - 2221800 - DEF TANK COMPONENTS & COVERS



B-00014D 03/24

## D0500 - 2221800 - DEF TANK COMPONENTS & COVERS

Item	Part #	Description	Qty.
1	60655	PLATE, DEF TANK SHROUD	1
2	15542	BOLT - .375" X .75" 263 RED LOCTITE™	14
3	15534	WASHER, SAE FLAT - .5"	14
4	58034	INSULATION, DEF TANK TOP COVER	1
5	60657	SHROUD, DEF TANK - END COVER	1
6	58033	INSULATION, DEF TANK END COVER	1
7	60514	COVER, DEF SURROUND	1
8	24925	CHANNEL, EDGE PROTECTOR - 3/16" BULB(STR)	10"
9	60660	SHROUD, DEF TANK - END	1
10	58035	INSULATION, DEF TANK FILL PANEL	1
11	58036	INSULATION, UPPER TO DEF TANK	1
12	58037	FLOORMAT, DEF TANK D-MOD	1
13	47942	STRAP, DEF TANK - CUMMINS	2
14	87485	SOCKET HEAD CAP SCREW - 12.9 M5-0.8 X 14MM 263 RED LOCTITE™	2
15	60134	PLATE, DEF DOSER MOUNT - STAGE V	1
16	10811	NUT, LOCK - .25"	6
17	10800	WASHER, FLAT - .25"	6
18	15559	WASHER, SAE FLAT - .3125"	2
19	18126	WEATHERSTRIPPING, RUBBER-DOOR SEAL	3'
20	A047S305	SCR WATER VALVE	1
21	58431	PUMP, DOSER - CUMMINS STAGE V	1
22	65489	PLATE, DRIER AND CAB VALVE COVER	1
23	10783	BOLT - .5" X 1" 263 RED LOCTITE™	4
24	65487	WELDMENT, DRIER AND CAB VALVE MOUNT	1
25	10402	BOLT - .375" X 1.25" 263 RED LOCTITE™	2
26	80511	BOLT - M8 X 20	2
27	51714	VALVE, BALL - WATER SHUT OFF HEATER 1/2"	1

# **ELECTRICAL SYSTEM - (E)**

### E0100 - 2221900 - BATTERY INSTALLATION

Item	Part #	Description	Qty.
1	10788	NUT, NYLOCK - .3125"	2
2	15559	WASHER, SAE FLAT - .3125"	2
3	45537	BRACKET, BATTERY HOLD DOWN	1
4	51722	HOLD DOWN, BATTERY	2
5	17150	BATTERY, HEAVY DUTY	2
6	45720	RUBBER, ISOLATOR - BATTERY HOLD DOWN	1
7	52552	EDGE GUARD - (BULK ROLL)	2'

E-00001D 03/24

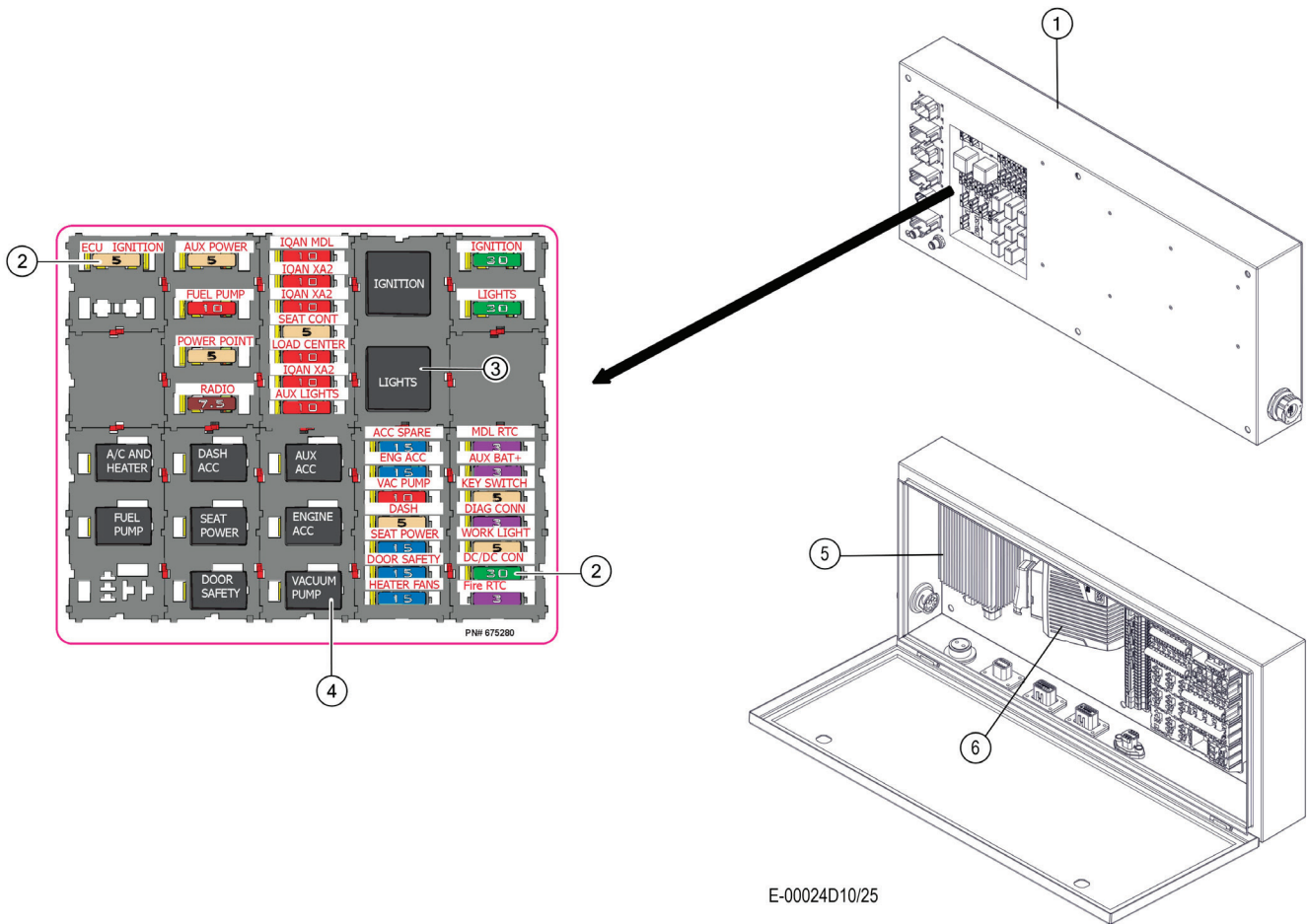
### E0200 - 2222000 - ELECTRICAL HARNESS - (IQAN SYSTEM)

ADD DIELECTRIC SILICONE GREASE TO ELECTRICAL CONNECTORS

E-00002D 03/25

Item	Part #	Description	Qty.
1	54527	HARNESS, XA2 PAN TO CAB - TIER4	1
2	54843	HARNESS, ROTARY MAN - TRACK- TIER4	1
3	54528	HARNESS, HYDROSTATIC PUMP - TIER4	1
4	58071	HARNESS, CONTROL VALVE - D-SERIES	1

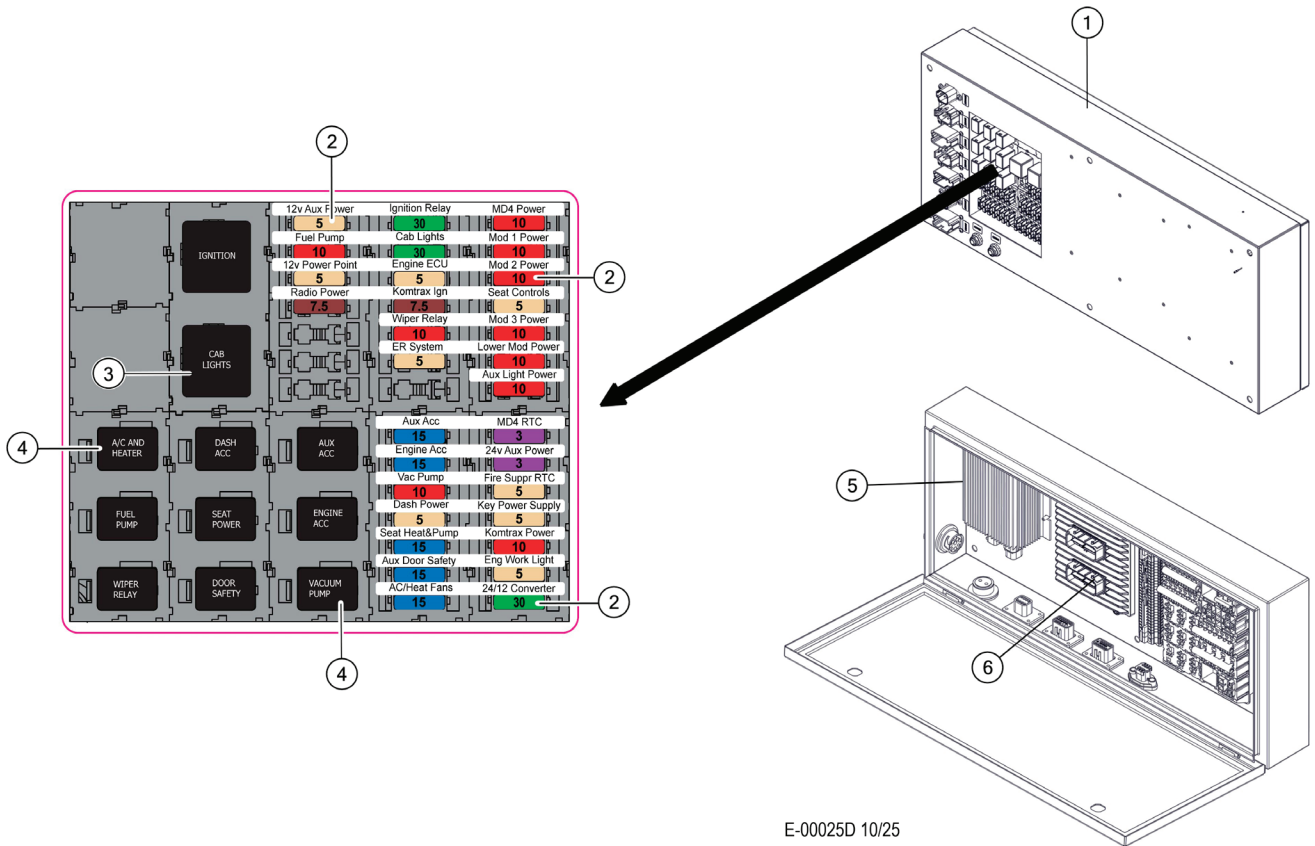
## E-2227300 - IQAN LOAD CENTER COMPONENTS S/N: UP TO 1237



E-00024D10/25

Item	Part #	Description	Qty.
1	(See Description)	LOAD CENTER (SUPPLIER PART # GS17253100)	1
2	24533	FUSE, ATO - 5 AMP (SPADE STYLE)	6
	24511	FUSE, ATO - 3 AMP (SPADE STYLE)	3
	50401	FUSE, ATO - 30 AMP (SPADE STYLE)	3
	24534	FUSE, ATO - 7.5 AMP (SPADE STYLE)	1
	24512	FUSE, ATO - 10 AMP (SPADE STYLE)	8
	50400	FUSE, ATO - 15 AMP (SPADE STYLE)	5
3	24323	RELAY, 24-VOLT (MAIN ELEC 30 AMP)	2
4	53645	RELAY, ZETTLER AZ988-1C-24DE-C1	8
5	55483	CONVERTER, 24V TO 12V	1
6	53095	MODULE, XA2 - IQAN	1

# E-2227300 - IQAN LOAD CENTER XC43 COMPONENTS S/N: 1238 & FORWARD

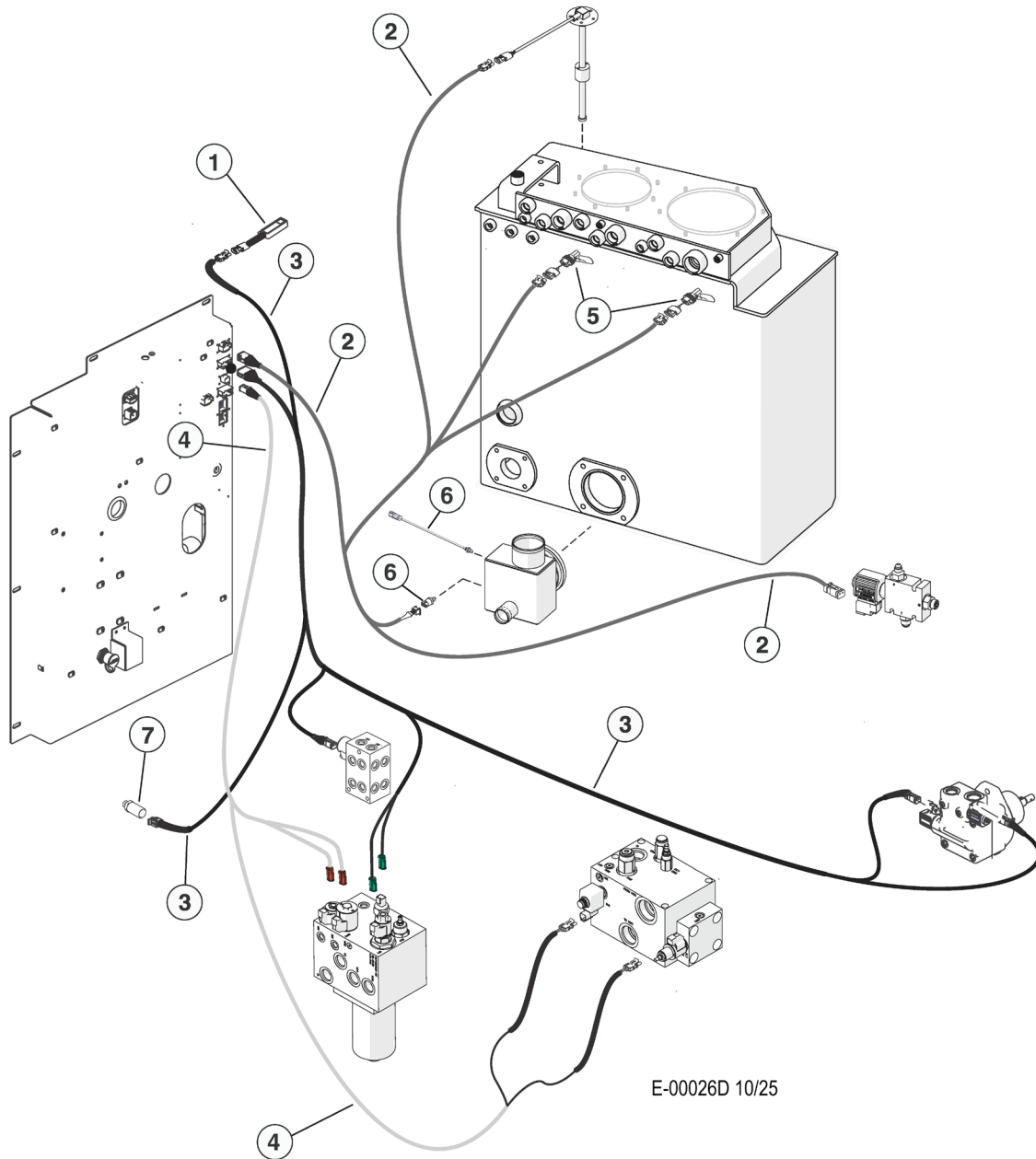


E-00025D 10/25

Item	Part #	Description	Qty.
1	669520	LOAD CENTER, E-MODEL MACHINE	1
2	24533	FUSE, ATO - 5 AMP (SPADE STYLE)	9
	24511	FUSE, ATO - 3 AMP (SPADE STYLE)	2
	50401	FUSE, ATO - 30 AMP (SPADE STYLE)	3
	24534	FUSE, ATO - 7.5 AMP (SPADE STYLE)	2
	24512	FUSE, ATO - 10 AMP (SPADE STYLE)	10
	50400	FUSE, ATO - 15 AMP (SPADE STYLE)	5
3	24323	RELAY, 24-VOLT (MAIN ELEC 30 AMP)	2
4	53645	RELAY, ZETTLER AZ988-1C-24DE-C1	9
5	55483	CONVERTER, 24V TO 12V	1
6	669510	MODULE, EXPANSION - IQAN XC43	1

# E100-00020 - ELECTRICAL HARNESS - (IQAN SYSTEM) (HYD. TANK SENSORS, FAN MOTOR & CHARGE SYSTEM)

ADD DIELECTRIC SILICONE GREASE TO ELECTRICAL CONNECTORS



Item	Part #	Description	Qty.
1	55264	SWITCH, LIMIT - DOOR/GULLWING (MAGNETIC)	1
2	60395	HARNESS, HYDRAULIC TANK SENSOR - D-SERIE	1
2	66601	HARNESS, HYDRAULIC TANK SENSORS 700E	1
3	57917	HARNESS, CHARGE-FAN - D MODEL	1
4	57918	HARNESS, TR MS PB DISC CABLE D-SERIES	1
4	66603	HARNESS, TRACK, MS, PB DISC CABLE 700E	1
5	58307	SWITCH, PRESSURE	2
6	24531	TRANSDUCER, HYD TEMP. S/N: UP TO 1237	1
6	669530	SENSOR, TEMP - SAE #6 W/DEUTSCH SS. S/N: 1238 & FORWARD	1
7	24532	TRANSDUCER, DISC SAW PRESSURE	1

## E0200 - 2222000 - ELECTRICAL HARNESS - (LOAD CENTER POWER)

ADD DIELECTRIC SILICONE GREASE TO ELECTRICAL CONNECTORS

Item	Part #	Description	Qty.
1	54581	HARNESS, CAB POWER TIER4	1
2	58096	HARNESS, FUSE TO STUD, POSITIVE	1

E-00003D 03/24

WIRE HARNESS  
60327

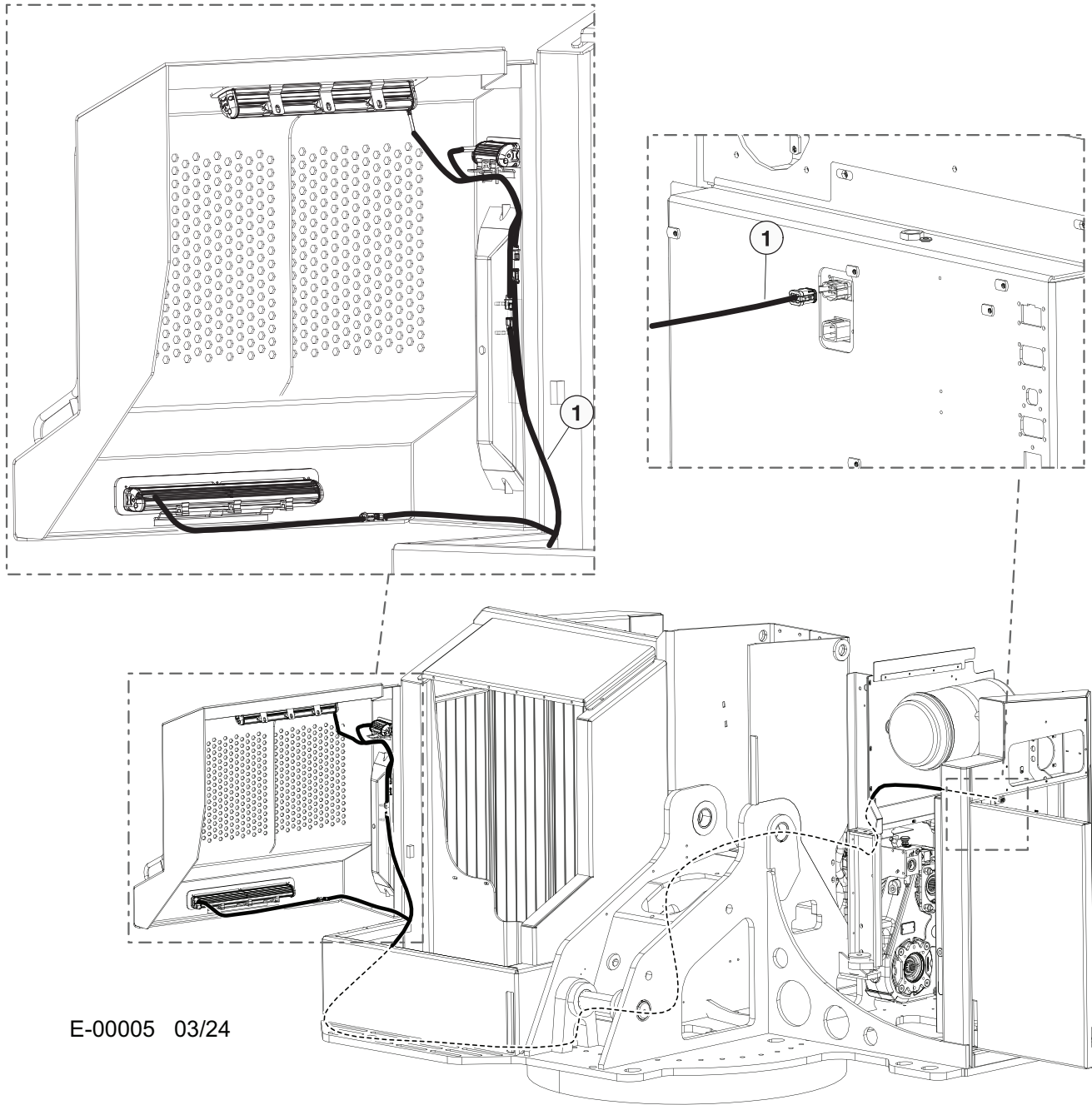
**E0200 - 2222000 - ELECTRICAL HARNESS - (CAB TO ENGINE)**

Item	Part #	Description	Qty.
1	60330	HARNESS, CAB TO ENGINE	1
2	55193	HARNESS, VAC VENT FILL	1
3	22862	SCREW, MACHINE - #10-24 X .5" (BUTTON)	8

E-00004D 03/24

# E0200 - 2222000 - ELECTRICAL HARNESS - (FRONT DOOR)

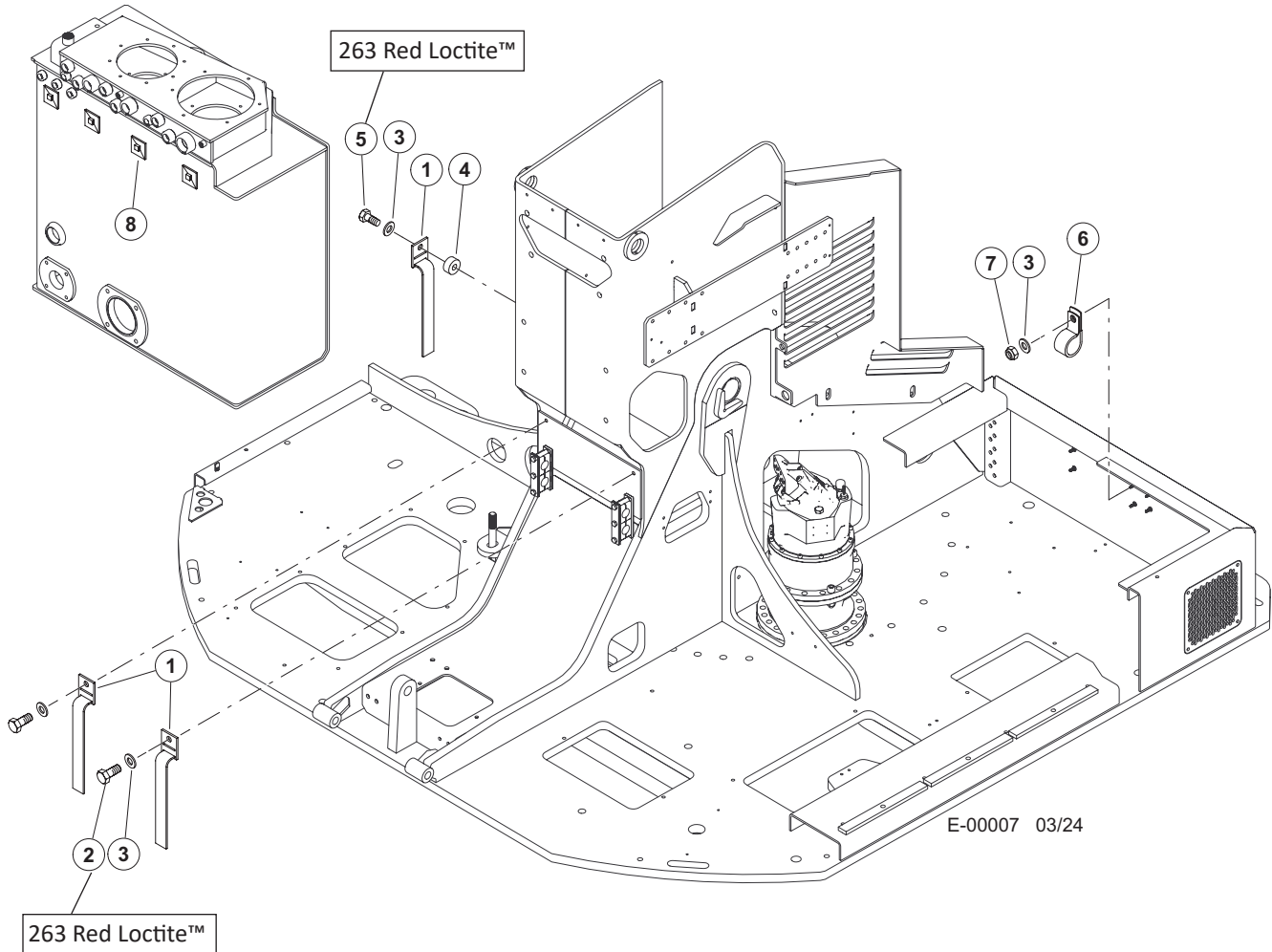
ADD DIELECTRIC SILICONE GREASE TO ELECTRICAL CONNECTORS



E-00005 03/24

Item	Part #	Description	Qty.
1	54542	HARNESS, LIGHTS-FRONT DOOR - TIER 4	1

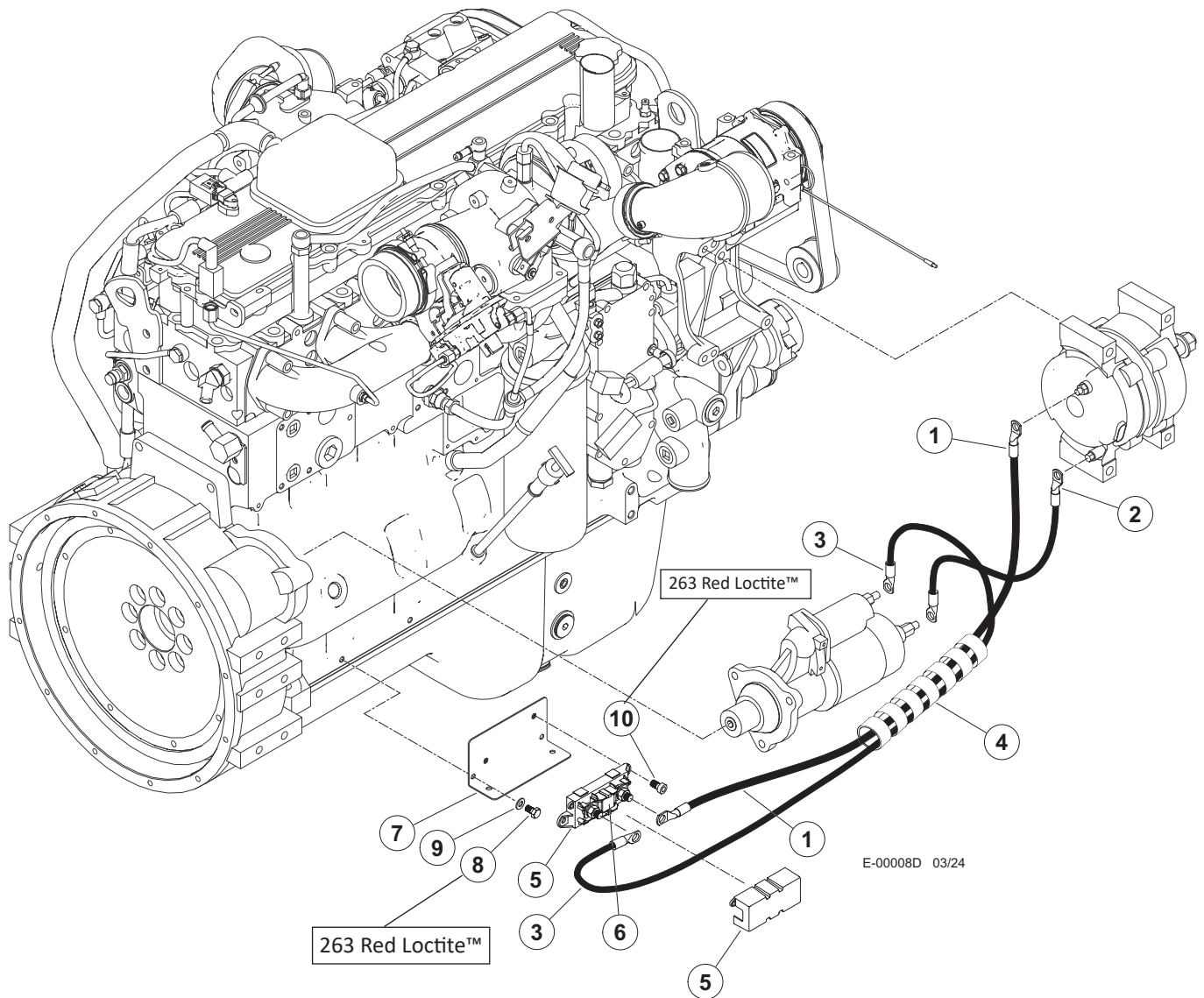
## E0200 - 2222000 - ELECTRICAL HARNESS ACCESSORIES



Item	Part #	Description	Qty.
1	57878	STRAP, HANGING W/ BUCKLE	3
2	15576	BOLT - .25" X 1" 263 RED LOCTITE™	2
3	10757	WASHER, SAE FLAT - .25"	4
4	19219	SPACER	1
5	18309	BOLT - .25" X 1.25" 263 RED LOCTITE™	1
6	59106	CABLE CLAMP, CUSHIONED, 0.406" DIA	1
7	10811	NUT, LOCK - .25"	1
8	59131	CABLE TIE BASE	AR
ELECTRICAL CONNECTOR COMPONENTS (NOT SHOWN IN ILLUSTRATIONS)			
*	53176	CONNECTOR, TERMINAL 16-18G SOLID DEUTSCH	
*	54065	SOCKET, CONTACT - 2	
*	54064	SOCKET, WEDGE LOCK - #2	
*	51909	PIN, FEMALE - DEUTSCH 12-14GA	

\*MEANS NOT SHOWN

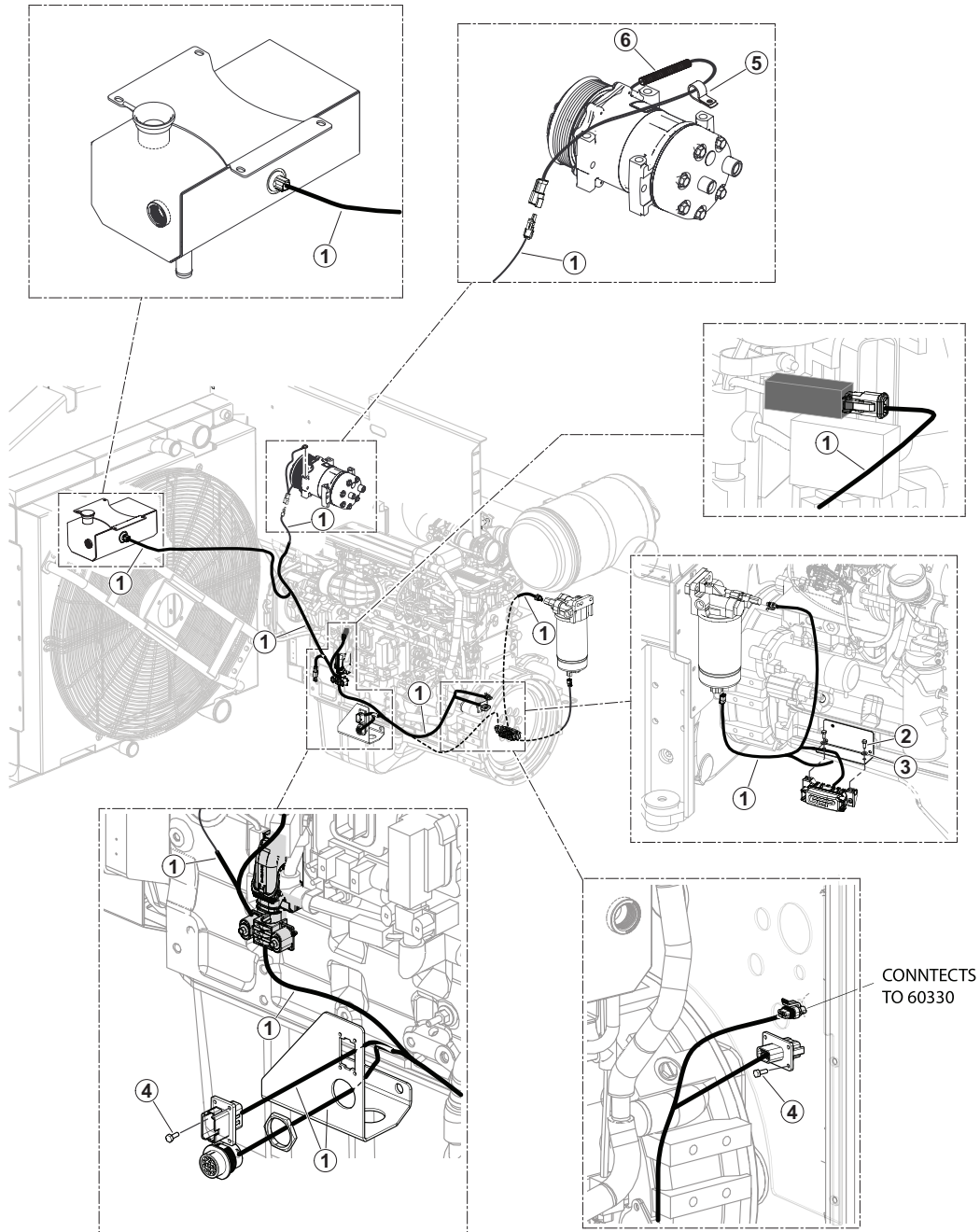
## E0200 - 2222000 - STARTER AND ALTERNATOR ELECTRICAL CABLES



Item	Part #	Description	Qty.
1	62051	CABLE, BATTERY - D - 30" ALT	1
2	57922	CABLE, BATTERY - NEGATIVE - 30.5"	1
3	55332	CABLE, BATTERY - POSITIVE - 26"	1
4	20843	SPIRAL WRAP	AR
5	22247	HOLDER, FUSE - 100 OR 250 AMP MEGA	1
6	23619	FUSE, 100 AMP (MEGA)	1
7	60433	BRACKET, FUSE HOLDER	1
8	25059	BOLT - 8MM-1.25P X 20MM 263 RED LOCTITE™	2
9	15559	WASHER, SAE FLAT - .3125"	2
10	16133	BOLT - 6MM-1.0P X 16MM 263 RED LOCTITE™	2

# E0200 - 2222000 - ENGINE ELECTRICAL HARNESS

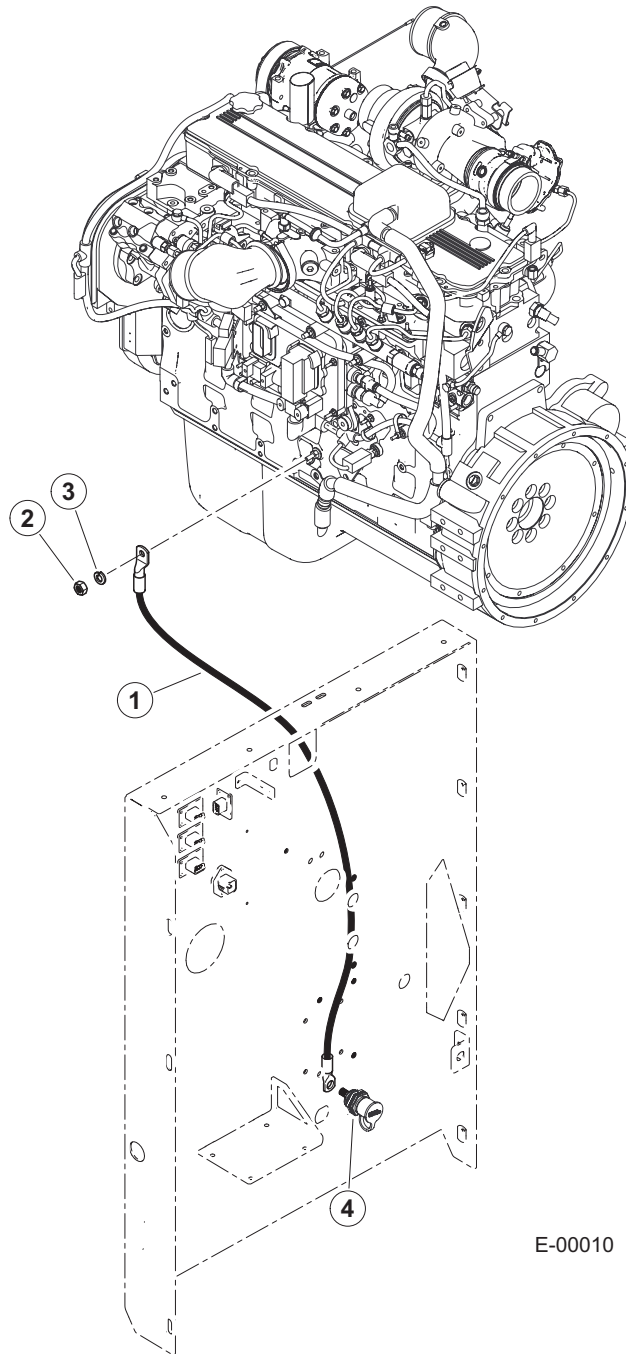
ADD DIELECTRIC SILICONE GREASE TO ELECTRICAL CONNECTORS



E-00009D 03/24

Item	Part #	Description	Qty.
1	60327	HARNESS, ENGINE	1
2	16133	BOLT - 6MM-1.0P X 16MM	2
3	10800	WASHER, FLAT - .25"	2
4	15669	SCREW, MACHINE - #10-24 X .5"	4
5	59128	CABLE CLAMP, CUSHIONED, 1/2" (.406")	1
6	17449	LOOM, SPLIT - .5" (BULK)	1'

## E0200 - 2222000 - ENGINE ECU GROUND HARNESS

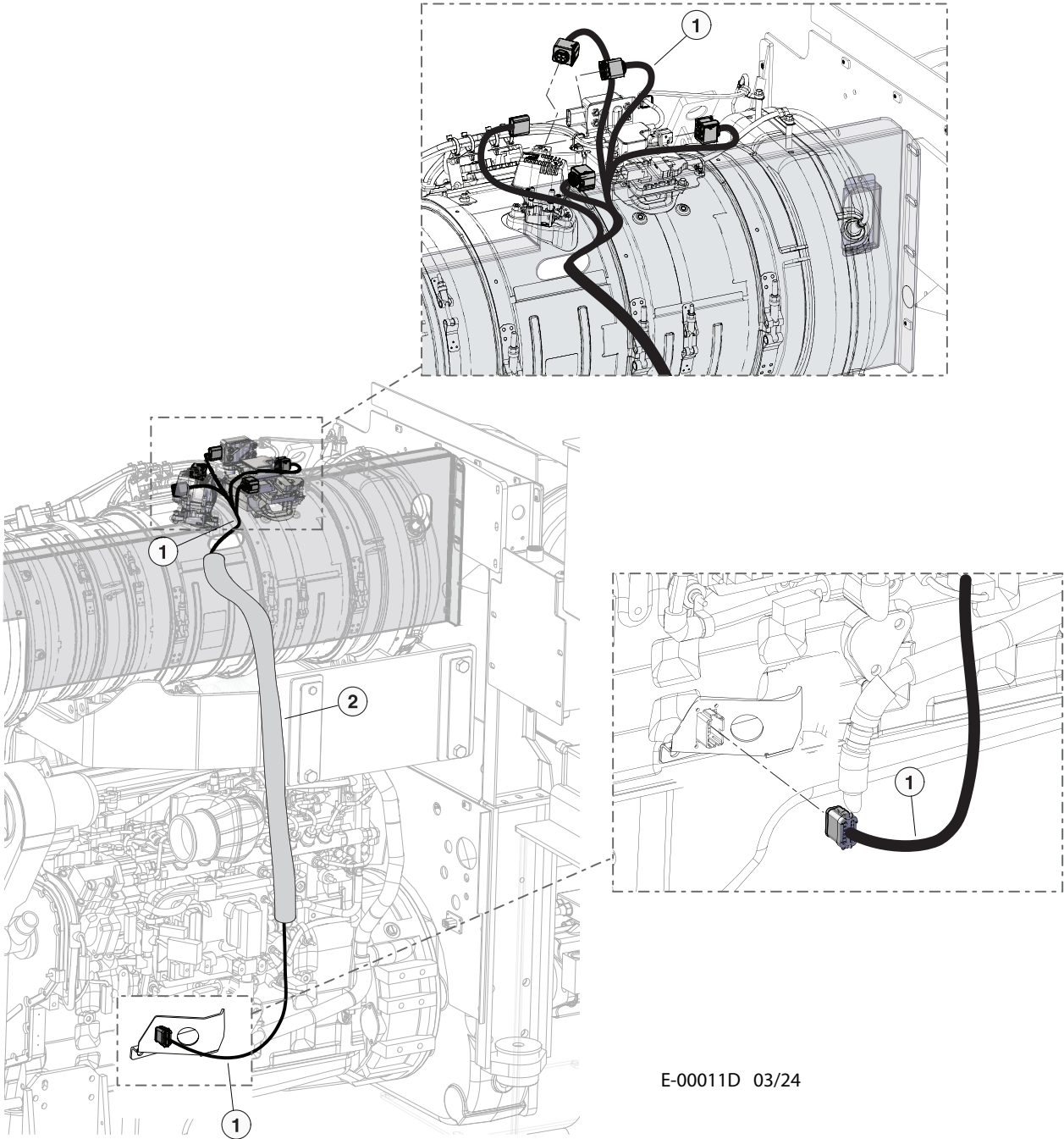


E-00010 03/24

<b>Item</b>	<b>Part #</b>	<b>Description</b>	<b>Qty.</b>
1	58958	HARNESS, GROUND CABLE ENGINE ECU L9	1
2	16117	NUT, HEX - 6MM	1
3	10756	WASHER, LOCK - .25"	1
4	54642	STUD, THRU BATTERY CABLE 1/2" NEGATIVE	1

# E0200 - 2222000 - ENGINE AFTER TREATMENT ELECTRICAL HARNESS

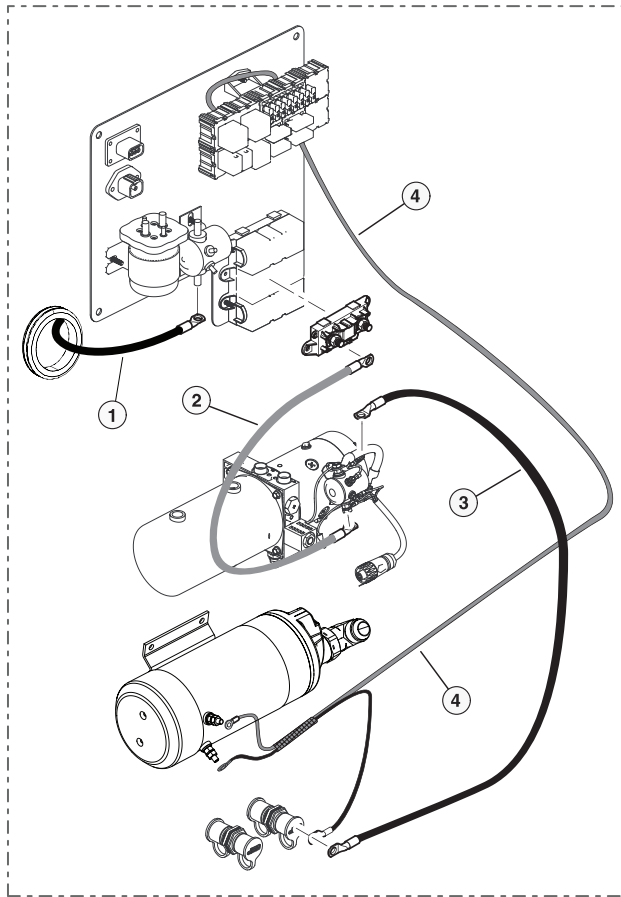
ADD DIELECTRIC SILICONE GREASE TO ELECTRICAL CONNECTORS



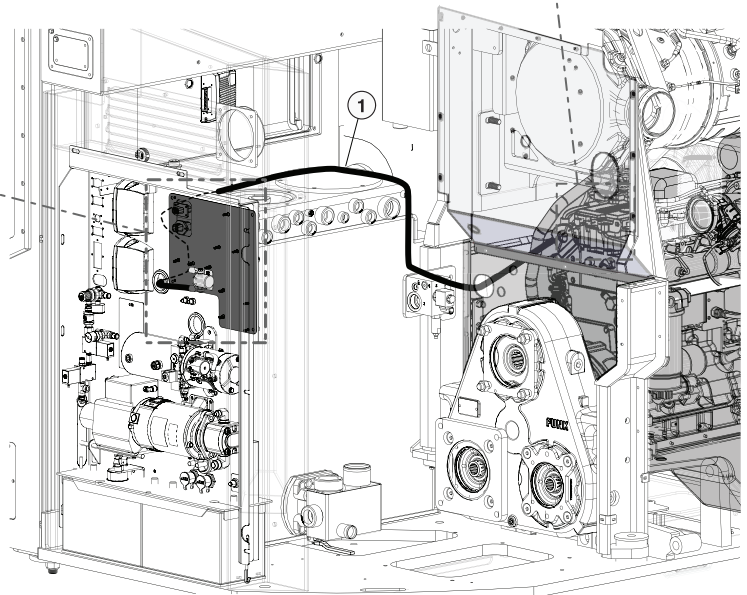
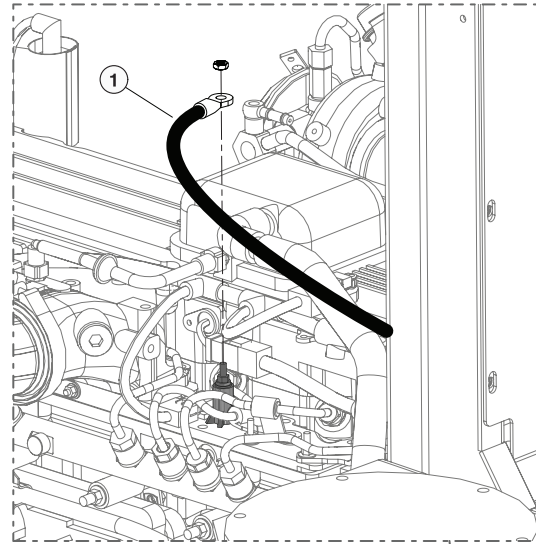
E-00011D 03/24

Item	Part #	Description	Qty.
1	60329	HARNESS, AFTER TREATMENT	1
2	59070	SLEEVE, PROTECTIVE - 2 INCH x 36" L	1

# E0200 - 2222000 - GRID HEATER, FILL PUMP & GULLWING PUMP ELECTRICAL HARNESSSES

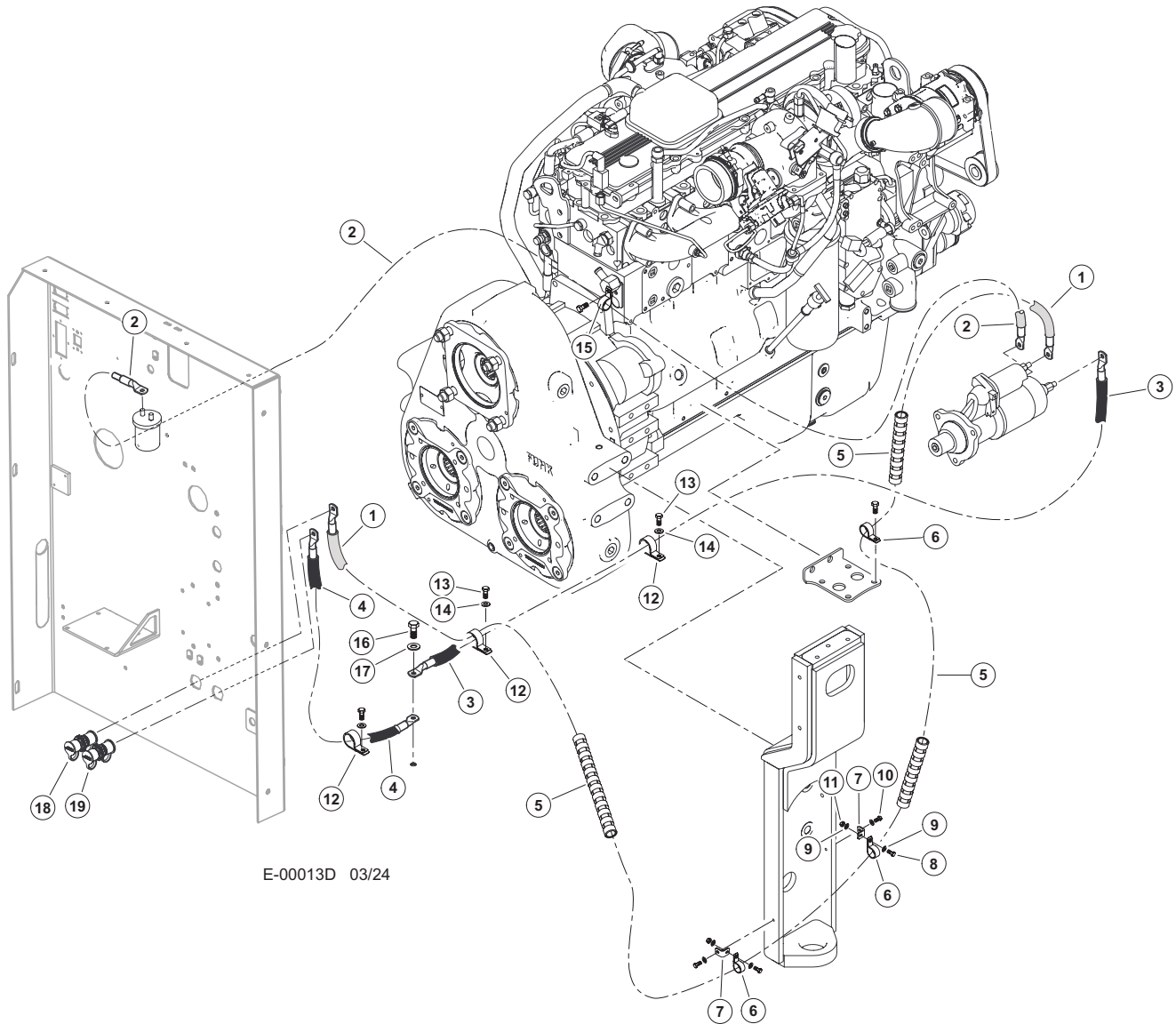


E-00012D 03/24



Item	Part #	Description	Qty.
1	55446	CABLE, GRID HEATER FUSE	1
2	55338	CABLE, BATTERY - POSITIVE - 38"	1
3	55336	CABLE, BATTERY - NEGATIVE - 24"	1
4	46695 (KIT)	HARNESS, FILL PUMP (PART OF ENGINE ELECTRICAL CENTER ASSEMBLY)	1

## E0200 - 2222000 - STARTER CABLES

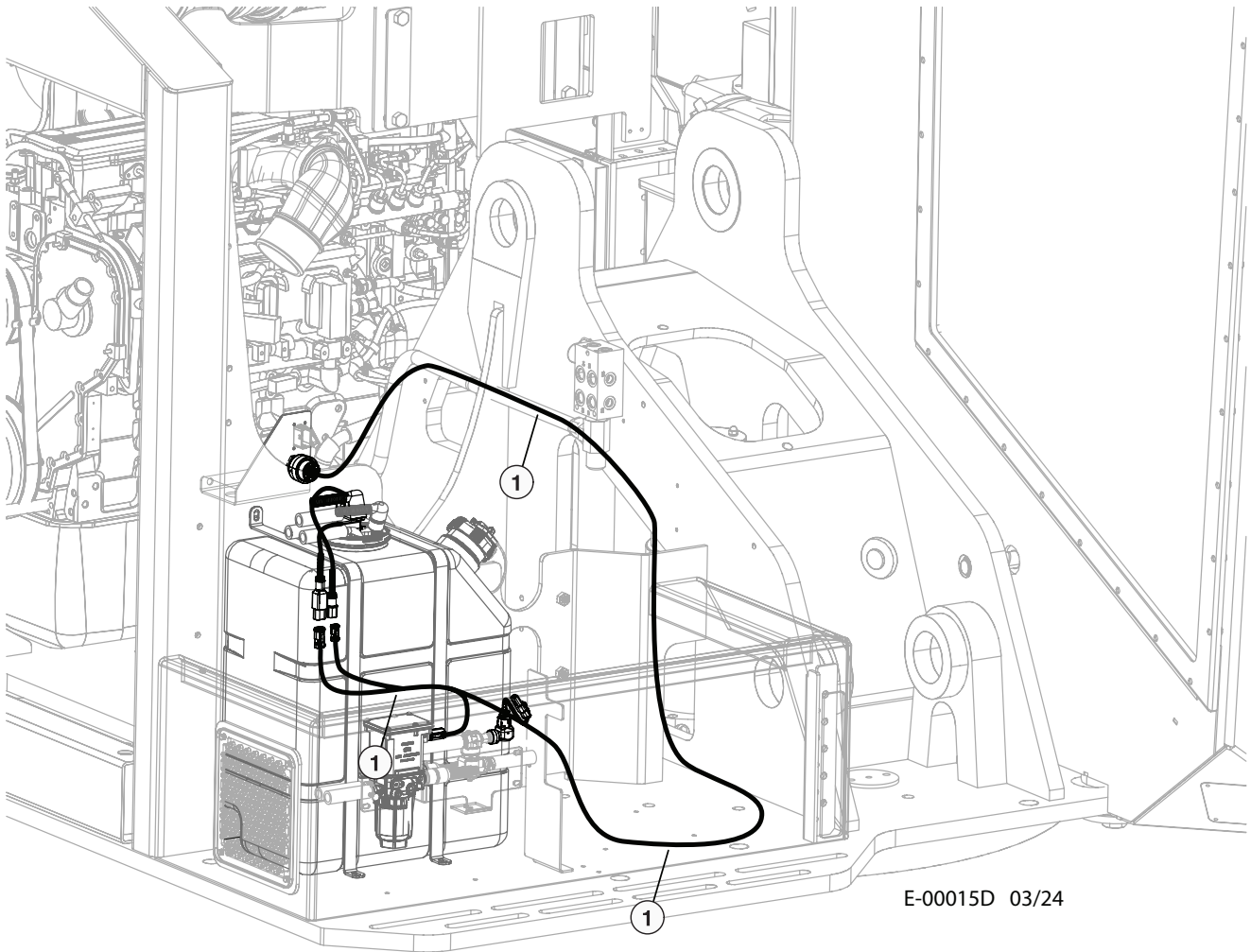


E-00013D 03/24

Item	Part #	Description	Qty.
1	55327	CABLE, BATTERY - POSITIVE - 94"	1
2	55194	HARNES, START RELAY TO STARTER SOL.	1
3	55328	CABLE, BATTERY - NEGATIVE - 46"	1
4	55329	CABLE, BATTERY - NEGATIVE - 54"	1
5	19677	PROTECTOR, HOSE - SPRIAL (1.25")(BULK)	AR
6	16119	CLAMP, HOSE - COATED STRAP - 1"	3
7	46421	BRACKET, COOLER LINE SUPPORT	3
8	18309	BOLT - .25" X 1.25"	2
9	10757	WASHER, SAE FLAT - .25"	4
10	15576	BOLT - .25" X 1"	2
11	10811	NUT, LOCK - .25"	1
12	58382	CABLE CLAMP, CUSHIONED, 1_1/4" DIA	3
13	15605	BOLT - .3125" X .75"	3
14	15559	WASHER, SAE FLAT - .3125"	3
15	58381	1/2" CUSHIONED CABLE CLAMP	1
16	10783	BOLT - .5" X 1"	1
17	15534	WASHER, SAE FLAT - .5"	1
18	54343	STUD, THRU BATTERY CABLE POSITIVE	1
19	54642	STUD, THRU BATTERY CABLE 1/2" NEGATIVE	1

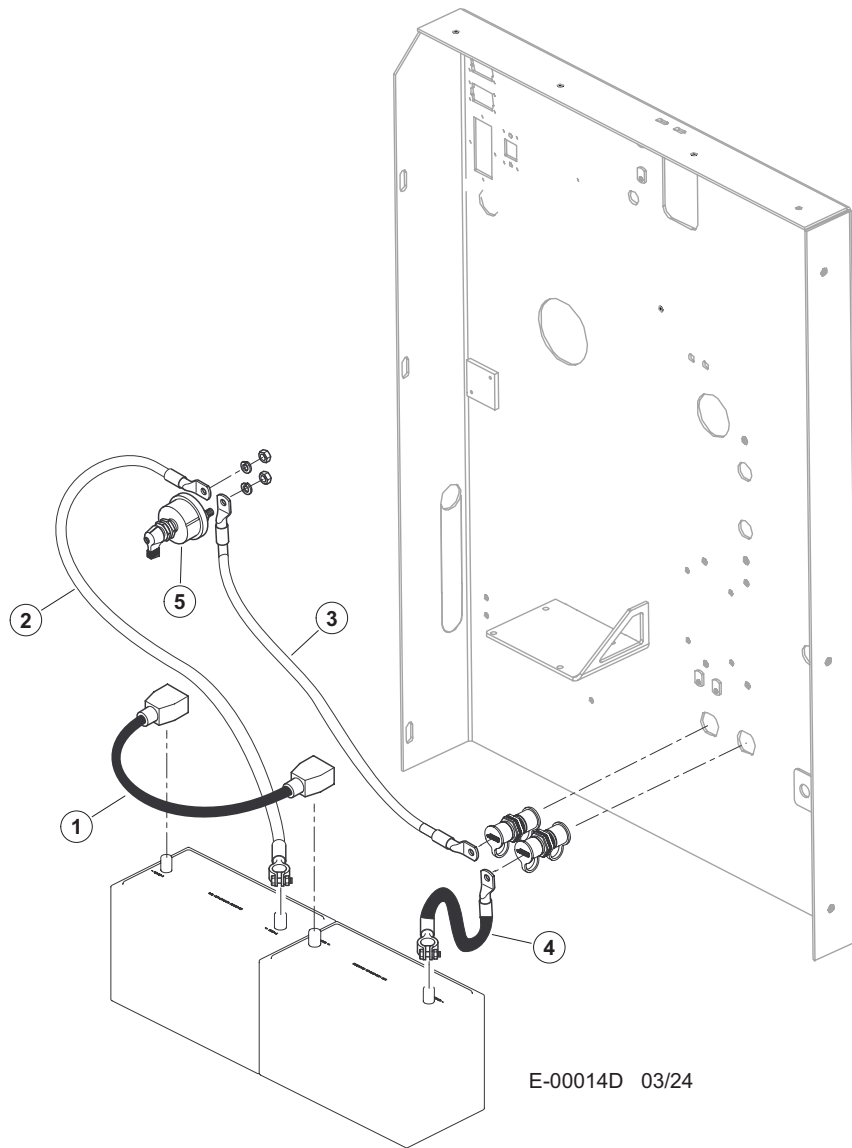
# E0200 - 2222000 - DEF TANK ELECTRICAL WIRE HARNESS

ADD DIELECTRIC SILICONE GREASE TO ELECTRICAL CONNECTORS



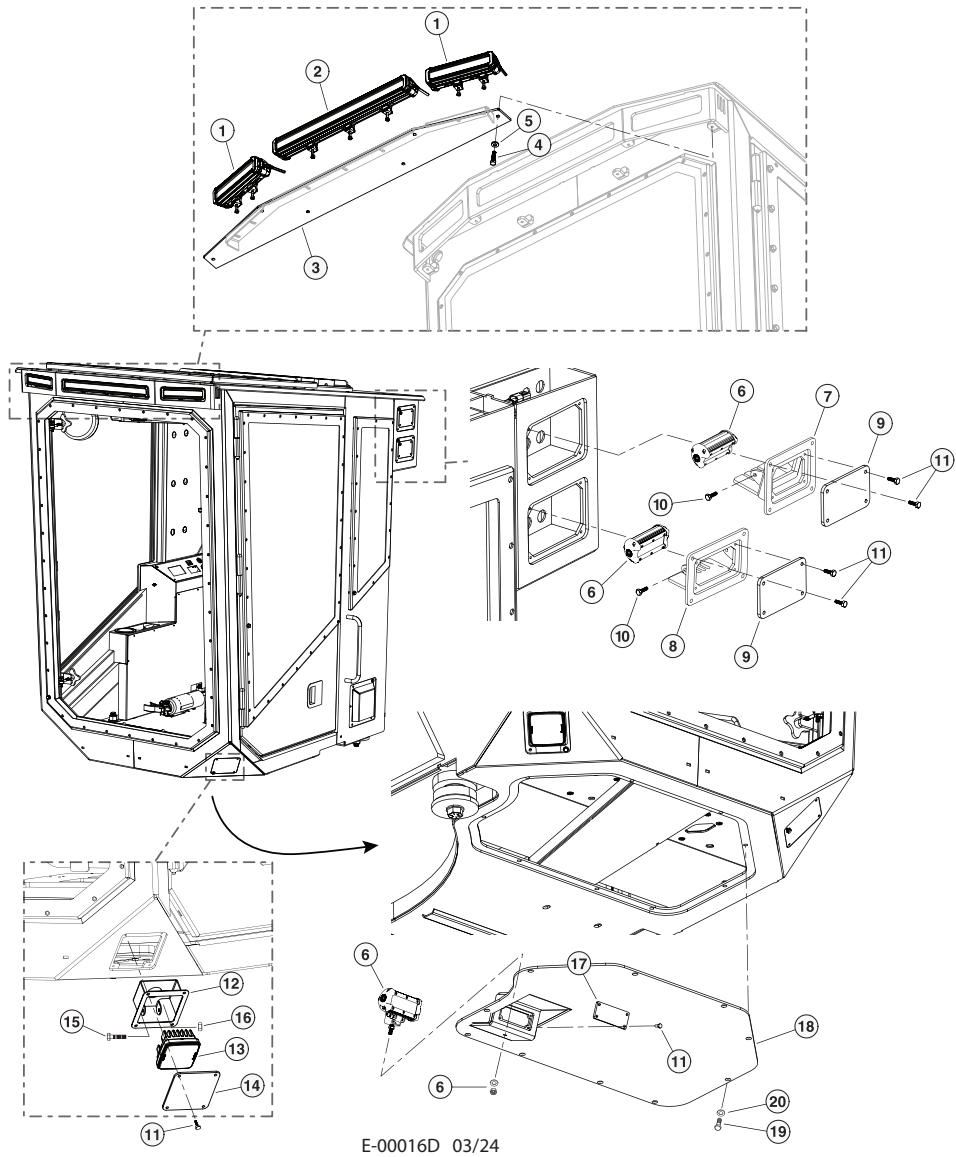
Item	Part #	Description	Qty.
1	60328	HARNESS, DEF TANK	1

## E0210 - 2222100 - BATTERY CABLES



Item	Part #	Description	Qty.
1	24300	CABLE, BATTERY POS/NEG JUMPER	1
2	55334	CABLE, BATTERY - POSITIVE - "C" - 14"	1
3	55333	CABLE, BATTERY-POSITIVE- "C" - 10"	1
4	55337	CABLE, BATTERY - NEGATIVE - "C" - 9"	1
5	25200	SWITCH, MASTER SHUT-OFF(1/2" STUD)	1

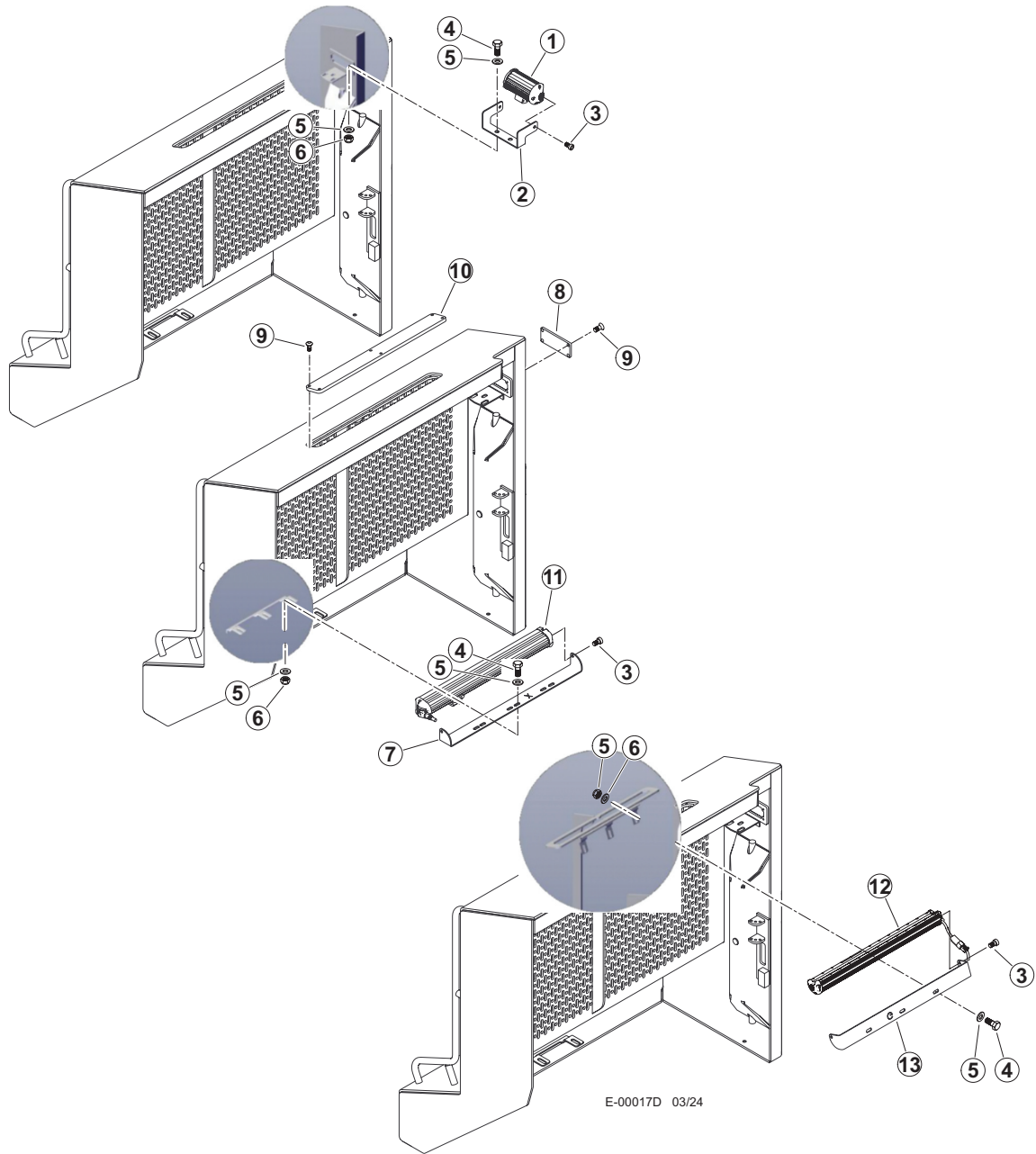
## E0310 - 222200 - CABIN EXTERIOR LIGHTS



E-00016D 03/24

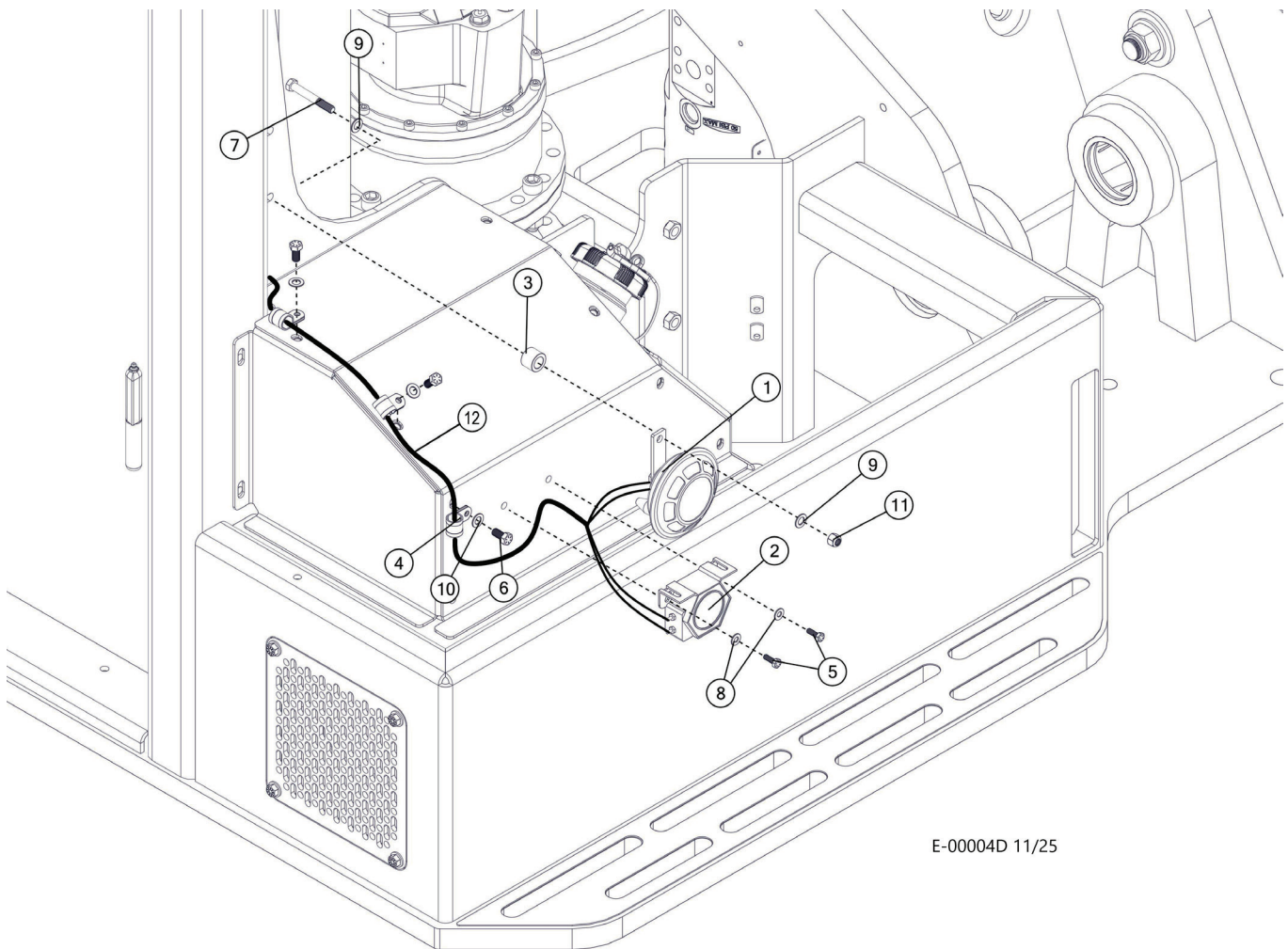
Item	Part #	Description	Qty.
1	59042	LIGHT BAR - 6 LED	2
2	59047	LIGHT BAR - 15 LED	1
3	49184	WELDMENT, LIGHT BRACKET FRONT D-SERIES	1
4	10783	BOLT - .5" X 1.00"	4
5	15534	WASHER, SAE FLAT - .5"	4
6	59043	LIGHT BAR - 3LED ("D" GROTE)	3
7	49223	MOUNT, LIGHT - LED - (UPPER)	1
8	49382	MOUNT, LIGHT - LED - (LOWER)	1
9	49222	LEXON, LIGHT - CAB REAR D-SERIES	2
10	80517	BOLT - M10 X 20	4
11	59090	SCREW, 1/4-20x0.75, SHC, BUTTON HD	28
12	60885	BRACKET, LIGHT - CAB CORNER	2
13	59044	LIGHT CUBE - 6LED ("D" GROTE)	2
14	49224	LEXON, LIGHT - FRONT LOWER D-SERIES	2
15	15568	BOLT - .25" X 2"	1
16	10811	NUT, LOCK - .25"	1
17	60133	LEXAN, 3 LED LIGHT GUARD - D-MODEL	1
18	49226	COVER, MOUNT - 3 LED LIGHTS D-SERIES	1
19	15589	BOLT - .3125" X 1"	9
20	15559	WASHER, SAE FLAT - .3125"	9

## E0315 - 2228600 - WORKING LIGHTS - FRONT DOOR



Item	Part #	Description	Qty.
1	59043	LIGHT BAR - 3LED ("D" GROTE)	1
2	61055	PLATE, LED ADAPTER	1
3	80517	BOLT - M10 X 20	6
4	15589	BOLT - .3125" X 1"	8
5	10801	WASHER, FLAT - .3125"	16
6	10812	NUT, LOCK - .3125"	8
7	61553	MOUNT, LIGHT 15LED - GROTE	1
8	60133	LEXAN, 3 LED LIGHT GUARD	1
9	59090	SCREW, 1/4-20x0.75, SHC, BUTTON HD	10
10	49335	LEXAN, 15 LED LIGHT GUARD	1
11	59047	LIGHT BAR - 15 LED (VisionX)	1
12	59041	LIGHT BAR - 15LED ("D" GROTE)	1
13	61555	PLATE, LIGHT MT	1

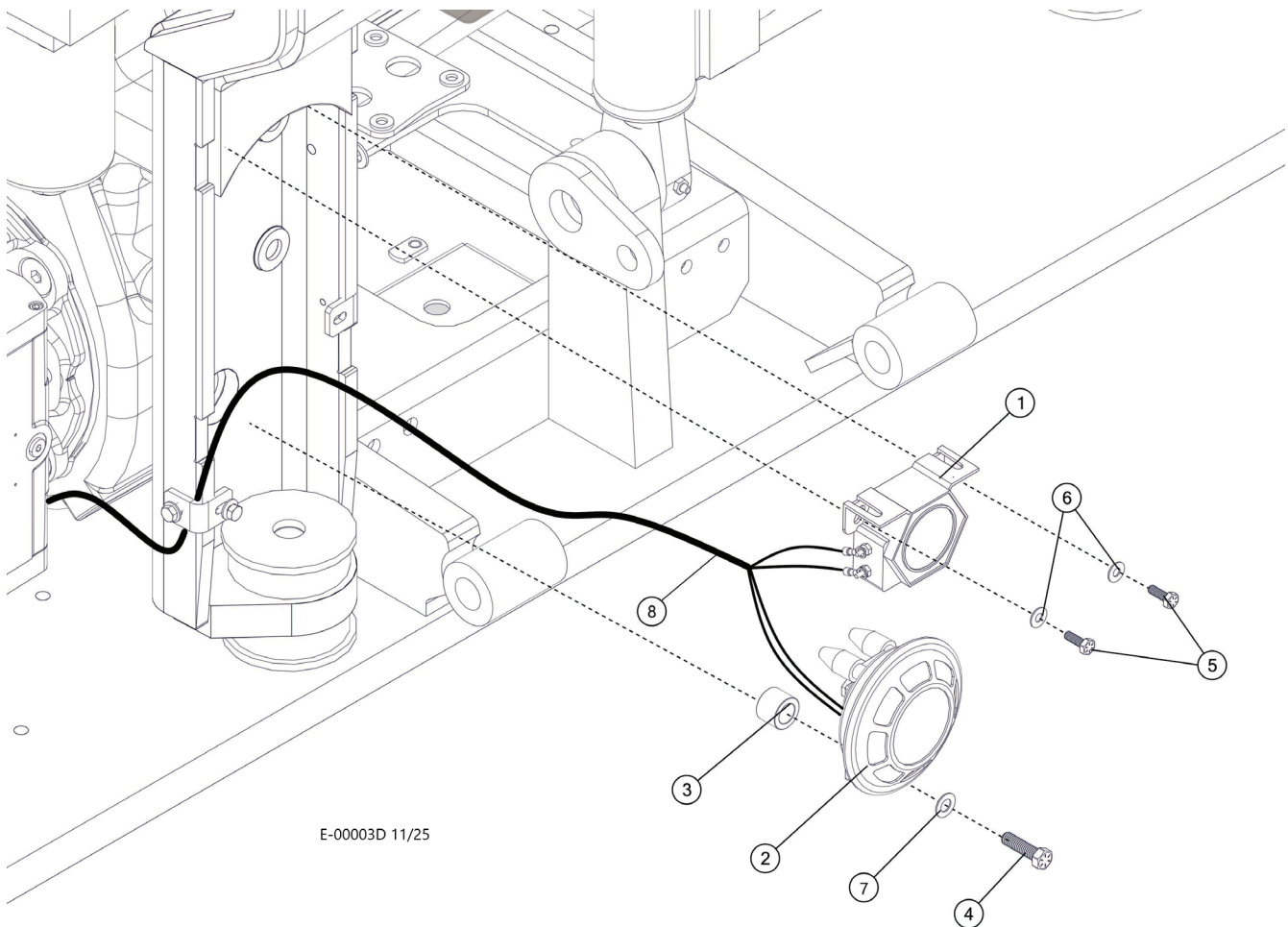
## E0410 - 2222300 - HORN AND BACK UP ALARM



E-00004D 11/25

Item	Part #	Description	Qty.
1	55131	HORN, ELECTRIC - 24V	1
2	53193	SIREN, BACKUP - 24V	1
3	19219	SPACER	1
4	59128	CABLE CLAMP, CUSHIONED, 1/2" (.406")	3
5	15604	BOLT - .25" X .75"	2
6	15542	BOLT - .375" X .75"	3
7	23265	BOLT - .375" X 2.25"	1
8	10800	WASHER, FLAT - .25"	2
9	10802	WASHER, FLAT - .375"	2
10	15528	WASHER, SAE FLAT - .375"	3
11	10813	NUT, LOCK - .375"	1
12	58995	HARNES, HORN AND BACKUP CE	1

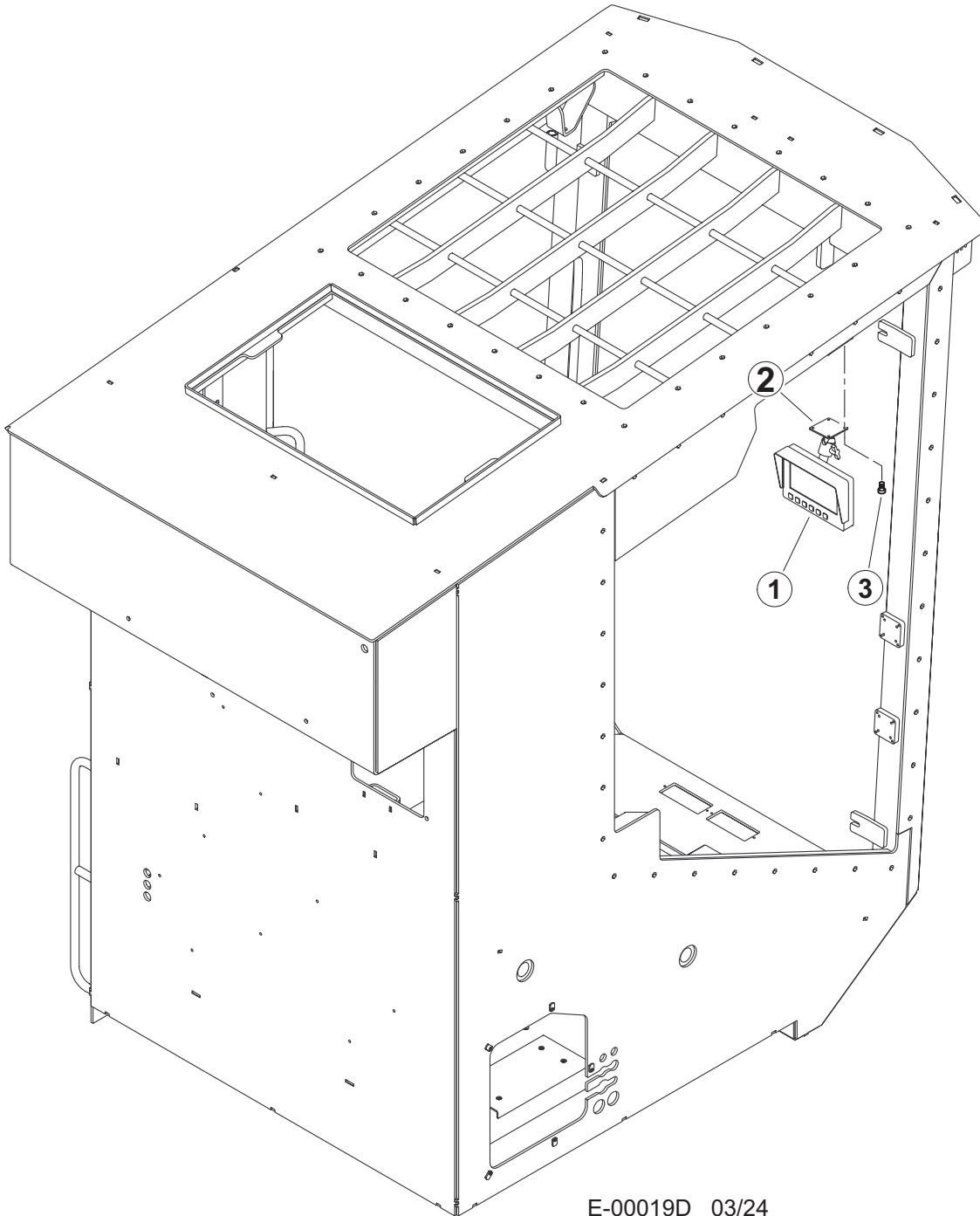
## E0410 - 222300 - HORN AND BACK UP ALARM



Item	Part #	Description	Qty.
1	55131	HORN, ELECTRIC - 24V	1
2	53193	SIREN, BACKUP - 24V	1
3	19219	SPACER	1
4	10731	BOLT - .375" X 1.5"	1
5	15604	BOLT, .25"X.75"	2
6	10757	WASHER, SAE FLAT - .25"	2
7	10802	WASHER, FLAT - .375"	1
8	58995	HARNES, HORN AND BACKUP CE	1

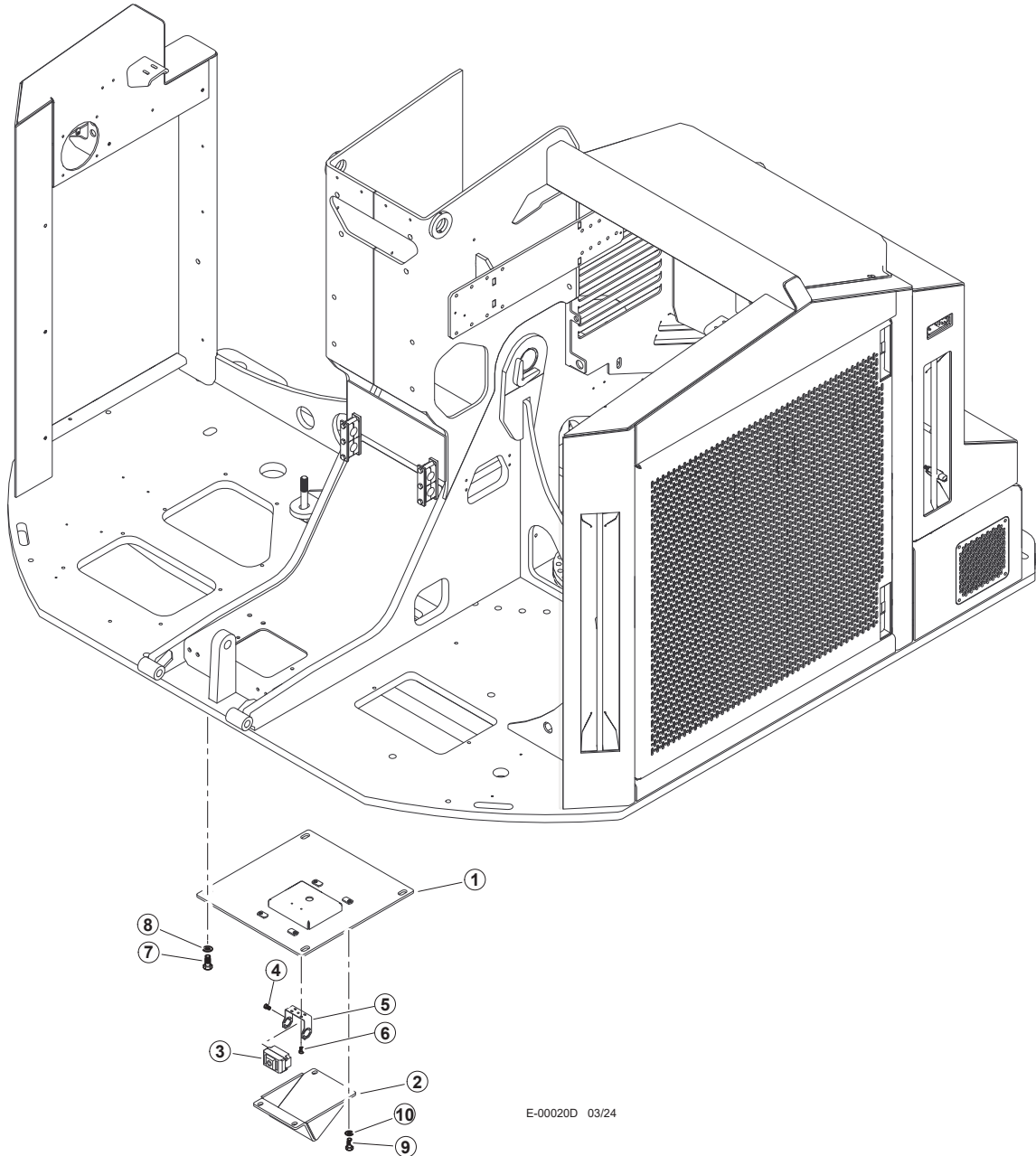


## E0450 - 2221600 - 2222400 - CABIN ACCESSORIES-CAMERA



Item	Part #	Description	Qty.
	52557 (KIT)	CAMERA, REARVIEW	1
1	53780	7" LCD MONITOR	1
2	VOSHD6MNT	CAMERA MOUNT	1
3	59089	SCREW, 10-24 X 3/4 SHC, BUTTON HD	4

## E0450 - 2221600 - 2222400 - COVER, CAMERA INSTALL

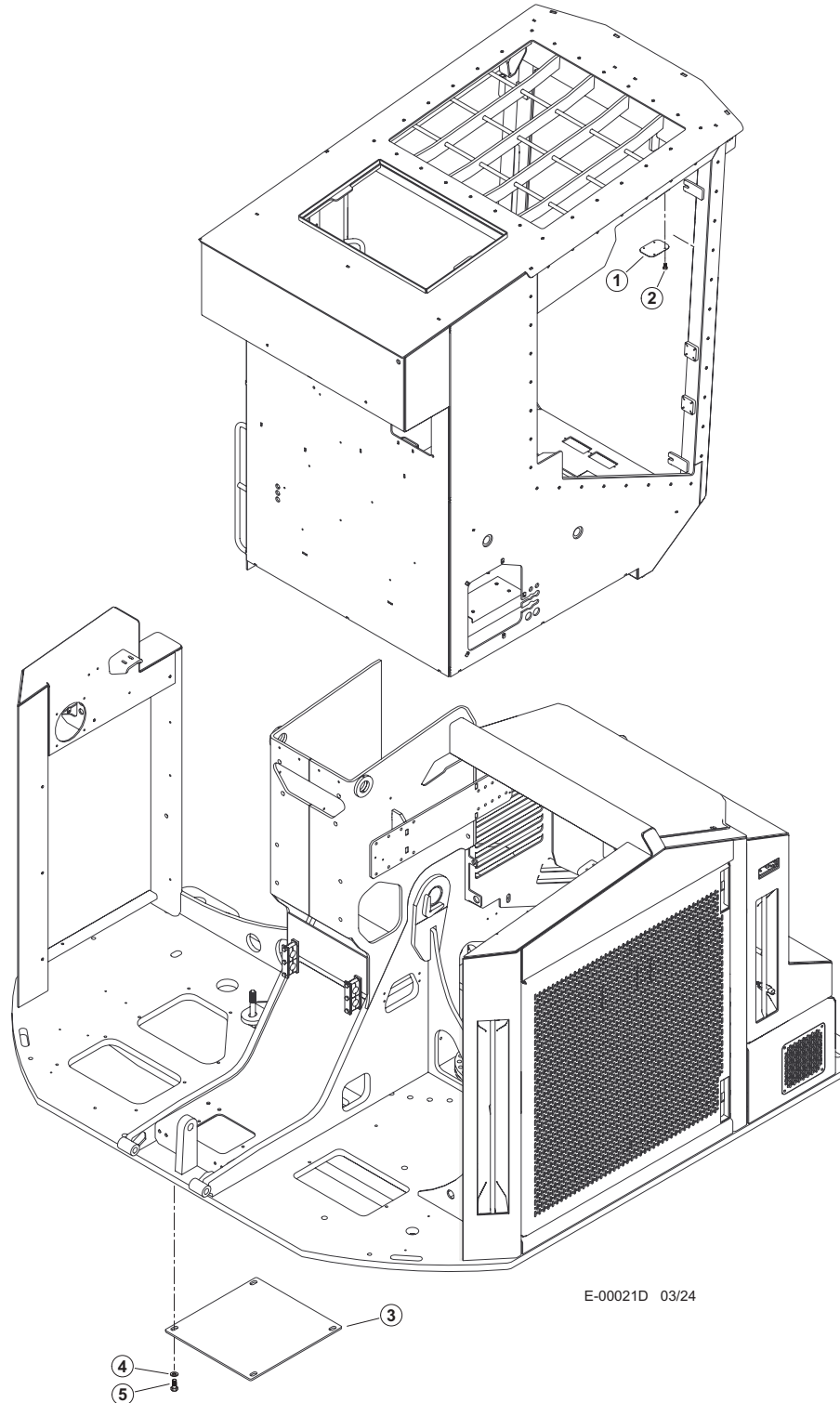


E-00020D 03/24

Item	Part #	Description	Qty.
1	60416	BOX, CAMERA - TOP	1
2	60150	CAMERA GUARD	1
3	VCMS20B	CAMERA	1
4	58089	SCREW, 10-24 X 3/4 SHC, BUTTON HD	2
5	72704	CAMERA MOUNT	1
6	10783	BOLT - .5" X 1.00"	4
7	15534	WASHER, SAE FLAT - .5"	4
8	15542	BOLT - .375"	4
9	15528	WASHER, SAE FLAT - .375"	4
*	60605	WELDMENT, D - UPPER	1

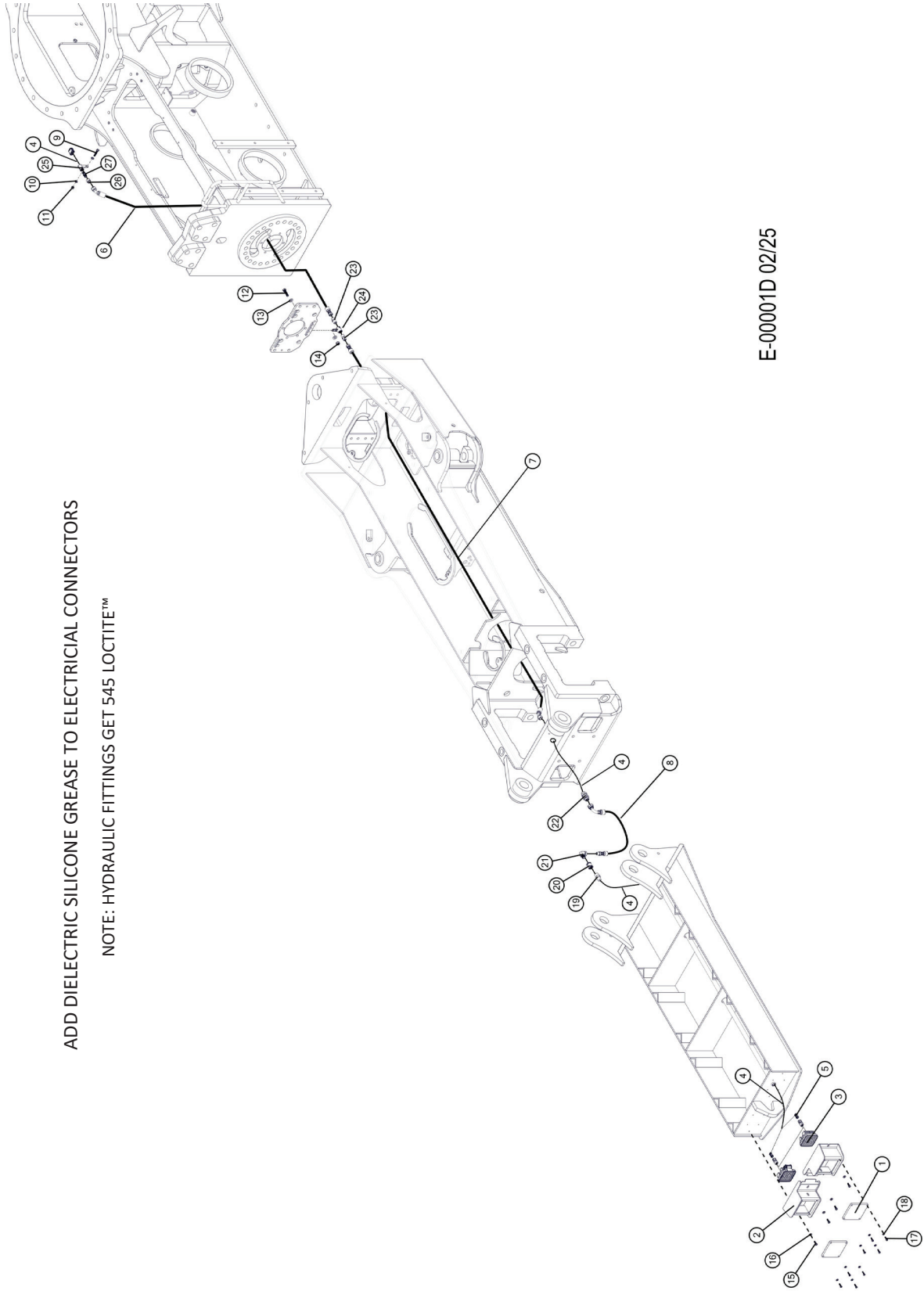
\*MEANS NOT SHOWN

**E0450 - 2221600 - 2222400 - COVER, CAMERA NON-SELECT**



Item	Part #	Description	Qty.
1	61030	PLATE, D-CAB CAMERA COVER	1
2	59089	SCREW, 10-24 X 3/4 SHC, BUTTON HD	4
3	46466	COVER, BOTTOM OIL PAN- REAR	1
4	10783	BOLT - .5" X 1.00"	4
5	15534	WASHER, SAE FLAT - .5"	4

# E0455 - 2255900 - LIGHTS, FLOATING REAR BUNK



ADD DIELECTRIC SILICONE GREASE TO ELECTRICAL CONNECTORS

NOTE: HYDRAULIC FITTINGS GET 545 LOCTITE™

E-00001D 02/25

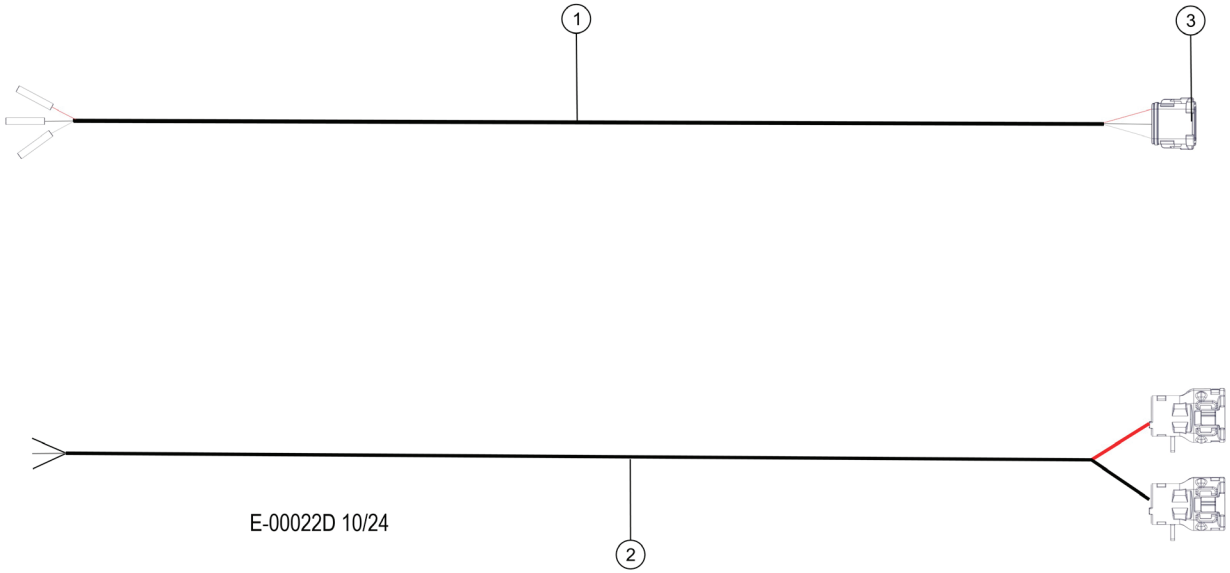
## E0455 - 2255900 - LIGHTS, FLOATING REAR BUNK

Item	Part #	Description	Qty.
1	59165	LEXON, FLOATING BUNK LIGHT	2
2	45820	WELDMENT, LIGHTBOX REAR FLOAT BUNK	2
3	50999	LIGHT, BOOM MOUNTED - LED LAMPS	2
4	58380	CABLE, 2-18 GA PVC UNSHIELDED	36FT
*	53176	CONNECTOR, TERMINAL 16-18G SOLID DEUTSCH	6
*	54064	SOCKET, WEDGE LOCK - #2	2
5	54065	SOCKET, CONTACT - 2	2
6	59550	HOSE, HYD, 187TC68-08-08OS-08O4	1
7	59551	HOSE, HYD, 187TC142-08-08OS-08O4	1
8	59552	HOSE, HYD, 187TC34-08-08O9-08PS	1
9	15529	BOLT - .375" X 2"	1
10	10802	WASHER, FLAT - .375"	2
11	10813	NUT, LOCK - .375"	1
12	10736	BOLT - .5" X 2"	1
13	15534	WASHER, SAE FLAT - .5"	2
14	10815	NUT, LOCK - .5"	1
15	15589	BOLT - .3125" X 1"	4
16	10801	WASHER, FLAT - .3125"	4
17	15576	BOLT - .25" X 1"	8
18	10757	WASHER, SAE FLAT - .25"	8
19	55698	FITTING, 8-1/2 F50F-S	1
20	58018	COUPLING, PIPE - 1/2" MERCHANT GALVANIZE	1
21	17460	ELBOW, 90 STREET - 5502-8-8	1
22	20196	CONNECTOR, STR BULKHEAD - FF1994T-0808S	1
23	15258	CONNECTOR, STR - FF2031T-0808S	2
24	22203	BRACKET, VENT MOUNT - FRONT (12NPT)	1
25	22202	BRACKET, VENT MOUNT - REAR (3/4NPT)	1
26	50037	CONNECTOR, STR BULKHEAD - 832-TT-10	1
27	57512	FITTING, 10-8 TRLON-S	1

\*MEANS NOT SHOWN

# E1001 - 2241900 - CONTROL HARNESS, PROCESSOR, U

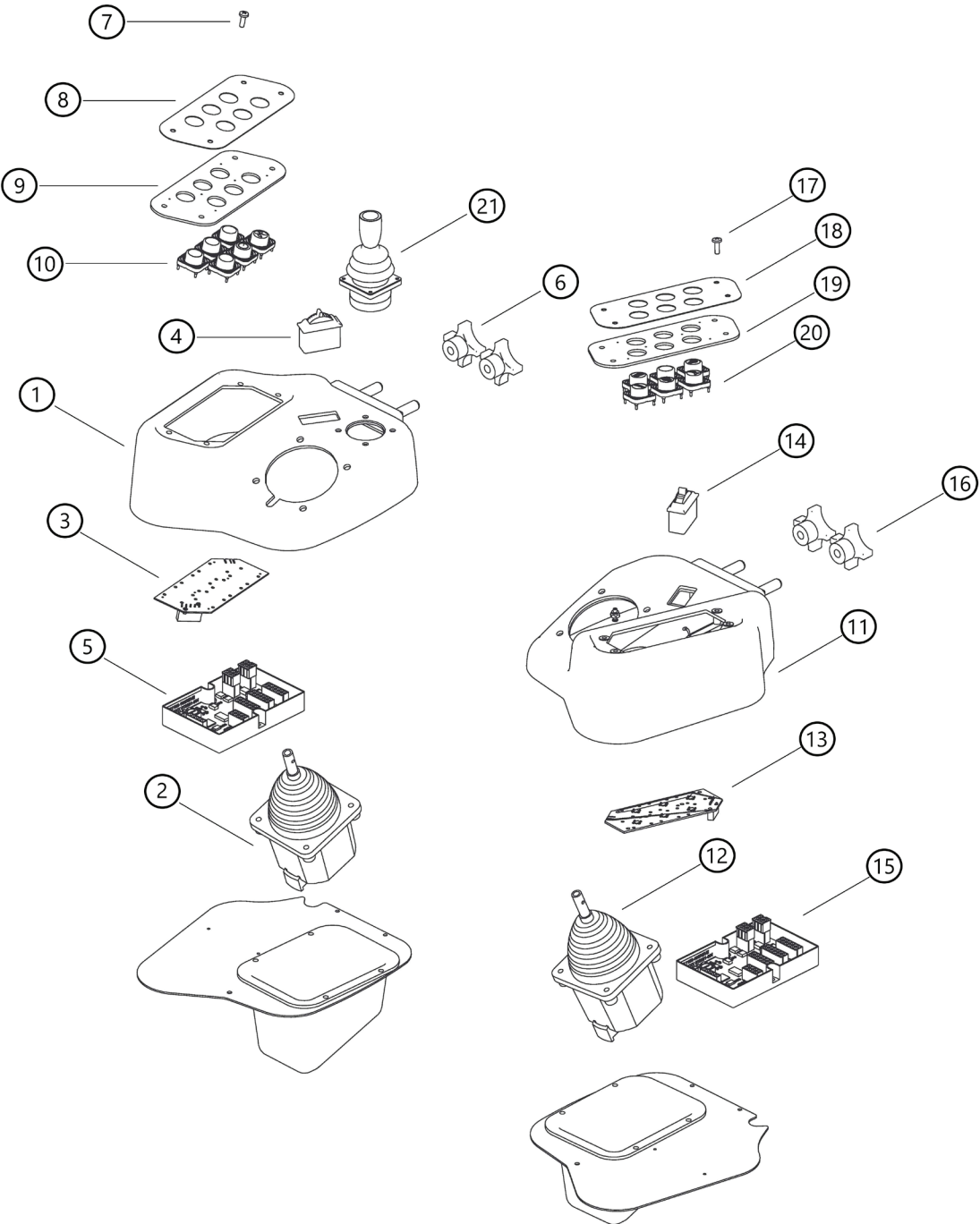
ADD DIELECTRIC SILICONE GREASE TO ELECTRICAL CONNECTORS



Item	Part #	Description	Qty.
1	52644	HARNESS, POWER - PROCESSOR	1
2	53863	HARNESS, PROCESSER - PUMP 1/PUMP 2	1
3	53260	DEUTSCH 8 CONTACT SOCKET KIT	1



E100-00215 - LEFT & RIGHT CONTROL PODS



E-00027D 02/26

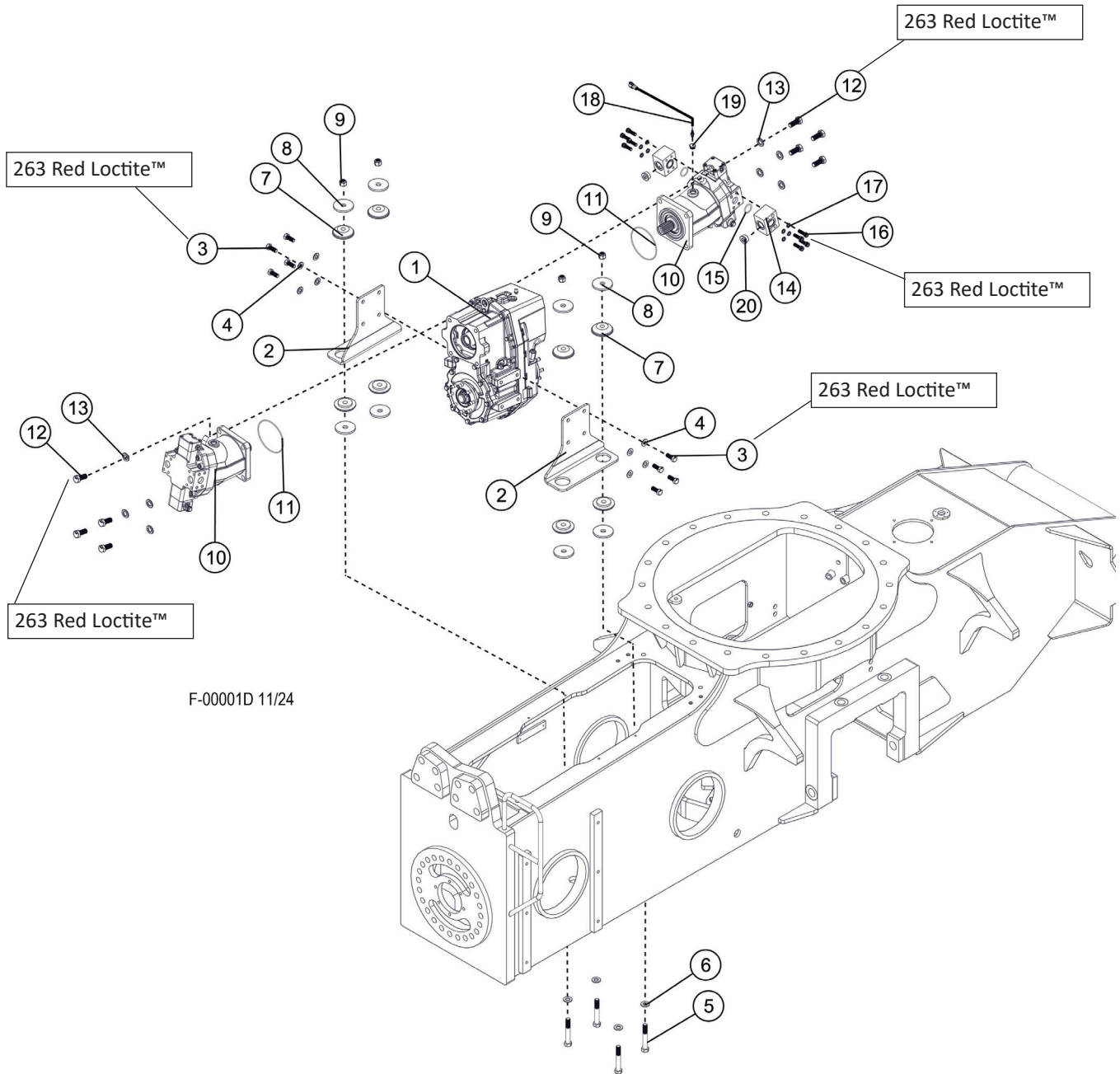
## E100-00215 - LEFT & RIGHT CONTROL PODS

Item	Part #	Description	Qty.
1	55422	POD, JOYSTICK - RH (C&D RH TRACK)	1
2	54126	JOYSTICK, MDL (P&G) CAN RIGHT	1
3	55666	PANEL, 6 SWITCH - POD RH (SWITCHES)	1
4	55703	POT, DETENTED - THUMB WHEEL - C-SERIES	1
5	55707	BOARD, CAN DRIVER - RH (PLASTIC POD)	1
6	CALL	KNOB (DK-57)	2
7	CALL	SCREW, 8-32-1/2"	1
8	CALL	COVER, SWITCHES (M1335-227)	1
9	CALL	SPACER, SWITCHES	1
10	CALL	BUTTON, BLANK (M13361)	1
*	CALL	BUTTON, DISC SAW (M13361-009)	1
*	CALL	BUTTON, MOTOR SHIFT (M13361-10)	1
11	55417	POD, JOYSTICK - LH (C&D SERIES WHEEL/TRA	1
12	54125	JOYSTICK, MDL - CAN LEFT	1
13	55667	PANEL, 6 SWITCH - POD LH (SWITCHES)	1
14	55703	POT, DETENTED - THUMB WHEEL - C-SERIES	1
15	55708	BOARD, CAN DRIVER - LH (PLASTIC POD)	1
16	CALL	KNOB (DK-57)	2
17	CALL	SCREW, 8-32-1/2"	1
18	CALL	COVER, SWITCHES (M1335-227)	1
19	CALL	SPACER, SWITCHES	1
20	CALL	BUTTON, BLANK (M13361)	1
*	CALL	BUTTON, ARMING (M13361-004)	1
*	CALL	BUTTON, CHARGE HEATER (M13361-005)	1
*	CALL	BUTTON, PARKING BRAKE (M13361-003)	1
*	CALL	BUTTON, HORN (M13361-006)	1
*	CALL	BUTTON, AUTO THROTTLE (M13361-007)	1
21	57423	JOYSTICK, STEER - PLASTIC POD - CURRENT	1

**FRAME - (F)**



# F2420 - 2245400 - TRANSFER CASE

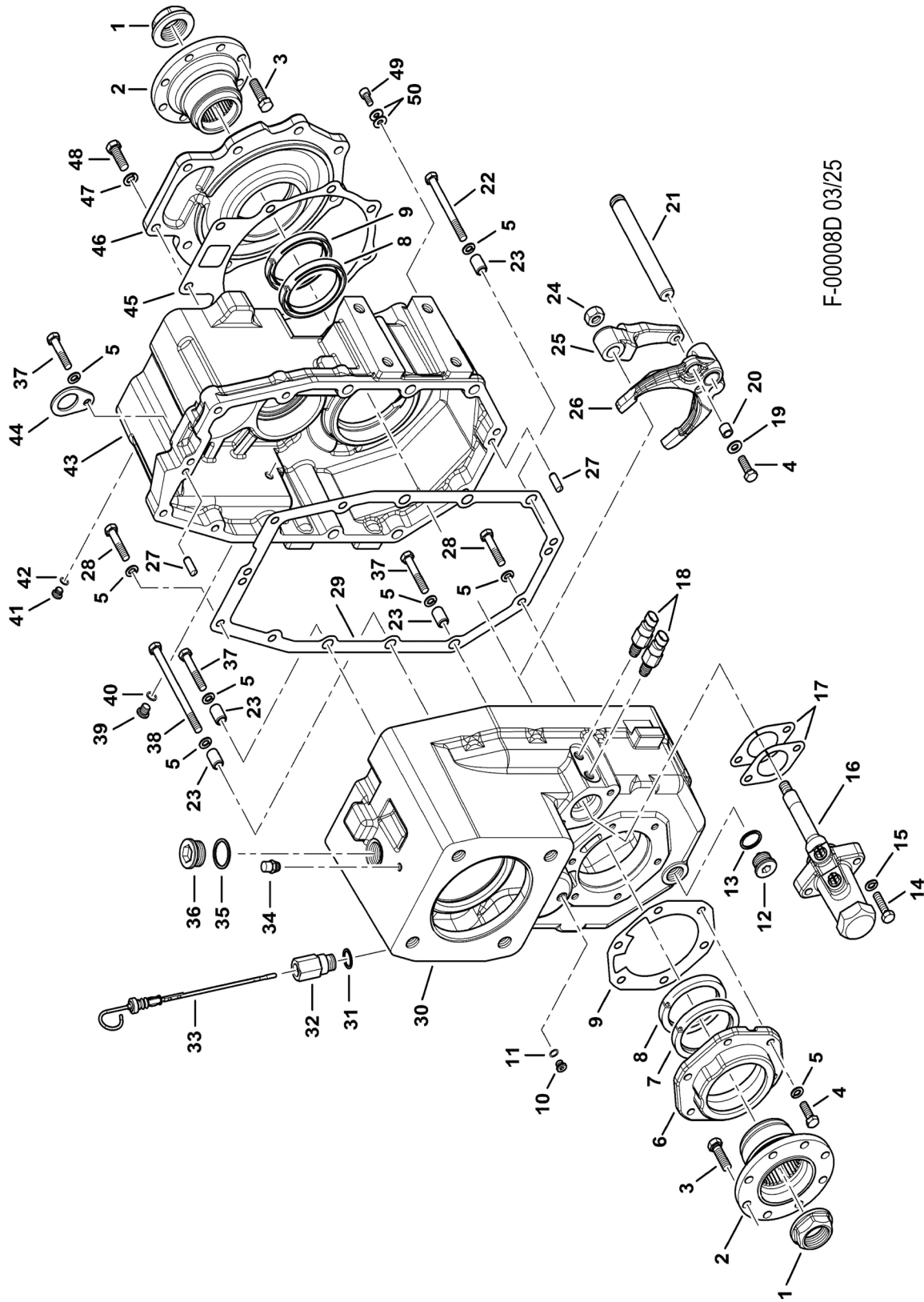


## F2420 - 2245400 - TRANSFER CASE

Item	Part #	Description	Qty.
1	50371	GEARBOX - VG75 DUAL MOTOR - 2 SPEED	1
2	52119	MOUNT, TRANSMISSION TIM-15 TF810-840	2
3	50382	BOLT - 16MM-2.0P X 40MM 263 RED LOCTITE™	8
4	10771	WASHER, SAE FLAT - .625"	8
5	10844	BOLT - .75" X 5"	4
6	15550	WASHER, SAE FLAT - .75"	4
7	17904	ISOLATOR, ENGINE MOUNT (CAT)	8
8	17918	WASHER, ISOLATOR MOUNT - .875" X 3.5"	8
9	10817	NUT, LOCK - .75"	4
10	51869	MOTOR, WHEEL - 160CC	2
11	20967	O-RING, WHEEL DRIVE MOTOR PILOT (FWD)	2
12	18525	BOLT - 20MM-2.5P X 50MM 263 RED LOCTITE™	8
13	42110	WASHER, FLAT - 20MM	8
14	26008	MANIFOLD, REXROTH 160CC MOTOR(S)	2
15	15378	O-RING - 1.25" SF (CODE 61/62)	2
16	50074	BOLT, ALLEN HEAD - .5" X 1.5" 263 RED LOCTITE™	8
17	50075	WASHER, LOCK - .5" HIGH COLLAR	8
18	25280	SENSOR, SPEED - WD MOTOR	1
19	59548	ADAPTER (SPEED SENSOR)	1
*	59549	USE INSTEAD FOR TANGUAY ASSEMBLIES	1
20	18948	PLUG	2
*	52858	RESISTOR 2.2 KILOHMS -( 25280 SENSOR)	1

\*MEANS NOT SHOWN

F2420 - 2245400 - GEARBOX



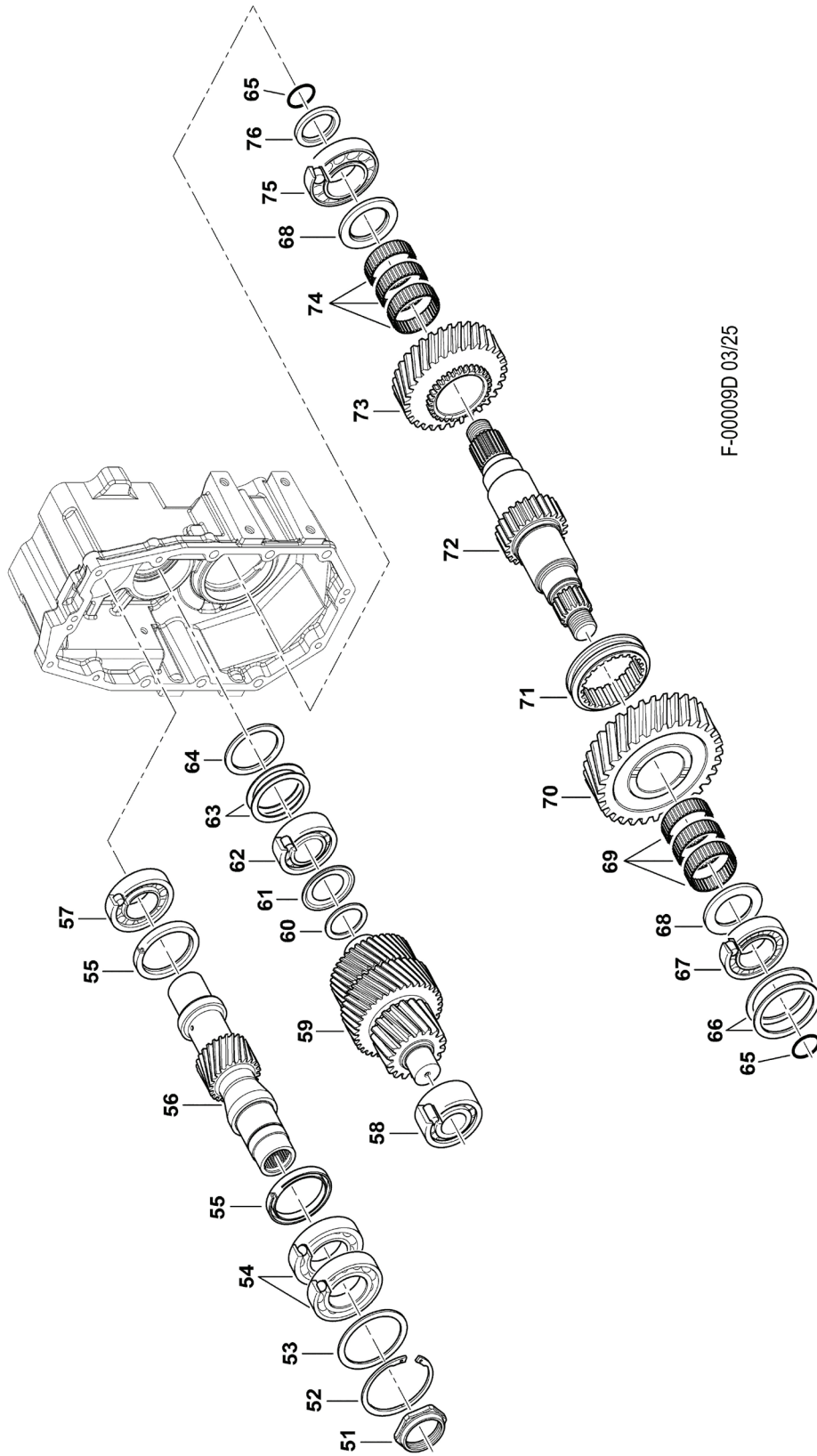
F-00008D 03/25

## F2420 - 2245400 - GEARBOX

Item	Part #	Description	Qty.
1	23824	NUT, FLANGE - 40MM	2
2	52906	FLANGE	2
3	55882	HEXAGON BOLT	16
4	56525	HEXAGON BOLT	7
5	23722	DETENT EDGED RING	18
6	7301.029	COVER	1
7	50134	OIL SEAL	2
8	50135	SEAL, OIL	2
9	58401	GASKET	1
10	700630	SCREW PLUG	1
11	52294	SEAL RING	1
12	56300	SCREW PLUG	1
13	55877	SEAL RING	1
14	700590	HEXAGON BOLT	2
15	23722	WASHER, LOCK - 10MM	2
16	52907	CYLINDER, SHIFT - COMPLETE TIM15	1
17	2108.049	SHIM KIT	1
*	700680	WASHER	n/a
18	54093	SWITCH, NAF GEARBOX - 15 W/NUT-16	2
19	23699	WASHER	1
20	54919	SPACER BUSHING	1
21	9816.119	SHIFTING ROD	1
22	1010.252	HEXAGON BOLT	1
23	7313.012	SHEAR PIN	6
24	23842	NUT, HEX - 14MM	1
25	9809.118	SHIFTING LEVER	1
26	9809.11	SHIFTING FORK	1
27	1200.258	DOWEL PIN	2
28	1010.205	HEXAGON BOLT	6
29	50131	GASKET, GEARBOX	1
30	9801.599	HOUSING	1
31	52299	SEAL RING	1
32	7322.112	THREADED STUD	1
33	55937	OIL DIP STICK	1
34	51270	BREATHER	1
35	1180.518	SEAL RING	1
36	1040.18	SCREW PLUG	1
37	1010.21	HEXAGON BOLT	4
38	1010.226	HEXAGON BOLT	2
39	1040.133	SCREW PLUG	1
40	52296	SEAL RING	1
41	700630	SCREW PLUG	1
42	52294	SEAL RING	1
43	9801.517	HOUSING	1
44	7402.005	BRACKET	1
45	7319.03	GASKET	1
46	7301.141	COVER	1
47	52314	DETENT EDGED RING	9
48	1010.346	HEXAGON BOLT	9
49	23797	BOLT, ALLEN HEAD - 8MM X 16MM	1
50	50133	WASHER	2
*	7340.027	NAME PLATE	1
*	1200.112	PIN	4

\*MEANS NOT SHOWN

# F2420 - 2245400 - GEARBOX



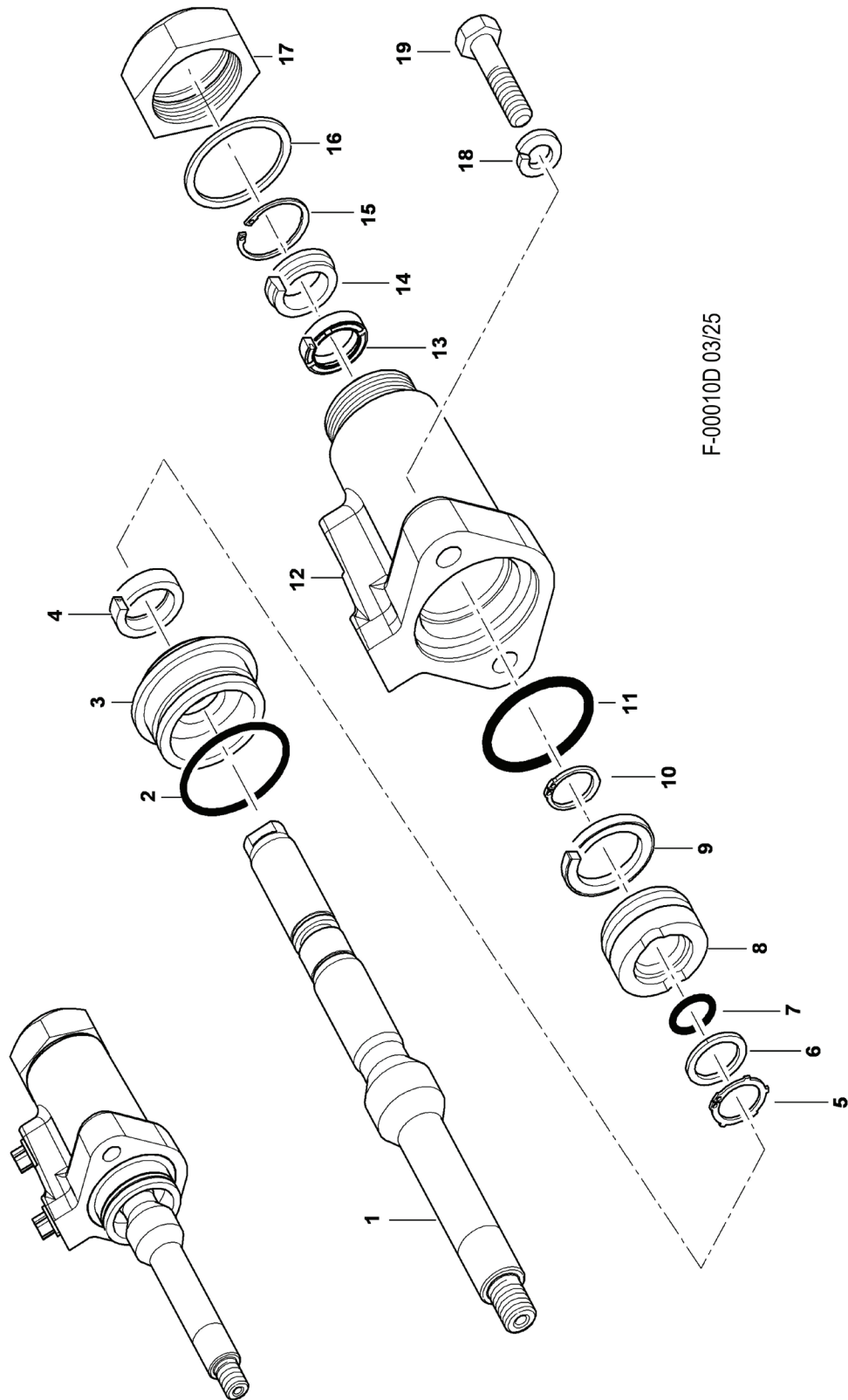
F-00009D 03/25

## F2420 - 2245400 - GEARBOX

Item	Part #	Description	Qty.
51	54938	NUT	1
52	52324	SEEGER CIRCLIP RING	1
53	700640	SEEGER SUPPORT WASHER	1
54	53255	BEARING, TAPPERED ROLLER	2
55	55871	OIL SEAL	2
56	700820	DRIVE PINION	1
57	53252	BEARING, TAPPERED ROLLER	1
58	53256	BEARING, TAPPERED ROLLER	1
59	53249	GEAR BLOCK	1
60	52322	SEEGER SUPPORT WASHER	1
61	52303	NILOS-RING	1
62	53253	BEARING, TAPPERED ROLLER	1
63	2108.013	SHIM KIT	1
*	1210.476	SEEGER SUPPORT WASHER	1
*	1210.267	SEEGER ADJUSTING WASHER	1
*	1210.228	SEEGER ADJUSTING WASHER	1
*	1210.229	SEEGER ADJUSTING WASHER	1
64	52321	SEEGER SUPPORT WASHER	1
65	55873	O-RING	2
66	2108.021	SHIM KIT	1
*	1210.432	SEEGER ADJUSTING WASHER	1
*	1210.433	SEEGER ADJUSTING WASHER	1
*	7317.049	ADJUSTING WASHER	1
*	7317.096	ADJUSTING WASHER	1
*	7317.097	ADJUSTING WASHER	1
*	7317.098	ADJUSTING WASHER	1
67	53257	BEARING, TAPPERED ROLLER	1
68	7315.06	WASHER	2
69	53251	CAGE, NEEDLE	3
70	54958	SPUR GEAR	1
71	54963	SHIFTING SLEEVE	1
72	7222.08	OUTPUT SHAFT	1
73	54957	SPUR GEAR	1
74	53251	CAGE, NEEDLE	3
75	53254	BEARING, TAPPERED ROLLER	1
76	7311.163	SPACER RING	1

\*MEANS NOT SHOWN

# F2420 - 2245400 - GEARBOX

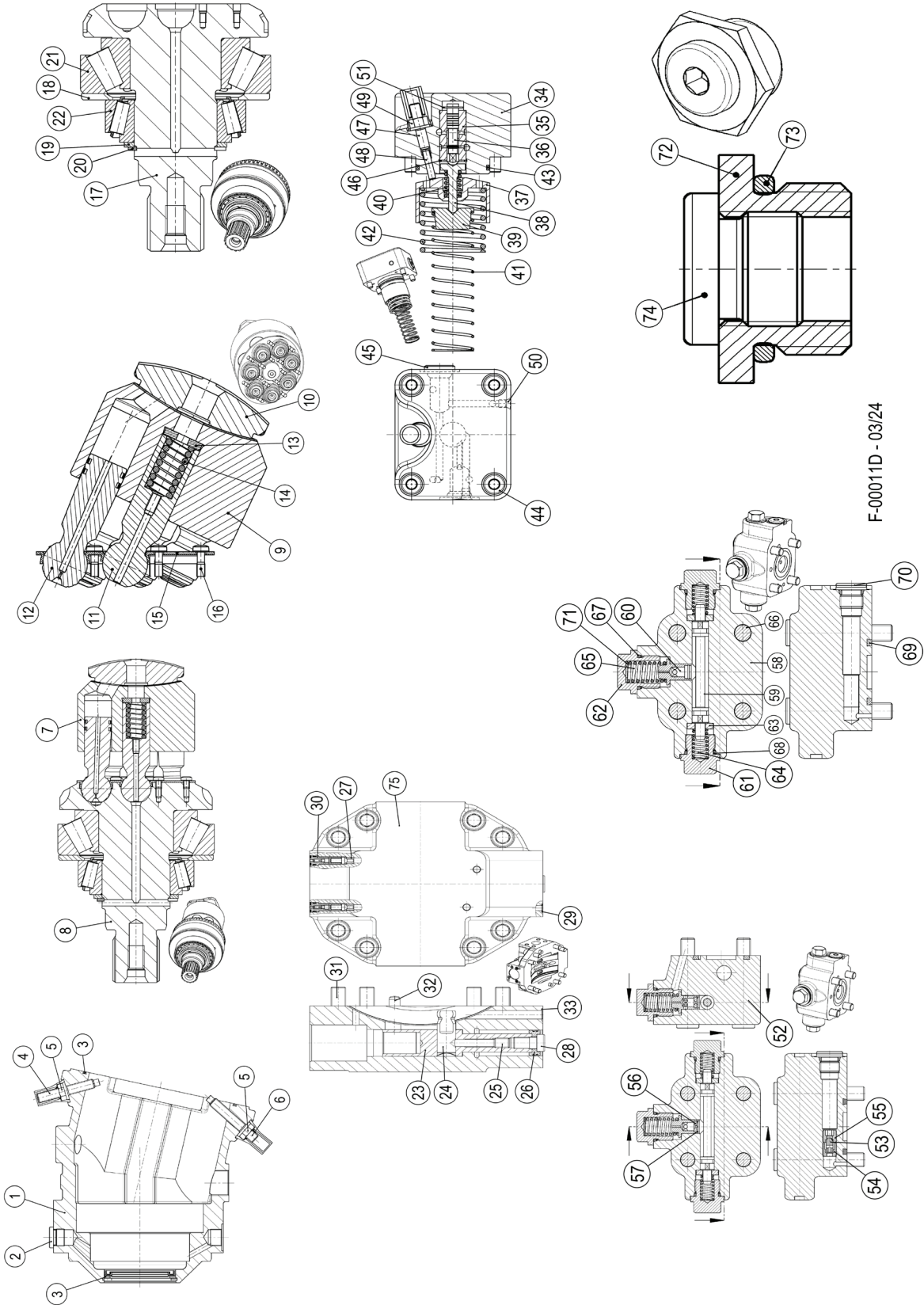


F-00010D 03/25

## F2420 - 2245400 - GEARBOX

<b>Item</b>	<b>Part #</b>	<b>Description</b>	<b>Qty.</b>
1	54965	SHIFTING ROD	1
2	1170.005	O-RING	1
3	7307.097	CENTERING RING	1
4	50519	SEALER, POLE	1
5	50127	SEEGER CIRCLIP RING	1
6	54924	WASHER	1
7	50139	O-RING	1
8	53793	PISTON	1
9	50140	PISTON, SEALING	1
10	1220.053	SEEGER CIRCLIP RING	1
11	23857	O-RING	1
12	54885	CYLINDER	1
13	50128	SEALING, POLE	1
14	7307.08	CENTERING RING	1
15	50129	RING, CIRCLIP	1
16	50136	RING, SEAL	1
17	7302.083	COVER	1
18	23722	WASHER, LOCK - 10MM	2
19	700590	HEXAGON BOLT	2

# F2420 - 2245400 - MOTOR, WHEEL 160CC

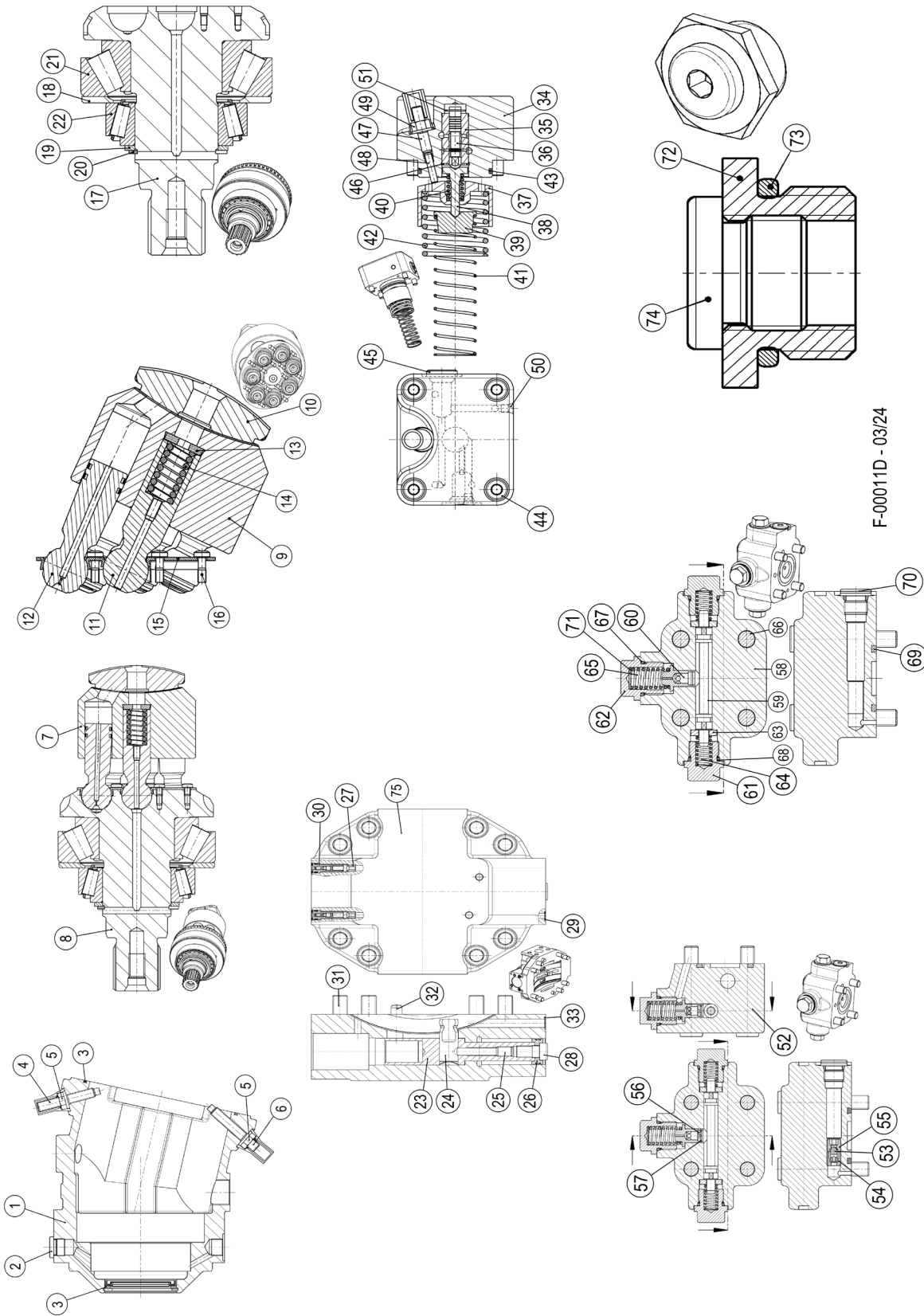


F-00011D - 03/24

## F2420 - 2245400 - MOTOR, WHEEL 160CC

Item	Part #	Description	Qty.
1	R909922156	HOUSING	1
2	R910967343	SCREW PLUG	1
3	56349	SEAL KIT	1
4	R909154041	SETSCREW	1
5	R909152459	SEALING NUT	2
6	R909086120	SETSCREW	1
7	R902277865	ROTARY GROUP	1
8	R902276459	DRIVE SHAFT	1
9	R909430794	CYLINDER	1
10	R902292809	CONTROL LENS	1
11	R909921576	CENTER PIN	1
12	R902021905	PISTON	7
13	R902077201	ADJUSTMENT SHIM L	1
14	R909921583	COMPRESSION SPRING	1
15	R902072553	RETAINING PLATE	1
16	R902602395	PAN-HEAD SCREW	14
17	R902279094	DRIVE SHAFT	1
18	R909651524	SHIM RING	1
19	R902077202	SUPPORTING DISC	1
20	R909083369	RETAINING RING	1
21	R909154687	TAPERED-ROLLER BEARING	1
22	R909154688	TAPERED-ROLLER BEARING	1
23	R902101481	POSITIONING PISTON	1
24	R909422021	POSITIONING STUD	1
25	R902101482	SETSCREW	1
26	R902102905	PISTON	1
27	R902209845	BUSHING	2
28	R902292768	SOCKET HEAD CAP SCREW	1
29	52542	O-RING	3
30	700250	CHECK VALVE	2
31	R902288778	SOCKET HEAD CAP SCREW	8
32	R913009666	STRAIGHT PIN	2
33	R909154236	O-RING	3
34	R902207537	CONTROL HOUSING	1
35	R909417512	CONTROL SLEEVE	1
36	R902045455	CONTROL PISTON	1
37	R909651119	ADJUSTING BUSHING	1
38	R909921351	SPRING DISK	1
39	R909412988	SPRING DISK	1
40	R909921419	COMPRESSION SPRING	1
41	R909440312	COMPRESSION SPRING	1
42	R909651117	COMPRESSION SPRING	1
43	56357	O-RING	1
44	R909830176	SOCKET HEAD CAP SCREW	4
45	R913044793	SCREW PLUG	1
46	R909083381	RETAINING RING	1
47	R909152427	SETSCREW	1
48	R909087165	STRAIGHT PIN	1
49	R909152425	SEALING NUT	1
50	R909831317	DOUBLE BREAK-OFF PLUG	1

# F2420 - 2245400 - MOTOR, WHEEL 160CC



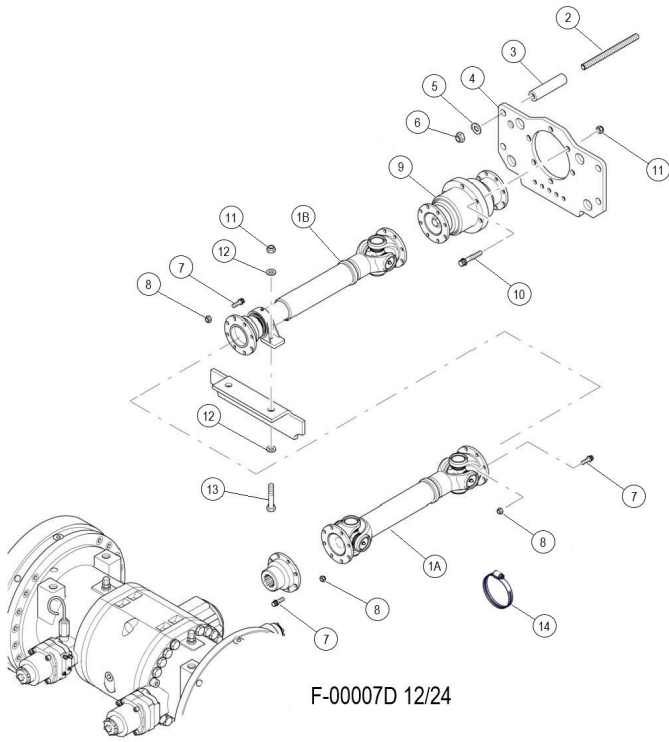
F-00011D - 03/24

## F2420 - 2245400 - MOTOR, WHEEL 160CC

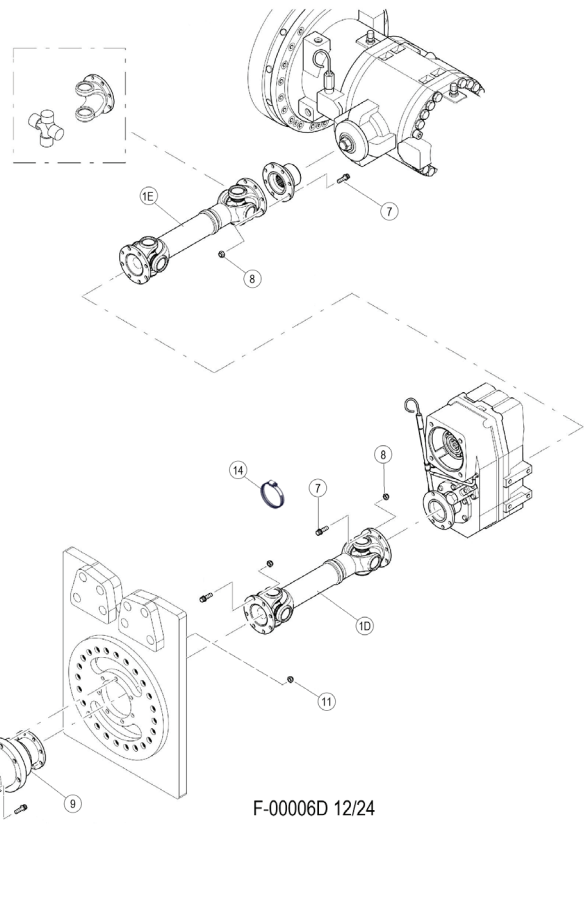
Item	Part #	Description	Qty.
51	R909085812	LOCKING WASHER	1
52	R902206820	FLUSH/BOOST PRESSURE VALVE	1
53	R909417118	THROTTLE PIN	1
54	R909400263	THROTTLE SCREW	1
55	R909400264	THROTTLE SCREW	1
56	R902290112	ORIFICE	1
57	R909153012	RETAINING RING	1
58	R902117644	VALVE HOUSING	1
59	R902000157	FLUSHING PISTON	1
60	R909430234	VALVE SPOOL	1
61	R902242728	SCREW PLUG	2
62	R902242727	SCREW PLUG	1
63	R909417112	WASHER	2
64	R902011921	COMPRESSION SPRING	2
65	R909417848	COMPRESSION SPRING	1
66	R909083094	SOCKET HEAD CAP SCREW	4
67	R909830862	O-RING	1
68	R909830860	O-RING	2
69	R909154053	O-RING	1
70	R913044793	SCREW PLUG	1
71	R909157079	SHIM RING	1
72	R909650107	THREADED REDUCING STUD	1
73	R909157665	O-RING	1
74	R909156651	SCREW PLUG	1
75	R902279423	COVER PLATE	1
*	R902217356	HOUSING	1
*	R902277881	ROTARY GROUP	1
*	R902279425	COVER PLATE	1
*	R909610062	CONTROL PART	1
*	R902206819	FLUSH/BOOST PRESSURE VALVE	1
*	R902132494	THREADED REDUCING STUD	1
*	R909921577	ADJUSTMENT SHIM	1
*	R909921578	ADJUSTMENT SHIM	1
*	R909921579	ADJUSTMENT SHIM	1
*	R909921580	ADJUSTMENT SHIM	1
*	R909921581	ADJUSTMENT SHIM	1
*	R909921582	ADJUSTMENT SHIM	1
*	R909650815	SUPPORTING DISC	1
*	R909921589	SUPPORTING DISC	1
*	R909921590	SUPPORTING DISC	1
*	R909921591	SUPPORTING DISC	1
*	R909921592	SUPPORTING DISC	1
*	R909921593	SUPPORTING DISC	1
*	R909921594	SUPPORTING DISC	1
*	R909921595	SUPPORTING DISC	1
*	R909921596	SUPPORTING DISC	1

\*MEANS NOT SHOWN

# F3240 - 2244800 - DRIVELINE, ST, 830, U



F-00007D 12/24

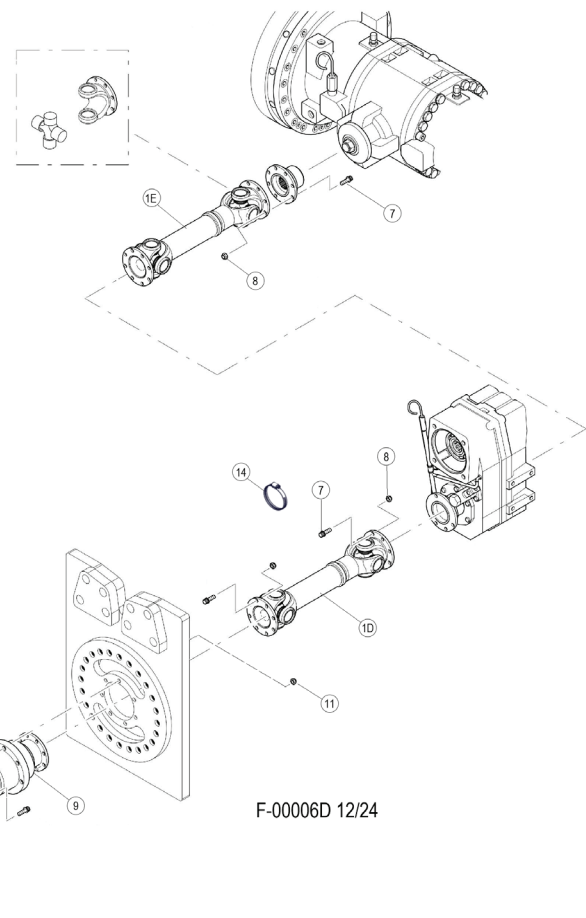
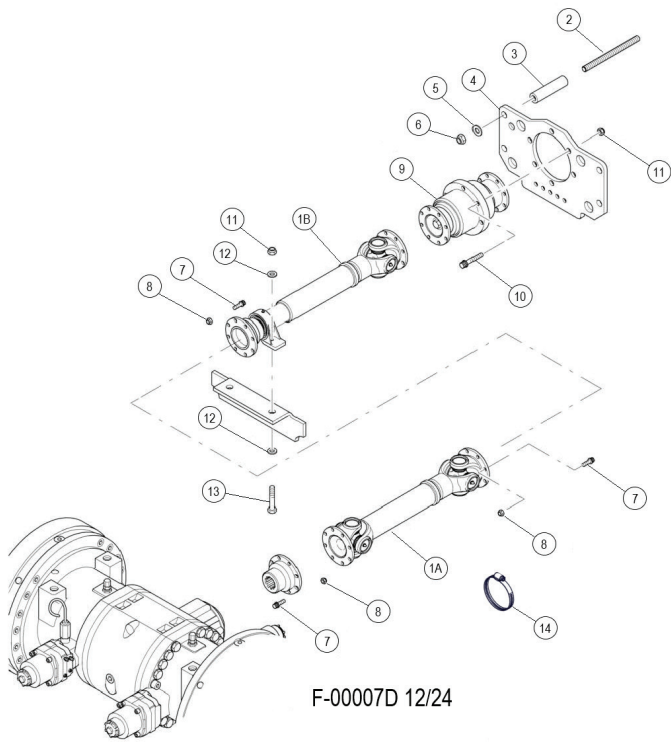


F-00006D 12/24

### F3240 - 2244800 - DRIVELINE, ST, 830, U

Item	Part #	Description	Qty.
	52480	DRIVELINE ASSY. - TF830 STD FRAME	1
1A	59151	DRIVESHAFT - 500793-61	1
1B	59152	DRIVESHAFT - 498347-61	1
1C	25968	DRIVESHAFT - 457176-61	1
1D	23996	DRIVESHAFT - 445731-61	1
1E	50283	DRIVESHAFT - 464295-61	1
2	26037	STUD - .75" X 8.5"	4
3	80721	SPACER, STAND-OFF CARRIER 1"X6" 13/16"	4
4	52486	BRACKET, BRG MOUNT - DRIVE 830	1
5	15550	WASHER, SAE FLAT - .75"	4
6	10817	NUT, LOCK - .75"	4
7	50261	BOLT, 12 POINT - 12MM-1.75P X 35MM	80
8	50262	NUT, LOCK - 12MM-1.75P	80
9	25218	CARRIER BEARING SHAFT	2
10	50052	BOLT, 12 POINT - .625" x 2.5"	12
11	10816	NUT, LOCK - .625"	14
12	23210	WASHER, SAE FLAT - .625" (EXTRA THICK)	4
13	15517	BOLT - .625" X 2.5"	2
14	52449	CLAMP, WORM STYLE 4"	2

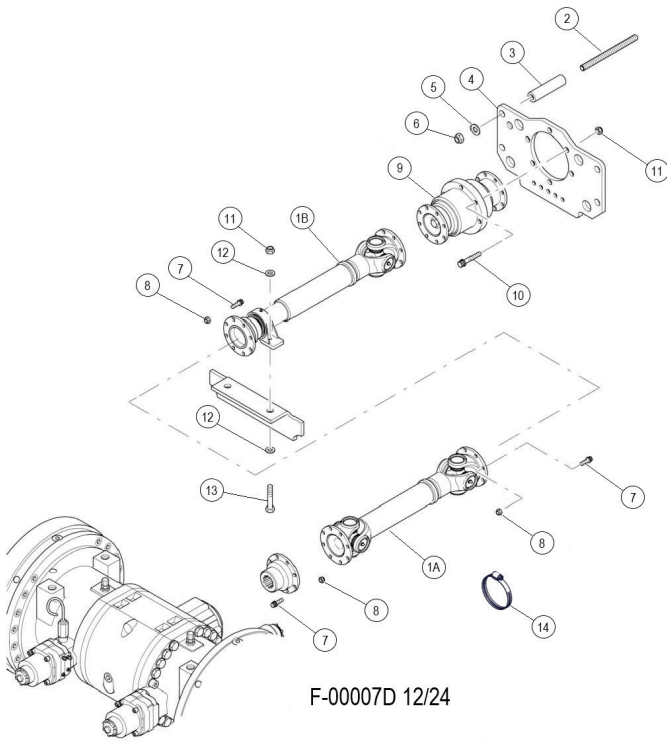
# F3240 - 2244900 - DRIVELINE, ST+2, 830, U



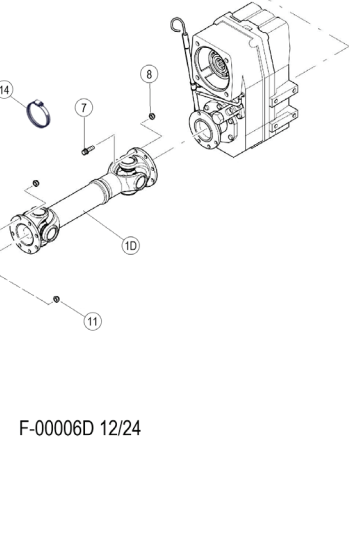
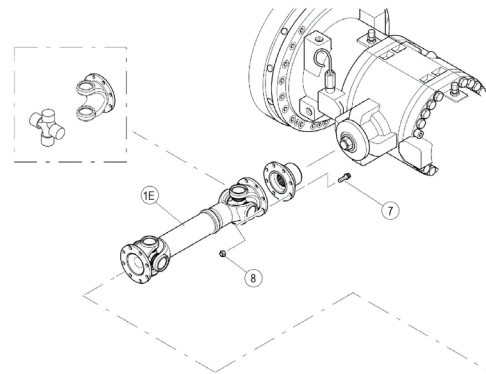
### F3240 - 2244900 - DRIVELINE, ST+2, 830, U

<b>Item</b>	<b>Part #</b>	<b>Description</b>	<b>Qty.</b>
	53668	DRIVELINE, TF830 +24 NON LEVELING	1
1A	59153	DRIVESHAFT - 503057-61	1
1B	59152	DRIVESHAFT - 498347-61	1
1C	25968	DRIVESHAFT - 457176-61	1
1D	23996	DRIVESHAFT - 445731-61	1
1E	50283	DRIVESHAFT - 464295-61	1
2	26037	STUD - .75" X 8.5"	4
3	80721	SPACER, STAND-OFF CARRIER 1"X6" 13/16"	4
4	52486	BRACKET, BRG MOUNT - DRIVE 830	1
5	15550	WASHER, SAE FLAT - .75"	4
6	10817	NUT, LOCK - .75"	4
7	50261	BOLT, 12 POINT - 12MM-1.75P X 35MM	80
8	50262	NUT, LOCK - 12MM-1.75P	80
9	25218	CARRIER BEARING SHAFT	2
10	50052	BOLT, 12 POINT - .625" x 2.5"	12
11	10816	NUT, LOCK - .625"	14
12	23210	WASHER, SAE FLAT - .625" (EXTRA THICK)	4
13	15517	BOLT - .625" X 2.5"	2
14	52449	CLAMP, WORM STYLE 4"	2

# F3240 - 2245000 - DRIVELINE, ST+3, 830, U



F-00007D 12/24

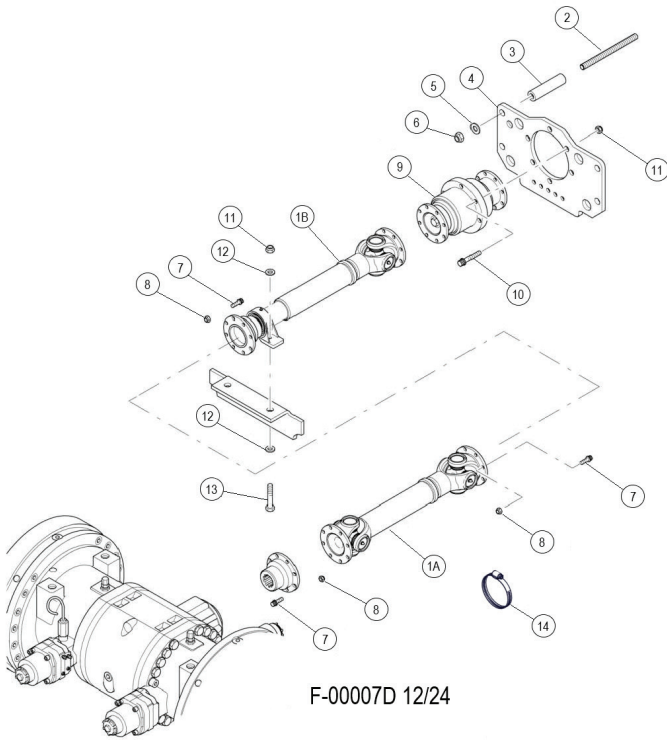


F-00006D 12/24

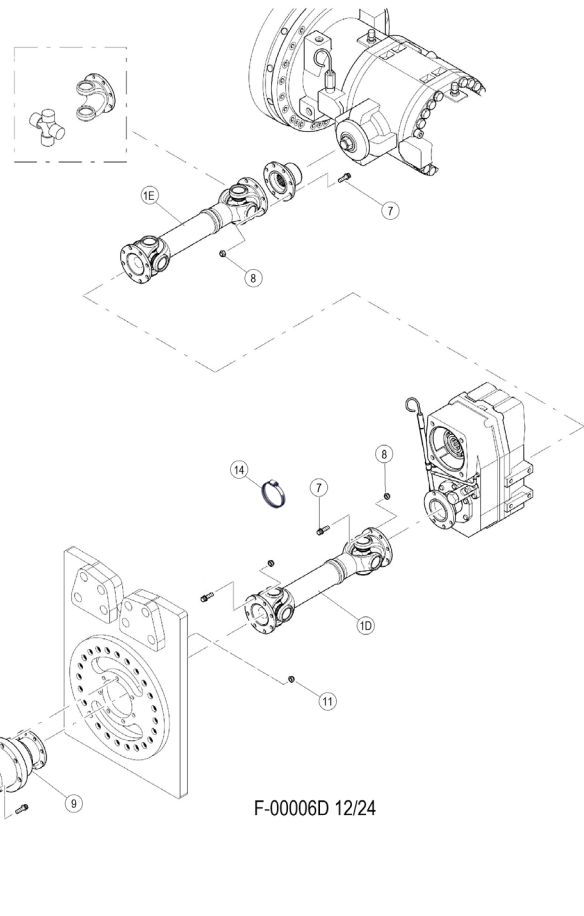
**F3240 - 2245000 - DRIVELINE, ST+3, 830, U**

<b>Item</b>	<b>Part #</b>	<b>Description</b>	<b>Qty.</b>
	58589	DRIVELINE ASSY, TF830D + 36"	1
1A	59155	DRIVESHAFT - 682818-76	1
1B	59154	DRIVESHAFT - 512835-61	1
1C	25968	DRIVESHAFT - 457176-61	1
1D	23996	DRIVESHAFT - 445731-61	1
1E	50283	DRIVESHAFT - 464295-61	1
2	26037	STUD - .75" X 8.5"	4
3	80721	SPACER, STAND-OFF CARRIER 1"X6" 13/16"	4
4	52486	BRACKET, BRG MOUNT - DRIVE 830	1
5	15550	WASHER, SAE FLAT - .75"	4
6	10817	NUT, LOCK - .75"	4
7	50261	BOLT, 12 POINT - 12MM-1.75P X 35MM	80
8	50262	NUT, LOCK - 12MM-1.75P	80
9	25218	CARRIER BEARING SHAFT	2
10	50052	BOLT, 12 POINT - .625" x 2.5"	12
11	10816	NUT, LOCK - .625"	14
12	23210	WASHER, SAE FLAT - .625" (EXTRA THICK)	4
13	15517	BOLT - .625" X 2.5"	2
14	52449	CLAMP, WORM STYLE 4"	2

# F3240 - 2245100 - DRIVELINE, ST+4, 830, U



F-00007D 12/24

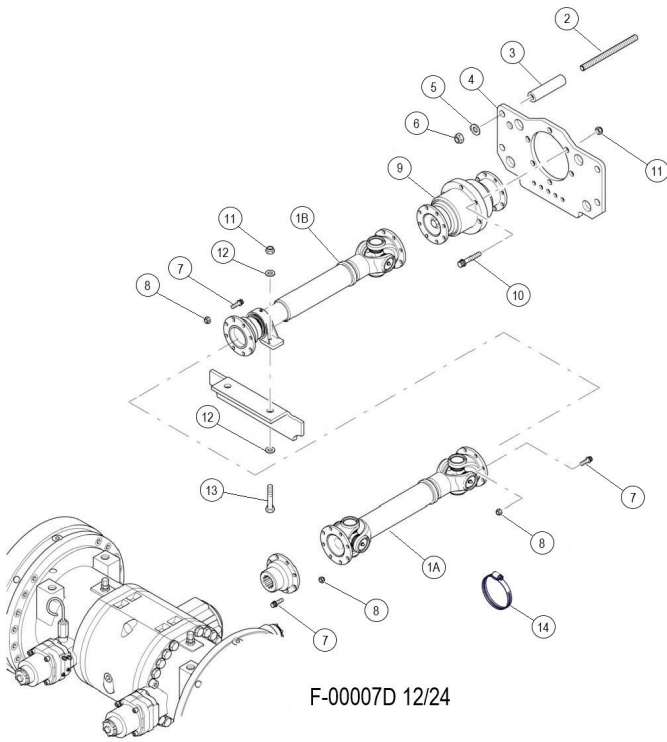


F-00006D 12/24

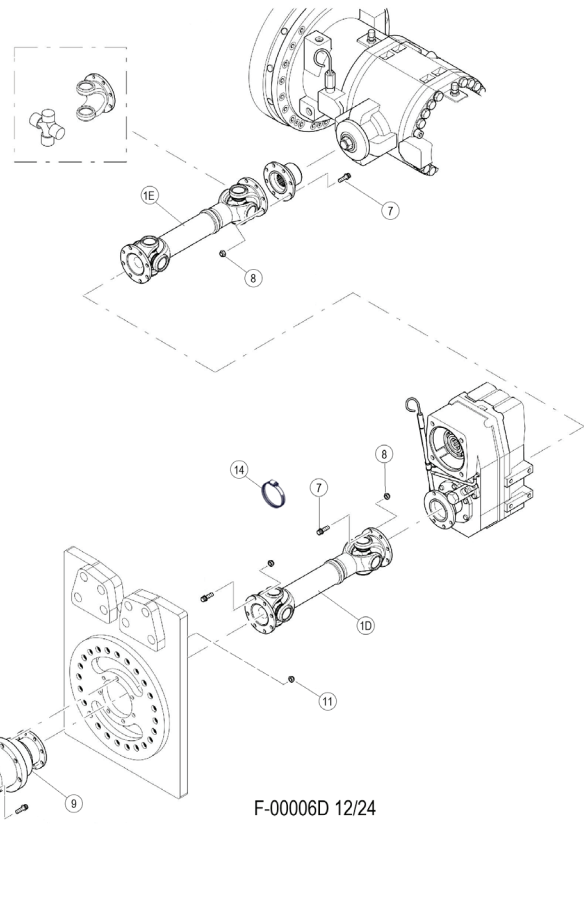
### F3240 - 2245100 - DRIVELINE, ST+4, 830, U

Item	Part #	Description	Qty.
	55548	DRIVELINE ASSY. - TF830 +48 REAR FRAME	1
1A	59156	DRIVESHAFT - 512838-61	1
1B	59154	DRIVESHAFT - 512835-61	1
1C	25968	DRIVESHAFT - 457176-61	1
1D	23996	DRIVESHAFT - 445731-61	1
1E	50283	DRIVESHAFT - 464295-61	1
2	26037	STUD - .75" X 8.5"	4
3	80721	SPACER, STAND-OFF CARRIER 1"X6" 13/16"	4
4	52486	BRACKET, BRG MOUNT - DRIVE 830	1
5	15550	WASHER, SAE FLAT - .75"	4
6	10817	NUT, LOCK - .75"	4
7	50261	BOLT, 12 POINT - 12MM-1.75P X 35MM	80
8	50262	NUT, LOCK - 12MM-1.75P	80
9	25218	CARRIER BEARING SHAFT	2
10	50052	BOLT, 12 POINT - .625" x 2.5"	12
11	10816	NUT, LOCK - .625"	14
12	23210	WASHER, SAE FLAT - .625" (EXTRA THICK)	4
13	15517	BOLT - .625" X 2.5"	2
14	52449	CLAMP, WORM STYLE 4"	2

# F3240 - 2247300 - DRIVELINE, ST, 840, U



F-00007D 12/24

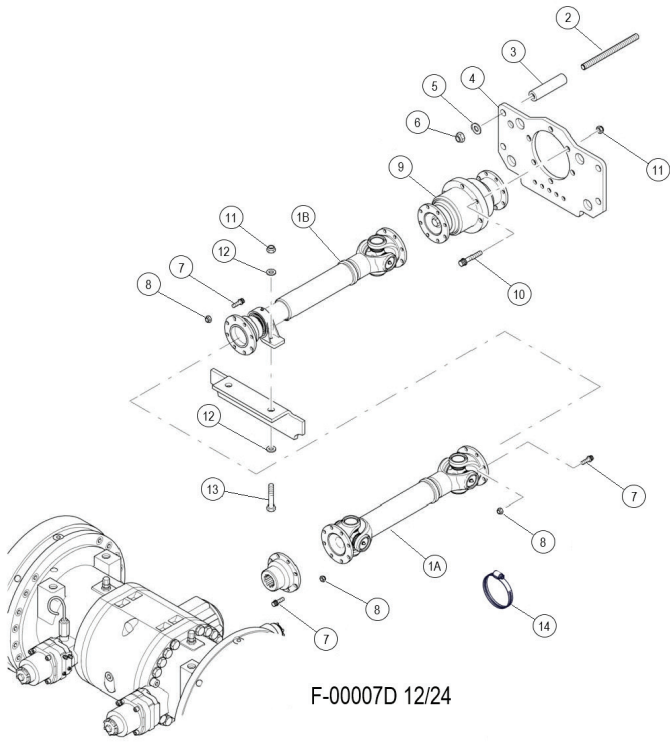


F-00006D 12/24

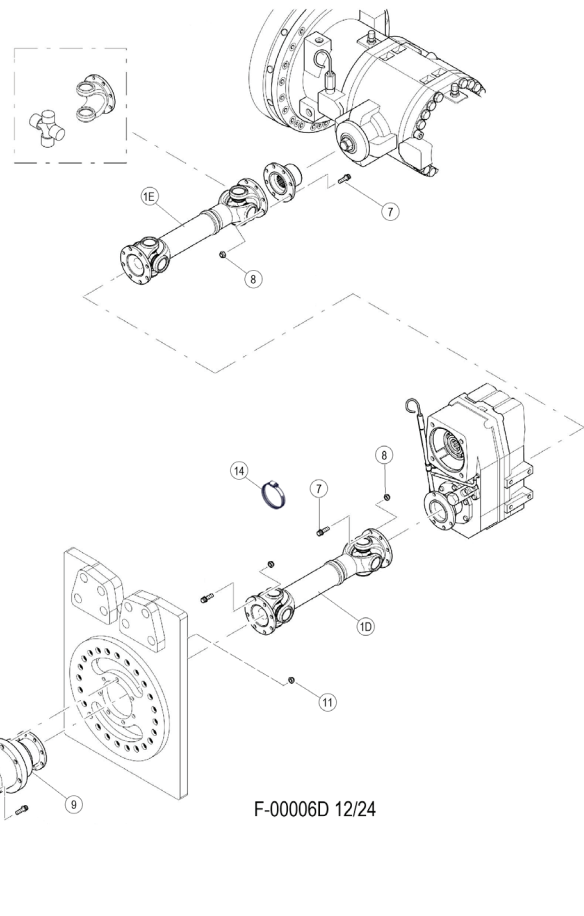
### F3240 - 2247300 - DRIVELINE, ST, 840, U

<b>Item</b>	<b>Part #</b>	<b>Description</b>	<b>Qty.</b>
	52685	DRIVELINE ASSY - TF840 W/STD REAR FRAME	1
1A	59158	DRIVESHAFT - 472668-61	1
1B	59152	DRIVESHAFT - 498347-61	1
1C	25968	DRIVESHAFT - 457176-61	1
1D	23996	DRIVESHAFT - 445731-61	1
1E	59157	DRIVESHAFT - 501742-61	1
2	26037	STUD - .75" X 8.5"	4
3	80721	SPACER, STAND-OFF CARRIER 1"X6" 13/16"	4
4	52486	BRACKET, BRG MOUNT - DRIVE 830	1
5	15550	WASHER, SAE FLAT - .75"	4
6	10817	NUT, LOCK - .75"	4
7	50261	BOLT, 12 POINT - 12MM-1.75P X 35MM	80
8	50262	NUT, LOCK - 12MM-1.75P	80
9	25218	CARRIER BEARING SHAFT	2
10	50052	BOLT, 12 POINT - .625" x 2.5"	12
11	10816	NUT, LOCK - .625"	14
12	23210	WASHER, SAE FLAT - .625" (EXTRA THICK)	4
13	15517	BOLT - .625" X 2.5"	2
14	52449	CLAMP, WORM STYLE 4"	2

# F3240 - 2247400 - DRIVELINE, ST+4, 840, U



F-00007D 12/24

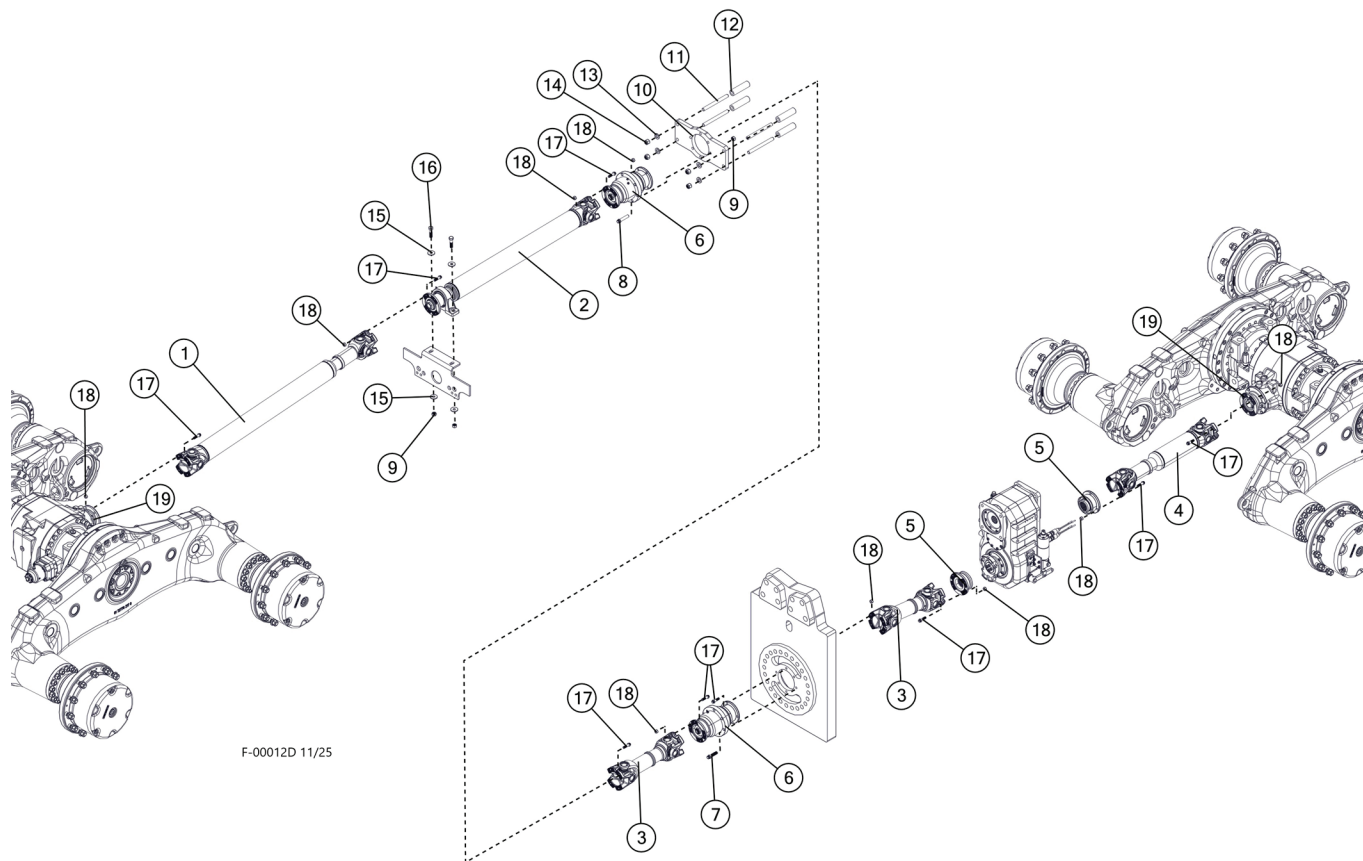


F-00006D 12/24

### F3240 - 2247400 - DRIVELINE, ST+4, 840, U

Item	Part #	Description	Qty.
	52536	DRIVELINE ASSY, TF840 +24	1
1A	59153	DRIVESHAFT - 503057-61	1
1B	59152	DRIVESHAFT - 498347-61	1
1C	25968	DRIVESHAFT - 457176-61	1
1D	23996	DRIVESHAFT - 445731-61	1
1E	59157	DRIVESHAFT - 501742-61	1
2	26037	STUD - .75" X 8.5"	4
3	80721	SPACER, STAND-OFF CARRIER 1"X6" 13/16"	4
4	52486	BRACKET, BRG MOUNT - DRIVE 830	1
5	15550	WASHER, SAE FLAT - .75"	4
6	10817	NUT, LOCK - .75"	4
7	50261	BOLT, 12 POINT - 12MM-1.75P X 35MM	80
8	50262	NUT, LOCK - 12MM-1.75P	80
9	25218	CARRIER BEARING SHAFT	2
10	50052	BOLT, 12 POINT - .625" x 2.5"	12
11	10816	NUT, LOCK - .625"	14
12	23210	WASHER, SAE FLAT - .625" (EXTRA THICK)	4
13	15517	BOLT - .625" X 2.5"	2
14	52449	CLAMP, WORM STYLE 4"	2

# F3250 - 2247600 - DRIVELINE ASSY TF840+4' REAR FRAME - 4 BOLT FLANGE - (TANGUAY) (UP TO S/N:0934)

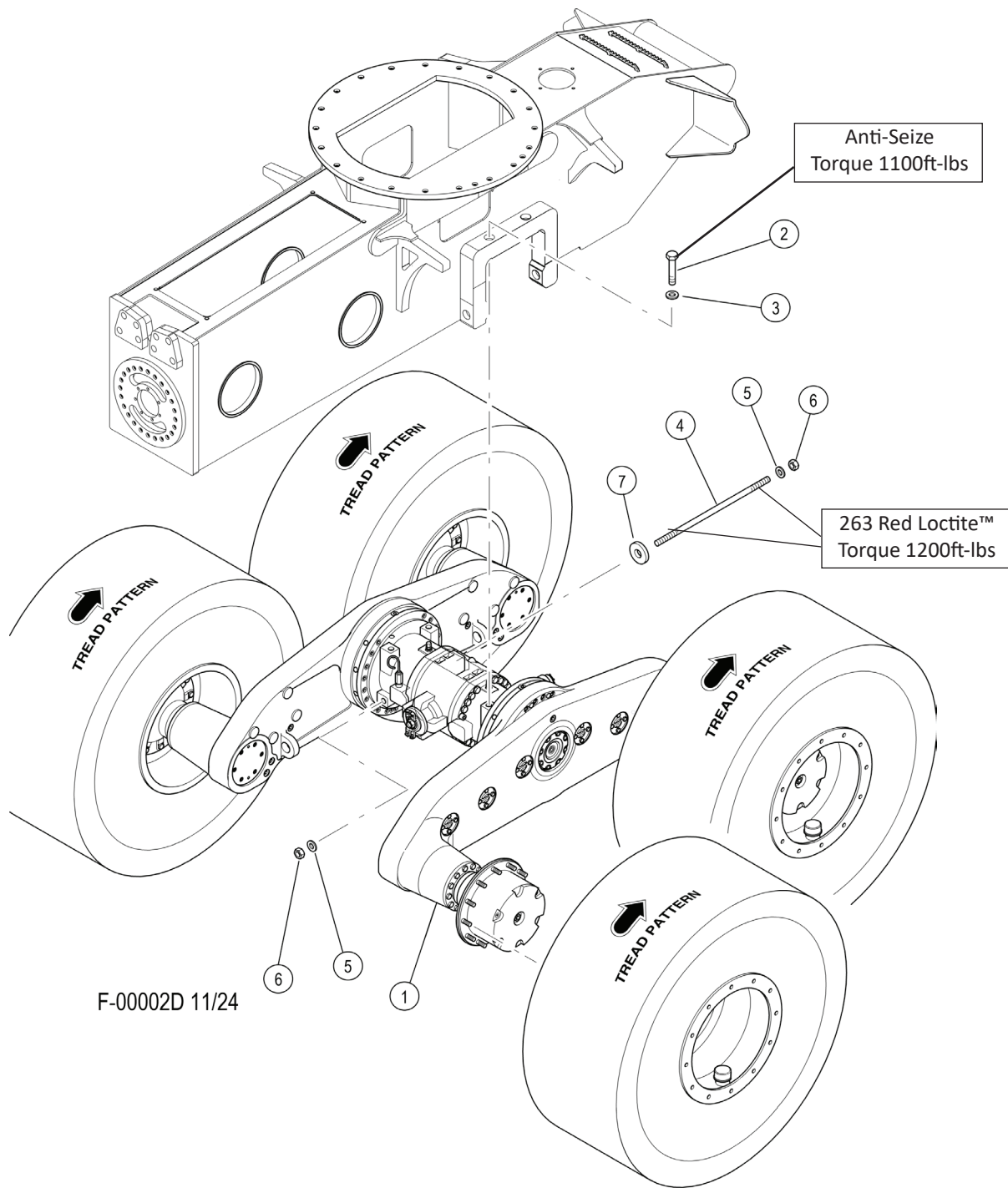


F-00012D 11/25

**F3250 - 2247600 - DRIVELINE ASSY TF840+4' REAR FRAME -  
4 BOLT FLANGE - (TANGUAY) (UP TO S/N:0934)**

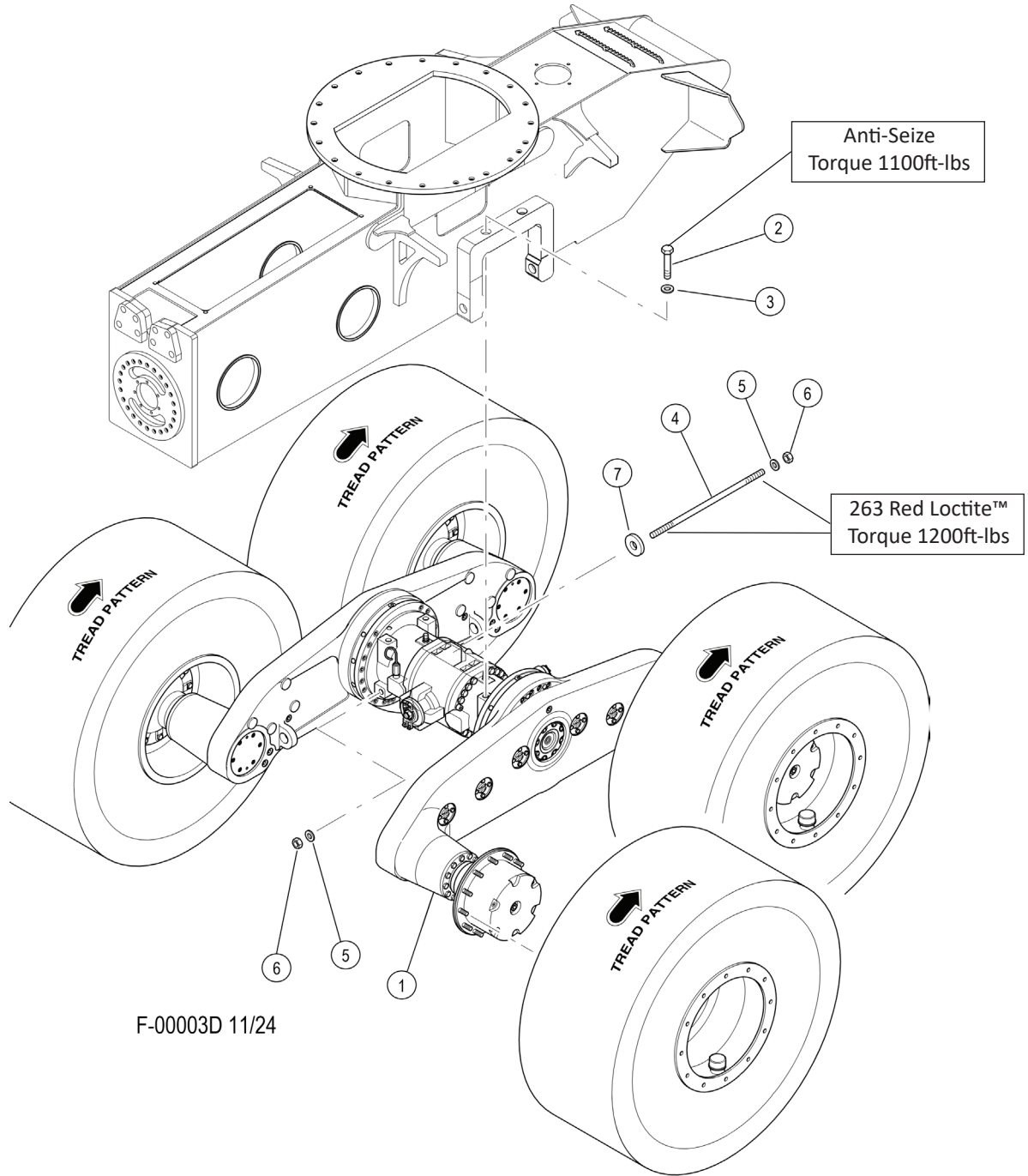
<b>Item</b>	<b>Part #</b>	<b>Description</b>	<b>Qty.</b>
1	668920	DRIVESHAFT - 1005882-171	1
2	668930	DRIVESHAFT - 1005881-171	1
3	668940	DRIVESHAFT - 1005880-171	1
4	668950	DRIVESHAFT - 1005878-171	1
5	668980	TRANSMISSION COMPANION FLANGE	2
6	668990	BEARING HOUSING	2
7	50052	BOLT, 12 POINT - .625" x 2.5"	6
8	50050	BOLT, 12 POINT - .625" x 3"	6
9	10816	NUT, LOCK - .625"	8
10	65479	PLATE, BRG MT DRIVELINE TANGUAY	1
11	26037	STUD - .75" X 8.5"	4
12	65480	SPACER, STAND-OFF CARRIER 1"X5.5" 13/16"	4
13	15550	WASHER, SAE FLAT - .75"	4
14	10817	NUT, LOCK - .75"	4
15	10805	WASHER, FLAT - .625"	4
16	15517	BOLT - .625" X 2.5"	2
17	669000	BOLT, 12 POINT - 12MM-1.75P X 45MM	36
18	50262	NUT, LOCK - 12MM-1.75P	36
19	668960	AXLE HOUSING COMPANION FLANGE	2
19	23824	NUT, FLANGE - 40MM (NAF) (U)	2
*	668910	DRIVE SHAFT KIT TF840+4' - 4 BOLT FLANGE - (TANGUAY)	1
*	57674	GEARBOX - DROMOS DUAL MOTOR - 2 SPEED	1

### F4400 - 2245500 - AXLE, FRONT, ST, U



Item	Part #	Description	Qty.
1	51139	AXLE, TANDEM - TIM 17	1
2	53996	BOLT - 30MM-3.5PX220MM ANTI-SEIZE (TORQUE 1100FT LBS)	4
3	23211	WASHER, SAE FLAT - 1.125" (EXTRA THICK)	4
4	52485	STUD - 1.25" - 7 X 27.50" (810/830) 263 RED LOCTITE™ (TORQUE 1200FT LBS)	2
5	22531	WASHER, SAE FLAT - 1.25"	4
6	23989	NUT, LOCK - 1.25"	4
7	24003	WASHER, BURNED	2

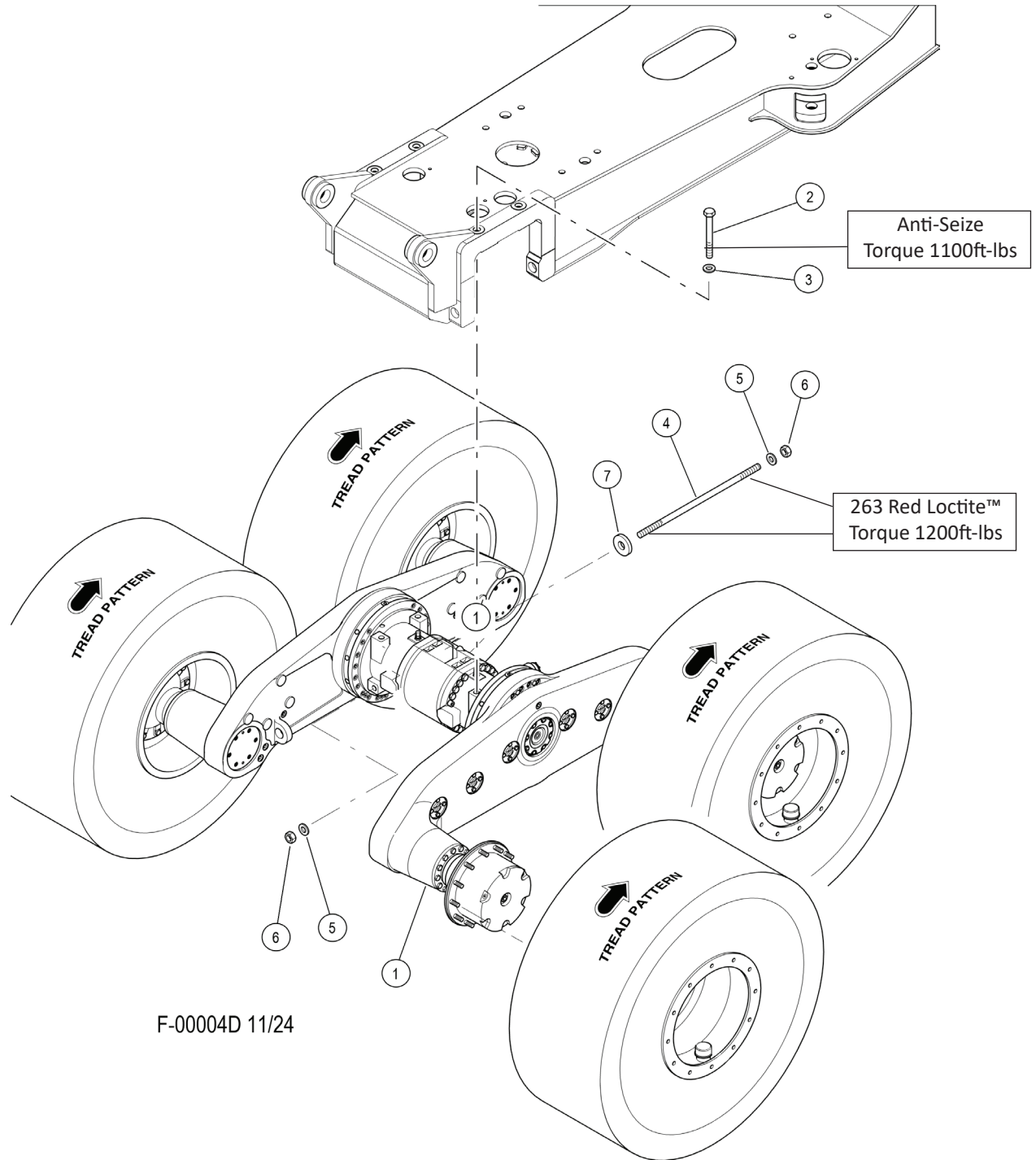
## F4400 - 2245600 - AXLE, FRONT, HD, U



F-00003D 11/24

Item	Part #	Description	Qty.
1	53625	AXLE, TANDEM - TIM 23 (NON BALANCED)	1
2	53996	BOLT - 30MM-3.5PX220MM ANTI-SEIZE (TORQUE 1100FT LBS)	4
3	23211	WASHER, SAE FLAT - 1.125" (EXTRA THICK)	4
4	52485	STUD - 1.25" - 7 X 27.50" (810/830) 263 RED LOCTITE™ (TORQUE 1200FT LBS)	2
5	22531	WASHER, SAE FLAT - 1.25"	4
6	23989	NUT, LOCK - 1.25"	4
7	24003	WASHER, BURNED	2

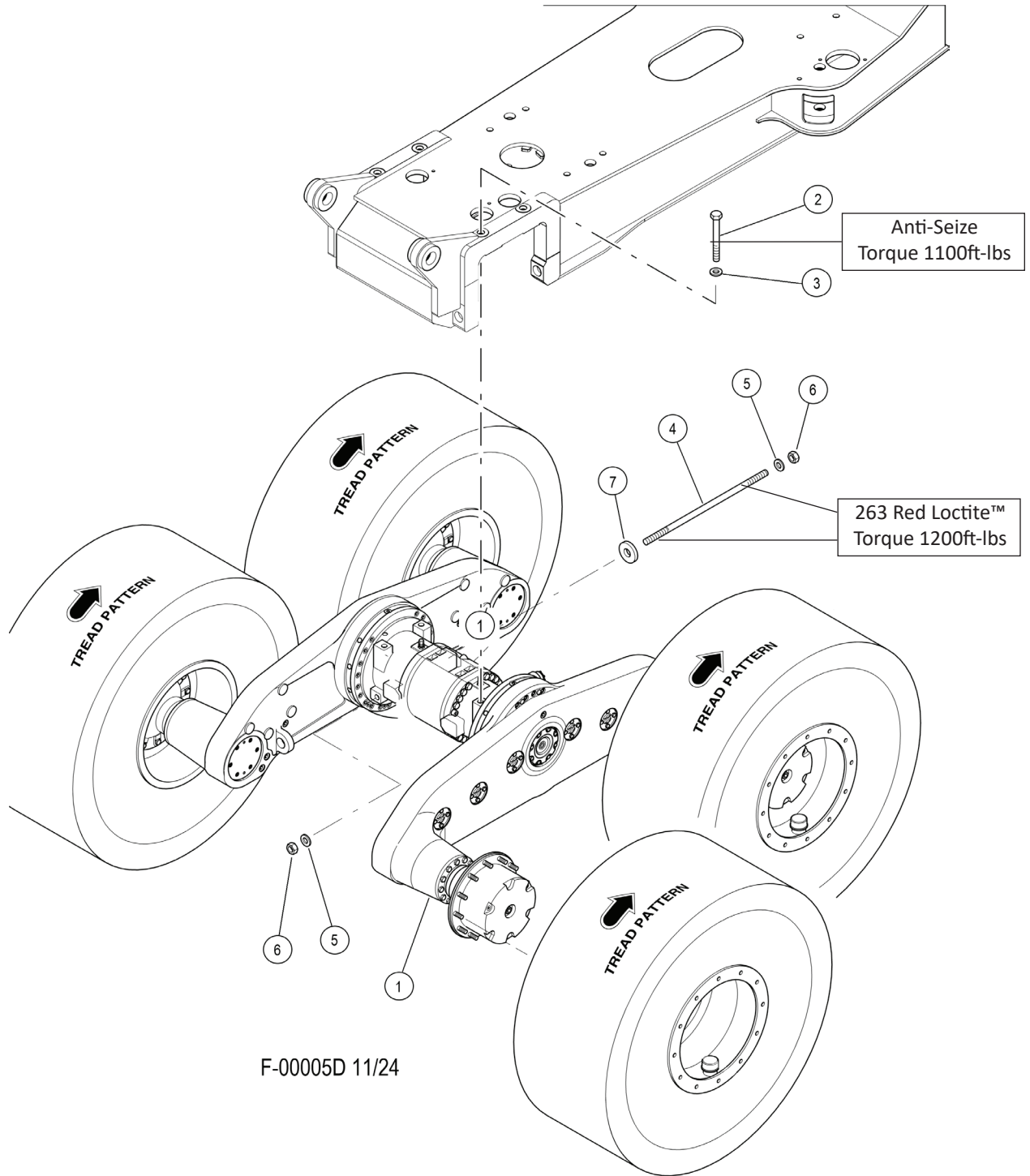
## F4500 - 2245700 - AXLE, REAR, ST, U



F-00004D 11/24

Item	Part #	Description	Qty.
1	23492	AXLE, TANDEM - TIM 08	1
2	53996	BOLT - 30MM-3.5PX220MM ANTI-SEIZE (TORQUE 1100FT LBS)	4
3	23211	WASHER, SAE FLAT - 1.125" (EXTRA THICK)	4
4	52485	STUD - 1.25" - 7 X 27.50" (810/830) 263 RED LOCTITE™ (TORQUE 1200FT LBS)	2
5	22531	WASHER, SAE FLAT - 1.25"	4
6	23989	NUT, LOCK - 1.25"	4
7	24003	WASHER, BURNED	2

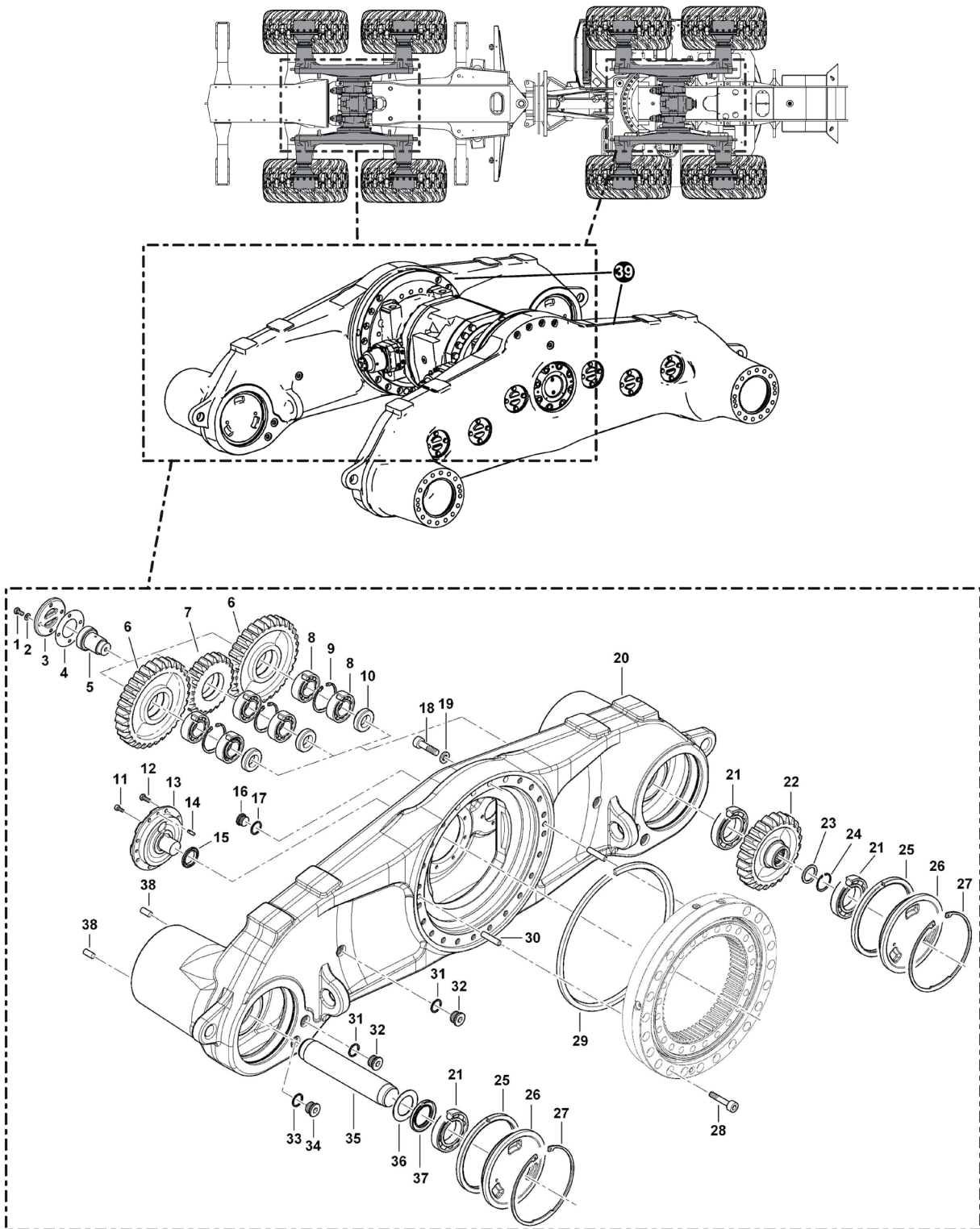
## F4500 - 2245800 - AXLE, REAR, HD, U



F-00005D 11/24

Item	Part #	Description	Qty.
1	53625	AXLE, TANDEM - TIM 23 (NON BALANCED)	1
2	53996	BOLT - 30MM-3.5PX220MM ANTI-SEIZE (TORQUE 1100FT LBS)	4
3	23211	WASHER, SAE FLAT - 1.125" (EXTRA THICK)	4
4	52485	STUD - 1.25" - 7 X 27.50" (810/830) 263 RED LOCTITE™ (TORQUE 1200FT LBS)	2
5	22531	WASHER, SAE FLAT - 1.25"	4
6	23989	NUT, LOCK - 1.25"	4
7	24003	WASHER, BURNED	2

F4400 - 2245500 - F4400 - 2245600 - F4500 - 2245700 - F4500 - 2245800 - TANDEM AXLE ASSEMBLY - 830D

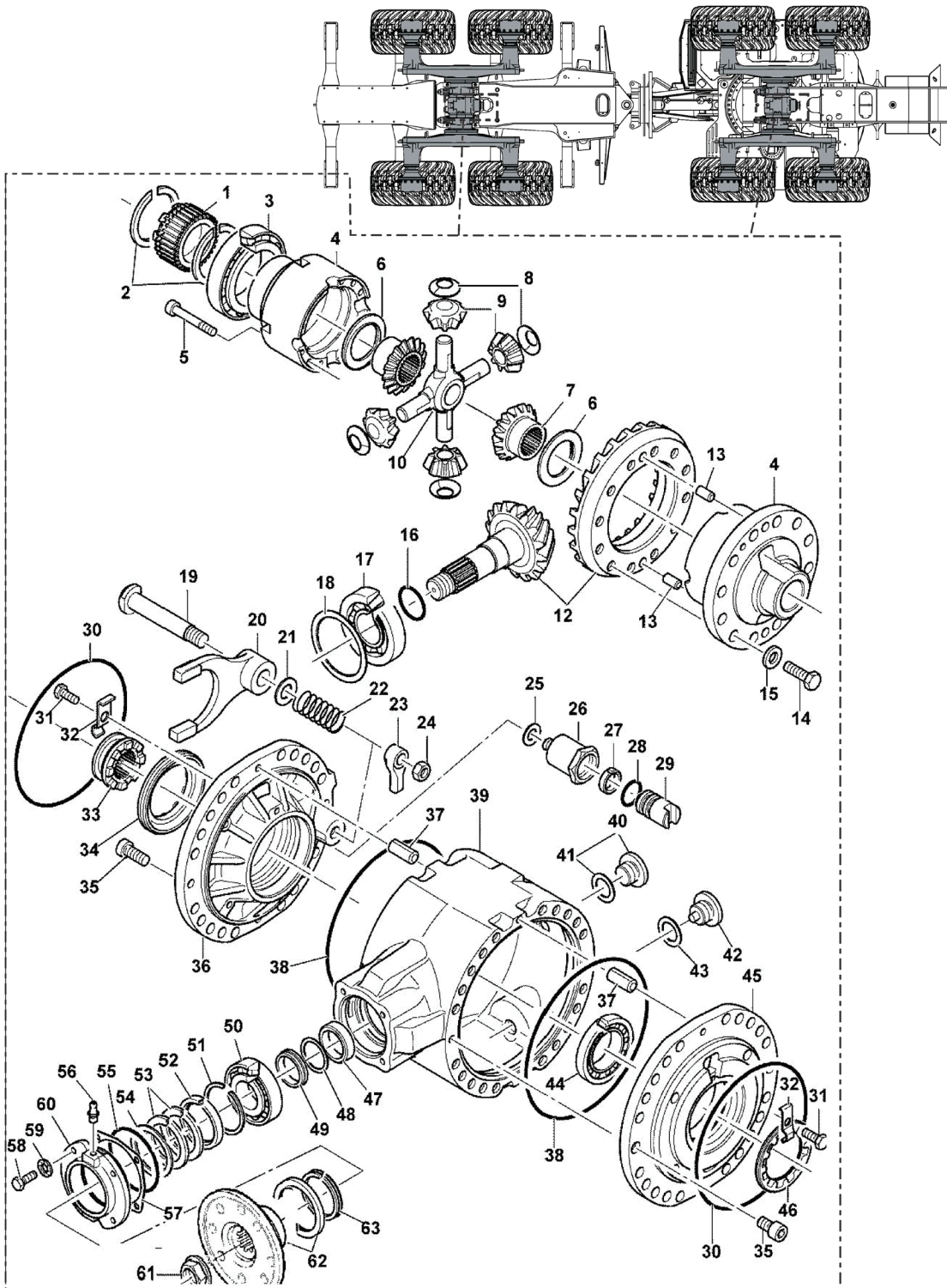


G-00003D 03/25

F4400 - 2245500 - F4400 - 2245600 - F4500 - 2245700 - F4500 - 2245800 - TANDEM AXLE ASSEMBLY - 830D

Item	Part #	Description	Qty.
	2405.178	BOGIE HOUSING COMPLETE (TWO PER 23492 AXLE ASSEMBLY)	
1	23700	BOLT - 10MM X 20MM	24
2	23699	WASHER, HARDENED - 10MM	24
3	23698	COVER, ACCESS	6
4	55883	GASKET	6
5	23696	STUD, GEAR SHAFT	6
6	23693	GEAR - 32 TEETH	4
7	50094	GEAR - 21 TOOTH	2
8	23692	BEARING, ROLLER	12
9	23694	RING, RETAINING	6
10	23691	BUSHING, SPACER	6
11	23797	BOLT, ALLEN HEAD - 8MM X 16MM	2
12	23795	BOLT - 10MM X 25MM	8
13	23794	STUB, BEARING	1
14	52319	GROOVED DOWEL PIN	1
15	23799	SEAL, RING	1
16	23710	PLUG - 30MM	1
17	23712	RING, SEAL - 30MM	1
18	1020.618	ALLEN SCREW	4
19	23800	WASHER, HARDENED	4
20	7277.126	BOGIE HOUSING	1
21	23730	BEARING, BALL	4
22	23731	GEAR, PLANET INPUT	2
23	23729	WASHER, SUPPORT	2
24	23728	RING, RETAINING	2
25	23724	RING, SEAL	2
26	7302.82	COVER	2
27	23725	RING, RETAINING	2
28	1020.618	ALLEN SCREW	20
29	50176	RING, SEAL	1
30	23777	PIN, DOWEL	2
31	23712	RING, SEAL - 30MM	4
32	23710	PLUG - 30MM	4
33	23712	RING, SEAL - 30MM	2
34	23711	PLUG - 30MM W/MAGNET	2
35	23735	PIPE, PLANETARY PILOT	2
36	23734	WASHER, PLANETARY SHAFT - INNER	2
37	23733	SEAL, OIL O OUTBOARD	2
38	23732	PIN, DOWEL - 16MM	4
39	23492	AXLE, TANDEM - TIM 08 (840)	1
*	55139	AXLE, TANDEM - TIM 17 (830)	1

\*MEANS NOT SHOWN



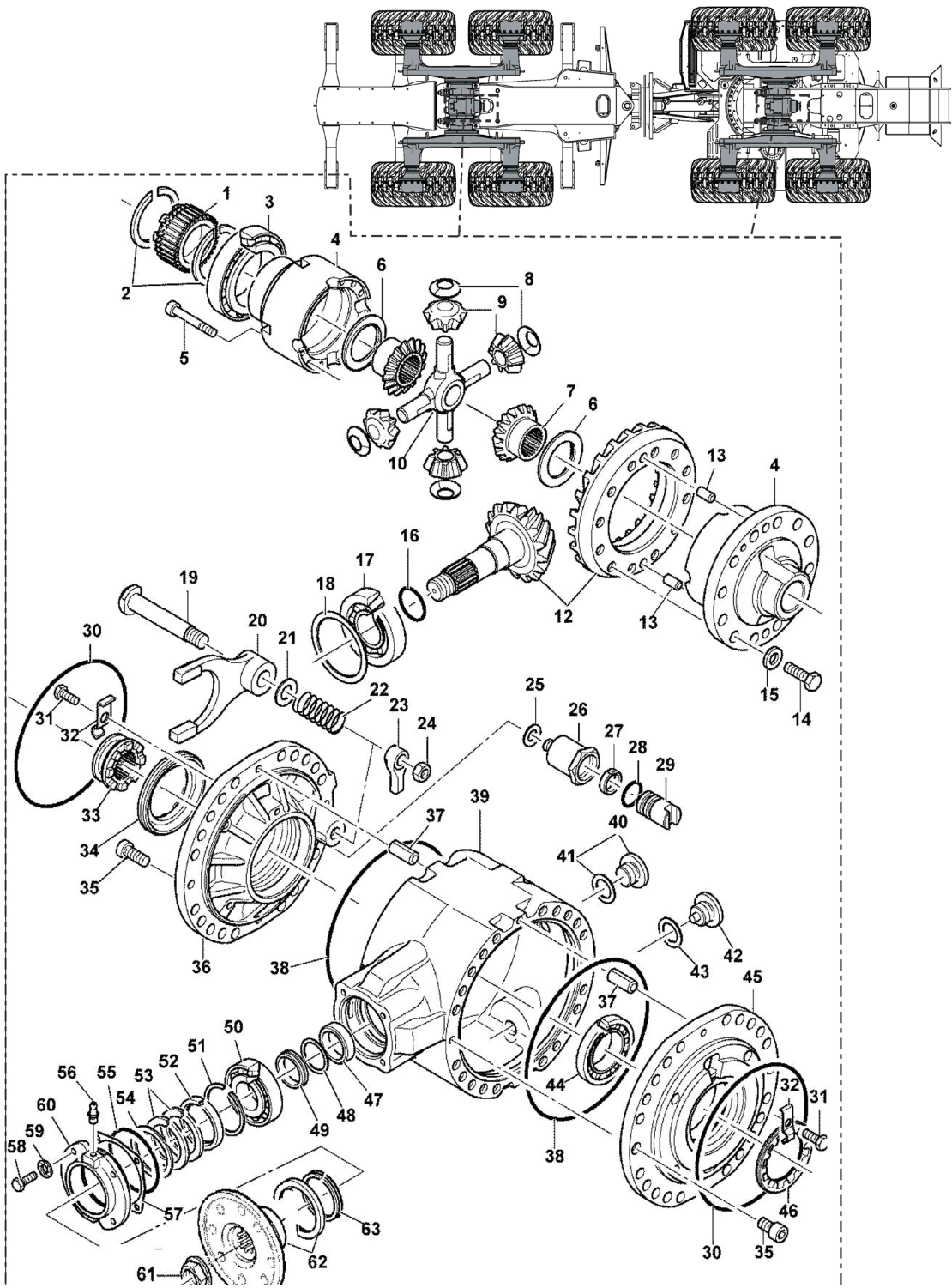
G-00004D 03/25

F4400 - 2245500 - F4400 - 2245600 - F4500 - 2245700 - F4500 - 2245800 - DIFFERENTIAL - 830D

Item	Part #	Description	Qty.
	22228	DIFFERENTIAL COMPLETE	1
*	700660	DIFF.-CAGE CPL-POS. 1/2/4/5/6/7/8/9/10	1
1	23870	SLEEVE, CLUTCH OPENING	1
2	23869	RING, SPRING	2
3	23868	BEARING, TAPERED ROLLER	1
4	23854	CAGE, DIFFERENTIAL	1
5	23867	BOLT, ALLEN HEAD - 12MM X 85MM	12
6	23861	DISK, CHECK	2
*	700690	THRUST WASHER D95X1.50	N/A
*	700700	THRUST WASHER D95X1.70	N/A
*	7316.103	RING, COPPER	N/A
*	7316.104	THRUST WASHER D95X2.20	N/A
7	23862	GEAR, DIFFERENTIAL	2
8	23865	WASHER, THRUST	4
9	7514.038	GEAR, COMPENSATING	4
10	23866	CROSS, PLANETARY GEAR	1
11	---		
12	23856	CROWN WHEEL/PINION - TIM08	1
13	23855	PIN, DOWEL	4
14	700650	HEXAGON BOLT	16
15	23754	WASHER, FLAT - 16MM	16
16	23857	O-RING	1
17	23858	BEARING, TAPERED ROLLER	1
18	56040	KIT, ADJUSTING WASHER	1
*	23859	ADJUSTING WASHER D120XD145.5X2.25	N/A
*	7317.514	ADJUSTING WASHER D120XD145.5X2.30	N/A
*	7317.513	ADJUSTING WASHER D120XD145.5X2.35	N/A
*	7317.512	ADJUSTING WASHER D120XD145.5X2.40	N/A
*	7317.511	ADJUSTING WASHER D120XD145.5X2.45	N/A
*	7317.120	ADJUSTING WASHER D120XD145.5X2.50	N/A
*	7317.510	ADJUSTING WASHER D120XD145.5X2.55	N/A
*	7317.509	ADJUSTING WASHER D120XD145.5X2.60	N/A
*	7317.508	ADJUSTING WASHER D120XD145.5X2.65	N/A
*	7317.507	ADJUSTING WASHER D120XD145.5X2.70	N/A
*	7317.119	ADJUSTING WASHER D120XD145.5X2.75	N/A
*	7317.506	ADJUSTING WASHER D120XD145.5X2.80	N/A
*	7317.505	ADJUSTING WASHER D120XD145.5X2.85	N/A
*	7317.504	ADJUSTING WASHER D120XD145.5X2.90	N/A
*	7317.503	ADJUSTING WASHER D120XD145.5X2.95	N/A
*	7317.118	ADJUSTING WASHER D120XD145.5X3.00	N/A
19	23847	ROD, SHIFTING	1
20	23846	FORK, SHIFT	1
21	7317.023	WASHER KIT	1
*	7317.111	ADJUSTING WASHER D20.4XD34.6X1.5	N/A
*	23845	ADJUSTING WASHER D20.4XD34.6X2.0	N/A
*	7317.113	ADJUSTING WASHER D20.4XD34.6X2.5	N/A
*	7317.114	ADJUSTING WASHER D20.4XD34.6X3.0	N/A
22	23844	SPRING, PRESSURE	1
23	23843	LEVER, SHIFTING	1
24	23842	NUT, HEX - 14MM	1
25	23841	O-RING	1
26	23837	BARREL	1

\*MEANS NOT SHOWN

F4400 - 2245500 - F4400 - 2245600 - F4500 - 2245700 - F4500 - 2245800 -  
REAR DIFFERENTIAL ASSEMBLY & INSTALLATION - 830D



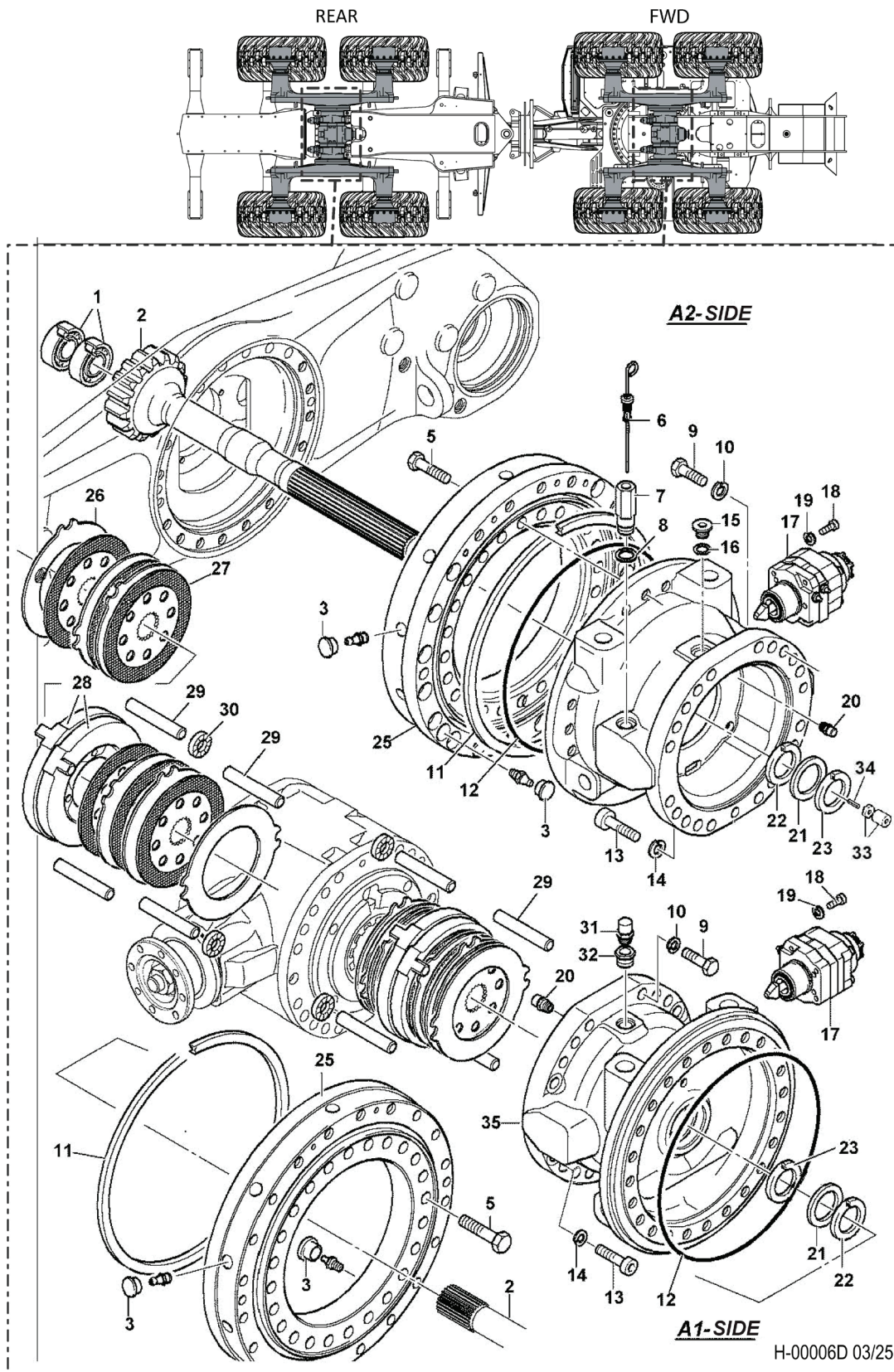
G-00004D 03/25

## REAR DIFFERENTIAL ASSEMBLY &amp; INSTALLATION - 830D

Item	Part #	Description	Qty.
27	23838	RING, GROOVE	1
28	23839	RING, SEAL	1
29	23840	PISTON	1
30	23805	O-RING	2
31	23835	BOLT - 8MM X 16MM	2
32	23834	PLATE, LOCKING	2
33	23850	SLEEVE, SHIFTING	1
34	23849	NUT	1
35	23721	BOLT, ALLEN HEAD - 10MM X 20MM	4
36	7527.140	FLANGE	1
37	23830	PIN, DOWEL	2
38	23831	O-RING	2
39	7506.313	DIFFERENTIAL HOUSING	1
40	23710	PLUG - 30MM	1
41	23712	RING, SEAL - 30MM	1
42	23741	PLUG - 20MM W/MAGNET	1
43	23742	RING, SEAL - 20MM	1
44	23852	BEARING, TAPERED ROLLER	1
45	23832	FLANGE - RH	1
46	23833	NUT, FLANGE	1
47	23808	SPACER, BUSHING	1
48	23809	WASHER, ADJUSTING	1
*	7317.185	ADJUSTING WASHER D55XD68X0.96	N/A
*	7317.184	ADJUSTING WASHER D55XD68X1.00	N/A
*	7317.183	ADJUSTING WASHER D55XD68X1.04	N/A
*	7317.182	ADJUSTING WASHER D55XD68X1.08	N/A
*	7317.181	ADJUSTING WASHER D55XD68X1.12	N/A
*	7317.180	ADJUSTING WASHER D55XD68X1.16	N/A
*	7317.179	ADJUSTING WASHER D55XD68X1.20	N/A
*	7317.178	ADJUSTING WASHER D55XD68X1.24	N/A
*	7317.177	ADJUSTING WASHER D55XD68X1.28	N/A
*	7317.176	ADJUSTING WASHER D55XD68X1.32	N/A
*	7317.175	ADJUSTING WASHER D55XD68X1.36	N/A
*	7317.174	ADJUSTING WASHER D55XD68X1.40	N/A
*	7317.173	ADJUSTING WASHER D55XD68X1.44	N/A
49	23810	SPACER, BUSHING	1
49	54917	SPACER BUSHING D70X11.3	1
49	54918	SPACER BUSHING D70X11.78	1
50	23811	BEARING, TAPERED ROLLER	1
51	23812	RING, SPRING	1
52	23813	RING, SEAL	1
53	23814	RING, SEAL	2
54	23815	WASHER, DRIVE SHAFT COVER	1
55	23816	O-RING, DRIVE SHAFT COVER	1
56	23819	FITTING, GREASE	1
57	23817	GASKET, DRIVE SHAFT COVER	1
58	23821	BOLT - 10MM X 25MM	4
59	23820	WASHER, LOCK - 10MM	4
60	23818	COVER, DRIVE SHAFT	1
61	23824	NUT, FLANGE - 40MM	1
62	52629	FLANGE, DIFF YOKE (8 BOLT FLANGE)*	1
63	23822	V-RING	1

\*MEANS NOT SHOWN

F4400 - 2245500 - F4400 - 2245600 - F4500 - 2245700 - F4500 - 2245800 - AXLE HOUSING A1  
 SIDE ASSEMBLY & INSTALLATION 830D

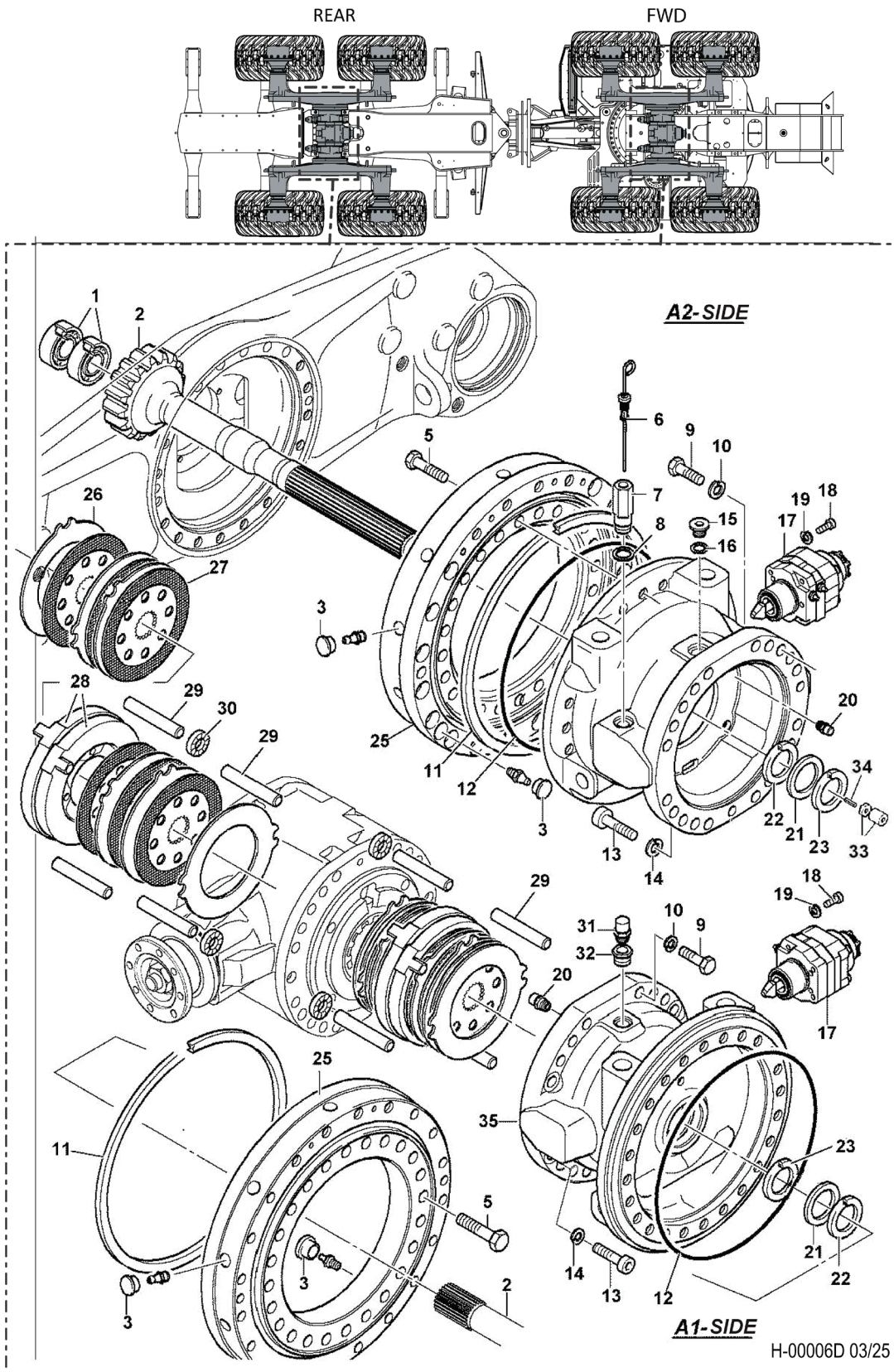


**F4400 - 2245500 - F4400 - 2245600 - F4500 - 2245700 - F4500 - 2245800- AXLE HOUSING A1  
SIDE ASSEMBLY & INSTALLATION 830D**

<b>Item</b>	<b>Part #</b>	<b>Description</b>	<b>Qty.</b>
1	23784	CYLINDRICAL ROLLER BEARING	2
2	54078	SUN GEAR SHAFT	1
3	1750.683	PLUG	4
4	---		
5	23779	HEXAGON BOLT	24
6	---		
7	---		
8	---		
9	23807	HEXAGON BOLT	16
10	23806	DETENT EDGED RING	16
11	7308.071	SCRAPER RING	1
12	23787	O-RING	1
13	23803	ALLEN SCREW	4
14	23806	DETENT EDGED RING	4
15	---		
16	---		
17	54239	SPRING BRAKE CYLINDER	1
18	55961	ALLEN SCREW	3
19	23802	DETENT EDGED RING	3
20	23791	BREATHER	1
21	23789	WASHER	1
22	23788	OIL SEAL	1
23	22836	SEAL RING	1
24	---		
25	58104	SLEWING RING	1
26	23825	INTERMEDIATE DISK	6
27	23826	LINED DISK	6
28	23827	OPERATING DISK ASSEMBLY	1
29	23829	PIN	4
30	23828	TOOTHED RING	2
31	22570	BREATHER	1
32	23792	BUSHING	1
33	2108.101	WASHER KIT	1
*	7321.186	ADJUSTING PIN	1
*	7315.300	WASHER 1.0 THICK	N/A
*	7315.301	WASHER 1.5 THICK	N/A
34	56039	SLEEVE, ADAPTER	1
35	54185	AXLE HOUSING - A1 SIDE	1

\*MEANS NOT SHOWN

F4400 - 2245500 - F4400 - 2245600 - F4500 - 2245700 - F4500 - 2245800 - AXLE HOUSING A2  
 SIDE ASSEMBLY & INSTALLATION 830D

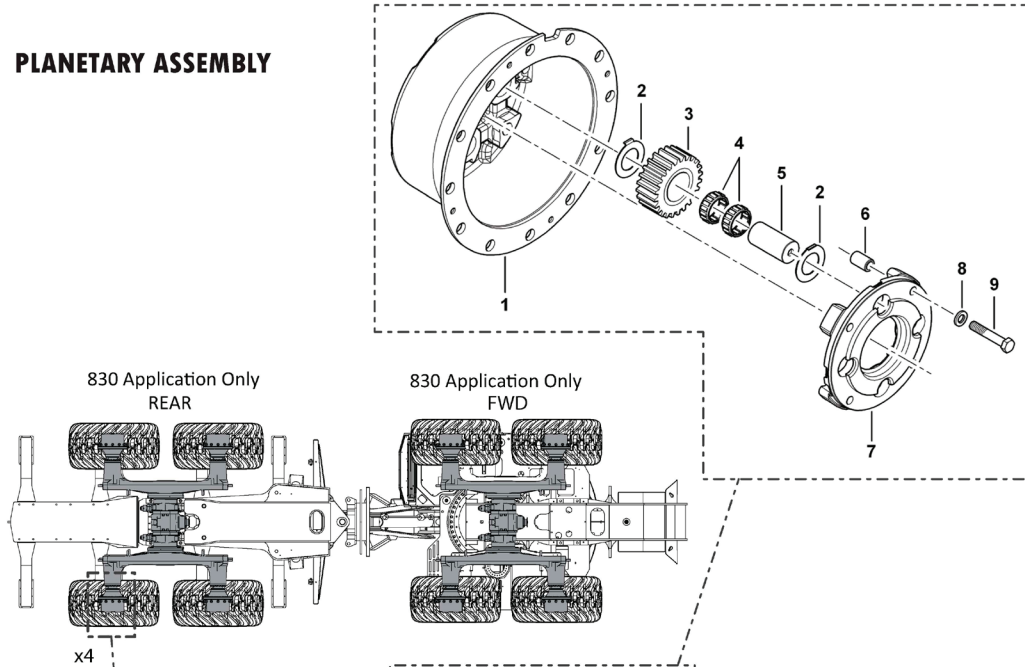


**F4400 - 2245500 - F4400 - 2245600 - F4500 - 2245700 - F4500 - 2245800 - AXLE HOUSING A2  
SIDE ASSEMBLY & INSTALLATION 830D**

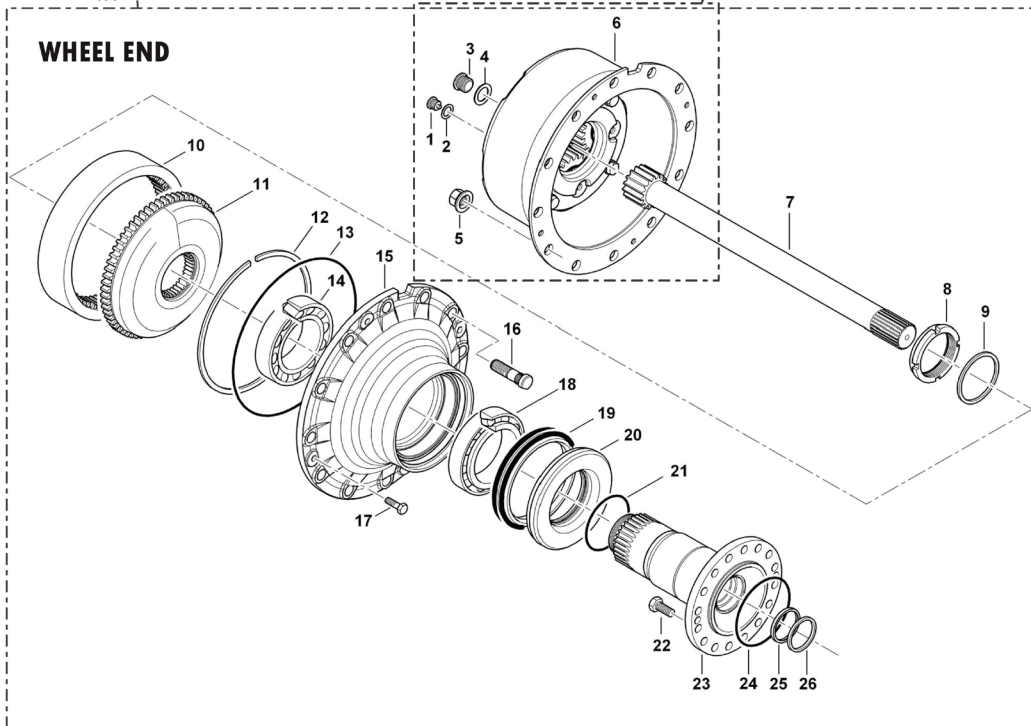
<b>Item</b>	<b>Part #</b>	<b>Description</b>	<b>Qty.</b>
1	23784	CYLINDRICAL ROLLER BEARING	2
2	54078	SUN GEAR SHAFT	1
3	1750.683	PLUG	4
4	---		
5	23779	HEXAGON BOLT	24
6	7325.026	DIPSTICK	1
7	54933	THREADED STUD	1
8	55877	SEAL RING	1
9	23807	HEXAGON BOLT	16
10	23806	DETENT EDGED RING	16
11	7308.071	SCRAPER RING	1
12	23787	O-RING	1
13	23803	ALLEN SCREW	4
14	23806	DETENT EDGED RING	4
15	56299	SCREW PLUG	1
16	55877	SEAL RING	1
17	54239	SPRING BRAKE CYLINDER	1
18	55961	ALLEN SCREW	3
19	23802	DETENT EDGED RING	3
20	23791	BREATHER	1
21	23789	WASHER	1
22	23788	OIL SEAL	1
23	22836	SEAL RING	1
24	54186	AXLE HOUSING - A2 SIDE	1
25	54104	SLEWING RING	1
26	23825	INTERMEDIATE DISK	6
27	23826	LINED DISK	6
28	23827	OPERATING DISK ASSEMBLY	1
29	23829	PIN	4
30	23828	TOOTHED RING	2
31	-		
32	23792	BUSHING	1
33	2108.101	WASHER KIT	1
*	7321.186	ADJUSTING PIN	1
*	7315.300	WASHER 1.0 THICK	N/A
*	7315.301	WASHER 1.5 THICK	N/A
34	56039	SLEEVE, ADAPTER	1

\*MEANS NOT SHOWN

**PLANETARY ASSEMBLY**



**WHEEL END**



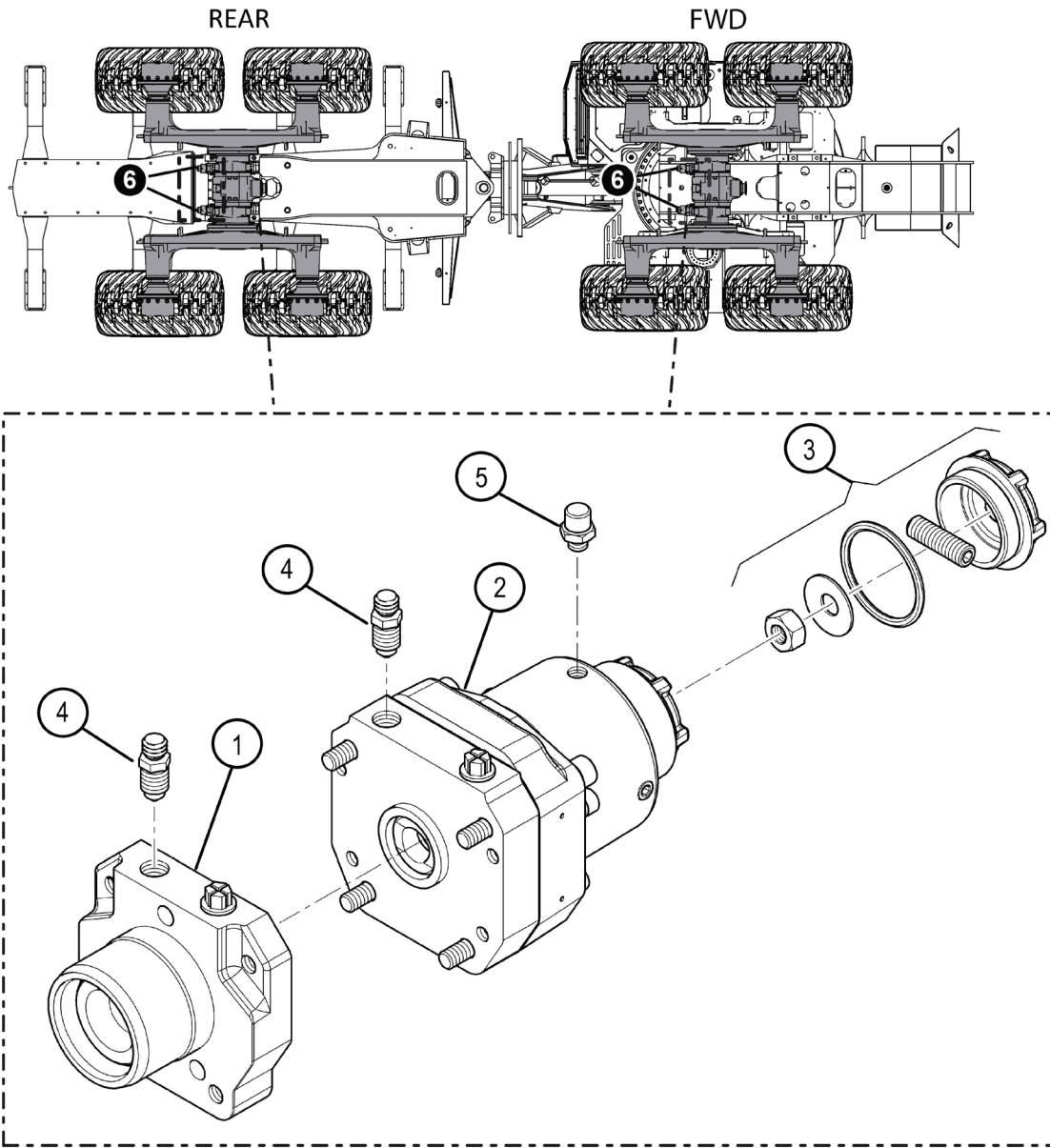
G-00005D -03/25

F4400 - 2245500 - F4400 - 2245600 - F4500 - 2245700 - F4500 - 2245800 - PLANETARY ASSEMBLY 830

Item	Part #	Description	Qty.
-	2218.014	PLANETARY GEAR DRIVE	1
1	23745	PLANET CARRIER	1
2	23746	THRUST WASHER	8
3	23747	PLANET GEAR	4
4	23748	TWO-ROW ROLLER BEARING	4
5	23751	PLANETARY PIN	4
6	23752	SHEAR PIN	4
7	23753	PLANET CARRIER	1
8	23754	WASHER	4
9	56576	HEXAGON BOLT	4
---	22833	WHEEL END COMPLETE	
1	23741	SCREW PLUG	4
2	23742	SEAL RING	2
3	23743	SCREW PLUG	2
4	23744	SHIM KIT	1
*	1210.296	SEEGER ADJUSTING WASHER 30X42X0.5	1
*	1210.295	SEEGER ADJUSTING WASHER 30X42X1.0	N/A
*	1210.113	SEEGER SUPPORT WASHER	N/A
5	19361	WHEEL NUT WITH ROTATING WASHER	N/A
6	2218.014	PLANETARY GEAR DRIVE COMPLETE	12
7	23756	SUN GEAR SHAFT	1
8	23757	NUT M85X2	1
9	23758	ADJUSTING KIT	1
*	7317.199	ADJUSTING WASHER D86XD105.5X2.500	1
*	7317.200	ADJUSTING WASHER D86XD105.5X2.375	N/A
*	7317.201	ADJUSTING WASHER D86XD105.5X2.250	N/A
*	7317.202	ADJUSTING WASHER D86XD105.5X2.125	N/A
*	7317.203	ADJUSTING WASHER D86XD105.5X2.000	N/A
*	7317.204	ADJUSTING WASHER D86XD105.5X1.875	N/A
*	7317.205	ADJUSTING WASHER D86XD105.5X1.780	N/A
*	7317.206	ADJUSTING WASHER D86XD105.5X1.625	N/A
*	7317.207	ADJUSTING WASHER D86XD105.5X1.500	N/A
*	7317.208	ADJUSTING WASHER D86XD105.5X1.375	N/A
10	23759	RING GEAR	N/A
11	23760	RING GEAR CARRIER	1
12	23761	SEEGER SNAP RING	1
13	23762	O-RING	1
14	23763	TAPERED ROLLER BEARING	1
15	23764	WHEEL HUB	1
16	22245	WHEEL BOLT	1
17	23767	TAPERED ROLLER BEARING	12
18	23765	HEXAGON BOLT	1
19	23768	FACE SEAL	4
20	23769	SPINDLE RING	1
21	23770	O-RING	1
22	56101	HEXAGON BOLT	1
23	23771	SPINDLE	16
24	23772	O-RING	1
25	23737	OIL SEAL	1
26	24628	WASHER	1

\*MEANS NOT SHOWN

F4400 - 2245500 - F4400 - 2245600 - F4500 - 2245700 - F4500 - 2245800 - BRAKE CYLINDER ASSEMBLY & INSTALLATION 830D

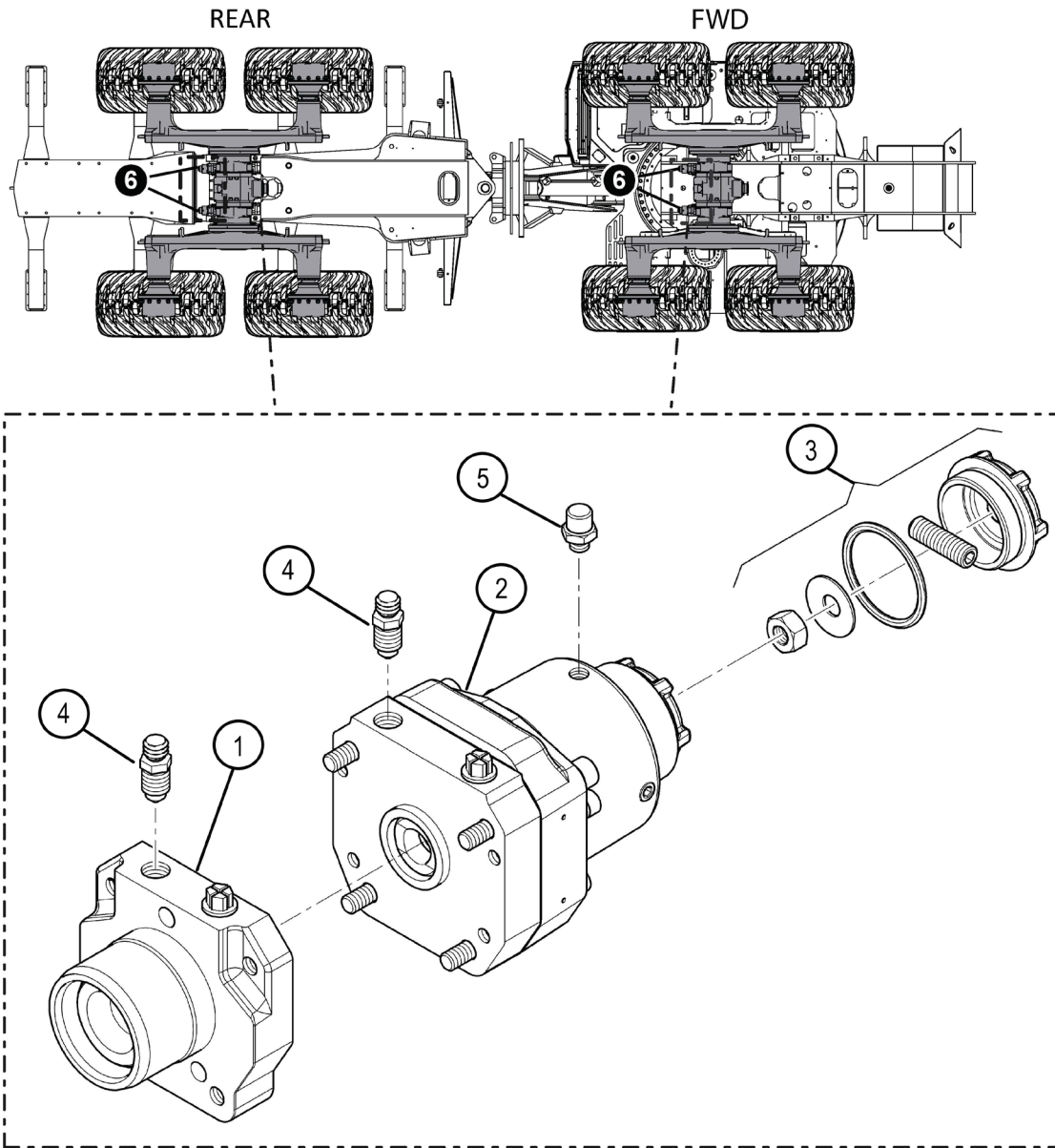


G-00001D 03/25

Item	Part #	Description	Qty.
1	5350.097	BRAKE CYLINDER (LOWER PART)	1
2	5350.100	SPRING BRAKE (UPPER PART)	1
3	2208.004	PART BRAKE RELEASE KIT	1
4	23883	VALVE, BREATHER	2
5	23791	BREATHING, AXLE BEAM	1
6	52746	BRAKE, CYLINDER ASSY	1
*	53969	KIT, SPRING LOADED CYLINDER	-

\*MEANS NOT SHOWN

F4400 - 2245500 - F4400 - 2245600 - F4500 - 2245700 - F4500 - 2245800 G100-00060 -  
 BRAKE CYLINDER ASSEMBLY & INSTALLATION 840D

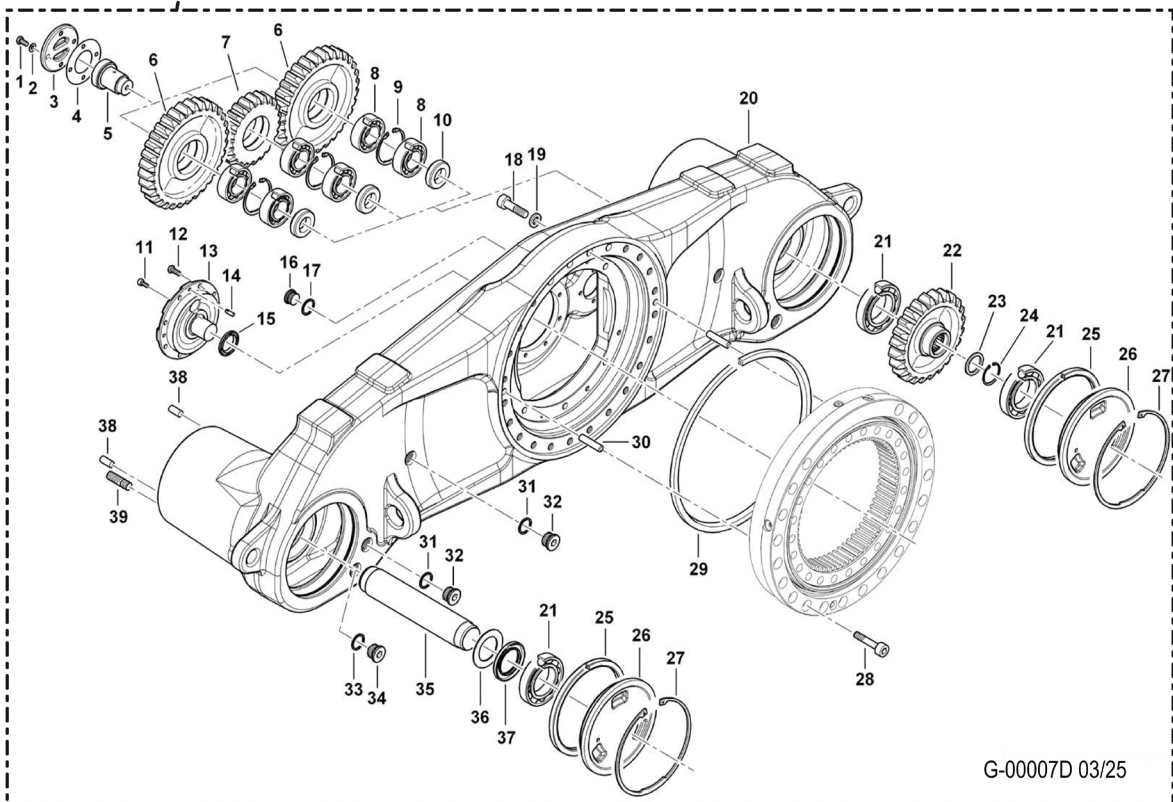
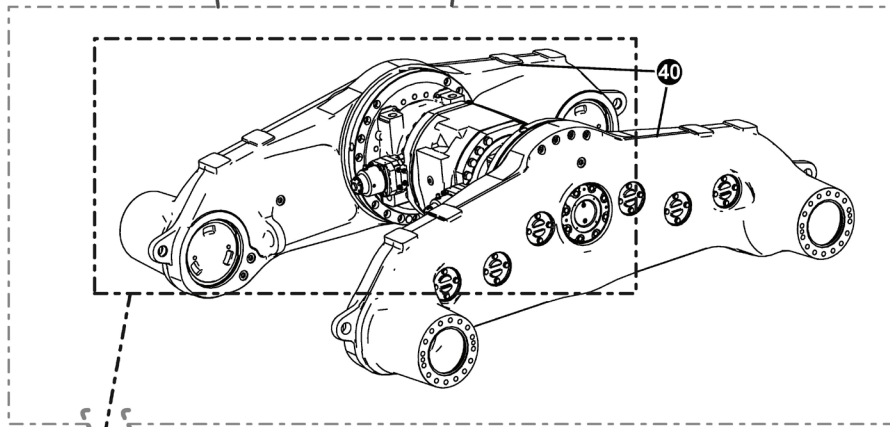
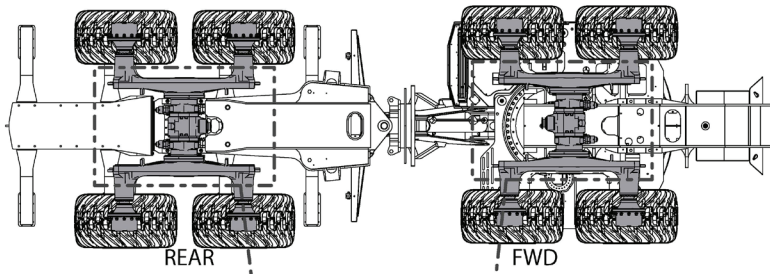


G-00001D 03/25

Item	Part #	Description	Qty.
1	5350.097	BRAKE CYLINDER (LOWER PART)	1
2	5350.100	SPRING BRAKE (UPPER PART)	1
3	2208.004	PART BRAKE RELEASE KIT	1
4	23883	VALVE, BREATHER	2
5	23791	BREATHER, AXLE BEAM	1
6	52746	BRAKE, CYLINDER ASSY	1
*	53969	KIT, SPRING LOADED CYLINDER	-

\*MEANS NOT SHOWN

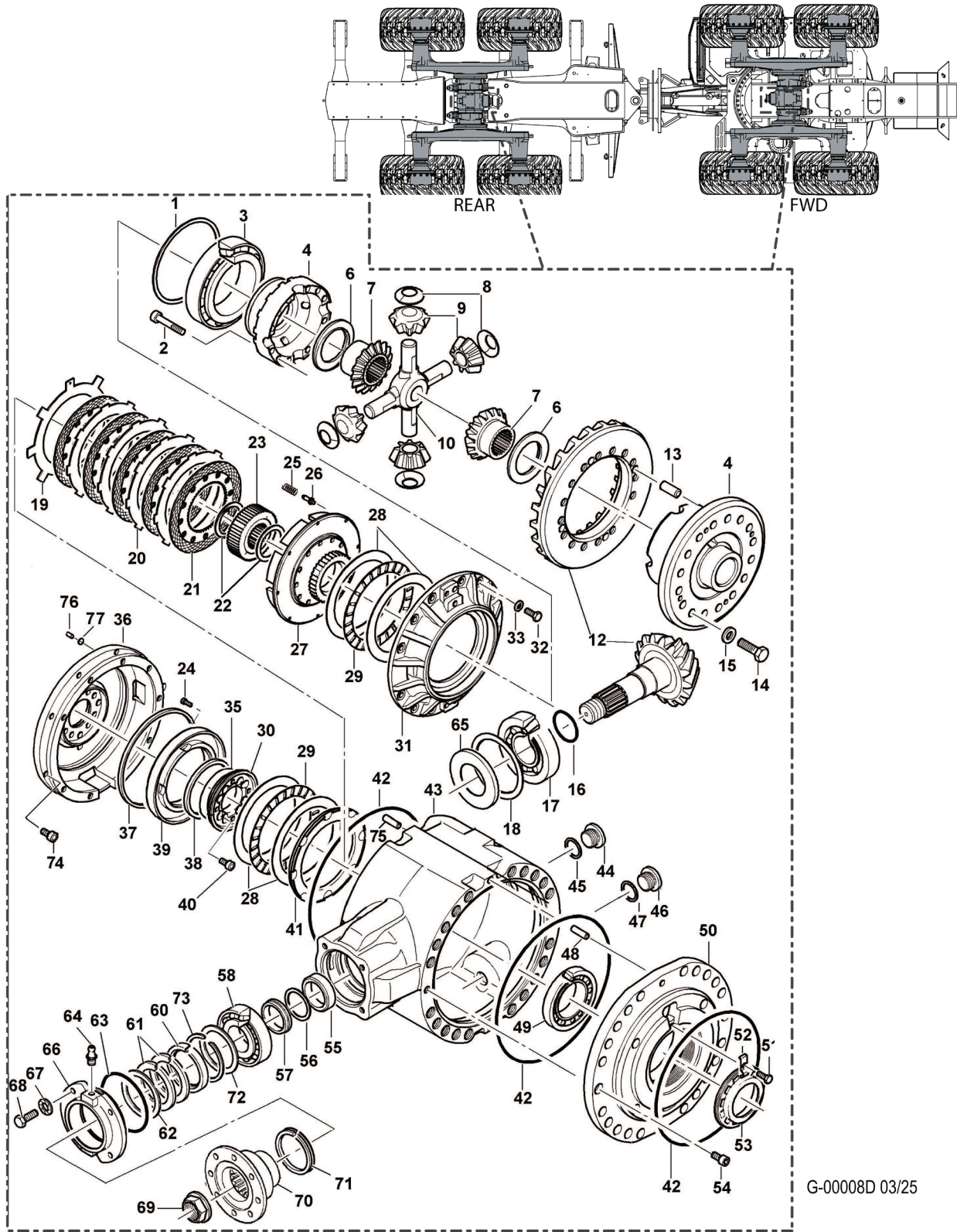
F4400 - 2245500 - F4400 - 2245600 - F4500 - 2245700 - F4500 - 2245800 G100-00070 -  
REAR TANDEM AXLE ASSEMBLY & INSTALLATION 840D



**F4400 - 2245500 - F4400 - 2245600 - F4500 - 2245700 - F4500 - 2245800 G100-00070 -  
REAR TANDEM AXLE ASSEMBLY & INSTALLATION 840D**

<b>Item</b>	<b>Part #</b>	<b>Description</b>	<b>Qty.</b>
	701660	BOGIE HOUSING COMPLETE	2
1	23700	BOLT - 10MM X 20MM	24
2	23699	WASHER, HARDENED - 10MM	24
3	23698	COVER, ACCESS	6
4	55883	GASKET	6
5	23696	PIN	6
6	53006	GEAR, SPUR - 32T	4
7	50094	GEAR, 21 TOOTH	2
8	23692	BEARING, ROLLER	12
9	23694	RING, RETAINING	6
10	23691	BUSHING, SPACER	6
11	23797	BOLT, ALLEN HEAD - 8MM X 16MM	2
12	23795	BOLT - 10MM X 25MM	8
13	53789	BEARING PIN/V-RING	1
14	52319	GROOVED DOWEL PIN	1
15	23799	SEAL, RING	1
16	23836	PLUG - 30MM	1
17	23712	RING, SEAL - 30MM	1
18	1020.618	BOLT, SHCS	4
19	23800	WASHER, HARDENED	4
20	702460	BOGIE HOUSING	1
21	23730	BEARING, BALL	4
22	53027	GEAR, SPUR - 27T	2
23	23729	WASHER, SUPPORT	2
24	23728	RING, RETAINING	2
25	23724	RING, SEAL	2
26	7302.082	COVER	2
27	23725	RING, RETAINING	2
28	1020.618	BOLT, SHCS	20
29	50176	RING, SEAL	1
30	23777	PIN, DOWEL	2
31	23712	RING, SEAL - 30MM	4
32	23836	SCREW PLUGPLUG - 30MM	4
33	23712	RING, SEAL - 30MM	2
34	23711	PLUG - 30MM W/MAGNET	2
35	23735	PIPE, PLANETARY PILOT	2
36	23734	WASHER, PLANETARY SHAFT - INNER	2
37	23733	SEAL, OIL O OUTBOARD	2
38	23732	PIN, DOWEL - 16MM	2
39	56532	STUD	4
40	701660	BOGIE HOUSING COMPLETE	32

F4400 - 2245500 - F4400 - 2245600 - F4500 - 2245700 - F4500 - 2245800 -  
 REAR DIFFERENTIAL ASSEMBLY & INSTALLATION 840D

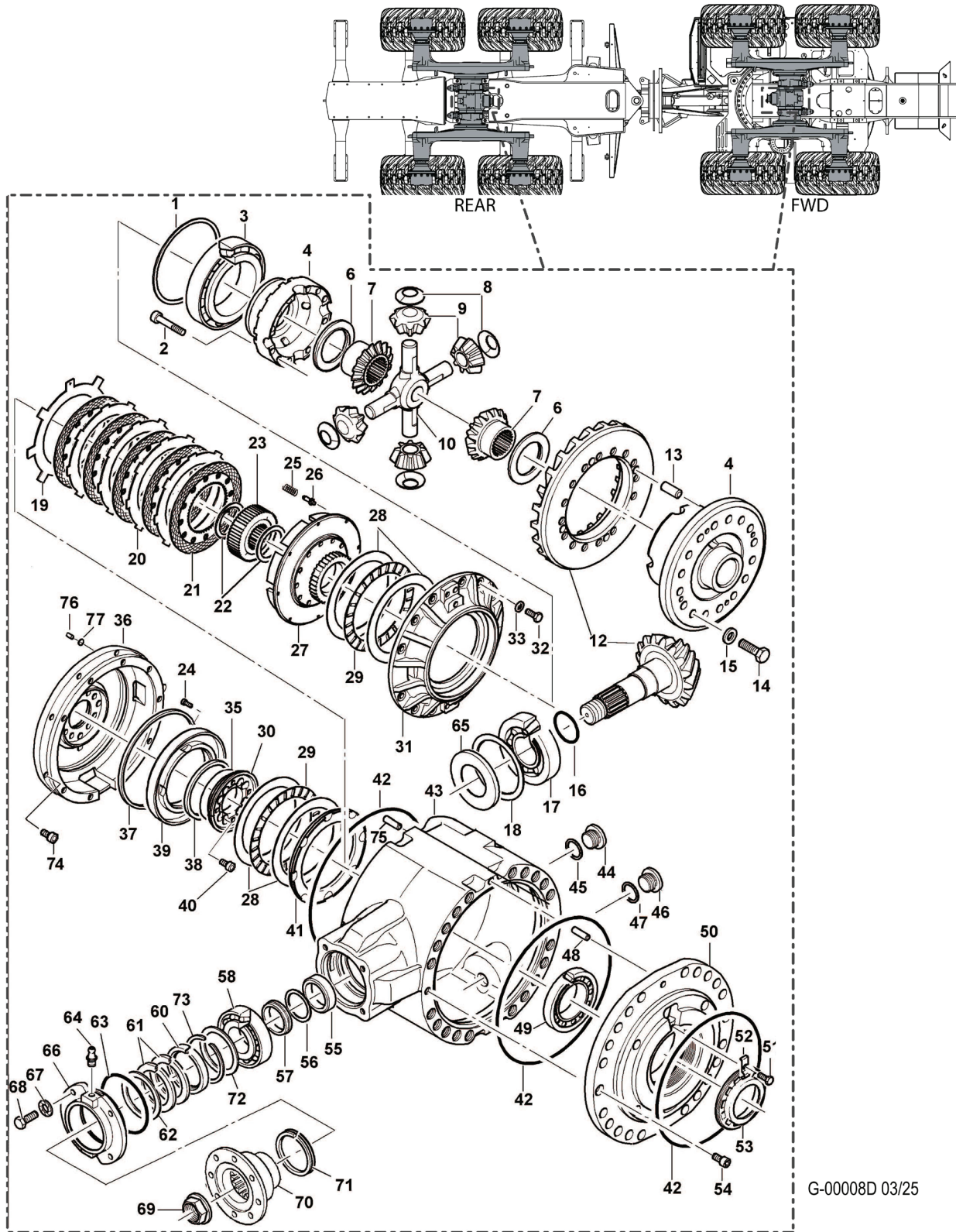


G-00008D 03/25

**F4400 - 2245500 - F4400 - 2245600 - F4500 - 2245700 - F4500 - 2245800 -  
REAR DIFFERENTIAL ASSEMBLY & INSTALLATION 840D**

<b>Item</b>	<b>Part #</b>	<b>Description</b>	<b>Qty.</b>
-	55856	DIFFERENTIAL COMPLETE	1
-	2219.086	HUB	1
-	7570.016	MULTIPLE DISK DIFF. LOCK	1
1	52335	WASHER KIT	N/A
1	7317.297	ADJUSTING WASHER	N/A
1	7317.298	ADJUSTING WASHER	N/A
1	7317.299	ADJUSTING WASHER	N/A
1	7317.300	ADJUSTING WASHER	N/A
1	7317.301	ADJUSTING WASHER	N/A
1	7317.302	ADJUSTING WASHER	N/A
1	7317.303	ADJUSTING WASHER	N/A
1	7317.304	ADJUSTING WASHER	N/A
1	7317.305	ADJUSTING WASHER	N/A
1	7317.306	ADJUSTING WASHER	N/A
1	7317.307	ADJUSTING WASHER	N/A
1	7317.308	ADJUSTING WASHER	N/A
1	7317.309	ADJUSTING WASHER	N/A
1	7317.310	ADJUSTING WASHER	N/A
1	7317.311	ADJUSTING WASHER	N/A
1	7317.312	ADJUSTING WASHER	N/A
1	7317.323	ADJUSTING WASHER	N/A
1	7317.324	ADJUSTING WASHER	N/A
2	700620	ALLEN SCREW	12
3	1110.233	BEARING, ROLLER	1
4	52330	DIFFERENTIAL CAGE	1
5	---		
6	54382	ADJUSTING KIT	2
6	7517.028	THRUST WASHER	N/A
6	7517.029	THRUST WASHER	N/A
6	7517.030	THRUST WASHER	N/A
6	7517.031	THRUST WASHER	N/A
6	7517.032	THRUST WASHER	N/A
6	7517.033	THRUST WASHER	N/A
6	7517.034	THRUST WASHER	N/A
6	7517.035	THRUST WASHER	N/A
6	7517.036	THRUST WASHER	N/A
6	7517.037	THRUST WASHER	N/A
7	55398	DIFFERENTIAL GEAR	2
8	7518.030	WASHER, THRUST	4
9	7514.033	COMPENSATING GEAR	4
10	7515.032	CROSS SHAFT	1
11	---		
12	53632	CROWN WHEEL/PINION	1
13	23855	DOWEL PIN	4
14	52326	HEXAGON BOLT	16
15	23754	WASHER	16
16	23857	O-RING OR 42X4.5 72NBR872	1
17	53342	BEARING, ROLLER	1
18	2108.047	WASHER	1
18	7317.247	ADJUSTING WASHER	N/A
18	7317.248	ADJUSTING WASHER	N/A
18	7317.249	ADJUSTING WASHER	N/A

F4400 - 2245500 - F4400 - 2245600 - F4500 - 2245700 - F4500 - 2245800 -  
 REAR DIFFERENTIAL ASSEMBLY & INSTALLATION 840D

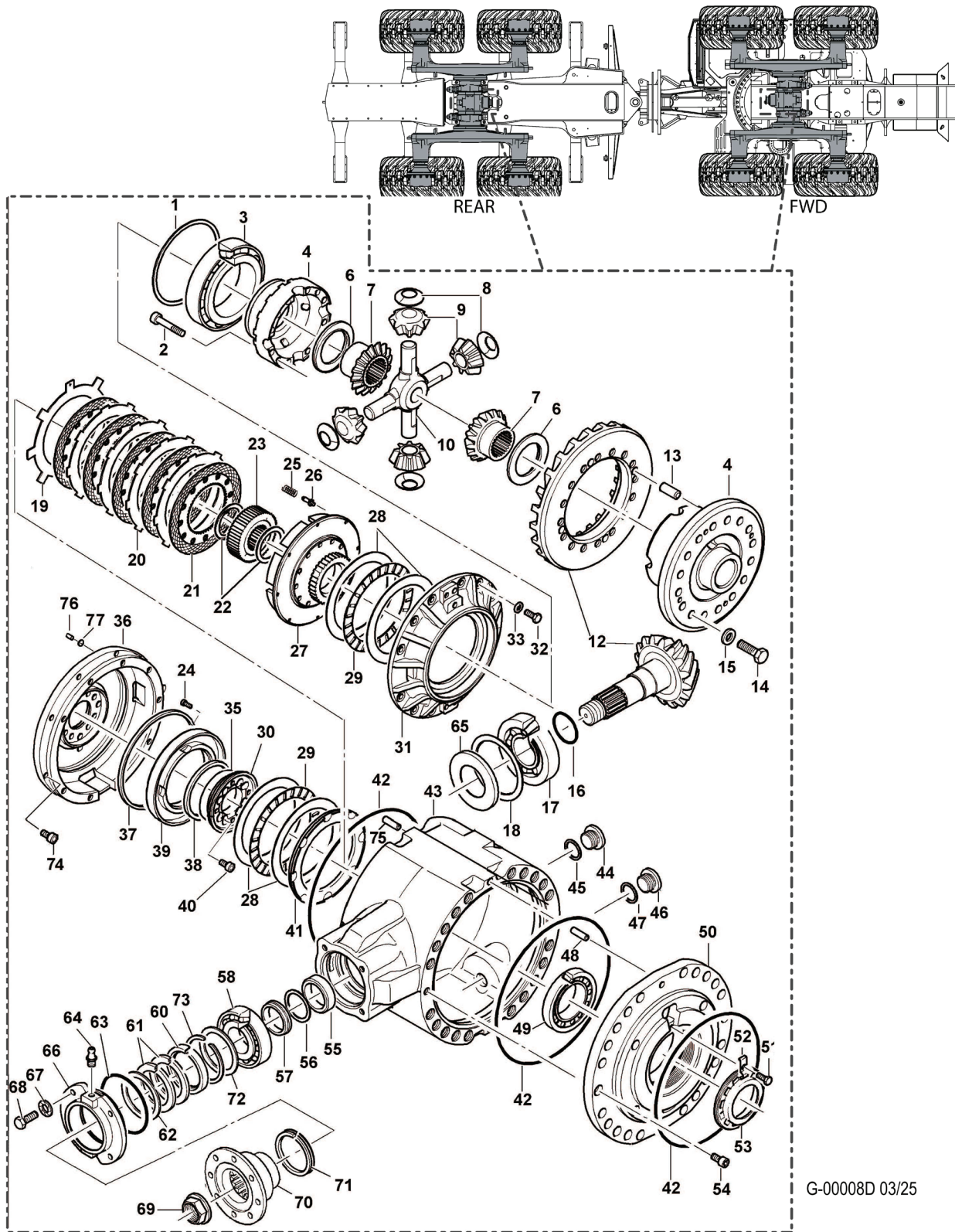


G-00008D 03/25

**F4400 - 2245500 - F4400 - 2245600 - F4500 - 2245700 - F4500 - 2245800 -  
REAR DIFFERENTIAL ASSEMBLY & INSTALLATION 840D**

<b>Item</b>	<b>Part #</b>	<b>Description</b>	<b>Qty.</b>
19	7344.050	DISC	1
20	55884	DISC	5
21	7345.056	DISC	6
22	56064	THRUST WASHER	2
23	54966	DISK CARREER	1
24	700600	ALLEN SCREW	1
25	54941	COMPRESSION SPRING	8
26	700710	BOLT	8
27	54967	DISK CARREER	1
28	1130.596	WASHER	4
29	53289	THRUST NEEDLE CAGE	2
30	53796	PISTON	1
31	700720	FLANGE	1
32	56526	HEXAGON BOLT	11
33	23699	WASHER	11
34	---		
35	1170.612	O-RING	1
36	54945	FLANGE	1
37	55965	SEAL, PISTON	1
38	55878	PISTON PACKING	1
39	53795	PISTON	1
40	24627	ALLEN SCREW	8
41	54927	THRUST WASHER	1
42	56094	ORING	3
43	7506.400	DIFFERENTIAL HOUSING	1
44	56299	SCREW PLUG	1
45	55877	SEAL RING	1
46	56300	SCREW PLUG	1
47	55877	SEAL RING	1
48	1200.235	DOWEL PIN	1
49	56581	TAPERED-ROLLER BEARING	1
50	7527.283	FLANGE	1
51	23835	HEXAGON BOLT	1
52	9566.019	LOCKING PLATE	1
53	7329.133	NUT	1
54	54920	ALLEN SCREW	2
55	52334	SPACER BUSHING	1
56	2108.046	SHIM KIT	1
56	7317.234	ADJUSTING WASHER	na
56	7317.235	ADJUSTING WASHER	na
56	7317.236	ADJUSTING WASHER	na
56	7317.237	ADJUSTING WASHER	na
56	7317.238	ADJUSTING WASHER	na
56	7317.239	ADJUSTING WASHER	na
56	7317.240	ADJUSTING WASHER	na
56	7317.241	ADJUSTING WASHER	na
56	7317.242	ADJUSTING WASHER	na
56	7317.243	ADJUSTING WASHER	na
56	7317.244	ADJUSTING WASHER	na
56	7317.245	ADJUSTING WASHER	na
56	7317.246	ADJUSTING WASHER	na

F4400 - 2245500 - F4400 - 2245600 - F4500 - 2245700 - F4500 - 2245800 -  
 REAR DIFFERENTIAL ASSEMBLY & INSTALLATION 840D

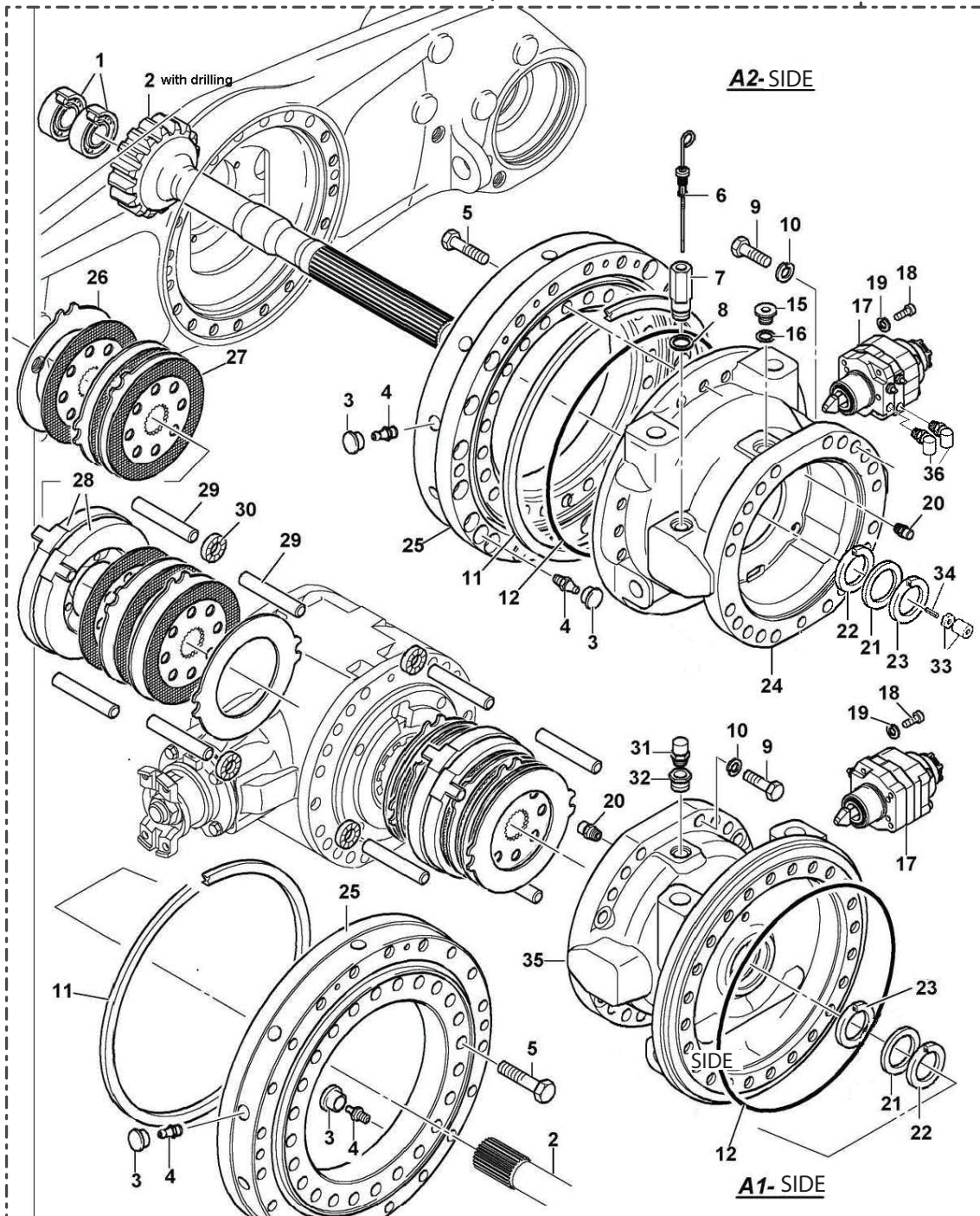
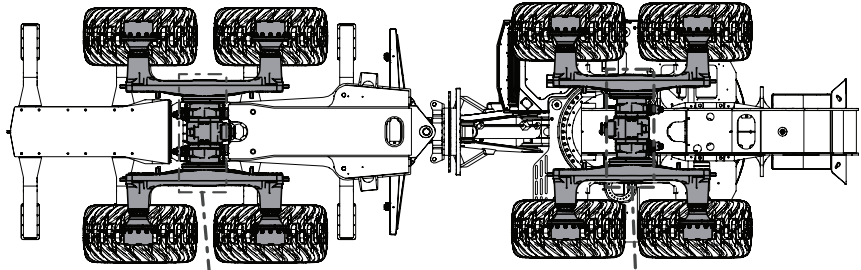


G-00008D 03/25

**F4400 - 2245500 - F4400 - 2245600 - F4500 - 2245700 - F4500 - 2245800 -  
REAR DIFFERENTIAL ASSEMBLY & INSTALLATION 840D**

<b>Item</b>	<b>Part #</b>	<b>Description</b>	<b>Qty.</b>
57	52333	SPACER BUSHING KIT	1
57	7311.117	SPACER BUSHING	na
57	7311.118	SPACER BUSHING	na
57	7311.119	SPACER BUSHING	na
58	1110.229	BEARING	1
59	---		
60	23813	RADIAL SEAL	1
61	23814	SEAL RING	2
62	23815	WASHER	1
63	55874	O-RING OR	1
64	23819	TAPERED LUBE NIPPLE	1
65	7301.064	COVER, PLUG	1
66	7301.124	COVER	1
67	23820	LOCK WASHER	4
68	23821	HEXAGON BOLT	4
69	23824	NUT M40X1.5 BONDED	1
70	52629	CARDAN FLANGE	1
71	23822	V-RING	1
72	7315.181	WASHER	1
73	23812	SEEGER SNAP RING	1
74	1020.228	ALLEN SCREW	12
75	23732	DOWEL PIN	1
76	7312.079	SPACER	1
77	55928	O-RING	1

F4400 - 2245500 - F4400 - 2245600 - F4500 - 2245700 - F4500 - 2245800 -  
 AXLE HOUSING A1 SIDE ASSEMBLY & INSTALLATION 840D

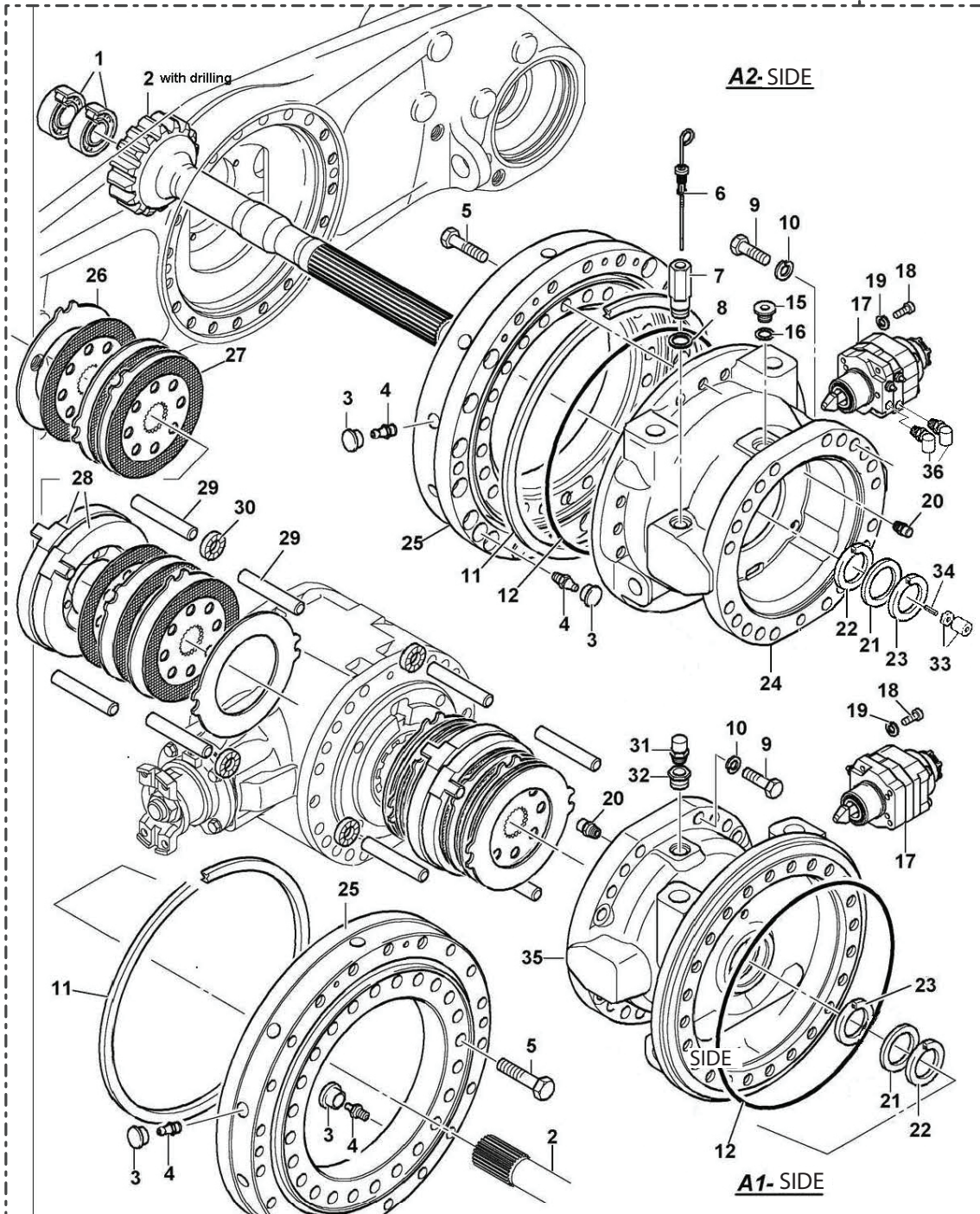
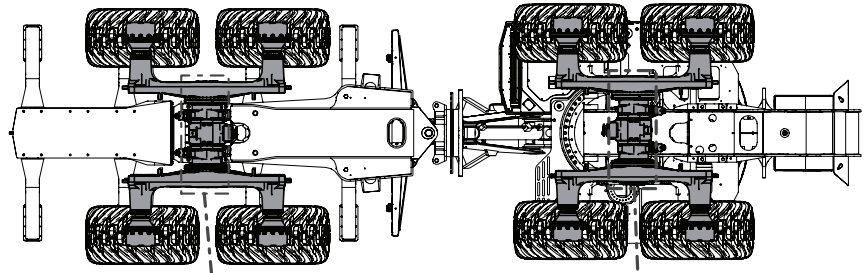


G-00002D 03/25

**F4400 - 2245500 - F4400 - 2245600 - F4500 - 2245700 - F4500 - 2245800 -  
AXLE HOUSING A1 SIDE ASSEMBLY & INSTALLATION 840D**

<b>Item</b>	<b>Part #</b>	<b>Description</b>	<b>Qty.</b>
	2403.160	AXLE HOUSING COMPLETE A1	1
1	23784	BEARING, ROLLER	2
2	53173	SHAFT, SUN GEAR W/O NIPPLE BALANCED	1
3	1750.683	PLUG	4
4	23689	FITTING, GREASE	2
5	23779	BOLT - 20MM X 90MM	24
6	---		
7	---		
8	---		
9	55869	BOLT, HEXAGON	18
10	23800	WASHER, HARDENED	18
11	56036	RING, SCRAPER	1
12	23787	O-RING	1
13	---		
14	---		
15	---		
16	---		
17	54239	BRAKE CYLINDER ASSEMBLY-CURRENT	1
18	55961	SCREW, ALLEN	3
19	23802	WASHER, LOCK	3
20	23791	BREATHER, AXLE BEAM	1
21	23789	RING, RETAINING	1
22	23788	SEAL, OIL	1
23	22836	SEAL, AXLE SHAFT	1
24	---		
25	54812	SLEW RING	1
26	23825	DISK, INTERMEDIATE	6
27	23826	DISK, COATED	6
28	23827	DISK, OPERATING	1
29	23829	PIN PIN, STRAIGHT	4
30	23828	WASHER, TOOTHED	2
31	22570	BREATHER, AXLE DIFFERENTIAL - .5 PSI#	1
32	23792	BUSHING, REDUCER	1
33	---		
34	---		
35	56037	HOUSING, AXLE	1
36	1750.900	ADAPTER	1

F4400 - 2245500 - F4400 - 2245600 - F4500 - 2245700 - F4500 - 2245800 -  
 AXLE HOUSING A2 SIDE ASSEMBLY & INSTALLATION 840D

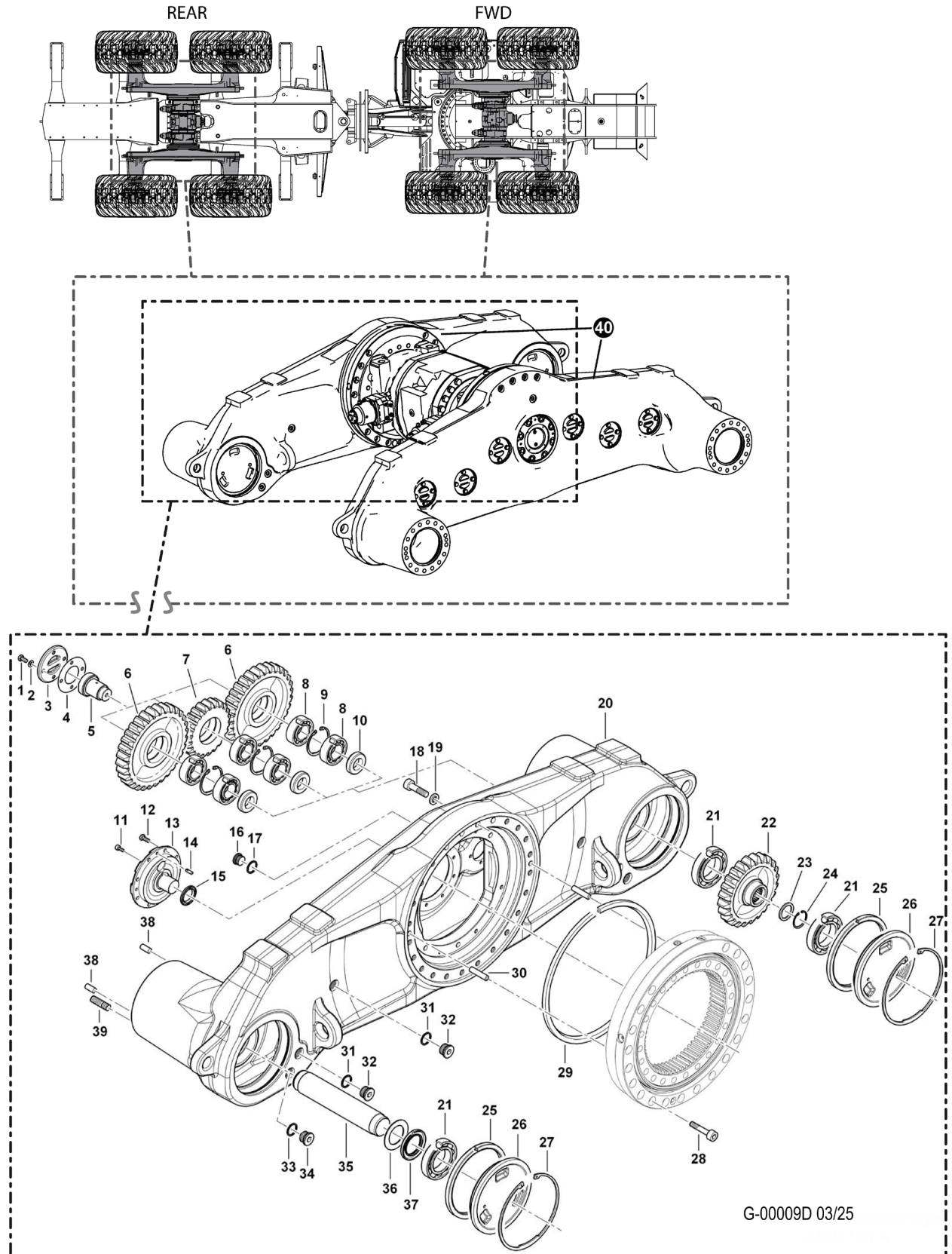


G-00002D 03/25

**F4400 - 2245500 - F4400 - 2245600 - F4500 - 2245700 - F4500 - 2245800 -  
AXLE HOUSING A2 SIDE ASSEMBLY & INSTALLATION 840D**

<b>Item</b>	<b>Part #</b>	<b>Description</b>	<b>Qty.</b>
---	2403.160	AXLE HOUSING COMPLETE A2	1
1	23784	BEARING, ROLLER	2
2	53172	SHAFT, SUN GEAR W/NIPPLE (A2) #BALANCED	1
3	1750.683	PLUG	4
4	23689	FITTING, GREASE	2
5	23779	BOLT - 20MM X 90MM	24
6	7325.037	DIPSTICK	1
7	54933	THREADED STUD	1
8	55877	SEAL, RING	1
9	55926	BOLT, HEXAGON	18
10	23800	WASHER, HARDENED	18
11	56036	RING, SCRAPER	1
12	23787	O-RING	1
13	---		
14	---		
15	56299	SCREW PLUG	1
16	55877	SEAL, RING	1
17	54239	BRAKE CYLINDER ASSEMBLY	1
18	55961	SCREW, ALLEN	3
19	23802	WASHER, LOCK	3
20	23791	BREATHER, AXLE BEAM	1
21	23789	RING, RETAINING	1
22	23788	SEAL, OIL	1
23	22836	SEAL, AXLE SHAFT	1
24	56038	HOUSING, AXLE	1
25	54812	SLEW RING	1
26	23823	FLANGE, DIFF YOKE (4 BOLT FLANGE)	6
27	23826	DISK, COATED	6
28	23827	DISK, OPERATING	1
29	7321.096	PIN	4
30	23828	WASHER, TOOTHED	2
31	---		
32	---		
33	53781	ADJUSTING KIT	1
33	7321.191	ADJUSTING PIN	1
33	7315.300	WASHER	3
33	7315.301	WASHER	3
34	56039	SLEEVE, CLAMPING	1
35	---		
36	1750.900	ADAPTER	1

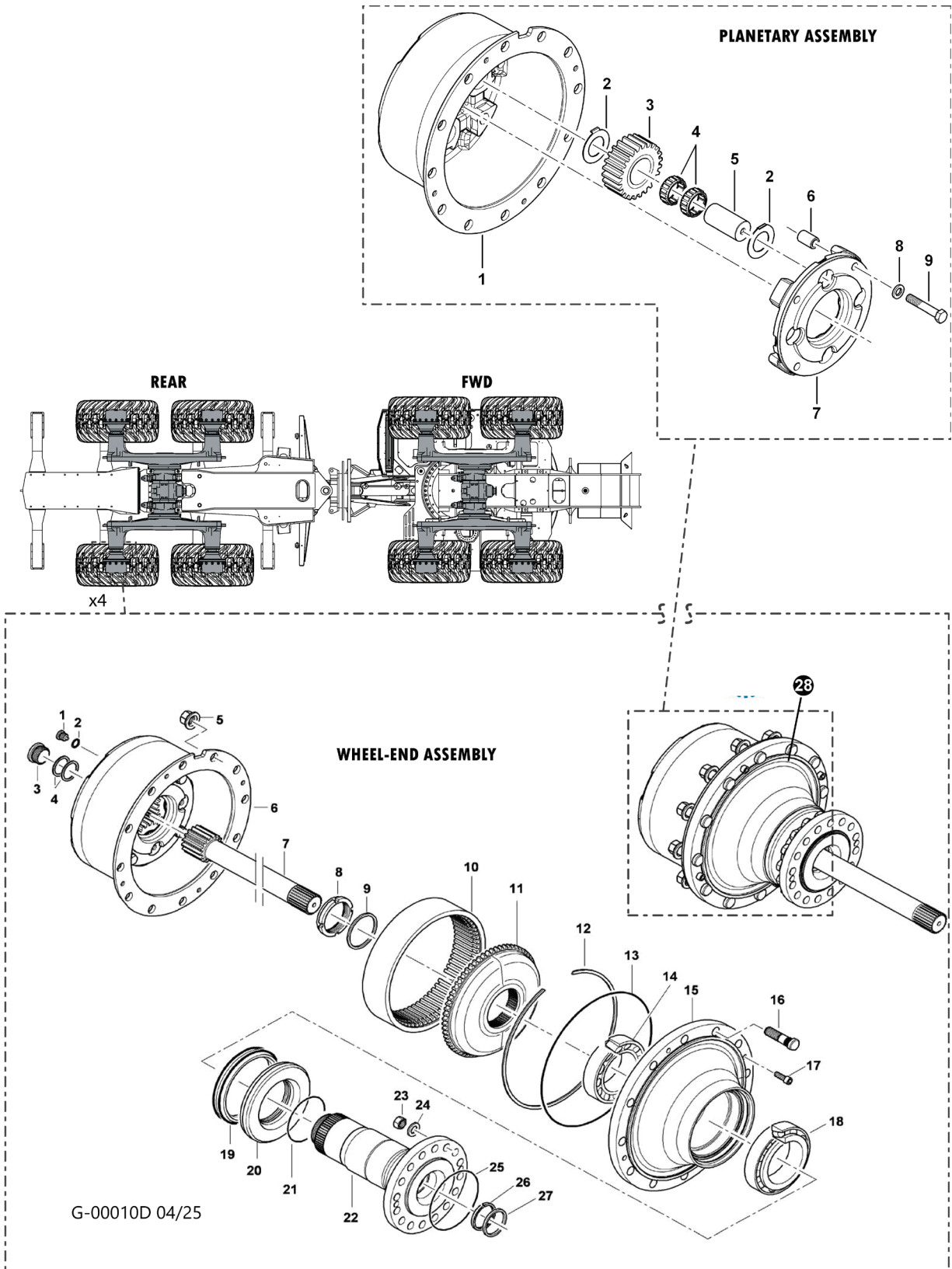
F4400 - 2245500 - F4400 - 2245600 - F4500 - 2245700 - F4500 - 2245800 - PLANETARY AND WHEEL END ASSEMBLY & INSTALLATION 840D



F4400 - 2245500 - F4400 - 2245600 - F4500 - 2245700 - F4500 - 2245800 - PLANETARY AND WHEEL

END ASSEMBLY & INSTALLATION 840D

Item	Part #	Description	Qty.
1	2405.159	BOGIE HOUSING COMPLETE	24
2	23700	BOLT - 10MM X 20MM	24
3	23699	WASHER, HARDENED - 10MM	6
4	23698	COVER, ACCESS	6
5	55883	GASKET	6
6	23696	PIN	4
7	53006	GEAR, SPUR - 32T	2
8	50094	GEAR, 21 TOOTH	12
9	23692	BEARING, ROLLER U	6
10	23694	RING, RETAINING	6
11	23691	BUSHING, SPACER	2
12	23797	BOLT, ALLEN HEAD - 8MM X 16MM	8
13	23795	BOLT - 10MM X 25MM	1
14	23794	STUD, BEARING	1
15	52319	GROOVED DOWEL PIN	1
16	23799	SHAFT SEAL	1
17	23836	PLUG - 30MM	1
18	23712	RING, SEAL - 30MM	4
19	1020.618	BOLT, SHCS	4
20	23800	WASHER, HARDENED	1
21	7277.148	BOGIE HOUSING	4
22	23730	BEARING, BALL	2
23	53027	GEAR, SPUR - 27T	2
24	23729	WASHER, SUPPORT	2
25	23728	RING, RETAINING	2
26	23724	RING, SEAL	2
27	7302.082	COVER	2
28	23725	RING, RETAINING	20
29	1020.618	BOLT, SHCS	1
30	50176	RING, SEAL	2
31	23777	PIN, DOWEL	4
32	23712	RING, SEAL - 30MM	4
33	23836	SCREW PLUGPLUG - 30MM	2
34	23712	RING, SEAL - 30MM	2
35	23711	PLUG - 30MM W/MAGNET	2
36	23735	PIPE, PLANETARY PILOT	2
37	23734	WASHER, PLANETARY SHAFT - INNER	2
38	23733	SEAL, OIL 0 OUTBOARD	4
39	23732	PIN, DOWEL - 16MM	32
40	56532	STUD	2



F4400 - 2245500 - F4400 - 2245600 - F4500 - 2245700 - F4500 - 2245800 - PLANETARY ASSEMBLY 840D

Item	Part #	Description	Qty.
-	2218.014	PLANETARY GEAR DRIVE	1
1	23745	PLANET CARRIER	1
2	23746	THRUST WASHER	8
3	23747	PLANET GEAR	4
4	23748	TWO-ROW ROLLER BEARING	4
5	23751	PLANETARY PIN	4
6	23752	SHEAR PIN	4
7	23753	PLANET CARRIER	1
8	23754	WASHER	4
9	56576	HEXAGON BOLT	4
---	52879	WHEEL END COMPLETE	4
1	23741	SCREW PLUG	2
2	23742	SEAL RING	2
3	23743	SCREW PLUG	1
4	23744	SHIM KIT	1
*	1210.113	SEEGER ADJUSTING WASHER 30X42X0.5	N/A
*	1210.295	SEEGER ADJUSTING WASHER 30X42X1.0	N/A
*	1210.296	SEEGER SUPPORT WASHER	N/A
5	19361	WHEEL NUT WITH ROTATING WASHER	12
6	53784	PLANETARY GEAR DRIVE COMPLETE	1
7	53026	SUN GEAR SHAFT	1
8	23757	NUT M85X2	1
9	23758	ADJUSTING KIT	1
*	7317.199	ADJUSTING WASHER D86XD105.5X2.500	N/A
*	7317.200	ADJUSTING WASHER D86XD105.5X2.375	N/A
*	7317.201	ADJUSTING WASHER D86XD105.5X2.250	N/A
*	7317.202	ADJUSTING WASHER D86XD105.5X2.125	N/A
*	7317.203	ADJUSTING WASHER D86XD105.5X2.000	N/A
*	7317.204	ADJUSTING WASHER D86XD105.5X1.875	N/A
*	7317.205	ADJUSTING WASHER D86XD105.5X1.780	N/A
*	7317.206	ADJUSTING WASHER D86XD105.5X1.625	N/A
*	7317.207	ADJUSTING WASHER D86XD105.5X1.500	N/A
*	7317.208	ADJUSTING WASHER D86XD105.5X1.375	N/A
10	7801.065	RING GEAR	1
11	700730	RING GEAR CARRIER	1
12	23761	SEEGER SNAP RING	1
13	23762	O-RING	1
14	23763	TAPERED ROLLER BEARING	1
15	54952	WHEEL HUB	1
16	64840	WHEEL BOLT	12
17	700610	ALLEN SCREW	4
18	23767	TAPERED ROLLER BEARING	1
19	23768	FACE SEAL	1
20	23769	SPINDLE RING	1
21	23770	O-RING	1
22	54948	SPINDLE	1
23	1060.010	HEXAGON NUT	16
24	7316.050	WASHER	16
25	23772	O-RING	1
26	23737	OIL SEAL	1
27	24628	WASHER	1

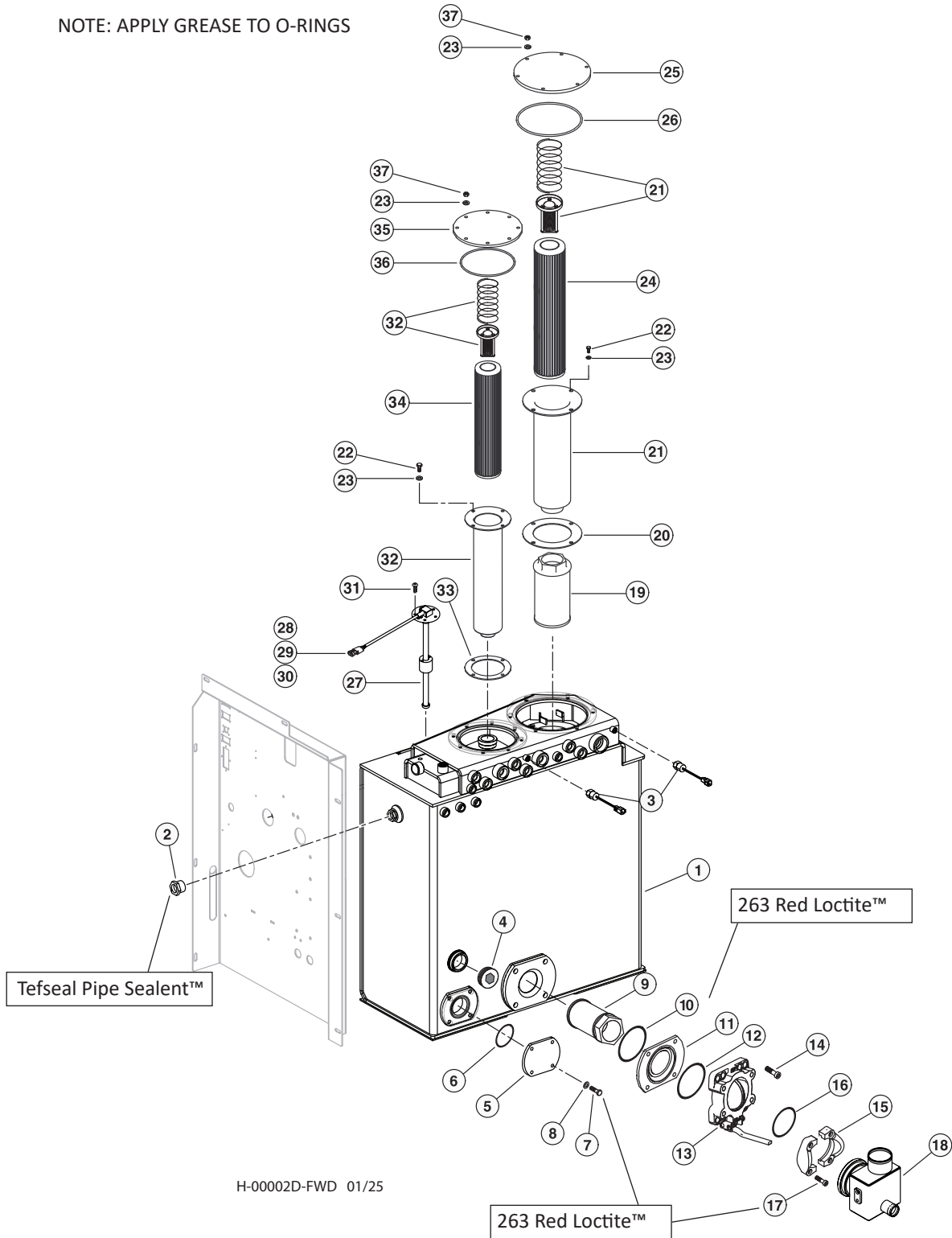
\*MEANS NOT SHOWN

# **UPPER HYDRAULIC SYSTEM - (H)**



# H0110 - 2243600 - HYDRAULIC TANK - SINGLE PUMP SUCTION

NOTE: APPLY GREASE TO O-RINGS



H-00002D-FWD 01/25

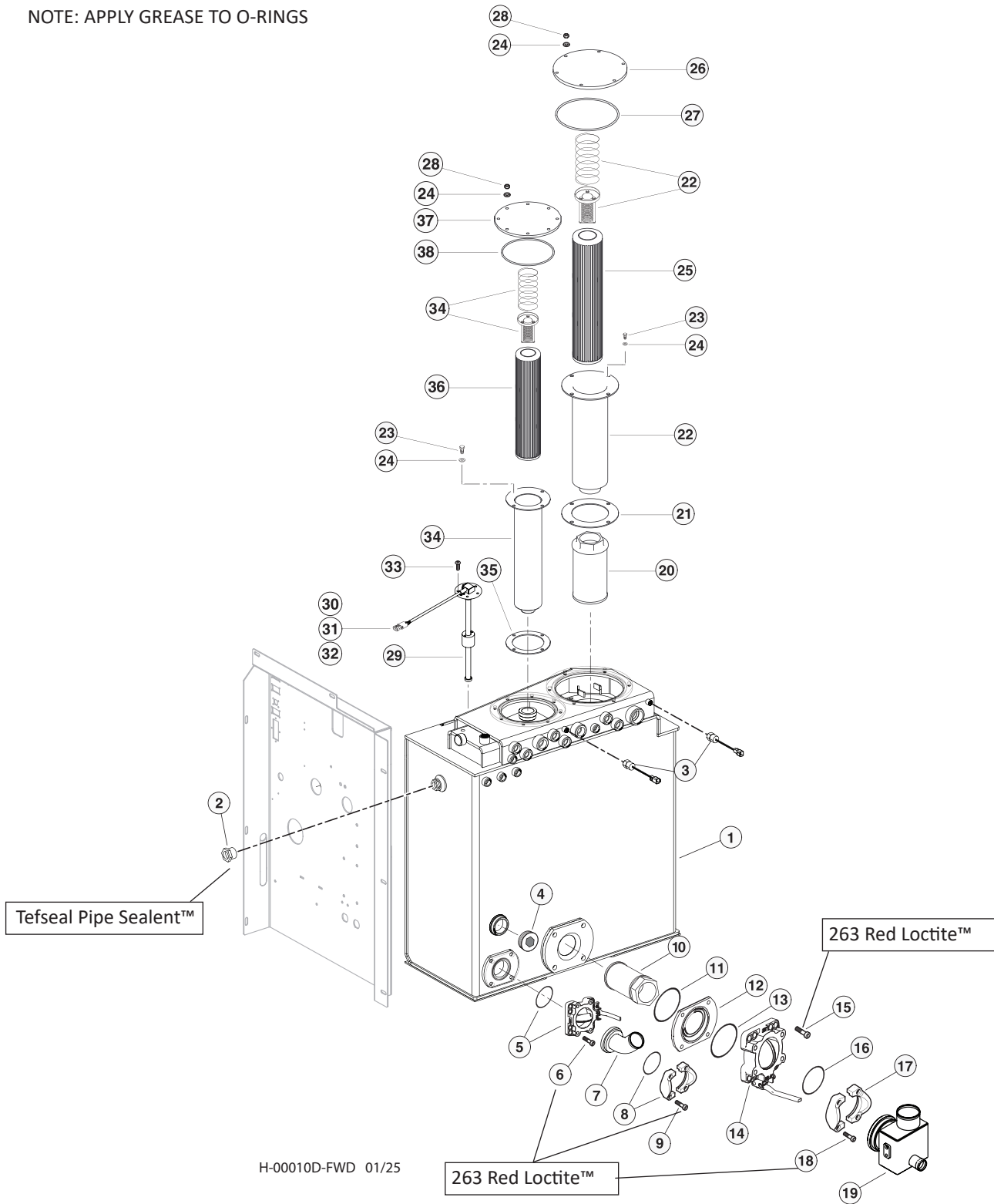
## H0110 - 2243600 - HYDRAULIC TANK - SINGLE PUMP SUCTION

Item	Part #	Description	Qty.
1	60350	TANK, HYDRAULIC - D SERIES	1
2	24308	SIGHT GLASS - HYDRAULIC TANK TEFSEAL PIPE SEALANT™	1
3	58307	SWITCH, PRESSURE - SCHROEDER (37 psi)	2
4	53105	PLUG, PIPE - 2"	1
5	60537	FLANGE, BLANK TANK - D-SERIES	1
6	58061	O-RING, FLANGE BLANK D-SERIES	1
7	10783	BOLT - .5" X 1" 263 RED LOCTITE™	4
8	15534	WASHER, SAE FLAT - .5"	4
9	15842	FILTER, SCREEN - IMPLEMENT	1
10	51726	ORING, HDYRAULIC TANK	1
11	42306	PLATE, INTER.-SUCTION PORT 100mm VALVE	1
12	58334	O-RING, 4" BUTTERFLY VALVE (54786)	1
13	54786	VALVE, BUTTERFLY (4" )	1
14	23095	BOLT, ALLEN HEAD - .625" x 2" 263 RED LOCTITE™	4
15	51625	KIT, FLANGE - SUCTION TUBE (4")	1
16	51725	ORING, HDY. TANK BALL VALVE	1
17	50383	BOLT - 16MM-2.0P X 50MM 263 RED LOCTITE™	4
18	607450	CANISTER, SUCTION - STD	1
19	51624	DIFFUSER, FILTER - MAIN RETURN HYD TANK	1
20	52126	GASKET, MAIN RETURN FILTER - (51620)	1
21	51620	FILTER KIT, HYD. TANK MAIN RETURN	1
22	15542	BOLT - .375" X .75"	8
23	15528	WASHER, SAE FLAT - .375"	22
24	52350	ELEMENT, MAIN RETURN - HI EFF.	1
25	46568	COVER, ACCESS HR TANK W-KEEPER	1
26	42310	O-RING, HYD TANK COVER - 10.38"	1
27	57264	SENDER, HYD OIL LEVEL W/FLOAT	1
28	54065	SOCKET, CONTACT - 2	1
29	53176	CONNECTOR, TERMINAL 16-18G SOLID DEUTSCH	2
30	54064	WEDGELOCK	1
31	22862	SCREW, MACHINE - #10-24 X .5" (BUTTON)	5
32	51621	FILTER KIT, HYD. TANK - CASE RETURN	1
33	16852	KIT, SEAL REPAIR - RETURN FILTER	1
34	22647	ELEMENT, HYDRAULIC TANK - SMALL	1
35	54414	COVER, HYDRAULIC TANK SINGLE	1
36	15600	O-RING - 8" DIA. -369	1
37	15507	NUT, NYLOCK - .375"	14

# H0110 - 2243600 - HYDRAULIC TANK - DUAL PUMP SUCTION

NOTE: HYDRAULIC FITTINGS GET 545 LOCTITE™

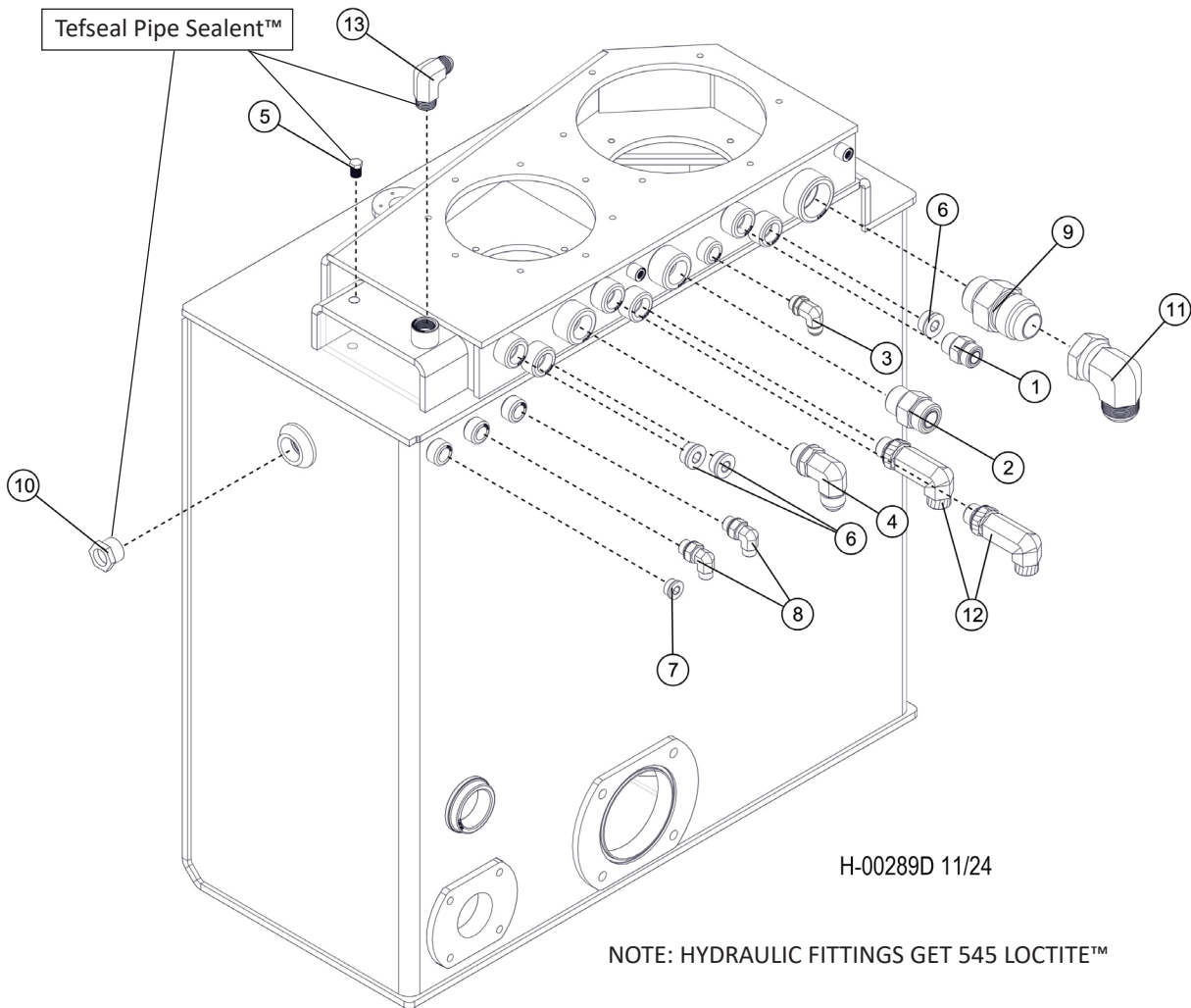
NOTE: APPLY GREASE TO O-RINGS



## H0110 - 2243600 - HYDRAULIC TANK - DUAL PUMP SUCTION

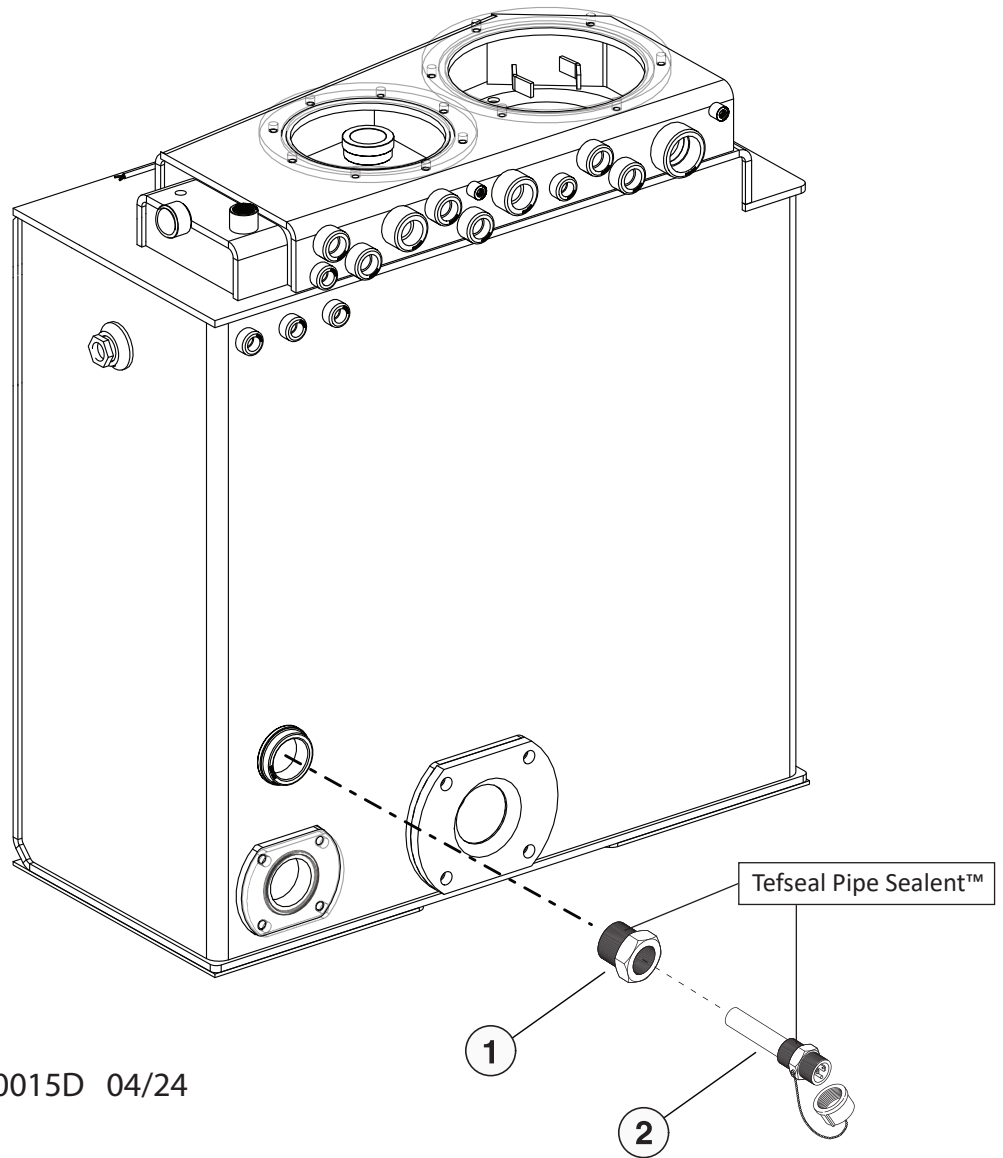
Item	Part #	Description	Qty.
1	60350	TANK, HYDRAULIC - D SERIES	1
2	24308	SIGHT GLASS - HYDRAULIC TANK TEFSEAL PIPE SEALANT™	1
3	58307	SWITCH, PRESSURE - SCHROEDER (37 psi)	2
4	53105	PLUG, PIPE - 2"	1
5	57834	VALVE, BUTTERFLY (2.5" ) - DISC SAW	1
6	50445	BOLT, ALLEN HEAD - .5" X 1.25" 263 RED LOCTITE™	4
7	58099	ELBOW, 45 - D-SERIES HYD. TANK (MODIFIED	1
8	15193	KIT, SPLIT FLANGE - 2.5" (CODE 61)	1
9	15551	BOLT - 12MM-1.75P X 40MM 263 RED LOCTITE™	4
10	15842	FILTER, SCREEN - IMPLEMENT	1
11	51726	ORING, HDYRAULIC TANK	1
12	42306	PLATE, INTER.-SUCTION PORT 100mm VALVE	1
13	58334	O-RING, 4" BUTTERFLY VALVE (54786)	1
14	54786	VALVE, BUTTERFLY (4" )	1
15	23095	BOLT, ALLEN HEAD - .625" x 2" 263 RED LOCTITE™	4
16	51725	ORING, HDY. TANK BALL VALVE	1
17	51625	KIT, FLANGE - SUCTION TUBE (4")	1
18	50383	BOLT - 16MM-2.0P X 50MM 263 RED LOCTITE™	4
19	607450	CANISTER, SUCTION - STD	1
20	51624	DIFFUSER, FILTER - MAIN RETURN HYD TANK	1
21	52126	GASKET, MAIN RETURN FILTER - (51620)	1
22	51620	FILTER KIT, HYD. TANK MAIN RETURN	1
23	15542	BOLT - .375" X .75"	8
24	15528	WASHER, SAE FLAT - .375"	22
25	52350	ELEMENT, MAIN RETURN - HI EFF.	1
26	46568	COVER, ACCESS HR TANK W-KEEPER	1
27	42310	O-RING, HYD TANK COVER - 10.38"	1
28	15507	NUT, NYLOCK - .375"	14
29	57264	SENDER, HYD OIL LEVEL W/FLOAT	1
30	54065	SOCKET, CONTACT - 2	1
31	53176	CONNECTOR, TERMINAL 16-18G SOLID DEUTSCH	2
32	54064	WEDGELOCK	1
33	22862	SCREW, MACHINE - #10-24 X .5" (BUTTON)	5
34	51621	FILTER KIT, HYD. TANK - CASE RETURN	1
35	16852	KIT, SEAL REPAIR - RETURN FILTER	1
36	22647	ELEMENT, HYDRAULIC TANK - SMALL	1
37	54414	COVER, HYDRAULIC TANK SINGLE	1
38	15600	O-RING - 8" DIA. -369	1

## H0110 - 2243600 - HYDRAULIC TANK FITTINGS



Item	Part #	Description	Qty.
1	15152	CONNECTOR, STR - FF1852T-1212S	1
2	15226	CONNECTOR, STR - FF1852T-1216S	1
3	15481	ELBOW, 90 - 6801-8	1
4	15484	ELBOW, 90 - 16 C5OX-S	1
5	15515	PLUG - 5406-P-4 TEFSEAL PIPE SEALANT™	1
6	15584	PLUG - 6408-HHP-12	2
7	18949	PLUG - 6408-HHP-8	2
8	20031	ELBOW, 90 - 6-8 C5OLO-S	1
9	22319	CONNECTOR, STR 24F5OX-S THRML B-PASS GT	1
10	24308	SIGHT GLASS - HYDRAULIC TANK/TRIPLE BOX TEFSEAL PIPE SEALANT™	1
11	54714	ELBOW, 90 SWIVEL 24C6X-S (24 JICMF)	1
12	57444	FITTING, 12 CC5OLO-S	2
13	58210	FITTING, 12-CTX-S TEFSEAL PIPE SEALANT™	1

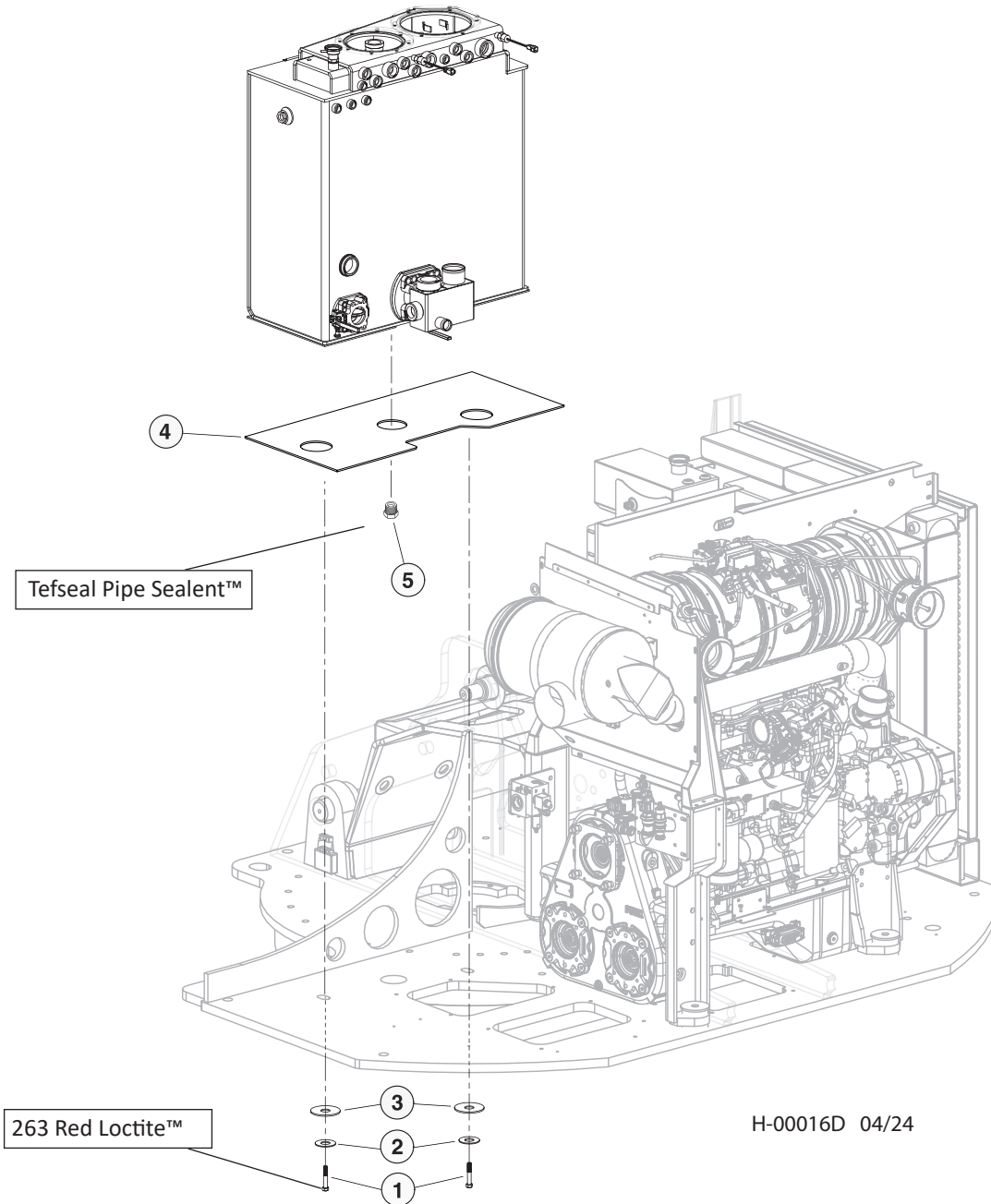
# H0111 - 2223300 - HYD TANK HEATER U. (120V)



H-00015D 04/24

Item	Part #	Description	Qty.
1	20069	HEATER ELEMENT- HYD. TANK (120V) TEFSEAL PIPE SEALANT™	1
2	26397	BUSHING, BLACK - 2" X 1.25" TEFSEAL PIPE SEALANT™	1

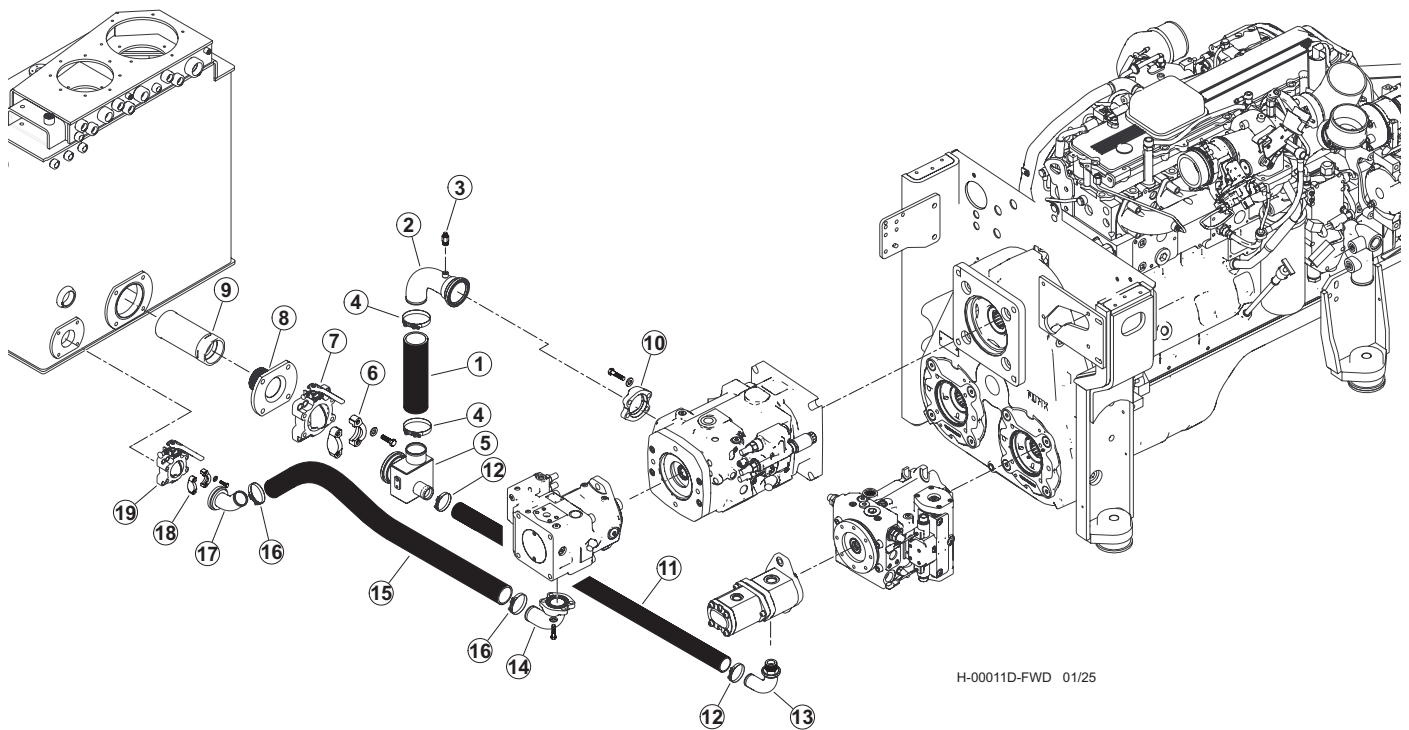
# H0115 - 2223200 - HYDRAULIC TANK INSTALLATION



Item	Part #	Description	Qty.
1	57870	BOLT - .625" X 2.75" 263 Red Loctite™	2
2	54148	WASHER, BURNED - .66" X 2" x 1/4"	2
3	17918	WASHER, ISOLATOR MOUNT - .875" X 3.5"	2
4	60366	RUBBER, HYD TANK D-SERIES	1
5	16887	PLUG - 5406-HHP-12/ 3/4 HEX PIPE TEFSEAL PIPE SEALANT™	1

## H0050 - 2243500 - HYDRAULIC PUMP SUCTIONS

NOTE: HYDRAULIC FITTINGS GET 545 LOCTITE™



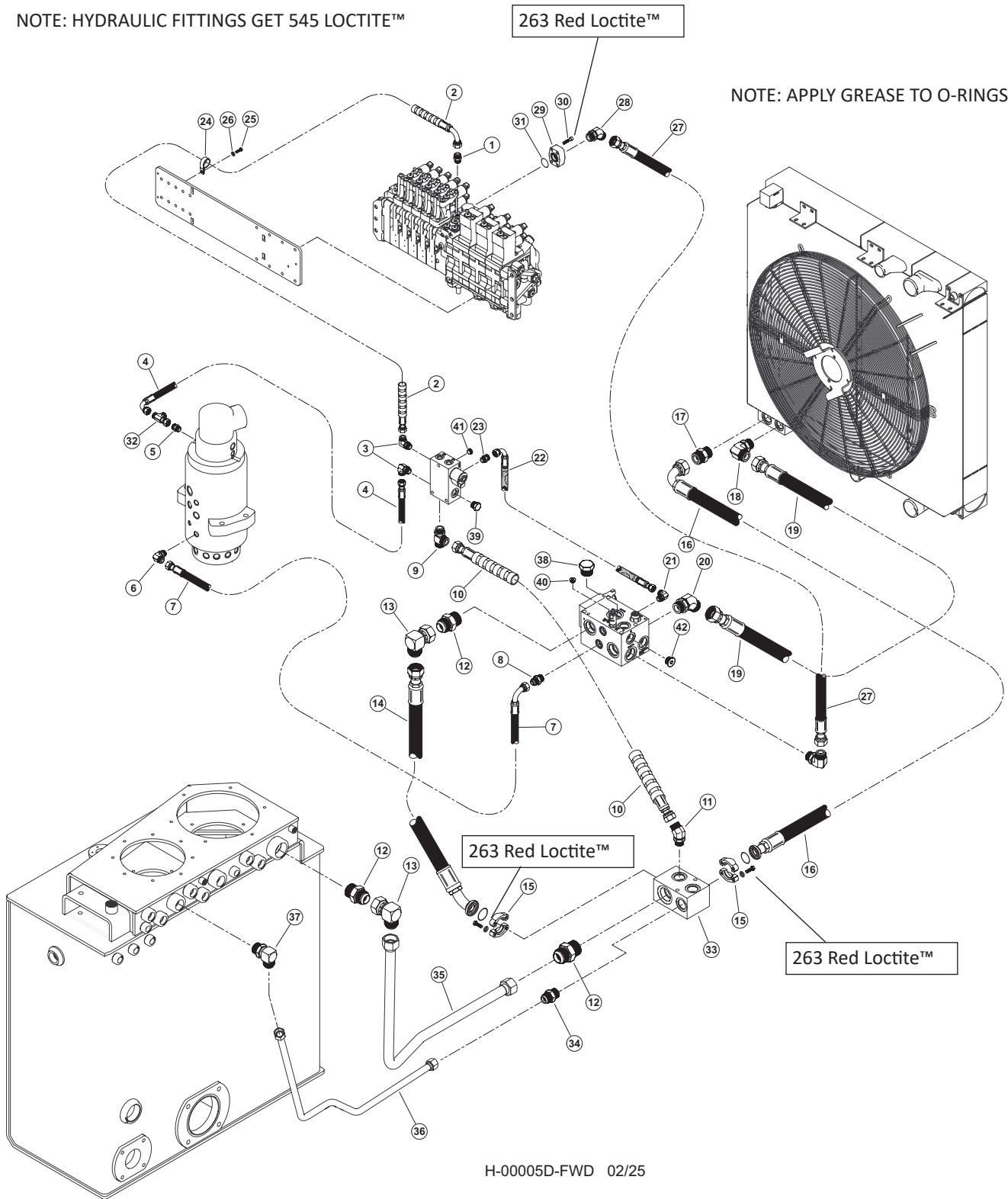
Item	Part #	Description	Qty.
	57965	KIT, FITTING - UPPER	
1	(57941 - KIT)	HOSE ASSY - 7216-300213.5 00-00-00 - (IMPLEMENT PUMP SUCTION)	1
2	46265	TUBE, SUCTION - IMP PUMP	1
3	55615	FITTING, ADAPTOR - BLEED - SUCTION TUBE	1
4	15613	CLAMP, STRAP BAND - 3.5"	2
5	607450	CANISTER, SUCTION - STD	1
6	51625	KIT, FLANGE - SUCTION TUBE (4")	1
7	54786	VALVE, BUTTERFLY (4")	1
8	42306	PLATE, INTER.-SUCTION PORT 100MM VALVE	1
9	15842	FILTER, SCREEN - IMPLEMENT	1
10	22639	KIT, SPLIT FLANGE - 3" (CODE 61)(METRIC)	1
11	(57941 - KIT)	HOSE ASSY - 7216-150217 24-0-0 - (CHARGE PUMP SUCTION)	1
12	55614	CLAMP, CONSTANT TORQUE - 1.75"	2
13	57663	FITTING, ELBOW - HOSE END 90°	1
14	55713	FLANGE, ELBOW - 1988-32-32	1
15	7219-200018.5 32-00-00	HOSE ASSEMBLY - (AUX. PUMP SUCTION)	1
16	18104	CLAMP, CONSTANT TORQUE - #36	2
17	58099	ELBOW, 45 - D-SERIES HYD. TANK	1
18	15193	KIT, SPLIT FLANGE - 2.5" (CODE 61)	1
19	57834	VALVE, BUTTERFLY (2.5") - DISC SAW	1

# H0050 - 2243500 - HOC MANIFOLD & CASE MANIFOLD PIPING - (K220/L90 VALVE)

NOTE: HYDRAULIC FITTINGS GET 545 LOCTITE™

263 Red Loctite™

NOTE: APPLY GREASE TO O-RINGS



H-00005D-FWD 02/25

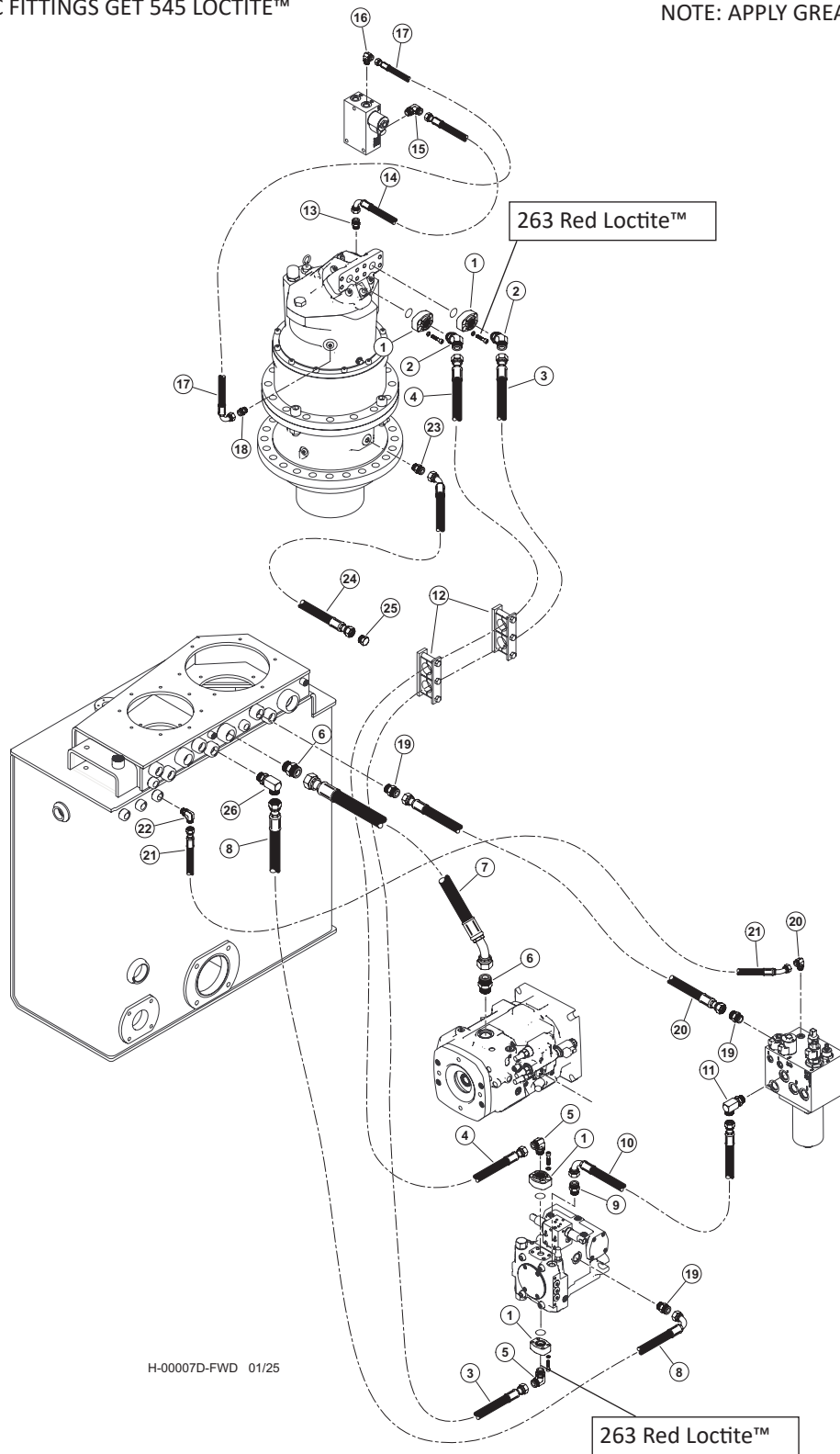
## H0050 - 2243500 - HOC MANIFOLD & CASE MANIFOLD PIPING - (K220/L90 VALVE)

Item	Part #	Description	Qty.
	57965	KIT, FITTING - UPPER	
1	18034	CONNECTOR, STR - FF1852T-0606S	1
2	59741 - (KIT)	HOSE ASSY - 387TC43 06-06OS-0609-SW (MAIN VALVE CASE DRAIN TO CASE MANIFOLD)	1
3	16296	ELBOW, 90 - FF1868T-0606S	2
4	59741 - (KIT)	HOSE ASSY - 387TC27 06-06OS-06J9 (ROTARY MANIFOLD TO BR CASE MANIFOLD)	1
5	15487	CONNECTOR, STR - 6400-6-4	1
6	15457	CONNECTOR, STR - FF1852T-0806S	1
7	57978 - (KIT)	HOSE ASSY - 187TC46 08-08OS-08O9-W (FLUSH - ROTARY MANIFOLD TO HOC MANIFOLD)	1
8	15238	FITTING, 8-16 F5OLO-S	1
9	57394	FITTING, STRAIGHT - 16 R5OX-S	1
10	59741 - (KIT)	HOSE ASSY - 187TC43-16-16JS-16JS-SW (RETURN MANIFOLD TO CASE MANIFOLD)	1
11	15473	ELBOW, 45 - 6802-16	1
12	22319	CONNECTOR, STR 24F5OX-S THRML B-PASS GT	3
13	54714	ELBOW, 90 SWIVEL 24C6X-S (24 JICMF)	2
14	59741 - (KIT)	HOSE ASSY - 187TC15-24-24JS-24PA4 (HOC BYPASS MANIFOD TO RETURN MANIFOLD)	1
15	15186	KIT, SPLIT FLANGE - 1.5" (CODE 61) 263 RED LOCTITE™	2
16	59741 - (KIT)	HOSE ASSY - 187TC51-24-2409-24PA (OIL COOLER RETURN TO RETURN MANIFOLD)	1
17	22448	CONNECTOR, STR - 848-TTO-24X24	1
18	59007	FITTING, 24-C5OLO-S	1
19	59741 - (KIT)	HOSE ASSY - 187TC30.5-24-240S-24OS (COOLER RETURN TO HOC MANIFOLD)	1
20	24257	ELBOW, 45 - FF2068T-2424S	1
21	20031	ELBOW, 90 - 6-8 C5OLO-S	1
22	59741 - (KIT)	HOSE ASSY - 387TC41 06-06OS-0609-W (CASE MANIFOLD TO HOC MANIFOLD)	1
23	22901	CONNECTOR, STR - 6-8 F5OLO-S	1
24	16119	CLAMP, HOSE - COATED STRAP - 1"	1
25	15605	BOLT - .3125" X .75"	1
26	15559	WASHER, SAE FLAT - .3125"	1
27	59741 - (KIT)	HOSE ASSY - 187TC43 20-20JS-06JS (VALVE RETURN TO HOC MANIFOLD)	1
28	15473	ELBOW, 45 - 6802-16	1
29	18397	CONNECTOR, FLANGE PAD - W48-16-16U(C 62)	1
30	20444	BOLT, ALLEN HEAD - 10MMX1.5 263 RED LOCTITE™	4
31	15378	O-RING - 1.25" SF (CODE 61/62)	1
32	55701	FITTING, TEE - 6 R5OX-S	1
33	63280	MANIFOLD, RETURN	1
34	15497	CONNECTOR, STR - 16 F5OX-S	1
35	55166	TUBELINE, HYD TANK TO BH 45 DEG	1
36	55170	TUBELINE, TANK TO CASE MAN.	1
37	15484	ELBOW, 90 - 16 C5OX-S	1
38	16727	PLUG - 6408-24	1
39	15584	PLUG - 6408-HHP-12	1
40	11383	PLUG - 6408-HHP-4	1
41	18949	PLUG - 6408-HHP-8	1
42	19847	PLUG - 6408-HHP-16	1

# H0050 - 2243500 - IMPLEMENT PUMP & SWING PUMP PIPING - COMMON

NOTE: HYDRAULIC FITTINGS GET 545 LOCTITE™

NOTE: APPLY GREASE TO O-RINGS

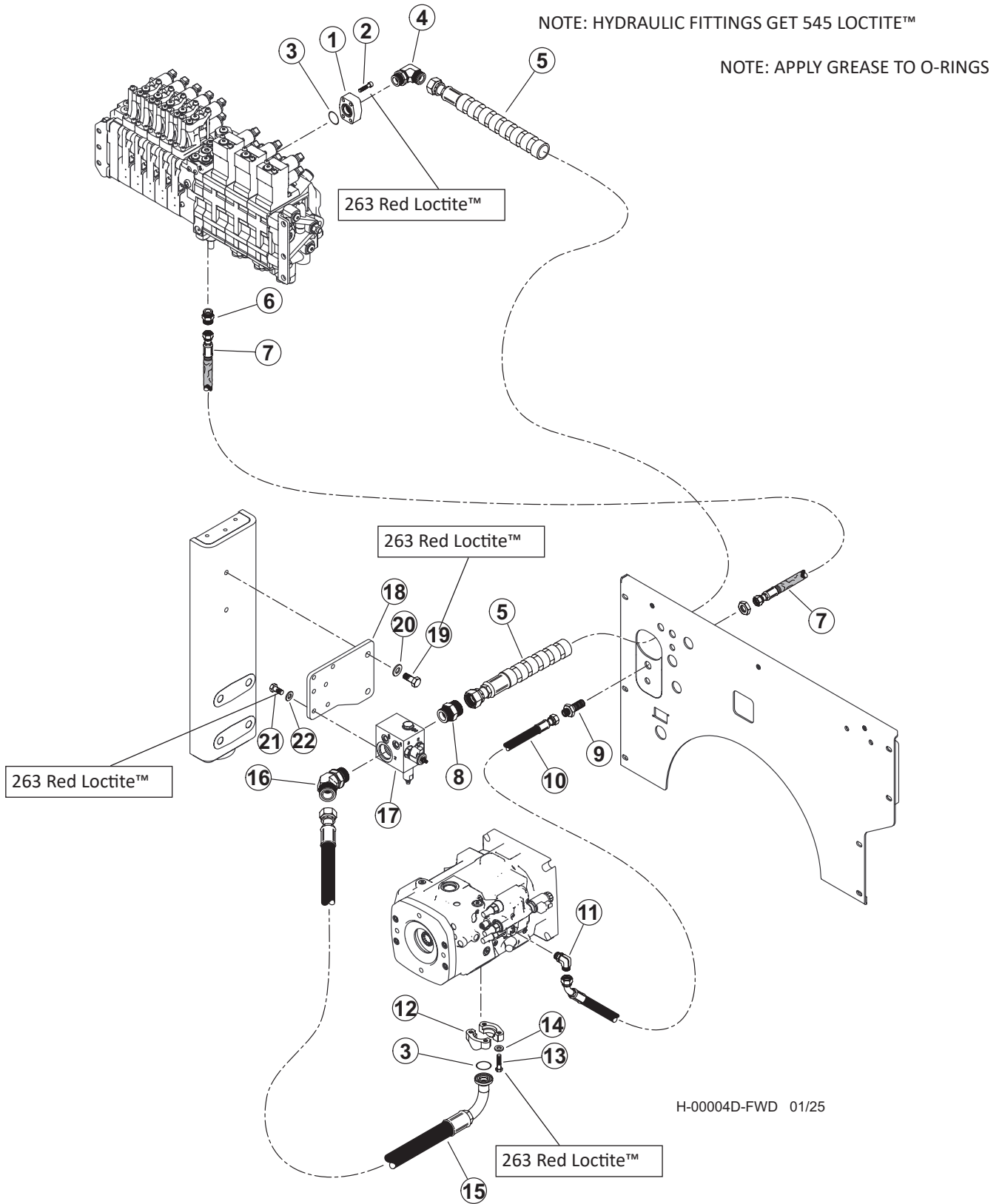


H-00007D-FWD 01/25

## H0050 - 2243500 - IMPLEMENT PUMP & SWING PUMP PIPING - COMMON

Item	Part #	Description	Qty.
	57965	KIT, FITTING - UPPER	4
1	19808	CONNECTOR, FLANGE PAD -FP62-12-12ORB-MK 263 RED LOCTITE™	2
2	19127	ELBOW, 45 - FF2068T-1212S	1
3	(57978 - KIT)	HOSE ASSY - 797TC69 12-12OS-12O9 (SWING MOTOR TO PUMP)	1
4	(57978 - KIT)	HOSE ASSY - 797TC73 12-12OS-12O9 (SWING MOTOR TO PUMP)	1
5	17688	ELBOW, 90 - FF1868T-1212S	2
6	15226	CONNECTOR, STR - FF1852T-1216S	
7	(57978 - KIT)	HOSE, HYD, 187TC21 12-12OS-12O4 (IMPLEMENT PUMP CASE DRAIN TO HYD TANK)	1
			1
8	(57978 - KIT)	HOSE, HYD, 187TC41 12-12OS-12O9 (SWING PUMP CASE TO HYD TANK)	1
9	15117	CONNECTOR, STR - FF1852T-0808S	1
10	65946	HOSE, HYD, 187TC31 08-08OS-08O9 (CHARGE MANIFOLD TO SWING PUMP)	1
11	57445	FITTING, 8 CC5OLO-S	1
12	58050	CLAMP, VERMATIC (15-SB-2-R-1.25) DUAL	1
13	52439	CONNECTOR, MALE ISO 6149	
14	(57941 - KIT)	HOSE, HYD, 187TC20 08-08OS-08O9 (SWING MOTOR CASE TO CASE MANIFOLD)	1
			2
15	16360	ELBOW, 90 - FF1868T-0808S	1
16	15133	ELBOW, 90 - FF1868T-0406S	1
17	(57941 - KIT)	HOSE, HYD, 387TC24 04-04OS-04O9 (SWING BRAKE TO CASE MANIFOLD)	1
18	19469	CONNECTOR, STR METRIC - 4M12F82EDMLO-S	1
19	15152	CONNECTOR, STR - FF1852T-1212S	1
20	(57941 - KIT)	HOSE, HYD, 187TC26.5 12-12OS-12OS (CHARGE MANIFOLD T3 TO TANK)	1
21	(57941 - KIT)	HOSE, HYD, 387TC55 06-06OS-06O4 (CHARGE MANIFOLD DRAIN TO HYD TANK)	
		ELBOW, 90 - 6-8 C5OLO-S	1
22	20031	CONNECTOR, STR - 6002-08-8BSPP	2
23	24182	HOSE ASSY - 187TC28 08-08OS-08O4 (SWING MOTOR DRAIN)	1
24	(57941 - KIT)	PLUG - FF9767-08S	1
25	16032	FITTING, 12 CC5OLO-S	1
26	57444		

**H0050 - 2243500 - IMPLEMENT PUMP PRESSURE & LOAD SENSE PIPING - (K220/L90 VALVE)**

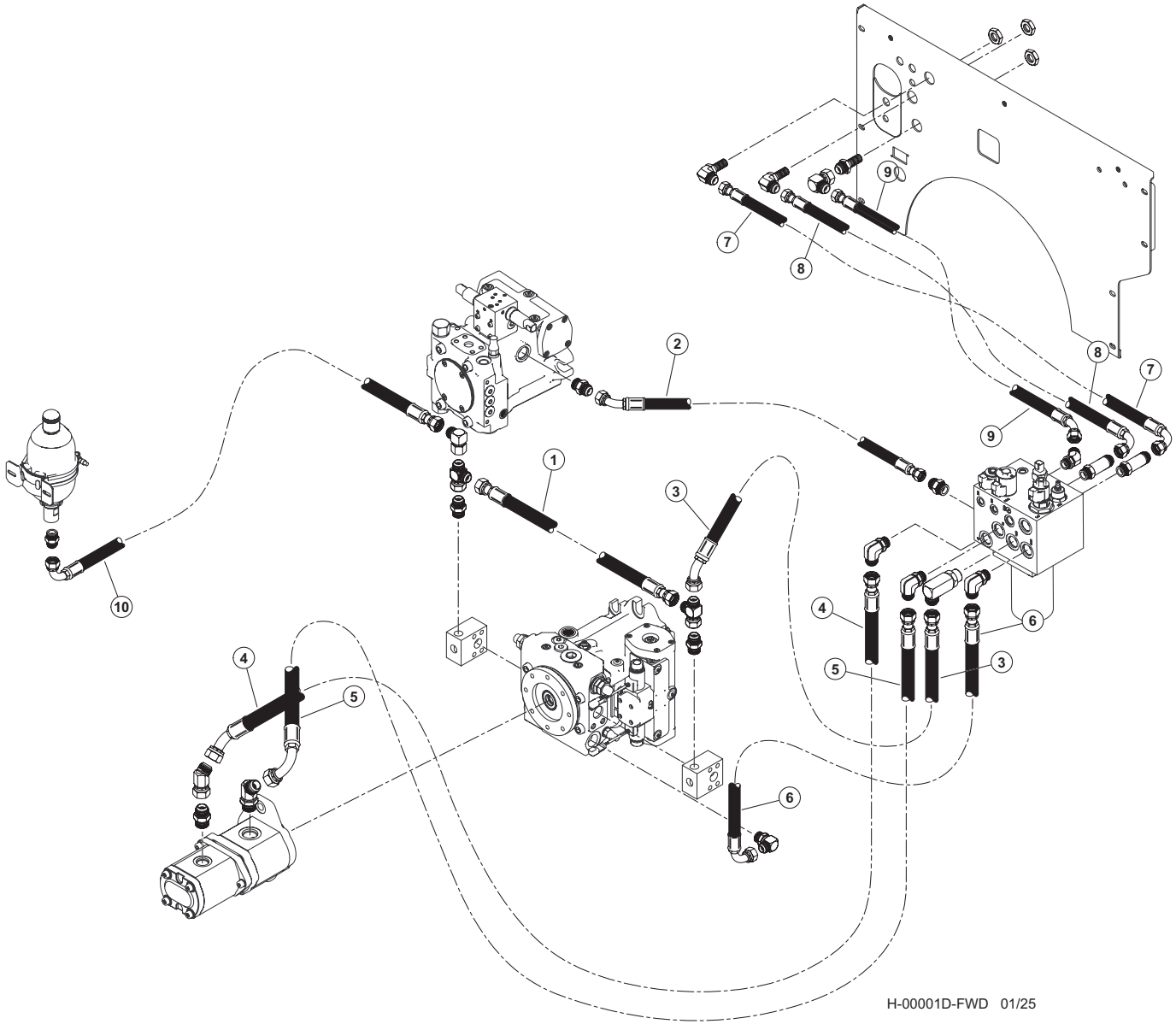


**H0050 - 2243500 - IMPLEMENT PUMP PRESSURE & LOAD SENSE PIPING - (K220/L90 VALVE)**

<b>Item</b>	<b>Part #</b>	<b>Description</b>	<b>Qty.</b>
	57965	KIT, FITTING - UPPER	
1	18397	CONNECTOR, FLANGE PAD - W48-16-16U(C 62)	1
2	18988	BOLT, ALLEN HEAD - 12MM-1.75P X 45MM 263 RED LOCTITE™	4
3	15378	O-RING - 1.25" SF (CODE 61/62)	2
4	21143	ELBOW, 90 - 20-16 C5OLO-S	1
5	57941 - (KIT)	HOSE ASSY - 787TC65 20-20OS-20OS-W (IMP PUMP PRESSURE - BH TO MAIN VALVE)	1
6	18034	CONNECTOR, STR - FF1852T-0606S	1
7	57941 - (KIT)	HOSE ASSY - 787TC68 06-06OS-06OS-W (LOAD SENSE - BH TO MAIN VALVE)	1
8	17344	CONNECTOR, STR - FF1852T-2020S	1
9	50420	CONNECTOR, STR BULKHEAD - 832-TT-06	1
10	57941 - (KIT)	HOSE ASSY - 787TC37 06-06OS-06O4 (LOAD SENSE - IMPLEMENT PUMP TO BULKHEAD)	1
11	16296	ELBOW, 90 - FF1868T-0606S	1
12	15114	KIT, SPLIT FLANGE - 1.25" (CODE 62)	1
13	10736	BOLT - .5" X 2" 263 RED LOCTITE™	4
14	10710	WASHER, LOCK - .5"	4
15	58027	HOSE, HYD, IMP PRESS 40/D-SERIES	1
16	17056	ELBOW, 45 - FF2068T-2020S	1
17	58021	VALVE, LOWER MANIFOLD PRES, CNTRL D-SER	1
18	60444	MOUNT, MANIFOLD	1
19	50100	BOLT - .5" X 1.25" 263 RED LOCTITE™	2
20	15534	WASHER, SAE FLAT - .5"	2
21	11707	BOLT - .375" X 1" 263 RED LOCTITE™	2
22	15528	WASHER, SAE FLAT - .375"	2

# H0050 - 2243500 - CHARGE PUMP PIPING

NOTE: HYDRAULIC FITTINGS GET 545 LOCTITE™



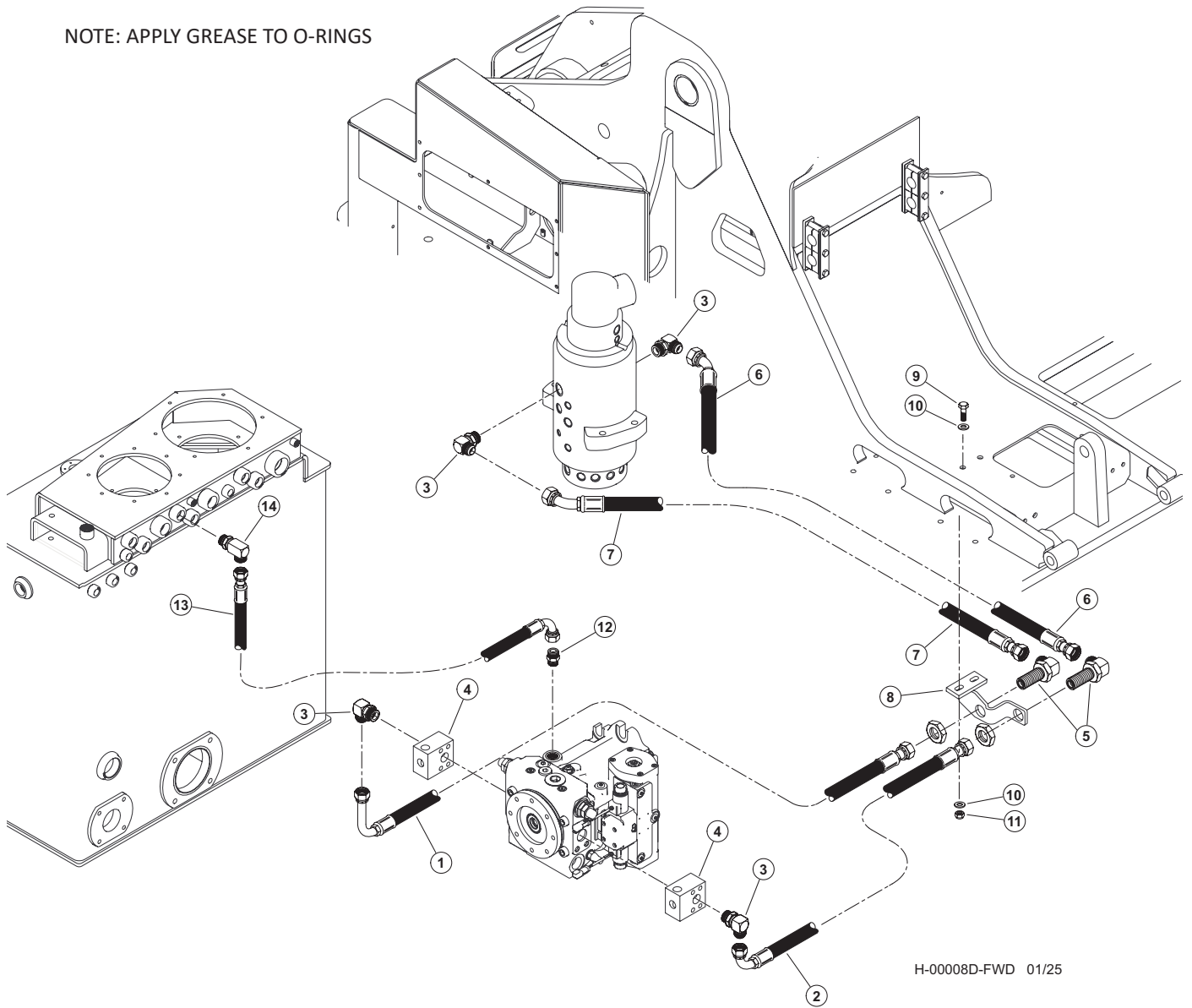
H-00001D-FWD 01/25

## H0050 - 2243500 - CHARGE PUMP PIPING

Item	Part #	Description	Qty.
	57965	KIT, FITTING - UPPER	
	65697	HOSE KIT, WHEELED CHARGE MANIFOLD	
1	656920	HOSE, HYD, 187TC9.5 12-12JS-12JS (PORT 3 TO PORT 3 ANTI-CAV)	1
2	656910	HOSE, HYD, 187TC29 08-08JS-08J4 (FA3 TO SWING PUMP)	1
3	656950	HOSE, HYD, 187TC25.5 12-12JS-12J9 (FA2 TO REAR DRIVE PUMP)	1
4	656930	HOSE, HYD, 187TC24 12-12JS-12J4 (CI TO REAR CHARGE PUMP)	1
5	664390	HOSE, HYD, 722TC17 12-12JS-12J9 (FI TO FRONT CHARGE PUMP)	1
6	656940	HOSE, HYD, 187TC14 12-12JS-12J4 (FA1 TO EM)	1
7	656870	HOSE, HYD, 187TC20.5 12-12JS-12J9 (CLF TO T3 BULKHEAD)	1
8	656860	HOSE, HYD, 187TC19 12-12JS-12J9 (FR TO FAN RETURN BULKHED)	1
9	656840	HOSE, HYD, 722TC19 12-12JS-12J4 (FO TO FAN PSI BULKHEAD)	1
10	(57978 - KIT)	HOSE, HYD, 387TC33 12-12JS-12J9 (ACCUMULATOR)	1

# H0050 - 2243500 - WHEEL PUMP UPPER PIPING

NOTE: APPLY GREASE TO O-RINGS



H-00008D-FWD 01/25

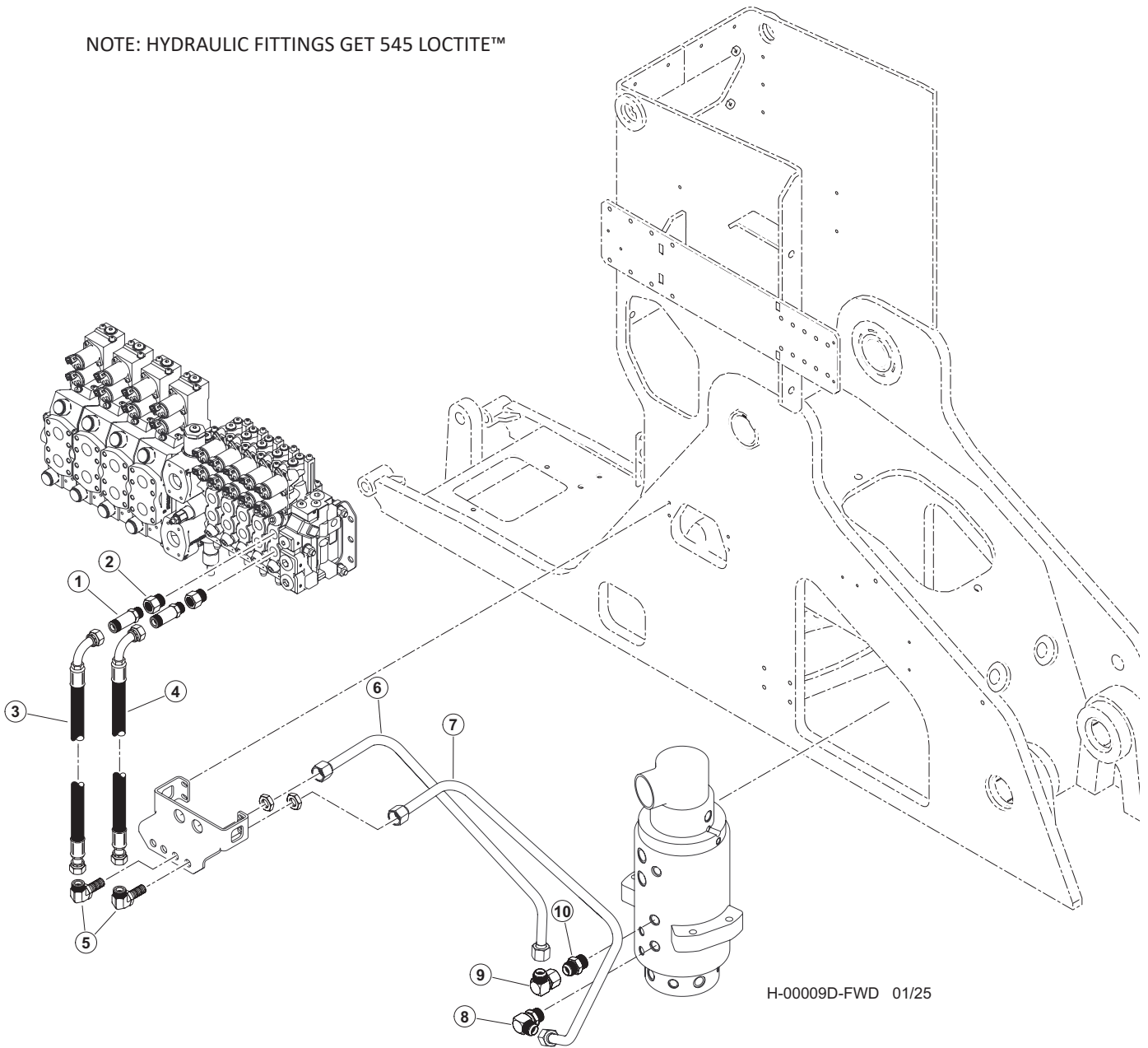
NOTE: HYDRAULIC FITTINGS GET 545 LOCTITE™

## H0050 - 2243500 - WHEEL PUMP UPPER PIPING

Item	Part #	Description	Qty.
	57965	KIT, FITTING - UPPER	
1	(57978 - KIT)	HOSE, HYD, 797TC24-16-16OS-16O9L (DRIVE PUMP TO BULKHEAD BRKT)	1
2	(57978 - KIT)	HOSE, HYD, 797TC28-16-16OS-16O9 (DRIVE PUMP TO BULKHEAD BRKT)	1
3	15228	ELBOW, 90 - FF1868T-1616S	4
4	51773	MANIFOLD, ANTI-CAV WHEEL PUMP - 125CC	2
5	53680	FITTING, BULKHEAD UNION ELBOW 16 WELO-WN	2
6	(57978 - KIT)	HOSE, HYD, 797TC50-16-16OS-16O4 (BULKHEAD BRKT TO ROTARY MANIFOLD)	1
7	(57978 - KIT)	HOSE, HYD, 797TC57-16-16OS-16O4 (BULKHEAD BRKT TO ROTARY MANIFOLD)	1
8	47508	WELDMENT, MACH DRIVE HOSE	1
9	18933	BOLT - .5" X 1.75"	2
10	15534	WASHER, SAE FLAT - .5"	2
11	10815	NUT, LOCK - .5"	2
12	15226	CONNECTOR, STR - FF1852T-1216S	1
13	(57978 - KIT)	HOSE, HYD, 187TC41-12-12OS-12O9 (WHEEL PUMP CASE TO TANK)	1
14	57444	FITTING, 12 CC5OLO-S	1

# H0050 - 2243500 - STEER PIPING (UPPER) - VALVE TO ROTARY MANIFOLD

NOTE: HYDRAULIC FITTINGS GET 545 LOCTITE™

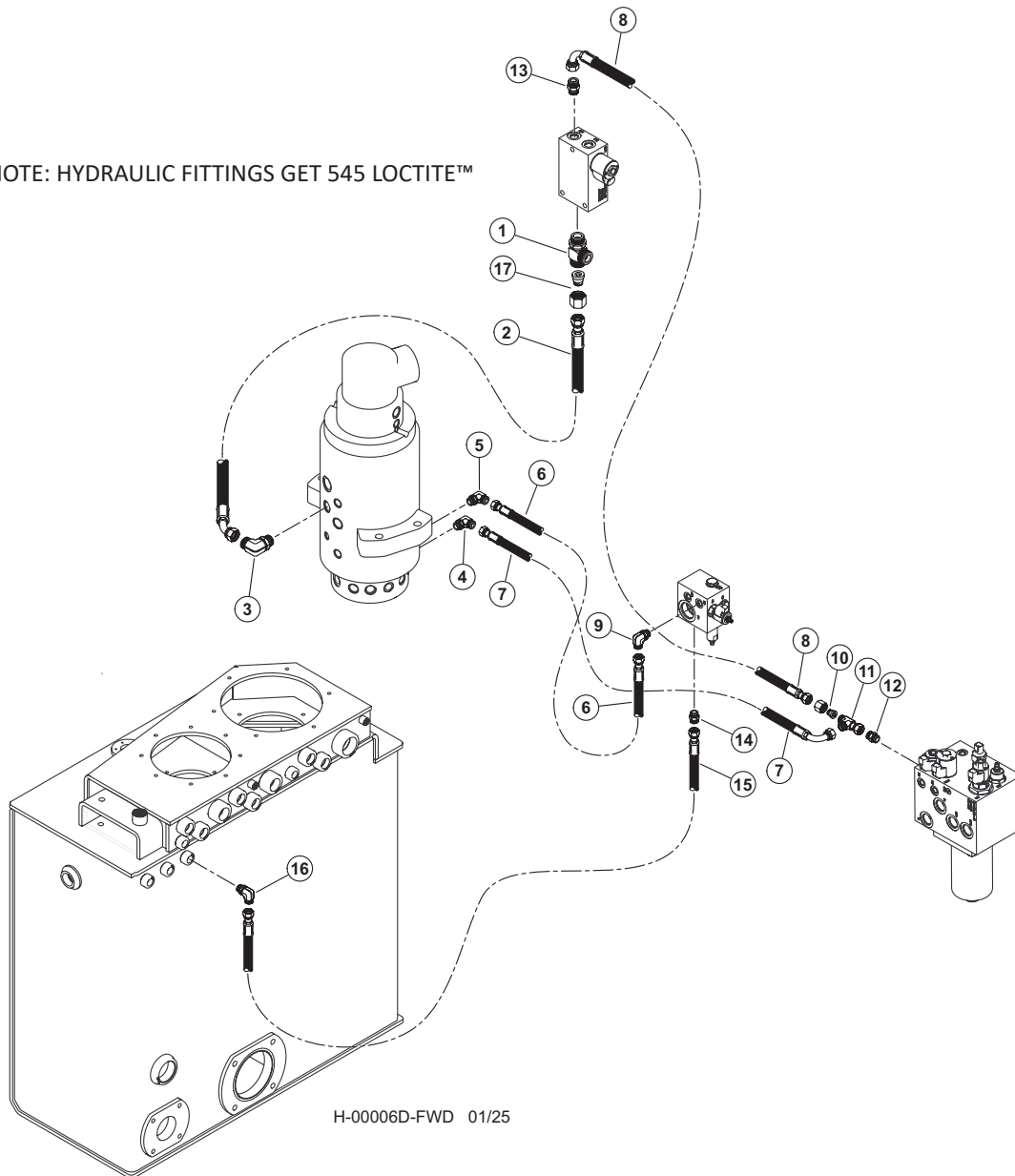


H-00009D-FWD 01/25

Item	Part #	Description	Qty.
	57965	KIT, FITTING - UPPER	
1	19289	BUSHING, REDUCER - 6410-10X12	2
2	19092	CONNECTOR, STR LONG - 848L-TTO-12X12	2
3	(57978 - KIT)	HOSE, HYD, 787TC38 12-12JS-12O9 (STEER "B" - VALVE TO BULKHEAD BRKT)	1
4	(57978 - KIT)	HOSE, HYD, 787TC40 12-12JS-12O9 (STEER "A" - VALVE TO BULKHEAD BRKT)	1
5	24187	ELBOW, 90 BULKHEAD - 855BH-TT-08	2
6	55256	TUBELINE, FRONT STEER BH-LV1 RM WHEELED	1
7	55255	TUBELINE, REAR STEER BH-LV2 RM WHEELED	1
8	11306	ELBOW, 90 12 C5OX-S	1
9	15477	ELBOW, 90 SWIVEL - 12 C6X-S	1
10	11324	CONNECTOR, STR - 6400-12	1

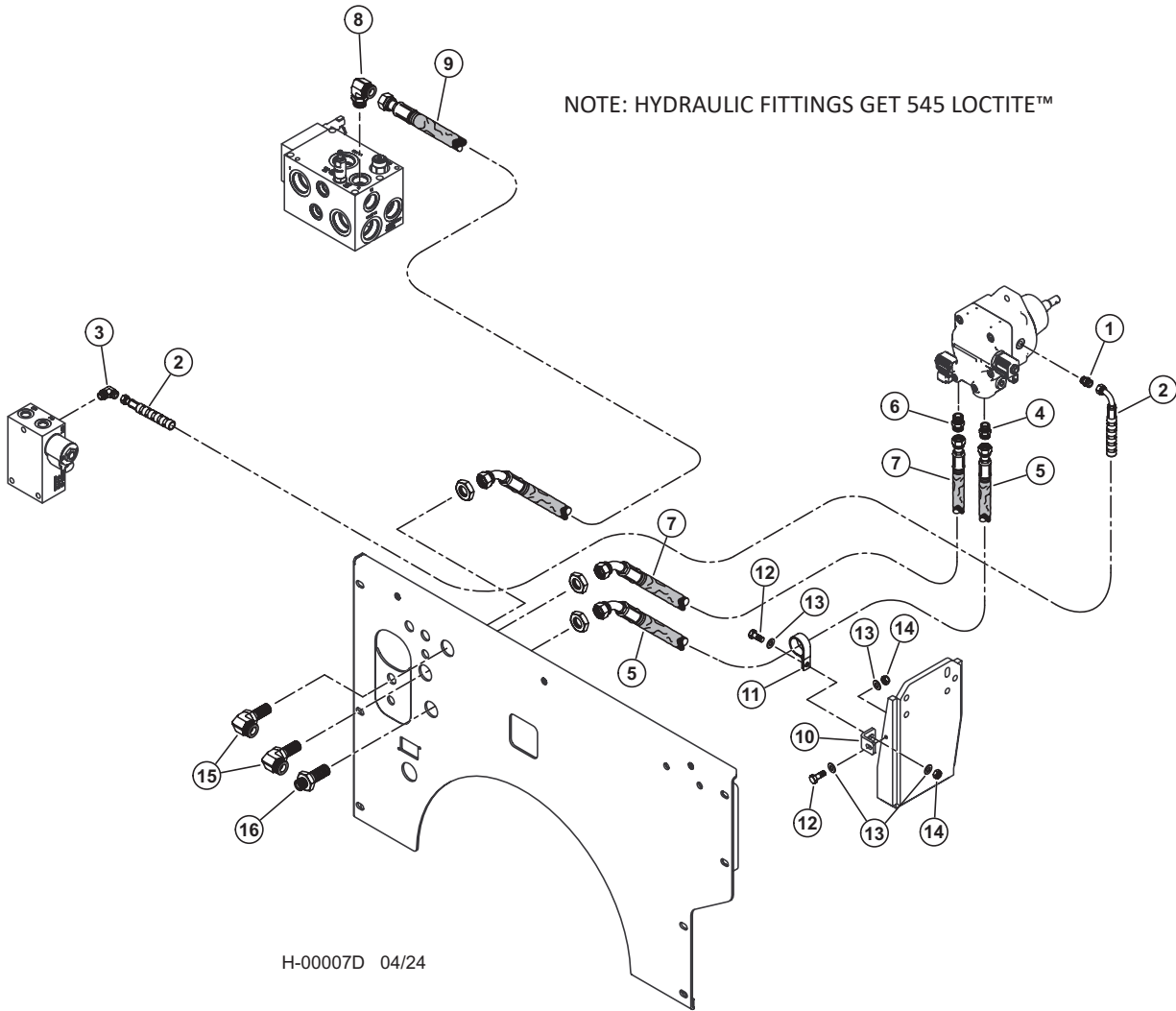
## H0050 - 2243500 - HIGH/LOW PRESSURE & CASE DRAIN

NOTE: HYDRAULIC FITTINGS GET 545 LOCTITE™



Item	Part #	Description	Qty.
	57965	KIT, FITTING - UPPER	
1	55379	FITTING, TEE - 16 R50X-S	1
2	(57978 - KIT)	HOSE, HYD, 187TC25-12-12JS-12J4 (CASE MANIFOLD TO ROTARY MANIFOLD)	1
3	11306	ELBOW, 90 12 C50X-S	1
4	22405	ELBOW, 90 - 8-6 C5OLO-S	1
5	52500	ELBOW, STRAIGHT THREAD (6-4 C5OLO-S)	1
6	(57978 - KIT)	HOSE, HYD, 487TC74-06-06OS-06OS-W (HIGH PRESSURE)	1
7	(57978 - KIT)	HOSE, HYD, 187TC88-08-08OS-08O9-W (LOW PRESSURE)	1
8	(57941 - KIT)	HOSE, HYD, 387TC109-04-04OS-04O9 (CHARGE MANIFOLD TO BRAKE SOLENOID)	1
9	16296	ELBOW, 90 - FF1868T-0606S	1
10	19221	CONNECTOR, REDUCER - ORS FF2281T-0408S	1
11	15433	TEE - FF2114T-0808S	1
12	15457	CONNECTOR, STR - FF1852T-0806S	1
13	15124	CONNECTOR, STR - FF1852T-0406S	1
14	18034	CONNECTOR, STR - FF1852T-0606S	1
15	(57978 - KIT)	HOSE, HYD, 487TC29-06-06OS-06O9 (PRESSURE MANIFOLD TO TANK)	1
16	20031	ELBOW, 90 - 6-8 C5OLO-S	1
17	55371	FITTING, REDUCER - 16-12 TRTXN-S	1
2200550	2307110 2307410 2307420 2307480		177

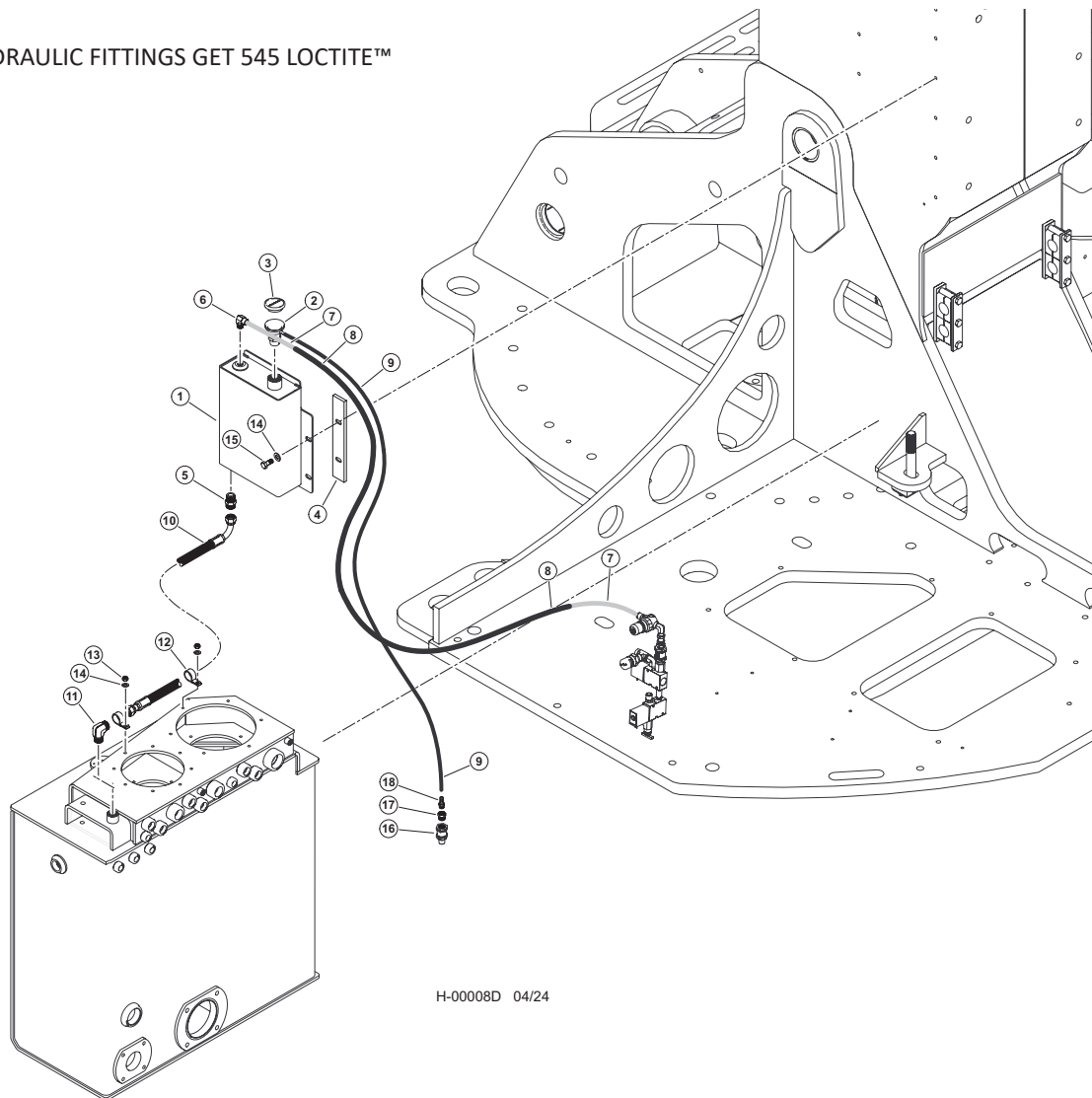
## H0050 - 2243500 - COOLING FAN MOTOR PIPING - (COMMON)



Item	Part #	Description	Qty.
	57965	KIT, FITTING - UPPER	
1	18034	CONNECTOR, STR - FF1852T-0606S	1
2	(57941 - KIT)	HOSE, HYD, 387TC42 06-06OS-06O9-SW (FAN MOTOR CASE TO CASE MANIFOLD)	1
3	20031	ELBOW, 90 - 6-8 C5OLO-S	1
4	15152	CONNECTOR, STR - FF1852T-1212S	1
5	(57941 - KIT)	HOSE, HYD, 487TC69 12-12OS-12J4-W (FAN MOTOR PRESSURE - CHARGE BH TO FAN MOTOR)	1
6	15495	CONNECTOR, STR - 12-16 F5OX-S	1
7	(57941 - KIT)	HOSE, HYD, 187TC72 12-12JS-12J4-W (FAN MOTOR RETURN - CHARGE BH TO FAN MOTOR)	1
8	19128	ELBOW, 90 - FF1868T-1216S	1
9	(57941 - KIT)	HOSE, HYD, 187TC40 12-12OS-12J4-SW (T CHARGE BH TO HOC BYPASS MANIFOLD)	1
10	46421	BRACKET, COOLER LINE SUPPORT	1
11	59105	CABLE CLAMP, CUSHIONED, 1_1/2" DIA	1
12	18309	BOLT - .25" X 1.25"	2
13	10757	WASHER, SAE FLAT - .25"	4
14	10811	NUT, LOCK - .25"	2
15	54704	ELBOW, 90 BULK 12 WETX-WLN-S	2
16	17009	CONNECTOR, STR BULKHEAD - 2700-12	1

# H0050 - 2243500 - HYDRAULIC TANK SURGE TANK INSTALLATION AND PIPING - (COMMON)

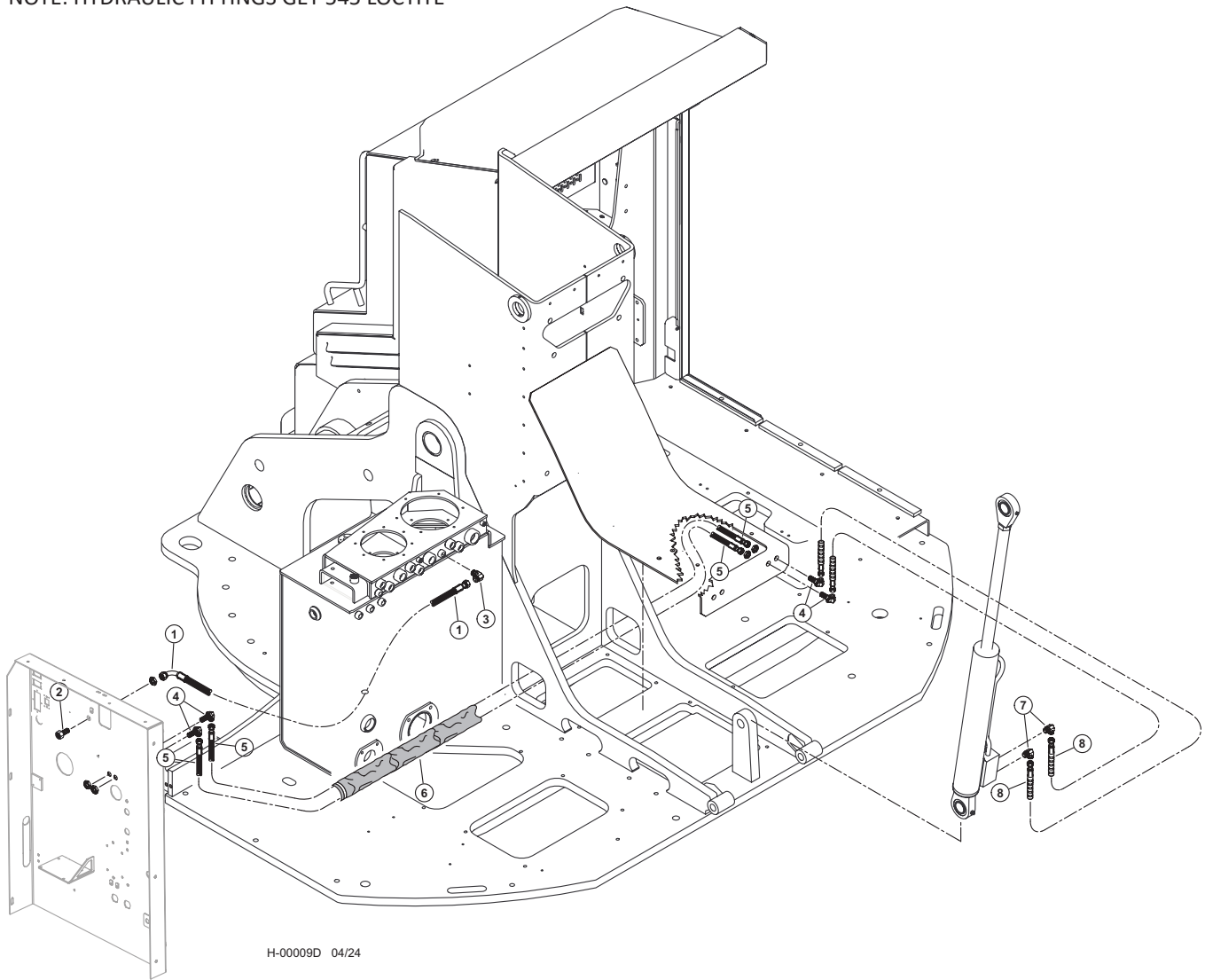
NOTE: HYDRAULIC FITTINGS GET 545 LOCTITE™



Item	Part #	Description	Qty.
	57965	KIT, FITTING - UPPER	
1	60720	TANK, OVERFLOW	1
2	17156	STEM, HYDRAULIC TANK RELIEF CAP	1
3	18135	CAP, HYD. RESERVOIR RELIEF - 13 PSI	1
4	60741	BAR, MOUNTING - RUBBER	2
5	15201	CONNECTOR, STR - FF2031T-1212S	1
6	51739	CONNECTOR, ELBOW - PUSH ON(VACUUM)(1/4")	1
7	51738	HOSE, VACUUM PUMP 3/8" PUSH ON	8'
8	17450	SPLIT LOOM - .3875" BULK	8'
9	16238	HOSE, FUEL LINE (BULK ROLL) - .3125"	5'
10	(57978 - KIT)	HOSE, HYD, 187TC41 12-12FS-1209 (HYDRAULIC TANK OVERFLOW)	1
11	58210	FITTING, 12-CTX-S	1
12	58382	CABLE CLAMP, CUSHIONED, 1_1/4" DIA	2
13	15507	NUT, NYLOCK - .375"	2
14	15528	WASHER, SAE FLAT - .375"	2
15	15542	BOLT - .375" X .75"	4
16	15652	VALVE, CHECK - HYDRAULIC/FUEL	1
17	11318	BUSHING, REDUCER - 5406-6-4	1
18	16990	CONNECTOR, STR HOSE BARB - 4244-5-4	1

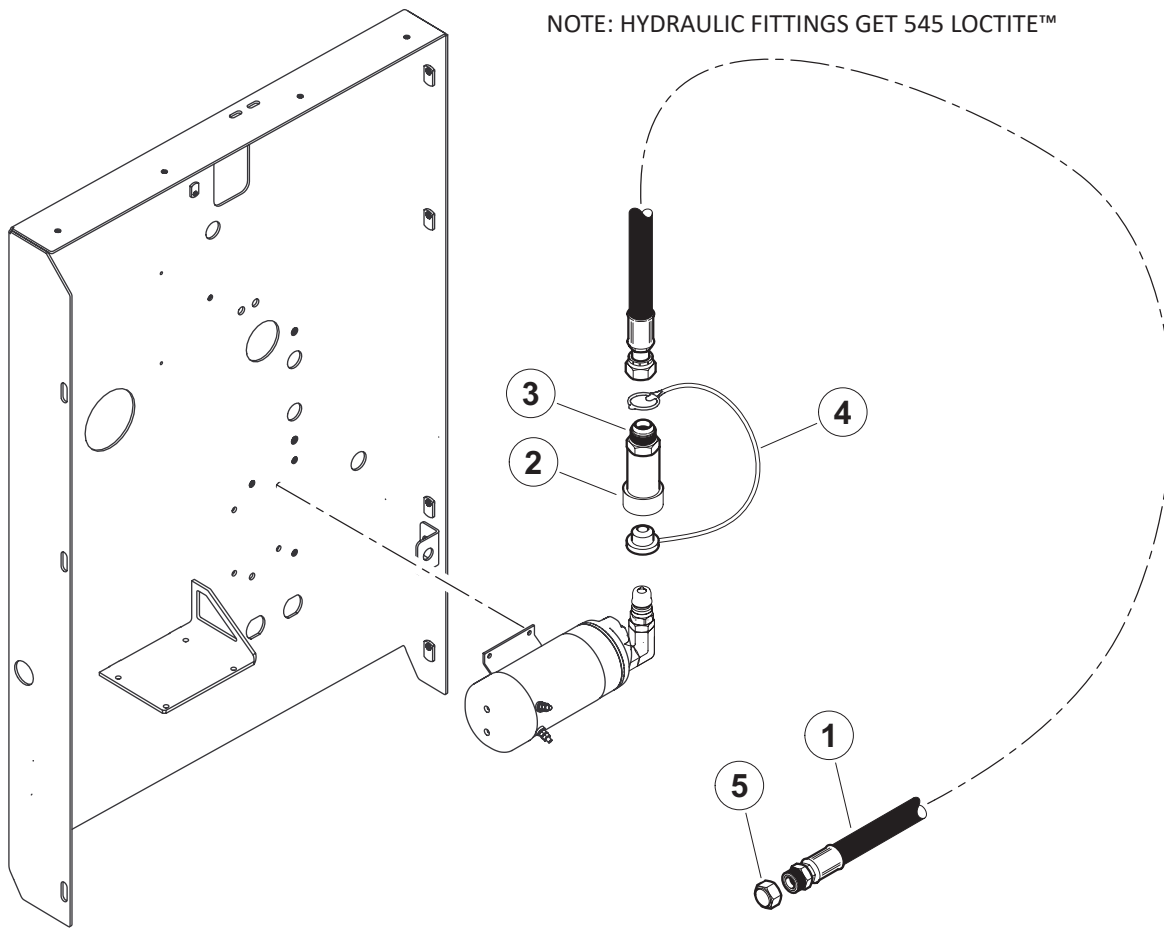
# H0050 - 2243500 - GULLWING CYLINDER & HYDRAULIC TANK FILL PIPING - (COMMON)

NOTE: HYDRAULIC FITTINGS GET 545 LOCTITE™



Item	Part #	Description	Qty.
	57965	KIT, FITTING - UPPER	
1	65825 - (65817 - KIT)	HOSE, HYD, 187TC34 08-08JS-08J9 (HYD FILL PUMP BULKHEAD TO HYD. TANK RETURN FILTER)	1
2	54799	BULKHEAD CONN -8JIC X-8 ORB	1
3	15481	ELBOW, 90 - 6801-8	1
4	54808	90* BULKHEAD UNION ELBOW -4 JIC WITH L/N	4
5	(57941 - KIT)	HOSE, HYD, 387TC109 04-04JS-04JS (LIFT PUMP ELECTRICAL PANEL BULKHEAD TO CYLINDER BULKHEAD)	2
6	50188	SLEEVE, PROTECTIVE HOSE - 150	1
7	51931	ELBOW, 90 - 4-6 C50X-S (JIC)	2
8	(57941 - KIT)	HOSE, HYD, 487TC21 04-04JS-04JS-SW (GULLWING LIFT CYLINDER TO BULKHEAD)	2

# H0050 - 2243500 - HYDRAULIC TANK FILL HOSE ASSEMBLY - (COMMON)

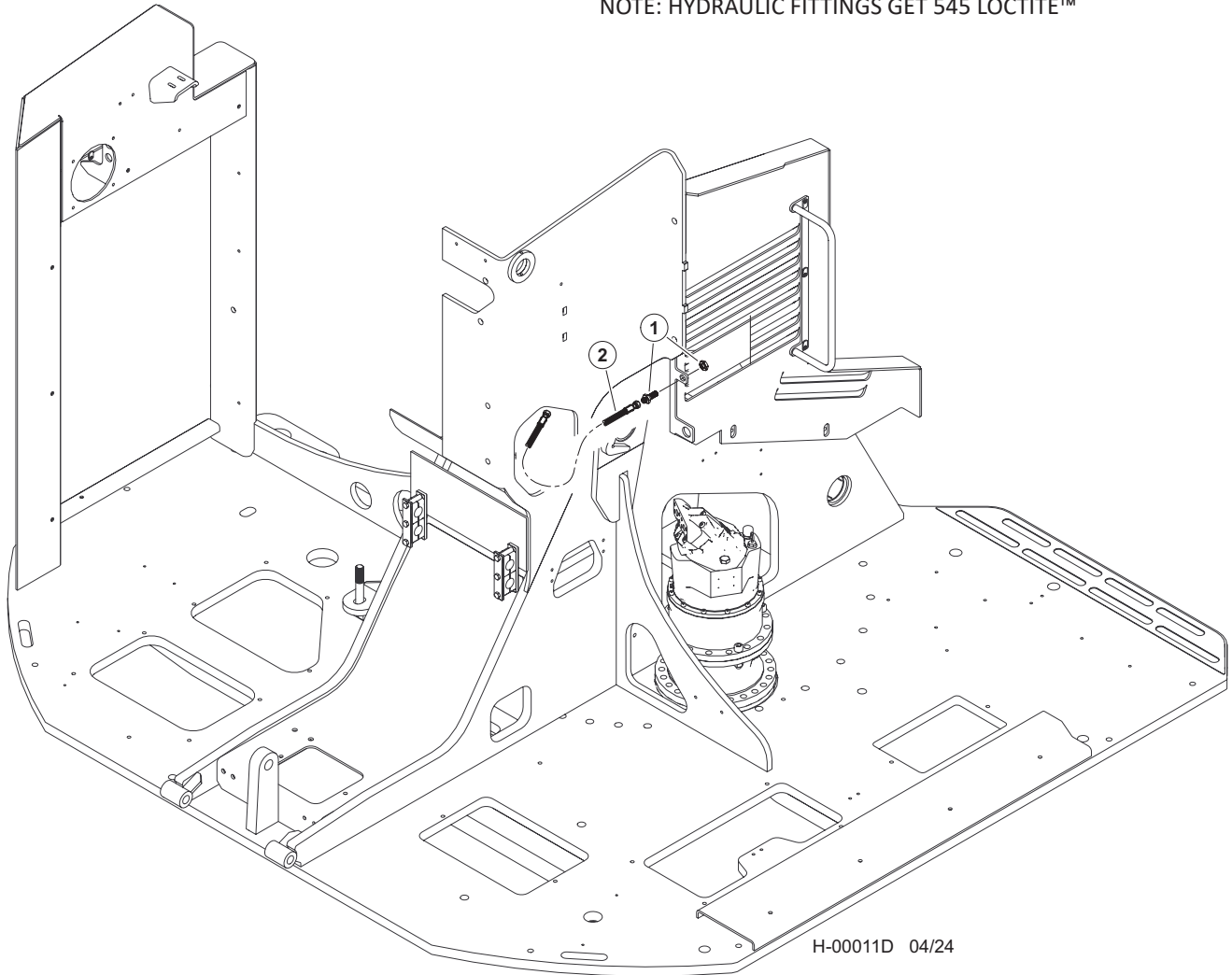


H-00010D 04/24

Item	Part #	Description	Qty.
1	57965 (57941 - KIT)	KIT, FITTING - UPPER HOSE, HYD, 187TC120 12-12JS-12MJ (HYD FILL HOSE FOR FILL PUMP)	2
2	55621	QUICK DISCONNECT FEMALE- 3/4	1
3	11324	CONNECTOR, STR - 6400-12	1
4	55616	PLUG, FILL HOSE - C SERIES	1
5	11399	CAP - 304-C-12	1

# H0050 - 2243500 - BOOM LIGHT WIRE HOSE ASSEMBLY

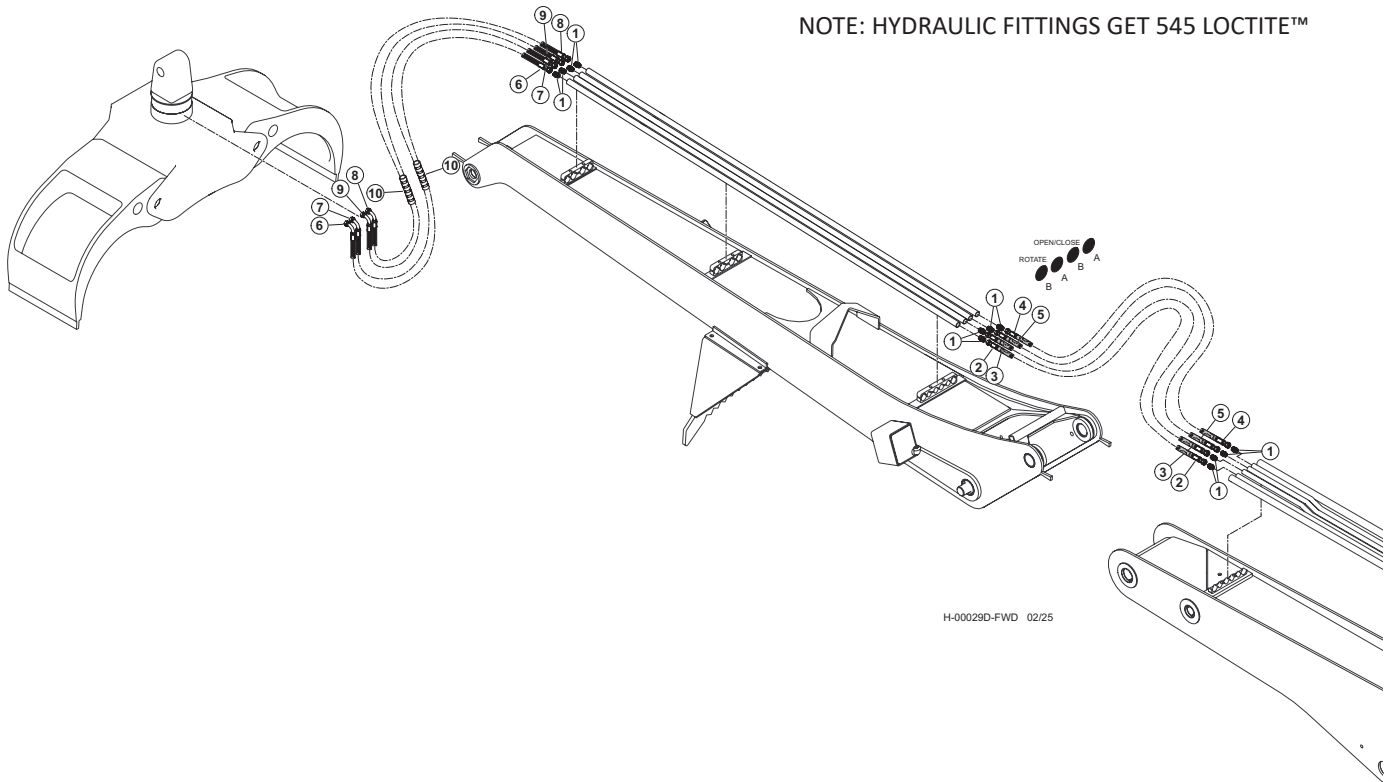
NOTE: HYDRAULIC FITTINGS GET 545 LOCTITE™



Item	Part #	Description	Qty.
	57965	KIT, FITTING - UPPER	1
1	50420	CONNECTOR, STR BULKHEAD - 832-TT-06	1
2	(57941 - KIT)	HOSE, HYD, 387TC68 06-06OS-06OS (LIGHT WIRE, BH TO BOOM)	

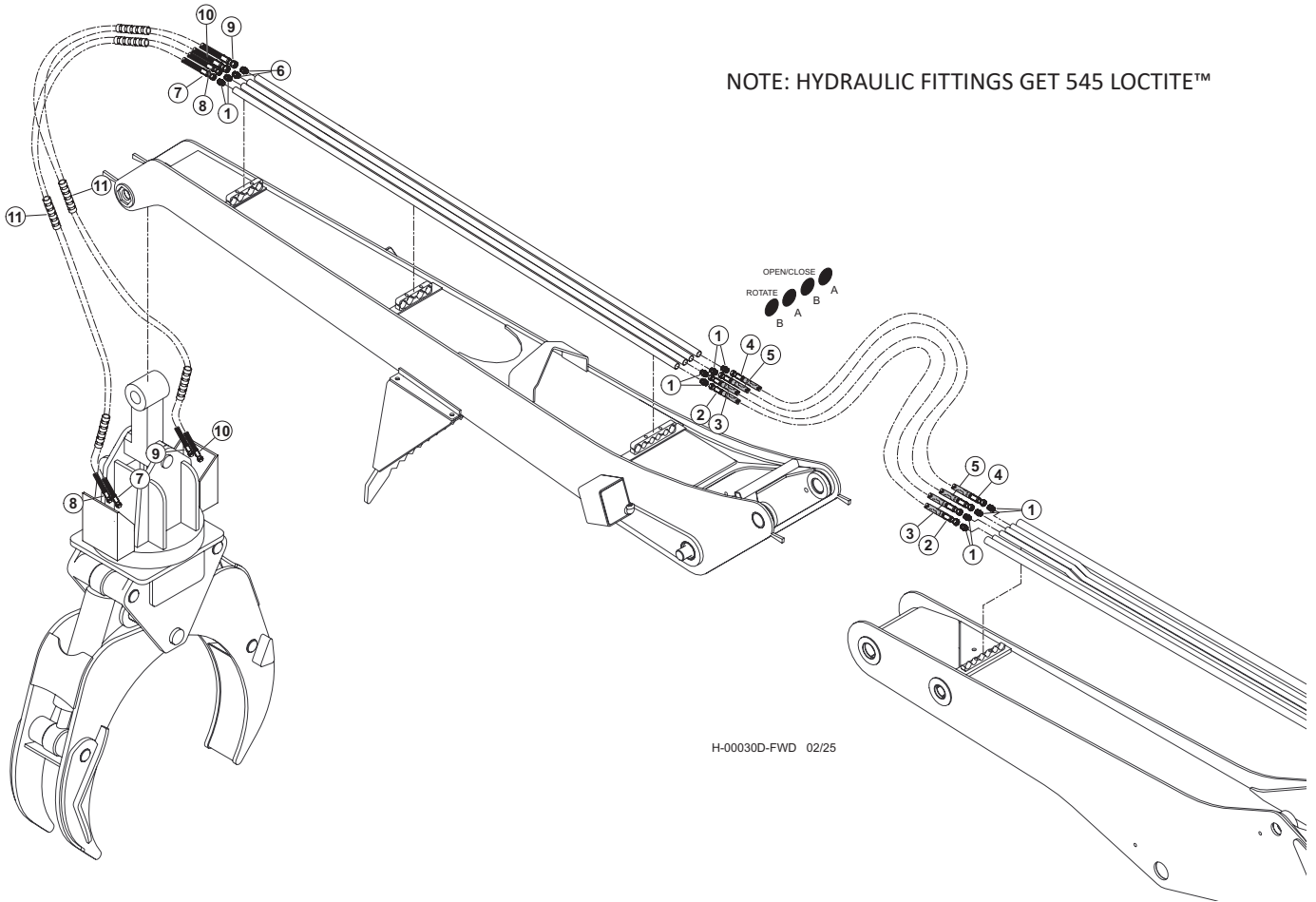
# H0130 - 2249200 - GRAPPLE ROTATE & OPEN/CLOSE PIPING - MAIN BOOM HULTDINS GRAPPLE - (STD STICK)

NOTE: HYDRAULIC FITTINGS GET 545 LOCTITE™



Item	Part #	Description	Qty.
1	15117	CONNECTOR, STR - FF1852T-0808S	12
2	(55534 - KIT)	HOSE ASSY - 4051-08-08OS-08OS-W - (ROTATE "B" MAIN TO STICK)	1
3	(55534 - KIT)	HOSE ASSY - 4051-08-08OS-08OS-W - (ROTATE "A" MAIN TO STICK)	1
4	(55534 - KIT)	HOSE ASSY - 4051-08-08OS-08OS-W - (OPEN/CLOSE "A" MAIN TO STICK)	1
5	(55534 - KIT)	HOSE ASSY - 4051-08-08OS-08OS-W - (OPEN/CLOSE "B" MAIN TO STICK)	1
6	(53617 - KIT)	HOSE ASSY - 722TC69 08-08OS-0809 - (ROTATE "B" - STICK TO GRAPPLE)	1
7	(53617 - KIT)	HOSE ASSY - 722TC69 08-08OS-0809 - (ROTATE "A" - STICK TO GRAPPLE)	1
8	(53617 - KIT)	HOSE ASSY - 722TC69 08-08OS-0809 - (OPEN/CLOSE "A" - STICK TO GRAPPLE)	1
9	(53617 - KIT)	HOSE ASSY - 722TC69 08-08OS-0809 - (OPEN/CLOSE "B" - STICK TO GRAPPLE)	1
10	19677	PROTECTOR, HOSE - SPIRAL (1.25")(BULK)	AR

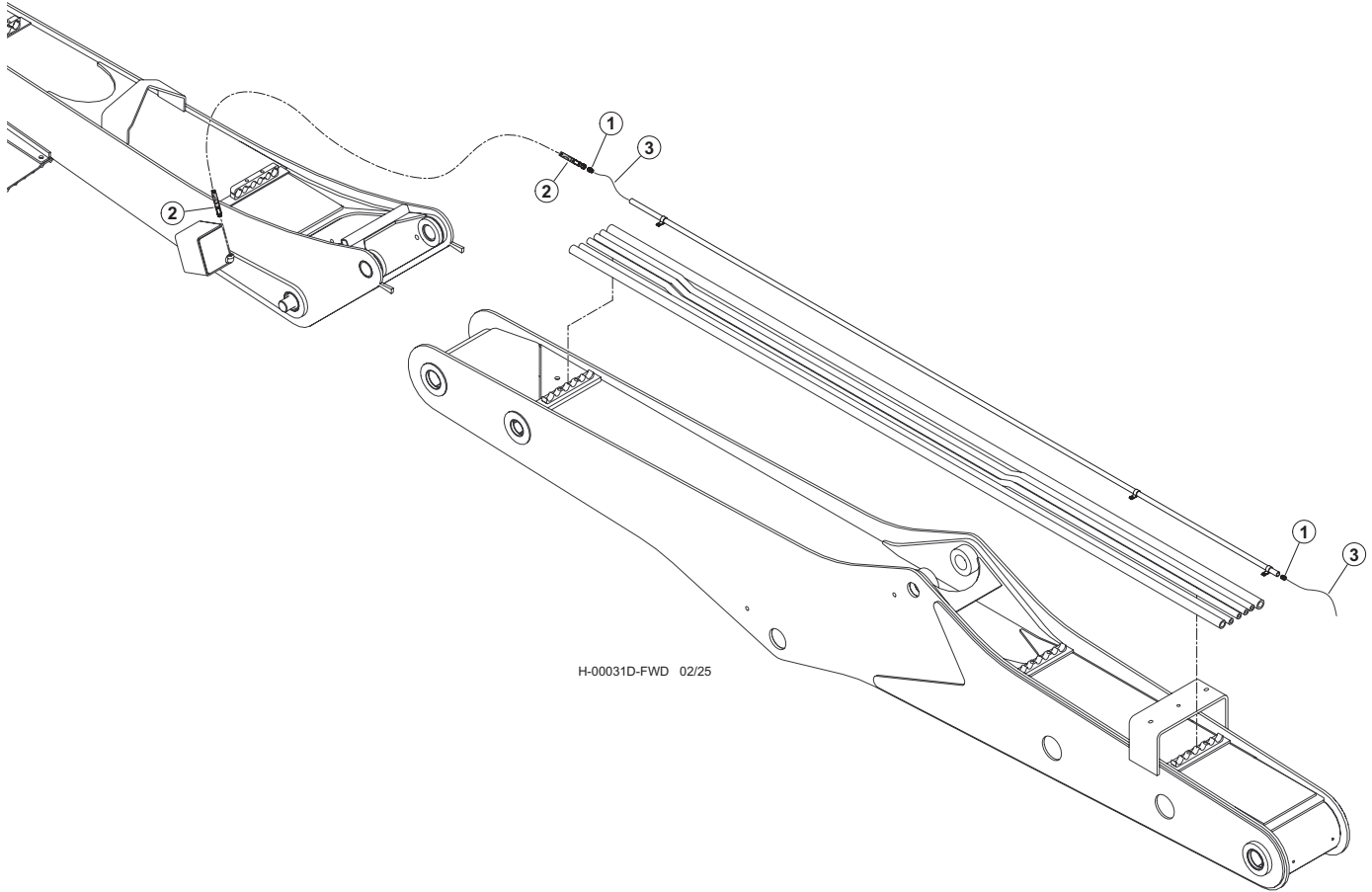
# H0130 - 2249200 - GRAPPLE ROTATE & OPEN/CLOSE PIPING - MAIN BOOM ROTOBEC GRAPPLE - (STD STICK)



Item	Part #	Description	Qty.
1	15117	CONNECTOR, STR - FF1852T-0808S	10
2	(55534 - KIT)	HOSE ASSY - 4051-08-08OS-08OS-W - (ROTATE "B" MAIN TO STICK)	1
3	(55534 - KIT)	HOSE ASSY - 4051-08-08OS-08OS-W - (ROTATE "A" MAIN TO STICK)	1
4	(55534 - KIT)	HOSE ASSY - 4051-08-08OS-08OS-W - (OPEN/CLOSE "A" MAIN TO STICK)	1
5	(55534 - KIT)	HOSE ASSY - 4051-08-08OS-08OS-W - (OPEN/CLOSE "B" MAIN TO STICK)	1
6	51880	CONNECTOR, STR - (10-8 F50L0-S)	2
7	(536180 - KIT)	HOSE ASSY - 722TC70 08-08OS-10OJS - (ROTATE "B" - STICK TO GRAPPLE)	1
8	(536180 - KIT)	HOSE ASSY - 722TC70 08-08OS-10OJS - (ROTATE "A" - STICK TO GRAPPLE)	1
9	(536180 - KIT)	HOSE ASSY - 722TC72 10-10OS-10OJS - (OPEN/CLOSE "A" - STICK TO GRAPPLE)	1
10	(536180 - KIT)	HOSE ASSY - 722TC72 10-10OS-10OJS - (OPEN/CLOSE "B" - STICK TO GRAPPLE)	1
11	19677	PROTECTOR, HOSE - SPRIAL (1.25")(BULK)	AR

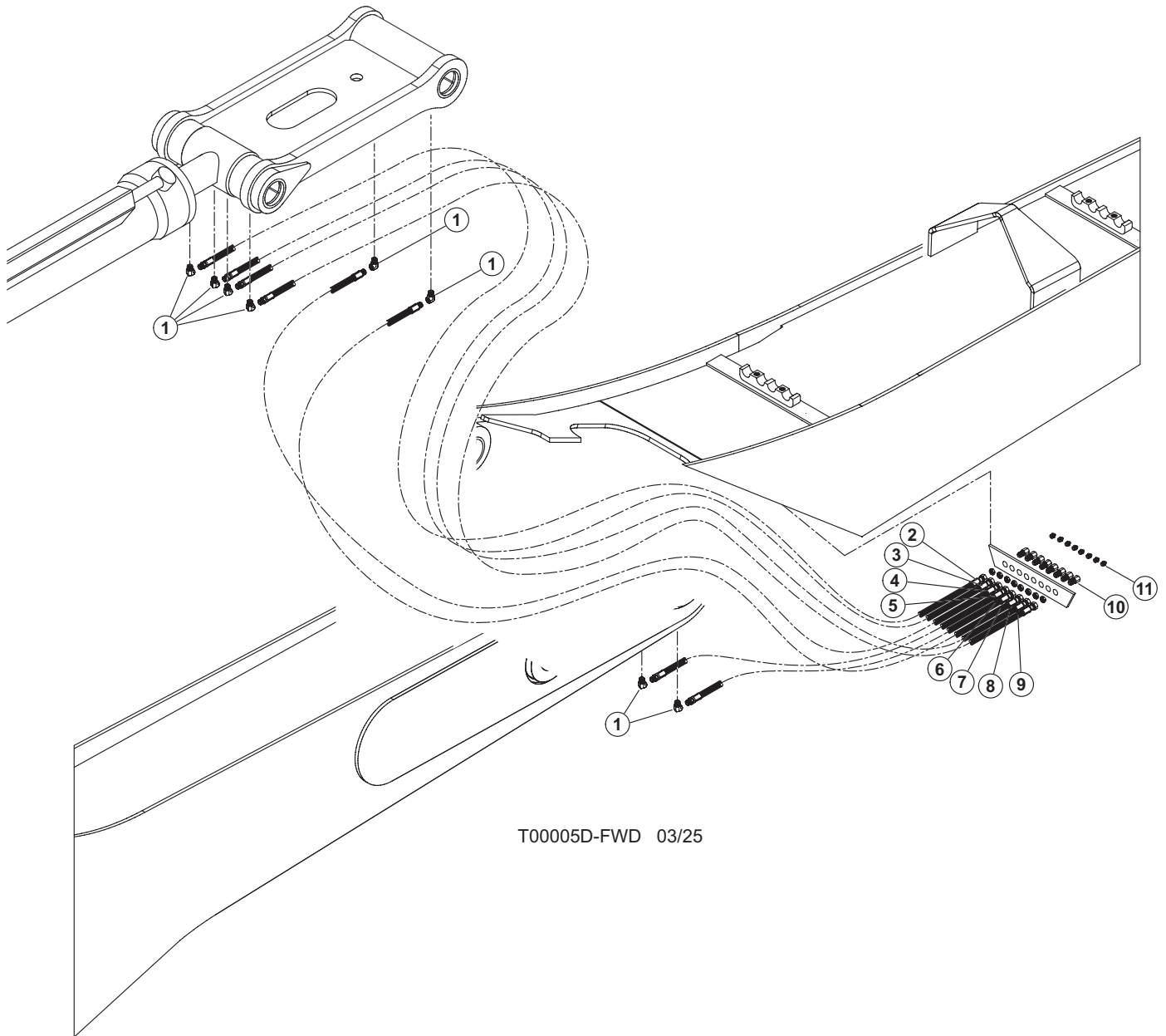
# H0130 - 2249200 - BOOM LIGHT WIRE HOSE ASSEMBLY - MAIN BOOM TO STANDARD STICK

NOTE: HYDRAULIC FITTINGS GET 545 LOCTITE™



Item	Part #	Description	Qty.
1	51878	CONNECTOR, STR - MALE PIPE (6-6 FLO-S)	2
2	(55534 - KIT)	HOSE, HYD, 387TC64 06-06OS-08PS (LIGHT WIRE - MAIN BOOM TO STICK)	1
3	58380	LIGHT CABLE	AR

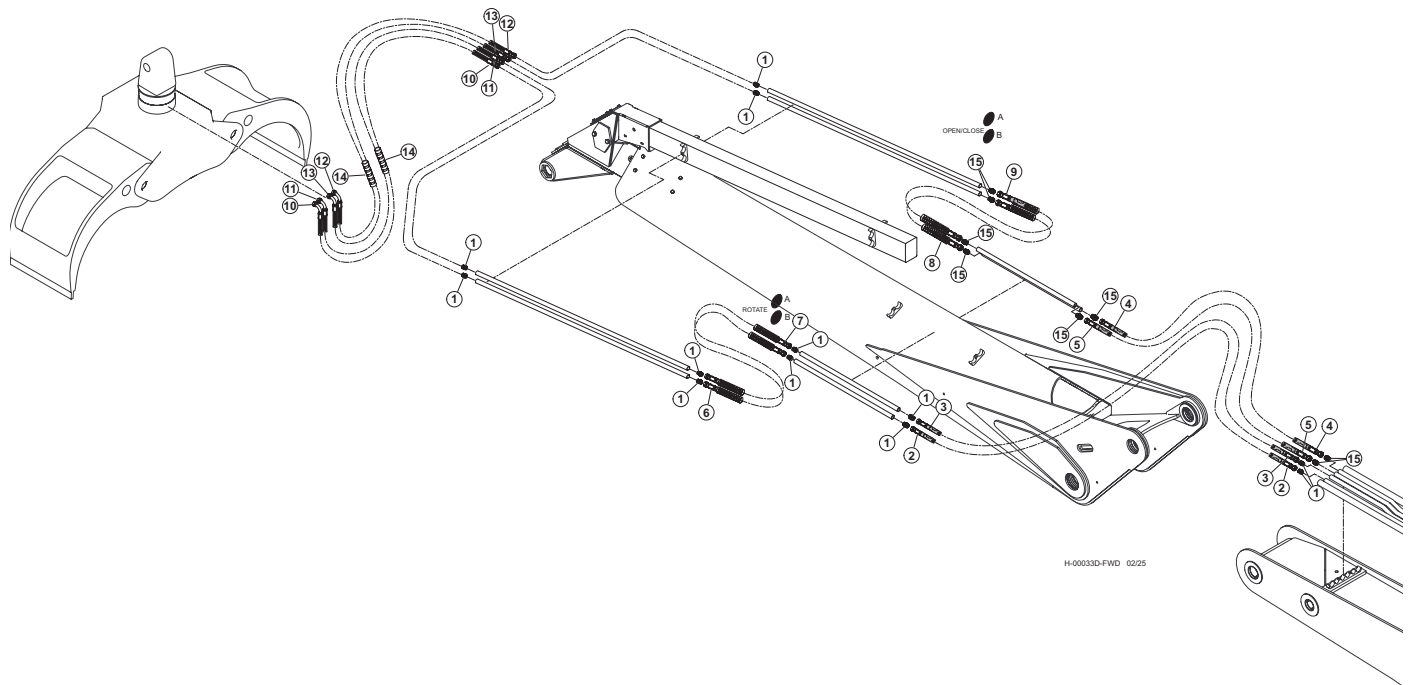
## H0130 - 2249200 - MAIN BOOM GREASE LINES - FIXED STICK BOOM



Item	Part #	Description	Qty.
1	22281	ELBOW, 1/8-27 NPTF(M), 1/8-17 NPTF(F),90	8
2	(55603 - KIT)	HOSE, HYD - HLB61 02-02SP-04JS (LINK GREASE)	1
3	(55603 - KIT)	HOSE, HYD - HLB61 02-02SP-04JS (STICK BOOM CYL ROD GREASE)	1
4	(55603 - KIT)	HOSE, HYD - HLB41 02-02SP-04JS (LINK GREASE)	1
5	(55603 - KIT)	HOSE, HYD - HLB30 02-02SP-04JS (MAIN TO STICK PIN GREASE)	1
6	(55603 - KIT)	HOSE, HYD - HLB30 02-02SP-04JS (MAIN TO STICK PIN GREASE)	1
7	(55603 - KIT)	HOSE, HYD - HLB41 02-02SP-04JS (LINK GREASE)	1
8	(55603 - KIT)	HOSE, HYD - HLB61 02-02SP-04JS (STICK BOOM CYL ROD GREASE)	1
9	(55603 - KIT)	HOSE, HYD - HLB61 02-02SP-04JS (LINK GREASE)	1
10	15658	CONNECTOR, STR BULKHEAD - 2239-2-4S	6
11	10704	FITTING, GREASE - .125 NPT - STR	6

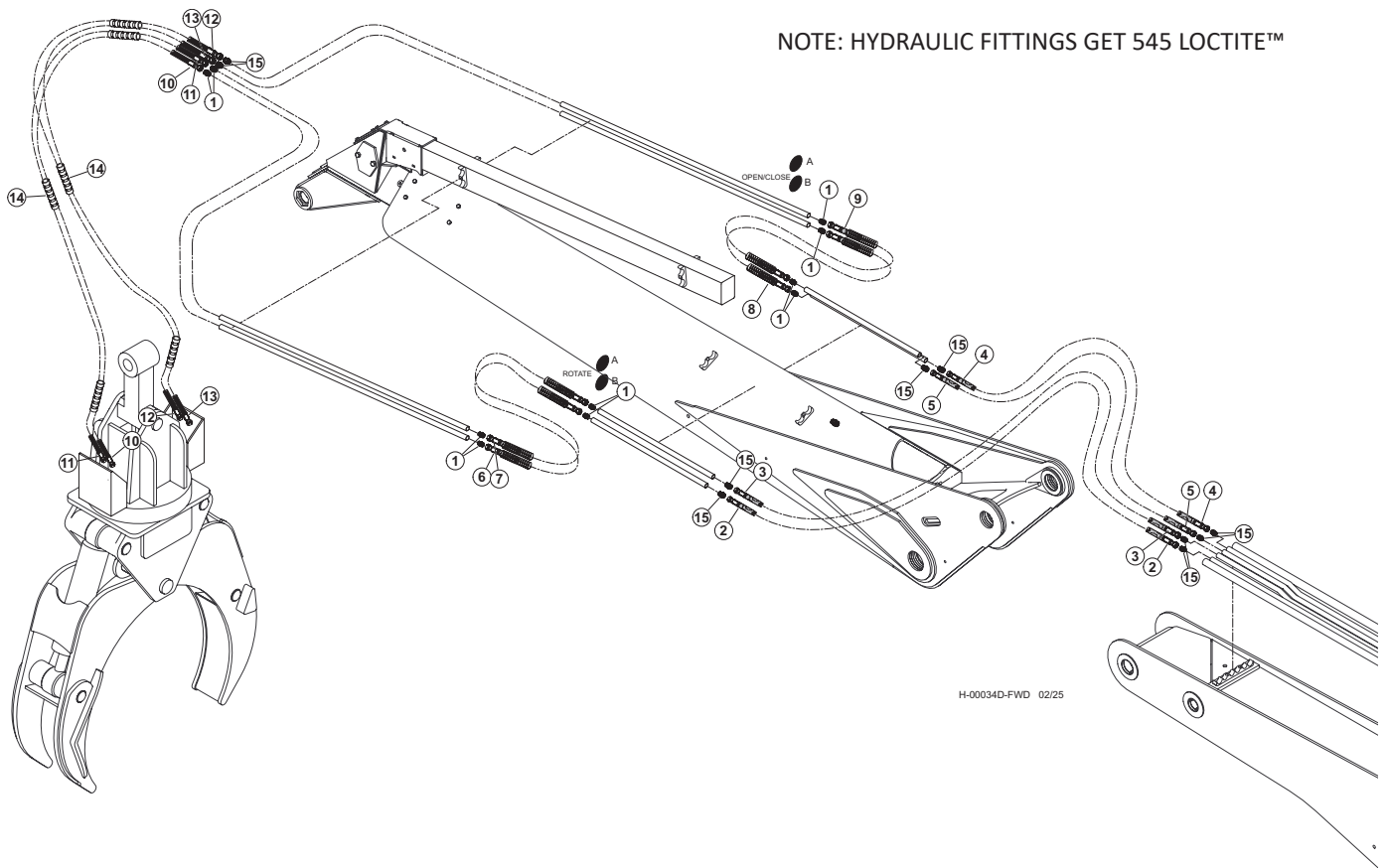
# H0130 - 2249300 - GRAPPLE ROTATE & OPEN/CLOSE PIPING - MAIN BOOM HULTDINS GRAPPLE - (SQUIRT STICK)

NOTE: HYDRAULIC FITTINGS GET 545 LOCTITE™



Item	Part #	Description	Qty.
1	15117	CONNECTOR, STR - FF1852T-0808S	12
2	(55367 - KIT)	HOSE ASSY - 722TC55-10-10OS-10OS-W - (ROTATE "B" MAIN TO STICK)	1
3	(55367 - KIT)	HOSE ASSY - 722TC55-10-10OS-10OS-W - (ROTATE "A" MAIN TO STICK)	1
4	(55367 - KIT)	HOSE ASSY - 722TC55-10-10OS-10OS-W - (OPEN/CLOSE "A" MAIN TO STICK)	1
5	(55367 - KIT)	HOSE ASSY - 722TC55-10-10OS-10OS-W - (OPEN/CLOSE "B" MAIN TO STICK)	1
6	(55367 - KIT)	HOSE ASSY - 722TC93-08-08OS-08OS-SG - (ROTATE "B" SQUIRT TUBE TO TUBE)	1
7	(55367 - KIT)	HOSE ASSY - 722TC93-08-08OS-08OS-SG - (ROTATE "A" SQUIRT TUBE TO TUBE)	1
8	(55367 - KIT)	HOSE ASSY - 722TC93-10-10OS-10OS-SG - (OPEN/CLOSE "A" SQUIRT TUBE TO TUBE)	1
9	(55367 - KIT)	HOSE ASSY - 722TC93-10-10OS-10OS-SG - (OPEN/CLOSE "B" SQUIRT TUBE TO TUBE)	1
10	(53617 - KIT)	HOSE ASSY - 722TC69 08-08OS-0809 - (ROTATE "B" - STICK TO GRAPPLE)	1
11	(53617 - KIT)	HOSE ASSY - 722TC69 08-08OS-0809 - (ROTATE "A" - STICK TO GRAPPLE)	1
12	(53617 - KIT)	HOSE ASSY - 722TC69 08-08OS-0809 - (OPEN/CLOSE "A" - STICK TO GRAPPLE)	1
13	(53617 - KIT)	HOSE ASSY - 722TC69 08-08OS-0809 - (OPEN/CLOSE "B" - STICK TO GRAPPLE)	1
14	19677	PROTECTOR, HOSE - SPRIAL (1.25")(BULK)	AR
15	51880	CONNECTOR, STR - (10-8 F50L0-S)	8

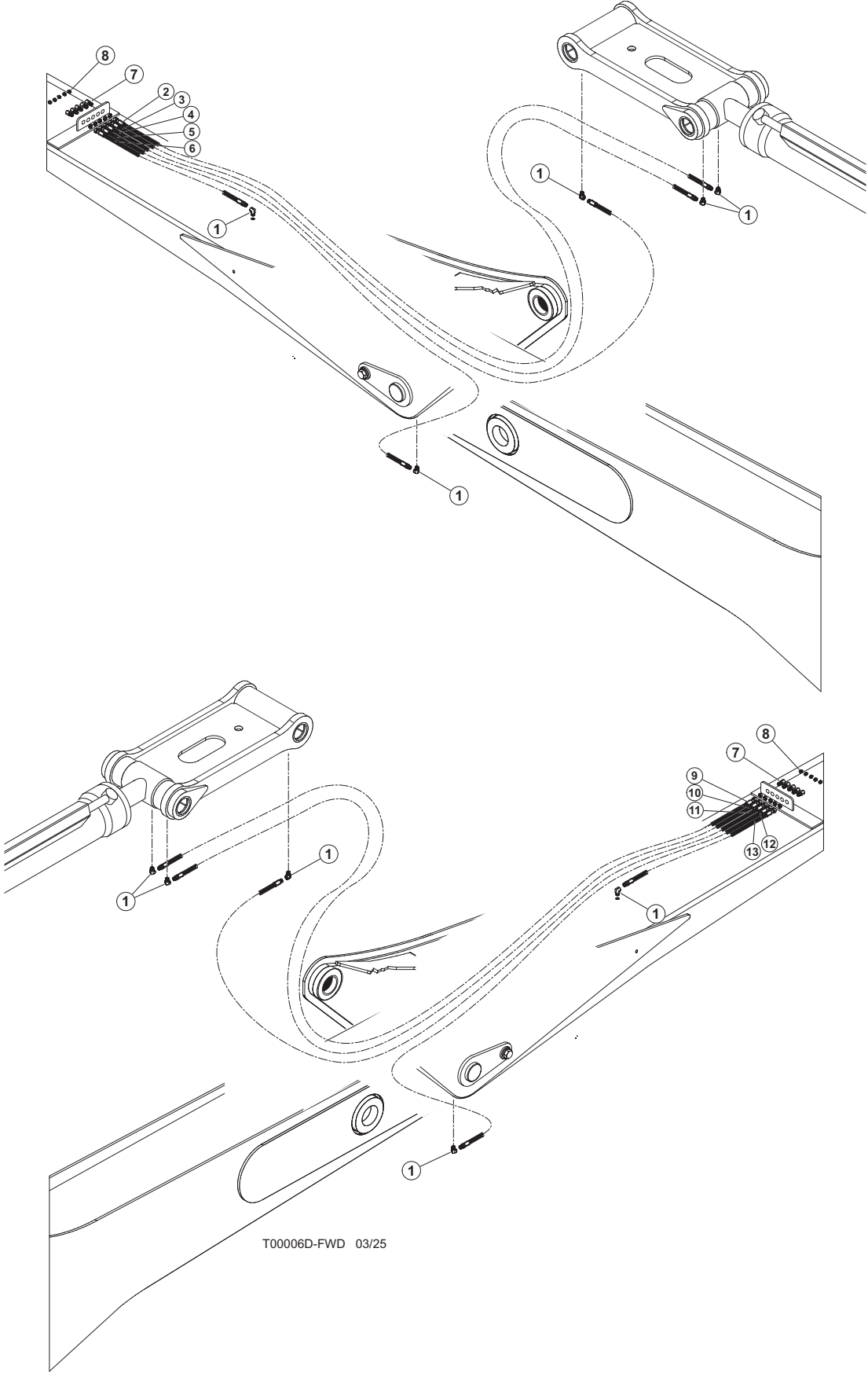
# H0130 - 2249300 - GRAPPLE ROTATE & OPEN/CLOSE PIPING - MAIN BOOM ROTOBEC GRAPPLE - (SQUIRT STICK)



Item	Part #	Description	Qty.
1	15117	CONNECTOR, STR - FF1852T-0808S	10
2	(55367 - KIT)	HOSE ASSY - 722TC55-10-10OS-10OS-W - (ROTATE "B" MAIN TO STICK)	1
3	(55367 - KIT)	HOSE ASSY - 722TC55-10-10OS-10OS-W - (ROTATE "A" MAIN TO STICK)	1
4	(55367 - KIT)	HOSE ASSY - 722TC55-10-10OS-10OS-W - (OPEN/CLOSE "A" MAIN TO STICK)	1
5	(55367 - KIT)	HOSE ASSY - 722TC55-10-10OS-10OS-W - (OPEN/CLOSE "B" MAIN TO STICK)	1
6	(55367 - KIT)	HOSE ASSY - 722TC93-08-08OS-08OS-SG - (ROTATE "B" SQUIRT TUBE TO TUBE)	1
7	(55367 - KIT)	HOSE ASSY - 722TC93-08-08OS-08OS-SG - (ROTATE "A" SQUIRT TUBE TO TUBE)	1
8	(55367 - KIT)	HOSE ASSY - 722TC93-10-10OS-10OS-SG - (OPEN/CLOSE "A" SQUIRT TUBE TO TUBE)	1
9	(55367 - KIT)	HOSE ASSY - 722TC93-10-10OS-10OS-SG - (OPEN/CLOSE "B" SQUIRT TUBE TO TUBE)	1
10	(536180 - KIT)	HOSE ASSY - 722TC70 08-08OS-10OJS - (ROTATE "B" - STICK TO GRAPPLE)	1
11	(536180 - KIT)	HOSE ASSY - 722TC70 08-08OS-10OJS - (ROTATE "A" - STICK TO GRAPPLE)	1
12	(536180 - KIT)	HOSE ASSY - 722TC72 10-10OS-10OJS - (OPEN/CLOSE "A" - STICK TO GRAPPLE)	1
13	(536180 - KIT)	HOSE ASSY - 722TC72 10-10OS-10OJS - (OPEN/CLOSE "B" - STICK TO GRAPPLE)	1
14	19677	PROTECTOR, HOSE - SPRIAL (1.25")(BULK)	AR
15	51880	CONNECTOR, STR - (10-8 F50L0-S)	8



**H0130 - 2249300 - BOOM GREASE LINES - SQUIRT STICK BOOM**

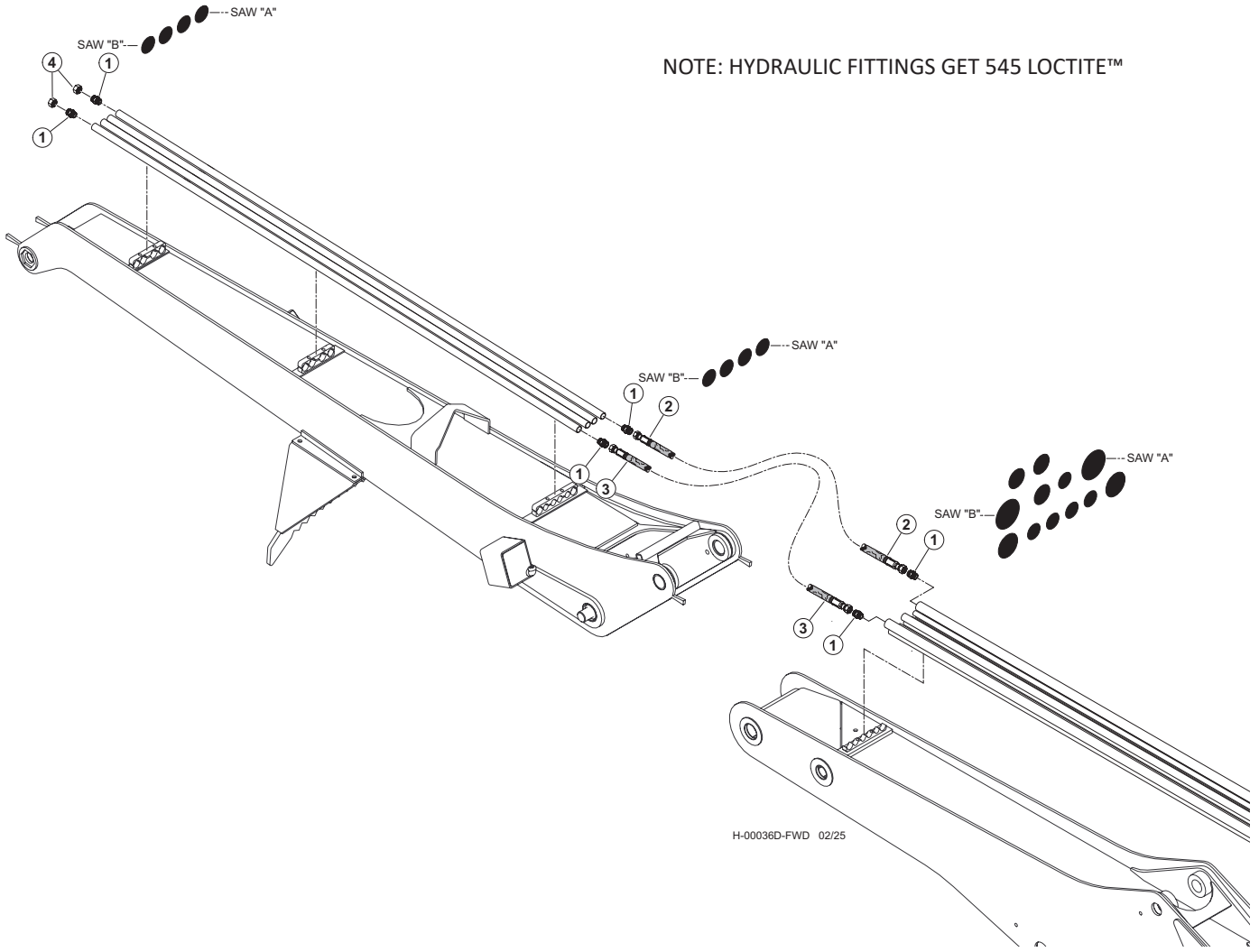


T00006D-FWD 03/25

## H0130 - 2249300 - BOOM GREASE LINES - SQUIRT STICK BOOM

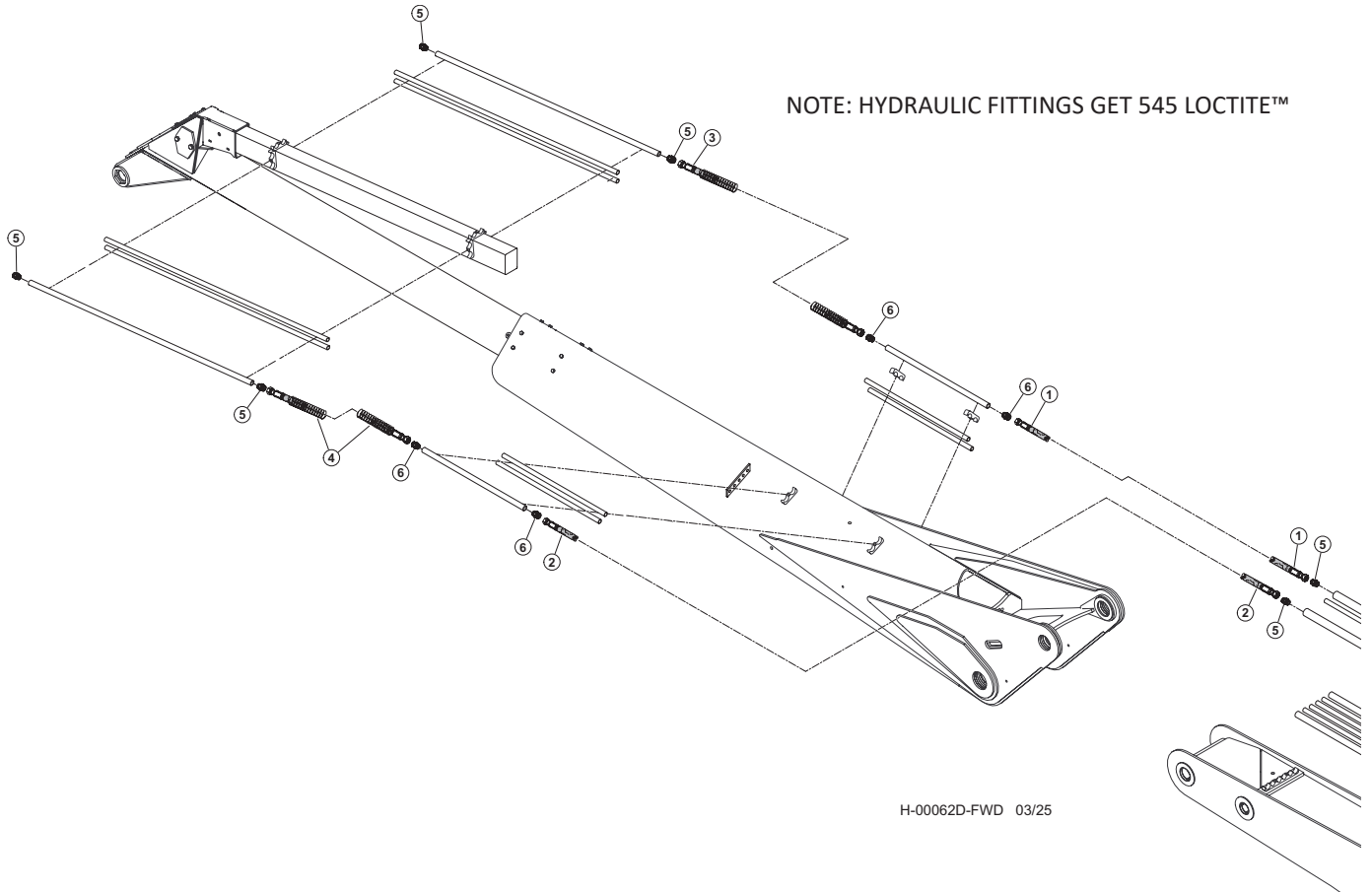
<b>Item</b>	<b>Part #</b>	<b>Description</b>	<b>Qty.</b>
1	22281	ELBOW, 1/8-27 NPTF(M), 1/8-17 NPTF(F),90	8
2	(55602 - KIT)	HOSE, HYD - HLB128 02-02SP-04JS (STICK BOOM CYL ROD GREASE)	1
3	(55602 - KIT)	HOSE, HYD - HLB128 02-02SP-04JS-WS125 (LINK GREASE)	1
4	(55602 - KIT)	HOSE, HYD - HLB128 02-02SP-04JS (LINK GREASE)	1
5	(55602 - KIT)	HOSE, HYD - HLB128 02-02SP-04JS (MAIN TO STICK PIN GREASE)	1
6	(55602 - KIT)	HOSE, HYD - HLB42 02-02SP-04JS (SQUIRT TUBE)	1
7	15658	CONNECTOR, STR BULKHEAD - 2239-2-4S	10
8	10704	FITTING, GREASE - .125 NPT - STR	10
9	(55602 - KIT)	HOSE, HYD - HLB128 02-02SP-04JS (LINK GREASE)	1
10	(55602 - KIT)	HLB128 02-02SP-04JS (LINK GREASE)	1
11	(55602 - KIT)	HOSE, HYD - HLB128 02-02SP-04JS (LINK GREASE)	1
13	(55602 - KIT)	HOSE, HYD - HLB128 02-02SP-04JS-WS125 (MAIN TO STICK PIN GREASE)	1
12	(55602 - KIT)	HOSE, HYD - HLB42 02-02SP-04JS (SQUIRT TUBE)	1

# H0130 - 2249400 - SAW OPTION HYDRAULICS - MAIN BOOM TO STANDARD STICK



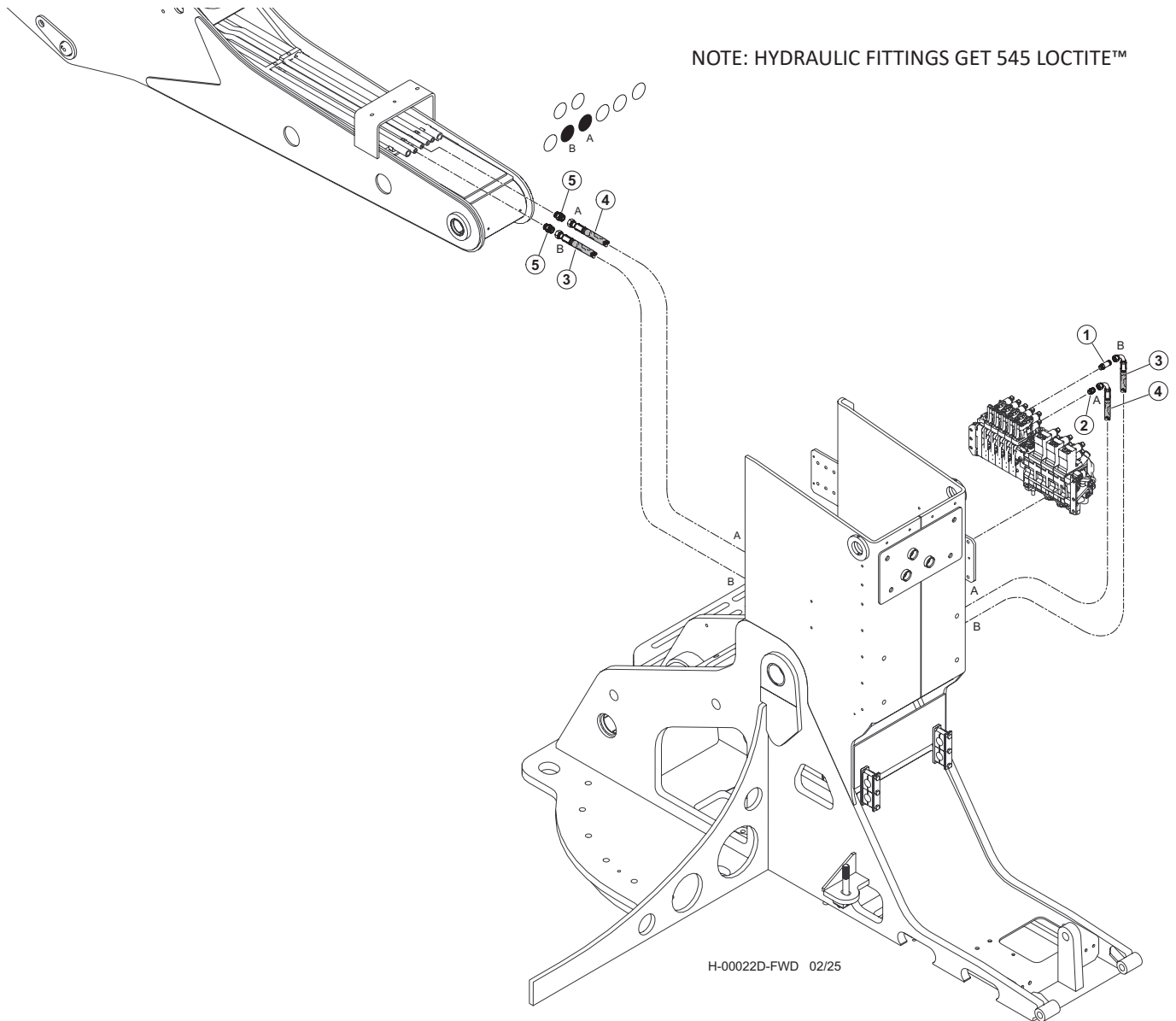
Item	Part #	Description	Qty.
1	15226	CONNECTOR, STR - FF1852T-1216S	6
2	(58077 - KIT)	HOSE ASSY - 722TC55-12-12OS-12OS-W - (SAW "A" MAIN TO STICK)	1
3	(58077 - KIT)	HOSE ASSY - 722TC55-12-12OS-12OS-W - (SAW "B" MAIN TO STICK)	1
4	15437	CAP - FF9863-12S	2

# H0130 - 2249400 - SAW OPTION HYDRAULICS - MAIN BOOM TO SQUIRT BOOM



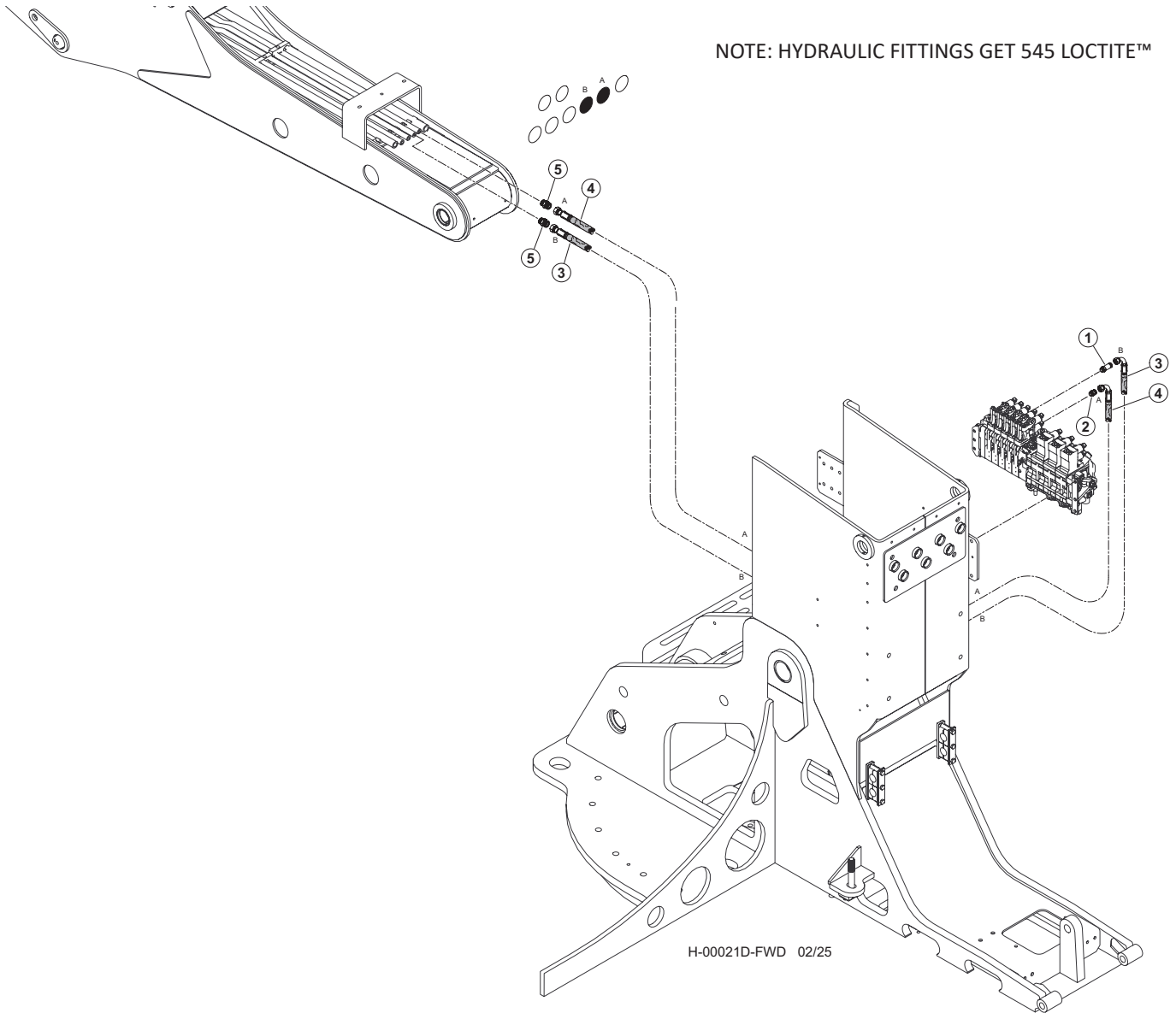
Item	Part #	Description	Qty.
1	(58077 - KIT)	HOSE ASSY - 722TC55-12-12OS-12OS-W - (SAW "A" MAIN TO STICK)	1
2	(58077 - KIT)	HOSE ASSY - 722TC55-12-12OS-12OS-W - (SAW "B" MAIN TO STICK)	1
3	(58077 - KIT)	HOSE ASSY - 722TC94-12-12OS-12OS-SG - (SAW "A" SQUIRT TUBE TO TUBE)	1
4	(58077 - KIT)	HOSE ASSY - 722TC94-12-12OS-12OS-SG - (SAW "B" SQUIRT TUBE TO TUBE)	1
5	15226	CONNECTOR, STR - FF1852T-1216S	6
6	15152	CONNECTOR, STR - FF1852T-1212S	4

# H0050 - 2243500 - GRAPPLE ROTATE PIPING - VALVE TO MAIN BOOM TUBELINES



Item	Part #	Description	Qty.
1	50039	CONNECTOR, STR - 848-TTO-10X10	1
2	52554	CONNECTOR, STR LONG - 10X10	1
3	(55368 - KIT)	HOSE ASSY - 722TC66 10-10OS-1009-W - (VALVE "B" TO BOOM TUBELINE)	1
4	(55368 - KIT)	HOSE ASSY - 722TC64 10-10OS-1009-W - (VALVE "A" TO BOOM TUBELINE)	1
5	51880	CONNECTOR, STR - (10-8 F50L0-S)	2

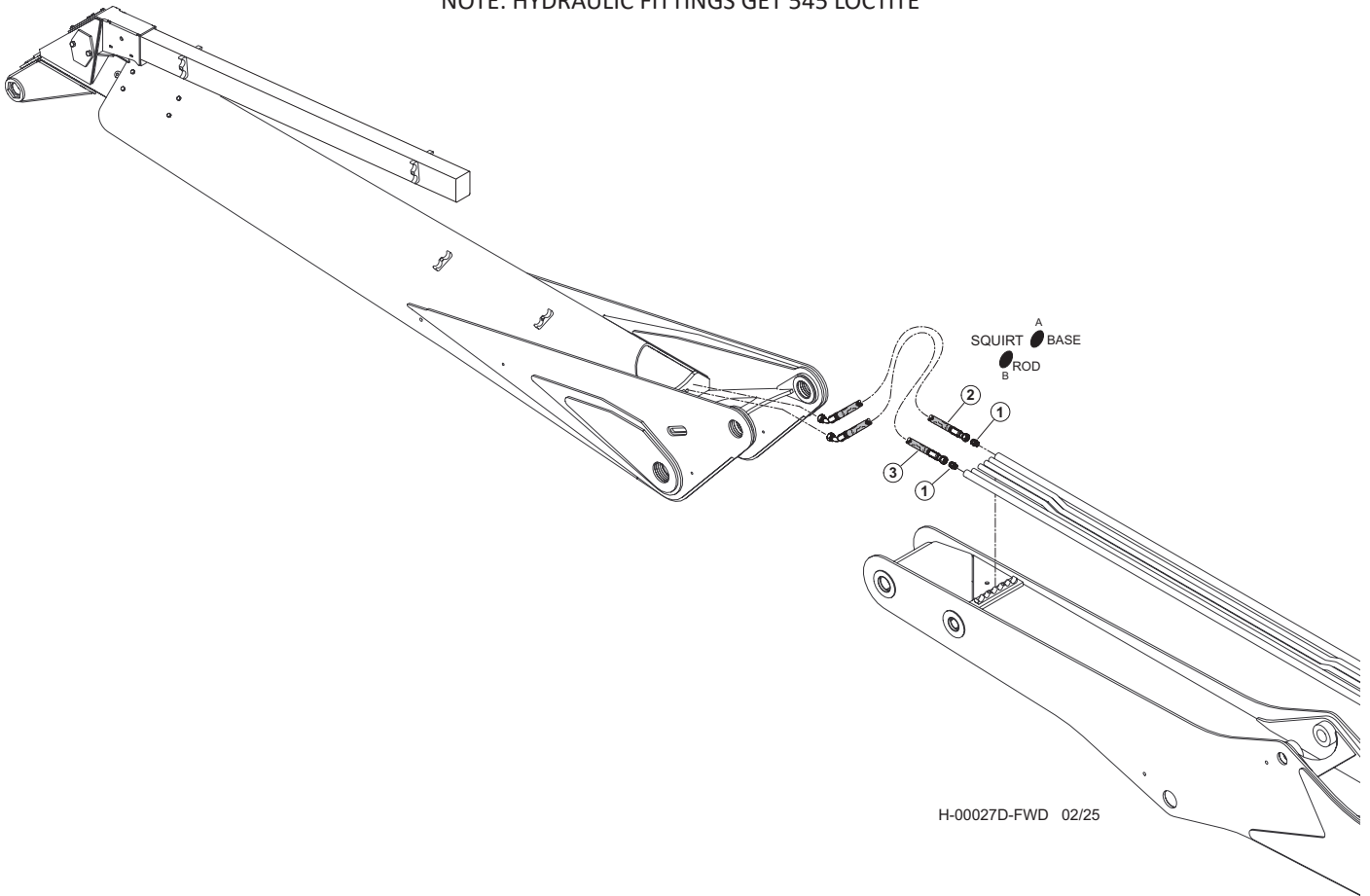
# H0050 - 2243500 - GRAPPLE OPEN/CLOSE PIPING - VALVE TO MAIN BOOM TUBELINES



Item	Part #	Description	Qty.
1	50039	CONNECTOR, STR - 848-TTO-10X10	1
2	52554	CONNECTOR, STR LONG - 10X10	1
3	(55368 - KIT)	HOSE ASSY - 722TC60 10-10OS-1009-W - (VALVE "B" TO BOOM TUBELINE)	1
4	(55368 - KIT)	HOSE ASSY - 722TC61 10-10OS-1009-W - (VALVE "A" TO BOOM TUBELINE)	1
5	51880	CONNECTOR, STR - (10-8 F50L0-S)	2

# H0130 - 2249300 - SQUIRT BOOM CYLINDER PIPING - MAIN BOOM TO CYLINDER

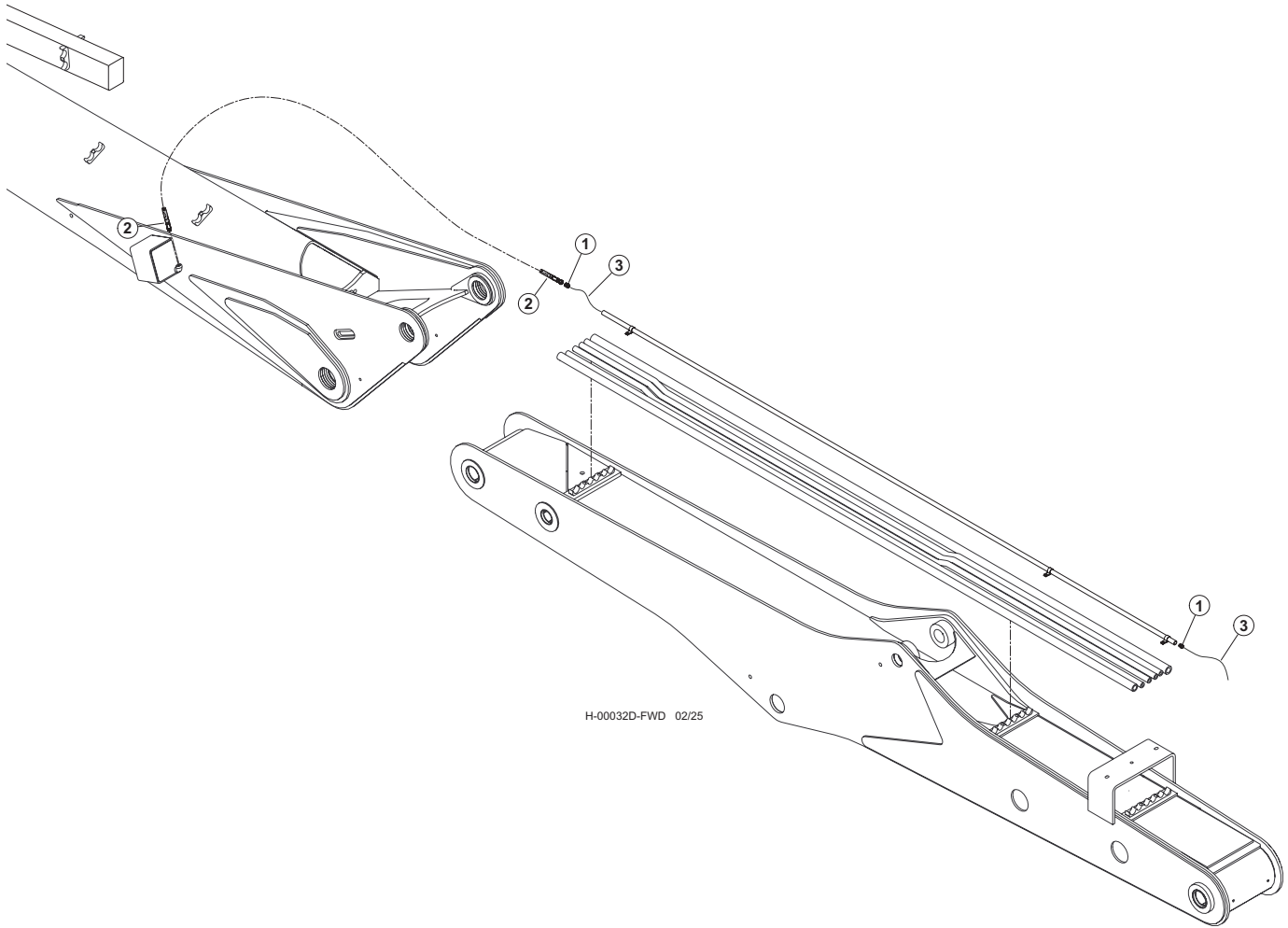
NOTE: HYDRAULIC FITTINGS GET 545 LOCTITE™



Item	Part #	Description	Qty.
1	15152	CONNECTOR, STR - FF1852T-1212S	2
2	(55367-58029 - KIT)	HOSE ASSY - 7HOSE, HYD, 722TC48-12-12OS-16O4-W - (SQUIRT CYL "ROD")	1
3	(55367-58029 - KIT)	HOSE ASSY - 7HOSE, HYD, 722TC48-12-12OS-16O4-W - (SQUIRT CYL "BASE")	1

# H0130 - 2249300 - BOOM LIGHT WIRE HOSE ASSEMBLY - MAIN BOOM TO SQUIRT BOOM

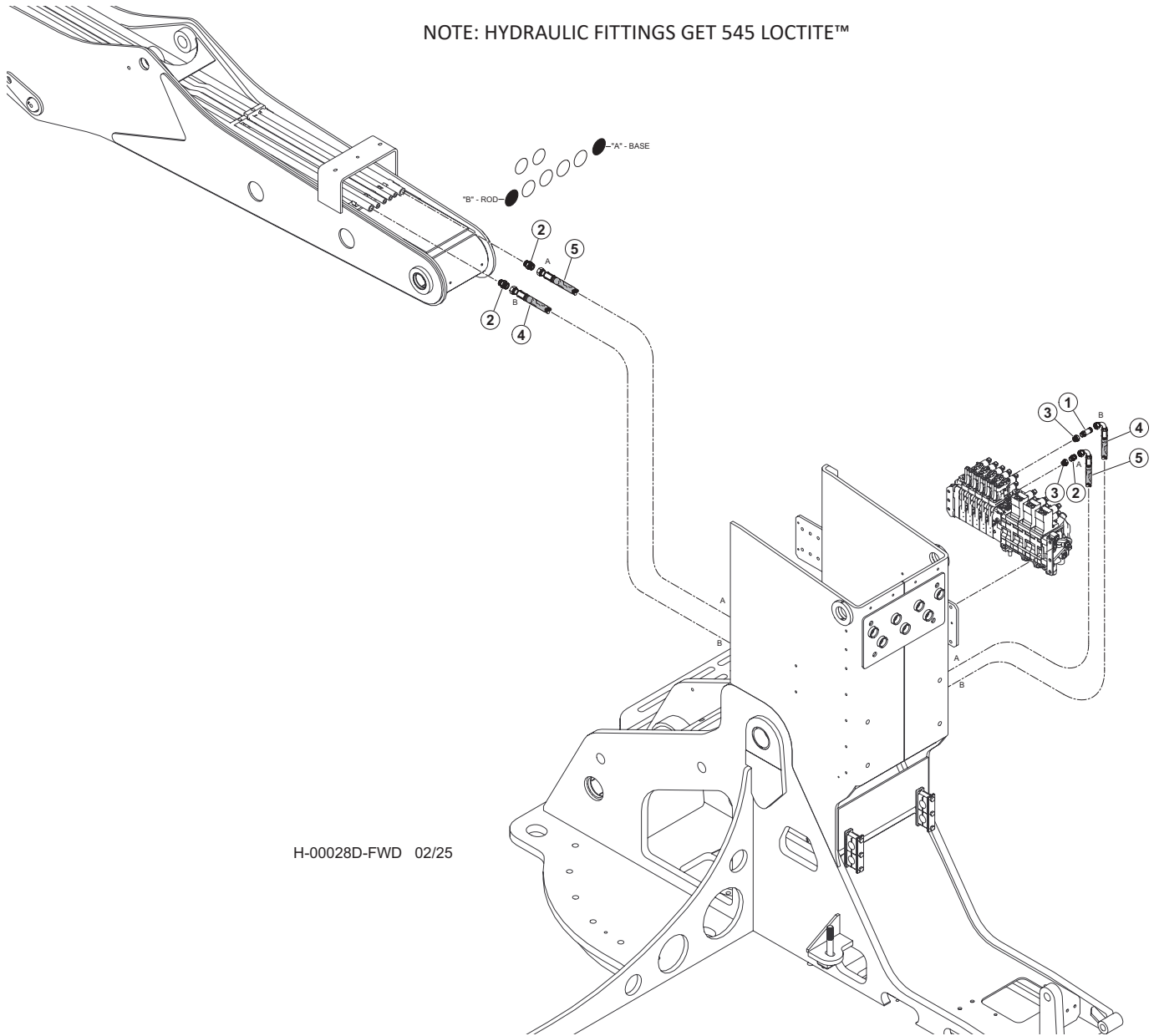
NOTE: HYDRAULIC FITTINGS GET 545 LOCTITE™



Item	Part #	Description	Qty.
1	51878	CONNECTOR, STR - MALE PIPE (6-6 FLO-S)	2
2	(55367 - KIT)	HOSE, HYD, 387TC64 06-06OS-08PS (LIGHT WIRE - MAIN BOOM TO STICK)	1
3	58380	LIGHT CABLE	AR

# H0130 - 2249300 - SQUIRT BOOM CYLINDER PIPING - VALVE TO MAIN BOOM

NOTE: HYDRAULIC FITTINGS GET 545 LOCTITE™

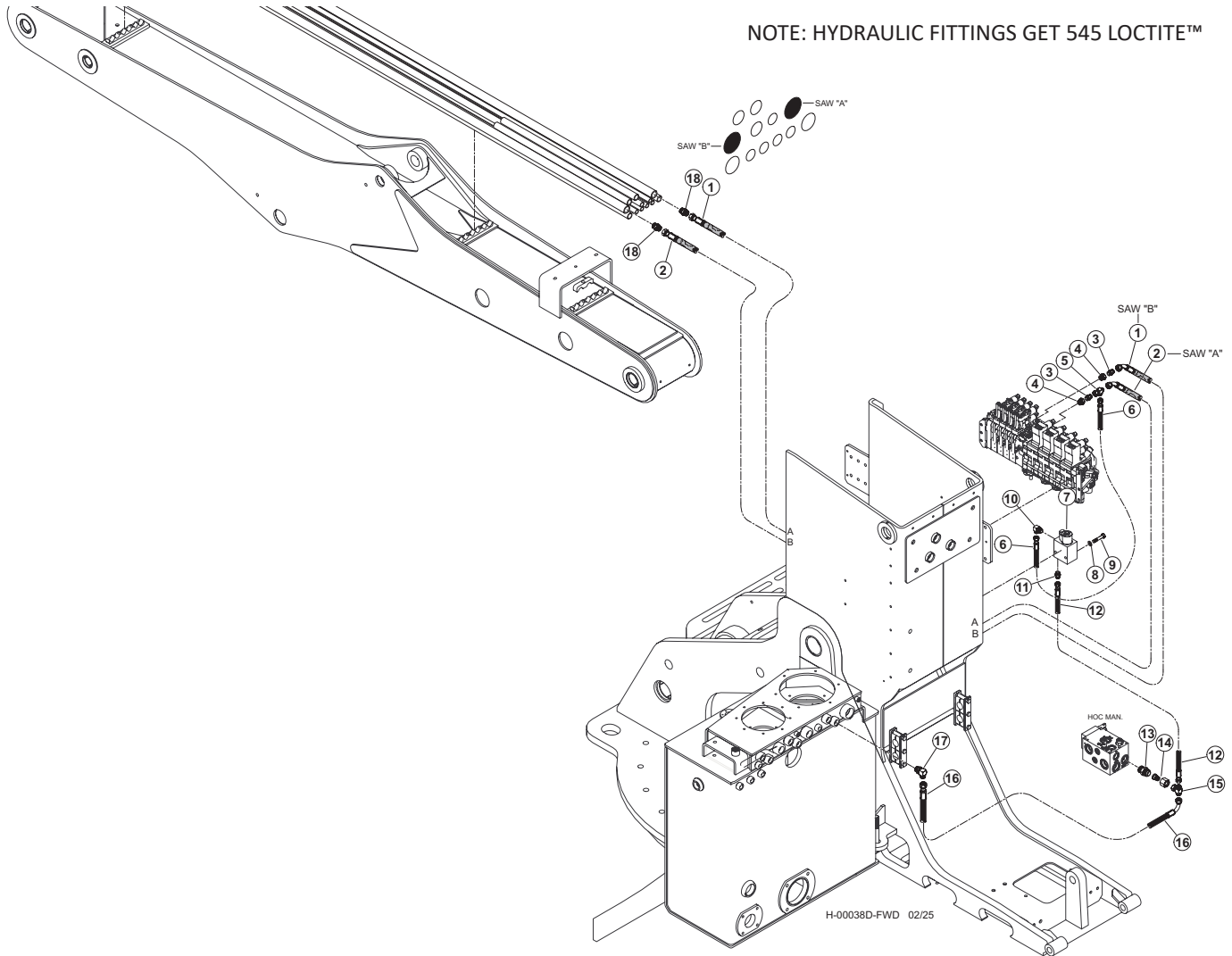


H-00028D-FWD 02/25

Item	Part #	Description	Qty.
1	19092	CONNECTOR, STR LONG - 848L-TTO-12X12	1
2	15152	CONNECTOR, STR - FF1852T-1212S	3
3	19289	BUSHING, REDUCER - 6410-10X12	2
4	(55367-58029 - KIT)	HOSE ASSY - 722TC57-12-12OS-1209-W - (VALVE "B - ROD" TO MAIN BOOM)	1
5	(55367-58029 - KIT)	HOSE ASSY - 722TC63-12-12OS-1209-W - (VALVE "A - ROD" TO MAIN BOOM)	1

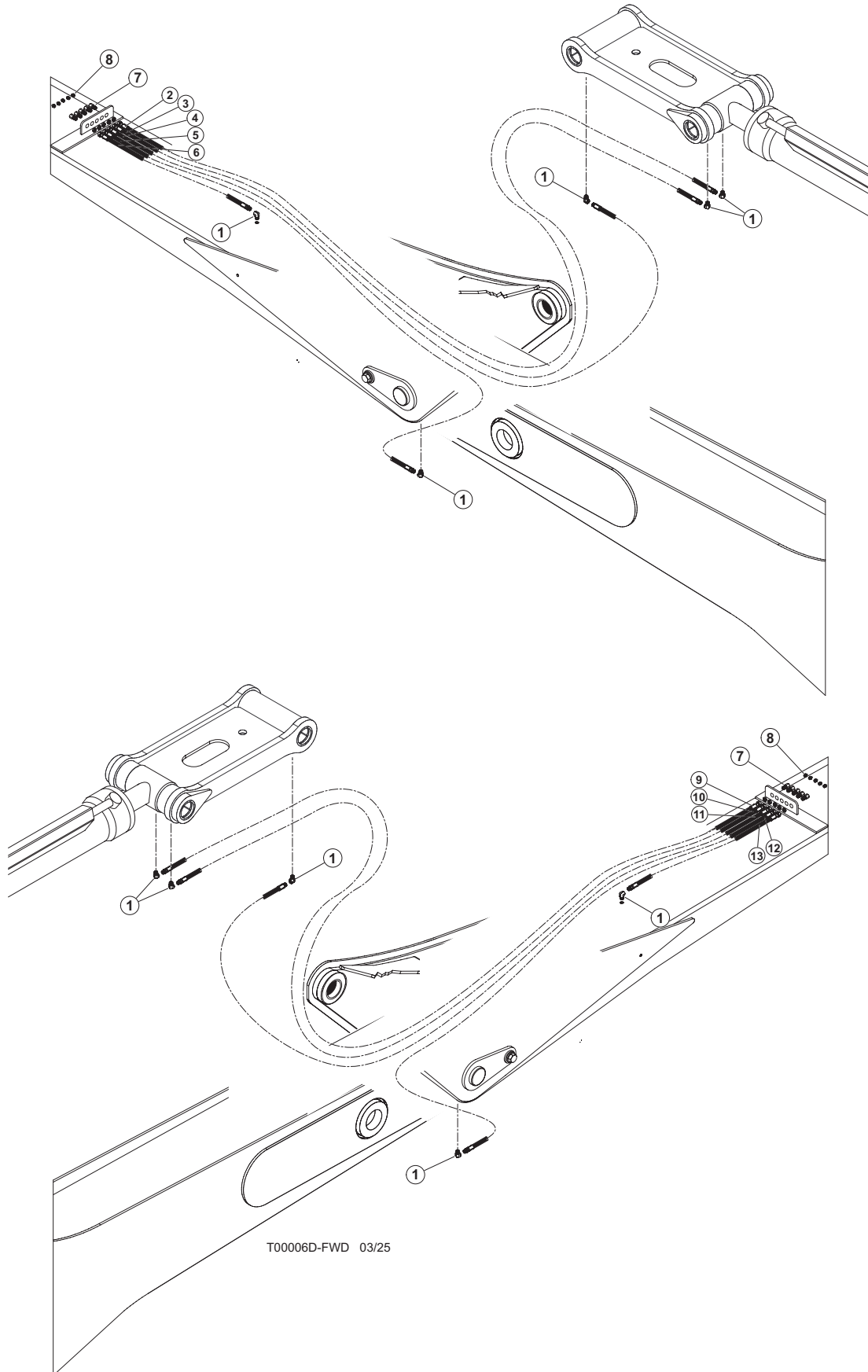
# H0130 - 2249400 - SAW OPTION HYDRAULICS - VALVE TO MAIN BOOM

NOTE: HYDRAULIC FITTINGS GET 545 LOCTITE™



Item	Part #	Description	Qty.
1	(58077 - KIT)	HOSE ASSY - 722TC68.5-12-12OS-12J4-W - (SAW "B" MAIN TO STICK)	1
2	(58077 - KIT)	HOSE ASSY - 722TC60.5-12-12OS-12J4-W - (SAW "A" MAIN TO STICK)	1
3	55356	FITTING, 12 FF5OX-S	2
4	19289	BUSHING, REDUCER - 6410-10X12	2
5	58020	FITTING, 12-R6X-S	1
6	(58077 - KIT)	HOSE ASSY - 722TC34-12-12JS-12JS - (SAW "A" VALVE SECTION TO SAW VALVE)	1
7	57420	SAW VALVE	1
8	10757	WASHER, SAE FLAT - .25"	2
9	10818	BOLT - .25" X 3"	2
10	11306	ELBOW, 90 12 C5OX-S	1
11	11324	CONNECTOR, STR - 6400-12	1
12	(58077 - KIT)	HOSE ASSY - 722TC36-12-12JS-12JS - (SAW BLOCK TO HOC VALVE)	1
13	57492	FITTING, 20 F5OX-S	1
14	57469	FITTING, 20-12 TRTXN-S	1
15	16021	TEE - 6600-12	1
16	(58077 - KIT)	HOSE ASSY - 187TC78 12 12JS12J9-W - (HOC VALVE TO HYD TANK)	1
17	11306	ELBOW, 90 12 C5OX-S	1
18	18406	CONNECTOR, STR - FF1852T-1612S	2

# H0130 - 2249400 - BOOM GREASE LINES - SQUIRT STICK BOOM



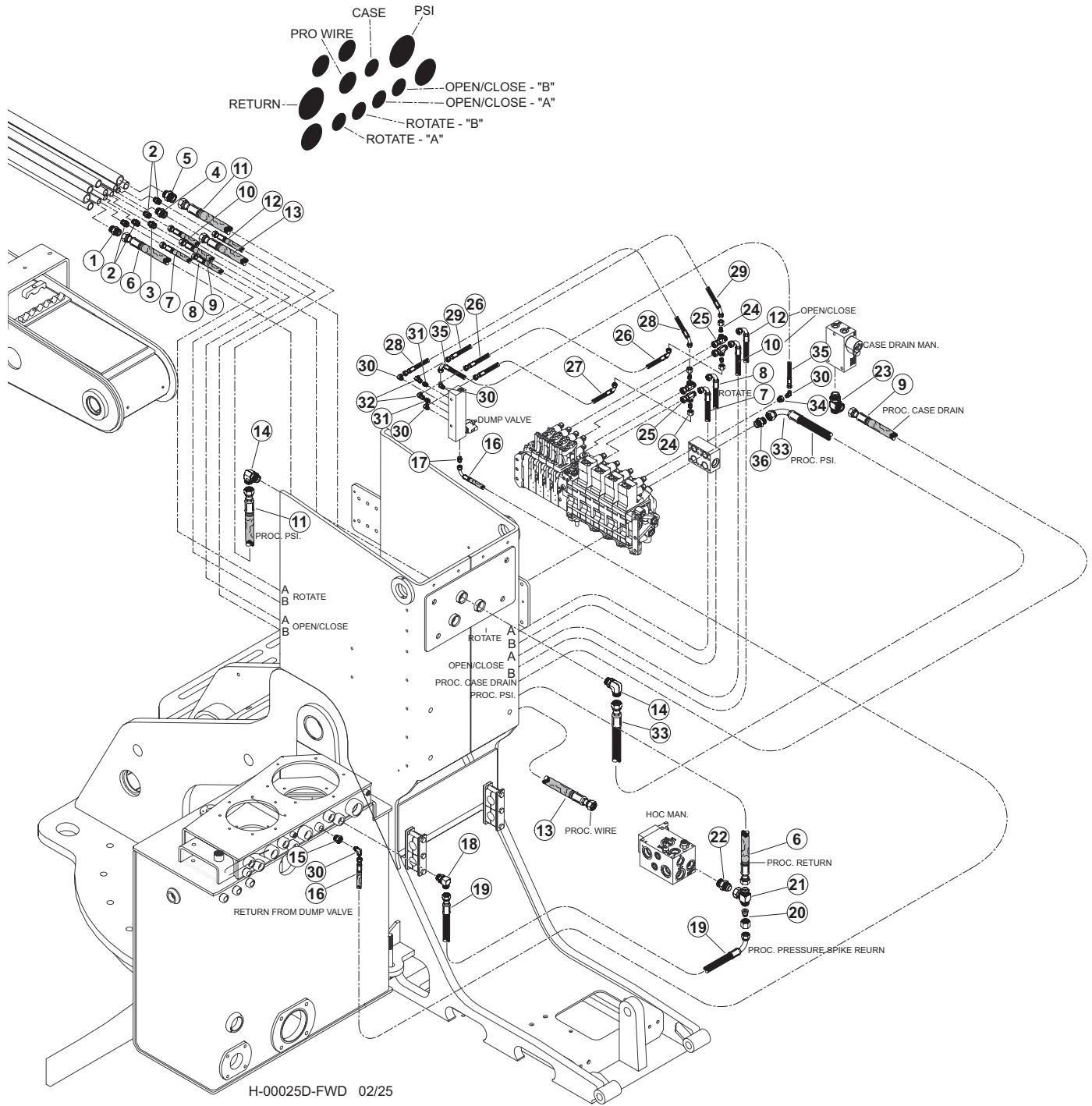
T00006D-FWD 03/25

## H0130 - 2249400 - BOOM GREASE LINES - SQUIRT STICK BOOM

<b>Item</b>	<b>Part #</b>	<b>Description</b>	<b>Qty.</b>
1	22281	ELBOW, 1/8-27 NPTF(M), 1/8-17 NPTF(F),90	8
2	(55602 - KIT)	HOSE, HYD - HLB128 02-02SP-04JS (STICK BOOM CYL ROD GREASE)	1
3	(55602 - KIT)	HOSE, HYD - HLB128 02-02SP-04JS-WS125 (LINK GREASE)	1
4	(55602 - KIT)	HOSE, HYD - HLB128 02-02SP-04JS (LINK GREASE)	1
5	(55602 - KIT)	HOSE, HYD - HLB128 02-02SP-04JS (MAIN TO STICK PIN GREASE)	1
6	(55602 - KIT)	HOSE, HYD - HLB42 02-02SP-04JS (SQUIRT TUBE)	1
7	15658	CONNECTOR, STR BULKHEAD - 2239-2-4S	10
8	10704	FITTING, GREASE - .125 NPT - STR	10
9	(55602 - KIT)	HOSE, HYD - HLB128 02-02SP-04JS (LINK GREASE)	1
10	(55602 - KIT)	HLB128 02-02SP-04JS (LINK GREASE)	1
11	(55602 - KIT)	HOSE, HYD - HLB128 02-02SP-04JS (LINK GREASE)	1
12	(55602 - KIT)	HOSE, HYD - HLB128 02-02SP-04JS-WS125 (MAIN TO STICK PIN GREASE)	1
13	(55602 - KIT)	HOSE, HYD - HLB42 02-02SP-04JS (SQUIRT TUBE)	1

# H0130 - 2249500/ 2249800 - COMBO HYDRAULIC HOSE ROUTINGS - VALVE TO MAIN BOOM

NOTE: HYDRAULIC FITTINGS GET 545 LOCTITE™

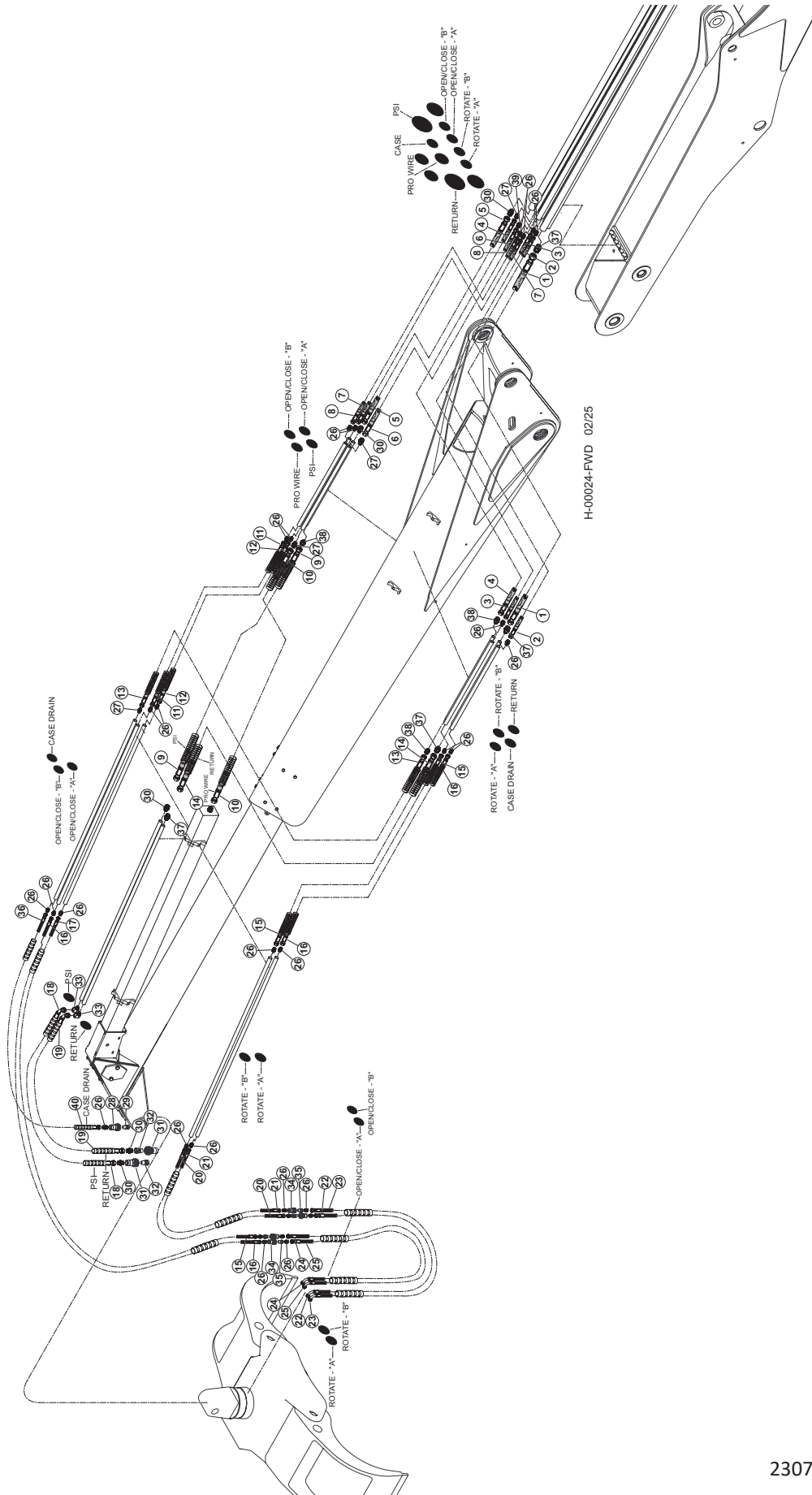


**H0130 - 2249500/ 2249800 - COMBO HYDRAULIC HOSE ROUTINGS - VALVE TO MAIN BOOM**

<b>Item</b>	<b>Part #</b>	<b>Description</b>	<b>Qty.</b>
1	15225	CONNECTOR, STR - FF1852T-1616S	1
2	51880	CONNECTOR, STR - (10-8 F50L0-S)	4
3	16913	CONNECTOR, STR - FF1852T-1208S	3
4	15152	CONNECTOR, STR - FF1852T-1212S	1
5	17063	CONNECTOR, STR - FF1852T-2016S	1
6	58029 - (KIT)	HOSE ASSY - 187TC58-20-20JS-20OS-SW - (PROC. RETURN)	1
7	58029 - (KIT)	HOSE ASSY - 722TC59-08-08OS-08O9-W - (ROTATE "A")	1
8	58029 - (KIT)	HOSE ASSY - 722TC64-08-08OS-08O9-W - (ROTATE "B")	1
9	58029 - (KIT)	HOSE ASSY - 722TC42-16-16OS-16OS-W - (PROC. WIRE)	1
10	58029 - (KIT)	HOSE ASSY - 722TC56-08-08OS-08O9-W - (OPEN/CLOSE "A")	1
11	58029 - (KIT)	HOSE ASSY - 722TC38-16-16OS-16O9 - (PROC. PSI)	1
12	58029 - (KIT)	HOSE ASSY - 722TC61-08-08OS-08O4-W - (OPEN/CLOSE "B")	1
13	58029 - (KIT)	HOSE ASSY - 187TC55-12-12OS-12OS-W - (PROC. CASE DRAIN)	1
14	15228	ELBOW, 90 - FF1868T-1616S	2
15	16294	BUSHING, REDUCER - 6410-6-4	1
16	58029 - (KIT)	HOSE ASSY - 387TC115-04-04OS-04J9-W - (DUMP VALVE TO TANK)	1
17	54809	CONNECTOR, STR - 4 JIC x -6 ORB	1
18	11306	ELBOW, 90 12 C5OX-S	1
19	59049 - (KIT)	HOSE ASSY - 187TC78 12 12JS12J9-W - (PROC. PRESSURE SPIKE)	1
20	57469	FITTING, 20-12 TRTXN-S	1
21	59048	FITTING, 20 S6X - TEE	1
22	17344	CONNECTOR, STR - FF1852T-2020S	1
23	55379	FITTING, STRAIGHT - 16 R5OX-S	1
24	19221	CONNECTOR, REDUCER - ORS FF2281T-0408S	4
25	15433	TEE - FF2114T-0808S	4
26	58029 - (KIT)	HOSE ASSY - 387TC17-04-04OS-04O4 - (OPEN/CLOSE "A" TO DUMP VALVE #5)	1
27	58029 - (KIT)	HOSE ASSY - 387TC18-04-04OS-04O4 - (ROTATE "A" TO DUMP VALVE #4)	1
28	58029 - (KIT)	HOSE ASSY - 387TC14-04-04OS-04O4 - (OPEN/CLOSE "B" TO DUMP VALVE #2)	3
29	58029 - (KIT)	HOSE ASSY - 387TC15-04-04OS-04O4 - (ROTATE "B" TO DUMP VALVE #3)	2
30	15133	ELBOW, 90 - FF1868T-0406S	2
31	15124	CONNECTOR, STR - FF1852T-0406S	1
32	15145	ELBOW, 90 SWIVEL - FF2098T-0404S	1
33	58029 - (KIT)	HOSE ASSY - HOSE, HYD, 722TC43-16-16OS-16O9 - (PROC. PSI TO BULK HEAD)	1
34	55345	FITTING, MALE SAE X FEMALE SAE	1
35	58029 - (KIT)	HOSE ASSY - 387TC34-04-04OS-04O9 - (PROC. RELIEF TO DUMP VALVE #1)	1
36	19450	CONNECTOR, STR - 16-20 F5OLO-S	1

**H0130 - 2249500/ 2249800 - COMBO HYD HOSE ROUTINGS - (SQURT BOOM) - MAIN BOOM TO HULDINS GRAPPLE**

NOTE: HYDRAULIC FITTINGS GET 545 LOCTITE™

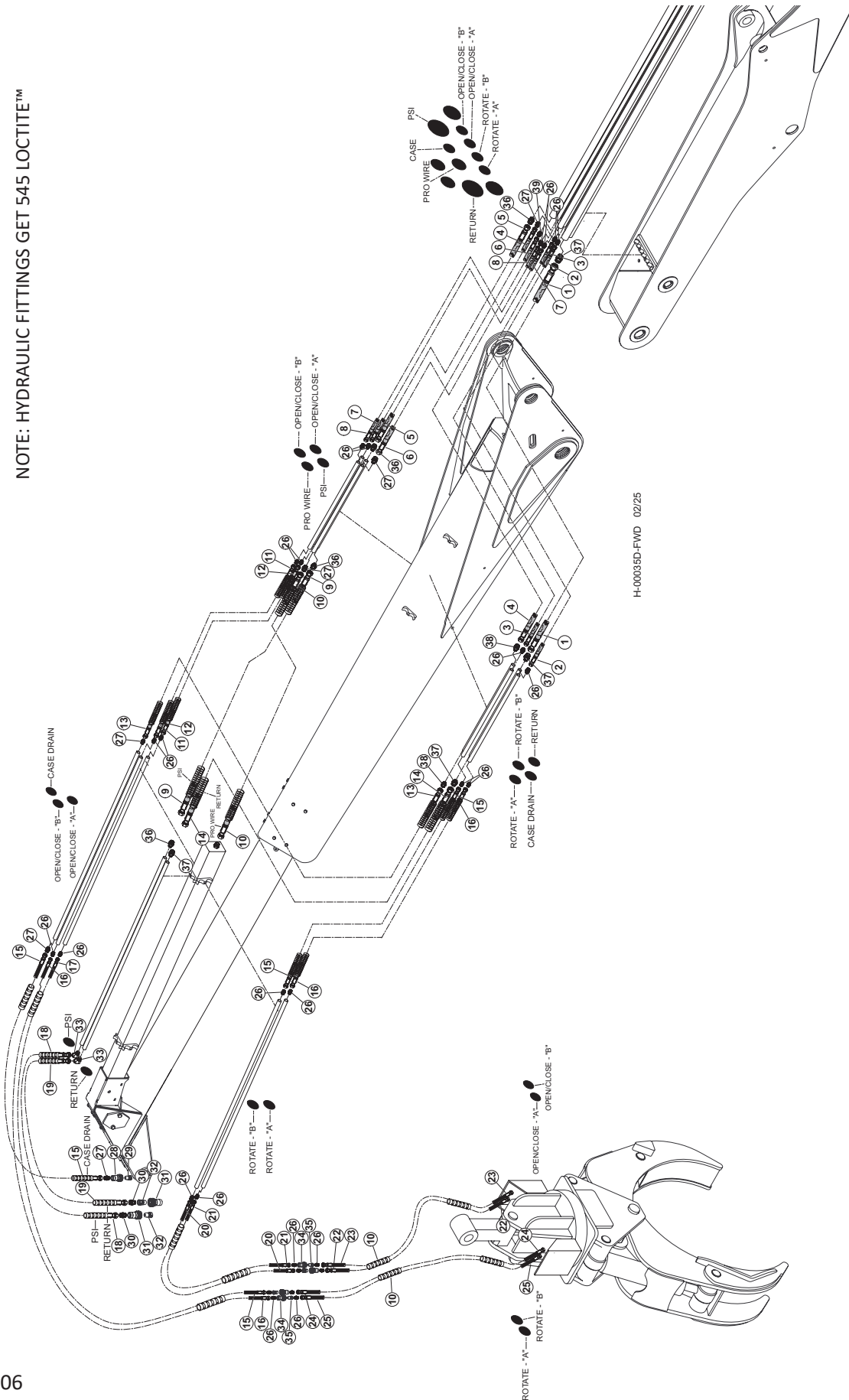


**H0130 - 2249500/ 2249800 - COMBO HYD HOSE ROUTINGS - (SQUIRT BOOM) - MAIN BOOM TO HULDINS GRAPPLE**

<b>Item</b>	<b>Part #</b>	<b>Description</b>	<b>Qty.</b>
1	58029 - (KIT)	HOSE ASSY - 722TC55-20-200S-200S-W - (RETURN - MAIN TO STICK BOOM)	1
2	58029 - (KIT)	HOSE ASSY - 722TC55-08-08OS-08OS-W - (ROTATE "A" - MAIN TO STICK BOOM)	1
3	58029 - (KIT)	HOSE ASSY - 722TC55-08-08OS-08OS-W - (ROTATE "B" - MAIN TO STICK BOOM)	1
4	58029 - (KIT)	HOSE ASSY - 722TC55-12-12OS-12OS-W - (CASE DRAIN - MAIN TO STICK BOOM)	1
5	58029 - (KIT)	HOSE ASSY - 722TC55-16-16OS-16OS-W - (PROC. PSI - MAIN TO STICK BOOM)	1
6	58029 - (KIT)	HOSE ASSY - 722TC55-12-12OS-12OS-W - (PROC. WIRE - MAIN TO STICK BOOM)	1
7	58029 - (KIT)	HOSE ASSY - 722TC55-08-08OS-08OS-W - (OPEN/CLOSE "B" - MAIN TO STICK BOOM)	1
8	58029 - (KIT)	HOSE ASSY - 722TC55-08-08OS-08OS-W - (OPEN/CLOSE "A" - MAIN TO STICK BOOM)	1
9	58029 - (KIT)	HOSE ASSY - 722TC95-16-16OS-12OS-SG - (PROC. PSI - SQUIRT TUBELINE TO TUBELINE)	1
10	58029 - (KIT)	HOSE ASSY - 722TC92-12-12OS-12OS-SG - (PROC. PSI - SQUIRT TUBELINE TO TUBELINE)	1
11	58029 - (KIT)	HOSE ASSY - 722TC93-08-08OS-08OS-SG - (OPEN/CLOSE "B" - SQUIRT TUBELINE TO TUBELINE)	1
12	58029 - (KIT)	HOSE ASSY - 722TC93-08-08OS-08OS-SG - (OPEN/CLOSE "A" - SQUIRT TUBELINE TO TUBELINE)	1
13	58029 - (KIT)	HOSE ASSY - 722TC93-12-12OS-12OS-SG - (CASE DRAIN - SQUIRT TUBELINE TO TUBELINE)	1
14	58029 - (KIT)	HOSE ASSY - 187TC95-20-200S-200S-SG - (RETURN - SQUIRT TUBELINE TO TUBELINE) HOSE ASSY - 722TC93-08-08OS-08OS-SG - (ROTATE "B" - SQUIRT TUBELINE TO TUBELINE)	1 1
15	58029 - (KIT)	HOSE ASSY - 722TC93-08-08OS-08OS-SG - (ROTATE "A" - SQUIRT TUBELINE TO TUBELINE)	1
16	58029 - (KIT)	HOSE ASSY - 722TC24-08-08OS-08OS - (OPEN/CLOSE "B" - SQUIRT TUBELINE TO QUICK COUPLER)	1
17	58029 - (KIT)	HOSE ASSY - 722TC24-08-08OS-08OS - (OPEN/CLOSE "A" - SQUIRT TUBELINE TO QUICK COUPLER)	1
18	58029 - (KIT)	HOSE ASSY - 722TC20-16-16OS-16O4 - (PROC. PSI - SQUIRT TUBELINE TO QUICK COUPLER)	1
19	58029 - (KIT)	HOSE ASSY - 722TC24-16-16OS-16O4 - (RETURN - SQUIRT TUBELINE TO QUICK COUPLER)	1
20	58029 - (KIT)	HOSE ASSY - 722TC20-08-08OS-08OS - (ROTATE "B" - SQUIRT TUBELINE TO QUICK COUPLER)	1
21	58029 - (KIT)	HOSE ASSY - 722TC20-08-08OS-08OS - (ROTATE "A" - SQUIRT TUBELINE TO QUICK COUPLER)	1
22	58029 - (KIT)	HOSE ASSY - 722TC40-08-08OS-08O9 - (ROTATE "B" - QUICK COUPLER TO GRAPPLE)	1
23	58029 - (KIT)	HOSE ASSY - 722TC40-08-08OS-08O9 - (ROTATE "A" - QUICK COUPLER TO GRAPPLE)	1
24	58029 - (KIT)	HOSE ASSY - 722TC37-08-08OS-08O9 - (OPEN/CLOSE "B" - QUICK COUPLER TO GRAPPLE)	1
25	58029 - (KIT)	HOSE ASSY - 722TC37-08-08OS-08O9 - (OPEN/CLOSE "A" - QUICK COUPLER TO GRAPPLE)	1
26	15117	CONNECTOR, STR - FF1852T-0808S	26
27	16913	CONNECTOR, STR - FF1852T-1208S	4
28	52873	QUICK DISCONNECT- .75" FEMALE CASE DRAIN	1
29	52874	QUICK DISCONNECT- .75" MALE CASE DRAIN	1
30	15225	CONNECTOR, STR - FF1852T-1616S	5
31	51271	QUICK DISCONNECT - 1"FEM X 1"PORT	2
32	24862	QUICK DISCONNECT - 1" MALE X 1" PORT	2
33	16460	ELBOW, 45 - FF2068T-1616S	2
34	51272	QUICK DISCONNECT - .5"FEM X .75 PORT	4
35	24864	QUICK DISCONNECT - .5" MALE X .75" PORT	4
36	58029 - (KIT)	HOSE ASSY - HOSE, HYD, 722TC24-08-08OS-08OS - (CASE DRAIN - SQUIRT TUBELINE TO QUICK COUPLER)	1
37	17063	CONNECTOR, STR - FF1852T-2016S	3
38	15226	CONNECTOR, STR - FF1852T-1216S	2
39	15152	CONNECTOR, STR - FF1852T-1212S	1

# H0130 - 2249500 - COMBO HYD HOSE ROUTINGS - (SQUIRT BOOM) - MAIN BOOM TO ROTOBEC GRAPPLE

NOTE: HYDRAULIC FITTINGS GET 545 LOCTITE™

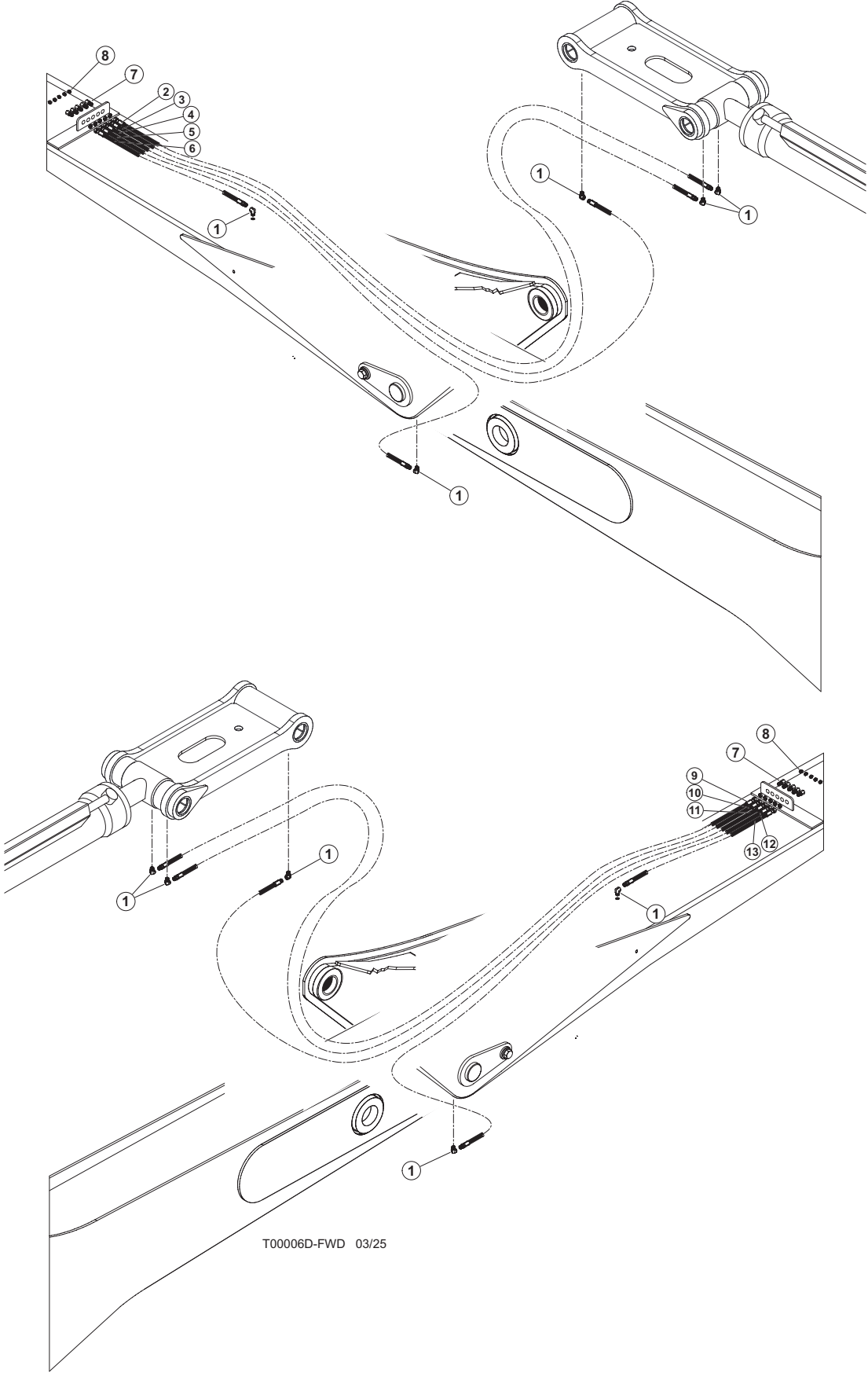


H-00035D-FWD 02/25

**H0130 - 2249500 - COMBO HYD HOSE ROUTINGS - (SQUIRT BOOM) - MAIN BOOM TO  
ROTOBEC GRAPPLE**

<b>Item</b>	<b>Part #</b>	<b>Description</b>	<b>Qty.</b>
1	58029 - (KIT)	HOSE ASSY - 722TC55-20-20OS-20OS-W - (RETURN - MAIN TO STICK BOOM)	1
2	58029 - (KIT)	HOSE ASSY - 722TC55-08-08OS-08OS-W - (ROTATE "A" - MAIN TO STICK BOOM)	1
3	58029 - (KIT)	HOSE ASSY - 722TC55-08-08OS-08OS-W - (ROTATE "B" - MAIN TO STICK BOOM)	1
4	58029 - (KIT)	HOSE ASSY - 722TC55-12-12OS-12OS-W - (CASE DRAIN - MAIN TO STICK BOOM)	1
5	58029 - (KIT)	HOSE ASSY - 722TC55-16-16OS-16OS-W - (PROC. PSI - MAIN TO STICK BOOM)	1
6	58029 - (KIT)	HOSE ASSY - 722TC55-12-12OS-12OS-W - (PROC. WIRE - MAIN TO STICK BOOM)	1
7	58029 - (KIT)	HOSE ASSY - 722TC55-08-08OS-08OS-W - (OPEN/CLOSE "B" - MAIN TO STICK BOOM)	1
8	58029 - (KIT)	HOSE ASSY - 722TC55-08-08OS-08OS-W - (OPEN/CLOSE "A" - MAIN TO STICK BOOM)	1
9	58029 - (KIT)	HOSE ASSY - 722TC95-16-16OS-12OS-SG - (PROC. PSI - SQUIRT TUBELINE TO TUBELINE)	1
10	58029 - (KIT)	HOSE ASSY - 722TC92-12-12OS-12OS-SG - (PROC. PSI - SQUIRT TUBELINE TO TUBELINE)	1
11	58029 - (KIT)	HOSE ASSY - 722TC93-08-08OS-08OS-SG - (OPEN/CLOSE "B" - SQUIRT TUBELINE TO TUBELINE)	1
12	58029 - (KIT)	HOSE ASSY - 722TC93-08-08OS-08OS-SG - (OPEN/CLOSE "A" - SQUIRT TUBELINE TO TUBELINE)	1
13	58029 - (KIT)	HOSE ASSY - 722TC93-12-12OS-12OS-SG - (CASE DRAIN - SQUIRT TUBELINE TO TUBE-LINE)	1
14	58029 - (KIT)	HOSE ASSY - 187TC95-20-20OS-20OS-SG - (RETURN - SQUIRT TUBELINE TO TUBELINE) HOSE ASSY - 722TC93-08-08OS-08OS-SG - (ROTATE "B" - SQUIRT TUBELINE TO TUBE-LINE)	1
15	58029 - (KIT)	HOSE ASSY - 722TC93-08-08OS-08OS-SG - (ROTATE "A" - SQUIRT TUBELINE TO TUBE-LINE)	1
16	DEALER INSTALLED	HOSE ASSY - (OPEN/CLOSE "B" - SQUIRT TUBELINE TO QUICK COUPLER)	1
17	DEALER INSTALLED	HOSE ASSY - (OPEN/CLOSE "A" - SQUIRT TUBELINE TO QUICK COUPLER)	1
18	58029 - (KIT)	HOSE ASSY - 722TC20-16-16OS-16O4 - (PROC. PSI - SQUIRT TUBELINE TO QUICK COUPLER)	1
19	58029 - (KIT)	HOSE ASSY - 722TC24-16-16OS-16O4 - (RETURN - SQUIRT TUBELINE TO QUICK COUPLER)	1
20	DEALER INSTALLED	HOSE ASSY - (ROTATE "B" - SQUIRT TUBELINE TO QUICK COUPLER)	1
21	DEALER INSTALLED	HOSE ASSY - (ROTATE "A" - SQUIRT TUBELINE TO QUICK COUPLER)	1
22	DEALER INSTALLED	HOSE ASSY - (ROTATE "B" - QUICK COUPLER TO GRAPPLE)	1
23	DEALER INSTALLED	HOSE ASSY - (ROTATE "A" - QUICK COUPLER TO GRAPPLE)	1
24	DEALER INSTALLED	HOSE ASSY - (OPEN/CLOSE "B" - QUICK COUPLER TO GRAPPLE)	1
25	DEALER INSTALLED	HOSE ASSY - (OPEN/CLOSE "A" - QUICK COUPLER TO GRAPPLE)	1
26	15117	CONNECTOR, STR - FF1852T-0808S	26
27	16913	CONNECTOR, STR - FF1852T-1208S	4
28	52873	QUICK DISCONNECT- .75" FEMALE CASE DRAIN	1
29	52874	QUICK DISCONNECT- .75" MALE CASE DRAIN	1
30	15225	CONNECTOR, STR - FF1852T-1616S	5
31	51271	QUICK DISCONNECT - 1"FEM X 1"PORT	2
32	24862	QUICK DISCONNECT - 1" MALE X 1" PORT	2
33	16460	ELBOW, 45 - FF2068T-1616S	2
34	51272	QUICK DISCONNECT - .5"FEM X .75 PORT	4
35	24864	QUICK DISCONNECT - .5" MALE X .75" PORT	4
36	58029 - (KIT)	HOSE ASSY - HOSE, HYD, 722TC24-08-08OS-08OS - (CASE DRAIN - SQUIRT TUBELINE TO QUICK COUPLER)	1
37	17063	CONNECTOR, STR - FF1852T-2016S	3
38	15226	CONNECTOR, STR - FF1852T-1216S	2
39	15152	CONNECTOR, STR - FF1852T-1212S	1

H0130 - 2249300 - BOOM GREASE LINES - SQUIRT STICK BOOM



T00006D-FWD 03/25

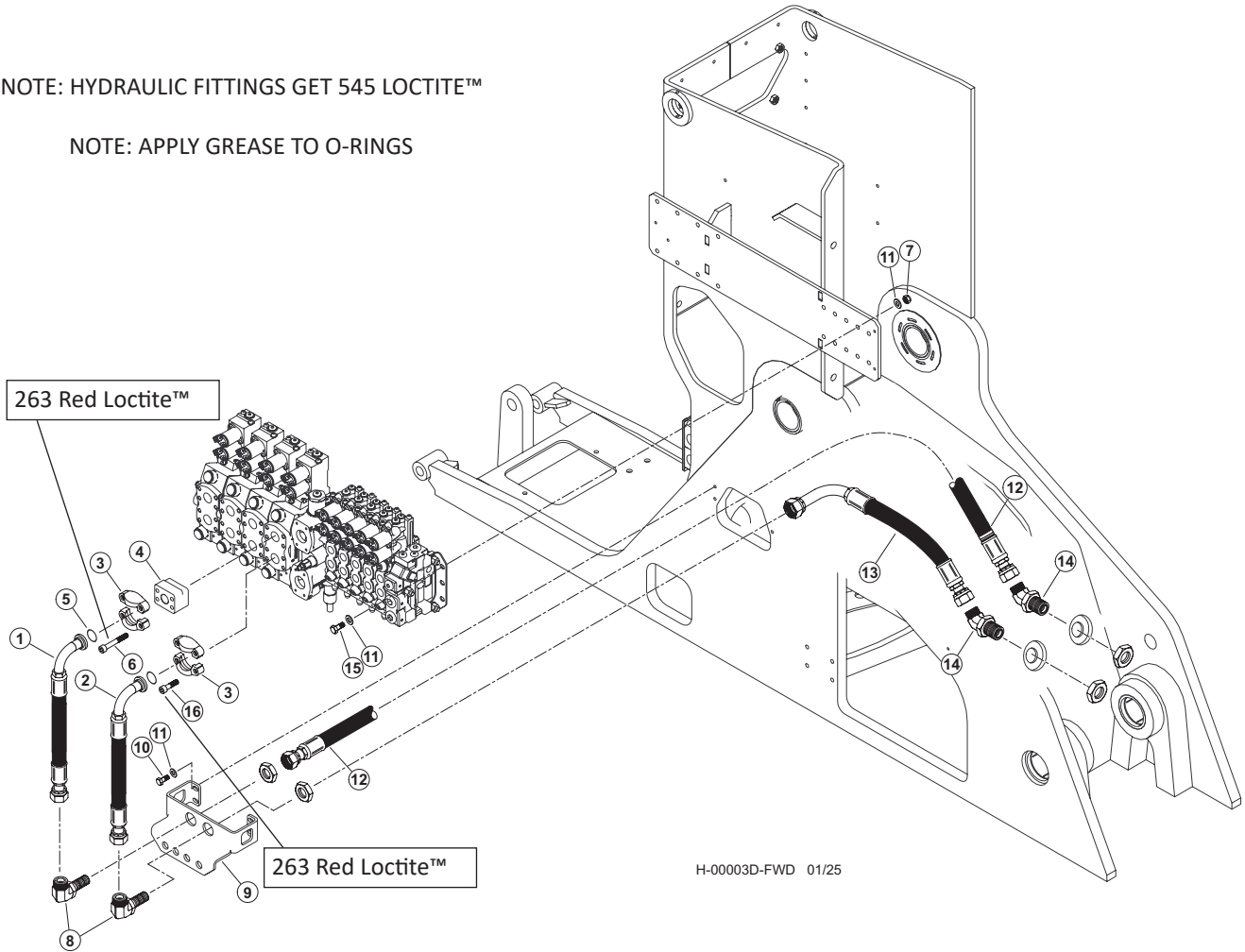
## H0130 - 2249300 - BOOM GREASE LINES - SQUIRT STICK BOOM

<b>Item</b>	<b>Part #</b>	<b>Description</b>	<b>Qty.</b>
1	22281	ELBOW, 1/8-27 NPTF(M), 1/8-17 NPTF(F),90	8
2	(55602 - KIT)	HOSE, HYD - HLB128 02-02SP-04JS (STICK BOOM CYL ROD GREASE)	1
3	(55602 - KIT)	HOSE, HYD - HLB128 02-02SP-04JS-WS125 (LINK GREASE)	1
4	(55602 - KIT)	HOSE, HYD - HLB128 02-02SP-04JS (LINK GREASE)	1
5	(55602 - KIT)	HOSE, HYD - HLB128 02-02SP-04JS (MAIN TO STICK PIN GREASE)	1
6	(55602 - KIT)	HOSE, HYD - HLB42 02-02SP-04JS (SQUIRT TUBE)	1
7	15658	CONNECTOR, STR BULKHEAD - 2239-2-4S	10
8	10704	FITTING, GREASE - .125 NPT - STR	10
9	(55602 - KIT)	HOSE, HYD - HLB128 02-02SP-04JS (LINK GREASE)	1
10	(55602 - KIT)	HLB128 02-02SP-04JS (LINK GREASE)	1
11	(55602 - KIT)	HOSE, HYD - HLB128 02-02SP-04JS (LINK GREASE)	1
13	(55602 - KIT)	HOSE, HYD - HLB128 02-02SP-04JS-WS125 (MAIN TO STICK PIN GREASE)	1
12	(55602 - KIT)	HOSE, HYD - HLB42 02-02SP-04JS (SQUIRT TUBE)	1

# H0050 - 2243500 - MAIN BOOM CYLINDER PIPING - VALVE TO BULKHEAD - (K220/L90 VALVE)

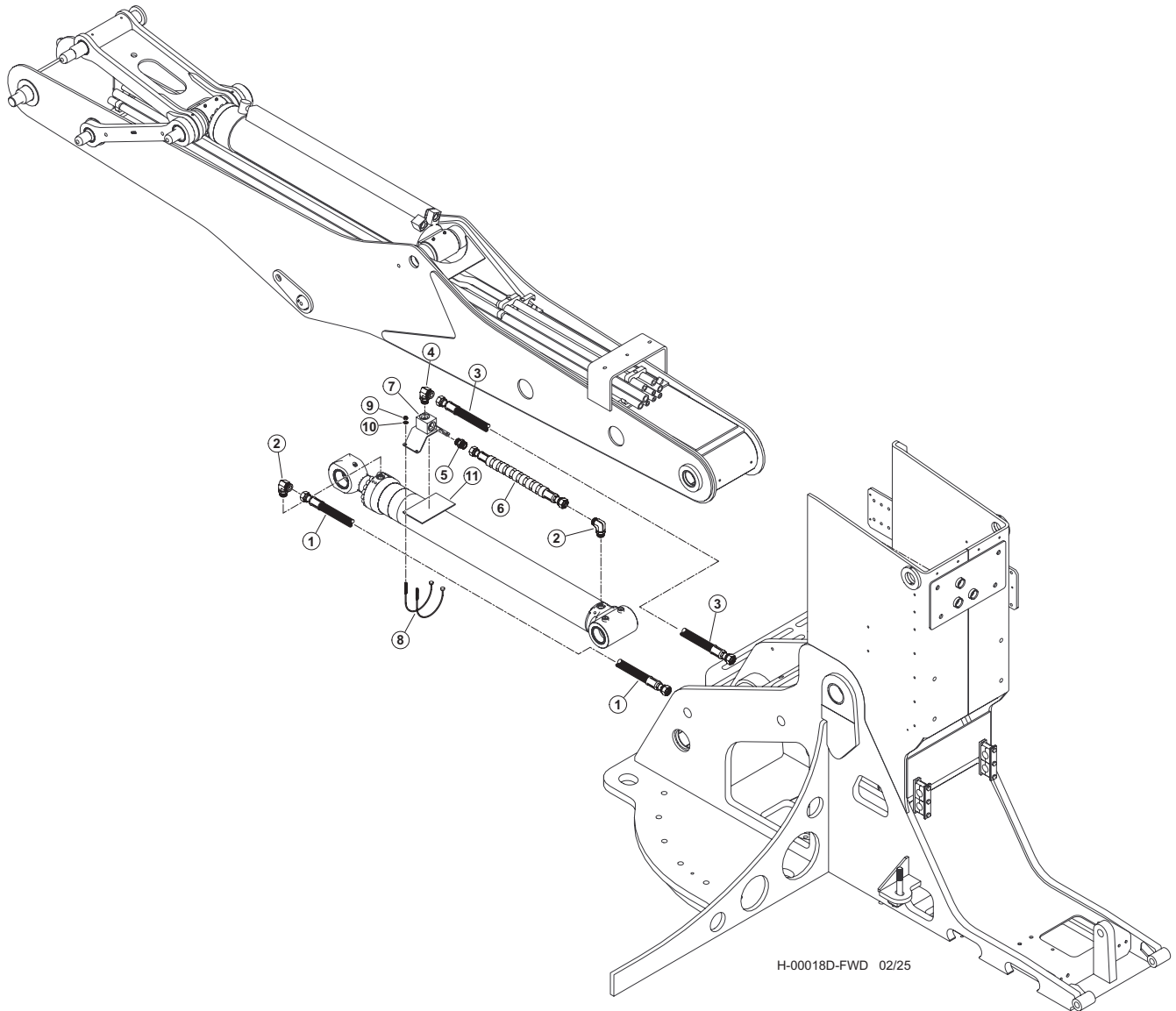
NOTE: HYDRAULIC FITTINGS GET 545 LOCTITE™

NOTE: APPLY GREASE TO O-RINGS



Item	Part #	Description	Qty.
1	59741 - (KIT)	HOSE ASSY - 787TC35.5 16-16OS-16PA9 - (BOOM "B")	1
2	59741 - (KIT)	HOSE ASSY - 787TC31 16-16OS-16PA9 - (BOOM "A")	1
3	15111	KIT, SPLIT FLANGE CODE 61 1 INCH	2
4	46248	MANIFOLD, VALVE BLOCK SAE 1" CODE 62	2
5	15377	O-RING - 1" SF	2
6	55664	BOLT, ALLEN HEAD - 10MM-1.5P X 80MM 263 RED LOCTITE™	4
7	10813	NUT, LOCK - .375"	4
8	53680	FITTING, BULKHEAD UNION ELBOW 16 WELO-WN	2
9	60559	BULHEAD, FRONT - TM	1
10	15542	BOLT - .375" X .75" 263 RED LOCTITE™	4
11	15528	WASHER, SAE FLAT - .375"	12
12	59741 - (KIT)	HOSE ASSY - 787TC43 16-16OS-16OS (MAIN BOOM CYLINDER BASE END BULKHEAD TO BULKHEAD PLATE)	1
13	59741 - (KIT)	HOSE ASSY - 787TC30 16-16OS-16O9L (MAIN BOOM CYLINDER ROD END BULKHEAD TO BULKHEAD PLATE)	1
14	54316	ELBOW, BULKHEAD UNION 45DEG #16	2
15	10402	BOLT - .375" X 1.25" 263 RED LOCTITE™	4
16	20444	BOLT, ALLEN HEAD - 10MM-1.5P X 35MM 263 RED LOCTITE™	4

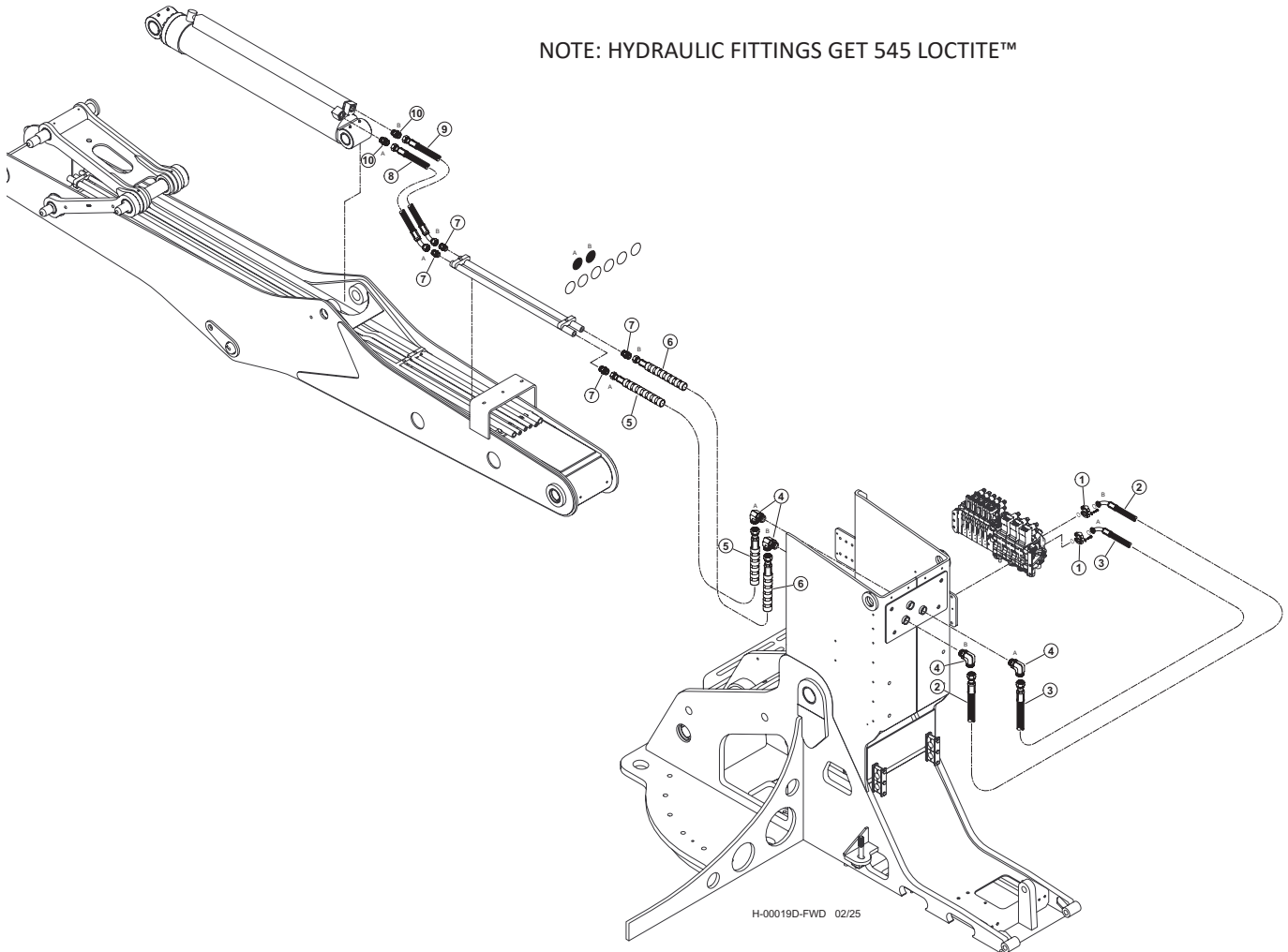
## H0050 -2243500 - MAIN BOOM CYLINDER PIPING - BULKHEAD TO CYLINDER



Item	Part #	Description	Qty.
1	(55368/58029 - KITS)	HOSE ASSY - 722TC70 16-16OS-16OS - (MAIN CYL ROD - STANDARD & PROC HYD.)	1
2	51432	ELBOW, 90 - 849-TTO-16X12	2
3	(55368/58029 - KITS)	HOSE ASSY - 722TC60 16-16OS-16OS - (MAIN CYL BASE - STANDARD & PROC HYD.)	1
4	15228	ELBOW, 90 - FF1868T-1616S	1
5	15225	CONNECTOR, STR - FF1852T-1616S	1
6	(55368/58029 - KITS)	HOSE ASSY - 722TC45.5 16-16OS-16OS-SW - (MAIN CYL JUMPER- STANDARD & PROC HYD.)	1
7	60435	WELDMENT, CYL BARREL CLAMP/BLOCK	1
8	57919	CABLE, CYLINDER - 17"	2
	55411	CABLE PROTECTIVE RUBBER TUBING - (NOT SHOWN)	AR
9	55262	NUT, NYLON INSERT LOCK, 3/8-24	2
10	15528	WASHER, SAE FLAT - .375"	2

# H0050 - 2243500 - STICK BOOM CYLINDER PIPING - VALVE TO HD CYLINDER

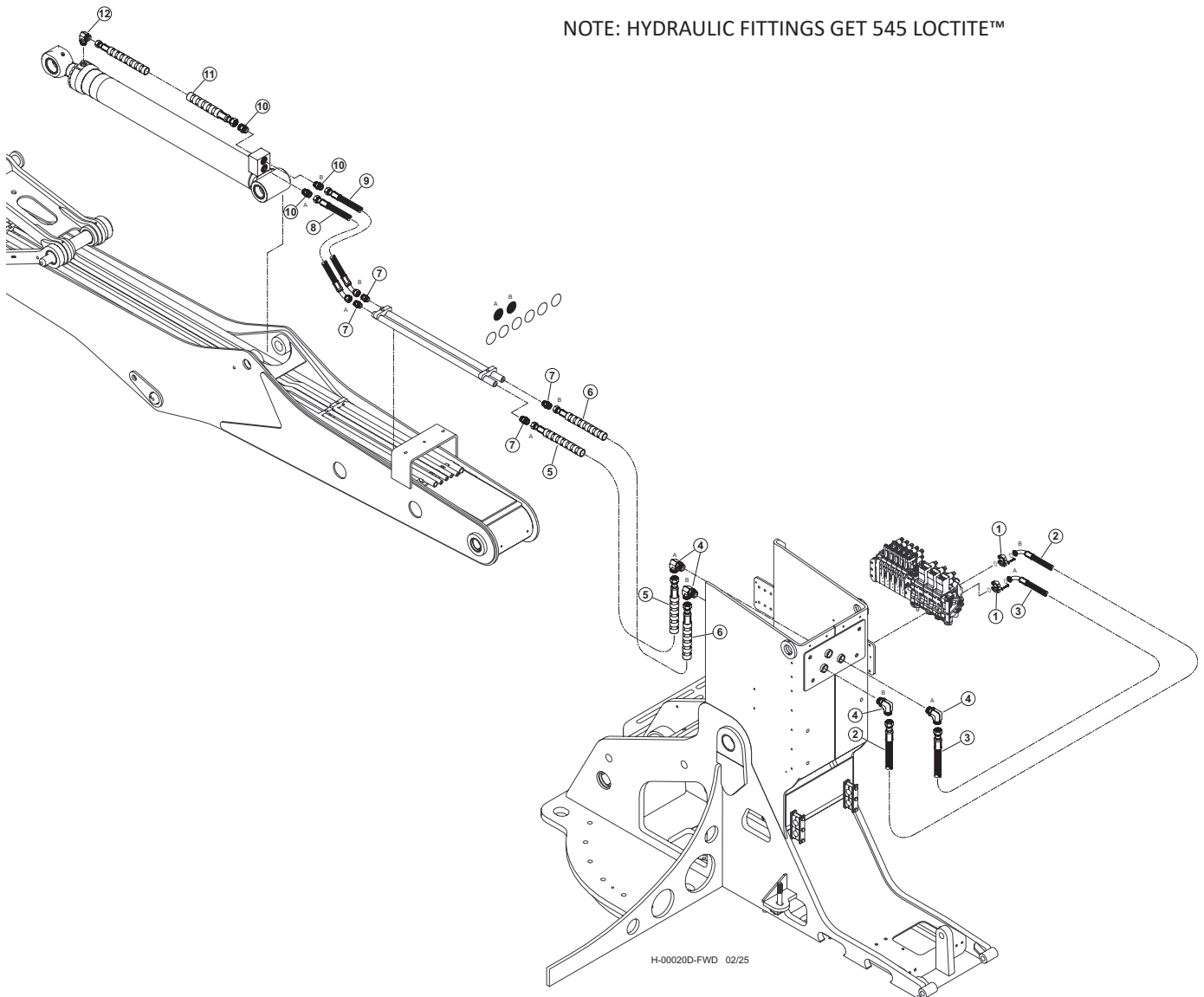
NOTE: HYDRAULIC FITTINGS GET 545 LOCTITE™



Item	Part #	Description	Qty.
1	15111	KIT, SPLIT FLANGE CODE 61 1 INCH	2
2	(55368 - KIT)	HOSE ASSY - 722TC41 16-16OS-16PA9 - (STANDARD HYD. - VALVE "B" TO BULK-HEAD)	1
2	(58029 - KIT)	HOSE ASSY - 722TC39 16-16OS-16PA9 - (PROC. HYD. - VALVE "B" TO BULK-HEAD)	1
3	(55368 - KIT)	HOSE ASSY - 722TC37 16-16OS-16PA9 - (STANDARD HYD. - VALVE "A" TO BULK-HEAD)	1
3	(58029 - KIT)	HOSE ASSY - 722TC32 16-16OS-16PA9 - (PROC. HYD. - VALVE "A" TO BULKHEAD)	1
4	15228	ELBOW, 90 - FF1868T-1616S	4
5	(55368 - KIT)	HOSE ASSY - 722TC43 16-16OS-16OS-SW - (STANDARD HYD. - "B" - BULKHEAD TO TUBELINE)	1
5	(58029 - KIT)	HOSE ASSY - 722TC43 16-16OS-16OS-SW - (PROC. HYD. - "B" - BULKHEAD TO TUBELINE)	1
6	(58029 - KIT)	HOSE ASSY - 722TC42 16-16OS-16OS-SW - (STANDARD HYD. - "A" - BULKHEAD TO TUBELINE)	1
6	(55368 - KIT)	HOSE ASSY - 722TC43 16-16OS-16OS-SW - (PROC. HYD. - "A" - BULKHEAD TO TUBELINE)	1
7	18406	CONNECTOR, STR - FF1852T-1612S	2
8	55552	HOSE ASSY - FWDR STICK CYLINDER - 142" TUBELINE	1
9	55552	HOSE ASSY - FWDR STICK CYLINDER - 142" TUBELINE	1
10	15225	CONNECTOR, STR - FF1852T-1616S	2

# H0050 - 2243500 - STICK BOOM CYLINDER PIPING - VALVE TO STANDARD CYLINDER

NOTE: HYDRAULIC FITTINGS GET 545 LOCTITE™

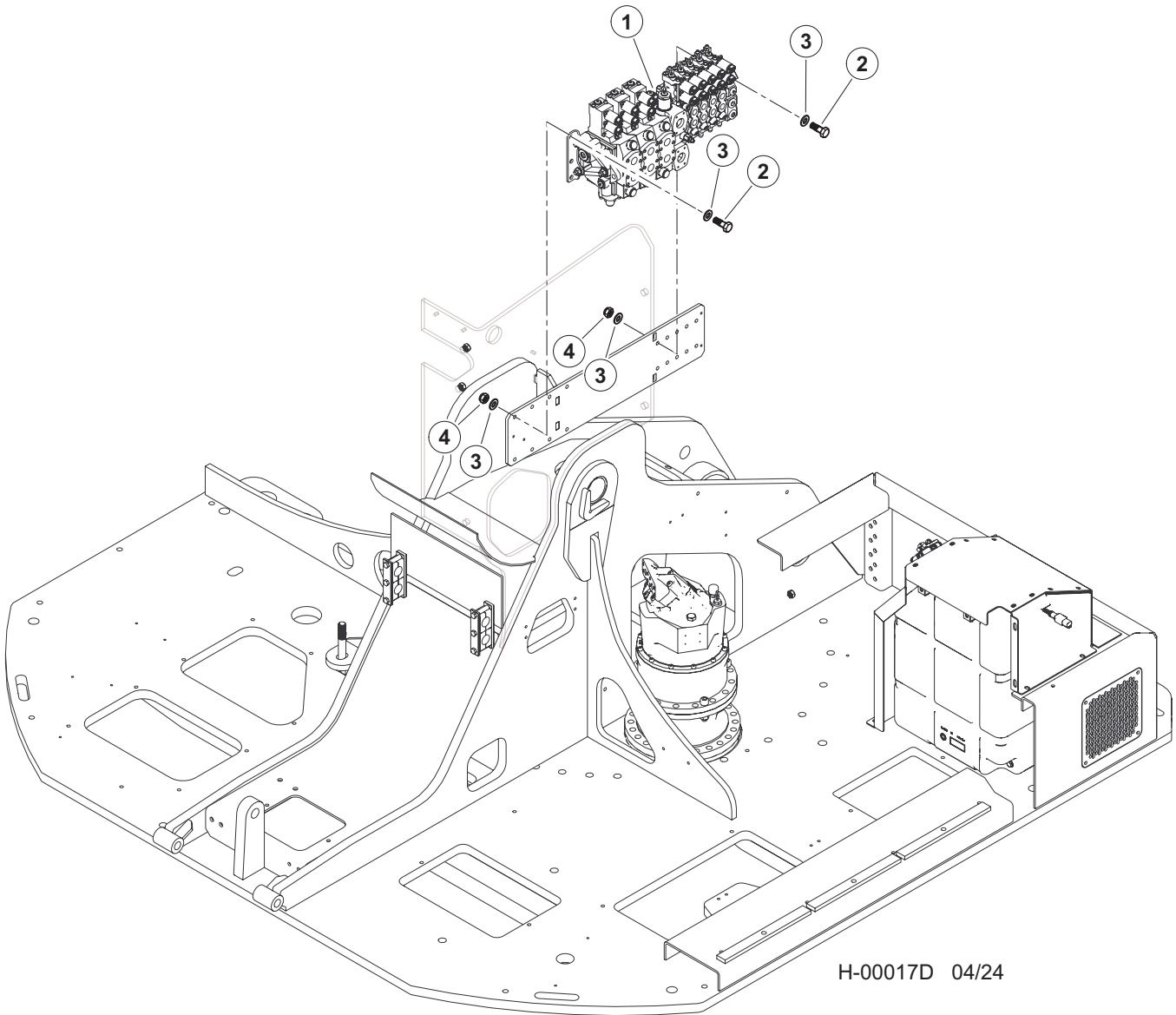


Item	Part #	Description	Qty.
1	15111	KIT, SPLIT FLANGE CODE 61 1 INCH	2
2	(55368 - KIT)	HOSE ASSY - 722TC41 16-16OS-16PA9 - (VALVE "B" TO BULKHEAD)	1
3	(55368 - KIT)	HOSE ASSY - 722TC37 16-16OS-16PA9 - (VALVE "A" TO BULKHEAD)	1
4	15228	ELBOW, 90 - FF1868T-1616S	4
5	(55368 - KIT)	HOSE ASSY - 722TC43 16-16OS-16OS-SW - ("B" - BULKHEAD TO TUBELINE)	1
6	(55368 - KIT)	HOSE ASSY - 722TC42 16-16OS-16OS-SW - ("A" - BULKHEAD TO TUBELINE)	4
7	18406	CONNECTOR, STR - FF1852T-1612S	4
8	55552	HOSE ASSY - FWDR STICK CYLINDER - 142" TUBELINE	1
9	55552	HOSE ASSY - FWDR STICK CYLINDER - 142" TUBELINE	1
10	15225	CONNECTOR, STR - FF1852T-1616S	3
11	(55368 - KIT)	HOSE ASSY - 722TC37 16-16OS-16OS-SW - (STICK CYLINDER JUMPER)	1
12	51432	ELBOW, 90 - 849-TTO-16X12	1



# **K220/L90 MAIN CONTROL VALVES**

H0120 - 2247700, H0120 - 2247800, H0120 - 2247900, H0120 - 2248900, H0120 - 2249000,  
H0120 - 2249100 - MAIN VALVE INSTALLATION - (K220/L90 VALVE)

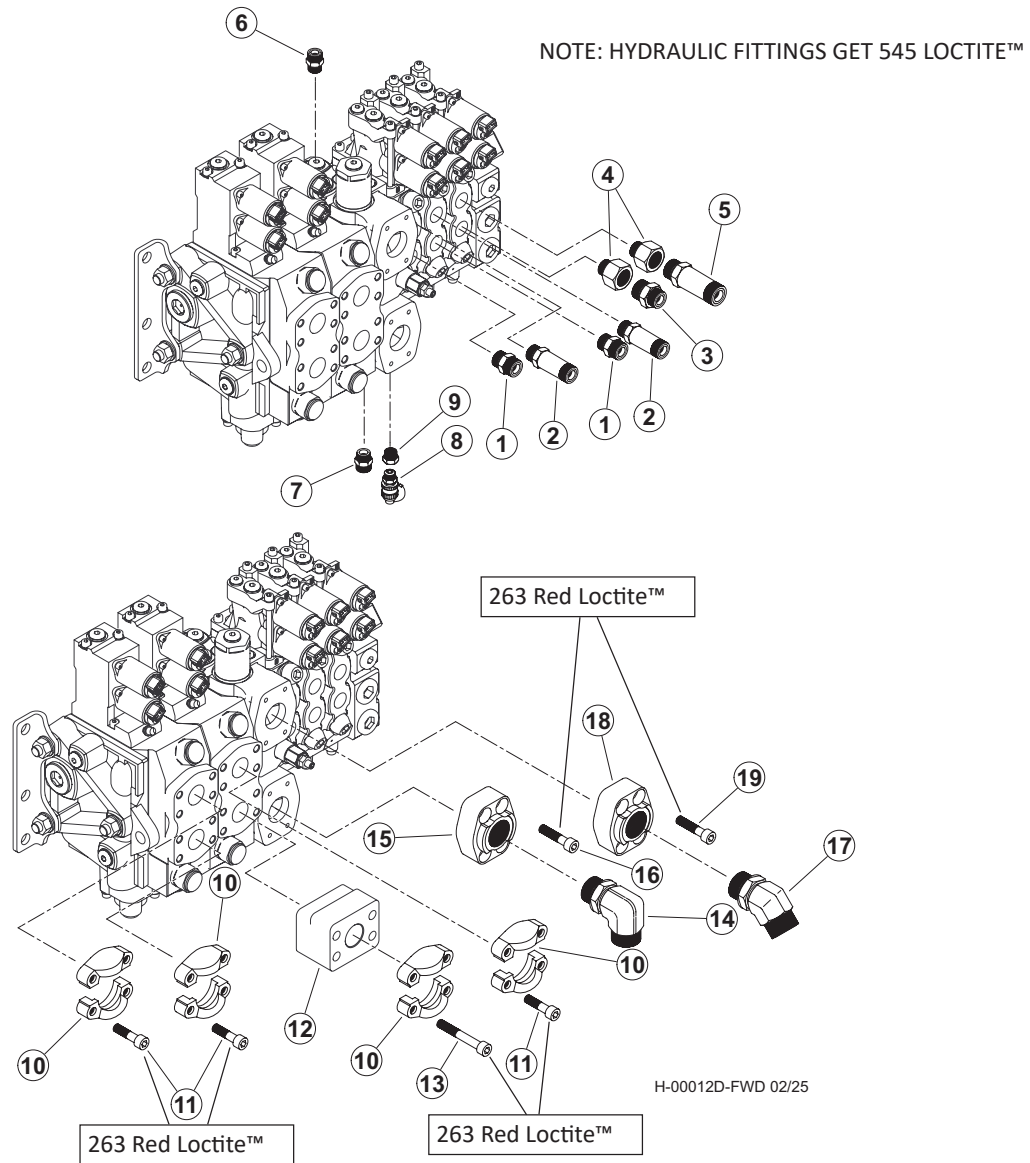


H-00017D 04/24

**H0120 - 2247700, H0120 - 2247800, H0120 - 2247900, H0120 - 2248900, H0120 - 2249000,  
H0120 - 2249100 - MAIN VALVE INSTALLATION - (K220/L90 VALVE)**

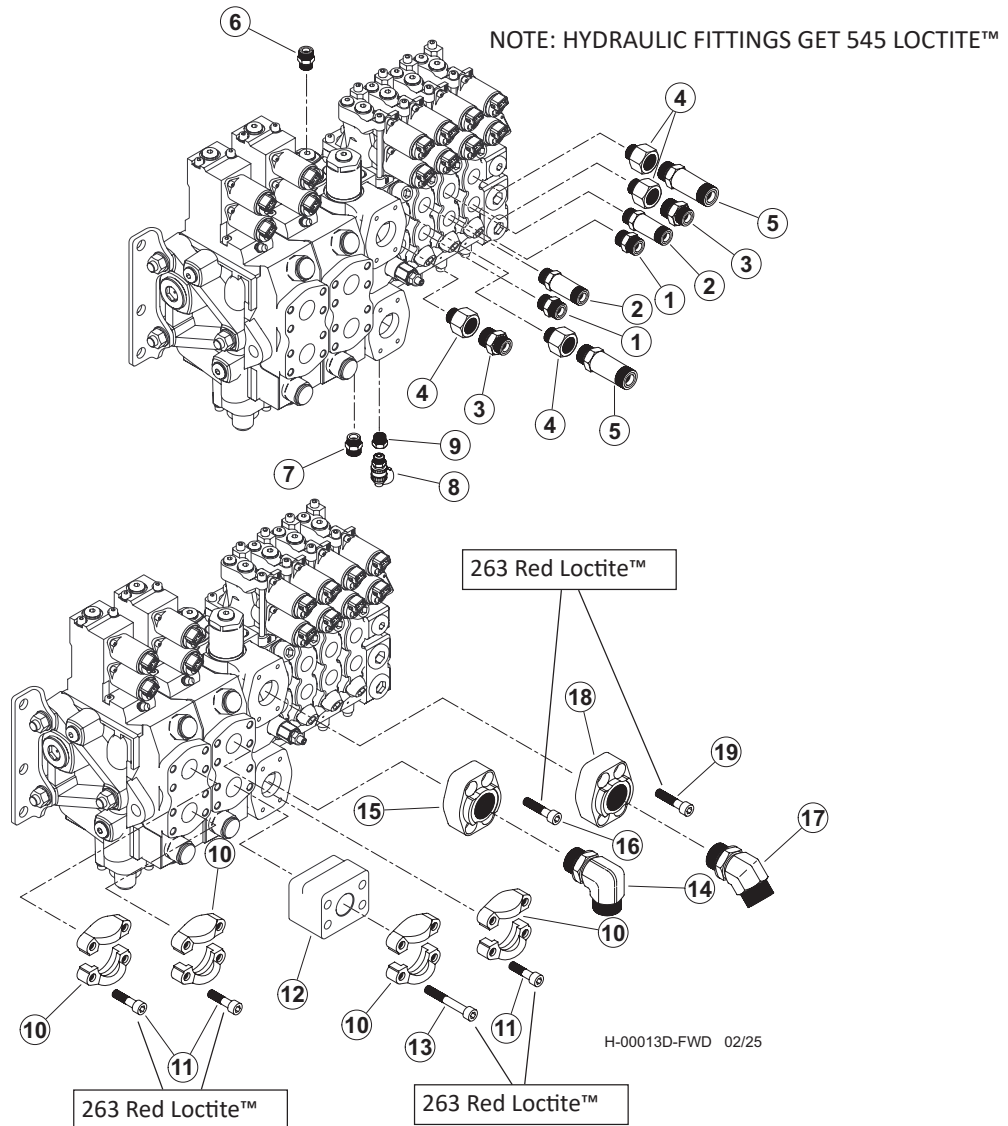
<b>Item</b>	<b>Part #</b>	<b>Description</b>	<b>Qty.</b>
1	57718	VALVE, MAIN - IMP (2K220/3L90) - (FIXED STICK BOOM)	1
	57708	VALVE, MAIN - IMP (2K220/5L90) - (SQUIRT STICK BOOM)	
	57717	VALVE, MAIN - IMP (2K220/5L90) - (SQUIRT STICK BOOM & BLADE)	
	53318	VALVE, MAIN - IMP (2K220/5L90) - (SQUIRT STICK BOOM & SAW HYD)	
	57798	VALVE, MAIN - IMP (4K220/4L90) - (SQUIRT STICK BOOM & COMBO HYD)	
	58257	VALVE, MAIN - IMP (4K220/5L90) - (SQUIRT STICK BOOM, COMBO HYD & BLADE)	
2	10402	BOLT - .375" X 1.25"	4
3	10802	WASHER, FLAT - .375"	8
4	10813	NUT, LOCK - .375"	4

# H0120 - 2247700 - MAIN VALVE HYD. FITTINGS - (FIXED STICK BOOM)



Item	Part #	Description	Qty.
	57971	KIT, FITTING FWD SQUIRT & FIXED STICK BOOMS	
1	50039	CONNECTOR, STR - 848-TTO-10X10	2
2	52554	CONNECTOR, STR LONG - 10X10	2
3	15152	CONNECTOR, STR - FF1852T-1212S	1
4	19289	BUSHING, REDUCER - 6410-10X12	2
5	19092	CONNECTOR, STR LONG - 848L-TTO-12X12	1
6	22901	CONNECTOR, STR - 6-8 F5OLO-S	1
7	18034	CONNECTOR, STR - FF1852T-0606S	1
8	57819	TAP, GAUGE PORT - #4 SAE ORING BOSS- ST	1
9	16294	BUSHING, REDUCER - 6410-6-4	1
10	15111	KIT, SPLIT FLANGE CODE 61 1 INCH	4
11	20444	BOLT, ALLEN HEAD - 10MM-1.5P X 35MM 263 RED LOCTITE™	12
12	46248	MANIFOLD, VALVE BLOCK SAE 1" CODE 62	1
13	55664	BOLT, ALLEN HEAD - 10MM-1.5P X 80MM 263 RED LOCTITE™	4
14	21143	ELBOW, 90 - 20-16 C5OLO-S	1
15	18397	CONNECTOR, FLANGE PAD - W48-16-16U(C 62)	1
16	18988	BOLT, ALLEN HEAD - 12MM-1.75P X 45MM 263 RED LOCTITE™	4
17	57477	FITTING, 20 V5OX-S	1
18	17909	CONNECTOR, FLANGE PAD-W46K-20-20 CODE 61	1
19	20444	BOLT, ALLEN HEAD - 10MM-1.5P X 35MM 263 RED LOCTITE™	4

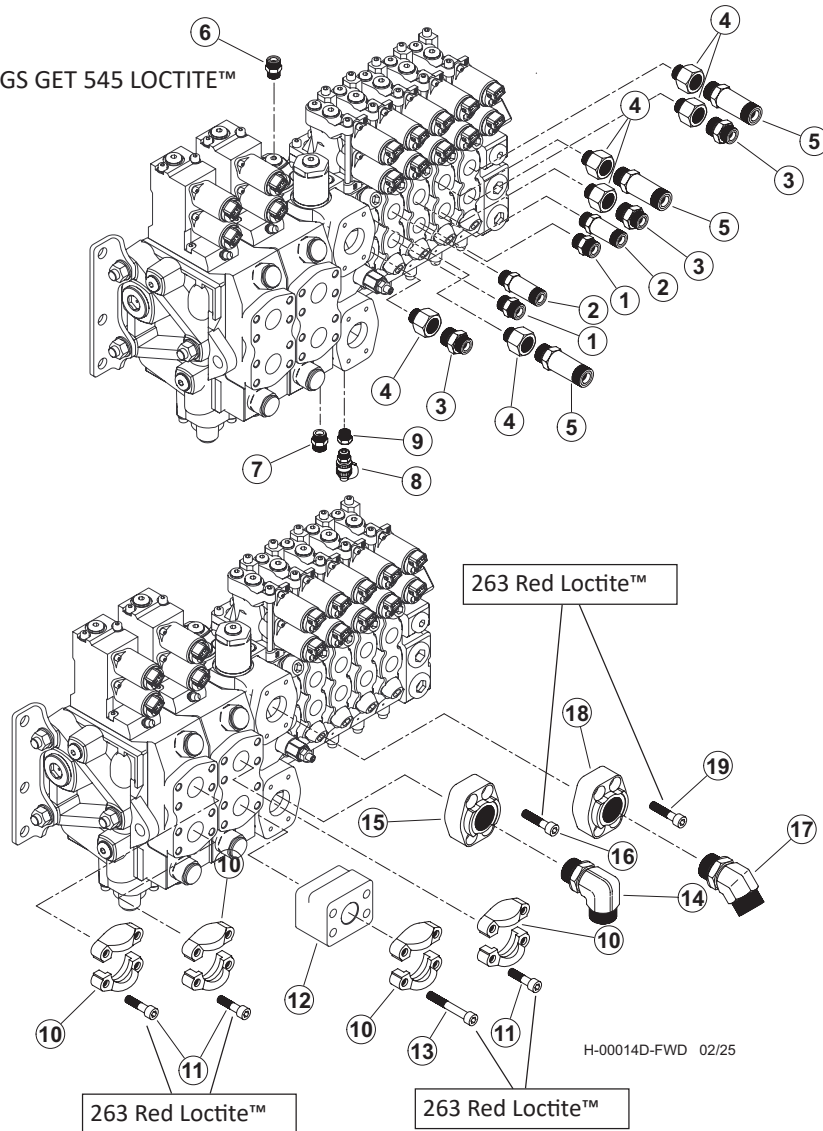
# H0120 - 2247800 - MAIN VALVE HYD. FITTINGS - (SQUIRT STICK BOOM)



Item	Part #	Description	Qty.
	57971	KIT, FITTING FWD SQUIRT BOOM	
1	50039	CONNECTOR, STR - 848-TTO-10X10	2
2	52554	CONNECTOR, STR LONG - 10X10	2
3	15152	CONNECTOR, STR - FF1852T-1212S	2
4	19289	BUSHING, REDUCER - 6410-10X12	4
5	19092	CONNECTOR, STR LONG - 848L-TTO-12X12	2
6	22901	CONNECTOR, STR - 6-8 F5OLO-S	1
7	18034	CONNECTOR, STR - FF1852T-0606S	1
8	57819	TAP, GAUGE PORT - #4 SAE ORING BOSS- ST	1
9	16294	BUSHING, REDUCER - 6410-6-4	1
10	15111	KIT, SPLIT FLANGE CODE 61 1 INCH	4
11	20444	BOLT, ALLEN HEAD - 10MM-1.5P X 35MM 263 RED LOCTITE™	12
12	46248	MANIFOLD, VALVE BLOCK SAE 1" CODE 62	1
13	55664	BOLT, ALLEN HEAD - 10MM-1.5P X 80MM 263 RED LOCTITE™	4
14	21143	ELBOW, 90 - 20-16 C5OLO-S	1
15	18397	CONNECTOR, FLANGE PAD - W48-16-16U(C 62)	1
16	18988	BOLT, ALLEN HEAD - 12MM-1.75P X 45MM 263 RED LOCTITE™	4
17	57477	FITTING, 20 V5OX-S	1
18	17909	CONNECTOR, FLANGE PAD-W46K-20-20 CODE 61	1
19	20444	BOLT, ALLEN HEAD - 10MM-1.5P X 35MM 263 RED LOCTITE™	4

# H0120 - 2247900, H0120 - 2248900 - MAIN VALVE HYD. FITTINGS - (SQUIRT STICK BOOM WITH BLADE OR GRAPPLE SAW)

NOTE: HYDRAULIC FITTINGS GET 545 LOCTITE™

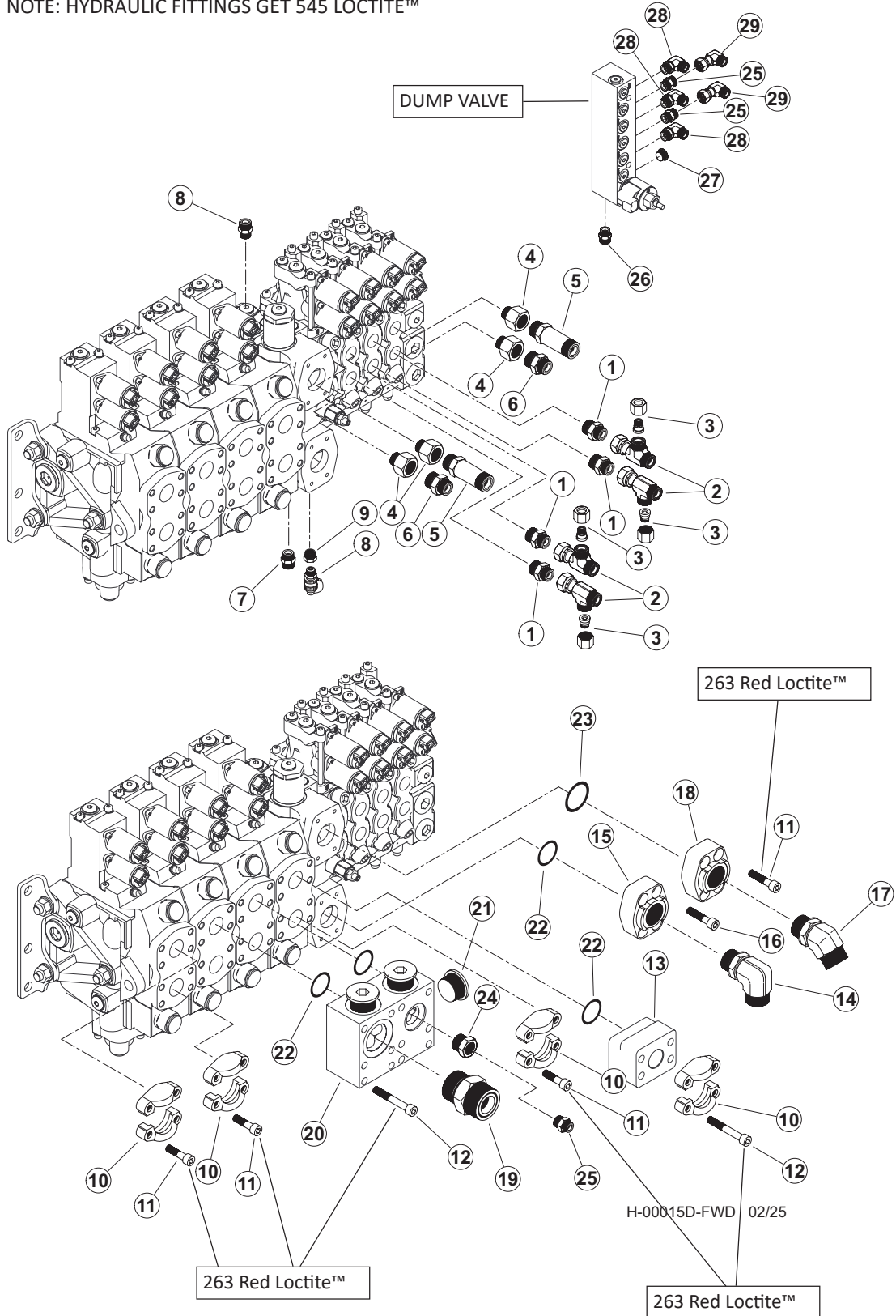


Item	Part #	Description	Qty.
	57971	KIT, FITTING FWD SQUIRT	
1	50039	CONNECTOR, STR - 848-TTO-10X10	2
2	52554	CONNECTOR, STR LONG - 10X10	2
3	15152	CONNECTOR, STR - FF1852T-1212S	3
4	19289	BUSHING, REDUCER - 6410-10X12	6
5	19092	CONNECTOR, STR LONG - 848L-TTO-12X12	3
6	22901	CONNECTOR, STR - 6-8 F5OLO-S	1
7	18034	CONNECTOR, STR - FF1852T-0606S	1
8	57819	TAP, GAUGE PORT - #4 SAE ORING BOSS- ST	1
9	16294	BUSHING, REDUCER - 6410-6-4	1
10	15111	KIT, SPLIT FLANGE CODE 61 1 INCH	4
11	20444	BOLT, ALLEN HEAD - 10MM-1.5P X 35MM 263 RED LOCTITE™	12
12	46248	MANIFOLD, VALVE BLOCK SAE 1" CODE 62	1
13	55664	BOLT, ALLEN HEAD - 10MM-1.5P X 80MM 263 RED LOCTITE™	4
14	21143	ELBOW, 90 - 20-16 C5OLO-S	1
15	18397	CONNECTOR, FLANGE PAD - W48-16-16U(C 62)	1
16	18988	BOLT, ALLEN HEAD - 12MM-1.75P X 45MM 263 RED LOCTITE™	4
17	57477	FITTING, 20 V5OX-S	1
18	17909	CONNECTOR, FLANGE PAD-W46K-20-20 CODE 61	1
19	20444	BOLT, ALLEN HEAD - 10MM-1.5P X 35MM 263 RED LOCTITE™	4



# H0120 - 2249000 - MAIN VALVE HYD. FITTINGS - (PROCESSOR WITH SQUIRT STICK BOOM)

NOTE: HYDRAULIC FITTINGS GET 545 LOCTITE™

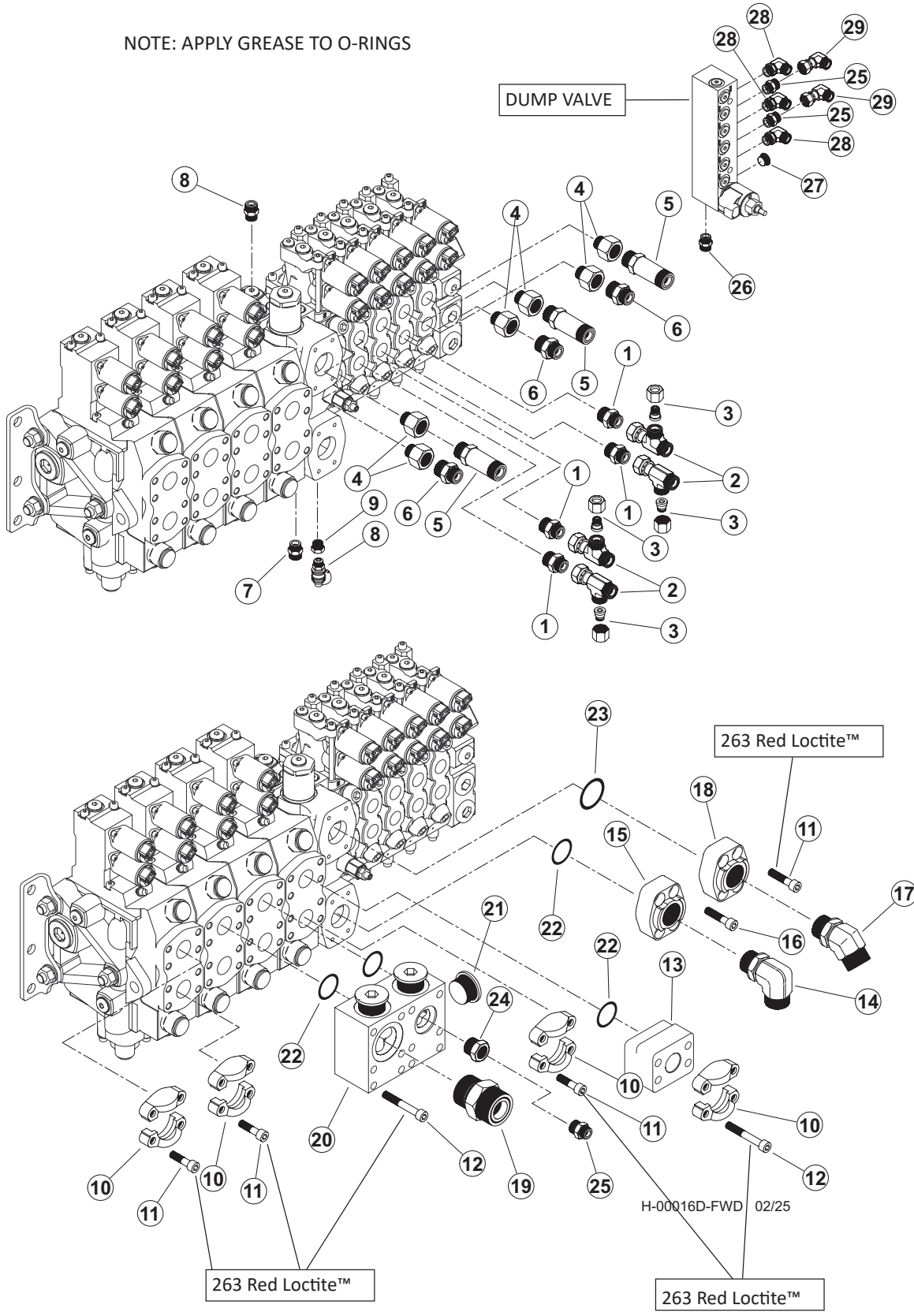


**H0120 - 2249000 - MAIN VALVE HYD. FITTINGS - (PROCESSOR WITH SQUIRT STICK BOOM)**

<b>Item</b>	<b>Part #</b>	<b>Description</b>	<b>Qty.</b>
	57972	KIT, FITTING FWD COMBO SQUIRT	
1	15115	CONNECTOR, STR - 848-TTO-08X10	4
2	15433	TEE - FF2114T-0808S	4
3	19221	CONNECTOR, REDUCER - ORS FF2281T-0408S	4
4	19289	BUSHING, REDUCER - 6410-10X12	4
5	19092	CONNECTOR, STR LONG - 848L-TTO-12X12	2
6	15152	CONNECTOR, STR - FF1852T-1212S	2
7	18034	CONNECTOR, STR - FF1852T-0606S	1
8	57819	TAP, GAUGE PORT - #4 SAE ORING BOSS- ST	1
9	16294	BUSHING, REDUCER - 6410-6-4	1
10	15111	KIT, SPLIT FLANGE CODE 61 1 INCH	4
11	20444	BOLT, ALLEN HEAD - 10MM-1.5P X 35MM 263 RED LOCTITE™	12
12	55664	BOLT, ALLEN HEAD - 10MM-1.5P X 80MM 263 RED LOCTITE™	12
13	46248	MANIFOLD, VALVE BLOCK SAE 1" CODE 62	1
14	21143	ELBOW, 90 - 20-16 C5OLO-S	1
15	18397	CONNECTOR, FLANGE PAD - W48-16-16U(C 62)	1
16	18988	BOLT, ALLEN HEAD - 12MM-1.75P X 45MM 263 RED LOCTITE™	4
17	57477	FITTING, 20 V5OX-S	1
18	17909	CONNECTOR, FLANGE PAD-W46K-20-20 CODE 61	1
19	19450	CONNECTOR, STR - 16-20 F5OLO-S	1
20	47890	MANIFOLD, COMBINED FLOW - DUAL K220	1
21	19847	PLUG - 6408-HHP-16	4
22	15377	O-RING - 1" SF (CODE 61/62)	6
23	15378	O-RING - 1.25" SF (CODE 61/62)	1
24	55345	FITTING, MALE SAE X FEMALE SAE	1
25	15124	CONNECTOR, STR - FF1852T-0406S	3
26	54809	CONNECTOR, STR - 4 JIC x -6 ORB	1
27	15412	PLUG - 6408-HHP-6	1
28	15133	ELBOW, 90 - FF1868T-0406S	3
29	15145	ELBOW, 90 SWIVEL - FF2098T-0404S	2

**H0120 - 2249100 - MAIN VALVE HYD. FITTINGS - (PROCESSOR WITH SQUIRT STICK BOOM & BLADE)**

NOTE: APPLY GREASE TO O-RINGS

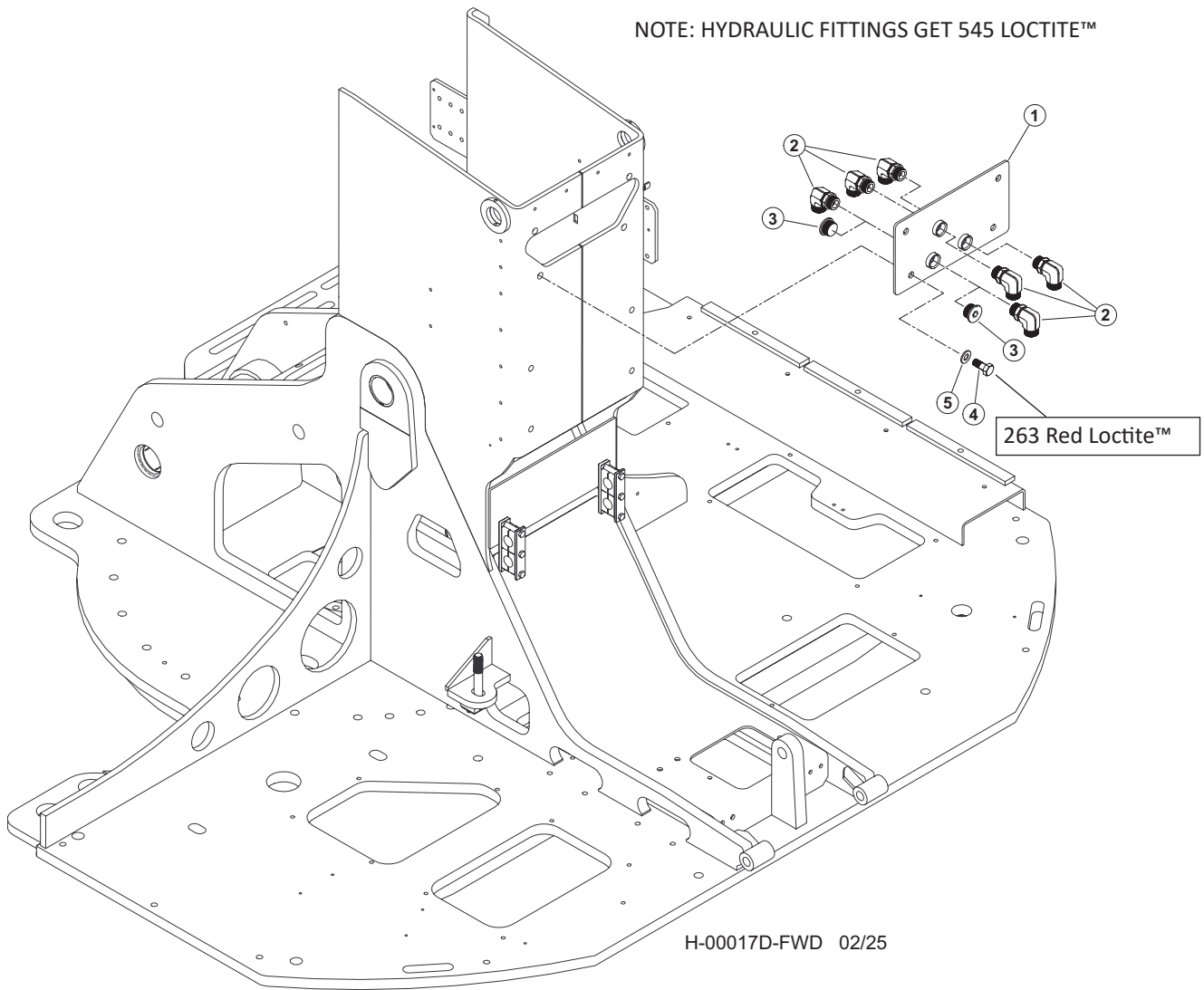


**H0120-2249100 - MAIN VALVE HYD. FITTINGS - (PROCESSOR WITH SQUIRT STICK BOOM  
& BLADE)**

<b>Item</b>	<b>Part #</b>	<b>Description</b>	<b>Qty.</b>
	57972	KIT, FITTING FWD COMBO SQUIRT	
1	15115	CONNECTOR, STR - 848-TTO-08X10	4
2	15433	TEE - FF2114T-0808S	4
3	19221	CONNECTOR, REDUCER - ORS FF2281T-0408S	4
4	19289	BUSHING, REDUCER - 6410-10X12	6
5	19092	CONNECTOR, STR LONG - 848L-TTO-12X12	3
6	15152	CONNECTOR, STR - FF1852T-1212S	3
7	18034	CONNECTOR, STR - FF1852T-0606S	1
8	57819	TAP, GAUGE PORT - #4 SAE ORING BOSS- ST	1
9	16294	BUSHING, REDUCER - 6410-6-4	1
10	15111	KIT, SPLIT FLANGE CODE 61 1 INCH	4
11	20444	BOLT, ALLEN HEAD - 10MM-1.5P X 35MM 263 RED LOCTITE™	12
12	55664	BOLT, ALLEN HEAD - 10MM-1.5P X 80MM 263 RED LOCTITE™	12
13	46248	MANIFOLD, VALVE BLOCK SAE 1" CODE 62	1
14	21143	ELBOW, 90 - 20-16 C5OLO-S	1
15	18397	CONNECTOR, FLANGE PAD - W48-16-16U(C 62)	1
16	18988	BOLT, ALLEN HEAD - 12MM-1.75P X 45MM 263 RED LOCTITE™	4
17	57477	FITTING, 20 V5OX-S	1
18	17909	CONNECTOR, FLANGE PAD-W46K-20-20 CODE 61	1
19	19450	CONNECTOR, STR - 16-20 F5OLO-S	1
20	47890	MANIFOLD, COMBINED FLOW - DUAL K220	1
21	19847	PLUG - 6408-HHP-16	4
22	15377	O-RING - 1" SF (CODE 61/62)	6
23	15378	O-RING - 1.25" SF (CODE 61/62)	1
24	55345	FITTING, MALE SAE X FEMALE SAE	1
25	15124	CONNECTOR, STR - FF1852T-0406S	3
26	54809	CONNECTOR, STR - 4 JIC x -6 ORB	1
27	15412	PLUG - 6408-HHP-6	1
28	15133	ELBOW, 90 - FF1868T-0406S	3
29	15145	ELBOW, 90 SWIVEL - FF2098T-0404S	2

**H0120 - 2247700, H0120 - 2247800, H0120 - 2247900, H0120 - 2248900, H0120 - 2249000, H-2249100  
BOOM HOSE PLATE**

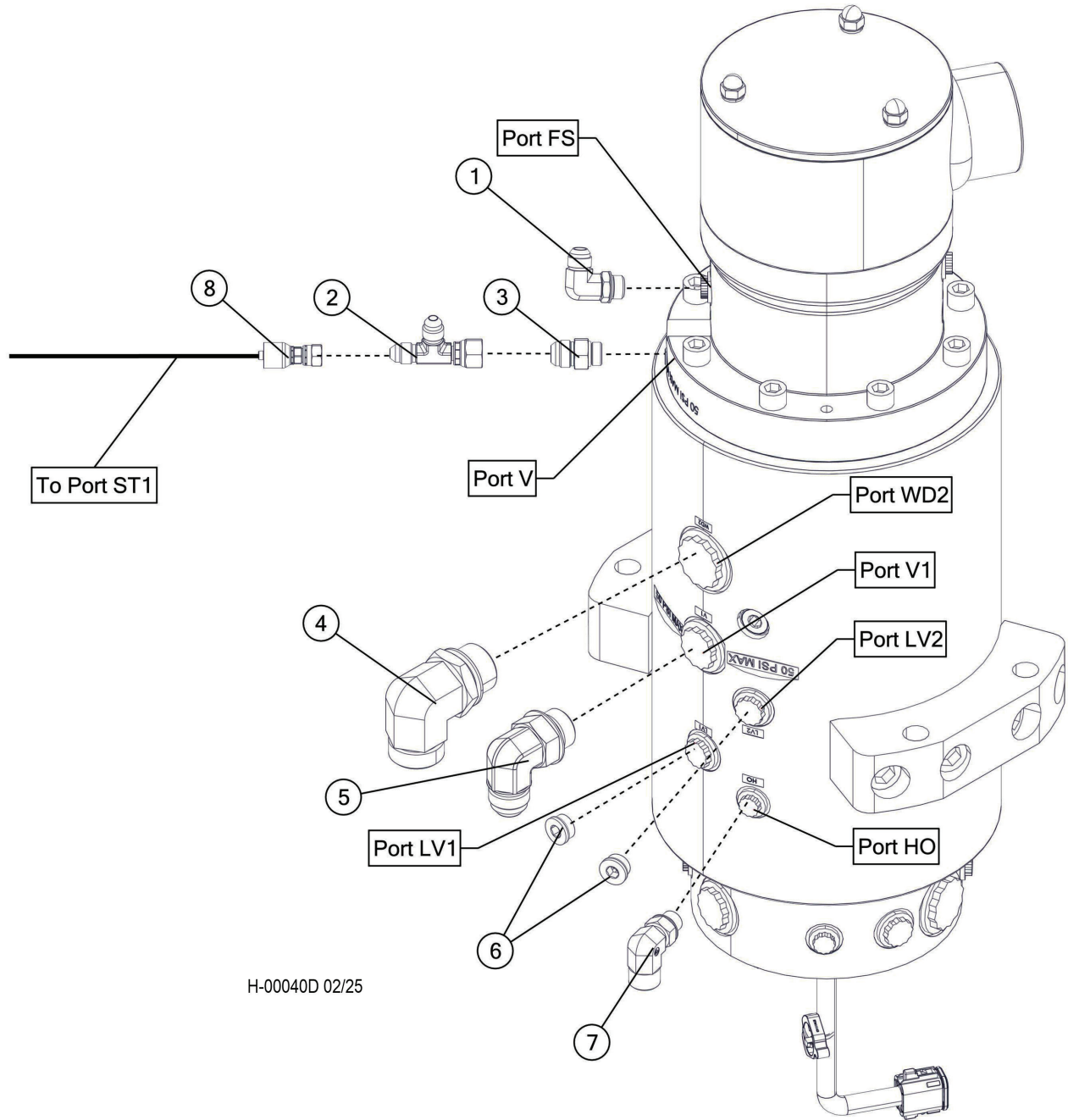
NOTE: HYDRAULIC FITTINGS GET 545 LOCTITE™



Item	Part #	Description	Qty.
1	60538	WELDMENT, FWDR BOOM BH PLATE	1
2	15228	ELBOW, 90 - FF1868T-1616S	6-8
3	19847	PLUG - 6408-HHP-16	2
4	10739	BOLT - .5" X 1.5" 263 RED LOCTITE™	4
5	10804	WASHER, FLAT - .5"	4



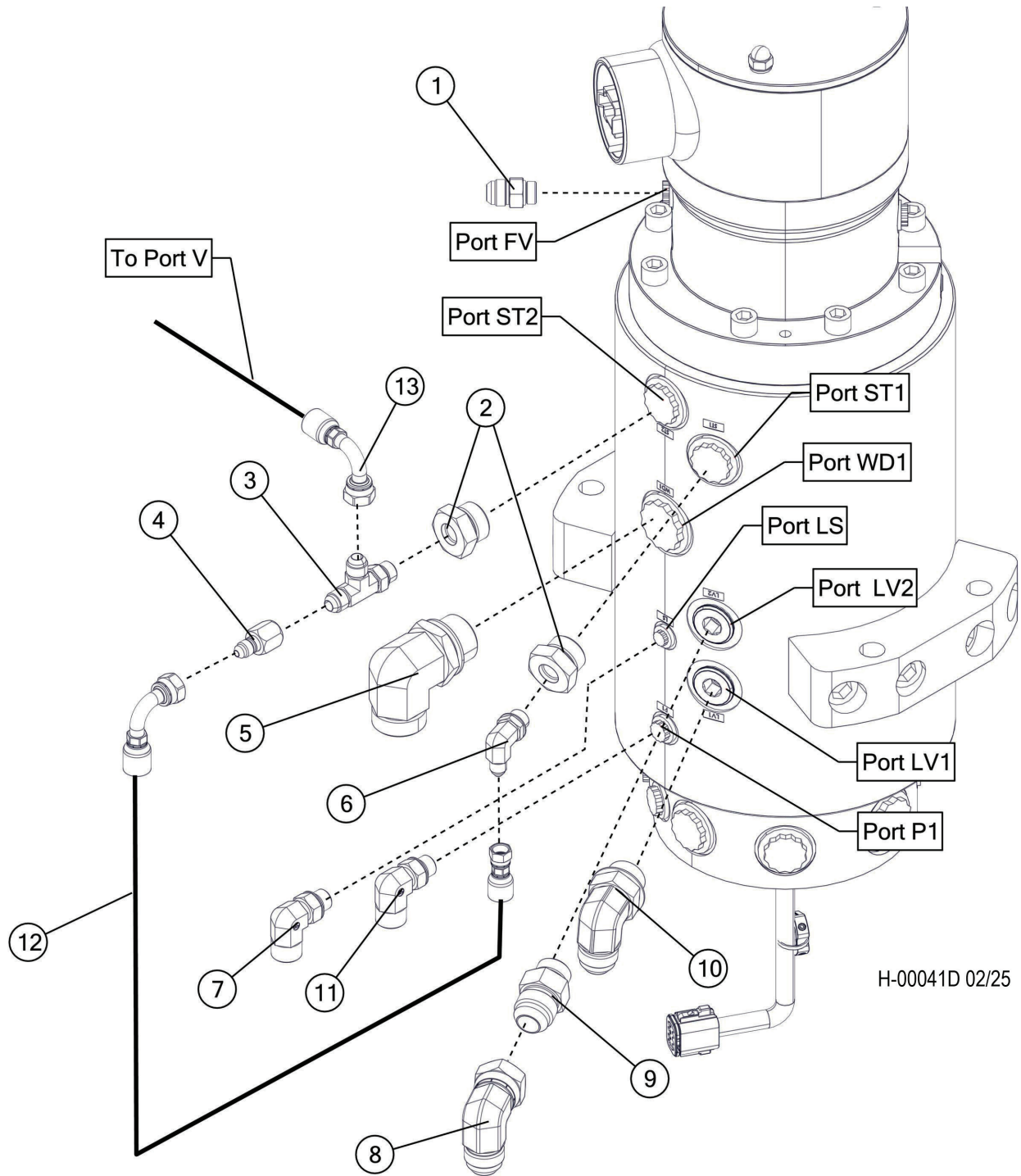
# H0125 - 2255500 - ACCESSORIES, ROTARY MANIFOLD



## H0125 - 2255500 - ACCESSORIES, ROTARY MANIFOLD

<b>Item</b>	<b>Part #</b>	<b>Description</b>	<b>Qty.</b>
	57969	KIT, FITTING D-SERIES WHEEL RM	1
1	15480	ELBOW, 90 - 6801-6	1
2	57425	FITTING, 6 JIC BRANCH TEE	1
3	15487	CONNECTOR, STR - 6400-6-4	1
4	15228	ELBOW, 90 - FF1868T-1616S	1
5	11306	ELBOW, 90 12 C5OX-S	1
6	15584	PLUG - 6408-HHP-12	2
7	22045	ELBOW, 90 - 8-6 C5OLO-S	1
8	59553	HOSE, HYD, 387TC15-06-06JS-06J9	1

# H0125 - 2255500 - ACCESSORIES, ROTARY MANIFOLD

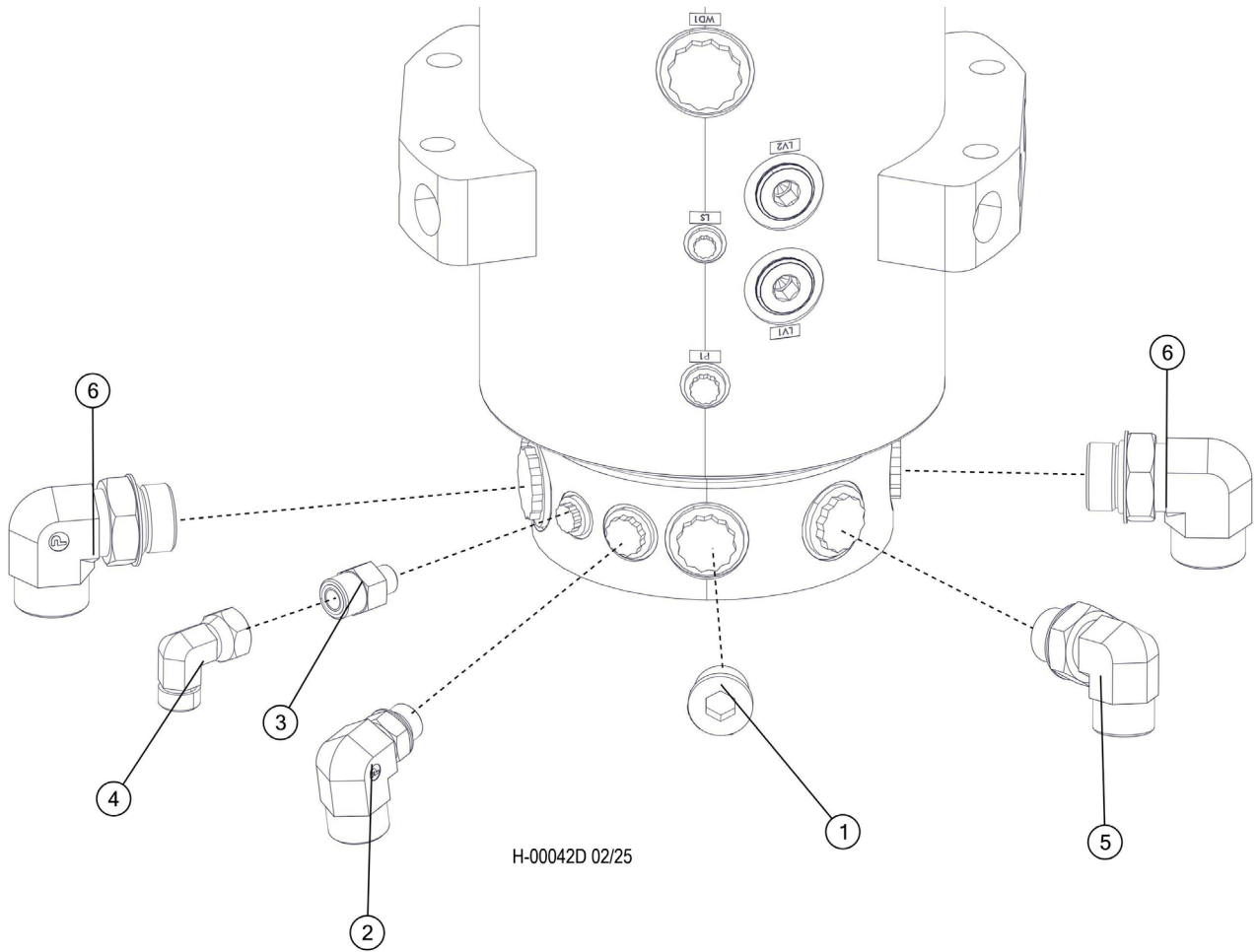


H-00041D 02/25

## H0125 - 2255500 - ACCESSORIES, ROTARY MANIFOLD

<b>Item</b>	<b>Part #</b>	<b>Description</b>	<b>Qty.</b>
	57969	KIT, FITTING D-SERIES WHEEL RM	1
1	15488	CONNECTOR, STR - 6400-6	2
2	55345	FITTING, MALE SAE X FEMALE SAE	1
3	55701	FITTING, TEE - 6 R5OX-S	1
4	55619	REDUCER, TUBE END W/LG NUT - 6-4 TRTXN-S	1
5	15228	ELBOW, 90 - FF1868T-1616S	1
6	51931	ELBOW, 90 - 4-6 C5OX-S (JIC)	1
7	52500	ELBOW, STRAIGHT THREAD (6-4 C5OLO-S)	1
8	15477	ELBOW, 90 SWIVEL - 12 C6X-S	1
9	11324	CONNECTOR, STR - 6400-12	1
10	11306	ELBOW, 90 12 C5OX-S	1
11	22405	ELBOW, 90 - 8-6 C5OLO-S	1
12	59554	HOSE, HYD, 387TC15-04-04JS-04J9	1
13	59553	HOSE, HYD, 387TC15-06-06JS-06J9	1

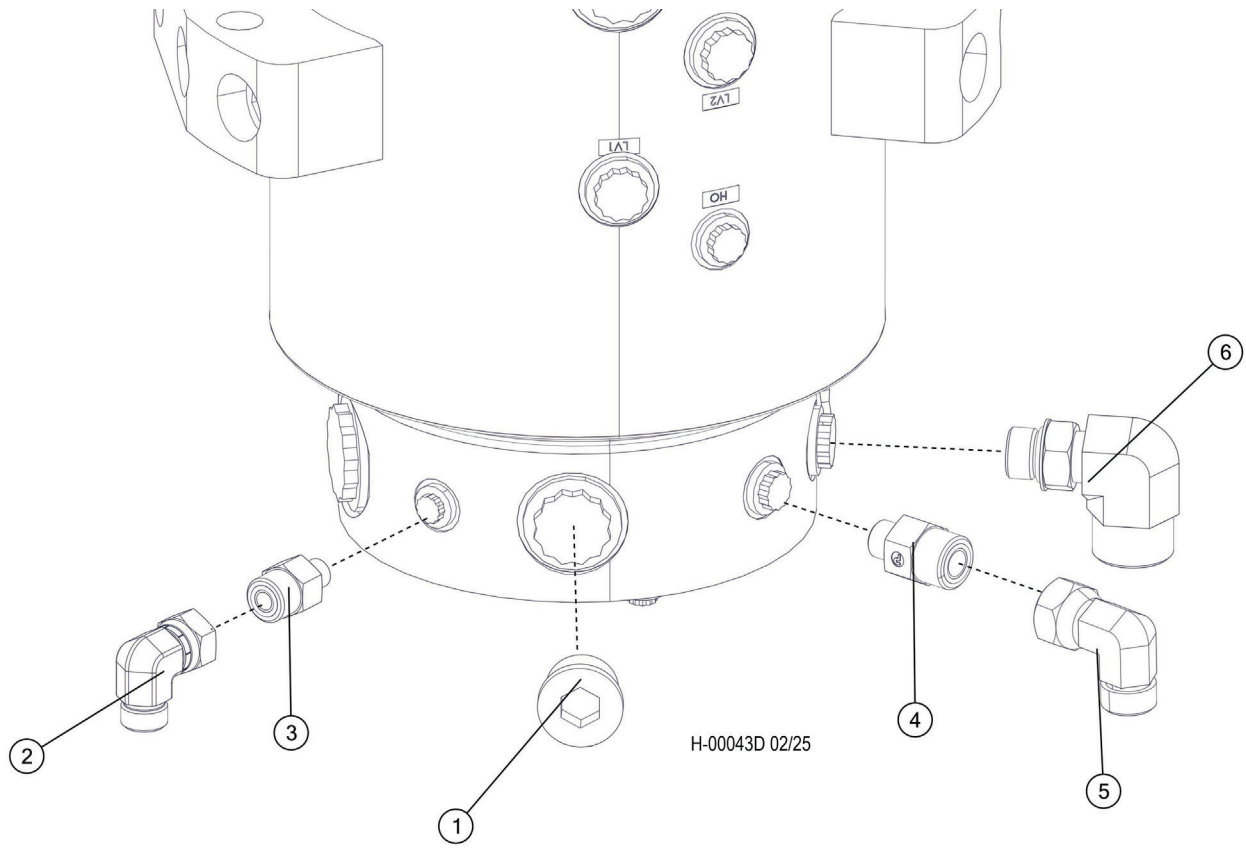
# H0125 - 2255500 - ACCESSORIES, ROTARY MANIFOLD



**H0125 - 2255500 - ACCESSORIES, ROTARY MANIFOLD**

<b>Item</b>	<b>Part #</b>	<b>Description</b>	<b>Qty.</b>
1	15584	PLUG - 6408-HHP-12	1
2	52428	ELBOW, STRAIGHT THREAD 12-8	1
3	15457	CONNECTOR, STR - FF1852T-0806S	1
4	16297	ELBOW, 90 SWIVEL - FF2098T-0808S	1
5	17688	ELBOW, 90 - FF1868T-1212S	1
6	15228	ELBOW, 90 - FF1868T-1616S	2

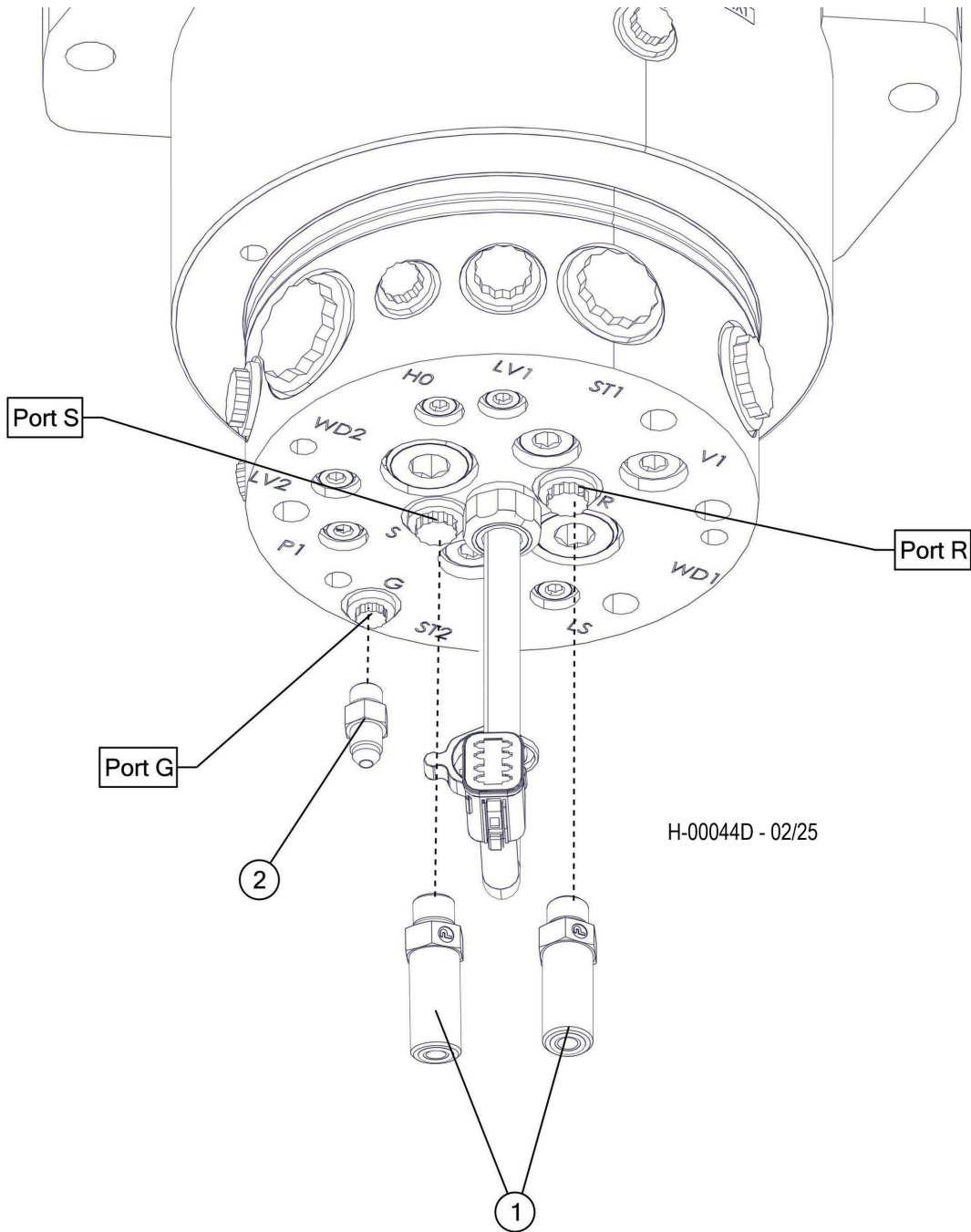
# H0125 - 2255500 - ACCESSORIES, ROTARY MANIFOLD



## H0125 - 2255500 - ACCESSORIES, ROTARY MANIFOLD

<b>Item</b>	<b>Part #</b>	<b>Description</b>	<b>Qty.</b>
1	15584	PLUG - 6408-HHP-12	1
2	20035	ELBOW, 90 - FF1868T-1212S	1
3	53130	FITTING, STRAIGHT THREAD CONNECTOR 6-4	1
4	15457	CONNECTOR, STR - FF1852T-0806S	1
5	16297	ELBOW, 90 SWIVEL - FF2098T-0808S	1
6	52428	ELBOW, STRAIGHT THREAD 12-8	1

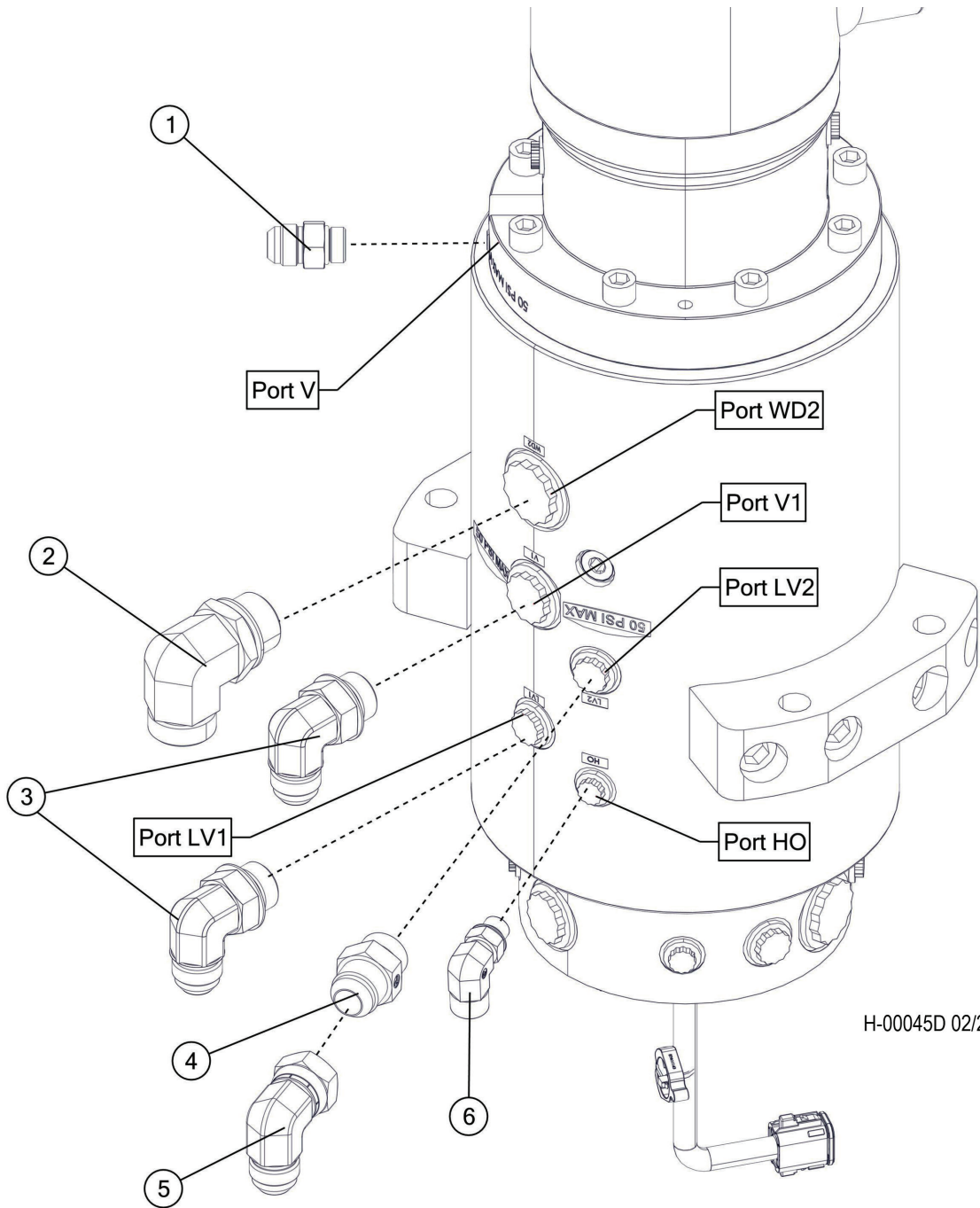
# H0125 - 2255500 - ACCESSORIES, ROTARY MANIFOLD



**H0125 - 2255500 - ACCESSORIES, ROTARY MANIFOLD**

<b>Item</b>	<b>Part #</b>	<b>Description</b>	<b>Qty.</b>
1	27454	CONNECTOR, STR LONG - 848L-TTO-06X06	2
2	51887	CONNECTOR, STR - (4F50X-S)	1

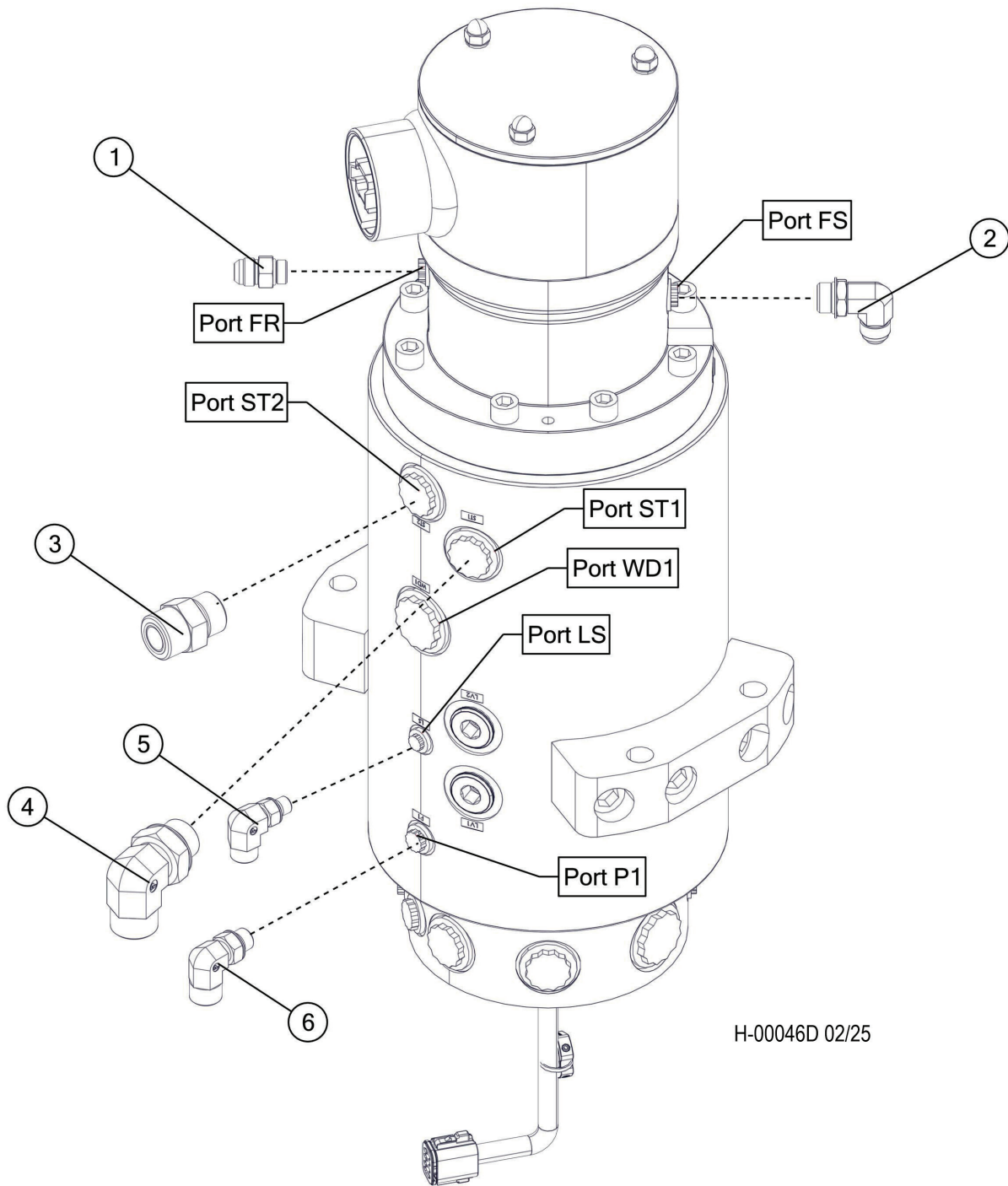
# H0125 - 2255600 - ACCESSORIES, ROTARY MANIFOLD, BLADE



## H0125 - 2255600 - ACCESSORIES, ROTARY MANIFOLD, BLADE

<b>Item</b>	<b>Part #</b>	<b>Description</b>	<b>Qty.</b>
	57969	KIT, FITTING D-SERIES WHEEL RM	1
1	15487	CONNECTOR, STR - 6400-6-4	1
2	15228	ELBOW, 90 - FF1868T-1616S	1
3	11306	ELBOW, 90 12 C5OX-S	2
4	11324	CONNECTOR, STR - 6400-12	1
5	15477	ELBOW, 90 SWIVEL - 12 C6X-S	1
6	22405	ELBOW, 90 - 8-6 C5OLO-S	1

# H0125 - 2255600 - ACCESSORIES, ROTARY MANIFOLD, BLADE

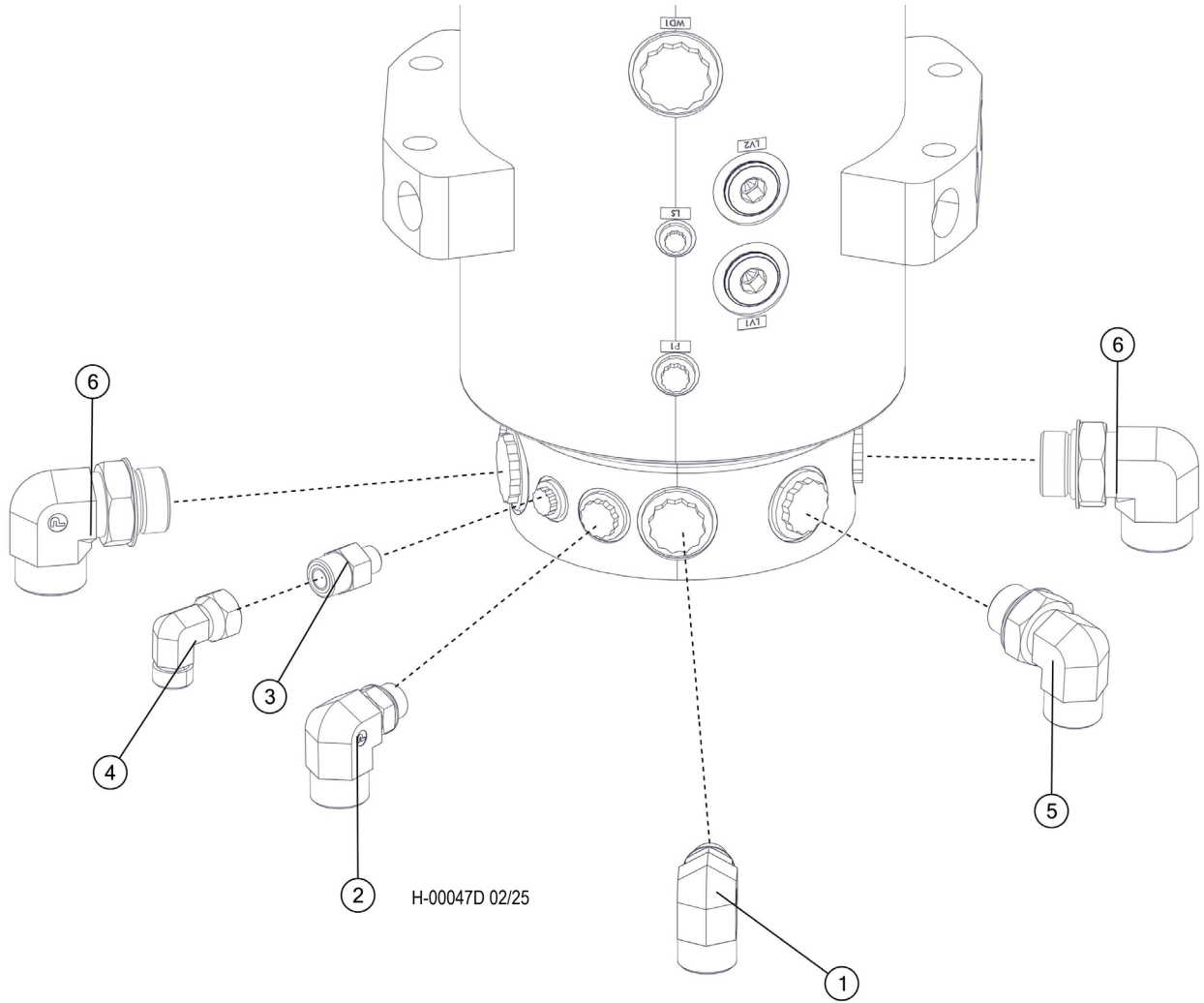


H-00046D 02/25

**H0125 - 2255600 - ACCESSORIES, ROTARY MANIFOLD, BLADE**

<b>Item</b>	<b>Part #</b>	<b>Description</b>	<b>Qty.</b>
	57969	KIT, FITTING D-SERIES WHEEL RM	1
1	15488	CONNECTOR, STR - 6400-6	1
2	15480	ELBOW, 90 - 6801-6	1
3	15152	CONNECTOR, STR - FF1852T-1212S	1
4	17688	ELBOW, 90 - FF1868T-1212S	1
5	52500	ELBOW, STRAIGHT THREAD (6-4 C5OLO-S)	1
6	22405	ELBOW, 90 - 8-6 C5OLO-S	1
7	15228	ELBOW, 90 - FF1868T-1616S	1

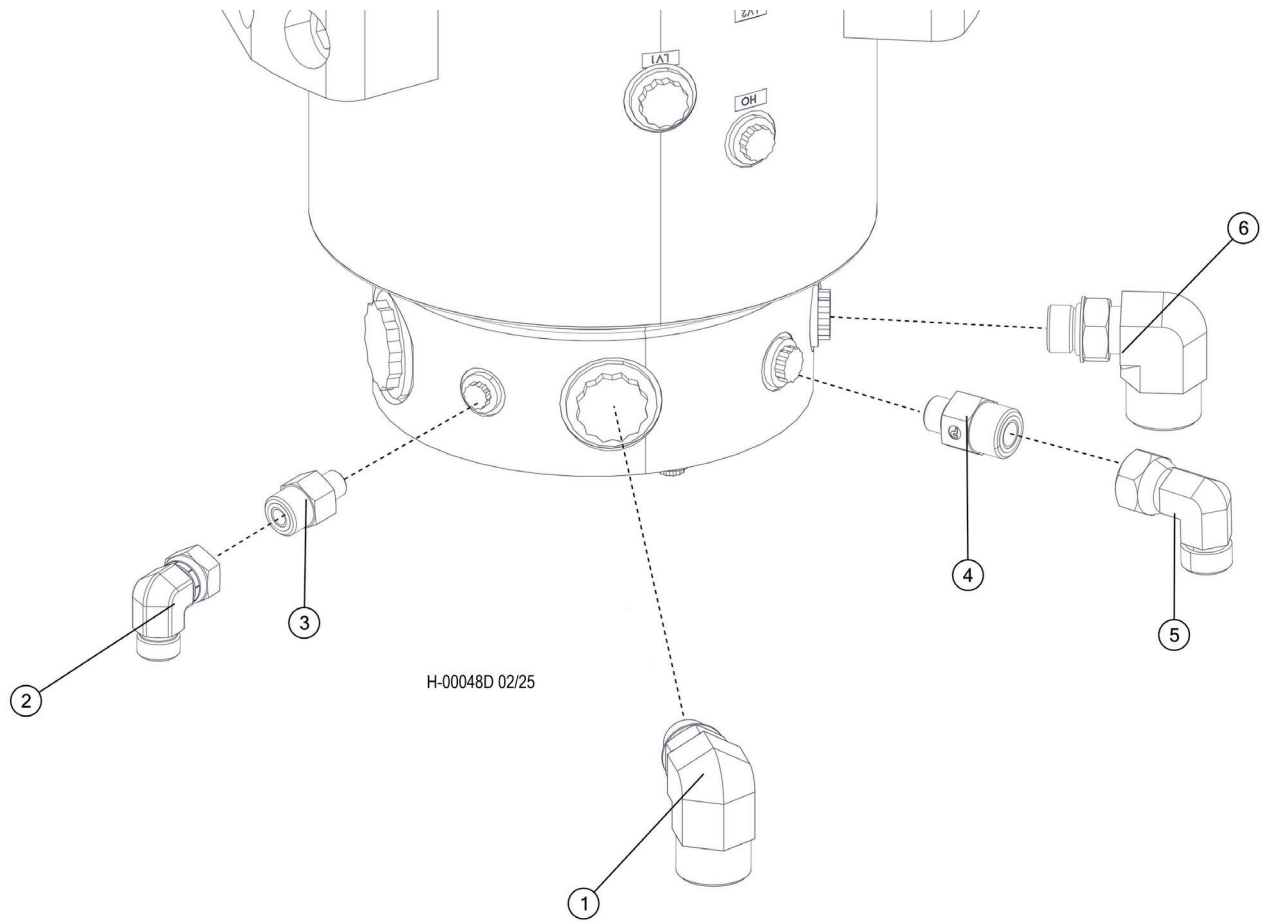
# H0125 - 2255600 - ACCESSORIES, ROTARY MANIFOLD, BLADE



## H0125 - 2255600 - ACCESSORIES, ROTARY MANIFOLD, BLADE

<b>Item</b>	<b>Part #</b>	<b>Description</b>	<b>Qty.</b>
1	52428	ELBOW, STRAIGHT THREAD 12-8	1
2	52428	ELBOW, STRAIGHT THREAD 12-8	1
3	15457	CONNECTOR, STR - FF1852T-0806S	1
4	16297	ELBOW, 90 SWIVEL - FF2098T-0808S	1
5	17688	ELBOW, 90 - FF1868T-1212S	1
6	15228	ELBOW, 90 - FF1868T-1616S	2

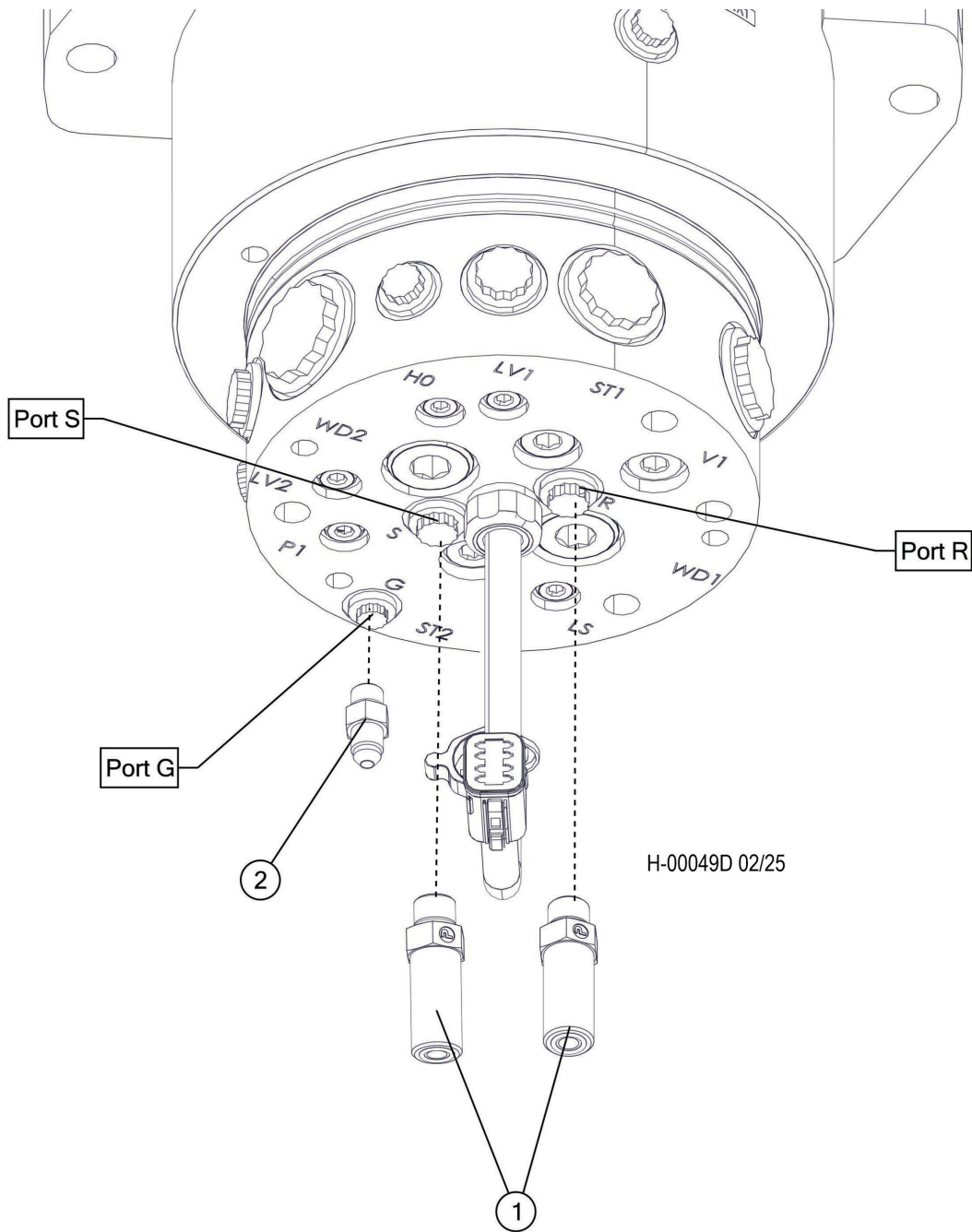
# H0125 - 2255600 - ACCESSORIES, ROTARY MANIFOLD, BLADE



## H0125 - 2255600 - ACCESSORIES, ROTARY MANIFOLD, BLADE

<b>Item</b>	<b>Part #</b>	<b>Description</b>	<b>Qty.</b>
1	52428	ELBOW, STRAIGHT THREAD 12-8	1
2	20035	ELBOW, 90 - FF1868T-1212S	1
3	53130	FITTING, STRAIGHT THREAD CONNECTOR 6-4	1
4	15457	CONNECTOR, STR - FF1852T-0806S	1
5	16297	ELBOW, 90 SWIVEL - FF2098T-0808S	1
6	52428	ELBOW, STRAIGHT THREAD 12-8	1

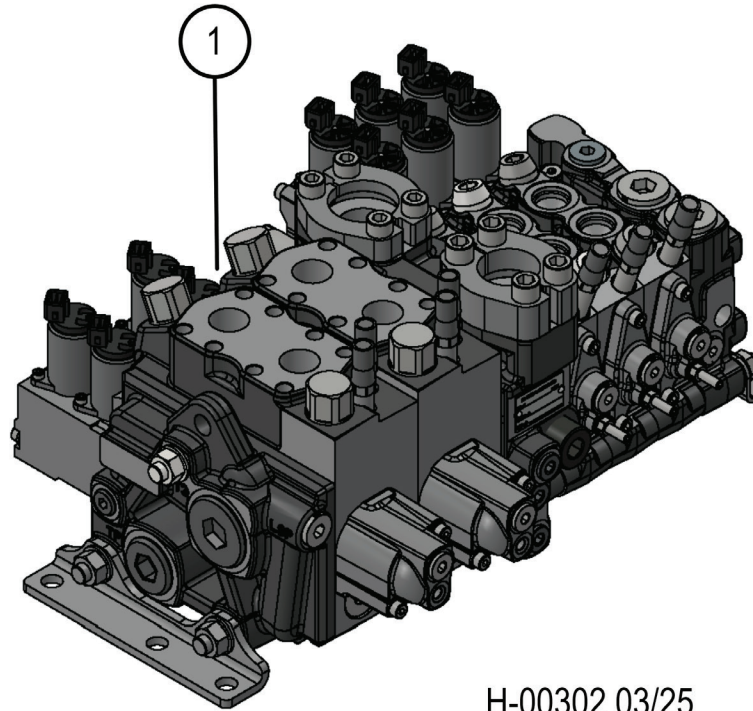
# H0125 - 2255600 - ACCESSORIES, ROTARY MANIFOLD, BLADE



## H0125 - 2255600 - ACCESSORIES, ROTARY MANIFOLD, BLADE

<b>Item</b>	<b>Part #</b>	<b>Description</b>	<b>Qty.</b>
1	27454	CONNECTOR, STR LONG - 848L-TTO-06X06	2
2	51887	CONNECTOR, STR - (4F50X-S)	1

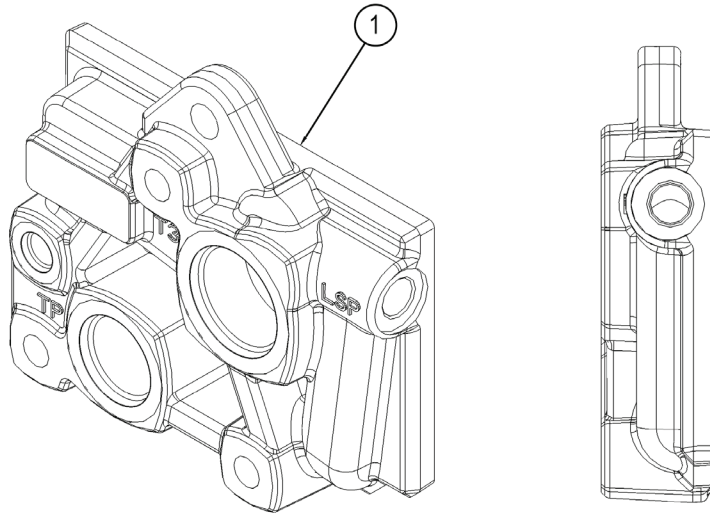
# H0120 - 2247700 - MAIN VALVE - FIXED STICK W/GRAPPLE



H-00302 03/25

Item	Part #	Description	Qty.
1	57718	VALVE, MAIN - IMP (2K220/3L90)	1

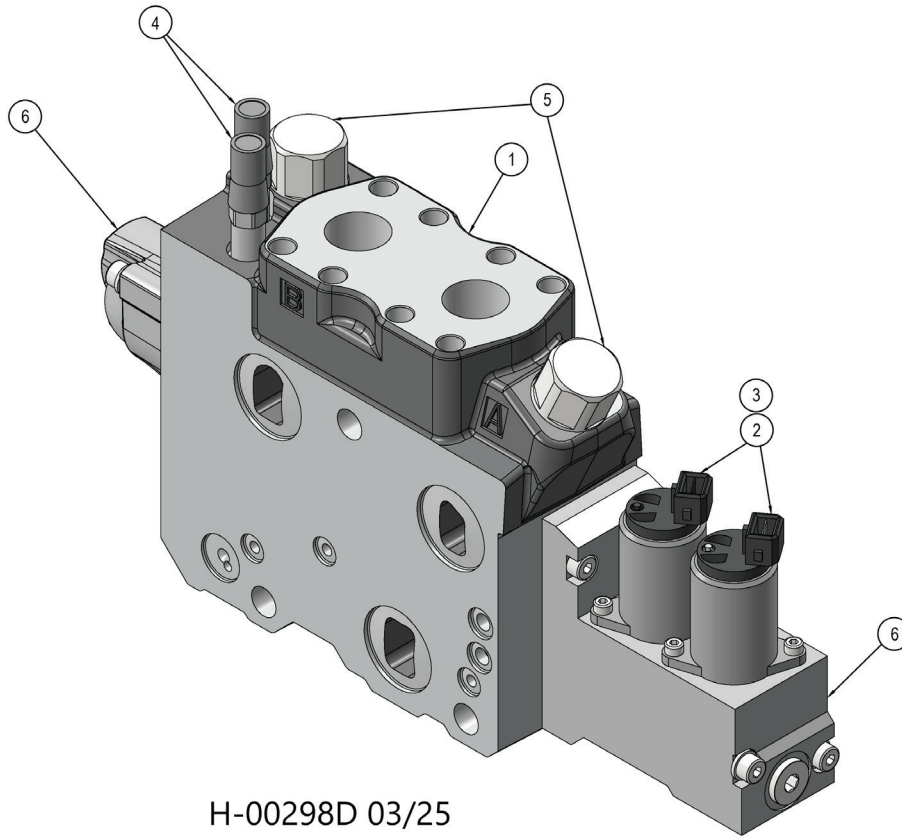
# H0120 - 2247700 - K220 MAIN VALVE SECTION - OUTLET



H-00307D 03/25

<b>Item</b>	<b>Part #</b>	<b>Description</b>	<b>Qty.</b>
1	20089106	K220 OUTLET W/T31 AND P2	1

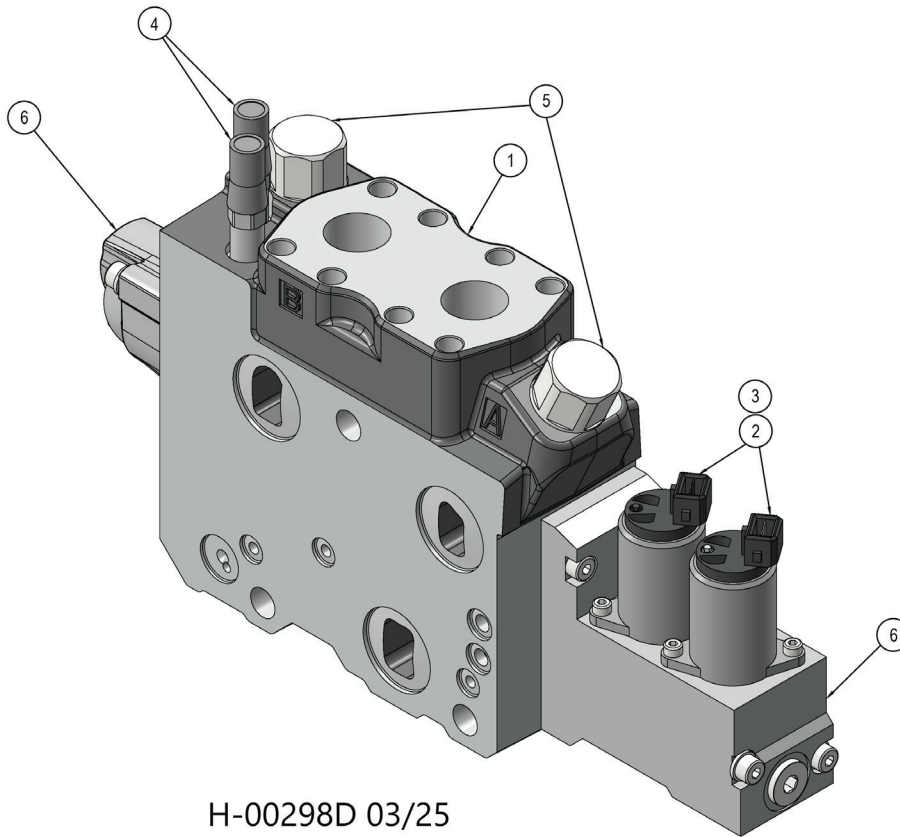
## H0120 - 2247700 - K220 MAIN VALVE SECTION - STICK BOOM



Item	Part #	Description	Qty.
1	699210	VALVE SECTION, STICK - K220	1
2	20068454	SOLENOID (TORQUE 26IN-LBS)	2
3	19213043	PILOT ORIFICE	2
4	699170	SUPPLY REDUCER (TORQUE 88IN-LBS)	1
5	56161	PORT RELIEF VALVE (TORQUE 74FT-LBS)	2
6	19217353	CAP KIT (TORQUE 88IN-LBS)	1
*	19217324	SPOOL (NOT SHOWN)	1
*	19217318	COMPENSATOR (NOT SHOWN) (TORQUE 74FT-LBS)	1

\*MEANS NOT SHOWN

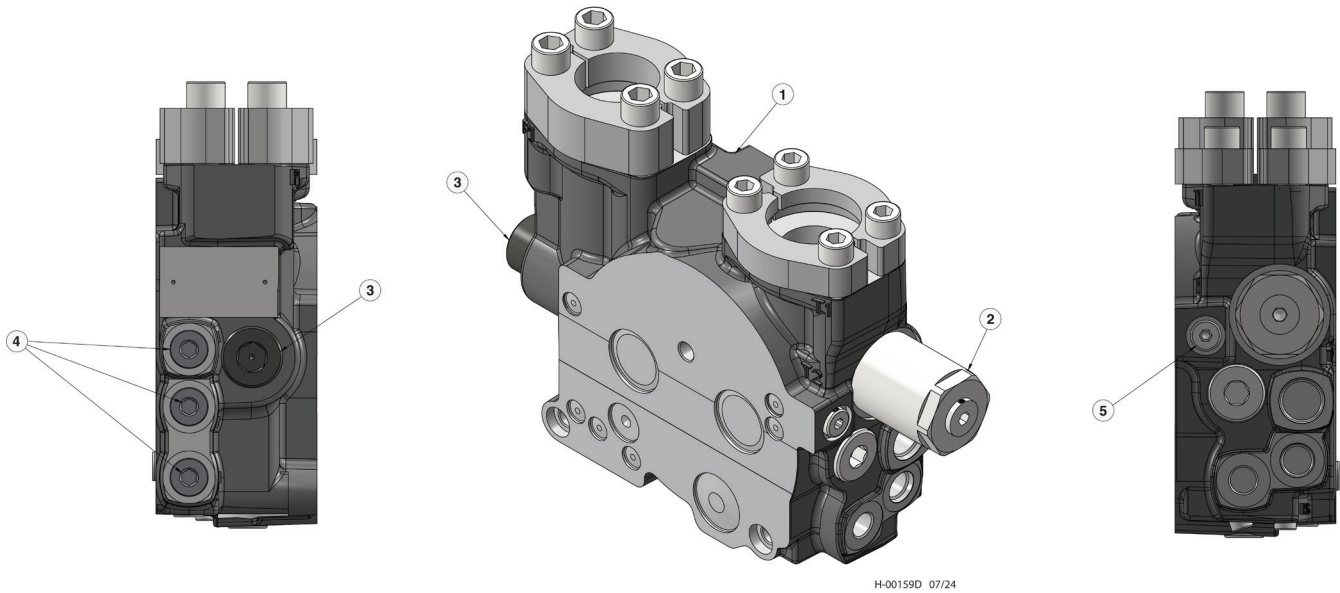
**H0120 - 2247700 - K220 MAIN VALVE SECTION - MAIN BOOM**



<b>Item</b>	<b>Part #</b>	<b>Description</b>	<b>Qty.</b>
1	699210	VALVE SECTION, STICK - K220	1
2	20068454	SOLENOID (TORQUE 26IN-LBS)	2
3	19213043	PILOT ORIFICE	2
4	699170	SUPPLY REDUCER (TORQUE 88IN-LBS)	1
5	56161	PORT RELIEF VALVE COMPENSATOR (TORQUE 74FT-LBS)	2
6	19217353	CAP KIT (TORQUE 88IN-LBS)	1
*	19217359	SPOOL (NOT SHOWN)	1
*	19217319	COMPENSATOR (NOT SHOWN) (TORQUE 74FT-LBS)	1
*	19213044	PILOT ORIFICE	1

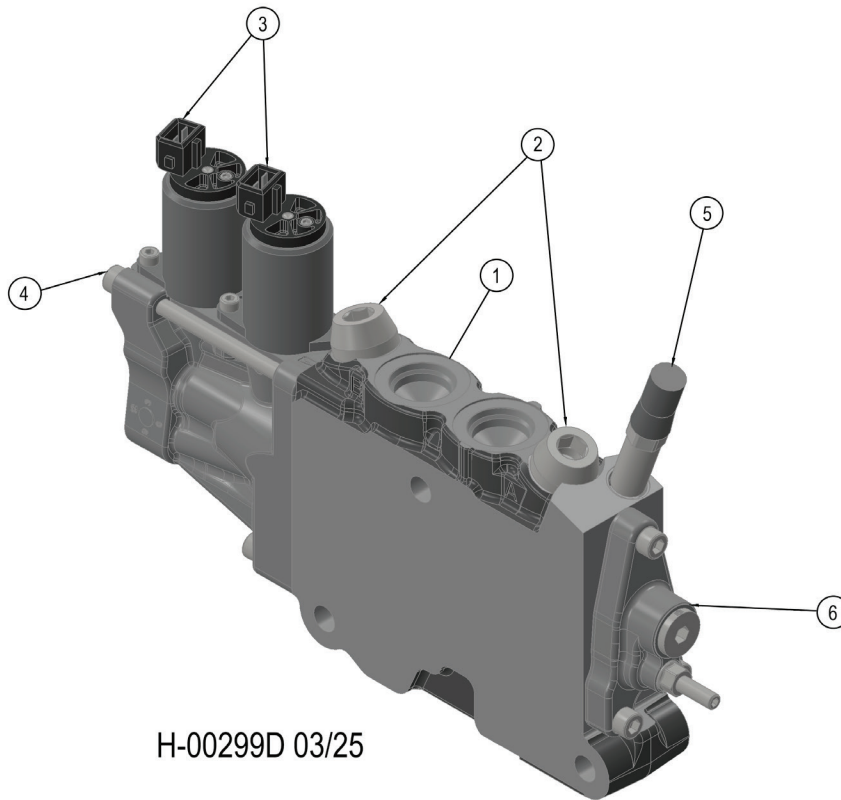
\*MEANS NOT SHOWN

## H0120 - 2247700 - K220 MAIN VALVE SECTION - INLET



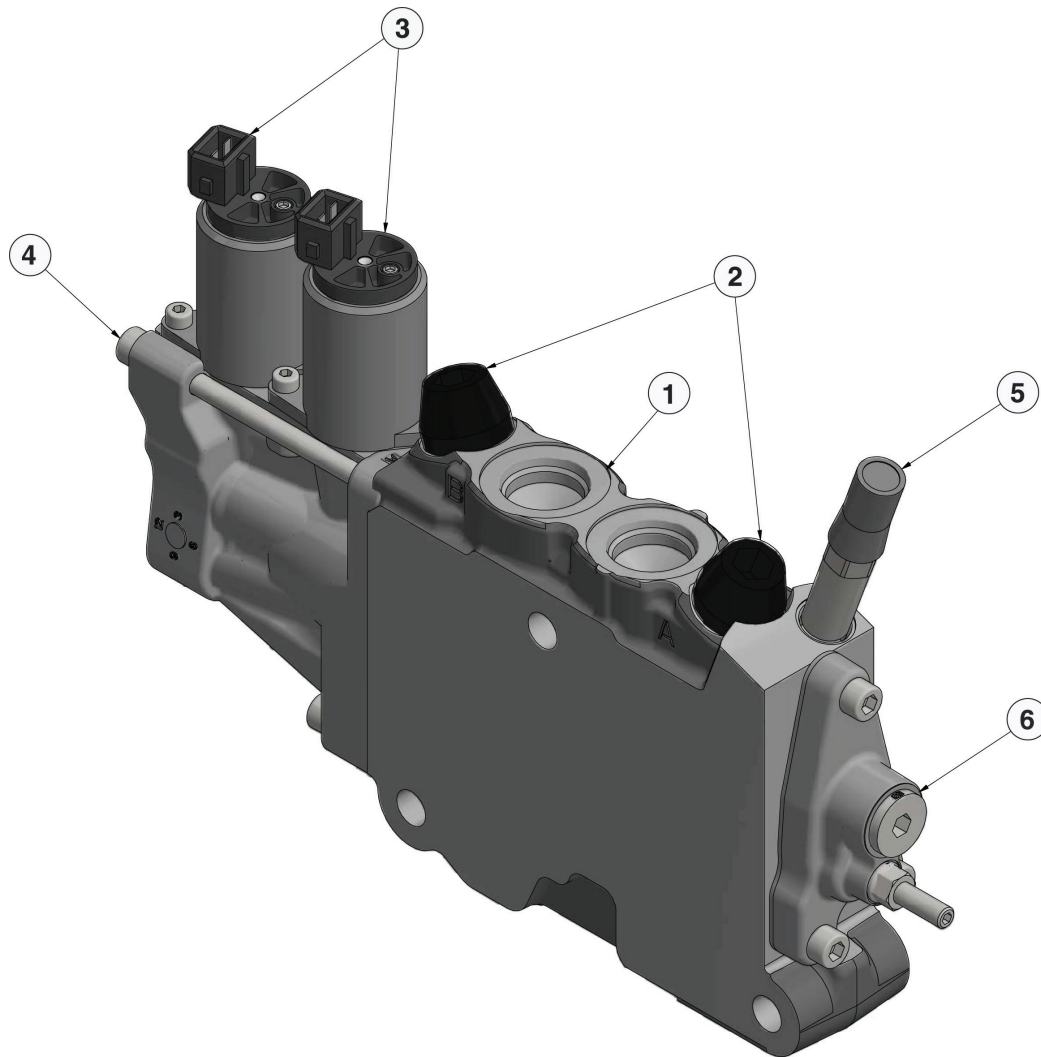
Item	Part #	Description	Qty.
1	20089023	INLET SECTION	1
2	19217259	COUNTER PRESSURE (TORQUE 74FT-LBS)	1
3	19217256	RELIEF MAIN (TORQUE 74FT-LBS)	1
4	19215123	PLUG (TORQUE 22FT-LBS)	3
5	19206051	SCREW (TORQUE 44IN-LBS)	1
			1

## H0120 - 2247700 - L90 MAIN VALVE SECTION - GRAPPLE ROTATE



Item	Part #	Description	Qty.
1	20047199	VALVE SECTION	1
2	19213479	PORT RV	2
3	20068454	SOLENOID	2
4	20068455	B SIDE ACTUATOR CAP	1
5	699170	SUPPLY REDUCER	1
6	19213497	EC2 KIT W/O LEVER SHAFT	1

## H0120 - 2247700 - L90 MAIN VALVE SECTION - GRAPPLE O/C

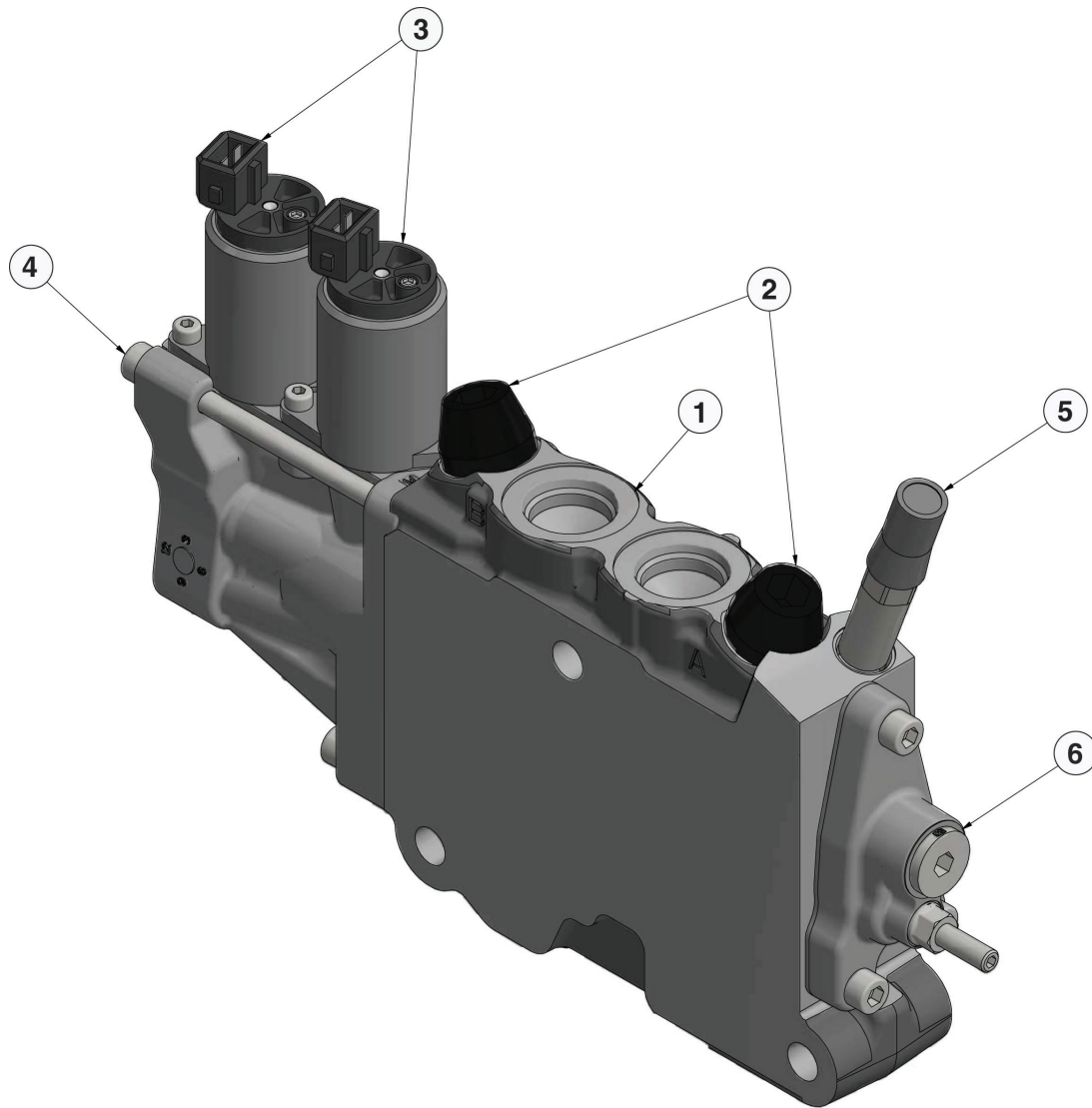


H-00160D 07/24

Item	Part #	Description	Qty.
1	20047199	VALVE SECTION, L90	1
2	19213497	PORT RV	2
3	19213481	SOLENOID	2
4	20068454	B SIDE ACTUATOR CAP	1
5	20068455	SUPPLY REDUCER	1
6	699170	EC2 KIT W/O LEVER SHAFT	1
*	20047205	COMPENSATOR	1
*	19213577	SPOOL	1

\*MEANS NOT SHOWN

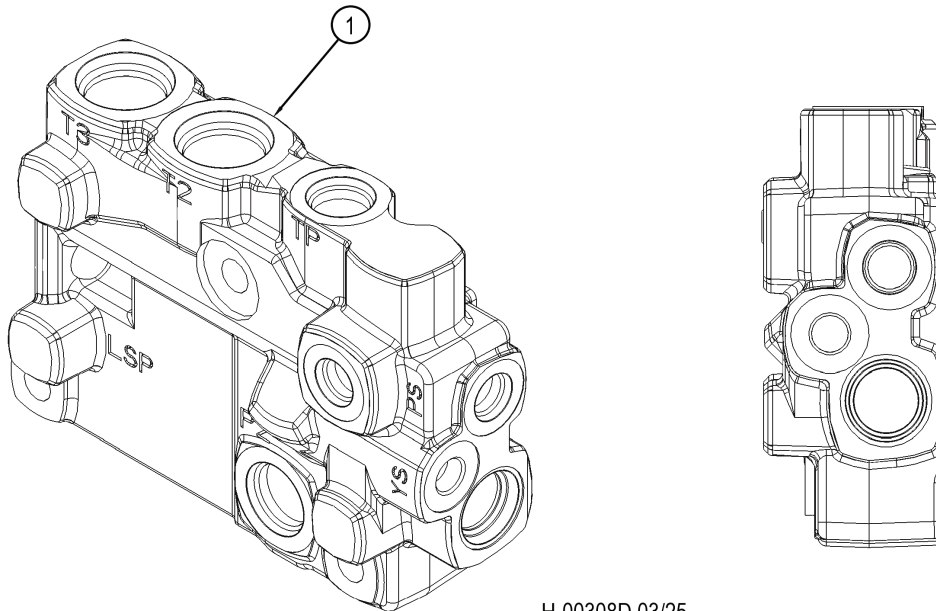
## H0120 - 2247700 - L90 MAIN VALVE SECTION - STEER



H-00160D 07/24

Item	Part #	Description	Qty.
1	20047199	VALVE SECTION, L90	1
2	19213479	PORT RV	2
3	20068454	SOLENOID	2
4	20068455	B SIDE ACTUATOR CAP	1
5	699170	SUPPLY REDUCER	1
6	19213497	EC2 KIT W/O LEVER SHAFT	1

## H0120 - 2247700 - L90 VALVE SECTION - OUTLET



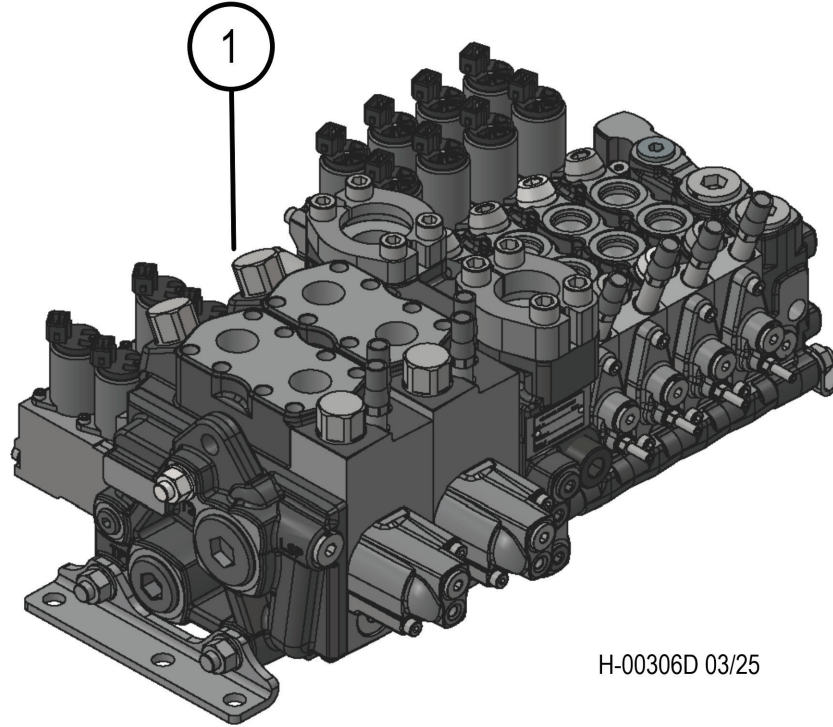
H-00308D 03/25

Item	Part #	Description	Qty.
1	20047168	OUTLET W/O PRV ASSEMBLY KIT	1
*	19211260	HEX PLUG #6 SAE ZERO LEAK HOLLOW	1
*	19211265	PLUG #16 SAE	1
*	19211266	PLUG #20 SAE	1
*	19216382	#8 SAE HOLLOW HEX PLUG	1
*	19215600	K220KS COMBI 2 SECT	1
*	19213602	3 SEC TIE ROD KIT	1
*	19234558	SERIAL NUMBER NAMEPLATE	1
*	19221324	DRIVE SCREW	1
			2

\*MEANS NOT SHOWN



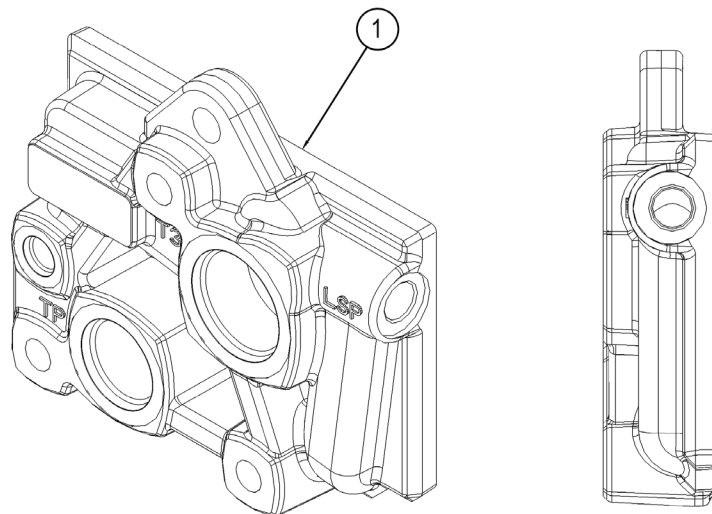
# H0120 - 2247800 - MAIN VALVE - SQUIRT STICK W/GRAPPLE



H-00306D 03/25

<b>Item</b>	<b>Part #</b>	<b>Description</b>	<b>Qty.</b>
1	57708	VALVE, MAIN - IMP (2K220/5L90)	1

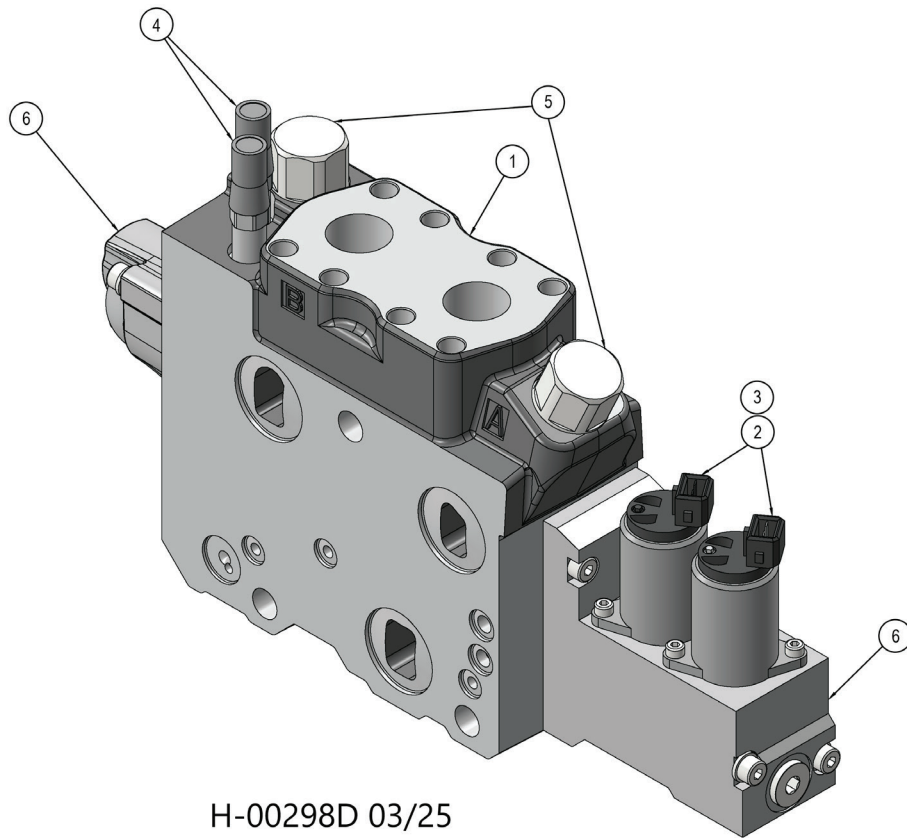
# H0120 - 2247800 - K220 MAIN VALVE SECTION - OUTLET



H-00307D 03/25

<u>Item</u>	<u>Part #</u>	<u>Description</u>	<u>Qty.</u>
1	20089106	K220 OUTLET W/T31 AND P2	1

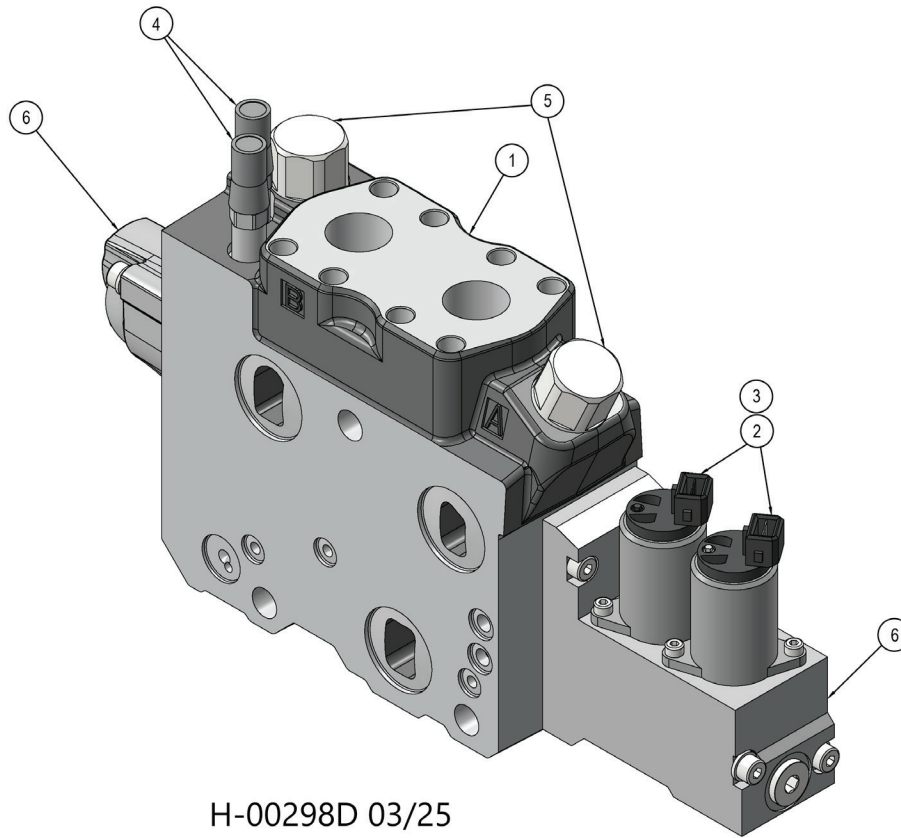
## H0120 - 2247800 - K220 MAIN VALVE SECTION - STICK BOOM



Item	Part #	Description	Qty.
1	699210	VALVE SECTION, STICK - K220	1
2	20068454	SOLENOID (TORQUE 26IN-LBS)	2
3	19213043	PILOT ORIFICE	2
4	699170	SUPPLY REDUCER (TORQUE 88IN-LBS)	1
5	56161	PORT RELIEF VALVE (TORQUE 74FT-LBS)	2
6	19217353	CAP KIT (TORQUE 88IN-LBS)	1
*	19217324	SPOOL (NOT SHOWN)	1
*	19217318	COMPENSATOR (NOT SHOWN) (TORQUE 74FT-LBS)	1

\*MEANS NOT SHOWN

## H0120 - 2247800 - K220 MAIN VALVE SECTION - MAIN BOOM

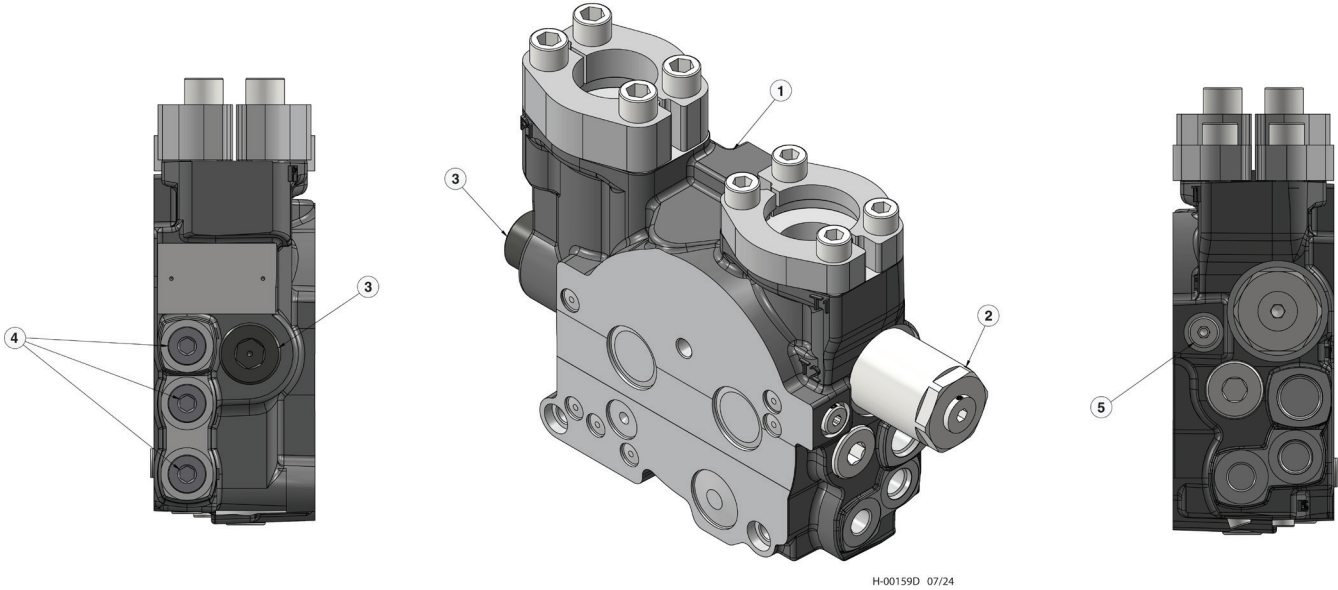


H-00298D 03/25

Item	Part #	Description	Qty.
1	699210	VALVE SECTION, STICK - K220	1
2	20068454	SOLENOID (TORQUE 26IN-LBS)	2
3	19213043	PILOT ORIFICE	2
4	699170	SUPPLY REDUCER (TORQUE 88IN-LBS)	1
5	56161	PORT RELIEF VALVE COMPENSATOR (TORQUE 74FT-LBS)	2
6	19217353	CAP KIT (TORQUE 88IN-LBS)	1
*	19217359	SPOOL (NOT SHOWN)	1
*	19217319	COMPENSATOR (NOT SHOWN) (TORQUE 74FT-LBS)	1
*	19213044	PILOT ORIFICE	1

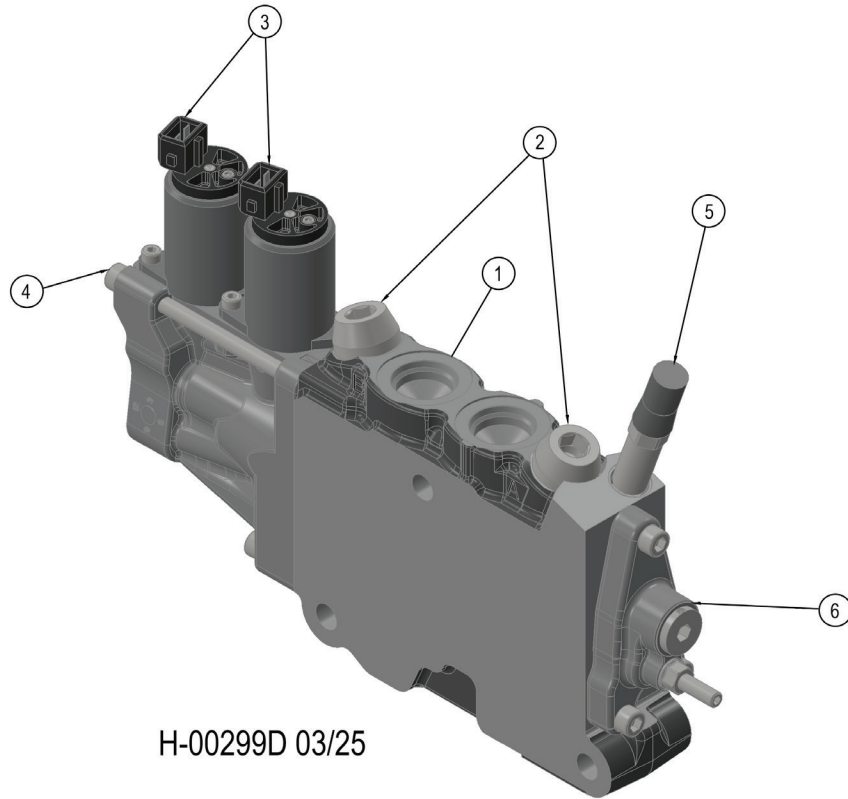
\*MEANS NOT SHOWN

## H0120 - 2247800 - K220 MAIN VALVE SECTION - INLET



Item	Part #	Description	Qty.
1	20089023	INLET SECTION	1
2	19217259	COUNTER PRESSURE (TORQUE 74FT-LBS)	1
3	19217256	RELIEF MAIN (TORQUE 74FT-LBS)	1
4	19215123	PLUG (TORQUE 22FT-LBS)	3
5	19206051	SCREW (TORQUE 44IN-LBS)	1
			1

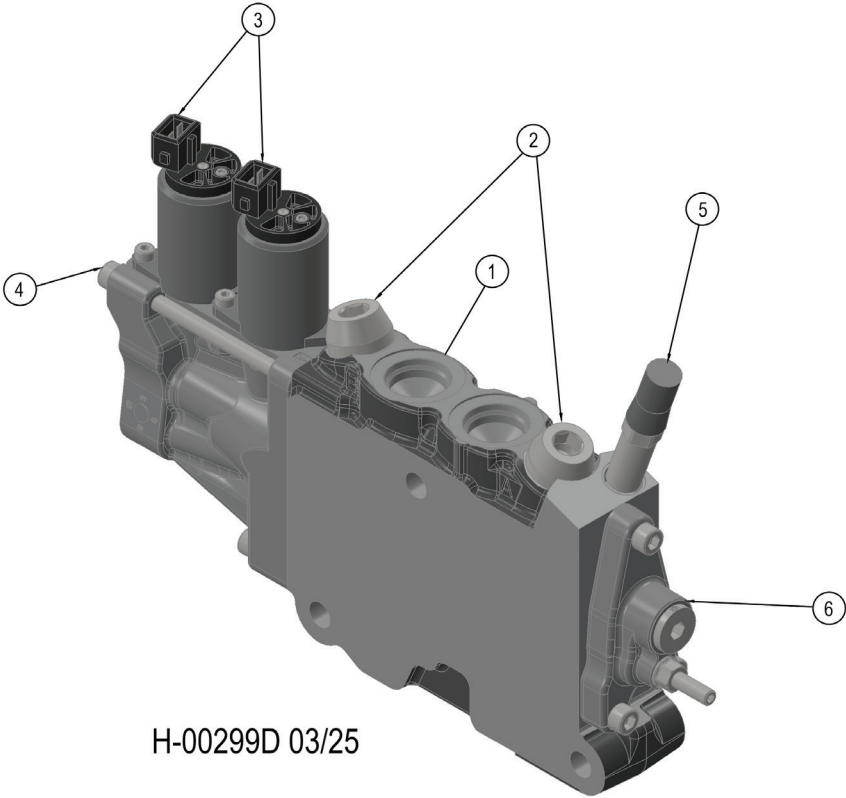
## H0120 - 2247800 - LS90 VALVE SECTION SQUIRT



Item	Part #	Description	Qty.
1	20088605	VALVE SECTION	1
2	19213479	PORT RV	2
3	20068454	SOLENOID	2
4	20068455	B SIDE ACTUATOR CAP	1
5	699170	SUPPLY REDUCER	1
6	19213497	EC2 KIT W/O LEVER SHAFT	1
*	19213577	SPOOL	1
*	20047208	COMPENSATOR	1

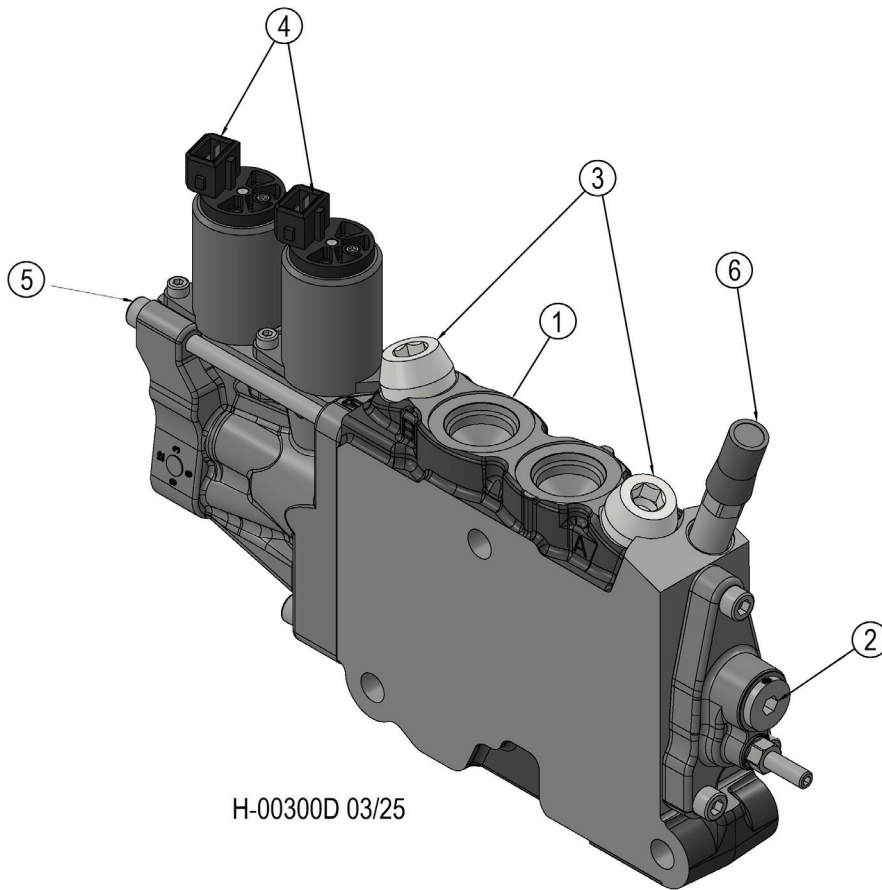
\*MEANS NOT SHOWN

**H0120 - 2247800 - L90 MAIN VALVE SECTION - GRAPPLE ROTATE/BLADE**



Item	Part #	Description	Qty.
1	20047199	VALVE SECTION	1
2	19213479	PORT RV	2
3	20068454	SOLENOID	2
4	20068455	B SIDE ACTUATOR CAP	1
5	699170	SUPPLY REDUCER	1
6	19213497	EC2 KIT W/O LEVER SHAFT	1

# H0120 - 2247800 - L90 MAIN VALVE SECTION - GRAPPLE O/C

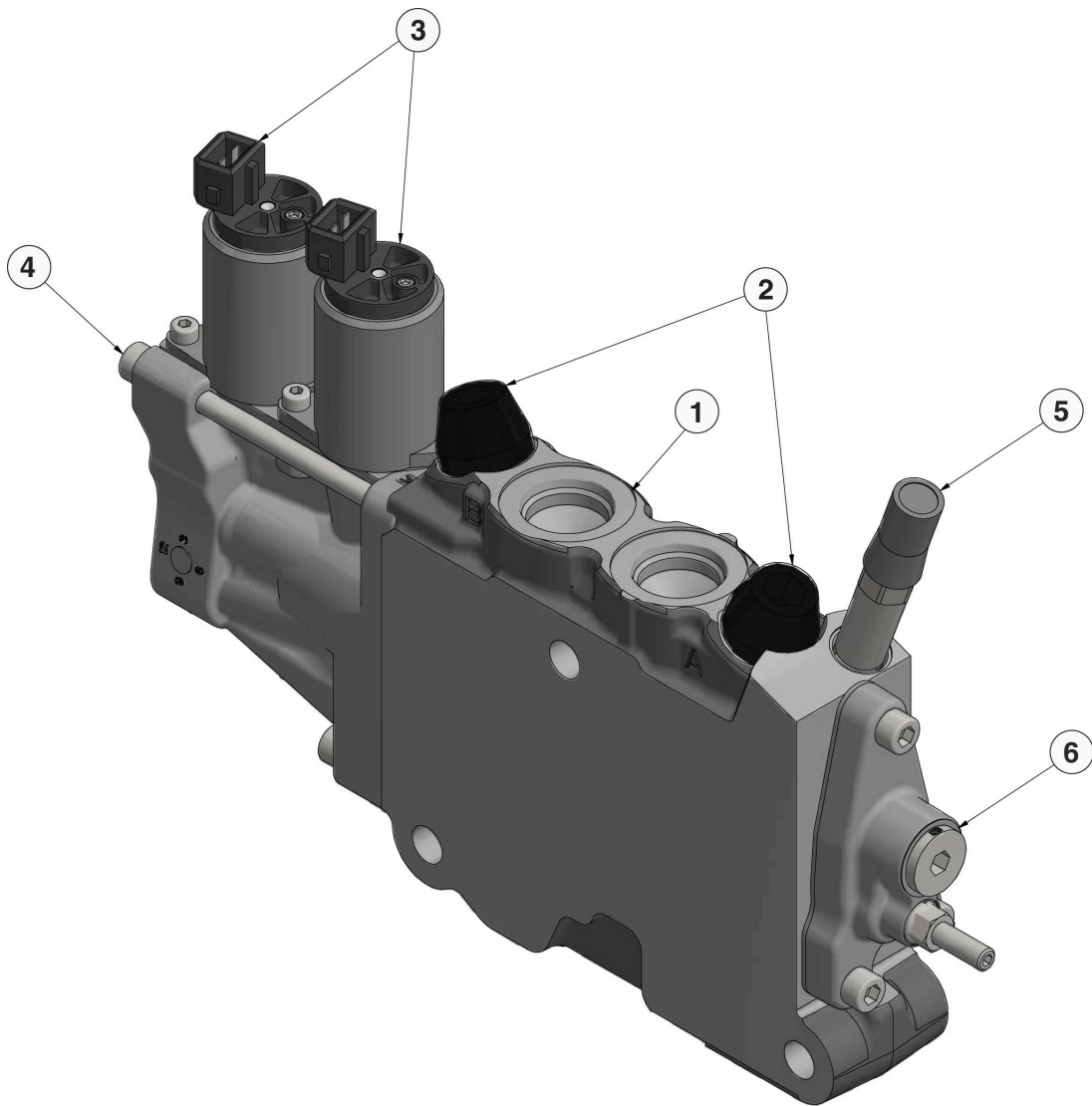


H-00300D 03/25

Item	Part #	Description	Qty.
1	20047199	VALVE SECTION	1
2	19213497	EC2 KIT W/O LEVER SHAFT	1
3	19213481	PORT RV	1
4	20068454	SOLENOID	2
5	20068455	B - SIDE ACTUATOR CAP	1
6	699170	REDUCER	1
*	20047205	COMPENSATOR (NOT SHOWN)	1
*	19213577	SPOOL	1

\*MEANS NOT SHOWN

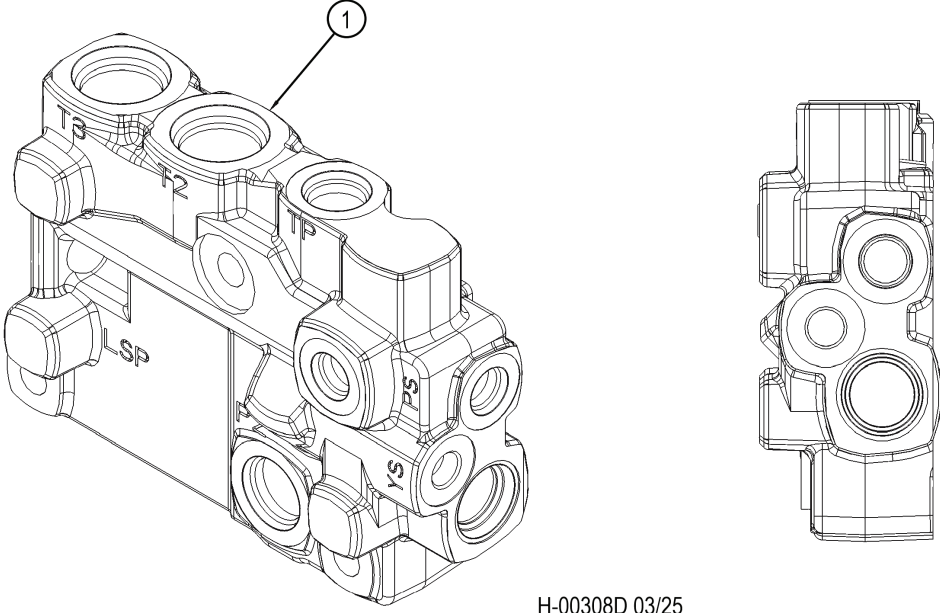
## H0120 - 2247800 - L90 MAIN VALVE SECTION - STEER



H-00160D 07/24

Item	Part #	Description	Qty.
1	20047199	VALVE SECTION, L90	1
2	19213479	PORT RV	2
3	20068454	SOLENOID	2
4	20068455	B SIDE ACTUATOR CAP	1
5	699170	SUPPLY REDUCER	1
6	19213497	EC2 KIT W/O LEVER SHAFT	1

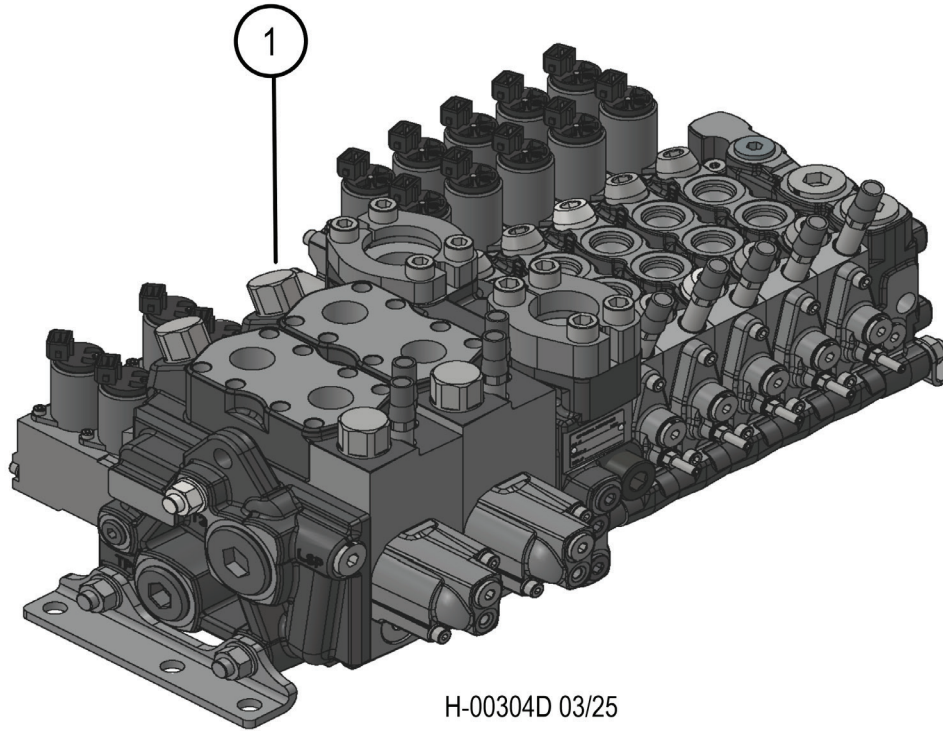
**H0120 - 2247800 - LS90 VALVE SECTION OUTLET**



H-00308D 03/25

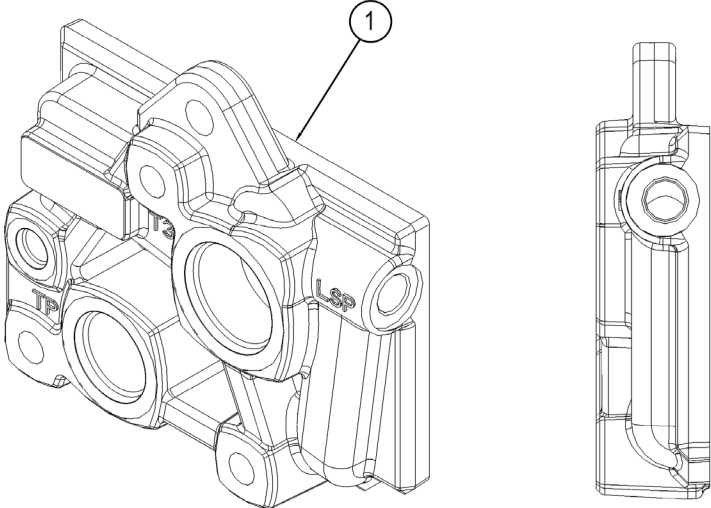
<b>Item</b>	<b>Part #</b>	<b>Description</b>	<b>Qty.</b>
1	20047168	OUTLET W/O PRV ASSEMBLY KIT	1
*	19211260	HEX PLUG #6 SAE ZERO LEAK HOLLOW	1
*	19211265	PLUG #16 SAE	1
*	19211266	PLUG #20 SAE	1
*	19216382	#8 SAE HOLLOW HEX PLUG	1
*	19215600	COMBI 2 SECT	1
*	19213068	TIE RODS	1
*	19234558	SERIAL NUMBER NAMEPLATE	1
*	19221324	DRIVE SCREW	1
			2
		*MEANS NOT SHOWN	

# H0120 - 2247900 - SQUIRT STICK W/GRAPPLE + BLADE



<b>Item</b>	<b>Part #</b>	<b>Description</b>	<b>Qty.</b>
1	57717	VALVE, MAIN - IMP (2K220/5L90)	1

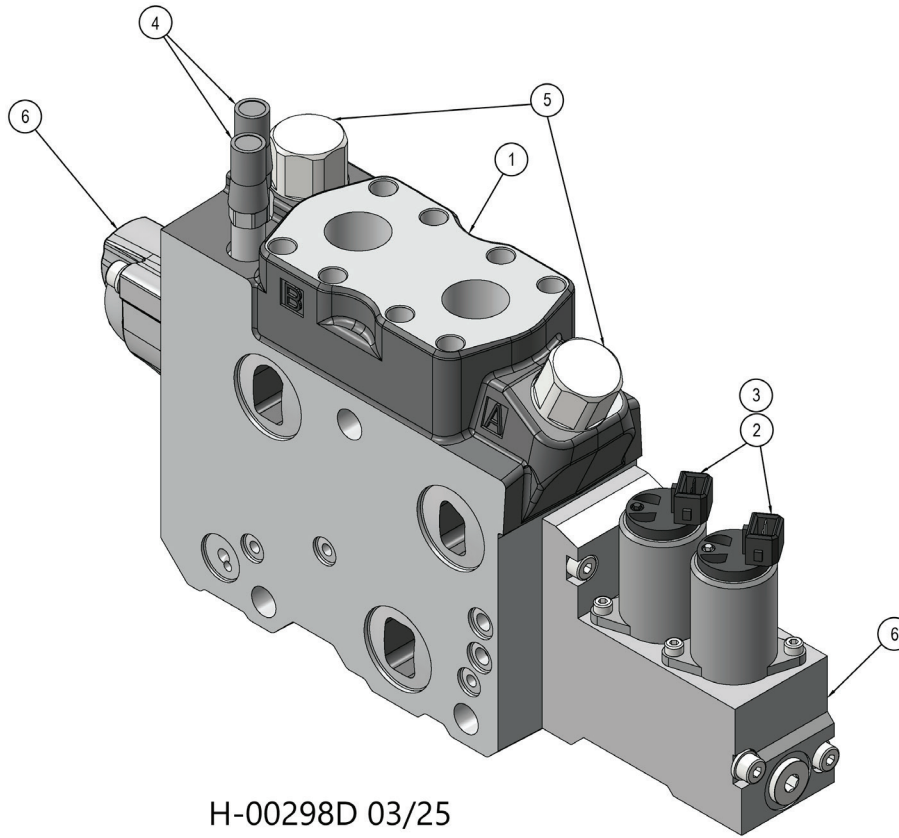
H0120 - 2247900 - K220 MAIN VALVE SECTION - OUTLET



H-00307D 03/25

<b>Item</b>	<b>Part #</b>	<b>Description</b>	<b>Qty.</b>
1	20089106	K220 OUTLET W/T31 AND P2	1

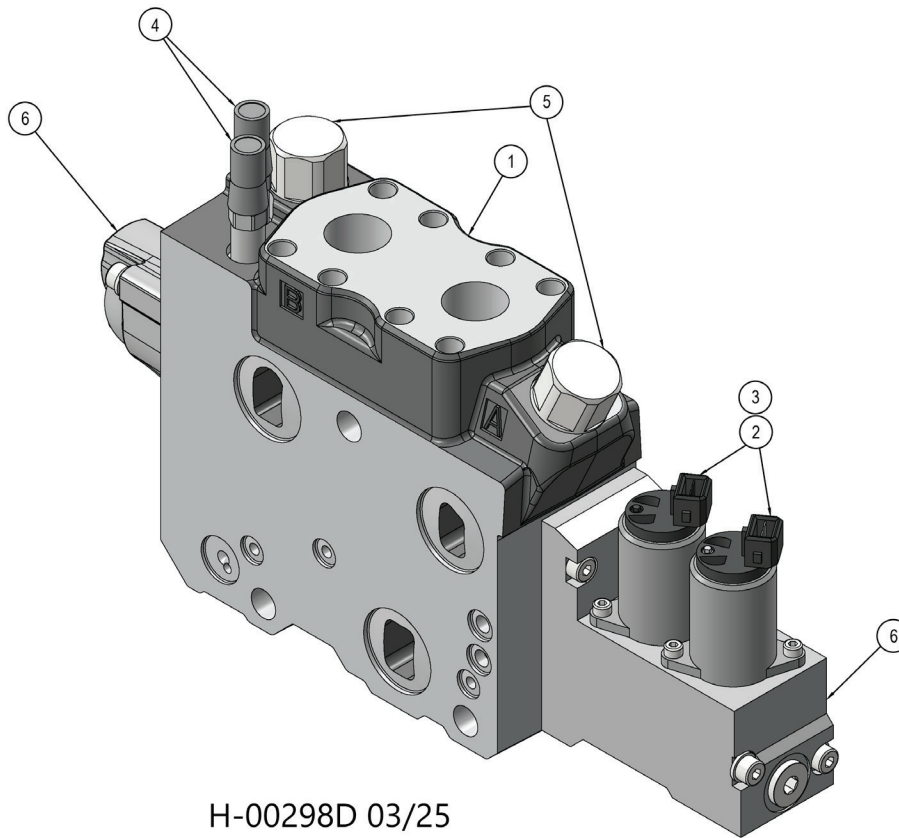
## H0120 - 2247900 - K220 MAIN VALVE SECTION - STICK BOOM



Item	Part #	Description	Qty.
1	699210	VALVE SECTION, STICK - K220	1
2	20068454	SOLENOID (TORQUE 26IN-LBS)	2
3	19213043	PILOT ORIFICE	2
4	699170	SUPPLY REDUCER (TORQUE 88IN-LBS)	1
5	56161	PORT RELIEF VALVE (TORQUE 74FT-LBS)	2
6	19217353	CAP KIT (TORQUE 88IN-LBS)	1
*	19217324	SPOOL (NOT SHOWN)	1
*	19217318	COMPENSATOR (NOT SHOWN) (TORQUE 74FT-LBS)	1

\*MEANS NOT SHOWN

## H0120 - 2247900 - K220 MAIN VALVE SECTION - MAIN BOOM

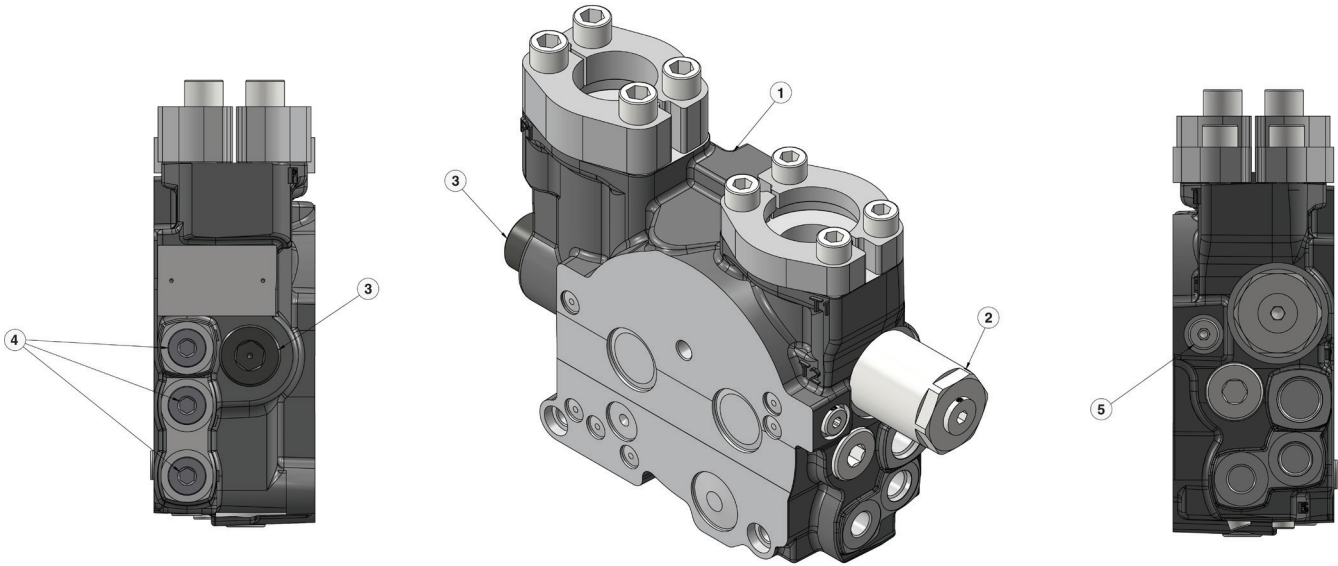


H-00298D 03/25

Item	Part #	Description	Qty.
1	699210	VALVE SECTION, STICK - K220	1
2	20068454	SOLENOID (TORQUE 26IN-LBS)	2
3	19213043	PILOT ORIFICE	2
4	699170	SUPPLY REDUCER (TORQUE 88IN-LBS)	1
5	56161	PORT RELIEF VALVE COMPENSATOR (TORQUE 74FT-LBS)	2
6	19217353	CAP KIT (TORQUE 88IN-LBS)	1
*	19217359	SPOOL (NOT SHOWN)	1
*	19217319	COMPENSATOR (NOT SHOWN) (TORQUE 74FT-LBS)	1
*	19213044	PILOT ORIFICE	1

\*MEANS NOT SHOWN

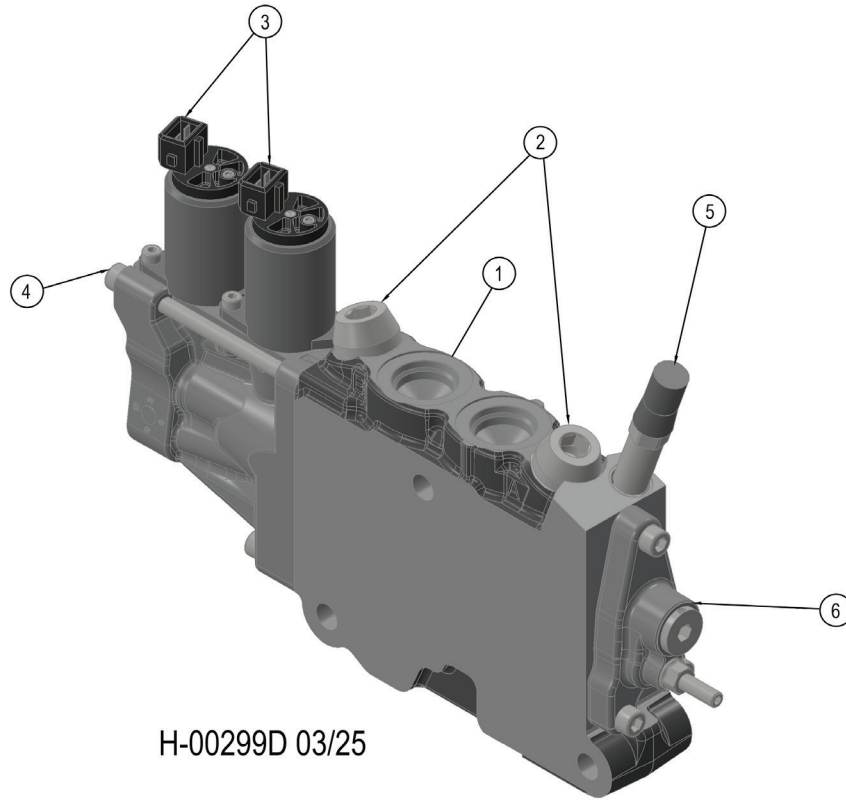
# H0120 - 2247900 - K220 MAIN VALVE SECTION - INLET



H-00159D 07/24

<b>Item</b>	<b>Part #</b>	<b>Description</b>	<b>Qty.</b>
1	20089023	INLET SECTION	1
2	19217259	COUNTER PRESSURE (TORQUE 74FT-LBS)	1
3	19217256	RELIEF MAIN (TORQUE 74FT-LBS)	1
4	19215123	PLUG (TORQUE 22FT-LBS)	3
5	19206051	SCREW (TORQUE 44IN-LBS)	1
			1

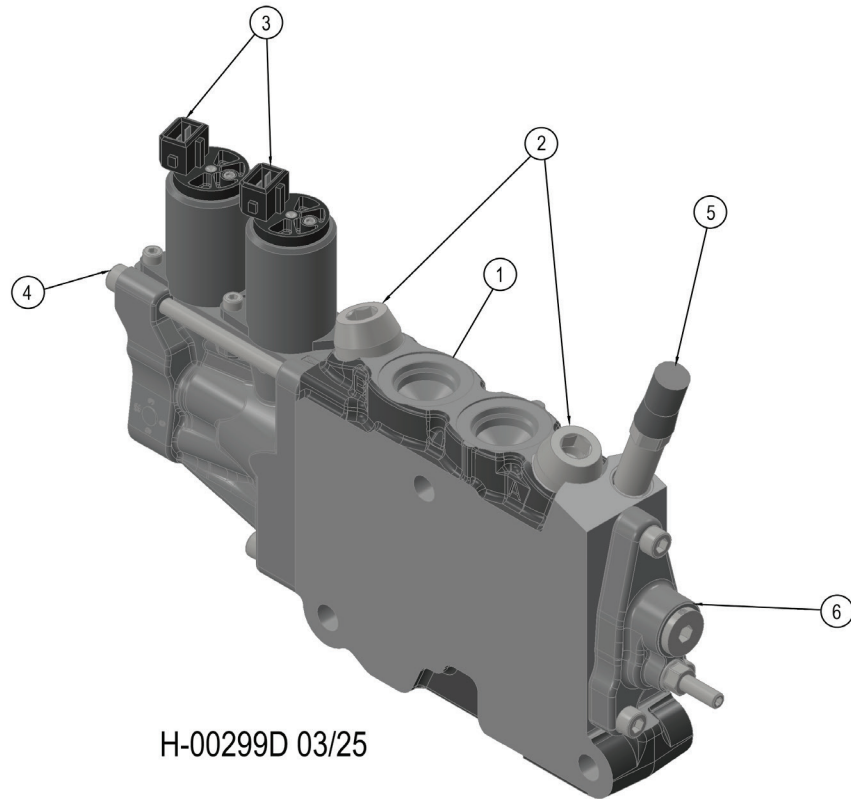
## H0120 - 2247900 - LS90 VALVE SECTION SQUIRT



Item	Part #	Description	Qty.
1	20088605	VALVE SECTION	1
2	19213479	PORT RV	2
3	20068454	SOLENOID	2
4	20068455	B SIDE ACTUATOR CAP	1
5	699170	SUPPLY REDUCER	1
6	19213497	EC2 KIT W/O LEVER SHAFT	1
*	19213577	SPOOL	1
*	20047208	COMPENSATOR	1

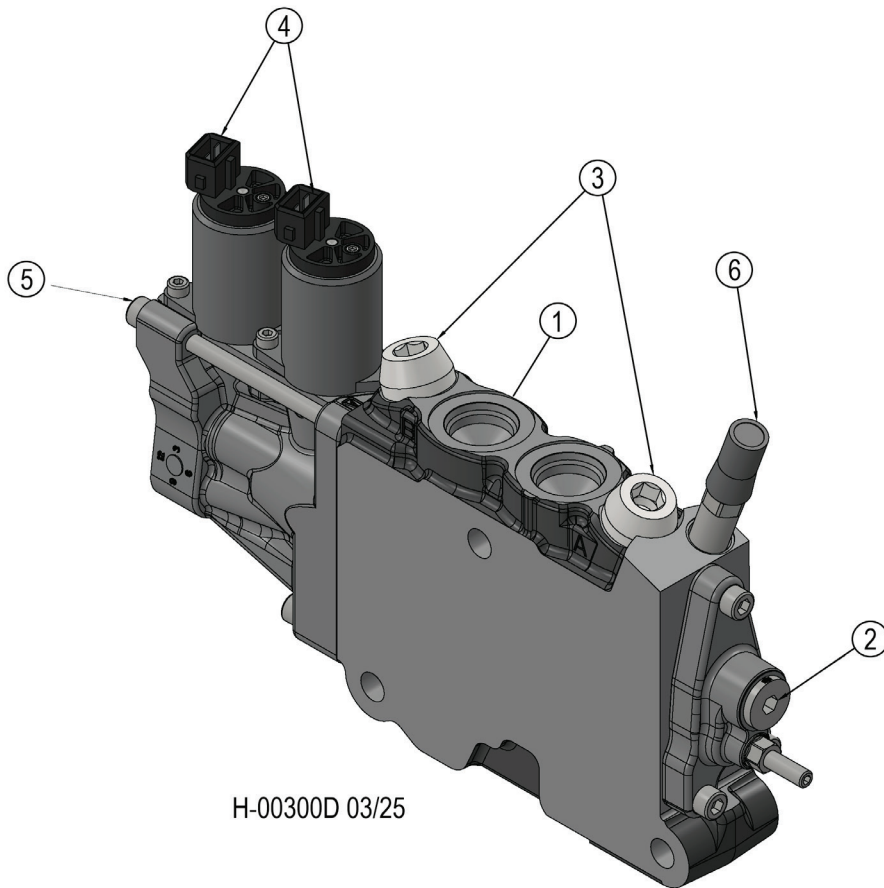
\*MEANS NOT SHOWN

## H0120 - 2247900 - L90 MAIN VALVE SECTION - GRAPPLE ROTATE



Item	Part #	Description	Qty.
1	20047199	VALVE SECTION	1
2	19213479	PORT RV	2
3	20068454	SOLENOID	2
4	20068455	B SIDE ACTUATOR CAP	1
5	699170	SUPPLY REDUCER	1
6	19213497	EC2 KIT W/O LEVER SHAFT	1

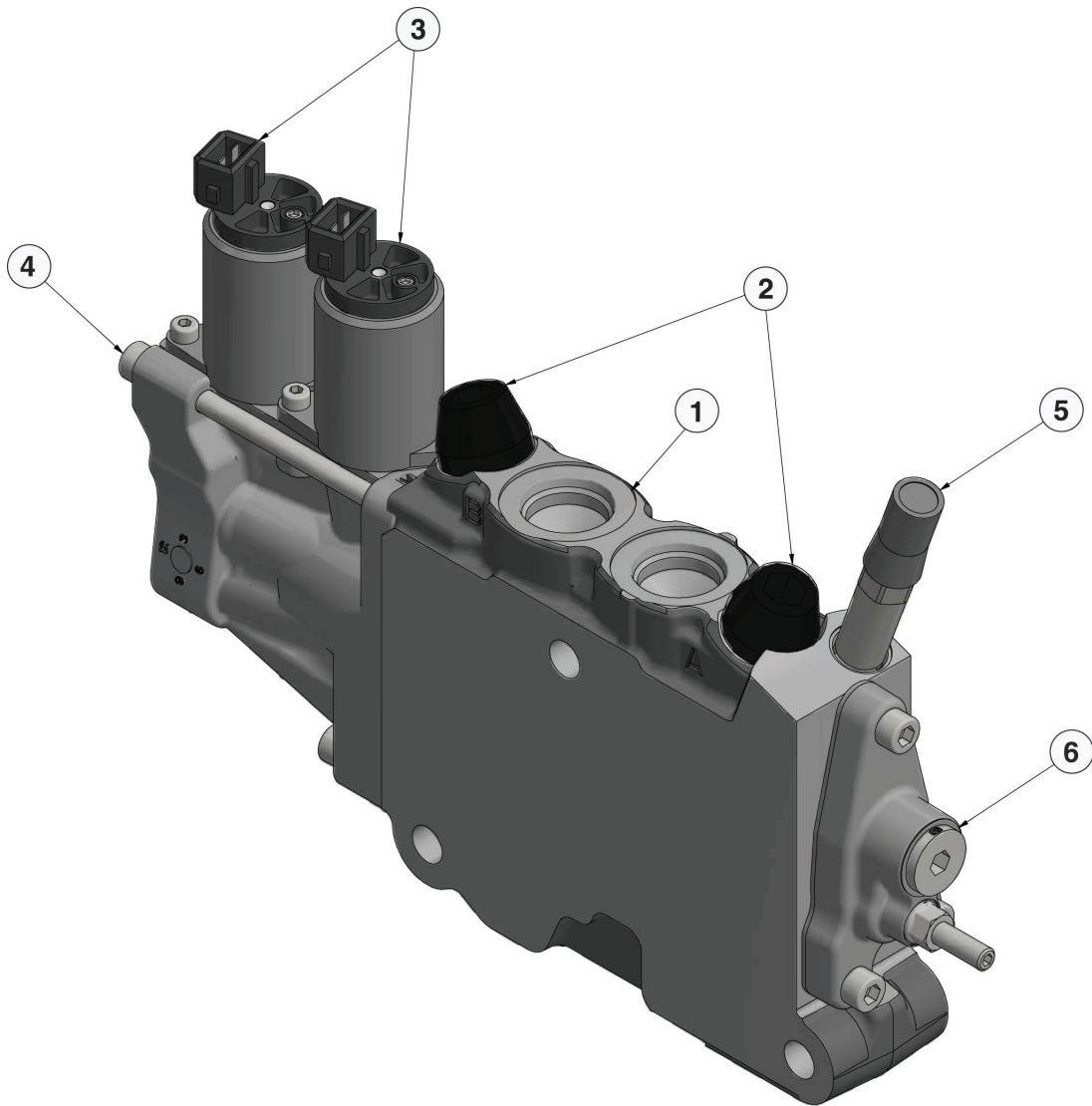
## H0120 - 2247900 - L90 MAIN VALVE SECTION - GRAPPLE O/C



Item	Part #	Description	Qty.
1	20047199	VALVE SECTION	1
2	19213497	EC2 KIT W/O LEVER SHAFT	1
3	19213481	PORT RV	1
4	20068454	SOLENOID	2
5	20068455	B - SIDE ACTUATOR CAP	1
6	699170	REDUCER	1
*	20047205	COMPENSATOR (NOT SHOWN)	1
*	19213577	SPOOL	1

\*MEANS NOT SHOWN

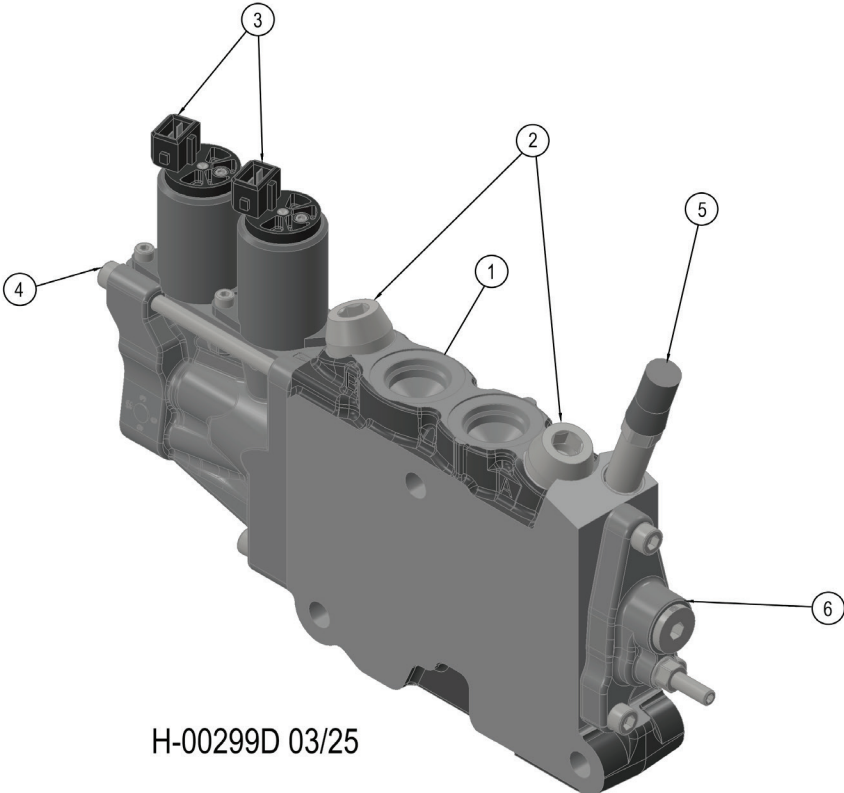
## H0120 - 2247900 - L90 MAIN VALVE SECTION - STEER



H-00160D 07/24

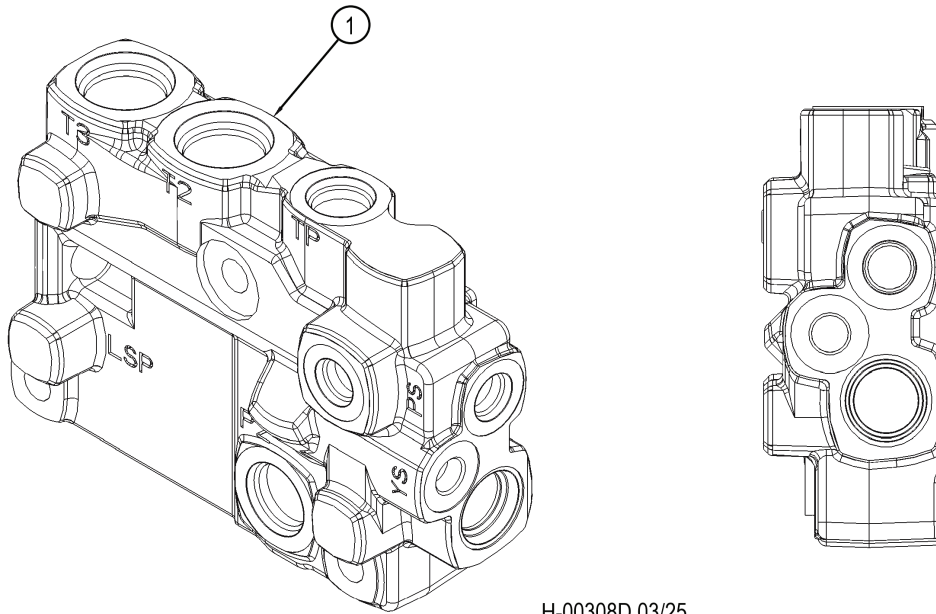
Item	Part #	Description	Qty.
1	20047199	VALVE SECTION, L90	1
2	19213479	PORT RV	2
3	20068454	SOLENOID	2
4	20068455	B SIDE ACTUATOR CAP	1
5	699170	SUPPLY REDUCER	1
6	19213497	EC2 KIT W/O LEVER SHAFT	1

**H0120 - 2247900 - L90 MAIN VALVE SECTION - BLADE**



<b>Item</b>	<b>Part #</b>	<b>Description</b>	<b>Qty.</b>
1	20047199	VALVE SECTION	1
2	19213479	PORT RV	2
3	20068454	SOLENOID	2
4	20068455	B SIDE ACTUATOR CAP	1
5	699170	SUPPLY REDUCER	1
6	19213497	EC2 KIT W/O LEVER SHAFT	1

## H0120 - 2247900 - LS90 VALVE SECTION OUTLET



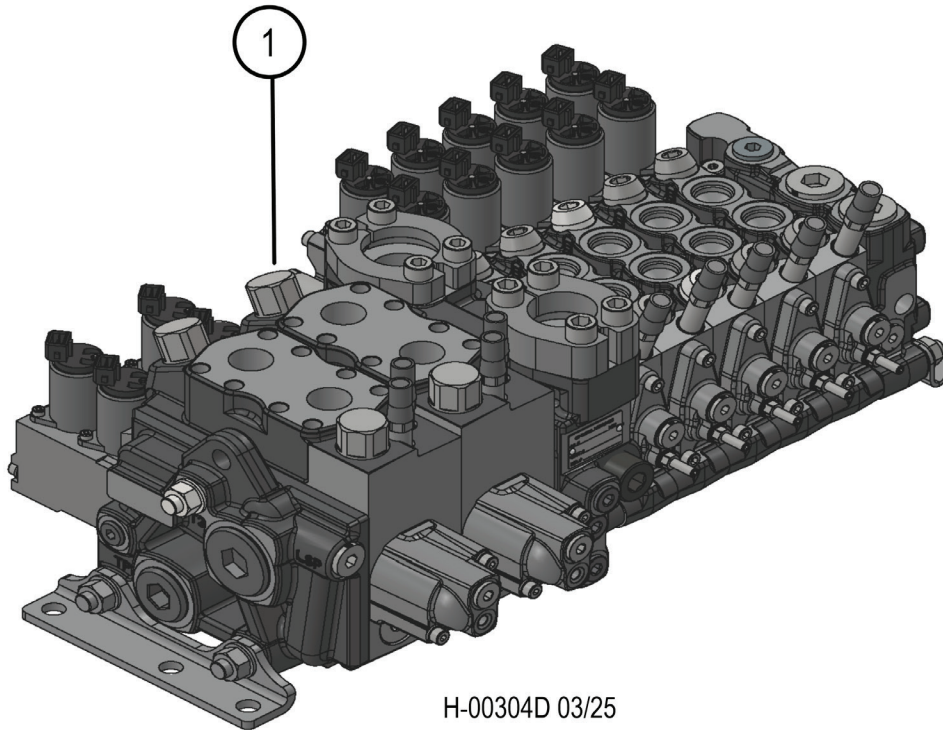
H-00308D 03/25

<b>Item</b>	<b>Part #</b>	<b>Description</b>	<b>Qty.</b>
1	20047168	OUTLET W/O PRV ASSEMBLY KIT	1
*	19211260	HEX PLUG #6 SAE ZERO LEAK HOLLOW	1
*	19211265	PLUG #16 SAE	1
*	19211266	PLUG #20 SAE	1
*	19216382	#8 SAE HOLLOW HEX PLUG	1
*	19215600	COMBI 2 SECT	1
*	19213068	TIE RODS	1
*	19234558	SERIAL NUMBER NAMEPLATE	1
*	19221324	DRIVE SCREW	1
			2

\*MEANS NOT SHOWN

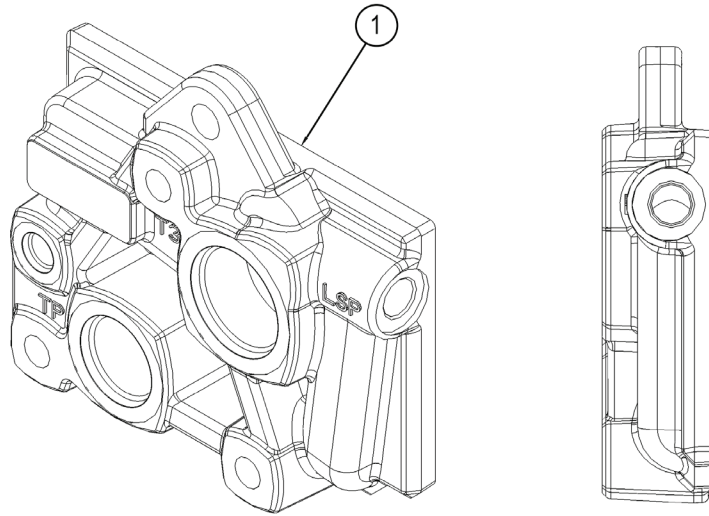


H0120 - 2248900 - MAIN VALVE - SQUIRT STICK W/GRAPPLE + SAW



Item	Part #	Description	Qty.
1	53318	VALVE, MAIN - IMP (2K220/5L90)	1

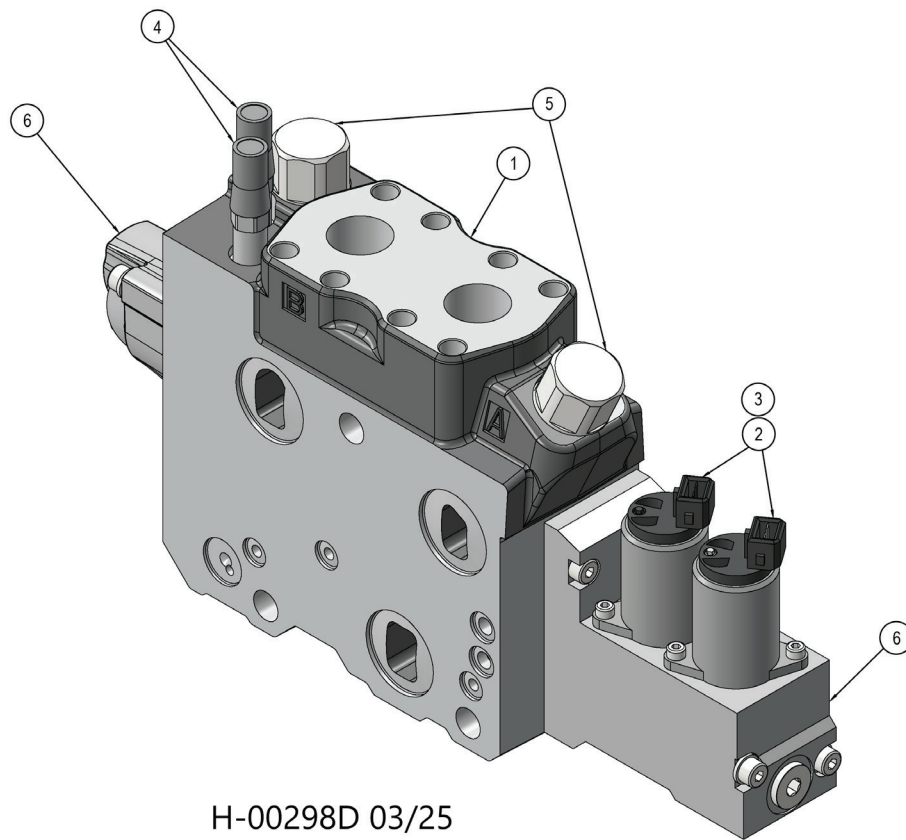
# H0120 - 2248900 - K220 MAIN VALVE SECTION - OUTLET



H-00307D 03/25

<u>Item</u>	<u>Part #</u>	<u>Description</u>	<u>Qty.</u>
1	20089106	K220 OUTLET W/T31 AND P2	1

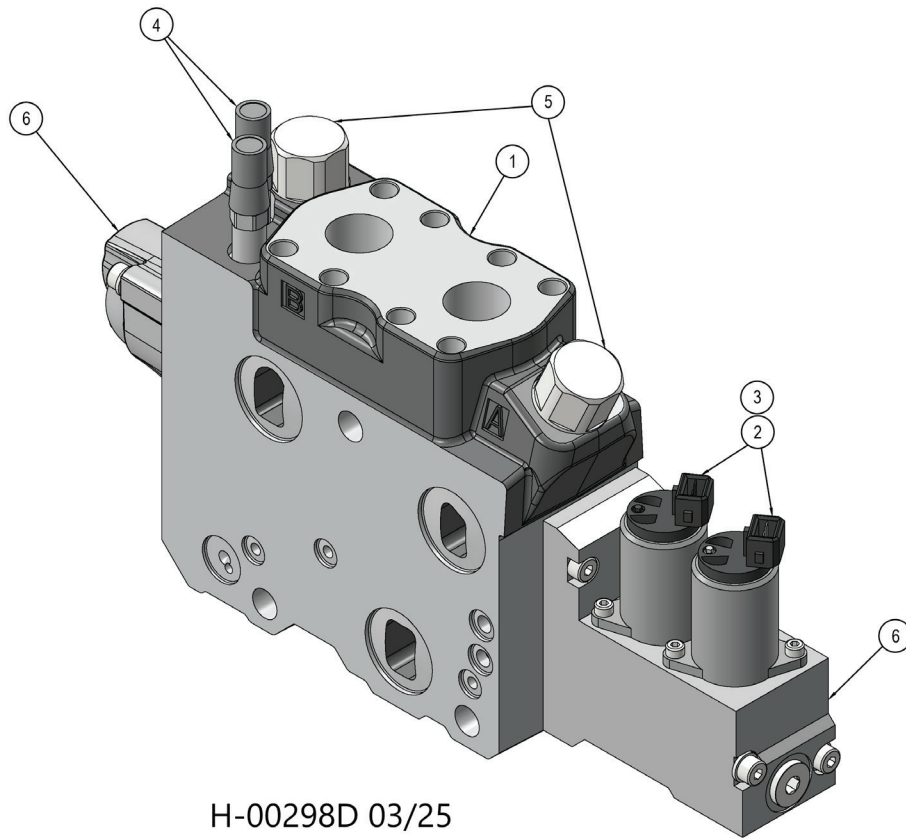
## H0120 - 2248900 - K220 MAIN VALVE SECTION - STICK BOOM



Item	Part #	Description	Qty.
1	699210	VALVE SECTION, STICK - K220	1
2	20068454	SOLENOID (TORQUE 26IN-LBS)	2
3	19213043	PILOT ORIFICE	2
4	699170	SUPPLY REDUCER (TORQUE 88IN-LBS)	1
5	56161	PORT RELIEF VALVE (TORQUE 74FT-LBS)	2
6	19217353	CAP KIT (TORQUE 88IN-LBS)	1
*	19217324	SPOOL (NOT SHOWN)	1
*	19217318	COMPENSATOR (NOT SHOWN) (TORQUE 74FT-LBS)	1

\*MEANS NOT SHOWN

## H0120 - 2248900 - K220 MAIN VALVE SECTION - MAIN BOOM

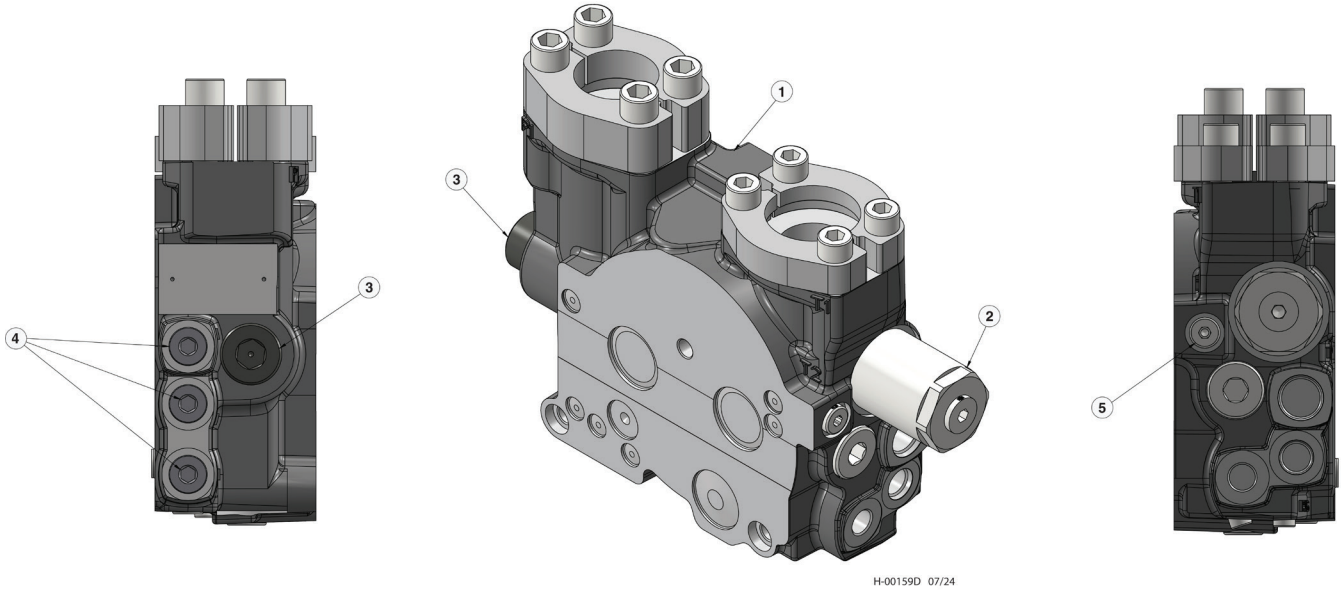


H-00298D 03/25

Item	Part #	Description	Qty.
1	699210	VALVE SECTION, STICK - K220	1
2	20068454	SOLENOID (TORQUE 26IN-LBS)	2
3	19213043	PILOT ORIFICE	2
4	699170	SUPPLY REDUCER (TORQUE 88IN-LBS)	1
5	56161	PORT RELIEF VALVE COMPENSATOR (TORQUE 74FT-LBS)	2
6	19217353	CAP KIT (TORQUE 88IN-LBS)	1
*	19217359	SPOOL (NOT SHOWN)	1
*	19217319	COMPENSATOR (NOT SHOWN) (TORQUE 74FT-LBS)	1
*	19213044	PILOT ORIFICE	1

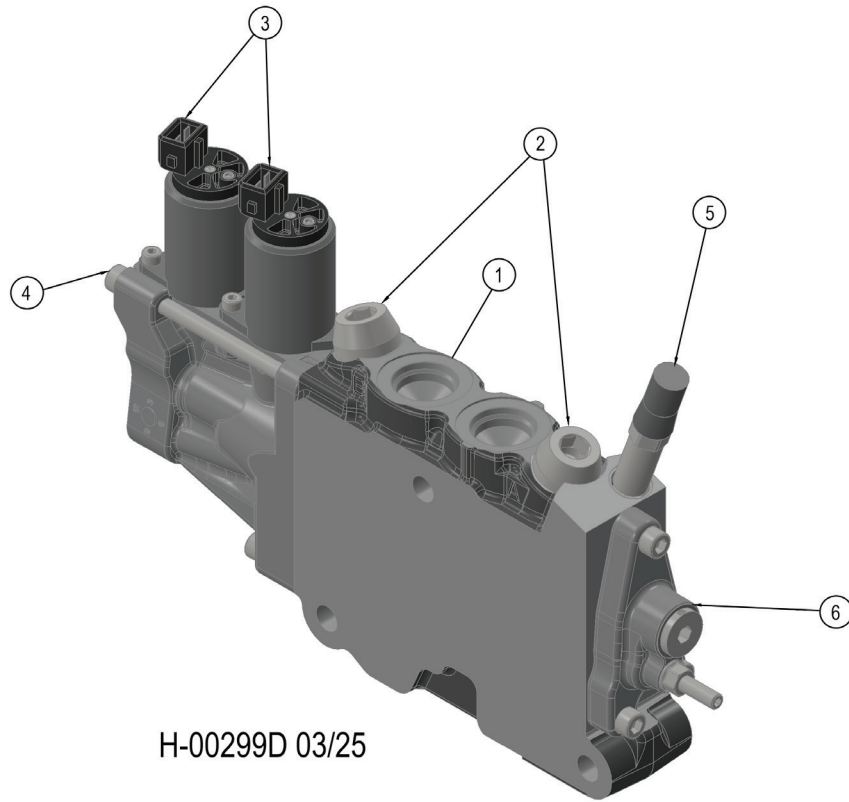
\*MEANS NOT SHOWN

## H0120 - 2248900 - K220 MAIN VALVE SECTION - INLET



<b>Item</b>	<b>Part #</b>	<b>Description</b>	<b>Qty.</b>
1	20089023	INLET SECTION	1
2	19217259	COUNTER PRESSURE (TORQUE 74FT-LBS)	1
3	19217256	RELIEF MAIN (TORQUE 74FT-LBS)	1
4	19215123	PLUG (TORQUE 22FT-LBS)	3
5	19206051	SCREW (TORQUE 44IN-LBS)	1
			1

## H0120 - 2248900 - LS90 VALVE SECTION SQUIRT

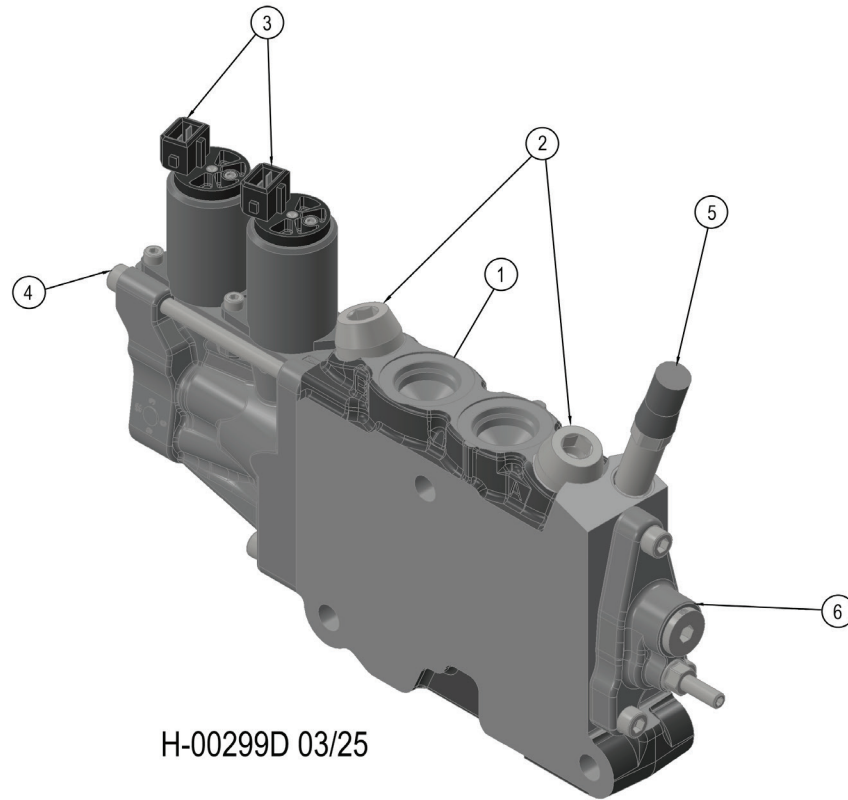


H-00299D 03/25

Item	Part #	Description	Qty.
1	20088605	VALVE SECTION	1
2	19213479	PORT RV	2
3	20068454	SOLENOID	2
4	20068455	B SIDE ACTUATOR CAP	1
5	699170	SUPPLY REDUCER	1
6	19213497	EC2 KIT W/O LEVER SHAFT	1
*	19213577	SPOOL	1
*	20047208	COMPENSATOR	1

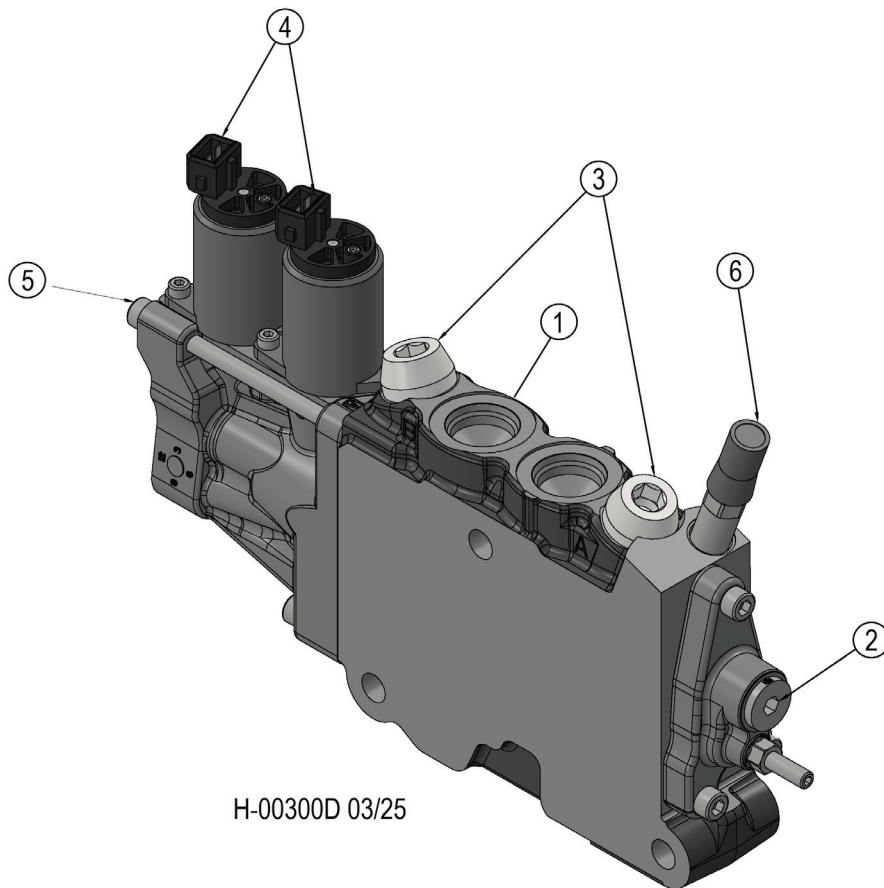
\*MEANS NOT SHOWN

## H0120 - 2248900 - L90 MAIN VALVE SECTION - GRAPPLE ROTATE



Item	Part #	Description	Qty.
1	20047199	VALVE SECTION	1
2	19213479	PORT RV	2
3	20068454	SOLENOID	2
4	20068455	B SIDE ACTUATOR CAP	1
5	699170	SUPPLY REDUCER	1
6	19213497	EC2 KIT W/O LEVER SHAFT	1

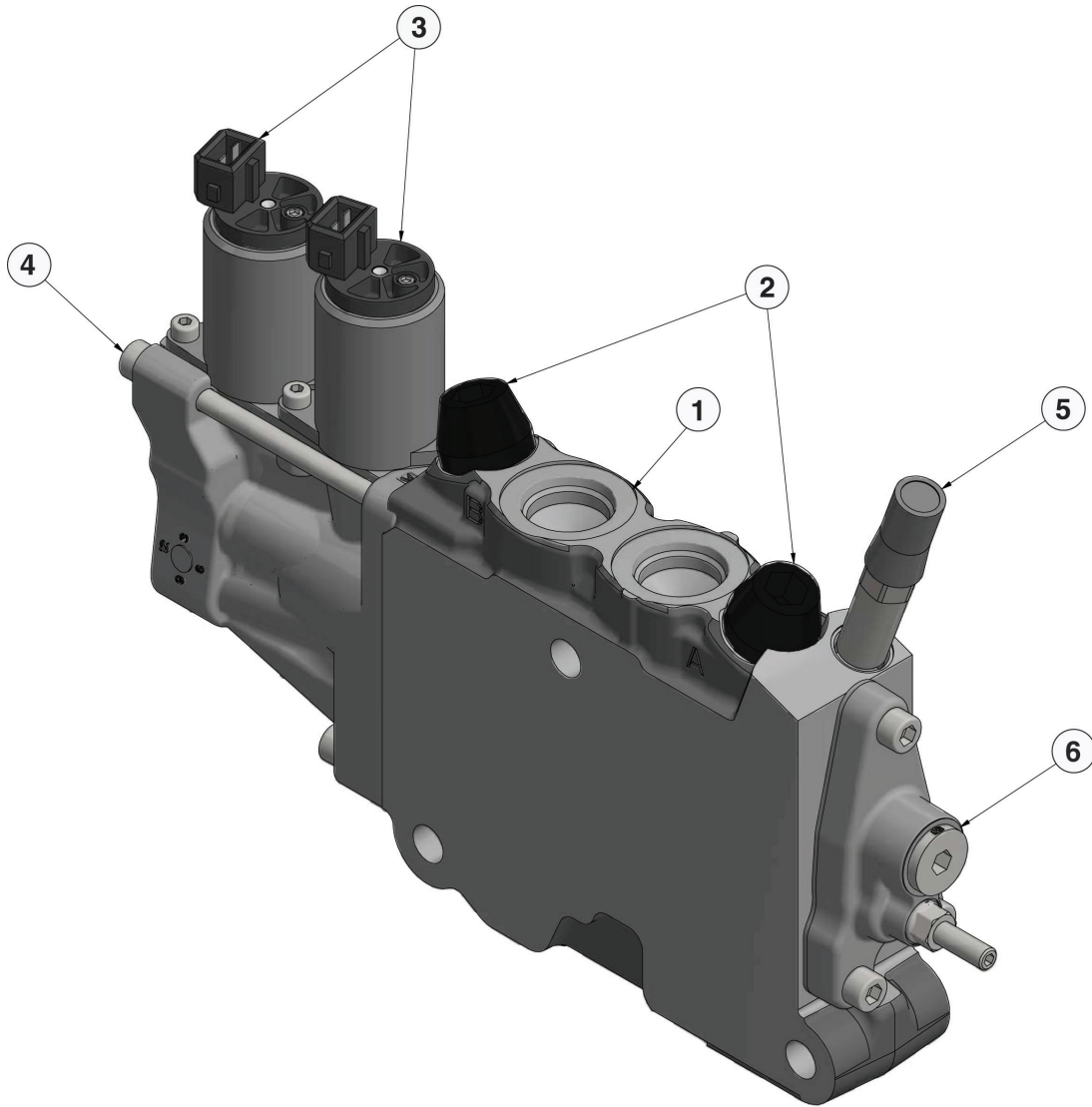
## H0120 - 2248900 - L90 MAIN VALVE SECTION - GRAPPLE O/C



Item	Part #	Description	Qty.
1	20047199	VALVE SECTION	1
2	19213497	EC2 KIT W/O LEVER SHAFT	1
3	19213481	PORT RV	1
4	20068454	SOLENOID	2
5	20068455	B - SIDE ACTUATOR CAP	1
6	699170	REDUCER	1
*	20047205	COMPENSATOR (NOT SHOWN)	1
*	19213577	SPOOL	1

\*MEANS NOT SHOWN

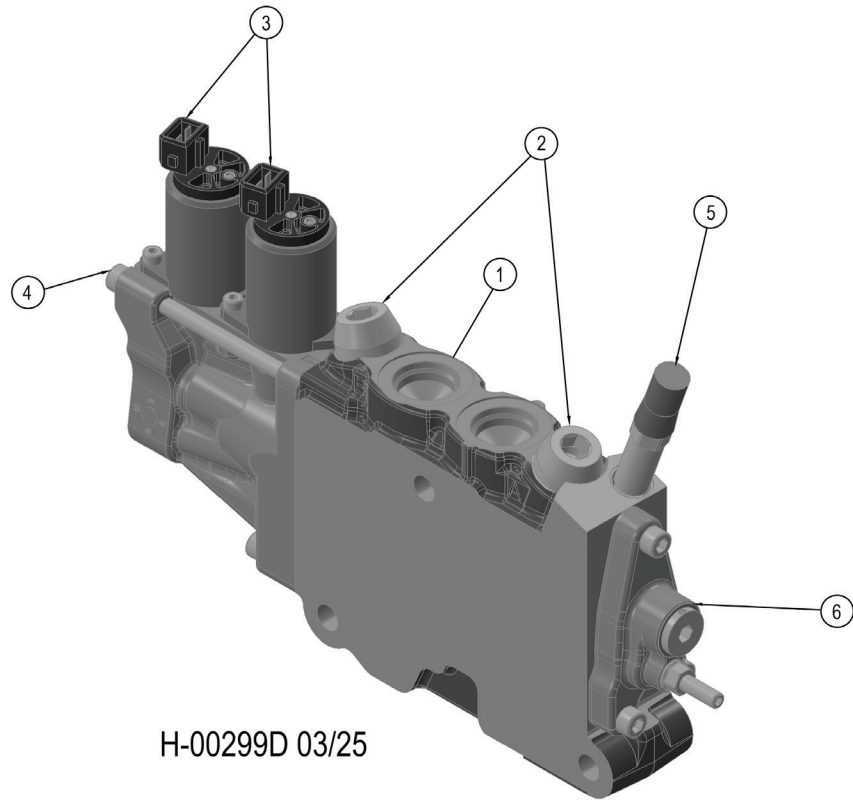
## H0120 - 2248900 - L90 MAIN VALVE SECTION - STEER



H-00160D 07/24

Item	Part #	Description	Qty.
1	20047199	VALVE SECTION, L90	1
2	19213479	PORT RV	2
3	20068454	SOLENOID	2
4	20068455	B SIDE ACTUATOR CAP	1
5	699170	SUPPLY REDUCER	1
6	19213497	EC2 KIT W/O LEVER SHAFT	1

# H0120 - 2248900 - L90 MAIN VALVE SECTION - SAW

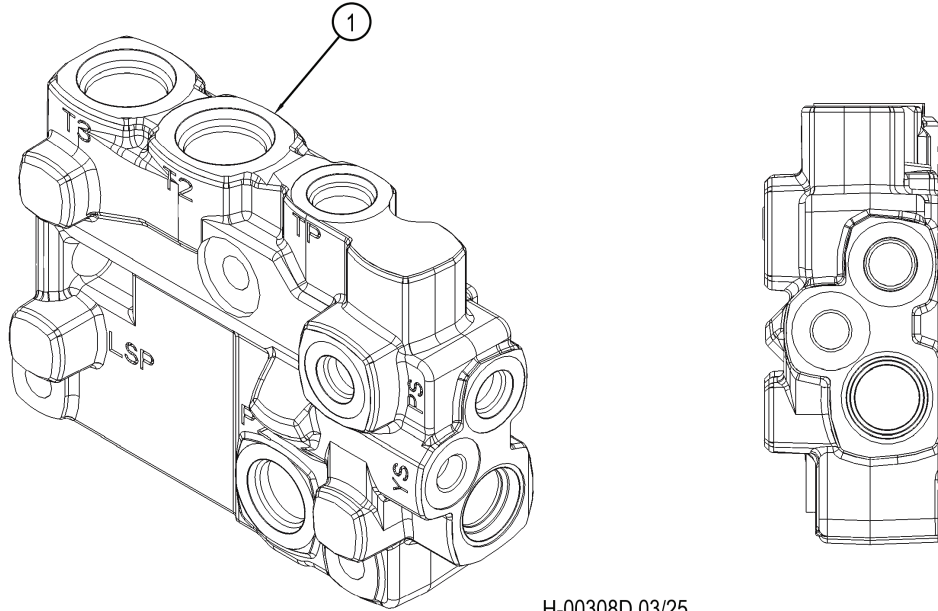


H-00299D 03/25

Item	Part #	Description	Qty.
1	20047199	VALVE SECTION	1
2	19213482	PORT RV	2
3	20068454	SOLENOID	2
4	20068455	B SIDE ACTUATOR CAP	1
5	699170	SUPPLY REDUCER	1
6	19213497	EC2 KIT W/O LEVER SHAFT	1
*	19213586	SPOOL	1
*	20047208	COMPENSATOR	1

\*MEANS NOT SHOWN

## H0120 - 2248900 - LS90 VALVE SECTION OUTLET

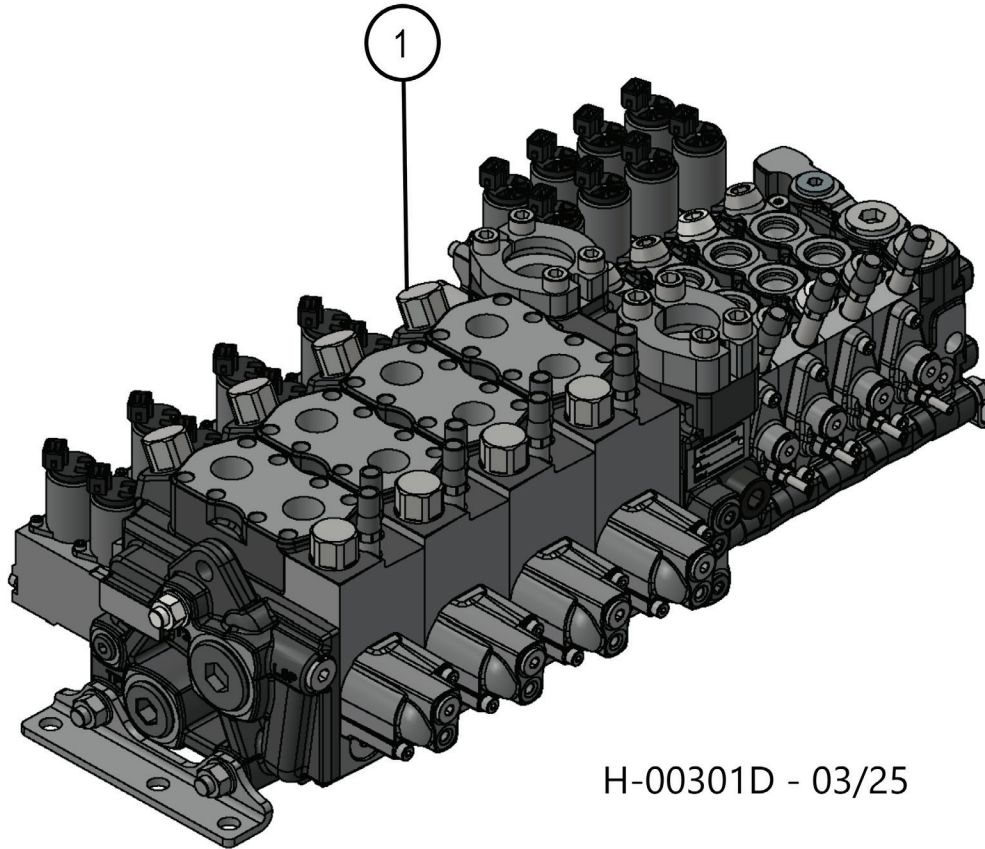


H-00308D 03/25

Item	Part #	Description	Qty.
1	20047168	OUTLET W/O PRV ASSEMBLY KIT	1
*	19211260	HEX PLUG #6 SAE ZERO LEAK HOLLOW	1
*	19211265	PLUG #16 SAE	1
*	19211266	PLUG #20 SAE	1
*	19216382	#8 SAE HOLLOW HEX PLUG	1
*	19215600	COMBI 2 SECT	1
*	19213604	TIE RODS	1
*	19234558	SERIAL NUMBER NAMEPLATE	1
*	19221324	DRIVE SCREW	1
			2
		*MEANS NOT SHOWN	



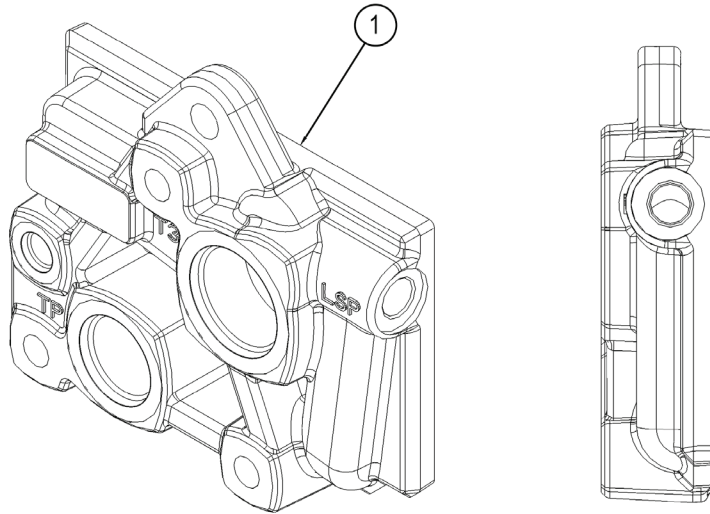
# H0120 - 2249000 - MAIN VALVE - SQUIRT STICK COMBO



H-00301D - 03/25

<u>Item</u>	<u>Part #</u>	<u>Description</u>	<u>Qty.</u>
1	57798	VALVE, MAIN - IMP (4K220/4L90) COMBO	1

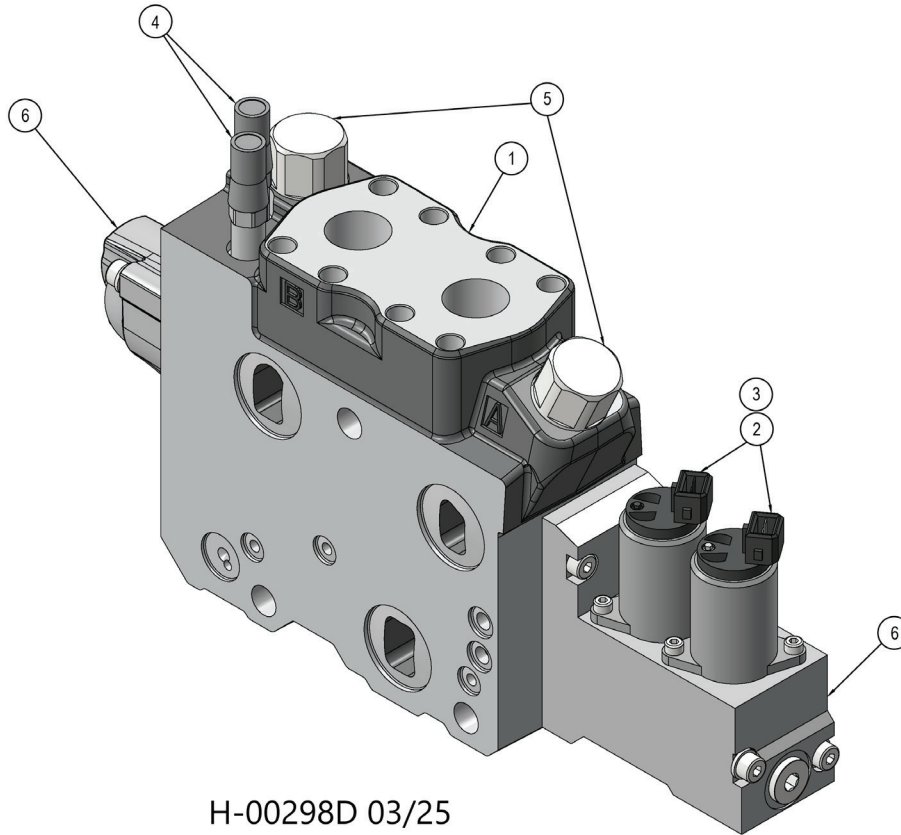
# H0120 - 2249000 - K220 MAIN VALVE SECTION - OUTLET



H-00307D 03/25

<b>Item</b>	<b>Part #</b>	<b>Description</b>	<b>Qty.</b>
1	20089106	K220 OUTLET W/T31 AND P2	1

## H0120 - 2249000 - K220 MAIN VALVE SECTION - STICK BOOM

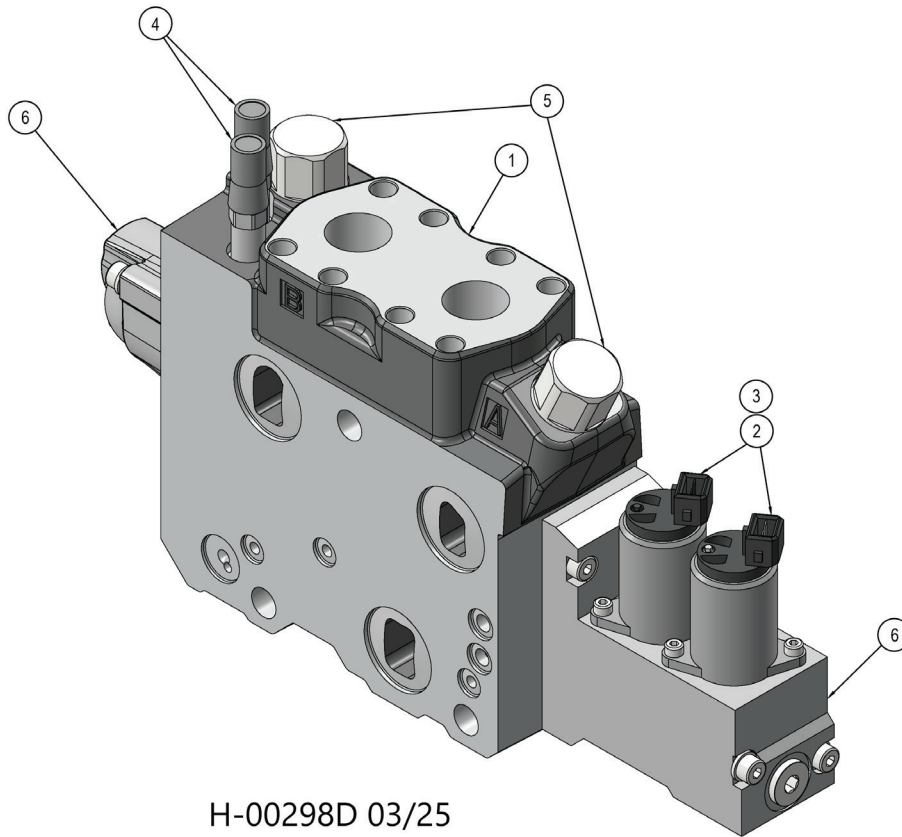


H-00298D 03/25

Item	Part #	Description	Qty.
1	699210	VALVE SECTION, STICK - K220	1
2	20068454	SOLENOID (TORQUE 26IN-LBS)	2
3	19213043	PILOT ORIFICE	2
4	699170	SUPPLY REDUCER (TORQUE 88IN-LBS)	1
5	56161	PORT RELIEF VALVE (TORQUE 74FT-LBS)	2
6	19217353	CAP KIT (TORQUE 88IN-LBS)	1
*	19217324	SPOOL (NOT SHOWN)	1
*	19217318	COMPENSATOR (NOT SHOWN) (TORQUE 74FT-LBS)	1

\*MEANS NOT SHOWN

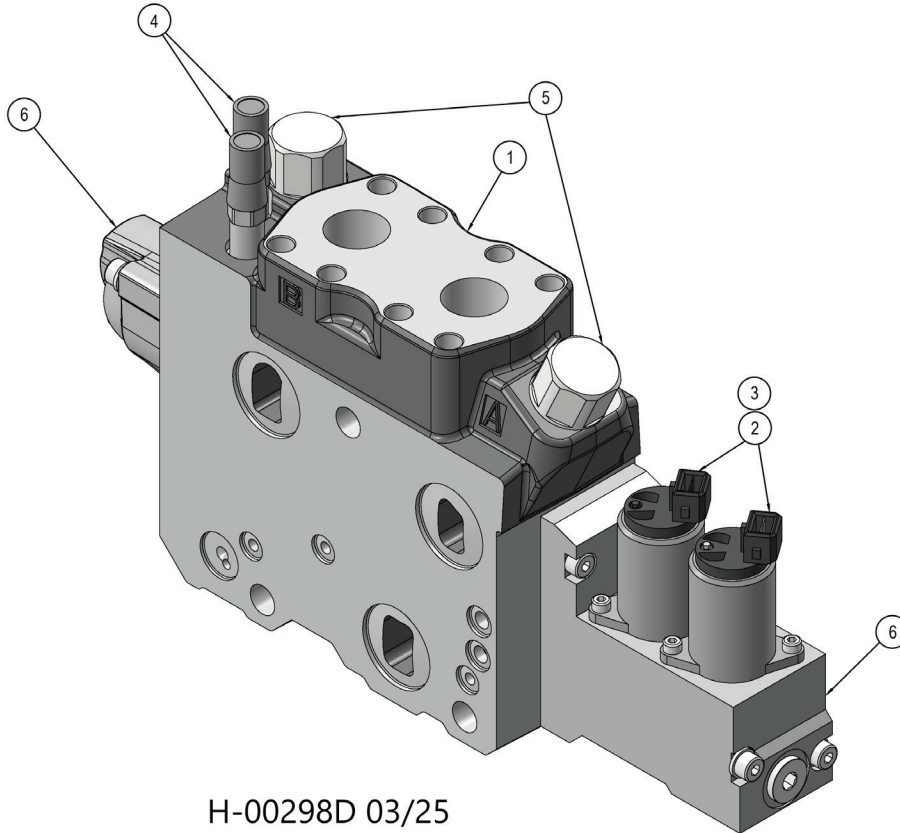
## H0120 - 2249000 - K220 MAIN VALVE SECTION - PROCESSOR



Item	Part #	Description	Qty.
1	699210	VALVE SECTION, STICK - K220	1
2	20068454	SOLENOID (TORQUE 26IN-LBS)	2
3	19213047	PILOT ORIFICE	2
4	699170	SUPPLY REDUCER (TORQUE 88IN-LBS)	1
5	56472	PORT RELIEF VALVE (TORQUE 74FT-LBS)	2
6	19217353	CAP KIT (TORQUE 88IN-LBS)	1
*	19217325	SPOOL (NOT SHOWN)	1
*	19215630	DAMPING KIT (NOT SHOWN) (TORQUE 74FT-LBS)	1

\*MEANS NOT SHOWN

## H0120 - 2249000 - K220 MAIN VALVE SECTION - PROCESSOR

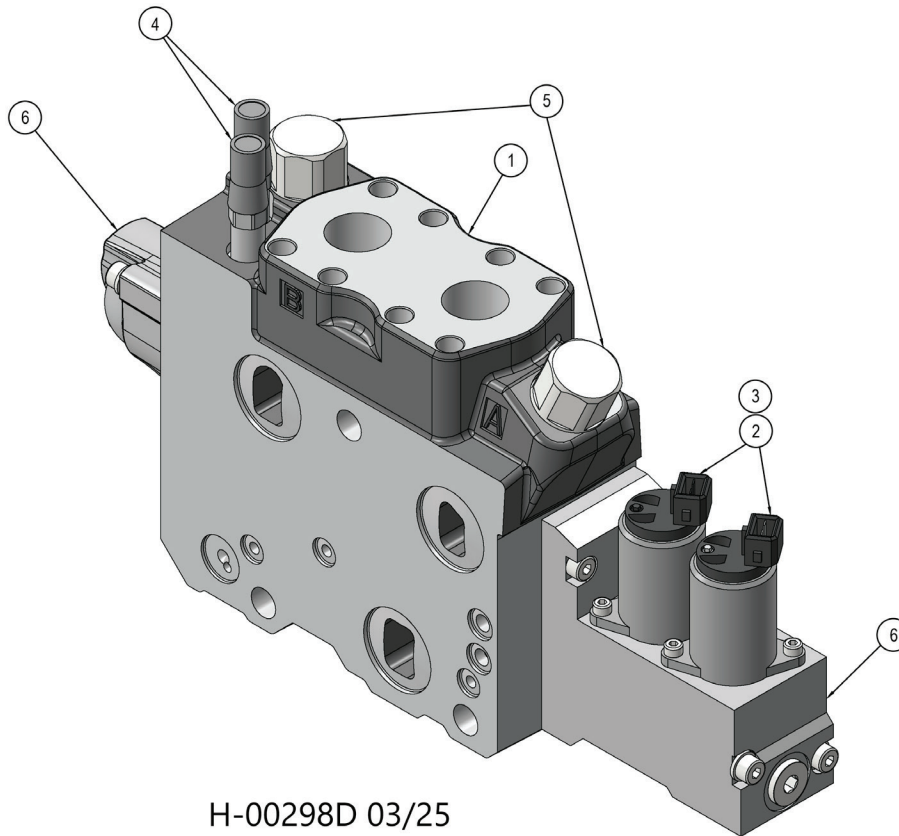


H-00298D 03/25

Item	Part #	Description	Qty.
1	699210	VALVE SECTION, STICK - K220	1
2	20068454	SOLENOID (TORQUE 26IN-LBS)	2
3	19213047	PILOT ORIFICE	2
4	699170	SUPPLY REDUCER (TORQUE 88IN-LBS)	1
5	56472	PORT RELIEF VALVE (TORQUE 74FT-LBS)	2
6	19217353	CAP KIT (TORQUE 88IN-LBS)	1
*	19217325	SPOOL (NOT SHOWN)	1
*	19215630	DAMPING KIT (NOT SHOWN) (TORQUE 74FT-LBS)	1

\*MEANS NOT SHOWN

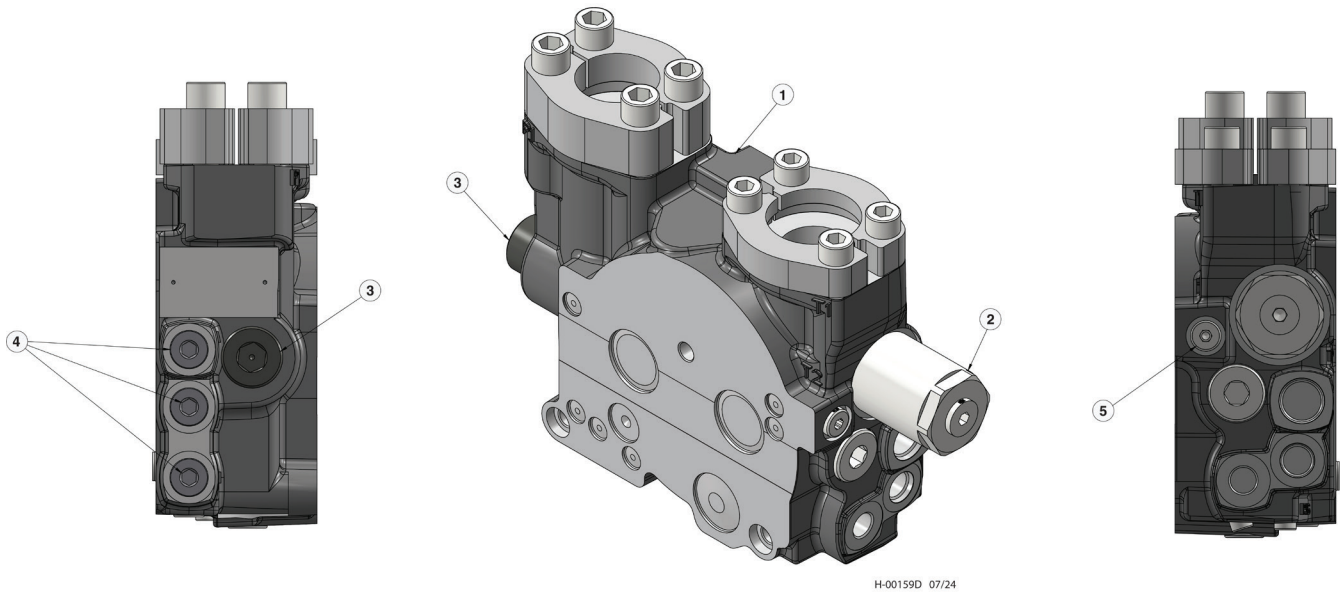
## H0120 - 2249000- K220 MAIN VALVE SECTION - MAIN BOOM



Item	Part #	Description	Qty.
1	699210	VALVE SECTION, STICK - K220	1
2	20068454	SOLENOID (TORQUE 26IN-LBS)	2
3	19213043	PILOT ORIFICE	2
4	699170	SUPPLY REDUCER (TORQUE 88IN-LBS)	1
5	56161	PORT RELIEF VALVE COMPENSATOR (TORQUE 74FT-LBS)	2
6	19217353	CAP KIT (TORQUE 88IN-LBS)	1
*	19217359	SPOOL (NOT SHOWN)	1
*	19217319	COMPENSATOR (NOT SHOWN) (TORQUE 74FT-LBS)	1
*	1921304	PILOT ORIFICE	1

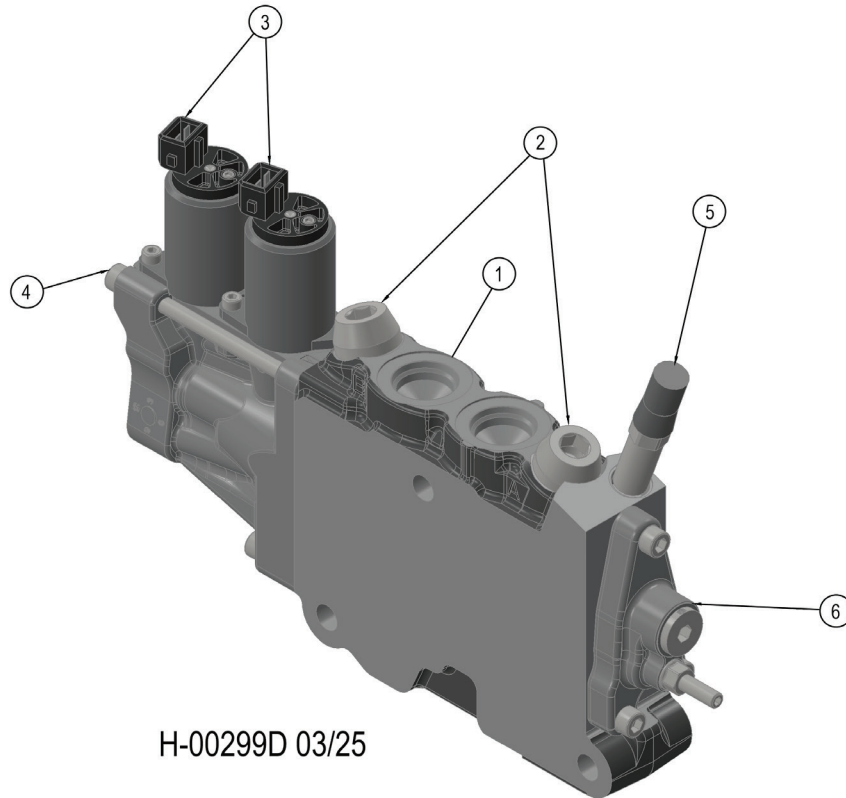
\*MEANS NOT SHOWN

## H0120 - 2249000 - K220 MAIN VALVE SECTION - INLET



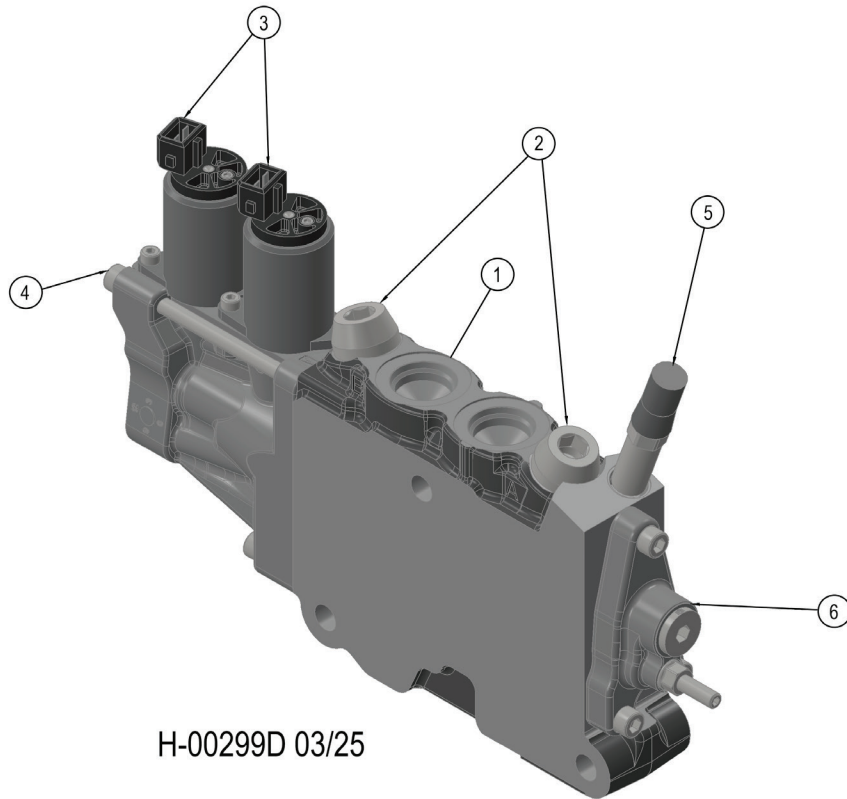
Item	Part #	Description	Qty.
1	20089023	INLET SECTION	1
2	19217259	COUNTER PRESSURE (TORQUE 74FT-LBS)	1
3	19217256	RELIEF MAIN (TORQUE 74FT-LBS)	1
4	19215123	PLUG (TORQUE 22FT-LBS)	3
5	19206051	SCREW (TORQUE 44IN-LBS)	1
			1

## H0120 - 2249000 - LS90 VALVE SECTION SQUIRT



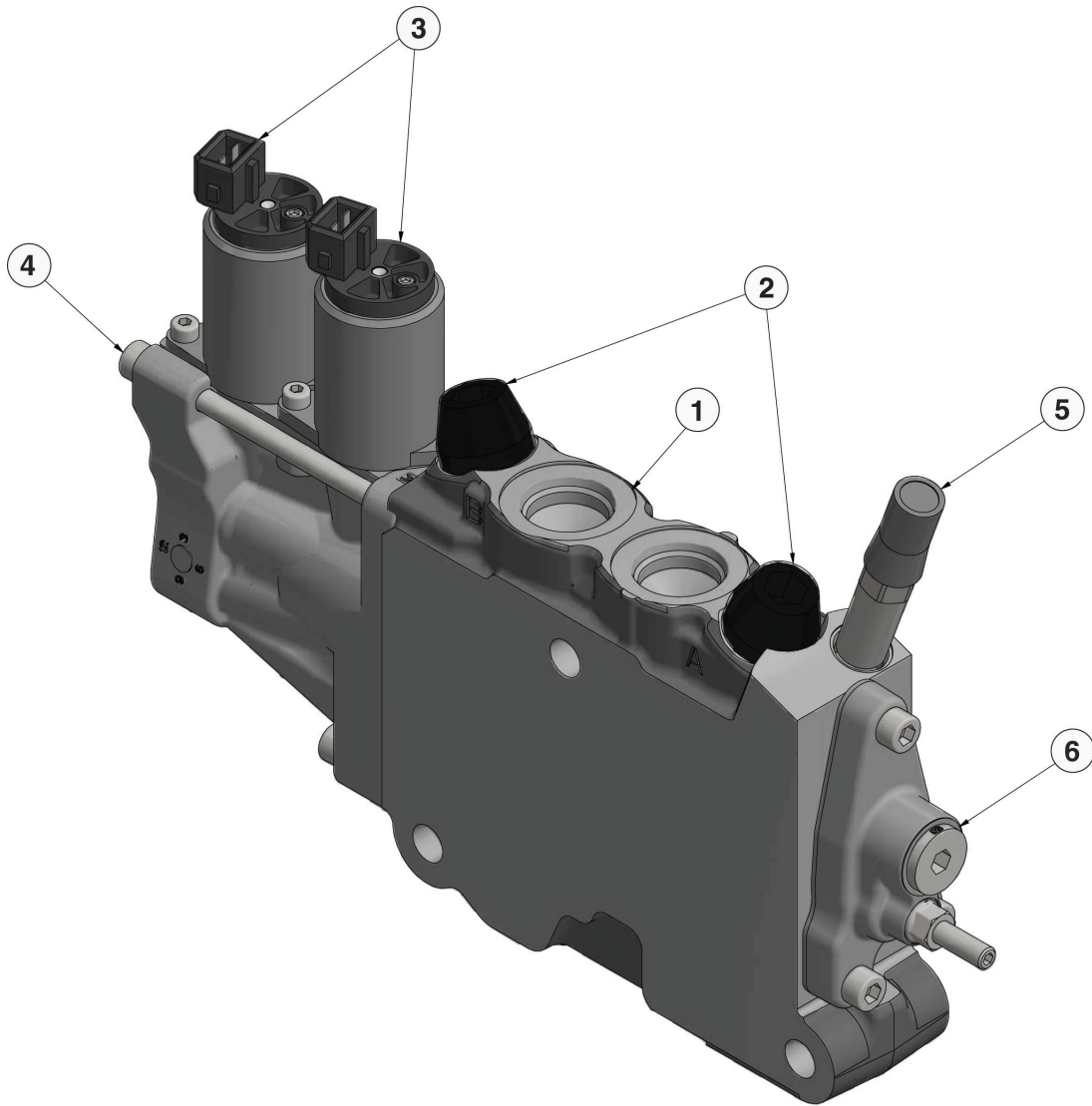
Item	Part #	Description	Qty.
1	20047199	VALVE SECTION	1
2	19213479	PORT RV	2
3	20068454	SOLENOID	2
4	20068455	B SIDE ACTUATOR CAP	1
5	699170	SUPPLY REDUCER	1
6	19213497	EC2 KIT W/O LEVER SHAFT	1

# H0120 - 2249000 - L90 MAIN VALVE SECTION - GRAPPLE ROTATE



Item	Part #	Description	Qty.
1	20047199	VALVE SECTION	1
2	19213479	PORT RV	2
3	20068454	SOLENOID	2
4	20068455	B SIDE ACTUATOR CAP	1
5	699170	SUPPLY REDUCER	1
6	19213497	EC2 KIT W/O LEVER SHAFT	1

# H0120 - 2249000 - LS90 VALVE SECTION - O/C

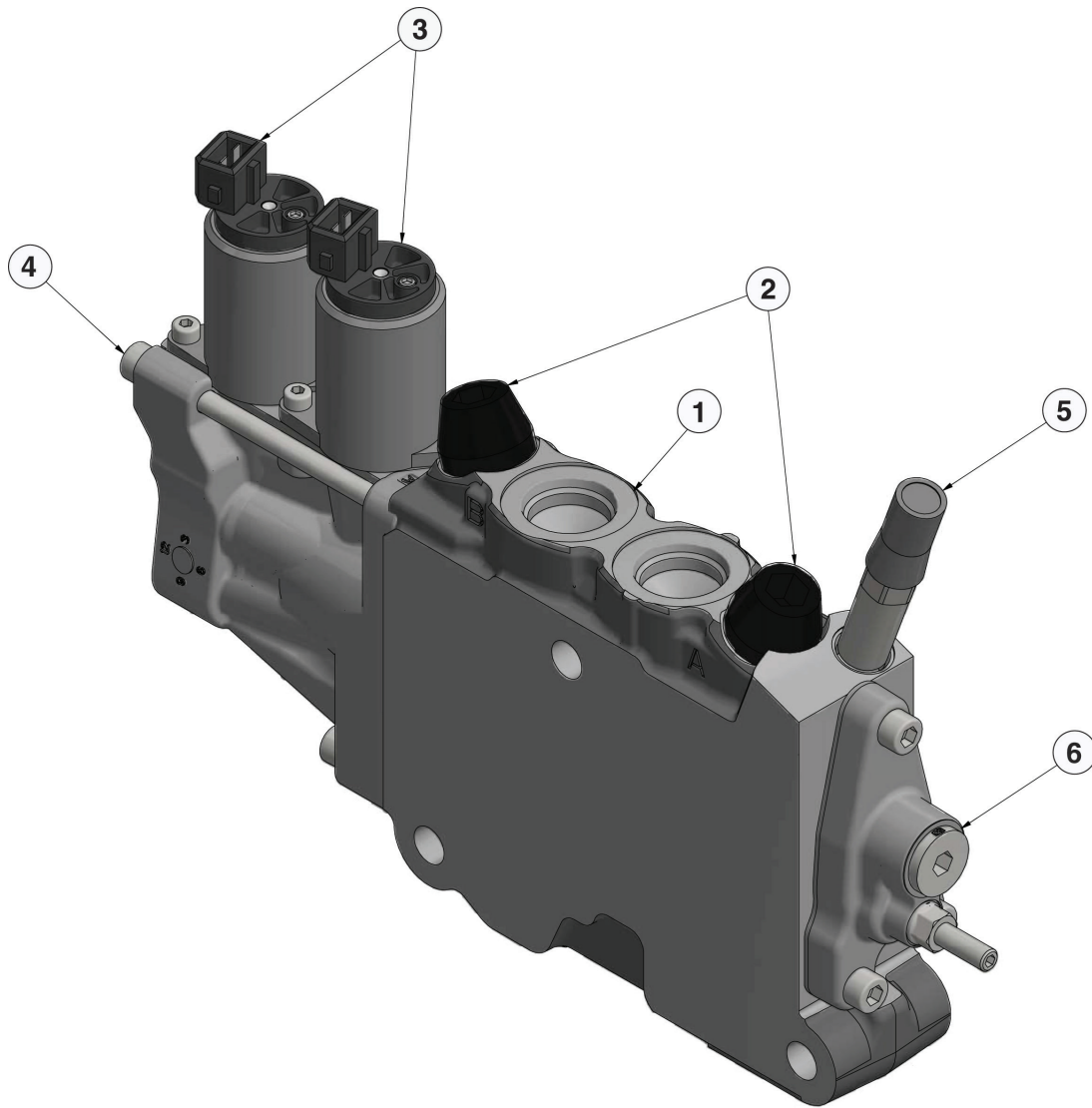


H-00160D 07/24

Item	Part #	Description	Qty.
1	20047199	VALVE SECTION, L90	1
2	19213481	PORT RV	2
3	20068454	SOLENOID	2
4	20068455	B SIDE ACTUATOR CAP	1
5	699170	SUPPLY REDUCER	1
6	19213497	EC2 KIT W/O LEVER SHAFT	1
*	20047208	COMPENSATOR	1
*	19213577	SPOOL	1

\*MEANS NOT SHOWN

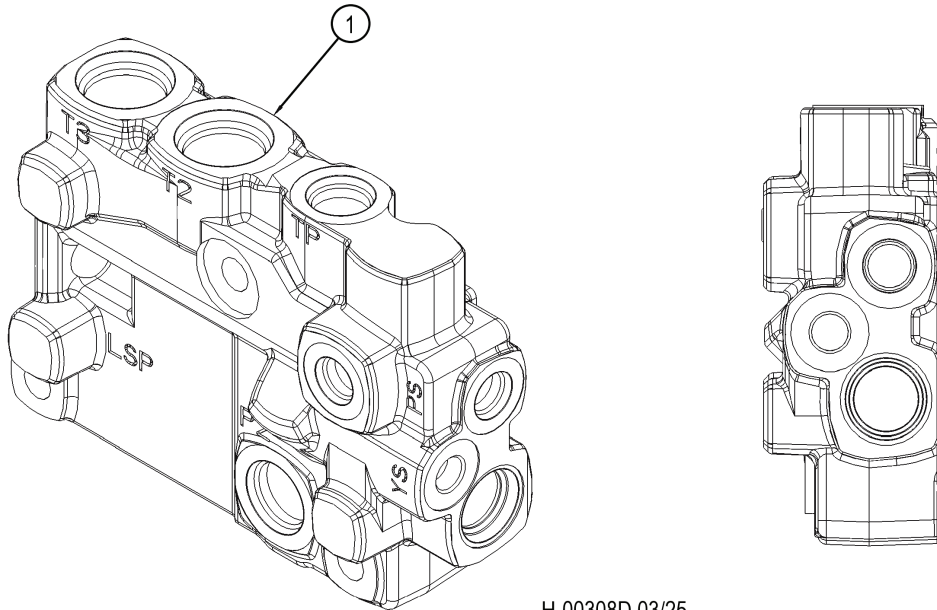
## H0120 - 2249000 - L90 MAIN VALVE SECTION - STEER



H-00160D 07/24

Item	Part #	Description	Qty.
1	20047199	VALVE SECTION, L90	1
2	19213479	PORT RV	2
3	20068454	SOLENOID	2
4	20068455	B SIDE ACTUATOR CAP	1
5	699170	SUPPLY REDUCER	1
6	19213497	EC2 KIT W/O LEVER SHAFT	1

## H0120 - 2249000 - LS90 VALVE SECTION OUTLET

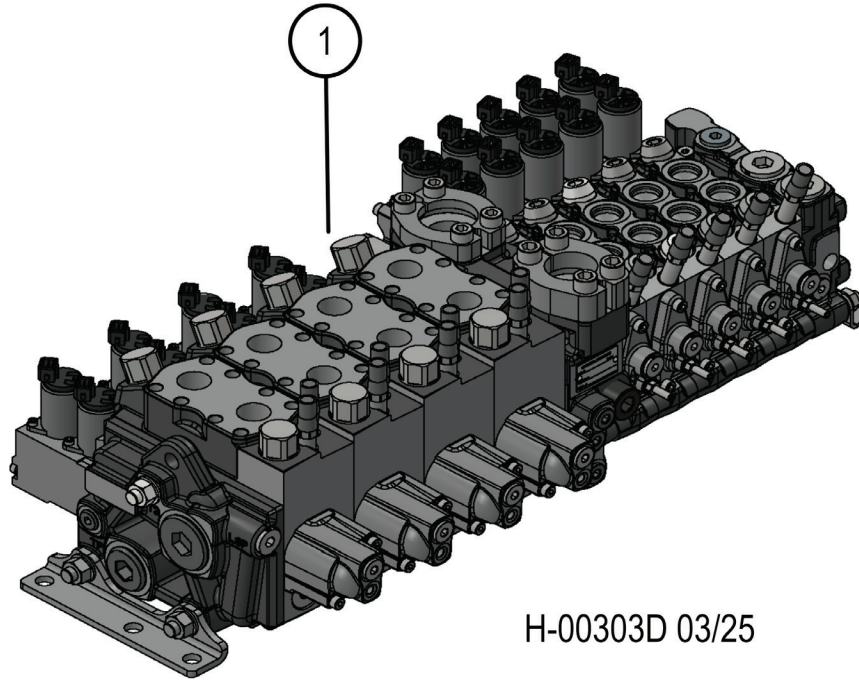


H-00308D 03/25

Item	Part #	Description	Qty.
1	20047168	OUTLET W/O PRV ASSEMBLY KIT	1
*	19211260	HEX PLUG #6 SAE ZERO LEAK HOLLOW	1
*	19211265	PLUG #16 SAE	1
*	19211266	PLUG #20 SAE	1
*	19216382	#8 SAE HOLLOW HEX PLUG	1
*	19215602	TIE ROD KIT	1
*	19213068	TIE RODS	1
*	19234558	SERIAL NUMBER NAMEPLATE	1
*	19221324	DRIVE SCREW	1
			2

\*MEANS NOT SHOWN

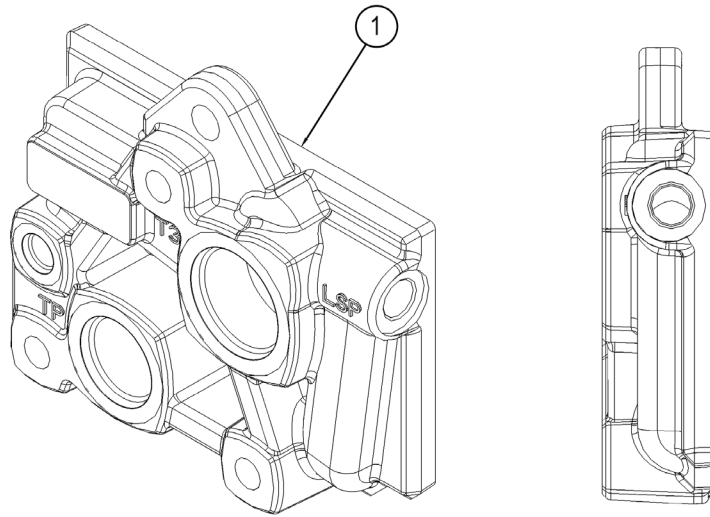
# H0120 - 2249100 - MAIN VALVE - SQUIRT STICK COMBO W/BLADE



H-00303D 03/25

<b>Item</b>	<b>Part #</b>	<b>Description</b>	<b>Qty.</b>
1	58257	VALVE, MAIN - IMP (4K220/5L90)COMB/BLADE	1

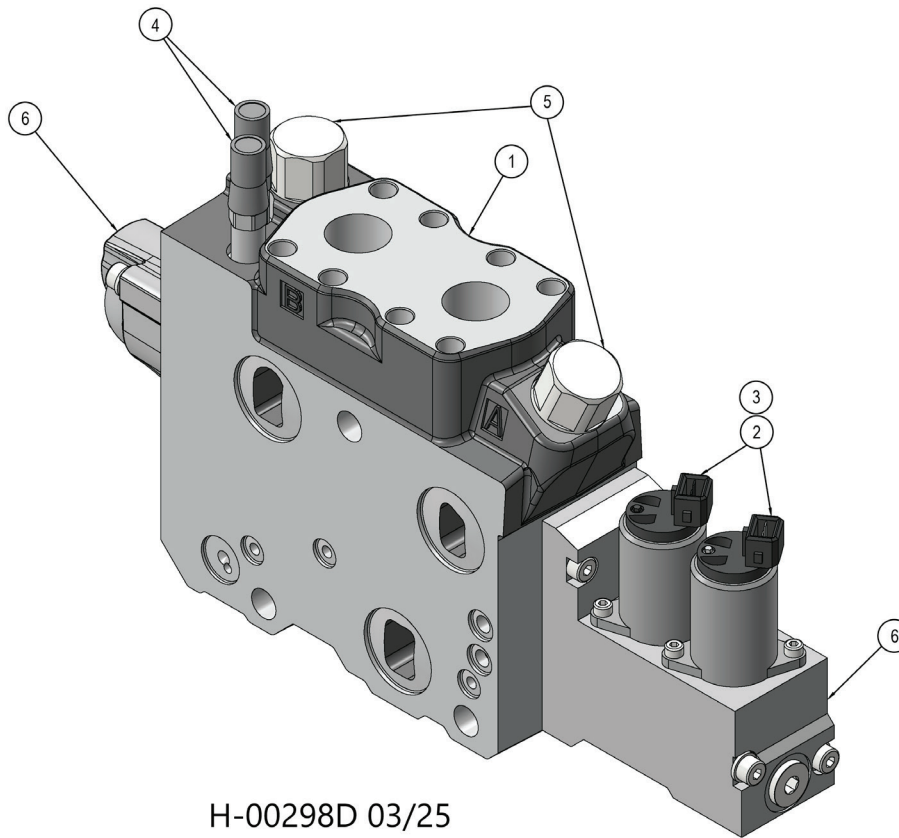
# H0120 - 2249100 - K220 MAIN VALVE SECTION - OUTLET



H-00307D 03/25

<b>Item</b>	<b>Part #</b>	<b>Description</b>	<b>Qty.</b>
1	20089106	K220 OUTLET W/T31 AND P2	1

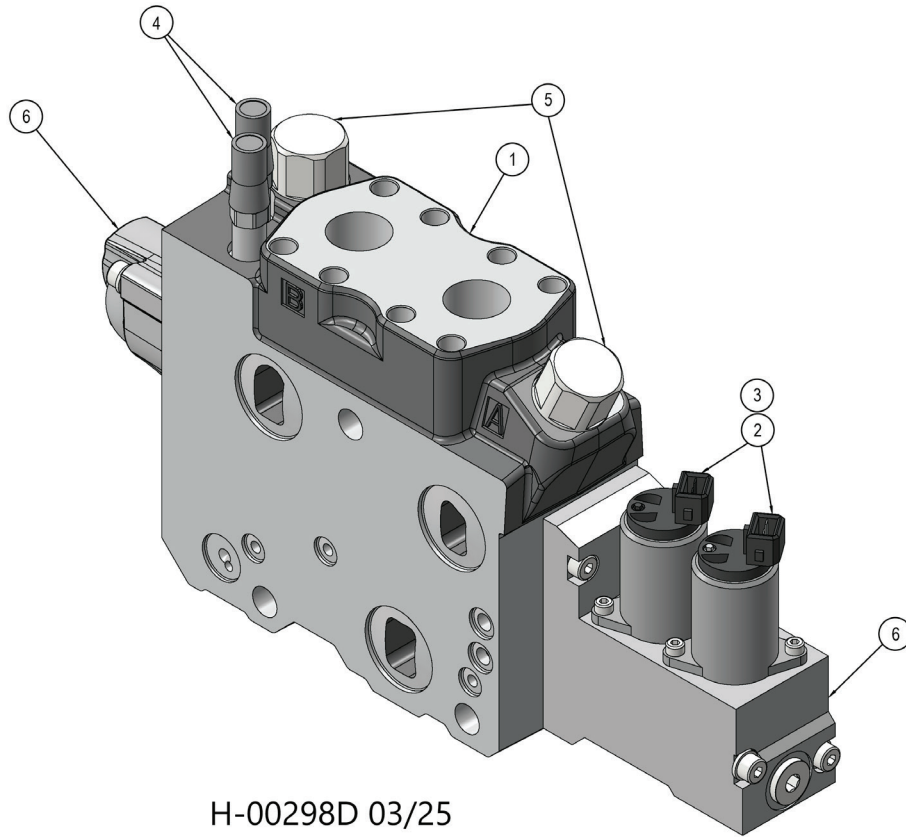
## H0120 - 2249100 - K220 MAIN VALVE SECTION - STICK BOOM



Item	Part #	Description	Qty.
1	699210	VALVE SECTION, STICK - K220	1
2	20068454	SOLENOID (TORQUE 26IN-LBS)	2
3	19213043	PILOT ORIFICE	2
4	699170	SUPPLY REDUCER (TORQUE 88IN-LBS)	1
5	56161	PORT RELIEF VALVE (TORQUE 74FT-LBS)	2
6	19217353	CAP KIT (TORQUE 88IN-LBS)	1
*	19217324	SPOOL (NOT SHOWN)	1
*	19217318	COMPENSATOR (NOT SHOWN) (TORQUE 74FT-LBS)	1

\*MEANS NOT SHOWN

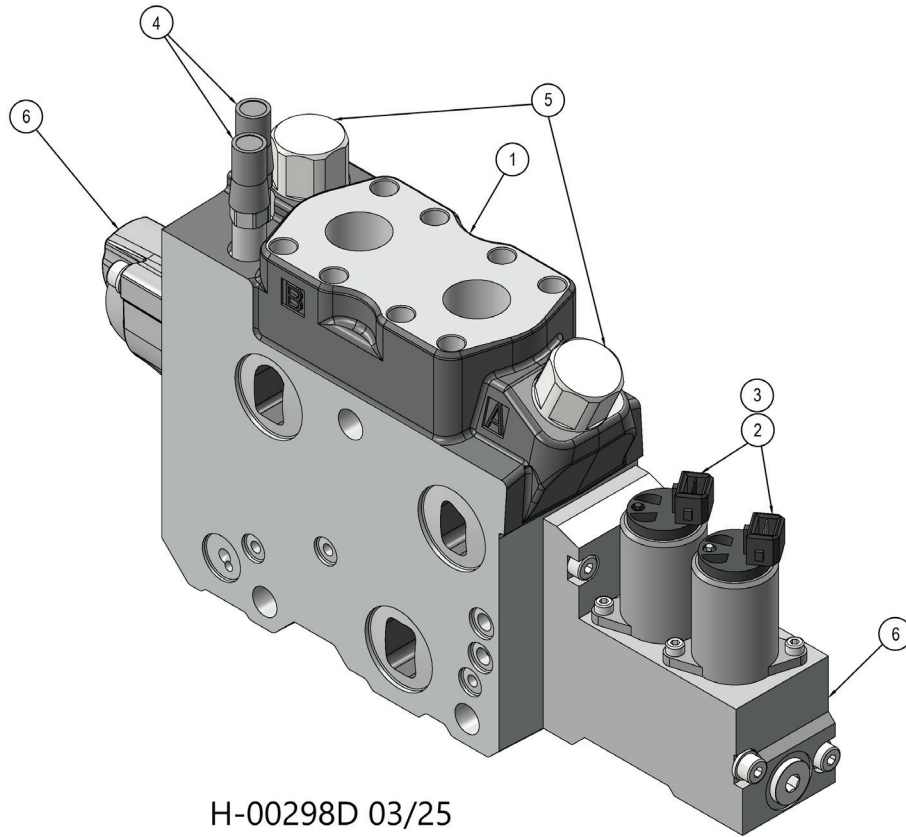
## H0120 - 2249100 - K220 MAIN VALVE SECTION - PROCESSOR



Item	Part #	Description	Qty.
1	699210	VALVE SECTION, STICK - K220	2
2	20068454	SOLENOID (TORQUE 26IN-LBS)	2
3	19213047	PILOT ORIFICE	2
4	699170	SUPPLY REDUCER (TORQUE 88IN-LBS)	1
5	56472	PORT RELIEF VALVE (TORQUE 74FT-LBS)	2
6	19217353	CAP KIT (TORQUE 88IN-LBS)	1
*	19217325	SPOOL (NOT SHOWN)	1
*	19215630	DAMPING KIT (NOT SHOWN) (TORQUE 74FT-LBS)	1

\*MEANS NOT SHOWN

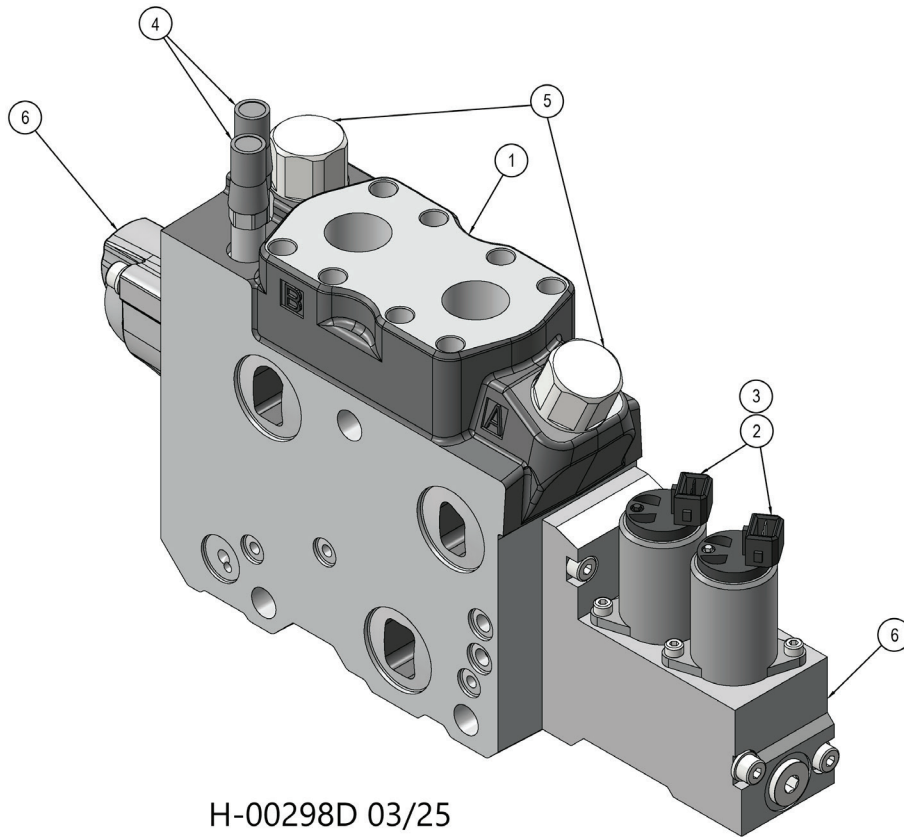
## H0120 - 2249100 - K220 MAIN VALVE SECTION - PROCESSOR



Item	Part #	Description	Qty.
1	699210	VALVE SECTION, STICK - K220	2
2	20068454	SOLENOID (TORQUE 26IN-LBS)	2
3	19213047	PILOT ORIFICE	2
4	699170	SUPPLY REDUCER (TORQUE 88IN-LBS)	1
5	56472	PORT RELIEF VALVE (TORQUE 74FT-LBS)	2
6	19217353	CAP KIT (TORQUE 88IN-LBS)	1
*	19217325	SPOOL (NOT SHOWN)	1
*	19215630	DAMPING KIT (NOT SHOWN) (TORQUE 74FT-LBS)	1

\*MEANS NOT SHOWN

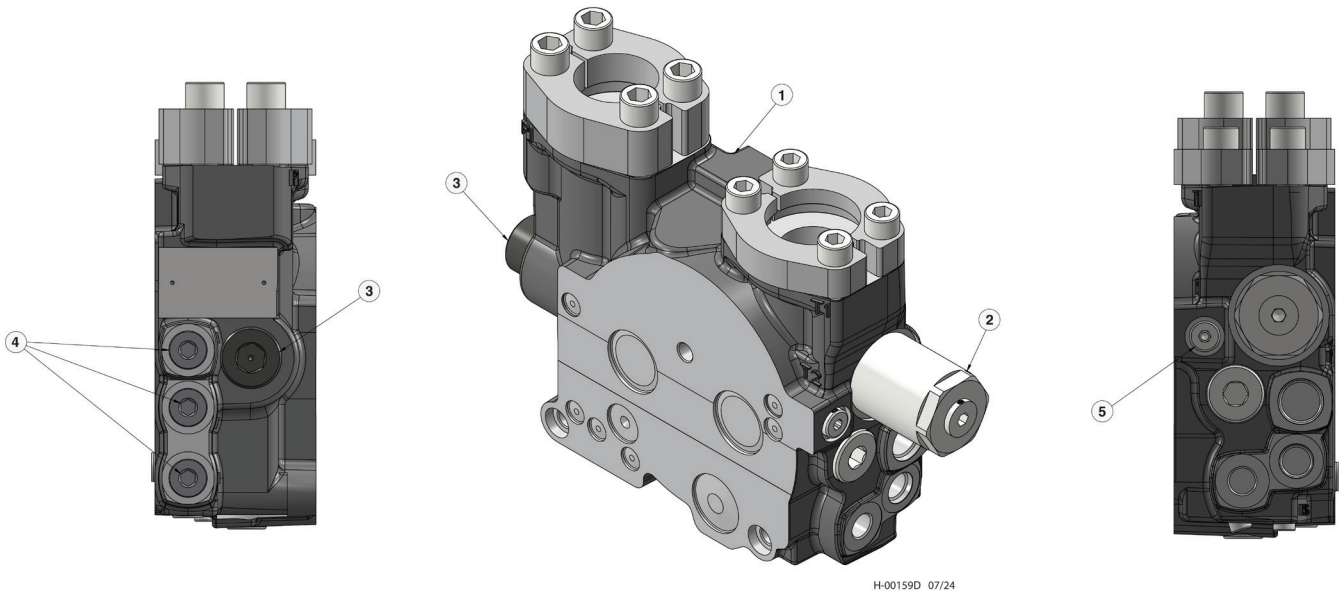
## H0120 - 2249100 - K220 MAIN VALVE SECTION - MAIN BOOM



Item	Part #	Description	Qty.
1	699210	VALVE SECTION, STICK - K220	1
2	20068454	SOLENOID (TORQUE 26IN-LBS)	2
3	19213043	PILOT ORIFICE	2
4	699170	SUPPLY REDUCER (TORQUE 88IN-LBS)	1
5	56161	PORT RELIEF VALVE COMPENSATOR (TORQUE 74FT-LBS)	2
6	19217353	CAP KIT (TORQUE 88IN-LBS)	1
*	19217359	SPOOL (NOT SHOWN)	1
*	19217319	COMPENSATOR (NOT SHOWN) (TORQUE 74FT-LBS)	1
*	19213044	PILOT ORIFICE	1

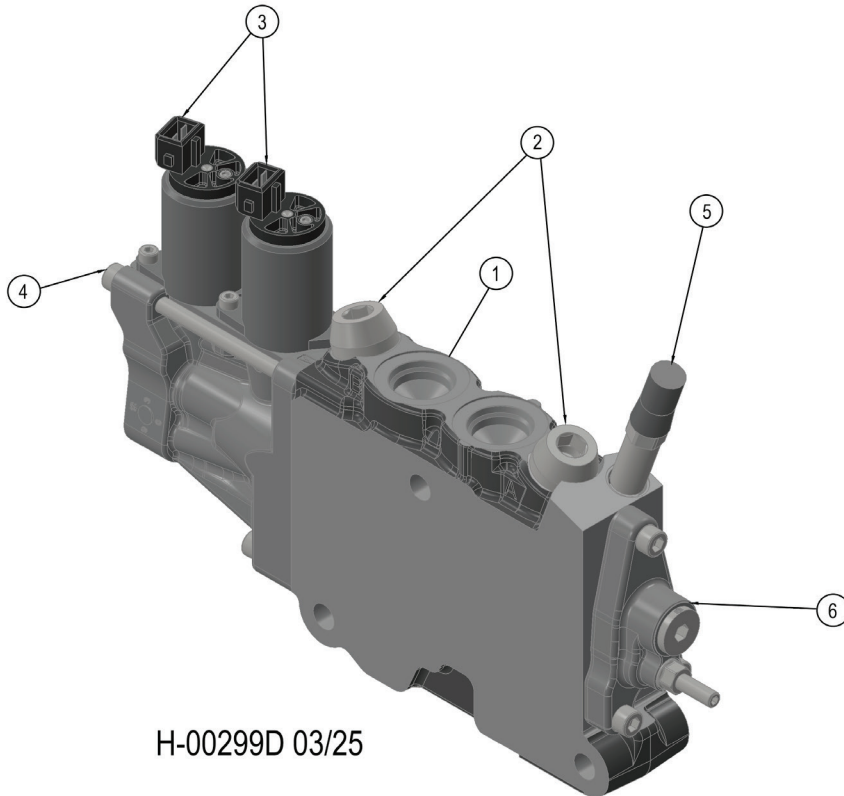
\*MEANS NOT SHOWN

## H0120 - 2249100 - K220 MAIN VALVE SECTION - INLET



Item	Part #	Description	Qty.
1	20089023	INLET SECTION	1
2	19217259	COUNTER PRESSURE (TORQUE 74FT-LBS)	1
3	19217256	RELIEF MAIN (TORQUE 74FT-LBS)	1
4	19215123	PLUG (TORQUE 22FT-LBS)	3
5	19206051	SCREW (TORQUE 44IN-LBS)	1
			1

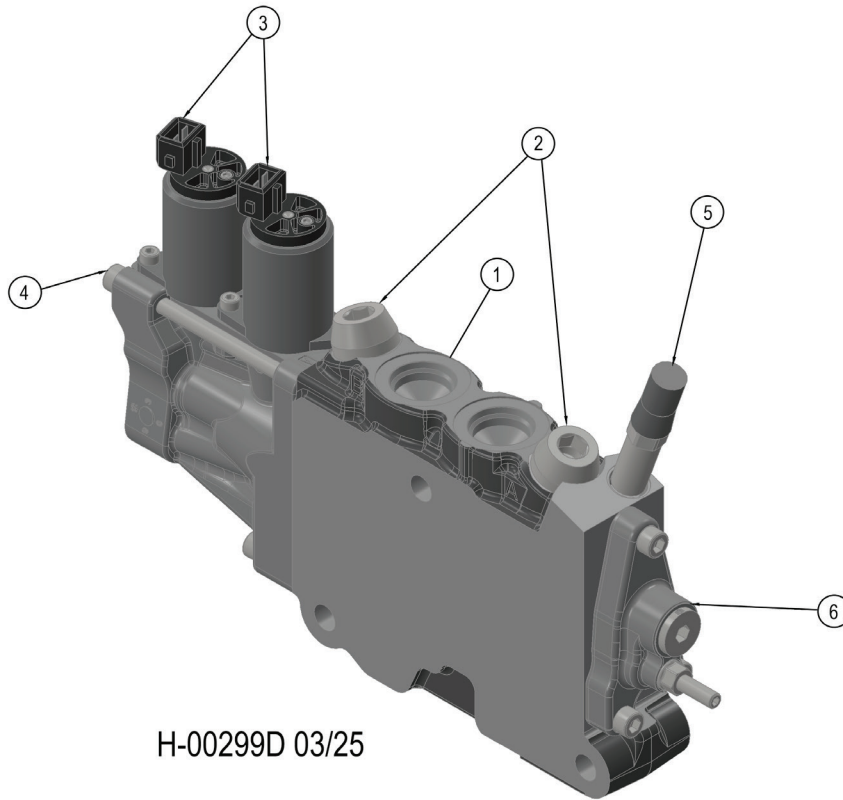
## H0120 - 2249100 - LS90 VALVE SECTION SQUIRT



Item	Part #	Description	Qty.
1	20088605	VALVE SECTION	1
2	19213479	PORT RV	2
3	20068454	SOLENOID	2
4	20068455	B SIDE ACTUATOR CAP	1
5	699170	SUPPLY REDUCER	1
6	19213497	EC2 KIT W/O LEVER SHAFT	1
*	19213577	SPOOL	1
*	20047208	COMPENSATOR	1

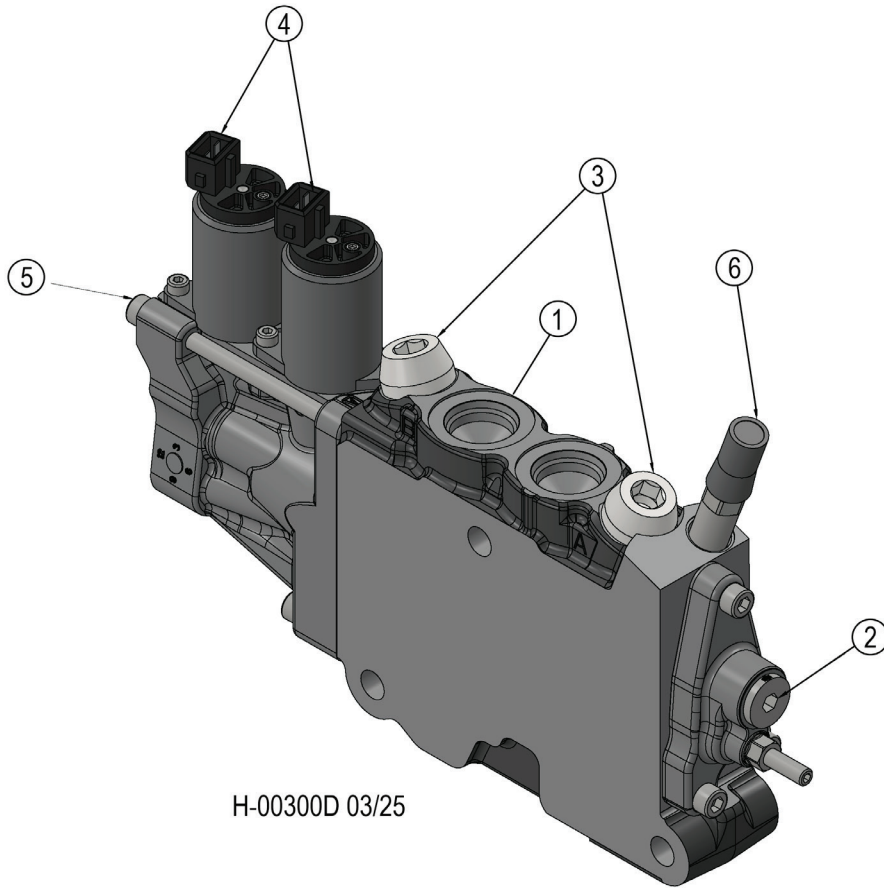
\*MEANS NOT SHOWN

# H0120 - 2249100 - L90 MAIN VALVE SECTION - GRAPPLE ROTATE



Item	Part #	Description	Qty.
1	20047199	VALVE SECTION	1
2	19213479	PORT RV	2
3	20068454	SOLENOID	2
4	20068455	B SIDE ACTUATOR CAP	1
5	699170	SUPPLY REDUCER	1
6	19213497	EC2 KIT W/O LEVER SHAFT	1

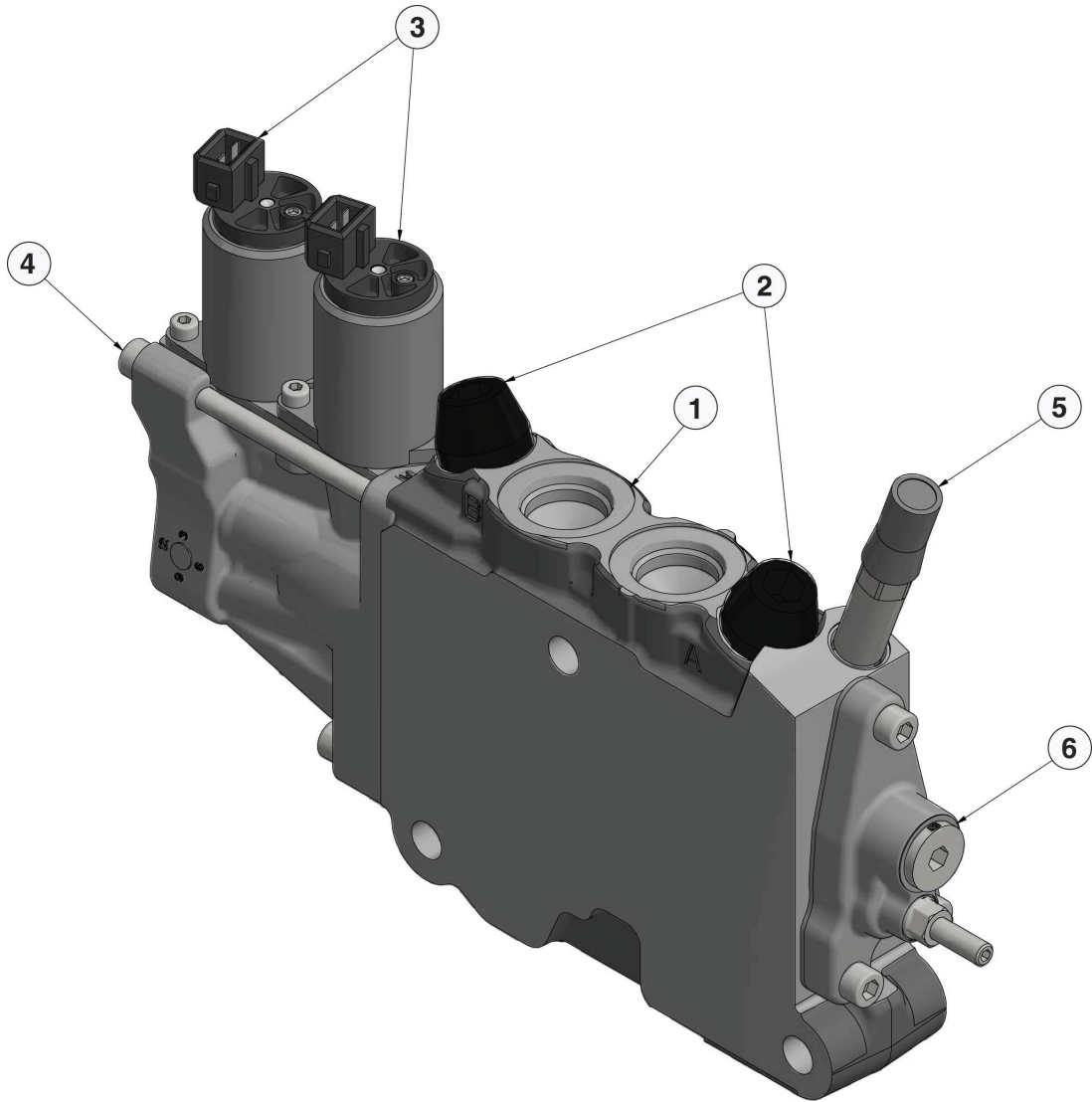
## H0120 - 2249100 - L90 MAIN VALVE SECTION - GRAPPLE O/C



Item	Part #	Description	Qty.
1	20047199	VALVE SECTION	1
2	19213497	EC2 KIT W/O LEVER SHAFT	1
3	19213481	PORT RV	1
4	20068454	SOLENOID	2
5	20068455	B - SIDE ACTUATOR CAP	1
6	699170	REDUCER	1
*	20047205	COMPENSATOR (NOT SHOWN)	1
*	19213577	SPOOL	1

\*MEANS NOT SHOWN

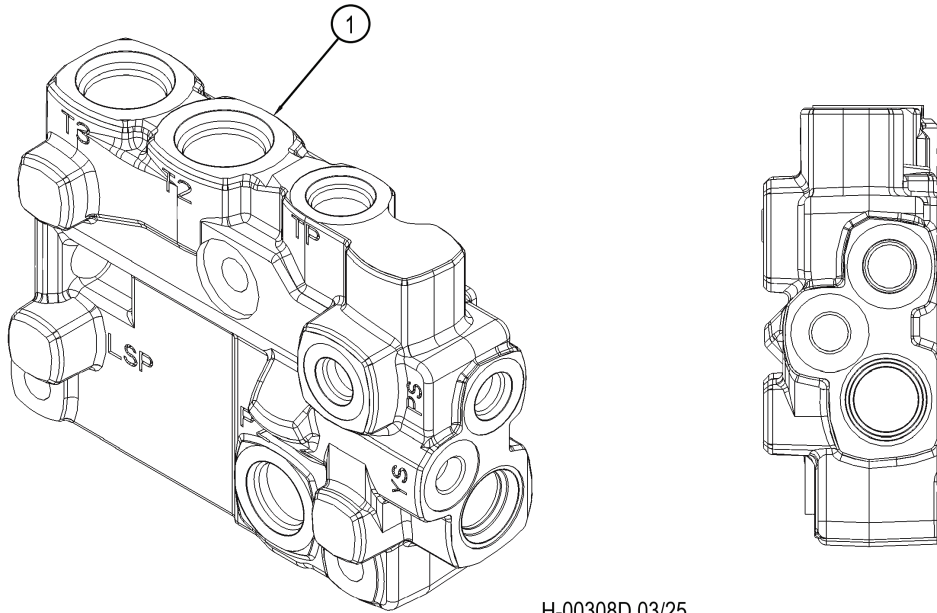
# H0120 - 2249100 - L90 MAIN VALVE SECTION - STEER



H-00160D 07/24

Item	Part #	Description	Qty.
1	20047199	VALVE SECTION, L90	1
2	19213479	PORT RV	2
3	20068454	SOLENOID	2
4	20068455	B SIDE ACTUATOR CAP	1
5	699170	SUPPLY REDUCER	1
6	19213497	EC2 KIT W/O LEVER SHAFT	1

## H0120 - 2249100 - LS90 VALVE SECTION OUTLET



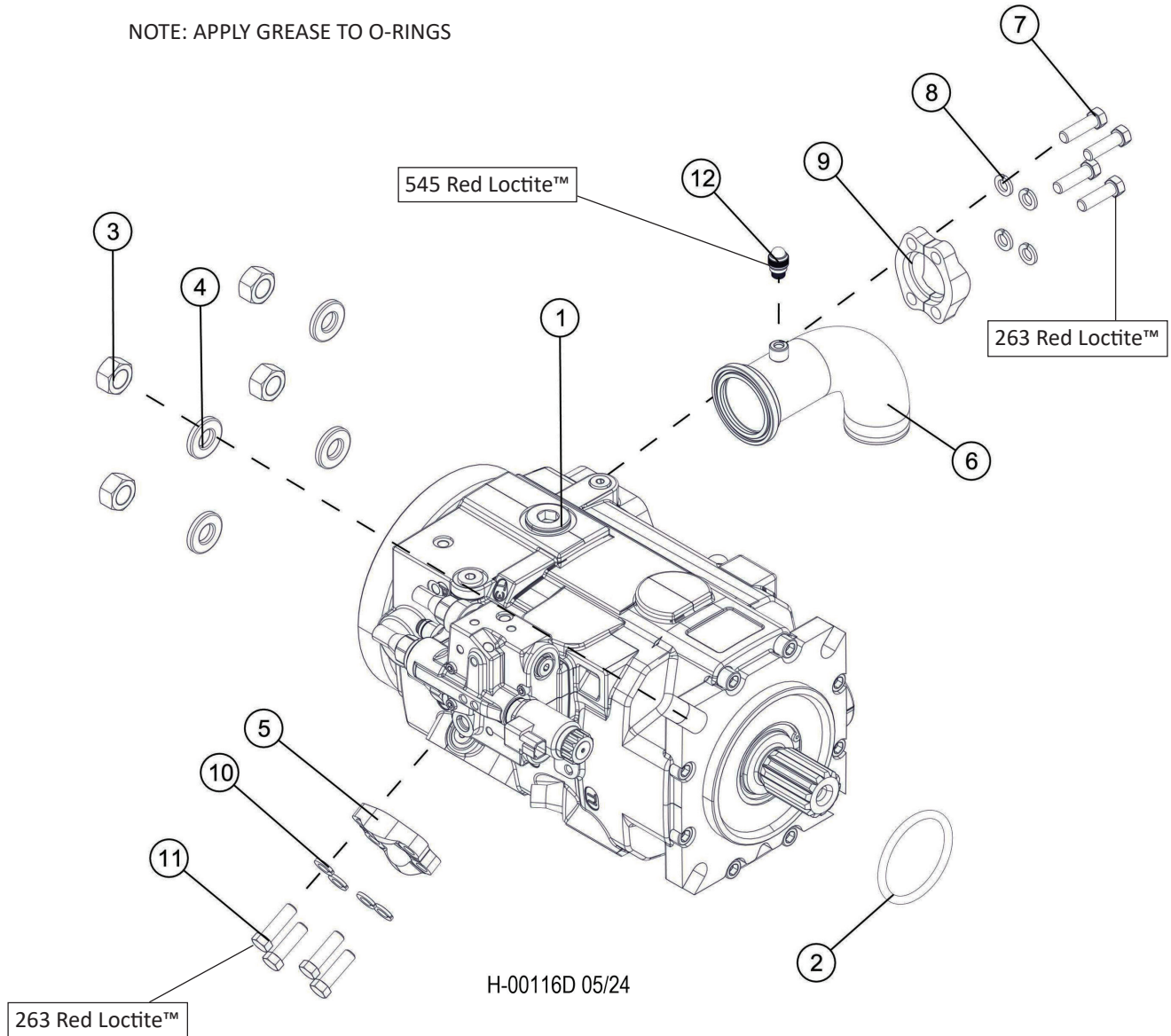
H-00308D 03/25

Item	Part #	Description	Qty.
1	20047168	OUTLET W/O PRV ASSEMBLY KIT	1
*	19211260	HEX PLUG #6 SAE ZERO LEAK HOLLOW	1
*	19211265	PLUG #16 SAE	1
*	19211266	PLUG #20 SAE	1
*	19216382	#8 SAE HOLLOW HEX PLUG	1
*	19215602	TIE ROD KIT	1
*	19213604	TIE RODS KIT	1
*	19234558	SERIAL NUMBER NAMEPLATE	1
*	19221324	DRIVE SCREW	1
			2

\*MEANS NOT SHOWN

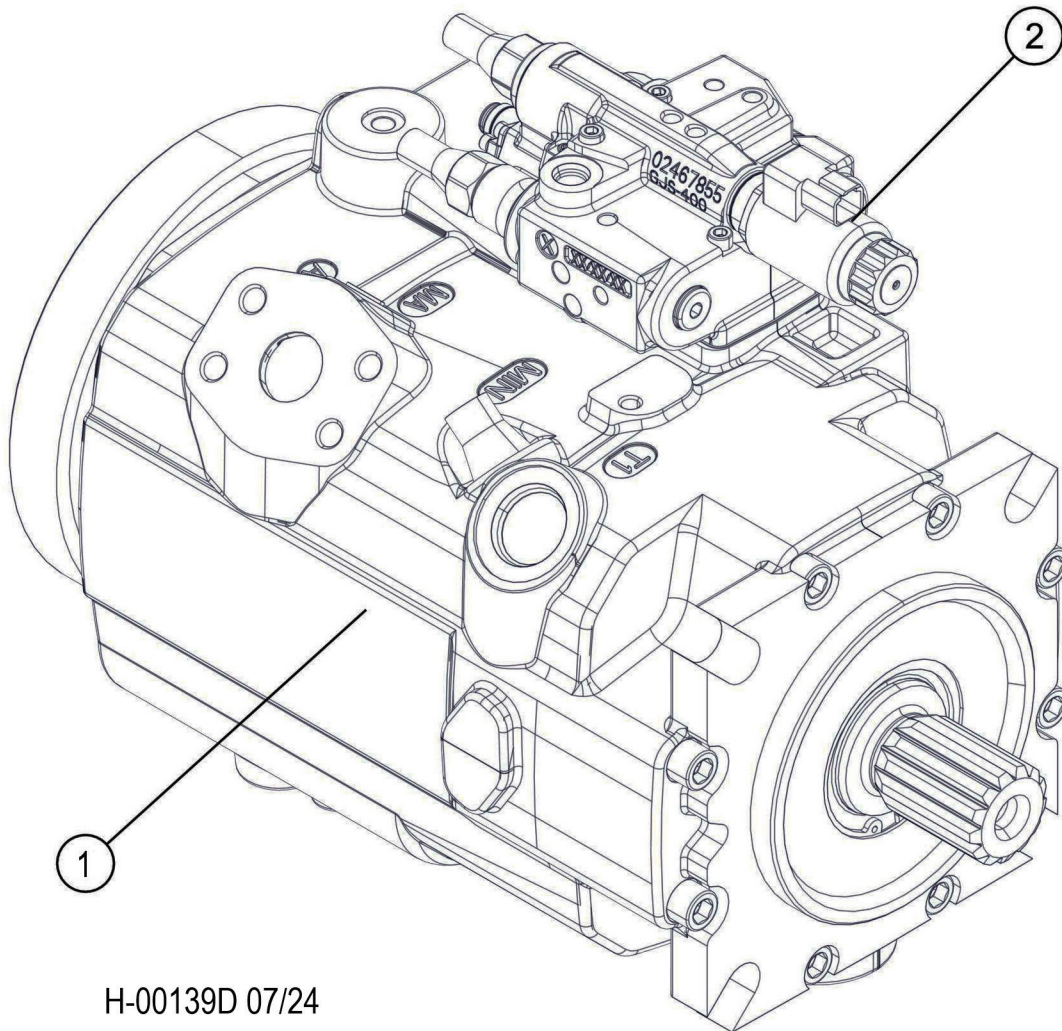
## H0210 - 2225000 - IMPLEMENT PUMP - 145CC

NOTE: APPLY GREASE TO O-RINGS



Item	Part #	Description	Qty.
1	57661	PUMP, IMPLEMENT - REX 145CC/40	1
2	15442-2	O-RING, PUMP DRIVE PILOT - DRIVE	1
3	10776	NUT, HEX - .75"	4
4	15550	WASHER, SAE FLAT - .75"	4
5	15114	KIT, SPLIT FLANGE - 1.25" (CODE 62)	1
6	46265	TUBE, SUCTION - IMP PUMP / C SERIES	1
7	58378	BOLT - 5/8-11 X 1 3/4" HEX HEAD 263 RED LOCTITE™	4
8	10771	WASHER, SAE FLAT - .625"	4
9	22639	KIT, SPLIT FLANGE - 3" (CODE 61)(METRIC)	1
10	10710	WASHER, LOCK - .5"	4
11	10736	BOLT - .5" X 2" 263 RED LOCTITE™	4
12	57820	TAP, GAUGE PORT # 6 SAE - ORING-BOSS 545 RED LOCTITE™	1

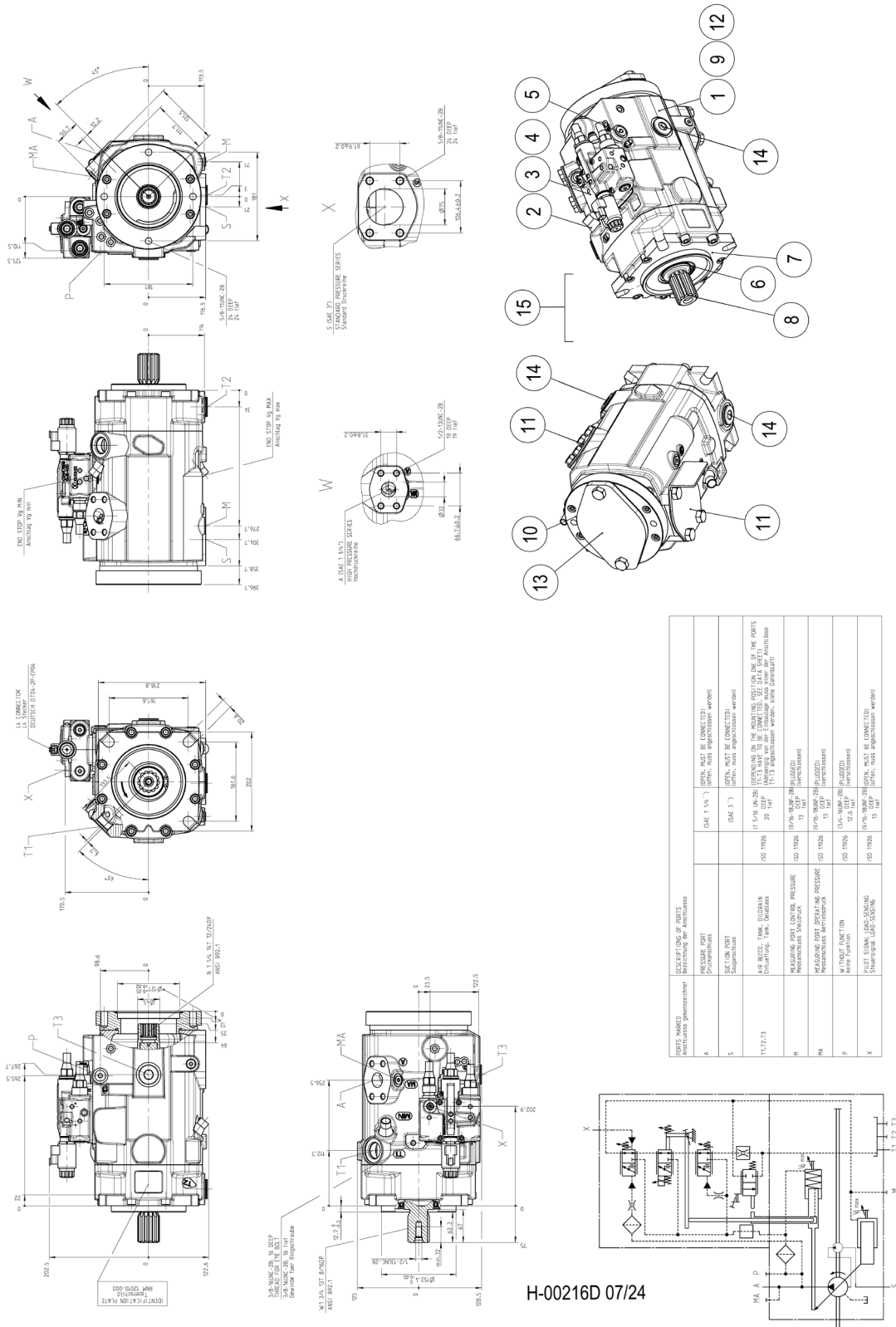
## H0210 - 2225000 - IMPLEMENT PUMP - 145CC



Item	Part #	Description	Qty.
1	57661	PUMP, IMPLEMENT - REX 145CC/40	1
2	53730	SOLENOID COIL	1
*	58256	O-RING TO SEAL AUX. PUMP - GREEN HIGH TEMP	1
*	58292	DRIVE, THRU - 125cc HYRDO BRUSH PUMP - D	1
*	R909152493	GREEN O-RING	1
*	R902569653	SEAL KIT	

\*MEANS NOT SHOWN

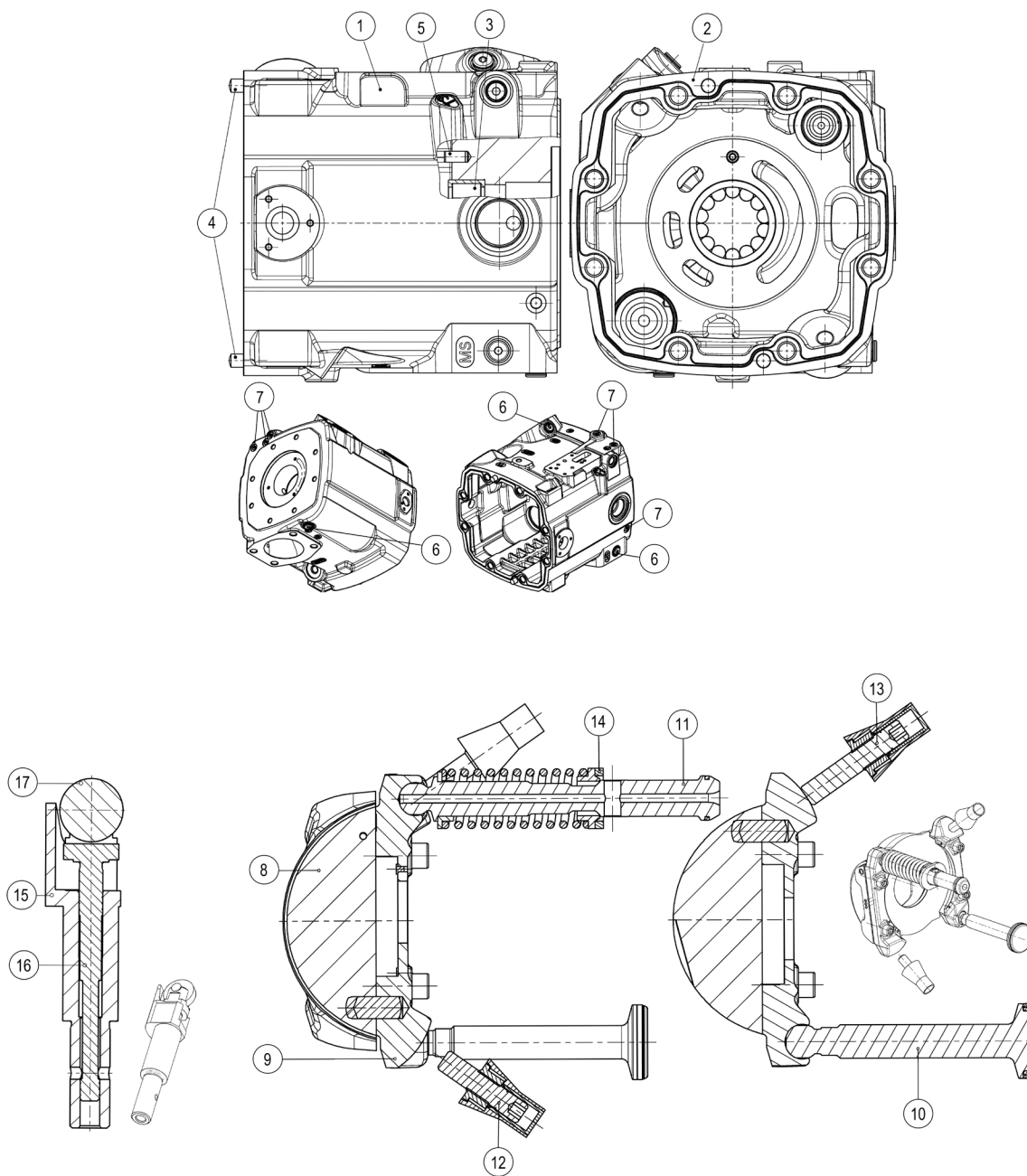
# H0210 - 2225000 - IMPLEMENT PUMP - 145CC



## H0210 - 2225000 - IMPLEMENT PUMP - 145CC

<b>Item</b>	<b>Part #</b>	<b>Description</b>	<b>Qty.</b>
1	R902579633	HOUSING	1
2	R902578803	CONTROL	1
3	R902543515	CONTROL VALVE	1
4	R902559826	RETURN GUIDE	1
5	R902511576	FILTER ELEMENT	1
6	58286	SEAL, SHAFT - REXTOTH 145CC	1
7	R902579676	BEARING FLANGE	1
8	65144	DRIVE SHAFT	1
9	R902563624	ROTARY GROUP	1
10	R902553159	BELL HOUSING	1
11	R902581237	FLANGE COVER	1
12	R902531102	WHEEL	1
13	R902602980	FLANGE COVER	1
14	R902601857	SCREW PLUG	3
15	R902569652	SEAL KIT	1

# H0210 - 2225000 - IMPLEMENT PUMP - 145CC

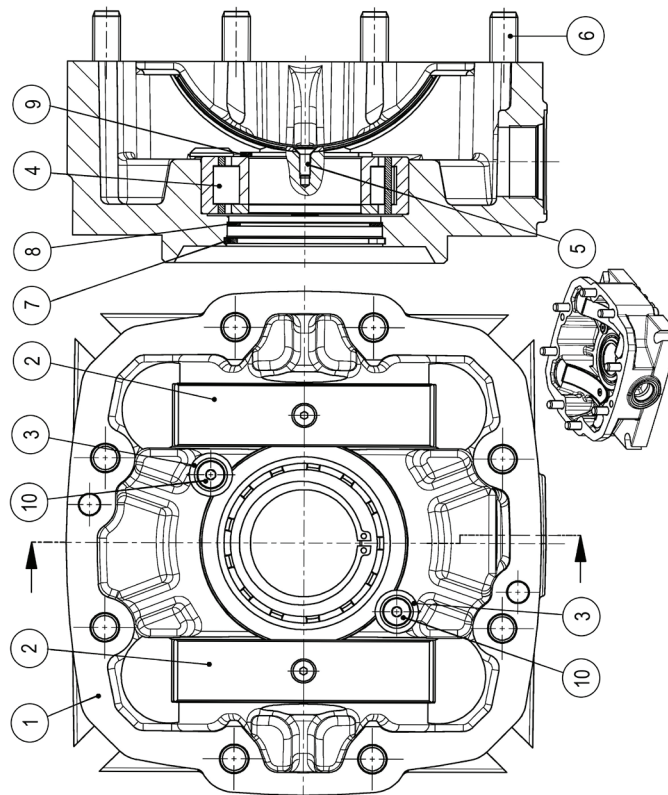
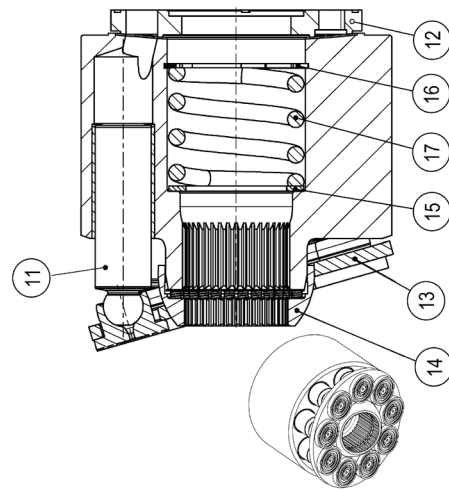


H-00221D 04/24

## H0210 - 2225000 - IMPLEMENT PUMP - 145CC

<b>Item</b>	<b>Part #</b>	<b>Description</b>	<b>Qty.</b>
1	R902563818	HOUSING	1
2	R902483936	FLAT GASKET	1
3	R902581718	CYL. ROLLER BEARING	1
4	910185906	STRAIGHT PIN	2
5	R913000824	STRAIGHT PIN	1
6	R909157039	SCREW PLUG	3
7	R909831319	DOUBLE BREAK-OFF PLUG	5
8	R902574119	SWASH PLATE	1
9	R902577533	SEGMENT	1
10	R902576786	POSITIONING PISTON	1
11	R902576785	OPPOSED PISTON	1
12	R902579265	SETSCREW	1
13	R902579266	SETSCREW	1
14	R902484554	CENTERING TAB	1
15	R902554925	ADJUSTING BUSH	1
16	R902469966	MEASURING PISTON	1
17	R902464359	IDLE ROLLER	1

# H0210 - 2225000 - IMPLEMENT PUMP - 145CC



H-00222D 07/24

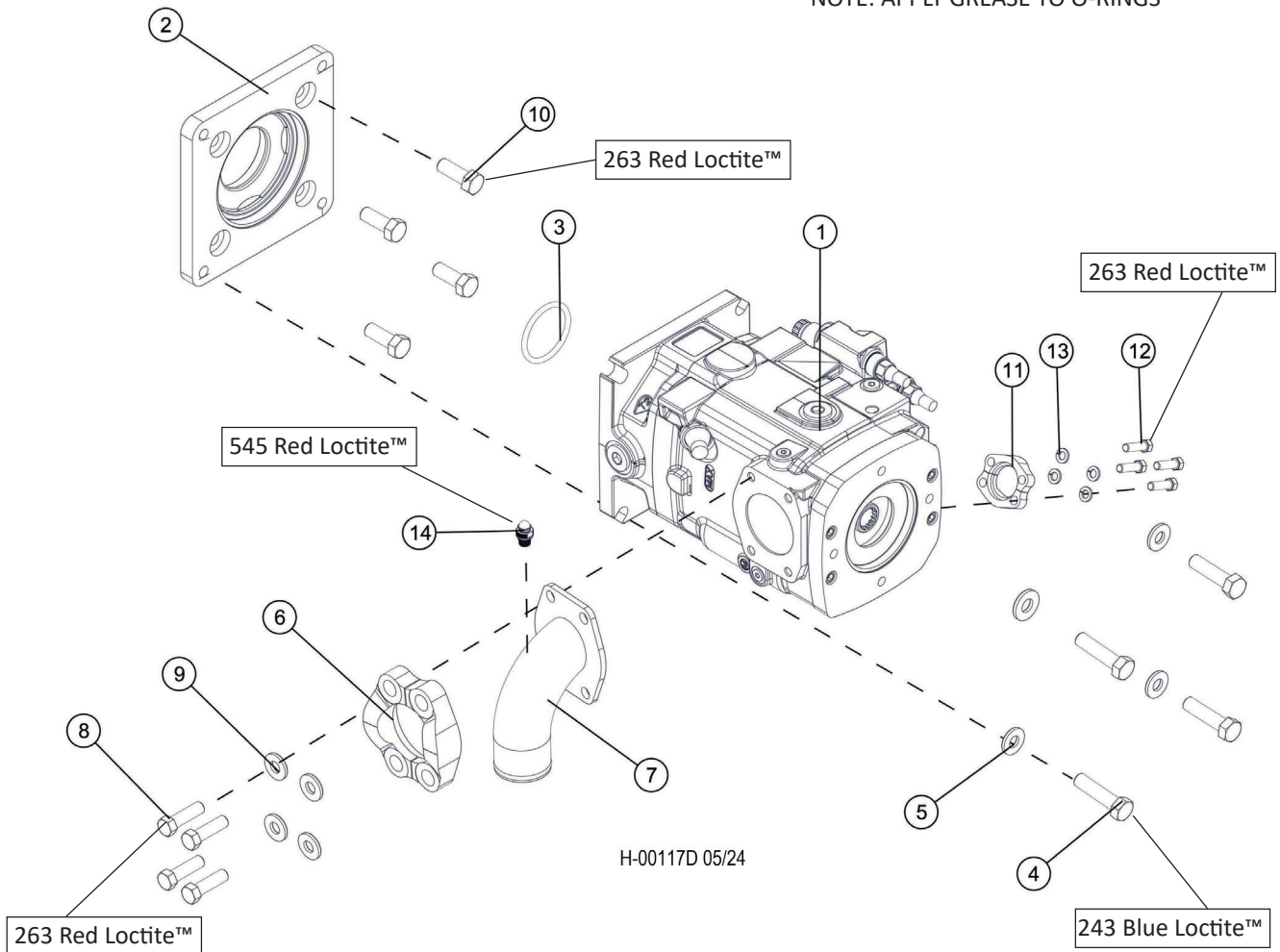
## H0210 - 2225000 - IMPLEMENT PUMP - 145CC

Item	Part #	Description	Qty.
1	R902559950	BEARING FLANGE	1
2	R902557158	BEARING SHELL	2
3	R913052738	PLAIN WASHER	2
4	R902572600	CYL. ROLLER BEARING	1
5	R902571999	COUNTERSUNK-HEAD SCREW	2
6	R902578917	SOCKET HEAD CAP SCREW	8
7	R910116025	RETAINING RING	1
8	R902400750	SHIM RING	1
9	R910105848	RETAINING RING	1
10	R902572000	COUNTERSUNK-HEAD SCREW	2
11	R902548828	PISTON PAD	9
12	R902568645	CYLINDER SET	1
13	R902516020	RETAINING PLATE	1
14	R902561892	RETAINING BALL	1
15	R902482942	WASHER	1
16	R913008468	RETAINING RING	1
17	R902482941	COMPRESSION SPRING	1
BELL HOUSING			
*	R902549512	FLANGE	1
*	R902511031	SPLINED COUPLING	1
*	R902650303	O-RING	1
*	R909086635	O-RING	1
*	R910109622	SOCKET HEAD CAP SCREW	4
WHEEL			
*	R902492387	WHEEL	1
*	R909083360	RETAINING RING	2

\*MEANS NOT SHOWN

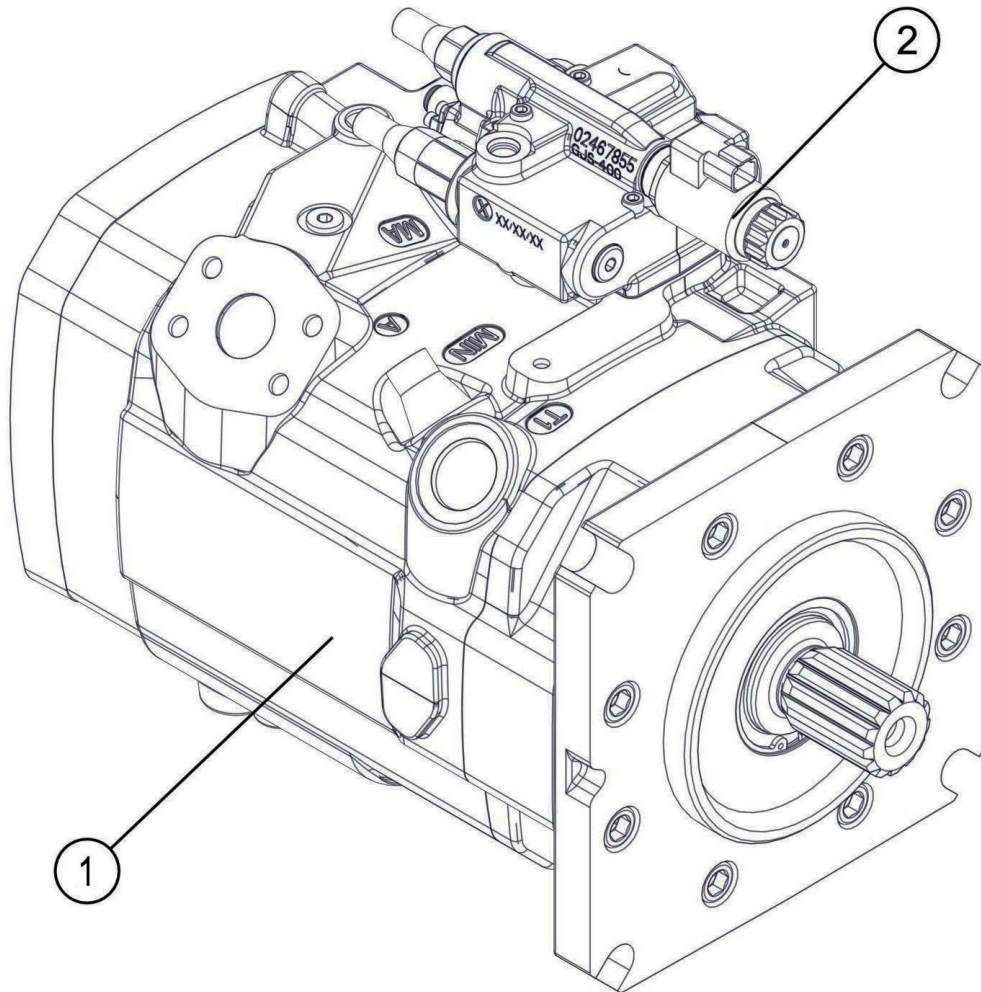
# H0210 - 2225100 - IMPLEMENT PUMP - 175CC

NOTE: APPLY GREASE TO O-RINGS



Item	Part #	Description	Qty.
1	57865	PUMP, IMPLEMENT - REX 175CC/40	1
2	57898	PAD, PUMP DRIVE BOX - REXROTH 175CC IMP	1
3	15442-2	O-RING, PUMP DRIVE PILOT - DRIVE	1
4	15549	BOLT - .75" X 2.0 243 BLUE LOCTITE™	4
5	15550	WASHER, SAE FLAT - .75"	4
6	58139	FLANGE, 13001H-5656K 175CC PUMP 57865	1
7	57880	TUBE, SUCTION SERIES 40 175CC PUMP	1
8	58378	BOLT - 5/8-11 X 1 3/4" HEX HEAD 263 RED LOCTITE™	4
9	10771	WASHER, SAE FLAT - .625"	4
10	15502	BOLT - .625" X 1.5" 263 RED LOCTITE™	4
11	15114	KIT, SPLIT FLANGE - 1.25" (CODE 62)	1
12	10736	BOLT - .5" X 2" 263 RED LOCTITE™	4
13	10710	WASHER, LOCK - .5"	4
14	57820	TAP, GAUGE PORT # 6 SAE - ORING BOSS 545 RED LOCTITE™	1

## H0210 - 2225100 - IMPLEMENT PUMP - 175CC

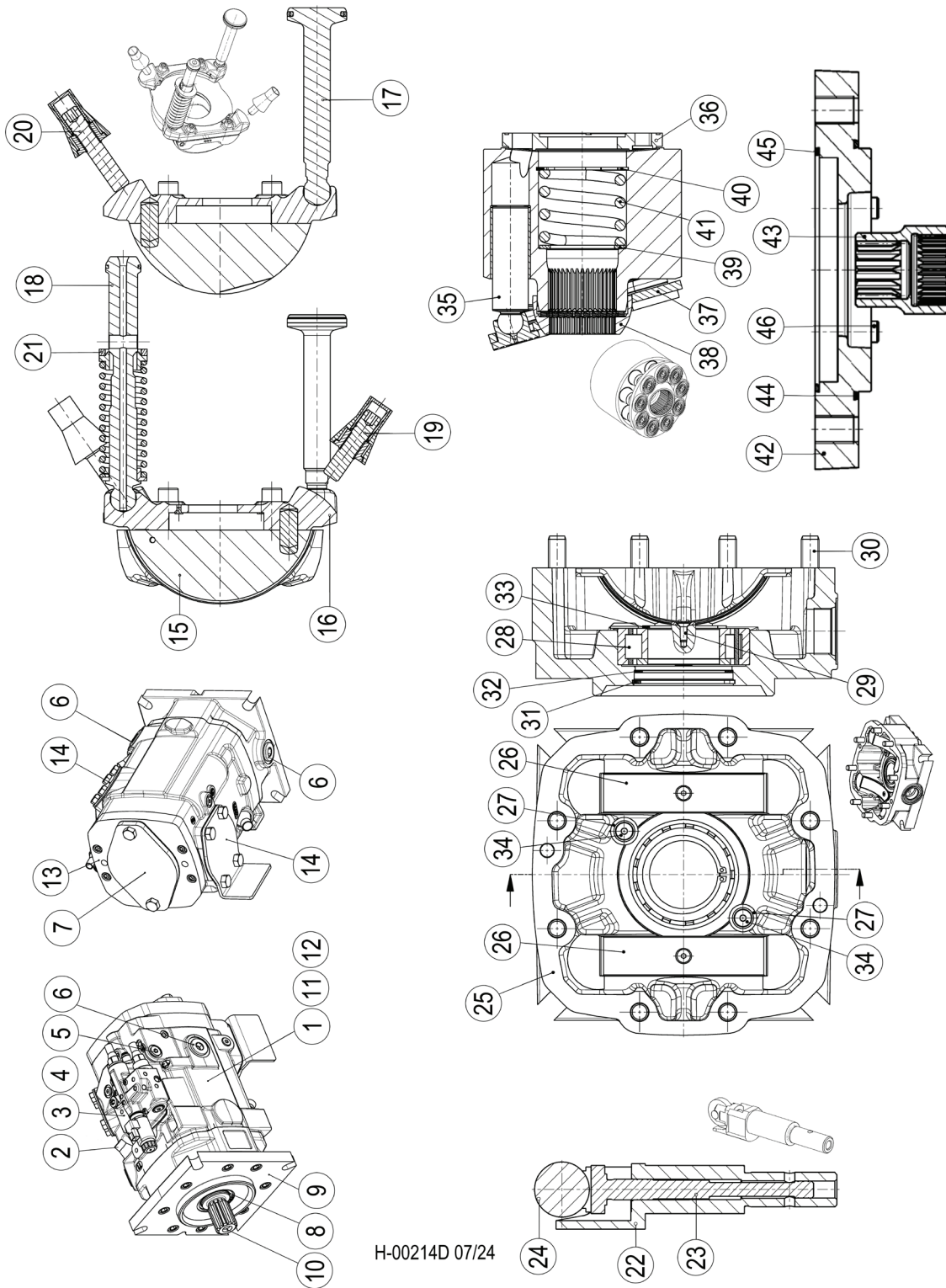


H-00140D 07/24

Item	Part #	Description	Qty.
1	57865	PUMP, IMPLEMENT - REX 175CC/40 W/HP CONT	1
2	53730	SOLENOID COIL	1
*	58256	O-RING TO SEAL AUX. PUMP - GREEN HIGH TEMP	1
*	R902546266	THRU-DRIVE 175cc to 125cc WHEEL PUMP	1
*	R902569652	SEAL KIT	1

\*MEANS NOT SHOWN

# H0210 - 2225100 - IMPLEMENT PUMP - 175CC



H-00214D 07/24

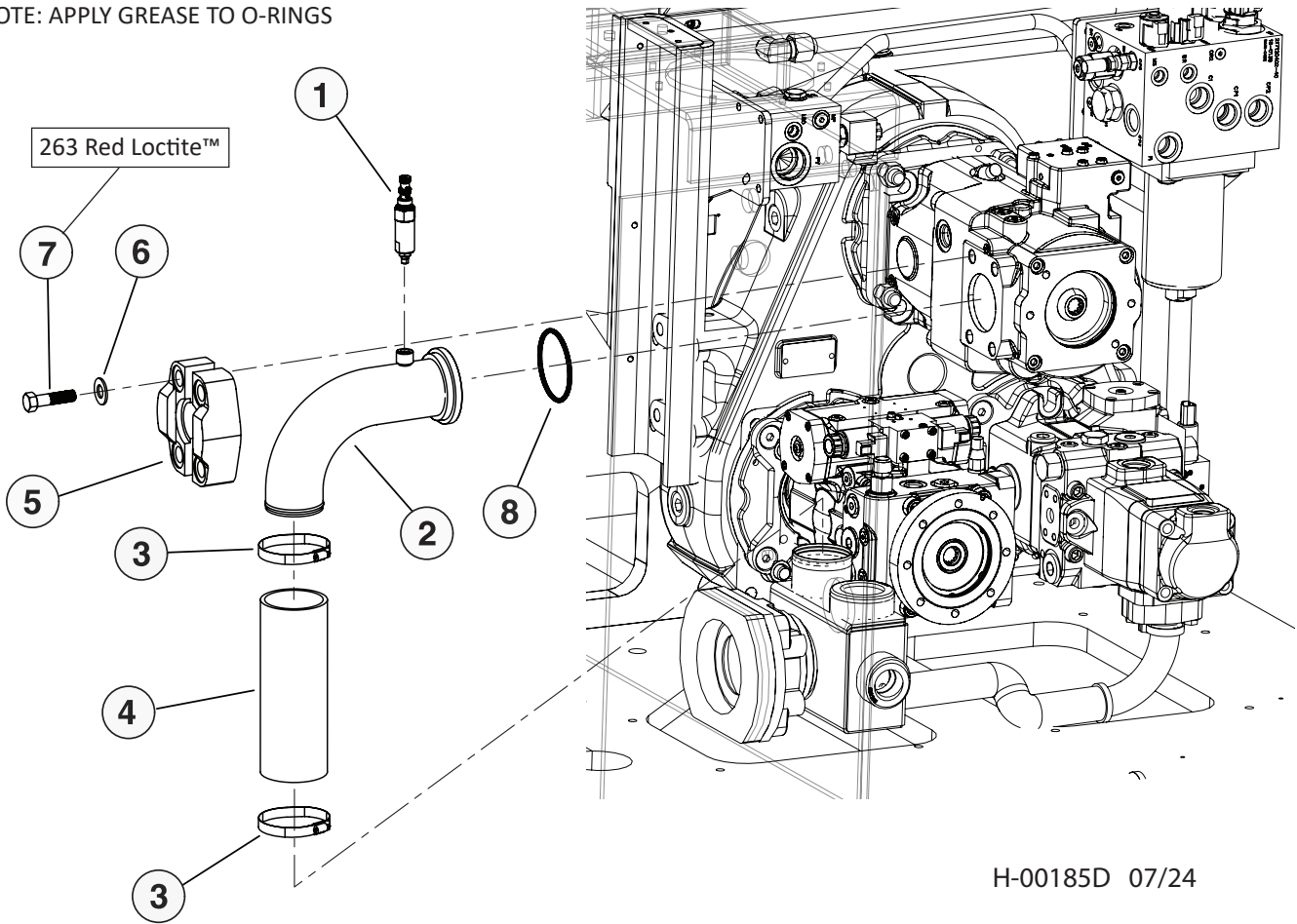
## H0210 - 2225100 - IMPLEMENT PUMP - 175CC

Item	Part #	Description	Qty.
1	R902579633	HOUSING	1
2	R902578803	CONTROL	1
3	R902543515	CONTROL VALVE	1
4	R902559826	RETURN GUIDE	1
5	R902511576	FILTER ELEMENT	1
6	R902601857	SCREW PLUG	3
7	R902602980	FLANGE COVER	1
8	58286	SHAFT SEALING RING	1
9	R902579676	BEARING FLANGE	1
10	65144	DRIVE SHAFT	1
11	R902563624	ROTARY GROUP	1
12	R902531102	WHEEL	1
13	R902553159	BELL HOUSING	1
14	R902581237	FLANGE COVER	1
15	R902574131	SWASH PLATE	1
16	R902579289	SEGMENT	1
17	R902576790	POSITIONING PISTON	1
18	R902576789	OPPOSED PISTON	1
19	R902579263	SETSCREW	1
20	R902579264	SETSCREW	1
21	R902470682	CENTERING TAB	1
22	R902554925	ADJUSTING BUSH	1
23	R902469966	MEASURING PISTON	1
24	R902464359	IDLE ROLLER	1
25	R902564515	BEARING FLANGE	1
26	R902557733	BEARING SHELL	2
27	R913050406	PLAIN WASHER	2
28	R902572600	CYL. ROLLER BEARING	1
29	R902571999	COUNTERSUNK-HEAD SCREW	2
30	R902578918	SOCKET HEAD CAP SCREW	8
31	R910116025	RETAINING RING	1
32	56362	SHIM RING	1
33	R910105848	RETAINING RING	1
34	R902572525	COUNTERSUNK-HEAD SCREW	2
35	R902558457	PISTON PAD	9
36	R902568649	CYLINDER SET	1
37	R902515986	RETAINING PLATE	1
38	R902561895	RETAINING BALL	1
39	R902478656	WASHER	1
40	R913060949	RETAINING RING	1
41	R902470362	COMPRESSION SPRING	1
42	R902549515	FLANGE	1
43	R902496004	SPLINED COUPLING	1
44	R909831132	O-RING	1
45	58256	O-RING	1
46	R910109754	SOCKET HEAD CAP SCREW	4
*	R902569652	SEAL KIT	1

\*MEANS NOT SHOWN

## H0210 - 2225100 - IMPLEMENT PUMP SUCTION

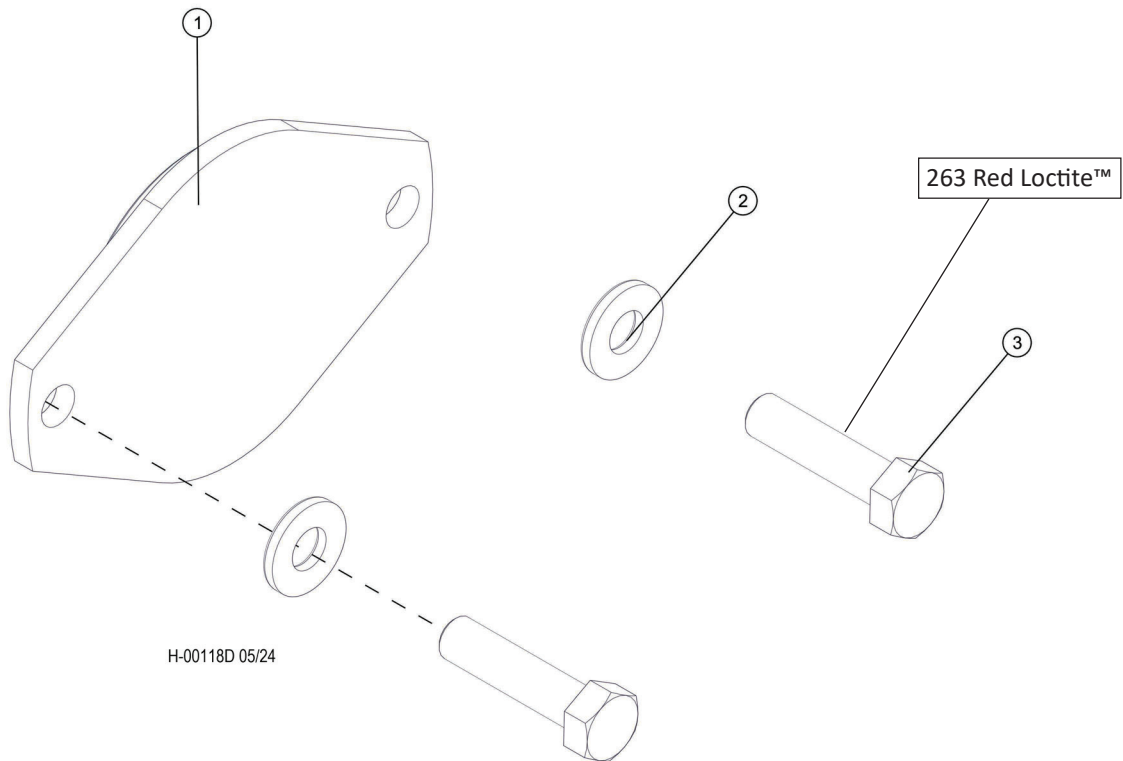
NOTE: APPLY GREASE TO O-RINGS



H-00185D 07/24

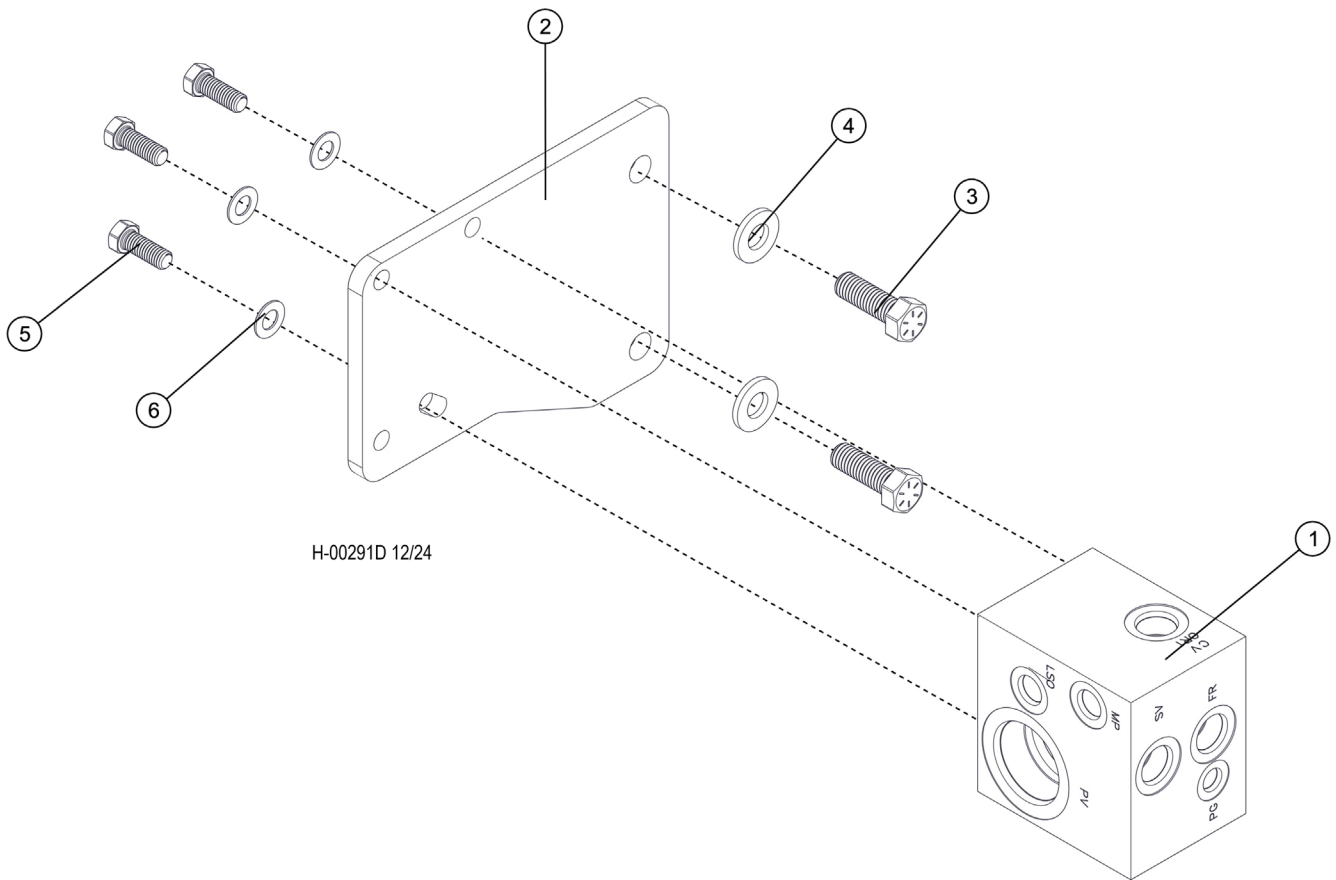
Item	Part #	Description	Qty.
1	55615	FITTING, ADAPTOR - BLEED - SUCTION TUBE	1
2	46265	TUBE, SUCTION - IMP PUMP	1
3	15613	CLAMP, STRAP BAND - 3.5"	2
4	65834 - (65868 - KIT)	HOSE, SUCTION, 7216-300213.5 00-00-00	1
5	22639	KIT, SPLIT FLANGE - 3" (CODE 61)(METRIC)	1
6	10721	WASHER, LOCK - .625"	4
7	15526	BOLT - .625" X 2" 263 RED LOCTITE™	4
8	18695	O-RING - 3" SF (CODE 61/62)	1

## H0220 - 2225200 - IMPLEMENT PUMP COVER - NO AUX PUMP



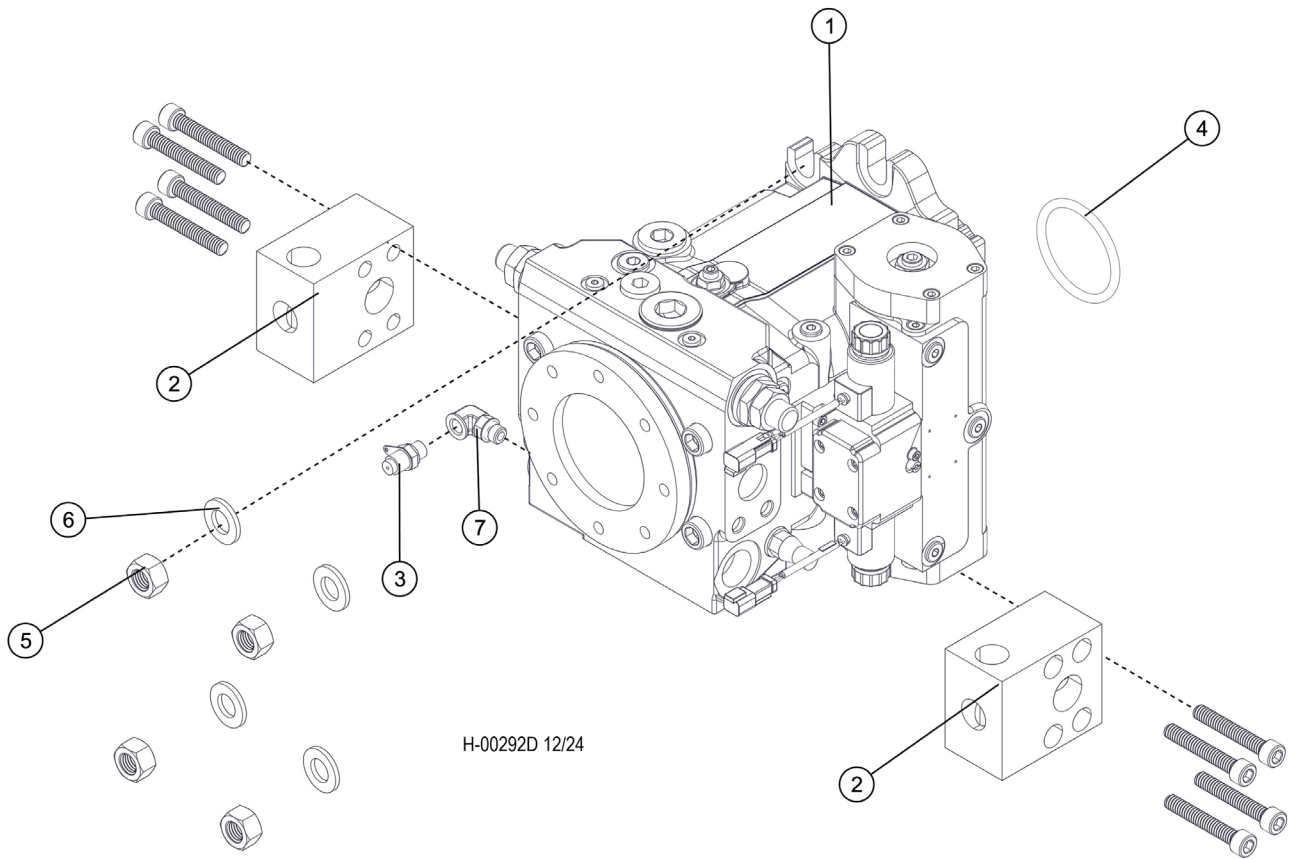
<b>Item</b>	<b>Part #</b>	<b>Description</b>	<b>Qty.</b>
1	55696	COVER, BLANKING - IMP. PUMP	1
2	10771	WASHER, SAE FLAT - .625"	2
3	15502	BOLT - .625" X 1.5" 263 RED LOCTITE™	2

## H0221 - 2243800 - MANIFOLD, IMPLEMENT HYD, FWDR, U



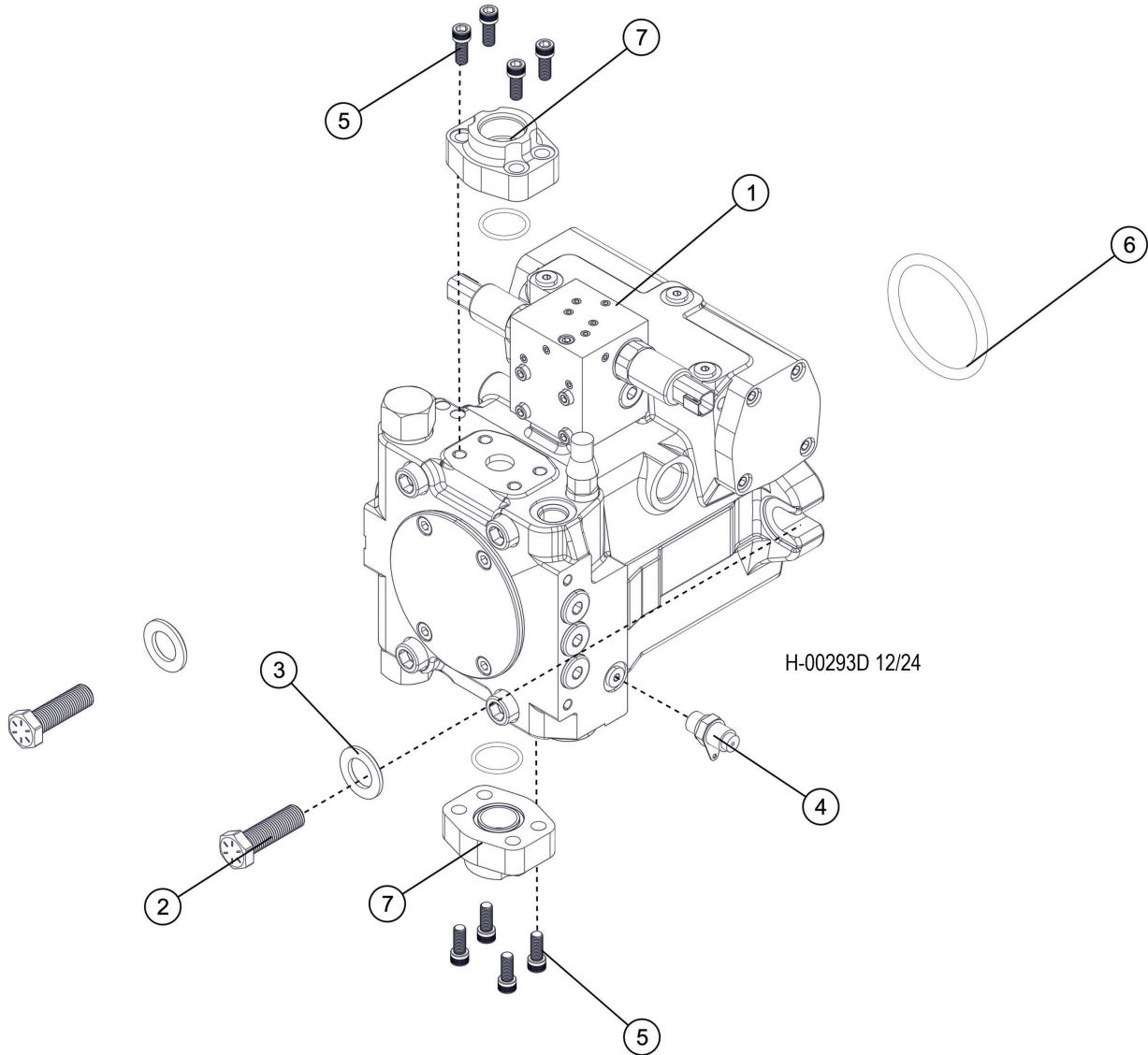
Item	Part #	Description	Qty.
1	58021	VALVE, LOWER MANIFOLD PRES, CNTRL D-SER	1
2	60444	MOUNT, MANIFOLD	1
3	50100	BOLT - .5" X 1.25"	2
4	15534	WASHER, SAE FLAT - .5"	2
5	11707	BOLT - .375" X 1"	2
6	15528	WASHER, SAE FLAT - .375"	2

## H0225 - 2243900 - PUMP,WHEEL DRIVE, U



Item	Part #	Description	Qty.
1	55506	PUMP, WHEEL 125CC - C-D SERIES MACHINE	1
2	51773	MANIFOLD, ANTI-CAV WHEEL PUMP - 125CC	1
3	57819	TAP, GAUGE PORT - #4 SAE Oring Boss- ST	1
4	15442-2	O-RING, PUMP DRIVE PILOT - DRIVE	1
5	10776	NUT, HEX - .75"	4
6	15550	WASHER, SAE FLAT - .75"	4
7	57641	FITTING, EBLow - FEMALE 4-AOEG5-S	1

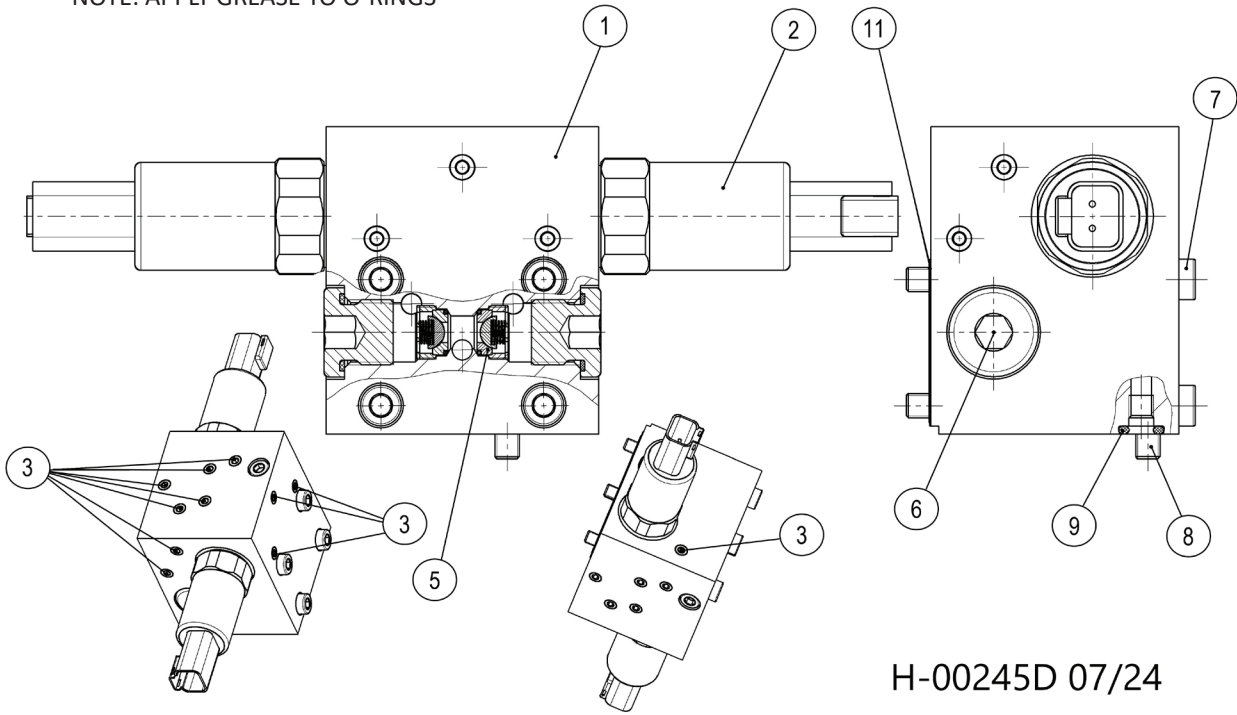
## H0230 - 2244000 - PUMP, SWING, U



Item	Part #	Description	Qty.
1	54560	PUMP, SWING (735/755/830)	1
2	58378	BOLT - 5/8-11 X 1 3/4" HEX HEAD	2
3	65468	WASHER, FLAT - 16MM	2
4	57819	TAP, GAUGE PORT - #4 SAE Oring Boss- ST	1
5	58399	BOLT - 3/8-16x1.5, SHC	8
6	53718	O-RING, PUMP DRIVE PILOT - DRIVE	1
7	19808	CONNECTOR, FLANGE PAD -FP62-12-12ORB-MK	2

## H0230 - 2244000 - SWING PUMP COMPONENTS

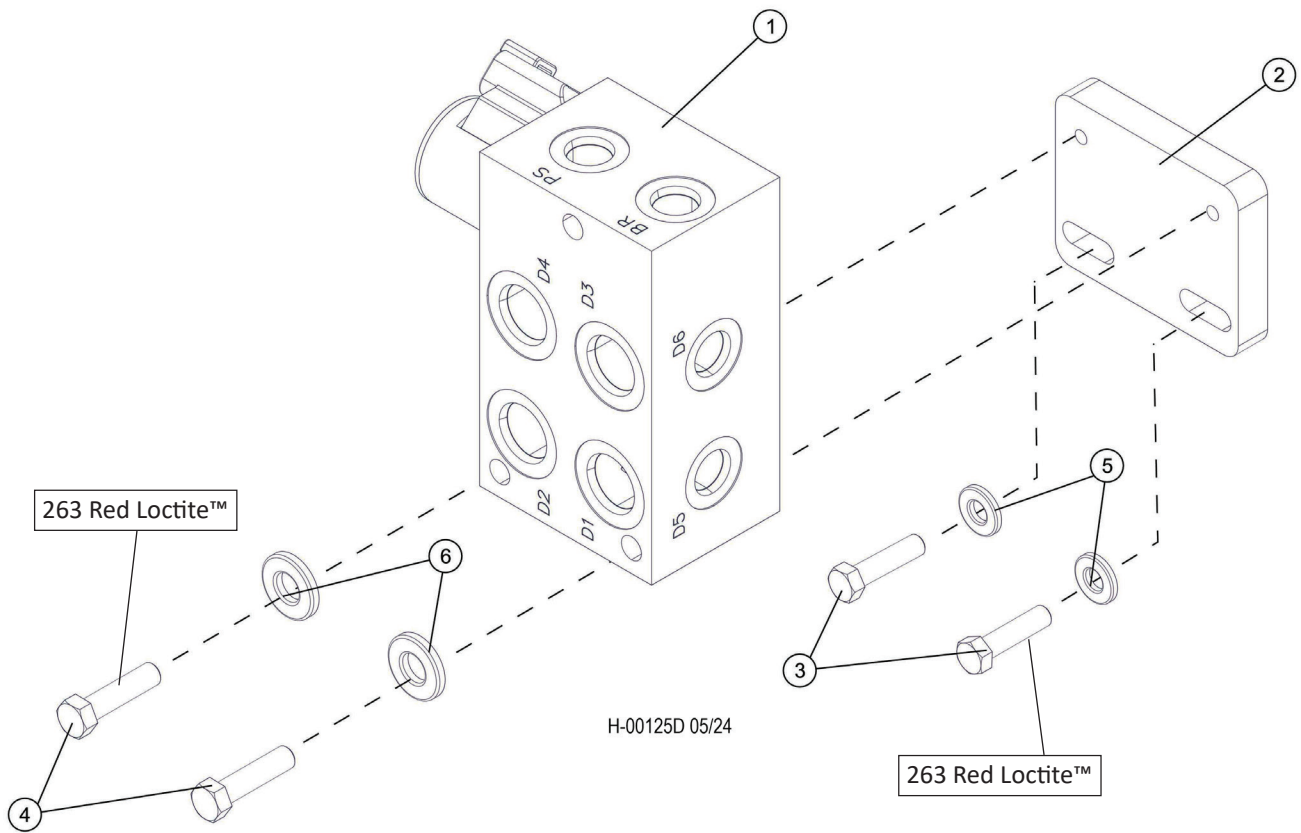
NOTE: APPLY GREASE TO O-RINGS



H-00245D 07/24

Item	Part #	Description	Qty.
1	R902115246	HOUSING	1
2	57591	VALVE, SWING PUMP (R901121566)	2
3	R902600705	PLUG	11
4	700230	SEAL	1
5	R909831957	CHECK VALVE	2
6	R909153816	SCREW PLUG	2
7	R909085831	SOCKET HEAD CAP SCREW	4
8	R909086491	SOCKET HEAD CAP SCREW	1
9	R909157512	O-RING	1

## H0230 - 2244000 - SWING LOCK-CASE DRAIN MANIFOLD

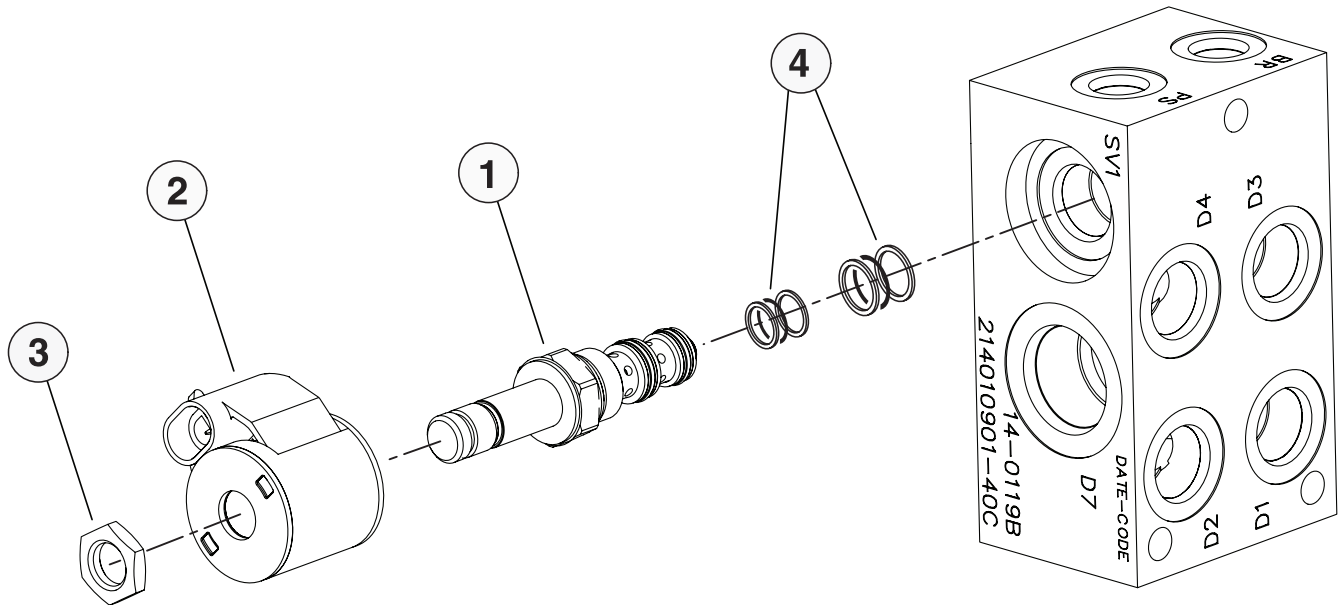


Item	Part #	Description	Qty.
1	55259	MANIFOLD, CASE DRAIN/SWING LOCK	1
2	46417	BAR, MANIFOLD SPACER	1
3	15589	BOLT - .3125" X 1" 263 RED LOCTITE™	2
4	15508	BOLT - .25" X 2.5" 263 RED LOCTITE™	2
5	10801	WASHER, FLAT - .3125"	2
6	10800	WASHER, FLAT - .25"	2
		*MANIFOLD COMPONENTS*	
*	58734	CARTRIDGE AND COIL	1
*	53737	COIL ONLY	1

\*MEANS NOT SHOWN

## H0230 - 2244000 - SWING LOCK-CASE DRAIN MANIFOLD COMPONENTS

NOTE: APPLY GREASE TO O-RINGS

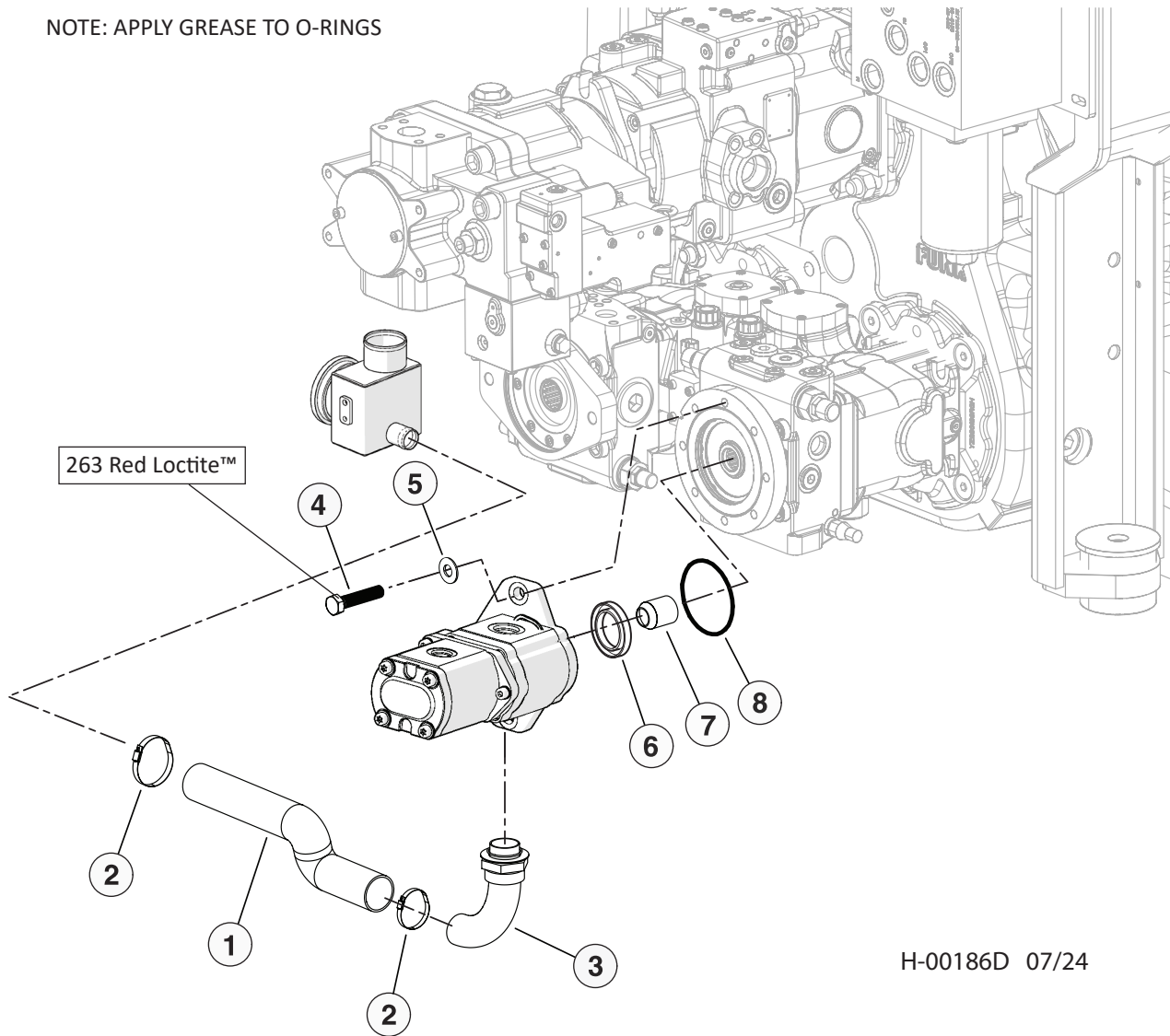


H-00145D 07/24

Item	Part #	Description	Qty.
	55259	MANIFOLD, CASE DRAIN/SWING LOCK	1
1	55986	VALVE, SOLENOID - PARKING BRAKE	1
2	53737	COIL	1
3	7004400	NUT	1
4	52228	KIT, SEAL	1

## H0240 - 2244100 - CHARGE PUMP SUCTION

NOTE: APPLY GREASE TO O-RINGS

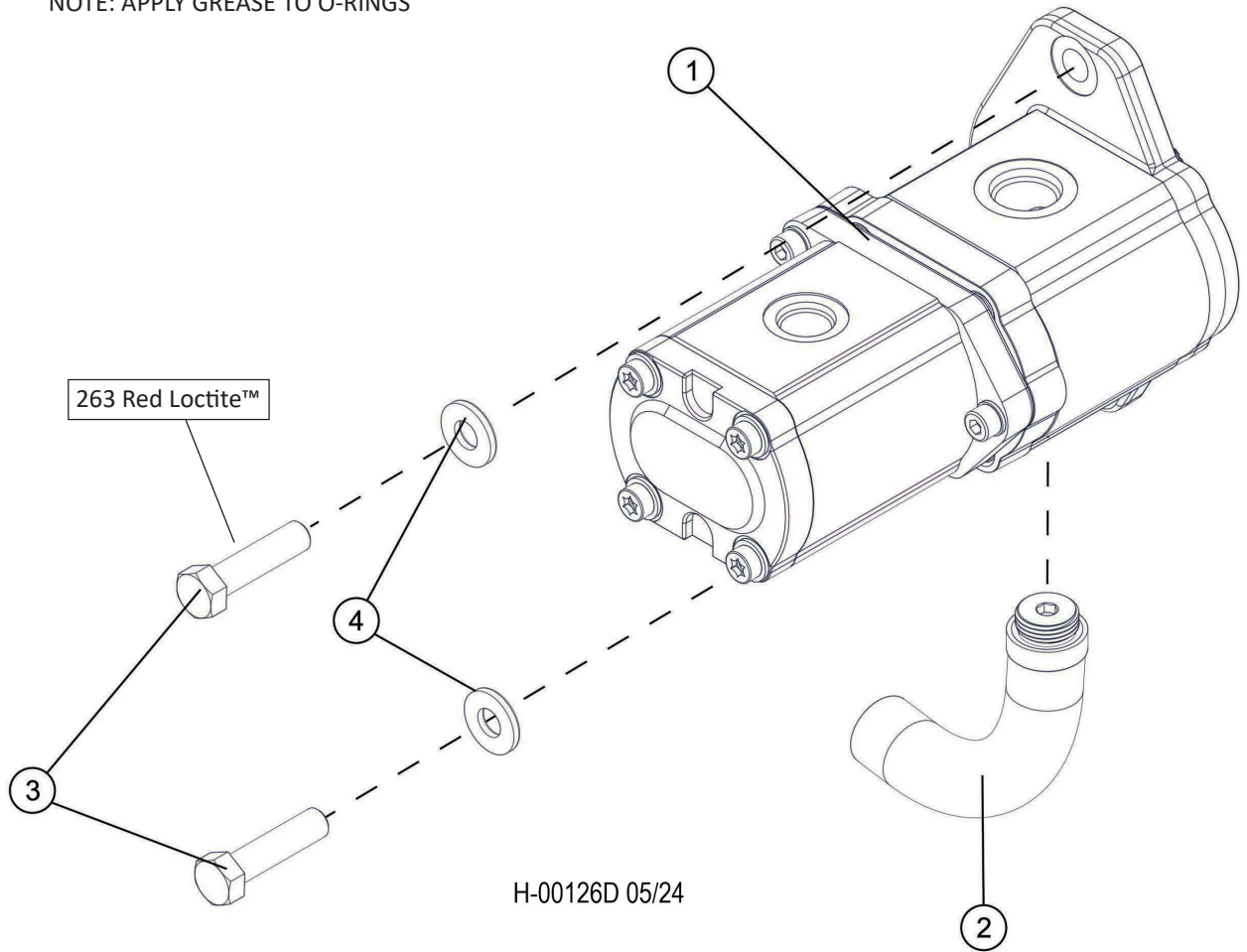


H-00186D 07/24

Item	Part #	Description	Qty.
1	65833 - (65952 - KIT)	HOSE, SUCTION, 7216-15021724-0-0	1
2	55614	CLAMP, CONSTANT TORQUE - 1.75"	1
3	57663	FITTING, ELBOW - HOSE END 90°	1
4	18735	WASHER, FLAT - 12MM 263 RED LOCTITE™	2
5	18415	BOLT - 12MM-1.75P X 30MM	2
6	58177	SEAL, SHAFT - 57609 CHARGE PUMP	1
7	2063677AD	COUPLING, CHARGE PUMP	1
8	21624	O-RING, CHARGE PUMP PILOT (AA4VG90)	1

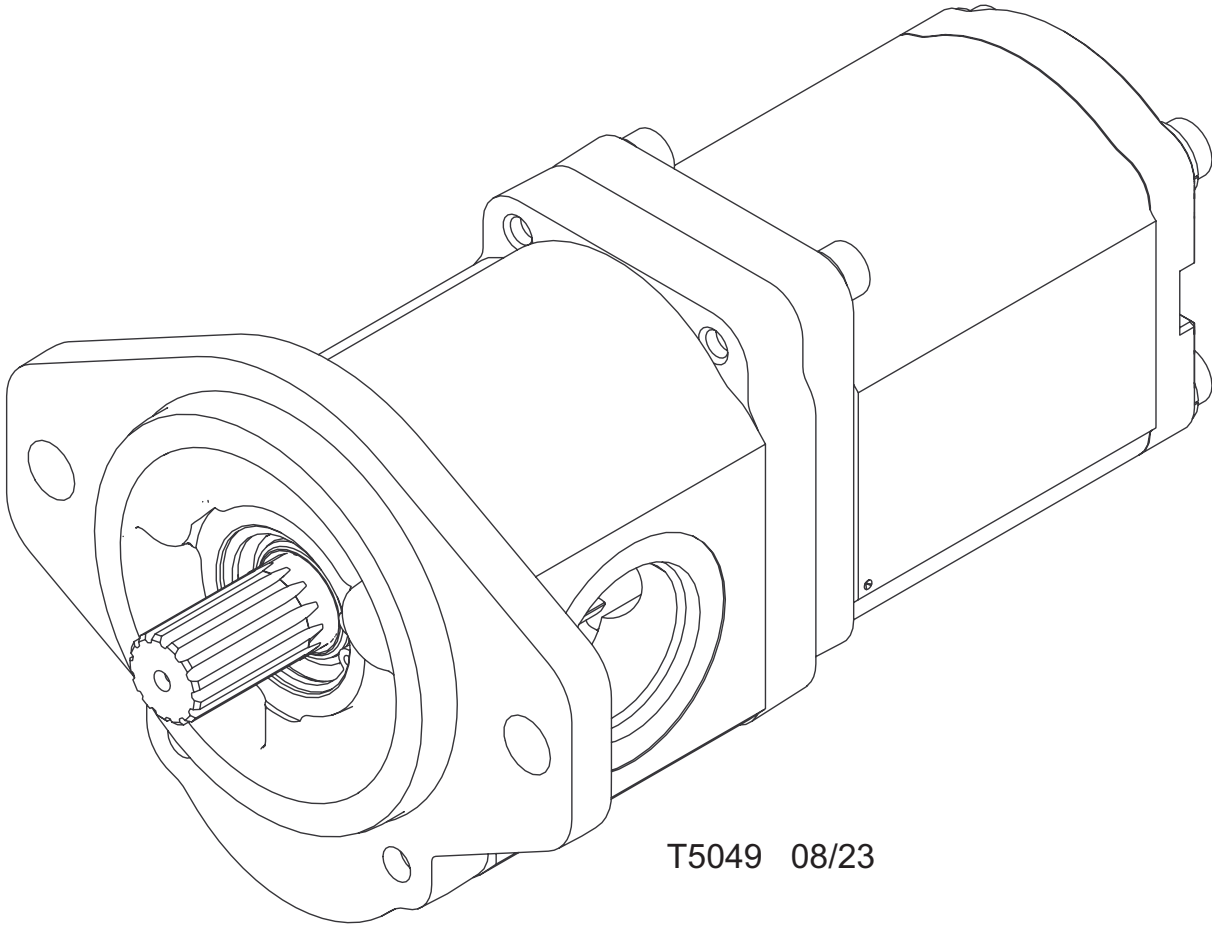
## H0240 - 2244100 - CHARGE PUMP

NOTE: APPLY GREASE TO O-RINGS



Item	Part #	Description	Qty.
1	57609	PUMP, CHARGE - DUAL FLOW	1
2	57663	FITTING, ELBOW - HOSE END 90°	1
3	18415	BOLT - 12MM-1.75P X 30MM 263 RED LOCTITE™	2
4	18735	WASHER, FLAT - 12MM	2

## H0240 - 2244100 - CHARGE PUMP COMPONENTS

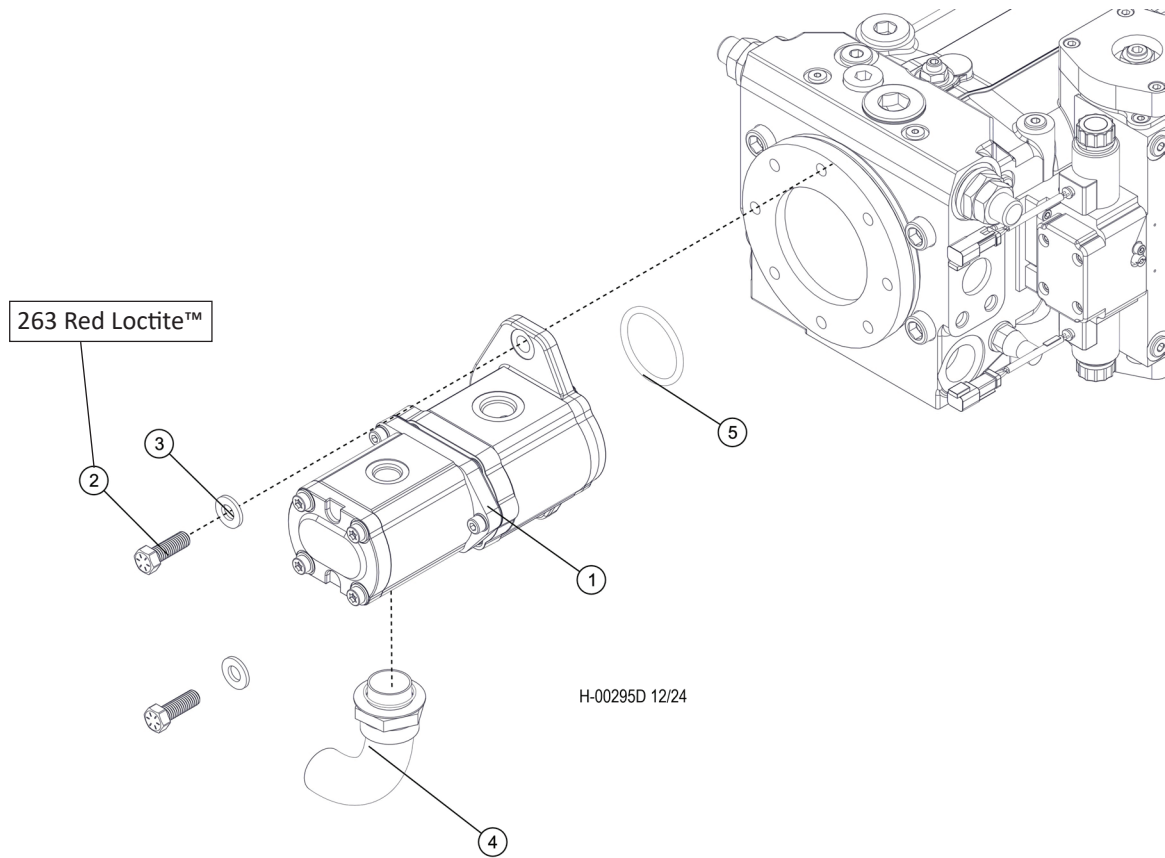


T5049 08/23

<b>Item</b>	<b>Part #</b>	<b>Description</b>	<b>Qty.</b>
*	57609	PUMP, CHARGE - DUAL FLOW	1
*	58177	SHAFT SEAL - 25.4-38.1-6.35 NBR	1
*	55323	SEAL KIT	1
*	21624	O-RING, CHARGE PUMP PILOT (AA4VG90)	1
*	2063677AD	COUPLING, CHARGE PUMP	1

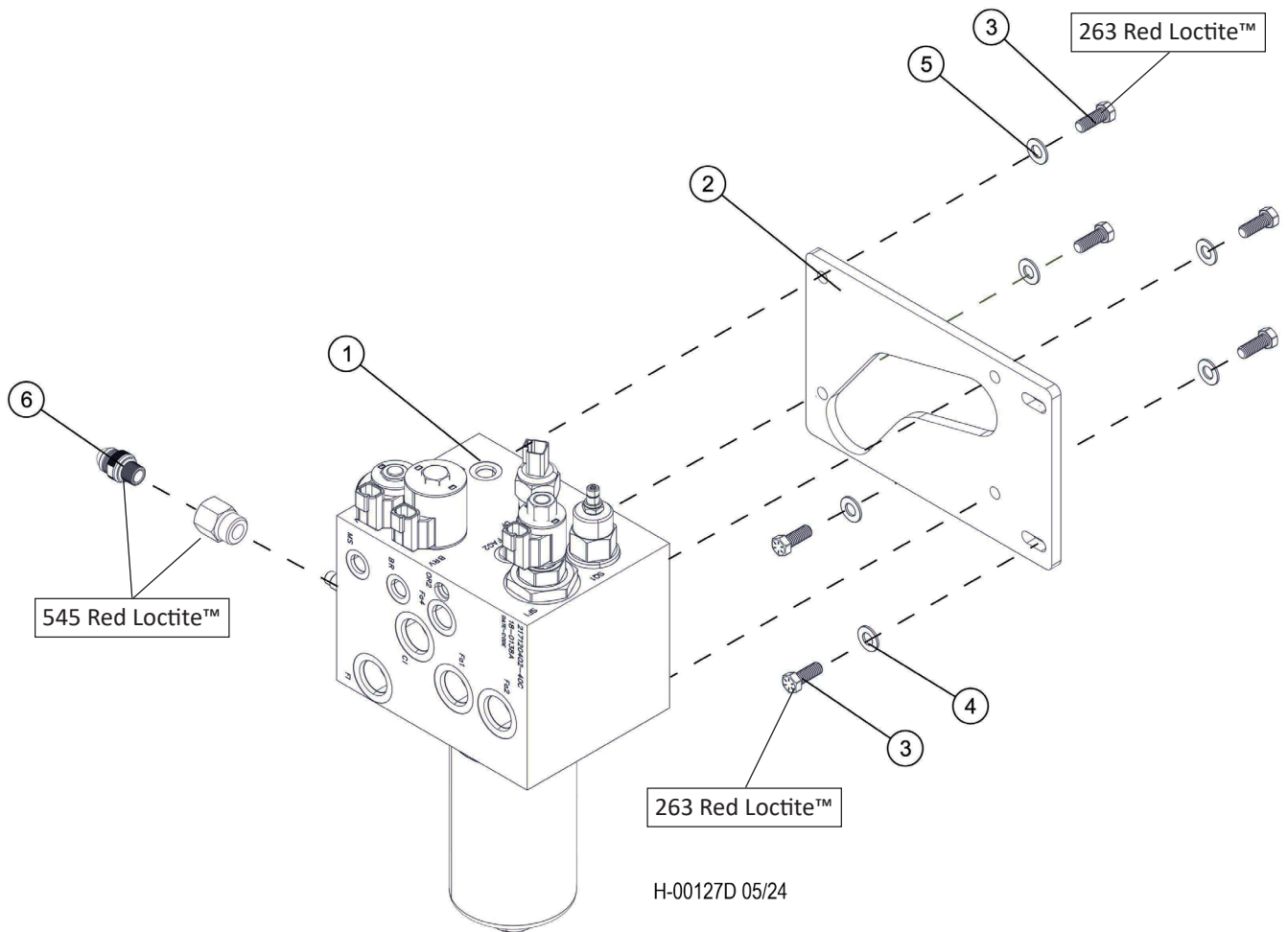
\*MEANS NOT SHOWN

## H0240 - 2244100 - PUMP, CHARGE PRESSURE, U



Item	Part #	Description	Qty.
1	57609	PUMP, CHARGE - DUAL FLOW	1
2	50100	BOLT - .5" X 1.25" 263 RED LOCTITE™	2
3	18735	WASHER, FLAT - 12MM	2
4	57663	FITTING, ELBOW - HOSE END 90°	1
5	21624	O-RING	1

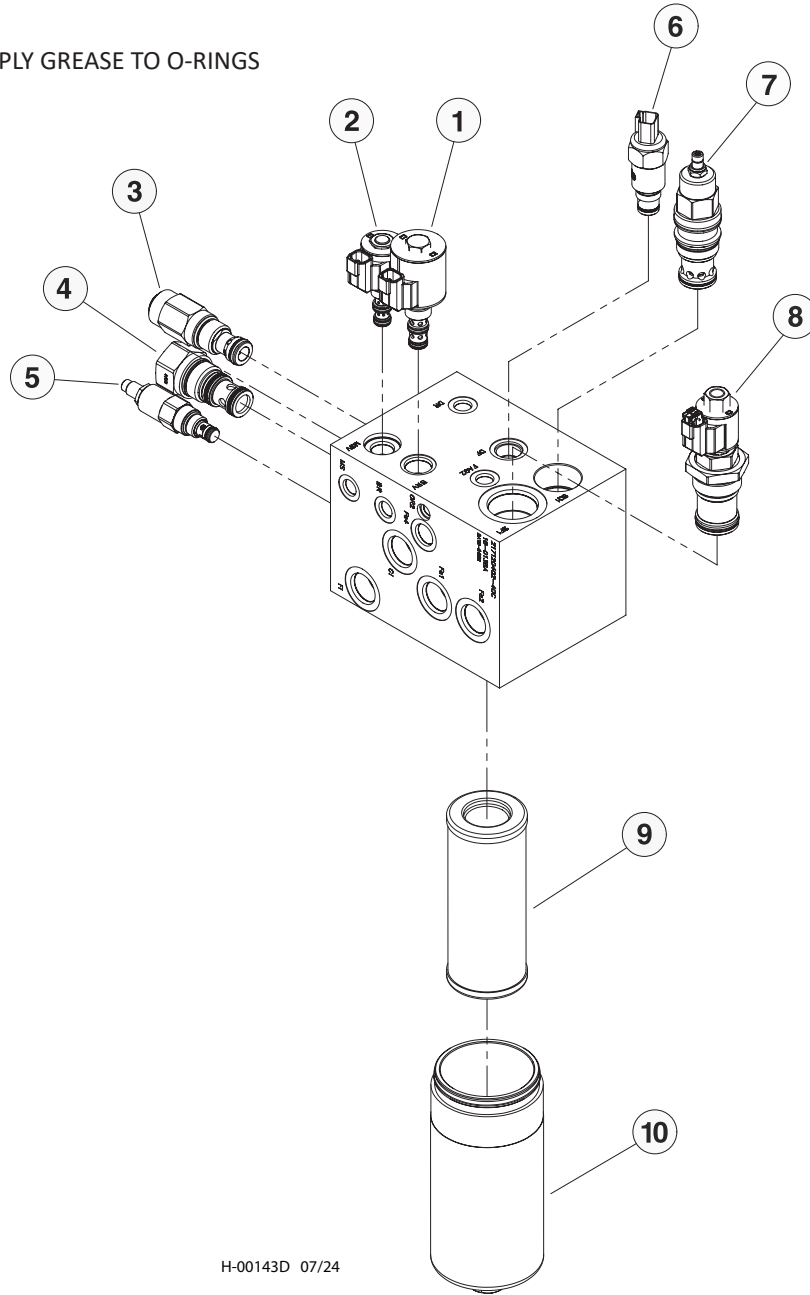
## H0310 - 2225900 - CHARGE OIL MANIFOLD



Item	Part #	Description	Qty.
1	57881	MANIFOLD, CHARGE / COOLER - D SERIES	1
2	60391	PLATE, CHARGE BLOCK MOUNT - D	1
3	11707	BOLT - .375" X 1" 263 RED LOCTITE™	6
4	10801	WASHER, FLAT - .375"	2
5	15528	WASHER, SAE FLAT - .375"	4
6	57820	TAP, GAUGE PORT # 6 SAE - Oring Boss 545 RED LOCTITE™	1

## H0310 - 2225900 - CHARGE OIL MANIFOLD COMPONENTS

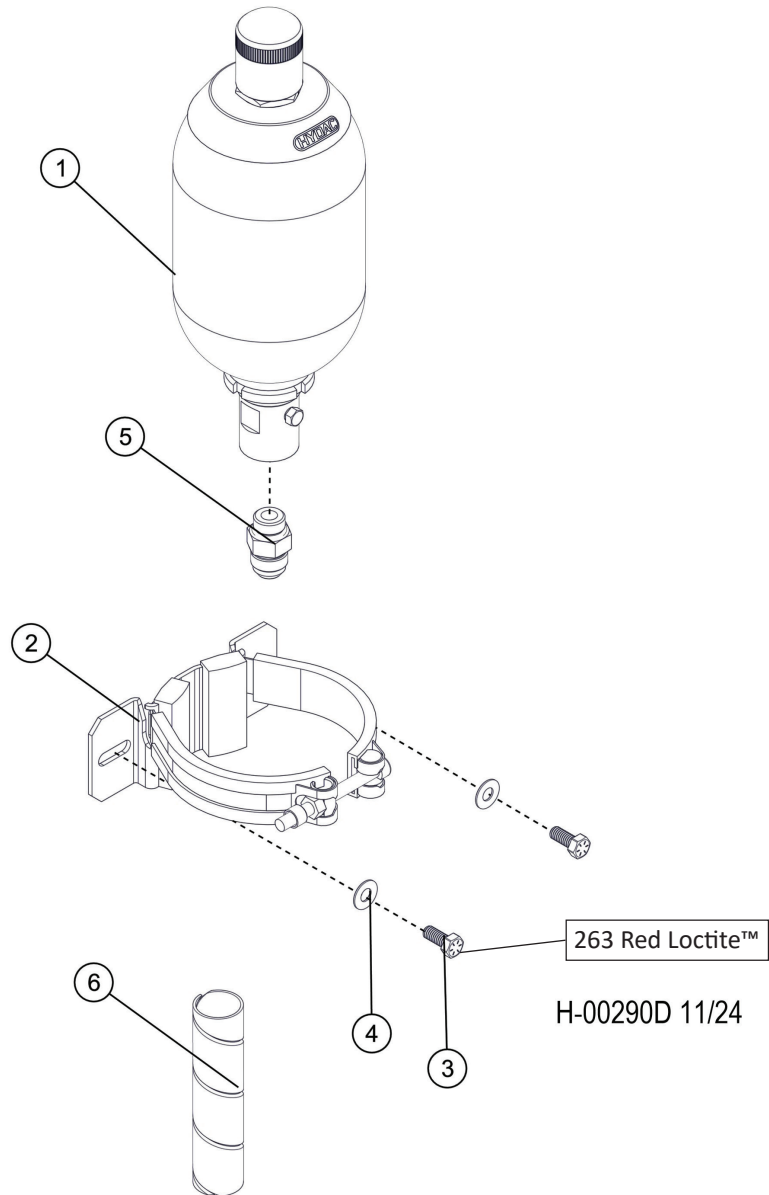
NOTE: APPLY GREASE TO O-RINGS



H-00143D 07/24

Item	Part #	Description	Qty.
1	58362	CARTRIDGE, COIL COMBO PB	1
2	58363	CARTRIDGE, COIL COMBO MTR SFT	1
3	53882	CARTRIDGE, PRES. RELIEF	1
4	EP16-S35 - (57881)	CARTRIDGE	1
5	RV12-26H - (57881)	CARTRIDGE	1
6	62004	SWITCH, FILTER INDICATOR	1
7	52223	CARTRIDGE, FAN DRIVE	1
8	53737	COIL, PARK BRAKE	1
9	19861	ELEMENT, HYDROSTATIC FILTER	1
10	LF 240 BOWL - (57881)	BOWL	1

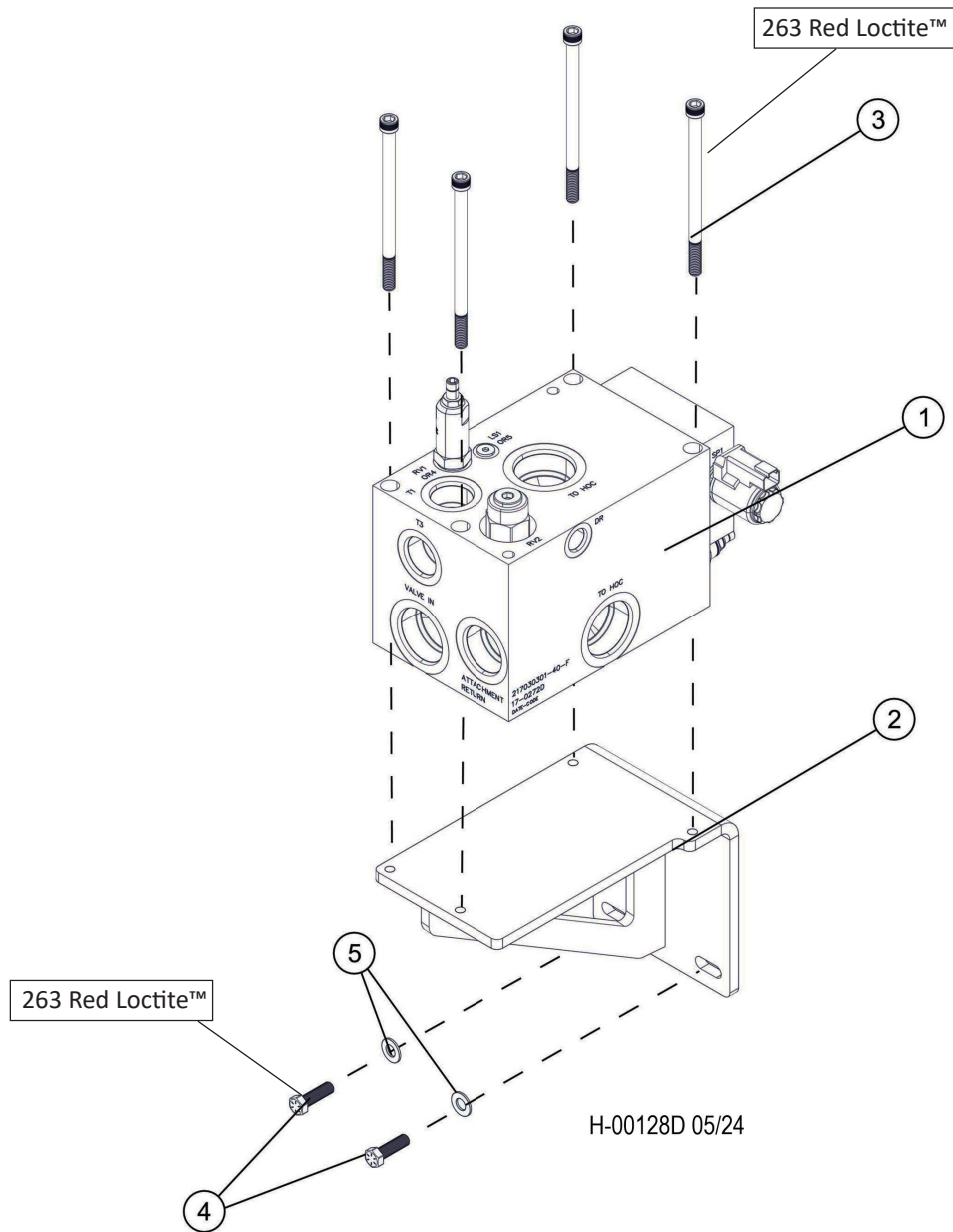
## H0315 - 2244200 - AUCCUMULATOR & COMPONENTS



Item	Part #	Description	Qty.
1	51709	ACCUMULATOR, GAS - WHEEL DRIVE BRKT51775	1
2	51775	BRACKET, ACCUMULATOR (51709 WHEEL DRIVE)	1
3	15605	BOLT - .3125" X .75" 263 RED LOCTITE™	2
4	10801	WASHER, FLAT - .3125"	2
5	11324	CONNECTOR, STR - 6400-12	1
6	20843	PROTECTOR, HOSE - SPRIAL (.78")(BULK)	1



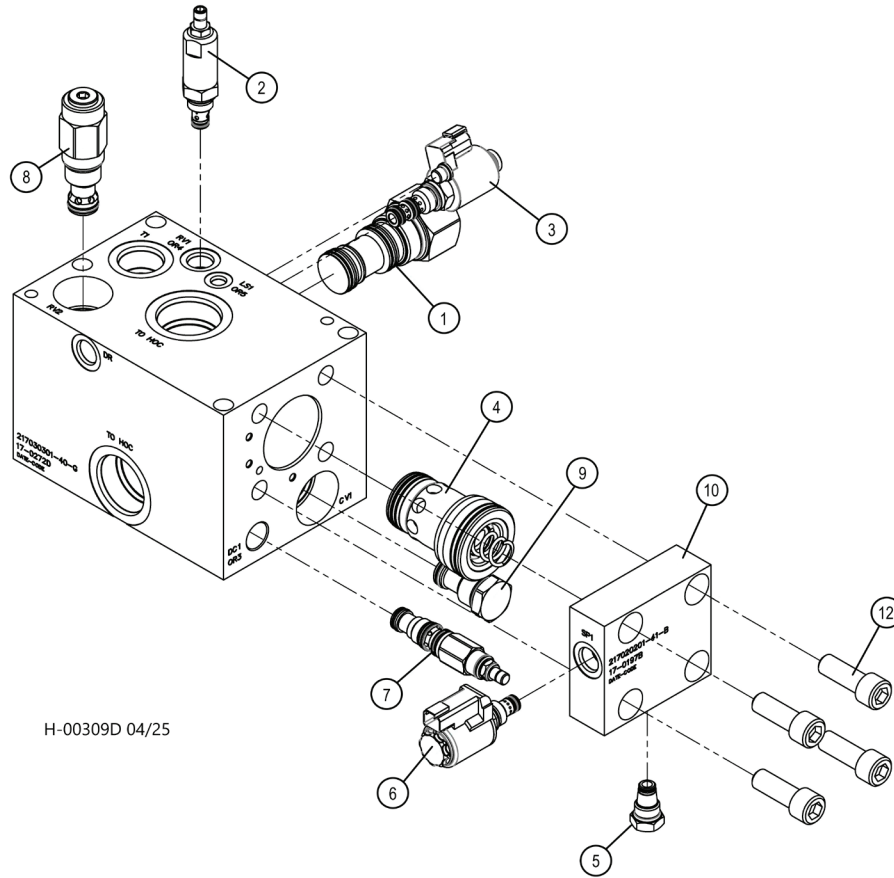
# H0320 - 2226000 - MANIFOLD, OIL COOLER CNTRL/SAW STOP



Item	Part #	Description	Qty.
1	57849	MANIFOLD, HOC CONTROL-RETURN - D SERIES	1
2	60403	BRACKET, MANIFOLD - HOC	1
3	58219	BOLT, ALLEN 3/8-16X6 HOC MANIFOLD 263 RED LOCTITE™	4
4	10402	BOLT, 3/8"x1 1/4" 263 RED LOCTITE™	2
5	10802	3/8" WASHER	2

# H0320 - 2226000 - MANIFOLD, OIL COOLER CNTRL/SAW STOP COMPONENTS

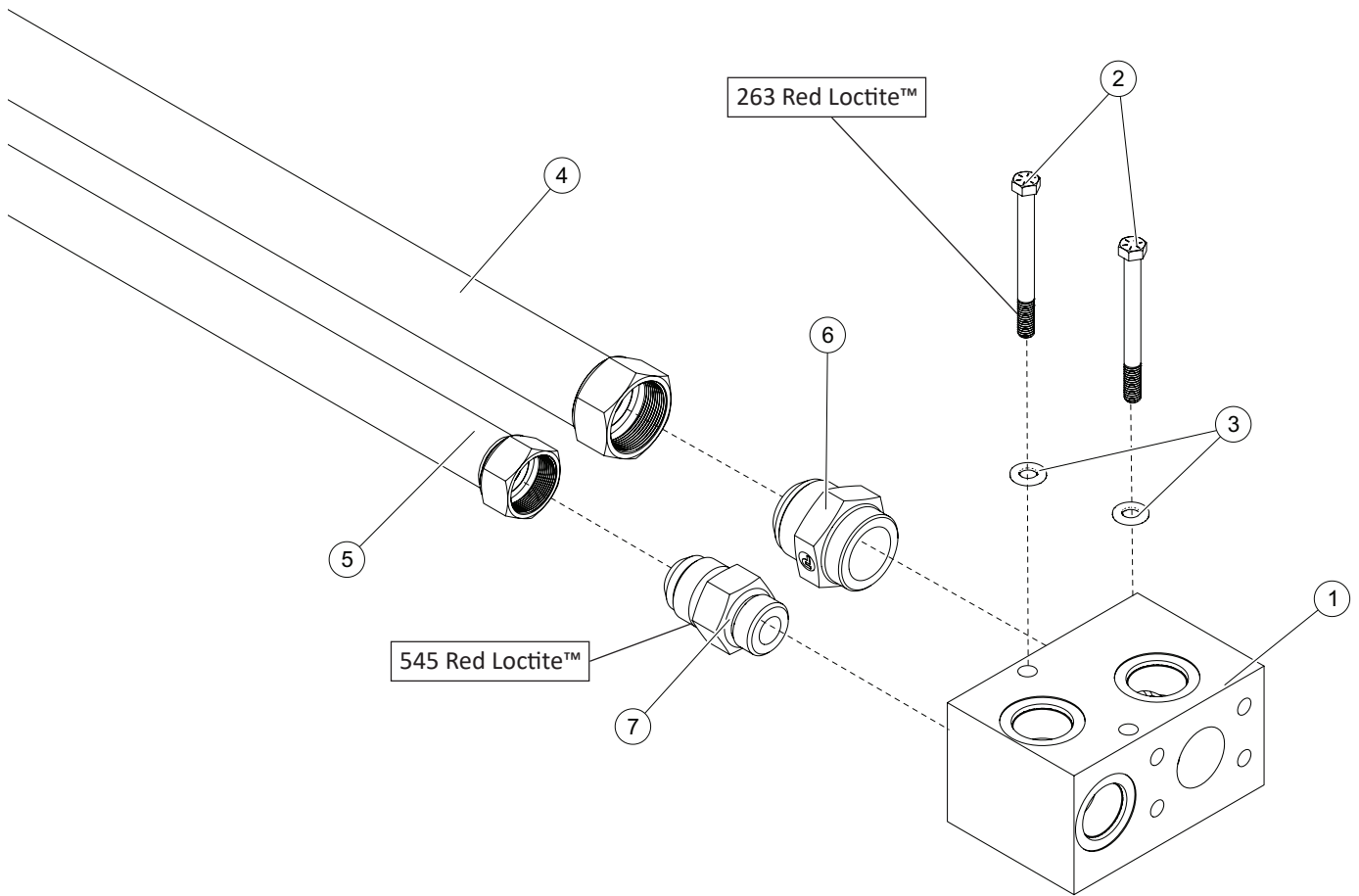
NOTE: APPLY GREASE TO O-RINGS



Item	Part #	Description	Qty.
	57849	MANIFOLD, HOC CONTROL-RETURN	1
1	52184	LOGIC VALVE	1
*	SK20-S3N-MN	SEAL KIT	1
2	55971	PRESSURE RELIEF VALVE	1
3	OD133051A00	DIRECTIONAL CONTROL VALVE	1
*	OD.02.36-22-3P-OC-000	COIL	1
*	R901101723	SEAL KIT	1
4	LC32DB20E-7X/	LOGIC VALVE	1
*	R900313106	SEAL KIT	1
5	53386	SCREEN CARTRIDGE	1
6	55745	SOLENOID VALVE CARTRIDGE	1
*	2022920	SEAL KIT	1
7	DRBB-LEN	CARTRIDGE VALVE	1
*	990011007	SEAL KIT	1
8	56091	PRESSURE RELIEF VALVE	1
*	SK12-2N-B	SEAL KIT	1
9	CV12-20-0-N-80	CHECK VALVE	1
*	SK12-2N-T	SEAL KIT	1

\*MEANS NOT SHOWN

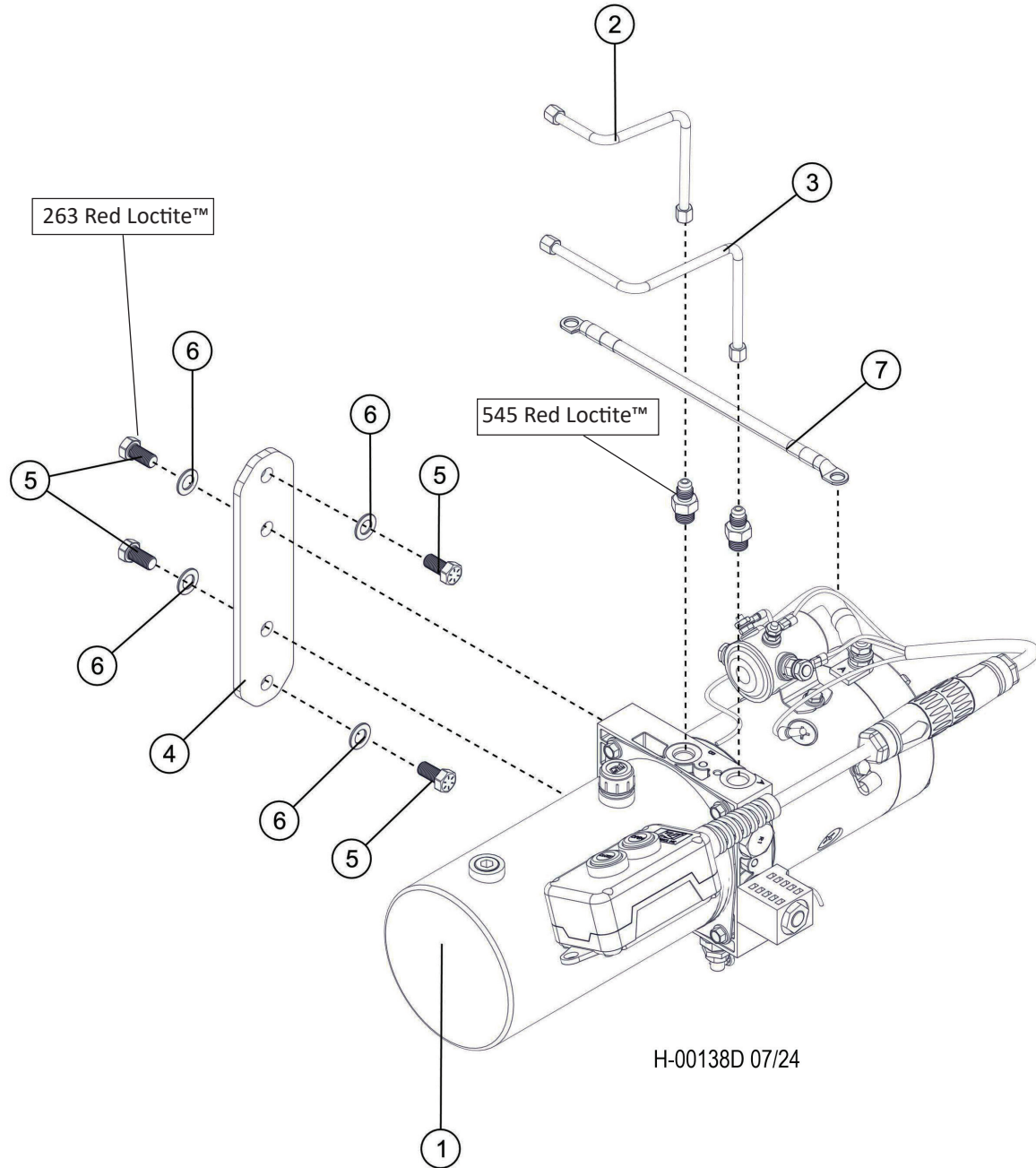
## H0320 - 2226000 - RETURN MANIFOLD



H-00129D 05/24

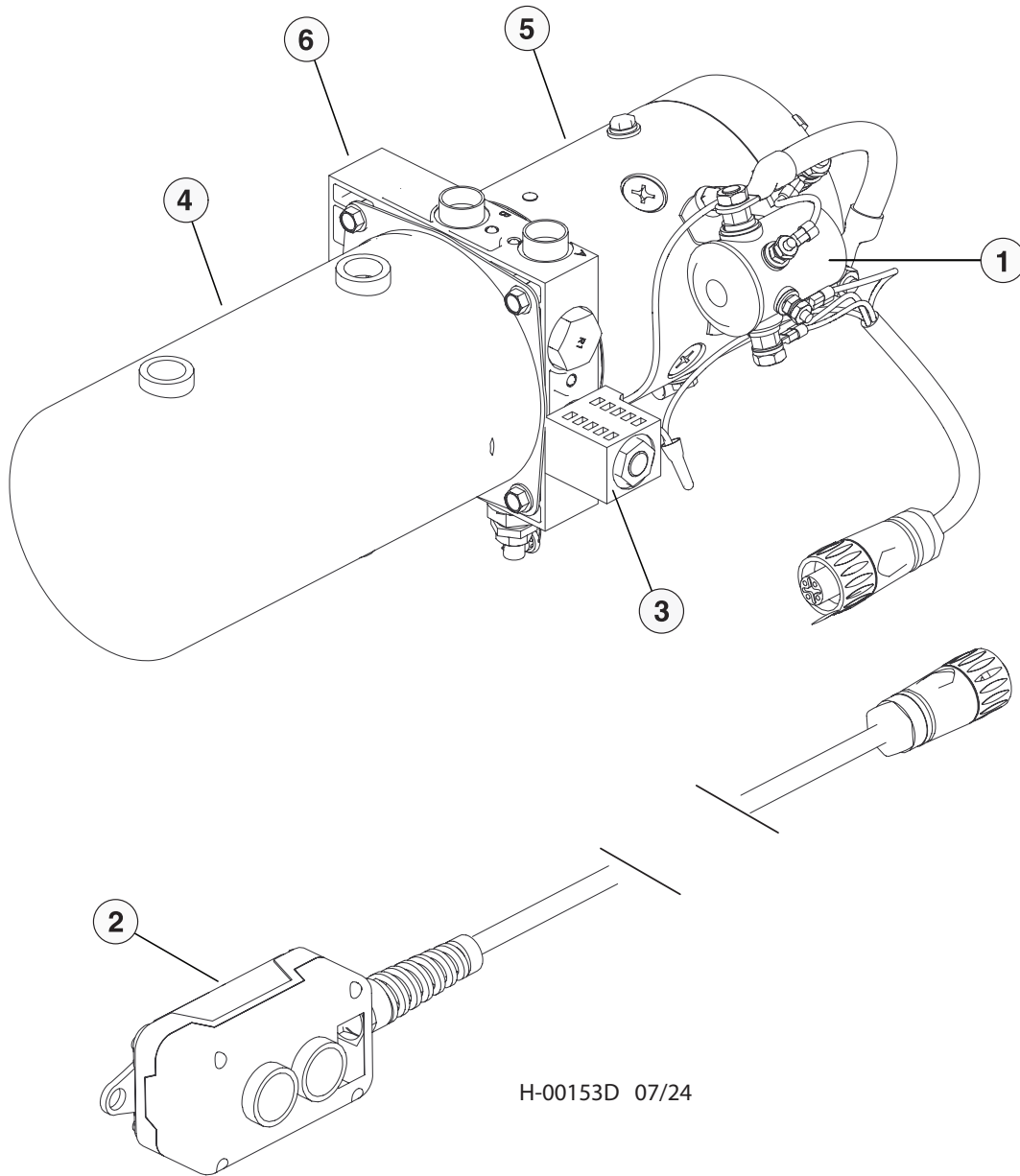
Item	Part #	Description	Qty.
1	63280	MANIFOLD, RETURN	1
2	15592	BOLT - .375" X 4" 263 RED LOCTITE™	2
3	15528	WASHER, SAE FLAT - .375" OR 3/8"	2
4	55166	TUBELINE, HYD TANK TO BH 45 DEG (SEE NOT	1
5	55170	TUBELINE, TANK TO CASE MAN. - C MOD(NOTE	1
6	22319	CONNECTOR, STR 24F5OX-S THRML B-PASS GT	1
7	15497	CONNECTOR, STR - 16 F5OX-S 545 RED LOCTITE™	1

## H1713 - 2226100 - GULLWING DOOR HYD PUMP



Item	Part #	Description	Qty.
1	51577	PUMP, POWER UNIT - GULL WING W/PENDANT	1
2	55593	TUBELINE, CANOPY LIFT PUMP TO B PORT	1
3	55592	TUBELINE, CANOPY LIFT PUMP A PORT	1
4	47542	PLATE, GULLWING PUMP	1
5	15542	BOLT - .375" X .75" 263 RED LOCTITE™	4
6	15528	WASHER, SAE FLAT - .375"	4
7	55336	CABLE, BATTERY - NEGATIVE - "C" - 24"	1

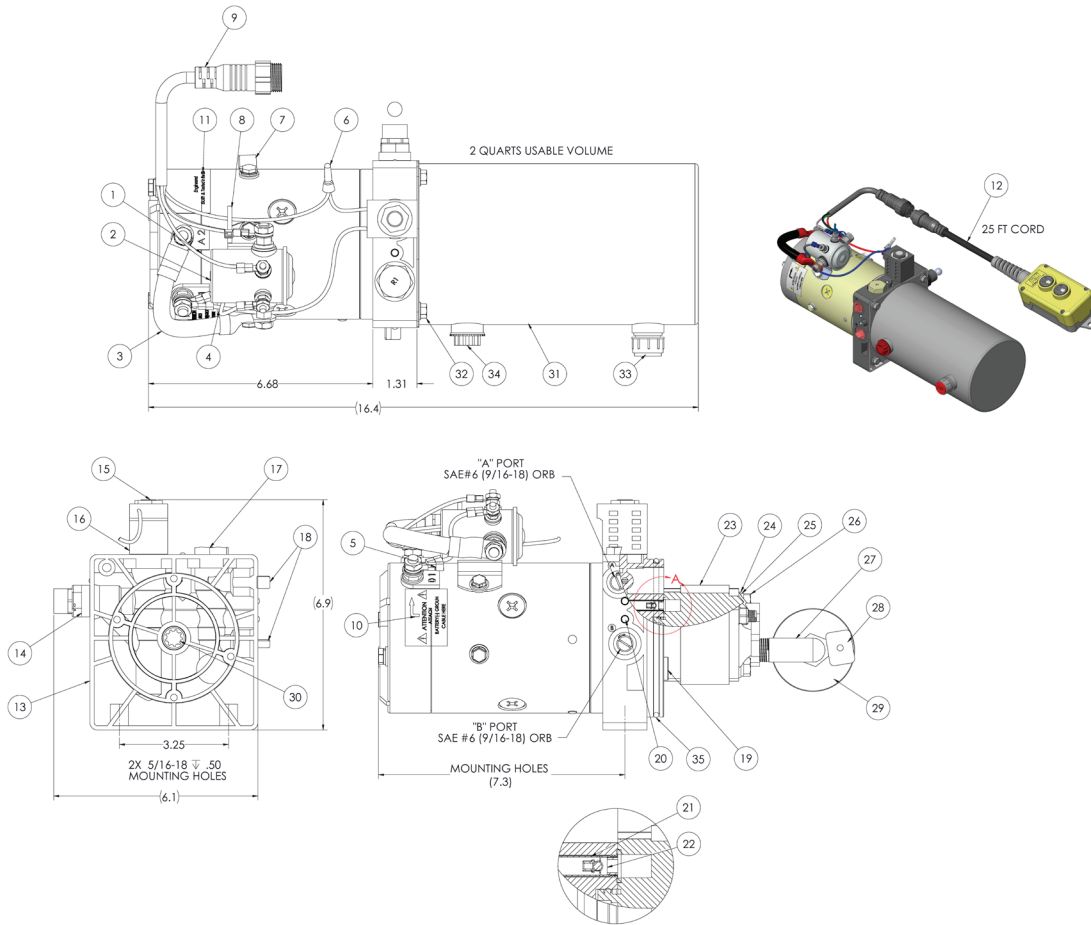
# H1713 - 2226100 - GULLWING DOOR HYD PUMP COMPONENTS



H-00153D 07/24

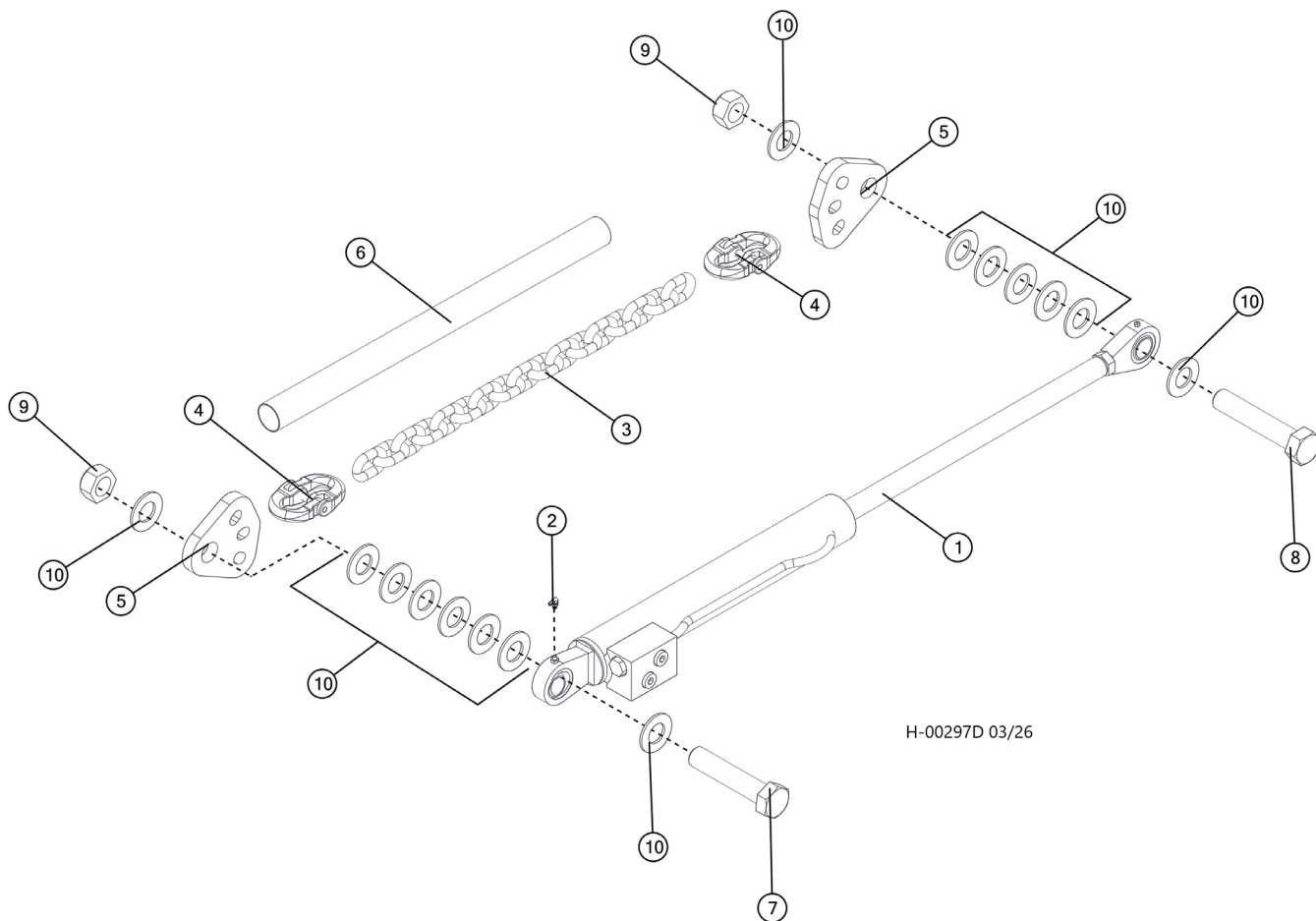
Item	Part #	Description	Qty.
	51577	PUMP, POWER UNIT - GULL WING W/PENDANT	1
1	57185	24VDC SOLENOID (SUPPLIER PART # K-03463)	1
2	395-23	PENDANT W/2 BUTTONS	1
*	58340	COMPLETE PENDANT W/HARNESS	1
3	54318	COIL	1
4	8080-4750	RESERVOIR BOTTLE	1
5	K-08120	STARTER MOTOR	1
6	12637-150	PUMP	1
*	03171	BREATHER CAP, BOTTLE	1
		*MEANS NOT SHOWN	

# H1713 - 2226100 - GULLWING DOOR HYD PUMP COMPONENTS



Item	Part#	Description	Qty.
	51577	PUMP, POWER UNIT - GULL WING W/PENDANT	1
1	2445-1	24V DC MOTOR 4.5"O.D. 2.0 KW GOLD, TWO TERMINAL	1
2	57185	24V DC STEEL CASE CONTINUOUS DUTY, COPPER TO COPPER START SOLENOID	1
3	27-1	TERMINAL WIRE (SOLENOID POWER TERMINAL TO MOTOR POWER TERMINAL)	1
4	27-16	GROUND WIRE (MOTOR GROUND TERMINAL TO SOLENOID GROUND TERMINAL)	1
5	Q30-8	ELECTRICAL RING TERMINAL 5/16 POST. 22-18 ga	1
6	Q31-2	NYLON CRIMP CAP - FIT 16-14	1
7	Q34-9	NYLON CABLE CLAMP, CLOSE DIA 5/16"	1
8	Q37-2	NYLON BLACK CABLE TIE 8"	1
9	74-23	TOWER HALF SOLID MOLD CONNECTOR ASSY WITH 8" CORD & 4 WIRES	1
10	31-10	LABEL, BATTERY GROUND TO MOTOR GROUND TERMINAL	1
11	31-12	LABEL, AMERICAN FLAG, ENGINEERED, BUILT & TESTED IN USA	1
12	58340	2 BUTTON 4 WIRE REMOTE PENDANT W/ MALE SOLID MOLD CYLINDRICAL QUICK DISCONNECT 25' CORD.	1
13	58340	UNIVERSAL MANIFOLD CIRCUIT 108	1
14	LRV-080-B	CARTRIDGE RELIEF VALVE, ADJUSTABLE SET @ 3700 PSI	1
15	58172	4W2P SPOOL TYPE CARTIDGE SOLENOID VALVE	1
16	58172	24V DC #8 SQUARE COIL W/DUAL WIRE LEADS	1
17	54318	SAE #8, 4W2P CAVITY PLUG	1
18	Q5-12	TAPERED CAP PLUG, 0.47"-0.54" DIA (RED). LDPE	2
19	VPS-6	SAE #6 (9/16-18) O-RING PLUG	1
20	SX-6A	EXPANDER SEALING PLUG, 6mm ZINC PLATED	4
21	Q56-0313-0093	5/16 x .014 x 0.93" BRASS TUBING	1
22	CVI-4	LEE 855 SERIES CHECK VALVE, FORWARD FLOW	1
23	PL-0.63-11T	PRESSURE LOADED GEAR PUMP (0.038 IN <sup>3</sup> /R)	1
24	Q13-031	5/16" STEEL FLAT WASHER	2
25	Q14-031	5/16" STEEL SPLIT LOCK WASHER	2
26	Q16-031-0300	5/16-24 x 3.00" HEX HEAD CAP SCREW, GRADE 5	2
27	21-1	3/8" NPT 90 DEGREE ALUMINUM DIE-CAST INLET ELBOW	1
28	23-1	RECTANGLE CARBON MAGNET	1
29	57-6	3/8" NPT INLET STRAINER, 120 MESH, PLEATED	1
30	52-39	MOTOR / PUMP COUPLING, SAE 9 TOOTH TO 11 TOOTH, 1.67 INCH	1
31	8080-2	2 QUART STEEL DEEP DRAWN RESERVOIR	1
32	Q19-025-0038	1/4-20 x 0.375" HEX FLANGE HEAD CAP SCREW	4
33	58625	3/8 NPT 40 MICRON AIR BREATHER	1
34	58625	3/8 NPT PLASTIC THREADED PLUG W/NEOPRENE GASKET	1
35	Q2-4113	O-RING, I.D. 113mm, C/S 4mm. METRIC BUNA, RESERVOIR	1

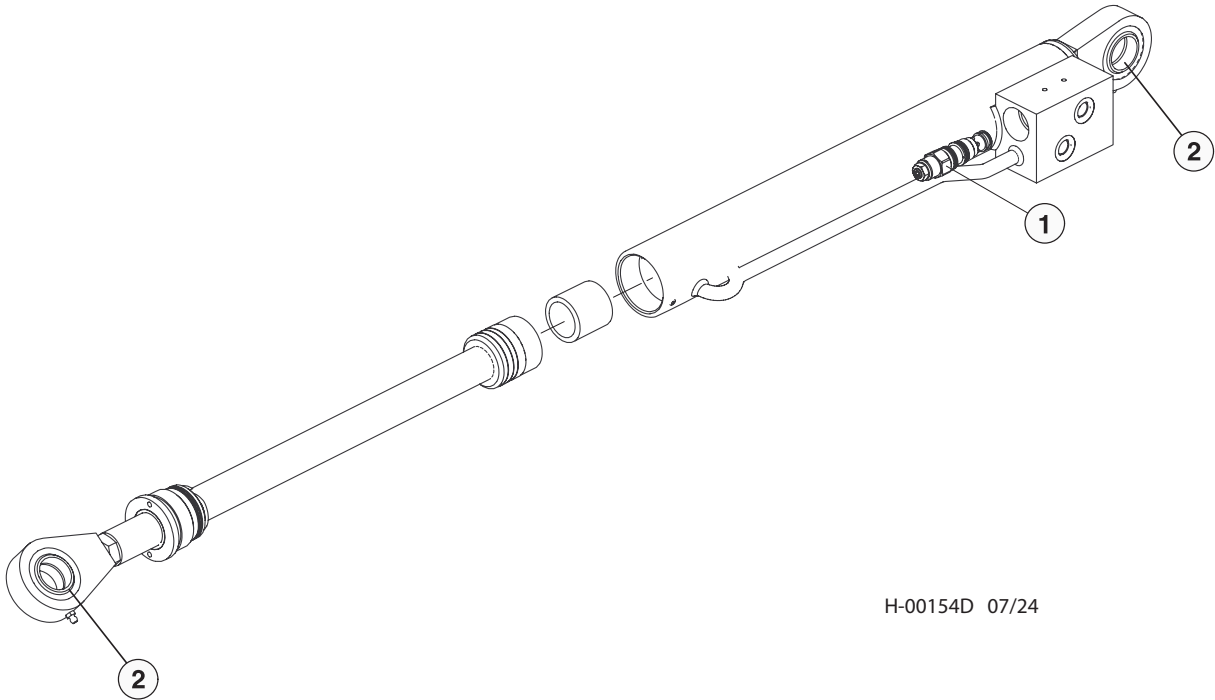
## H1713 - 2226100 - GULLWING DOOR CYLINDER



H-00297D 03/26

Item	Part #	Description	Qty.
1	57848.1	CYLINDER, GULLWING LIFT	1
2	15662	FITTING, GREASE - .25-28" - 90	1
3	557150	CHAIN, .50, G100, 17 LINK	1
4	699270	SHACKLE, PIVOT, .50", G100	2
5	699280	LINK, HOOD CHN, ADJUST, 1.31"	2
6	684201	SLEEVE, PROTECTIVE HOSE - 2.00 X 27.00	1
7	700050	BOLT, HHCS, 1.25-7 X 6.00, GR8, YZ	1
8	65194	BOLT, HHCS, 1.25-7 X 6.50, GR8, YZ	1
9	23989	NUT, LOCK - 1.25"	2
10	22531	WASHER, SAE FLAT - 1.25"	15

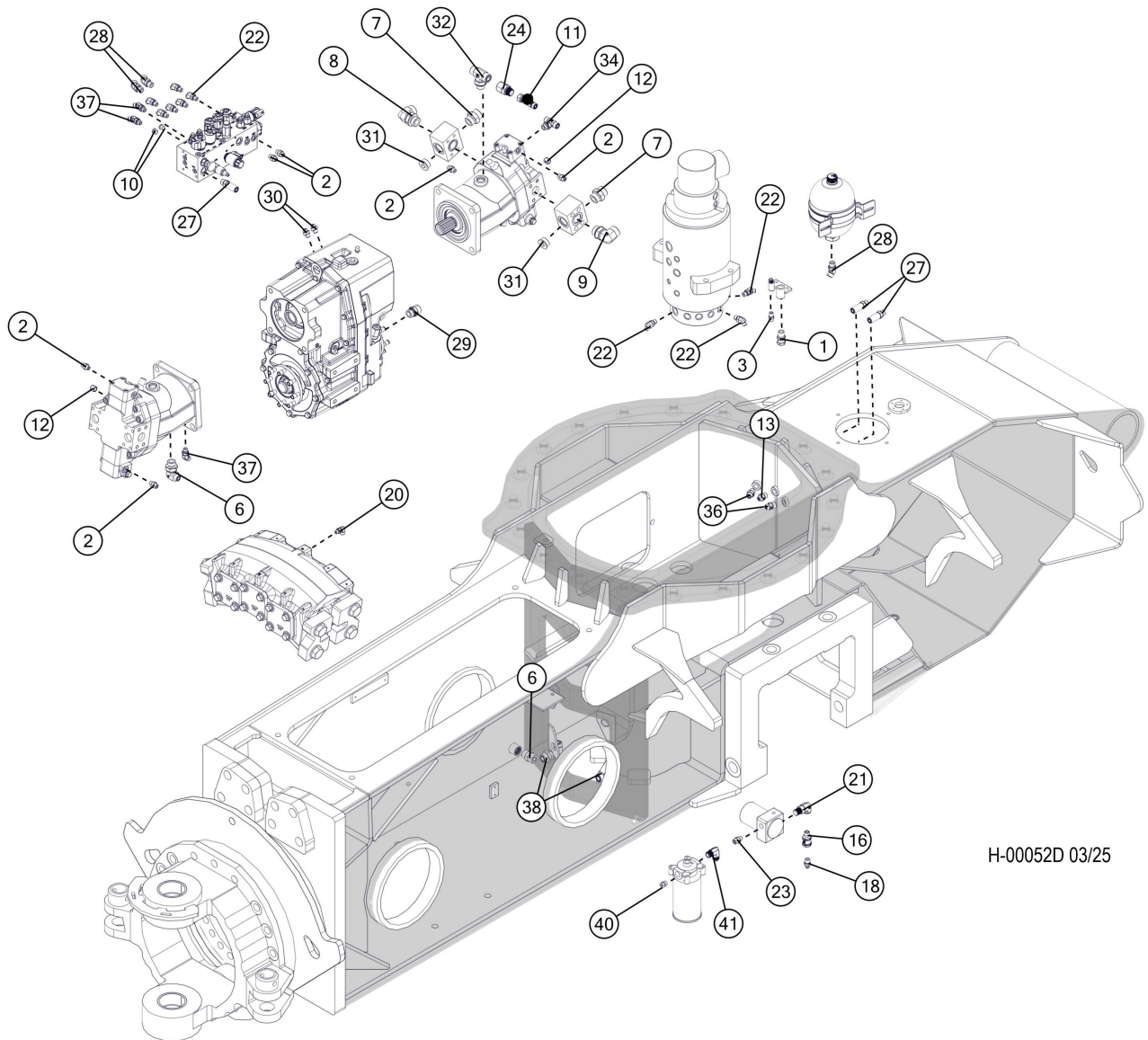
## H1713 - 2226100 - GULLWING DOOR CYLINDER COMPONENTS



H-00154D 07/24

Item	Part #	Description	Qty.
	57848	CYLINDER, GULLWING LIFT	1
1	58009	CARTRIDGE, COUNTER BALANCE	1
2	GEZ020ES	SPHERICAL BUSHING	2
*	59046	SEAL KIT	1
		*MEANS NOT SHOWN	

**H4120 - 2246900 - H4120 - 2247000 - ACCESSORIES HYDRAULIC FITTINGS,  
FRAME 830 & 840**



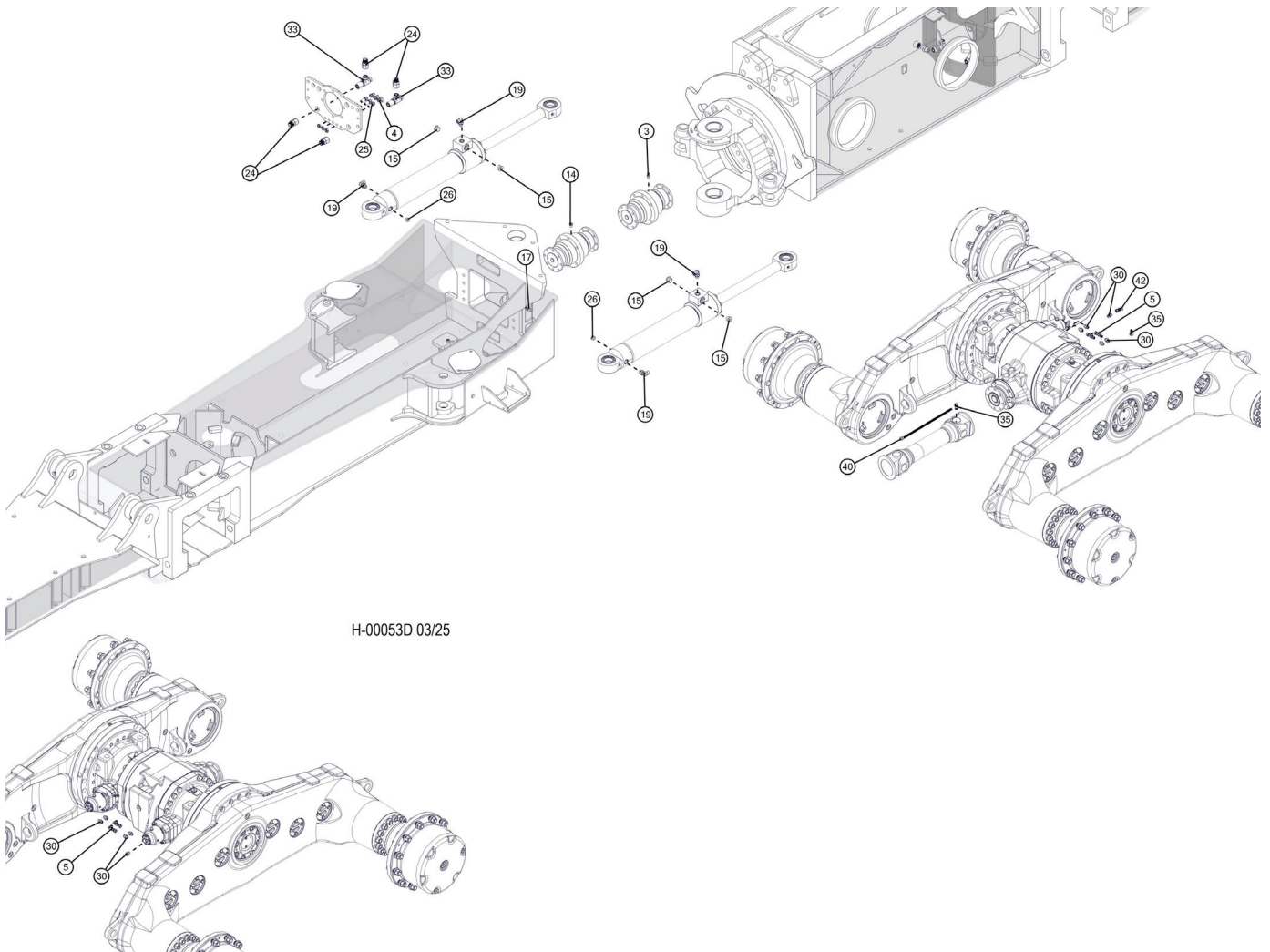
H-00052D 03/25

**H4120 - 2246900 - H4120 - 2247000 - ACCESSORIES HYDRAULIC FITTINGS,  
FRAME 830 & 840**

<b>Item</b>	<b>Part #</b>	<b>Description</b>	<b>Qty.</b>
1	10322	CONNECTOR, STR SWIVEL - 1404-8-8	1
2	15124	CONNECTOR, STR - FF1852T-0406S	6
3	15131	CONNECTOR, STR - FF2031T-0404S	2
4	15145	ELBOW, 90 SWIVEL - FF2098T-0404S	3
5	15176	TEE - FF2114T-0404S 830D ONLY	4
*	15139	TEE - FF1898T-0404S 840D ONLY	4
6	15201	CONNECTOR, STR - FF2031T-1212S	1
7	15225	CONNECTOR, STR - FF1852T-1616S	2
8	15228	ELBOW, 90 - FF1868T-1616S	2
9	15372	ELBOW, 90 - FF1868T-0812S	1
10	15412	PLUG - 6408-HHP-6	2
11	15433	TEE - FF2114T-0808S	1
12	15435	CAP - FF9863-04S	2
13	15504	CONNECTOR, STR - FF1852T-0408S	1
14	15574	BUSHING, REDUCER - 5406-4-2	1
15	15584	PLUG - 6408-HHP-12	4
16	15652	VALVE, CHECK - HYDRAULIC/FUEL	1
17	15658	CONNECTOR, STR BULKHEAD - 2239-2-4S	1
18	16009	FITTING, 6 FTX-S PIPE-JIC	1
19	16360	ELBOW, 90 - FF1868T-0808S	4
20	16540	ELBOW, 90 - FF1868T-0404S	1
21	57824	FITTING, ELBOW FEMALE - RAPTOR FUEL PUMP	1
22	17646	ELBOW, 45 - FF2068T-0406S	9
23	18034	CONNECTOR, STR - FF1852T-0606S	1
24	18581	CONNECTOR, REDUCER - ORS FF2281T-0812S	5
25	18582	CONNECTOR, STR BULKHEAD - FF1994T-0404S	3
26	18949	PLUG - 6408-HHP-8	2
27	19091	CONNECTOR, STR LONG - 848L-TTO-08X08	3
28	19126	ELBOW, 45 - FF2068T-0808S	3
29	19375	CONNECTOR, STR - 12F42EDMLO-S	1
30	19470	CONNECTOR, STR METRIC - 4M14F8OMLOS	12
31	19847	PLUG - 6408-HHP-16	2
32	20027	TEE - FF1861T-1212S	1
33	20029	TEE, BULKHEAD RUN - 12 WJJLO	2
34	20066	TEE - 8 S5OLO-S - BRANCH	1
35	22281	ELBOW, 1/8-27 NPTF(M), 1/8-17 NPTF(F),90	2
36	22901	CONNECTOR, STR - 6-8 F5OLO-S	2
37	23015	ELBOW, 45 - 6 V5OLO-S	3
38	24188	ELBOW, 90 BULKHEAD - 855BH-TT-12	2
39	51885	CONNECTOR, STR - (6-10 F5OLO-S)	2
40	52431	COUPLING, PIPE	2
41	53073	ELBOW, 90 6-JIC X 10-ORB)	1
42	53719	FITTING, SWIVEL NUT ELBOW - 45 DEG	1

\*MEANS NOT SHOWN

H4120 - 2246900 - H4120 - 2247000 - ACCESSORIES HYDRAULIC FITTINGS, FRAME 830 & 840



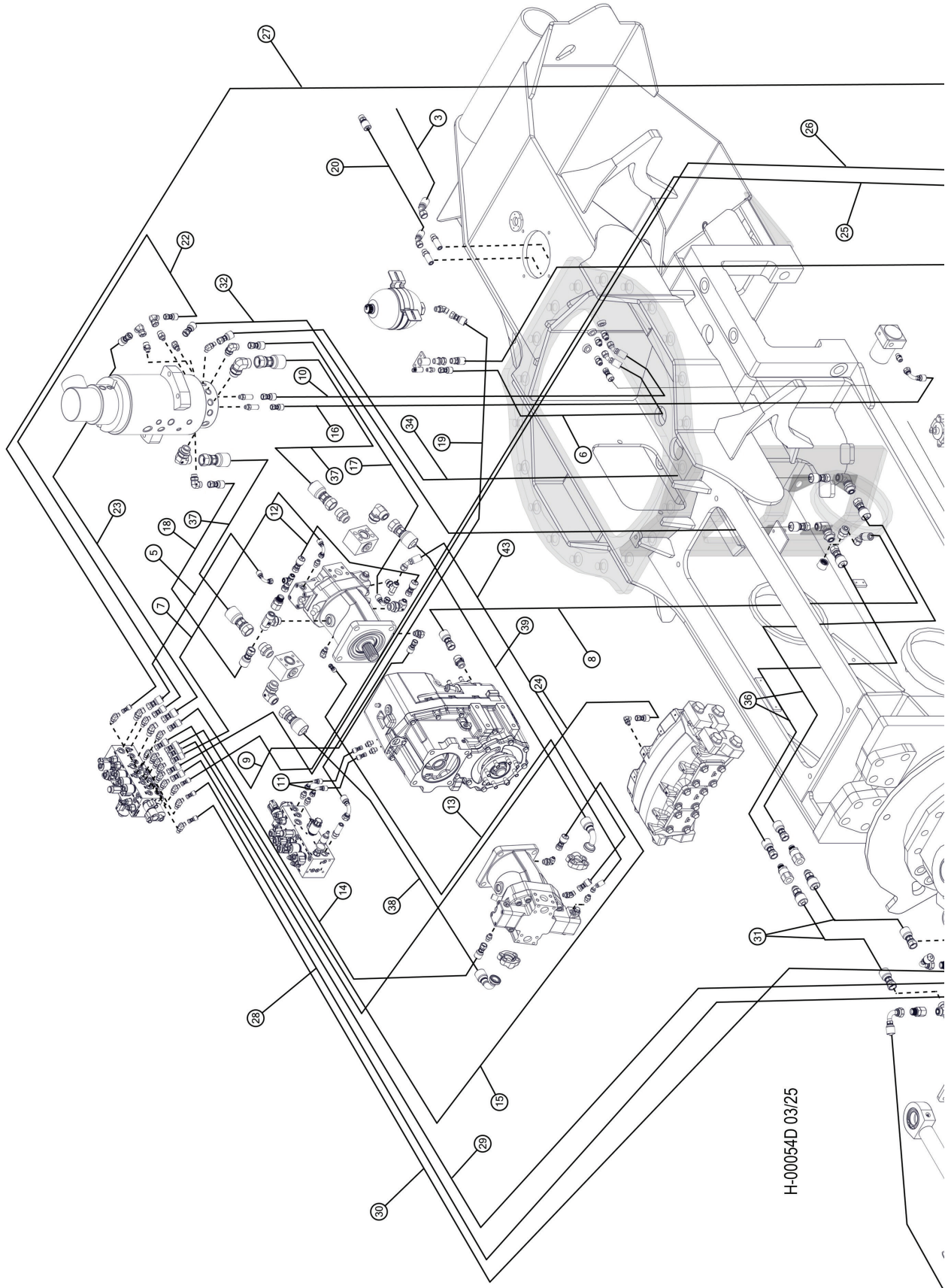
H-00053D 03/25

**H4120 - 2246900 - H4120 - 2247000 - ACCESSORIES HYDRAULIC FITTINGS, FRAME  
830 & 840**

<b>Item</b>	<b>Part #</b>	<b>Description</b>	<b>Qty.</b>
1	10322	CONNECTOR, STR SWIVEL - 1404-8-8	1
2	15124	CONNECTOR, STR - FF1852T-0406S	6
3	15131	CONNECTOR, STR - FF2031T-0404S	2
4	15145	ELBOW, 90 SWIVEL - FF2098T-0404S	3
5	15176	TEE - FF2114T-0404S 830D ONLY	4
*	15139	TEE - FF1898T-0404S 840D ONLY	4
6	15201	CONNECTOR, STR - FF2031T-1212S	1
7	15225	CONNECTOR, STR - FF1852T-1616S	2
8	15228	ELBOW, 90 - FF1868T-1616S	2
9	15372	ELBOW, 90 - FF1868T-0812S	1
10	15412	PLUG - 6408-HHP-6	2
11	15433	TEE - FF2114T-0808S	1
12	15435	CAP - FF9863-04S	2
13	15504	CONNECTOR, STR - FF1852T-0408S	1
14	15574	BUSHING, REDUCER - 5406-4-2	1
15	15584	PLUG - 6408-HHP-12	4
16	15652	VALVE, CHECK - HYDRAULIC/FUEL	1
17	15658	CONNECTOR, STR BULKHEAD - 2239-2-4S	1
18	16009	FITTING, 6 FTX-S PIPE-JIC	1
19	16360	ELBOW, 90 - FF1868T-0808S	4
20	16540	ELBOW, 90 - FF1868T-0404S	1
21	57824	FITTING, ELBOW FEMALE - RAPTOR FUEL PUMP	1
22	17646	ELBOW, 45 - FF2068T-0406S	9
23	18034	CONNECTOR, STR - FF1852T-0606S	1
24	18581	CONNECTOR, REDUCER - ORS FF2281T-0812S	5
25	18582	CONNECTOR, STR BULKHEAD - FF1994T-0404S	3
26	18949	PLUG - 6408-HHP-8	2
27	19091	CONNECTOR, STR LONG - 848L-TTO-08X08	3
28	19126	ELBOW, 45 - FF2068T-0808S	3
29	19375	CONNECTOR, STR - 12F42EDMLO-S	1
30	19470	CONNECTOR, STR METRIC - 4M14F8OMLOS	12
31	19847	PLUG - 6408-HHP-16	2
32	20027	TEE - FF1861T-1212S	1
33	20029	TEE, BULKHEAD RUN - 12 WJJLO	2
34	20066	TEE - 8 S5OLO-S - BRANCH	1
35	22281	ELBOW, 1/8-27 NPTF(M), 1/8-17 NPTF(F),90	2
36	22901	CONNECTOR, STR - 6-8 F5OLO-S	2
37	23015	ELBOW, 45 - 6 V5OLO-S	3
38	24188	ELBOW, 90 BULKHEAD - 855BH-TT-12	2
39	51885	CONNECTOR, STR - (6-10 F5OLO-S)	2
40	52431	COUPLING, PIPE	2
41	53073	ELBOW, 90 6-JIC X 10-ORB)	1
42	53719	FITTING, SWIVEL NUT ELBOW - 45 DEG	1

\*MEANS NOT SHOWN

H4120 - 2246900 - H4120 - 2247000 - ACCESSORIES HYDRAULIC HOSES, FRAME 830 & 840



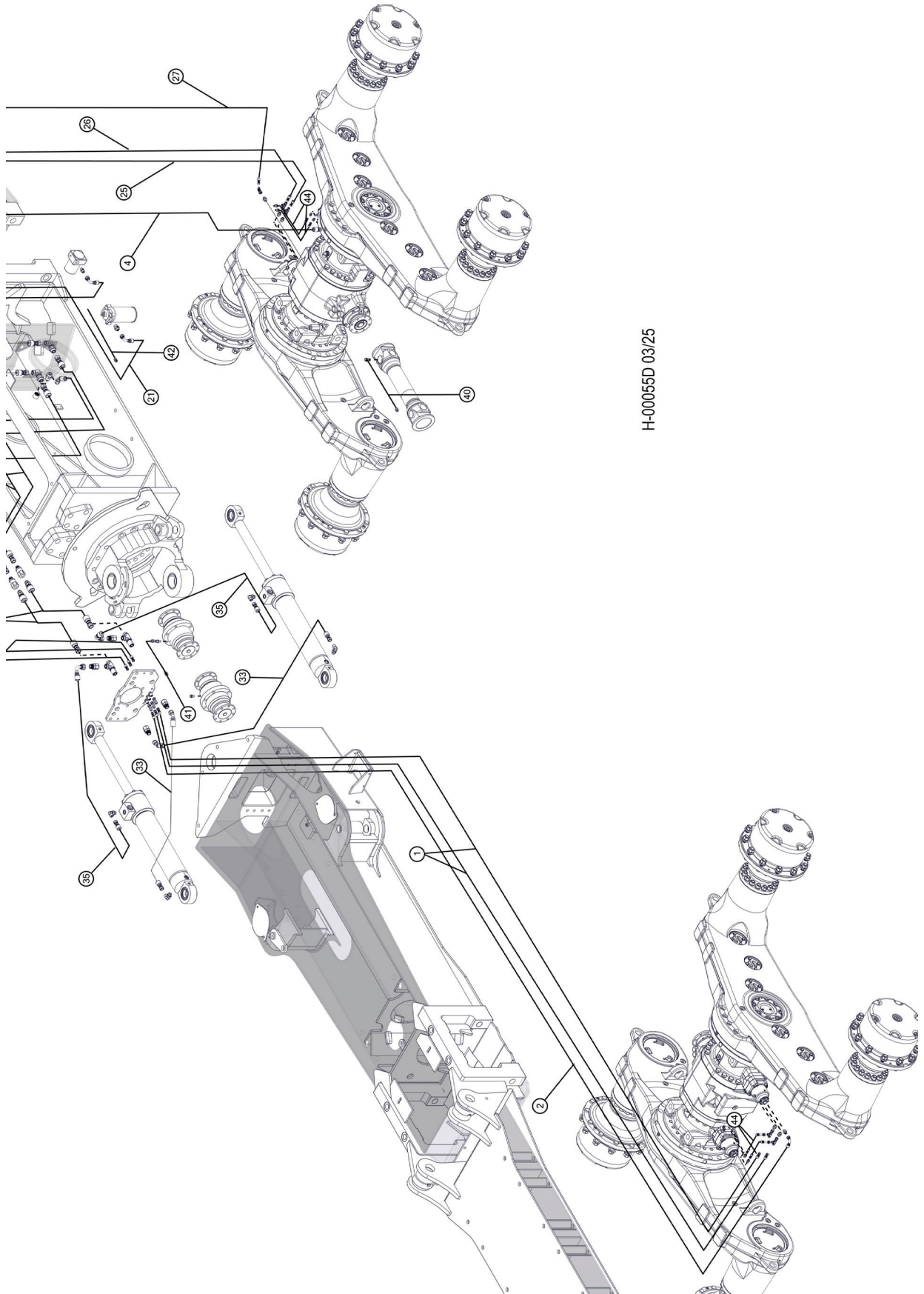
H-00054D 03/25

**H4120 - 2246900 - H4120 - 2247000 - ACCESSORIES HYDRAULIC HOSES, FRAME 830 & 840**

<b>Item</b>	<b>Part #</b>	<b>Description</b>	<b>Qty.</b>
1	59503	HOSE, HYD, 387TC126-04-04OS-04OS	2
2	59504	HOSE, HYD, 387TC130-04-04OS-04O9	1
3	59505	HOSE, HYD, 187TC18-08-0804-OPEN	1
4	59506	HOSE, HYD, 187TC19-08-08MP-08MP	1
5	59507	HOSE, HYD, 187TC22-08-08OS-08O9-SW (T PORT TO CASE DRAIN TEE)	1
6	59508	HOSE, HYD, 387TC22.5-04-04OS-04O4	1
7	59509	HOSE, HYD, 387TC23-04-04OS-04O9-SW (MS1 PORT TO FRONT MOTOR)	1
8	59510	HOSE, HYD, 187TC24-12-12OS-12O4	1
9	59511	HOSE, HYD, 387TC26.5-06-06OS-06OS-SW (MF1 PORT TO FRONT MOTOR)	1
10	59512	HOSE, HYD, 387TC31-06-06OS-06O4 (FUEL RETURN TO ROTORY MANIFOLD PORT 1)	1
11	59513	HOSE, HYD, 387TC36-04-04OS-04O9-SW	2
12	59514	HOSE, HYD, 187TC39.5-08-08OS-08O4-SW	1
13	59515	HOSE, HYD, 387TC43-08-08OS-08O4-SW	1
14	59516	HOSE, HYD, 387TC45-04-04OS-04OS-SW (MS2 PORT TO REAR MOTOR)	1
15	59517	HOSE, HYD, 387C46-06-06OS-06OS-SW (MF2 PORT TO REAR MOTOR)	1
16	59518	HOSE, HYD, 387TC47-06-06OS-06O9-SW (FUEL SUPPLY TO ROTORY MANIFOLD PORT 2)	1
17	59519	HOSE, HYD, 187TC51-08-08OS-08O9-SW (TO ROTORY MANIFOLD)	1
18	59520	HOSE, HYD, 187TC53-12-12OS-12O4-SW (MOTOR CASE DRAIN TO PORT V1)	1
19	59521	HOSE, HYD, 487TC66-08-08OS-08O9-SW (AC PORT TO ACCUMULATOR)	1
20	59522	HOSE, HYD, 187TC67-08-08MP-08O4	1
21	59523	HOSE, HYD, 387TC70-06-06OS-06O9	1
22	59524	HOSE, HYD, 487TC72-06-06OS-06OS-SW (HP PORT TO ROTORY MANIFOLD PORT HO)	1
23	59525	HOSE, HYD, 387TC72-08-08OS-08OS-SW (LP PORT TO ROTORY MANIFOLD PORT P)	1
24	59526	HOSE, HYD, 387TC74-04-04OS-04OS-SW (FL PORT TO FRAME LOCK CALIPER)	1
25	59527	HOSE, HYD, 387TC83-04-04OS-04OS (SB1 PORT TO FRONT AXLE)	1
26	59528	HOSE, HYD, 387TC84-04-04OS-04OS (PB1 PORT TO FRONT AXLE)	1
27	59529	HOSE, HYD, 387TC87-04-04OS-04O4 (DL1 PORT TO FRONT DIFFERENTIAL LOCK)	1
28	59530	HOSE, HYD, 387TC97-04-04OS-04OS (DL2 PORT TO BRACKET, BEARING MOUNT)	1
29	59531	HOSE, HYD, 387TC92-04-04OS-04OS (PB2 PORT TO BRACKET, BEARING MOUNT)	1
30	59532	HOSE, HYD, 387TC94-04-04OS-04OS (SB2 PORT TO BRACKET, BEARING MOUNT)	1
31	59533	HOSE, HYD, 787TC40-12-12OS-12JS-SG	2
32	59534	HOSE, HYD, 787TC40-12-12OS-12OS (TO ROTORY MANIFOLD)	1
33	59535	HOSE, HYD, 787TC44-08-08OS-08O4	2
34	59536	HOSE, HYD, 787TC44-12-12OS-12OS (TO ROTORY MANIFOLD)	1
35	59537	HOSE, HYD, 787TC46-08-08OS-08O9	2
36	59538	HOSE, HYD, 787TC49-12-12OS-1MJ-SG	2
37	59539	HOSE, HYD, 797TC33-16-16OS-16OS (TO ROTORY MANIFOLD)	2
38	59540	HOSE, HYD, 797TC37.5-16-16OS-20PH9	1
39	59541	HOSE, HYD, 797TC39-16-16OS-20PH9	1
40	59542	HOSE, GREASE, HLBD12-02-02MP-02MP	1
41	59543	HOSE, GREASE, HLBD13-02PS-04JS	1
42	59544	HOSE, GREASE, HLBD48-02PS-04JS	1
*	55225 KIT	KIT, HOSE - 830/840 LOWER FRAME - C SER.	1
43	50608	HOSE ASSEMBLY - 2006.5-04-04FF-0409	1
44	50607	HOSE ASSEMBLY - 2009.5-04-04OS-0409	4

\*MEANS NOT SHOWN

H4120 - 2246900 - H4120 - 2247000 - ACCESSORIES HYDRAULIC HOSES, FRAME 830 & 840

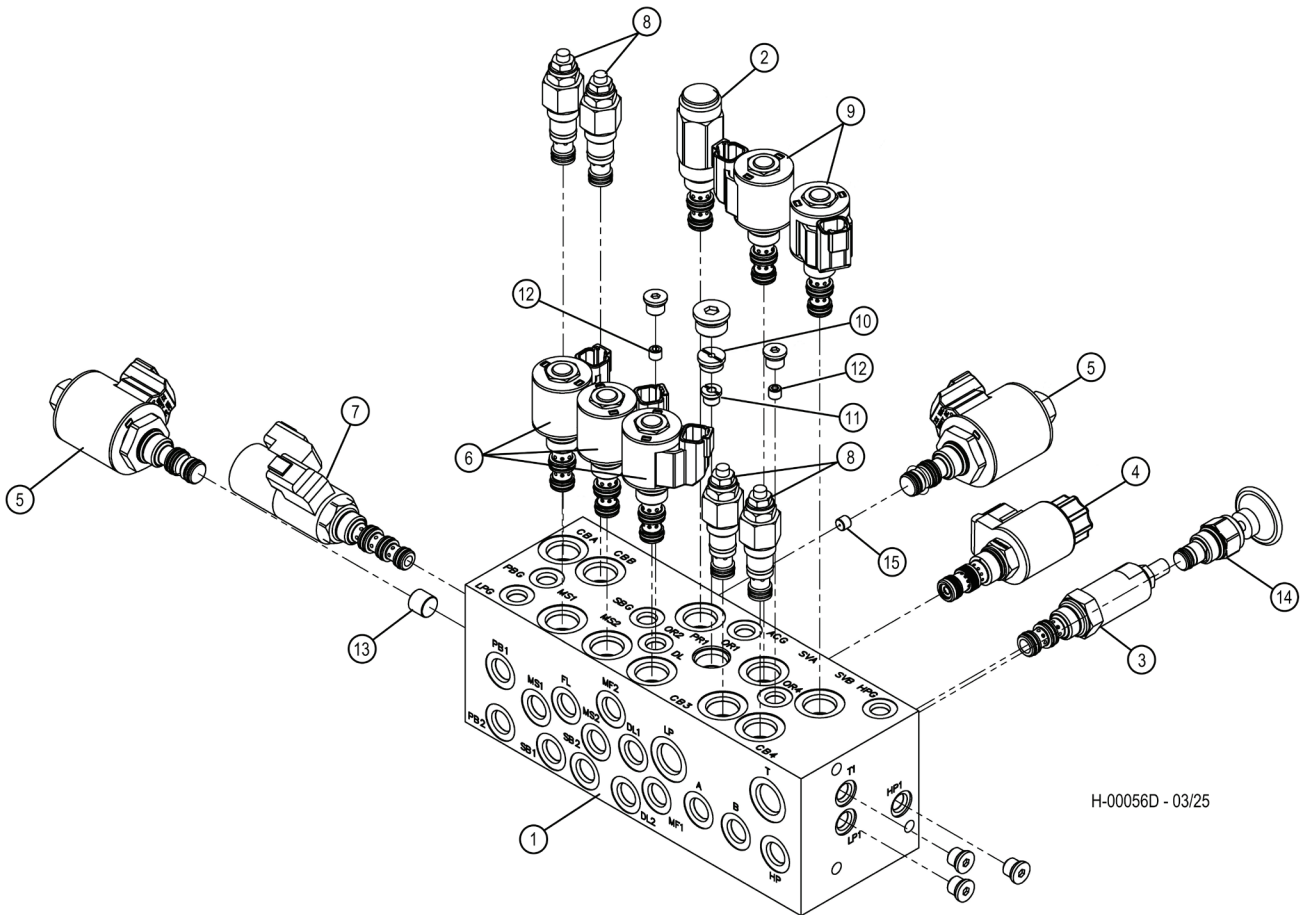


**H4120 - 2246900 - H4120 - 2247000 - ACCESSORIES HYDRAULIC HOSES, FRAME 830 & 840**

<b>Item</b>	<b>Part #</b>	<b>Description</b>	<b>Qty.</b>
1	59503	HOSE, HYD, 387TC126-04-04OS-04OS	2
2	59504	HOSE, HYD, 387TC130-04-04OS-04O9	1
3	59505	HOSE, HYD, 187TC18-08-0804-OPEN	1
4	59506	HOSE, HYD, 187TC19-08-08MP-08MP	1
5	59507	HOSE, HYD, 187TC22-08-08OS-08O9-SW (T PORT TO CASE DRAIN TEE)	1
6	59508	HOSE, HYD, 387TC22.5-04-04OS-04O4	1
7	59509	HOSE, HYD, 387TC23-04-04OS-04O9-SW (MS1 PORT TO FRONT MOTOR)	1
8	59510	HOSE, HYD, 187TC24-12-12OS-12O4	1
9	59511	HOSE, HYD, 387TC26.5-06-06OS-06OS-SW (MF1 PORT TO FRONT MOTOR)	1
10	59512	HOSE, HYD, 387TC31-06-06OS-06O4 (FUEL RETURN TO ROTORY MANIFOLD PORT 1)	1
11	59513	HOSE, HYD, 387TC36-04-04OS-04O9-SW	2
12	59514	HOSE, HYD, 187TC39.5-08-08OS-08O4-SW	1
13	59515	HOSE, HYD, 387TC43-08-08OS-08O4-SW	1
14	59516	HOSE, HYD, 387TC45-04-04OS-04OS-SW (MS2 PORT TO REAR MOTOR)	1
15	59517	HOSE, HYD, 387C46-06-06OS-06OS-SW (MF2 PORT TO REAR MOTOR)	1
16	59518	HOSE, HYD, 387TC47-06-06OS-06O9-SW (FUEL SUPPLY TO ROTORY MANIFOLD PORT 2)	1
17	59519	HOSE, HYD, 187TC51-08-08OS-08O9-SW (TO ROTORY MANIFOLD)	1
18	59520	HOSE, HYD, 187TC53-12-12OS-12O4-SW (MOTOR CASE DRAIN TO PORT V1)	1
19	59521	HOSE, HYD, 487TC66-08-08OS-08O9-SW (AC PORT TO ACCUMULATOR)	1
20	59522	HOSE, HYD, 187TC67-08-08MP-08O4	1
21	59523	HOSE, HYD, 387TC70-06-06OS-06O9	1
22	59524	HOSE, HYD, 487TC72-06-06OS-06OS-SW (HP PORT TO ROTORY MANIFOLD PORT HO)	1
23	59525	HOSE, HYD, 387TC72-08-08OS-08OS-SW (LP PORT TO ROTORY MANIFOLD PORT P)	1
24	59526	HOSE, HYD, 387TC74-04-04OS-04OS-SW (FL PORT TO FRAME LOCK CALIPER)	1
25	59527	HOSE, HYD, 387TC83-04-04OS-04OS (SB1 PORT TO FRONT AXLE)	1
26	59528	HOSE, HYD, 387TC84-04-04OS-04OS (PB1 PORT TO FRONT AXLE)	1
27	59529	HOSE, HYD, 387TC87-04-04OS-04O4 (DL1 PORT TO FRONT DIFFERENTIAL LOCK)	1
28	59530	HOSE, HYD, 387TC97-04-04OS-04OS (DL2 PORT TO BRACKET, BEARING MOUNT)	1
29	59531	HOSE, HYD, 387TC92-04-04OS-04OS (PB2 PORT TO BRACKET, BEARING MOUNT)	1
30	59532	HOSE, HYD, 387TC94-04-04OS-04OS (SB2 PORT TO BRACKET, BEARING MOUNT)	1
31	59533	HOSE, HYD, 787TC40-12-12OS-12JS-SG	2
32	59534	HOSE, HYD, 787TC40-12-12OS-12OS (TO ROTORY MANIFOLD)	1
33	59535	HOSE, HYD, 787TC44-08-08OS-08O4	2
34	59536	HOSE, HYD, 787TC44-12-12OS-12OS (TO ROTORY MANIFOLD)	1
35	59537	HOSE, HYD, 787TC46-08-08OS-08O9	2
36	59538	HOSE, HYD, 787TC49-12-12OS-1MJ-SG	2
37	59539	HOSE, HYD, 797TC33-16-16OS-16OS (TO ROTORY MANIFOLD)	2
38	59540	HOSE, HYD, 797TC37.5-16-16OS-20PH9	1
39	59541	HOSE, HYD, 797TC39-16-16OS-20PH9	1
40	59542	HOSE, GREASE, HLBD12-02-02MP-02MP	1
41	59543	HOSE, GREASE, HLBD13-02PS-04JS	1
42	59544	HOSE, GREASE, HLBD48-02PS-04JS	1
*	55225 KIT	KIT, HOSE - 830/840 LOWER FRAME - C SER.	1
43	50608	HOSE ASSEMBLY - 2006.5-04-04FF-0409	1
44	50607	HOSE ASSEMBLY - 2009.5-04-04OS-0409	4

\*MEANS NOT SHOWN

# H4120 - 2246900 - LOWER CONTROL MANIFOLD



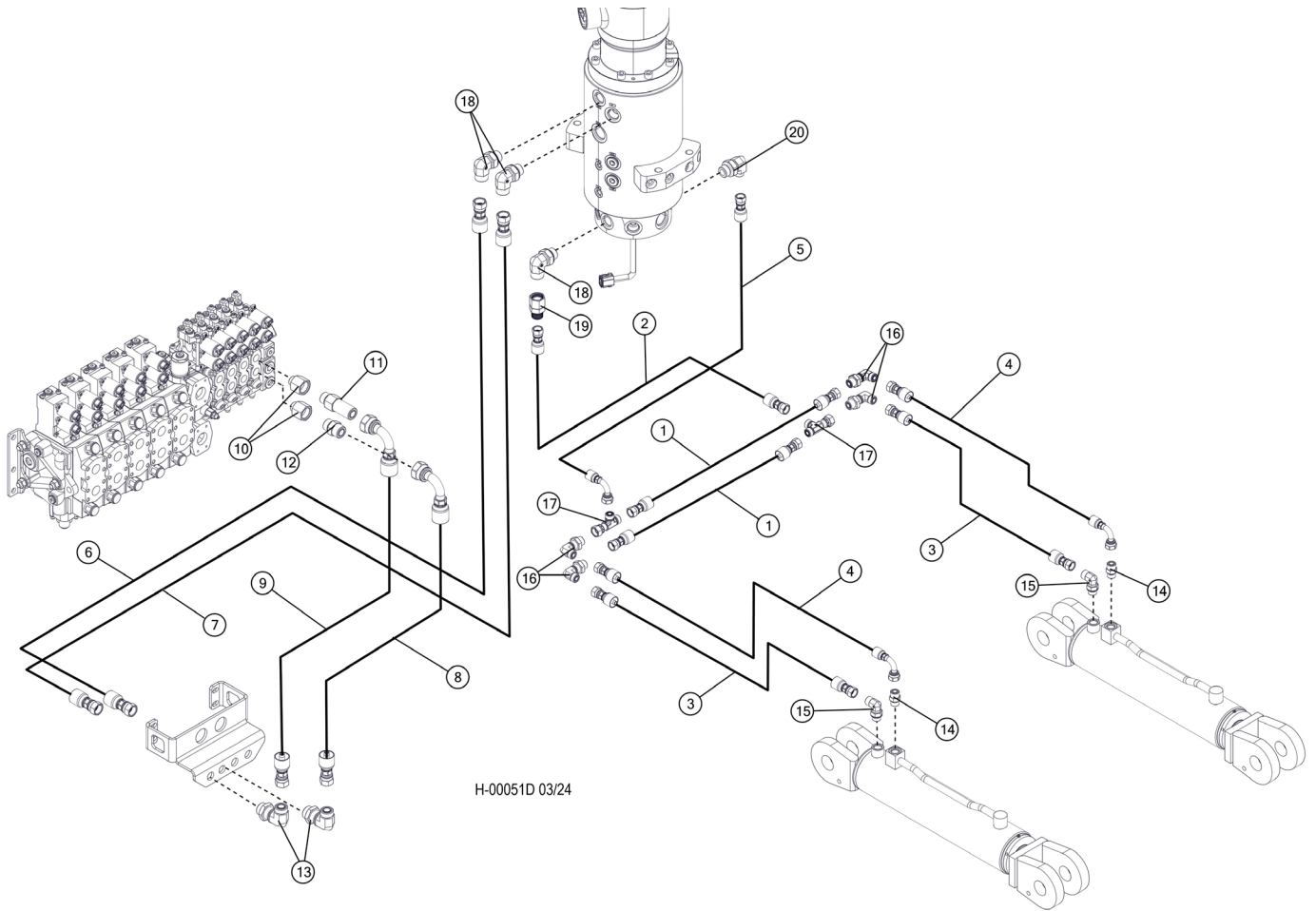
H-00056D - 03/25

## H4120 - 2246900 - LOWER CONTROL MANIFOLD

Item	Part #	Description	Qty.
1	215022701-40	MANIFOLD	1
2	53352	PRESSURE REDUCING VALVE	1
3	55947	PRESSURE REDUCING VALVE	1
4	55403	PROPORTIONAL PRESSURE REDUCING/RELIEVING VALVE	1
*	PDR08-01-C-N-110-0	PROPORTIONAL PRESSURE REDUCING/RELIEVING VALVE	1
*	COIL 24PN-8.8-40-1836	COIL	1
5	58082	DIRECTIONAL CONTROL VALVE	2
	62037	E-COIL, 24 VDC, SIZE 10, DEUTSCH DT04-2P	2
6	53734	DIRECTIONAL CONTROL VALVE	3
*	52819	COIL 24 VDC DEUTSCH DT04-2P CONNECTOR	3
7	SV08-47D-0-N-00	DIRECTIONAL CONTROL VALVE	1
8	54128	COUNTERBALANCE CARTRIDGE	4
9	17798	DIRECTIONAL CONTROL VALVE	2
*	52819	COIL 24 VDC DEUTSCH DT04-2P CONNECTOR	2
10	210101804-90	VENTURI	1
11	210101804-91	VENTURI NOZZLE	1
12	ORIFICE .052" 1/16-27NPTF	ORIFICE PLUG	2
13	PLUG 1/16-27NPTF	ORIFICE PLUG	1
14	55736	DIRECTIONAL CONTROL VALVE, 2 POS, 2 WAY, NC MANUAL OP.	1
15	ORIFICE .039" 1/16-27NPTF	ORIFICE PLUG	1

\*MEANS NOT SHOWN

# H4220 - 2248000 - ACCESSORIES, HYDRAULIC, BLADE

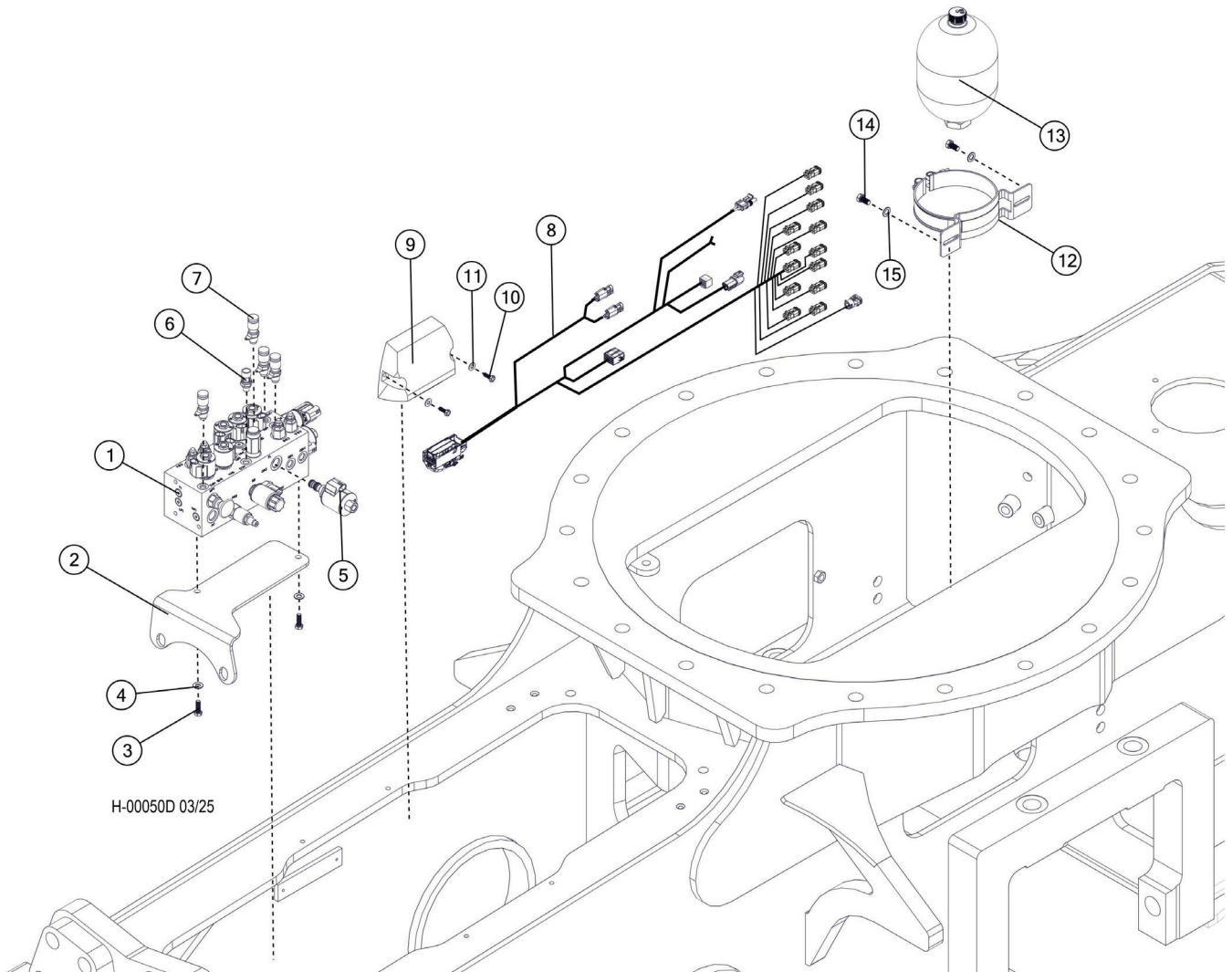


## H4220 - 2248000 - ACCESSORIES, HYDRAULIC, BLADE

Item	Part #	Description	Qty.
	54465	KIT, HOSE, WHEELED BLADE	1
1	665820	HOSE, HYD, 722TC18-08-08OS-08OS	2
2	665830	HOSE, HYD, 722TC28-08-08OS-08OS	1
3	665840	HOSE, HYD, 722TC31-08-08OS-08OS	2
4	665850	HOSE, HYD, 722TC34-08-08OS-08O9	2
5	665860	HOSE, HYD, 722TC41-08-08OS-08O9	1
6	665870	HOSE, HYD, 787TC29-12-12OS-12OS	1
7	665880	HOSE, HYD, 787TC32-12-12OS-12O4	1
8	665890	HOSE, HYD, 787TC42.5-12-12OS-12O9	1
9	665900	HOSE, HYD, 787TC46-12-12OS-12O9	1
	665570	KIT, FITTING, WHEELED BLADE	2
10	19289	BUSHING, REDUCER - 6410-10X12	2
11	19092	CONNECTOR, STR LONG - 848L-TTO-12X12	1
12	15152	CONNECTOR, STR - FF1852T-1212S	1
13	24188	ELBOW, 90 BULKHEAD - 855BH-TT-12	2
14	15117	CONNECTOR, STR - FF1852T-0808S	2
15	16360	ELBOW, 90 - FF1868T-0808S	2
16	24187	ELBOW, 90 BULKHEAD - 855BH-TT-08	4
17	15433	TEE - FF2114T-0808S	2
18	17688	ELBOW, 90 - FF1868T-1212S	3
19	18581	CONNECTOR, REDUCER - ORS FF2281T-0812S	1
20	15372	ELBOW, 90 - FF1868T-0812S	1

# H4300 - 2247100 - DRIVE HYDRAULIC CONTROL

NOTE: APPLY GREASE TO O-RINGS

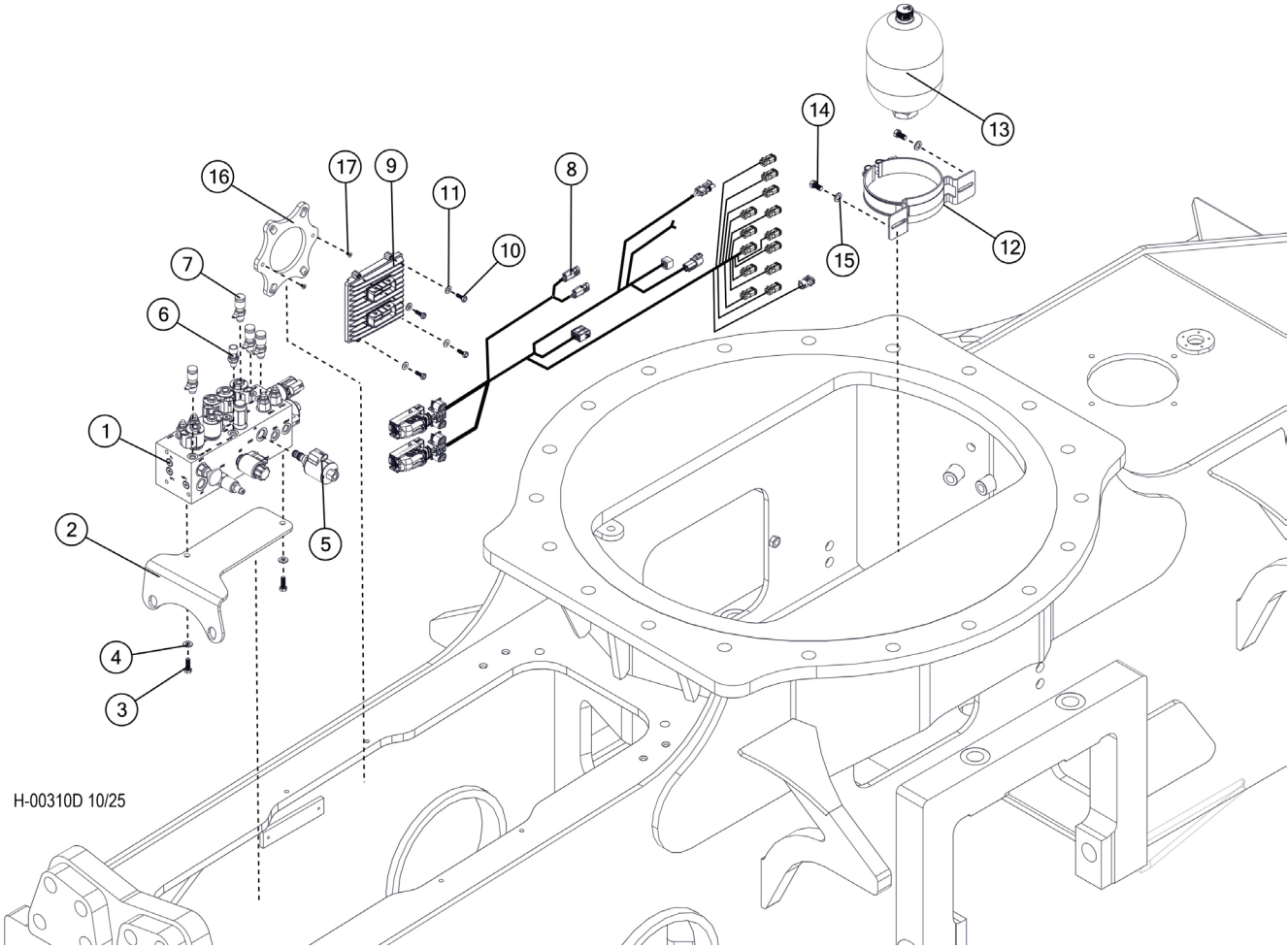


## H4300 - 2247100 - DRIVE HYDRAULIC CONTROL

<b>Item</b>	<b>Part #</b>	<b>Description</b>	<b>Qty.</b>
1	54263	VALVE, LOWER MANIFOLD - VAC BRAKE/DIFF	1
2	60648	PLATE, MANIFOLD MTG NAF (SAME AS 60704)	1
3	15589	BOLT - .3125" X 1"	2
4	15559	WASHER, SAE FLAT - .3125"	2
5	54282	SWITCH, PRESSURE - BRAKE 30 PSI	1
6	24532	TRANSDUCER, DISC SAW Pressure	1
7	57819	TAP, GAUGE PORT - #4 SAE Oring Boss- ST	4
8	57980	HARNESS, Lower Frame - 830/840/860 D-SER	1
9	53095	MODULE, XA2 - IQAN	1
10	15604	BOLT - .25" X .75"	2
11	10757	WASHER, SAE FLAT - .25"	2
12	53971	BRACKET, ACCUMULATOR (53970)	1
13	53970	ACCUMULATOR, LOWER BRAKE MANIFOLD (53920)	1
14	15542	BOLT - .375" X .75"	2
15	15528	WASHER, SAE FLAT - .375"	2

# H4300 - 2247100 - DRIVE HYDRAULIC CONTROL

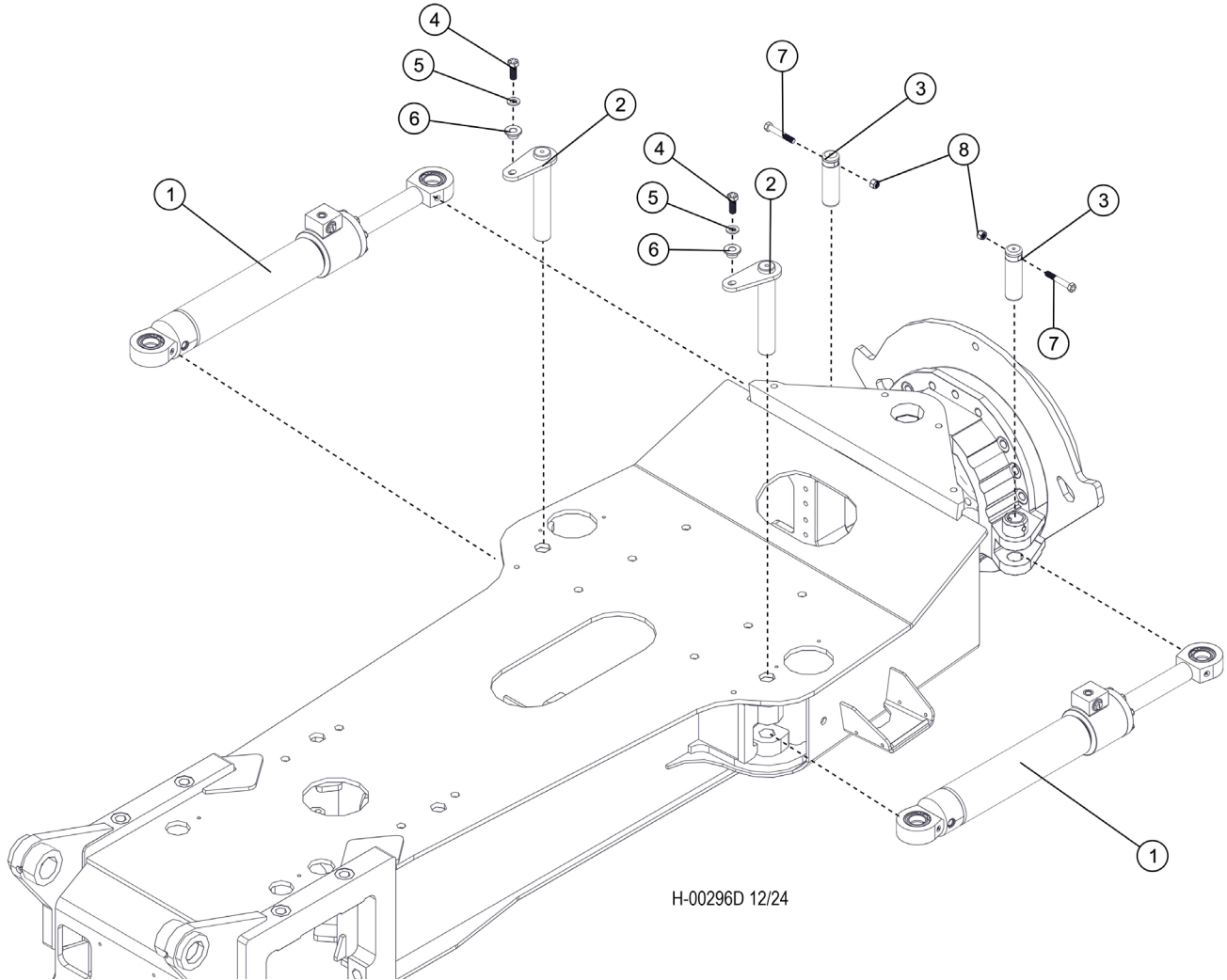
NOTE: APPLY GREASE TO O-RINGS



## H4300 - 2247100 - DRIVE HYDRAULIC CONTROL

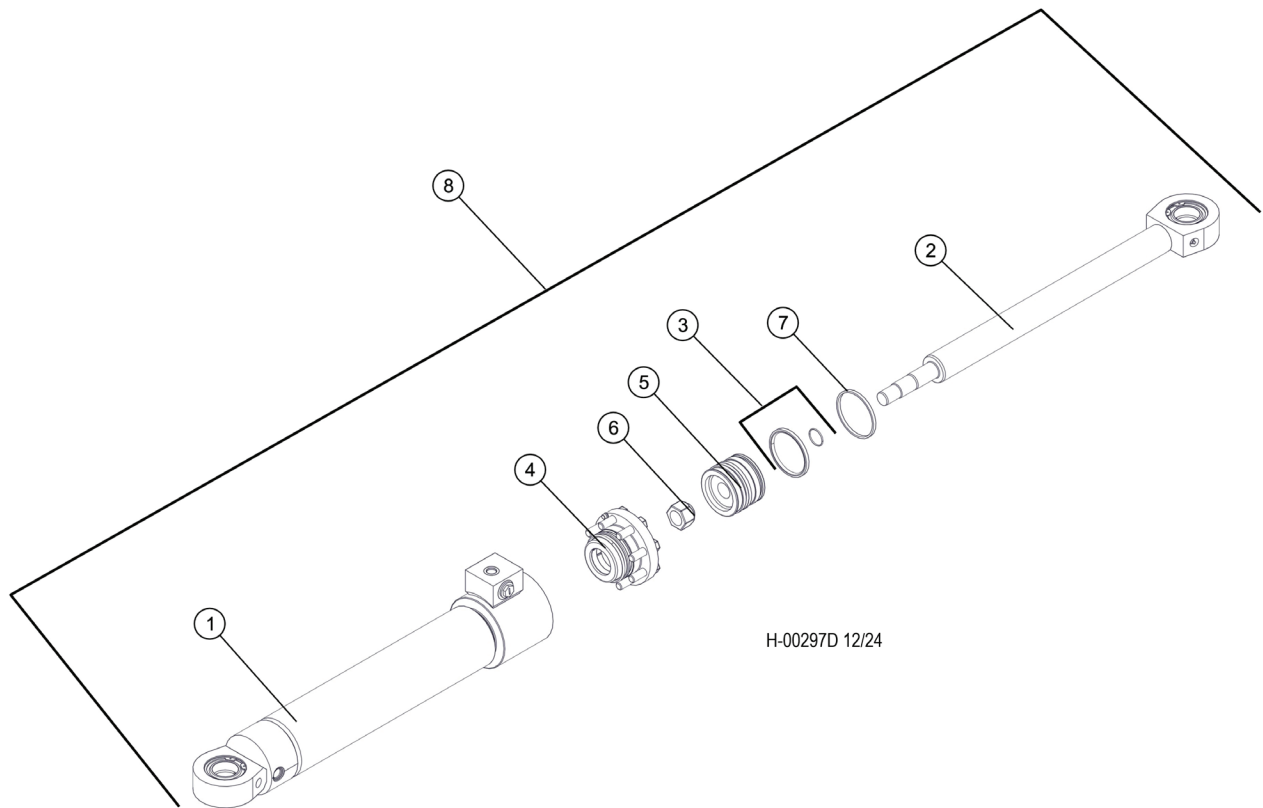
<b>Item</b>	<b>Part #</b>	<b>Description</b>	<b>Qty.</b>
1	54263	VALVE, LOWER MANIFOLD - VAC BRAKE/DIFF	1
2	60648	PLATE, MANIFOLD MTG NAF (SAME AS 60704)	1
3	15589	BOLT - .3125" X 1"	2
4	15559	WASHER, SAE FLAT - .3125"	2
5	54282	SWITCH, PRESSURE - BRAKE 30 PSI	1
6	24532	TRANSDUCER, DISC SAW Pressure	1
7	57819	TAP, GAUGE PORT - #4 SAE Oring Boss- ST	4
8	58629	HARNESS, Lower Frame - 830/840/860 XC43	1
9	669510	MODULE, EXPANSION - IQAN XC43	1
10	18309	BOLT - .25" X 1.25"	4
11	10757	WASHER, SAE FLAT - .25"	4
12	53971	BRACKET, ACCUMULATOR (53970)	1
13	53970	ACCUMULATOR, LOWER BRAKE MANIFOLD (53920)	1
14	15542	BOLT - .375" X .75"	2
15	15528	WASHER, SAE FLAT - .375"	2
16	692400	ADAPTER PLATE, XA2 TO XC43, WELDMENT	1
17	693310	BOLT, FHCS .25-20 X .75	2

## H4310 - 2245300 - STEERING HYD, U



Item	Part #	Description	Qty.
1	51584	CYLINDER, STEER - 2.25" ROD	2
2	65179	PIN ASSEMBLY, BASE STEERING CYLINDER	2
3	19448	PIN - 2" X 7"	2
4	15549	BOLT - .75" X 2.0	2
5	15550	WASHER, SAE FLAT - .75"	2
6	18570	WASHER, PIN RETAINING	2
7	10719	BOLT - .625" X 4"	2
8	10816	NUT, LOCK - .625"	2

## H4310 - 2245300 - STEERING CYLINDER

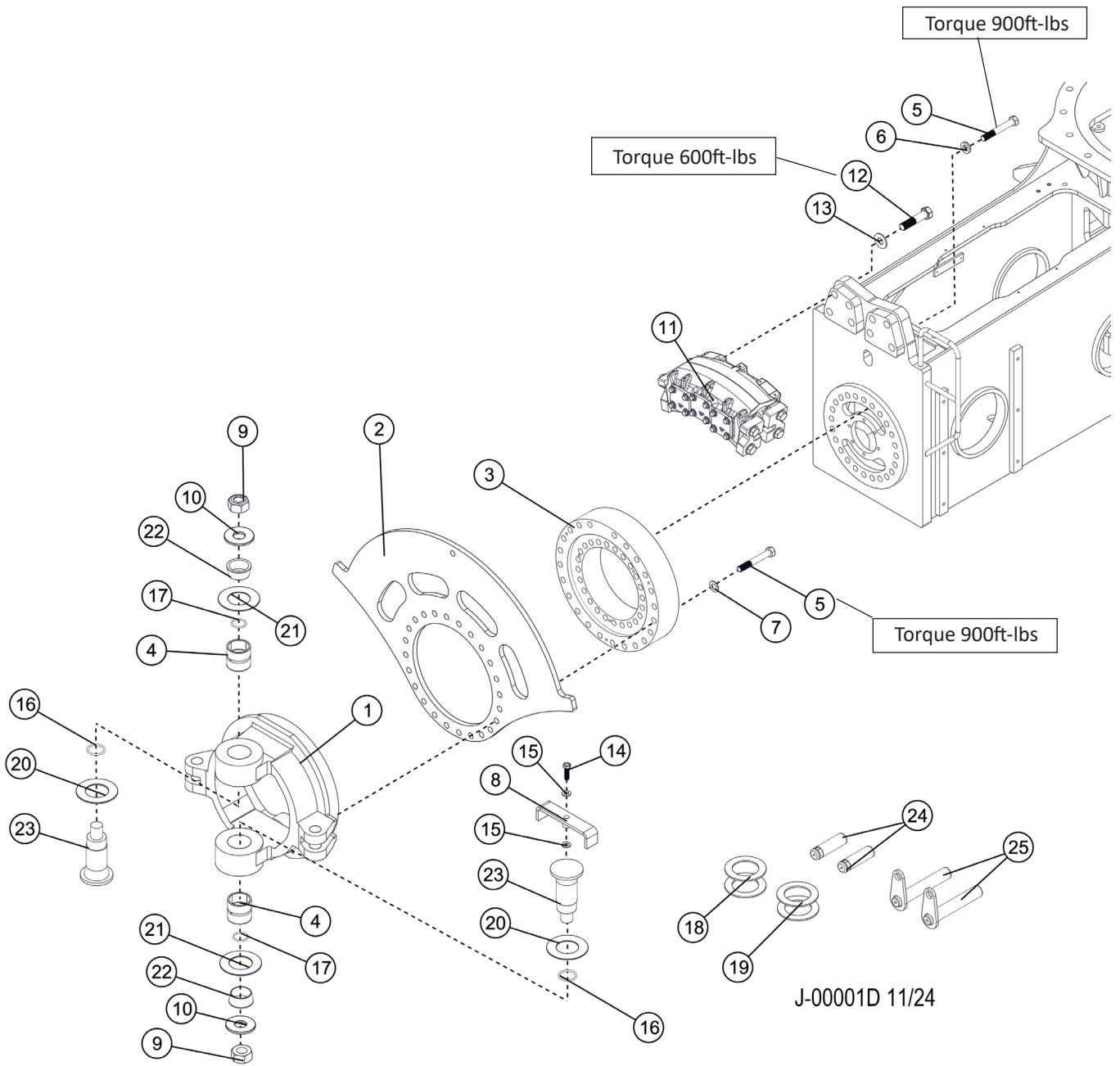


Item	Part #	Description	Qty.
1	51681	BARREL, CYLINDER - STEER	1
2	51682	ROD, CYLINDER - STEER	1
3	51683	KIT, SEAL REPAIR - STEER CYLINDER HERCUL	1
4	51685	BEARING, ROD - STEER	1
5	52233	PISTON, STEER	1
6	19232	NUT, CYL ROD - STICK/STEER	1
7	700112A	STEEL PISTON RING	1
8	51584	CYINDER	1

**LOWER FRAMES AND RELATED  
PARTS - (J)**



# J3140 - 2245200 - FRAME ARTICULATION

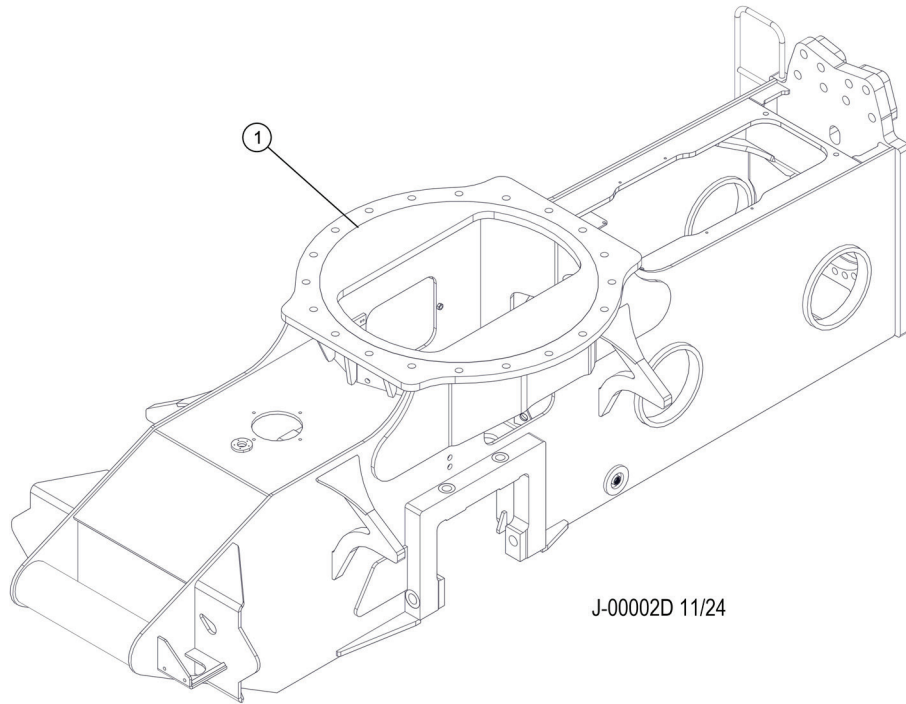


## J3140 - 2245200 - FRAME ARTICULATION

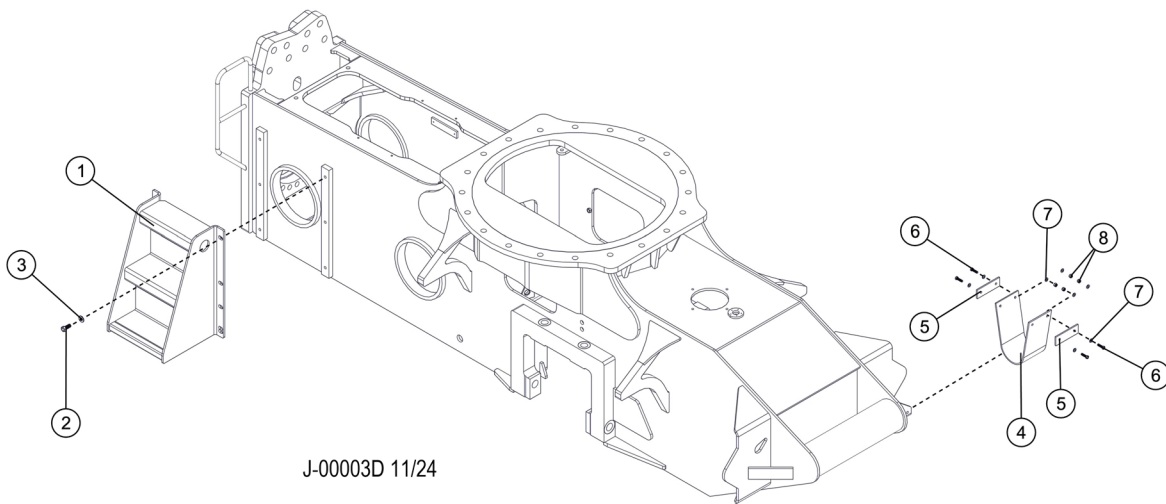
Item	Part #	Description	Qty.
1	42801	CASTING, HINGE PLATE 3.5" BOSS	1
2	52575	PLATE, DISK - FRAME BRAKE HD BRG 26" RAD	1
3	53610	BEARING, ARTICULATION - PRELOAD SERIES 3	1
4	52021	BUSHING - 3.5" X 3.75" (STRAIGHT GROOVES)	2
5	18672	BOLT - 1" X 7.5" (TORQUE 900FT LBS)	47
6	18532	WASHER, SAE FLAT - 1" (EXTRA THICK)	24
7	15579	WASHER, SAE FLAT - 1"	23
8	40830	BRACKET, HOSE HOLD DWN - 830LEV&630 ONLY	1
9	10728	NUT, NYLOCK - 2" (ZINC PLATED)	2
10	51499	WASHER, FLAT - 2" X 5.25" X 3/8" THICK	2
11	20953	BRAKE, FRAME LOCK (ASSEMBLY)	1
12	59038	BOLT - 1.25 - 12 X 5.5 NF (BRAKE CALIPE) (TORQUE 600FT LBS)	8
13	22531	WASHER, SAE FLAT - 1.25"	8
14	10840	BOLT - .75" X 3"	1
15	15550	WASHER, SAE FLAT - .75"	2
16	21577	O-RING, ARTICULATION JOINT 3.5" PIN THIN	2
17	24546	O-RING, ARTICULATION JOINT 3.5" PIN THK.	2
18	52082	SHIM, 3.5" ID X 7.0" OD X .005" THICK	2
19	52083	SHIM, 3.5" ID X 7.0" OD X .010" THICK	2
20	23105	WASHER, THRUST - THICK (3.5" PIN)	2
21	23106	WASHER, THRUST - THIN (3.5" PIN)	2
22	52040	HUB, TAPERED 3.5"	2
23	52023	Pin	2
24	19448	PIN - 2" X 7"	2
25	80769	PIN ASSEMBLY - BASE/STEER CYL	2
*	58355	KIT,PINS & BUSHINGS LOWER WHEEL INCLUDES ITEM#24,25,23,20,21,19,18	1

\*MEANS NOT SHOWN

## J4110 - 2244600 - FRONT FRAME, ST, U.

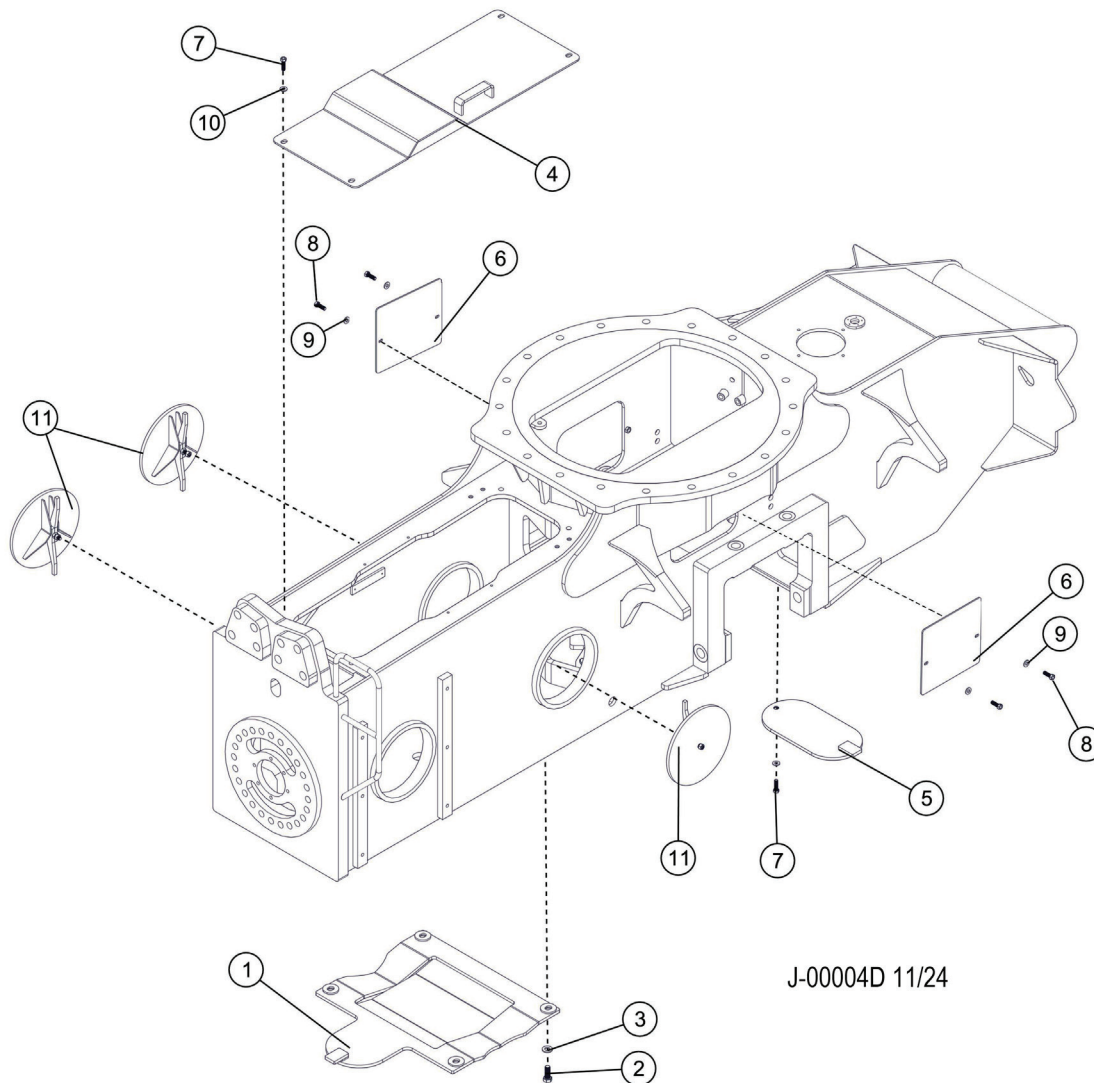


Item	Part #	Description	Qty.
1	524081	FRAME, FRONT 830 FORWARDER-TRANS FRONT	1



Item	Part #	Description	Qty.
1	60840	STEP, BOLT ON - 830/840 FRONT FRAME(NEW)	1
2	15502	BOLT - .625" X 1.5"	6
3	10771	WASHER, SAE FLAT - .625"	6
4	20210	STEP, RUBBER (TF800)	1
5	20209	RETAINER, RUBBER STEP	2
6	10731	BOLT - .375" X 1.5"	4
7	15528	WASHER, SAE FLAT - .375"	8
8	10813	NUT, LOCK - .375"	4

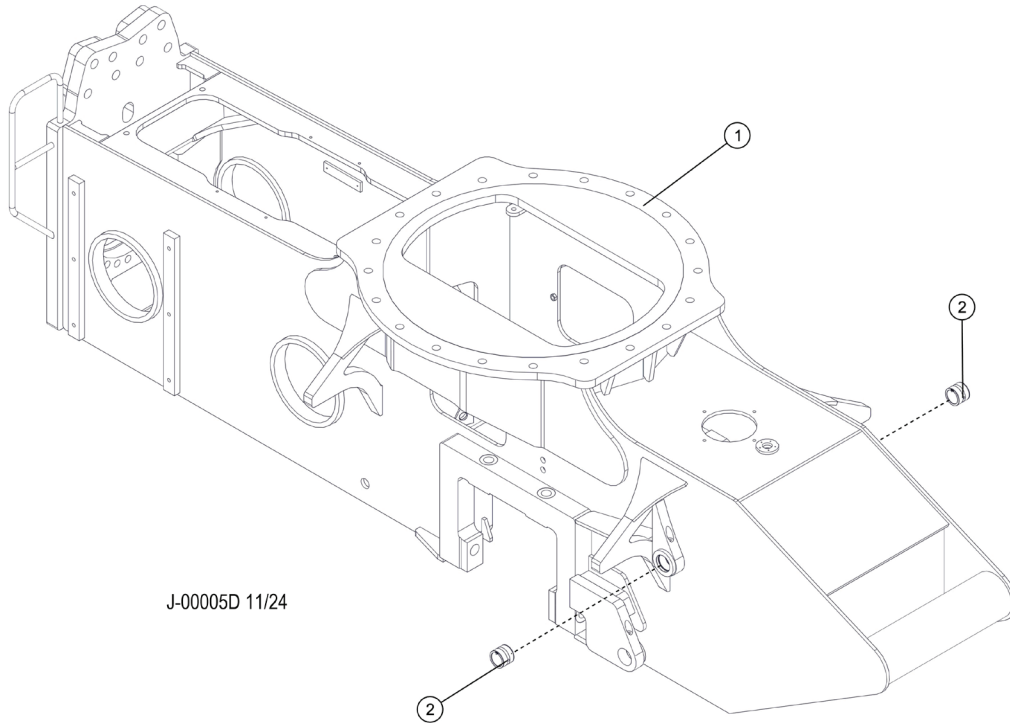
**J4110 - 2244600 - J4110 - 2244700 - J4110 - 2246800 FRONT FRAME, ST, U.**



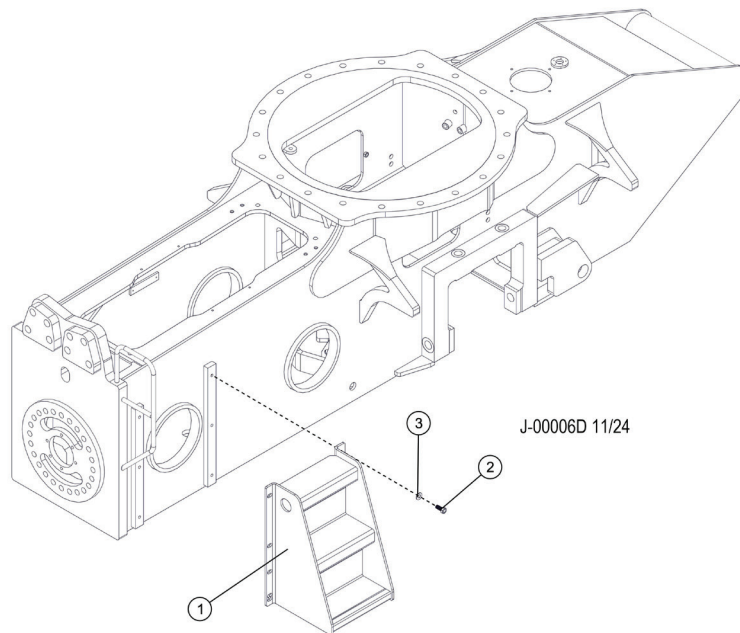
J-00004D 11/24

Item	Part #	Description	Qty.
1	65647	COVER, BOTTOM TIM 08/17/23 AXLES	1
2	10839	BOLT - .75" X 1.5"	4
3	15550	WASHER, SAE FLAT - .75"	4
4	60051	COVER, DROMOS - top front frame	1
5	52533	COVER, BRAKE CANS 9 X 17.5	1
6	40894	COVER, RISER	2
7	18933	BOLT - .5" X 1.75"	5
8	50100	BOLT - .5" X 1.25"	4
9	15534	WASHER, SAE FLAT - .5"	5
10	10804	WASHER, FLAT - .5"	4
11	52132	COVER, ROUND - FRONT FRAME (ASSEMBLY)	3

**J4110 - 2244700 - J4110 - 2246800 - FRONT FRAME, BLADE OPT, U**

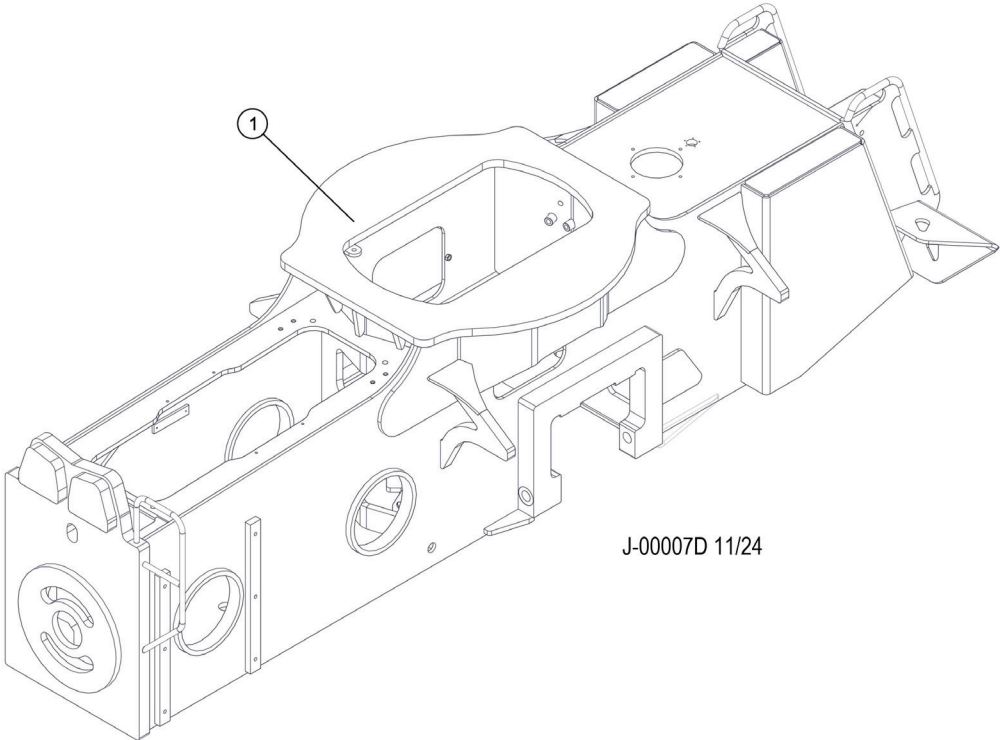


<b>Item</b>	<b>Part #</b>	<b>Description</b>	<b>Qty.</b>
1	591610	FRAME, FRONT, FWDR, BLADE OPTION	1
2	52795	BUSHING - 2" X 2"	2



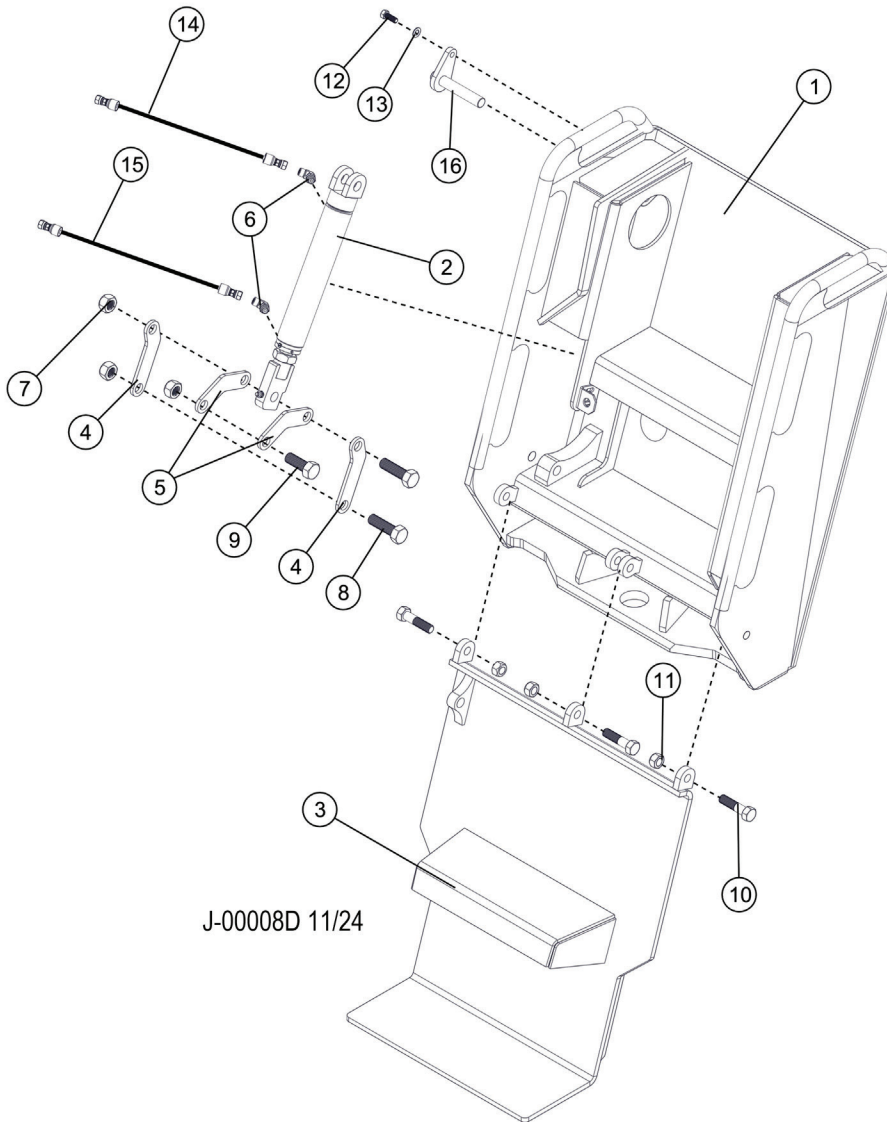
<b>Item</b>	<b>Part #</b>	<b>Description</b>	<b>Qty.</b>
1	60840	STEP, BOLT ON - 830/840 FRONT FRAME(NEW)	1
2	15502	BOLT - .625" X 1.5"	6
3	10771	WASHER, SAE FLAT - .625"	6

**J4110 - 2246800 - FRONT FRAME, STEP, EU, U**



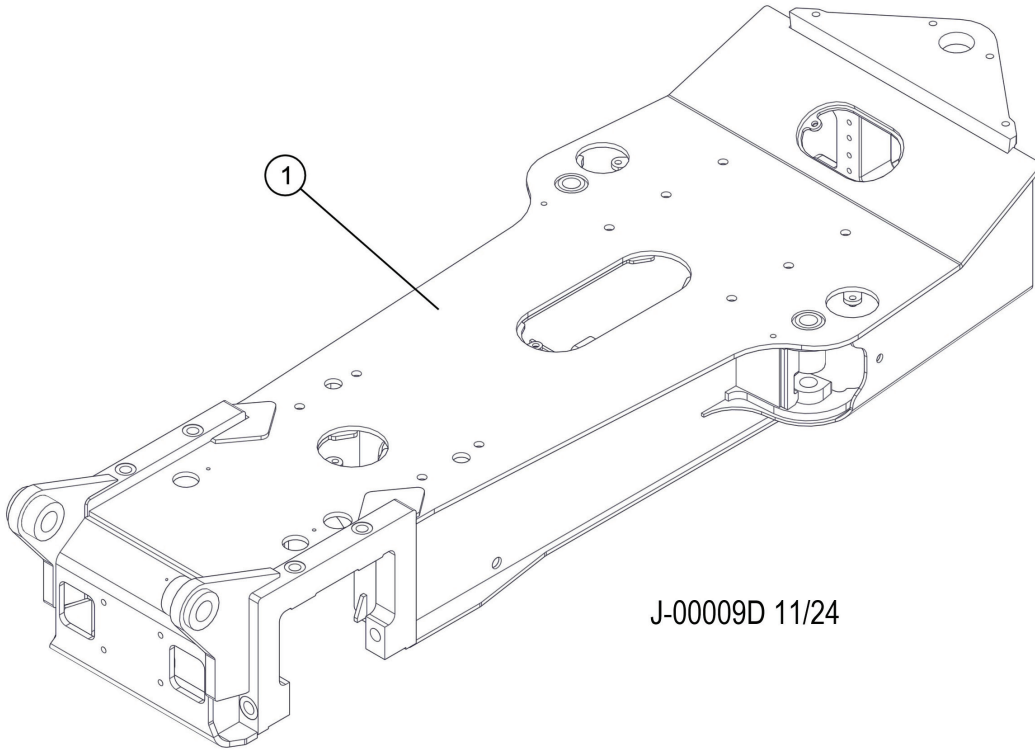
<b>Item</b>	<b>Part #</b>	<b>Description</b>	<b>Qty.</b>
1	53804	FRAME, FRONT 830/840 FORWARDER-EXPORT	1

## J4110 - 2246800 - FRONT FRAME, STEP, EU, U



Item	Part #	Description	Qty.
1	45275	BASE, STEP - 830	1
2	54035	CYLINDER, STEP - WHEELED MACHINE	1
3	45273	WELDMENT, DOOR STEP	1
4	45282	PLATE, STEP PIVOT ARM	2
5	45283	PLATE, STEP PIVOT ARM	2
6	16540	ELBOW, 90 - FF1868T-0404S	2
7	10817	NUT, LOCK - .75"	3
8	10775	BOLT - .75" X 2.5"	2
9	15549	BOLT - .75" X 2.0	1
10	15517	BOLT - .625" X 2.5"	3
11	10816	NUT, LOCK - .625"	3
12	11707	BOLT - .375" X 1"	1
13	15528	WASHER, SAE FLAT - .375" OR 3/8"	1
14	59555	HOSE, HYD, 387TC143-04-04OS-04OS	1
15	59556	HOSE, HYD, 387TC150-04-04OS-04OS	1
16	45296	PIN	1

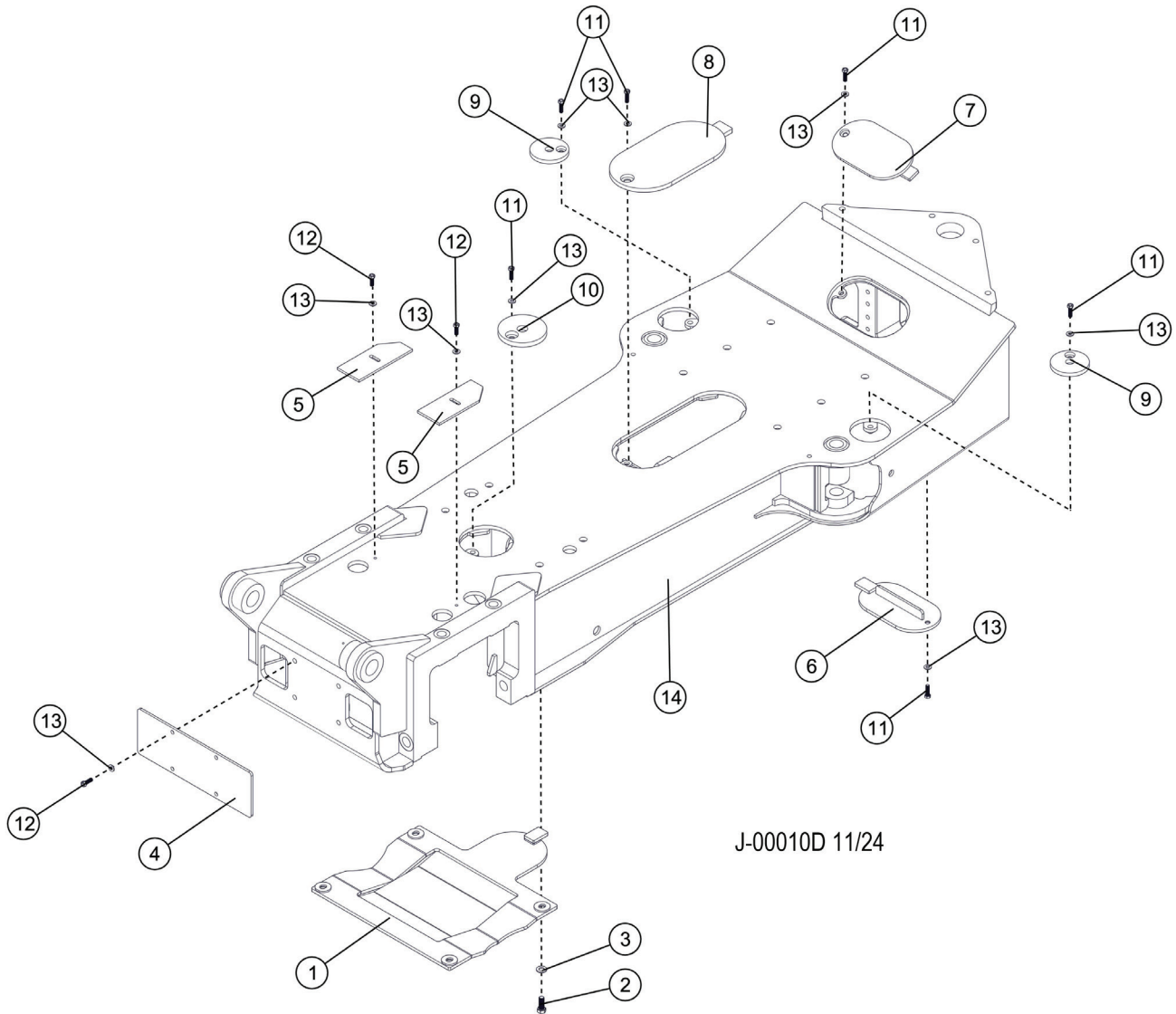
**J4120 - 2242800 - REAR FRAME, ST, U**



J-00009D 11/24

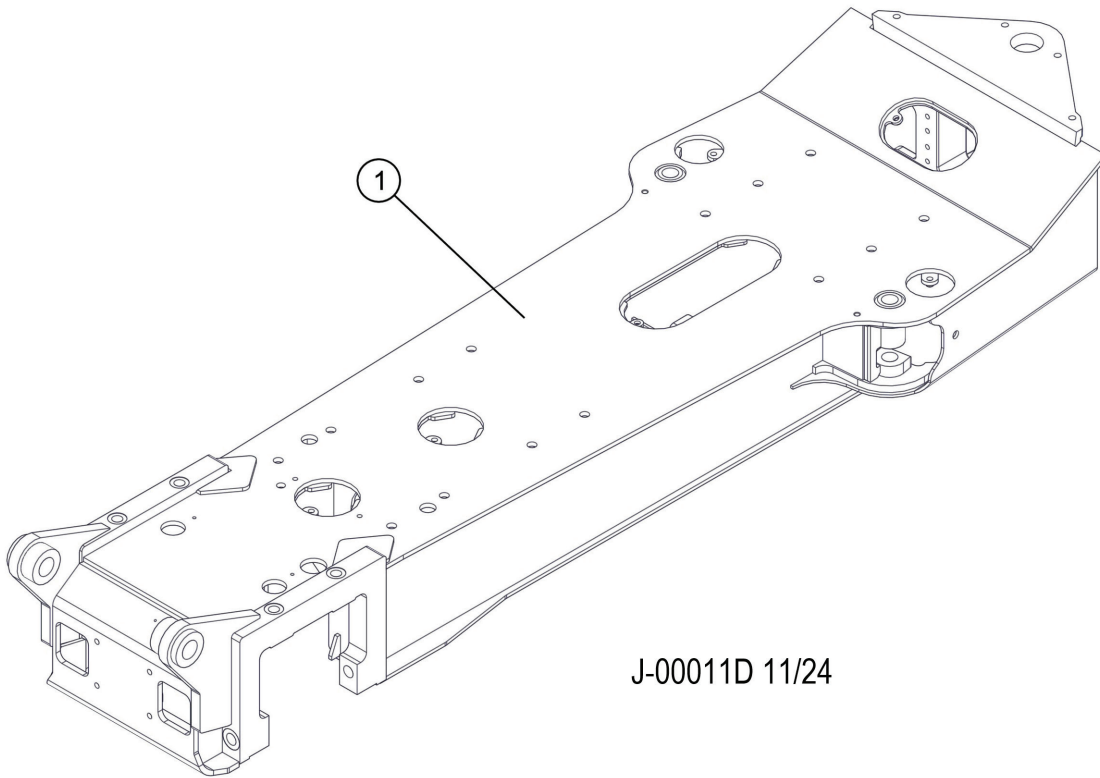
<b>Item</b>	<b>Part #</b>	<b>Description</b>	<b>Qty.</b>
1	529140	FRAME, REAR STD 830 NON-LEVEL TAPER PIN	1

## J4120 - 2242800 - REAR FRAME, ST, U



Item	Part #	Description	Qty.
1	65647	COVER, BOTTOM TIM 08/17/23 AXLES	1
2	10839	BOLT - .75" X 1.5"	4
3	15550	WASHER, SAE FLAT - .75"	4
4	52489	COVER, AXLE BOX END 830 W/FRT TRANS	1
5	42162	COVER, AXLE TOP	2
6	52846	COVER, BOTTOM 1/2 x 8 x 14	1
7	52477	COVER, TOP 5/8 x 8 x 14	1
8	52537	COVER, TOP 5/8 X 9 X 24	1
9	52475	COVER, TOP REAR ROUND 6"	2
10	52890	COVER, TOP REAR 8" FOR BUNKS	1
11	18933	BOLT - .5" X 1.75"	6
12	50100	BOLT - .5" X 1.25"	6
13	15534	WASHER, SAE FLAT - .5"	12
14	529140	FRAME, REAR STD 830 NON-LEVEL TAPER PIN	1

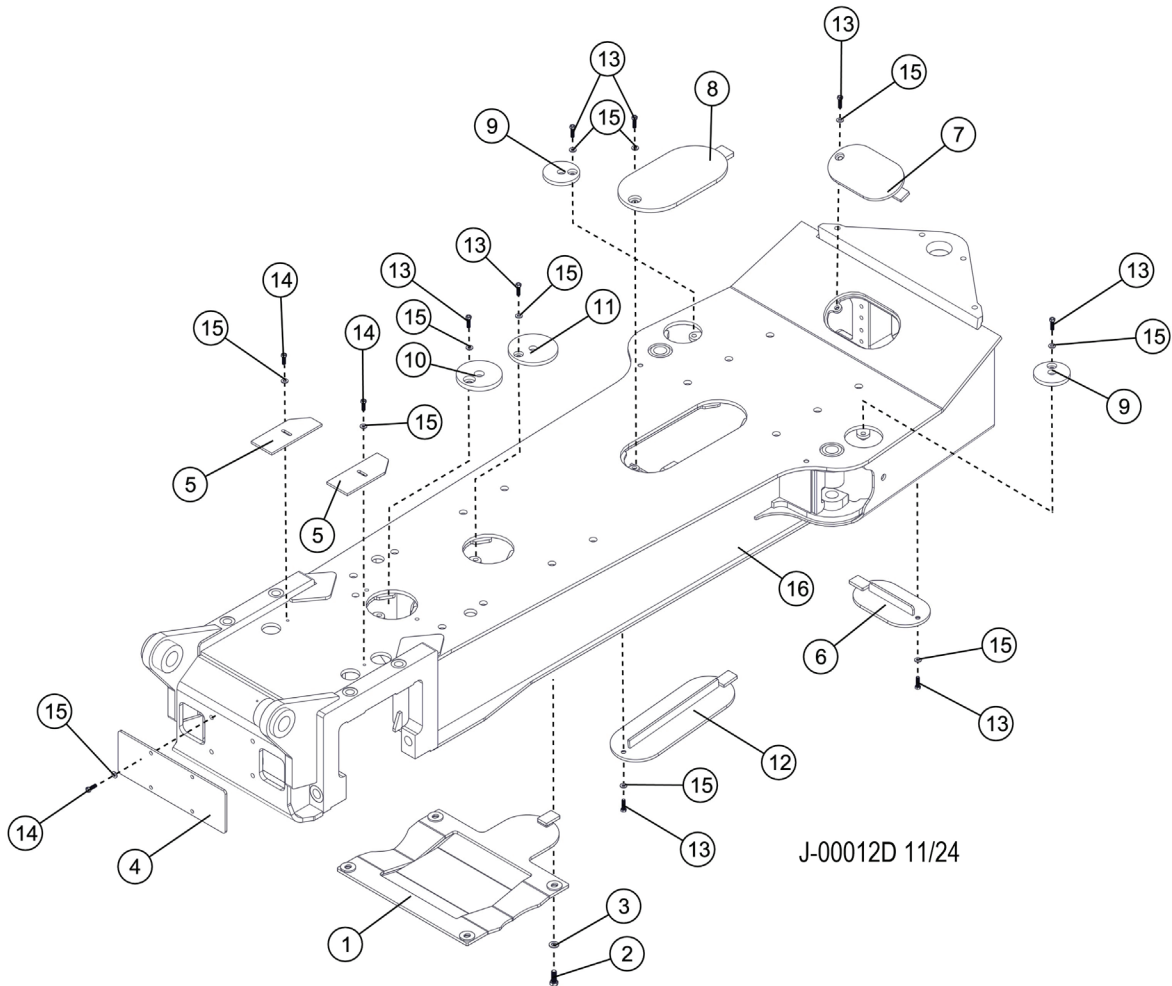
**J4120 - 2242900 - REAR FRAME, ST+2, U**



J-00011D 11/24

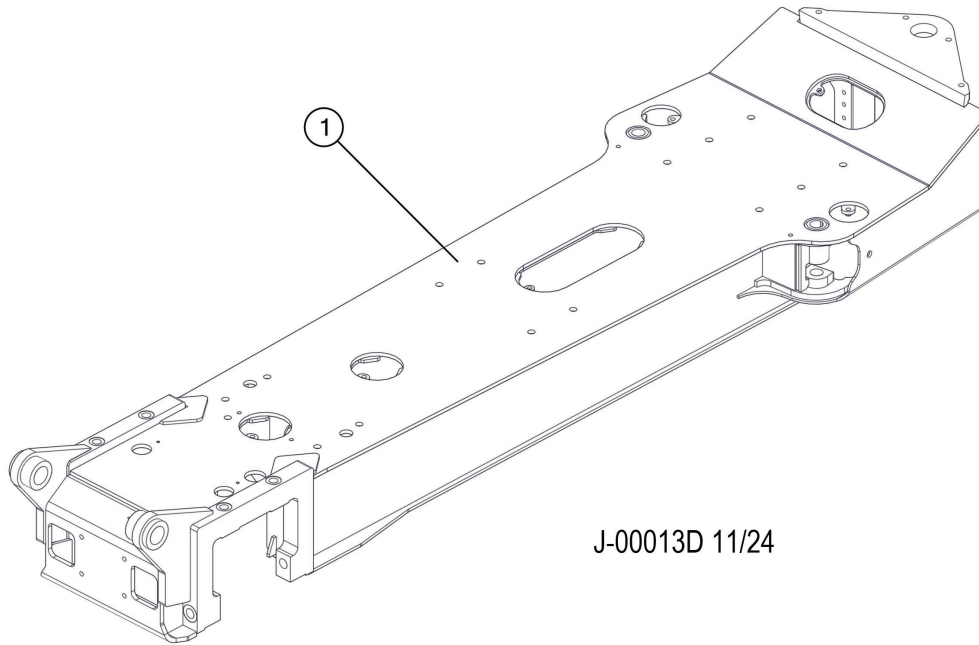
<b>Item</b>	<b>Part #</b>	<b>Description</b>	<b>Qty.</b>
1	529150	FRAME, REAR +24 830 NON-LEVEL TAPER PIN	1

**J4120 - 2242900 - J4120 - 2243000 - REAR FRAME, ST+2, U**



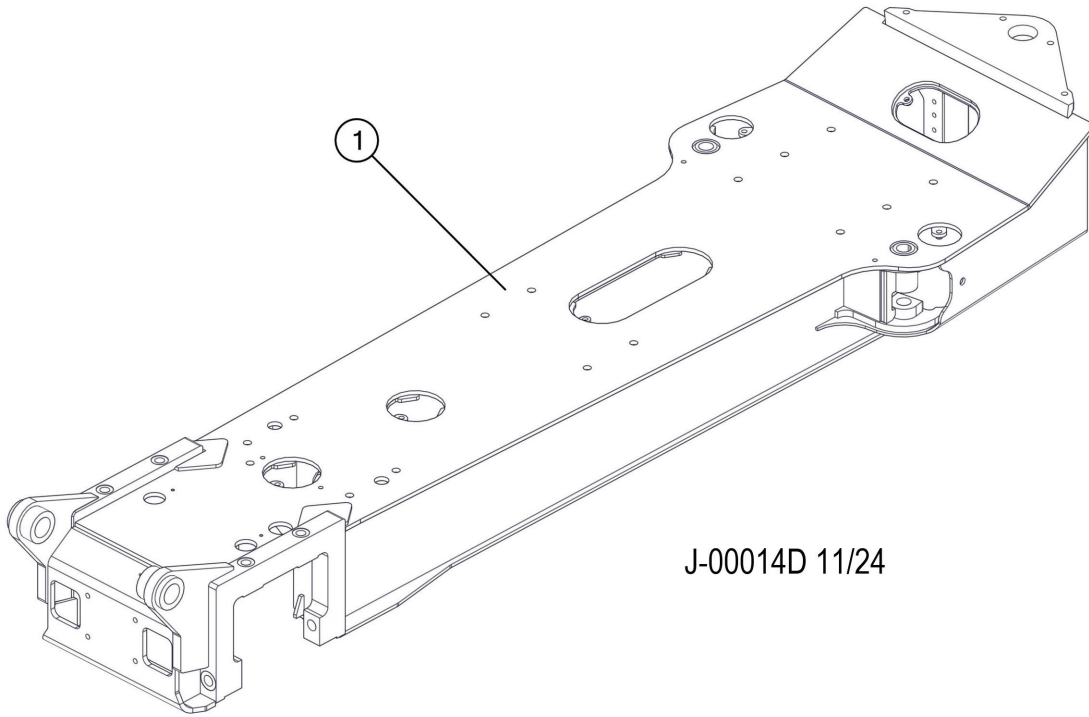
Item	Part #	Description	Qty.
1	65647	COVER, BOTTOM TIM 08/17/23 AXLES	1
2	10839	BOLT - .75" X 1.5"	4
3	15550	WASHER, SAE FLAT - .75"	4
4	52489	COVER, AXLE BOX END 830 W/FRT TRANS	1
5	42162	COVER, AXLE TOP	2
6	52846	COVER, BOTTOM 1/2 x 8 x 14	1
7	52477	COVER, TOP 5/8 x 8 x 14	1
8	52537	COVER, TOP 5/8 X 9 X 24	1
9	52475	COVER, TOP REAR ROUND 6"	2
10	52890	COVER, TOP REAR 8" FOR BUNKS	1
11	52446	COVER, TOP REAR ROUND 8"	1
12	52847	COVER, BOTTOM 1/2 X 9 X 24	1
13	18933	BOLT - .5" X 1.75"	8
14	50100	BOLT - .5" X 1.25"	6
15	15534	WASHER, SAE FLAT - .5"	14
16	529150	FRAME, REAR +24 830 NON-LEVEL TAPER PIN	1
16	52916	FRAME, REAR +46 830 NON-LEVEL TAPER PIN	1

# J4120 - 2243000 - REAR FRAME, ST+3, U



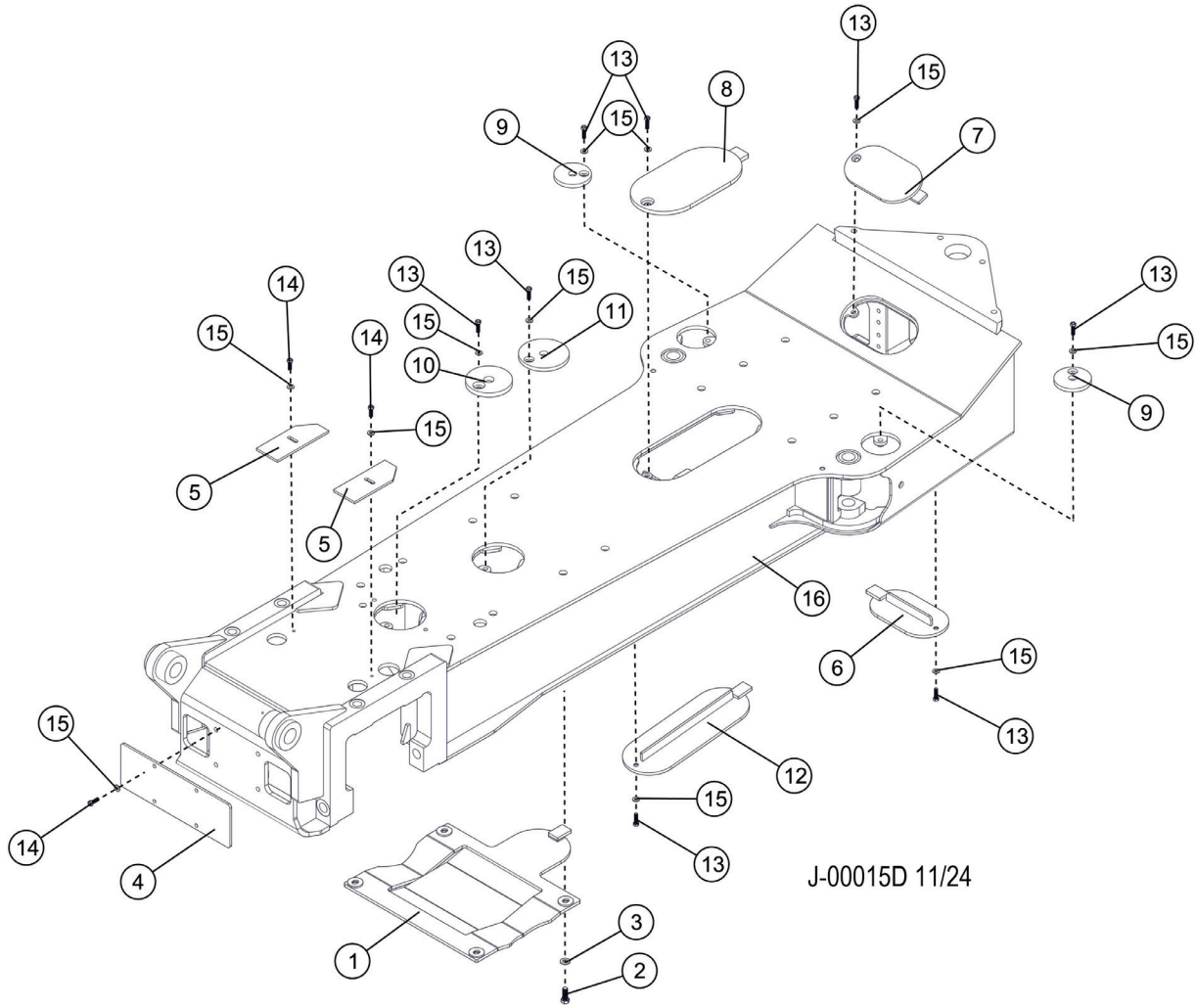
<b>Item</b>	<b>Part #</b>	<b>Description</b>	<b>Qty.</b>
1	54293	FRAME, REAR +36 830 NON-LEVEL TAPER PIN	1

**J4120 - 2243100 - REAR FRAME, ST+4, U**



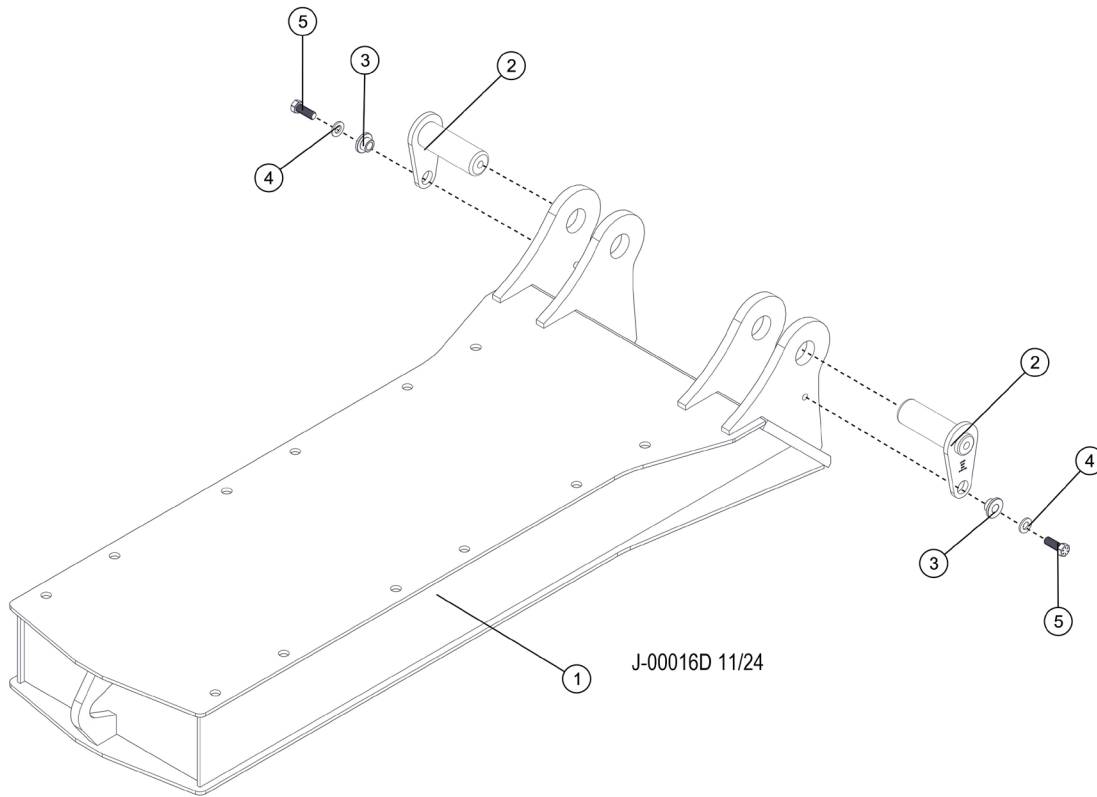
<b>Item</b>	<b>Part #</b>	<b>Description</b>	<b>Qty.</b>
1	52916	FRAME, REAR +46 830 NON-LEVEL TAPER PIN	1

## J4120 - 2243100 - REAR FRAME, ST+4, U



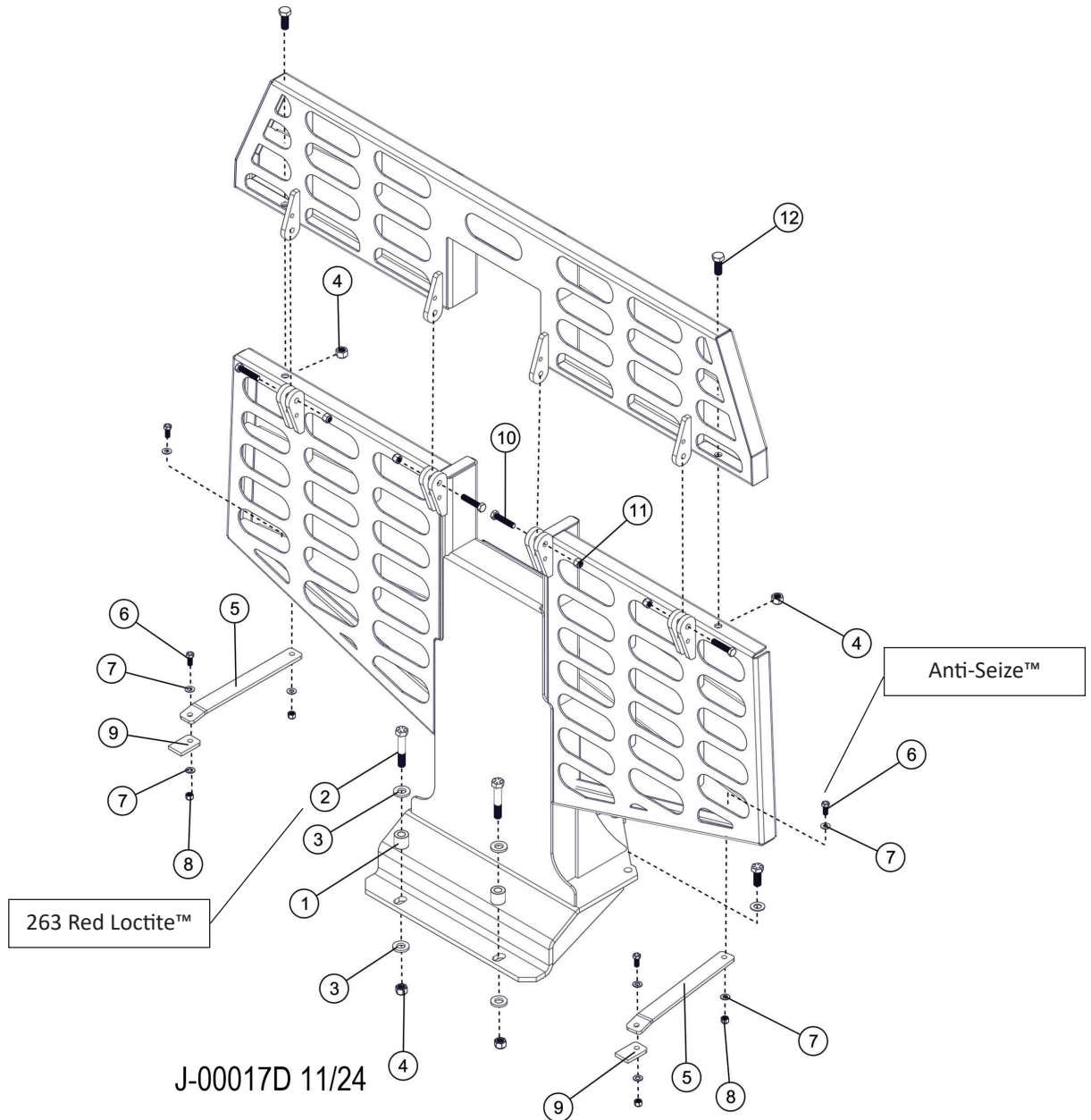
Item	Part #	Description	Qty.
1	65647	COVER, BOTTOM TIM 08/17/23 AXLES	1
2	10839	BOLT - .75" X 1.5"	4
3	15550	WASHER, SAE FLAT - .75"	4
4	52489	COVER, AXLE BOX END 830 W/FRT TRANS	1
5	42162	COVER, AXLE TOP	2
6	52846	COVER, BOTTOM 1/2 x 8 x 14	1
7	52477	COVER, TOP 5/8 x 8 x 14	1
8	52537	COVER, TOP 5/8 X 9 X 24	1
9	52475	COVER, TOP REAR ROUND 6"	2
10	52890	COVER, TOP REAR 8" FOR BUNKS	1
11	52446	COVER, TOP REAR ROUND 8"	1
12	52847	COVER, BOTTOM 1/2 X 9 X 24	2
13	18933	BOLT - .5" X 1.75"	9
14	50100	BOLT - .5" X 1.25"	6
15	15534	WASHER, SAE FLAT - .5"	15
16	52916	FRAME, REAR +46 830 NON-LEVEL TAPER PIN	1

## J4125 - 2245900 - FLOATING BUNK, U



Item	Part #	Description	Qty.
1	13481	WELDMENT, FLOATING BUNK - FWD (2.5")	1
2	23434	PIN, 2.5 X 7.88 CLAMBUNK / FLOATING BUNK	2
3	18570	WASHER, PIN RETAINING (BRAATZ)	2
4	15550	WASHER, SAE FLAT - .75"	2
5	15549	BOLT - .75" X 2.0	2

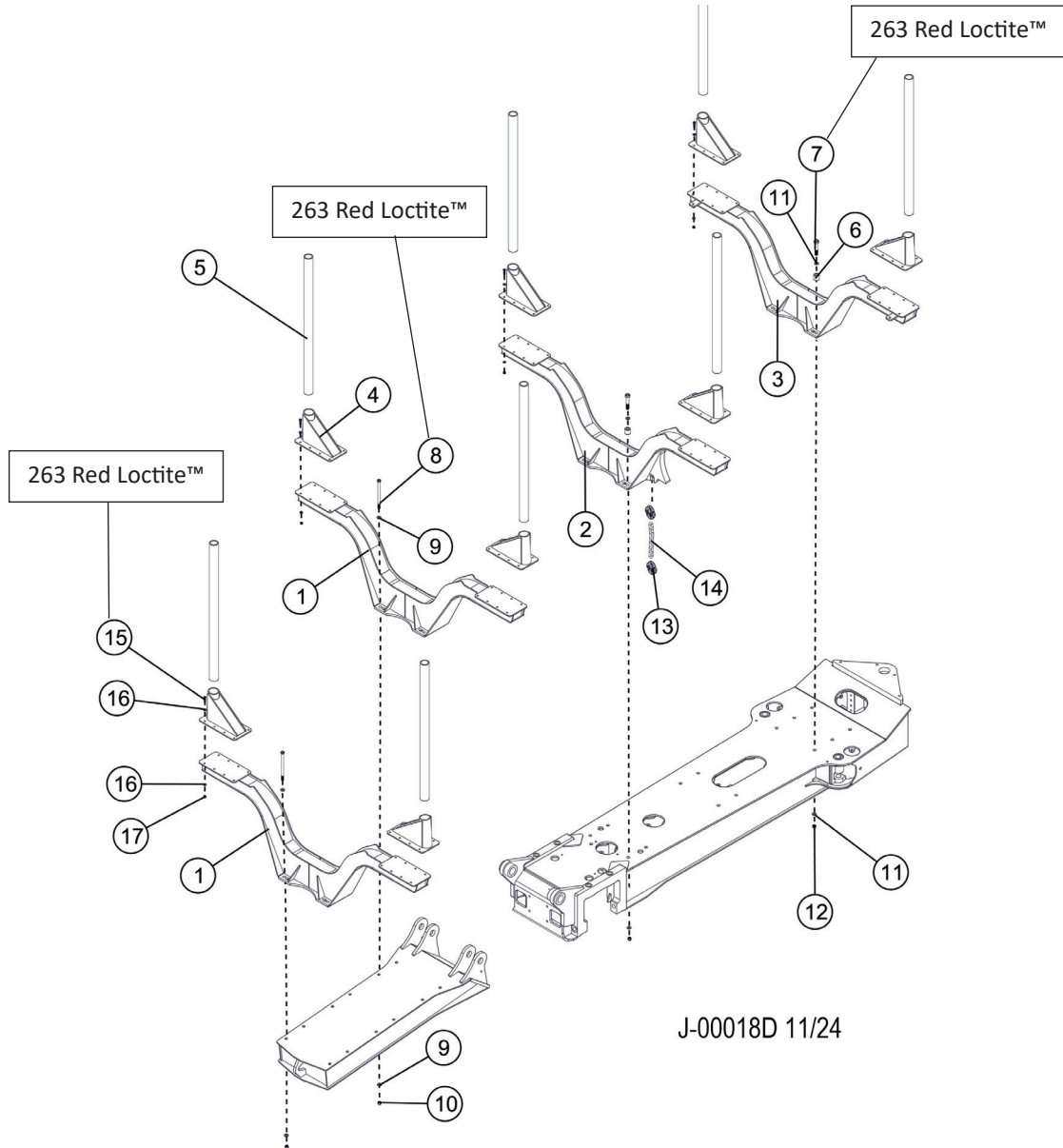
## J4126 - 2246100 - HEADACHE RACK, U



Item	Part #	Description	Qty.
1	12463	SPACER, BOLT - LOWER TURNTABLE 1.88L	8
2	50263	BOLT - 1" X 5.5" 263 RED LOCTITE™	8
3	18532	WASHER, SAE FLAT - 1" (EXTRA THICK)	8
4	18253	NUT, LOCK - 1"	2
5	51989	BAR, STABILIZER - LOG RACK 830	2
6	15526	BOLT - .625" X 2" ANTI-SEIZE	4
7	10771	WASHER, SAE FLAT - .625"	8
8	10816	NUT, LOCK - .625"	4
9	42748	BAR, STABILIZER - WELD ON LOG RACK 830	2
10	10481	BOLT - .75 X 3.5	4
11	10817	NUT, LOCK - 3/4	4
12	15552	BOLT - 1 X 2-1/2	2
*	47325	HEADACHE RACK ASSY. - C & D SERIES - TF8	1

\*MEANS NOT SHOWN

## J4167- 2246000 - LOG BUNK, ST, U

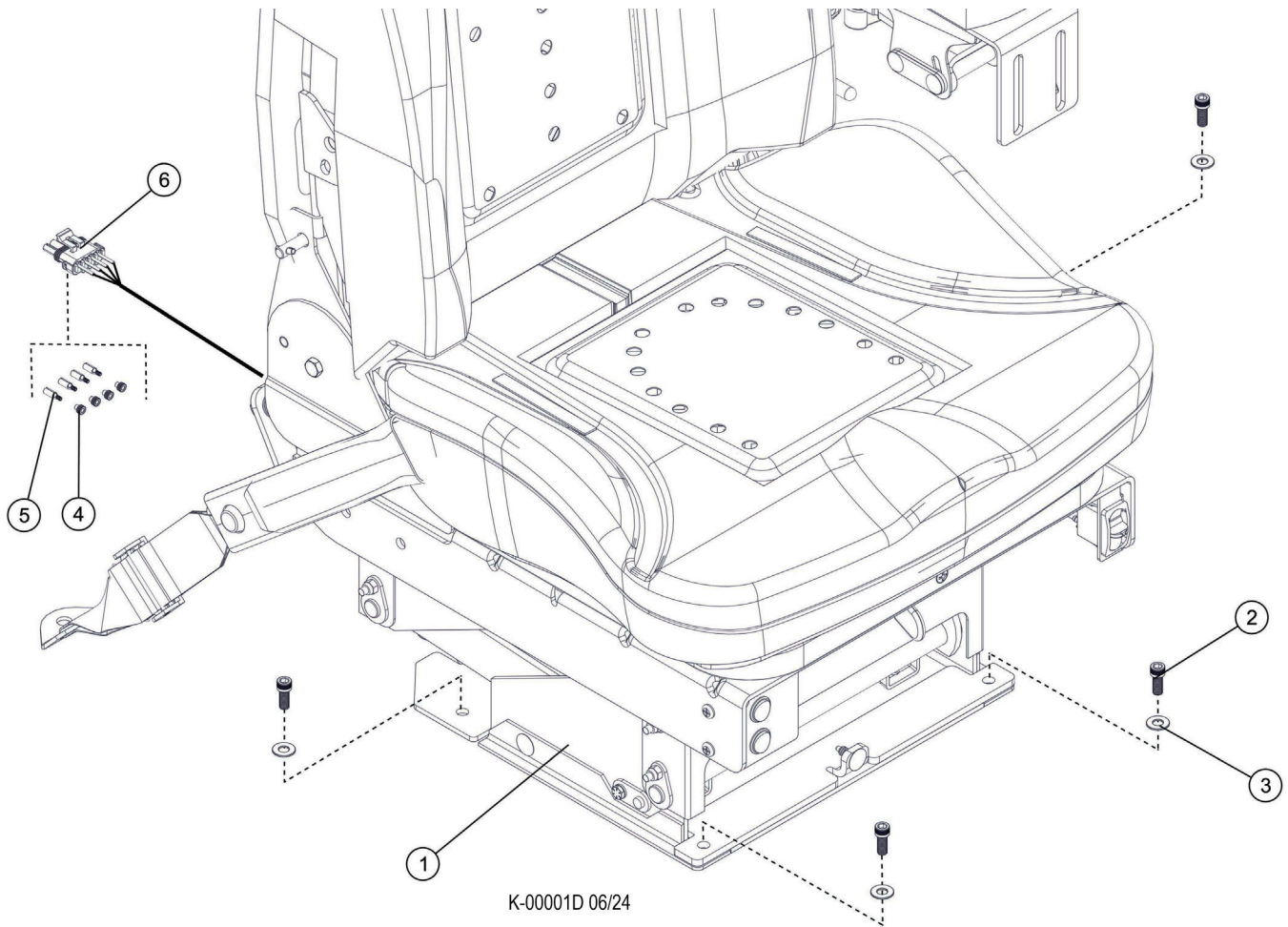


Item	Part #	Description	Qty.
1	80742	BUNK, LOG - LOW CLEARANCE WITH OUT STOP	2
2	80743	BUNK, LOG LOW CLEARANCE WITH AXLE STOP	1
3	65311	BUNK, LOG WELDMENT WITH LUG	1
4	80398	POCKET, LOG STAKE	8
5	21013	STAKE, LOG - UPPER	8
6	12463	SPACER, BOLT - LOWER TURNTABLE 1.88L	8
7	50263	BOLT - 1" X 5.5" 263 RED LOCTITE™	8
8	20905	BOLT - .75" X 12" (GRADE 8) 263 RED LOCTITE™	8
9	15550	WASHER, SAE FLAT - .75"	16
10	10817	NUT, LOCK - .75"	16
11	18532	WASHER, SAE FLAT - 1" (EXTRA THICK)	16
12	18253	NUT, LOCK - 1"	16
13	24416	LINK, CONNECTING - 3/4"	4
14	24442	CHAIN, AXLE STOP - .75" X 7 (800 FWD)	2
15	10736	BOLT - 1/2" X 2" 263 RED LOCTITE™	64
16	15534	WASHER, SAE FLAT - 1/2"	128
17	10815	NUT, LOCK - 1/2"	64



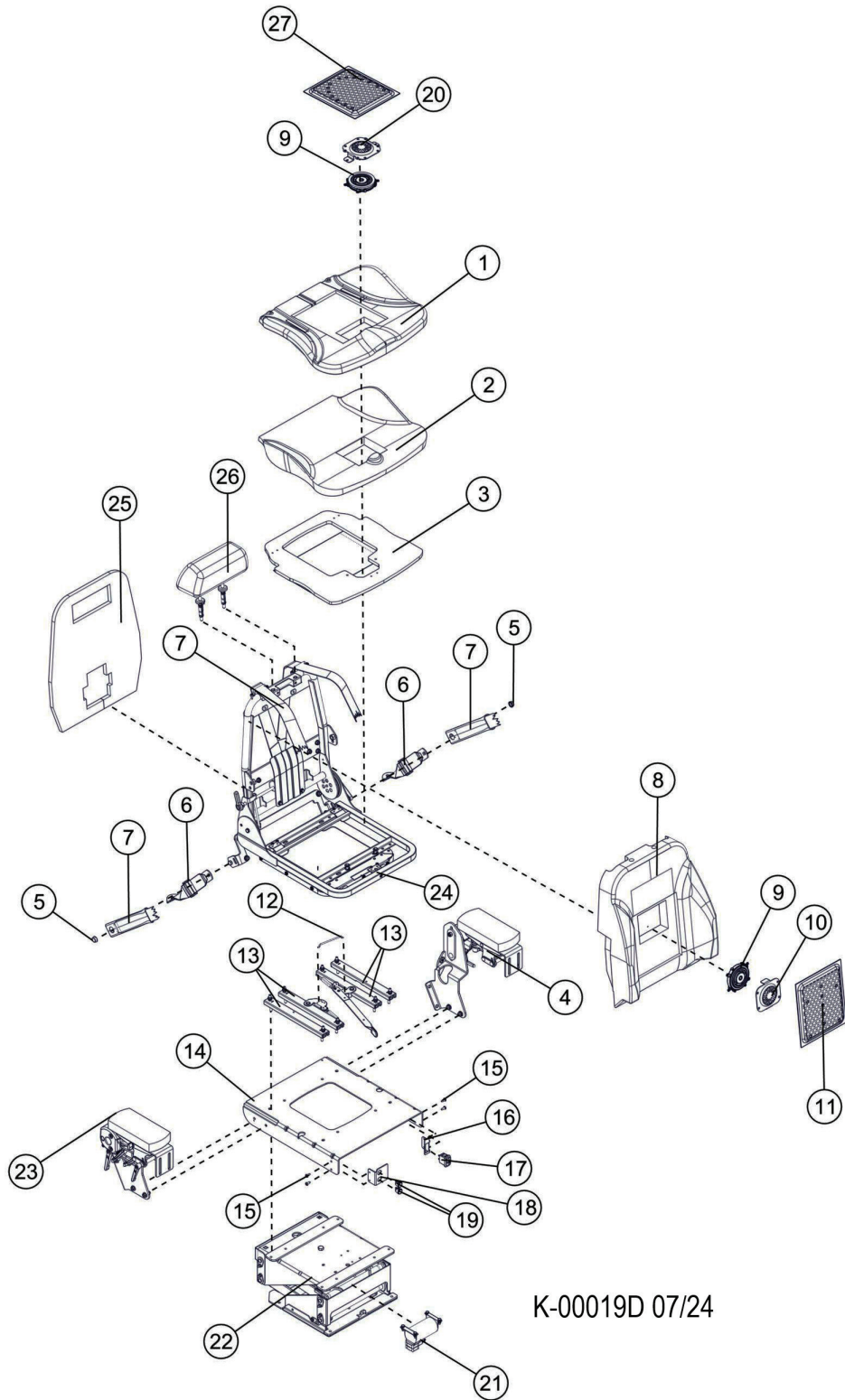
# **OPERATORS COMPARTMENT AND CONTROL SYSTEM - (K)**

## K0110 - 2226400 - CABIN SEAT, SEATS INC



Item	Part #	Description	Qty.
1	57723	SEAT ASSY - SEAT INC. (HEAT/VENT)	1
2	58383	BOLT - .5/16-18 X 3/4' SOCKET HEAD	4
3	15559	WASHER, SAE FLAT - .3125"	4
4	22225	SEAL, WIRE END (WEATHER PACK)	4
5	23135	TERMINAL, FEMALE (WEATHER PACK)	1
6	23131	PLUG, FEMALE - 4 CONTACT (WEATHER PACK)	

K0110 - 2226400 - CABIN SEAT, SEATS INC



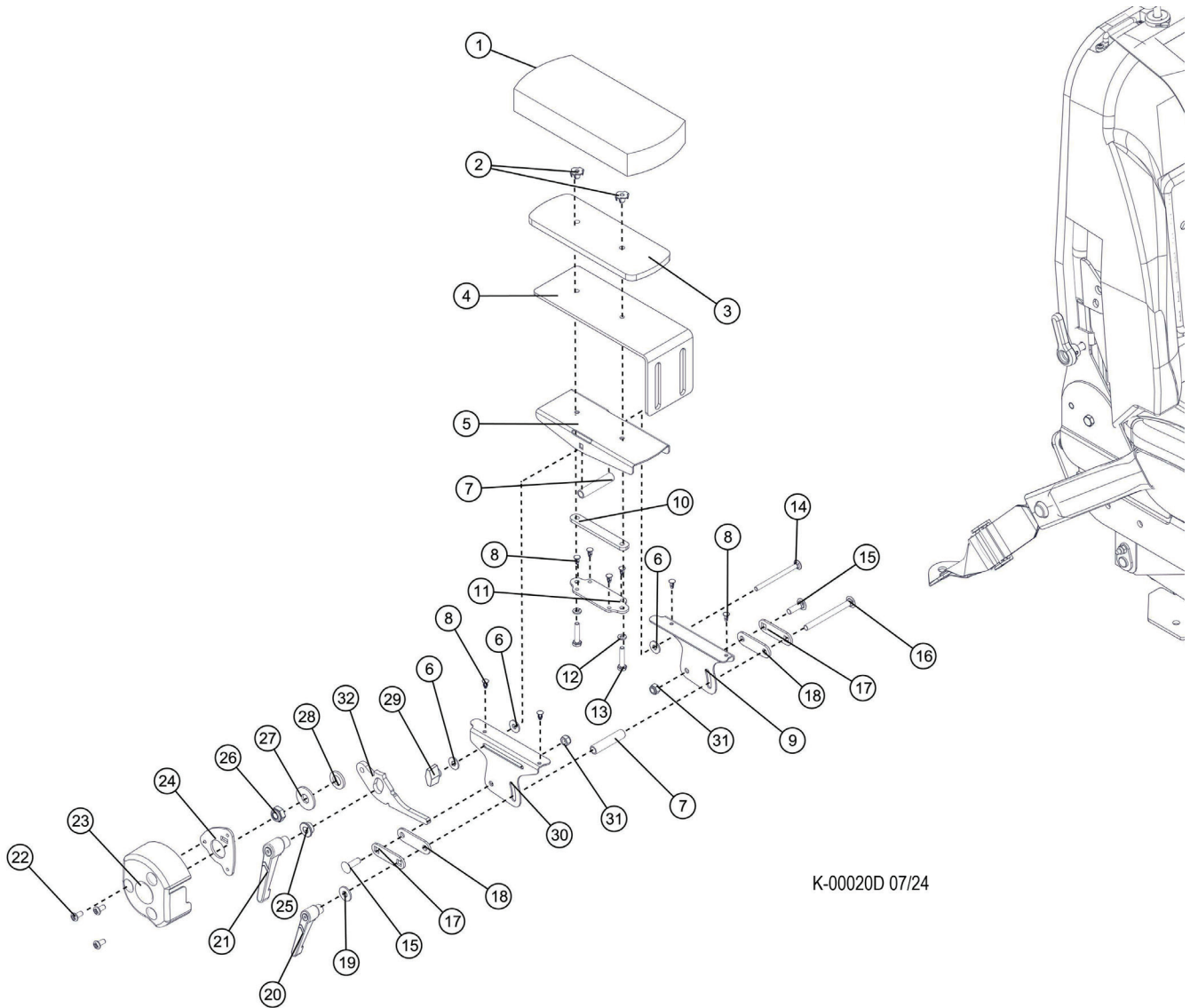
K-00019D 07/24

## K0110 - 2226400 - CABIN SEAT, SEATS INC

Item	Part #	Description	Qty.
	57723	SEAT ASSY - SEAT INC. ( HEAT/VENT)	1
1	517866-00	CUSHION, SEAT	1
2	517865-00	BASE, SEAT	1
3	517867-00	SEAT BOTTOM	1
4	188381JN348	ARMEST, LH	1
5	708696-00	SEATBELT PLUG	2
6	704876-00	SEATBELT TETHER ASSEMBLY	2
7	782938-00	SEATBELT	1
8	518065	BACKREST	1
9	703836-02	HEATER	2
10	516431-02	SEAT BASE COVER, FAN	1
11	312771283283-00	BACKREST HEATER FILTER	1
12	506856-02	ADJUSTMENT PIN	1
13	53296	ADJUSTMENT BRACKET ASSEMBLY	1
14	314422-00	LOWER FRAME ASSEMBLY	1
15	22068	FASTENER	4
16	512784	BRACKET	4
17	55999	SEAT ADJUSTMENT SWITCH	1
18	518050-00	BRACKET	1
19	782434	SWITCH	2
20	517637-00	BACKREST COVER, FAN	1
21	109879PS	COMPRESSOR PUMP	1
22	314434	SEAT FRAME BASE ADJUSTMENT ASSEMBLY ARMEST, RH	1
23	188382JN348	ARMEST, RH	1
24	314433-00	SEAT FRAME	1
25	703661-01	BACKREST PANEL	1
26	55994	HEADREST	1
27	55998	SEAT BASE HEATER FILTER	1
*	55995	AIR SPRING ASSEMBLY KIT	1
*	55997	SHOCK ASORBER HEAVY DUTY	1

\*MEANS NOT SHOWN

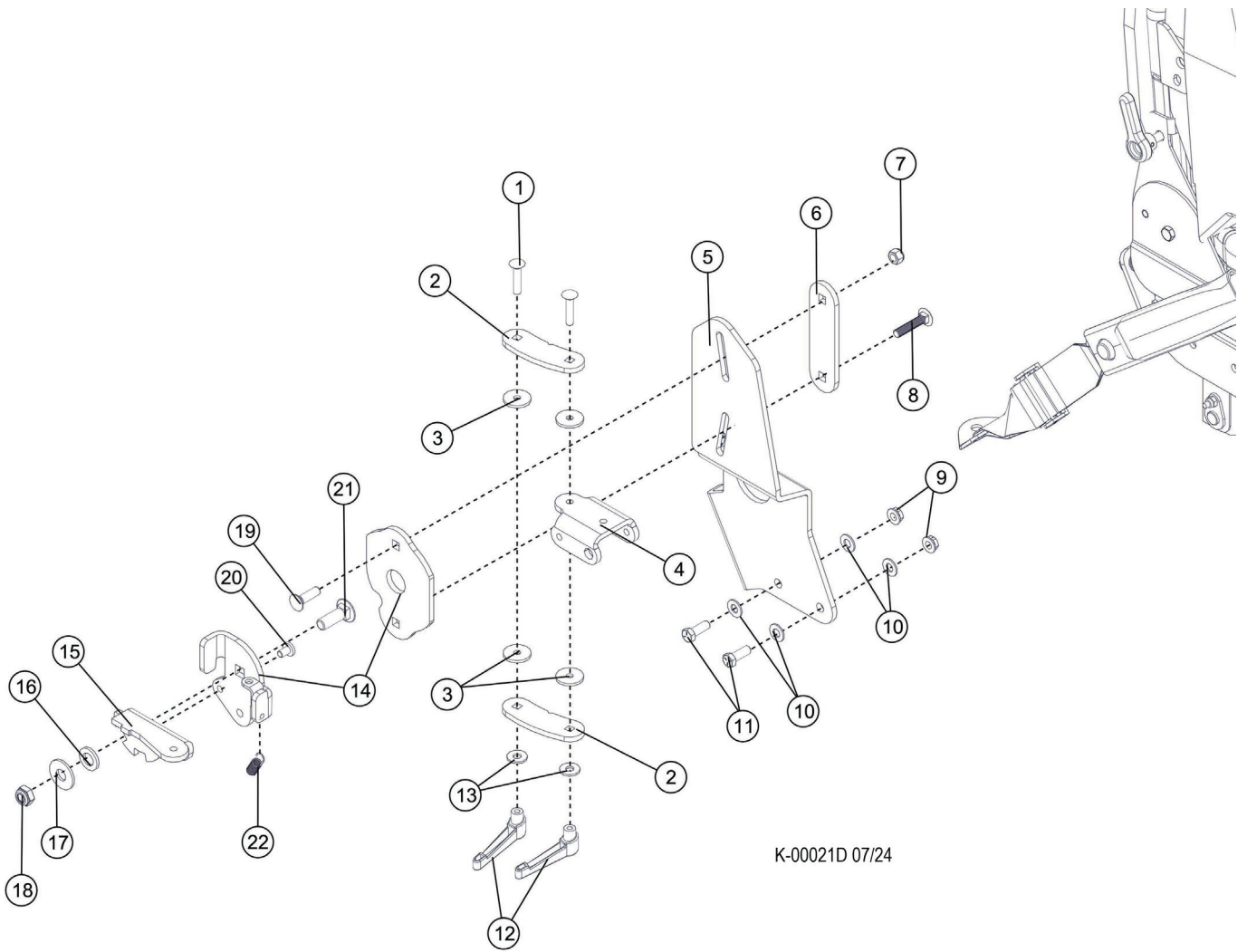
# K0110 - 2226400 - CABIN SEAT, SEATS INC



**K0110 - 2226400 - CABIN SEAT, SEATS INC**

<b>Item</b>	<b>Part #</b>	<b>Description</b>	<b>Qty.</b>
	188382JN348	ARM REST, SITTAB ARMFLEX - RH	1
	188381JN348	ARM REST, SITTAB ARMFLEX - LH	1
1	703848-01	PAD	1
2	707029	NUT	2
3	516610-01	PLATE	1
4	518072-00	COVER	1
5	518071-00	PLATE	1
6	782549	WASHER	2
7	516609	SPACER	2
8	782506-00	PLASTIC INSERT	8
9	516607	BRACKET	1
10	516611-00	PLATE	2
11	516612-00	STOP	1
12	707085	BUSHING	1
13	719644	BOLT	1
14	55891	FASTENER	1
15	719744	MOUNT FASTENER	2
16	782501-00	FASTENER	1
17	516605-01	PLATE	2
18	782531	SPACER	2
19	782013	BUSHING	1
20	782504-00	HANDLE	1
21	708801	HANDLE	1
22	782552	BOLT	1
23	782509-04	COVER	1
24	314429-00	SPACER	1
25	511880PL-02	BUSHING	1
26	707116	NUT	1
27	782042	WASHER	1
28	707871	WASHER	1
29	782505	KNOB	1
30	516606	BRACKET	1
31	707314	NUT	2
32	517183-02	ADJUSTMENT LEVER	1

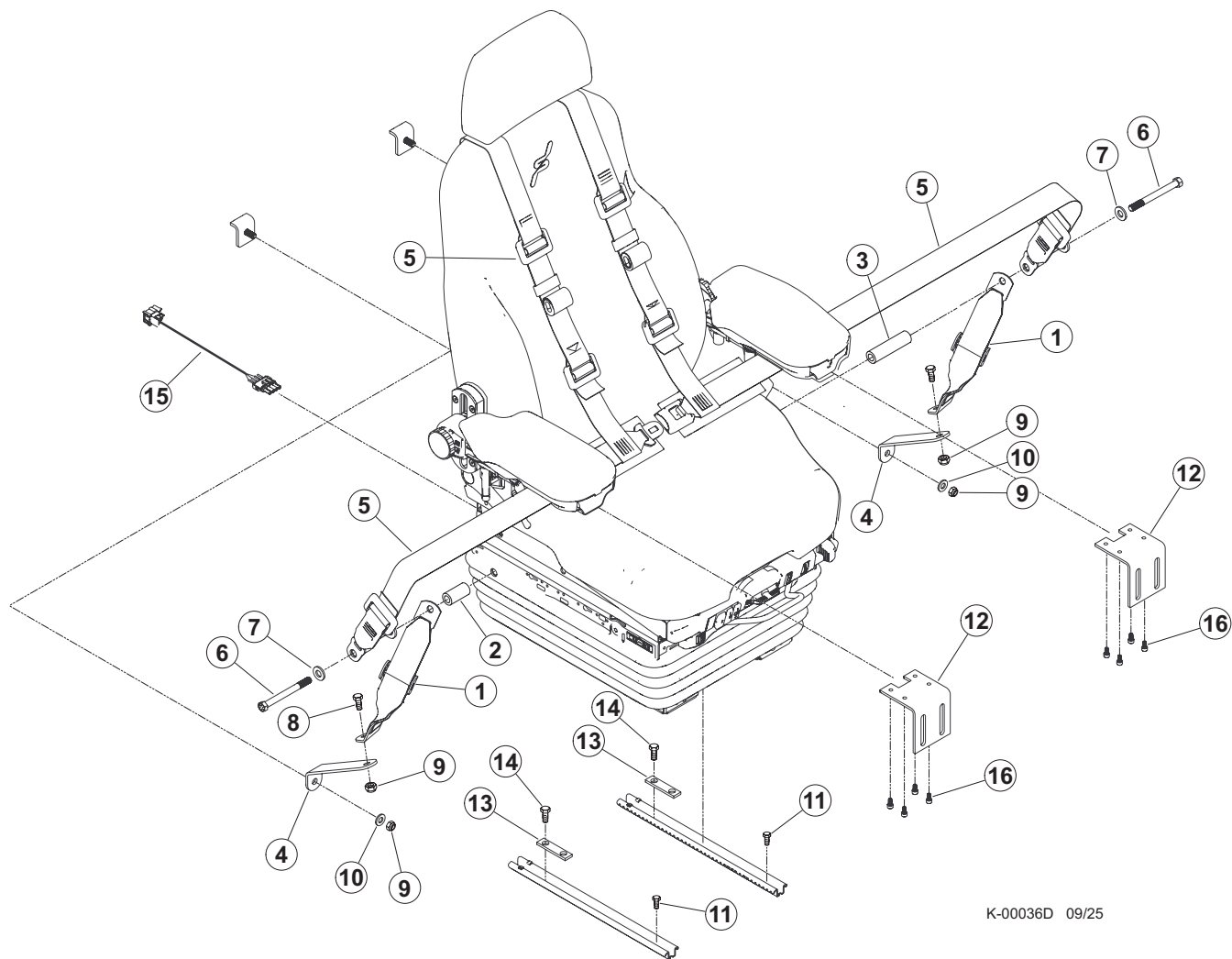
K0110 - 2226400 - CABIN SEAT, SEATS INC



## K0110 - 2226400 - CABIN SEAT, SEATS INC

<b>Item</b>	<b>Part #</b>	<b>Description</b>	<b>Qty.</b>
	188382JN348	ARM REST, SITTAB ARMFLEX - RH	1
	188381JN348	ARM REST, SITTAB ARMFLEX - LH	1
1	719750	FASTENER	2
2	518075	BRACKET	2
3	782530-00	BUSHING	4
4	516603-03	BRACKET	1
5	518081-00	BRACKET	1
6	516599-00	BRACKET	2
7	707251-2	NUT	1
8	708856-00	BOLT	1
9	707565	NUT	2
10	782550	WASHER	4
11	707195	BOLT	2
12	782504	HANDLE	2
13	782013	WASHER	2
14	314428-00	BRACKET	1
15	314429-00	BRACKET	1
16	707871	WASHER	1
17	782042	WASHER	1
18	707116	NUT	1
19	782551	BOLT	1
20	517182	BOLT	1
21	782502-00	BOLT	1
22	708830AA	SPRING	1

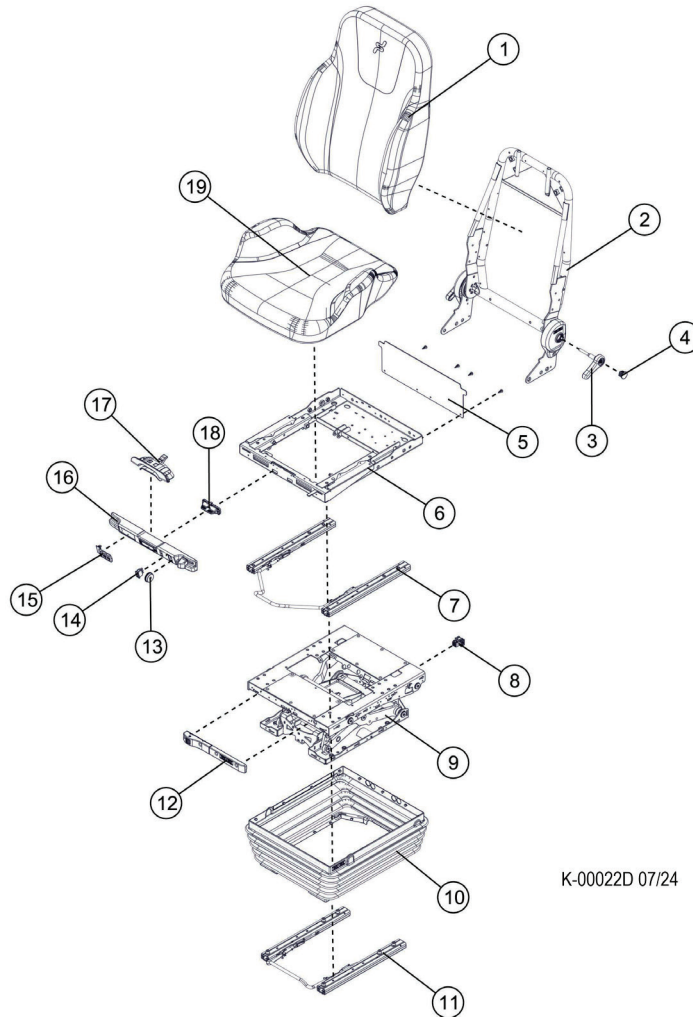
## K-2241300 - CABIN SEAT - BE-GE



K-00036D 09/25

Item	Part #	Description	Qty.
	57840	SEAT ASSEMBLY (BE-GE W/ HEAT/VENT/3 PT)	1
1	53948	TETHER, SEAT HOLD DOWN (PAIR)	1
2	-	SPACER - SHORT	1
3	-	SPACER - LONG	1
4	60566	EXTENSION, SEAT TETHER	2
5	610623	SEAT BELT ASSEMBLY	1
6	58385	BOLT - 7/16-20 X 4.5" HEX HEAD	2
7	10803	WASHER, FLAT - .4375"	2
8	10783	BOLT - .5" X 1"	2
9	10815	NUT, LOCK - .5"	4
10	15534	WASHER, SAE FLAT - .5"	2
11	53906	BOLT, ALLEN HEAD - .3125" X .5"	2
12	46845	BRACKET, JOYSTICK POD MOUNT - KAB	2
13	690700	WASHER, SEAT	2
14	58383	BOLT - .5/16-18 X 3/4" SOCKET HEAD	2
15	57935	HARNESS, BE-GE SEAT ADAPTER	1
16	16134	BOLT, ALLEN HEAD - 6MM X 12MM	8

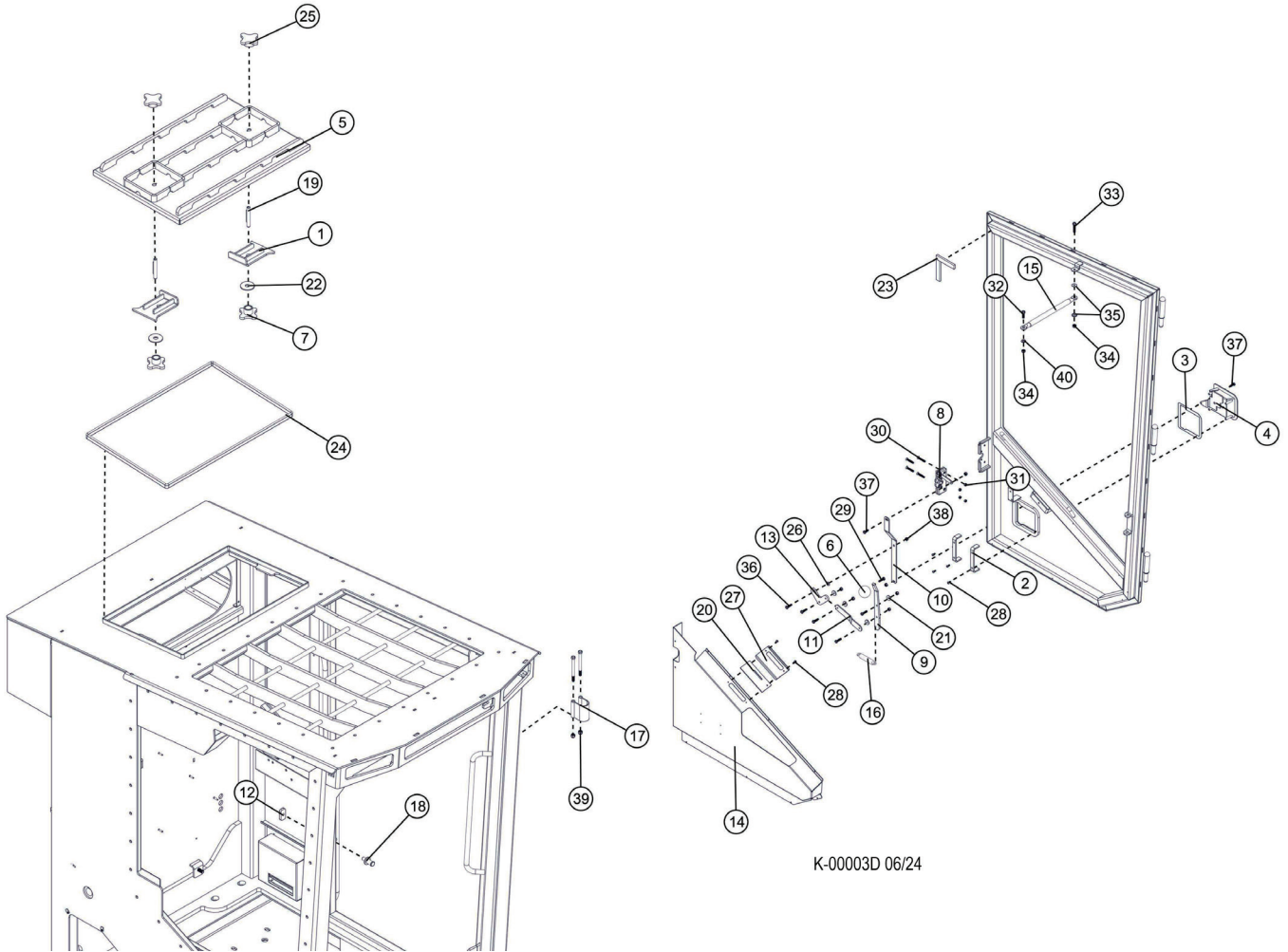
## K0110 - 2241300 - CABIN SEAT - BE-GE



K-00022D 07/24

Item	Part #	Description	Qty.
	57840	SEAT ASSEMBLY, SEATS INC. HEAT / AIR RIDE	1
1	632104P	SEAT BACK CUSION	1
2	632007P	UPPER FRAME ASSEMBLY	1
3	628833	SEAT BACK ADJUSTMENT LEVER	2
4	628834	LEVER CAP	2
5	632080P	FRAME BASE BACKER (WITH 4 SCREWS)	1
-	632079	FRAME BASE BACKER (ONLY)	1
6	632004P	LOWER FRAME ASSEMBLY	1
7	632082P	SEAT LATERAL ADJUSMENT LEVER ASSM.	1
8	632198P	SEAT CONTROLS CIRCUIT BREAKER	1
9	632220P	FRAME BASE VERTICAL ADJUSMENT LEVER ASSM.	1
10	632179P	COVER, AIR RIDE	1
11	632248P	LEVER, OVERALL SEAT/LOWER ASSEMBLY LATERAL ADJUSTMENT	1
12	632292P	COVER, SHOCK OBSORBER	1
13	631931	SWITCH, AIR VENT	1
14	660590	SWITCH, HEAT TEMP. CONTROL	1
15	632017P	SWITCH, LUMBAR/AIR SIDE-SHOULDER CONTROLS	1
16	632005P	COVER, SEAT CONTROLS UPPER	1
17	631305P	SEAT BASE LATERAL ADJUSTMENT	1
18	631999	SEAT HEIGHT ADJUSTMENT	1
19	632100P	SEAT BASE CUSHION	1
*	55996	AIR SPRING	1
*	56019	GAS SPRING	1
*	56020	COMPRESSOR, SEAT	1
		*MEANS NOT SHOWN	

# K0200 - 2226500 - CABIN DOORS

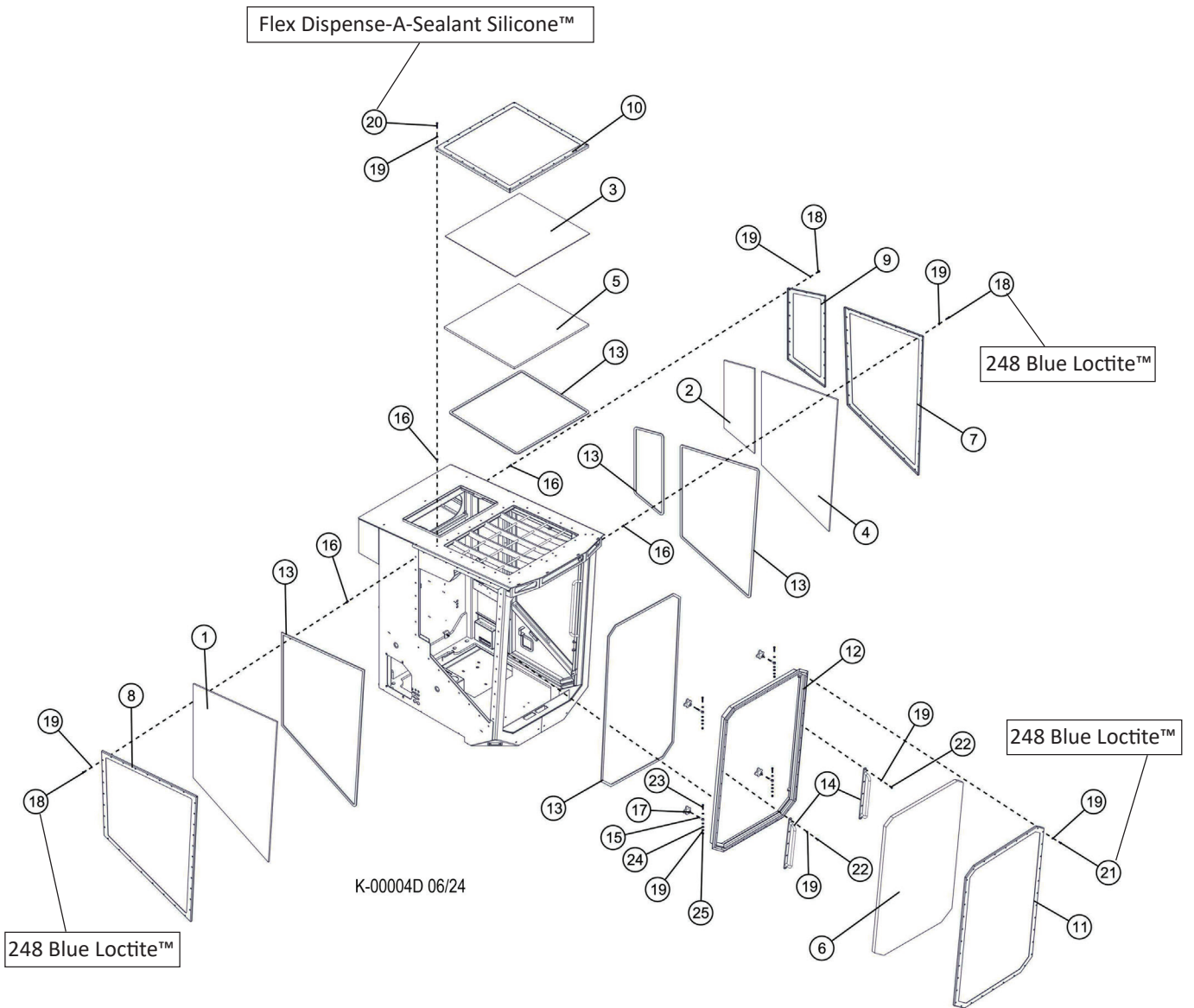


K-00003D 06/24

## K0200 - 2226500 - CABIN DOORS

Item	Part #	Description	Qty.
1	49509	BRACKET, ESCAPE HATCH - D CAB	2
2	47454	BRACKET, PADDLE HANDLE	2
3	57863	GASKET, HANDLE - OUTSIDE CAB DOOR	1
4	55015	HANDLE, DOOR - OUTSIDE - RH CAB B/D SER	1
5	49190	HATCH, ESCAPE TOP CAB - D SERIES	1
6	57826	KNOB, DOOR HANDLE - ROUND BALL	1
7	49511	KNOB. STAR	2
8	55118	LATCH, DOOR - B/D SERIES (INNER) (RH CA	1
9	49210	LEVER, DOOR RELEASE (S/N: UP TO 0944)	1
9	693380	LEVER, DOOR RELEASE (S/N: 0944 & FORWARD)	1
10	49200	LINK, DOOR ACTUATOR - VERTICAL	1
11	49209	LINK, DOOR LATCH	1
12	62127	MOUNT, STRIKER (1050594)	1
13	47456	PIVOT LINK, DOOR LATCH	1
14	49201	SCHROUD, DOOR - FORMED	1
15	55121	SHOCK, GAS - CAB DOOR "C/D" SERIES	1
16	57900	SPRING, INNER DOOR TENSION - D-SERIES	1
17	57855	STRAP, DOOR - D-SERIES CAB	1
18	49175	STRIKER, STUD - C-SERIES CAB	1
19	49516	STUD, 2 WAY - D CAB	2
20	49213	TRIM, RUBBER INNER DOOR HANDLE - D-SERIE	1
21	57827	WASHER, PLASTIC 1/4" (CAB)	4
22	57828	WASHER, RUBBER - 3/4" (CAB)	2
23	18126	WEATHERSTRIPPING, RUBBER-DOOR SEAL	14
24	24925	CHANNEL, EDGE PROTECTOR - 3/16" BULB(STR)	10
25	49514	KNOB, STAR D CAB	2
26	57832	PLASTIC WASHER	1
27	49212	PLATE, SLOTTED - D CAB	1
28	59139	SCREW, MACHINE - #10-24 X .5" (BUTTON)	6
29	23264	BOLT - .25" X .5" (S/N: UP TO 0944)	1
29	69074	BOLT, HHCS, .38-24 X 0.75 GR5 (S/N: 0944 & FORWARD)	1
30	59120	BOLT, FLAT HEAD .25-20NC X 1.50LG GR.5	4
31	16131	NUT, NYLOCK - #10-24	4
32	15589	BOLT - .3125" X 1"	1
33	15591	BOLT - .3125" X 1.5"	1
34	10812	NUT, LOCK - .3125"	2
35	59099	BALL JOINT ROD END INSERT, 5/16 ID	2
36	15576	BOLT - .25" X 1"	5
37	15604	BOLT - .25" X .75"	2
38	10811	NUT, LOCK - .25"	7
39	10813	NUT, LOCK - .375"	2
40	10801	WASHER, FLAT - .3125"	1

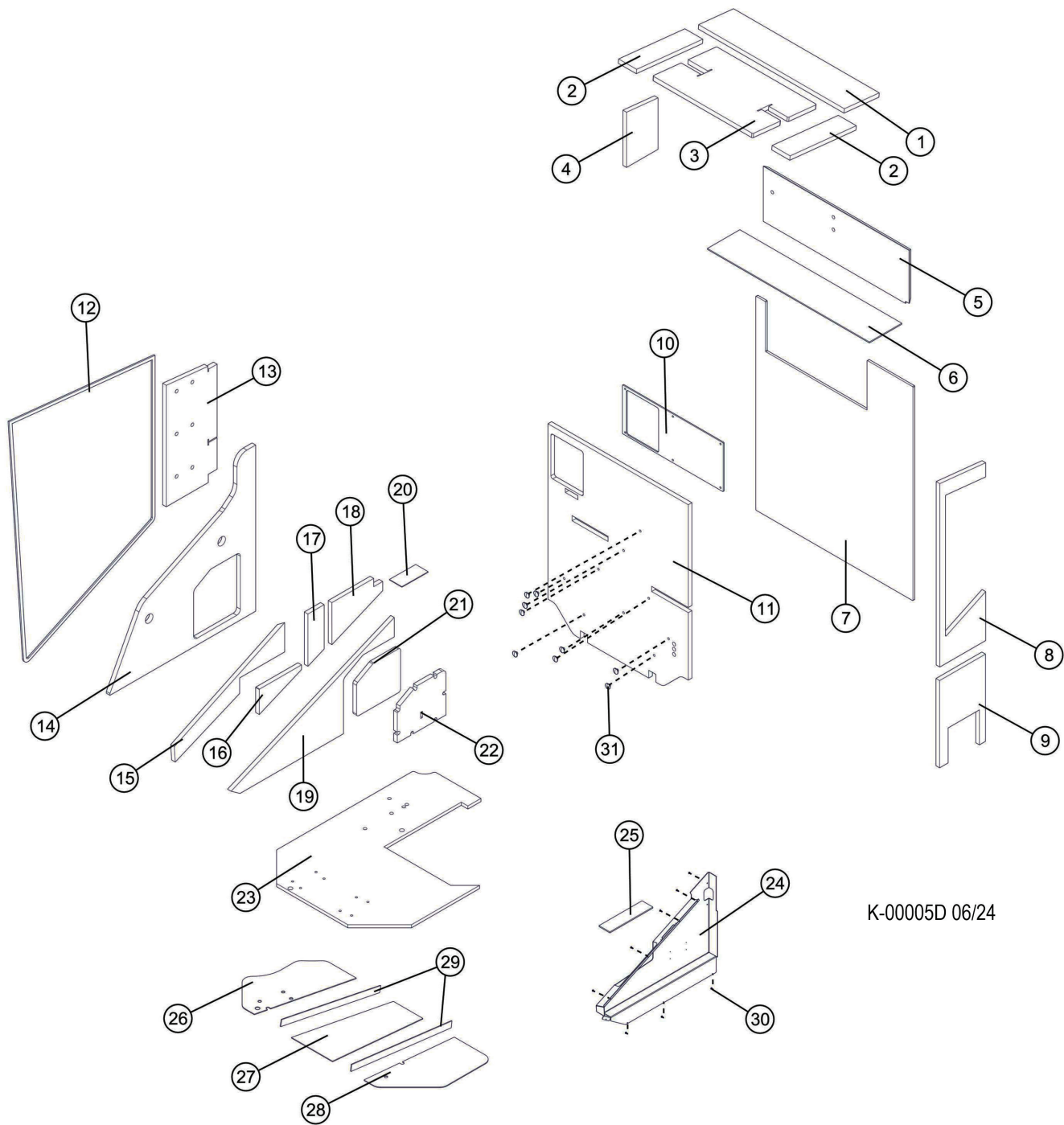
# K0201 - 2226600 - CABIN WINDOWS



## K0201 - 2226600 - CABIN WINDOWS

Item	Part #	Description	Qty.
1	49339	LEXON, BOOM SIDE D-SERIES	1
2	49370	LEXON, REAR CAB WINDOW .5 THK OPERA	1
3	49532	LEXAN, SKYLIGHT - 3/16" - D	1
4	49215	LEXON, DOOR - D SERIES	1
5	49216	LEXON, SKYLIGHT - 3/4" D-SERIES	1
6	49347	LEXON, FRONT WINDOW - 1.25" D-SERIES	1
7	49214	RETAINER, DOOR WINDOW FRAME	1
8	49338	RETAINER, BOOMSIDE WINDOW FRAME	1
9	49371	RETAINER, REAR WINDOW FRAME	1
10	49217	FRAME, SKYLIGHT WINDOW -D	1
11	49359	FRAME - FRONT WINDOW D-SERIES	1
12	49366	WELDMENT, HATCH FRONT WINDOW RETAINER D	1
13	42378FT	WEATHERSTRIPPING, WINDOW 5/16x3/4	83
14	60701	HANDLE, FRONT WINDOW - D-SERIES	2
15	57489	ROD, TIE - FRONT WINDOW FRAME	4
16	49151	INSERT, NUT 3/8"-16 2B MAXTITE - THICK	106
17	49529	KNOB, STAR - D CAB	4
18	10731	BOLT - .375" X 1.5" 248 BLUE LOCTITE™	80
19	15528	WASHER, SAE FLAT - .375"	154
20	15529	BOLT - .375" X 2" FLEXSEAL DISPENSE-A-SEALANT SILICONE™	26
21	15542	BOLT - .375" X .75" 248 BLUE LOCTITE™	26
22	11707	BOLT - .375" X 1"	10
23	20084	BOLT - .375" X 1.75"	4
24	10813	NUT, LOCK - .375	4
25	98627	WASHER, THICK - .375	4

# K0202 - 2241400 - CABIN INSULATION

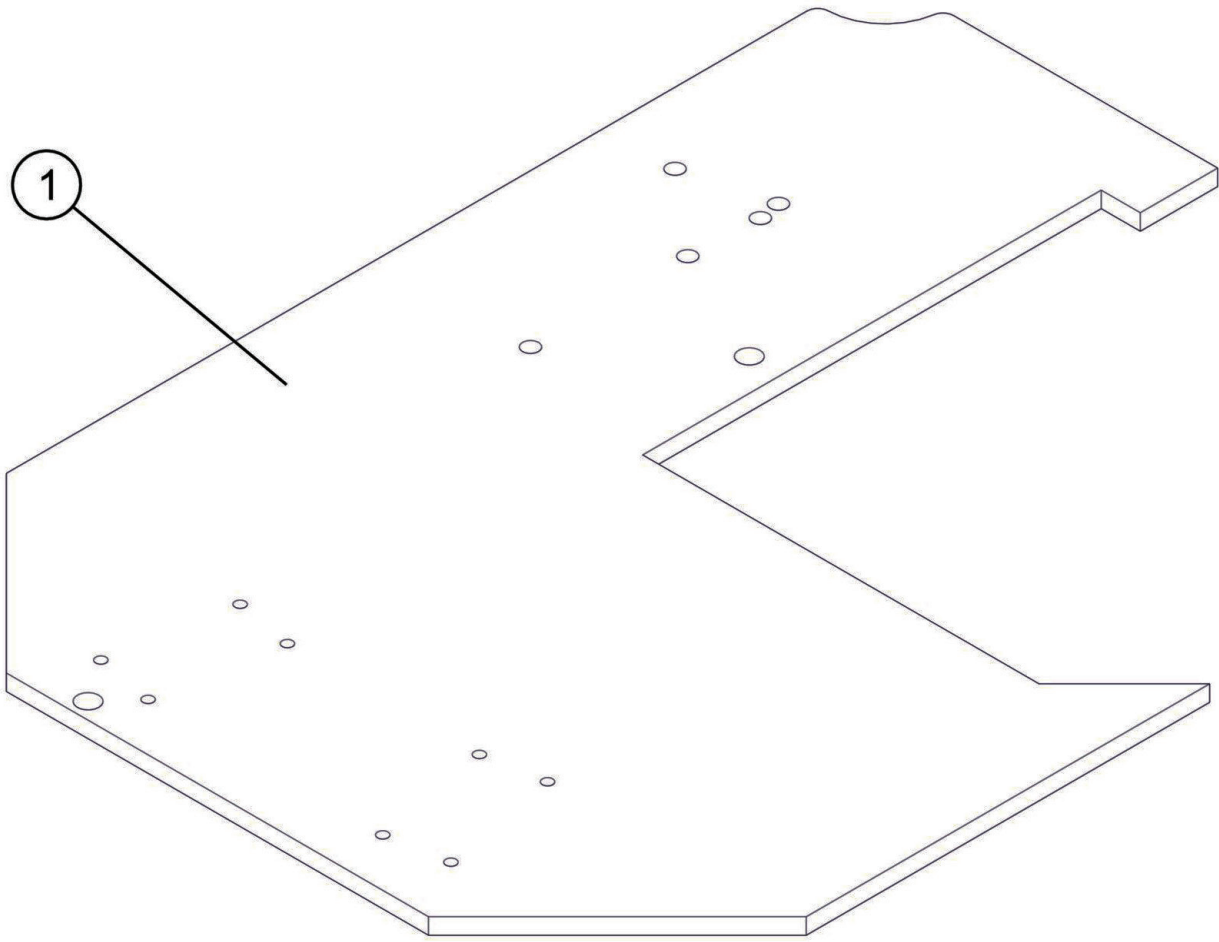


K-00005D 06/24

## K0202 - 2241400- CABIN INSULATION

Item	Part #	Description	Qty.
1	49547	FOAM, ACOUSTIC REAR COMPT CEILING - D	1
2	49507	FOAM, ACOUSTIC CEILING - D CAB	2
3	49520	FOAM, ACOUSTIC ESCAPE HATCH - D CAB	1
4	49548	FOAM, ACOUSTIC COMPT SIDE - D CAB	1
5	49546	FOAM, ACOUSTIC REAR COMPT REAR WALL - D	1
6	47147	MAT, RUBBER - C-CAB STORAGE TRAY	1
7	46653	INSULATION, CAB TO UPPER- C SERIES	1
8	49506	FOAM, ACOUSTIC OPERA WINDOW BOTTOM - D	1
9	49545	FOAM, ACOUSTIC REAR COMPT FLOOR - D CAB	1
10	46684	RUBBER, CAB TO ELECRICAL BOX - C MODEL	1
11	49504	FOAM, ACOUSTIC REAR WALL - D CAB	1
12	42378	WEATHERSTRIPPING, WINDOW 5/16x3/4x500'	1
13	49502	FOAM, ACOUSTIC UPPER REAR RH - D CAB	1
14	46651	INSULATION, CAB TO BOOM	1
15	49525	FOAM, ACOUSTIC BOOM SIDE - D CAB	1
16	49526	FOAM, ACOUSTIC BOOM SIDE - D CAB	1
17	49527	FOAM, ACOUSTIC BOOM SIDE - D CAB	1
18	49528	FOAM, ACOUSTIC BOOM SIDE CONSOLE LOWER	1
19	49522	FOAM, ACOUSTIC BOOM SIDE LOWER - D CAB	1
20	58013	RUBBER, MAT - COIN TRAY D-SERIES CAB	1
21	49522	FOAM, ACOUSTIC BOOM SIDE LOWER - D CAB	1
22	49524	FOAM, ACOUSTIC BOOM SIDE HATCH - D CAB	1
23	49550	FLOORMAT, TRACK MACHINE "D" CAB	1
24	49201	SHROUD, DOOR - FORMED	1
25	58012	RUBBER, MAT - CAB DOOR POCKET	1
26	58044	DEADENING, SOUND CAB CAVITY	1
27	58043	DEADENING, SOUND CAB CAVITY	1
28	58041	DEADENING, SOUND CAB CAVITY	1
29	58040	DEADENING, SOUND CAB CAVITY	2
30	22862	SCREW, MACHINE - #10-24 X .5" (BUTTON)	8
31	49503	BUTTON, PUSH ON RETAINER - GRAY #10 STUD	9

**K0202 - 2241400 - FLOORMAT - FB/TH**

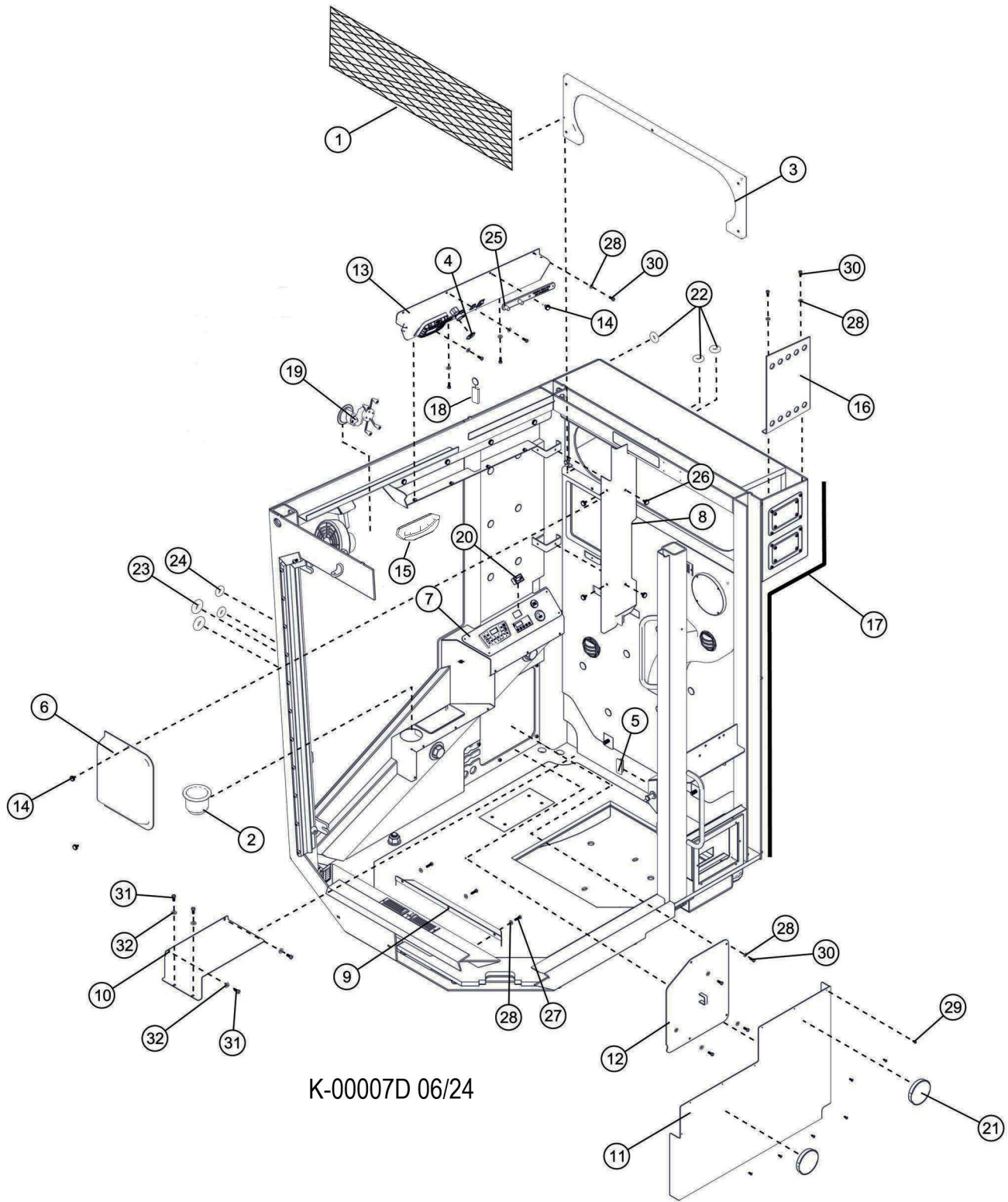


K-00006D 06/24

<b>Item</b>	<b>Part #</b>	<b>Description</b>	<b>Qty.</b>
1	61018	FLOORMAT, D-SERIES FB CAB WHEELED MACHINE	1



# K0203 - 2226800 - CABIN TRIM



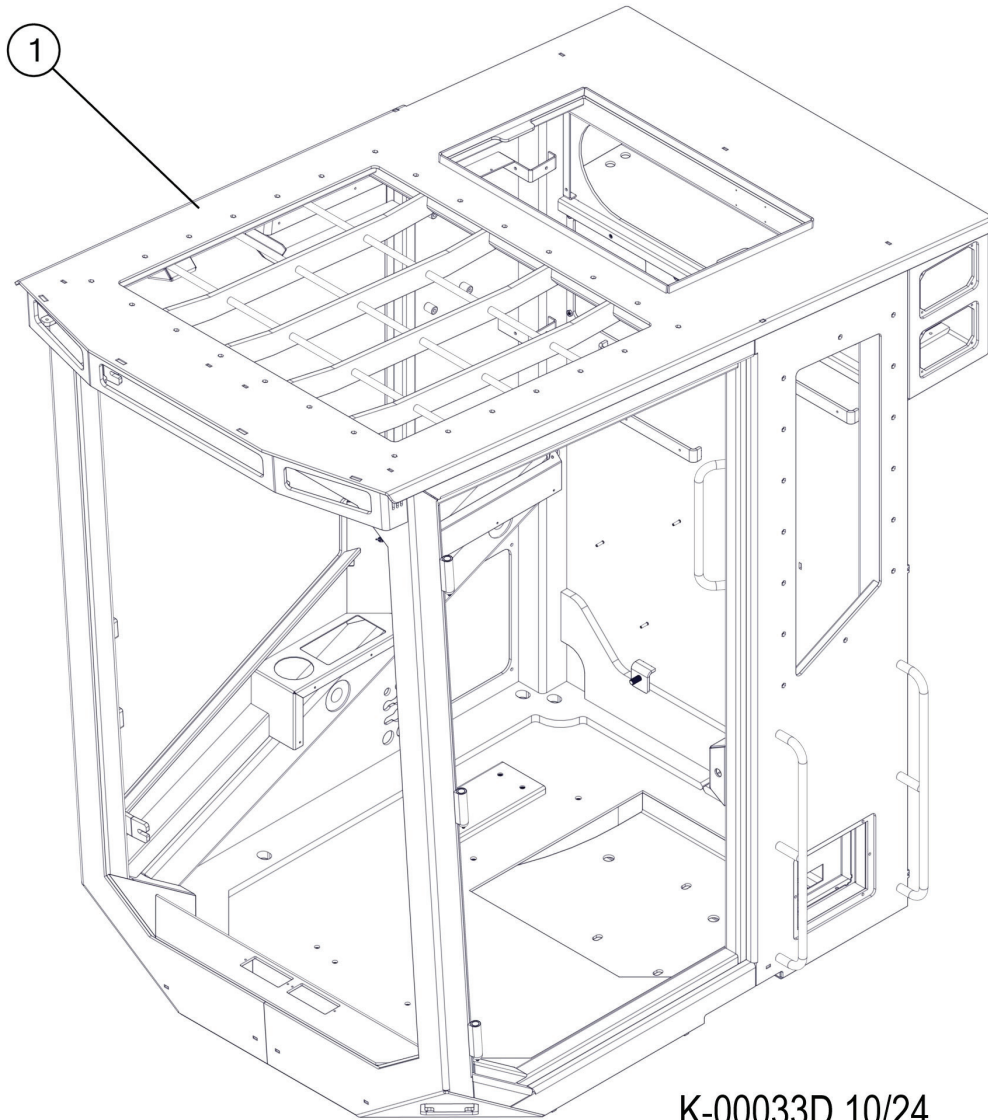
K-00007D 06/24

## K0203 - 2226800 - CABIN TRIM

Item	Part #	Description	Qty.
1	57388	NET, CARGO STRETCH - C SERIES CAB	1
2	54997	HOLDER, CUP - 735/830-C	1
3	49544	TRIM, REAR COMPARTMENT D-SERIES CAB	1
4	53243	RING, EMERGENCY STOP	1
5	49500	PLUG RECTANGLER TUBE - PLASTIC CAB	1
6	1048246	COVER, PLASTIC FUSE PANEL - D SERIES	1
7	47914	PLATE, DASH - D SERIES	1
8	49538	CONSLE, BOOMSIDE - MIDDLE/VERT - D CAB	1
9	61002	PLATE, PEDAL WIRE - D CAB	1
10	60476	PLATE, COVER	1
11	49111	COVER, SIDE CONSOLE	1
12	49497	COVER, LOWER RB - D CAB	1
13	49540	PANEL, UPPER WELDMENT	1
14	55032	KNOB, THUMB SCREW-1/4-20	3
15	24198	INDICATOR, SLOPE	1
16	49385	GUARD, LIGHTS - REAR TOP	1
17	54050	WEATHERSTRIPPING, RUBBER DOOR SEAL	6
18	57563	KEYCHAIN	1
19	57551	CELL PHONE MOUNT	1
20	52401	HOUR METER	1
21	57816	CAB MOUNTING PLASTIC COVER	2
22	58386	GROMMET	3
23	42514	GROMMET, .875 I.D.	2
24	58387	GROMMET	2
25	52777	WRENCH, STAR KNOB	1
26	59097	BUTTON RETAINER, TRIM PANEL	4
27	23264	BOLT - .25" X .5"	3
28	10757	WASHER, SAE FLAT - .25"	15
29	22862	SCREW, MACHINE - #10-24 X .5" (BUTTON)	7
30	15604	BOLT - .25" X .75"	12
31	15605	BOLT - .3125" X .75"	4
32	15559	WASHER, SAE FLAT - .3125"	4
*	49146	CAB	1

\*MEANS NOT SHOWN

**K0215 - 2228500 - CABIN WELDMENT**

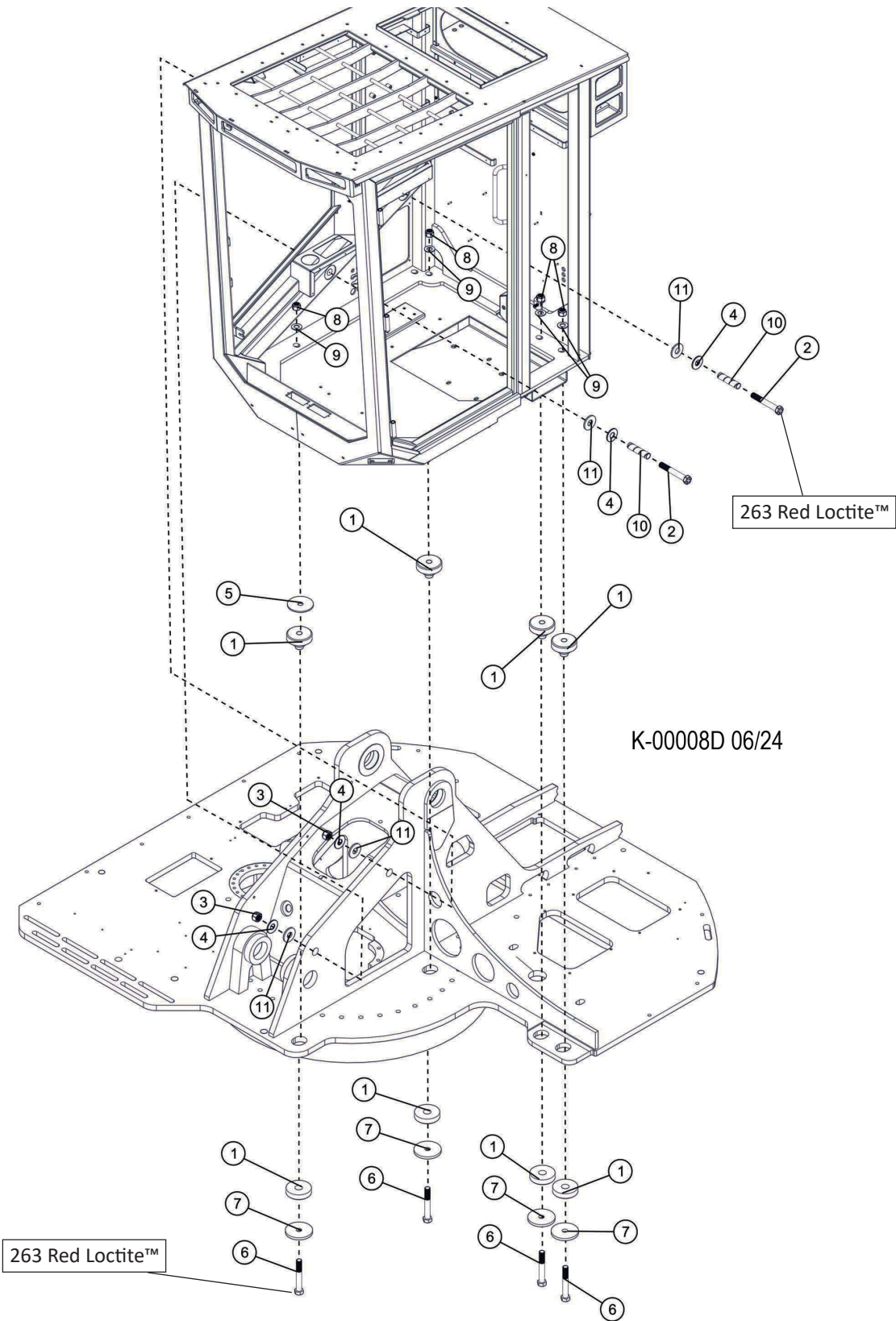


K-00033D 10/24

## K0215 - 2228500 - CABIN WELDMENT

<b>Item</b>	<b>Part #</b>	<b>Description</b>	<b>Qty.</b>
1	49146	CAB ASSEMBLY D-SERIES	1

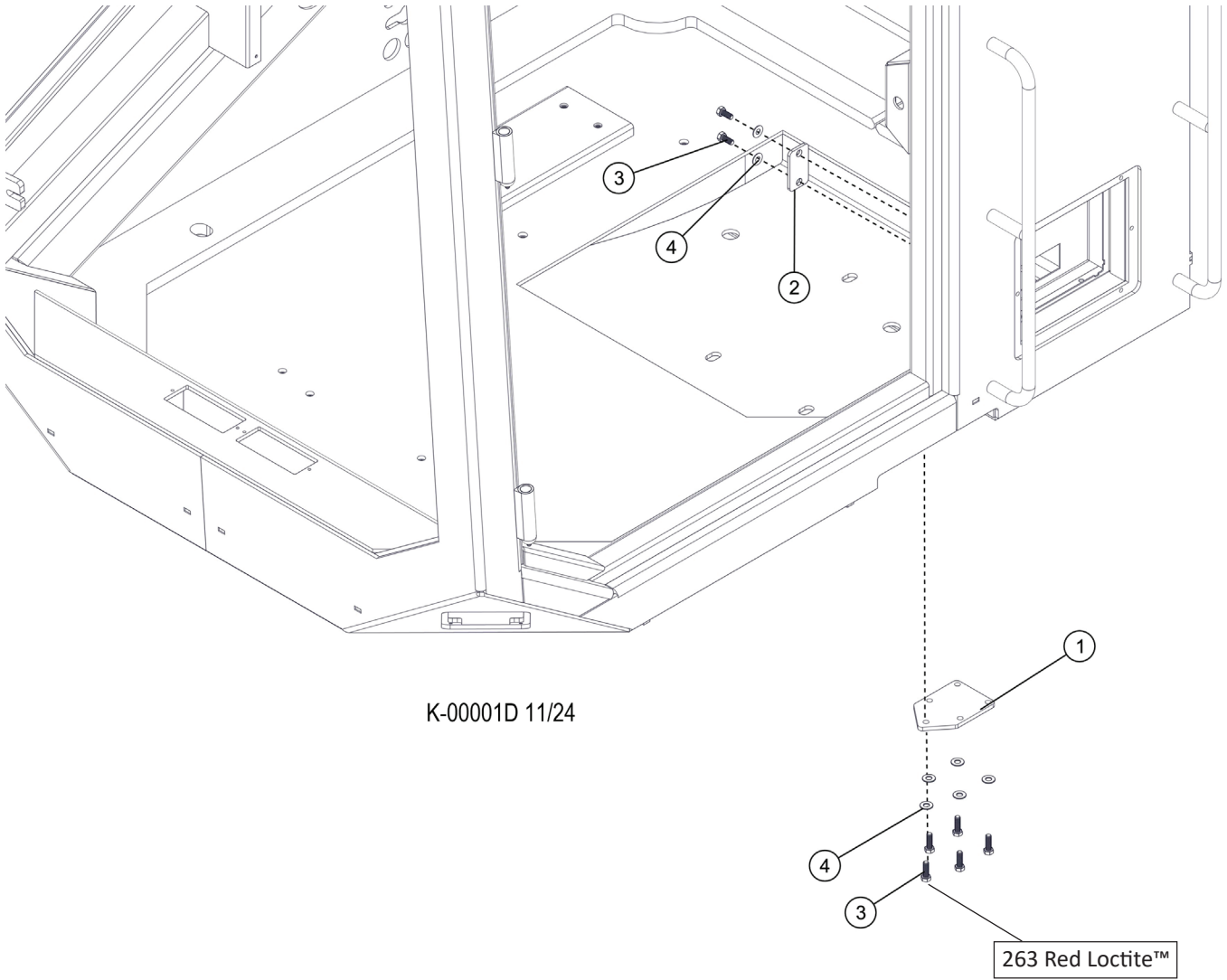
# K0220 - 2226900 - CABIN MOUNTING



## K0220 - 2226900 - CABIN MOUNTING

<b>Item</b>	<b>Part #</b>	<b>Description</b>	<b>Qty.</b>
1	18141	ISOLATOR, RUBBER - CAB	4
2	53856	BOLT - 1.125-12 X 7.5" (FINE THREAD) 263 RED LOCTITE™	2
3	53857	NUT, LOCK - 1.125" (FINE THREAD)	2
4	51320	WASHER, SAE FLAT - 1.125"	4
5	54773	SHIM, CAB MOUNT - 1/4 INCH THICKNESS	1
6	52240	BOLT - 1" X 7" 263 RED LOCTITE™	4
7	19369	WASHER, CAB MOUNTING ISOLATOR (1/2")	4
8	18253	NUT, LOCK - 1"	4
9	15579	WASHER, SAE FLAT - 1"	4
10	20843	PROTECTOR, HOSE - SPRIAL (.78")(BULK)	2
11	17065	WASHER, URETHANE - CAB BOLT	4

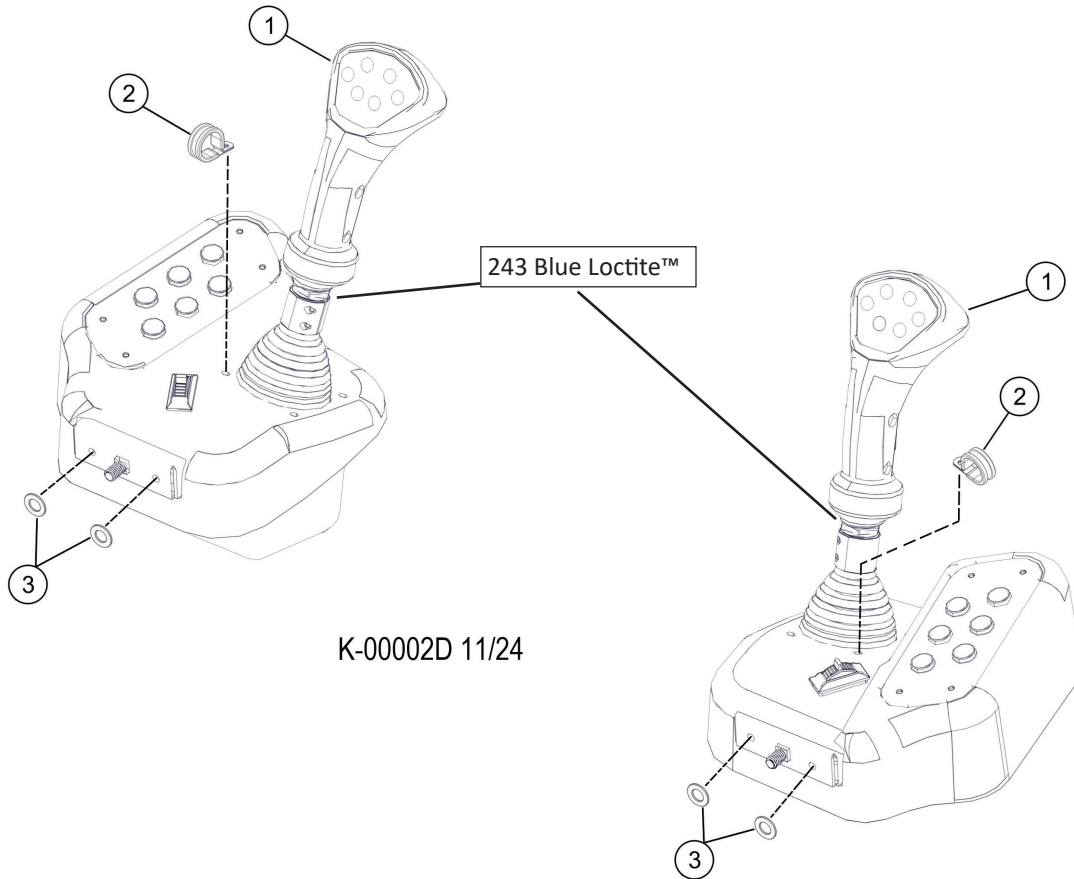
## K0225 - 244400 - CABIN ENTRY STEP



K-00001D 11/24

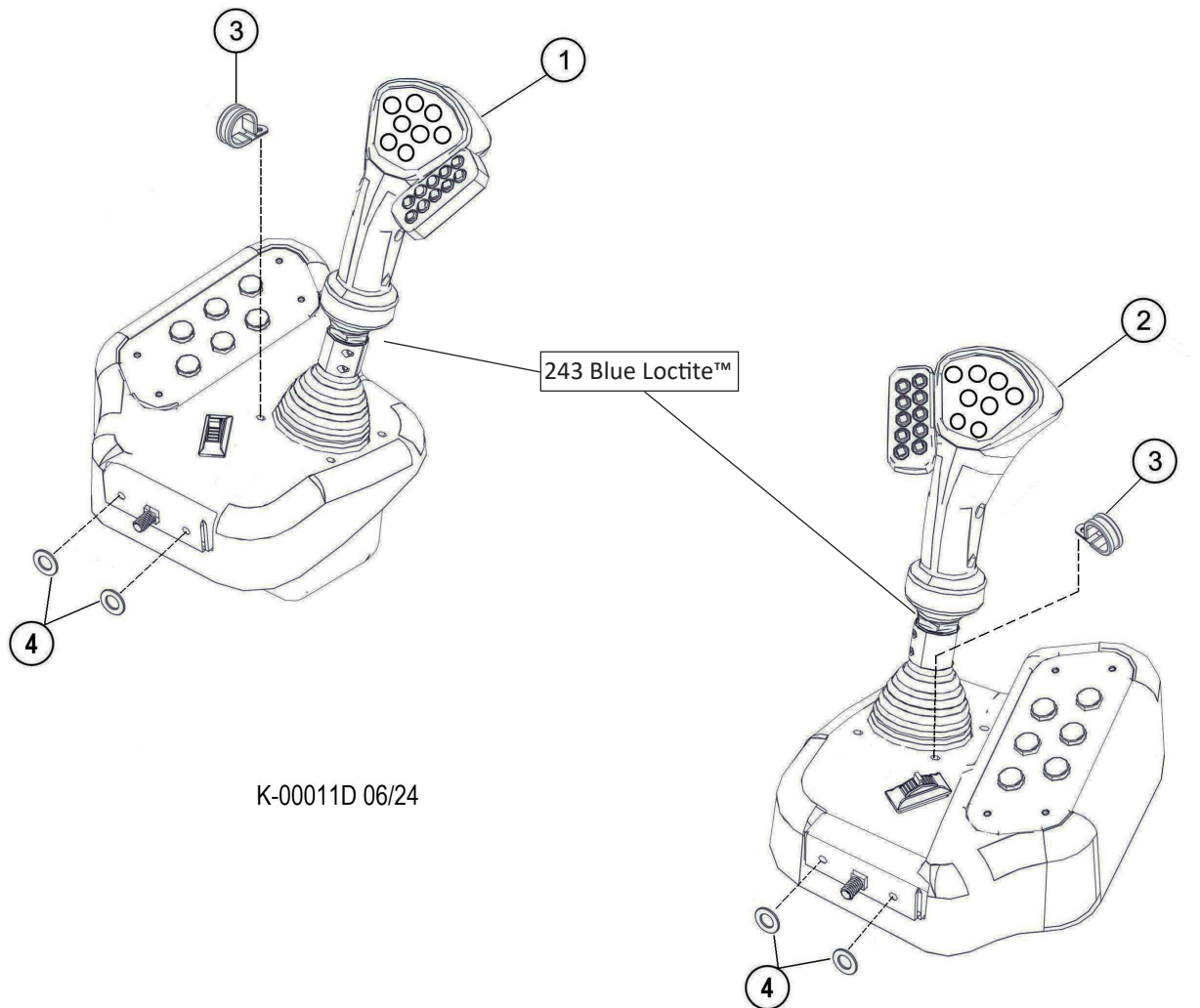
Item	Part #	Description	Qty.
1	60526	PLATE, STEP - BLOCK OFF	1
2	54117-BLANK	PLATE, LATCH BLOCK OFF	1
3	15605	BOLT - .3125" X .75" 263 RED LOCTITE™	2
4	15559	WASHER, SAE FLAT - .3125"	5
			7

# K0230 - 2241500 - JOYSTICKS - TRACK STD



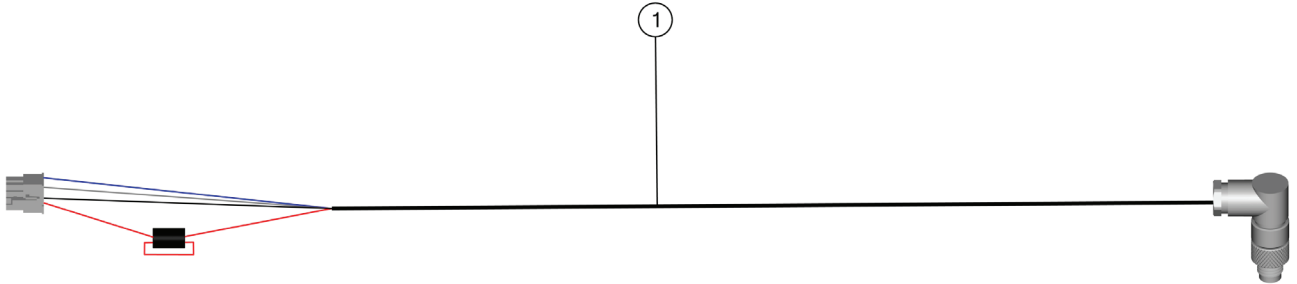
Item	Part #	Description	Qty.
1	55655	HAND CONTROL	2
2	58227	CLAMP, CUSHION LOOP 1/4 INCH	2
3	10718	WASHER, SAE FLAT - .875"	4

## K0230 - 2227900 - JOYSTICKS - PROCESSOR

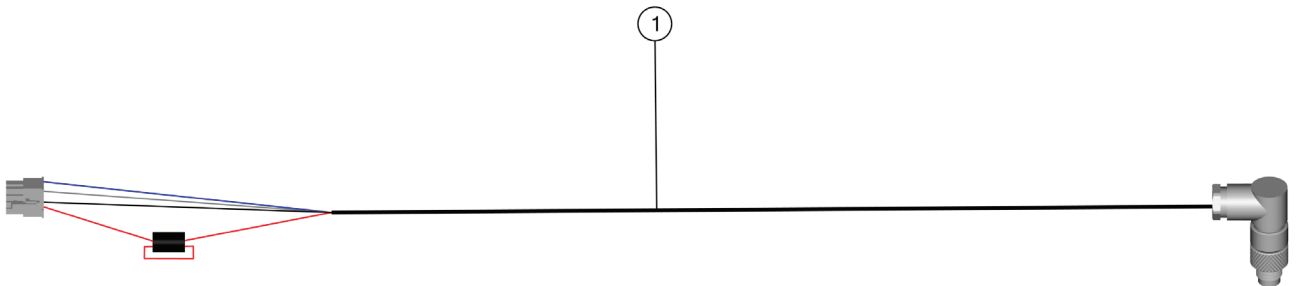


Item	Part #	Description	Qty.
1	51929	HAND CONTROL, SURE GRIP - W/LH KEYPAD	1
2	51566	HAND CONTROL, SG PROCESSOR - RH W/KEYPAD	1
3	58227	CLAMP, CUSHION LOOP 1/4 INCH	2
4	10718	WASHER, SAE FLAT - .875"	4

## K100-105 - JOYSTICKS - HARNESS

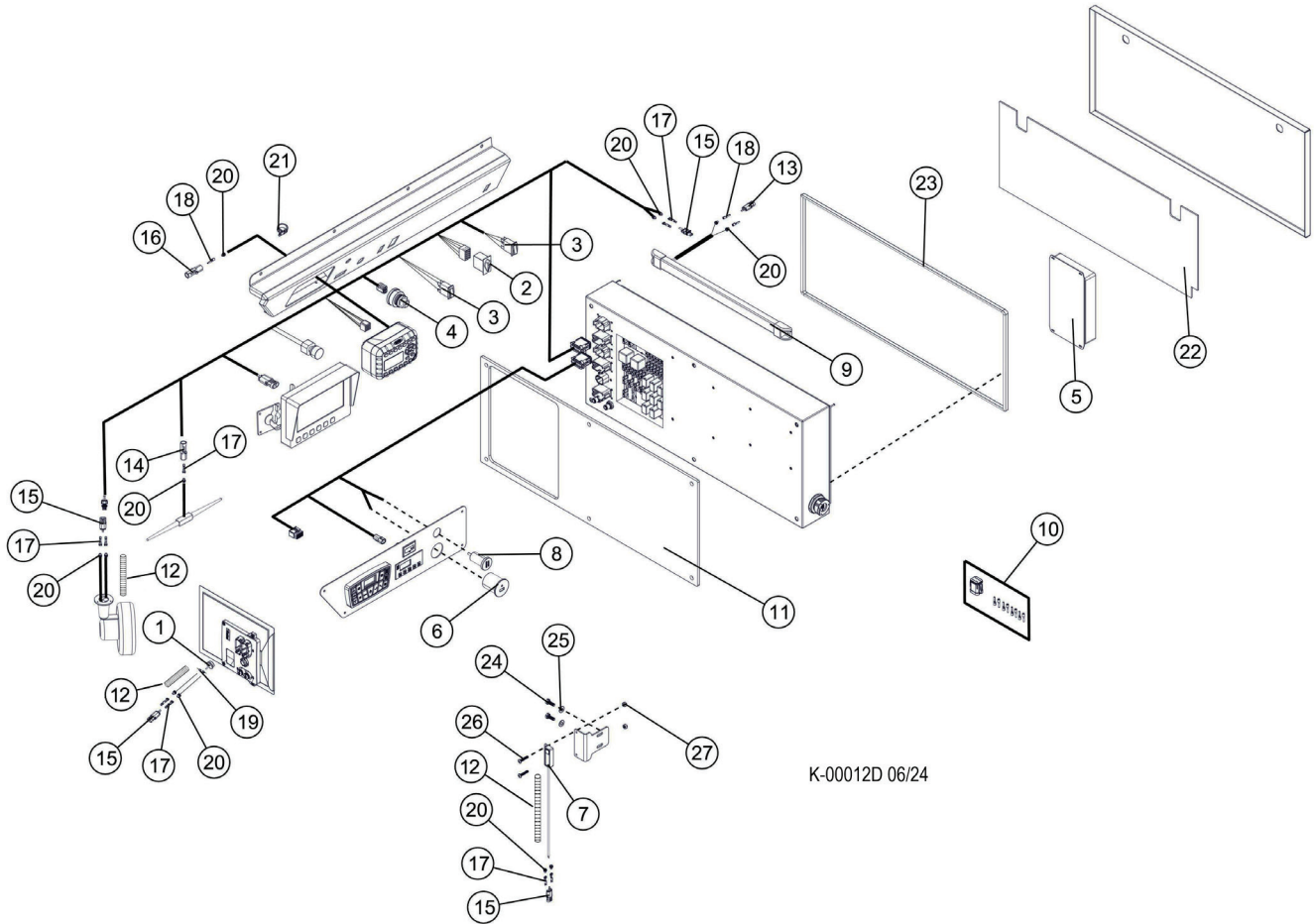


Item	Part #	Description	Qty.
1	55419	HARNESS, INTERCONNECT JOYSTICK POD LH, S/N: UP TO 1237	1
1	692870	LEFT JOYSTICK POD INTERCONNECT HARNESS, S/N: 1238 & FORWARD	1



Item	Part #	Description	Qty.
1	55420	HARNESS, INTERCONNECT JOYSTICK POD RH, S/N: UP TO 1237	1
1	692880	RIGHT JOYSTICK POD INTERCONNECT HARNESS, , S/N: 1238 & FORWARD	1

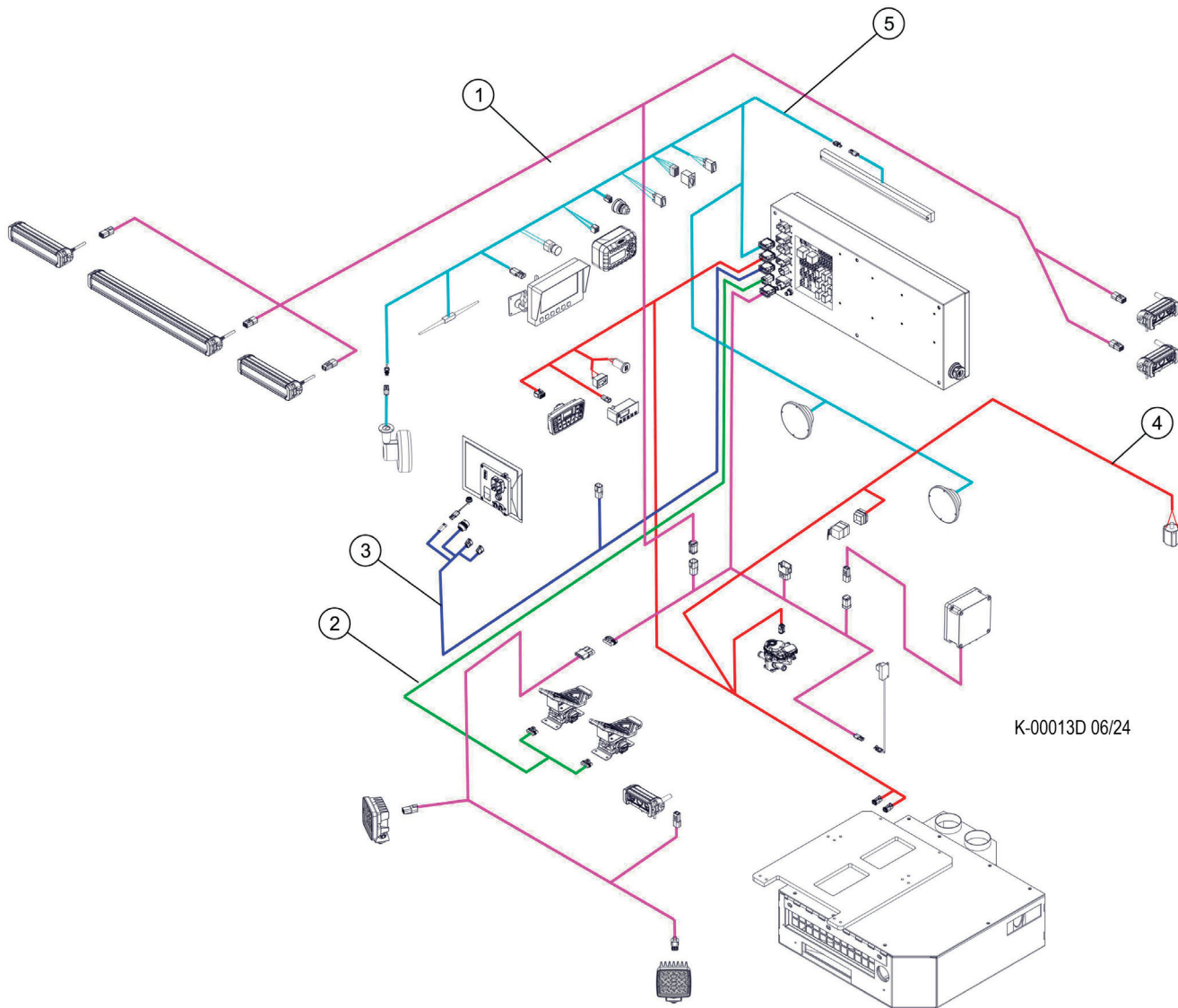
# K0231 - 2227300 - CABIN ELECTRICAL COMPONENTS



## K0231 - 2227300 - CABIN ELECTRICAL COMPONENTS

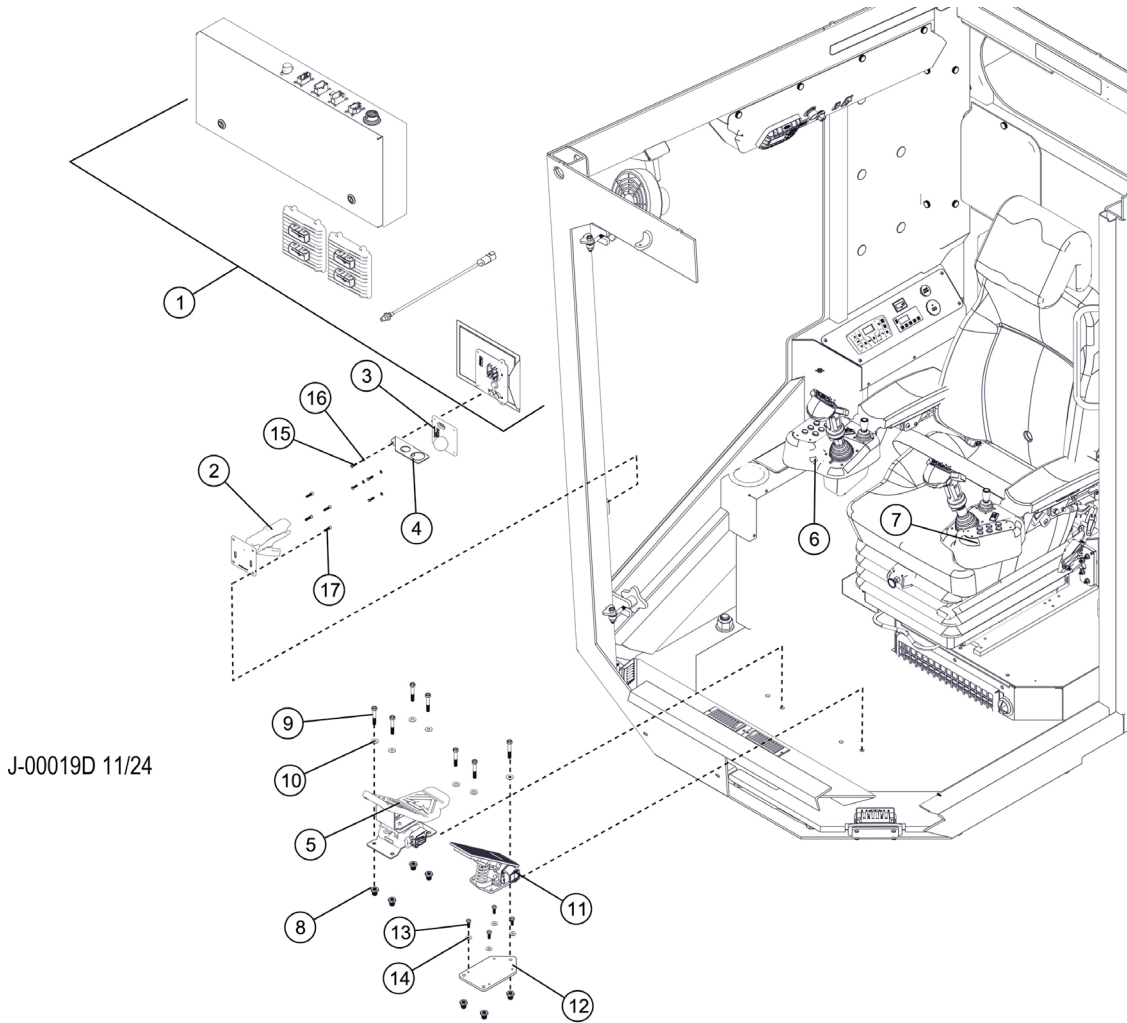
Item	Part #	Description	Qty.
1	53115	SIREN, WARNING - B,C,D SERIES DASH	1
2	51673	SWITCH, VENT/ VACUUM - OTTO (1 PER)	1
3	51664	SWITCH, LIGHT - OTTO (1 PER)	2
4	52414	SWITCH, IGNITION (INDAK)	1
5	55483	CONVERTER, 24V TO 12V - "C AND D" SERIES	1
6	55401	ADAPTER, PANEL MOUNT USB - C SERIES	1
7	55264	SWITCH, LIMIT - GULLWING (MAGNETIC)	1
8	55662	POWER, POINT - AUX - C SERIES	1
9	58983	LIGHT, DOME - 12V REPLACES PN 23614	1
10	53260	DEUTSCH 8 CONTACT SOCKET KIT	1
11	46684	RUBBER, CAB TO ELECTRICAL BOX - C MODEL	1
12	16705	LOOM, SPLIT - .25" GREEN (BULK)	3
13	23134	2 POSITION FEMALE SEALED CONNECTOR (WP)	1
14	22224	1 POSITION MALE SEALED CONNECTOR (WP)	1
15	22223	2 POSITION MALE SEALED CONNECTOR (WP)	4
16	23133	1 POSITION FEMALE SEALED CONNECTOR (WP)	1
17	22226	TERMINAL, MALE (WEATHER PACK)	9
18	23135	TERMINAL, FEMALE (WEATHER PACK)	3
19	15017	DIODE	1
20	22225	SEAL, WIRE END (WEATHER PACK)	12
21	58393	P-CLIP, 5/8 ID, CUSHIONED	1
22	58042	DEADENING SHEET, SOUND	1
23	55012	WEATHERSTRIPPING, RUBBER-DOOR SEAL THIN	6
24	15604	BOLT - .25" X .75"	2
25	10757	WASHER, SAE FLAT - .25"	2
26	59096	SCREW, 10-24X1.0 PAN HD	2
27	16131	NUT, NYLOCK - #10-24	2
-	688060	SIREN ASSY, DASH WARNING - (ITEMS - 1, 12, 15, 17, 19, 20)	1

## K0232 - 2236700 - CABIN WIRE HARNESS



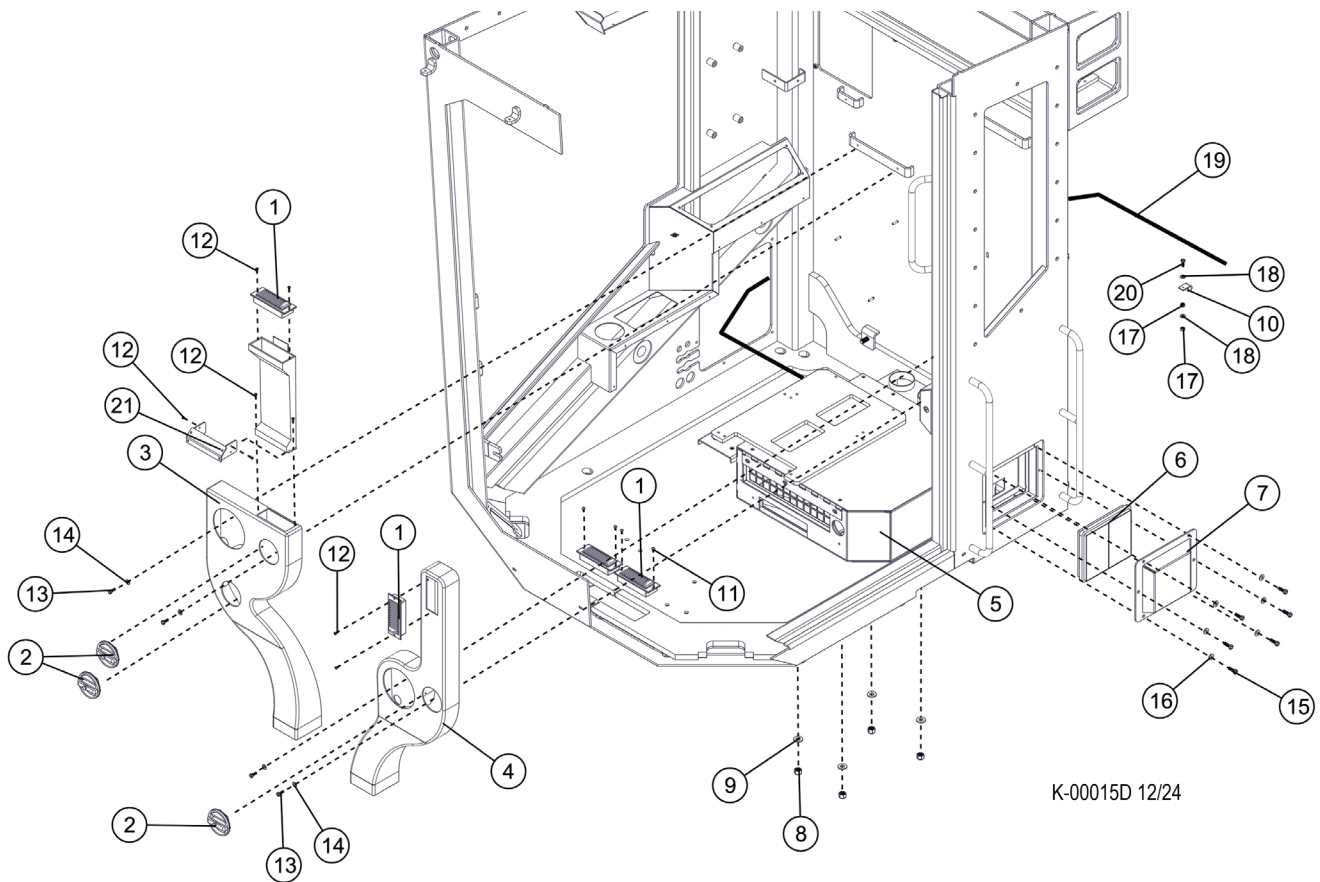
Item	Part #	Description	Qty.
1	57736	HARNESS, CAB - Lower-Lights (D-Series)	1
2	59083	HARNESS, Foot Pedal New Brke	1
3	55392	HARNESS, MD4 Harness - C Series	1
4	59039	HARNESS, CAB - Heat A/C NEW Contr (D-Ser	1
5	57737	HARNESS, CAB - Upper DASH (D-Series)	1

## K0233 - 2241600 - CABIN CONTROLS - TRACK



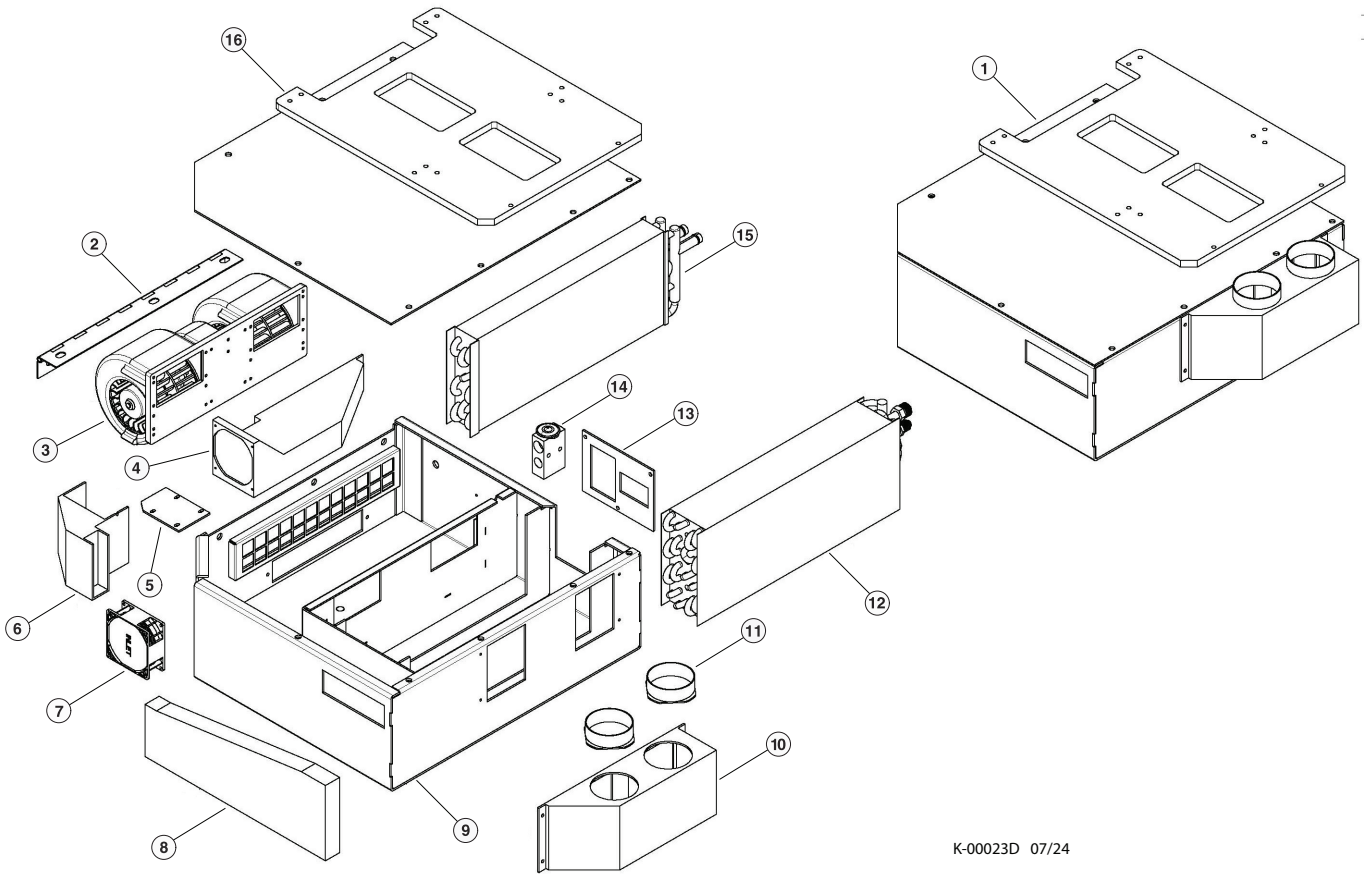
Item	Part #	Description	Qty.
1	660040	KIT, IQAN TRACK/WHL - D SERIES (XC43)	1
2	57240	MOUNT, RAM BALL - MD4	1
3	57531	MOUNT, SCREEN - MD4-10	1
4	47502	PLATE, BEEPER MOUNT: MD4-10 SCREEN	1
5	57801	PEDAL, FOOT CONTROL -D SERIES	1
6	55418	POD, JOYSTICK - RH	1
7	55417	POD, JOYSTICK - LH	1
8	15574	BUSHING, REDUCER - 5406-4-2	7
9	10823	BOLT - .3125" X 2"	7
10	15559	WASHER, SAE FLAT - .3125"	7
11	53310	PEDAL, BRAKE - 830/840D	1
12	65504	PLATE, BRAKE PEDAL ADAPTER	1
13	15604	BOLT - .25" X .75"	4
14	10757	WASHER, SAE FLAT - .25"	4
15	59094	SCREW, M4-.07 X 16mm HEX HD Grade 8.8	4
16	16208	WASHER, FLAT - #10	4
17	59095	SCREW, 10-24X3/4 SOCKET HD	4

## K0710 - 2227500 - CABIN HVAC



Item	Part #	Description	Qty.
1	51640	VENT, LOUVER - CAB HEAT (TF830)	4
2	57817	VENT, LOUVER - C-SERIES CAB	3
3	1048263	DUCT, PLASTIC HEATER VENT - D SERIES (RH)	1
4	49494	DUCT, PLASTIC HEATER VENT - D SERIESLH	1
5	59033	KIT, HEATER/AC - D - SERIES CAB (UPDATE)	1
6	54144	FILTER, CAB - PRESSURIZED (CURRENT)	1
7	61015	COVER, AIR FILTER - D CAB	1
8	15533	1/2" NUT, LOCK	4
9	15534	1/2" WASHER	4
10	59091	P-CLIP, CUSHIONED, 1.0"	1
11	22862	SCREW, MACHINE - #10-24 X .5" (BUTTON)	4
12	59085	SCREW, 8X3/4 PAN HD (SELF TAP)	6
13	15604	BOLT - .25" X .75"	4
14	10800	WASHER, FLAT - .25"	4
15	15589	BOLT - .3125" X 1"	6
16	15559	WASHER, SAE FLAT - .3125"	6
17	10811	NUT, LOCK - .25"	2
18	10757	WASHER, SAE FLAT - .25"	2
19	59114	KIT, HEATER/AC HOSE	1
20	15575	BOLT - .25" X 1.5"	1
21	673350	WELDMENT, DUCT PROTECTOR	1

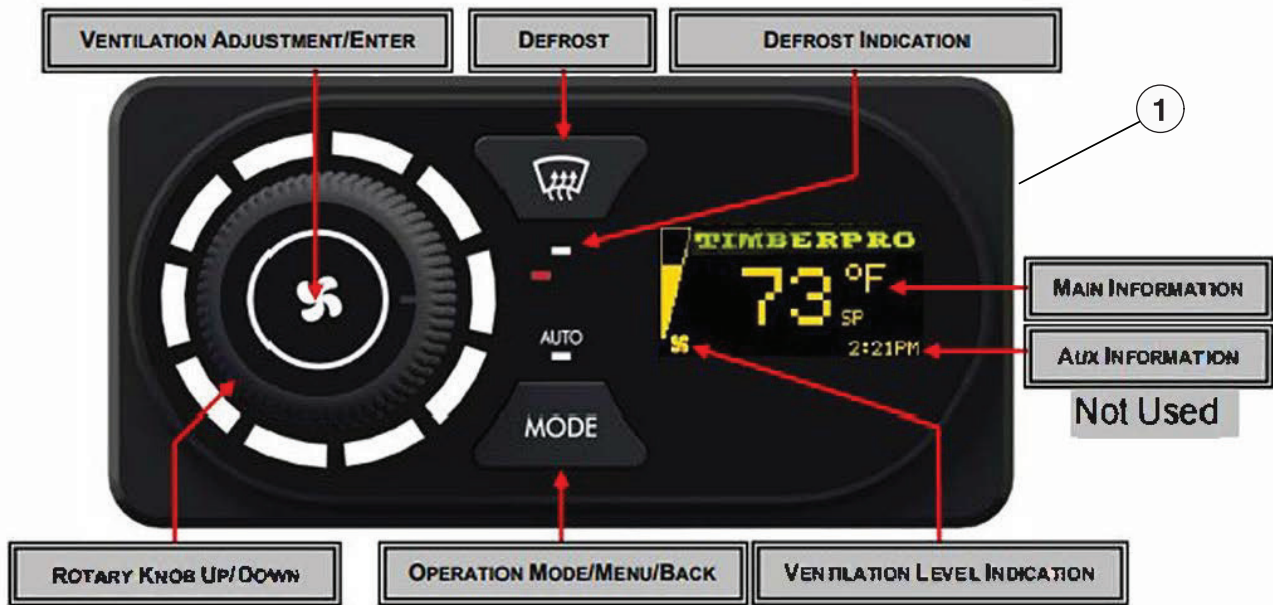
## K0710 - 2227500 - CABIN HEATER / AIR CONDITIONING BOX COMPONENTS



K-00023D 07/24

Item	Part #	Description	Qty.
1	59033	HEARTER / AC UNIT	1
2	BA-916-053-28	COVER HINGE	1
3	55731	BLOWER - 24V	1
4	BA6-1067	INSIDE AIR DUCT	1
5	BA8-1067-3	FAN HOUSING PLATE	1
6	BA8-1067-1	DUCT, DEFROST FAN	1
7	BA3-5048	FAN ASSEMBLY - 24V	1
8	BA8-1067-2	TRANSFER DUCT - INSIDE	1
9	BA-916-053-36	UNIT HOUSING	1
10	BA8-1051	REAR OUTLET PLENUM	1
11	BT2-1024	3" HOSE ADAPTOR	2
12	BA6-1071-1	EVAP. CORE	1
13	BA-916-053-32	PLATE	1
14	R-71-8321	EXP VALVE	1
15	BA6-1072-1	HEATER COIL	1
16	BA-916-053-44	UNIT COVER	1

# K0710 - 2227500 - HEATER / AIR CONDITIONING CONTROLLER



K-00024D 07/24

Item	Part #	Description	Qty.
1	55730	CONTROLLER, NEO 2+ GLOBUS PROG	

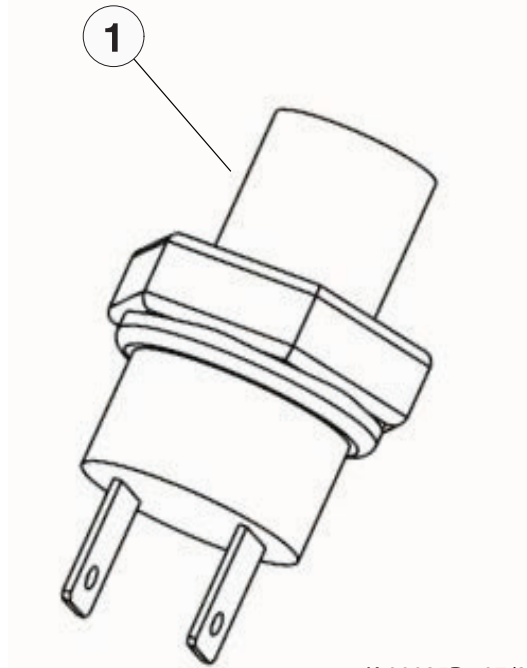
NOTE: CONTROLLER P/N 55730 REPLACES CONTROLLER P/N 58162. FOR OLDER MACHINES STILL USING THE 58162 CONTROLLER, ORDER P/N 55730 AND ALSO 59056 TO RETOFIT THESE MACHINES.

## 58162 - PANEL, TOUCH - HEATER/AC (SHOWN FOR REFERENCE ONLY)



K-00040D 12/25

**K0710 - 2227500 - HEATER / AIR CONDITIONING BINARY SWITCH**

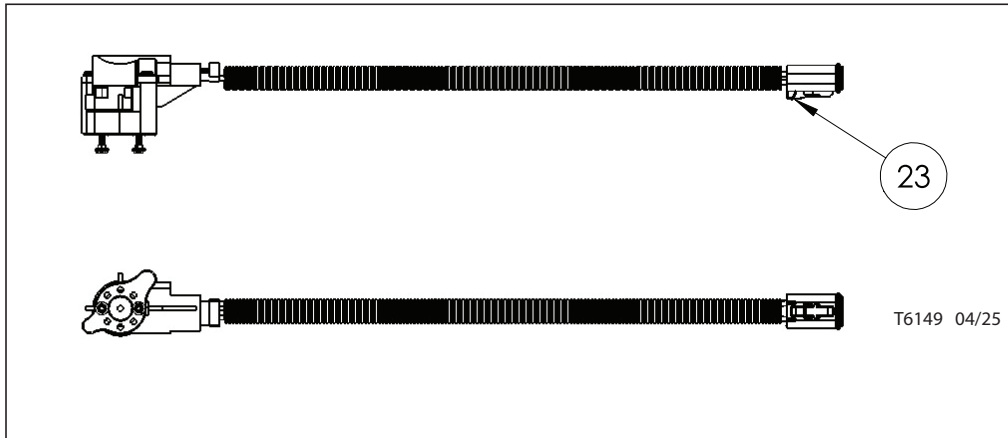


K-00025D 07/24

<b>Item</b>	<b>Part #</b>	<b>Description</b>	<b>Qty.</b>
1	BT1-1423	BINARY SWITCH	1

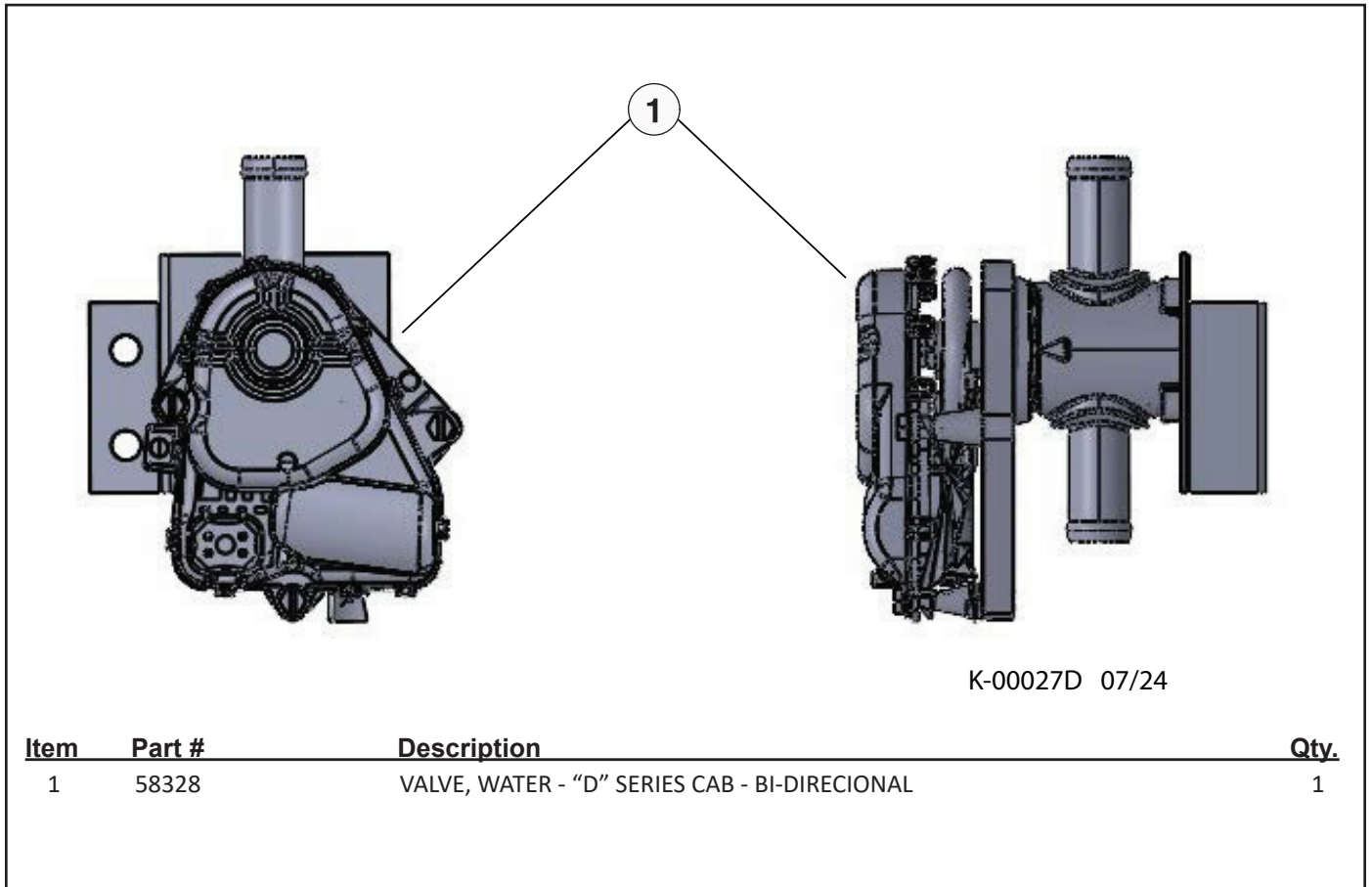


**K0710 - 2227500 - HEATER / AIR CONDITIONING BINARY AIR TEMP SENSOR**



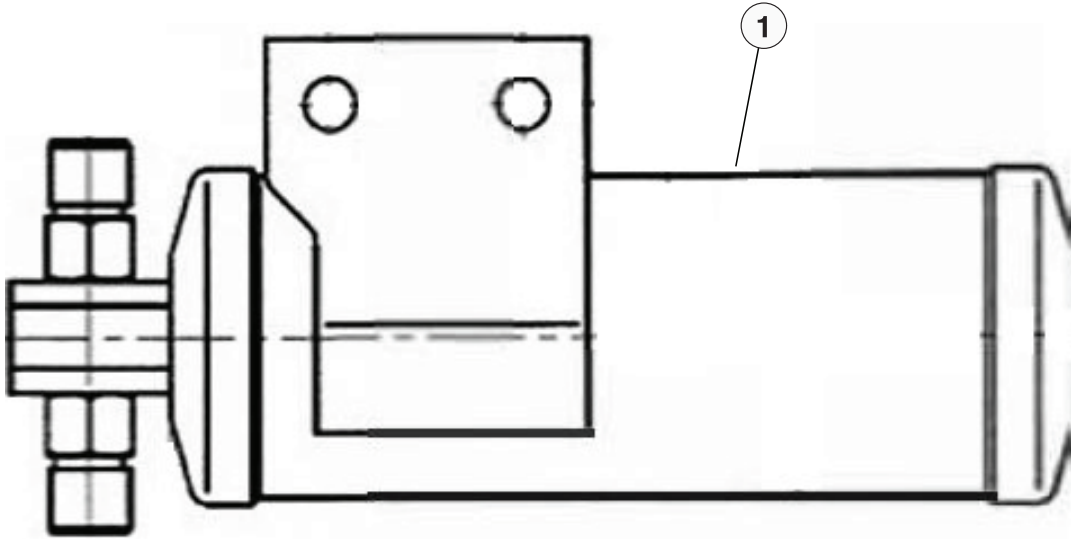
Item	Part #	Description	Qty.
1	55972	SENSOR, TEMP W/ RESISTER/ADAPTOR	1

**K0710 - 2227500 - CABIN HEATER WATER VALVE**



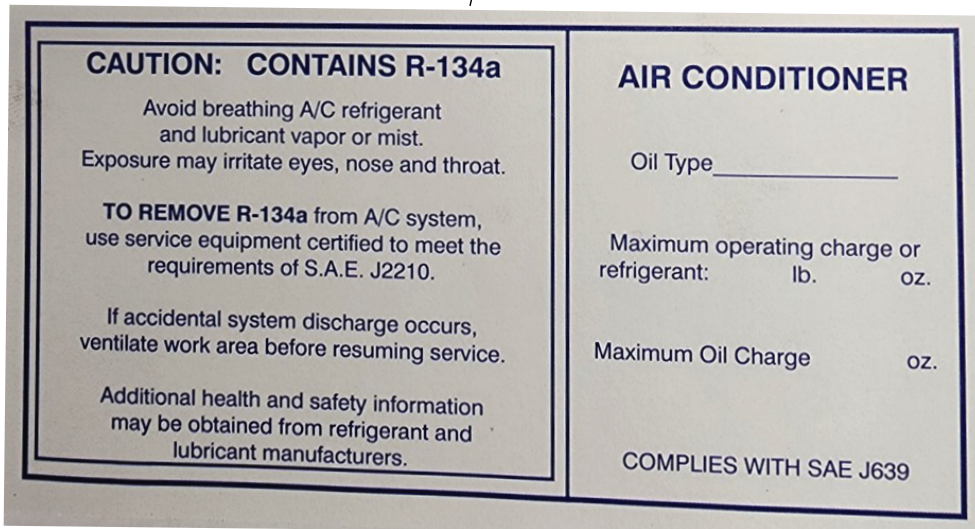
Item	Part #	Description	Qty.
1	58328	VALVE, WATER - "D" SERIES CAB - BI-DIRECIONAL	1

**K0710 - 2227500 - AIR CONDITIONING DRIER**



K-00029D 07/24

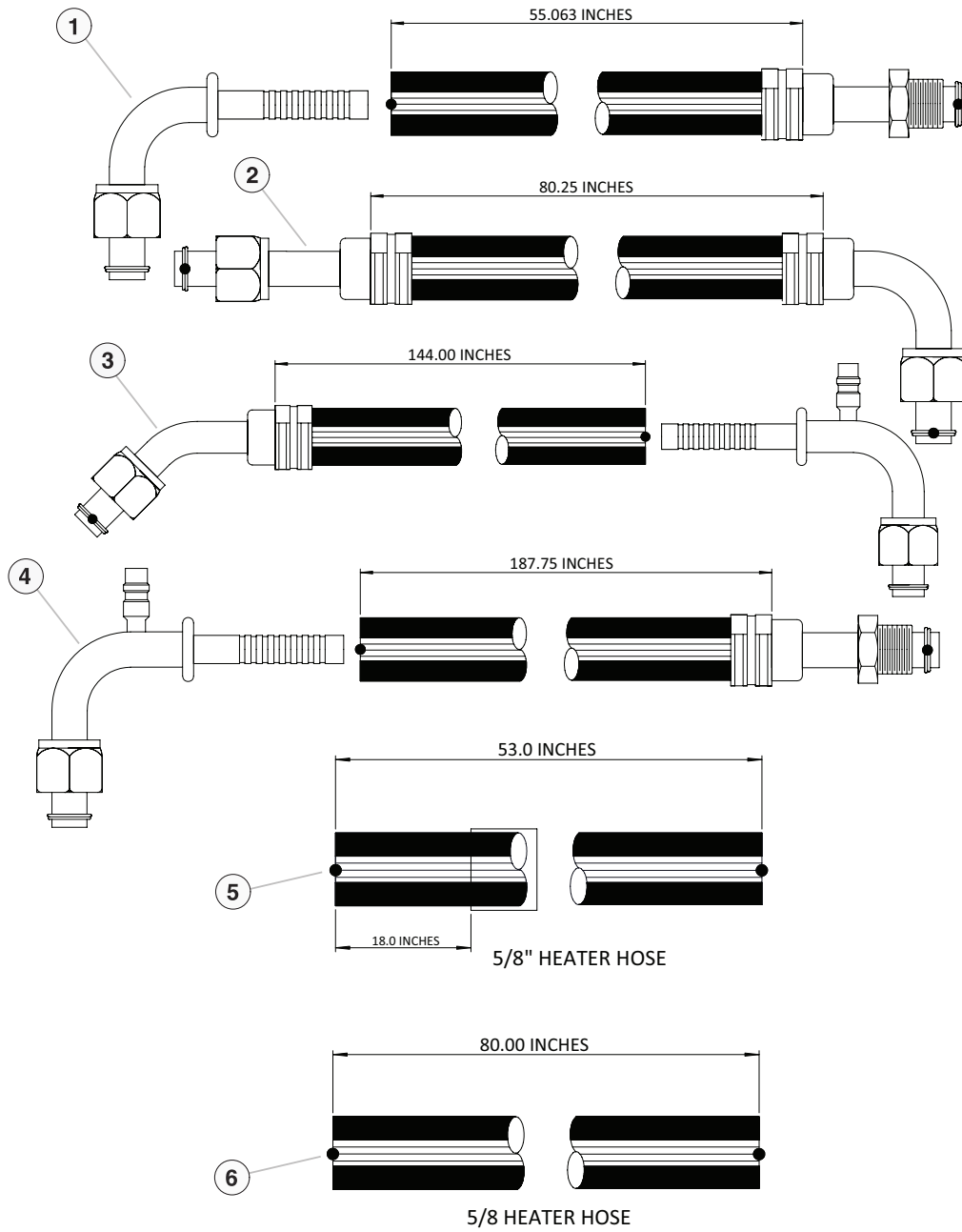
<b>Item</b>	<b>Part #</b>	<b>Description</b>	<b>Qty.</b>
1	50937	DRIER, A/C - (EAGLE 24V SYSTEM)	1



K-00030D 07/24

<b>Item</b>	<b>Part #</b>	<b>Description</b>	<b>Qty.</b>
1	BT9-2004	REFRIGERANT DECAL	1

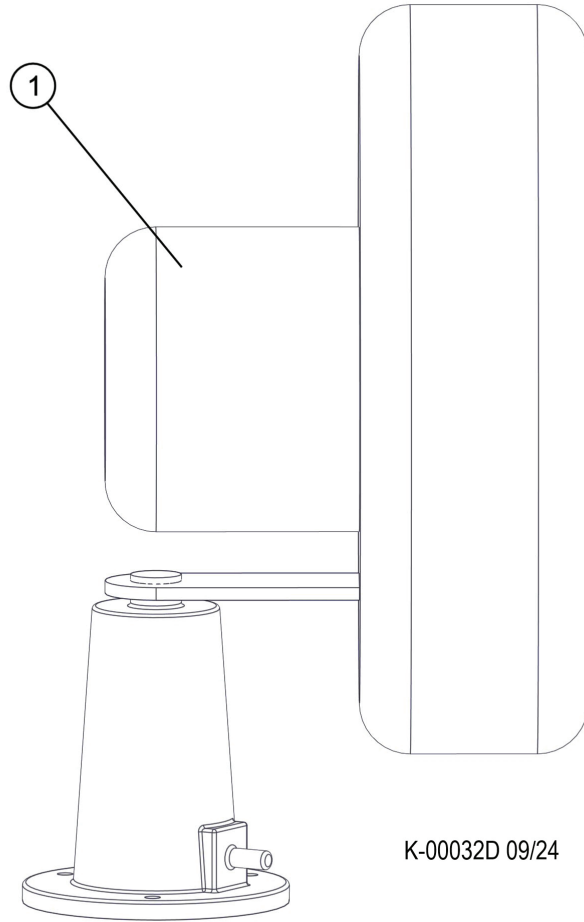
## K0710 - 2227500 - AIR CONDITIONING / HEATER HOSES



K-00031D 07/24

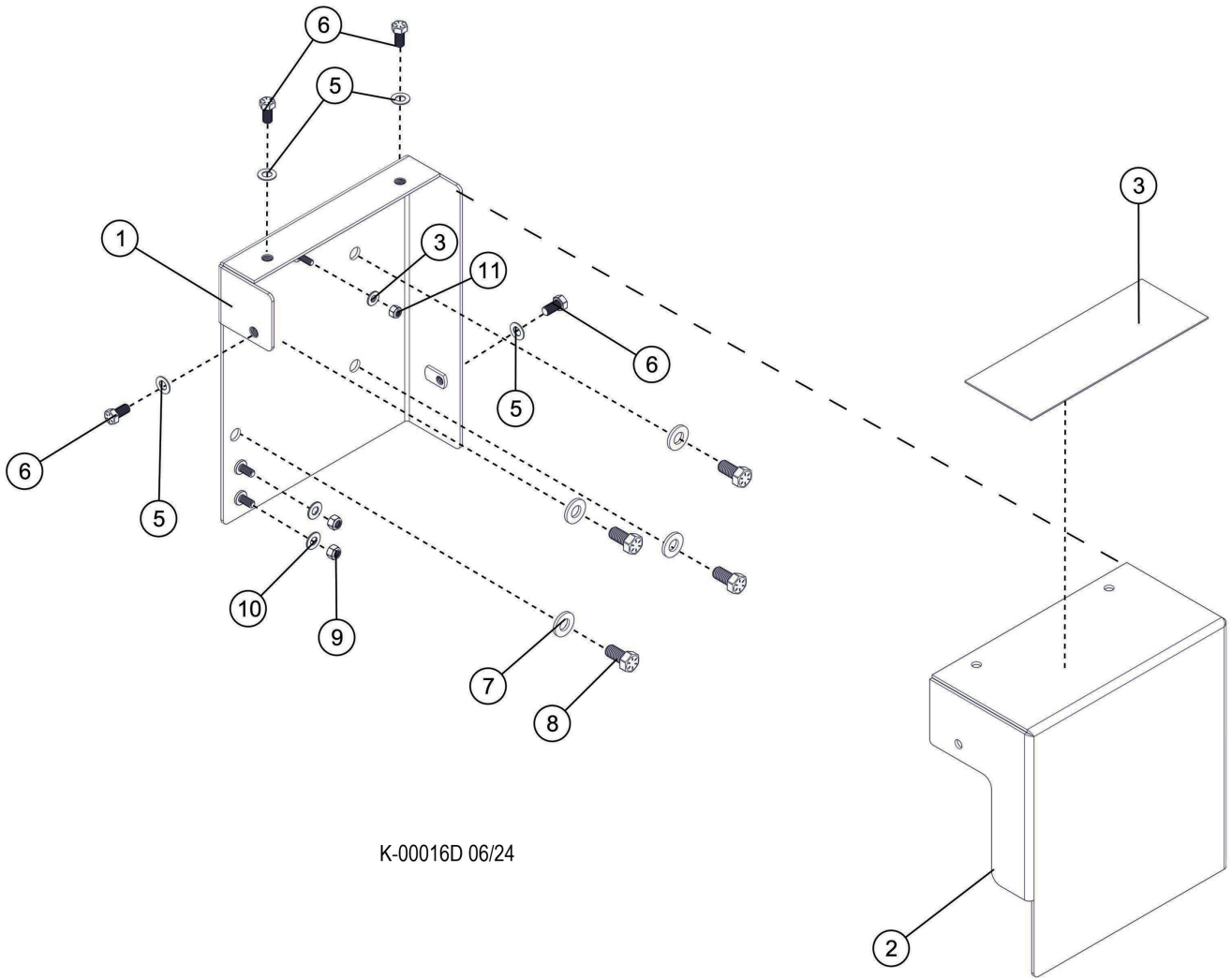
Item	Part #	Description	Qty.
1	681740	HOSE - #6 DRIER TO EX VALVE	1
2	681750	HOSE - #6 COND. TO DRIER	1
3	681760	HOSE - #8 DISCHARGE	1
4	681770	HOSE - #16 SUCTION	1
5	681780	HOSE - HEATER 5/8" CUT TO 4'-5"	1
6	681790	HOSE - HEATER 5/8" CUT TO 6'-8"	1

# K0710 - 2227500 - DEROST CABIN FAN



<b>Item</b>	<b>Part #</b>	<b>Description</b>	<b>Qty.</b>
1	23279	FAN, WINDSHIELD DEFROST - 24V	1

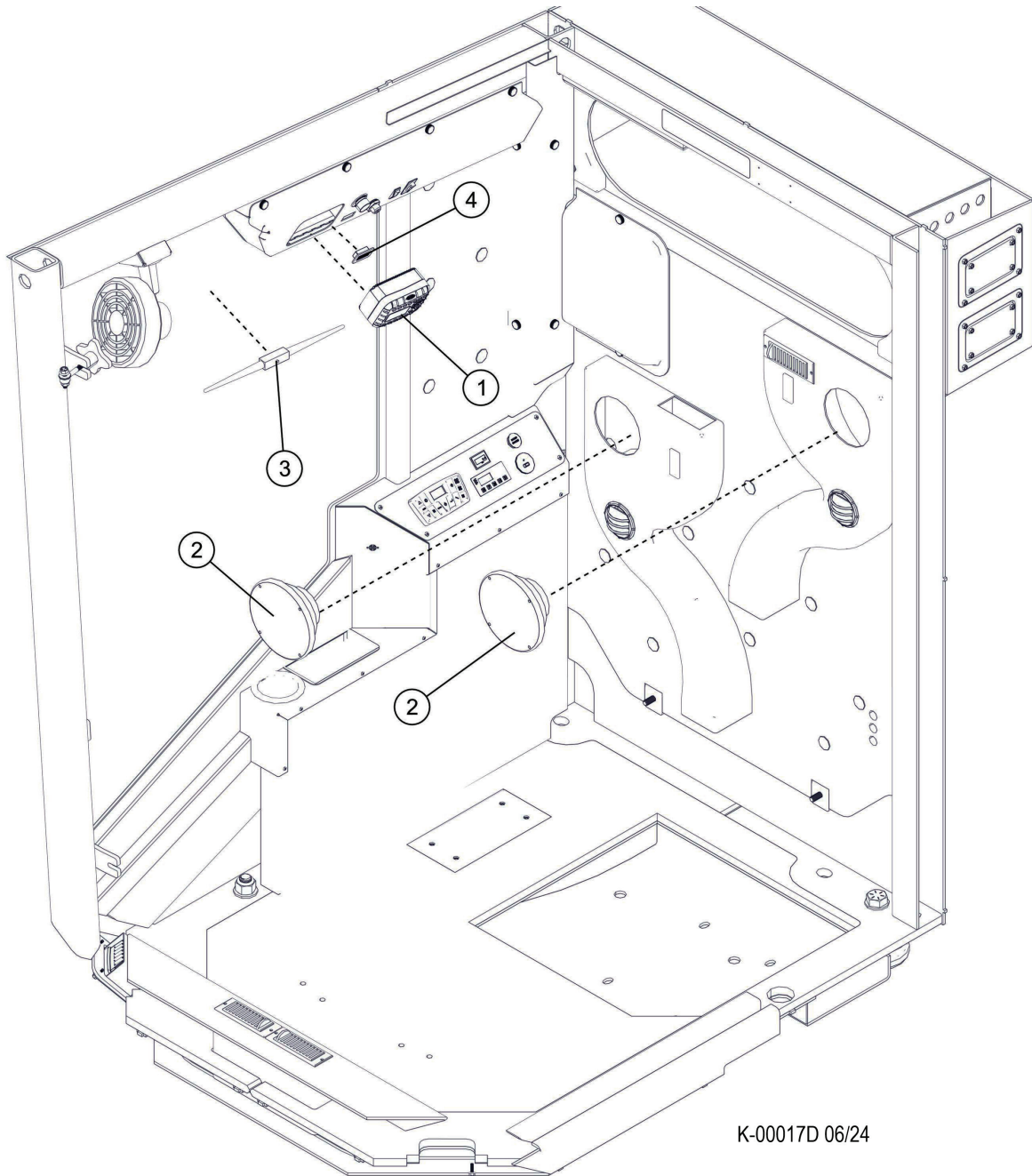
## K0710 - 2227500 - HVAC MOUNTING



K-00016D 06/24

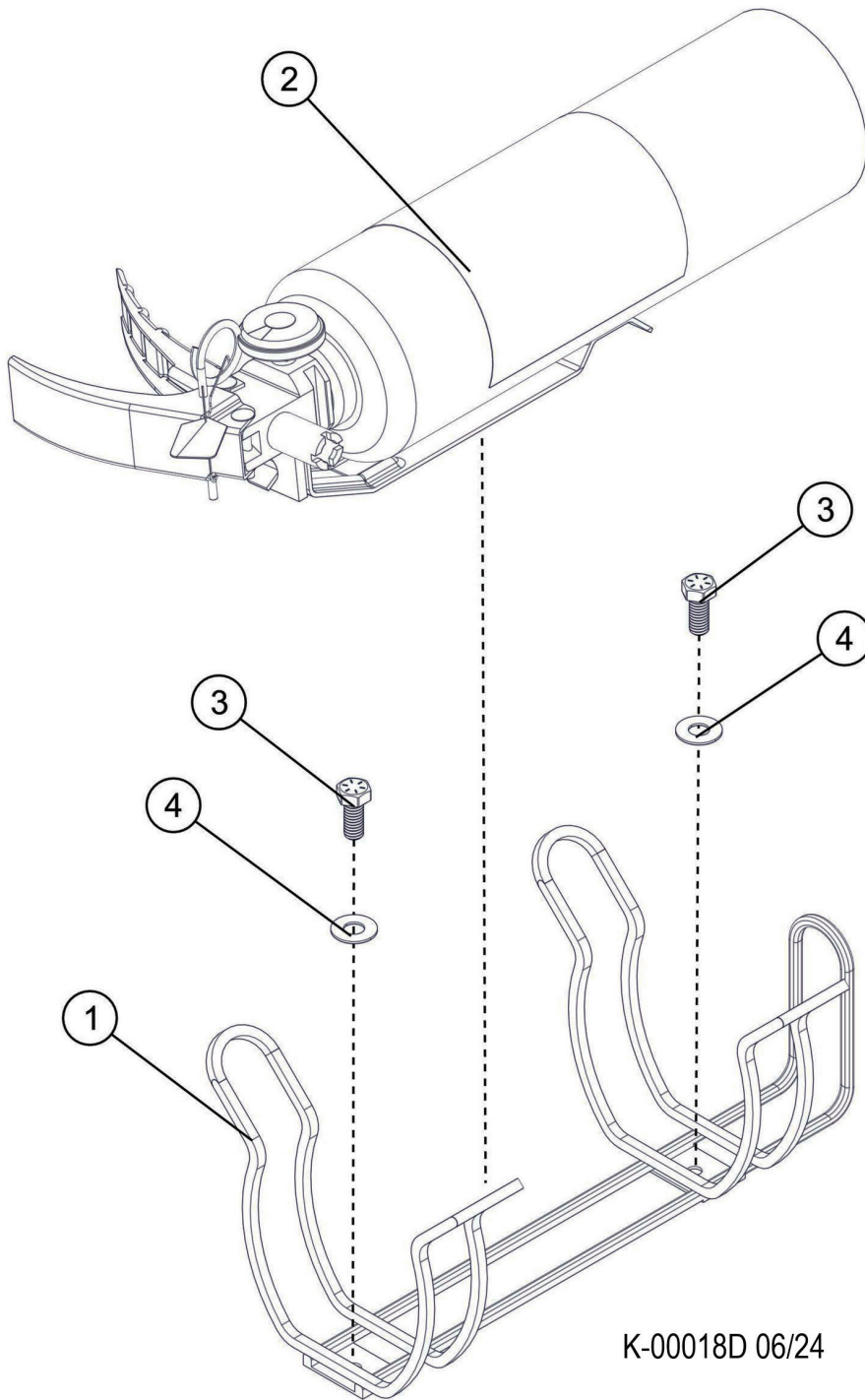
Item	Part #	Description	Qty.
1	65487	WELDMENT, DRIER AND CAB VALVE MOUNT	1
2	65489	PLATE, DRIER AND CAB VALVE COVER	1
3	65655	NON-SKID, TAPE - 3.75" X 10" LONG	1
4	10757	WASHER, SAE FLAT - .25"	1
5	15528	WASHER, SAE FLAT - .375"	4
6	15542	BOLT - .375" X .75"	4
7	15534	WASHER, SAE FLAT - .5"	4
8	10783	BOLT - .5" X 1"	4
9	10788	NUT, NYLOCK - .3125"	2
10	15559	WASHER, SAE FLAT - .3125"	2
11	15509	NUT, NYLOCK - .25"	1

# K0810 - 2227600 - CABIN RADIO



Item	Part #	Description	Qty.
1	57803	RADIO, D SERIES W/ HANDS FREE CALLING	1
2	57857	SPEAKER PAIR, (CAB)	2
3	57858	ANTENNA, CAB - D-SERIES	1
4	57876	MICROPHONE, RADIO - D-SERIES	1

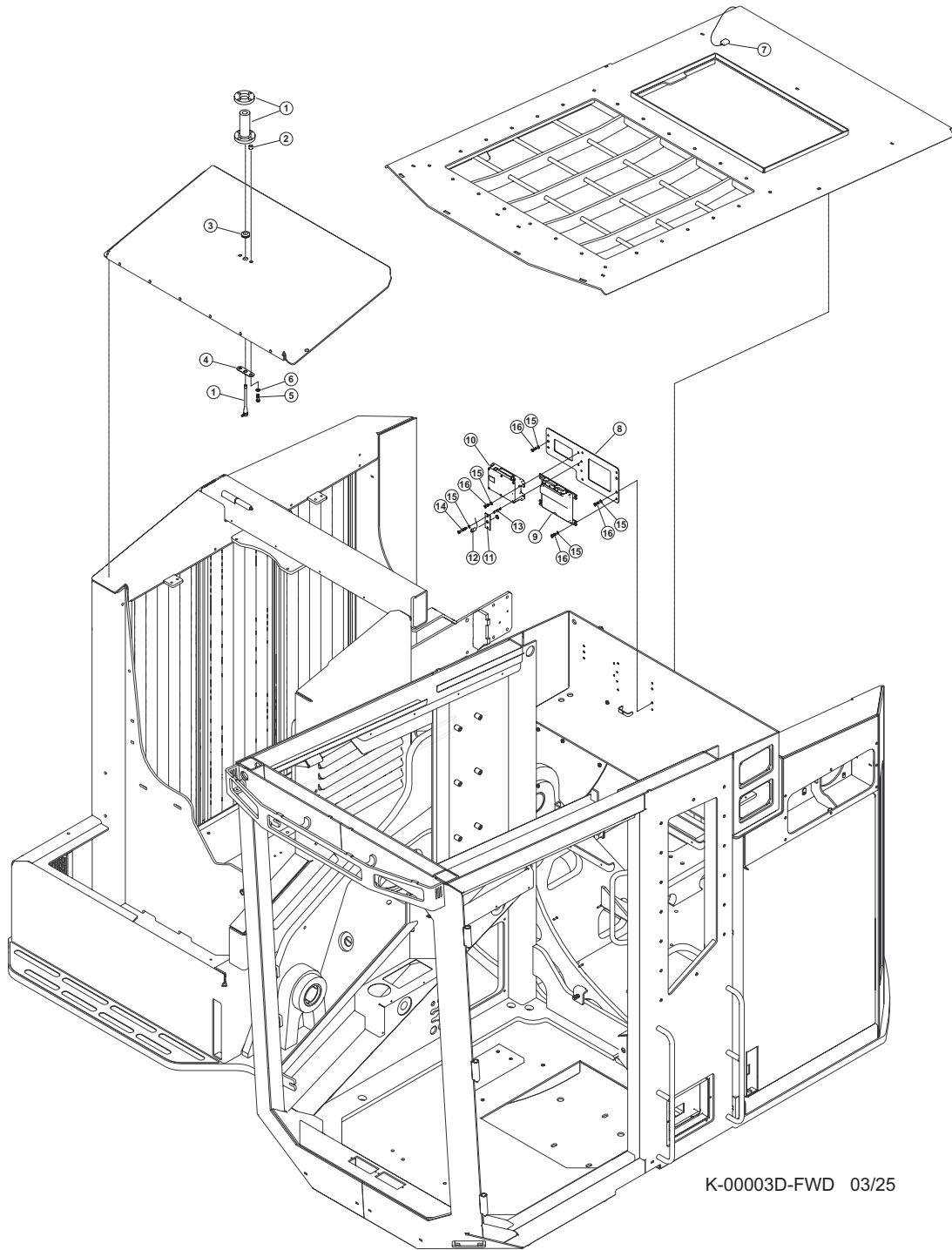
**K0830 - 2205030 - CABIN FIRE EXTINGUISHER**



K-00018D 06/24

Item	Part #	Description	Qty.
1	57892	BRACKET, FIRE EXTINGUISHER - 5 LBS	1
2	57891	FIRE EXTINGUISHER - 5 LBS - CAB D	1
3	15605	BOLT - .3125" X .75"	2
4	15559	WASHER, SAE FLAT - .3125"	2

# K4208 - 2255700 - KOMTRAX COMPONENTS & INSTALLATION



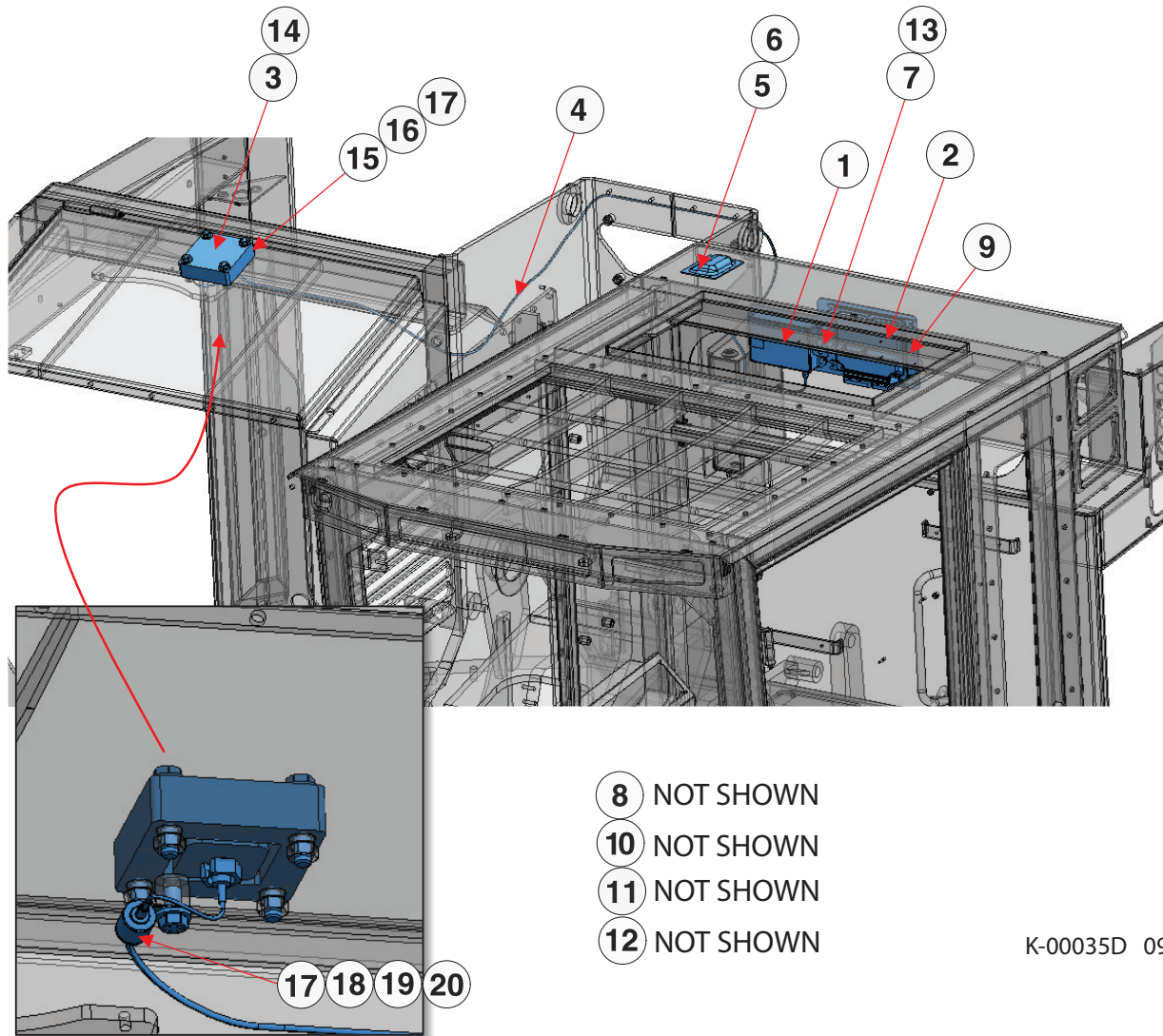
K-00003D-FWD 03/25

## K4208 - 2255700 - KOMTRAX COMPONENTS & INSTALLATION

Item	Part #	Description	Qty.
1	8A13102100	ANTENNA, KOMTRAX	1
2	4A10622890	COLLAR	4
3	4A10622060	GROMMET	1
4	4A10622910XC	PLATE	1
5	10739	BOLT - .5" X 1.5"	4
6	15534	WASHER, SAE FLAT - .5"	4
7	8A13101320	ANTENNA, GPS	1
8	65331	BRACKET, CAB - KOMTRAX	1
9	7835739000	CONTROLLER, TRANS	1
10	7826253309	CONTROLLER, TC330	1
11	1240639110	PLATE, LIGHT	1
12	12Y0639110	SYSTEM OPERATING LAMP	1
13	672120	SPACER	6
14	18273	BOLT	2
15	10757	WASHER, SAE FLAT - .25"	13
16	18309	BOLT - .25" X 1.25"	11
*	8A13102200	CABLE - KOMTRAX	1
*	2075332840	GPS COVER - KOMTRAX	1
*	4A10622931	TUBE - KOMTRAX	1
*	4A10622920NK	PLATE - KOMTRAX	1
*	4235411340	SPACER - KOMTRAX	1
*	4230633170	GROMMET - KOMTRAX	2
*	58352	HARNESS, KOMTRAX D-MODEL INSTALL	1
*	65334	STANDOFF 1.63, TAPPED .25-20	1
*	65335	STANDOFF 1 IN, TAPPED .38-16	1
*	HD1691939S	CONNECTOR, DEUTCH - 9 P	1
*	0819212200	CONNECTOR	1
*	0819107420	SOCKET, DEUTCH - 16-18ga	1

\*MEANS NOT SHOWN

## K-2255700 - KOMTRAX COMPONENTS & INSTALLATION - (IRIDIUM ANTENNA)

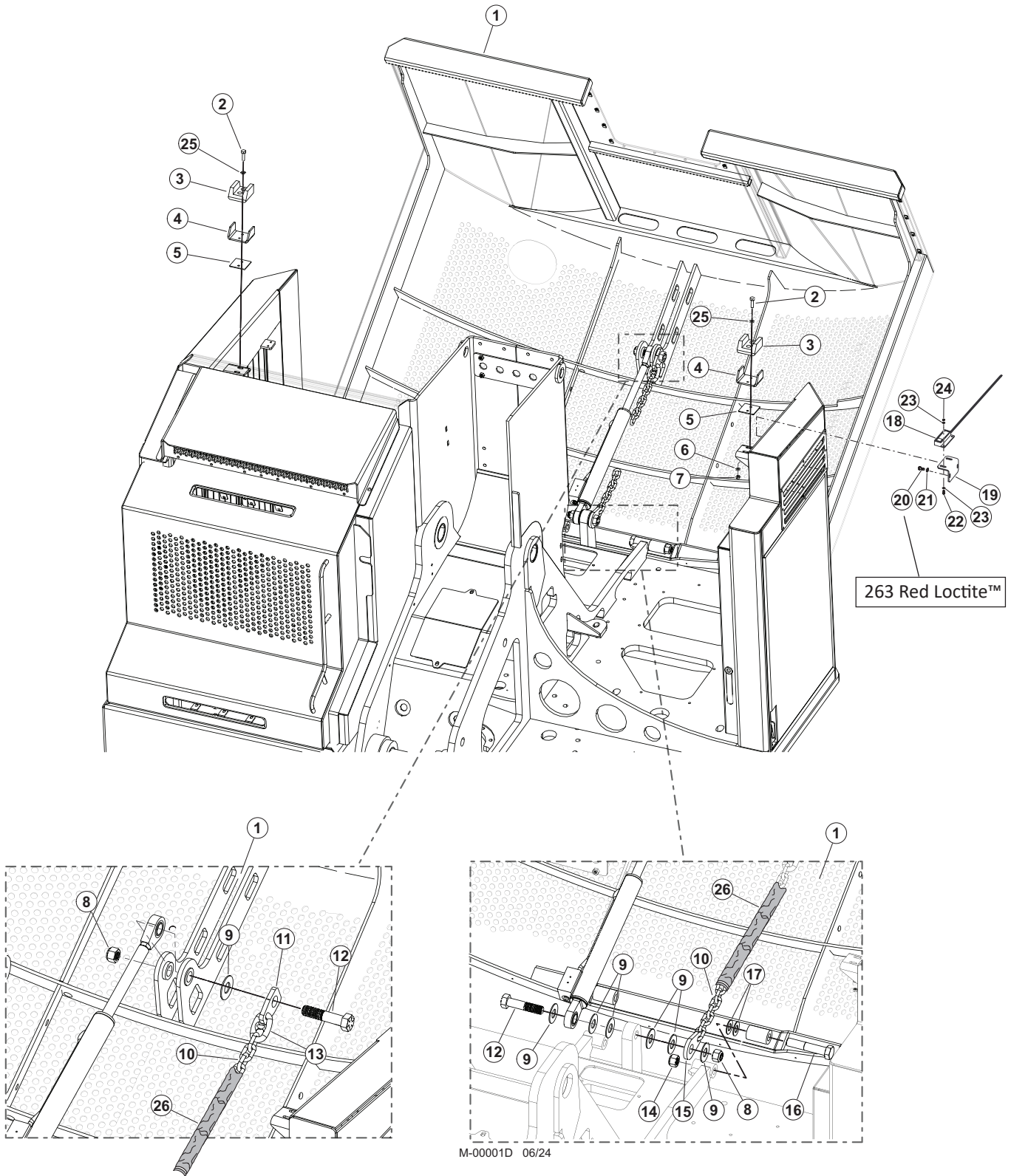


K-00035D 09/25

Item	Part #	Description	Qty.
1	7826253309	CONTROLLER, TC330 - KOMTRAX	1
2	7835739000	CONTROLLER,TRANS - KOMTRAX	1
3	8A13106100	ANTENNA, KOMTRAX IRIDIUM	1
4	8A13106110	CABLE - KOMTRAX IRIDIUM	1
5	8A13101370	ANTENNA, GPS- KOMTRAX	1
6	2075332840	COVER	1
7	12Y0639110	LAMP	1
8	68925	HARNESS, KOMTRAX XC43	1
9	65332	WELDMENT, KOMTRAX CAB MOUNT	1
10	HD1691939S	CONNECTOR, DEUTCH - 9 PIN	1
11	0819212200	CONNECTOR	1
12	0819107420	SOCKET, DEUTCH - 16-18ga	2
13	672120	SPACER, PLASTIC .5" X 2"	2
14	689140	COVER, IRIDIUM ANTENNA	1
15	689290	SPACER	4
16	15565	BOLT - .5" X 2.5"	4
17	15534	WASHER, SAE FLAT - .5"	5
18	0443451912	CLIP	1
19	0709520213	CUSHION	1
20	10783	BOLT - .5" X 1"	1

**REVO FRAME - (M)**

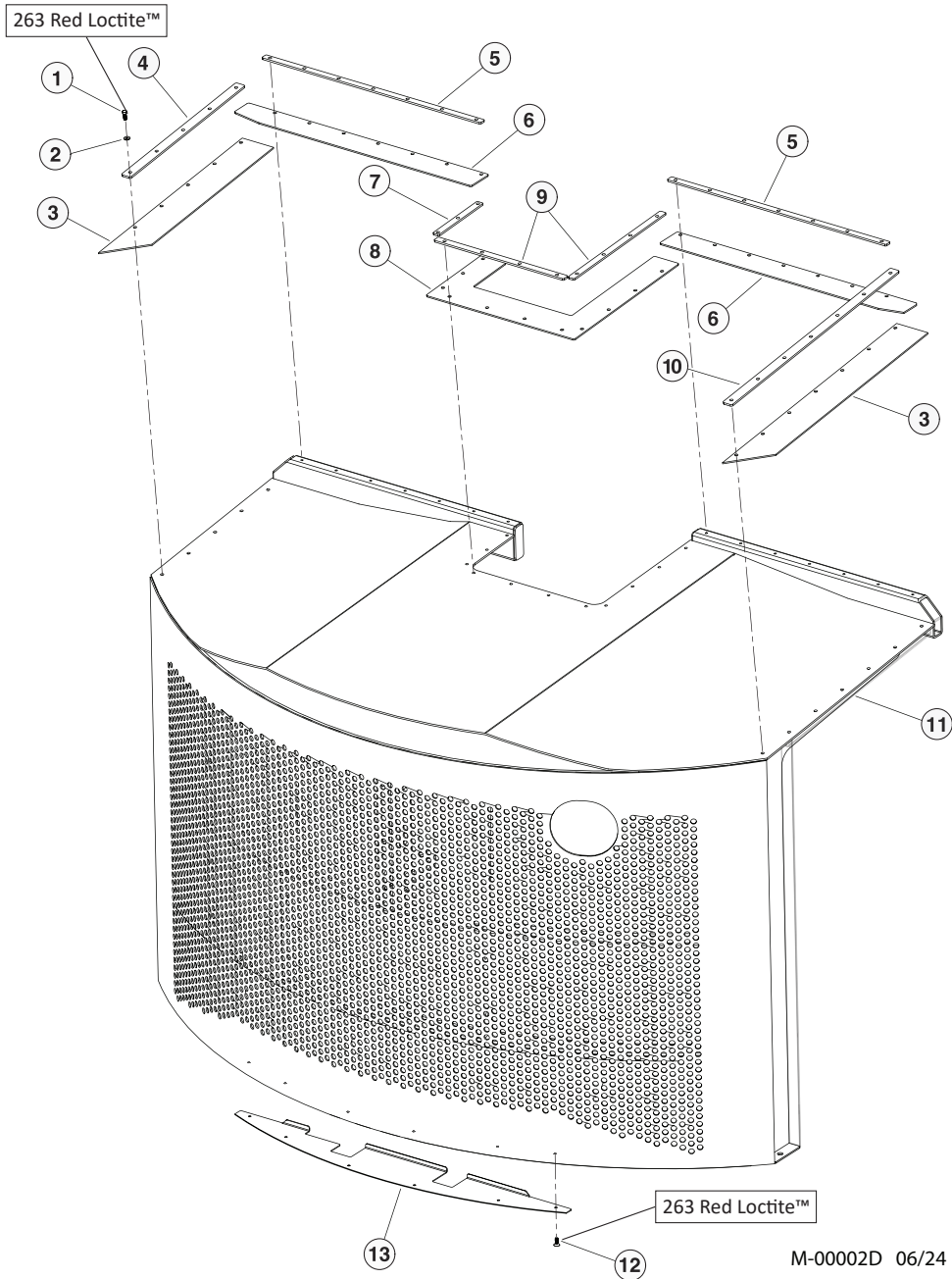
# M1110 - 2228400 - GULLWING DOOR INSTALLATION



## M1110 - 2228400 - GULLWING DOOR INSTALLATION

Item	Part #	Description	Qty.
1	65948	GULLWING, D SERIES	1
2	10823	BOLT - .3125" X 2.00"	4
3	54511	ISOLATOR, GULLWING MOUNTING-UHMW BLOCK	2
4	54512	CHANNEL, ISOLATOR MOUNT - GULLWING	2
5	54520	SPACER, GULLWING ISOLATOR	2
6	10801	WASHER, FLAT - .3125"	4
7	10812	NUT, LOCK - .3125"	8
8	52026	NUT,HEX GULLWING CYL. - 1.25" - GRD 9	2
9	22531	WASHER, SAE FLAT - 1.25"	8
10	55715	CHAIN, 23 LINK - GULLWING GR 8100	1
11	54515	LINK, GULLWING SAFETY CHAIN	1
12	52025	BOLT, GULLWING CYL. - 1.25" - 7 X 7"	2
13	54260	CLEVIS, 3/8" - GULLWING	2
14	18253	NUT, LOCK - 1.00"	2
15	46496	LINK, GULLWING SAFETY CHAIN	1
16	15580	BOLT - 1" X 8"	2
17	15579	WASHER, SAE FLAT - 1.00"	4
18	55264	SWITCH, LIMIT - GULLWING (MAGNETIC)	1
19	46508	BRACKET, GULLWING SWITCH	1
20	15604	BOLT - .25" X .75" 263 RED LOCTITE™	2
21	10800	WASHER, FLAT - .25"	2
22	59107	SCREW, 10-24X3/4" PAN HD	2
23	16208	WASHER, FLAT - #10	2
24	16131	NUT, NYLOCK - #10-24	2
25	15559	WASHER, SAE FLAT - .3125"	4
26	50188	HOSE WRAP	1

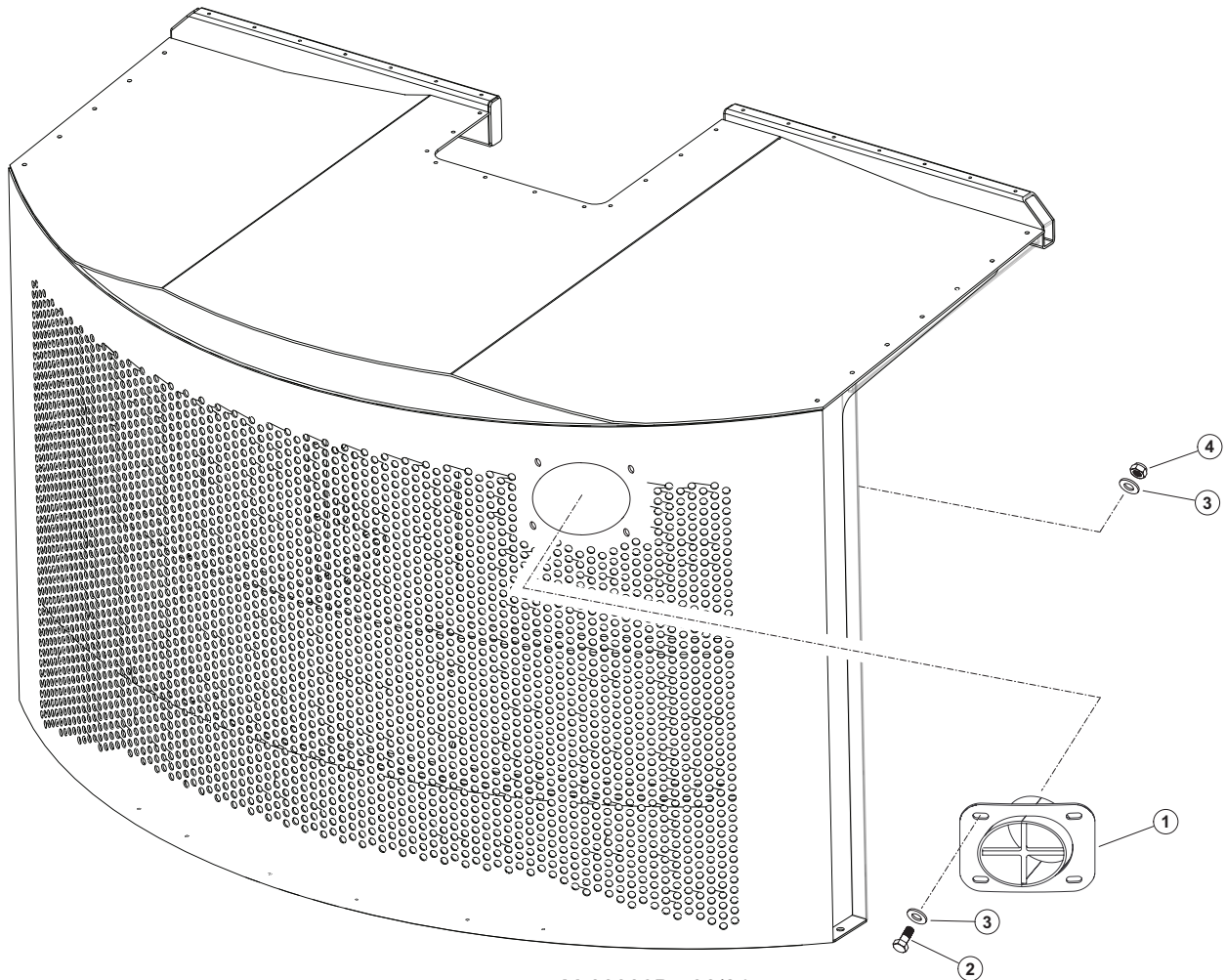
## M1110 - 2228400 - GULLWING DOOR DEBRIS GUARDS



M-00002D 06/24

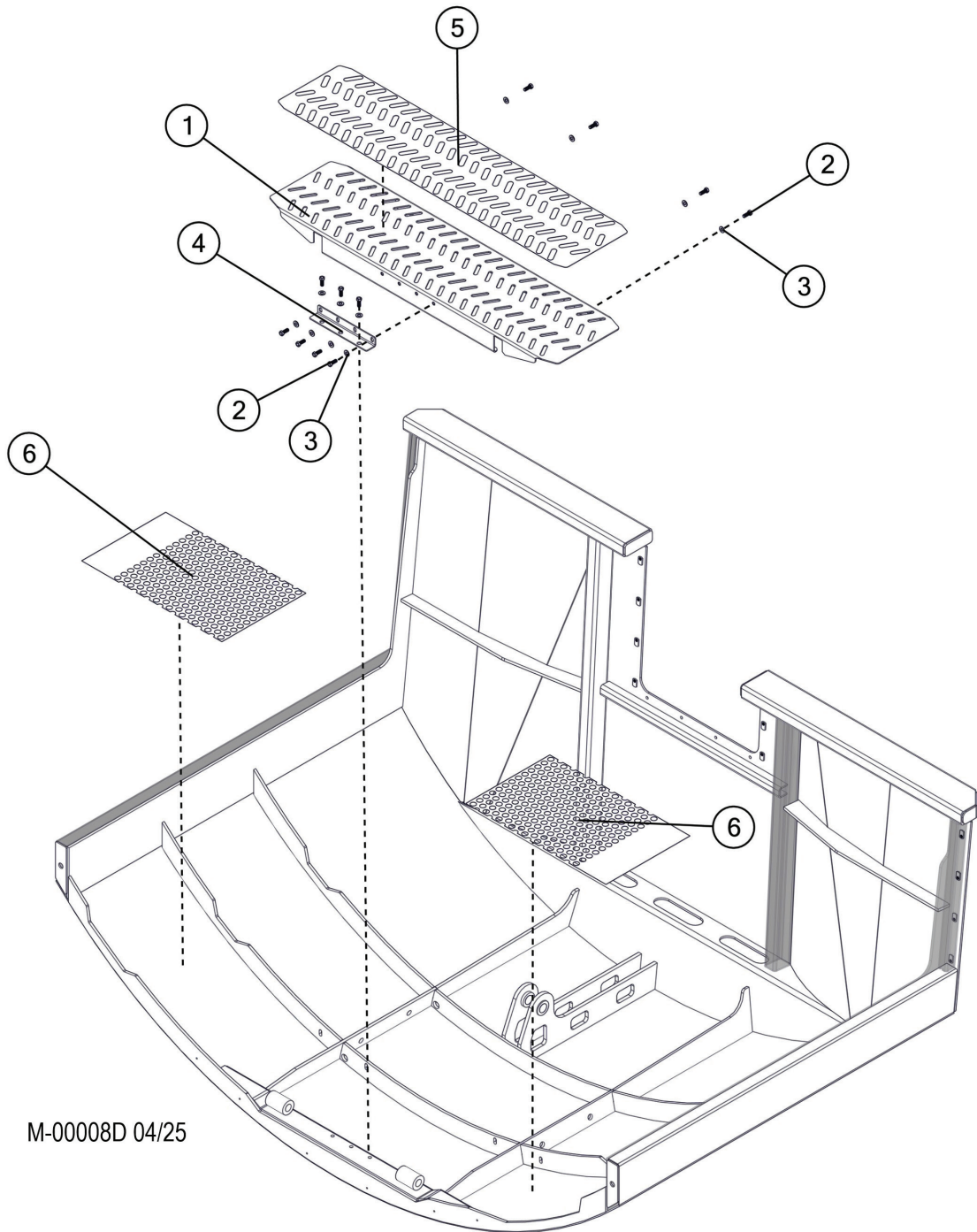
Item	Part #	Description	Qty.
1	11707	BOLT - .375" X 1" 263 RED LOCTITE™	33
2	10802	WASHER, FLAT - .375"	41
3	60428	RUBBER, GULLWING - LONG (RH)	1
4	60427	PLATE, GULLWING RUBBER HOLD DOWN - SIDE	1
5	60099	BAR, RUBBER MOUNT	2
6	60465	RUBBER, GULLWING FRONT	2
7	60471	BAR, MOUNTING - CENTER - SHORT	1
8	60469	RUBBER, GULLWING - CENTER (FRONT)	1
9	60470	BAR, MOUNTING - CENTER - LONG	2
10	60426	PLATE, GULLWING RUBBER HOLD DOWN - SIDE	1
11	58226	BOLT, BUTTON HEAD 1/4-20X3/8(GULL SHEILD)	6
12	60533	GUARD, GULLWING LOWER 263 RED LOCTITE™	1
13	60429	RUBBER, GULLWING - SHORT (LH)	1

# M1110 - 2228400 - GULLWING DOOR EXHAUST TIP



Item	Part #	Description	Qty.
1	60135	GUARD, EXHAUST TIP CUMMINS STAGE 5	1
2	50100	BOLT - .5" X 1.25"	4
3	10804	WASHER, FLAT - .5"	8
4	10815	NUT, LOCK - .5"	4

# M1110 - GULLWING WALKWAY

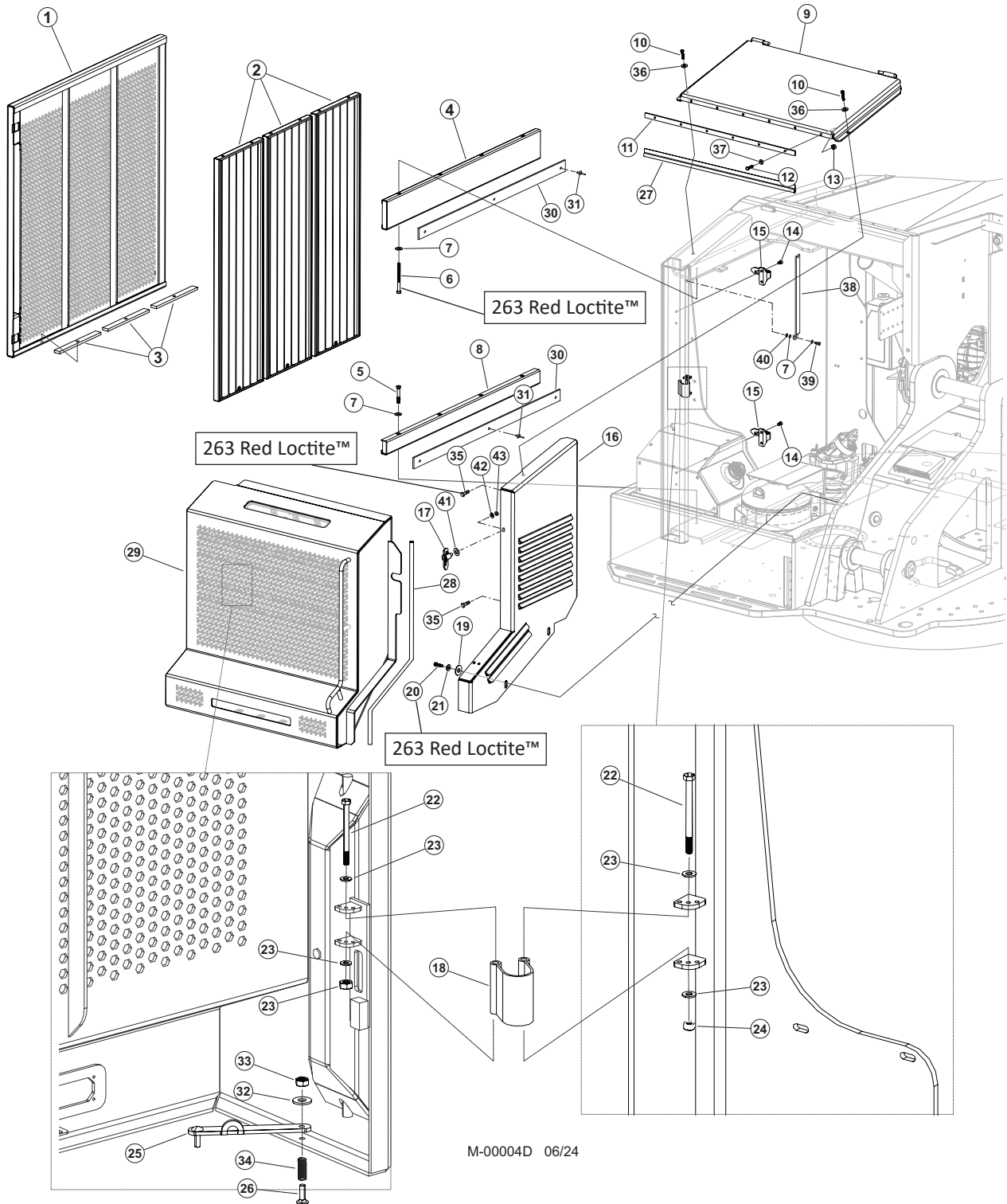


M-00008D 04/25

## M1110 - GULLWING WALKWAY

<b>Item</b>	<b>Part #</b>	<b>Description</b>	<b>Qty.</b>
1	65941	WELDMENT, GULLWING WALKWAY	1
2	11707	BOLT - .375" X 1"	11
3	10802	WASHER, FLAT - .375"	11
4	65944	BRACKET, SUPPORT	1
5	65943	NON-SKID TAPE, GULLWING WALKWAY	1
6	65929	NON-SKID TAPE, GULLWING	2

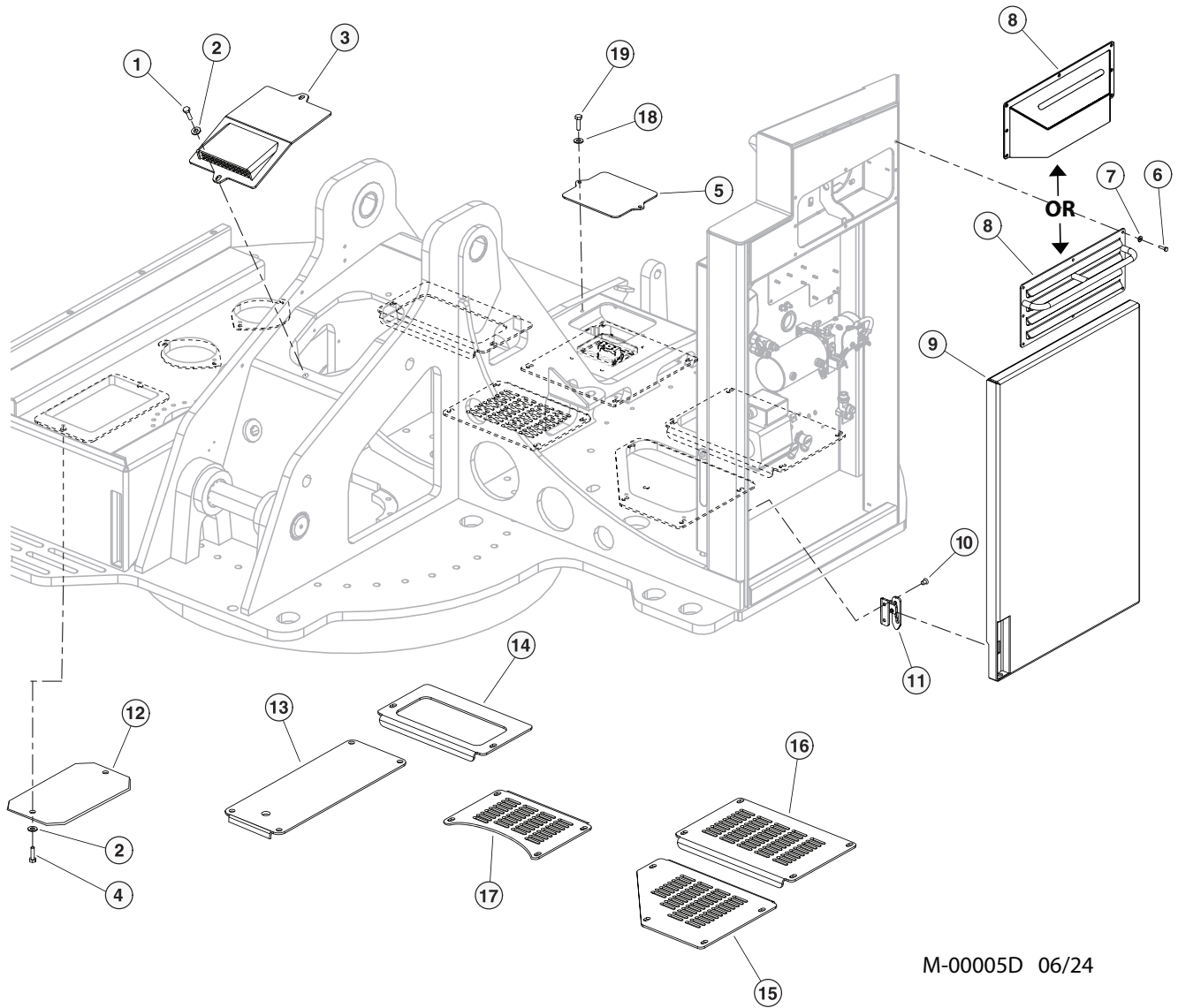
# M1810 - 2228700 - UPPER TURNTABLE DOOR & COVERS



## M1810 - 2228700 - UPPER TURNTABLE DOOR & COVERS

Item	Part #	Description	Qty.
1	60650	DOOR, COOLER	1
2	60668	SCREEN, RADIATOR - D MOD UPDATE COOLER	3
3	46923	RUBBER, COOLER DOOR SCREEN MOUNT	3
4	60623	WELDMENT, COOLER SILL D+ TOP	1
5	59108	BOLT - .375" X 3.75"	4
6	58217	BOLT, ALLEN 3/8-16 X 7 COOLER SILL D 263 RED LOCTITE™	4
7	15528	WASHER, SAE FLAT - .375"	10
8	60627	WELDMENT, SILL COOLER BOTTOM D+	1
9	60635	DOOR, COWL - TOP	1
10	11707	BOLT - .375" X 1"	2
11	60141	BAR, RUBBER MOUNT FRONT DOOR	1
12	10822	BOLT, 5/16"x1 1/4"	6
13	10812	NUT, LOCK - 5/16"	6
14	58225	BOLT, CAM LATCH 3/8-16x3/4" COUNTERSUNK	4
15	51657	LATCH, CAM - DOOR R.H. (RADIATOR-GULLW)	2
16	606200	PANEL, INNER FRONT - D	1
17	19771	LATCH, CAM - SHORT (PUMP GUARD)	1
18	51981	STRAP, DOOR STOP	1
19	54148	WASHER, BURNED - .66" X 2" x 1/4"	2
20	50100	BOLT - .5" X 1.25" 263 RED LOCTITE™	2
21	10804	WASHER, FLAT - .5"	4
22	10819	BOLT - .25" X 3.25"	2
23	10757	WASHER, SAE FLAT - .25"	4
24	10811	NUT, LOCK - .25"	2
25	60549	BAR, PROP ROD D - SERIES	1
26	59111	SCREW, 5/16-18x2.0" FLAT HD	1
27	24925	CHANNEL, EDGE PROTECTOR - 3/16" BULB	3.5'
28	18126	WEATHERSTRIPPING, RUBBER-DOOR SEAL	4
29	60615	DOOR, FRONT SWINGOUT	1
30	61111	RUBBER	2
31	59104	RIVET, BLIND, 3/16" DIA, DOME HD	6
32	10801	WASHER, FLAT - .3125"	1
33	15509	NUT, NYLOCK - .25"	1
34	58113	SPRING	1
35	10739	BOLT - .5" X 1.5" 263 RED LOCTITE™	2
36	10802	WASHER, FLAT - .375"	2
37	15559	WASHER, SAE FLAT - .3125"	12
38	52619	DOOR, COWL - TOP ; PROP ROD	1
39	10402	BOLT - .375" X 1.25"	1
40	59110	NUT, JAM, 3/8X16	1
41	10771	WASHER, SAE FLAT - .625"	1
42	15534	WASHER, SAE FLAT - .5"	1
43	10815	NUT, LOCK - .5"	1

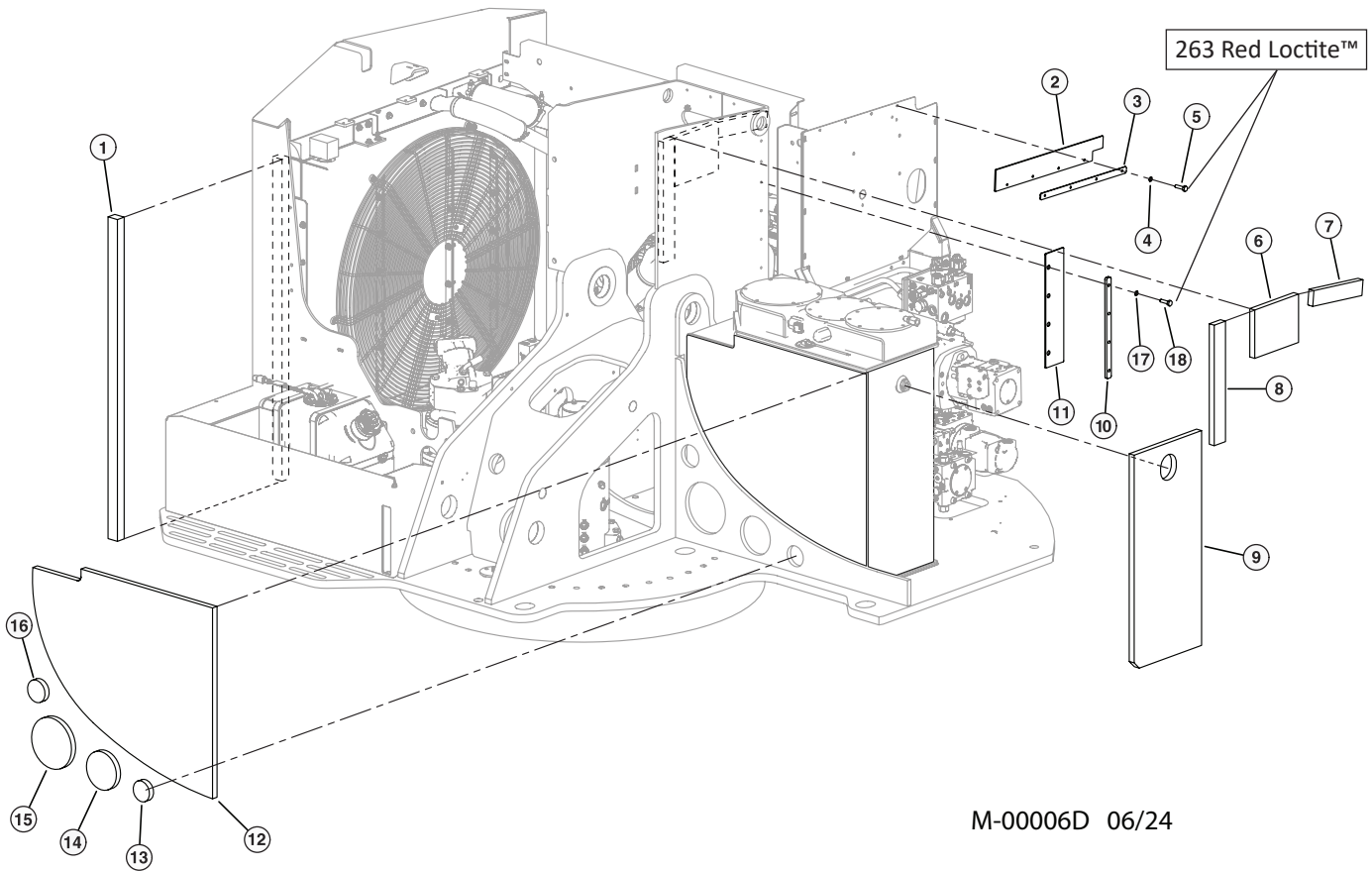
# M1810 - 2228700 - UPPER TURNTABLE DOOR & COVERS



## M1810 - 2228700- UPPER TURNTABLE DOOR & COVERS

Item	Part #	Description	Qty.
1	18933	BOLT - .5" X 1.75"	2
2	10804	WASHER, FLAT - .5"	24
3	60600	COVER, ROTARY MANIFOLD - VENTED	1
4	10783	BOLT - .5" X 1"	22
5	54569	COVER, UPPER REAR TUBELINE	1
6	15589	BOLT - .3125" X 1"	8
7	10801	WASHER, FLAT - .3125"	8
8	65429	WELDMENT, INTAKE COVER, S/N: TF830D-0902-060425 -	1
8	48927	GUARD,AIRINTAKE W/HANDLE HOLES	1
9	47962	WELDMENT, DOOR - ELECTRICAL	1
10	58225	BOLT, CAM LATCH 3/8-16X3/4 COUNTERSUNK	2
11	51658	LATCH, CAM - DOOR L.H. (OIL COOLER)	1
12	60748	COVER, HOC ACCESS	1
13	60831	COVER, COOLER ACCESS	1
14	65476	WELDMENT, COVER-OIL PAN	1
15	46469	COVER, TRIPLE DRIVE - FRONT	1
16	46468	COVER, TRIPLE DRIVE - REAR	1
17	47892	COVER, OIL PAN - FRONT	1
18	15528	WASHER, SAE FLAT - .375"	2
19	11707	BOLT - 0.375" X 1"	2

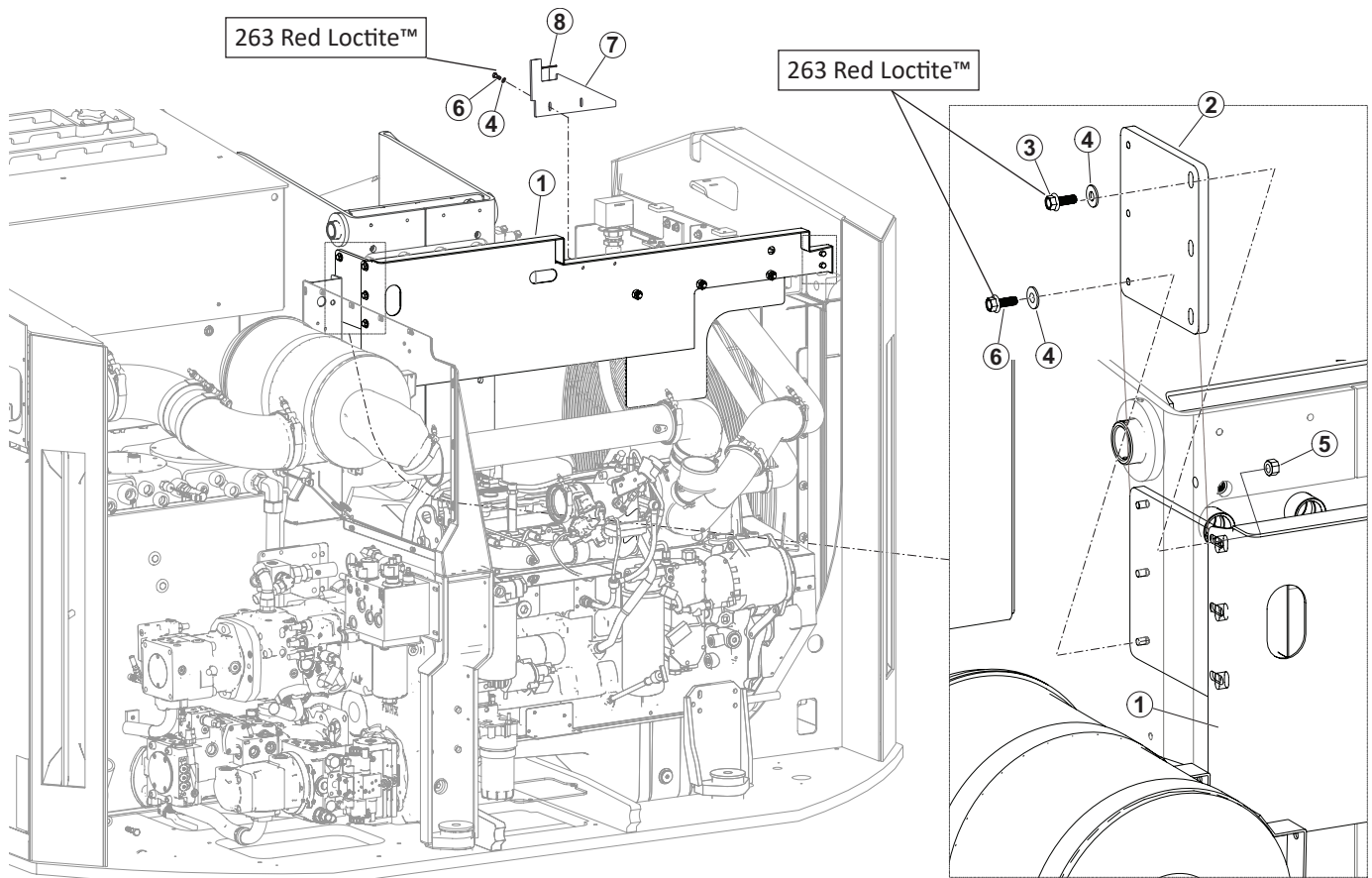
## M1810 - 2228700 - HEAT SHIELD, PADDING, AND TRIM INSTALLATION



M-00006D 06/24

Item	Part #	Description	Qty.
1	58118	FOAM, CLOSED CELL - 1.5" X 1.875" X 51"	1
2	47206	RUBBER, ENGINE BARRIER PANEL	1
3	47205	BAR, BARRIER PANEL - ENGINE	1
4	10757	WASHER, SAE FLAT - .25"	4
5	15576	BOLT - .25" X 1.00" 263 RED LOCTITE™	4
6	47344	FOAM, CAB TO CHIMNEY	1
7	60542	FOAM, CAB TO CENTER (CUT TO SIZE)	1
8	60542	FOAM, CAB TO CENTER (CUT TO SIZE)	1
9	47286	INSULATION, HYD TANK TO PANEL	1
10	60349	PLATE, RUBBER HOLD DOWN CHIMNEY	1
11	60479	RUBBER, DEBRIS GUARD SCRAPER	1
12	58038	INSULATION, CAB TO HYD TANK D-MOD	4
13	42845	TRIM, PANEL - CIRCLE - 3.25"	1
14	42844	TRIM, PANEL - CIRCLE - 5.75 OD	1
15	42741	TRIM, PANEL - CIRCLE - 7.75" OD	1
16	42843	TRIM, PANEL - CIRCLE 3.38" O.D.	1
17	15528	WASHER, SAE FLAT - .375"	4
18	11707	BOLT - .375" X 1" 263 RED LOCTITE™	4

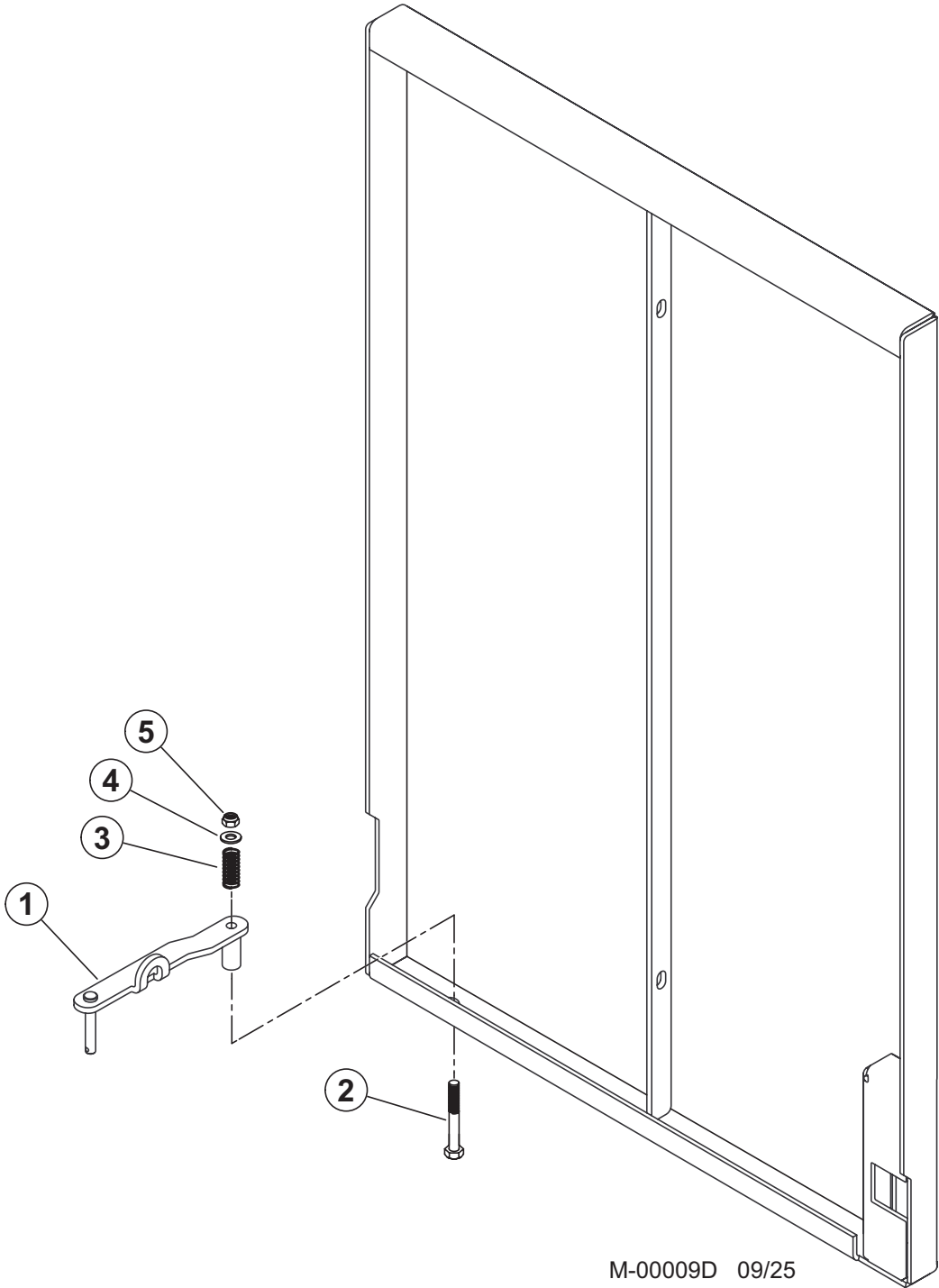
## M1810 - 2228700 - STRUCTURE PANELS



M-00007D 06/24

Item	Part #	Description	Qty.
1	60443	BARRIER, COOLER PANEL	1
2	60508	PLATE, BARRIER PANEL MTG	1
3	15542	BOLT - .375" X 3/4" 263 RED LOCTITE™	3
4	10802	WASHER, FLAT - .375"	3
5	11707	BOLT - .375" X 1"	3
6	10802	WASHER, FLAT - .375" 263 RED LOCTITE™	3
7	60737	PLATE, BARRIER PANEL - FILLER	3
8	24925	CHANNEL, EDGE PROTECTOR - 3/16" BULB(STR)	1

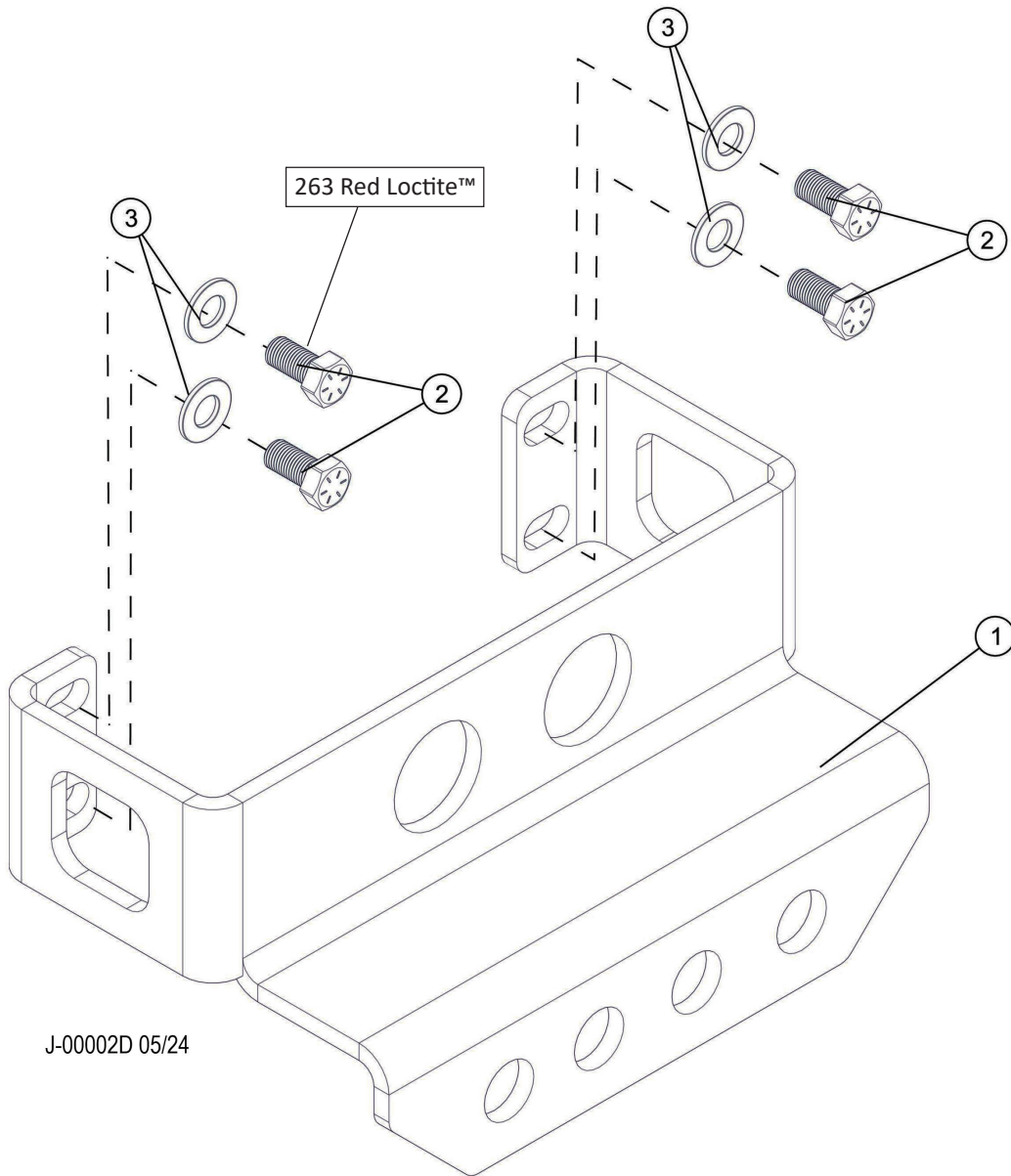
**M-2228700 - UPPER TURNTABLE DOOR & COVERS - (DOOR PROP)**



Item	Part #	Description	Qty.
1	608150	ASSY, PROP ROD - EU	1
2	23265	BOLT - .375" X 2.25"	1
3	58113	SPRING, DOOR - PROP ROD	1
4	15528	WASHER, SAE FLAT - .375"	1
5	10813	NUT, LOCK - .375"	1



## J1110 - 2228100 - BULKHEAD FITTING BRACKET

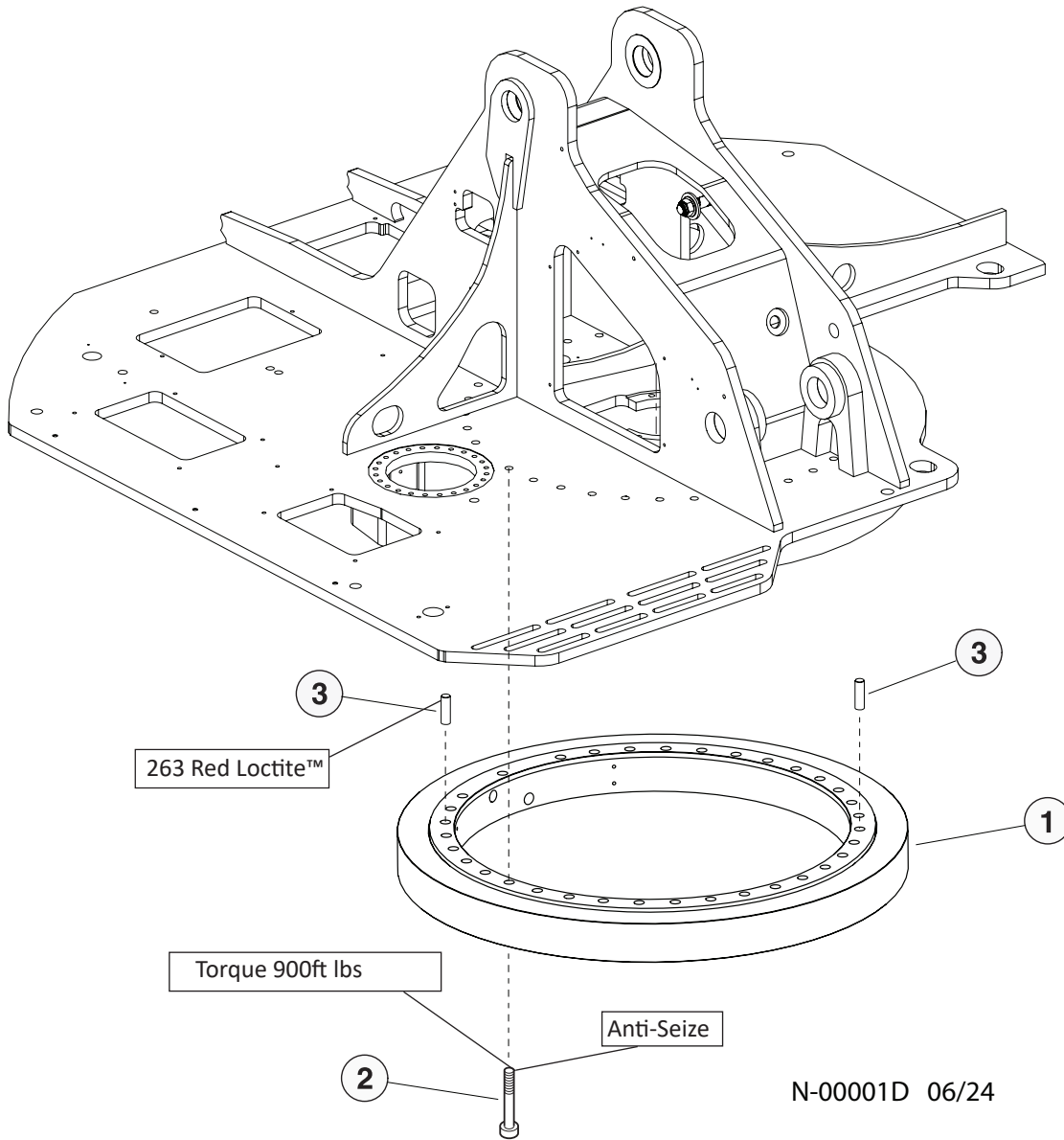


J-00002D 05/24

Item	Part #	Description	Qty.
1	60559	BULHEAD, FRONT - TM	1
2	15542	BOLT - .375" X .75" 263 RED LOCTITE™	4
3	15528	WASHER, SAE FLAT - .375" OR 3/8"	4

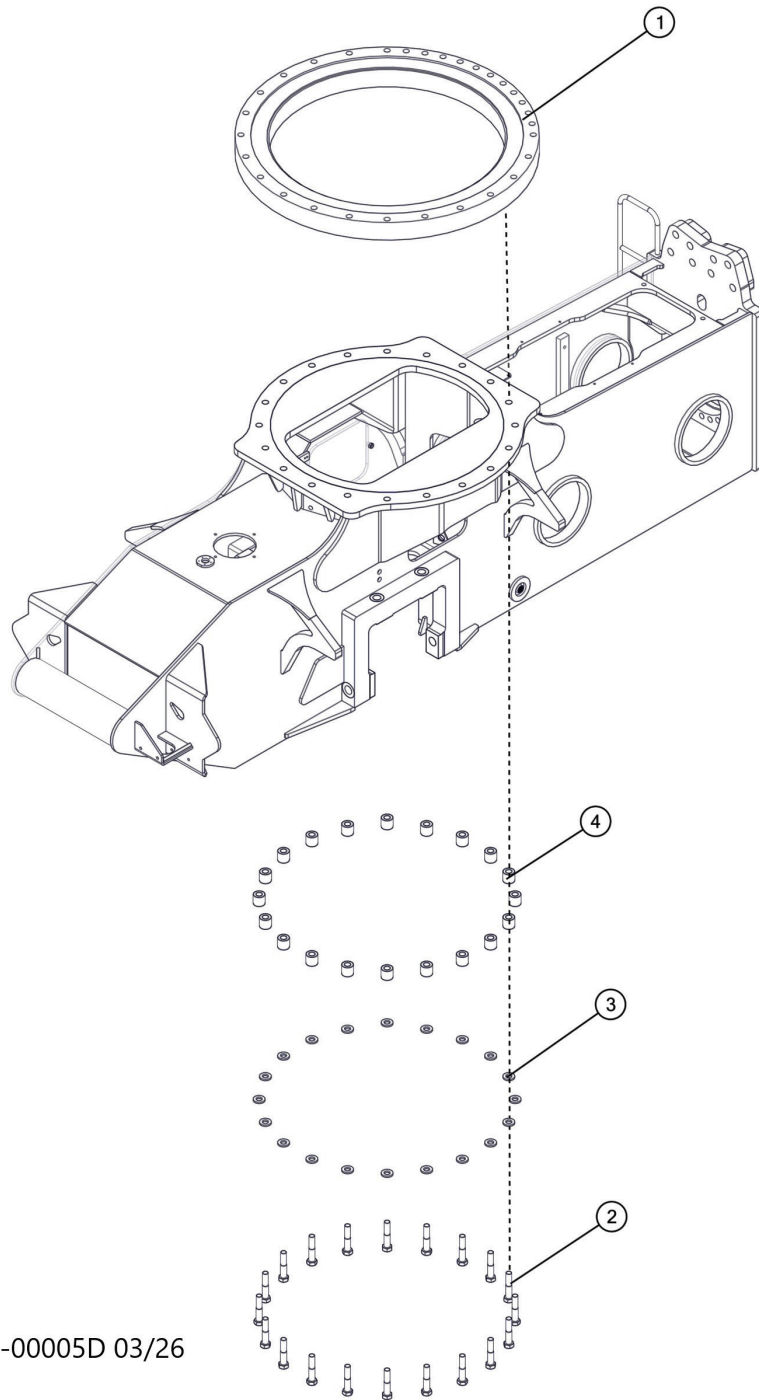
**SWING CIRCLE AND RELATED  
PARTS - (N)**

# N1110 - 2228900 - SWING CIRCLE



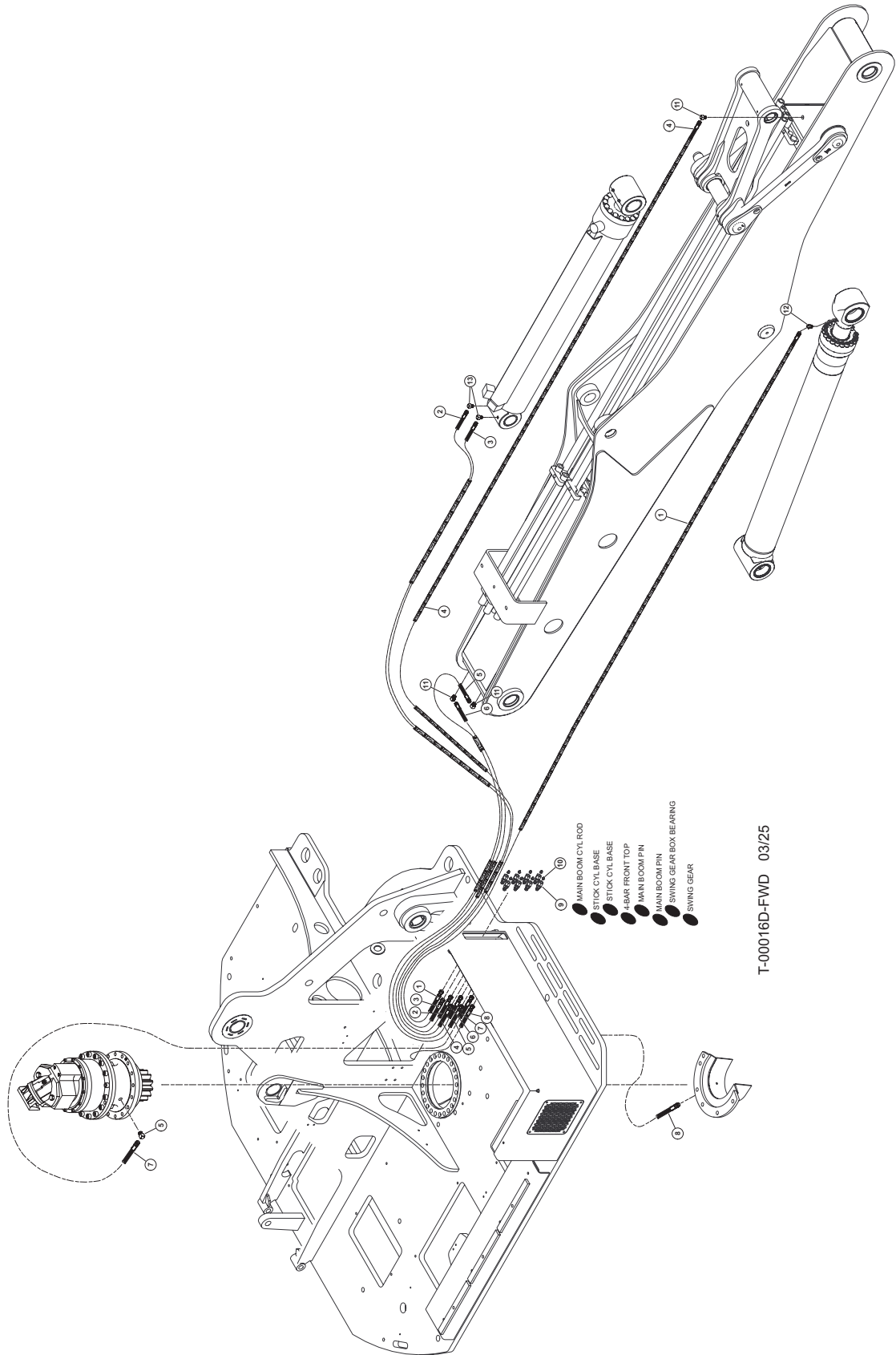
Item	Part #	Description	Qty.
1	53697	BEARING, SWING - 3.81" WIDE HARDEN TEETH	1
2	51690	BOLT, ALLEN HEAD - 1" X 4.5" (SWING BRG) ANTI-SEIZE (TORQUE 900FT LBS)	30
3	53832	DOWEL PIN 263 RED LOCTITE™	2

# N1111 - 2228900 - SWING CIRCLE BEARING



Item	Part #	Description	Qty.
1	53697	BEARING, SWING - 3.81" WIDE HARDEN TEETH	1
2	18535	BOLT - 1" X 5"	20
3	18532	WASHER, SAE FLAT - 1" (EXTRA THICK)	20
4	12463	SPACER, BOLT - LOWER TURNTABLE 1.88L	20

# J1115 - 2244300 - WORK EQUIPMENT & SWING COMPONENT GREASE HOSES

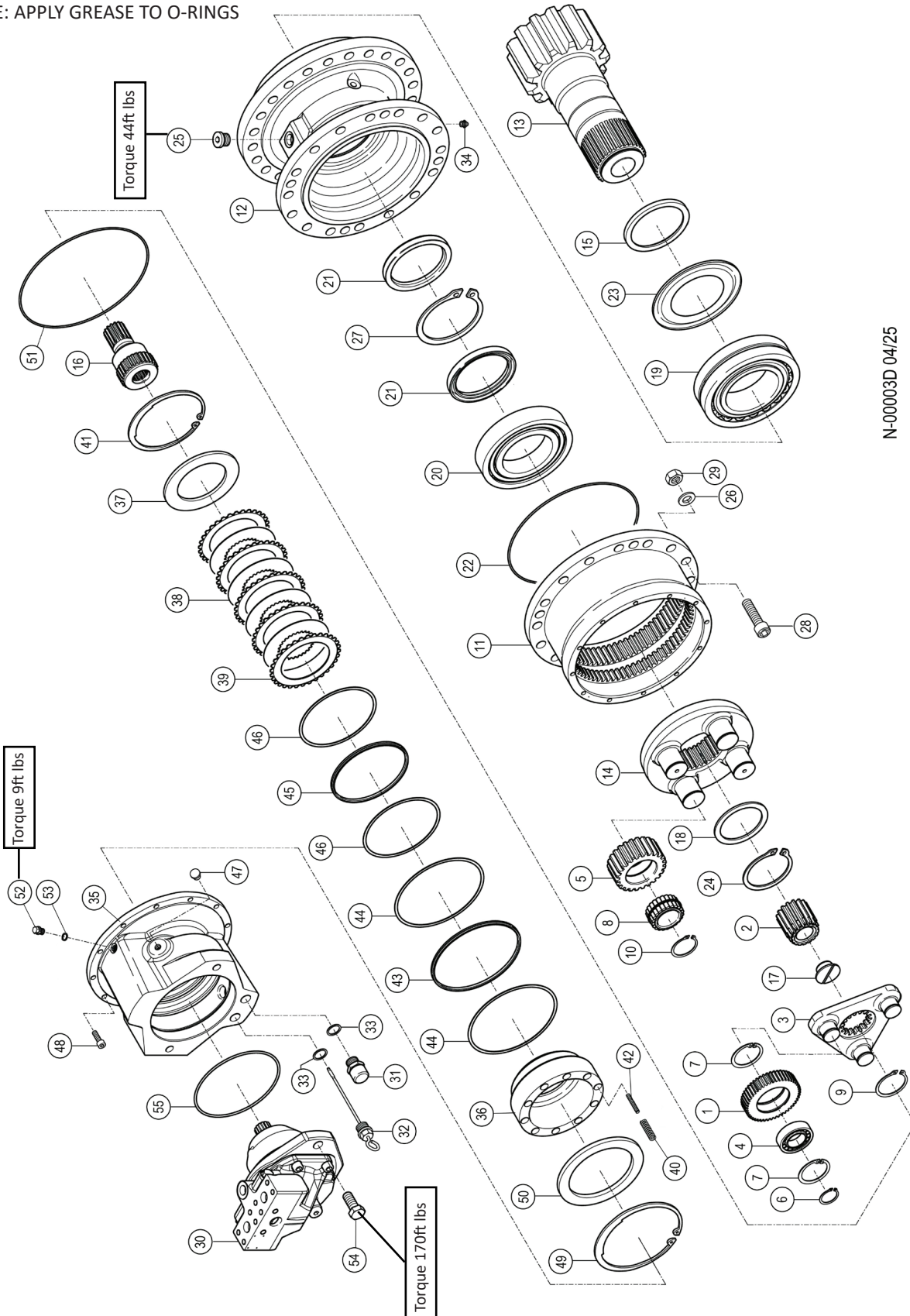


## J1115 - 2244300 - WORK EQUIPMENT & SWING COMPONENT GREASE HOSES

Item	Part #	Description	Qty.
1	(55369 - KIT)	HOSE ASSY - HLBD194 02-04JS-02PS-W - (MAIN CYL ROD)	1
2	(55369 - KIT)	HOSE ASSY - HLBD166 02-04JS-02PS-W - (STICK CLY BASE)	1
3	(55369 - KIT)	HOSE ASSY - HLBD166 02-04JS-02PS - (STICK CLY BASE)	1
4	(55369 - KIT)	HOSE ASSY - HLBD252 02-04JS-02PS-W - (4 BAR BASE)	1
5	(55369 - KIT)	HOSE ASSY - HLBD94 02-02PS-04JS-WS - (MAIN BOOM PIVOT)	1
6	(55369 - KIT)	HOSE ASSY - HLBD94 02-02PS-04JS - (MAIN BOOM PIVOT)	1
7	(55369 - KIT)	HOSE ASSY - HLBD51 02-02PS-04JS-SW - (SWING GEAR BOX)	1
8	(55368 - KIT)	HOSE ASSY - HLBD51 02-02PS-04JS-SW - (GREASE CUP)	1
9	15658	CONNECTOR, STR BULKHEAD - 2239-2-4S	8
10	58394	ZERK, GREASE - 1/8" 67 DEG	8
11	22281	ELBOW, 1/8-27 NPTF(M), 1/8-17 NPTF(F),90	6
12	21671	ELBOW, 45 - 5546134	1

# N1210 - 2229100 - SWING MOTOR COMPONENTS

NOTE: APPLY GREASE TO O-RINGS



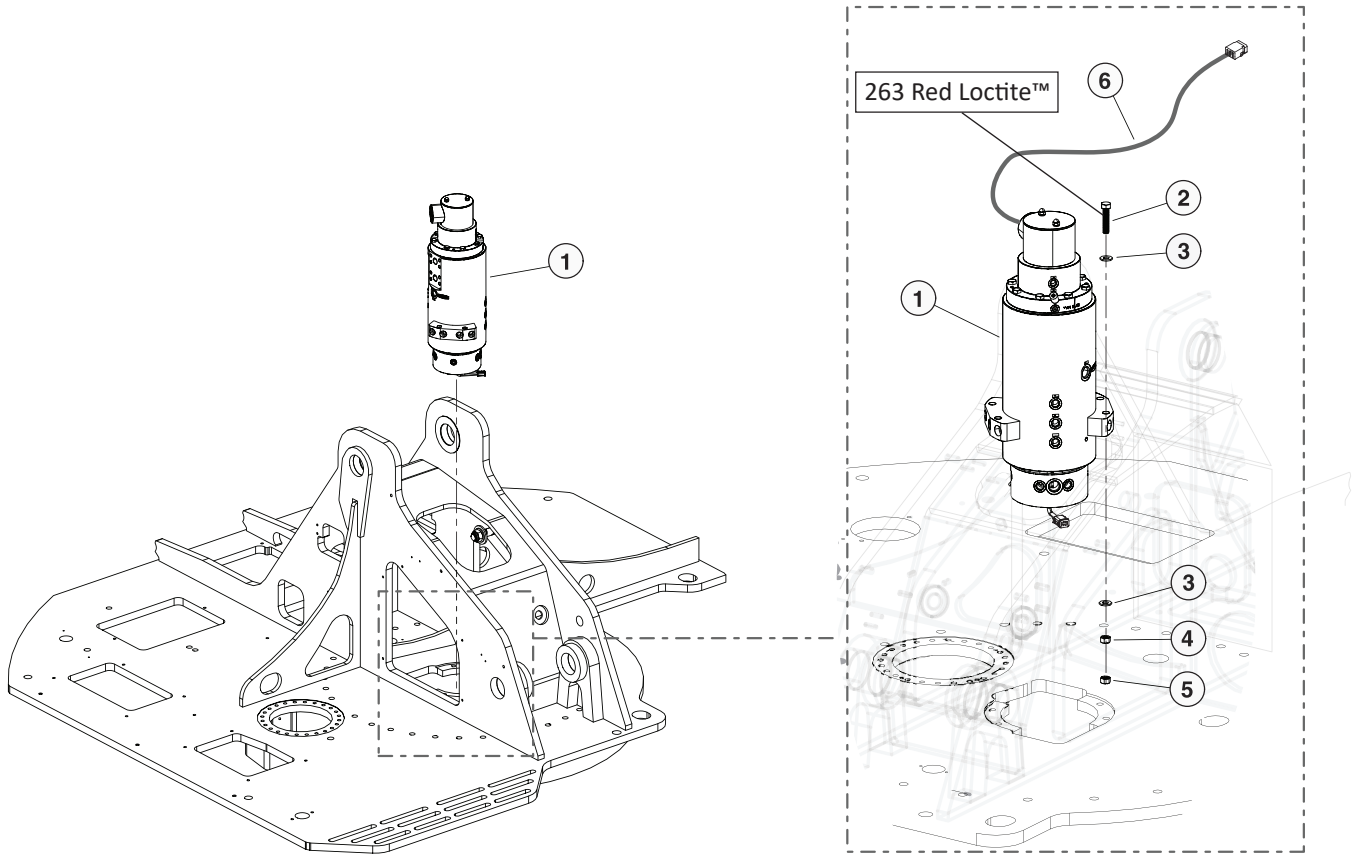
N-00003D 04/25

## N1210 - 2229100 - SWING MOTOR COMPONENTS

Item	Part #	Description	Qty.
1	57061	PLANET GEAR	3
2	21565	SUN GEAR	1
3	56605	PLANET CARRIER	1
4	56604	CYL. ROLLER BEAR.	3
5	57868	PLANET GEAR	4
6	21438	RETAINING RING	3
7	56598	RETAINING RING	6
8	56601	CYL. ROLLER BEAR.	4
9	21347	RETAINING RING	1
10	R916452036	RETAINING RING	4
11	R988017009	RING GEAR	1
12	55354	BEARING HOUSING	1
13	R916631086	OUTPUT SHAFT	1
14	R988016567	PLANET CARRIER	1
15	55860	RETAINING RING	1
16	R916938572	SUN GEAR SHAFT	1
17	55748	LOCATING RING	1
18	55018	SUPPORTING DISC	1
19	57201	SELF-ALIGN ROLL.B.	1
20	55448	CYL. ROLLER BEAR.	1
21	R916461230	RADIAL SEAL	2
22	21572	O-RING	1
23	55876	NILOS RING	1
24	R916452056	RETAINING RING	1
25	R916436155	SCREW PLUG	2
26	R916451340	WASHER	16
27	56602	RETAINING RING	1
28	56603	SOCKET HEAD SCREW	16
29	R916450079	HEXAGON NUT	16
30	R902269716	AXIAL-PISTON MOTOR	1
31	21570	VENT	1
32	R916432101	DIPSTICK	1
33	R916462053	SEAL RING	2
34	R916426070	LUBRICATING NIPPLE	1
35	R988016443	DISK HOUSING	1
36	21568	PISTON	1
37	R988018301	RETAINING RING	1
38	58407	INNER DISK	4
39	R916103034	OUTER DISK	5
40	56361	COMPRESSION SPRING	10
41	R916452285	RETAINING RING	1
42	56363	COMPRESSION SPRING	2
43	R916461473	QUAD RING	1
44	R916461673	BACKUP RING	2
45	R916461674	QUAD RING	1
46	R916461672	BACKUP RING	2
47	R916469023	PLUG	1
48	R916445053	SOCKET HEAD SCREW	12
49	24566	RETAINING RING	1
50	R988018221	RETAINING RING	1
51	21572	O-RING	1
52	R916444180	SCREW PLUG	1
53	53416	SEAL RING	1
54	R916441274	HEXAGON SCREW	2
55	R916463235	O-RING	1
*	R902261688	HOUSING, COMPLETE	1
*	R902251259	BEARING FLANGE	1
*	R902270093	ROTARY GROUP	1

\*MEANS NOT SHOWN

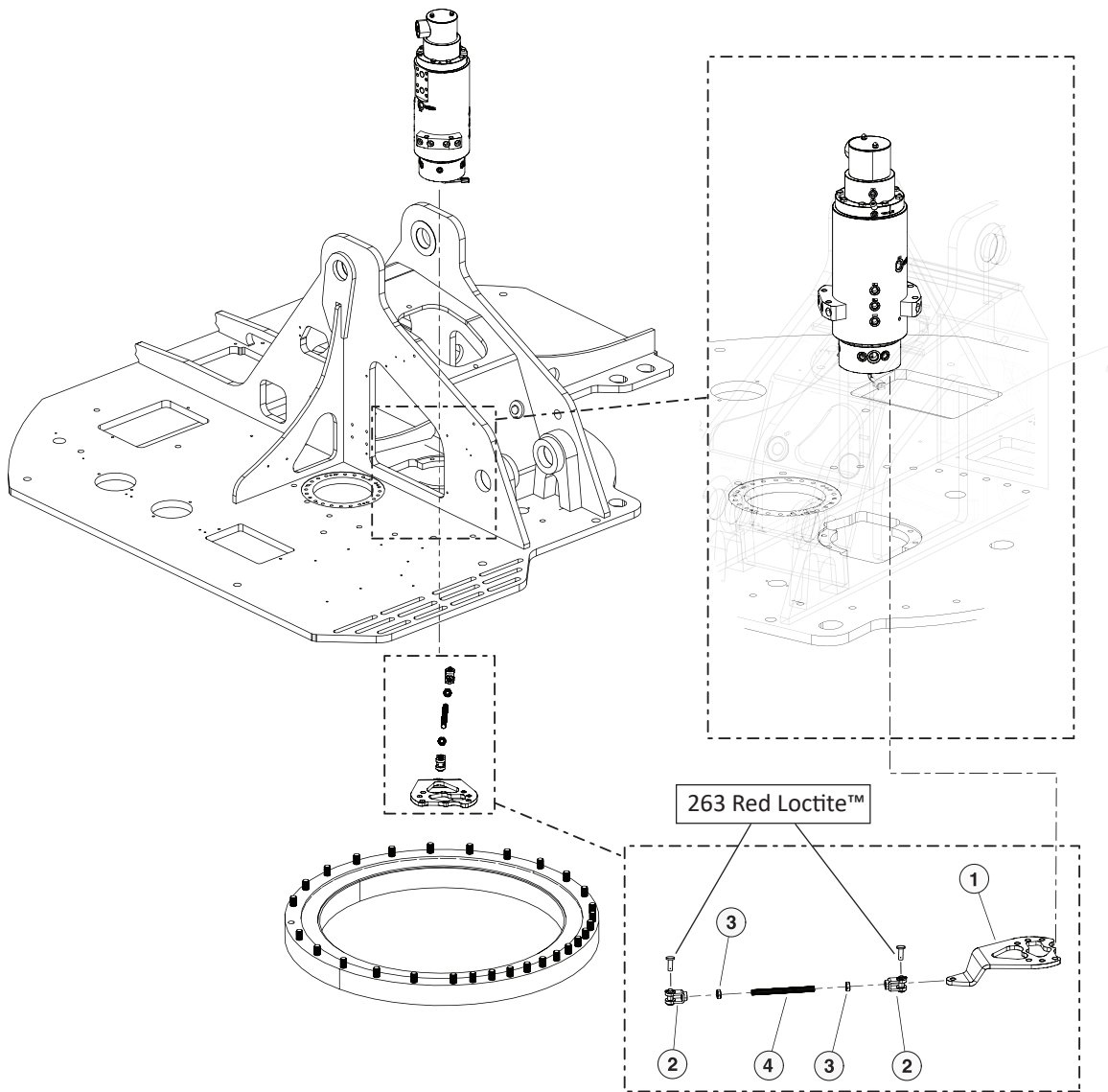
## N1310 - 2244500 - ROTARY MANIFOLD INSTALLATION



N-00003D 06/24

Item	Part #	Description	Qty.
1	650680	MANIFOLD, ROTARY - 14 PORT TRACK	1
2	10838	BOLT - .625 X 5" 263 RED LOCTITE™	4
3	23210	WASHER, SAE FLAT - .625" (EXTRA THICK)	8
4	17515	NUT, HEX - .625"	4
5	10816	NUT, LOCK - .625"	4
6	57210	HARNES, CAB TO RM TRACK-AUTO LEVEL	1

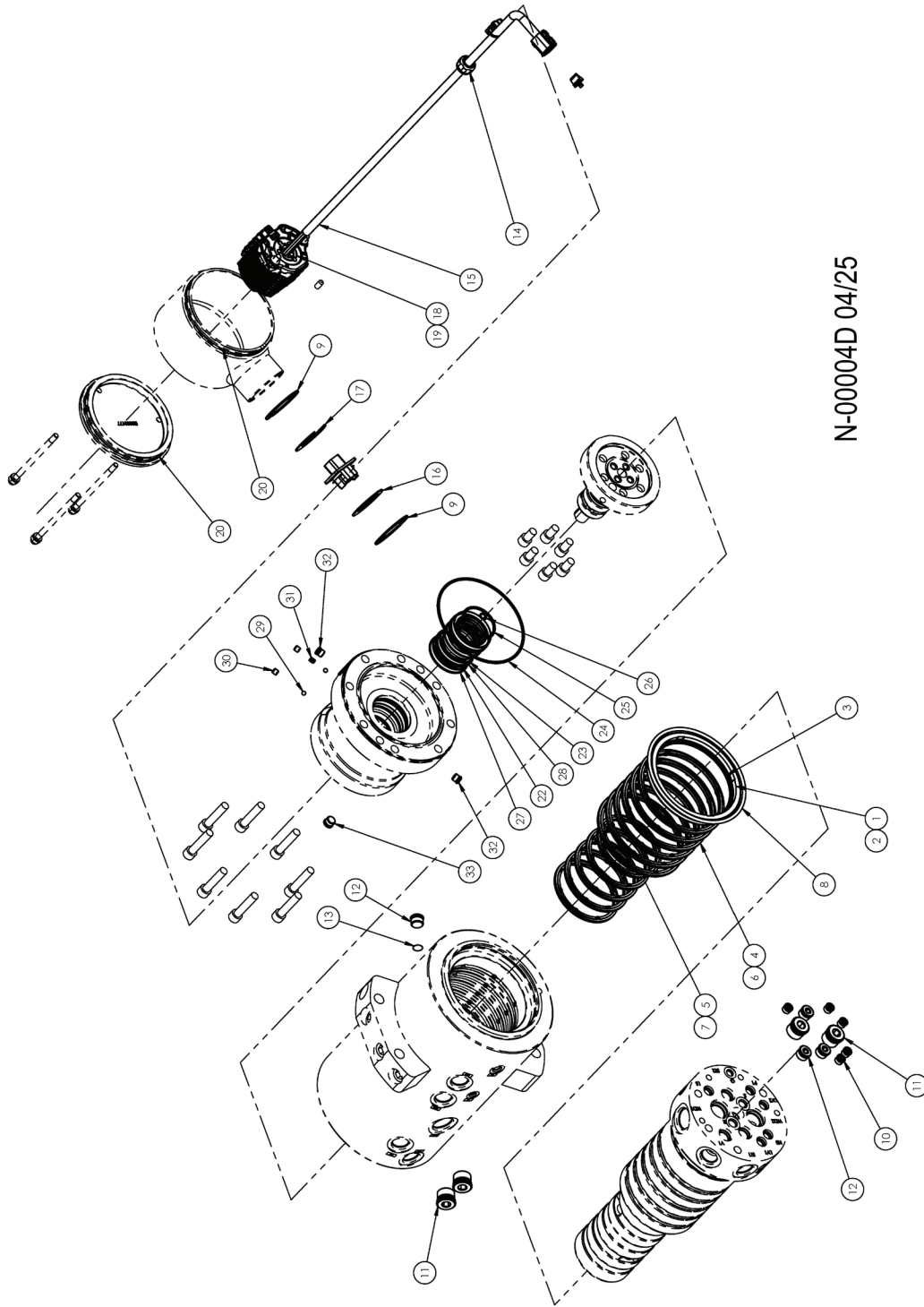
# N1310 - 2244500 - ROTARY MANIFOLD SWIVEL LOCK ARM



N-00004D 06/24

Item	Part #	Description	Qty.
1	60506	BRACKET, SWIVEL LOCK ARM	1
2	52381	YOKE, ROTARY MANIFOLD 5/8" X 5/8"	2
3	52395	NUT, JAM .63-18NF HEX (PLATED)	2
4	52394	STUD, 5/8"-18NF X 7.5 LG (ZINC PLATED)	1

# N1310 - 2244500 - ROTARY MANIFOLD



N-00004D 04/25

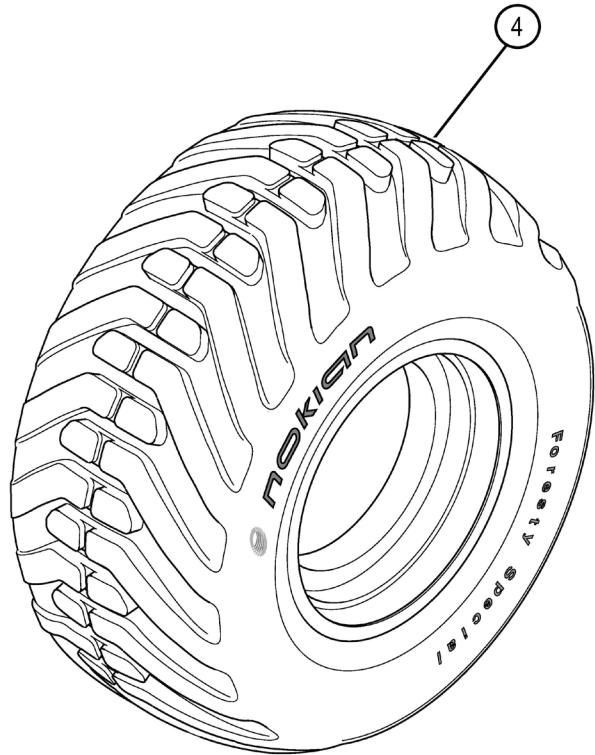
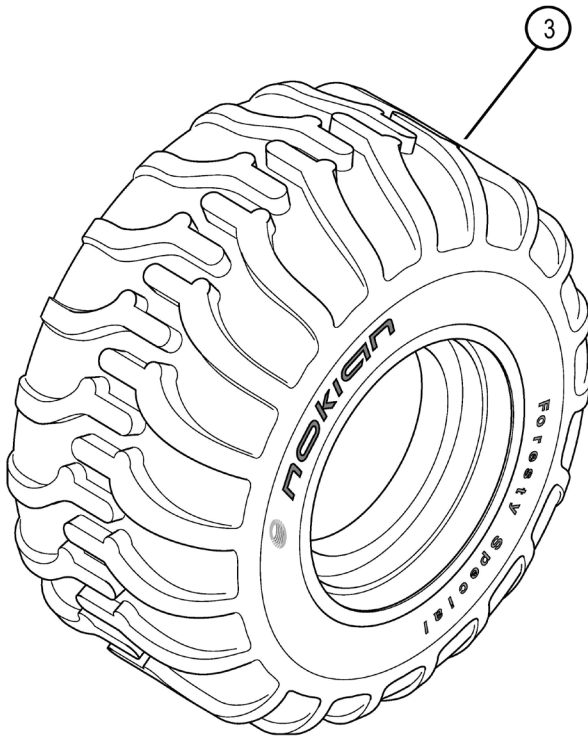
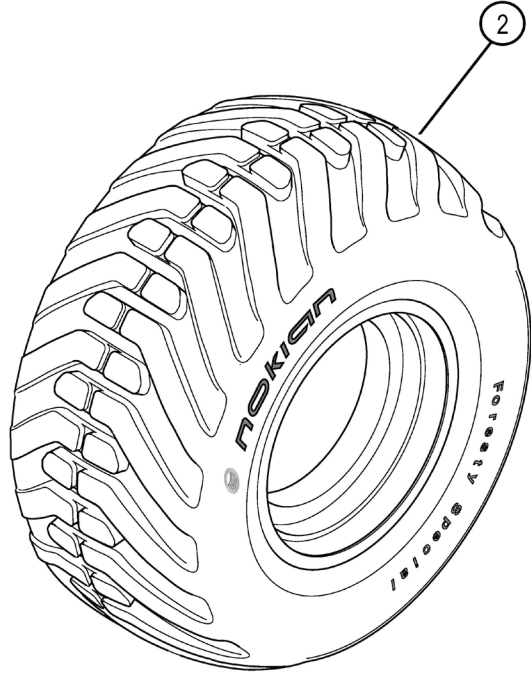
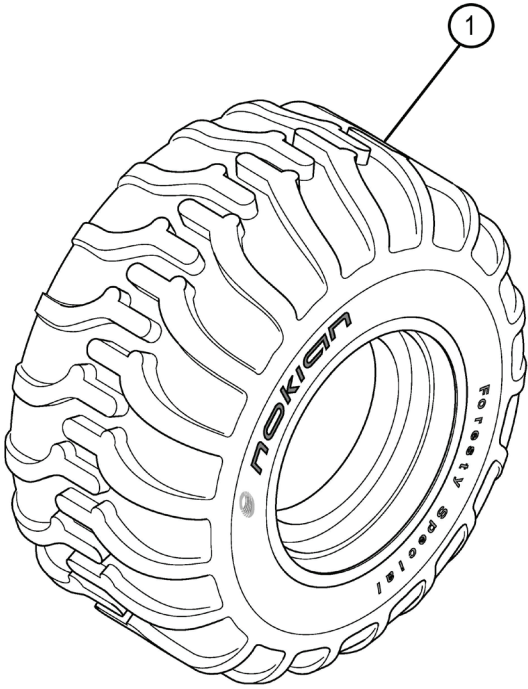
## N1310 - 2244500 - ROTARY MANIFOLD

Item	Part #	Description	Qty.
1	HD140105	LOCKRING FOR 140mm ENVIRO	1
2	MOR1600020/N	ORING 160mm X 164mm X 2mm C/S NBR70	1
3	HD141610	SEAL, ENVIRONMENTAL SHAFT, 140mm	1
4	N1173-70-359	ORING, HNBR 70, 5.750" x 6.125" x .188" c/s	6
5	N1173-70-346	ORING, HNBR 70, 4.125"x 4.500" x .188" c/s	5
6	RN 140-250-08GL	LOCSEAL, 140 MM	6
7	RN 100-250-08GL	LOCSEAL, 100 MM	5
8	U90 - 363	ORING URETHANE	1
9	WHM-250	SPIRAL SNAP RING	2
10	22S - S05	#05 ORB ZLG PLUG SH	5
11	HD002282	#12 ORB CUSTOM PLUG SH	4
12	22S - S08	#08 ORB ZLG PLUG SH	4
13	TL-C5-190-30	TEMPERATURE LABEL	1
14	HD121437	FITTING, LT 0.500" GRN	1
15	E08080202	ELC SLIP RING, 6 POWER, 2 SIGNAL	1
16	HD121420	PLATE, CONNECTOR MOUNT	1
17	HD121419	PLATE, CONNECTOR MOUNT	1
18	E0000143	SLIP RING, INNER DRIVE DISC, PLATED	1
19	SHSS CN 10-32-0.250	SET SCREW, 10X32UNF X 1/4 LG, CONE END	2
20	N1470 - 257	ORING, 70 DUROMETER 5.875" X 6.125" X 0.125"C/S	2
21	HD141415	RING, ENVIROMENT SEAL SPPRT	1
22	HD050068080-V	ENVIRO SEAL 50mmX68X8 VITON	3
23	HD050065070-V	ENVIRO SEAL 50mmX65X7 VITON	2
24	N1470 - 258	ORING 6.000" x 6.250" x 0.125" c/s	1
25	N1470 - 227	ORING 2.125" x 2.375" x 0.125" c/s	1
26	V1476 - 012	ORING 1/2"X 3/8"X 1/16", VITON	2
27	WH-267	SPIRAL SNAP RING	3
28	WHM-256	SPIRAL SNAP RING	2
29	62057	STEEL BALL 6mm	2
30	62058	THREAD INSERT, 'E-Z' LOK, #8-32UNC-2B, 5/16-18UNC-2A	2
31	62059	SPRING	1
32	22S - S04	#04 ORB ZLG PLUG SH	2
33	22S - S06	#06 ORB ZLG PLUG SH	1

# **WHEELS & TIRES - (S)**



S0120 - 2242200 - S0120 - 2242300 - S0120 - 2242400 S0120 - 2242500 - WHEELS & TIRES



S-00001D 02/24

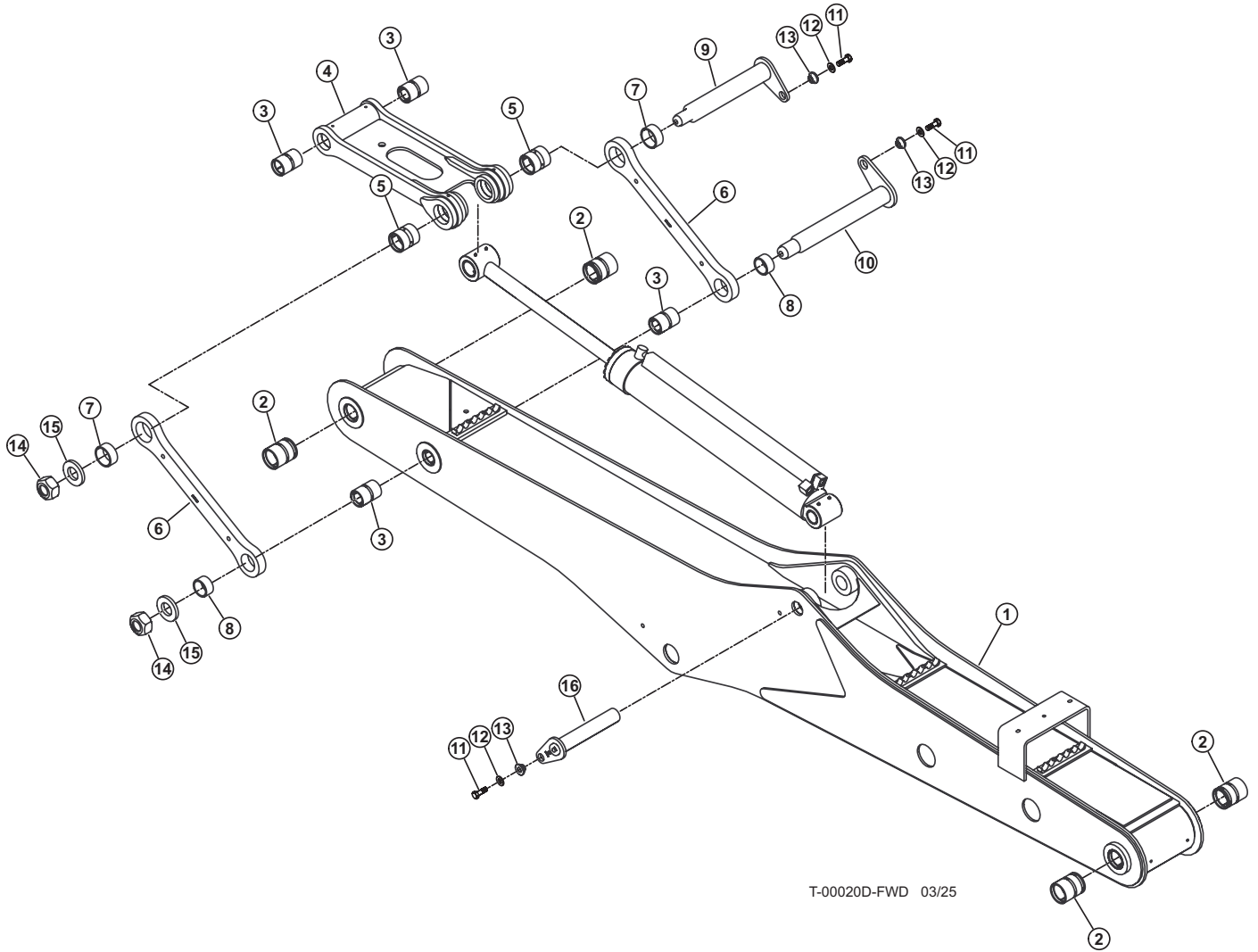
**S0120 - 2242200 - S0120 - 2242300 - S0120 - 2242400 S0120 - 2242500 - WHEELS & TIRES**

<b>Item</b>	<b>Part #</b>	<b>Description</b>	<b>Qty.</b>
1	20006	WHELL ASSY, 710/TRS LH	2
	20007	WHELL ASSY, 710/TRS RH	
	52592	710/TRS TIRE ONLY	
	51778	710/ELS TIRE ONLY	
	19131	710 INNER TUBE	
	21137	RIM ONLY	
	51564	VALVE STEM PLUG	
2	20005-R	WHELL ASSY, 710/ELS RH	2
	20005-L	WHELL ASSY, 710/ELS LH	
	52592	710/TRS TIRE ONLY	
	51778	710/ELS TIRE ONLY	
	19131	710 INNER TUBE	
	21137	RIM ONLY	
	51564	VALVE STEM PLUG	
3	23673-R	WHELL ASSY, 750/TRS RH	2
	23673-L	WHELL ASSY, 750/TRS LH	
	23674	750/TRS TIRE ONLY	
	20312	750/ELS TIRE ONLY	
	20313	750 INNER TUBE	
	21137	RIM ONLY	
	51564	VALVE STEM PLUG	
4	20310-R	WHELL ASSY, 750/ELS RH	2
	20310-L	WHELL ASSY, 750/ELS LH	
	23674	750/TRS TIRE ONLY	
	20312	750/ELS TIRE ONLY	
	20313	750 INNER TUBE	
	21137	RIM ONLY	
	51564	VALVE STEM PLUG	

# **WORK EQUIPMENT - (T)**

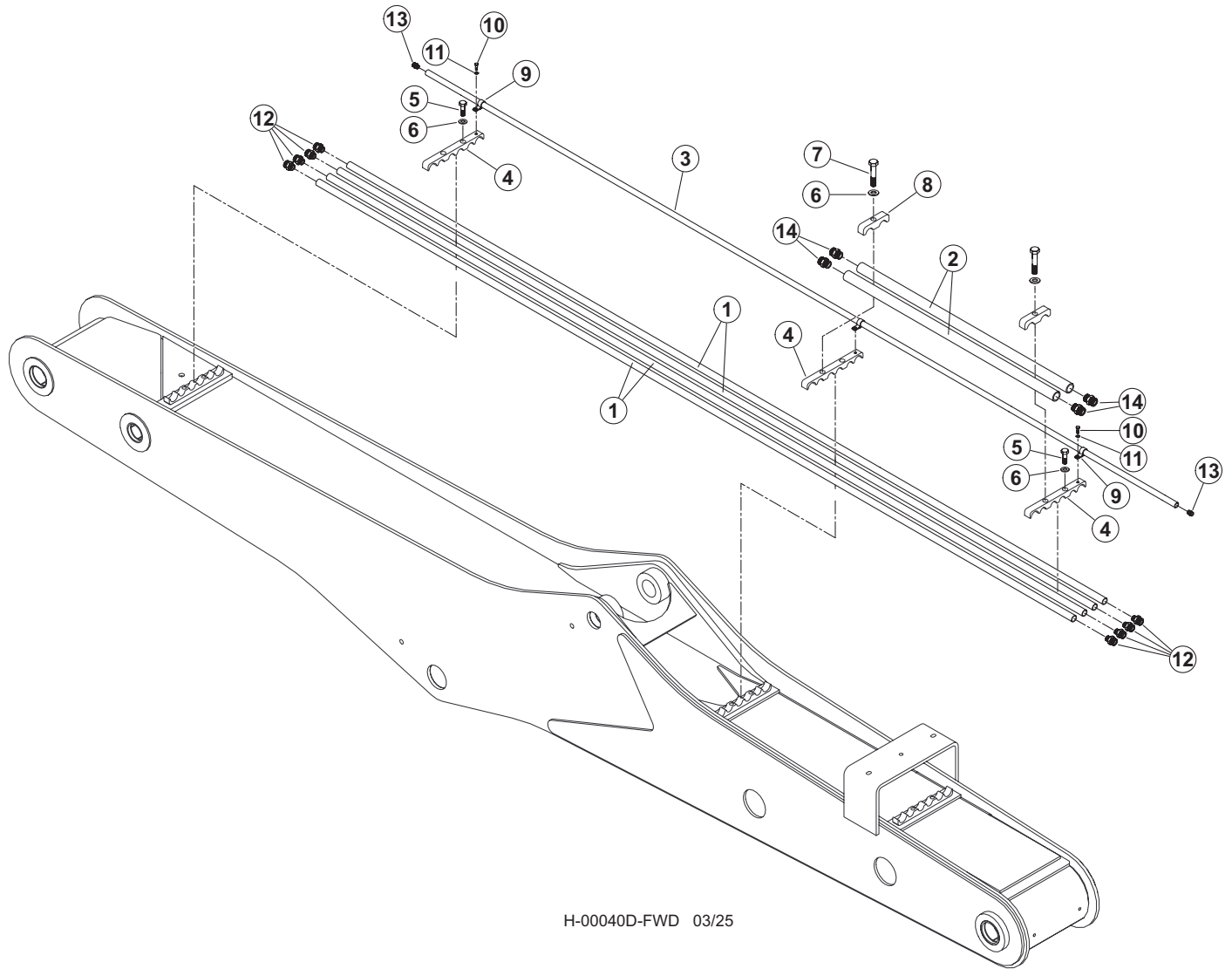


## T1110 - 2246400 - T1120 - 2246500 - MAIN BOOM ASSEMBLY



Item	Part #	Description	Qty.
1	603400	WELDMENT, MAIN BOOM - FWD / PROCESS (D)	1
2	424850	BUSHING - 3.5" X 3" X 4.25" UNDERSIZE	4
3	424820	BUSHING - 3" X 2.5" X 4.25" UNDERSIZE	2
4	463060	LINK, CYLINDER 28.5" W/3" PIN FWD STICK	1
5	463120	BUSHING, 3.00 ID, 3.5 OD, 3.75 LONG	2
6	46304	PLATE, 4 BAR LINK FWD BOOM - 3" PIN	2
7	19129	BUSHING - 3" X 1.5" (FORWARDER PIVOT)	2
8	42481	BUSHING - 3" X 2.5" X 1.5" UNDERSIZE	2
9	46303	PIN, 4 BAR LINK FWD BOOM W/3 INCH PIN	1
10	52721	PIN ASSEMBLY, 2.49 DIA X 20.13 (2" NUT)	1
11	15549	BOLT - .75" X 2.0	3
12	15550	WASHER, SAE FLAT - .75"	3
13	18570	WASHER, PIN RETAINING (BRAATZ)	3
14	10728	NUT, NYLOCK - 2" (ZINC PLATED)	2
15	12021	WASHER, BURNED	2
16	51643	PIN ASSEMBLY, 2.49 DIA X 13.88"	1

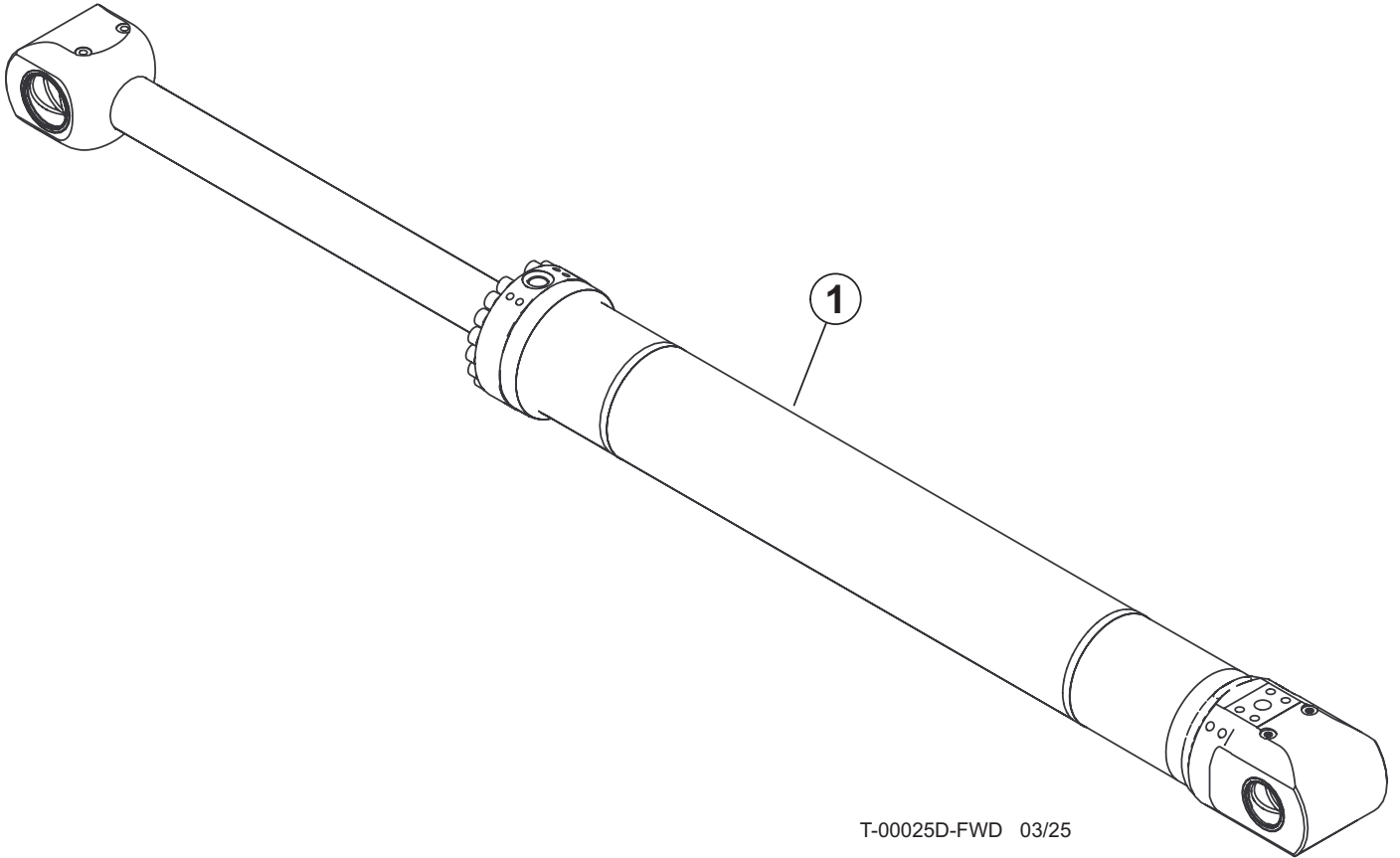
## H0130 - 2249200 - MAIN BOOM COMPONENTS - STANDARD HYDRAULICS



H-00040D-FWD 03/25

Item	Part #	Description	Qty.
	57397	KIT, FITTING - FWD STANDARD MAIN	
1	46953	TUBELINE - .5" X 142"	4
2	40955	TUBELINE - .75" X 39"	2
3	46954	TUBELINE - 3/8" X 142"	1
4	42236	CLAMP, MAIN BOOM FORWARDER DRILLED	3
5	15226	BOLT - .625" X 2"	3
6	10771	WASHER, SAE FLAT - .625"	6
7	10719	BOLT - .625" X 4"	2
8	12447	CLAMP, SADDLE TOP TUBE - 1" & 1"	2
9	53265	CLAMP, CUSHIONED LOOP - 5/8" (BOOM)	3
10	23264	BOLT - .25" X .5"	3
11	10757	WASHER, SAE FLAT - .25"	3
12	51880	CONNECTOR, STR - (10-8 F50L0-S)	8
13	51878	CONNECTOR, STR - MALE PIPE (6-6 FLO-S)	2
14	18406	CONNECTOR, STR - FF1852T-1612S	4

# T1140 - 2246600 - STICK BOOM CYLINDER - 5.5"

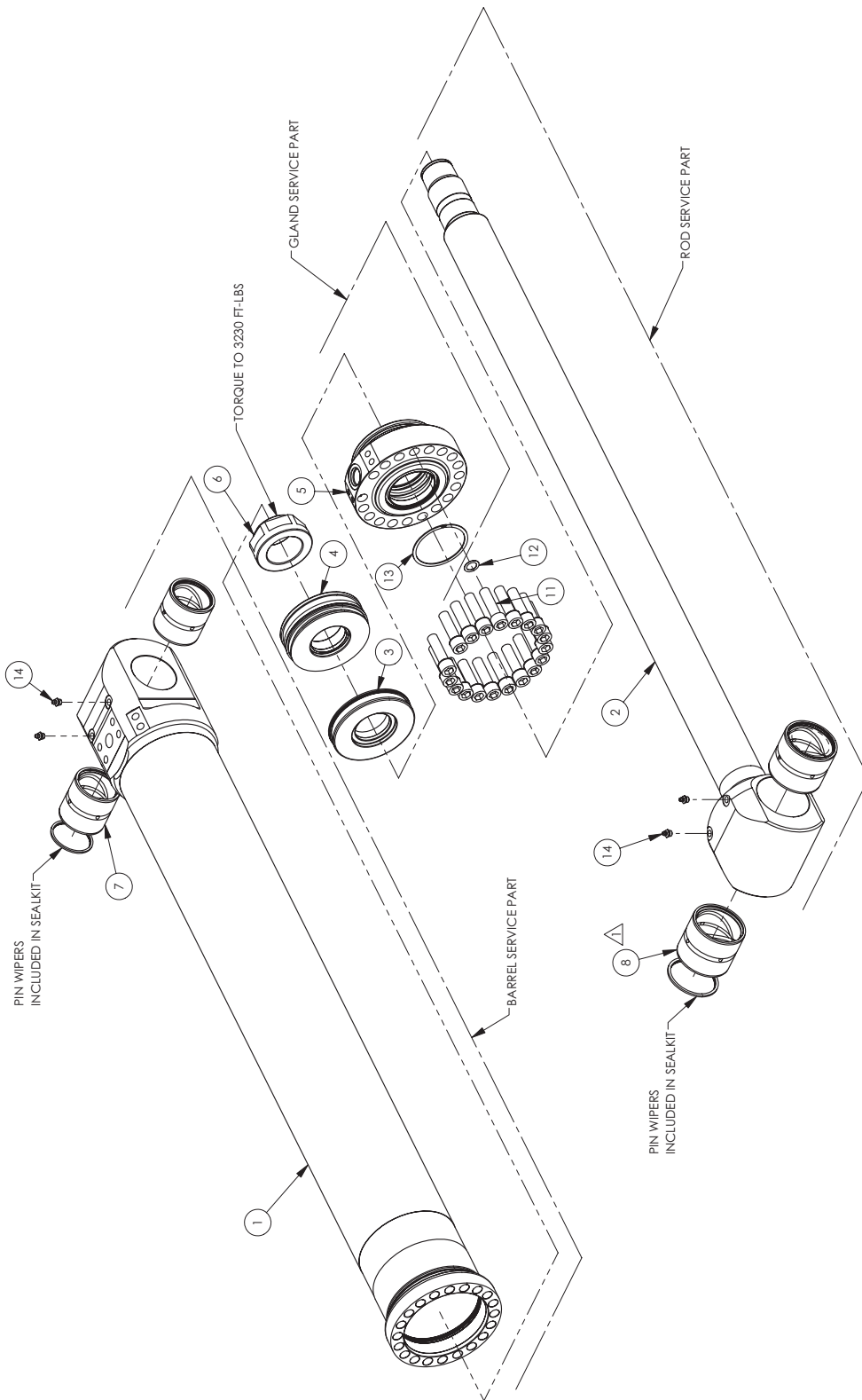


T-00025D-FWD 03/25

<b>Item</b>	<b>Part #</b>	<b>Description</b>	<b>Qty.</b>
1	57794	CYLINDER, STICK - FWD 4/BAR (5.5" X 45")	1



# T1140 - 2246600-SP - STICK BOOM CYLINDER - 5.5"

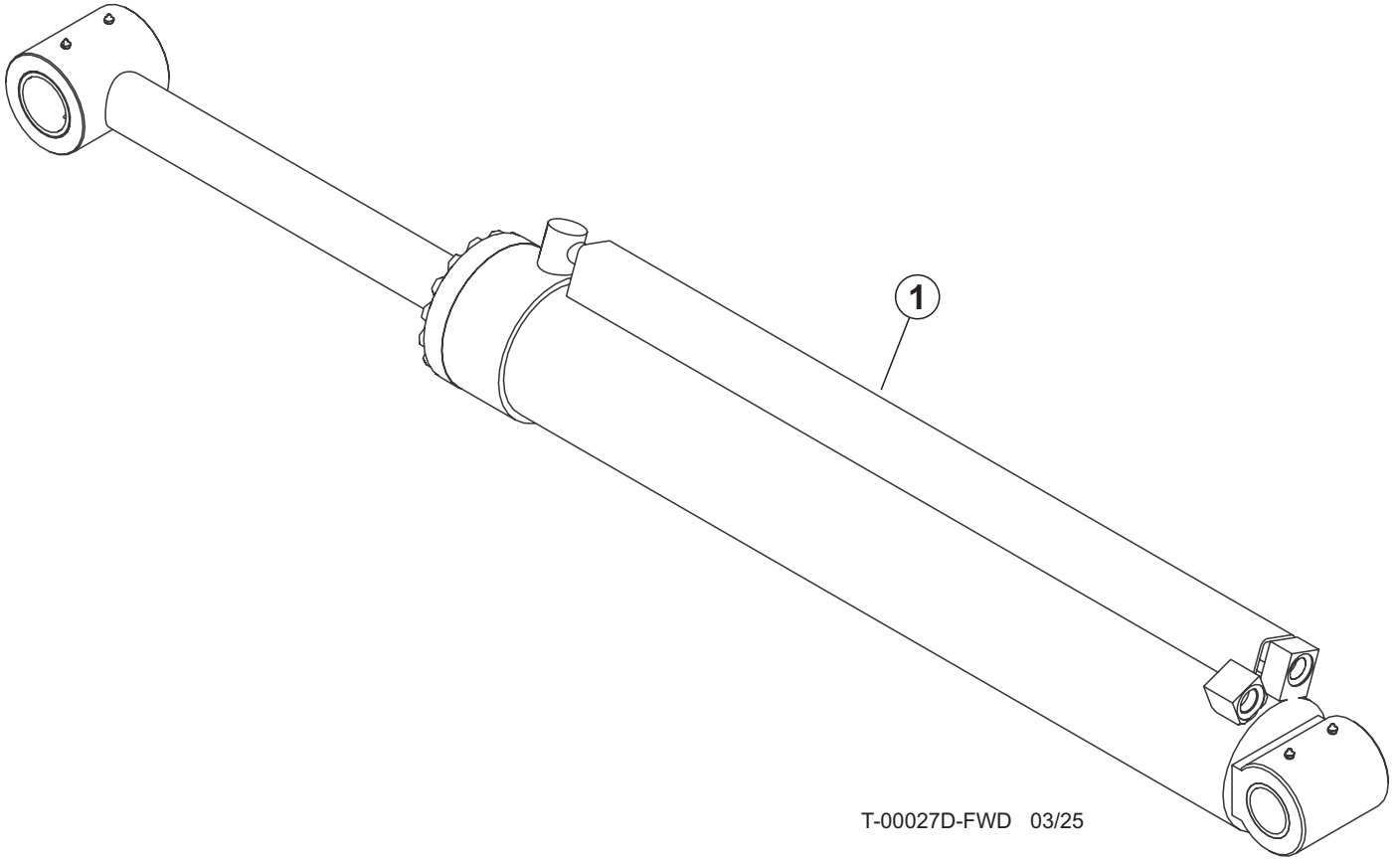


T-00026D-FWD 03/25

## T1140 - 2246600-SP - STICK BOOM CYLINDER - 5.5"

<b>Item</b>	<b>Part #</b>	<b>Description</b>	<b>Qty.</b>
1	TP550100	BARREL	1
2	TP550105	ROD ASSEMBLY	1
3	TC550219	FRONT PISTON	1
4	TI550510	REAR PISTON	1
5	TP550108	GLAND	1
6	58333	LOCKNUT	1
7	62071	BUSHING	2
8	62071	BUSHING	2
9	NA	STEEL BALL	1
10	TI275212	PLUG	1
11	SEE DESCRIPTION	BOLT, SHCS M16 X 60	19
12	HD002049	FLAT WASHER	19
13	WH-356	SPIRAL SNAP RING	1
14	SEE DESCRIPTION	GREASE FITTING, 1/8" STR	4
15	62129	SEAL KIT	1

# T1140 - 2246700 - STICK BOOM CYLINDER - 6.0"

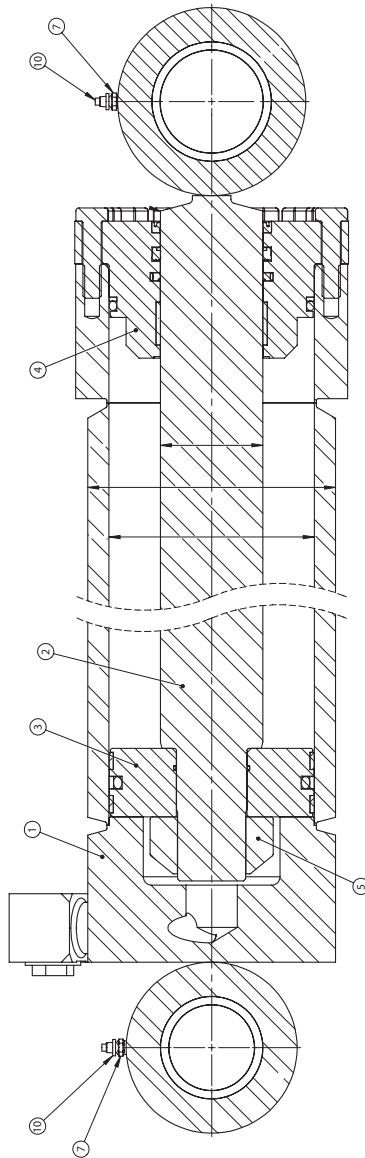
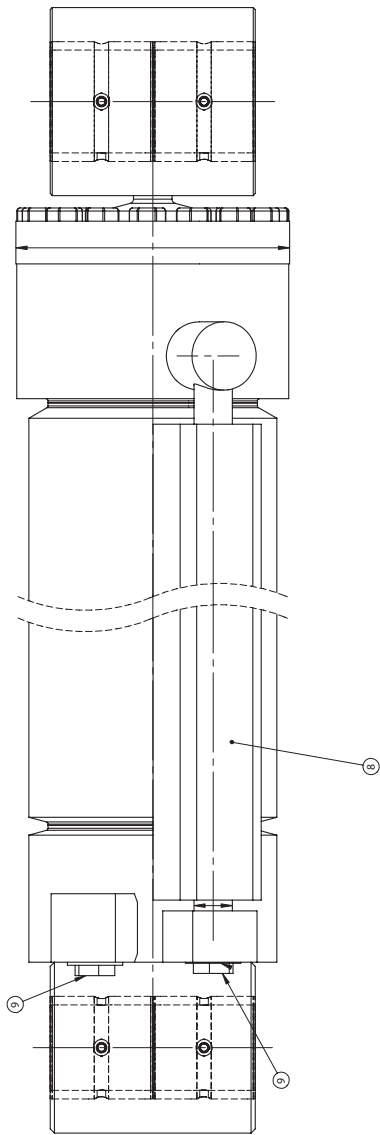
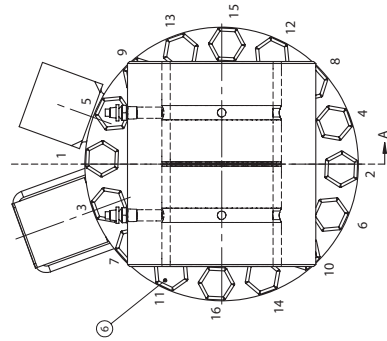
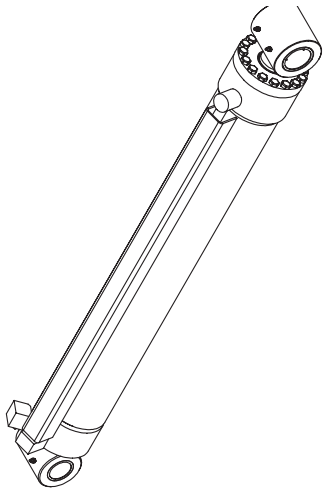


T-00027D-FWD 03/25

<b>Item</b>	<b>Part #</b>	<b>Description</b>	<b>Qty.</b>
1	55201	CYLINDER, STICK - FWD 4/BAR (6.0"/3"PIN)	1



# T1140 - 2246700-SP - STICK BOOM CYLINDER - 6.0"

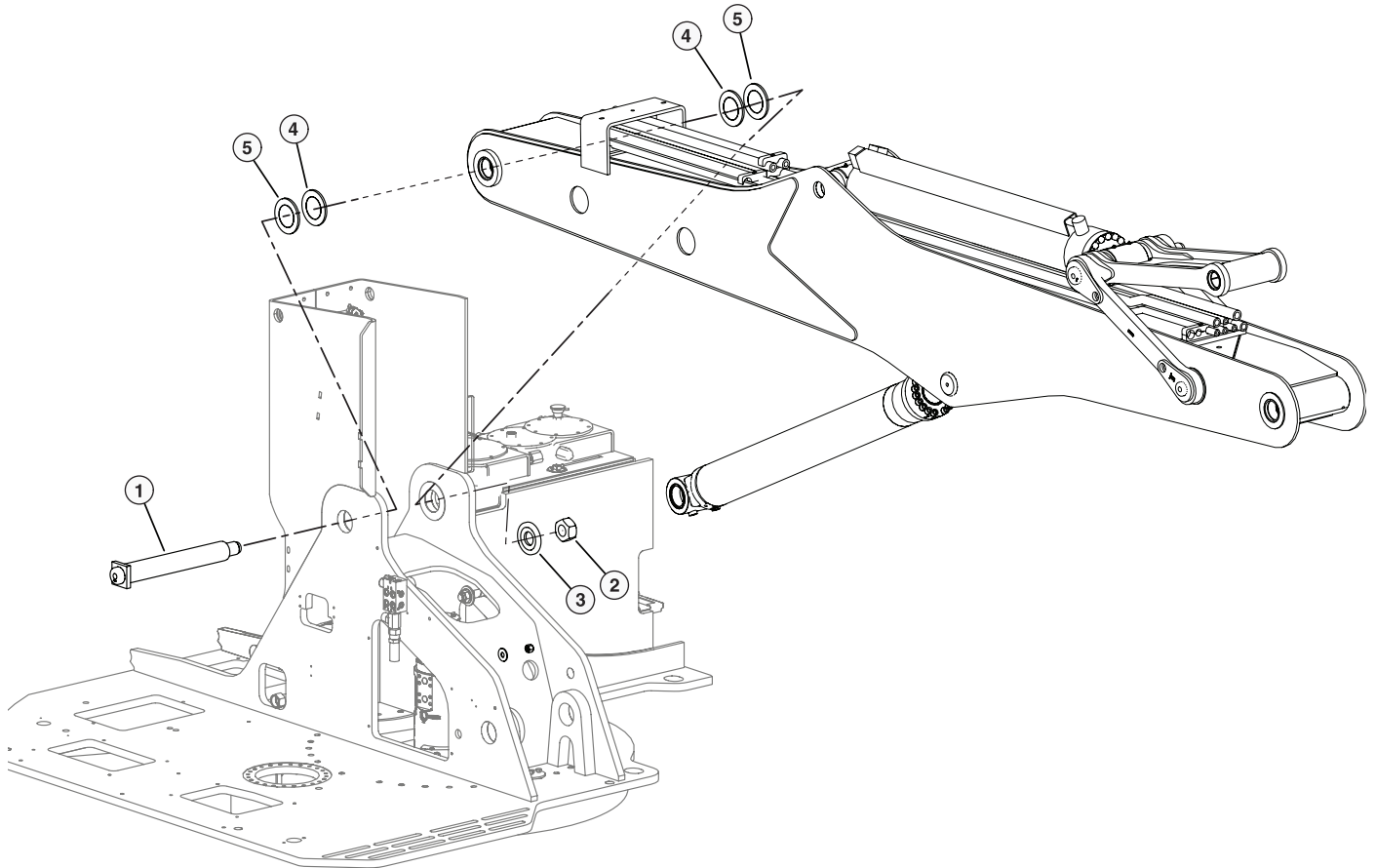


## T1140 - 2246700-SP - STICK BOOM CYLINDER - 6.0"

<b>Item</b>	<b>Part #</b>	<b>Description</b>	<b>Qty.</b>
1	203454B	BARREL	1
2	302728B	ROD ASSEMBLY	1
3	401042B	PISTON ASSEMBLY	1
4	55223	ROD BEARIING	1
5	15287	LOCK NUT	1
6	711001A	BOLT	16
7	717000A	GREASE FITTING	4
8	290798A	GUARD	1
*	52804	SEAL KIT	1

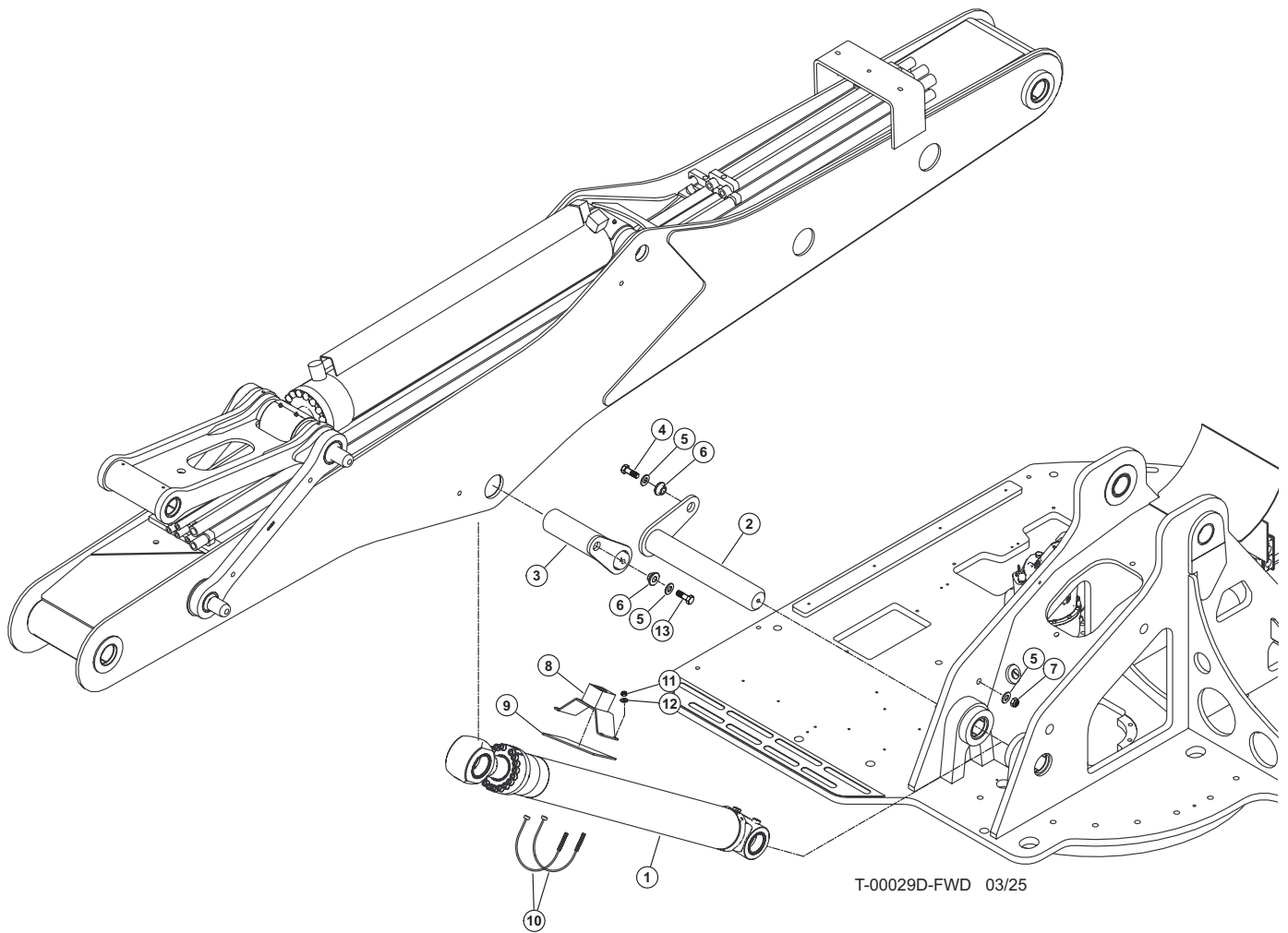
\*MEANS NOT SHOWN

## T1110 - 2246400 - MAIN BOOM ASSEMBLY



Item	Part #	Description	Qty.
1	54679	PIN ASSEMBLY, 2.99 DIA X 24.63"	1
2	10728	NUT, NYLOCK - 2" (ZINC PLATED)	1
3	60758	WASHER, BURNED - HARDENED-MAIN BOOM PIN	1
4	47260	SHIM, BOOM PIVOT - .059	AR
5	47261	SHIM, BOOM PIVOT - .047	AR
*	687400	SHIM - 3.75"ID X 5.94"OD X .075"THK	AR

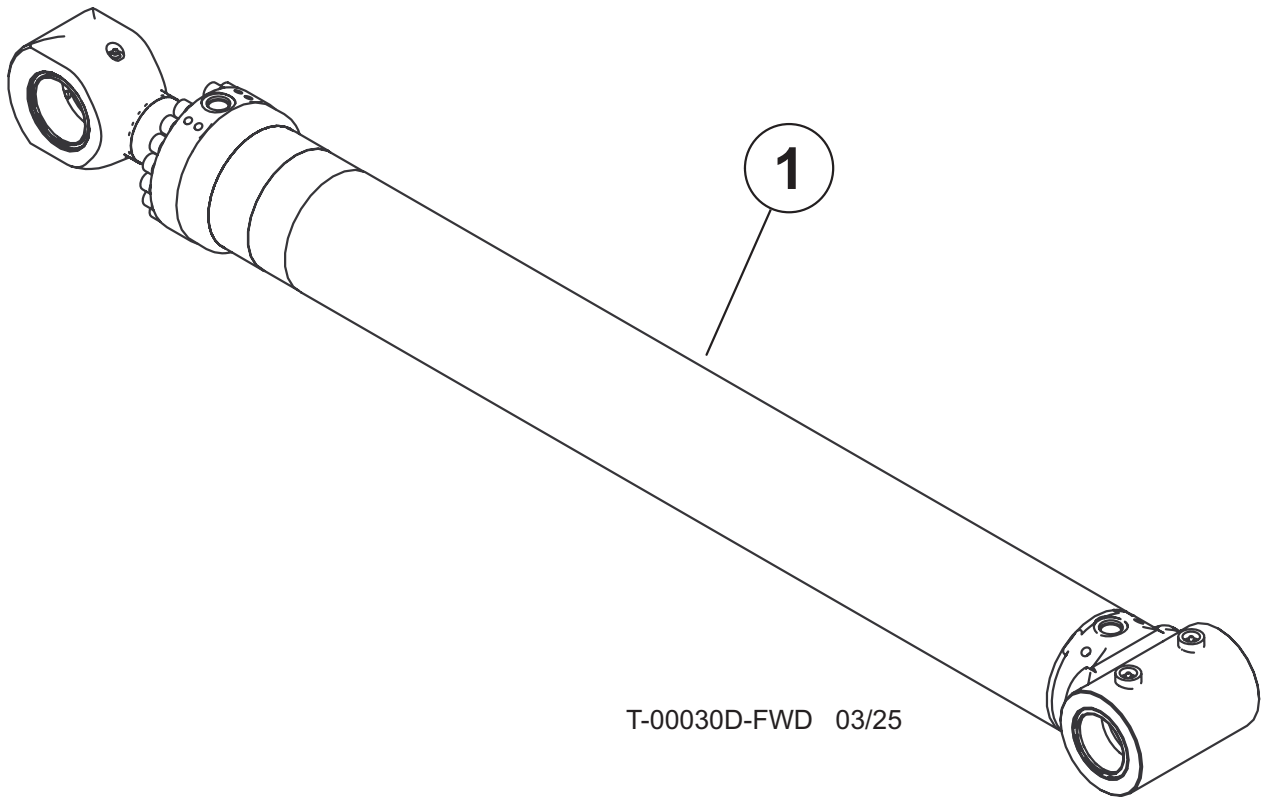
## T1120 - 2246500 - MAIN CYLINDER INSTALLATION



Item	Part #	Description	Qty.
1	57864	CYLINDER, MAIN - FWD 830 (5.5" / 54.0")	1
2	60297	PIN ASSY, 80MM X 19.00" - BASE MAIN CYL	1
3	60512	PIN ASSY, 90MM X 14.00" FWD D SERIES	1
4	10841	BOLT - .75" X 3.5"	1
5	15550	WASHER, SAE FLAT - .75"	3
6	18570	WASHER, PIN RETAINING (BRAATZ)	2
7	10817	NUT, LOCK - .75"	1
8	60435	WELDMENT, CYL BARREL CLAMP/BLOCK	1
9	60653	RUBBER, CYL MANIFOLD MOUNT	1
10	57919	CABLE, CYLINDER - 17", 725-755, 830-840	2
*	55411	HOSE - 3/8" (NOT SHOWN)	AR
11	55262	NUT, NYLON INSERT LOCK, 3/8-24	4
12	15528	WASHER, SAE FLAT - .375"	4
13	15549	BOLT - .75" X 2.0	1

\*MEANS NOT SHOWN

# T1120 - 2246500 - MAIN CYLINDER

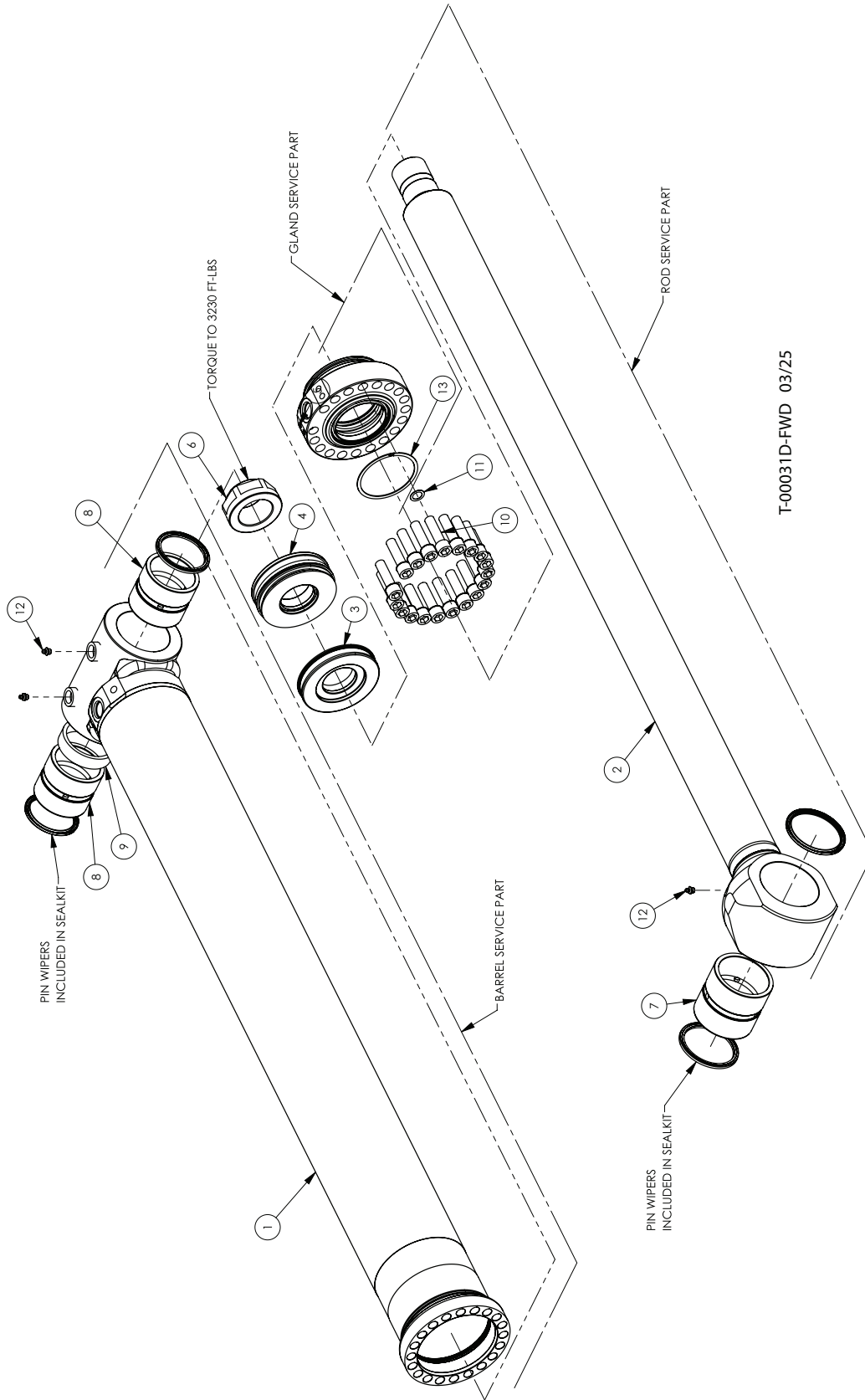


T-00030D-FWD 03/25

<u>Item</u>	<u>Part #</u>	<u>Description</u>	<u>Qty.</u>
1	57864	CYLINDER, MAIN - FWD 830 (5.5" / 54.0")	1



# T1120 - 2246500-SP - MAIN BOOM CYLINDER



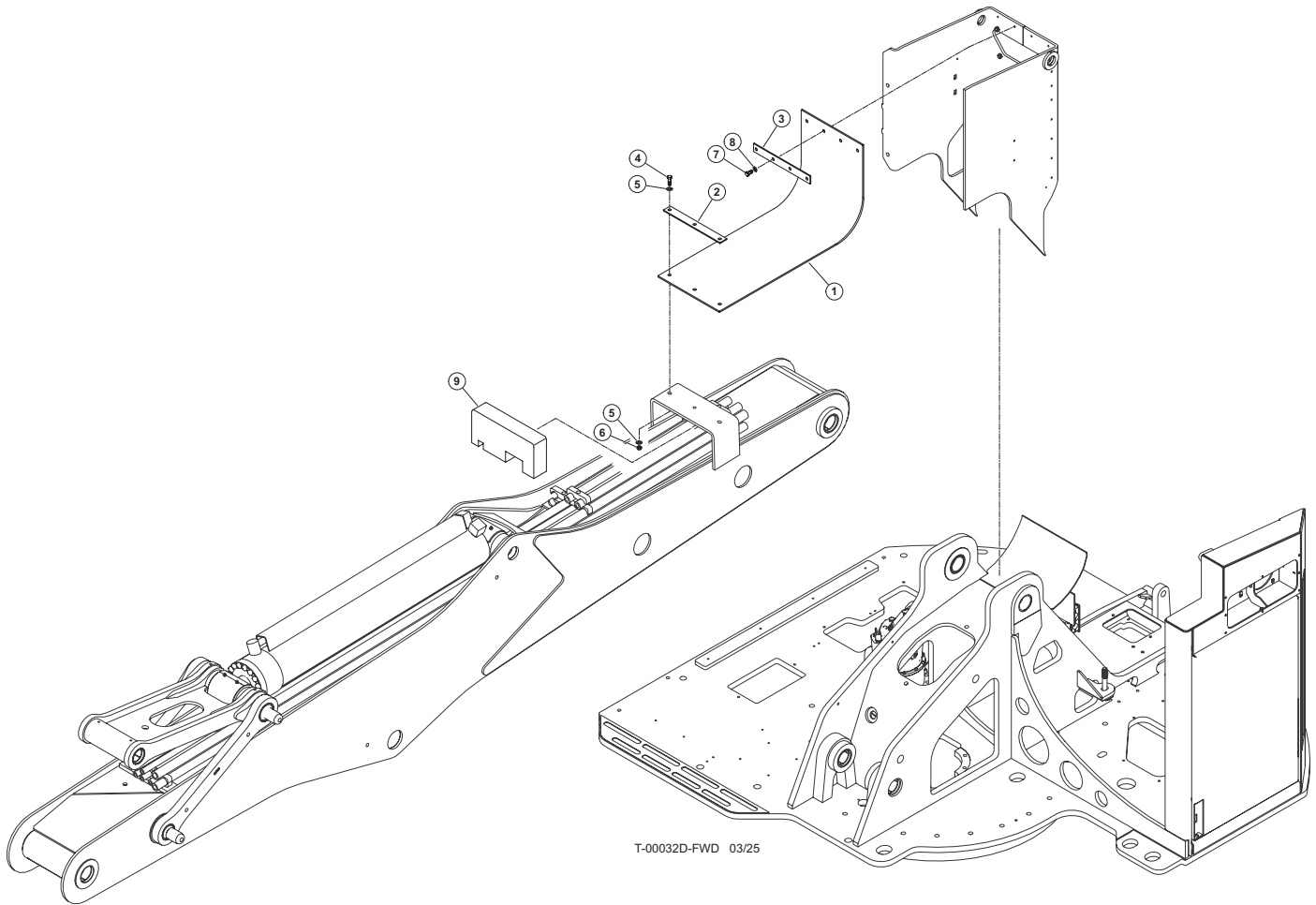
T-00031D-FWD 03/25

## T1120 - 2246500-SP - MAIN BOOM CYLINDER

<u>Item</u>	<u>Part #</u>	<u>Description</u>	<u>Qty.</u>
1	TP550300	BARREL	1
2	TP550305	ROD ASSEMBLY	1
3	TP550209	FRONT PISTON	1
4	TI550510	REAR PISTON	1
5	TP550208	GLAND	1
6	58333	LOCK NUT	1
7	62066	BUSHING	1
8	62067	BUSHING	2
9	54517	BUSHING SPACER	1
10	SEE DESCRIPTION	BOLT, SHCS METRIC G12.9	19
11	HD002049	FLAT WASHER	19
12	SEE DESCRIPTION	GREASE FITTING, 1/8" NPT	3
13	WH-412	SPIRAL SNAP RING	1
*	62006	SEAL KIT	1

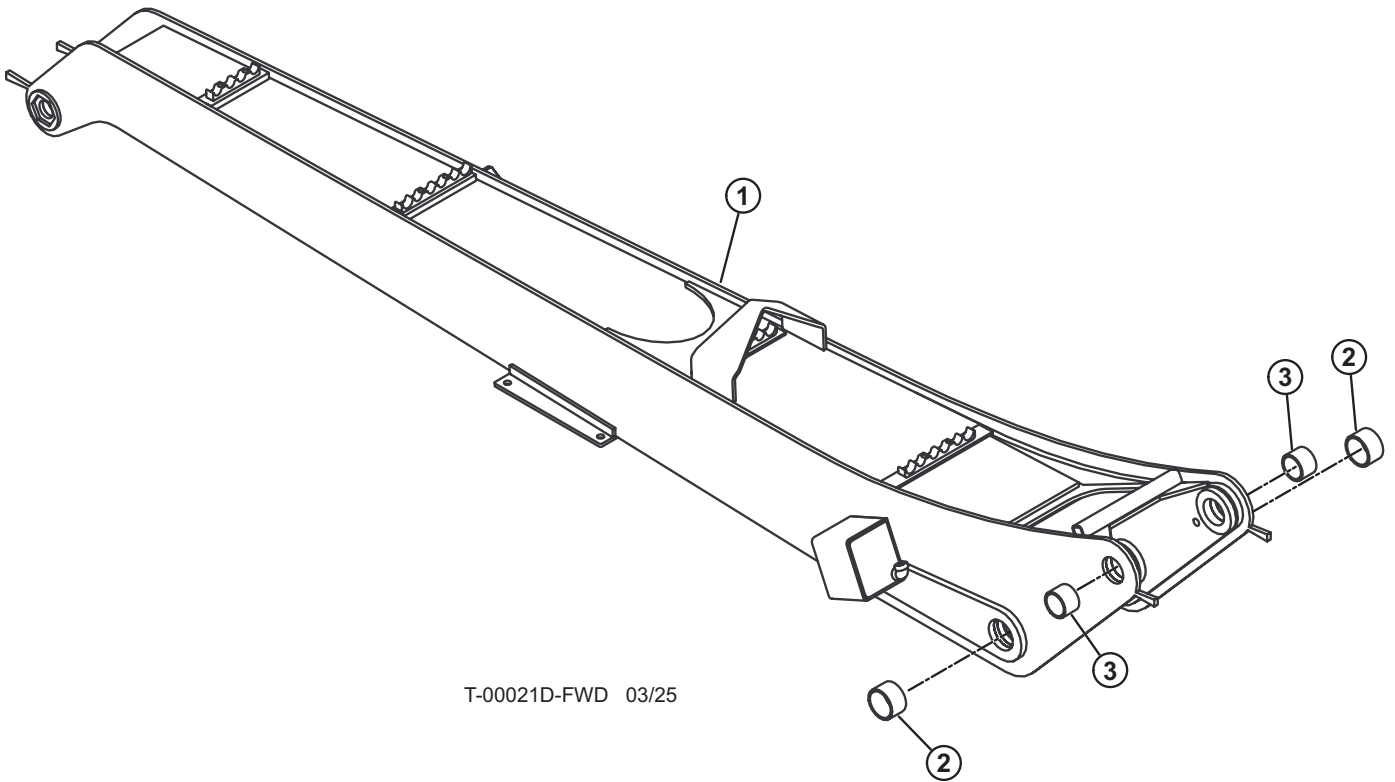
\*MEANS NOT SHOWN

## T1110 - 2246400 - MAIN BOOM DEBRIS DEFLECTOR



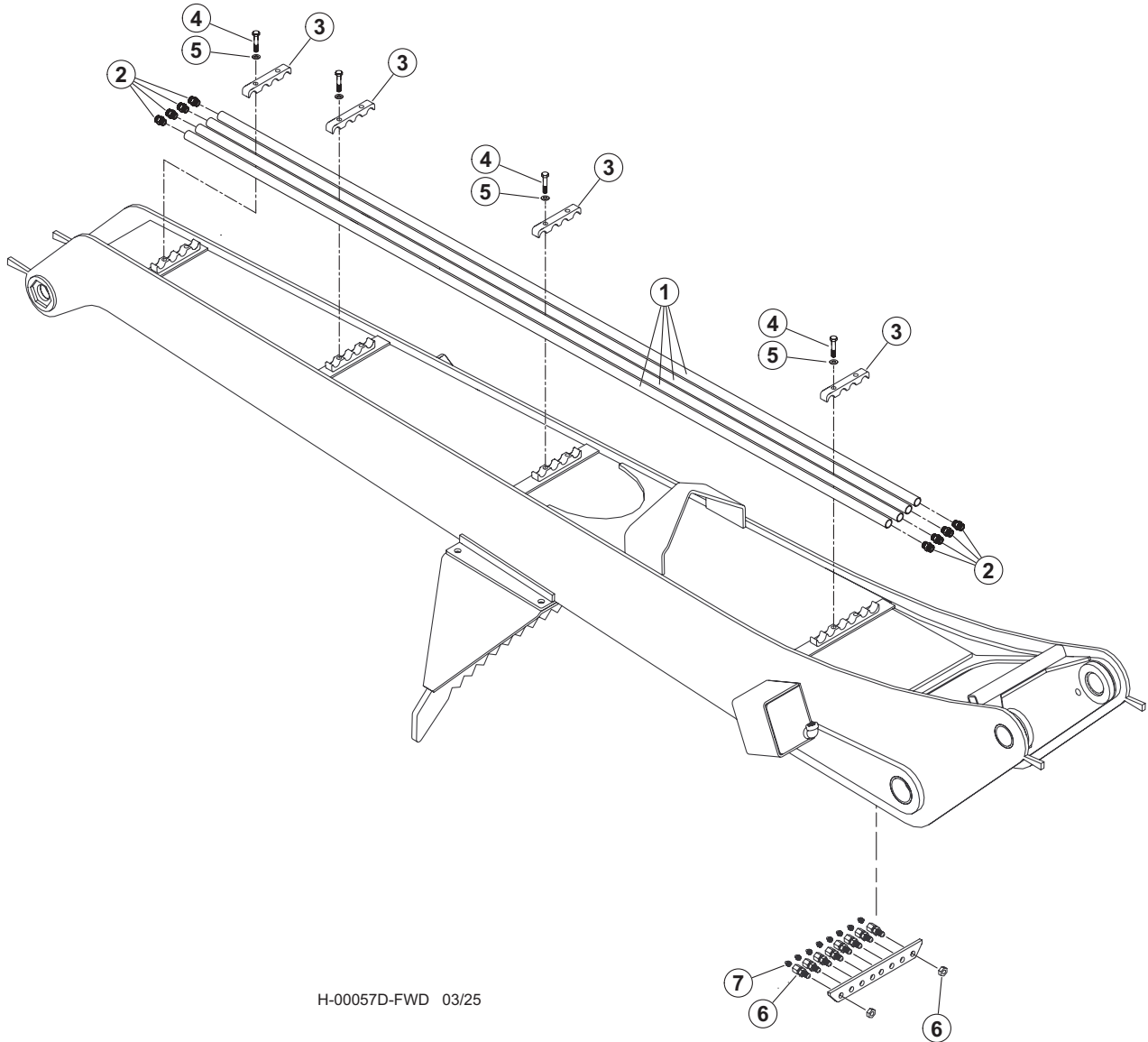
<b>Item</b>	<b>Part #</b>	<b>Description</b>	<b>Qty.</b>
1	58062	RUBBER, WHEELED BOOM COVER D	1
2	46992	BAR, RUBBER - BOOM	1
3	60349	PLATE, RUBBER HOLD DOWN CHIMNEY	1
4	10731	BOLT - .375" X 1.5"	3
5	10802	WASHER, FLAT - .375"	6
6	10813	NUT, LOCK - .375"	3
7	10402	BOLT - .375" X 1.25"	4
8	15528	WASHER, SAE FLAT - .375"	4
9	54478	FOAM, BLOCK FORWARDER BOOM END	1

## T1200 - 2248300 - FIXED STICK BOOM ASSEMBLY



Item	Part #	Description	Qty.
1	54853	WELDMENT, STICK BOOM	1
2	42484	BUSHING - 3.5" X 3.0" X 2.0" UNDERSIZE	2
3	42515	BUSHING - 3" X 2.5" X 2.0" UNDERSIZE	2

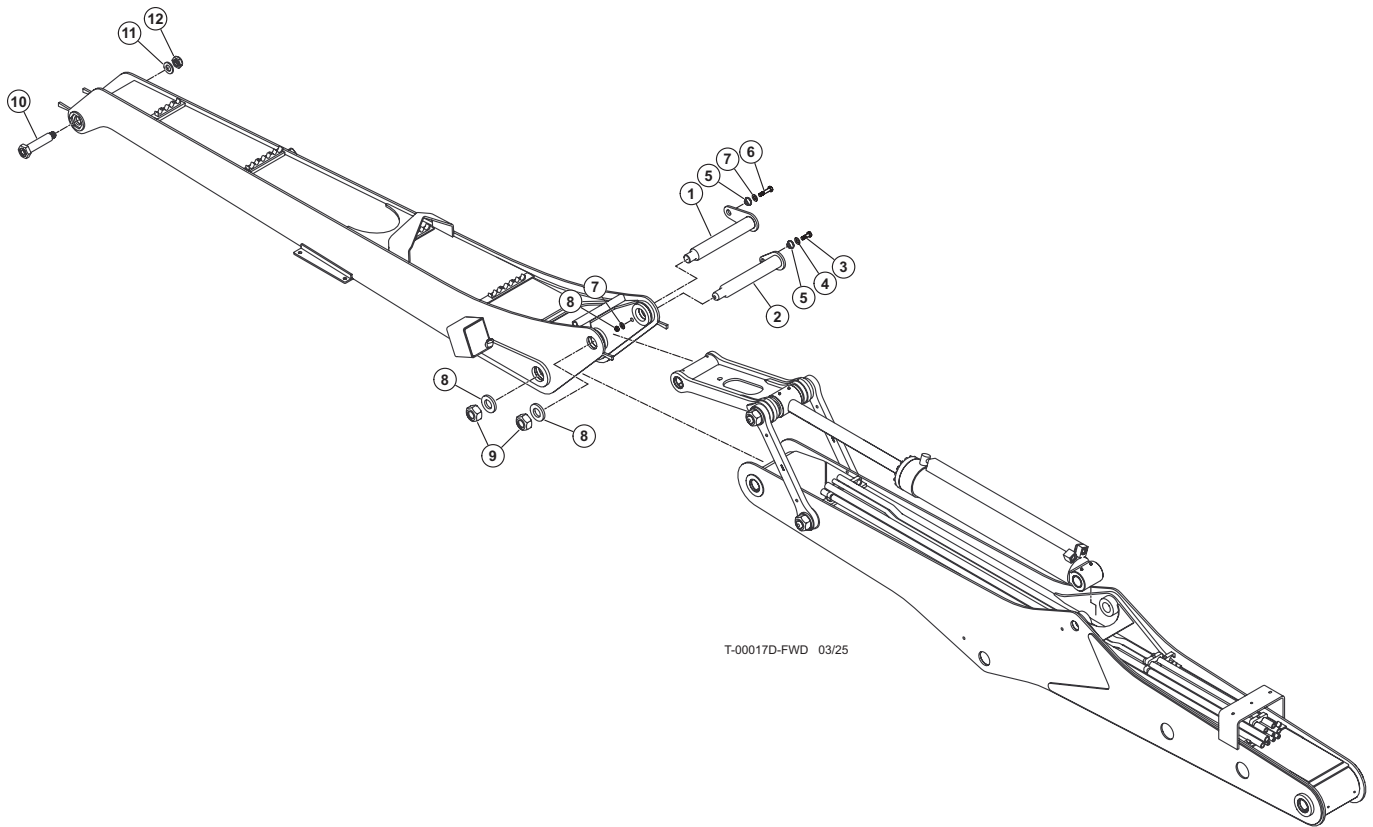
# H0130 - 2249200 - FIXED STICK BOOM COMPONENTS - STANDARD HYDRAULICS



H-00057D-FWD 03/25

Item	Part #	Description	Qty.
1	51815	TUBELINE - .5" X 108" (STICK BOOM)	4
2	15117	CONNECTOR, STR - FF1852T-0808S	8
3	46973	CLAMP, SADDLE - DRILLED - 1/2" X 4	4
4	15526	BOLT - .625" X 2"	8
5	10771	WASHER, SAE FLAT - .625"	8
6	15658	CONNECTOR, STR BULKHEAD - 2239-2-4S	8
7	10704	FITTING, GREASE - .125 NPT - STR	8

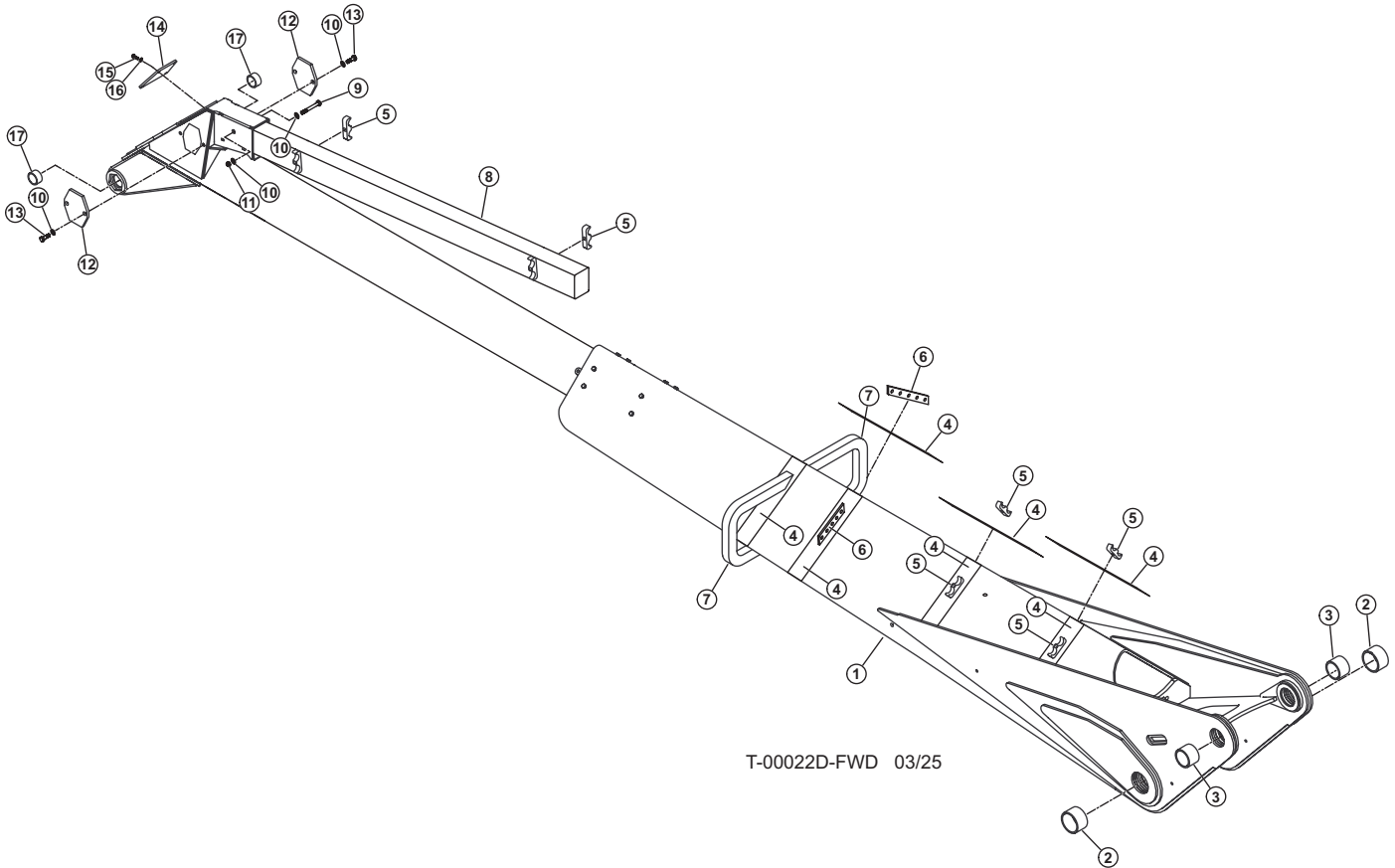
## T1215 - 2248500 - FIXED STICK BOOM INSTALLATION



T-00017D-FWD 03/25

Item	Part #	Description	Qty.
1	65625	PIN WELDMENT, 2.99 DIA X 22.06 (2" NUT)	1
2	52721	PIN ASSEMBLY, 2.49 DIA X 20.13 (2" NUT)	1
3	15549	BOLT - .75" X 2.0	1
4	15550	WASHER, SAE FLAT - .75"	1
5	18570	WASHER, PIN RETAINING (BRAATZ)	2
6	10841	BOLT - .75" X 3.5"	1
7	50464	WASHER, SAE FLAT - .75" (EXTRA THICK)	2
8	10817	NUT, LOCK - .75"	2
9	10728	NUT, NYLOCK - 2" (ZINC PLATED)	2
10	53720	PIN, ASSEMBLY - 2.00" X 10.88"(1.5 THRD)	1
11	19613	WASHER, SAE FLAT - 1.5" (EXTRA THICK)	1
12	20811	NUT, NYLOCK - 1.5" NF (JAM)	1

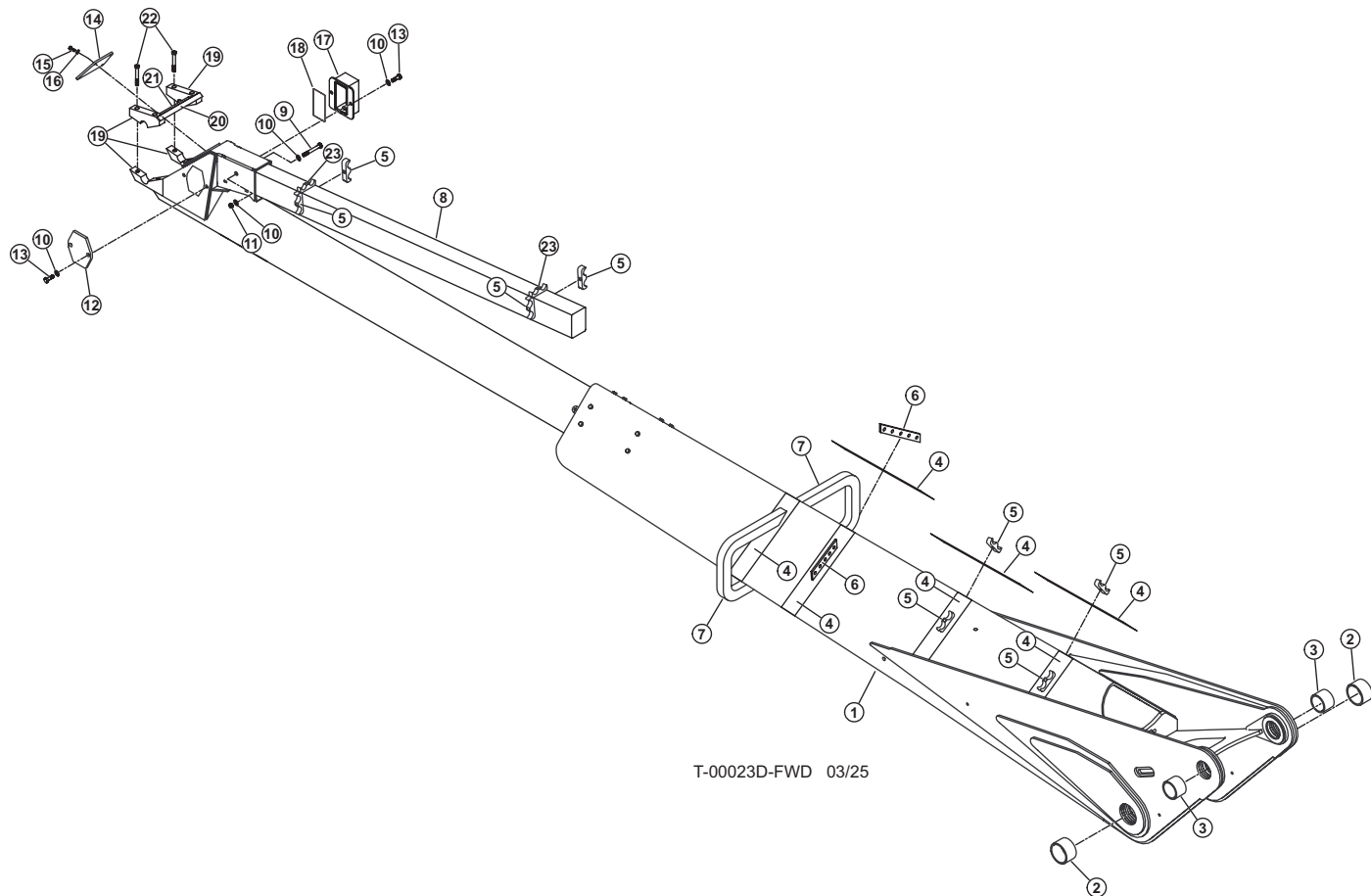
## T1200 - 2248400 - STANDARD SQUIRT BOOM ASSEMBLY



T-00022D-FWD 03/25

Item	Part #	Description	Qty.
1	52087	STICK BOOM,SQUIRT 4-BarHD 8" (2in Pin)	1
2	42484	BUSHING - 3.5" X 3.0" X 2.0" UNDERSIZE	2
3	42515	BUSHING - 3" X 2.5" X 2.0" UNDERSIZE	2
4	42869	BAR, BOOM TOP	6
5	12266	CLAMP, SADDLE TUBE - .5" X .5" (TAPPED)	4
6	60081	BAR, GREASE FITTING	2
7	40710	GUIDE, HOSE	2
8	52871	TUBE, STINGER UPPER SQUIRT BOOM MOUNT	1
9	10835	BOLT - .5" X 4.5"	1
10	15534	WASHER, SAE FLAT - .5"	6
11	10815	NUT, LOCK - .5"	1
12	42199	COVER. ELECTRICAL	2
13	10739	BOLT - .5" X 1.5"	4
14	40703	COVER, FRONT PLATE	1
15	15576	BOLT - .25" X 1"	2
16	10757	WASHER, SAE FLAT - .25"	2
17	53836	BUSHING - 2" X 1.31"	2

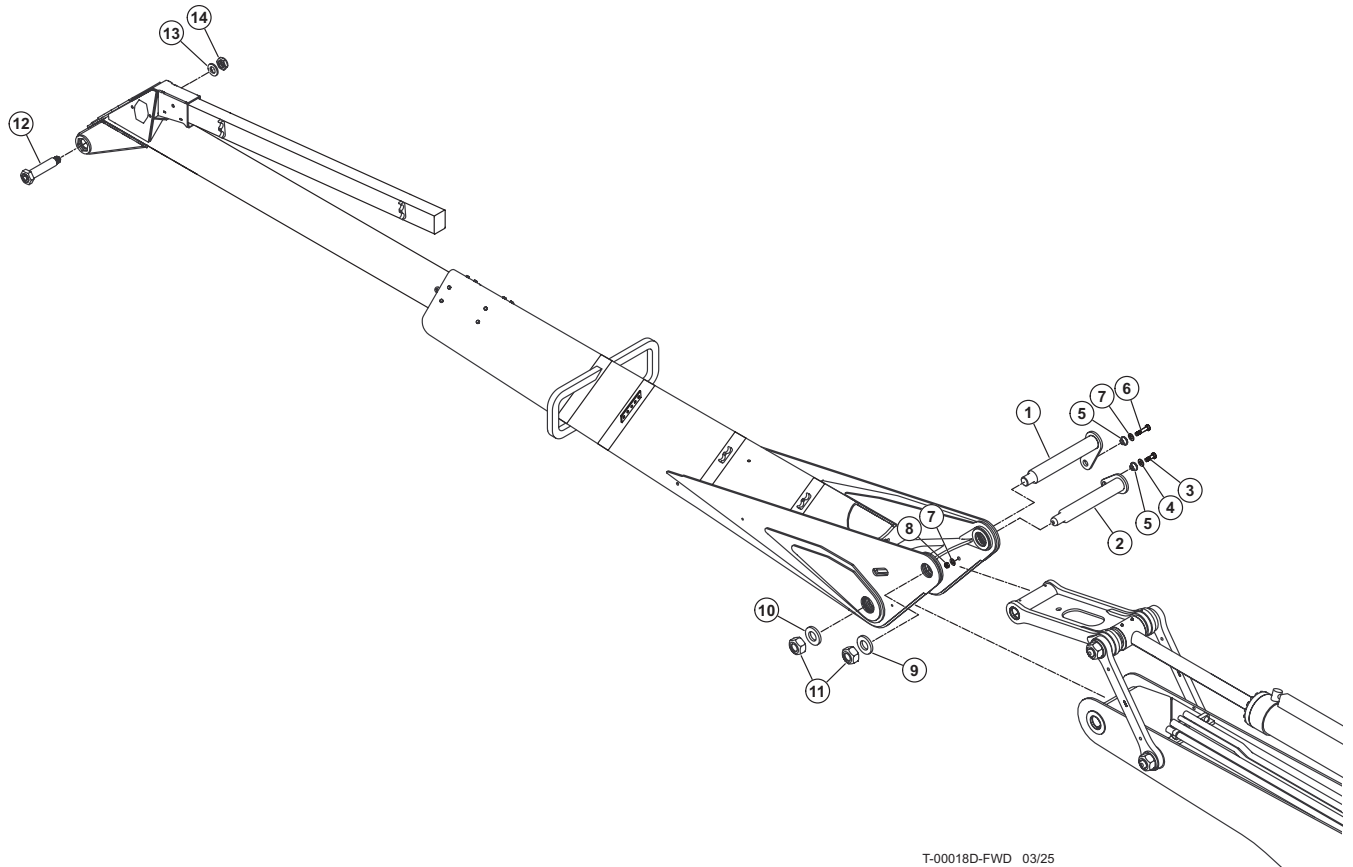
# T1200 - 2249900 - QUICK ATTACH SQUIRT BOOM ASSEMBLY - COMBO HYDRAULICS



T-00023D-FWD 03/25

Item	Part #	Description	Qty.
1	40689	STICK BOOM,SQUIRT - QUICK ATTACH	1
2	42484	BUSHING - 3.5" X 3.0" X 2.0" UNDERSIZE	2
3	42515	BUSHING - 3" X 2.5" X 2.0" UNDERSIZE	2
4	42869	BAR, BOOM TOP	6
5	12266	CLAMP, SADDLE TUBE - .5" X .5" (TAPPED)	8
6	60081	BAR, GREASE FITTING	2
7	40710	GUIDE, HOSE	2
8	52871	TUBE, STINGER UPPER SQUIRT BOOM MOUNT	1
9	10835	BOLT - .5" X 4.5"	1
10	15534	WASHER, SAE FLAT - .5"	6
11	10815	NUT, LOCK - .5"	1
12	42199	COVER. ELECTRICAL	1
13	10739	BOLT - .5" X 1.5"	4
14	40703	COVER, FRONT PLATE	1
15	15576	BOLT - .25" X 1"	2
16	10757	WASHER, SAE FLAT - .25"	2
17	40681	COVER, ELECTRICAL CONNECTOR - COMBO	1
18	21548	O-RING	1
19	80669	BURNING, QUICK CHANGE - RH MOUNT	1
20	40687	BAR, TOP	1
21	40688	BAR, SPACER	1
22	51218	BOLT, ALLEN HEAD - .875" X 3.5"	4
23	14115	CLAMP, SADDLE TUBE 1"X1" (TAPPED)	2

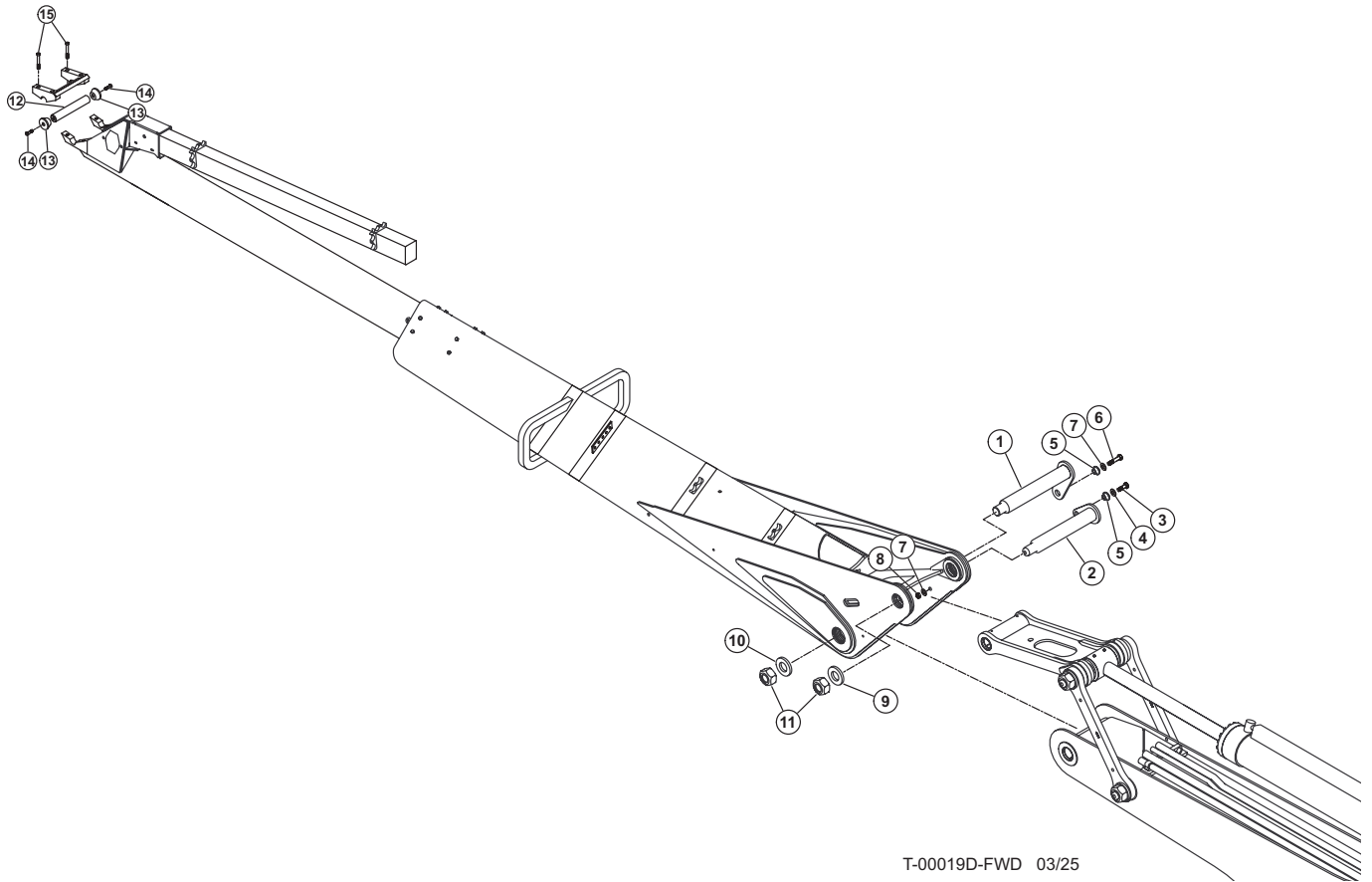
## T1215 - 2248600 - STANDARD SQUIRT BOOM INSTALLATION



T-00018D-FWD 03/25

Item	Part #	Description	Qty.
1	51440	PIN ASSEMBLY, 2.99 DIA X 21.5 (2" NUT)	1
2	42245	PIN ASSEMBLY, 2.49 DIA X 19.13 (2" NUT)	1
3	15549	BOLT - .75" X 2.0	1
4	15550	WASHER, SAE FLAT - .75"	1
5	18570	WASHER, PIN RETAINING (BRAATZ)	2
6	10841	BOLT - .75" X 3.5"	1
7	50464	WASHER, SAE FLAT - .75" (EXTRA THICK)	2
8	19384	WASHER, BURNED - 2.12" ID X 5" OD X .5"	1
9	12021	WASHER, BURNED	1
10	10728	NUT, NYLOCK - 2" (ZINC PLATED)	2
11	53720	PIN, ASSEMBLY - 2.00" X 10.88" (1.5 THRD)	1
12	19613	WASHER, SAE FLAT - 1.5" (EXTRA THICK)	1
13	20811	NUT, NYLOCK - 1.5" NF (JAM)	1

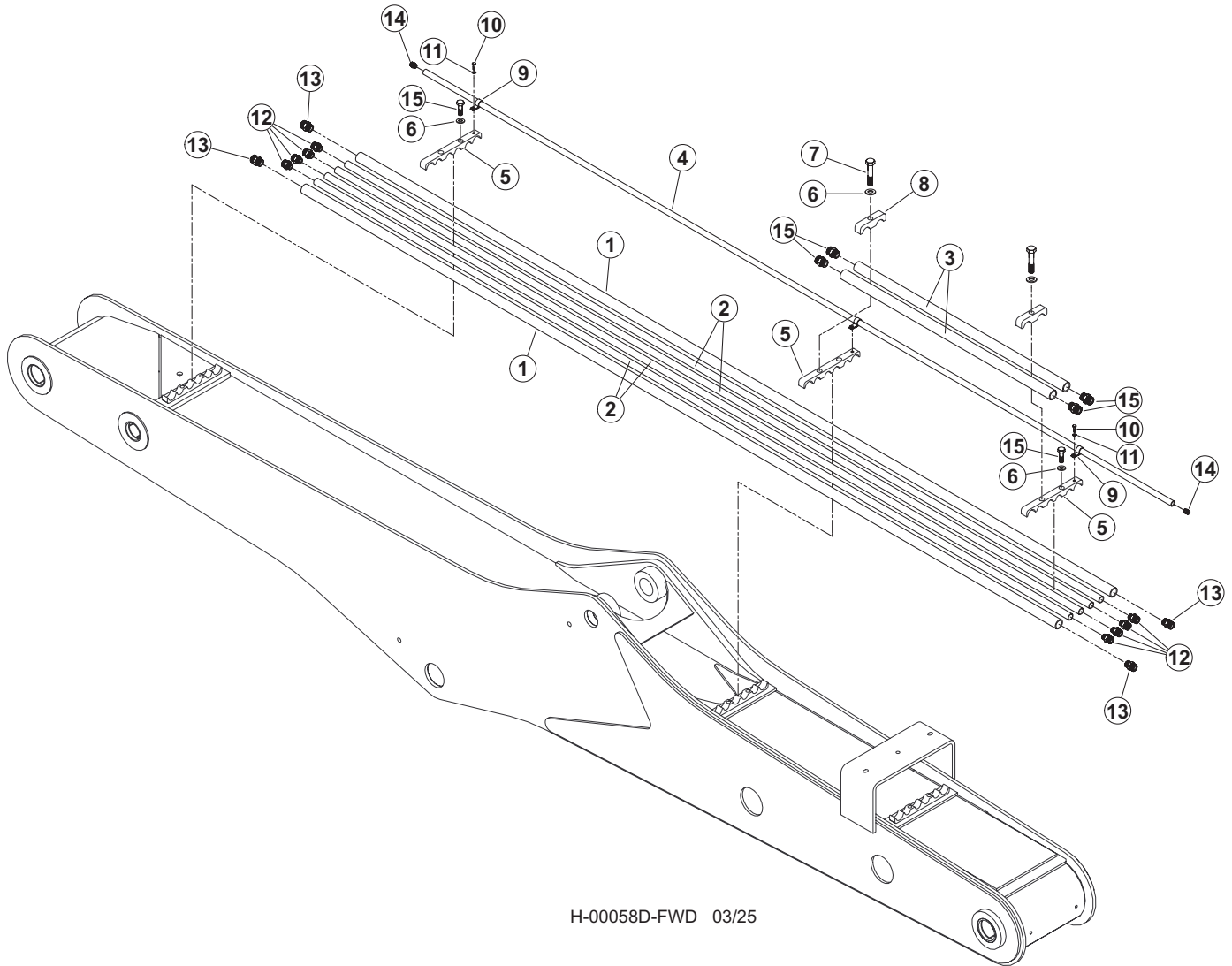
## T1215 - 2250000 - QUICK ATTACH STANDARD SQUIRT BOOM INSTALLATION



T-00019D-FWD 03/25

Item	Part #	Description	Qty.
1	51440	PIN ASSEMBLY, 2.99 DIA X 21.5 (2" NUT)	1
2	42245	PIN ASSEMBLY, 2.49 DIA X 19.13 (2" NUT)	1
3	15549	BOLT - .75" X 2.0	1
4	15550	WASHER, SAE FLAT - .75"	1
5	18570	WASHER, PIN RETAINING (BRAATZ)	2
6	10841	BOLT - .75" X 3.5"	1
7	50464	WASHER, SAE FLAT - .75" (EXTRA THICK)	2
8	10817	NUT, LOCK - .75"	1
9	12021	WASHER, BURNED	1
10	19384	WASHER, BURNED - 2.12" ID X 5" OD X .5"	1
11	10728	NUT, NYLOCK - 2" (ZINC PLATED)	2
12	53721	PIN, QUICK CHANGE - 2.00" X 13"	1
13	53722	CAP, PIN - QUICK CHANGE 2.0"	1
14	51217	BOLT, ALLEN HEAD - .875" X 2"	2
15	51218	BOLT, ALLEN HEAD - .875" X 3.5"	4

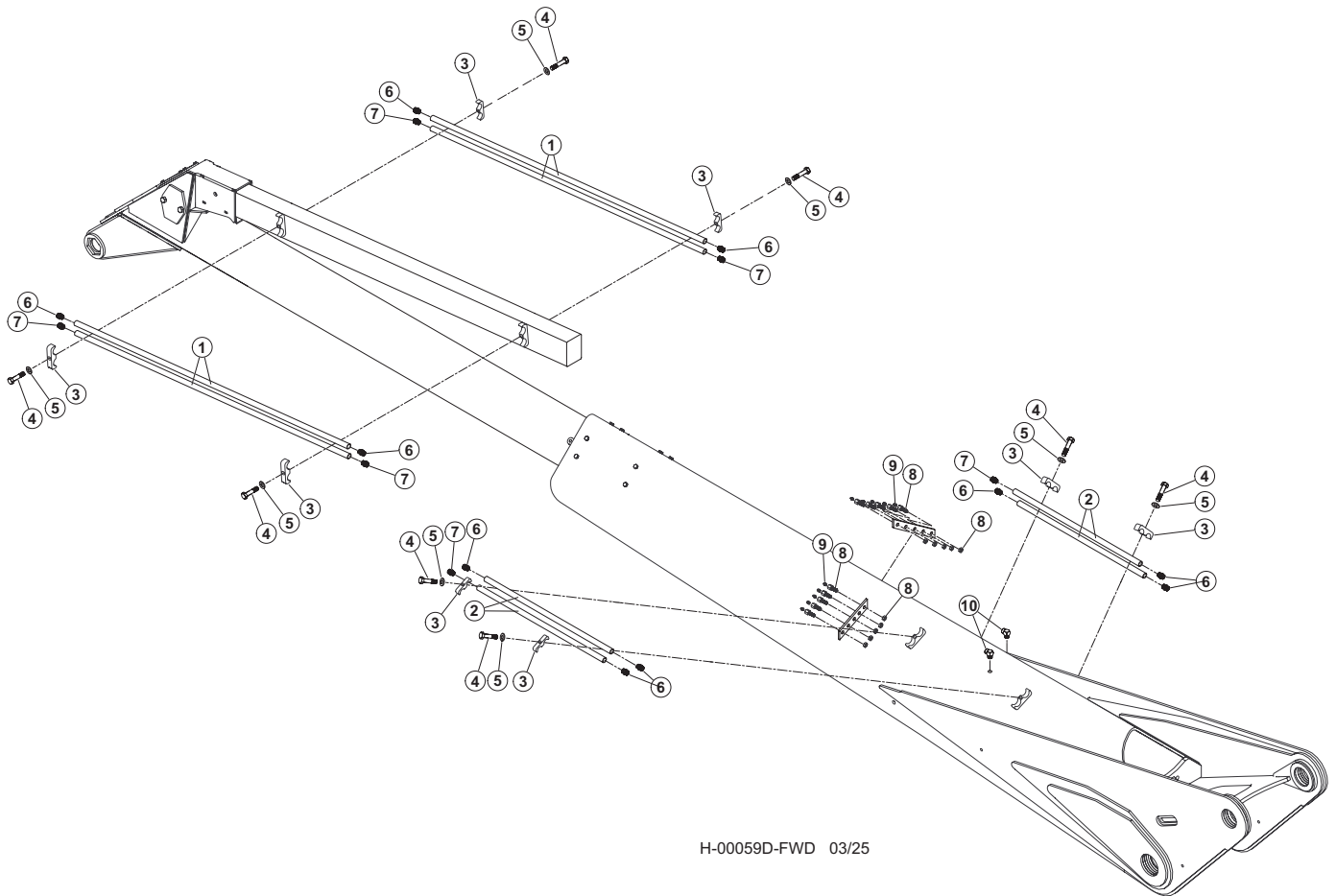
# H0130 - 2249300 - MAIN BOOM COMPONENTS - STANDARD HYDRAULICS WITH SQUIRT



H-00058D-FWD 03/25

Item	Part #	Description	Qty
	57395	KIT, FITTING - FWD SQUIRT MAIN	
1	46952	TUBELINE - .75" X 142"	2
2	46953	TUBELINE - .5" X 142"	4
3	40955	TUBELINE - .75" X 39"	2
4	46954	TUBELINE - 3/8" X 142"	1
5	42236	CLAMP, MAIN BOOM FORWARDER DRILLED	3
6	15226	BOLT - .625" X 2"	3
7	10719	BOLT - .625" X 4"	2
8	12447	CLAMP, SADDLE TOP TUBE - 1" & 1"	2
9	53265	CLAMP, CUSHIONED LOOP - 5/8" (BOOM)	3
10	23264	BOLT - .25" X .5"	3
11	10757	WASHER, SAE FLAT - .25"	3
12	51880	CONNECTOR, STR - (10-8 F50L0-S)	8
13	15152	CONNECTOR, STR - FF1852T-1212S	4
14	51878	CONNECTOR, STR - MALE PIPE (6-6 FLO-S)	2
15	18406	CONNECTOR, STR - FF1852T-1612S	3

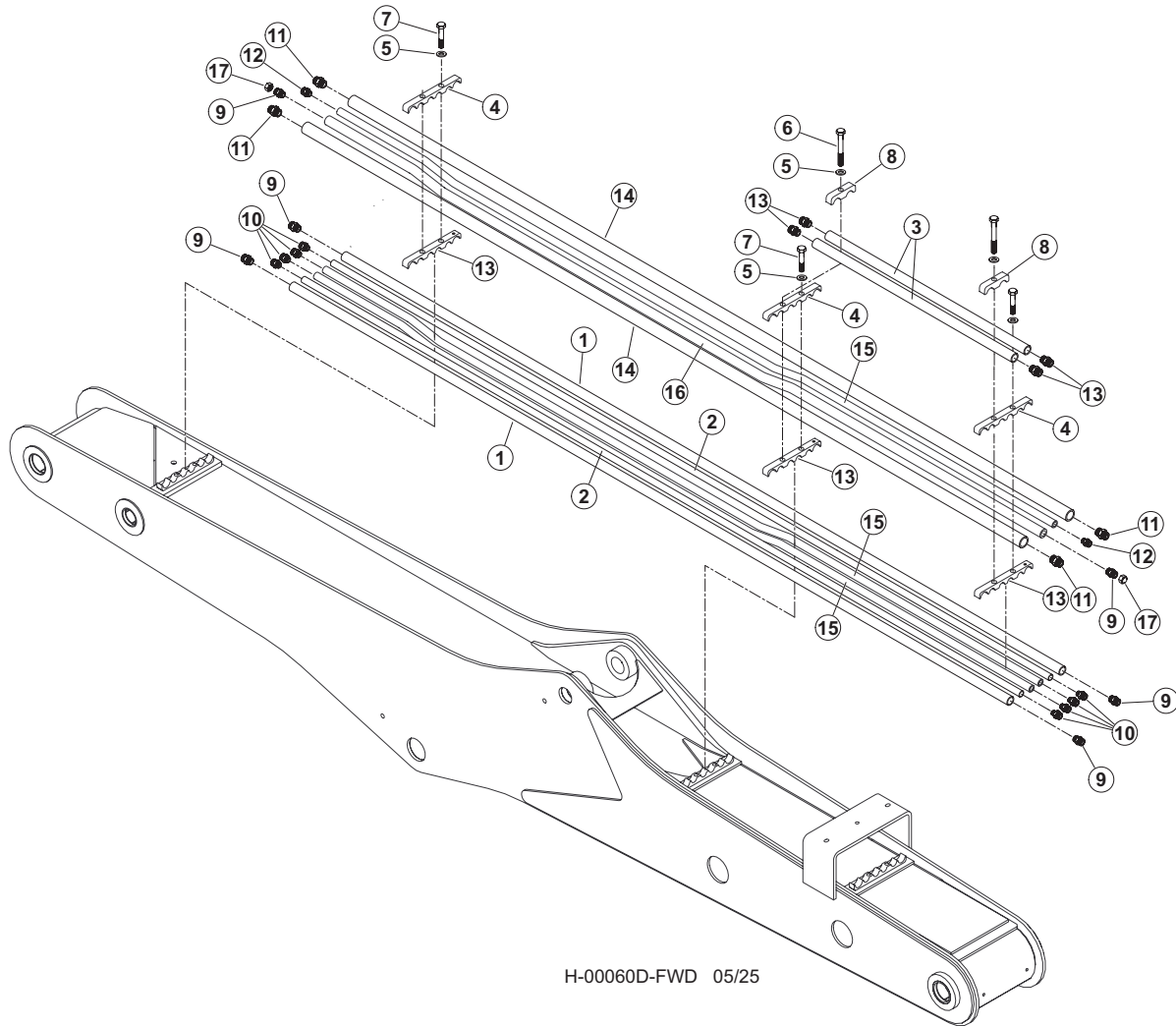
# H0130 - 2249300 - SQUIRT BOOM COMPONENTS - STANDARD HYDRAULICS



H-00059D-FWD 03/25

Item	Part #	Description	Qty.
	(57396 - KIT)	KIT, FITTING - FWD SQUIRT STICK	
1	19679	TUBELINE - .5" X 46"	4
2	19495	TUBELINE - .5" X 24"	4
3	15272	CLAMP, SADDLE TOP TUBE - .5" & .5"	8
4	15681	BOLT - .625" X 2.25"	8
5	10771	WASHER, SAE FLAT - .625"	8
6	51880	CONNECTOR, STR - (10-8 F50L0-S)	10
7	15117	CONNECTOR, STR - FF1852T-0808S	6
8	15658	CONNECTOR, STR BULKHEAD - 2239-2-4S	10
9	10704	FITTING, GREASE - .125 NPT - STR	10
10	22281	ELBOW, 1/8-27 NPTF(M), 1/8-17 NPTF(F),90	2

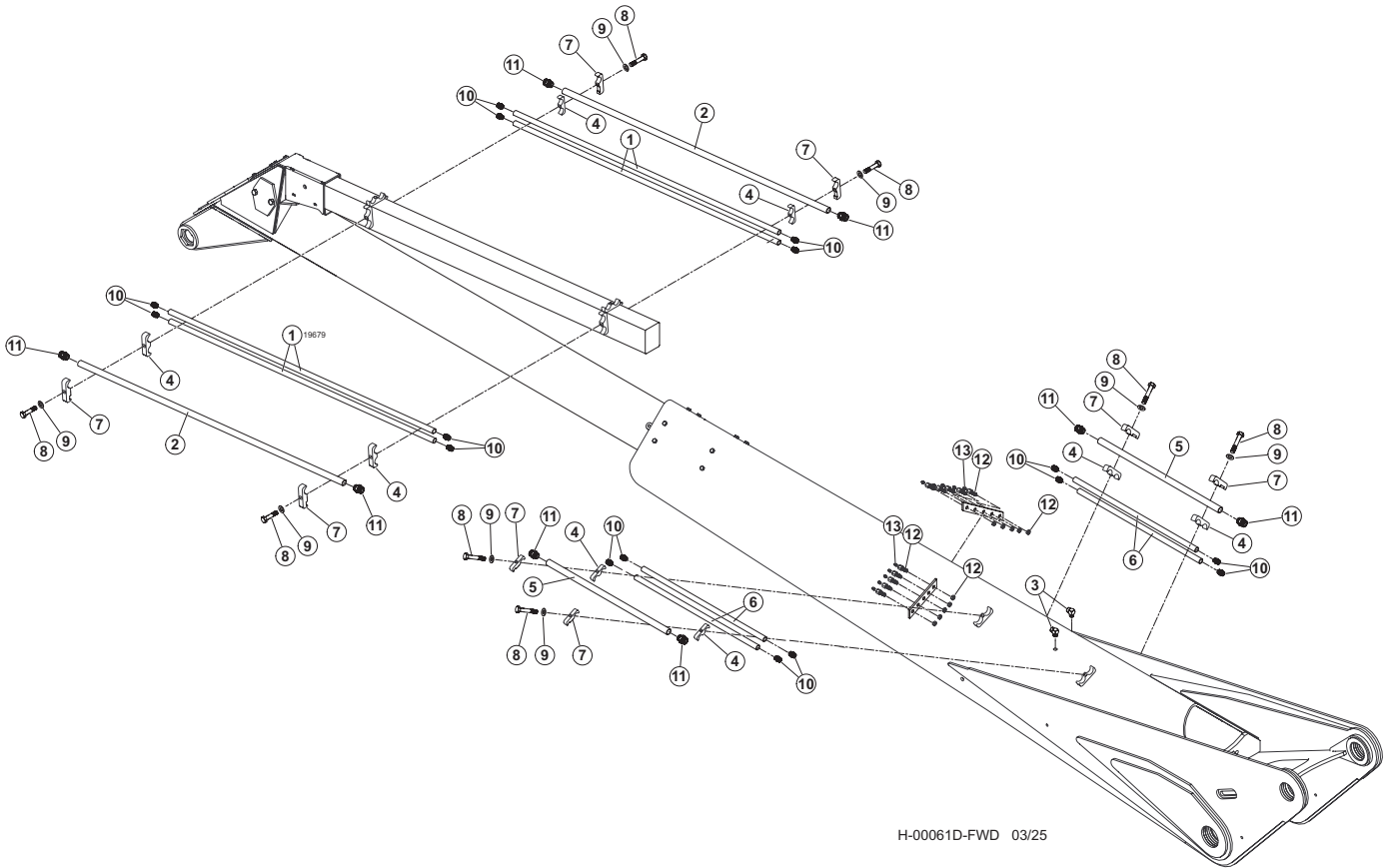
# H0130 - 2249400 - MAIN BOOM COMPONENTS - STANDARD HYDRAULICS WITH SAW & SQUIRT



H-00060D-FWD 05/25

Item	Part #	Description	Qty.
	(57395 - KIT)	KIT, FITTING - FWD SQUIRT MAIN	
1	46952	TUBELINE - .75" X 142"	2
2	46953	TUBELINE - .5" X 142"	2
3	46955	TUBELINE - .75" X 39"	2
4	42236	CLAMP, MAIN BOOM FORWARDER DRILLED	3
5	10771	WASHER, SAE FLAT - .625"	5
6	59148	BOLT - .625" X 6"	2
7	10719	BOLT - .625" X 4"	3
8	53265	CLAMP, SADDLE TOP TUBE - 1" & 1"	2
9	15152	CONNECTOR, STR - FF1852T-1212S	6
10	51880	CONNECTOR, STR - (10-8 F50L0-S)	8
11	15226	CONNECTOR, STR - FF1852T-1216S	4
12	22901	CONNECTOR, STR - 6-8 F50L0-S	2
13	42512	CLAMP, MAIN COMBO	3
14	46951	TUBELINE - 1" X 142"	2
15	682500	TUBELINE, BENT 1/2" - 142"	3
16	682510	TUBELINE, BENT 3/4" - 142"	1
17	15584	PLUG - 6408-HHP-12	2

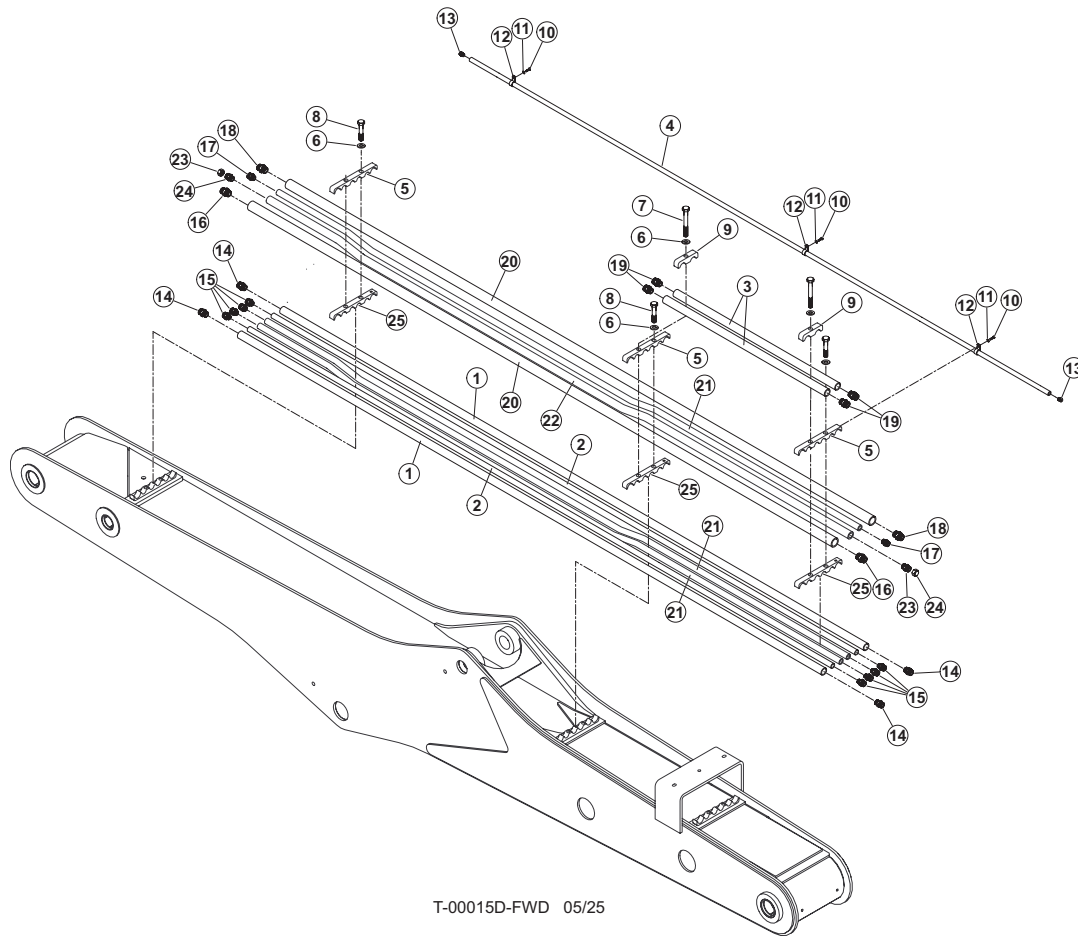
**H0130 - 2249400 - SQUIRT BOOM COMPONENTS - STANDARD HYDRAULICS WITH SAW OPTION**



H-00061D-FWD 03/25

Item	Part #	Description	Qty.
	(57396 - KIT)	KIT, FITTING - FWD SQUIRT STICK	
1	19679	TUBELINE - .5" X 46"	4
2	19680	TUBELINE - .75" X 46"	2
3	22281	ELBOW, 1/8-27 NPTF(M), 1/8-17 NPTF(F),90	2
4	15272	CLAMP, SADDLE TOP TUBE - .5" & .5"	8
5	19496	TUBELINE - .75" X 24"	2
6	19495	TUBELINE - .5" X 24"	4
7	23222	CLAMP, SADDLE TOP TUBE - .5" (1 TUBE)	8
8	10719	BOLT - .625" X 4"	8
9	10771	WASHER, SAE FLAT - .625"	8
10	15117	CONNECTOR, STR - FF1852T-0808S	16
11	15226	CONNECTOR, STR - FF1852T-1216S	8
12	15658	CONNECTOR, STR BULKHEAD - 2239-2-4S	10
13	10704	FITTING, GREASE - .125 NPT - STR	10

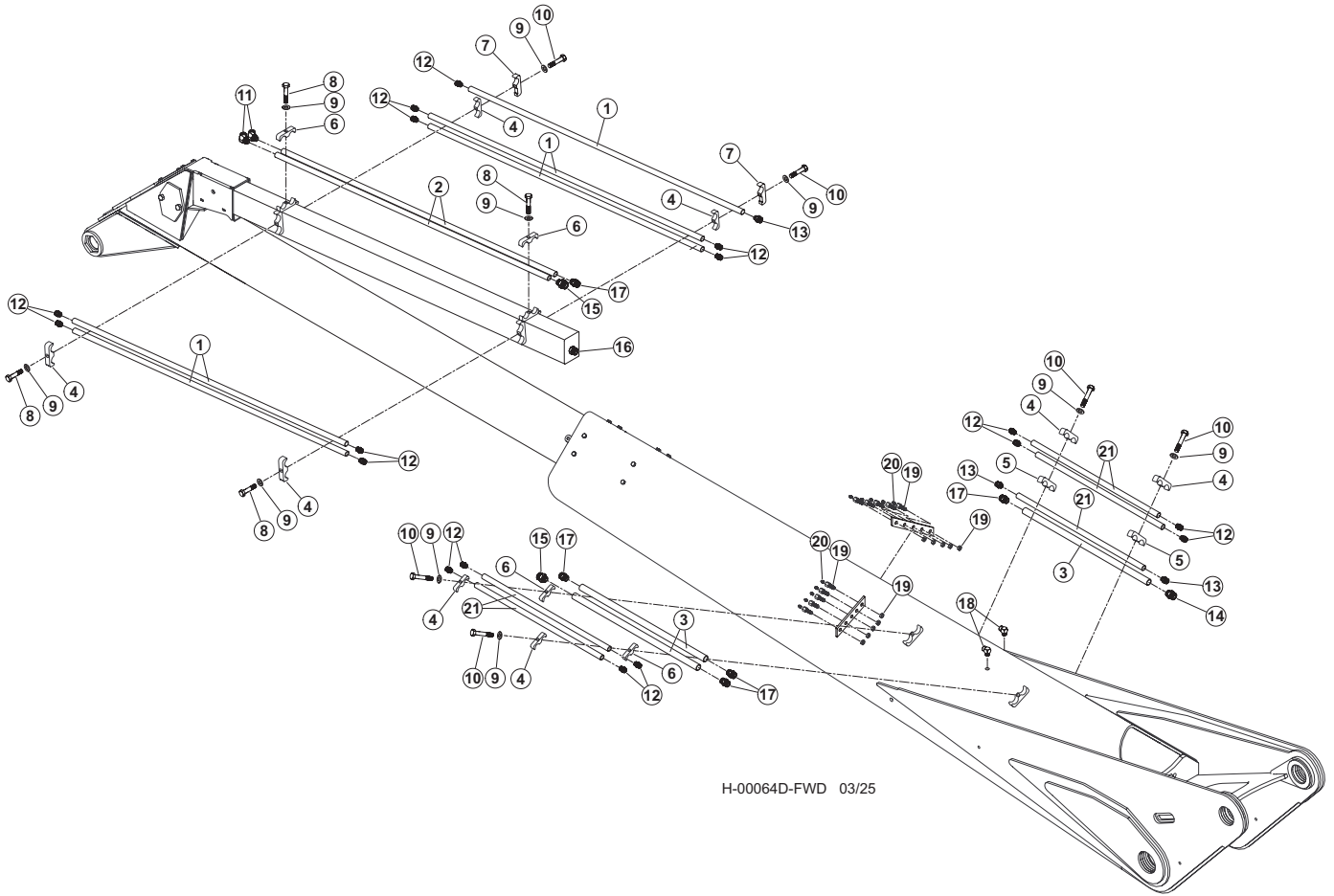
# H0130 - 2249500 - MAIN BOOM COMPONENTS - COMBO HYDRAULICS WITH SQUIRT BOOM



T-00015D-FWD 05/25

Item	Part #	Description	Qty.
1	46952	TUBELINE - .75" X 142"	2
2	46953	TUBELINE - .5" X 142"	5
3	46955	TUBELINE - .75" X 39"	2
4	46954	TUBELINE - 3/8" X 142"	1
5	42236	CLAMP, MAIN BOOM FORWARDER DRILLED	3
6	10771	WASHER, SAE FLAT - .625"	5
7	59148	BOLT - 5/8-11 X 6.0"	2
8	10719	BOLT - .625" X 4"	3
9	12447	CLAMP, SADDLE TOP TUBE - 1" & 1"	2
10	23264	BOLT - .25" X .5"	3
11	10757	WASHER, SAE FLAT - .25"	3
12	53265	CLAMP, CUSHIONED LOOP - 5/8" (BOOM)	3
13	51878	CONNECTOR, STR - MALE PIPE (6-6 FLO-S)	2
14	18406	CONNECTOR, STR - FF1852T-1612S	4
15	51880	CONNECTOR, STR - (10-8 F50L0-S)	8
16	17063	CONNECTOR, STR - FF1852T-2016S	2
17	16913	CONNECTOR, STR - FF1852T-1208S	2
18	15225	CONNECTOR, STR - FF1852T-1616S	2
19	18406	CONNECTOR, STR - FF1852T-1612S	4
20	46951	TUBELINE - 1" X 142"	2
21	682500	TUBELINE, BENT 1/2" - 142"	3
22	682510	TUBELINE, BENT 3/4" - 142"	1
23	15152	CONNECTOR, STR - FF1852T-1212S	2
24	15584	PLUG - 6408-HHP-12	2
25	42512	CLAMP, MAIN COMBO	3

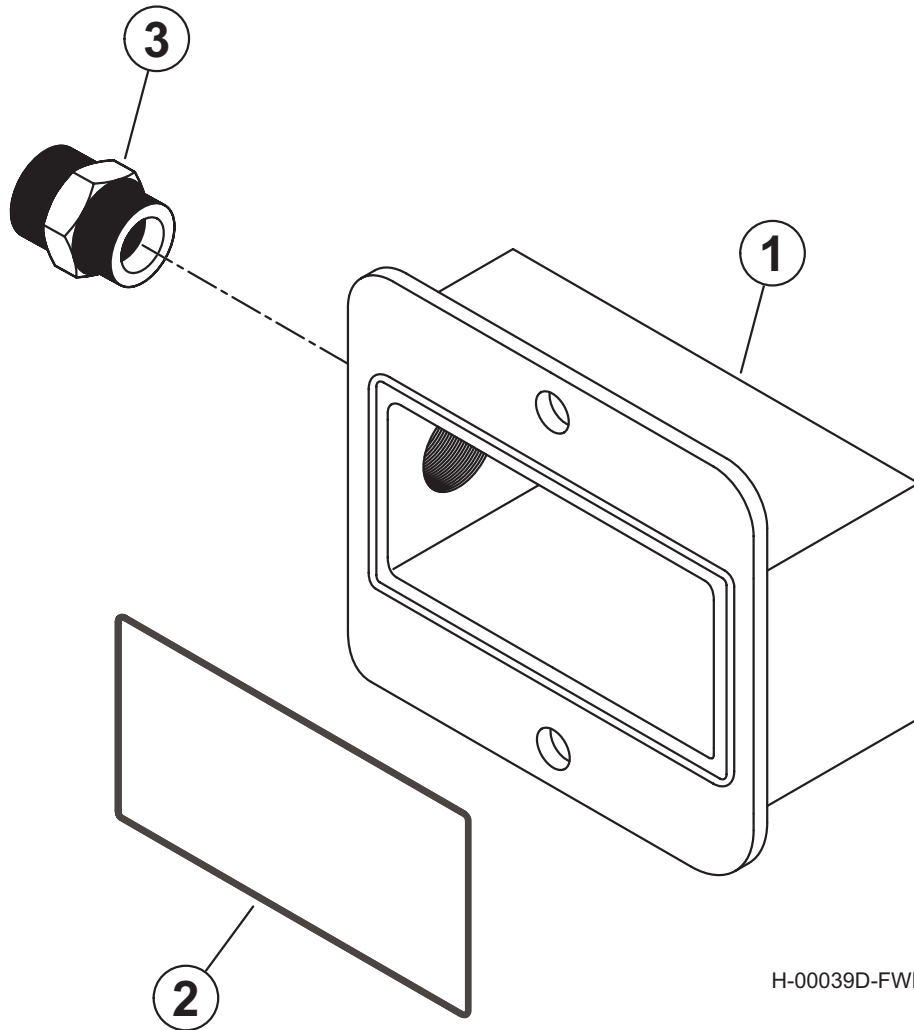
# H0130 - 2249500 - SQUIRT BOOM COMPONENTS - COMBO HYDRAULICS



H-00064D-FWD 03/25

Item	Part #	Description	Qty.
1	19679	TUBELINE - .5" X 46"	5
2	19681	TUBELINE - 1" X 46"	2
3	19497	TUBELINE - 1" X 24"	4
4	15272	CLAMP, SADDLE TOP TUBE - .5" & .5"	8
5	40953	CLAMP, SADDLE - DRILLED - .5" X 1"	2
6	12447	CLAMP, SADDLE TOP TUBE - 1" & 1"	4
7	23222	CLAMP, SADDLE TOP TUBE - .5" (1 TUBE)	2
8	15517	BOLT - .625" X 2.5"	4
9	23210	WASHER, SAE FLAT - .625" (EXTRA THICK)	10
10	10719	BOLT - .625" X 4"	6
11	16460	ELBOW, 45 - FF2068T-1616S	2
12	15117	CONNECTOR, STR - FF1852T-0808S	17
13	16913	CONNECTOR, STR - FF1852T-1208S	3
14	15226	CONNECTOR, STR - FF1852T-1216S	1
15	17063	CONNECTOR, STR - FF1852T-2016S	2
16	17707	CONNECTOR, STR - FF2031T-1216S	1
17	15225	CONNECTOR, STR - FF1852T-1616S	5
18	22281	ELBOW, 1/8-27 NPTF(M), 1/8-17 NPTF(F),90	2
19	15658	CONNECTOR, STR BULKHEAD - 2239-2-4S	10
20	10704	FITTING, GREASE - .125 NPT - STR	10

# H4230 - 2249800 - PROCESSOR ATTACHMENT ELEC. JUNCTION BOX



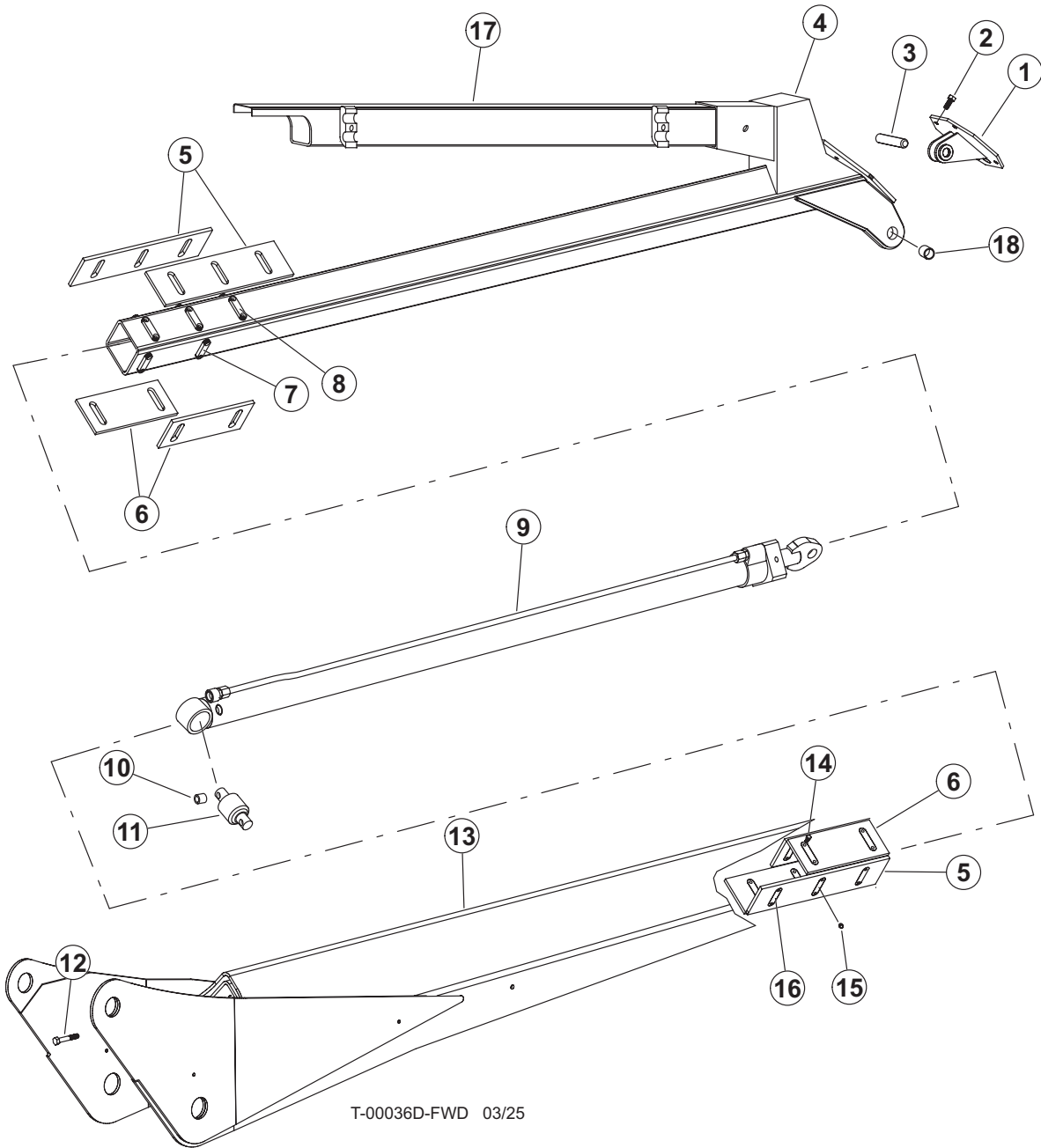
H-00039D-FWD 02/25

Item	Part #	Description	Qty.
1	40681	OVER, ELECTRICAL CONNECTOR - COMBO	1
2	21548	O-RING, COVER	1
3	15226	CONNECTOR, STR - FF1852T-1216S	1
*	53218	WIRE - PROCESSING HEAD CABLE (7 WIRES)	60'
*	50478	CONNECTOR, ELECTRICAL - 24PIN (MALE)	1
*	50479	CONNECTOR, ELECTRICAL - 24PIN (FEMALE)	1
*	59150	CREW, 6-32 X 1/2", BUTTON HD CAP	2

\*MEANS NOT SHOWN



# T1200 - 2248400-SP - SQUIRT BOOM ASSEMBLY

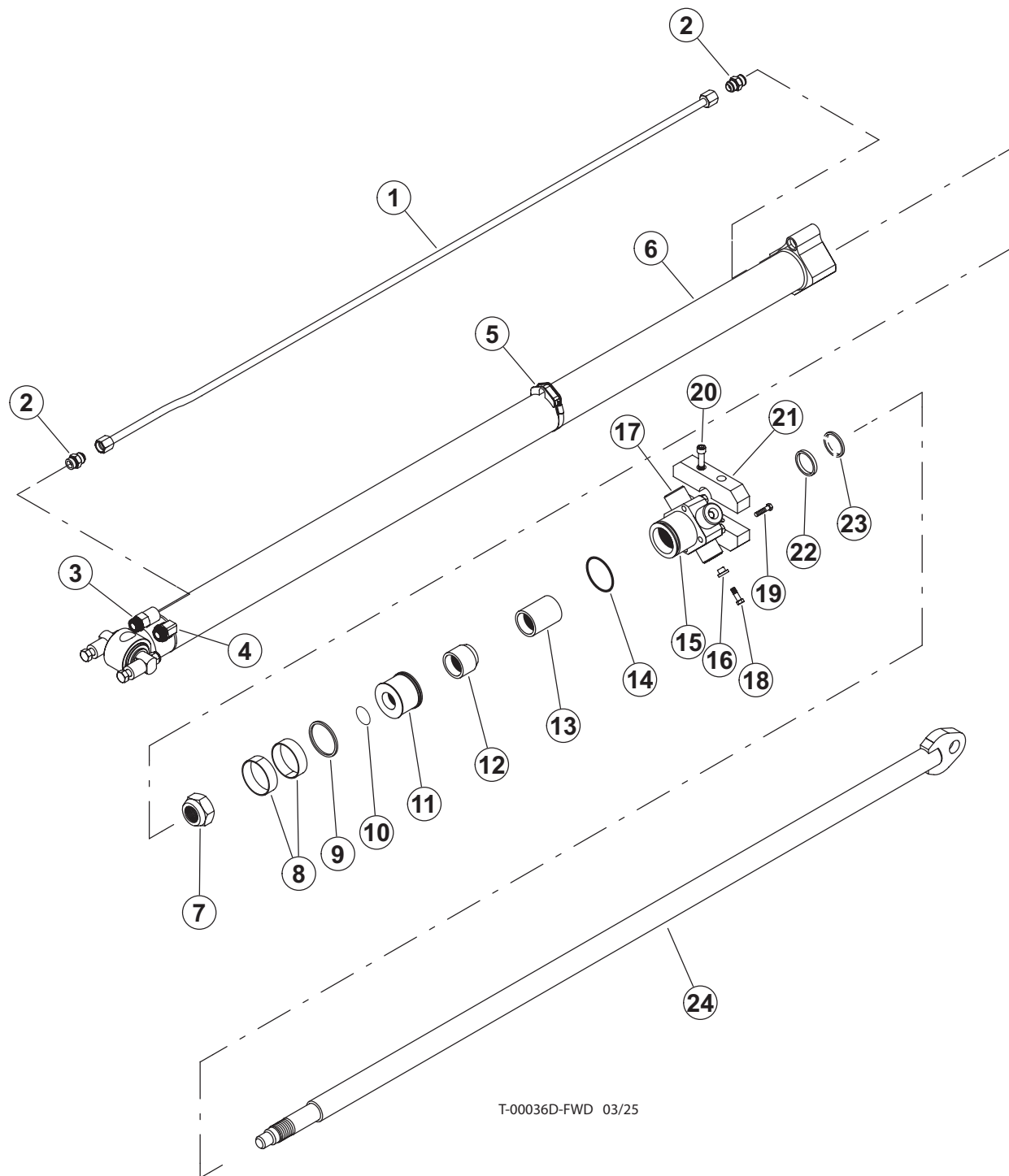


T-00036D-FWD 03/25

## T1200 - 2248400-SP - SQUIRT BOOM ASSEMBLY

Item	Part #	Description	Qty.
	52087	STICK BOOM,SQUIRT 4-BarHD 8" (2in Pin)	1
1	40703	COVER, FRONT PLATE	1
2	15502	BOLT - .625" X 1.5"	4
3	56232	PIN	1
4	SEE DESCRIPTION	SLIDE, SQUIRT (CALL DEALER)	1
5	55570	WEAR PADS - LONG	2
6	55569	WEAR PADS - SHORT	2
7	55572	PUCKS	4
8	55573	SCREWS - 3/8" X 3/4" - BRASS	14
9	51008	CYLINDER	1
10	56246	SPACER	1
11	44695U	BUSHING	1
12	10719	BOLT - 5/8" X 4"	2
13	52198	SHELL, SQUIRT	1
14	55574	BOLT - 3/8" X 7/8" - BRONZE	20
15	XB3020Z	SCREW	-
16	21069	PUCKS	8
17	52871	TUBE, STINGER UPPER SQUIRT BOOM MOUNT	1
18	SEE DESCRIPTION	BUSHING (CALL DEALER)	2

# T1200 - 2248400-SP - SQUIRT BOOM CYLINDER

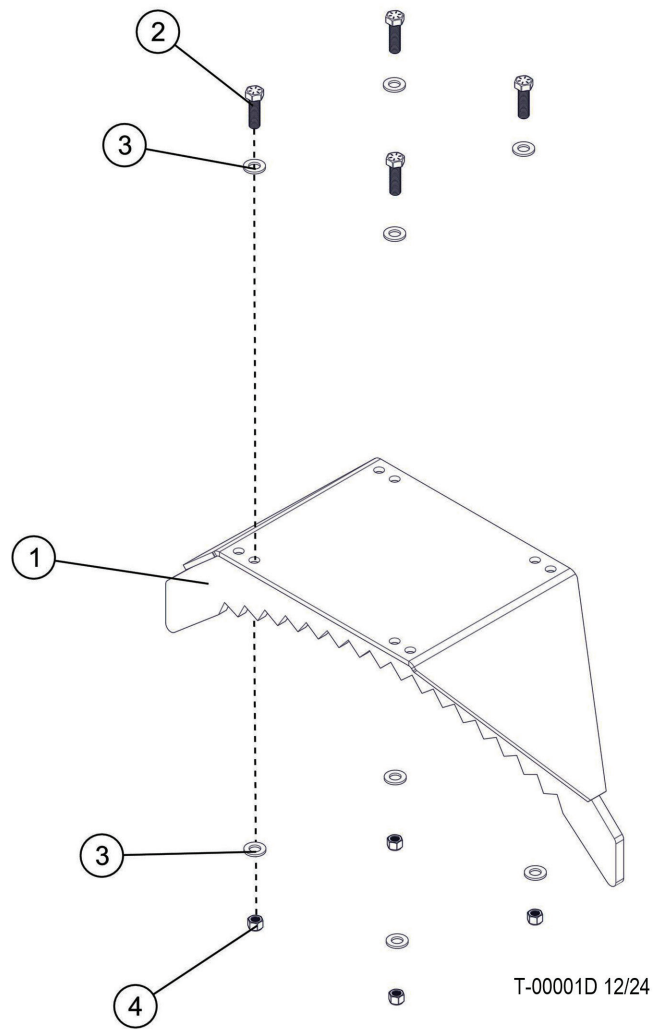


T-00036D-FWD 03/25

## T1200 - 2248400-SP - SQUIRT BOOM CYLINDER

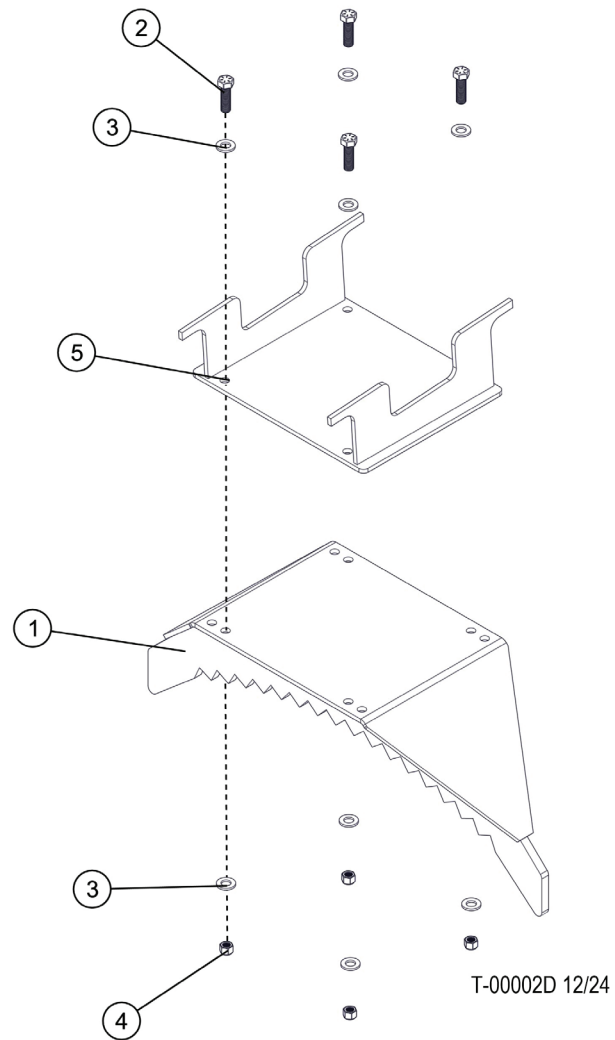
Item	Part #	Description	Qty.
	51008	CYLINDER, 6' SQUIRT	1
1	281266A	TRANSFER TUBE	1
2	710785A	CONNNECTOR, STR 10 orb X 10 jic	1
3	SEE DESCRIPTION	CONNNECTOR, STR (CALL)	1
4	SEE DESCRIPTION	ELBOW, 90 (CALL)	1
5	SEE DESCRIPTION	CLAMP (CALL)	1
	21028	GROMMET	1
6	51032	BARREL ASSEMBLY	1
7	712118A	NUT	1
8	721197A	RING, PISTON WEAR	1
9	700296A	RING, OISTON SQUARE	1
10	51030	O-RING SLEEVE	1
11	411326B	PISTON	1
12	690680B	CUSHION	1
13	721235A	WEAR RING	1
14	51031	RETAINER SLEEVE	1
15	511294B	PUCK - CYLINDER SUPPORT - 2" OD X .5" THICK (6" SLIDE TUBE)	4
16	SEE DESCRIPTION	PUCK, CYLINDER SUPPORT - 2" OD X 1.4" THICK (8" SLIDE TUBE) (CALL)	4
17	SEE DESCRIPTION	CAPSCREW- .375" X .75" FHCS BRASS (6" SLIDE TUBE) (CALL)	4
17	SEE DESCRIPTION	CAPSCREW - .375"-16 X 1.5 HEX HEAD GR5" (8" SLIDE TUBE) (CALL)	4
18	SEE DESCRIPTION	BOLT (CALL)	4
18	SEE DESCRIPTION	CAP SCREW - .5"-13 X 3.00" SOCKET HEAD	2
19	711206A	CAP SCREW	1
20	SEE DESCRIPTION	TRUSS - CYLINDER SUPPORT (8" SLIDE TUBE) (CALL)	1
21	SEE DESCRIPTION	U-CUP, ROD BEARING (CALL)	1
22	701126A	ROD SEAL	1
23	51029	ROD ASSEMBLY	1
24	51033	KIT, SEAL REPAIR - BOOM EXTENSION CYLINDER	1

## T2115 - 2248100 - FIXED HEEL U . (FIXED ARM)



Item	Part #	Description	Qty.
1	51565	HEEL, BOOM (4 BAR LINK BOOM)	1
2	10775	BOLT - .75" X 2.5"	4
3	15550	WASHER, SAE FLAT - .75"	8
4	10817	NUT, LOCK - .75"	4

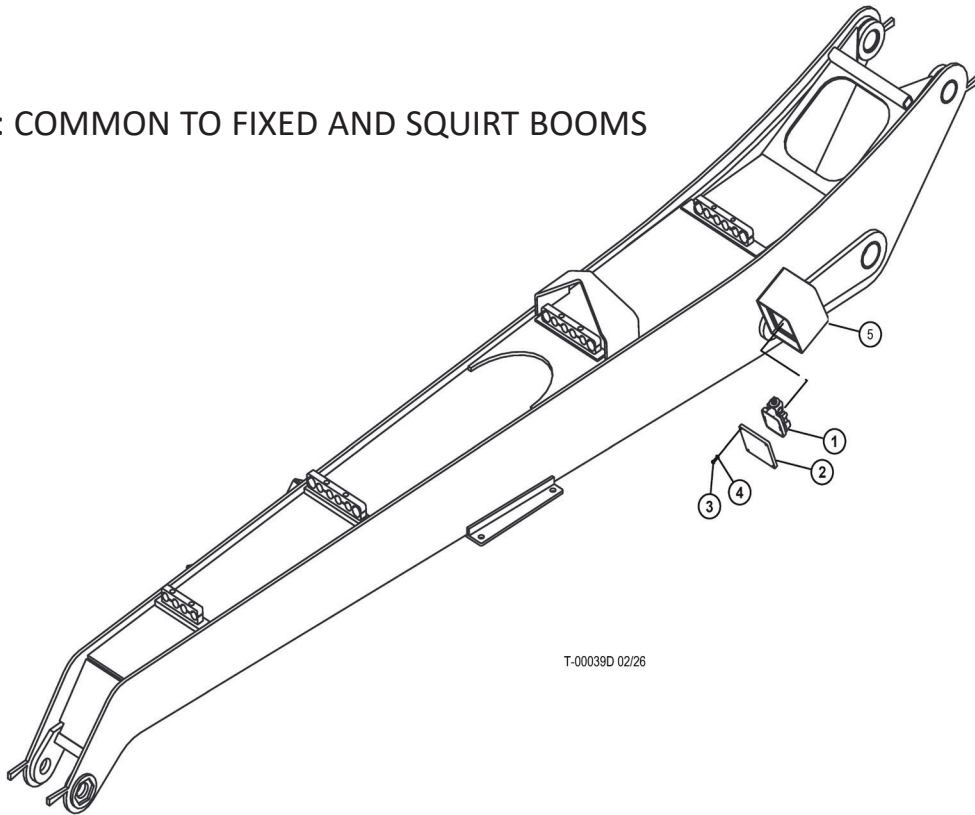
## T2115 - 228200 - FIXED HEEL U . (SQUIRT ARM)



Item	Part #	Description	Qty.
1	51565	HEEL, BOOM (4 BAR LINK BOOM)	1
2	10775	BOLT - .75" X 2.5"	4
3	15550	WASHER, SAE FLAT - .75"	8
4	10817	NUT, LOCK - .75"	4
5	54166	MOUNT, HEEL TO SQUIRT BOOM	1

## T1215 - 2248500 T1215 - 2248600 - WORK LIGHT INSTALLATION

NOTE: COMMON TO FIXED AND SQUIRT BOOMS

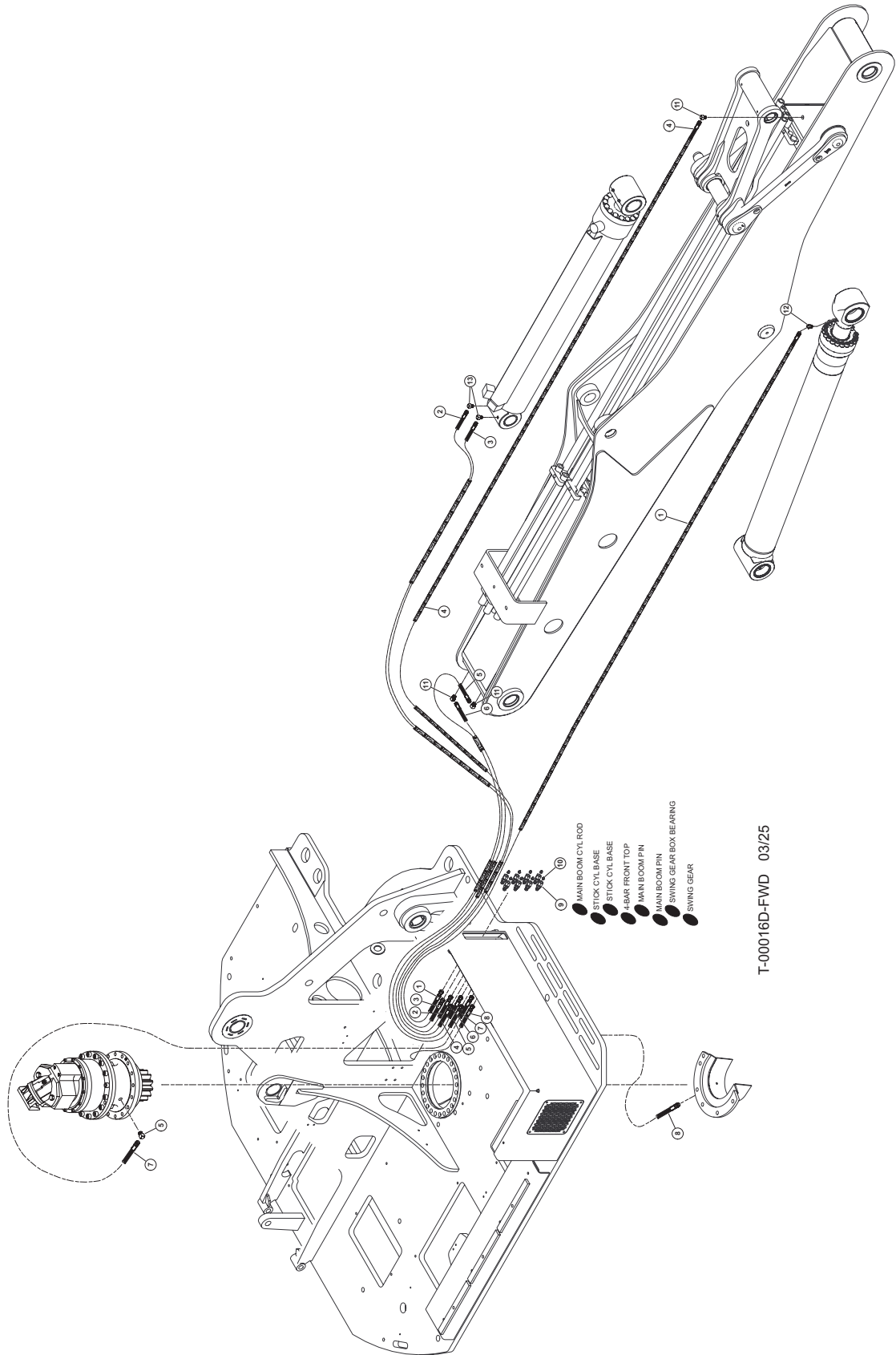


Item	Part #	Description	Qty.
1	53208	LIGHT, GULLWING - NON-XENON (ABL)	1
2	53081	LEXAN, BOOM LIGHT/SWING OUT DOOR B&C SER	1
3	15576	BOLT - .25" X 1"	4
4	10757	WASHER, SAE FLAT - .25"	4
5	46957	BOX, LIGHT - BOOM - D MOD	1
*	54065	SOCKET, CONTACT - 2	AR
*	53176	CONNECTOR, TERMINAL 16-18G SOLID DEUTSCH	AR
*	54064	SOCKET, WEDGE LOCK - #2	AR
*	58380	CABLE, 2-18 GA PVC UNSHIELDED	AR

\*MEANS NOT SHOWN



**J1115 - 2244300 - WORK EQUIPMENT & SWING COMPONENT GREASE HOSES**

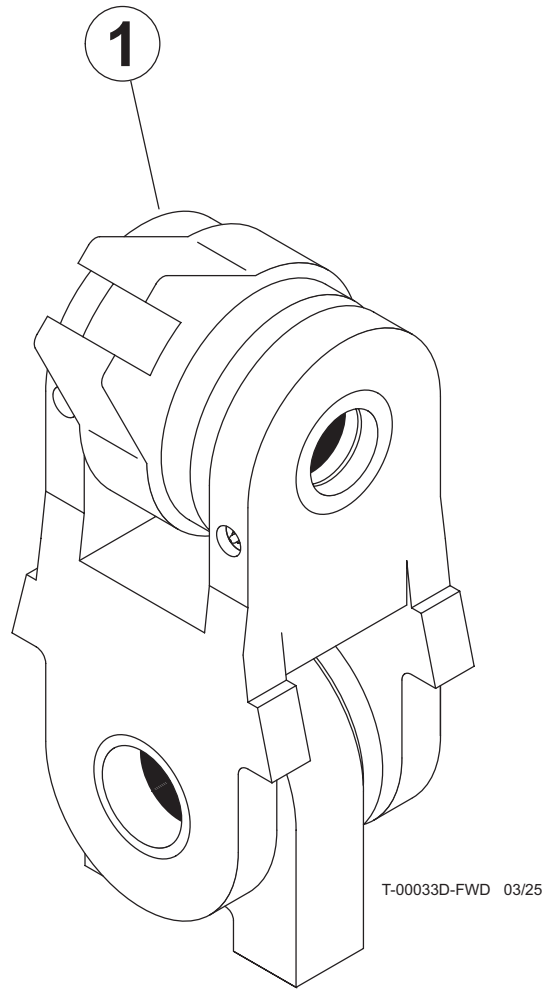


T-00016D-FWD 03/25

## J1115 - 2244300 - WORK EQUIPMENT & SWING COMPONENT GREASE HOSES

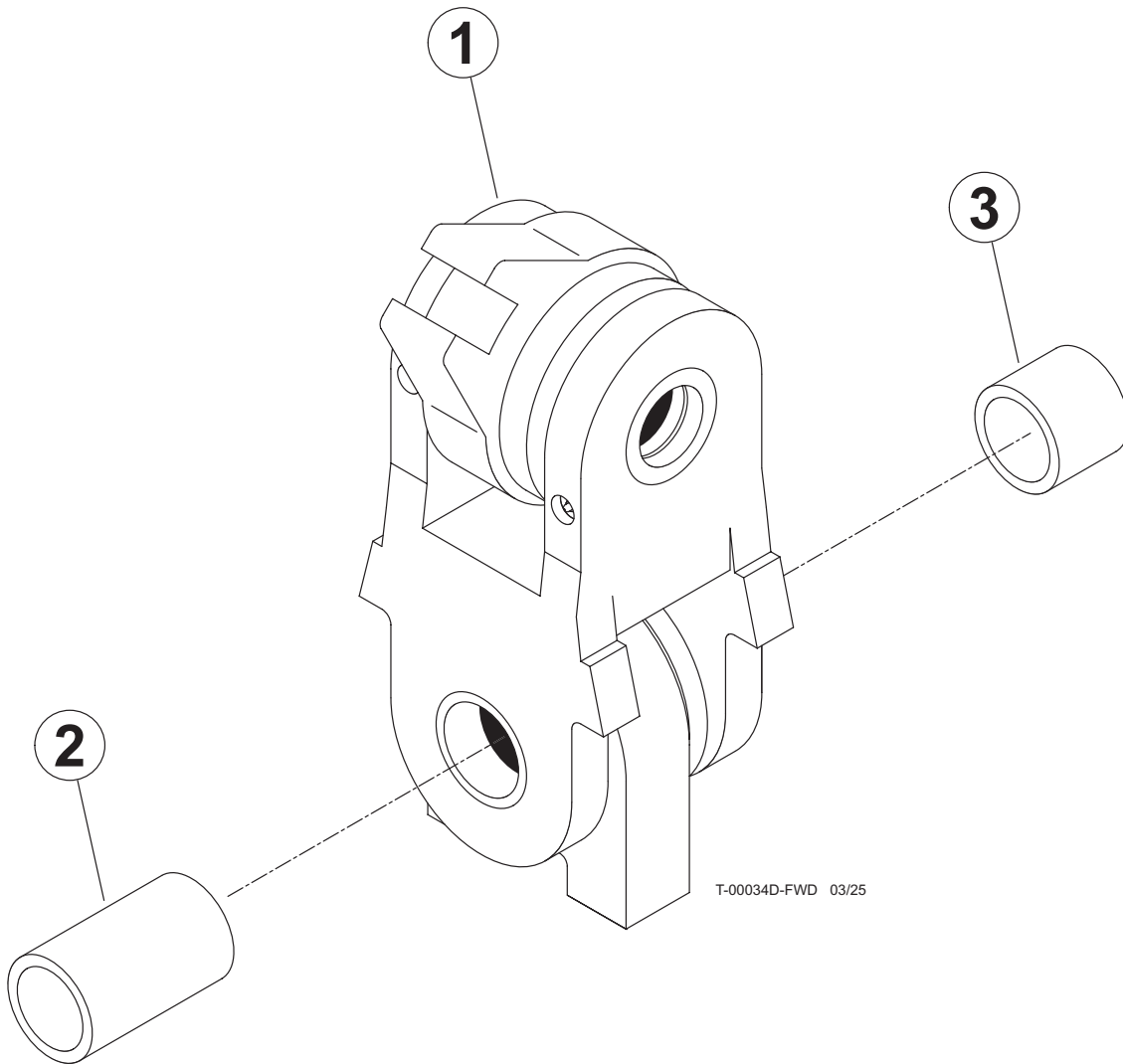
<u>Item</u>	<u>Part #</u>	<u>Description</u>	<u>Qty.</u>
1	(55369 - KIT)	HOSE ASSY - HLBD194 02-04JS-02PS-W - (MAIN CYL ROD)	1
2	(55369 - KIT)	HOSE ASSY - HLBD166 02-04JS-02PS-W - (STICK CLY BASE)	1
3	(55369 - KIT)	HOSE ASSY - HLBD166 02-04JS-02PS - (STICK CLY BASE)	1
4	(55369 - KIT)	HOSE ASSY - HLBD252 02-04JS-02PS-W - (4 BAR BASE)	1
5	(55369 - KIT)	HOSE ASSY - HLBD94 02-02PS-04JS-WS - (MAIN BOOM PIVOT)	1
6	(55369 - KIT)	HOSE ASSY - HLBD94 02-02PS-04JS - (MAIN BOOM PIVOT)	1
7	(55369 - KIT)	HOSE ASSY - HLBD51 02-02PS-04JS-SW - (SWING GEAR BOX)	1
8	(55368 - KIT)	HOSE ASSY - HLBD51 02-02PS-04JS-SW - (GREASE CUP)	1
9	15658	CONNECTOR, STR BULKHEAD - 2239-2-4S	8
10	58394	ZERK, GREASE - 1/8" 67 DEG	8
11	22281	ELBOW, 1/8-27 NPTF(M), 1/8-17 NPTF(F),90	6
12	21671	ELBOW, 45 - 5546134	1

**T1290 - 2248700 - GRAPPLE SNUBBER - 2.05" HULTDINS**



<b>Item</b>	<b>Part #</b>	<b>Description</b>	<b>Qty.</b>
1	53855	SNUBBER, GRAPPLE (2.008 BUSHING)	1

**T1290 - 2248800 - GRAPPLE SNUBBER - 2.00" - ROTOBEC**

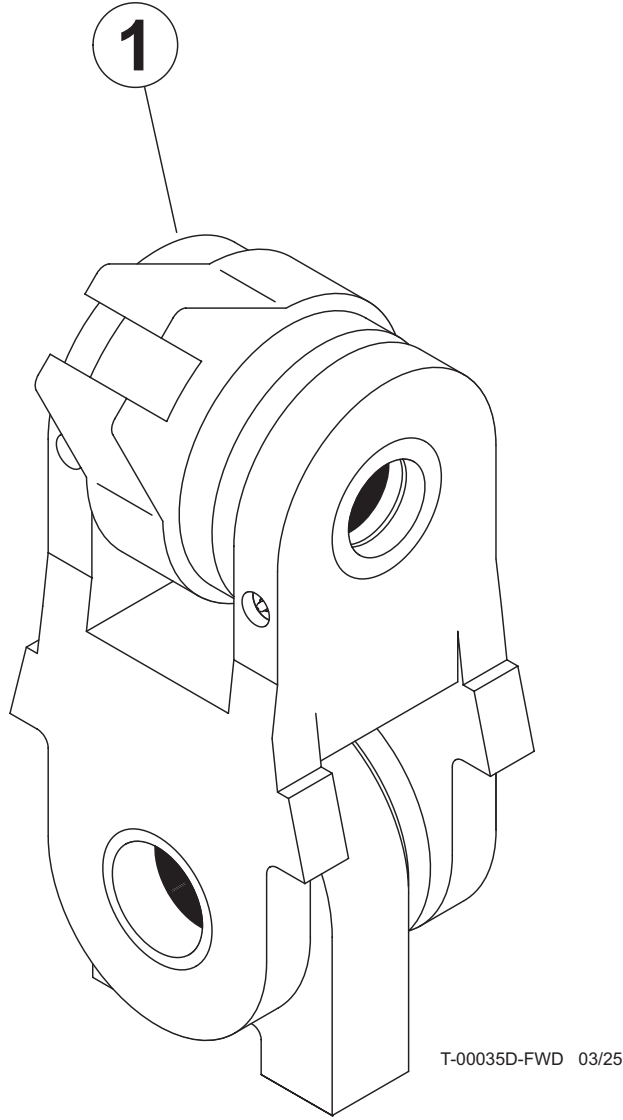


T-00034D-FWD 03/25

<b>Item</b>	<b>Part #</b>	<b>Description</b>	<b>Qty.</b>
1	53855	SNUBBER, GRAPPLE	1
2	54351	BUSHING, SNUBBER - B3T-1070S (2" X 2.45"	1
3	54347	BUSHING, SNUBBER - B3T-1160S (2"X 1.125"	1

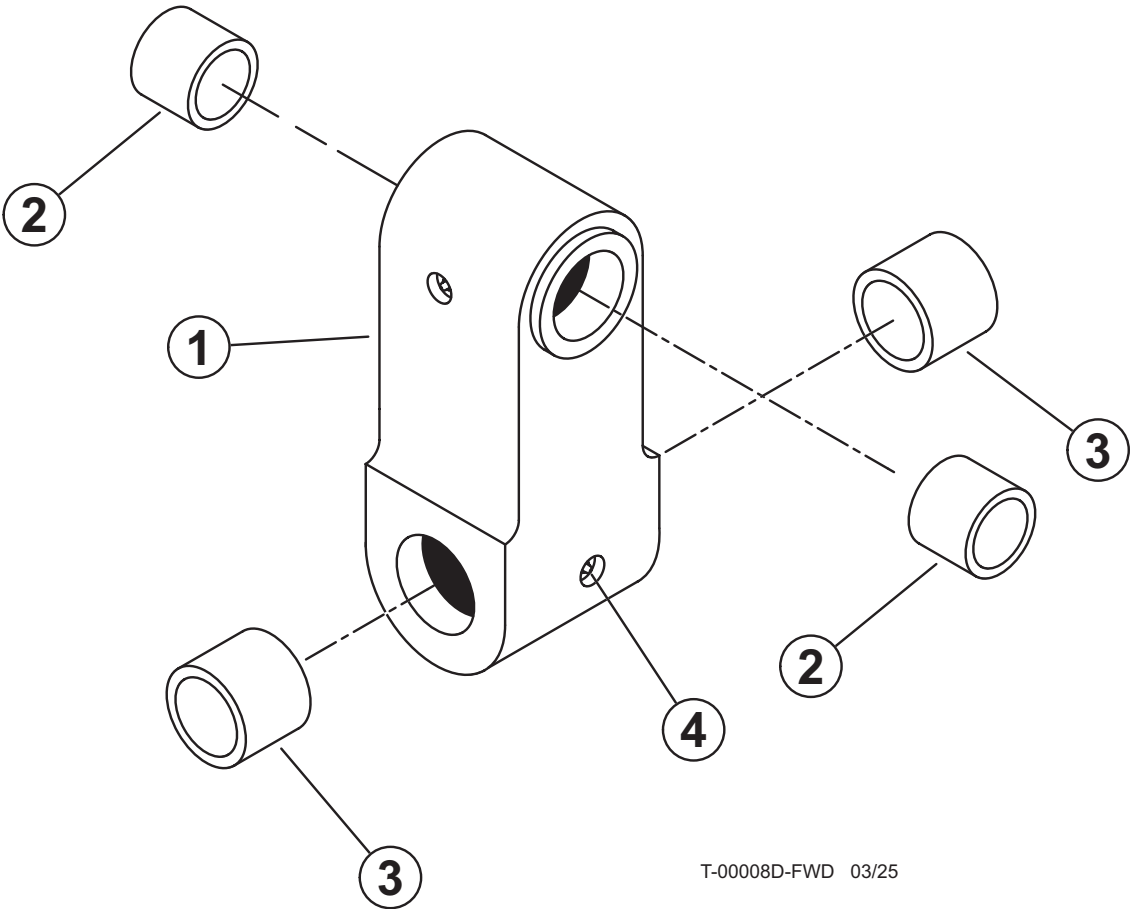
NOTE: THIS IS THE STANDARD 53855 SNUBBER, BUT WITH THE TWO LOWER BUSHINGS CHANGED TO ACCOMMODATE THE ROTOBEC GRAPPLE. WHEN ORDERING TIMBERPRO MUST KNOW THAT THE SNUBBER WILL BE USED ON A ROTOBEC. TIMBERPRO WILL REPLACE THE BUSHINGS SO THAT THE SNUBBER WILL FIT THE ROTOBEC GRAPPLE.

T1290 - 2255400 - GRAPPLE SNUBBER - ROTOBEC 420S



<b>Item</b>	<b>Part #</b>	<b>Description</b>	<b>Qty.</b>
1	65175	SNUBBER, 420S GRAPPLE	1

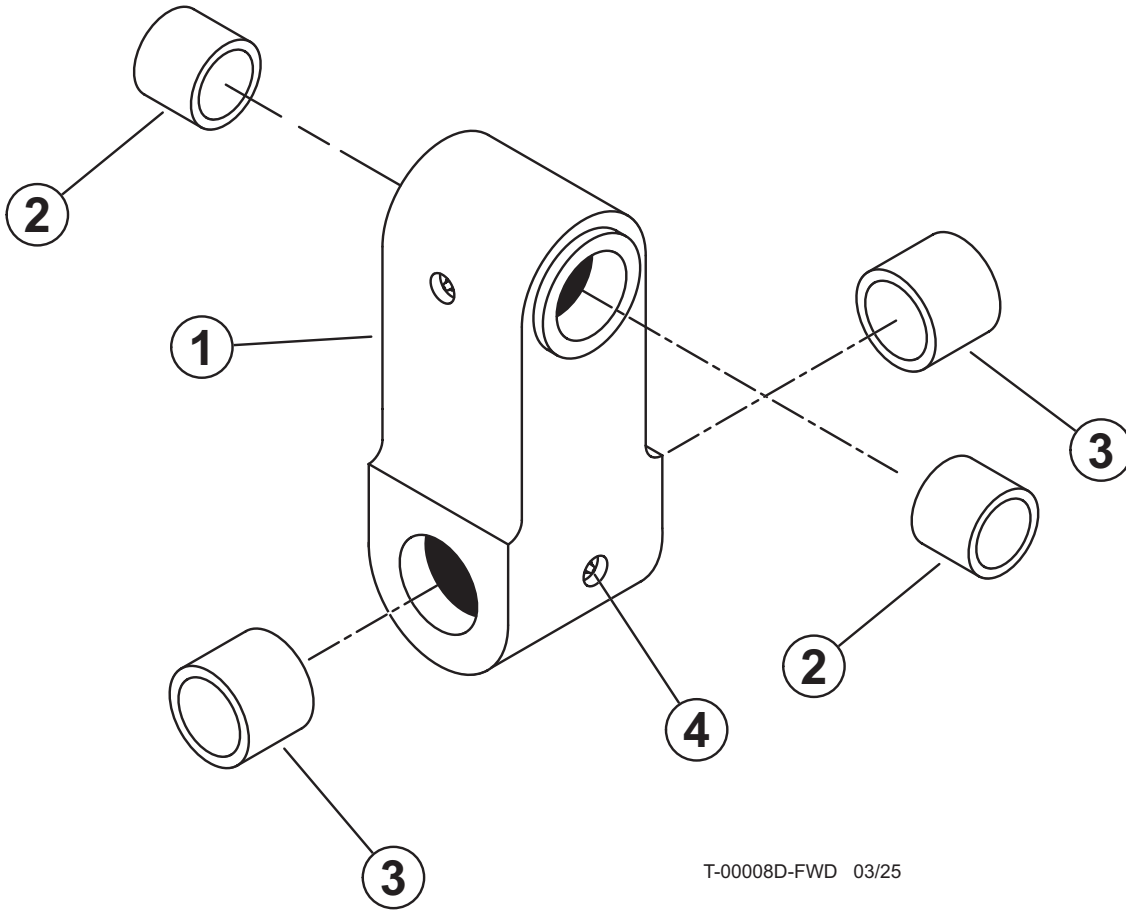
**T1290 - 2254500 - GRAPPLE MOUNT - SOLID LINK, 2.05" PIN**



T-00008D-FWD 03/25

<b>Item</b>	<b>Part #</b>	<b>Description</b>	<b>Qty.</b>
1	53910	ADAPTER, DANGLE - GV-2.0 X 2.05	1
2	53894	BUSHING - 2" X 2.25"	2
3	52493	BUSHING - 2.058" X 2"	2
4	10704	FITTING, GREASE - .125 NPT - STR	1

**T1290 - 2254700 - GRAPPLE MOUNT - SOLID LINK, 2.50" PIN**

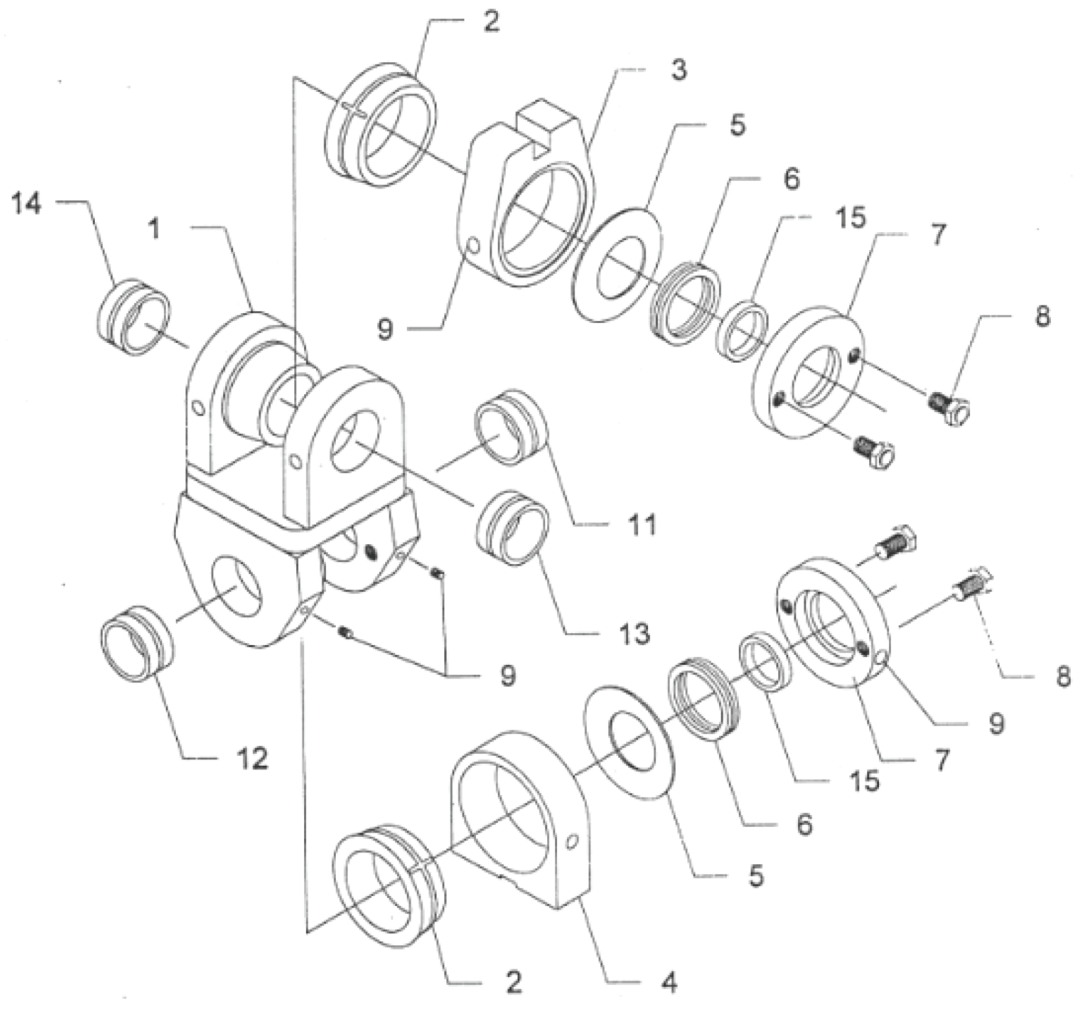


T-00008D-FWD 03/25

<b>Item</b>	<b>Part #</b>	<b>Description</b>	<b>Qty.</b>
1	53911	ADAPTER, DANGLE - GV-2.0 x 2.5	1
2	14241	BUSHING - 2.5" X 3"	2
3	53894	BUSHING - 2" X 2.25"	2
4	10704	FITTING, GREASE - .125 NPT - STR	1



# T1290 - 2248700-SP - GRAPPLE SNUBBER COMPONENTS



T-00038D-FWD 03/25

## T1290 - 2248700-SP - GRAPPLE SNUBBER COMPONENTS

<b>Item</b>	<b>Part #</b>	<b>Description</b>	<b>Qty.</b>
	53855	SNUBBER, GRAPPLE (2.008 BUSHING)	1
1	B3T-1005HD	LINK ASSEMBLY	1
2	B3T-1015	FRICTION SLEEVE - COMPOSITE	2
3	B3T-1135	SLOT HOUSING	2
4	B3T-1140	FOOT HOUSING	1
5	B3T-1030	SPRING WASHER	1
6	B3T-1035	BEARING	2
7	B3T-1040	PRESSURE PLATE	2
8	B3T-1045	ADJUSTING BOLT	2
9	B3T-1130	GREASE ZERK	4
11	B3T-1160	BUSHING - 2.06" ID X 1.125"	1
12	B3T-1070	BUSHING - 2.06" ID X 2.45"	1
13	B3T-1155	BUSHING - 2.008" ID X 2.45"	1
14	B3T-1075	BUSHING - 1.758" ID X 2.45"	1
15	55351	BEARING SEAL	1
			2

T1295 - 2255000 - T1295 - 2255100 - T1295 - 2255200 - T1295 - 2255300 - GRAPPLE ROTATOR



T00014D-FWD 03/25

Item	Part #	Description	Qty.
1	90842	OPTION - ROTATOR GV17US HULTDINES	1
	50586	OPTION - ROTATOR, HULTDINS - GV17US	1

T1295 - 2255000 - GRAPPLE - HULTDINS 360S



T00010D-FWD 03/25

<b>Item</b>	<b>Part #</b>	<b>Description</b>	<b>Qty.</b>
1	22719	GRAPPLE, HULTDINS 360S (GV17US)	1

T1295 - 2255100 - GRAPPLE - HULTDINS 360S WITH 550 SAW



T00011D-FWD 03/25

<b>Item</b>	<b>Part #</b>	<b>Description</b>	<b>Qty.</b>
1	24292	GRAPPLE, HULTDINS 360S W/ 550S SAW	1

T1295 - 2255200 - GRAPPLE - HULTDINS 420S



T00012D-FWD 03/25

<u>Item</u>	<u>Part #</u>	<u>Description</u>	<u>Qty.</u>
1	57465	GRAPPLE, SG 420S HULTDINS (GV17US)	1

T1295 - 2255300 - GRAPPLE - HULTDINS 520S

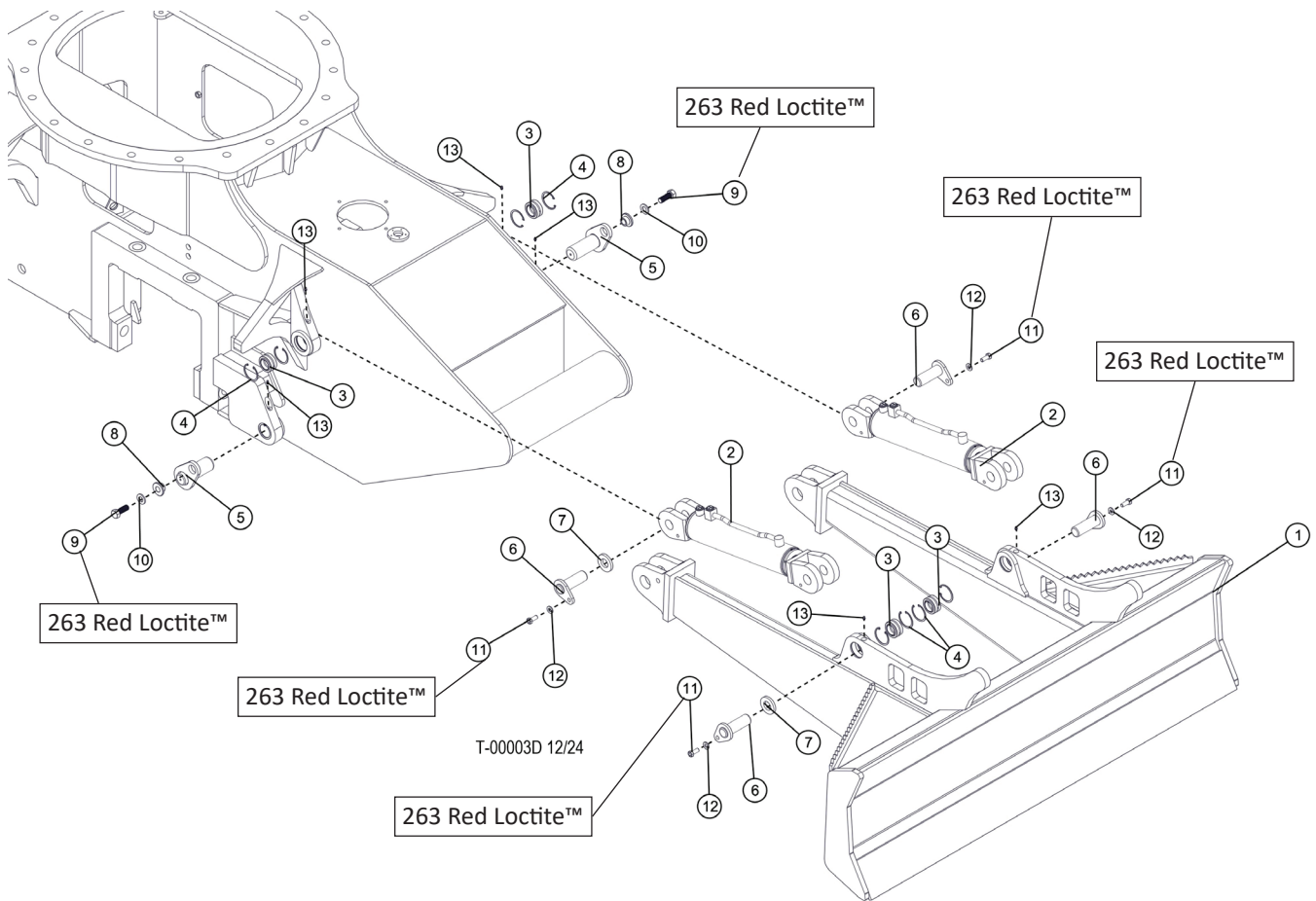


T00013D-FWD 03/25

<b>Item</b>	<b>Part #</b>	<b>Description</b>	<b>Qty.</b>
1	22306	GRAPPLE, HULTDINS 520 (GV17US)	1

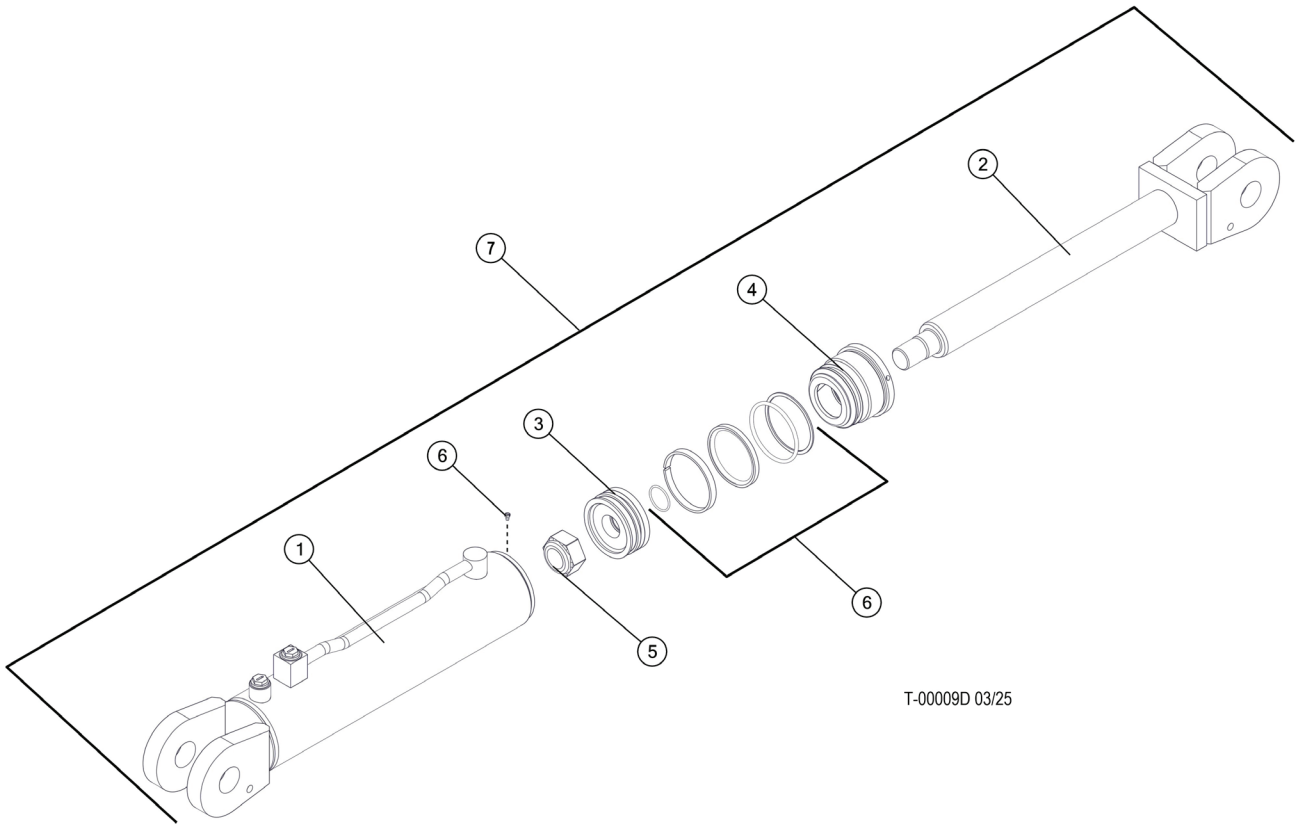


## T4710 - 2246200 - BLADE, U



Item	Part #	Description	Qty.
1	52538	WELDMENT, PUSH BLADE	1
2	52590	CYLINDER, BLADE	2
3	19437	BUSHING, SPHERICAL - 1.5"	4
4	19915	RING, SNAP - 1.5" SPHERICAL BUSHING	8
5	52544	PIN ASSEMBLY, 2 X 4.75 - BLADE	2
6	47280	PIN, BLADE - 1.5" X 4.25" WITH FLAG	4
7	19613	WASHER, SAE FLAT - 1.5" (EXTRA THICK)	1
8	18570	WASHER, PIN RETAINING	2
9	15549	BOLT - .75" X 2.0 263 RED LOCTITE™	2
10	15550	WASHER, SAE FLAT - .75"	2
11	50100	BOLT - .5" X 1.25" 263 RED LOCTITE™	4
12	15534	WASHER, SAE FLAT - .5"	4
13	10704	FITTING, GREASE - .125 NPT - STR	6

## T4710 - 2246200 - BLADE, U




<b>Item</b>	<b>Part #</b>	<b>Description</b>	<b>Qty.</b>
1	203480B	BARREL ASSEMBLY	1
2	53828	ROD ASSEMBLY	1
3	52657	PISTON ASSEMBLY	1
4	52658	ROD BEARING ASSEMBLY	1
5	52659	1.25-12 SELF LOCKING NUT	1
6	53829	KIT, SEAL	1
7	52590	COMPLETE CYLINDER	1

# **MARKS AND PLATES - (U)**

U0100 - 2242600 - MODEL DECAL U. TF830D


①



Item	Part #	Description	Qty.
1	57906	DECAL, MODEL # - TF830-D	1

U0100 - 2242700 - MODEL DECAL U. TF840D

①



Item	Part #	Description	Qty.
1	57905	DECAL, MODEL # - TF840-D	1

U100-00060 - BOOM, DECALS

**BOOMS**  
PIN:57920



U-00016D 03/26



Item	Part #	Description	Qty.
1	57920	DECAL, BOOM UNIVERSAL KEEP CLEAR	1

U100-00070 - GULLWING, DECALS

**GULLWING**  
PIN:57628



U-00017D 03/26



Item	Part #	Description	Qty.
1	57628	DECAL, KEEP CLEAR GULLWING	1

U100-00080 - LOGO & WEB



**LOGO & WEB**  
PIN:57908

U-00018D 03/26

Item	Part #	Description	Qty.
1	57908	DECAL, LOGO & WEB	1



# U100-000110 - OUTSIDE DECALS



U-00006D 03/26

830D - 840D  
ENGLISH "D" SERIES  
PN-677730

Item	Part #	Description	Qty.
1	677730	KIT, DECAL - D SERIES COMPLETE, ENGLISH	1
1	677730-FR	KIT, DECAL - D SERIES COMPLETE, FRENCH	1
1	677730-GR	KIT, DECAL - D SERIES COMPLETE, GERMAN	1
1	677730-PT	KIT, DECAL - D SERIES COMPLETE, PORTUGUESE	1
1	677730-SP	KIT, DECAL - D SERIES COMPLETE, SPANISH	1

U0120 - 2236600 - SERIAL PLATE



U-00010D 07/24

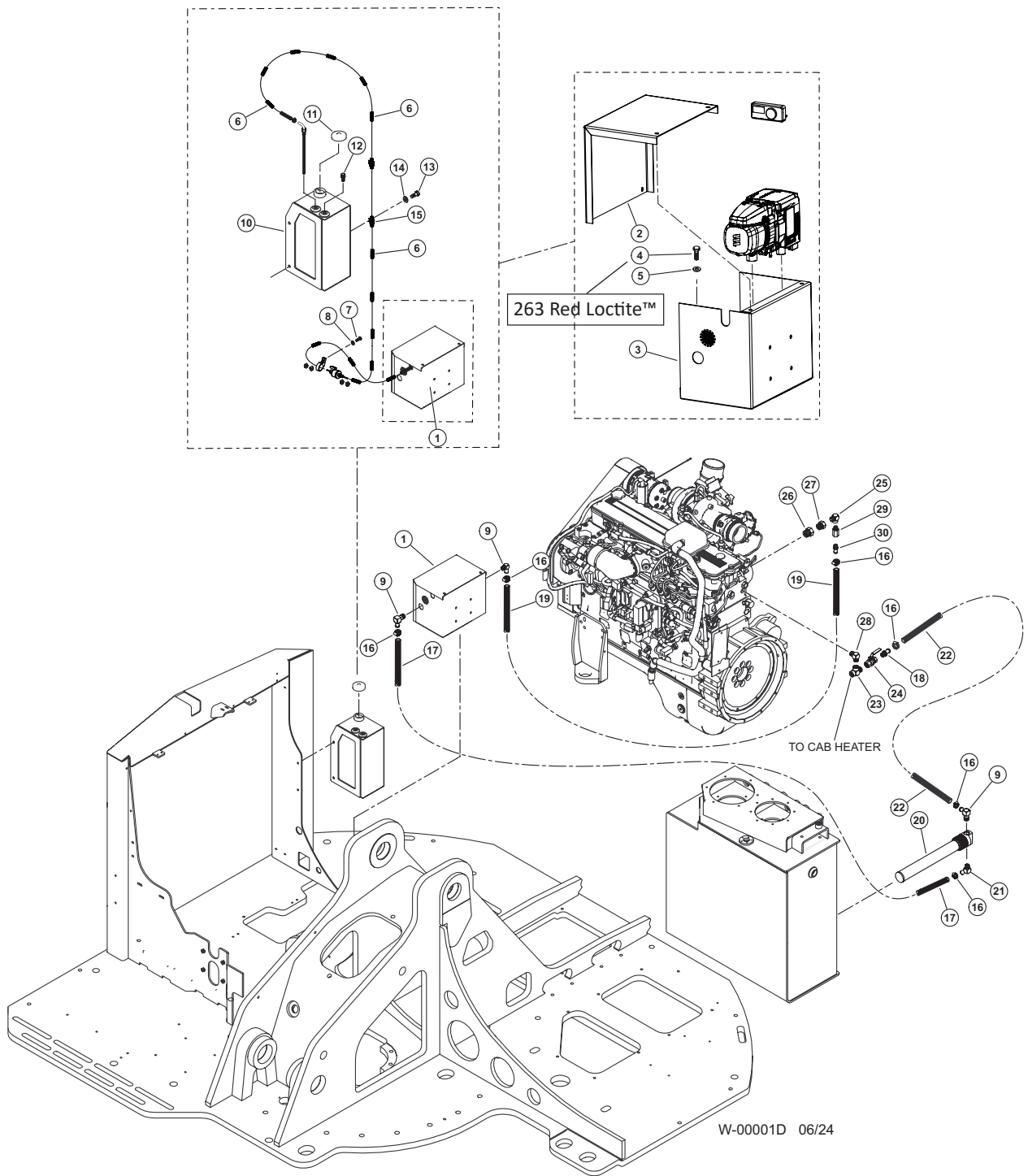
<u>Item</u>	<u>Part #</u>	<u>Description</u>	<u>Qty.</u>
1	58964	PLACARD, SERIAL NUMBER - USA/CANADA	1

**MISCELLANEOUS- (W)**



# W1112 - 2236900 - ESPAR HEATER

NOTE: HYDRAULIC FITTINGS GET 545 LOCTITE™



## W1112 - 2236900 - ESPAR HEATER

Item	Part #	Description	Qty.
1	61249	PREHEATER, ESPAR	1
2	60727	LID, ESPAR	1
3	60726	BOX, ESPAR MOUNT	1
4	15589	BOLT - .3125" X 1" 263 RED LOCTITE™	4
5	10801	WASHER, FLAT - .3125"	4
6	16705	LOOM, SPLIT - .25" GREEN (BULK)	AR
7	15604	BOLT - .25" X .75"	2
8	10800	WASHER, FLAT - .25"	2
9	52436	ELBOW, 90 BEADED HOSE BARB 10-8	3
10	46673	TANK, ESPAR FUEL - C/D SERIES	1
11	52965	CAP, WEBASTO/ESPAR FUEL TANK-REPAIR	1
12	22906	BREATHER, FUEL TANK	1
13	15542	BOLT - .375" X .75"	2
14	15528	WASHER, SAE FLAT - .375" OR 3/8"	2
15	59128	CABLE CLAMP, CUSHIONED, 1/2" (.406")	2
16	58977	CLAMP, HOSE - AC UPDATE	1
17	58123	HOSE, HEATER 5/8 X 94 D-MOD ESPAR	1
*	20810	SLEEVE, PROTECTIVE HOSE - 075	1
18	51774	CONNECTOR, STR HOSE BARB - .5 X 5/8 (830	1
19	58024	HOSE, HEATER - 5/8" X 64" (GATES 28473)	1
*	50188	SLEEVE, PROTECTIVE HOSE - 150	1
20	51614	HEATER, ELEMENT 16" HYD TANK-TRANSPORT	1
21	57805	FITTING, 179HB-10-8	1
22	52738	HOSE, HEATER - 5/8" X 80" WRAPPED	1
23	51879	TEE, RUN - .5" (1/2 MRO-S)	1
24	51714	VALVE, BALL - WATER SHUT OFF HEATER 1/2"	1
25	52786	ELBOW, 90° STREET - 1/2 X 3/8 CD-S	1
26	CALL	BUSHING, REDUCER	1
27	51780	BUSHING, REDUCER - 12-1/2 FILL PUMP (830	1
28	52785	ELBOW, MALE PIPE - 3/4 X 1/2 CR-S	1
29	15652	VALVE, CHECK - HYDRAULIC/FUEL	1
30	51502	NIPPLE, KING - .38NPT X .63 HOSE	1

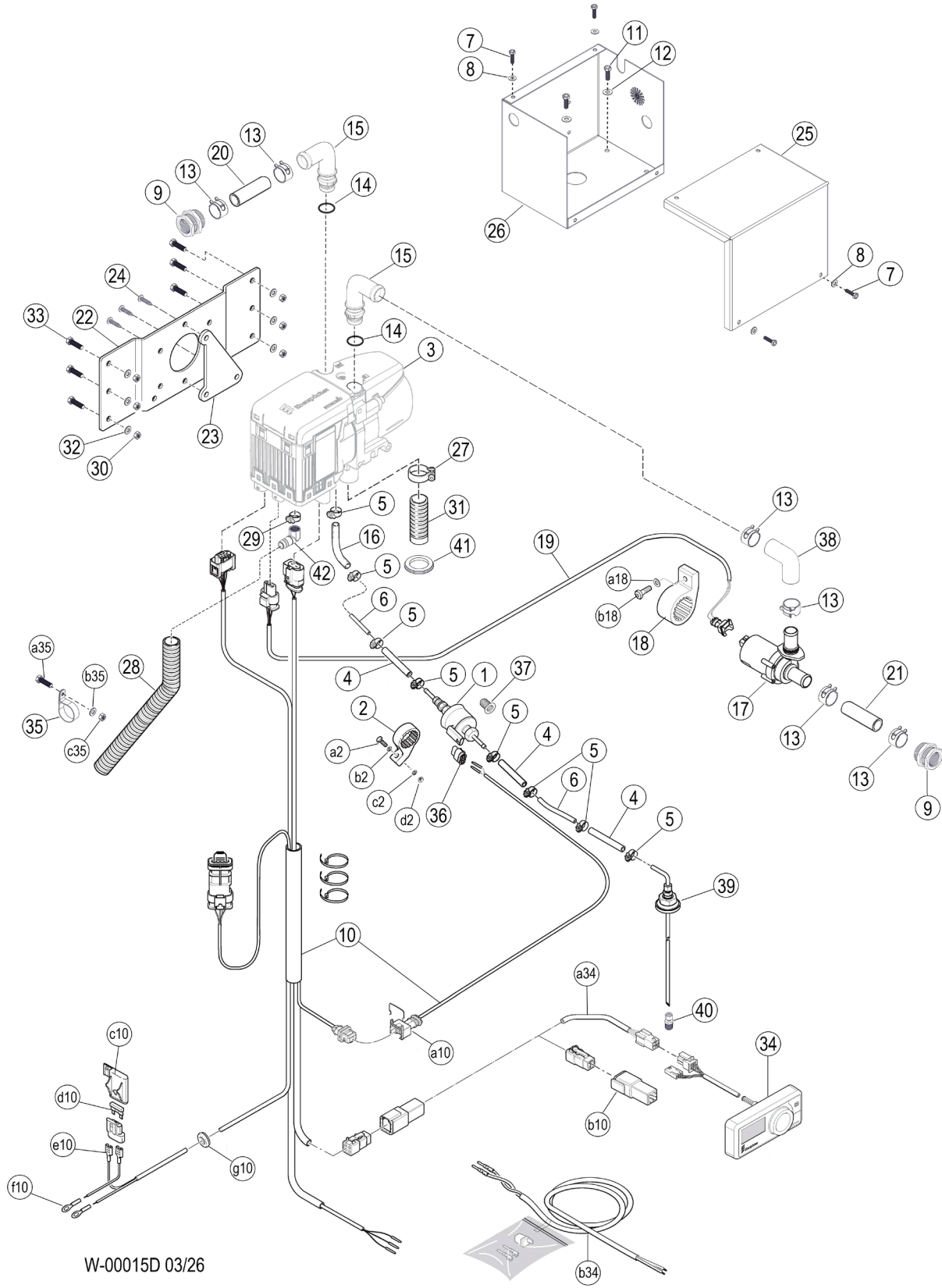
\*MEANS NOT SHOWN



## W1112 - 2236900 - ESPAR HEATER COMPONENTS

Item	Part #	Description	Qty.
1	56569	FUEL METERING PUMP, 24 V	1
2	705520	FMP MOUNT BRACKET	1
a2	-	a = INCLUDED WITH PRIMARY NUMBER	1
b2	-	b = INCLUDED WITH PRIMARY NUMBER	1
c2	-	c = INCLUDED WITH PRIMARY NUMBER	1
d2	-	d = INCLUDED WITH PRIMARY NUMBER	1
3	56401	D6 HEATER ASSEMBLY	1
4	53437	HOSE 3.5MM X 301MM	3
5	702480	HOSE CLIP, 9 MM	8
6	705530	PIPE, 4 X 1 VW TL 524 35-A, BLACK	2
7	23264	BOLT - .25" X .5"	4
8	10800	WASHER, FLAT - .25"	4
9	705310	COOLANT BULK HEAD FITTING	2
10	705320	CABLE HARNESS	1
a10	-	a = INCLUDED WITH PRIMARY NUMBER	1
b10	-	b = INCLUDED WITH PRIMARY NUMBER	1
c10	-	c = INCLUDED WITH PRIMARY NUMBER	1
d10	-	d = INCLUDED WITH PRIMARY NUMBER	1
e10	-	e = INCLUDED WITH PRIMARY NUMBER	2
f10	-	f = INCLUDED WITH PRIMARY NUMBER	2
g10	-	g = INCLUDED WITH PRIMARY NUMBER	1
11	15589	BOLT - .3125" X 1"	2
12	10801	WASHER, FLAT - .3125"	2
13	705330	CLAMPS, CONSTANT TENSION	6
14	700030	O-RING, 16 X 2	2
15	700110	90 DEGREE ELBOW W/O-RING	2
16	53469	ADAPTER HOSE 4.5 / 3.5 MM	1
17	55988	WATER PUMP 24V	1
18	705490	BRACKET WATER PUMP	1
a18	-	a = INCLUDED WITH PRIMARY NUMBER	1
b18	-	b = INCLUDED WITH PRIMARY NUMBER	1
19	705340	WATER PUMP WIRE HARNESS	1
20	705350	5" COOLANT HOSE	1
21	705360	2.75" COOLANT HOSE	1
22	700180	HEATER MOUNTING BRACKET	1
23	700080	SPACER DAMPENING PLATE	1
24	700020	SCREW, M6x16, THREAD FORMING	3
25	705470	LID, BOX, POWDER COATED GREY ENCLOSURE	1

# W1112 - 2236900 - ESPAR HEATER COMPONENTS



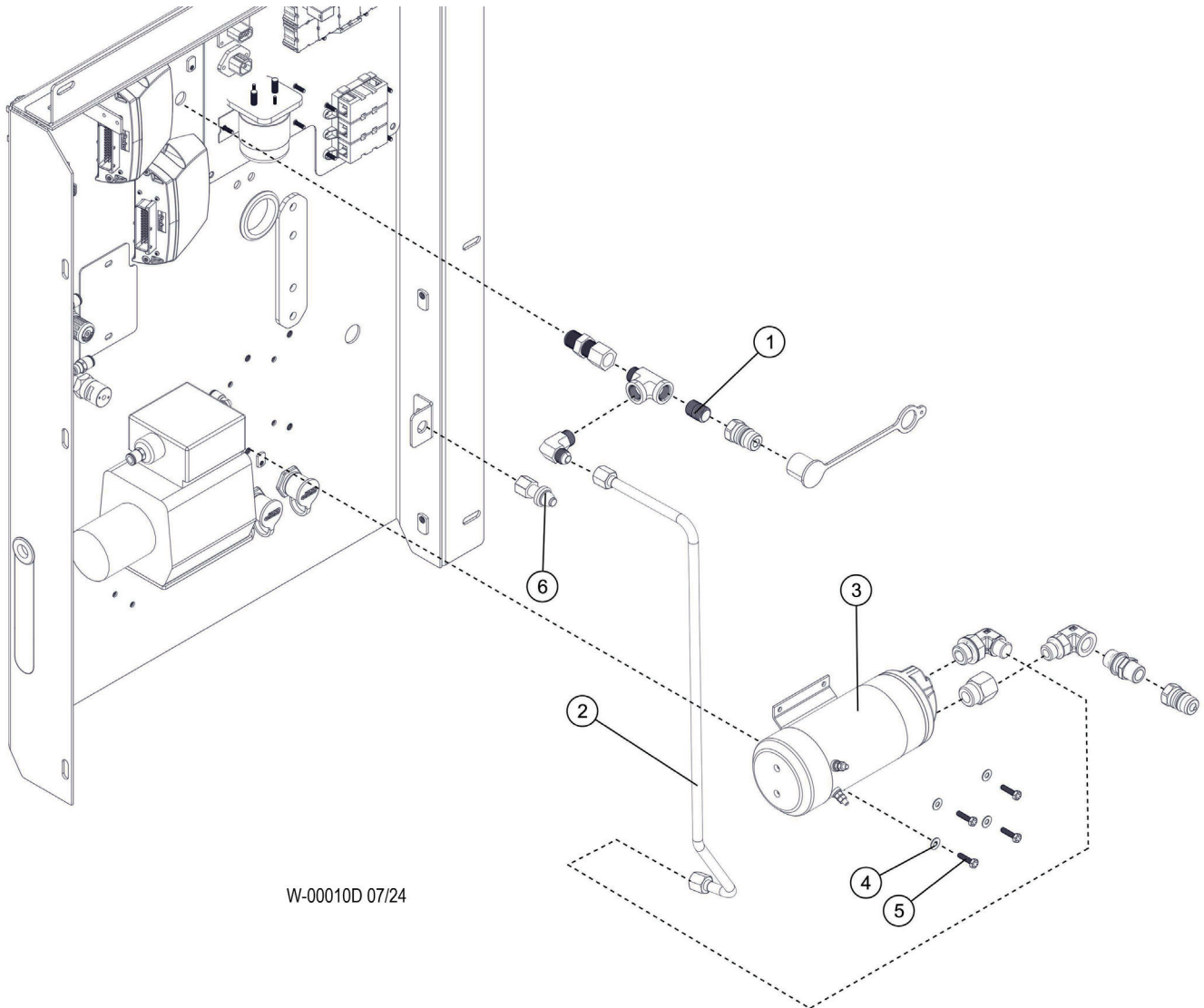
W-00015D 03/26

## W1112 - 2236900 - ESPAR HEATER COMPONENTS

<b>Item</b>	<b>Part #</b>	<b>Description</b>	<b>Qty.</b>
26	705460	BOX, POWDER COATED GREY ENCLOSURE BOX	1
27	700060	EXHAUST CLAMP 26-28MM	1
28	705370	AIR INTAKE TUBE	1
29	700040	HOSE CLIP, 16 – 25 MM	1
30	705450	M6 NUT	6
31	701060	EXHAUST TUBE W/SLEEVE END	1
32	705440	M6 WASHER	6
33	705430	BOLT, M6 X 20	6
34	58369	EASY START PRO TIMER	1
a34	-	a = INCLUDED WITH PRIMARY NUMBER	1
b34	-	b = INCLUDED WITH PRIMARY NUMBER	1
35	700490	CLIP, 28MM	1
a35	-	a = INCLUDED WITH PRIMARY NUMBER	1
b35	-	b = INCLUDED WITH PRIMARY NUMBER	1
36	700500	CONNECTOR METERING PUMP	1
37	56524	STRAINER, FUEL METERING PUMP	1
38	705380	MOLDED ELBOW HOSE	1
39	53394	FUEL DRAWTUBE	1
40	53395	FITTING, COMPRESSION	1
41	705400	SILICONE EXHAUST SEAL	1
42	705410	COMBUSTION AIR ELBOW	1

# W1301 - 2232300 - HYD TANK FILL PUMP

NOTE: HYDRAULIC FITTINGS GET 545 LOCTITE™



W-00010D 07/24

## W1301 - 2232300 - HYD TANK FILL PUMP

<b>Item</b>	<b>Part #</b>	<b>Description</b>	<b>Qty.</b>
1	16126	NIPPLE, CLOSE - 1/2"	1
2	57664	TUBELINE, FILL PUMP	1
3	55691	FILL PUMP ASSEMBLY	1
4	10757	WASHER, FLAT - .25"	4
5	23264	BOLT - .25" X .5"	4
6	25104	SWITCH, DOOR LIMIT/FILL PUMP	1

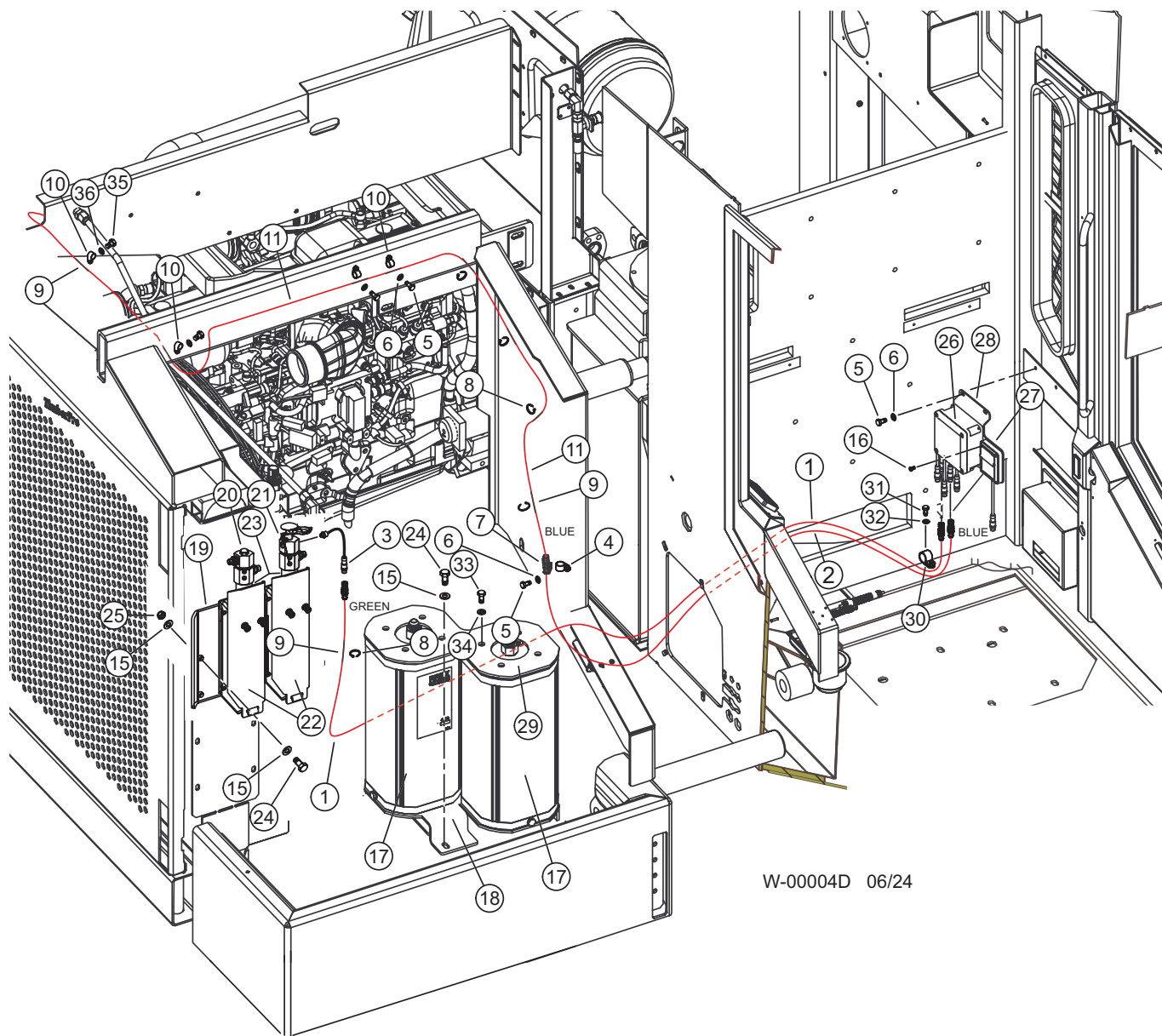


## W1302 - 2232600 - DAFO DISTRIBUTION COMPONENTS

Item	Part #	Description	Qty.
1	674080	DISTRIBUTION RUN 2, SECTION 1	1
2	674791	DISTRIBUTION RUN 2, SECTION 2	1
3	674070	DISTRIBUTION RUN 1, SECTION 4	1
4	674040	DISTRIBUTION RUN 1, SECTION 1	1
5	674060	DISTRIBUTION RUN 1, SECTION 3	1
6	674050	DISTRIBUTION RUN 1, SECTION 2	1
7	65472	PLATE, FS BRACKET	1
8	61637	PLATE, NOZZLE MT, FRT ENG	1
9	61617	PLATE, FS MT	1
10	674160	AGENT SUPPLY HOSE 1/2" X 117"	1
11	674100	N2 SUPPLY HOSE 1/4" X 16"	1
12	674140	AGENT SUPPLY HOSE 1/2" X 10.5"	1
13	674120	N2 SUPPLY HOSE 1/4" X 36"	1
14	674370	COUPLING, 90° BEND, M-M	1
15	674130	N2 SUPPLY HOSE 1/4" X 49"	1
16	674150	AGENT SUPPLY HOSE 1/2" X 19"	1
17	674400	T-COUPLING, ADJUSTABLE ARM, M-F-M	2
18	46421	BRACKET, COOLER LINE SUPPORT	1
19	674380	COUPLING, 90° BEND, M-F	2
20	10718	7/8" FLAT WASHER	3
21	674360	COUPLING, STRAIGHT, M-M	2
22	674330	ELBOW ADAPTER, 1/4" M X 1/4" F	2
23	674110	N2 SUPPLY HOSE 1/4" X 13.5"	2
24	674340	T-ADAPTOR, 1/4" M X 1/4" M X 1/4" M	1
25	674470	14MM P CLAMP FOR 1/4 HOSE	1
26	15576	BOLT - .25" X 1"	13
27	10757	WASHER, FLAT - .25"	12
28	80517	BOLT - 10MM-1.5P X 20MM	12
29	15528	WASHER, SAE FLAT - .375" OR 3/8"	1
30	NA	(INCLUDED WITH ENGINE)	1
31	10811	NUT, LOCK - .25"	1
32	NA	(INCLUDED WITH ENGINE)	6
33	NA	(INCLUDED WITH ENGINE)	1
*	674510	11 MM P-CLAMPS, WIDE POST	11
*	679780	6MM P-CLAMPS, WIDE POST	4
*	679790	ADAPTOR STEEL G1/4" (RUF-RUF)	1
*	679810	STRAP DOUBLE, 8MM BLACK	8
*	674500	LABEL KIT FOR SUPPRESSION SYSTEM, ENGLISH	1

\*MEANS NOT SHOWN

# W1302 - 2232600 - DAFO DISTRIBUTION, DETECTION / ACTUATION CABLE INSTALLATION



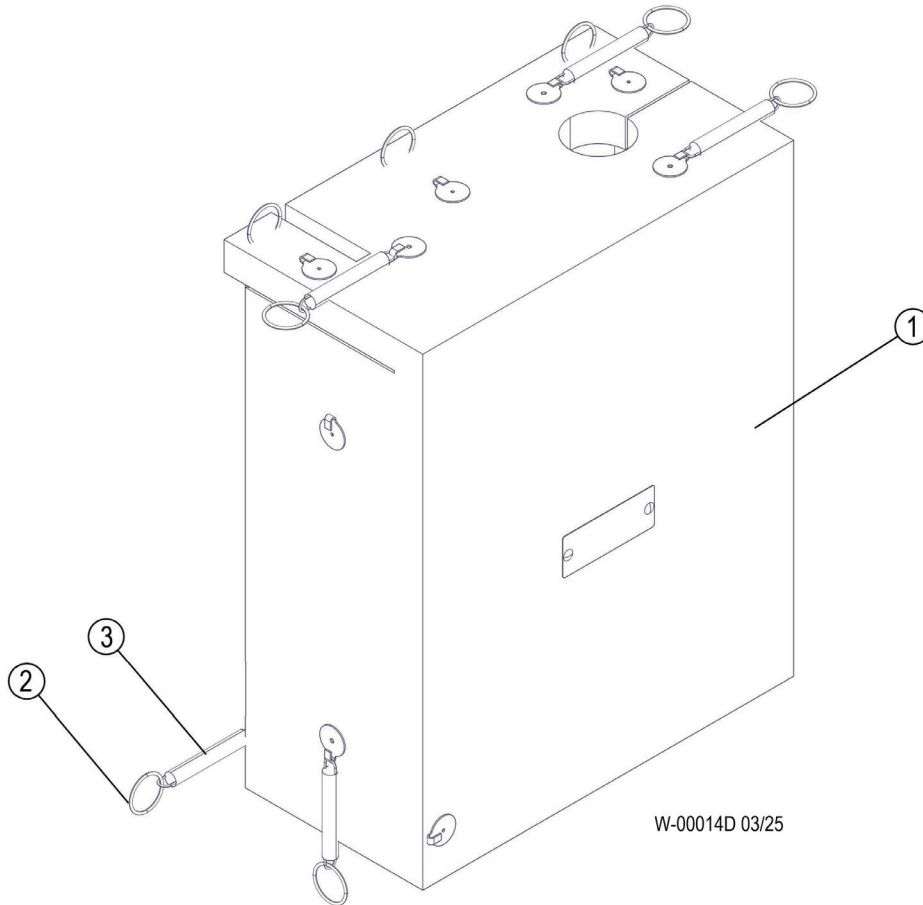
W-00004D 06/24

## W1302 - 2232600 - DAFO DISTRIBUTION, DETECTION / ACTUATION CABLE INSTALLATION

Item	Part #	Description	Qty.
1	674020	CABLE, ACTUATION CIRCUIT, (GREEN)	1
2	674010	CABLE, M12, DETECTOR, (BLUE)	1
3	674170	GAS GENERATOR W. 200 MM CABLE & 3-POLE CONNECTOR	1
4	674480	18MM P CLAMP USED TO ATTACH DEUTSCH AND EOL	1
5	15604	BOLT - .25" X .75"	7
6	10757	WASHER, SAE FLAT - .25"	7
7	NSS	DEUTSCH CONNECTOR	1
8	Double Tie-wrap	SECURING LTD TO DISTRIBUTION TUBING	25
9	674430	RUBBER PROTECTORS FOR LTD CABLE	25
10	674460	8MM P CLAMP FOR LTD	4
11	674290	LINEAR DETECTION WIRE 180°C W/ 1.8 K OHM EOL RESISTOR	1
12	10811	NUT, LOCK - .25"	2
13	(CALL)	SECURING LTD ON BACK OF MACHINE	2
14	10731	BOLT - .375" X 1.5"	2
15	10802	WASHER, FLAT - .375"	6
16	59126	SCREW, 8-32 x 1 PAN HEAD	4
17	650520	FORREX CONTAINER SV-K 10 9,7 LITRE, EVO	2
18	65046	PLATE, DAFO 10L BASE	1
*	61622	PLATE, FS MT	1
19	65053	PLATE, DAFO NITRO BOTTLE MT	1
20	674200	PNEUMATIC/ELECTRIC RELEASE DEVICE	1
21	65051	PNEUMATIC/MECHANICAL/ELECTRIC RELEASE DEVICE	1
22	65049	NITROGEN CARTRIDGE BRACKETS	2
23	674320	NITROGEN CARTRIDGE N10B	2
24	11707	BOLT - .375" X 1"	4
25	10813	NUT, LOCK - .375"	2
26	674280	CONTROL UNIT, CV-X, GEN II	1
27	65054	ALARM PANEL CV-X	1
28	674310	BATTERY 9V, LITHIUM TYPE CR-V9-DV+	1
*	65056	PLATE, DAFO CONTROL PANEL	1
29	65047	PLATE, DAFO 10L TOP	1
30	59091	P-CLIP, 1.0 ID, CUSHIONED	3
31	15605	BOLT - .3125" X .75"	3
32	15559	WASHER, SAE FLAT - .3125"	3
33	59124	BOLT, M12-1.75 x 30, HHC, CL8.8	8
34	15534	WASHER, SAE FLAT - .5"	8
35	15542	BOLT - .375" X .75"	1
36	15528	WASHER, SAE FLAT - .375" OR 3/8"	1
*	679800	ALARM PANEL SEALING KIT	1
*	674000	CABLE, POWER/SHUTDOWN, (RED/WHITE)	1
*	674351	RUBBER COATED STEEL WASHER 1/4", 13,7X2	1
*	674030	CABLE, ALARM CIRCUIT, (YELLOW)	1
*	674260	CONNECTOR CAN-BUS MALE-FEMALE WITH 120 OHM RESISTOR	1

\*MEANS NOT SHOWN

# W1302 - 2232600 - DAFO DISTRIBUTION, THERMAL BLANKET

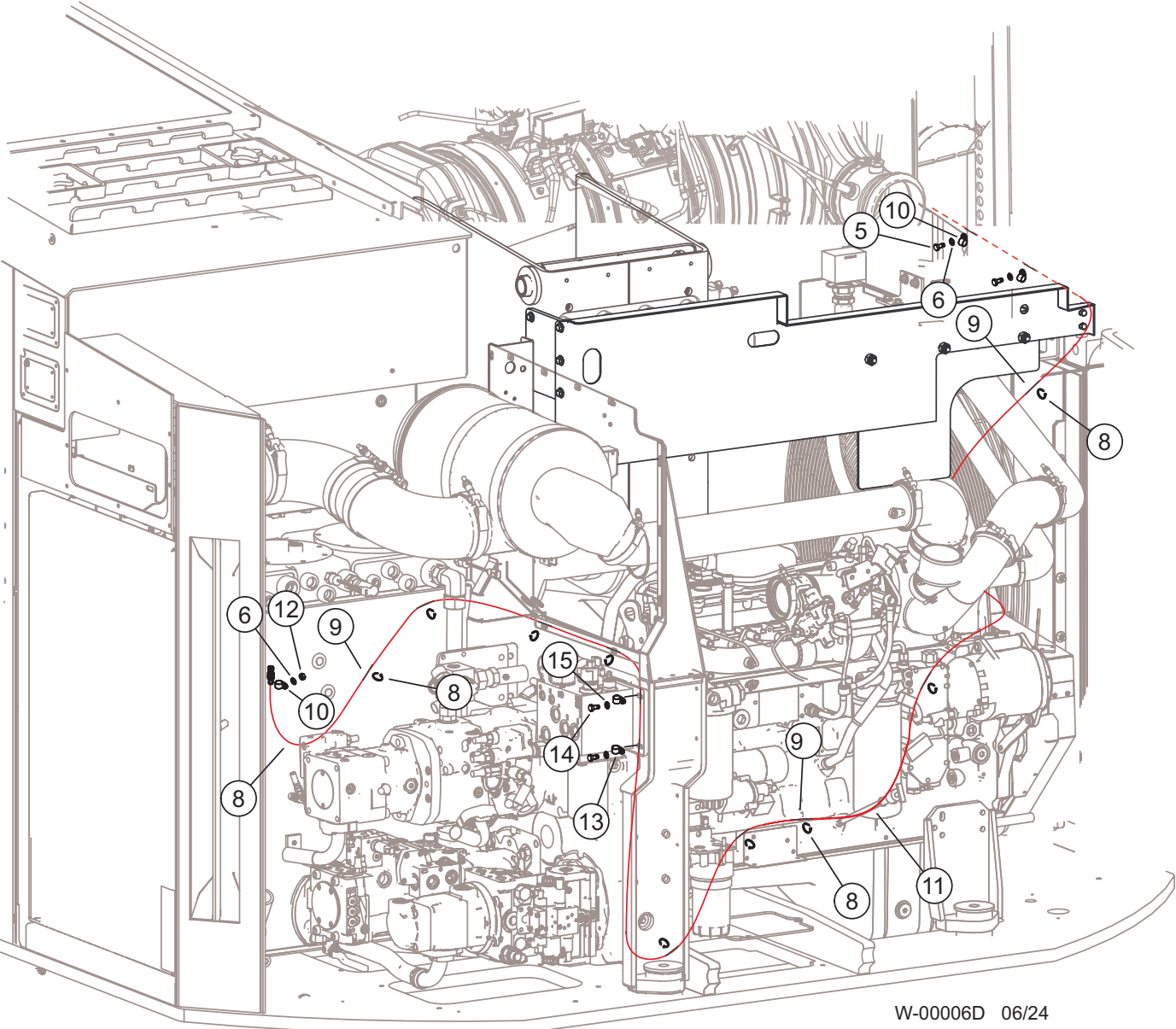


Item	Part #	Description	Qty.
1	644080	INSULATION, DUAL NO2 BOTTLES	1
*	40-9003	RING	11
*	32-1509	3" SPRING	11

\*MEANS NOT SHOWN



W1302 - 2232600 - DAFO DISTRIBUTION, DETECTION / ACTUATION CABLE INSTALLATION



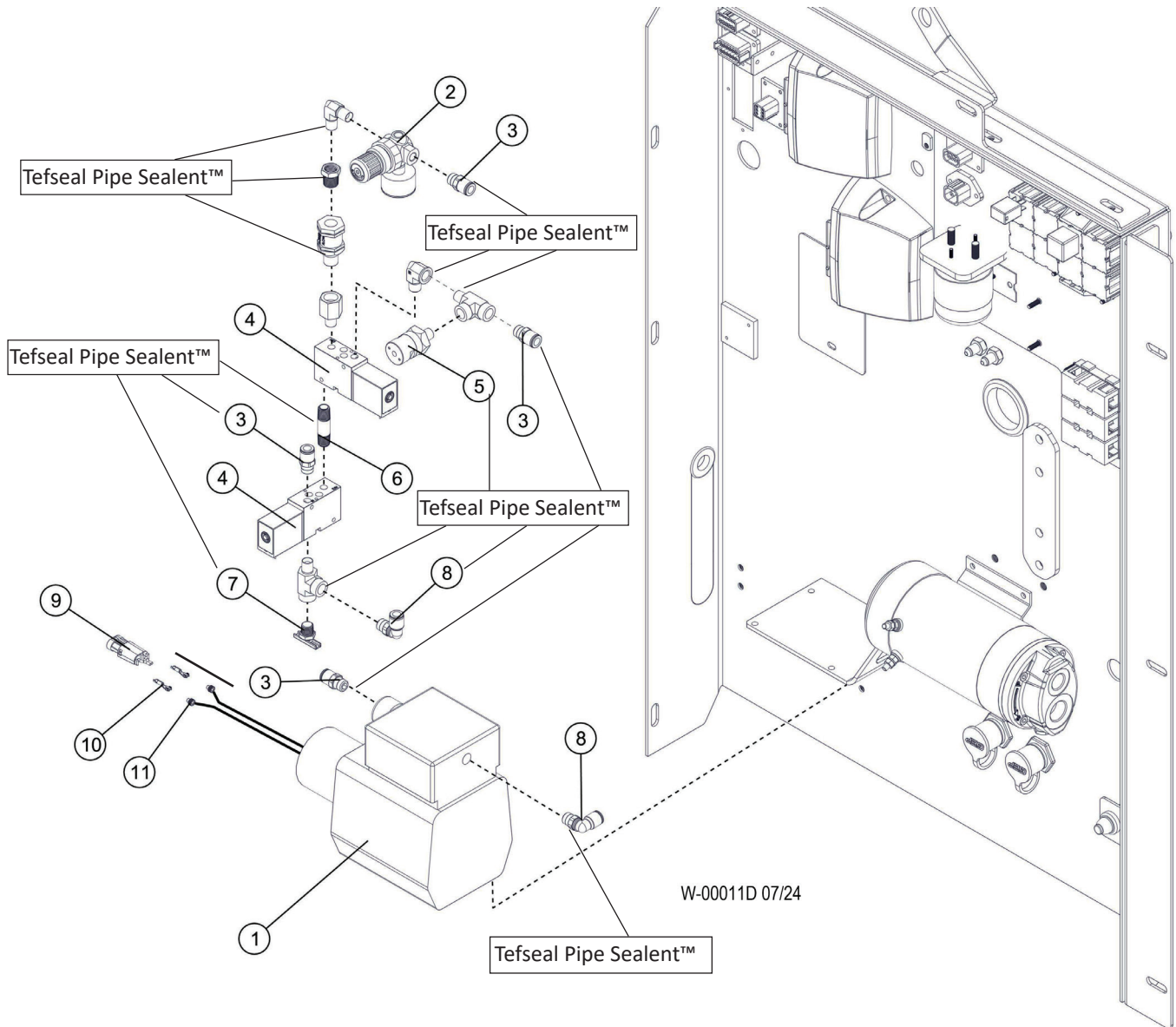
W-00006D 06/24

## W1302 - 2232600 - DAFO DISTRIBUTION, DETECTION / ACTUATION CABLE INSTALLATION

Item	Part #	Description	Qty.
1	674020	CABLE, ACTUATION CIRCUIT, (GREEN)	1
2	674010	CABLE, M12, DETECTOR, (BLUE)	1
3	674170	GAS GENERATOR W. 200 MM CABLE & 3-POLE CONNECTOR	1
4	674480	18MM P CLAMP USED TO ATTACH DEUTSCH AND EOL	1
5	15604	BOLT - .25" X .75"	7
6	10757	WASHER, SAE FLAT - .25"	7
7	NSS	DEUTSCH CONNECTOR	1
8	Double Tie-wrap	SECURING LTD TO DISTRIBUTION TUBING	25
9	674430	RUBBER PROTECTORS FOR LTD CABLE	25
10	674460	8MM P CLAMP FOR LTD	4
11	674290	LINEAR DETECTION WIRE 180°C W/ 1.8 K OHM EOL RESISTOR	1
12	10811	NUT, LOCK - .25"	2
13	(CALL)	SECURING LTD ON BACK OF MACHINE	2
14	10731	BOLT - .375" X 1.5"	2
15	10802	WASHER, FLAT - .375"	6
16	59126	SCREW, 8-32 x 1 PAN HEAD	4
17	65052	SV-K 10L Agent Container, AB-50	2
18	65046	PLATE, DAFO 10L BASE	1
*	61622	PLATE, FS MT	1
19	65053	PLATE, DAFO NITRO BOTTLE MT	1
20	674200	PNEUMATIC/ELECTRIC RELEASE DEVICE	1
21	65051	PNEUMATIC/MECHANICAL/ELECTRIC RELEASE DEVICE	1
22	65049	NITROGEN CARTRIDGE BRACKETS	2
23	674320	NITROGEN CARTRIDGE N10B	2
24	11707	BOLT - .375" X 1"	4
25	10813	NUT, LOCK - .375"	2
26	65048	CONTROL UNIT, CV-01/CK, EXCL BATTERY	1
27	674300	ALARM PANEL CV-01 BK/CK, ENGLISH	1
28	674310	BATTERY 9V, LITHIUM TYPE CR-V9-DV+	1
*	65056	PLATE, DAFO CONTROL PANEL	1
29	65047	PLATE, DAFO 10L TOP	1
30	59091	P-CLIP, 1.0 ID, CUSHIONED	3
31	15605	BOLT - .3125" X .75"	3
32	15559	WASHER, SAE FLAT - .3125"	3
33	59124	BOLT, M12-1.75 x 30, HHC, CL8.8	8
34	15534	WASHER, SAE FLAT - .5"	8
35	15542	BOLT - .375" X .75"	1
36	15528	WASHER, SAE FLAT - .375" OR 3/8"	1

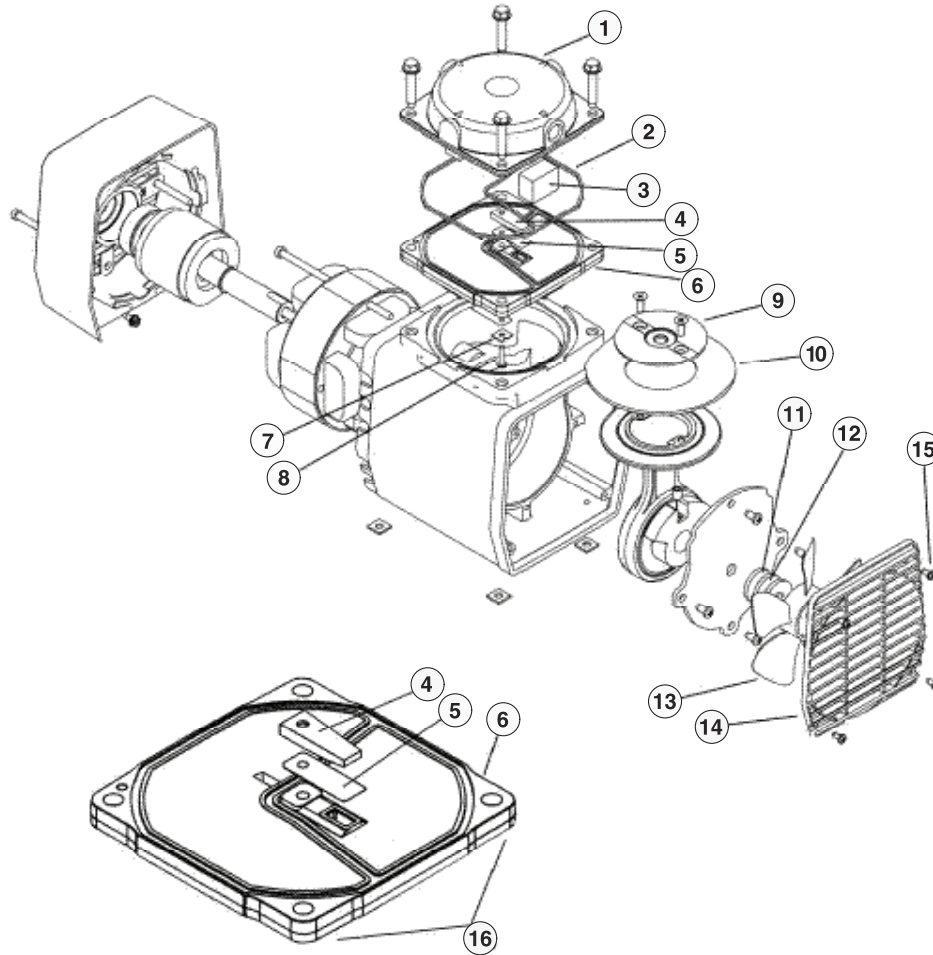
\*MEANS NOT SHOWN

## W1303 - 2232700 - HYD TANK VACUUM PUMP



Item	Part #	Description	Qty.
1	51615	VACUUM PUMP	1
2	15649	REGULATOR, TURBO BOOST	1
3	52506	CONNECTOR, STR - PUSH HOSE - 1/4" VACUUM TEFSEAL PIPE SEALENT™	4
4	51616	VALVE, 3-WAY VACUUM PUMP	2
5	51737	SWITCH, PRESSURE - VACUUM PUMP TEFSEAL PIPE SEALENT™	1
6	16314	NIPPLE, PIPE - .25" X 2" TEFSEAL PIPE SEALENT™	1
7	53108	PETCOCK, HYD TANK VENT/RAD DRAIN 1/4 TEFSEAL PIPE SEALENT™	1
8	51739	CONNECTOR, ELBOW -PUSH ON (VACUUM) (1/4") TEFSEAL PIPE SEALENT™	2
9	22223	CONNECTOR	1
10	22226	PIN	2
11	22225	SEAL	2

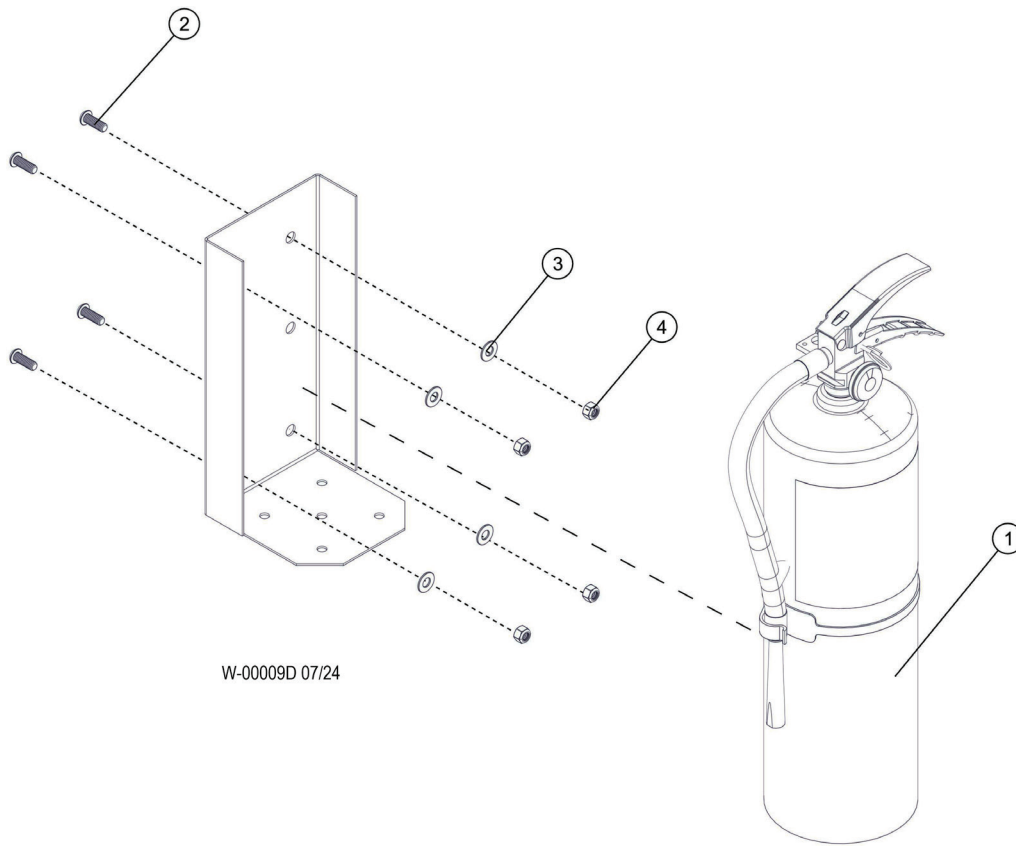
## W1303 - 2232700 - HYD TANK VACUUM PUMP COMPONENTS



W-00012D 07/24

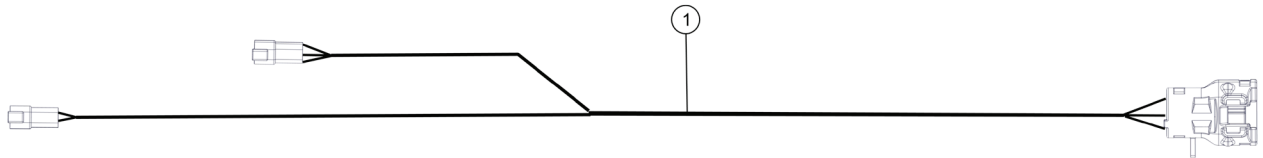
Item	Part #	Description	Qty.
	51615	VACUUM PUMP	1
1	AP500	HEAD	1
2	AP513	O-RING, HEAD	1
3	AT712A	FILTER, MUFFLER	2
4	AP110	VALVE, LIMITER	1
5	AF817	VALVE, LEAF	2
6	AP504	PLATE, VALVE	1
7	AF819A	RETAINER, VALVE	1
8	BB330A	SCREW, VALVE	1
9	AF809	PLATE, RETAINER	1
10	AF818A	DIAPHRAGM, COMPRESSOR	1
	AF818B	DIAPHRAGM, VACUUM	1
11	AA929	SPACER, FELT	3
12	AD996	SPACER	1
13	AF533	FAN	1
14	AF807	GRILL	1
15	AP534	RIVET	4
16	AP519	ASSEMBLY, VALVE PLATE	1
*	AP526	CRANKCASE COVER	1
*	AP525	CRANKCASE COVER, SCREW	2
	K294A	SERVICE KIT	1

## W1304 - 2232900 - FIRE EXTINGUISHER - 10LB



Item	Part #	Description	Qty.
1	16222	FIRE EXTINGUISHER W/BRACKET - 10 LBS	1
2	59112	SCREW, 5/16-18X7/8" BUTTON HD	4
3	15559	WASHER, SAE FLAT - .3125"	4
4	10812	NUT, LOCK - .3125"	4

D0200 - 2243400 - AUTO LEVELING, NO SELECT, U (STANDARD MACHINE FUEL HARNESS)



<b>Item</b>	<b>Part #</b>	<b>Description</b>	<b>Qty.</b>
1	54366	HARNESS, FUEL	1



