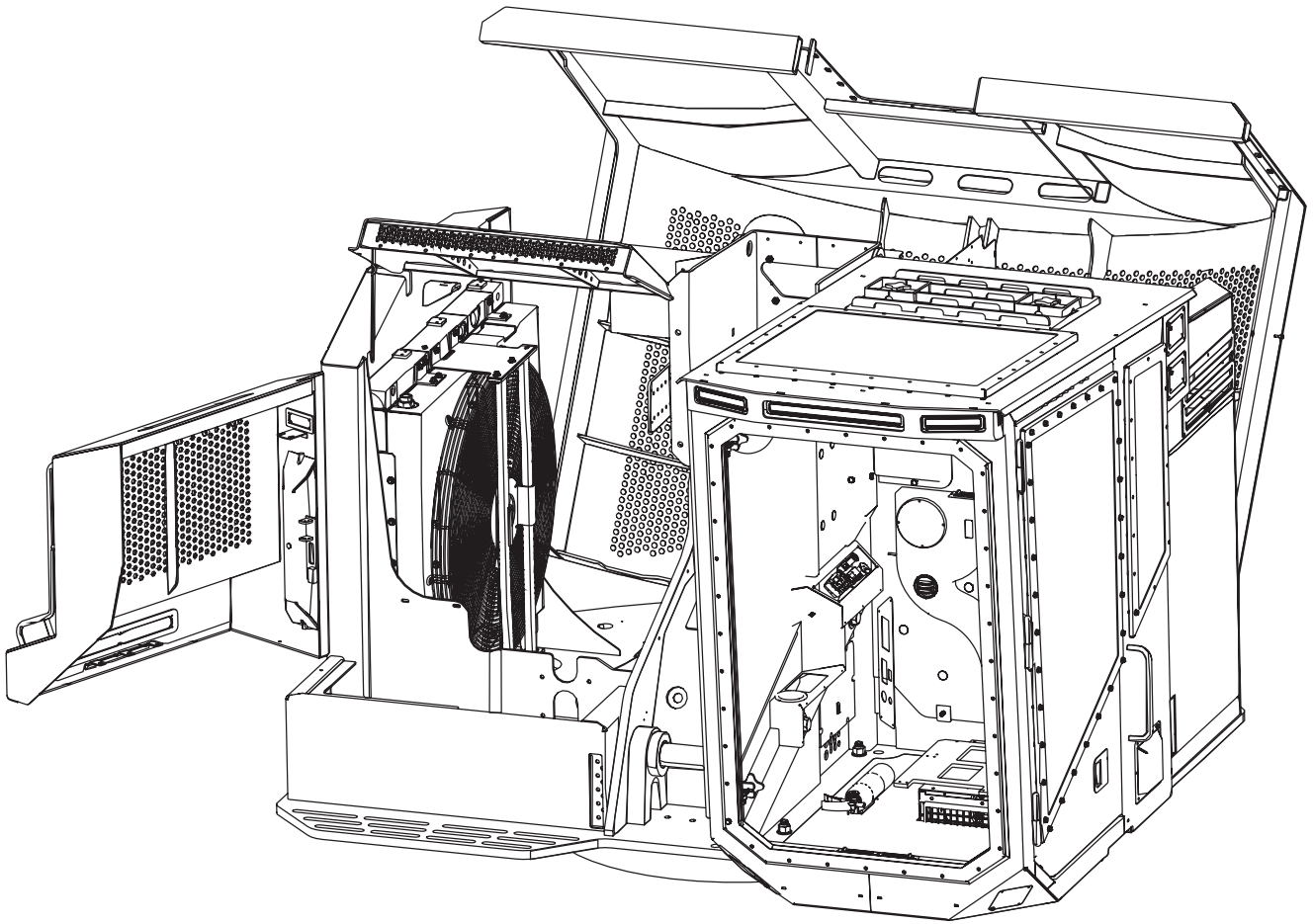
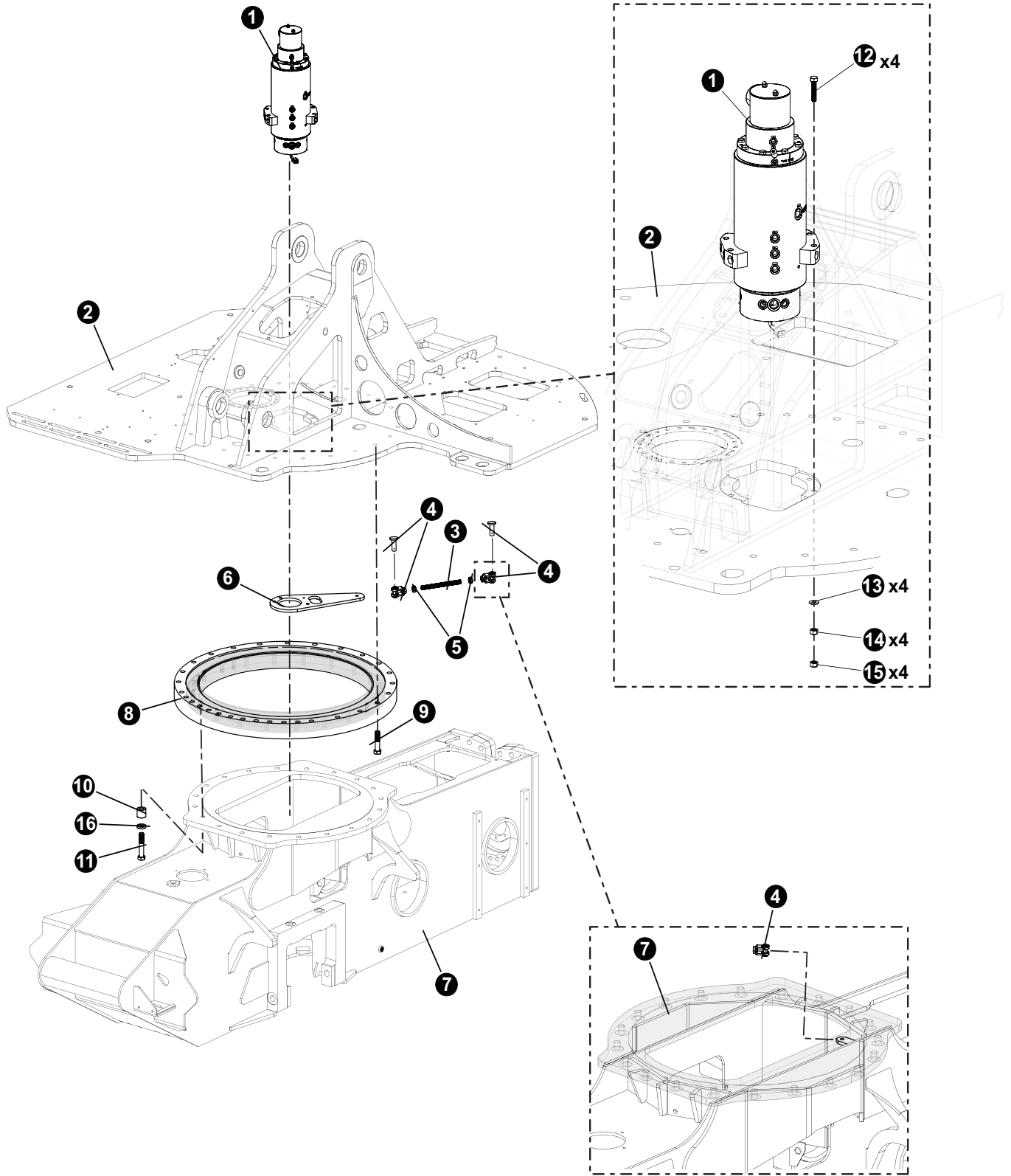


SECTION UP-1



UPPER TURNTABLE STRUCTURAL COMPONENTS, DOORS, AND COVERS





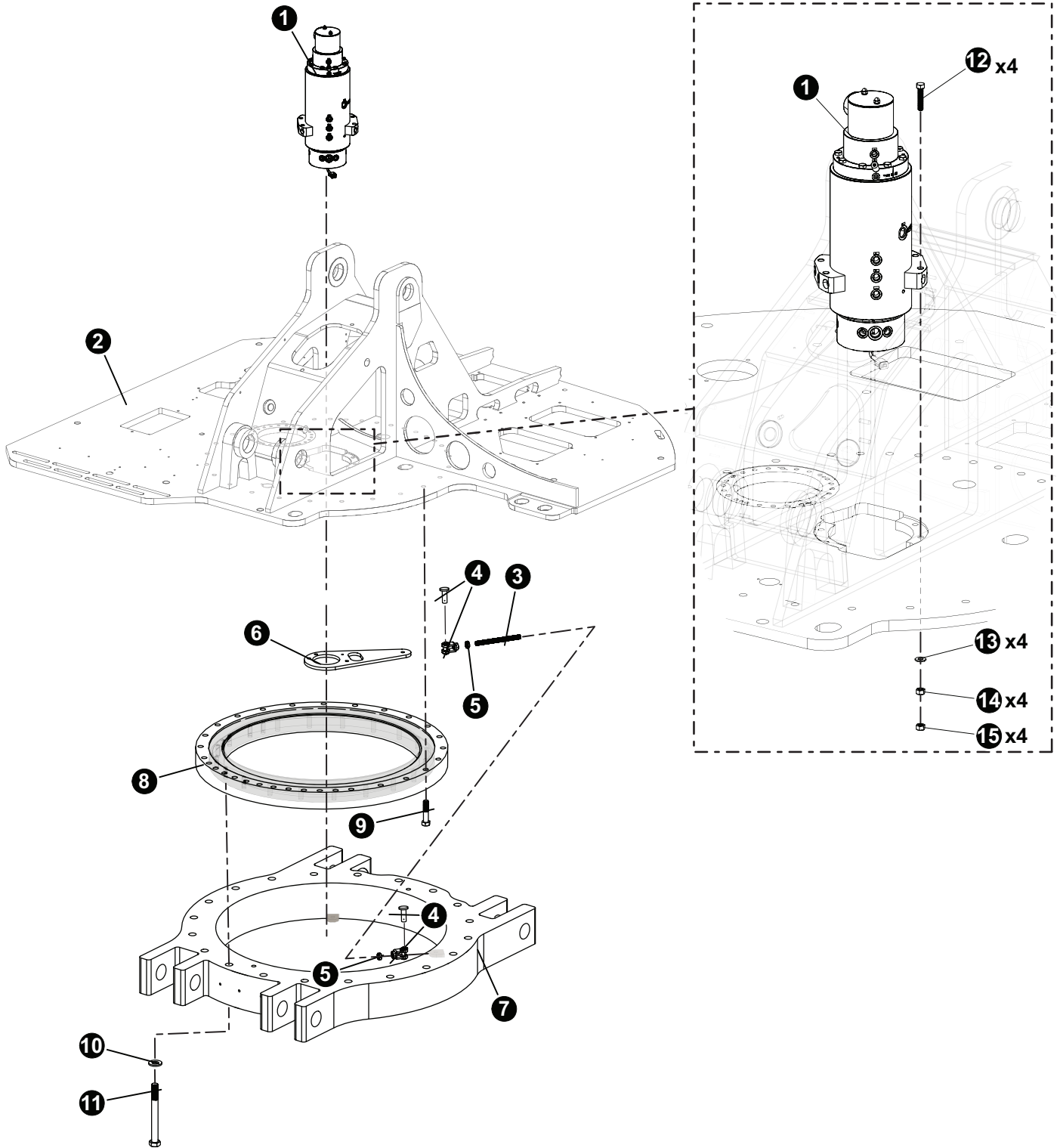
UPPER TURNTABLE

(NON-LEVELING BEARING INSTALLATION)

REF	PART #	QTY	DESCRIPTION	SEE SECTION
1	(Click Here)	1	 MANIFOLD, ROTARY - 14 PORT	<u>UP-1</u>
2	47925	1	WELDMENT, D - UPPER TURNTABLE	
3	52394	1	STUD, 5/8"-18NF X 7.5 LG (ZINC PLATED)	
4	52381	2	YOKE, ROTARY MANIFOLD 5/8 X 5/8 (Assembly includes pin)	
5	52395	2	NUT, JAM .63-18NF HEX (PLATED)	
6	52379	1	BRACKET, SWIVEL LOCK - TORQUE ARM NEW	
7	(Click Here)	1	 Wheeled MACHINE LOWER FRAME ASSM.	NV-1
8	19631	1	BEARING, SWING - WIDE GEAR - 3.81"	
9	51690	30	BOLT, ALLEN HEAD - 1" X 4.5" (SWING BRG)	
9	18532	12	WASHER, 1" SAE	
10	12463	30	SPACER, BOLT - LOWER TURNTABLE 1.88L	
11	18535	10	BOLT - 1" X 5"	
12	10838	4	BOLT - .625" X 5"	
13	23210	4	WASHER, SAE FLAT - .625" (EXTRA THICK)	
14	17515	4	NUT, HEX - .625" (LAWSON #)	
15	10816	4	NUT, LOCK - .625" (LAWSON #)	
	51690	30	BOLT, ALLEN HEAD - 1" X 4.5" (Torque to 1000 ft.lbs (1355 Nm))	
16	18532	30	WASHER, SAE FLAT THICK - 1"	




See reference page for component or assembly breakdown.



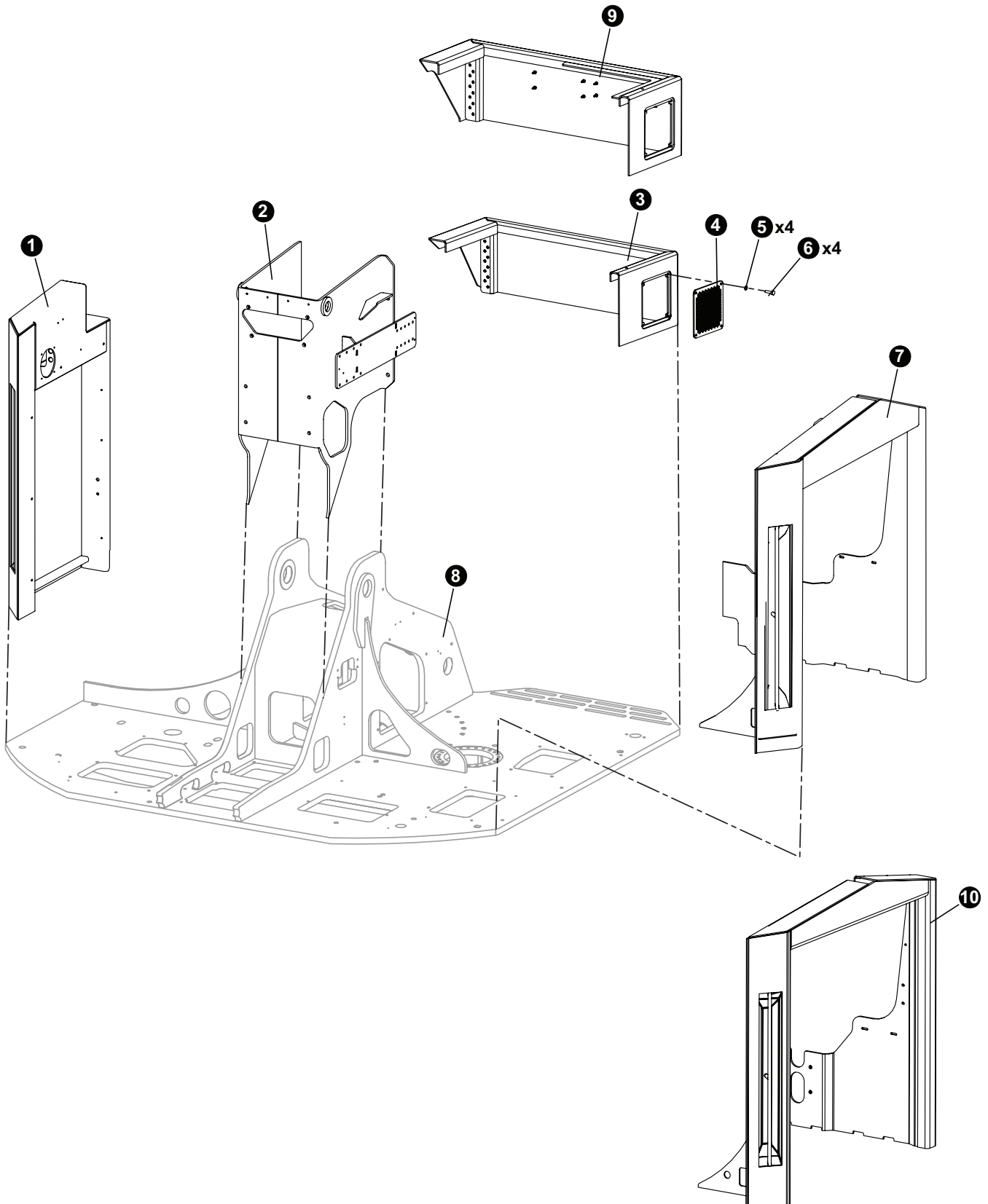
UPPER TURNTABLE

(LEVELING BEARING INSTALLATION)

REF	PART #	QTY	DESCRIPTION	SEE SECTION
1	(Click Here)	1	 MANIFOLD, ROTARY - 14 PORT	UP-1
2	47925	1	WELDMNT, D - UPPER TURNTABLE	
3	52394	1	STUD, 5/8"-18NF X 7.5 LG (ZINC PLATED)	
4	52381	2	YOKE, ROTARY MANIFOLD 5/8 X 5/8 (Assembly includes pin)	
5	52395	2	NUT, JAM .63-18NF HEX (PLATED)	
6	52379	1	BRACKET, SWIVEL LOCK - TORQUE ARM NEW	
7	85437	1	PLATE, LOWER TURNTABLE - FB820/TB620	
8	19631	1	BEARING, SWING - WIDE GEAR - 3.81"	
9	51690	30	BOLT, ALLEN HEAD - 1" X 4.5" (SWING BRG)	
10	18532	20	WASHER	
11	18535	20	BOLT - 1" X 5"	
12	10838	4	BOLT - .625" X 5"	
13	23210	4	WASHER, SAE FLAT - .625" (EXTRA THICK)	
14	17515	4	NUT, HEX - .625" (LAWSON #)	
15	10816	4	NUT, LOCK - .625" (LAWSON #)	



See reference page for component or assembly breakdown.



UPPER TURNTABLE

(GUARDS & DOORS INSTALLATION)


BEFORE SERIAL # TL745D-0629-121118

REF	PART #	QTY	DESCRIPTION	SEE SECTION
3	47923	1	WELDMENT, DEF TANK SURROUND D- UPPER	
7	47893	1	WELDMENT, COOLER SURROUND D - SERIES	

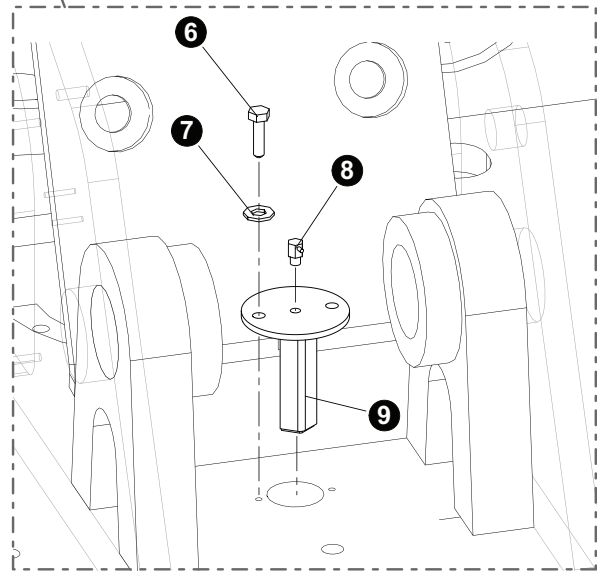
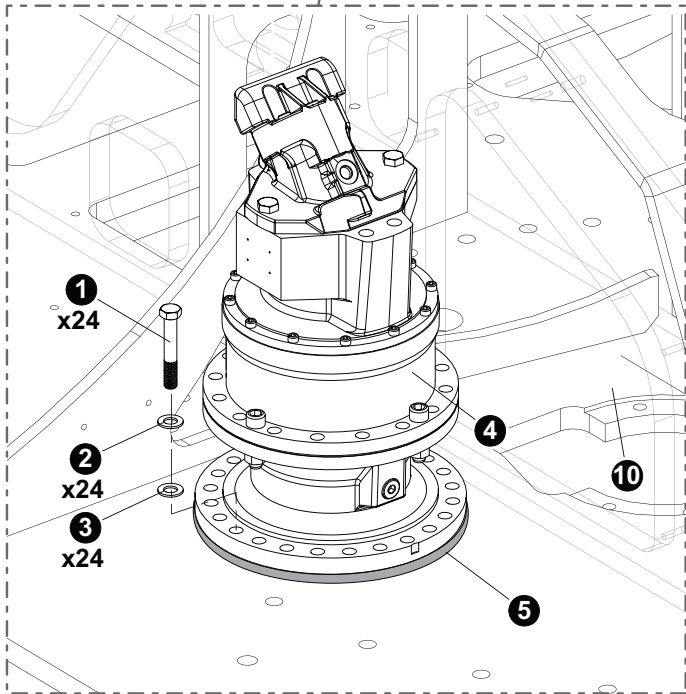
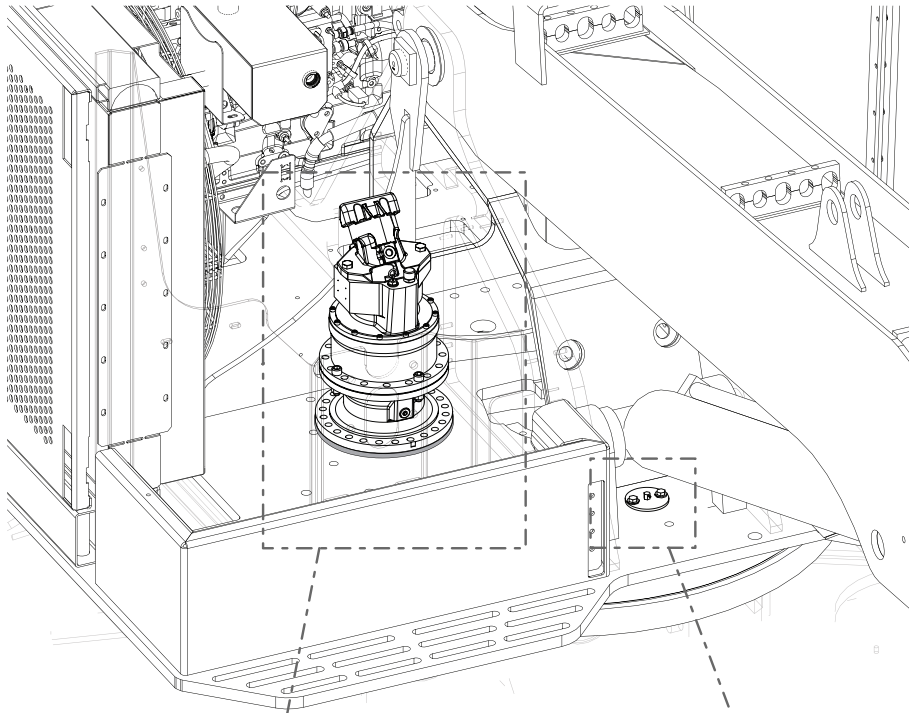
SERIAL #TL745D-0629-121118 AND AFTER

REF	PART #	QTY	DESCRIPTION	SEE SECTION
9	60611	1	SURROUND, DEF TANK - D	
10	60604	1	SURROUND, COOLER - D	

TYPICAL COMPONENTS


REF	PART #	QTY	DESCRIPTION	SEE SECTION
1	47935	1	WELDMENT, E - PANEL SURROUND D UPPER	
2	47975	1	WELDMENT, BOOM SURROUND D-STAGE 5	
4	60483	1	PLATE, DEF FAN MTG	
5	10802	4	WASHER, FLAT - .375"	
6	11707	4	BOLT - .375" X 1"	
8	(Click Here)	1	 WELDMENT, D UPPER TURNTABLE	UP-1

 See reference page for component or assembly breakdown.

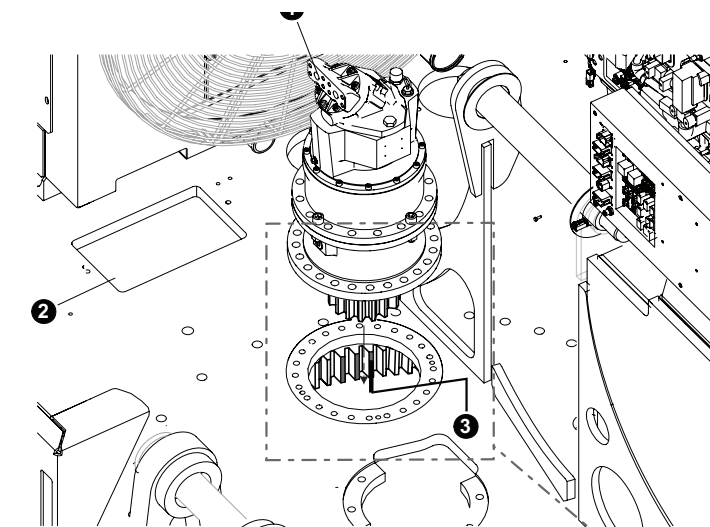


UPPER TURNTABLE

(SWING MOTOR AND SWING BEARING GREASE CUP INSTALLATION)

REF	PART #	QTY	DESCRIPTION	SEE SECTION
1	57870	24	BOLT - .625" X 2.75" (Torque to 230 ft.lbs (310 Nm)) (see note 1)	
2	57871	24	WASHER, SURELOK - 5/8" (SWING GEARBOX)	
3	23210	24	WASHER, SAE FLAT - .625" (EXTRA THICK)	
4	52745	1	SWING MOTOR - Lohmann/Rexroth	
5	54026	1	RING, SPACER SWING GEARBOX	
6	15605	2	BOLT - .3125" X .75"	
7	15559	2	WASHER, SAE FLAT - .3125"	
8	15662	1	FITTING, GREASE - .25-28" - 90	
9	17612	1	CUP, BULL GEAR GREASE - WIDE GEAR	
10	(Click Here)	1	 UPPER TURNTABLE WELDMENT.....	UP-1

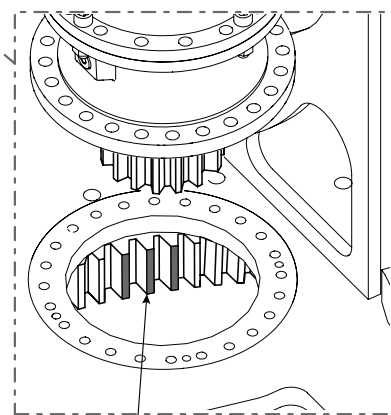
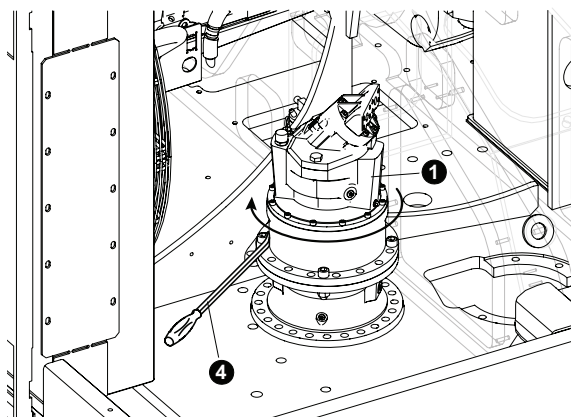
 See reference page for component or assembly breakdown.



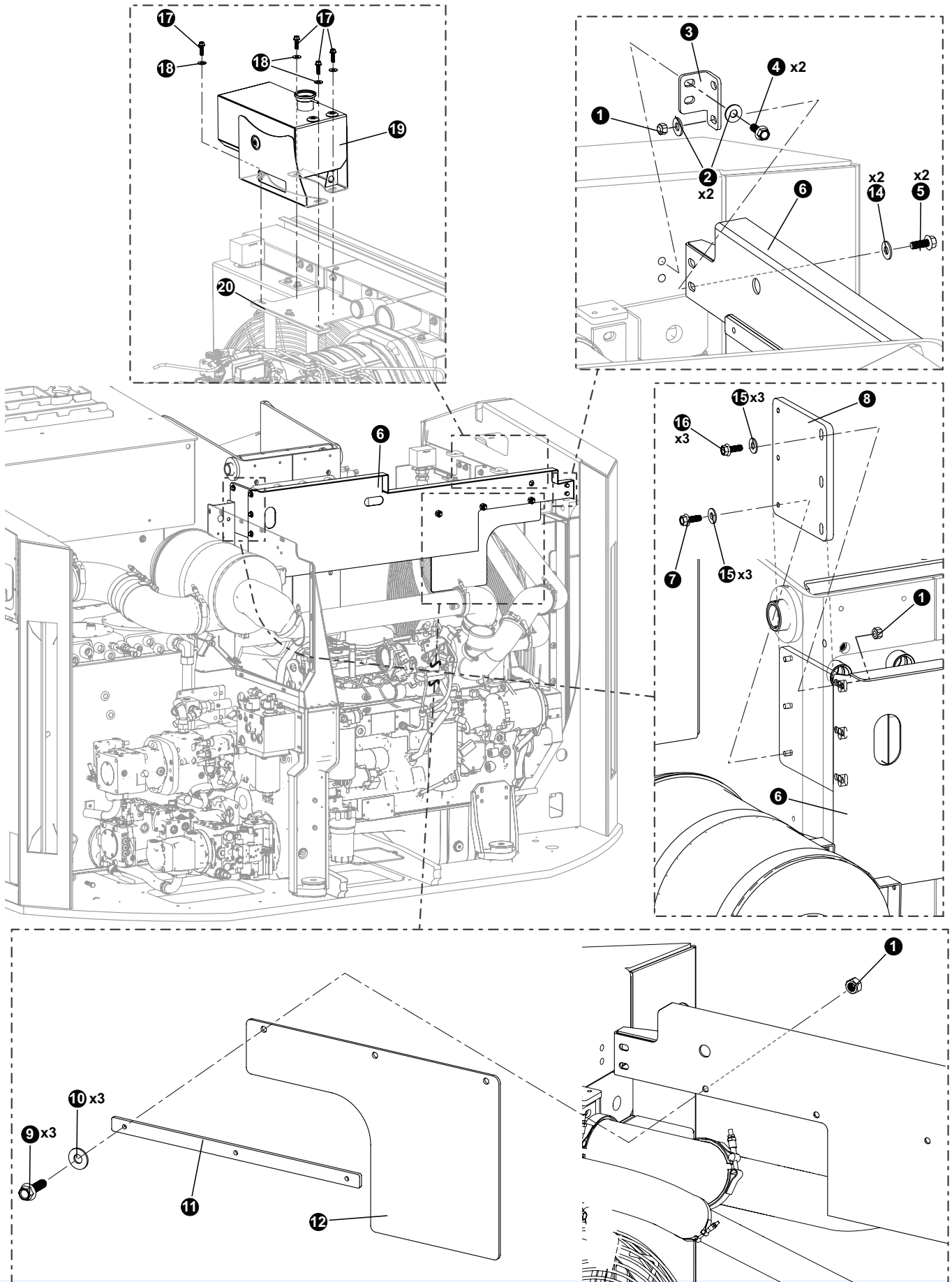
INSTALLING THE ECCENTRIC SWING MOTOR:

IMPORTANT:

1. Locate the green paint on the swing bearing teeth (3) by rotating the swing bearing until the green teeth are centered below the upper turntable (2).
2. Using a lifting device, lower the Eccentric swing motor (1) onto the upper turntable (2).
 - a. Note: It may be necessary to lift the swing motor back out of position and rotate the motor until the motor fits snug with the upper turntable.
2. Once the swing motor is in place, using a pry bar (4), turn the motor clockwise until tight.
3. Additional adjustments may be required. Use the closest set of bolt holes to fasten the motor to the upper turntable.




Green Paint on Swing Bearing Teeth



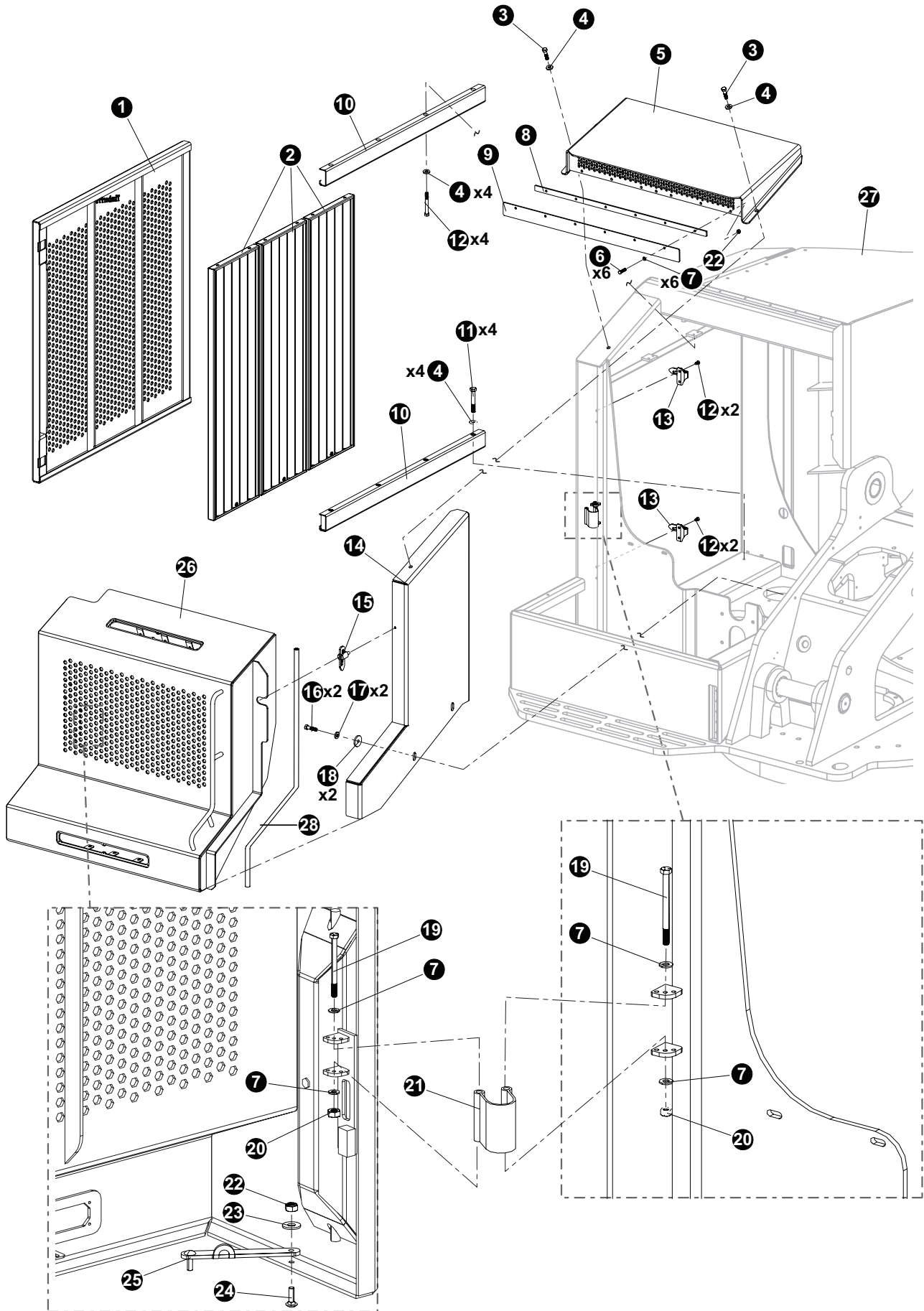
UPPER TURNTABLE

(UPPER COOLER PANEL INTALLATION)

REF	PART #	QTY	DESCRIPTION	SEE SECTION
1	10813	5	NUT, LOCK - .375"	
2	15528	4	WASHER, SAE FLAT - .375"	
3	60441	1	BRACKET, BARRIER PANEL RETAINER	
4	15542	2	BOLT - .375" X .75"	
5	15589	2	BOLT - .3125" X 1"	
6	60443	2	BARRIER, COOLER PANEL	
7	11707	3	BOLT - .375" X 1"	
8	60508	1	PLATE, BARRIER PANEL MTG	
9	15576	3	BOLT - .25" X 1"	
10	10757	2	WASHER, SAE FLAT - .25"	
11	60703	1	BAR, MOUNT - ENGINE BARRIER	
12	58150	1	BELTING, SCR SPRAY PROTECTOR D +	
14	10800	2	WASHER, FLAT - .25"	
15	10802	2	WASHER, FLAT - .375"	
16	15542	3	BOLT - .375" X 3/4"	
17	(See Description)	4	Bolt (Supplier Part # 8050.059.0000)	
18	(See Description)	4	Washer (Supplier Part # 603874)	
19	60665	1	TANK, SURGE - D	
20	(Click Here)	1	 RADIATOR / OIL COOLER - STAGE V (CUMMINS).....	UP-3





See reference page for component or assembly breakdown.



UPPER TURNTABLE

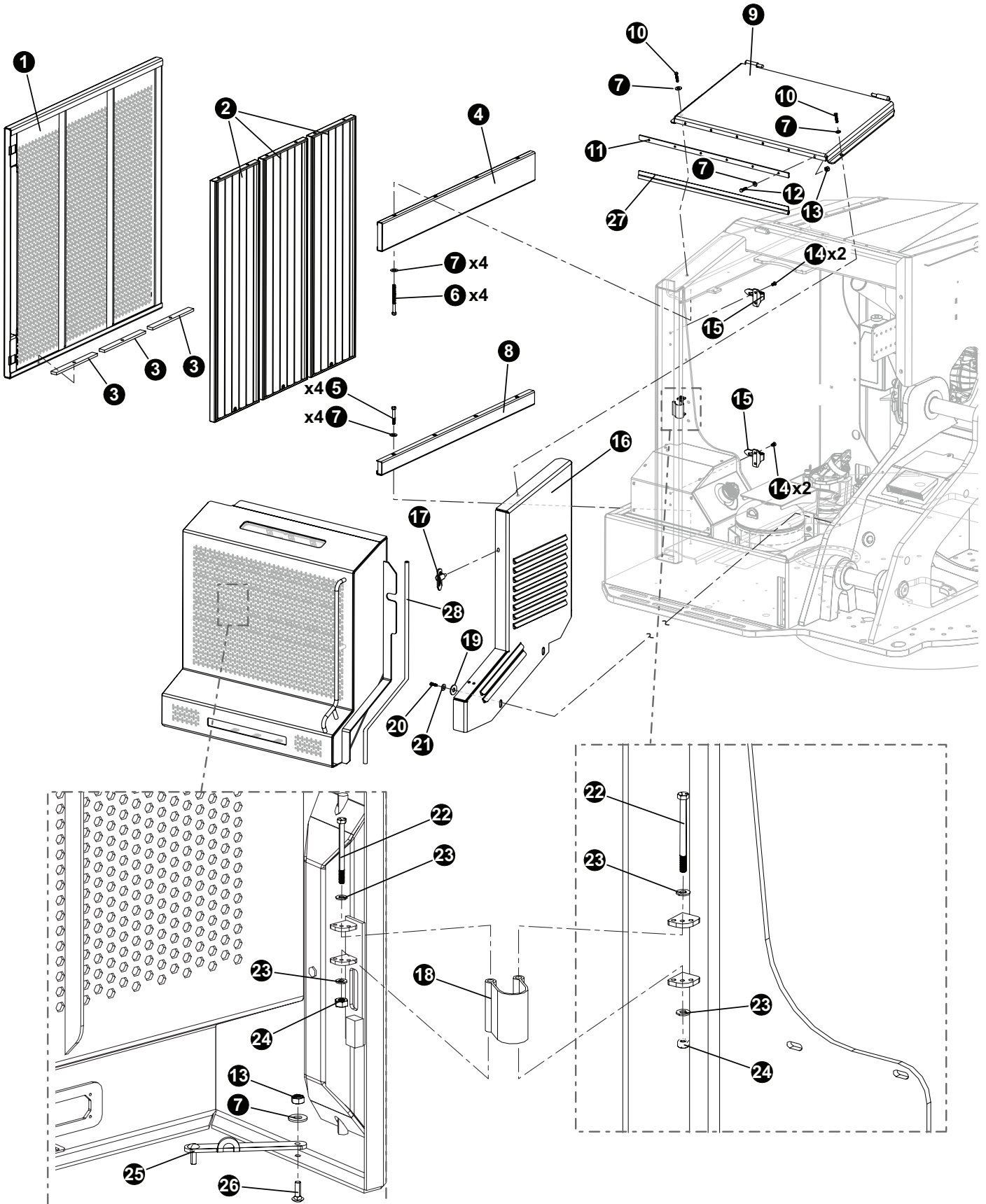
(FRONT DOOR, AND COOLER SIDE DOOR INSTALLATION)

BEFORE SERIAL #TL745D-0629-121118

REF	PART #	QTY	DESCRIPTION	SEE SECTION
1	60056	1	WELDMENT, DOOR COOLER -D SERIES (STANDARD DOOR)	
2	60058	3	SCREEN, RADIATOR -DV SERIES	
3	11707	1	BOLT - .375" X 1"	
4	10802	2	WASHER, FLAT - .375"	
5	60582	1	DOOR, COWL - TOP	
6	18309	6	BOLT - .25" X 1.25"	
7	10800	6	WASHER, FLAT - .25"	
8	60141	1	BAR, RUBBER MOUNT FRONT DOOR	
9	58072	1	FLAP, RUBBER - D-SERIES FRONT DOOR	
10	60545	2	WELDMENT, COOLER SILL	
11	10713	4	BOLT - .375" X 3.75"	
12	(See Description)	4	CAPSCREW, .375" (Supplier part #99410)	
13	51658	2	LATCH, CAM - DOOR L.H. (OIL COOLER)	
14	60042	1	PANEL, INNER FRONT	
15	19771	1	LATCH, CAM - SHORT (PUMP GUARD)	
16	50100	2	BOLT - .5" X 1.25"	
17	22666	2	WASHER, SAE FLAT - .5" (EXTRA THICK)	
18	46674	2	WASHER, FENDER - ISOLATOR	
19	10819	1	BOLT - .25" X 3.25"	
20	10811	8	NUT, LOCK - .25"	
21	51981	1	STRAP, DOOR STOP - 830/630	
22	(See Description)	1	NUT, LOCK - .3125" (Supplier Part #80928)	
23	15559	1	WASHER, SAE FLAT - .3125"	
24	(See Description)	1	CAPSCREW (Supplier Part #1124260)	
25	58113	1	SPRING, DOOR - PROP ROD - D-SERIES	
26	47945	1	DOOR, FRONT SWING OUT D-SERIES	
27	(Click Here)	1	 UPPER TURNTABLE WELDMENT	UP-1
28	18126	1	 WEATHERSTRIPPING, RUBBER-DOOR SEAL	

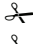

 See reference page for component or assembly breakdown.

 Item sold in bulk (per foot). Please specify on order amount needed.

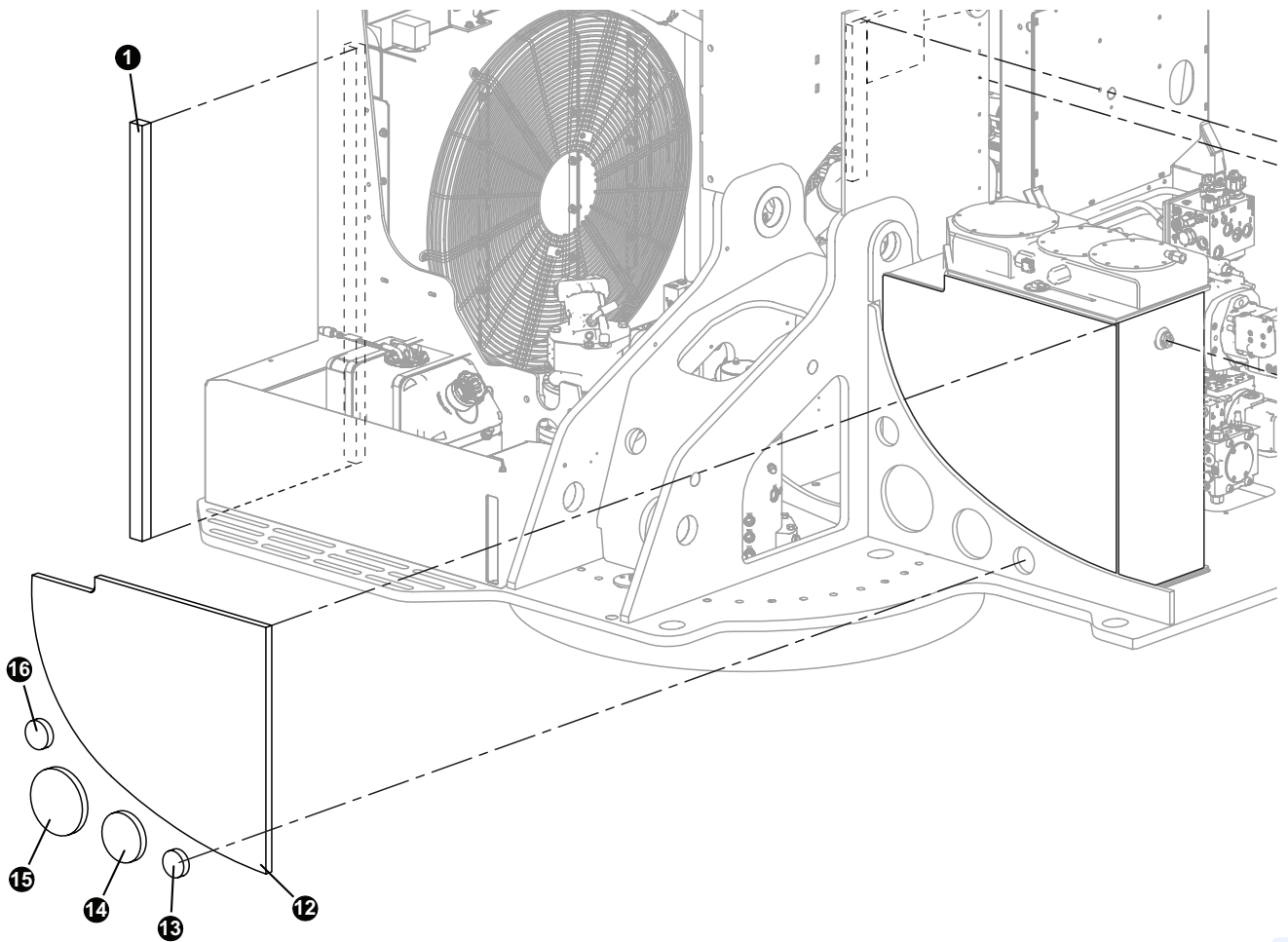
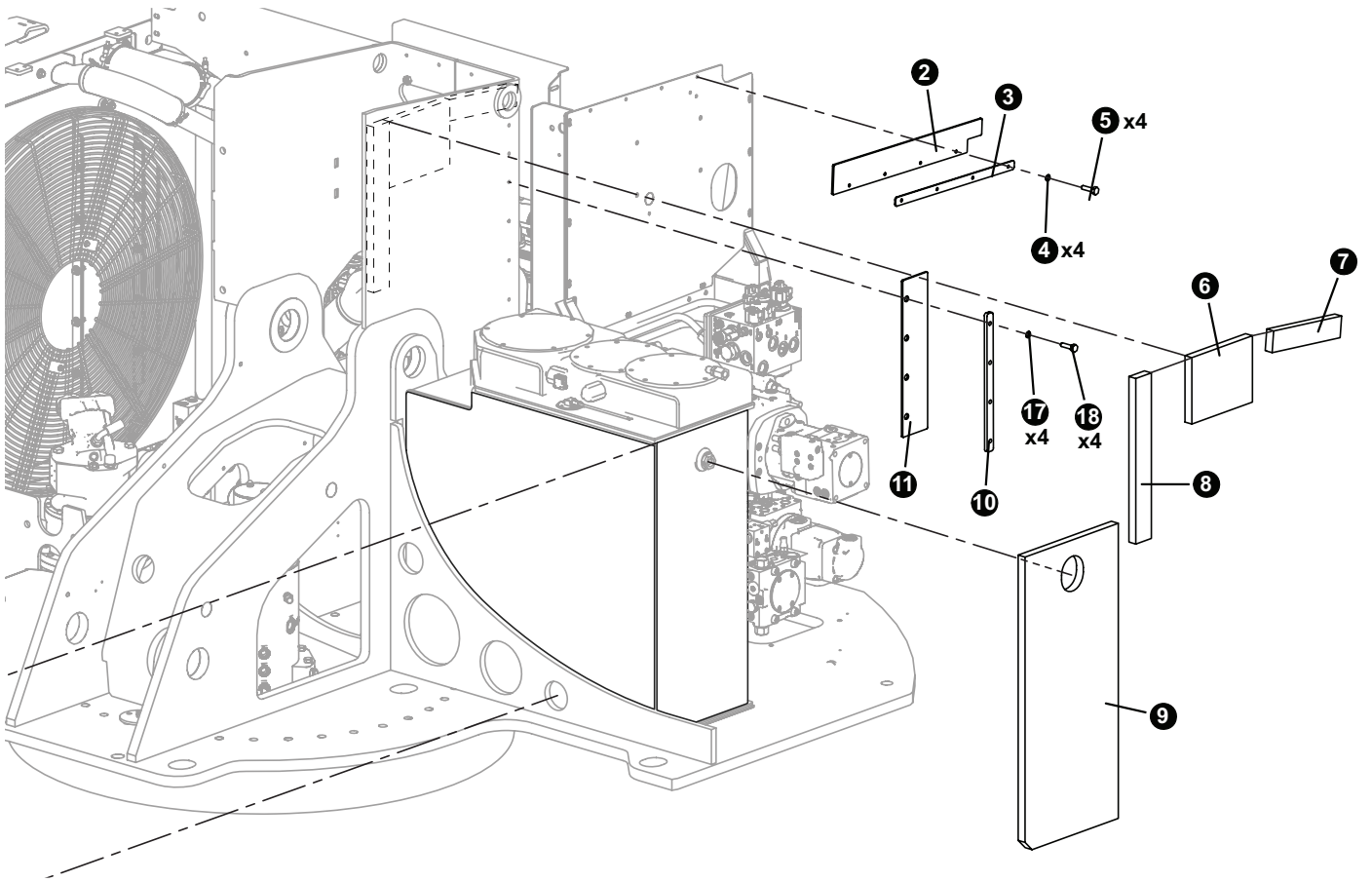


UPPER TURNTABLE

(FRONT DOOR AND COOLER SIDE DOOR INSTALLATION)
SERIAL #TL745D-0629-121118 AND AFTER

REF	PART #	QTY	DESCRIPTION	SEE SECTION
1	60650	1	DOOR, COOLER - D	
2	60668	3	SCREEN, RADIATOR - D MOD UPDATE COOLER	
3	46923	3	RUBBER, COOLER DOOR SCREEN MOUNT	
4	60623	1	WELDMENT, COOLER SILL D+ TOP	
5	10713	4	BOLT - .375" X 3.75"	
6	58217	1	BOLT, ALLEN 3/8-16 X 7 COOLER SILL D	
7	85437	4	WASHER, SAE FLAT - .375"	
8	60627	1	WELDMENT, SILL COOLER BOTTOM D+	
9	60635	1	DOOR, COWL - TOP	
10	11707	2	BOLT, 3/8-16X1"	
11	60141	1	BAR, RUBBER MOUNT FRONT DOOR	
12	10731	1	BOLT, 3/8"-16X1 1/2"	
13	10813	6	NUT, LOCK - .375"	
14	99410	4	3/8-16X3/4" UNC W/ 7/32" KEY	
15	51657	2	LATCH, CAM - DOOR R.H. (RADIATOR-GULLW)	
16	60620	1	PANEL, INNER FRONT - D	
17	19771	1	LATCH, CAM - SHORT (PUMP GUARD)	
18	51981	1	STRAP, DOOR STOP	
19	54148	2	WASHER, BURNED - .66" X 2" X 1/4"	
20	50100	2	BOLT, 1/2"-13X1 1/4"	
21	10804	2	1/2" FLAT WASHER	
22	15553	2	BOLT, 1/2-20X3 1/4"	
23	10804	4	1/2" FLAT WASHER	
24	10811	2	NUT, LOCK - .25"	
25	60467	1	BAR, PROP ROD D - SERIES	
26	52199	1	BOLT, BUTTON HEAD - 3/8"-16 X 1-1/4" USS	
27	24925	40"	 CHANNEL, EDGE PROTECTOR - 3/16" BULB	
28	18126	48"	 WEATHERSTRIPPING, RUBBER-DOOR SEAL	

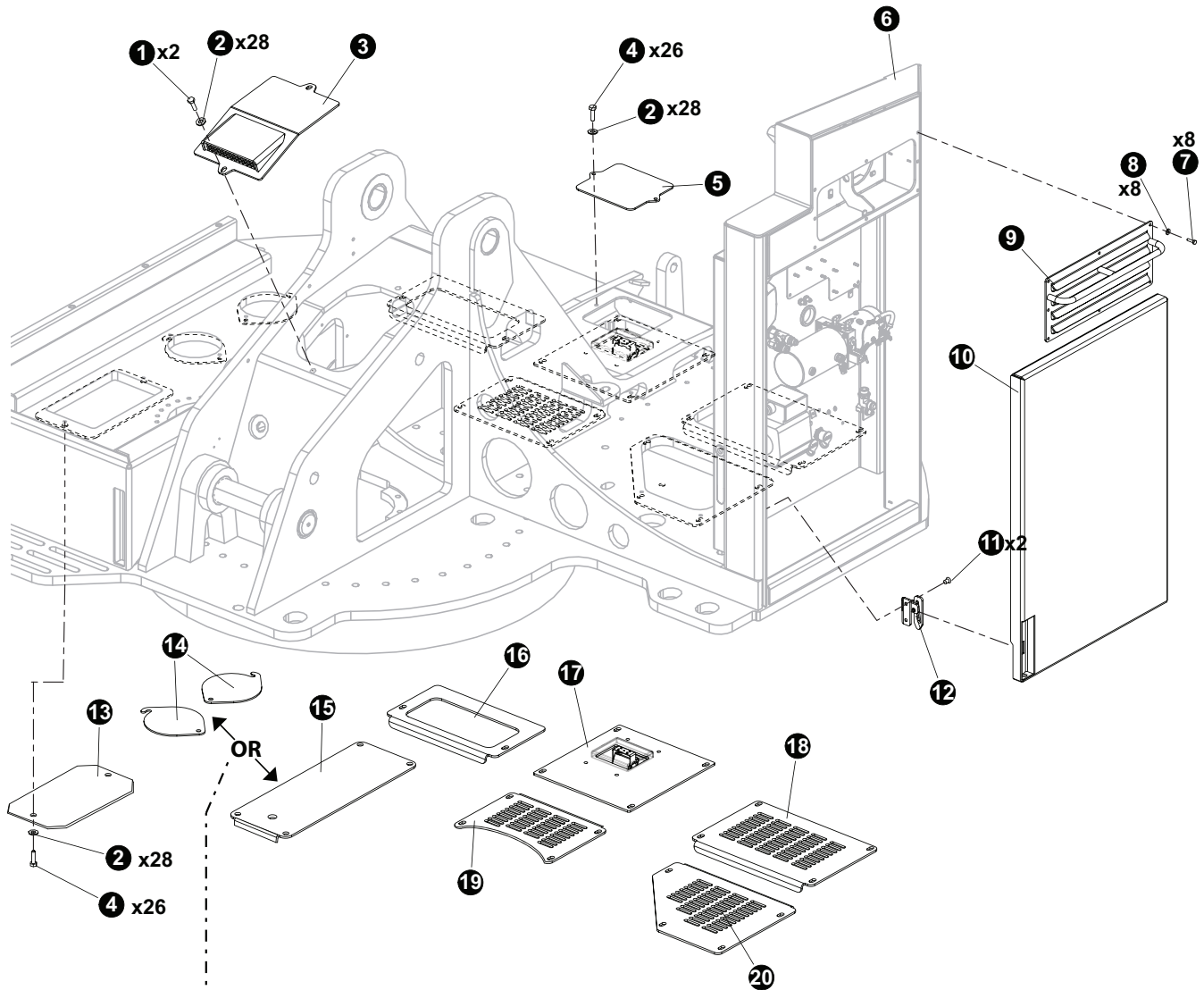
 Item sold in bulk (per foot). Please specify on order amount needed.



UPPER TURNTABLE

(HEAT SHIELD, PADDING, AND TRIM INSTALLATION)


REF	PART #	QTY	DESCRIPTION	SEE SECTION
1	58118	1	FOAM, CLOSED CELL - 1.5" X 1.875" X 51"	
2	47206	1	RUBBER, ENGINE BARRIER PANEL	
3	47205	1	BAR, BARRIER PANEL - ENGINE	
4	10757	4	WASHER, SAE FLAT - .25"	
5	15576	4	BOLT - .25" X 1"	
6	47344	1	FOAM, CAB TO CHIMNEY	
7	60542	1	FOAM, CAB TO CENTER (CUT TO SIZE)	
8	60542	1	FOAM, CAB TO CENTER (CUT TO SIZE)	
9	47286	1	INSULATION, HYD TANK TO PANEL	
10	60349	1	PLATE, RUBBER HOLD DOWN CHIMNEY	
11	60479	1	RUBBER, DEBRIS GUARD SCRAPER	
12	58038	1	INSULATION, CAB TO HYD TANK D-MOD	
13	42845	1	TRIM, PANEL - CIRCLE - 3.25"	
14	42844	1	TRIM, PANEL - CIRCLE - 5.75 OD	
15	42741	1	TRIM, PANEL - CIRCLE - 7.75" OD	
16	42843	1	TRIM, PANEL - CIRCLE 3.38" O.D.	
17	15528	4	WASHER, SAE FLAT - .375"	
18	11707	4	BOLT - .375" X 1"	



NOTE:
 Machines before serial #TL745D-0629-121118 use cover 14 under the cooler.
 Machines with serial #TL745D-0629-121118 or later use cover 15 under the cooler.

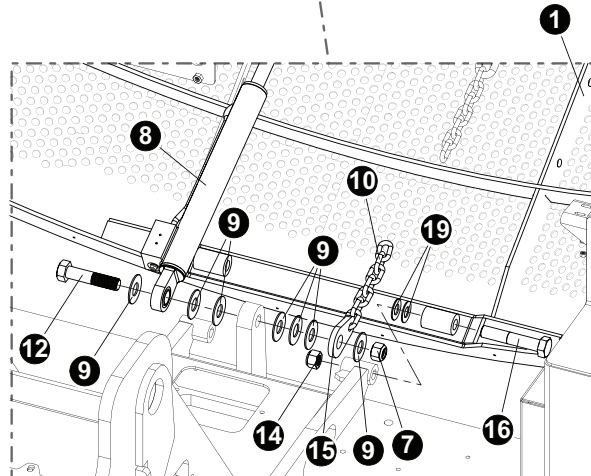
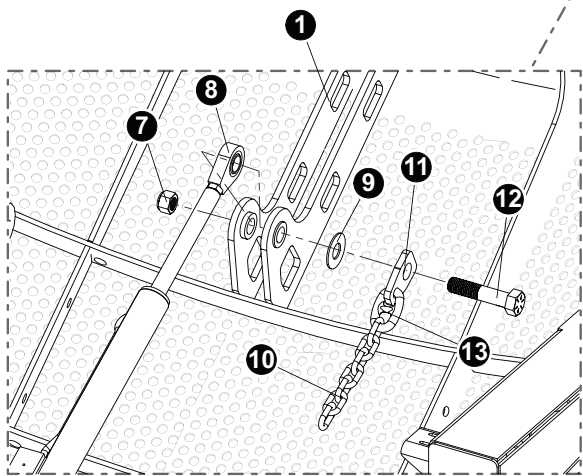
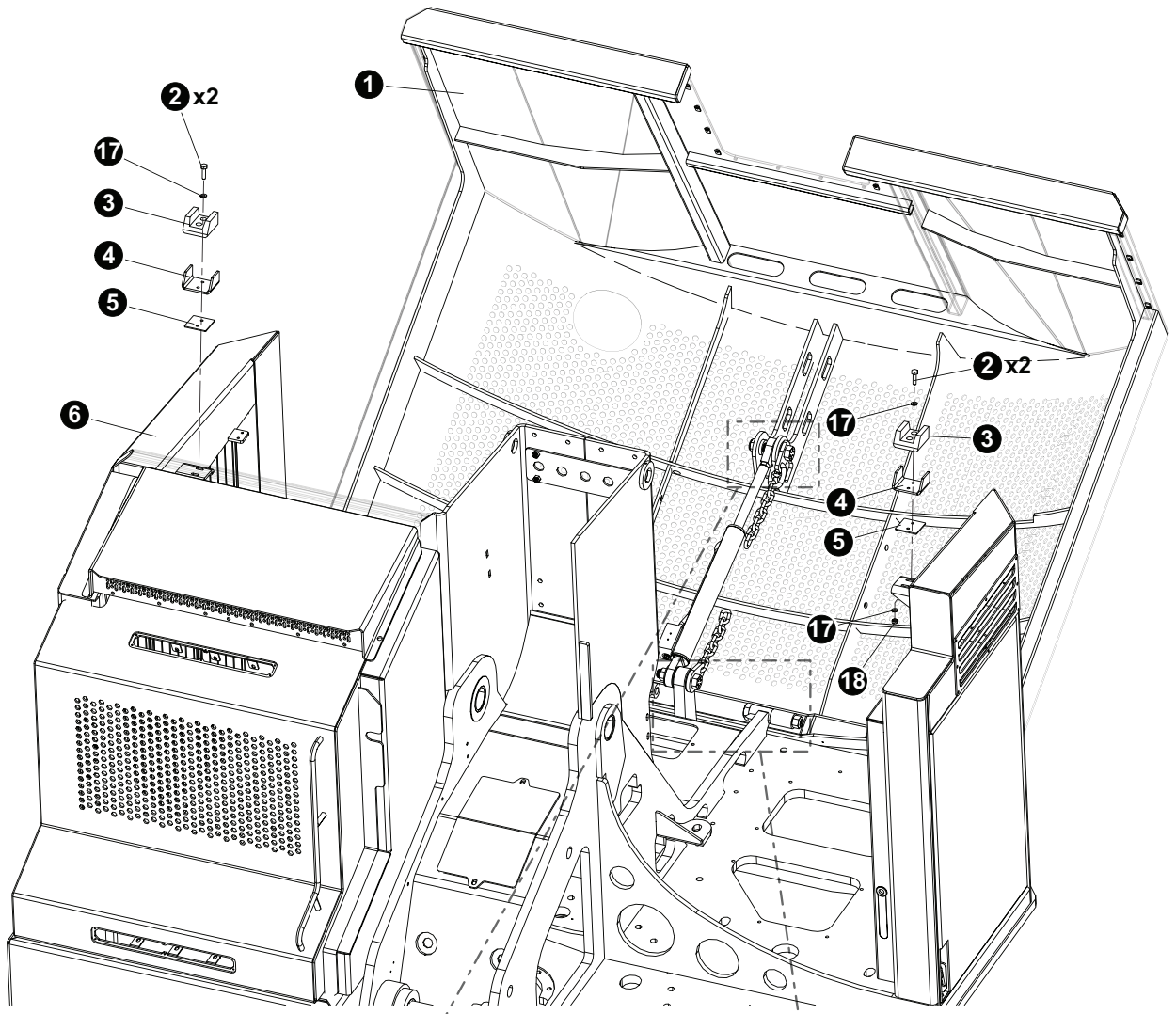
UPPER TURNTABLE

(GUARDS, PANELS, AND COVERS INSTALLATION)

REF	PART #	QTY	DESCRIPTION	SEE SECTION
1	18933	2	BOLT - .5" X 1.75"	
2	10804	28	WASHER, FLAT - .5"	
3	60600	1	COVER, ROTARY MANIFOLD - VENTED	
4	10783	26	BOLT - .5" X 1"	
5	54569	1	COVER, UPPER REAR TUBELINE	
6	(Click Here)	1	 UPPER TURNTABLE WELDMENT	UP-1
7	15589	8	BOLT - .3125" X 1"	
8	10801	8	WASHER, FLAT - .3125"	
9	48927	1	GUARD, AIRINTAKE W/HANDLE	
10	47962	1	WELDMENT, DOOR - ELECTRICAL	
11	58225	2	BOLT, CAM LATCH 3/8-16X3/4 COUNTERSUNK	
12	51658	1	LATCH, CAM - DOOR L.H. (OIL COOLER)	
13	60748	1	COVER, HOC ACCESS	
14	12150	2	COVER, ACCESS - RAD FILL / STEER CYL	
15	60678	1	COVER, COOLER ACCESS	
16	60531	1	COVER, OIL PAN D-SERIES	
17	60145	1	MOUNT, CAMERA - D SERIES	
18	46468	1	COVER, TRIPLE DRIVE - REAR "C"	
19	47892	1	COVER, OIL PAN - FRONT	
20	46469	1	COVER, TRIPLE DRIVE - FRONT "C"	






See reference page for component or assembly breakdown.

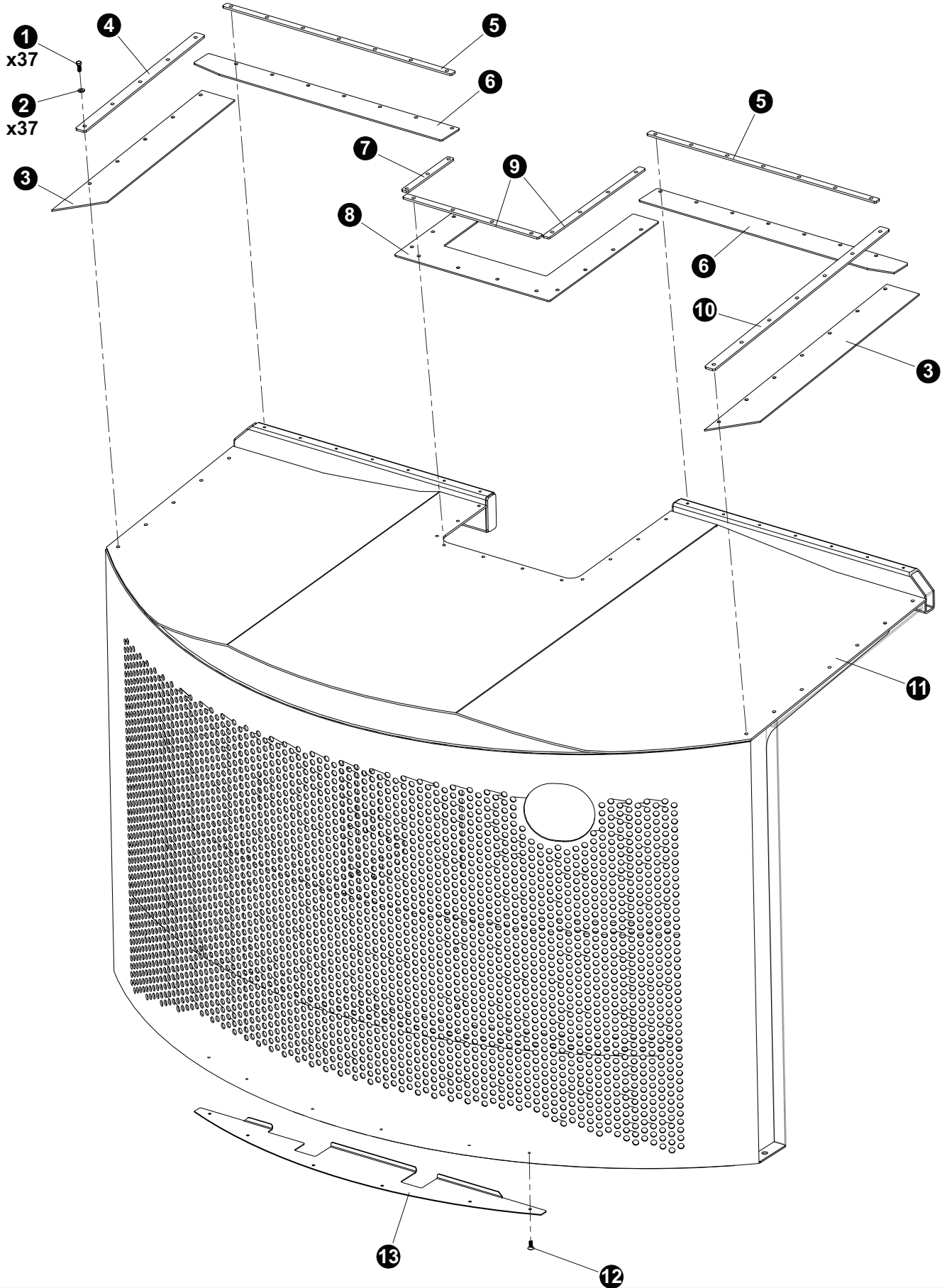


UPPER TURNTABLE

(GULL WING DOOR INSTALLATION)

REF	PART #	QTY	DESCRIPTION	SEE SECTION
1	(Click Here)	1	 DOOR, GULLWING - ASSEMBLY	UP-1
2	10823	4	BOLT - .3125" X 2"	
3	54511	2	ISOLATOR, GULLWING MOUNTING-UHMW BLOCK	
4	54512	2	CHANNEL, ISOLATOR MOUNT - GULLWING	
5	54520	2	SPACER, GULLWING ISOLATOR	
6	(Click Here)	1	 UPPER TURNTABLE WELDMENT	UP-1
7	52026	2	NUT,HEX GULLWING CYL. - 1.25" - GRD 9 (See Note1)	
8	(Click Here)	1	 GULL WING CYLINDER	UP-1
9	22531	9	WASHER, SAE FLAT - 1.25"	
10	55715	1	CHAIN, 23 LINK - GULLWING GR 8100	
11	54515	1	LINK, GULLWING SAFETY CHAIN	
12	52025	2	BOLT, GULLWING CYL. - 1.25" - 7 X 7"	
13	54260	2	CLEVIS, 3/8" - GULLWING (2 PER) NEW	
14	18253	2	NUT, LOCK - 1"	
15	46496	1	LINK, GULLWING SAFETY CHAIN	
16	15580	2	BOLT - 1" X 8"	
17	10801	4	WASHER, FLAT - .3125"	
18	10812	8	NUT, LOCK - .3125"	
19	15579	4	WASHER, SAE FLAT - 1"	

 See reference page for component or assembly breakdown.



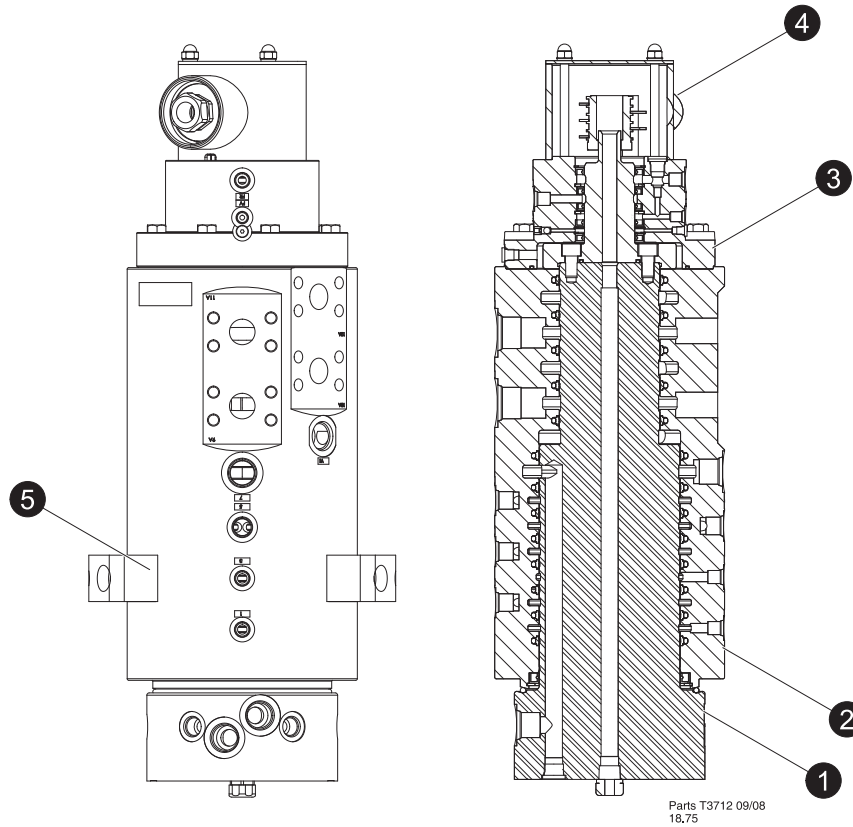
UPPER TURNTABLE

(GULL WING COMPONENTS AND ASSEMBLY)

REF	PART #	QTY	DESCRIPTION	SEE SECTION
1	11707	33	BOLT - .375" X 1"	
2	10802	41	WASHER, FLAT - .375"	
3	60428	1	RUBBER, GULLWING - LONG (RH)	
4	60427	1	PLATE, GULLWING RUBBER HOLD DOWN - SIDE	
5	60099	1	BAR, RUBBER MOUNT	
6	60465	1	RUBBER, GULLWING FRONT	
7	60471	1	BAR, MOUNTING - CENTER - SHORT	
8	60469	1	RUBBER, GULLWING - CENTER (FRONT)	
9	60470	1	BAR, MOUNTING - CENTER - LONG	
10	60426	1	PLATE, GULLWING RUBBER HOLD DOWN -SIDE	
11	47985	1	GULLWING, D SERIES	
12	58226	6	BOLT, BUTTON HEAD 1/4-20X3/8(GULL SHEILD	
13	60533	1	GUARD, GULLWING LOWER	
14	10402	4	BOLT - .375" X 1.25"	
15	10813	4	NUT, LOCK - .375"	

UPPER TURNTABLE

(GULL WING OPTIONS - ROTARY MANIFOLD)



REF	PART #	QTY	DESCRIPTION	SEE SECTION
-	57996	1	☐ MANIFOLD, ROTARY - 14 PORT TRACK (Leveling and Non-Leveling)	
-	57997	1	☐ MANIFOLD, ROTARY - 14 PORT, 8 ELECT- TRACK (Auto-Level ONLY)	
1	TP1414001	1	SPOOL, ROTARY -	
2	TP1414002	1	BARREL, 14 PASS ROTARY -	
3				
4	54547	1	WIPER, ELECTRIC - 4 CIRCUIT TRACK Standard	
-	54100		SLIP RING UNIT (8 WIRE) Optional for Auto Level	
5		2	MOUNTING PLATE - HD1214003	
-		8	BOLT, Allen M16 X 40mm (for mounting plate)	
-	54354	1	z KIT, SEAL REPAIR	

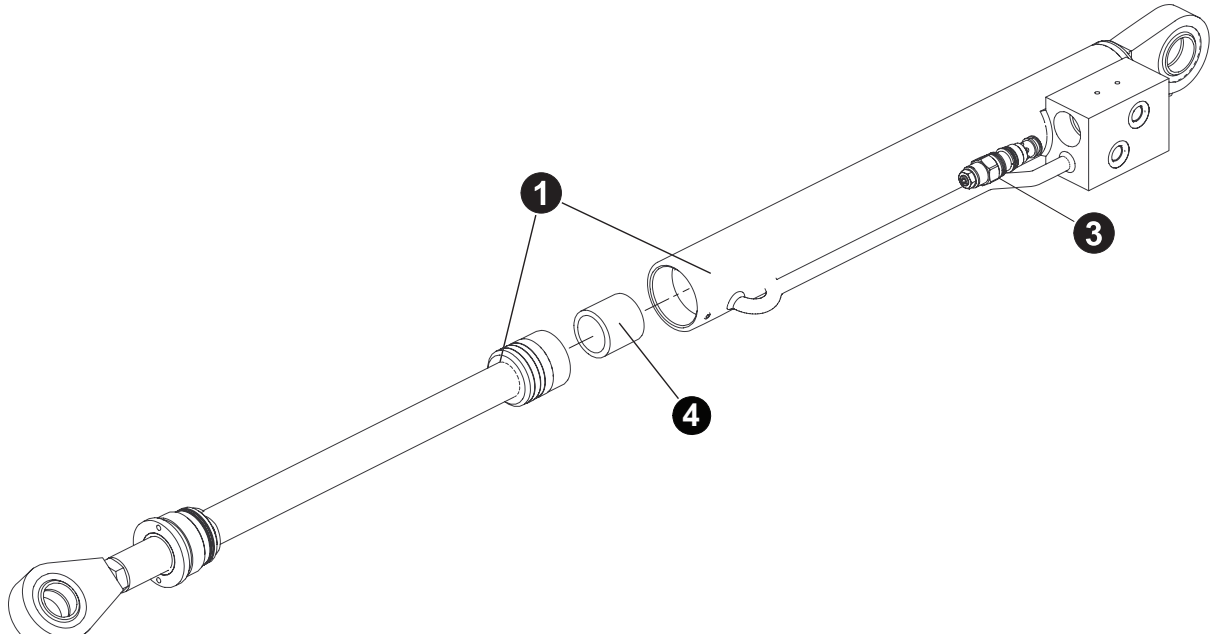
- See reference page for component or assembly breakdown.
- Kit or Assembly - includes all items indented underneath.
- Parts Included in Seal Repair Kit.

Please contact TimberPro Dealer or Factory before attempting to disassemble or repair rotary manifold. Rotary manifold needs to be serviced by authorized TimberPro service technicians only.

NOTE:
 Parts shown and labeled for 57996 and 57997 are same on this page. Connector at base is only difference between 57996 (non-leveling) and 57997 (leveling) rotary manifolds.

UPPER TURNTABLE

(GULL WING LIFT CYLINDER)

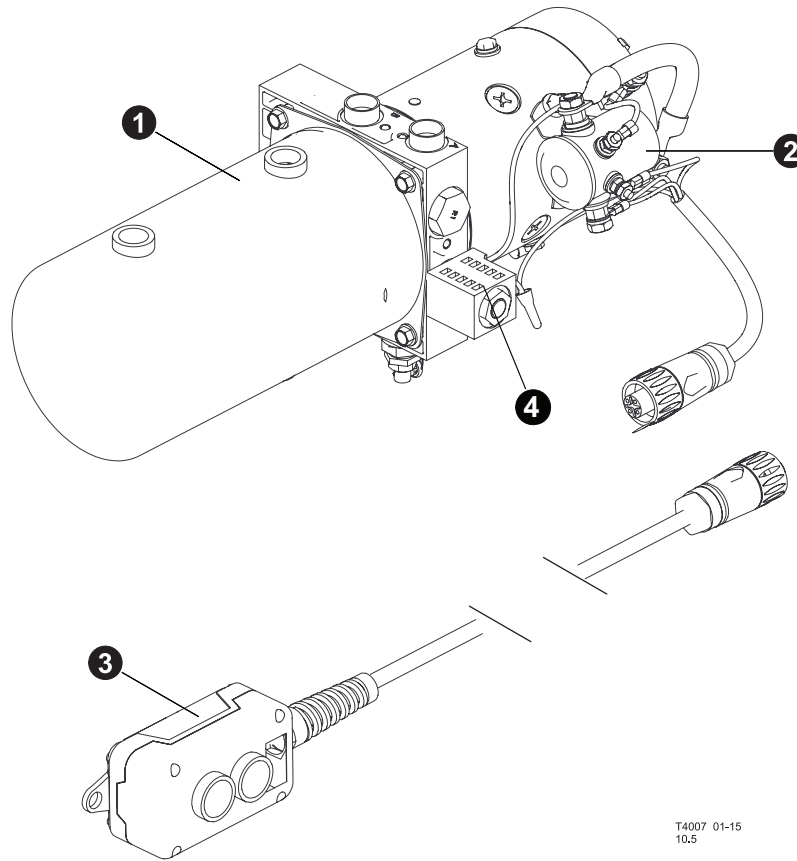


REF	PART #	QTY	DESCRIPTION	SEE SECTION
1	57848	1	<input type="checkbox"/> CYLINDER, GULLWING LIFT - COLUMBUS	
3	(See Description)	1	<input type="checkbox"/> CARTRIDGE, COUNTER BALANCE (Supplier Part #CBCA-LHN)	
4	(See Description)	1	<input type="checkbox"/> SPHERICAL BUSHING (Supplier Part # GEZ020ES)	
	(See Description)	1	<input type="checkbox"/> SEAL KIT, (Supplier Part #: RKT2.500-1182)	

 See reference page for component or assembly breakdown.

Kit or Assembly - includes all items indented underneath.

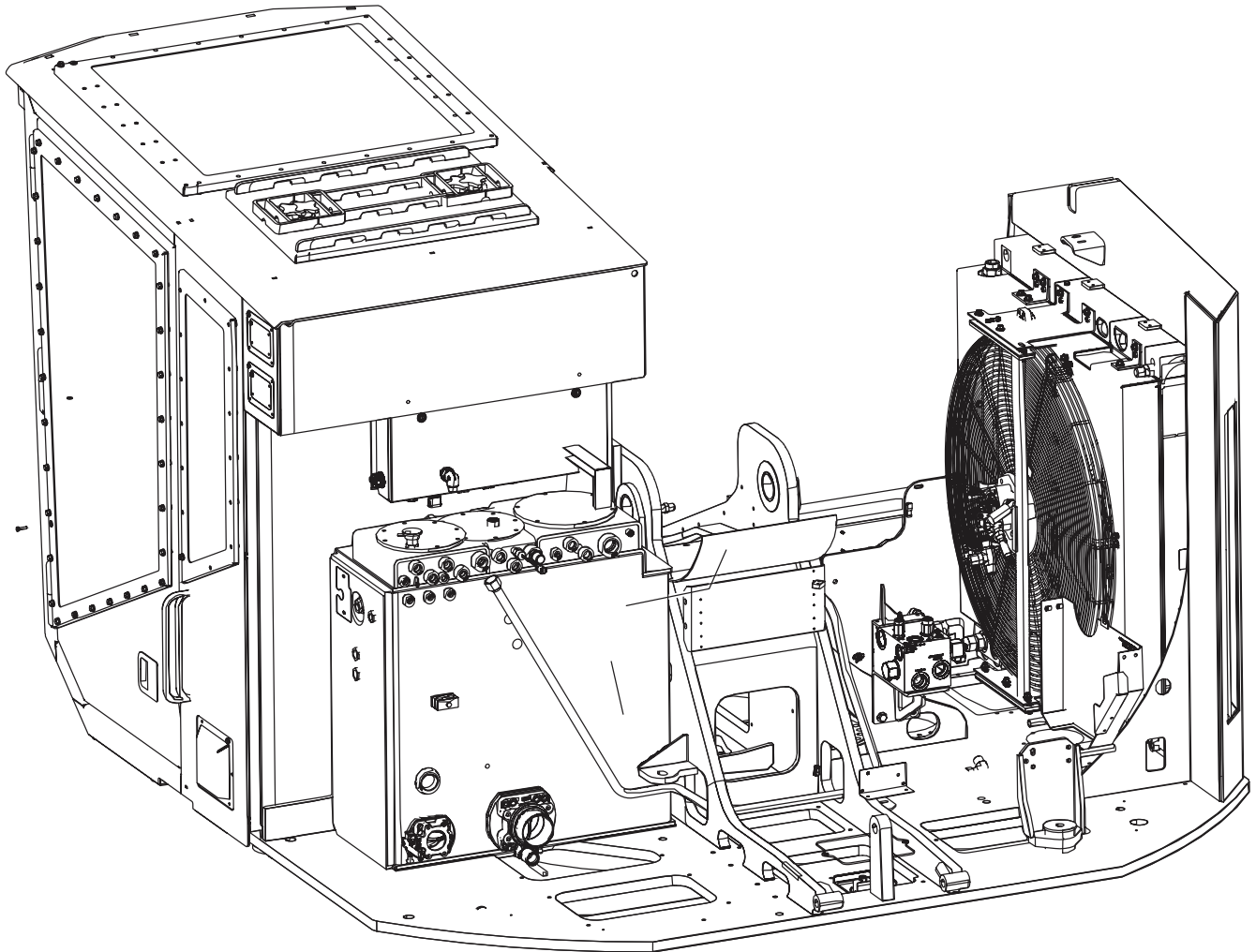
UPPER TURNTABLE (GULL WING LIFT PUMP)

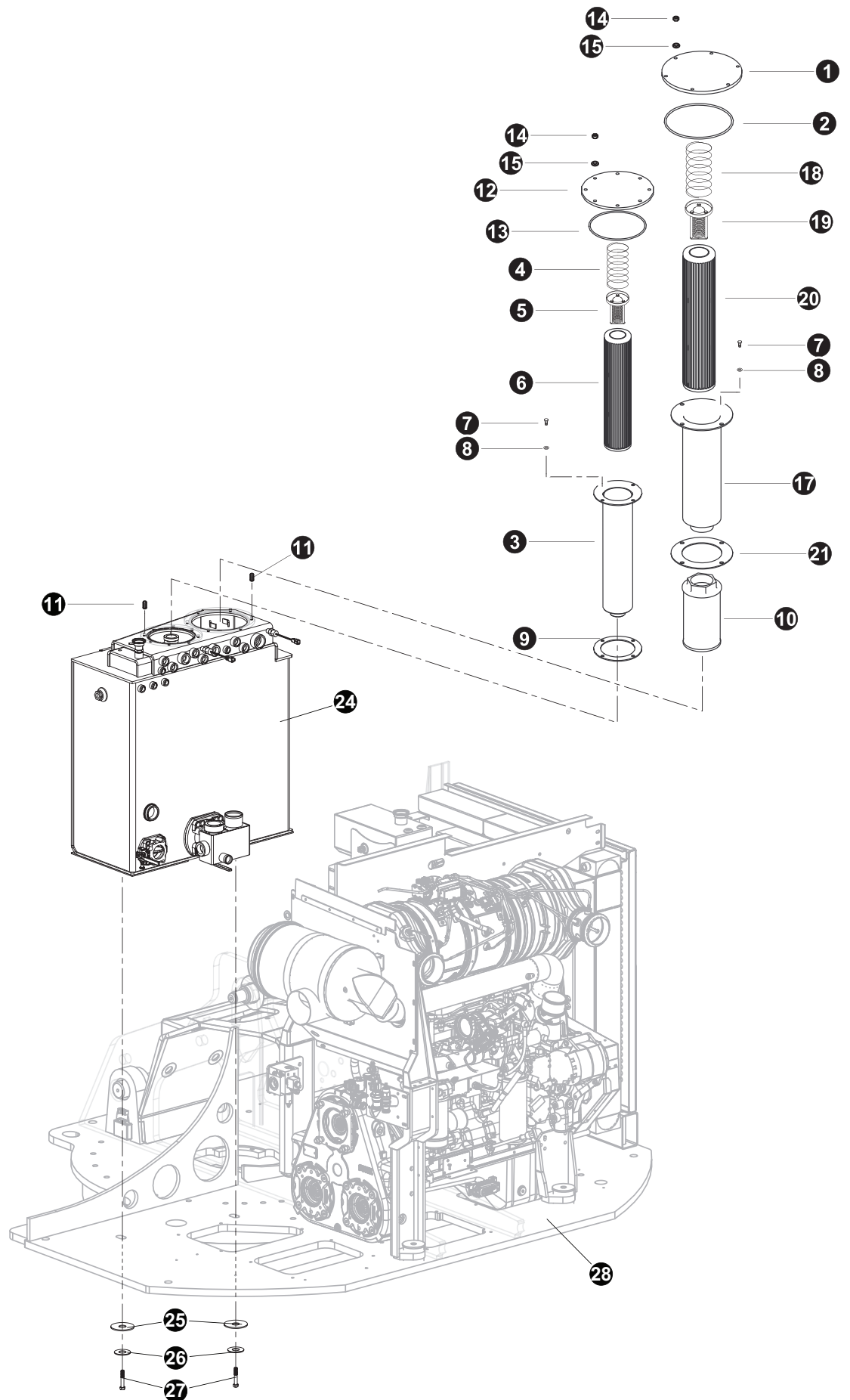


REF	PART #	QTY	DESCRIPTION	SEE SECTION
1	51577	1	PUMP, POWER UNIT - GULL WING W/PENDANT	
2	57185	1	24VDC SOLENOID (Supplier Part # K-03463)	
3	395-23	1	PENDANT w/2 buttons	
4	54318	1	COIL	
	17778-240	1	PENDANT	
	07995	1	BOX W/ SWITCHES	
	12537	1	Base	
	06104	1	Bottle	
	03171	1	Breather cap, bottle	
	07900	1	Clamp	
	00455-d	1	Cart	
	07193-D	1	CART. - SOL	
	18723-D	1	COIL - SOL.	
	K-08120	1	STARTER MOTOR	
	12637-150	1	Pump	
	2445-1	1	MOTOR KTI	
	64-11	1	Pendant	
	64-23	1	Short cable	
	PL-0.80	1	KTI PUMP	

SECTION UP-2





HYDRAULIC TANK, DEF TANK, AND FLUSHING CIRCUITS





UPPER TURNTABLE

(HYDRAULIC TANK, COMPONENTS, AND INSTALLATION)

REF	PART #	QTY	DESCRIPTION	SEE SECTION
1	46568	1	COVER - RETURN FILTER	
2	42310	1	O-RING - 13" DIA. -382	
3	51621	1	 FILTER KIT, HYD. TANK MAIN RETURN	
4	(See Description)	1	SPRING, CASE DRAIN FILTER	
5		1	BYPASS CHECK, CASE DRAIN FILTER	
6	22647	1	ELEMENT, RETURN FILTER (Case Drain)	
7	15542	8	BOLT - .375" X .75"	
8	15528	8	WASHER, SAE FLAT - .375"	
9	16852	1	KIT, SEAL REPAIR - RETURN FILTER	
10	54851	1	DIFFUSSER, RETURN LRT FILTER - C SERIES	
11	42393	1	STUD - .5"-13NC X .5"-20NF X 2.0LG"	
12	44737	1	COVER - CASE DRAIN	
13	15600	1	O-RING - 8" DIA. -369	
14	15507	10	NUT, NYLOCK - .375"	
15	10802	10	WASHER, SAE FLAT - .375"	
17	51620	1	 FILTER KIT, HYD. TANK MAIN RETURN	
18	BFT-162	1	COMPRESSION SPRING	
19	A-LFT-843	1	BYPASS VALVE	
20	52350	1	ELEMENT, MAIN RETURN HYD TANK	
21	52126	1	GASKET, MAIN RETURN FILTER - (51620)	
24	(Click Here)	1	 HYDRAULIC TANK ASSEMBLY	UP-2
25	17918	2	WASHER, isolator mount .875"	
26	54148	2	WASHER, BURNED - .66" X 2" x 1/4"	
27	16365	2	BOLT - .625" X 2.75"	
28	(Click Here)	1	 UPPER TURNTABLE WELDMENT	UP-1

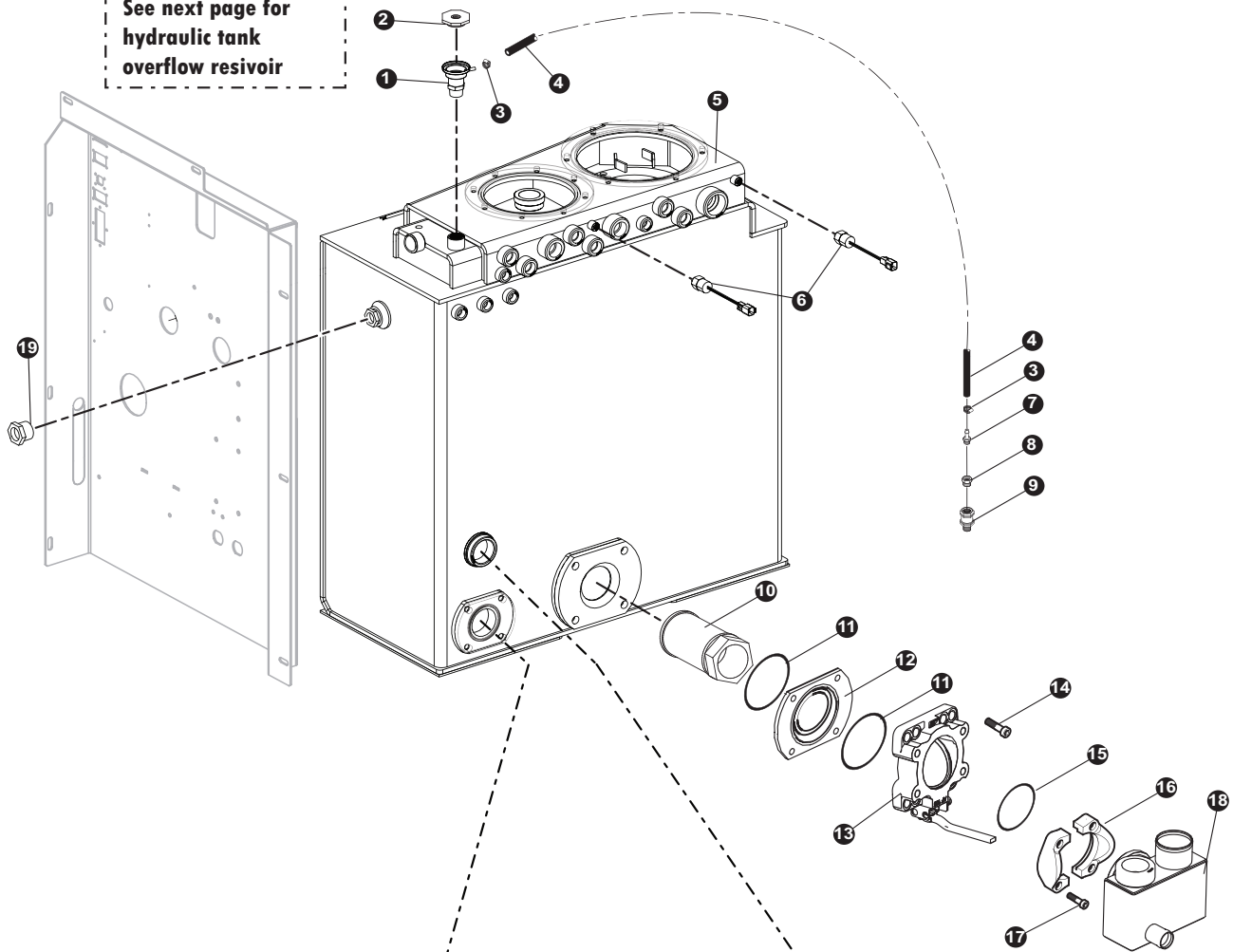


See reference page for component or assembly breakdown.

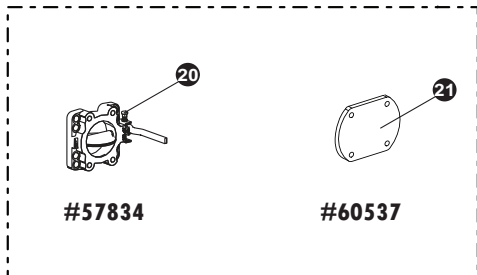


Kit or Assembly - includes all items indented underneath.

NOTE:
See next page for
hydraulic tank
overflow reservoir



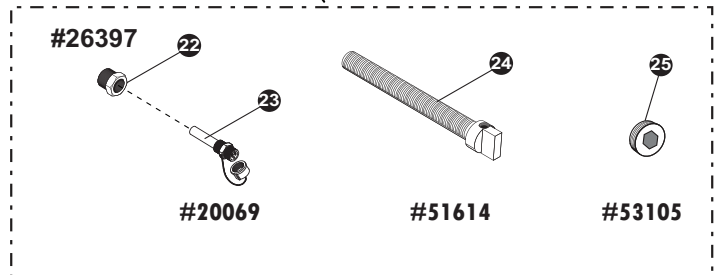
Options vary



Disc Saw, or Mulching pump machines use
#57834

Processing machines use #60537

Options vary



Machines with electric heater system use
#26397 + #20069

Machines with Espar heaters use #51614

Machines with no heater system use #53105

UPPER TURNTABLE

(HYDRAULIC TANK, COMPONENTS, AND INSTALLATION)

REF	PART #	QTY	DESCRIPTION	SEE SECTION
1	17156	1	STEM, HYDRAULIC TANK RELIEF CAP	
2	18135	1	CAP, HYD. RESERVOIR RELIEF - 13 PSI	
3	16202	2	CLAMP, HOSE - WORM STYLE - .625"	
4	16238	5ft	HOSE, FUEL LINE (BULK ROLL) - .3125"	
5	60350	1	WELDMENT, HYD. TANK - D SERIES	
6	57818	2	SWITCH, PRESSURE - SCHROEDER D-series	
7	16990	1	CONNECTOR, STR HOSE BARB - 4244-5-4	
8	11318	1	BUSHING, REDUCER - 5406-6-4	
9	15652	1	VALVE, CHECK - HYDRAULIC/FUEL	
10	15842	1	FILTER, SCREEN - IMPLEMENT	
11	51726	2	ORING, HDYRAULIC TANK - 830/630	
12	42306	1	PLATE, INTER.-SUCTION PORT 100mm VALVE	
13	54786	1	VALVE, BUTTERFLY (4")	
14	18918	4	BOLT, ALLEN HEAD - .5" X 2.5"	
15	51725	1	ORING, HDY. TANK BALL VALVE - 830/630	
16	51625	1	<input type="checkbox"/> KIT, FLANGE - SUCTION TUBE (4")	
17	(See Description)	4	<input type="checkbox"/> KIT, FLANGE - SUCTION TUBE Supplier part #1-246-90	
18	60745	1	CANISTER, SUCTION D-MOD	
19	24308	1	SIGHT GLASS - HYDRAULIC TANK/TRIPLE BOX	
20	57834	1	VALVE, BUTTERFLY (2.5") - DISC SAW	
21	60537	1	FLANGE, BLANK TANK - D-SERIES	
22	26397	1	BUSHING, BLACK - 2" X 1.25"	
23	20069	1	HEATER ELEMENT- HYD. TANK (120V	
24	51614	1	HEATER, ELEMENT 16" HYD TANK-TRANSPORT	
25	53105	1	PLUG, PIPE - 2"	



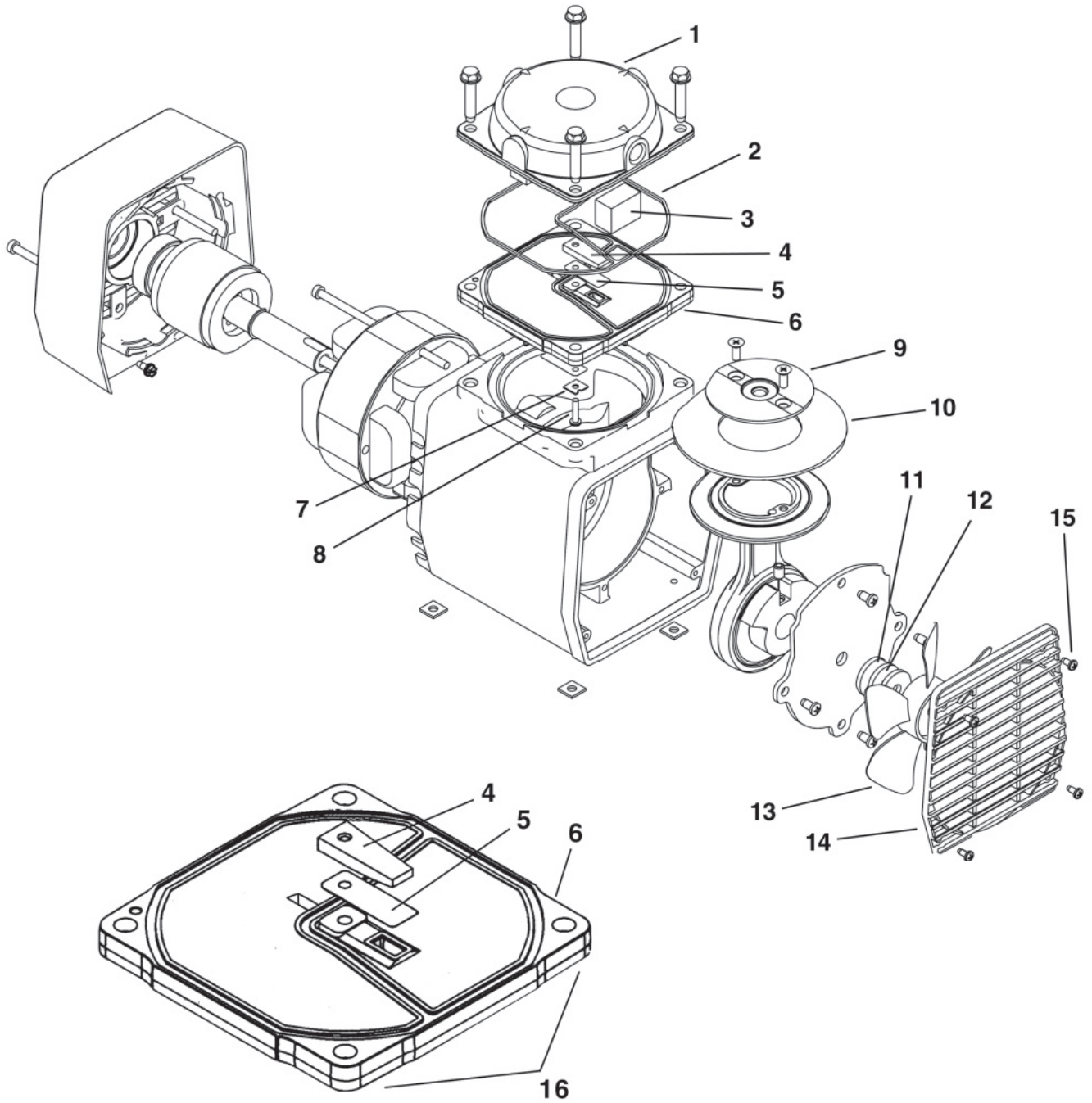
See reference page for component or assembly breakdown.



Kit or Assembly - includes all items indented underneath.



Sold in bulk per foot - Please specify length when ordering.

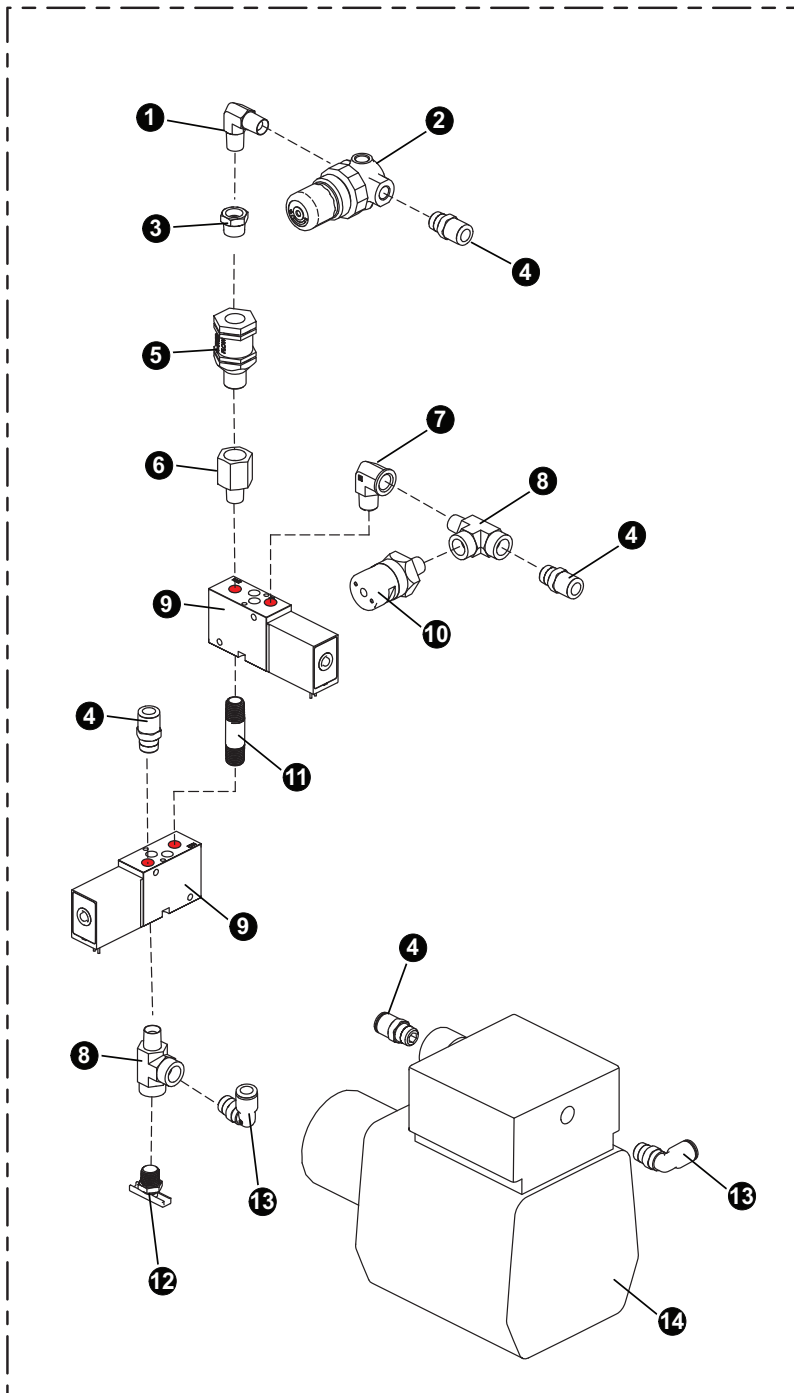
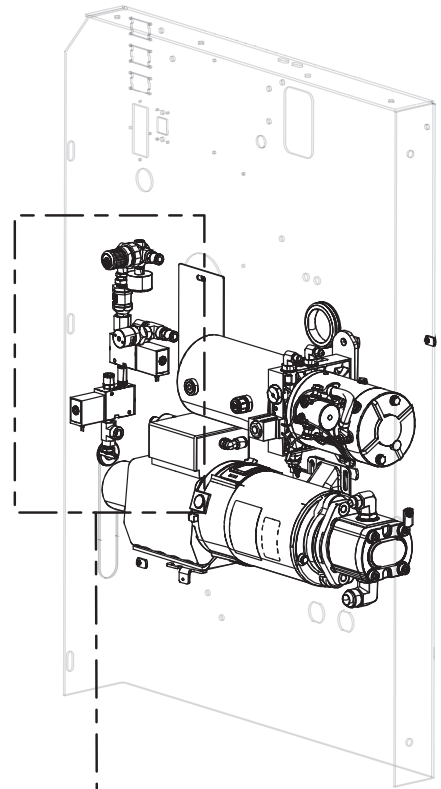


UPPER TURNTABLE

(VACUUM PUMP BREAKDOWN)

REF	PART #	QTY	DESCRIPTION	SEE SECTION
-	51615	1	<input type="checkbox"/> VACUUM PUMP	
1	(See Description)	1	HEAD (Supplier Part # AP500)	
2	(See Description)	1	O-RING, HEAD (Supplier Part # AP513)	
3	(See Description)	2	FILTER, MUFFLER (Supplier Part # AT712A)	
4	(See Description)	1	VALVE, LIMITER (Supplier Part # AP110)	
5	(See Description)	2	VALVE, LEAF (Supplier Part # AF817)	
6	(See Description)	1	PLATE, VALVE (Supplier Part # AP504)	
7	(See Description)	1	RETAINER, VALVE (Supplier Part # AF819A)	
8	(See Description)	1	SCREW, VALVE (Supplier Part # BB330A)	
9	(See Description)	1	PLATE, RETAINER (Supplier Part # AF809)	
10	(See Description)	1	DIAPHRAGM, COMPRESSOR (Supplier Part # AF818A)	
10	(See Description)	1	DIAPHRAGM, VACUUM (Supplier Part # AF818B)	
11	(See Description)	3	SPACER, FELT (Supplier Part # AA929)	
12	(See Description)	1	SPACER (Supplier Part # AD996)	
13	(See Description)	1	FAN (Supplier Part # AF533)	
14	(See Description)	1	GRILL (Supplier Part # AF807)	
15	(See Description)	4	RIVET (Supplier Part # AP534)	
16	(See Description)	1	ASSEMBLY, VALVE PLATE (Supplier Part # AP519)	


Kit or Assembly - includes all items indented underneath.



NOTE:
See next page for vacuum hoses

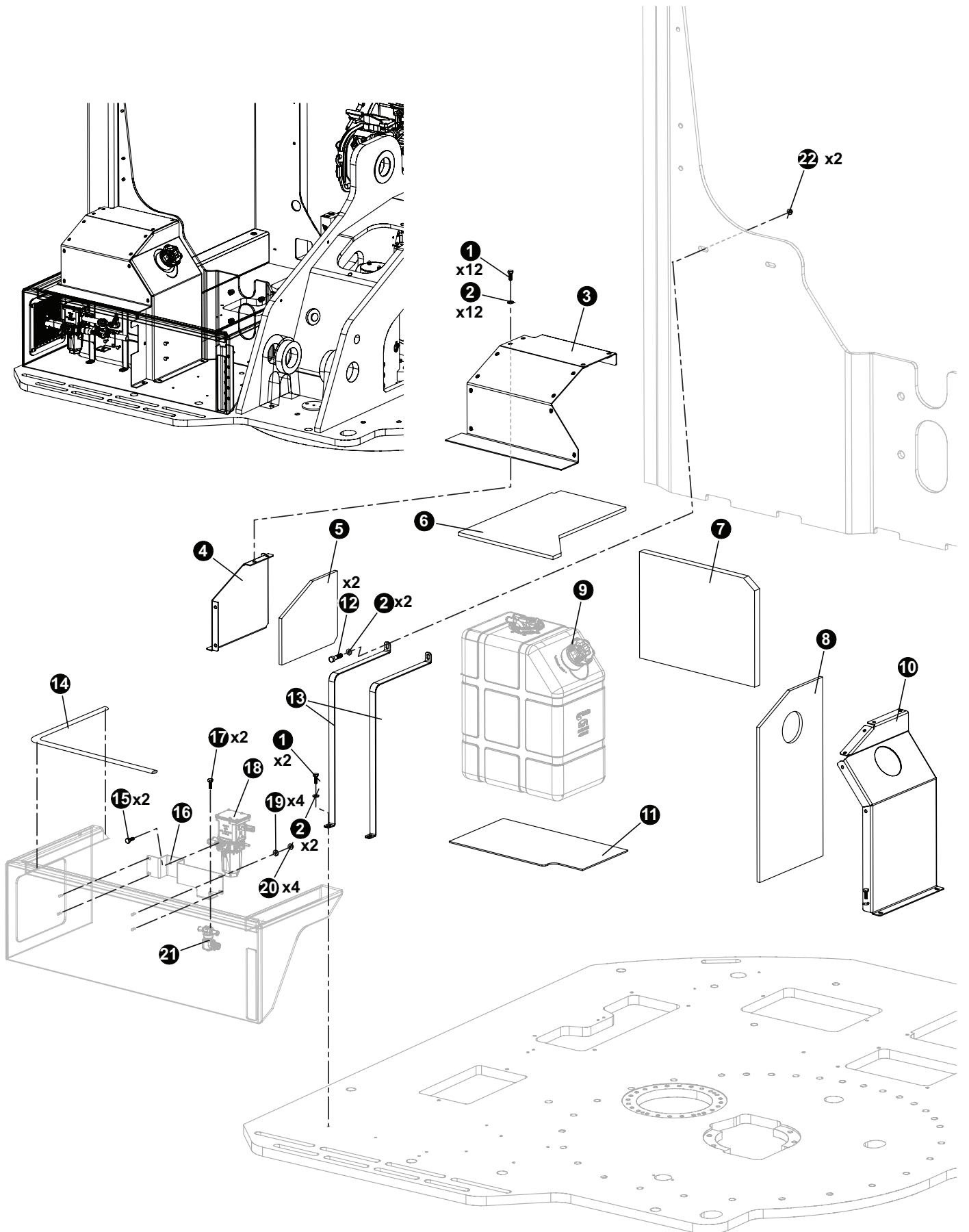
UPPER TURNTABLE

(VACUUM PUMP ASSEMBLY, FITTINGS AND COMPONENTS)

REF	PART #	QTY	DESCRIPTION	SEE SECTION
1	52741	1	ELBOW, MALE PIPE - 1/4 CR-S	
2	15649	1	REGULATOR, TURBO BOOST	
3	11318	1	BUSHING, REDUCER - 5406-6-4	
4	52506	4	CONNECTOR, STR - PUSH HOSE - 1/4" VACUUM	
5	15652	1	VALVE, CHECK - HYDRAULIC/FUEL	
6	52145	1	ADAPTER, EXPANDER - 3/8 X 1/4 FG-S	
7	21147	1	ELBOW, 90 STREET .25" NPT - BRASS	
8	10393	2	TEE - 1/4 MRO	
9	51616	2	VALVE, 3-WAY VACUUM PUMP	
10	51737	1	SWITCH, PRESSURE - VACUUM PUMP	
11	16314	1	NIPPLE, PIPE - .25" X 2"	
12	15650	1	VALVE, TANK VENT - DC602-6	
13	51739	2	CONNECTOR, ELBOW -PUSH ON (VACUUM) (1/4")	
14	(Click Here)	1	 PUMP, VACUUM - HYD TANK	UP-2







See reference page for component or assembly breakdown.



UPPER TURNTABLE

(DEF TANK ASSEMBLY AND INSTALLATION)

REF	PART #	QTY	DESCRIPTION	SEE SECTION
1	15542	14	BOLT - .375" X .75"	
2	10802	16	WASHER, FLAT - .375"	
3	60482	1	PLATE, DEF TANK SHROUD	
4	60488	1	WELDMENT, DEF TANK ENDCOVER	
5	58033	1	INSULATION, DEF TANK END COVER	
6	58034	1	INSULATION, DEF TANK TOP COVER	
7	58036	1	INSULATION, UPPER TO DEF TANK	
8	58035	1	INSULATION, DEF TANK FILL PANEL	
9	(Click Here)	1	 DEF TANK 15 GAL.	UP-2
10	60492	1	WELDMENT, DEF TANK SHROUD END	
11	58037	1	FLOORMAT, DEF TANK D-MOD	
12	10822	1	BOLT - .3125" X 1.25"	
13	47942	1	STRAP, DEF TANK - CUMMINS	
14	18126	1	WEATHERSTRIPPING, RUBBER-DOOR SEAL (Lineal Foot)	
15	(See Description)	4	BOLT, ALLEN HEAD, M8x20mm (Lawson Part Number: 80511)	
16	(Click Here)	1	 PLATE, DEF DOSER MOUNT - STAGE V	UP-2
17	(See Description)	1	BOLT, ALLEN HEAD, M5x12mm (Lawson Part Number: 80498)	
18	(Click Here)	1	 PUMP, DOSER	UP-2
19	10800	4	WASHER, FLAT - .25"	
20	10811	4	NUT, LOCK - .25"	
21	(Click Here)	1	 VALVE, COOLANT CONTROL	UP-2



See reference page for component or assembly breakdown.

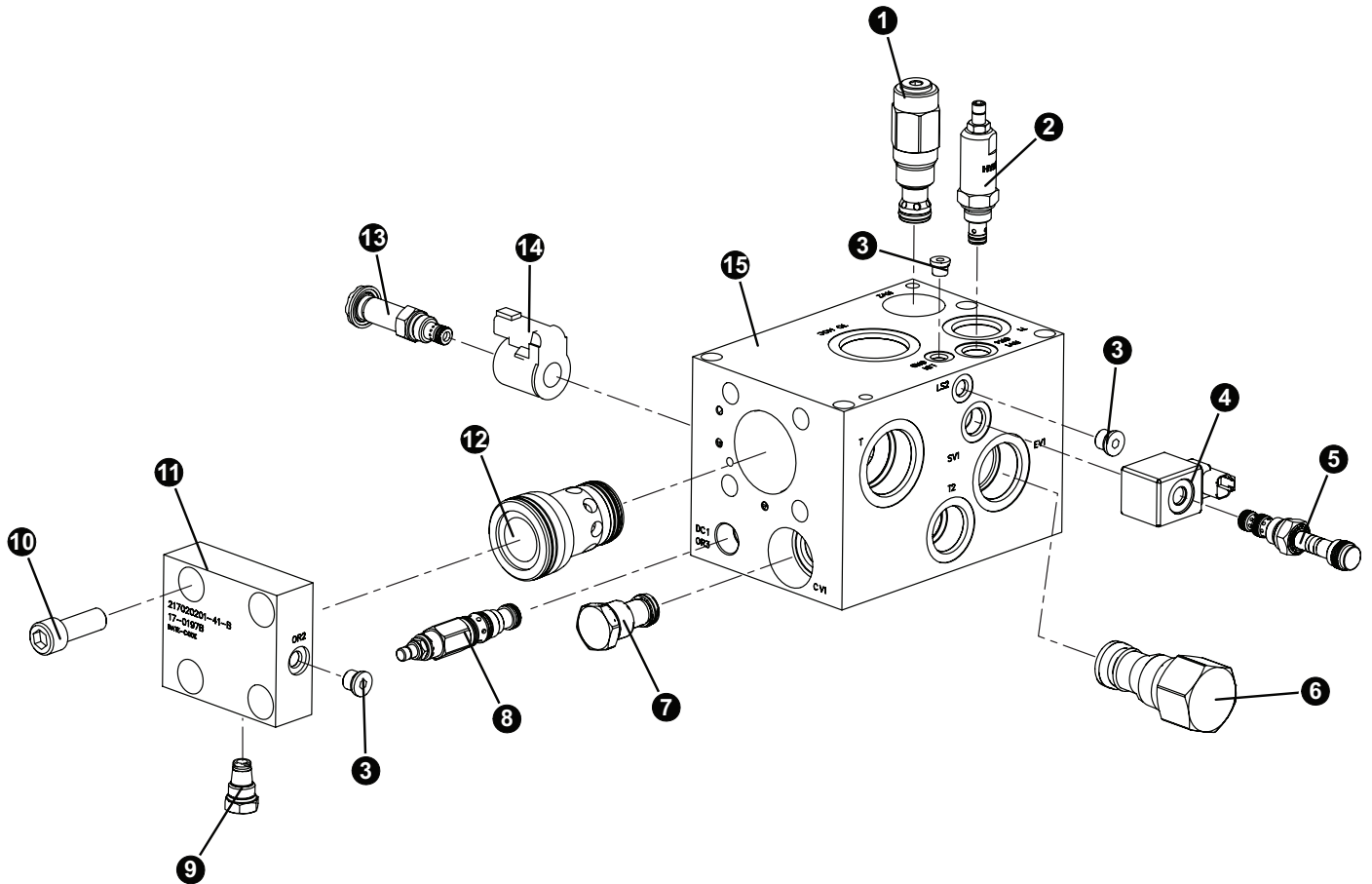


Kit or Assembly - includes all items indented underneath.



Sold in bulk per foot - Please specify length when ordering.

UPPER TURNTABLE (HOC-CONTROL-RETURN BREAKDOWN)

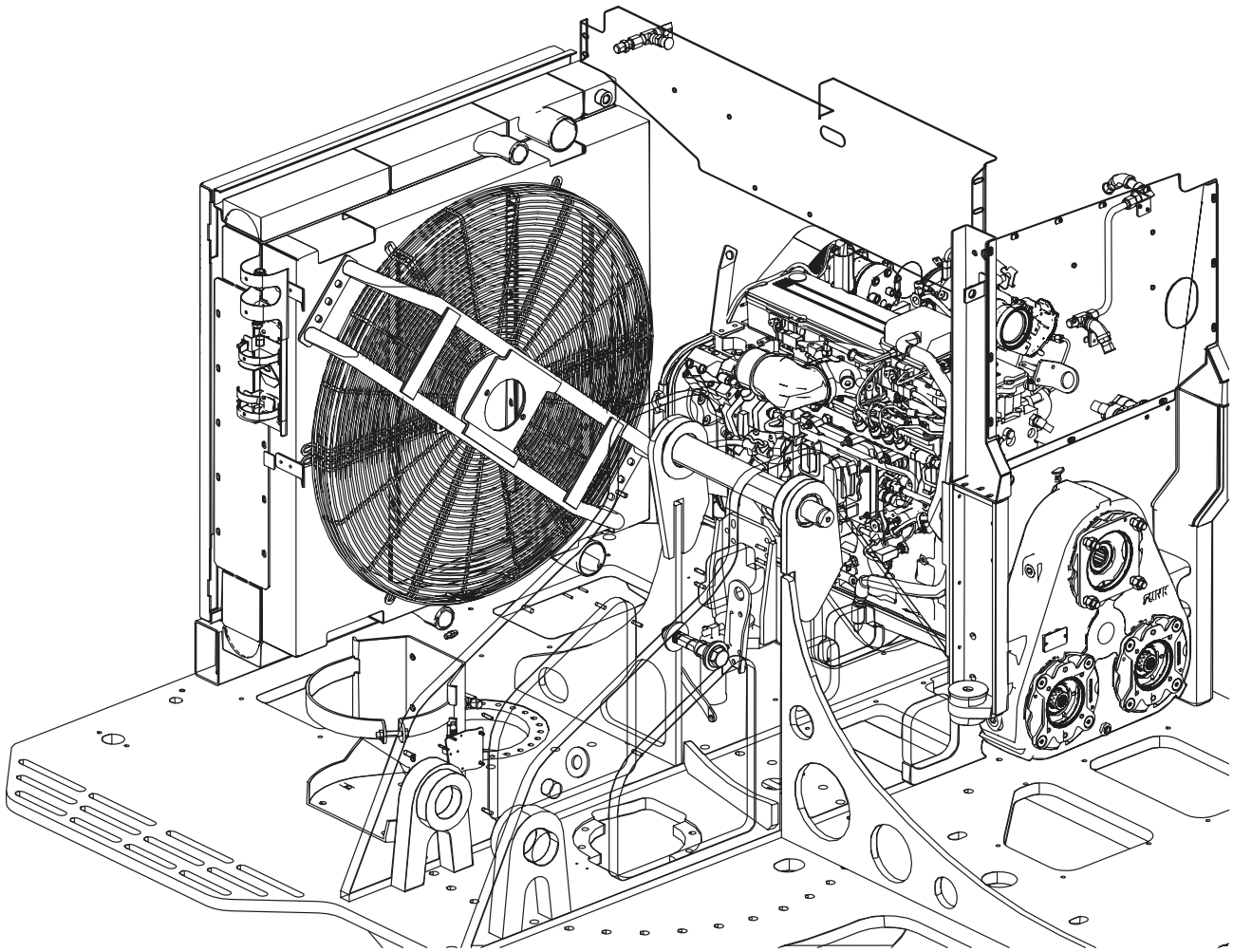


REF	PART #	QTY	DESCRIPTION	SEE SECTION
-	57849	1	<input type="checkbox"/> MANIFOLD, HOC CONTROL-RETURN - D SERIES	
1	(See Description)	1	Supplier Description/Part # RV12-26H	
2	(See Description)	1	Supplier Description/Part # DB08A-V_Standard	
3	(See Description)	3	Supplier Description/Part # 6409-04	
4	(See Description)	1	Supplier Description/Part # OD0217223POC00	
5	(See Description)	1	Supplier Description/Part # OD1330511A0000	
6	(See Description)	1	Supplier Description/Part # EV20-S34	
7	(See Description)	1	Supplier Description/Part # CV12-20	
8	(See Description)	1	Supplier Description/Part # DRBB-LEN	
9	(See Description)	1	Supplier Description/Part # SC08-20_30	
10	(See Description)	1	(No Replacement Part #)	
11	(See Description)	1	32mm COOLER LOGIC COVER Supplier Description/Part # 17-0197B-FSC	
12	(See Description)	1	32mm Cartridge (No Replacement Part #)	
13	(See Description)	1	Supplier Description/Part # WK08W-01-C-N-0	
14	(See Description)	1	Supplier Description/Part # 03012599	
15	(See Description)	1	Supplier Description/Part # 17-0272D (HOC CONTROL-RETURN)	

Kit or Assembly - includes all items indented underneath.

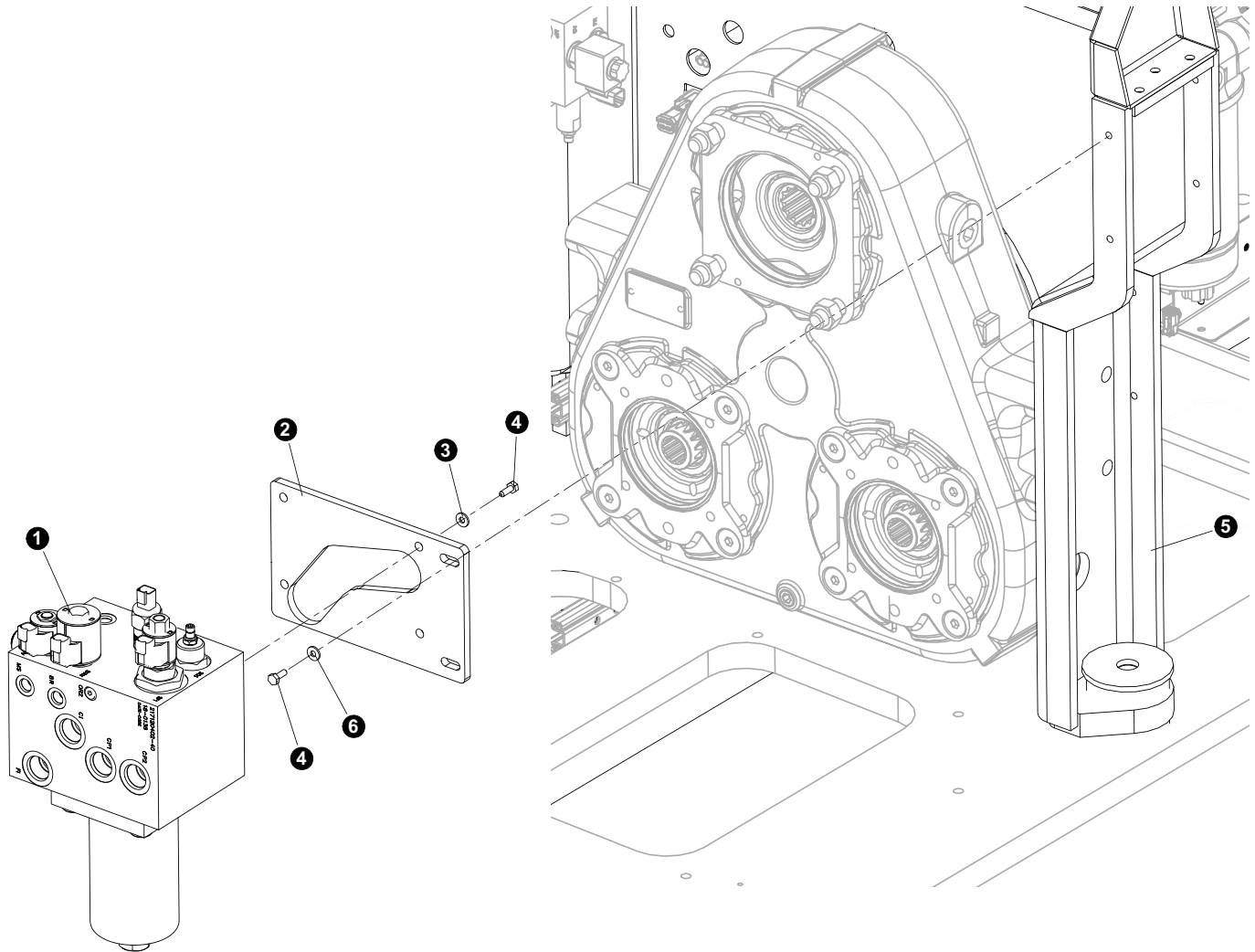
SECTION UP-3

UPPER TURNTABLE, RADIATOR AND OIL COOLER FAN DRIVE SYSTEM



UPPER TURNTABLE

CHARGE MANIFOLD BREAKDOWN AND INSTALLATION



REF	PART #	QTY	DESCRIPTION	SEE SECTION
1	(Click Here)	1	MANIFOLD, CHARGE / COOLER - D SERIES (57881)	EE-1
2	60391	1	PLATE, CHARGE BLOCK MOUNT - D	
3	15528	4	WASHER, SAE FLAT - .375"	
4	11707	6	BOLT - .375" X 1"	
5	(Click Here)	1	BARRIER, ENGINE - D MODEL	EE-1
6	10802	2	WASHER, FLAT - .375"	



See referenced page for component or assembly breakdown.

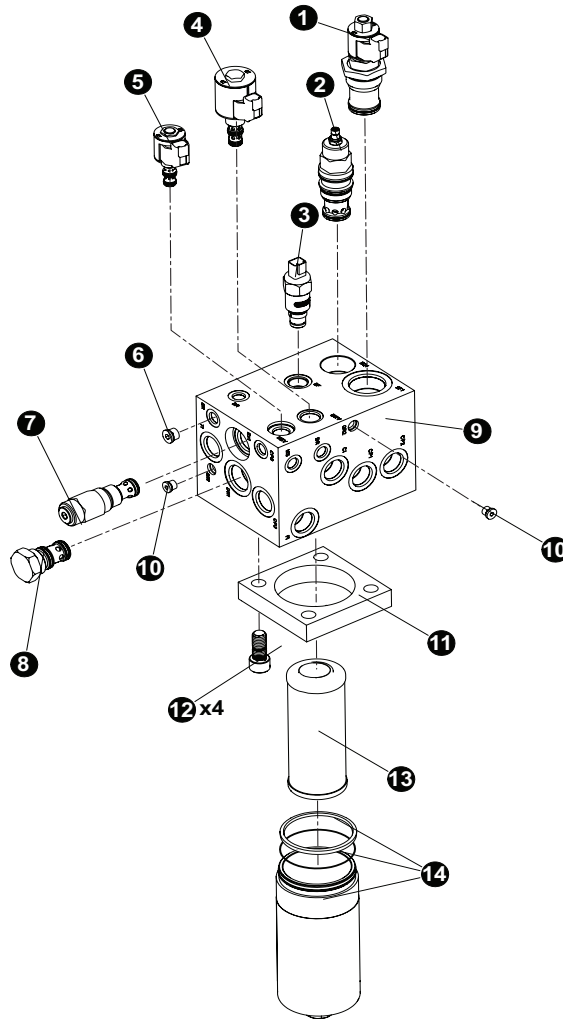


Kit or assembly. Includes all items indented underneath.

UPPER TURNTABLE

CHARGE MANIFOLD BREAKDOWN (ORANGE)

SERIAL #TL745D-0525 - TL745D-0624



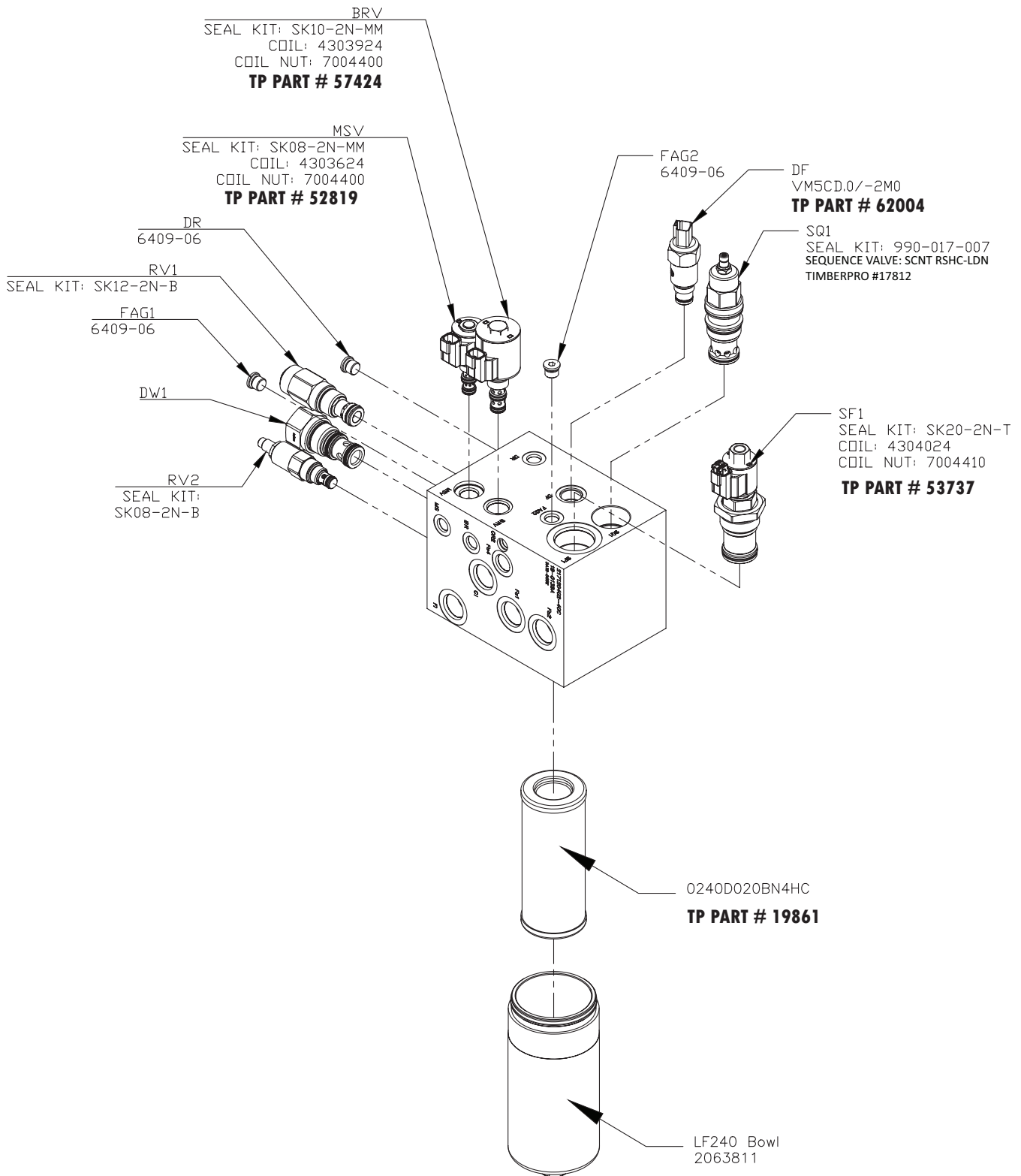
REF	PART #	QTY	DESCRIPTION	SEE SECTION
-	57881	1	<input type="checkbox"/> MANIFOLD, CHARGE / COOLER - D SERIES	
1	(See Description)	1	COIL CONNECTOR (SUPPLIER PART # SF20-23-0-N-12ER)	
2	(See Description)	1	CARTRIDGE, HYDRAFORCE (SUPPLIER PART # RSHS-LAN)	
3	(See Description)	1	CARTRIDGE, HYDRAFORCE (SUPPLIER PART # VD_CD)	
4	(See Description)	1	COIL CONNECTOR (SUPPLIER PART # SV10-34-12ER)	
5	(See Description)	1	COIL CONNECTOR (SUPPLIER PART # SV08-30-0-N-12ER)	
6	(See Description)	1	PLUG (SUPPLIER PART # 6-hp5on-s)	
7	(See Description)	1	CARTRIDGE, HYDRAFORCE (SUPPLIER PART # RV12-26H)	
8	(See Description)	1	CARTRIDGE, HYDRAFORCE (SUPPLIER PART # EP16-35)	
9	(See Description)	1	BLOCK, MANIFOLD (SUPPLIER PART # 10-0138-FSC)	
10	(See Description)	2	PLUG (SUPPLIER PART # 4-hp5on-s)	
11	(See Description)	1	THREADED FILTER PLATE (SUPPLIER PART # 05-0345A-FSC)	
12	(See Description)	4	BOLT (SUPPLIER PART # 91251A798)	
13	(See Description)	1	ELEMENT (SUPPLIER PART # LF 240)	
14	(See Description)	1	BOWL (SUPPLIER PART # LF 240)	

Kit or assembly. Includes all items indented underneath.

UPPER TURNTABLE

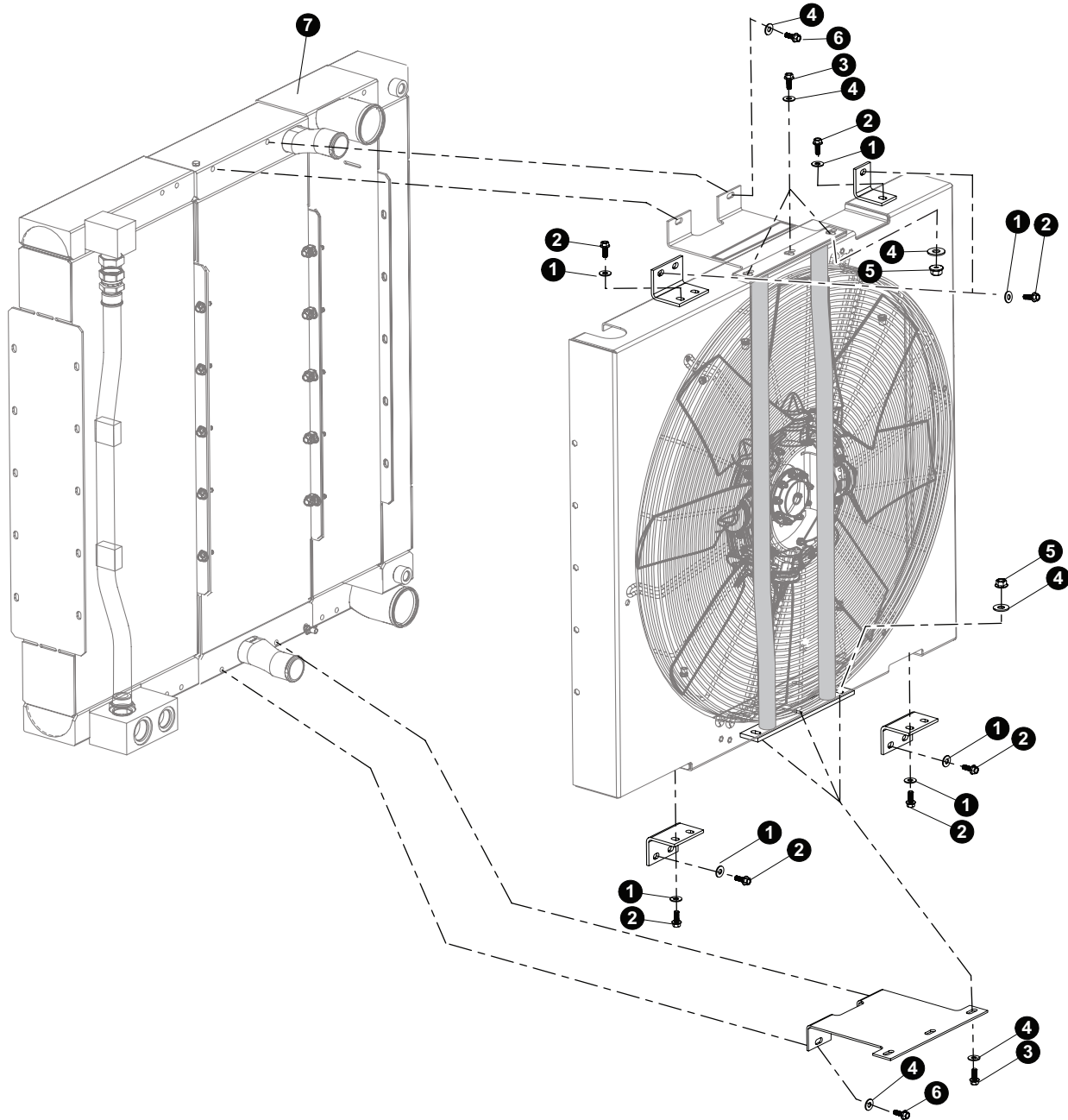
CHARGE MANIFOLD BREAKDOWN (SILVER)

SERIAL #745D-0625 - CURRENT



PAGE INTENTIONALLY LEFT BLANK

UPPER TURNTABLE OIL COOLER BREAKDOWN SERIAL #TN725D-0664-051019 AND BEFORE

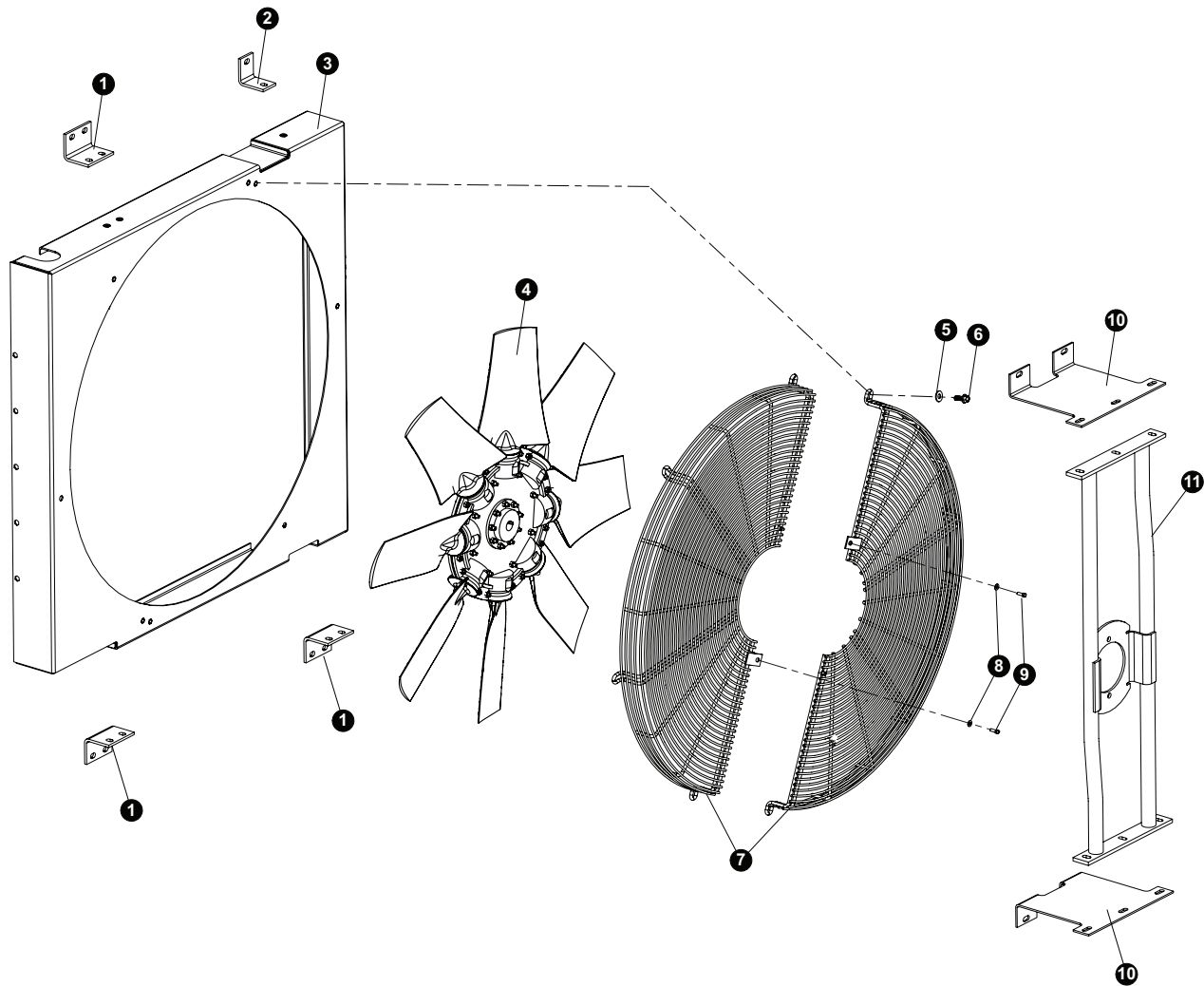


REF	PART #	QTY	DESCRIPTION	SEE SECTION
1	(See Description)	14	Washer (Supplier Part # 603874)	
2	(See Description)	14	Bolt (Supplier Part # 8050.038.0000)	
3	(See Description)	6	Bolt (Supplier Part # 8050.059.0000)	
4	10804	16	WASHER, FLAT - .5"	
5	10815	6	NUT, LOCK - .5"	
6	50100	4	BOLT - .5" X 1.25"	
7	57755	1	RADIATOR / OIL COOLER - STAGE V (CUMMINS)	

UPPER TURNTABLE

OIL COOLER FAN SHROUD ASSEMBLY

SERIAL #TN725D-0664-051019 AND BEFORE

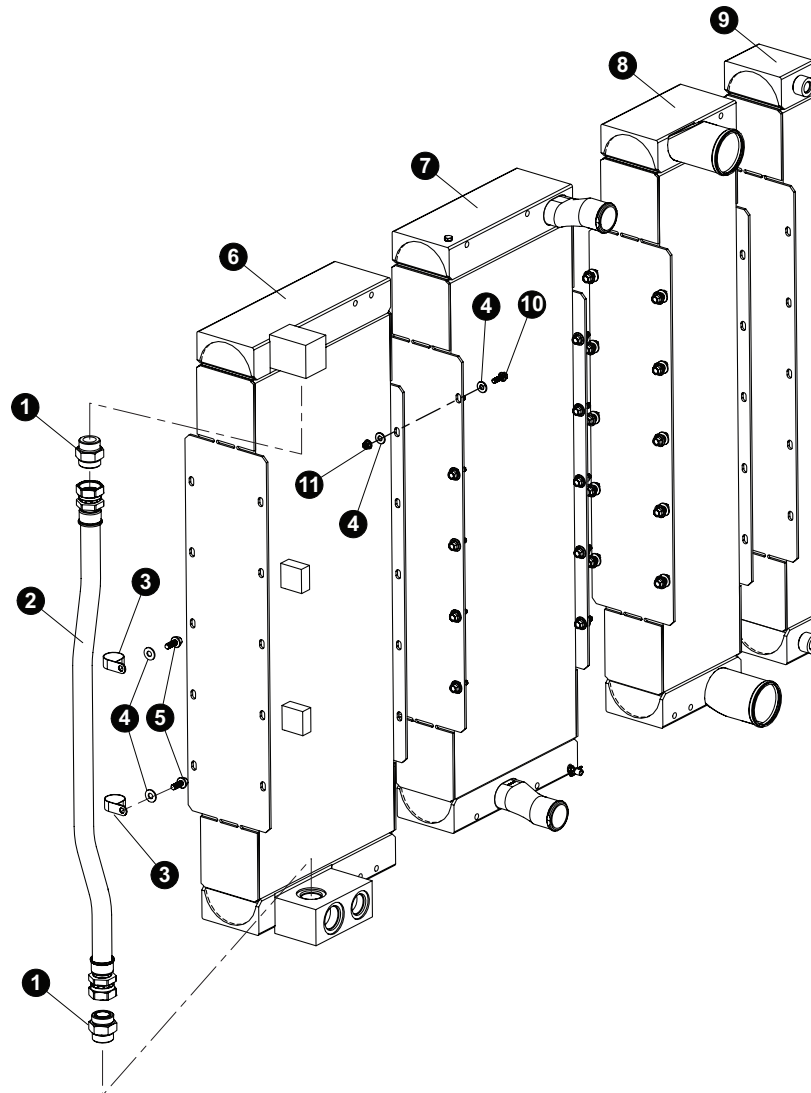


REF	PART #	QTY	DESCRIPTION	SEE SECTION
1	(See Description)	3	Bracket (Supplier Part # 3562.074.0001)	
2	(See Description)	1	Bracket (Supplier Part # 3851.003.0001)	
3	(See Description)	1	Shroud (Supplier Part # 3918.011.4011)	
4	57757	1	FAN, RADIATOR - 40" Stage v COOLING	
5	(See Description)	8	Washer (Supplier Part # 601833)	
6	(See Description)	8	Bolt (Supplier Part # 8050.035.0000)	
7	(See Description)	1	Finger guard (Supplier Part # 3518.006.4030)	
8	(See Description)	2	Washer (Supplier Part # 600978)	
9	(See Description)	2	Bolt (Supplier Part # 8050.046.0000)	
10	(See Description)	2	Bracket (Supplier Part # 3918.011.0005)	
11	(See Description)	1	Fan Motor Mount (Supplier Part # 3918.003.0060)	

UPPER TURNTABLE

OIL COOLER CORE BREAKDOWN

SERIAL #TN725D-0664-051019 AND BEFORE

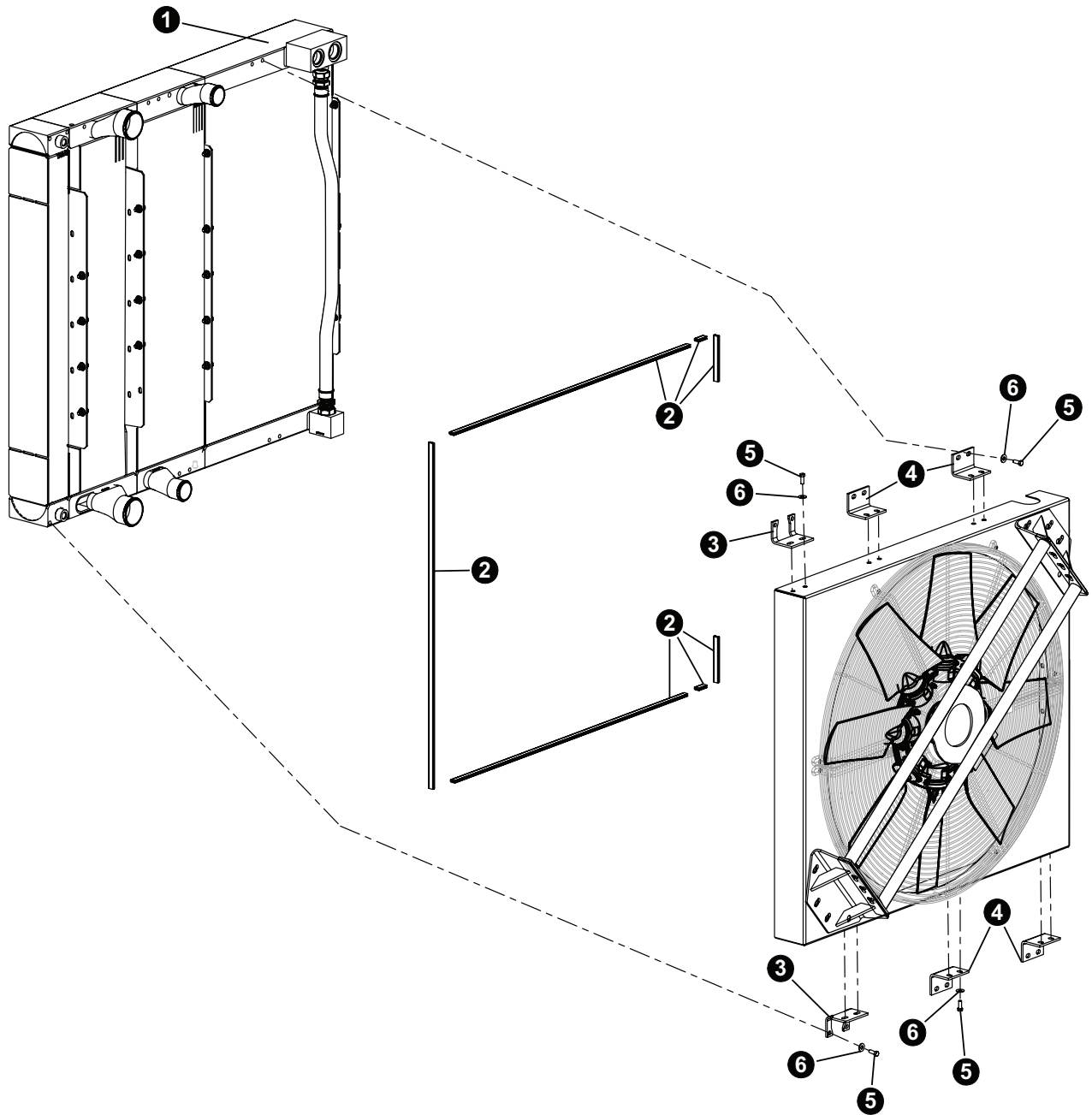


REF	PART #	QTY	DESCRIPTION	SEE SECTION
1	(See Description)	2	Connector (Supplier Part # 609622)	
2	(See Description)	1	Hose (Supplier Part # 3918.011.0010)	
3	(See Description)	2	Clamp (Supplier Part # 8055.008.0000)	
4	(See Description)	32	Washer (Supplier Part # 603874)	
5	(See Description)	2	Bolt (Supplier Part # 8050.037.0000)	
6	58133	1	CORE, OIL COOLER - STAGE V 3918.011.1000	
7	(See Description)	1	CORE (Supplier Part # 3918.011.2000)	
8	(See Description)	1	CORE (Supplier Part # 3918.011.5000)	
9	58142	1	CORE, CONDENSER/OIL COOLER - STAGE V (57	
10	(See Description)	15	Bolt (Supplier Part # 8050.0000-032519)	
11	(See Description)	15	Nut (Supplier Part # 600862AX-032519)	

UPPER TURNTABLE

OIL COOLER BREAKDOWN

MACHINES AFTER SERIAL #TN725D-0664-051019

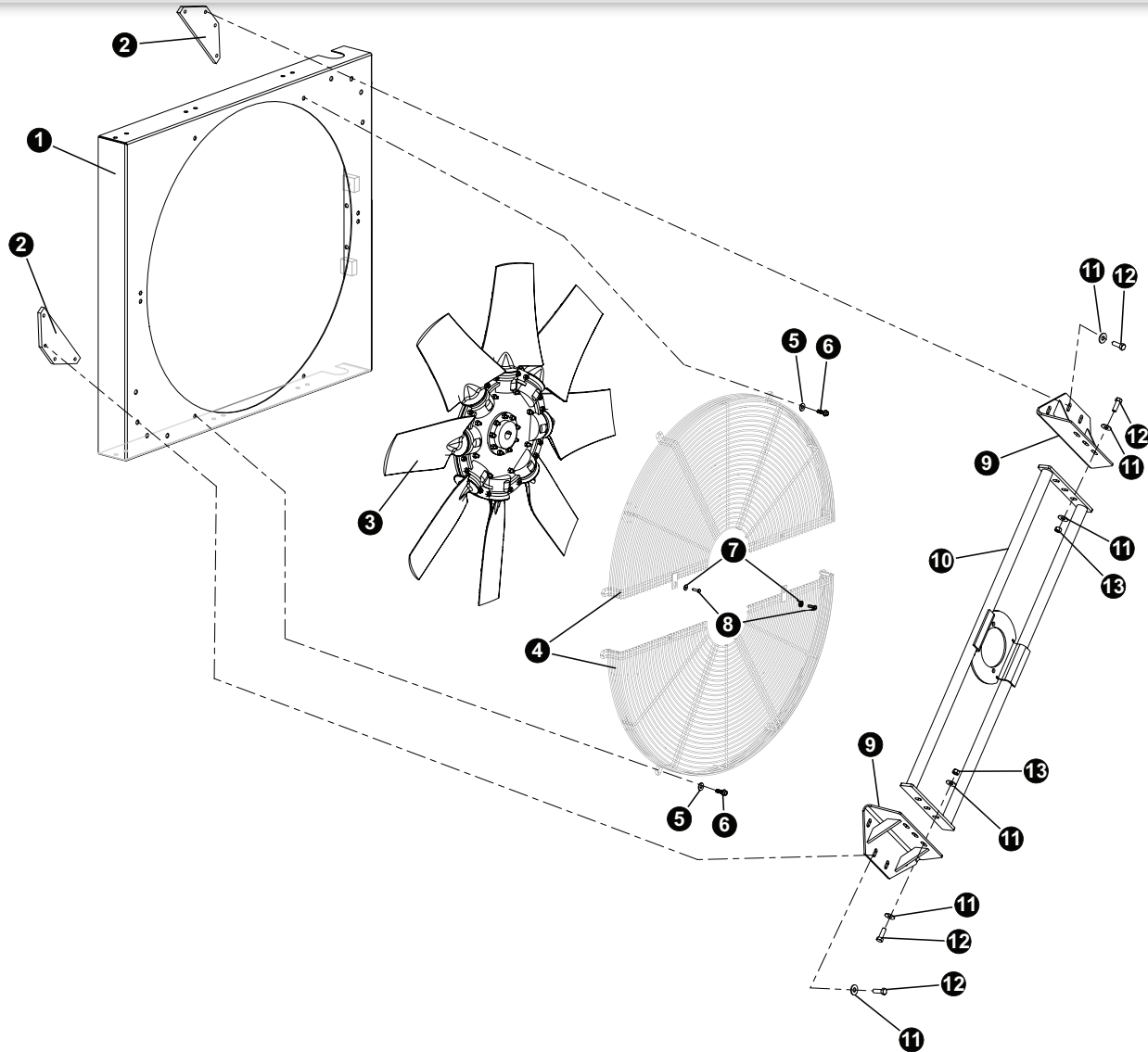


REF	PART #	QTY	DESCRIPTION	SEE SECTION
1	58095	1	RADIATOR / OIL COOLER - STAGE V UPDATE	
2	(See Description)	1	Weatherstrip (Supplier Part # 8065.059.0000_3918.013)	
3	(See Description)	2	Bracket (Supplier Part # 3918.013.0009-032519)	
4	(See Description)	4	Bracket (Supplier Part # 3562.074.0001-032519)	
5	(See Description)	24	Bolt (Supplier Part # 8050.058.0000-032519)	
6	(See Description)	24	Washer (Supplier Part # 603784-032519)	

UPPER TURNTABLE

OIL COOLER FAN SHROUD ASSEMBLY

MACHINES AFTER SERIAL #TN725D-0664-051019

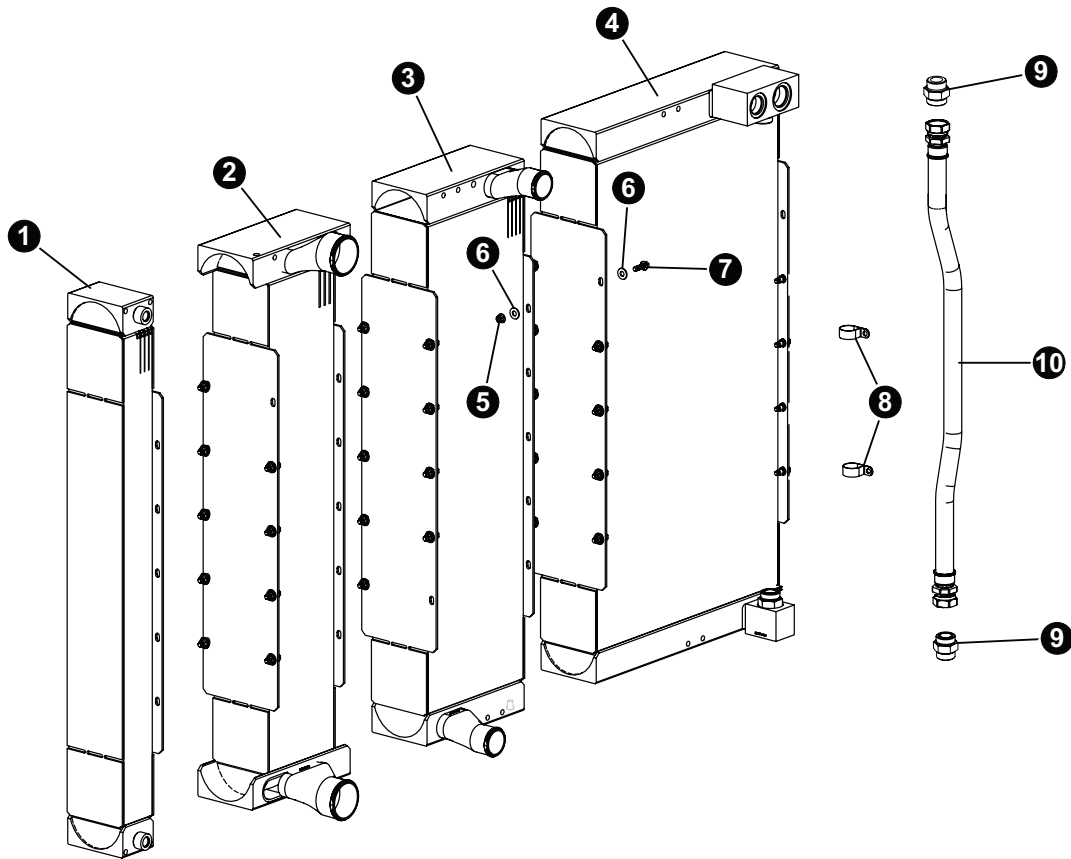


REF	PART #	QTY	DESCRIPTION	SEE SECTION
1	(See Description)	1	Fan Shroud	
2	(See Description)	2	Bracket (Supplier Part # 3918.013.4012-032519)	
3	58129	1	Fan, Radiator - 42"	
4	(See Description)	1	Guard (Supplier Part # 3703.293.4030-032519)	
5	(See Description)	8	Washer (Supplier Part # 603784-032519)	
6	(See Description)	8	Bolt (Supplier Part # 8050.059.0000-032519)	
7	(See Description)	2	Washer (Supplier Part # 8054.019.0000-032519)	
8	(See Description)	2	Bolt (Supplier Part # 600050-032519)	
9	(See Description)	2	Bracket (Supplier Part # 3918.013.5002-032519)	
10	(See Description)	1	Fan Motor Mount (Supplier Part # 8049.062.0000-032519)	
11	(See Description)	20	Washer (Supplier Part # 601827-032519)	
12	(See Description)	14	Bolt (Supplier Part # 8050.066.0000-032519)	
13	(See Description)	6	Nut (Supplier Part # 8049.062.0000-032519)	

UPPER TURNTABLE

OIL COOLER CORE BREAKDOWN

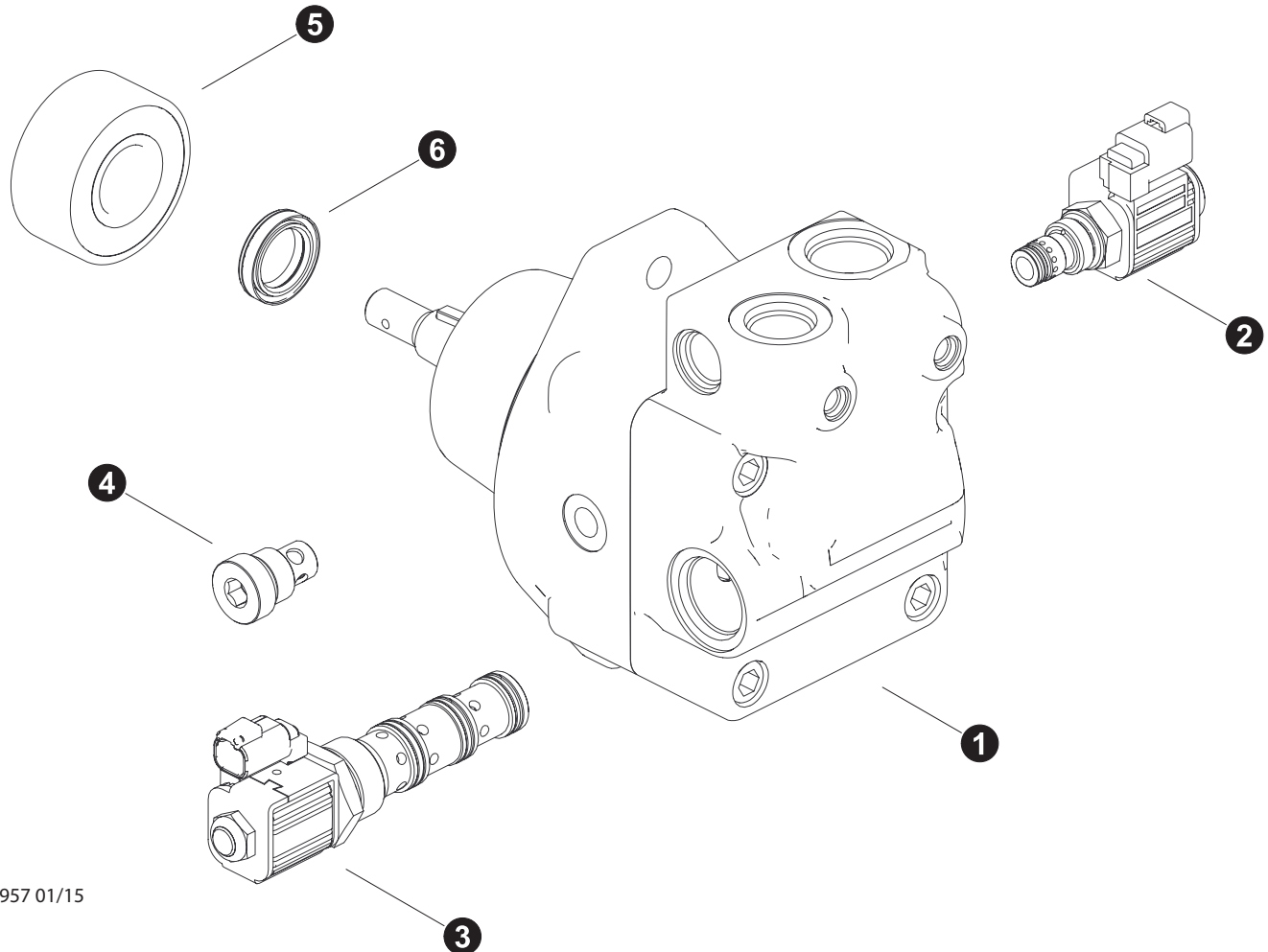
MACHINES AFTER SERIAL #TN725D-0664-051019



REF	PART #	QTY	DESCRIPTION	SEE SECTION
1	(See Description)	1	Gearbox Oil Cooler (Supplier Part # 3918.013.1700-032519)	
2	(See Description)	1	Charge Air Cooler (Supplier Part # 3918.013.3000-032519)	
3	(See Description)	1	Radiator Core (Supplier Part # 3918.013.2000-032519)	
4	58168	1	CORE, OIL COOLER - STAGE V UPDATED	
5	(See Description)	15	Nut (Supplier Part # 600862AX-032519)	
6	(See Description)	30	Washer (Supplier Part # 603784-032519)	
7	(See Description)	15	Bolt (Supplier Part # 8050.059.0000-032519)	
8	(See Description)	2	Clamp (Supplier Part # 8055.008.0000-032519)	
9	(See Description)	2	Connector (Supplier Part # 609622)	
10	(See Description)	1	Hose (Supplier Part # 3918.013.0010-032519)	

UPPER TURNTABLE

COOLER FAN DRIVE MOTOR



Parts T3957 01/15
25

REF	PART #	QTY	DESCRIPTION	SEE SECTION
1	55215	1	<input type="checkbox"/> MOTOR, FAN DRIVE - RADIATOR W/FAN CONTROL	
2	57603	1	ASSEMBLY, Fan Reverse Valve	
3	57604	1	ASSEMBLY, Fan Control	
4	(See Description)	1	ASSEMBLY, Check Valve (Supplier Part #: S24_94046)	
5	(See Description)	1	BEARING (Supplier Part #: 230_90022_3)	
6	57670	1	SHAFT SEAL	

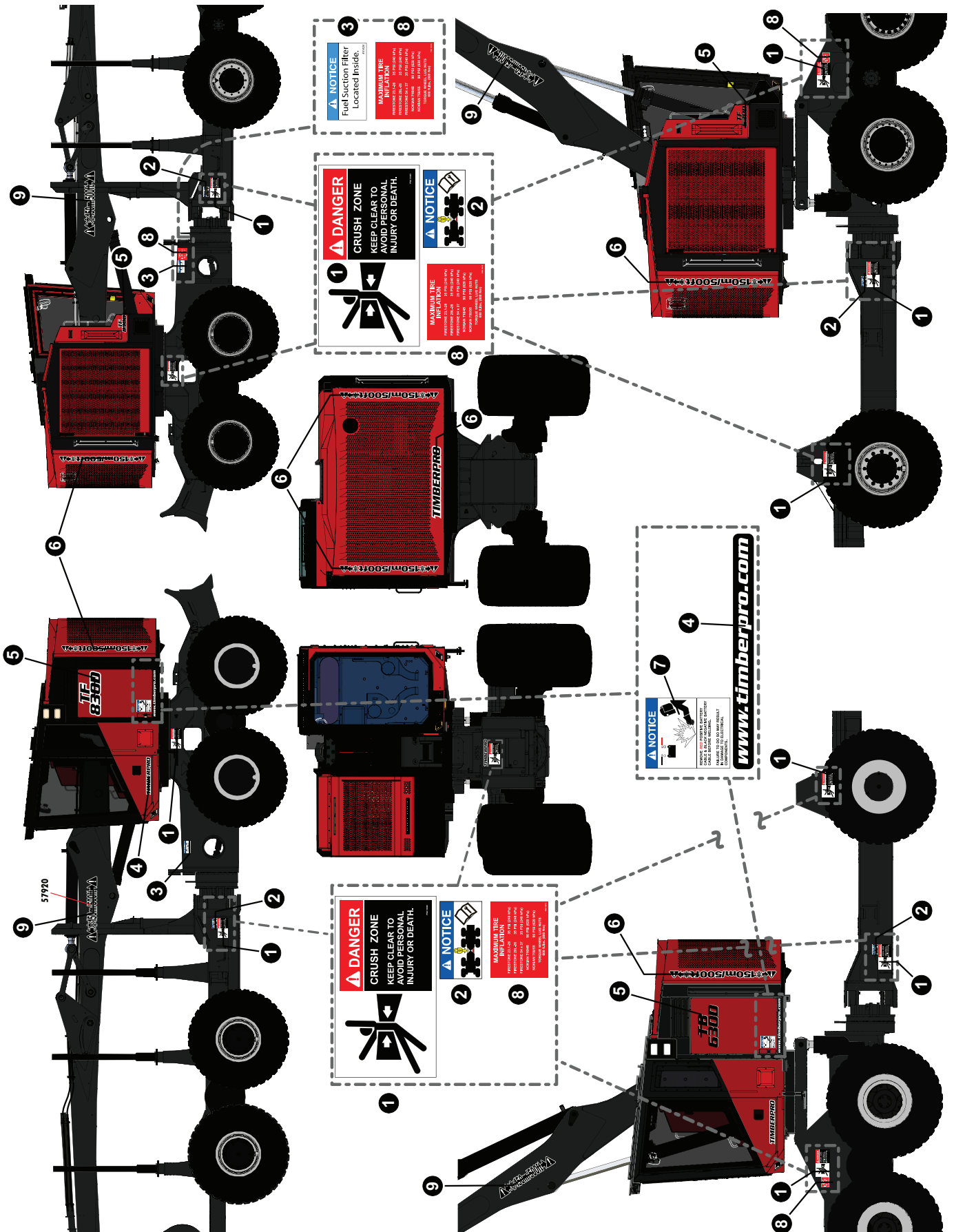
See referenced page for component or assembly breakdown.

Kit or Assembly - includes all items indented underneath.

SECTION UP-4

630, 830, & 840 MACHINE DECALS





MACHINE DECALS

OUTER DECALS

REF	PART #	QTY	DESCRIPTION	SEE SECTION
Kit# 57909				
1	16060	1	DECAL, BOOM Universal Keep Clear (Kit Includes 2 Decals)	
2	(No Decal Part #)	1	DECAL, Articulation Locked	
3	51424	1	DECAL, Fuel Filter Location Inside	
7	24286	1	DECAL, WELDING NOTICE - 300HP	
8	19678	1	DECAL, TIRE PRESSURE	
9	57920	1	DECAL, BOOM Universal Keep Clear	
Kit# 57908				
4	(No Decal Part #'s within kit)	1	DECAL, Logos-Web Address (Kit included 6 decals: 2 web-logos, 4 TimberPro)	
No KIT #				
5	57905	1	DECAL, MODEL # - TF840-D	
5	57906	1	DECAL, MODEL # - TF830-D	
5	57910	1	DECAL, MODEL # - TB630-D	
6	57628	1	DECAL, KEEP CLEAR, TIMBERPRO - GULLWING (Kit included 3 decals, 2Keep Clear, 1 TimberPro)	



See reference page for component or assembly breakdown.



Sold in bulk per foot - Please specify length when ordering.

MACHINE DECALS

CAB/DASH DECALS

1 (KIT ONLY)

TIMBERPRO

1 (KIT ONLY)

TIMBERPRO

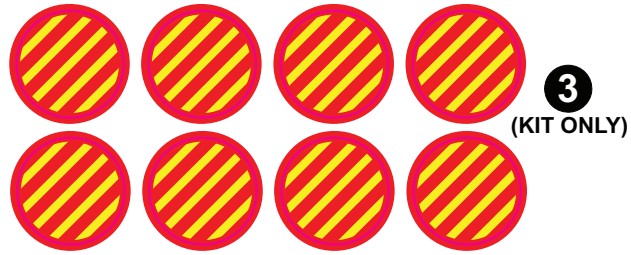
CAUTION

SEVERE STRUCTURAL DAMAGE CAN OCCUR IF TAPERED HUB ASSEMBLIES ARE NOT KEPT TIGHT

THE FOLLOWING BREAK-IN PROCEDURE MUST BE PERFORMED:

- Torque tapered hub retaining bolts after the first 2 hours of operation (5 pivots, 1 pivot if no cab level system).
- Torque tapered hub retaining bolts each day of operation until the tapered hub is seated (the tapered hub is seated when the retaining bolts no longer loosen with operation).
- Torque tapered hub retaining bolts after every 50 hours of operation.
- Visually inspect tapered hub pivots daily.

PN# 10066



3 (KIT ONLY)

WARNING: USE OF THIS ROPS IN A DAMAGED, MODIFIED OR ABUSED CONDITION OR WITH PROOF OVERTURNS IS ILLEGAL AND THE OPERATOR PROTECTION IS NO LONGER SUITABLE AND MUST BE REPLACED. ANY ALTERATIONS, MODIFICATIONS, ADD-ONS OR REPAIR WITHOUT THE WRITER'S CONSENT OF THE MANUFACTURER, VOID THE PRODUCT'S WARRANTY LIABILITY AND CERTIFICATION.

MANUFACTURED FOR: TimberPro, Inc. 1407 Industrial Dr. Shawano, WI 54186 USA	ROLLOVER PROTECTION STRUCTURE (ROPS) CERTIFICATION This ROPS, when properly installed in accordance with TimberPro, Inc.'s installation instructions on a vehicle which is not listed or rated (the certification label weight limits), at the time of installation, criteria established by:	MODELS: 8000-SERIES 7000-SERIES 5000-SERIES
MANUFACTURED BY: Budaer Welding 1265 S. Highway 84 Shawano, WI 54186 USA	ISO 9002:2007 # 00022009-1004-0003 ROPS: 5002 - 0363 - 0584 - 0368 05-0004-432-001-0178 US-OSHA#: 29CFR 1910.266	MANUFACTURE: TimberPro ROPS #0116 ROPS MFG YEAR: 2018
		MACHINE MASS: 101,616 LBS (46,092 Kg)

4 (KIT ONLY)

NOTICE PN 51720

ALWAYS REPLACE FUSE WITH THE ONE THAT IS SPECIFIED. THIS MACHINE IS EQUIPPED WITH A 24 VDC ELECTRICAL SYSTEM

6

TIMBERPRO TimberPro Inc.
 1407 Industrial Dr
 Shawano WI 54166

US Pat. D523029
 US Pat. Pending 11/306434
 US Pat. Pending 12/741115 PN 5383

7

NOTICE

FOR SAFETY, PRACTICE THE FOLLOWING SAFETY MEASURES.

GENERAL SAFETY RULES

- To operate this piece of machinery YOU MUST BE TRAINED AND QUALIFIED.
- Study the operator's manual and check your company's regulations and safety procedures.
- Get to know capabilities and limitations of equipment and correct operating procedures.
- Operate equipment only when you feel physically fit and not under the influence of alcohol or drugs.
- Keep a serviceable first aid kit in good order on the vehicle.
- Maintain a charged fire extinguisher on the vehicle AND KNOW HOW TO USE IT.
- Do not remove mufflers, spark arrestors, protection guards.
- Clean out debris from high heat areas, such as engine compartment, on at least a daily basis and always after quitting operations for the day.
- Keep floor, steps and running boards clean and free of oil, ice, mud and loose objects.
- Inspect equipment daily for signs of failure or beginning of failure.
- When fueling, servicing or repairing, set booms on the ground and shut down engine.
- Controls should not be changed without written consent from the factory.

OPERATING SAFETY MEASURES

- Check all controls and functions for correct response before beginning work cycle with equipment.
- Use seat belt at all times when operating the machine.
- Operate all controls from the operator's station only.
- Whenever leaving the operator's seat, stop the engine. Set booms on the ground so they are not supported by the hydraulics.
- Be very careful when operating on slopes. Whenever possible, travel straight up or down to minimize possibility of rollover.
- Be aware of people around the equipment at all times. When engine is running, maintain a safe operating distance between the equipment and other personnel and follow the approved signaling practices.
- Use recommended protective clothing and devices such as gloves, safety boots, safety hats, goggles and ear protection when necessary.
- Carry no passengers.

PN# 10042

WARNING

CALIFORNIA - Proposition 65 Warning
 Diesel engine exhaust and some of its constituents are known to cause birth defects, and other reproductive harm.
 PN# 10042

11

9 (KIT ONLY)

MADE IN U.S.A.

WARNING

Do not store tools or heavy items in this compartment.

10

(KIT ONLY)

EMERGENCY ESCAPE

EMERGENCY ESCAPE

EMERGENCY ESCAPE

8 (KIT ONLY)

MACHINE DECALS

CAB/DASH DECALS

KIT DECALS (REF. 1-10)

REF	PART #	QTY	DESCRIPTION	SEE SECTION
-	55493-EN	1	<input type="checkbox"/> KIT, DECAL - "D" SERIES Outside (ENGLISH)	
	55493-BR	1	<input type="checkbox"/> KIT, DECAL - "D" SERIES Outside (Brazilian Portuguese)	
	55493-FR	1	<input type="checkbox"/> KIT, DECAL - "D" SERIES Outside (FRENCH)	
	55493-SP	1	<input type="checkbox"/> KIT, DECAL - "D" SERIES Outside (SPANISH)	
	55493-SW	1	<input type="checkbox"/> KIT, DECAL - "D" SERIES Outside (SWEEDISH)	

NOTE:

- Individual replaceable decals from Kit#55493 are listed below.
- Replaceable decals listed below are available in the languages listed above. To order an individual decal in a specific language use the two digit language extension from above.
 - ie: 52827-FR

KIT 55493 DECALS THAT CAN ORDERED INDIVIDUALLY

REF	PART #	QTY	DESCRIPTION	SEE SECTION
-	55493	NA	<input type="checkbox"/> KIT, DECAL - "D" SERIES Outside	
2	18066	1	DECAL, TAPERED HUB TORQUE	
5	16062	1	DECAL, CAB OPS INSTRUCTION	
6	21570	1	BREATHER, SWING GEARBOX - LOHMANN	
7	52827	1	DECAL, Patent Pend Logo	
11	18337	1	DECAL, CALIFORNIA DIESEL EXHAUST WARNING	



See reference page for component or assembly breakdown.



Kit or Assembly - includes all items indented underneath.



Sold in bulk per foot - Please specify length when ordering.

MACHINE DECALS

WARNING, INFO, CAUTION DECALS

KIT DECALS (REF. 1-39)

REF	PART #	QTY	DESCRIPTION	SEE SECTION
-	57909-EN	1	<input type="checkbox"/> KIT, DECAL - "D" SERIES Outside (ENGLISH)	
-	57909-FR	1	<input type="checkbox"/> KIT, DECAL - "D" SERIES Outside (FRENCH)	
-	57909-SP	1	<input type="checkbox"/> KIT, DECAL - "D" SERIES Outside (SPANISH)	
-	57909-GR	1	<input type="checkbox"/> KIT, DECAL - "D" SERIES Outside (GERMAN)	
-	57909-BR	1	<input type="checkbox"/> KIT, DECAL - "D" SERIES Outside (Brazilian Portuguese)	

KIT 57909 DECALS THAT CAN BE ORDERED INDIVIDUALLY

REF	PART #	QTY	DESCRIPTION	SEE SECTION
3	16060	1	DECAL, DANGER CRUSH ZONE	
8	57952	1	DECAL, GREASE POINTS - 755 Upper	
9	53956	1	DECAL, lower man acc warning	
10	51424	1	DECAL, Fuel Filter Location Inside	
11	16607	1	DECAL, PRESSURIZED HYD. TANK	
13	52892	1	DECAL, TIE DOWN	
15	19678	1	DECAL, TIRE PRESSURE	
16	53231	1	DECAL, Aux Hyd Oil Tank	
17	53869	1	DECAL, MOVING PARTS WARNING	
23	52672	1	DECAL, GULLWING SUPPORT WEIGHT WARNING	
24	50424	1	DECAL, TORQUE 2" NUT NOTICE	
26	52715	1	DECAL, GREASE POINTS - squirt 630/830	
27	52716	1	DECAL, GREASE POINTS - feller stick 630	
28	54766	1	DECAL, Pressure Washing Warning	
29	25959	1	DECAL, DIESEL FUEL ONLY	
30	51927	1	DECAL, Fire Suppression actuator inside	
31	24286	1	DECAL, WELDING NOTICE - 300HP	
32	53869	1	DECAL, MOVING PARTS WARNING	
33	54766	1	DECAL, Pressure Washing Warning	
34	19765	2	DECAL, KEEP CLEAR OF MOVING PARTS	
35	23451	1	DECAL, GREASE FILTER CANISTER	
36	53008	1	DECAL, engine electrical center MDL	
37	51902	1	DECAL, Door Lift Pump Oil	
39	50359	1	DECAL, SECURE COVER CAUTION	

Kit or assembly. Includes all items indented underneath.

PAGE INTENTIONALLY LEFT BLANK