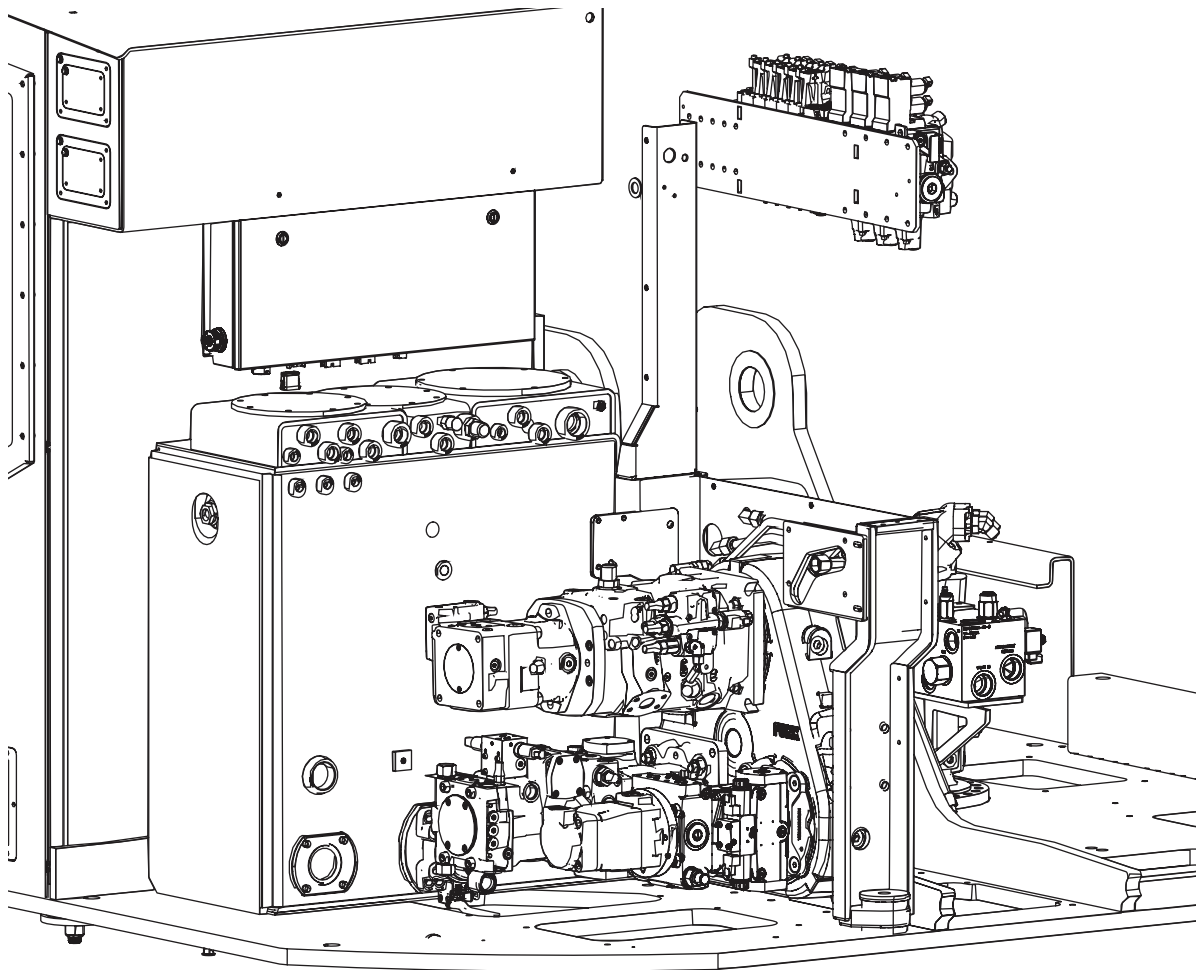
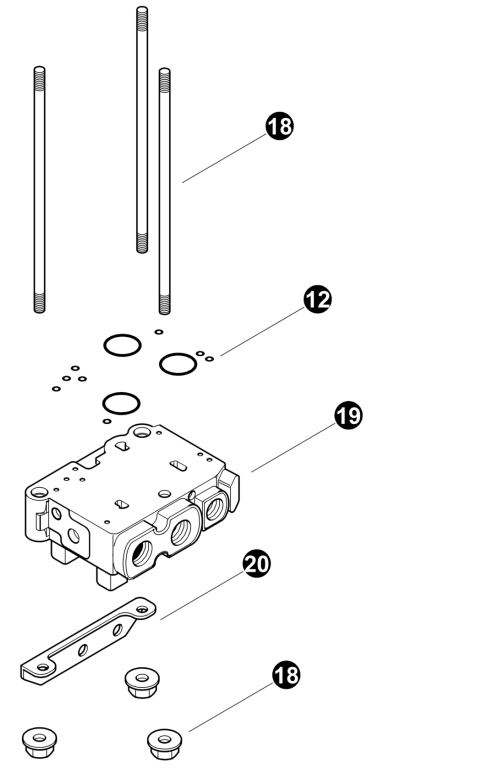
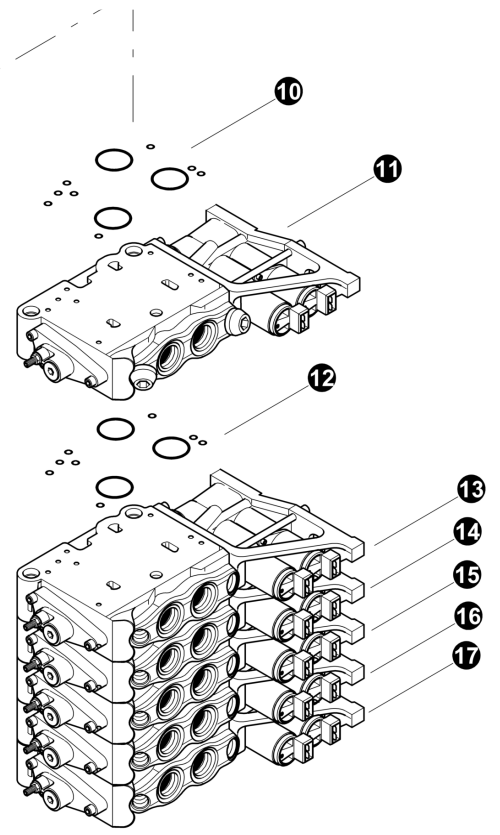
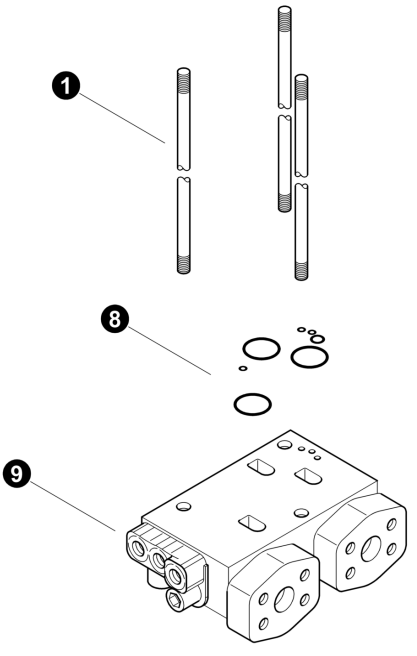
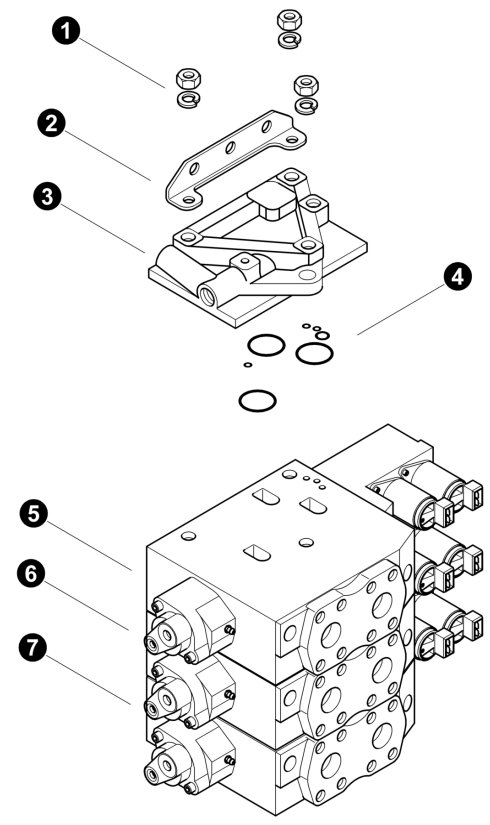


SECTION UPH-1

MAIN CONTROL VALVE PARTS BREAKDOWN





Parts T3446 05/02/2006
25.00

UPPER TURNTABLE HYDRAULICS

MAIN CONTROL VALVE

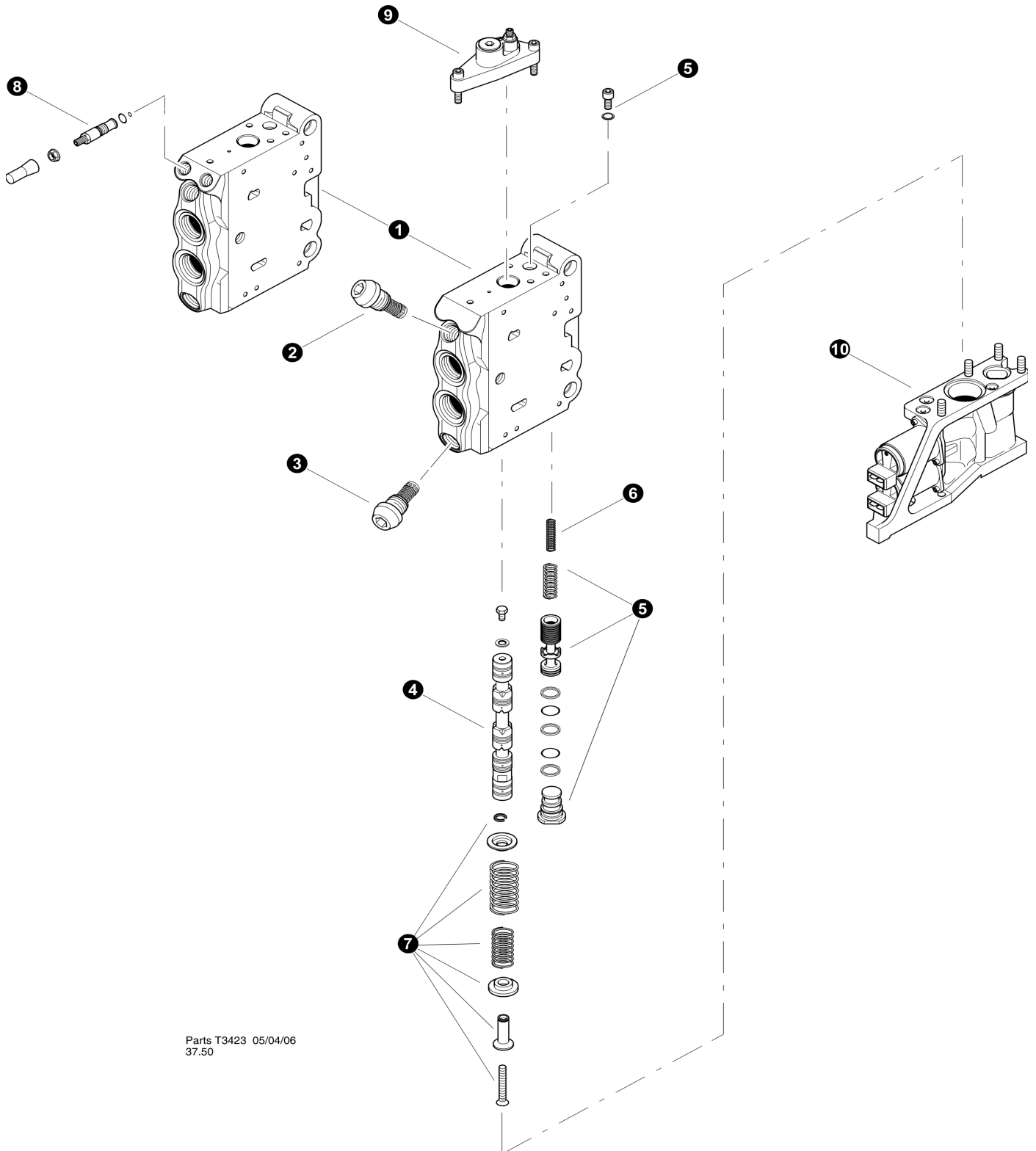
REF	PART #	QTY	DESCRIPTION	SEE SECTION
-	52496	1	<input type="checkbox"/> VALVE, MAIN - VOAC (24 volt / 9 section) Log Max Harvester	
1	---	1	KIT, Tie Rods and Nuts - K220 (2-Section span) (9120092372)	
2	---	1	KIT, Bracket - K220 (9120092365)	
3	---	1	COVER, K220 Valve	
4	24649	1	KIT, Seals - Voac Intersection (9120092315)	
5	REF	1	<input type="checkbox"/> VALVE SECTION - Harvester Press (830B-0314 and before)	UPH-1
5	REF	1	<input type="checkbox"/> VALVE SECTION - Stick Boom (830B-0315 and after)	UPH-1
6	REF	1	<input type="checkbox"/> VALVE SECTION - Main Boom (830B-0314 and before)	UPH-1
6	REF	1	<input type="checkbox"/> VALVE SECTION - Harvester Press (830B-0315 and after)	UPH-1
7	REF	1	<input type="checkbox"/> VALVE SECTION - Stick Boom (830B-0314 and before)	UPH-1
7	REF	1	<input type="checkbox"/> VALVE SECTION - Main Boom (830B-0315 and after)	UPH-1
8	24649	1	KIT, Seals - Voac Parting "K" (9120092315)	
9	REF	1	MID INLET, K220 to L90	UPH-1
10	23404	1	KIT, Seals - Voac Parting "L" (393000K820)	
11	REF	1	<input type="checkbox"/> VALVE SECTION - "OPTIONAL" Squirt Boom	UPH-1
12	---	1	KIT, Seals - Voac Parting "L" (393000K820)	
13	REF	1	<input type="checkbox"/> VALVE SECTION - Harvester - Low Flow	UPH-1
14	REF	1	<input type="checkbox"/> VALVE SECTION - Rotate function	UPH-1
15	REF	1	<input type="checkbox"/> VALVE SECTION - Spare	UPH-1
16	REF	1	<input type="checkbox"/> VALVE SECTION - Cab Level	UPH-1
17	REF	1	<input type="checkbox"/> VALVE SECTION - Steer function	UPH-1
18	---	1	KIT, Tie Rods and Nuts - L90 (6-Section span) (393000K005)	
19	REF	1	COVER, L90 valve outlet	UPH-1
20	---	1	KIT, Bracket - L90 (393000K824)	

Kit or Assembly - includes all items indented underneath.

See referenced page for component or assembly breakdown.

UPPER TURNTABLE HYDRAULICS

MAIN CONTROL VALVE



Parts T3423 05/04/06
37.50

UPPER TURNTABLE HYDRAULICS

MAIN CONTROL VALVE

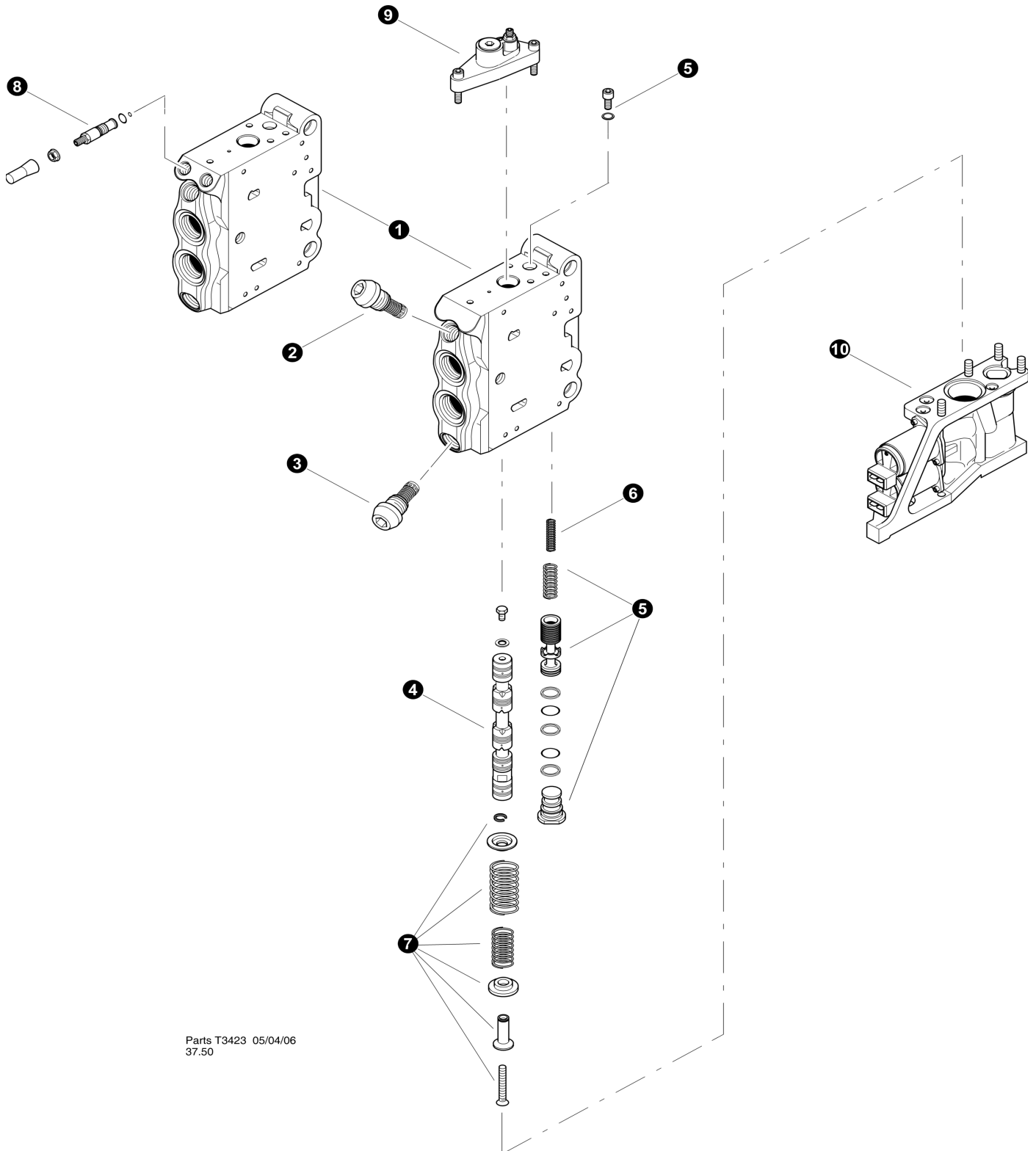
REF	PART #	QTY	DESCRIPTION	SEE SECTION
-	--	1	<input type="checkbox"/> VALVE SECTION - (Optional) Squirt Boom function (L90LS-MS-US60-275)	
1	NSS	1	BODY	
2	---	1	CARTRIDGE, "A" port relief (250 Bar) (393000K569)	
3	---	1	CARTRIDGE, "B" port relief (250 Bar) (393000K569)	
4	---	1	SPOOL, RKX (393000S490)	
5	---	1	<input type="checkbox"/> KIT, "KX" COMPENSATOR, BLUE (393000K616)	
5	---	1	<input type="checkbox"/> KIT, "KX" COMPENSATOR, GREEN (393000K617)	
-	---	1	KIT, compensator seals (393000K811)	
6	---	1	SPRING, (only used with KX compensator kit)	
7	23423	1	<input type="checkbox"/> KIT, spool centering spring (393000K343)	
8	---	2	<input type="checkbox"/> KIT, FEED REDUCER (393000K817)	
-	---	2	KIT, feed reducer seals (393000K831)	
9	REF	1	END CAP ASSEMBLY - "A" port	UPH-1
10	REF	1	END CAP ASSEMBLY - "B" port	UPH-1
-	--	1	<input type="checkbox"/> VALVE SECTION - Grapple Rotate function (L90LS-MS-US60-273)	
1	NSS	1	BODY	
2	---	1	CARTRIDGE, "A" port relief (250 Bar) (393000K569)	
3	---	1	CARTRIDGE, "B" port relief (250 Bar) (393000K569)	
4	---	1	SPOOL, RKX (393000S490)	
5	---	1	<input type="checkbox"/> KIT, "K" COMPENSATOR, BLUE (393000K169)	
5	---	1	<input type="checkbox"/> KIT, "K" COMPENSATOR, GREEN (393000K469)	
-	---	1	KIT, compensator seals (393000K811)	
6	---	1	SPRING, (only used with KX compensator kit)	
7	23423	1	<input type="checkbox"/> KIT, spool centering spring (393000K343)	
8	---	2	<input type="checkbox"/> KIT, FEED REDUCER (393000K817)	
-	---	2	KIT, feed reducer seals (393000K852)	
9	REF	1	END CAP ASSEMBLY - "A" port	UPH-1
10	REF	1	END CAP ASSEMBLY - "B" port	UPH-1
-	--	1	<input type="checkbox"/> VALVE SECTION - Grapple Open / Close function (L90LS-MS-US60-272)	
1	NSS	1	BODY	
2	---	1	CARTRIDGE, "A" port relief (280 Bar) (393000K571)	
3	---	1	CARTRIDGE, "B" port relief (280 Bar) (393000K571)	
4	---	1	SPOOL, RKX (393000S490)	
5	---	1	<input type="checkbox"/> KIT, "K" COMPENSATOR, BLUE (393000K169)	
5	---	1	<input type="checkbox"/> KIT, "K" COMPENSATOR, GREEN (393000K469)	
-	---	1	KIT, compensator seals (393000K811)	
6	---	1	SPRING, (only used with KX compensator kit)	
7	23423	1	<input type="checkbox"/> KIT, spool centering spring (393000K343)	
8	---	2	<input type="checkbox"/> KIT, FEED REDUCER (393000K817)	
-	---	2	KIT, feed reducer seals (393000K852)	
9	REF	1	END CAP ASSEMBLY - "A" port	UPH-1
10	REF	1	END CAP ASSEMBLY - "B" port	UPH-1

Kit or Assembly - includes all items indented underneath.

See referenced page for component or assembly breakdown.

UPPER TURNTABLE HYDRAULICS

MAIN CONTROL VALVE



Parts T3423 05/04/06
37.50

UPPER TURNTABLE HYDRAULICS

MAIN CONTROL VALVE

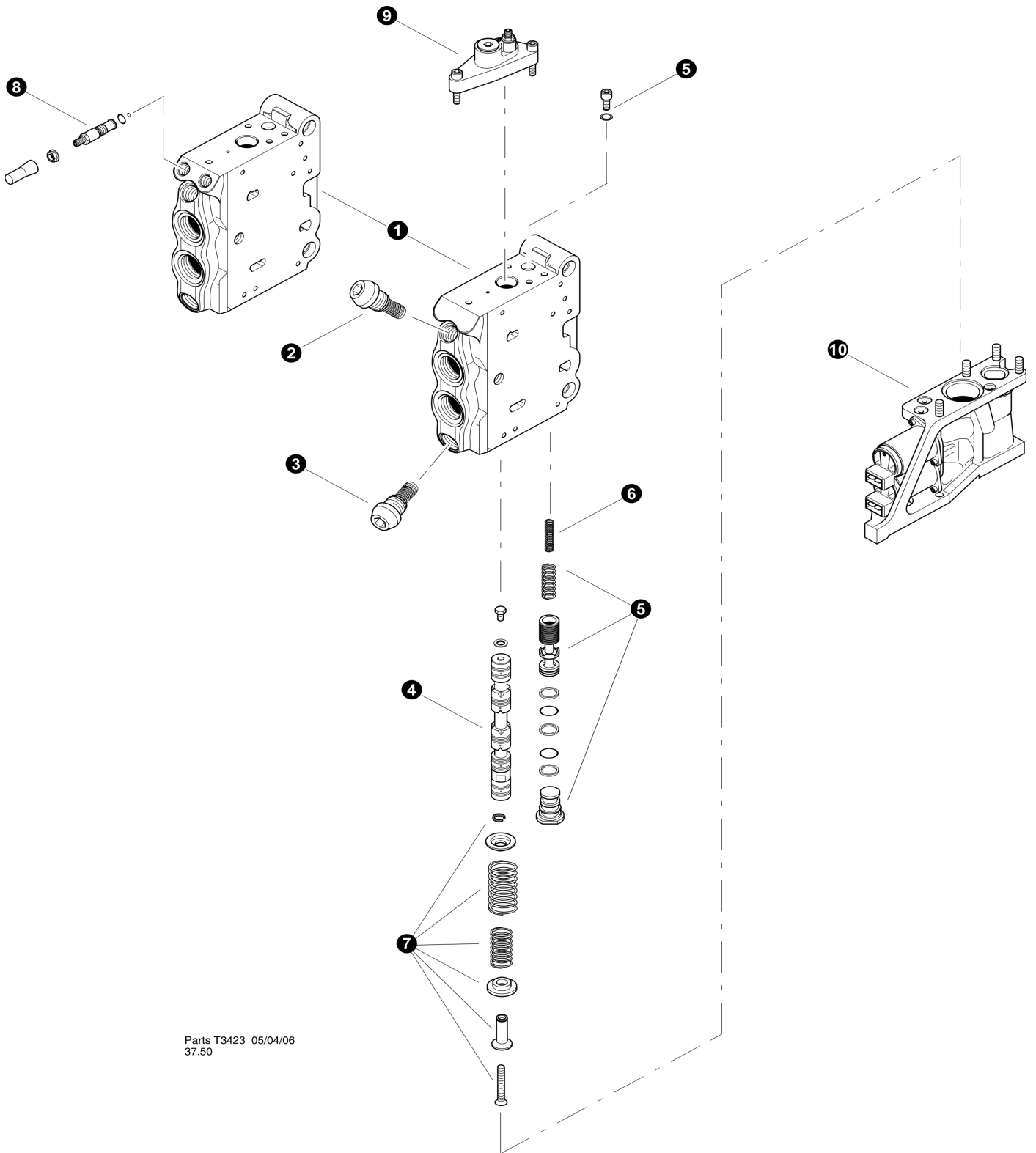
REF	PART #	QTY	DESCRIPTION	SEE SECTION
-	-	1	<input type="checkbox"/> VALVE SECTION - Cab Swing function (L90LS-MS-US60-271)	
1	NSS	1	BODY	
2	---	1	CARTRIDGE, "A" port relief (300 Bar) (393000K572)	
3	---	1	CARTRIDGE, "B" port relief (300 Bar) (393000K572)	
4	---	1	SPOOL, RKX (393000S490)	
5	---	1	<input type="checkbox"/> KIT, "KH" COMPENSATOR, BLUE (393000K505)	
5	---	1	<input type="checkbox"/> KIT, "KH" COMPENSATOR, GREEN (393000K506)	
-	---	1	KIT, compensator seals (393000K811)	
6	---	1	SPRING, (only used with KX compensator kit)	
7	23423	1	<input type="checkbox"/> KIT, spool centering spring (393000K343)	
8	---	2	<input type="checkbox"/> KIT, FEED REDUCER (393000K817)	
-	---	2	KIT, feed reducer seals (393000K852)	
9	REF	1	END CAP ASSEMBLY - "A" port	UPH-1
10	REF	1	END CAP ASSEMBLY - "B" port	UPH-1
-	--	1	<input type="checkbox"/> VALVE SECTION - Steer function (L90LS-MS-US60-270)	
1	NSS	1	BODY	
2	---	1	CARTRIDGE, "A" port relief (250 Bar) (393000K569)	
3	---	1	CARTRIDGE, "B" port relief (250 Bar) (393000K569)	
4	---	1	SPOOL, RKX (393000S490)	
5	---	1	<input type="checkbox"/> KIT, "KX" COMPENSATOR, BLUE (393000K616)	
5	---	1	<input type="checkbox"/> KIT, "KX" COMPENSATOR, GREEN (393000K617)	
-	---	1	KIT, compensator seals (393000K811)	
6	---	1	SPRING, (only used with KX compensator kit)	
7	23423	1	<input type="checkbox"/> KIT, spool centering spring (393000K343)	
8	---	2	<input type="checkbox"/> KIT, FEED REDUCER (393000K817)	
-	---	2	KIT, feed reducer seals (393000K852)	
9	REF	1	END CAP ASSEMBLY - "A" port	UPH-1
10	REF	1	END CAP ASSEMBLY - "B" port	UPH-1
-	--	1	<input type="checkbox"/> VALVE SECTION - Cab Level function (L90LS-MS-US60-276)	
1	NSS	1	BODY	
2	---	1	CARTRIDGE, "A" port relief (300 Bar) (393000K572)	
3	---	1	CARTRIDGE, "B" port relief (300 Bar) (393000K572)	
4	---	1	SPOOL, ZEX ()	
5	---	1	<input type="checkbox"/> KIT, "KX" COMPENSATOR, BLUE (393000K616)	
5	---	1	<input type="checkbox"/> KIT, "KX" COMPENSATOR, GREEN (393000K617)	
-	---	1	KIT, compensator seals (393000K811)	
6	---	1	SPRING, (only used with KX compensator kit)	
7	23423	1	<input type="checkbox"/> KIT, spool centering spring (393000K343)	
8	---	2	<input type="checkbox"/> KIT, FEED REDUCER (393000K817)	
-	---	2	KIT, feed reducer seals (393000K852)	
9	REF	1	END CAP ASSEMBLY - "A" port	UPH-1
10	REF	1	END CAP ASSEMBLY - "B" port	UPH-1

Kit or Assembly - includes all items indented underneath.

See referenced page for component or assembly breakdown.

UPPER TURNTABLE HYDRAULICS

MAIN CONTROL VALVE



Parts T3423 05/04/06
37.50

UPPER TURNTABLE HYDRAULICS

MAIN CONTROL VALVE

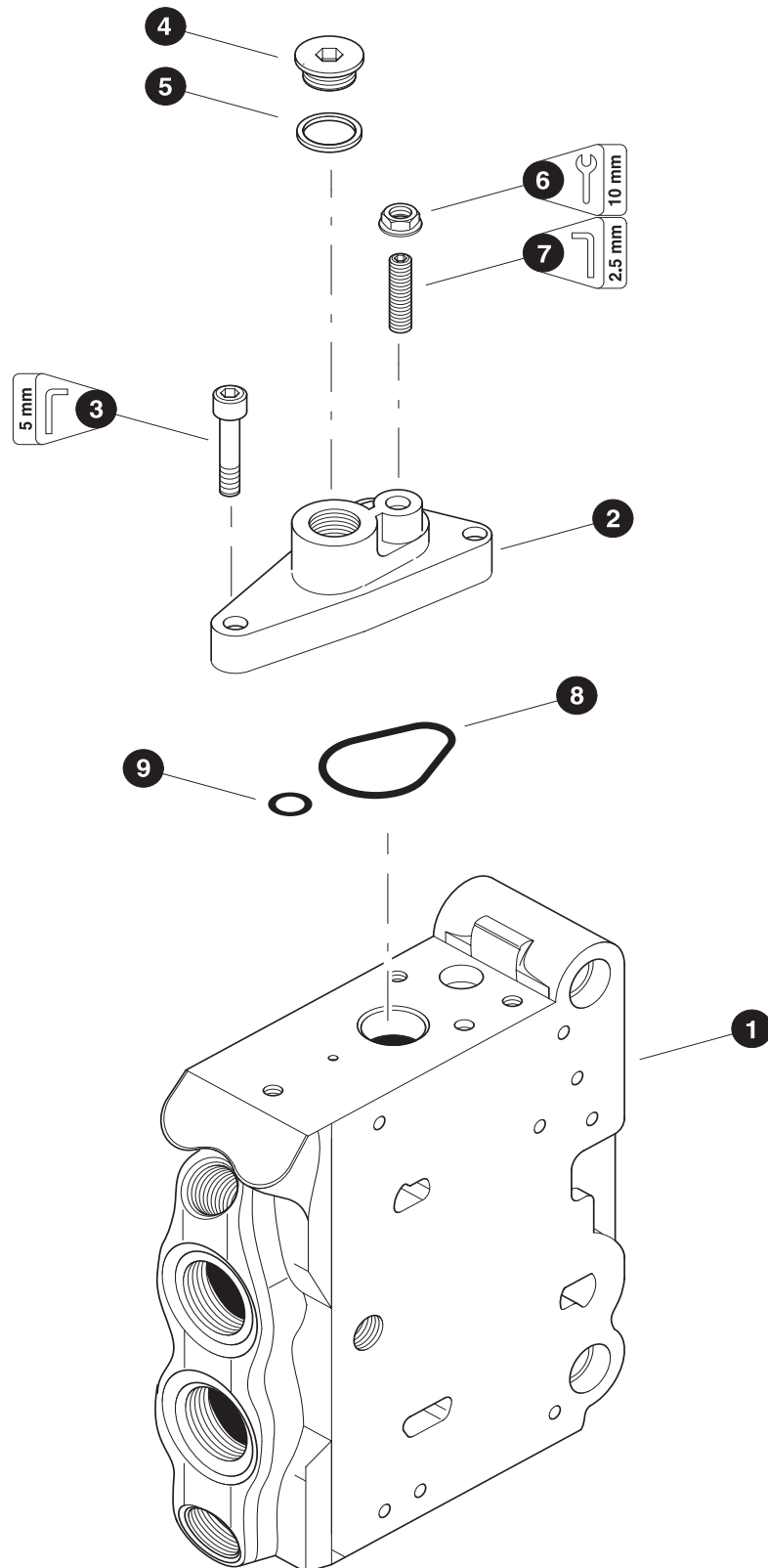
REF	PART #	QTY	DESCRIPTION	SEE SECTION
-	--	1	<input type="checkbox"/> VALVE SECTION - Low Flow Harvester function (L90LS-MS-US60-281)	
1	NSS	1	BODY	
2	---	1	CARTRIDGE, "A" port relief (300 Bar) (393000K572) STD	
	---	1	CARTRIDGE, "A" port relief (320 Bar) (393000K573)	
3	---	1	CARTRIDGE, "B" port relief (300 Bar) (393000K572) STD	
	---	1	CARTRIDGE, "A" port relief (320 Bar) (393000K573)	
4	---	1	SPOOL, RKX (393000S490)	
5	---	1	<input type="checkbox"/> KIT, "KX" COMPENSATOR, BLUE (393000K616)	
5	---	1	<input type="checkbox"/> KIT, "KX" COMPENSATOR, GREEN (393000K617)	
-	---	1	KIT, compensator seals (393000K811)	
6	---	1	SPRING, (only used with KX compensator kit)	
7	23423	1	<input type="checkbox"/> KIT, spool centering spring (393000K343)	
8	---	2	<input type="checkbox"/> KIT, FEED REDUCER (393000K817)	
-	---	2	KIT, feed reducer seals (393000K852)	
9	REF	1	<input type="book"/> END CAP ASSEMBLY - "A" port	UPH-1
10	REF	1	<input type="book"/> END CAP ASSEMBLY - "B" port	UPH-1

Kit or Assembly - includes all items indented underneath.

See referenced page for component or assembly breakdown.

UPPER TURNTABLE HYDRAULICS

MAIN CONTROL VALVE



UPPER TURNTABLE HYDRAULICS

MAIN CONTROL VALVE

REF	PART #	QTY	DESCRIPTION	SEE SECTION
1	NSS	1	Valve Section BODY	
-	23414	1	☐ KIT, end cap - "A" port side	
2	NSS	1	CAP, end	
3	-----	3	BOLT, allen head - 6mm-1.0P x 20mm (0211124703)	
4	15412	1	PLUG - 6408-HHP-6	
5	-----	1	⌘ RING, seal (3-906)	
6	-----	1	⌘ NUT, seal - 6mm (3763131)	
7	-----	1	SCREW, adjustment (3764640)	
-	23415	1	☐ KIT, seal repair - "A" port side end cap	
8	-----	1	⌘ O-RING (Large) (0663210509)	
9	-----	1	⌘ O-RING (Small) (06632114)	

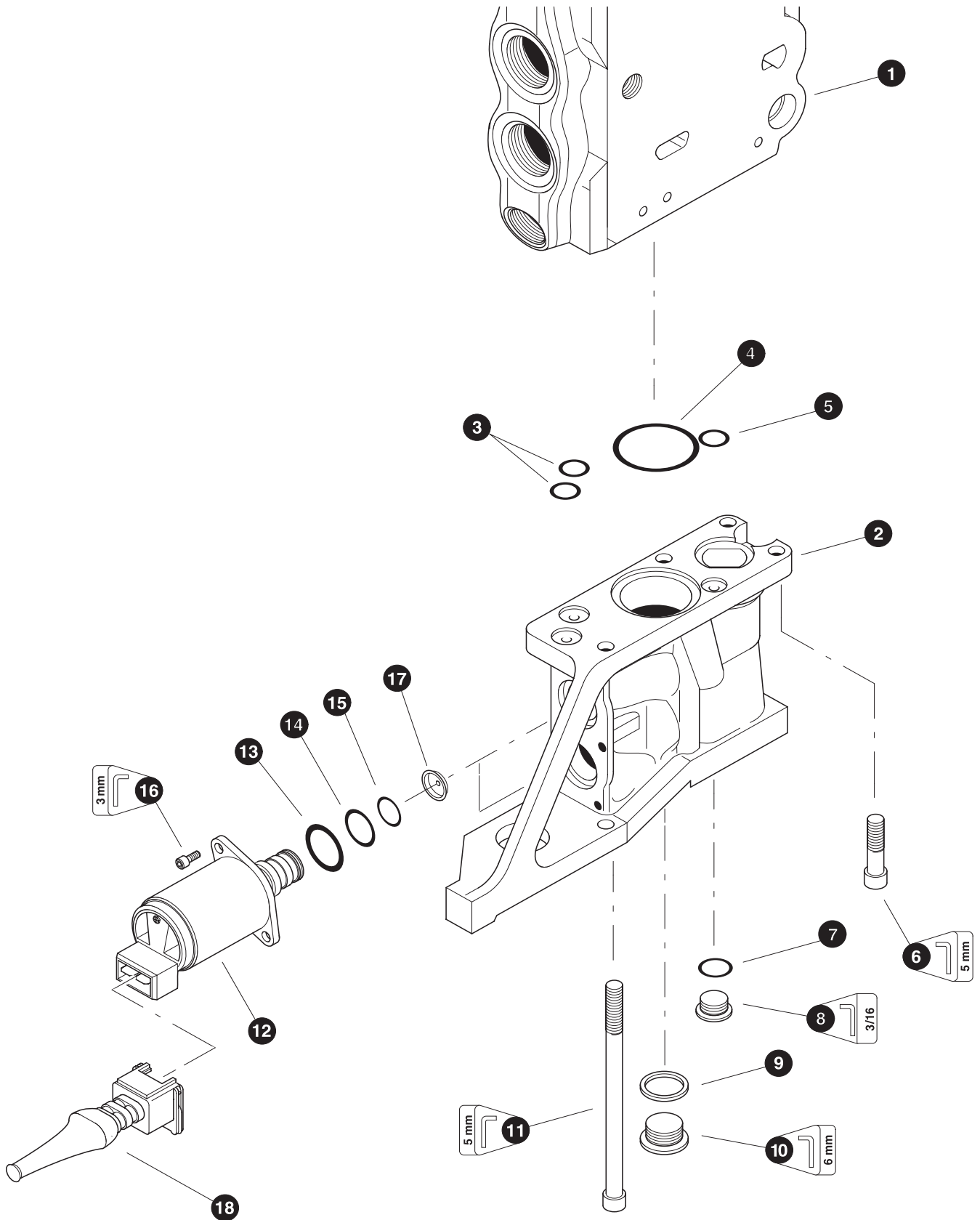
☐ See referenced page for component or assembly breakdown.

☐ Kit or Assembly - includes all items indented underneath.

⌘ Included in seal repair kit PN# 23415--.

UPPER TURNTABLE HYDRAULICS

MAIN CONTROL VALVE



UPPER TURNTABLE HYDRAULICS

MAIN CONTROL VALVE

REF	PART #	QTY	DESCRIPTION	SEE SECTION
1	NSS	1	valve section BODY	
-	23416	1	☐ KIT, end cap - "B" port side	
2	-----	1	CAP, end	
3	-----	2	⌘ O-RING (Small)	
4	-----	1	⌘ O-RING (Large)	
5	-----	1	⌘ O-RING (Small)	
6	-----	2	BOLT, allen head - 6mm-1.0P x 20mm (0211124703)	
7	-----	1	⌘ O-RING	
8	11383	1	PLUG - 6408-HHP-4	
9	-----	1	⌘ RING, seal	
10	-----	1	PLUG (0686644203)	
11	-----	2	SCREW, allen head - 6mm-1.0P x 100mm (0211126403)	
12	20976	2	SOLENOID - 24V	
13	-----	2	◆ O-RING (Large)	
14	-----	2	◆ O-RING (Medium)	
15	-----	2	◆ O-RING (Small)	
16	-----	4	SCREW, allen head - 4mm-.75P x 12mm (0211117103)	
17	-----	2	DAMPER, pilot restrictor orifice (voac solenoid)(see note #1 below)	
18	19179	2	CONNECTOR, (kit) voac controll valve	
-	23417	1	KIT, seal repair - "B" port side end cap	
-	23418	1	KIT, seal repair - solenoid	

☐ See referenced page for component or assembly breakdown.

☐ Kit or Assembly - includes all items indented underneath.

⌘ Included in seal repair kit PN# 23417--.

◆ Included in seal repair kit PN# 23418--.

NOTE #1:

Orifice sizes vary depending upon function.

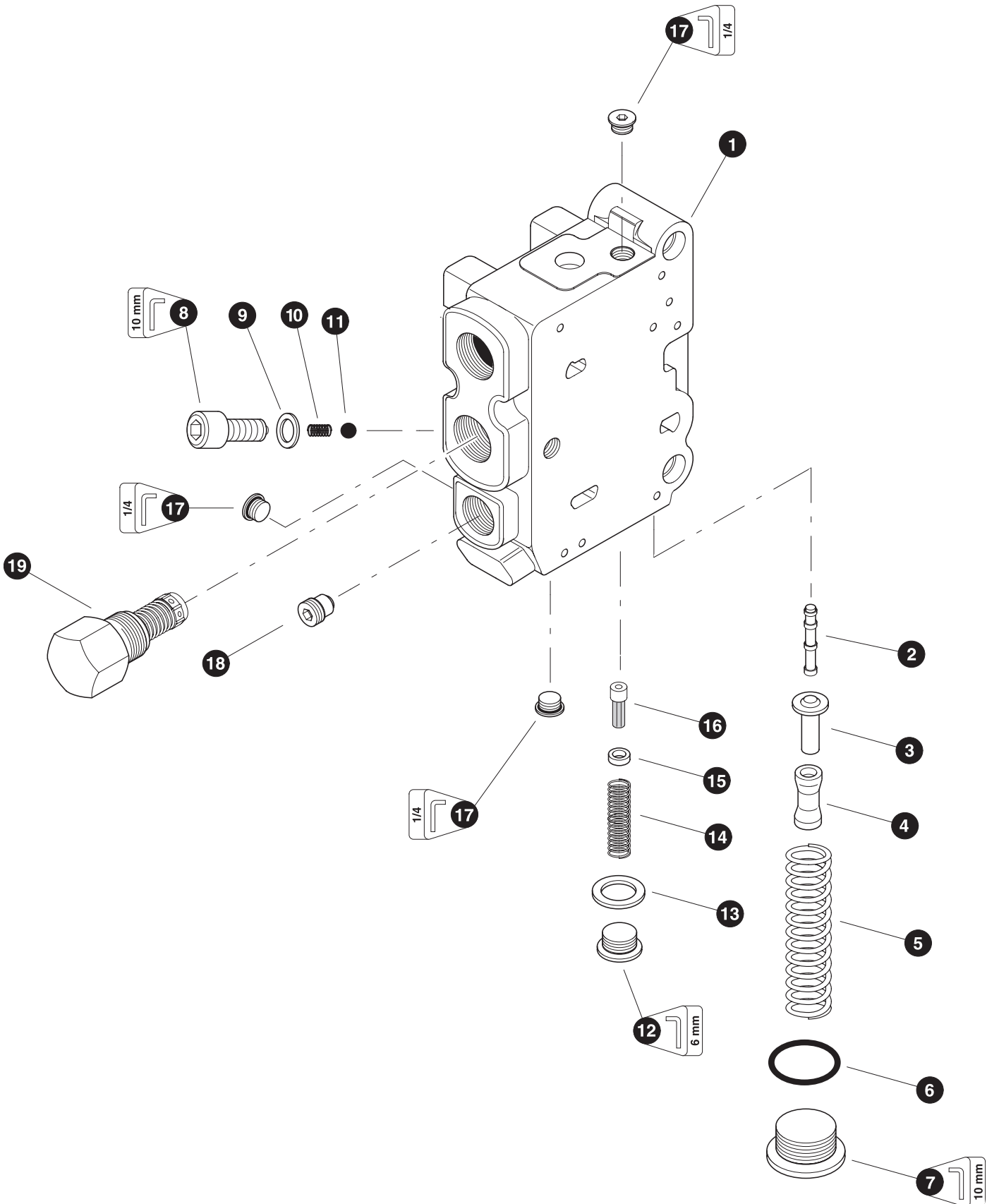
#3762396 0.6 mm

#3762397 0.8 mm

#3762398 1.0 mm

UPPER TURNTABLE HYDRAULICS

MAIN CONTROL VALVE



UPPER TURNTABLE HYDRAULICS

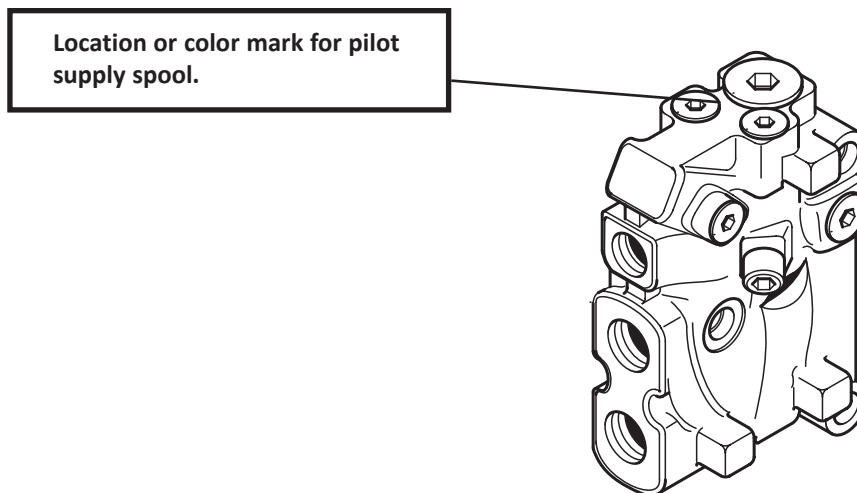
MAIN CONTROL VALVE

REF	PART #	QTY	DESCRIPTION	SEE SECTION
-	23412	1	<input type="checkbox"/> VALVE SECTION, outlet	
1	NSS	1	BODY, valve section	
-	23431	1	<input type="checkbox"/> KIT, pilot supply reducer (Green)(35 bar)(see note #1)	
	23432	1	<input type="checkbox"/> KIT, pilot supply reducer (Red)(35 bar)(see note #1)	
2	-----	1	SPOOL, pilot reducer	
3	-----	1	RETAINER, spring	
4	-----	1	SPACER, spring	
5	-----	1	SPRING	
6	-----	1	O-RING (0663909901)	
7	-----	1	PLUG (9126244413)	
8	-----	1	PLUG (9127320022)	
9	-----	1	RING, seal (06611005)	
10	-----	1	SPRING	
11	-----	1	BALL, check	
-	23433	1	<input type="checkbox"/> KIT, pilot supply strainer	
12	-----	1	PLUG (9127320020)	
13	-----	1	RING, seal (06611020)	
14	-----	1	SPRING	
15	-----	1	SPACER	
16	-----	1	STRAINER (9126386076)	
17	15412	3	PLUG - 6408-HHP-6	
18	-----	1	PLUG, pilot drain (393000K078)	
19	-----	1	Counter press. valve - 130 PSI (393000K068)	

Kit or Assembly - includes all items indented underneath.

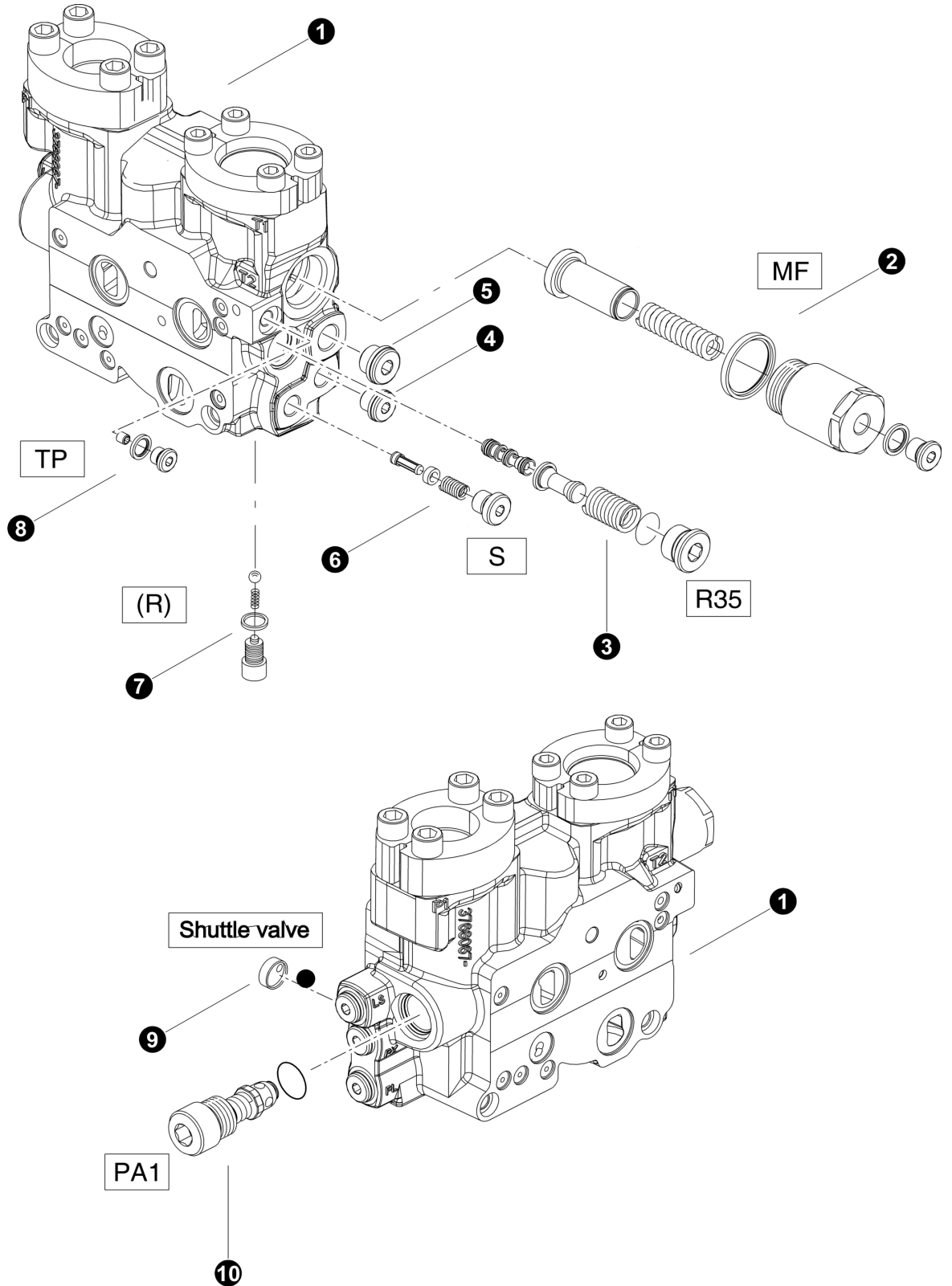
NOTE #1

Each section is color coded to insure proper fit, please check color mark before ordering.



UPPER TURNTABLE HYDRAULICS

MAIN CONTROL VALVE - MID INLET SECTION - K220 - L90



Parts T3422 05/02/2006
50.00

UPPER TURNTABLE HYDRAULICS

MAIN CONTROL VALVE - MID INLET SECTION - K220 - L90

REF	PART #	QTY	DESCRIPTION	SEE SECTION
1	--	1	<input type="checkbox"/> MID INLET SECTION -	
2	---	1	VALVE, Counter Pressure (9120092550)	
3	---	1	VALVE, Pilot Reducer 35 bar (9120092553)	
4	---	1	PLUG	
5	---	1	PLUG	
6	---	1	FILTER, Internal Pilot (9120092004)	
7	---	1	VALVE, Check (9120092554)	
8	---	1	PLUG, pilot tank conection (9120092555)	
9	---	1	SHUTTLE, Load Sence (9120092050)	
10	---	1	VALVE, main relief 300 bar (9120029264)	

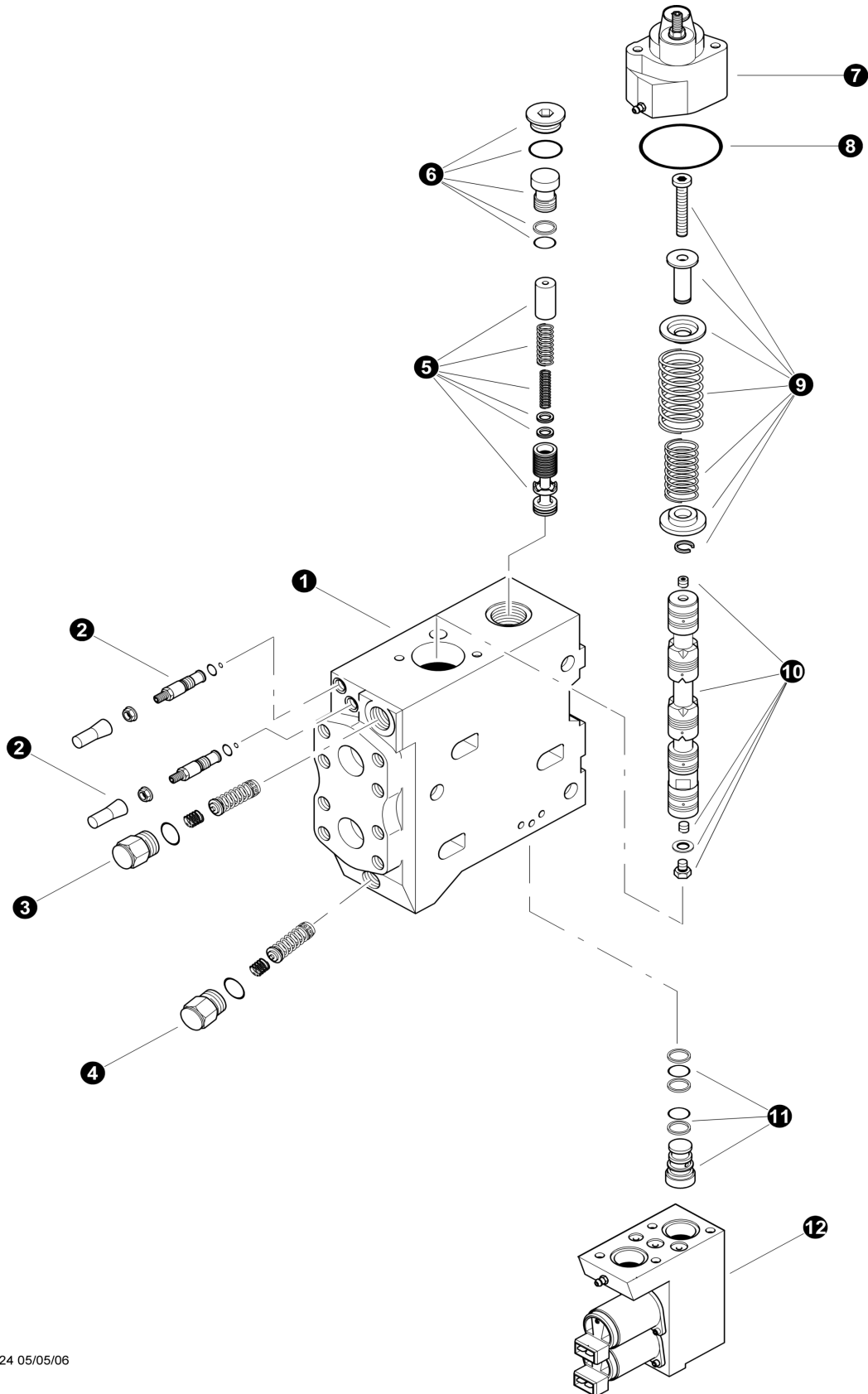
Kit or Assembly - includes all items indented underneath.

NOTE #1

Each section is color coded to insure proper fit, please check color mark before ordering.

UPPER TURNTABLE HYDRAULICS

MAIN CONTROL VALVE - VOAC K220 VALVE SECTION



Parts T3424 05/05/06
37.5

UPPER TURNTABLE HYDRAULICS

MAIN CONTROL VALVE - VOAC K220 VALVE SECTION

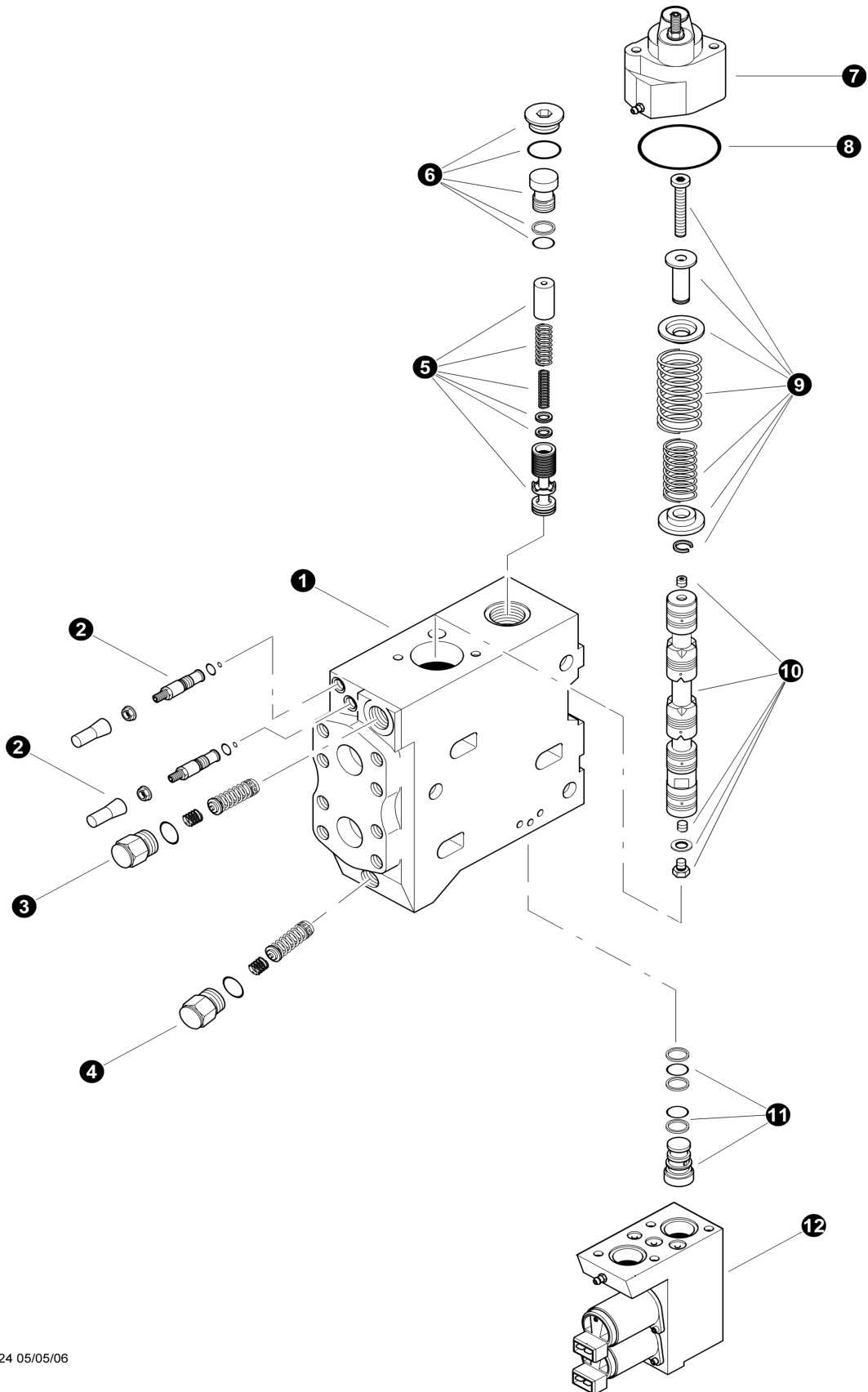
REF	PART #	QTY	DESCRIPTION	SEE SECTION
-	--	1	<input type="checkbox"/> VALVE SECTION - Main Boom function (L90LS-MS-US60-231)	
1	NSS	1	BODY	
2	---	2	<input type="checkbox"/> KIT, FEED REDUCER (393000K817)	
-	---	2	KIT, feed reducer seals (393000K852)	
3	---	1	CARTRIDGE, "B" port relief (300 Bar) (9120029967)	
4	---	1	CARTRIDGE, "A" port relief (300 Bar) (9120029967)	
5	---	1	KIT, "K3" COMPENSATOR, BLUE (9120092056)	
5	---	1	KIT, "K3" COMPENSATOR, GREEN (9120092060)	
5	---	1	KIT, "K3" COMPENSATOR, RED (9120092064)	
6	---	1	<input type="checkbox"/> PLUG 8, Compensator (9120092480)	
-	---	1	KIT, Plug 8 seals (9120092482)	
7	REF	1	<input type="book"/> CAP, "B" port	UPH-1
8	---	1	KIT, seals (9120092284)	
9	23423	1	KIT, spool centering spring (393000K343)	
10	---	1	SPOOL, YXA	
11	---	1	<input type="checkbox"/> PLUG 6, Compensator (3764731)	
-	---	1	KIT, Seal Plug 6 (9120092355)	
12	REF	1	<input type="book"/> END CAP ASSEMBLY - "A" port	UPH-1
-	--	1	<input type="checkbox"/> VALVE SECTION - Stick Boom function (L90LS-MS-US60-232)	
1	NSS	1	BODY	
2	---	2	<input type="checkbox"/> KIT, FEED REDUCER (393000K817)	
-	---	2	KIT, feed reducer seals (393000K852)	
3	---	1	CARTRIDGE, "B" port relief (160 Bar) (9120029960)	
4	---	1	CARTRIDGE, "A" port relief (300 Bar) (9120029967)	
5	---	1	KIT, "K1" COMPENSATOR, BLUE (9120092054)	
5	---	1	KIT, "K1" COMPENSATOR, GREEN (9120092058)	
5	---	1	KIT, "K1" COMPENSATOR, RED (9120092062)	
6	---	1	<input type="checkbox"/> PLUG 8, Compensator (9120092480)	
-	---	1	KIT, Plug 8 seals (9120092482)	
7	REF	1	<input type="book"/> CAP, "B" port	UPH-1
8	---	1	KIT, seals (9120092284)	
9	23423	1	KIT, spool centering spring (393000K343)	
10	---	1	SPOOL, YRX	
11	---	1	<input type="checkbox"/> PLUG 6, Compensator (3764731)	
-	---	1	KIT, Seal Plug 6 (9120092355)	
12	REF	1	<input type="book"/> END CAP ASSEMBLY - "A" port	UPH-1

Kit or Assembly - includes all items indented underneath.

See referenced page for component or assembly breakdown.

UPPER TURNTABLE HYDRAULICS

MAIN CONTROL VALVE - VOAC K220 VALVE SECTION



Parts T3424 05/05/06
37.5

UPPER TURNTABLE HYDRAULICS

MAIN CONTROL VALVE - VOAC K220 VALVE SECTION

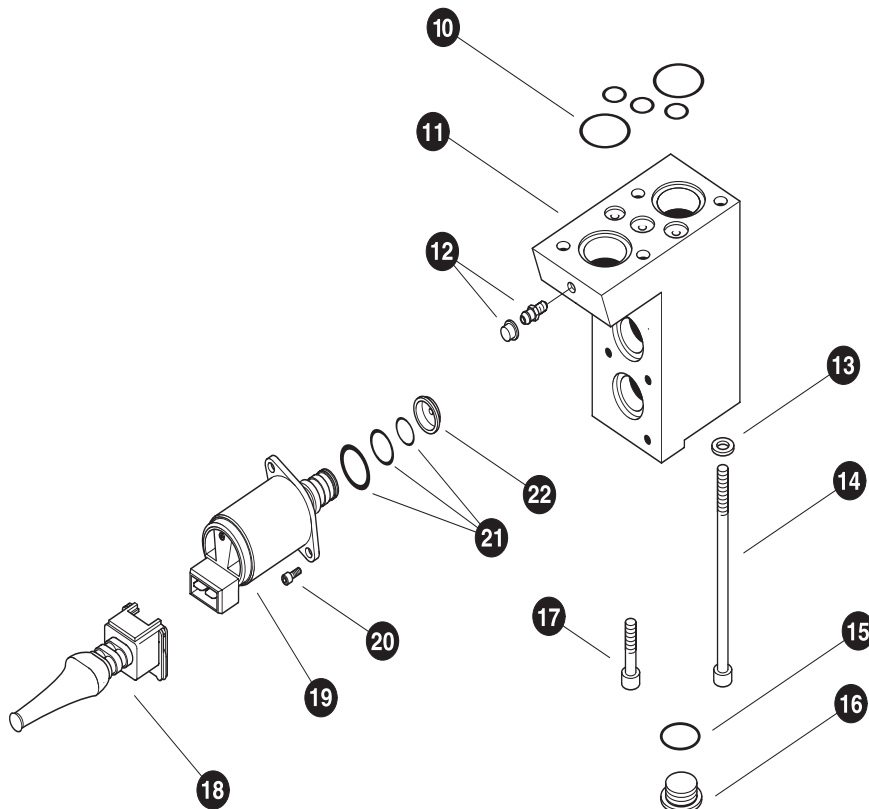
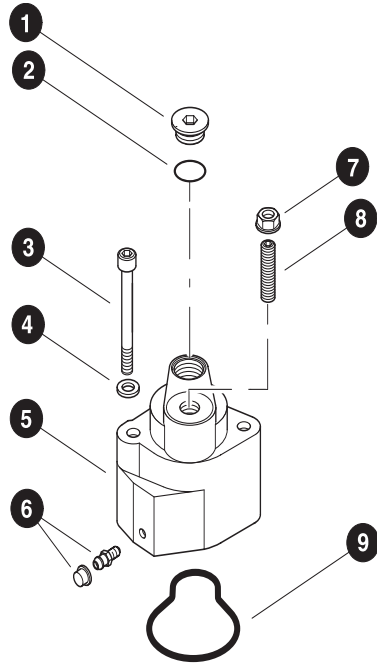
REF	PART #	QTY	DESCRIPTION	SEE SECTION
-	--	1	<input type="checkbox"/> VALVE SECTION - Harvester High Flow function (L90LS-MS-US60-248)	
1	NSS	1	BODY	
2	---	2	<input type="checkbox"/> KIT, FEED REDUCER (393000K817)	
-	---	2	KIT, feed reducer seals (393000K852)	
3	---	1	CARTRIDGE, "B" port relief (330 Bar) (9120029265)	
4	---	1	CARTRIDGE, "A" port relief (330 Bar) (9120029265)	
5	---	1	KIT, "K3" COMPENSATOR, BLUE (9120092056)	
5	---	1	KIT, "K3" COMPENSATOR, GREEN (9120092060)	
5	---	1	KIT, "K3" COMPENSATOR, RED (9120092064)	
6	---	1	<input type="checkbox"/> PLUG 8, Compensator (9120092480)	
-	---	1	KIT, Plug 8 seals (9120092482)	
7	REF	1	<input type="book"/> CAP, "B" port	UPH-1
8	---	1	KIT, seals (9120092284)	
9	23423-	1	KIT, spool centering spring (393000K343)	
10	---	1	SPOOL, YXA	
11	---	1	<input type="checkbox"/> PLUG 6, Compensator (3764731)	
-	---	1	KIT, Seal Plug 6 (9120092355)	
12	REF	1	<input type="book"/> END CAP ASSEMBLY - "A" port	UPH-1

Kit or Assembly - includes all items indented underneath.

See referenced page for component or assembly breakdown.

UPPER TURNTABLE HYDRAULICS

MAIN CONTROL VALVE - VOAC K220 VALVE END CAPS



Parts T2762 07/15/03
50.00

UPPER TURNTABLE HYDRAULICS

MAIN CONTROL VALVE - VOAC K220 VALVE END CAPS

REF	PART #	QTY	DESCRIPTION	SEE SECTION
-	51264	1	☐ CUP, PILOT - K220 W / FLOW LIMIT	
1	---	1	PLUG	
2	---	1	⌘ O-RING	
3	---	2	BOLT, M6 X 35mm (3764640)	
4	---	2	WASHER, M6	
5	---	1	CAP	
6	---	1	BLEEDER	
7	---	1	⌘ NUT, seal M6 (91267109)	
8	---	1	SCREW	
9	26418	1	⌘ KIT, cup seals - includes orings, seal nut and bleeder (9120092284)	
-	---	1	☐ KIT, CONTROL "A port side" K220	
10	26417	1	☒ KIT, O-RING	
11	---	1	CAP	
12	---	1	BLEEDER	
13	---	4	WASHER, M6	
14	---	2	BOLT, M6 X 110mm (0211126603)	
15	---	1	◆ O-RING	
16	---	1	PLUG	
17	---	2	BOLT, M6 X 22mm (0211124803)	
18	19179	2	KIT, CONNECTOR -VOAC solenoid	
-	20976	2	KIT, SOLENOID VALVE 24V	
19	---	1	SOLENOID VALVE 24V	
20	---	2	SCREW, 4mm x 12mm (0211117103)	
21	---	1	KIT, SEAL -SOLENOID VALVE (393000K813)	
22	---	1	DAMPER, pilot restrictor orifice 0.6 mm (3762396) - 1 DOT	
22	---	1	DAMPER, pilot restrictor orifice 0.8 mm (3762397) - 2 DOT	
22	---	1	DAMPER, pilot restrictor orifice 1 mm (3762398) - 3 DOT	
22	---	1	DAMPER, pilot restrictor orifice 1.1 mm (3762609) - 4 DOT	
22	---	1	DAMPER, pilot restrictor orifice 3 mm (3763308)	

☐ Kit or Assembly - includes all items indented underneath.

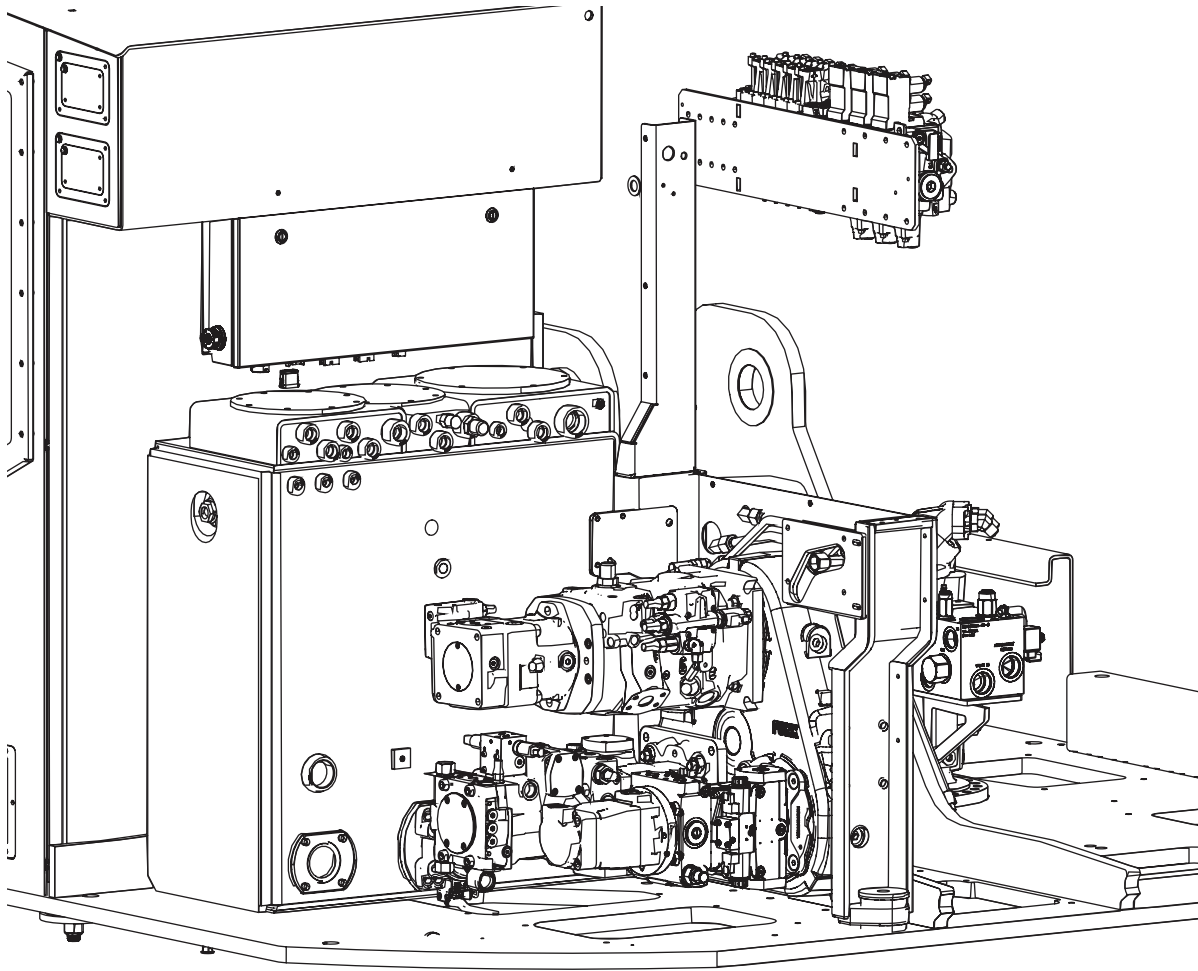
⌘ Included in seal repair kit PN# - 26418

◆ Included in seal repair kit PN# - 26417

PAGE INTENTIONALLY LEFT BLANK

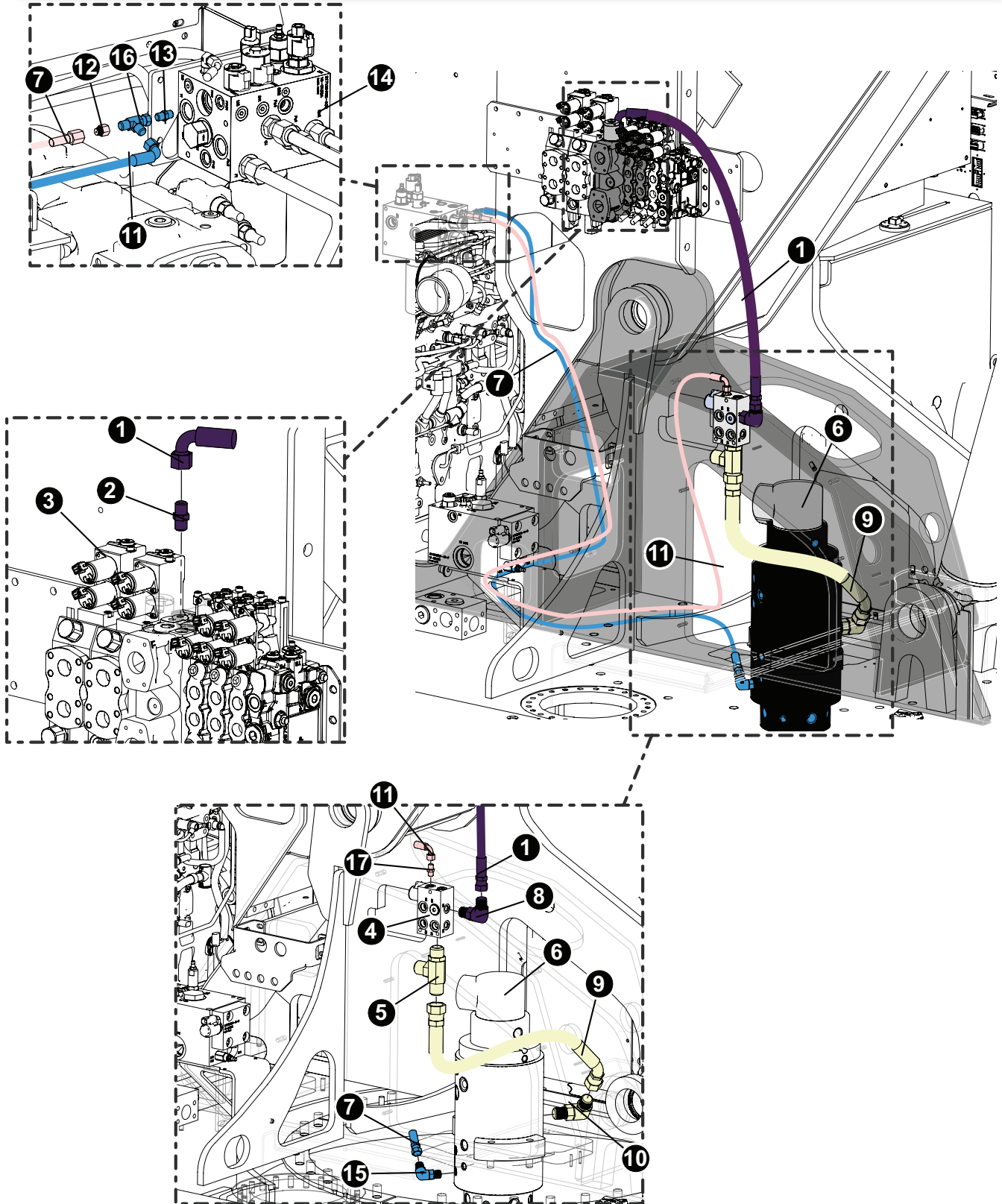
SECTION UPH-2

UPPER TURNTABLE HYDRAULICS - SUPPLY, TANK, LOAD SENSE, AND DRAIN CIRCUITS



UPPER TURNTABLE HYDRAULICS

MAIN CONTROL VALVE RETURN LINE AND DRAIN



UPPER TURNTABLE HYDRAULICS

MAIN CONTROL VALVE RETURN LINE AND DRAIN

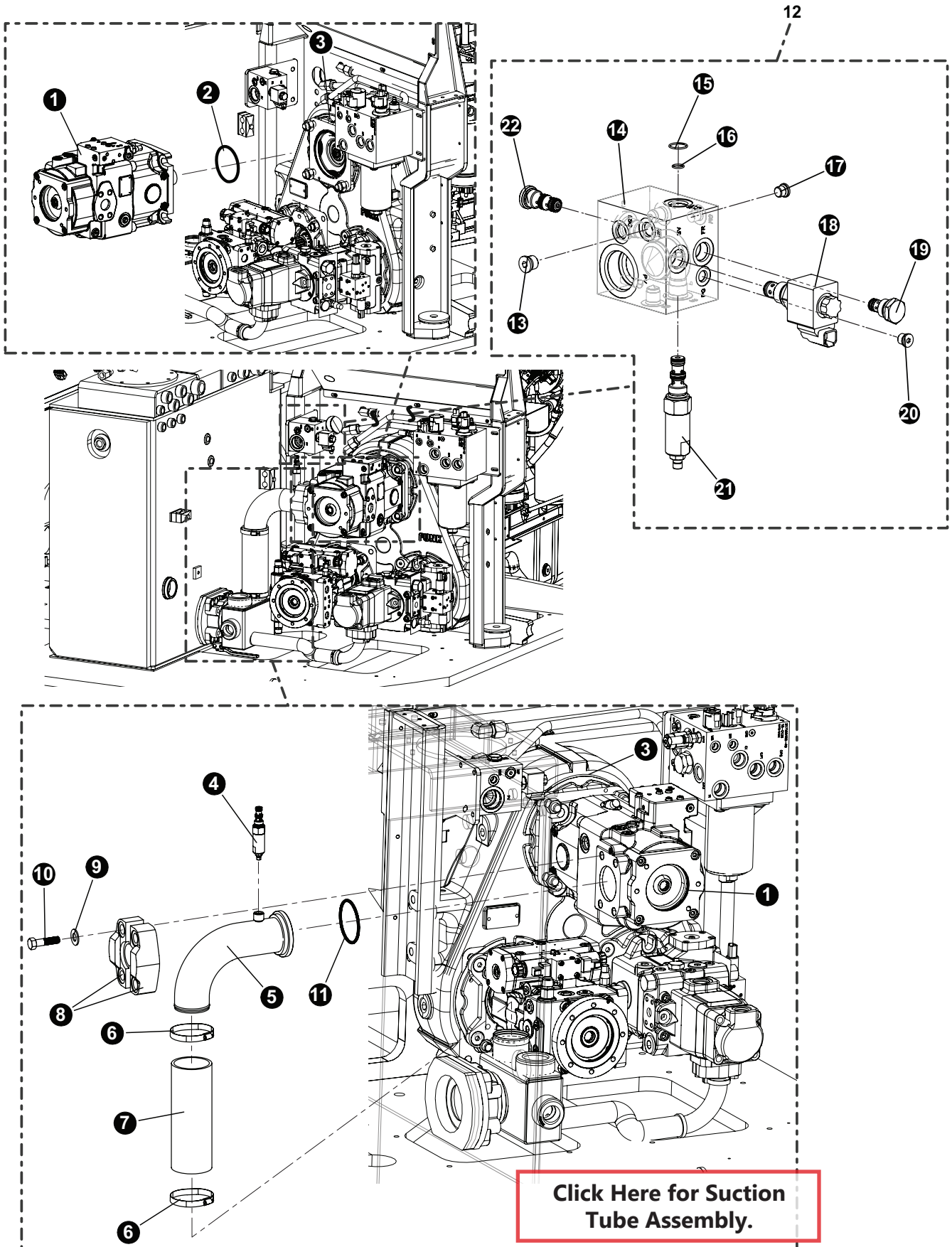
REF	PART #	QTY	DESCRIPTION	SEE SECTION
1	57941 (Kit #)	1	HOSE ASSEMBLY - P# 387TC43 06-06OS-0609-SW (DR Valve to Case Drain Manifold)	
2	22901	1	CONNECTOR, STR - 6-8 F5OLO-S	
3	(Click Here)	1	 VALVE, MAIN - IMP (4K220/3L90)	
4	(Click Here)	1	MANIFOLD, CASE DRAIN/SWING LOCK	
5	55701	1	FITTING, TEE - 6 R5OX-S	
6	(Click Here)	1	Rotary Manifold	
7	57978 (Kit #)	1	HOSE ASSEMBLY - P# 187TC74 06-06OS-060S-W (HP, CD Manifold to Charge Block)	
8	16296	1	ELBOW, 90 - FF1868T-0606S	
9	57941 (Kit #)	1	HOSE ASSEMBLY - P# 187TC25 12-12JS-12J4 (Case RM to CD Manifold.)	
10	11306	1	ELBOW, 90 12 C5OX-S	
11	57978 (Kit #)	1	HOSE ASSEMBLY - P# 187TC88 08-08OS-0809-W (Low Pressure, CD Manifold to RM)	
12	19221	1	CONNECTOR, REDUCER - ORS FF2281T-0408S	
13	15457	1	CONNECTOR, STR - FF1852T-0806S	
15	22405	1	ELBOW, 90 - 8-6 C5OLO-S	
16	15433	1	TEE - FF2114T-0808S	
17	15124	1	CONNECTOR, STR - FF1852T-0406S	



See referenced page for component or assembly breakdown.





Kit or Assembly - includes all items indented underneath.



[Click Here for Suction Tube Assembly.](#)

UPPER TURNTABLE HYDRAULICS

IMPLEMENT PUMP INSTALLATION

REF	PART #	QTY	DESCRIPTION	SEE SECTION
1	57661	1	 PUMP, IMPLEMENT - REX 145CC/40 W/HP CONT	
2	15442-2	1	O-RING, PUMP DRIVE PILOT	
3	(Click Here)	1	PUMP TRIPLE DRIVE GEARBOX.....	EE-4
4	55615	1	FITTING, ADAPTOR - BLEED - SUCTION TUBE	
5	46265	1	TUBE, SUCTION - IMP PUMP	
6	15613	2	CLAMP, STRAP BAND - 3.5"	
7	(See Desc.)	1	HOSE ASSEMBLY, HOSE PART #: 7216-300213.5 00-00-00, KIT #: 57941	
8	22639	1	 KIT, split flange - 3"	
9	10721	4	WASHER, LOCK - .625"	
10	15526	4	BOLT - 5/8" x 2"	
11	18695	1	O-RING - 3" SF	
12	54264	1	VALVE, LOWER MANIFOLD PRESSURE CONTROL	
13	(See Description)	1	Plug (Supplier Part # 6409-06.54264.B)	
14	(See Description)	1	Supply Module (Supplier Part # 17-0679)	
15	(See Description)	1	O-Ring (Supplier Part # 043120005600000)	
16	(See Description)	1	O-Ring (Supplier Part # 043120005600000)	
17	(See Description)	1	Plug (Supplier Part # 6409-04)	
18	(See Description)	1	Solenoid (Supplier Part # OD_.15_05_36_xA_S0_000)	
19	(See Description)	1	Valve (Supplier Part # 040201005609000)	
20	(See Description)	1	Plug (Supplier Part # 6409-04)	
21	(See Description)	1	DR08-01 00560452 (Supplier Part # 040201005609000)	
22	(See Description)	1	DR08-01 00560452 (Supplier Part # 049405005600000)	



See referenced page for component or assembly breakdown.



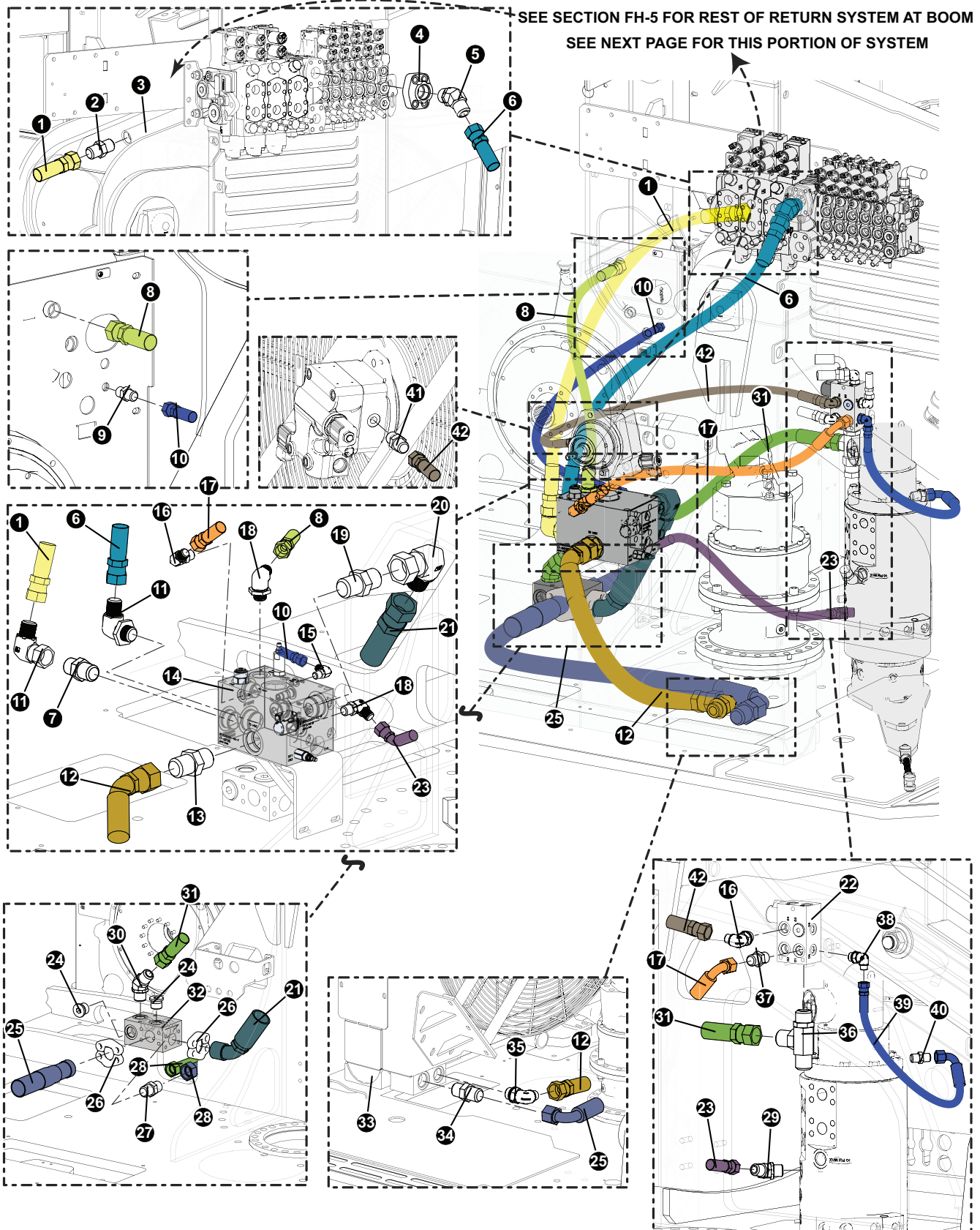
Bulk material - order length required in feet or meters.



Kit or Assembly - includes all items indented underneath.

UPPER TURNTABLE HYDRAULICS

SUPPLY, RETURN, AND FLUSHING CIRCUITS (FRONT PORTION OF SYSTEM)



UPPER TURNTABLE HYDRAULICS

SUPPLY, RETURN, AND FLUSHING CIRCUITS (FRONT PORTION OF SYSTEM)

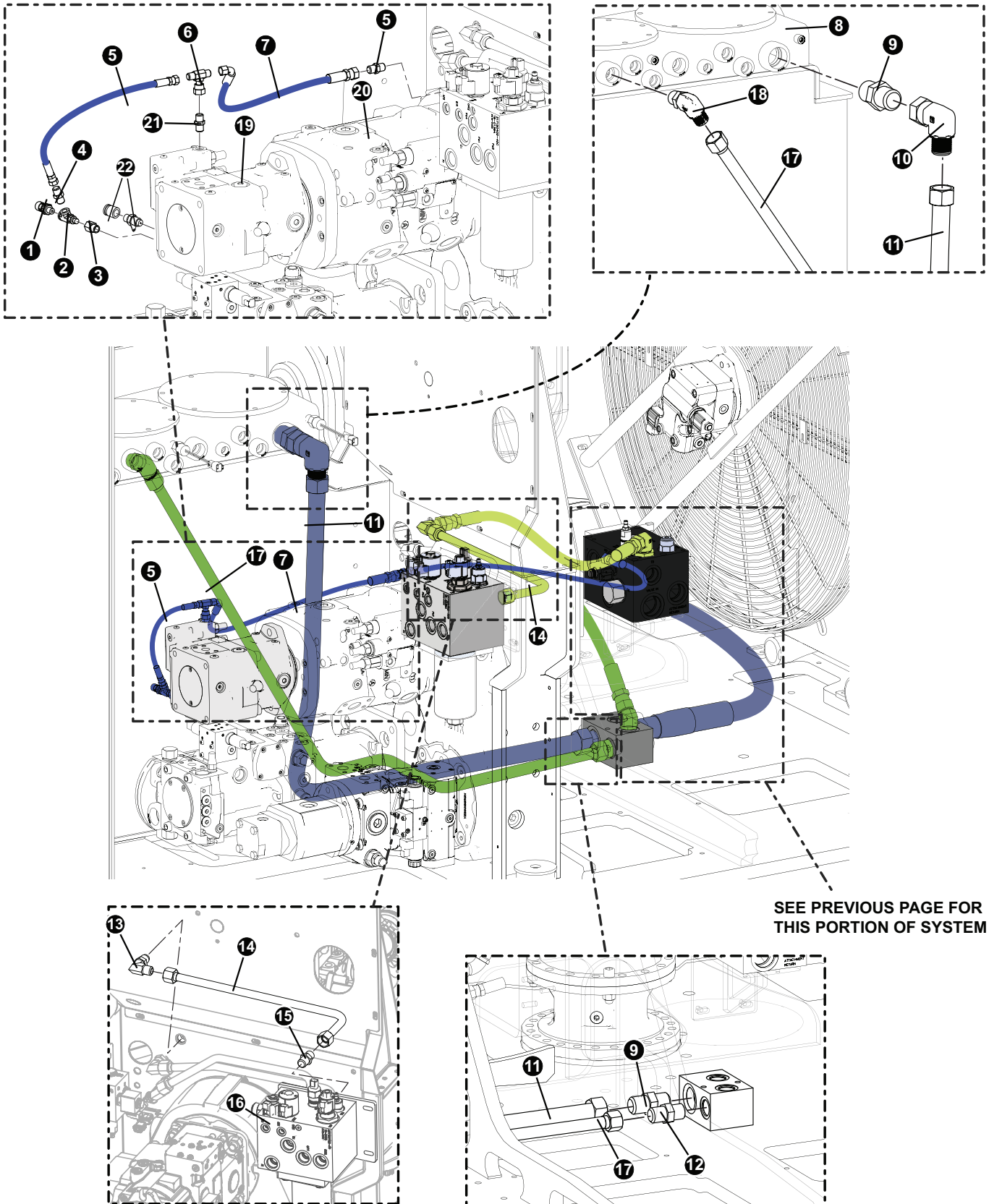
REF	PART #	QTY	DESCRIPTION	SEE SECTION
1	(See Description)	1	HOSE ASSEMBLY, P#: 187TC 58 20-20JS-200S	
2	17063	1	CONNECTOR, STR - FF1852T-2016S	
3	51833	1	TUBELINE - 1" X 108" FB MAIN	
4	18397	1	CONNECTOR, FLANGE PAD - W48-16-16U(C 62)	
5	15473	1	ELBOW, 45 - 6802-16	
6	(See Description)	1	HOSE ASSEMBLY, P#: 187TC 43 20-20JS-20J4	
7	57492	1	FITTING, 20 F5OX-S	
8	(See Description)	1	HOSE ASSEMBLY, P#: 187TC 40-12-12OS-12J4-W	
9	18582	1	CONNECTOR, STR BULKHEAD - FF1994T-0404S	
10	(See Description)	1	HOSE ASSEMBLY, P#: 787TC 39-04-04OS-04OS	
11	57518	1	FITTING, ELBOW 90 20-24 C5OX	
12	(See Description)	1	HOSE ASSEMBLY, P#: 187TC 30.5-24-24OS-24O4	
13	22448	1	CONNECTOR, STR - 848-TTO-24X24	
14	(Click Here)	1	MANIFOLD, HOC OIL COOLER CONTROL - D SERIES	
15	16540	1	ELBOW, 90 - FF1868T-0404S	
16	20031	2	ELBOW, 90 - 6-8 C5OLO-S	
17	(See Description)	1	HOSE ASSEMBLY, P#: 187TC 41 06-06OS-06O9	
18	19128	2	ELBOW, 90 - FF1868T-1216S	
19	22319	1	CONNECTOR, STR 24F5OX-S THRML B-PASS GT	
20	54714	1	ELBOW, 90 SWIVEL 24C6X-S (24 JICMF)	
21	(See Description)	1	HOSE ASSEMBLY, P#: 187TC 14.5-24-24JS-24PA4	
22	(Click Here)	1	MANIFOLD, CASE DRAIN/SWING LOCK	
23	(See Description)	1	HOSE ASSEMBLY, P#: 187TC 30-12-12OS-12O4-SW	
24	19847	2	PLUG - 6408-HHP-16	
25	(See Description)	1	HOSE ASSEMBLY, P#: 187TC 51-24-24-2409-24PA	
26	15186	2	KIT, SPLIT FLANGE - 1.5" (CODE 61)	
27	22319	2	CONNECTOR, STR 24F5OX-S THRML B-PASS GT	
28	(See Next Page)	1	TUBELINE, HYD TANK TO BH 45 DEG	
29	16360	1	ELBOW, 90 - FF1868T-0808S	
30	15473	1	ELBOW, 45 - 6802-16	
31	(See Description)	1	HOSE ASSEMBLY, P#: 187TC 43-16-16JS-16JS-W	
32	63280	1	MANIFOLD, RETURN	
33	(Click Here)	1	RADIATOR	
34	22319	2	CONNECTOR, STR 24F5OX-S THRML B-PASS GT	
35	17055	1	ELBOW, 90 - FF1868T-2020S	
36	55701	1	FITTING, TEE - 6 R5OX-S	
37	22901	1	CONNECTOR, STR - 6-8 F5OLO-S	
38	16296	1	ELBOW, 90 - FF1868T-0606S	
39	(See Description)	1	HOSE ASSEMBLY, P#: 387TC 27 06-06OS-06J9	
40	15487	1	CONNECTOR, STR - 6400-6-4	
41	18034	1	CONNECTOR, STR - FF1852T-0606S	
42	(See Description)	1	HOSE ASSEMBLY, P#: 387TC 42 06-06OS-06O9	



See referenced page for component or assembly breakdown.

UPPER TURNTABLE HYDRAULICS

SUPPLY, RETURN, AND FLUSHING CIRCUITS (REAR PORTION OF SYSTEM)



SEE PREVIOUS PAGE FOR
THIS PORTION OF SYSTEM

UPPER TURNTABLE HYDRAULICS

SUPPLY, RETURN, AND FLUSHING CIRCUITS (REAR PORTION OF SYSTEM)

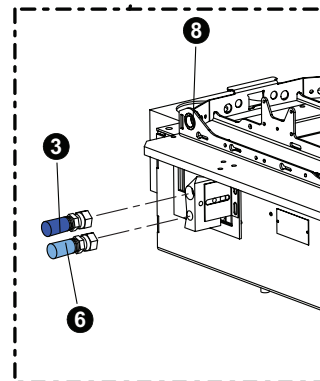
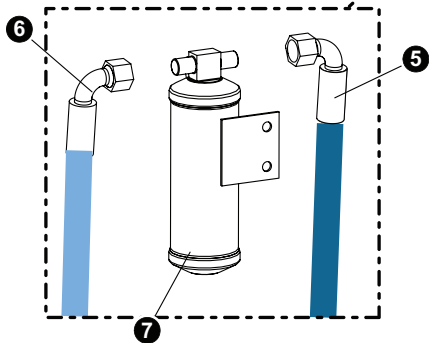
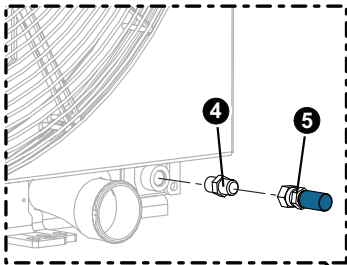
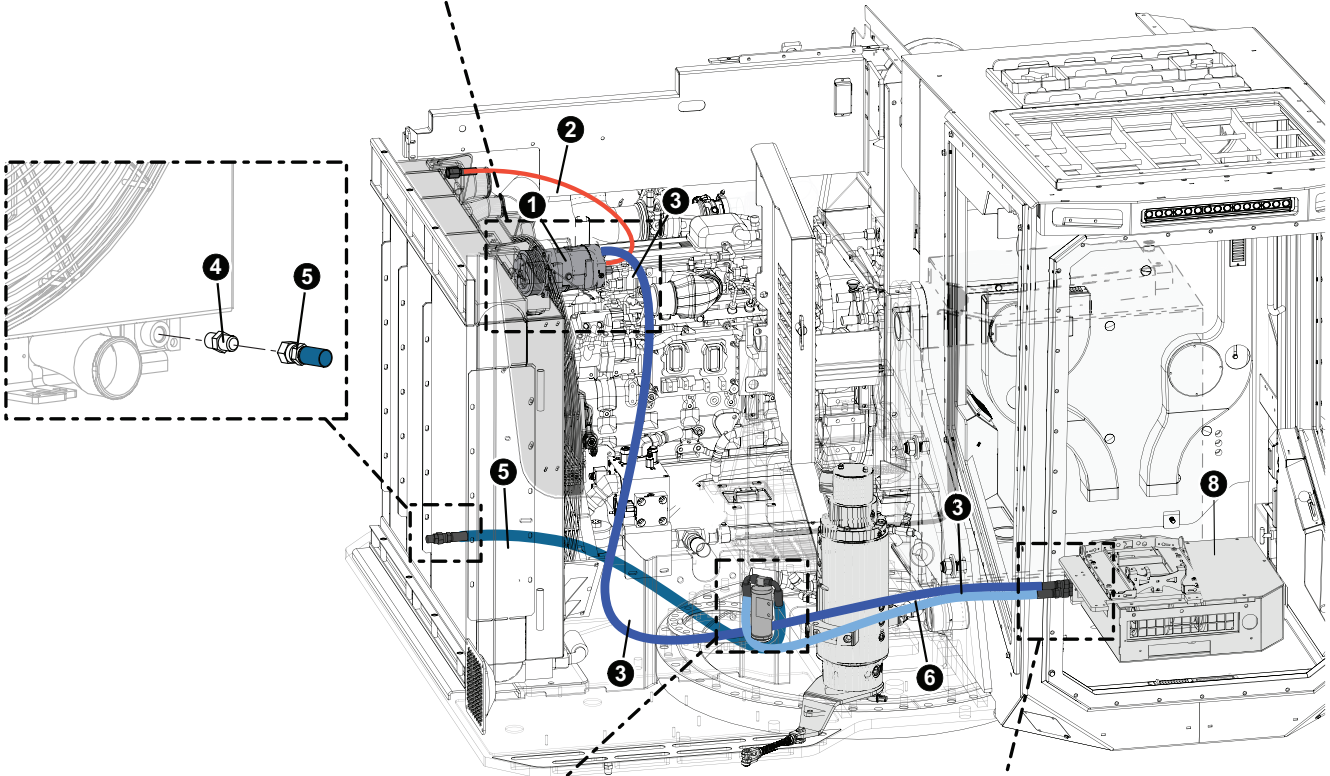
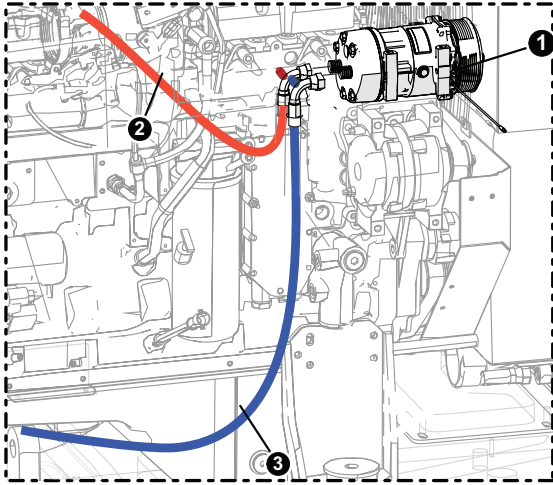
REF	PART #	QTY	DESCRIPTION	SEE SECTION
1	24532	1	TRANSDUCER, DISC SAW PRESSURE	
2	52186	1	TEE, RUN - MALE (4 A0G5J5-S)	
3	16294	1	BUSHING, REDUCER - 6410-6-4	
4	55214	1	CONNECTOR, STR - 848-TTO-04X04 (W/.031)	
5	57944	1	HOSE ASSEMBLY - P# 471TC10.5 04-04OS-04OS (DS Pump to DS Pump)	
6	23541	1	TEE - 4 S6LO-S	
7	57944-UPH (Kit #)	1	HOSE ASSEMBLY - P# 471TC35 04-04OS-04O4 (DS Pump to Engine Blkhd)	
8	(Click Here)	1	WELDMNT, HYD. TANK - D SERIES	UP-2
9	22319	1	CONNECTOR, STR 24F5OX-S THRML B-PASS GT	
10	54714	1	ELBOW, 90 SWIVEL 24C6X-S (24 JICMF)	
11	55166	1	TUBELINE, HYD TANK TO BH 45 DEG	
12	22319	1	CONNECTOR, STR 24F5OX-S THRML B-PASS GT	
13	54704	1	ELBOW, 90 BULK 12 WETX-WLN-S (12 JIC MM)	
14	57931	1	TUBELINE, T2 TO BULKHEAD	
15	15152	1	CONNECTOR, STR - FF1852T-1212S	
16	(Click Here)	1	MANIFOLD, CHARGE / COOLER - D Silver	
17	55170	1	TUBELINE, TANK TO CASE MANIFOLD	
18	19128	2	ELBOW, 90 - FF1868T-1216S	
19	(Click Here)	1	PUMP, DISC SAW - HIGH PRESSURE (60CC)	UPH-1
20	(Click Here)	1	PUMP, IMPLEMENT.....	UPH-1
21	15124	1	CONNECTOR, STR - FF1852T-0406S	
22	57820	1	TAP, GAUGE PORT # 6 SAE - Oring Boss	



See referenced page for component or assembly breakdown.

UPPER TURNTABLE HYDRAULICS

SUPPLY, RETURN, AND FLUSHING CIRCUITS (REAR PORTION OF SYSTEM)



UPPER TURNTABLE HYDRAULICS

SUPPLY, RETURN, AND FLUSHING CIRCUITS (REAR PORTION OF SYSTEM)

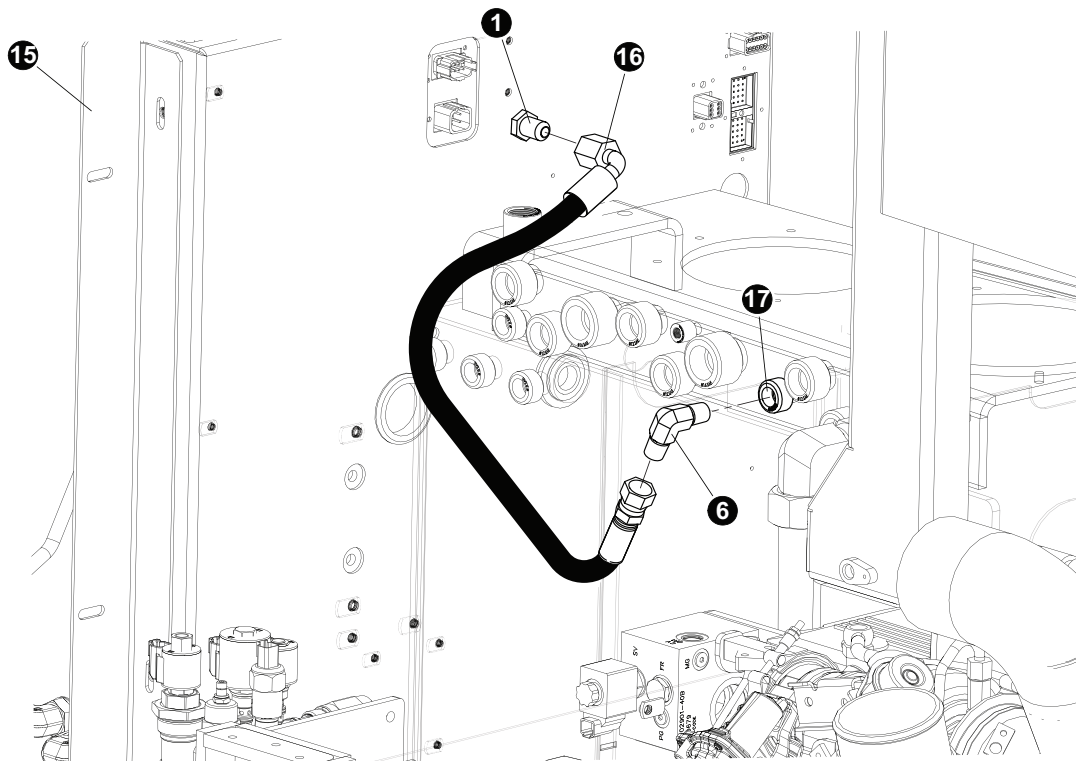
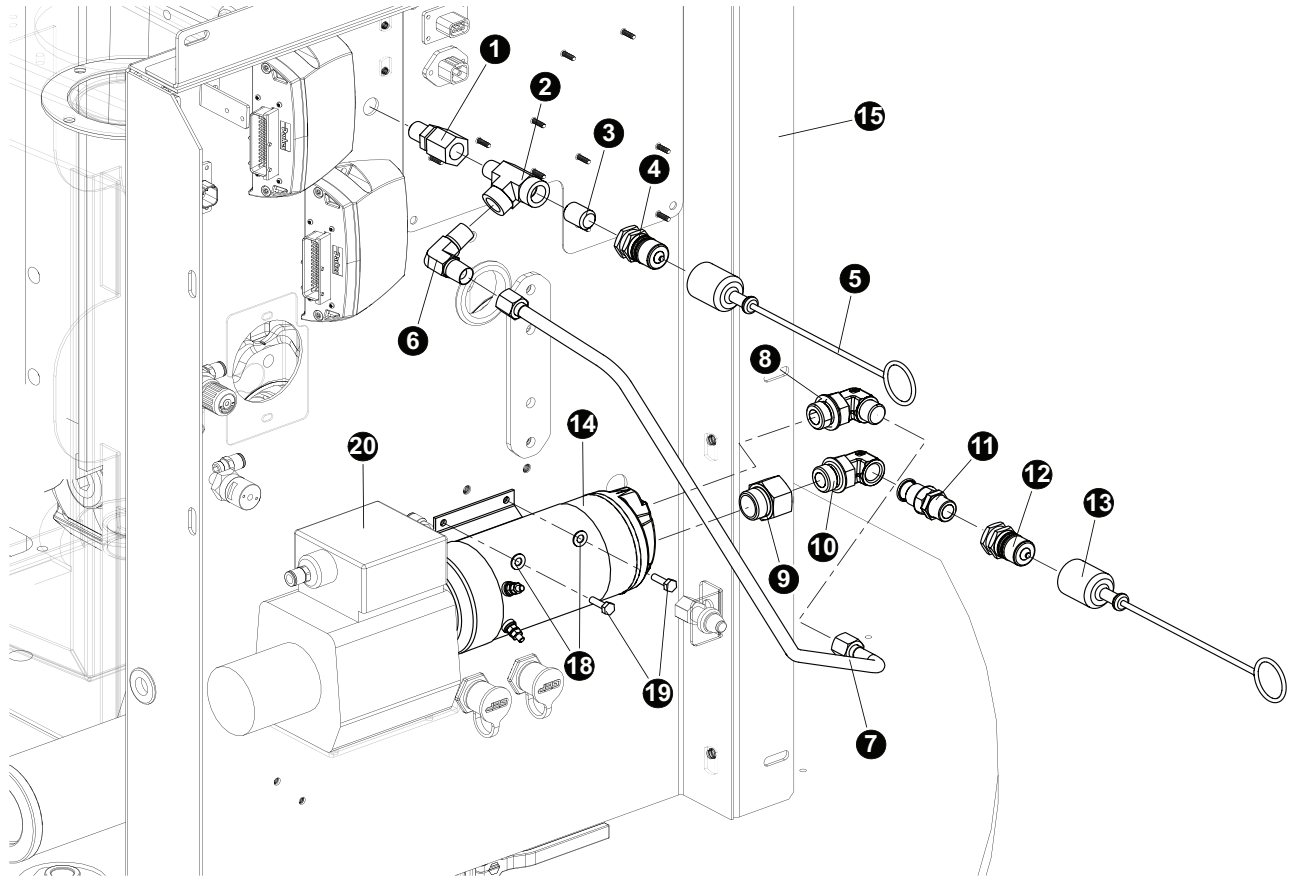
REF	PART #	QTY	DESCRIPTION	SEE SECTION
1	(See Description)	1	AC Compressor (Supplier Part# BT5-4270)	
2	BH-458 (Mfg'r #)	1	HOSE ASSEMBLY - BADGER TRUCK PART # BH-458	
3	(See Description)	1	HOSE, SUCTION - BADGER TRUCK PART # BH-536	
4	(See Description)	1	STRAIGHT FITTING - BADGER TRUCK PART # 21.31406	
5	(See Description)	1	HOSE ASSEMBLY - BADGER TRUCK PART # BH-535	
6	BH-448 (Mfg'r #)	1	HOSE ASSEMBLY - BADGER TRUCK PART # BH-448	
7	50937	1	DRIER, A/C	
-	15040	1	SWITCH, BINARY - BADGER (NOT SHOWN)	
8	(Click Here)	1	A/C Heater Assembly OC-4	



See referenced page for component or assembly breakdown.



UPPER TURNTABLE HYDRAULICS

HYDRAULIC TANK FILL PUMP COMPONENTS



UPPER TURNTABLE HYDRAULICS

HYDRAULIC TANK FILL PUMP COMPONENTS

REF	PART #	QTY	DESCRIPTION	SEE SECTION
1	55357	1	FITTING, 10 WGTX-WLN-S	
2	51878	1	CONNECTOR, STR - MALE PIPE (6-6 FLO-S)	
3	78316	1	PIPE NIPPLE, 1/2" (SUPPLIER NUMBER)	
4	17307M	1	QUICK DISCONNECT - .5" (MALE)	
5	55617	1	CAP, QUICK CONNECT - RUBBER (RED)	
6	17487	2	ELBOW, 90 - 5500-8	
7	57664	1	TUBELINE, FILL PUMP - ALL MACHINES	
8	55712	1	FITTING, ELBOW - MALE 8-8C4OMXS	
9	55711	1	FITTING, 3/4 - 12F40HG55	
10	22383	1	ELBOW, 90 - 12 AOEG5-S	
11	54998	1	FITTING, FILL PUMP	
12	55620	1	NIPPLE, 60 SERIES - H6-63-T12	
13	55617	1	CAP, QUICK CONNECT - RUBBER (RED)	
14	55691	1	FILL PUMP ASSEMBLY	
15	47867	1	WELDMENT, ELEC PANEL, D-MODEL	
16	(See Description)	1	HOSE, SUPPLIER PART # 471-TC-34-08-08-JS-09J9	
17	(Click Here)	1	 HYDRAULIC TANK ASSEMBLY UP-2	
18	10801	2	WASHER, FLAT - .3125"	
19	15605	2	BOLT - .3125" X .75"	
20	(Click Here)	1	 VACUUM PUM..... UP-2	



See reference page for component or assembly breakdown.



Kit or Assembly - includes all items indented underneath.



Sold in bulk per foot - Please specify length when ordering.

UPPER TURNTABLE HYDRAULICS

HYDRALIC OVERFLOW TANK COMPONENTS AND INSTALLATION

REF	PART #	QTY	DESCRIPTION	SEE SECTION
1	60720	1	TANK, OVERFLOW OIL D- MOD	
2	60479	1	RUBBER, DEBRIS GUARD SCRAPPER - D-SERIES	
3	60741	1	BAR, MOUNTING - RUBBER	
4	11707	6	BOLT - .375" X 1"	
5	15528	20	WASHER, SAE FLAT - .375"	
6	15201	1	CONNECTOR, STR - FF2031T-1212S	
7	(See Description)	1	HOSE, 187TC 41-12-12FJ-12O9	
8	55262	14	NUT, LOCK - "C" SERIES HYD TANK COVER	
9	(See Description)	2	Clamp, Supplier Part #0708802 (FASTNAL)	
10	15515	1	PLUG - 5406-P-4	
11	58210	1	FITTING, 12-CTX-S	
12	51738	8ft	#HOSE, VACUUM PUMP 3/8" PUSH ON	
13	16238	5ft	#HOSE, FUEL LINE (BULK ROLL) - .3125"	
14	60350	1	WELDMENT, HYD. TANK - D SERIES	



See reference page for component or assembly breakdown.



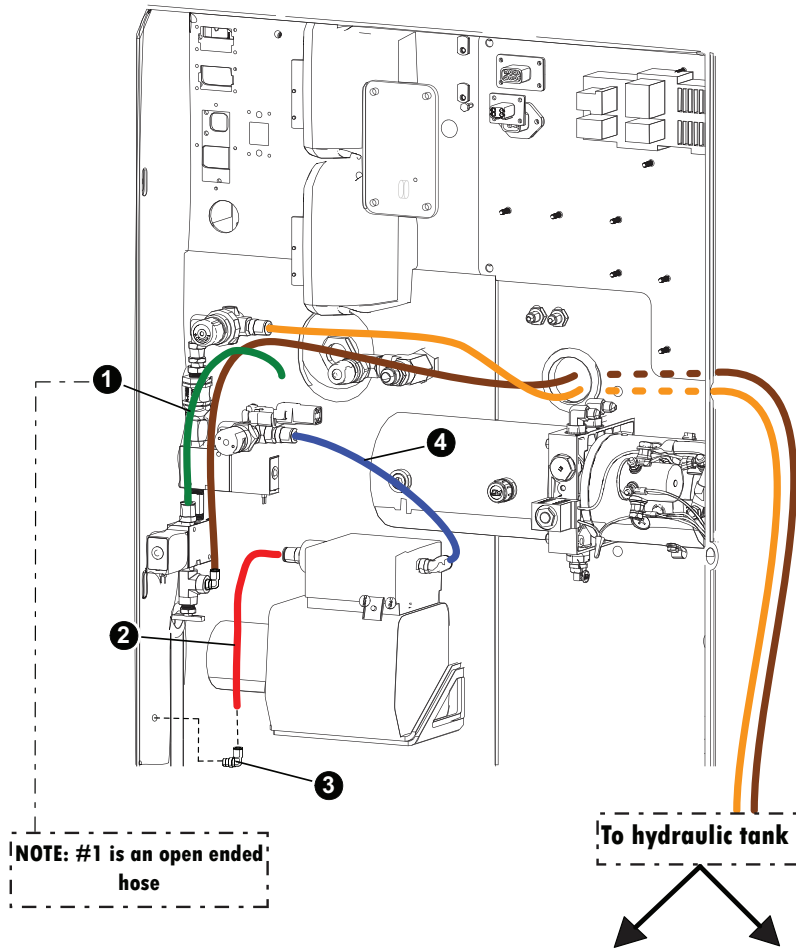
Kit or Assembly - includes all items indented underneath.



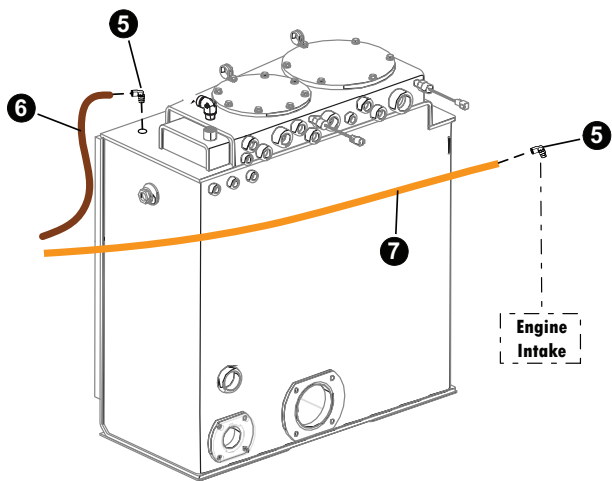
Sold in bulk per foot - Please specify length when ordering.

UPPER TURNTABLE HYDRAULICS

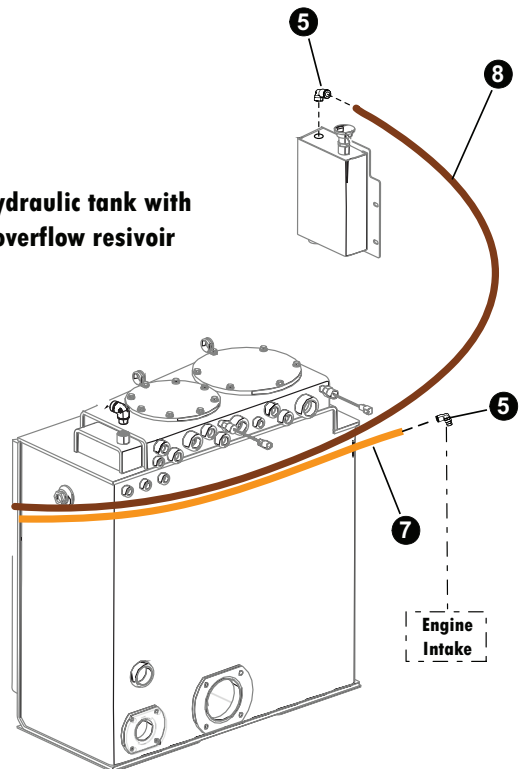
VACUUM PUMP ASSEMBLY, HOSES AND COMPONENTS



Hydraulic tank without overflow reservoir



Hydraulic tank with overflow reservoir



UPPER TURNTABLE HYDRAULICS

VACUUM PUMP ASSEMBLY, HOSES AND COMPONENTS

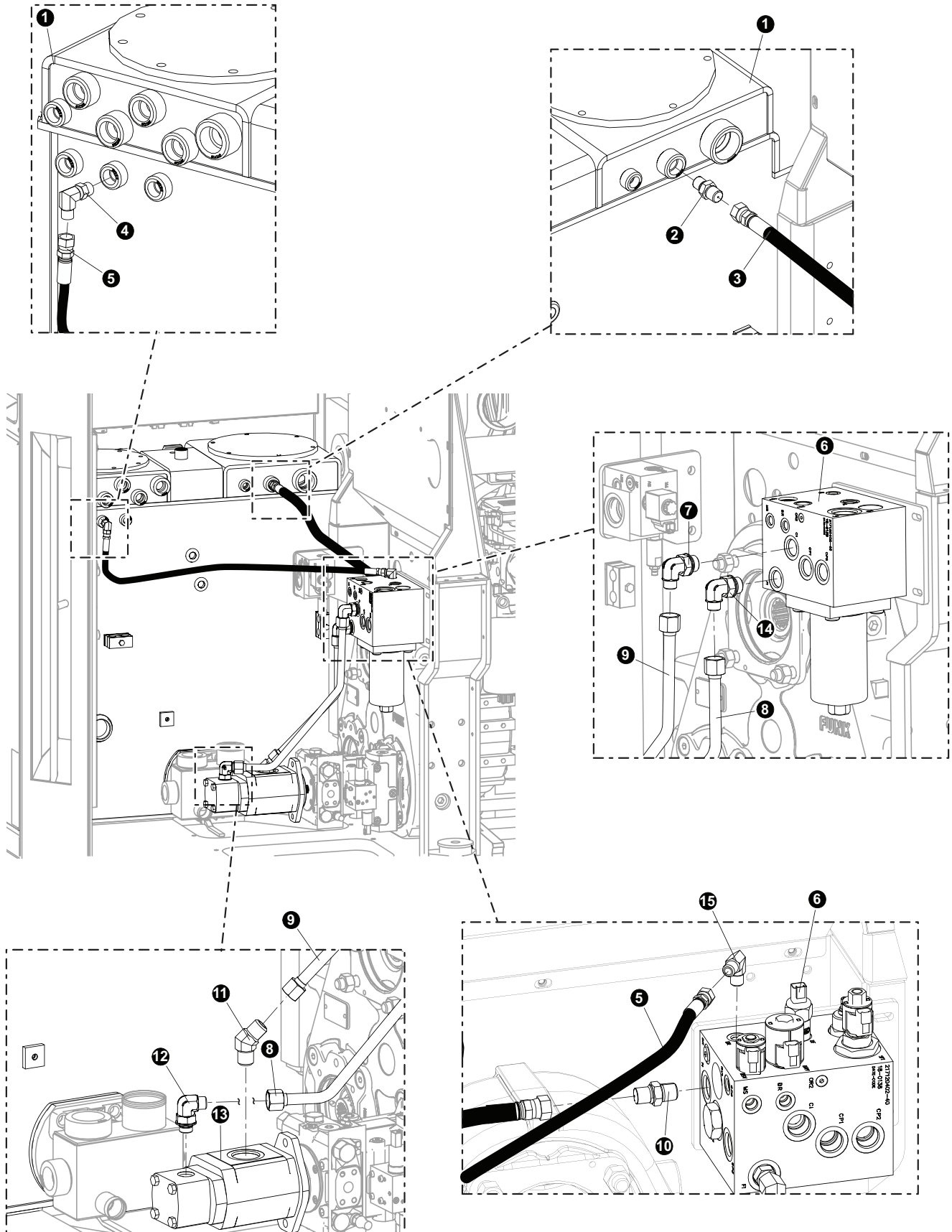
REF	PART #	QTY	DESCRIPTION	SEE SECTION
1	51738	28in	✂ HOSE, VACUUM PUMP 3/8" PUSH ON	
2	51738	1ft	✂ HOSE, VACUUM PUMP 3/8" PUSH ON	
3	53086	1	CONNECTOR, ELBOW - PUSH ON(VACUUM)(3/8")	
4	51738	1ft	✂ HOSE, VACUUM PUMP 3/8" PUSH ON	
5	51739	2	CONNECTOR, ELBOW -PUSH ON (VACUUM) (1/4")	
6	51738	2ft	✂ HOSE, VACUUM PUMP 3/8" PUSH ON	
7	51738	10ft	✂ HOSE, VACUUM PUMP 3/8" PUSH ON	
8	51738	8ft	✂ HOSE, VACUUM PUMP 3/8" PUSH ON	

✂ Sold in bulk per foot - Please specify length when ordering.

UPPER TURNTABLE HYDRAULICS

CHARGE MANIFOLD PRESSURE, DRAINAGE, AND TANK CONNECTIONS




SERIAL #TL735D-0608 - CURRENT



UPPER TURNTABLE HYDRAULICS

CHARGE MANIFOLD PRESSURE, DRAINAGE, AND TANK CONNECTIONS

SERIAL #TL735D-0608 - CURRENT

REF	PART #	QTY	DESCRIPTION	SEE SECTION
1	(Click Here)	1	 HYDRAULIC TANK ASSEMBLY	UP-2
2	16014	1	CONNECTOR, STR - 2404-16-16	
3	(See Description)	1	HOSE ASSEMBLY - DRAINAGE - P#: 471TC-26.5-12-12OS-12OS (Tank to T1	
			Charge Manifold)	
4	20031	1	ELBOW, 90 - 6-8 C5OLO-S	
5	(See Description)	1	HOSE ASSEMBLY - DRAINAGE - P#: 471TC55 06-06OS-06O4 (Charge Drain	
			to Tank)	
6	(Click Here)	1	 MANIFOLD, CHARGE / COOLER - D SERIES -ORANGE	UP-3
7	11306	1	ELBOW, 90 12 C5OX-S	
8	57927	1	TUBELINE, C1 TO REAR GEAR PUMP	
9	57928	1	TUBELINE, F1 TO FRONT GEAR PUMP FAN PRESSURE	
10	XXXXX			
11	15472	1	ELBOW, 45 SWIVEL - 12 V6X-S	
12	53032	1	ELBOW, 90 - 12 JIC X 10 ORB	
13	(Click Here)	1	 PUMP, CHARGE / COOLER LOOP (57906)	DH-1
14	15477	1	ELBOW, 90 SWIVEL - 12 C6X-S	
15	16296	1	ELBOW, 90 - FF1868T-0606S	



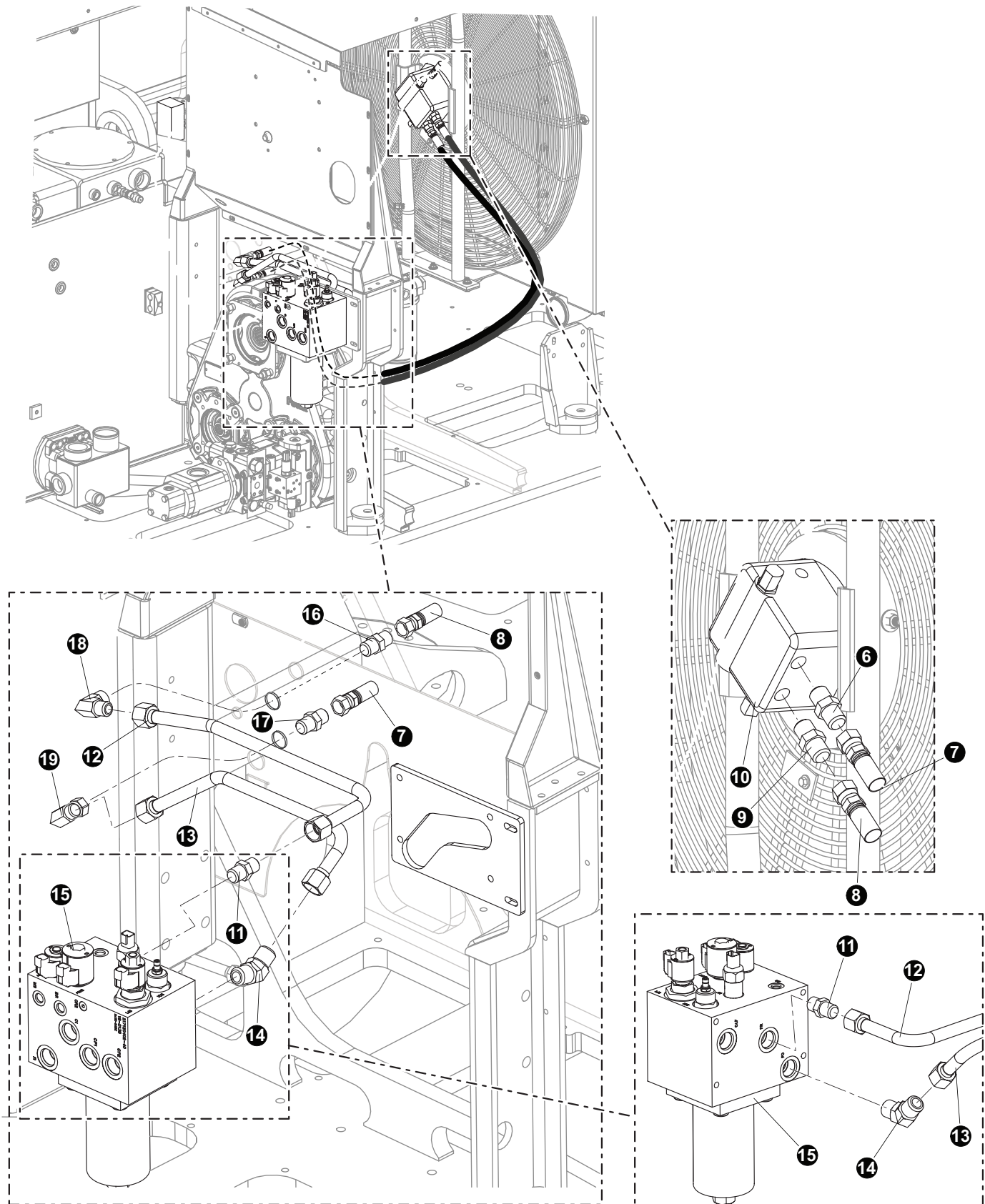
See referenced page for component or assembly breakdown.



Kit or Assembly - includes all items indented underneath.

UPPER TURNTABLE HYDRAULICS

OIL COOLER FAN MOTOR, PRESSURE AND RETURN



UPPER TURNTABLE HYDRAULICS

OIL COOLER FAN MOTOR, PRESSURE AND RETURN

REF	PART #	QTY	DESCRIPTION	SEE SECTION
1	(Click Here)	1	FAN CONTROL MANIFOLD	UPH-3
2	52900	1	SWIVEL, NUT BRANCH TEE #6	
3	22901	1	CONNECTOR, STR - 6-8 F5OLO-S	
4	(See Description)	1	HOSE ASSEMBLY - P#: 471TC43-06-06OS-06O9-SW	
5	18034	1	CONNECTOR, STR - FF1852T-0606S	
6	15152	1	CONNECTOR, STR - FF1852T-1212S	
7	(See Description)	1	HOSE ASSEMBLY - P#: 471TC-59-12-12OS-12J4	
8	(See Description)	1	HOSE ASSEMBLY - P#: 471TC-62-12-12JS-12J4	
9	15495	1	CONNECTOR, STR - 12-16 F5OX-S	
10	(Click Here)	1	FAN DRIVE MOTOR	UP-3
11	11324	1	CONNECTOR, STR - 6400-12	
12	58032	1	TUBELINE, FR TO BULKHEAD FAN RETURN	
13	57929	1	TUBELINE, FO TO BULKHEAD FAN PRESSURE	
14	15474	1	ELBOW, 45 - 6802-8	
15	(Click Here)	1	MANIFOLD, CHARGE / COOLER - D SERIES	UP-3
16	11324	1	CONNECTOR, STR - 6400-12	
17	17009	1	CONNECTOR, STR BULKHEAD - 2700-12	
18	54704	1	ELBOW, 90 BULK 12 WETX-WLN-S (12 JIC MM)	
19	15477	1	ELBOW, 90 SWIVEL - 12 C6X-S	



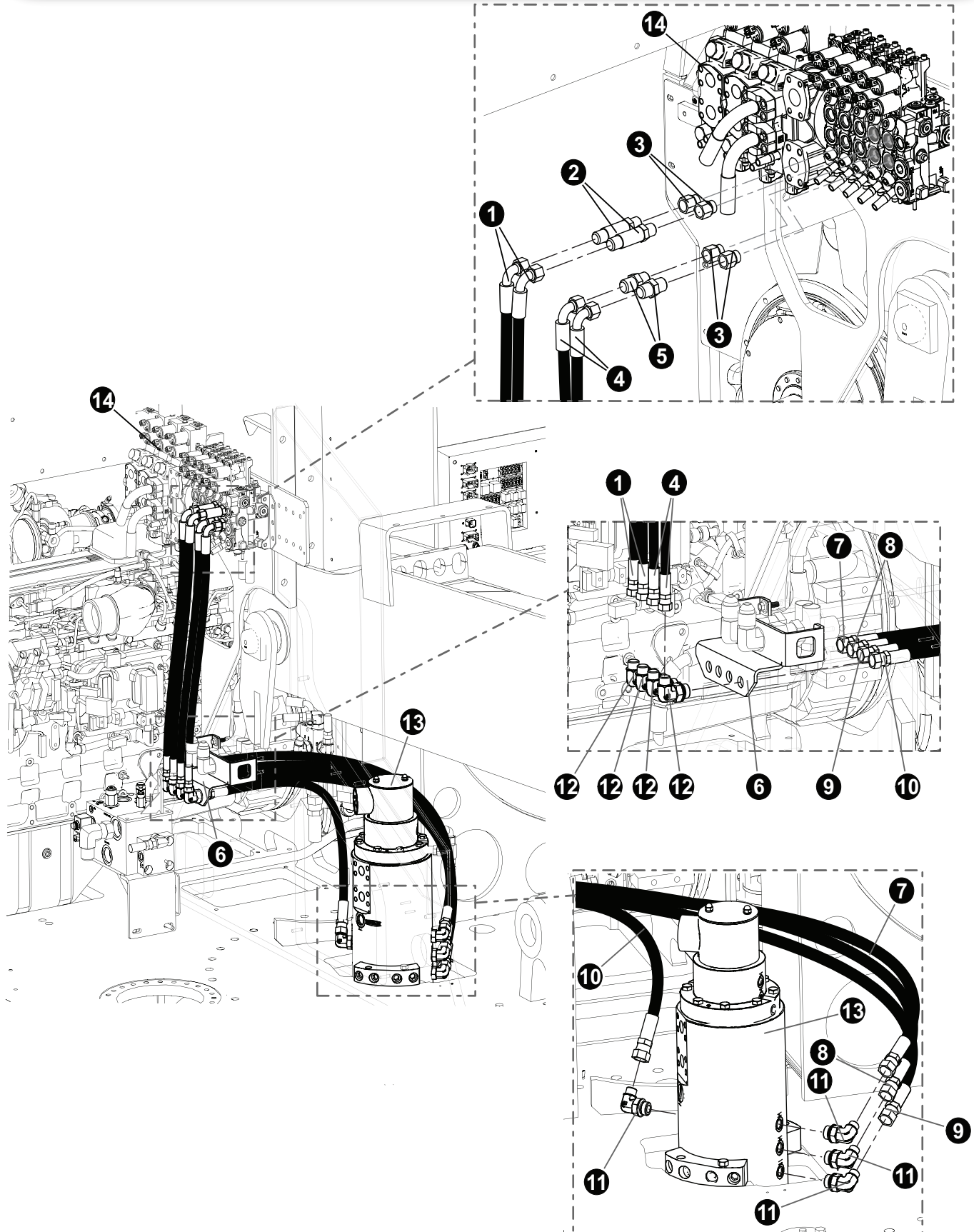
See referenced page for component or assembly breakdown.



Kit or Assembly - includes all items indented underneath.

UPPER TURNTABLE HYDRAULICS

CAB LEVELING FUNCTION (OPTIONAL)



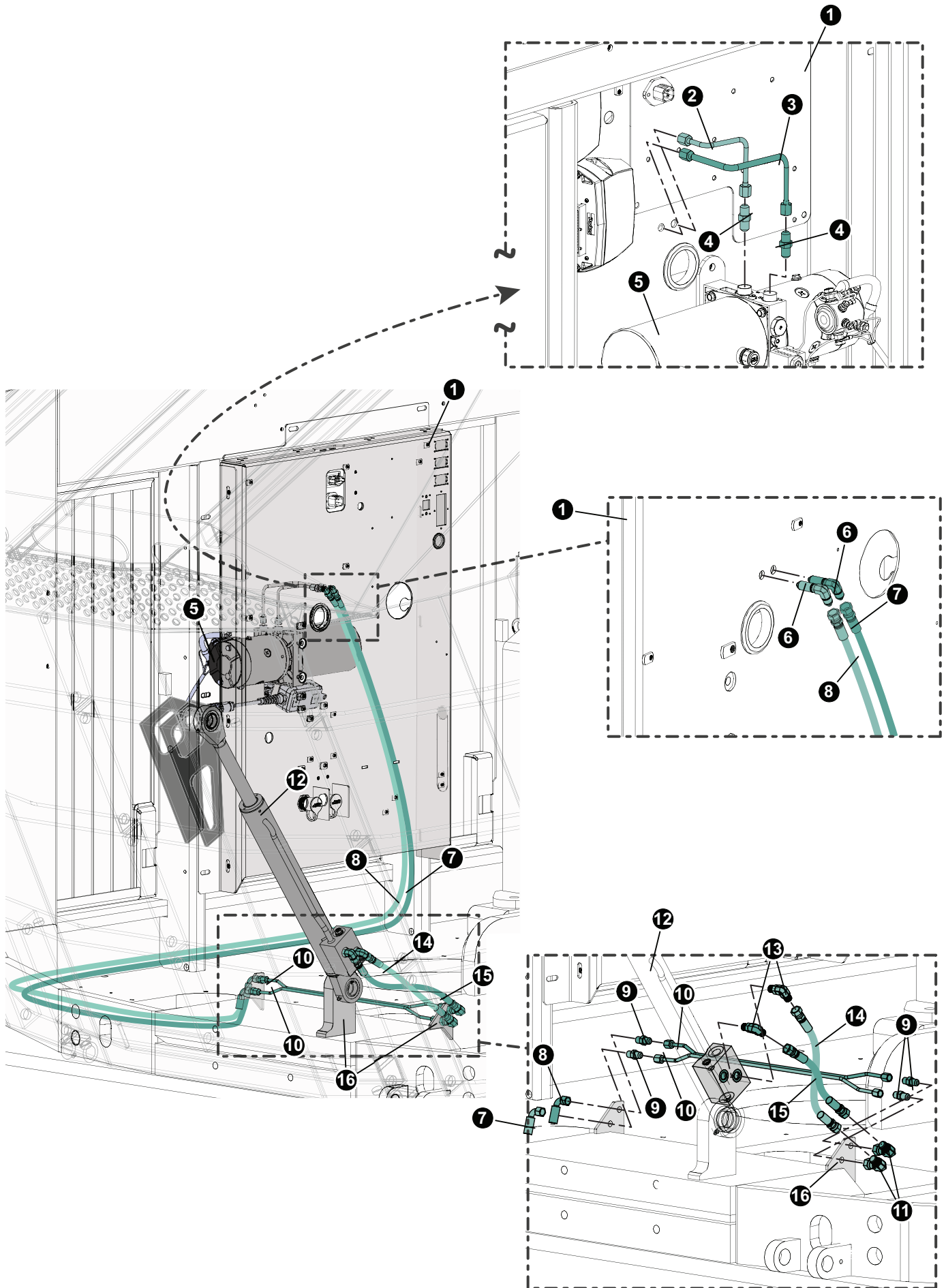
UPPER TURNTABLE HYDRAULICS

CAB LEVELING FUNCTION (OPTIONAL)

REF	PART #	QTY	DESCRIPTION	SEE SECTION
1	57945	2	HOSE ASSEMBLY - 787TC 42 08-08 OS 08-90 (Cab Level (LVL) section "A" to Bulkhead)	
2	19091	2	CONNECTOR, STR LONG - 848L-TTO-08X08	
3	19290	2	BUSHING, REDUCER - 6410-10-8	
4	57945	2	HOSE ASSEMBLY - 787TC 39 08-08 OS 08-09 (Cab Level (LVL) section "B" to Bulkhead)	
5	15117	2	CONNECTOR, STR - FF1852T-0808S	
6	60559	1	BULKHEAD, FRONT - TM	
7	57945	1	HOSE ASSEMBLY - 787TC 40 08-08 OS 08-0S (Bulkhead to Rotary Manifold Port 2)	
8	57945	1	HOSE ASSEMBLY - 787TC 41.5 08-08 OS 08-0S (Bulkhead to Rotary Manifold Port 4)	
9	57945	1	HOSE ASSEMBLY - 787TC 44 08-08 OS 08-0S (Bulkhead to Rotary Manifold Port 6)	
10	57945	1	HOSE ASSEMBLY - 787TC 30 08-08 OS 08-0S (Bulkhead to Rotary Manifold Port 5)	
11	16360	1	ELBOW, 90 - FF1868T-0808S	
12	24187	4	ELBOW, 90 BULKHEAD - 855BH-TT-08	
13	(Click Here)	1	ROTARY MANIFOLD.....	UP-1
14	(Click Here)	1	<input type="checkbox"/> MAIN CONTROL VALVE.....	FH-1



See referenced page for component or assembly breakdown.



FELLER BUNCHER HYDRAULICS

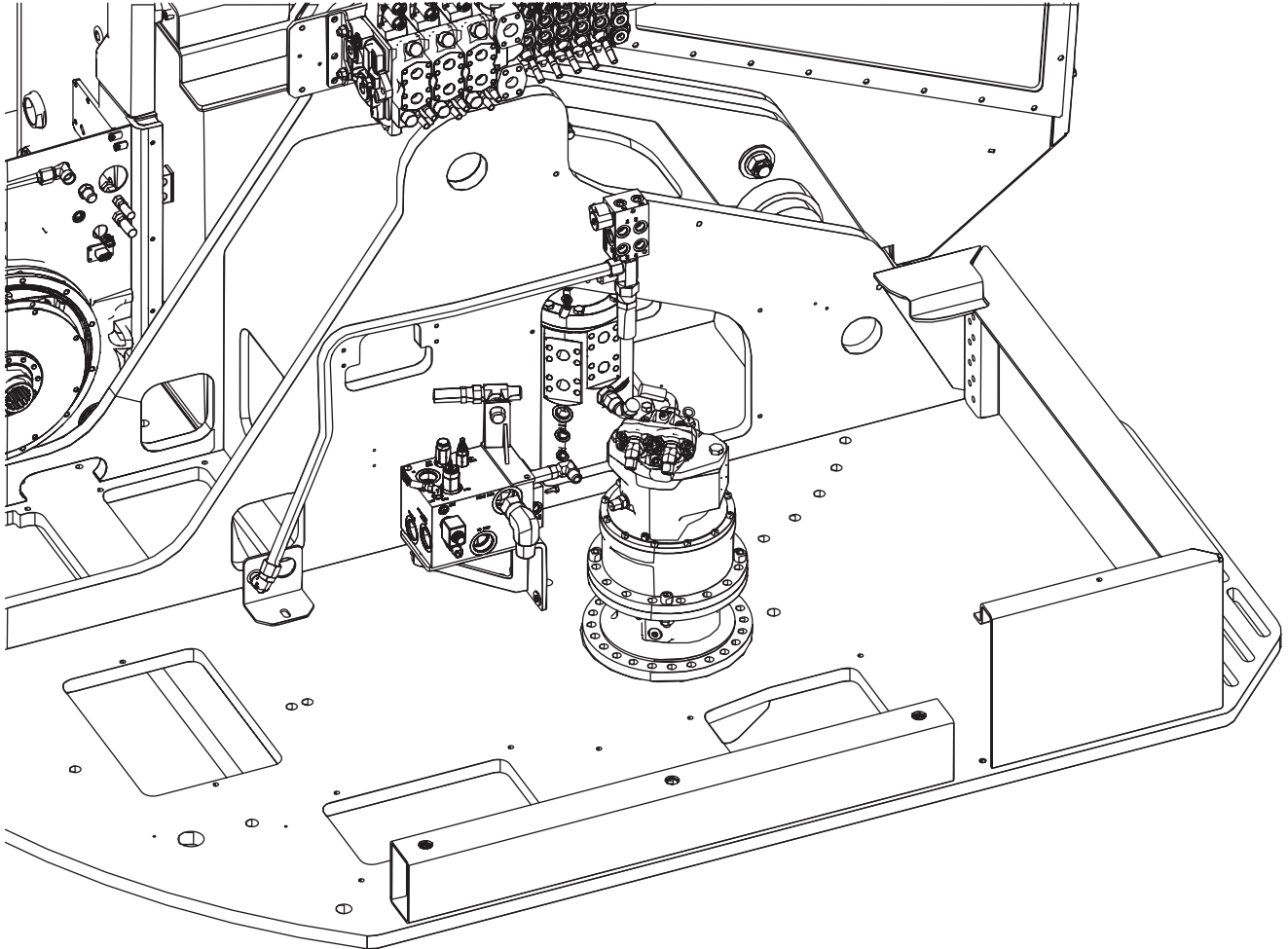
GULLWING CYLINDER HYDRAULICS

REF	PART #	QTY	DESCRIPTION	SEE SECTION
1	(Click Here)	1	PANEL, XA2 MDL SYSTEM	ES-1
2	55593	1	TUBELINE, CANOPY LIFT PUMP TO B PORT	
3	55592	1	TUBELINE, CANOPY LIFT PUMP A PORT	
4	54809	2	CONNECTOR, STR - 4 JIC x -6 ORB	
5	(Click Here)	1	Pump, Gullwing Lift	ES-1
6	54808	2	90 Deg. Bulkhead Union Elbow - 4 JIC with L/N	
7	(See Description)	1	Gullwing Lift Pump Hose (Suppier Hose Part #: 387TC 129.5 04-04JS-04J9)	
8	(See Description)	1	Gullwing Lift Pump Hose (Suppier Hose Part #: 387TC 126.5 04-04JS-04J9)	
9	55383	4	FITTING, BULKHEAD - 4 WTX-WLN-S	
10	57337	2	TUBELINE, CANOPY CYL BULKHEAD	
11	17023	2	ELBOW, 90 SWIVEL - 6500-4	
12	(Click Here)	1	CYLINDER, GULLWING LIFT - COLUMBUS (2.5") (57848) (55137 OBS)	UP-1
13	51931	2	ELBOW, 90 - 4-6 C50X-S (JIC)	
14	(See Description)	1	Gullwing Lift Pump Hose (Suppier Hose Part #: 387TC 16-04 04JS-04JS-SW)	
15	(See Description)	1	Gullwing Lift Pump Hose (Suppier Hose Part #: 387TC 18-04 04JS-04JS-SW)	
16	(Click Here)	1	TL/TN Upper Turntable	UP-1

PAGE INTENTIONALLY LEFT BLANK

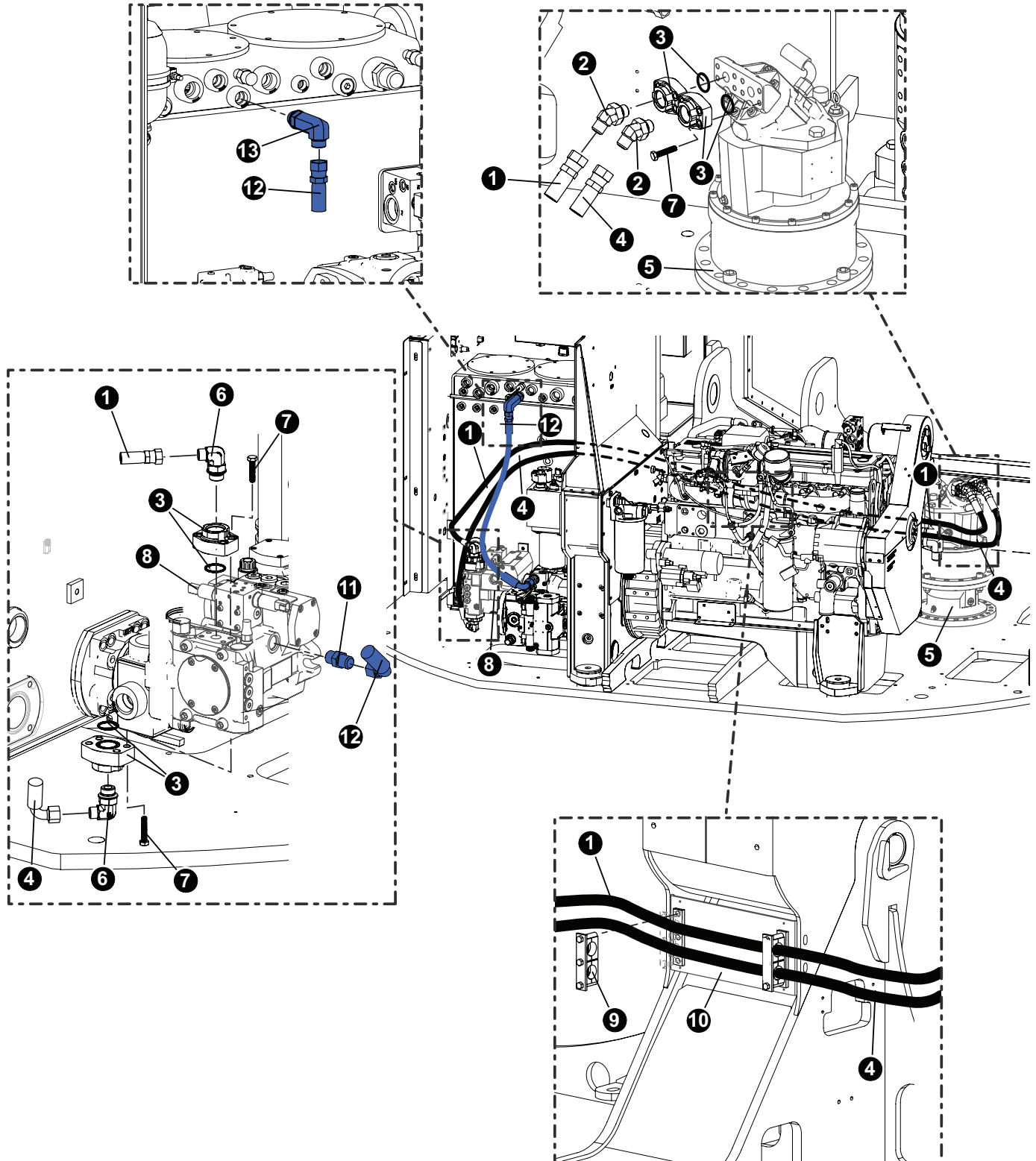
SECTION UPH-3

UPPER TURNTABLE HYDRAULICS - SWING MOTOR






UPPER TURNTABLE HYDRAULICS

SWING MOTOR TO VALVE CONNECTION



UPPER TURNTABLE HYDRAULICS

SWING MOTOR TO VALVE CONNECTION

REF	PART #	QTY	DESCRIPTION	SEE SECTION
1	57943 (Kit #)	1	HOSE ASSEMBLY - PART #797TC85-12-12OS-1209	
2	19127	2	ELBOW, 45 - FF2068T-1212S	
3	19808	4	CONNECTOR, FLANGE PAD -FP62-12-12ORB-MK	
4	(See Description)	1	HOSE ASSEMBLY - PART #797TC81-12-12OS-1209	
5	(Click Here)	1	 MOTOR/GEARBOX - SWING	FH-3
6	17688	2	ELBOW, 90 - FF1868T-1212S	
7	16116	8	M10x1.5" PITCHx35mm (Swing Motor ONLY)	
8	(Click Here)	1	 PUMP, SWING	FH-3
9	58050	1	CLAMP, VERMATIC (15-SB-2-R-1.5) DUAL	
10	60072	1	 PLATE, FAN DRIVE - BH	
11	15152	1	CONNECTOR, STR - FF1852T-1212S	
12	(See Description)	1	HOSE ASSEMBLY - PART #187TC41-12-12OS-1209	
13	57444	1	FITTING, 12 CC5OLO-S	

NOTE:

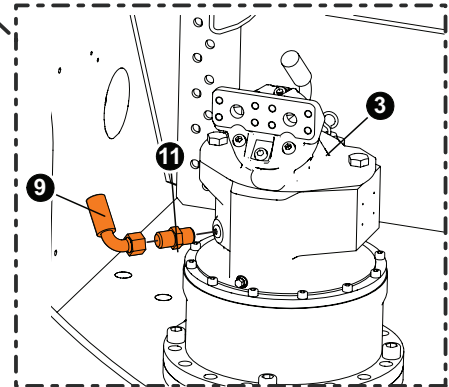
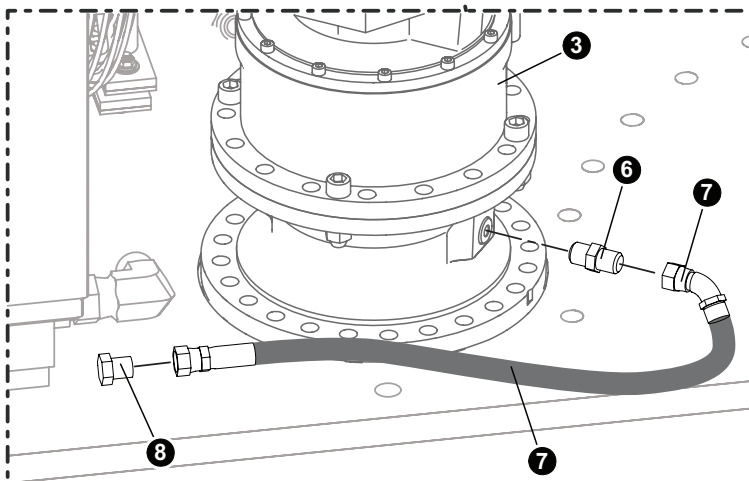
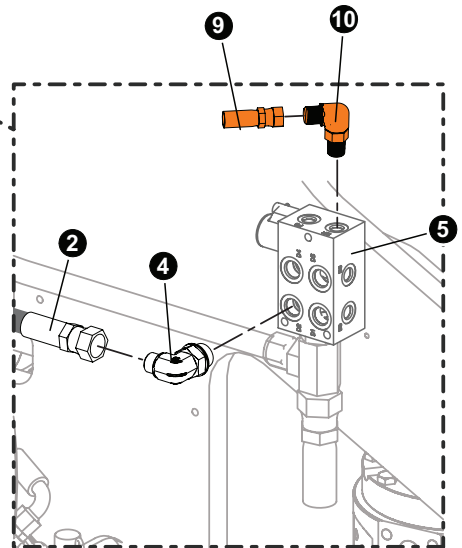
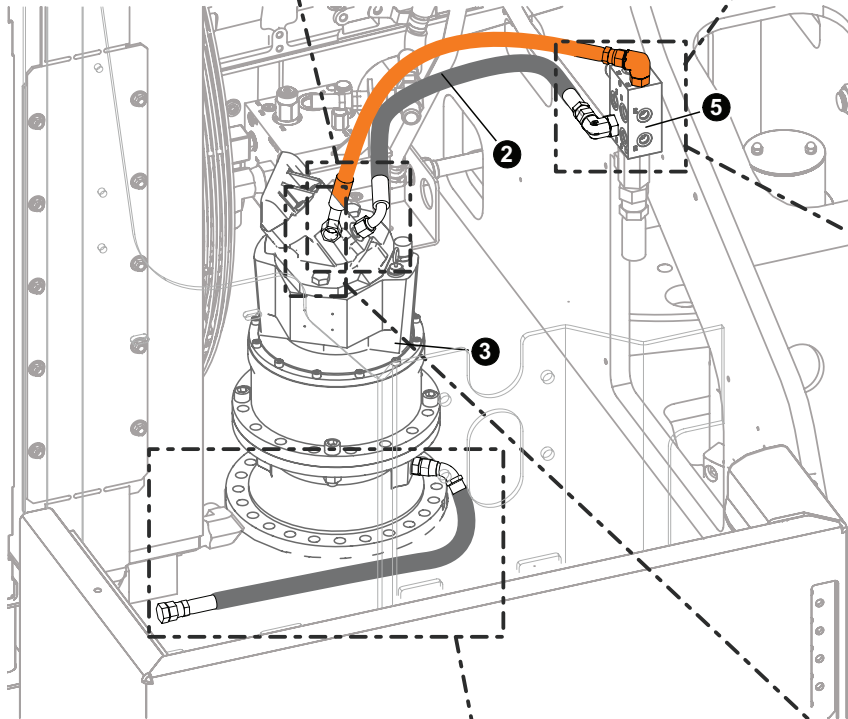
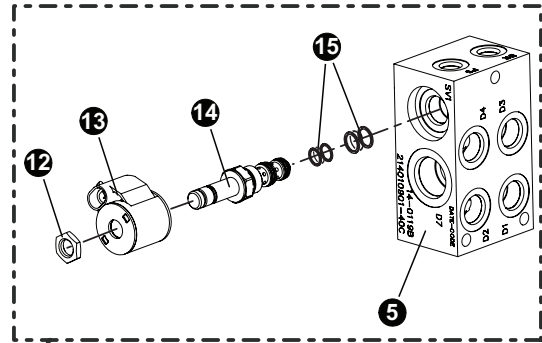
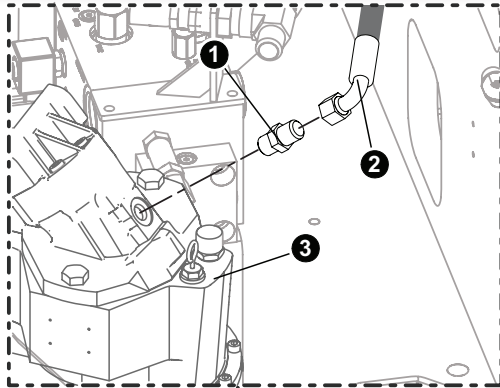
Apply blue Loctite (1193647 - Lawson#) to threads of fasteners when installing flange pad connectors.



See referenced page for component or assembly breakdown.

UPPER TURNTABLE HYDRAULICS

SWING MOTOR SUPPLY AND DRAIN



UPPER TURNTABLE HYDRAULICS

SWING MOTOR SUPPLY AND DRAIN

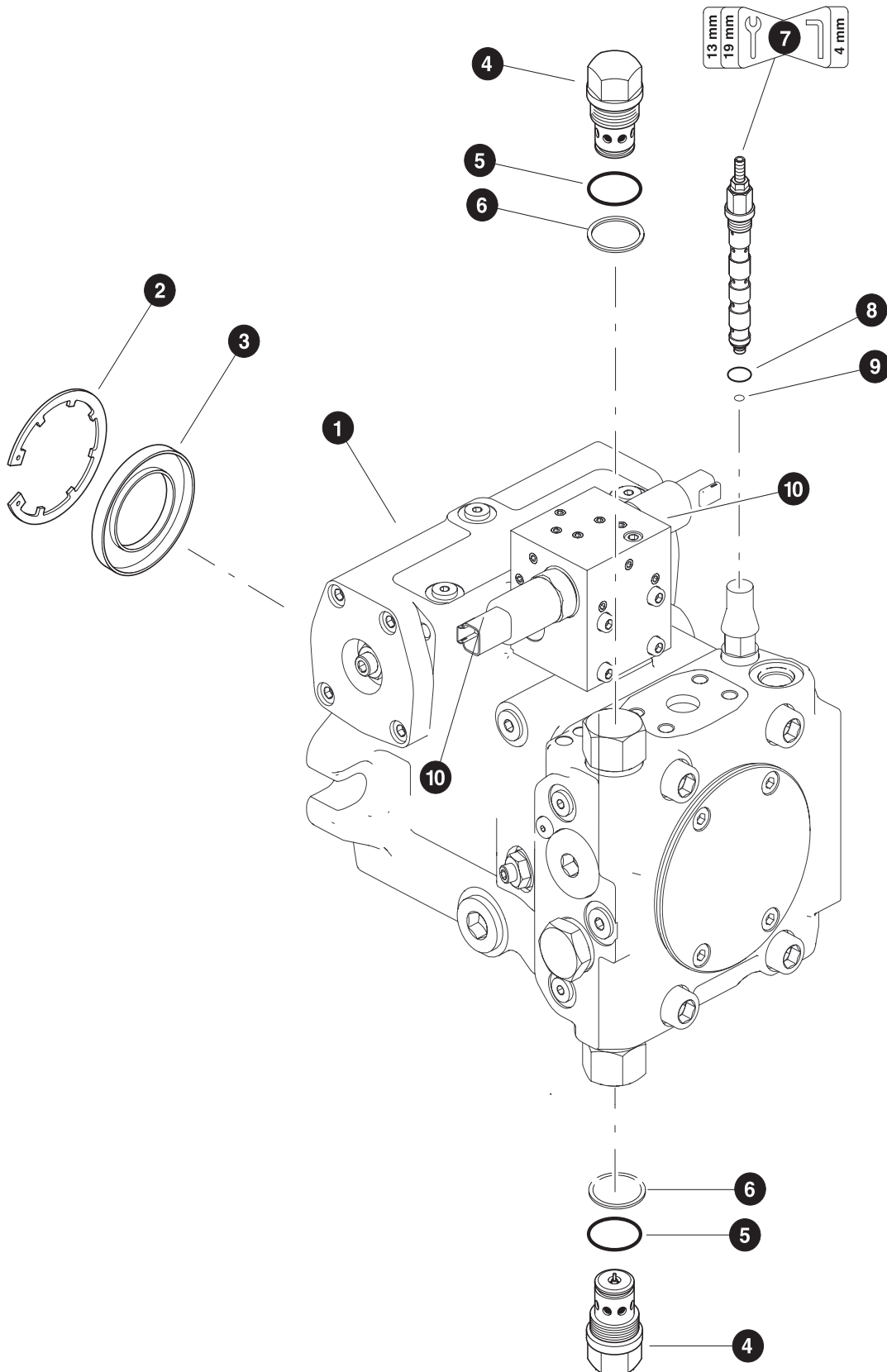
REF	PART #	QTY	DESCRIPTION	SEE SECTION
1	52439	1	CONNECTOR, MALE ISO 6149	
2	(See Desc.)	1	HOSE ASSEMBLY - 187TC20 O8-08OS-0809 (swing motor case drain to drain manifold D2)	
3	57213	1	MOTOR/GEARBOX - SWING (755/765)	
3	52745	1	MOTOR/GEARBOX - SWING (725 - 745)	
4	15481	1	ELBOW, 90 - 6801-8	
5	55259	1	MANIFOLD, CASE DRAIN/SWING LOCK	
6	24182	1	CONNECTOR, STR - 6002-08-8BSPP	
7	(See Desc.)	1	HOSE ASSEMBLY - 387TC29 O4-04-04OS-0404 (swing motor gearbox drain)	
8	16032	1	PLUG - FF9767-08S	
9	(See Desc.)	1	HOSE ASSEMBLY - 187TC28 O8-08-08OS-0804 (swing motor gearbox drain)	
10	15133	1	ELBOW, 90 - FF1868T-0406S	
11	19469	1	CONNECTOR, STR METRIC - 4M12F82EDMLO-	
12	(See Desc.)	1	NUT, P# 7004400	
13	(See Desc.)	1	COIL, P# 4303724	
14	(See Desc.)	1	VALVE, SOLENOID - Parking Brake - TM P# SV08-31-0-N-24ERZ	
15	(See Desc.)	1	KIT, seal - parking brake solenoid (SK10-3X-MM)	



See referenced page for component or assembly breakdown.

UPPER TURNTABLE HYDRAULICS

HYDROSTATIC SWING PUMP (REXROTH 56CC)



UPPER TURNTABLE HYDRAULICS

HYDROSTATIC SWING PUMP (REXROTH 56CC)

REF	PART #	QTY	DESCRIPTION	SEE SECTION
1	54560	1	☐ PUMP, HYDROSTATIC - SWING	
2	R902600000	1	RETAINING RING	
3	57704	1	SHAFT SEAL RING	
4	R902016386	2	PRESSURE RELIEF VALVE	
5	R909831768	2	BACK-UP RING	
6	R909831768	2	BACK-UP RING	
7	R909446763	1	PRESSURE OVERRIDE VALVE	
8	R909083752	1	O-RING	
9	R909086380	1	O-RING	
10	57591	2	PRESSURE REDUCING VALVE	

☐ Kit or Assembly - includes all items indented underneath.

⌘ Included in seal repair kit, PN# -FH.

Note:

Due to warranty policy restrictions imposed by component suppliers, it is not recommended that the component be disassembled further than is shown in the illustration.

PAGE INTENTIONALLY LEFT BLANK