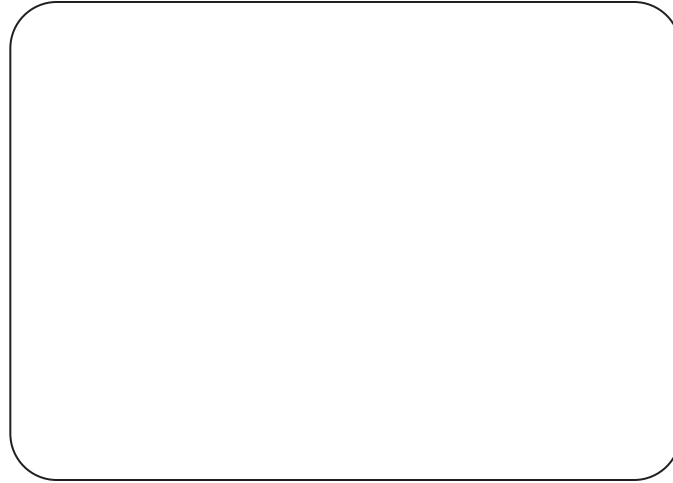
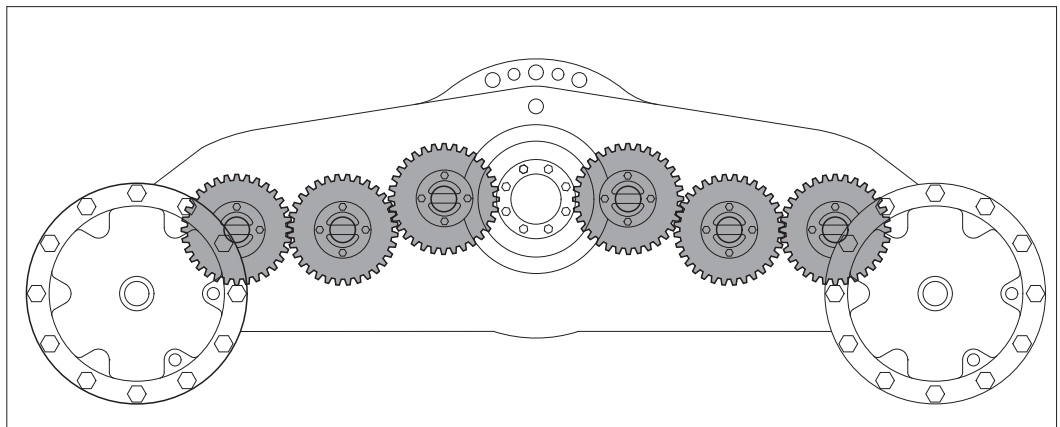
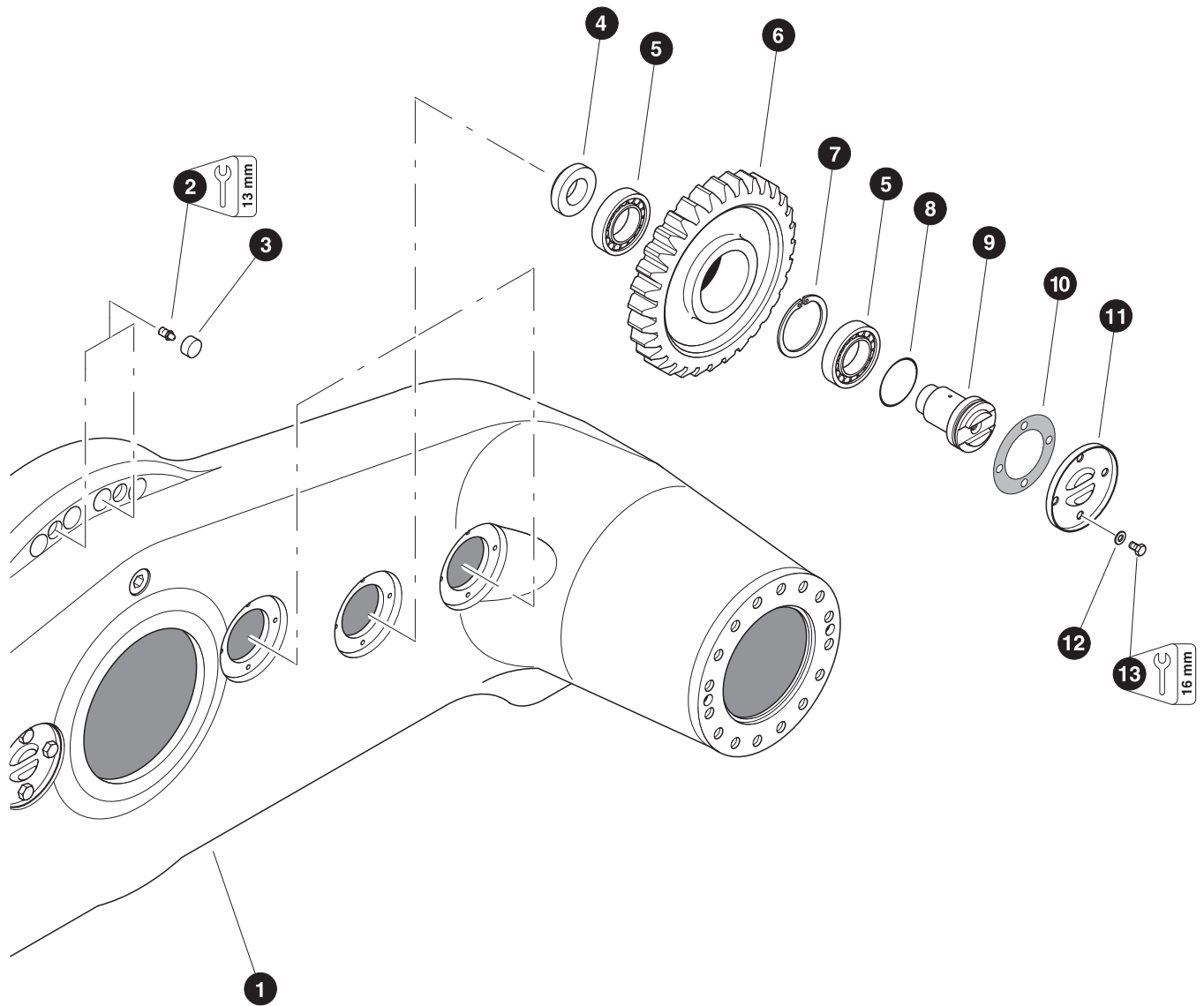


Section AX-1



Axles, Transfer Cases & Wheels - Axles



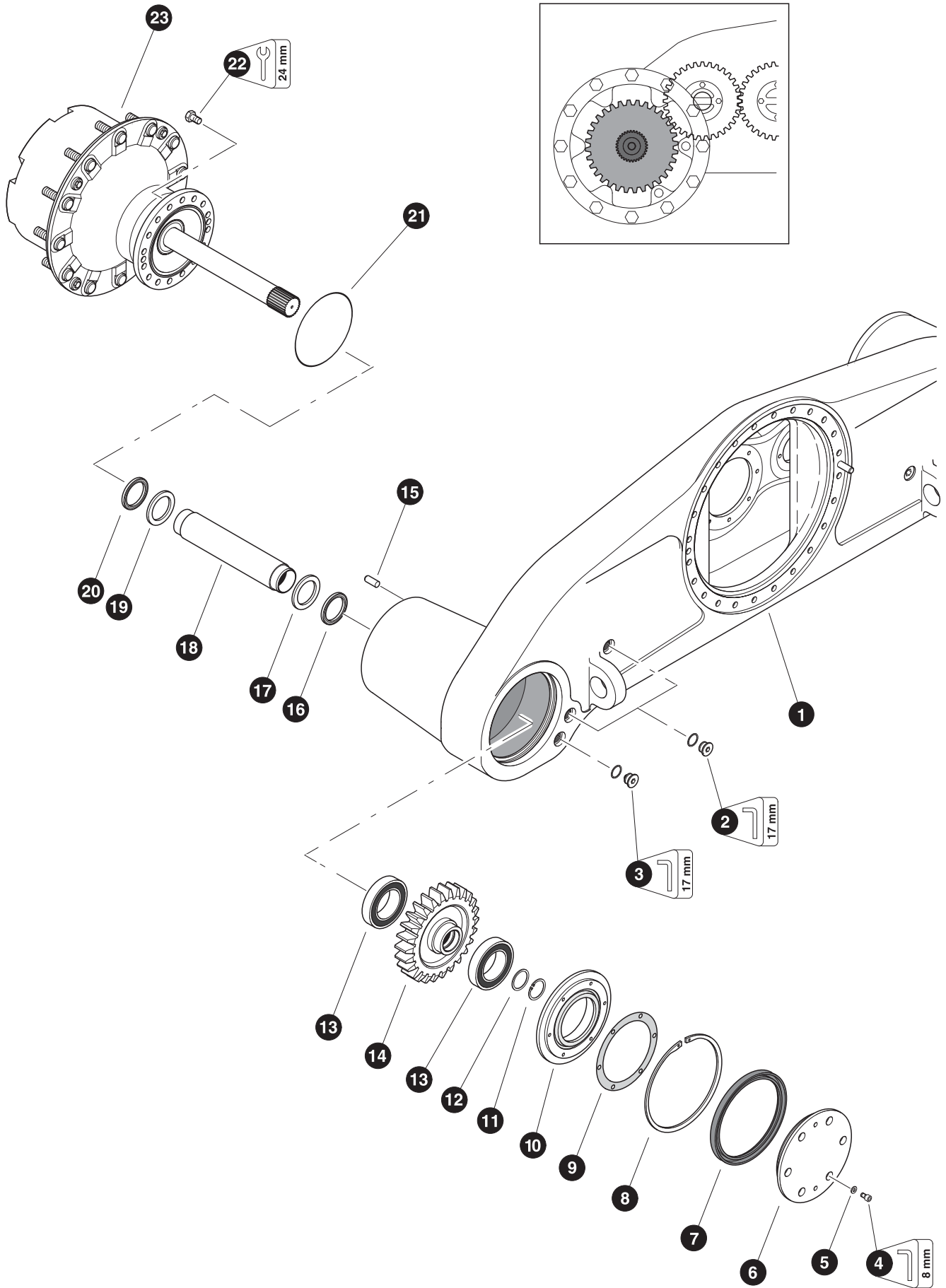
Parts 01759 08/18/2000
18.75

AXLE BEAM HOUSING GEAR INSTALLATION

REF	PART #	QTY	DESCRIPTION	SEE PAGE
1	NSS	1	HOUSING, axle beam	
2	23689-AX	2	FITTING, grease (<i>tapered</i>)	
3	23690-AX	2	PLUG, grease	
4	23691-AX	6	BUSHING, spacer	
5	23692-AX	12	BEARING, roller	
6	23693-AX	6	GEAR - 32 teeth	
7	23694-AX	6	RING, retaining	
8	23695-AX	6	O-RING	
9	23696-AX	6	STUD, gear shaft	
10	23697-AX	6	GASKET, gear shaft stud (<i>2mm thick</i>)	
11	23698-AX	6	COVER, access	
12	23699-AX	24	WASHER, hardened - 10mm	
13	23700-AX	24	BOLT - 10mm x 20mm	

Note:

Quantities listed are for a single axle beam. LH and RH installations are identical.



Parts 01760 08/18/2000

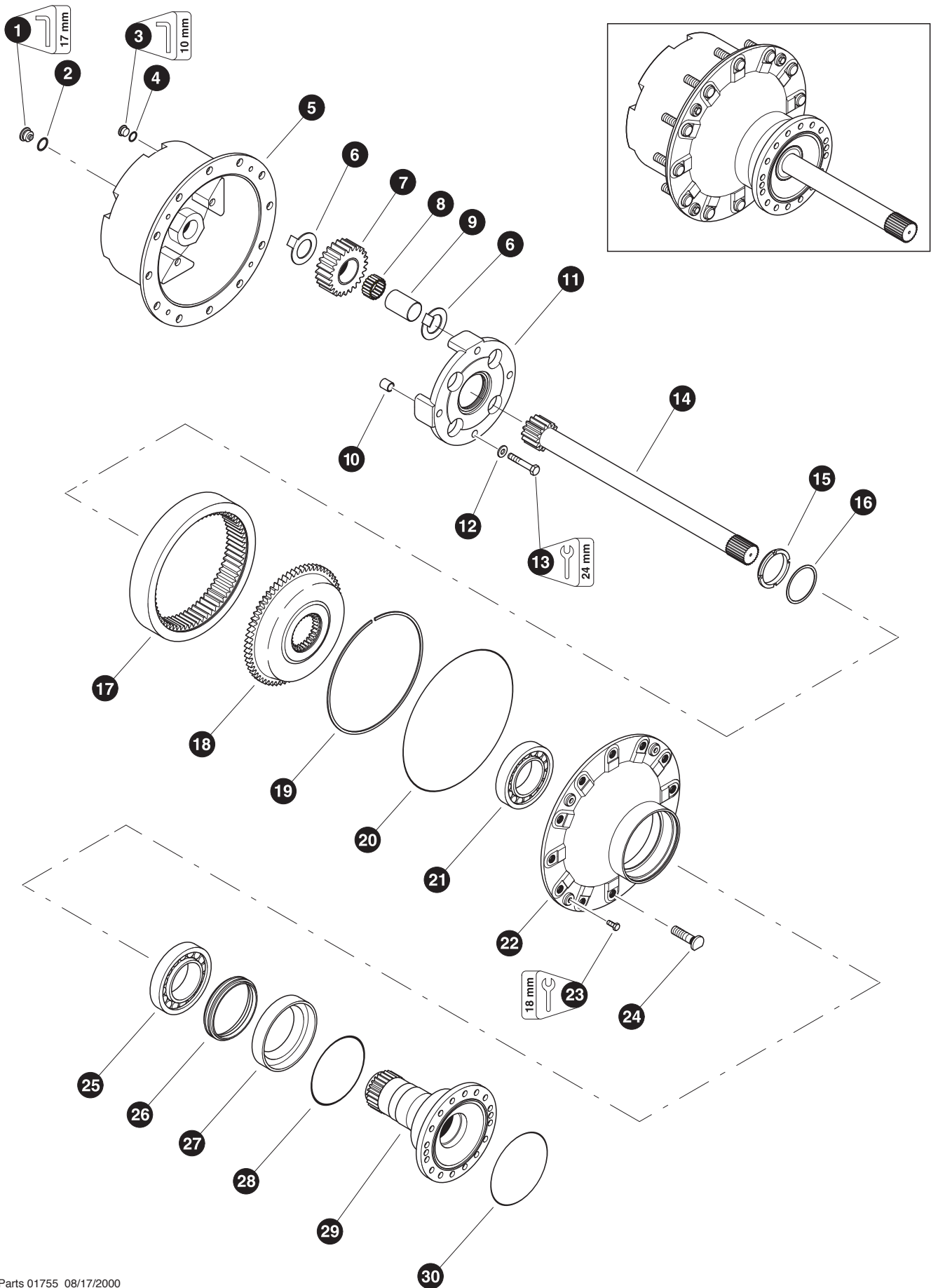
PLANETARY HUB INSTALLATION

REF	PART #	QTY	DESCRIPTION	SEE PAGE
1	REF.	1	✓ HOUSING, axle beam	AX-1-2
2	23710-AX	2	□ PLUG, fill / save oil - 30mm	
	23712-AX	1	RING, seal	
3	23711-AX	1	□ PLUG, drain - 30mm (<i>Magnetic</i>)	
	23712-AX	1	RING, seal	
4	23721-AX	6	BOLT, allen head - 10mm x 20mm	
5	23722-AX	6	WASHER, lock - 10mm	
6	23723-AX	1	COVER, access	
7	23724-AX	1	RING, seal	
8	23725-AX	1	RING, retaining	
9	23726-AX	1	GASKET, inner gear cover	
10	23727-AX	1	COVER, inner gear	
11	23728-AX	1	RING, retaining	
12	23729-AX	1	WASHER, support	
13	23730-AX	2	BEARING, ball	
14	23731-AX	1	GEAR, planetary input (<i>26 teeth</i>)	
15	23732-AX	2	PIN, dowel - 16mm	
16	23733-AX	1	SEAL, oil - outboard	
17	23734-AX	1	WASHER - outboard	
18	23735-AX	1	PIPE, planetary shaft	
19	23736-AX	1	WASHER - inboard	
20	23737-AX	1	SEAL, oil - inboard	
21	23738-AX	1	O-RING, planetary pilot	
22	23739-AX	18	BOLT - 16mm x 40mm	
23	REF.	1	✓ PLANETARY HUB ASSEMBLY	AX-1-6

- ✓ See referenced page for component or assembly breakdown.
- Kit or Assembly - includes all items indented underneath.

Note:

Quantities listed are for a single planetary hub installation. Installations are identical

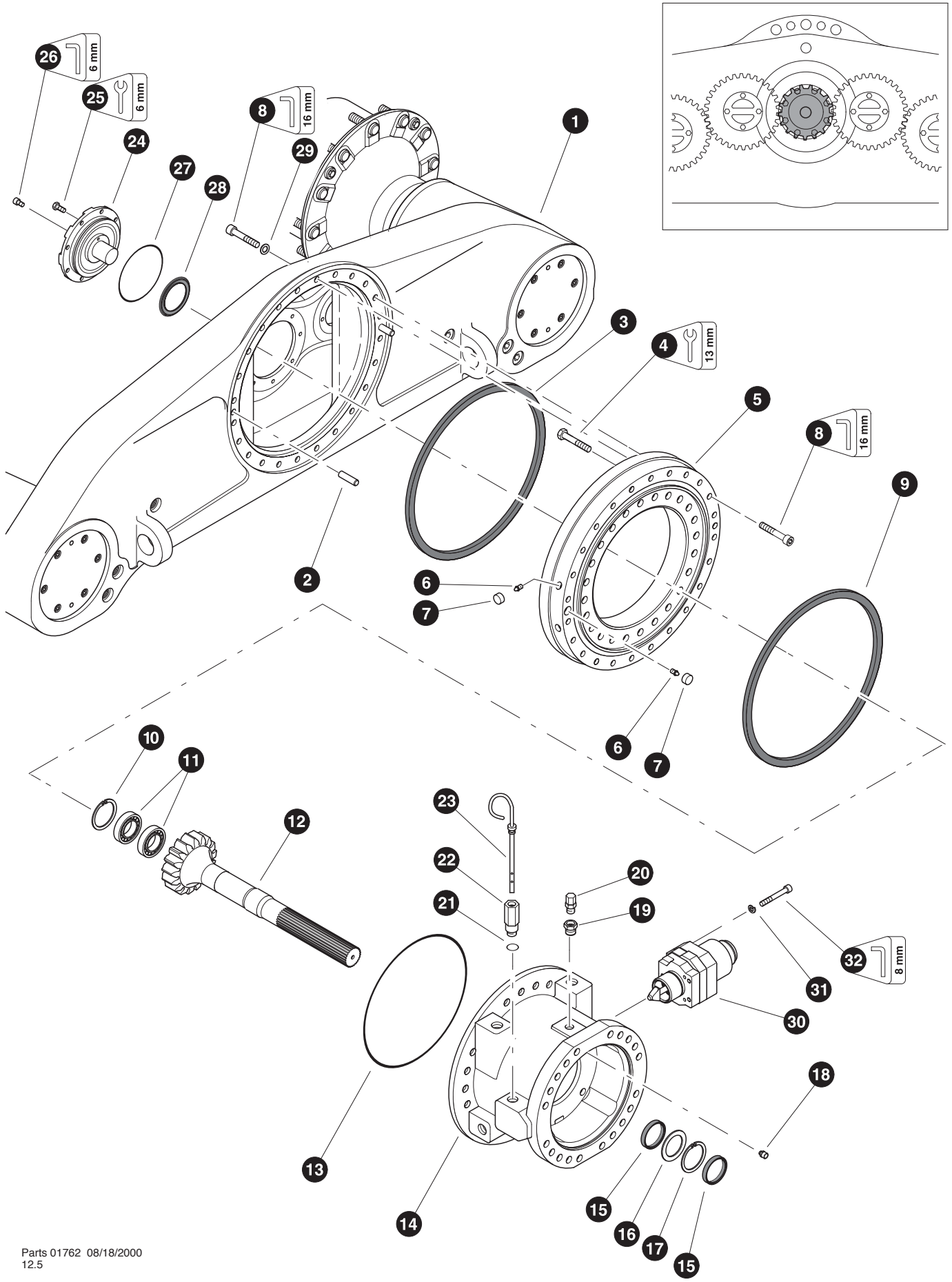


Parts 01755 08/17/2000
12.50

PLANETARY HUB ASSEMBLY

REF	PART #	QTY	DESCRIPTION	SEE PAGE
-	22833-AX	4	<input type="checkbox"/> PLANETARY HUB	
1	23741-AX	1	<input type="checkbox"/> PLUG, drain - 20mm (<i>Magnetic</i>)	
	23742-AX	1	RING, seal	
3	23743-AX	2	<input type="checkbox"/> PLUG, screw - M30 (<i>Adhesive coated</i>)	
4	23744-AX	2	RING, seal	
5	23745-AX	1	HOUSING, planetary cage	
6	23746-AX	8	DISK, check	
7	23747-AX	4	GEAR, planetary (<i>25 teeth</i>)	
8	23748-AX	4	CAGE, needle roller bearing	
9	23751-AX	4	SHAFT, planetary gear	
10	23752-AX	4	BUSHING, shear	
11	23753-AX	1	CAGE, planetary gear	
12	23754-AX	4	WASHER, flat - 16mm	
13	23755-AX	4	BOLT - 16mm x 90mm	
14	23756-AX	1	SHAFT, sun gear	
15	23757-AX	1	NUT, sun gear	
16	23758-AX	AR	WASHER, adjustment	
17	23759-AX	1	GEAR, rim (<i>66 teeth</i>)	
18	23760-AX	1	GEAR, carrier ring (<i>66 teeth</i>)	
19	23761-AX	1	RING, spring	
20	23762-AX	1	O-RING, wheel hub housing	
21	23763-AX	1	BEARING, tapered roller - inboard	
22	23764-AX	1	HOUSING, wheel hub	
23	23765-AX	4	BOLT - 12mm x 30mm	
24	22245-AX	12	BOLT, wheel mounting stud	
25	23767-AX	1	BEARING, tapered roller - outboard	
26	23768-AX	1	SEAL, shaft - axle stub	
27	23769-AX	1	RING, axle stub	
28	23770-AX	1	O-RING, axle stub	
29	23771-AX	1	STUB, axle	
30	23772-AX	1	O-RING, planetary hub pilot	

Kit or Assembly - includes all items indented underneath.



Parts 01762 08/18/2000
12.5

AXLE BEAM INSTALLATION TO OUTER DIFFERENTIAL - LH

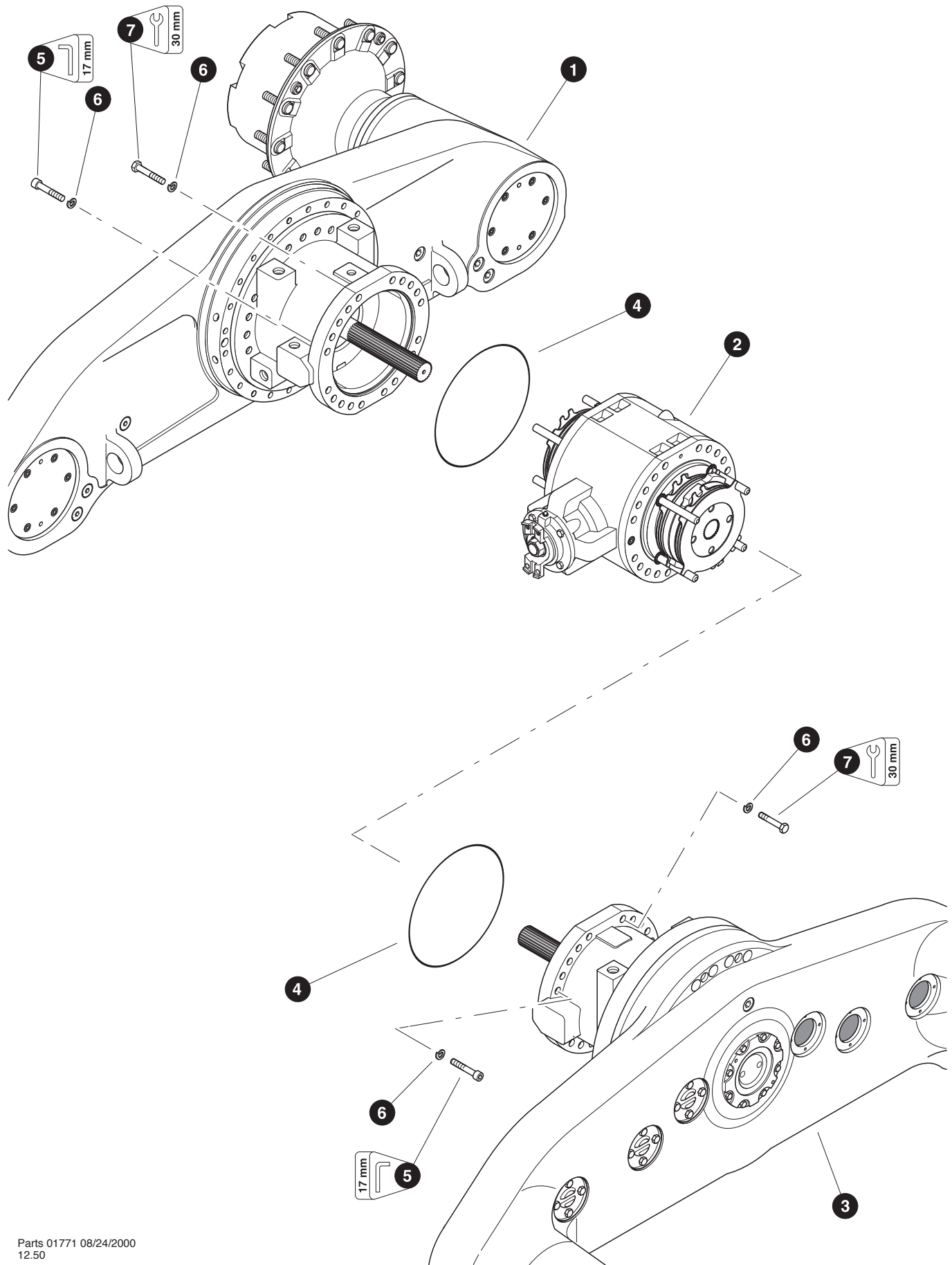
REF	PART #	QTY	DESCRIPTION	SEE PAGE
1	REF.	1	✓ HOUSING, axle beam	AX-1-2
2	23777-AX	2	PIN, dowel	
3	23778-AX	1	RING, seal	
4	23779-AX	24	BOLT - 20mm x 90mm	
5	23780-AX	2	BEARING, axle beam	
6	23689-AX	10	FITTING, grease (<i>tapered</i>)	
7	23690-AX	10	PLUG, grease	
8	23781-AX	24	BOLT, allen head - 18mm x 85mm	
9	23783-AX	1	RING, scrapper	
10	-----	1	RING, retaining	
11	23784-AX	2	BEARING, roller	
12	23785-AX	1	SHAFT, sun gear (<i>17 teeth</i>)	
13	23787-AX	1	O-RING	
14	NSS	1	HOUSING, axle beam mounting - LH	
15	23788-AX	2	SEAL, oil	
16	23789-AX	1	RING, retaining	
17	23790-AX	1	WASHER, support	
18	23791-AX	1	BREATHER, axle beam mount housing - internal	
19	23792-AX	2	BUSHING, reducer	
20	22570-AX	1	BREATHER, axle differential	
21	-----	1	O-RING	
22	-----	1	DIPSTICK	
23	-----	1	O-RING	
24	23794-AX	1	STUB, bearing	
25	23795-AX	8	BOLT - 10mm x 25mm	
26	23797-AX	2	BOLT, allen head - 8mm x 16mm	
27	23798-AX	1	O-RING	
28	23799-AX	1	SEAL, ring axle shaft	
29	23800-AX	24	WASHER, hardened	
30	REF.	1	✓ BRAKE CYLINDER ASSEMBLY	AX-1-22
31	23802-AX	4	WASHER, lock	
32	23803-AX	4	BOLT, allen head - 10mm x 30mm	

✓ See referenced page for component or assembly breakdown.

AXLE BEAM INSTALLATION TO OUTER DIFFERENTIAL - RH

REF	PART #	QTY	DESCRIPTION	SEE PAGE
1	REF.	1	✓ HOUSING, axle beam	AX-1-2
2	23777-AX	2	PIN, dowel	
3	23778-AX	1	RING, seal	
4	23779-AX	24	BOLT - 20mm x 90mm	
5	23780-AX	2	BEARING, axle beam	
6	23689-AX	10	FITTING, grease (<i>tapered</i>)	
7	23690-AX	10	PLUG, grease	
8	23781-AX	24	BOLT, allen head - 18mm x 85mm	
9	23783-AX	1	RING, scrapper	
10	-----	1	RING, retaining	
11	23784-AX	2	BEARING, roller	
12	23785-AX	1	SHAFT, sun gear (<i>17 teeth</i>)	
13	23787-AX	1	O-RING	
14	NSS	1	HOUSING, axle beam mounting - RH	
15	23788-AX	2	SEAL, oil	
16	23789-AX	1	RING, retaining	
17	23790-AX	1	WASHER, support	
18	23791-AX	1	BREATHER, axle beam mount housing - internal	
19	23794-AX	1	STUB, bearing	
20	23795-AX	8	BOLT - 10mm x 25mm	
21	23797-AX	2	BOLT, allen head - 8mm x 16mm	
22	23798-AX	1	O-RING	
23	23799-AX	1	SEAL, ring axle shaft	
24	23800-AX	24	WASHER, hardened	
25	REF.	1	✓ BRAKE CYLINDER ASSEMBLY	AX-1-22
26	23802-AX	4	WASHER, lock	
27	23803-AX	4	BOLT, allen head - 10mm x 30mm	

✓ See referenced page for component or assembly breakdown.

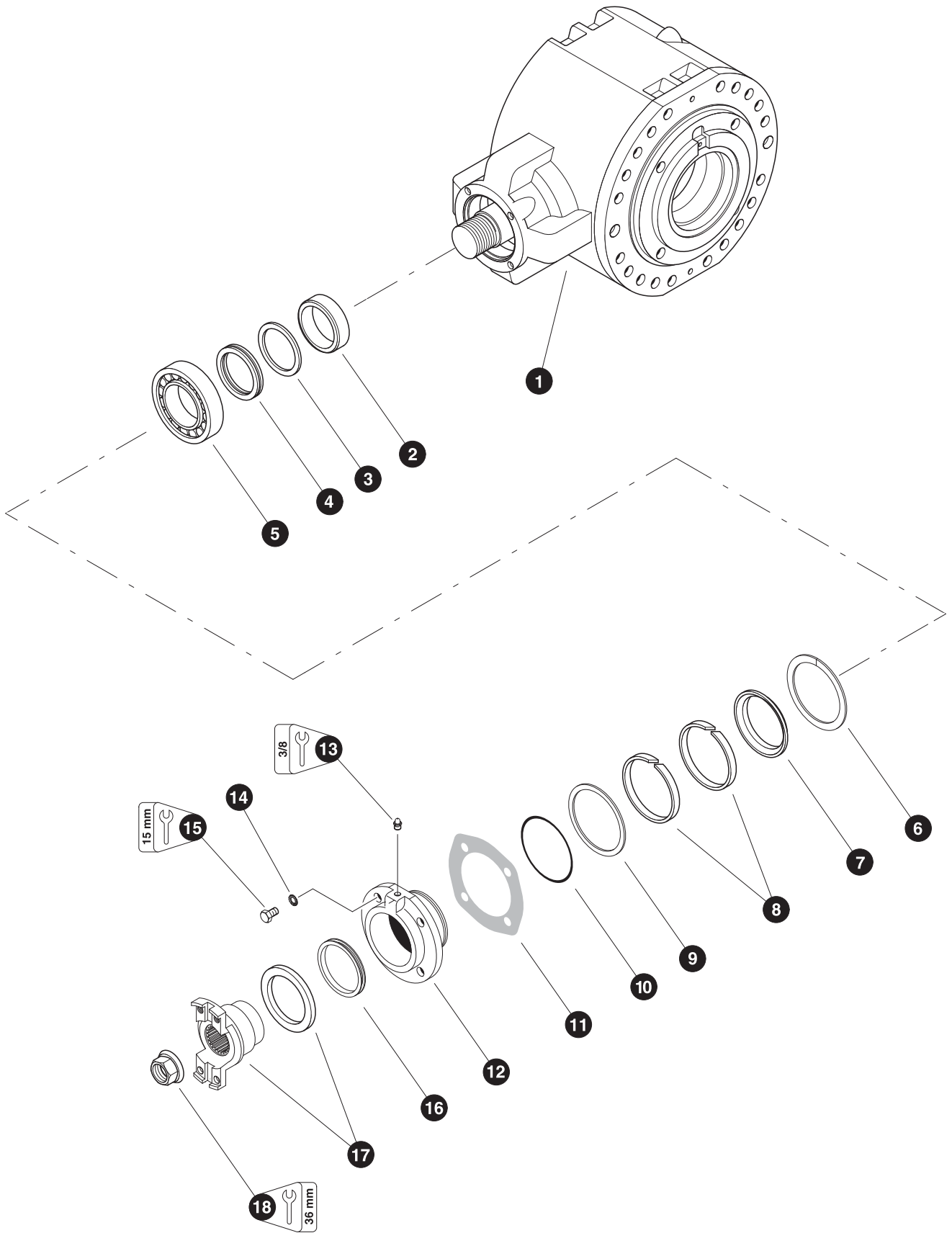


Parts 01771 08/24/2000
12.50

INNER DIFFERENTIAL INSTALLATION

REF	PART #	QTY	DESCRIPTION	SEE PAGE
1	REF.	1	✓ TANDEM AXLE BEAM - LH	AX-1-2
2	REF.	1	INNER DIFFERENTIAL COMPONENTS	
3	REF.	1	✓ TANDEM AXLE BEAM - RH	AX-1-2
4	23805-AX	2	O-RING	
5	23803-AX	8	BOLT, allen head - 20mm x 90mm	
6	23806-AX	64	WASHER, lock - 20mm	
7	23807-AX	32	BOLT - 20mm x 90mm	

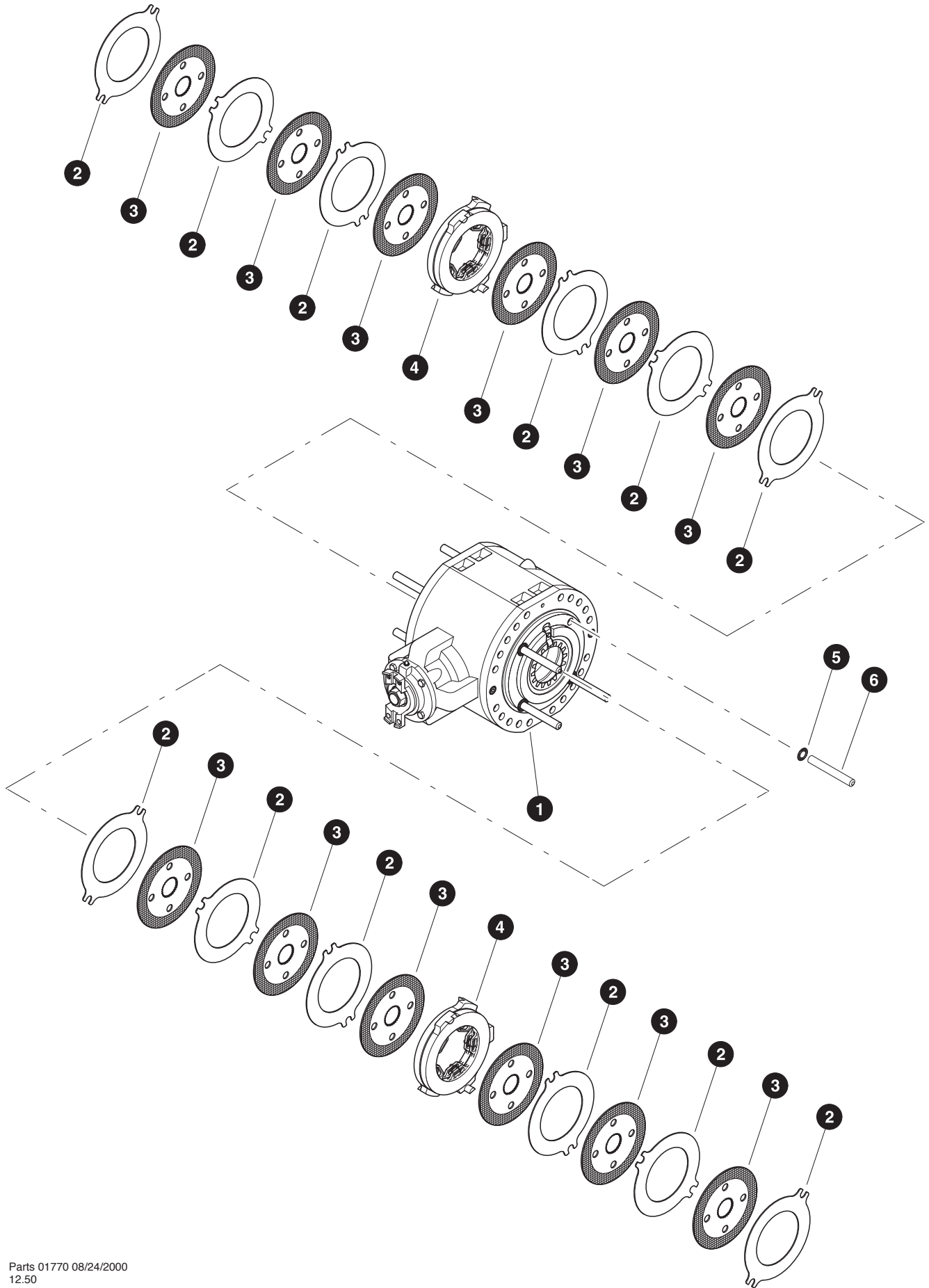
✓ See referenced page for component or assembly breakdown.



Parts 01768 08/23/2000
12.5

INNER DIFFERENTIAL COMPONENTS (Drive Shaft Yoke Installation)

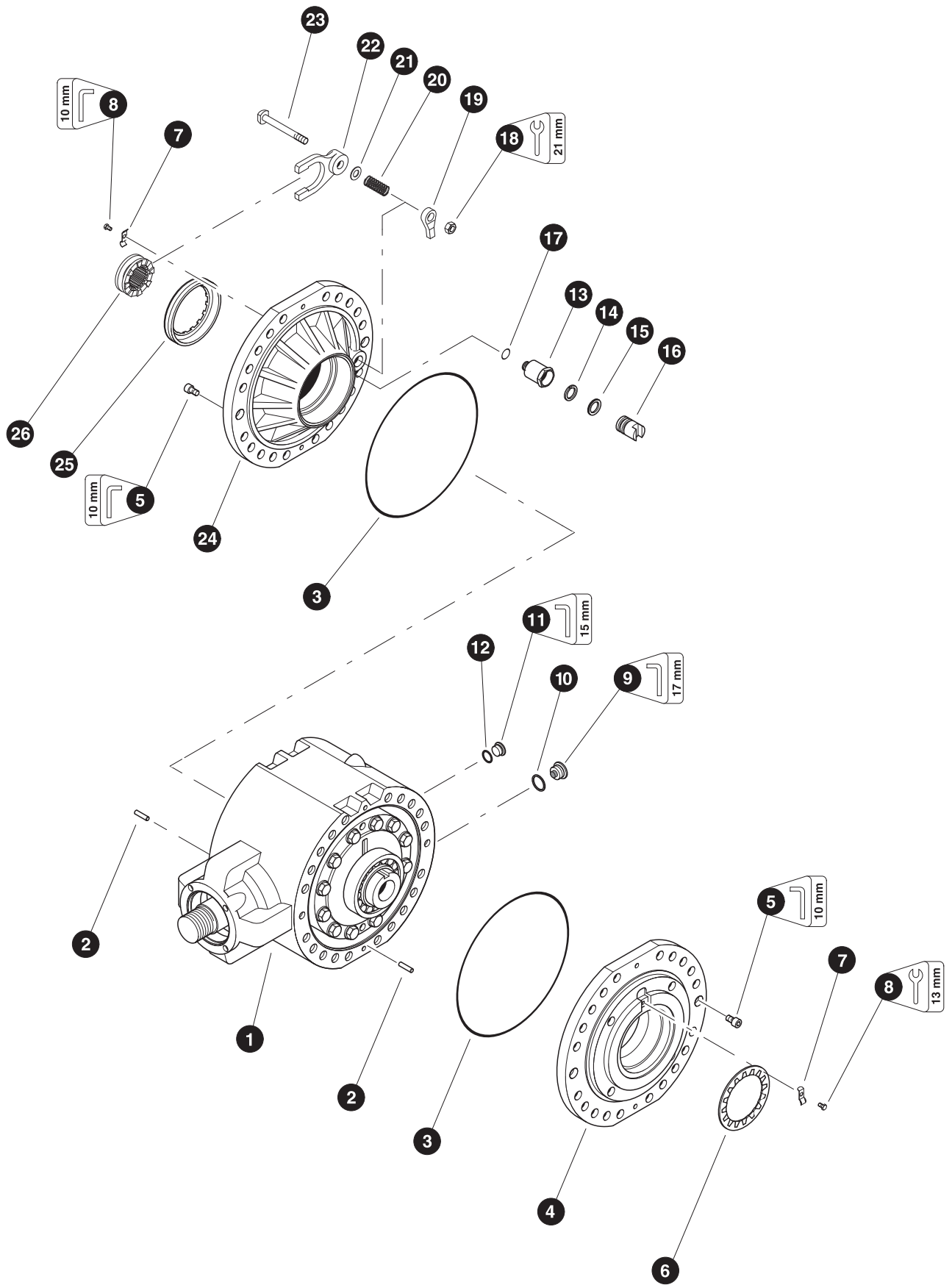
REF	PART #	QTY	DESCRIPTION	SEE PAGE
1	REF.	1	INNER DIFFERENTIAL COMPONENTS	
2	23808-AX	1	SPACER, bushing	
3	23809-AX	AR	WASHER, adjusting	
4	23810-AX	AR	SPACER, bushing	
5	23811-AX	1	BEARING, tapered roller	
6	23812-AX	1	RING, spring	
7	23813-AX	1	SEAL, radial	
8	23814-AX	2	RING, seal	
9	23815-AX	1	WASHER, drive shaft cover	
10	23816-AX	1	O-RING, drive shaft cover	
11	23817-AX	1	GASKET, drive shaft cover	
12	23818-AX	1	COVER, drive shaft	
13	23819-AX	1	FITTING, grease	
14	23820-AX	4	WASHER, lock - 10mm	
15	23821-AX	4	BOLT - 10mm x 25mm	
16	23822-AX	1	V-RING	
17	23823-AX	1	FLANGE, drive shaft <i>(With washer)</i>	
18	23824-AX	1	NUT, flange - 40mm	



Parts 01770 08/24/2000
12.50

INNER DIFFERENTIAL COMPONENTS (Brake Pack Installation)

REF	PART #	QTY	DESCRIPTION	SEE PAGE
1	REF.	1	INNER DIFFERENTIAL COMPONENTS	
2	23825-AX	12	DISK, intermediate	
3	23826-AX	12	DISK, coated	
4	23827-AX	2	DISK, operating	
5	23828-AX	8	WASHER, toothed	
6	23829-AX	8	PIN, straight	

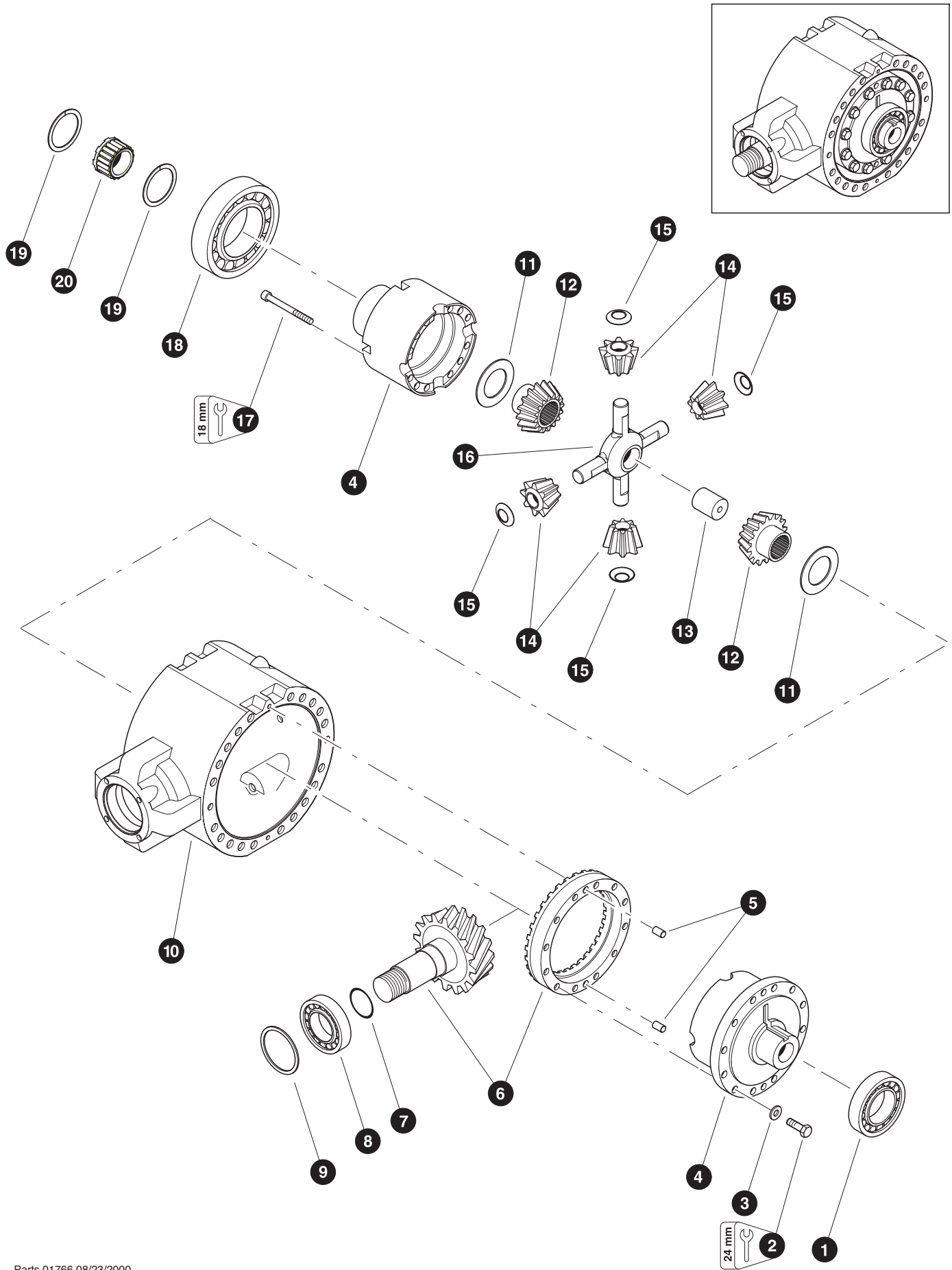


Parts 01767 08/23/2000
12.5

INNER DIFFERENTIAL COMPONENTS (Differential Lock Installation)

REF	PART #	QTY	DESCRIPTION	SEE PAGE
1	REF.	1	INNER DIFFERENTIAL COMPONENTS	
2	23830-AX	4	PIN, dowel	
3	23831-AX	2	O-RING	
4	23832-AX	1	FLANGE - RH	
5	23721-AX	4	BOLT, allen head - 10mm x 20mm	
6	23833-AX	1	NUT, flange	
7	23834-AX	2	PLATE, locking	
8	23835-AX	2	BOLT - 8mm x 16mm	
9	23741-AX	1	PLUG - 20mm <i>(With magnet)</i>	
10	23742-AX	1	RING, seal	
11	23836-AX	1	PLUG - 30mm	
12	23712-AX	1	RING, seal	
-	- - - - -	1	<input type="checkbox"/> CYLINDER, differential lock	
13	23837-AX	1	BARREL	
14	23838-AX	1	RING, groove	
15	23839-AX	1	RING, seal	
16	23840-AX	1	PISTON	
17	23841-AX	1	O-RING	
18	23842-AX	1	NUT, hex - 14mm	
19	23843-AX	1	LEVER, shifting	
20	23844-AX	1	SPRING, pressure	
21	23845-AX	AR	WASHER, adjusting	
22	23846-AX	1	FORK, shift	
23	23847-AX	1	ROD, shifting	
24	23848-AX	1	FLANGE - LH	
25	23849-AX	1	NUT	
26	23850-AX	1	SLEEVE, shifting	

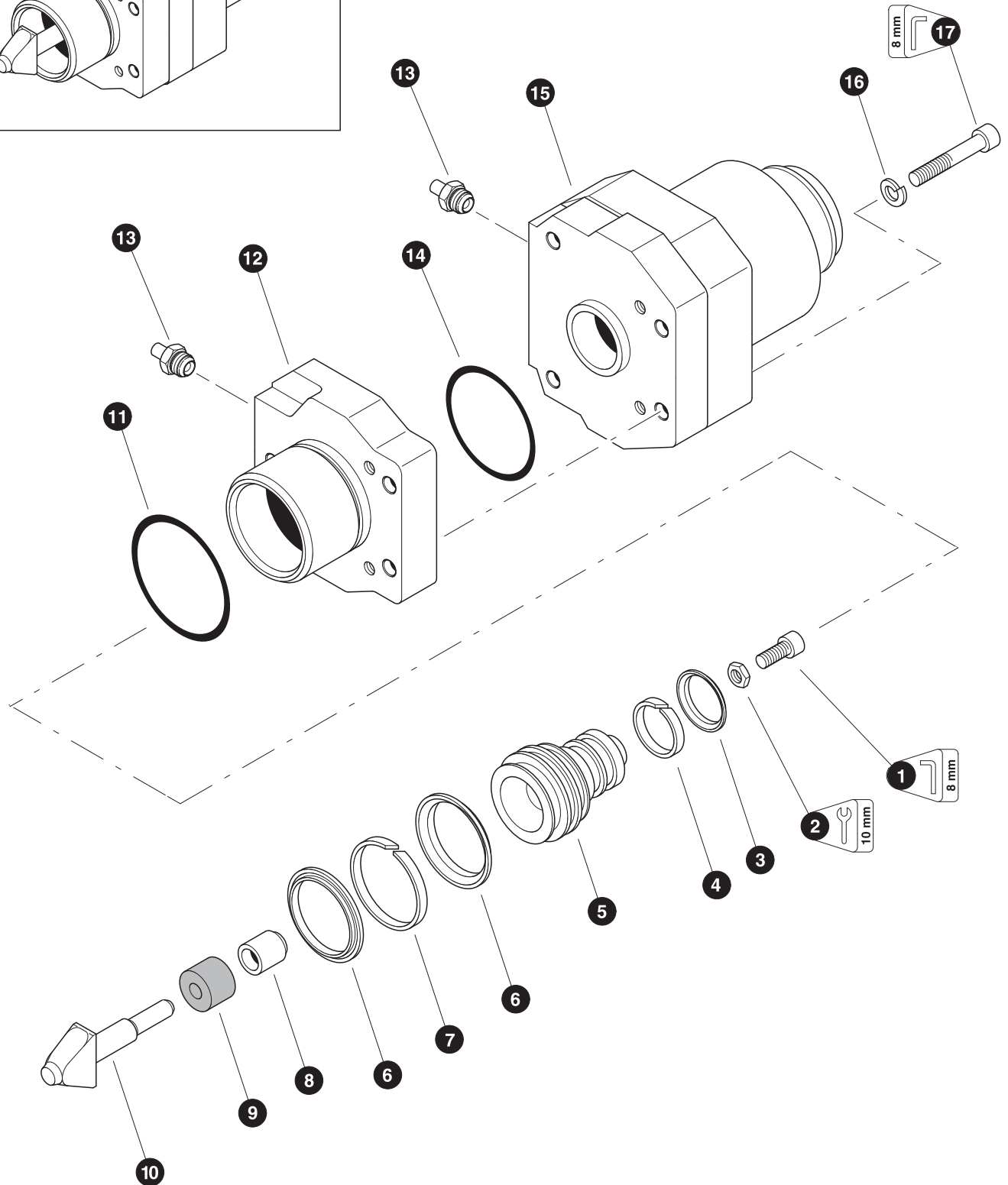
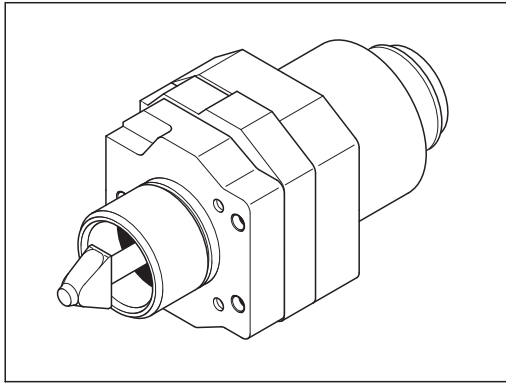
Kit or Assembly - includes all items indented underneath.



Parts 01766 08/23/2000
15.00

INNER DIFFERENTIAL COMPONENTS (Differential Gear Installation)

REF	PART #	QTY	DESCRIPTION	SEE PAGE
1	23852-AX	1	BEARING, tapered roller	
2	23853-AX	16	BOLT - 16mm x 40mm	
3	23754-AX	16	WASHER, hardened - 16mm	
4	23854-AX	1	CAGE, differential	
5	23855-AX	4	PIN, dowel	
6	23856-AX	1	WHEEL, crown (<i>With pinion - 34/12 teeth</i>)	
7	23857-AX	1	O-RING	
8	23858-AX	1	BEARING, tapered roller	
9	23859-AX	AR	WASHER, adjusting	
10	23860-AX	1	HOUSING, differential	
11	23861-AX	2	DISK, check	
12	23862-AX	2	GEAR, differential	
13	23863-AX	1	PACKAGE, adjusting bolt	
14	23864-AX	4	GEAR, planetary	
15	23865-AX	4	WASHER, thrust	
16	23866-AX	1	CROSS, planetary gear	
17	23867-AX	12	BOLT, allen head - 12mm x 85mm	
18	23868-AX	1	BEARING, tapered roller	
19	23869-AX	2	RING, spring	
20	23870-AX	1	SLEEVE, clutch coupling	

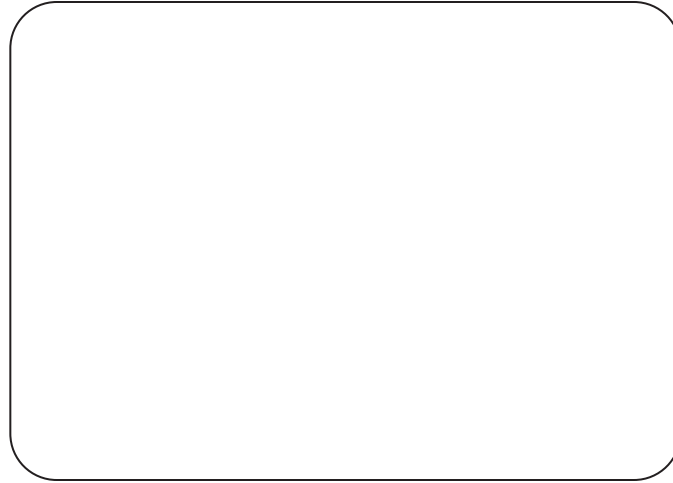


Parts 01754 08/17/2000
50.00

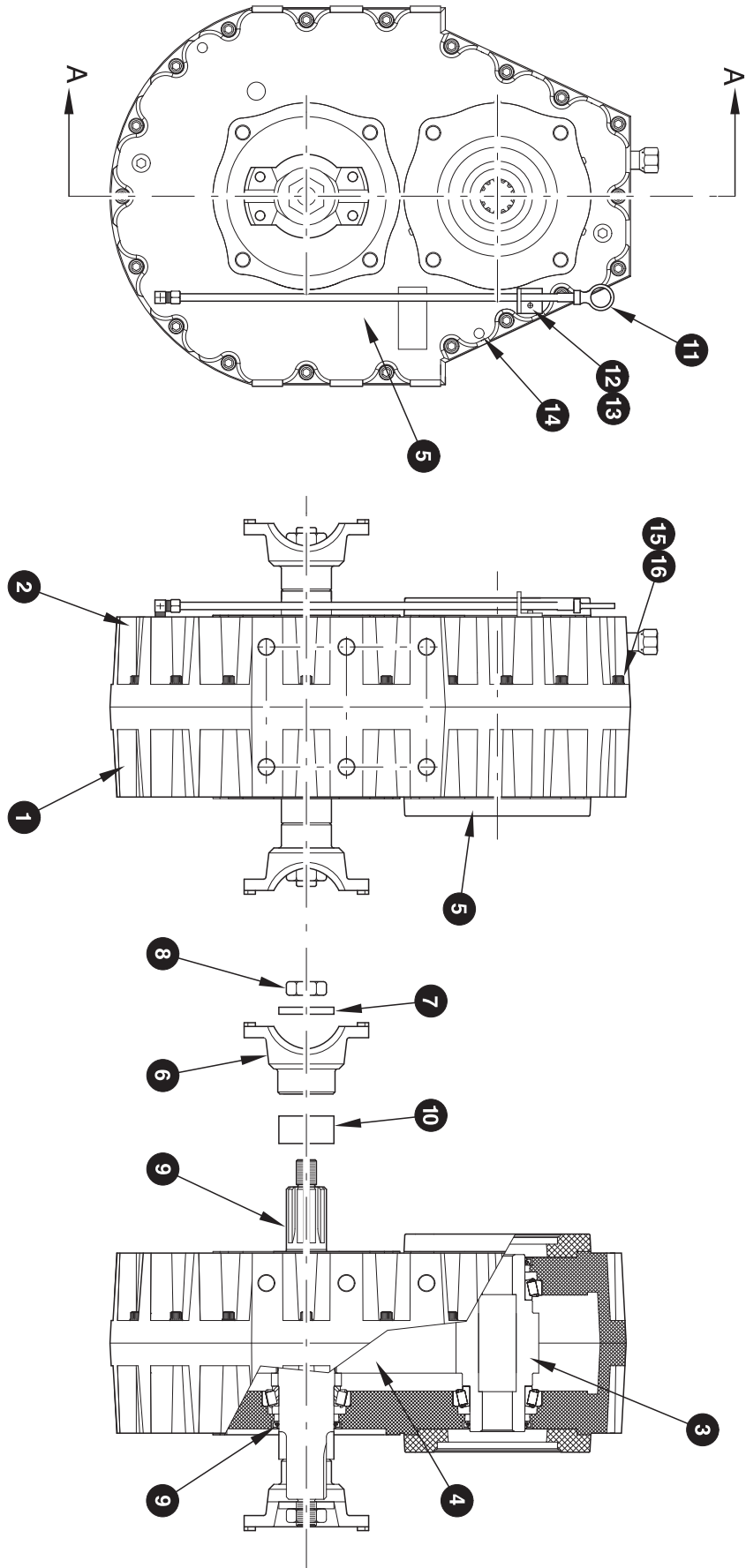
BRAKE CYLINDER ASSEMBLY

REF	PART #	QTY	DESCRIPTION	SEE PAGE
1	23871-AX	1	BOLT, allen head - 10mm x 40mm	
2	23872-AX	1	NUT, hex - 10mm	
3	23873-AX	1	SEAL, piston	
4	23874-AX	1	RING, guide	
5	23875-AX	1	STUD, compression	
6	23876-AX	2	SEAL, piston	
7	23877-AX	1	RING, guide	
8	23878-AX	1	STUD	
9	23879-AX	1	RING	
10	23880-AX	1	WEDGE	
11	23881-AX	1	O-RING	
12	23882-AX	1	HOUSING, lower cylinder	
13	23883-AX	2	VALVE, breather	
14	23884-AX	1	O-RING	
15	-----	1	HOUSING, upper cylinder	
16	23885-AX	2	WASHER, lock - 8mm	
17	23886-AX	2	BOLT, allen head - 8mm x 60mm	

Section AX-2



Axles, Transfer Cases & Wheels- Transfer Cases



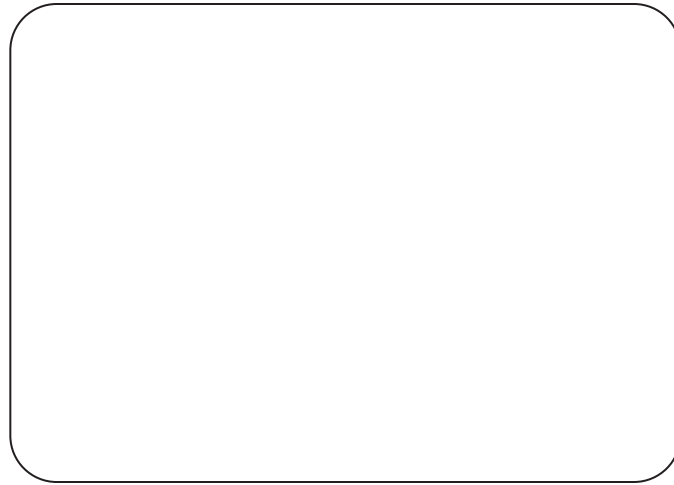
Parts 01733 07/07/00
1000 - 60

TRANSFER CASE (Superior)

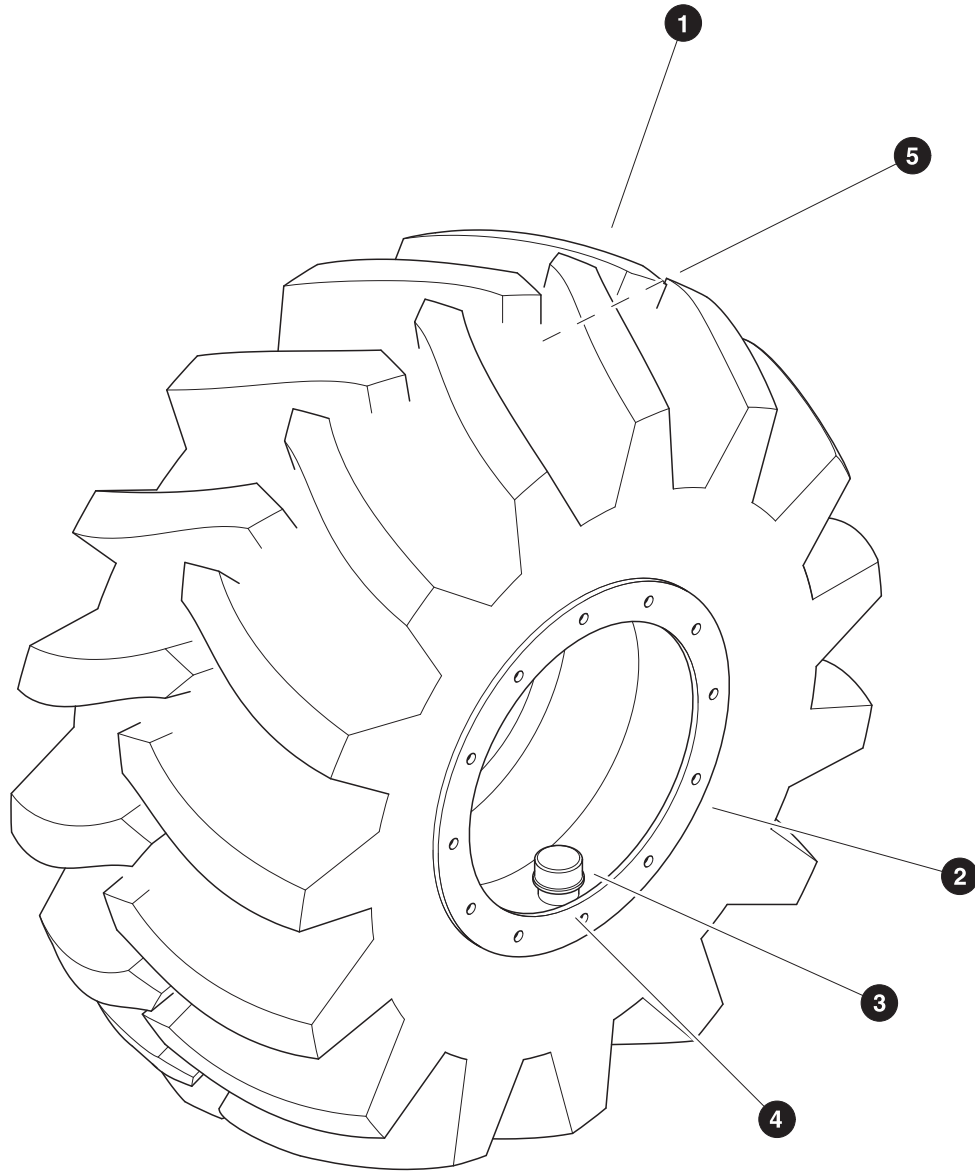
REF	PART #	QTY	DESCRIPTION	SEE PAGE
--	20097-AX	1	<input type="checkbox"/> TRANSFER CASE	
1	NSS	1	HOUSING	
2	NSS	1	HOUSING	
3	23681-AX	1	GEAR/SHAFT ASSEMBLY, input	
4	23682-AX	1	GEAR/SHAFT ASSEMBLY, output	
5	23683-AX	2	ADAPTER, motor pad - SAE "D"	
6	23499-AX	2	YOKE, driveshaft	
7	23684-AX	2	WASHER, yoke	
8	23685-AX	2	NUT, yoke	
9	22010-AX	2	SEAL, shaft	
10	23686-AX	2	SPACER	
11	23687-AX	1	DIPSTICK	
12	23688-AX	1	BRACKET, dipstick mounting	
13	15604-AX	1	BOLT - 1/4" x 3/4"	
14	23518-AX	2	PIN, dowel	
15	23517-AX	20	BOLT, housing	
16	23526-AX	20	WASHER, housing bolt	

Kit or Assembly - includes all items indented underneath.

Section AX-3



Axles, Transfer Cases & Wheels - Wheels



WHEEL ASSEMBLIES - Hi PROFILE

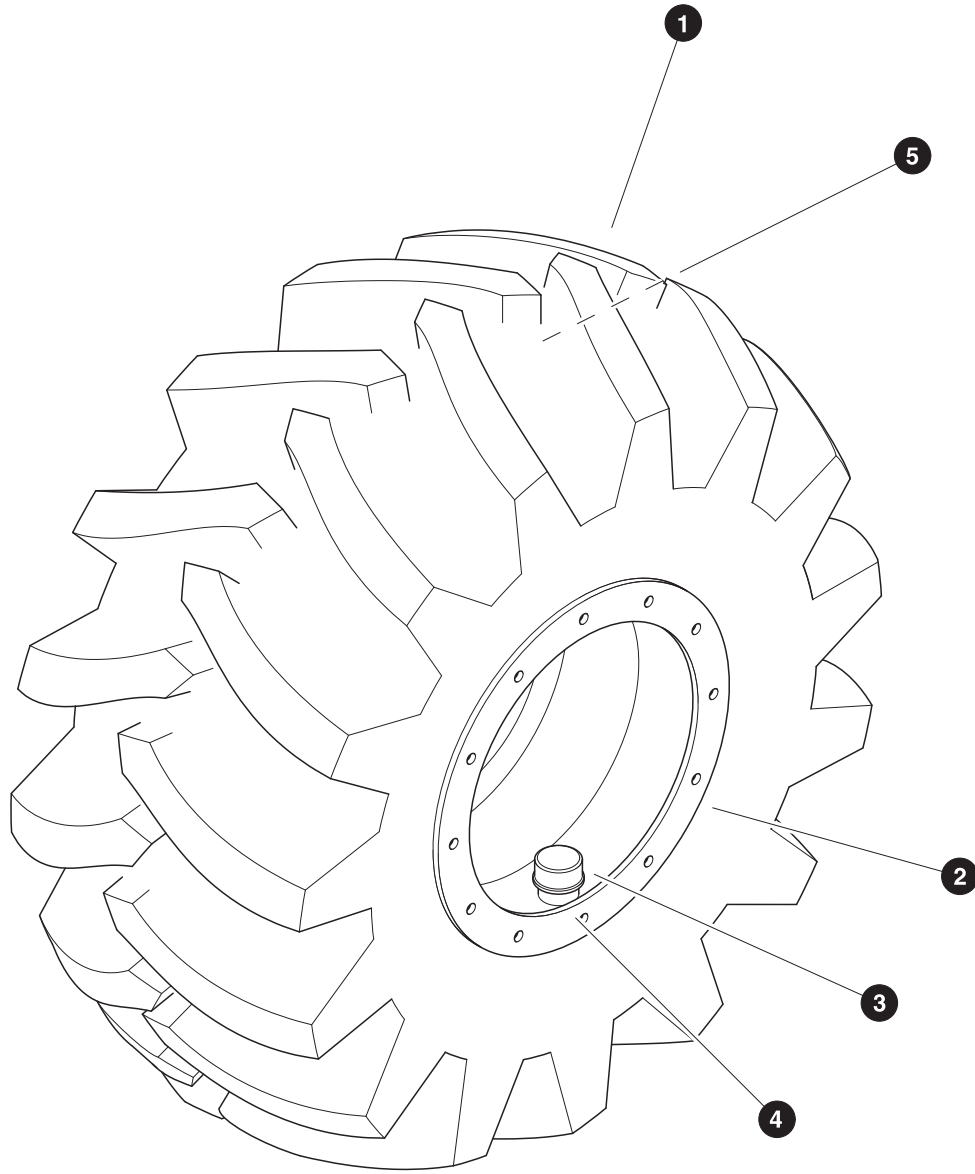
(Single Configurations - 8 Wheels Total)

REF	PART #	QTY		DESCRIPTION	SEE PAGE
--	20915-L-AX	4	<input type="checkbox"/>	WHEEL ASSEMBLY, 28L-26 - LH <i>(With spacer for dual mount)</i>	
--	20915-R-AX	4	<input type="checkbox"/>	WHEEL ASSEMBLY, 28L-26 - RH <i>(With spacer for dual mount)</i>	
1	19795-AX	1		TIRE/TUBE - 28L-26/14 ply <i>(Firestone)</i>	
2	22409-AX	1		RIM, wheel - 28L-26 <i>(With spacer for dual mount)</i>	
3	NSS	1		CAP, black pipe	
5	19798-AX	1		TUBE, tire - 28L-26	
--	19908-L-AX	4	<input type="checkbox"/>	WHEEL ASSEMBLY, 28L-26 - LH	
--	19908-R-AX	4	<input type="checkbox"/>	WHEEL ASSEMBLY, 28L-26 - RH	
1	19795-AX	1		TIRE/TUBE - 28L-26/14 ply <i>(Firestone)</i>	
2	22408-AX	1		RIM, wheel - 28L-26	
3	NSS	1		CAP, black pipe	
5	19798-AX	1		TUBE, tire - 28L-26	
--	23673-L-AX	4	<input type="checkbox"/>	WHEEL ASSEMBLY, 750/55-26.5" - LH <i>(Aggressive tread)</i>	
--	23673-R-AX	4	<input type="checkbox"/>	WHEEL ASSEMBLY, 750/55-26.5" - RH <i>(Aggressive tread)</i>	
1	23674-AX	1		TIRE - 750/55-26.5"/20 ply <i>(Nokian)(Aggressive tread)</i>	
2	20311-AX	1		RIM, wheel - 750/55-26.5"	
3	NSS	1		CAP, black pipe	
4	20313-AX	1		TUBE, tire - 750/55-26.5"	
--	20310-L-AX	4	<input type="checkbox"/>	WHEEL ASSEMBLY, 750/55-26.5" - LH <i>(Non-aggressive tread)</i>	
--	20310-R-AX	4	<input type="checkbox"/>	WHEEL ASSEMBLY, 750/55-26.5" - RH <i>(Non-aggressive tread)</i>	
1	20312-AX	1		TIRE - 750/55-26.5"/20 ply <i>(Nokian)(Non-aggressive tread)</i>	
2	20311-AX	1		RIM, wheel - 750/55-26.5"	
3	NSS	1		CAP, black pipe	
4	20313-AX	1		TUBE, tire - 750/55-26.5"	
--	20264-L-AX	4	<input type="checkbox"/>	WHEEL ASSEMBLY, 20.5 x 25 - LH	
--	20264-R-AX	4	<input type="checkbox"/>	WHEEL ASSEMBLY, 20.5 x 25 - RH	
1	20246-AX	1		TIRE - 20.5 x 25/20 ply <i>(Bridgestone Firestone)</i>	
	20262-AX	1		O-RING, wheel	
	20263-AX	AR		SEALANT	
2	20245-AX	1		RIM, wheel - 20.5 x 25	
3	NSS	1		CAP, black pipe	
5	20261-AX	1		STEM, valve	

Kit or Assembly - includes all items indented underneath.

Note:

LH and RH wheels are the result of the tire being mounted on the rim so that the tread is running the same direction on both sides of the machine when installed.



WHEEL ASSEMBLIES - LOW PROFILE

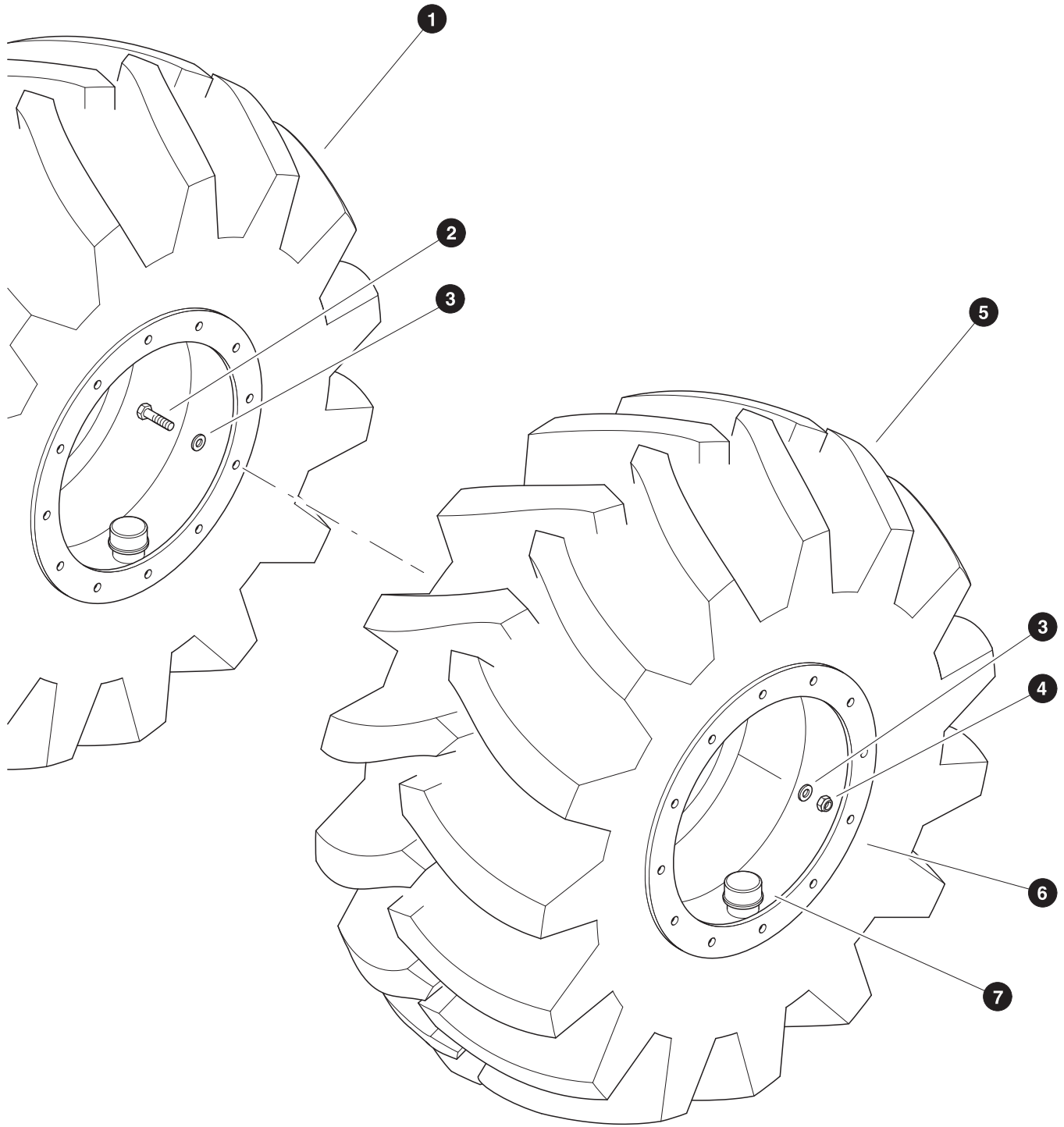
(Single Configurations - 8 Wheels Total)

REF	PART #	QTY	DESCRIPTION	SEE PAGE
--	20006-AX	4	<input type="checkbox"/> WHEEL ASSEMBLY, 700/50-26.5" - LH	
--	20007-AX	4	<input type="checkbox"/> WHEEL ASSEMBLY, 700/50-26.5" - RH	
1	19816-AX	1	TIRE - 700/50-26.5"/20 ply (<i>Firestone</i>)	
2	21137-AX	1	RIM, wheel - 700/50-26.5" wide	
3	NSS	1	CAP, black pipe	
5	20018-AX	1	STEM, valve	
--	19909-L-AX	4	<input type="checkbox"/> WHEEL ASSEMBLY, 54 x 37" - LH	
--	19909-R-AX	4	<input type="checkbox"/> WHEEL ASSEMBLY, 54 x 37" - RH	
1	19791-AX	1	TIRE - 54 x 37"/12 ply (<i>Firestone</i>)	
2	19803-AX	1	RIM, wheel - 54 x 37"	
3	NSS	1	CAP, black pipe	

- Kit or Assembly - includes all items indented underneath.

Note:

LH and RH wheels are the result of the tire being mounted on the rim so that the tread is running the same direction on both sides of the machine when installed.



Parts 01863 09/25/2000
12.50

WHEEL ASSEMBLIES

(Dual Configuration - 28L-26 & 23.1-26 - 16 Wheels Total)

REF	PART #	QTY		DESCRIPTION	SEE PAGE
1	REF.	4	✓	WHEEL ASSEMBLY, 28L-26 - LH	AX-3-2
	REF.	4	✓	WHEEL ASSEMBLY, 28L-26 - RH	AX-3-2
2	10840-AX	96		BOLT - 3/4" x 3"	
3	15550-AX	192		WASHER, SAE flat - 3/4"	
4	10817-AX	96		NUT, lock - 3/4"	
--	19911-L-AX	4	☐	WHEEL ASSEMBLY, 23.1-26 - LH	
--	19911-R-AX	4	☐	WHEEL ASSEMBLY, 23.1-26 - RH	
5	19800-AX	1		TIRE/TUBE - 23.1-26/14 ply (<i>Firestone</i>)	
6	19920-AX	1		RIM, wheel - 23.1-26	
7	NSS	1		CAP, black pipe	

- ✓ See referenced page for component or assembly breakdown.
- ☐ Kit or Assembly - includes all items indented underneath.

Note:

LH and RH wheels are the result of the tire being mounted on the rim so that the tread is running the same direction on both sides of the machine when installed.