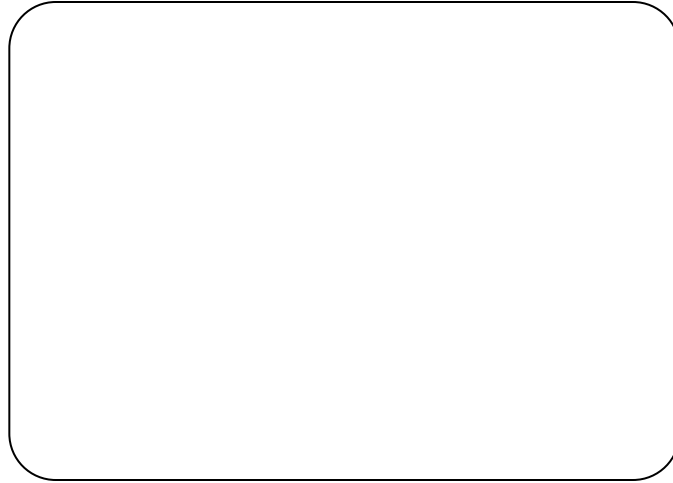
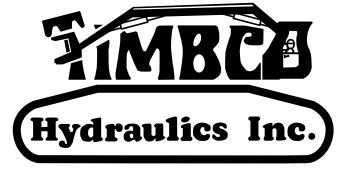
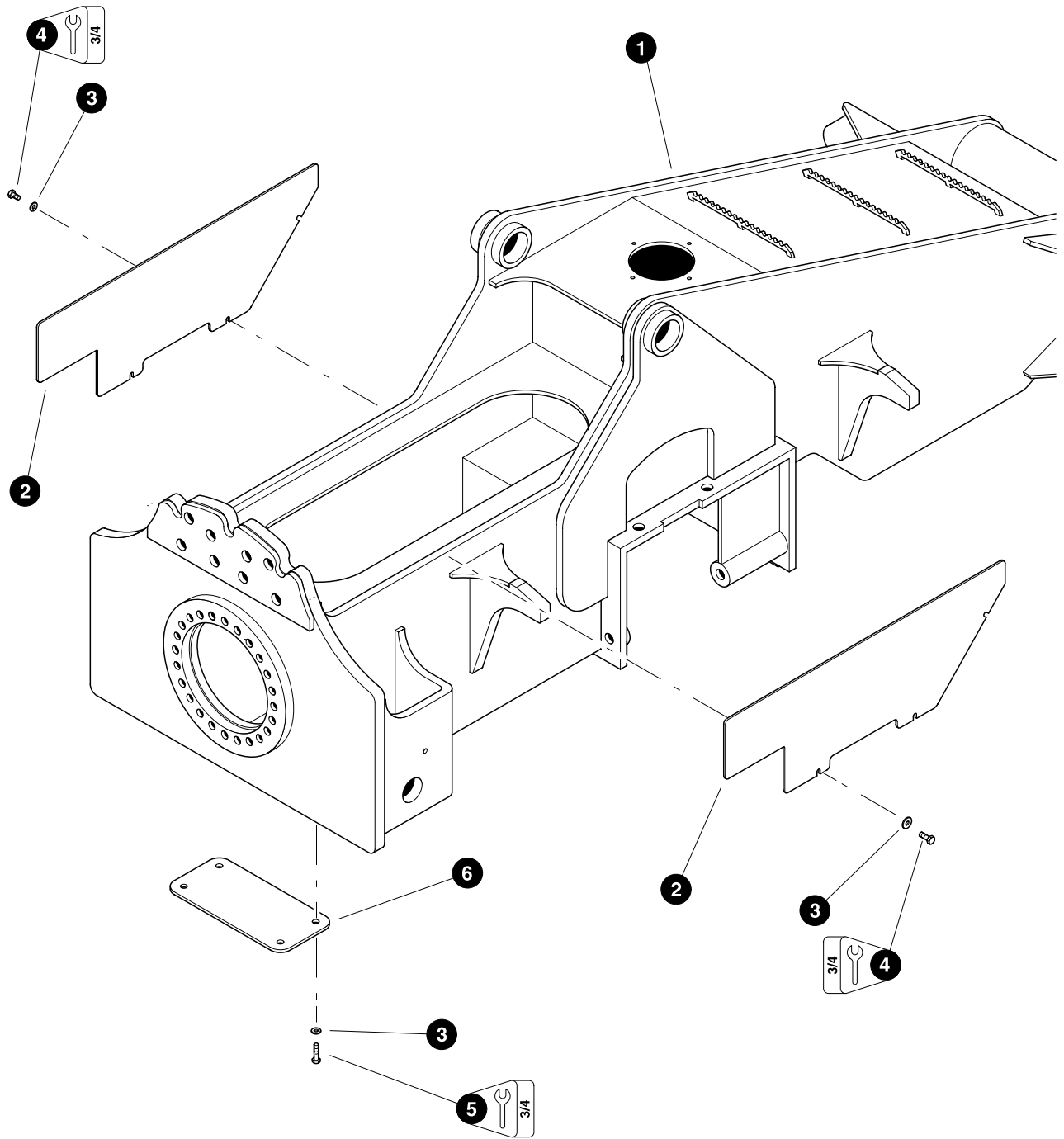


Section BF-1



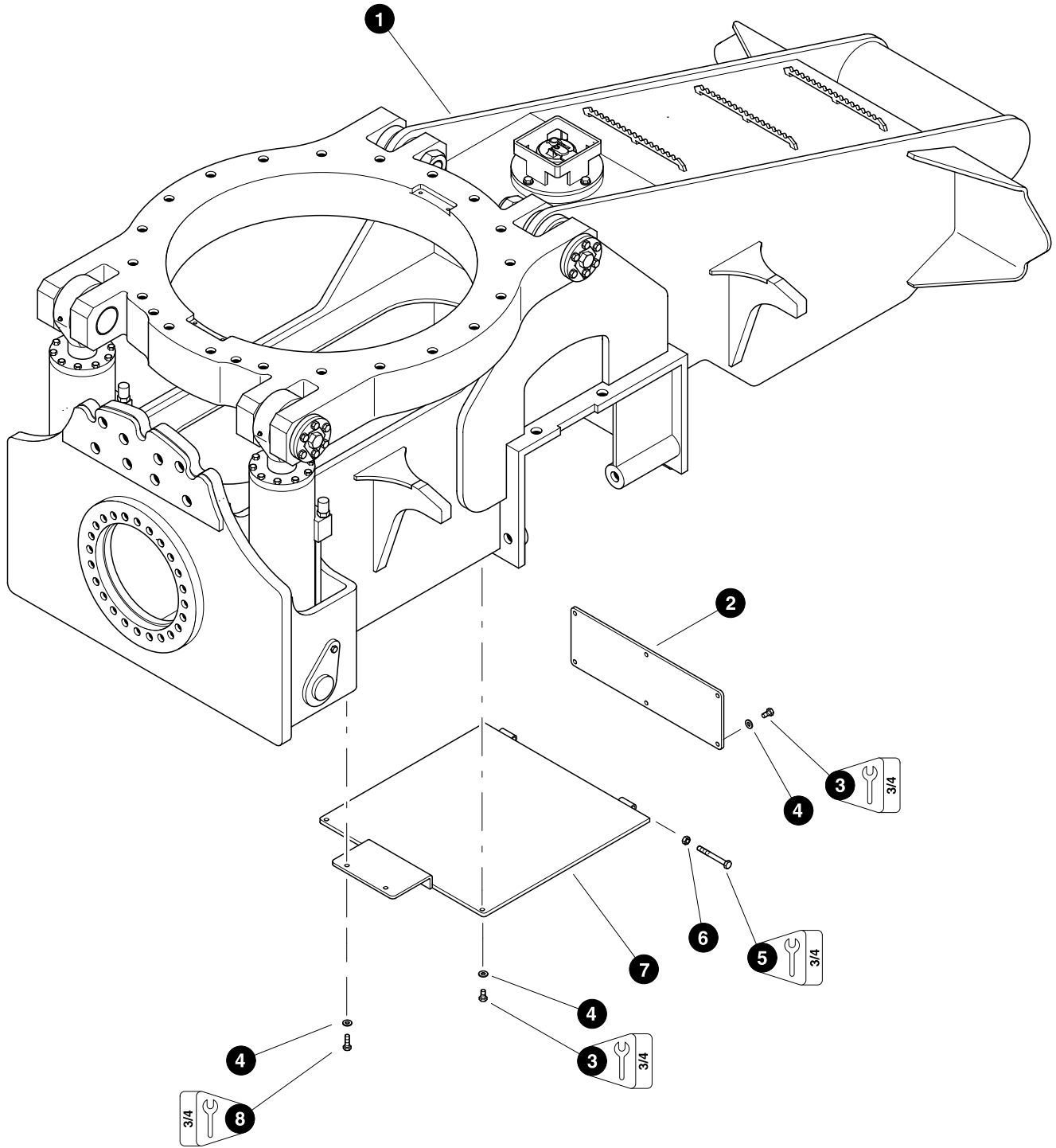
Leveling Front Frame - Structural



Parts 01600 03/01/2000
9.375

**FRAME ACCESS COVERS
(General)**

REF	PART #	QTY	DESCRIPTION	SEE PAGE
1	85330-BF	1	FRONT FRAME WELDMENT	
2	80503-BF	2	COVER, access	
3	15534-BF	10	WASHER, SAE flat - 1/2"	
4	10783-BF	6	BOLT - 1/2" x 1"	
5	10739-BF	4	BOLT - 1/2" x 1-1/2"	
6	85340-BF	1	COVER, access	

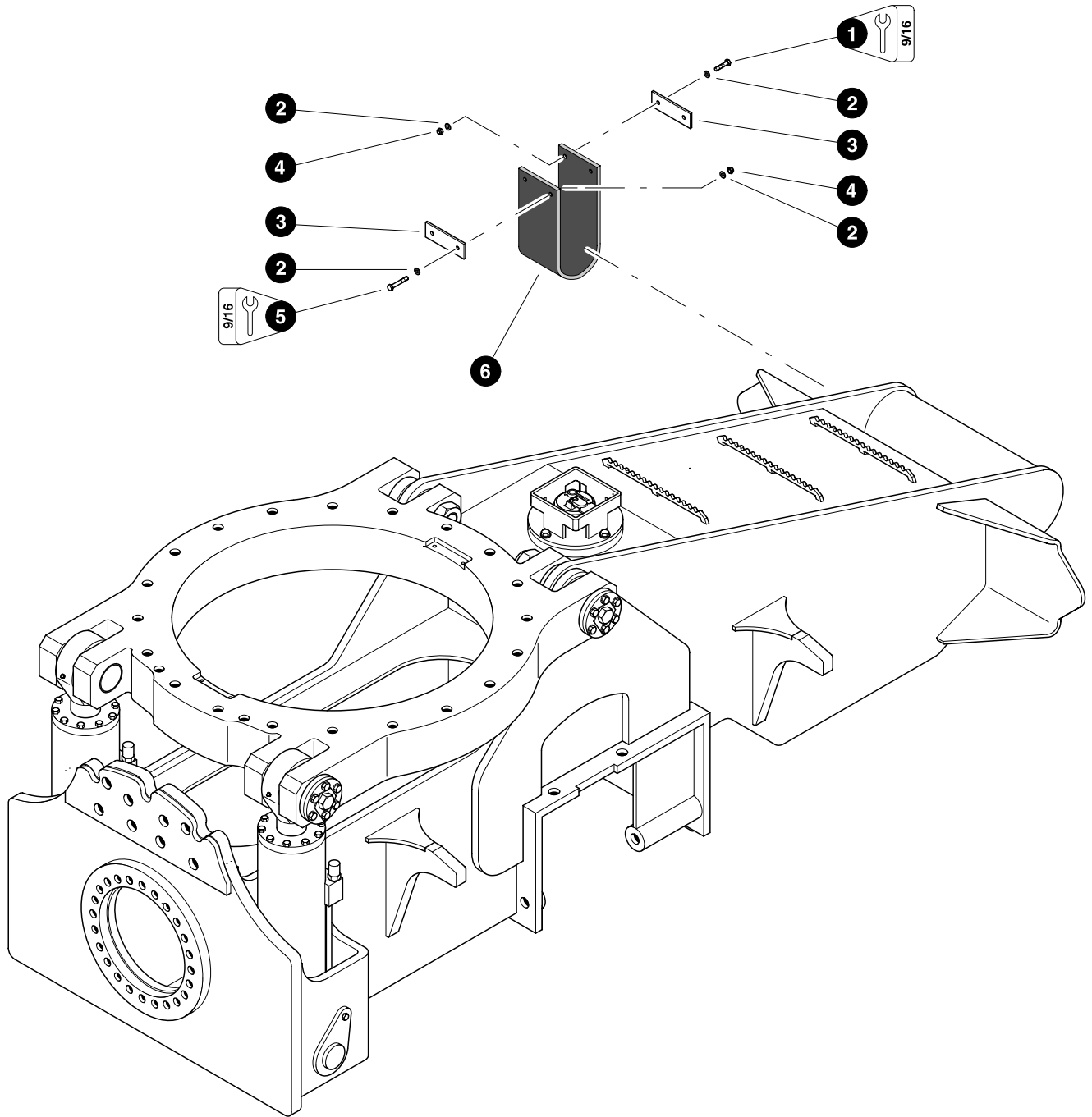


Parts 0313 09/09/99
9.375

FRAME ACCESS COVERS (Axle Box Area)

REF	PART #	QTY	DESCRIPTION	SEE PAGE
1	REF.	1	✓ FRONT FRAME WELDMENT	BF-1-2
2	80316-BF	1	COVER, access - axle box	
3	10783-BF	8	BOLT - 1/2" x 1"	
4	15534-BF	10	WASHER, SAE flat - 1/2"	
5	10835-BF	2	BOLT - 1/2" x 4-1/2"	
6	10815-BF	2	NUT, lock - 1/2"	
7	19817-BF	1	COVER, access - front frame axle	
8	10739-BF	2	BOLT - 1/2" x 1-1/2"	

✓ See referenced page for component or assembly breakdown.

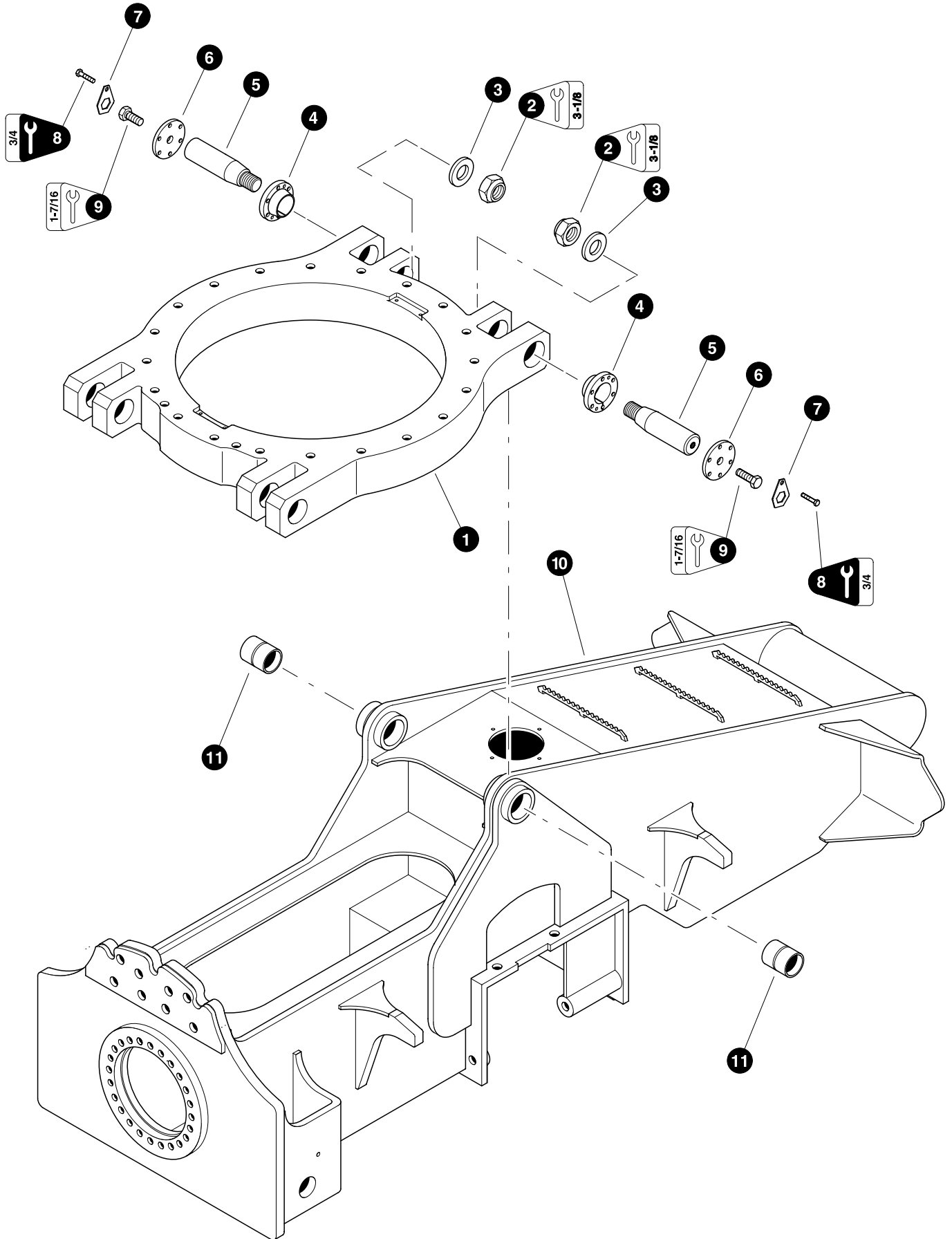


Parts 01303 08/24/2000
9.375

FRAME STEP INSTALLATION

REF	PART #	QTY	DESCRIPTION	SEE PAGE
1	20084-BF	3	BOLT - 3/8" x 1-3/4"	
2	15528-BF	8	WASHER, SAE flat - 3/8"	
3	20209-BF	2	RETAINER, rubber step	
4	10813-BF	8	NUT, lock - 3/8"	
5	10731-BF	1	BOLT - 3/8" x 1-1/2"	
6	20210-BF	1	STEP, rubber	

- ✓ See referenced page for component or assembly breakdown.

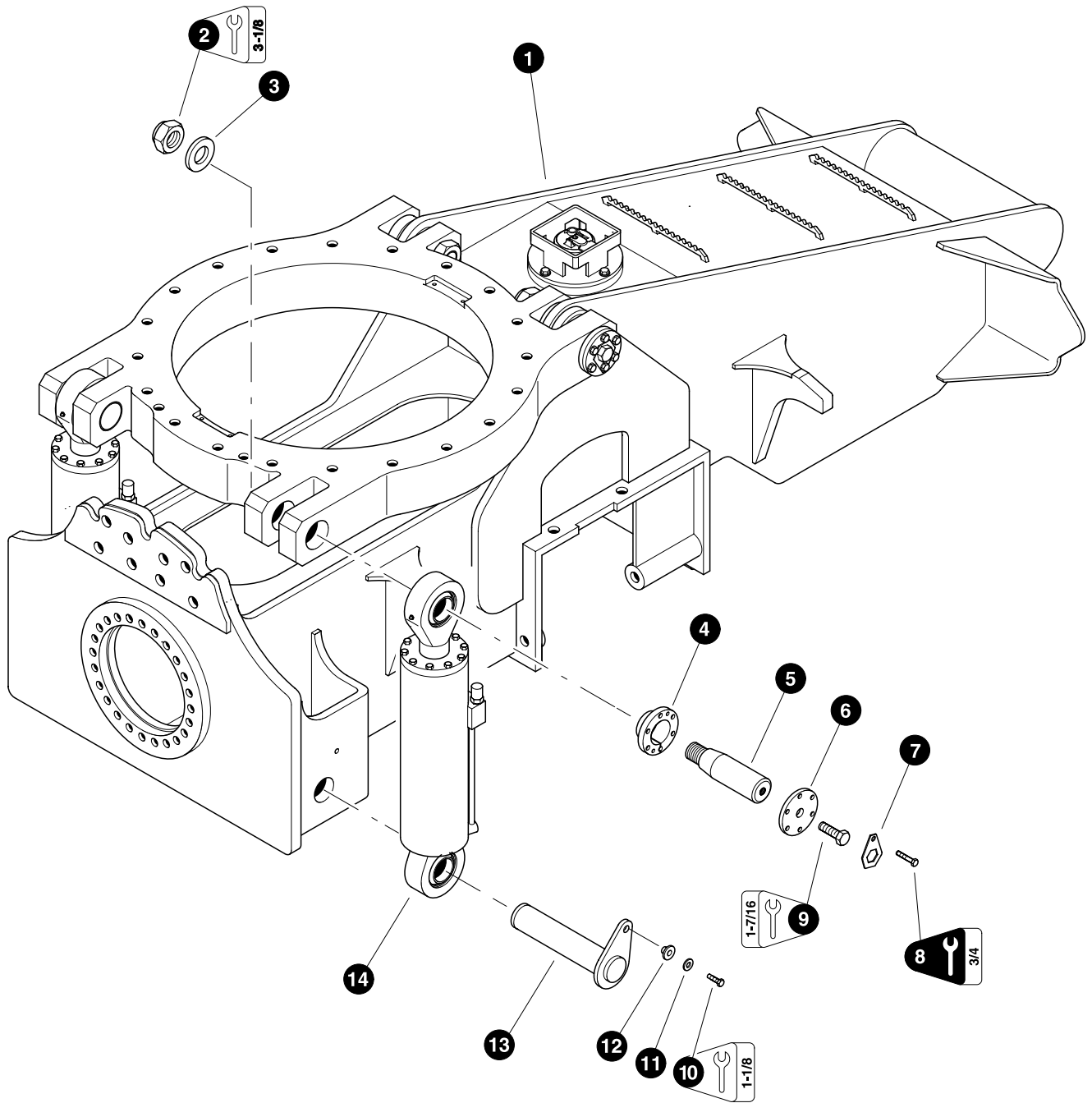


Parts 01314 09/13/99
9.375

CAB LEVELING COMPONENTS

REF	PART #	QTY	DESCRIPTION	SEE PAGE
1	85347-BF	1	PLATE, lower turntable	
2	10728-BF	2	NUT, nylock - 2"	
3	12021-BF	2	WASHER, burned	
4	12352-BF	2	HUB, taper - 1-1/4"	
5	18054-BF	2	PIN, chrome - 3" x 11-3/4"	
6	12115-BF	2	CAP, taper hub	
7	12116-BF	2	LOCK, center taper hub bolt	
8	15565-BF	12	BOLT - 1/2" x 2-1/2" (Torque to 100 ft.lbs. (133 Nm))	
9	15552-BF	2	BOLT - 1" x 2-1/2"	
10	REF.	1	✓ FRONT FRAME WELDMENT	BF-1-2
11	11706-BF	2	BUSHING - 3" x 4-1/4"	

✓ See referenced page for component or assembly breakdown.



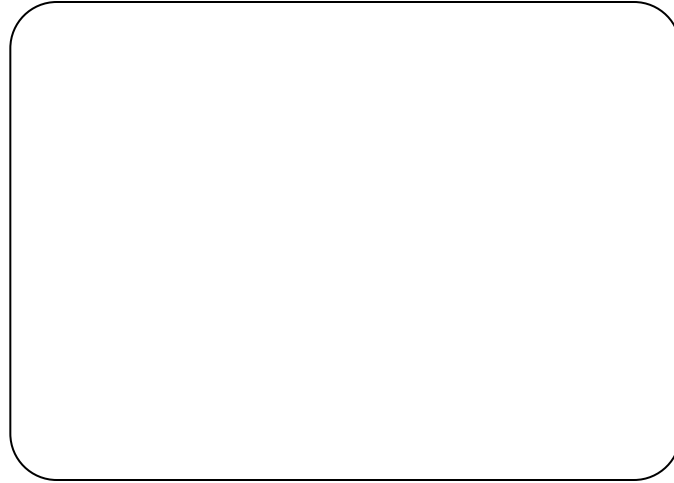
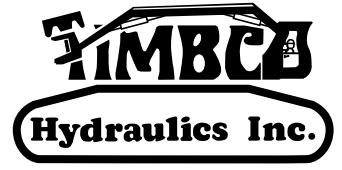
Parts 01315 09/13/99
9.375

CAB LEVEL CYLINDER INSTALLATION

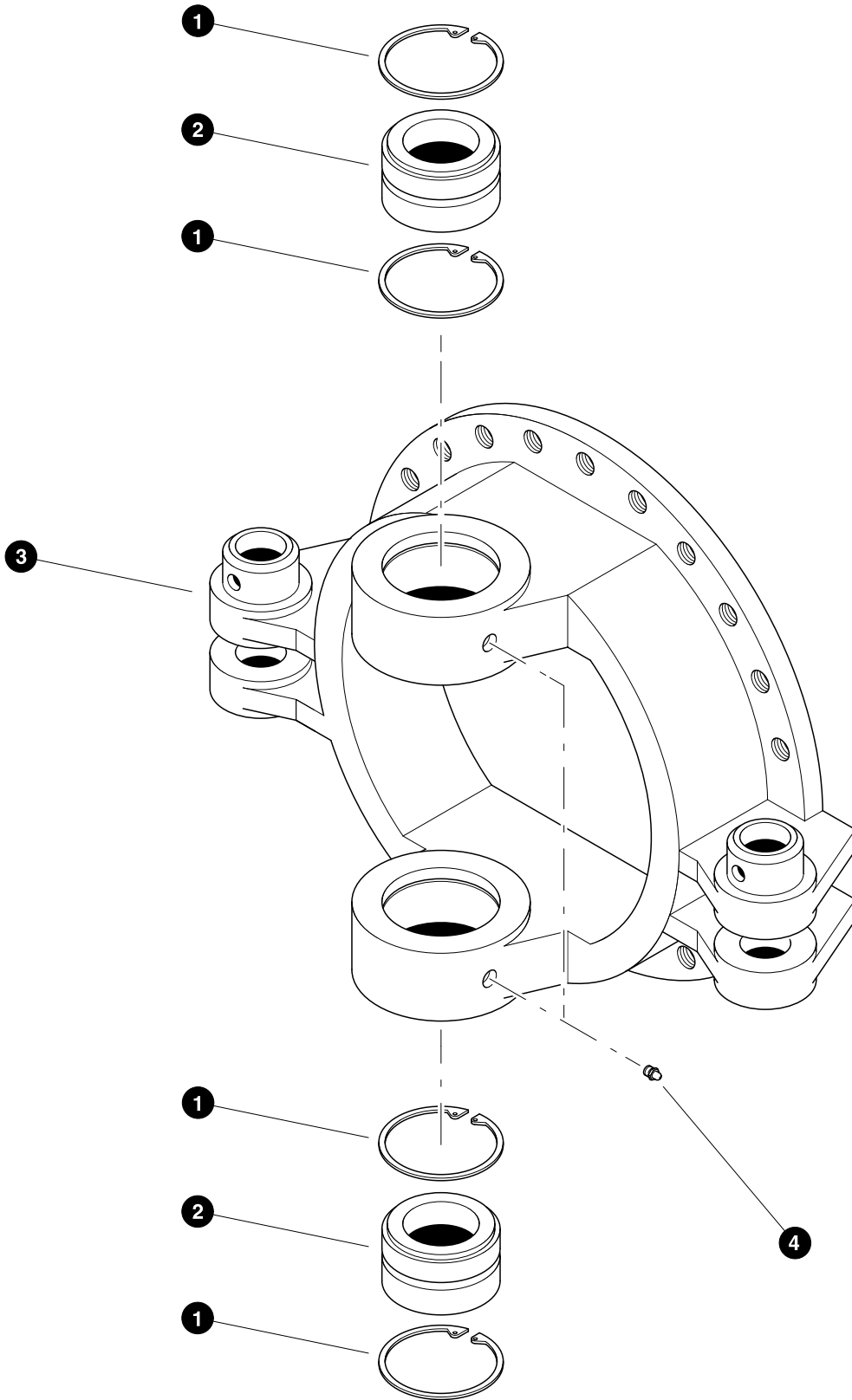
REF	PART #	QTY		DESCRIPTION	SEE PAGE
1	REF.	1	✓	FRONT FRAME WELDMENT	BF-1-2
2	10728-BF	2		NUT, nylock - 2"	
3	12021-BF	2		WASHER, burned	
4	12352-BF	2		HUB, taper - 1-1/4"	
5	18055-BF	2		PIN, Chrome - 3" x 11"	
6	12115-BF	2		CAP, taper hub	
7	12116-BF	2		LOCK, center taper hub bolt	
8	15565-BF	12		BOLT - 1/2" x 2-1/2" (Torque to 100 ft.lbs. (133 Nm))	
9	15552-BF	2		BOLT - 1" x 2-1/2"	
10	15549-BF	1		BOLT - 3/4" x 2"	
11	15550-BF	1		WASHER, SAE flat - 3/4"	
12	18570-BF	1		WASHER, pin retaining	
13	21008-BF	1		PIN ASSEMBLY - 3" x 14-1/4"	
14	REF.	2	✓	CAB LEVEL CYLINDER	BF-4-6

✓ See referenced page for component or assembly breakdown.

Section BF-2



Leveling Front Frame - Articulation Components

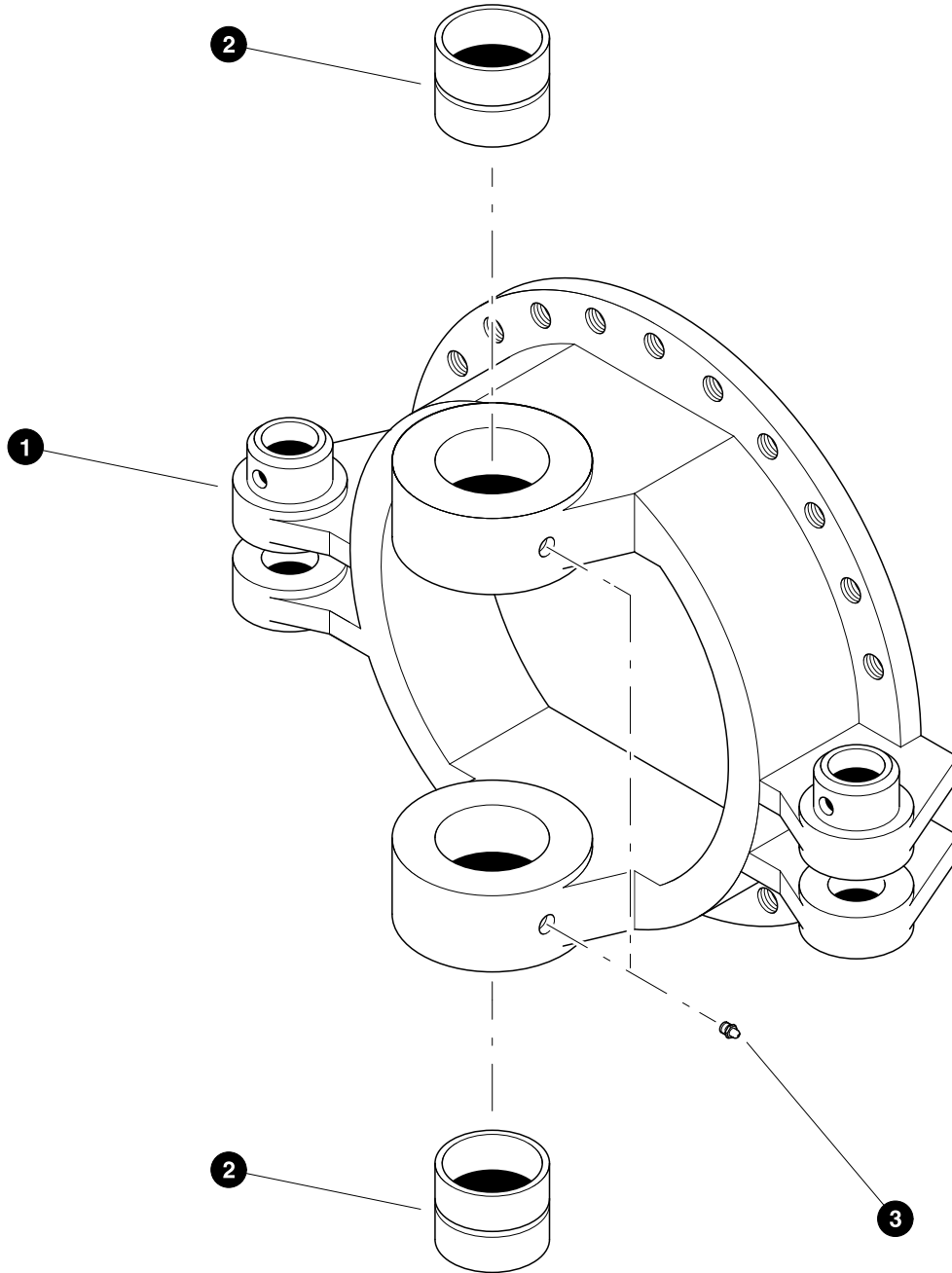


Parts 01867 10/26/2000
25.00

FRAME ARTICULATION CASTING

(Used on machines PDN# 127FWD and below)

REF	PART #	QTY	DESCRIPTION	SEE PAGE
1	17833-BF	4	RING, snap - 3" spherical bushing	
2	23897-BF	2	BUSHING - 3" x 2-3/4" <i>(With step)</i>	
	23898-BF	2	BUSHING - 3-1/2" x 2-3/4" <i>(Used only with retrofitted 3-1/2" diameter articulation pin)</i>	
3	22529-BF	1	CASTING, frame articulation	
4	10704-BF	2	FITTING, grease - 1/8" pipe thread	

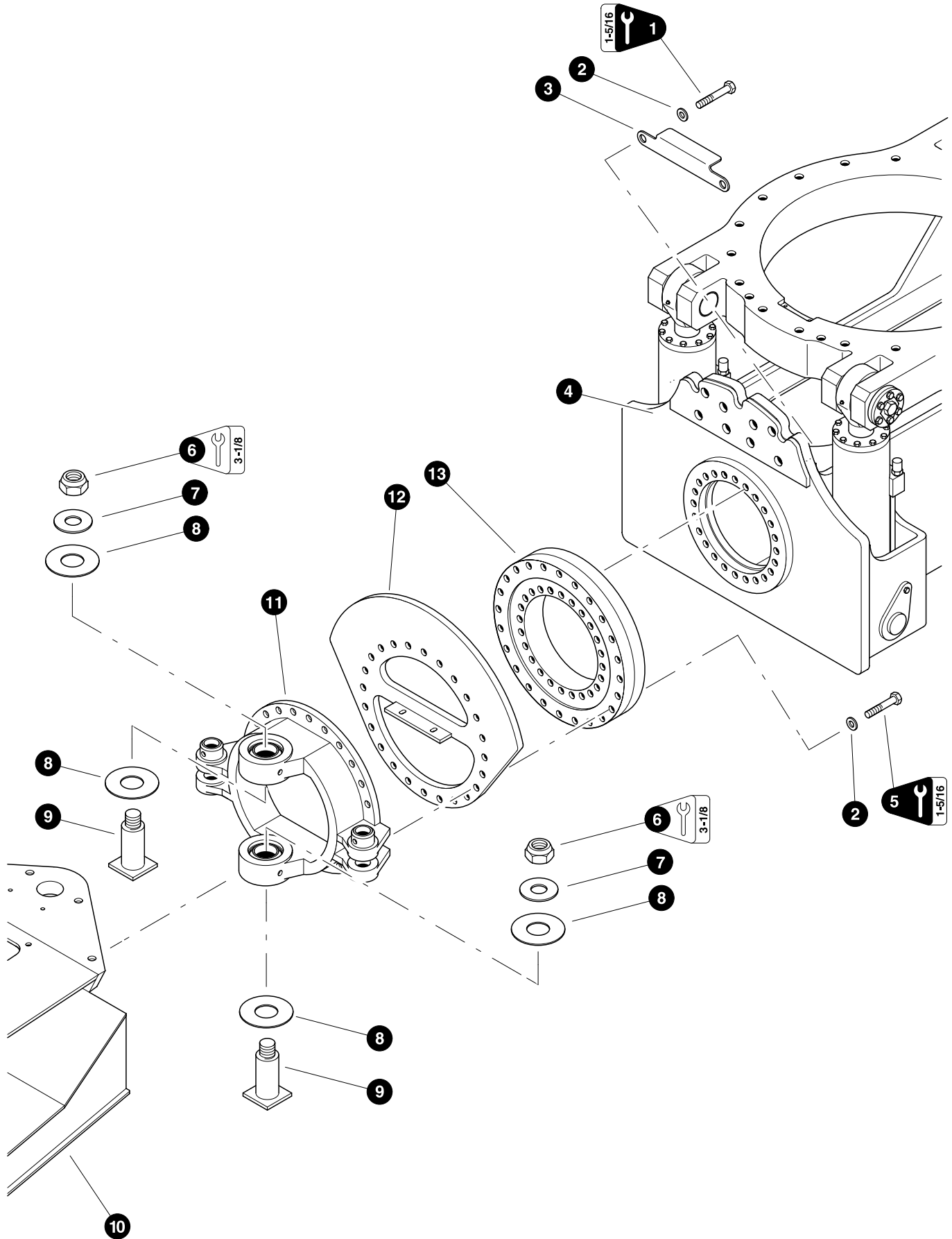


FRAME ARTICULATION CASTING

(Used on machines PDN# 128FWD and above)

REF	PART #	QTY	DESCRIPTION	SEE PAGE
1	23099-BF	1	<input type="checkbox"/> CASTING, frame articulation	
2	23103-BF	2	BUSHING - 3-1/2" x 2-3/4"	
3	10704-BF	2	FITTING, grease - 1/8" pipe thread	

- Kit or Assembly - includes all items indented underneath.



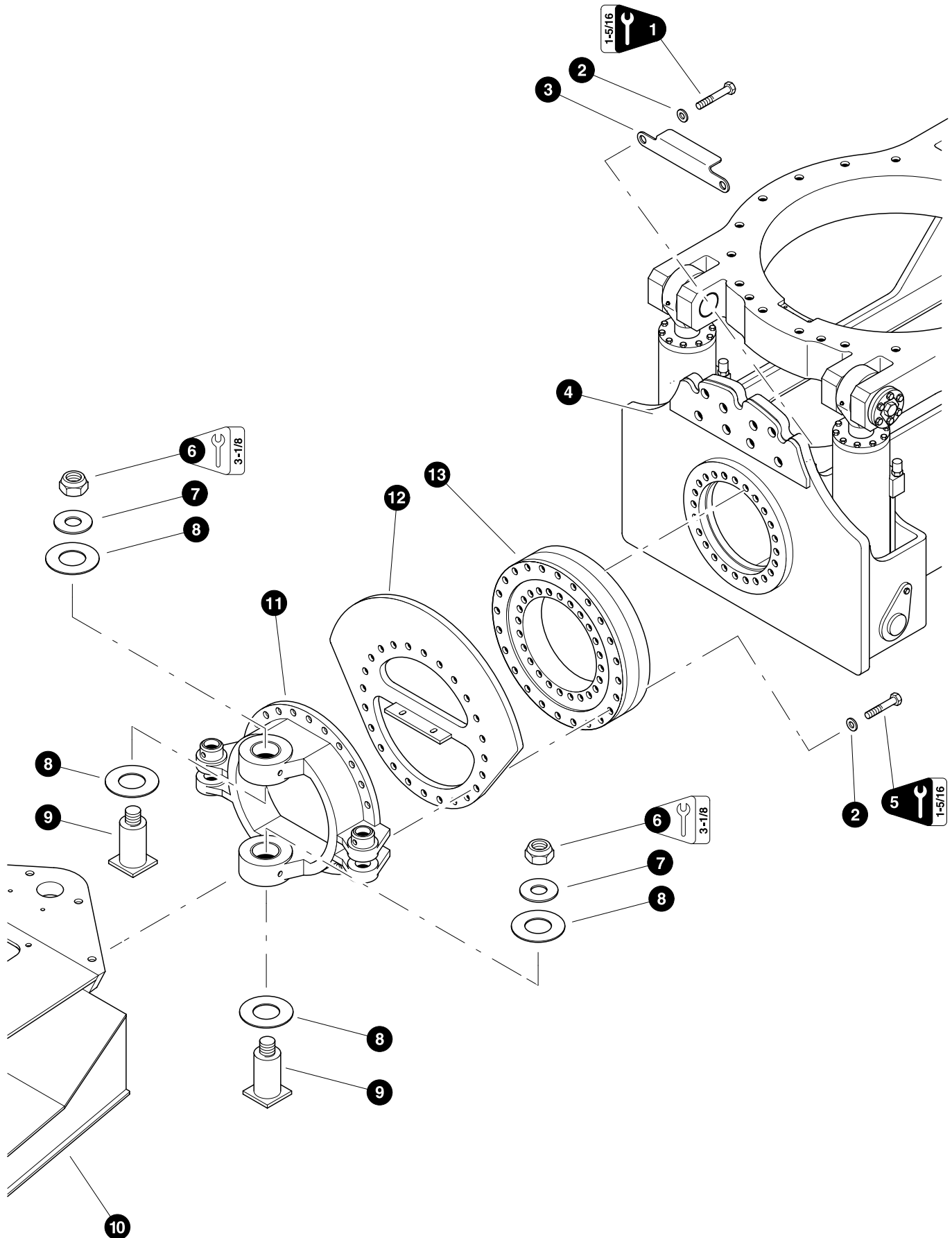
Parts 01772 08/24/2000
9.375

FRAME ARTICULATION INSTALLATION

(Used on machines PDN# 127FWD and below)

REF	PART #	QTY		DESCRIPTION	SEE PAGE
1	19072-BF	24		BOLT - 7/8" x 5-1/2" (Torque to 600 ft.lbs (800 Nm))	
2	10718-BF	24		WASHER, SAE flat - 7/8"	
3	80493-BF	1		BRACKET, hose carrier	
4	REF.	1	✓	FRONT FRAME WELDMENT	BF-1-2
5	22530-BF	24		BOLT - 7/8" x 6-1/2" (Torque to 600 ft.lbs (800 Nm))	
6	10728-BF	2		NUT, nylock - 2"	
7	18709-BF	2		WASHER, articulation pin	
8	19486-BF	AR		WASHER, thrust - thin (<i>Brass</i>)	
	19487-BF	AR		WASHER, thrust - thick (<i>Brass</i>)	
9	19330-BF	2		PIN, articulation - 3" x 8-5/8"	
10	REF.	1	✓	REAR FRAME WELDMENT	BR-1-2
11	REF.	1		FRAME ARTICULATION CASTING	BF-2-2
12	80385-BF	1		PLATE, braking	
13	18834-BF	1		BEARING, articulation	

✓ See referenced page for component or assembly breakdown.



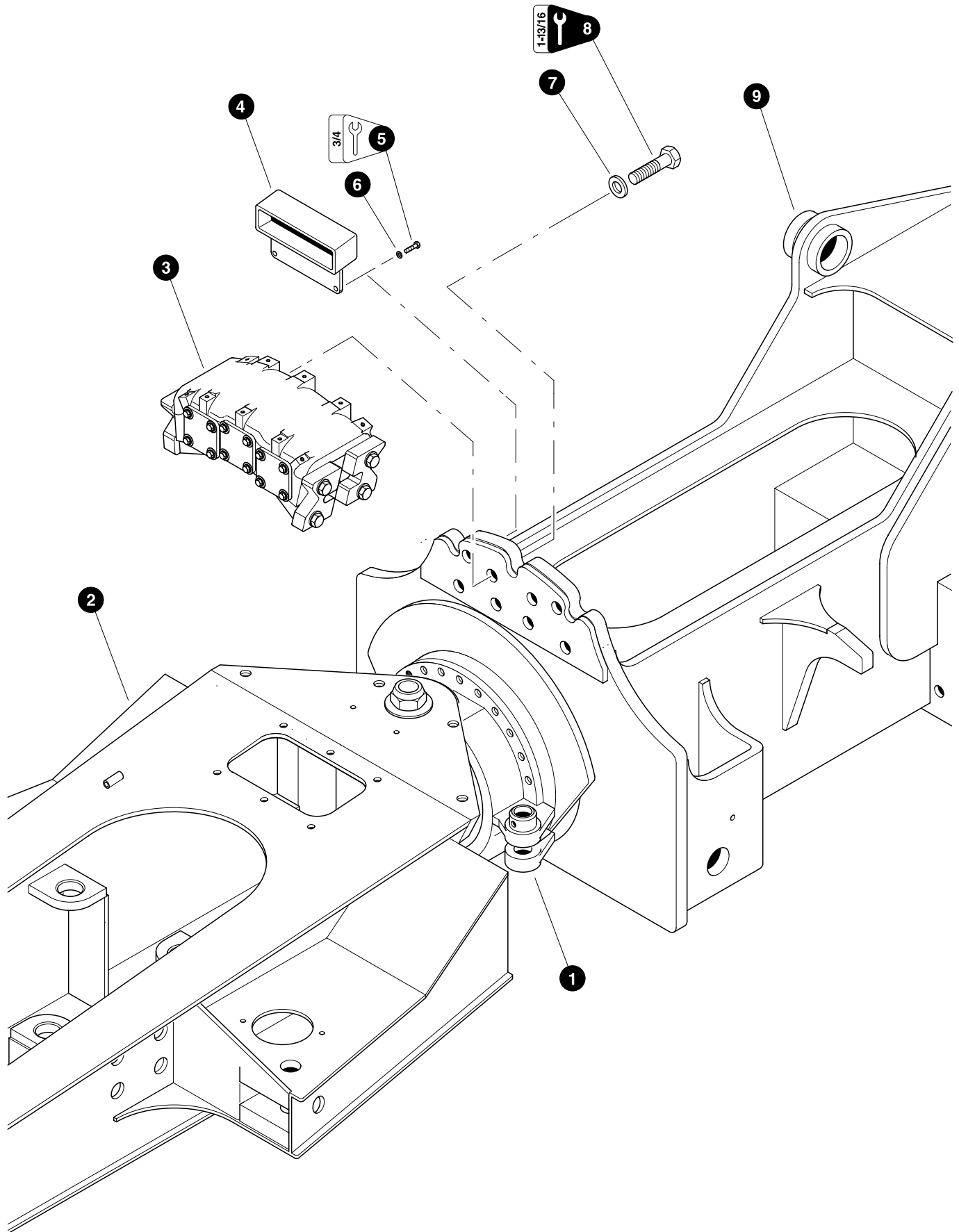
Parts 01773 08/24/2000
9.375

FRAME ARTICULATION INSTALLATION

(Used on machines PDN# 128FWD and above)

REF	PART #	QTY	DESCRIPTION	SEE PAGE
1	23387-BF	24	BOLT - 1" x 6-1/2" (<i>Torque to 1000 ft.lbs (1330 Nm)</i>)	
2	18532-BF	48	WASHER, SAE flat - 1"	
3	80493-BF	1	BRACKET, hose carrier	
4	REF.	1	✓ FRONT FRAME WELDMENT	BF-1-2
5	18672-BF	24	BOLT - 1" x 7-1/2" (<i>Torque to 1000 ft.lbs (1330 Nm)</i>)	
6	10728-BF	2	NUT, nylock - 2"	
7	22897-BF	2	WASHER, articulation pin	
8	23106-BF	AR	WASHER, thrust - thin (<i>Brass</i>)	
	23105-BF	AR	WASHER, thrust - thick (<i>Brass</i>)	
9	23102-BF	2	PIN, articulation - 3-1/2" x 8-5/8"	
10	REF.	1	✓ REAR FRAME WELDMENT	BR-1-2
11	REF.	1	FRAME ARTICULATION CASTING	BF-2-2
12	80535-BF	1	PLATE, braking	
13	23004-BF	1	BEARING, articulation	

✓ See referenced page for component or assembly breakdown.

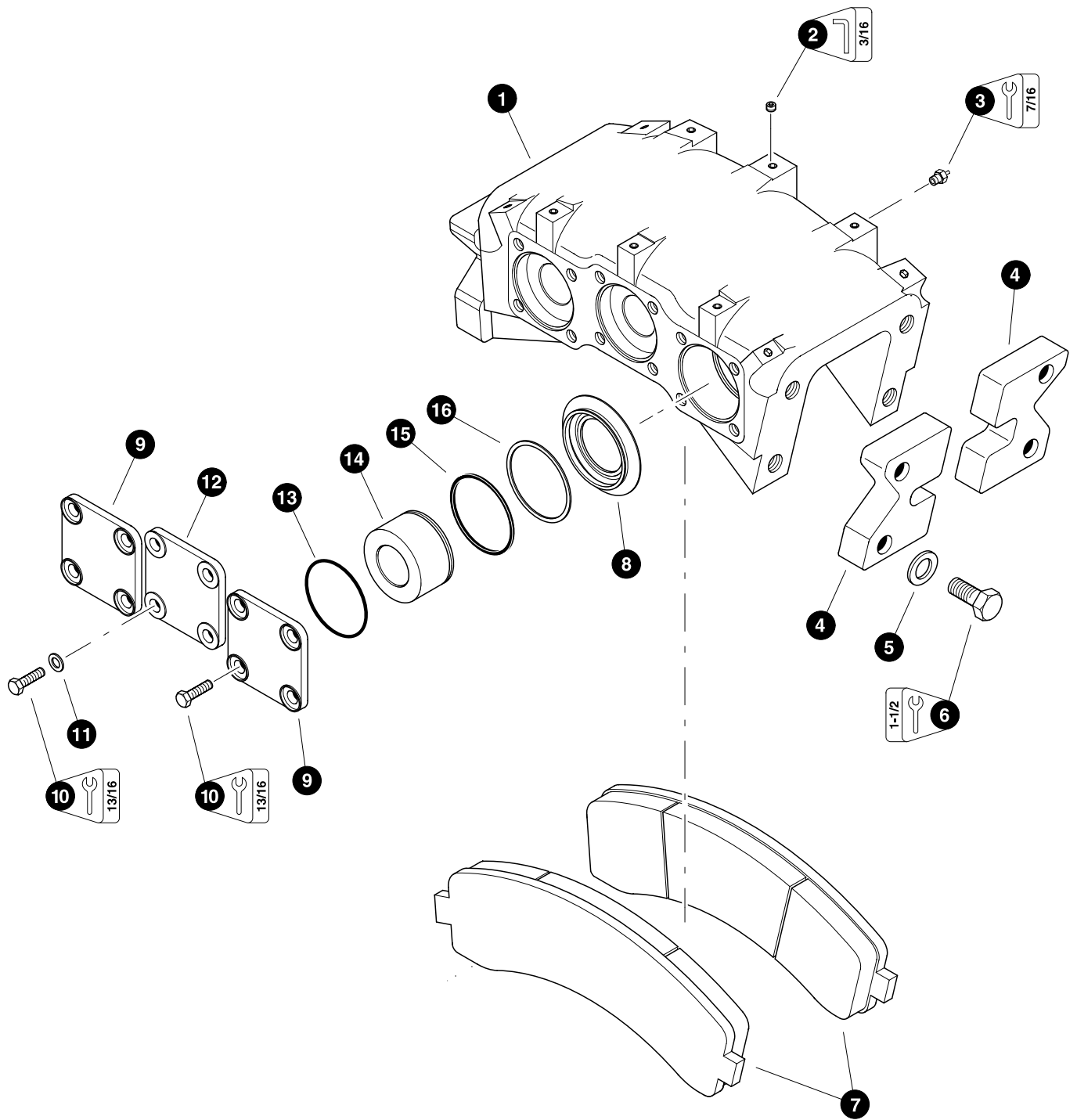


Parts 01774 08/24/2000
12.50

FRAME LOCK BRAKE INSTALLATION

REF	PART #	QTY		DESCRIPTION	SEE PAGE
1	REF.	1	✓	FRAME ARTICULATION CASTING	BF-2-2
2	REF.	1	✓	REAR FRAME WELDMENT	BR-1-2
3	REF.	1	✓	FRAME LOCK BRAKE	BF-2-8
4	80504-BF	1		BRACKET, hose mount	
5	10739-BF	2		BOLT - 1/2" x 1.5"	
6	10804-BF	2		WASHER - SAE flat - 1/2"	
7	22531-BF	8		WASHER - 1-1/4"	
8	22532-BF	8		BOLT - 1-1/4" x 5-1/2"	
9	REF	1	✓	FRONT FRAME WELDMENT	BF-1-2

- ✓ See referenced page for component or assembly breakdown.

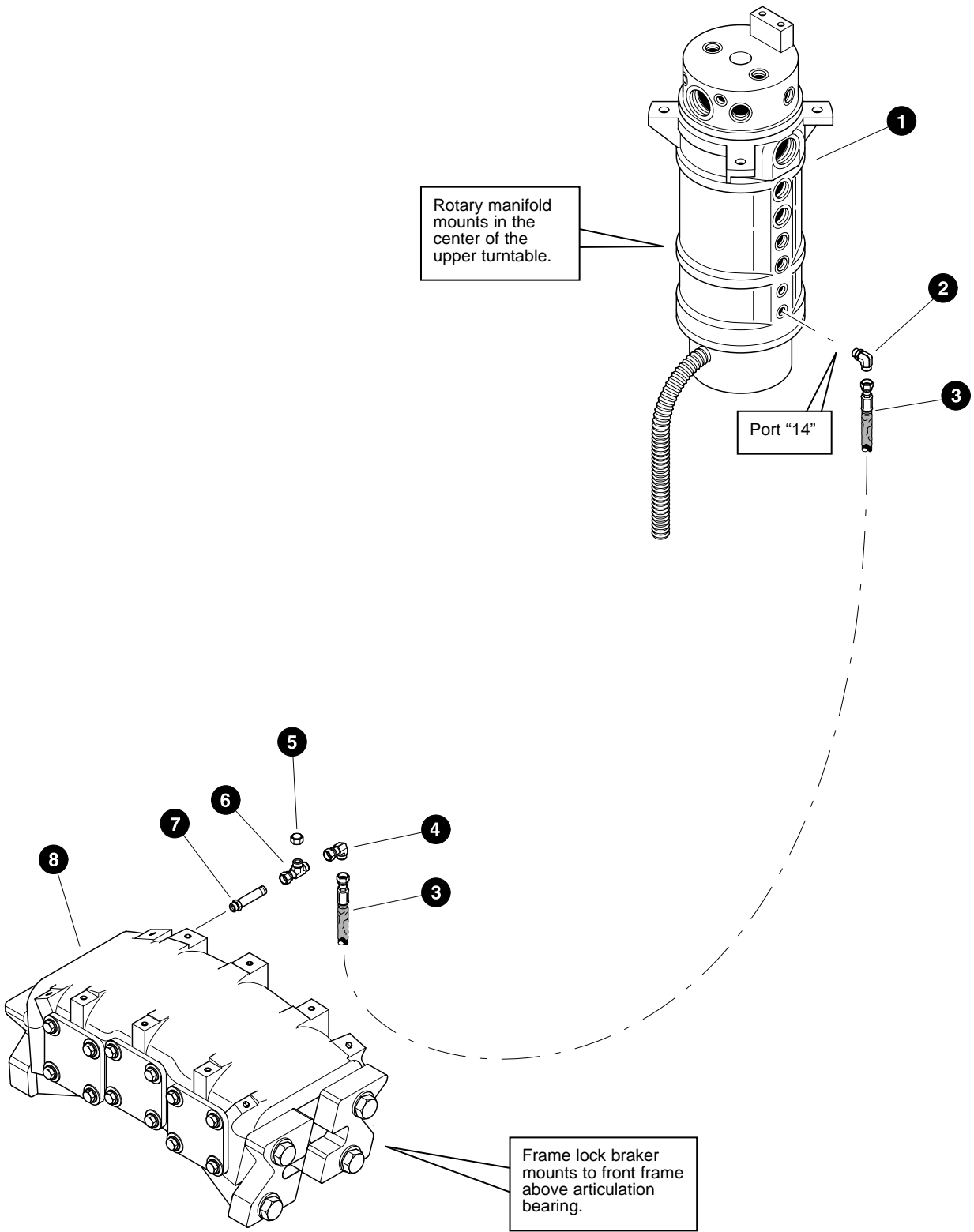


Parts 01736 07/08/2000
37.50

FRAME LOCK BRAKE

REF	PART #	QTY		DESCRIPTION	SEE PAGE
-	20953-BF	1	☐	FRAME LOCK BRAKE	
1	NSS	1		HOUSING	
2	-----	13		PLUG	
3	-----	1		SCREW, bleed	
4	-----	4		RETAINER, brake pad	
5	-----	8		WASHER	
6	-----	8		BOLT	
7	-----	2		PAD, brake	
8	NSS	6	★	BOOT, piston	
9	23445-BF	2		COVER, piston (<i>Machined special to countersink bolt heads</i>)	
10	24088-BF	12		BOLT - 9/16" x 1-1/4"	
11	-----	4		WASHER	
12	23444-BF	1		COVER, piston	
13	NSS	6	★	O-RING, piston cover	
14	-----	6	★	PISTON	
15	NSS	6	★	SEAL, piston	
16	NSS	6	★	RING, back-up	
-	23113-BF	1		KIT, seal repair - frame lock brake	

- ☐ Kit or Assembly - includes all items indented underneath.
★ Included in seal repair kit PN# 23113-BF.



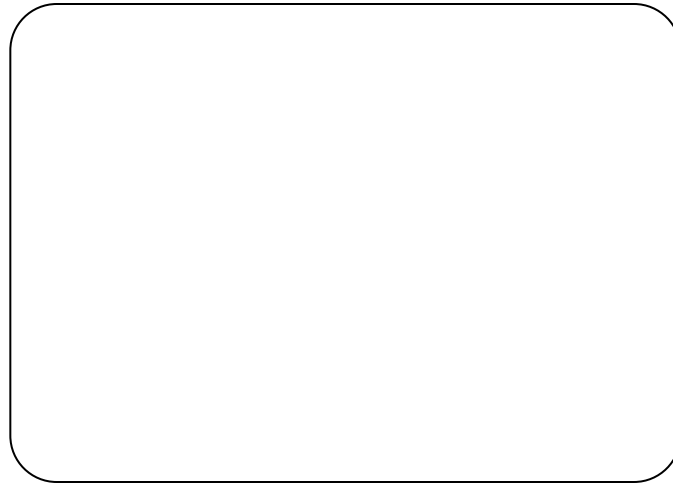
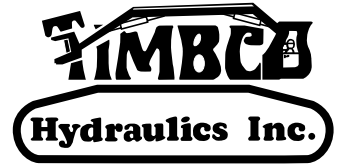
FRAME LOCK BRAKE RELEASE LINE (From Rotary Manifold)

(Used on machines PDN# 134FWD and below)

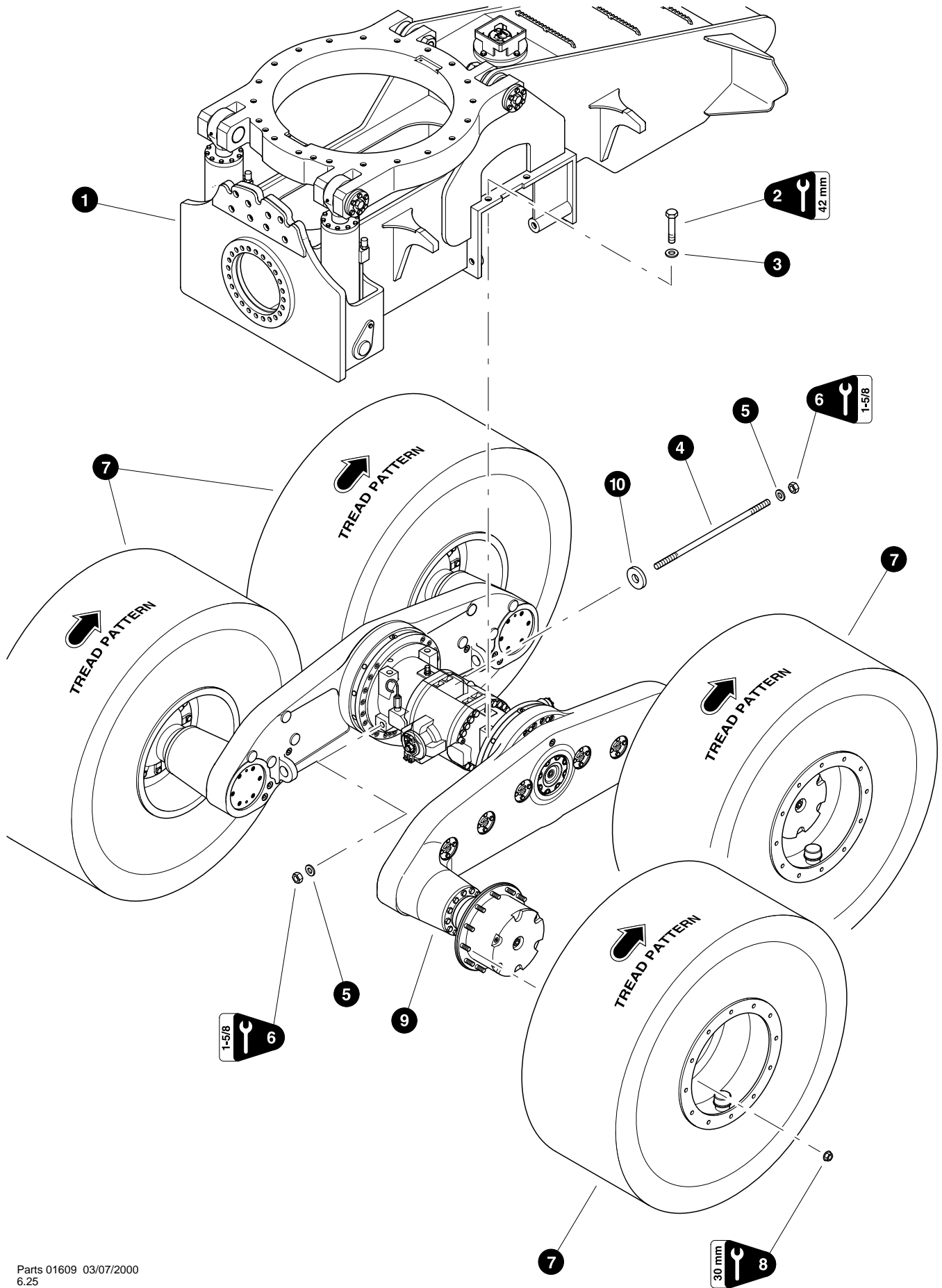
REF	PART #	QTY	✓	DESCRIPTION	SEE PAGE
1	REF.	1	✓	ROTARY MANIFOLD	UP-1-6
2	16540-BF	1		ELBOW, 90° - FF1868T-0404S	
3	22492-BF	1		HOSE ASSEMBLY - 2055-04-040S-040S-W <i>(Rotary manifold lower port "14" to frame lock brake port)</i>	
4	15145-BF	1		ELBOW, 90° swivel - FF2098T-0404S	
5	15435-BF	1		CAP - FF9863-04S	
6	15176-BF	1		TEE - FF2114T-0404S	
7	20991-BF	1		CONNECTOR, STR long - 848L-TTO-04 x 04	
8	REF.	1	✓	FRAME LOCK BRAKE	BF-2-8

✓ See referenced page for component or assembly breakdown.

Section BF-3



Leveling Front Frame - Drivetrain Installation



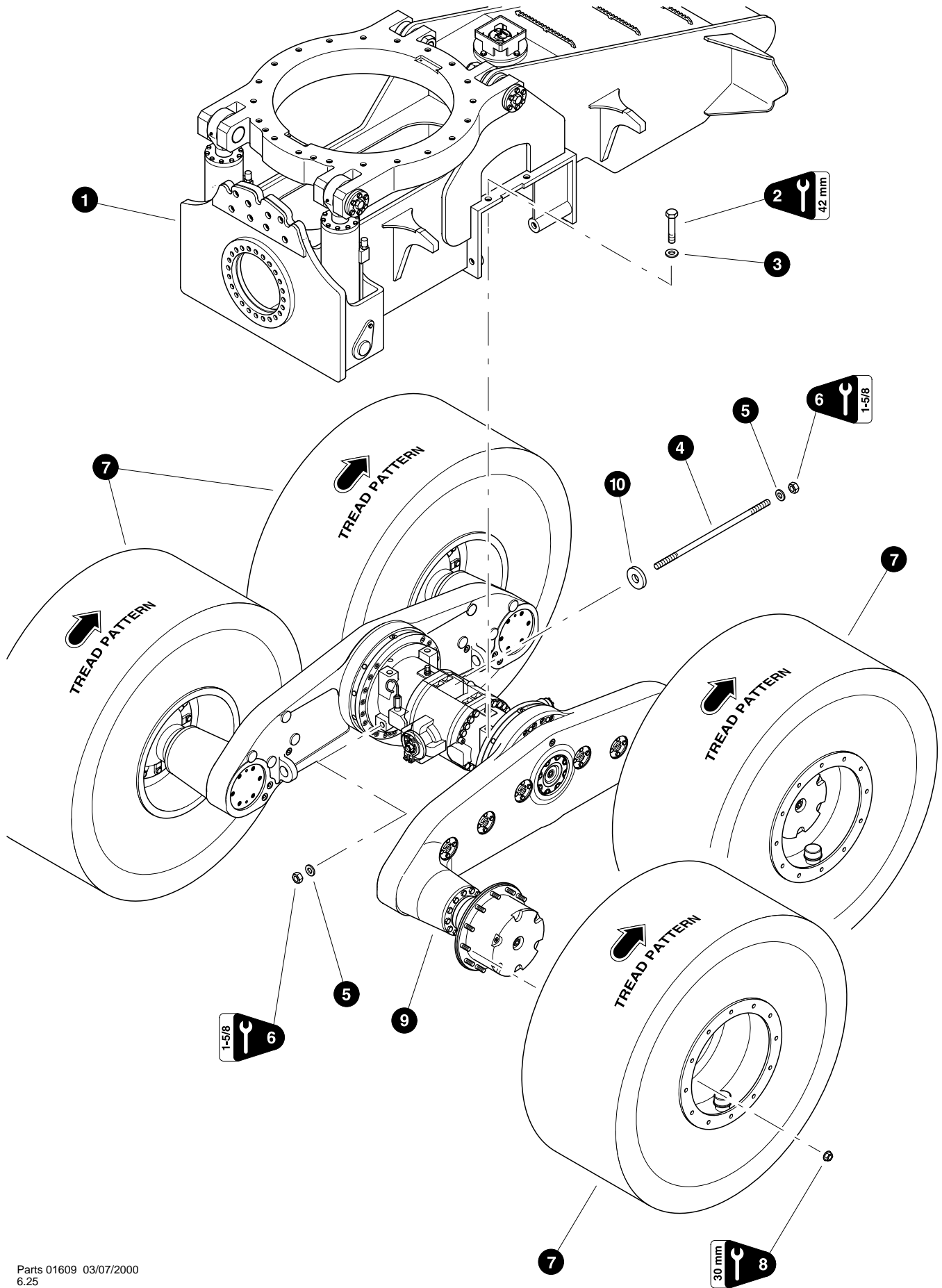
Parts 01609 03/07/2000
6.25

FRONT AXLE INSTALLATION

(Used on machines PDN# 146FWD and below)

REF	PART #	QTY		DESCRIPTION	SEE PAGE
1	REF.	1	✓	FRONT FRAME WELDMENT	BF-1-2
2	19898-BF	4		BOLT - 27mm-3.0P x 160mm (Torque to 1000 ft.lbs. (1330 Nm))	
3	19899-BF	4		WASHER, hardened flat - 27mm	
4	23136-BF	2		STUD, axle spreader box - 1-1/8" (Torque to 700 ft.lbs. (935 Nm))	
5	23211-BF	4		WASHER, SAE flat - 1-1/8" <i>(Extra thick)</i>	
6	17248-BF	4		NUT, lock - 1-1/8"	
7	REF.	4	✓	WHEEL ASSEMBLY	AX-3-2
8	19361-BF	48		NUT, lug (Torque to 415 ft.lbs. (550 Nm))	
9	REF.	1	✓	FRONT AXLE	AX-1-2
10	24054-BF	2		SPACER, axle spreader stud	

✓ See referenced page for component or assembly breakdown.



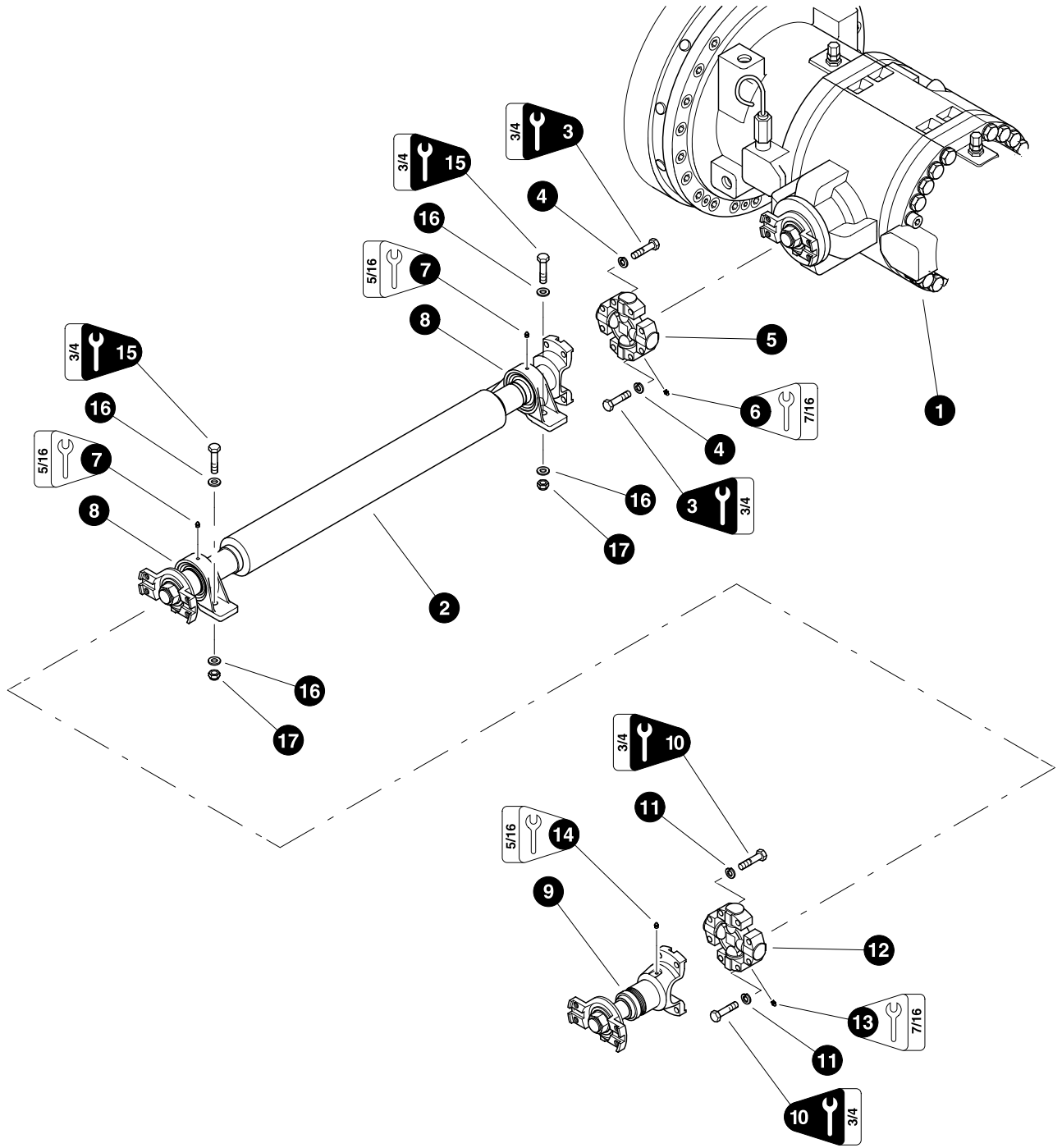
Parts 01609 03/07/2000
6.25

FRONT AXLE INSTALLATION

(Used on machines PDN# 147FWD and above)

REF	PART #	QTY		DESCRIPTION	SEE PAGE
1	REF.	1	✓	FRONT FRAME WELDMENT	BF-1-2
2	23566-BF	4		BOLT - 30mm-3.5P x 160mm (Torque to 1100 ft.lbs. (1465 Nm))	
3	23568-BF	4		WASHER, hardened flat - 30mm	
4	23851-BF	2		STUD, axle spreader box - 1-1/4" (Torque to 1200 ft.lbs. (1600 Nm))	
5	23990-BF	4		WASHER, SAE flat - 1-1/4" <i>(Extra thick)</i>	
6	23989-BF	4		NUT, lock - 1-1/4"	
7	REF.	4	✓	WHEEL ASSEMBLY	AX-3-2
8	19361-BF	48		NUT, lug (Torque to 415 ft.lbs. (550 Nm))	
9	REF.	1	✓	FRONT AXLE	AX-1-2
10	24003-BF	2		SPACER, axle spreader stud	

✓ See referenced page for component or assembly breakdown.



Parts 01087 03/10/99
12.50

DRIVE SHAFT INSTALLATION

REF	PART #	QTY		DESCRIPTION	SEE PAGE
1	REF.	1	✓	FRONT AXLE	AX-1-2
2	23456-BF	1	☐	DRIVE SHAFT (<i>Front axle to articulation joint</i>)(Used on machines PDN# 128FWD and above)	
	23458-BF	1	☐	DRIVE SHAFT (<i>Front axle to articulation joint</i>)(Used on machines PDN# 127FWD and below)	
3	20662-BF	8		BOLT - 1/2" x 2-1/4" NF (See Note #1 Below) (Torque to 115 ft.lbs. (155 Nm))	
4	10710-BF	8		WASHER, lock - 1/2"	
5	20677-BF	1		U-JOINT, driveshaft	
6	10704-BF	2		FITTING, grease - 1/8" pipe thread	
7	18420-BF	2		FITTING, grease - 1/4-28"	
8	19383-BF	2		BEARING, pillow block	
9	23457-BF	1	☐	DRIVE SHAFT (<i>Articulation joint</i>)	
10	20662-BF	8		BOLT - 1/2" x 2-1/4" NF (See Note #1 Below) (Torque to 115 ft.lbs. (155 Nm))	
11	10710-BF	8		WASHER, lock - 1/2"	
12	20677-BF	1		U-JOINT, driveshaft	
13	10704-BF	2		FITTING, grease - 1/8" pipe thread	
14	18420-BF	1		FITTING, grease - 1/4-28"	
15	10736-BF	4		BOLT - 1/2" x 2" (See Note #2 Below) (Torque to 110 ft.lbs. (135 Nm))	
16	15534-BF	4		WASHER, SAE flat - 1/2"	
17	10815-BF	4		NUT, lock - 1/2"	

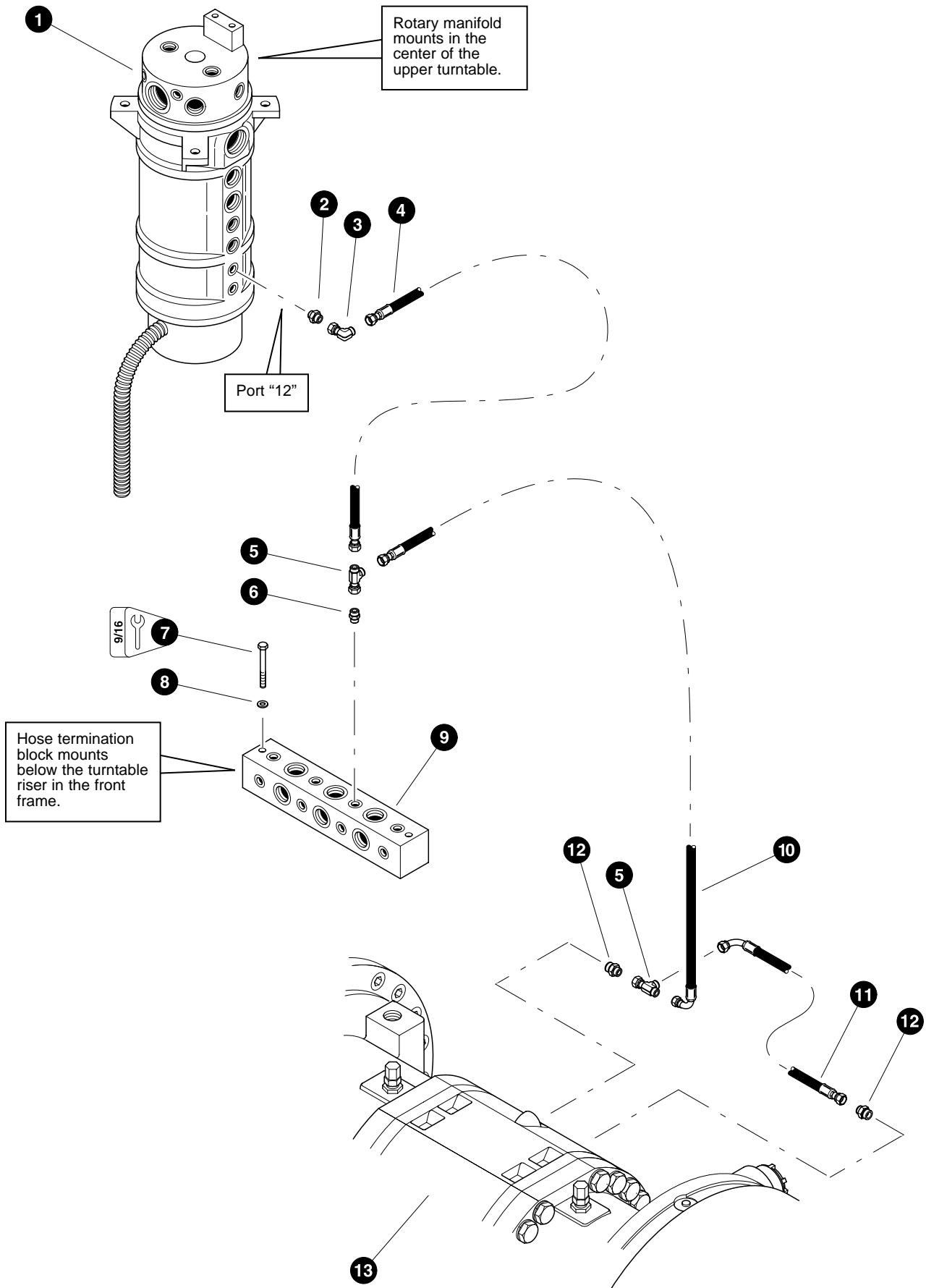
- ✓ See referenced page for component or assembly breakdown.
☐ Kit or Assembly - includes all items indented underneath.

Note #1:

Use Loctite 242 (*blue*) during installation.

Note #2:

Use Loctite 271 (*red*) during installation.

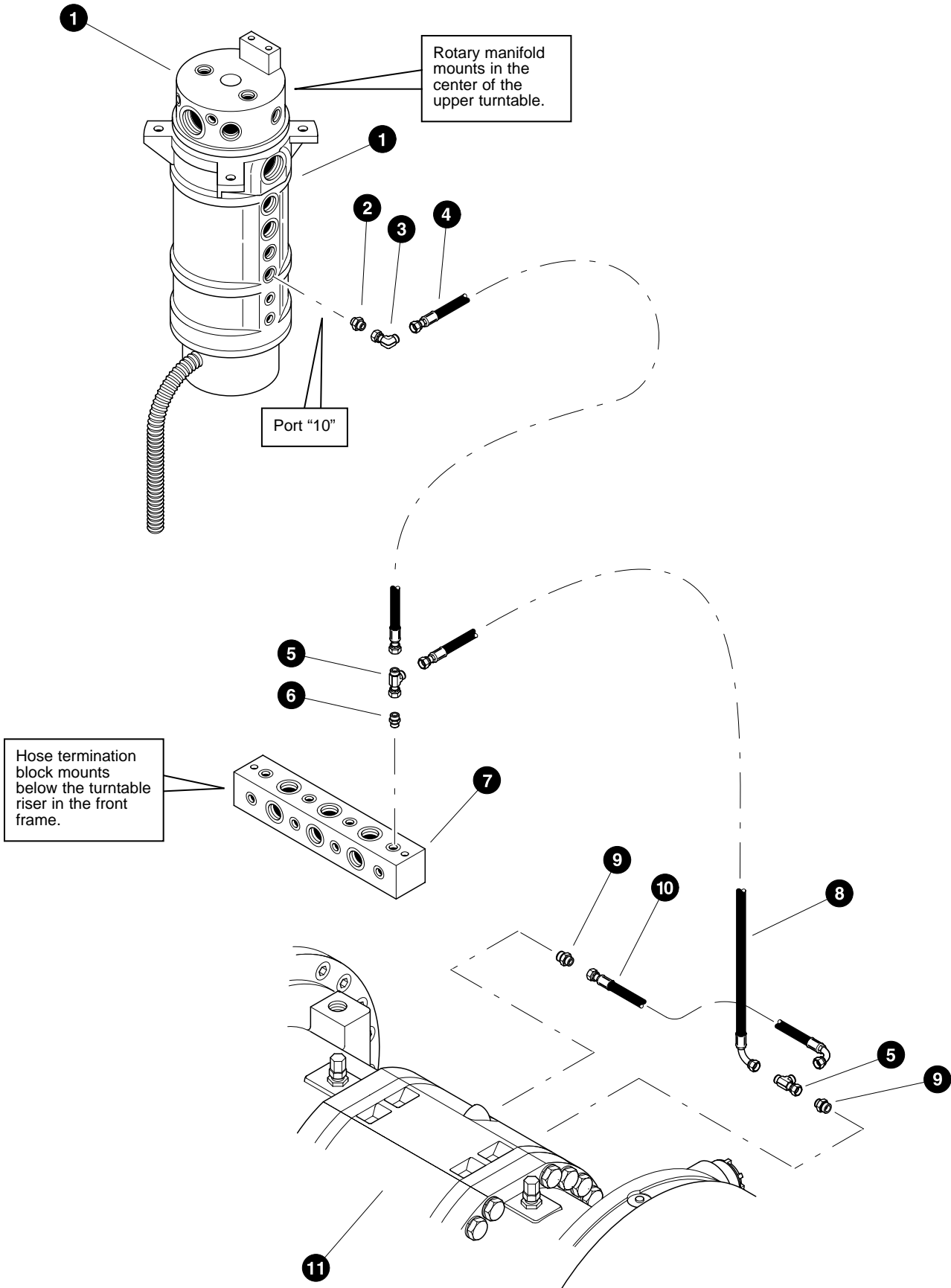


Parts 01776 08/25/2000
18.75

FRONT AXLE PARKING BRAKE LINES (From Rotary Manifold)

REF	PART #	QTY		DESCRIPTION	SEE PAGE
1	REF.	1	✓	ROTARY MANIFOLD	UP-1-6
2	16541-BF	1		CONNECTOR, straight - FF1852T-0404S	
3	15145-BF	1		ELBOW, 90° swivel - FF2098T-0404S	
4	20145-BF	1		HOSE ASSEMBLY - 2034-04-040S-040S-W (<i>Rotary manifold lower port "12" to hose termination block</i>)	
5	15176-BF	2		TEE - FF2114T-0404S	
6	15124-BF	1		CONNECTOR, straight - FF1852T-0406S	
7	10750-BF	2		BOLT - 3/8" x 3"	
8	15528-BF	2		WASHER, SAE flat - 3/8"	
9	23335-BF	1		MANIFOLD, hose termination block	
10	20981-BF	1		HOSE ASSEMBLY - 2032-04-040S-0409-W (<i>Hose termination block to front axle parking brake tee</i>)	
11	20167-BF	1		HOSE ASSEMBLY - 2009.5-04-040S-0409 (<i>Front axle parking brake tee to RH brake chamber</i>)	
12	19470-BF	2		CONNECTOR, straight - 4M14F8OMLO-S	
13	REF.	1	✓	FRONT AXLE	AX-1-2

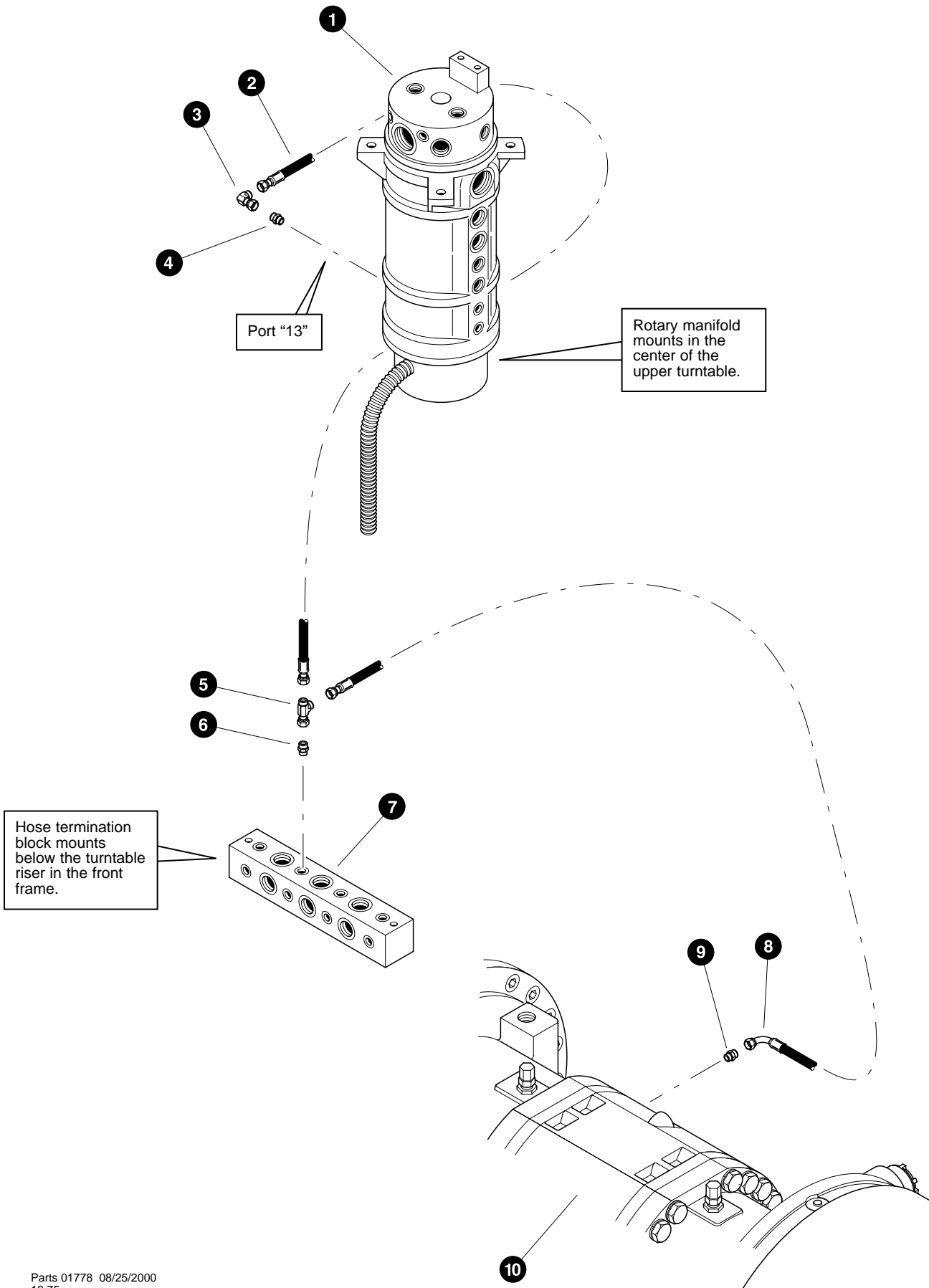
✓ See referenced page for component or assembly breakdown.



FRONT AXLE TRAVEL BRAKE LINES (From Rotary Manifold)

REF	PART #	QTY	DESCRIPTION	SEE PAGE
1	REF.	1	✓ ROTARY MANIFOLD	UP-1-6
2	15504-BF	1	CONNECTOR, straight - FF1852T-0408S	
3	15145-BF	1	ELBOW, 90° swivel - FF2098T-0404S	
4	23109-BF	1	HOSE ASSEMBLY - 2035-04-040S-040S-W (<i>Rotary manifold lower port "10" to hose termination block</i>)	
5	15176-BF	2	TEE - FF2114T-0404S	
6	15124-BF	1	CONNECTOR, straight - FF1852T-0406S	
7	REF.	1	✓ HOSE TERMINATION BLOCK	BF-3-6
8	22734-BF	1	HOSE ASSEMBLY - 2039-04-040S-0409-W (<i>Hose termination block to front axle travel brake tee</i>)	
9	19470-BF	2	CONNECTOR, straight - 4M14F8OMLO-S	
10	20167-BF	1	HOSE ASSEMBLY - 2009.5-04-040S-0409 (<i>Front axle travel brake tee to LH brake chamber</i>)	
11	REF.	1	✓ FRONT AXLE	AX-1-2

✓ See referenced page for component or assembly breakdown.

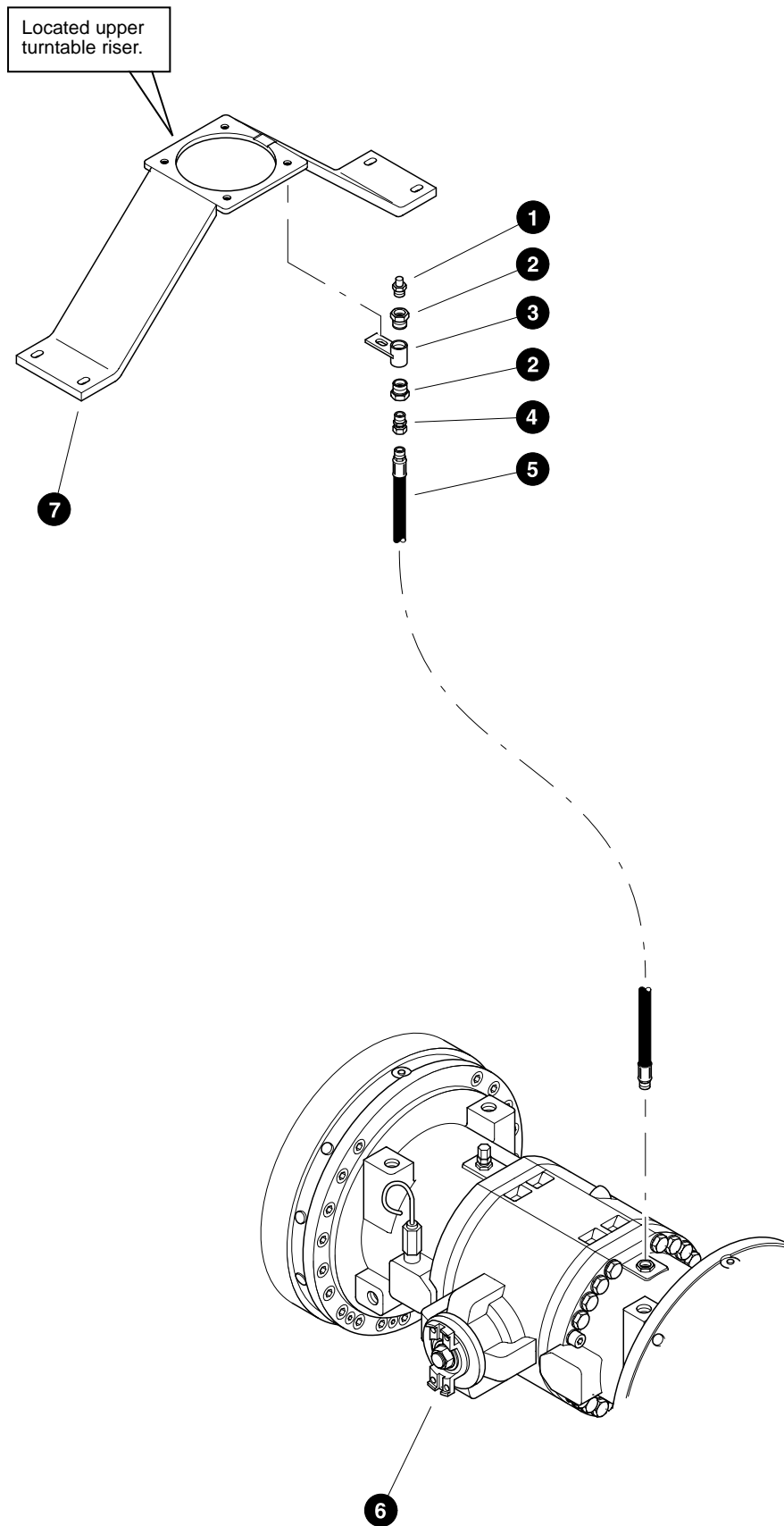


Parts 01778 08/25/2000
18.75

FRONT AXLE DIFFERENTIAL LOCK LINES (From Rotary Manifold)

REF	PART #	QTY		DESCRIPTION	SEE PAGE
1	REF.	1	✓	ROTARY MANIFOLD	UP-1-6
2	20145-BF	1		HOSE ASSEMBLY - 2034-04-040S-040S-W (<i>Rotary manifold lower port "13" to hose termination block</i>)	
3	15145-CF	1		ELBOW, 90° swivel - FF2098T-0404S	
4	16541-CF	1		CONNECTOR, straight - FF1852T-0404S	
5	15176-CF	1		TEE - FF2114T-0404S	
6	15124-CF	1		CONNECTOR, straight - FF1852T-0406S	
7	REF.	1	✓	HOSE TERMINATION BLOCK	BF-3-6
8	22734-BF	1		HOSE ASSEMBLY - 2039-04-040S-0409-W (<i>Hose termination block to front axle differential lock port</i>)	
9	19470-CF	1		CONNECTOR, straight - 4M14F8OMLO-S	
10	REF.	1	✓	FRONT AXLE	AX-1-2

✓ See referenced page for component or assembly breakdown.



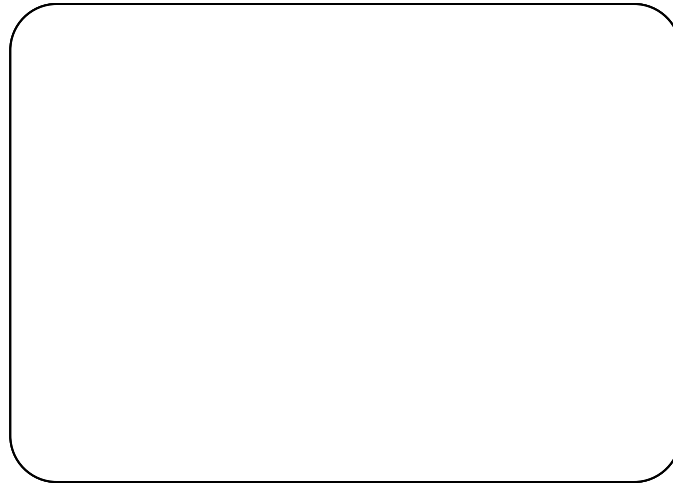
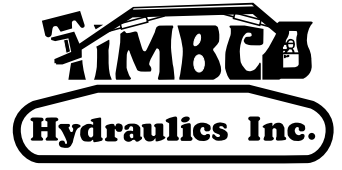
Parts 01781 08/25/2000
12.50

FRONT AXLE VENT LINE

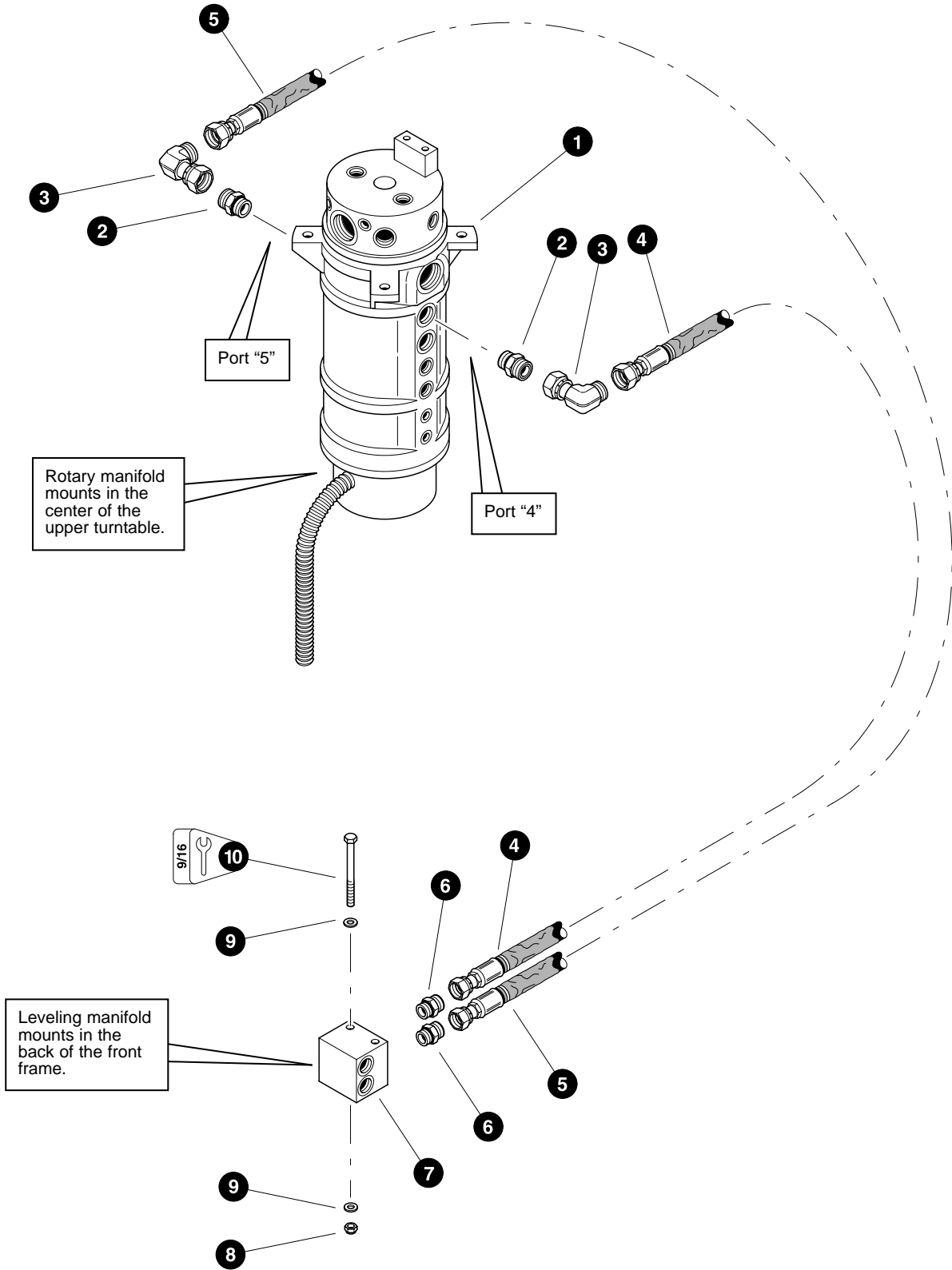
REF	PART #	QTY	DESCRIPTION	SEE PAGE
1	22570-BF	1	VENT, axle	
2	15513-BF	2	BUSHING, reducer - 5406-12-8	
3	22203-BF	1	BRACKET, vent mount	
4	10322-BF	1	CONNECTOR, straight swivel - 1404-8-8	
5	21961-BF	1	HOSE ASSEMBLY - 2030-08-08MP-08MP (<i>Axle vent port to vent mounting bracket</i>)	
6	REF.	1	✓ FRONT AXLE	AX-1-2
7	REF.	1	✓ ROTARY MANIFOLD MOUNTING BRACKET	UP-1-2

✓ See referenced page for component or assembly breakdown.

Section BF-4



Leveling Front Frame - Leveling Hydraulics

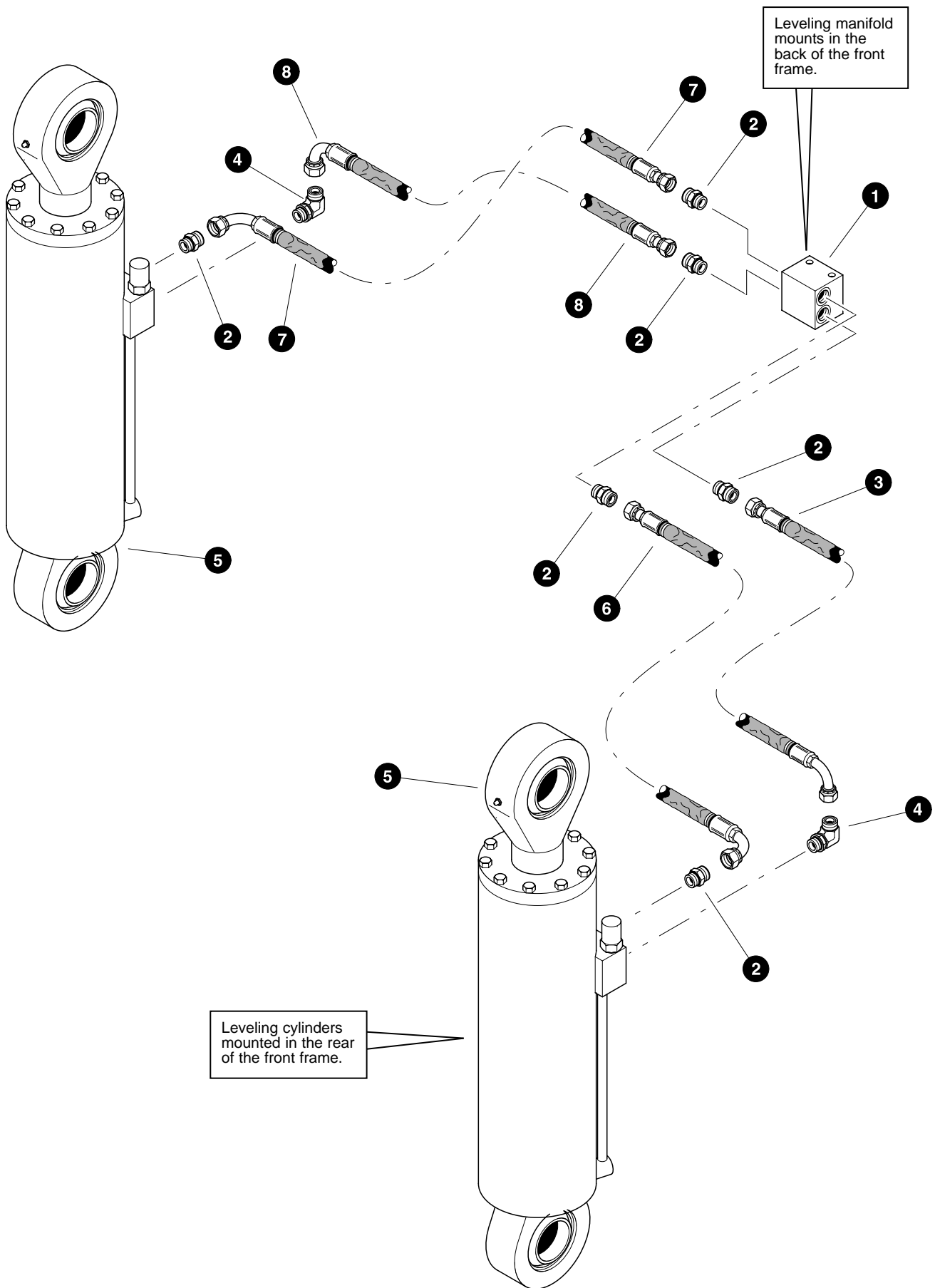


Parts 01786 08/28/2000
18.75

LEVELING FUNCTION HYDRAULICS (Rotary Manifold Ports To Leveling Manifold)

REF	PART #	QTY		DESCRIPTION	SEE PAGE
1	REF.	1	✓	ROTARY MANIFOLD ASSEMBLY	UP-1-6
2	15152-BF	2		CONNECTOR, straight - FF1852T-1212S	
3	17670-BF	2		ELBOW, 90° swivel - FF2098T-1212S	
4	22750-BF	1		HOSE ASSEMBLY - 4056-10-100S-120S-W (<i>Lower rotary manifold port #4 to top forward port of leveling manifold</i>)	
5	22750-BF	1		HOSE ASSEMBLY - 4056-10-100S-120S-W (<i>Lower rotary manifold port #5 to bottom forward port of leveling manifold</i>)	
6	23479-BF	2		CONNECTOR, straight - FF1852T-1010S	
7	22717-BF	1		MANIFOLD, leveling	
8	10813-BF	2		NUT, lock - 3/8"	
9	15528-BF	4		WASHER, SAE flat - 3/8"	
10	10753-BF	2		BOLT - 3/8" x 4-1/2"	

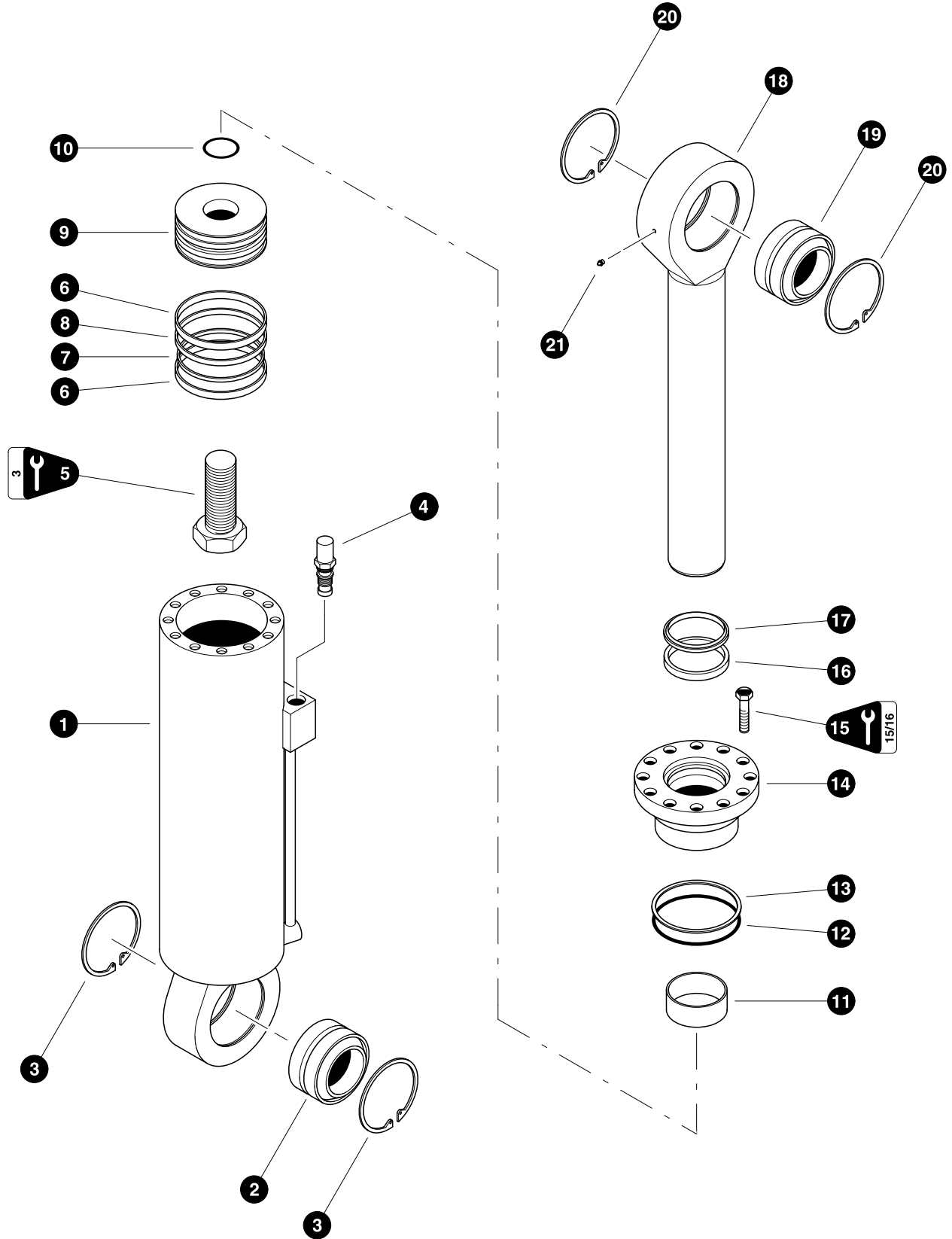
✓ See referenced page for component or assembly breakdown.



LEVELING FUNCTION HYDRAULICS (Leveling Manifold To Leveling Cylinders)

REF	PART #	QTY		DESCRIPTION	SEE PAGE
1	REF.	1	✓	LEVELING MANIFOLD	BF-4-2
2	15115-BF	6		CONNECTOR, straight - FF1852T-0810S	
3	22750-BF	1		HOSE ASSEMBLY - 4023-08-080S-0809-W (<i>Bottom RH port of leveling manifold to RH leveling cylinder base port</i>)	
4	15154-BF	2		ELBOW, 90° - FF1868T-0810S	
5	REF.	2	✓	LEVELING CYLINDER	BF-4-6
6	22750-BF	1		HOSE ASSEMBLY - 4023-08-080S-0809-W (<i>Top RH port of leveling manifold to RH leveling cylinder rod port</i>)	
7	22750-BF	1		HOSE ASSEMBLY - 4023-08-080S-0809-W (<i>Top LH port of leveling manifold to LH leveling cylinder rod port</i>)	
8	22750-BF	1		HOSE ASSEMBLY - 4023-08-080S-0809-W (<i>Bottom LH port of leveling manifold to LH leveling cylinder base port</i>)	

✓ See referenced page for component or assembly breakdown.



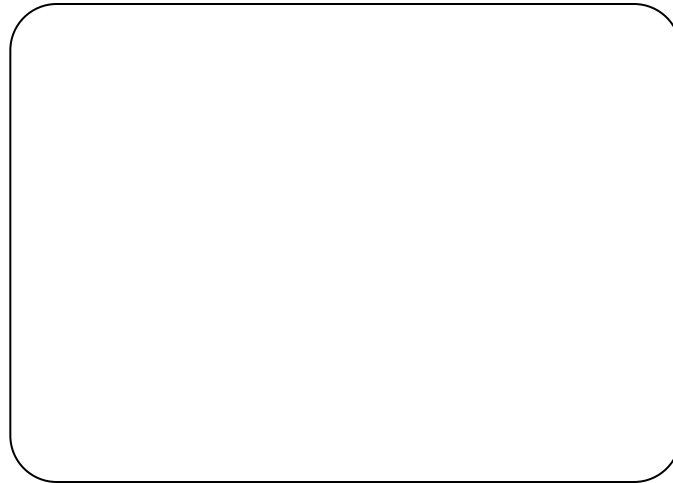
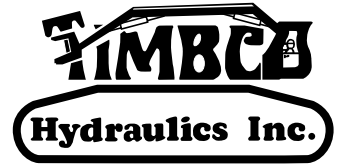
Parts 01788 08/29/2000
18.75

LEVELING CYLINDER

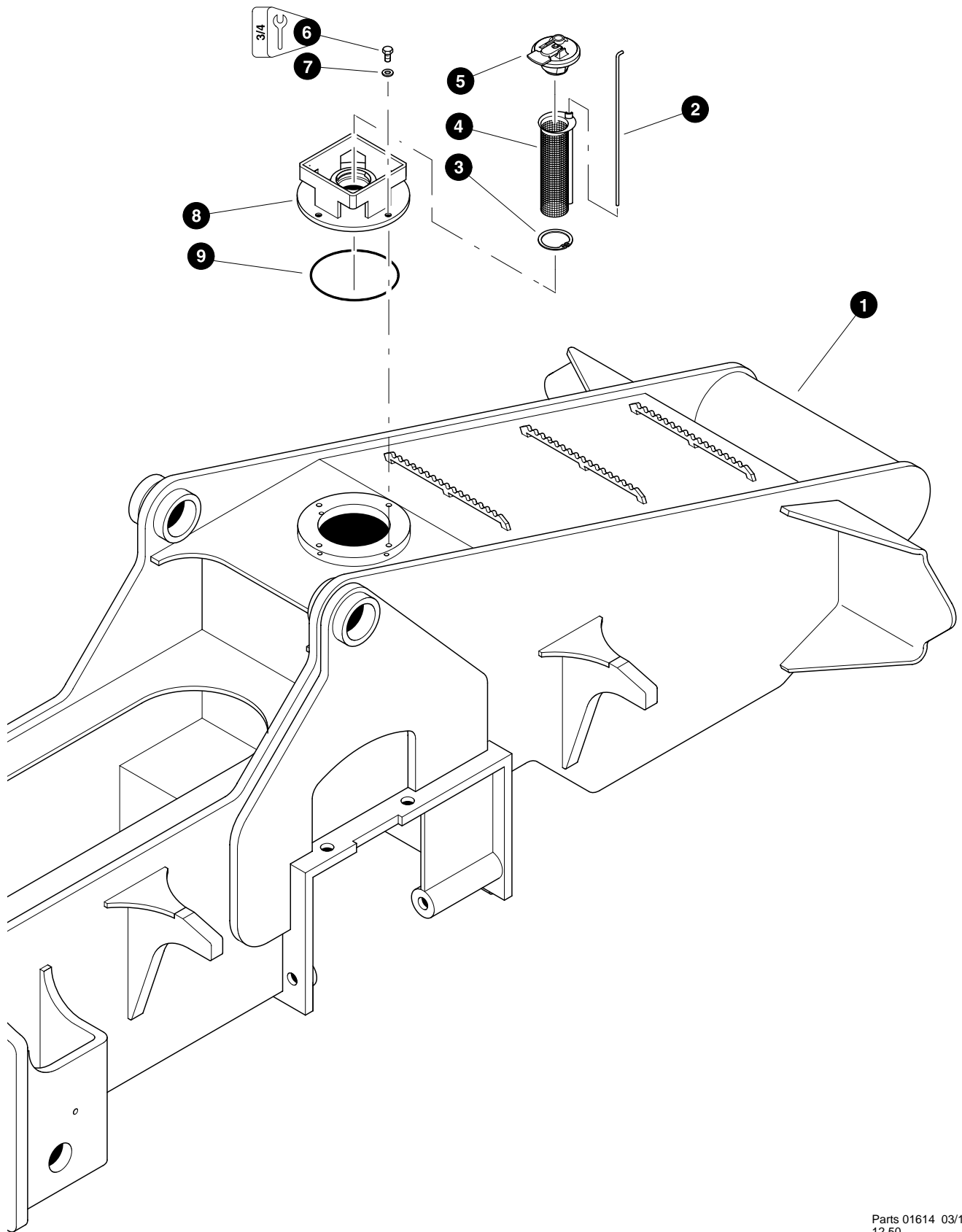
REF	PART #	QTY	DESCRIPTION	SEE PAGE
-	22547-BF	1	<input type="checkbox"/> LEVEL CYLINDER ASSEMBLY	
1	23482-BF	1	<input type="checkbox"/> BARREL ASSEMBLY	
2	12127-BF	1	BUSHING, spherical - 3"	
3	17833-BF	2	RING, snap - 3" spherical bushing	
4	23216-BF	2	CARTRIDGE, holding	
5	19956-BF	1	BOLT, cylinder rod - 2" x 4-1/4" (2700 +/- 200 ft.lbs. (3600 +/- 265 Nm))	
6	NSS	2	★ RING, piston wear	
7	NSS	1	★ RING, piston square	
8	NSS	1	★ RING, piston chem-cast	
9	23483-BF	1	PISTON	
10	NSS	1	★ O-RING, piston	
11	NSS	1	★ RING, rod bearing wear	
12	NSS	1	★ O-RING, rod bearing	
13	NSS	1	★ RING, rod bearing back-up	
14	19954-BF	1	BEARING, rod	
15	15681-BF	12	BOLT - 5/8" x 2-1/4" (175 ft.lbs (233 Nm))	
16	NSS	1	★ U-CUP, rod bearing	
17	NSS	1	★ WIPER, rod	
18	23485-BF	1	<input type="checkbox"/> ROD ASSEMBLY	
19	12127-BF	1	BUSHING, spherical - 3"	
20	17833-BF	2	RING, snap - 3" spherical bushing	
21	10704-BF	1	FITTING, grease	
-	23486-BF	1	KIT, seal repair - level cylinder	

- Kit or Assembly - includes all items indented underneath.
 ★ Included in seal repair kit Part # 23486-BF.

Section BF-5



Leveling Front Frame - Fuel Tank Components

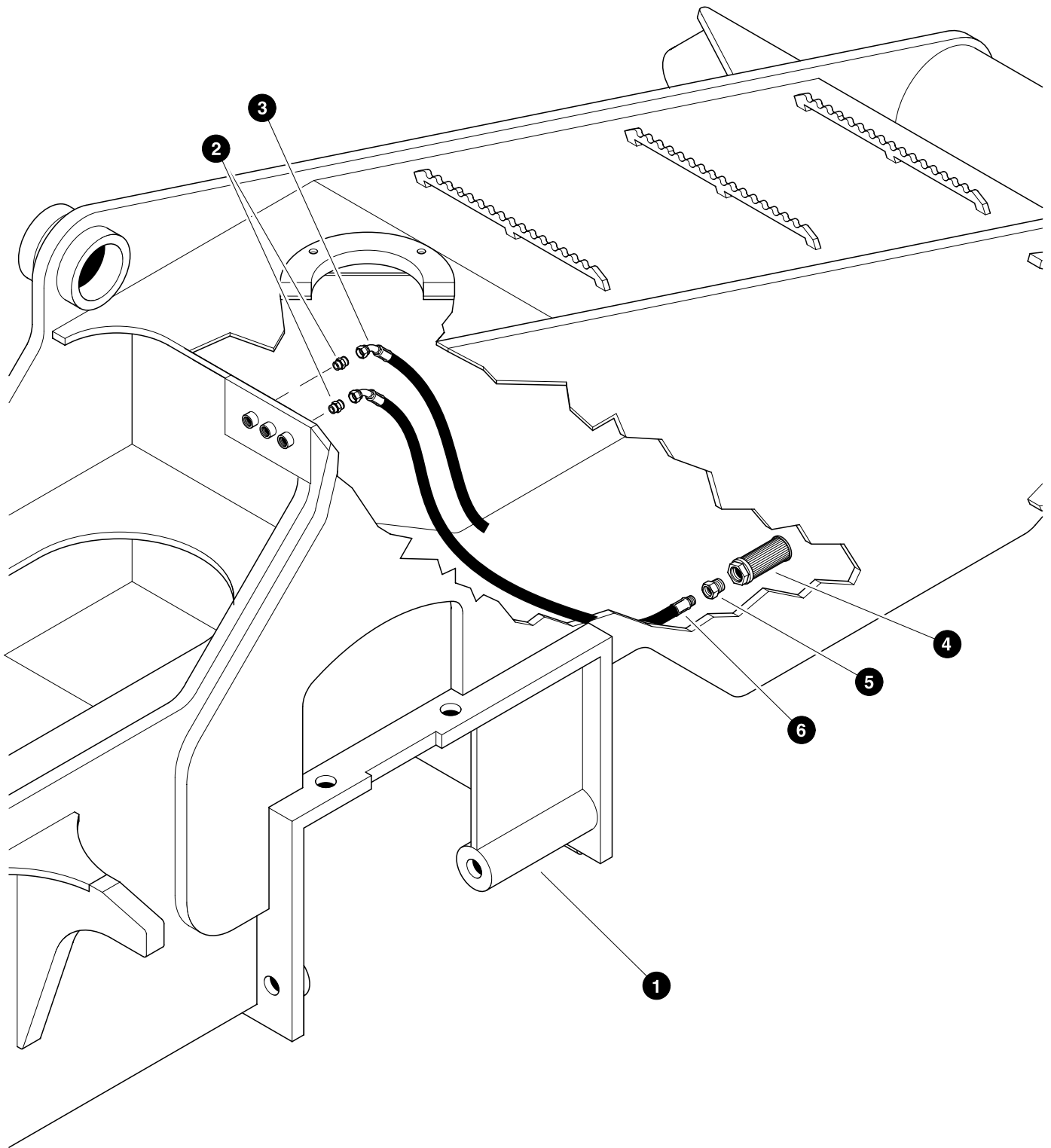


Parts 01614 03/10/2000
12.50

FUEL FILL STRAINER INSTALLATION

REF	PART #	QTY		DESCRIPTION	SEE PAGE
1	REF.	1	✓	FRONT FRAME WELDMENT	BF-1-2
2	17492-BF	1		DIPSTICK, fuel level	
3	17115-BF	1		RING, snap - fuel strainer retainer	
4	17114-BF	1		STRAINER, fuel	
5	16585-BF	1		CAP, fuel	
6	10783-BF	4		BOLT - 1/2" x 1"	
7	15534-BF	4		WASHER, SAE flat - 1/2"	
8	16516-BF	1		COVER, fuel tank	
9	15600-BF	1		O-RING - 8"	

- ✓ See referenced page for component or assembly breakdown.



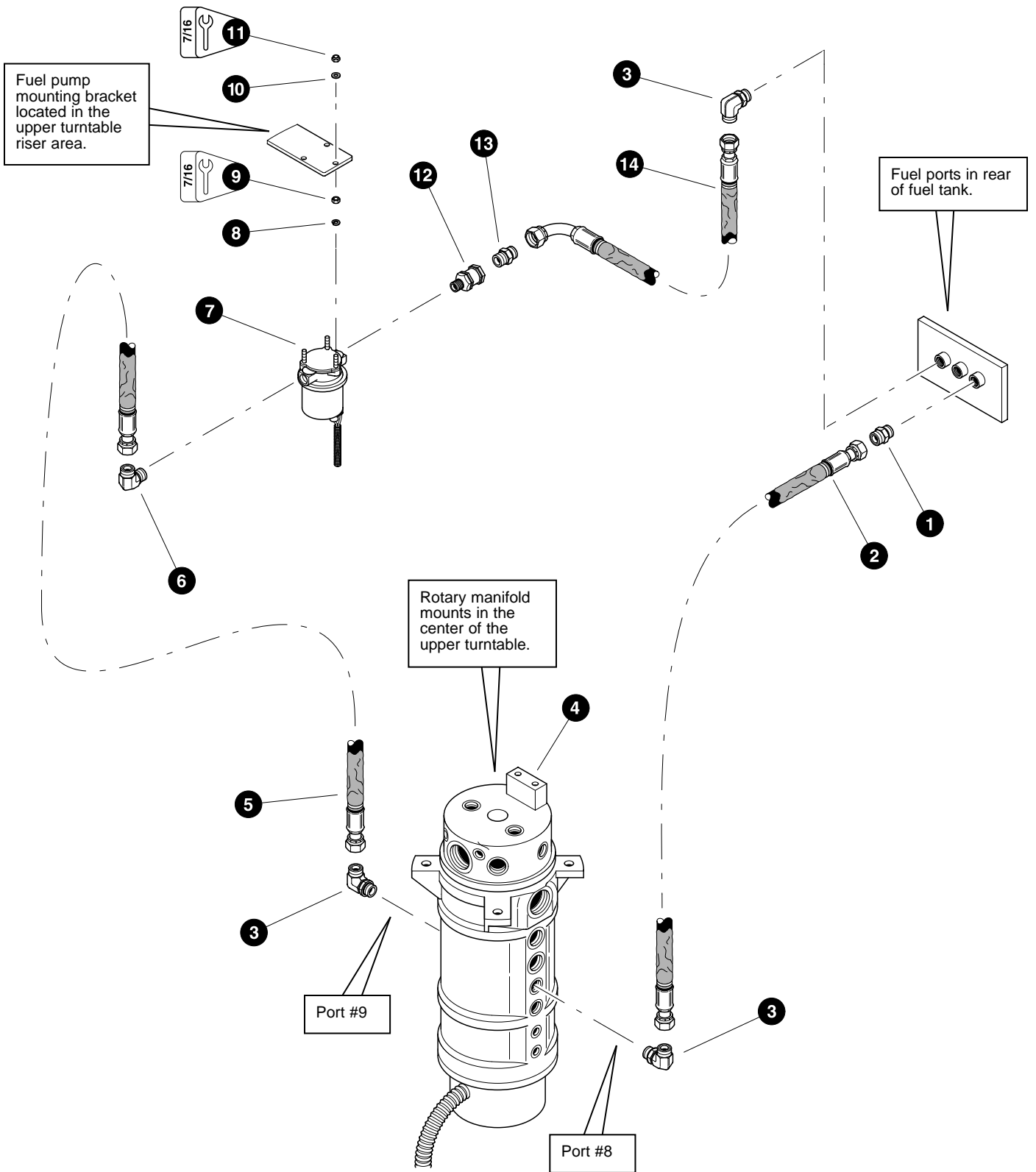
Parts 01615 03/10/2000
18.75

FUEL LINES

(Supply & Return Lines Inside Fuel Tank)

REF	PART #	QTY		DESCRIPTION	SEE PAGE
1	REF.	1	✓	FRONT FRAME WELDMENT	BF-1-2
2	15117-BF	2		CONNECTOR, straight - FF1852T-0808S	
3	22742-BF	1		HOSE ASSEMBLY - 2015.5-08-0809 (<i>Fuel return</i>)	
4	17271-BF	1		FILTER, screen	
5	15630-BF	1		BUSHING, reducer - 5406-8-6	
6	22744-BF	1		HOSE ASSEMBLY - 2067.5-08-0809-08PS (<i>Fuel supply</i>)	

✓ See referenced page for component or assembly breakdown.

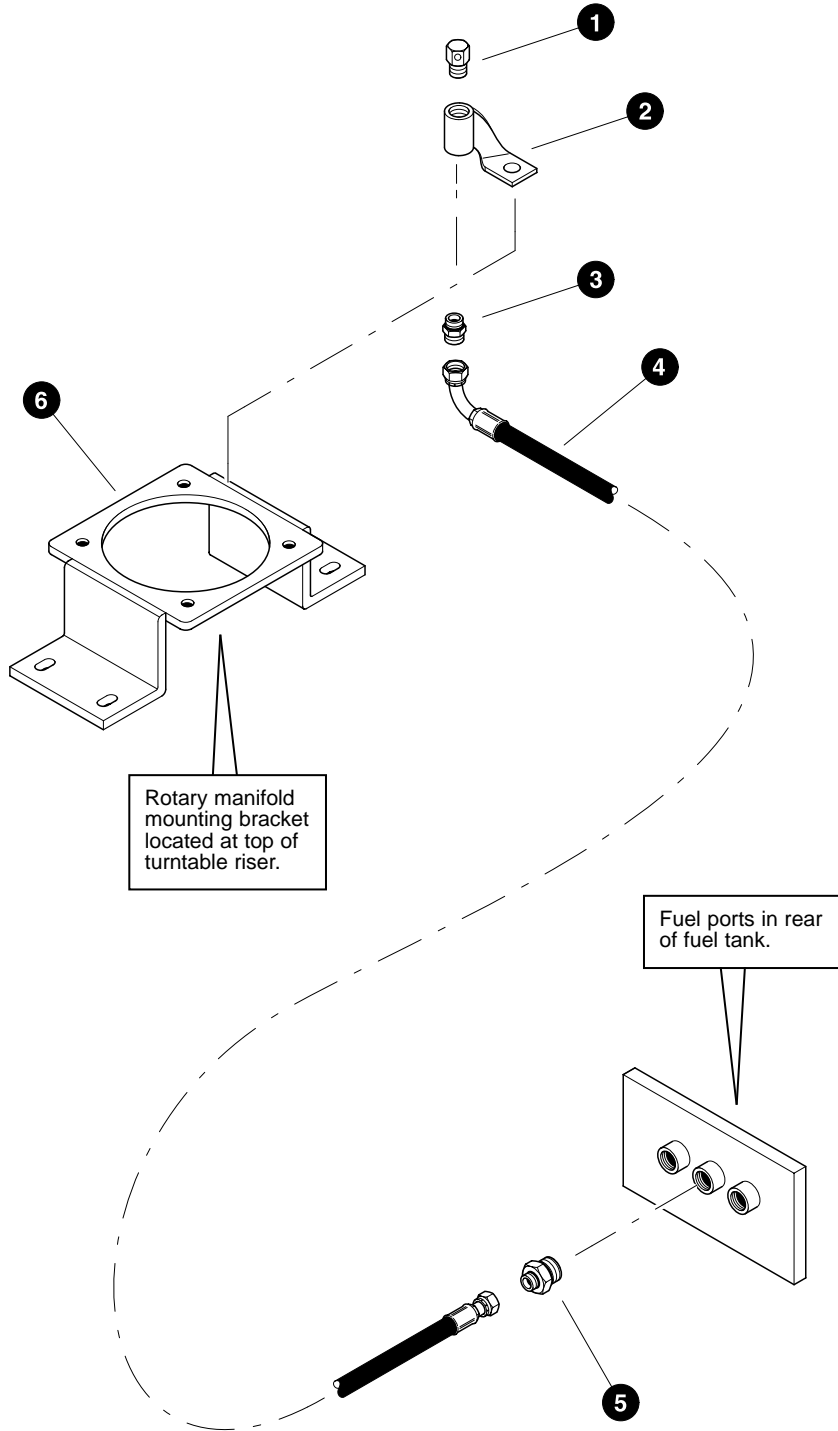


FUEL LINES

(Supply & Return Lines From Fuel Tank To Rotary Manifold)

REF	PART #	QTY	DESCRIPTION	SEE PAGE
1	15117-BF	1	CONNECTOR, straight - FF1852T-0808S	
2	22471-BF	1	HOSE ASSEMBLY - 2035-08-080S-080S-W (<i>Fuel return from lower rotary manifold port #8 to fuel tank return port</i>)	
3	16360-BF	3	ELBOW, 90° - FF1868T-0808S	
4	REF.	1	✓ ROTARY MANIFOLD	UP-1-6
5	22470-BF	1	HOSE ASSEMBLY - 2026-08-080S-080S-W (<i>Fuel supply from fuel pump outlet port to lower rotary manifold port #9</i>)	
6	16669-BF	1	ELBOW, 90° - FF2032T-0808S	
7	21966-BF	1	PUMP, fuel	
8	10756-BF	3	WASHER, lock - 1/4"	
9	10755-BF	3	NUT, hex - 1/4"	
10	10757-BF	3	WASHER, SAE flat - 1/4"	
11	15509-BF	3	NUT, nylock - 1/4"	
12	15258-BF	1	CONNECTOR, straight - FF2031T-0808S	
13	15652-BF	1	VALVE, check	
14	22743-BF	1	HOSE ASSEMBLY - 2027-08-080S-0809-W (<i>Fuel supply from fuel tank supply port to fuel pump inlet port</i>)	

✓ See referenced page for component or assembly breakdown.



FUEL LINES (Fuel Tank Vent)

REF	PART #	QTY	DESCRIPTION	SEE PAGE
1	22906-BF	1	BREATHER, fuel vent	
2	23078-BF	1	BRACKET, vent hose	
3	15131-BF	1	CONNECTOR, straight - FF2031T-0404S	
4	22735-BF	1	HOSE ASSEMBLY - 2039.5-04-040S-0409 <i>(Fuel tank vent port to fuel vent breather)</i>	
5	15504-BF	1	CONNECTOR, straight - FF2031T-0408S	
6	REF.	1	✓ ROTARY MANIFOLD MOUNTING BRACKET	UP-1-2

✓ See referenced page for component or assembly breakdown.