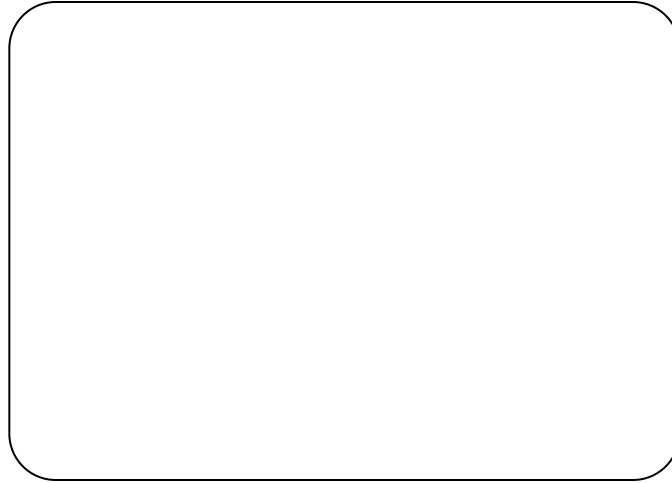
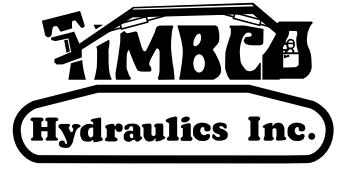
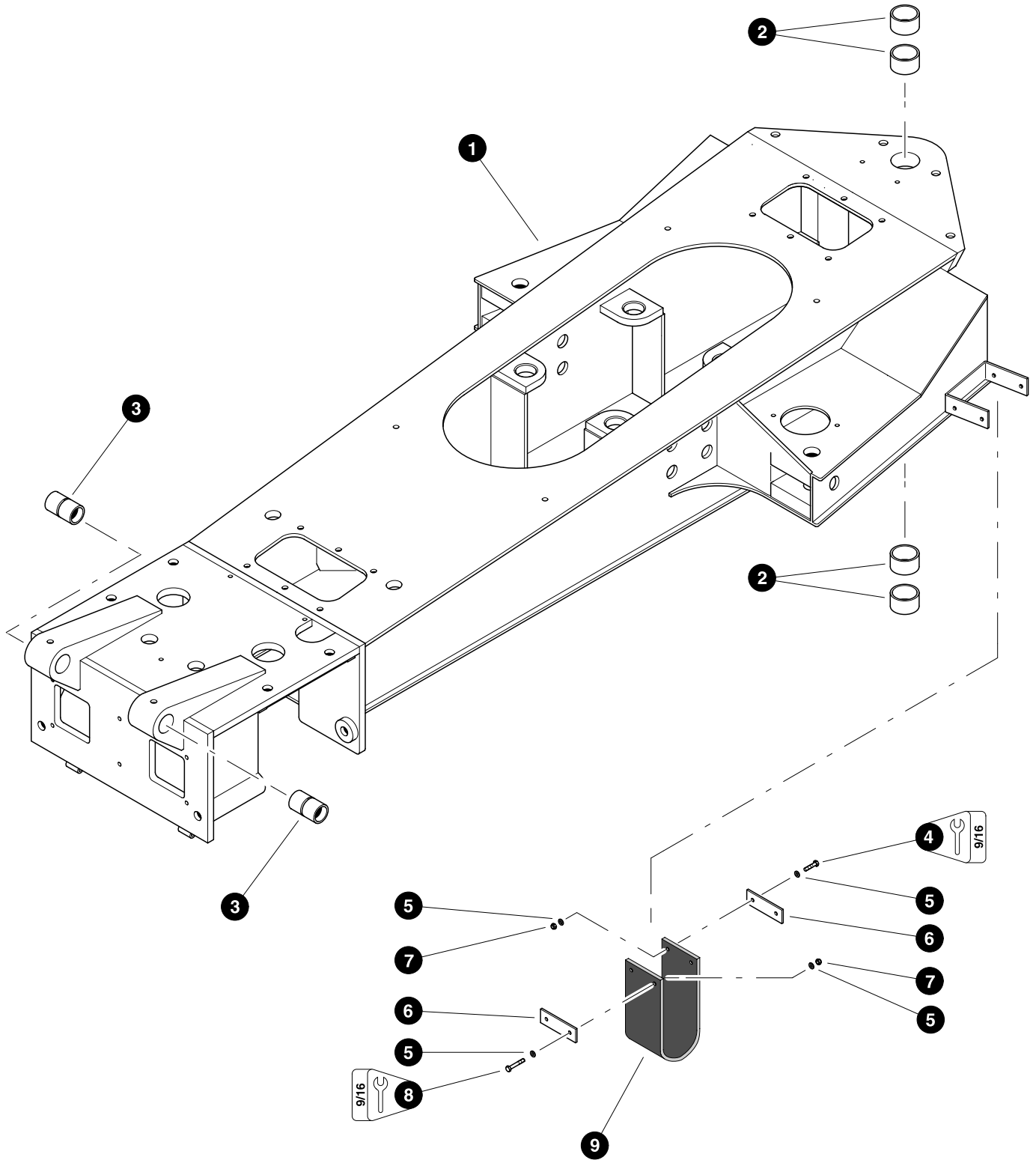


Section BR-1



***Sloped Rear Frame -
Structural***



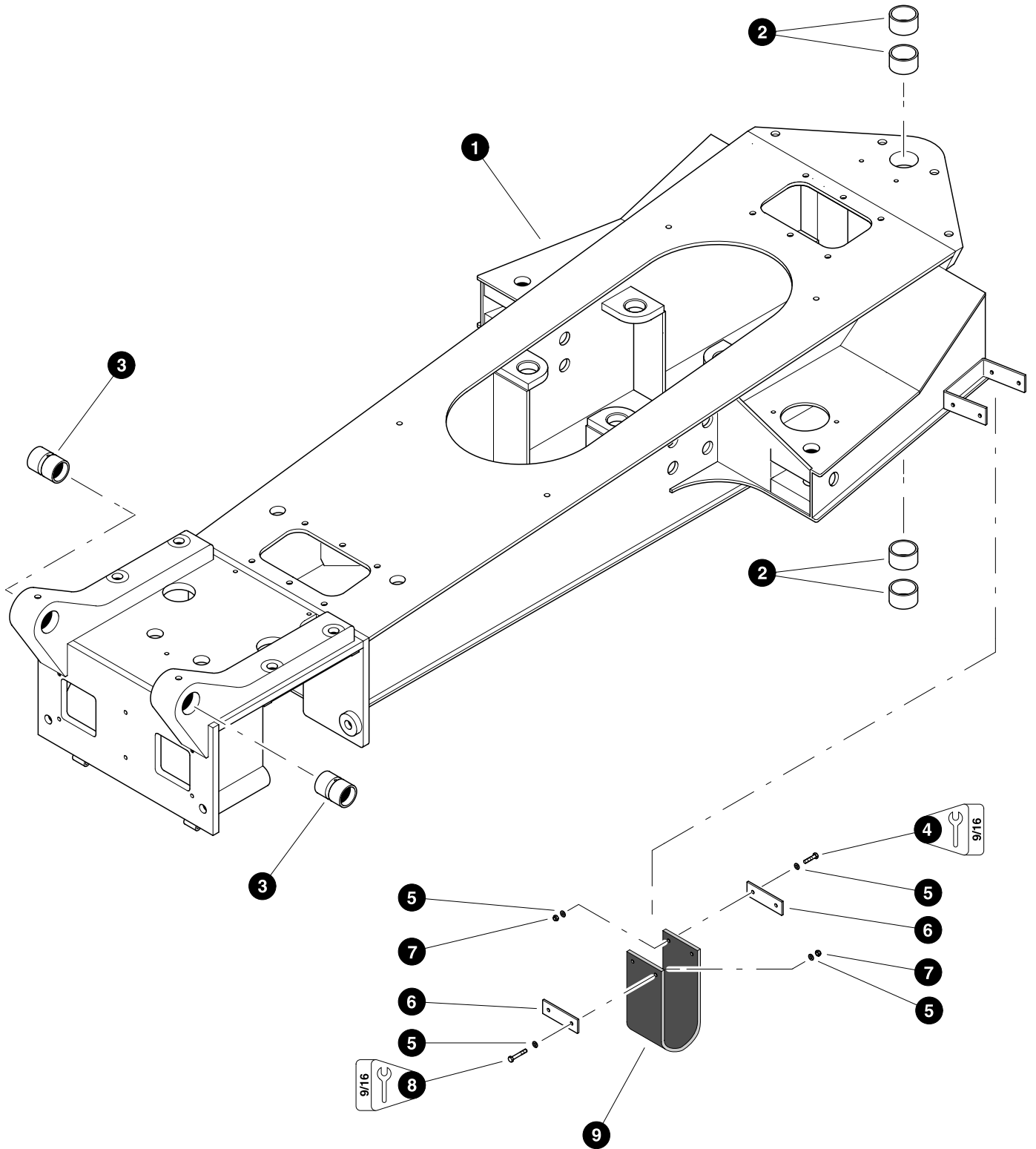
Parts 01079 03/10/99
9.375

REAR FRAME COMPONENTS

(Used on machines PDN# 139FWD and below)

REF	PART #	QTY	DESCRIPTION	SEE PAGE
1	80440-BR	1	<input type="checkbox"/> REAR FRAME WELDMENT	
2	23104-BR	4	BUSHING - 3-1/2" x 1-1/2" <i>(Used on machines PDN# 128FWD and above)</i>	
	19129-BR	4	BUSHING - 3" x 1-1/2" <i>(Used on machines PDN# 127FWD and below)</i>	
3	12149-BR	2	BUSHING - 2" x 4-1/4"	
4	20084-BR	6	BOLT - 3/8" x 1-3/4"	
5	15528-BR	16	WASHER, SAE flat - 3/8"	
6	20209-BR	4	RETAINER, rubber step	
7	10813-BR	8	NUT, lock - 3/8"	
8	10731-BR	2	BOLT - 3/8" x 1-1/2"	
9	20210-BR	2	STEP, rubber	

Kit or Assembly - includes all items indented underneath.



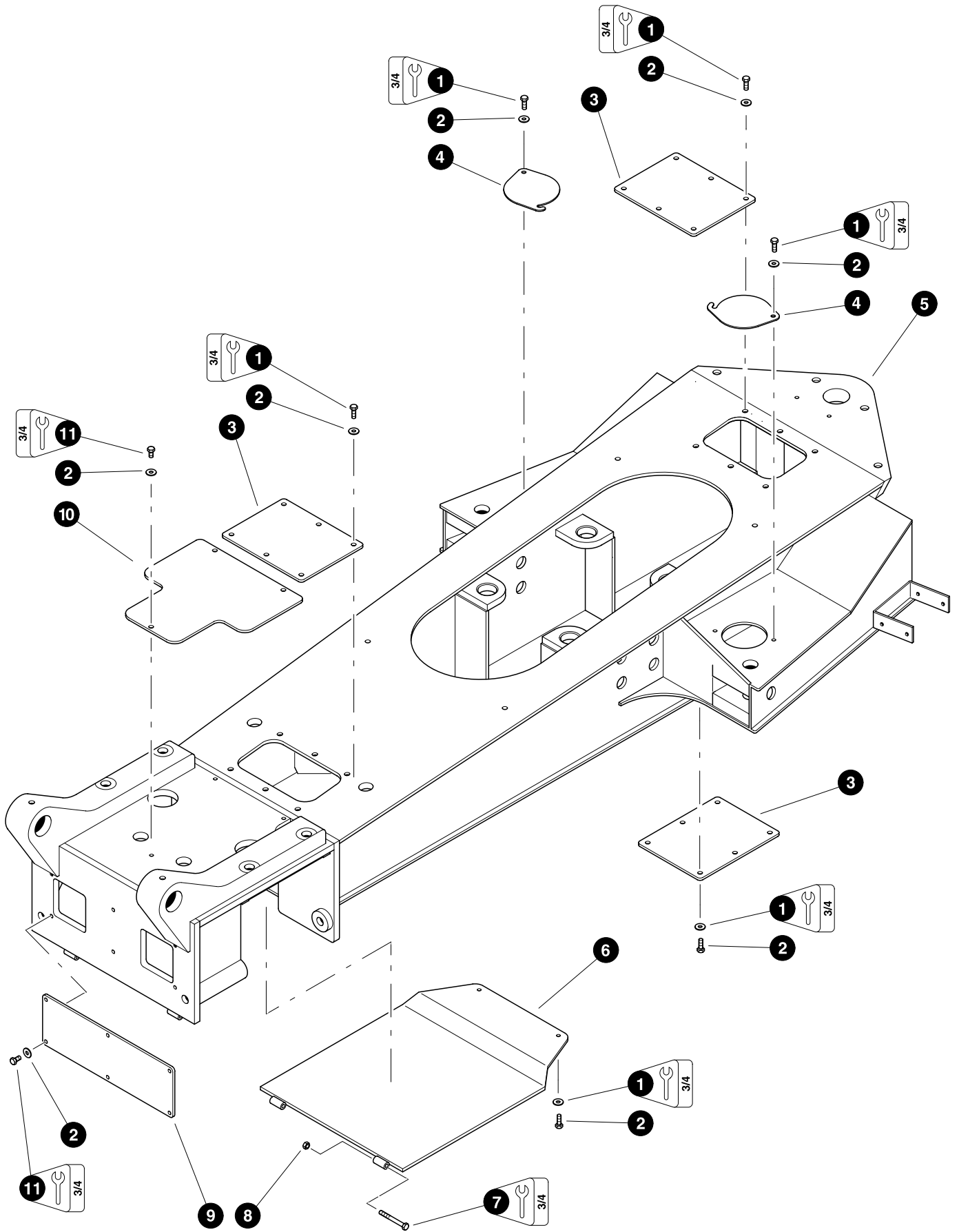
Parts 01906 11/22/2000
9.375

REAR FRAME COMPONENTS

(Used on machines PDN# 140FWD and above)

REF	PART #	QTY	DESCRIPTION	SEE PAGE
1	80440-BR	1	<input type="checkbox"/> REAR FRAME WELDMENT	
2	23104-BR	4	BUSHING - 3-1/2" x 1-1/2"	
3	11704-BR	2	BUSHING - 2-1/2" x 4-1/4"	
4	20084-BR	6	BOLT - 3/8" x 1-3/4"	
5	15528-BR	16	WASHER, SAE flat - 3/8"	
6	20209-BR	4	RETAINER, rubber step	
7	10813-BR	8	NUT, lock - 3/8"	
8	10731-BR	2	BOLT - 3/8" x 1-1/2"	
9	20210-BR	2	STEP, rubber	

- Kit or Assembly - includes all items indented underneath.

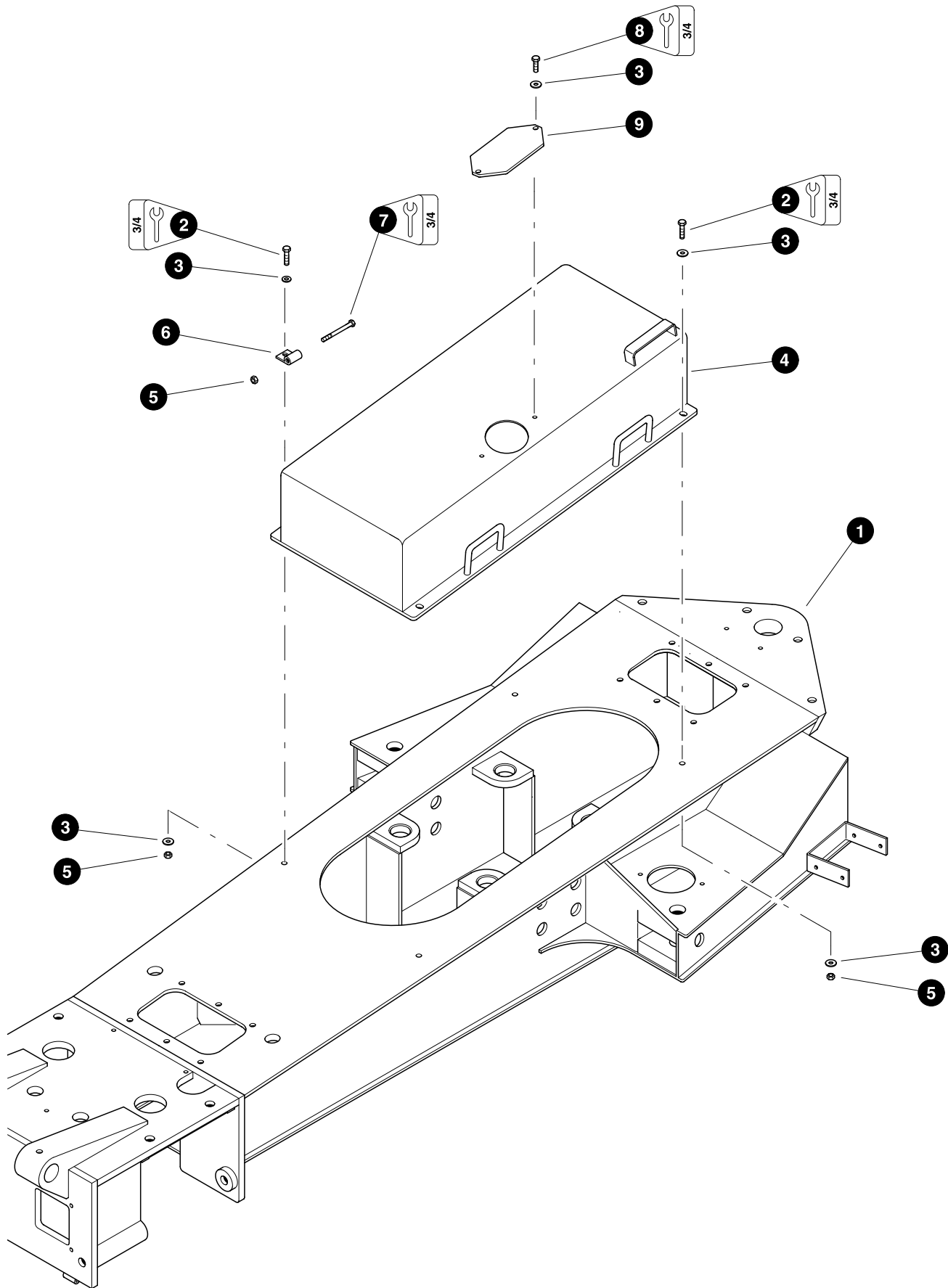


Parts 01905 11/22/2000
9.375

REAR FRAME ACCESS COVERS (General)

REF	PART #	QTY	DESCRIPTION	SEE PAGE
1	10783-BR	9	BOLT - 1/2" x 1"	
2	15534-BR	9	WASHER, SAE flat - 1/2"	
3	19395-BR	3	COVER, access - steerbox / axle	
4	12150-BR	2	COVER, access - steer cylinder	
5	REF.	1	✓ REAR FRAME WELDMENT	BR-1-2
6	19781-BR	1	COVER, access - rear frame axle (<i>Lower</i>)	
7	10835-BR	2	BOLT - 1/2" x 4-1/2"	
8	10815-BR	2	NUT, lock - 1/2"	
9	80316-BR	1	COVER, access - axle box end	
10	80544-BR	1	COVER, access - rear frame axle (<i>Upper</i>)(<i>Used on machines PDN# 140FWD and abpve</i>)	
	80331-BR	1	COVER, access - rear frame axle (<i>Upper</i>)(<i>Used on machines PDN# 139FWD and below</i>)	
11	10739-BR	30	BOLT - 1/2" x 1-1/2"	

✓ See referenced page for component or assembly breakdown.

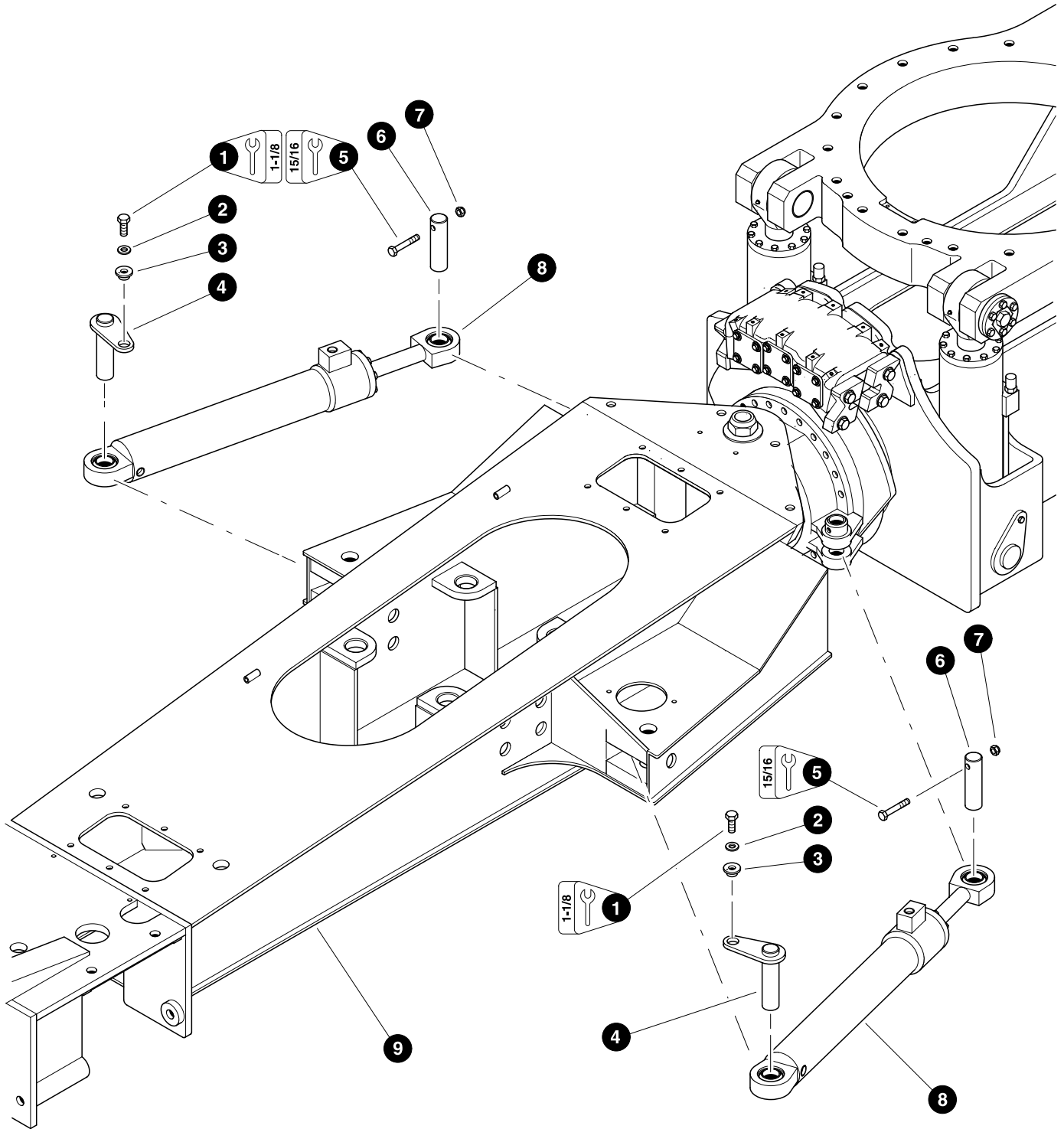


Parts 01081 08/17/2000
9.375

REAR FRAME ACCESS COVERS (Transfer Case)

REF	PART #	QTY		DESCRIPTION	SEE PAGE
1	REF.	1	✓	REAR FRAME WELDMENT	BR-1-2
2	15565-BR	4		BOLT - 1/2" x 2-1/2"	
3	15534-BR	10		WASHER, SAE flat - 1/2"	
4	80475-BR	1		COVER, Drive Motor	
5	10815-BR	6		NUT, lock - 1/2"	
6	16403-BR	2		BRACKET, hinge	
7	10705-BR	2		BOLT - 1/2" x 5"	
8	10739-BR	2		BOLT - 1/2" x 1-1/2"	
9	13415-BR	1		COVER, access - dipstick	

✓ See referenced page for component or assembly breakdown.



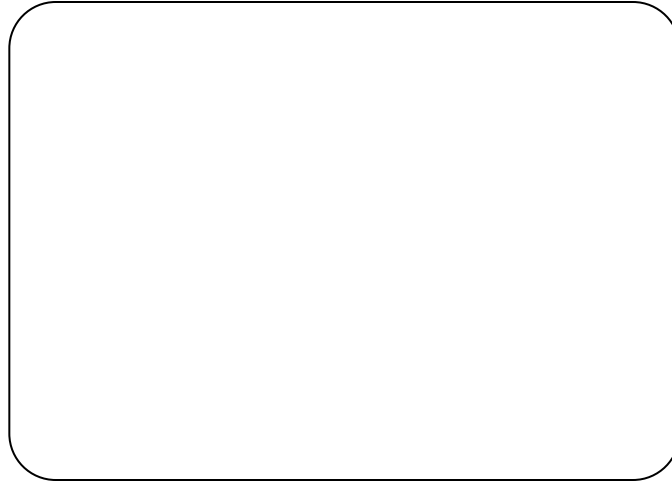
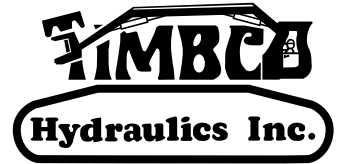
Parts 01782 08/25/2000
9.375

STEER CYLINDER INSTALLATION

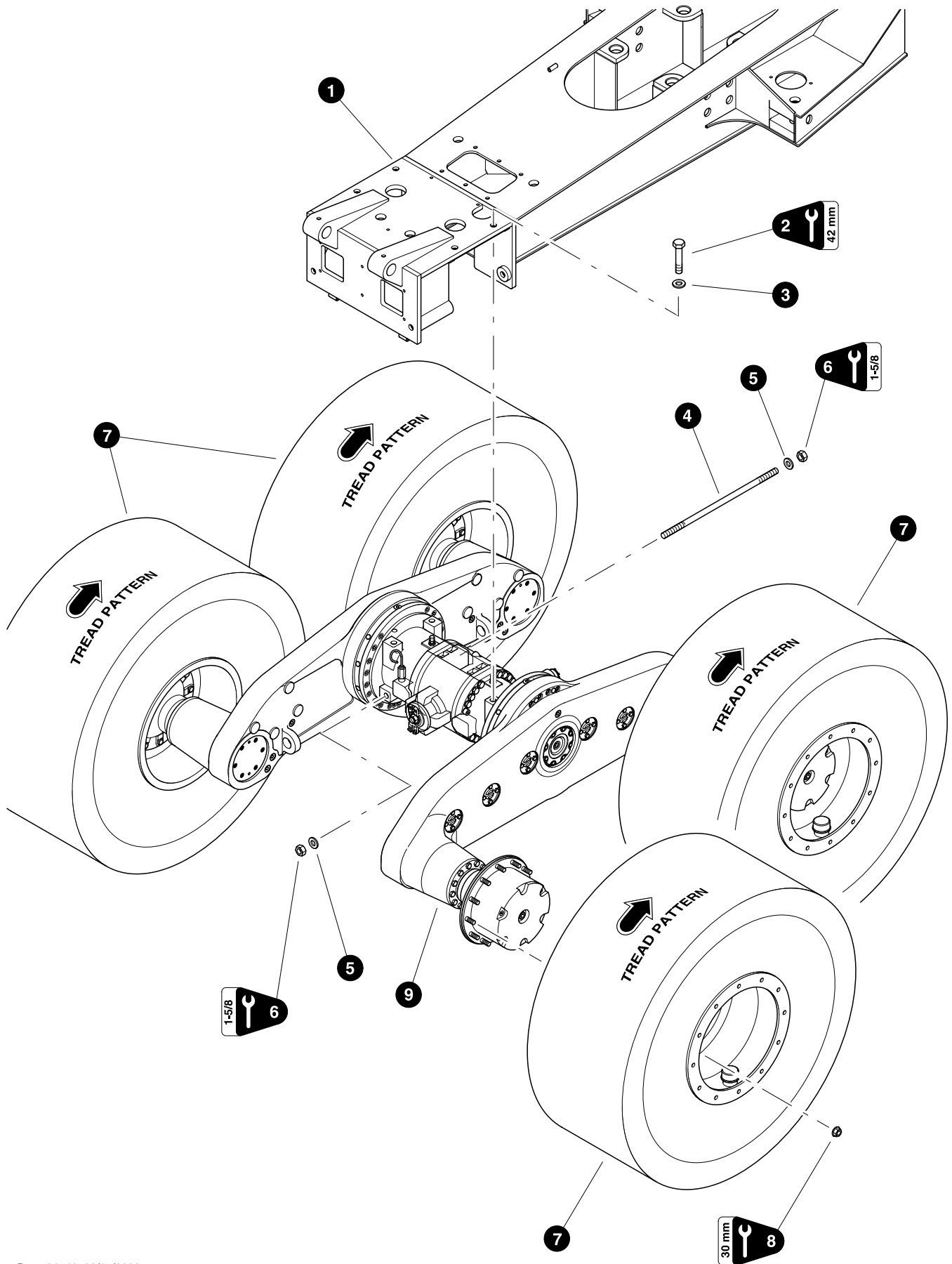
REF	PART #	QTY	DESCRIPTION	SEE PAGE
1	15449-BR	2	BOLT - 3/4" x 2"	
2	15550-BR	2	WASHER, SAE flat - 3/4"	
3	18570-BR	2	WASHER, pin retaining	
4	19210-BR	2	PIN, steer cylinder mounting - base	
5	10719-BR	2	BOLT - 5/8" x 4"	
6	19448-BR	2	PIN, steer cylinder mounting - rod	
7	15563-BR	2	NUT, nylock - 5/8"	
8	REF.	2	✓ STEER CYLINDER	BR-5-6
9	REF.	1	REAR FRAME WELDMENT	BR-1-2

✓ See referenced page for component or assembly breakdown.

Section BR-2



Sloped Rear Frame - Drivetrain Installation



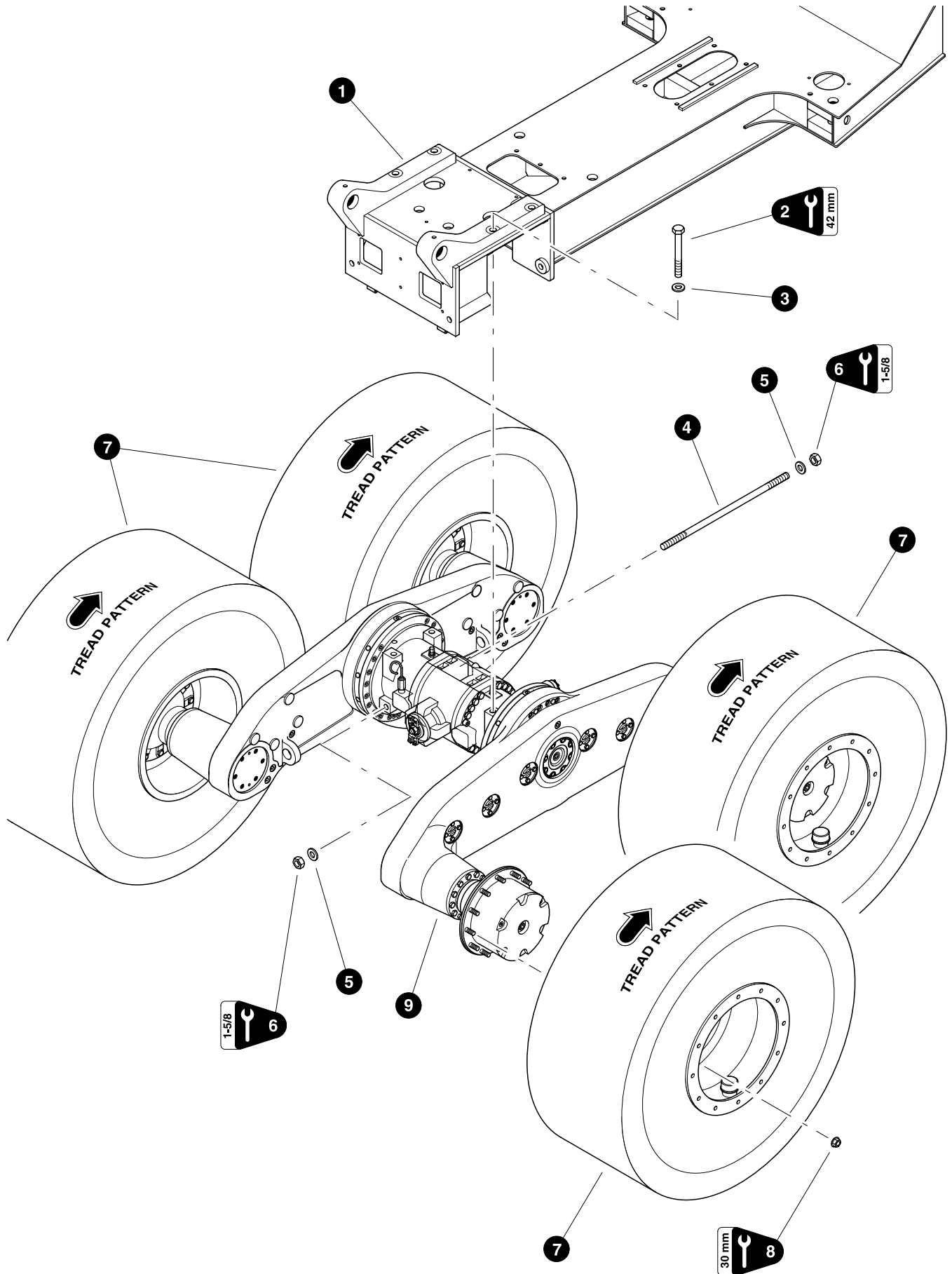
Parts 01743 08/15/2000
6.25

REAR AXLE INSTALLATION

(Used on machines PDN# 146FWD and below)

REF	PART #	QTY		DESCRIPTION	SEE PAGE
1	REF.	1	✓	REAR FRAME WELDMENT	BR-1-2
2	19898-BR	4		BOLT - 27mm-3.0P x 160mm (Torque to 1000 lbs. (1330 Nm))	
3	19899-BR	4		WASHER, hardened flat - 27mm	
4	23136-BR	2		STUD, axle spreader box - 1-1/8" (Torque to 700 lbs. (935 Nm))	
5	23211-BR	4		WASHER, SAE flat - 1-1/8" <i>(Extra thick)</i>	
6	17248-BR	4		NUT, lock - 1-1/8"	
7	REF.	4	✓	WHEEL ASSEMBLY	AX-3-2
8	19361-BR	48		NUT, lug (Torque to 415 lbs. (550 Nm))	
9	REF.	1	✓	REAR AXLE	AX-1-2

✓ See referenced page for component or assembly breakdown.



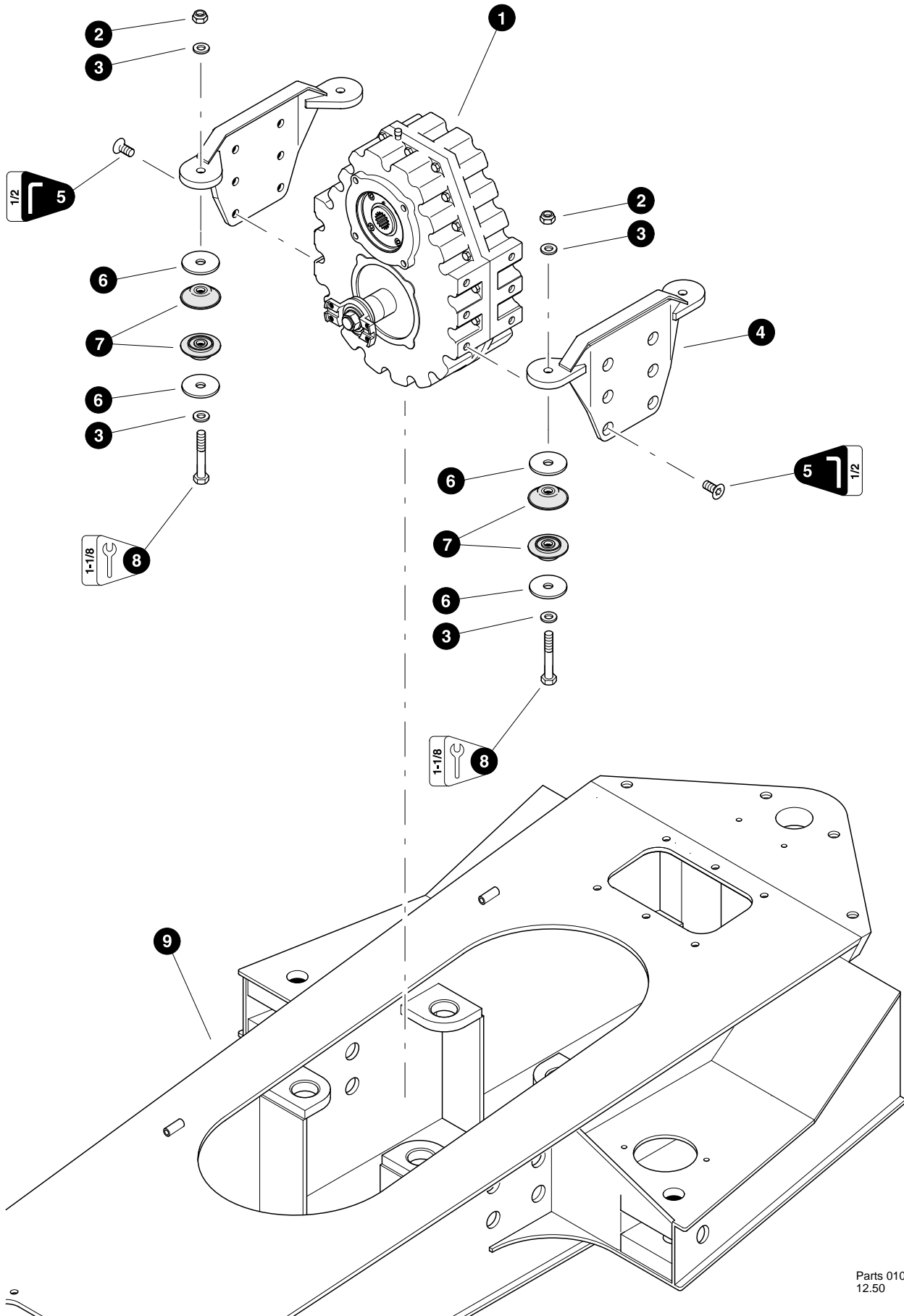
Parts 01907 11/22/2000
6.25

REAR AXLE INSTALLATION

(Used on machines PDN# 147FWD and above)

REF	PART #	QTY		DESCRIPTION	SEE PAGE
1	REF.	1	✓	REAR FRAME WELDMENT	BR-1-2
2	23567-BR	4		BOLT - 30mm-3.5P x 220mm (Torque to 1200 lbs. (1600 Nm))	
3	23568-BR	4		WASHER, hardened flat - 30mm	
4	23851-BR	2		STUD, axle spreader box - 1-1/4" (Torque to 775 lbs. (1035 Nm))	
5	23990-BR	4		WASHER, SAE flat - 1-1/4" <i>(Extra thick)</i>	
6	23989-BR	4		NUT, lock - 1-1/4"	
7	REF.	4	✓	WHEEL ASSEMBLY	AX-3-2
8	19361-BR	48		NUT, lug (Torque to 415 lbs. (550 Nm))	
9	REF.	1	✓	REAR AXLE	AX-1-2

✓ See referenced page for component or assembly breakdown.



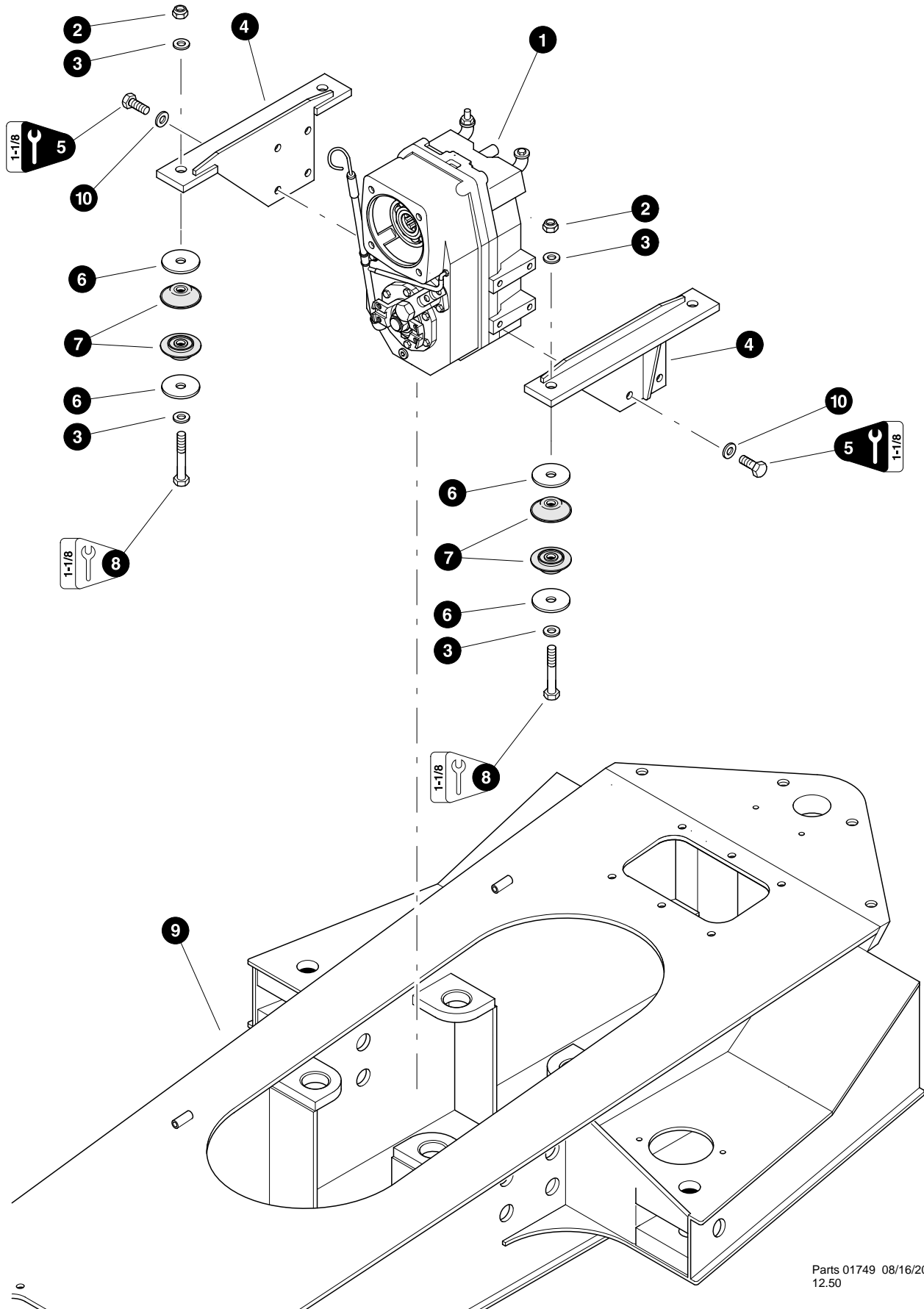
TRANSFER CASE INSTALLATION (Superior w/Dual Drive Motors)

REF	PART #	QTY		DESCRIPTION	SEE PAGE
1	REF.	1	✓	TRANSFER CASE	AX-2-2
2	10817-BR	4		NUT, lock - 3/4"	
3	15550-BR	8		WASHER, SAE flat - 3/4"	
4	80395-BR	2		BRACKET, gearbox mounting	
5	20968-BR	12		BOLT, flat head socket - 3/4" x 1-1/4" (Torque to 300 ft.lbs. (400 Nm))(See note below)	
6	17918-BR	8		WASHER, isolator mount	
7	17904-BR	8		ISOLATOR	
9	10844-BR	4		BOLT - 3/4" x 5"	
9	REF.	1	✓	REAR FRAME WELDMENT	BR-1-2

✓ See referenced page for component or assembly breakdown.

Note:

Use Loctite 242 (*blue*) during installation.



Parts 01749 08/16/2000
12.50

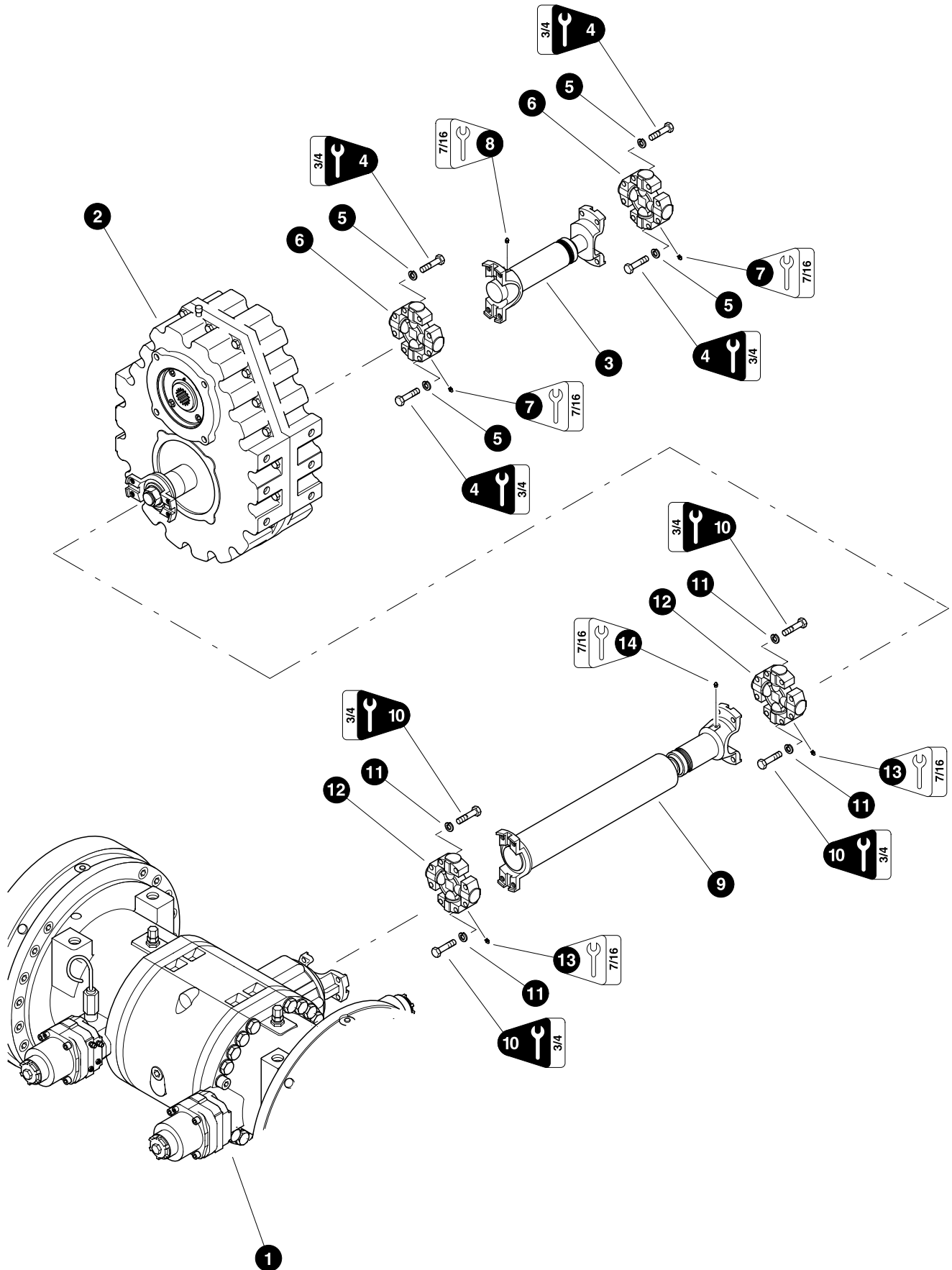
TRANSFER CASE INSTALLATION (NAF w/Single Drive Motor)

REF	PART #	QTY		DESCRIPTION	SEE PAGE
1	REF.	1	✓	TRANSFER CASE	AX-2-4
2	10817-BR	4		NUT, lock - 3/4"	
3	15550-BR	8		WASHER, SAE flat - 3/4"	
4	80395-BR	2		BRACKET, gearbox mounting	
5	20661-BR	8		BOLT, - 16mm-2.0P x 35mm <i>(Torque to 300 ft.lbs. (400 Nm))(See Note Below)</i>	
6	17918-BR	8		WASHER, isolator mount	
7	17904-BR	8		ISOLATOR	
8	10844-BR	4		BOLT - 3/4" x 5"	
9	REF.	1	✓	REAR FRAME WELDMENT	BR-1-2
10	18777-BR	8		WASHER, flat - 16mm	

✓ See referenced page for component or assembly breakdown.

Note:

Use Loctite 242 (*blue*) during installation.



Parts 01086 03/10/99
12.50

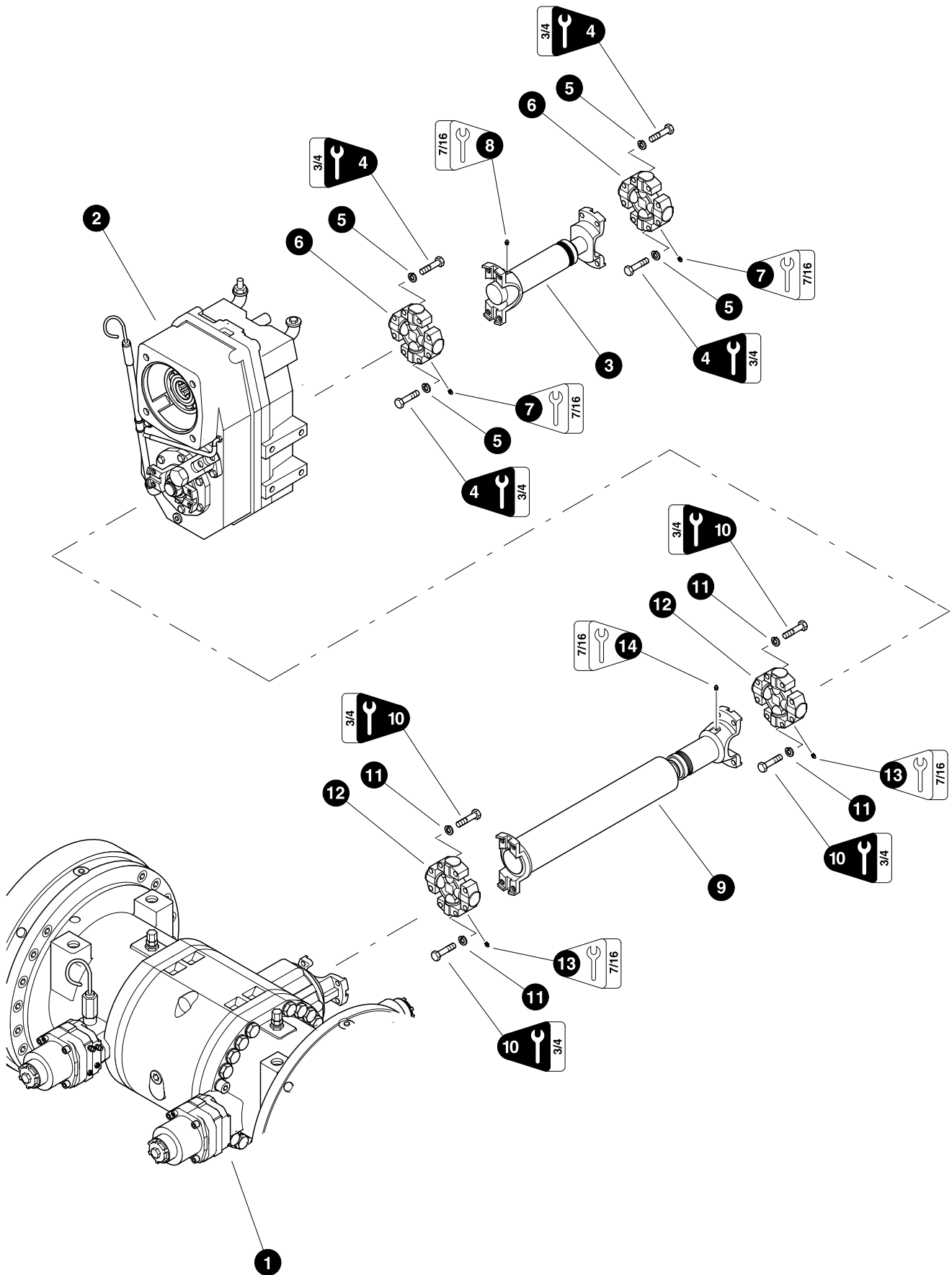
DRIVE SHAFT INSTALLATION (Superior Transfer Case)

REF	PART #	QTY		DESCRIPTION	SEE PAGE
1	REF.	1	✓	REAR AXLE	AX-1-2
2	REF.	1	✓	TRANSFER CASE	AX-2-2
3	23459-BR	1	☐	DRIVE SHAFT (<i>Articulation joint to Transfer case</i>)	
4	20662-BR	16		BOLT - 1/2" x 2-1/4" NF (<i>See Note #1 Below</i>) (Torque to 115 lbs. (155 Nm))	
5	10710-BR	16		WASHER, lock - 1/2"	
6	20677-BR	2		U-JOINT, driveshaft	
7	10704-BR	2		FITTING, grease - 1/8" pipe thread	
8	18420-BR	1		FITTING, grease - 1/4-28"	
9	23455-BR	1	☐	DRIVE SHAFT (<i>Transfer case to rear axle</i>)	
10	20662-BR	8		BOLT - 1/2" x 2-1/4" NF (<i>See Note #1 Below</i>) (Torque to 115 lbs. (155 Nm))	
11	10710-BR	8		WASHER, lock - 1/2"	
12	20677-BR	1		U-JOINT, driveshaft	
13	10704-BR	2		FITTING, grease - 1/8" pipe thread	
14	18420-BR	1		FITTING, grease - 1/4-28"	

- ✓ See referenced page for component or assembly breakdown.
- ☐ Kit or Assembly - includes all items indented underneath.

Note #1:

Use Loctite 242 (*blue*) during installation.



Parts 01750 08/16/2000
12.50

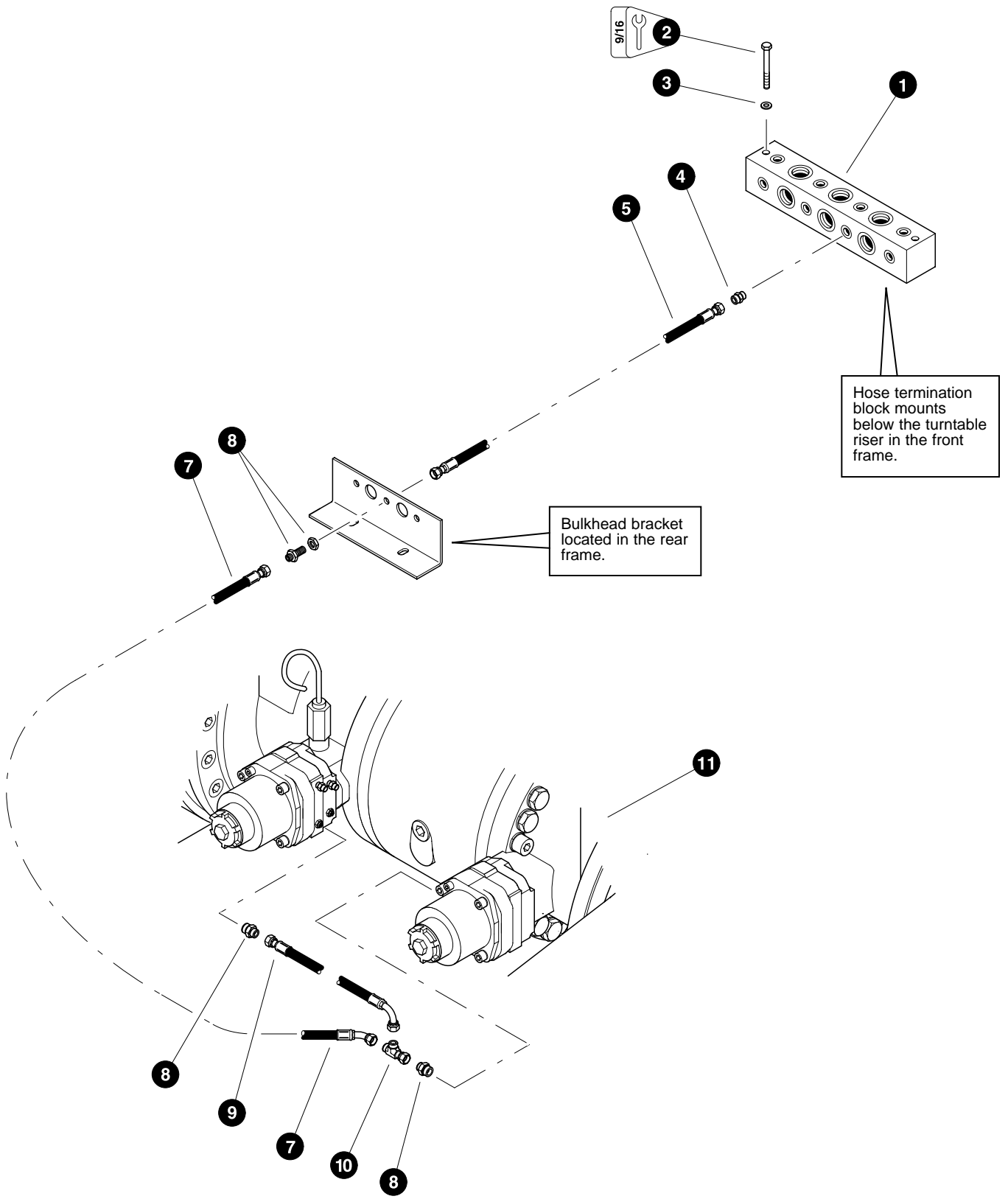
DRIVE SHAFT INSTALLATION (NAF Transfer Case)

REF	PART #	QTY		DESCRIPTION	SEE PAGE
1	REF.	1	✓	REAR AXLE	AX-1-2
2	REF.	1	✓	TRANSFER CASE	AX-2-4
3	-----	1	☐	DRIVE SHAFT (<i>Articulation joint to Transfer case</i>)	
4	20662-BR	16		BOLT - 1/2" x 2-1/4" NF (<i>See Note #1 Below</i>) (Torque to 115 lbs. (155 Nm))	
5	10710-BR	16		WASHER, lock - 1/2"	
6	20677-BR	2		U-JOINT, driveshaft	
7	10704-BR	2		FITTING, grease - 1/8" pipe thread	
8	18420-BR	1		FITTING, grease - 1/4-28"	
9	-----	1	☐	DRIVE SHAFT (<i>Transfer case to rear axle</i>)	
10	20662-BR	8		BOLT - 1/2" x 2-1/4" NF (<i>See Note #1 Below</i>) (Torque to 115 lbs. (155 Nm))	
11	10710-BR	8		WASHER, lock - 1/2"	
12	20677-BR	1		U-JOINT, driveshaft	
13	10704-BR	2		FITTING, grease - 1/8" pipe thread	
14	18420-BR	1		FITTING, grease - 1/4-28"	

- ✓ See referenced page for component or assembly breakdown.
- ☐ Kit or Assembly - includes all items indented underneath.

Note #1:

Use Loctite 242 (*blue*) during installation.

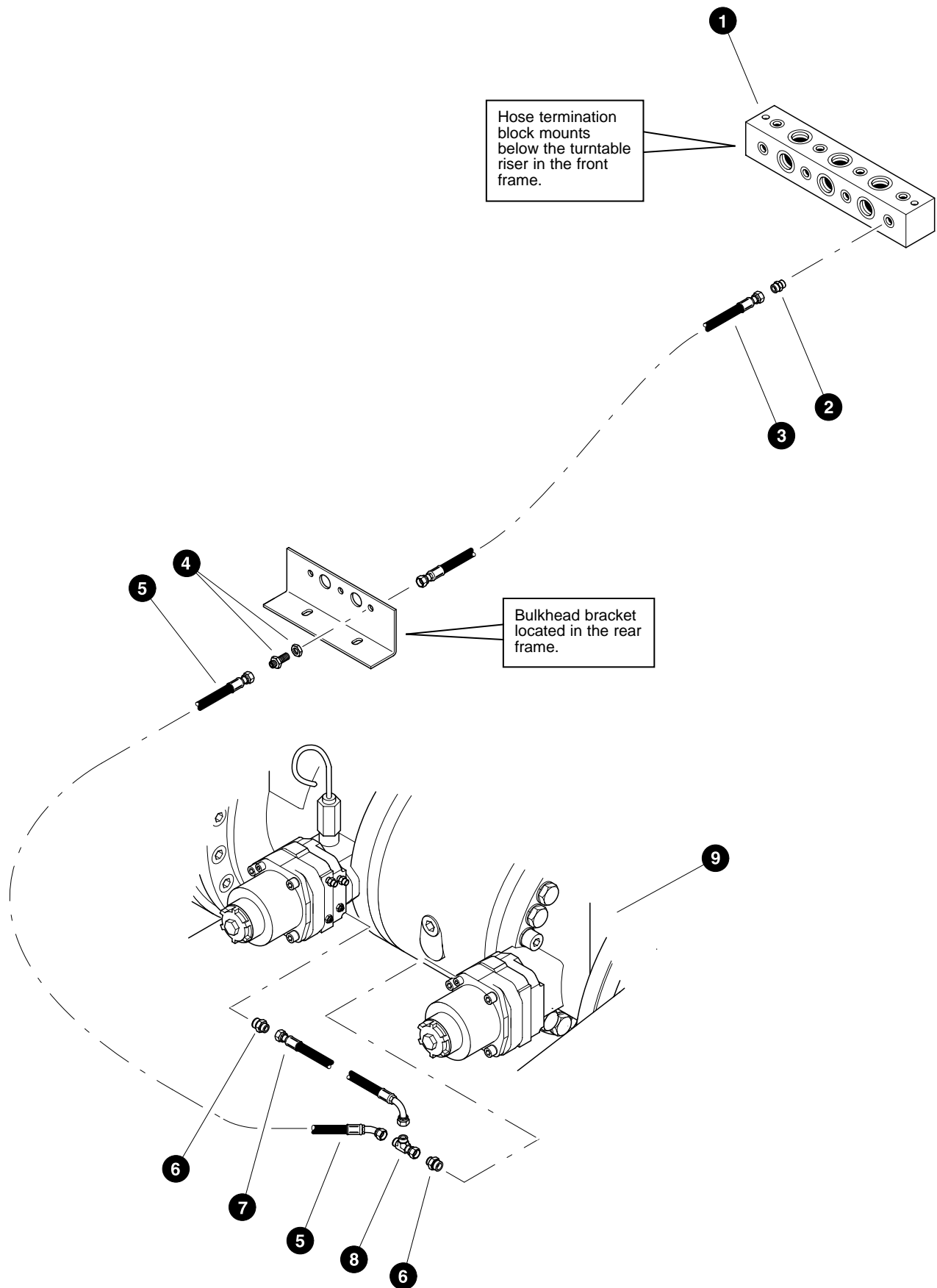


Parts 01763 08/22/2000
18.75

REAR AXLE PARKING BRAKE LINES (From Hose Termination Block)

REF	PART #	QTY	✓	DESCRIPTION	SEE PAGE
1	23335-BR	1	✓	MANIFOLD, hose termination block	
2	10750-BR	2		BOLT - 3/8" x 3"	
3	15528	2		WASHER, SAE flat - 3/8"	
4	15124-BR	1		CONNECTOR, straight - FF1852T-0406S	
5	23110-BR	1		HOSE ASSEMBLY - 2072-04-040S-040S-W (<i>Hose termination block to bulkhead bracket center</i>)	
6	18582-BR	1		CONNECTOR, straight bulkhead - FF1994T-0404S	
7	22733-BR	1		HOSE ASSEMBLY - 2134-04-040S-0404-W (<i>Bulkhead bracket center to rear axle parking brake tee</i>)	
8	19470-BR	2		CONNECTOR, straight - 4M14F8OMLO-S	
9	20167-BR	1		HOSE ASSEMBLY - 2009.5-04-040S-0409 (<i>Rear axle parking brake tee to LH brake chamber</i>)	
10	15176-BR	1		TEE - FF2114T-0404S	
11	REF.	1	✓	REAR AXLE	AX-1-2

✓ See referenced page for component or assembly breakdown.



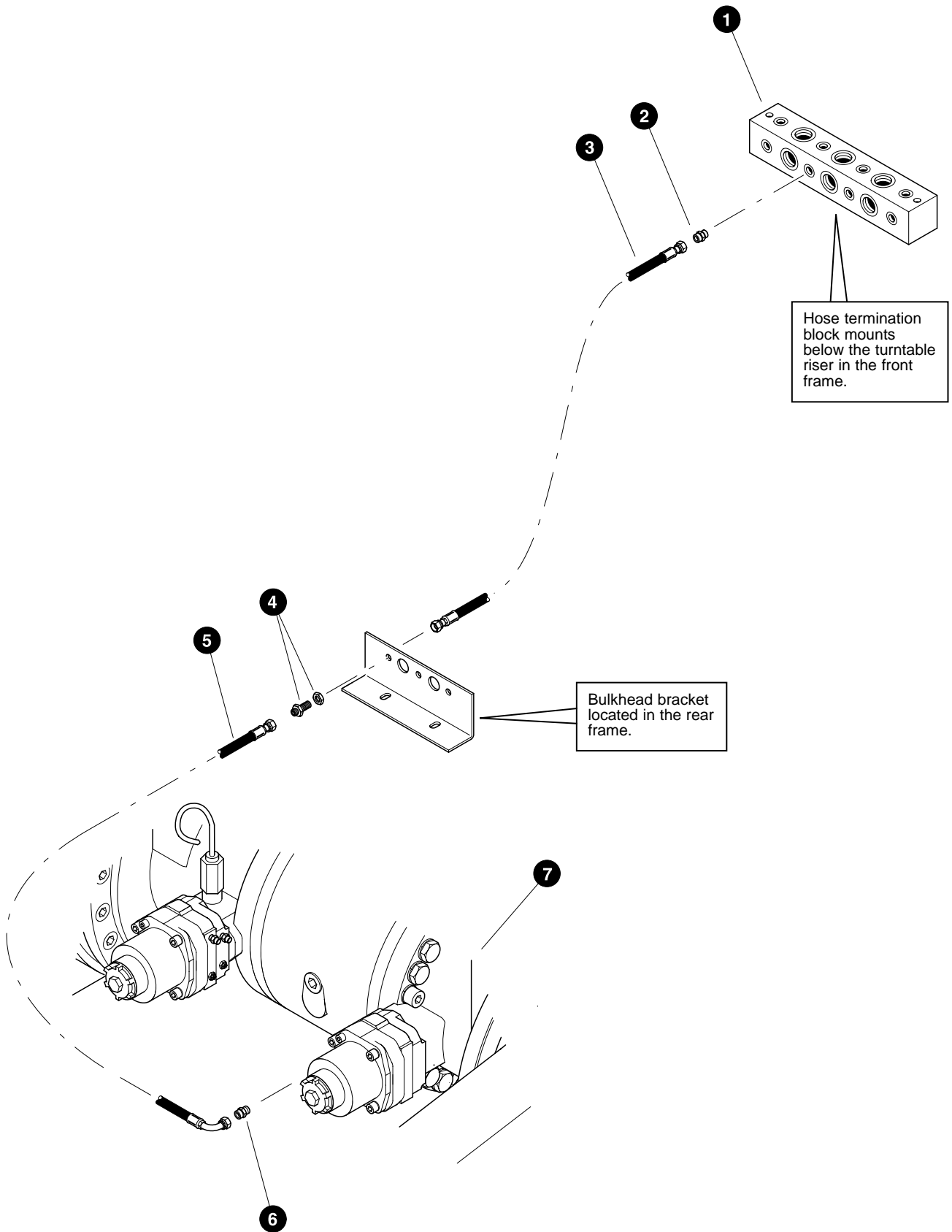
Parts 01764 08/22/2000
18.75

REAR AXLE TRAVEL BRAKE LINES (From Hose Termination Block)

REF	PART #	QTY		DESCRIPTION	SEE PAGE
1	REF.	1	✓	HOSE TERMINATION BLOCK	BR-2-12
2	15124-BR	1		CONNECTOR, straight - FF1852T-0406S	
3	22940-BR	1		HOSE ASSEMBLY - 2074-04-040S-040S-W (<i>Hose termination block to bulkhead bracket right</i>)	
4	18582-BR	1		CONNECTOR, straight bulkhead - FF1994T-0404S	
5	20386-BR	1		HOSE ASSEMBLY - 2136-04-040S-0404-W (<i>Bulkhead bracket right to rear axle travel brake tee</i>)	
6	19470-BR	2		CONNECTOR, straight - 4M14F8OMLO-S	
7	20167-BR	1		HOSE ASSEMBLY - 2009.5-04-040S-0409 (<i>Rear axle travel brake tee to LH brake chamber</i>)	
8	15176-BR	1		TEE - FF2114T-0404S	
9	REF.	1	✓	REAR AXLE	AX-1-2

✓ See referenced page for component or assembly breakdown.

> Bulk material - order length required in feet or metres.

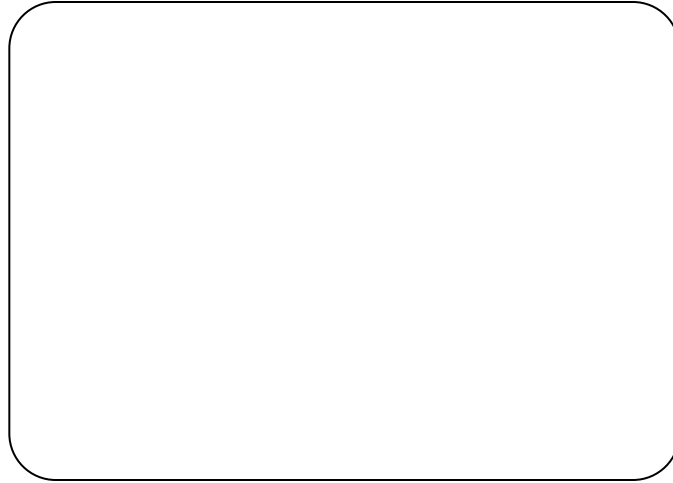
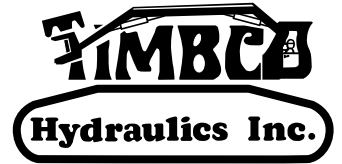


REAR AXLE DIFFERENTIAL LOCK LINES (From Hose Termination Block)

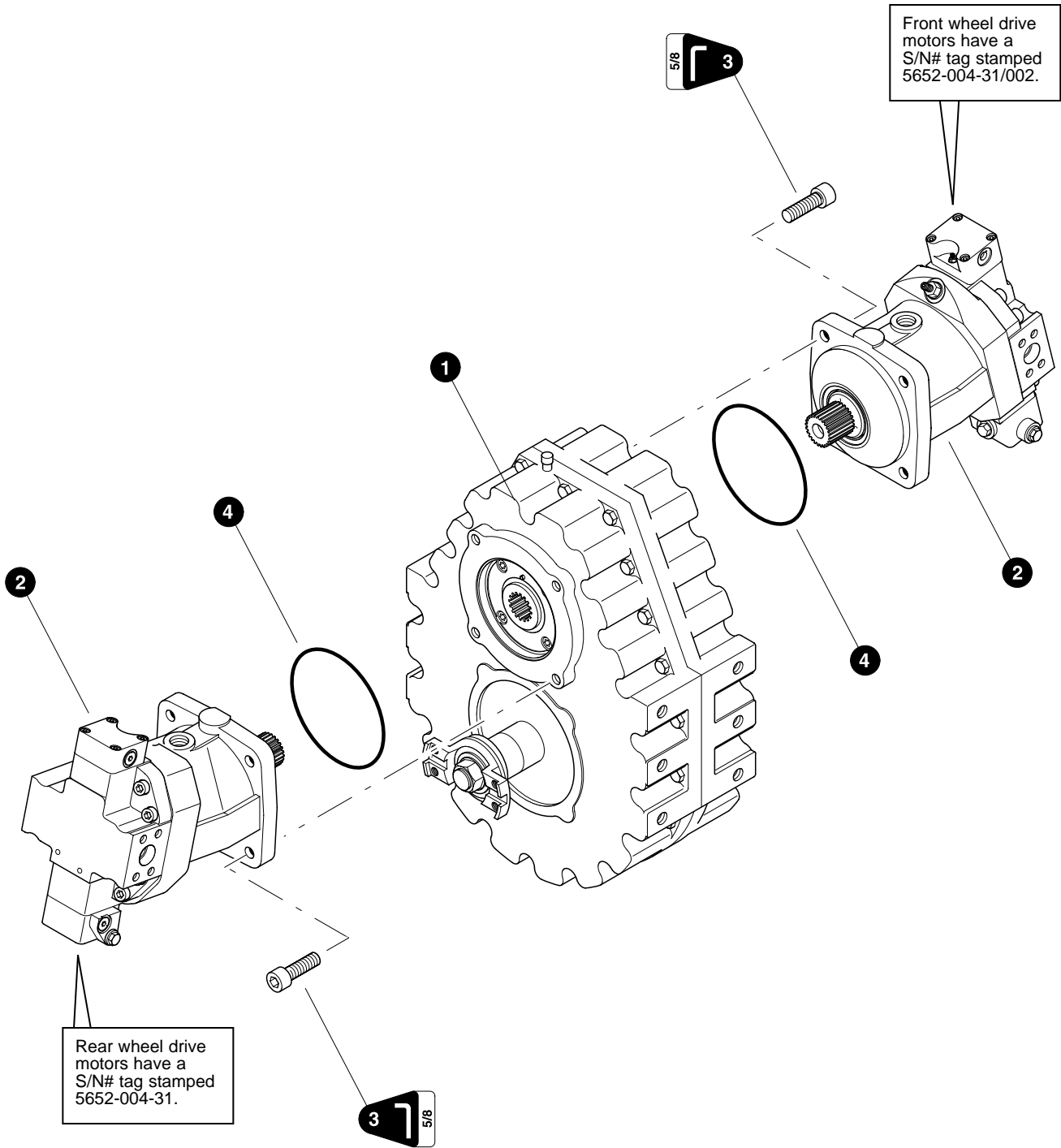
REF	PART #	QTY		DESCRIPTION	SEE PAGE
1	REF.	1	✓	HOSE TERMINATION BLOCK	BR-2-12
2	15124-BR	1		CONNECTOR, straight - FF1852T-0406S	
3	22940-BR	1		HOSE ASSEMBLY - 2074-04-040S-040S-W (<i>Hose termination block to bulkhead bracket left</i>)	
4	18582-BR	1		CONNECTOR, straight bulkhead - FF1994T-0404S	
5	22737-BR	1		HOSE ASSEMBLY - 2139-04-040S-0409-W (<i>Bulkhead bracket left to rear axle differential lock port</i>)	
6	19470-BR	1		CONNECTOR, straight - 4M14F8OMLO-S	
7	REF.	1	✓	REAR AXLE	AX-1-2

✓ See referenced page for component or assembly breakdown.

Section BR-3



Sloped Rear Frame - Wheel Drive Hydraulics



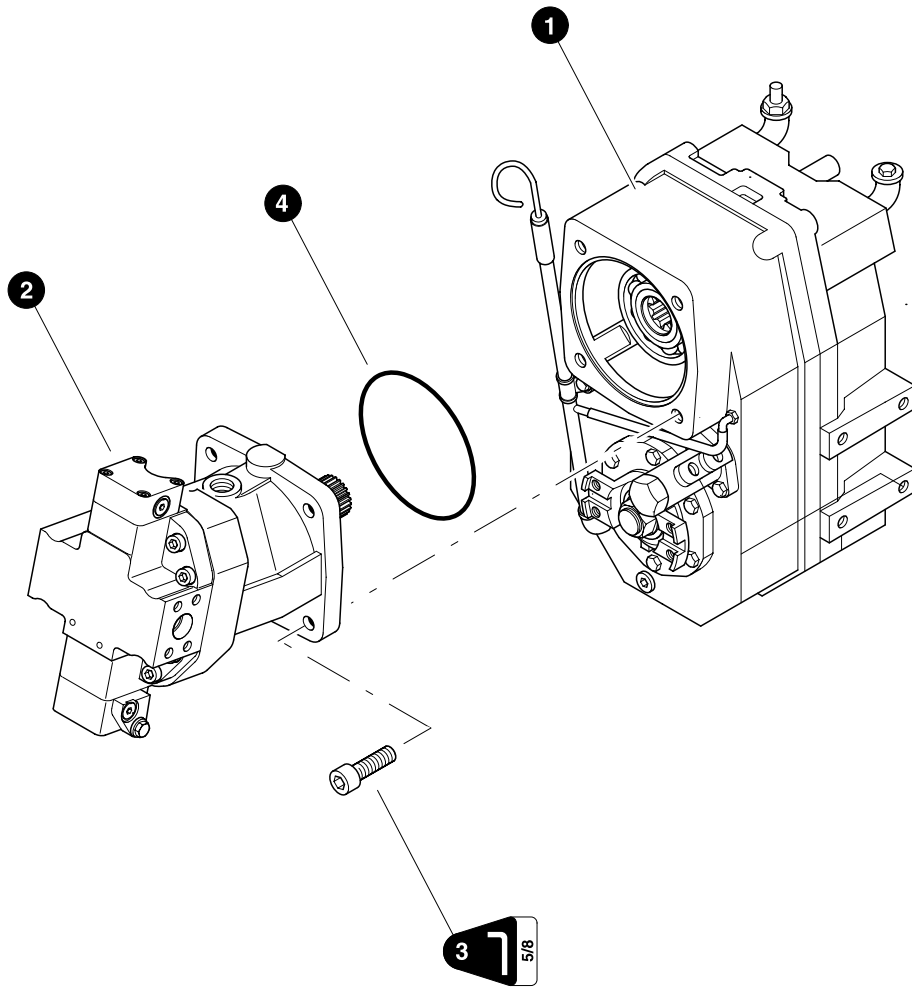
WHEEL DRIVE MOTOR INSTALLATION (Dual Mount - Superior Transfer Case)

REF	PART #	QTY		DESCRIPTION	SEE PAGE
1	REF.	1	✓	TRANSFER CASE	AX-2-2
2	REF.	2	✓	WHEEL DRIVE MOTOR	BR-4-2
3	20969-BR	8		BOLT, allen head - 3/4" x 2-3/4" (Torque to 300 ft.lbs. (400 Nm)) (See Note Below)	
4	20967-BR	2		O-RING	

✓ See referenced page for component or assembly breakdown.

Note:

Use Loctite 242 (*blue*) during installation.



Parts 01269 09/02/99
18.75

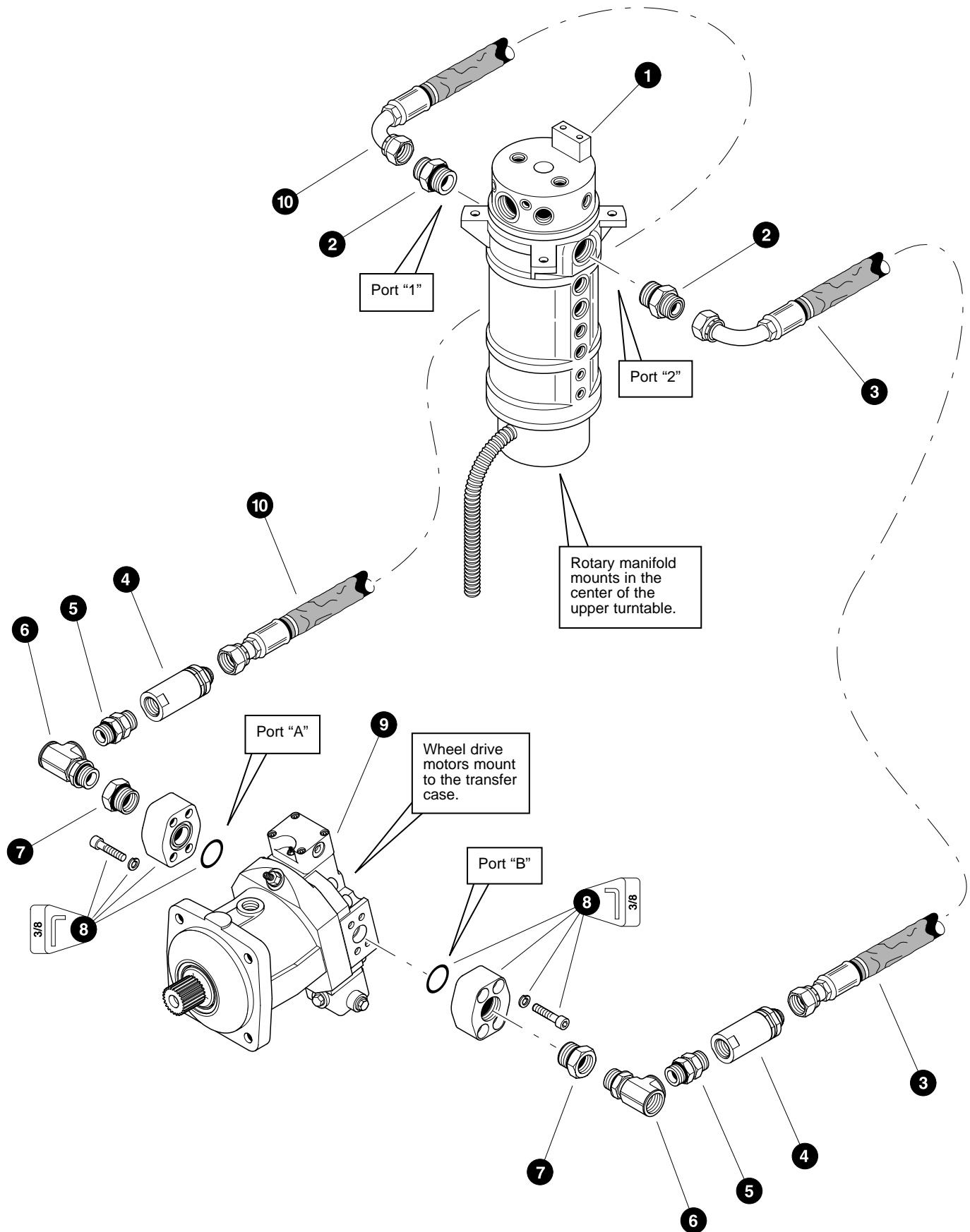
WHEEL DRIVE MOTOR INSTALLATION (Single Mount - NAF Transfer Case)

REF	PART #	QTY	DESCRIPTION	SEE PAGE
1	REF.	1	✓ TRANSFER CASE	AX-2-4
2	REF.	1	✓ WHEEL DRIVE MOTOR	BR-4-6
3	23446-BR	4	BOLT, allen head - 16mm-2.0P x 40mm <i>(Torque to 300 ft.lbs. (400 Nm))(See Note Below)</i>	
4	20967-BR	1	O-RING	

✓ See referenced page for component or assembly breakdown.

Note:

Use Loctite 242 (*blue*) during installation.

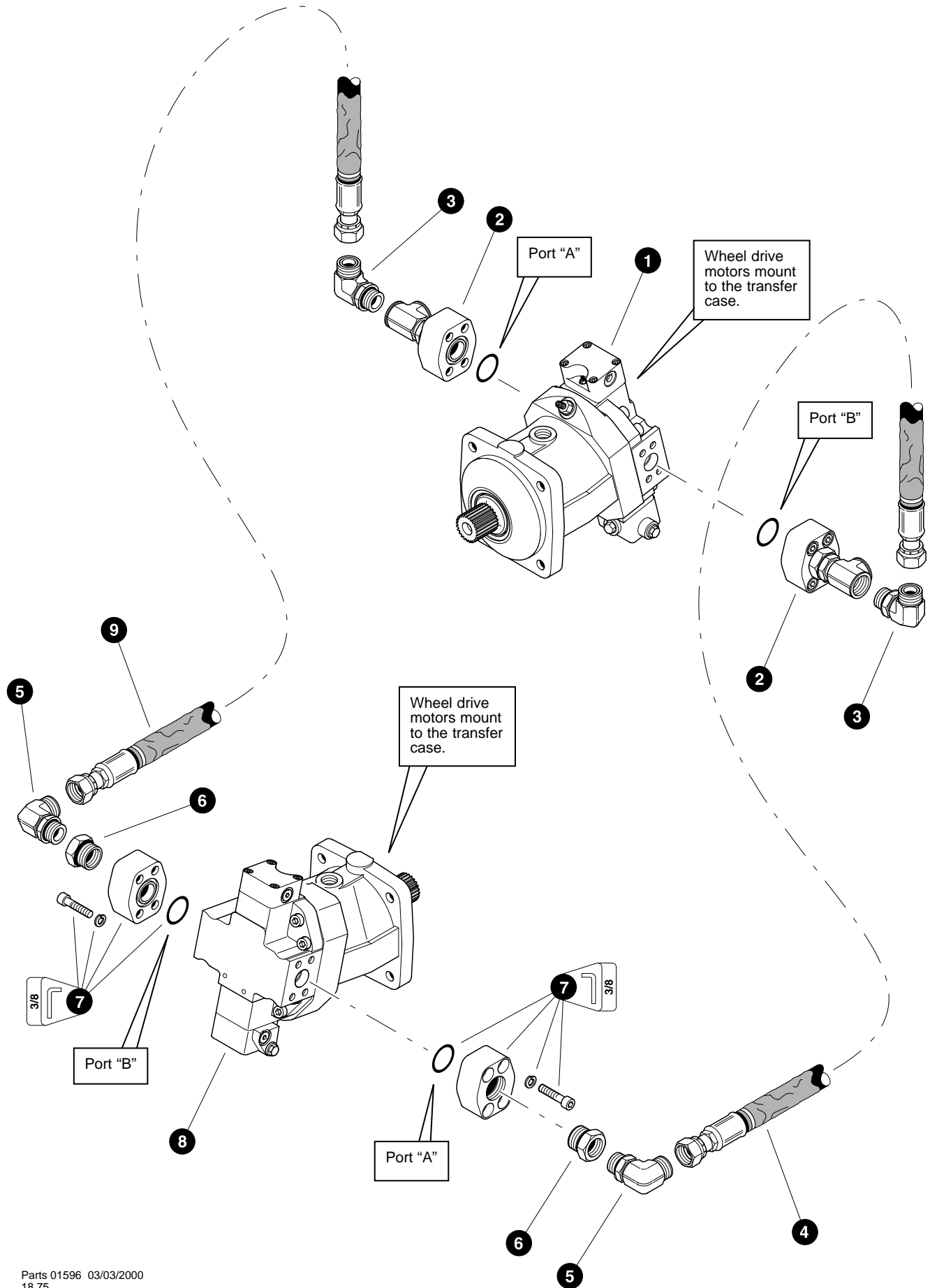


Parts 01751 08/16/2000
18.75

WHEEL DRIVE MOTOR PRESSURE LINES
(Rotary Manifold To Front Wheel Drive Motor - Superior Transfer Case)

REF	PART #	QTY		DESCRIPTION	SEE PAGE
1	REF.	1	✓	ROTARY MANIFOLD	UP-1-6
2	16542-BR	2		CONNECTOR, str - FF1852T-1620S	
3	22732-BR	1		HOSE ASSEMBLY - 6120-16-16JIC-1609-W (<i>Rotary manifold lower port "2" to front wheel drive motor port "B" tee</i>)	
4	19541-BR	2		SWIVEL, inline - PS1610310-16-16-716	
5	19473-BR	2		CONNECTOR, str - 6403-16	
6	21856-BR	2		TEE - 16 AOG5JG5-S RUN	
7	17015-BR	2		BUSHING, reducer - 6410-20-16	
8	17016-BR	2	☐	CONNECTOR, flange pad - 1-1/4" (<i>Code 62</i>)	
	15378-BR	1		O-RING - 1-1/4" SF	
9	REF.	1	✓	WHEEL DRIVE MOTOR	BR-4-2
10	22731-BR	1		HOSE ASSEMBLY - 6117.5-16-16JIC-1609-W (<i>Rotary manifold lower port "1" to front wheel drive motor port "A" tee</i>)	

- ✓ See referenced page for component or assembly breakdown.
☐ Kit or Assembly - includes all items indented underneath.



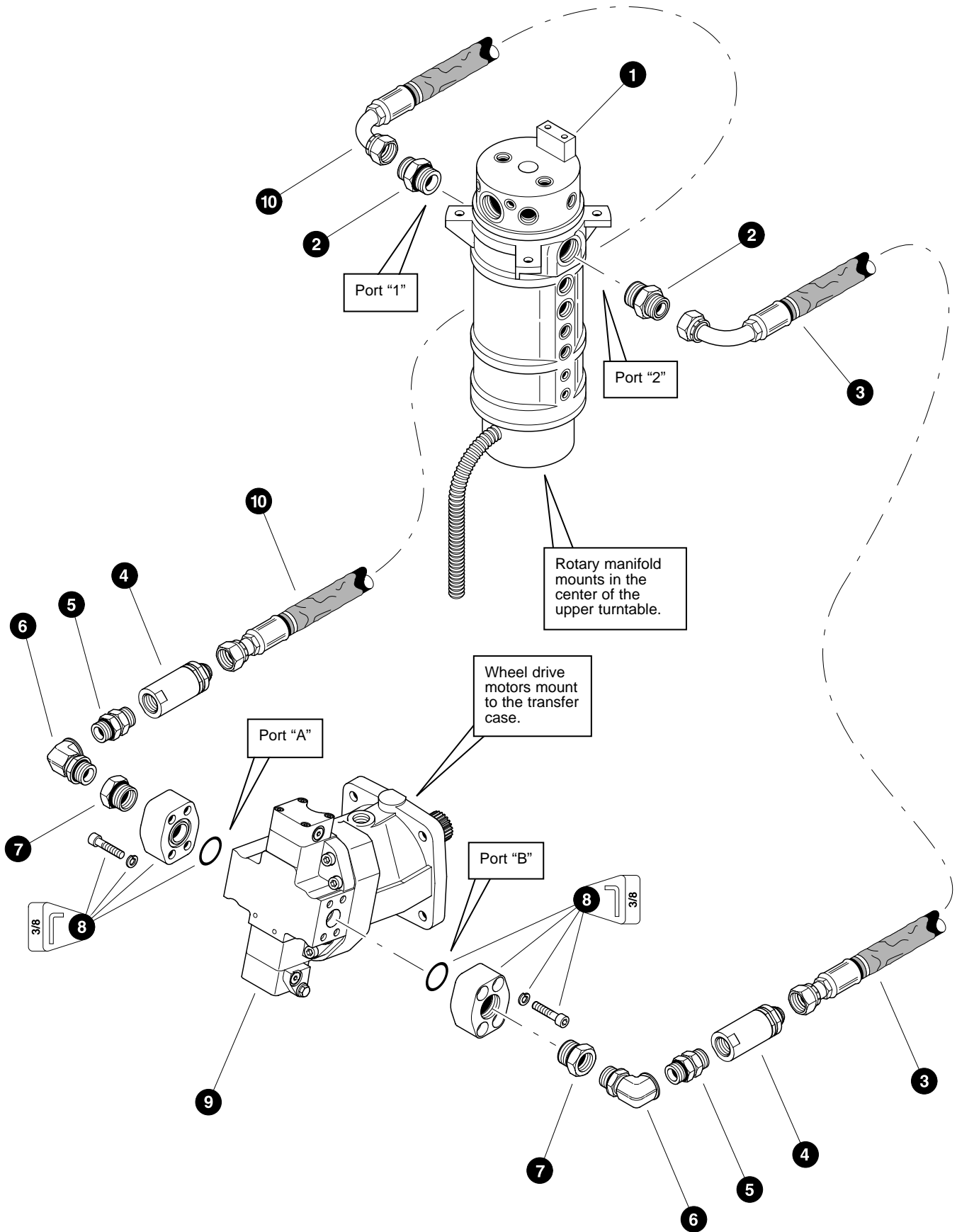
Parts 01596 03/03/2000
18.75

WHEEL DRIVE PUMP PRESSURE LINES

(Front Wheel Drive Motor To Rear Wheel Drive Motor - Superior Transfer Case)

REF	PART #	QTY		DESCRIPTION	SEE PAGE
1	REF.	1	✓	WHEEL DRIVE MOTOR (<i>Front</i>)	BR-4-2
2	REF.	1	✓	FLANGE PAD CONNECTIONS	BR-3-6
3	15228-BR	2		ELBOW, 90° - FF1868T-1616S	
4	20550-BR	1		HOSE ASSEMBLY - 6033-16-160S-160S-W (<i>Front wheel drive motor port "B" tee to rear wheel drive motor port "A"</i>)	
5	17015-BR	2		BUSHING, reducer - 6410-20-16	
6	17016-BR	2	☐	CONNECTOR, flange pad - 1-1/4" (<i>Code 62</i>)	
	15378-BR	1		O-RING - 1-1/4" SF	
7	REF.	1	✓	WHEEL DRIVE MOTOR (<i>Rear</i>)	BR-4-2
8	20550-BR	1		HOSE ASSEMBLY - 6033-16-160S-160S-W (<i>Rear wheel drive motor port "B" tee to front wheel drive motor port "A"</i>)	

- ✓ See referenced page for component or assembly breakdown.
- ☐ Kit or Assembly - includes all items indented underneath.



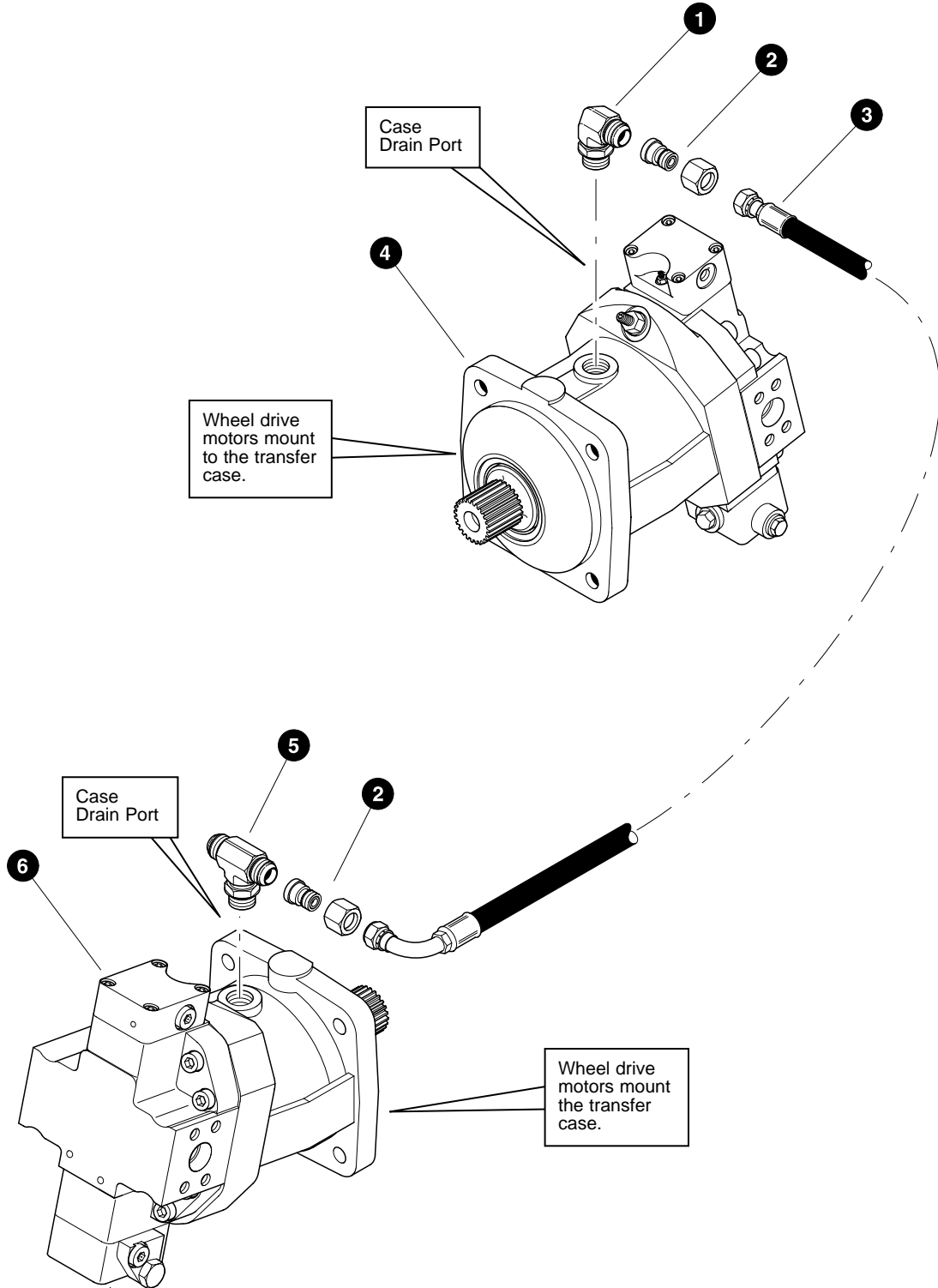
Parts 01753 08/16/2000
18.75

WHEEL DRIVE MOTOR PRESSURE LINES

(Rotary Manifold To Front Wheel Drive Motor - NAF Transfer Case)

REF	PART #	QTY		DESCRIPTION	SEE PAGE
1	REF.	1	✓	ROTARY MANIFOLD	UP-1-6
2	16542-BR	2		CONNECTOR, str - FF1852T-1620S	
3	-----	1		HOSE ASSEMBLY (<i>Rotary manifold lower port "2" to front wheel drive motor port "B" tee</i>)	
4	19541-BR	2		SWIVEL, inline - PS1610310-16-16-716	
5	19473-BR	2		CONNECTOR, str - 6403-16	
6	22944-BR	2		ELBOW, 90 - 16 A0EG5-S	
7	17015-BR	2		BUSHING, reducer - 6410-20-16	
8	17016-BR	2	☐	CONNECTOR, flange pad - 1-1/4" (Code 62)	
	15378-BR	1		O-RING - 1-1/4" SF	
9	REF.	1	✓	WHEEL DRIVE MOTOR	BR-4-6
10	-----	1		HOSE ASSEMBLY (<i>Rotary manifold lower port "1" to front wheel drive motor port "A" tee</i>)	

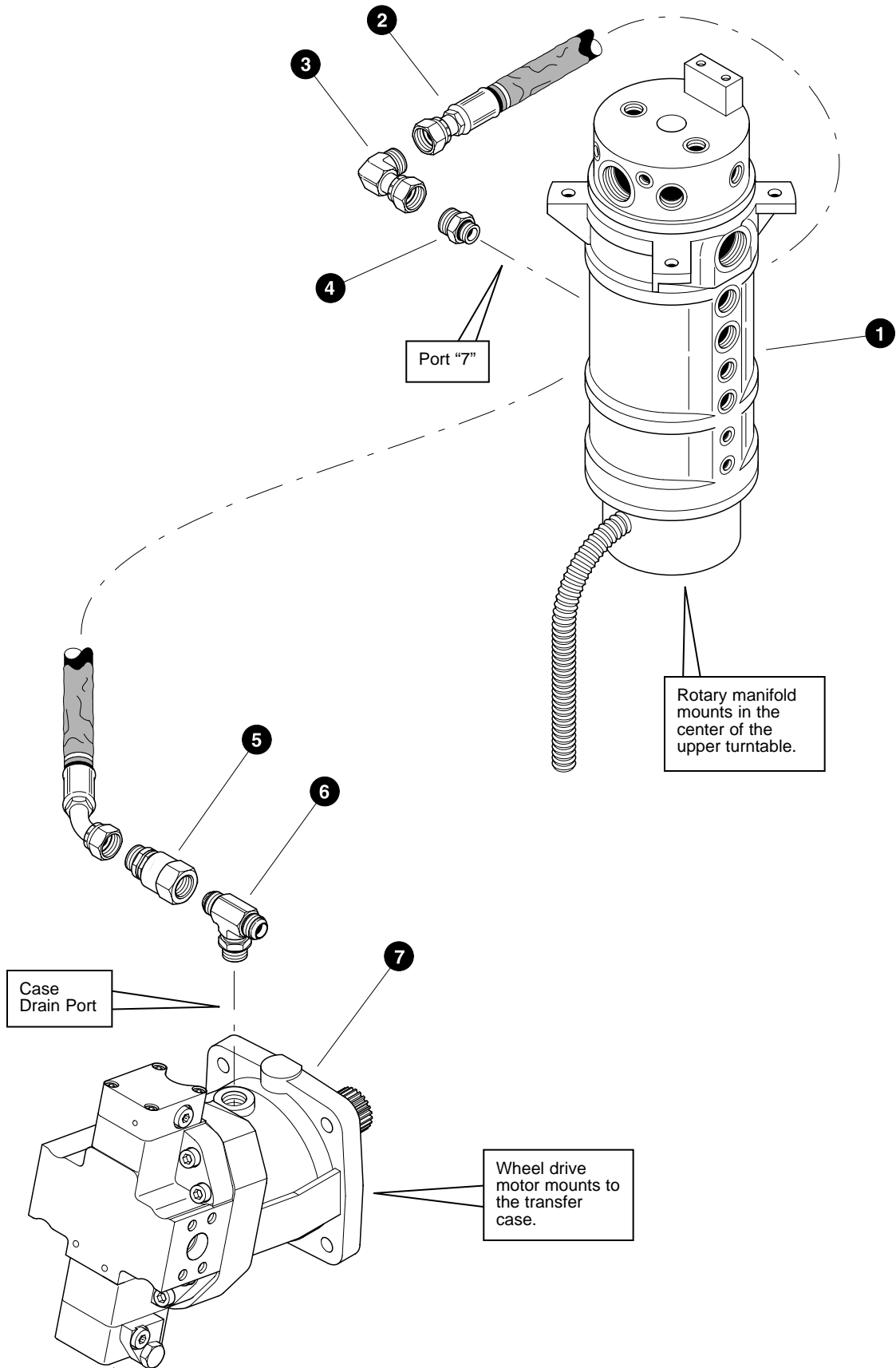
- ✓ See referenced page for component or assembly breakdown.
☐ Kit or Assembly - includes all items indented underneath.



WHEEL DRIVE MOTOR CASE DRAIN LINE
(Rear Wheel Drive Motor To Front Wheel Drive Motor - Superior Transfer Case)

REF	PART #	QTY		DESCRIPTION	SEE PAGE
1	11306-BR	1		ELBOW, 90° - 6801-12-12	
2	22908-BR	2		CONNECTOR, reducer - 883-FS-12X8 / 841-FS-12	
3	22794-BR	1		HOSE ASSEMBLY - 2027-08-08JS-08J9 (<i>Rear wheel drive motor case drain port to front wheel drive motor case drain port</i>)	
4	REF.	1	✓	WHEEL DRIVE MOTOR (<i>Front</i>)	BR-4-2
5	22907-BR	1		TEE - 845-FS0-12X12	
6	REF.	1	✓	WHEEL DRIVE MOTOR (<i>Rear</i>)	BR-4-2

✓ See referenced page for component or assembly breakdown.

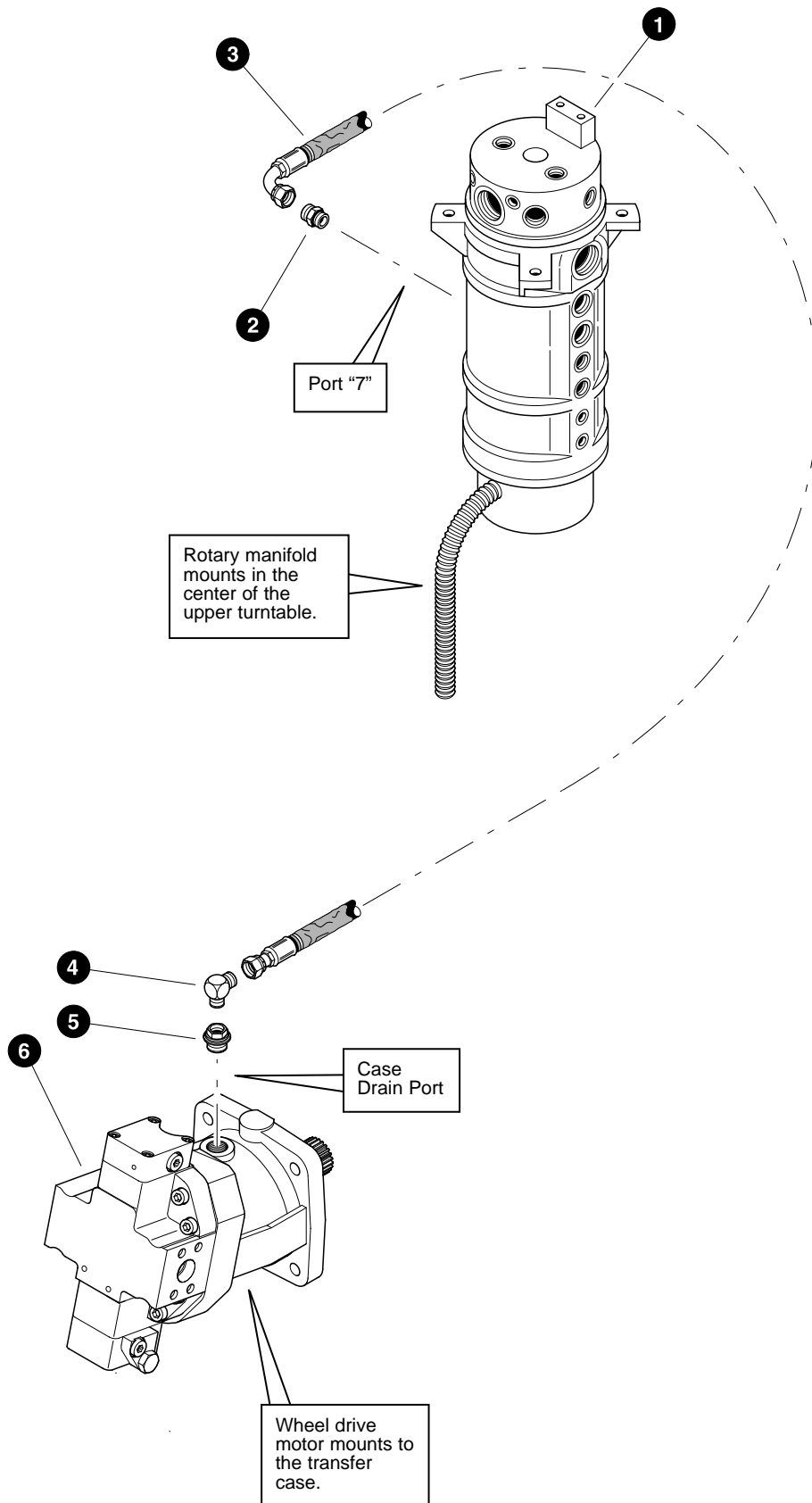


Parts 01783 08/25/2000
25.00

WHEEL DRIVE MOTOR CASE DRAIN LINE
(Rear Wheel Drive Motor To Rotary Manifold - Superior Transfer Case)

REF	PART #	QTY		DESCRIPTION	SEE PAGE
1	REF.	1	✓	ROTARY MANIFOLD	UP-1-6
2	23066-BR	1		HOSE ASSEMBLY - 4193-12-120S-12JS-W (<i>Front wheel drive motor case drain port to rotary manifold lower port "7"</i>)	
3	17670-BR	1		ELBOW, 90° swivel - FF2098T-1212S	
4	16851-BR	1		CONNECTOR, straight - FF1852T-1210S	
5	18782-BR	1		SWIVEL, inline - LS2406-1212	
6	22907-BR	1		TEE - 845-FS0-12X12	
7	REF.	1	✓	WHEEL DRIVE MOTOR	BR-4-2

✓ See referenced page for component or assembly breakdown.

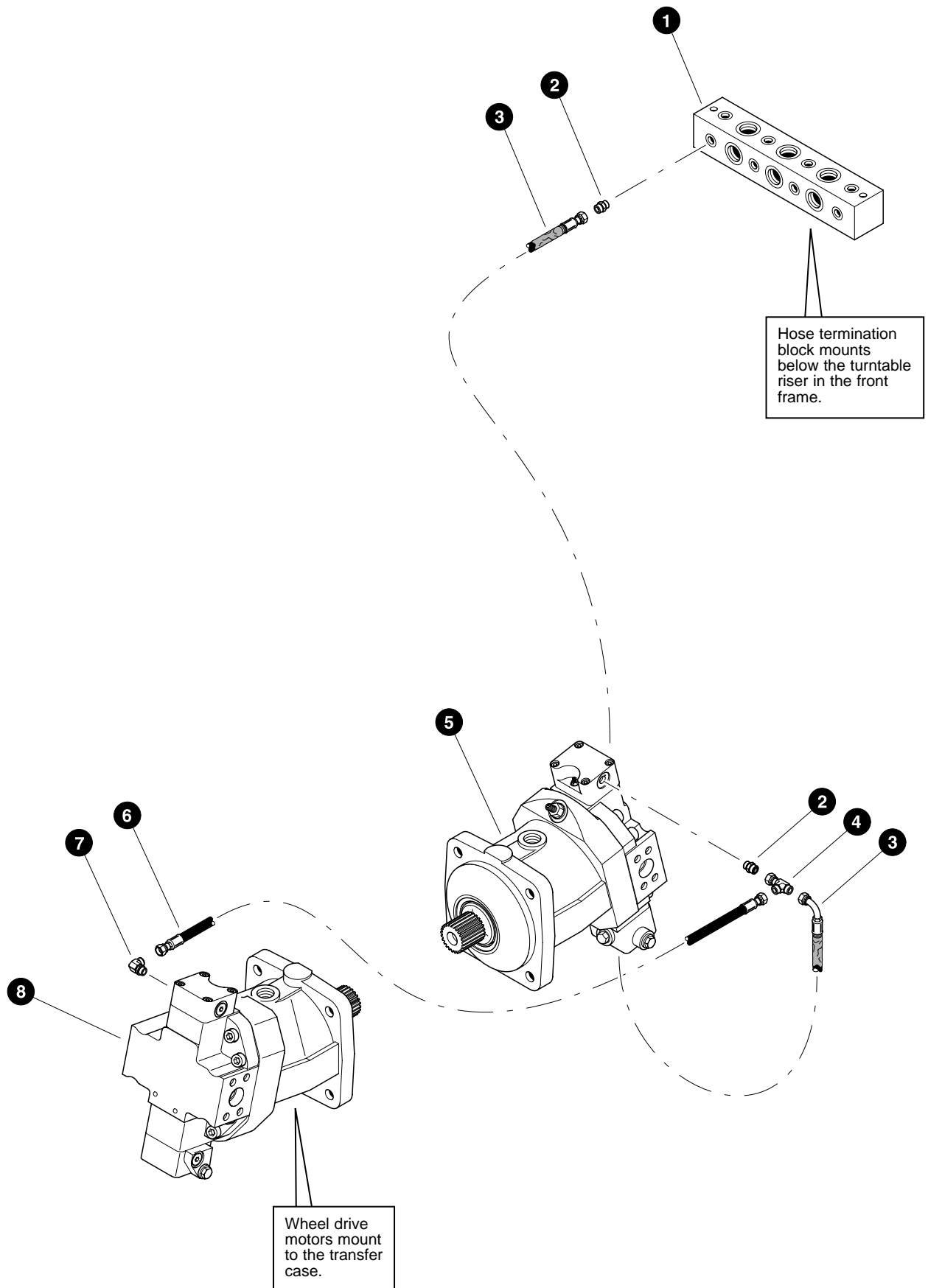


Parts 01757 08/16/2000
18.75

**WHEEL DRIVE MOTOR CASE DRAIN LINE
(Rear Wheel Drive Motor To Rotary Manifold - NAF Transfer Case)**

REF	PART #	QTY		DESCRIPTION	SEE PAGE
1	REF.	1	✓	ROTARY MANIFOLD	UP-1-6
2	15117-BR	1		CONNECTOR, straight - FF1852T-0808S (ORB to ORS) <i>(Used on machines PDN# 026FWD and above)</i>	
	19374-BR	1		CONNECTOR, straight - 8-8-F42EDMLO-S (BSPP to ORS) <i>(Used on machines PDN# 025FWD and below)</i>	
3	-----	1		HOSE ASSEMBLY (Wheel drive motor case drain port to rotary manifold lower port "7")	
4	19576-BR	1		ELBOW, 90° - 8-CLO-S	
5	19577-BR	1		BUSHING, reducer	
6	REF.	1	✓	WHEEL DRIVE MOTOR	BR-4-6

✓ See referenced page for component or assembly breakdown.

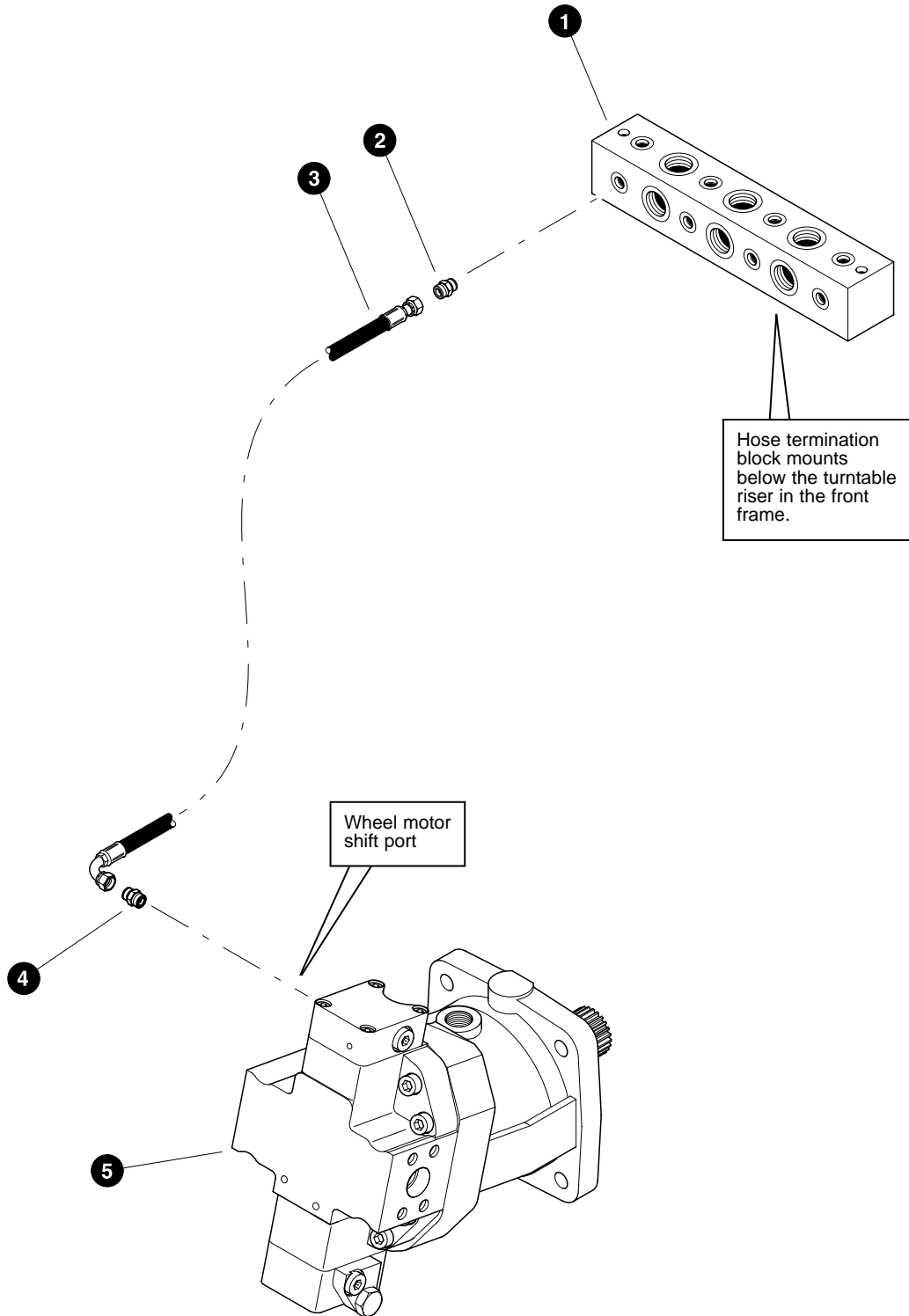


Parts 01758 08/18/2000
18.75

WHEEL DRIVE MOTOR MAX DISPLACEMENT LOCK LINE
(Hose Termination Block To Wheel Drive Motors - Superior Transfer Case)

REF	PART #	QTY		DESCRIPTION	SEE PAGE
1	REF.	1	✓	HOSE TERMINATION BLOCK	BR-2-12
2	15124-BR	2		CONNECTOR, straight - FF1852T-0406S	
3	23736-BR	1		HOSE ASSEMBLY - 2117-04-040S-0409-W (<i>Hose termination block to front wheel drive motor tee</i>)	
4	15176-BR	1		TEE - FF2114T-0404S	
5	20981-BR	1		HOSE ASSEMBLY - 2032-04-040S-0409 (<i>Front wheel drive motor tee to rear wheel drive motor</i>)	
6	15133-BR	1		ELBOW, 90° - FF1868T-0406S	
7	REF.	1	✓	WHEEL DRIVE MOTOR	BR-4-2

✓ See referenced page for component or assembly breakdown.

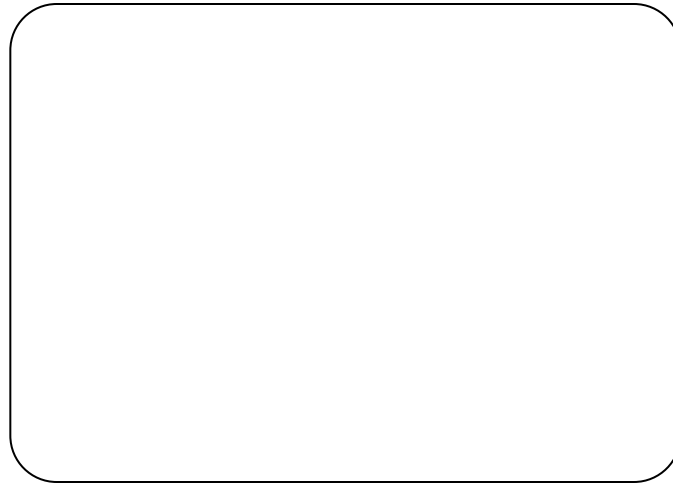
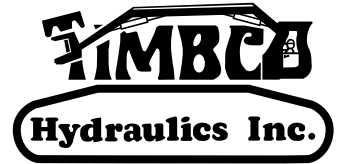


**WHEEL DRIVE MOTOR SHIFT SIGNAL LINE
(Hose Termination Block To Wheel Drive Motor - NAF Transfer Case)**

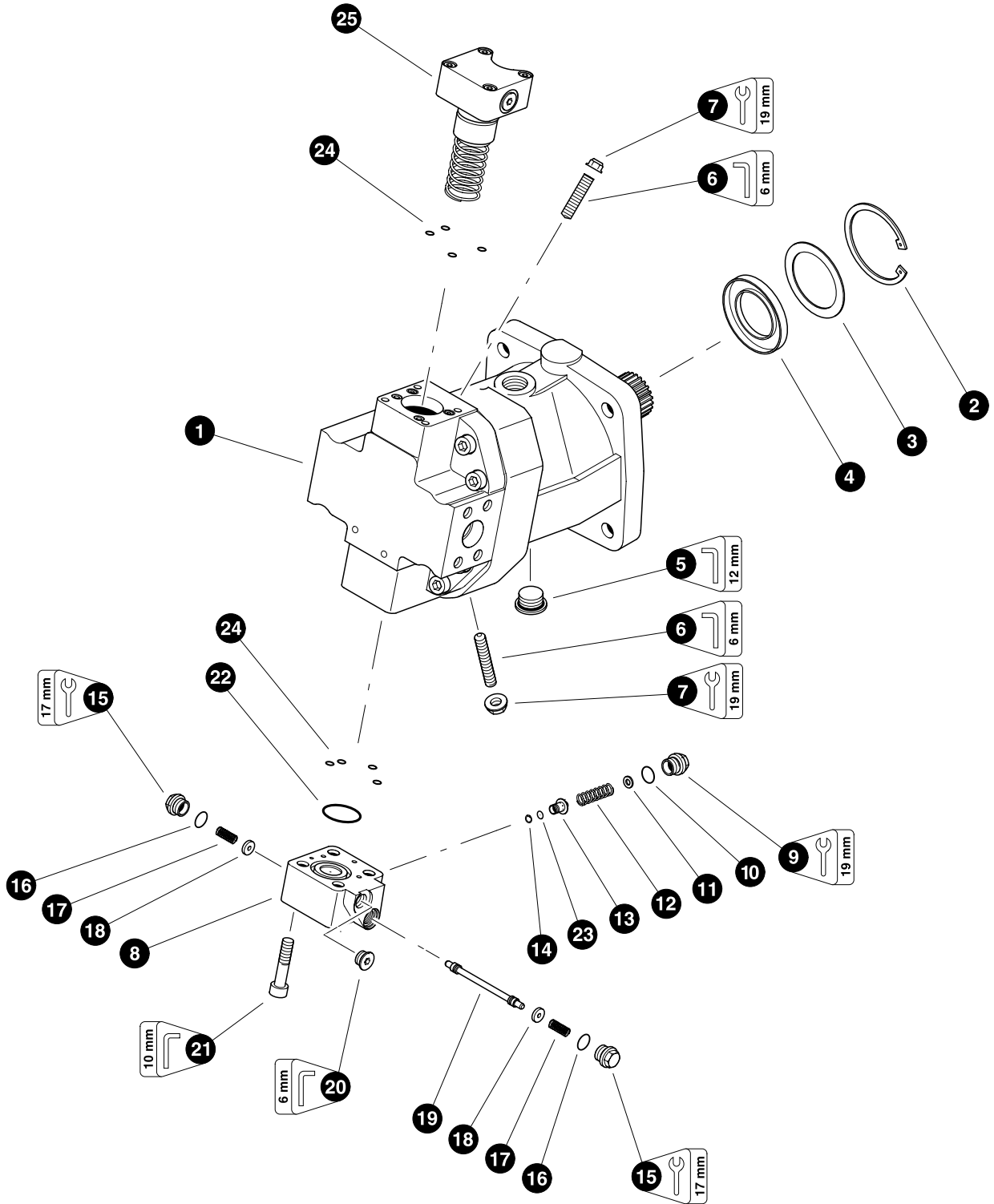
REF	PART #	QTY		DESCRIPTION	SEE PAGE
1	REF.	1	✓	HOSE TERMINATION BLOCK	BR-2-12
2	15124-BR	1		CONNECTOR, straight - FF1852T-0406S	
3	-----	1		HOSE ASSEMBLY (<i>Hose termination block to wheel drive motor shift port</i>)	
4	19470-BR	1		CONNECTOR, straight - 4M14F8OMLO-S	
5	REF.	1	✓	WHEEL DRIVE MOTOR	BR-4-6

✓ See referenced page for component or assembly breakdown.

Section BR-4



Sloped Rear Frame - Wheel Drive Motors



Parts 00474 02/22/98
25.00

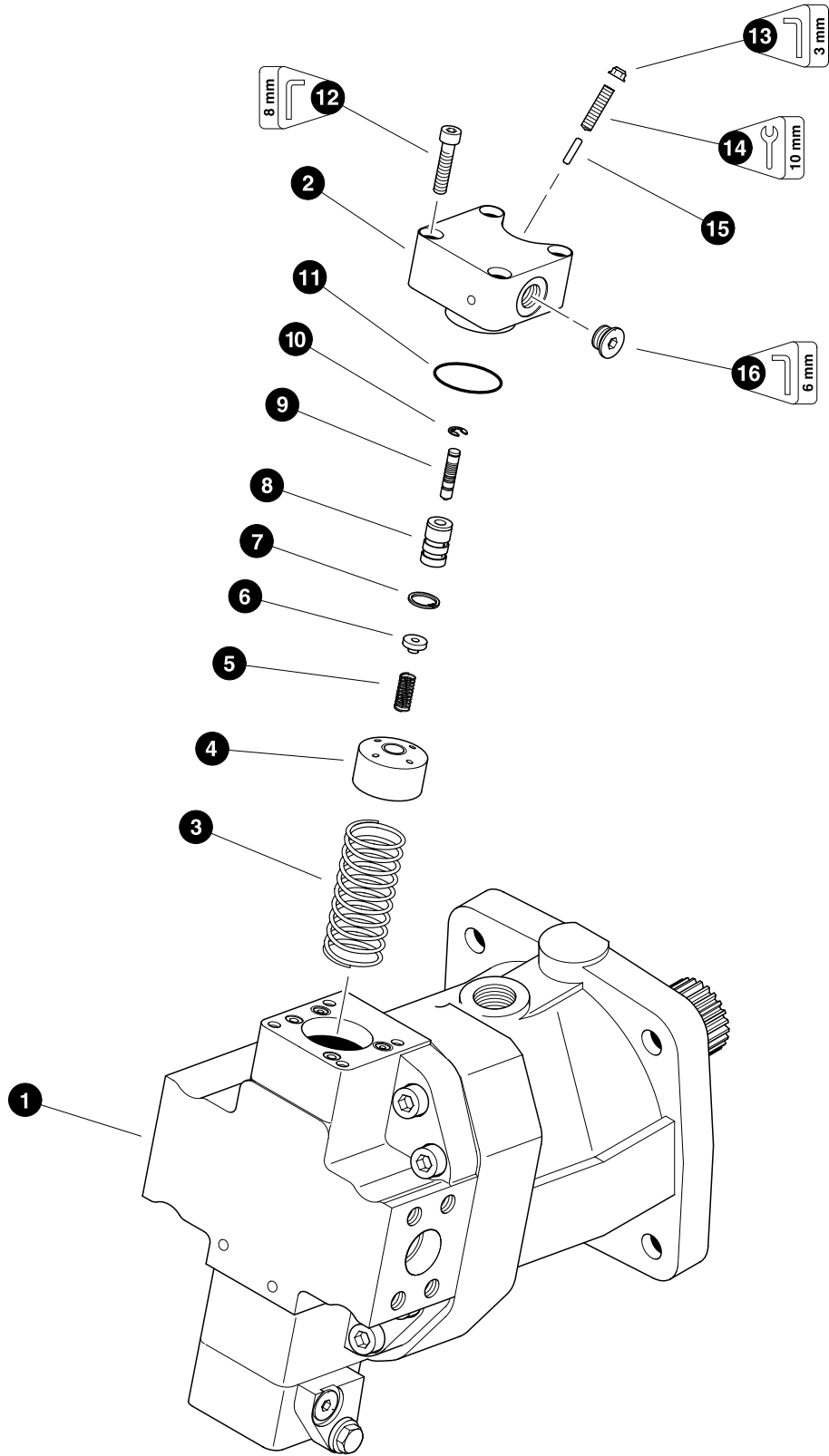
WHEEL DRIVE MOTOR - DUAL MOTOR INSTALLATION (Motor Housing & Stroker Piston Cover Assembly)

REF	PART #	QTY		DESCRIPTION	SEE PAGE
1	19900-BR	1	<input type="checkbox"/>	MOTOR, wheel drive - Rexroth AA6VM160 (<i>Front</i>) (S/N# tag No. 5652-004-031/002)	
	19901-BR	1	<input type="checkbox"/>	MOTOR, wheel drive - Rexroth AA6VM160 (<i>Rear</i>) (S/N# tag No. 5652-004-031)	
2	20685-BR	1		RING, snap	
3	20686-BR	1		SHIM, shaft seal	
4	20687-BR	1	★	SEAL, shaft	
5	19692-BR	1		PLUG - 26mm-1.5P (<i>BSPP thread</i>)	
6	20688-BR	2		SCREW, adjusting (<i>Displacement min & max</i>)	
7	20689-BR	2	★	NUT, seal	
8	20690-BR	1	<input type="checkbox"/>	STROKING PISTON COVER ASSEMBLY	
9	20691-BR	1		PLUG	
10	20713-BR	1	★	O-RING	
11	20714-BR	1		SHIM	
12	20715-BR	1		SPRING	
13	20716-BR	1		POPPET	
14	20718-BR	1		RING, snap	
15	20719-BR	2		PLUG	
16	20720-BR	2	★	O-RING	
17	20721-BR	2		SPRING	
18	20722-BR	2		RETAINER, spring	
19	NSS	1		SPOOL	
20	20693-BR	1		PLUG - 14mm-1.5P (<i>BSPP thread</i>)	
21	20723-BR	4		BOLT, allen head	
22	20724-BR	1	★	O-RING	
23	20717-BR	1		ORIFICE, flushing - 1.2mm	
24	NSS	8		O-RING	
25	REF.	1		STROKING PISTON CONTROL ASSEMBLY	BR-4-4
-	20725-BR	1		KIT, seal repair - complete AA6VM160 motor	

- Kit or Assembly - includes all items indented underneath.
- ★ Included in seal repair kit Part # 20725-BR.

Note:

Due to warranty policy restrictions imposed by Timbco's component suppliers, it is not recommended that the component be disassembled further than is shown in the illustration.



Parts 00478 02/22/98
37.50

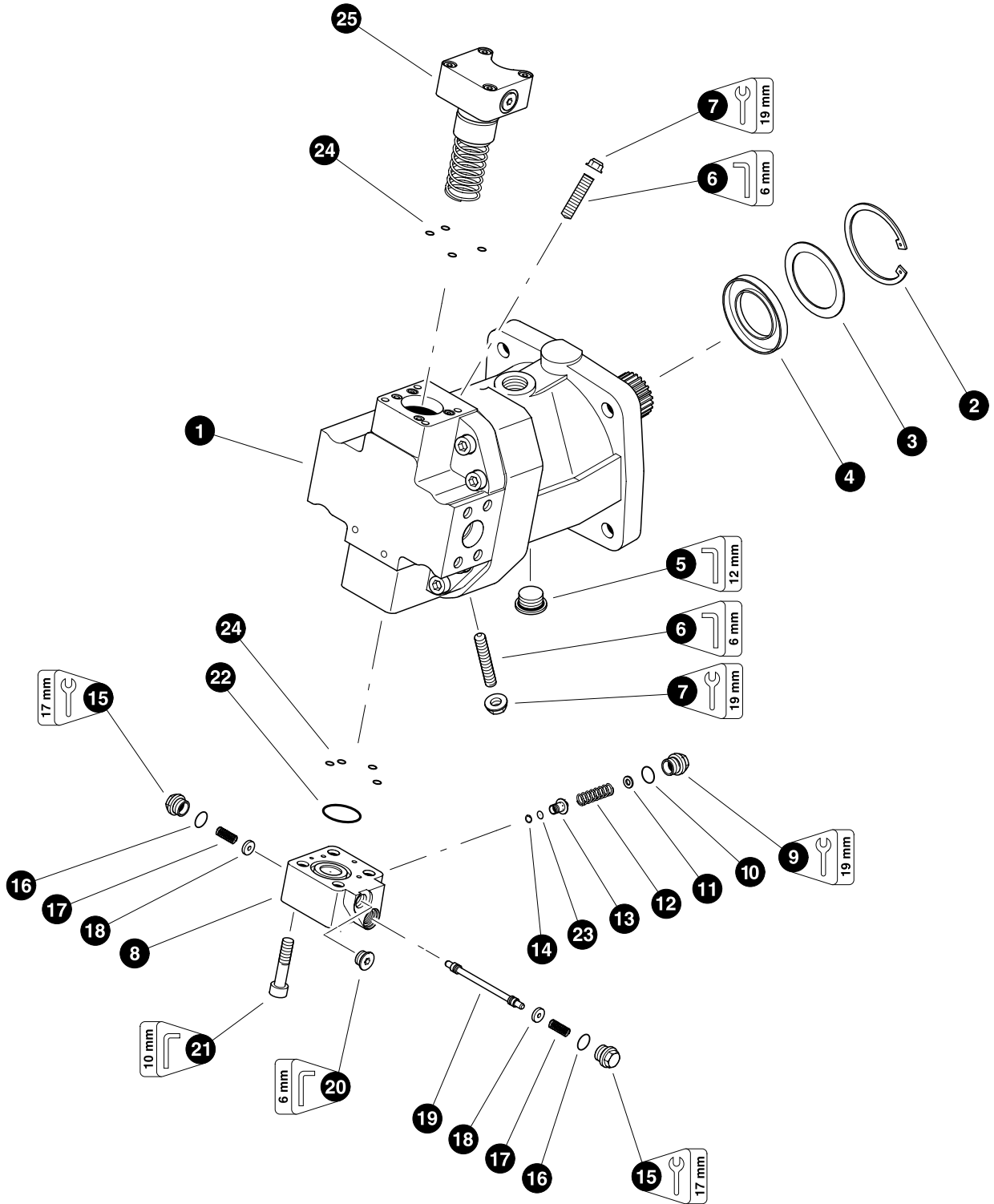
WHEEL DRIVE MOTOR - DUAL MOTOR INSTALLATION (HA1T Control Assembly)

REF	PART #	QTY		DESCRIPTION	SEE PAGE
1	19900-BR	1	<input type="checkbox"/>	MOTOR, wheel drive - Rexroth AA6VM160 (<i>Front</i>) (S/N# tag No. 5652-004-031/002)	
	19901-BR	1	<input type="checkbox"/>	MOTOR, wheel drive - Rexroth AA6VM160 (<i>Rear</i>) (S/N# tag No. 5652-004-031)	
2	20726-BR	1	<input type="checkbox"/>	STROKING PISTON CONTROL ASSEMBLY (<i>HA1T</i>)	
3	20727-BR	1		SPRING	
4	20728-BR	1		BUSHING, spring	
5	20729-BR	1		SPRING	
6	20730-BR	1		RETAINER, spring	
7	20731-BR	1		RING, snap	
8	20732-BR	1		BUSHING, control spool	
9	20733-BR	1		SPOOL, control	
10	20734-BR	1		E-CLIP, control spool	
11	20735-BR	1	★	O-RING	
12	20736-BR	4		BOLT, allen head	
13	20737-BR	1	★	NUT, seal	
14	20738-BR	1		SCREW, adjusting (<i>Stroke control</i>)	
15	20739-BR	1		PIN, stroke adjustment	
20	20693-BR	1		PLUG - 14mm-1.5P (<i>BSPP thread</i>)	
-	20725-BR	1		KIT, seal repair - complete AA6VM160 motor	

- Kit or Assembly - includes all items indented underneath.
- ★ Included in seal repair kit Part # 20725-BR.

Note:

Due to warranty policy restrictions imposed by Timbco's component suppliers, it is not recommended that the component be disassembled further than is shown in the illustration.



Parts 00474 02/22/98
25.00

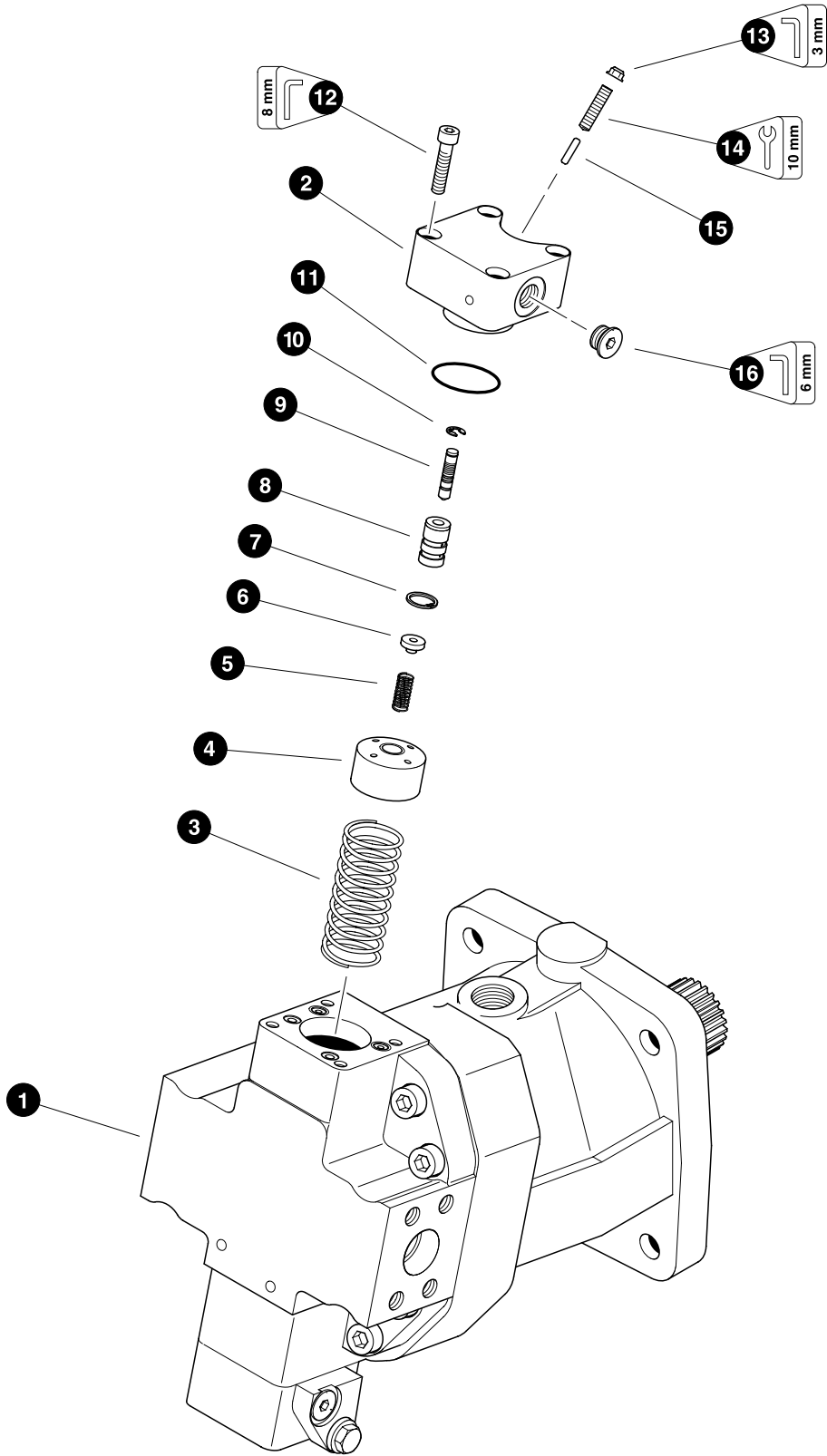
WHEEL DRIVE MOTOR - SINGLE MOTOR INSTALLATION (Motor Housing & Stroker Piston Cover Assembly)

REF	PART #	QTY		DESCRIPTION	SEE PAGE
1	18740-BR	1	☐	MOTOR, wheel drive - Rexroth AA6VM160	
2	20685-BR	1		RING, snap	
3	20686-BR	1		SHIM, shaft seal	
4	20687-BR	1	★	SEAL, shaft	
5	19692-BR	1		PLUG - 26mm-1.5P (BSPP thread)	
6	20688-BR	2		SCREW, adjusting (Displacement min & max)	
7	20689-BR	2	★	NUT, seal	
8	20690-BR	1	☐	STROKING PISTON COVER ASSEMBLY	
9	20691-BR	1		PLUG	
10	20713-BR	1	★	O-RING	
11	20714-BR	1		SHIM	
12	20715-BR	1		SPRING	
13	20716-BR	1		POPPET	
14	20718-BR	1		RING, snap	
15	20719-BR	2		PLUG	
16	20720-BR	2	★	O-RING	
17	20721-BR	2		SPRING	
18	20722-BR	2		RETAINER, spring	
19	NSS	1		SPOOL	
20	20693-BR	1		PLUG - 14mm-1.5P (BSPP thread)	
21	20723-BR	4		BOLT, allen head	
22	20724-BR	1	★	O-RING	
23	20717-BR	1		ORIFICE, flushing - 1.2mm	
24	NSS	8		O-RING	
25	REF.	1		STROKING PISTON CONTROL ASSEMBLY	BR-4-4
-	20725-BR	1		KIT, seal repair - complete AA6VM160 motor	

- ☐ Kit or Assembly - includes all items indented underneath.
- ★ Included in seal repair kit Part # 20725-BR.

Note:

Due to warranty policy restrictions imposed by Timbco's component suppliers, it is not recommended that the component be disassembled further than is shown in the illustration.



Parts 00478 02/22/98
37.50

WHEEL DRIVE MOTOR - SINGLE MOTOR INSTALLATION (HA1T Control Assembly)

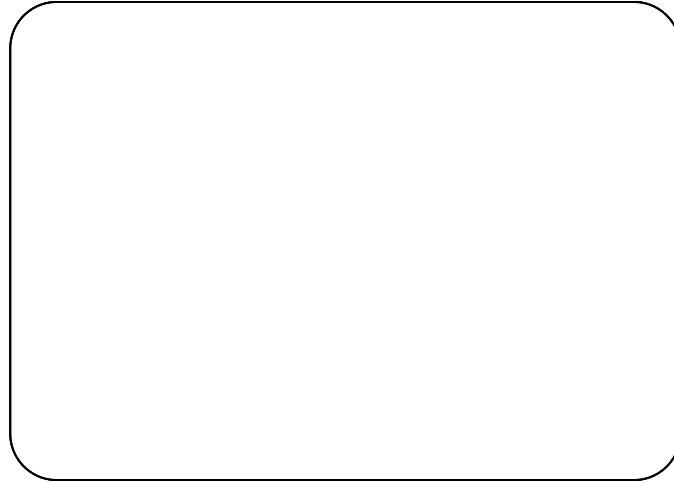
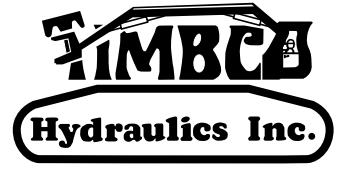
REF	PART #	QTY		DESCRIPTION	SEE PAGE
1	18740-BR	1	☐	MOTOR, wheel drive - Rexroth AA6VM160	
2	20726-BR	1	☐	STROKING PISTON CONTROL ASSEMBLY (HA1T)	
3	20727-BR	1		SPRING	
4	20728-BR	1		BUSHING, spring	
5	20729-BR	1		SPRING	
6	20730-BR	1		RETAINER, spring	
7	20731-BR	1		RING, snap	
8	20732-BR	1		BUSHING, control spool	
9	20733-BR	1		SPOOL, control	
10	20734-BR	1		E-CLIP, control spool	
11	20735-BR	1	★	O-RING	
12	20736-BR	4		BOLT, allen head	
13	20737-BR	1	★	NUT, seal	
14	20738-BR	1		SCREW, adjusting (<i>Stroke control</i>)	
15	20739-BR	1		PIN, stroke adjustment	
20	20693-BR	1		PLUG - 14mm-1.5P (<i>BSPP thread</i>)	
-	20725-BR	1		KIT, seal repair - complete AA6VM160 motor	

- ☐ Kit or Assembly - includes all items indented underneath.
 ★ Included in seal repair kit Part # 20725-BR.

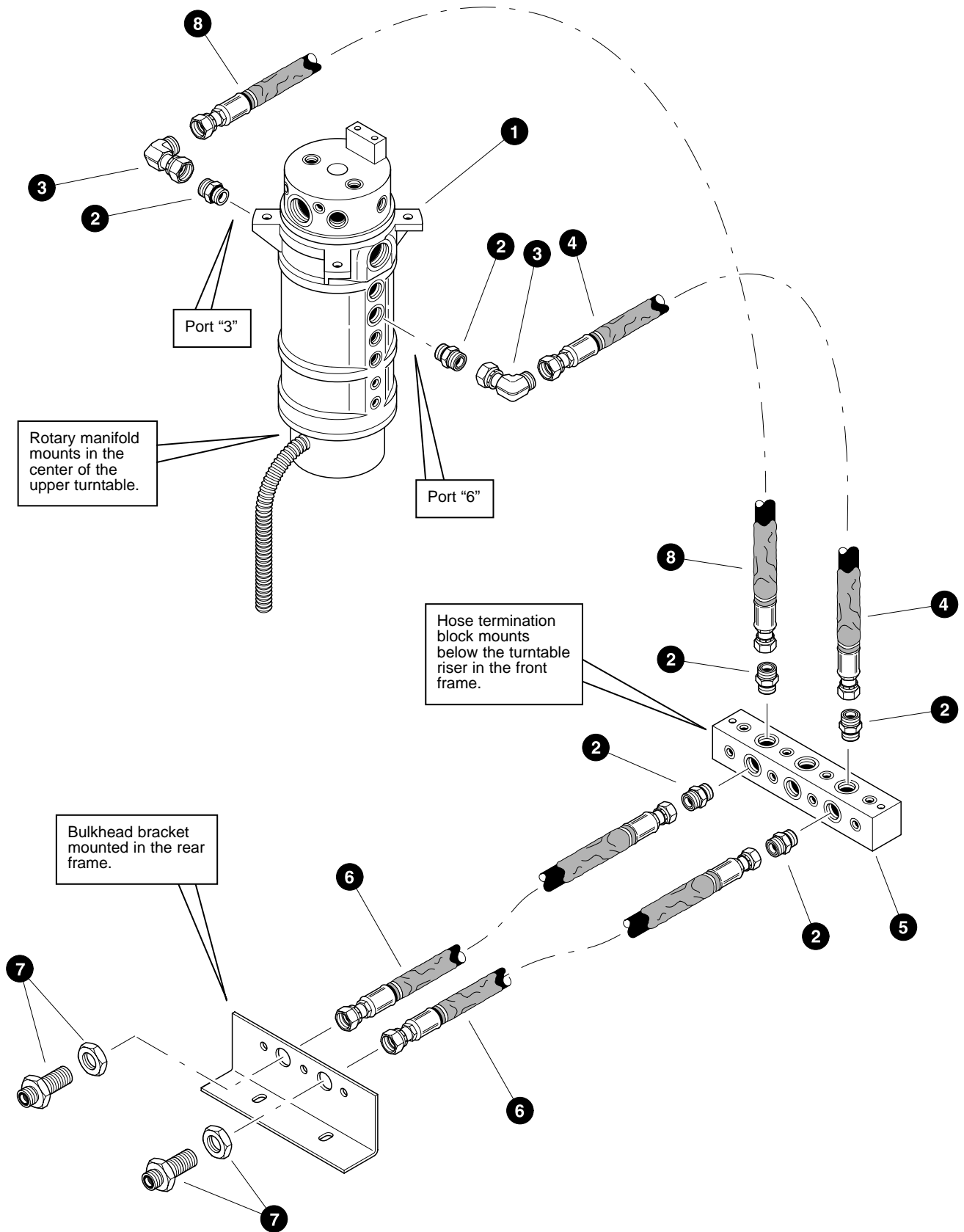
Note:

Due to warranty policy restrictions imposed by Timbco's component suppliers, it is not recommended that the component be disassembled further than is shown in the illustration.

Section BR-5



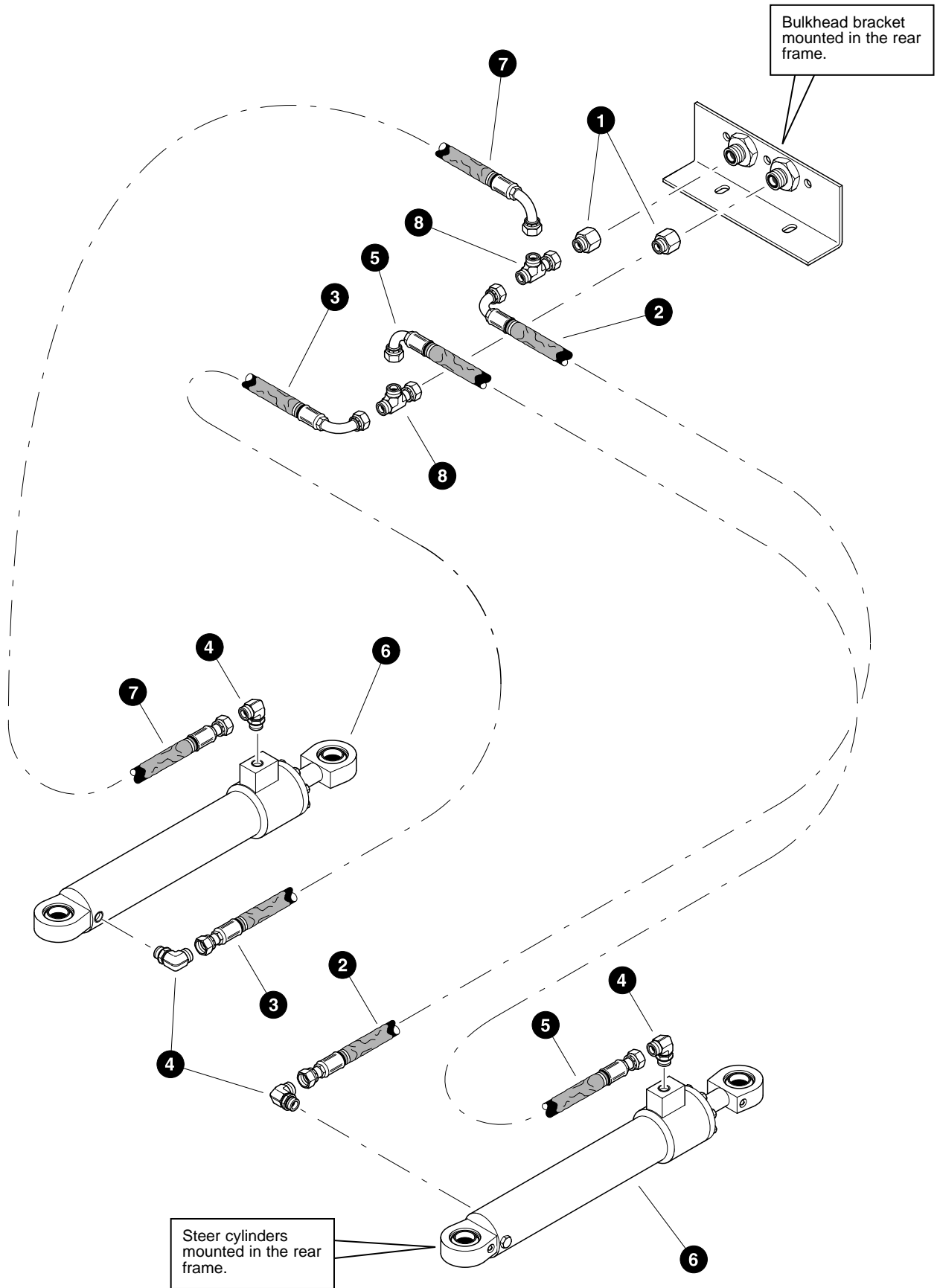
Sloped Rear Frame - Steering Hydraulics



STEER FUNCTION HYDRAULICS (Rotary Manifold Ports To Bulkhead)

REF	PART #	QTY		DESCRIPTION	SEE PAGE
1	REF.	1	✓	ROTARY MANIFOLD ASSEMBLY	UP-1-6
2	15152-BR	6		CONNECTOR, straight - FF1852T-1212S	
3	17670-BR	2		ELBOW, 90° - FF2098T-1212S	
4	22747-BR	1		HOSE ASSEMBLY - 4036-12-120S-120S-W (<i>Lower rotary manifold port #6 to right port of hose termination block</i>)	
5	REF.	1	✓	HOSE TERMINATION BLOCK	BF-3-6
6	22749-BR	2		HOSE ASSEMBLY - 4071-12-120S-120S-W (<i>Hose termination block ports to bulkhead fittings</i>)	
7	19754-BR	2		CONNECTOR, straight bulkhead - 12WL0-WLNL-S	
8	22748-BR	1		HOSE ASSEMBLY - 4037-12-120S-120S-W (<i>Lower rotary</i>)	

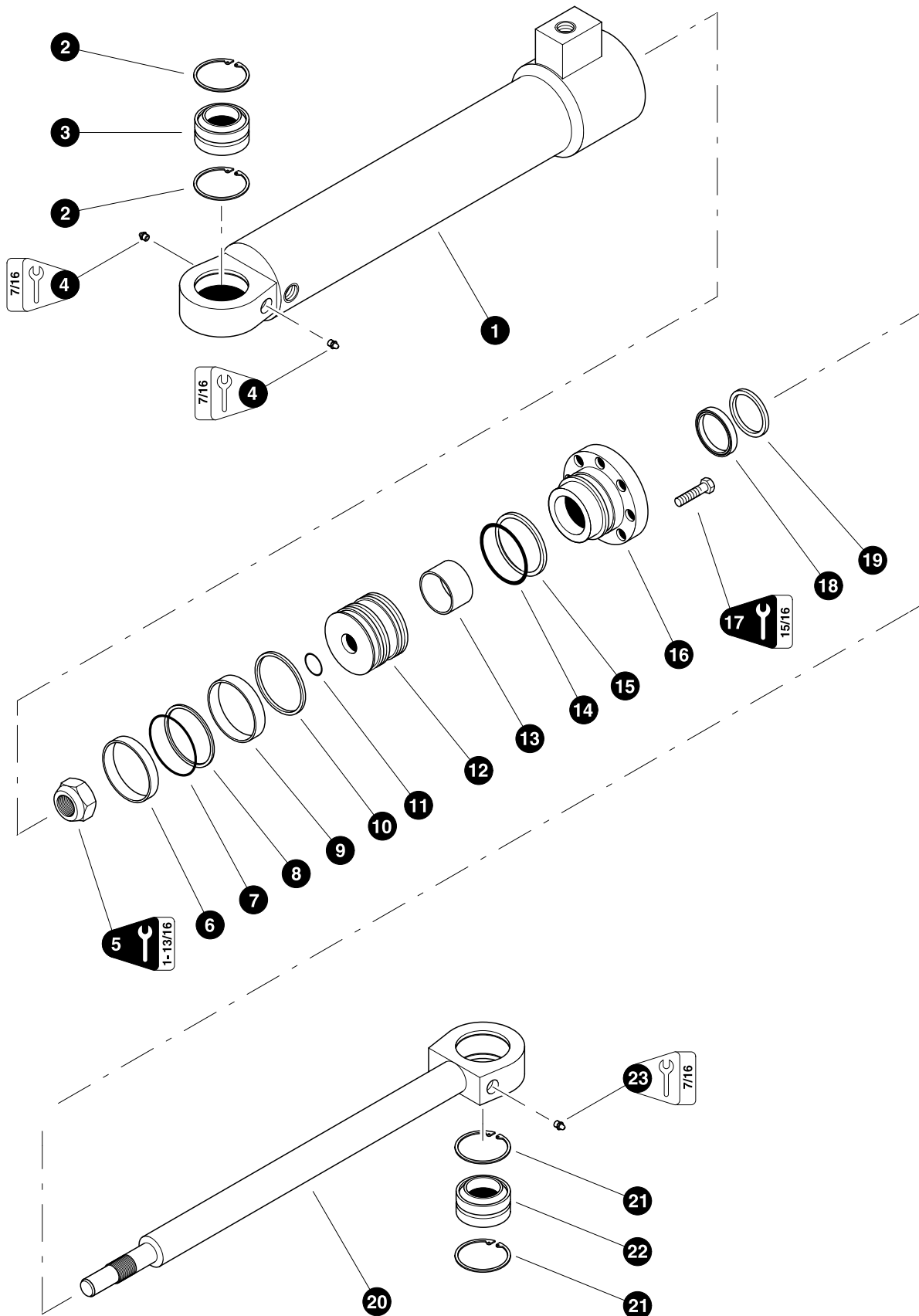
✓ See referenced page for component or assembly breakdown.



STEER FUNCTION HYDRAULICS (Bulkhead To Steer Cylinders)

REF	PART #	QTY	DESCRIPTION	SEE PAGE
1	18581-BR	2	CONNECTOR, reducer - FF2281T-0812S	
2	20125-BR	1	HOSE ASSEMBLY - 4043-08-080S-0809-W (<i>Left bulkhead tee to right steer cylinder base port</i>)	
3	20125-BR	1	HOSE ASSEMBLY - 4043-08-080S-0809-W (<i>Right bulkhead tee to left steer cylinder base port</i>)	
4	16360-BR	4	ELBOW, 90° - FF1868T-0808S	
5	20124-BR	1	HOSE ASSEMBLY - 4028-08-080S-0809-W (<i>Right bulkhead tee to right steer cylinder rod port</i>)	
6	REF.	2	✓ STEER CYLINDER	BR-5-6
7	20124-BR	1	HOSE ASSEMBLY - 4028-08-080S-0809-W (<i>Left bulkhead tee to left steer cylinder rod port</i>)	
8	15433-BR	2	TEE - FF2114T-0808S	

✓ See referenced page for component or assembly breakdown.



00194 01/17/97
18.75

STEER CYLINDER

REF	PART #	QTY		DESCRIPTION	SEE PAGE
-	19746-BR	2	☐	STEER CYLINDER ASSEMBLY	
1	19238-BR	1	☐	BARREL ASSEMBLY	
2	19916-BR	2		RING, snap	
3	19917-BR	1		BUSHING, spherical - 2"	
4	10704-BR	1		FITTING, straight grease - 1/8" pipe thread	
5	19232-BR	1		NUT, cylinder rod - 1-3/4" (Torque to 885 +/- 60 ft.lbs. (1175 +/- 80 Nm))	
6	NSS	1	★	RING, piston wear	
7	NSS	1	★	RING, piston loader	
8	NSS	1	★	RING, piston chem-cast	
9	NSS	1	★	RING, piston wear	
10	NSS	1	★	RING, piston seal	
11	NSS	1	★	O-RING, piston	
12	19743-BR	1		PISTON	
13	NSS	1	★	RING, rod bearing wear	
14	NSS	1	★	O-RING, rod bearing	
15	NSS	1	★	RING, rod bearing back-up	
16	19236-BR	1		BEARING, rod	
17	15681-BR	8		BOLT - 5/8" x 2-1/4" (Torque to 175 ft.lbs (233 Nm))	
18	NSS	1	★	U-CUP, rod bearing	
19	NSS	1	★	WIPER, rod	
20	19235-BR	1	☐	ROD ASSEMBLY	
21	19916-BR	2		RING, snap	
22	19917-BR	1		BUSHING, spherical - 2"	
23	10704-BR	1		FITTING, straight grease - 1/8" pipe thread	
-	19750-BR	1		KIT, seal repair - steer cylinder	

- ☐ Kit or Assembly - includes all items indented underneath.
 ★ Included in seal repair kit Part # 19750-BR.