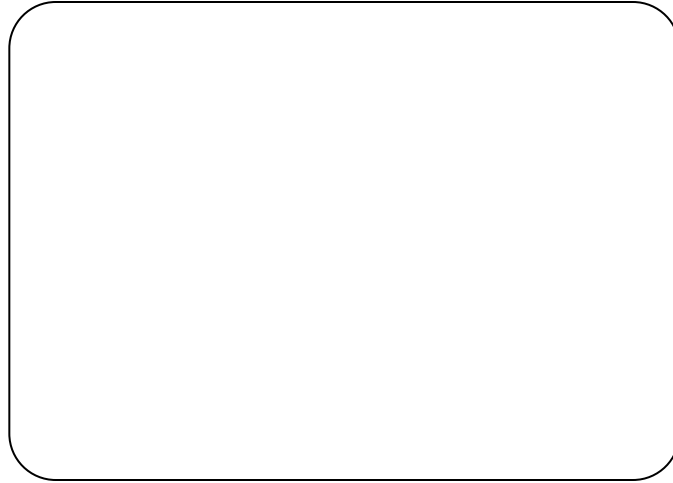
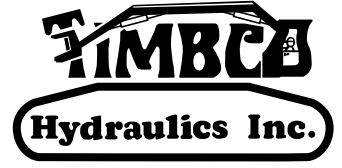
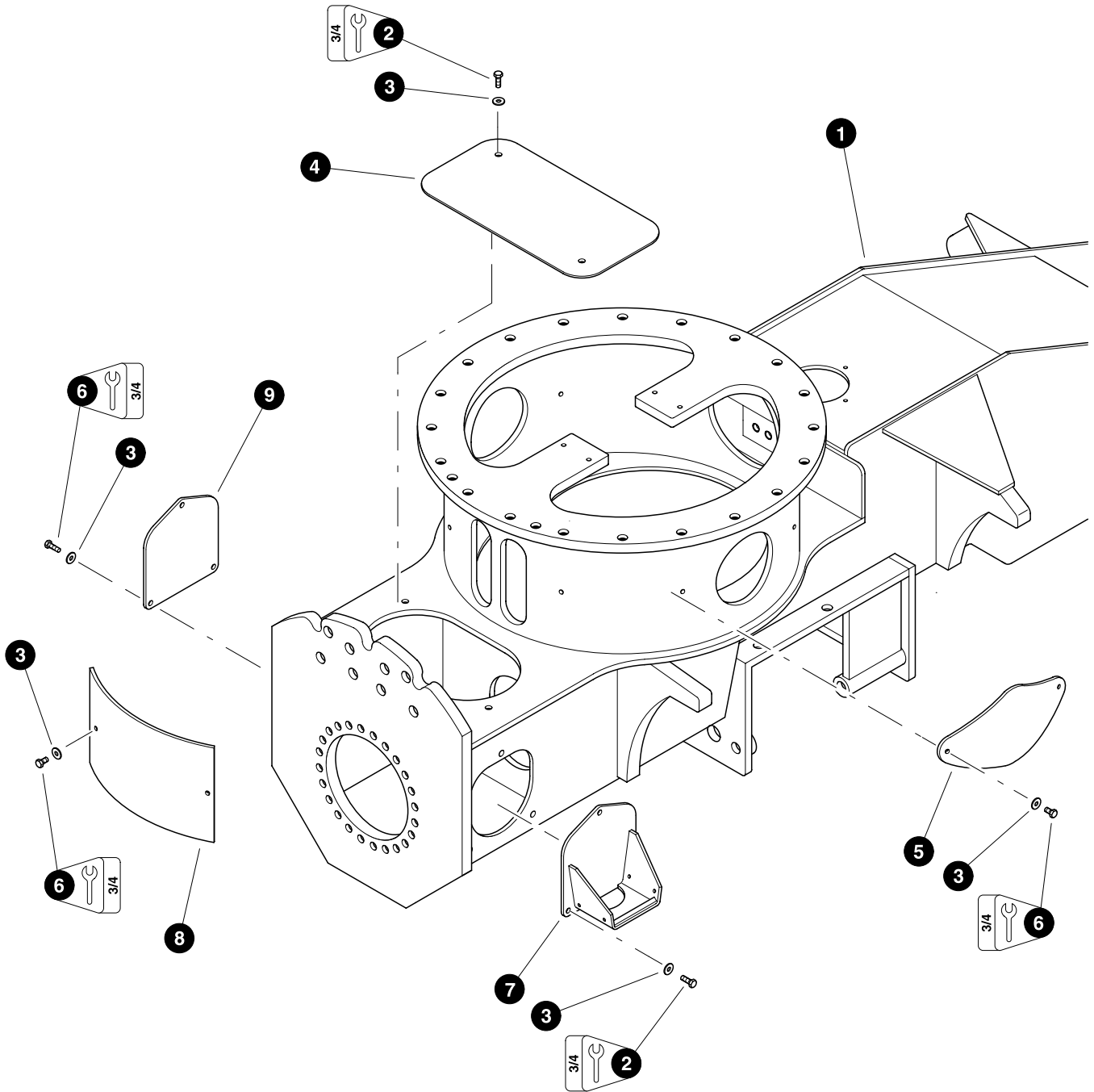


Section CF-1



Set-Back Front Frame - Structural

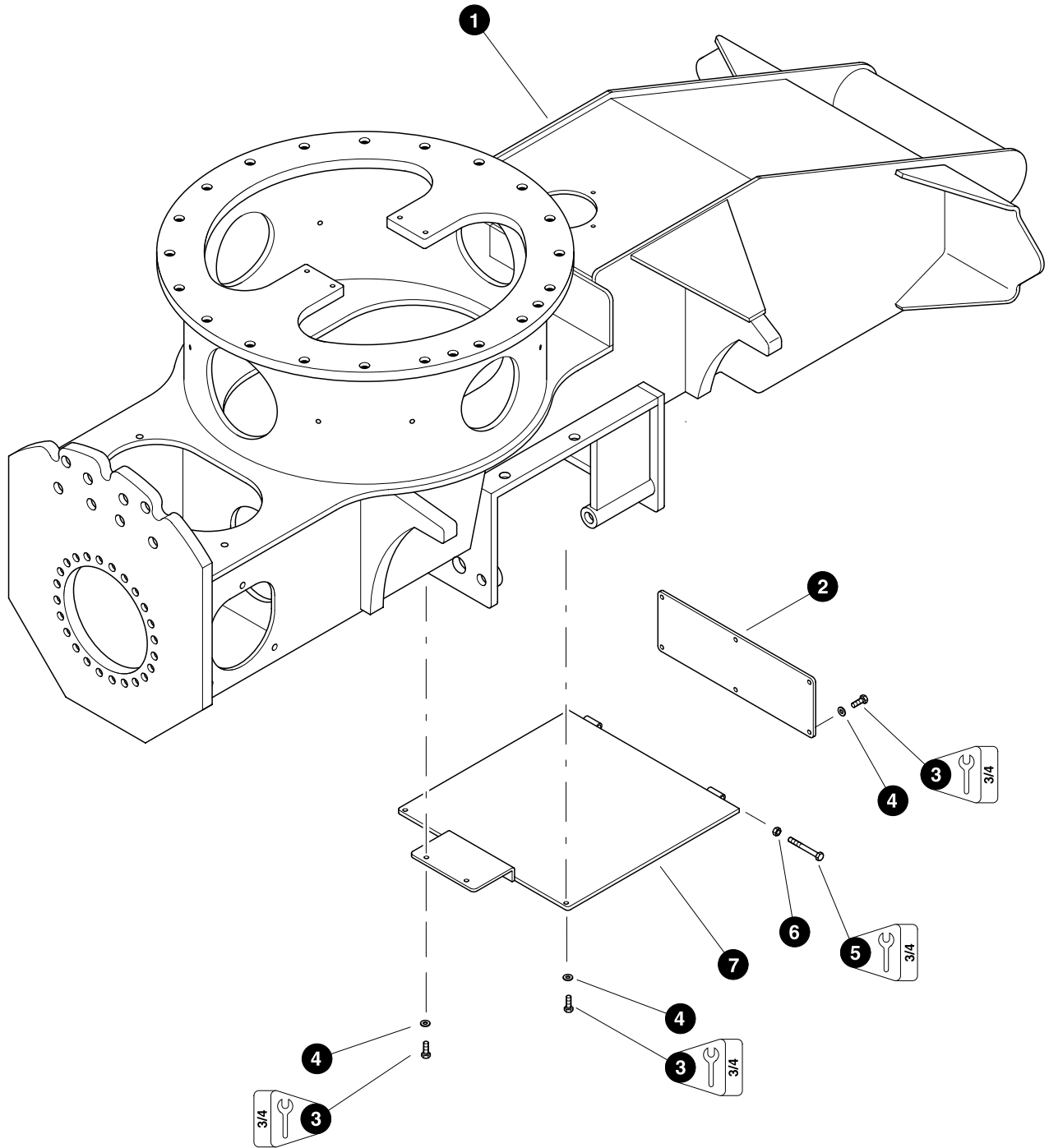


Parts 01242 07/28/99
9.375

FRAME ACCESS COVERS (Upper Areas)

REF	PART #	QTY	DESCRIPTION	SEE PAGE
1	80432-CF	1	FRONT FRAME WELDMENT	
2	10739-CF	8	BOLT - 1/2" x 1-1/2"	
3	15528-CF	16	WASHER, SAE flat - 1/2"	
4	85310-CF	1	COVER, access - drive line	
5	20217-CF	2	COVER, access - turntable riser side (<i>Shown</i>)	
	22990-CF	1	COVER, access - turntable riser front (<i>Notched for fuel lines</i>) (<i>Not shown</i>)	
6	10783-CF	8	BOLT - 1/2" x 1"	
7	20208-CF	1	COVER, access - frame side (<i>With step</i>)	
8	23107-CF	1	COVER, access - turntable riser rear	
9	80317-CF	1	COVER, access - frame side (<i>Without step</i>)	

✓ See referenced page for component or assembly breakdown.

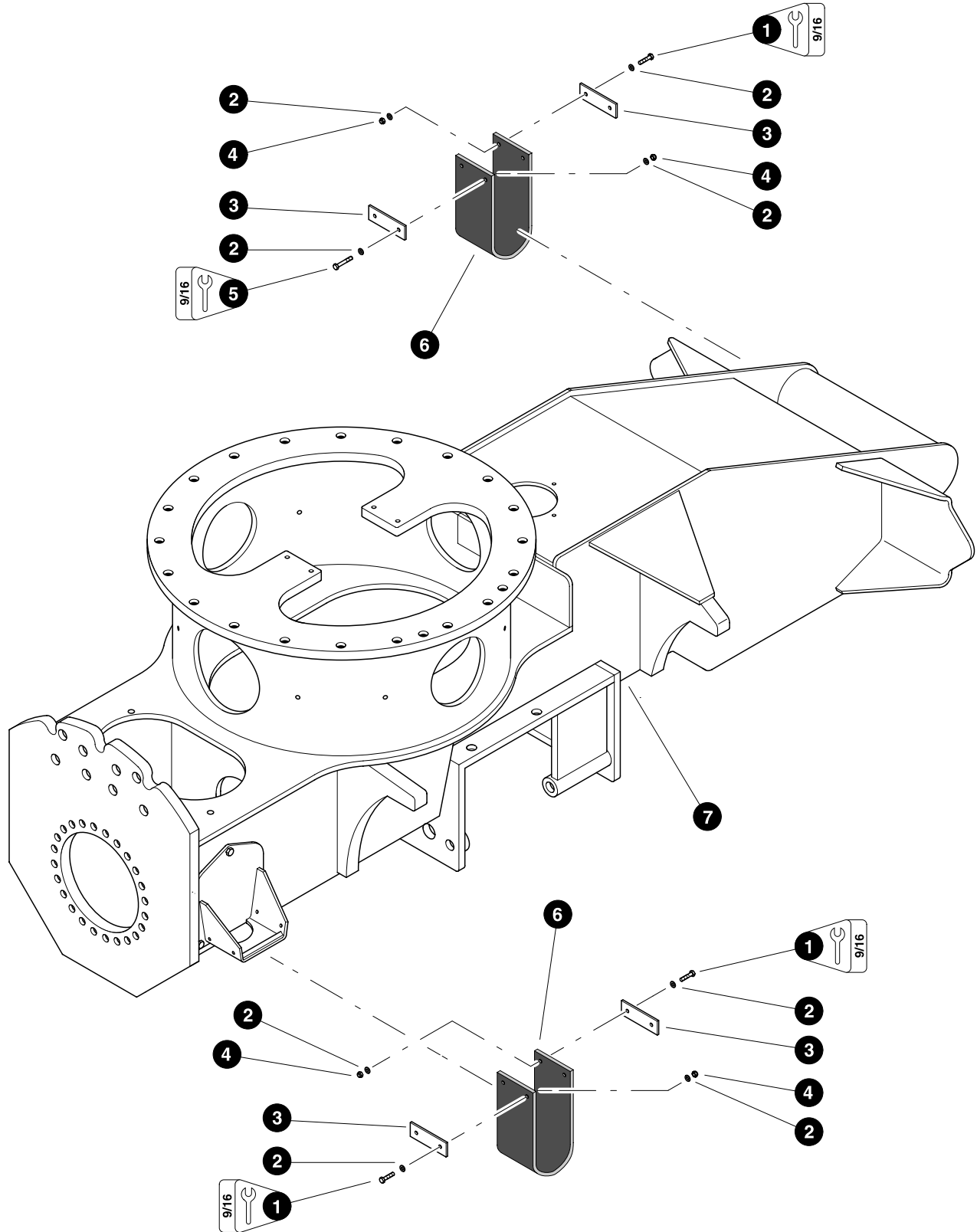


Parts 01243 07/28/99
9.375

FRAME ACCESS COVERS (Lower Areas)

REF	PART #	QTY	DESCRIPTION	SEE PAGE
1	REF.	1	✓ FRONT FRAME WELDMENT	CF-1-2
2	80316-CF	1	COVER, access - axle box	
3	10739-CF	10	BOLT - 1/2" x 1-1/2"	
4	15534-CF	10	WASHER, SAE flat - 1/2"	
5	10835-CF	2	BOLT - 1/2" x 4-1/2"	
6	10815-CF	2	NUT, lock - 1/2"	
7	19817-CF	1	COVER, access - front frame axle	

✓ See referenced page for component or assembly breakdown.



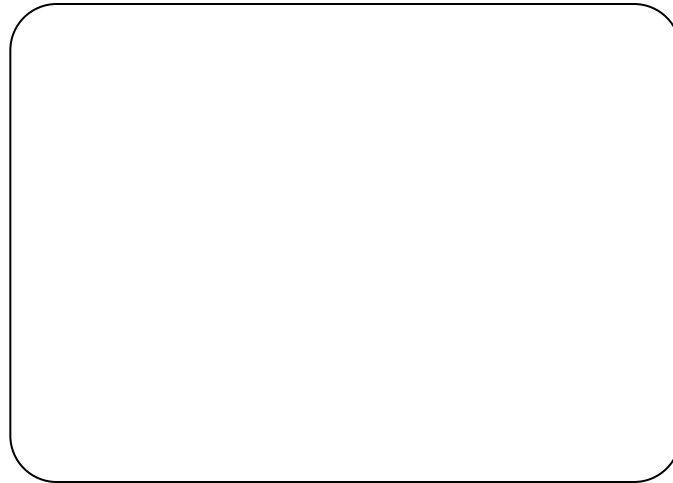
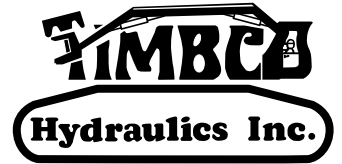
Parts 01241 07/28/99
9.375

FRAME STEP INSTALLATION

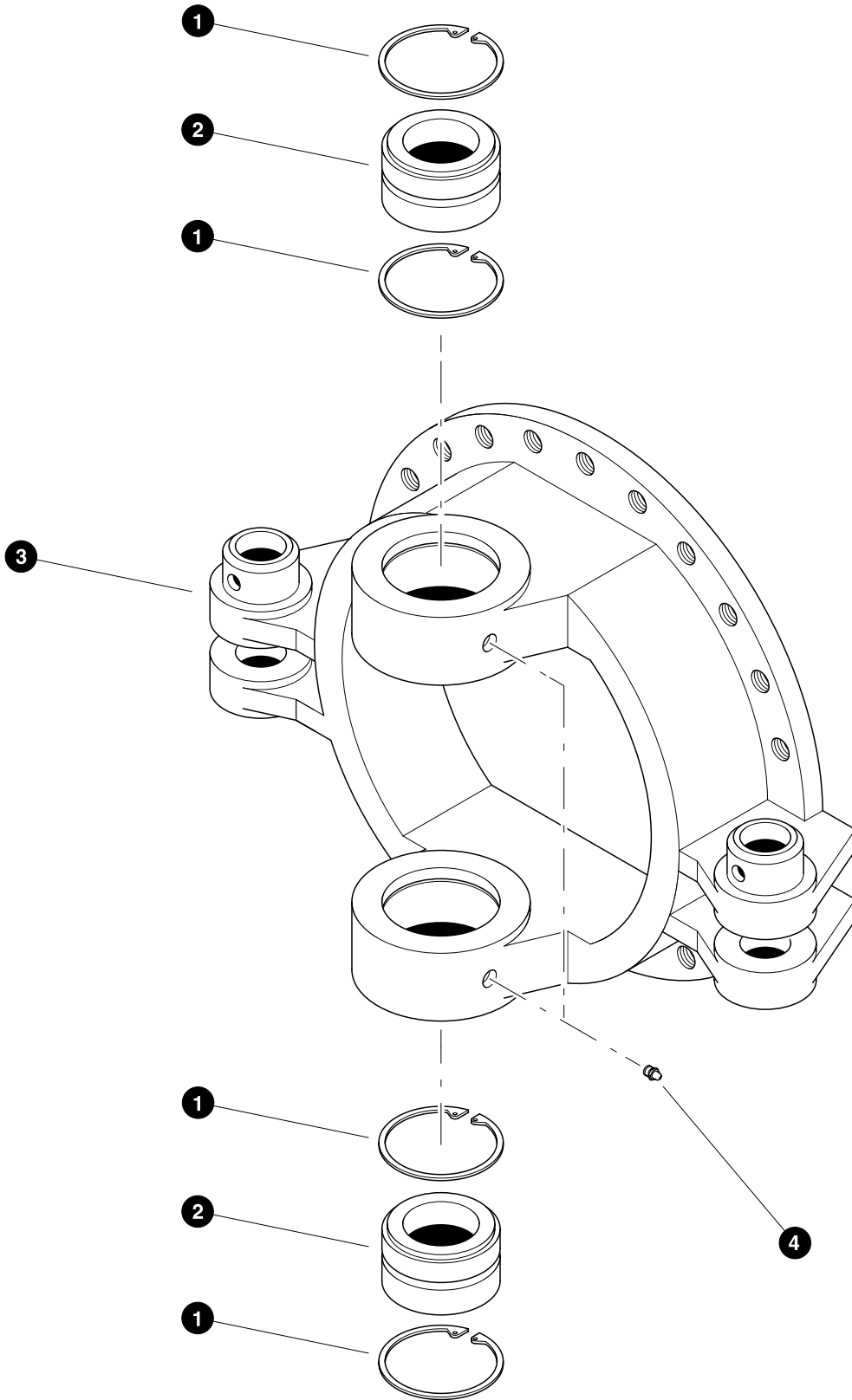
REF	PART #	QTY	DESCRIPTION	SEE PAGE
1	20084-CF	6	BOLT - 3/8" x 1-3/4"	
2	15528-CF	16	WASHER, SAE flat - 3/8"	
3	20209-CF	4	RETAINER, rubber step	
4	10813-CF	8	NUT, lock - 3/8"	
5	10731-CF	2	BOLT - 3/8" x 1-1/2"	
6	20210-CF	2	STEP, rubber	
7	REF.	1	FRONT FRAME WELDMENT	CF-1-2

- ✓ See referenced page for component or assembly breakdown.

Section CF-2



Set-Back Front Frame - Articulation Components

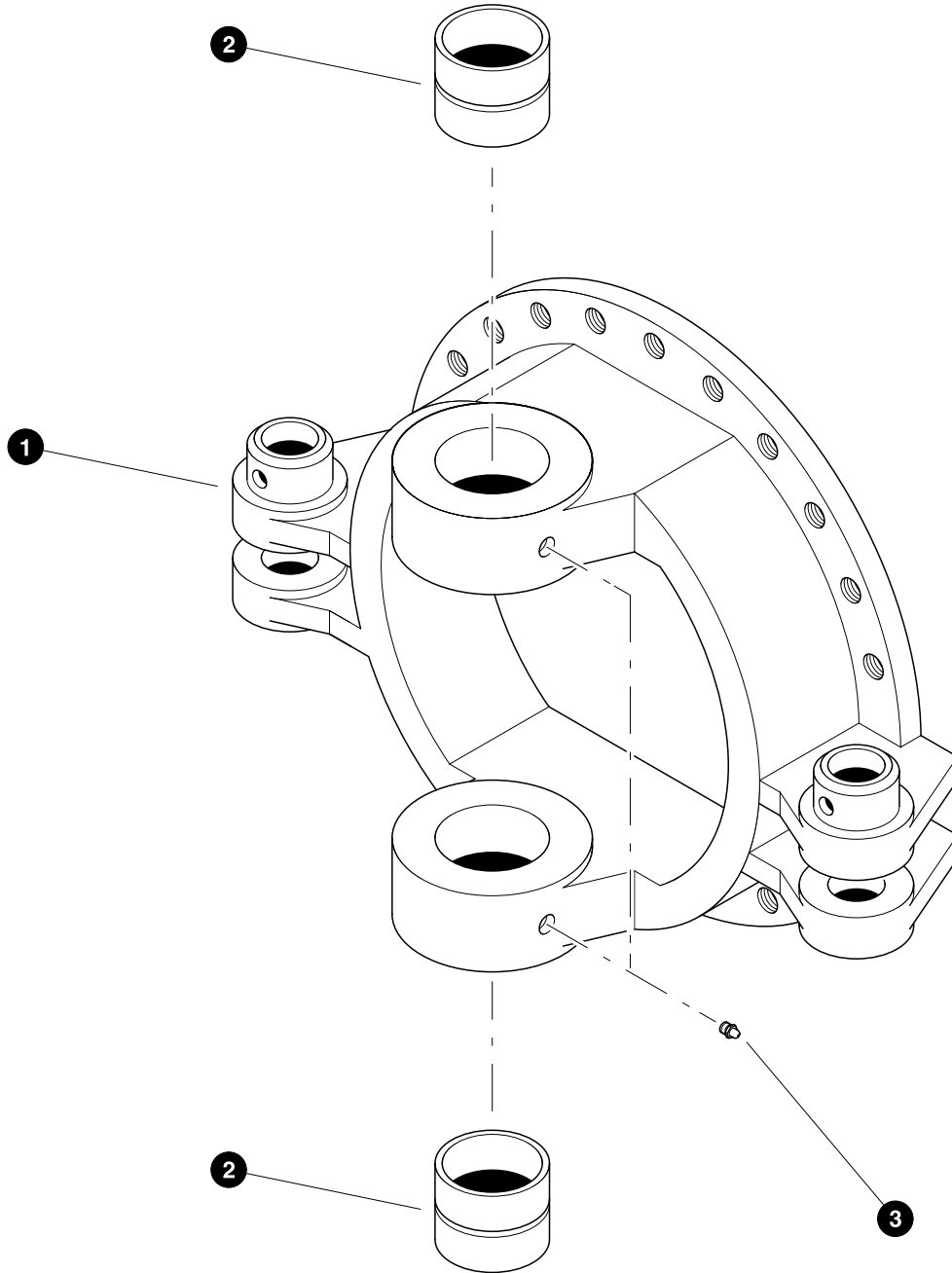


Parts 01867 10/26/2000
25.00

FRAME ARTICULATION CASTING

(Used on machines PDN# 127FWD and below)

REF	PART #	QTY	DESCRIPTION	SEE PAGE
1	17833-CF	4	RING, snap - 3" spherical bushing	
2	23897-CF	2	BUSHING - 3" x 2-3/4" <i>(With step)</i>	
	23898-CF	2	BUSHING - 3-1/2" x 2-3/4" <i>(Used only with retrofitted 3-1/2" diameter articulation pin)</i>	
3	22529-CF	1	CASTING, frame articulation	
4	10704-CF	2	FITTING, grease - 1/8" pipe thread	

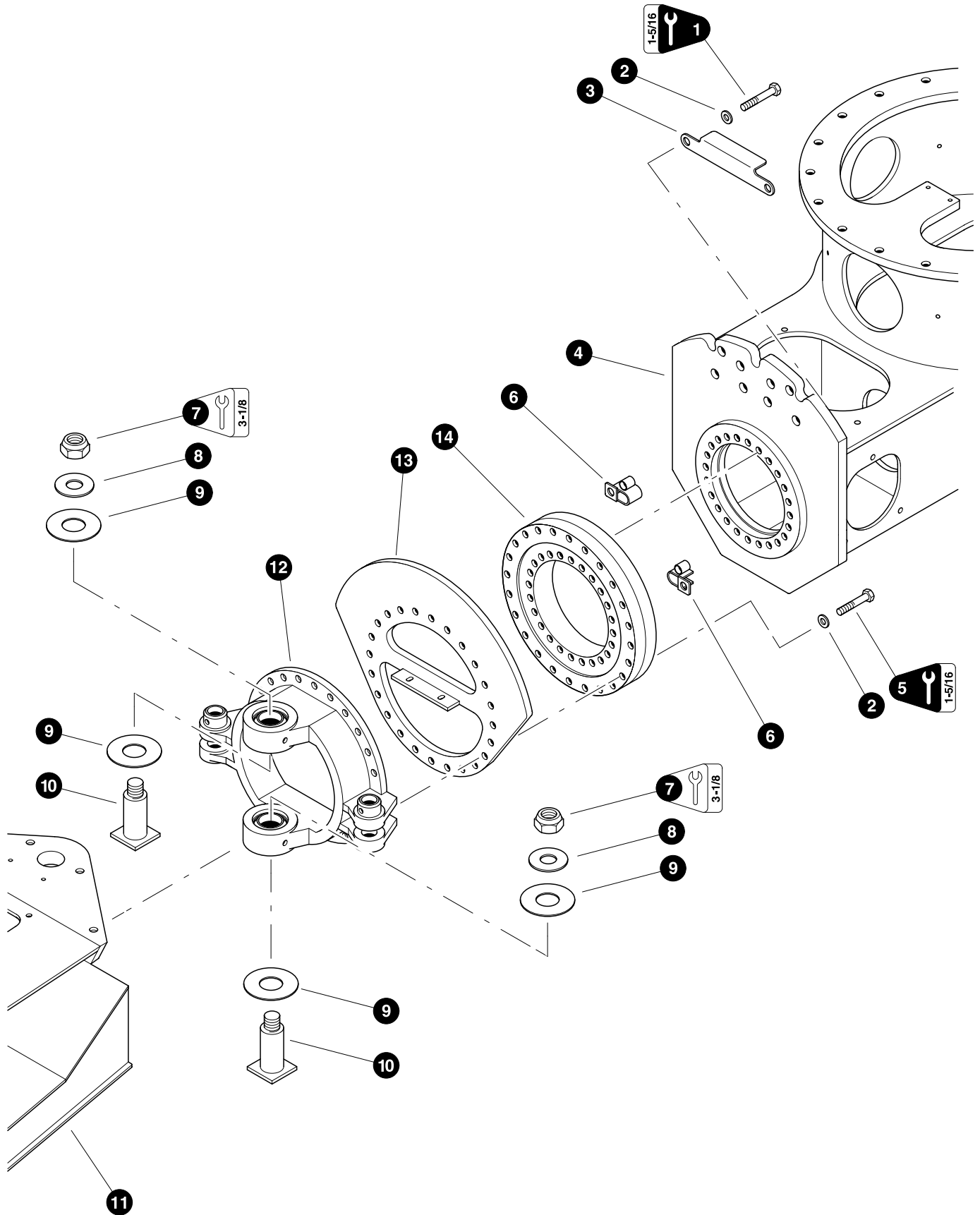


FRAME ARTICULATION CASTING

(Used on machines PDN# 128FWD and above)

REF	PART #	QTY	DESCRIPTION	SEE PAGE
1	23099-CF	1	<input type="checkbox"/> CASTING, frame articulation	
2	23103-CF	2	BUSHING - 3-1/2" x 2-3/4"	
3	10704-CF	2	FITTING, grease - 1/8" pipe thread	

- Kit or Assembly - includes all items indented underneath.



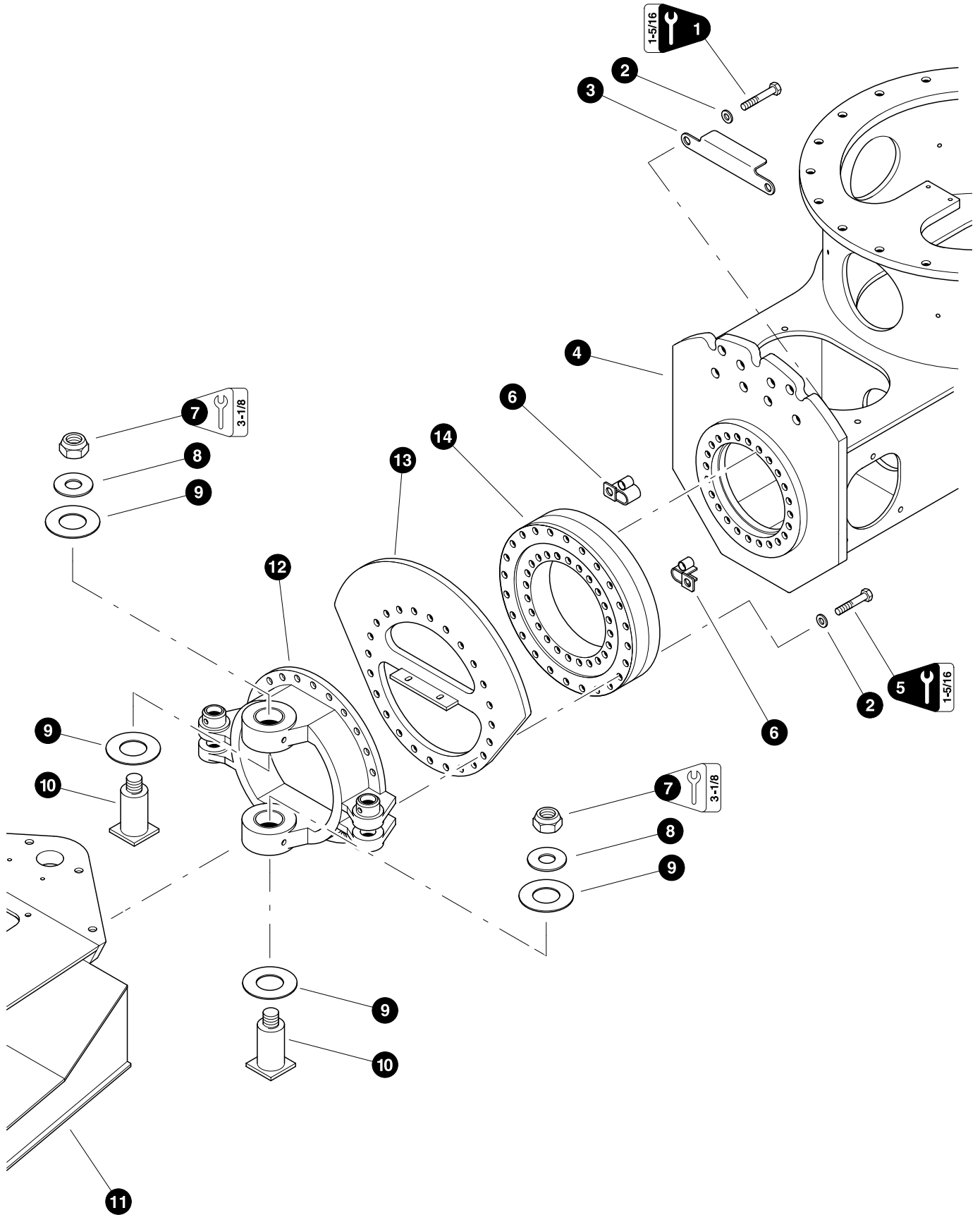
Parts 01747 08/16/2000
9.375

FRAME ARTICULATION INSTALLATION

(Used on machines PDN# 127FWD and below)

REF	PART #	QTY	DESCRIPTION	SEE PAGE
1	19072-CF	24	BOLT - 7/8" x 5-1/2" (Torque to 600 ft.lbs (800 Nm))	
2	10718-CF	24	WASHER, SAE flat - 7/8"	
3	80493-CF	1	BRACKET, hose carrier	
4	REF.	1	✓ FRONT FRAME WELDMENT	CF-1-2
5	22530-CF	24	BOLT - 7/8" x 6-1/2" (Torque to 600 ft.lbs (800 Nm))	
6	20855-CF	3	BRACKET, clam bunk hose	
7	10728-CF	2	NUT, nylock - 2"	
8	18709-CF	2	WASHER, articulation pin	
9	19486-CF	AR	WASHER, thrust - thin (<i>Brass</i>)	
	19487-CF	AR	WASHER, thrust - thick (<i>Brass</i>)	
10	19330-CF	2	PIN, articulation - 3" x 8-5/8"	
11	REF.	1	✓ REAR FRAME WELDMENT	CR-1-2
12	REF.	1	FRAME ARTICULATION CASTING	CF-2-2
13	80385-CF	1	PLATE, braking	
14	18834-CF	1	BEARING, articulation	

✓ See referenced page for component or assembly breakdown.



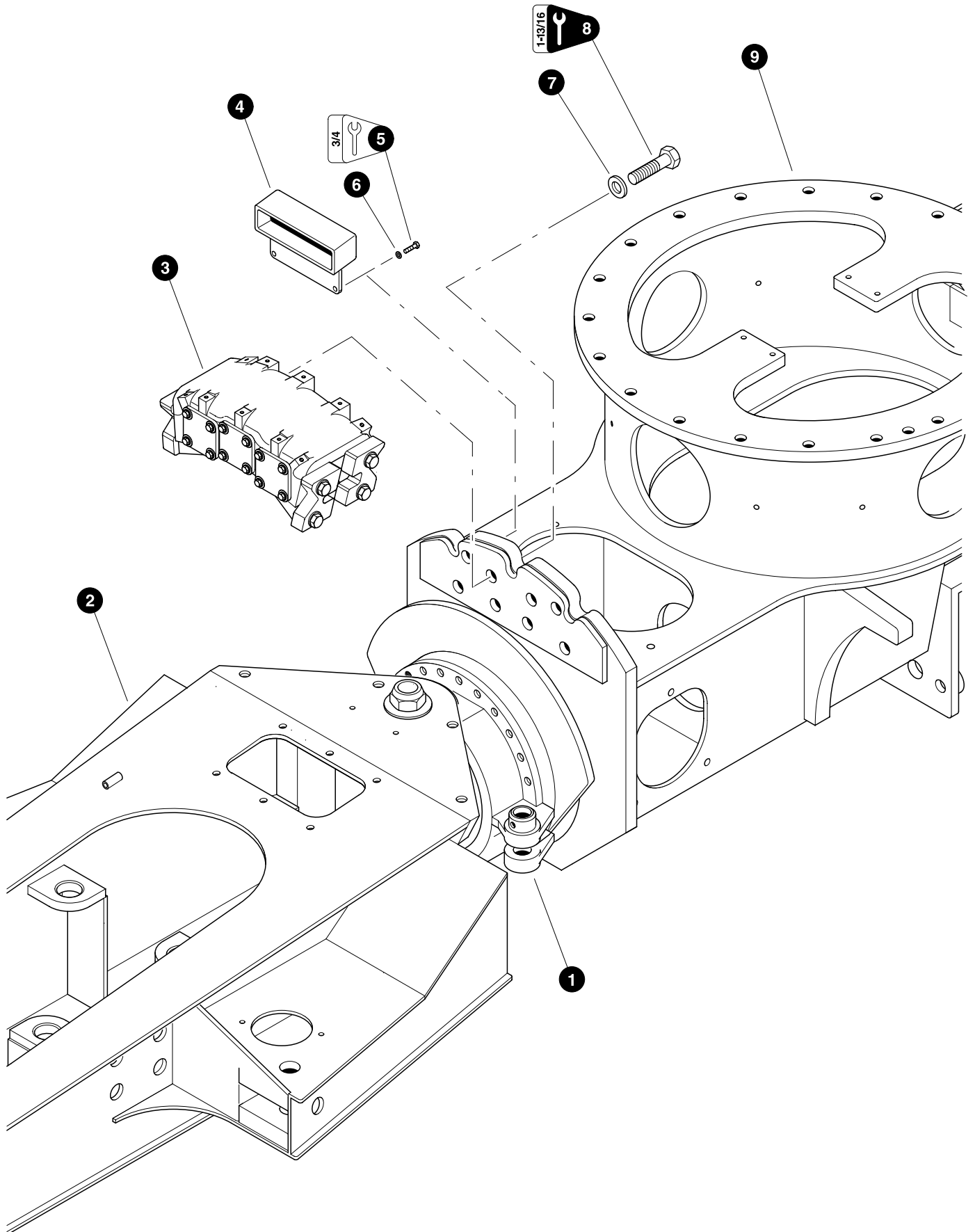
Parts 01721 08/11/2000
9.375

FRAME ARTICULATION INSTALLATION

(Used on machines PDN# 128FWD and above)

REF	PART #	QTY	DESCRIPTION	SEE PAGE
1	23387-CF	24	BOLT - 1" x 6-1/2" (<i>Torque to 1000 ft.lbs (1330 Nm)</i>)	
2	18532-CF	48	WASHER, SAE flat - 1"	
3	80493-CF	1	BRACKET, hose carrier	
4	REF.	1	✓ FRONT FRAME WELDMENT	CF-1-2
5	18672-CF	24	BOLT - 1" x 7-1/2" (<i>Torque to 1000 ft.lbs (1330 Nm)</i>)	
6	20855-CF	3	BRACKET, clam bunk hose	
7	10728-CF	2	NUT, nylock - 2"	
8	22897-CF	2	WASHER, articulation pin	
9	23106-CF	AR	WASHER, thrust - thin (<i>Brass</i>)	
	23105-CF	AR	WASHER, thrust - thick (<i>Brass</i>)	
10	23102-CF	2	PIN, articulation - 3-1/2" x 8-5/8"	
11	REF.	1	✓ REAR FRAME WELDMENT	CR-1-2
12	REF.	1	FRAME ARTICULATION CASTING	CF-2-2
13	80535-CF	1	PLATE, braking	
14	23004-CF	1	BEARING, articulation	

✓ See referenced page for component or assembly breakdown.

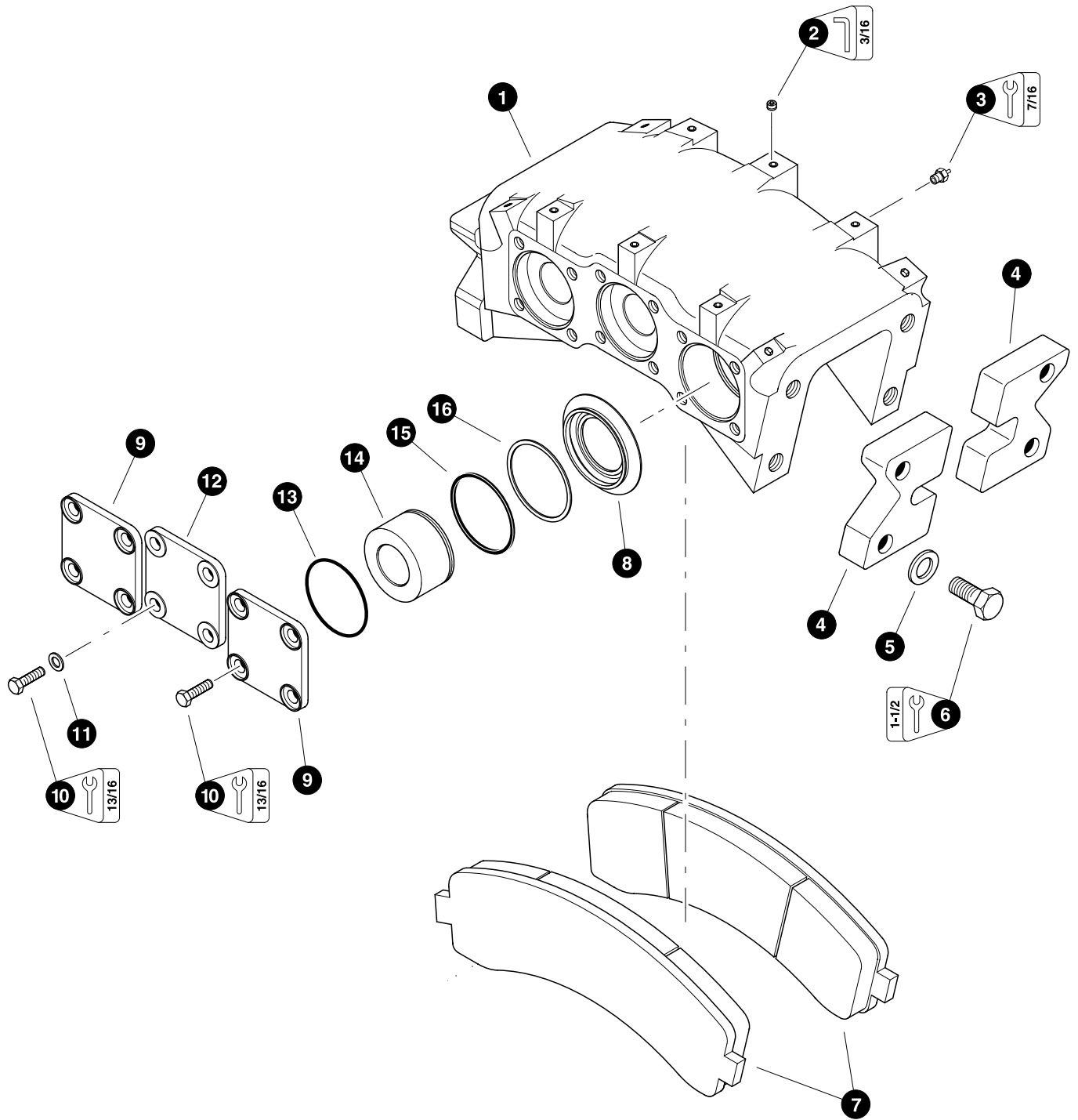


Parts 01245 02/23/2000
12.50

FRAME LOCK BRAKE INSTALLATION

REF	PART #	QTY		DESCRIPTION	SEE PAGE
1	REF.	1	✓	FRAME ARTICULATION CASTING	CF-2-2
2	REF.	1	✓	REAR FRAME WELDMENT	CR-1-2
3	REF.	1	✓	FRAME LOCK BRAKE	CF-2-8
4	80504-CF	1		BRACKET, hose mount	
5	10739-CF	2		BOLT - 1/2" x 1.5"	
6	10804-CF	2		WASHER - SAE flat - 1/2"	
7	22531-CF	8		WASHER - 1-1/4"	
8	22532-CF	8		BOLT - 1-1/4" x 5-1/2"	
9	REF	1	✓	FRONT FRAME WELDMENT	CF-1-2

- ✓ See referenced page for component or assembly breakdown.



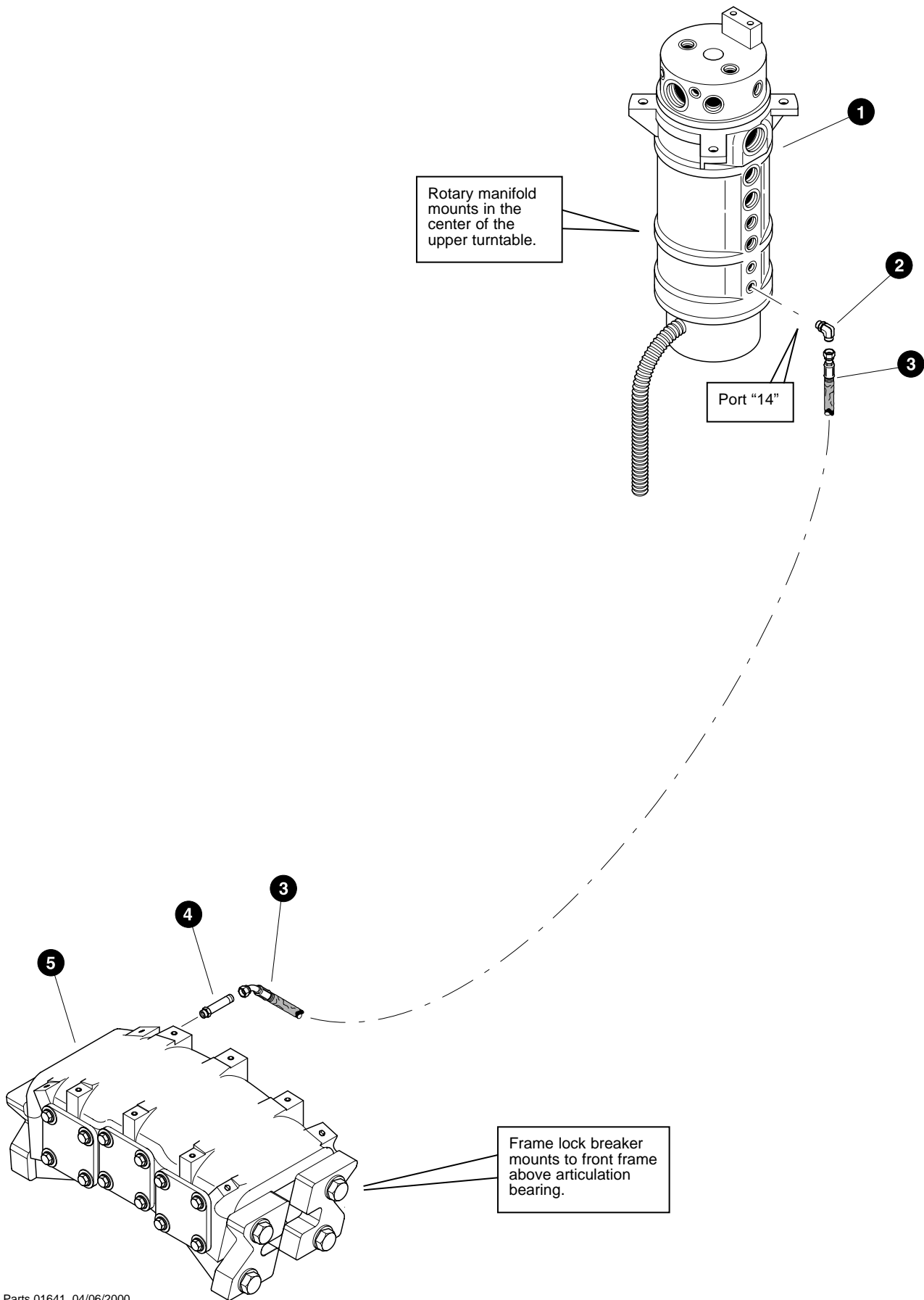
Parts 01736 07/08/2000
37.50

FRAME LOCK BRAKE

REF	PART #	QTY		DESCRIPTION	SEE PAGE
-	20953-CF	1	☐	FRAME LOCK BRAKE	
1	NSS	1		HOUSING	
2	-----	13		PLUG	
3	-----	1		SCREW, bleed	
4	-----	4		RETAINER, brake pad	
5	-----	8		WASHER	
6	-----	8		BOLT	
7	-----	2		PAD, brake	
8	NSS	6	★	BOOT, piston	
9	23445-CF	2		COVER, piston (<i>Machined special to countersink bolt heads</i>)	
10	-----	12		BOLT	
11	-----	4		WASHER	
12	23444-CF	1		COVER, piston	
13	NSS	6	★	O-RING, piston cover	
14	-----	6	★	PISTON	
15	NSS	6	★	SEAL, piston	
16	NSS	6	★	RING, back-up	
-	23113-CF	1		KIT, seal repair - frame lock brake	

☐ Kit or Assembly - includes all items indented underneath.

★ Included in seal repair kit PN# 23113-CF.



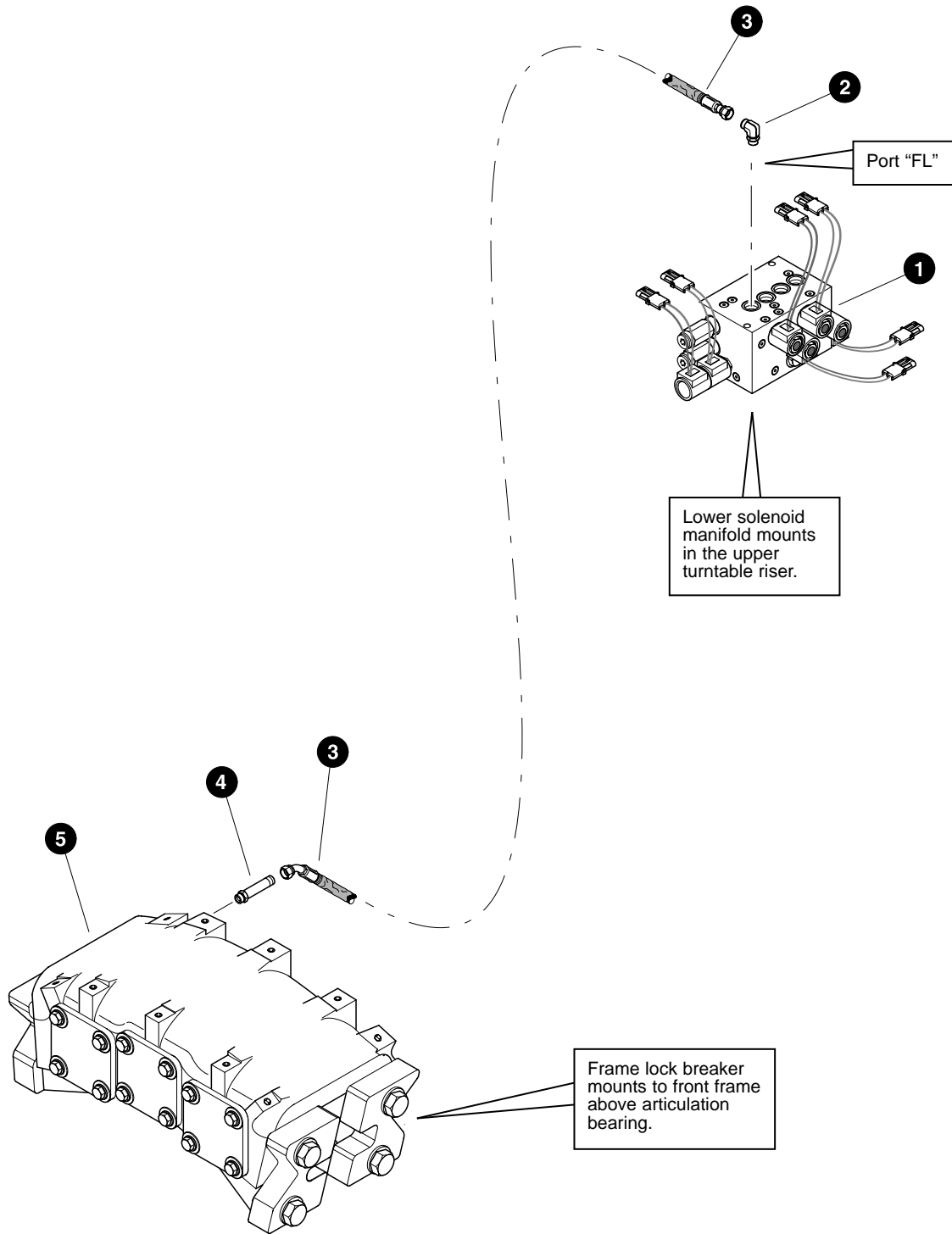
Parts 01641 04/06/2000
18.75

FRAME LOCK BRAKE RELEASE LINE (From Rotary Manifold)

(Used on machines PDN# 134FWD and below)

REF	PART #	QTY		DESCRIPTION	SEE PAGE
1	REF.	1	✓	ROTARY MANIFOLD	UP-1-6
2	16540-CF	1		ELBOW, 90° - FF1868T-0404S	
3	22918-CF	1		HOSE ASSEMBLY - 2085-04-040S-0404-W <i>(Rotary manifold lower port "14" to frame lock brake port)</i>	
4	20991-CF	1		CONNECTOR, STR long - 848L-TTO-04 x 04	
5	REF.	1	✓	FRAME LOCK BRAKE	CF-2-8

✓ See referenced page for component or assembly breakdown.



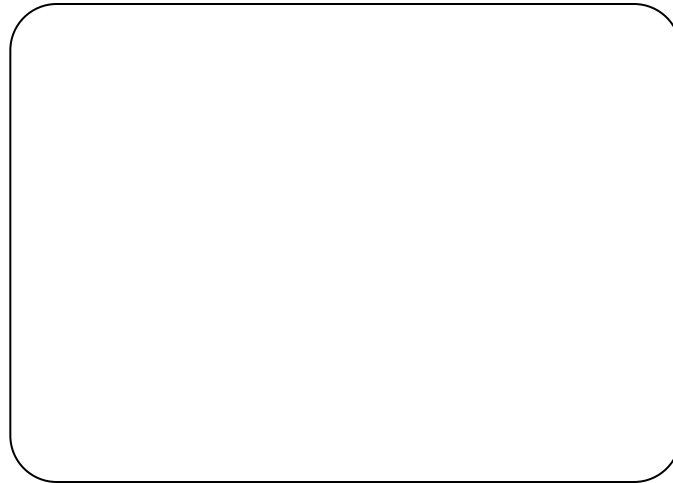
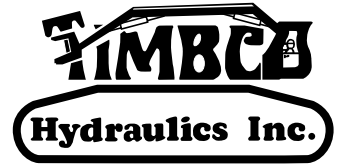
FRAME LOCK BRAKE RELEASE LINE (From Lower Solenoid Valve)

(Used on machines PDN# 135FWD and above)

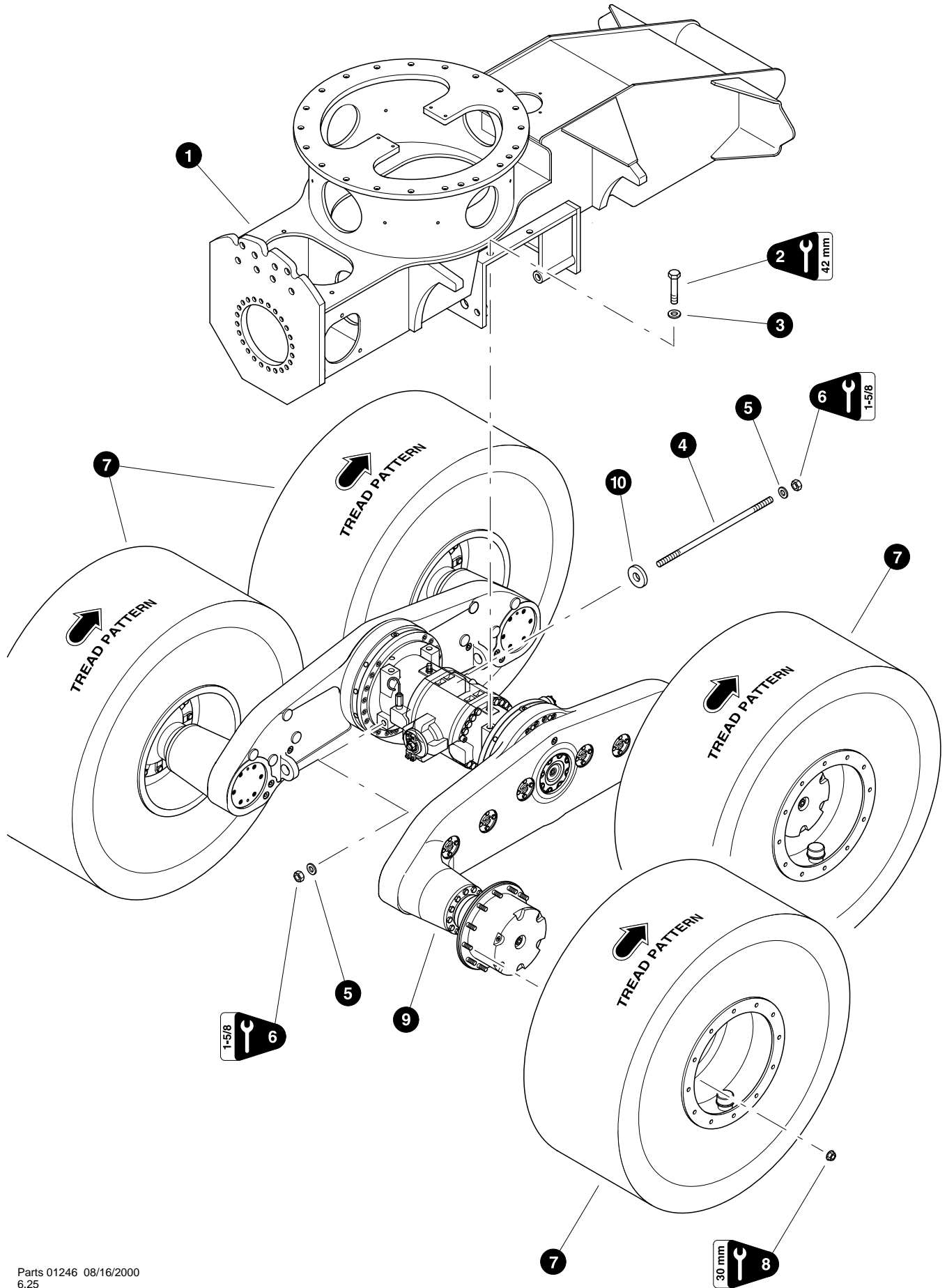
REF	PART #	QTY		DESCRIPTION	SEE PAGE
1	REF.	1	✓	LOWER SOLENOID MANIFOLD	CF-7-2
2	15133-CF	1		ELBOW, 90° - FF1868T-0406S	
3	23082-CF	1		HOSE ASSEMBLY - 2047-04-040S-0404-W <i>(Lower solenoid manifold port "FL" to frame lock brake port)</i>	
4	20991-CF	1		CONNECTOR, STR long - 848L-TTO-04 x 04	
5	REF.	1	✓	FRAME LOCK BRAKE	CF-2-8

✓ See referenced page for component or assembly breakdown.

Section CF-3



Set-Back Front Frame - Drivetrain Installation



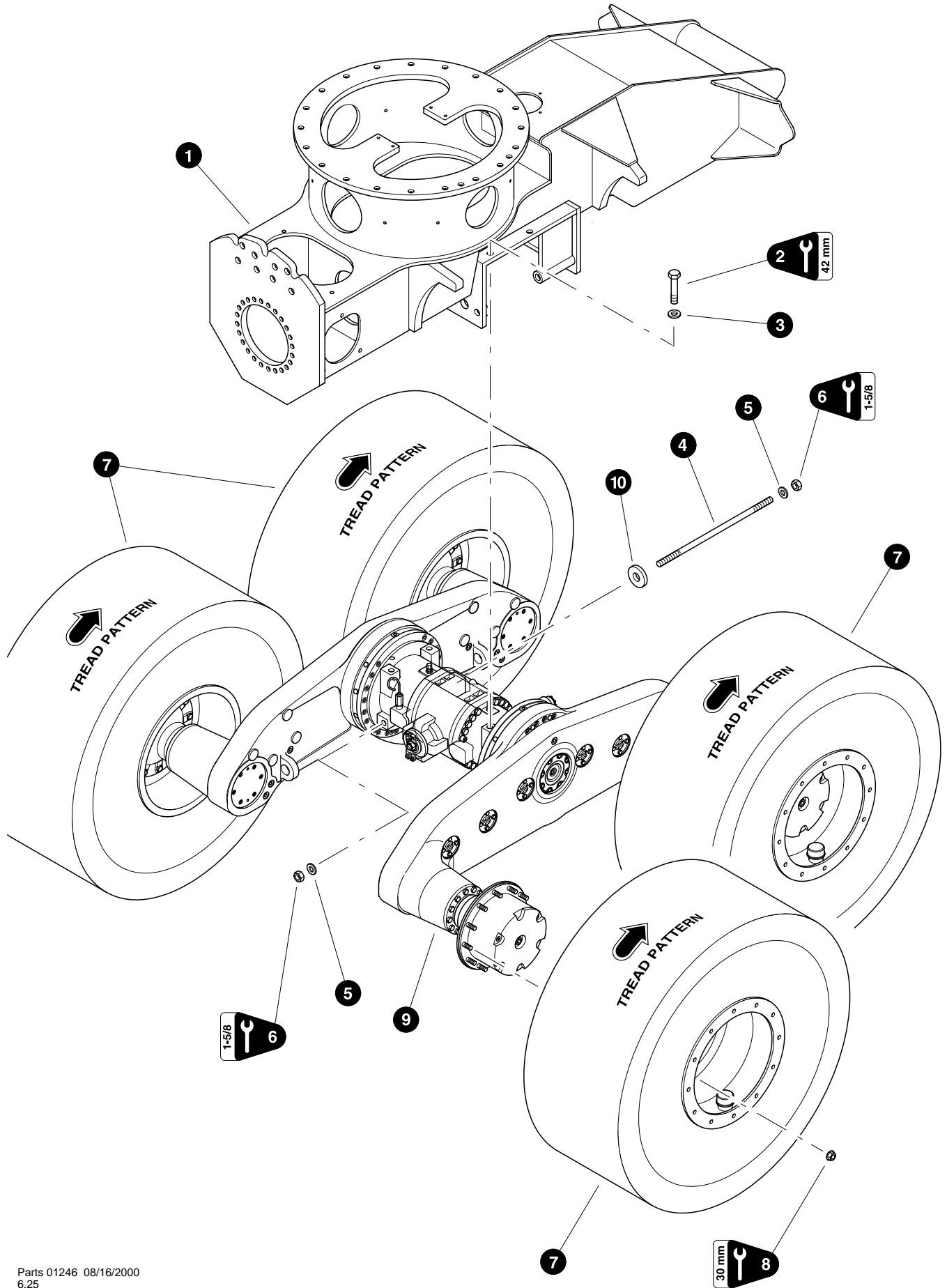
Parts 01246 08/16/2000
6.25

FRONT AXLE INSTALLATION

(Used on machines PDN# 146FWD and below)

REF	PART #	QTY	✓	DESCRIPTION	SEE PAGE
1	REF.	1	✓	FRONT FRAME WELDMENT	CF-1-2
2	19898-CF	4		BOLT - 27mm-3.0P x 160mm (Torque to 1000 ft.lbs. (1330 Nm))	
3	19899-CF	4		WASHER, hardened flat - 27mm	
4	23136-CF	2		STUD, axle spreader box - 1-1/8" (Torque to 700 ft.lbs. (935 Nm))	
5	23211-CF	4		WASHER, SAE flat - 1-1/8" <i>(Extra thick)</i>	
6	17248-CF	4		NUT, lock - 1-1/8"	
7	REF.	4	✓	WHEEL ASSEMBLY	AX-3-2
8	19361-CF	48		NUT, lug (Torque to 415 ft.lbs. (550 Nm))	
9	REF.	1	✓	FRONT AXLE	AX-1-2
10	24054-CF	2		SPACER, axle spreader stud	

✓ See referenced page for component or assembly breakdown.



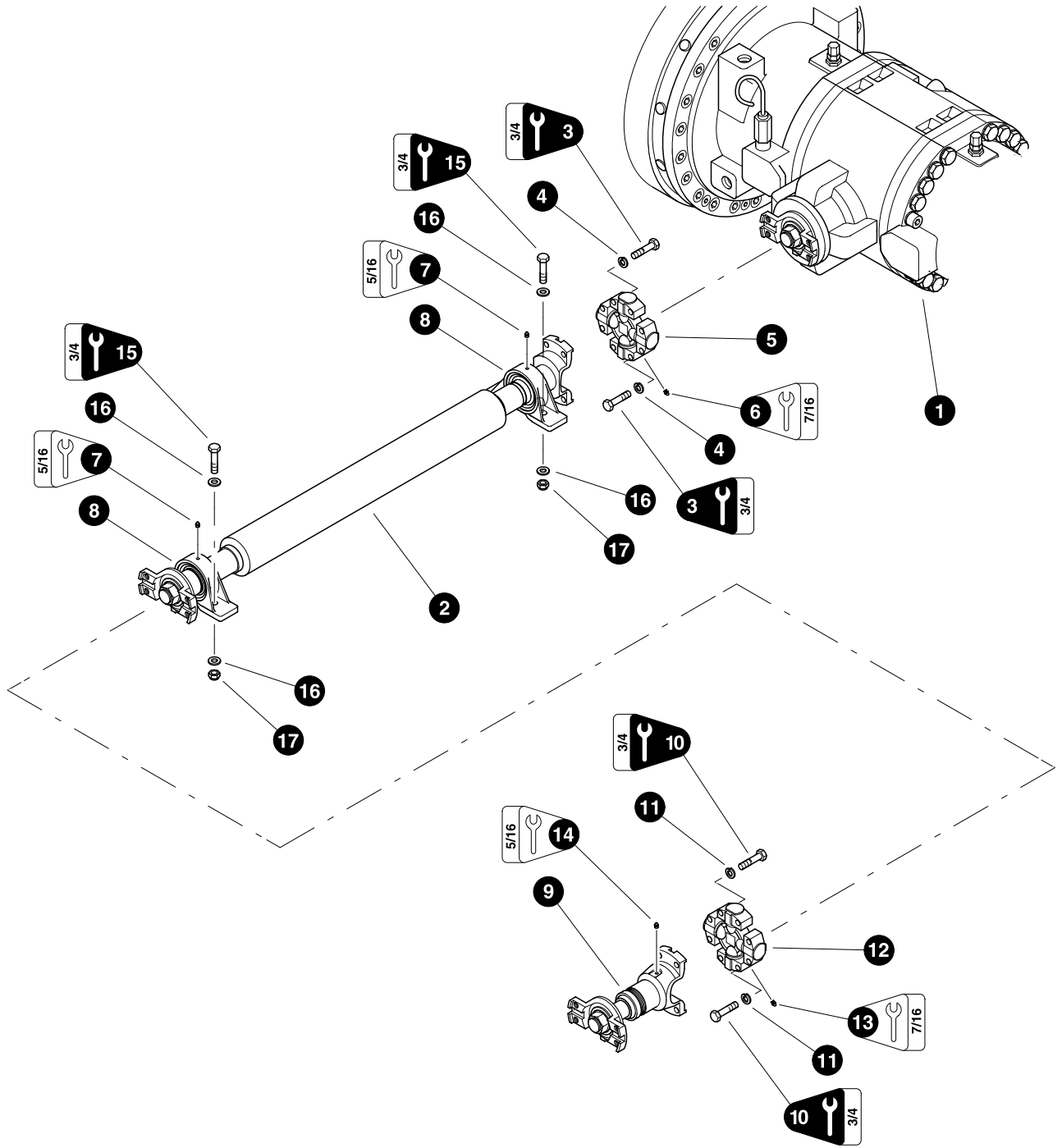
Parts 01246 08/16/2000
6.25

FRONT AXLE INSTALLATION

(Used on machines PDN# 147FWD and above)

REF	PART #	QTY		DESCRIPTION	SEE PAGE
1	REF.	1	✓	FRONT FRAME WELDMENT	CF-1-2
2	23566-CF	4		BOLT - 30mm-3.5P x 160mm (Torque to 1100 ft.bs. (1465Nm))	
3	23568-CF	4		WASHER, hardened flat - 30mm	
4	23851-CF	2		STUD, axle spreader box - 1-1/4" (Torque to 1200 ft.lbs. (1600 Nm))	
5	23990-CF	4		WASHER, SAE flat - 1-1/4" <i>(Extra thick)</i>	
6	23989-CF	4		NUT, lock - 1-1/4"	
7	REF.	4	✓	WHEEL ASSEMBLY	AX-3-2
8	19361-CF	48		NUT, lug (Torque to 415 ft.lbs. (550 Nm))	
9	REF.	1	✓	FRONT AXLE	AX-1-2
10	24003-CF	2		SPACER, axle spreader stud	

✓ See referenced page for component or assembly breakdown.



Parts 01087 03/10/99
12.50

DRIVE SHAFT INSTALLATION

REF	PART #	QTY		DESCRIPTION	SEE PAGE
1	REF.	1	✓	FRONT AXLE	AX-1-2
2	23456-CF	1	☐	DRIVE SHAFT (<i>Front axle to articulation joint</i>)(Used on machines PDN# 128FWD and above)	
	23458-CF	1	☐	DRIVE SHAFT (<i>Front axle to articulation joint</i>)(Used on machines PDN# 127FWD and below)	
3	20662-CF	8		BOLT - 1/2" x 2-1/4" NF (See Note #1 Below) (Torque to 115 ft.lbs. (155 Nm))	
4	10710-CF	8		WASHER, lock - 1/2"	
5	20677-CF	1		U-JOINT, driveshaft	
6	10704-CF	2		FITTING, grease - 1/8" pipe thread	
7	18420-CF	2		FITTING, grease - 1/4-28"	
8	19383-CF	2		BEARING, pillow block	
9	23457-CF	1	☐	DRIVE SHAFT (<i>Articulation joint</i>)	
10	20662-CF	8		BOLT - 1/2" x 2-1/4" NF (See Note #1 Below) (Torque to 115 ft.lbs. (155 Nm))	
11	10710-CF	8		WASHER, lock - 1/2"	
12	20677-CF	1		U-JOINT, driveshaft	
13	10704-CF	2		FITTING, grease - 1/8" pipe thread	
14	18420-CF	1		FITTING, grease - 1/4-28"	
15	10736-CF	4		BOLT - 1/2" x 2" (See Note #2 Below) (Torque to 110 ft.lbs. (135 Nm))	
16	15534-CF	4		WASHER, SAE flat - 1/2"	
17	10815-CF	4		NUT, lock - 1/2"	

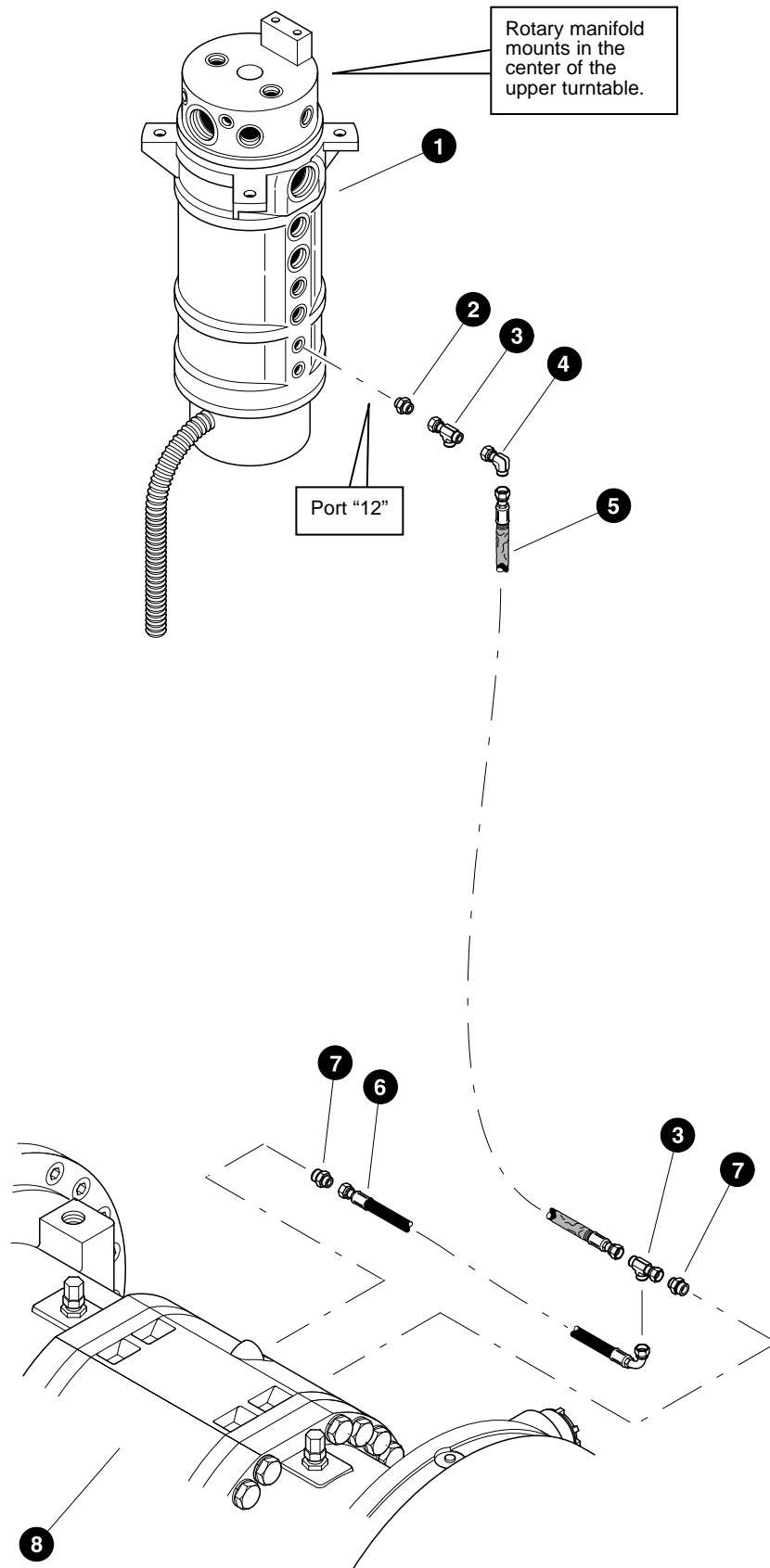
- ✓ See referenced page for component or assembly breakdown.
☐ Kit or Assembly - includes all items indented underneath.

Note #1:

Use Loctite 242 (*blue*) during installation.

Note #2:

Use Loctite 271 (*red*) during installation.

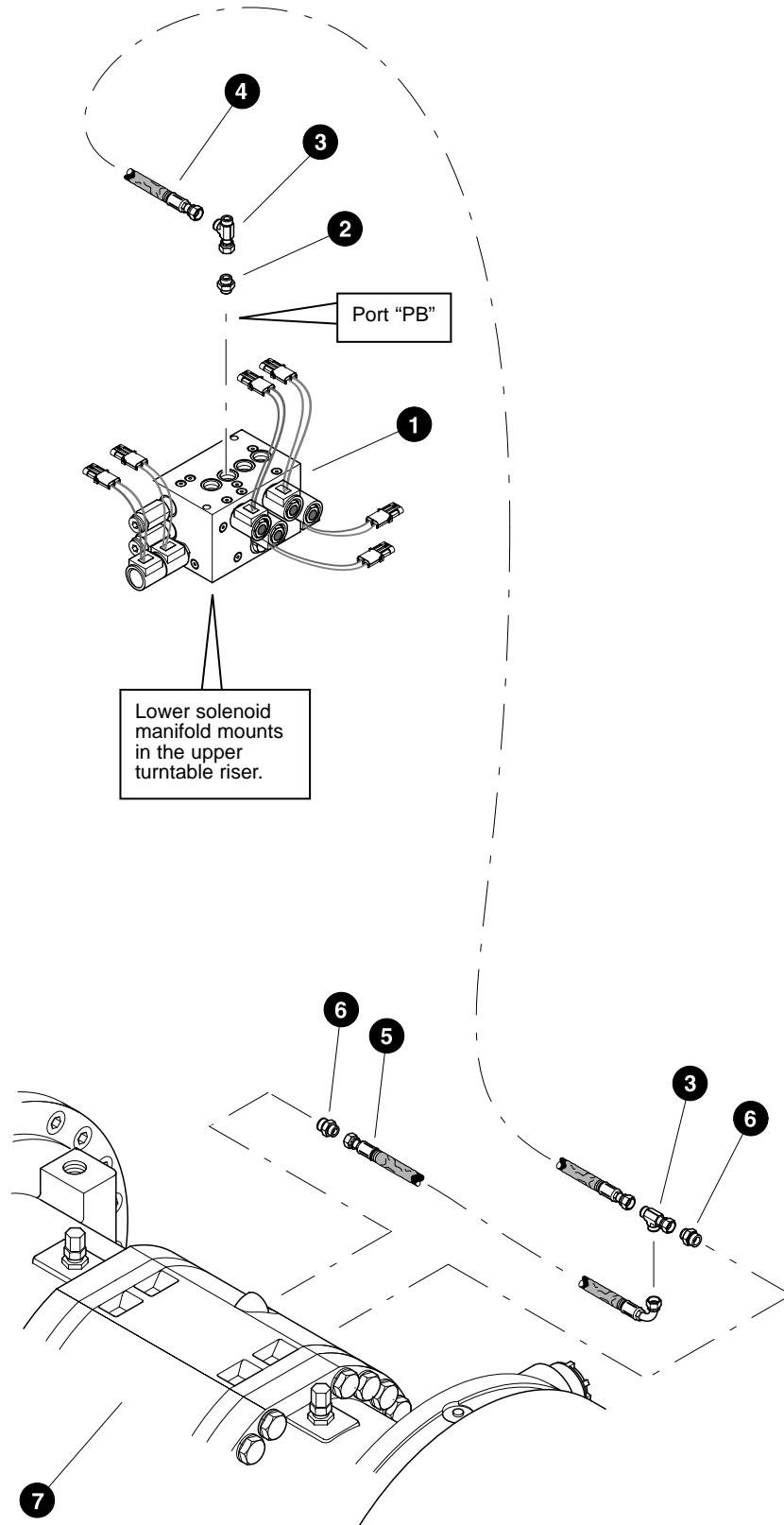


FRONT AXLE PARKING BRAKE LINES (From Rotary Manifold)

(Used on machines PDN# 134FWD and below)

REF	PART #	QTY	✓	DESCRIPTION	SEE PAGE
1	REF.	1	✓	ROTARY MANIFOLD	UP-1-6
2	16541-CF	1		CONNECTOR, straight - FF1852T-0404S	
3	15176-CF	2		TEE - FF2114T-0404S	
4	15145-CF	1		ELBOW, 90° swivel - FF2098T-0404S	
5	23671-CF	1		HOSE ASSEMBLY - 2050-04-040S-040S-W <i>(Rotary manifold lower port "12" tee to front axle parking brake tee)</i>	
6	20167-CF	1		HOSE ASSEMBLY - 2009.5-04-040S-0409 <i>(Front axle parking brake tee to RH brake chamber)</i>	
7	19470-CF	2		CONNECTOR, straight - 4M14F8OMLO-S	
8	REF.	1	✓	FRONT AXLE	AX-1-2

✓ See referenced page for component or assembly breakdown.

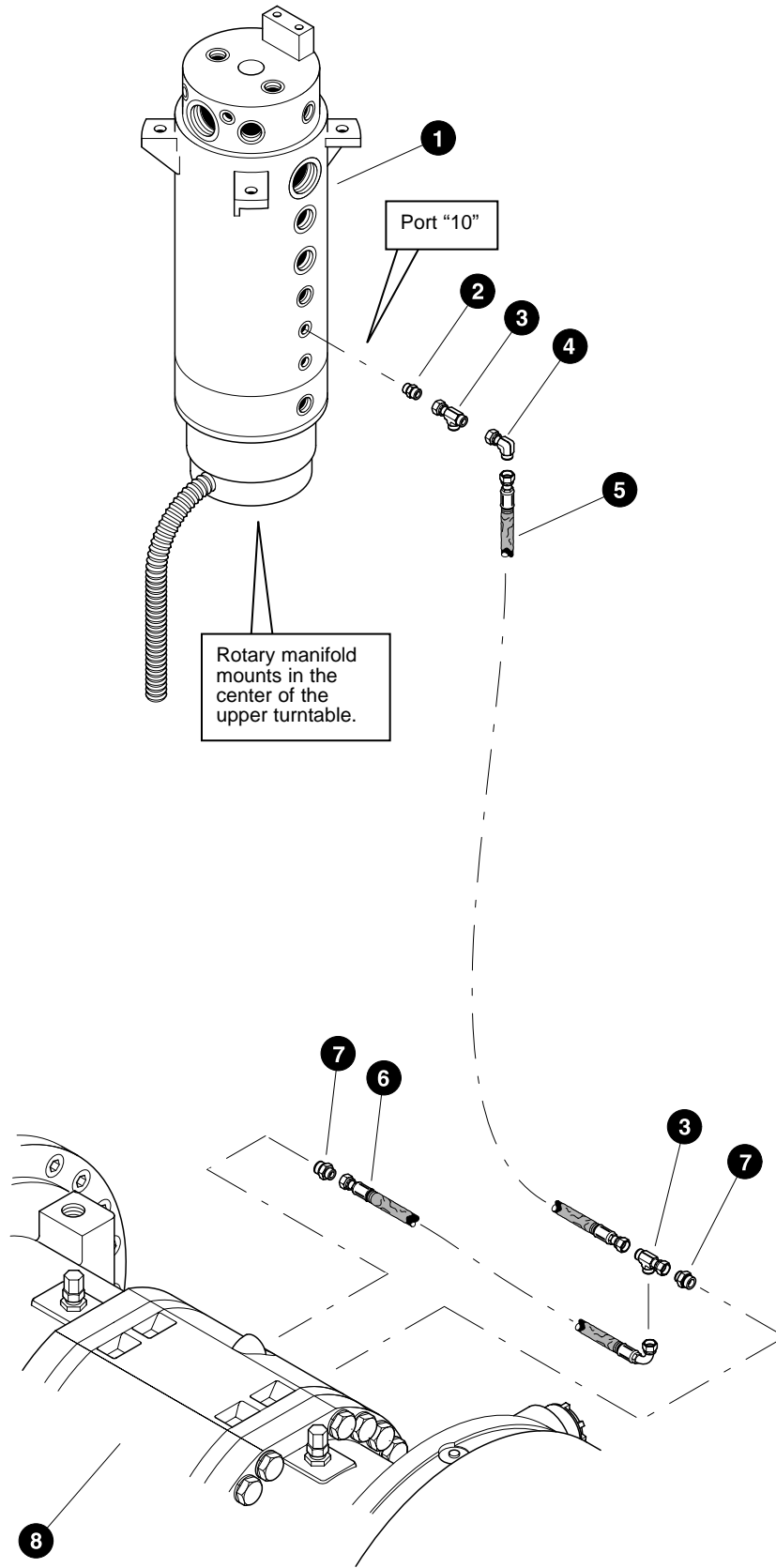


FRONT AXLE PARKING BRAKE LINES (From Lower Solenoid Manifold)

(Used on machines PDN# 135FWD and above)

REF	PART #	QTY	✓	DESCRIPTION	SEE PAGE
1	REF.	1	✓	LOWER SOLENOID MANIFOLD	CF-5-2
2	15124-CF	1		CONNECTOR, straight - FF1852T-0406S	
3	15176-CF	2		TEE - FF2114T-0404S	
4	23671-CF	1		HOSE ASSEMBLY - 2050-04-040S-040S-W <i>(Lower solenoid manifold port "PB" tee to front axle parking brake tee)</i>	
5	20167-CF	1		HOSE ASSEMBLY - 2009.5-04-040S-0409-W <i>(Front axle parking brake tee to RH brake chamber)</i>	
6	19470-CF	2		CONNECTOR, straight - 4M14F8OMLO-S	
7	REF.	1	✓	FRONT AXLE	AX-1-2

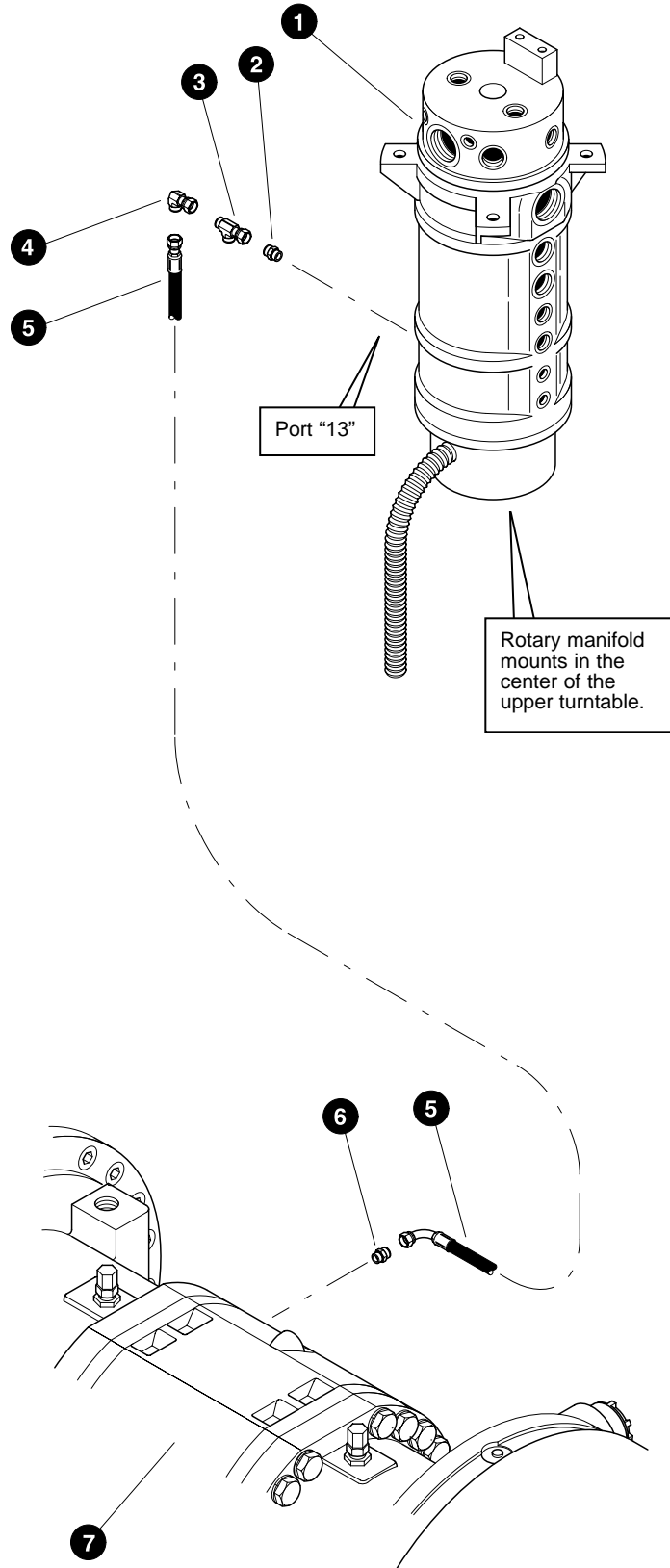
✓ See referenced page for component or assembly breakdown.



FRONT AXLE TRAVEL BRAKE LINES (From Rotary Manifold)

REF	PART #	QTY	DESCRIPTION	SEE PAGE
1	REF.	1	✓ ROTARY MANIFOLD	UP-1-6
2	15124-CF	1	CONNECTOR, straight - FF1852T-0404S (<i>Used on machines PDN# 135FWD and above</i>)	
	15504-CF	1	CONNECTOR, straight - FF1852T-0408S (<i>Used on machines PDN# 134FWD and below</i>)	
3	15176-CF	2	TEE - FF2114T-0404S	
4	15145-CF	1	ELBOW, 90° swivel - FF2098T-0404S	
5	23671-CF	1	HOSE ASSEMBLY - 2050-04-040S-040S-W (<i>Rotary manifold lower port "10" to front travel brake tee</i>)	
6	20167-CF	1	HOSE ASSEMBLY - 2009.5-04-040S-0409-W (<i>Front axle travel brake tee to LH brake chamber</i>)	
7	19470-CF	2	CONNECTOR, straight - 4M14F8OMLO-S	
8	REF.	1	✓ FRONT AXLE	AX-1-2

✓ See referenced page for component or assembly breakdown.



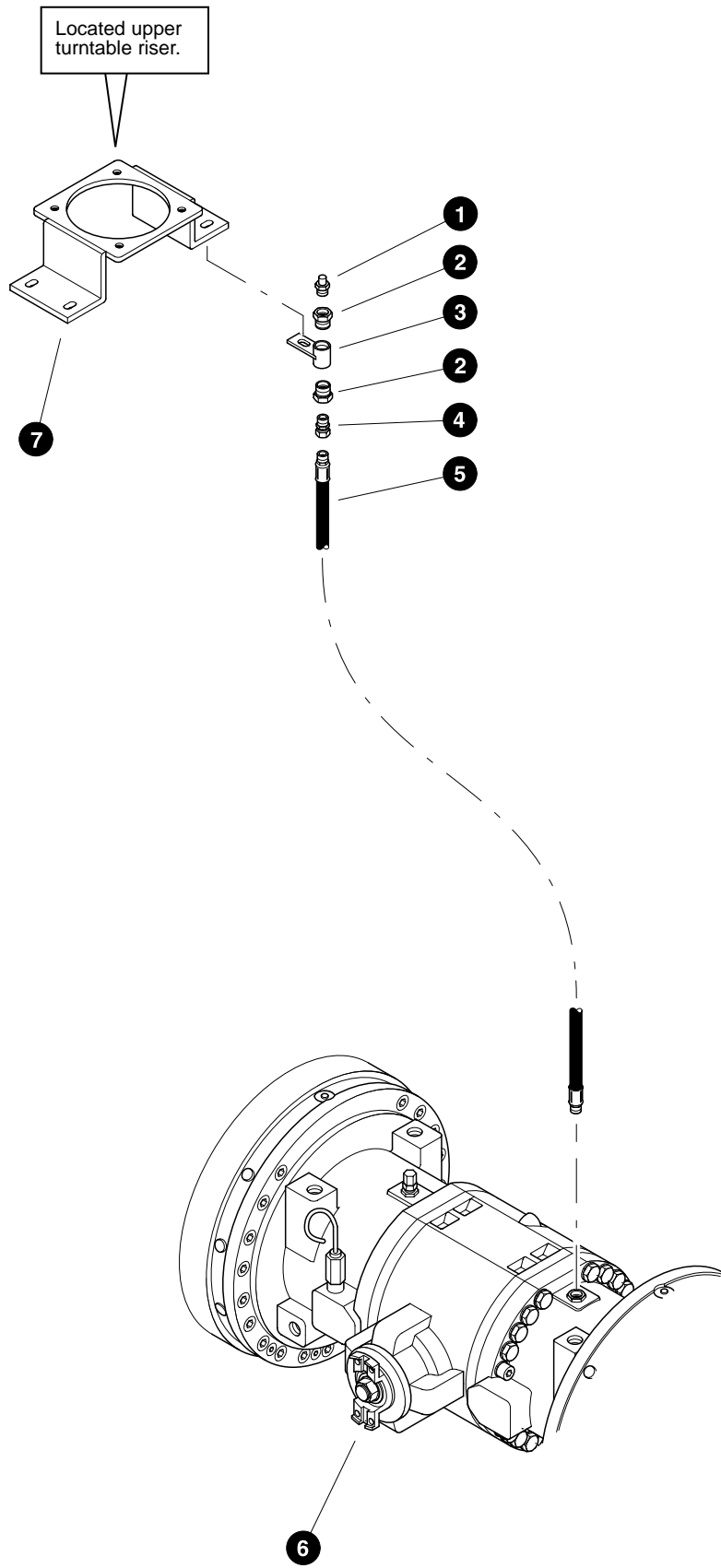
Parts 01741 08/11/2000
18.75

FRONT AXLE DIFFERENTIAL LOCK LINES (From Rotary Manifold)

(Used on machines PDN# 134FWD and below)

REF	PART #	QTY	DESCRIPTION	SEE PAGE
1	REF.	1	✓ ROTARY MANIFOLD	UP-1-6
2	15124-CF	1	CONNECTOR, straight - FF1852T-0406S	
3	15176-CF	1	TEE - FF2114T-0404S	
4	15145-CF	1	ELBOW, 90° swivel - FF2098T-0404S	
5	23064-CF	1	HOSE ASSEMBLY - 2045-04-040S-0409 <i>(Rotary manifold lower port "13" tee to front axle differential lock port)</i>	
6	19470-CF	1	CONNECTOR, straight - 4M14F8OMLO-S	
7	REF.	1	✓ FRONT AXLE	AX-1-2

✓ See referenced page for component or assembly breakdown.

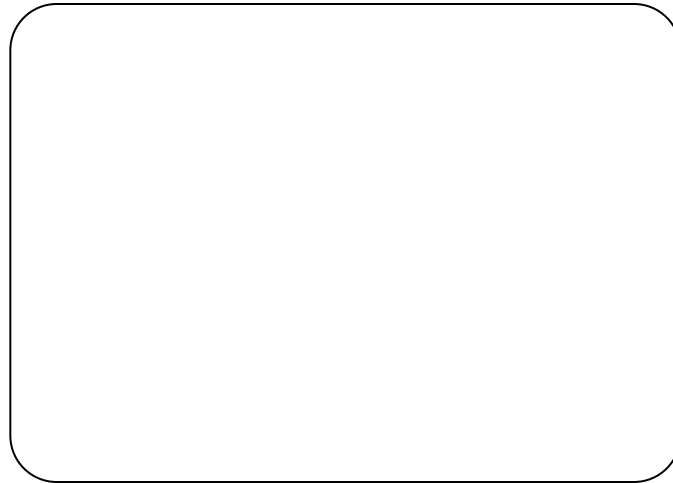
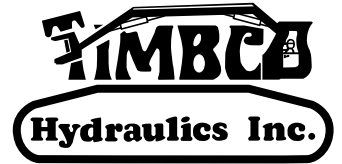


FRONT AXLE VENT LINE

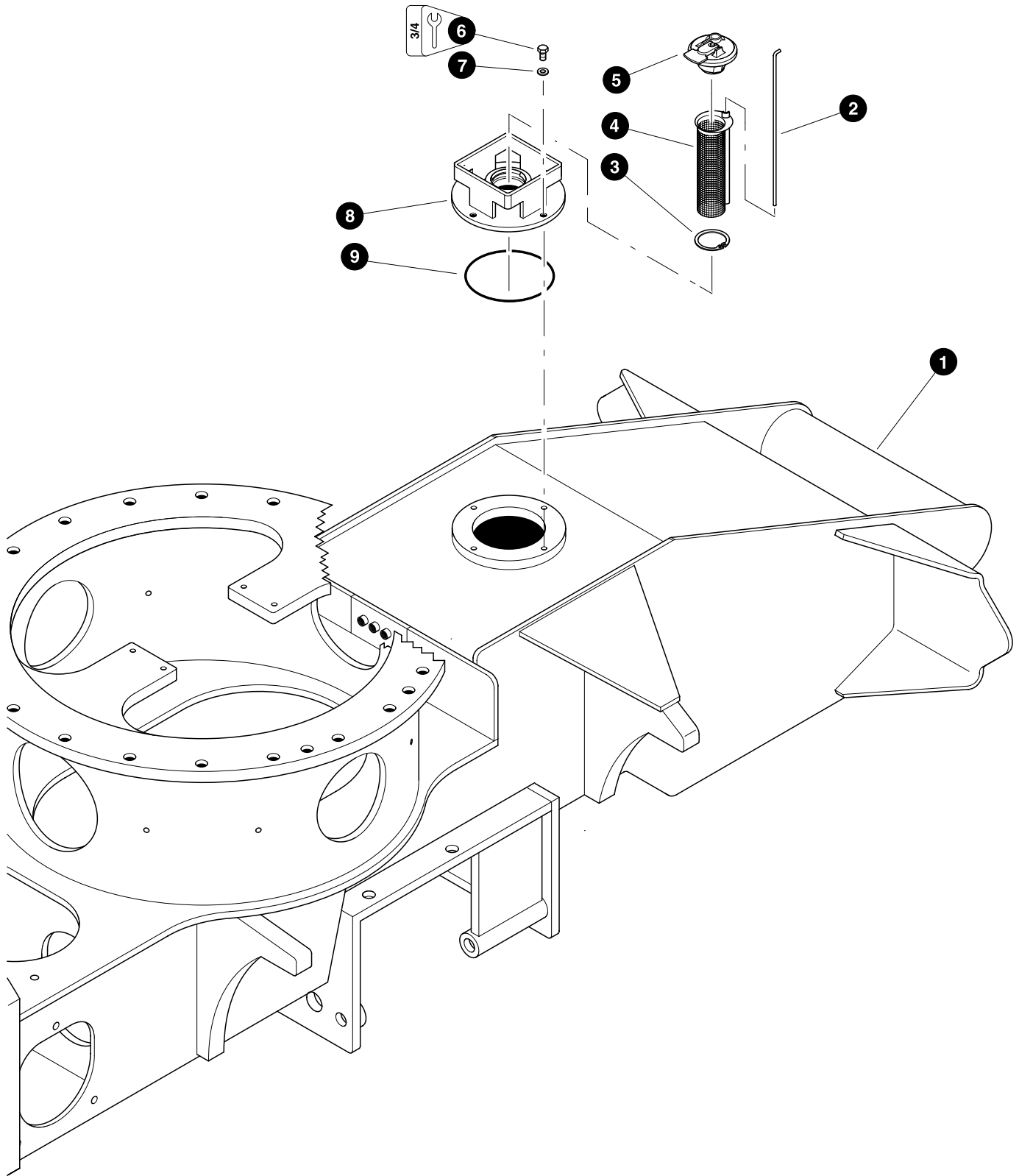
REF	PART #	QTY	DESCRIPTION	SEE PAGE
1	22570-CF	1	VENT, axle	
2	15513-CF	2	BUSHING, reducer - 5406-12-8	
3	22203-CF	1	BRACKET, vent mount	
4	10322-CF	1	CONNECTOR, straight swivel - 1404-8-8	
5	21961-CF	1	HOSE ASSEMBLY - 2030-08-08MP-08MP (<i>Axle vent port to vent mounting bracket</i>)	
6	REF.	1	✓ FRONT AXLE	AX-1-2
7	REF.	1	✓ ROTARY MANIFOLD MOUNTING BRACKET	UP-1-2

✓ See referenced page for component or assembly breakdown.

Section CF-4



Set-Back Front Frame - Fuel Tank Components

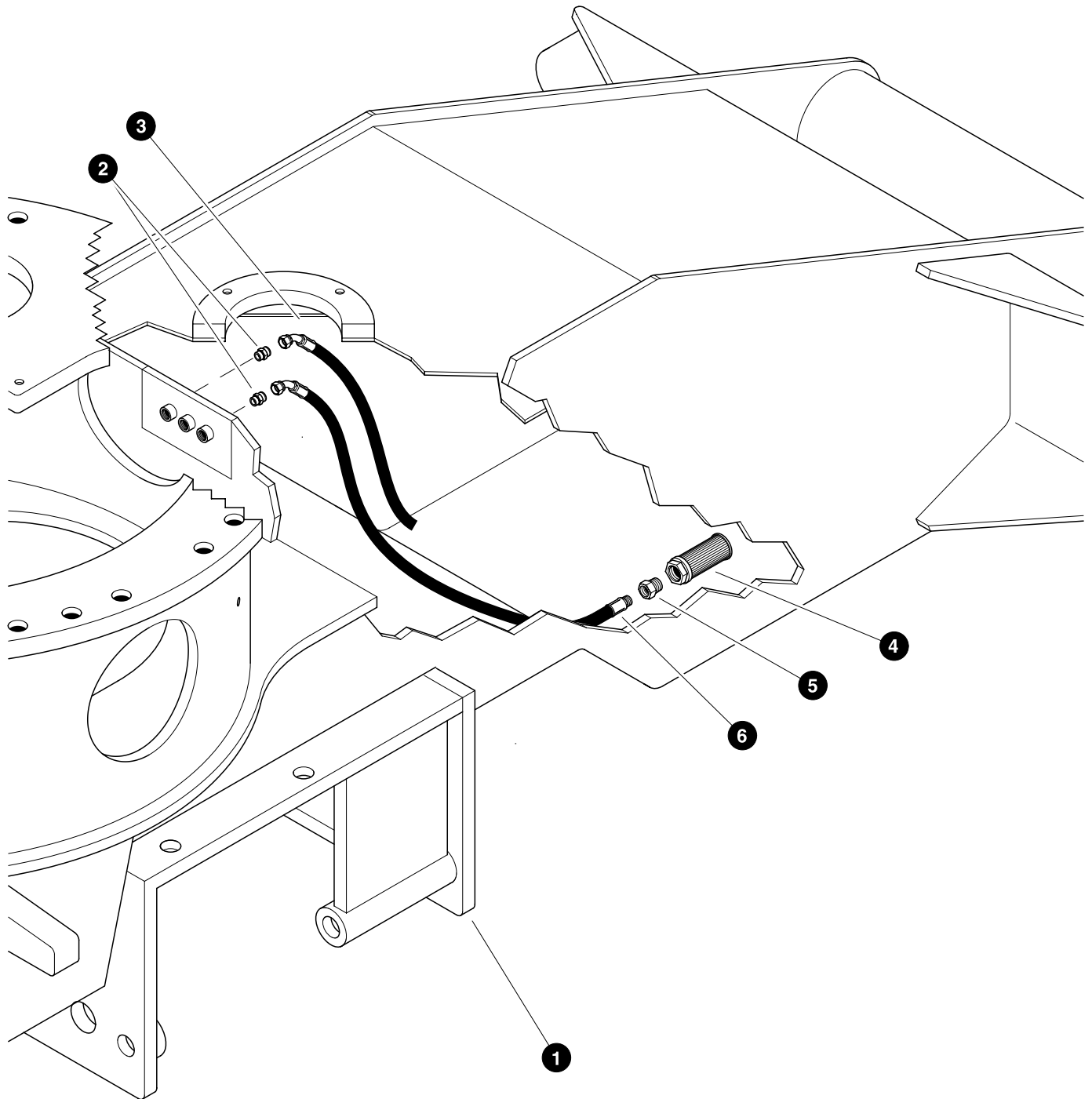


Parts 01282 12/07/99
12.50

FUEL FILL STRAINER INSTALLATION

REF	PART #	QTY		DESCRIPTION	SEE PAGE
1	REF.	1	✓	FRONT FRAME WELDMENT	CF-1-2
2	17492-CF	1		DIPSTICK, fuel level	
3	17115-CF	1		RING, snap - fuel strainer retainer	
4	17114-CF	1		STRAINER, fuel	
5	16585-CF	1		CAP, fuel	
6	10783-CF	4		BOLT - 1/2" x 1"	
7	15534-CF	4		WASHER, SAE flat - 1/2"	
8	16516-CF	1		COVER, fuel tank	
9	15600-CF	1		O-RING - 8"	

✓ See referenced page for component or assembly breakdown.



Parts 01283 08/05/99
12.50

FUEL LINES

(Supply & Return Lines Inside Fuel Tank)

REF	PART #	QTY		DESCRIPTION	SEE PAGE
1	REF.	1	✓	FRONT FRAME WELDMENT	CF-1-2
2	15117-CF	2		CONNECTOR, straight - FF1852T-0808S	
3	22793-CF	1		HOSE ASSEMBLY - 2013.5-08-0809 (<i>Fuel return</i>)	
4	17271-CF	1		FILTER, screen	
5	15630-CF	1		BUSHING, reducer - 5406-8-6	
6	22795-CF	1		HOSE ASSEMBLY - 2062-08-0809-08PS (<i>Fuel supply</i>)	

✓ See referenced page for component or assembly breakdown.

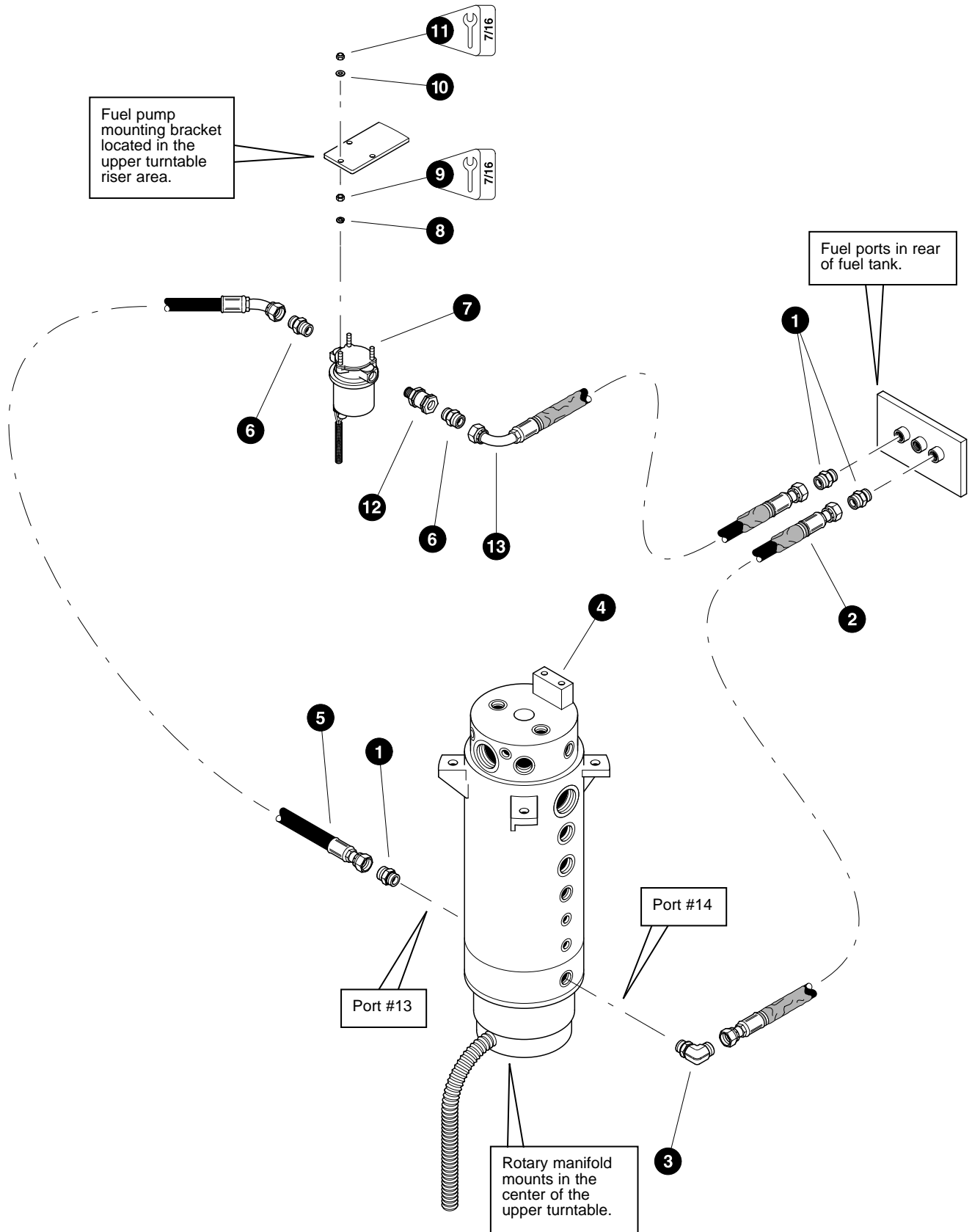
FUEL LINES

(Supply & Return Lines From Fuel Tank To Rotary Manifold)

(Used on machines PDN# 134FWD and below)

REF	PART #	QTY	DESCRIPTION	SEE PAGE
1	15117-CF	2	CONNECTOR, straight - FF1852T-0808S	
2	22925-CF	1	HOSE ASSEMBLY - 4026-08-080S-080S-W (Fuel return from lower rotary manifold port #8 to fuel tank return port)	
3	16360-CF	2	ELBOW, 90° - FF1868T-0808S	
4	REF.	1	✓ ROTARY MANIFOLD	UP-1-6
5	22932-CF	1	HOSE ASSEMBLY - 4019-08-080S-0804 (Fuel supply from fuel pump outlet port to lower rotary manifold port #9)	
6	15258-CF	2	CONNECTOR, straight - FF2031T-0808S	
7	21966-CF	1	PUMP, fuel	
8	10756-CF	3	WASHER, lock - 1/4"	
9	10755-CF	3	NUT, hex - 1/4"	
10	10757-CF	3	WASHER, SAE flat - 1/4"	
11	15509-CF	3	NUT, nylock - 1/4"	
12	15652-CF	1	VALVE, check	
13	22931-CF	1	HOSE ASSEMBLY - 4017-08-080S-0804-W (Fuel supply from fuel tank supply port to fuel pump inlet port)	

✓ See referenced page for component or assembly breakdown.



Parts 01939 12/13/2000
18.75

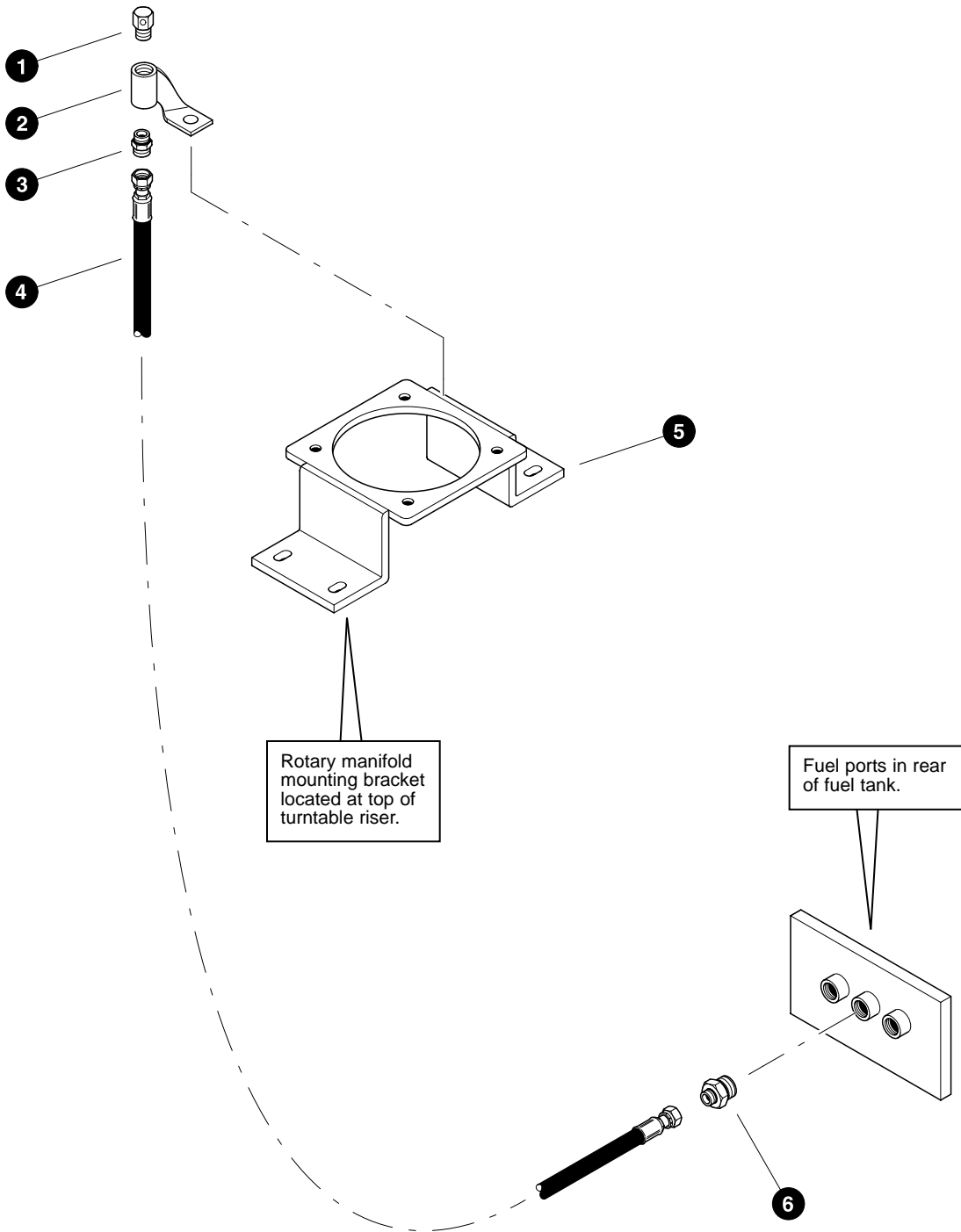
FUEL LINES

(Supply & Return Lines From Fuel Tank To Rotary Manifold)

(Used on machines PDN# 135FWD and above)

REF	PART #	QTY	DESCRIPTION	SEE PAGE
1	15117-CF	3	CONNECTOR, straight - FF1852T-0808S	
2	22963-CF	1	HOSE ASSEMBLY - 4024-08-080S-080S-W <i>(Fuel return from lower rotary manifold port #14 to fuel tank return port)</i>	
3	16360-CF	1	ELBOW, 90° - FF1868T-0808S	
4	REF.	1	✓ ROTARY MANIFOLD	UP-1-6
5	22932-CF	1	HOSE ASSEMBLY - 4019-08-080S-0804 <i>(Fuel supply from fuel pump outlet port to lower rotary manifold port #13)</i>	
6	15258-CF	2	CONNECTOR, straight - FF2031T-0808S	
7	21966-CF	1	PUMP, fuel	
8	10756-CF	3	WASHER, lock - 1/4"	
9	10755-CF	3	NUT, hex - 1/4"	
10	10757-CF	3	WASHER, SAE flat - 1/4"	
11	15509-CF	3	NUT, nylock - 1/4"	
12	15652-CF	1	VALVE, check	
13	23472-CF	1	HOSE ASSEMBLY - 4018-08-080S-0809-W <i>(Fuel supply from fuel tank supply port to fuel pump inlet port)</i>	

✓ See referenced page for component or assembly breakdown.

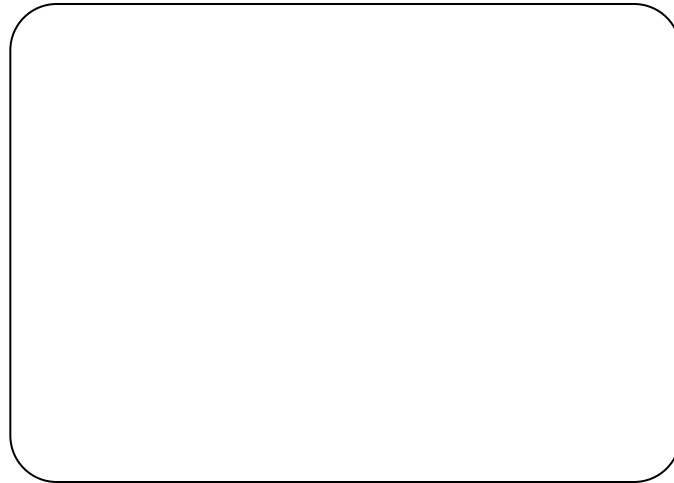
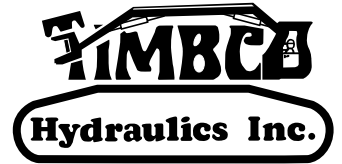


FUEL LINES (Fuel Tank Vent)

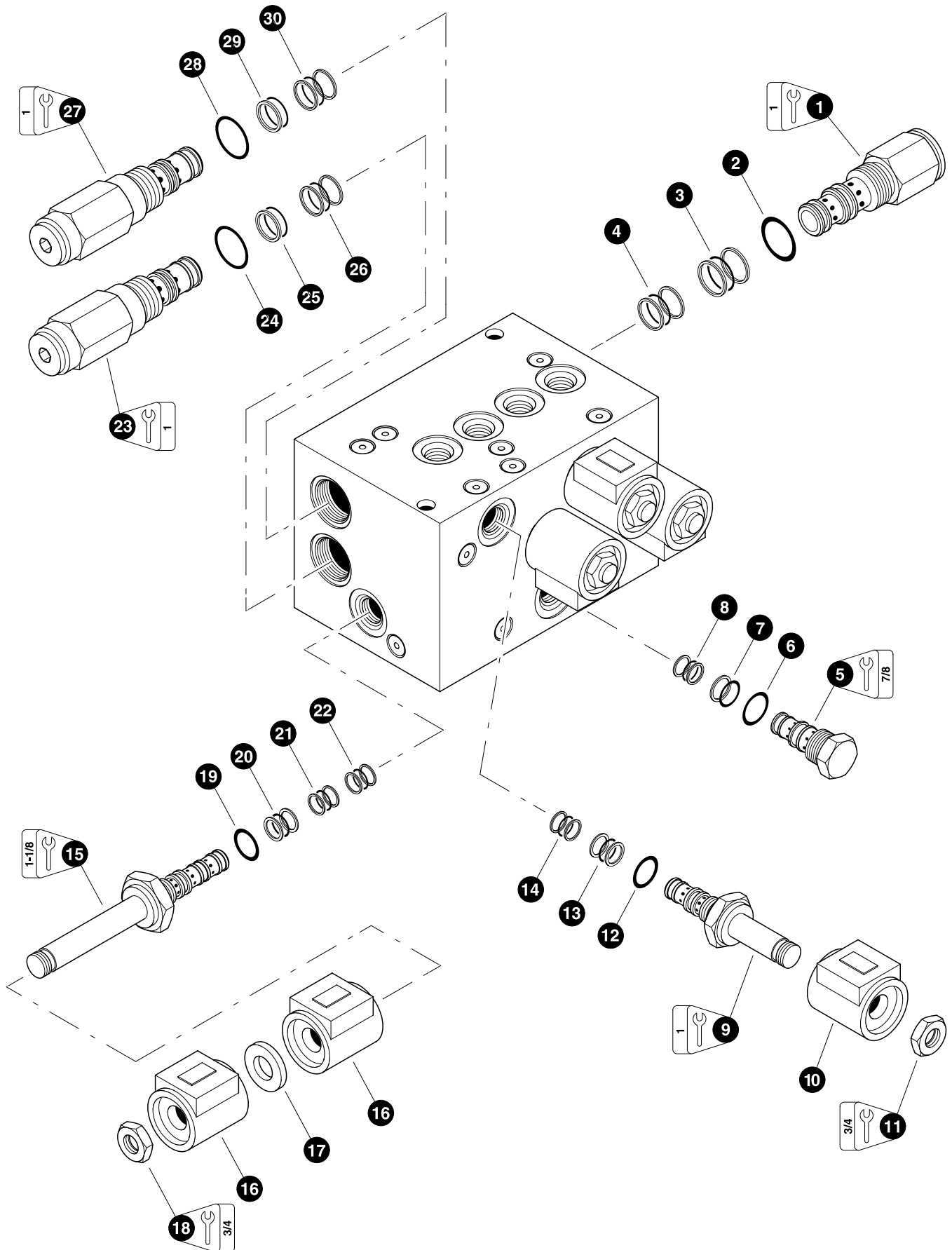
REF	PART #	QTY	DESCRIPTION	SEE PAGE
1	22906-FF	1	BREATHER, fuel vent	
2	23078-FF	1	BRACKET, vent hose	
3	15131-FF	1	CONNECTOR, straight - FF2031T-0404S	
4	22916-FF	1	HOSE ASSEMBLY - 2022-04-040S-040S <i>(Fuel tank vent port to fuel vent breather)</i>	
5	REF.	1	✓ ROTARY MANIFOLD MOUNTING BRACKET	UP-1-2
6	15504-FF	1	CONNECTOR, straight - FF2031T-0408S	

✓ See referenced page for component or assembly breakdown.

Section CF-5



***Set-Back Front Frame -
Lower Solenoid Manifold***



Parts 01926 12/08/2000
62.50

LOWER SOLENOID MANIFOLD

REF	PART #	QTY		DESCRIPTION	SEE PAGE
-	23139-CF	1	☐	MANIFOLD, lower solenoid - 12V	
-	23611-CF	1	☐	MANIFOLD, lower solenoid - 24V	
1	24070-CF	1		CARTRIDGE, shift interlock (PD10-34-0-N-110)	
2	NSS	1	★	O-RING, body	
3	NSS	1	★	SEALS, chamber (Large)	
4	NSS	1	★	SEALS, chamber (Small)	
5	24071-CF	2	☐	CARTRIDGE, check valve (PC08-30-0-N-25)	
6	NSS	1	☆	O-RING, body	
7	NSS	1	☆	SEALS, chamber (Large)	
8	NSS	1	☆	SEALS, chamber (Small)	
9	20286-CF	4	☐	CARTRIDGE, solenoid valve - 12V (SV07-31-0-N-12DW)	
	24072-CF	4	☐	CARTRIDGE, solenoid valve - 24V (SV07-31-0-N-24DW)	
10	23621-CF	1		COIL - 12V (Red harness wires)	
	23622-CF	1		COIL - 24V (Green harness wires)	
11	NSS	1		NUT	
12	NSS	1	●	O-RING, body	
13	NSS	1	●	SEALS, chamber (Large)	
14	NSS	1	●	SEALS, chamber (Small)	
15	24073-CF	4	☐	CARTRIDGE, solenoid valve - 12V (SV08-47D-0-N-12DW)	
	24074-CF	4	☐	CARTRIDGE, solenoid valve - 24V (SV08-47D-0-N-24DW)	
16	23621-CF	2		COIL - 12V (Red harness wires)	
	23622-CF	2		COIL - 24V (Green harness wires)	
17	NSS	1		SPACER, coil	
18	NSS	1		NUT	
19	NSS	1	○	O-RING, body	
20	NSS	1	○	SEALS, chamber (Large)	
21	NSS	1	○	SEALS, chamber (Medium)	
22	NSS	1	○	SEALS, chamber (Small)	
23	24075-CF	1	☐	CARTRIDGE, relief valve (PR10-3115H-0-N-06.5/4.0)	
24	NSS	1	■	O-RING, body	
25	NSS	1	■	SEALS, chamber (Large)	
26	NSS	1	■	SEALS, chamber (Small)	
27	24076-CF	1	☐	CARTRIDGE, relief valve (PR10-31H-0-N-35/8.0)	
28	NSS	1	■	O-RING, body	
29	NSS	1	■	SEALS, chamber (Large)	
30	NSS	1	■	SEALS, chamber (Small)	
-	24080-CF	1		KIT, seal repair - shift interlock cartridge	
-	24083-CF	1		KIT, seal repair - check valve cartridge	
-	20288-CF	1		KIT, seal repair - solenoid valve cartridge (SV07)	
-	24084-CF	1		KIT, seal repair - solenoid valve cartridge (SV08)	
-	24085-CF	1		KIT, seal repair - relief valve cartridge	

☐ Kit or Assembly - includes all items indented underneath.

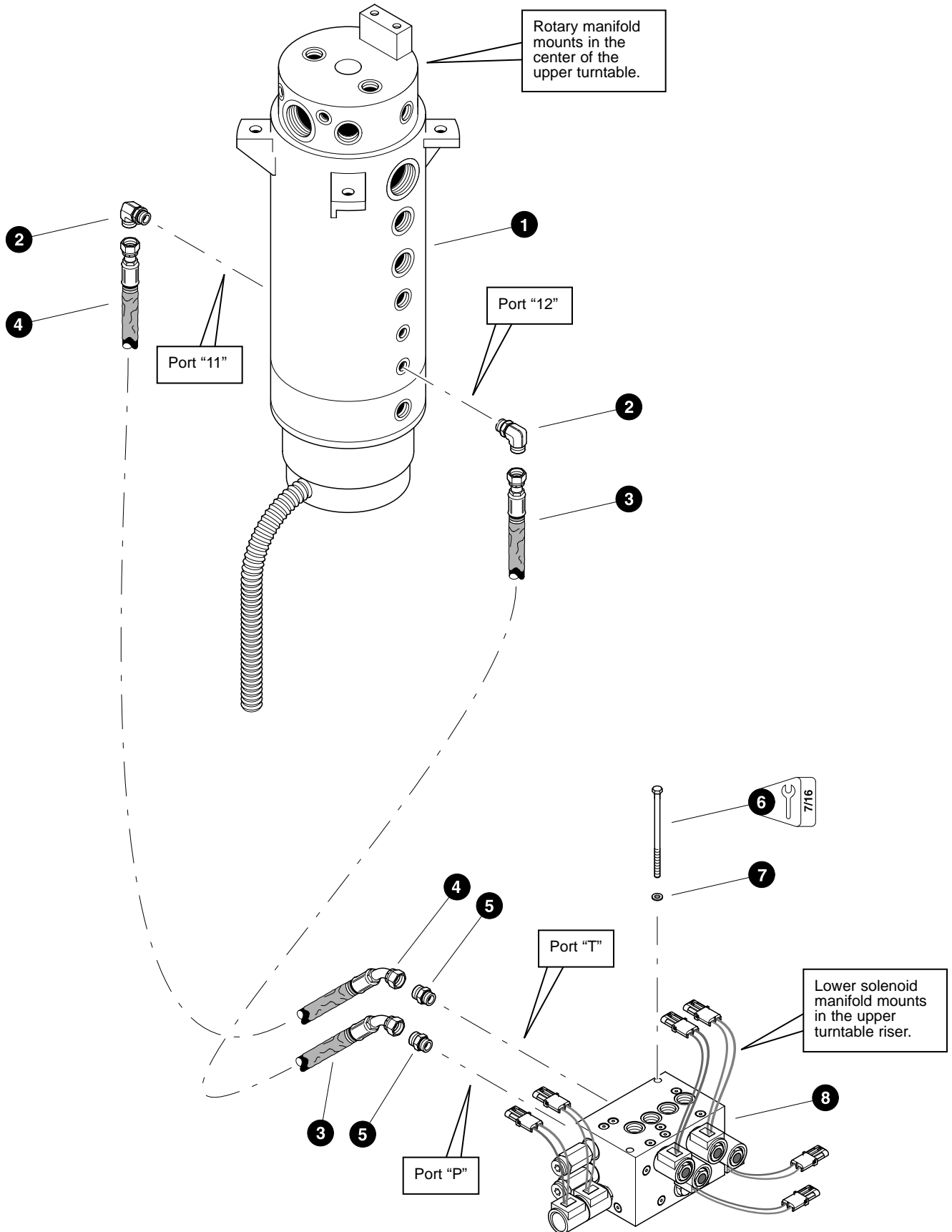
★ Included in seal repair kit Part # 24080-CF.

☆ Included in seal repair kit Part # 24083-CF.

● Included in seal repair kit Part # 20288-CF.

○ Included in seal repair kit Part # 24084-CF.

■ Included in seal repair kit Part # 24085-CF.

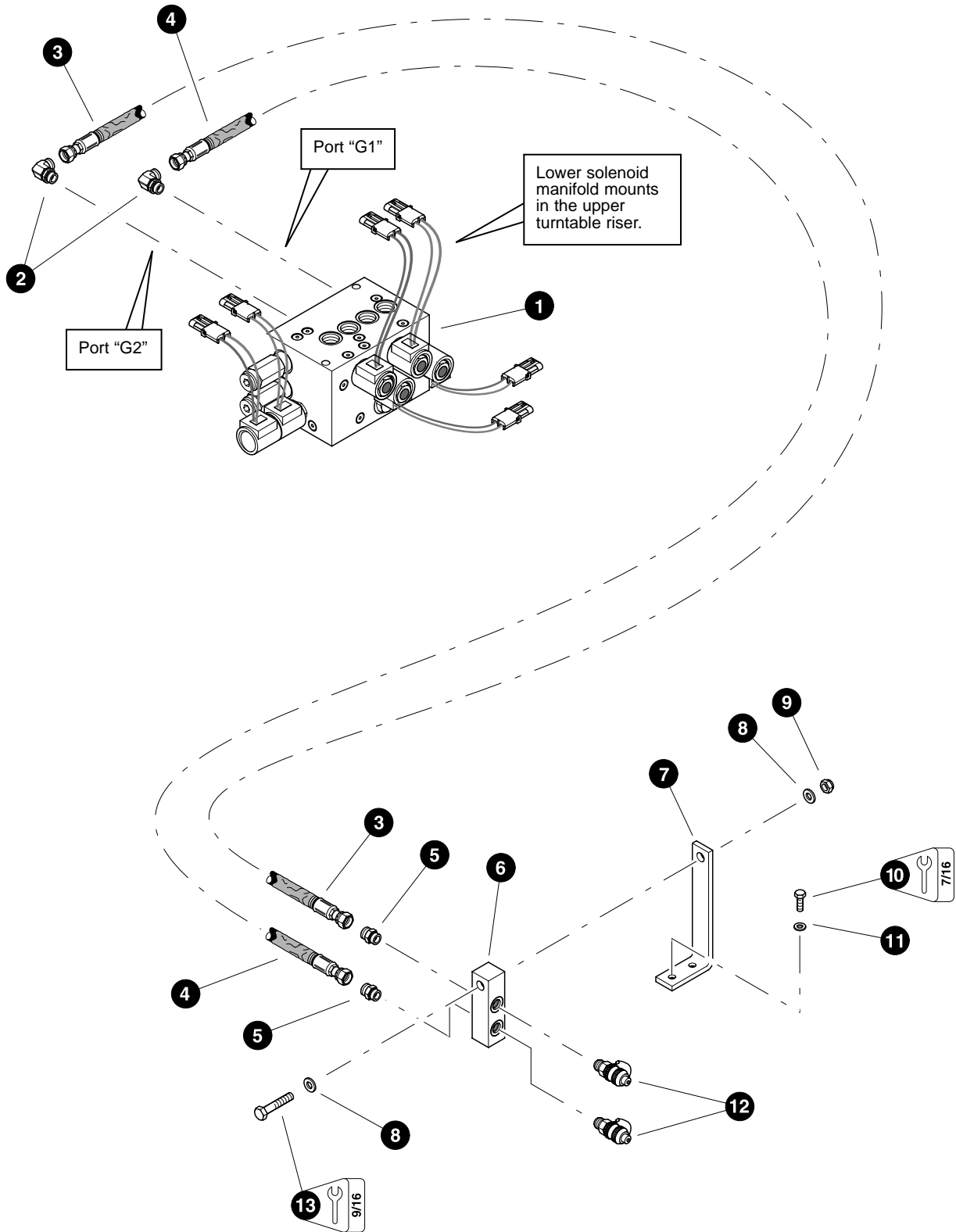


Parts 01940 12/13/2000
25.00

LOWER SOLENOID MANIFOLD PRESSURE & RETURN LINES

REF	PART #	QTY	DESCRIPTION	SEE PAGE
1	REF.	1	✓ ROTARY MANIFOLD	UP-1-6
2	16296-CF	2	ELBOW, 90° - FF1868T-0606S	
3	23506-CF	1	HOSE ASSEMBLY - 4021-06-060S-0604-W (<i>Rotary manifold lower port "12" to lower solenoid manifold port "P"</i>)	
4	23914-CF	1	HOSE ASSEMBLY - 4026-06-060S-0604-W (<i>Lower solenoid manifold port "T" to rotary manifold lower port "11"</i>)	
5	15124-CF	2	CONNECTOR, straight - FF1852T-0406S	
6	23540-CF	2	BOLT - 1/4" x 4-1/2"	
7	10757-CF	2	WASHER, SAE flat - 1/4"	
8	REF.	1	✓ LOWER SOLENOID MANIFOLD	CF-5-2

✓ See referenced page for component or assembly breakdown.



Parts 01941 12/13/2000
25.00

LOWER SOLENOID MANIFOLD PRESSURE GAUGE TEST LINES

REF	PART #	QTY	DESCRIPTION	SEE PAGE
1	REF.	1	✓ LOWER SOLENOID MANIFOLD	CF-5-2
2	16540-CF	2	ELBOW, 90° - FF1868T-0404S	
3	24056-CF	1	HOSE ASSEMBLY - 2014-04-040S-040S-W (<i>Lower solenoid manifold port "G2" to pressure check manifold</i>)	
4	24055-CF	1	HOSE ASSEMBLY - 2012-04-040S-040S-W (<i>Lower solenoid manifold port "G1" to pressure check manifold</i>)	
5	15124-CF	2	CONNECTOR, straight - FF1852T-0406S	
6	23544-CF	1	MANIFOLD, pressure check	
7	23892-CF	1	BRACKET, pressure check manifold	
8	15528-CF	2	WASHER, SAE flat - 3/8"	
9	10813-CF	1	NUT, lock - 3/8"	
10	15604-CF	2	BOLT - 1/4" x 3/4"	
11	10757-CF	2	WASHER, SAE flat - 1/4"	
12	16037-CF	2	TAP, gauge port (#4 SAE)	
13	20084-CF	1	BOLT - 3/8" x 1-3/4"	

✓ See referenced page for component or assembly breakdown.