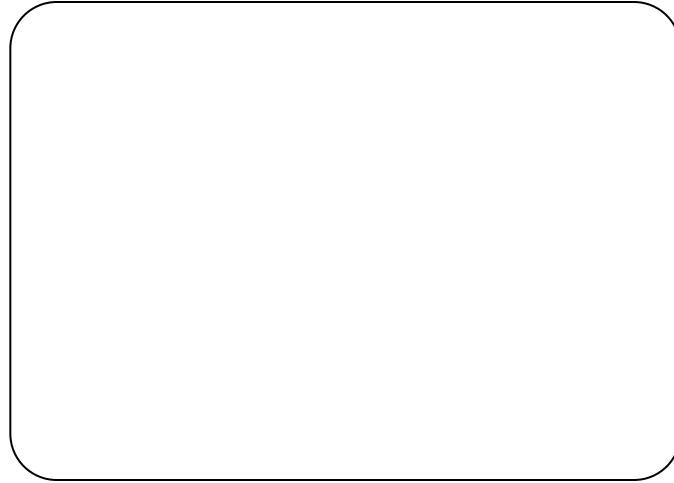
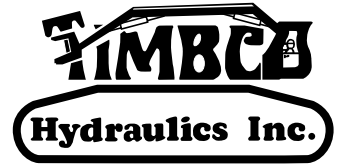
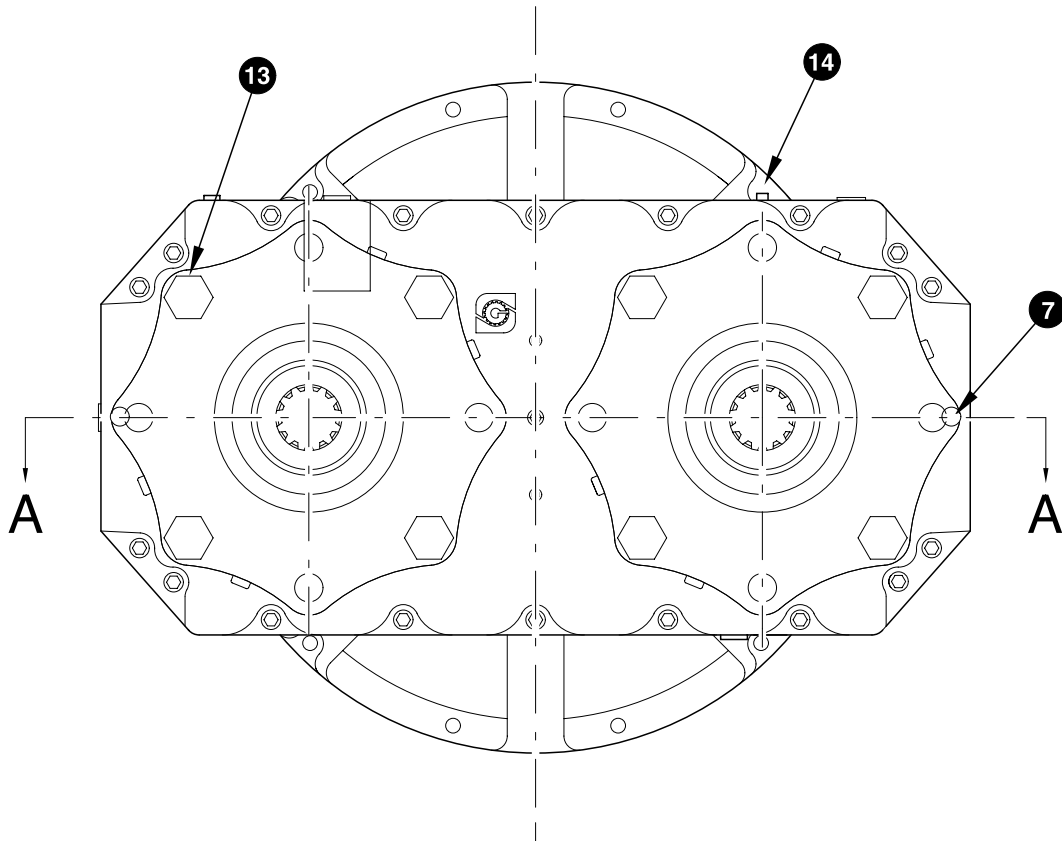
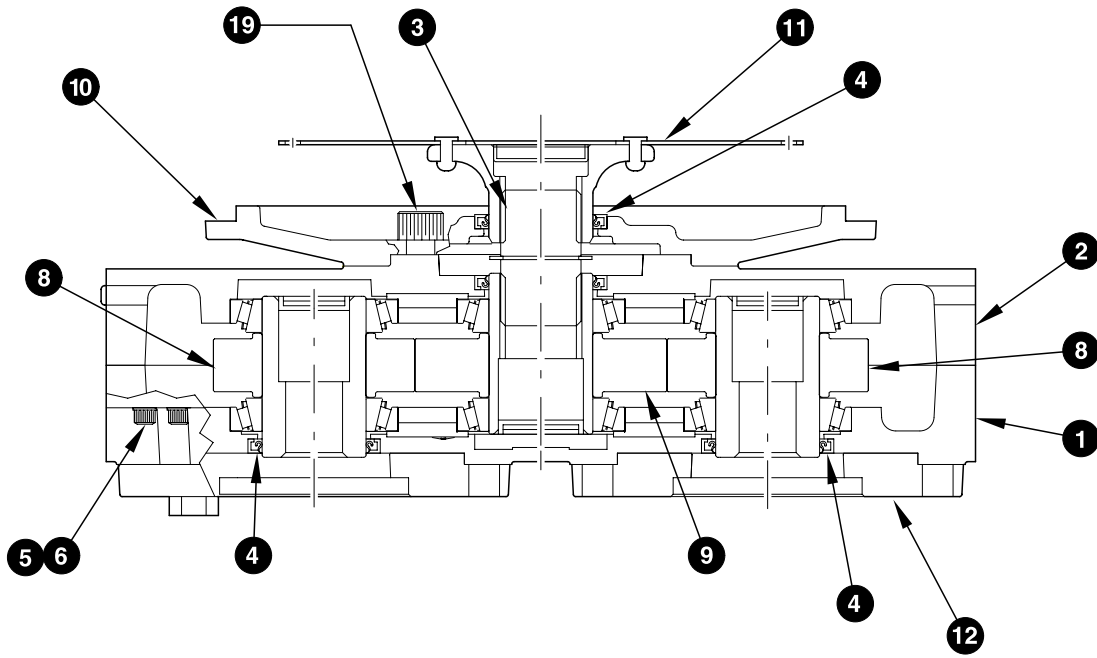


Section EN-1



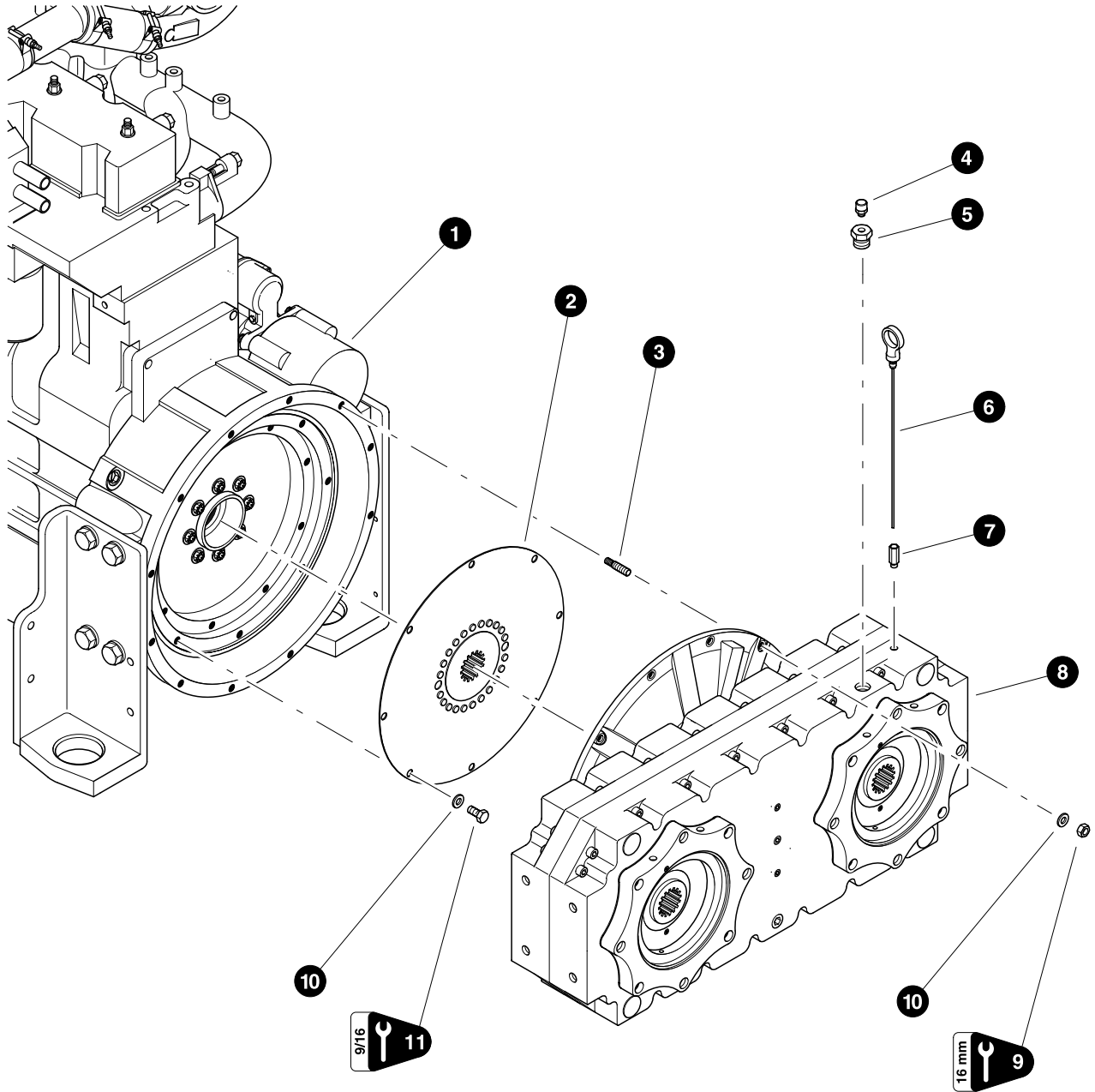
Engine & Transmission - Pump Drive Transmission



PUMP DRIVE TRANSMISSION (Superior Dual Drive)

REF	PART #	QTY	DESCRIPTION	SEE PAGE
-	22838-EN	1	<input type="checkbox"/> TRANSMISSION, pump drive	
1	23514-EN	1	HOUSING, transmission - pump drive side	
2	23515-EN	1	HOUSING, transmission - bell housing side	
3	23516-EN	1	SHAFT, input	
4	22010-EN	4	SEAL, shaft	
5	23517-EN	18	BOLT, allen head - 3/16" x 2-1/4" (Torque to 38 ft.lbs (50 Nm))	
6	23526-EN	18	WASHER, lock - 3/16"	
7	23518-EN	2	PIN, dowel	
8	23519-EN	2	GEAR ASSEMBLY, pump (<i>Includes shaft and bearings</i>)	
9	23520-EN	1	GEAR ASSEMBLY, input (<i>Includes shaft and bearings</i>)	
10	23521-EN	1	HOUSING, flywheel mounting	
11	23522-EN	1	DRIVE PLATE ASSEMBLY	
12	23523-En	2	ADAPTER, pump pad - SAE "D"	
13	23524-EN	8	BOLT, adapter mount (Torque to 240 ft.lbs (320 Nm))	
14	23525-EN	1	BOLT, allen head - 1/4" x 3/4"	

- Kit or Assembly - includes all items indented underneath.



Parts 01698 05/22/2000
18.75

PUMP DRIVE TRANSMISSION INSTALLATION (Superior)

REF	PART #	QTY		DESCRIPTION	SEE PAGE
1	REF.	1	✓	ENGINE - Cummins C8.3-C	Varies
2	REF.	1	✓	DRIVE PLATE	EN-1-2
3	15531-EN	12		STUD, threaded - 10mm x 45mm (See Note #1 below)	
4	23557-EN	1		BREATHER	
5	16808-EN	1		BUSHING, reducer - 5406-8-2	
6	-----	1		HOUSING, dipstick	
7	23558-EN	1		DIPSTICK	
8	REF.	1	✓	PUMP DRIVE TRANSMISSION	EN-1-2
9	15530-EN	12		NUT, hex - 10mm (See Note #2 below) (Torque to 40 ft.lbs. (53 Nm))	
10	15528-EN	20		WASHER, SAE flat - 3/8"	
11	15542-EN	8		BOLT - 3/8" x 3/4" (See Note #1 below) (Torque to 40 ft.lbs. (53 Nm))	

- ✓ See referenced page for component or assembly breakdown.
- ☐ Kit or Assembly - includes all items indented underneath.

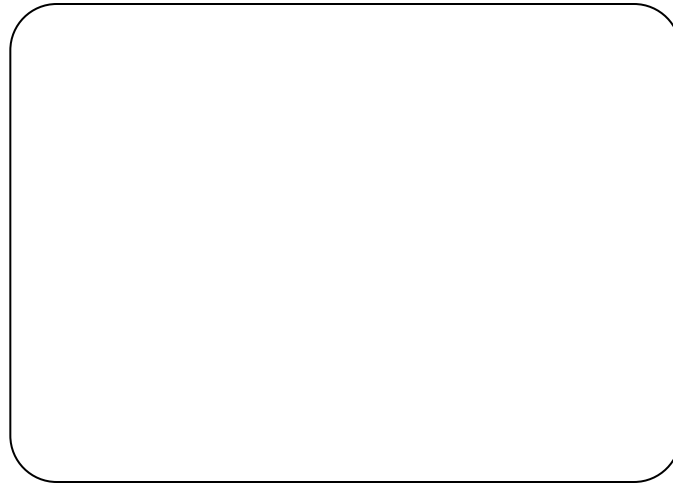
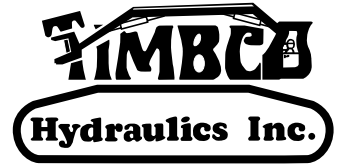
Note #1:

Use Loctite 271 (*red*) during installation.

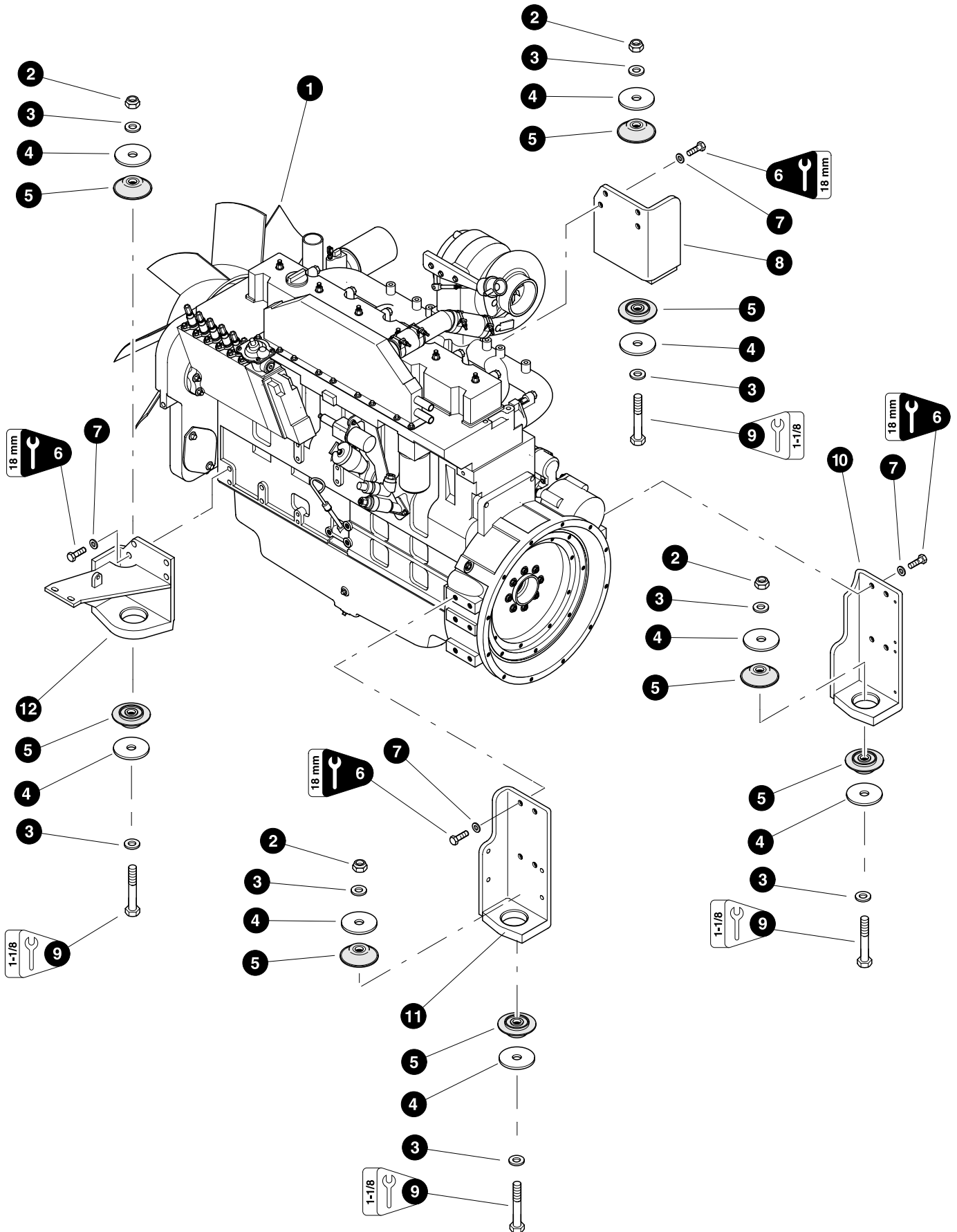
Note #2:

Use Loctite 272 (*blue*) during installation.

Section EN-2



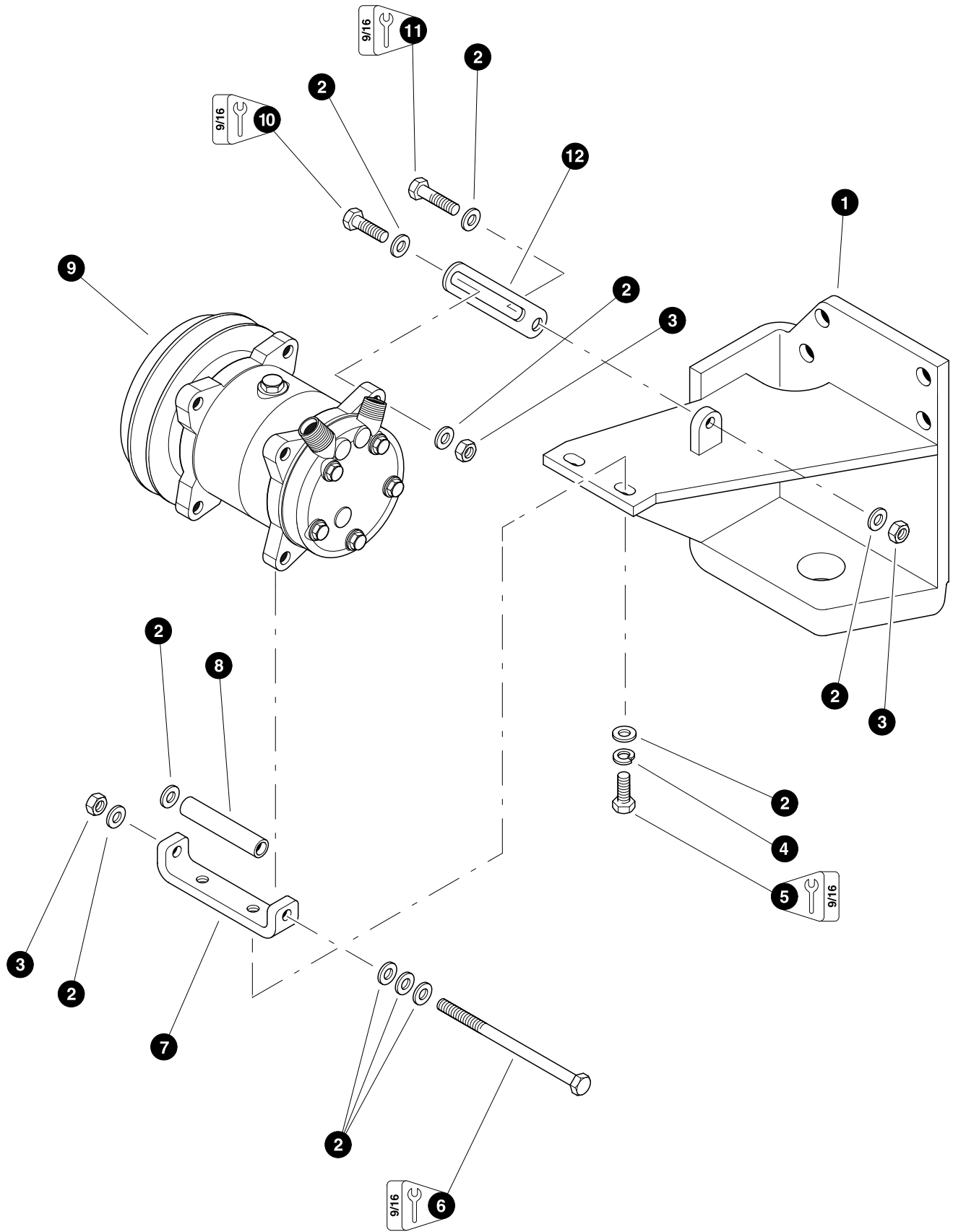
***Engine & Transmission -
Cummins 6C8.3-C 260HP***



Parts 00981 12/09/98
12.50

ENGINE INSTALLATION

REF	PART #	QTY	DESCRIPTION	SEE PAGE
1	18745-EN	1	ENGINE, Cummins - C8.3-C 260HP	
2	10817-EN	4	NUT, lock - 3/4"	
3	15550-EN	8	WASHER, SAE flat - 3/4"	
4	17918-EN	8	WASHER, isolator mount - 7/8" x 3-1/2"	
5	17904-EN	8	ISOLATOR, engine mount - rear	
6	15551-EN	16	BOLT - 12mm-1.75P x 40mm (Torque to 92 ft.lbs. (122 Nm))	
7	18735-EN	16	WASHER, flat -12mm	
8	21124-EN	1	MOUNT, engine - RH front	
9	10845-EN	4	BOLT - 3/4" x 5-1/2"	
10	19762-EN	1	MOUNT, engine - RH rear	
11	19761-EN	1	MOUNT, engine - LH rear	
12	21123-EN	1	MOUNT, engine - LH front	

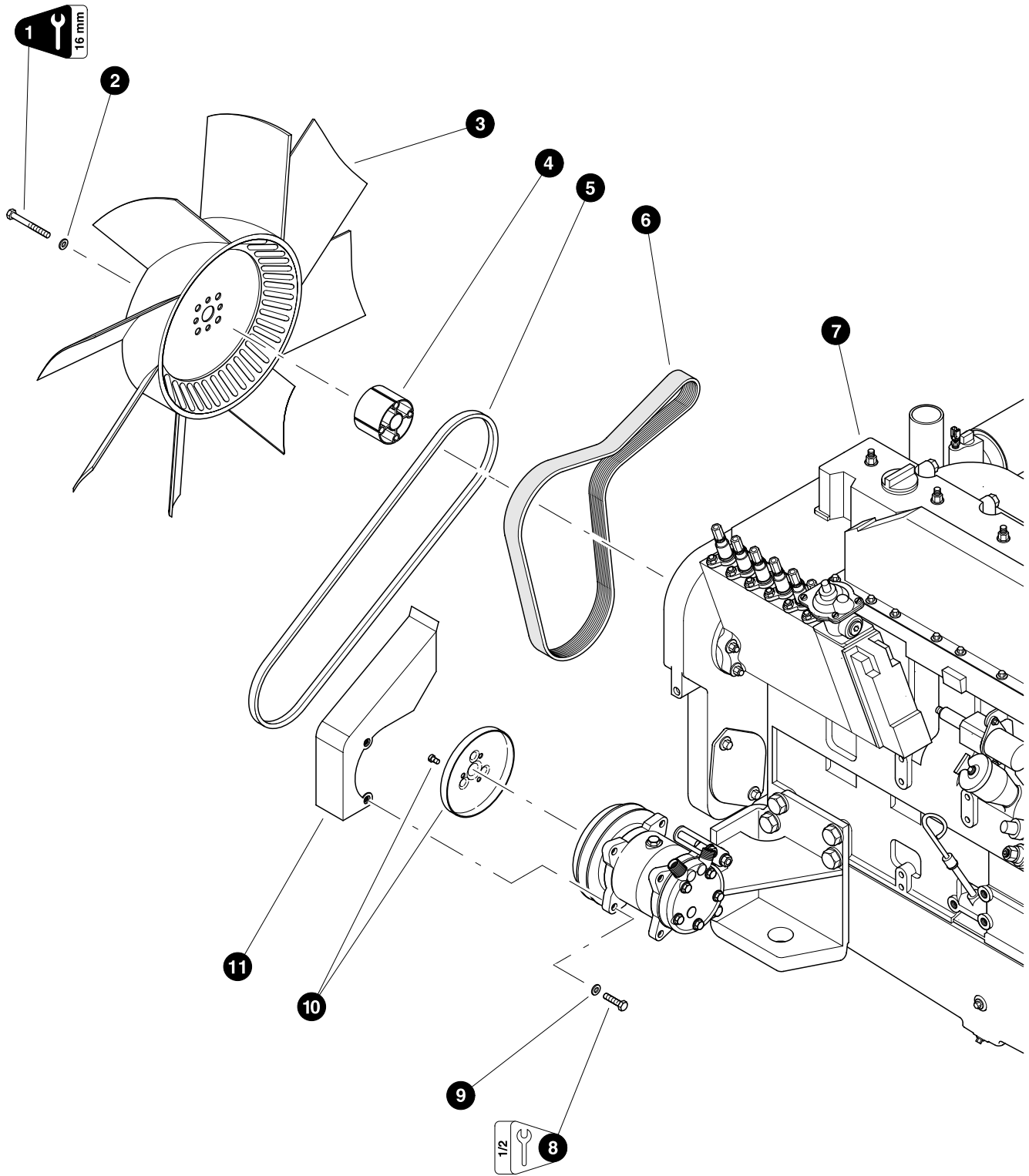


Parts 00419 02/01/98
37.50

AIR CONDITIONER COMPRESSOR INSTALLATION

REF	PART #	QTY	DESCRIPTION	SEE PAGE
1	REF.	1	✓ ENGINE MOUNT - LH front	EN-2-2
2	15528-EN	11	WASHER, SAE flat - 3/8"	
3	10813-EN	3	NUT, lock - 3/8"	
4	10701-EN	2	WASHER, lock - 3/8"	
5	11707-EN	1	BOLT - 3/8" x 1"	
6	10830-EN	1	BOLT - 3/8" x 6"	
7	12437-EN	1	BRACKET, compressor mounting	
8	16517-EN	1	SPACER, compressor mounting	
9	18092-EN	1	COMPRESSOR, air conditioner - 12V	
	23278-EN	1	COMPRESSOR, air conditioner - 24V	
10	10402-EN	1	BOLT - 3/8" x 1-1/4"	
11	10731-EN	1	BOLT - 3/8" x 1-1/2"	
12	12139-EN	1	BRACKET, compressor adjustment	

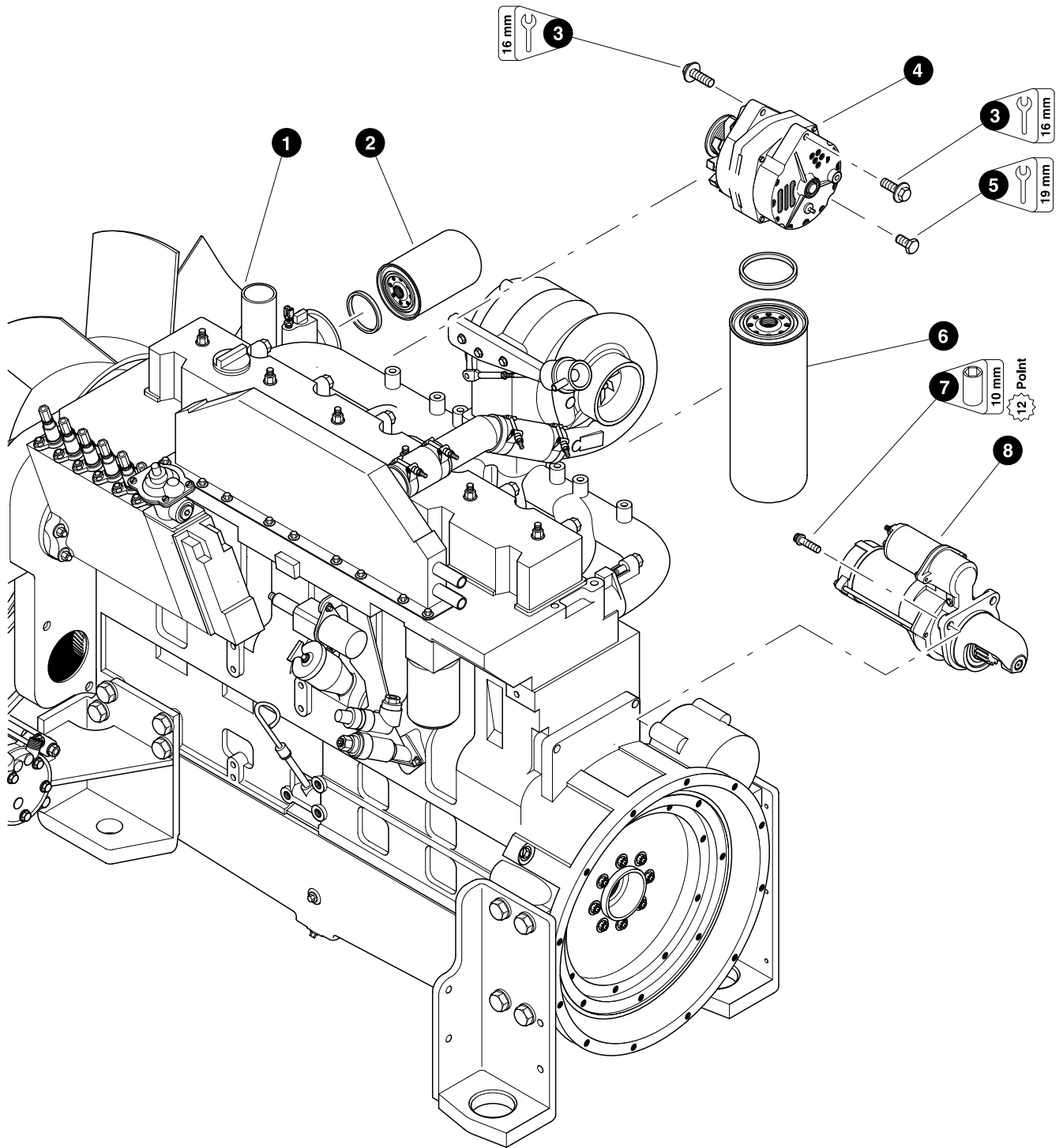
✓ See referenced page for component or assembly breakdown.



ENGINE FAN & BELTS

REF	PART #	QTY	DESCRIPTION	SEE PAGE
1	18417-EN	4	BOLT - 10mm x 75mm (See Note Below)(Used with high pitch sucker fan)(Torque to 42 ft.lbs. (56 Nm))	
	18421-EN	4	BOLT - 10mm x 60mm (See Note Below) (Used with blower fan)(Torque to 42 ft.lbs. (56 Nm))	
2	15528-EN	4	WASHER, SAE flat - 3/8"	
3	20754-EN	1	FAN, engine - sucker - 28" high pitch	
	20755-EN	1	FAN, engine - blower - 28"	
4	18395-EN	1	SPACER, engine fan (Used with sucker fan)	
	16548-EN	1	SPACER, engine fan (Used with blower fan)	
5	21021-EN	1	BELT, A/C compressor drive	
6	16071-EN	1	BELT, engine fan	
7	REF.	1	✓ ENGINE - Cummins C8.3-C	EN-2-2
8	10822-EN	2	BOLT - 5/16" x 1-1/4"	
9	15559-EN	2	WASHER, SAE flat - 5/16"	
10	16796-EN	1	COVER, A/C compressor dust	
11	17891-EN	1	GUARD, A/C compressor belt	

✓ See referenced page for component or assembly breakdown.

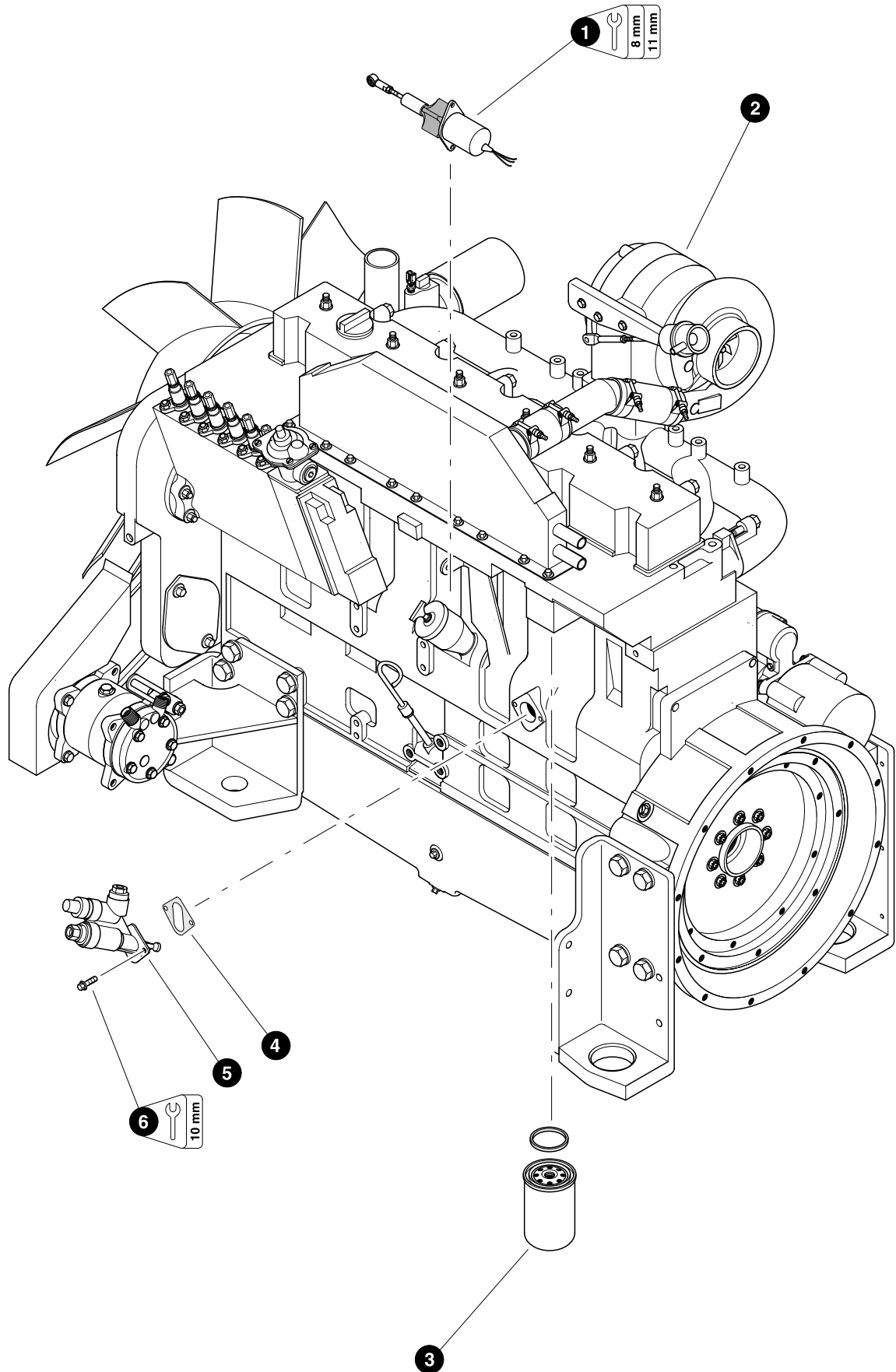


Parts 01731 08/02/00
18.75

ALTERNATOR, STARTER & MISC. COMPONENTS

REF	PART #	QTY	DESCRIPTION	SEE PAGE
1	REF.	1	✓ ENGINE - Cummins C8.3-C	EN-2-2
2	20445-EN	1	FILTER, coolant (<i>With corrosion resistor additive</i>)	
3	--	2	BOLT, flange head - 12mm x 40mm	
4	20857-EN	1	ALTERNATOR - 12V / 160 AMP	
5	--	1	BOLT, flange head - 10mm x 25mm	
6	16070-EN	1	FILTER, engine oil	
7	--	3	BOLT, 12 point cap - 10mm x 35 mm	
8	17270-EN	1	STARTER - 12V	

✓ See referenced page for component or assembly breakdown.

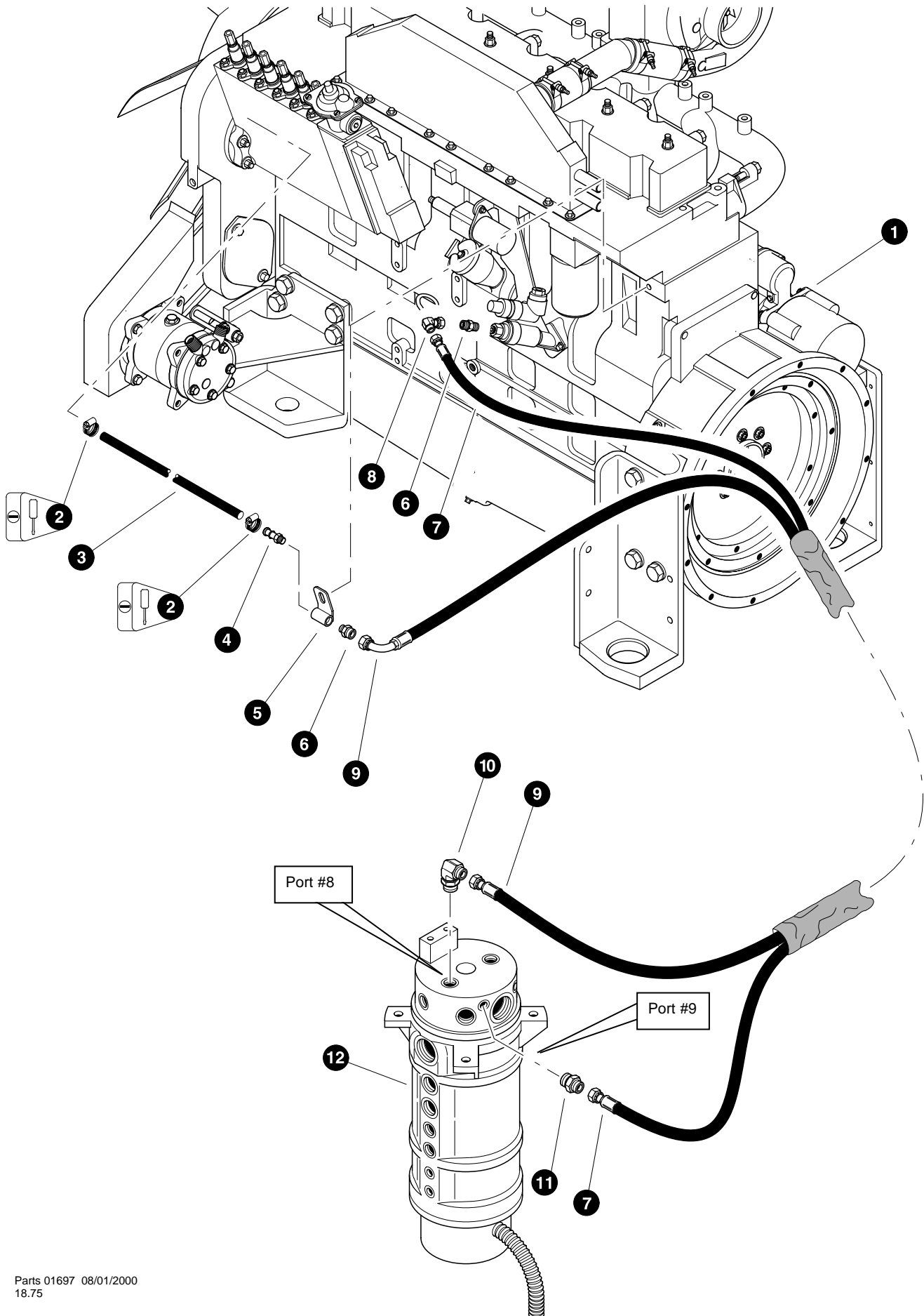


Parts 00423 02/02/98
18.75

FUEL SYSTEM COMPONENTS ON ENGINE

REF	PART #	QTY	DESCRIPTION	SEE PAGE
1	20956-EN	1	SOLENOID, fuel shut-off	
2	REF.	1	✓ ENGINE - Cummins C8.3-C	EN-2-2
3	19186-EN	1	FILTER, fuel	
4	16834-EN	1	GASKET, fuel lift pump	
5	16069-EN	1	PUMP, fuel lift	
6	--	2	BOLT, flange head - 8mm x 25mm	

✓ See referenced page for component or assembly breakdown.



Parts 01697 08/01/2000
18.75

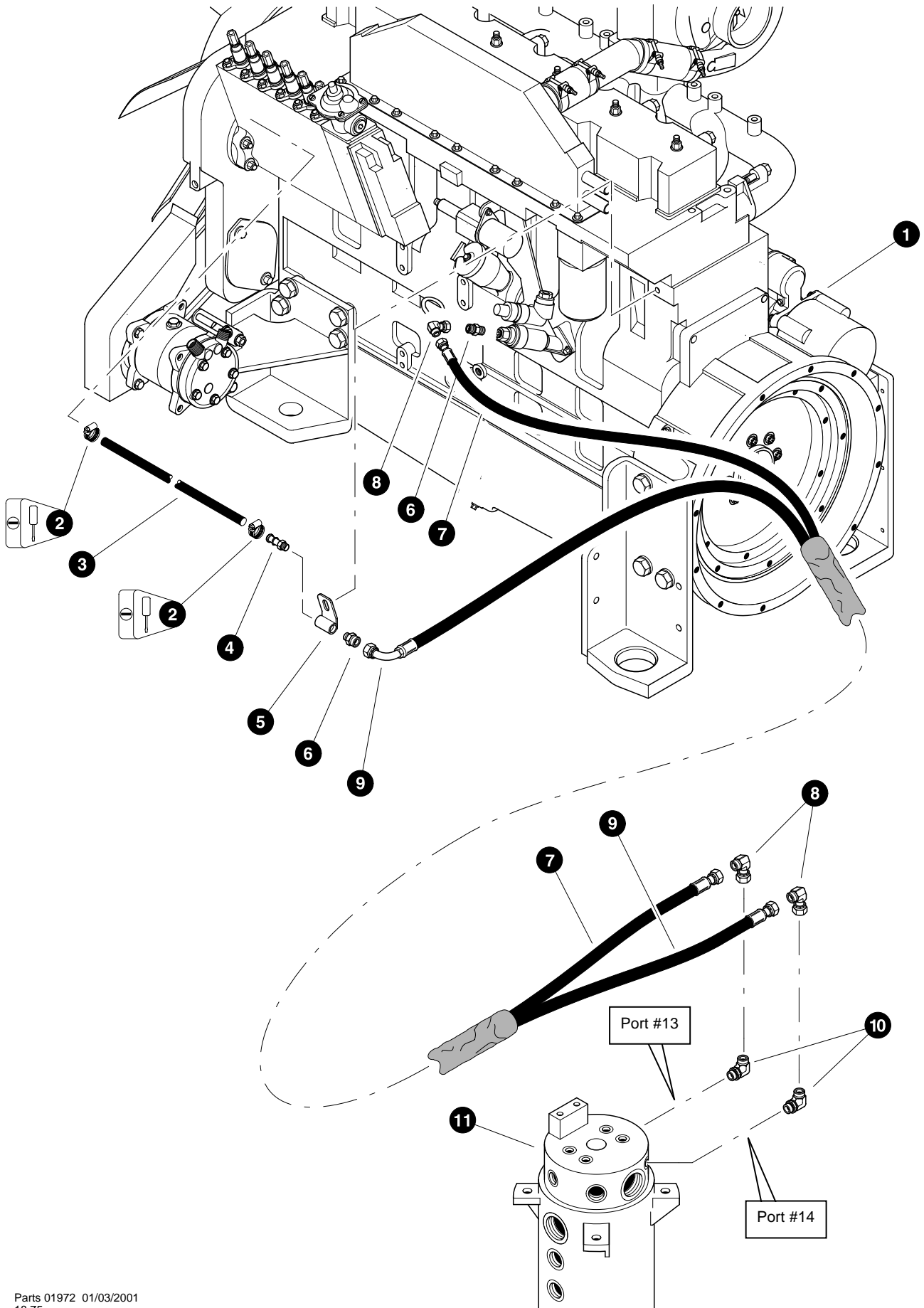
FUEL LINES (Supply & Return To Engine)

(Used on machines PDN# 134FWD and below)

REF	PART #	QTY		DESCRIPTION	SEE PAGE
1	REF.	1	✓	ENGINE - Cummins C8.3-C	EN-2-2
2	16202-EN	2		CLAMP, hose - worm style - 5/8"	
3	16238-EN	AR	>∞	HOSE, fuel line - 5/16"	
4	10760-EN	1		CONNECTOR, hose	
5	20423-EN	1		BRACKET, fuel return junction	
6	16295-EN	2		CONNECTOR, straight - FF2031T-0604S	
7	23007-EN	1		HOSE ASSEMBLY - 2064-06-060S-0604-W (<i>Fuel supply from rotary manifold port #9 to fuel lift pump on engine</i>)	
8	20035-EN	2		ELBOW, 90° swivel - FF2098T-0606S	
9	22977-EN	1		HOSE ASSEMBLY - 2049-06-060S-0609-W (<i>Fuel return from fuel injectors to rotary manifold port #8</i>)	
10	20031-EN	1		ELBOW, 90° - FF1868T-0608S	
11	22901-EN	1		CONNECTOR, straight - FF1852T-0608S	
12	REF.	1	✓	ROTARY MANIFOLD ASSEMBLY	UP-1-6

✓ See referenced page for component or assembly breakdown.

>∞ Bulk material - order length required in feet or meters.



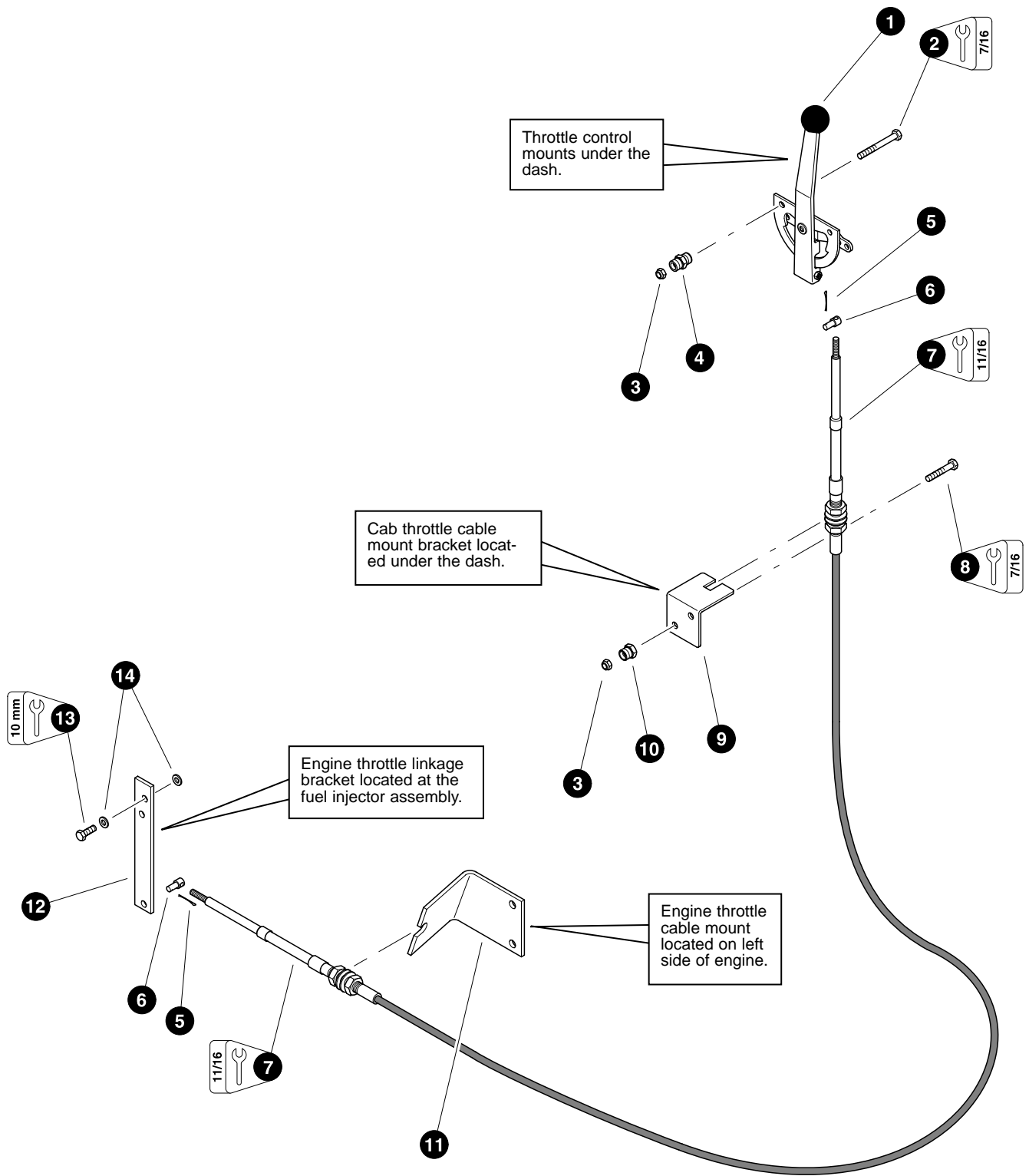
Parts 01972 01/03/2001
18.75

FUEL LINES (Supply & Return To Engine)

(Used on machines PDN# 135FWD and above)

REF	PART #	QTY		DESCRIPTION	SEE PAGE
1	REF.	1	✓	ENGINE - Cummins C8.3-C	EN-2-2
2	16202-EN	2		CLAMP, hose - worm style - 5/8"	
3	16238-EN	AR	>∞	HOSE, fuel line - 5/16"	
4	10760-EN	1		CONNECTOR, hose	
5	20423-EN	1		BRACKET, fuel return junction	
6	16295-EN	2		CONNECTOR, straight - FF2031T-0604S	
7	23533-EN	1		HOSE ASSEMBLY - 2080-06-060S-060S-W <i>(Fuel supply from rotary manifold port #13 to fuel lift pump on engine)</i>	
8	20035-EN	3		ELBOW, 90° swivel - FF2098T-0606S	
9	23532-EN	1		HOSE ASSEMBLY - 2067-06-060S-0604-W <i>(Fuel return from fuel injectors to rotary manifold port #14)</i>	
10	20031-EN	2		ELBOW, 90° - FF1868T-0608S	
11	REF.	1	✓	ROTARY MANIFOLD ASSEMBLY	UP-1-6

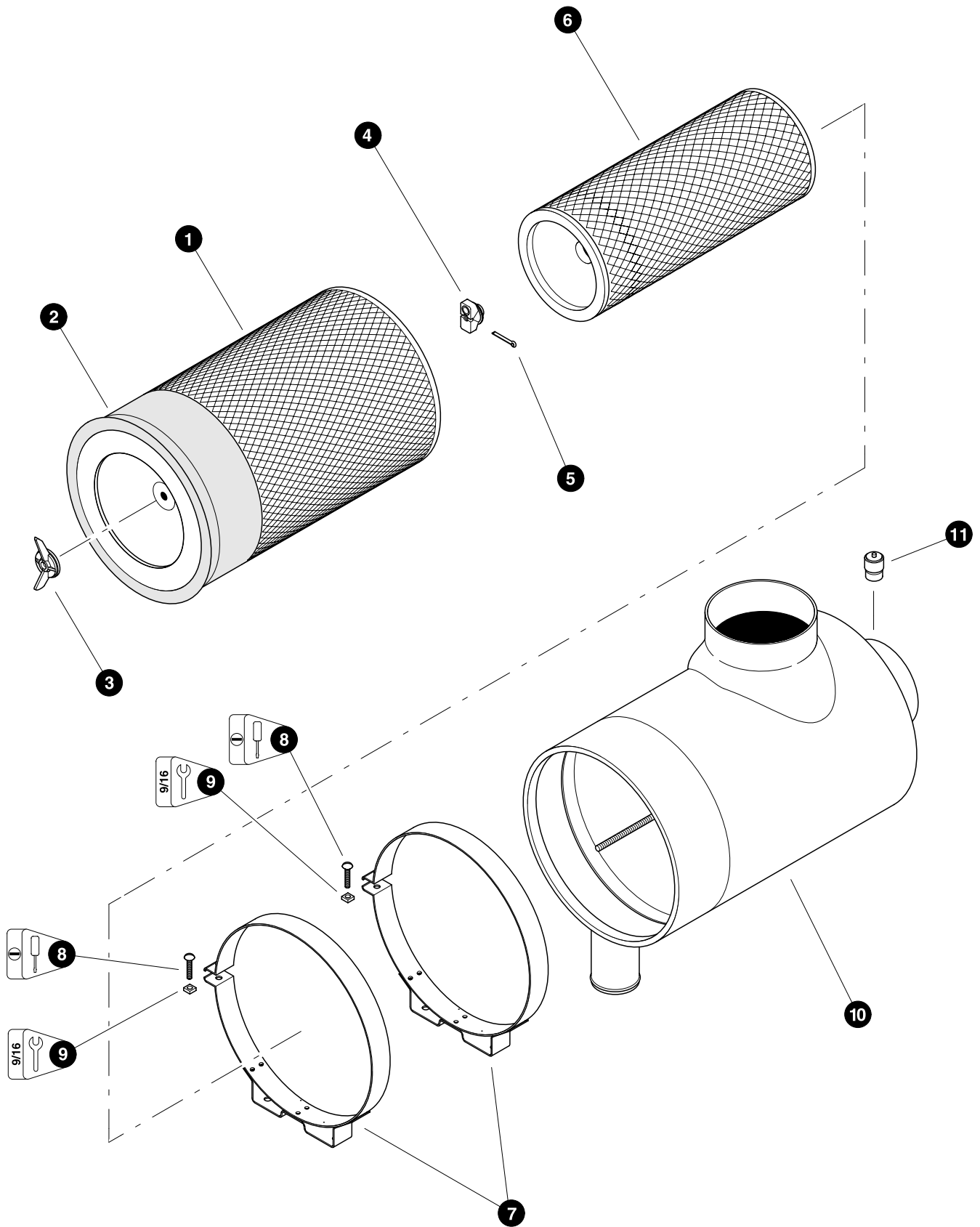
- ✓ See referenced page for component or assembly breakdown.
- >∞ Bulk material - order length required in feet or meters.



Parts 00433 02/03/98
25.00

THROTTLE CONTROL

REF	PART #	QTY	DESCRIPTION	SEE PAGE
1	15566-EN	1	CONTROL, throttle	
2	16364-EN	2	BOLT - 1/4" x 2-1/4"	
3	15509-EN	6	NUT, lock - 1/4"	
4	15567-EN	2	CONNECTOR, straight - 5404-4 (<i>Used as spacer</i>)	
5	15572-EN	2	PIN, cotter	
6	15573-EN	2	PIN, pivot throttle cable end	
7	18221-EN	1	CABLE, throttle	
8	15575-EN	2	BOLT - 1/4" x 1-1/2"	
9	12218-EN	1	BRACKET, throttle cable mount - cab	
10	15574-EN	2	BUSHING, reducer - 5406-4-2 (<i>Used as spacer</i>)	
11	18845-EN	1	BRACKET, throttle cable mount - engine (<i>Uses existing engine hardware</i>)	
12	18846-EN	1	BRACKET, throttle cable linkage	
13	16133-EN	2	BOLT - 6mm-1.0P x 16mm	
14	10757-EN	2	WASHER, SAE flat - 1/4"	

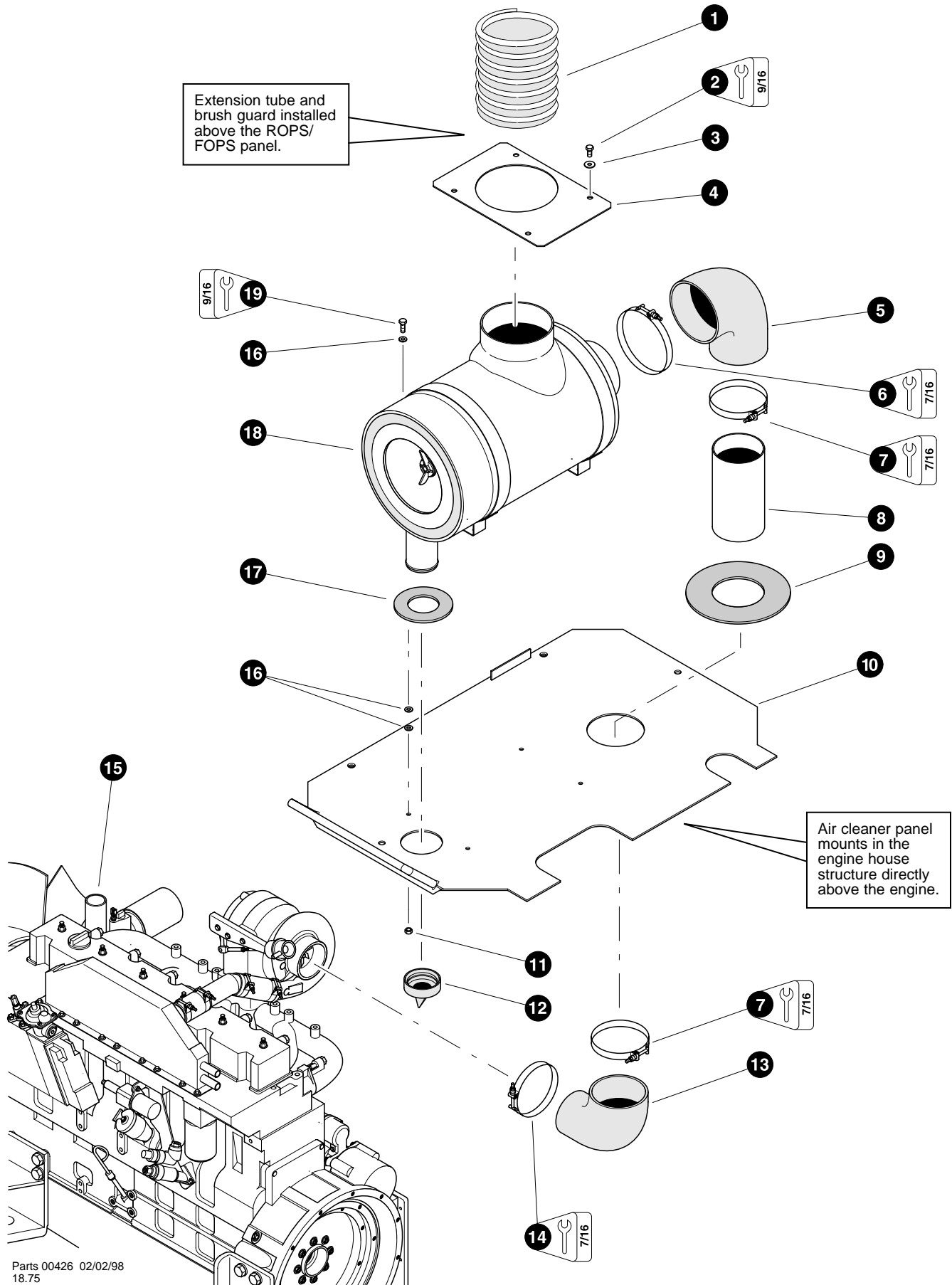


Parts 01297 08/11/99
18.75

AIR CLEANER ASSEMBLY

REF	PART #	QTY		DESCRIPTION	SEE PAGE
-	19550-EN	1	<input type="checkbox"/>	AIR CLEANER ASSEMBLY	
1	18820-EN	1		FILTER, air cleaner - primary	
2	22252-EN	1		GASKET, air cleaner element (<i>Shown installed</i>)	
3	19551-EN	1		NUT, wing	
4	20448-EN	1		NUT, air cleaner - secondary	
5	20449-EN	1		PIN, roll - air cleaner nut	
6	18821-EN	1		FILTER, air cleaner - secondary	
7	20450-EN	2	<input type="checkbox"/>	CLAMP, air cleaner band	
8	15591-EN	1		BOLT - 5/16" x 1-1/2"	
9	10788-EN	1		NUT, nylock - 5/16"	
10	20451-EN	1		CANISTER, air cleaner	
11	16114-EN	1		INDICATOR, air cleaner filter service	

Kit or Assembly - includes all items indented underneath.

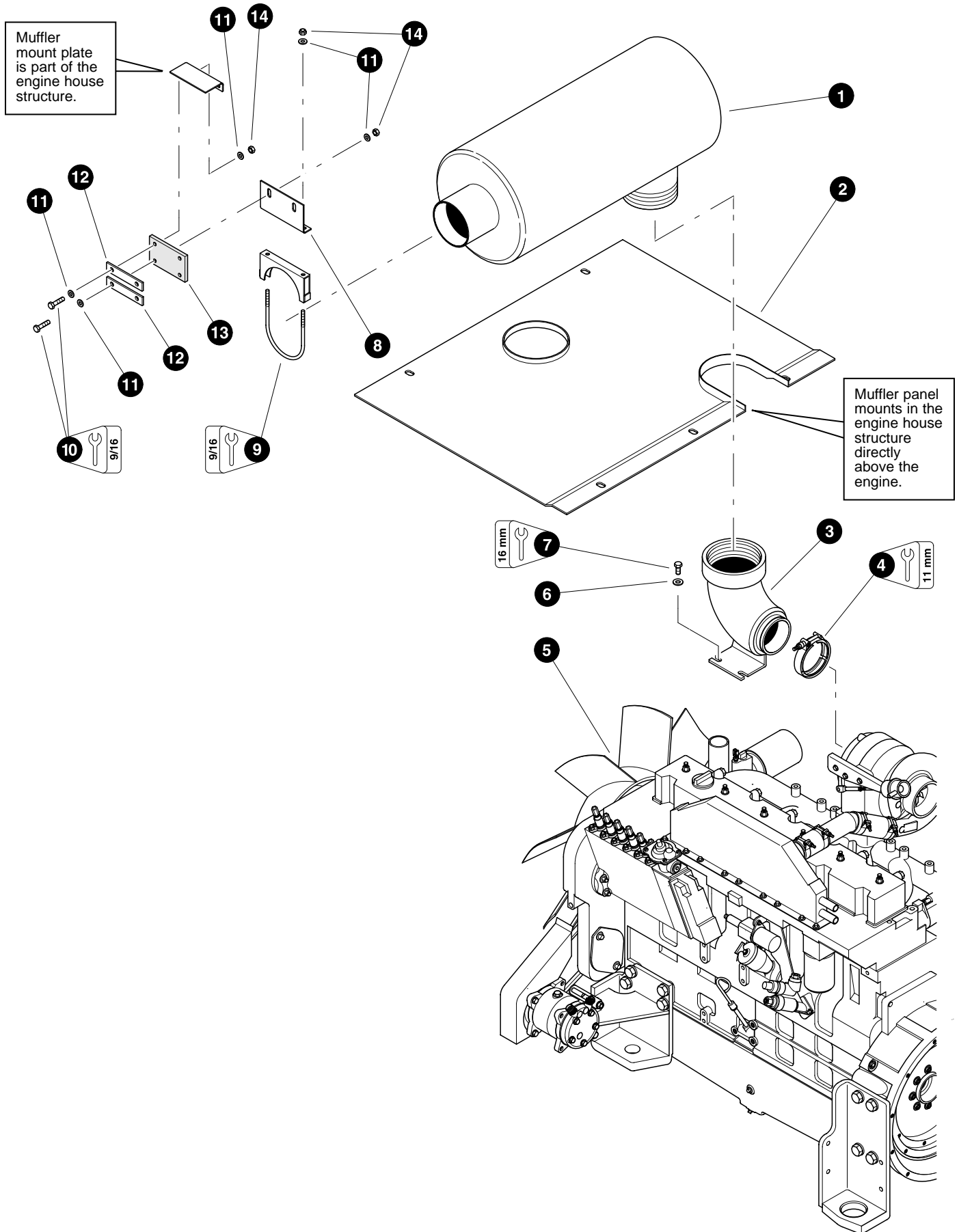


Parts 00426 02/02/98
18.75

AIR CLEANER INSTALLATION

REF	PART #	QTY	DESCRIPTION	SEE PAGE
1	18819-EN	1	TUBE, air cleaner extension	
2	15542-EN	4	BOLT - 3/8 x 3/4"	
3	10802-EN	4	WASHER, USS flat - 3/8"	
4	18818-EN	1	GUARD, air cleaner brush	
5	18910-EN	1	ELBOW, 90° rubber (<i>Ribbed</i>)	
6	18828-EN	1	CLAMP, strap band - 6-3/4"	
7	16249-EN	2	CLAMP, strap band - 5-1/2"	
8	18816-EN	1	CONNECTOR, air intake	
9	19163-EN	1	BOOT, rubber air intake	
10	REF.	1	✓ AIR CLEANER PANEL	UP-1-24
11	10813-EN	4	NUT, lock - 3/8"	
12	16608-EN	1	BOOT, air cleaner dust	
13	15831-EN	1	ELBOW, 90° rubber	
14	15697-EN	1	CLAMP, strap band - 4-1/2"	
15	REF.	1	✓ ENGINE - Cummins C8.3-C	EN-2-2
16	15528-EN	8	WASHER, SAE flat - 3/8"	
17	16495-EN	1	BOOT, rubber	
18	REF.	1	✓ AIR CLEANER ASSEMBLY	EN-2-16
19	11707-EN	4	BOLT - 3/8" x 1"	

✓ See referenced page for component or assembly breakdown.

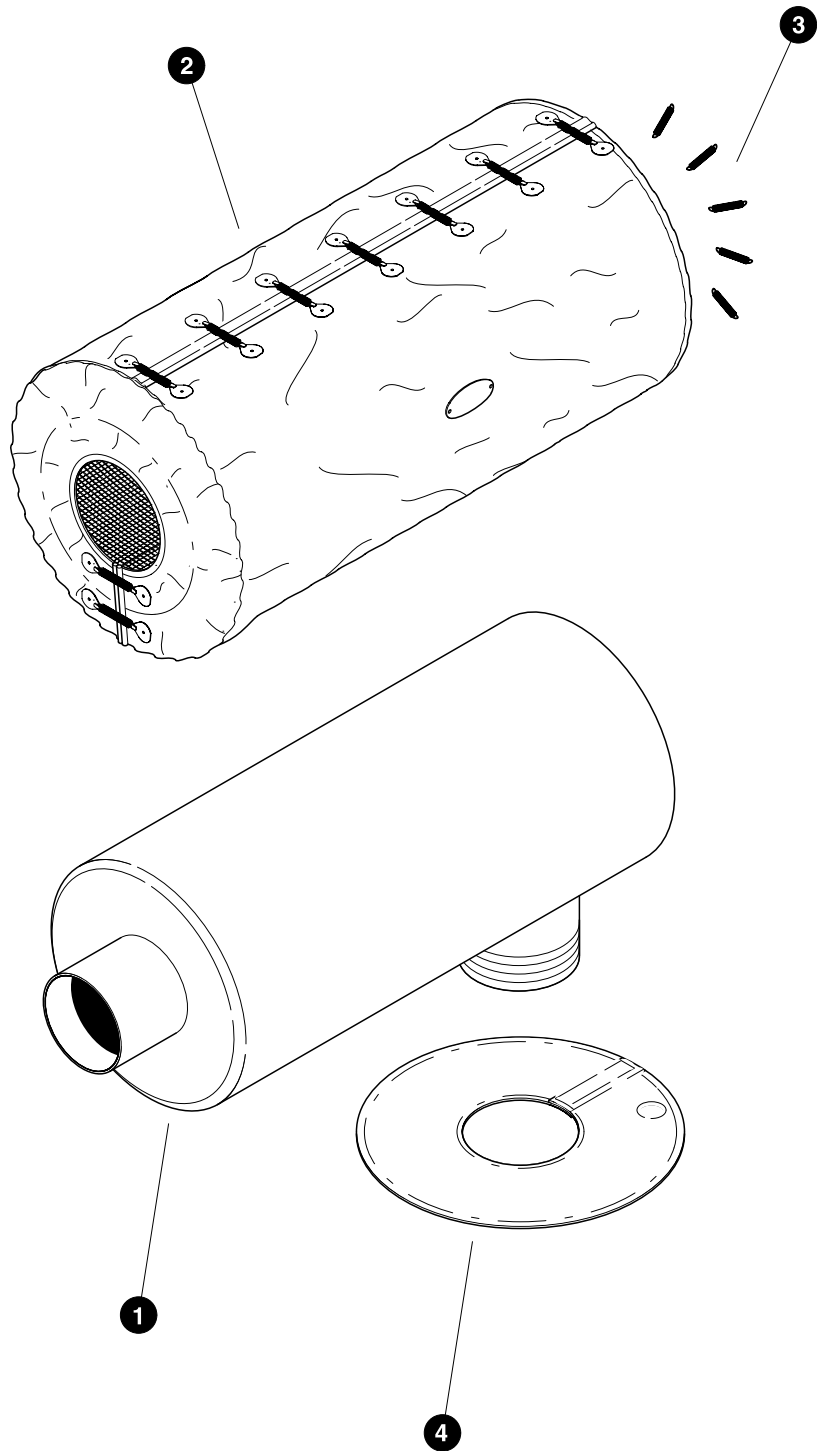


Parts 00428 02/02/98
12.50

MUFFLER INSTALLATION

REF	PART #	QTY		DESCRIPTION	SEE PAGE
1	18822-EN	1		MUFFLER	
2	REF.	1	✓	MUFFLER PANEL	UP-1-24
3	18815-EN	1		ELBOW, exhaust	
4	20452-EN	1		CLAMP, turbo exhaust	
5	REF.	1	✓	ENGINE - Cummins C8.3-C	EN-2-2
6	10802-EN	2		WASHER, USS flat - 3/8"	
7	18416-EN	2		BOLT - 10mm x 25mm	
8	20856-EN	1		BRACKET, top muffler	
9	18830-EN	1		CLAMP, muffler mount - 5"	
10	10731-EN	4		BOLT - 3/8" x 1-1/2"	
11	15528-EN	10		WASHER, SAE flat - 3/8"	
12	16734-EN	2		RETAINER, muffler rubber	
13	16572-EN	1		RUBBER, muffler mounting	
14	10813-EN	6		NUT, lock - 3/8"	

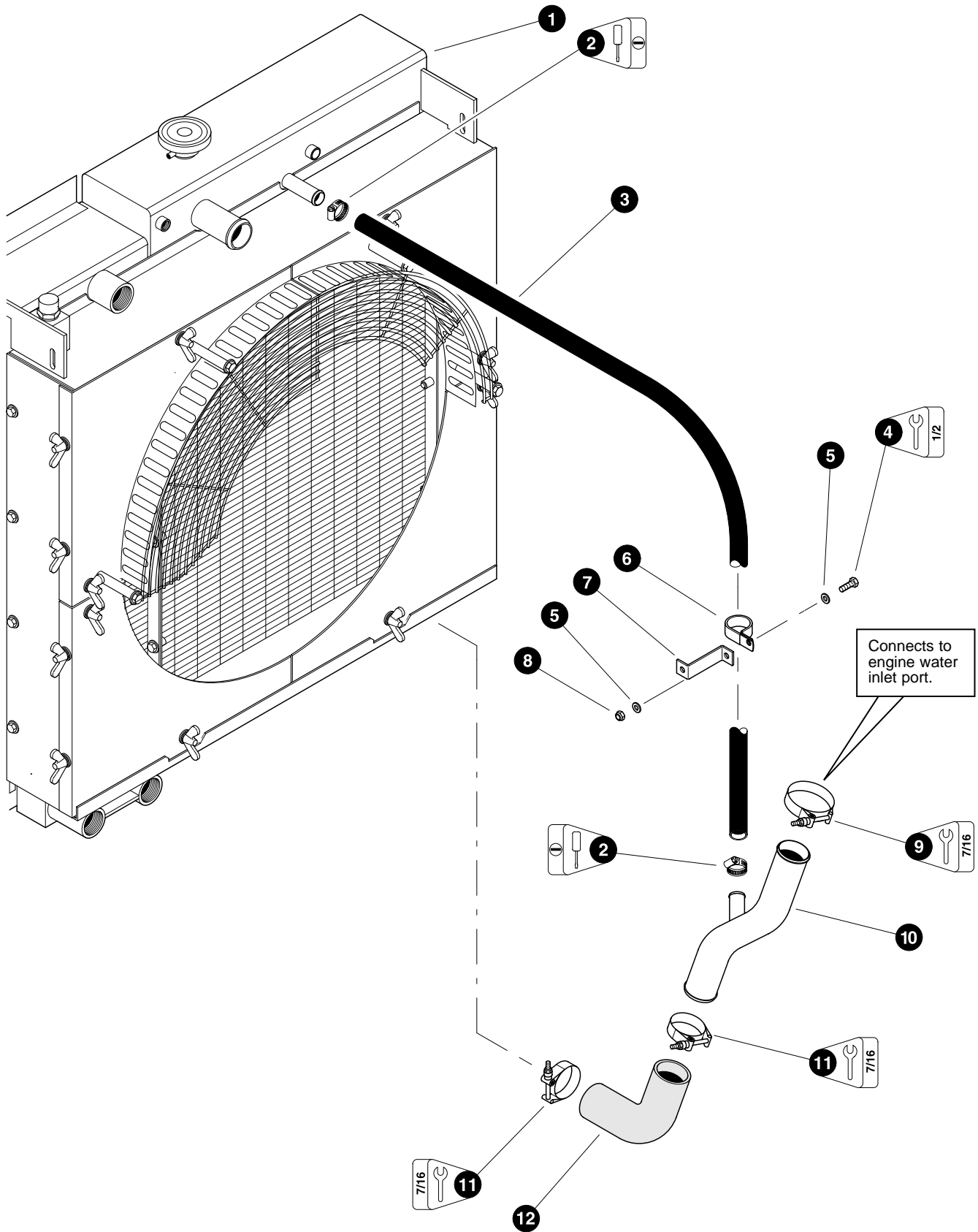
✓ See referenced page for component or assembly breakdown.



OPTIONAL MUFFLER BLANKET INSTALLATION

REF	PART #	QTY	DESCRIPTION	SEE PAGE
1	REF.	1	✓ MUFFLER	EN-2-20
2	23128-EN	1	INSULATION, muffler blanket	
3	23126-EN	14	SPRING, muffler blanket (<i>stainless</i>)	
4	22812-EN	1	DEFLECTOR, skirting - exhaust	

✓ See referenced page for component or assembly breakdown.

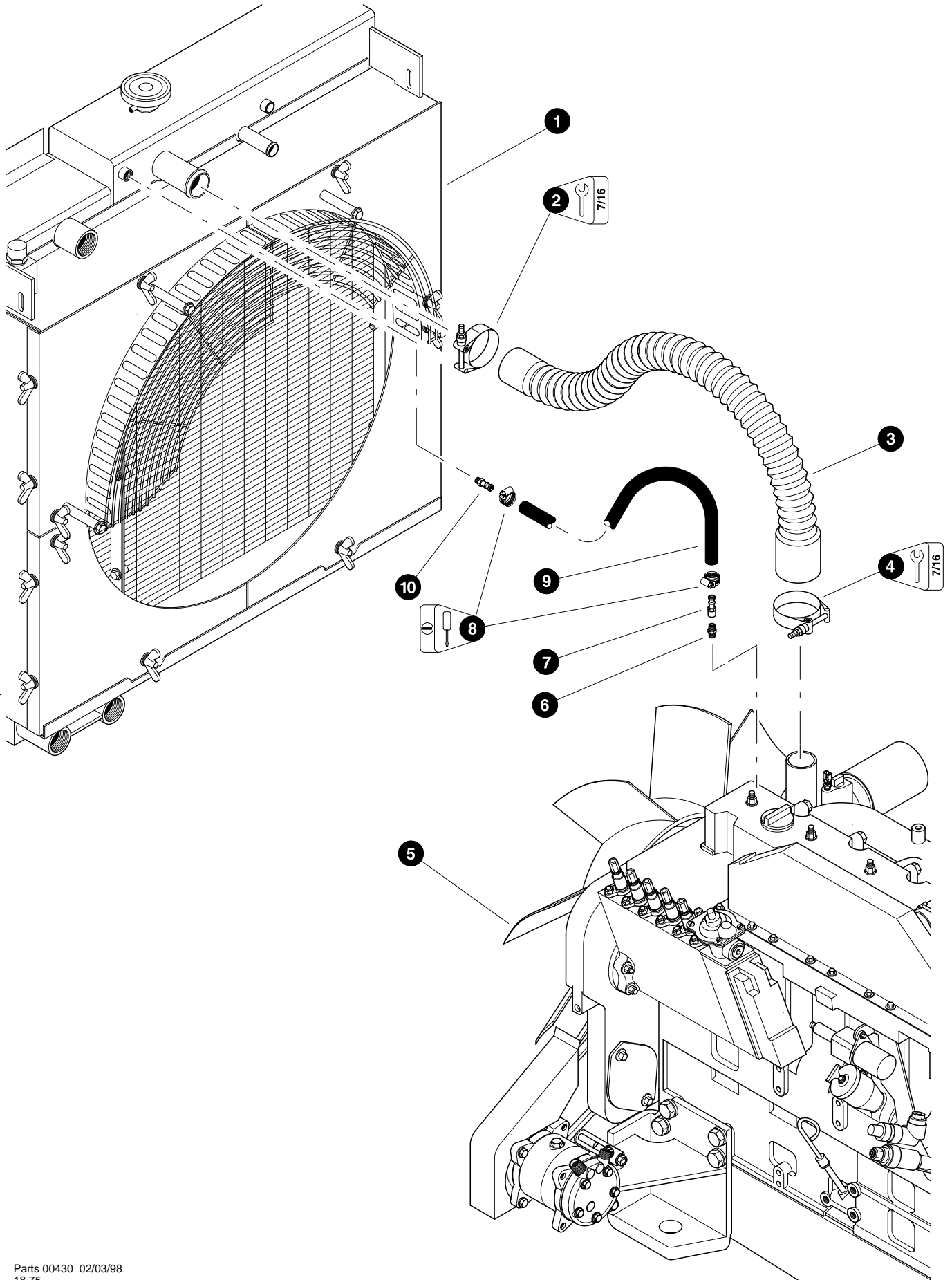


Parts 00429 02/03/98
18.75

COOLING SYSTEM LINES (Lower Radiator Connections - Thermal Dynamic)

REF	PART #	QTY	DESCRIPTION	SEE PAGE
1	REF.	1	✓ RADIATOR/OIL COOLER ASSEMBLY	UP-3-2
2	16256-EN	2	CLAMP, hose - worm style - 1"	
3	22184-EN	AR	>∞ HOSE, heater - 3/4"	
4	15589-EN	1	BOLT - 5/16" x 1"	
5	15559-EN	2	WASHER, SAE flat - 5/16"	
6	17257-EN	1	CLAMP, hose - coated strap - 1-1/2"	
7	16951-EN	1	BRACKET, water hose support (<i>Uses existing engine mounting hardware</i>)	
8	10788-EN	1	NUT, nylock - 5/16"	
9	18104-EN	1	CLAMP, constant torque - #36	
10	21668-EN	1	TUBE, radiator splice	
11	18651-EN	2	CLAMP, constant torque - #32	
12	17761-EN	1	HOSE, 90° radiator - 2"	

- ✓ See referenced page for component or assembly breakdown.
- >∞ Bulk material - order length required in feet or meters.



Parts 00430 02/03/98
18.75

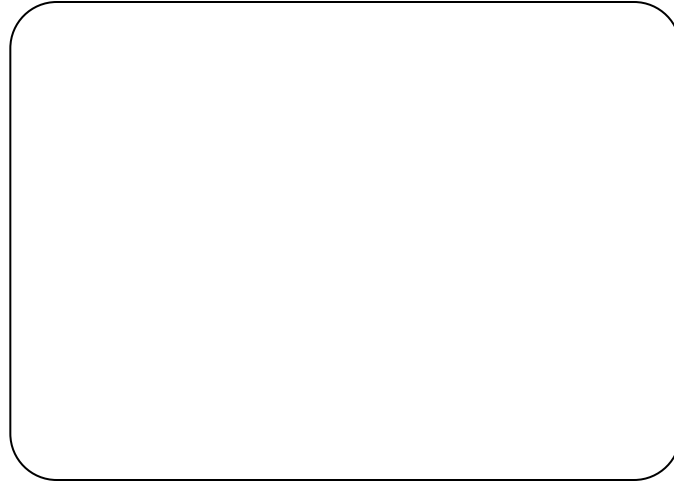
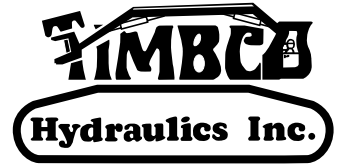
COOLING SYSTEM LINES (Upper Radiator Connections)

REF	PART #	QTY		DESCRIPTION	SEE PAGE
1	REF.	1	✓	RADIATOR/OIL COOLER ASSEMBLY	UP-3-2
2	18651-EN	1		CLAMP, constant torque - #32	
3	16433-EN	1		HOSE, flex radiator - 2" x 2-1/4" x 25"	
4	18104-EN	1		CLAMP, constant torque - #36	
5	REF.	1	✓	ENGINE - Cummins C8.3-C	EN-2-2
6	16977-EN	1		CONNECTOR, straight - coolant orifice	
7	16989-EN	1		CONNECTOR, straight hose barb - 4245-5-2	
8	16202-EN	2		CLAMP, hose - worm style - 5/8"	
9	16238-EN	AR	>∞	HOSE, fuel line - 5/16"	
10	16990-EN	1		CONNECTOR, straight hose barb - 4244-5-4	

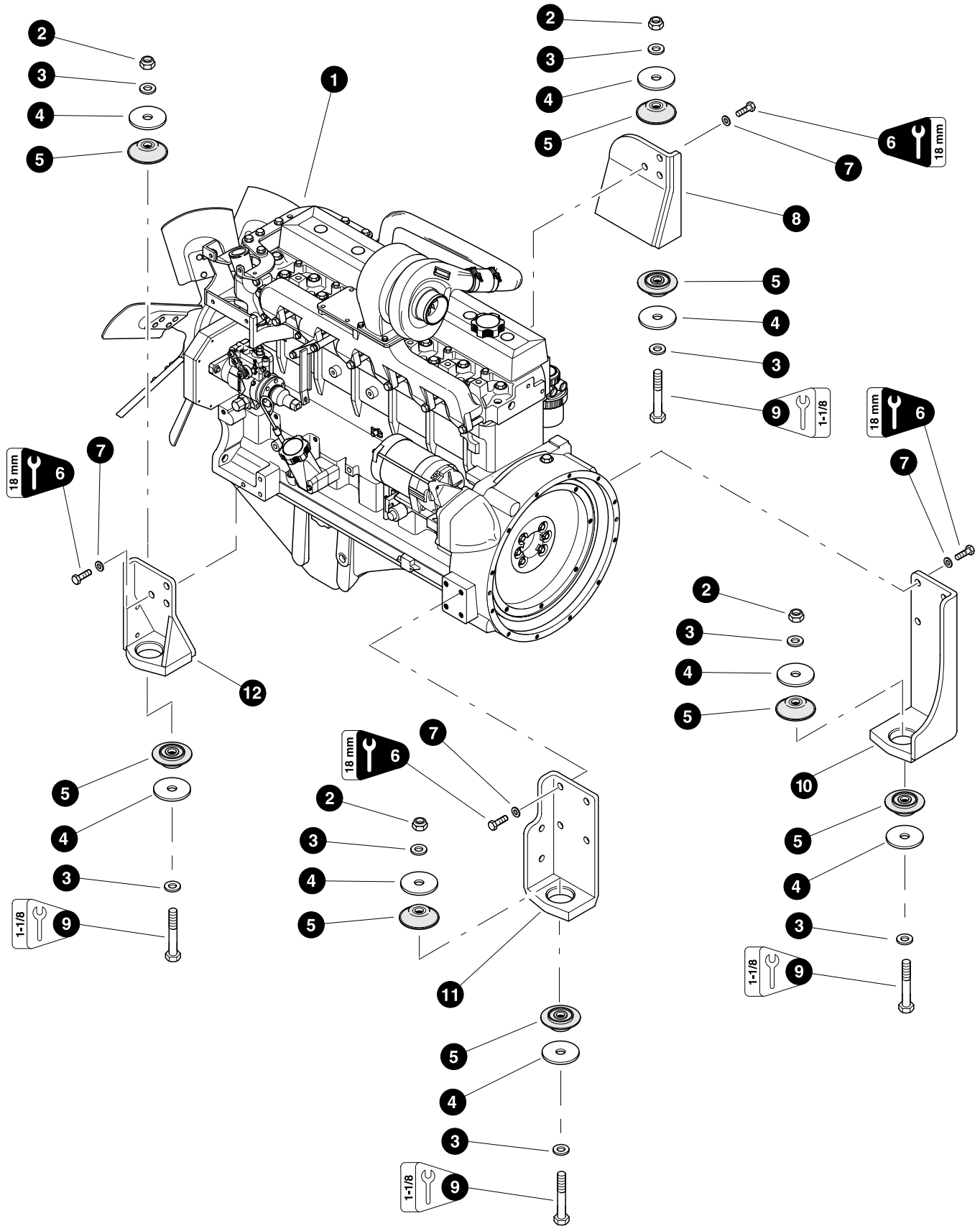
✓ See referenced page for component or assembly breakdown.

>∞ Bulk material - order length required in feet or meters.

Section EN-3



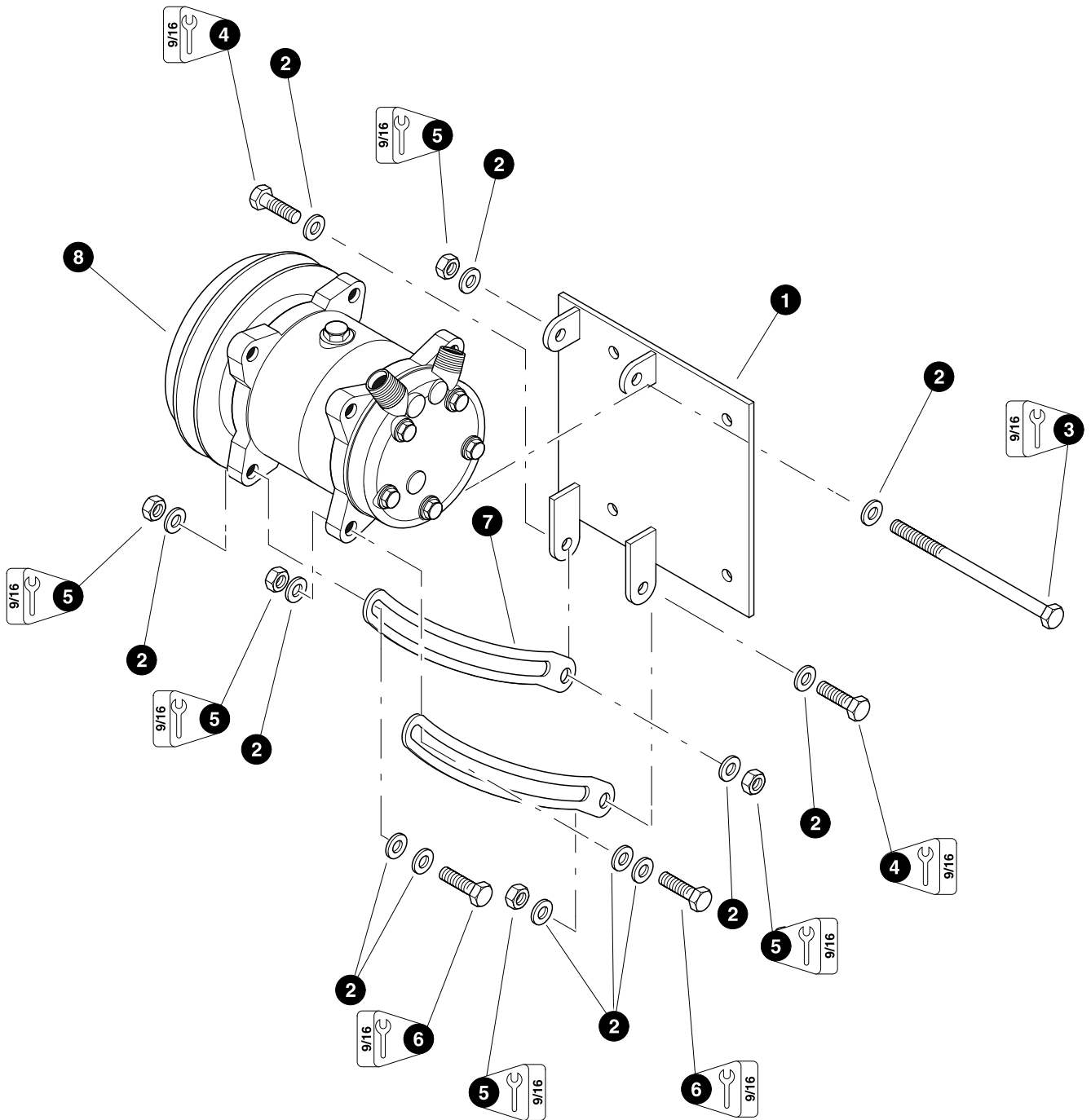
Engine & Transmission - John Deere T6068TF



Parts 00987 12/10/98
12.50

ENGINE INSTALLATION

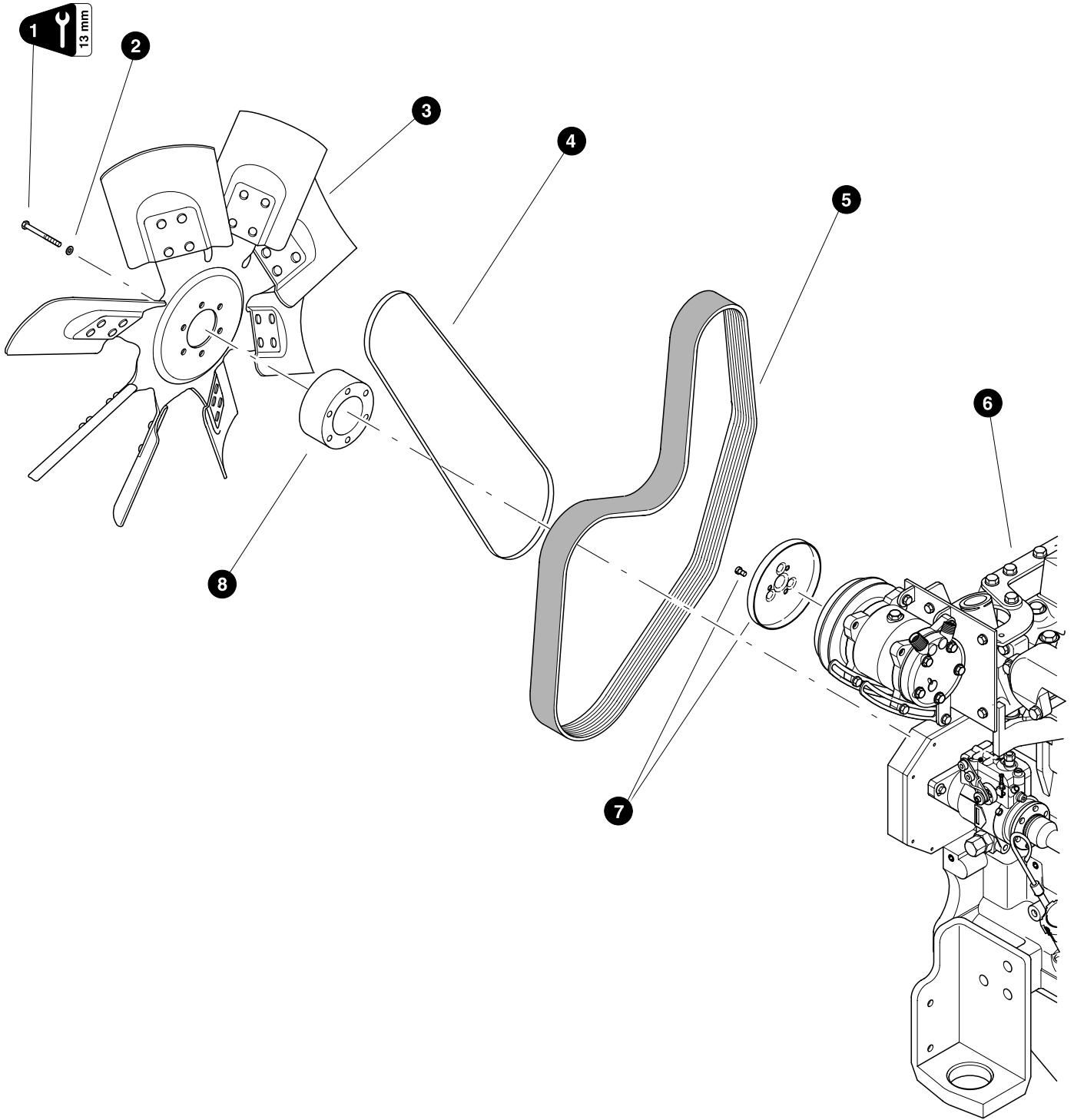
REF	PART #	QTY	DESCRIPTION	SEE PAGE
1	19498-EN	1	ENGINE, John Deere - T6068TF 185 HP	
2	10817-EN	4	NUT, lock - 3/4"	
3	15550-EN	8	WASHER, SAE flat - 3/4"	
4	17918-EN	8	WASHER, isolator mount - 7/8" x 3-1/2"	
5	17904-EN	8	ISOLATOR, engine mount - rear	
6	15551-EN	14	BOLT - 12mm-1.75P x 40mm (Torque to 92 ft.lbs. (122 Nm))	
7	18735-EN	14	WASHER, flat -12mm	
8	21120-EN	1	MOUNT, engine - RH front	
9	10845-EN	4	BOLT - 3/4" x 5-1/2"	
10	21121-EN	1	MOUNT, engine - RH rear	
11	21122-EN	1	MOUNT, engine - LH rear	
12	21119-EN	1	MOUNT, engine - LH front	



Parts 00696 09/28/98
37.50

AIR CONDITIONER COMPRESSOR INSTALLATION

REF	PART #	QTY	DESCRIPTION	SEE PAGE
1	21149-EN	1	BRACKET, compressor mounting	
2	15528-EN	12	WASHER, SAE flat - 3/8"	
3	10828-EN	1	BOLT - 3/8" x 5"	
4	11707-EN	2	BOLT - 3/8" x 1"	
5	10813-EN	5	NUT, lock - 3/8"	
6	10402-EN	2	BOLT - 3/8" x 1-1/4"	
7	21149-EN	2	BRACKET, A/C compressor mount	
8	18092-EN	1	COMPRESSOR, air conditioner - 12V	
	23278-EN	1	COMPRESSOR, air conditioner - 24V	



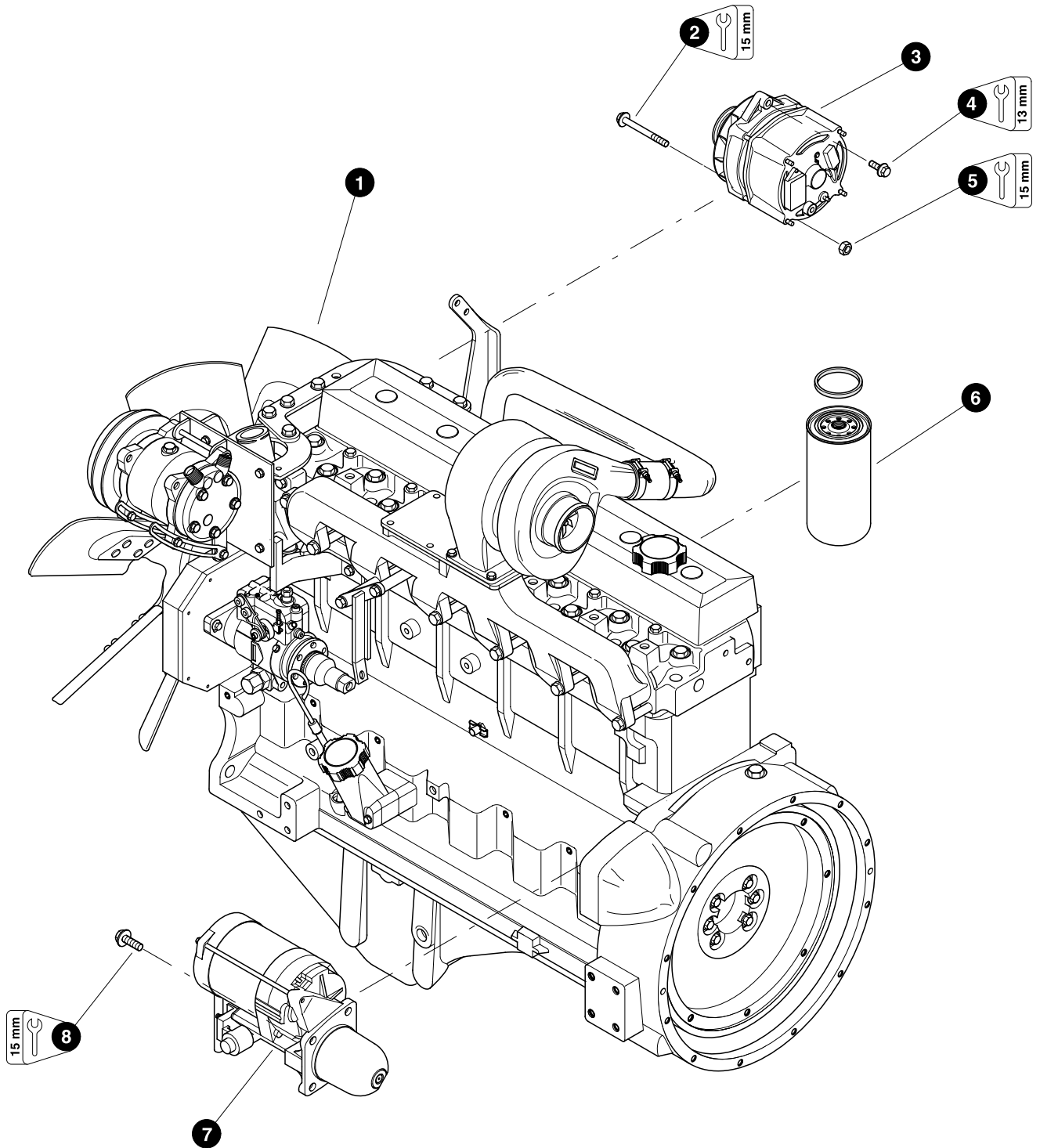
ENGINE FAN & BELTS

REF	PART #	QTY	DESCRIPTION	SEE PAGE
1	20417-EN	4	BOLT - 8mm-1.25P x 80mm (See Note Below) (Torque to 35 ft.lbs. (47 Nm))	
2	15559-EN	6	WASHER, SAE flat - 5/16"	
3	21224-EN	1	FAN, engine - sucker - 28" high pitch	
	21223-EN	1	FAN, engine - blower - 28" high pitch	
4	19348-EN	1	BELT, A/C compressor drive	
5	19596-EN	1	BELT, engine fan	
6	REF.	1	✓ ENGINE, John Deere - T6068TF	EN-3-2
7	16796-EN	1	COVER, A/C compressor dust	
8	21157-EN	1	SPACER, engine fan	

✓ See referenced page for component or assembly breakdown.

Note:

Use Loctite 272 (*blue*) during installation.

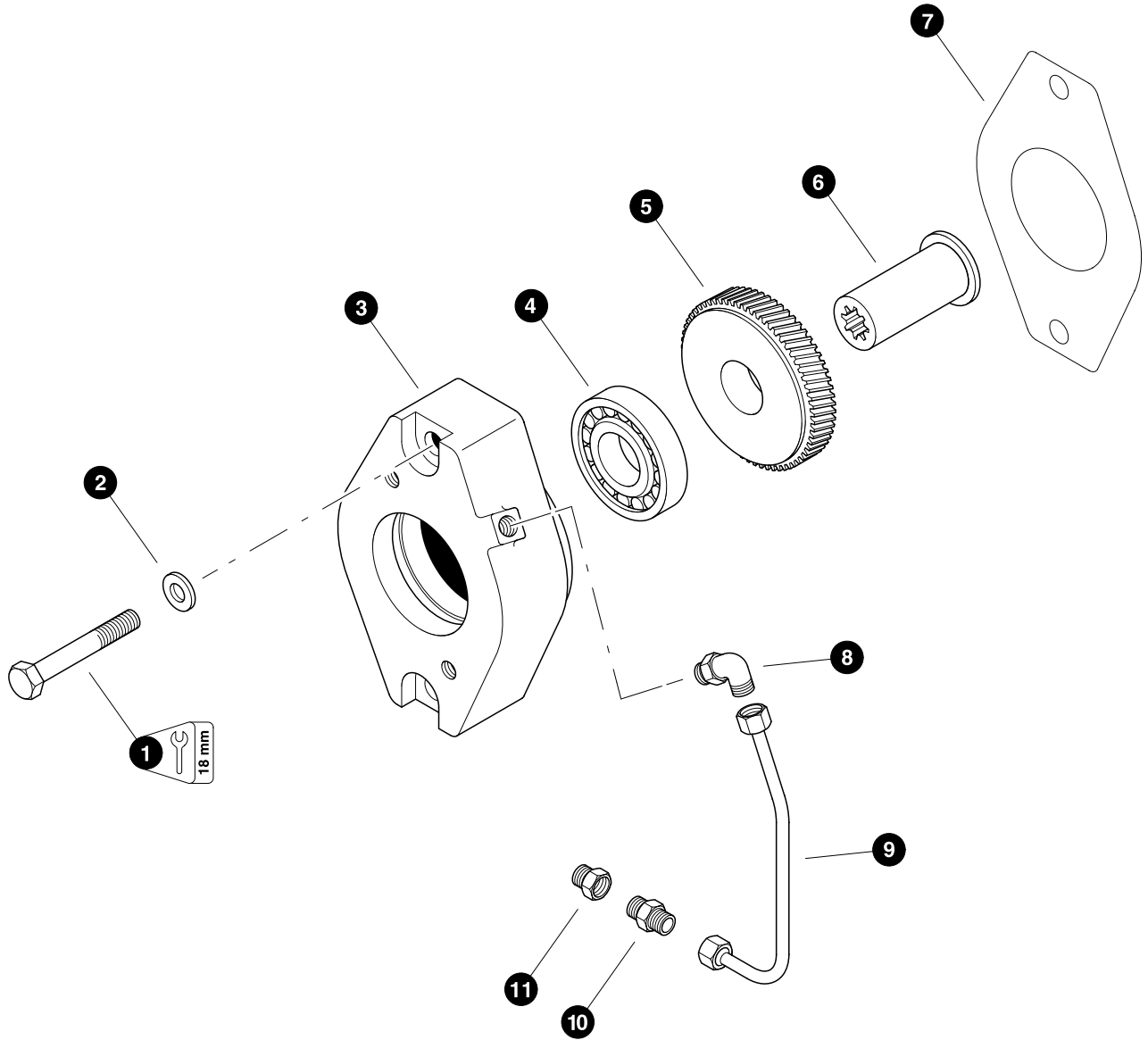


Parts 00698 09/28/98
18.75

ALTERNATOR, STARTER & MISC. COMPONENTS

REF	PART #	QTY	DESCRIPTION	SEE PAGE
1	REF.	1	<input checked="" type="checkbox"/> ENGINE, John Deere - T6068TF	EN-3-2
2	21151-EN	1	<input type="checkbox"/> ALTERNATOR - 12V /120 AMP	
3	--	1	BOLT, flange head - 10mm x 95mm	
4	--	1	BOLT, flange head - 10mm x 25mm	
5	--	1	NUT, Lock 10mm	
6	19351-EN	1	FILTER, engine oil	
7	21152-EN	1	<input type="checkbox"/> STARTER - 12V	
8	--	3	BOLT, flange head - 10mm x 35 mm	

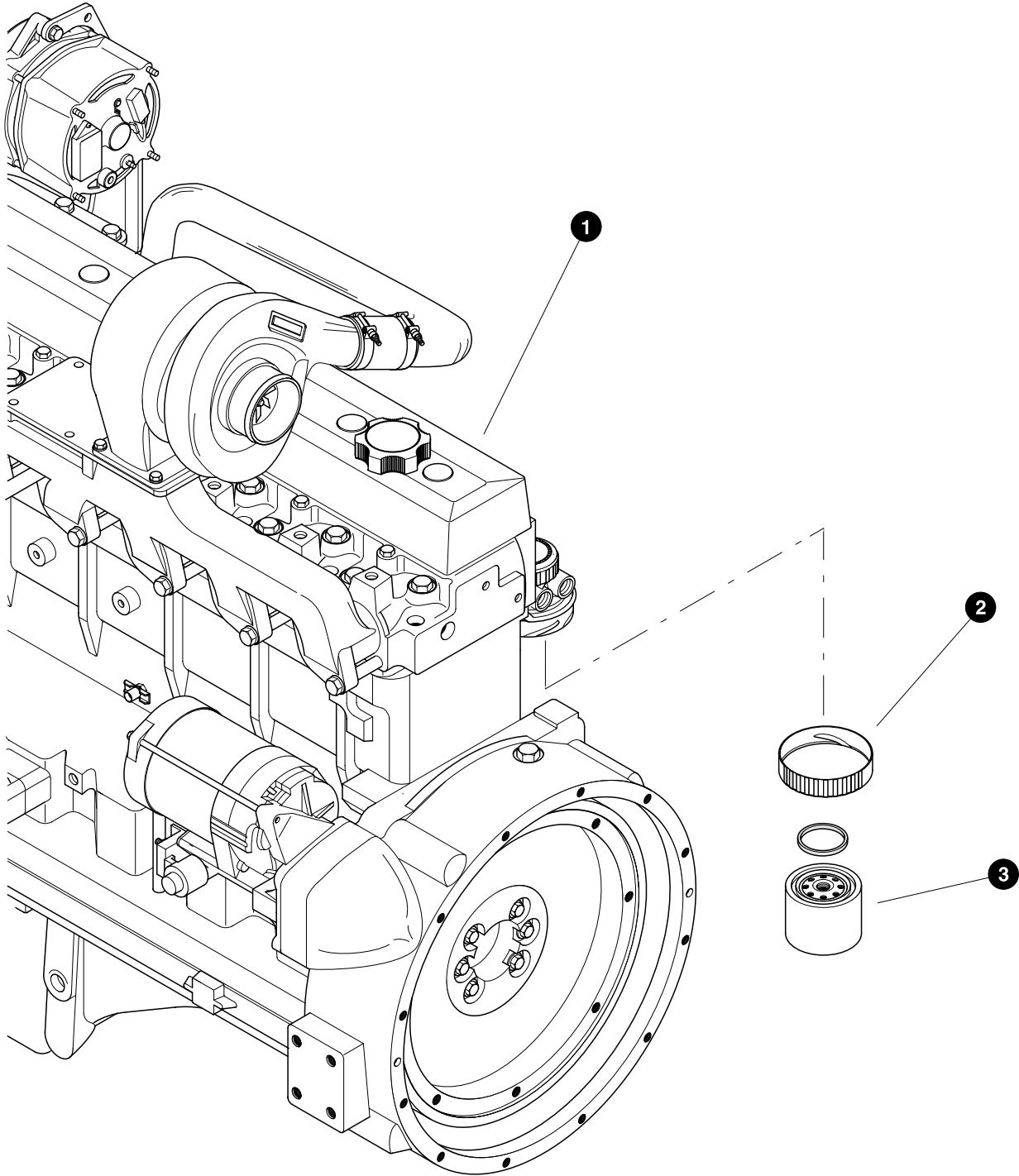
- See referenced page for component or assembly breakdown.
- Kit or Assembly - includes all items indented underneath.



AUXILIARY PUMP DRIVE INSTALLATION

REF	PART #	QTY	DESCRIPTION	SEE PAGE
-	22089-EN	1	<input type="checkbox"/> KIT, auxiliary drive - SAE "A"	
1	20137-EN	2	BOLT - 12mm x 70mm	
2	18735-EN	2	WASHER, flat - 12mm	
3	22090-EN	1	ADAPTER	
4	NSS	1	BEARING, roller	
5	NSS	1	GEAR	
6	NSS	1	COUPLING, auxiliary drive (SAE "A")	
7	22091-EN	1	GASKET	
8	22092-EN	1	ELBOW, 90°	
	22093-EN	1	O-RING (<i>Adapter</i>)	
	22094-EN	1	O-RING (<i>Tube</i>)	
9	22095-EN	1	TUBE ASSEMBLY	
10	22096-EN	1	CONNECTOR, straight	
11	22097-EN	1	BUSHING, reducer	

Kit or Assembly - includes all items indented underneath.

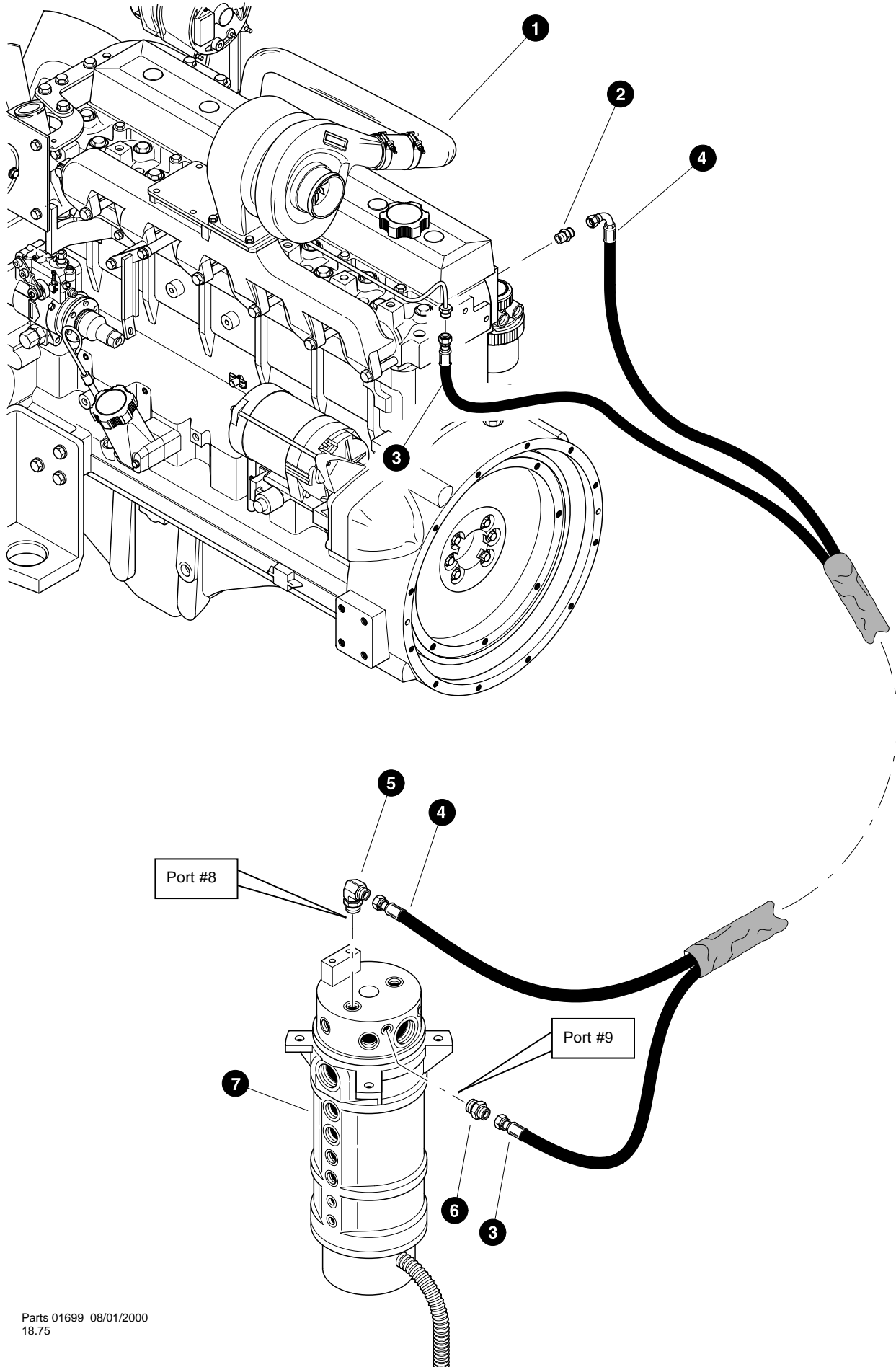


Parts 00705 09/28/98
25.0

FUEL SYSTEM COMPONENTS ON ENGINE

REF	PART #	QTY	DESCRIPTION	SEE PAGE
1	REF.	1	✓ ENGINE, John Deere - T6068TF	EN-3-2
2	21153-EN	1	RING, fuel filter mount	
3	19349-EN	1	FILTER, fuel - primary	
	19350-EN	1	SEAL, rubber	

✓ See referenced page for component or assembly breakdown.



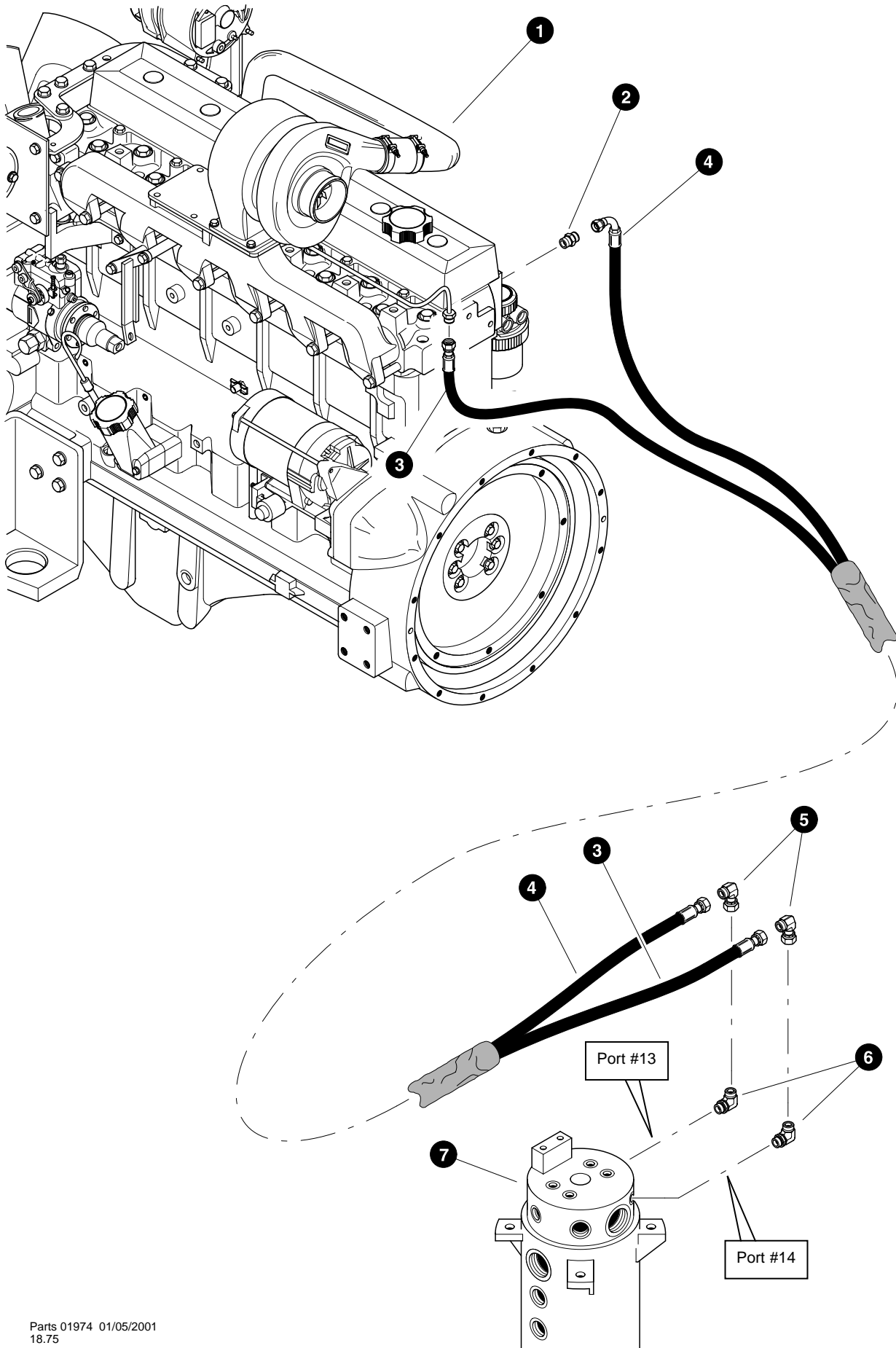
Parts 01699 08/01/2000
18.75

FUEL LINES (Supply & Return)

(Used on machines PDN# 134FWD and below)

REF	PART #	QTY	DESCRIPTION	SEE PAGE
1	REF.	1	✓ ENGINE, John Deere - T6068TF	EN-3-2
2	16295-EN	2	CONNECTOR, straight - FF2031T-0604S	
3	23006-EN	1	HOSE ASSEMBLY - 2049-06-060S-0604-W <i>(Fuel return from fuel injectors to rotary manifold port #8)</i>	
4	23007-EN	1	HOSE ASSEMBLY - 2064-06-060S-0604-W <i>(Fuel supply from rotary manifold port #9 to fuel lift pump on engine)</i>	
5	20031-EN	1	ELBOW, 90° - FF1868T-0608S	
6	22901-EN	1	CONNECTOR, straight - FF1852T-0608S	
7	REF.	1	✓ ROTARY MANIFOLD ASSEMBLY	UP-1-6

- ✓ See referenced page for component or assembly breakdown.
- ✂ Bulk material - order length required in feet or meters.



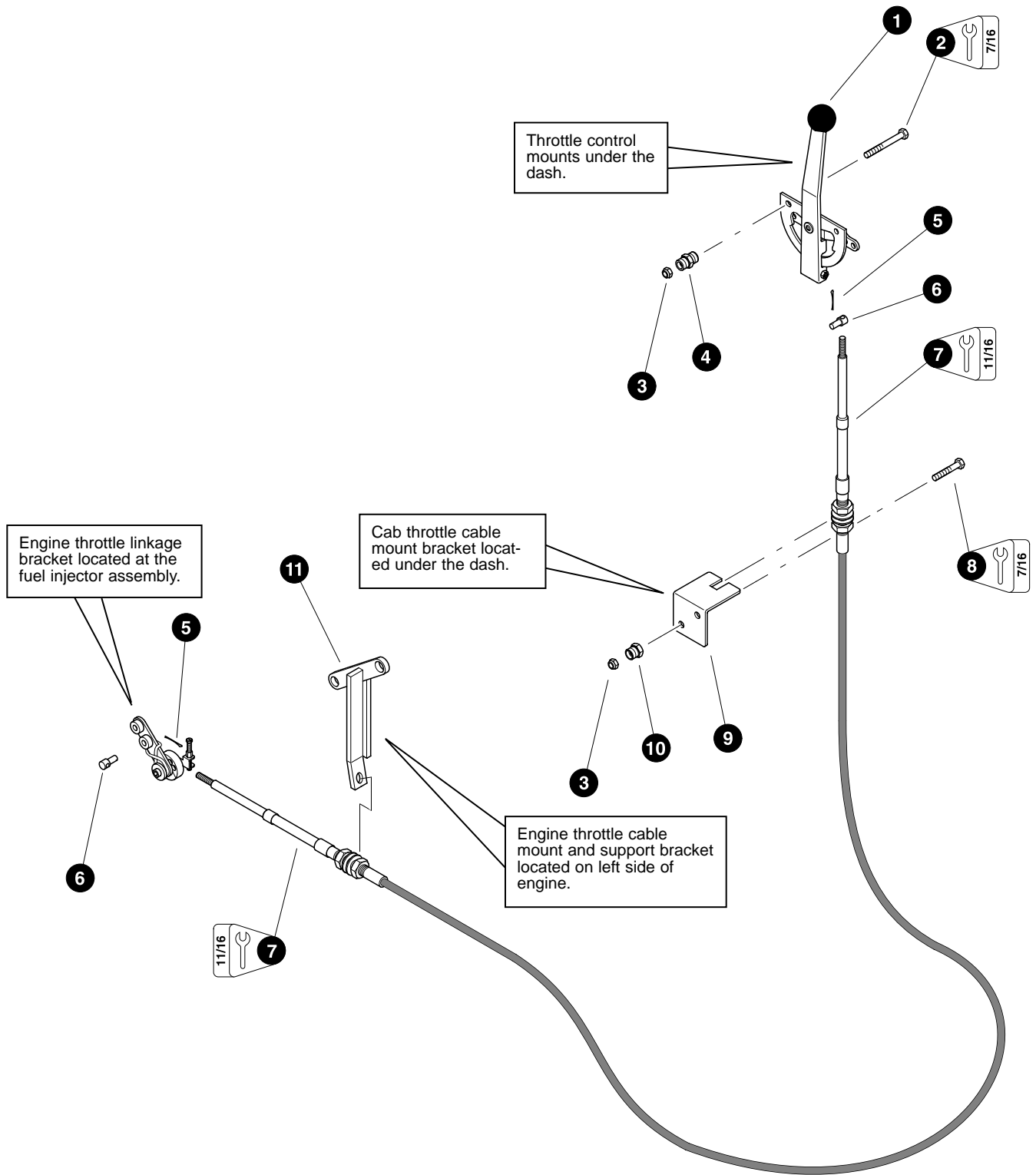
Parts 01974 01/05/2001
18.75

FUEL LINES (Supply & Return)

(Used on machines PDN# 135FWD and above)

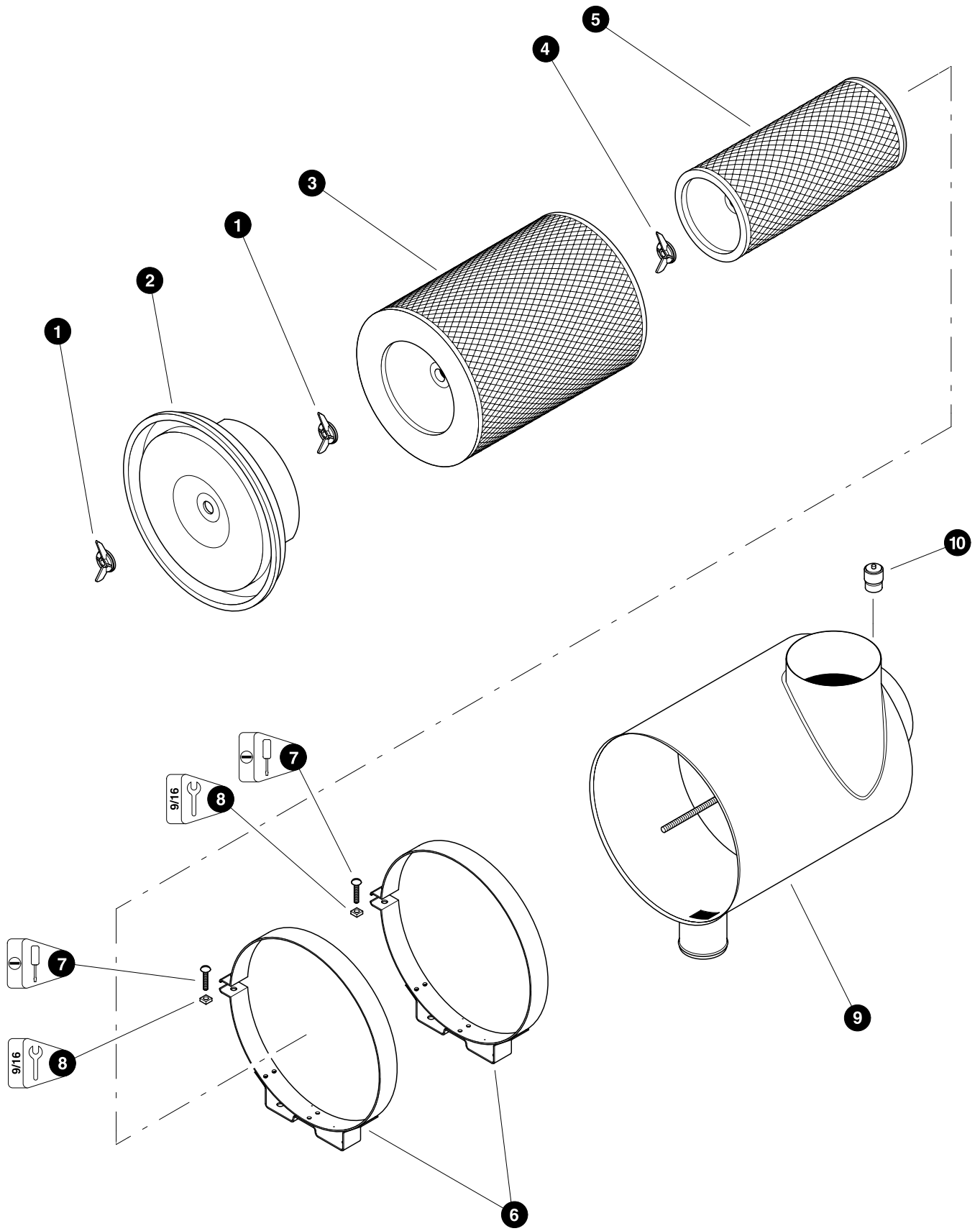
REF	PART #	QTY	DESCRIPTION	SEE PAGE
1	REF.	1	✓ ENGINE, John Deere - T6068TF	EN-3-2
2	16295-EN	2	CONNECTOR, straight - FF2031T-0604S	
3	23533-EN	1	HOSE ASSEMBLY - 2080-06-060S-060S-W <i>(Fuel supply from rotary manifold port #13 to fuel lift pump on engine)</i>	
4	23532-EN	1	HOSE ASSEMBLY - 2067-06-060S-0604-W <i>(Fuel return from fuel injectors to rotary manifold port #14)</i>	
5	20035-EN	2	ELBOW, 90° swivel - FF2098T-0606S	
6	20031-EN	2	ELBOW, 90° - FF1868T-0608S	
7	REF.	1	✓ ROTARY MANIFOLD ASSEMBLY	UP-1-6

- ✓ See referenced page for component or assembly breakdown.
- ✂ Bulk material - order length required in feet or meters.



THROTTLE CONTROL

REF	PART #	QTY	DESCRIPTION	SEE PAGE
1	15566-EN	1	CONTROL, throttle	
2	16364-EN	2	BOLT - 1/4" x 2-1/4"	
3	15509-EN	6	NUT, lock - 1/4"	
4	15567-EN	2	CONNECTOR, straight - 5404-4 (<i>Used as spacer</i>)	
5	15572-EN	2	PIN, cotter	
6	15573-EN	2	PIN, pivot throttle cable end	
7	18221-EN	1	CABLE, throttle	
8	15575-EN	2	BOLT - 1/4" x 1-1/2"	
9	12218-EN	1	BRACKET, throttle cable mount - cab	
10	15574-EN	2	BUSHING, reducer - 5406-4-2 (<i>Used as spacer</i>)	
11	21154-EN	1	BRACKET, throttle cable mount - engine	

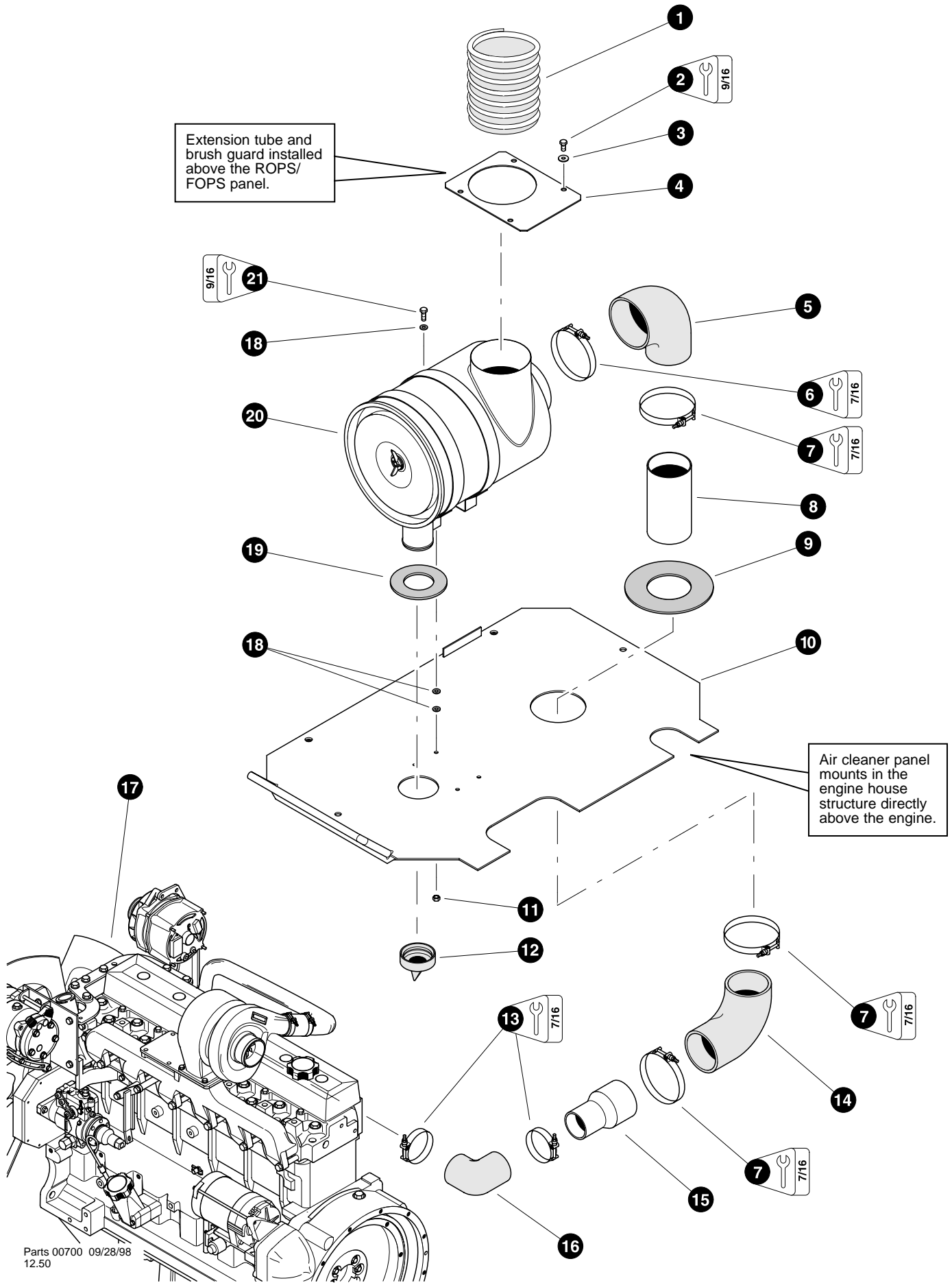


Parts 00118 08/06/96
18.75

AIR CLEANER ASSEMBLY

REF	PART #	QTY	DESCRIPTION	SEE PAGE
-	15825-EN	1	<input type="checkbox"/> AIR CLEANER ASSEMBLY	
1	15827-EN	2	NUT, wing - air cleaner - primary	
2	15830-EN	1	COVER, air cleaner	
3	15809-EN	1	FILTER, air cleaner - primary	
4	15828-EN	1	NUT, wing - air cleaner - secondary	
5	15810-EN	1	FILTER, air cleaner - secondary	
6	15829-EN	2	<input type="checkbox"/> CLAMP, air cleaner band	
7	15591-EN	1	BOLT - 5/16" x 1-1/2"	
8	10788-EN	1	NUT, nylock - 5/16"	
9	15826-EN	1	CANISTER, air cleaner	
10	16114-EN	1	INDICATOR, air cleaner filter service	

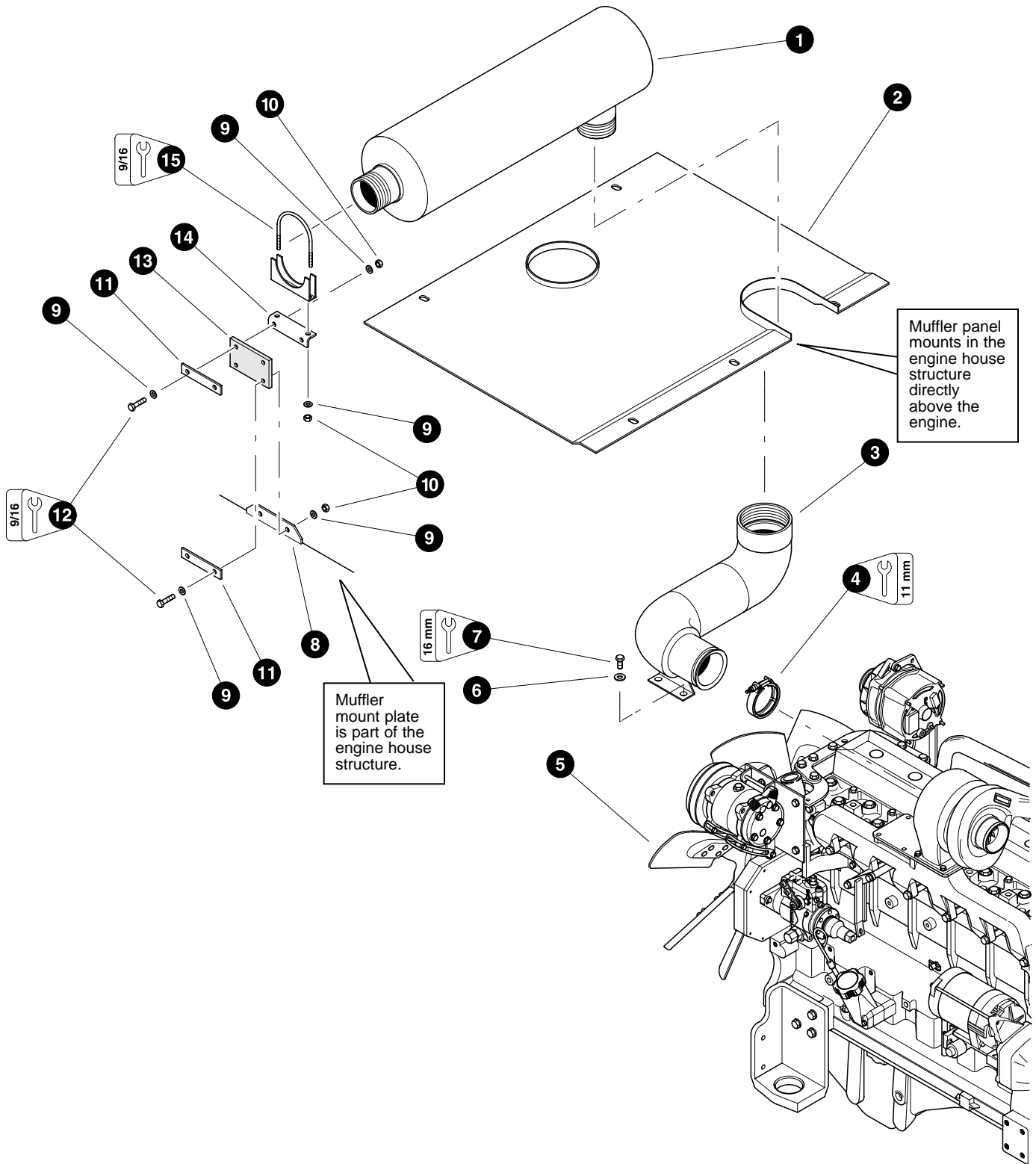
Kit or Assembly - includes all items indented underneath.



AIR CLEANER INSTALLATION

REF	PART #	QTY	DESCRIPTION	SEE PAGE
1	17825-EN	1	TUBE, air cleaner extension	
2	15542-EN	4	BOLT - 3/8" x 3/4"	
3	10802-EN	4	WASHER, flat - 3/8"	
4	18832-EN	1	GUARD, air cleaner brush	
5	15831-EN	1	ELBOW, 90° rubber	
6	16249-EN	1	CLAMP, strap band - 5-1/2"	
7	15697-EN	1	CLAMP, strap band - 4-1/2"	
8	18816-EN	1	CONNECTOR, air intake	
9	19163-EN	1	BOOT, rubber air intake	
10	REF.	1	✓ AIR CLEANER PANEL	UP-1-24
11	10813-EN	4	NUT, lock - 3/8"	
12	16608-EN	1	BOOT, air cleaner dust	
13	15613-EN	1	CLAMP, strap band - 3-1/2"	
14	16105-EN	1	ELBOW, 90° rubber	
15	19488-EN	1	CONNECTOR, air intake	
16	16371-EN	1	ELBOW, 90° rubber	
17	REF.	1	✓ ENGINE, John Deere - T6068TF	EN-3-2
18	15528-EN	8	WASHER, SAE flat - 3/8"	
19	16495-EN	1	BOOT, rubber	
20	REF.	1	✓ AIR CLEANER ASSEMBLY	EN-3-18
21	11707-EN	4	BOLT - 3/8" x 1"	

✓ See referenced page for component or assembly breakdown.

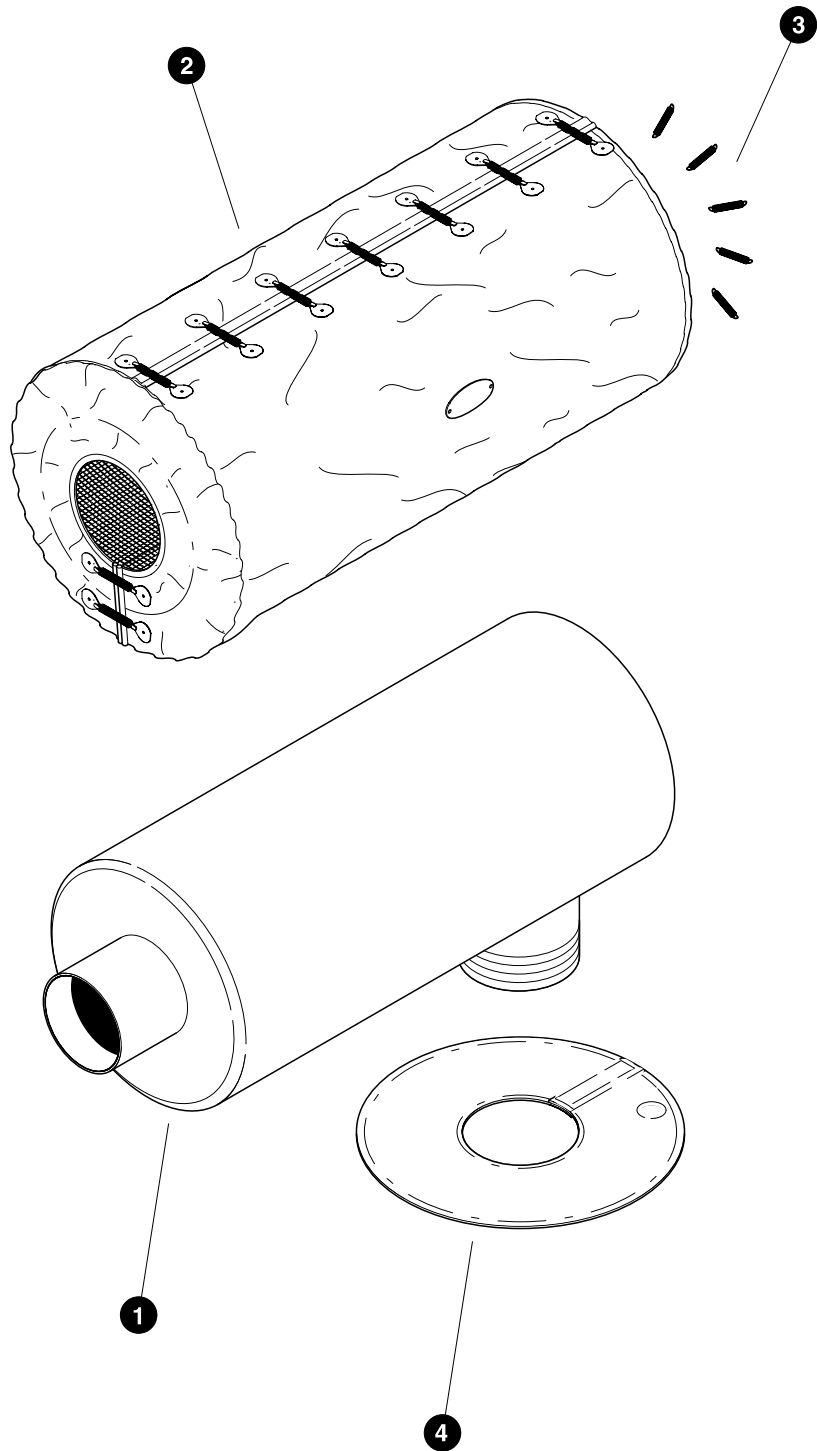


Parts 00701 09/29/98
12.50

MUFFLER INSTALLATION

REF	PART #	QTY		DESCRIPTION	SEE PAGE
1	17202-EN	1		MUFFLER	
2	REF.	1	✓	MUFFLER PANEL	UP-1-24
3	19342-EN	1		ELBOW, exhaust	
4	15850-EN	1		CLAMP, turbo exhaust	
5	REF.	1	✓	ENGINE, John Deere - T6068TF	EN-3-2
6	10802-EN	2		WASHER, flat - 3/8"	
7	18416-EN	2		BOLT - 10mm x 25mm	
8	12186-EN	1		PLATE, muffler mount (<i>Welded to engine house frame</i>)	
9	15528-EN	10		WASHER, SAE flat - 3/8"	
10	10813-EN	6		NUT, lock - 3/8"	
11	16734-EN	2		RETAINER, muffler rubber	
12	10731-EN	4		BOLT - 3/8" x 1-1/2"	
13	16572-EN	1		RUBBER, muffler mounting	
14	19184-EN	1		BRACKET, top muffler	
15	16279-EN	1		CLAMP, muffler mount - 3-1/2"	

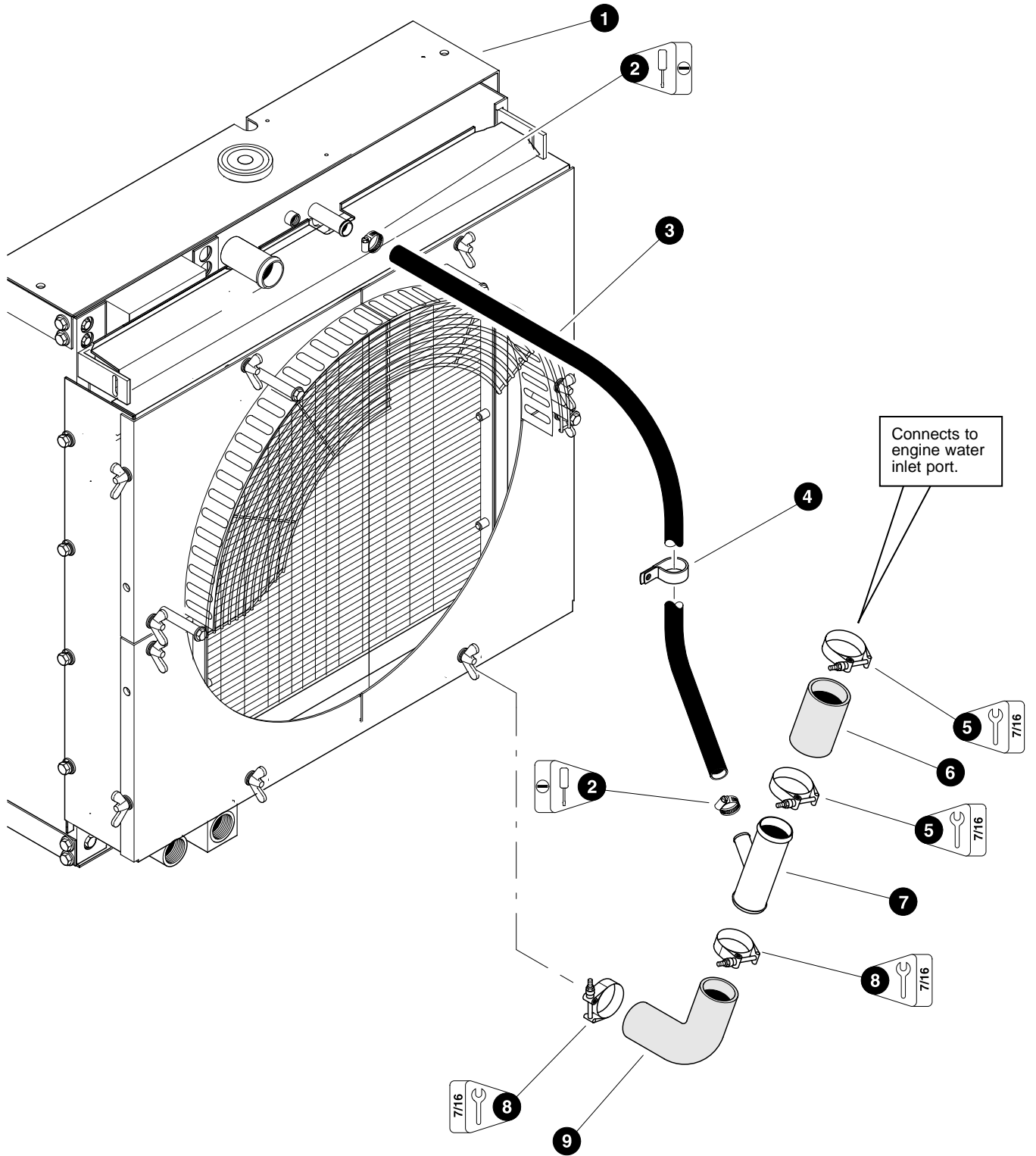
✓ See referenced page for component or assembly breakdown.



OPTIONAL MUFFLER BLANKET INSTALLATION

REF	PART #	QTY	DESCRIPTION	SEE PAGE
1	REF.	1	✓ MUFFLER	EN-3-22
2	23127-EN	1	INSULATION, muffler blanket	
3	23126-EN	14	SPRING, muffler blanket (<i>stainless</i>)	
4	22813-EN	1	DEFLECTOR, skirting - exhaust	

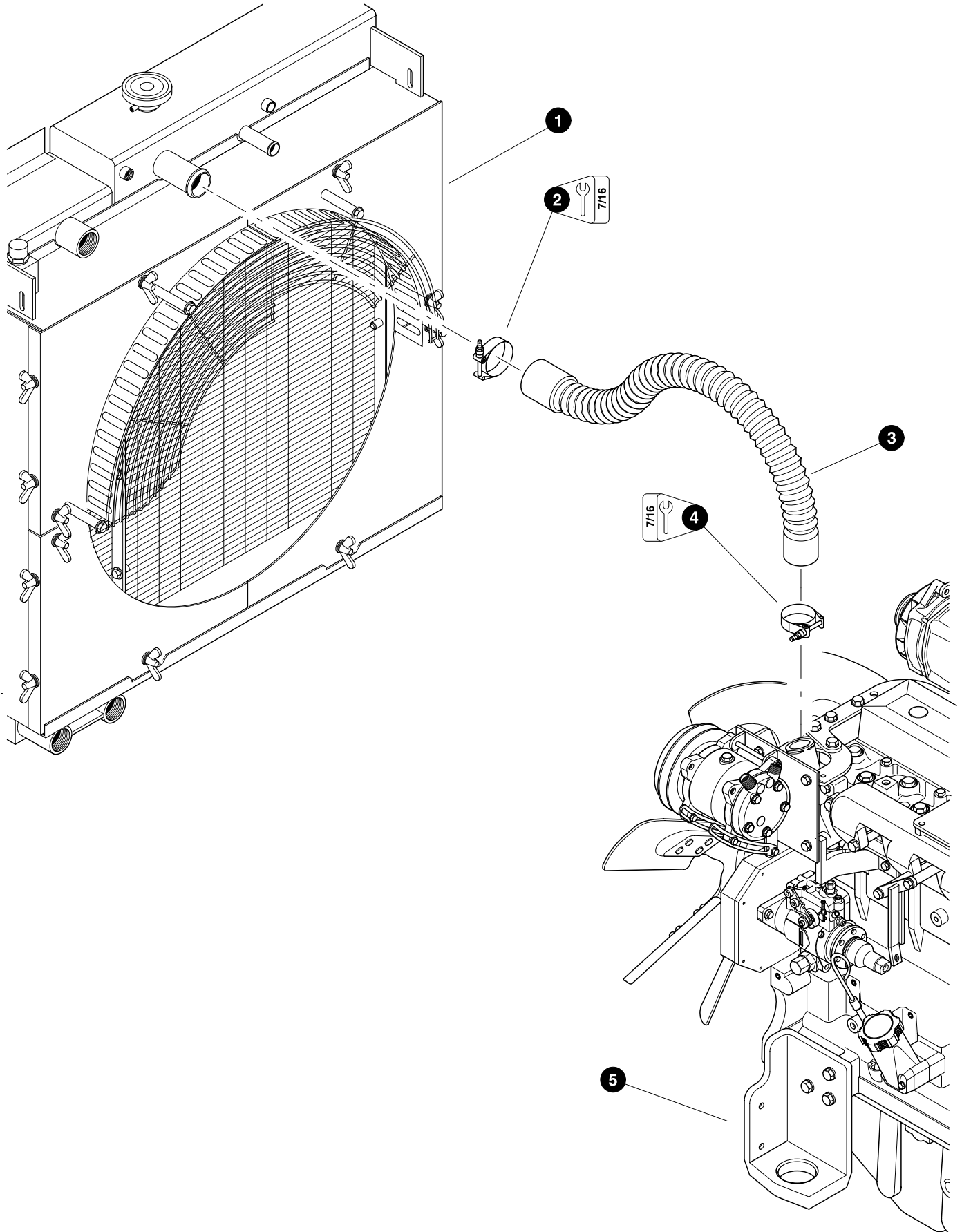
✓ See referenced page for component or assembly breakdown.



COOLING SYSTEM LINES (Lower Radiator Connections)

REF	PART #	QTY		DESCRIPTION	SEE PAGE
1	REF.	1	✓	RADIATOR/OIL COOLER ASSEMBLY	UP-3-2
2	16256-EN	2		CLAMP, hose - worm style - 1"	
3	22184-EN	AR	>∞	HOSE, heater - 3/4"	
4	17257-EN	1		CLAMP, hose - coated strap - 1-1/2"	
5	18104-EN	2		CLAMP, constant torque - #36	
6	15620-EN	AR	>∞	HOSE, radiator - 2-1/4"	
7	21669-EN	1		TUBE, radiator splice	
8	18651-EN	2		CLAMP, constant torque - #32	
9	17761-EN	1		HOSE, 90° radiator - 2"	

- ✓ See referenced page for component or assembly breakdown.
- >∞ Bulk material - order length required in feet or meters.



Parts 00703 09/28/98
18.75

COOLING SYSTEM LINES (Upper Radiator Connections)

REF	PART #	QTY	DESCRIPTION	SEE PAGE
1	REF.	1	✓ RADIATOR/OIL COOLER ASSEMBLY	UP-3-2
2	18104-EN	1	CLAMP, constant torque - #36	
3	15615-EN	1	HOSE, flex radiator - 1-3/4" x 2" x 23-1/2"	
4	16202-EN	2	CLAMP, hose - worm style - 5/8"	
5	REF.	1	✓ ENGINE, John Deere - T6068TF	EN-3-2

✓ See referenced page for component or assembly breakdown.