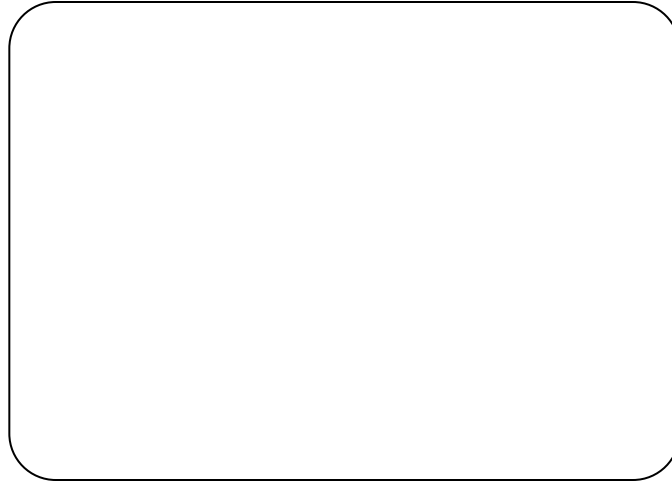
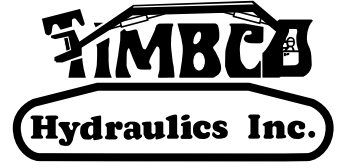
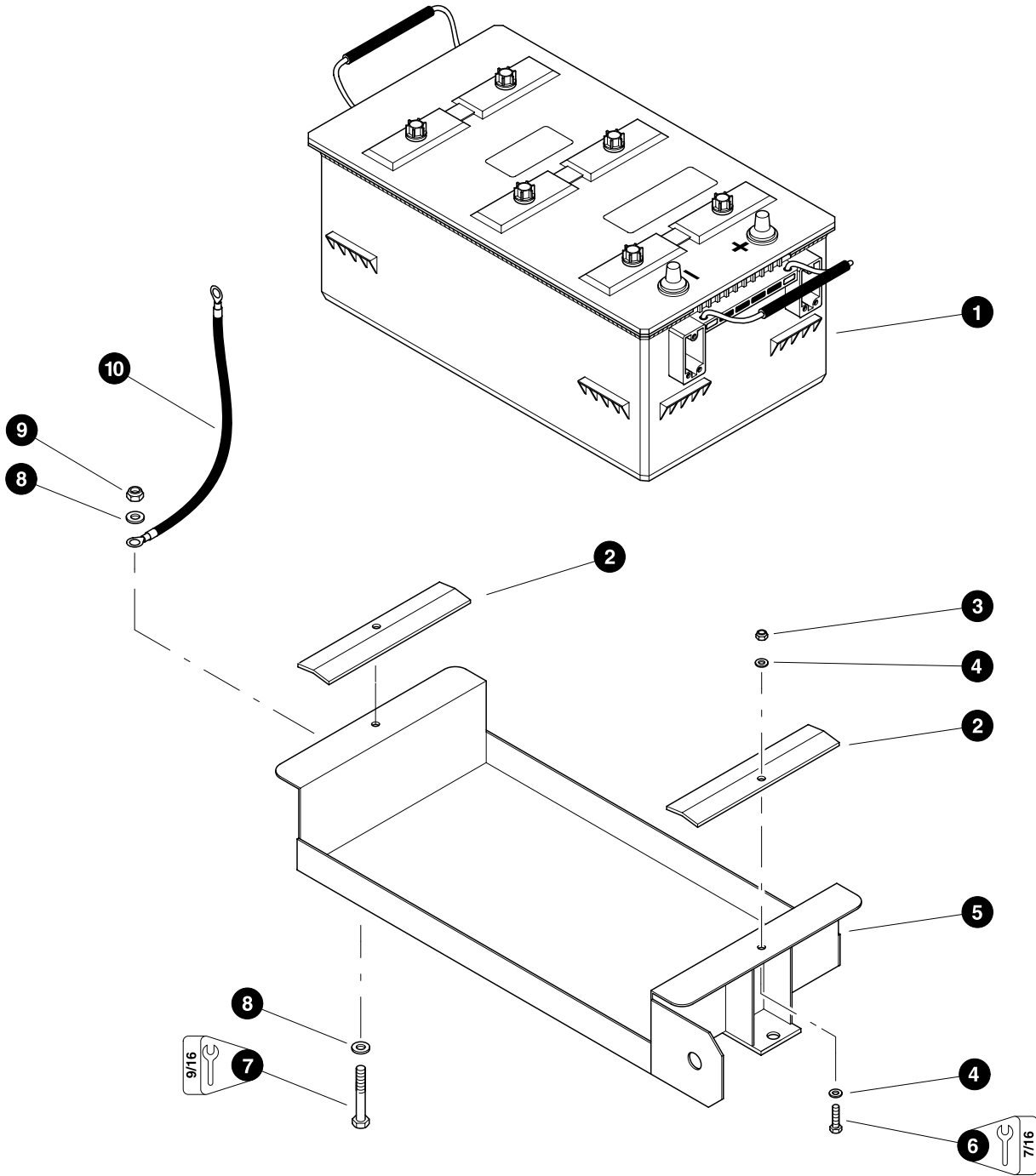


Section ES-1



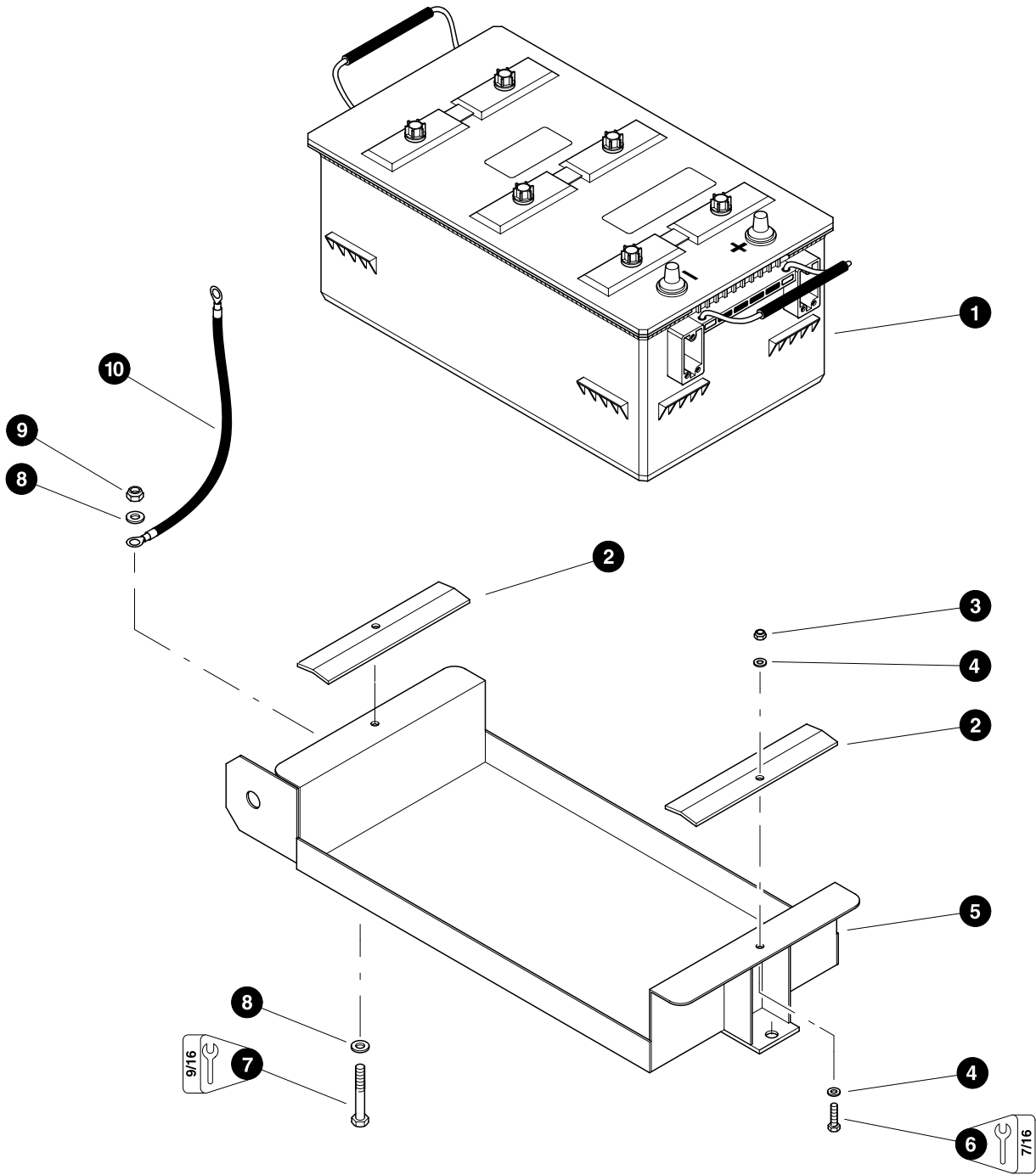
Electrical System - Engine



Parts 00434 02/04/98
25.00

BATTERY INSTALLATION
(Cummins 6CT8.3-C Engine)

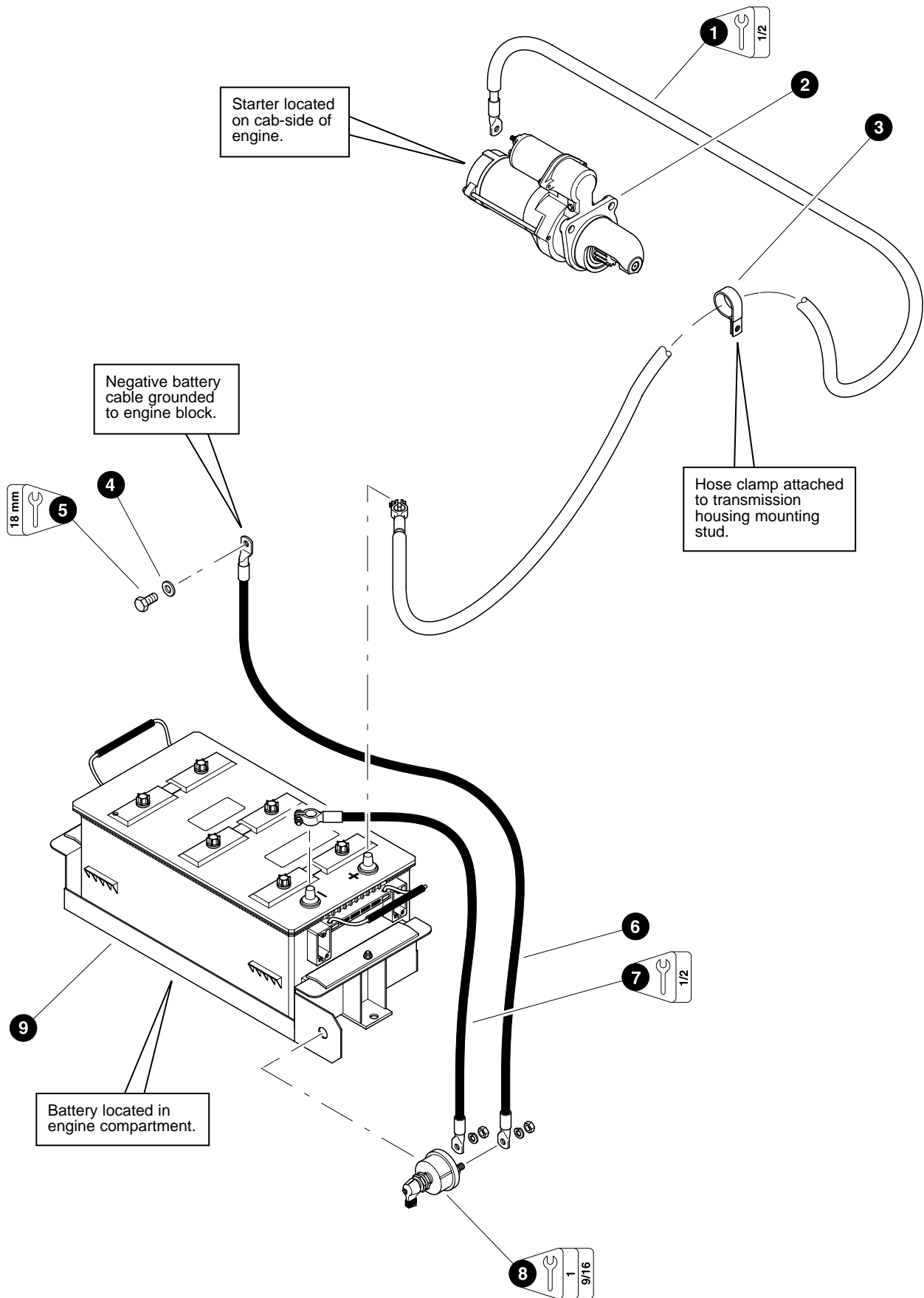
REF	PART #	QTY	DESCRIPTION	SEE PAGE
1	18336-ES	1	BATTERY, 12V	
2	18454-ES	2	BRACKET, battery hold-down	
3	18453-ES	1	BRACKET, battery box	
4	15507-ES	2	NUT, nylock - 3/8"	
5	15528-ES	4	WASHER, SAE flat - 3/8"	
6	10702-ES	2	BOLT - 3/8" x 2-1/2"	
7	15576-ES	2	BOLT - 1/4" x 1"	
8	10757-ES	4	WASHER, SAE flat - 1/4"	
9	10811-ES	2	NUT, lock - 1/4"	



Parts 00436 02/04/98
25.00

BATTERY INSTALLATION
(John Deere T6068TF Engines)

REF	PART #	QTY	DESCRIPTION	SEE PAGE
1	18336-ES	1	BATTERY, 12V	
2	18454-ES	2	BRACKET, battery hold-down	
3	19050-ES	1	BRACKET, battery box	
4	15507-ES	2	NUT, nylock - 3/8"	
5	15528-ES	4	WASHER, SAE flat - 3/8"	
6	10702-ES	2	BOLT - 3/8" x 2-1/2"	
7	15576-ES	2	BOLT - 1/4" x 1"	
8	10757-ES	4	WASHER, SAE flat - 1/4"	
9	10811-ES	2	NUT, lock - 1/4"	

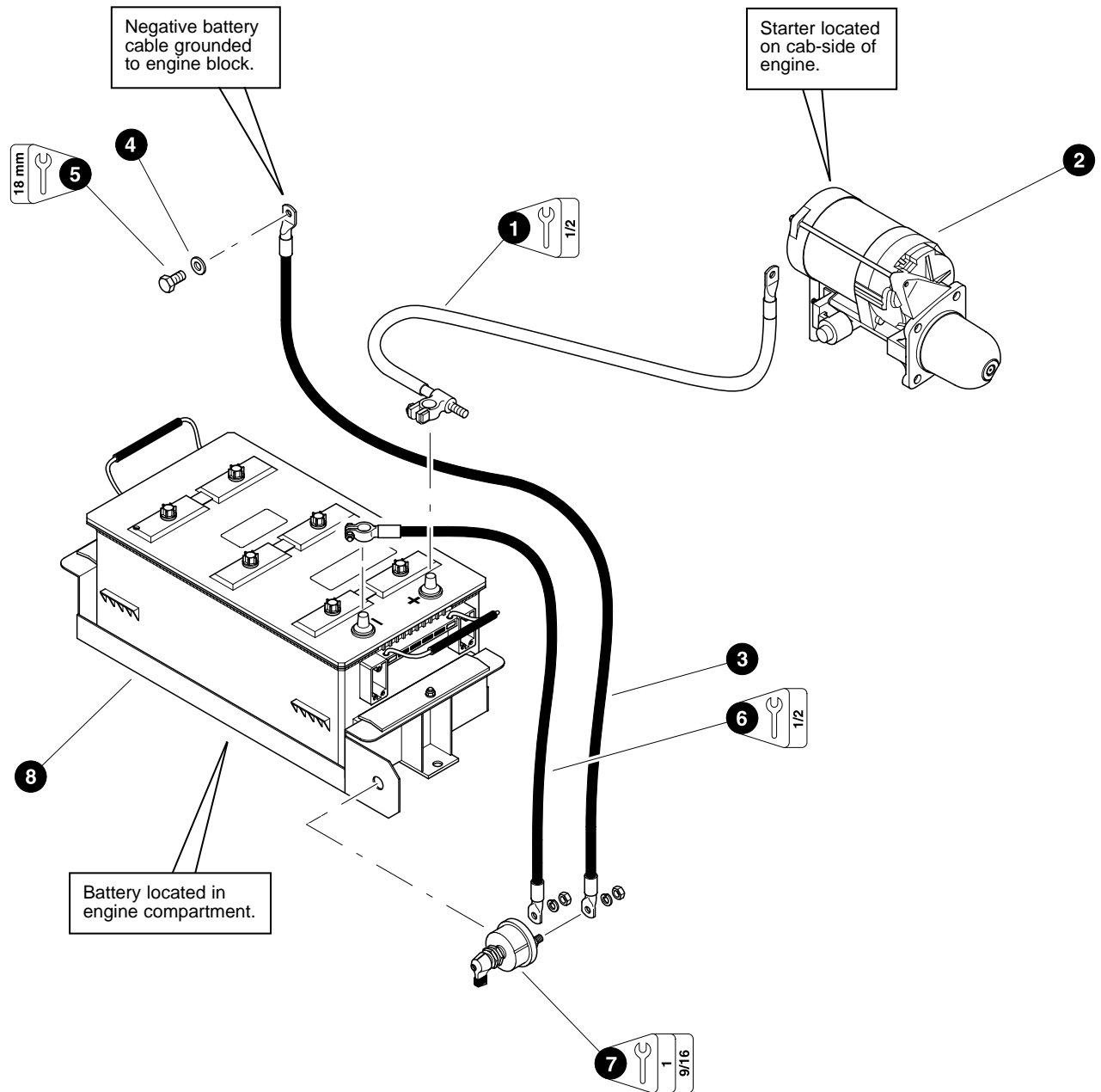


Parts 00435 02/05/98
18.75

BATTERY CABLE INSTALLATION (Cummins 6CT8.3-C Engines)

REF	PART #	QTY	DESCRIPTION	SEE PAGE
1	18437-ES	1	CABLE, battery - positive <i>(From positive battery post to starter post)</i>	
2	REF.	1	✓ STARTER	EN-2-8
3	17257-ES	1	CLAMP, hose - coated strap - 1-1/2"	
4	18735-ES	1	WASHER, flat - 12mm	
5	15556-ES	1	BOLT - 12mm-1.75P x 20mm	
6	18438-ES	1	CABLE, battery - negative <i>(From master shut-off switch to ground on engine block)</i>	
7	18586-ES	1	CABLE, battery master disconnect <i>(From negative battery post to master shut-off switch)</i>	
8	16289-ES	1	SWITCH, master shut-off	
9	REF.	1	✓ BATTERY	ES-1-2

✓ See referenced page for component or assembly breakdown.

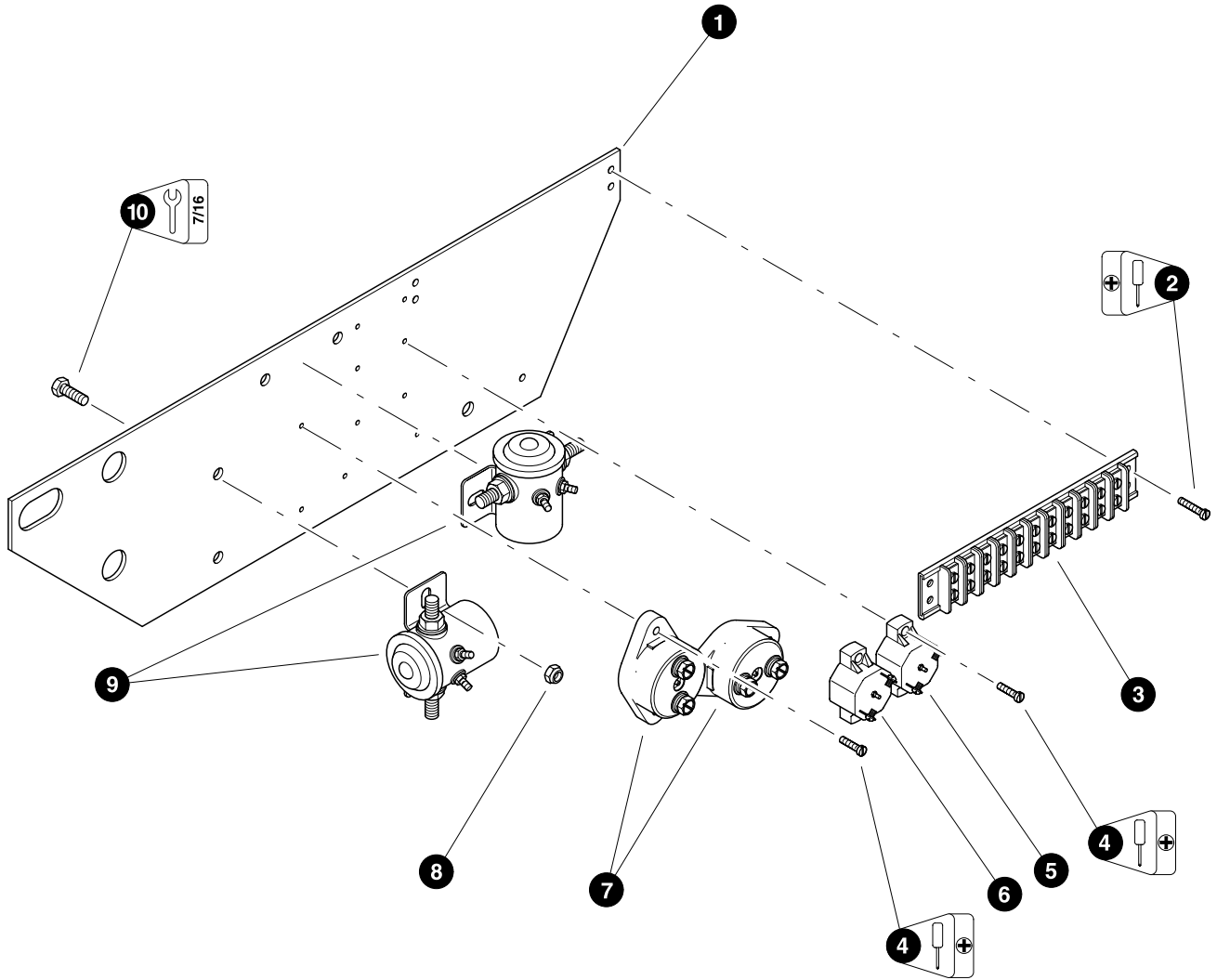


Parts 01293 08/11/99
18.75

BATTERY CABLE INSTALLATION (John Deere T6068TF Engines)

REF	PART #	QTY	DESCRIPTION	SEE PAGE
1	19345-ES	1	CABLE, battery - positive <i>(From positive battery post to starter post)</i>	
2	REF.	1	✓ STARTER	EN-3-8
3	18438-ES	1	CABLE, battery - negative <i>(From master shut-off switch to ground on engine block)</i>	
4	18735-ES	1	WASHER, flat - 12mm	
5	15556-ES	1	BOLT - 12mm-1.75P x 20mm	
6	18586-ES	1	CABLE, battery master disconnect <i>(From negative battery post to master shut-off switch)</i>	
7	16289-ES	1	SWITCH, master shut-off	
8	REF.	1	✓ BATTERY	EN-1-2

✓ See referenced page for component or assembly breakdown.

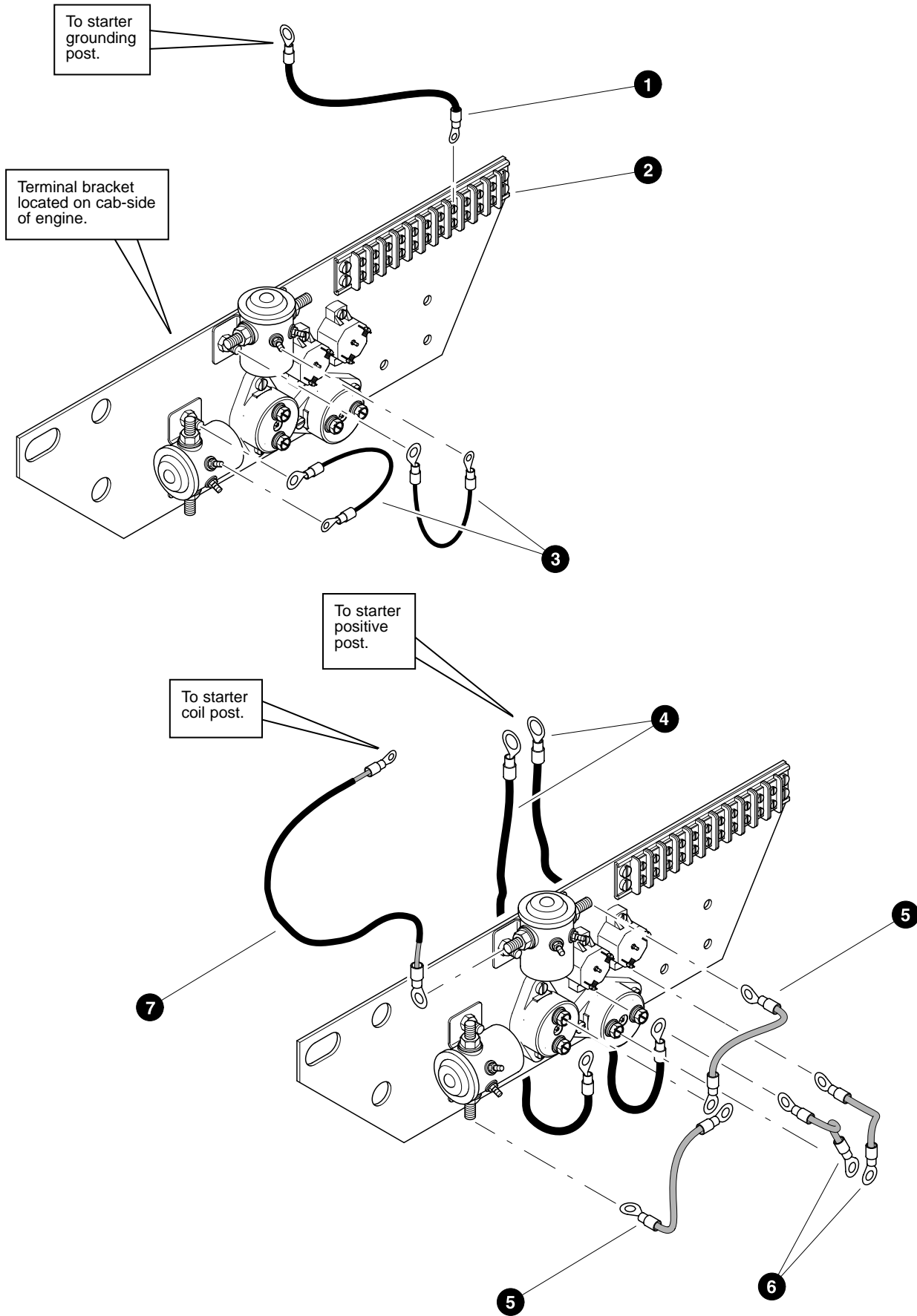


Parts 00438 02/09/98
25.00

MAIN ENGINE ELECTRICAL (Terminal Bracket Components)

REF	PART #	QTY	DESCRIPTION	SEE PAGE
--	19090-ES	1	<input type="checkbox"/> HARNESS ASSEMBLY, main engine wiring	
1	18888-ES	1	BRACKET, terminal	
2	15663-ES	4	SCREW, self-tapping machine - #10-24 x 1"	
3	15008-ES	1	STRIP, terminal - engine	
4	16129-ES	8	SCREW, self-tapping machine - #10-24 x 3/4"	
5	16097-ES	1	BREAKER, 40 amp	
6	16078-ES	1	BREAKER, 20 amp	
7	16080-ES	2	BREAKER, 50 amp	
8	15509-ES	4	NUT, nylock - 1/4"	
9	16035-ES	2	RELAY, 12V heavy duty	
10	15604-ES	4	BOLT - 1/4" x 3/4"	

Kit or Assembly - includes all items indented underneath.

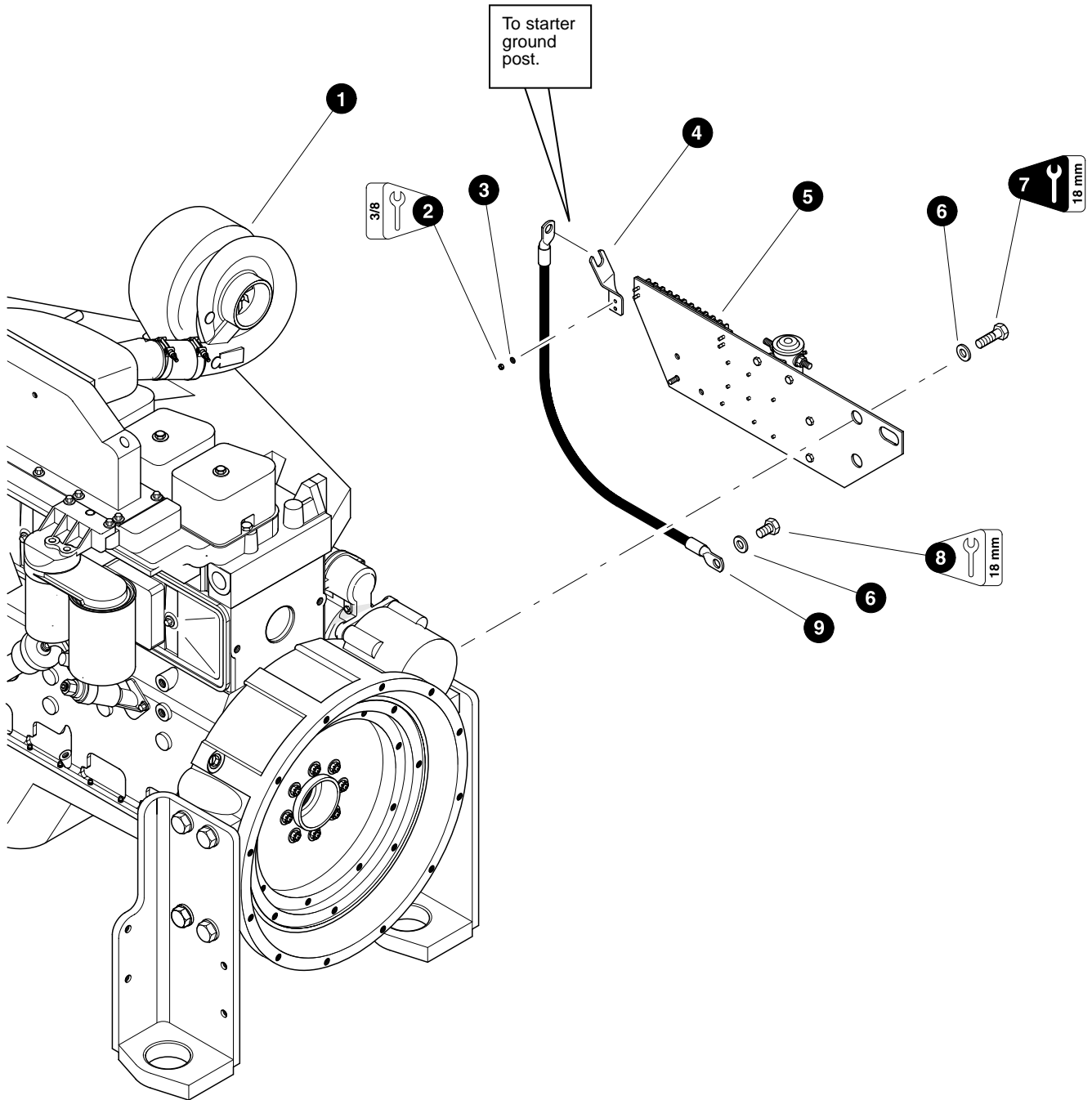


Parts 00441 02/10/98
37.50

MAIN ENGINE ELECTRICAL (Terminal Bracket Wire Connections)

REF	PART #	QTY	DESCRIPTION	SEE PAGE
--	19090-ES	1	<input type="checkbox"/> HARNESS ASSEMBLY, main engine wiring	
1	NSS	1	WIRE ASSEMBLY, terminal strip ground	
2	REF.	1	<input checked="" type="checkbox"/> TERMINAL BRACKET ASSEMBLY	ES-1-10
3	NSS	2	WIRE ASSEMBLY, relay ground	
4	NSS	2	WIRE ASSEMBLY, 50 amp breaker power	
5	NSS	2	WIRE ASSEMBLY, relay power	
6	NSS	2	WIRE ASSEMBLY, 20/35 amp breaker power	
7	NSS	1	WIRE ASSEMBLY, starter coil signal	

- Kit or Assembly - includes all items indented underneath.
- See referenced page for component or assembly breakdown.



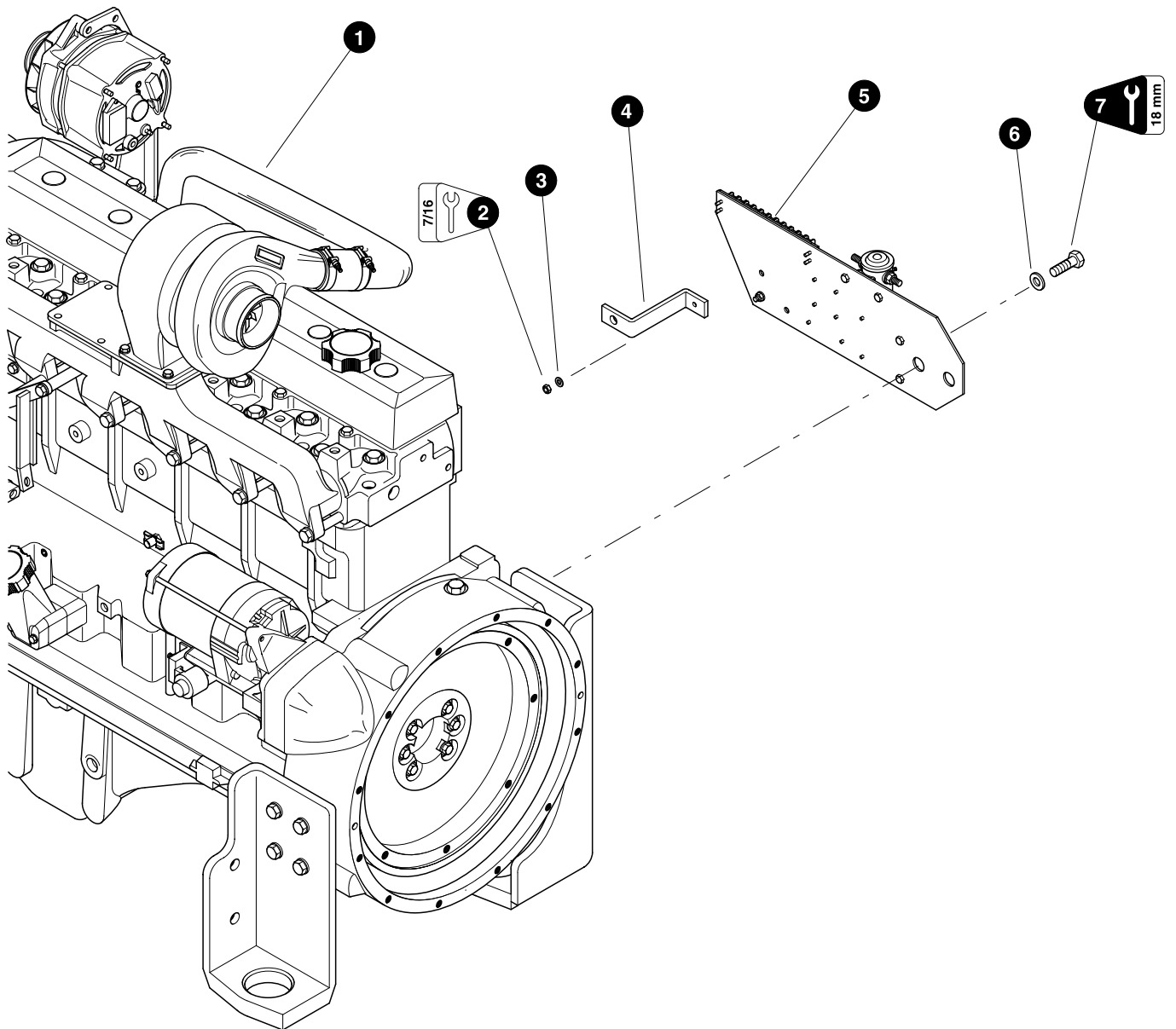
Parts 00439 02/10/98
18.75

MAIN ENGINE ELECTRICAL

(Terminal Bracket Installation - Cummins 6C8.3-C Engine)

REF	PART #	QTY		DESCRIPTION	SEE PAGE
1	REF.	1	✓	ENGINE, Cummins C SERIES 6 cylinder/8.3 litre	EN-2-2
2	16131-ES	1		NUT, nylock - #10-24	
3	16208-ES	2		WASHER, flat - #10	
4	17206-ES	1		BRACKET, terminal bracket support	
5	REF.	1	✓	TERMINAL BRACKET ASSEMBLY	ES-1-10
6	18735-ES	3		WASHER, flat - 12mm	
7	15551-ES	2		BOLT - 12mm-1.75P x 40mm (Torque to 92 ft.lbs. (122 Nm))	
8	15556-ES	1		BOLT - 12mm-1.75P x 20mm	
9	17394-ES	1		CABLE, starter ground	

✓ See referenced page for component or assembly breakdown.



Parts 00993 12/11/98
18.75

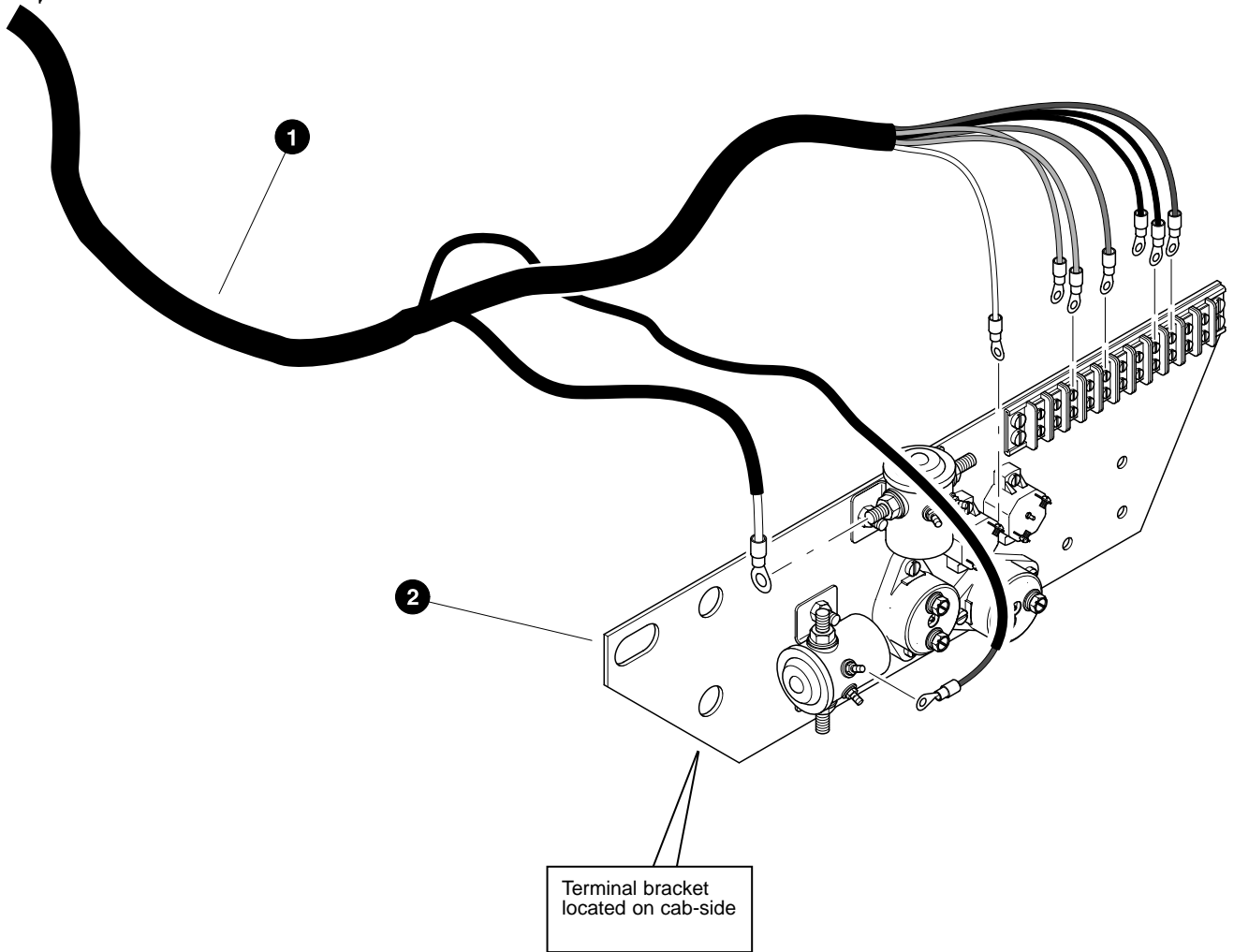
MAIN ENGINE ELECTRICAL

(Terminal Bracket Installation - John Deere T6068TF Engines)

REF	PART #	QTY		DESCRIPTION	SEE PAGE
1	REF.	1	✓	ENGINE, John Deere - T6068TF	EN-3-2
2	16131-ES	1		NUT, nylock - #10-24	
3	16208-ES	2		WASHER, flat - #10	
4	19381-ES	1		BRACKET, terminal bracket support	
5	REF.	1	✓	TERMINAL BRACKET ASSEMBLY	ES-1-12
6	18735-ES	3		WASHER, flat - 12mm	
7	15551-ES	2		BOLT - 12mm-1.75P x 40mm (Torque to 92 ft.lbs. (122 Nm))	

✓ See referenced page for component or assembly breakdown.

Harness routes around rear of engine to hydraulic oil level sensor, hydrostatic filter bypass indicator, hydraulic oil fill pump, and ether injector.

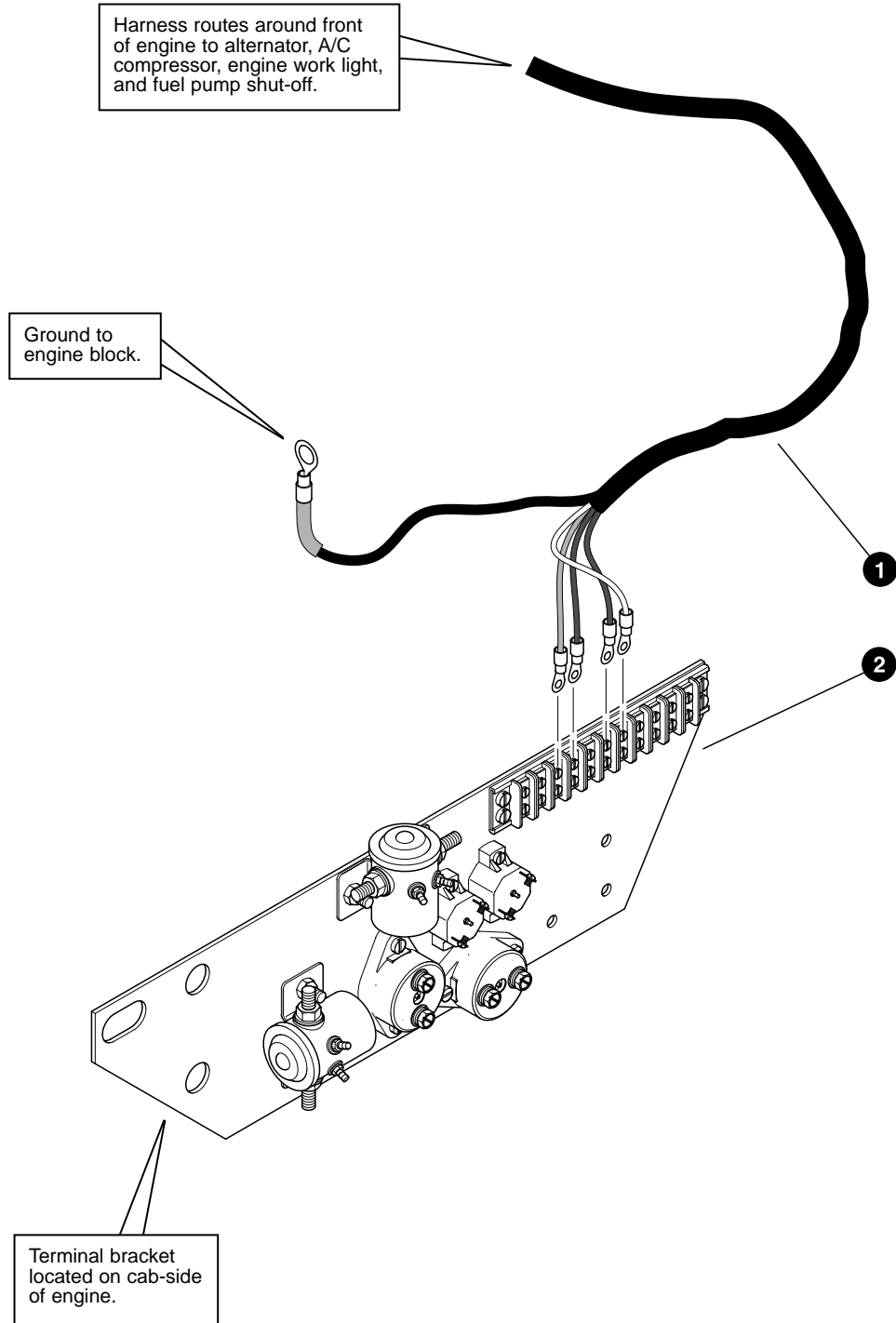


Parts 00442 02/10/98
37.50

MAIN ENGINE ELECTRICAL (Engine Harness "A" Connections)

REF	PART #	QTY	DESCRIPTION	SEE PAGE
--	19090-ES	1	<input type="checkbox"/> HARNESS ASSEMBLY, main engine wiring	
1	17443-ES	1	WIRE HARNESS, engine "A"	
2	REF.	1	<input checked="" type="checkbox"/> TERMINAL BRACKET ASSEMBLY	ES-1-10

- Kit or Assembly - includes all items indented underneath.
- See referenced page for component or assembly breakdown.

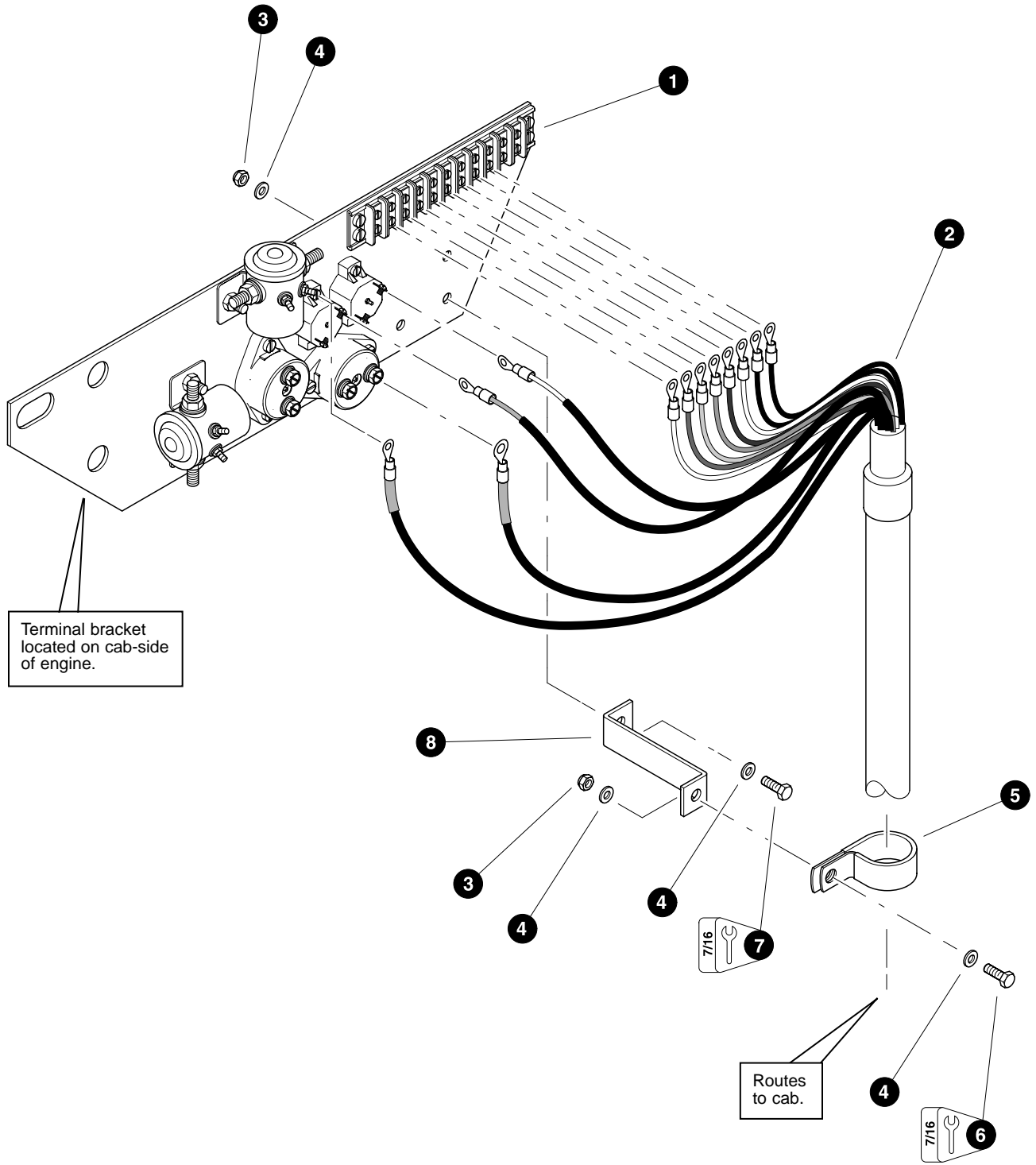


Parts 00443 02/10/98
37.50

MAIN ENGINE ELECTRICAL (Engine Harness "B" Connections)

REF	PART #	QTY		DESCRIPTION	SEE PAGE
--	19090-ES	1	<input type="checkbox"/>	HARNESS ASSEMBLY, main engine wiring	
1	17430-ES	1		WIRE HARNESS, engine "B"	
2	REF.	1	<input checked="" type="checkbox"/>	TERMINAL BRACKET ASSEMBLY	ES-1-10

- Kit or Assembly - includes all items indented underneath.
- See referenced page for component or assembly breakdown.



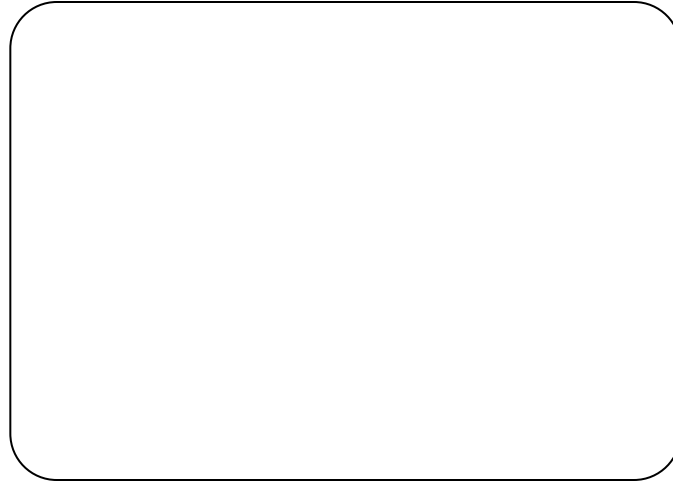
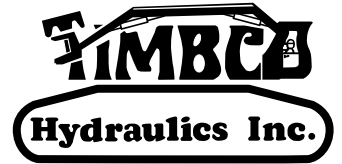
Parts 00444 02/10/98
37.50

MAIN ENGINE ELECTRICAL (Main Engine Harness To Cab Connections)

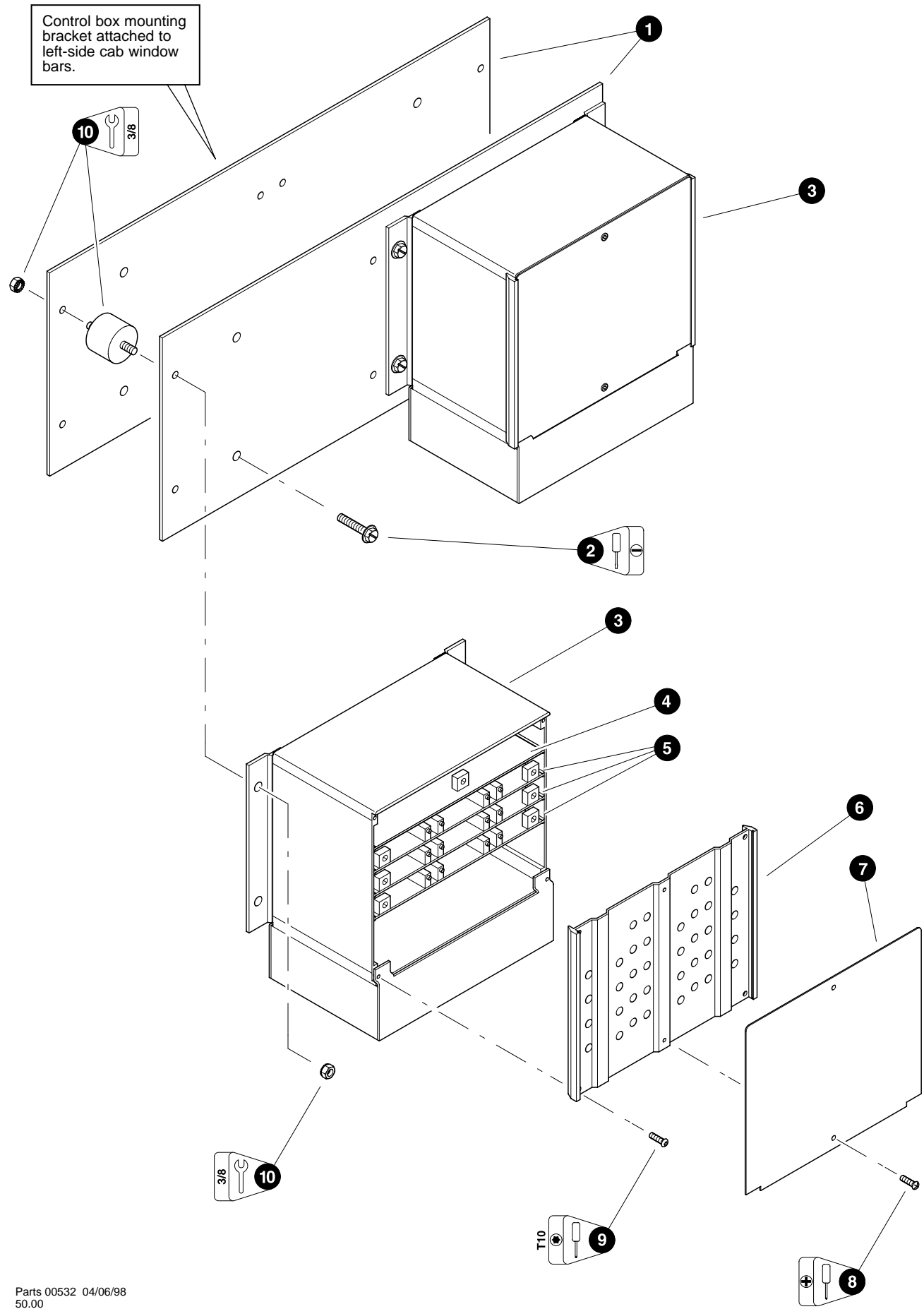
REF	PART #	QTY	DESCRIPTION	SEE PAGE
--	19090-ES	1	<input type="checkbox"/> HARNESS ASSEMBLY, main engine wiring	
1	REF.	1	<input checked="" type="checkbox"/> TERMINAL BRACKET ASSEMBLY	ES-1-10
2	15009-ES	1	WIRE HARNESS, main engine to cab	
3	15509-ES	2	NUT, nylock - 1/4"	
4	10757-ES	4	WASHER, SAE flat - 1/4"	
5	20604-ES	1	CLAMP, hose - coated strap - 1-3/16"	
6	15604-ES	1	BOLT - 1/4" x 3/4"	
7	15604-ES	1	BOLT - 1/4" x 3/4"	
8	20605-ES	1	SUPPORT, wire harness support	

- Kit or Assembly - includes all items indented underneath.
- See referenced page for component or assembly breakdown.

Section ES-2



Electrical System - Hydro-Electric Controls

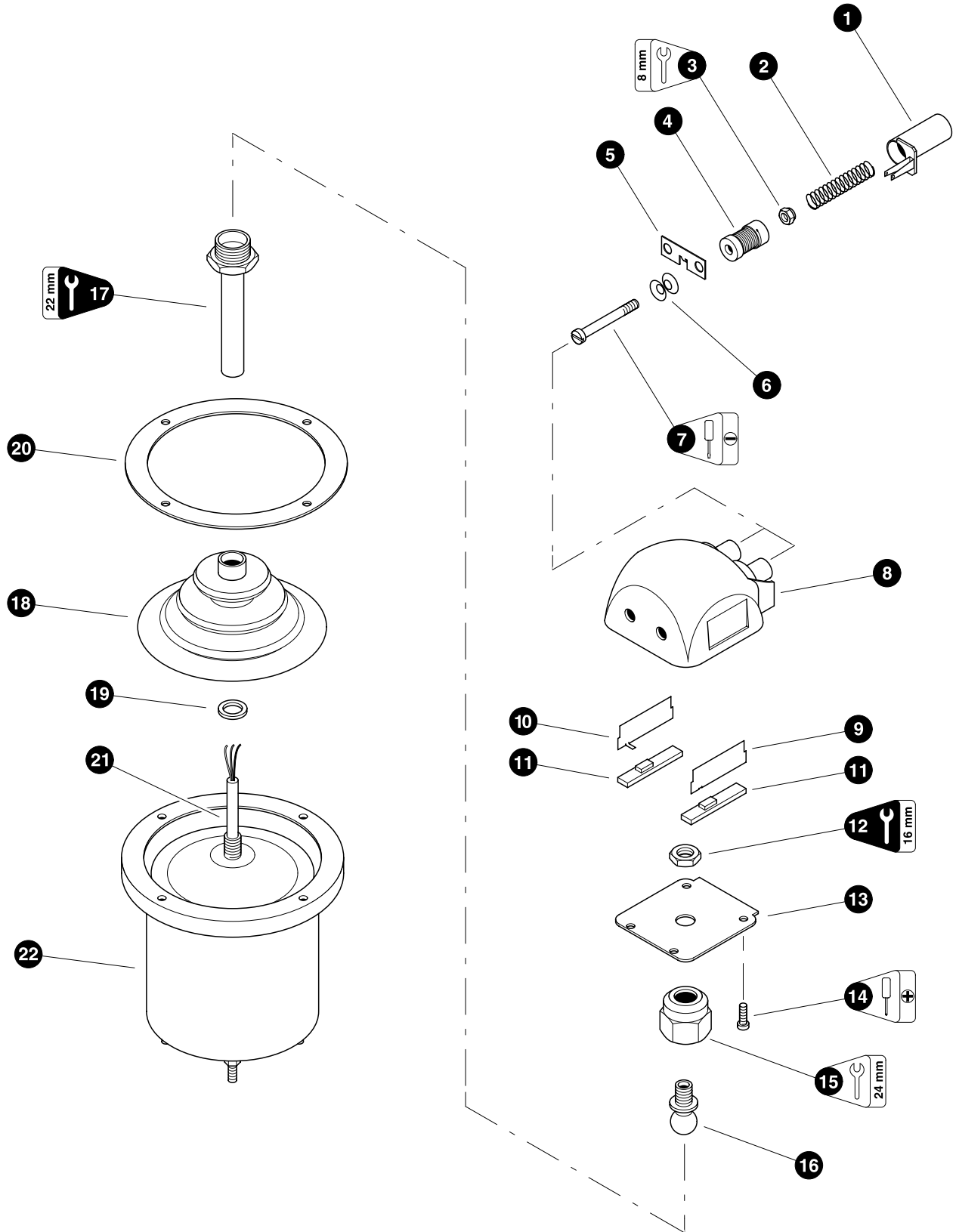


Parts 00532 04/06/98
50.00

COMMAND CONTROL BOX (VOAC)


REF	PART #	QTY	DESCRIPTION	SEE PAGE
1	19307-ES	2	BRACKET, control box mounting	
2	18298-ES	4	SCREW, slotted hex head - #10-24 x 3/4"	
3	19181-ES	1	<input type="checkbox"/> CONTROL BOX - 3 function (<i>Used as RH control box on all machines</i>)	
	19180-ES	1	<input type="checkbox"/> CONTROL BOX - 4 function	
4	19359-ES	1	CIRCUIT BOARD, input - 12V	
	19360-ES	1	CIRCUIT BOARD, input - 24V	
5	19357-ES	AR	CIRCUIT BOARD, amplifier - 12V	
	19358-ES	AR	CIRCUIT BOARD, amplifier - 24V	
6	20634-ES	1	COVER	
7	20635-ES	1	PLACARD, face	
8	20636-ES	2	SCREW	
9	20637-ES	4	SCREW	
10	20817-ES	4	ISOLATOR, sandwich mount (<i>Includes mounting hardware</i>)	


- Kit or Assembly - includes all items indented underneath.



Parts 00457 02/17/98
50.00

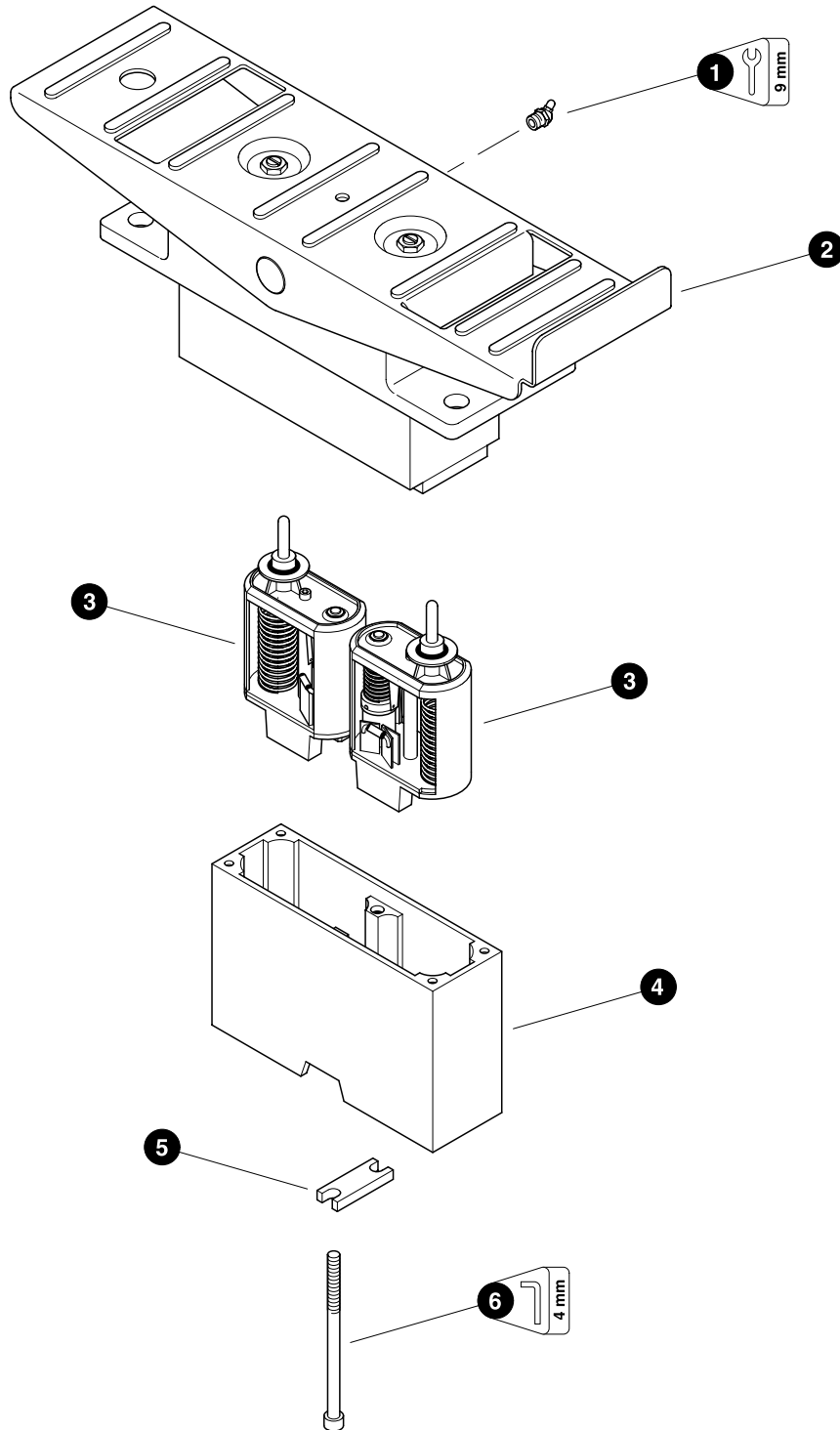
ELECTRONIC HAND (JOYSTICK) CONTROL (VOAC - 3 Axis)

REF	PART #	QTY	DESCRIPTION	SEE PAGE
--	19182-ES	2	<input type="checkbox"/> HAND CONTROL, electronic - 3-axis	
1	20638-ES	2	BUTTON, push	
2	20639-ES	2	SPRING, push button switch	
3	20640-ES	2	NUT, nylock - 4mm	
4	20641-ES	2	POTENTIOMETER - 5 ohm	
5	22285-ES	1	BRACKET, potentiometer mounting	
6	20642-ES	16	SPRING, disc	
7	20643-ES	2	SCREW, machine - 4mm x 45mm	
8	22251-ES	1	HOUSING, handle	
9	20644-ES	1	PLATE, contact - LH	
10	20645-ES	1	PLATE, contact - RH	
11	22286-ES	2	SPACER	
--	20646-ES	1	<input type="checkbox"/> KIT, repair - handle mounting plate	
12	20647-ES	1	NUT, jam - 10mm (Torque to 25 ft.lbs. (33 Nm))	
13	NSS	1	PLATE, handle mounting	
14	20648-ES	4	SCREW, self-tapping	
15	NSS	1	NUT, adapter	
16	NSS	1	ADAPTER	
--	20649-ES	1	<input type="checkbox"/> KIT, repair - handle mounting stem	
17	NSS	1	STEM (Torque to 12 ft.lbs. (15 Nm))	
18	20650-ES	1	BOOT	
19	20651-ES	1	WASHER, stem	
20	20652-ES	1	RING, boot mounting	
21	20653-ES	1	WIRE ASSEMBLY	
22	NSS	1	 LOWER HOUSING ASSEMBLY (See Note Below)	

- Kit or Assembly - includes all items indented underneath.
-  Contact your TIMBCO dealer for additional information.

Note:

Do not disassemble the lower housing components.



Parts 00455 02/17/98
62.50

ELECTRONIC FOOT PEDAL CONTROL

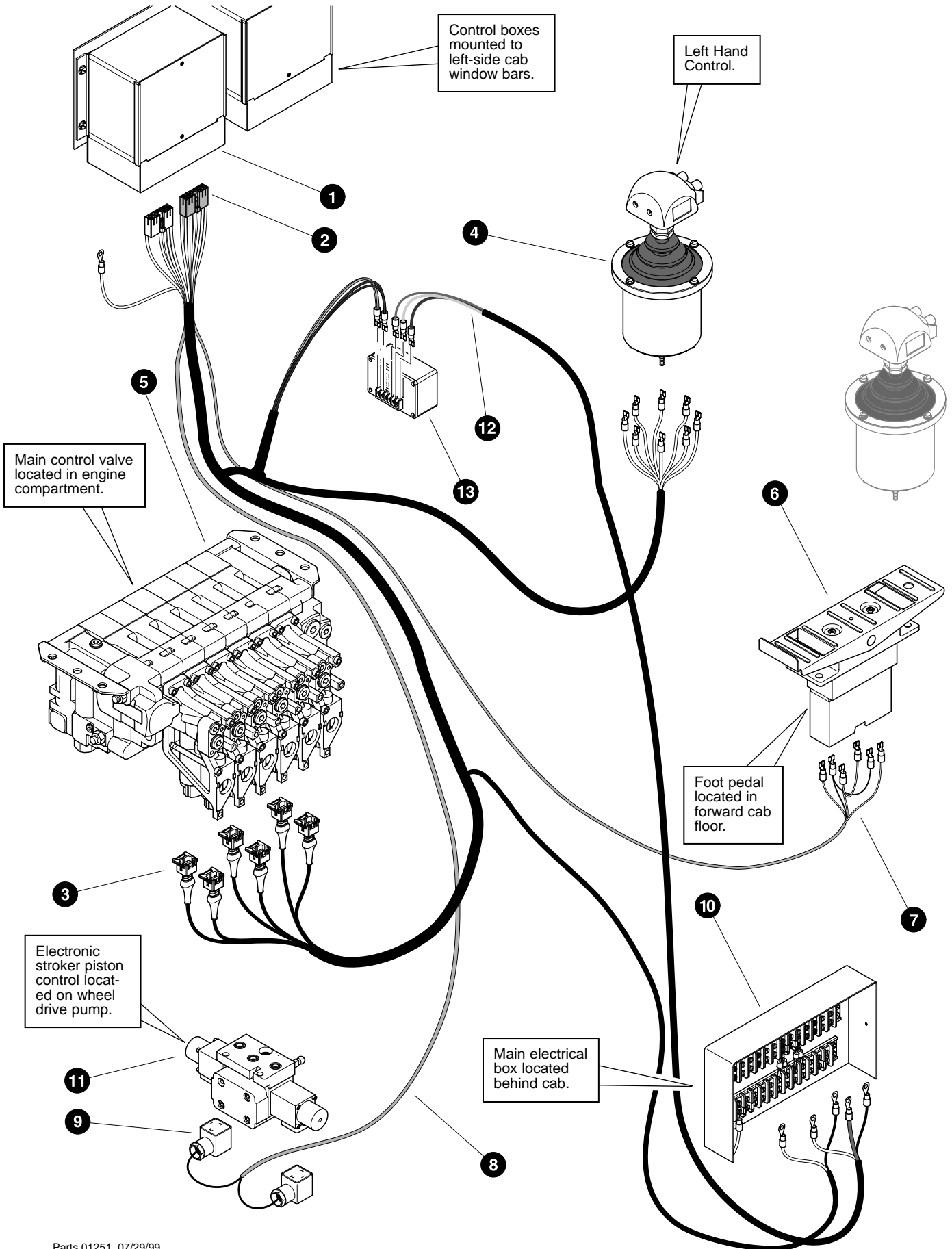
(Used on machines PDN# 038FWD and above)

REF	PART #	QTY	DESCRIPTION	SEE PAGE
--	20047-ES	1	<input type="checkbox"/> PEDAL, foot control - electronic	
1	20629-ES	1	FITTING, 45° grease - 1/8" pipe thread	
2	NSS	1	<input type="checkbox"/> UPPER FOOT PEDAL ASSEMBLY <i>(See Note Below)</i>	
3	20630-ES	2	SWITCH, foot pedal - 12V <i>(35 Ohm)</i>	
	20681-ES	2	SWITCH, foot pedal - 24V <i>(50 Ohm)</i>	
4	20631-ES	1	HOUSING, lower	
5	20632-ES	1	SPACER, bolt	
6	20633-ES	2	BOLT, allen head - 6mm x 70mm	

- Kit or Assembly - includes all items indented underneath.
- Contact your TIMBCO dealer for additional information.

Note:

Do not disassemble the upper foot pedal components.



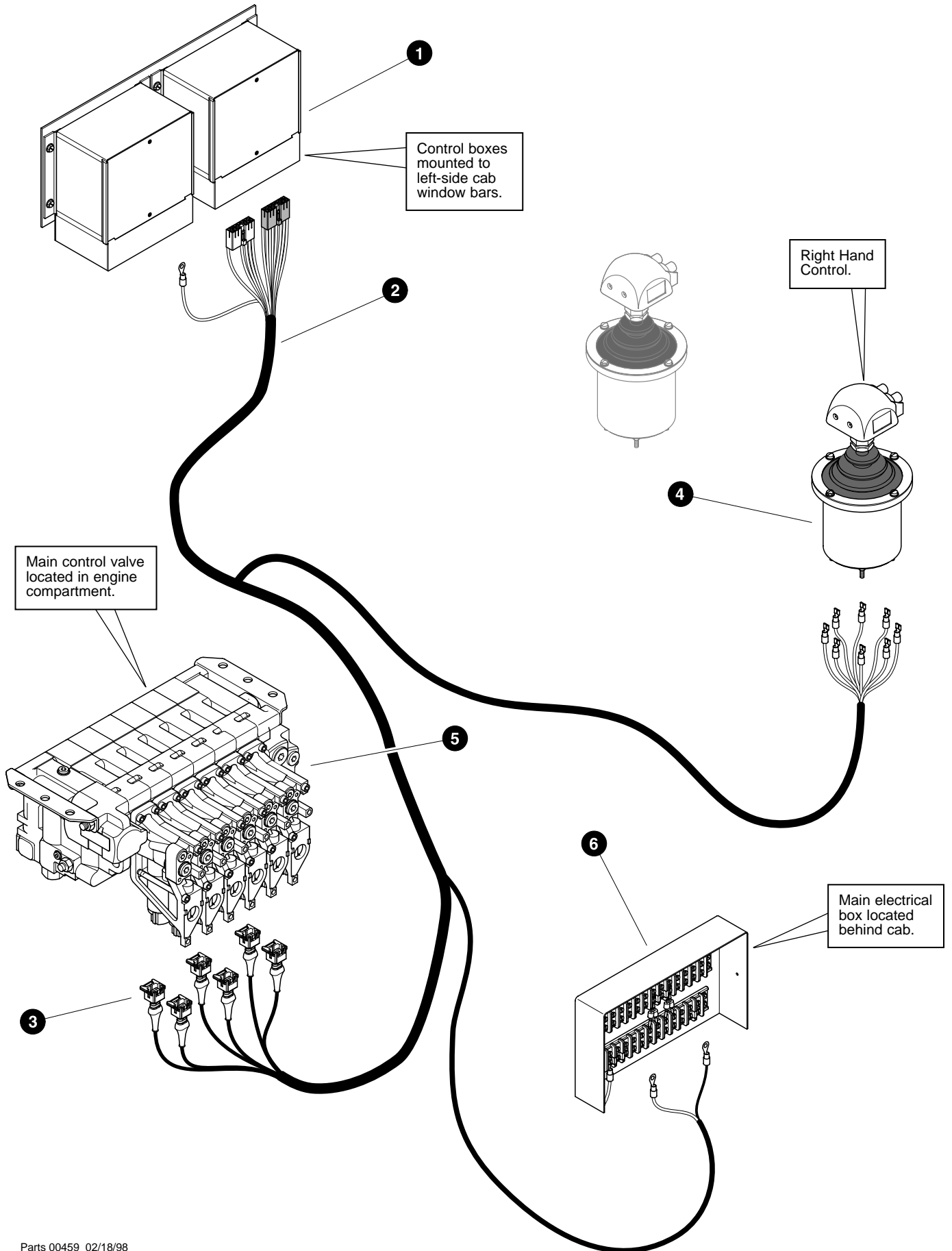
Parts 01251 07/29/99
25.00

HYDRO-ELECTRIC CONNECTIONS - LH

(LH Electronic Joystick/Foot Pedal Controls, Command Control Box & Main Control Valve)

REF	PART #	QTY	DESCRIPTION	SEE PAGE
1	REF.	1	✓ COMMAND CONTROL BOX - LH	ES-2-2
2	19490-ES	1	HARNESS, wire - VOAC LH hand control	
3	19179-ES	6	CONNECTOR, VOAC valve	
4	REF.	1	✓ ELECTRONIC HAND CONTROL - LH	ES-2-4
5	REF.	1	✓ MAIN CONTROL VALVE	UP-?-?
6	REF.	1	✓ FOOT PEDAL CONTROL	ES-2-6
7	20656-ES	1	HARNESS, wire - electronic foot pedal "A" (<i>Foot pedal to LH command control box</i>)	
8	20657-ES	1	☐ HARNESS, wire - electronic foot pedal "B" (<i>LH command control box to wheel drive pump stroke control</i>)	
9	17145-ES	2	CONNECTOR, hirschmann	
10	REF.	1	✓ MAIN ELECTRICAL BOX	ES-3-8
11	REF.	1	✓ ELECTRONIC STROKER PISTON	WD-3-6
12	20421-ES	1	☐ HARNESS, wire - electronic foot pedal "B" (<i>LH command control box to horsepower limiting control box to main electrical box</i>)	
13	20258-ES	1	RELAY	

- ✓ See referenced page for component or assembly breakdown.
- ☐ Kit or Assembly - includes all items indented underneath.



Parts 00459 02/18/98
25.00

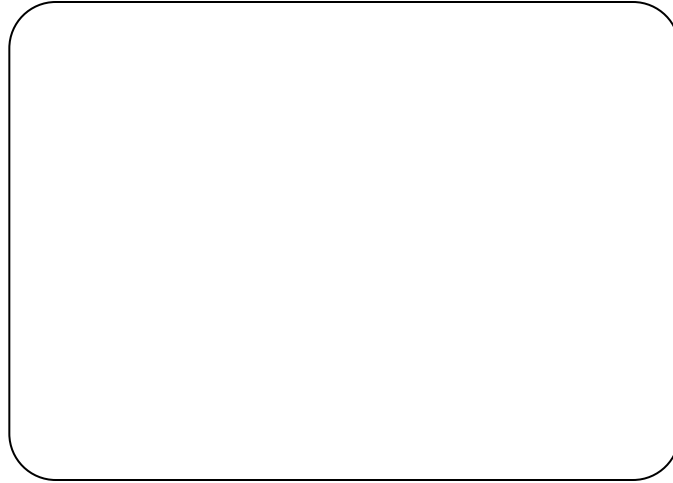
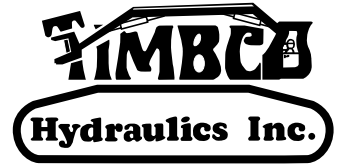
HYDRO-ELECTRIC CONNECTIONS - RH

(RH Electronic Joystick Control, Command Control Box & Main Control Valve)

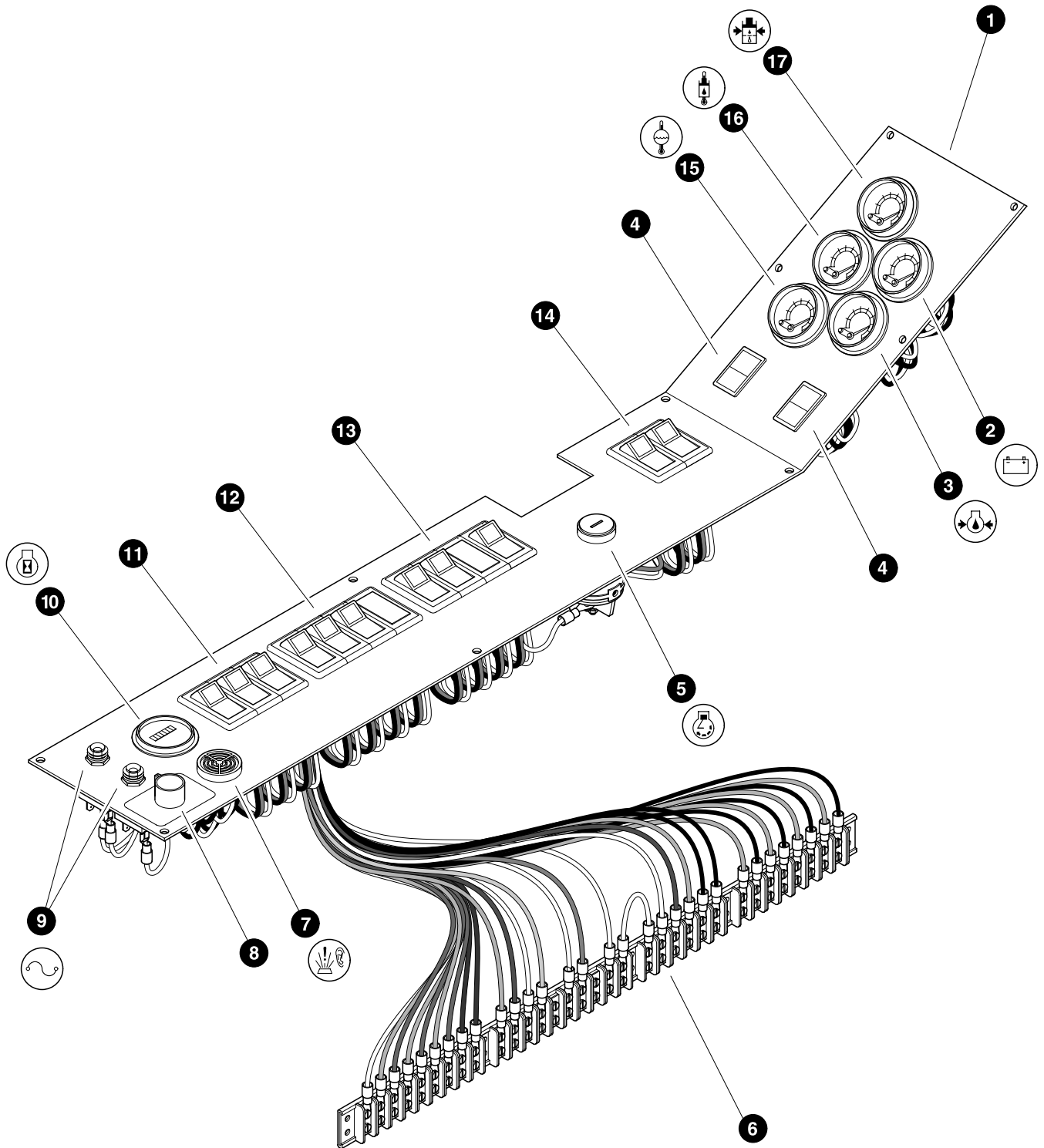
REF	PART #	QTY		DESCRIPTION	SEE PAGE
1	REF.	1	✓	COMMAND CONTROL BOX - RH	ES-2-2
2	19489-ES	1		HARNESS, wire - VOAC RH hand control	
3	19179-ES	6		CONNECTOR, VOAC valve	
4	REF.	1	✓	ELECTRONIC HAND CONTROL - RH	ES-2-4
5	REF.	1	✓	MAIN CONTROL VALVE	UP-?-?
6	REF.	1	✓	MAIN ELECTRICAL BOX	ES-2-8

✓ See referenced page for component or assembly breakdown.

Section ES-3



Electrical System - Cab & Auxiliary

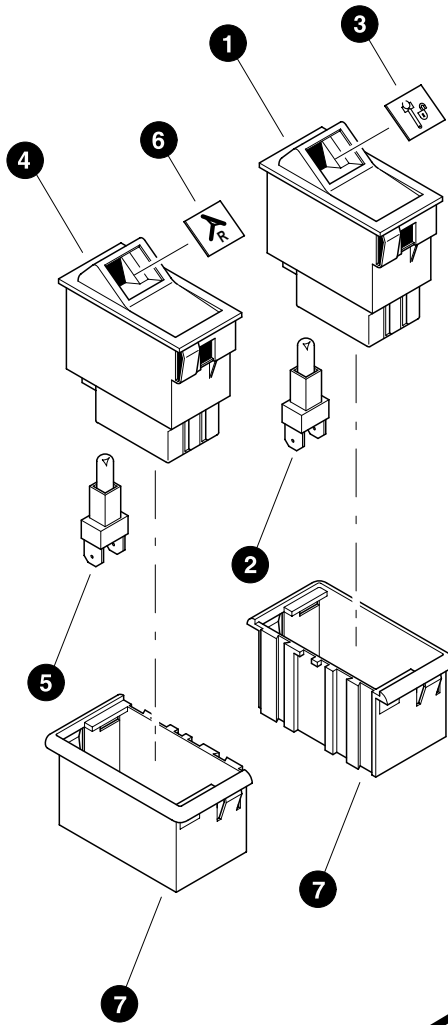


Parts 00507 03/17/98
37.50

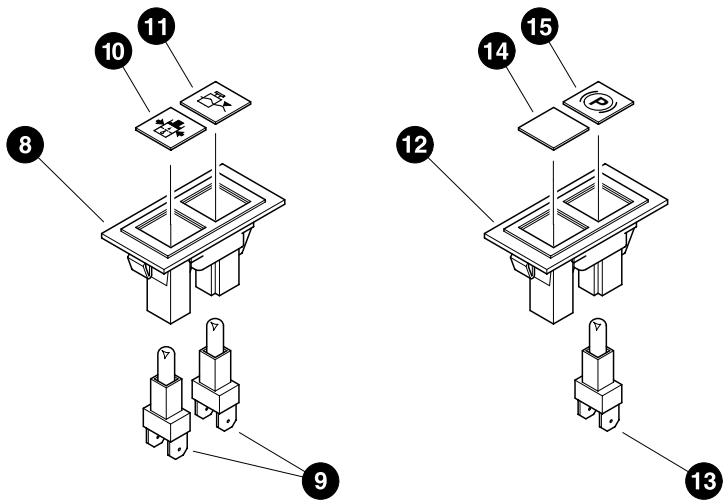
DASH PANEL COMPONENTS

REF	PART #	QTY	DESCRIPTION	SEE PAGE
1	19711-ES	1	<input type="checkbox"/> PANEL, dash	
2	15026-ES	1	GAUGE, voltmeter	
3	18167-ES	1	<input type="checkbox"/> GAUGE, engine oil pressure	
	19362-ES	1	LIGHT, gauge	
4	REF.	2	WARNING LIGHT CLUSTER	ES-3-4
5	15028-ES	1	<input type="checkbox"/> SWITCH, ignition	
	16936-ES	1	KEY, ignition (NG100)	
6	20913-ES	1	STRIP, terminal - 20 terminal	
7	15027-ES	1	SIREN, warning	
8	20901-ES	1	SWITCH, A/C thermal control	
	20902-ES	1	KNOB	
	22868-ES	1	DECAL, temperature setting	
9	15029-ES	2	BREAKER, circuit - 8 amp	
10	15025-ES	1	GAUGE, hourmeter	
11	REF.	1	ROCKER SWITCH CLUSTER (A/C controls)	ES-3-8
12	REF.	1	ROCKER SWITCH CLUSTER (Auxiliary controls)	ES-3-6
13	REF.	1	ROCKER SWITCH CLUSTER (Travel controls)	ES-3-6
14	REF.	1	ROCKER SWITCH CLUSTER (Reverse travel controls)	ES-3-4
15	18168-ES	1	<input type="checkbox"/> GAUGE, engine water temperature	
	19362-ES	1	LIGHT, gauge	
16	18169-ES	1	<input type="checkbox"/> GAUGE, hydraulic oil temperature	
	19362-ES	1	LIGHT, gauge	
17	18170-ES	1	<input type="checkbox"/> GAUGE, return filter back-pressure	
	19362-ES	1	LIGHT, gauge	

- Kit or Assembly - includes all items indented underneath.
- See referenced page for component or assembly breakdown.



Swing Detent & Reverse Steer Rocker Switch Cluster



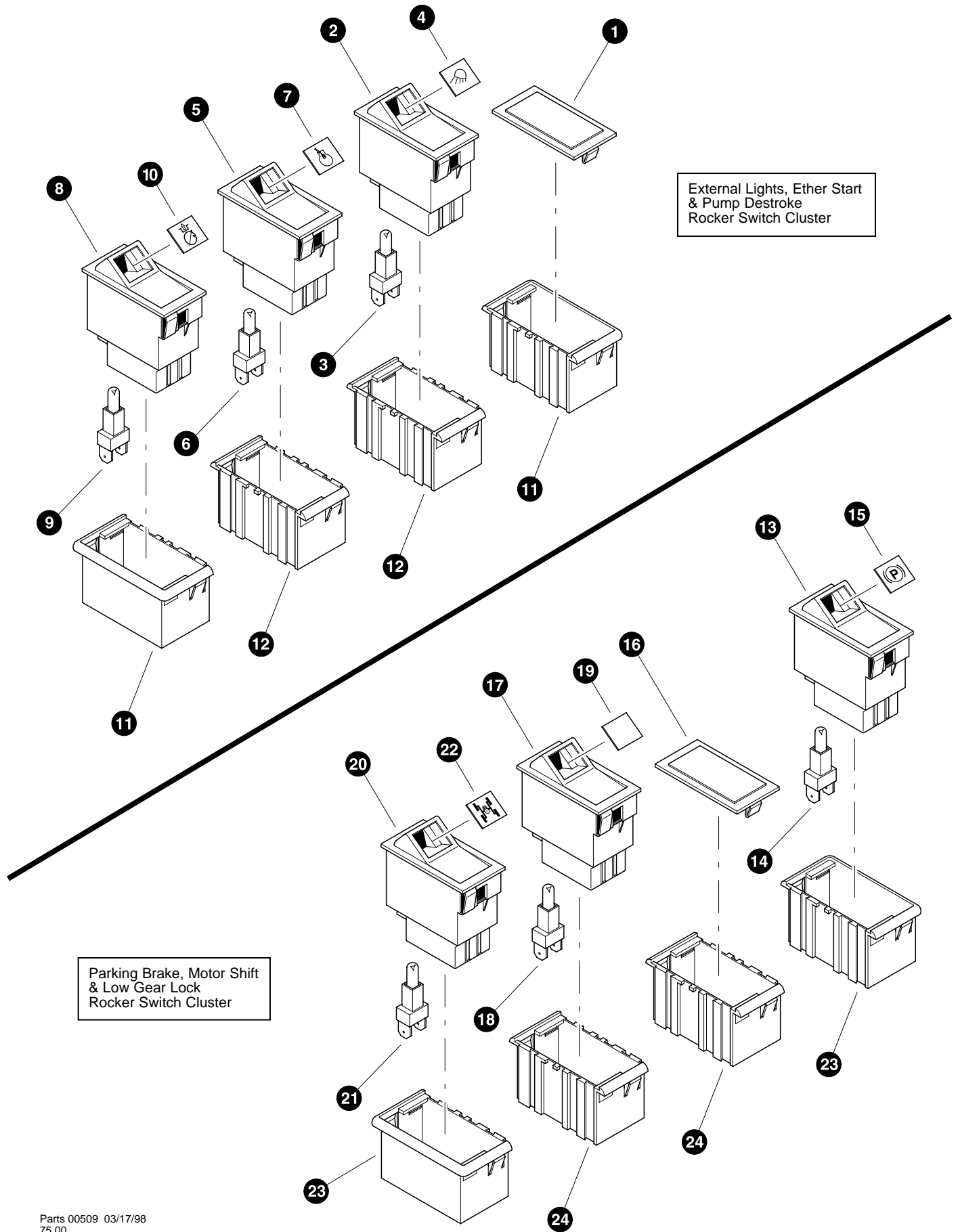
Warning Light Cluster

Parts 00508 03/17/98
75.00

ROCKER SWITCH & WARNING LIGHT CLUSTERS (Warning Lights & Reverse Travel Control Rocker Switches)

REF	PART #	QTY	DESCRIPTION	SEE PAGE
1	18181-ES	1	<input type="checkbox"/> SWITCH, rocker - ON/OFF (<i>Swing detent</i>)	
2	18824-ES	1	LIGHT	
3	20827-ES	1	LENS, indicator light - red (<i>Swing detent</i>)	
4	20912-ES	1	<input type="checkbox"/> SWITCH, rocker - ON/OFF (<i>Reverse Steer</i>)	
5	18824-ES	1	LIGHT	
6	20828-ES	1	LENS, indicator light - red (<i>Reverse Steer</i>)	
7	18288-ES	2	FRAME, rocker switch mounting - end	
8	18171-ES	1	CLUSTER, warning light - left mounting	
9	18824-ES	2	LIGHT	
10	18174-ES	1	LENS, indicator light - yellow (<i>Charge oil bypass</i>)	
11	18173-ES	1	LENS, indicator light - red (<i>Low oil level</i>)	
12	18171-ES	1	CLUSTER, warning light - right mounting	
13	18824-ES	1	LIGHT	
14	20831-ES	1	BLANK, indicator light	
15	18175-ES	1	LENS, indicator light - red (<i>Parking brake</i>)	

Kit or Assembly - includes all items indented underneath.



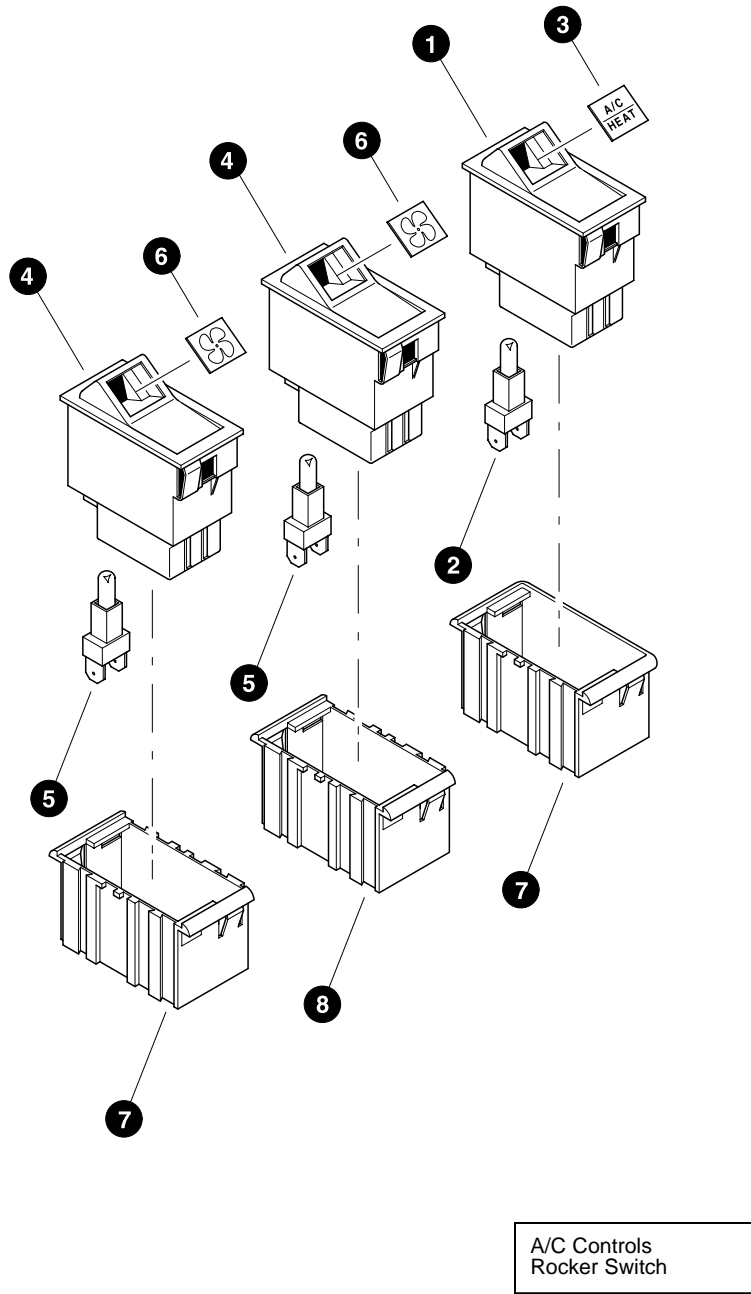
Parts 00509 03/17/98
75.00

ROCKER SWITCH & WARNING LIGHT CLUSTERS

(Travel & Auxiliary Control Rocker Switches)

REF	PART #	QTY	DESCRIPTION	SEE PAGE
1	18290-ES	1	INSERT, rocker switch blank	
2	18181-ES	1	<input type="checkbox"/> SWITCH, rocker - ON/OFF (<i>Exterior lights</i>)	
3	18824-ES	1	LIGHT	
4	18178-ES	1	LENS, indicator light - green (<i>Exterior lights</i>)	
5	18180-ES	1	<input type="checkbox"/> SWITCH, rocker - momentary (<i>Ether start</i>)	
6	18824-ES	1	LIGHT	
7	20829-ES	1	LENS, indicator light - green (<i>Ether start</i>)	
8	18180-ES	1	<input type="checkbox"/> SWITCH, rocker - momentary (<i>Pump destroke</i>)	
9	18824-ES	1	LIGHT	
10	20830-ES	1	LENS, indicator light - green (<i>Pump destroke</i>)	
11	18288-ES	2	FRAME, rocker switch mounting - end	
12	18289-ES	2	FRAME, rocker switch mounting - center	
13	18182-ES	1	<input type="checkbox"/> SWITCH, rocker - parking brake	
14	18824-ES	1	LIGHT	
15	18175-ES	1	LENS, indicator light - red (<i>Parking brake</i>)	
16	18290-ES	1	INSERT, rocker switch blank	
17	18181-ES	1	<input type="checkbox"/> SWITCH, rocker - ON/OFF (<i>High motor displacement lock</i>)	
18	18824-ES	1	LIGHT	
27	20831-ES	1	BLANK, indicator light	
20	18181-ES	1	<input type="checkbox"/> SWITCH, rocker - ON/OFF (<i>Differential lock</i>)	
21	18824-ES	1	LIGHT	
22	20609-ES	1	LENS, indicator light - yellow (<i>Differential lock</i>)	
23	18288-ES	2	FRAME, rocker switch mounting - end	
24	18289-ES	2	FRAME, rocker switch mounting - center	

Kit or Assembly - includes all items indented underneath.

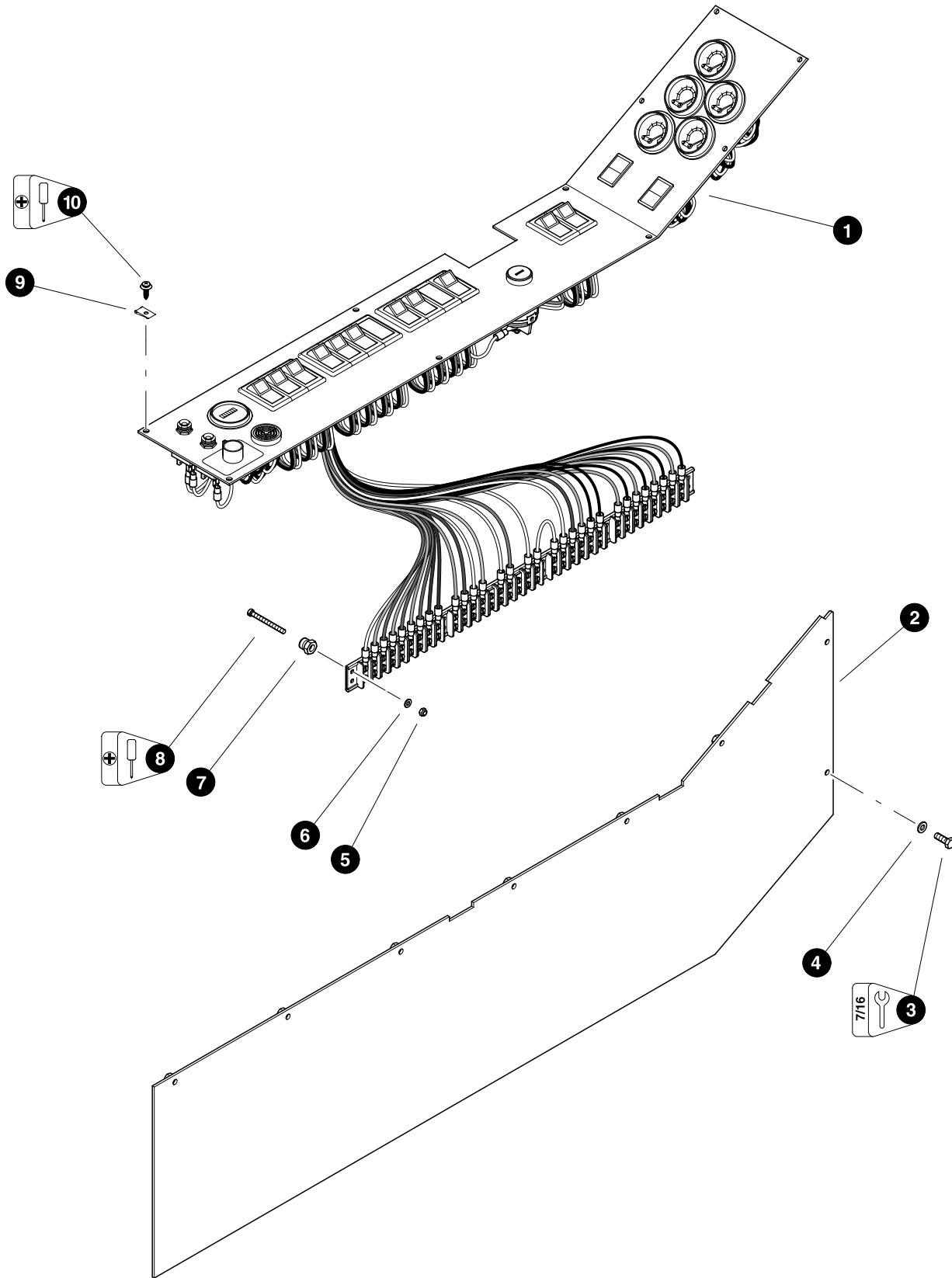


Parts 00510 03/17/98
75.00

ROCKER SWITCH & WARNING LIGHT CLUSTERS (A/C Control Rocker Switches)

REF	PART #	QTY	DESCRIPTION	SEE PAGE
1	20834-ES	1	<input type="checkbox"/> SWITCH, rocker - A/C mode select	
2	18824-ES	1	LIGHT	
3	20832-ES	1	LENS, indicator light - blue (<i>A/C Mode</i>)	
4	20835-ES	2	<input type="checkbox"/> SWITCH, rocker - 3-way fan speed	
5	18824-ES	1	LIGHT	
6	20833-ES	1	LENS, indicator light - blue (<i>A/C fan</i>)	
7	18288-ES	2	FRAME, rocker switch mounting - end	
8	18289-ES	1	FRAME, rocker switch mounting - center	

- Kit or Assembly - includes all items indented underneath.

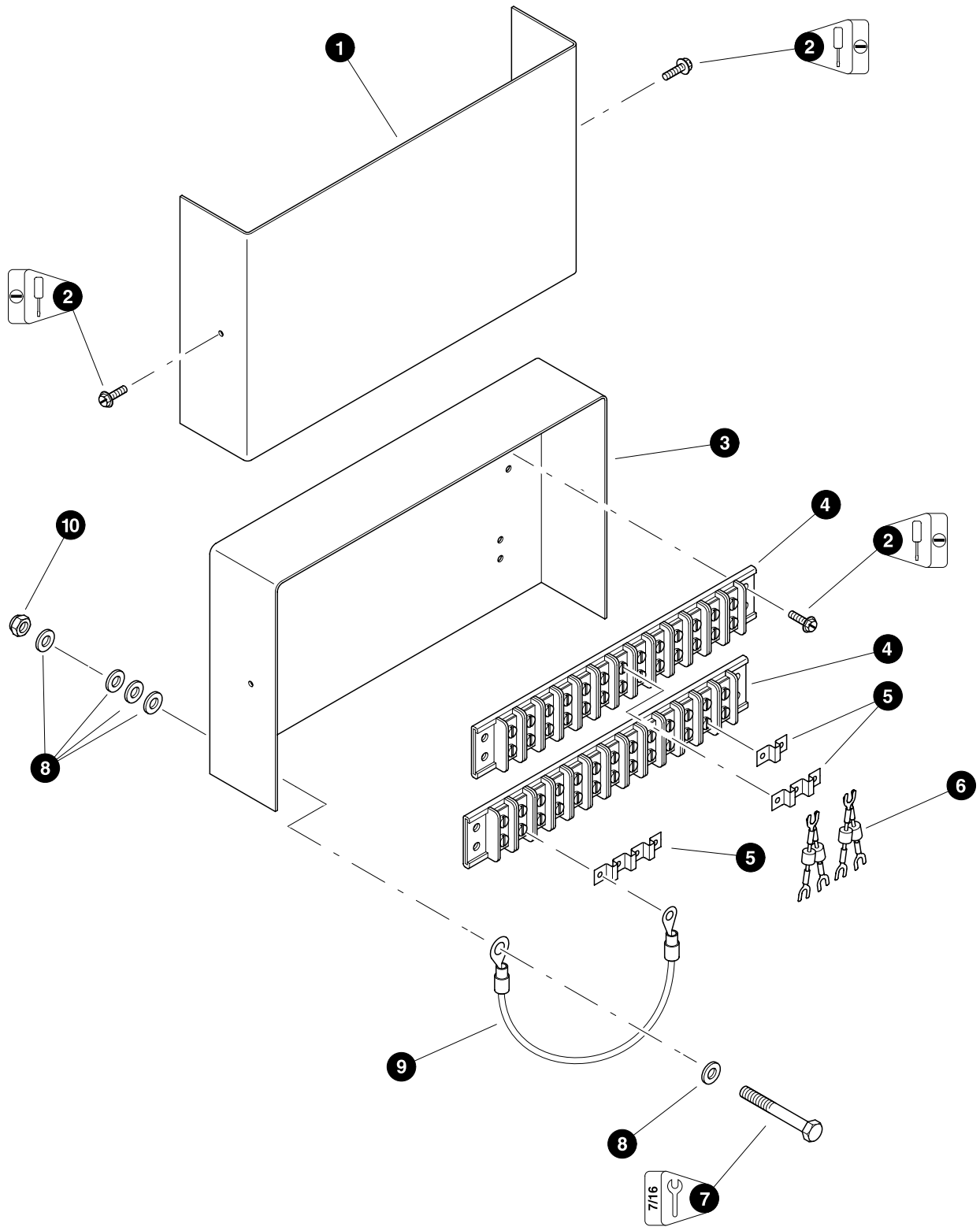


Parts 01737 08/08/00
25.00

DASH PANEL INSTALLATION

REF	PART #	QTY	DESCRIPTION	SEE PAGE
1	REF.	1	✓ DASH PANEL	ES-3-2
2	20836-ES	1	COVER, dash wiring	
3	15604-ES	8	BOLT - 1/4" x 3/4"	
4	10757-ES	8	WASHER, SAE flat - 1/4"	
5	16131-ES	3	NUT, nylock - #10-24	
6	16208-ES	3	WASHER, flat - #10	
7	15574-ES	3	BUSHING, reducer - 5406-4-2 <i>(Used as a spacer)</i>	
8	20622-ES	3	SCREW, machine - #10-24 x 2"	
9	16213-ES	10	SCREW, phillips - #10-24 x 3/4"	
10	16212-ES	10	NUT, speed - #10	

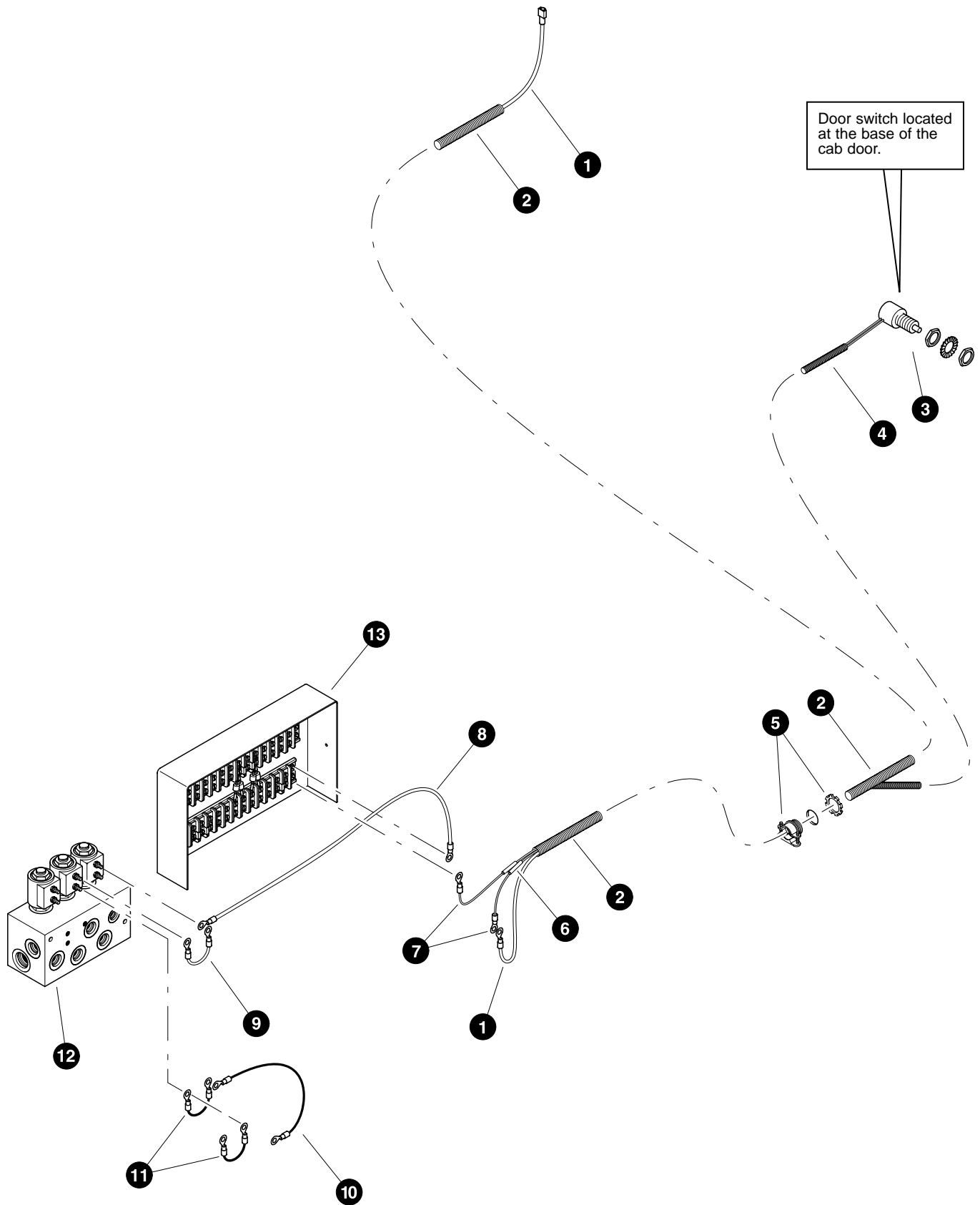
✓ See referenced page for component or assembly breakdown.



Parts 00461 02/18/98
50.00

MAIN ELECTRICAL BOX (Located Behind Cab)

REF	PART #	QTY	DESCRIPTION	SEE PAGE
1	12426-ES	1	BOX, electrical terminal - outer	
2	17254-ES	10	SCREW, self-tapping - #10-24 x 1/2"	
3	12425-ES	1	BOX, electrical terminal - inner	
4	15016-ES	2	STRIP, terminal - 13 terminals	
5	15053-ES	6	JUMPER, tab terminal	
6	15017-ES	4	DIODE	
7	15568-ES	2	BOLT - 1/4" x 2"	
8	10757-ES	10	WASHER, SAE flat - 1/4"	
9	20655-ES	1	WIRE ASSEMBLY - electrical box ground	
10	10811-ES	2	NUT, lock - 1/4"	



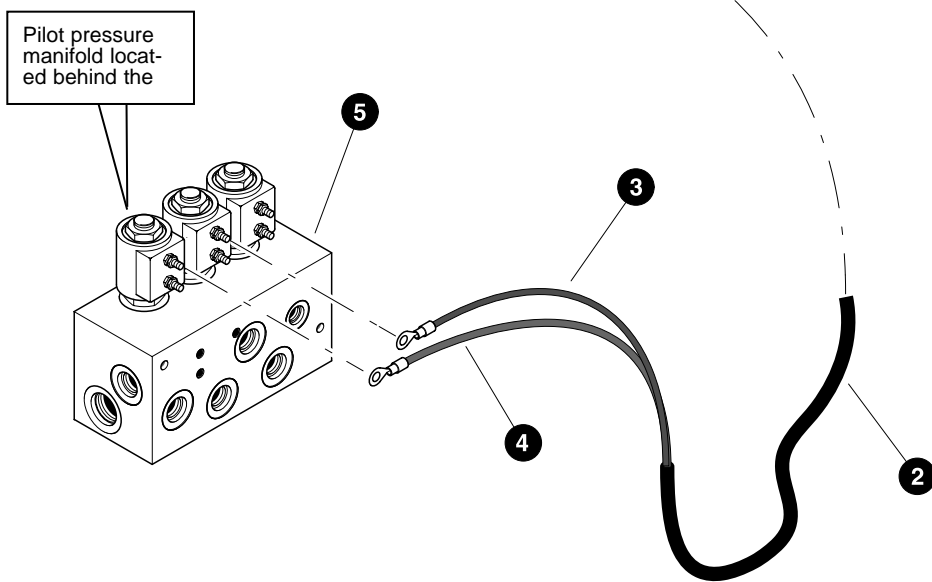
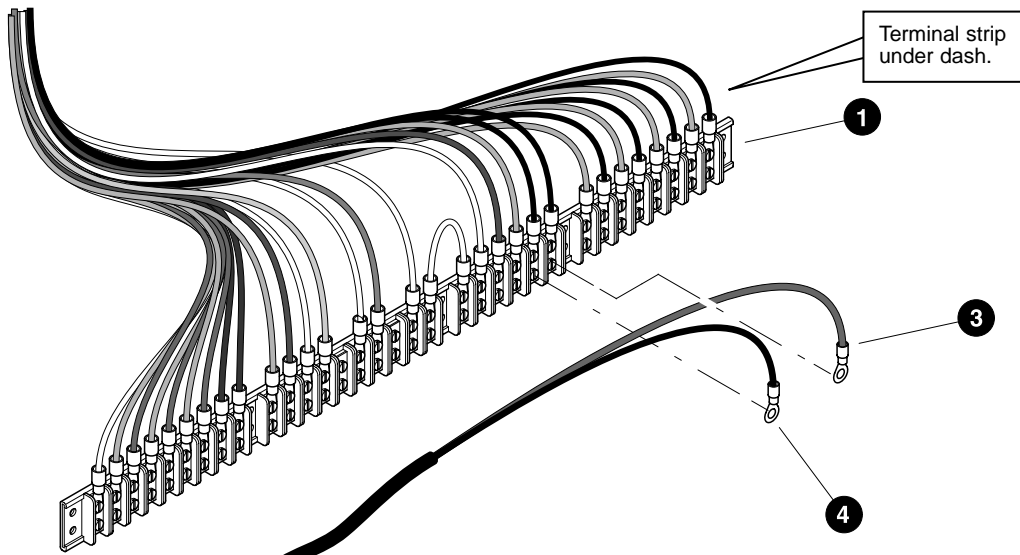
Door switch located at the base of the cab door.

All components located behind the

CAB ELECTRICAL BOX CONNECTIONS

REF	PART #	QTY	DESCRIPTION	SEE PAGE
1	- - - -	1	WIRE, power lead (14 ga. White - 8 Amp breaker in dash to cab electrical box lower terminal strip)	
2	17449-ES	AR	>∞ LOOM, wire - 1/2"	
3	16505-ES	1	SWITCH, door (Includes mounting hardware and 36" wire leads)	
4	16705-ES	AR	>∞ LOOM, wire - 1/4"	
5	16331-ES	1	RELIEF, strain	
6	- - - -	2	SPLICE, butt (18 ga.)	
7	- - - -	2	WIRE, door switch lead extension (18 ga. White - door switch wire lead splice to cab electrical box)	
8	- - - -	1	WIRE, power lead (14 ga. White - cab electrical box upper terminal strip to door solenoid power stud)	
9	- - - -	1	WIRE, power lead jumper (14 ga. White - door solenoid power stud to center solenoid power stud)	
10	- - - -	1	WIRE, ground (14 ga. Black - door solenoid ground stud to pilot pressure manifold mounting hardware)	
11	- - - -	2	WIRE, ground jumper (14 ga. Black - door solenoid ground stud to center solenoid ground stud)	
12	REF.	1	✓ PILOT PRESSURE MANIFOLD	LH-4-4
13	REF.	1	✓ CAB ELECTRICAL BOX	ES-3-8

- >∞ Bulk material - order length required in feet or meters.
- ✓ See referenced page for component or assembly breakdown.

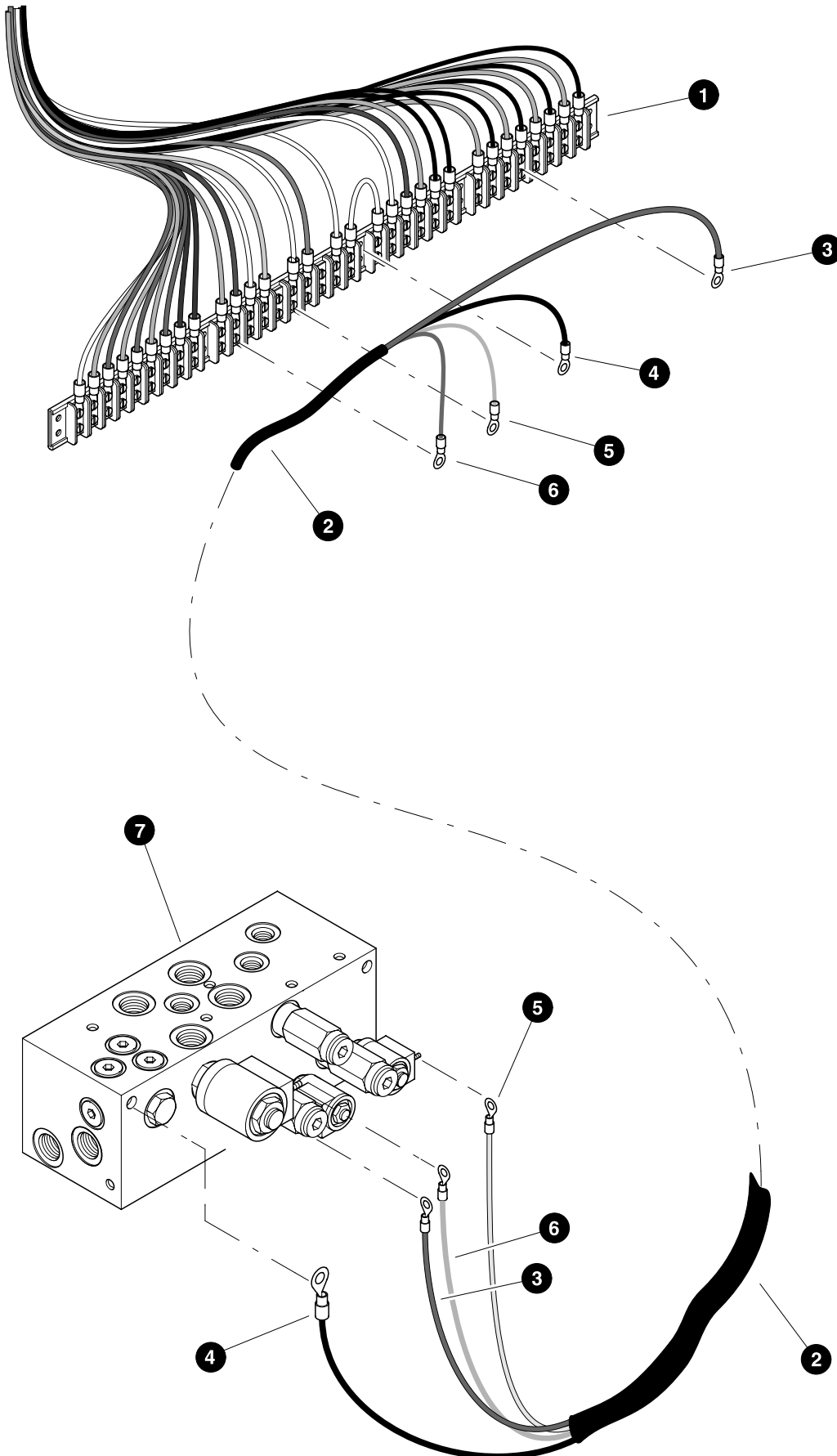


Parts 01373 09/30/99
37.50

PILOT PRESSURE MANIFOLD CONNECTIONS

REF	PART #	QTY		DESCRIPTION	SEE PAGE
1	REF.	1	✓	DASH TERMINAL STRIP	ES-3-2
2	20015-ES	1		HARNESS, wire - 2-speed shift	
3	REF.	1		2-SPEED SHIFT SIGNAL WIRE (<i>Yellow</i>)	
4	REF.	1		HARNESS GROUND WIRE (<i>Dk. blue</i>)	
5	REF.	1	✓	PILOT PRESSURE MANIFOLD	LH-4-4

✓ See referenced page for component or assembly breakdown.

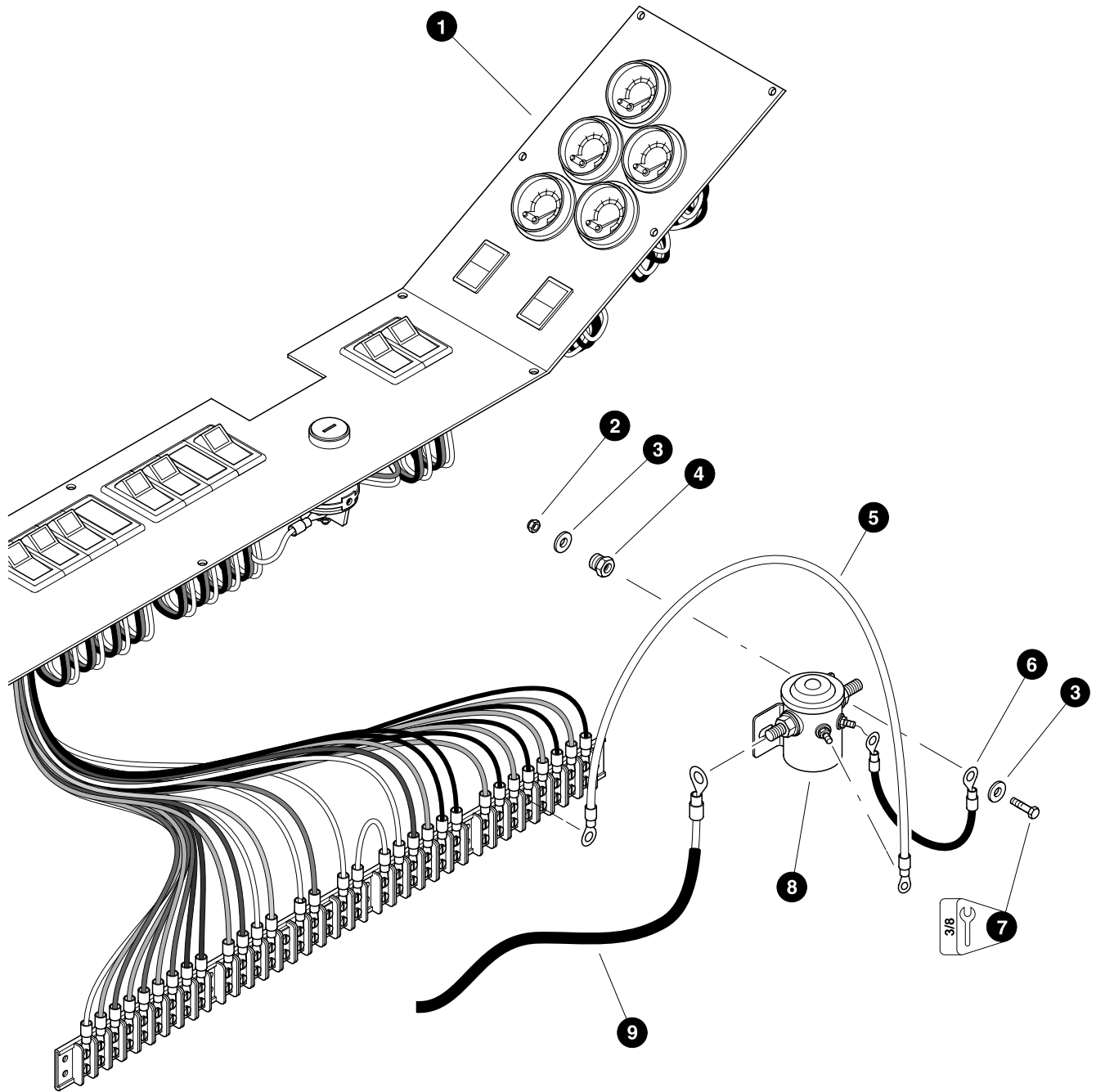


Parts 01377 10/01/99
37.50

MONO BLOCK MANIFOLD CONNECTIONS

REF	PART #	QTY		DESCRIPTION	SEE PAGE
1	REF.	1	✓	DASH TERMINAL STRIP	ES-3-2
2	19464-ES	1		HARNESS, wire - brake valve	
3	REF.	1		SWING DETENT SIGNAL (<i>Blue</i>)	
4	REF.	1		GROUND STUD (<i>Black</i>)	
5	REF.	1		PARKING BREAK (<i>Yellow</i>)	
6	REF.	1		PUMP DESTROKE SIGNAL (<i>Green</i>)	
7	REF.	1	✓	MONO BLOCK MANIFOLD	UP-4-6

✓ See referenced page for component or assembly breakdown.

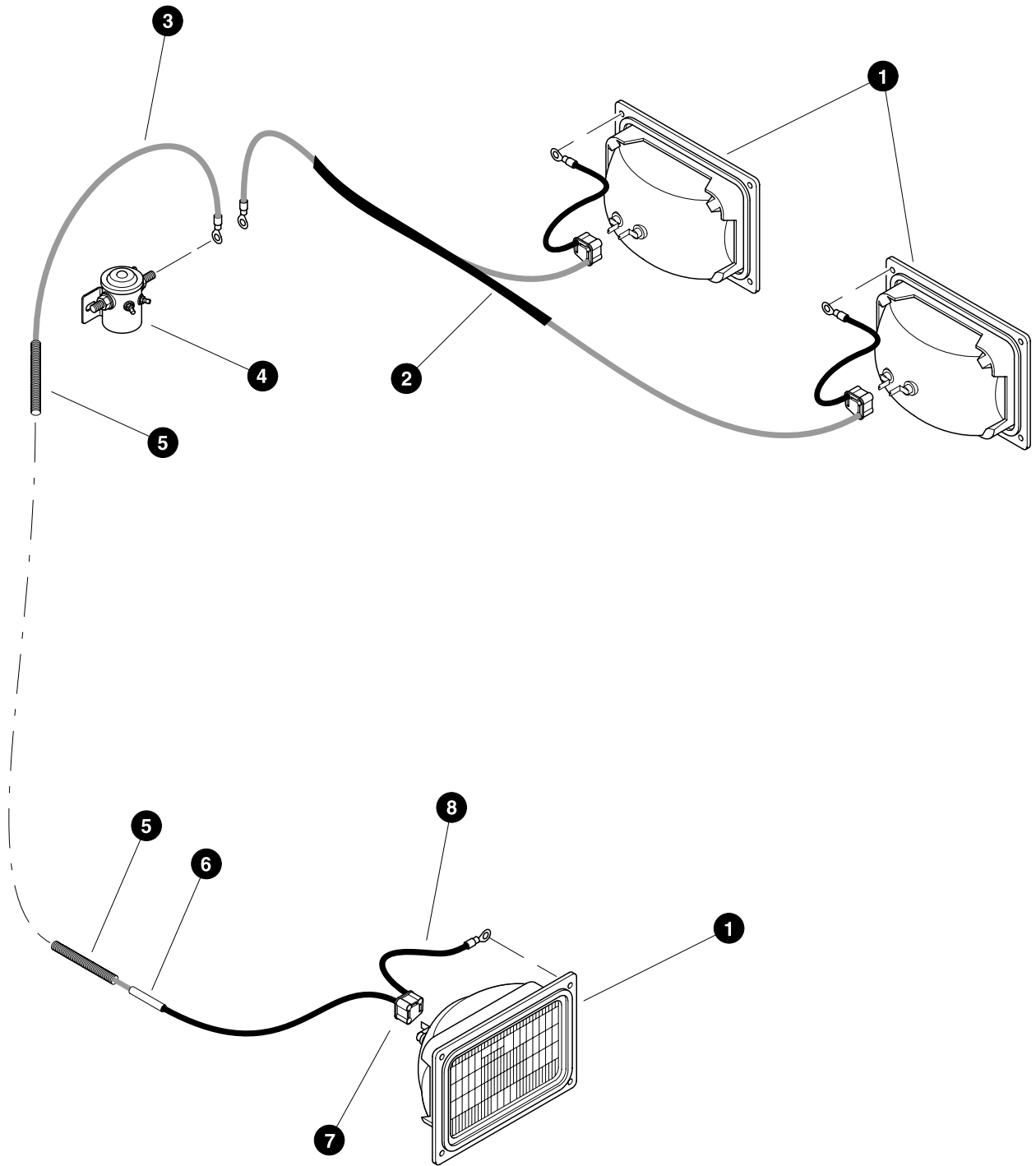


Parts 01374 09/30/99
37.50

HALOGEN WORK LIGHT INSTALLATION (Relay Installation under Dash Panel)

REF	PART #	QTY	DESCRIPTION	SEE PAGE
1	REF.	1	✓ DASH PANEL	ES-3-2
2	10811-ES	2	NUT, lock - 1/4"	
3	10757-ES	4	WASHER, SAE flat - 1/4"	
4	15574-ES	2	BUSHING, reducer - 5406-4-2 <i>(Used as a spacer)</i>	
5	----	1	WIRE, signal <i>(14 ga. White - relay signal terminal to dash terminal strip)</i>	
6	----	1	WIRE, ground <i>(14 ga. Black - relay ground terminal to relay mounting hardware)</i>	
7	15568-ES	2	BOLT - 1/4" x 2"	
8	16035-ES	1	RELAY, heavy duty - 12V	
9	REF.	1	WIRE, power lead <i>(From cab wire harness)</i>	

✓ See referenced page for component or assembly breakdown.

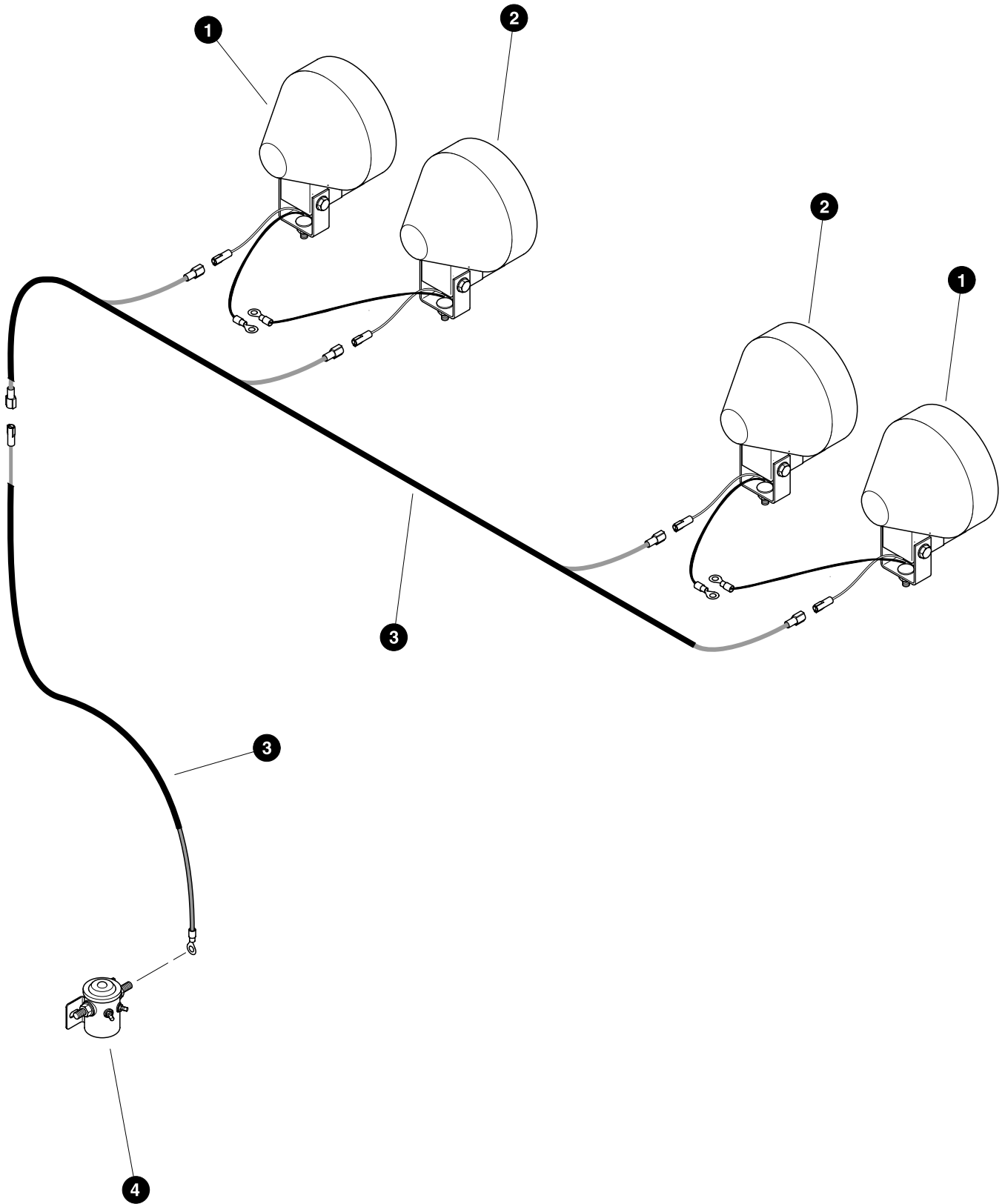


Parts 00895 11/24/98
25.00

HALOGEN WORK LIGHT INSTALLATION (Lower Flush Mount Lights)

REF	PART #	QTY	DESCRIPTION	SEE PAGE
1	16044-ES	3	LIGHT, flush mount	
2	18699-ES	1	HARNESS, wiring - lower light	
3	----	1	WIRE, power lead (14 ga. Brown - relay to flush mount light in right side of cab)	
4	REF.	1	✓ RELAY	ES-3-10
5	16705-ES	AR	✂ LOOM, wire	
6	----	1	SPLICE, butt (14 ga.)	
7	16041-ES	1	CONNECTOR, headlight	
8	----	1	WIRE, ground (14 ga. Black - flush mount light to light mounting hardware)	

- ✓ See referenced page for component or assembly breakdown.
- ✂ Bulk material - order length required in feet or meters.

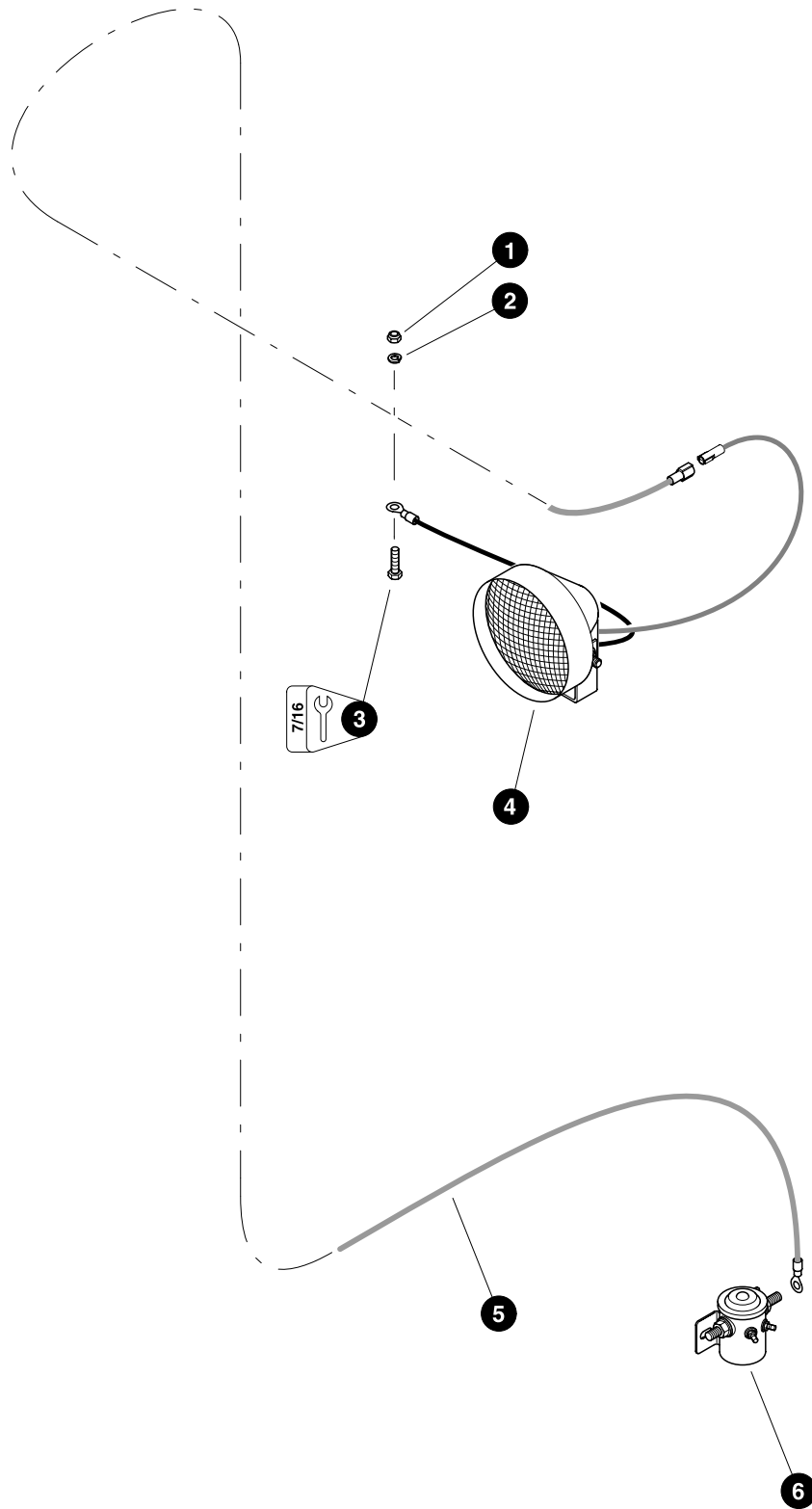


Parts 01375 09/30/99
25.00

HALOGEN WORK LIGHT INSTALLATION (Cab Visor Mounted Lights - Round)

REF	PART #	QTY	DESCRIPTION	SEE PAGE
1	16043-ES	2	LIGHT, spot trapezoidal	
2	16042-ES	2	LIGHT, spot	
3	19581-ES	1	HARNESS, wire - visor light	
4	REF.	1	✓ RELAY	ES-3-10

✓ See referenced page for component or assembly breakdown.

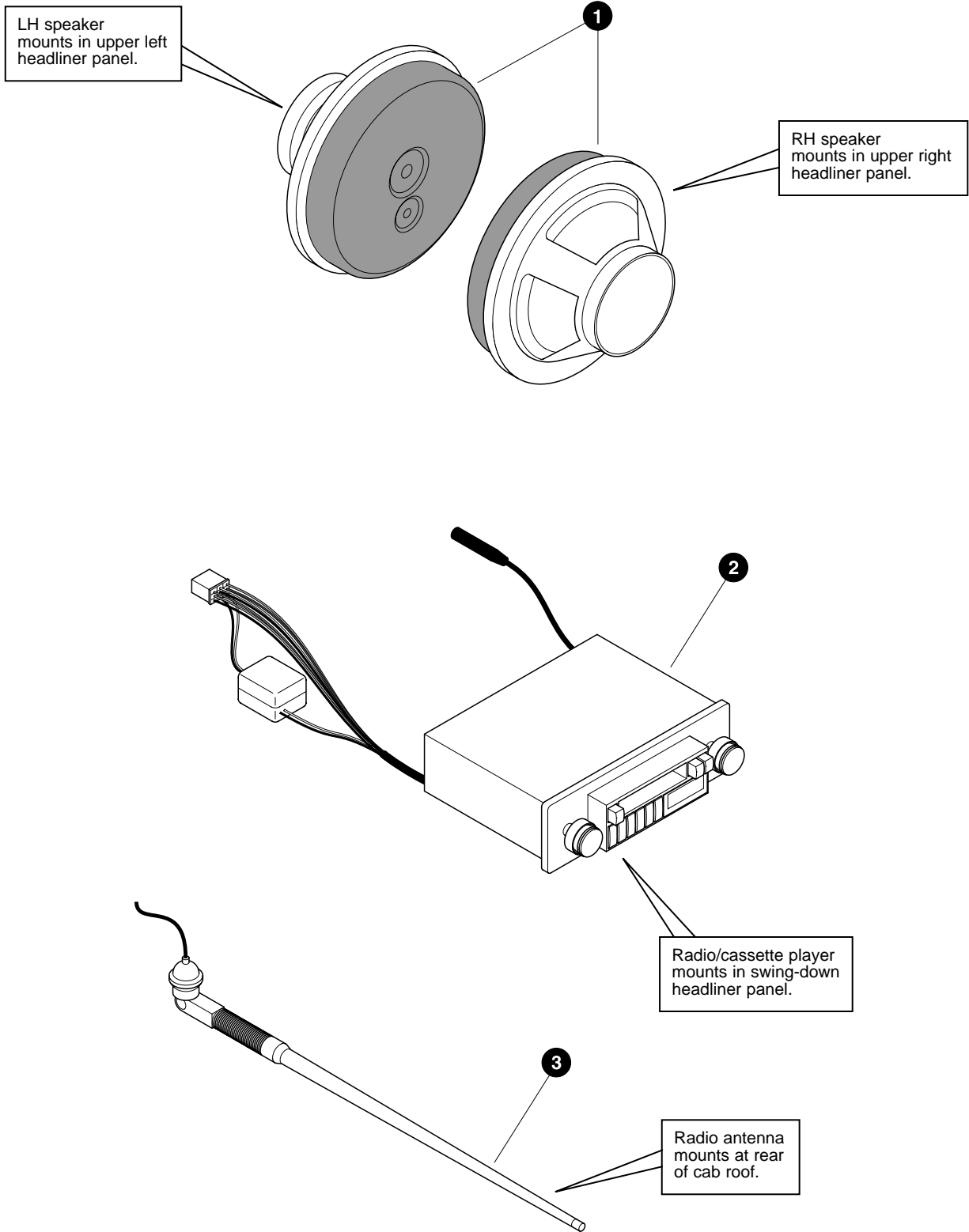


Parts 01376 09/30/99
25.00

HALOGEN WORK LIGHT INSTALLATION (Rear Of Cab)

REF	PART #	QTY	DESCRIPTION	SEE PAGE
1	15509-ES	1	NUT, nylock - 1/4"	
2	10756-ES	1	WASHER, lock - 1/4"	
3	15576-ES	1	BOLT - 1/4" x 1"	
4	16281-ES	1	LIGHT, spot - 4-3/4" diameter	
5	----	1	HARNESS, wire - rear cab light	
6	REF.	1	✓ RELAY	ES-3-10

✓ See referenced page for component or assembly breakdown.

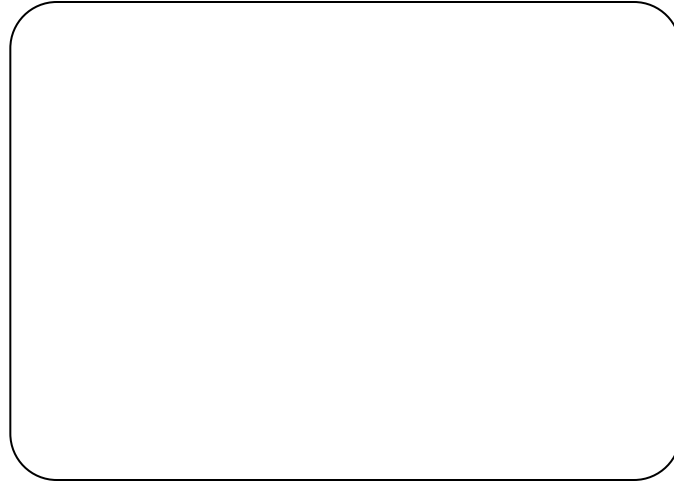
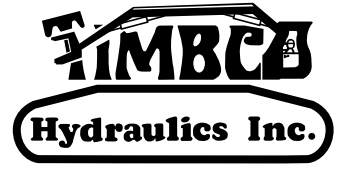


Parts 01009 12/22/98
37.50

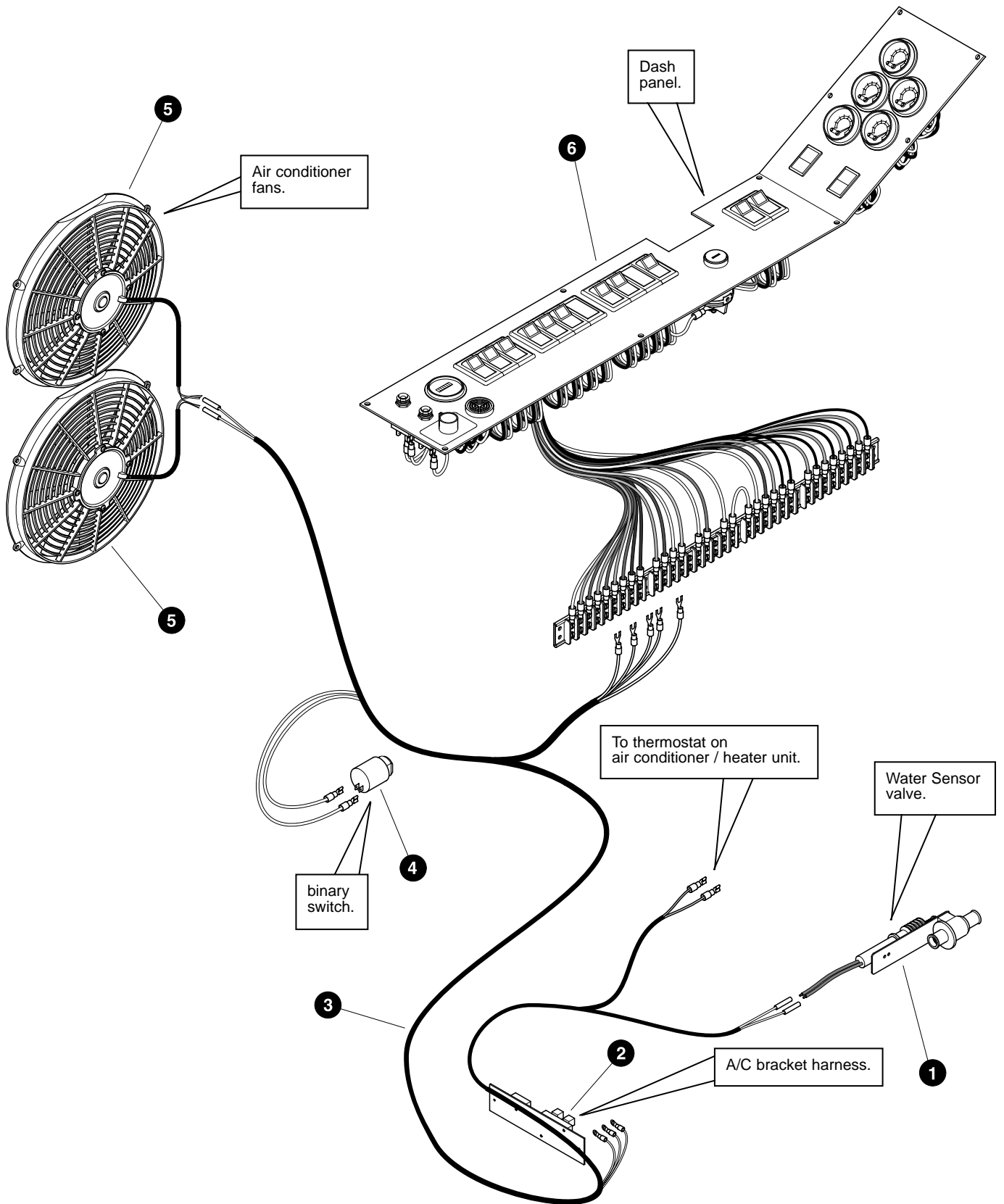
AM/FM RADIO/CASSETTE PLAYER COMPONENTS

REF	PART #	QTY	DESCRIPTION	SEE PAGE
1	19968-ES	2	SPEAKER	
2	22395-ES	1	AM/FM RADIO/CASSETTE PLAYER	
3	16966-ES	1	ANTENNA, radio	

Section ES-4



Electrical System - Air Conditioner / Heater

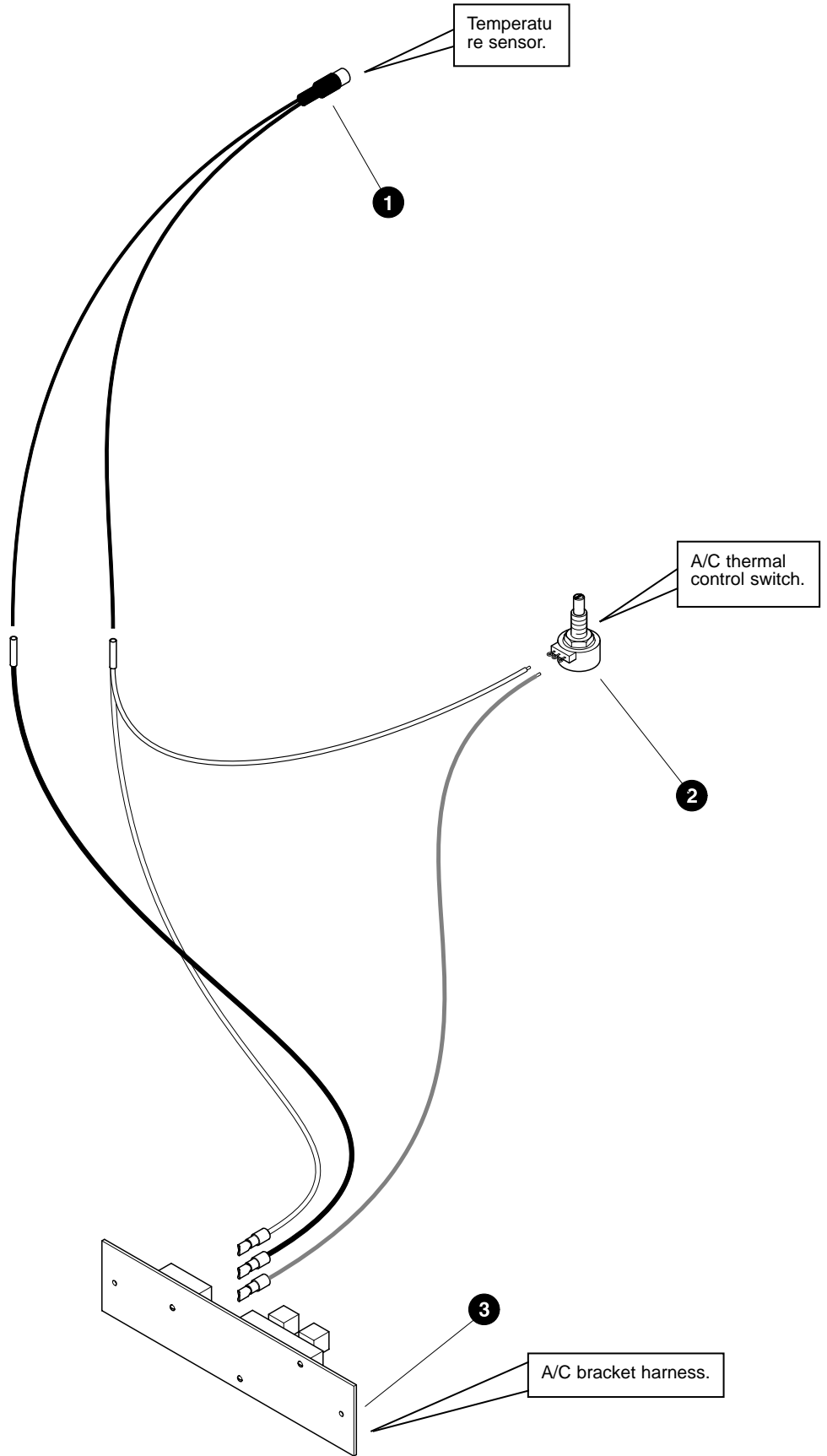


Parts 01466 11/19/99
25.00

AIR CONDITIONER /HEATER INSTALLATION (A/C Wire Harness Installation)

REF	PART #	QTY	DESCRIPTION	SEE PAGE
1	20899-OC	1	VALVE, water sensor - 12V	
	23285-OC	1	VALVE, water sensor - 24V	
2	REF.	1	✓ A/C BRACKET HARNESS	ES-4-3
3	22871-OC	1	HARNESS - A/C	
4	REF.	1	✓ BINARY SWITCH	ES-4-14
5	REF.	2	✓ MOTOR / FAN ASSEMBLY	OC-4-10
6	REF.	1	✓ DASH PANEL	ES-3-2

✓ See referenced page for component or assembly breakdown.



Temperature sensor.

1

A/C thermal control switch.

2

3

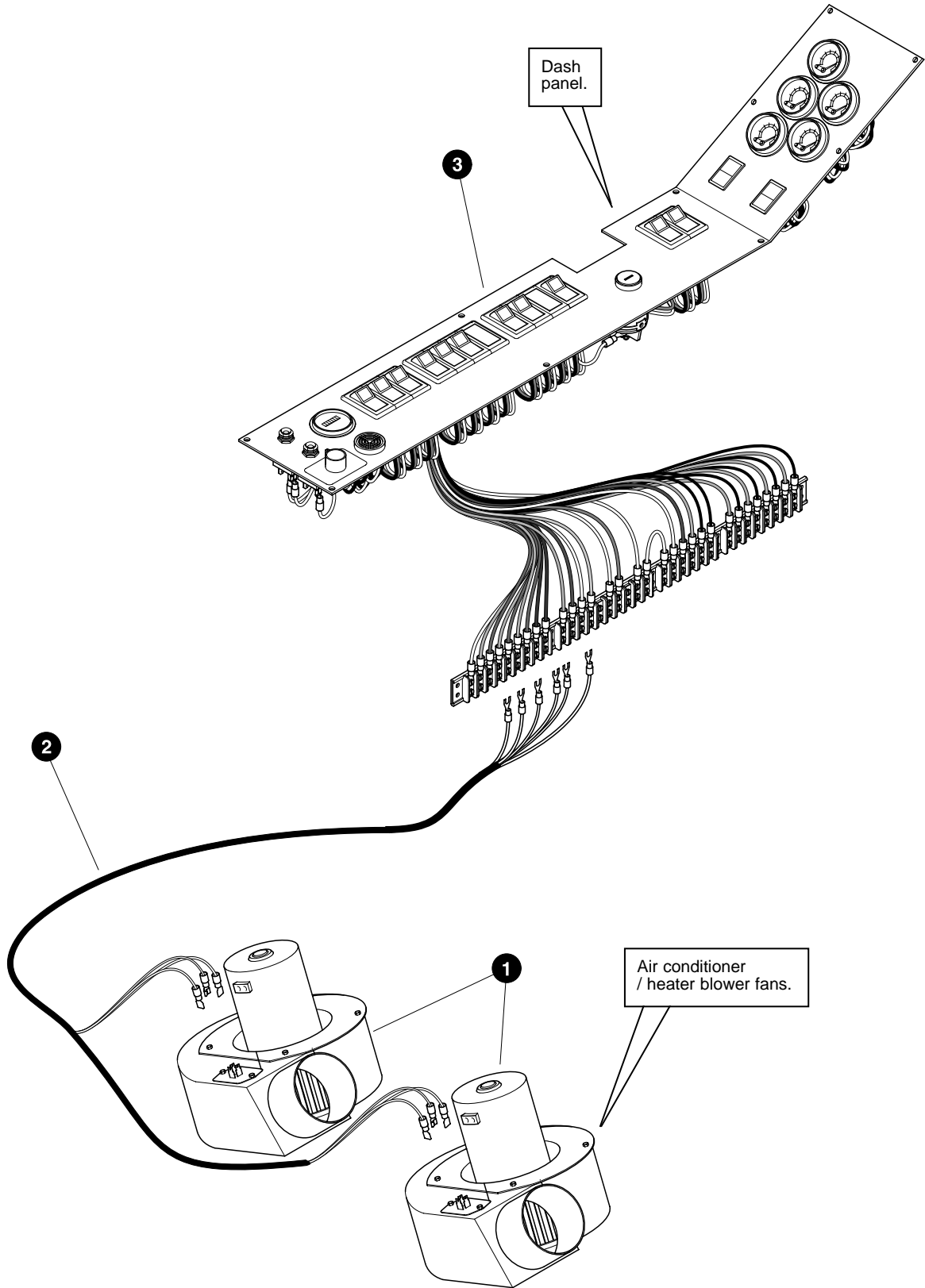
A/C bracket harness.

All components shown are mounted in the rear cab.

AIR CONDITIONER WIRE HARNESS CONNECTIONS (In Cab Roof)

REF	PART #	QTY	DESCRIPTION	SEE PAGE
1	22869-OC	1	TEMPERATURE CONTROL SWITCH	
2	REF.	1	✓ A/C THERMAL CONTROL SWITCH	ES-3-2
3	REF.	1	✓ A/C BRACKET HARNESS	ES-4-4

- Kit or Assembly - includes all items indented underneath.
- See referenced page for component or assembly breakdown.

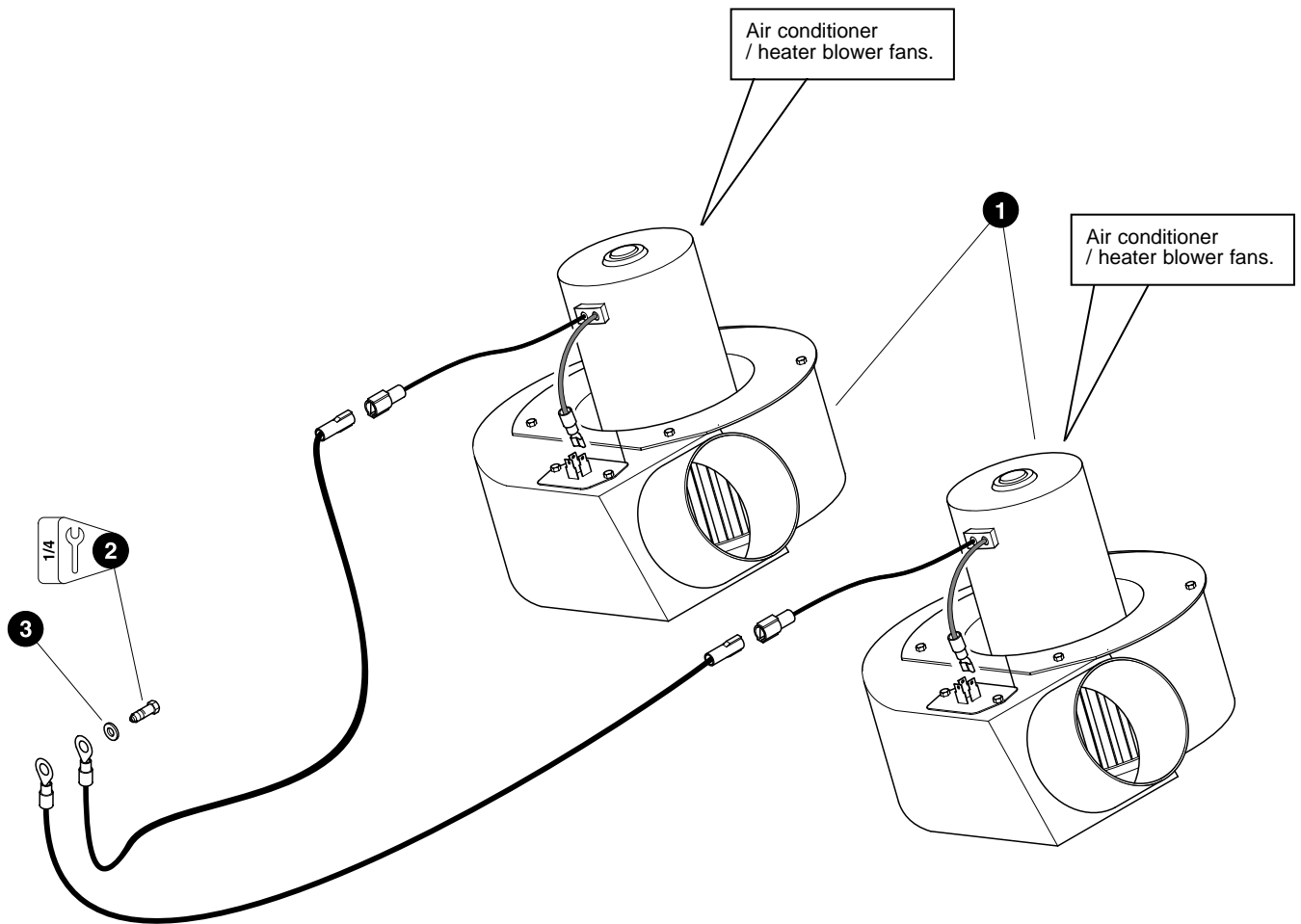


Parts 01467 11/22/99
25.00

AIR CONDITIONER WIRE HARNESS CONNECTIONS (From Dash Panel)

REF	PART #	QTY		DESCRIPTION	SEE PAGE
1	REF.	1	✓	FANS, Air conditioner / heater unit	ES-4-2
2	22872-OC	1	✓	HARNESS, wire - Air conditioner / heater unit	
3	REF.	1	✓	DASH PANEL	ES-3-2

✓ See referenced page for component or assembly breakdown.



Parts 01469 11/22/99
25.00

All components shown are mounted in the rear cab.

AIR CONDITIONER FAN ELECTRICAL CONNECTIONS

REF	PART #	QTY	DESCRIPTION	SEE PAGE
1	REF.	1	✓ FANS, Air conditioner / heater unit	ES-4-2
2	15669-OC	1	SCREW, machine - 10-24 x 1/2"	
3	16208-OC	1	WASHER, flat #10	

✓ See referenced page for component or assembly breakdown.