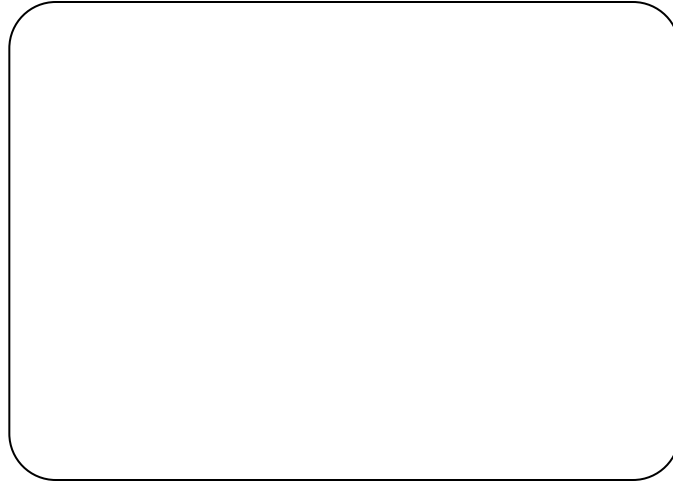
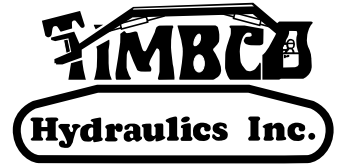
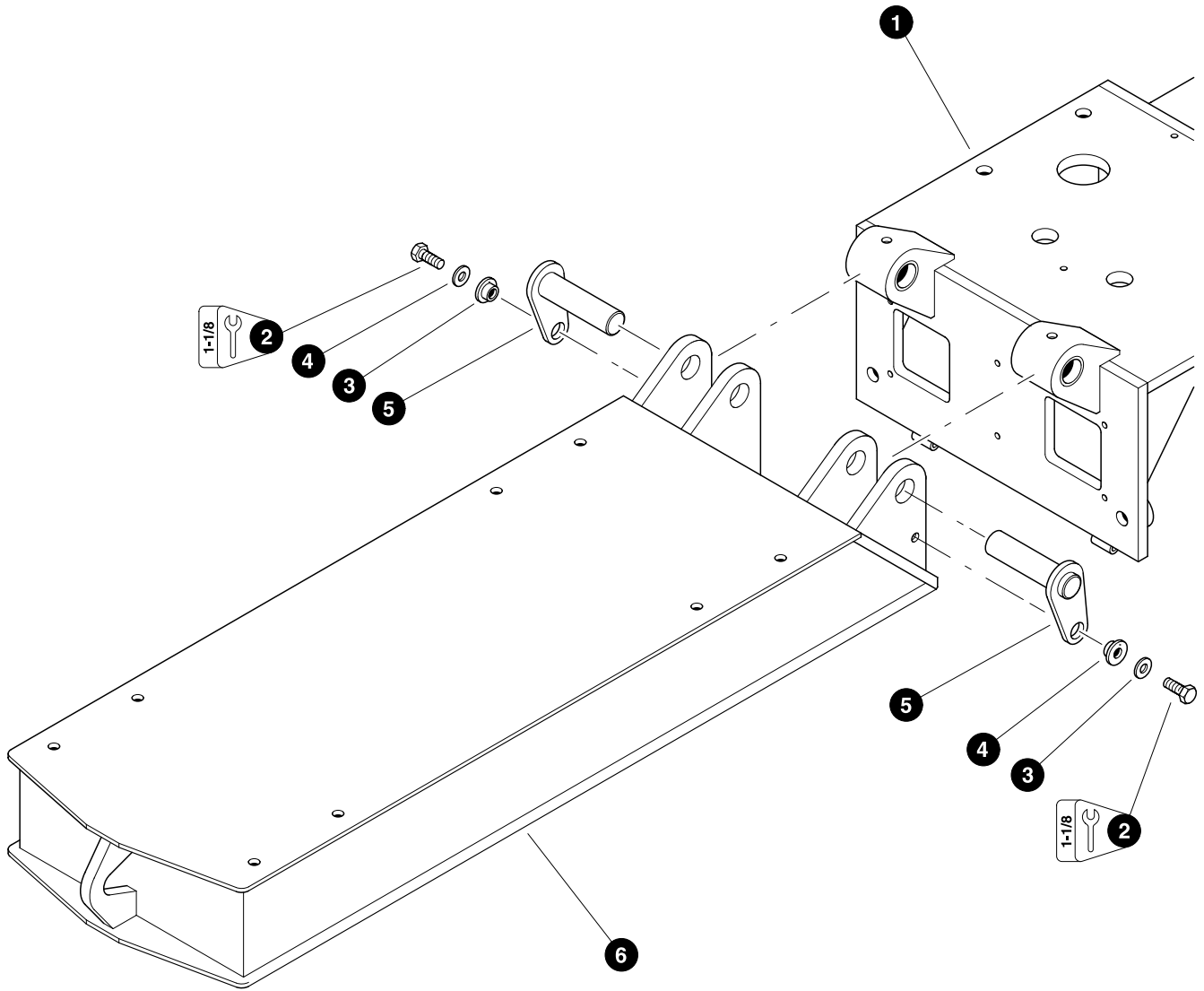


# **Section FB-1**

---



## ***Floating Bunk, Log Stakes & Log Rack - Structural***



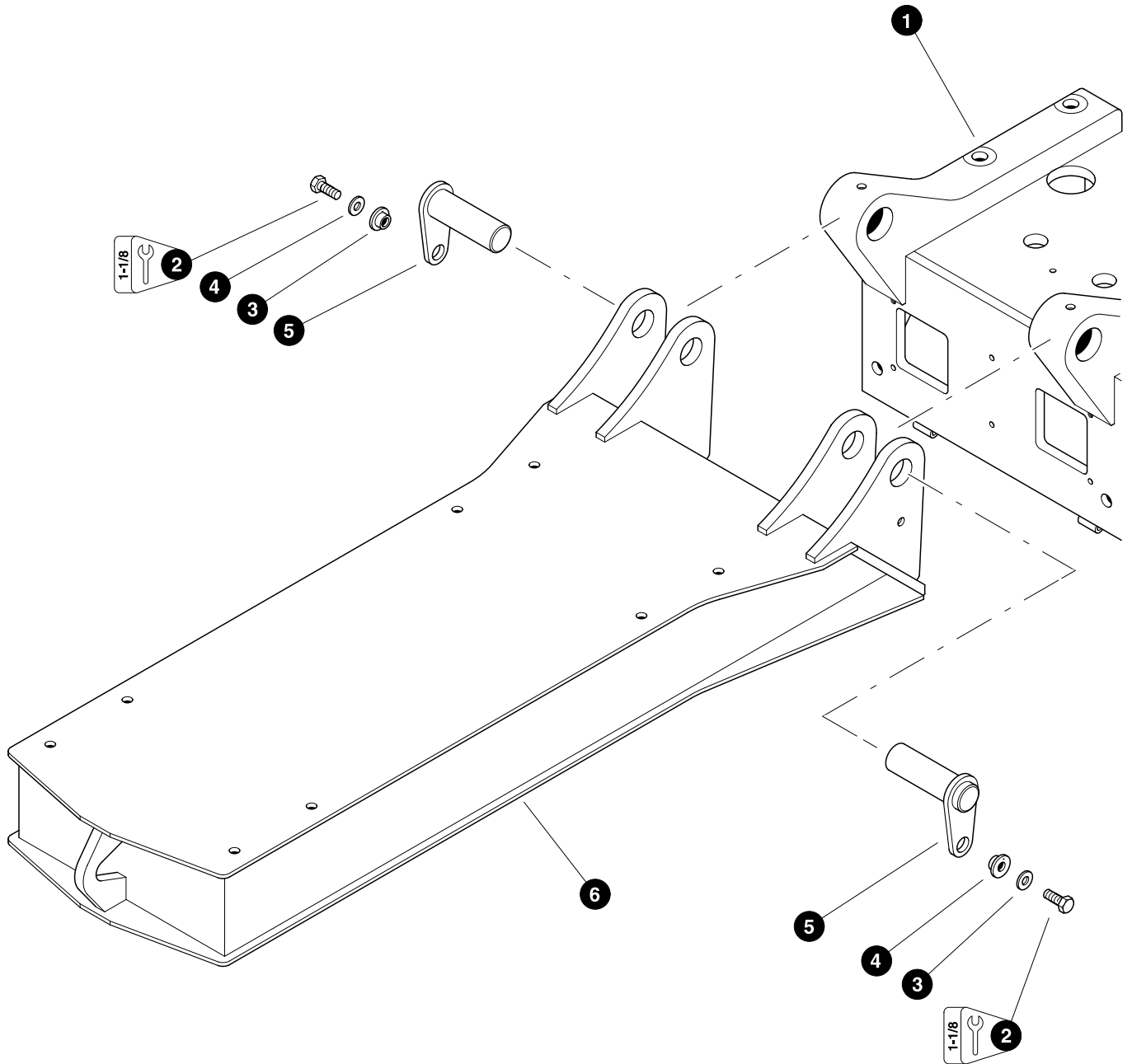
Parts 01259 07/30/99  
12.50

## FLOATING BUNK INSTALLATION

*(Used on machines PDN# 139FWD and below)*

REF	PART #	QTY	✓	DESCRIPTION	SEE PAGE
1	REF.	1	✓	REAR FRAME WELDMENT	
2	15549-FB	2		BOLT - 3/4" x 2"	
3	15550-FB	2		WASHER, SAE flat - 3/4"	
4	18570-FB	2		WASHER, pin retaining	
5	19210-FB	2		PIN, floating bunk - 2" x 6-3/4"	
6	80193-FB	1		WELDMENT, floating bunk	

✓ See referenced page for component or assembly breakdown.



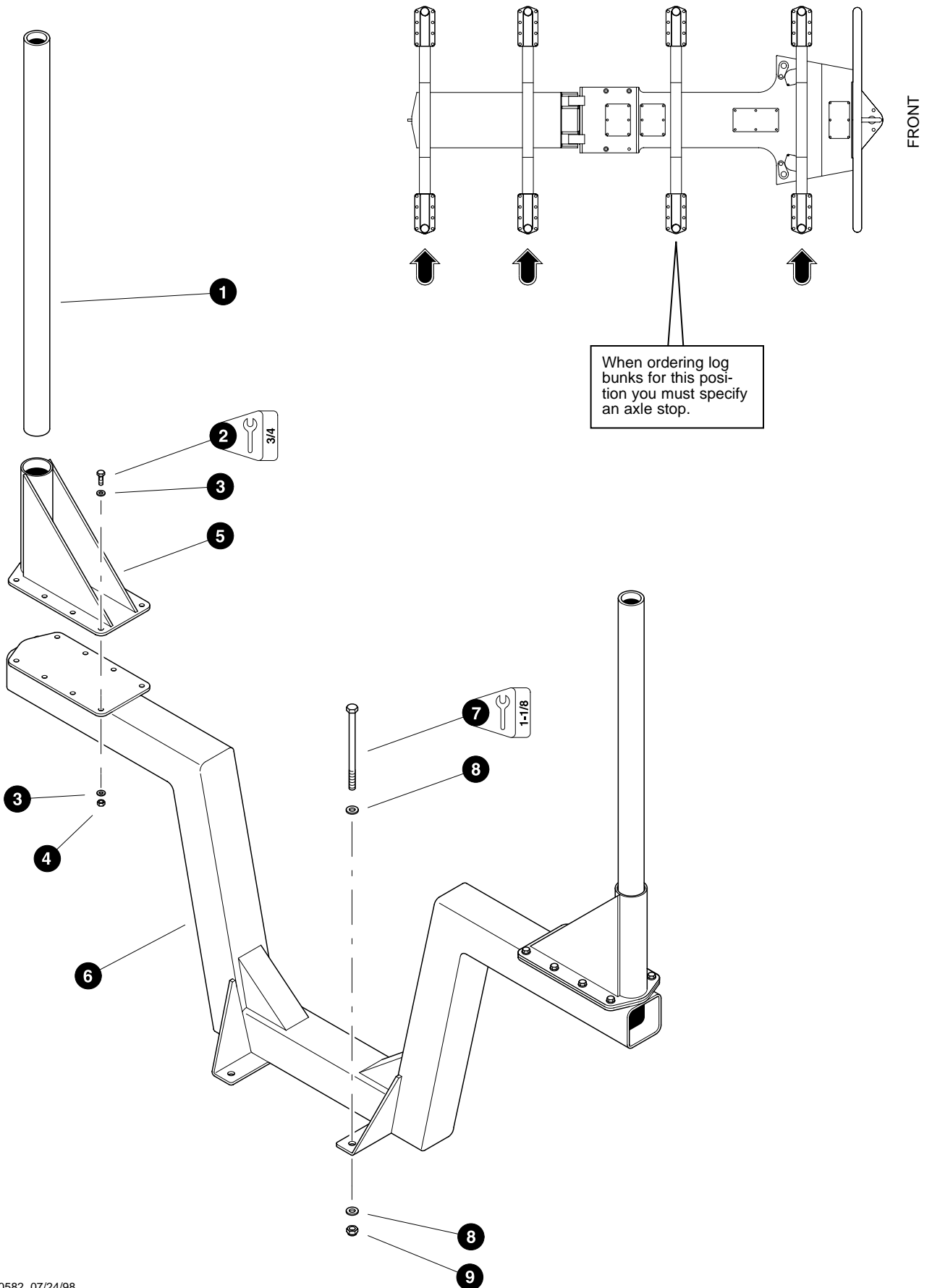
Parts 01917 11/27/2000  
12.50

## FLOATING BUNK INSTALLATION

*(Used on machines PDN# 140FWD and above)*

REF	PART #	QTY	DESCRIPTION	SEE PAGE
1	REF.	1	✓ REAR FRAME WELDMENT	
2	15549-FB	2	BOLT - 3/4" x 2"	
3	15550-FB	2	WASHER, SAE flat - 3/4"	
4	18570-FB	2	WASHER, pin retaining	
5	23434-FB	2	PIN, floating bunk - 2-1/2" x 7-7/8"	
6	13481-FB	1	WELDMENT, floating bunk	

✓ See referenced page for component or assembly breakdown.



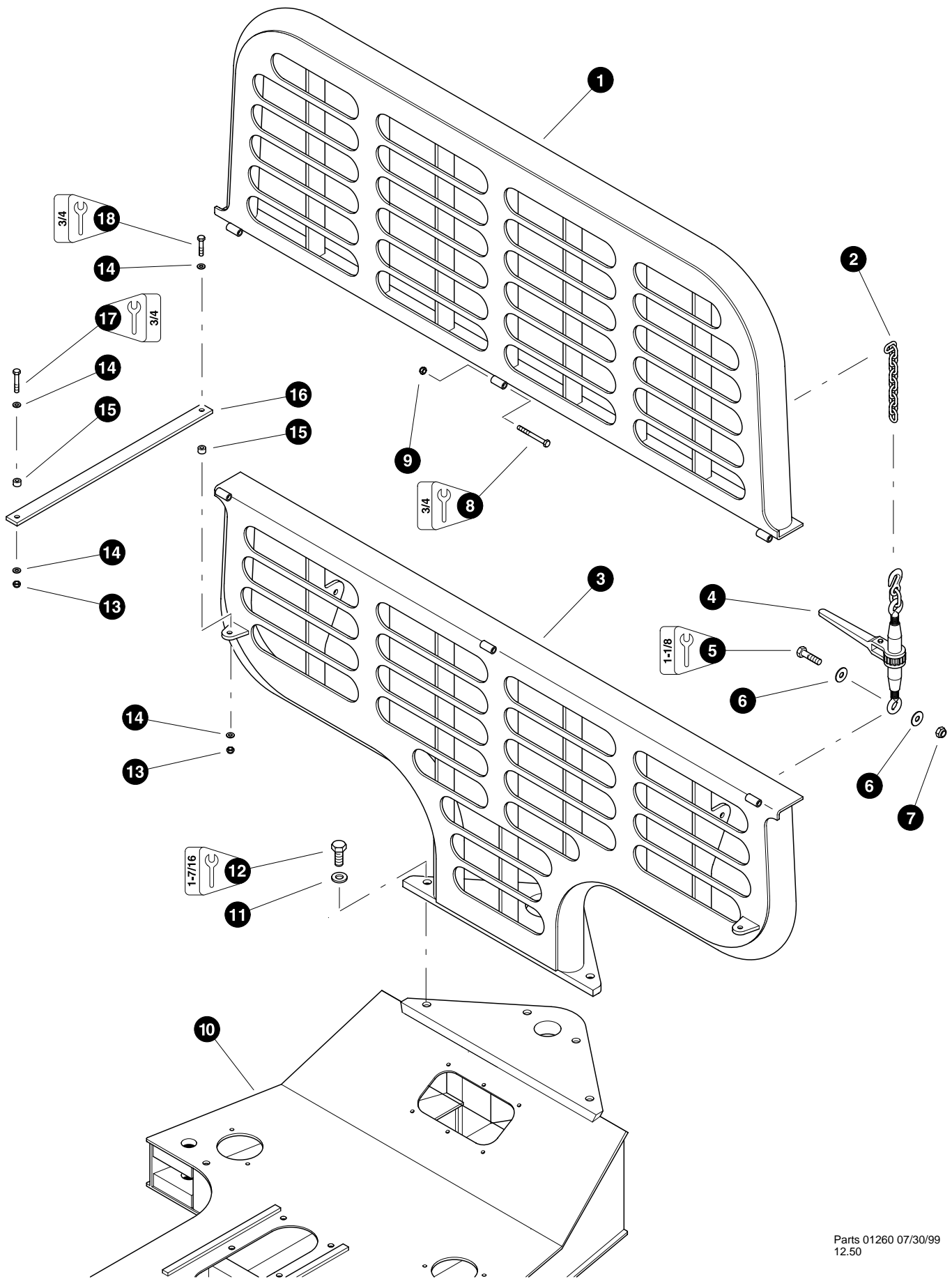
Parts 00582 07/24/98  
9.375

## LOG BUNK & STAKE INSTALLATION

REF	PART #	QTY	DESCRIPTION	SEE PAGE
1	21013-FB	6	TUBE, log stake	
2	10736-FB	12	BOLT - 1/2" x 2"	
3	15534-FB	24	WASHER, SAE flat - 1/2"	
4	10815-FB	12	NUT, lock - 1/2"	
5	80398-FB	6	WELDMENT, log stake pocket	
6	20859-FB	4	WELDMENT, log bunk - 33" <i>(Used on machines with standard 28L-26 wheels) (See Note Below)</i>	
	21667-FB	4	WELDMENT, log bunk - 28" <i>(Used on machines with optional 700/50x26.5 &amp; 750/50x26.5 wheels) (See Note Below)</i>	
7	20905-FB	8	BOLT - 3/4" x 12" <i>(Used when mounting log bunk to the floating bunk)</i>	
	20906-FB	8	BOLT - 3/4" x 16" <i>(Used when mounting log bunk to the rear frame)</i>	
8	15550-FB	32	WASHER, SAE flat - 3/4"	
9	10817-FB	16	NUT, lock - 3/4"	

**Note:**

When ordering log bunk weldments, be sure to specify whether or not an axle stop is required. See illustration at left.



Parts 01260 07/30/99  
12.50



## LOG RACK INSTALLATION

REF	PART #	QTY	DESCRIPTION	SEE PAGE
-	80454-FB	1	<input type="checkbox"/> LOG RACK ASSEMBLY	
1	80448-FB	1	WELDMENT, log rack - upper	
2	22289-FB	2	CHAIN - 3/8" (10 links)(Welded to upper log rack weldment)	
3	80447-FB	1	WELDMENT, log rack - lower	
4	22290-FB	2	BINDER, chain	
5	10840-FB	2	BOLT - 3/4" x 3"	
6	10806-FB	4	WASHER, flat - 3/4"	
7	10817-FB	2	NUT, lock - 3/4"	
8	10705-FB	3	BOLT - 1/2" x 5"	
9	10815-FB	3	NUT, lock - 1/2"	
10	REF.	1	<input checked="" type="checkbox"/> REAR FRAME WELDMENT	
11	15579-FB	4	WASHER, SAE flat - 1"	
12	15552-FB	4	BOLT - 1" x 2-1/2"	
13	10815-FB	4	NUT, lock - 1/2"	
14	15534-FB	8	WASHER, SAE flat - 1/2"	
15	19217-FB	2	SPACER	
16	22291-FB	2	BAR, stabilizer	
17	15565-FB	2	BOLT - 1/2" x 2-1/2"	
18	10893-FB	2	BOLT - 1/2" x 3"	

- Kit or Assembly - includes all items indented underneath.
- See referenced page for component or assembly breakdown.