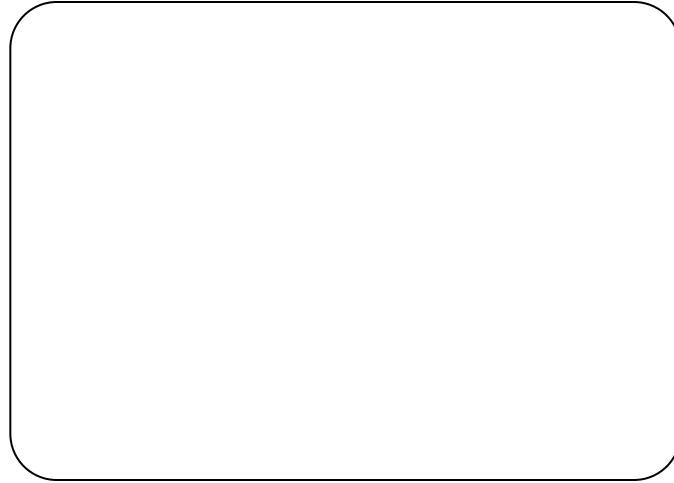
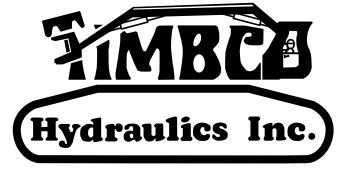
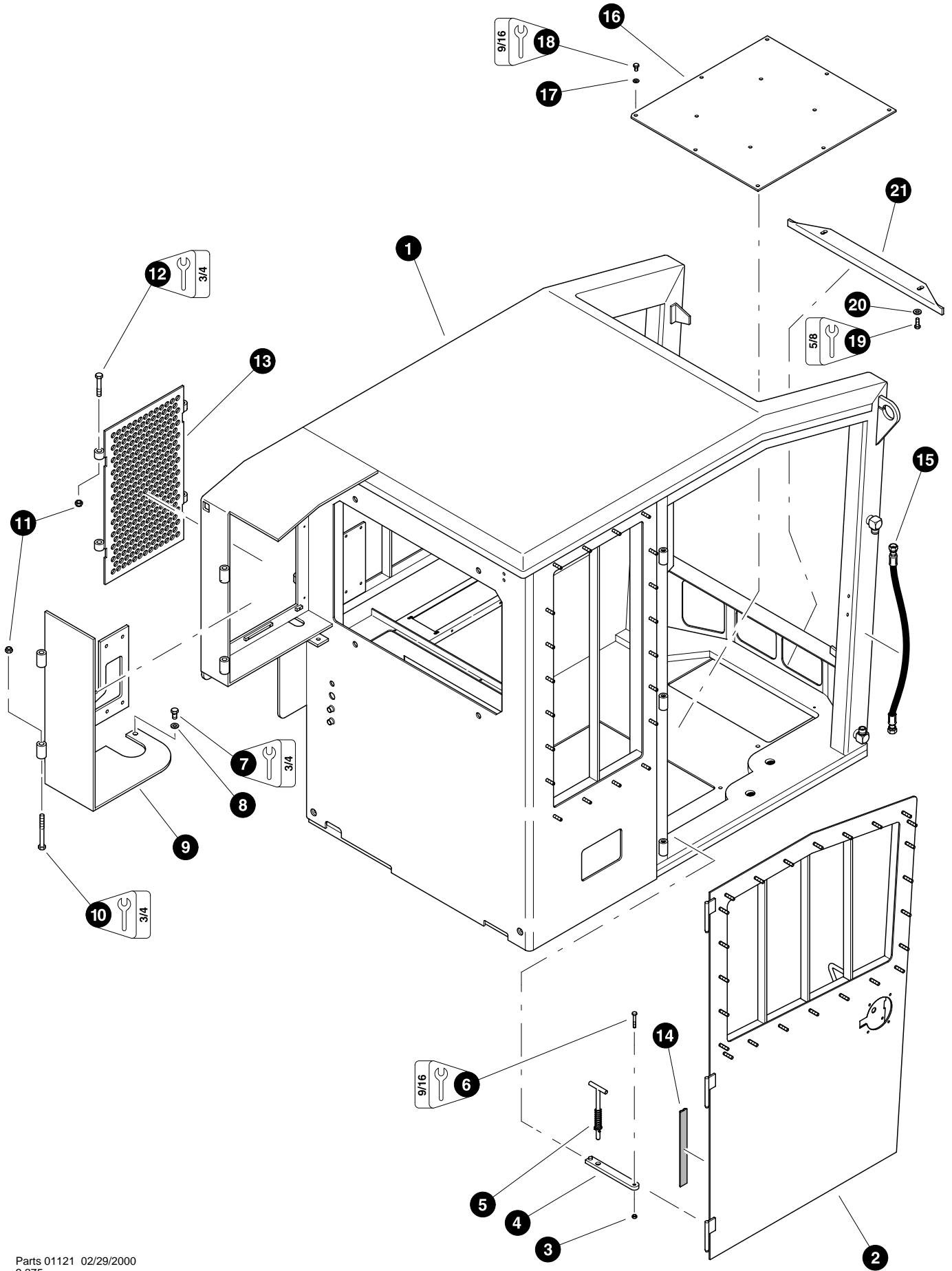


Section OC-1



Operator's Cab - Cab Weldment Components



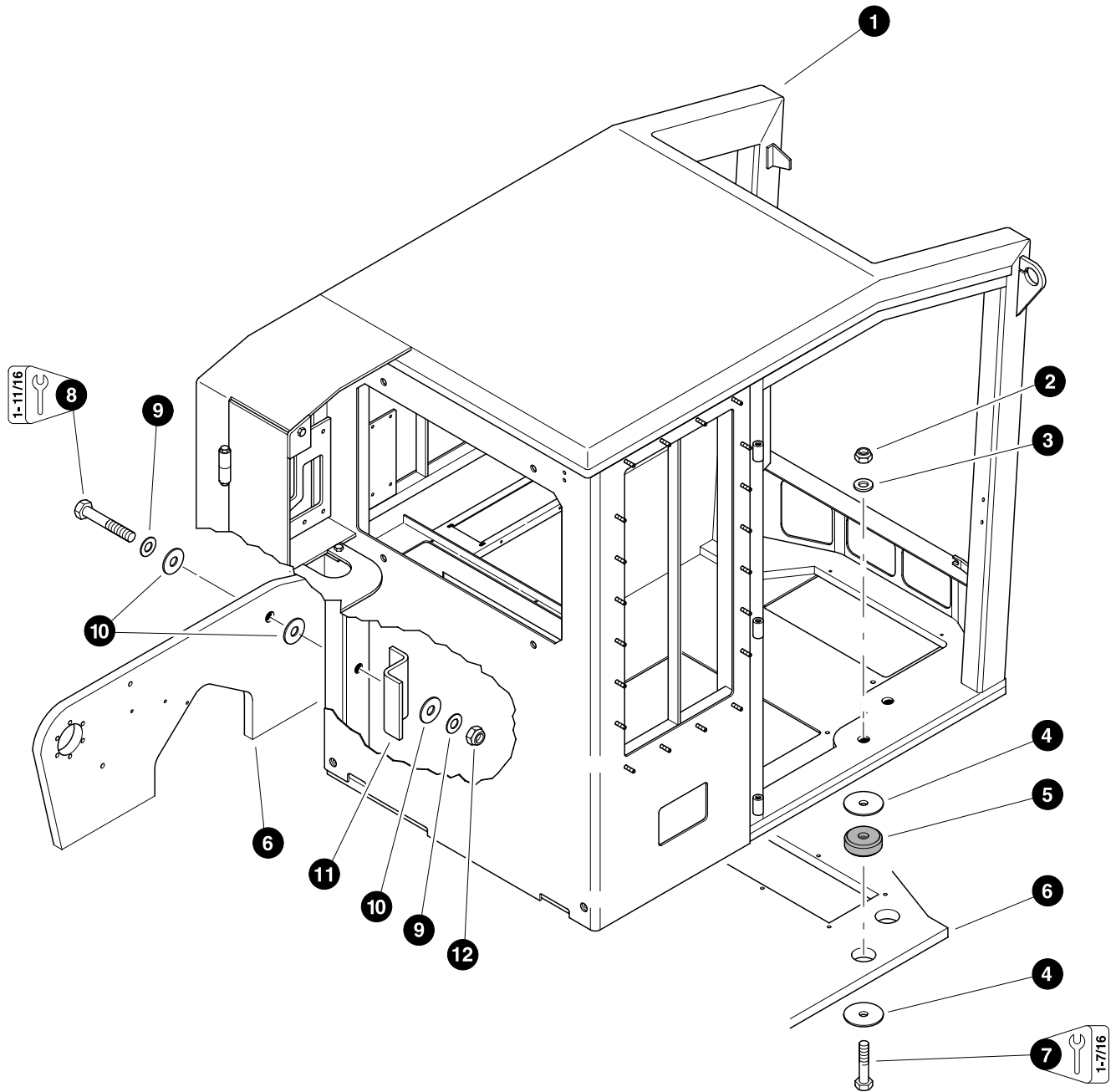
Parts 01121 02/29/2000
9,375

CAB WELDMENT ASSEMBLY (Skyview Cab)

REF	PART #	QTY	DESCRIPTION	SEE PAGE
1	21346-OC	1	☐ WELDMENT, stretched short-top cab	
2	22292-OC	1	DOOR, cab	
3	15507-OC	1	NUT, nylock - 3/8"	
4	12424-OC	1	BAR, doorstop slide	
5	12423-OC	1	DOORSTOP, T-handle	
6	15529-OC	1	BOLT - 3/8" x 2"	
7	10783-OC	1	BOLT - 1/2" x 1"	
8	15334-OC	1	WASHER, SAE flat - 1/2"	
9	20216-OC	1	BRACKET, fire suppression mounting	
10	10705-OC	2	BOLT - 1/2" x 5"	
11	15533-OC	6	NUT, nylock - 1/2"	
12	10893-OC	4	BOLT - 1/2" x 3"	
13	20214-OC	1	COVER, access - condenser	
14	18126-OC	AR	>∞ WEATHERSTRIP	
15	20071-OC	1	HOSE ASSEMBLY - 2032.5-08-10JS-10JS (<i>Used as hand hold</i>)	
16	22105-OC	1	COVER, floor access	
17	15528-OC	8	WASHER, SAE flat - 3/8"	
18	15542-OC	8	BOLT - 3/8" x 3/4"	
19	10831-OC	2	BOLT - 7/16" x 1"	
20	15548-OC	2	WASHER, SAE flat - 7/16"	
21	20974-OC	1	GUARD, cab chin	

☐ Kit or Assembly - includes all items indented underneath.

>∞ Bulk material - order length required in feet or meters.

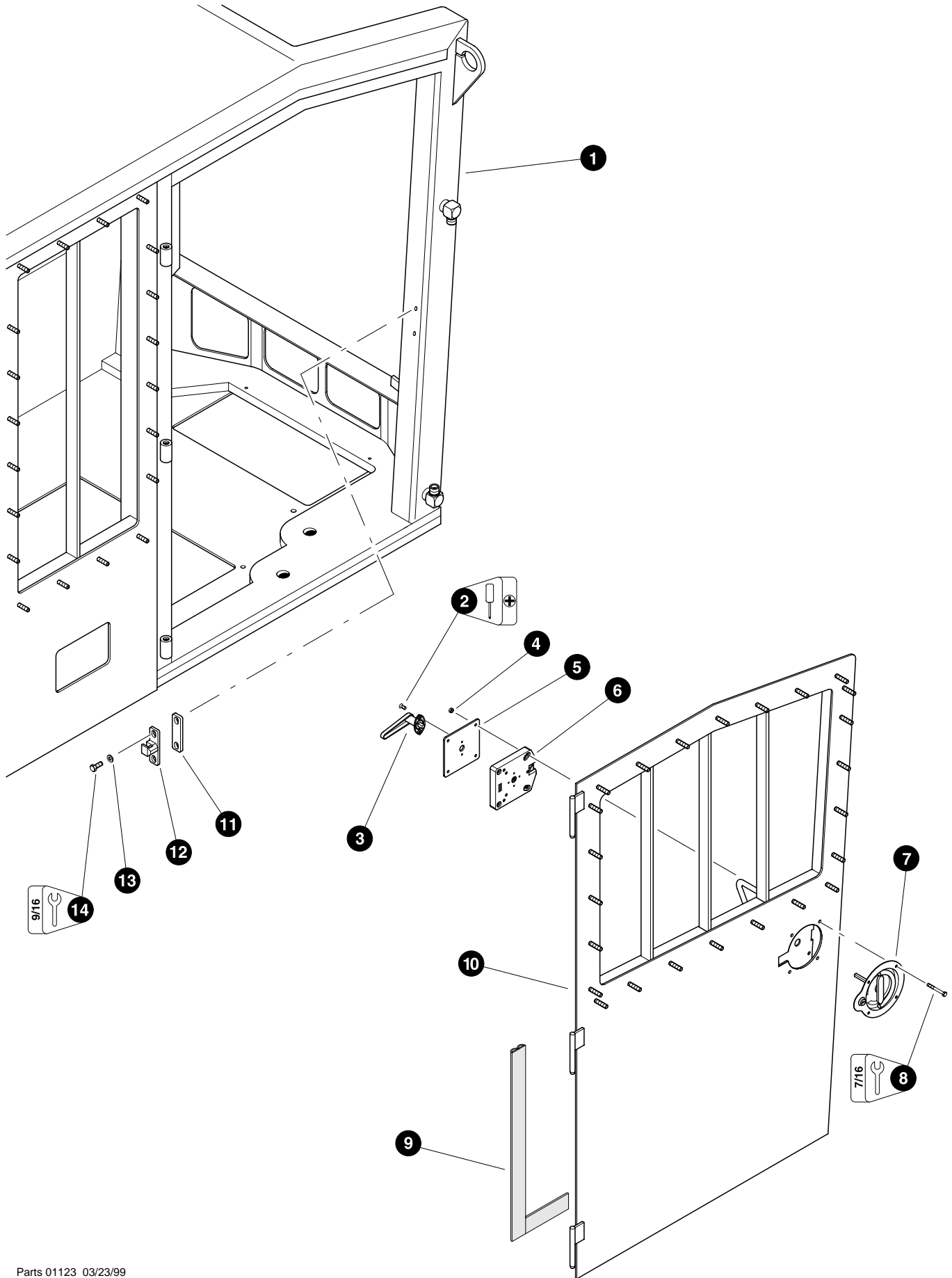


Parts 01122 03/23/99
9,375

CAB WELDMENT INSTALLATION

REF	PART #	QTY		DESCRIPTION	SEE PAGE
1	REF.	1	✓	CAB WELDMENT	OC-1-2
2	18535-OC	6		BOLT - 1" x 5"	
3	15579-OC	6		WASHER, SAE flat - 1"	
4	18142-OC	12		WASHER, cab mount isolator	
5	19295-OC	6		ISOLATOR, cab mount	
6	REF.	1	✓	UPPER TURNTABLE WELDMENT	
7	18253-OC	6		NUT, lock - 1"	
8	17247-OC	1		BOLT - 1-1/8" x 7-1/2"	
9	16935-OC	2		WASHER, SAE flat - 1-1/8"	
10	17065-OC	3		WASHER, rubber	
11	18214-OC	1		BRACKET, cab ROPS/FOPS support	
12	17248-OC	1		NUT, lock - 1-1/8"	

✓ See referenced page for component or assembly breakdown.



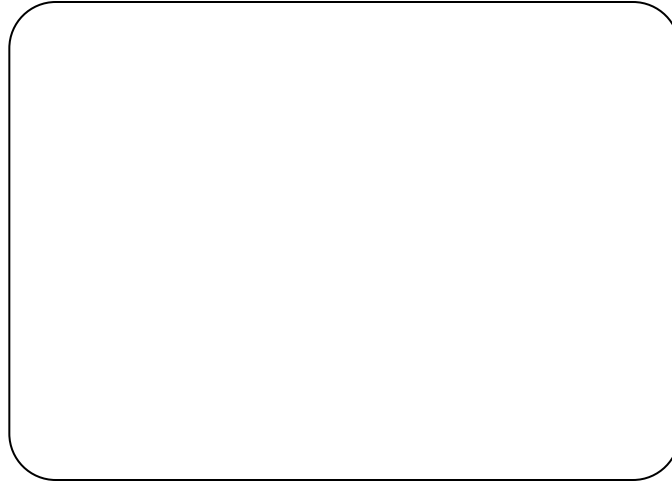
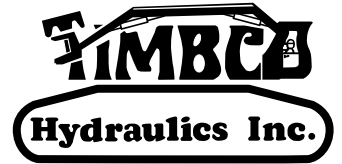
Parts 01123 03/23/99
12.50

DOOR LATCH INSTALLATION

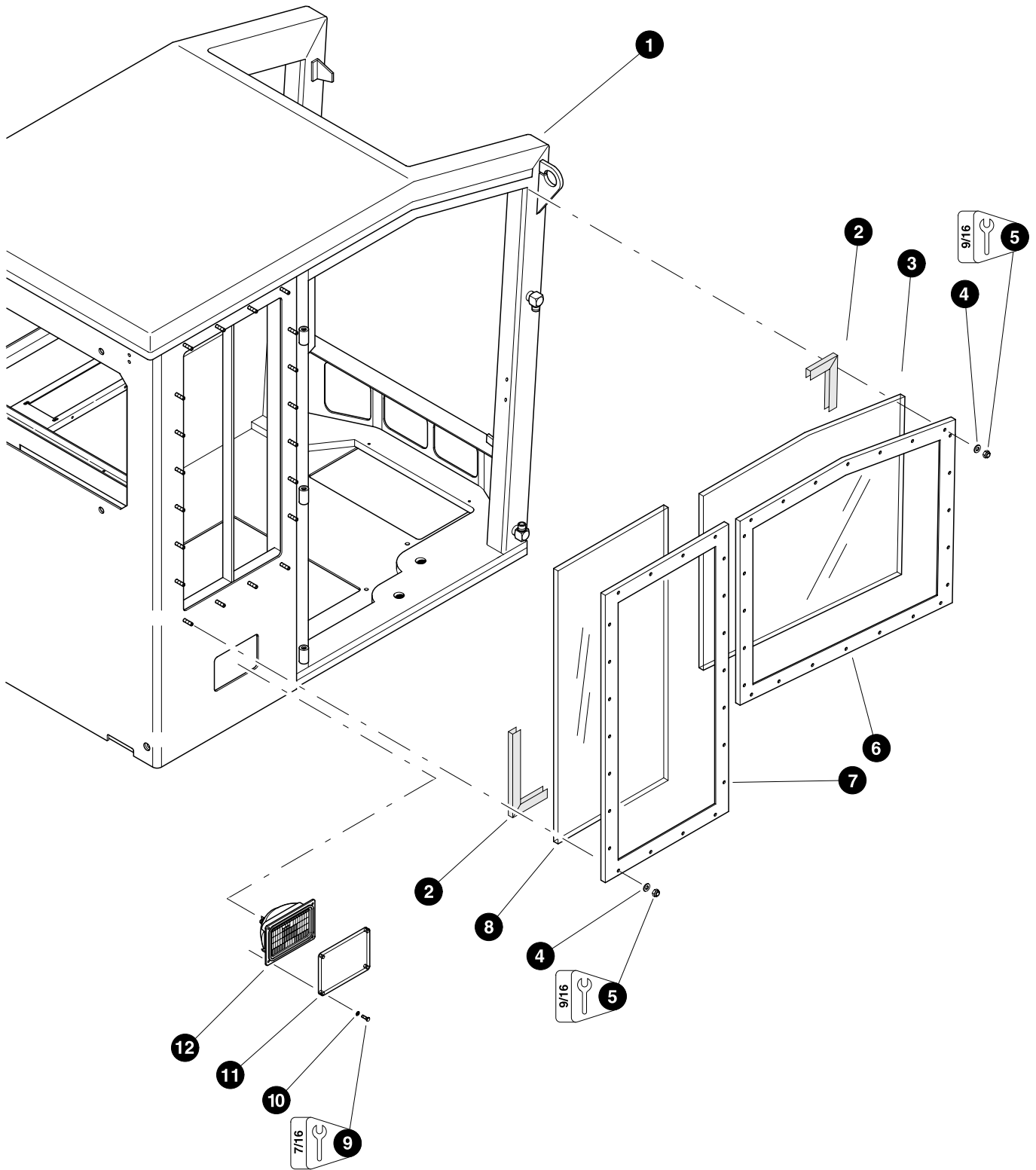
REF	PART #	QTY		DESCRIPTION	SEE PAGE
1	REF.	1	✓	CAB WELDMENT	OC-1-2
2	15669-OC	1		SCREW, machine - #10-24 x 1/2"	
3	17897-OC	1		HANDLE, inside door	
4	10811-OC	4		NUT, lock - 1/4"	
5	18183-OC	1		STIFFENER, latch bolster	
6	17895-OC	1		LATCH, door	
7	19248-OC	1		HANDLE, outside door	
	16939-OC	1		KEY, door (Key code CH509)	
	18399-OC	1		KEY, door (Key code CH510)	
	16937-OC	1		KEY, door (Key code CH545)	
	16940-OC	1		KEY, door (Key code CH1250)	
8	18273-OC	4		BOLT - 1/4" x 2-3/4"	
9	REF.	1	✓	CAB DOOR	OC-1-2
10	18126-OC	AR	∞	WHEATHERSTRIP, door	
11	18272-OC	1		SHIM, door latch striker - 1/8"	
	18270-OC	1		SHIM, door latch striker - 3/16"	
	18271-OC	1		SHIM, door latch striker - 1/4"	
	18390-OC	1		SHIM, door latch striker - 5/16"	
12	17896-OC	1		STRIKER, door latch	
13	15528-OC	2		WASHER, SAE flat - 3/8"	
14	10402-OC	2		BOLT - 3/8" x 1-1/4"	

- ✓ See referenced page for component or assembly breakdown.
 ∞ Bulk material - order length required in feet or meters.

Section OC-2



Operator's Cab - Window Installation

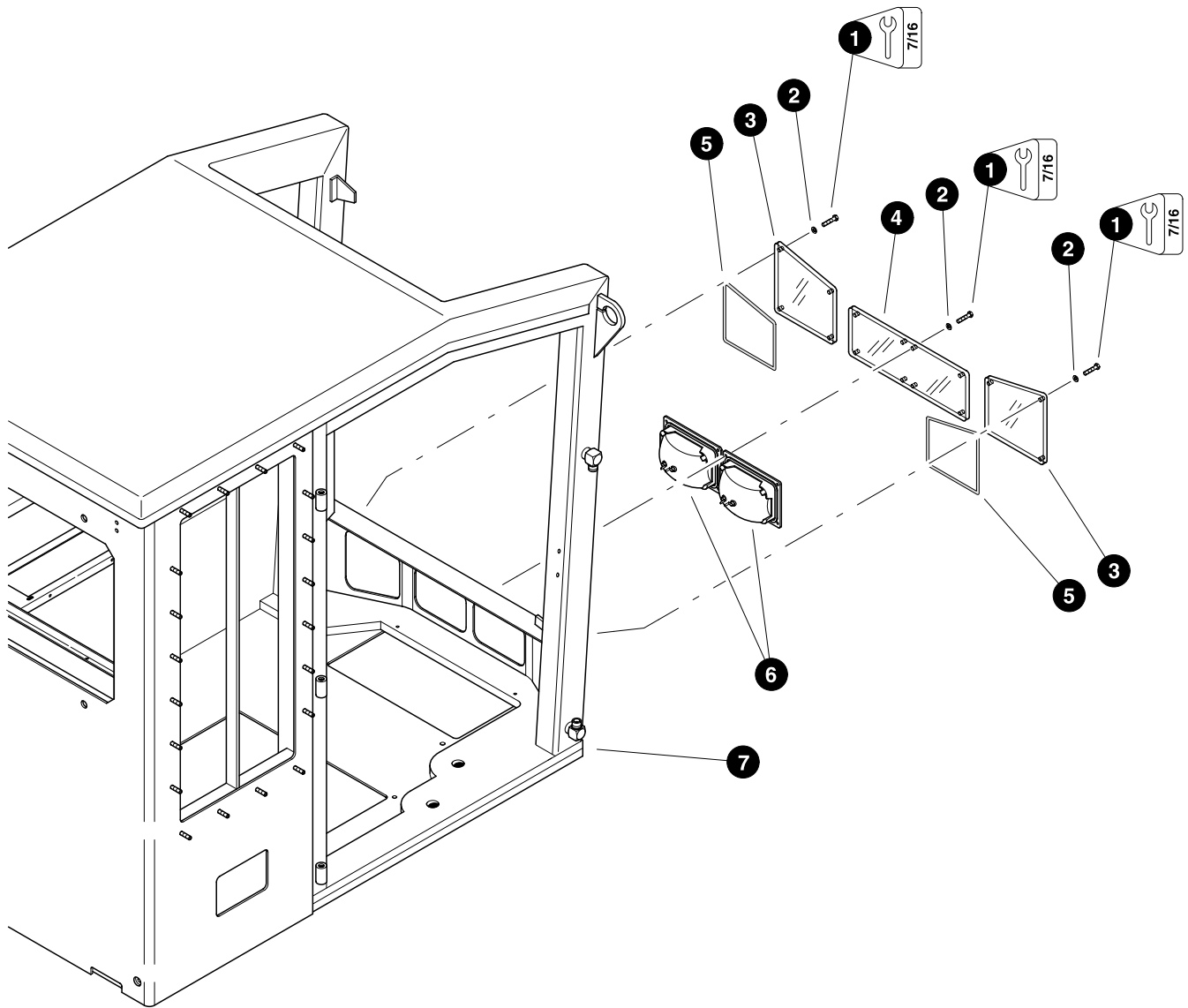


Parts 01124 03/24/99
9.375

WINDOW INSTALLATION (Right Side Rear & Door)

REF	PART #	QTY		DESCRIPTION	SEE PAGE
1	REF.	1	✓	CAB WELDMNT	OC-1-2
2	16230-OC	AR	>∞	CHANNEL, window molding	
3	22205-OC	1		LEXAN, door window	
4	15528-OC	46		WASHER, SAE flat - 3/8"	
5	15507-OC	46		NUT, nylock - 3/8"	
6	22099-OC	1		FRAME, door window	
7	19023-OC	1		FRAME, right corner window	
8	19019-OC	1		LEXAN, RH corner window	
9	18309-OC	4		BOLT - 1/4" x 1-1/4"	
10	10757-OC	4		WASHER, SAE flat - 1/4"	
11	16811-OC	1		LEXAN, light guard	
12	16044-OC	1		LIGHT, flush mount	

- ✓ See referenced page for component or assembly breakdown.
 >∞ Bulk material - order length required in feet or meters.

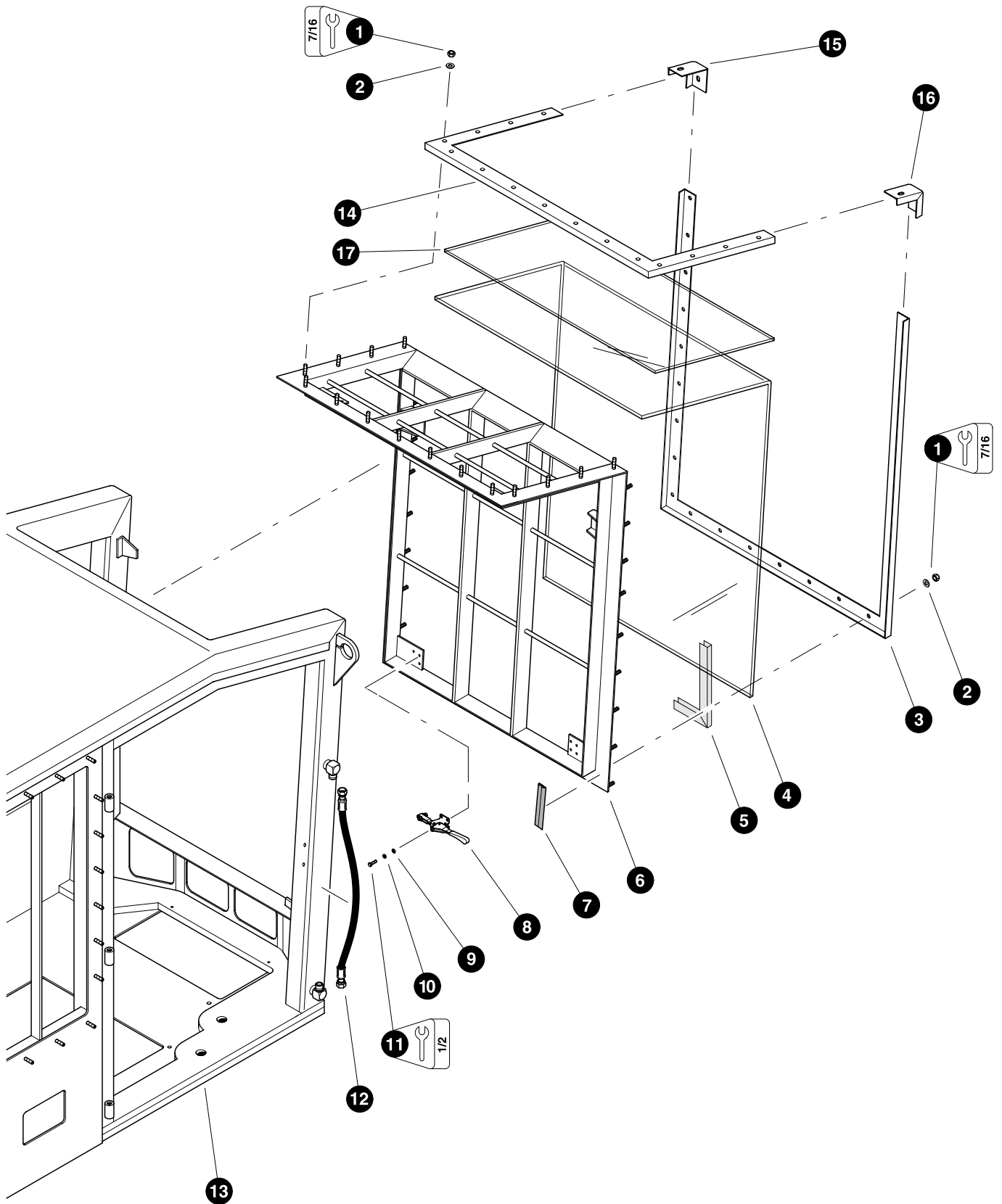


Parts 01125 03/24/99
9.375

WINDOW INSTALLATION (Lower Chin)

REF	PART #	QTY		DESCRIPTION	SEE PAGE
1	18309-OC	20		BOLT - 1/4" x 1-1/4"	
2	10757-OC	20		WASHER, SAE flat - 1/4"	
3	18190-OC	2		LEXAN, chin window	
4	18189-OC	1		LEXAN, light guard - double	
5	15695-OC	AR	>∞	WEATHERSTRIP	
6	16044-OC	2		LIGHT, flush mount	
7	REF.	1	✓	CAB WELDMENT	OC-1-2

- >∞ Bulk material - order length required in feet or meters.
 ✓ See referenced page for component or assembly breakdown.

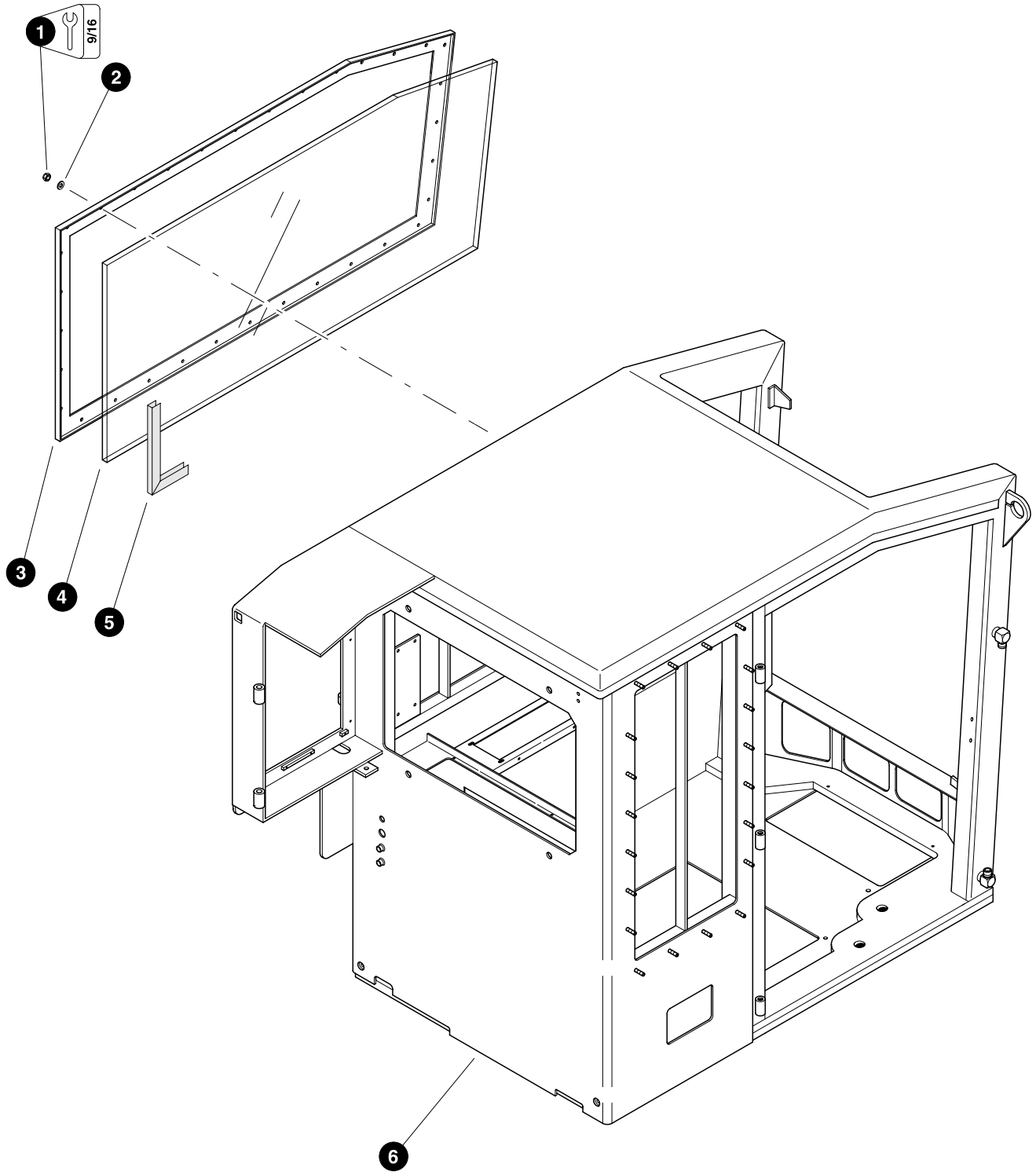


Parts 01128 08/01/00
9.375

WINDOW INSTALLATION (Front Escape / Skylight)

REF	PART #	QTY	DESCRIPTION	SEE PAGE
1	15507-OC	40	NUT, nylock - 3/8"	
2	15528-OC	40	WASHER, SAE flat - 3/8"	
3	22101-OC	1	FRAME, front window	
4	22107-OC	1	LEXAN, front window/skylight	
5	16230-OC	AR	>∞ CHANNEL, window molding	
6	22106-OC	1	HATCH, front window escape	
7	18126-OC	AR	>∞ WEATHERSTRIP	
8	22303-OC	6	LATCH, toggle - escape hatch	
9	10757-OC	24	WASHER, SAE flat - 1/4"	
10	10756-OC	24	WASHER, lock - 1/4"	
11	15604-OC	24	BOLT - 1/4" x 3/4"	
12	17420	1	HOSE ASSEMBLY - 4032-08-08JS-08JS (<i>Grab Handle</i>)	
13	REF.	1	✓ CAB WELDMENT	OC-1-2
14	22102-OC	1	FRAME, skylight window	
15	22104-OC	1	FRAME, front window angle - LH	
16	22103-OC	1	FRAME, front window angle - RH	
17	22407-OC	1	LEXAN, sky scratch	

- >∞ Bulk material - order length required in feet or meters.
 ✓ See referenced page for component or assembly breakdown.

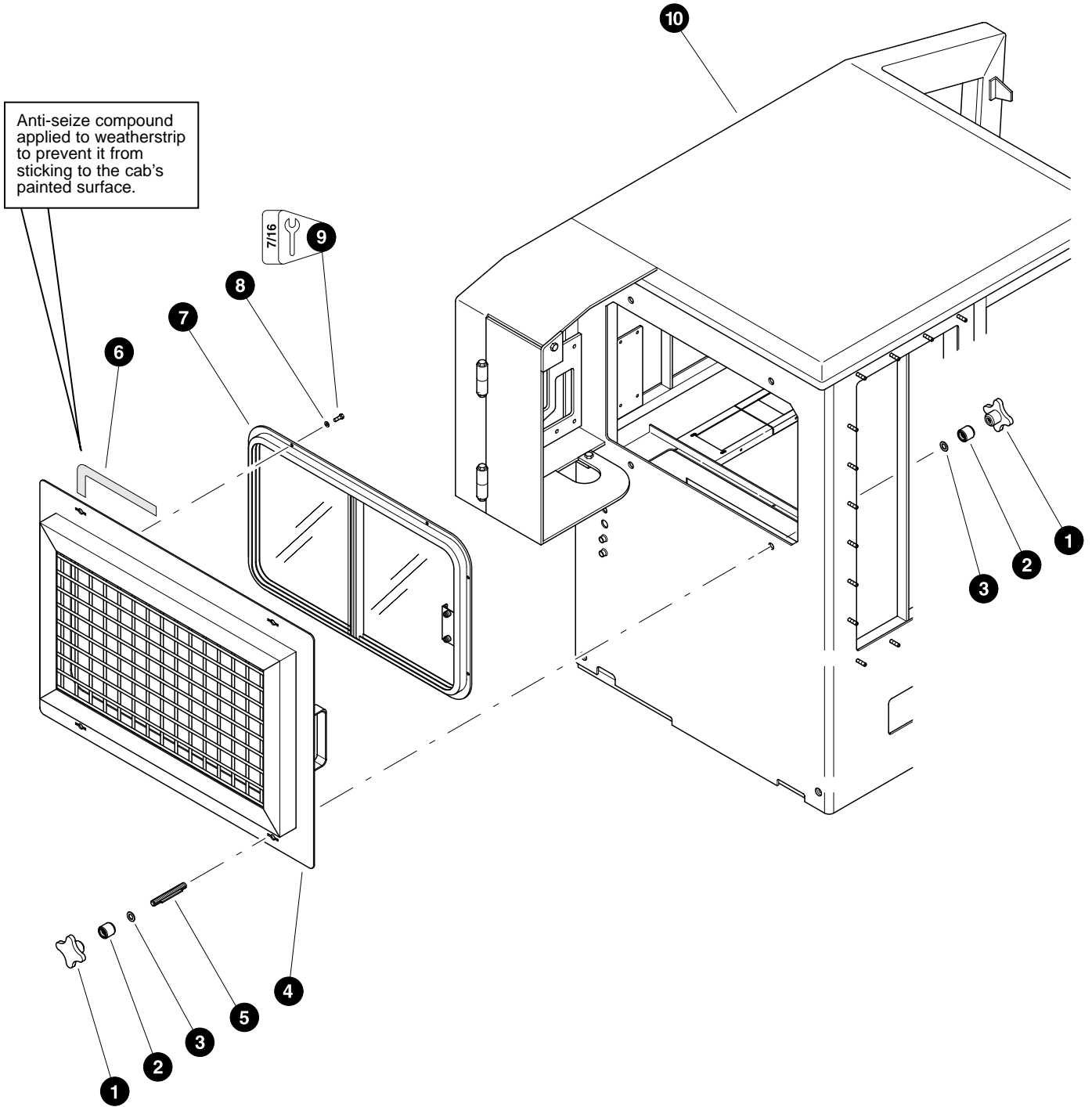


Parts 01126 03/24/99
9.375

WINDOW INSTALLATION (Left Side)

REF	PART #	QTY	DESCRIPTION	SEE PAGE
1	15507-OC	33	NUT, nylock - 3/8"	
2	15528-OC	33	WASHER, SAE flat - 3/8"	
3	22100-OC	1	FRAME, left side window	
4	22206-OC	1	LEXAN, left side window	
5	16230-OC	AR	>∞ CHANNEL, window molding	
6	REF.	1	✓ CAB WELDMENT	OC-1-2

- ✓ See referenced page for component or assembly breakdown.
 >∞ Bulk material - order length required in feet or meters.



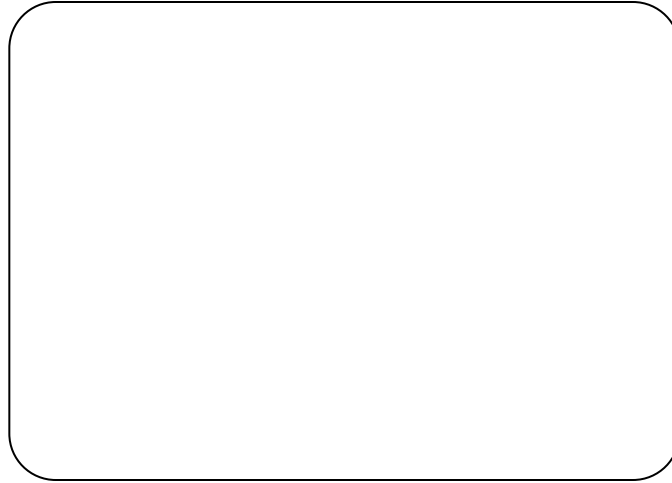
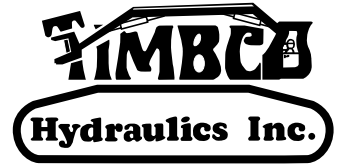
Parts 01127 03/24/99
9.375

WINDOW INSTALLATION (Rear Sliding & Emergency Escape)

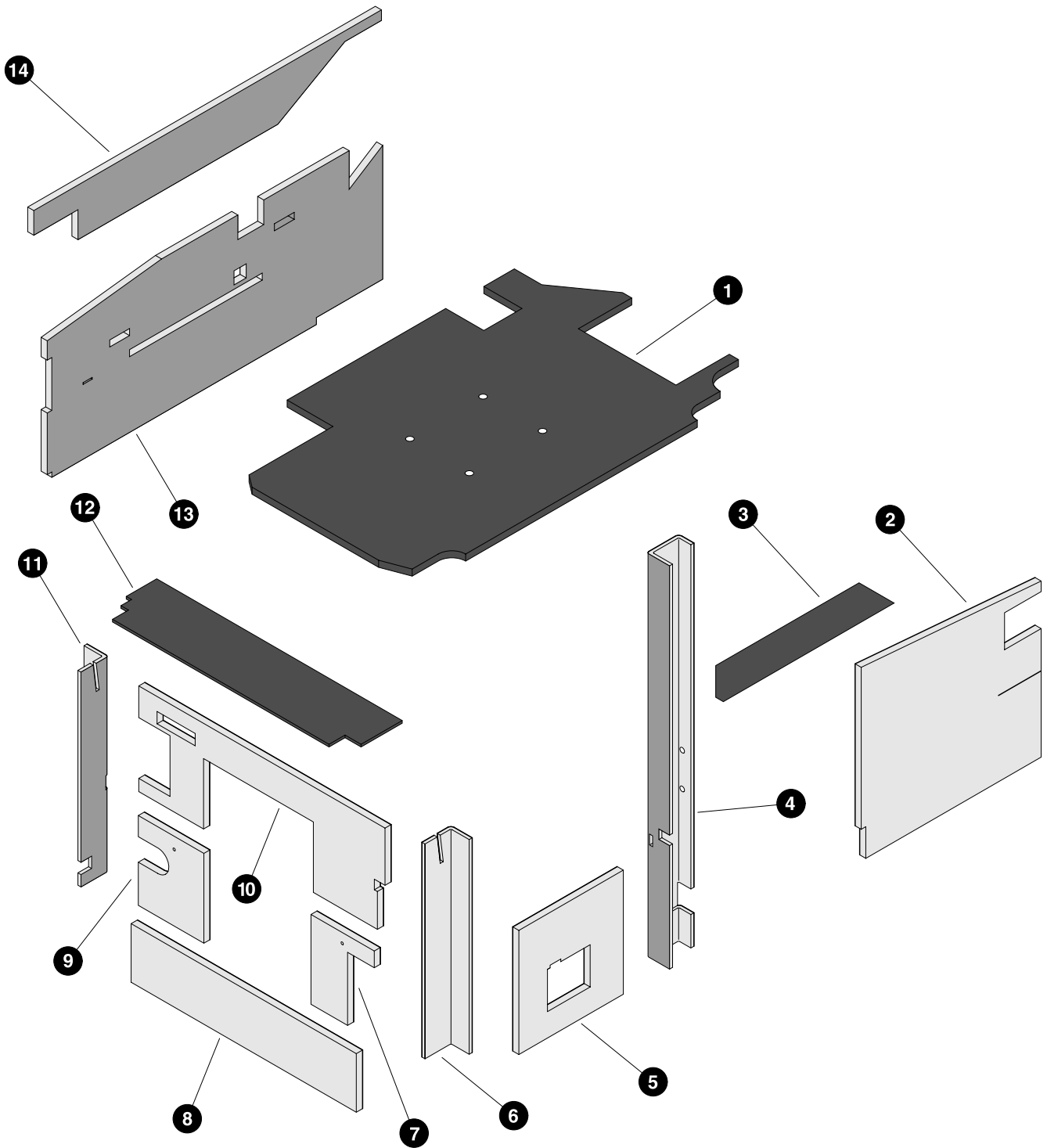
REF	PART #	QTY		DESCRIPTION	SEE PAGE
1	12013-OC	2		KNOB, star	
2	16539-OC	2		STAND-OFF	
3	15534-OC	2		WASHER, SAE flat - 1/2"	
4	16858-OC	1		GUARD, rear window	
5	16538-OC	1		STUD, 2-way	
6	15694-OC	AR	>∞	WEATHERSTRIP	
7	16423-OC	1		WINDOW, sliding w/frame	
8	10757-OC	8		WASHER, SAE flat - 1/4"	
9	15604-OC	8		BOLT - 1/4" x 3/4"	
10	REF.	1	✓	CAB WELDMNT	OC-1-2

- >∞ Bulk material - order length required in feet or meters.
 ✓ See referenced page for component or assembly breakdown.

Section OC-3



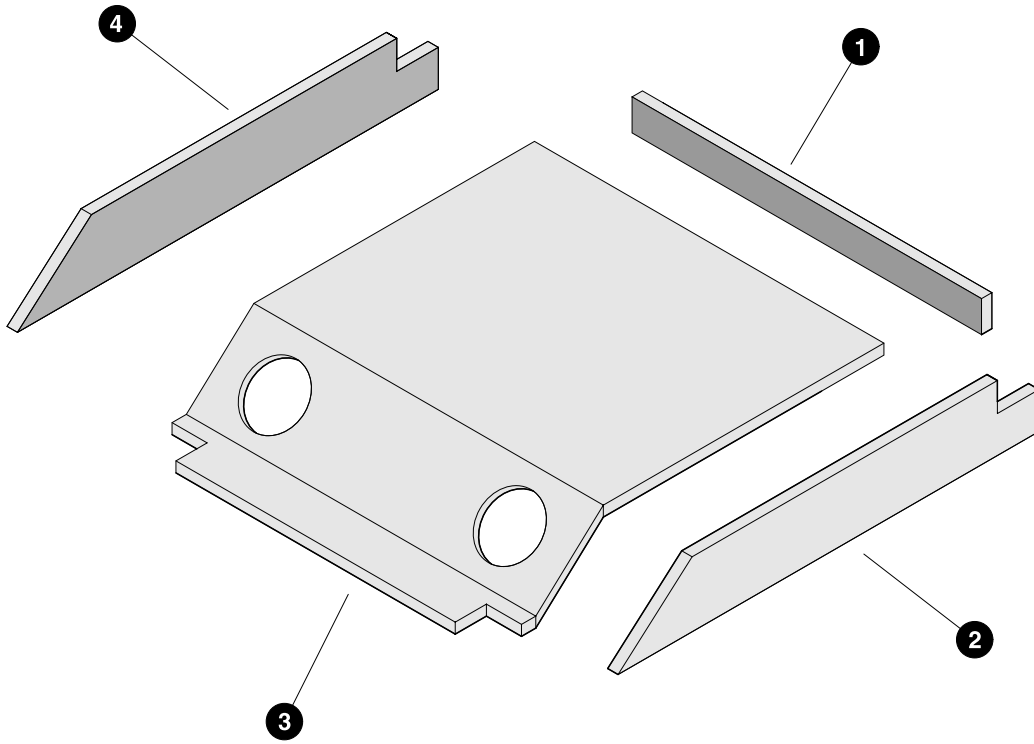
Operator's Cab - Interior Components



Parts 01133 03/26/99
9.375

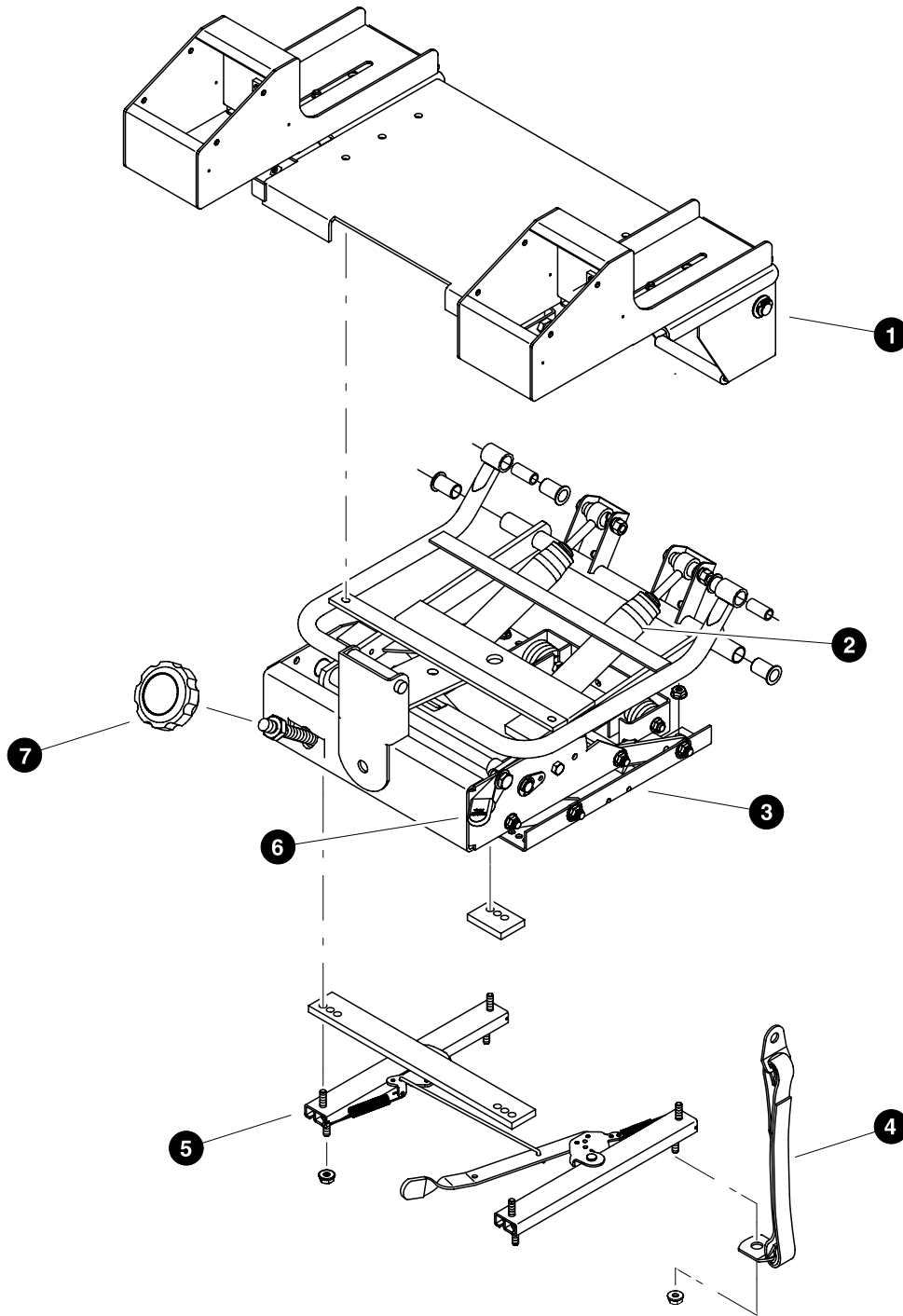
INTERIOR TRIM & FLOORMAT (Lower Areas)

REF	PART #	QTY	DESCRIPTION	SEE PAGE
1	19887-OC	1	FLOORMAT, cab	
2	19879-OC	1	TRIM, panel - door	
3	17358-OC	1	FLOORMAT, door tray	
4	19880-OC	1	TRIM, formed - door post	
5	20225-OC	1	TRIM, panel - RH light	
6	19881-OC	1	TRIM, formed - RH rear post <i>(Cut to length required)</i>	
7	20226-OC	1	TRIM, panel - A/C - RH	
8	20227-OC	1	TRIM, panel - rear bottom	
9	20228-OC	1	TRIM, panel - A/C - LH	
10	20229-OC	1	TRIM, panel - rear top	
11	19882-OC	1	TRIM, formed - LH rear post <i>(Cut to length required)</i>	
12	20230-OC	1	FLOORMAT, rear shelf	
13	20231-OC	1	TRIM, panel - LH bottom	
14	20232-OC	1	TRIM, panel - LH top	



**INTERIOR TRIM & FLOORMAT
(Headliner Areas)**

REF	PART #	QTY	DESCRIPTION	SEE PAGE
1	22309-OC	1	TRIM, panel - headliner roof beam	
2	22310-OC	1	TRIM, panel - headliner side strip - RH	
3	22312-OC	1	TRIM, panel - headliner roof	
4	22311-OC	1	TRIM, panel - headliner side strip - LH	

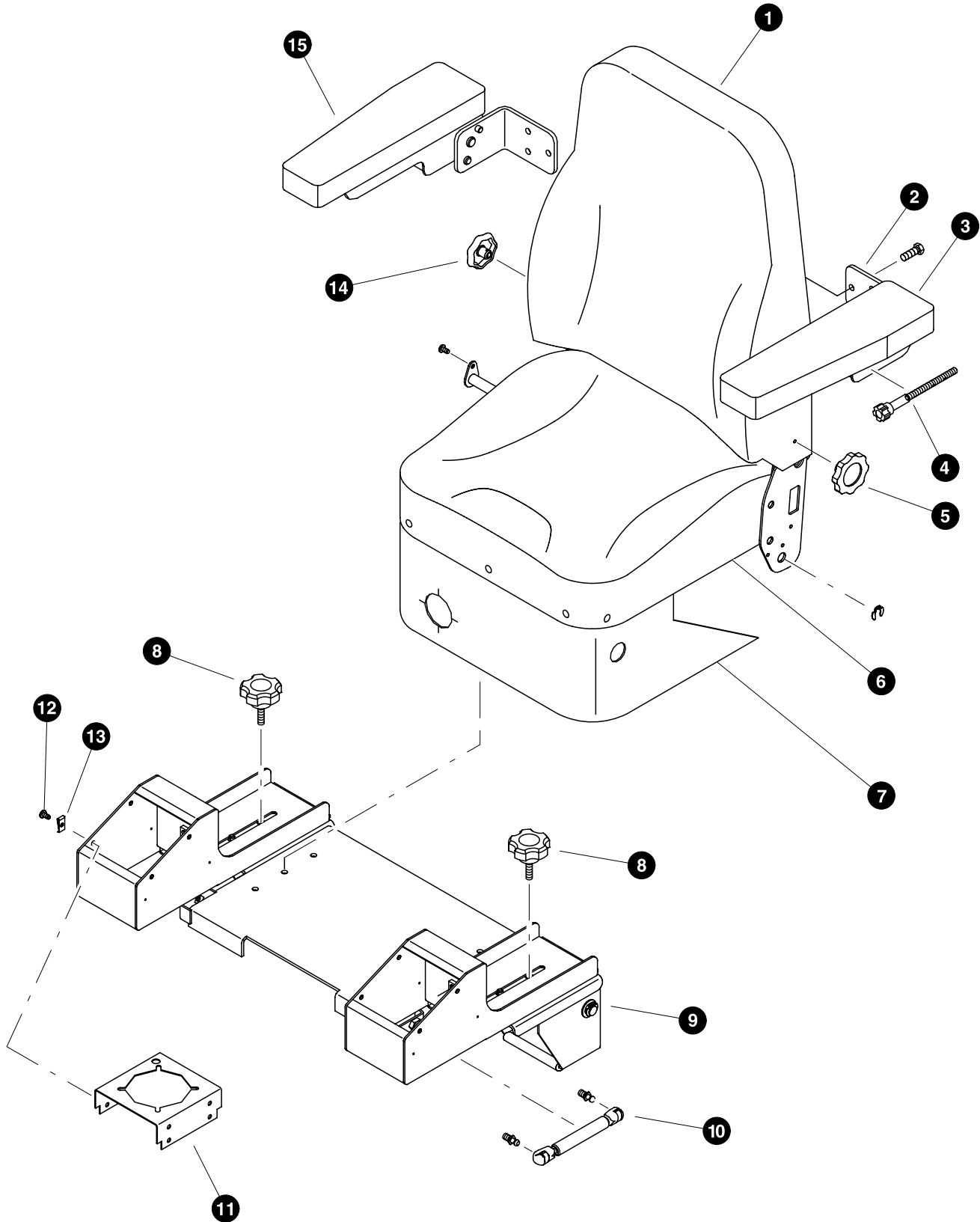


Parts 01041 10/11/2000
18.75

OPERATOR'S SEAT ASSEMBLY (Lower Components)

REF	PART #	QTY	DESCRIPTION	SEE PAGE
-	23070-OC	1	<input type="checkbox"/> SEAT ASSEMBLY	
1	22051-OC	1	CARRIAGE, control (<i>Assembly</i>)	
2	22052-OC	2	KIT, shock absorber	
3	22053-OC	1	CHASSIS, severe duty	
4	22054-OC	2	TETHER (<i>Includes hardware</i>)	
5	22055-OC	1	KIT, track set - 6"	
6	22056-OC	1	LEVER, height adjustment (<i>Includes hardware</i>)	
7	22057-OC	1	KNOB, ride adjustment	

- Assembly or Kit - includes all items indented underneath.

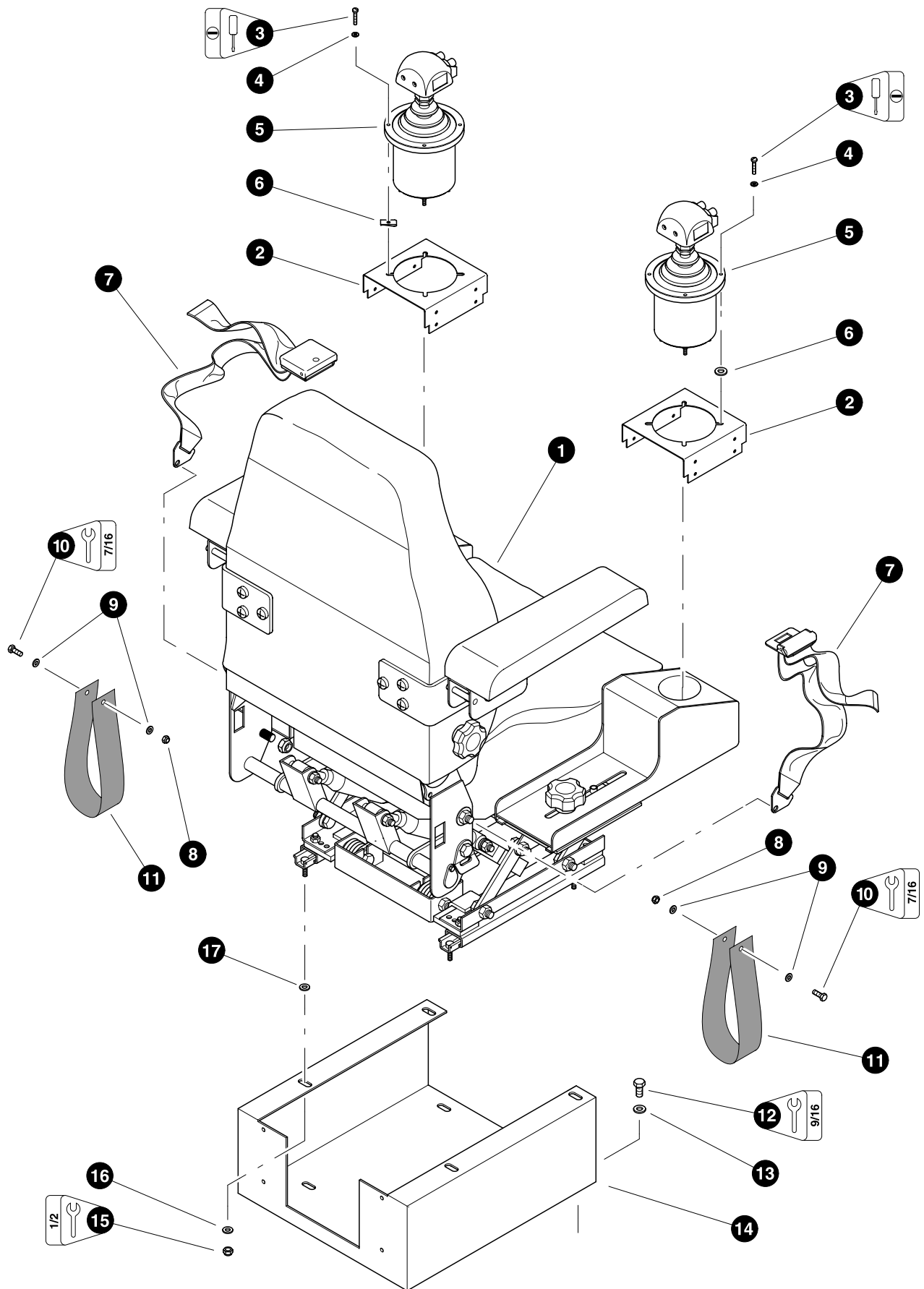


Parts 01040 10/11/2000
18.75

OPERATOR'S SEAT ASSEMBLY (Upper Components)

REF	PART #	QTY	DESCRIPTION	SEE PAGE
-	23070-OC	1	<input type="checkbox"/> SEAT ASSEMBLY	
1	22058-OC	1	COVER, seat back	
2	22059-OC	1	KIT, arm pad set <i>(Includes brackets and hardware for LH & RH arm rests)</i>	
3	22060-OC	1	PAD, arm rest - LH	
4	22062-OC	2	KNOB, front arm adjustment	
5	22063-OC	1	KNOB, recliner <i>(Includes hardware)</i>	
6	22064-OC	1	CUSHION, seat	
7	22065-OC	1	SKIRT, seat	
8	22066-OC	2	KNOB, control carriage lock <i>(Includes hardware)</i>	
9	REF.	1	<input checked="" type="checkbox"/> CONTROL CARRIAGE	OC-3-8
10	22067-OC	2	SPRING, gas	
11	REF.	2	JOYSTICK MOUNTING BRACKET	OC-3-12
12	22068-OC	8	SCREW, machine - 1/4" - 5/8"	
13	22069-OC	8	NUT, speed - 1/4"	
14	22070-OC	1	KNOB, lumbar support adjustment	
15	22061-OC	1	PAD, arm rest - RH	
			Items not shown in illustration...	
-	22071-OC	1	SKIRT, joystick mount - LH	
-	22072-OC	1	SKIRT, joystick mount - RH	

- Assembly or Kit - includes all items indented underneath.
- See referenced page for component or assembly breakdown.

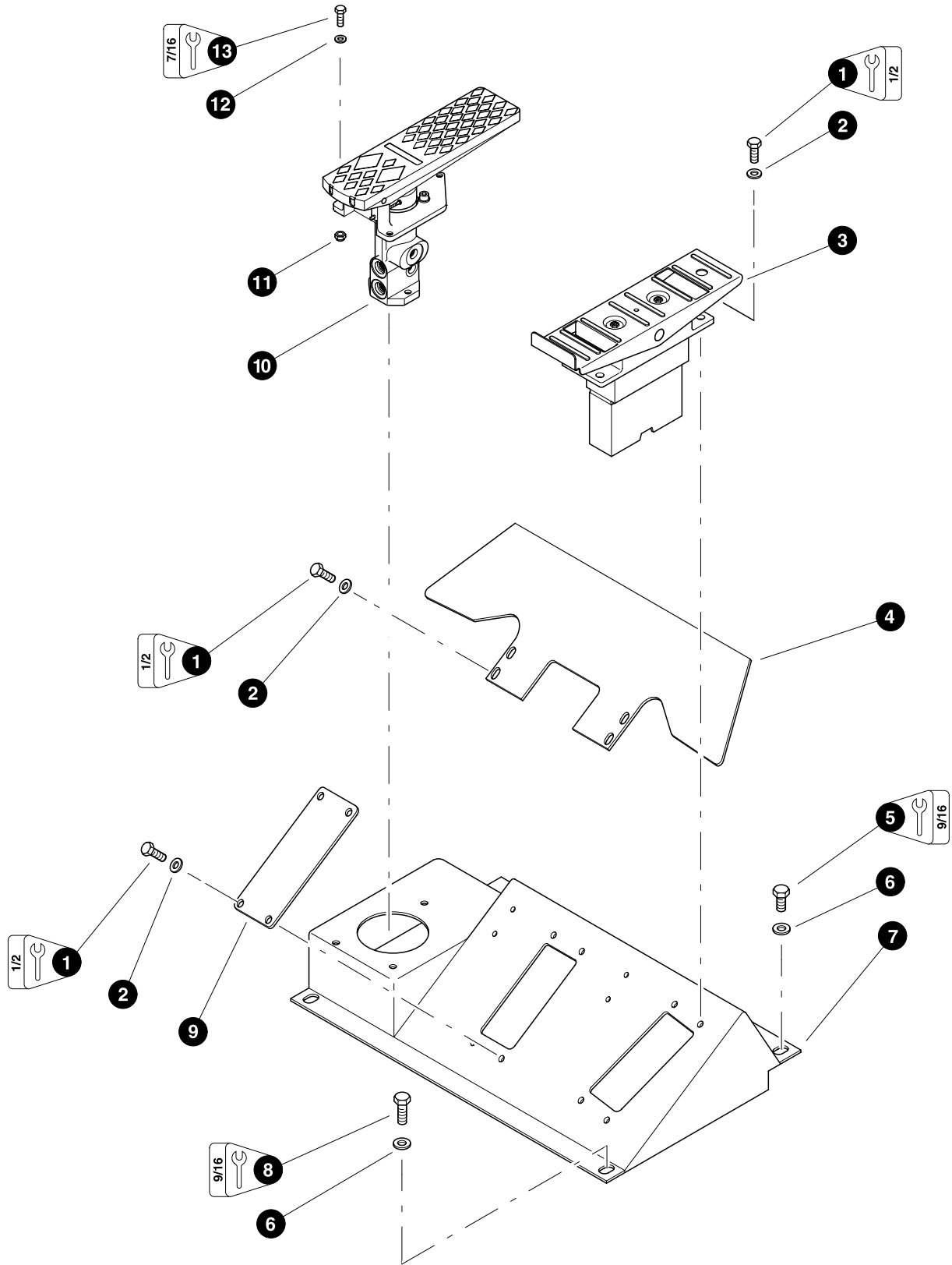


Parts 01591 02/28/2000
18.75

OPERATOR'S SEAT INSTALLATION

REF	PART #	QTY		DESCRIPTION	SEE PAGE
1	REF.	1	✓	SEAT ASSEMBLY	OC-3-6
2	19254-OC	1	✓	BRACKET, joystick mounting	
3	15663-OC	8		SCREW, machine - #10-24 x 1"	
4	16208-OC	8		WASHER, flat - #10	
5	REF.	2	✓	HAND CONTROL JOYSTICK	ES-2-4
6	16208-OC	8		WASHER, flat - #10	
7	18006-OC	4		BELT, seat - 3" wide	
8	15509-OC	2		NUT, nylock - 1/4"	
9	10800-OC	4		WASHER, flat - 1/4"	
10	15604-OC	2		BOLT - 1/4" x 3/4"	
11	20244-OC	2		BELT, hose strap	
12	10402-OC	4		BOLT - 3/8" x 1-1/4"	
13	15528-OC	4		WASHER, SAE flat - 3/8"	
14	19626-OC	1		BRACKET, seat mounting	
15	10788-OC	4		NUT, nylock - 5/16"	
16	10801-OC	4		WASHER, flat - 5/16"	
17	10803-OC	4		WASHER, flat - 7/16"	

✓ See referenced page for component or assembly breakdown.

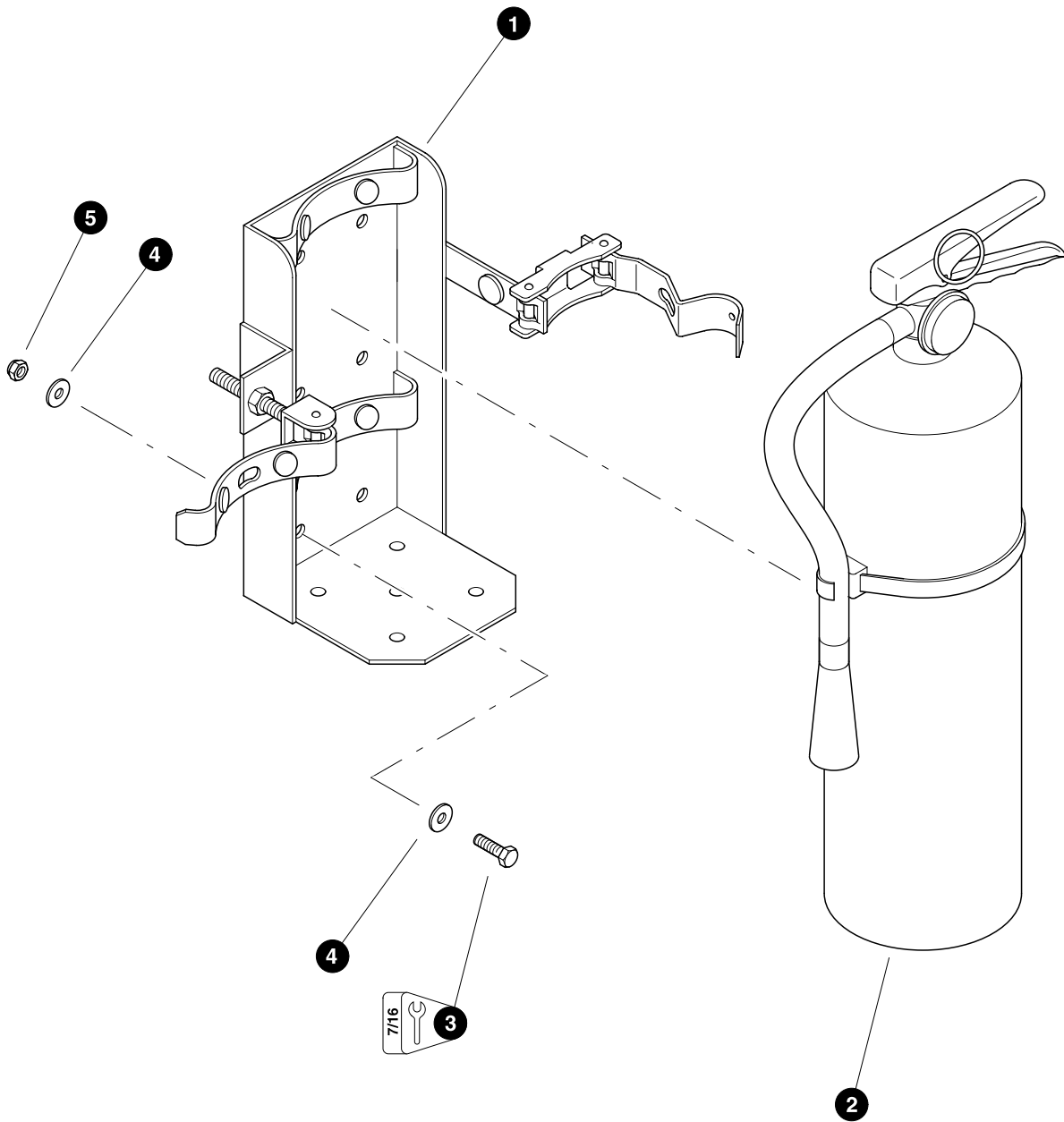


Parts 00494 04/15/98
25.00

FOOT CONTROL VALVE INSTALLATION

REF	PART #	QTY	DESCRIPTION	SEE PAGE
1	15589-OC	12	BOLT - 5/16" x 1"	
2	15559-OC	12	WASHER, SAE flat - 5/16"	
3	REF.	1	✓ WHEEL DRIVE FOOT CONTROL	ES-2-6
4	18712-OC	6	GUARD, light	
5	11707-OC	2	BOLT - 3/8" x 1"	
6	15528-OC	4	WASHER, SAE flat - 3/8"	
7	19162-OC	1	BRACKET, foot pedal control	
8	10402-OC	2	BOLT - 3/8" x 1-1/4"	
9	16838-OC	1	COVER, foot control valve	
10	REF.	1	TRAVEL BRAKE FOOT CONTROL VALVE	WD-2-2
11	15509-OC	3	NUT, nylock - 1/4"	
12	10757-OC	3	WASHER, SAE flat - 1/4"	
13	15604-OC	3	BOLT - 1/4" x 3/4"	

✓ See referenced page for component or assembly breakdown.



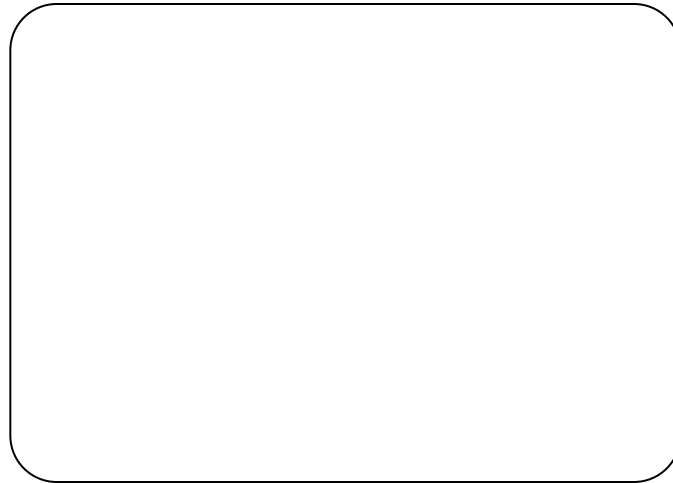
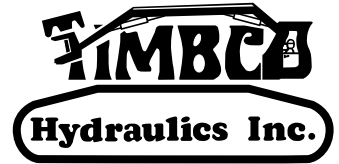
Parts 01136 10/12/2000
37.50

FIRE EXTINGUISHER INSTALLATION

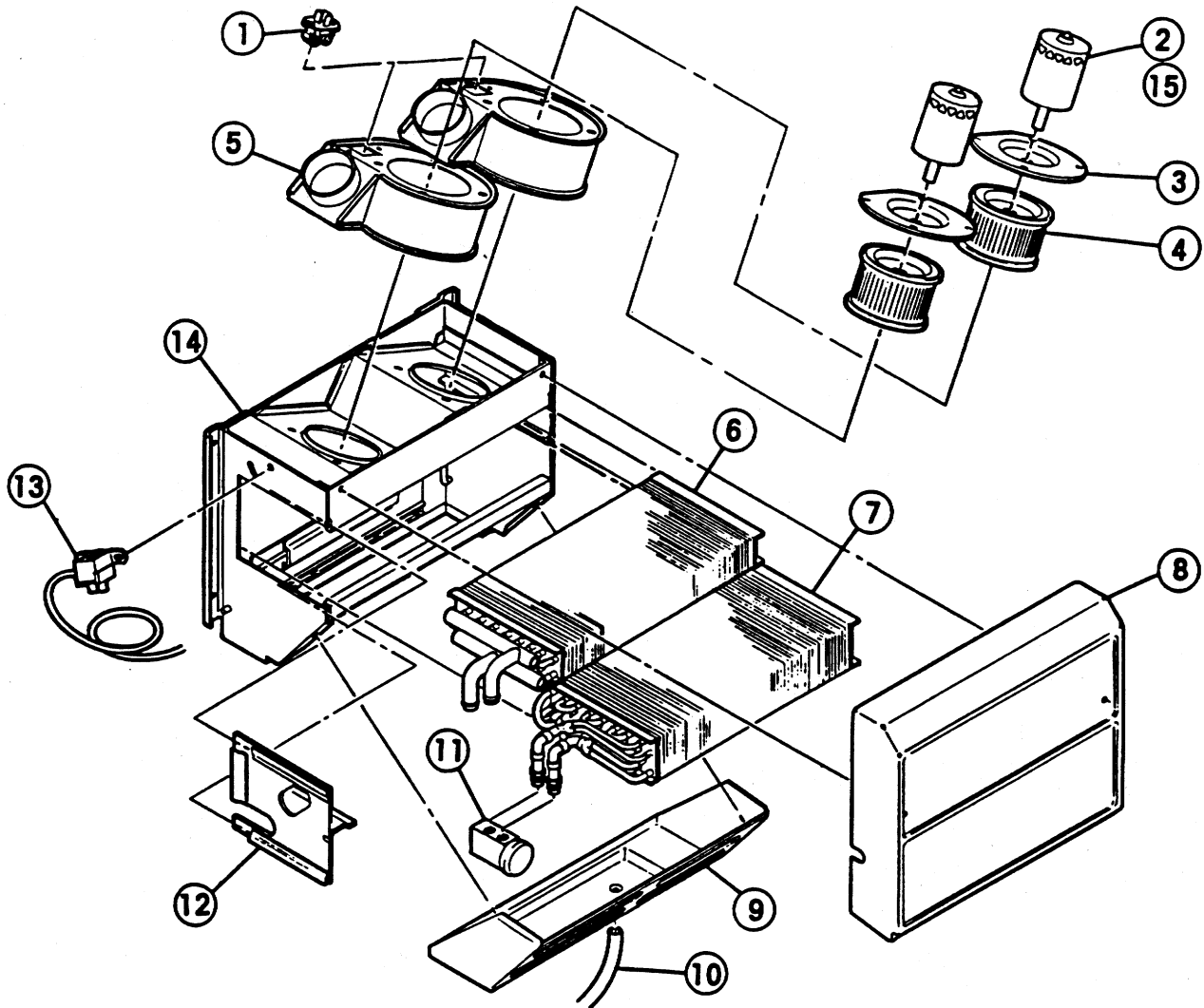
REF	PART #	QTY	DESCRIPTION	SEE PAGE
-	16222-OC	1	<input type="checkbox"/> FIRE EXTINGUISHER <i>(Includes mounting bracket)</i>	
1	NSS	1	BRACKET, fire extinguisher mounting	
2	NSS	1	EXTINGUISHER, fire	
3	15576-OC	4	BOLT - 1/4" x 1"	
4	10800-OC	4	WASHER, flat - 1/4"	
5	15509-OC	4	NUT, nylock - 1/4"	

- Assembly or Kit - includes all items indented underneath.
- See referenced page for component or assembly breakdown.

Section OC-4



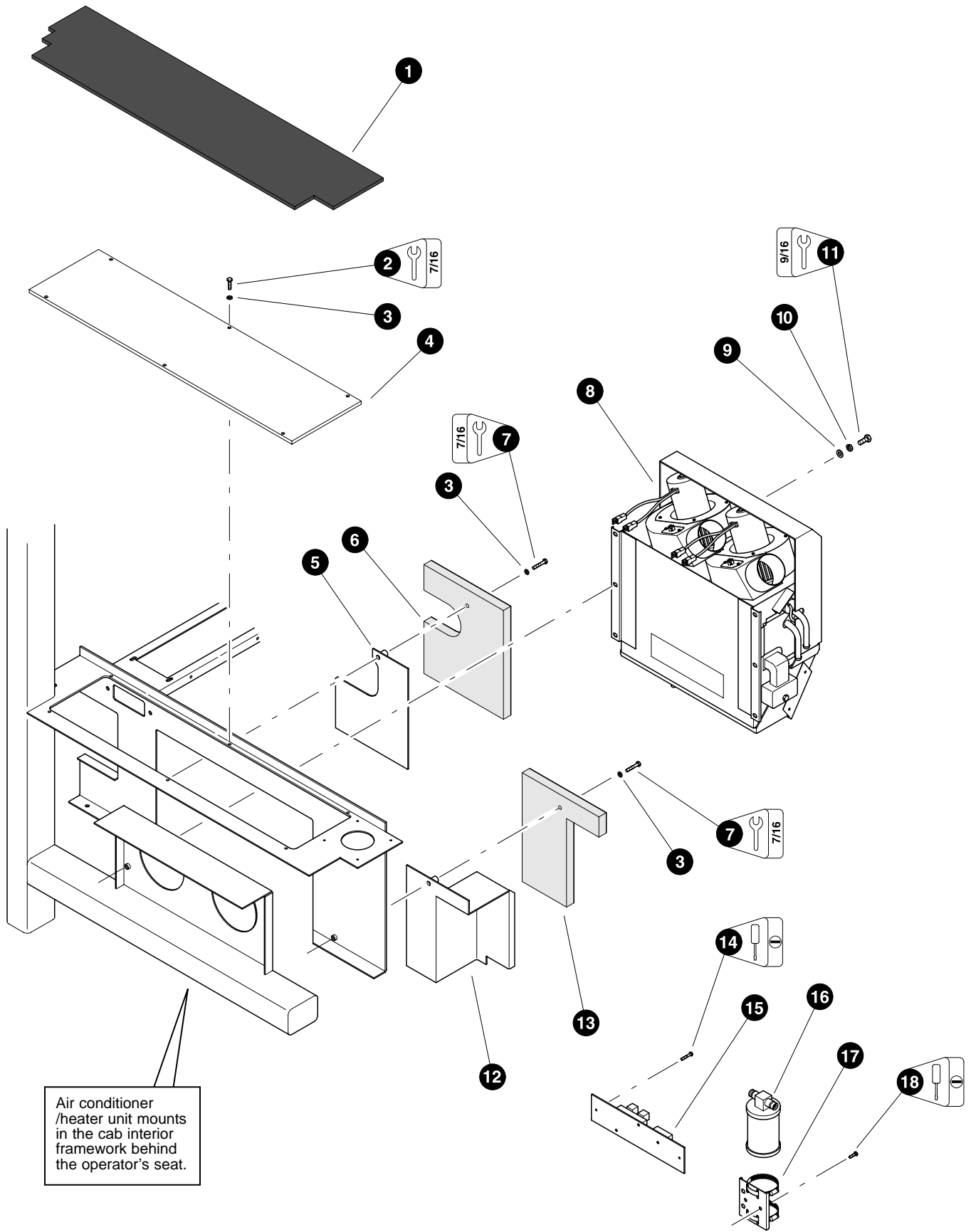
Operator's Cab - Air Conditioner / Heater Installation



AIR CONDITIONER / HEATER UNIT

REF	PART #	QTY	DESCRIPTION	SEE PAGE
-	20865-OC	1	<input type="checkbox"/> AIR CONDITIONER / HEATER UNIT	
1	20866-OC	2	RESISTOR	
2	20867-OC	2	MOTOR, A/C blower - 12V	
	23283-OC	2	MOTOR, A/C blower - 24V	
3	NSS	2	MOUNT, motor	
4	NSS	2	WHEEL, blower	
5	NSS	2	BLOWER ASSEMBLY	
6	20868-OC	1	CORE, heater	
7	20869-OC	1	CORE, Evaporator	
8	NSS	1	COVER, core	
9	NSS	1	COVER, air intake	
	20870-OC	1	FILTER, air intake	
10	NSS	1	HOSE, drain	
11	20871-OC	1	VALVE, expansion	
12	NSS	1	COVER, core	
13	20872-OC	1	THERMOSTAT	
14	NSS	1	HOUSING	

Kit or Assembly - includes all items indented underneath.

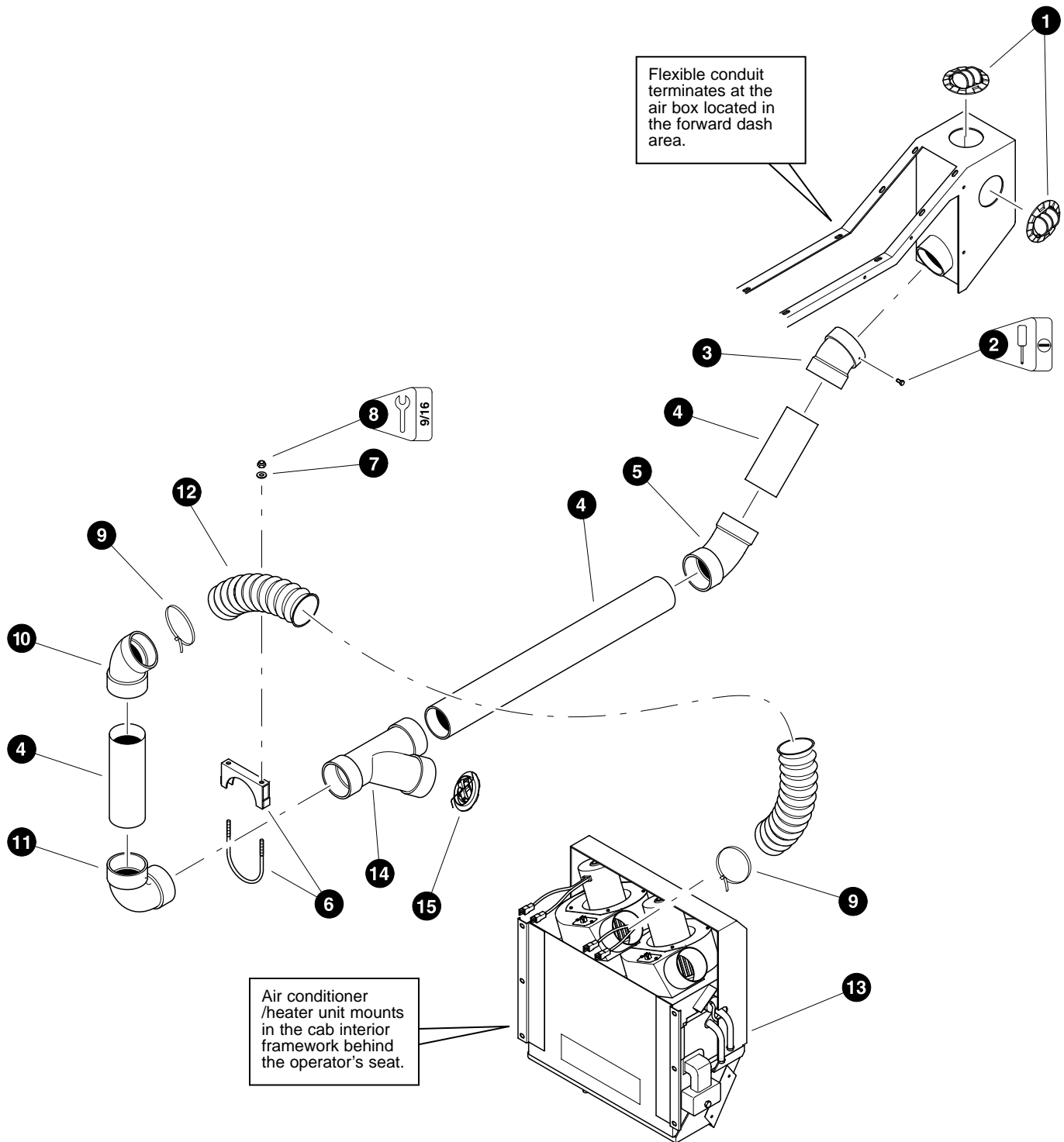


Parts 01092 03/10/99
12.50

AIR CONDITIONER / HEATER UNIT INSTALLATION

REF	PART #	QTY	DESCRIPTION	SEE PAGE
1	20230-OC	1	FLOORMAT, rear shelf	
2	15604-OC	6	BOLT - 1/4" x 3/4"	
3	10757-OC	8	WASHER, SAE flat - 1/4"	
4	22258-OC	1	COVER, access - A/C unit tray	
5	20885-OC	1	COVER, access - A/C unit LH	
6	20228-OC	1	TRIM, panel - A/C - LH	
7	15575-OC	2	BOLT - 1/4" x 1-1/2"	
8	REF.	1	✓ AIR CONDITIONER / HEATER UNIT	OC-4-2
9	15528-OC	4	WASHER, SAE flat - 3/8"	
10	10701-OC	4	WASHER, lock - 3/8"	
11	11707-OC	4	BOLT - 3/8" x 1"	
12	20886-OC	1	COVER, access - A/C unit RH	
13	20226-OC	1	TRIM, panel - A/C - RH	
14	17255-OC	2	SCREW, self-tapping - #10-24 x 3/4"	
15	20887-OC	1	HARNESS, A/C w/bracket	
	20888-OC	1	BASE, A/C relay mounting	
	20889-OC	3	RELAY, A/C - 40/30A - 12V	
	23286-OC	3	RELAY, A/C - 40/30A - 24V	
	20904-OC	1	BASE, A/C 2-temp control - 12V	
	23284-OC	1	BASE, A/C 2-temp control - 24V	
16	20873-OC	1	DRIER, A/C	
17	15621-OC	1	BRACKET, A/C drier (<i>Includes clamps</i>)	
18	17254-OC	2	SCREW, self-tapping - #10-24 x 1/2"	

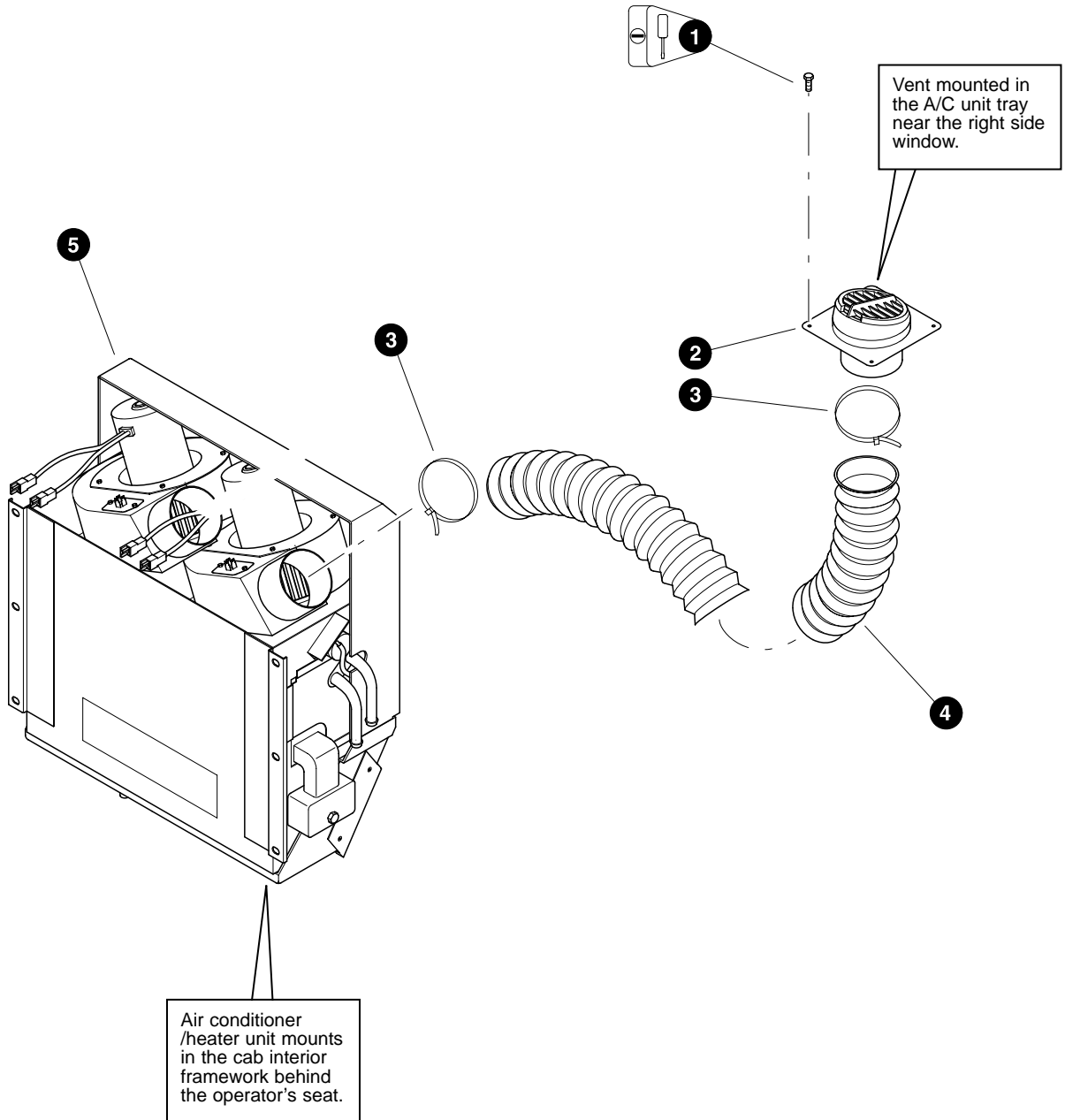
✓ See referenced page for component or assembly breakdown.



AIR CONDITIONER / HEATER DUCT INSTALLATION (Under Dash Area)

REF	PART #	QTY		DESCRIPTION	SEE PAGE
1	20877-OC	2		VENT, adjustable air	
2	17254-OC	1		SCREW, self-tapping - #10-24 x 1/2"	
3	20879-OC	1		ELBOW, 22° ABS	
4	20883-OC	AR	>∞	PIPE, ABS - 3"	
5	20880-OC	1		ELBOW, 45° ABS	
6	20257-OC	1	☐	CLAMP (<i>Includes mounting hardware</i>)	
7	15528-OC	2		WASHER, SAE flat - 3/8"	
8	10700-OC	2		NUT, hex - 3/8"	
9	16290-OC	2		STRAP, tie	
10	20881-OC	1		ELBOW, 45° street ABS	
11	20882-OC	1		ELBOW, 90° ABS	
12	20884-OC	AR	>∞	HOSE, flexible - 3-1/2"	
13	REF.	1	✓	AIR CONDITIONER / HEATER UNIT	OC-4-2
14	21544-OC	1	☐	TEE, ABS - 3"	
15	20877-OC	1		VENT, adjustable air	

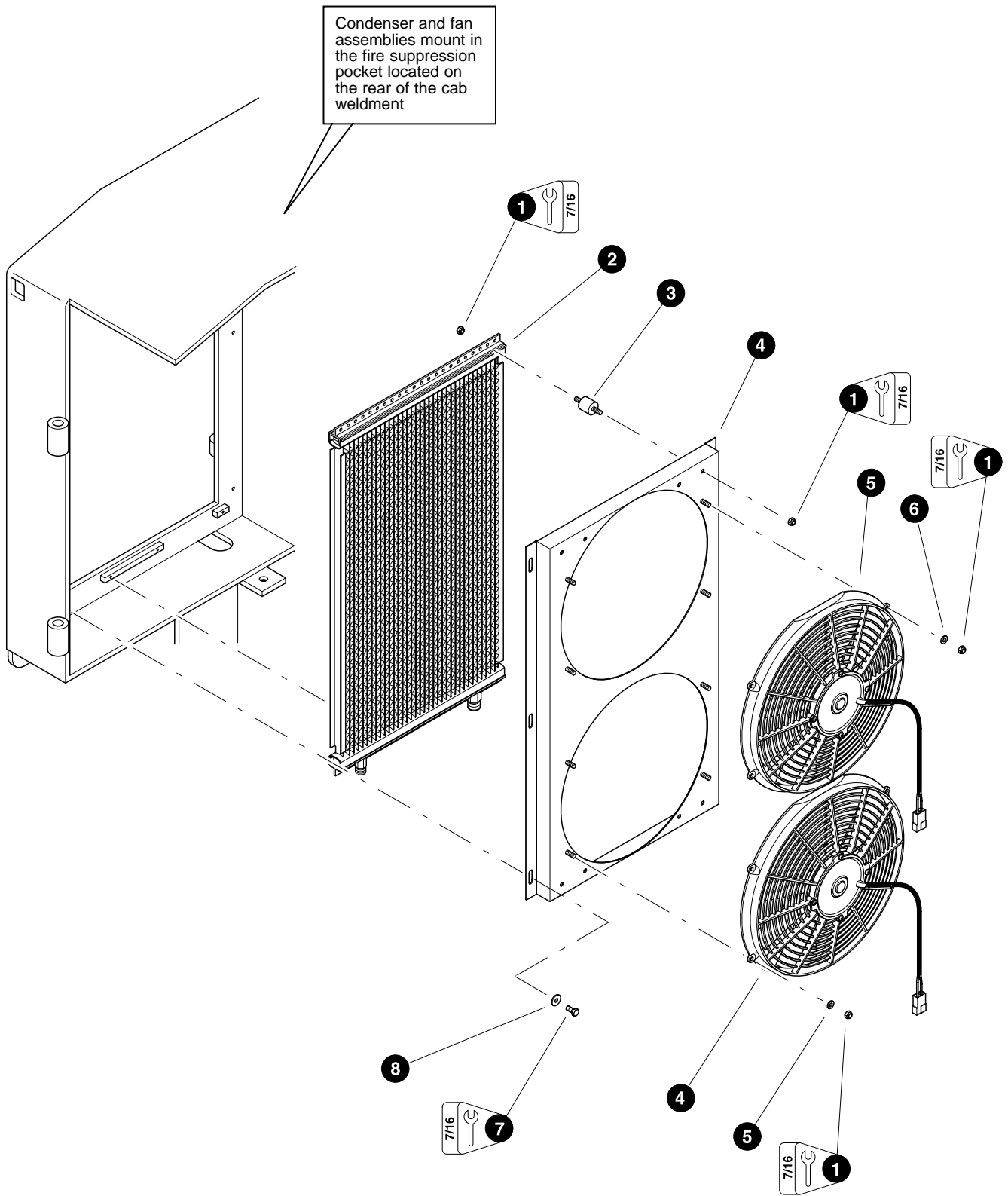
- >∞ Bulk material - order length required in feet or meters.
- ☐ Kit or Assembly - includes all items indented underneath.
- ✓ See referenced page for component or assembly breakdown.



AIR CONDITIONER / HEATER DUCT INSTALLATION (Right Side Window)

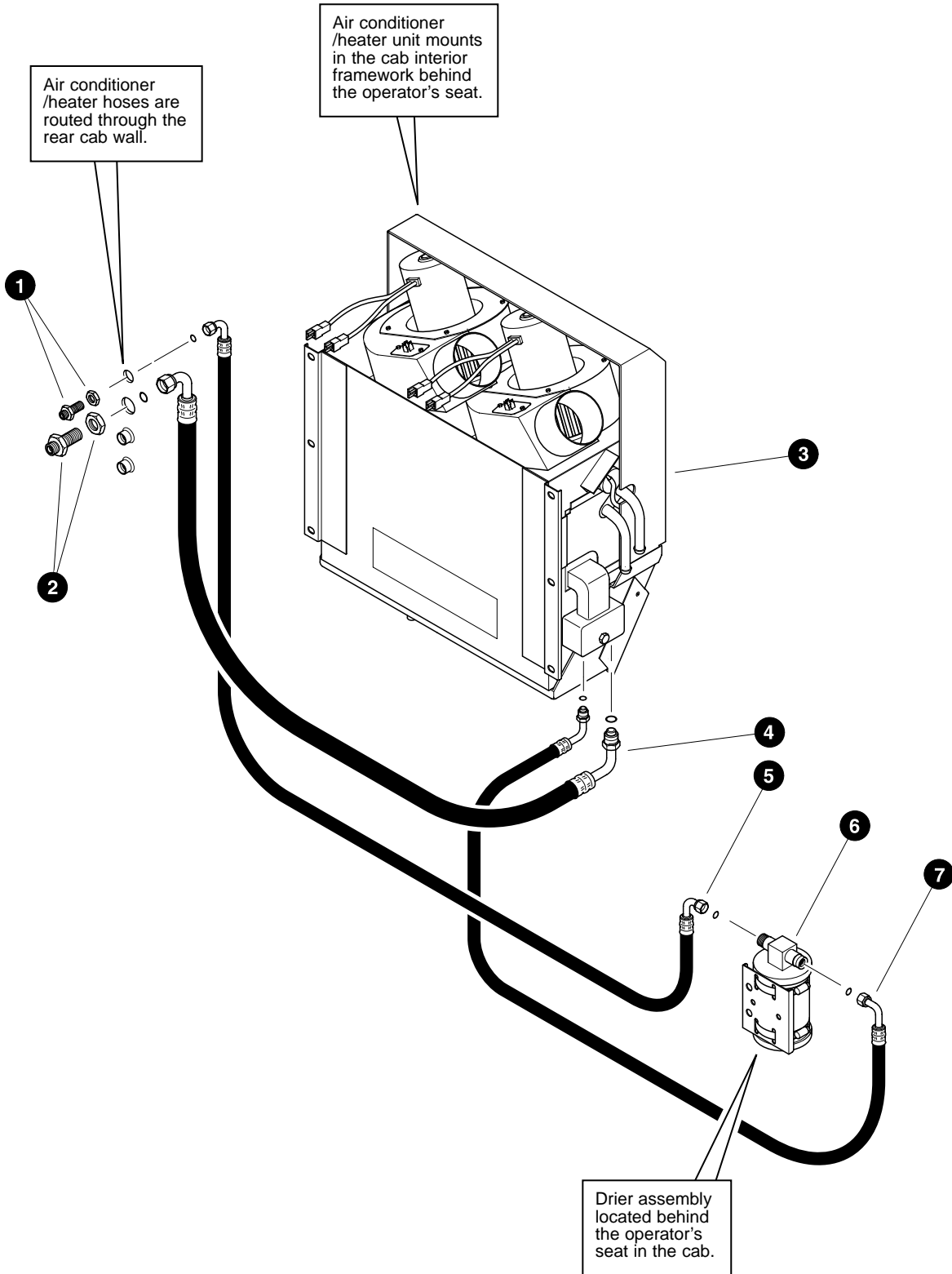
REF	PART #	QTY	DESCRIPTION	SEE PAGE
1	17254-OC	4	SCREW, self-tapping - #10-24 x 1/2"	
2	20878-OC	1	VENT, adjustable air	
3	16290-OC	2	STRAP, tie	
4	20884-OC	AR	>∞ HOSE, flexible - 3-1/2"	
5	REF.	1	✓ AIR CONDITIONER / HEATER UNIT	OC-4-2

- >∞ Bulk material - order length required in feet or meters.
 ✓ See referenced page for component or assembly breakdown.



AIR CONDITIONER COMPONENT INSTALLATION
(Condenser Rubber Isolator Mounted To A/C Fan Panel)

REF	PART #	QTY	DESCRIPTION	SEE PAGE
1	10811-OC	24	NUT, lock - 1/4"	
2	20874-OC	1	CONDENSER, air conditioner	
3	22015-OC	4	ISOLATOR, sandwich mount - A/C condenser	
4	20875-OC	1	PANEL, A/C fan mounting	
5	20876-OC	2	MOTOR / FAN ASSEMBLY - 12V	
	23242-OC	2	MOTOR / FAN ASSEMBLY - 24V	
6	10757-OC	8	WASHER, SAE flat - 1/4"	
7	15604-OC	6	BOLT - 1/4" x 3/4"	
8	10800-OC	6	WASHER, flat - 1/4"	

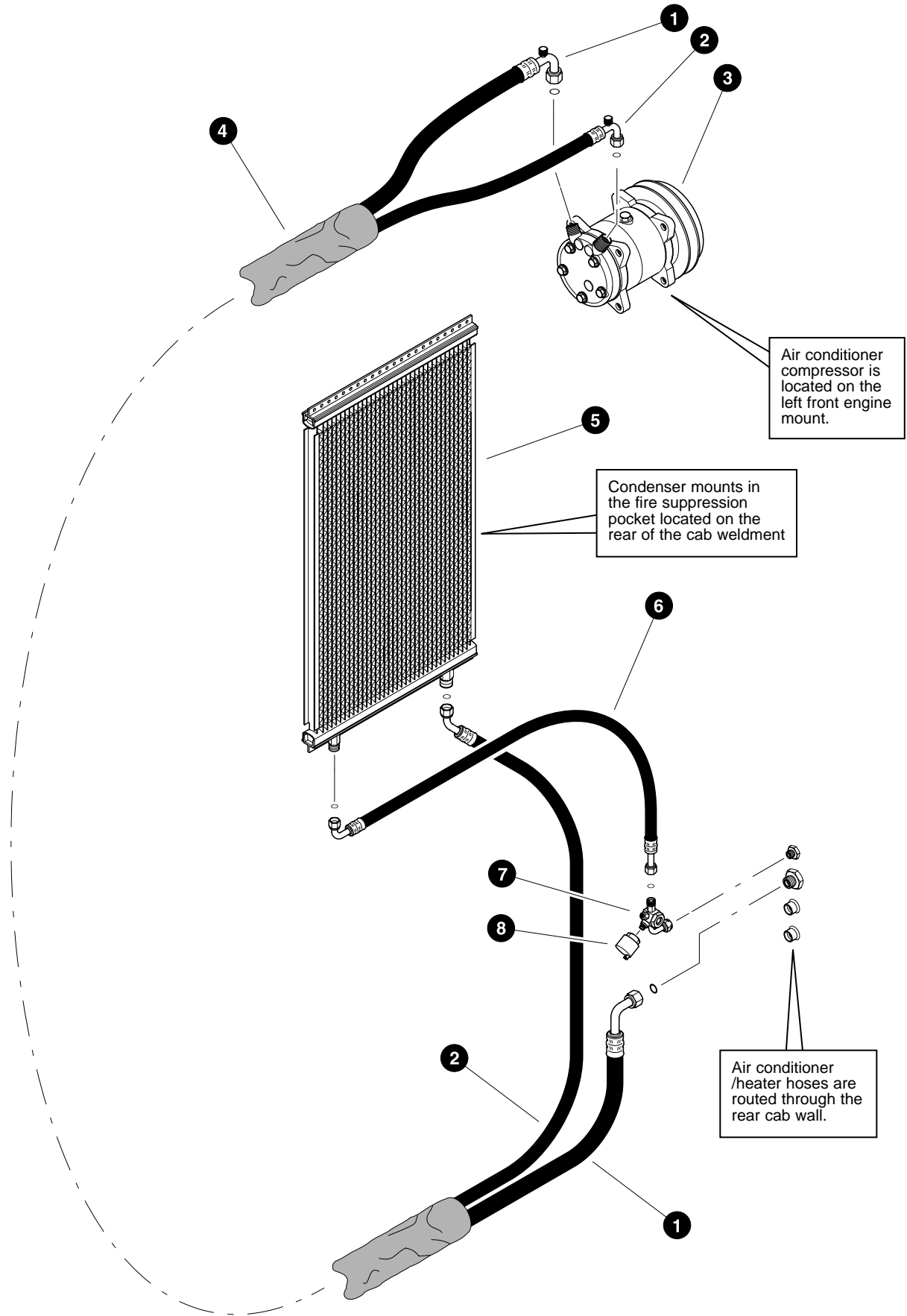


Parts 00554 04/14/98
18.75

AIR CONDITIONER LINES (Cab Interior)

REF	PART #	QTY	DESCRIPTION	SEE PAGE
1	20891-OC	1	CONNECTOR, straight bulkhead - #6	
2	20892-OC	1	CONNECTOR, straight bulkhead - #10	
3	REF.	1	✓ AIR CONDITIONER / HEATER UNIT	OC-4-2
4	20897-OC	1	HOSE, air conditioner - #10 x 51-1/2" (Male 90°/Female 90°) (Bulkhead fitting to air conditioner/heater unit)	
5	20895-OC	1	HOSE, air conditioner - #6 x 39" (Female 90°/Female 90°) (Drier assembly to bulkhead fitting)	
6	REF.	1	✓ DRIER ASSEMBLY	OC-4-4
7	20894-OC	1	HOSE, air conditioner - #6 x 21-3/4" (Male 90°/Female 90°) (Air conditioner/heater unit to drier assembly)	

✓ See referenced page for component or assembly breakdown.

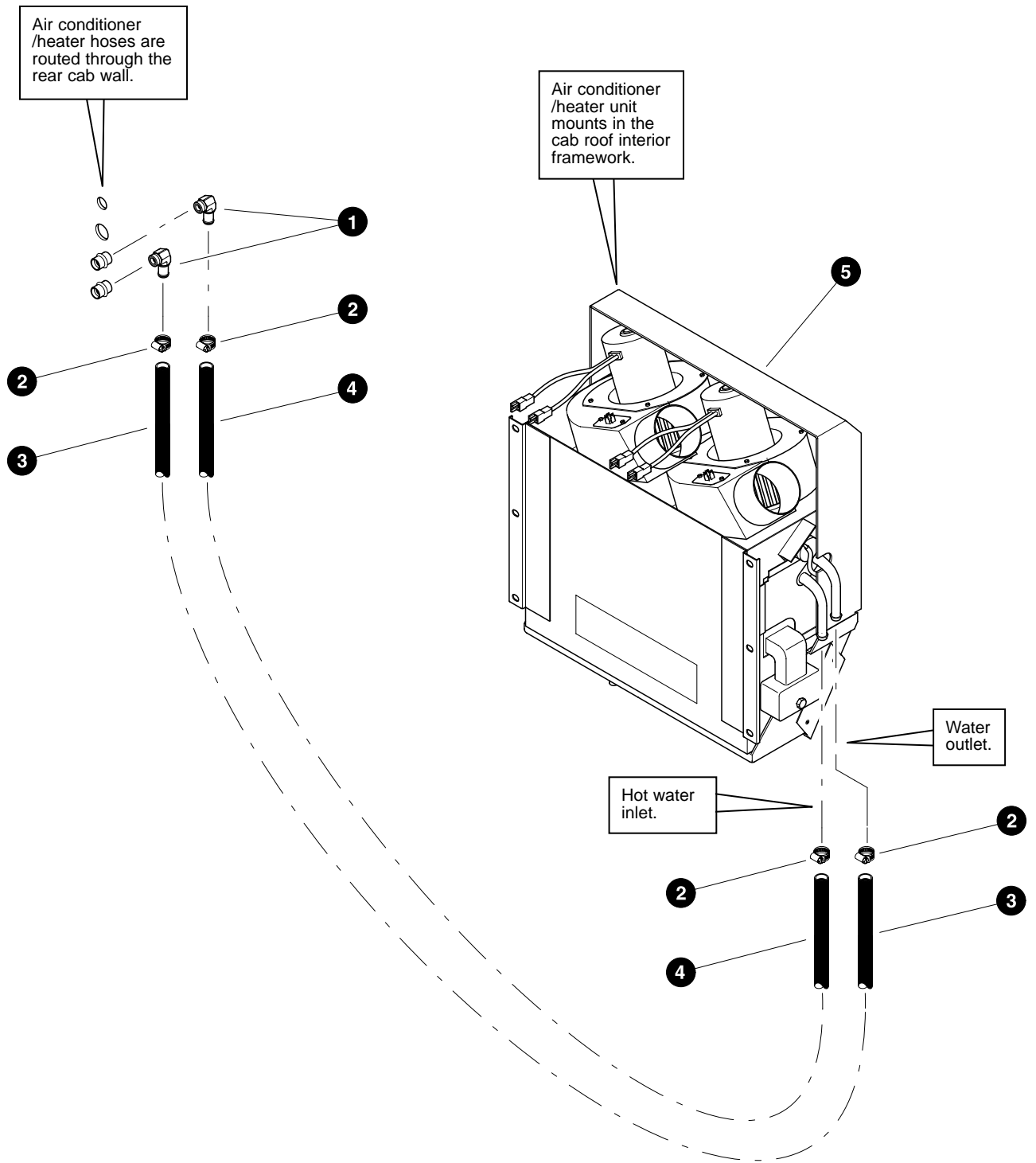


Parts 00555 03/22/99
18.75

AIR CONDITIONER LINES (Cab Exterior)

REF	PART #	QTY		DESCRIPTION	SEE PAGE
1	20898-OC	1		HOSE, air conditioner - #10 x 122" (<i>Female 90°/Female 90°</i>) (<i>Compressor to bulkhead fitting</i>)	
2	20896-OC	1		HOSE, air conditioner - #8 x 127" (<i>Female 90°/Female 45°</i>) (<i>Compressor to condenser</i>)	
3	REF.	1	✓	COMPRESSOR	Varies
4	17572-OC	1	>∞	SLEEVE, protective hose - 2-1/4"	
5	REF.	1	✓	CONDENSER	OC-4-10
6	20893-OC	1		HOSE, air conditioner - #6 x 14-1/2" (<i>Female 90°/Female STR</i>) (<i>Condenser to water sensor valve</i>)	
7	20900-OC	1		GAUGE, sight - water valve	
8	15040-OC	1		SWITCH, binary	

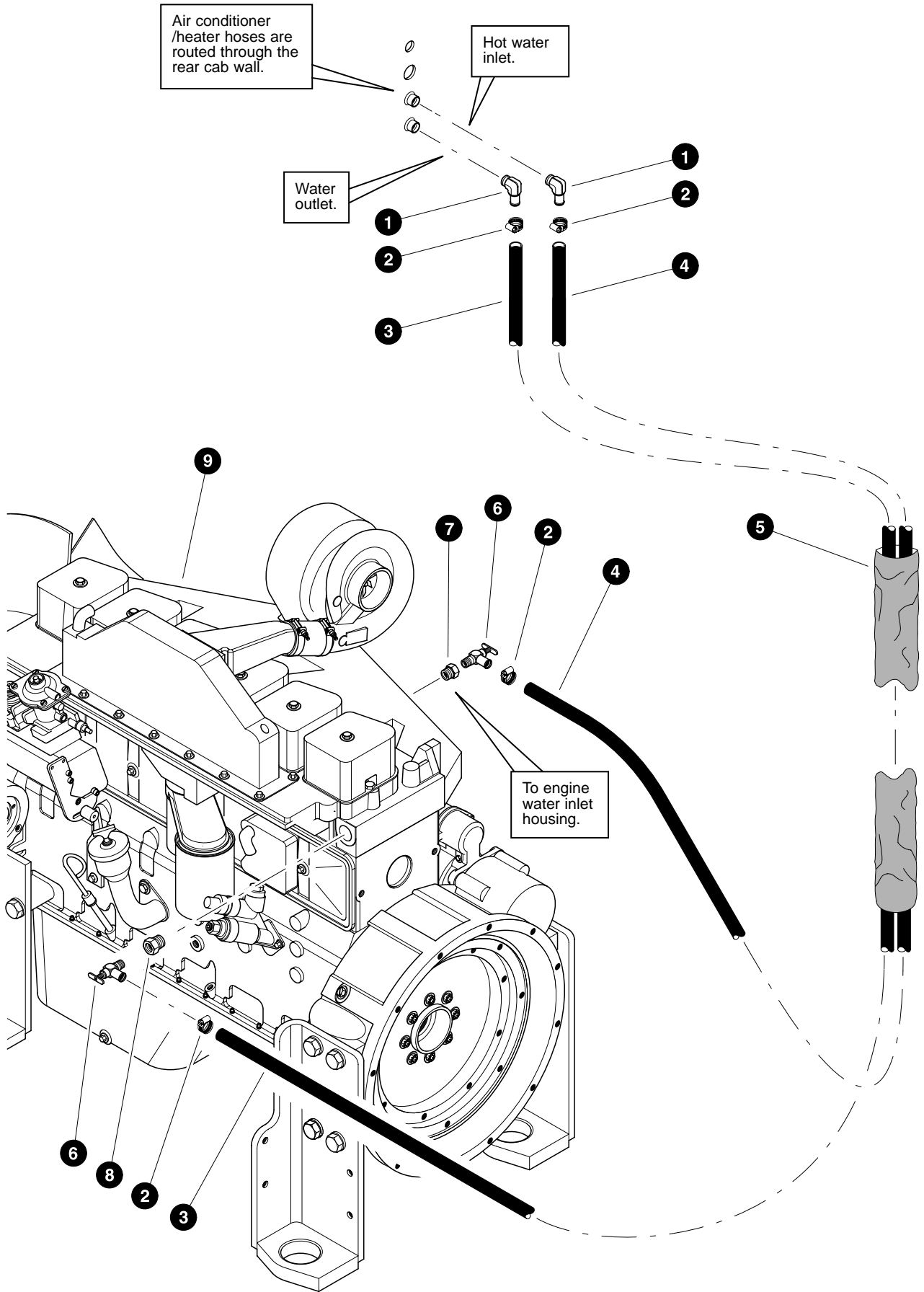
- ✓ See referenced page for component or assembly breakdown.
 >∞ Bulk material - order length required in feet or meters.



HEATER LINES (Cab Interior)

REF	PART #	QTY	DESCRIPTION	SEE PAGE
1	20903-OC	2	ELBOW, 90° brass	
2	10759-OC	4	CLAMP, hose - worm style - 7/8"	
3	16717-OC	1	>∞ HOSE, heater - 5/8" (<i>Air conditioner/heater unit water outlet to bulkhead elbow</i>)	
4	16717-OC	1	>∞ HOSE, heater - 5/8" (<i>Air conditioner/heater unit water inlet to bulkhead elbow</i>)	
5	REF.	1	✓ AIR CONDITIONER / HEATER UNIT	OC-4-2

- >∞ Bulk material - order length required in feet or meters.
- ✓ See referenced page for component or assembly breakdown.



Parts 00557 04/15/98
18.75

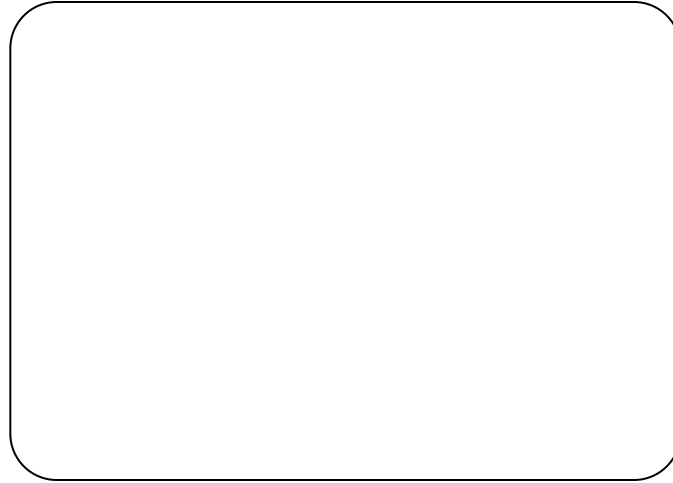
HEATER LINES (Cab Exterior)

REF	PART #	QTY	DESCRIPTION	SEE PAGE
1	20903-OC	2	ELBOW, 90° brass	
2	10759-OC	4	CLAMP, hose - worm style - 7/8"	
3	16717-OC	1	HOSE, heater - 5/8" (<i>Bulkhead elbow to engine</i>)	
4	16717-OC	1	HOSE, heater - 5/8" (<i>Bulkhead elbow to engine water inlet housing</i>)	
5	17572-OC	1	>∞ SLEEVE, protective hose - 2-1/4"	
6	15630-OC	1	BUSHING, reducer - 5406-8-6	
7	15631-OC	2	VALVE, shut-off	
8	16831-OC	1	BUSHING, reducer - 5406-12-6	
9	REF.	1	✓ ENGINE	

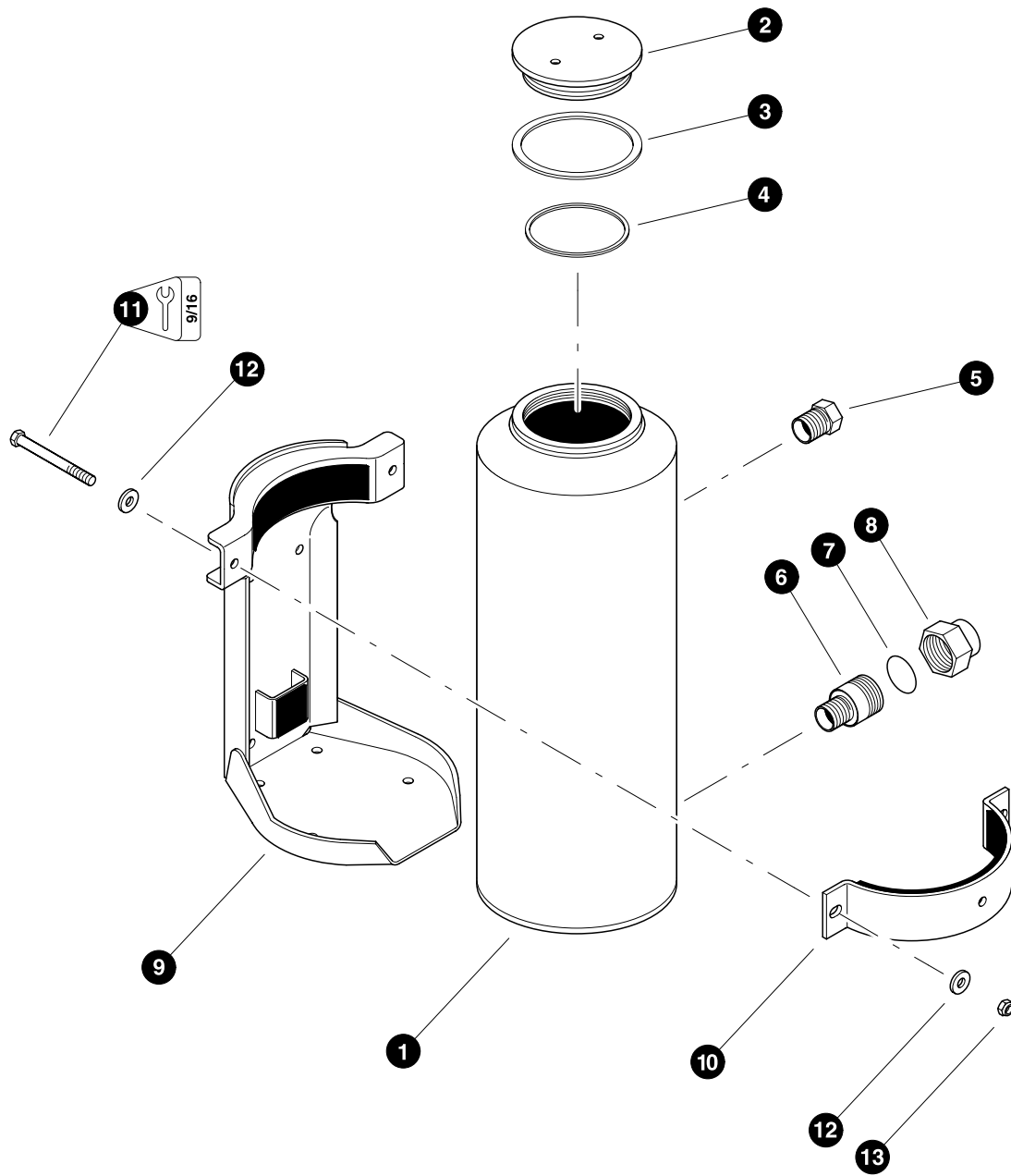
>∞ Bulk material - order length required in feet or meters.

✓ See referenced page for component or assembly breakdown.

Section OC-5



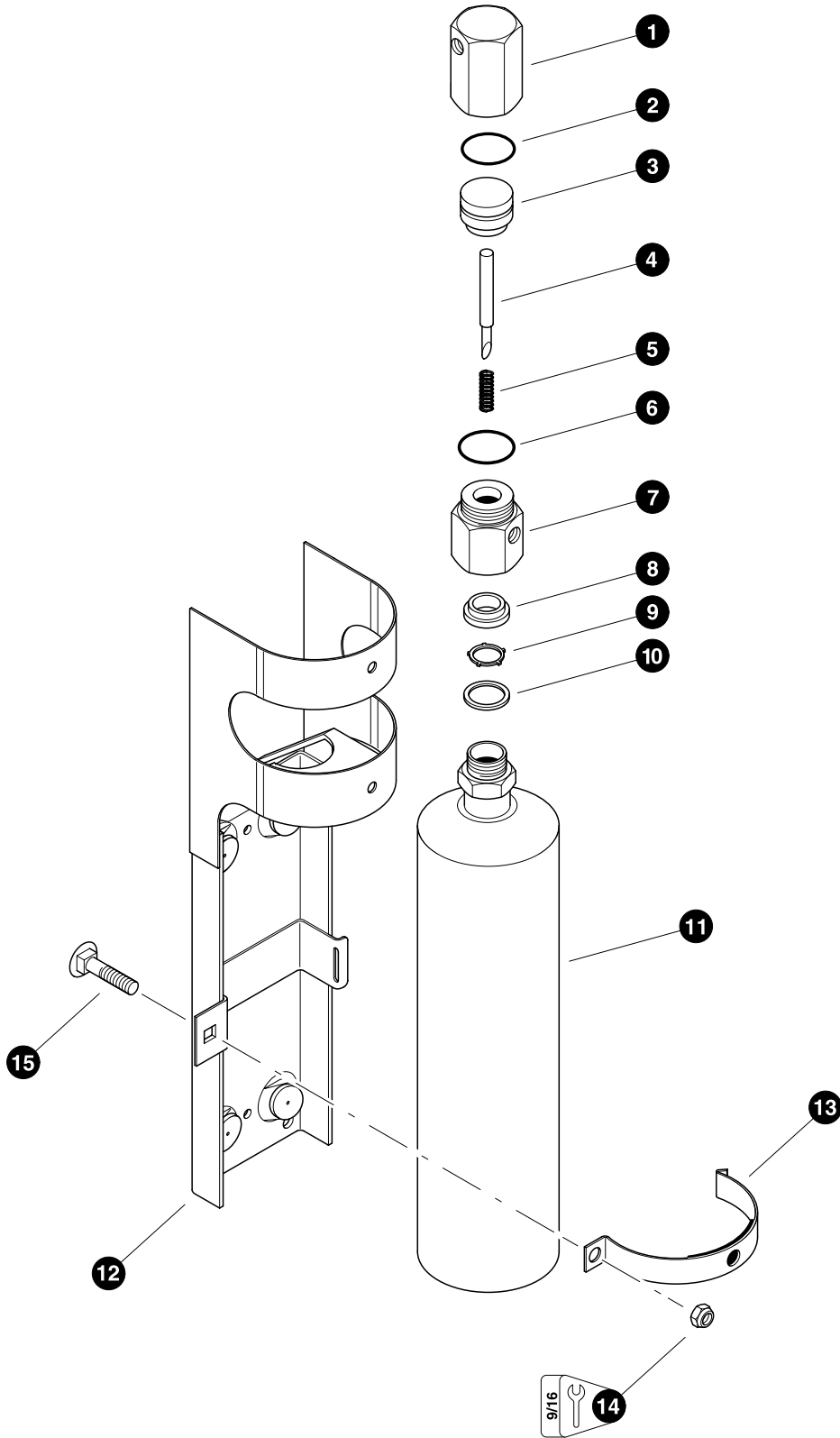
Operator's Cab - Optional Fire Suppression System



DRY CHEMICAL TANK

REF	PART #	QTY		DESCRIPTION	SEE PAGE
1	NSS	1		DRY CHEMICAL TANK	
-	21235-OC	1	<input type="checkbox"/>	FILL CAP ASSEMBLY	
2	NSS	1		CAP, fill	
3	21233-OC	1		GASKET	
4	21234-OC	1		RING, quad	
5	21236-OC	1		ADAPTER	
-	21237-OC	1	<input type="checkbox"/>	BURSTING DISC UNION	
6	21238-OC	1		ADAPTER	
7	21239-OC	1		DISC, bursting	
8	21240-OC	1		RING, union tail piece	
-	21241-OC	1	<input type="checkbox"/>	DRY CHEMICAL TANK BRACKET	
9	NSS	1		BRACKET, dry chemical tank	
	21244-OC	1		PAD, clamp arm	
	21245-OC	1		PAD, bumper	
	21246-OC	1		PAD, base	
10	21242-OC	1		CLAMP. band	
	21243-OC	1		PAD, band clamp	
11	15592-OC	2		BOLT - 3/8" x 4"	
12	15528-OC	4		WASHER, SAE flat - 3/8"	
13	15507-OC	2		NUT, nylock - 3/8"	

Kit or Assembly - includes all items indented underneath.

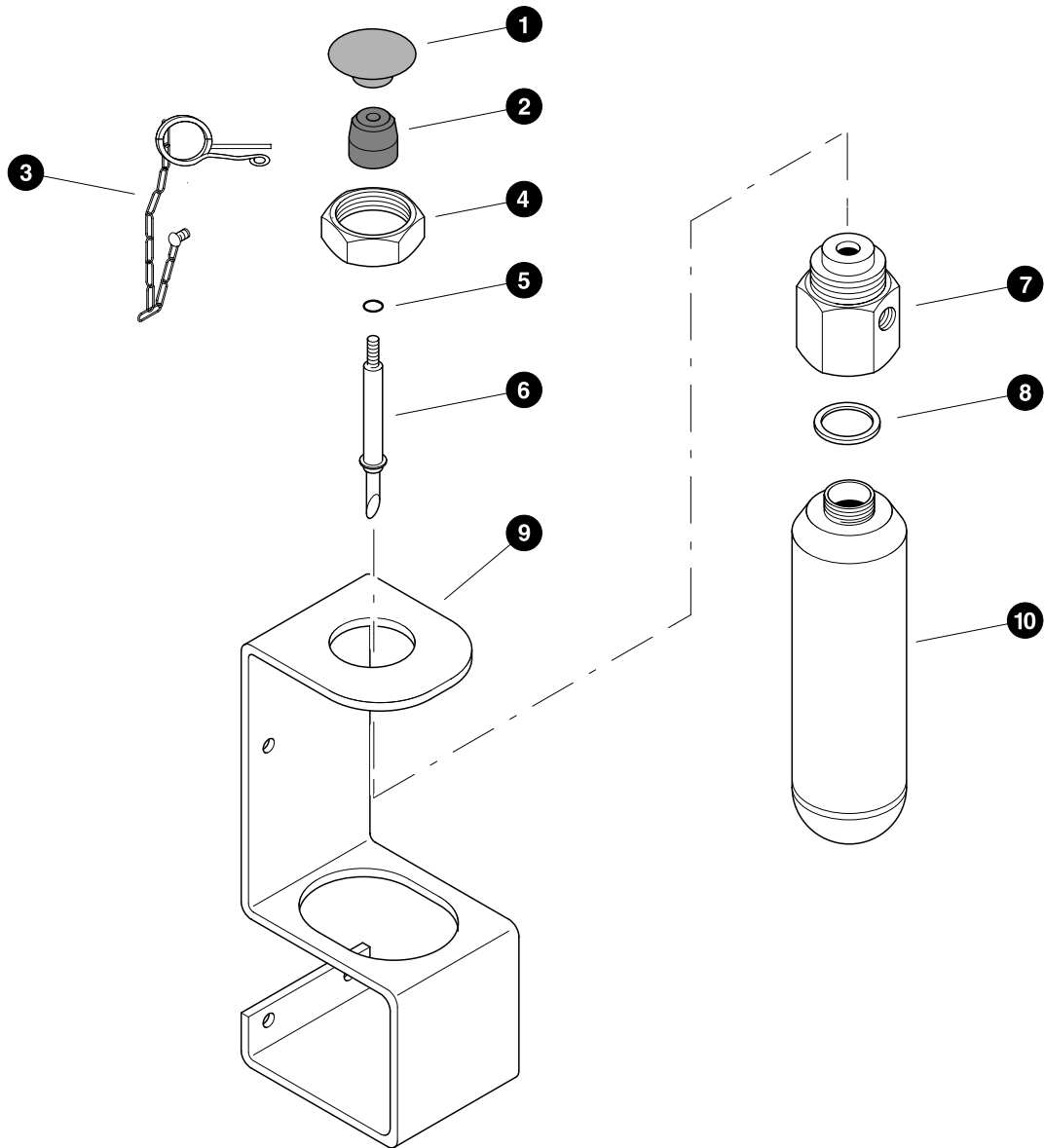


Parts 00596 10/17/2000
37.50

NITROGEN CYLINDER

REF	PART #	QTY	DESCRIPTION	SEE PAGE
--	21248-OC	1	<input type="checkbox"/> PNEUMATIC ACTUATOR ASSEMBLY	
1	21249-OC	1	BODY, actuator - upper	
2	21250-OC	1	O-RING, slave piston	
3	21251-OC	1	PISTON, pneumatic slave	
4	21252-OC	1	PIN, puncture	
5	21253-OC	1	SPRING	
6	21254-OC	1	O-RING, actuator body	
7	21255-OC	1	BODY, actuator - lower	
8	21256-OC	1	WASHER	
9	21257-OC	1	RING, retaining	
10	21258-OC	1	GASKET	
11	21276-OC	1	CARTRIDGE, nitrogen <i>(Includes shipping cap)</i>	
--	21260-OC	1	<input type="checkbox"/> BRACKET ASSEMBLY, nitrogen tank	
12	NSS	1	BRACKET, nitrogen cylinder	
13	21261-OC	1	ARM, clamp	
	21262-OC	1	PAD, clamp arm	
14	15507-OC	1	NUT, nylock - 3/8"	
15	21263-OC	1	BOLT, carriage - 3/8" x 1"	

Kit or Assembly - includes all items indented underneath.

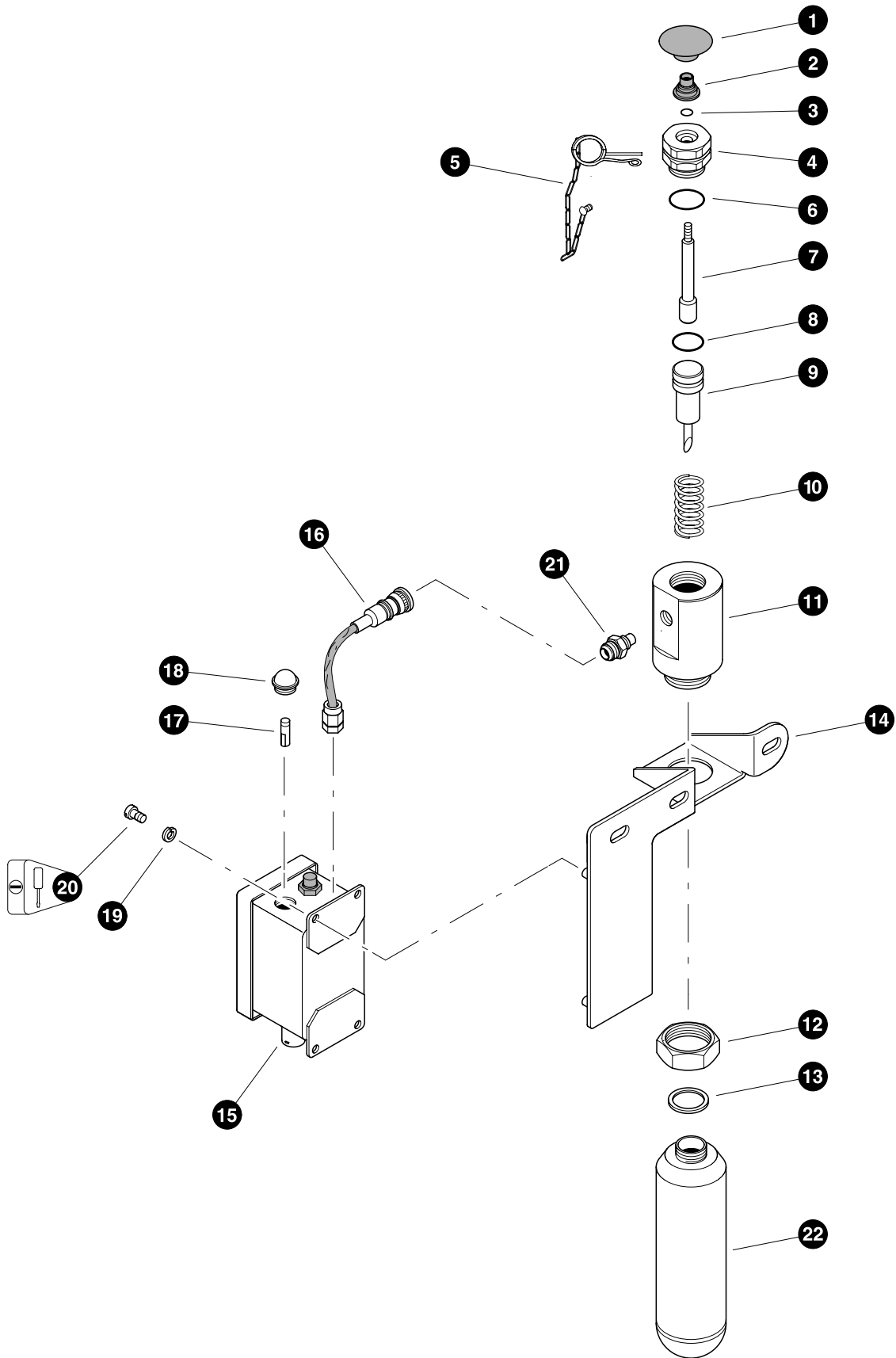


Parts 00597 11/03/98
50.00

MANUAL ACTUATOR (Exterior Mount)

REF	PART #	QTY	DESCRIPTION	SEE PAGE
--	21264-OC	1	<input type="checkbox"/> MANUAL ACTUATOR ASSEMBLY	
1	21265-OC	1	KNOB	
2	21266-OC	1	BOOT	
3	21272-OC	1	PIN, safety ring	
	21273-OC	1	CHAIN	
	21274-OC	1	SCREW, drive	
	21275-OC	1	WIRE, lead seal <i>(Not shown)</i>	
4	21267-OC	1	NUT, jam	
5	21270-OC	1	O-RING, puncture pin	
6	21271-OC	1	PIN, puncture	
7	21269-OC	1	BODY, actuator	
8	21258-OC	1	GASKET	
9	21268-OC	1	BRACKET, manual actuator	
10	21259-OC	1	CARTRIDGE, manual actuator <i>(Includes shipping cap)</i>	

Kit or Assembly - includes all items indented underneath.

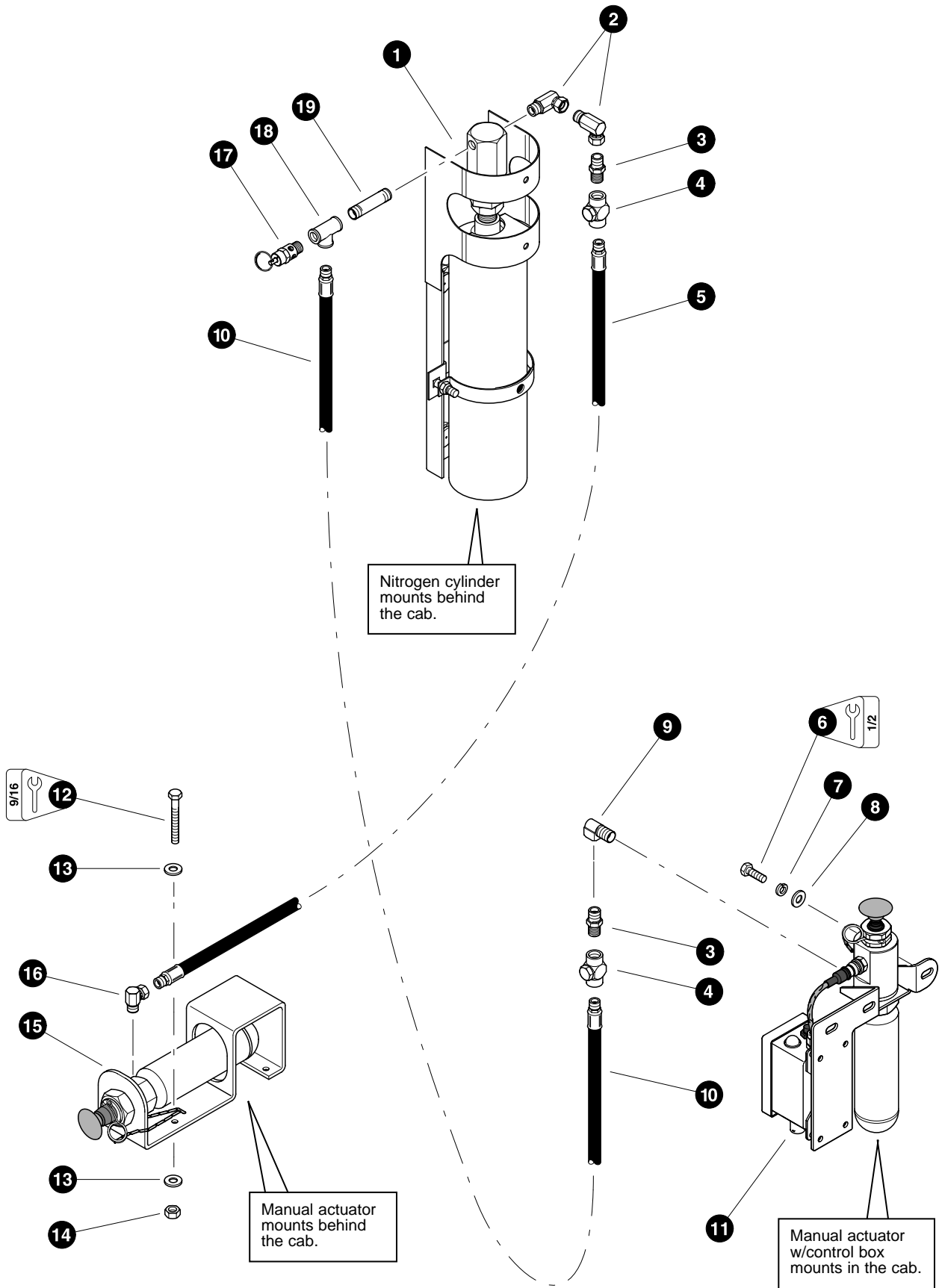


Parts 00819 10/18/2000
37.50

MANUAL ACTUATOR (Interior Mount)

REF	PART #	QTY	DESCRIPTION	SEE PAGE
--	21295-OC	1	<input type="checkbox"/> MANUAL ACTUATOR / CONTROL BOX ASSEMBLY	
--	21294-OC	1	<input type="checkbox"/> MANUAL ACTUATOR ASSEMBLY	
1	21265-OC	1	KNOB	
2	21277-OC	1	BOOT	
3	21279-OC	1	O-RING, stem	
4	21278-OC	1	ADAPTER, boot	
5	21272-OC	1	PIN, safety ring	
	21273-OC	1	CHAIN	
	21274-OC	1	SCREW, drive	
	21275-OC	1	WIRE, lead seal <i>(Not shown)</i>	
6	21280-OC	1	O-RING, adapter boot	
7	21281-OC	1	STEM	
8	21282-OC	1	O-RING, puncture pin	
9	21283-OC	1	PIN, puncture	
10	21284-OC	1	SPRING	
11	21285-OC	1	BODY, adapter	
12	21286-OC	1	NUT, jam	
13	21258-OC	1	GASKET	
14	21287-OC	1	BRACKET, manual actuator	
15	21289-OC	1	<input type="checkbox"/> CONTROL BOX ASSEMBLY	
	21290-OC	1	PLATE, name	
16	NSS	1	CABLE, signal	
17	21291-OC	1	BULB - 12V	
	21292-OC	1	BULB - 24V	
18	21293-OC	1	LENS, indicator	
19	16132-OC	4	WASHER, lock - 1/4"	
20	15669-OC	4	SCREW, machine - #10-24 x 1/2"	
21	16515-OC	1	SQUIB	
22	21288-OC	1	CARTRIDGE, manual actuator <i>(Includes shipping cap)</i>	
			Items Not Shown:	
--	21297-OC	1	<input type="checkbox"/> HARNESS, battery <i>(Connects power wire from control box to the battery. Contains fuse holder)</i>	
--	21298-OC	1	FUSE - 5 AMP	
--	21296-OC	1	WIRE, power - 10' <i>(provides power to the control box)</i>	
--	16514-OC	1	WIRE, detection <i>(Routed from the control box throughout the engine and pump compartments)</i>	

Kit or Assembly - includes all items indented underneath.

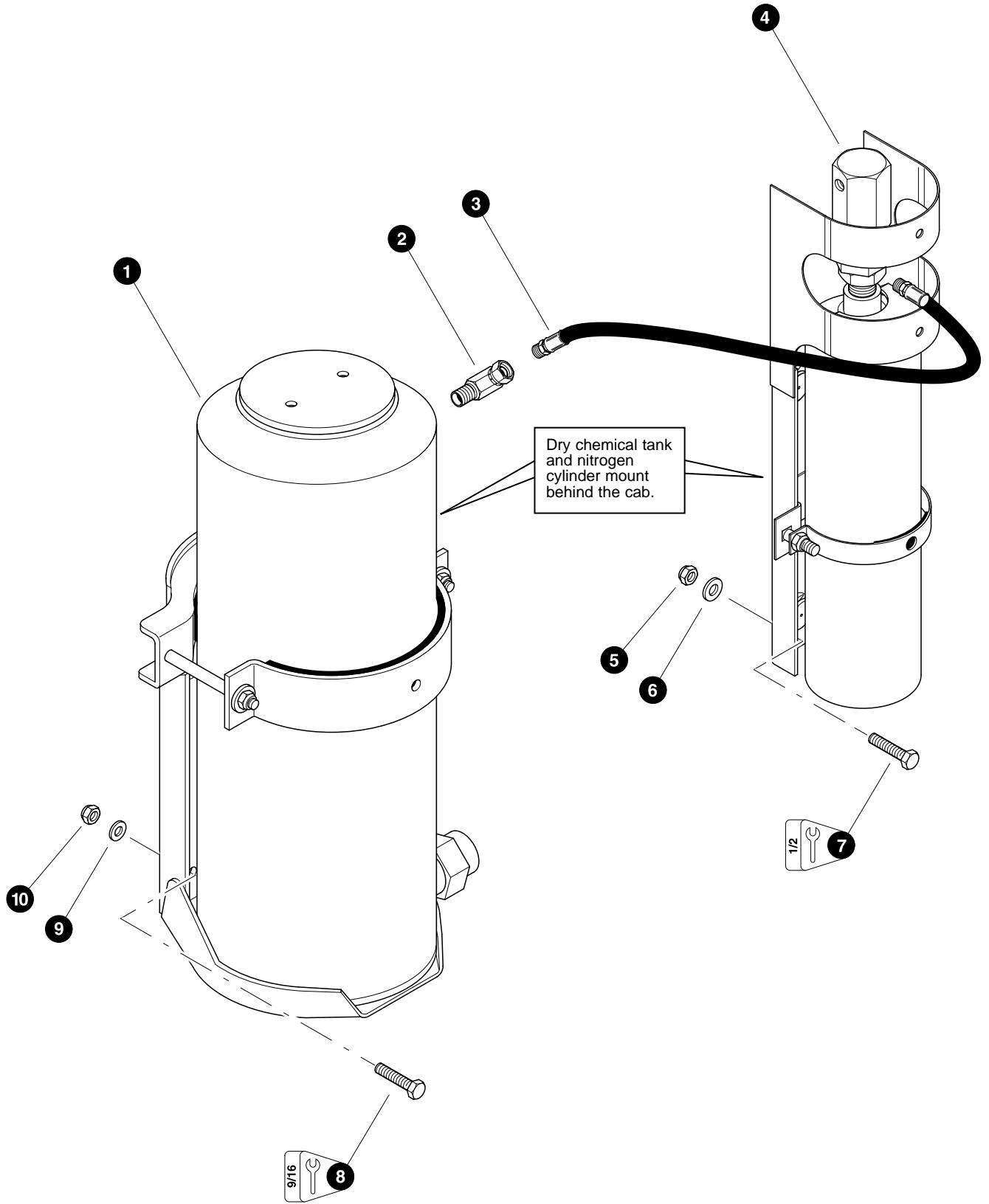


Parts 01119 04/22/99
25.00

MANUAL ACTUATOR INSTALLATION

REF	PART #	QTY		DESCRIPTION	SEE PAGE
1	REF.	1	✓	NITROGEN CYLINDER	OC-5-4
2	10320-OC	2		ELBOW, 90° - 1501-4-4	
3	15567-OC	2		CONNECTOR, straight - 5404-4	
4	16778-OC	2		VALVE, check	
5	22269-OC	1		HOSE ASSEMBLY - 2062-04-04PS-04PS (<i>Exterior manual actuator to nitrogen cylinder</i>)	
6	15589-OC	2		BOLT - 5/16" x 1"	
7	15606-OC	2		WASHER, lock - 5/16"	
8	10801-OC	2		WASHER, flat - 5/16"	
9	21147-OC	1		ELBOW, 90° - 1/4" NPT (<i>Brass</i>)	
10	16750-OC	1		HOSE ASSEMBLY - 2102-04-04PS-04PS (<i>Interior manual actuator to nitrogen cylinder</i>)	
11	REF.	1	✓	MANUAL ACTUATOR ASSEMBLY - interior	OC-5-8
12	11707-OC	2		BOLT - 3/8" x 1"	
13	15528-OC	4		WASHER, SAE flat - 3/8"	
14	10813-OC	2		NUT, lock - 3/8"	
15	REF.	1	✓	MANUAL ACTUATOR ASSEMBLY - exterior	OC-5-6
16	10320-OC	1		ELBOW, 90° - 1501-4-4	
17	21299-OC	1		VALVE, safety relief	
18	16310-OC	1		TEE, black pipe - 1/4"	
19	16886-OC	1		NIPPLE, close - 1/4" x 2-1/2"	

✓ See reference page for component or assembly breakdown.

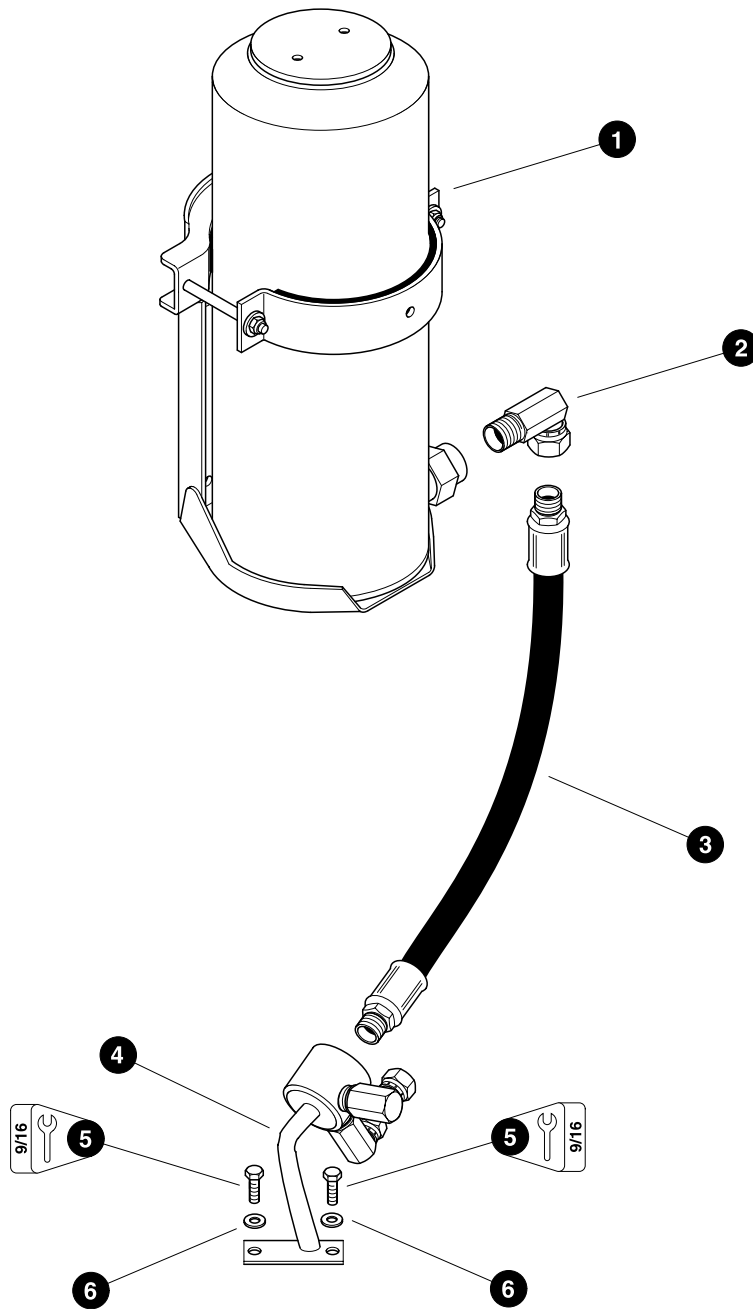


Parts 00593 10/18/2000
37.5

DRY CHEMICAL TANK & NITROGEN CYLINDER INSTALLATION (Installed Behind Cab)

REF	PART #	QTY		DESCRIPTION	SEE PAGE
1	REF.	1	✓	DRY CHEMICAL TANK ASSEMBLY	OC-5-2
2	10320-OC	1		ELBOW, 90° swivel - 1501-4-4	
3	16748-OC	1		HOSE ASSEMBLY - 2013-04-04OS-04O4 (<i>Nitrogen cylinder to dry chemical tank</i>)	
4	REF.	1	✓	NITROGEN CYLINDER ASSEMBLY	OC-5-4
5	10812-OC	4		NUT, lock - 5/16"	
6	15559-OC	4		WASHER, SAE flat - 5/16"	
7	15589-OC	4		BOLT - 5/16" x 1"	
8	11707-OC	4		BOLT - 3/8" x 1"	
9	15528-OC	4		WASHER, SAE flat - 3/8"	
10	10813-OC	4		NUT, lock - 3/8"	

✓ See reference page for component or assembly breakdown.

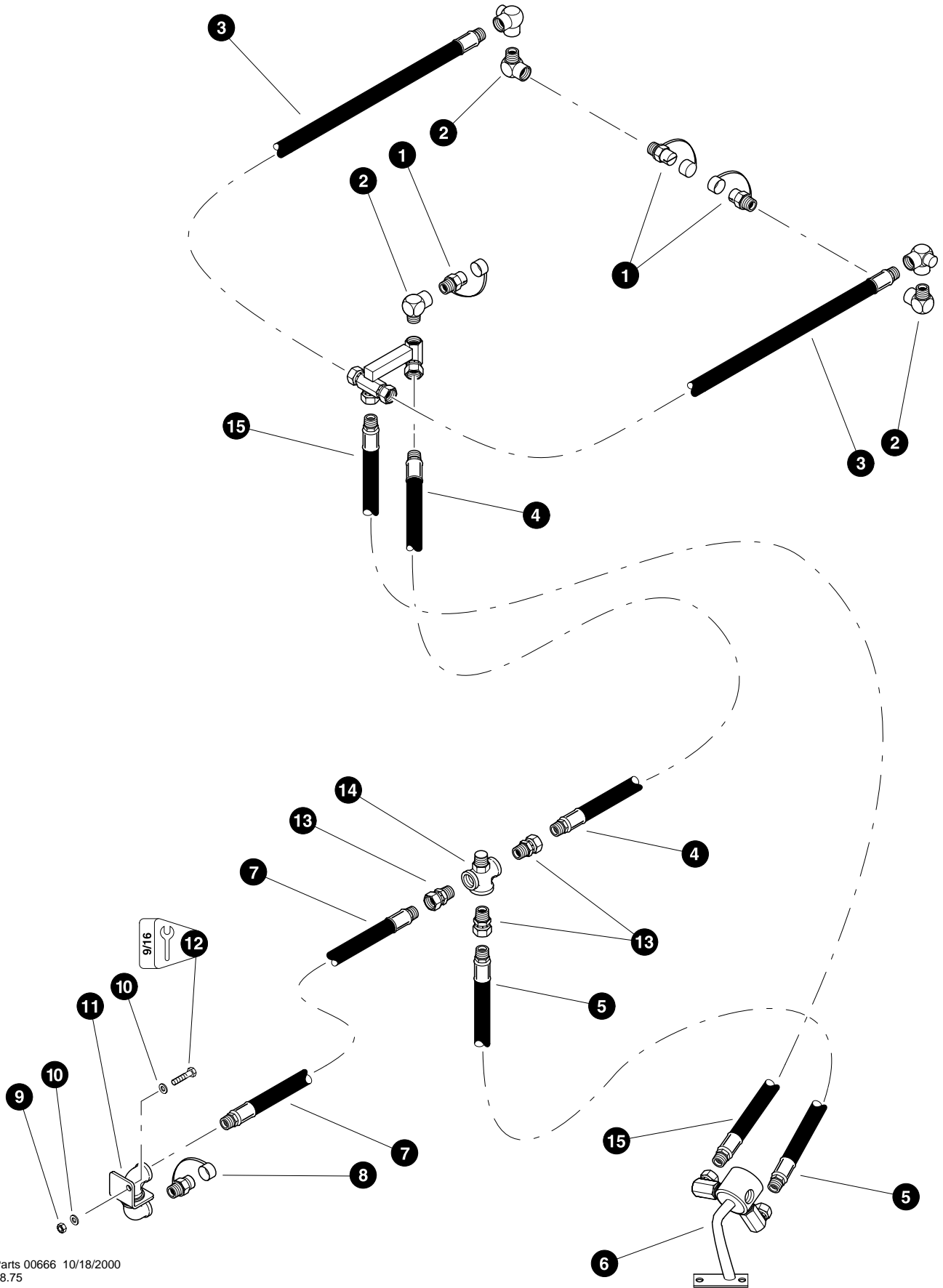


Parts 01854 09/27/2000
25.00

FIRE SUPPRESSION LINES
(Dry Chemical Tank To Distribution Tee)

REF	PART #	QTY		DESCRIPTION	SEE PAGE
1	REF.	1	✓	DRY CHEMICAL TANK ASSEMBLY	G.6.2
2	10359	1		ELBOW, 90° swivel - 1501-12-12	
3	23217	1		HOSE ASSEMBLY - 2050-12-12PS-12PS (<i>Dry chemical tank to distribution tee</i>)	
4	18767	1		MANIFOLD, fire distribution assembly	
5	11707	2		BOLT - 3/8" x 1"	
6	15528	2		WASHER, SAE flat - 3/8"	

✓ See reference page for component or assembly breakdown.



Parts 00666 10/18/2000
18.75

FIRE SUPPRESSION LINES

(Distribution Tee To Engine & Pump Compartments)

REF	PART #	QTY	DESCRIPTION	SEE PAGE
1	16775	3	NOZZLE, flat - 1/2"	
2	17460	3	ELBOW, 90° street - 5502-8-8	
3	19136	2	HOSE ASSEMBLY - 2032-08-08PS-08PS (<i>Engine compartment tee to right nozzle</i>)	
4	19136	1	HOSE ASSEMBLY - 2032-08-08PS-08PS (<i>Hydraulic tank tee to rear engine compartment nozzle & pump area nozzle</i>)	
5	19135	1	HOSE ASSEMBLY - 2058-08-08PS-08PS (<i>Hydraulic tank tee to distribution tee</i>)	
6	REF.	1	✓ MANIFOLD, fire distribution	OC-5-14
7	10324	1	HOSE ASSEMBLY - 4051-08-08PS-08PS (<i>Hydraulic tank tee to rear engine compartment nozzle & pump area nozzle</i>)	
8	17837	1	NOZZLE, cone - 1/2"	
9	10813	1	NUT, lock - 3/8"	
10	15528	2	WASHER, SAE flat - 3/8"	
11	18769	1	MANIFOLD, fire "S"	
12	10731	1	BOLT - 3/8" x 1-1/2"	
13	10322	3	CONNECTOR, straight swivel - 1404-8-8	
14	18771	1	TEE, fire distribution	
15	19141	1	HOSE ASSEMBLY - 2077-08-08PS-08PS (<i>Engine compartment tee to distribution tee</i>)	

✓ See reference page for component or assembly breakdown.