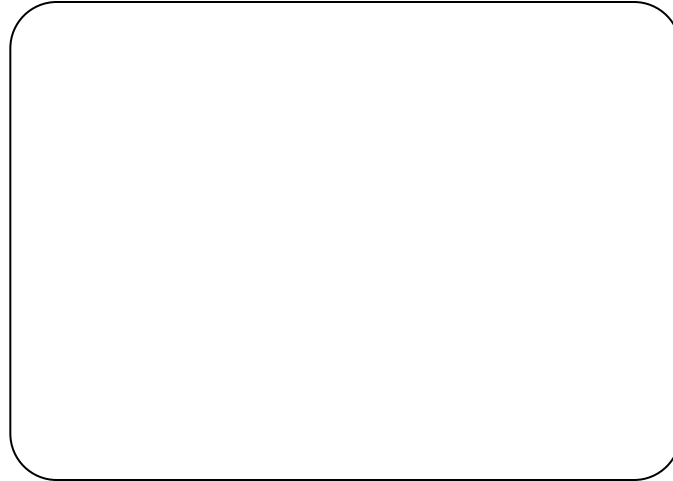
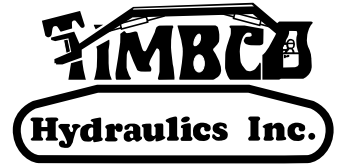
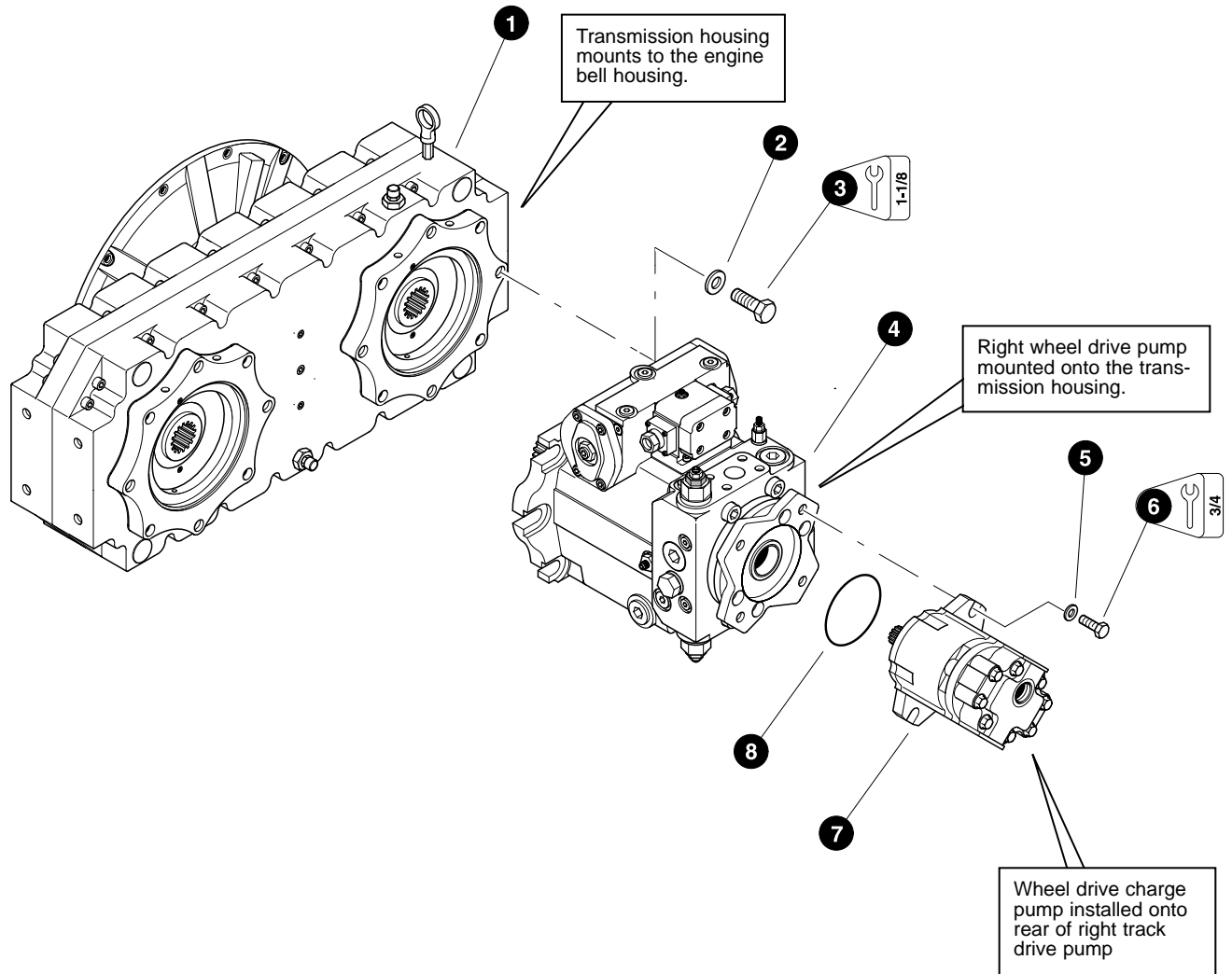


Section WD-1



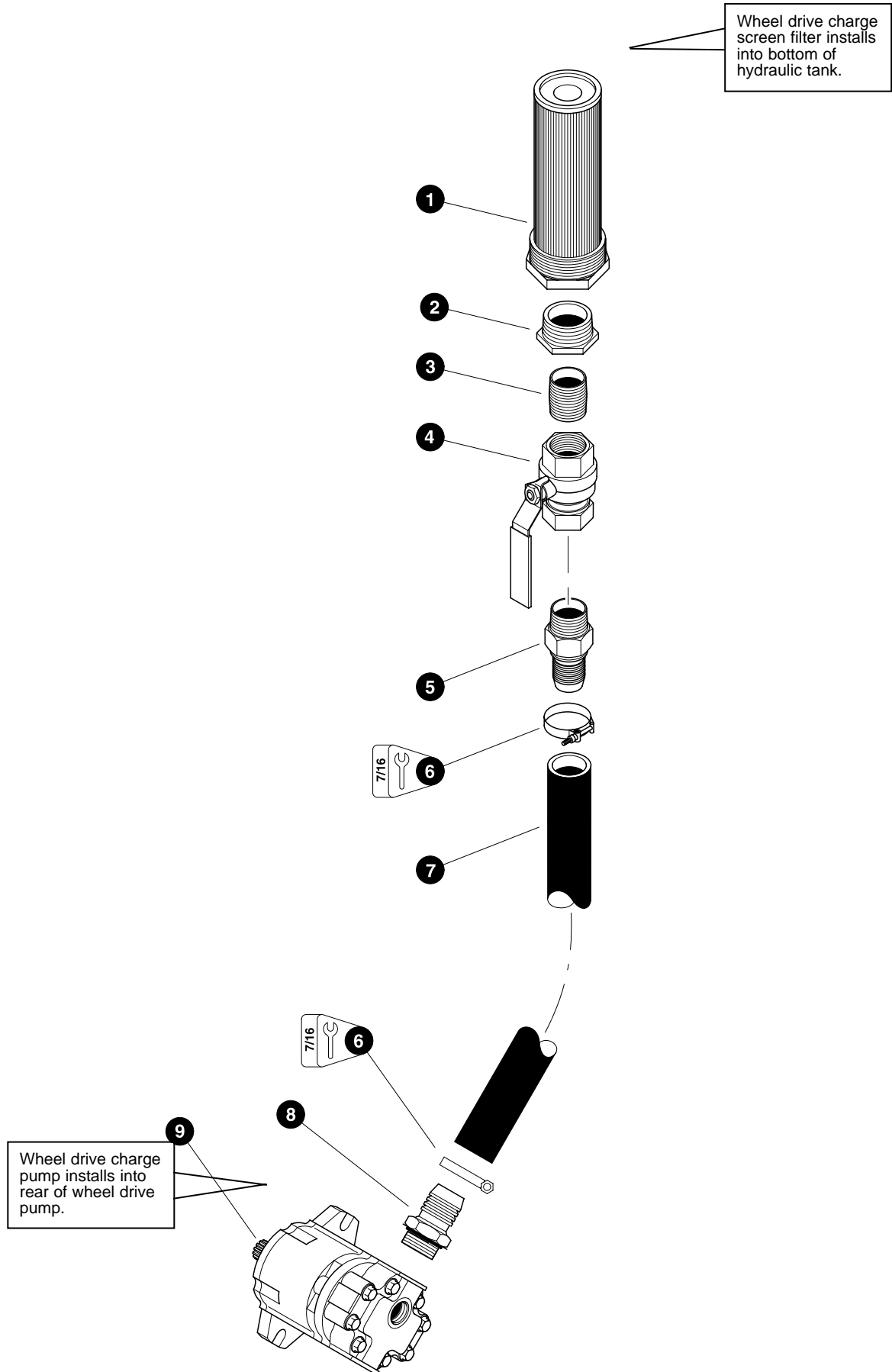
Upper Turntable Wheel Drive - Hydraulic Circuits



WHEEL DRIVE PUMP INSTALLATION

REF	PART #	QTY		DESCRIPTION	SEE PAGE
1	REF.	1	✓	TRANSMISSION double pump drive	EN-1-2
2	15550-WD	2		WASHER, SAE flat - 3/4"	
3	10839-WD	1		BOLT - 3/4" x 1-1/2"	
4	REF.	1	✓	WHEEL DRIVE PUMP	WD-2-2
5	15534-WD	2		WASHER, SAE flat - 1/2"	
6	10739-WD	1		BOLT - 1/2" x 1-1/2"	
7	REF.	1	✓	WHEEL DRIVE CHARGE PUMP	WD-2-10
8	15453-WD	1		O-RING	

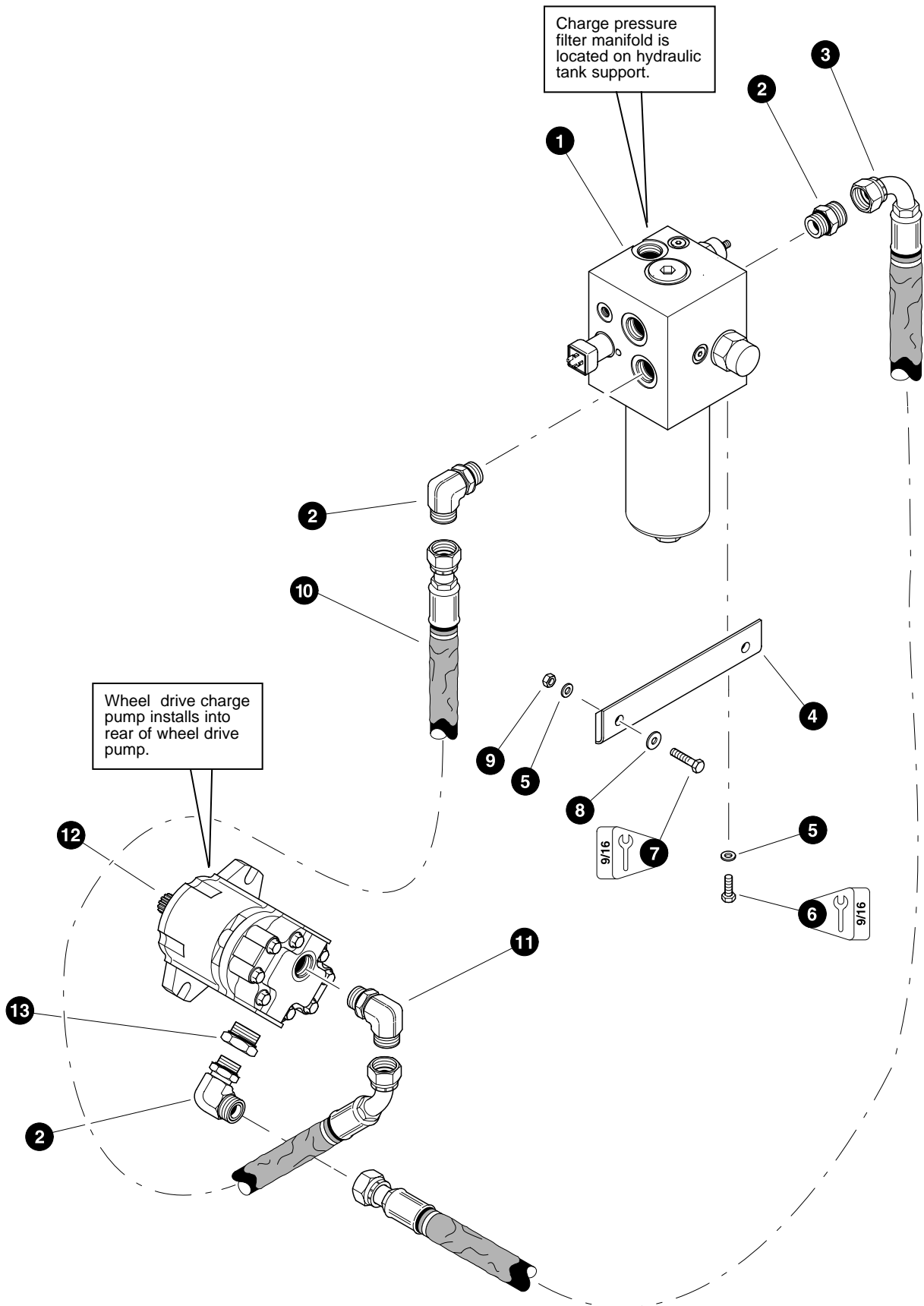
- ✓ See referenced page for component or assembly breakdown.



WHEEL DRIVE CHARGE PUMP SUCTION LINE

REF	PART #	QTY	DESCRIPTION	SEE PAGE
1	15326-WD	1	FILTER, screen - 100 mesh suction	
2	17308-WD	1	BUSHING, black reducer - 2" x 1-1/2"	
3	15638-WD	1	NIPPLE, close - 1-1/2"	
4	15325-WD	1	VALVE, ball - 1-1/2"	
5	15640-WD	1	NIPPLE, king - 1-1/2"	
6	15641-WD	2	CLAMP, strap band - 2"	
7	23054-WD	1	HOSE ASSEMBLY - 1016.5-24-OPEN	
8	19824-WD	1	NIPPLE, king - 1-1/2" - 1SA24MB24	
9	REF.	1	WHEEL DRIVE CHARGE PUMP	WD-2-10

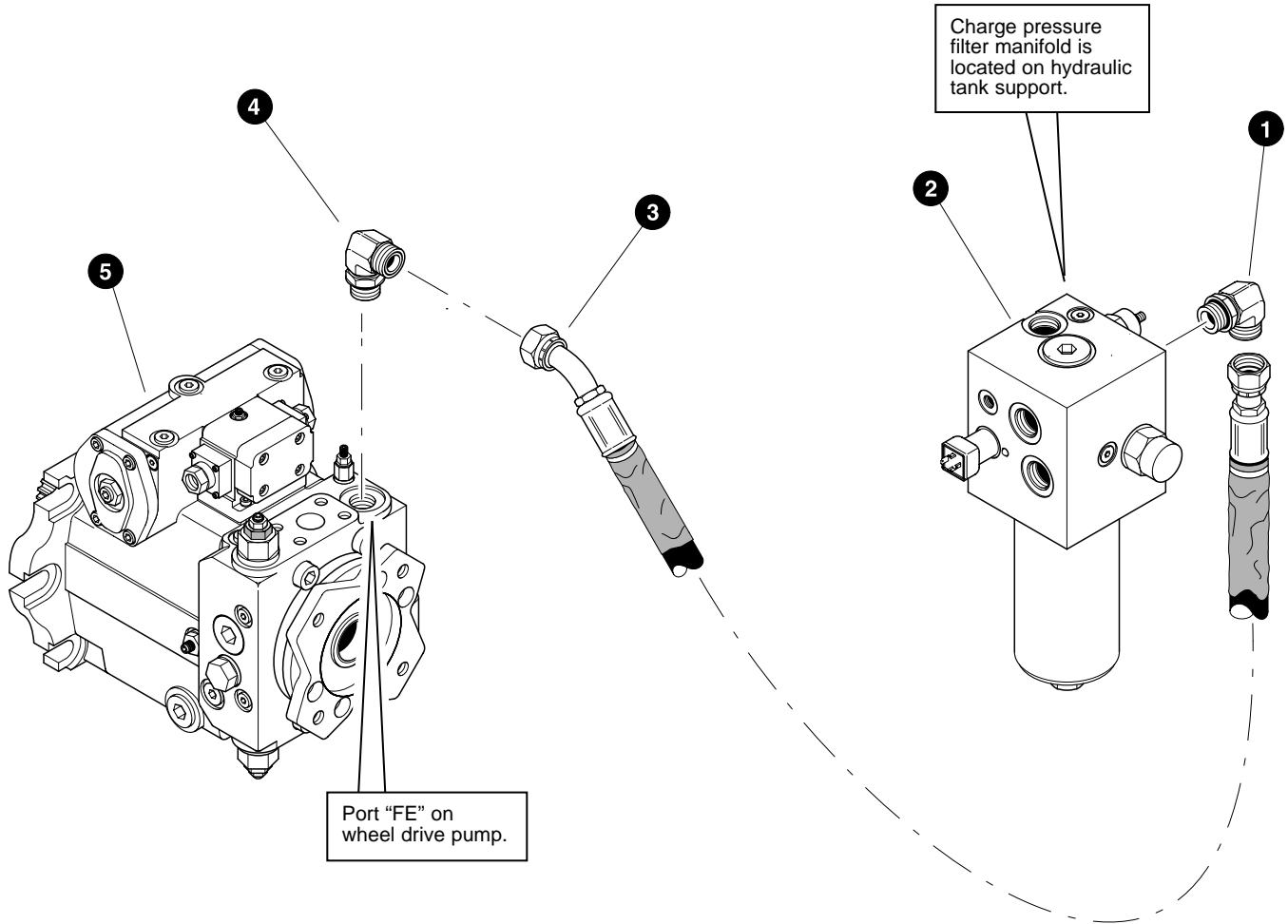
➤ Bulk material - order length required in feet or meters.



WHEEL DRIVE CHARGE SYSTEM PRESSURE LINES (Charge Pump To Charge Pressure Filter Manifold)

REF	PART #	QTY		DESCRIPTION	SEE PAGE
1	REF.	1	✓	CHARGE PRESSURE FILTER MANIFOLD	WD-3-2
2	15152-WD	1		CONNECTOR, straight - FF1852T-1212S	
3	23046-WD	1		HOSE ASSEMBLY - 4043-12-120S-1209-W (<i>Wheel drive charge pump pressure port to charge pressure filter manifold port "P"</i>)	
4	19842-WD	1		BRACKET, charge pressure filter manifold mounting	
5	15534-WD	4		WASHER, SAE flat - 1/2"	
6	10783-WD	2		BOLT - 1/2" x 1"	
7	10739-WD	2		BOLT - 1/2" x 1-1/2"	
8	10804-WD	2		WASHER, flat - 1/2"	
9	10815-WD	2		NUT, lock - 1/2"	
10	23398-WD	1		HOSE ASSEMBLY - 4028-12-120S-1204-W (<i>Charge pressure filter manifold port "P1" to wheel drive charge pump case port</i>)	
11	17688-WD	3		ELBOW, 90° - FF1868T-1212S	
12	REF.	1		WHEEL DRIVE CHARGE PUMP	WD-2-10
13	17651-WD	1		BUSHING, reducer - 6410-20-12	

✓ See referenced page for component or assembly breakdown.

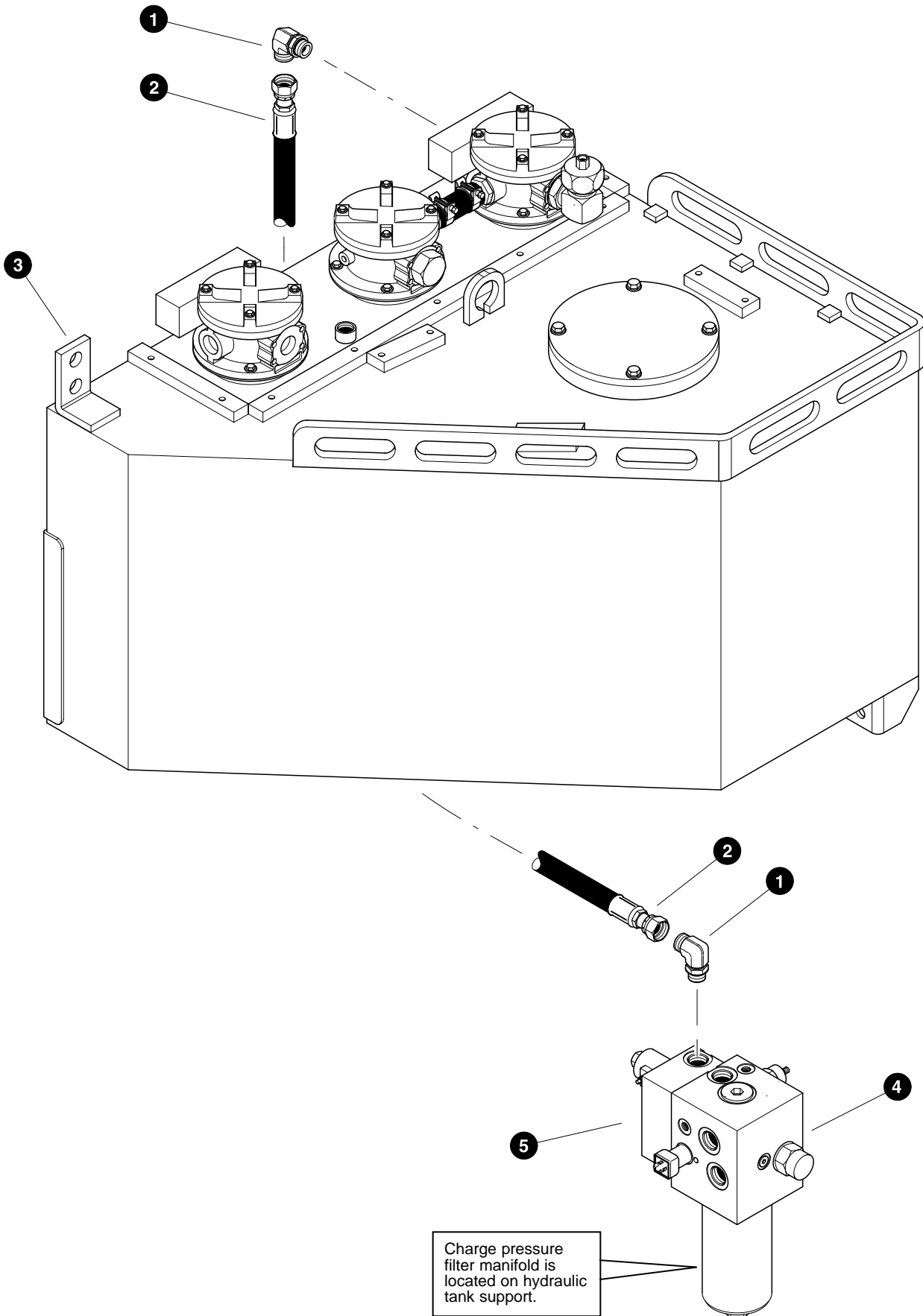


WHEEL DRIVE CHARGE SYSTEM PRESSURE LINES

(Charge Pressure Filter Manifold To Wheel Drive Pump)

REF	PART #	QTY		DESCRIPTION	SEE PAGE
1	17688-WD	1		ELBOW, 90° - FF1868T-1212S	
2	REF.	1	✓	CHARGE PRESSURE FILTER MANIFOLD	WD-3-2
3	23043-WD	1		HOSE ASSEMBLY - 4018-12-120S-1204-W (<i>Charge pressure filter manifold port "F1" to wheel drive pump port "FE"</i>)	
4	17688-WD	1		ELBOW, 90° - FF1868T-1212S	
5	REF.	1	✓	WHEEL DRIVE PUMP	WD-2-2

✓ See referenced page for component or assembly breakdown.

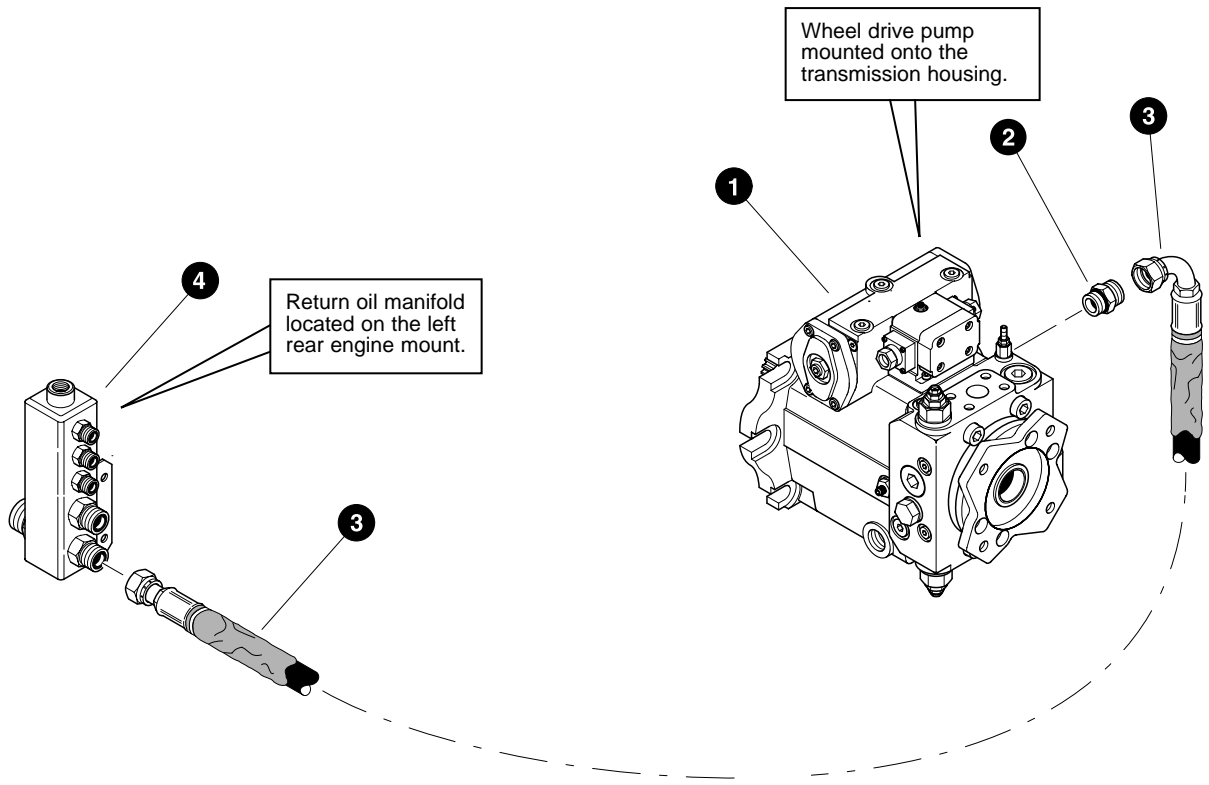


Parts 01855 09/29/2000
18.75

OPTIONAL CHARGE OIL HEATER RETURN LINE

REF	PART #	QTY		DESCRIPTION	SEE PAGE
1	17688-UP	2		ELBOW, 90° - FF1868T-1212S	
2	21672	1		HOSE ASSEMBLY - 2055-12-120S-120S (<i>Charge oil heater exhaust port to hydraulic tank</i>)	
3	REF.	1	✓	HYDRAULIC OIL TANK	UP-4-2
4	REF.	1	✓	TRACK DRIVE CHARGE FILTER ASSEMBLY	WD-3-2
5	REF.	1	✓	CHARGE OIL HEATER ASSEMBLY	WD-3-4

✓ See referenced page for component or assembly breakdown.

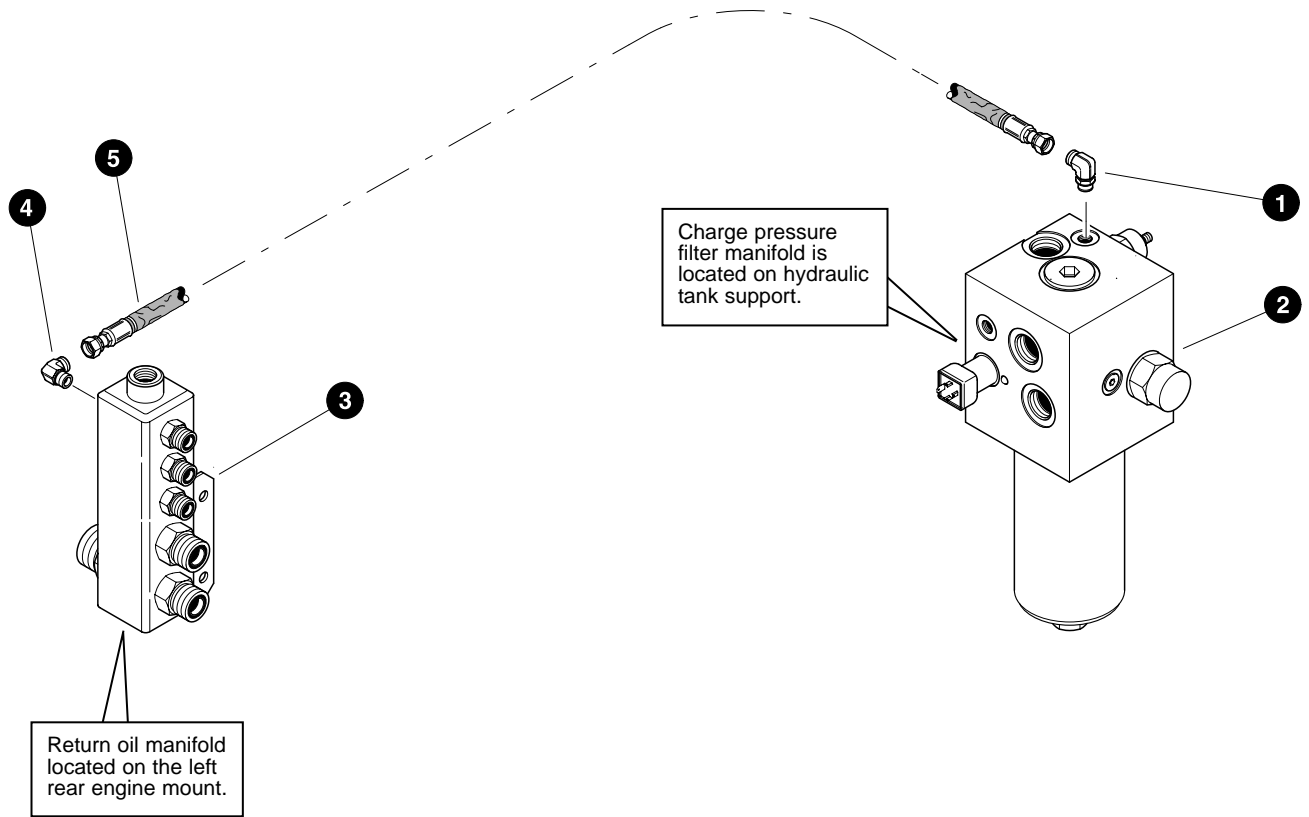


Parts 01635 03/28/2000
18.75

WHEEL DRIVE PUMP CASE DRAIN LINE

REF	PART #	QTY		DESCRIPTION	SEE PAGE
1	REF.	1	✓	WHEEL DRIVE PUMP	WD-2-2
2	15152-WD	1		CONNECTOR, straight - FF1852T-1212S	
3	23032-WD	1		HOSE ASSEMBLY - 2056-12-120S-1209-W (<i>Wheel drive pump case drain port to return oil manifold</i>)	
4	REF.	1		RETURN OIL MANIFOLD	

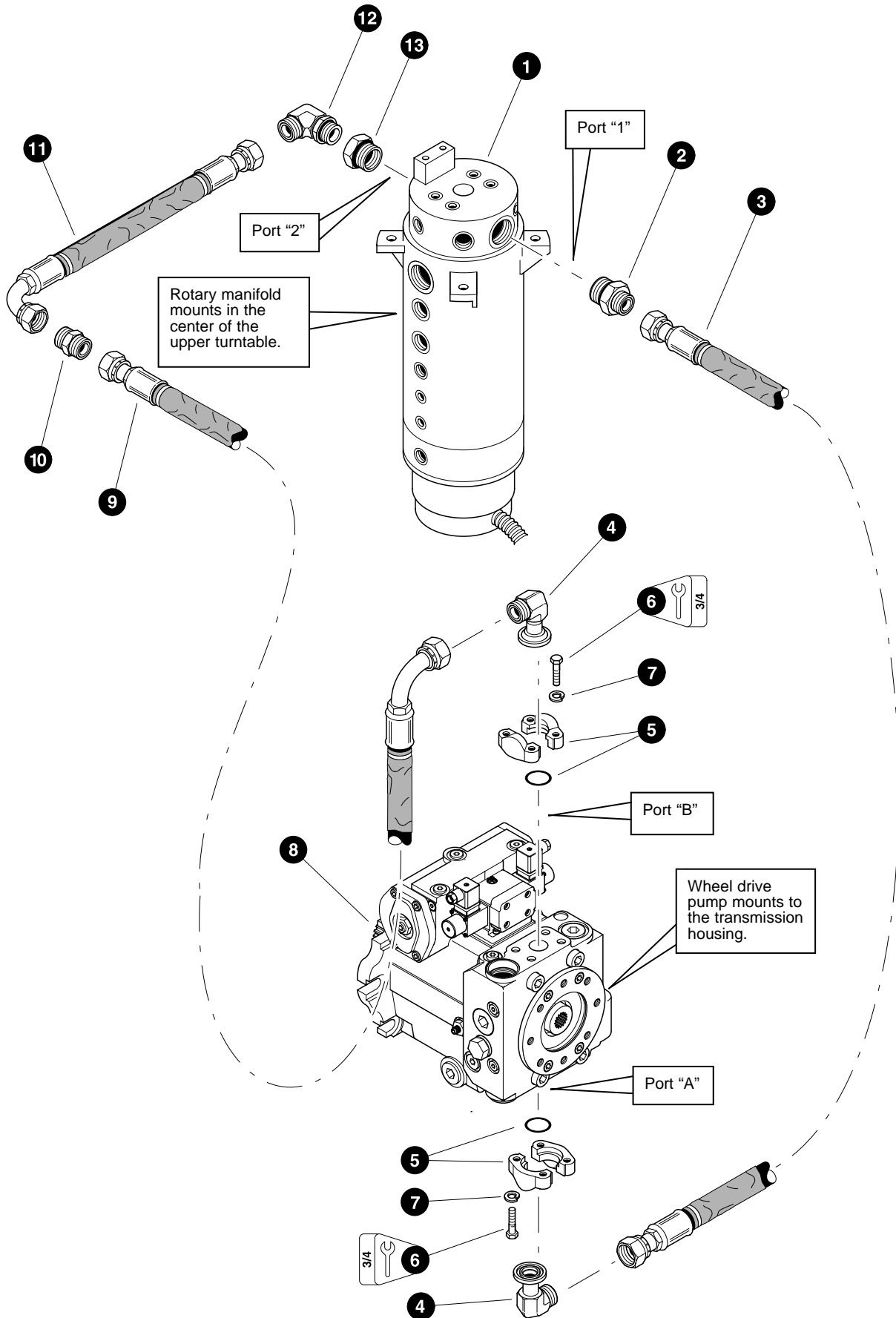
✓ See referenced page for component or assembly breakdown.



CHARGE PRESSURE FILTER MANIFOLD CASE DRAIN LINE

REF	PART #	QTY		DESCRIPTION	SEE PAGE
1	16540-WD	1		ELBOW, 90° - FF1868T-0404S	
2	REF.	1	✓	CHARGE PRESSURE FILTER MANIFOLD	WD-3-2
3	REF.	1		RETURN OIL MANIFOLD	
4	15505-WD	1		ELBOW, 90° - FF2032T-0404S	
5	23111-WD	1		HOSE ASSEMBLY - 2071-04-040S-040S-W (<i>Charge pressure filter manifold port "DR" to return oil manifold</i>)	

✓ See referenced page for component or assembly breakdown.



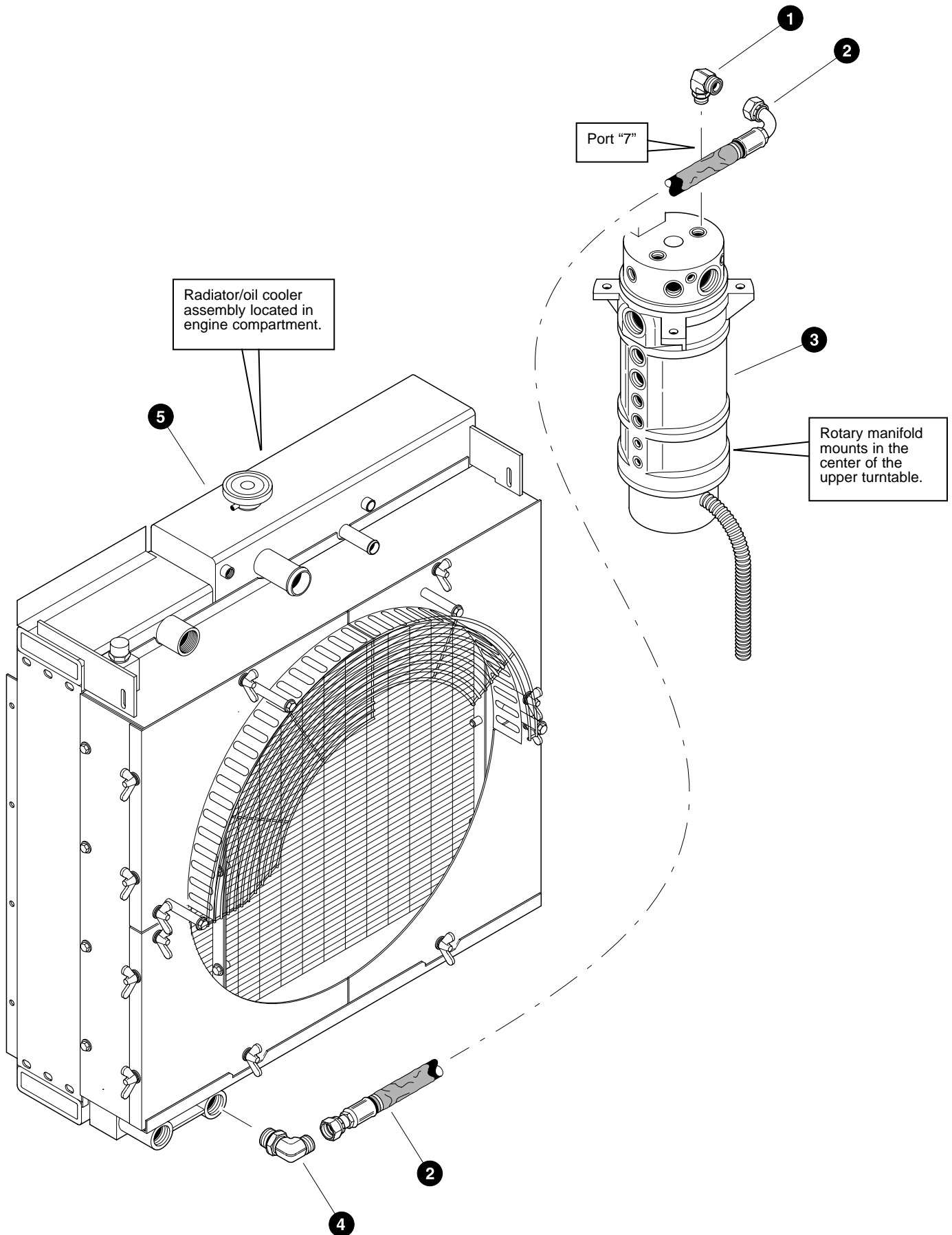
Parts 01965 01/04/2001
18.75

WHEEL DRIVE PUMP PRESSURE LINES

(Wheel Drive Pump To Upper Rotary Manifold Ports)

REF	PART #	QTY		DESCRIPTION	SEE PAGE
1	REF.	1	✓	ROTARY MANIFOLD	UP-1-6
2	19450-WD	1		CONNECTOR, straight - FF1852T-1620S	
3	23051-WD	1		HOSE ASSEMBLY - 6055-16-160S-1609-W (<i>Wheel drive pump pressure port "B" to driveline connector) long gearbox (Machines with PDN# 114FWD and below)</i>	
	23160-WD	1		HOSE ASSEMBLY - 6057-16-160S-1609-W (<i>Wheel drive pump pressure port "B" to driveline connector) short gearbox (Machines with PDN# 115FWD and above)</i>	
4	20030-WD	1		ADAPTER, 90° flange - 16 LOEQ2-S (Code 62)	
5	15114-WD	2	☐	KIT, split flange - 1-1/4" (Code 62)	
	15378-WD	1		O-RING - 1-1/4" SF	
6	18933-WD	4		BOLT - 1/2" x 1-3/4"	
7	10710-WD	4		WASHER, lock - 1/2"	
8	REF.	1	✓	WHEEL DRIVE PUMP	WD-2-2
9	23011-WD	1		HOSE ASSEMBLY - 6042-16-160S-160S-W (<i>Wheel drive pump pressure port "A" to rotary manifold upper port "1") long gearbox (Machines with PDN# 114FWD and below)</i>	
	23161-WD	1		HOSE ASSEMBLY - 6044-16-160S-160S-W (<i>Wheel drive pump pressure port "A" to rotary manifold upper port "1") short gearbox (Machines with PDN# 115FWD and above)</i>	
10	18083-WD	1		CONNECTOR, straight - 16 HLO-S	
11	20153-WD	1		HOSE ASSEMBLY - 6013-16-160S-1609-W (<i>Driveline connector to rotary manifold upper port "2") long gearbox (Machines with PDN# 114FWD and below)</i>	
	23159-WD	1		HOSE ASSEMBLY - 6014-16-160S-1609-W (<i>Driveline connector to rotary manifold upper port "2") short gearbox (Machines with PDN# 115FWD and above)</i>	
12	15228-WD	1		ELBOW, 90° - FF1868T-1616S	
13	17015-WD	1		BUSHING, reducer - 6410-20-16	

- ✓ See referenced page for component or assembly breakdown.
☐ Kit or Assembly - includes all items indented underneath.



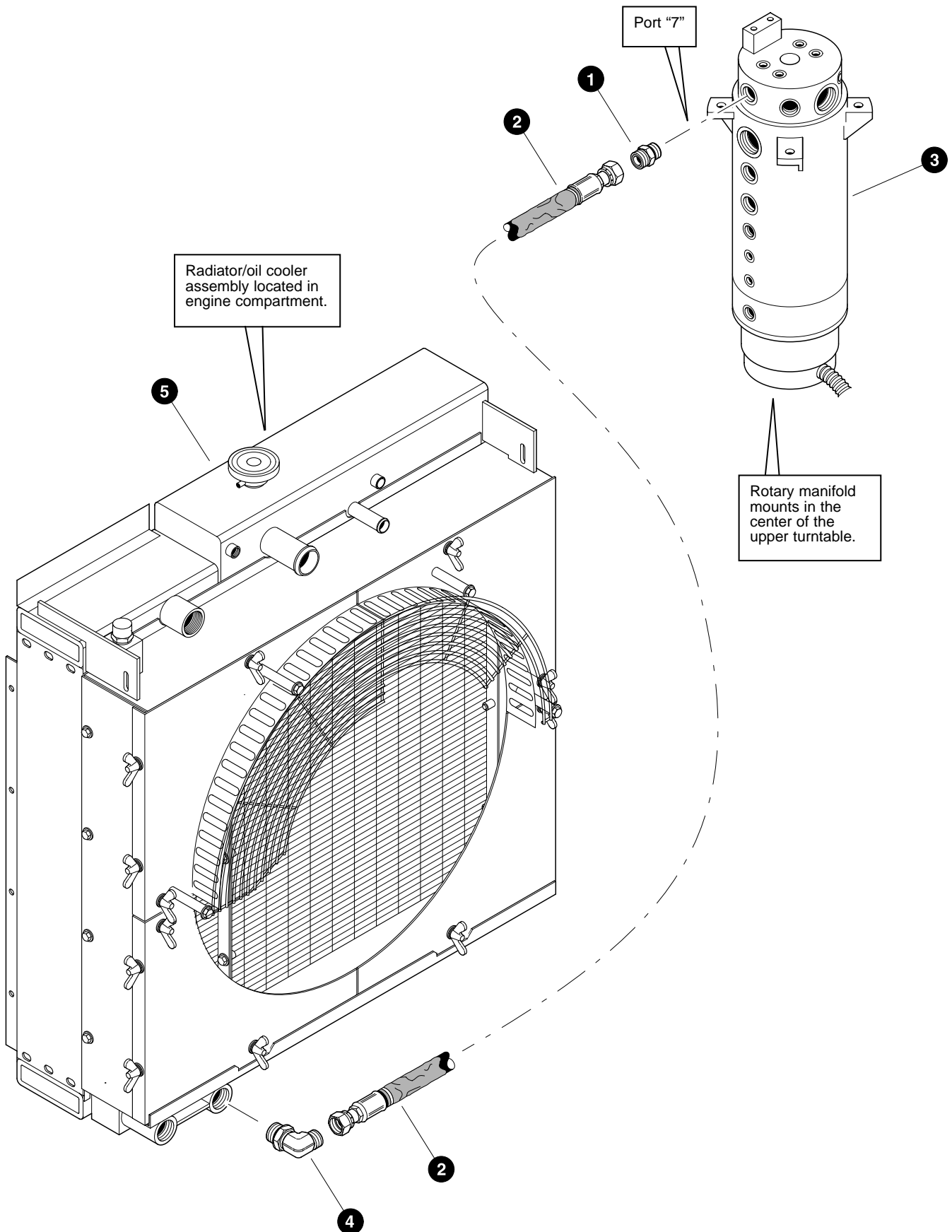
Parts 00942 12/04/98
18.75

WHEEL DRIVE MOTOR CASE DRAIN LINE (Upper Rotary Manifold Ports To Radiator/Oil Cooler)

(Used on machines PDN# 134FWD and below)

REF	PART #	QTY	DESCRIPTION	SEE PAGE
1	16422-WD	1	ELBOW, 90° - FF1868T-1210S	
2	21178-WD	1	HOSE ASSEMBLY - 2062-12-120S-1209-W <i>(Rotary manifold upper port "7" to radiator/oil cooler)</i>	
3	REF.	1	✓ ROTARY MANIFOLD	UP-1-6
4	19128-WD	1	ELBOW, 90° - FF1868T-1216S	
5	REF.	1	✓ RADIATOR/OIL COOLER ASSEMBLY	UP-3-2

✓ See referenced page for component or assembly breakdown.



Parts 01966 01/04/2001
18.75

WHEEL DRIVE MOTOR CASE DRAIN LINE (Upper Rotary Manifold Ports To Radiator/Oil Cooler)

(Used on machines PDN# 135FWD and above)

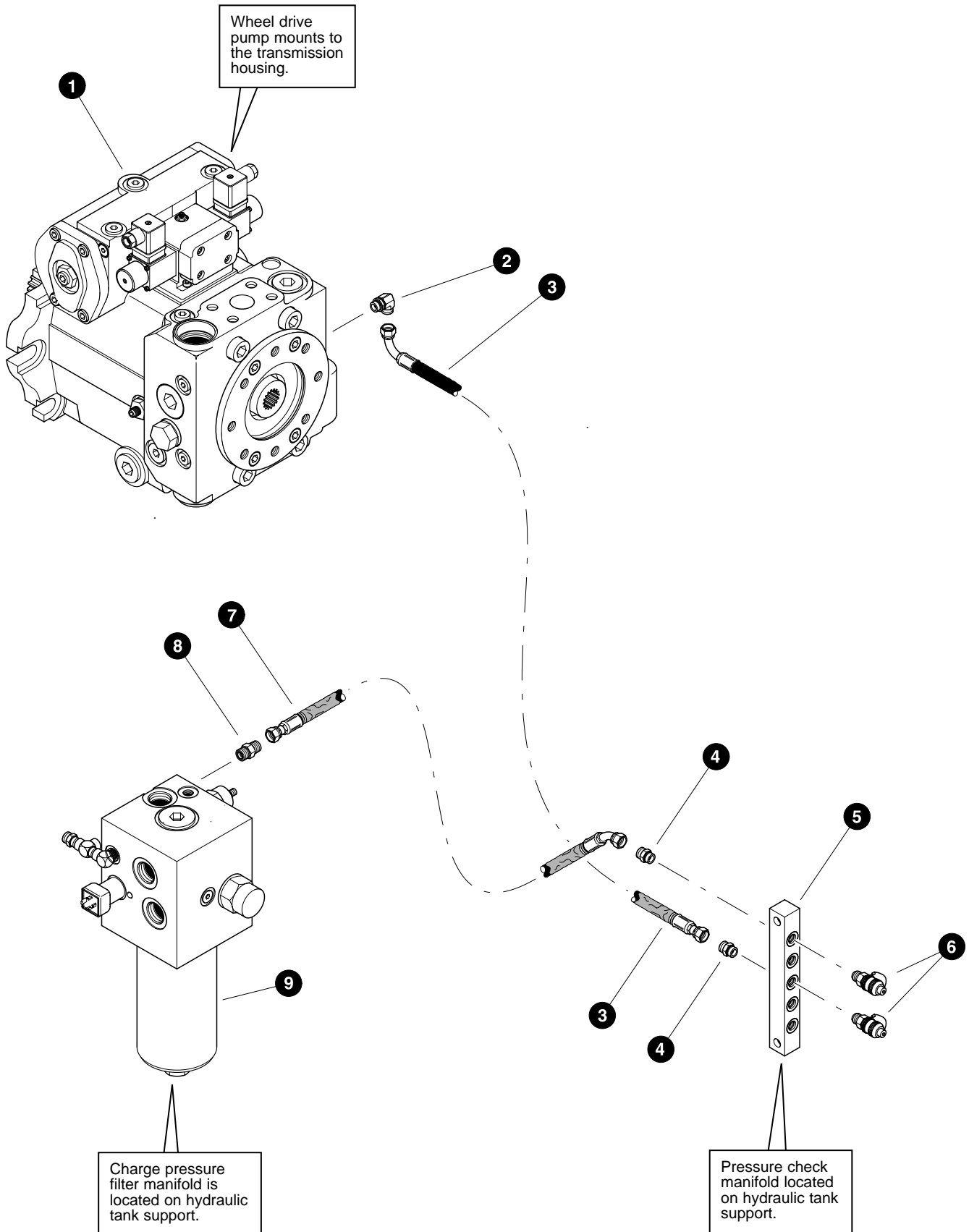
REF	PART #	QTY	DESCRIPTION	SEE PAGE
1	15152-WD	1	CONNECTOR, straight - FF1852T-1212S	
2	23422-WD	1	HOSE ASSEMBLY - 2062-12-120S-120S-W <i>(Rotary manifold upper port "7" to radiator/oil cooler)</i>	
3	REF.	1	✓ ROTARY MANIFOLD	UP-1-6
4	19128-WD	1	ELBOW, 90° - FF1868T-1216S	
5	REF.	1	✓ RADIATOR/OIL COOLER ASSEMBLY	UP-3-2

✓ See referenced page for component or assembly breakdown.

WHEEL DRIVE PRESSURE GAUGE LINES*(Used on machines PDN# 134FWD and below)*

REF	PART #	QTY	DESCRIPTION	SEE PAGE
1	19205-WD	1	GAUGE, pressure - 10,000 PSI	
	16038-WD	1	PROTECTOR, rubber gauge	
2	12222-WD	1	BRACKET, cab gauge mount	
3	15131-WD	1	CONNECTOR, straight - FF2031T-0404S	
4	21036-WD	1	HOSE ASSEMBLY - 4115-04-040S-040S-W (<i>Wheel drive pump gauge port tee to gauge in cab</i>)	
5	16541-WD	2	CONNECTOR, straight - FF1852T-0404S	
6	15176-WD	1	TEE - FF2114T-0404S	
7	15145-WD	1	ELBOW, 90° swivel - FF2098T-0404S	
8	23018-WD	1	HOSE ASSEMBLY - 2036-04-040S-040S-W (<i>Wheel drive pump gauge port tee to pressure check manifold</i>)	
9	REF.	1	✓ PRESSURE CHECK MANIFOLD	UP-5-8
10	16037-WD	1	TAP, gauge port (1/4" ORB)	
11	REF.	1	✓ WHEEL DRIVE PUMP	WD-2-2
12	15604-WD	2	BOLT - 1/4" x 3/4"	
13	10756-WD	2	WASHER, lock - 1/4"	

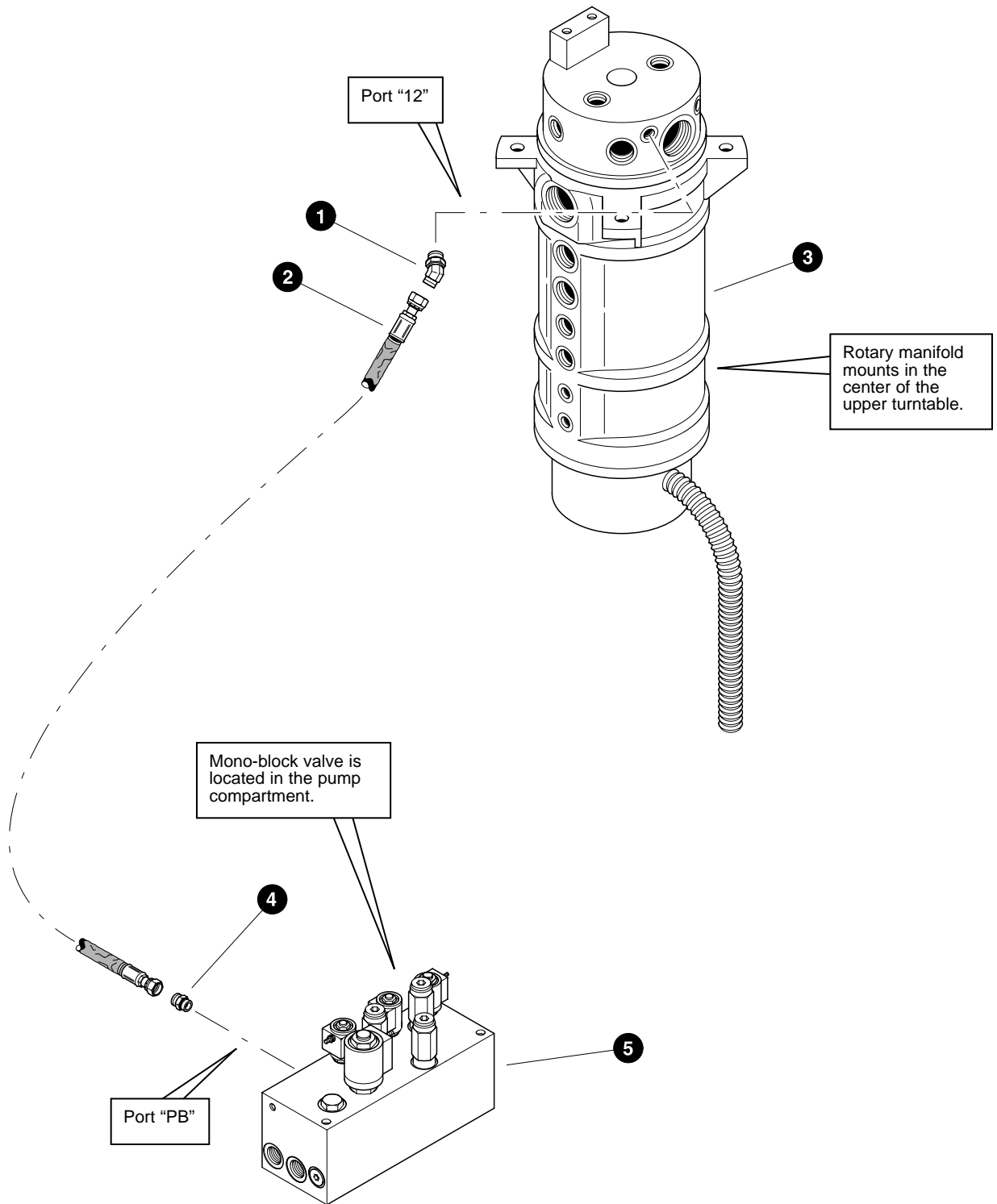
✓ See referenced page for component or assembly breakdown.



WHEEL DRIVE PRESSURE GAUGE LINES*(Used on machines PDN# 135FWD and above)*

REF	PART #	QTY		DESCRIPTION	SEE PAGE
1	REF.	1	✓	WHEEL DRIVE PUMP	WD-2-2
2	16540-WD	1		ELBOW, 90° - FF1868T-0404S	
3	23018-WD	1		HOSE ASSEMBLY - 4036-04-040S-0409-W (<i>Wheel drive pump gauge port to pressure check manifold</i>)	
4	16541-WD	2		CONNECTOR, straight - FF1852T-0404S	
5	REF.	1	✓	PRESSURE CHECK MANIFOLD	UP-5-8
6	16037-WD	1		TAP, gauge port (1/4" ORB)	
7	23023-WD	1		HOSE ASSEMBLY - 2016-04-040S-0404-W (<i>Charge pressure filter manifold tee to pressure check manifold</i>)	
8	15131-WD	1		CONNECTOR, straight - FF2031T-0404S	
9	REF.	1	✓	CHARGE PRESSURE FILTER MANIFOLD	WD-3-2

✓ See referenced page for component or assembly breakdown.

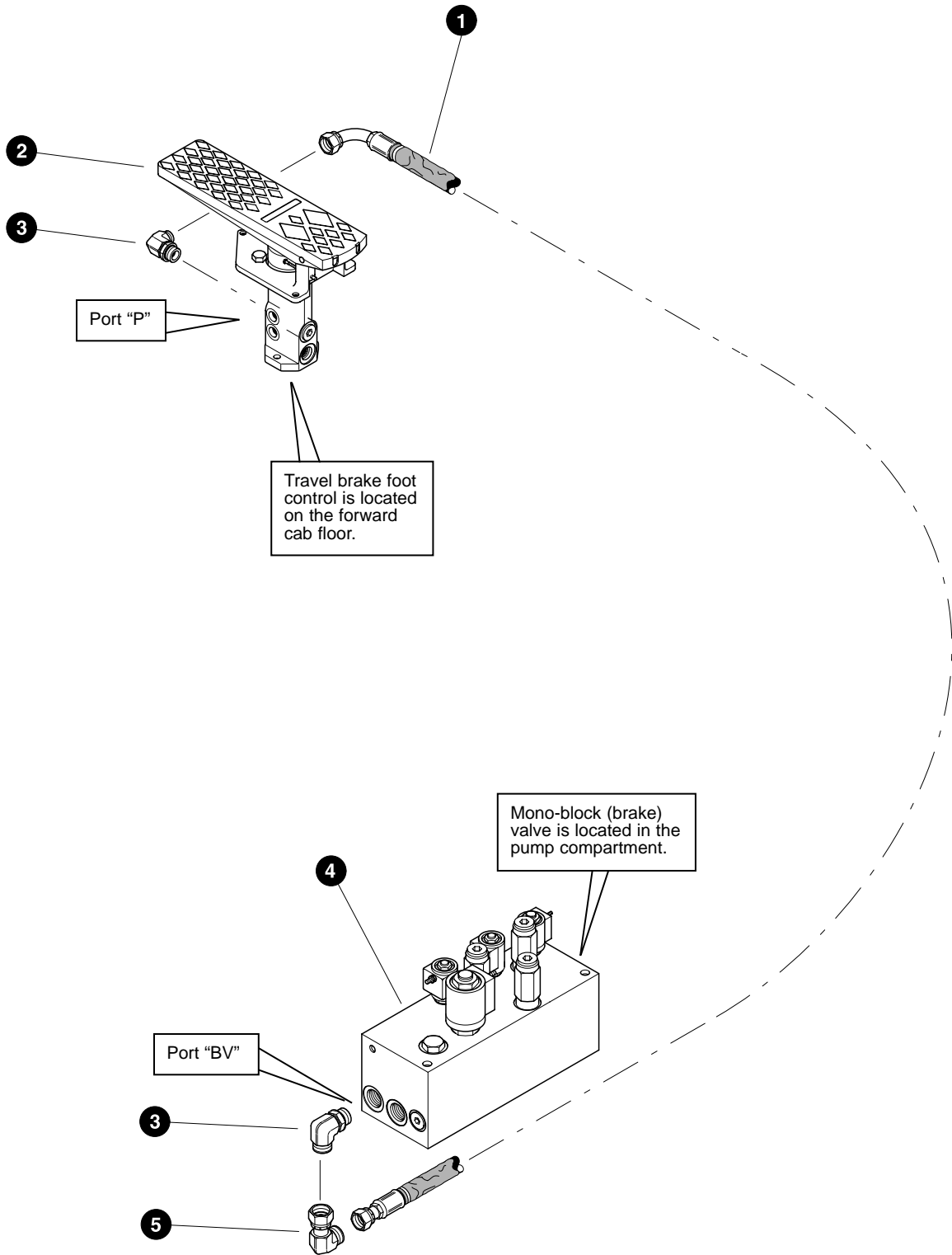


PARKING BRAKE LINE
(Mono-Block Valve To Upper Rotary Manifold)

(Used on machines PDN# 134FWD and below only)

REF	PART #	QTY	DESCRIPTION	SEE PAGE
1	19683-WD	1	ELBOW, 45° - FF2068T-0404S	
2	20862-WD	1	HOSE ASSEMBLY - 2068.5-04-040S-040S-W (<i>Mono-block valve port "PB" to rotary manifold upper port "12"</i>)	
3	REF.	1	✓ ROTARY MANIFOLD	UP-1-6
4	15124-WD	1	CONNECTOR, straight - FF1852T-0406S	
5	REF.	1	✓ MONO-BLOCK VALVE	UP-5-4

✓ See referenced page for component or assembly breakdown.

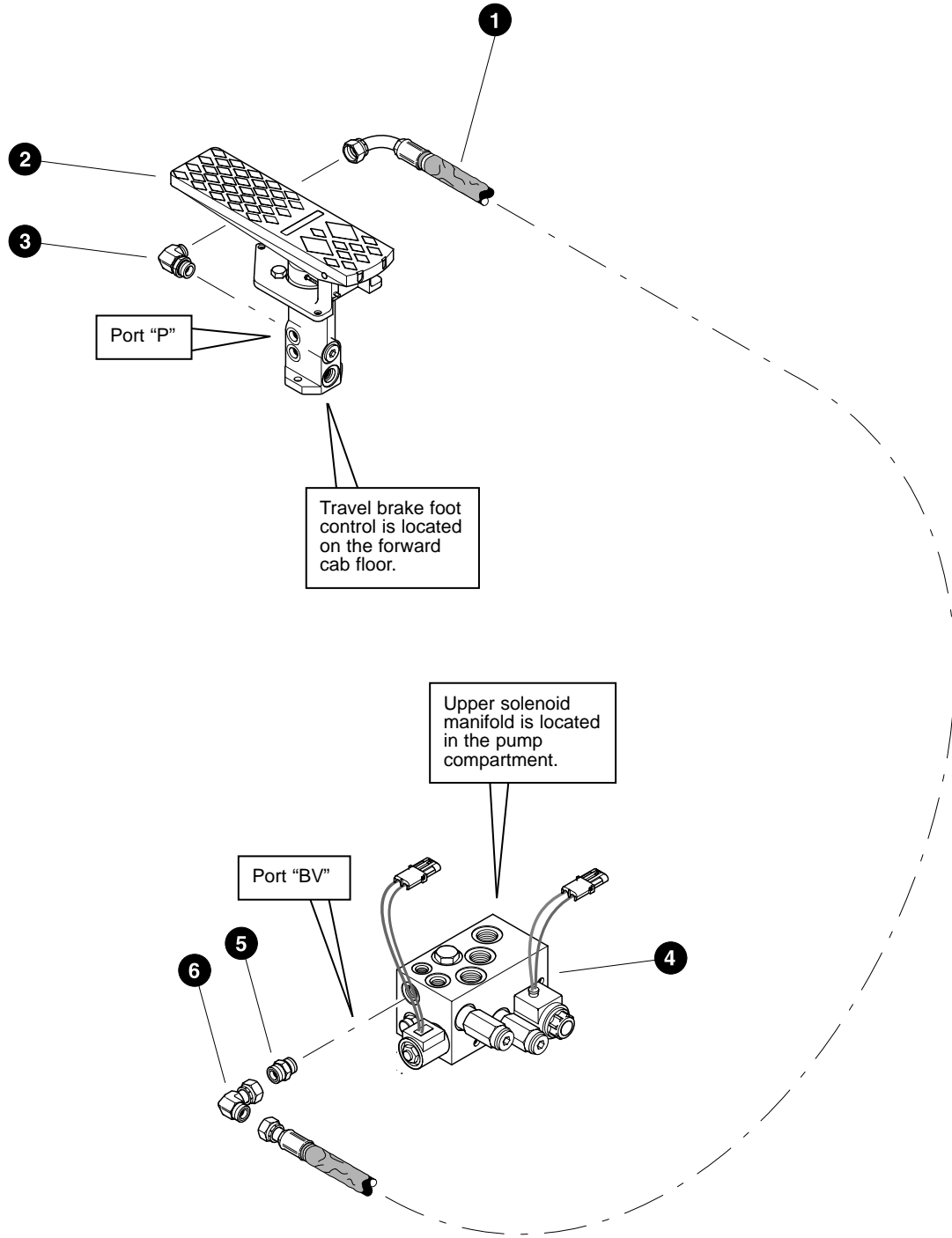


TRAVEL BRAKE LINES (Mono-Block Valve To Travel Brake Foot Control)

(Used on machines PDN# 134FWD and below)

REF	PART #	QTY	DESCRIPTION	SEE PAGE
1	23028-WD	1	HOSE ASSEMBLY - 2131-06-060S-0609-W (<i>Mono-block valve port "BV" to travel brake foot control port "P"</i>)	
2	REF.	1	✓ TRAVEL BRAKE FOOT CONTROL	WD-3-6
3	16296-WD	2	ELBOW, 90° - FF1868T-0406S	
4	REF.	1	✓ MONO-BLOCK VALVE	UP-5-4
5	20035	1	ELBOW, 90° swivel - FF2098T-0606S	

✓ See referenced page for component or assembly breakdown.

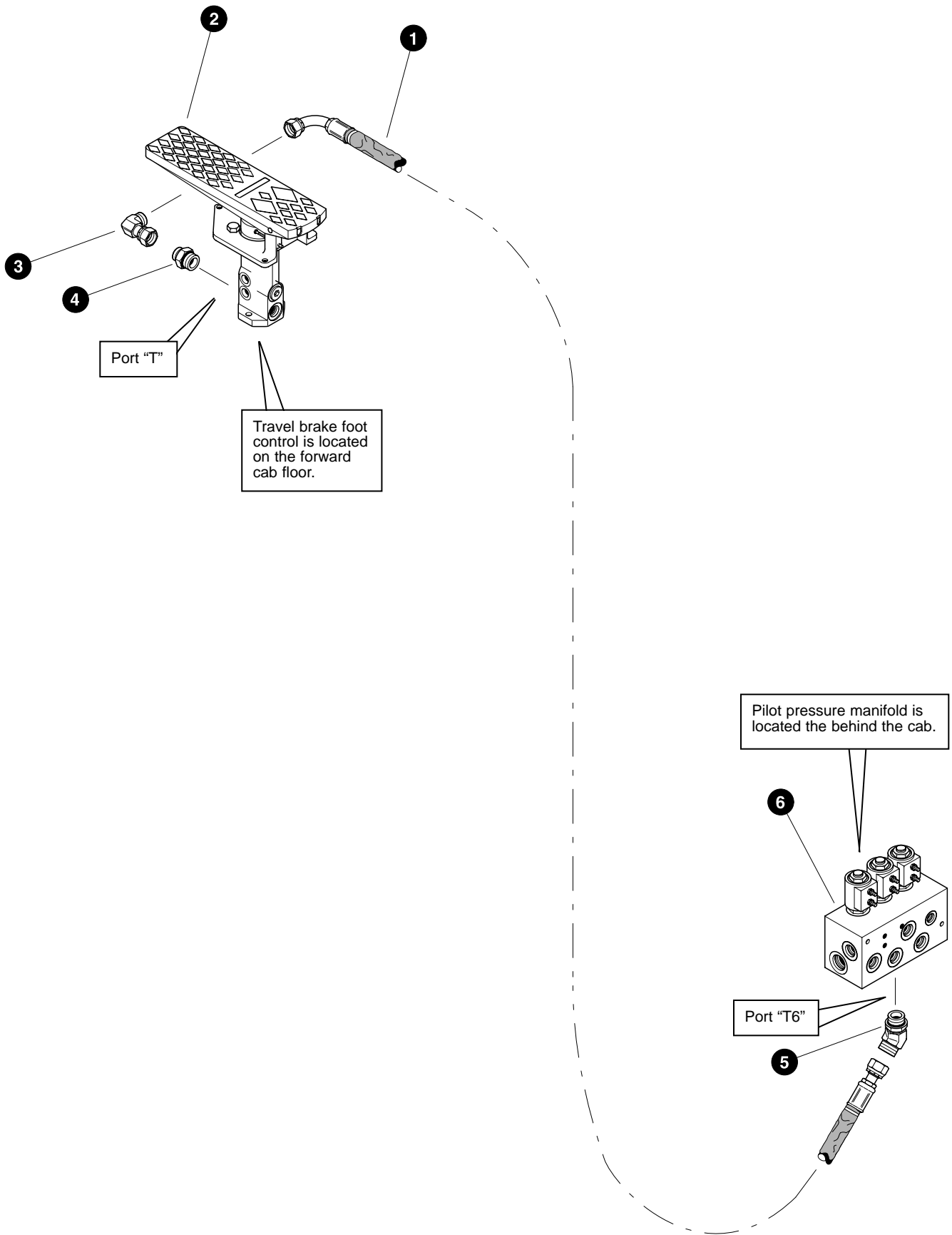


TRAVEL BRAKE LINES (Upper Solenoid Manifold To Travel Brake Foot Control)

(Used on machines PDN# 135FWD and above)

REF	PART #	QTY		DESCRIPTION	SEE PAGE
1	23028-WD	1		HOSE ASSEMBLY - 2131-06-060S-0609-W (<i>Upper solenoid manifold port "BV" to travel brake foot control port "P"</i>)	
2	REF.	1	✓	TRAVEL BRAKE FOOT CONTROL	WD-3-6
3	16296-WD	1		ELBOW, 90° - FF1868T-0406S	
4	REF.	1	✓	UPPER SOLENOID MANIFOLD	UP-5-4
5	18034-WD	1		CONNECTOR, straight - FF1852T-0606S	
6	20035-WD	1		ELBOW, 90° swivel - FF2098T-0606S	

✓ See referenced page for component or assembly breakdown.



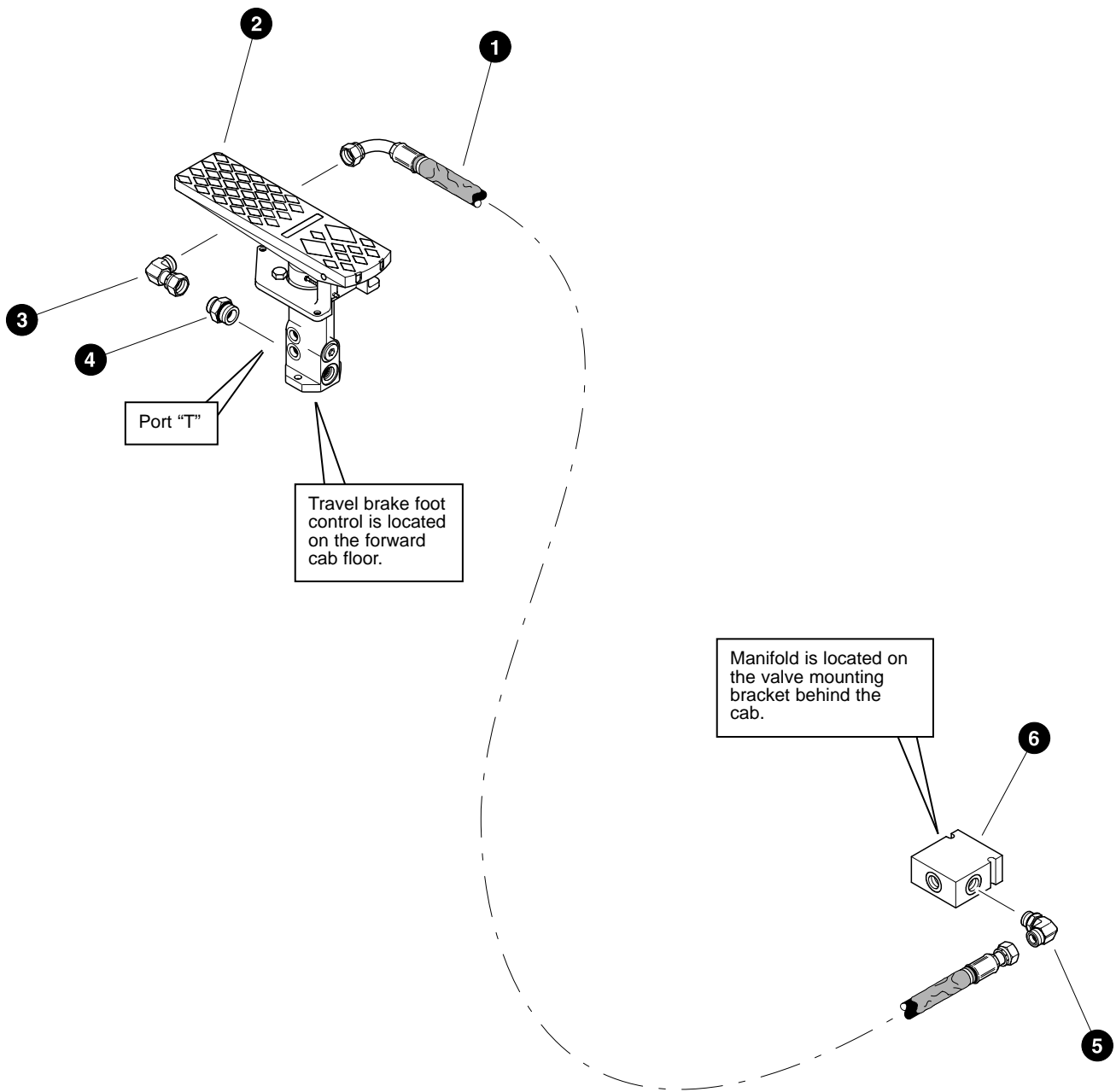
Parts 01623 03/16/2000
25.00

TRAVEL BRAKE LINES (Travel Brake Foot Control To Pilot Pressure Manifold)

(Used on machines PDN# 134FWD and below)

REF	PART #	QTY		DESCRIPTION	SEE PAGE
1	22919-WD	1		HOSE ASSEMBLY - 2103-06-060S-0609-W (<i>Travel brake foot control port "T" to pilot pressure manifold port "T6"</i>)	
2	REF.	1	✓	TRAVEL BRAKE FOOT CONTROL	WD-3-6
3	20035-WD	1		ELBOW, 90° swivel - FF2098T-0606S	
4	18034-WD	1		CONNECTOR, straight - FF1852T-0406S	
5	23015-WD	1		ELBOW, 45° - 6 V5OLO-S	
6	REF.	1	✓	PILOT PRESSURE MANIFOLD	UP-5-2

✓ See referenced page for component or assembly breakdown.



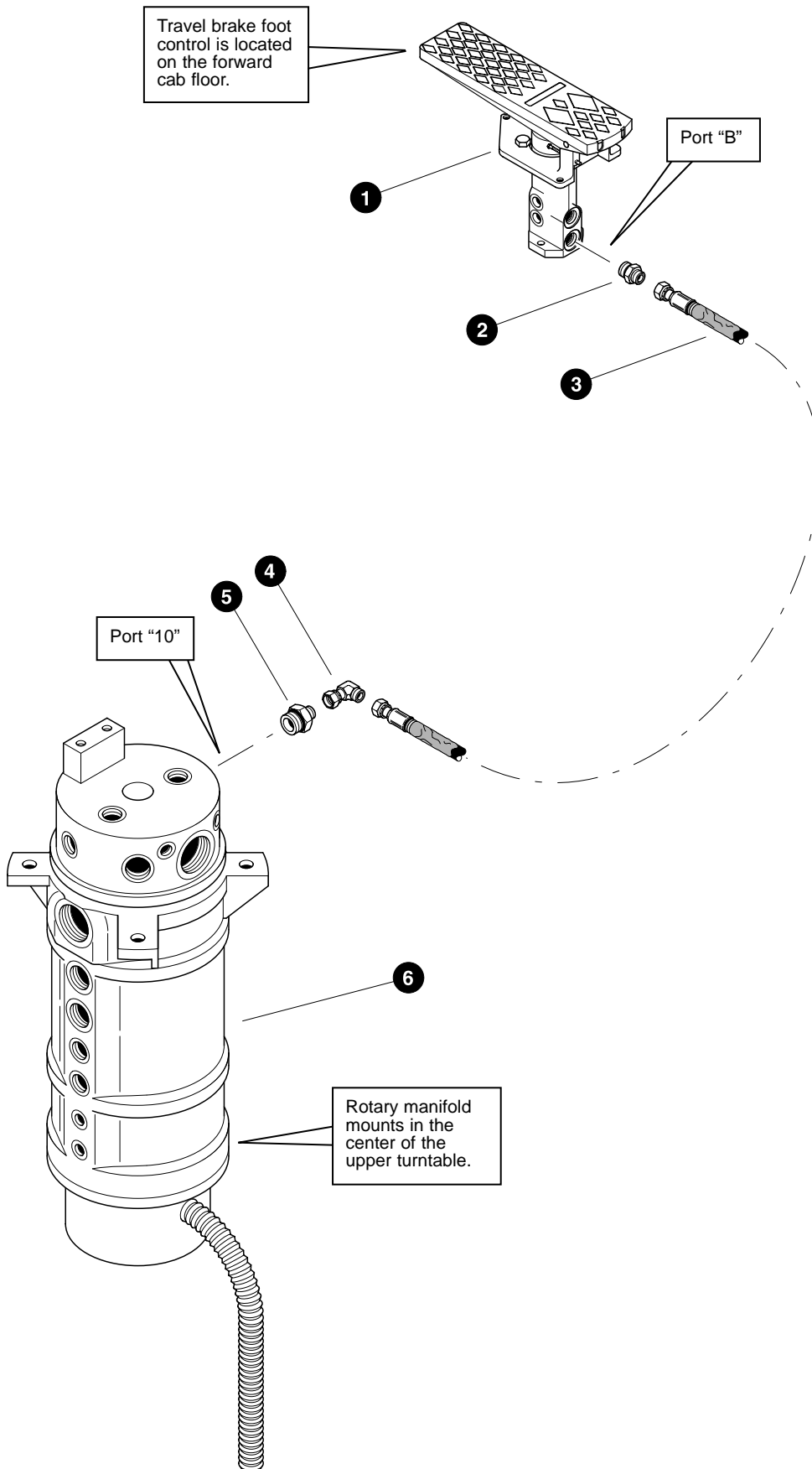
TRAVEL BRAKE LINES

(Travel Brake Foot Control To Combined Tank Manifold)

(Used on machines PDN# 135FWD and above)

REF	PART #	QTY		DESCRIPTION	SEE PAGE
1	22919-WD	1		HOSE ASSEMBLY - 2103-06-060S-0609-W <i>(Travel brake foot control port "T" to combined tank manifold)</i>	
2	REF.	1	✓	TRAVEL BRAKE FOOT CONTROL	WD-3-6
3	20035-WD	1		ELBOW, 90° swivel - FF2098T-0606S	
4	18034-WD	1		CONNECTOR, straight - FF1852T-0406S	
5	16296-WD	1		ELBOW, 90° - FF1868T-0606S	
6	REF.	1	✓	PILOT PRESSURE MANIFOLD	UP-5-2

✓ See referenced page for component or assembly breakdown.



Parts 00950 12/04/98
25.00

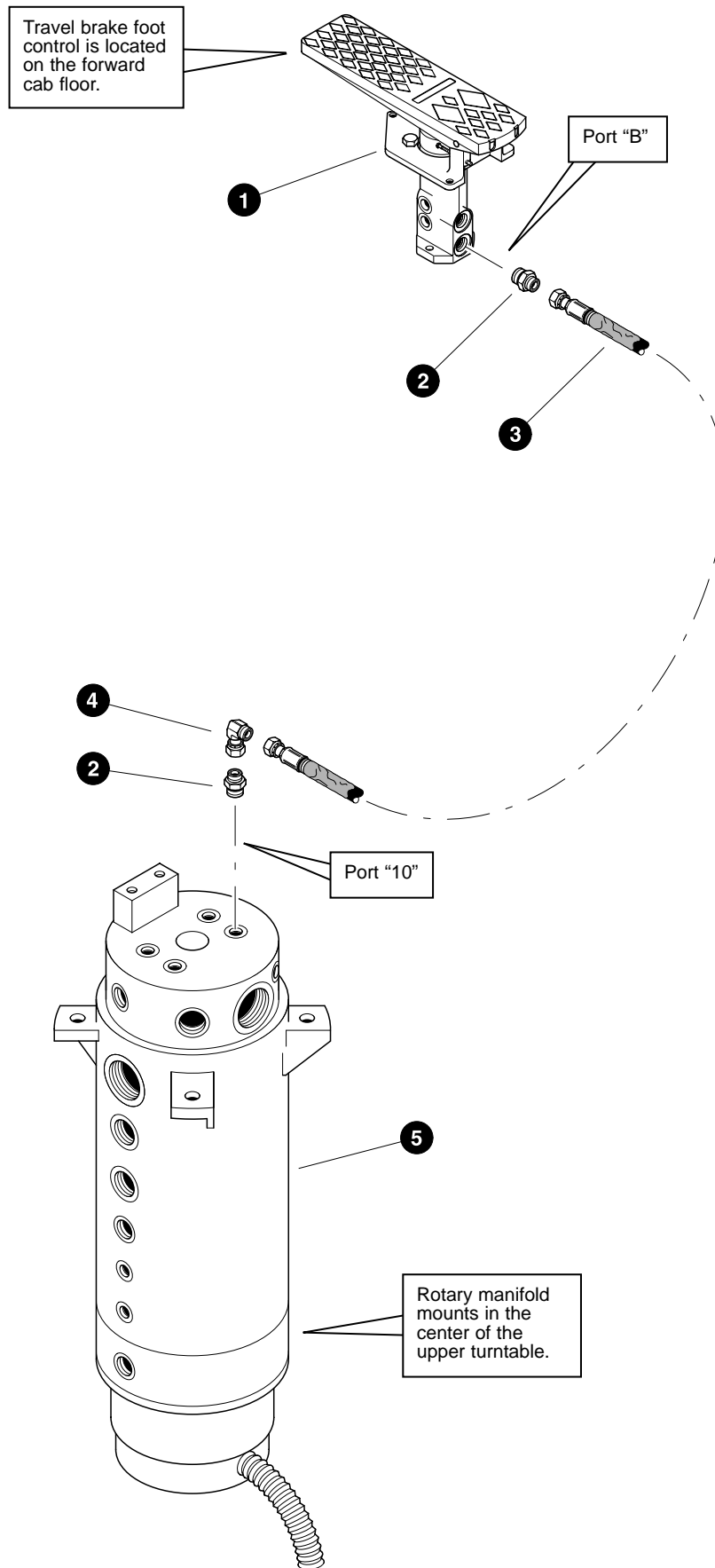
TRAVEL BRAKE LINES

(Travel Brake Foot Control To Upper Rotary Manifold)

(Used on machines PDN# 134FWD and below)

REF	PART #	QTY		DESCRIPTION	SEE PAGE
1	REF.	1	✓	TRAVEL BRAKE FOOT CONTROL	WD-3-6
2	15124-WD	1		CONNECTOR, straight - FF1852T-0406S	
3	20165-WD	1		HOSE ASSEMBLY - 2049.5-04-040S-040S-W (<i>Travel brake foot control port "B" to upper rotary manifold port "10"</i>)	
4	15145-WD	1		ELBOW, 90° swivel - FF2098T-0404S	
5	15504-WD	1		CONNECTOR, STR FF1852T-0408S	
6	REF.	1	✓	ROTARY MANIFOLD	UP-1-6

✓ See referenced page for component or assembly breakdown.



Parts 01971 01/04/2001
25.00

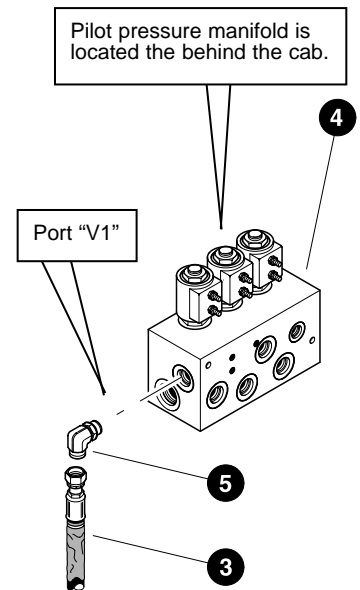
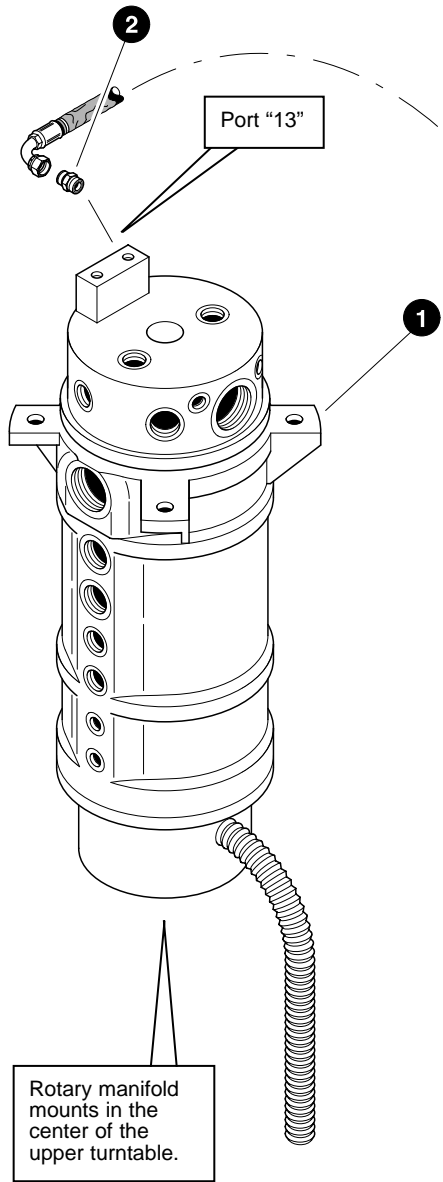
TRAVEL BRAKE LINES

(Travel Brake Foot Control To Upper Rotary Manifold)

(Used on machines PDN# 135FWD and above)

REF	PART #	QTY		DESCRIPTION	SEE PAGE
1	REF.	1	✓	TRAVEL BRAKE FOOT CONTROL	WD-3-6
2	15124-WD	2		CONNECTOR, straight - FF1852T-0406S	
3	20165-WD	1		HOSE ASSEMBLY - 2049.5-04-040S-040S-W (<i>Travel brake foot control port "B" to upper rotary manifold port "10"</i>)	
4	15145-WD	1		ELBOW, 90° swivel - FF2098T-0404S	
5	REF.	1	✓	ROTARY MANIFOLD	UP-1-6

✓ See referenced page for component or assembly breakdown.



Parts 01691 05/18/2000
25.00

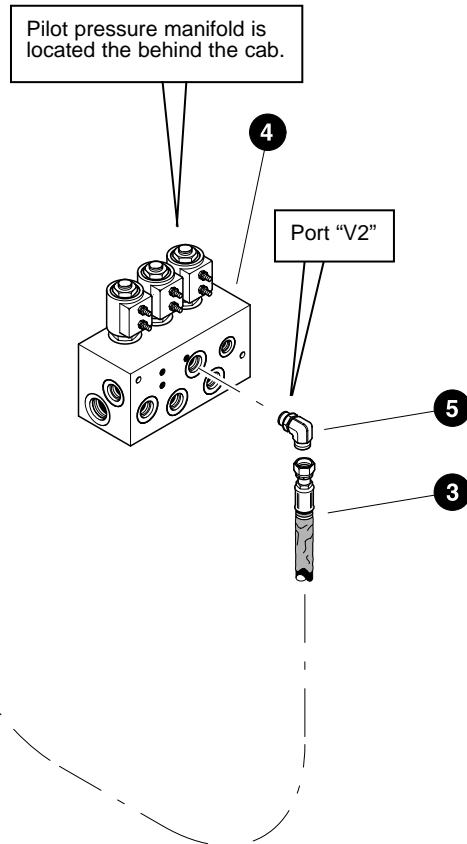
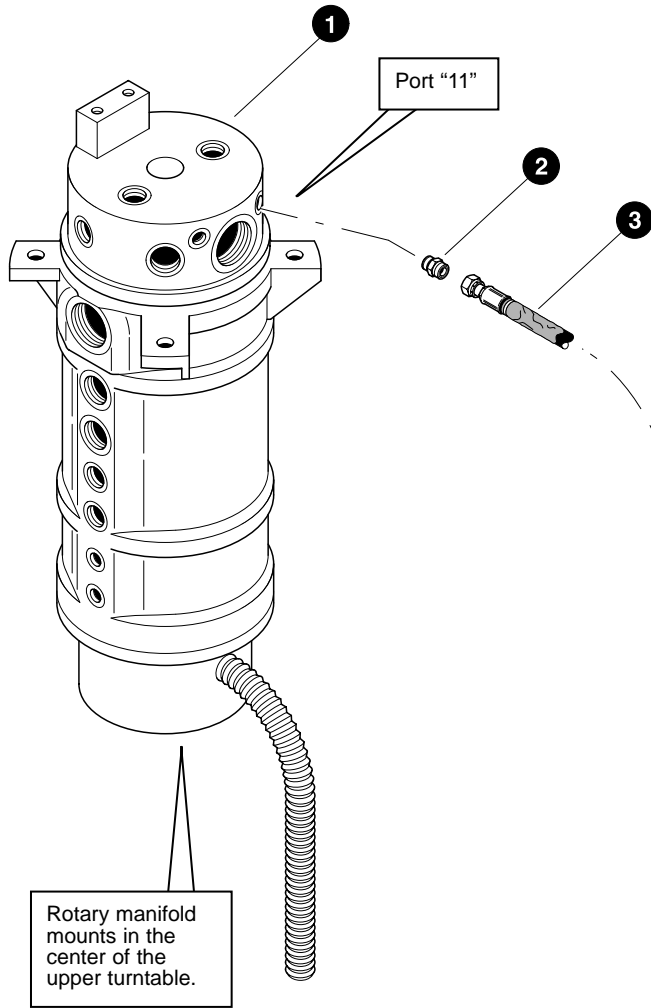
DIFFERENTIAL LOCK LINE (Pilot Pressure Manifold To Upper Rotary Manifold)

(Used on machines PDN# 134FWD and below only)

REF	PART #	QTY		DESCRIPTION	SEE PAGE
1	REF.	1	✓	ROTARY MANIFOLD	UP-1-6
2	15124-WD	1		CONNECTOR, straight - FF1852T-0406S	
3	22914-WD	1		HOSE ASSEMBLY - 2073-04-040S-0409-W <i>(Pilot pressure manifold port "V1" to rotary manifold upper port "13")</i>	
4	REF.	1	✓	PILOT PRESSURE MANIFOLD	UP-5-2
5	15133-WD	1		ELBOW, 90° - FF1868T-0406S	

✓ See referenced page for component or assembly breakdown.

Note: On machines PDN# 135FWD and above, see Sections FF-3, CF-3 or BF-3 for the lower solenoid manifold and front axle differential lock lines. See Sections FR-2, CR-2 or BR-2 for rear axle differential lock lines.



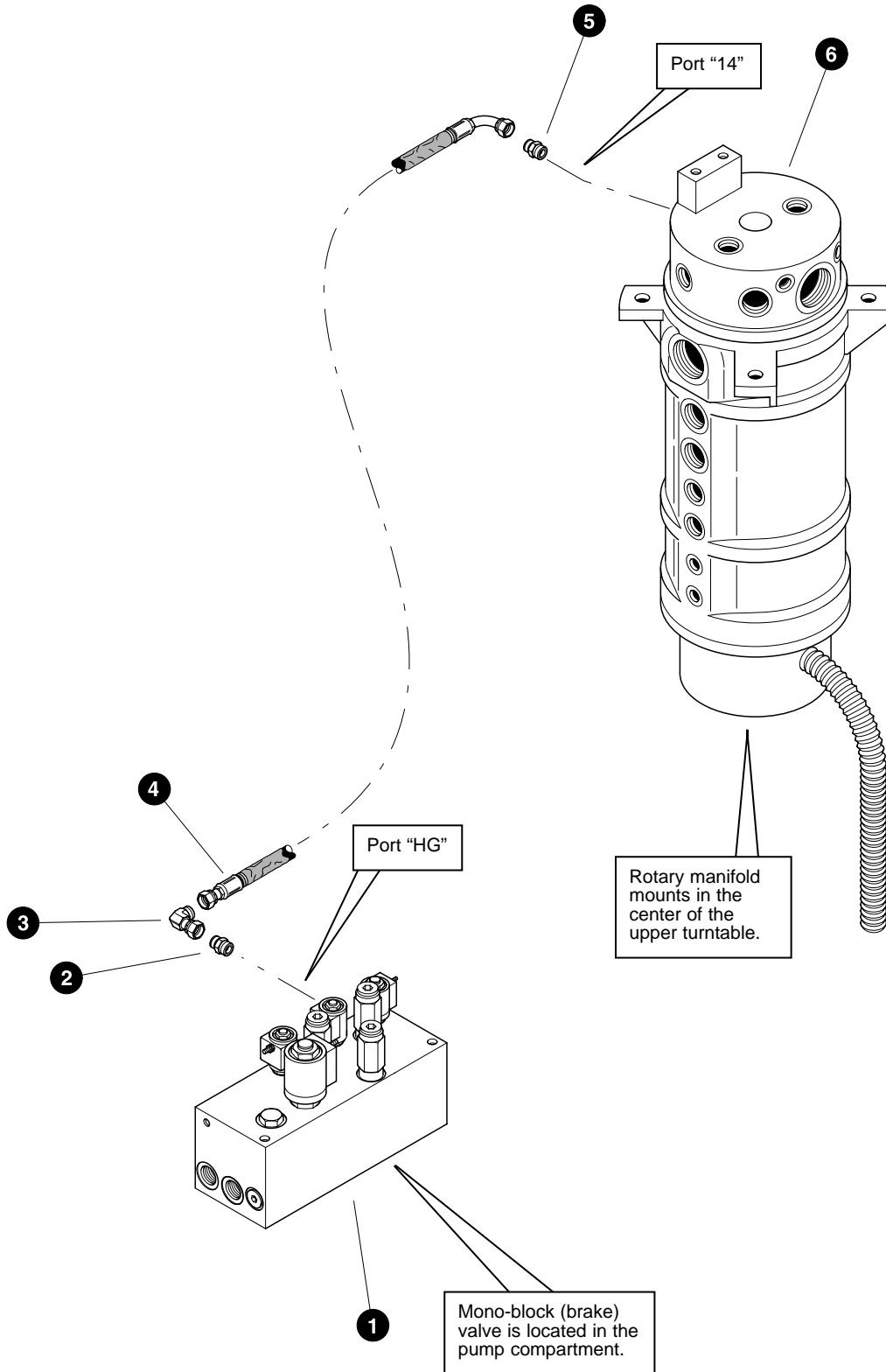
WHEEL DRIVE MOTOR MAX DISPLACEMENT LOCK LINE (Pilot Pressure Manifold To Upper Rotary Manifold)

(Used on machines PDN# 134FWD and below only)

REF	PART #	QTY		DESCRIPTION	SEE PAGE
1	REF.	1	✓	ROTARY MANIFOLD	UP-1-6
2	15124-WD	1		CONNECTOR, straight - FF1852T-0406S	
3	22940-WD	1		HOSE ASSEMBLY - 2074-04-040S-040S-W (<i>Pilot pressure manifold port "V2" to rotary manifold upper port "11"</i>)	
4	REF.	1	✓	PILOT PRESSURE MANIFOLD	UP-5-2
5	15133-WD	1		ELBOW, 90° - FF1868T-0406S	

✓ See referenced page for component or assembly breakdown.

Note: On machines PDN# 135FWD and above, see Sections FF-4, CR-3 or BR-3 for the lower solenoid manifold and wheel drive motor max displacement lock lines.



Parts 01692 05/18/2000
25.00

FRAME LOCK BRAKE LINE
(Mono Block Valve To Upper Rotary Manifold)

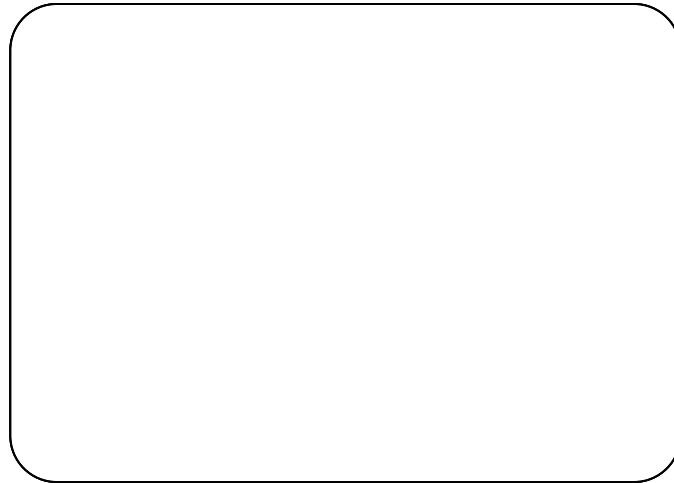
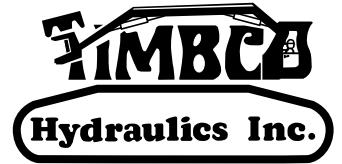
(Used on machines PDN# 134FWD and below only)

REF	PART #	QTY		DESCRIPTION	SEE PAGE
1	REF.	1	✓	MONO-BLOCK VALVE	UP-5-4
2	15124-WD	1		CONNECTOR, straight - FF1852T-0406S	
3	15145-WD	1		ELBOW, 90° swivel - FF2098T-0404S	
4	23091-WD	1		HOSE ASSEMBLY - 2073-04-040S-0409-W (<i>Mono-block valve port "HG" to rotary manifold upper port "14"</i>)	
5	16541-WD	1		CONNECTOR, straight - FF1852T-0404S	
6	REF.	1	✓	ROTARY MANIFOLD	UP-1-6

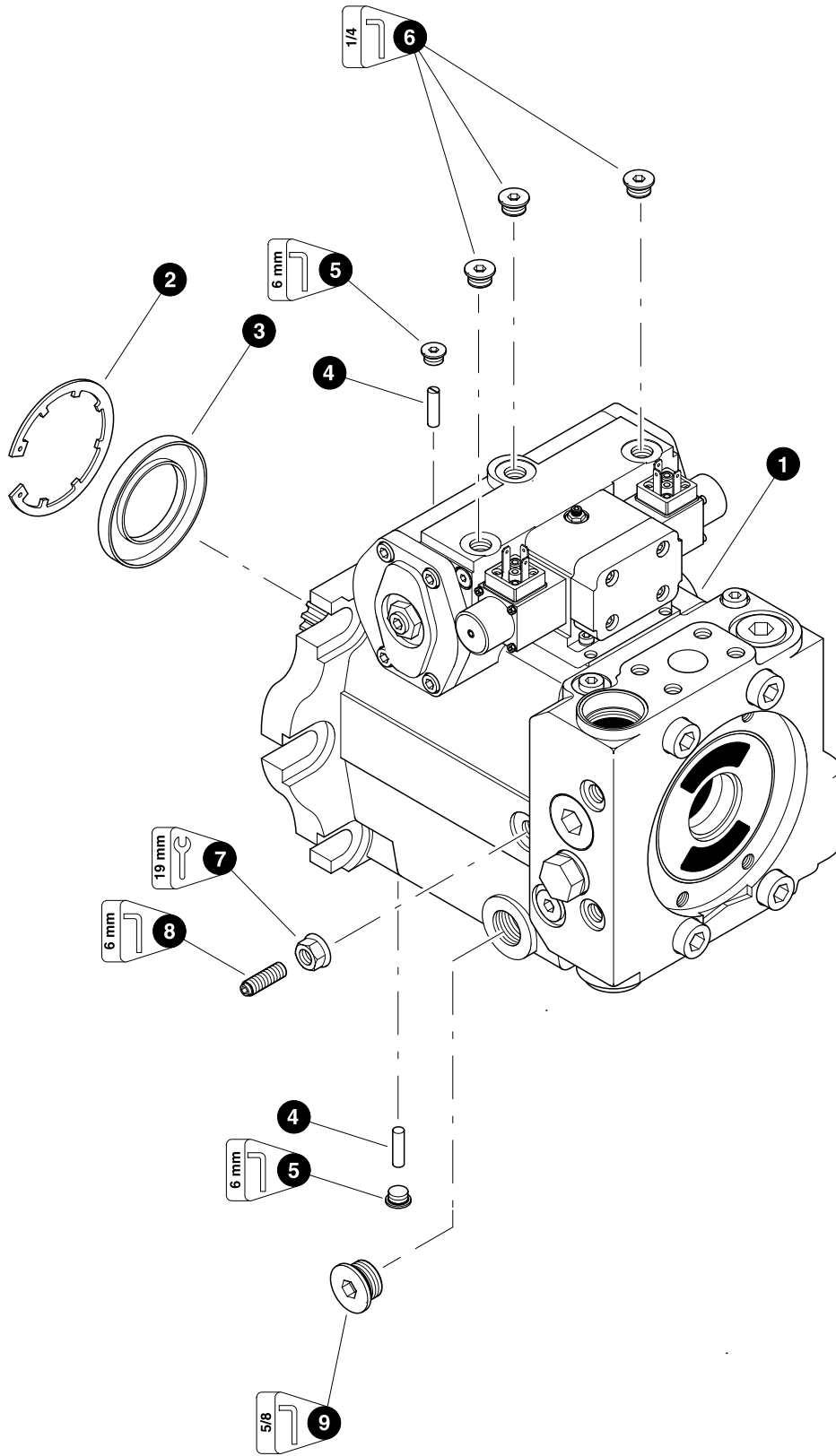
✓ See referenced page for component or assembly breakdown.

Note: On machines PDN# 135FWD and above, see Sections FF-2, CR-2 or BR-2 for the lower solenoid manifold and frame lock brake line.

Section WD-2



Upper Turntable Wheel Drive - Wheel Drive Pumps



Parts 01724 08/01/2000
37.50

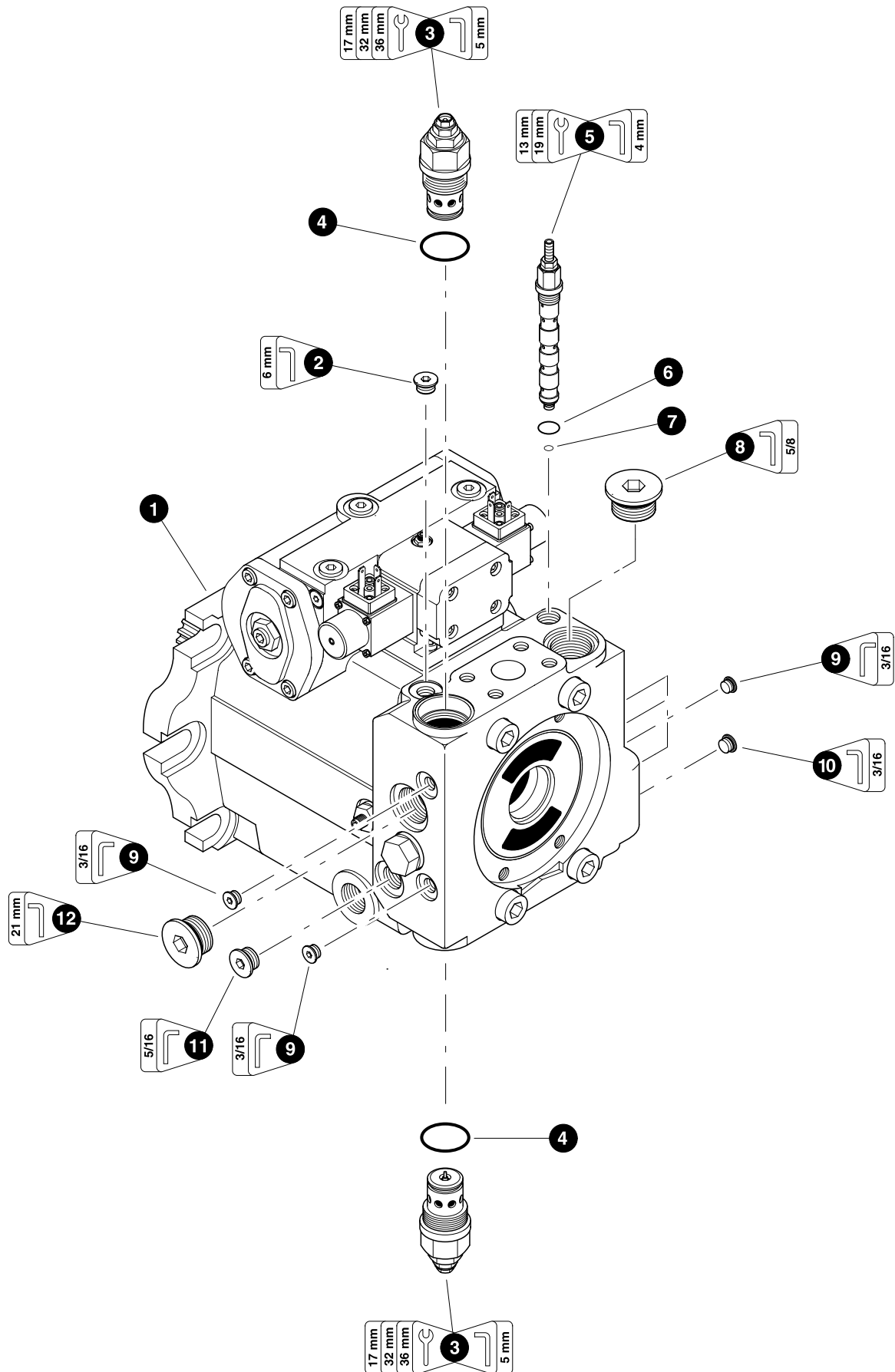
WHEEL DRIVE PUMP - REXROTH AA4VG125 (Forward Cast Housing Components)

REF	PART #	QTY		DESCRIPTION	SEE PAGE
1	22708-WD	1	☐	PUMP, wheel drive - Rexroth AA4VG125 - 12V	
	23612-WD	1	☐	PUMP, wheel drive - Rexroth AA4VG125 - 24V	
2	20315-WD	1		RING, snap	
3	19353-WD	1	★	SEAL, shaft	
4	20318-WD	2		PIN, cradle	
5	20317-WD	2	★	PLUG - 12mm-1.5P	
6	15412-WD	4	☐	PLUG - 6408-HHP-6	
	20320-WD	1	★	O-RING, ORB - #6	
7	20329-WD	1	★	NUT, seal - 12mm-1.5P	
8	20327-WD	1		PIN, threaded - 12mm-1.5P	
9	19847-WD	1	☐	PLUG - 6408-HHP-16	
	20324-WD	1	★	O-RING, ORB - #16	
-	19356-WD	1		KIT, seal repair - complete AA4VG125 pump	

- ☐ Kit or Assembly - includes all items indented underneath.
- ★ Included in seal repair kit Part # 19356-WD.

Note:

Due to warranty policy restrictions imposed by Timbco's component suppliers, it is not recommended that the component be disassembled further than is shown in the illustration.



Parts 01725 08/01/00
37.50

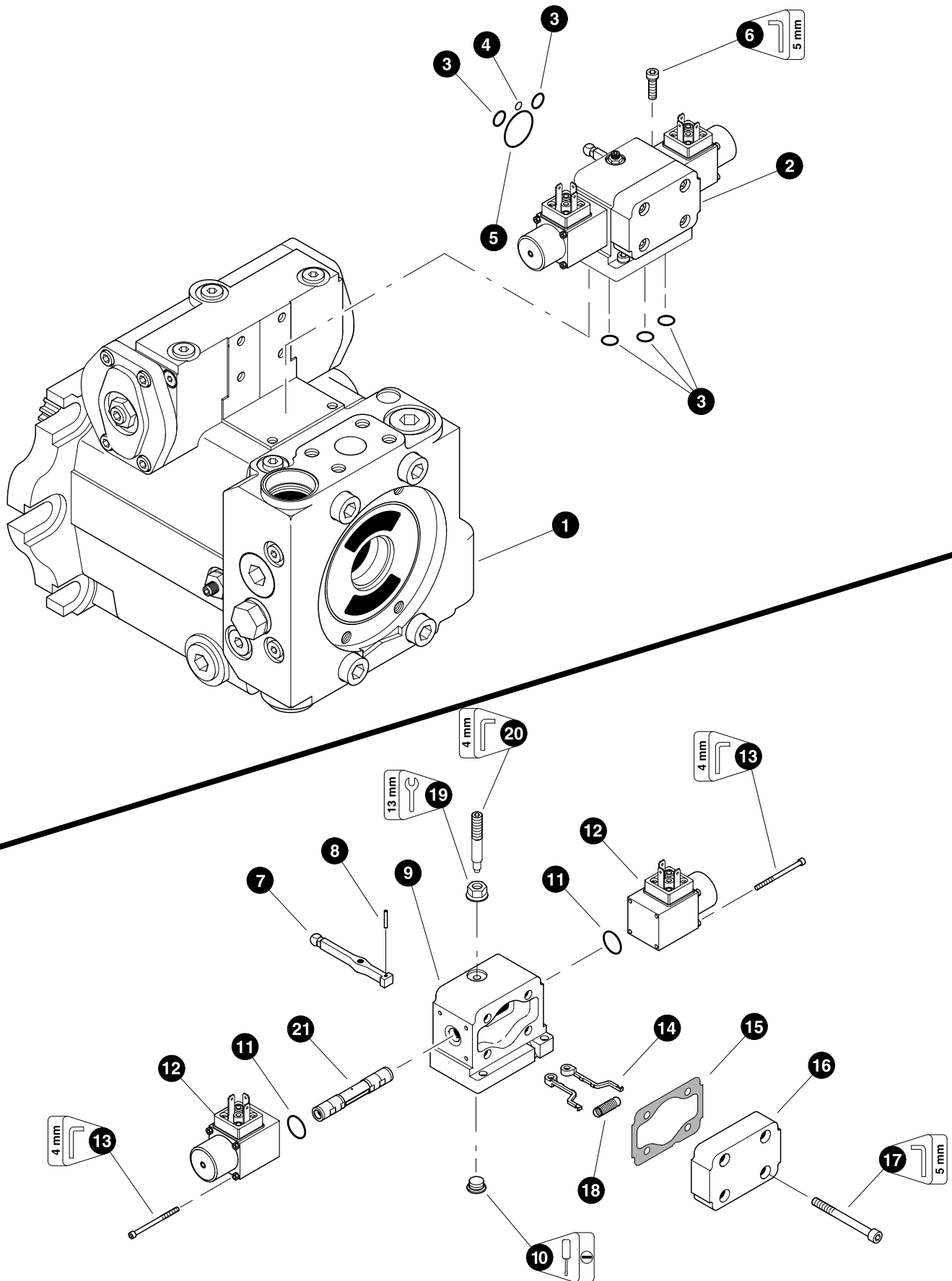
WHEEL DRIVE PUMP - REXROTH AA4VG125 (Rear Port Block Components)

REF	PART #	QTY		DESCRIPTION	SEE PAGE
1	REF.	1	✓	WHEEL DRIVE PUMP - Rexroth AA4VG125	WD-2-2
2	20317-WD	1	★	PLUG - 12mm-1.5P	
3	20330-WD	2	□	CARTRIDGE, high pressure relief valve	
	20331-WD	1	★	NUT, seal - 10mm-1.0P	
4	20332-WD	1	★	O-RING, HPRV cartridge	
5	20254-WD	1	□	CARTRIDGE, POR relief valve	
6	20337-WD	1	★	O-RING, POR relief valve - body	
7	20338-WD	1	★	O-RING, POR relief valve - chamber	
8	19847-WD	1	□	PLUG - 6408-HHP-16	
	20324-WD	1	★	O-RING, ORB - #16	
9	20339-WD	4	★	PLUG - 8mm-1.0P	
10	11383-WD	2	□	PLUG - 6408-HHP-4	
	20319-WD	1	★	O-RING, ORB - #4	
11	19271-WD	2	□	PLUG - 6408-HHP-10	
	20322-WD	1	★	O-RING, ORB - #10	
12	20333-WD	1	□	PLUG - 42mm-2.0P	
	20334-WD	1	★	O-RING, ORB - 42mm-2.0P	
-	19356-WD	1		KIT, seal repair - complete AA4VG125 pump	

- ✓ See referenced page for component breakdown.
- Kit or Assembly - includes all items indented underneath.
- ★ Included in seal repair kit Part # 19356-WD.

Note:

Due to warranty policy restrictions imposed by Timbco's component suppliers, it is not recommended that the component be disassembled further than is shown in the illustration.



Parts 01727 08/01/00
37.50

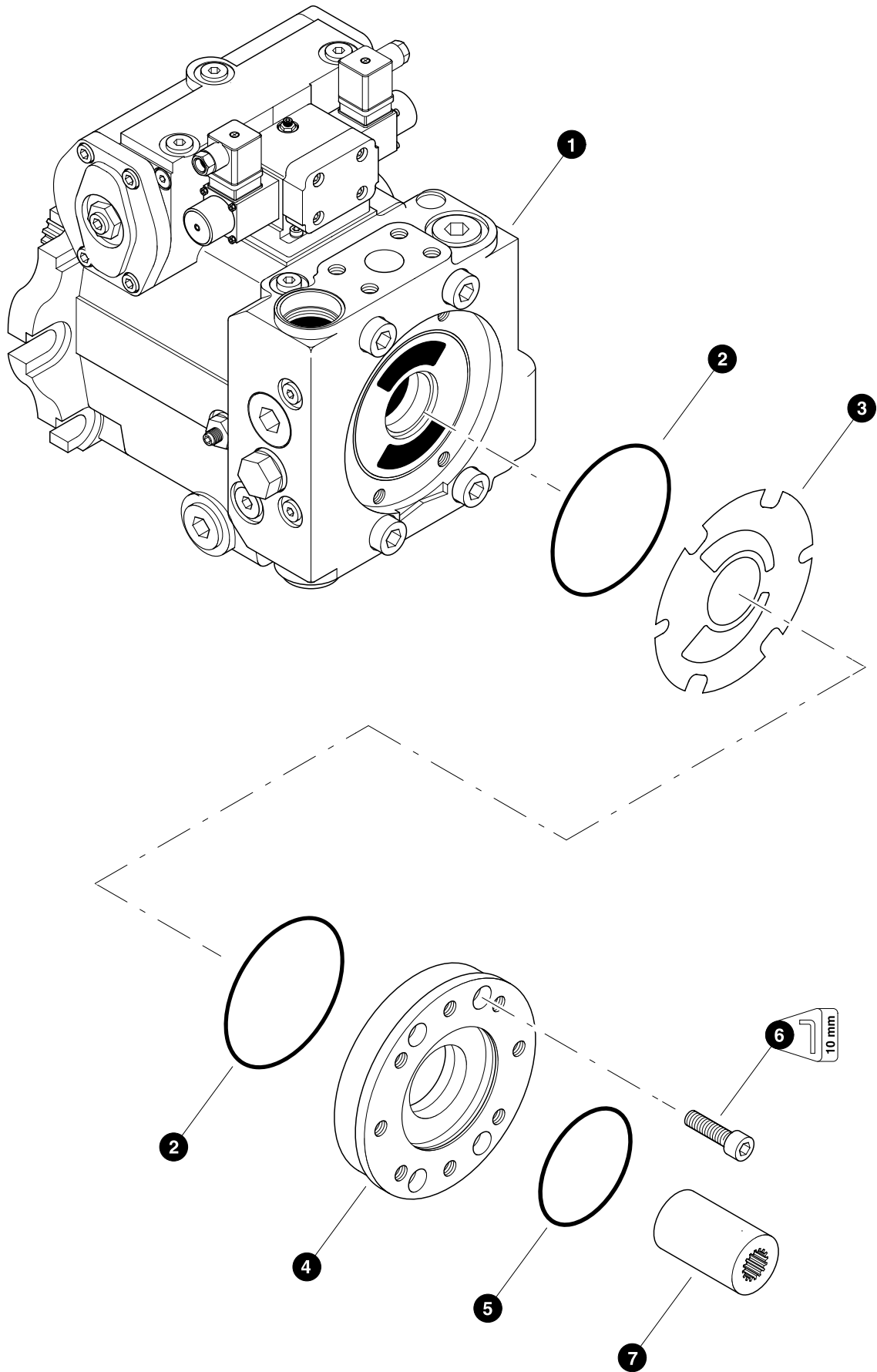
WHEEL DRIVE PUMP - REXROTH AA4VG125 (Stroke Control Assembly)

REF	PART #	QTY		DESCRIPTION	SEE PAGE
1	REF.	1	✓	WHEEL DRIVE PUMP - Rexroth AA4VG125	WD-2-2
2	20341-WD	1	☐	VALVE, stroke control - 12V	
	20360-WD	1	☐	VALVE, stroke control - 24V	
3	20342-WD	5	★	O-RING, stroke control	
4	20343-WD	1	★	O-RING, stroke control	
5	20344-WD	1	★	O-RING, stroke control	
6	20345-WD	2		BOLT, allen head - 6mm x 20mm	
7	20346-WD	1		LEVER, feedback	
8	20347-WD	1		PIN, feedback lever	
9	NSS	1		BODY, valve	
10	20348-WD	1		PLUG, retaining	
11	20350-WD	2	★	O-RING, stroke control end cover	
12	20361-WD	2		COIL, solenoid - 12V	
	20362-WD	2		COIL, solenoid - 24V	
13	20363-WD	8		BOLT, allen head - 4mm x 50mm	
14	20354-WD	2		ARM, lever	
15	17790-WD	1	★	GASKET	
16	20355-WD	1		COVER	
17	20356-WD	8		BOLT, allen head - 6mm x 65mm	
18	20364-WD	1		SPRING, feedback	
19	20358-WD	1	★	NUT, seal - 8mm	
20	20359-WD	1		SCREW, eccentric	
21	NSS	1		SPOOL	
-	19356-WD	1		KIT, seal repair - complete AA4VG125 pump	

- ✓ See referenced page for component breakdown.
- ☐ Kit or Assembly - includes all items indented underneath.
- ★ Included in seal repair kit Part # 19356-WD.

Note:

Due to warranty policy restrictions imposed by Timbco's component suppliers, it is not recommended that the component be disassembled further than is shown in the illustration.



Parts 01728 008/01/00
37.50

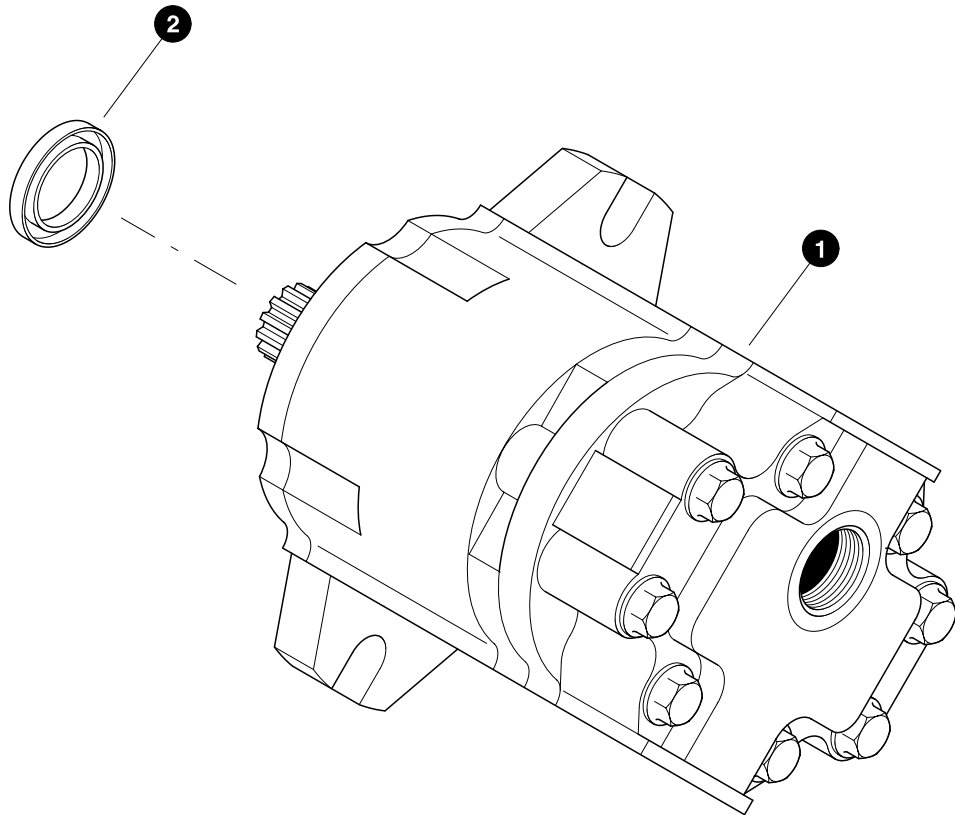
WHEEL DRIVE PUMP - REXROTH AA4VG125 (Thru Drive Components)

REF	PART #	QTY		DESCRIPTION	SEE PAGE
1	REF.	1	✓	WHEEL DRIVE PUMP - Rexroth AA4VG125	WD-2-2
-	-----	1	☐	THRU DRIVE ASSEMBLY (<i>No gear charge pump</i>)	
2	20368-WD	2	★	O-RING, thru drive wear plate	
3	20369-WD	1		PLATE, wear	
4	NSS	1		HOUSING	
5	21624-WD	1		O-RING, thru drive pilot (<i>SAE "B"</i>)	
6	18954-WD	4		BOLT, allen head - 12mm-1.75P x 40mm	
7	-----	1		COUPLING, thru drive	
-	19356-WD	1		KIT, seal repair - complete AA4VG125 pump	

- ✓ See referenced page for component breakdown.
- ☐ Kit or Assembly - includes all items indented underneath.
- ★ Included in seal repair kit Part # 19356-WD.

Note:

Due to warranty policy restrictions imposed by Timbco's component suppliers, it is not recommended that the component be disassembled further than is shown in the illustration.

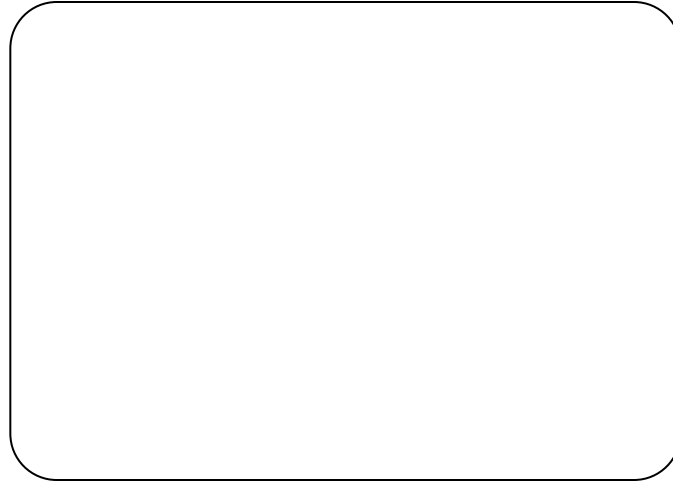


WHEEL DRIVE SYSTEM CHARGE PUMP

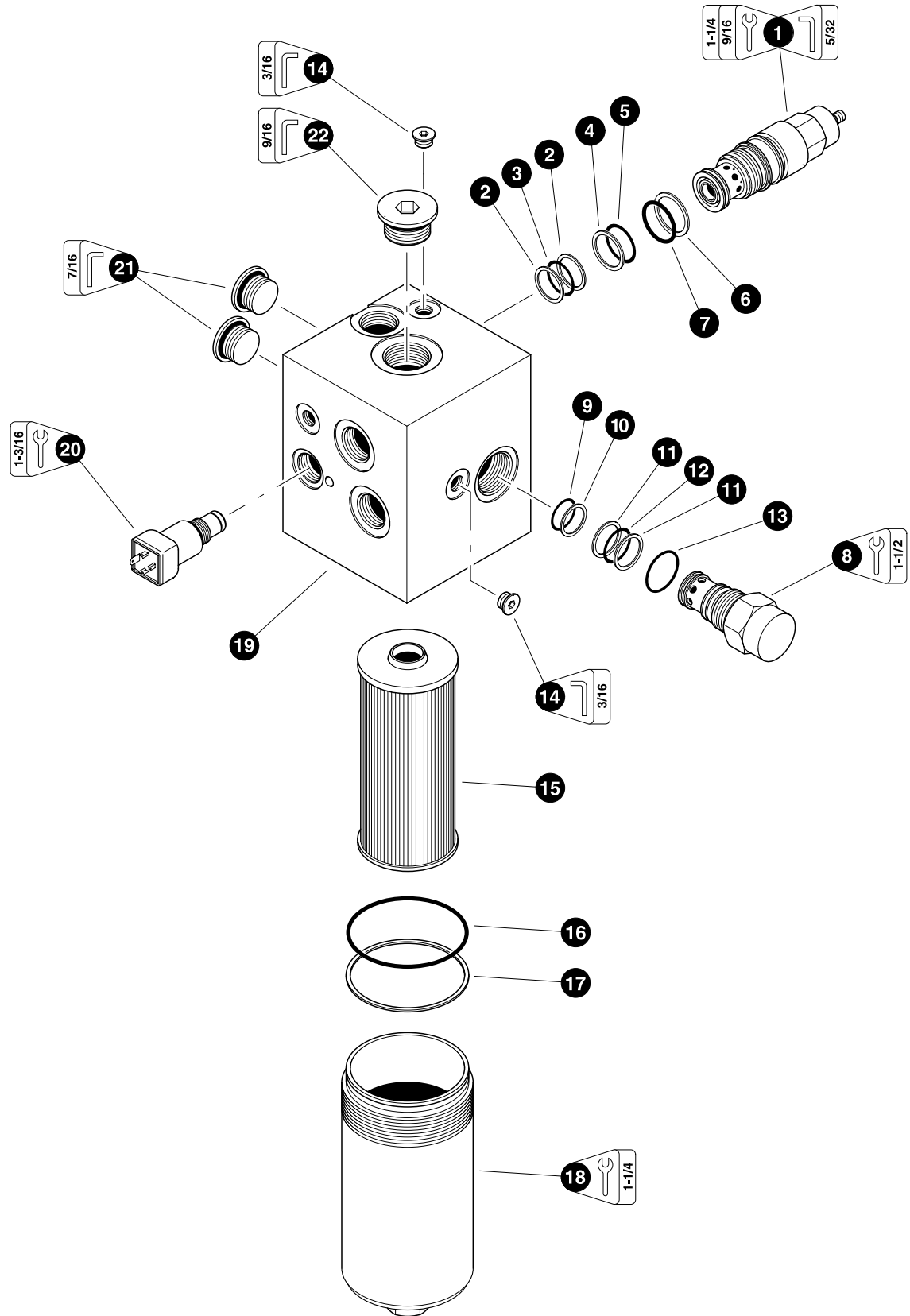
REF	PART #	QTY		DESCRIPTION	SEE PAGE
1	19822-WD	1	<input type="checkbox"/>	PUMP, charge system	
2	21618-WD	1		SEAL, shaft	

- Kit or Assembly - includes all items indented underneath.

Section WD-3



Upper Turntable Wheel Drive - Wheel Drive Manifolds

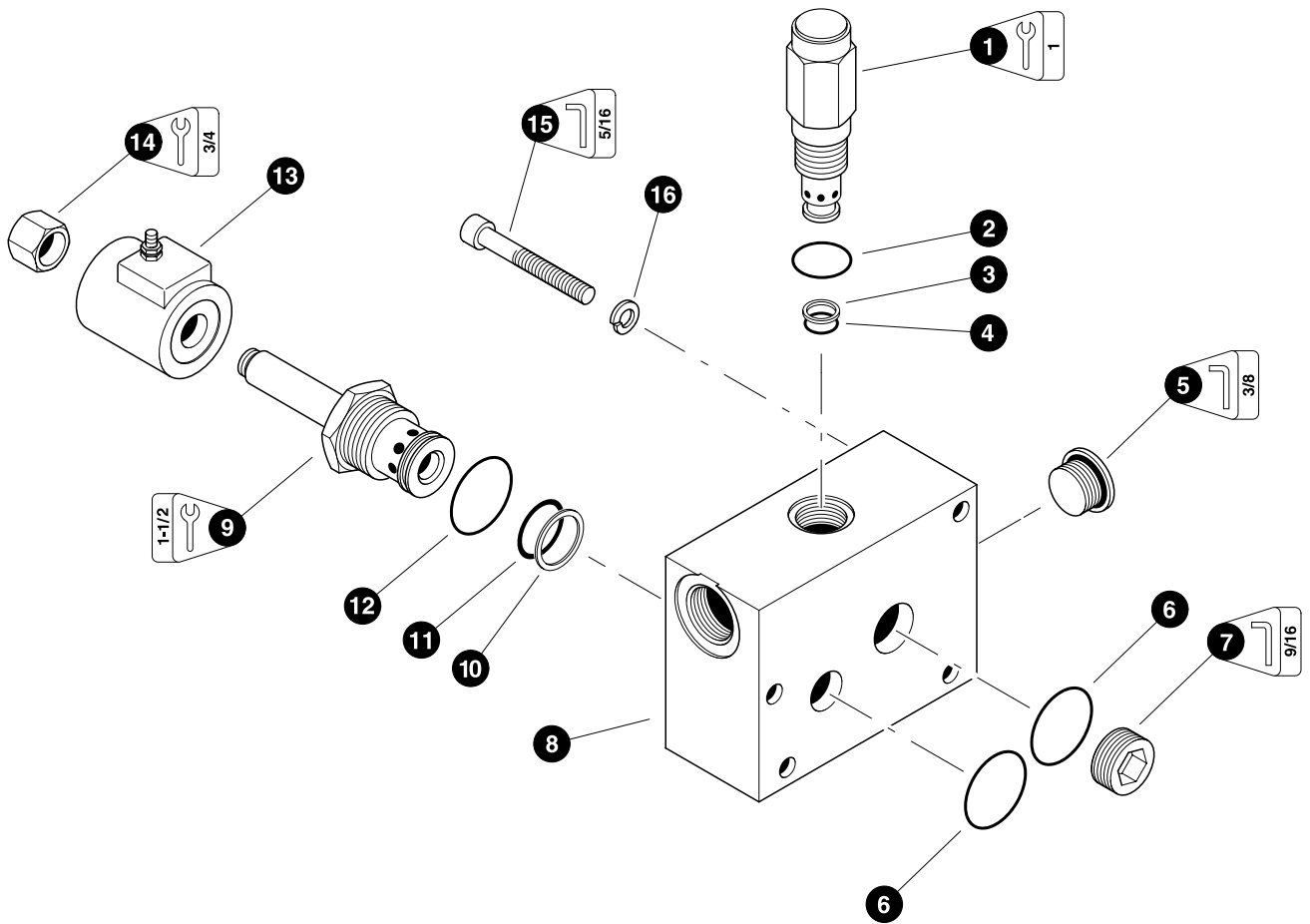


Parts 01013 01/05/99
37.50

WHEEL DRIVE CHARGE PRESSURE FILTER MANIFOLD

REF	PART #	QTY		DESCRIPTION	SEE PAGE
-	19821-WD	1	☐	FILTER/MANIFOLD, charge	
1	17812-WD	1	☐	CARTRIDGE, relief	
2	NSS	2	★	RING, back-up - chamber	
3	NSS	1	★	O-RING - chamber	
4	NSS	1	★	RING, back-up - chamber	
5	NSS	1	★	O-RING - chamber	
6	NSS	1	★	RING, back-up - body	
7	NSS	1	★	O-RING - body	
8	19876-WD	1	☐	CARTRIDGE, check	
9	NSS	1	★	O-RING - chamber	
10	NSS	1	★	RING, back-up - chamber	
11	NSS	2	★	RING, back-up - chamber	
12	NSS	1	★	O-RING - chamber	
13	NSS	1	★	O-RING - body	
14	11383-WD	1		PLUG - 6408-HHP-4	
15	19861-WD	1		ELEMENT, hydrostatic charge filter	
16	19862-WD	1		RING, back-up - canister	
17	19863-WD	1		O-RING, canister	
18	19864-WD	1		CANISTER	
19	NSS	1		BODY	
20	17675-WD	1		SWITCH, filter indicator	
21	15584-WD	2		PLUG - 6408-HHP-12	
22	19847-WD	1		PLUG - 6408-HHP-16	

- ☐ Kit or assembly. Includes all items indented underneath.
★ Included in seal repair kit PN# 16086-WD.

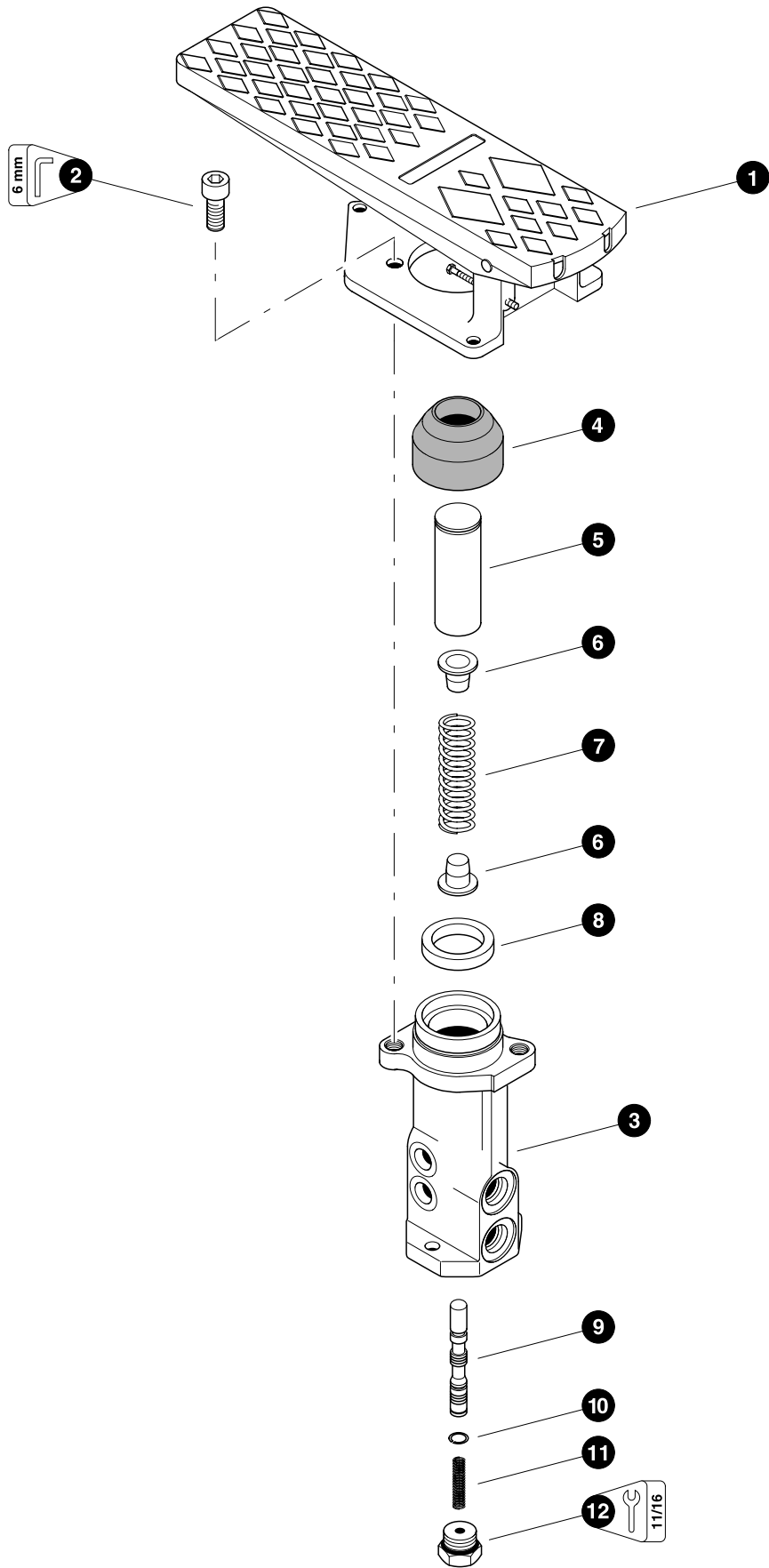


Parts 01014 01/05/99
37.50

OPTIONAL CHARGE PRESSURE FILTER MANIFOLD HEATER

REF	PART #	QTY		DESCRIPTION	SEE PAGE
-	19823-WD	1	☐	MANIFOLD, charge oil heater	
1	21673-WD	1	☐	CARTRIDGE, relief valve (RV10)	
2	NSS	1	★	O-RING, body	
3	NSS	1	★	RING, back-up - chamber	
4	NSS	1	★	O-RING, chamber	
5	15584-WD	1		PLUG - 6408-HHP-12	
6	21675-WD	2		O-RING, housing	
7	21676-WD	1		PLUG, orifice	
8	NSS	1		HOUSING, valve body	
9	21674-WD	1	☐	CARTRIDGE, solenoid valve (SV16)	
10	NSS	1	☆	O-RING, chamber	
11	NSS	1	☆	RING, back-up - chamber	
12	NSS	1	☆	O-RING, body	
13	20295-WD	1		COIL, 12V	
14	NSS	1		NUT	
-	21677-WD	1		KIT, seal repair - relief valve cartridge	
-	21678-WD	1		KIT, seal repair - solenoid cartridge	

- ☐ Kit or Assembly - includes all items indented underneath.
- ★ Included in seal repair kit Part # 21677-WD.
- ☆ Included in seal repair kit Part # 21678-WD.



Parts 00389 01/19/98
50.00

TRAVEL BRAKE FOOT CONTROL

REF	PART #	QTY	DESCRIPTION	SEE PAGE
1	19066-WD	1	PEDAL ASSEMBLY	
2	18965-WD	2	BOLT, allen head - 8mm-1.25P x 20mm	
3	18835-WD	1	<input type="checkbox"/> VALVE, brake control (60 Bar)	
4	20745-WD	1	BOOT	
5	20746-WD	1	PISTON	
6	20747-WD	2	RETAINER, spring	
7	20748-WD	1	SPRING, piston (60 Bar)	
8	20749-WD	1	SEAL, piston	
9	NSS	1	SPOOL	
10	20751-WD	1	RING, snap	
11	20752-WD	1	SPRING, control	
12	20753-WD	1	PLUG	

Kit or Assembly - includes all items indented underneath.