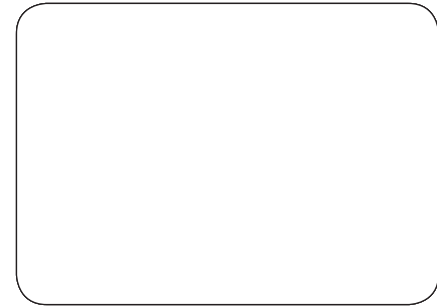
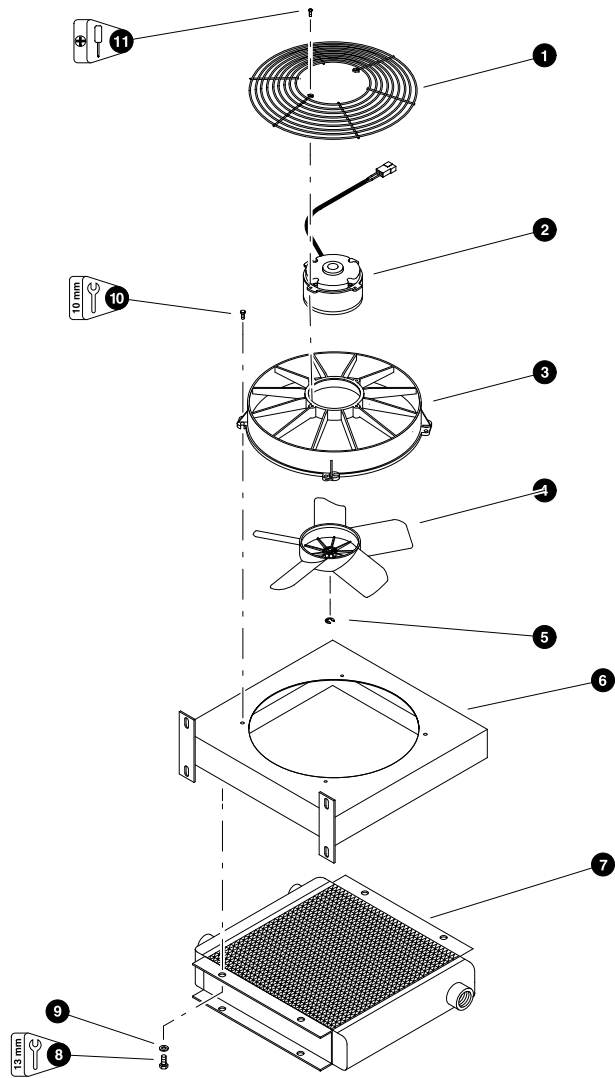


## ***Section AC-1***

---



***Optional Auxiliary Oil Cooler***

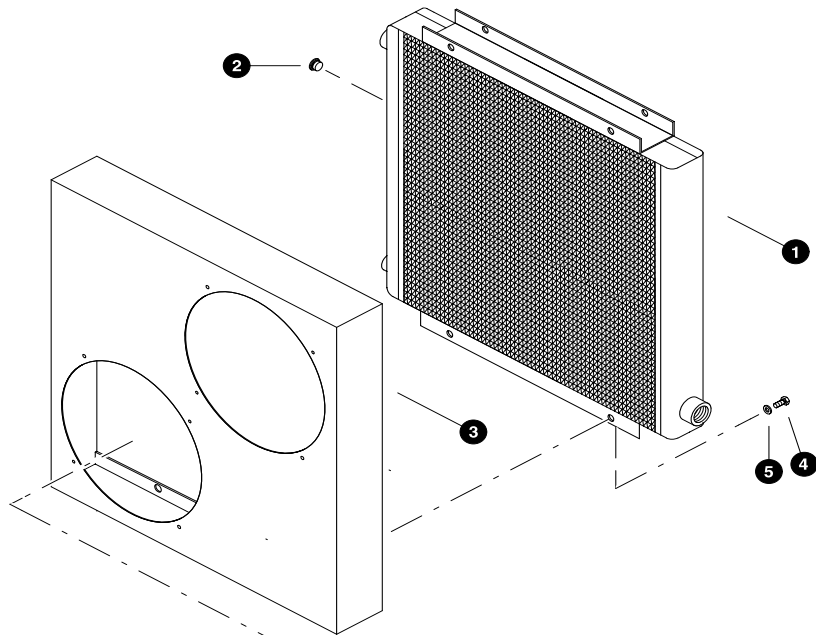


Parts 00576 03/01/2001  
18.75

### AUXILIARY OIL COOLER ASSEMBLY (Small Style)

REF	PART #	QTY	DESCRIPTION	SEE SECTION
--	19085-AC	1	<input type="checkbox"/> AUXILIARY OIL COOLER	
1	21524-AC	1	GUARD, fan	
--	23293-AC	1	<input type="checkbox"/> MOTOR/FAN ASSEMBLY <i>(FHMÇ)</i>	
2	NSS	1	MOTOR	
3	NSS	1	SHROUD, fan	
4	NSS	1	FAN	
5	NSS	1	E-CLIP	
6	21525-AC	1	SHROUD, oil cooler	
7	21526-AC	1	COOLER, oil	
8	NSS	4	BOLT - 8mm	
9	NSS	4	WASHER, flat - 8mm	
10	NSS	4	BOLT - 6mm	
11	NSS	2	SCREW, machine	

Kit or Assembly - includes all items indented underneath.

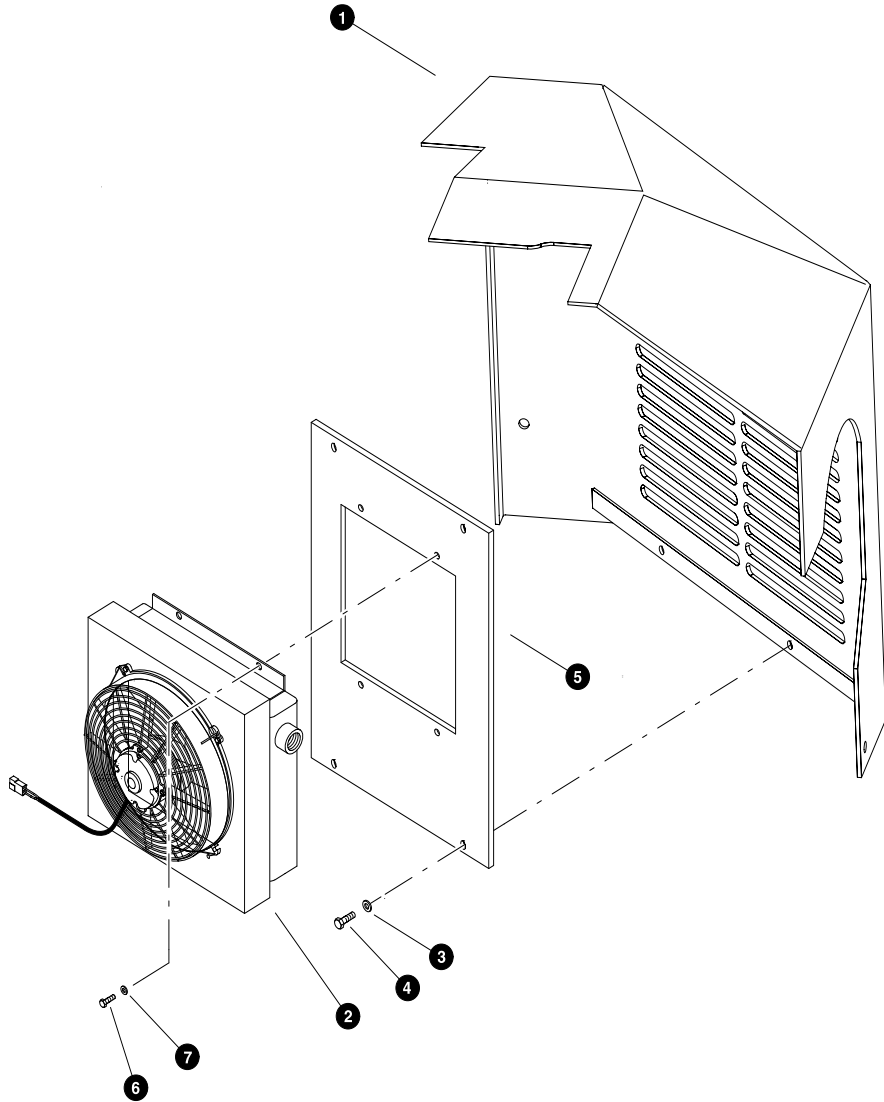


parts T2790 08/04/03  
18.75

### AUXILIARY OIL COOLER ASSEMBLY (Large Style)

REF	PART #	QTY	DESCRIPTION	SEE SECTION
--	51122-AC	1	<input type="checkbox"/> AUXILIARY OIL COOLER (Large)(blower)	
1	51087-AC	1	COOLER, oil - core sae	
2	---	3	PLUG, 08-BSPP VSI 1-2 EDA 3C	
3	---	1	SHROUD, oil cooler	
4	NSS	4	BOLT - 8mm	
5	NSS	4	WASHER, flat - 8mm	
--	51197-AC	2	<input type="checkbox"/> MOTOR/FAN ASSEMBLY (FAN) çà ç	
6	NSS	2	E-CLIP	
7	NSS	2	FAN	
8	NSS	2	SHROUD, fan	
9	NSS	4	BOLT - 6mm	
10	NSS	2	MOTOR	
11	51198-AC	2	GUARD, fan	
12	NSS	2	SCREW, machine	

Kit or Assembly - includes all items indented underneath.

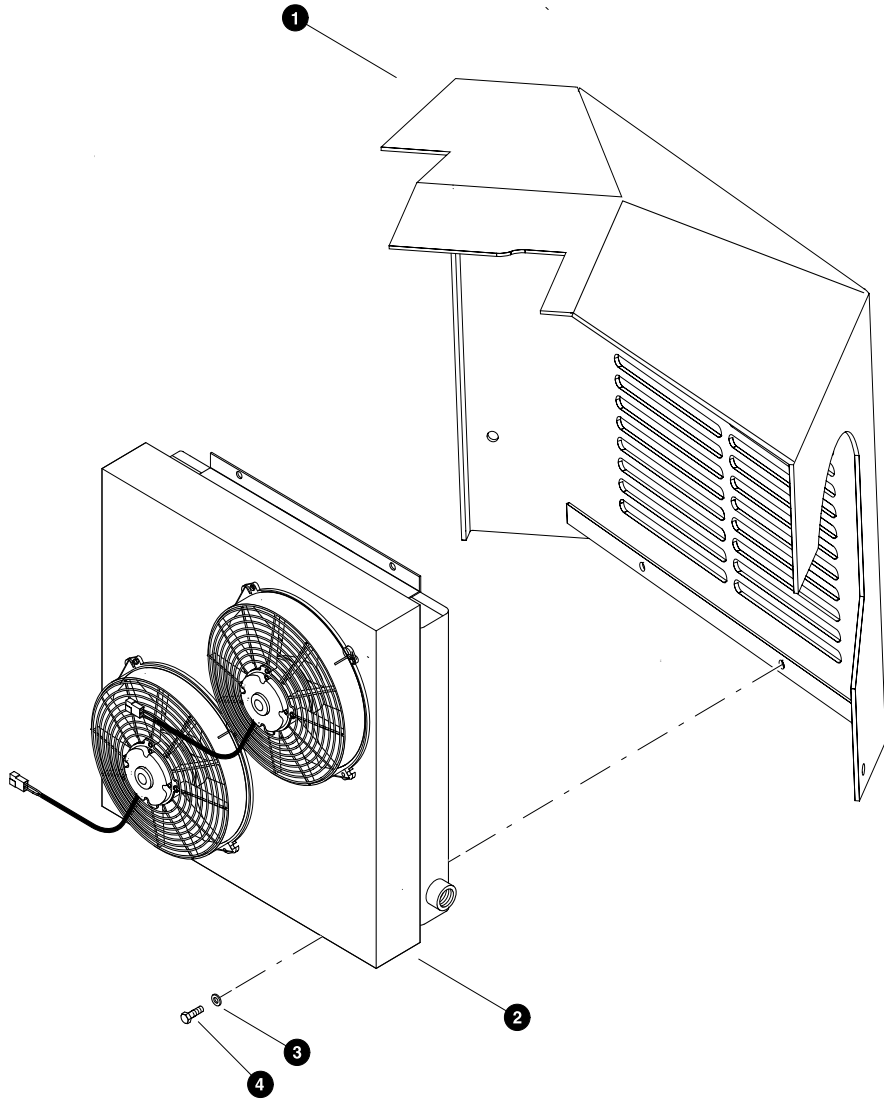


parts T3008 06/04/04  
18,75

### AUXILIARY OIL COOLER INSTALLATION (Small Style)

REF	PART #	QTY	DESCRIPTION	SEE SECTION
1	REF.	1	GUARD, swing out valve . . . . .	UP-1
2	REF.	1	AUXILIARY OIL COOLER ASSEMBLY (SMALL) . . . . .	AC-1
3	15528-AC	4	WASHER, SAE flat - 3/8"	
4	11707-AC	4	BOLT - 3/8" x 1"	
5	51303-AC	1	PLATE, small cooler adapter	
6	15604-AC	4	BOLT - .25" X .75"	
7	10757-AC	4	WASHER, SAE FLAT - .25"	

 See referenced page for component or assembly breakdown.

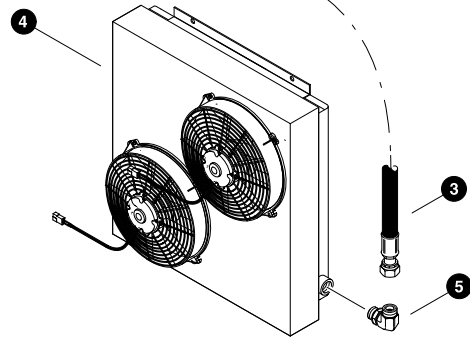
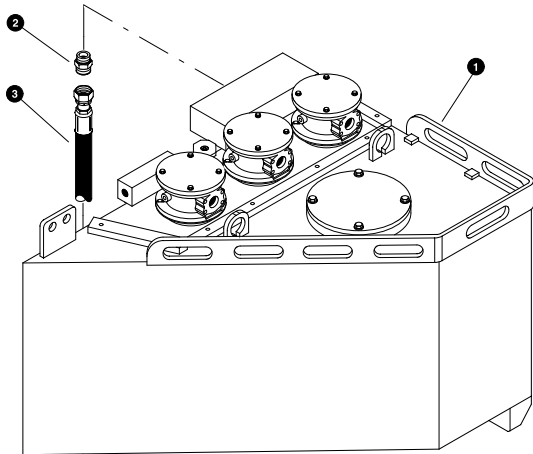


parts T2791 08/04/03  
18.75

### AUXILIARY OIL COOLER INSTALLATION (Large Style)

REF	PART #	QTY	DESCRIPTION	SEE SECTION
1	REF.	1	GUARD, swing out valve.....	UP-1
2	REF.	1	AUXILIARY OIL COOLER ASSEMBLY (LARGE).....	AC-1
3	15528-AC	4	WASHER, SAE flat - 3/8"	
4	11707-AC	4	BOLT - 3/8" x 1"	

See referenced page for component or assembly breakdown.



parts T2792 08/04/03  
18,75

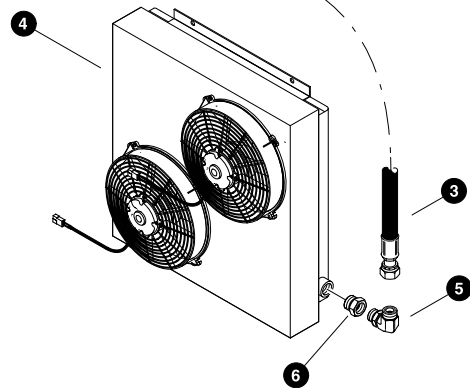
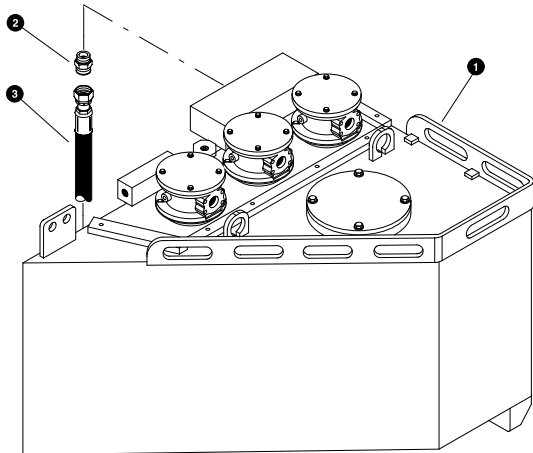
**OPTIONAL AUXILIARY OIL COOLER LINES**  
(Large Cooler To Hydraulic Tank - Feller buncher)  
(machines built before 6/1/04)

REF	PART #	QTY	DESCRIPTION	SEE SECTION
1	REF.	1	HYDRAULIC OIL TANK.....	UP-3
2	19450-AC	1	CONNECTOR, STR - 16 - 20 F5OLO-S	
3	50345-AC	1	HOSE ASSEMBLY - 2200-16-160S-16OS	
4	REF.	1	AUXILIARY OIL COOLER ASSEMBLY (LARGE).....	AC-1
5	50470-AC	1	ELBOW, 90 - 16 - 20 C5OLO	

See referenced page for component or assembly breakdown.

Last Updated - 06/01/2004

Optional Auxiliary Oil Cooler



parts T3010 06/04/04  
18,75

TF 820 & TB 620 Parts Module AC-51085

AC-1-a9

Optional Auxiliary Oil Cooler

Last Updated - 06/01/2004

### OPTIONAL AUXILIARY OIL COOLER LINES (Large Cooler To Hydraulic Tank)

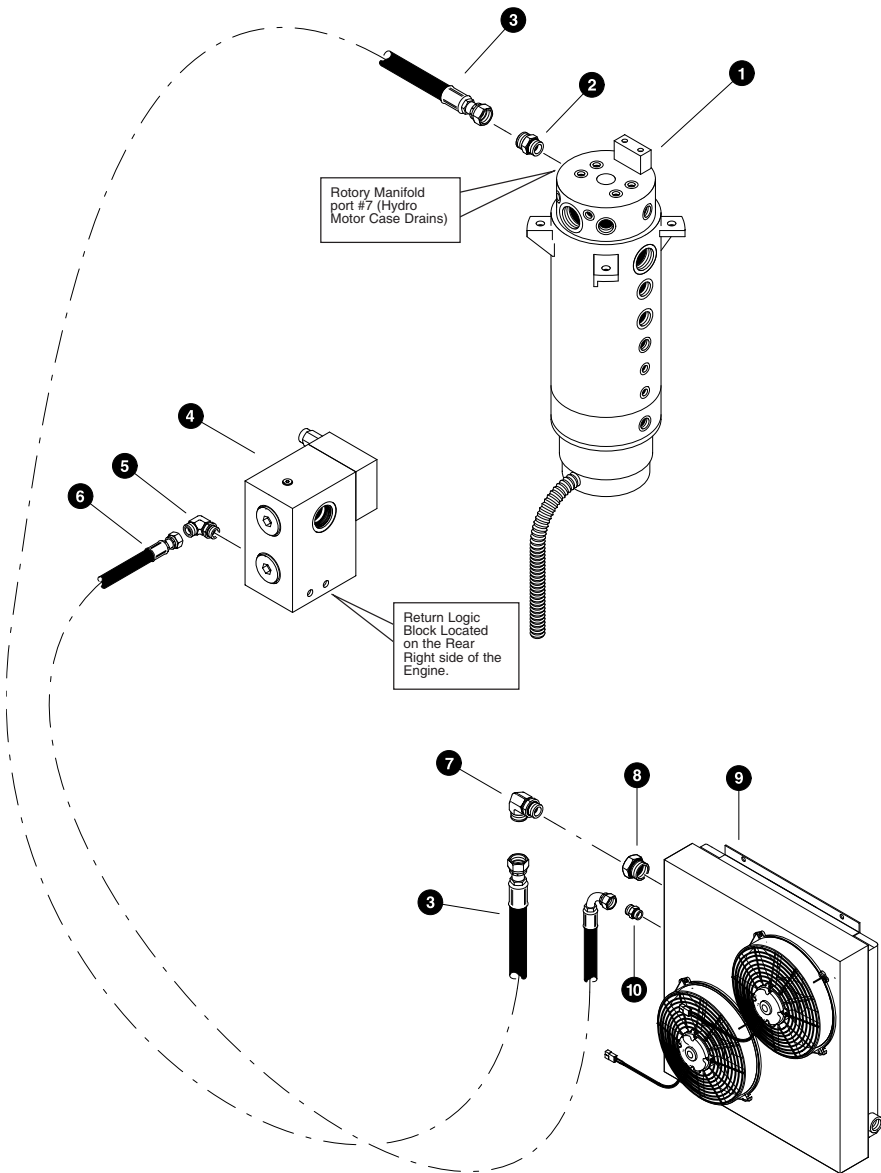
(all machines built after 6/1/04)

REF	PART #	QTY	DESCRIPTION	SEE SECTION
1	REF.	1	HYDRAULIC OIL TANK.....	UP-3
2	19450-AC	1	CONNECTOR, STR - 16 - 20 F5OLO-S	
3	51453-AC	1	HOSE ASSEMBLY - 2187-12-12OS-12OS	
4	REF.	1	AUXILIARY OIL COOLER ASSEMBLY (LARGE).....	AC-1
5	17688-AC	1	ELBOW, 90 - FF1868T-1212S	
6	17651-AC	1	BUSHING, REDUCER - 6410 - 20 - 12	

See referenced page for component or assembly breakdown.

AC-1-a10

TF 820 & TB 620 Parts Module AC-51085



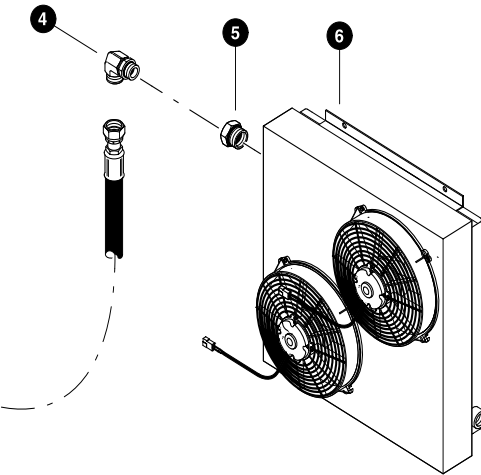
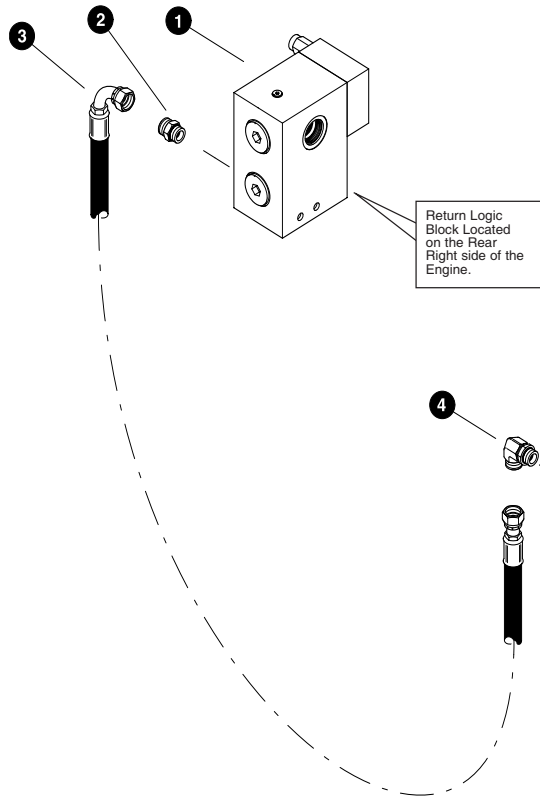
Parts T2794 08/05/2003 18.75

**OPTIONAL AUXILIARY OIL COOLER LINES**  
 (Large Cooler Supply (Non Disc Saw Machines))  
 (TB machines built before 6/1/04)

REF	PART #	QTY	DESCRIPTION	SEE SECTION
1	REF.	1	ROTARY MANIFOLD	UP-1
2	11324-UP	1	CONNECTOR, straight - 6400-12-12	
3	50343-AC	1	HOSE ASSEMBLY - 2113-12-120S-120S	
4	REF.	1	RETURN LOGIC MANIFOLD	HH-2
5	16360-AC	1	ELBOW, 90 - 08 C5OLO	
6	50593-AC	1	HOSE ASSEMBLY - 4096-08-080S-0809	
7	17688-AC	1	ELBOW, 90 - 12 - 12 C5OLO	
8	17651-AC	1	BUSHING, REDUCER - 6410 - 20 - 12	
9	REF.	1	AUXILIARY OIL COOLER ASSEMBLY (LARGE)	AC-1
10	24182-AC	1	CONNECTOR, STR - 8-8F42EDMLO	

See referenced page for component or assembly breakdown.





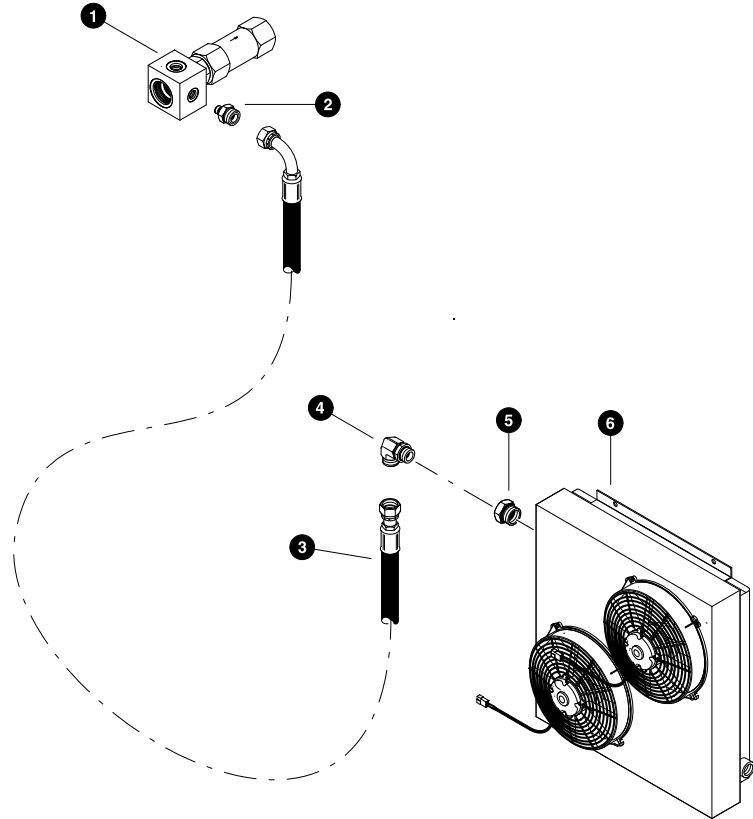
Parts T2794 08/05/2003  
18,75

### OPTIONAL AUXILIARY OIL COOLER LINES (TB machines with return logic block)

(machine built after 6/1/04)

REF	PART #	QTY	DESCRIPTION	SEE SECTION
1	REF.	1	ROTARY MANIFOLD .....	UP-1
2	11324-UP	1	CONNECTOR, straight - 6400-12-12	
3	50343-AC	1	HOSE ASSEMBLY - 2113-12-120S-120S	
4	REF.	1	RETURN LOGIC MANIFOLD .....	HH-2
5	16360-AC	1	ELBOW, 90 - 08 C5OLO	
6	50593-AC	1	HOSE ASSEMBLY - 4096-08-080S-0809	
7	17688-AC	1	ELBOW, 90 - 12 - 12 C5OLO	
8	17651-AC	1	BUSHING, REDUCER - 6410 - 20 - 12	
9	REF.	1	AUXILIARY OIL COOLER ASSEMBLY (LARGE) .....	AC-1
10	24182-AC	1	CONNECTOR, STR - 8-8F42EDMLO	

See referenced page for component or assembly breakdown.



Parts T3009 06/05/2004  
18.75

**OPTIONAL AUXILIARY OIL COOLER LINES**  
**(Large Cooler Supply)**

(Forwarders with return check block)

REF	PART #	QTY	DESCRIPTION	SEE SECTION
1	REF.	1	RETURN CHECK BLOCK.....	LH-3
2	16913-AC	1	CONNECTOR, STR - FF1852T-1208S	
3	51452-AC	1	HOSE ASSEMBLY - 2095-12-12OS-12O9	
4	17688-AC	1	ELBOW, 90 - 12 - 12 C5OLO	
5	17651-AC	1	BUSHING, REDUCER - 6410 - 20 - 12	
6	REF.	1	AUXILIARY OIL COOLER ASSEMBLY (LARGE).....	AC-1

See referenced page for component or assembly breakdown.

