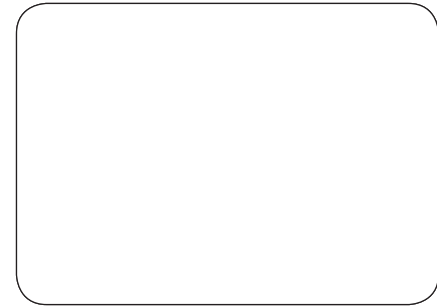
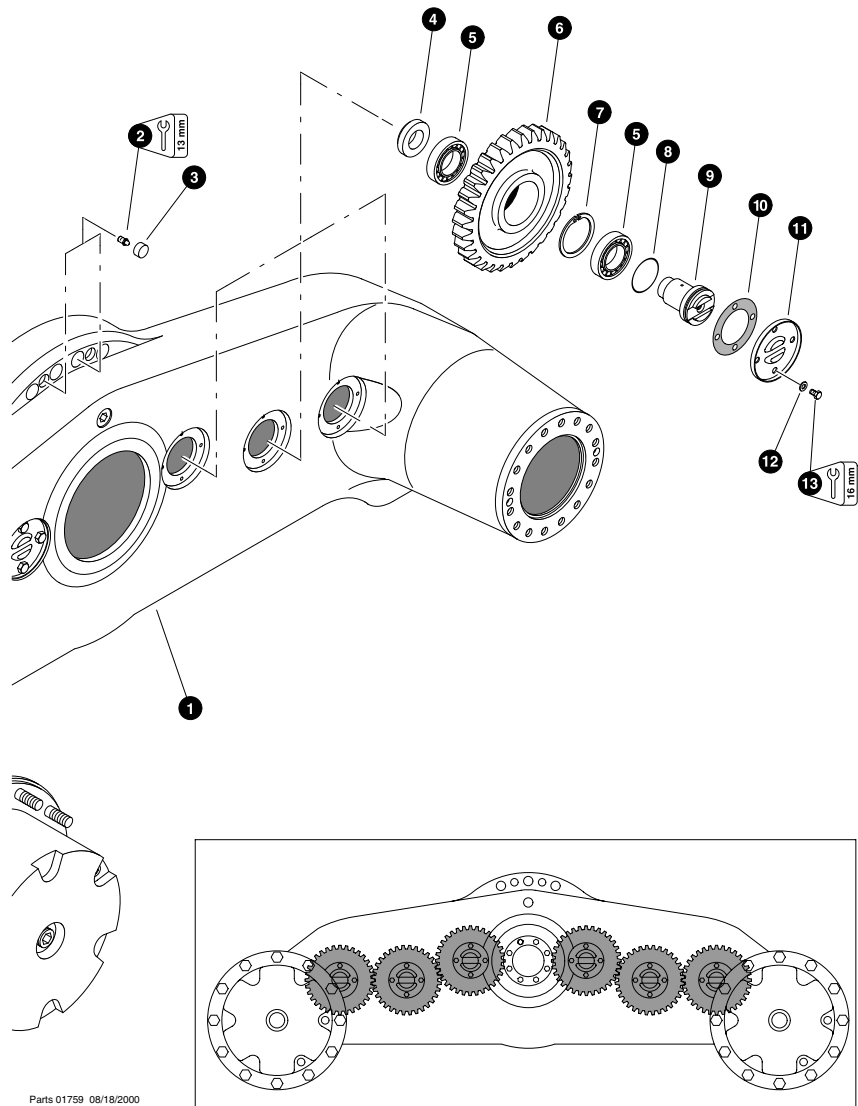


Section AX-1



Axles, Transfer Cases & Wheels -
Tandem Axles



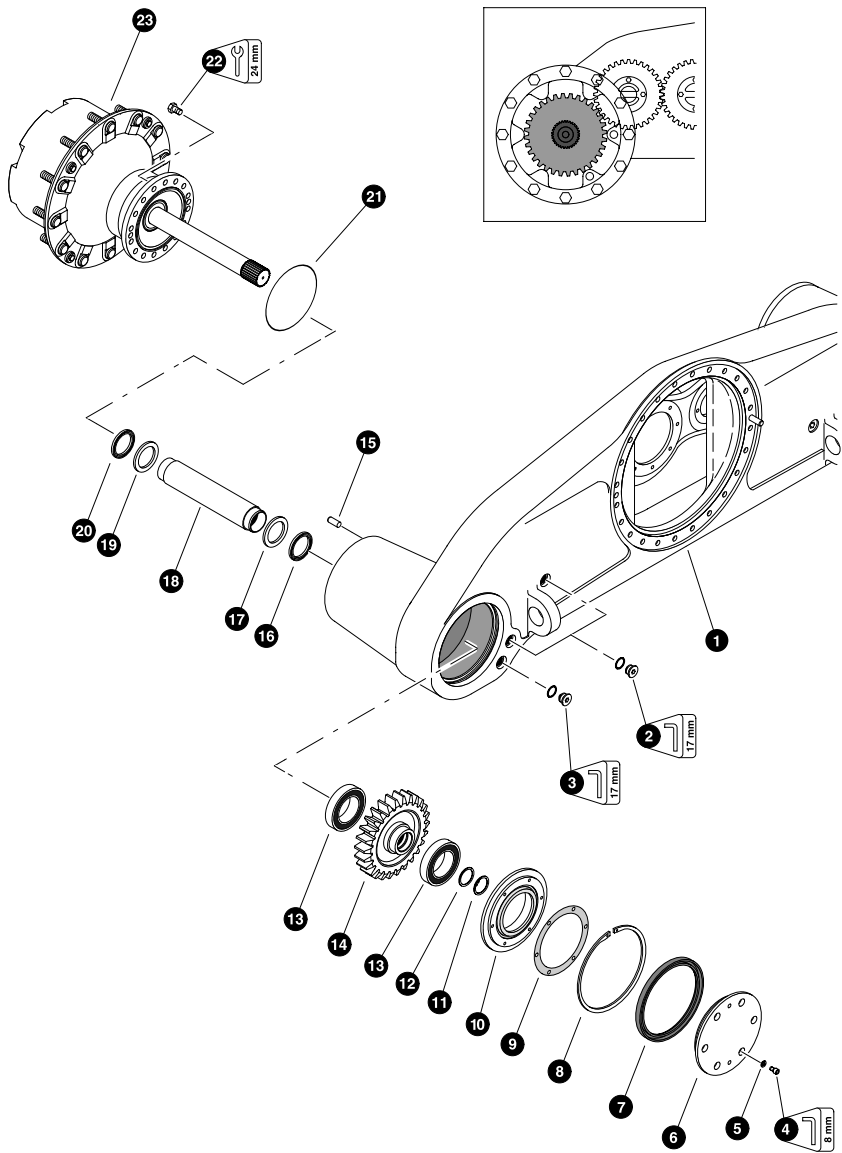
Parts 01759 08/18/2000
18.75

AXLE BEAM HOUSING GEAR INSTALLATION (TIM 08)

REF	PART #	QTY	DESCRIPTION	SEE PAGE
-	23492-AX	1	AXEL ASSEMBLY, TANDEM (TIM 08)	
1	NSS	1	HOUSING, axle beam	
2	23689-AX	2	FITTING, grease (tapered)	
3	23690-AX	2	PLUG, grease	
4	23691-AX	6	BUSHING, spacer	
5	23692-AX	12	BEARING, roller	
6	23693-AX	6	GEAR - 32 teeth	
7	23694-AX	6	RING, retaining	
8	23695-AX	6	O-RING	
9	23696-AX	6	STUD, gear shaft	
10	23697-AX	6	GASKET, gear shaft stud (2mm thick)	
11	23698-AX	6	COVER, access	
12	23699-AX	24	WASHER, hardened - 10mm	
13	23700-AX	24	BOLT - 10mm x 20mm	

Note:

Quantities listed are for a single axle beam. LH and RH installations are identical.



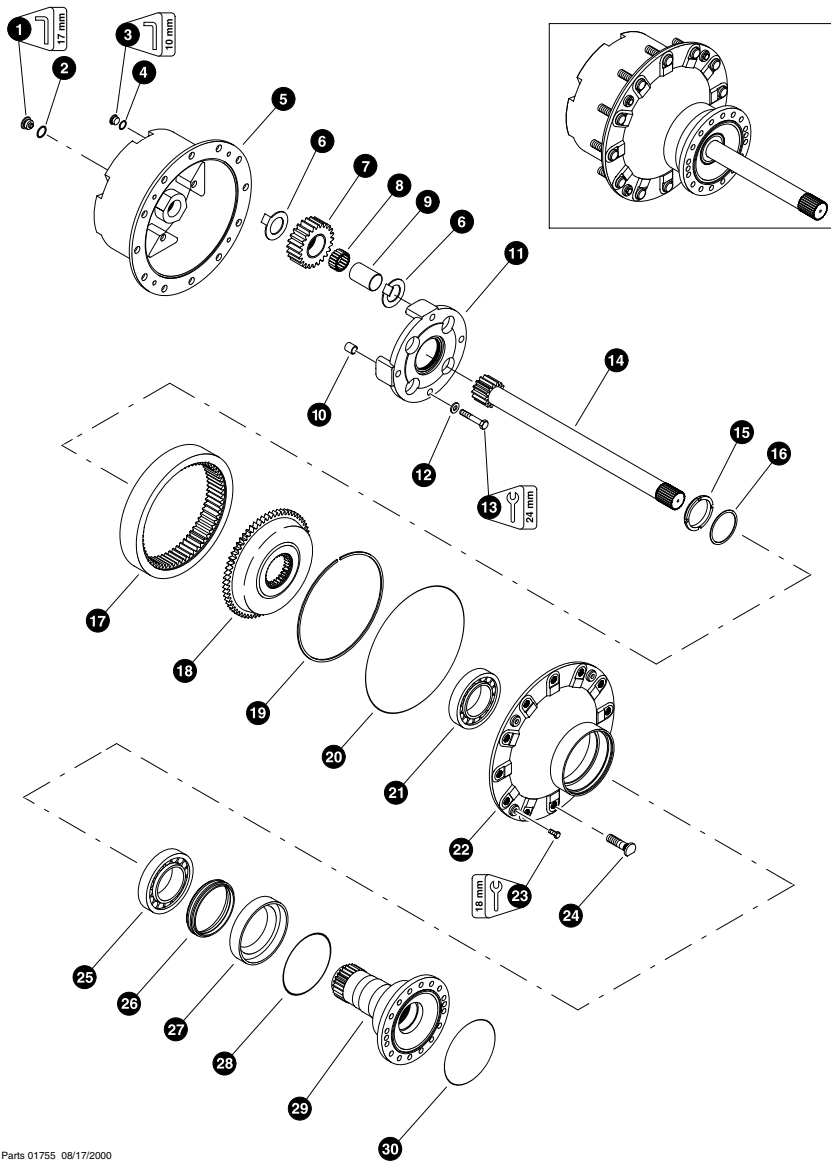
PLANETARY HUB INSTALLATION

REF	PART #	QTY	DESCRIPTION	SEE PAGE
1	REF.	1	HOUSING, axle beam	AX-1-2
2	23710-AX	2	PLUG, fill / save oil - 30mm	
	23712-AX	1	RING, seal	
3	23711-AX	1	PLUG, drain - 30mm (Magnetic)	
	23712-AX	1	RING, seal	
4	23721-AX	6	BOLT, allen head - 10mm x 20mm	
5	23722-AX	6	WASHER, lock - 10mm	
6	23723-AX	1	COVER, access	
7	23724-AX	1	RING, seal	
8	23725-AX	1	RING, retaining	
9	23726-AX	1	GASKET, inner gear cover	
10	23727-AX	1	COVER, inner gear	
11	23728-AX	1	RING, retaining	
12	23729-AX	1	WASHER, support	
13	23730-AX	2	BEARING, ball	
14	23731-AX	1	GEAR, planetary input (26 teeth)	
15	23732-AX	2	PIN, dowel - 16mm	
16	23733-AX	1	SEAL, oil - outboard	
17	23734-AX	1	WASHER - outboard	
18	23735-AX	1	PIPE, planetary shaft	
19	23736-AX	1	WASHER - inboard	
20	23737-AX	1	SEAL, oil - inboard	
21	23738-AX	1	O-RING, planetary pilot	
22	23739-AX	18	BOLT - 16mm x 40mm	
23	REF.	1	PLANETARY HUB ASSEMBLY	AX-1-6

See referenced page for component or assembly breakdown.
 Kit or Assembly - includes all items indented underneath.

Note:

Quantities listed are for a single planetary hub installation. Installations are identical

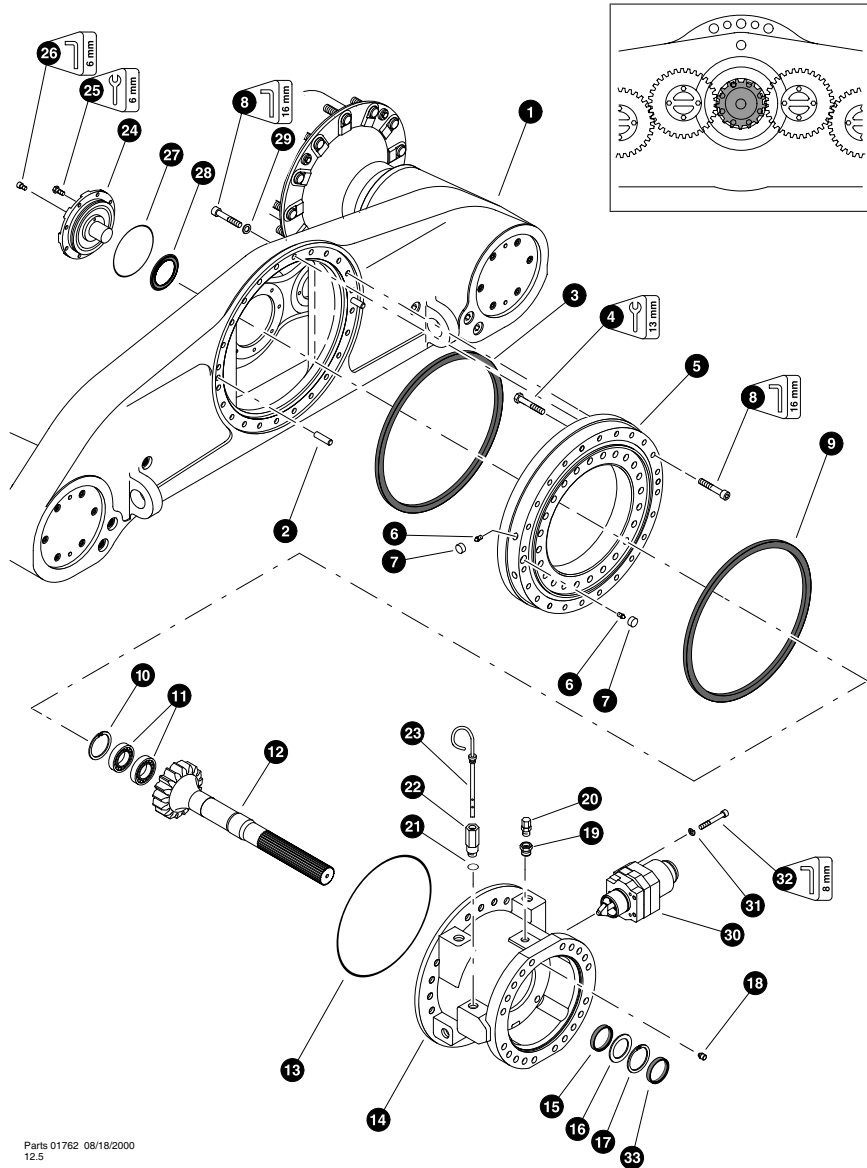


Parts 01755 08/17/2000
12.50

PLANETARY HUB ASSEMBLY

REF	PART #	QTY	DESCRIPTION	SEE PAGE
-	22833-AX	4	<input type="checkbox"/> PLANETARY HUB	
1	23741-AX	1	<input type="checkbox"/> PLUG, drain - 20mm (Magnetic)	
	23742-AX	1	RING, seal	
3	23743-AX	2	<input type="checkbox"/> PLUG, screw - M30 (Adhesive coated)	
4	23744-AX	2	RING, seal	
5	23745-AX	1	HOUSING, planetary cage	
6	23746-AX	8	DISK, check	
7	23747-AX	4	GEAR, planetary (25 teeth)	
8	23748-AX	4	CAGE, needle roller bearing	
9	23751-AX	4	SHAFT, planetary gear	
10	23752-AX	4	BUSHING, shear	
11	23753-AX	1	CAGE, planetary gear	
12	23754-AX	4	WASHER, flat - 16mm	
13	23755-AX	4	BOLT - 16mm x 90mm	
14	23756-AX	1	SHAFT, sun gear	
15	23757-AX	1	NUT, sun gear	
16	23758-AX	AR	WASHER, adjustment	
17	23759-AX	1	GEAR, rim (66 teeth)	
18	23760-AX	1	GEAR, carrier ring (66 teeth)	
19	23761-AX	1	RING, spring	
20	23762-AX	1	O-RING, wheel hub housing	
21	23763-AX	1	BEARING, tapered roller - inboard	
22	23764-AX	1	HOUSING, wheel hub	
23	23765-AX	4	BOLT - 12mm x 30mm	
24	22245-AX	12	BOLT, wheel mounting stud	
25	23767-AX	1	BEARING, tapered roller - outboard	
26	23768-AX	1	SEAL, shaft - axle stub	
27	23769-AX	1	RING, axle stub	
28	23770-AX	1	O-RING, axle stub	
29	23771-AX	1	STUB, axle	
30	23772-AX	1	O-RING, planetary hub pilot	

Kit or Assembly - includes all items indented underneath.

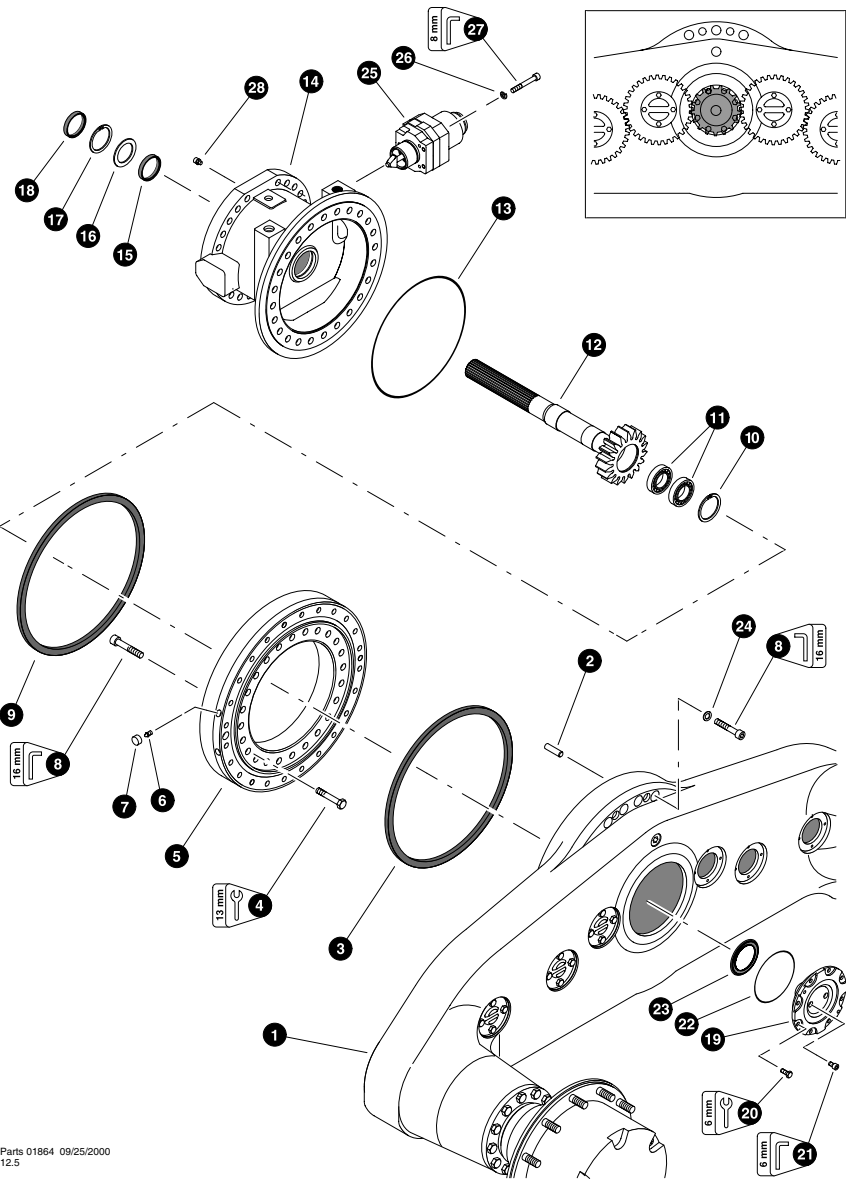


Parts 01762 08/18/2000
12.5

AXLE BEAM INSTALLATION TO OUTER DIFFERENTIAL - LH

REF	PART #	QTY	DESCRIPTION	SEE PAGE
1	REF.	1	HOUSING, axle beam	AX-1-2
2	23777-AX	2	PIN, dowel	
3	23778-AX	1	RING, seal	
4	23779-AX	24	BOLT - 20mm x 90mm	
5	23780-AX	2	BEARING, axle beam	
6	23689-AX	10	FITTING, grease (tapered)	
7	23690-AX	10	PLUG, grease	
8	23781-AX	24	BOLT, allen head - 18mm x 85mm	
9	23783-AX	1	RING, scrapper	
10	-----	1	RING, retaining	
11	23784-AX	2	BEARING, roller	
12	23785-AX	1	SHAFT, sun gear (17 teeth)	
13	23787-AX	1	O-RING	
14	NSS	1	HOUSING, axle beam mounting - LH	
15	23788-AX	2	SEAL, oil	
16	23789-AX	1	RING, retaining	
17	23790-AX	1	WASHER, support	
18	23791-AX	1	BREATHER, axle beam mount housing - internal	
19	23792-AX	2	BUSHING, reducer	
20	22570-AX	1	BREATHER, axle differential	
21	-----	1	O-RING	
22	-----	1	DIPSTICK	
23	-----	1	O-RING	
24	23794-AX	1	STUB, bearing	
25	23795-AX	8	BOLT - 10mm x 25mm	
26	23797-AX	2	BOLT, allen head - 8mm x 16mm	
27	23798-AX	1	O-RING	
28	23799-AX	1	SEAL, ring axle shaft	
29	23800-AX	24	WASHER, hardened	
30	REF.	1	BRAKE CYLINDER ASSEMBLY	AX-1-22
31	23802-AX	4	WASHER, lock	
32	23803-AX	4	BOLT, allen head - 10mm x 30mm	
33	24603-AX	1	SEAL, oil	

See referenced page for component or assembly breakdown.

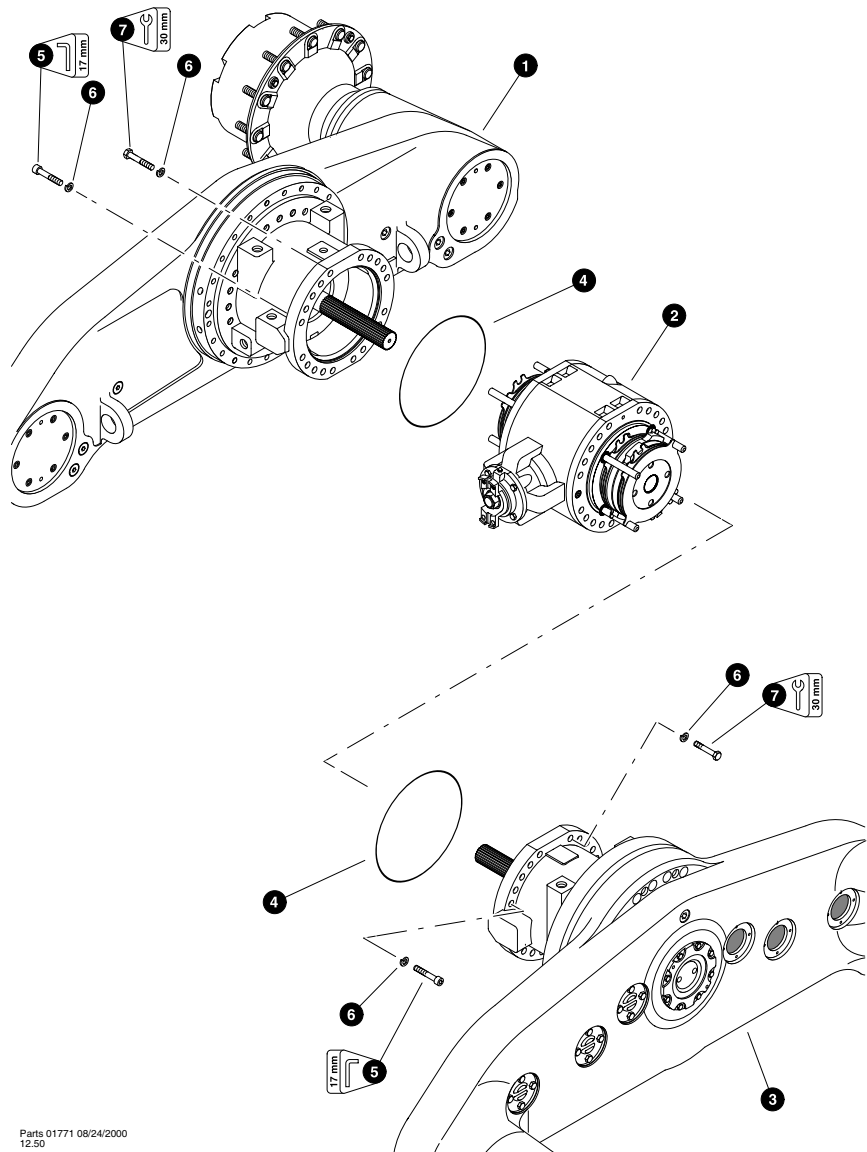


Parts 01864 09/25/2000
12.5

AXLE BEAM INSTALLATION TO OUTER DIFFERENTIAL - RH

REF	PART #	QTY	DESCRIPTION	SEE PAGE
1	REF.	1	HOUSING, axle beam	AX-1-2
2	23777-AX	2	PIN, dowel	
3	23778-AX	1	RING, seal	
4	23779-AX	24	BOLT - 20mm x 90mm	
5	23780-AX	2	BEARING, axle beam	
6	23689-AX	10	FITTING, grease (tapered)	
7	23690-AX	10	PLUG, grease	
8	23781-AX	24	BOLT, allen head - 18mm x 85mm	
9	23783-AX	1	RING, scrapper	
10	-----	1	RING, retaining	
11	23784-AX	2	BEARING, roller	
12	23785-AX	1	SHAFT, sun gear (17 teeth)	
13	23787-AX	1	O-RING	
14	NSS	1	HOUSING, axle beam mounting - RH	
15	23788-AX	2	SEAL, oil	
16	23789-AX	1	RING, retaining	
17	23790-AX	1	WASHER, support	
18	24603-AX	1	SEAL, oil	
19	23794-AX	1	STUB, bearing	
20	23795-AX	8	BOLT - 10mm x 25mm	
21	23797-AX	2	BOLT, allen head - 8mm x 16mm	
22	23798-AX	1	O-RING	
23	23799-AX	1	SEAL, ring axle shaft	
24	23800-AX	24	WASHER, hardened	
25	REF.	1	BRAKE CYLINDER ASSEMBLY.....	AX-1-22
26	23802-AX	4	WASHER, lock	
27	23803-AX	4	BOLT, allen head - 10mm x 30mm	
28	23791-AX	1	BREATHER, axle beam mount housing - internal	

See referenced page for component or assembly breakdown.

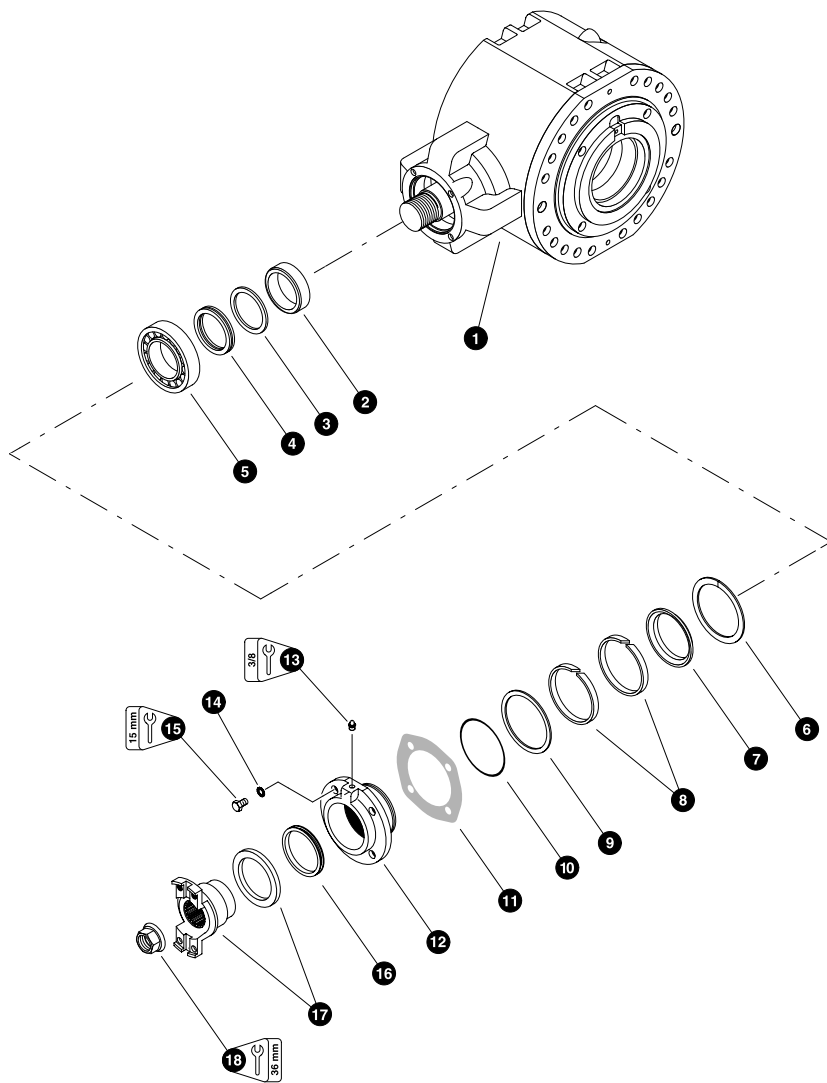


Parts 01771 08/24/2000
12.50

INNER DIFFERENTIAL INSTALLATION

REF	PART #	QTY	DESCRIPTION	SEE PAGE
1	REF.	1	TANDEM AXLE BEAM - LH	AX-1-2
2	REF.	1	INNER DIFFERENTIAL COMPONENTS	
3	REF.	1	TANDEM AXLE BEAM - RH	AX-1-2
4	23805-AX	2	O-RING	
5	23803-AX	8	BOLT, allen head - 20mm x 90mm	
6	23806-AX	64	WASHER, lock - 20mm	
7	23807-AX	32	BOLT - 20mm x 90mm	

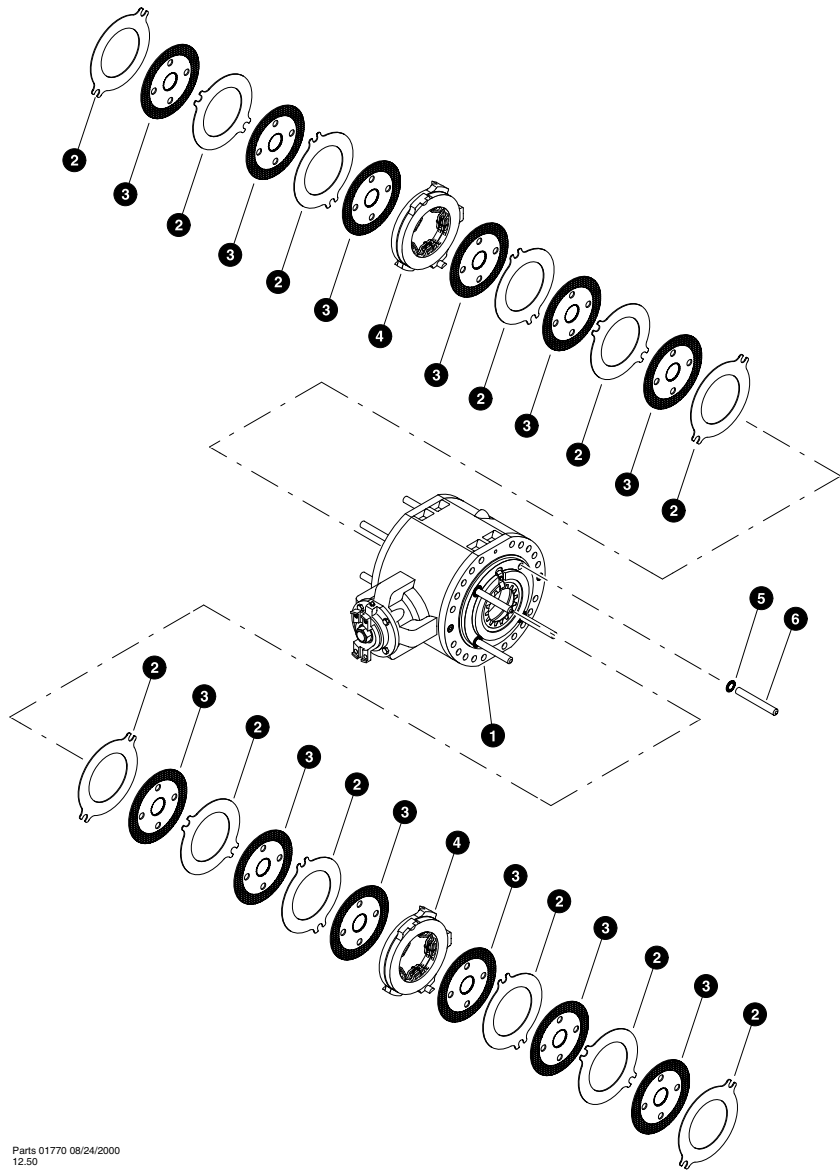
See referenced page for component or assembly breakdown.



US 4 461 11 41 41000000
0901

INNER DIFFERENTIAL COMPONENTS
(Drive Shaft Yoke Installation)

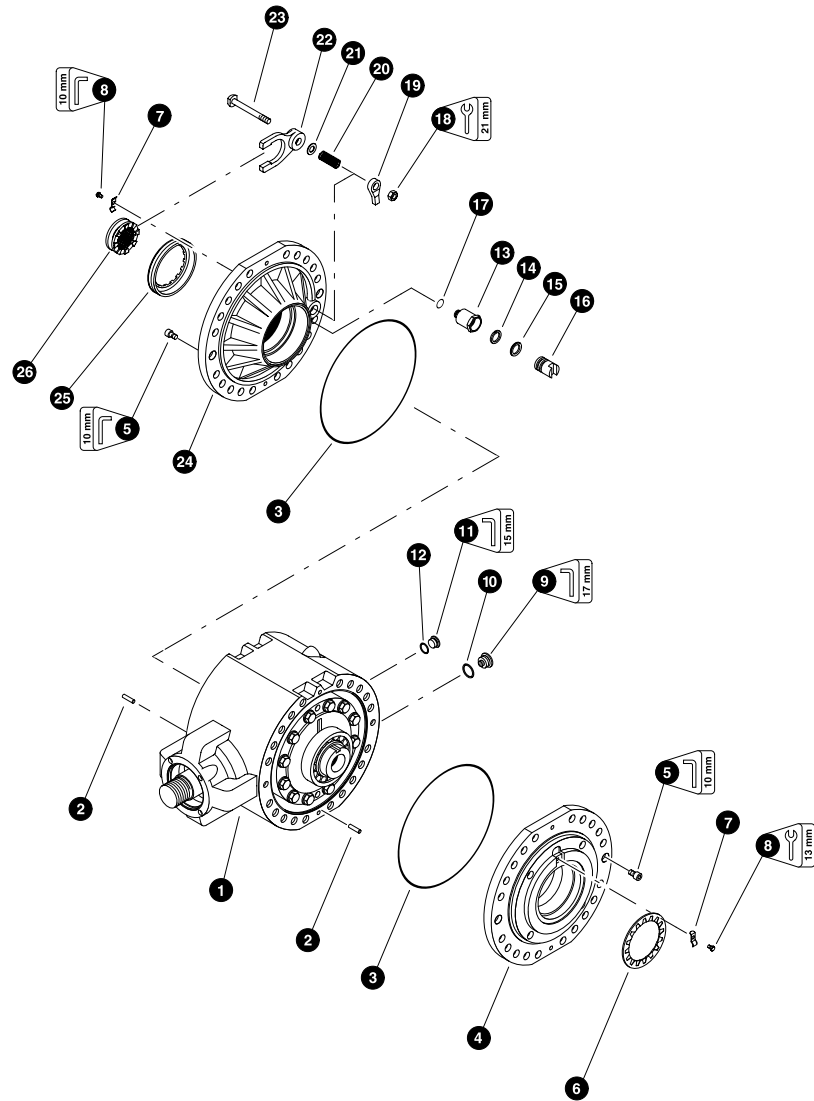
REF	PART #	QTY	DESCRIPTION	SEE PAGE
1	REF.	1	INNER DIFFERENTIAL COMPONENTS	
2	23808-AX	1	SPACER, bushing	
3	23809-AX	AR	WASHER, adjusting	
4	23810-AX	AR	SPACER, bushing	
5	23811-AX	1	BEARING, tapered roller	
6	23812-AX	1	RING, spring	
7	23813-AX	1	SEAL, radial	
8	23814-AX	2	RING, seal	
9	23815-AX	1	WASHER, drive shaft cover	
10	23816-AX	1	O-RING, drive shaft cover	
11	23817-AX	1	GASKET, drive shaft cover	
12	23818-AX	1	COVER, drive shaft	
13	23819-AX	1	FITTING, grease	
14	23820-AX	4	WASHER, lock - 10mm	
15	23821-AX	4	BOLT - 10mm x 25mm	
16	23822-AX	1	V-RING	
17	23823-AX	1	FLANGE, drive shaft (With washer)	
18	23824-AX	1	NUT, flange - 40mm	



Parts 01770 08/24/2000
12.50

INNER DIFFERENTIAL COMPONENTS
(Brake Pack Installation)

REF	PART #	QTY	DESCRIPTION	SEE PAGE
1	REF.	1	INNER DIFFERENTIAL COMPONENTS	
2	23825-AX	12	DISK, intermediate	
3	23826-AX	12	DISK, coated	
4	23827-AX	2	DISK, operating	
5	23828-AX	8	WASHER, toothed	
6	23829-AX	8	PIN, straight	

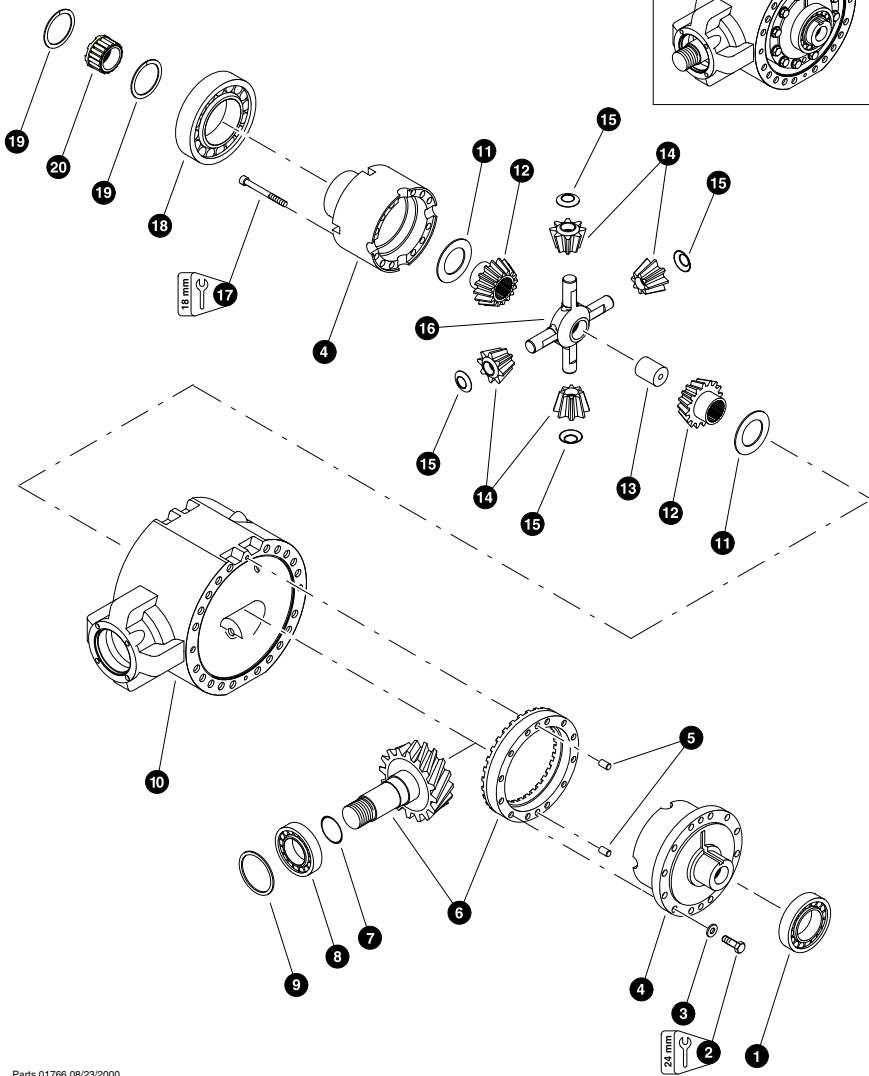
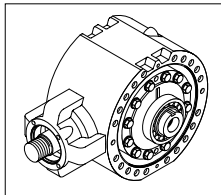


Parts 01767 08/23/2000
12.5

INNER DIFFERENTIAL COMPONENTS (Differential Lock Installation)

REF	PART #	QTY	DESCRIPTION	SEE PAGE
1	REF.	1	INNER DIFFERENTIAL COMPONENTS	
2	23830-AX	4	PIN, dowel	
3	23831-AX	2	O-RING	
4	23832-AX	1	FLANGE - RH	
5	23721-AX	4	BOLT, allen head - 10mm x 20mm	
6	23833-AX	1	NUT, flange	
7	23834-AX	2	PLATE, locking	
8	23835-AX	2	BOLT - 8mm x 16mm	
9	23741-AX	1	PLUG - 20mm (With magnet)	
10	23742-AX	1	RING, seal	
11	23836-AX	1	PLUG - 30mm	
12	23712-AX	1	RING, seal	
-	- - - -	1	<input type="checkbox"/> CYLINDER, differential lock	
13	23837-AX	1	BARREL	
14	23838-AX	1	RING, groove	
15	23839-AX	1	RING, seal	
16	23840-AX	1	PISTON	
17	23841-AX	1	O-RING	
18	23842-AX	1	NUT, hex - 14mm	
19	23843-AX	1	LEVER, shifting	
20	23844-AX	1	SPRING, pressure	
21	23845-AX	AR	WASHER, adjusting	
22	23846-AX	1	FORK, shift	
23	23847-AX	1	ROD, shifting	
24	23848-AX	1	FLANGE - LH	
25	23849-AX	1	NUT	
26	23850-AX	1	SLEEVE, shifting	

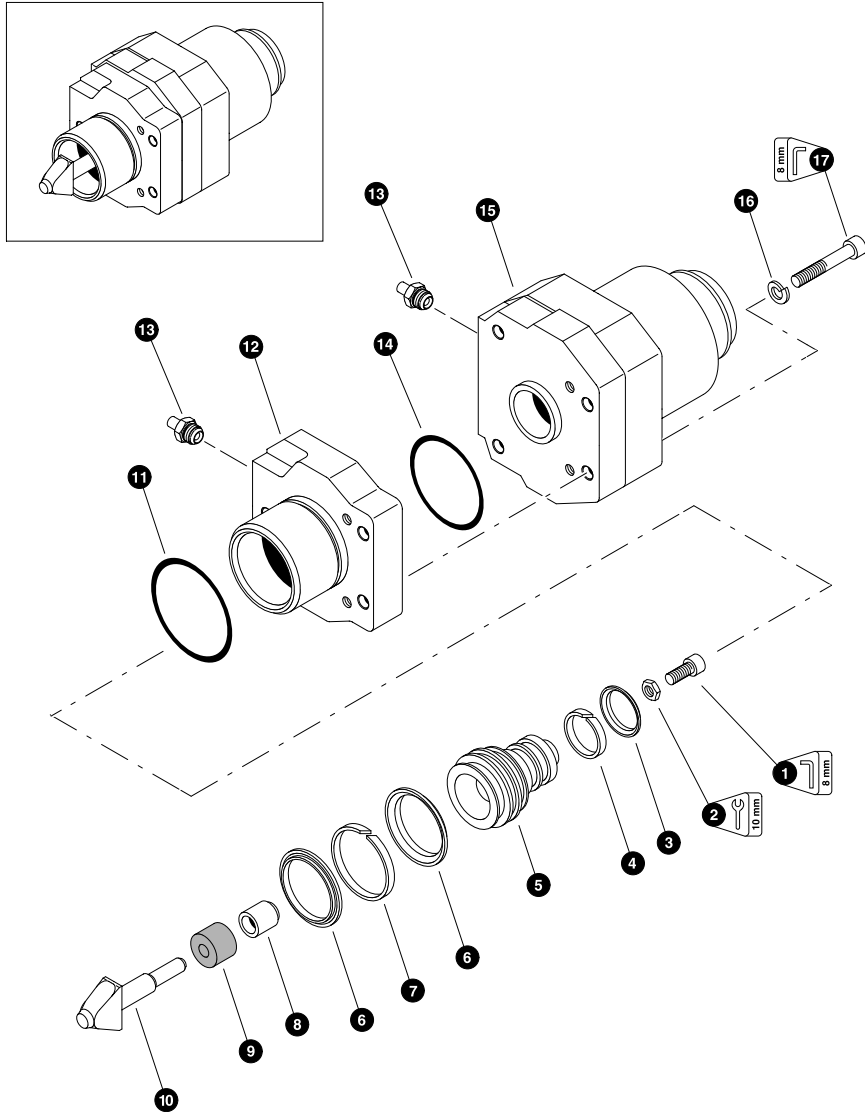
Kit or Assembly - includes all items indented underneath.



Parts 01766 08/23/2000
15.00

INNER DIFFERENTIAL COMPONENTS
(Differential Gear Installation)

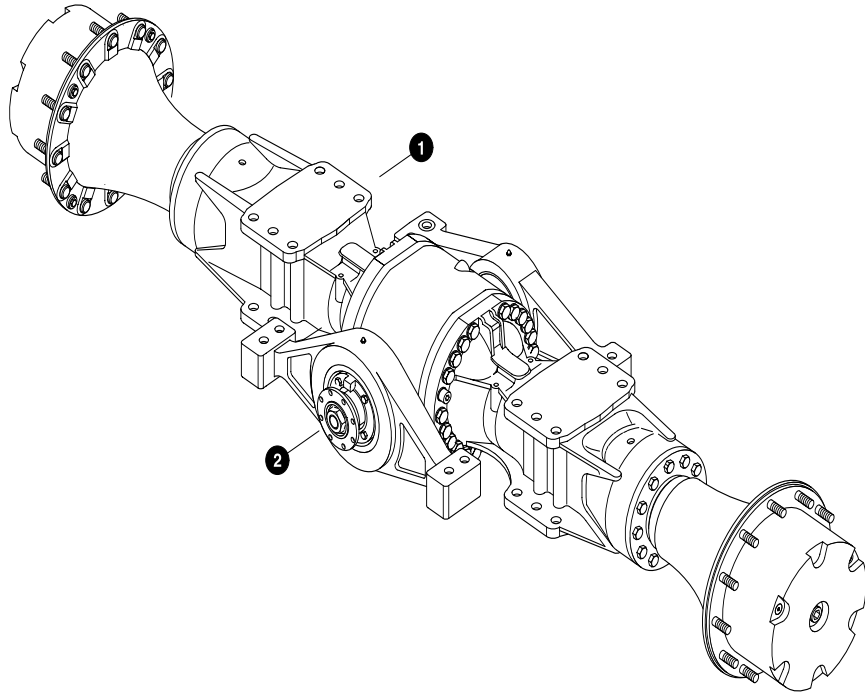
REF	PART #	QTY	DESCRIPTION	SEE PAGE
1	23852-AX	1	BEARING, tapered roller	
2	23853-AX	16	BOLT - 16mm x 40mm	
3	23754-AX	16	WASHER, hardened - 16mm	
4	23854-AX	1	CAGE, differential	
5	23855-AX	4	PIN, dowel	
6	23856-AX	1	WHEEL, crown (With pinion - 34/12 teeth)	
7	23857-AX	1	O-RING	
8	23858-AX	1	BEARING, tapered roller	
9	23859-AX	AR	WASHER, adjusting	
10	23860-AX	1	HOUSING, differential	
11	23861-AX	2	DISK, check	
12	23862-AX	2	GEAR, differential	
13	23863-AX	1	PACKAGE, adjusting bolt	
14	23864-AX	4	GEAR, planetary	
15	23865-AX	4	WASHER, thrust	
16	23866-AX	1	CROSS, planetary gear	
17	23867-AX	12	BOLT, allen head - 12mm x 85mm	
18	23868-AX	1	BEARING, tapered roller	
19	23869-AX	2	RING, spring	
20	23870-AX	1	SLEEVE, clutch coupling	



Parts 01754 08/17/2000
50.00

BRAKE CYLINDER ASSEMBLY

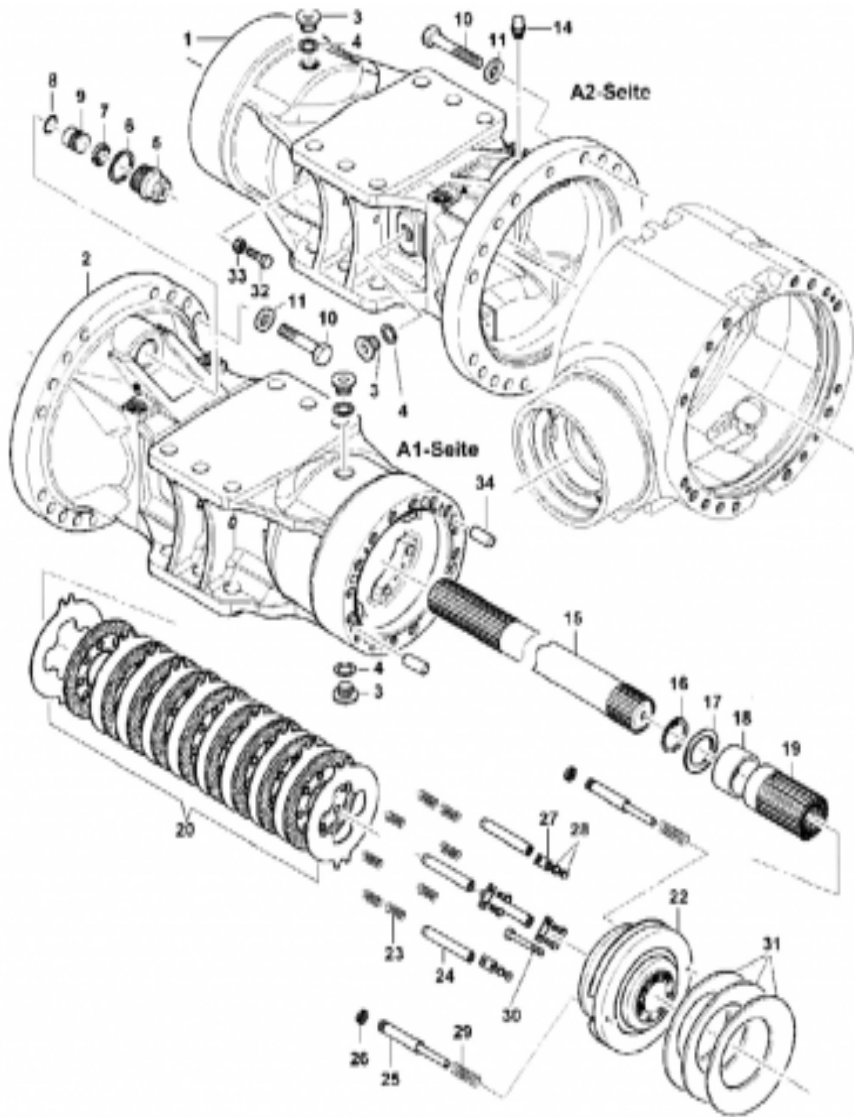
REF	PART #	QTY	DESCRIPTION	SEE PAGE
1	23871-AX	1	BOLT, allen head - 10mm x 40mm	
2	23872-AX	1	NUT, hex - 10mm	
3	23873-AX	1	SEAL, piston	
4	23874-AX	1	RING, guide	
5	23875-AX	1	STUD, compression	
6	23876-AX	2	SEAL, piston	
7	23877-AX	1	RING, guide	
8	23878-AX	1	STUD	
9	23879-AX	1	RING	
10	23880-AX	1	WEDGE	
11	23881-AX	1	O-RING	
12	23882-AX	1	HOUSING, lower cylinder	
13	23883-AX	2	VALVE, breather	
14	23884-AX	1	O-RING	
15	-----	1	HOUSING, upper cylinder	
16	23885-AX	2	WASHER, lock - 8mm	
17	23886-AX	2	BOLT, allen head - 8mm x 60mm	



parts T2885 09/03/03
25,00

SINGLE AXLE (NAF TIM 14)

REF	PART #	QTY	DESCRIPTION	SEE PAGE
1	25015-AX	1	AXLE, SINGLE (tim 14)	
2	23997-AX	1	YOKE, companion flange	

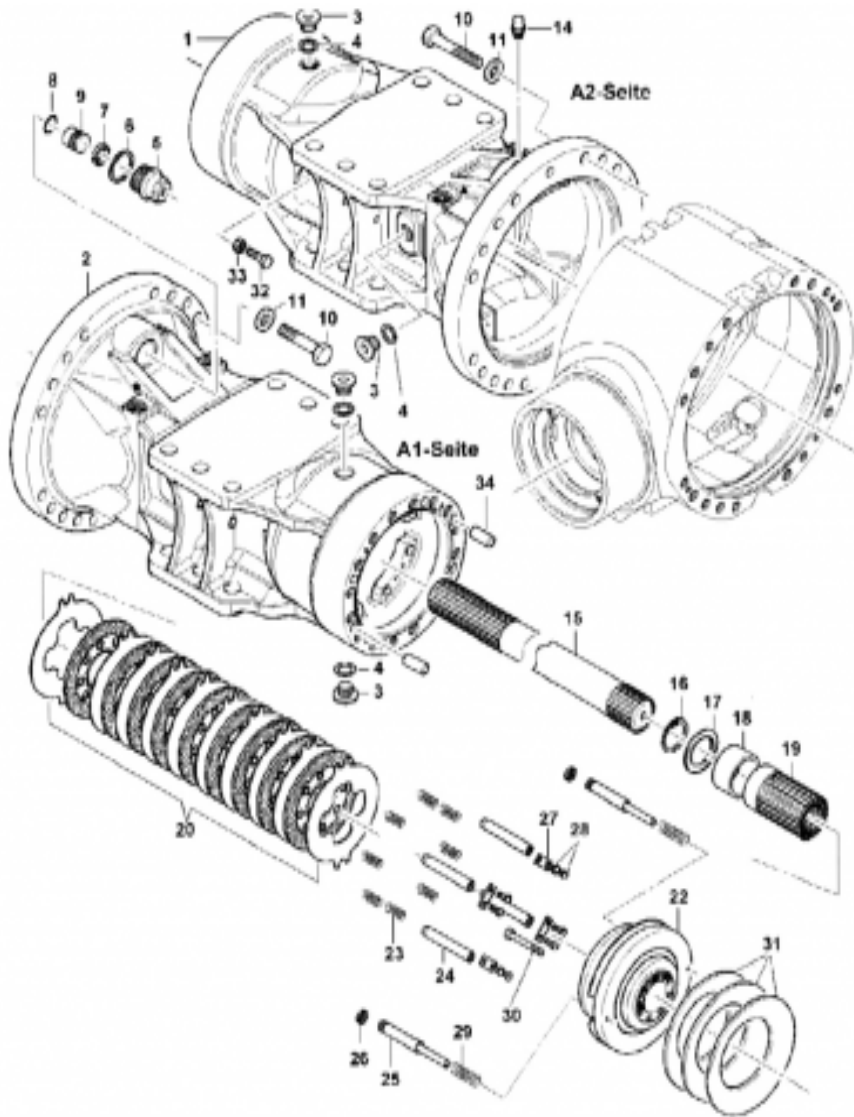


parts T2884 09/03/03
25.00

**SINGLE AXLE
(axle beam)
(A1)**

(NAF TIM 14)

REF	PART #	QTY	DESCRIPTION	SEE PAGE
1	---			
2	---	1	AXEL HOUSING	
3	---	3	SCREW PLUG	
4	---	3	SEAL RING	
5	---	1	CYLINDER	
6	---	1	SEAL RING	
7	---	1	GROVE RING	
8	---	1	SHAFT SEAL	
9	---	1	PISTON	
10	---	8	HEXAGON SCREW	
11	---	18	WASHER	
12	---			
13	---			
14	---			
15	---	1	DRIVE SHAFT	
16	---	1	SEEGER-RING	
17	---	1	CHECK DISK	
17a	---	2	PIN	
18	---	1	BUSH	
19	---	1	DISK SUPPORT	
20	---	1	MULTI-PLATE PACKAGE	
20	---	10	DRIVEN DISK	
20	---		DRIVE DISK OF S = 5.0	
20	---		DRIVE DISK OF S = 5.3	
21	---			
22	---	1	RING PISTON BRACKET CYLINDER	
23	---	8	PRESSURE SPRING	
24	---	4	STUD	
25	---	2	STUD	
26	---	2	SHAFT SEAL	
27	---	4	WASHER	
28	---	8	HEXAGON SCREW	
29	---	2	PRESSURE SPRING	
30	---	8	ALLEN SCREW	
31	---	3	DISK SPRING	
32	---	2	HEXAGON SCREW	
33	---	2	HEX NUT	
34	---	2	STRAIGHT PIN	
-	---	1	TYPE PLATE	
-	---	2	PIN	

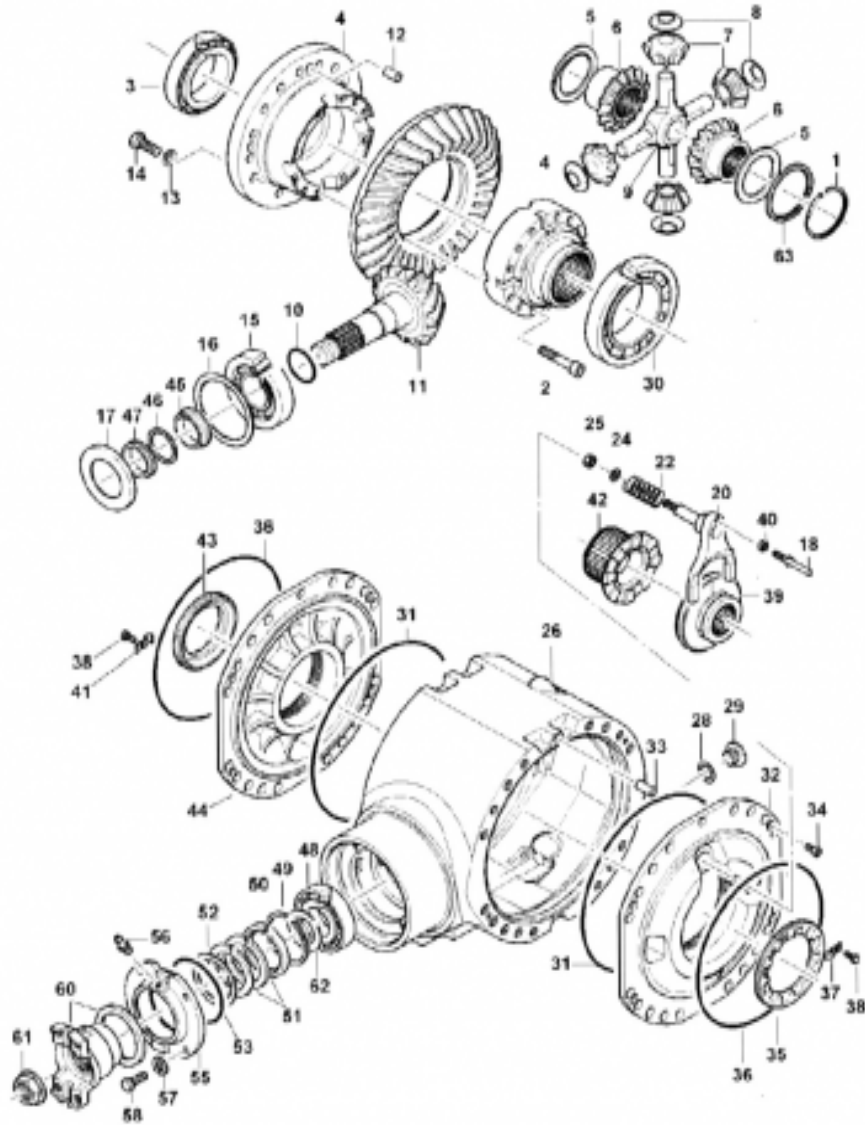


parts T2884 09/03/03
25.00

**SINGLE AXLE
(axle beam)
(A2)**

(NAF TIM 14)

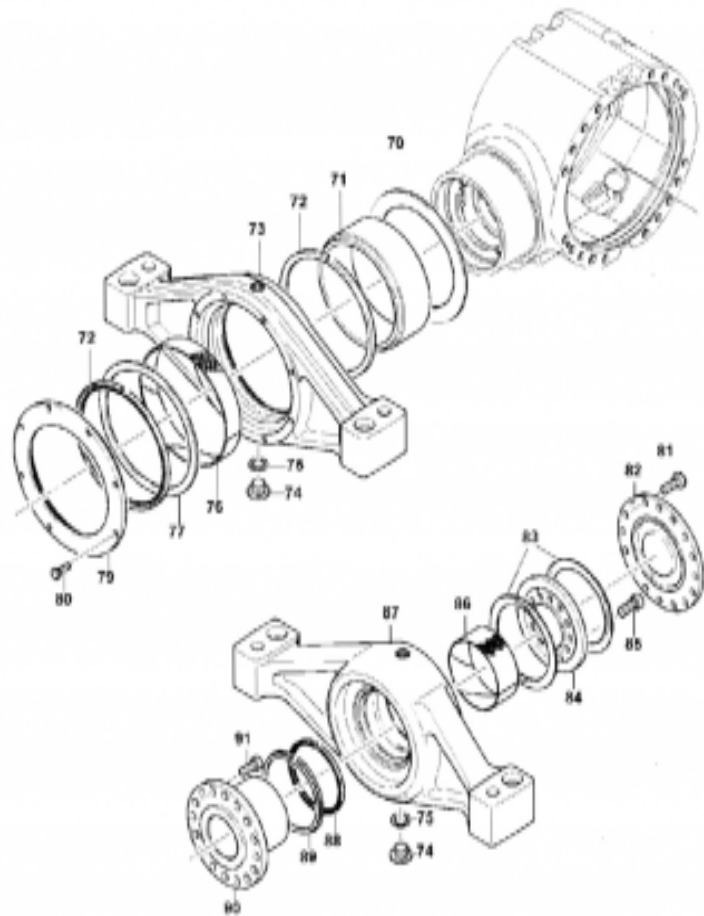
REF	PART #	QTY	DESCRIPTION	SEE PAGE
1	---	1	AXEL HOUSING	
2	---			
3	---	3	SCREW PLUG	
4	---	3	SEAL RING	
5	---			
6	---			
7	---			
8	---			
9	---			
10	---	8	HEXAGON SCREW	
11	---	18	WASHER	
12	---			
13	---			
14	---	1	BREATHER	
15	---	1	DRIVE SHAFT	
16	---	1	SEEGER-RING	
17	---	1	CHECK DISK	
17a	---	2	PIN	
18	---	1	BUSH	
19	---	1	DISK SUPPORT	
20	---	1	MULTI-PLATE PACKAGE	
20	---	10	DRIVEN DISK	
20	---		DRIVE DISK TH. = 5.0	
20	---		DRIVE DISK TH - 5.3	
21	---			
22	---	1	RING PISTON BRACKET CYLINDER	
23	---	8	PRESSURE SPRING	
24	---	4	STUD	
25	---	2	STUD	
26	---	2	SHAFT SEAL	
27	---	4	WASHER	
28	---	8	HEXAGON SCREW	
29	---	2	PRESSURE SPRING	
30	---	8	ALLEN SCREW	
31	---	3	DISK SPRING	
32	---	2	HEXAGON SCREW	
33	---	2	HEX NUT	
34	---	2	STRAIGHT PIN	



parts T2882 09/03/03
25.00

**SINGLE AXLE
(DIFFERENTIAL)
(NAF TIM 14)**

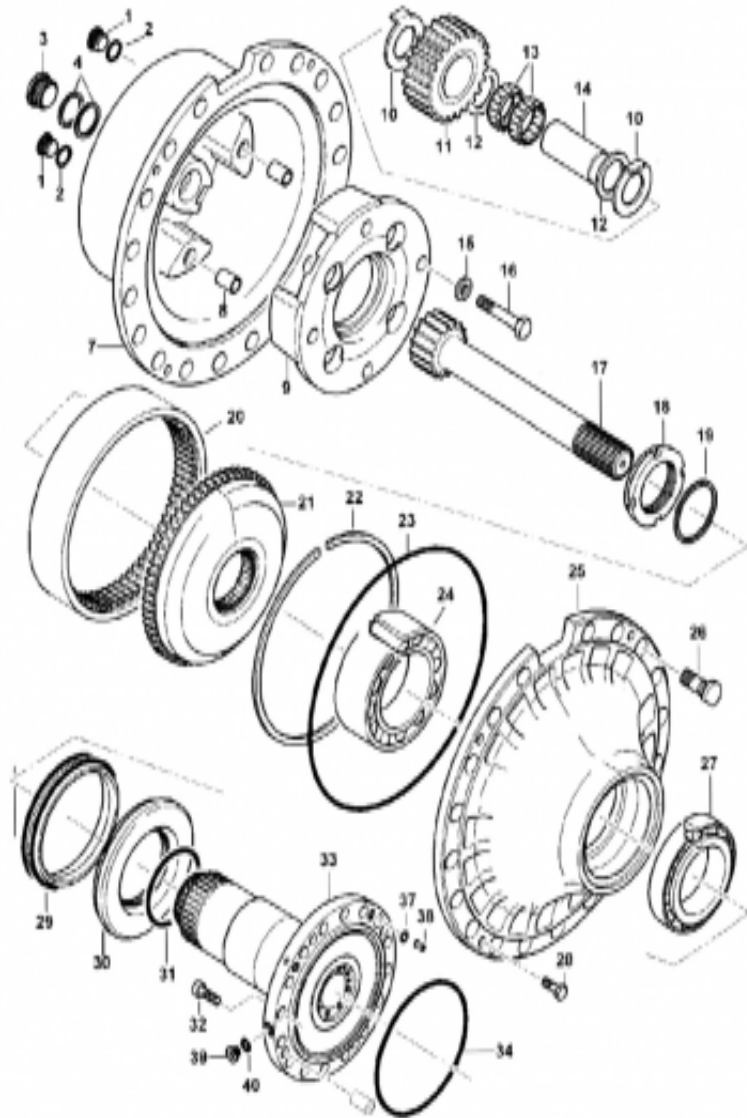
REF	PART #	QTY	DESCRIPTION	SEE PAGE
1	---	1	SPRING RING	
2	---	12	ALLEN SCREW	
3	---	1	TAPERED-ROLLER BEARING	
4	---	1	DIFFERENTIAL CAGE	
5	---	2	□ ADJUSTING KIT	
5	---		CHECK DISK	
5	---		CHECK DISK	
5	---		CHECK DISK	
5	---		CHECK DISK	
5	---		CHECK DISK	
6	---	2	DIFFERENTIAL GEAR	
7	---	4	PLANETARY GEAR	
8	---	4	THRUST WASHER	
9	---	1	CROSS BOLT	
10	---	1	O-RING	
11	---	1	CROWN WHEEL / PINION	
12	---	4	STRAIGHT PIN	
13	---	16	SCREW	
14	---	16	WASHER	
15	---	1	TAPERED-ROLLER BEARING	
16	---	1	□ ADJUSTING KIT	
16	---		ADJUSTING WASHER	
16	---		ADJUSTING WASHER	
16	---		ADJUSTING WASHER	
17	---	1	COVER	
18	---	1	SHIFTING ROD	
20	---	1	SHIFT FORK	
22	---	1	PRESSURE SPRING	
23	---			
24	---	1	WASHER	
25	---	1	HEX NUT	
26	---	1	DIFFERENTIAL HOUSING	
28	---	1	O-RING	
29	---	1	SCREW PLUG	
30	---	1	TAPERED-ROLLER BEARING	
31	---	4	O-RING	
32	---	1	FLANGE	
33	---	2	STRAIGHT PIN	
34	---	4	ALLEN SCREW	
35	---	1	NUT	
37	---	2	LOCKING PLATE	
38	---	2	HEXAGON SCREW	
39	---	1	SHIFTING SLEEVE	
40	---	1	HEX NUT	
41	---	1	LOCKING PLATE	
42	---	1	CLUTCH-COUPLING SLEEVE	
43	---	1	NUT	
44	---	1	FLANGE	
45	---	1	SPACER BUSH	



parts T2881 09/03/03
25,00

**SINGLE AXLE
(DIFFERENTIAL PIVOT)
(NAF TIM 14)**

REF	PART #	QTY	DESCRIPTION	SEE PAGE
70	---	1	WASHER	
71	---	1	RING	
72	---	2	OIL SEAL	
73	---	1	AXLE BALANCER	
74	---	2	SCREW PLUG	
75	---	2	SEAL RING	
76	---	1	BOXTREES	
77	---	1	WASHER	
78	---			
79	---	1	WASHER	
80	---	8	HEXAGON SCREW	
81	---	16	SCREW	
82	---	1	COVER	
83	---	2	CHECK DISK	
84	---	1	COVER	
85	---	12	ALLEN SCREW	
86	---	1	BOXTREE	
87	---	1	AXLE BALANCER	
88	---	1	OIL SEAL	
89	---	1	V-RING	
90	---	1	BEARING STUD	
91	---	16	ALLEN SCREW	

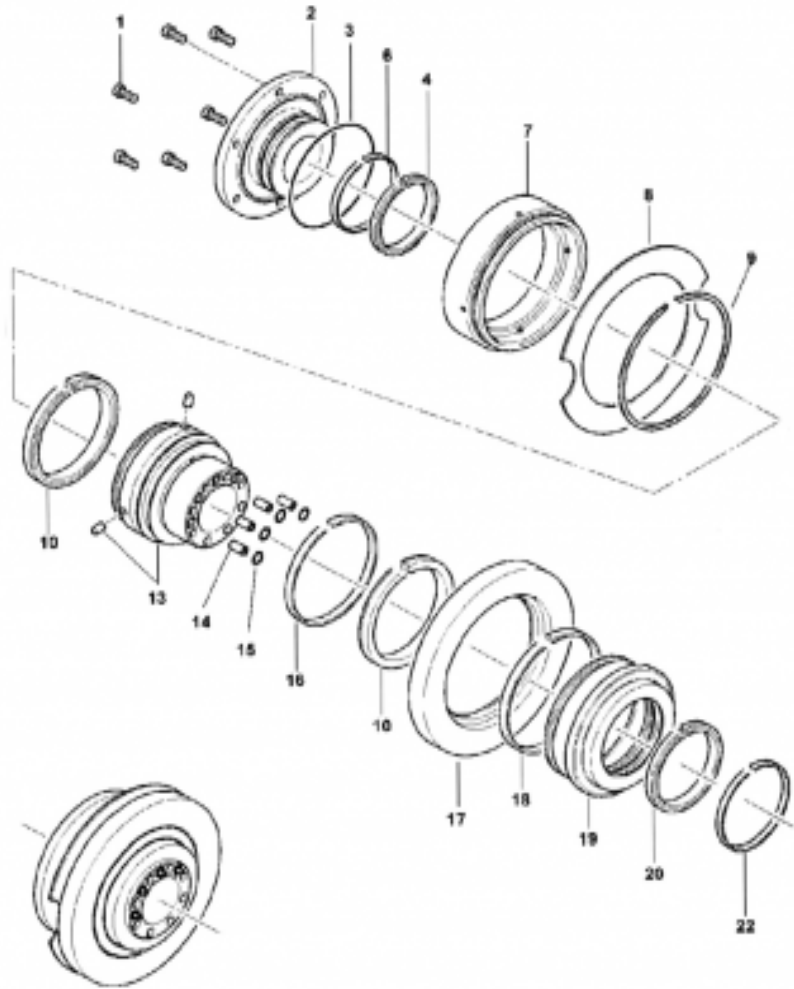


parts T2883 09/03/03
25,00

**SINGLE AXLE
(planetary)
(NAF TIM 14)**

REF	PART #	QTY	DESCRIPTION	SEE PAGE
1	---	3	SCREW PLUG	
2	---	3	SEAL RING	
3	---	2	SCREW PLUG	
4	---	2	ADJUSTING KIT	
4	---		SUPPORTING WASHER	
4	---		SEEGER WASHER	
5	---			
6	---			
7	---	2	PLANETARY CAGE	
8	---	8	SHEAR BUSHING	
9	---	2	PLANETARY CAGE	
10	---	16	CHECK DISK	
11	---	8	PLANETARY GEAR	
12	---	16	SUPPORTING WASHER	
13	---	16	NEEDLE ROLLER CAGES	
14	---	8	PLANETARY STUD	
15	---	8	WASHER	
16	---	8	HEXAGON SCREW	
17	---	2	SUN GEAR SHAF	
18	---	2	NUT	
19	---	2	ADJUSTING KIT	
19	---	10	ADJUSTING WASHER	
20	---	2	GEAR RIM	
21	---	2	RING GEAR CARRIER	
22	---	2	SPRING RING	
23	---	2	O-RING	
24	---	2	TAPERED-ROLLER BEARING	
25	---	2	WHEEL HUB	
26	---	38	WHEEL BOLT	
27	---	2	TAPERED-ROLLER BEARING	
28	---	8	HEXAGON SCREW	
29	---	2	SLIDE RING SEALING	
30	---	2	AXLE STUB RING	
31	---	2	O-RING	
32	---	32	ALLEN SCREW	
33	---	2	STUB AXLE	
34	---	2	O-RING	
35	---			
36	---			
37	---	4	O-RING	
38	---	4	BUSHING	
39	---	4	SCREW PLUG	
40	---	4	SEAL RING	

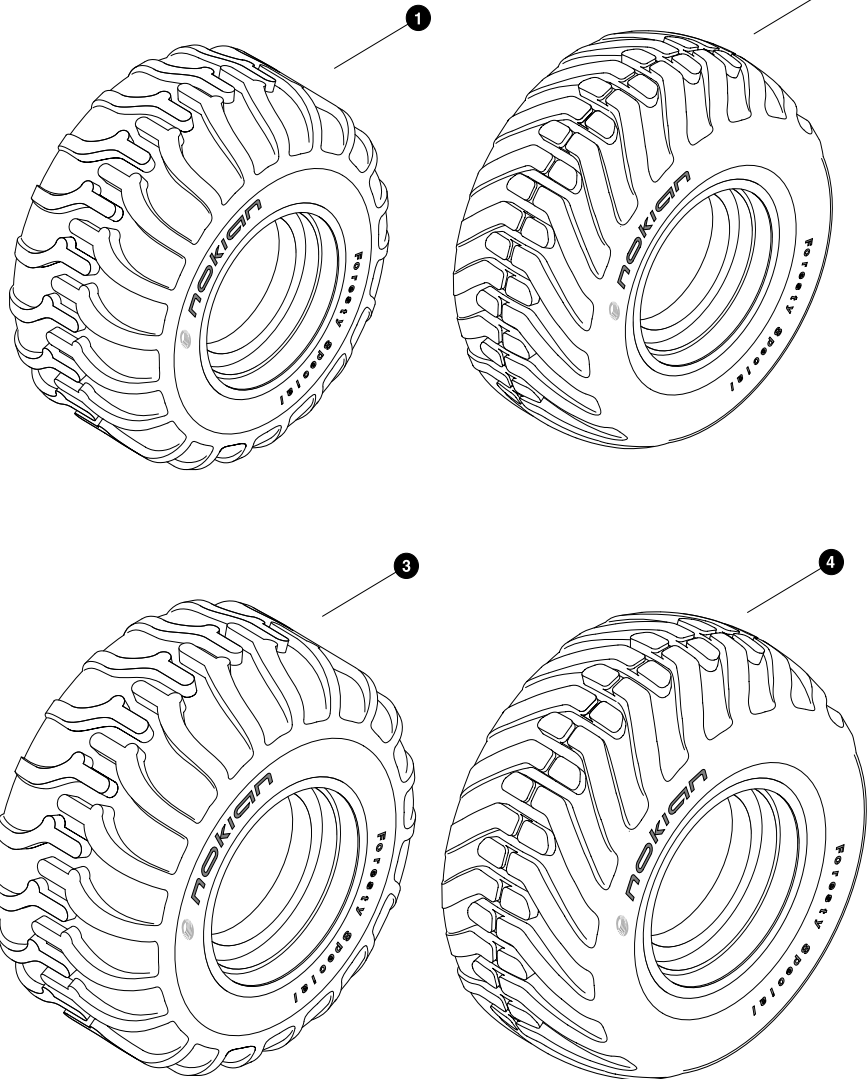
□ Kit or Assembly - includes all items indented underneath.



parts T2882 09/03/03
25.00

**SINGLE AXLE
(brake piston)
(NAF TIM 14)**

REF	PART #	QTY	DESCRIPTION	SEE PAGE
-	---	1	BRAKE CYLINDER COMPLETE	
1	---	6	ALLEN SCREW	
2	---	1	PISTON	
3	---	1	O-RING	
4	---	1	SHAFT SEAL	
5	---			
6	---	1	PISTON GUIDE RING	
7	---	1	INTERMEDIATE RING	
8	---	1	WASHER	
9	---	1	SPRING RING	
10	---	2	SHAFT SEAL	
11	---			
12	---			
13	---	1	CYLINDER COMPETE	
14	---	4	BUSH	
15	---	4	O-RING	
16	---	1	PISTON GUIDE RING	
17	---	1	WASHER	
18	---	1	PISTON GUIDE RING	
19	---	1	PISTON	
20	---	1	SHAFT SEAL	
21	---			
22	---	1	WEAR BAND	



Parts T2876 08/28/03
9.375

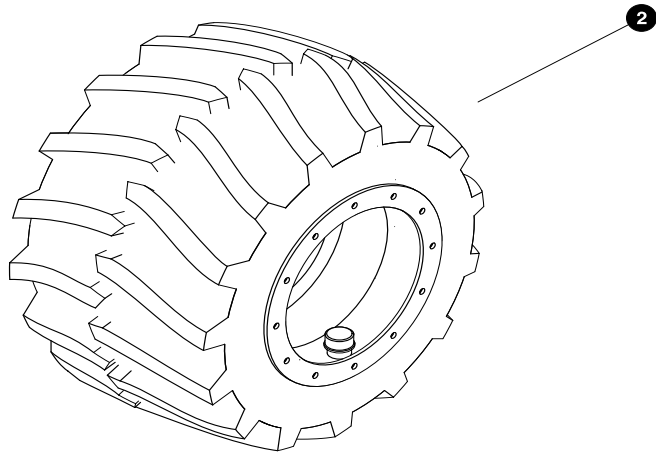
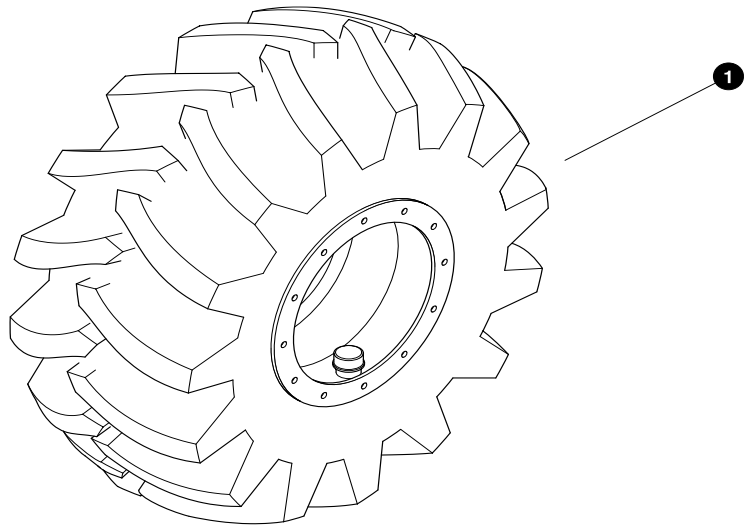
**WHEEL ASSEMBLIES
(NOKIAN)**

REF	PART #	QTY	DESCRIPTION	SEE PAGE
1	20006-AX	4	<input type="checkbox"/> WHEEL ASSEMBLY, 700/55-26.5" - LH (<i>Aggressive tread</i>)	
-	20007-AX	4	<input type="checkbox"/> WHEEL ASSEMBLY, 700/55-26.5" - RH (<i>Aggressive tread</i>)	
-	---	1	TIRE - 700/55-26.5"/20 ply (<i>Nokian</i>) (T486091)	
-	21137-AX	1	RIM, wheel - 750/55-26.5"	
-	---	1	PLUG, black pipe - valve stem cover (T499985)	
-	---	1	TUBE, tire - 700/55-26.5" (3550167)	
2	19053-AX	4	<input type="checkbox"/> WHEEL ASSEMBLY, 700/55-26.5" - LH (<i>Non-aggressive tread</i>)	
2	20005-AX	4	<input type="checkbox"/> WHEEL ASSEMBLY, 700/55-26.5" - RH (<i>Non-aggressive tread</i>)	
-	---	1	TIRE - 700/55-26.5"/20 ply (<i>Nokian</i>) (T486095)	
-	21137-AX	1	RIM, wheel - 750/55-26.5"	
-	---	1	PLUG, black pipe - valve stem cover (T499985)	
-	---	1	TUBE, tire - 700/55-26.5" (3550167)	
3	23673-L-AX	4	<input type="checkbox"/> WHEEL ASSEMBLY, 750/55-26.5" - LH (<i>Aggressive tread</i>)	
3	23673-R-AX	4	<input type="checkbox"/> WHEEL ASSEMBLY, 750/55-26.5" - RH (<i>Aggressive tread</i>)	
-	23674-AX	1	TIRE - 750/55-26.5"/20 ply (<i>Nokian</i>) (<i>Aggressive tread</i>)	
-	21137-AX	1	RIM, wheel - 750/55-26.5"	
-	---	1	PLUG, black pipe - valve stem cover (T499985)	
-	20313-AX	1	TUBE, tire - 750/55-26.5"	
4	20310-L-AX	4	<input type="checkbox"/> WHEEL ASSEMBLY, 750/55-26.5" - LH (<i>Non-aggressive tread</i>)	
4	20310-R-AX	4	<input type="checkbox"/> WHEEL ASSEMBLY, 750/55-26.5" - RH (<i>Non-aggressive tread</i>)	
-	20312-AX	1	TIRE - 750/55-26.5"/20 ply (<i>Nokian</i>) (<i>Non-aggressive tread</i>)	
-	21137-AX	1	RIM, wheel - 750/55-26.5"	
-	---	1	PLUG, black pipe - valve stem cover (T499985)	
-	20313-AX	1	TUBE, tire - 750/55-26.5"	

Kit or Assembly - includes all items indented underneath.

Note:

LH and RH wheels are the result of the tire being mounted on the rim so that the tread is running the same direction on both sides of the machine when installed.



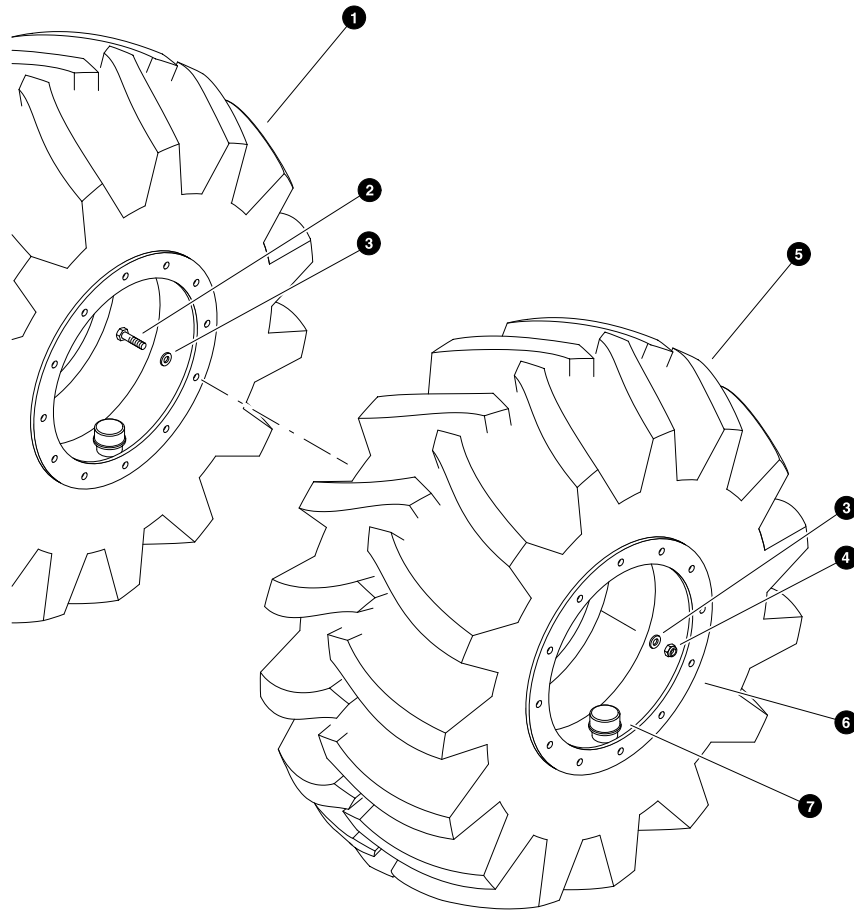
**WHEEL ASSEMBLIES
(FIRESTONE)**

REF	PART #	QTY	DESCRIPTION	SEE PAGE
1	20915-L-AX	4	<input type="checkbox"/> WHEEL ASSEMBLY, 28L-26 - LH (With spacer for dual tires)	
1	20915-R-AX	4	<input type="checkbox"/> WHEEL ASSEMBLY, 28L-26 - RH (With spacer for dual tires)	
-	19795-AX	1	TIRE/TUBE - 28L-26/14 ply (Firestone)	
-	22409-AX	1	RIM, wheel - 28L-26 (With spacer for dual tires)	
-	NSS	1	CAP, black pipe - vavle stem cover	
-	19798-AX	1	TUBE, tire - 28L-26	
1	19908-L-AX	4	<input type="checkbox"/> WHEEL ASSEMBLY, 28L-26 - LH	
1	19908-R-AX	4	<input type="checkbox"/> WHEEL ASSEMBLY, 28L-26 - RH	
-	19795-AX	1	TIRE/TUBE - 28L-26/14 ply (Firestone)	
-	22408-AX	1	RIM, wheel - 28L-26	
-	NSS	1	CAP, black pipe - vavle stem cover	
-	19798-AX	1	TUBE, tire - 28L-26	
2	19909-L-AX	4	<input type="checkbox"/> WHEEL ASSEMBLY, 54 x 37" - LH (high floatation)	
2	19909-R-AX	4	<input type="checkbox"/> WHEEL ASSEMBLY, 54 x 37" - RH (high floatation)	
-	19791-AX	1	TIRE - 54 x 37"/12 ply (Firestone)	
-	19803-AX	1	RIM, wheel - 54 x 37"	
-	NSS	1	CAP, black pipe - vavle stem cover	

Kit or Assembly - includes all items indented underneath.

Note:

LH and RH wheels are the result of the tire being mounted on the rim so that the tread is running the same direction on both sides of the machine when installed.



Parts 01863 09/25/2000
12.50

WHEEL ASSEMBLIES
(Dual Configuration - 28L-26 & 23.1-26 - 16 Wheels Total)

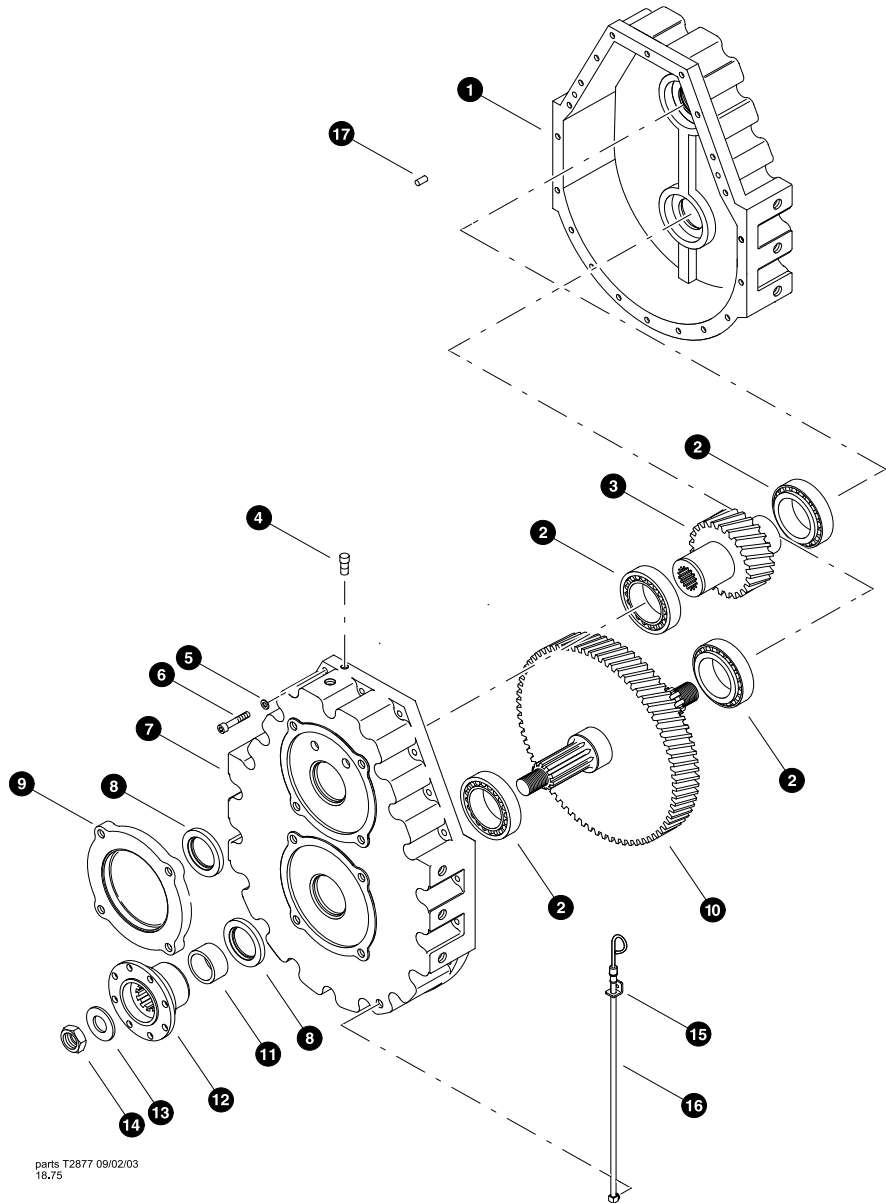
(Firestone dual tires)

REF	PART #	QTY	DESCRIPTION	SEE PAGE
1	REF.	4	<input type="checkbox"/> WHEEL ASSEMBLY, 28L-26 - LH	AX-3-2
	REF.	4	<input type="checkbox"/> WHEEL ASSEMBLY, 28L-26 - RH	AX-3-2
2	10840-AX	96	BOLT - 3/4" x 3"	
3	15550-AX	192	WASHER, SAE flat - 3/4"	
4	10817-AX	96	NUT, lock - 3/4"	
--	19911-L-AX	4	<input type="checkbox"/> WHEEL ASSEMBLY, 23.1-26 - LH	
--	19911-R-AX	4	<input type="checkbox"/> WHEEL ASSEMBLY, 23.1-26 - RH	
5	19800-AX	1	TIRE/TUBE - 23.1-26/14 ply (Firestone)	
6	19920-AX	1	RIM, wheel - 23.1-26	
7	NSS	1	CAP, black pipe	

- See referenced page for component or assembly breakdown.
- Kit or Assembly - includes all items indented underneath.

Note:

LH and RH wheels are the result of the tire being mounted on the rim so that the tread is running the same direction on both sides of the machine when installed.

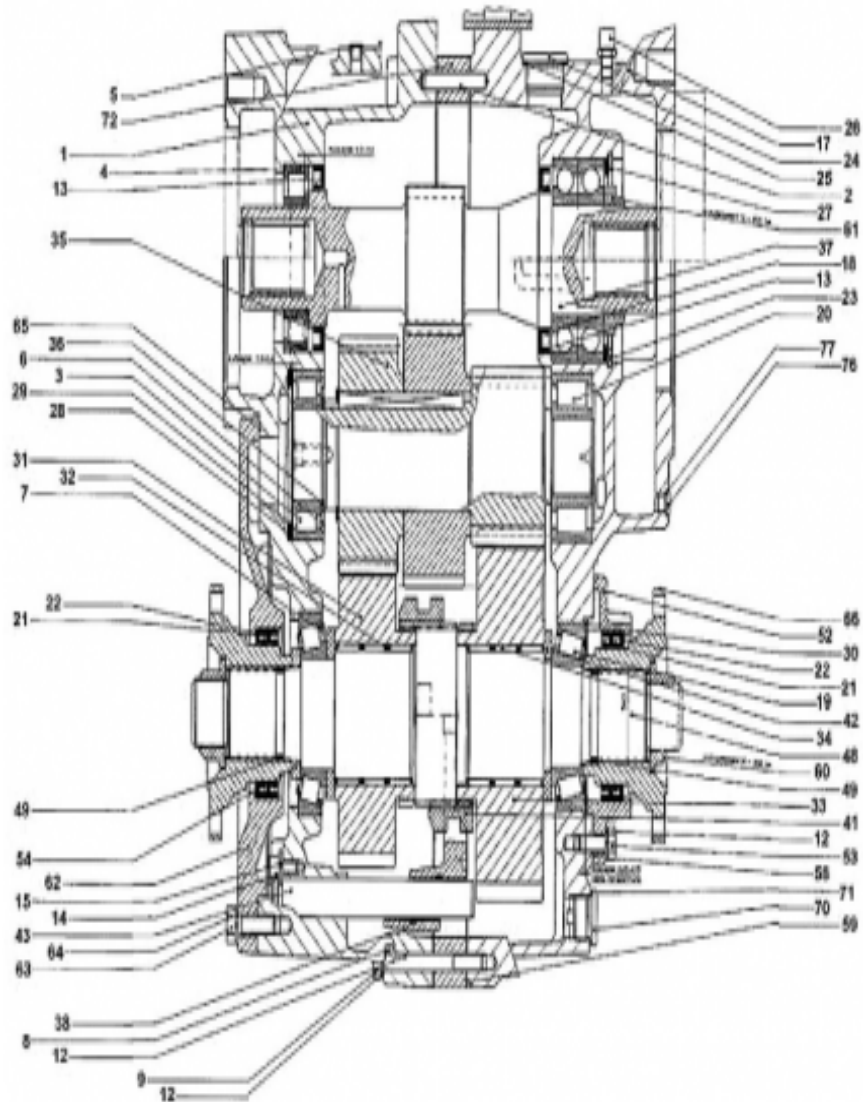


parts T2877 09/02/03
18.75

**TRANSFER CASE
(Superior Single Speed)**

REF	PART #	QTY	DESCRIPTION	SEE PAGE
--	20097-AX	1	<input type="checkbox"/> TRANSFER CASE	
1	---	1	HOUSING (00007249)	
2	24344-AX	4	BEARING, cone	
-	24343-AX	4	BEARING, cup	
3	23681-AX	1	<input type="checkbox"/> GEAR/SHAFT ASSEMBLY, input	
---	---	1	SHAFT	
---	---	1	GEAR (26 teeth)	
4	23395-AX	1	BREATHER, gearbox	
	24342-AX	1	GEAR (103 teeth)	
5	23526-AX	20	WASHER, housing bolt	
6	23517-AX	20	BOLT, housing	
7	---	1	HOUSING (00007250)	
8	22010-AX	4	SEAL, shaft	
9	23683-AX	2	ADAPTER, motor pad - SAE "D"	
10	23682-AX	1	<input type="checkbox"/> GEAR/SHAFT ASSEMBLY, output	
---	---	1	SHAFT	
---	---	1	GEAR (103 teeth)	
11	23686-AX	2	SPACER	
12	23998-AX	2	YOKE, driveshaft	
13	23684-AX	2	WASHER, yoke	
14	23685-AX	2	NUT, yoke	
15	23688-AX	1	BRACKET, dipstick mounting	
16	23687-AX	1	DIPSTICK	
17	23518-AX	2	PIN, dowel	

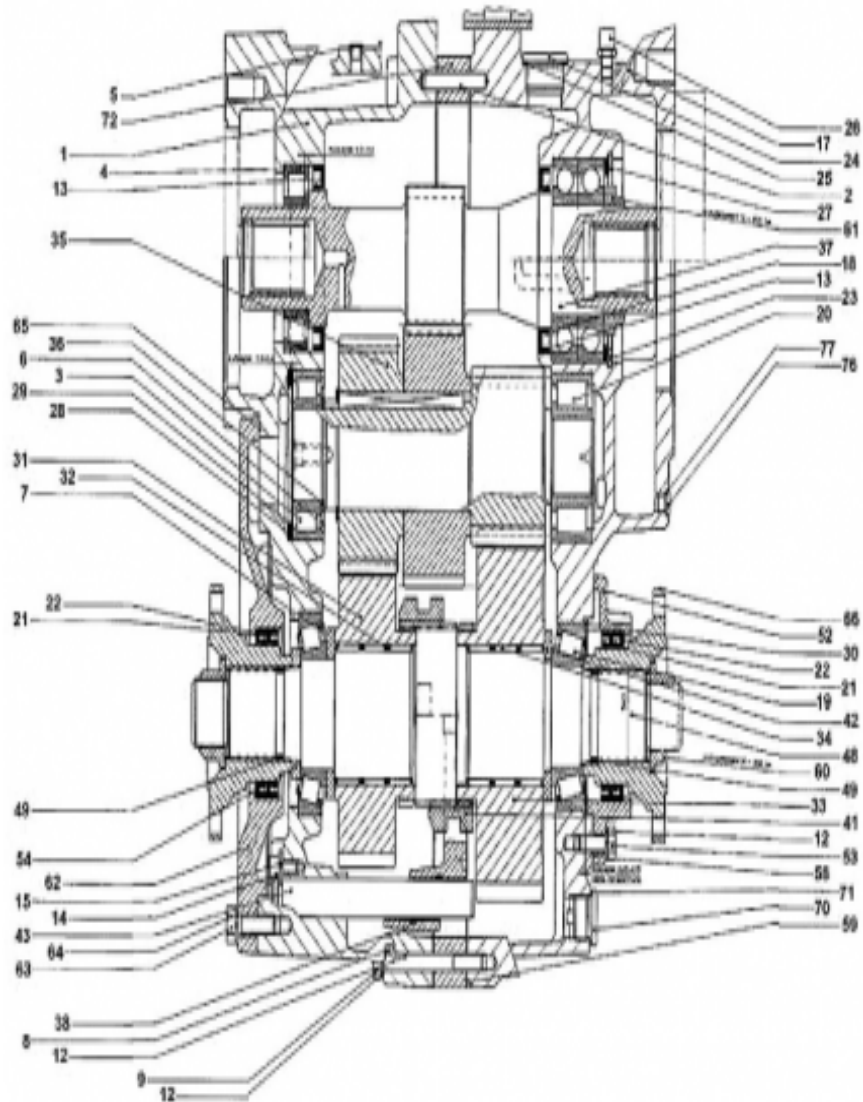
Kit or Assembly - includes all items indented underneath.



parts T2887 09/09/03
18.75

TRANSFER CASE
(TIM 15) (TF 820)
(NAF TWO SPEED DUEL MOTOR)

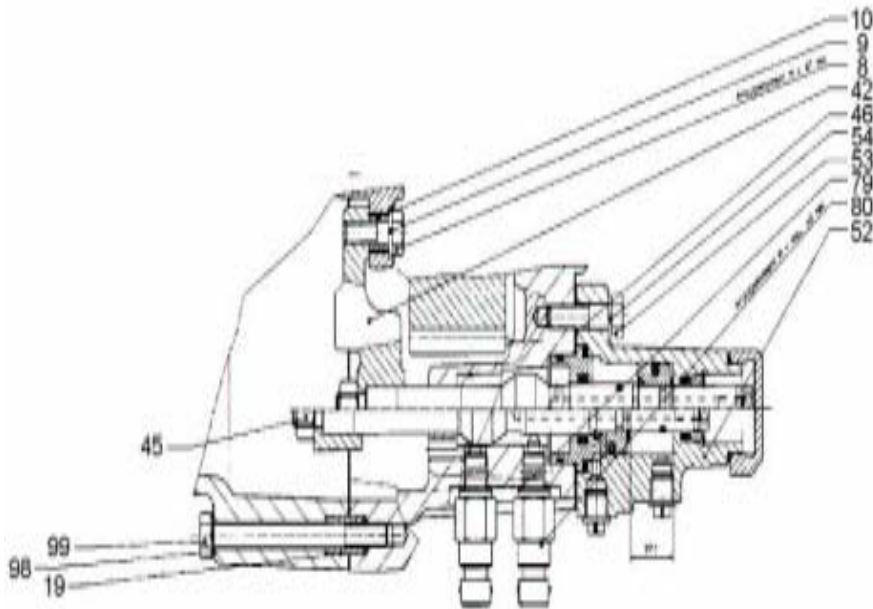
REF	PART #	QTY	DESCRIPTION	SEE PAGE
1	---	1	HOUSING	
2	---	1	STRAIGHT PIN	
3	---	1	CYLINDER ROLLER BEARING	
4	---	1	CYLINDER ROLLER BEARING	
5	---	1	PLUG	
6	---	1	NILOS-RING	
7	---	1	TAPERED ROLLER BEARING	
8	---	6	HEXAGON SCREW	
9	---	4	HEXAGON SCREW	
10	---	1	HEXAGON SCREW	
11	---	2	HEXAGON SCREW	
12	---	13	LOCKING CLIP	
13	---	2	OIL SEAL	
14	---	1	ALLEN SCREW	
15	---	2	WASHER	
16	---	8	PLUG	
17	---	1	HOUSING	
18	---	2	TAPERED-ROLLER BEARING	
19	---	1	TAPERED-ROLLER BEARING	
20	---	1	CYLINDER ROLLER BEARING	
21	---	2	OIL SEAL	
22	---	2	OIL SEAL	
23	---	1	SEEGER-RING	
24	---	1	SCREW PLUG	
25	---	1	SEAL RING	
26	---	1	BREATHER	
27	---	1	SUPPORTING WASHER	
28	---	1	SUPPORTING WASHER	
29	---	1	ADJUSTING KIT	
30	---	1	ADJUSTING KIT	
31	---	1	GEAR	
32	---	3	NEEDLE ROLLER CAGES	
33	---	1	GEAR	
34	---	3	NEEDLE ROLLER CAGES	
35	---	1	GEAR BLOCK	
36	---	1	SUPPORTING WASHER	
37	---	1	DRIVE PINION	
38	---	1	SHIFTING LEVER COMPL	
39	---	1	SHIFTING LEVER CONTROL	
40	---	1	HEXAGON SCREW	
41	---	1	WASHER	
42	---	2	SHIFTING SLEEVE	
43	---	1	WASHER	
44	---	1	SHIFTING ROD	
45	---	1	HEX. NUT	
46	---	2		
47	---	2	ADJUSTING KIT	
48	---	1	SHAFT	
49	---	2	O-RING	
50	---	1	SHIFT CYLINDER COMPLETE	



parts T2887 09/09/03
18.75

TRANSFER CASE
(TIM 15)
(NAF TWO SPEED DUEL MOTOR)

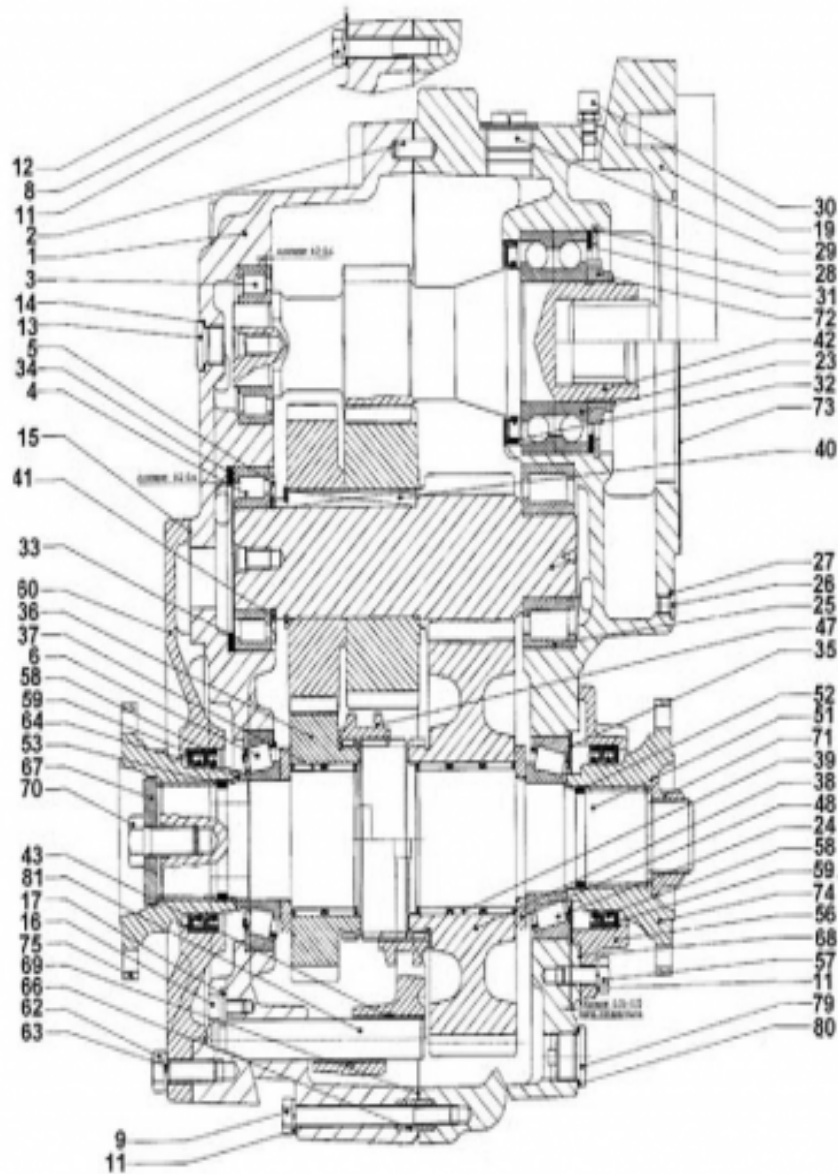
REF	PART #	QTY	DESCRIPTION	SEE PAGE
51	---	2	HEXAGON SCREW	
52	---	1	COVER	
53	---	6	HEXAGON SCREW	
54	---	1		
55	---	1	SPACER BUSHING	
56	---	12	SHEAR BUSHING	
57	---	1	WASHER	
58	---	1	GASKET	
59	---	2	GASKET	
60	---	2	NUT	
61	---	1	NUT	
62	---	1	COVER	
63	---	9	HEXAGON SCREW	
64	---	9	LOCKING CLIP	
65	---	1	GASKET	
66	---	2	CARDAN FLANGE	
67	---	1	DIPSTICK	
68	---	1	TUBE	
69	---	1	SEAL RING	
70	---	1	SCREW PLUG	
71	---	1	SEAL RING	
72	---	1		
73	---	1		
74	---	1		
75	---	6		
76	---	1		
77	---	1		
--		1	TYPE PLATE	
--		2	PIN	



parts T2889 09/09/03
18.75

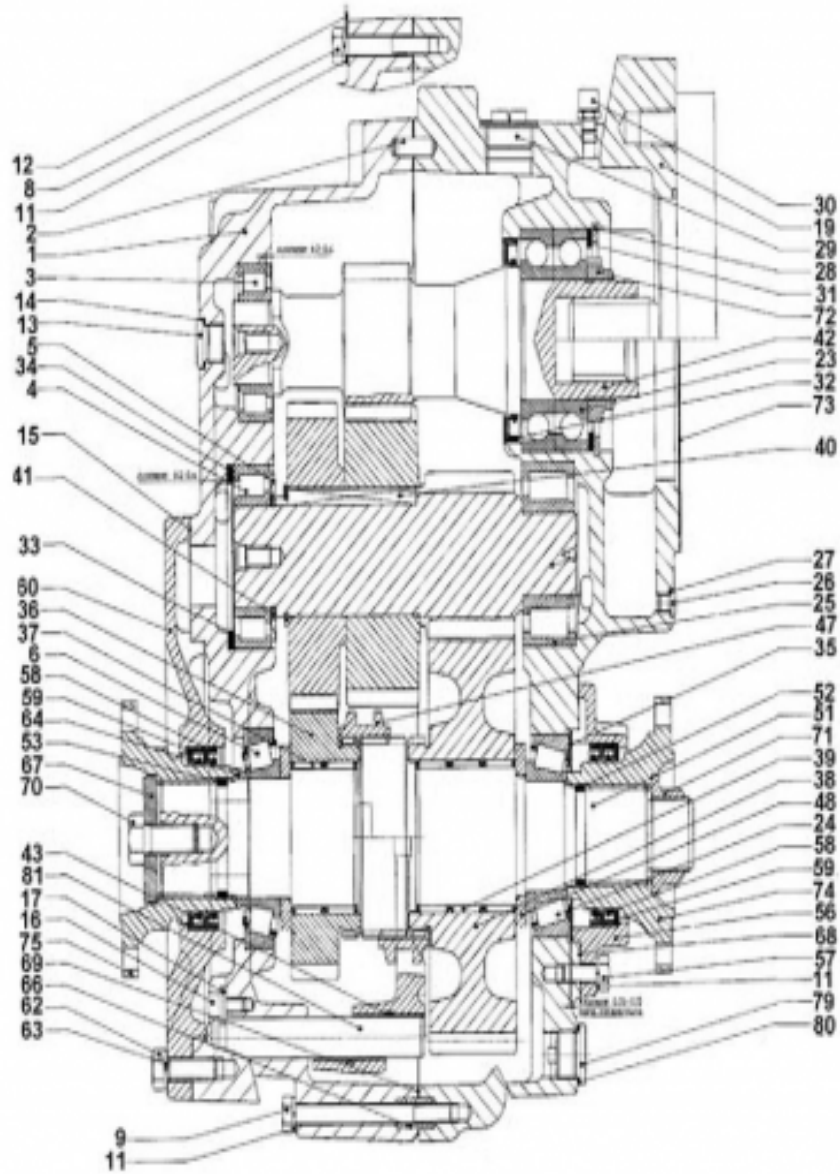
TRANSFER CASE
(TIM 15)
(SHIFT CYLINDER)

REF	PART #	QTY	DESCRIPTION	SEE PAGE
-	---	1	SHIFT CYLINDER COMPLETE	
8	---	1	BOLT, HEX	
9	---	1	WASHER	
10	---	1	SLEEVE, SPACER	
19	---	1	BUSHING, SHEAR	
42	---	1	LEVER, SHIFT	
45	---	1	NUT, SHIFT ROD	
46	---	1	WASHER PACKAGE	
52	---	1	CYLINDER	
53	---	1	BOLT, HEX	
54	---	2	WASHER, LOCKING	
79	---	2	WASHER, ADJUSTING	
80	54093-AX	2	SWITCH, PRESSUR	
98	---	1	WASHER, LOCKING	
99	---	1	BOLT, HEX	



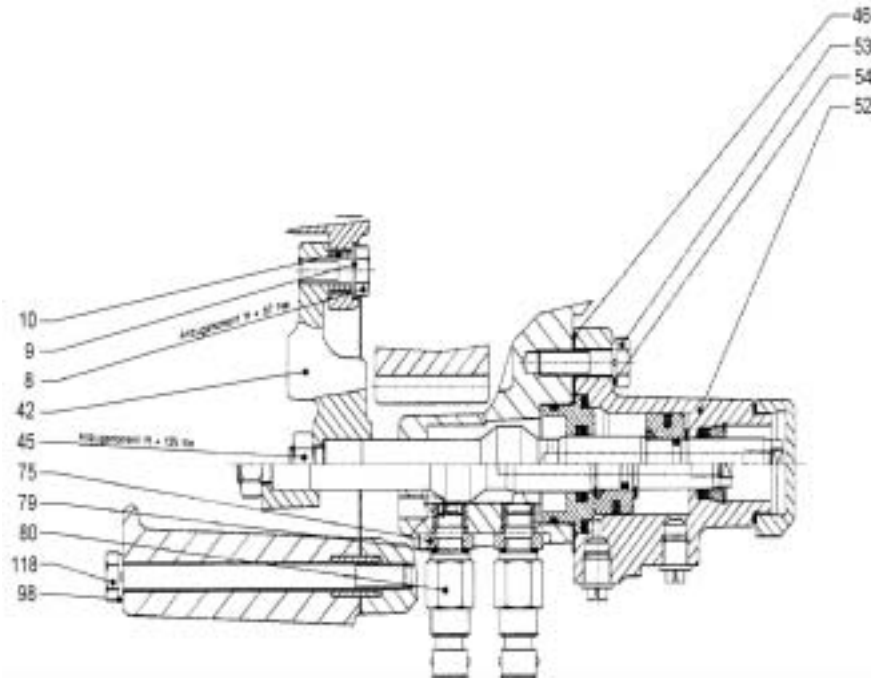
TRANSFER CASE
(TIM 16) (TB 620)
(NAF TWO SPEED SINGLE MOTOR)

REF	PART #	QTY	DESCRIPTION	SEE PAGE
1	---	1	HOUSING	
2	---	2	STRAIGHT PIN	
3	---	1	CYLINDER ROLLER BEARING	
4	---	1	CYLINDER ROLLER BEARING	
5	---	1	NILOS-RING	
6	---	1	TAPERED ROLLER BEARING	
7	---	6	HEXAGON SCREW	
8	---	4	HEXAGON SCREW	
9	---	1	HEXAGON SCREW	
10	---	2	HEXAGON SCREW	
11	---	13	LOCKING CLIP	
12	---	1	FISCHPLATE	
13	---	1	SCEW PLUG	
14	---	1	SEAL RING	
15	---	1	SEAL RING	
16	---	1	ALLEN SCREW	
17	---	2	WASHER	
18	---	8	PLUG	
19	---	1	HOUSING	
20	---	2	BUSHING	
21	---	2		
22	---	2	ADJUSTING KIT	
23	---	2	TAPERED-ROLLER BEARING	
24	---	1	TAPERED-ROLLER BEARING	
25	---	1	CYLINDER ROLLER BEARING	
26	---	1	SCREW PLUG	
27	---	1	SEAL RING	
28	---	1	SEEGER-RING	
29	---	1	PLUG	
30	---	1	BREATHER	
31	---	1	SUPPORTING WASHER	
32	---	1	OIL SEAL	
33	---	1	SUPPORTING WASHER	
34	---	1	ADJUSTING KIT	
35	---	1	ADJUSTING IT	
36	---	1	GEAR	
37	---	2	NEEDLE ROLLER CAGES	
38	---	1	GEAR	
39	---	3	NEEDLE ROLLER CAGES	
40	---	1	GEAR BLOCK	
41	---	1	SUPPORTING WASHER	
42	---	1	DRIVE PINION	
43	---	1	SHIFTING LEVER COMPL	
44	---	1	SHIFTING LEVER COMPL	
45	---	1	HEXAGON SCREW	
46	---	1	WASHER	
47	---	1	SHIFTING SLEEVE	
48	---	2	WASHER	
81	---	1	SHIFTING ROD	
49	---	1	HEX. NUT	



TRANSFER CASE
(TIM 16)
(NAF TWO SPEED SINGLE MOTOR)

REF	PART #	QTY	DESCRIPTION	SEE PAGE
50	---	1	ADJUSTING KIT	
51	---	1	SHAFT	
52	---	1	O-RING	
53	---	1	O-RING	
54	---	1	SHIFT CYLINDER COMPL	
55	---	2	HEXAGON SCREW	
11	---	2	LOCKING CLIP	
56	---	1		
57	---	6	HEXAGON SCREW	
11	---	6	LOCKING CLIP	
58	---	2	OIL SEAL	
59	---	2	OIL SEAL	
60	---	1	COVER	
62	---	9	HEXAGON SCEW	
63	---	9	LOCKING CLIP	
64	---	1	SPACER BUSHING	
65	---	1	SPACER BUSHING	
66	---	6	SHEAR BUSHING	
67	---	1	WASHER	
68	---	1	GASKET	
69	---	1	GASKET	
70	---	1	HEXAGON SCREW	
71	---	1	NUT	
72	---	1	NUT	
73	---	1	(7333.054)	
74	---	1	CARDAN FLANGE	
75	---	1	CARDAN FLANGE	
76	---	1	DIPSTICK	
77	---	1	THREADED STUD	
78	---	1	SEAL RING	
79	---	1	SCREW PLUG	
80	---	1	SEAL RING	
--		1	TYPE PLATE	
--		2	PIN	



parts T2888 09/09/03
18.75

TRANSFER CASE
(TIM 16)
(SHIFT CYLINDER)

REF	PART #	QTY	DESCRIPTION	SEE PAGE
-	---	1	SHIFT CYLINDER COMPLETE	
8	---	1	BOLT, HEX	
9	---	1	WASHER	
10	---	1	SLEEVE, SPACER	
42	---	1	LEVER, SHIFT	
45	---	1	NUT, SHIFT ROD	
46	---	1	WASHER PACKAGE	
52	---	1	CYLINDER	
53	---	1	BOLT, HEX	
54	---	2	WASHER, LOCKING	
75	---	2	BUSHING	
79	---	2	WASHER, ADJUSTING	
80	54093-AX	2	SWITCH, PRESSURE	
98	---	1	WASHER, LOCKING	
118	---	1	BOLT, HEX	

