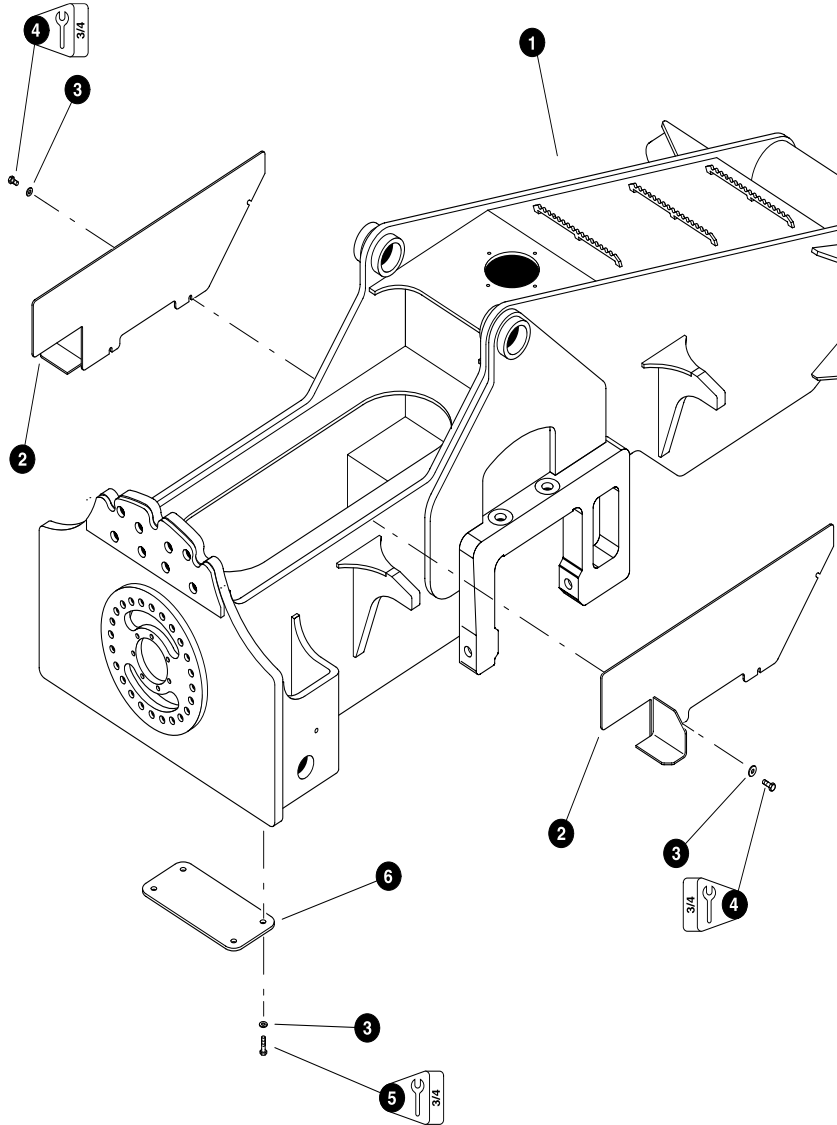


Section BF-1

***Leveling Front Frame -
Structural***

Last Updated - 06/01/2004

Leveling Front Frame - Structural



Parts 01600 03/01/2000
9,375

TF 820-E Parts Module BF-50365

BF-1-1

Leveling Front Frame - Structural

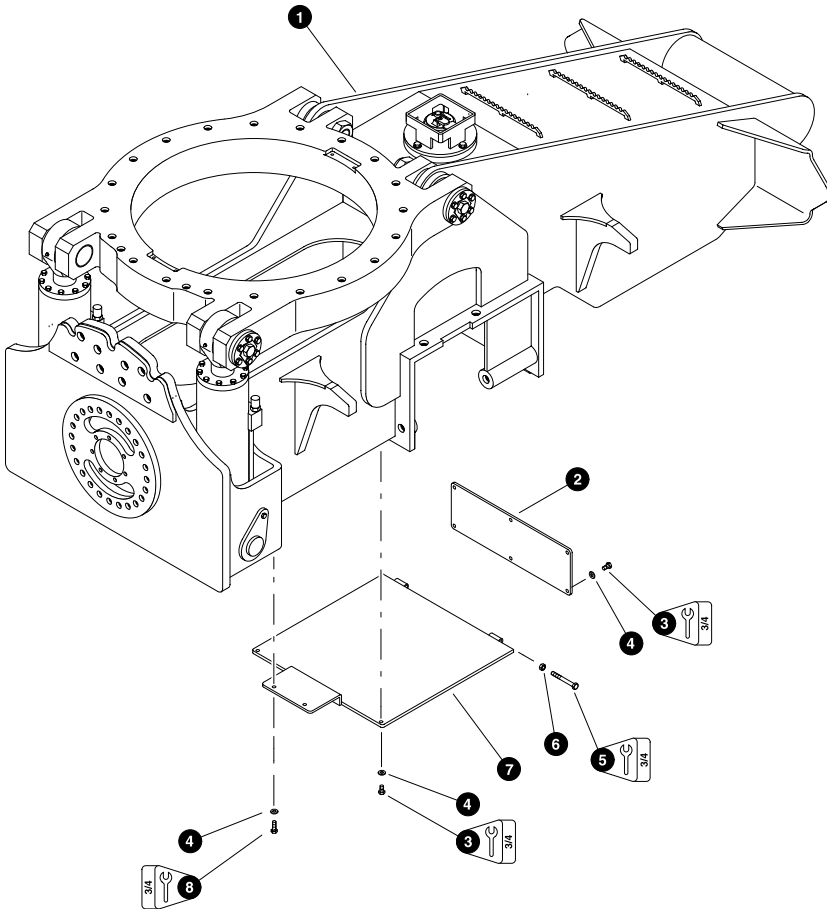
Last Updated - 06/01/2004

FRAME ACCESS COVERS (General)

REF	PART #	QTY	DESCRIPTION	SEE SECTION
1	80534-BF	1	FRONT FRAME WELDMENT	
2	51104-BF	2	COVER, access (left)	
2	51105-BF	2	COVER, access (Right)	
3	15534-BF	10	WASHER, SAE flat - 1/2"	
4	10783-BF	6	BOLT - 1/2" x 1"	
5	10739-BF	4	BOLT - 1/2" x 1-1/2"	
6	85340-BF	1	COVER, access (only used on machines built before 01/01/04)	

BF-1-2

TF 820-E Parts Module BF-50365

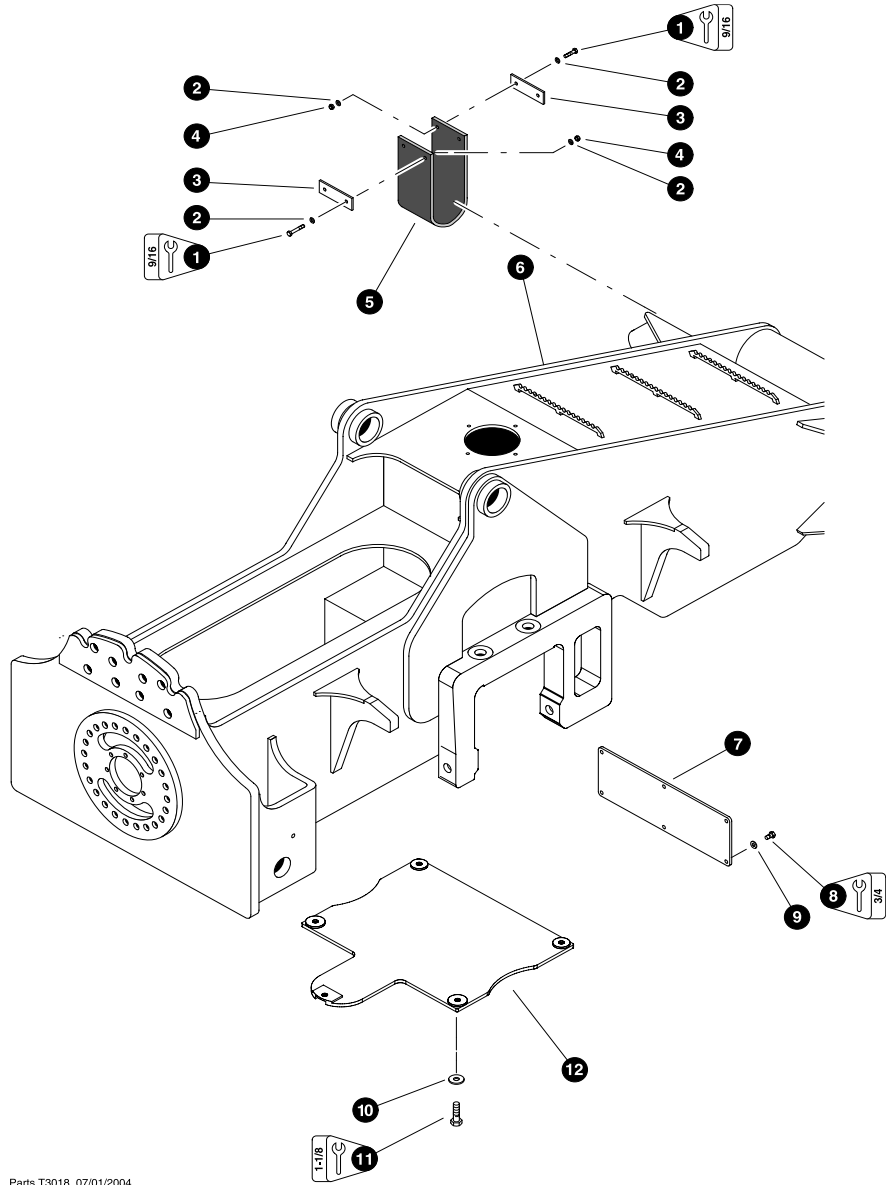


Parts 01313 09/09/99
9,375

FRAME ACCESS COVERS
(Axle Box Area)

REF	PART #	QTY	DESCRIPTION	SEE SECTION
1	REF.	1	FRONT FRAME WELDMENT	BF-1
2	80316-BF	1	COVER, access - axle box	
3	10783-BF	8	BOLT - 1/2" x 1"	
4	15534-BF	10	WASHER, SAE flat - 1/2"	
5	10835-BF	2	BOLT - 1/2" x 4-1/2"	
6	10815-BF	2	NUT, lock - 1/2"	
7	19817-BF	1	COVER, access - front frame axle	
8	10739-BF	2	BOLT - 1/2" x 1-1/2"	

See referenced page for component or assembly breakdown.



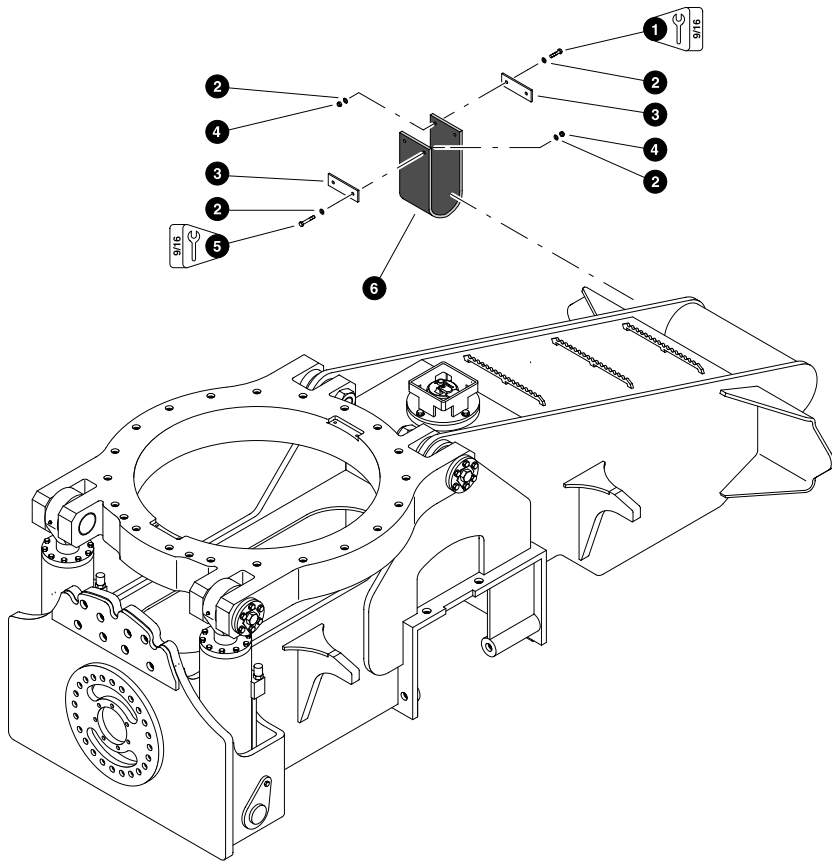
Parts T3018 07/01/2004
1,375

**FRAME ACCESS COVERS
(Axle Box Area)**

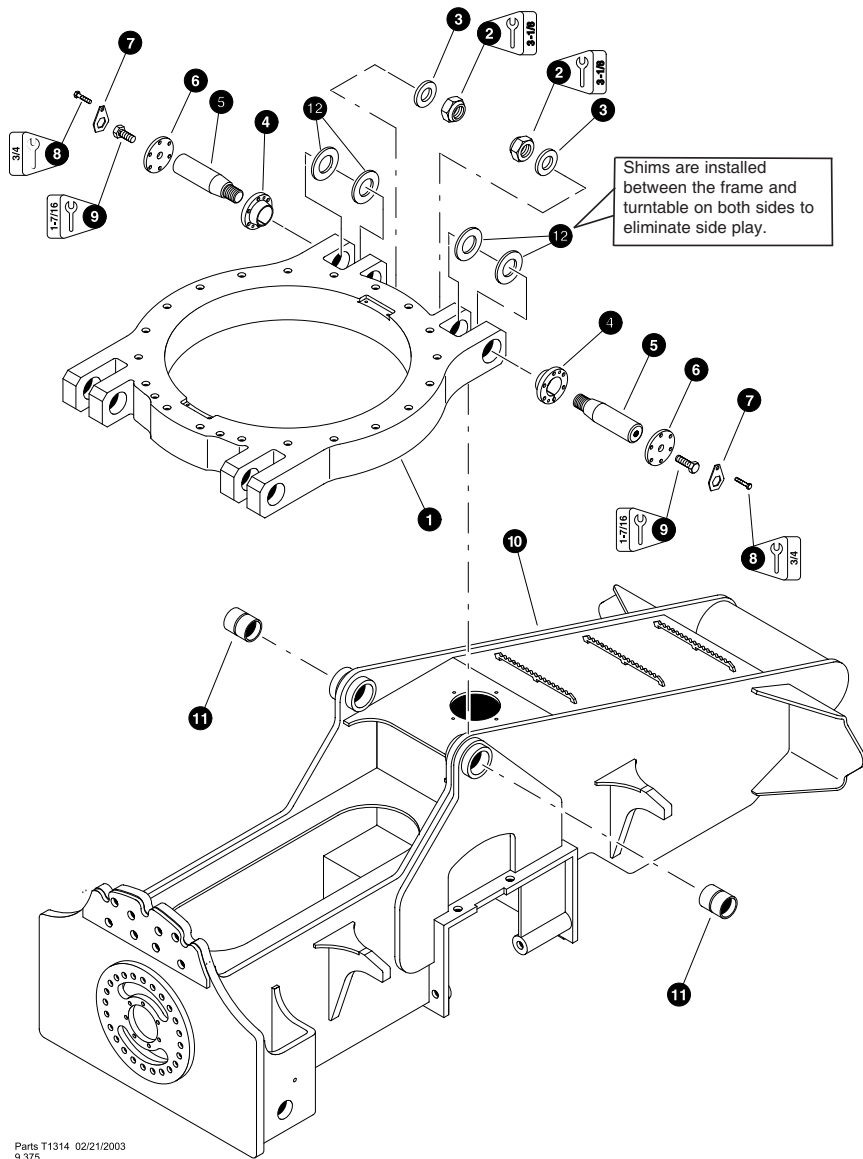
REF	PART #	QTY	DESCRIPTION	SEE SECTION
1	20084-BF	3	BOLT - 3/8" x 1-3/4"	
2	15528-BF	8	WASHER, SAE flat - 3/8"	
3	20209-BF	2	RETAINER, rubber step	
4	10813-BF	8	NUT, lock - 3/8"	
5	20210-BF	1	STEP, rubber	
6	REF	1	FRONT FRAME WELDMENT	BF-1
7	40972-BF	1	COVER, access - axle box	
8	10783-BF	6	BOLT - 1/2" x 1"	
9	15534-BF	8	WASHER, SAE flat - 1/2"	
10	15550-BF	8	WASHER, SAE flat - 3/4"	
11	15549-BF	2	BOLT - 3/4" x 1 1/2"	
12	40954-BF	1	COVER, access - front frame axle	

FRAME STEP INSTALLATION

REF	PART #	QTY	DESCRIPTION	SEE SECTION
1	20084-BF	3	BOLT - 3/8" x 1-3/4"	
2	15528-BF	8	WASHER, SAE flat - 3/8"	
3	20209-BF	2	RETAINER, rubber step	
4	10813-BF	8	NUT, lock - 3/8"	
5	10731-BF	1	BOLT - 3/8" x 1-1/2"	
6	20210-BF	1	STEP, rubber	



Parts 01303 08/24/2000
9.375

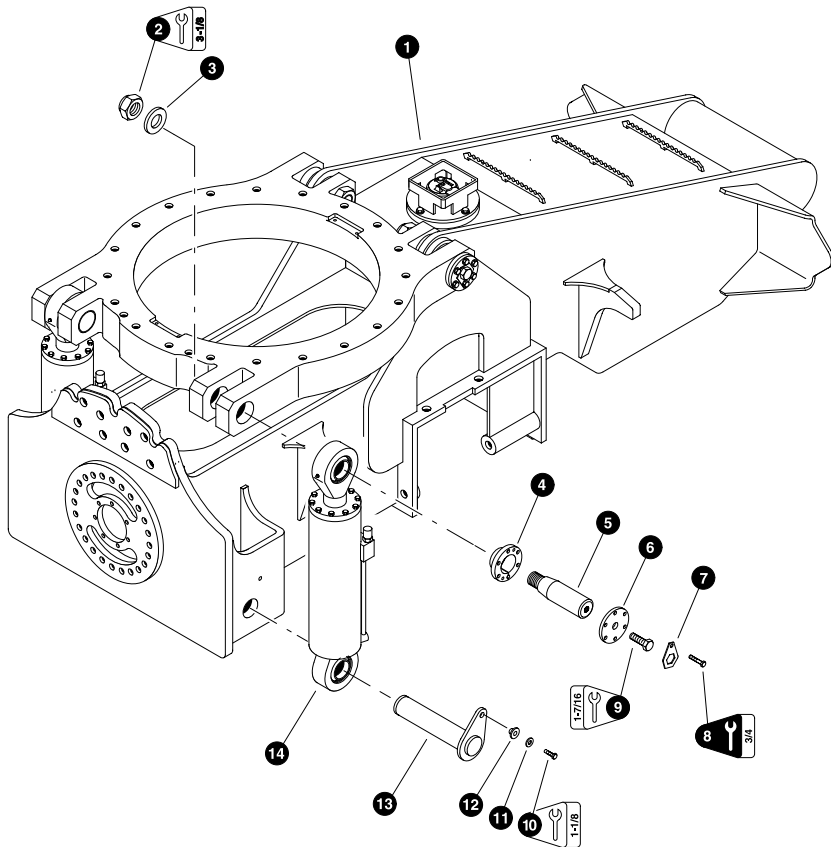


Parts T1314 02/21/2003
9,375

CAB LEVELING COMPONENTS

REF	PART #	QTY	DESCRIPTION	SEE SECTION
1	85347-BF	1	PLATE, lower turntable	
2	10728-BF	2	NUT, nylock - 2"	
3	12021-BF	2	WASHER, burned	
4	12352-BF	2	HUB, taper - 1-1/4"	
5	18054-BF	2	PIN, chrome - 3" x 11-3/4"	
6	12115-BF	2	CAP, taper hub	
7	12116-BF	2	LOCK, center taper hub bolt	
8	15565-BF	12	BOLT - 1/2" x 2-1/2" (Torque to 100 ft.lbs. (133 Nm))	
9	15552-BF	2	BOLT - 1" x 2-1/2"	
10	REF.	1	FRONT FRAME WELDMENT	BF-1
11	11706-BF	2	BUSHING - 3" x 4-1/4"	
12	19150-BF	AR	SHIM - 1/4" thick	
	16333-BF	AR	SHIM - 7 gauge (.179") thick	
	16637-BF	AR	SHIM - 10 gauge (.135") thick	
	16338-BF	AR	SHIM - 14 gauge (.075") thick	

See referenced page for component or assembly breakdown.



Parts 01315 09/13/99
9,375

CAB LEVEL CYLINDER INSTALLATION

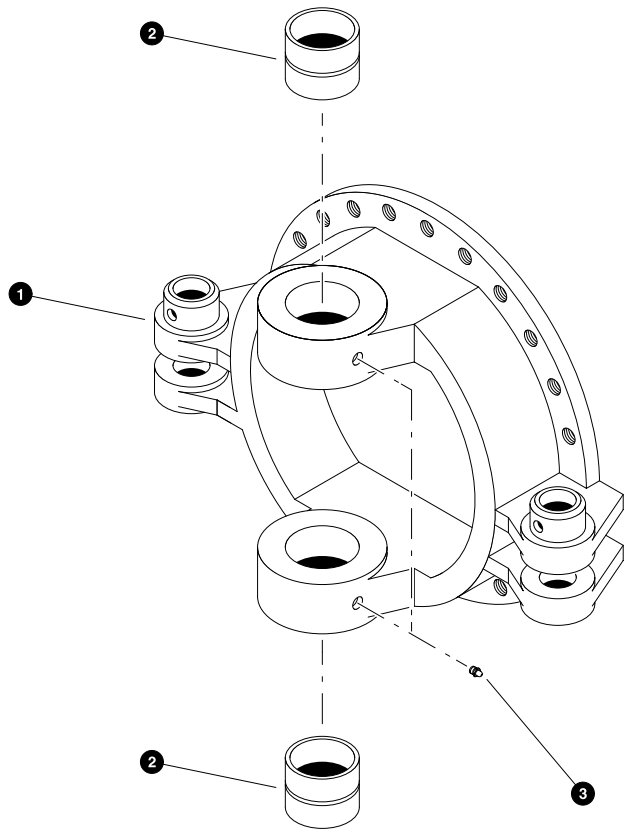
REF	PART #	QTY	DESCRIPTION	SEE SECTION
1	REF.	1	FRONT FRAME WELDMNT	BF-1
2	10728-BF	2	NUT, nylock - 2"	
3	12021-BF	2	WASHER, burned	
4	12352-BF	2	HUB, taper - 1-1/4"	
5	18055-BF	2	PIN, Chrome - 3" x 11"	
6	12115-BF	2	CAP, taper hub	
7	12116-BF	2	LOCK, center taper hub bolt	
8	15565-BF	12	BOLT - 1/2" x 2-1/2" (Torque to 100 ft.lbs. (133 Nm))	
9	15552-BF	2	BOLT - 1" x 2-1/2"	
10	15549-BF	1	BOLT - 3/4" x 2"	
11	15550-BF	1	WASHER, SAE flat - 3/4"	
12	18570-BF	1	WASHER, pin retaining	
13	21008-BF	1	PIN ASSEMBLY - 3" x 14-1/4"	
14	REF.	2	CAB LEVEL CYLINDER	BF-5

See referenced page for component or assembly breakdown.

THIS PAGE LEFT BLANK FOR NOTES

Section BF-2

Leveling Front Frame - Articulation Components

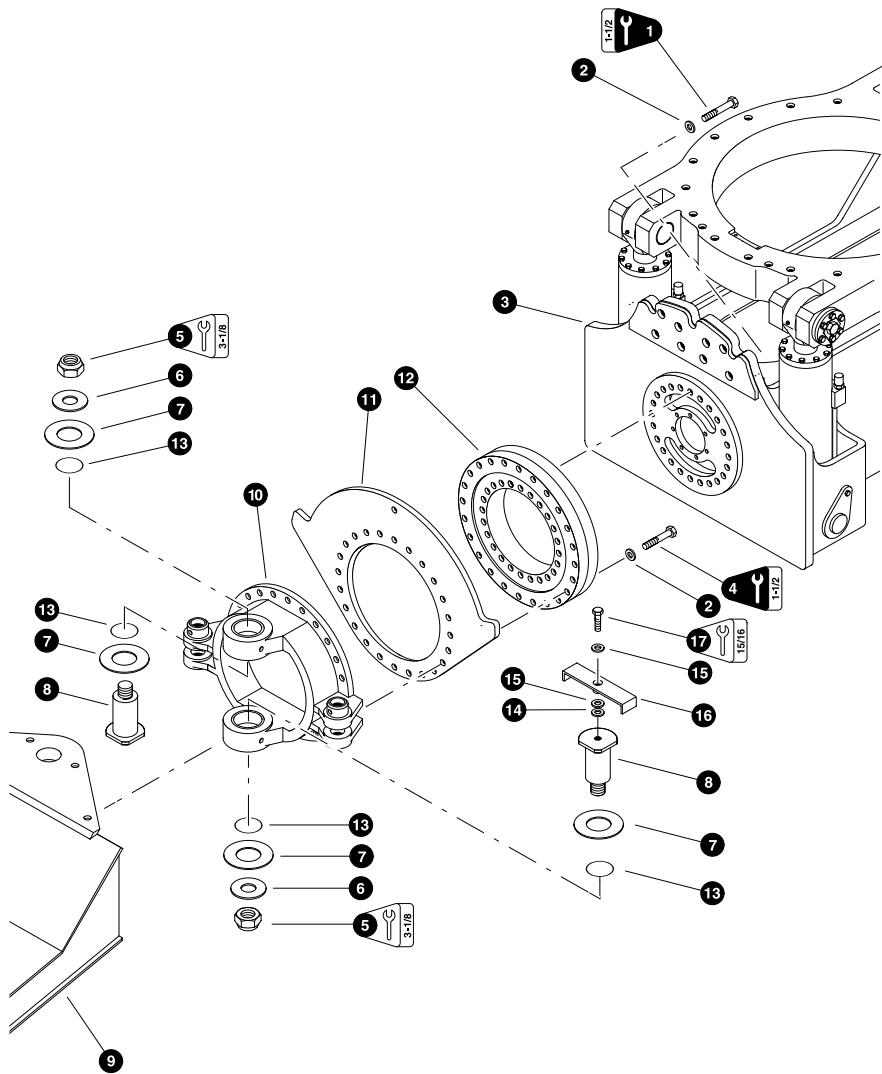


Parts 01720 07/27/2000
25.00

FRAME ARTICULATION CASTING

REF	PART #	QTY	DESCRIPTION	SEE SECTION
1	23099-BF	1	<input type="checkbox"/> CASTING, frame articulation	
2	24422-BF	2	BUSHING - 3-1/2" x 2-3/4"	
3	10704-BF	2	FITTING, grease - 1/8" pipe thread	

Kit or Assembly - includes all items indented underneath.

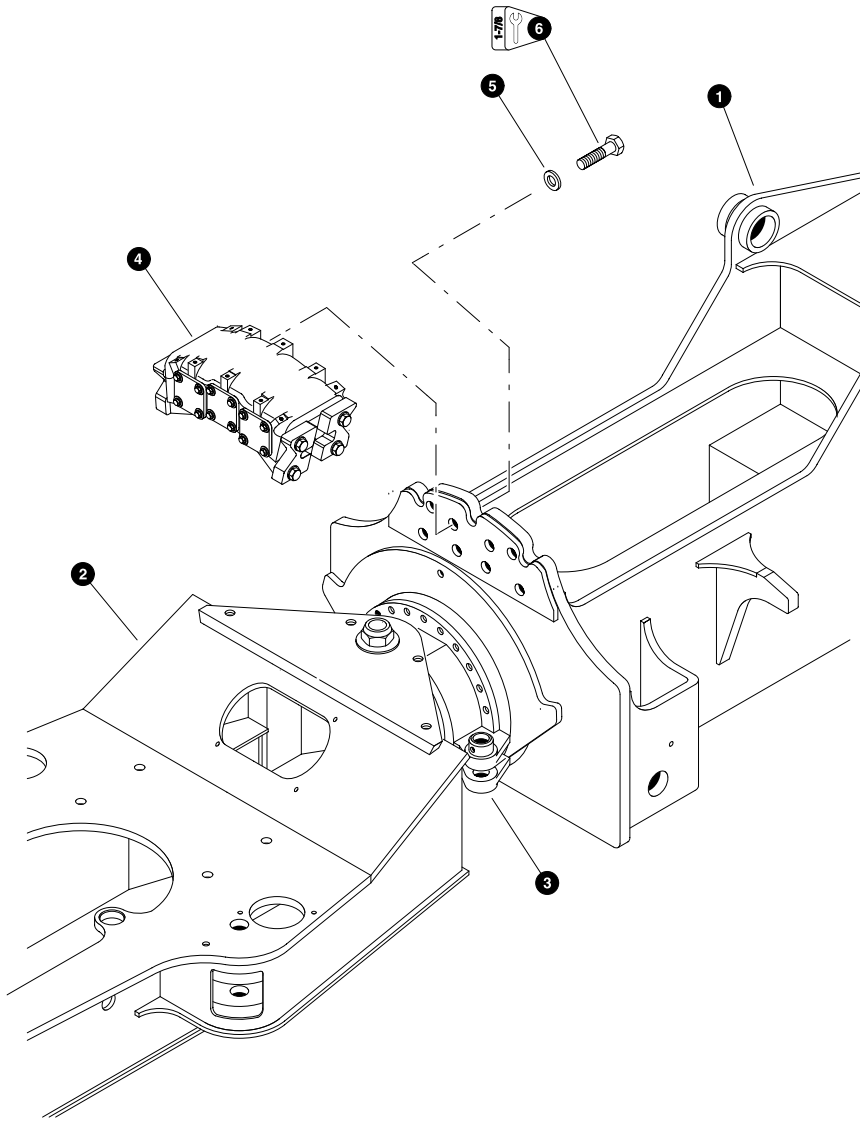


Parts T2625 11/11/2002
9,375

FRAME ARTICULATION INSTALLATION

REF	PART #	QTY	DESCRIPTION	SEE SECTION
1	23387-BF	24	BOLT - 1" x 6-1/2" (Torque to 1000 ft.lbs (1330 Nm))	
2	15579-BF	48	WASHER, SAE flat - 1"	
3	REF.	1	FRONT FRAME WELDMENT	BF-1
4	18672-BF	24	BOLT - 1" x 7-1/2" (Torque to 1000 ft.lbs (1330 Nm))	
5	10728-BF	2	NUT, nylock - 2"	
6	51499-BF	2	WASHER, articulation pin (3/8" thick)	
7	23106-BF	AR	WASHER, thrust - thin (Brass)	
	23105-BF	AR	WASHER, thrust - thick (Brass)	
8	23102-BF	2	PIN, articulation - 3-1/2" x 8-5/8"	
9	REF.	1	REAR FRAME WELDMENT	FR-1
10	REF.	1	FRAME ARTICULATION CASTING	BF-2
11	80830-BF	1	PLATE, braking	
12	24999-BF	1	BEARING, articulation	
13	21577-BF	AR	O-RING - thin	
	24546-BF	AR	O-RING - thick	
14	50464-BF	2	WASHER, SAE flat - 3/4" thick	
15	15550-BF	4	WASHER, SAE flat - 3/4"	
16	40830-BF	2	BRACKET, articulation joint hose	
17	10840-BF	2	BOLT - 3/4 X 3"	

See referenced page for component or assembly breakdown.

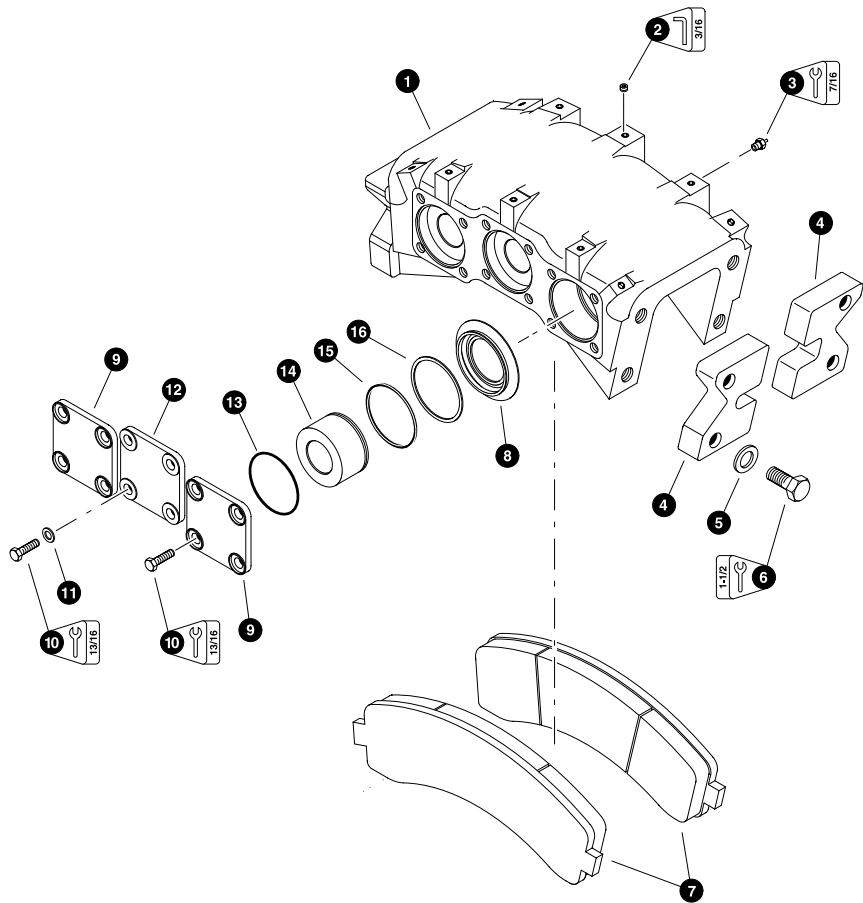


Parts T2627 11/12/2002
12,50

FRAME LOCK BRAKE INSTALLATION

REF	PART #	QTY	DESCRIPTION	SEE SECTION
1	REF	1	FRONT FRAME WELDMENT	BF-1
2	REF.	1	REAR FRAME WELDMENT	FR-1
3	REF.	1	FRAME ARTICULATION CASTING	BF-2
4	REF.	1	FRAME LOCK BRAKE	BF-2
5	22531-BF	8	WASHER - 1-1/4"	
6	23351-BF	8	BOLT - 1-1/4" x 4-1/2" NF	

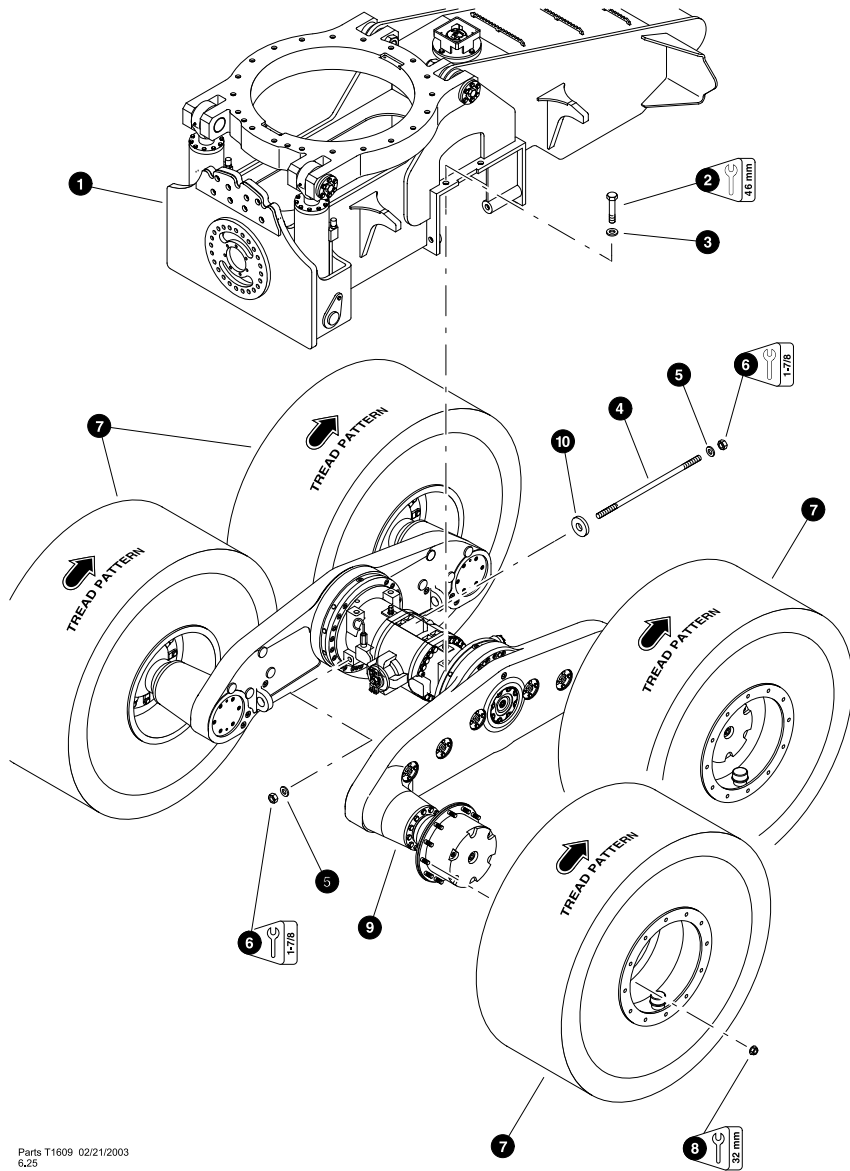
 See referenced page for component or assembly breakdown.



FRAME LOCK BRAKE

REF	PART #	QTY	DESCRIPTION	SEE SECTION
-	20953-BF	1	<input type="checkbox"/> FRAME LOCK BRAKE	
1	NSS	1	HOUSING	
2	----	13	PLUG	
3	----	1	SCREW, bleed	
4	----	4	RETAINER, brake pad	
5	----	8	WASHER	
6	----	8	BOLT	
7	24406-BF	1	PAD, brake (pair)	
8	NSS	6	<input type="checkbox"/> BOOT, piston	
9	23445-BF	2	<input type="checkbox"/> COVER, piston (Machined special to countersink bolt heads)	
10	24088-BF	12	BOLT - 9/16" x 1-1/4"	
11	----	4	WASHER	
12	23444-BF	1	COVER, piston	
13	NSS	6	<input type="checkbox"/> O-RING, piston cover	
14	24434-BF	6	<input type="checkbox"/> PISTON, brake caliper	
15	NSS	6	<input type="checkbox"/> SEAL, piston	
16	NSS	6	<input type="checkbox"/> RING, back-up	
-	23113-BF	1	<input type="checkbox"/> KIT, seal repair - frame lock brake	

- Kit or Assembly - includes all items indented underneath.
- Included in seal repair kit PN# 23113.

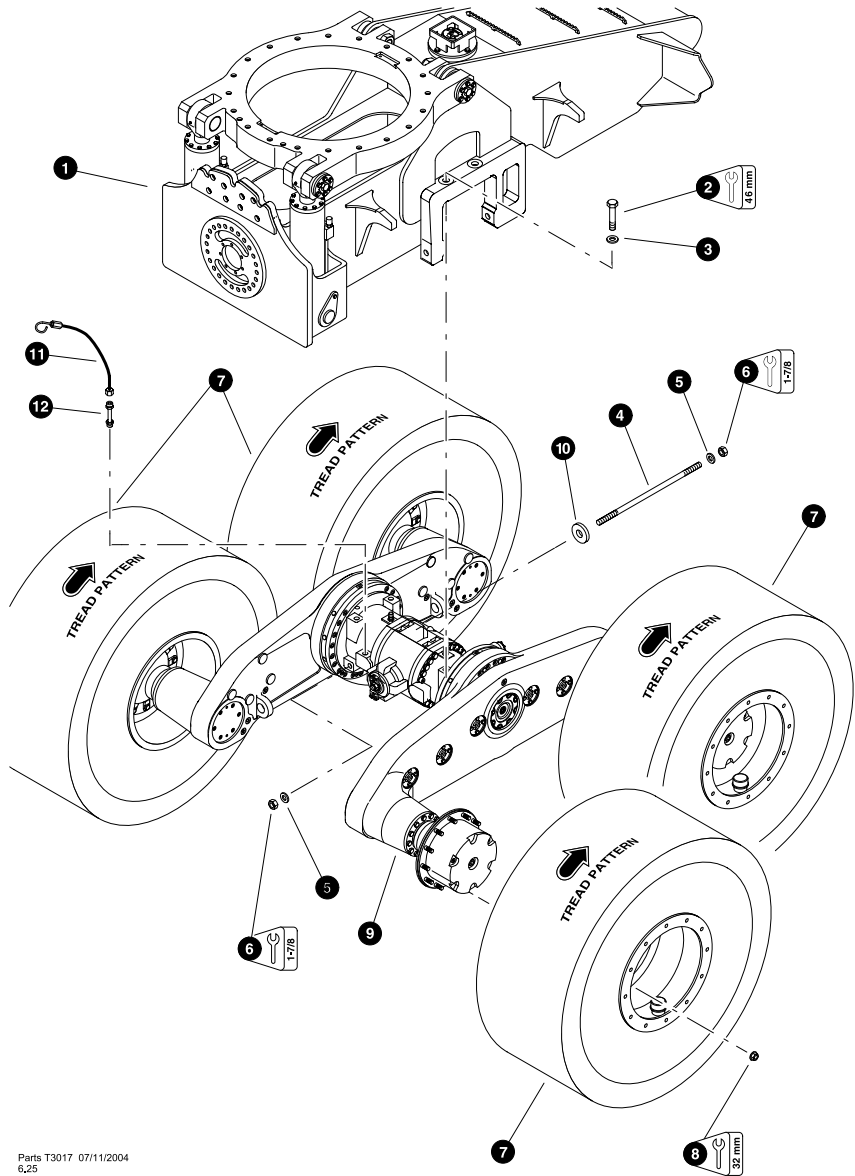


Parts T1609 02/21/2003
6,25

FRONT AXLE INSTALLATION

REF	PART #	QTY	DESCRIPTION	SEE SECTION
1	REF.	1	FRONT FRAME WELDMENT	BF-1
2	23566-BF	4	BOLT - 30mm-3.5P x 160mm (Torque to 1100 ft.lbs. (1465 Nm))	
3	23568-BF	4	WASHER, hardened flat - 30mm	
4	23851-BF	2	STUD, axle spreader box - 1-1/4" (Torque to 1200 ft.lbs. (1600 Nm))	
5	23990-BF	4	WASHER, SAE flat - 1-1/4" (Extra thick)	
6	23989-BF	4	NUT, lock - 1-1/4"	
7	REF.	4	WHEEL ASSEMBLY	AX-3
8	19361-BF	48	NUT, lug (Torque to 600 ft.lbs. (800 Nm))	
9	REF.	1	FRONT AXLE	AX-1
10	24003-BF	2	SPACER, axle spreader stud	

See referenced page for component or assembly breakdown.



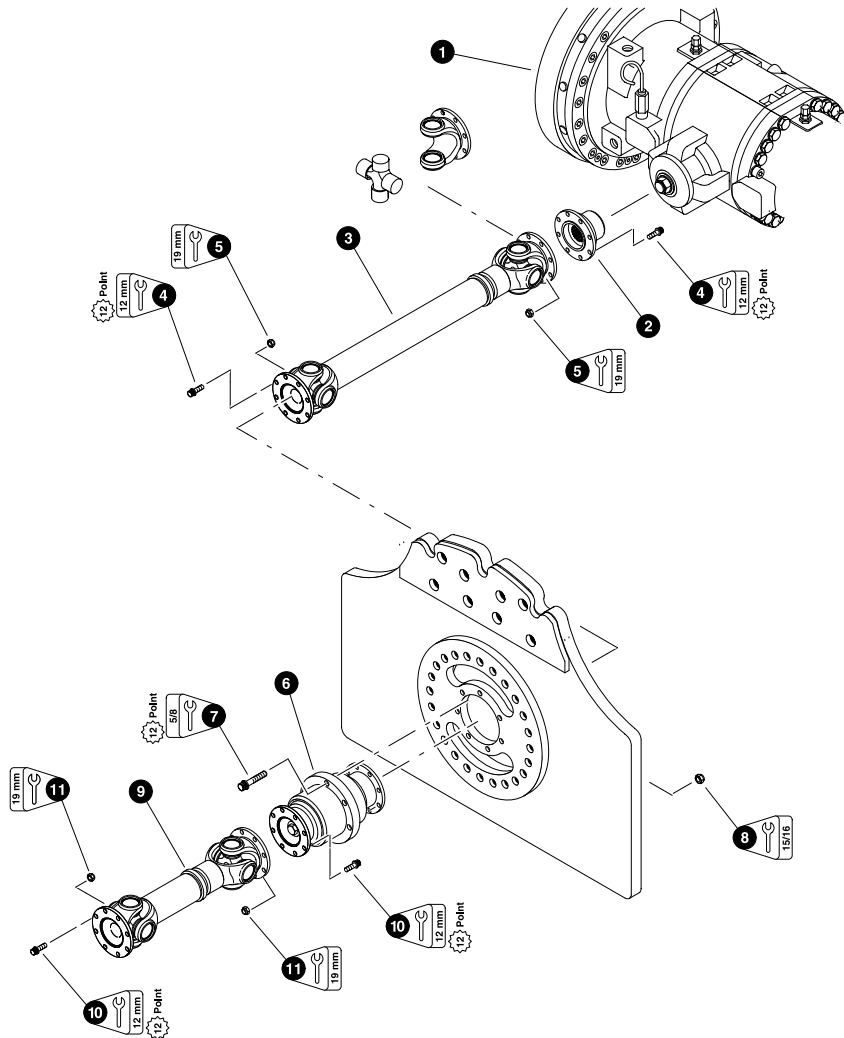
Parts T3017 07/11/2004
6,25

FRONT AXLE INSTALLATION

(machines built after 07/04)

REF	PART #	QTY	DESCRIPTION	SEE SECTION
1	REF.	1	FRONT FRAME WELDMENT	BF-1
2	23567-BF	4	BOLT - 30mm-3.5P x 220mm (Torque to 1100 ft.lbs. (1465 Nm))	
3	23568-BF	4	WASHER, hardened flat - 30mm	
4	23851-BF	2	STUD, axle spreader box - 1-1/4" (Torque to 1200 ft.lbs. (1600 Nm))	
5	22531-BF	4	WASHER, SAE flat - 1-1/4"	
6	23989-BF	4	NUT, lock - 1-1/4"	
7	REF.	4	WHEEL ASSEMBLY	AX-3
8	19361-BF	48	NUT, lug (Torque to 600 ft.lbs. (800 Nm))	
9	REF.	1	FRONT AXLE	AX-1
10	24003-BF	2	SPACER, axle spreader stud	
11	21165-BF	1	TUBE, dipstick (top)	
-	21561-BF	1	BLADE, dipstick	
12	21164-BF	1	TUBE, dipstick (bottom)	

See referenced page for component or assembly breakdown.



Parts T2629 02/24/2003
12.50

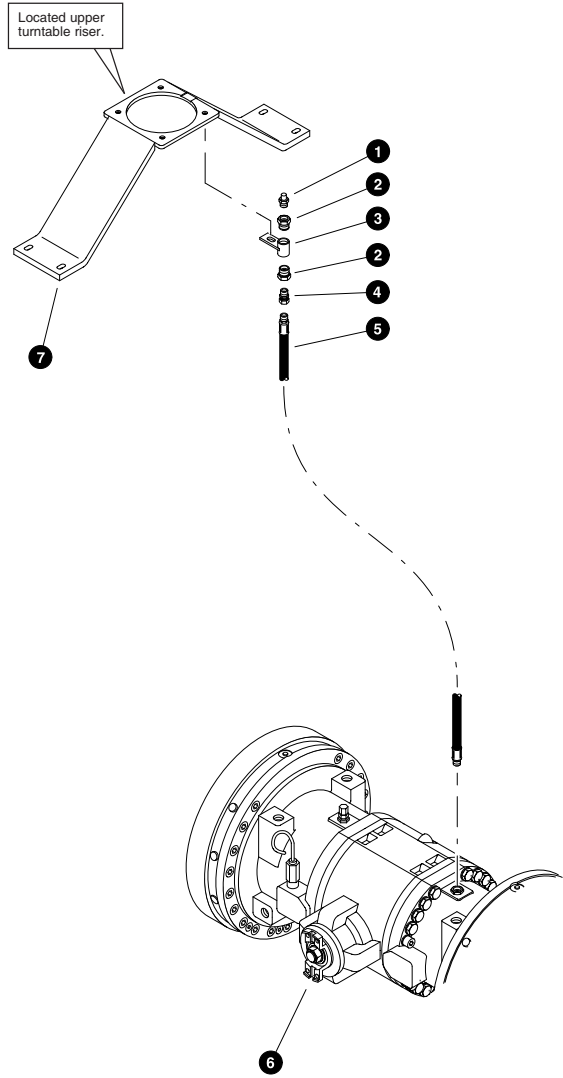
**DRIVE SHAFT INSTALLATION
(Machines Built after 06/20/02)**

REF	PART #	QTY	DESCRIPTION	SEE SECTION
1	REF.	1	<input type="checkbox"/> FRONT AXLE	AX-1
2	23997-BF	1	YOKE, companion flange - axle	
3	51092-BF	1	<input type="checkbox"/> DRIVE SHAFT, heavy duty (Center joint to front axle)	
	-----	2	FITTING, 90° grease - 10mm	
4	50261-BF	16	BOLT, 12 point - 12mm-1.75P x 35mm (See Note #1 Below)	
5	50262-BF	16	NUT, lock - 12mm	
6	25218-BF	1	IDLER, driveshaft (HD)	
7	50050	6	BOLT, 12 point - 5/8" x 3" (See Note #1 Below) (Torque to 130 ft.lbs. (175 Nm))	
8	10816	6	NUT, lock - 5/8"	
9	25968-BF	1	<input type="checkbox"/> DRIVE SHAFT (Center joint)	
	-----	2	FITTING, 90° grease - 10mm	
10	50261-BF	16	BOLT, 12 point - 12mm-1.75P x 35mm (See Note #1 Below)	
11	50262-BF	16	NUT, lock - 12mm	

- See referenced page for component or assembly breakdown.
- Kit or Assembly - includes all items indented underneath.

Note #1:

Use Loctite 242 (blue) during installation.

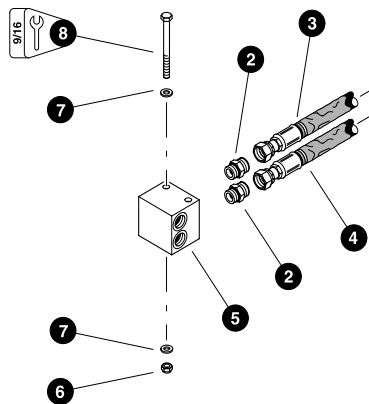
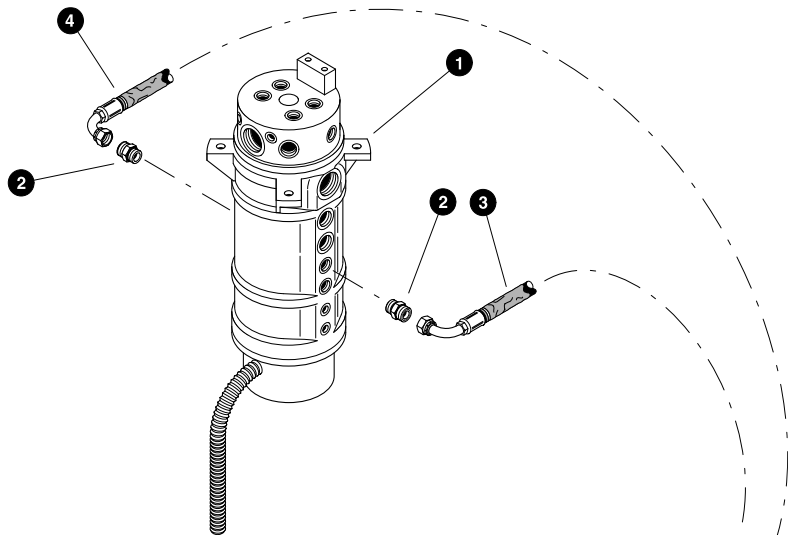


Parts 01781 08/25/2000
12.50

FRONT AXLE VENT LINE

REF	PART #	QTY	DESCRIPTION	SEE SECTION
1	22570-BF	1	VENT, axle	
2	15513-BF	2	BUSHING, reducer - 5406-12-8	
3	22203-BF	1	BRACKET, vent mount	
4	10322-BF	1	CONNECTOR, straight swivel - 1404-8-8	
5	21961-BF	1	HOSE ASSEMBLY - 2030-08-08MP-08MP (Axle vent port to vent mounting bracket)	
6	REF.	1	FRONT AXLE	AX-1
7	REF.	1	ROTARY MANIFOLD MOUNTING BRACKET	UP-1

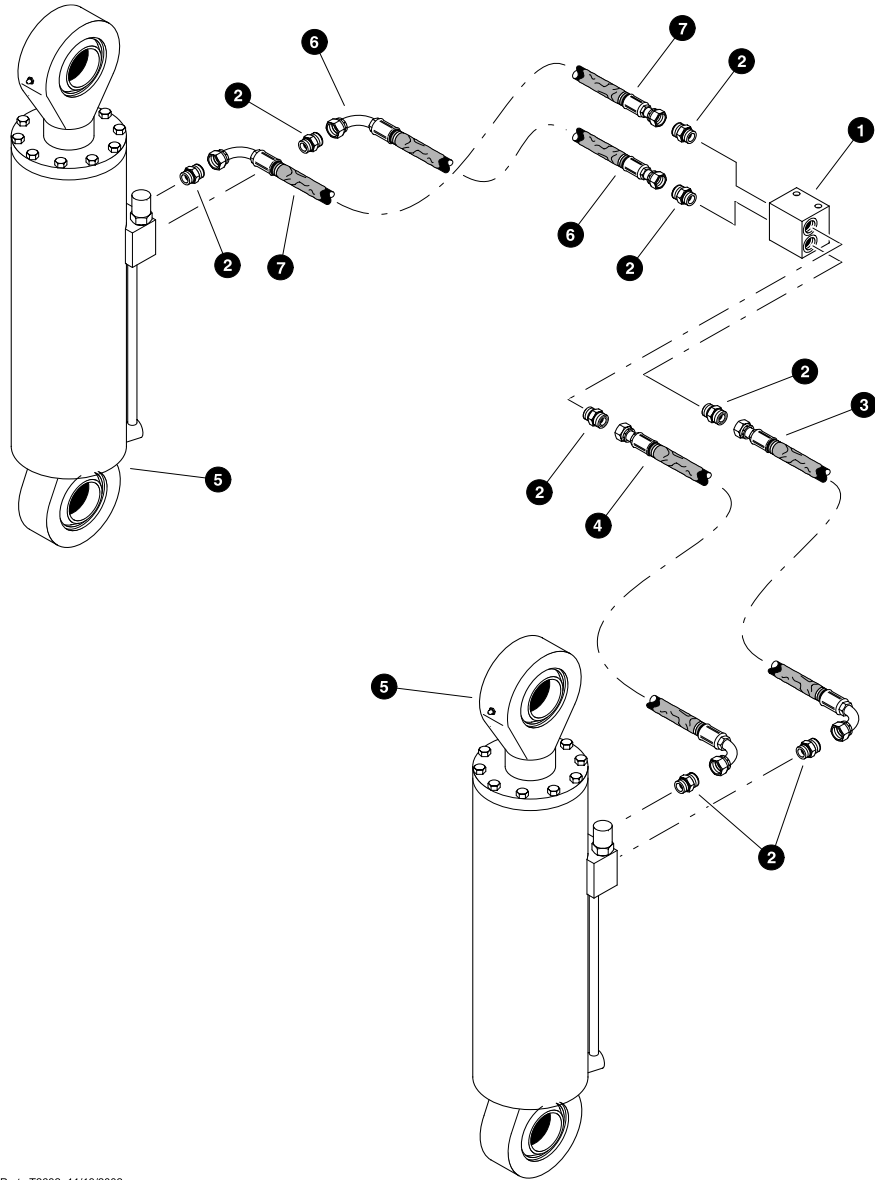
See referenced page for component or assembly breakdown.



LEVELING FUNCTION HYDRUALICS
(Rotary Manifold Ports To Leveling Manifold)

REF	PART #	QTY	DESCRIPTION	SEE SECTION
1	REF	1	ROTARY MANIFOLD ASSEMBLY	UP-1
2	15117-BF	2	CONNECTOR, straight - FF1852T-0808S	
3	50326-BF	1	HOSE ASSEMBLY - 4050-08-08OD-08O9-W (Lower rotary manifold port #8 to top forward port of leveling manifold)	
4	50326-BF	1	HOSE ASSEMBLY - 4050-08-08OS-08O9-W (Lower rotary manifold port #9 to bottom forward port of leveling manifold)	
5	22717-BF	1	MANIFOLD, leveling	
6	10813-BF	2	NUT, lock - 3/8"	
7	15528-BF	4	WASHER, SAE flat - 3/8"	
8	10753-BF	2	BOLT - 3/8" x 4-1/2"	

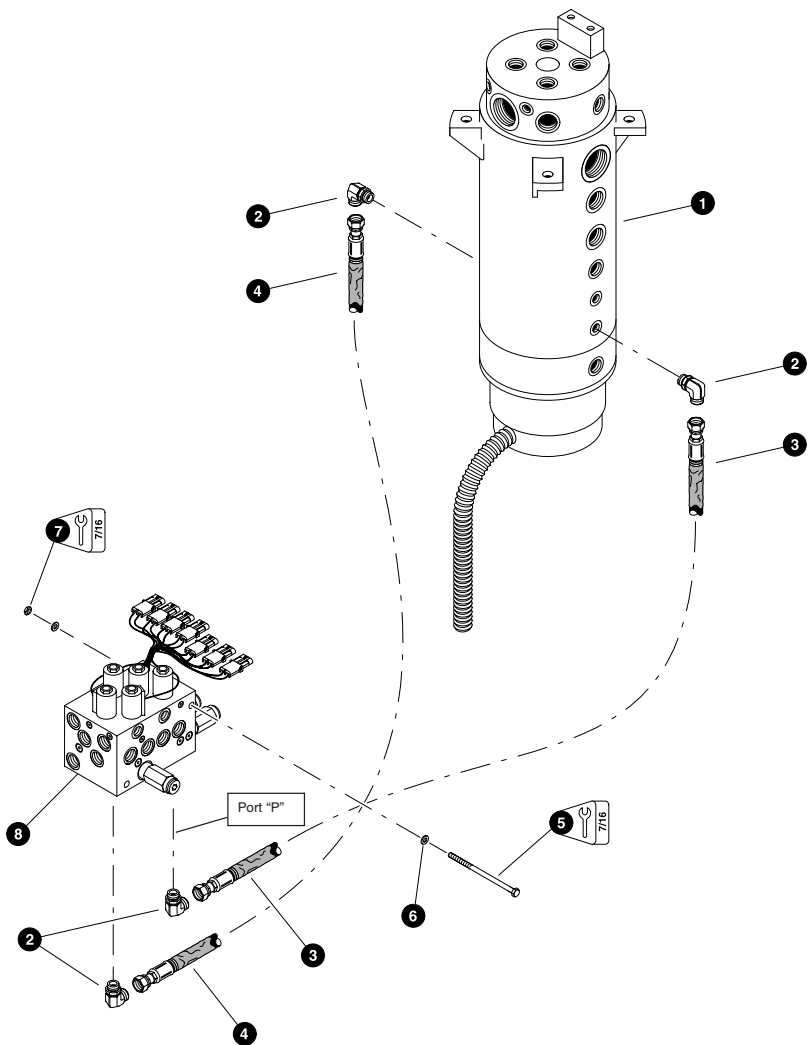
See referenced page for component or assembly breakdown.



LEVELING FUNCTION HYDRAULICS
(Leveling Manifold To Leveling Cylinders)

REF	PART #	QTY	DESCRIPTION	SEE SECTION
1	REF	1	LEVELING MANIFOLD	BF-4
2	15115-BF	8	CONNECTOR, straight - FF1852T-0810S	
3	50324-BF	1	HOSE ASSEMBLY - 4025-08-08OS-08O9-W (Bottom RH port of leveling manifold to RH leveling cylinder base port)	
4	50323-BF	1	HOSE ASSEMBLY - 4023-08-08OS-08O9-W (Top RH port of leveling manifold to RH leveling cylinder rod port)	
5	REF	2	LEVELING CYLINDER	BF-4
6	50323-BF	1	HOSE ASSEMBLY - 4023-08-08OS-08O9 (Top LH port of leveling manifold to LH leveling cylinder rod port)	
7	50324	1	HOSE ASSEMBLY - 4025-08-08OS-08O9 (Bottom LH port of leveling manifold to LH leveling cylinder base port)	

See referenced page for component or assembly breakdown.

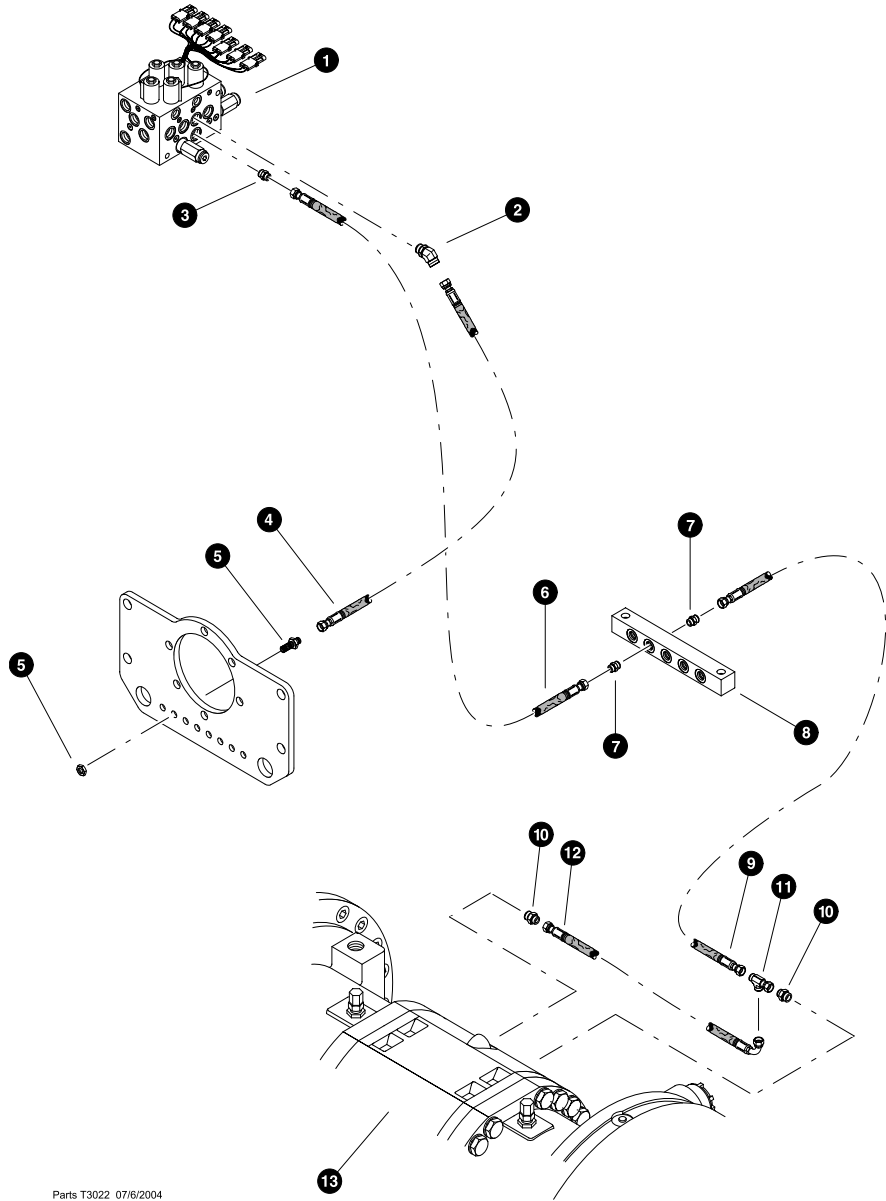


Parts T2651 02/18/03
25.00

LOWER MANIFOLD PRESURE AND TANK HOSES

REF	PART #	QTY	DESCRIPTION	SEE SECTION
1	REF.	1	ROTARY MANIFOLD	UP-1
2	16296-BF	4	ELBOW, 90° - FF1868T-0606S	
3	50885-BF	1	HOSE ASSEMBLY - 4033-06-060S-060S (Rotary manifold lower port "12" to lower solenoid manifold port "P")	
4	50884-BF	1	HOSE ASSEMBLY - 4034-06-060S-060S (Lower solenoid manifold port "T" to rotary manifold lower port "11")	
5	23540-BF	2	BOLT - 1/4" x 4-1/2"	
6	10757-BF	4	WASHER, SAE flat - 1/4"	
7	10811-BF	2	NUT, lock 1/4"	
8	REF.	1	LOWER SOLENOID MANIFOLD	BF-4

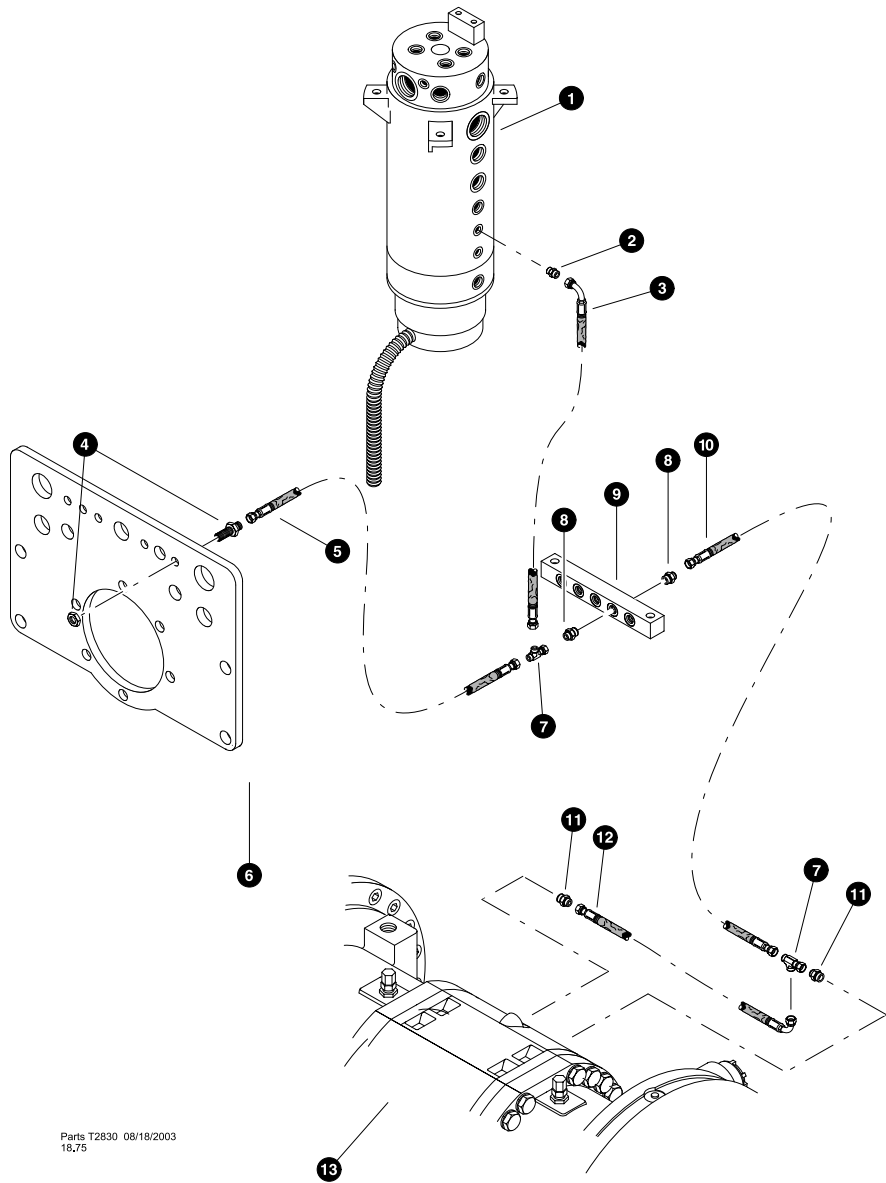
☞ See referenced page for component or assembly breakdown.



Parts T3022 07/6/2004
18,75

LOWER MANIFOLD PARKING BRAKE HOSES

REF	PART #	QTY	DESCRIPTION	SEE SECTION
1	REF.	1	LOWER SOLENOID MANIFOLD	BF-4
2	17646-BF	1	ELBOW, male 45° - FF2068T-0404S	
3	15124-BF	1	CONNECTOR, straight - FF1852T-0406S	
4	50878-BF	1	HOSE ASSEMBLY - 2092-04-040S-040S	
5	18582-BF	1	CONNECTOR, straight bulkhead - 04	
6	51548-BF	1	HOSE ASSEMBLY - 2042.5-04-040S-040S	
7	15124-BF	2	CONNECTOR, straight - FF1852T-0404S	
8	22287-BF	1	MANIFOLD, GAUGE	
9	50875-BF	1	HOSE ASSEMBLY - 2038-04-040S-040S	
10	19470-BF	2	CONNECTOR, straight - 4M14F8OMLO-S	
11	15176-BF	1	TEE - FF2114T-0404S	
12	50349-BF	1	HOSE ASSEMBLY - 2009.5-04-040S-0409	
13	REF.	1	FRONT AXLE	AX-1

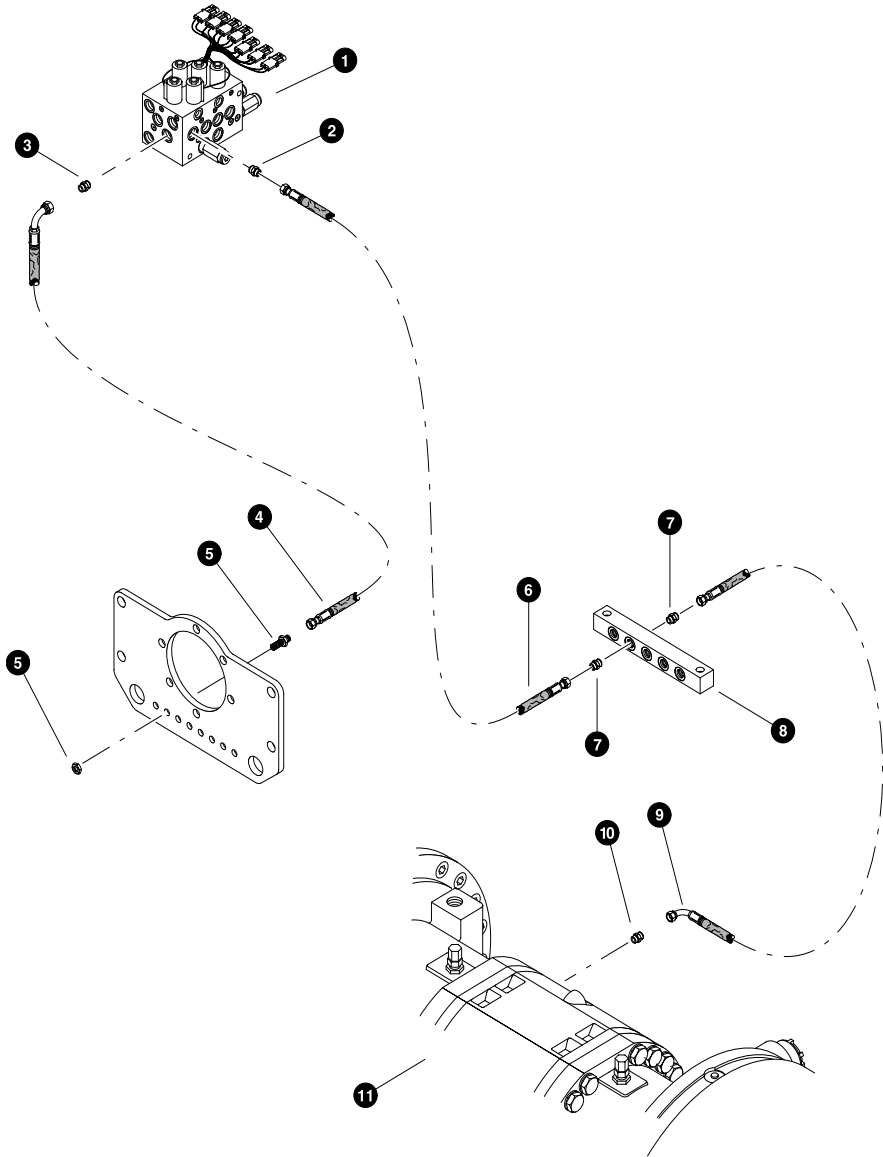


Parts T2830 08/18/2003
18,75

LOWER MANIFOLD TRAVEL BRAKE HOSES

REF	PART #	QTY	DESCRIPTION	SEE SECTION
1	REF.	1	ROTARY MANIFOLD	UP-1
2	15124-BF	1	CONNECTOR, straight - FF1852T-0406S	
3	50879-BF	1	HOSE ASSEMBLY - 2033-04-040S-0409 (Junction manifold to rotary manifold port #10)	
4	18582-BF	1	CONNECTOR, straight bulkhead - 04	
5	50877-BF	1	HOSE ASSEMBLY - 2091-04-040S-040S (Junction manifold to rear frame bulkhead plate)	
6	40006-BF	1	BRACKET, bearing mount - (bulkhead plate 620)	
7	15176-BF	2	TEE - FF2114T-0404S	
8	15124-BF	2	CONNECTOR, straight - FF1852T-0404S	
9	22287-BF	1	MANIFOLD, GAUGE	
10	50874-BF	1	HOSE ASSEMBLY - 2031-04-040S-040S (Junction manifold to front axle)	
11	19470-BF	2	CONNECTOR, straight - 4M14F8OMLO-S	
12	50349-BF	1	HOSE ASSEMBLY - 2009.5-04-040S-0409	
13	REF.	1	FRONT AXLE	AX-1

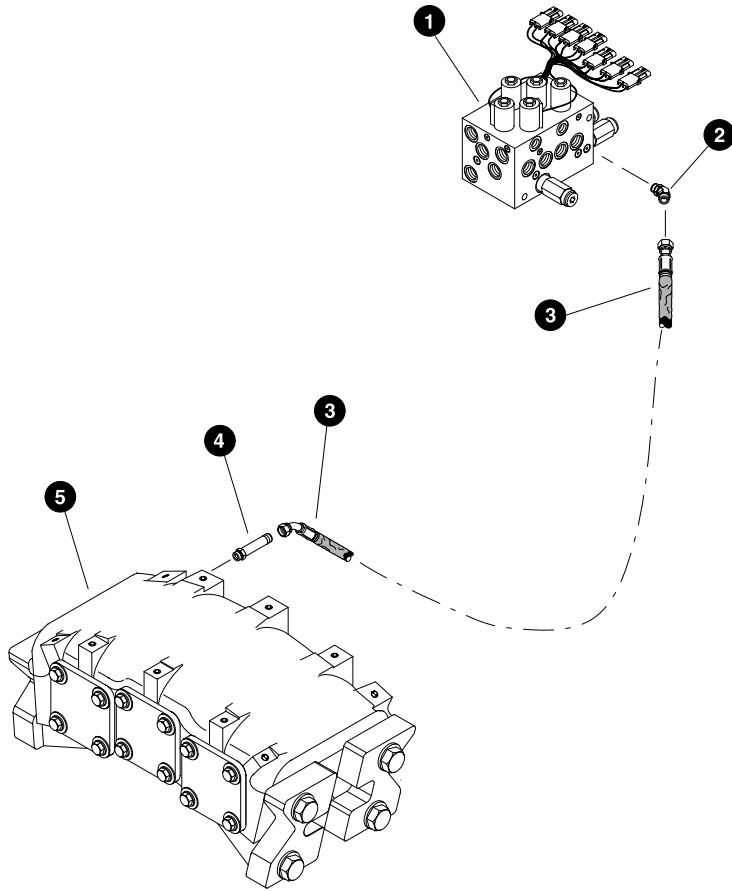
See referenced page for component or assembly breakdown.



Parts T3021 07/6/2004
18,75

LOWER MANIFOLD DIFF LOCK HOSES

REF	PART #	QTY	DESCRIPTION	SEE SECTION
1	REF.	1	LOWER SOLENOID MANIFOLD	BF-4
2	15124-BF	1	CONNECTOR, straight - FF1852T-0406S	
3	15124-BF	1	CONNECTOR, straight - FF1852T-0406S	
4	51545-BF	1	HOSE ASSEMBLY - 2074-04-040S-0409	
5	18582-BF	1	CONNECTOR, straight bulkhead - 04	
6	51548-BF	1	HOSE ASSEMBLY - 2042.5-04-040S-040S	
7	15124-BF	2	CONNECTOR, straight - FF1852T-0404S	
8	22287-BF	1	MANIFOLD, GAUGE	
9	50875-BF	1	HOSE ASSEMBLY - 2038-04-040S-040S	
10	19470-BF	2	CONNECTOR, straight - 4M14F8OMLO-S	
11	REF.	1	FRONT AXLE	AX-1

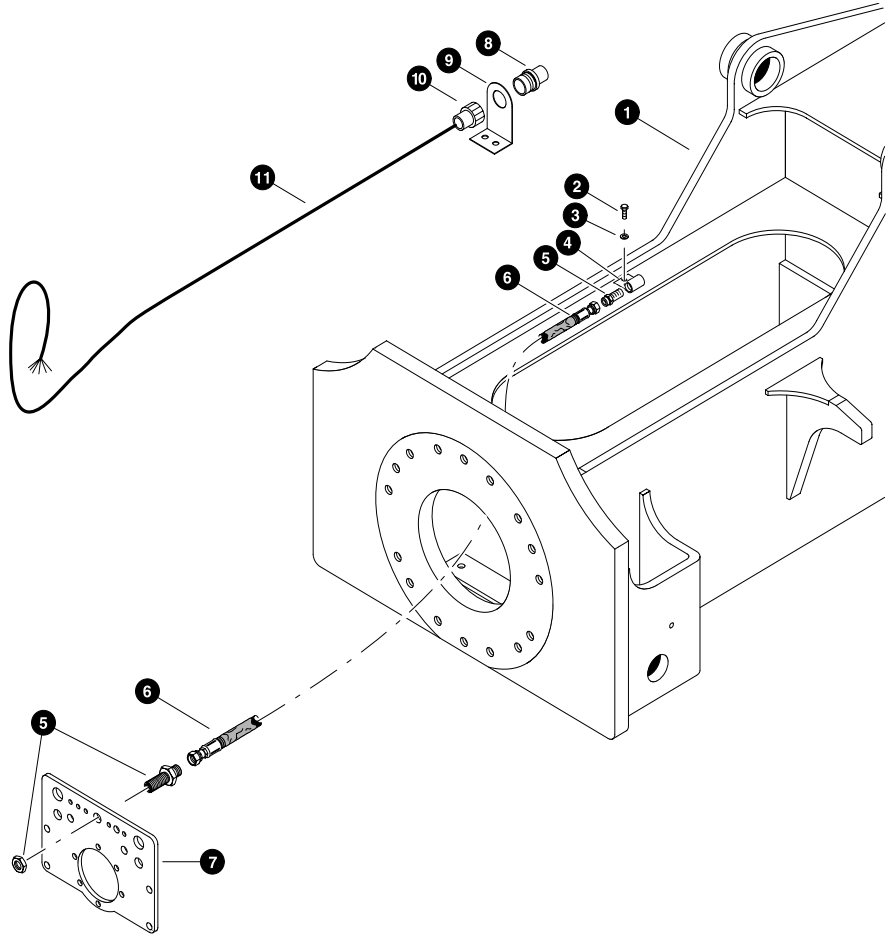


Parts T2650 02/17/20031
25,00

LOWER MANIFOLD FRAME LOCK HOSES

REF	PART #	QTY	DESCRIPTION	SEE SECTION
1	REF.	1	LOWER SOLENOID MANIFOLD	BF-4
2	17646-BF	1	ELBOW, male 45° - FF2068T-0404S	
3	51537-BF	1	HOSE ASSEMBLY - 2023-04-040S-0404S (Lower solenoid manifold port "FL" to frame lock brake port)	
4	20991-BF	1	CONNECTOR, STR long - 848L-TTO-04 x 04	
5	REF.	1	FRAME LOCK BRAKE	BF-2

See referenced page for component or assembly breakdown.

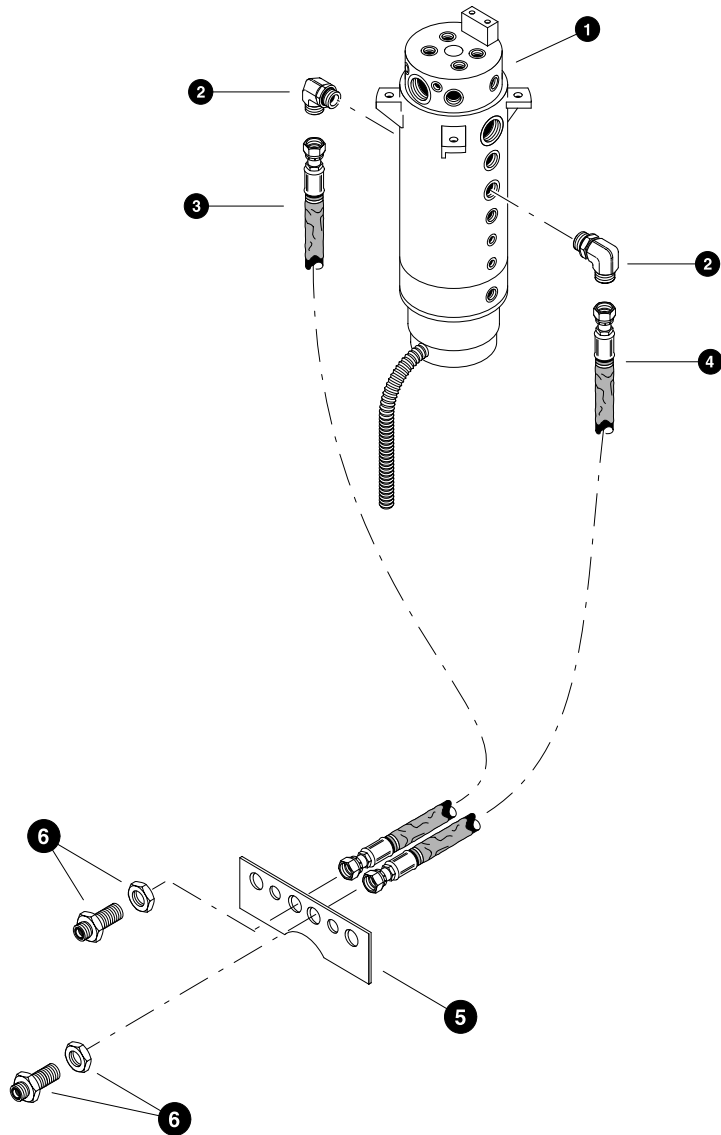


Parts T2837 08/18/2003
25,00

LEVELING FRONT FRAME ELECTRICAL HOSE

REF	PART #	QTY	DESCRIPTION	SEE SECTION
1	REF.	1	FRONT FRAME 620	BF-1
2	11707-BF	1	BOLT, 3/8 X 1"	
3	15528-BF	1	WASHER, 3/8 sae flat	
4	22202-BF	1	BRACKET, 3/4 pipe union	
5	50037-BF	1	CONNECTOR, STR - BULKHEAD - 10	
6	50020-BF	1	HOSE ASSEMBLY - 2060-10-10OS-10OS	
7	40006-BF	1	BRACKET, bearing mount - (bulkhead plate 620)	
8	51106-BF	1	CONNECTOR, (DEUTCH) 37 PIN MALE	
9	40532-BF	1	BRACKET, ELECTRICAL BULKHEAD	
10	51107-BF	1	CONNECTOR, (DEUTCH) 37 PIN FEMALE	
11	25123-BF	16	WIRE, 18ga 12 conductor	

See referenced page for component or assembly breakdown.
 Item sold in bulk - per foot (please specify length)

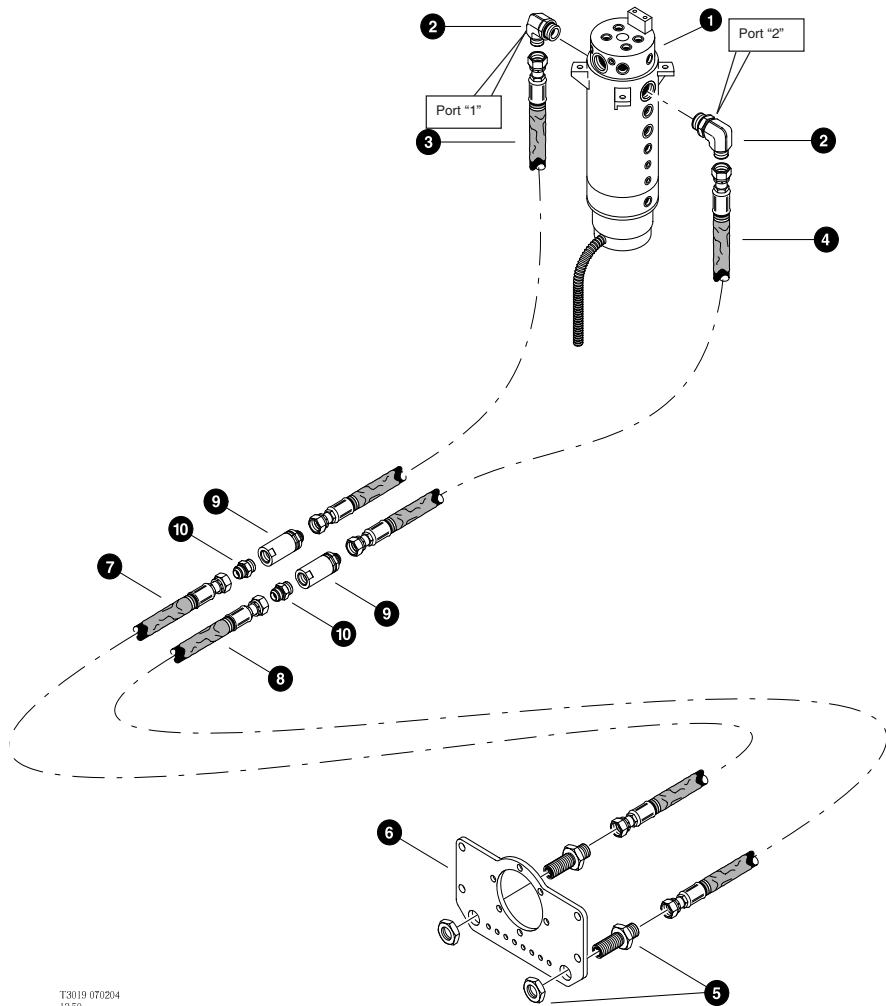


Parts T3020 07/02/2004
25.00

LEVELING FRONT FRAME STEER HOSES

REF	PART #	QTY	DESCRIPTION	SEE SECTION
1	REF.	1	ROTARY MANIFOLD	UP-1
2	17688-BF	2	ELBOW, 90 - 849-TTO 12	
3	50806-BF	1	HOSE ASSEMBLY - 4084-12-120S-120S (rear frame bulkhead plate to rotary manifold port #3)	
4	50329-BF	1	HOSE ASSEMBLY - 4086-12-120S-120S (rear frame bulkhead plate to rotary manifold port #6)	
5	REF	1	Rear Frame Bulkhead Plate	FR-1
6	17009-BF	2	CONNECTOR, STR BULKHEAD - 12	

See referenced page for component or assembly breakdown.

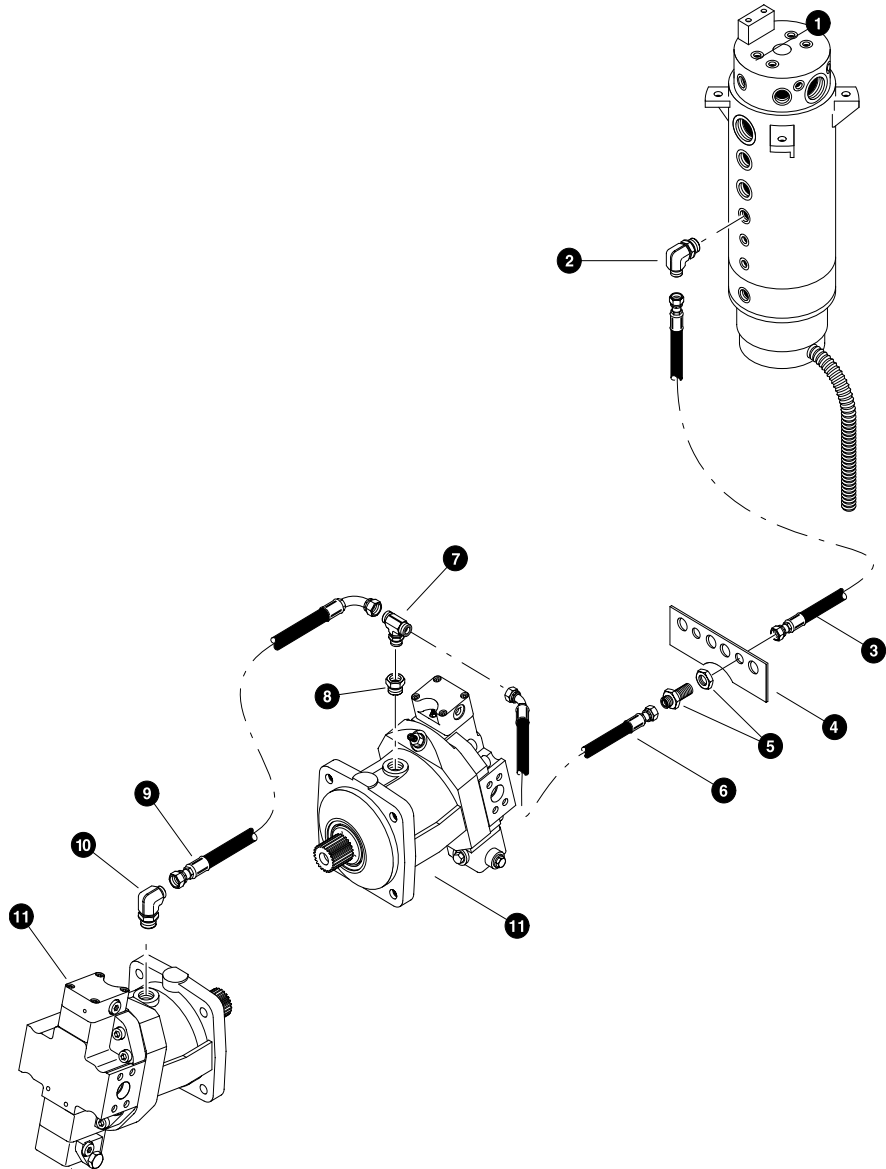


T3019 070204
12.50

LEVELING FRAME DRIVELINE HOSES

REF	PART #	QTY	DESCRIPTION	SEE SECTION
1	REF.	1	ROTARY MANIFOLD	UP-1
2	50470-BF	2	ELBOW, 90 - 849-TTO 16-20	
3	51539-BF	1	HOSE ASSEMBLY - 6053-16-160S-160S (swivel to rotary manifold port #1)	
4	51540-BF	1	HOSE ASSEMBLY - 6051-16-160S-160S (swivel to rotary manifold port #2)	
5	20003-BF	2	CONNECTOR, STR BULKHEAD - 16	
6	80816-BF	1	BRACKET, bearing mount - (bulkhead plate 620)	
7	51541-BF	1	HOSE ASSEMBLY - 6045-16-16JS-160S (bulkhead plate to swivel)	
8	51541-BF	1	HOSE ASSEMBLY - 6045-16-16JS-160S (bulkhead plate to swivel)	
9	19541-BF	2	SWIVEL, inline PS1610310-16-16-716	
10	15497-BF	2	CONNECTOR, straight - 6400-16	

See referenced page for component or assembly breakdown.

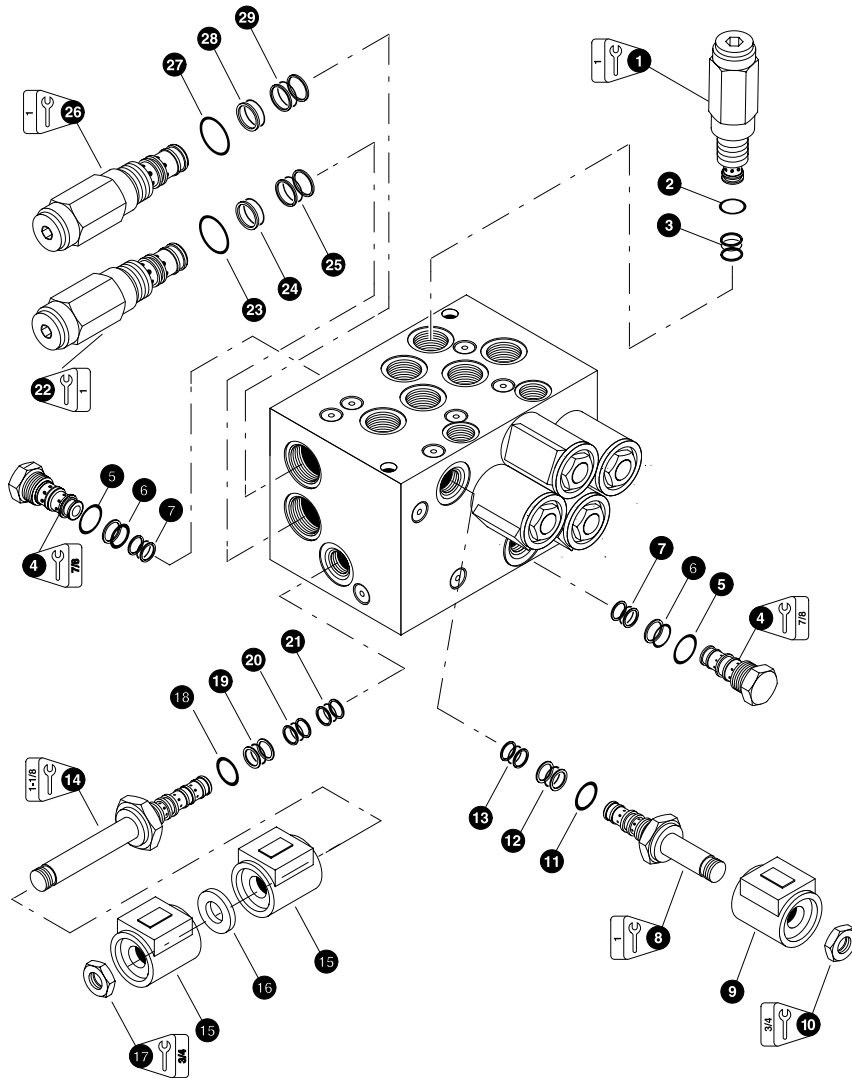


Parts T2966 03/10/04
18,75

CASE DRAIN HOSE

REF	PART #	QTY	DESCRIPTION	SEE PAGE
1	REF.	1	ROTARY MANIFOLD	UP-1-6
2	50036-FR	1	ELBOW, 90 - FF6801-1210	
3	50891-FR	1	HOSE ASSEMBLY - 4081-10-100S-100S (Bulkhead to rotary manifold lower port "7")	
4	- - -		PLATE, BULKHEAD (part of rear frame)	
5	50037-FR	2	CONNECTOR, BULKHEAD - 10	
6	50622-FR	1	HOSE ASSEMBLY - 4052-10-100S-1004 (Bulkhead to Front motor case tee)	
7	50038-FR	1	TEE, FF6803 - 10	
8	16358-FR	1	BUSHING, 6410 - 1210	
9	50619-FR	1	HOSE ASSEMBLY - 4030-08-08OS-08O9 (Front motor to rear motor case drain)	
10	15372-FR	1	ELBOW, 90 - FF6801-1210	
11	REF.	2	WHEEL DRIVE MOTOR	FR-4-2

See referenced page for component or assembly breakdown.

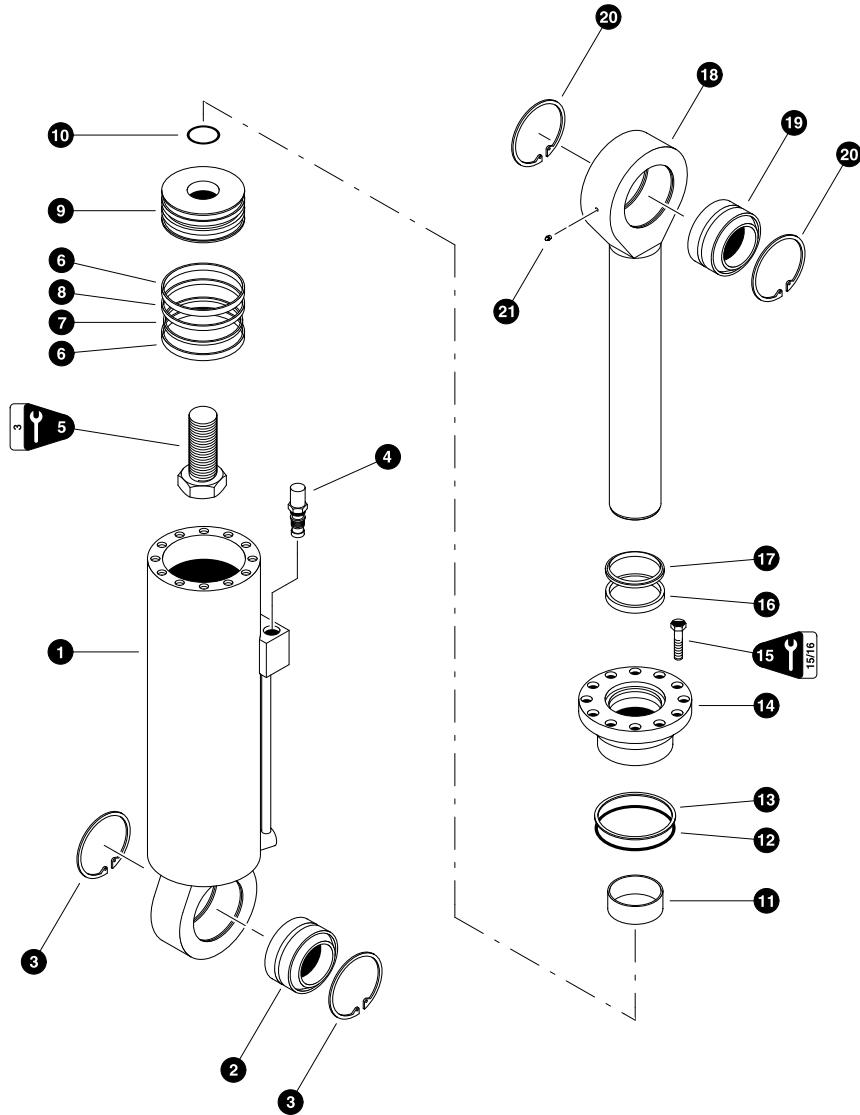


Parts T2633 12/30/2002
62,50

LOWER MANIFOLD BREAKDOWN

REF	PART #	QTY	DESCRIPTION	SEE SECTION
-	50377-FF	1	<input type="checkbox"/> MANIFOLD, lower solenoid - 24V	
1	50451-FF	1	CARTRIDGE, relief valve (RV1) (RV08-20H-0-N-9/5)	
2	NSS	1	⊗ O-RING, body	
3	NSS	1	⊗ SEALS, chamber	
4	24071-FF	2	<input type="checkbox"/> CARTRIDGE, (check valve) (PC08-30-0-N-25)	
4	51403-FF	2	<input type="checkbox"/> CARTRIDGE, (check valve) (PC08-30-0333)(used after 03/01/04 (will not directly replace #24071))	
5	NSS	1	◆ O-RING, body	
6	NSS	1	◆ SEALS, chamber (Large)	
7	NSS	1	◆ SEALS, chamber (Small)	
8	24072-FF	5	<input type="checkbox"/> CARTRIDGE, solenoid valve - 24V (Motor Shift, Diff lock, Frame Lock, and Parking Brake) (SV07-31-0-N-24DW)	
9	23622-FF	1	COIL - 24V (Green harness wires)	
10	NSS	1	NUT	
11	NSS	1	■ O-RING, body	
12	NSS	1	■ SEALS, chamber (Large)	
13	NSS	1	■ SEALS, chamber (Small)	
14	24074-FF	4	<input type="checkbox"/> CARTRIDGE, solenoid valve - 24V (Gear Box Shift) (SV08-47D-0-N-24DW)	
15	23622-FF	2	COIL - 24V (Green harness wires)	
16	NSS	1	SPACER, coil	
17	NSS	1	NUT	
18	NSS	1	● O-RING, body	
19	NSS	1	● SEALS, chamber (Large)	
20	NSS	1	● SEALS, chamber (Medium)	
21	NSS	1	● SEALS, chamber (Small)	
22	24075-FF	1	<input type="checkbox"/> CARTRIDGE, relief valve (PR1) (PR10-31H-0-N-06.5/4.0)	
23	NSS	1	○ O-RING, body	
24	NSS	1	○ SEALS, chamber (Large)	
25	NSS	1	○ SEALS, chamber (Small)	
26	24076-FF	1	<input type="checkbox"/> CARTRIDGE, relief valve (PR2) (PR10-31H-0-N-35/8.0)	
27	NSS	1	○ O-RING, body	
28	NSS	1	○ SEALS, chamber (Large)	
29	NSS	1	○ SEALS, chamber (Small)	
-	50452-FF	1	KIT, seal repair - relief valve cartridge (RV-08)	
-	24083-FF	1	KIT, seal repair - check valve cartridge (PC-08)	
-	20288-FF	1	KIT, seal repair - solenoid valve cartridge (SV07)	
-	24084-FF	1	KIT, seal repair - solenoid valve cartridge (SV08)	
-	24085-FF	1	KIT, seal repair - reducing valve cartridge (PR10)	

- Kit or Assembly - includes all items indented underneath.
- ⊗ Included in seal repair kit Part # 50452-FF.
- ◆ Included in seal repair kit Part # 24083-FF.
- Included in seal repair kit Part # 20288-FF.
- Included in seal repair kit Part # 24084-FF.
- Included in seal repair kit Part # 24085-FF.

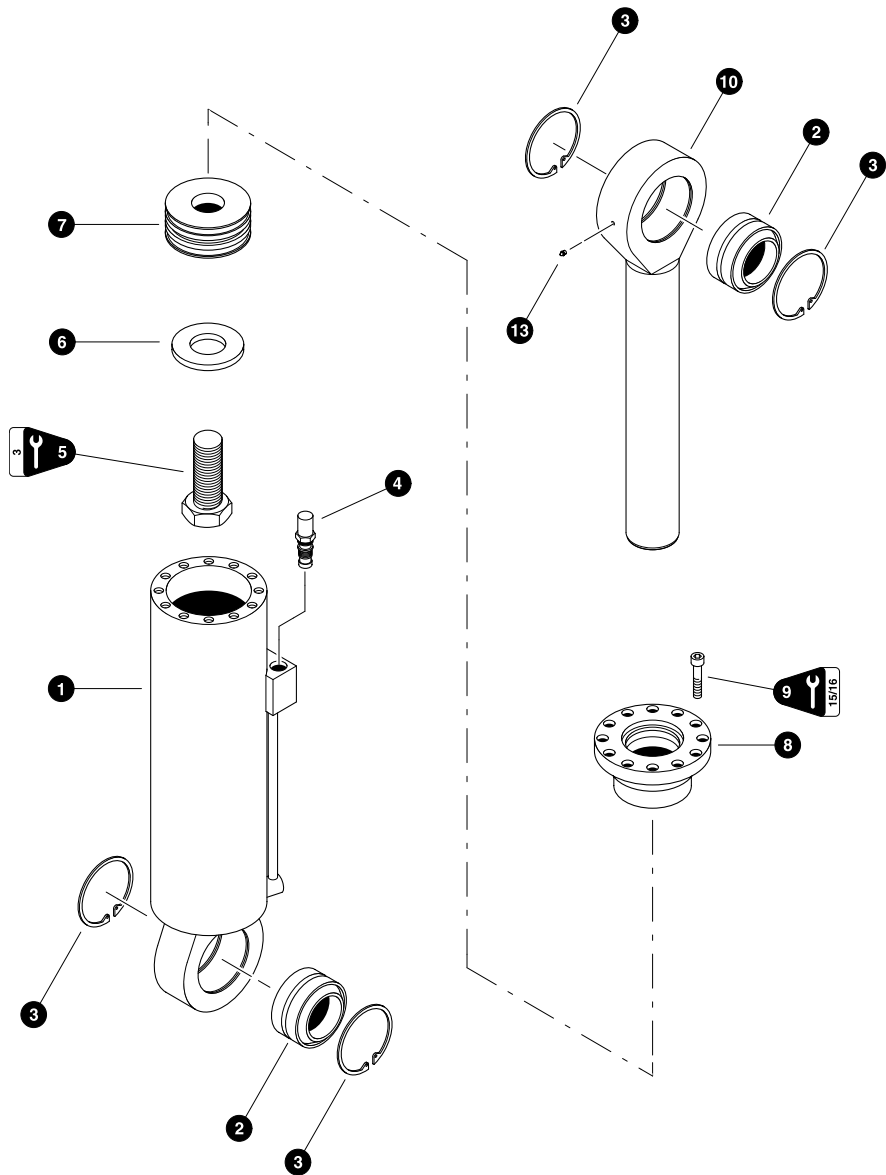


LEVELING CYLINDER

(Machines Built Before 10/24/02)

REF	PART #	QTY	DESCRIPTION	SEE SECTION
-	22547-BF	1	<input type="checkbox"/> LEVEL CYLINDER ASSEMBLY	
1	23482-BF	1	<input type="checkbox"/> BARREL ASSEMBLY	
2	12127-BF	1	BUSHING, spherical - 3"	
3	17833-BF	2	Ring, snap - 3" spherical bushing	
4	23216-BF	2	CARTRIDGE, holding	
5	19956-BF	1	BOLT, cylinder rod - 2" x 4-1/4" (2700 +/- 200 ft lbs (3600 +/- 265 Nm))	
6	NSS	2	⌘ RING, piston wear	
7	NSS	1	⌘ RING, piston square	
8	NSS	1	⌘ RING, piston chem-cast	
9	23483-BF	1	PISTON	
10	NSS	1	⌘ O-RING, piston	
11	NSS	1	⌘ RING, rod bearing wear	
12	NSS	1	⌘ O-RING, rod bearing	
13	NSS	1	⌘ RING, rod bearing back-up	
14	19954	1	⌘ BEARING, rod	
15	15681-BF	12	BOLT - 5/8" x 2-1/4" (175 ft lbs (233Nm))	
16	NSS	1	⌘ U-CUP, rod bearing	
17	NSS	1	⌘ WIPER, rod	
18	23485-BF	1	<input type="checkbox"/> ROD ASSEMBLY	
19	12127-BF	1	BUSHING, spherical - 3"	
20	17833-BF	2	Ring, snap - 3" spherical bushing	
21	10704-BF	1	FITTING, grease	
-	23486-BF	1	<input type="checkbox"/> KIT, seal repair - level cylinder	

- Kit or Assembly - includes all items indented underneath.
- ⌘ Included in seal repair kit Part #23486-BF



Parts T2797 08/07/2003
18.75

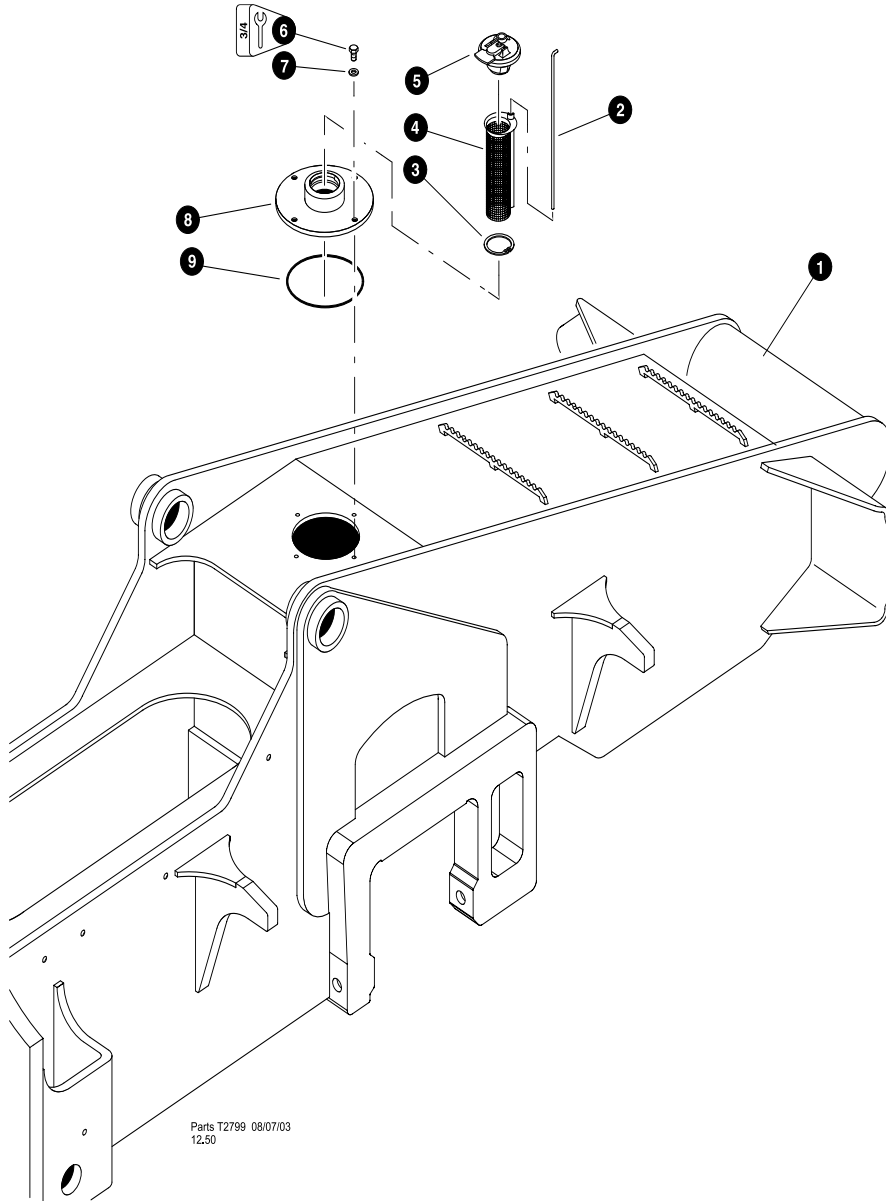
**LEVELING CYLINDER
(RAM ROD)**

(Machines Built after 10/24/02)

REF	PART #	QTY	DESCRIPTION	SEE SECTION
-	50006-BF	2	<input type="checkbox"/> CYLINDER, LEVELING - Ram Rod	
1	50254-BF	1	<input type="checkbox"/> BARREL, ASSY - LEVEL	
2	12127-BF	1	BUSHING, spherical - 3"	
3	17833-BF	4	RING, snap 3"	
4	23216-BF	2	CARTRIDGE, holding	
5	---	1	BOLT, 2.00 - 12UNF X 4.5 (711097) (Torque to 2220 ft-lbs.)	
6	---	1	WASHER, 2" (718048)	
7	50256-BF	1	PISTON, ASSY	
-	NSS	1	<input type="checkbox"/> SEAL KIT, PISTON	
8	50257-BF	1	ROD BEARING	
-	NSS	1	<input type="checkbox"/> SEAL KIT, ROD BEARING	
9	---	14	BOLT, ALLEN 1/2-13UNC X 2" (711080) (Torque to 45 ft-lbs.)	
10	50255-BF	1	<input type="checkbox"/> ROD, ASSY.	
2	12127-BF	1	BUSHING, spherical - 3"	
3	17833-BF	4	RING, snap 3"	
11	10704-BF	1	FITTING, GREASE	
-	50258-BF	1	<input type="checkbox"/> SEAL REPAIR KIT, LEVELING CYLINDER	

Assembly includes all items indented underneath.

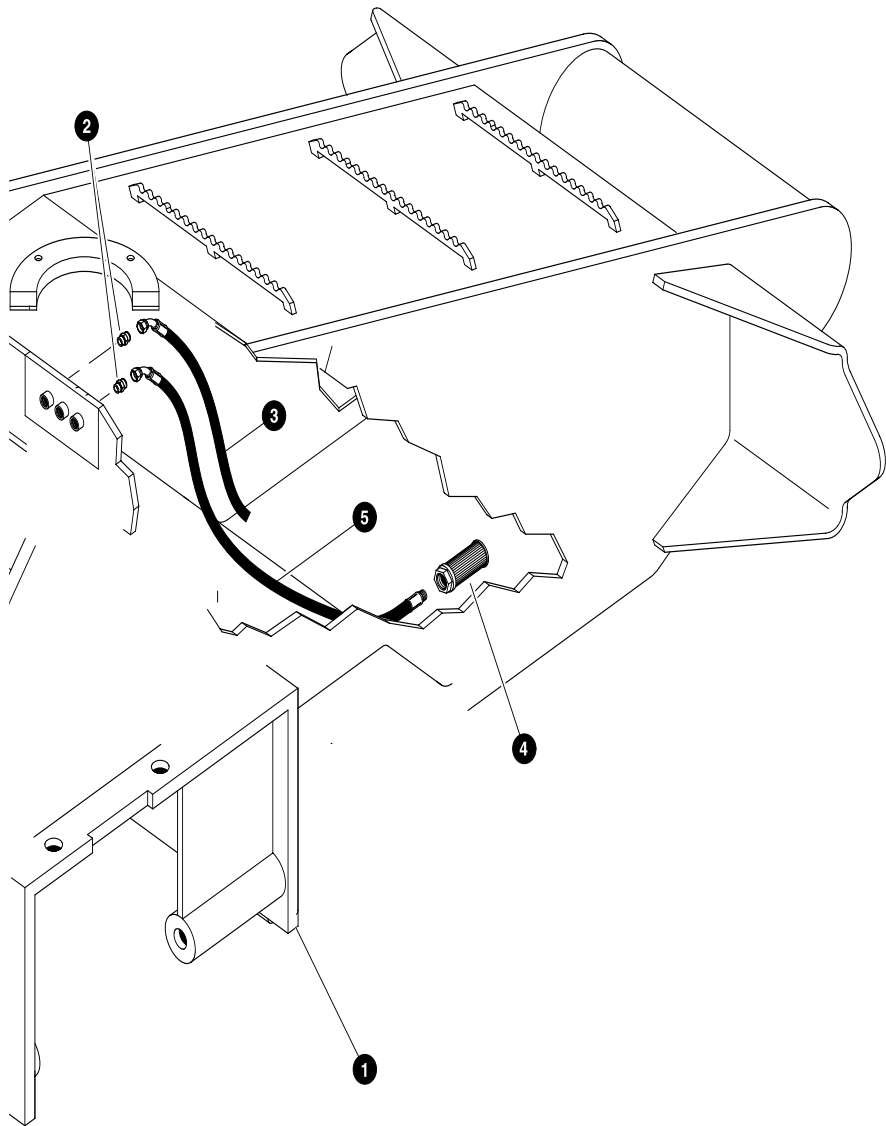
Included in seal repair kit #50258



FUEL FILL STRAINER INSTALLATION

REF	PART #	QTY	DESCRIPTION	SEE SECTION
1	REF.	1	FRONT FRAME WELDMENT	BF-1
2	17492-BF	1	DIPSTICK, fuel level	
3	17115-BF	1	RING, snap - fuel strainer retainer	
4	17114-BF	1	STRAINER, fuel	
5	16585-BF	1	CAP, fuel	
6	10783-BF	4	BOLT - 1/2" x 1"	
7	15534-BF	4	WASHER, SAE flat - 1/2"	
8	14079-BF	1	COVER, fuel tank	
9	15600-BF	1	O-RING - 8"	

See referenced page for component or assembly breakdown.

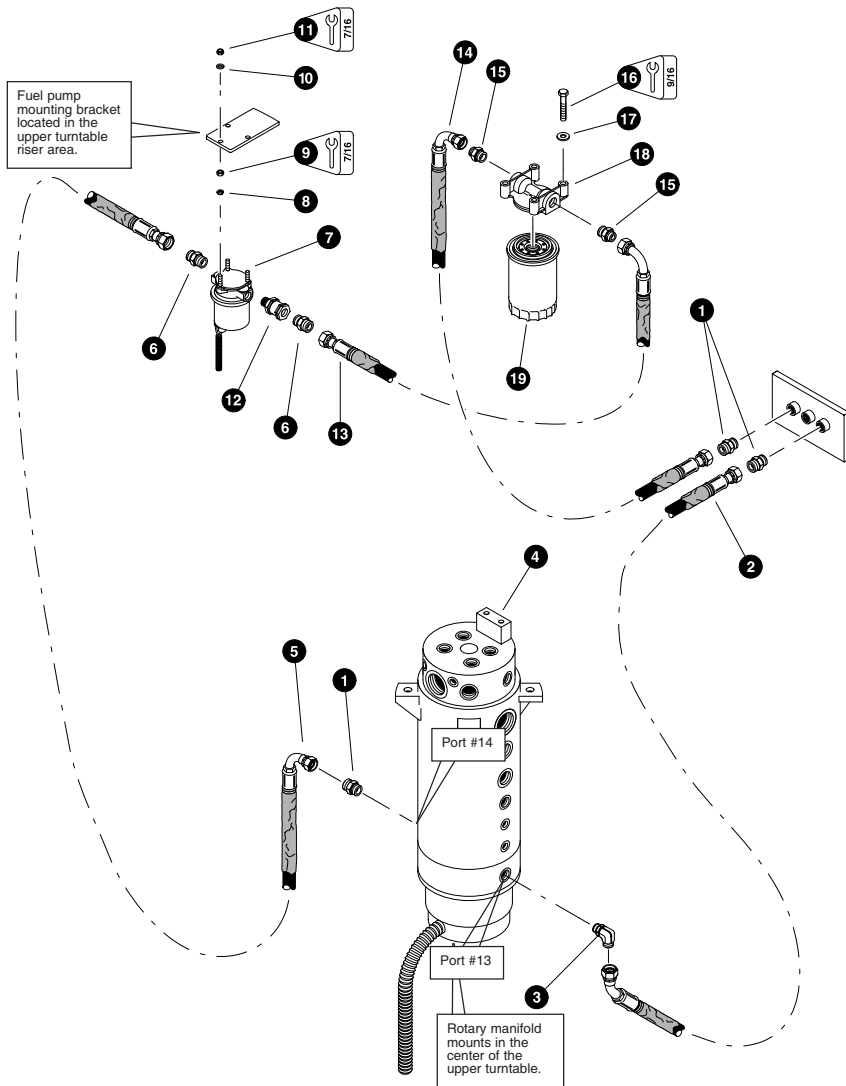


Parts T2798 08/05/03
18.75

FUEL LINES
(Supply & Return Lines Inside Fuel Tank)

REF	PART #	QTY	DESCRIPTION	SEE SECTION
1	REF.	1	FRONT FRAME WELDMENT	BF-1
2	15117-BF	2	CONNECTOR, straight - FF1852T-0808S	
3	50576-BF	1	HOSE ASSEMBLY - 2018-08-0804 (Fuel return)	
4	17271-BF	1	FILTER, screen	
5	50577-BF	1	HOSE ASSEMBLY - 2067-08-0804-08MP (Fuel supply)	

See referenced page for component or assembly breakdown.

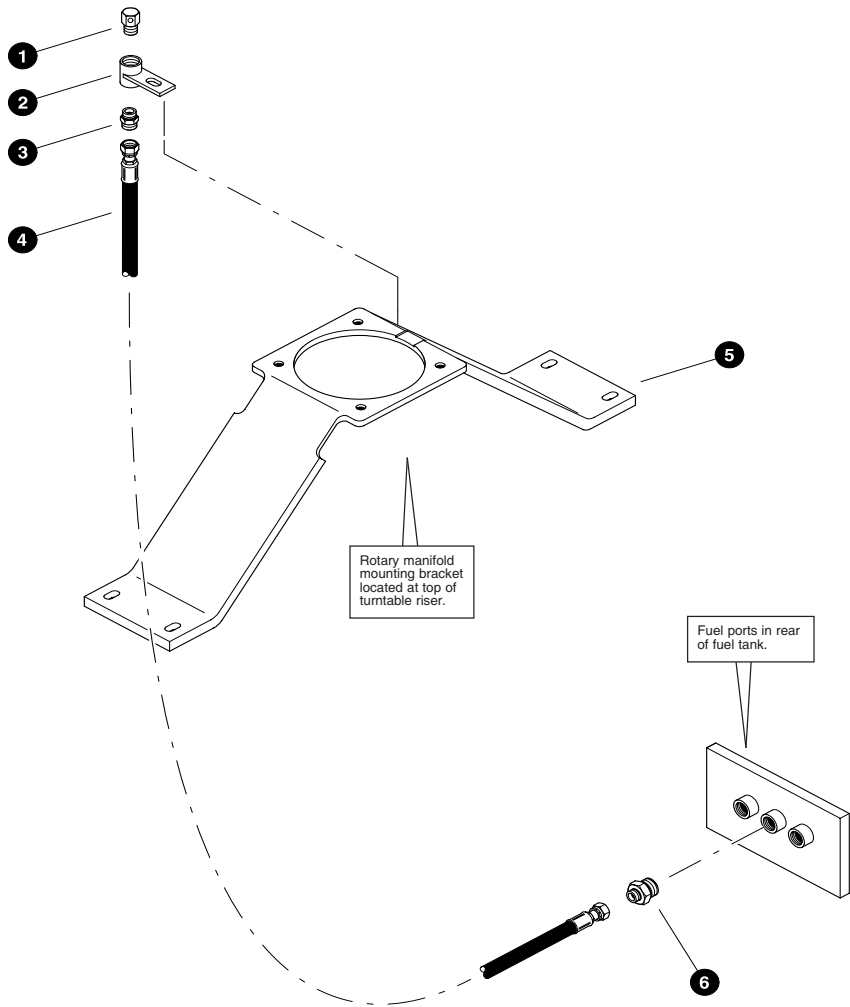


Parts 01896 11/13/2001
18,75

FUEL LINES
(Supply & Return Lines From Fuel Tank To Rotary Manifold)

REF	PART #	QTY	DESCRIPTION	SEE SECTION
1	15117-BF	3	CONNECTOR, straight - FF1852T-0808S	
2	50579-BF	1	HOSE ASSEMBLY - 4043-08-080S-080S (Fuel return from lower rotary manifold port #13 to fuel tank return port)	
3	16360-BF	1	ELBOW, 90° - FF1868T-0808S	
4	REF.	1	ROTARY MANIFOLD	UP-1
5	50578-BF	1	HOSE ASSEMBLY - 4032-08-080S-0804 (Fuel supply from fuel pump outlet port to lower rotary manifold port #14)	
6	22902-BF	2	CONNECTOR, STR - 848-TT-08x06	
7	23358-BF	1	PUMP, fuel - 24 volt	
7	21966-BF	1	PUMP, fuel - 12 volt (used after 02/01/04)	
8	10756-BF	3	WASHER, lock - 1/4"	
9	10755-BF	3	NUT, hex - 1/4"	
10	10757-BF	3	WASHER, SAE flat - 1/4"	
11	15509-BF	3	NUT, nylock - 1/4"	
12	15652-BF	1	VALVE, check	
13	50580-BF	1	HOSE ASSEMBLY - 4036-08-080S-0809 (Fuel filter outlet port to fuel pump inlet port)	
14	50325-BF	1	HOSE ASSEMBLY - 4031-08-080S-0809 (Fuel tank supply port to fuel filter inlet port)	
15	15115-BF	3	CONNECTOR, straight - FF1852T-0810S	
16	23265-BF	2	BOLT - 3/8" x 2-1/4"	
17	15528-BF	2	WASHER, SAE flat - 3/8"	
18	16574-BF	1	MOUNT, filter head	
19	16575-BF	1	FILTER, spin-on fuel	

See referenced page for component or assembly breakdown.



**FUEL LINES
(Fuel Tank Vent)**

REF	PART #	QTY	DESCRIPTION	SEE SECTION
1	22906-BF	1	BREATHER, fuel vent	
2	23393-BF	1	BRACKET, fuel tank vent	
3	15131-BF	1	CONNECTOR, straight - FF2031T-0404S	
4	50310-BF	1	HOSE ASSEMBLY - 2034-04-040S-040S (Fuel tank vent port to fuel vent breather)	
5	REF.	1	ROTARY MANIFOLD MOUNTING BRACKET	UP-1
6	15504-BF	1	CONNECTOR, straight - FF2031T-0408S	

See referenced page for component or assembly breakdown.

