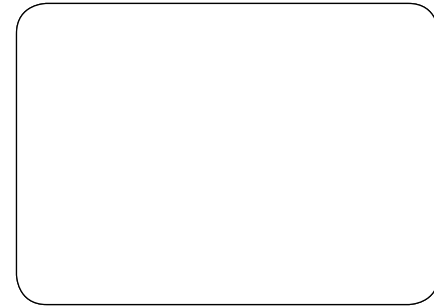
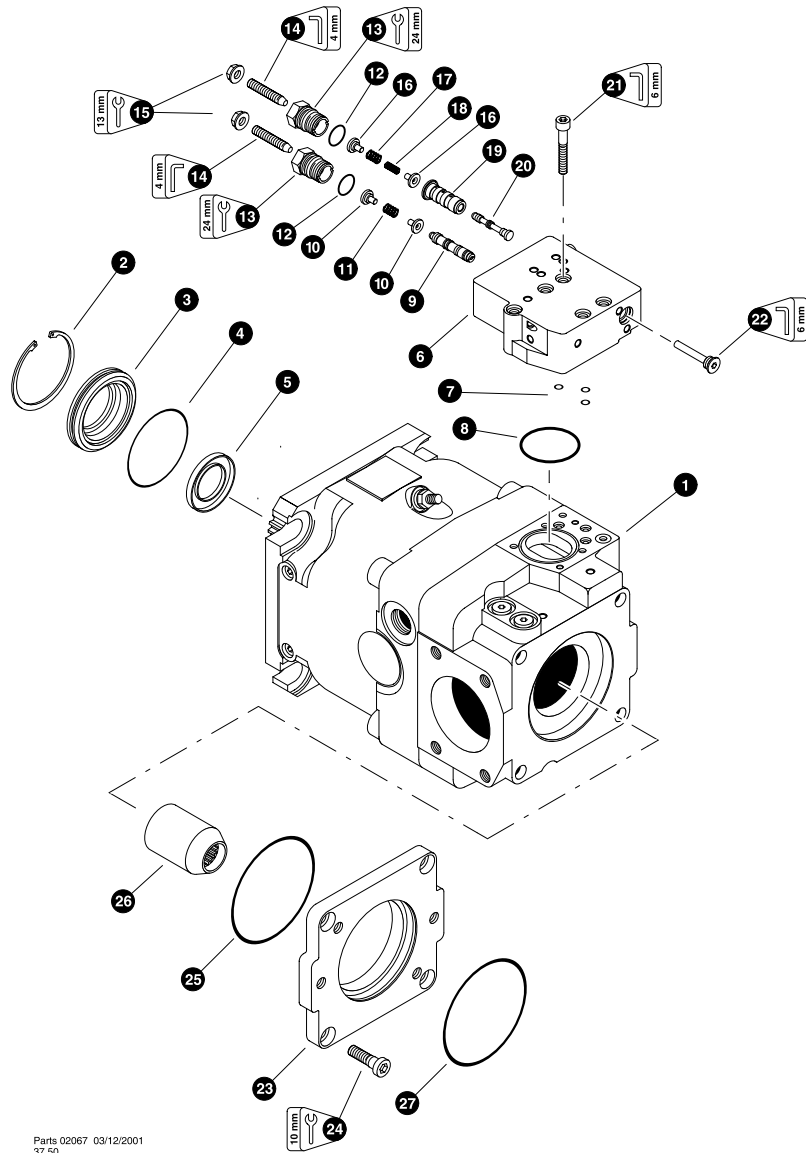


Section CH-1



***Combo Hydraulics (K220/L90LS Valve) -
Implement Pumps***



Parts 02067 03/12/2001
37,50

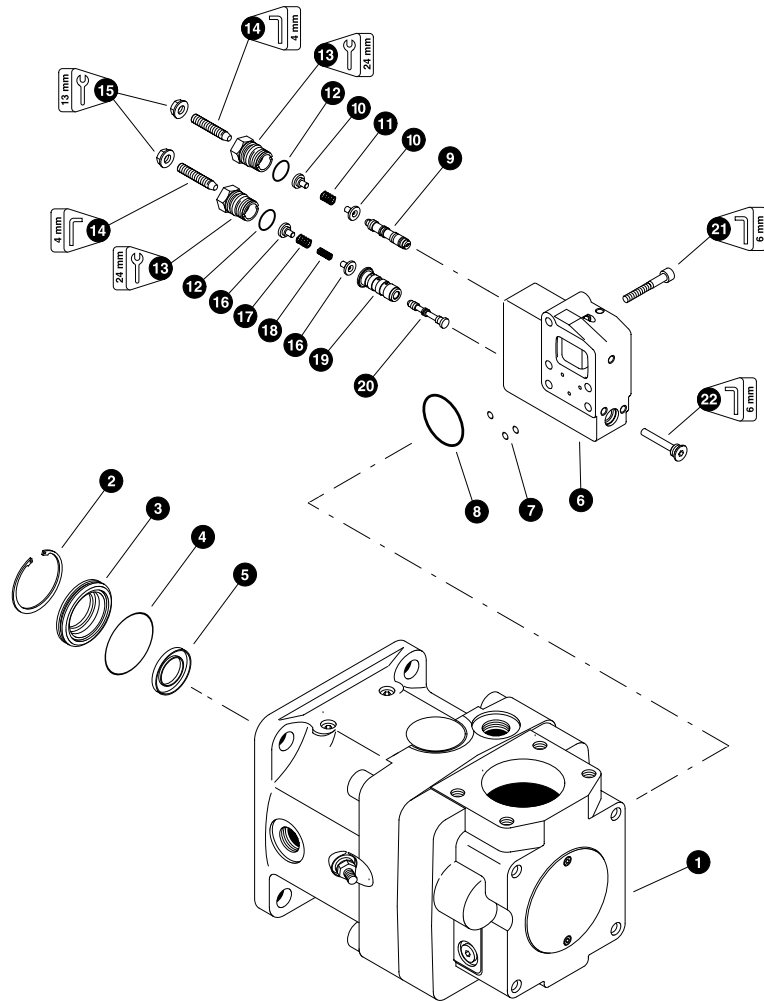
LOADER IMPLEMENT PUMP (Rexroth 145cc)

REF	PART #	QTY	DESCRIPTION	SEE PAGE
1	24505-CH	1	<input type="checkbox"/> PUMP, implement - Rexroth 145cc	
2	21546-CH	1	RING, seal retaining	
3	21547-CH	1	COVER, front	
4	21548-CH	1	<input type="checkbox"/> O-RING, front cover	
5	18687-CH	1	<input type="checkbox"/> SEAL, shaft	
6	18681-CH	1	<input type="checkbox"/> COMPENSATOR	
7	20809-CH	3	<input type="checkbox"/> O-RING, quad	
8	20808-CH	1	<input type="checkbox"/> O-RING, compensator	
9	NSS	1	SPOOL, POR pressure	
10	21551-CH	2	RETAINER, spring	
11	21552-CH	1	SPRING	
12	21553-CH	2	<input type="checkbox"/> O-RING, compensator cap	
13	21554-CH	2	CAP, compensator	
14	20358-CH	2	<input type="checkbox"/> NUT, seal	
15	21555-CH	2	SCREW, adjusting	
16	21558-CH	2	RETAINER, spring	
17	21556-CH	1	SPRING	
18	21557-CH	1	SPRING	
19	NSS	1	SLEEVE, spool	
20	NSS	1	SPOOL, stand-by pressure	
21	21559-CH	5	BOLT, allen head - 8mm x 50mm	
22	NSS	1	PLUG	
23	24424-CH	1	<input type="checkbox"/> KIT, FLANGE, thru drive vlv	
24	17608-CH	4	BOLT, allen head - 12mm-1.75P x 30mm	
25	17744-CH	1	<input type="checkbox"/> O-RING, thru drive flange	
26	18843-CH	1	COUPLING, thru drive	
27	18844-CH	1	O-RING, thru drive cover	
--	18799-CH	1	KIT, seal repair (Complete pump)	

- Kit or Assembly - includes all items indented underneath.
- Included in seal repair kit, PN# 18799-CH.

Note:

Due to warranty policy restrictions imposed by component suppliers, it is not recommended that the component be disassembled further than is shown in the illustration.



Parts 01861 09/25/2000
37.50

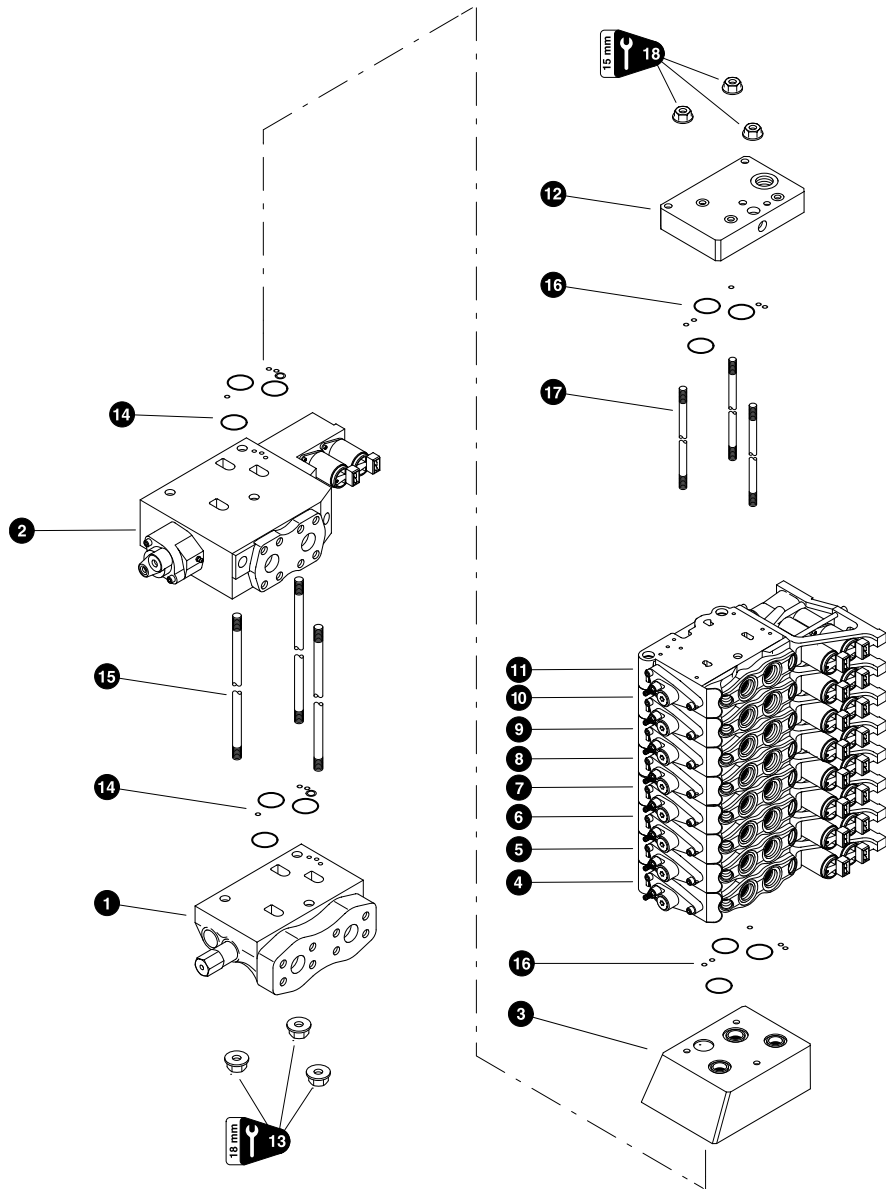
LOADER IMPLEMENT PUMP (Rexroth 95cc)

REF	PART #	QTY	DESCRIPTION	SEE PAGE
1	22707-CH	1	<input type="checkbox"/> PUMP, implement - Rexroth 95cc	
2	23676-CH	1	RING, seal retaining	
3	23677-CH	1	COVER, front	
4	23678-CH	1	<input type="checkbox"/> O-RING, front cover	
5	23675-CH	1	<input type="checkbox"/> SEAL, shaft	
6	18681-CH	1	<input type="checkbox"/> COMPENSATOR	
7	20809-CH	3	<input type="checkbox"/> O-RING, quad	
8	20808-CH	1	<input type="checkbox"/> O-RING, compensator	
9	NSS	1	SPOOL, POR pressure	
10	21551-CH	2	RETAINER, spring	
11	21552-CH	1	SPRING	
12	21553-CH	2	<input type="checkbox"/> O-RING, compensator cap	
13	21554-CH	2	CAP, compensator	
14	21555-CH	2	SCREW, adjusting	
15	20358-CH	2	<input type="checkbox"/> NUT, seal	
16	21558-CH	2	RETAINER, spring	
17	21556-CH	1	SPRING	
18	21557-CH	1	SPRING	
19	NSS	1	SLEEVE, spool	
20	NSS	1	SPOOL, stand-by pressure	
21	21559-CH	5	BOLT, allen head - 8mm x 50mm	
22	NSS	1	PLUG	
--	23679-CH	1	KIT, seal repair (<i>Complete pump</i>)	

- Kit or Assembly - includes all items indented underneath.
- Included in seal repair kit, PN# 23679-CH.

Note:

Due to warranty policy restrictions imposed by component suppliers, it is not recommended that the component be disassembled further than is shown in the illustration.

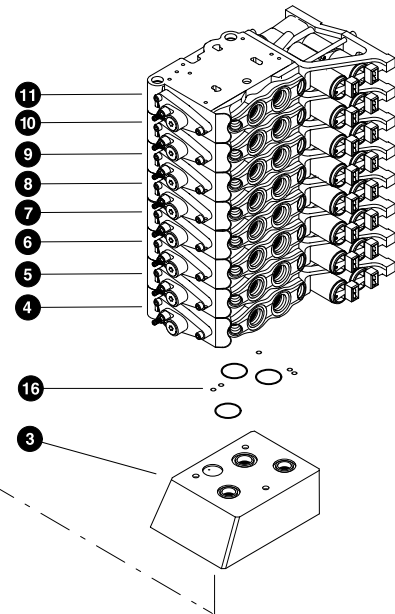


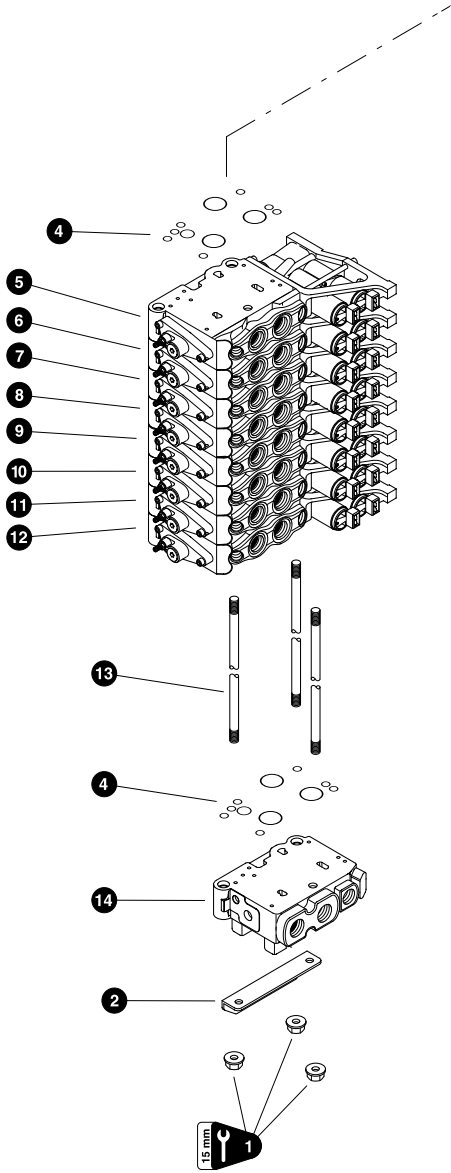
Parts T2919 10/02/2003
25.00

MAIN CONTROL VALVE
(Voac K220/L90LS / 9 - Sections)
(machines built after 11/01/02)

REF	PART #	QTY	DESCRIPTION	SEE SECTION
-	51066-CH	1	<input type="checkbox"/> VALVE, MAIN CONTROL 9 - section 24volt (Log Max 5000)	
1	REF.	1	<input type="checkbox"/> IN-LET/OUTLET SECTION	CH-2
2	REF.	1	<input type="checkbox"/> VALVE SECTION - Processor High Flow function	CH-2
3	---	1	ADAPTER PLATE, (9120092315)	
4	REF.	1	<input type="checkbox"/> VALVE SECTION - Main Boom function	CH-2
5	23407-CH	1	<input type="checkbox"/> VALVE SECTION - Rotate function	CH-2
6	REF.	1	<input type="checkbox"/> VALVE SECTION - Squirt function	CH-2
7	REF.	1	<input type="checkbox"/> VALVE SECTION - Grapple O/C function	CH-2
8	REF.	1	<input type="checkbox"/> VALVE SECTION - Stick Boom function	CH-2
9	23411-CH	1	<input type="checkbox"/> VALVE SECTION - Swing function	CH-2
10	REF.	1	<input type="checkbox"/> VALVE SECTION - Steer function	CH-2
11	REF.	1	<input type="checkbox"/> VALVE SECTION - Processor Low Flow function	CH-2
12	---	1	END CAP	
13	25131-CH	3	NUT, flange - 12mm (Torque to 55 ft.lbs. (75 Nm))	
14	25132-CH	6	KIT, seal repair - K220 face seals	
15	---	3	ROD, tie - K220 (1-Section span)	
16	23404-CH	5	KIT, seal repair - L90LS face seals	
17	---	3	ROD, tie - L90LS (8-Section span)	
18	23913-CH	3	NUT, flange - 10mm (Torque to 33 ft.lbs. (45 Nm))	

Kit or Assembly - includes all items indented underneath.
 See referenced page for component or assembly breakdown.



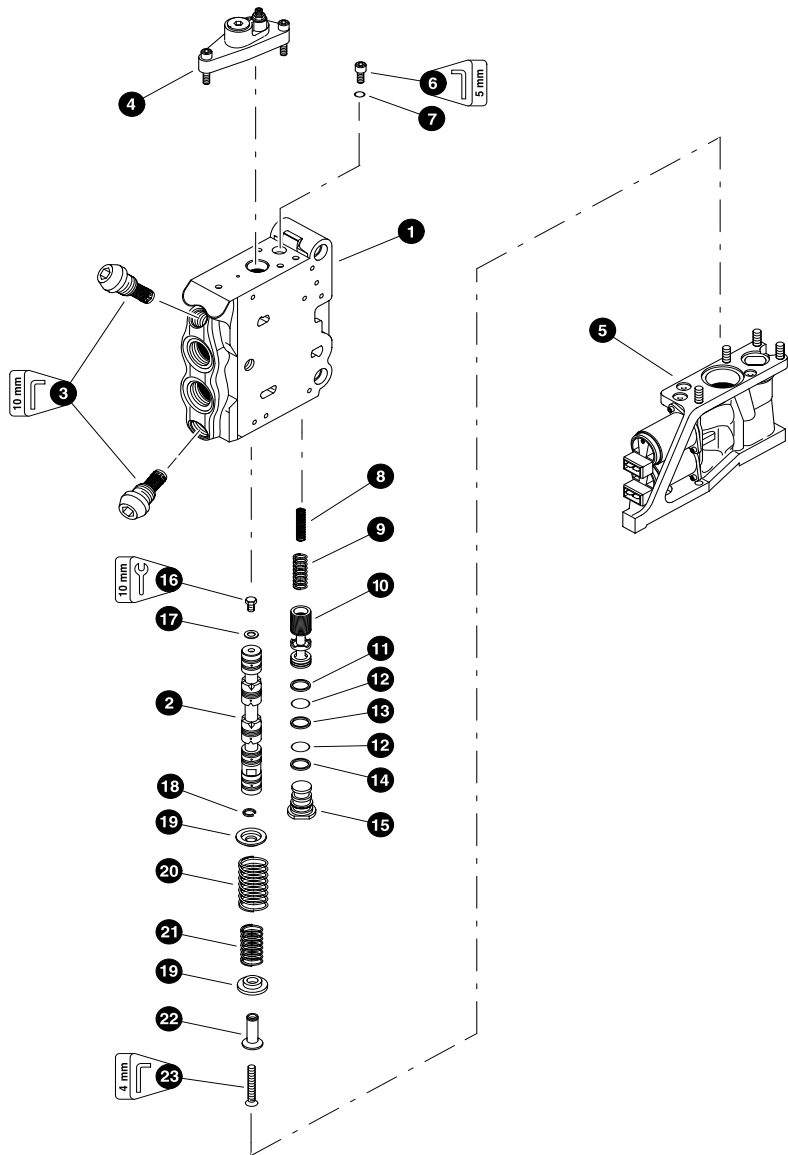


Parts T2920 10/02/03
25.00

MAIN CONTROL VALVE
(Voac L90LS / 8 - Sections)
(machines built after 11/01/02)

REF	PART #	QTY	DESCRIPTION	SEE SECTION
-	50509-CH	1	<input type="checkbox"/> MAIN CONTROL VALVE ASSEMBLY(8 Section)	
1	23913-CH	6	NUT (Special torque procedure)(See Note #2 Below)	
2	23402-CH	1	KIT, mounting brackets	
3	REF.	1	<input type="checkbox"/> VALVE SECTION - inlet	CH-2
4	23404-CH	7	KIT, seal repair - L90LS face seals	
5	24778-CH	1	<input type="checkbox"/> VALVE SECTION - Cab Level.	CH-2
6	REF.	1	<input type="checkbox"/> VALVE SECTION - Steer function.	CH-2
7	23411-CH	1	<input type="checkbox"/> VALVE SECTION - Swing function	CH-2
8	REF.	1	<input type="checkbox"/> VALVE SECTION - Stick Boom function	CH-2
9	REF.	1	<input type="checkbox"/> VALVE SECTION - Grapple O/C function.	CH-2
10	REF.	1	<input type="checkbox"/> VALVE SECTION - Squirt function	CH-2
11	23407-CH	1	<input type="checkbox"/> VALVE SECTION - Rotate function.	CH-2
12	REF.	1	<input type="checkbox"/> VALVE SECTION - Main Boom function.	CH-2
13	---	3	ROD, tie	
14	REF.	1	<input type="checkbox"/> VALVE SECTION - outlet	CH-2

- Kit or Assembly - includes all items indented underneath.
- See referenced page for component or assembly breakdown.



L90LS VALVE SECTION

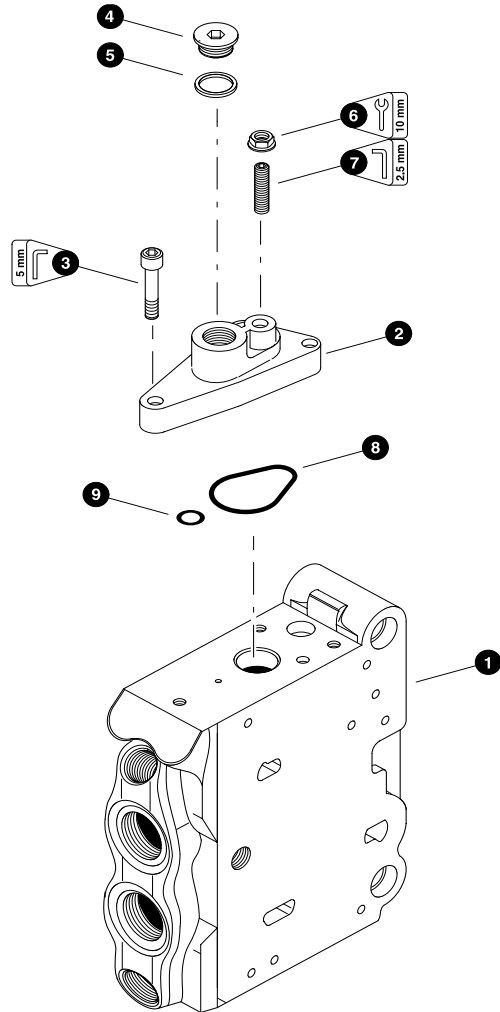
REF	PART #	QTY	DESCRIPTION	SEE SECTION
1	NSS	1	BODY, valve section	
2	-----	1	SPOOL, level MUX (393000S594)	
2	-----	1	SPOOL, head rotate MBX (393000S218)	
2	-----	1	SPOOL, steer/shear RDX (393000S230)	
2	-----	1	SPOOL, swing - UPD (393000S879)	
2	-----	1	SPOOL, grapple/accumulator - RKX (393000S490)	
2	-----	1	SPOOL, main boom - UMX (393000S876)	
2	-----	1	SPOOL, stick boom/tool tilt - RCX (393000S226)	
2	-----	1	SPOOL, squirt boom - RCX (393000S226)	
2	-----	1	SPOOL, Processor Low Flow - RBX	
3	-----	2	CARTRIDGE, port relief (230 Bar) (393000K568)	
3	-----	2	CARTRIDGE, port relief (250 Bar) (393000K569)	
3	-----	2	CARTRIDGE, port relief (280 Bar) (393000K571)	
3	-----	2	CARTRIDGE, port relief (300 Bar) (393000K572)	
4	REF.	1	<input type="checkbox"/> SECTION END CAP ASSEMBLY - "A" port side	CH-2
5	REF.	1	<input type="checkbox"/> SECTION END CAP ASSEMBLY - "B" port side	CH-2
-	-----	1	<input type="checkbox"/> KIT, compensator - "KX" (Swing, Steer)(see note #1)	
-	-----	1	<input type="checkbox"/> KIT, compensator - "K" (Rotate & Level only)(see note #1)	
6	-----	1	SCREW, throttling - 6mm-1.0P x 10mm	
7	-----	1	RING, seal	
8	-----	1	SPRING, small (KX only)	
9	-----	1	SPRING, compensator	
10	-----	1	SPOOL, compensator	
-	-----	1	<input type="checkbox"/> KIT, compensator plug w/seals (393000K171)	
-	-----	1	<input type="checkbox"/> KIT, seals only - compensator plug (393000K811)	
11	-----	2	RING, back-up	
12	-----	1	O-RING	
13	-----	1	O-RING	
14	-----	1	RING, back-up	
15	-----	1	BOLT, spool - 6mm-1.0P x 8mm (0147124203)	
16	-----	1	WASHER, seal (91256300)	
-	23423-CH	1	<input type="checkbox"/> KIT, spool centering spring	
17	NSS	1	RING, lock	
18	NSS	2	RETAINER, spring	
19	NSS	1	SPRING	
20	NSS	1	SPRING	
21	NSS	1	SLEEVE	
22	NSS	1	SCREW, spring assembly	

- Kit or Assembly - includes all items indented underneath.
- See referenced page for component or assembly breakdown.

NOTE #1

Each section is color coded for proper fit. A color mark can be found on the "B" port side of the valve section under the end cap labeled #5.

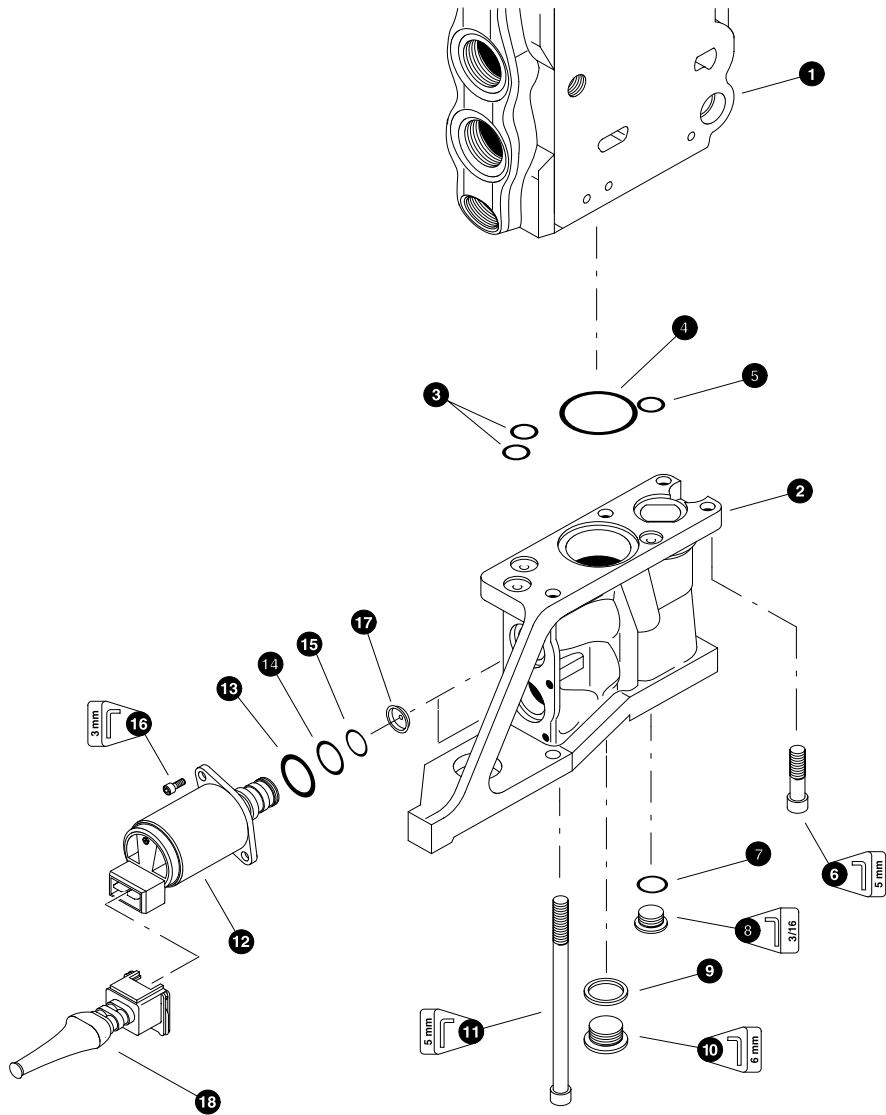
- KX - blue (393000K616)
green (393000K617)
red (393000K618)
- K - blue (393000K169)
green (393000K469)
red (393000K669)



L90LS VALVE END CAP

REF	PART #	QTY	DESCRIPTION	SEE SECTION
1	NSS	1	VALVE SECTION BODY	
-	23414-CH	1	KIT, end cap - "A" port side	☐
2	NSS	1	CAP, end	
3	-----	3	BOLT, allen head - 6mm-1.0P x 20mm (0211124703)	
4	15412-CH	1	PLUG - 6408-HHP-6	
5	-----	1	RING, seal (3-906)	⊗
6	-----	1	NUT, seal - 6mm (3763131)	⊗
7	-----	1	SCREW, adjustment (3764640)	
-	23415-CH	1	KIT, seal repair - "A" port side end cap	☐
8	-----	1	O-RING (Large) (0663210509)	⊗
9	-----	1	O-RING (Small) (06632114)	⊗

- ☐ See referenced page for component or assembly breakdown.
- ☐ Kit or Assembly - includes all items indented underneath.
- ⊗ Included in seal repair kit PN# 23415-LH.



Parts 01735 02/21/2003
75,00

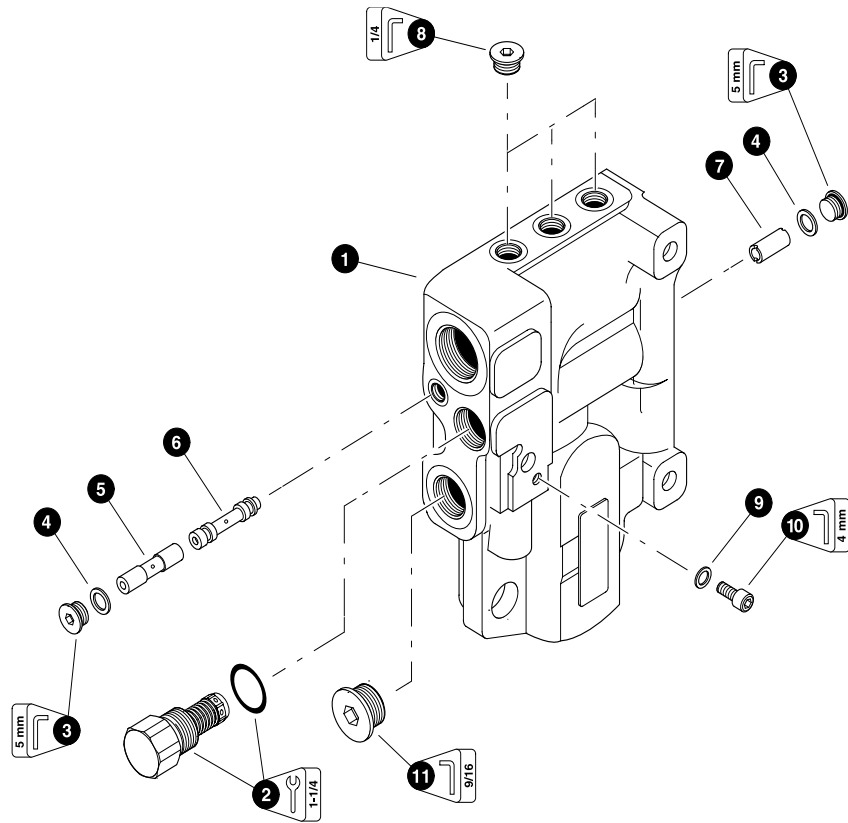
L90LS VALVE CONTROL CAP

REF	PART #	QTY	DESCRIPTION	SEE SECTION
1	NSS	1	VALVE SECTION BODY	
-	23416-CH	1	□ KIT, end cap - "B" port side	
2	-----	1	CAP, end	
3	-----	2	⊗ O-RING (Small)	
4	-----	1	⊗ O-RING (Large)	
5	-----	1	⊗ O-RING (Small)	
6	-----	2	BOLT, allen head - 6mm-1.0P x 20mm (0211124703)	
7	-----	1	⊗ O-RING	
8	11383-CH	1	PLUG - 6408-HHP-4	
9	-----	1	⊗ RING, seal	
10	-----	1	PLUG (0686644203)	
11	-----	2	SCREW, allen head - 6mm-1.0P x 100mm (0211126403)	
12	20976-CH	2	SOLENOID - 24V	
13	-----	2	◆ O-RING (Large)	
14	-----	2	◆ O-RING (Medium)	
15	-----	2	◆ O-RING (Small)	
16	-----	4	SCREW, allen head - 4mm-.75P x 12mm (0211117103)	
17	-----	2	DAMPER, pilot restrictor orifice (voac solenoid)(see note #1 below)	
18	19179-CH	2	CONNECTOR, (kit) voac controll valve	
-	23417-CH	1	KIT, seal repair - "B" port side end cap	
-	23418-CH	1	KIT, seal repair - solenoid	

- ☐ See referenced page for component or assembly breakdown.
- Kit or Assembly - includes all items indented underneath.
- ⊗ Included in seal repair kit PN# 23417-LH.
- ◆ Included in seal repair kit PN# 23418-LH.

NOTE #1:

Orifice sizes vary depending upon function.
 #3762396 0.6 mm
 #3762397 0.8 mm
 #3762398 1.0 mm



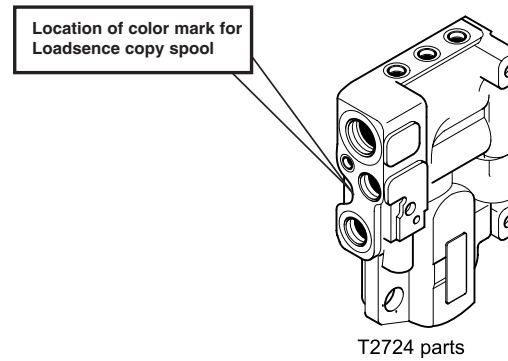
L90LS VALVE INLET

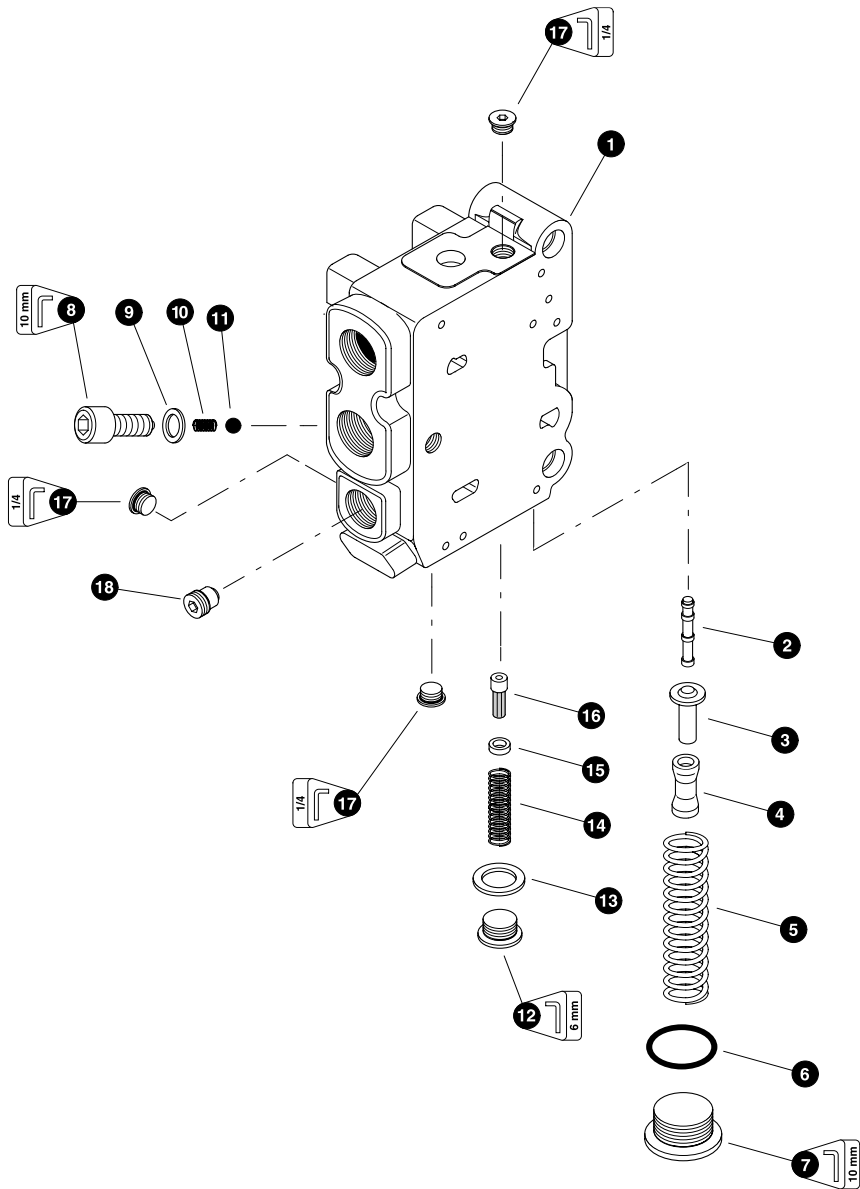
REF	PART #	QTY	DESCRIPTION	SEE SECTION
-	23405-CH	1	<input type="checkbox"/> VALVE SECTION, inlet	
1	NSS	1	BODY, valve section	
2	23428-CH	1	RELIEF (250 bar)	
-	23429-CH	1	<input type="checkbox"/> KIT, load sense copy spool (Green)(see note #1)	
-	23430-CH	1	<input type="checkbox"/> KIT, load sense copy spool (Red)(see note #1)	
3	-----	2	PLUG (0686644103)	
4	-----	2	RING, seal (06611014)	
5	NSS	1	SPACER	
6	NSS	1	SPOOL	
7	NSS	1	SPACER	
8	15412-CH	3	PLUG - 6408-HHP-6	
9	-----	1	RING, seal (91256300)	
10	-----	1	PLUG, M6 X 1mm x 12mm (980034)	
11	15584-CH	1	PLUG - 6408-HHP-12	

Kit or Assembly - includes all items indented underneath.

NOTE #1

Each section is color coded to insure proper fit, please check color mark before ordering.





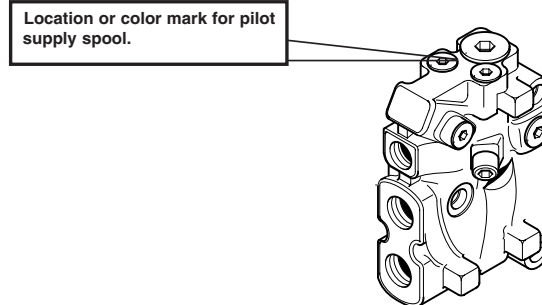
L90LS VALVE OUTLET

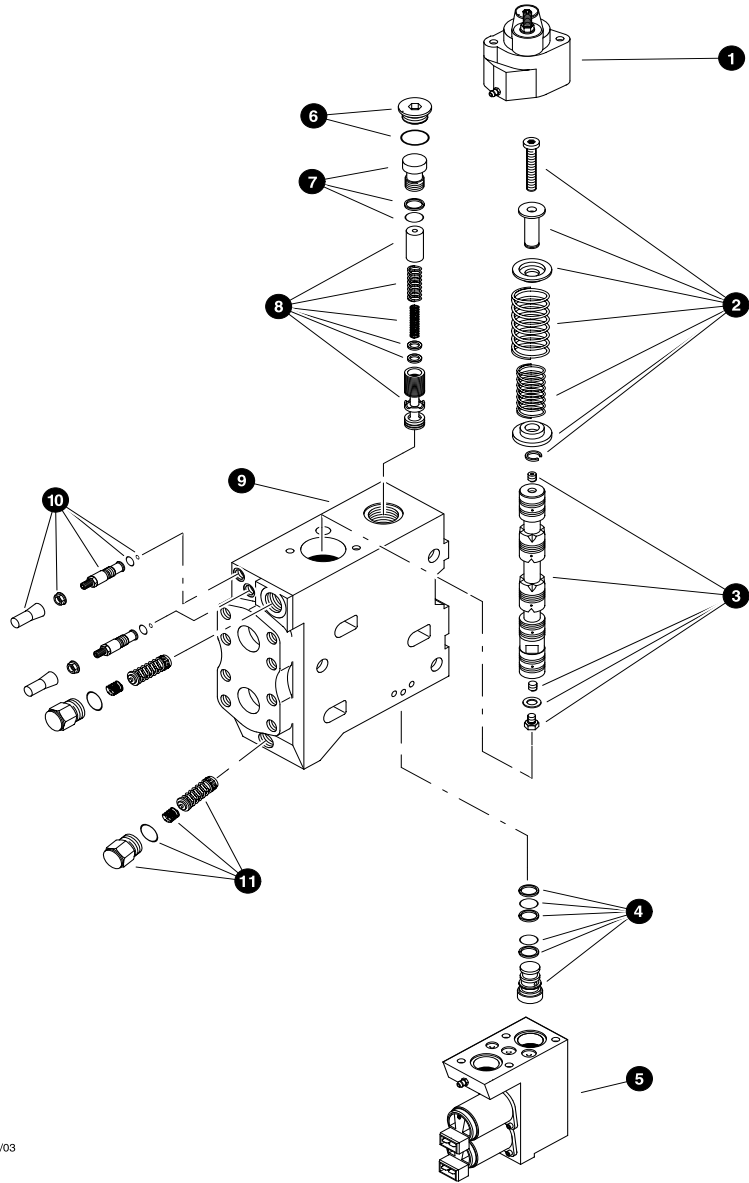
REF	PART #	QTY	DESCRIPTION	SEE SECTION
-	23412-CH	1	<input type="checkbox"/> VALVE SECTION, outlet	
1	NSS	1	BODY, valve section	
-	23431-CH	1	<input type="checkbox"/> KIT, pilot supply reducer (Green)(35 bar)(see note #1)	
-	23432-CH	1	<input type="checkbox"/> KIT, pilot supply reducer (Red)(35 bar)(see note #1)	
2	-----	1	SPOOL, pilot reducer	
3	-----	1	RETAINER, spring	
4	-----	1	SPACER, spring	
5	-----	1	SPRING	
6	-----	1	O-RING (0663909901)	
7	-----	1	PLUG (9126244413)	
8	-----	1	PLUG (9127320022)	
9	-----	1	RING, seal (06611005)	
10	-----	1	SPRING	
11	-----	1	BALL, check	
-	23433-CH	1	<input type="checkbox"/> KIT, pilot supply strainer	
12	-----	1	PLUG (9127320020)	
13	-----	1	RING, seal (06611020)	
14	-----	1	SPRING	
15	-----	1	SPACER	
16	-----	1	STRAINER (9126386076)	
16	15412-CH	3	PLUG - 6408-HHP-6	
17	-----	1	PLUG, pilot drain (393000K078)	

Kit or Assembly - includes all items indented underneath.

NOTE #1

Each section is color coded to insure proper fit, please check color mark before ordering.

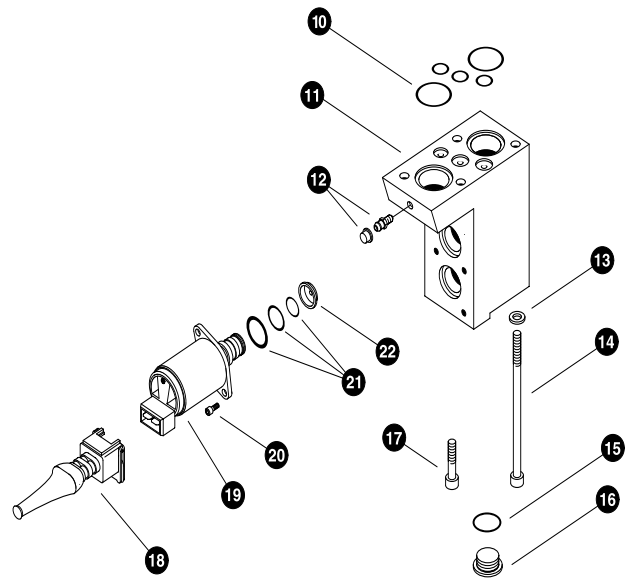
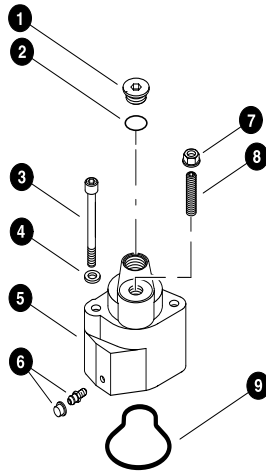




VOAC K220 VALVE SECTION

REF	PART #	QTY	DESCRIPTION	SEE SECTION
-	-----	1	<input type="checkbox"/> VALVE SECTION, K220 - Processor High Flow	
1	REF.	1	<input type="checkbox"/> CAP, "B"port.	CH-2-18
2	-----	1	<input type="checkbox"/> KIT, SPOOL SPRING - (9120092015)	
3	-----	1	<input type="checkbox"/> SPOOL, Proccesor High Flow - RAX	
4	-----	1	<input type="checkbox"/> KIT, PLUG 3 (3764731)	
-	-----	1	<input type="checkbox"/> SEAL KIT, plug 3 (9120092355)	
5	-----	1	<input type="checkbox"/> CONTROL CAP ASSEMBLY - "A" port side	CH-2-18
6	-----	1	<input type="checkbox"/> KIT, PLUG 1 (9126244419)	
-	-----	1	<input type="checkbox"/> O-RING, plug 1 (0663910401)	
7	-----	1	<input type="checkbox"/> KIT, PLUG 2 (3764750)	
-	-----	1	<input type="checkbox"/> O-RING, plug 2 (06632124)	
-	-----	1	<input type="checkbox"/> RING, back up - plug 2 (06611516)	
8	-----	1	<input type="checkbox"/> KIT, COMPENSATOR K1 (9120092054) CLAMP	
8	-----	1	<input type="checkbox"/> KIT, COMPENSATOR K2 (9120092055) SAW, TOOL, STICK, MAIN	
9	NSS	1	<input type="checkbox"/> BODY, K220 VALVE	
10	-----	2	<input type="checkbox"/> KIT, FEED REDUCER (3763680)	
-	-----	1	<input type="checkbox"/> O-RING, feed reducer (91256182)	
-	-----	1	<input type="checkbox"/> O-RING, feed reducer (06639050)	
-	-----	1	<input type="checkbox"/> NUT, sealing (91267108)	
11	-----	2	<input type="checkbox"/> VALVE, PORT RELIEF - 300 bar (9120029517)	
11	-----	2	<input type="checkbox"/> VALVE, PORT RELIEF - 280 bar ()	
-	-----	1	<input type="checkbox"/> O-RING, PORT RELIEF (91256889)	

- Kit or Assembly - includes all items indented underneath.
- See referenced page for component or assembly breakdown.



Parts T2762 07/15/03
50.00

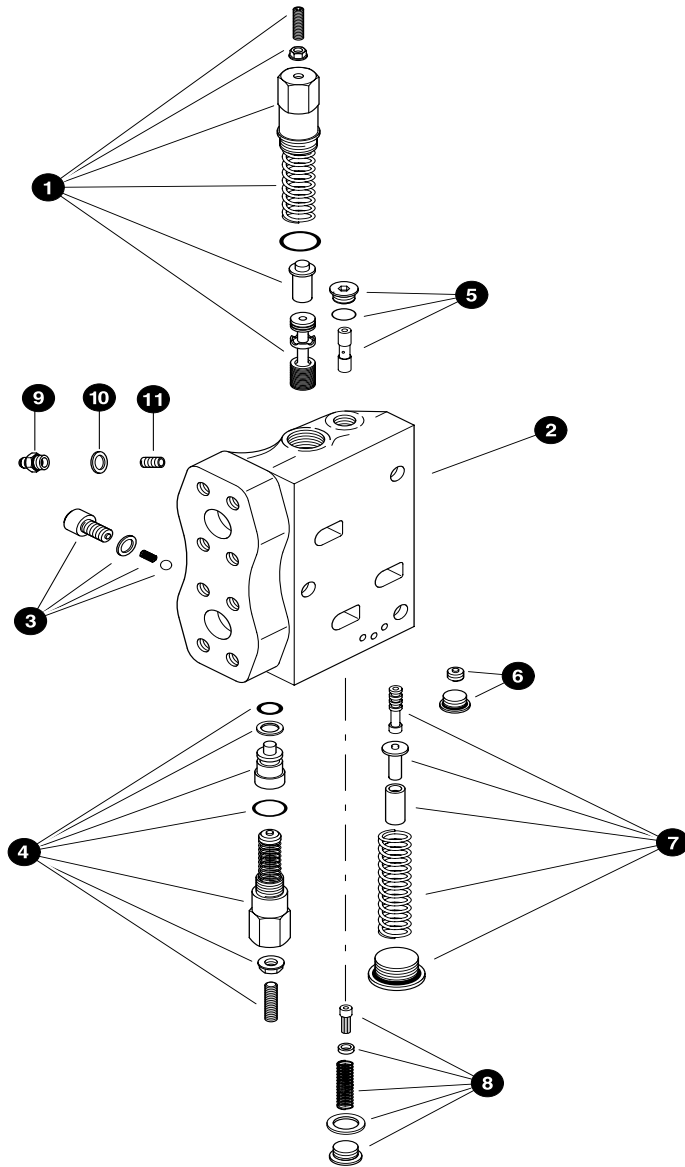
VOAC K220 VALVE END CAPS

REF	PART #	QTY	DESCRIPTION	SEE SECTION
-	51264-HH	1	☐ CUP, PILOT - K220 W / FLOW LIMIT	
1	---	1	PLUG	
2	---	1	⊗ O-RING	
3	---	2	BOLT, M6 X 35mm (3764640)	
4	---	2	WASHER, M6	
5	---	1	CAP	
6	---	1	BLEEDER	
7	---	1	⊗ NUT, seal M6 (91267109)	
8	---	1	SCREW	
9	---	1	⊗ O-RING	
-	---	1	☐ KIT, CONTROL "A port side" K220	
10	---	1	◆ KIT, O-RING	
11	---	1	CAP	
12	---	1	BLEEDER	
13	---	4	WASHER, M6	
14	---	2	BOLT, M6 X 110mm (0211126603)	
15	---	1	◆ O-RING	
16	---	1	PLUG	
17	---	2	BOLT, M6 X 22mm (0211124803)	
18	19179-HH	2	KIT, CONNECTOR -VOAC solenoid	
-	20976-HH	2	KIT, SOLENOID VALVE 24V	
19	---	1	SOLENOID VALVE 24V	
20	---	2	SCREW, 4mm x 12mm (0211117103)	
21	---	1	KIT, SEAL -SOLENOID VALVE (393000K813)	
22	---	1	DAMPER, pilot restrictor orifice 0.8 mm (3762397)	

☐ Kit or Assembly - includes all items indented underneath.

⊗ Included in seal repair kit PN# - (9120092284)

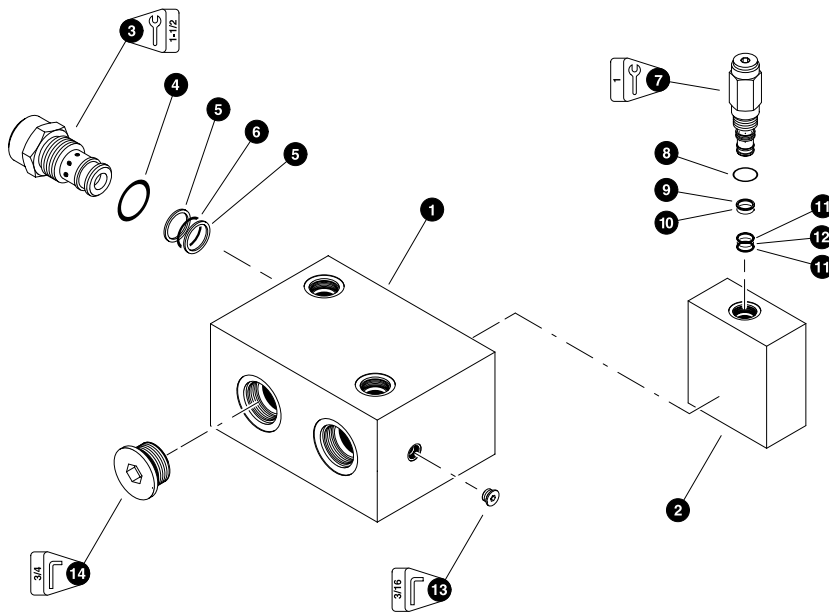
◆ Included in seal repair kit PN# - (9120092284)



VOAC K220 VALVE INLET SECTION

REF	PART #	QTY	DESCRIPTION	SEE SECTION
-	24644-HH	1	<input type="checkbox"/> VALVE SECTION, INLET K220	
1	-----	1	<input type="checkbox"/> KIT, RELIEF PRESSURE DIFFENTIAL (9120092268)	
-	-----	1	O-RING (91256889)	
-	-----	1	NUT, sealing (91267108)	
2	NSS	1	BODY	
3	-----	1	<input type="checkbox"/> KIT, PILOT SUPPLY REDUCER (9120092001)	
-	-----	1	PLUG (9126244413)	
-	-----	1	O-RING (0663909901)	
-	-----	1	SEAL WASHER (06611005)	
-	-----	1	BOLT (9127320022)	
4	-----	1	<input type="checkbox"/> VALVE, MAIN RELIEF	
-	-----	1	SCREW, ADJUSTING (91267109)	
-	-----	1	O-RING, LARGE (06632122)	
-	-----	1	RING, BACKUP (3763213)	
-	-----	1	O-RING, SMALL (0663611801)	
5	-----	1	<input type="checkbox"/> KIT, COPY SPOOL	
-	-----	1	PLUG, (9120100052)	
-	-----	1	O-RING (0663210074)	
6	-----	1	<input type="checkbox"/> KIT, AS	
-	-----	1	PLUG, SAE 6	
-	-----	1	PLUG, M8 (91257240)	
-	-----	1	O-RING, (3-906)	
7	-----	1	<input type="checkbox"/> KIT, PILOT SUPPLY (9120092001)	
8	-----	1	<input type="checkbox"/> KIT, PILOT SUPPLY FILTER (9120092004)	
-	-----	1	PLUG, (9127320020)	
-	-----	1	SEAL WASHER (06611020)	
9	22856-HH	1	CONNECTOR - STR metric 04 x 10mm	
10	-----	1	RING, SEAL-BONDED DS-MM-10 (METRIC)	
11	23993-HH	1	SCREW, SET - 8mm x 1.25 x 8mm	

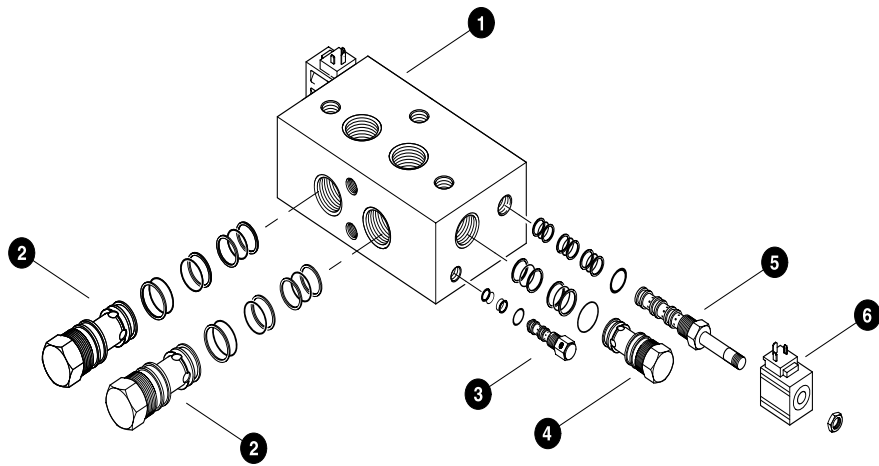
Kit or Assembly - includes all items indented underneath.



LOGIC RETURN VALVE

REF	PART #	QTY	DESCRIPTION	SEE SECTION
--	22842-CH	1	□ RETURN LINE MANIFOLD	
1	NSS	1	BODY, valve (Manifold)	
2	NSS	1	BODY, valve (Logic)	
3	24783-CH	1	□ CARTRIDGE, check valve	
4	NSS	1	⊗ O-RING (Body)	
5	NSS	2	⊗ RING, back-up (Chamber)	
6	NSS	1	⊗ O-RING (Chamber)	
7	24784-CH	1	□ CARTRIDGE relief valve	
8	NSS	1	◆ O-RING (Body)	
9	NSS	1	◆ RING, back-up (Chamber)	
10	NSS	1	◆ O-RING (Chamber)	
11	NSS	2	◆ RING, back-up (Chamber)	
12	NSS	1	◆ O-RING (Chamber)	
13	11383-CH	AR	PLUG - 6408-HHP-4	
14	18950-CH	1	PLUG - 6408-HHP-20	
--	24785-CH	1	KIT, seal repair - check valve	
--	24786-CH	1	KIT, seal repair - relief valve	

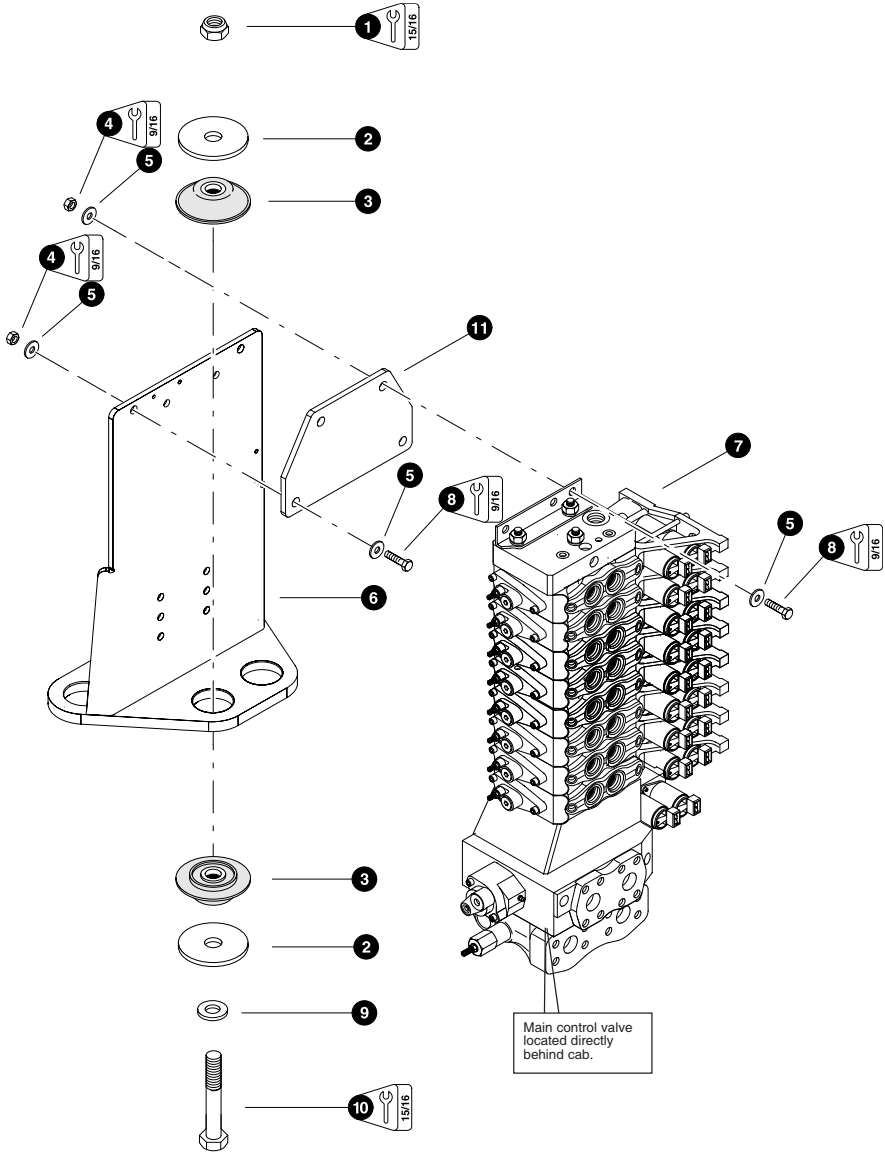
- Kit or Assembly - includes all items indented underneath.
- ⊗ Included in Seal Repair Kit, PN# 24785-CH.
- ◆ Included in Seal Repair Kit, PN# 24786-CH.



COMBO QUICK CHANGE VALVE

REF	PART #	QTY	DESCRIPTION	SEE SECTION
--	40818-CH	1	<input type="checkbox"/> VALVE, QUICK CHANGE	
1	---	1	MANIFOLD (M02040)	
2	---	2	VALVE, DIFFERENTIAL PRESSURE SENSING (DPS2-20-T-F-0-40)	
3	---	2	VALVE, PILOT OPERATED 2-WAY (DH082-B)	
4	---	2	VALVE, DIFFERENTIAL PRESSURE SENSING (DPS2-16-T-F-0-40)	
5	---	2	<input type="checkbox"/> VALVE, SOLENOID CARTRIDGE (DSH084-B-D024LD)	
6	22554-CH	2	COIL, SOLENOID - SS/PB/LS (24V)(PARKER)	

Kit or Assembly - includes all items indented underneath.

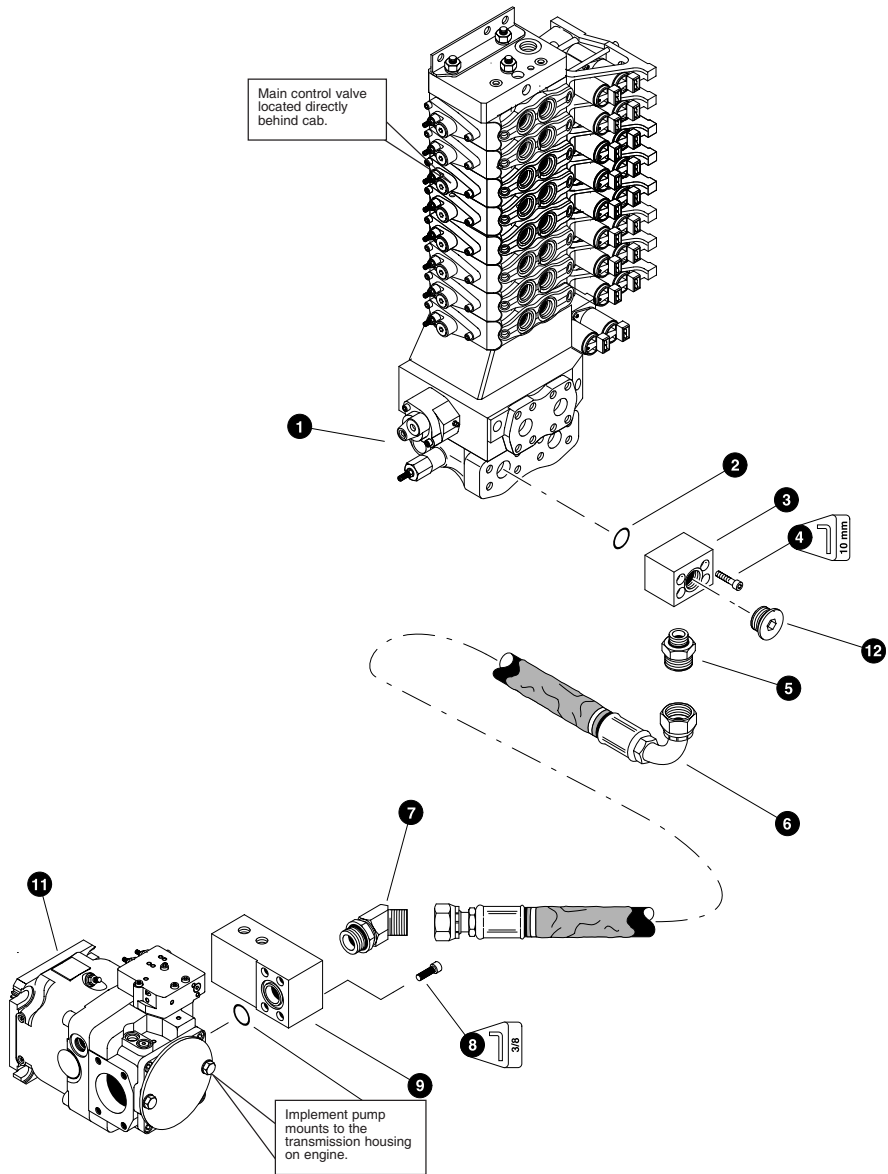


Parts T2922 10/06/03
25,00

@4 A`6 BAGEB?`1 4 ?I 8`@BHAGA:
fl B46 fl
fi TV[laXf `Uh\gTYe#\$\$`#&fl

E89	C4 EG	DGL	78F6 E-CGBA	F88`F86 GBA
1	10817-CH	4	NUT, lock 3/4"	
2	17918-CH	8	WASHER, isolator .875 x 3.5	
3	17904-CH	4	ISOLATOR, engine mount	
4	10813-CH	6	NUT, lock 3/8"	
5	10802-CH	12	WASHER, flat 3/8"	
6	50900-CH	1	BRACKET, vertical valve mount	
7	REF	1	MAIN CONTROL VALVE.....	CH-2
8	15507-CH	6	BOLT, 3/8 X 1 1/4"	
9	15528-CH	1	WASHER, SAE 3/4"	
10	10844-CH	4	BOLT, 3/4 X 5"	
11	42070-CH	1	BRACKET, valve mount adapter	

See referenced page for component or assembly breakdown.

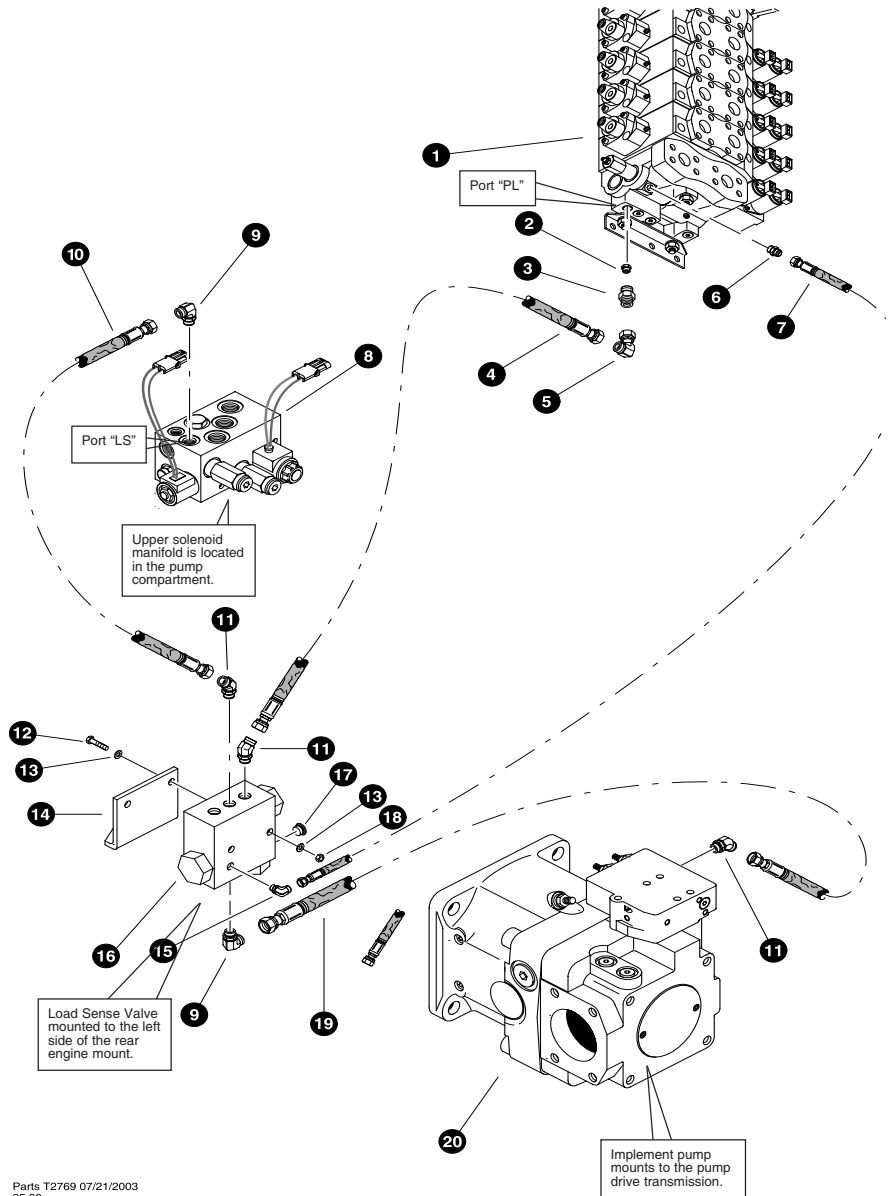


Parts T2923 07/08/04
18.75

@@C?8 @B AG'CH @C CE8 FFHE8 ?-A8 GB @4 -A 6 BAGEB ?1 4 ?1 8
fEXkebq '\$' (V'Ch` cfl
fi TV[\aXf `Uh\gTVg6# '\$'#\$'&'fl

E89	C4 EG	DGL	7 8 F6 E-CG-BA	F88 F86 G-BA
1	REF.	1	<input type="checkbox"/> MAIN CONTROL VALVE.	CH-2
2	15378-CH	1	<input type="checkbox"/> O-RING - 1" SF	
3	42113-CH	1	<input type="checkbox"/> BLOCK, k220 pressure flange - (Code 62)	
4	18988-CH	4	BOLT, allen M12 x 45mm	
5	17063-CH	1	CONNECTOR, STR - FF1852T-2016S	
6	50347-CH	1	HOSE ASSEMBLY - 4045-20-200S-2009 (Pressure hose from implement pump to main control valve "P" port)	
7	17056-CH	1	ELBOW, 45 FF2068T-2020S	
8	18918-CH	4	BOLT, allen 1/2 X 2.5	
9	22792-CH	1	MANIFOLD, pressure rex 145	
10	15378-CH	1	O-RING - 1-1/4" SF	
11	REF.	1	<input type="checkbox"/> IMPLEMENT PUMP - Rexroth 145cc	CH-1
12	19847-CH	1	PLUG - 6408-HHP-16	

See referenced page for component or assembly breakdown.
 Kit or Assembly - includes all items indented underneath.



CH-3-5

Parts T2769 07/21/2003
25,00

T800 Parts Module CH-51220

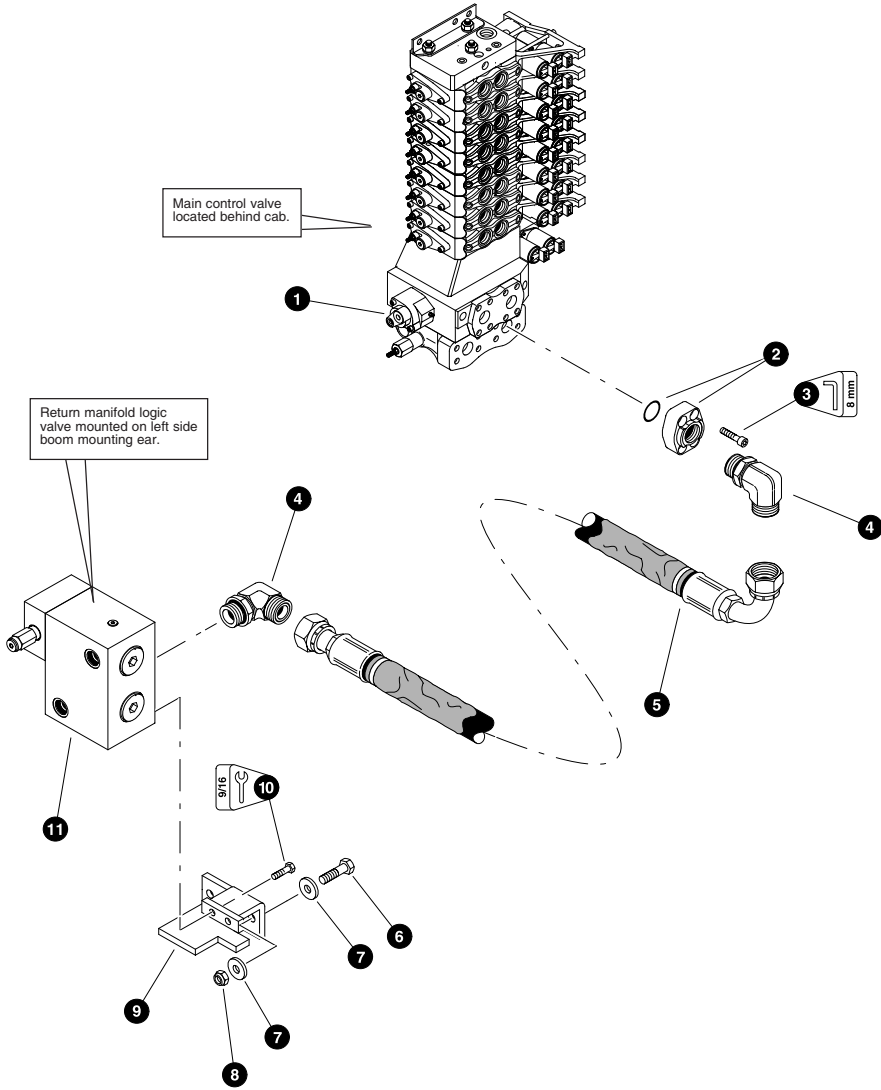
@4~A~6BAGE?~1 4 ?I 8~?B47~F8AF8~?-A8F
fEXkebq`\$` (WCh` cfl
fi TV[laXf`Uh\gTYge#\$\$#&fI

E89	C4 EG	DGL	78F6E-CG8A	F88~F86G8A
1	REF.	1	MAIN CONTROL VALVE.....	CH-2
2	24091-CH	1	ORIFICE - .024"	
3	18034-CH	1	CONNECTOR, straight - FF1852T-0606S (Tapped for .024" orifice)	
4	50650-CH	1	HOSE ASSEMBLY - 2090-06-060S-060S (Load sense shuttle to load sense valve port, hose is looped to provide shock absorber effect on signal)	
5	20035-CH	1	ELBOW, 90 swivel 06	
6	22856-CH	1	CONNECTOR, STR metric 04 x 10mm	
7	50988-CH	1	HOSE ASSEMBLY - 2068 04-04JS-04O4	
8	REF.	1	UPPER SOLENOID MANIFOLD.....	UP-4
9	16296-CH	1	ELBOW, 90° - FF1868T-0606S	
10	50990-CH	1	HOSE ASSEMBLY - 2030-06-060S-06O9 (Upper solenoid port "LS" to load sense valve port, load sense valve)	
11	23015-CH	1	ELBOW, 45° - V50LOS - 06	
12	10818-CH	2	BOLT, 1/4 X 3	
13	10800-CH	4	WASHER, 1/4	
14	40878-CH	1	BRACKET, load sense valve	
15	16540-CH	1	ELBOW, 90° - FF2068T - 04X04	
16	50690-CH	1	VALVE, load sense shuttle	
17	15412-CH	1	PLUG, 06	
18	10811-CH	2	NUT, lock 1/4	
19	50989-CH	1	HOSE ASSEMBLY, - 2030-060S-060S (loadsense valve to the implement pump)	
20	REF.	1	IMPLEMENT PUMP.....	CH-1

See referenced page for component or assembly breakdown.

CH-3-6

T800-E Parts Module CH-51220



Parts T2925 10/07/2003
18,75

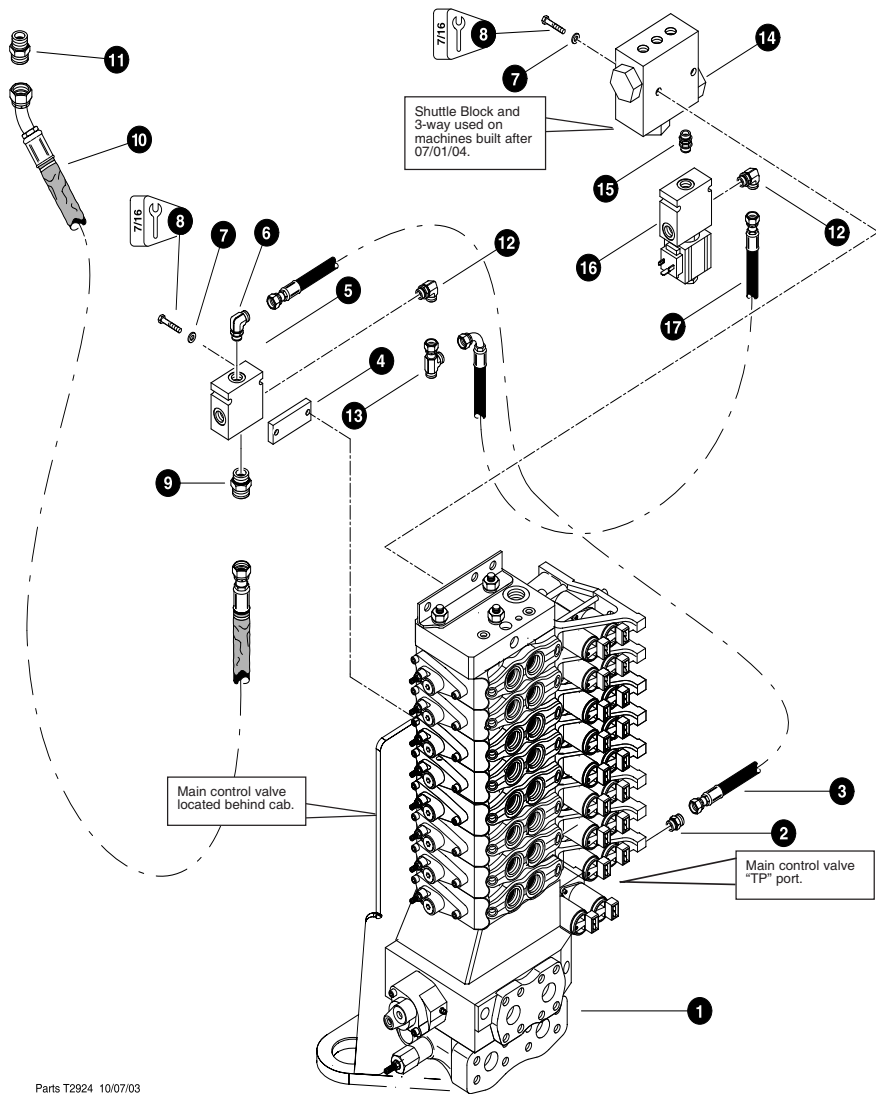
④ 4 6 BAGEB ? 1 4 ? 1 8 E8 GHEA ? 4 8
fi @ T a 6 bagb 1 T i X G b E X g h e a ~ @ T a \ b W ? b z I V 1 T i X f i
fi TV [la X f ~ U h \ g T Y g e # \$ % # \$ % # 8 f i

E89	C4 EG	DGL	7 8 F 6 E - C G - B A	F 8 8 F 8 6 G - B A
1	REF.	1	MAIN CONTROL VALVE	CH-2
2	17909-CH	1	CONNECTOR, flange pad - W46K-20-20 (Code 61)	
	15389-CH	1	O-RING - 1-1/2" SF	
3	18979-CH	4	BOLT, allen M10 x 45mm	
4	17055-CH	2	ELBOW, 90° - FF1868T-2020S	
5	50348-CH	1	HOSE ASSEMBLY - 2057-20-200S-2009 (Main control valve return outlet to return logic block port "X8")	
6	10893-CH	2	BOLT - 1/2" x 3"	
7	15534-CH	4	WASHER, SAE - flat - 1/2"	
8	10815-CH	2	NUT, lock - 1/2"	
9	14320-CH	1	BRACKET, return logic valve	
10	10402-CH	2	BOLT - 3/8" x 1.25" (See Note Below)	
11	REF.	1	RETURN LINE W-150 PSI LOGIC MANIFOLD	CH-2

See referenced page for component or assembly breakdown.

AbgK

Use Loctite 242 during installation

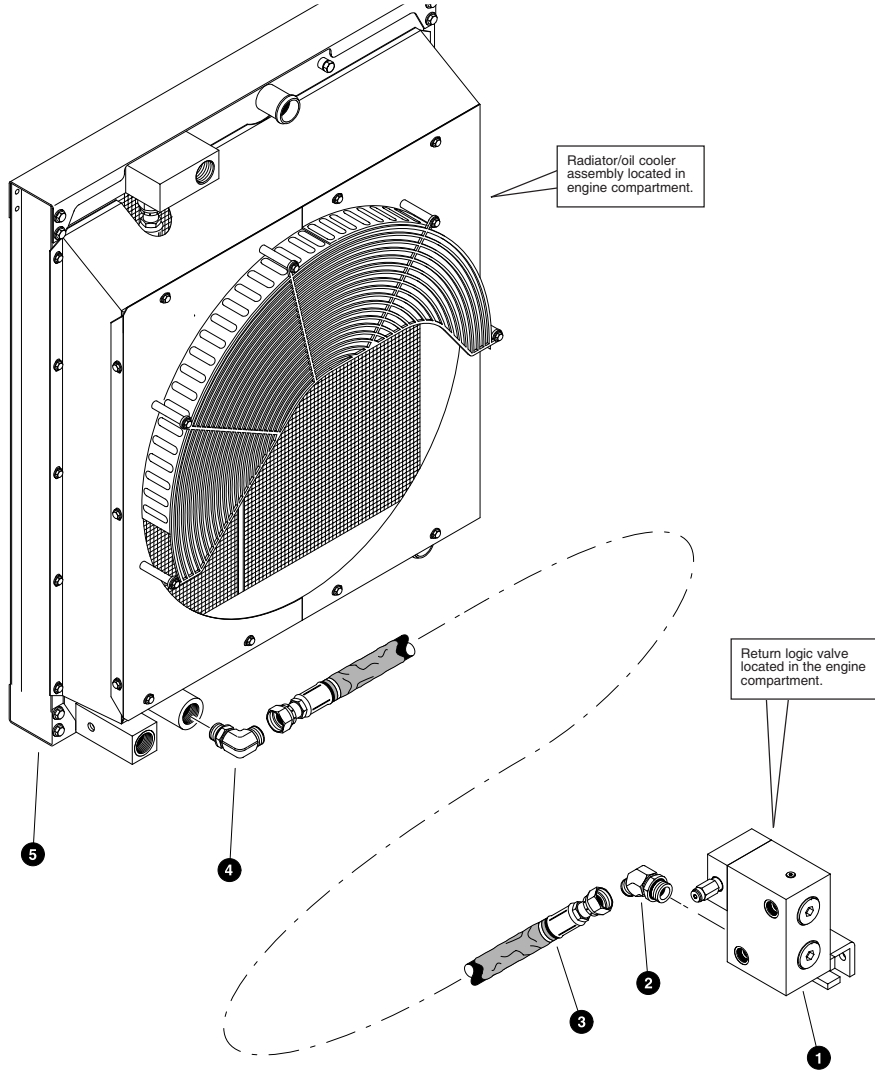


Parts T2924 10/07/03
25.00

@4 A 6 BAGEB ? 1 4 ? I 8 7 E 4 A ? -A8
fi@TNa 6 bagb 1 T i X Gb 7 eTNa @Ta\yb Wf
fi TV[laXf `Uh\gTYge#\$\$#\$\$#8fi

E89	C4 EG	DGL	7 8 F 6 E -C G B A	F 8 8 F 8 6 G B A
1	REF.	1	MAIN CONTROL VALVE.....	CH-2
2	15124-CH	1	CONNECTOR, STR. FF1852T 0406S	
3	50637-CH	1	HOSE ASSEMBLY - 2017-04-040S-040S (Main control valve "tp" port to drain manifold)	
4	22326-CH	1	SPACER, drain manifold	
5	23502-CH	1	MANIFOLD, combined tank	
6	15133-CH	1	ELBOW, 90 0406	
7	10800-CH	2	WASHER, 1/4	
8	15508-CH	2	BOLT, 1/4 X 2.5	
9	15115-CH	1	CONNECTOR, STR. FF1852T 0810S	
10	50656-CH	1	HOSE ASSEMBLY - 2075-08-080S-0804 (drain manifold to bottom of the hydraulic tank)	
11	15258-CH	1	CONNECTOR, STR. FF2031T 0808S	
12	16296-CH	1	ELBOW, 90° - FF1868T-0606S	
13	22730-CH	1	TEE - 6 R6LO-S	
14	50690-CH	1	VALVE, load sense shuttle	
15	19366-CH	1	CONNECTOR, STR - 6403-NWO-6	
16	24255-CH	1	VALVE, 2POS/3WAY	
17	-CH	1	HOSE ASSEMBLY - 2024-06-060S-0609 (drain manifold to 3 way port #)	

See referenced page for component or assembly breakdown.

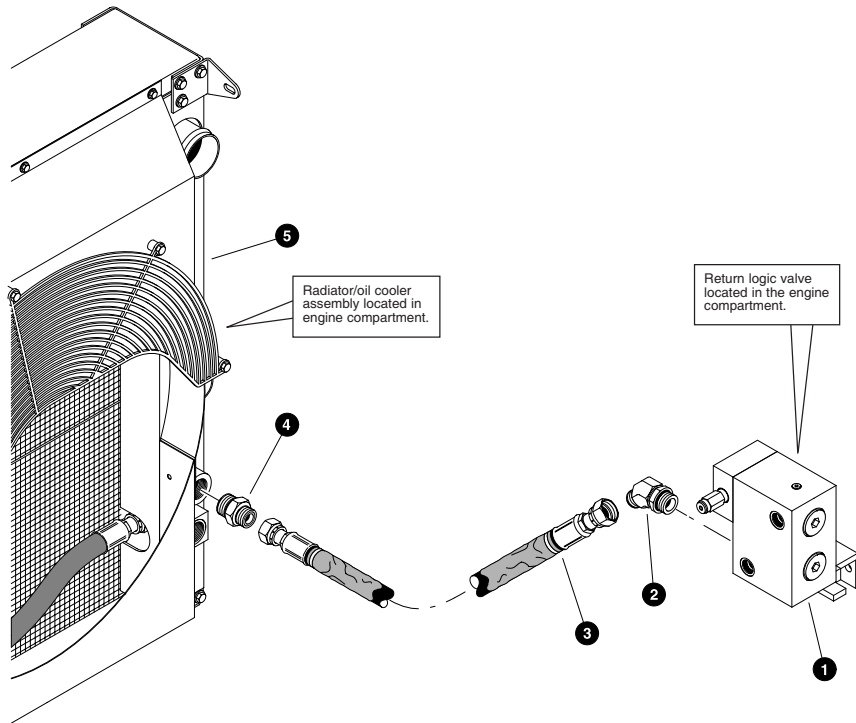


Parts 02396 09/07/2001
18.75

④ 6 BAGEB ? 1 4 ? 1 8 E8GHEA ? A8
fi bf X'Gxe laTgba'5_bV^Gb; LZ['6 bb_B\6 bb_Xefl

E89	C4EG	DGL	78F6E-CG8A	F88'F86GBA
1	REF.	1	RETURN LINE W-150 PSI LOGIC MANIFOLD	CH-2
2	17056-CH	1	ELBOW, 45 - FF2068T-2020S	
3	50796-CH	1	HOSE ASSEMBLY - 2070-20-200S-200S-W (Return logic valve block outlet to oil cooler bottom port)	
4	17055-CH	1	ELBOW, 90 - FF1868T-2020S	
5	REF.	1	RADIATOR/OIL COOLER ASSEMBLY.....	EN-1

See referenced page for component or assembly breakdown.

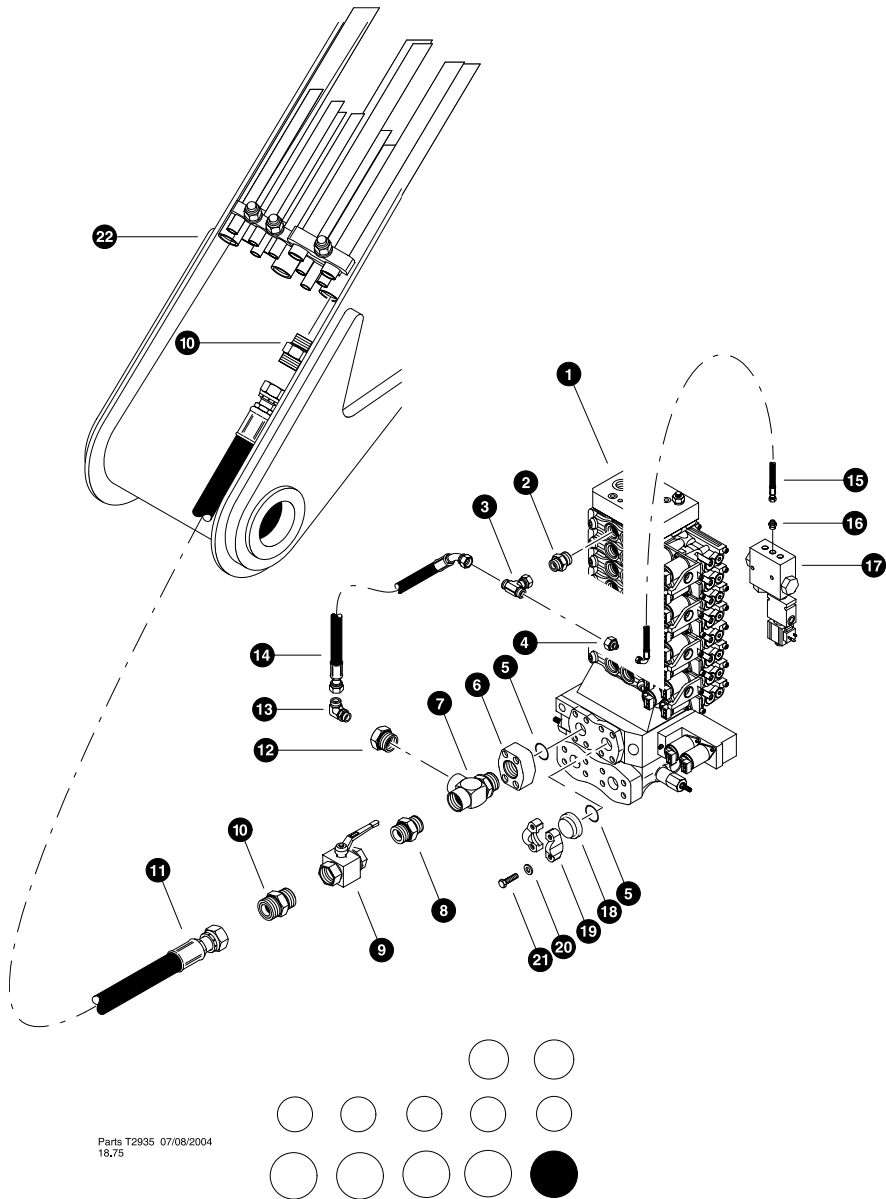


Parts 02397 09/07/2001
18.75

④ 6 BAGEB ? 1 4 ? 1 8 E8GHEA ? A8
fj bf X'Gxé \aTgba^5_bv^Gb^6 [TeZX^4\éB\6 bb_Xefl

E89	C4 EG	DGL	7 8 F6 E-CG BA	F88 F86 GBA
1	REF.	1	RETURN LINE W-150 PSI LOGIC MANIFOLD	CH-2-
2	17056-CH	1	ELBOW, 45 - FF2068T-2020S	
3	50596-CH	1	HOSE ASSEMBLY - 2050-20-200S-200S-W (Return logic valve block outlet to oil cooler bottom port)	
4	17344-CH	1	CONNECTOR, straight - FF1852T-2020S	
5	REF.	1	RADIATOR/OIL COOLER ASSEMBLY	EE-1

See referenced page for component or assembly breakdown.

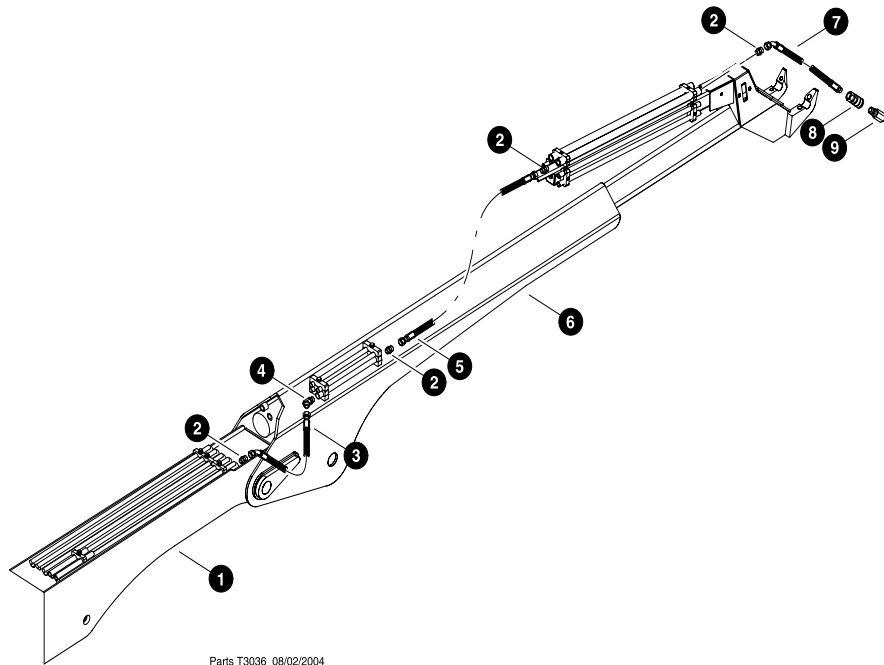


Parts T2935 07/08/2004
18,75

Attachment Pressure to Main Boom (Wide Boom \ Combo Valve)

REF	PART #	QTY	DESCRIPTION	SEE SECTION
1	REF.	1	<input type="checkbox"/> MAIN CONTROL VALVE.....	CH-2
2	15504-CH	1	CONNECTOR, STR - FF1852T-0408S	
3	20066-CH	1	TEE - 8 S5OLO-S - BRANCH	
4	19221-CH	1	CONNECTOR, REDUCER - ORS FF2281T-0408S	
5	15377-HH	2	O-RING - 1" SF	
6	22016-HH	1	CONNECTOR, FLANGE PAD - W46K-16-16 (NPT)	
7	21856-HH	1	TEE - 16 AOG5JG5-S RUN	
8	19473-CH	1	CONNECTOR, STR - 6403-16	
9	51344-CH	1	VALVE, BALL - 1" HIGH PRESSURE (6000)	
10	15225-CH	2	CONNECTOR, STR - FF1852T-1616S	
11	-CH	1	HOSE ASSEMBLY - 4042- 16- 16OS- 16OS (Combo valve to Main Boom)	
12	16719-CH	1	BUSHING, REDUCER - 6410-16-8	
13	16360-CH	1	ELBOW, 90 - FF1868T-0808S	
14	50804-CH	1	HOSE ASSEMBLY - 4019- 08- 08OS- 08O4 (Low flow section to High Flow section)	
15	51225-CH	1	HOSE ASSEMBLY - 2018- 04- 04OS- 04O9 (Low flow section to Shuttle valve)	
16	15124-CH	1	CONNECTOR, STR - FF1852T-0406S	
17	REF.	1	<input type="checkbox"/> SHUTTLE VALVE.....	CH-3
18	20066-CH	1	PLUG, port (split flange code 61)	
19	15111-HH	2	<input type="checkbox"/> KIT, split flange - 1" SF (Code 61)	
20	- - -	8	WASHER, lock	
21	18979-HH	4	BOLT, allen M10 X 45MM	
22	REF.	1	<input type="checkbox"/> MAIN BOOM ASSEMBLY.....	CC-1

See referenced page for component or assembly breakdown.
 Kit or Assembly - includes all items indented underneath.

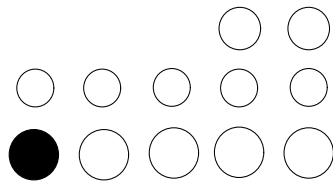
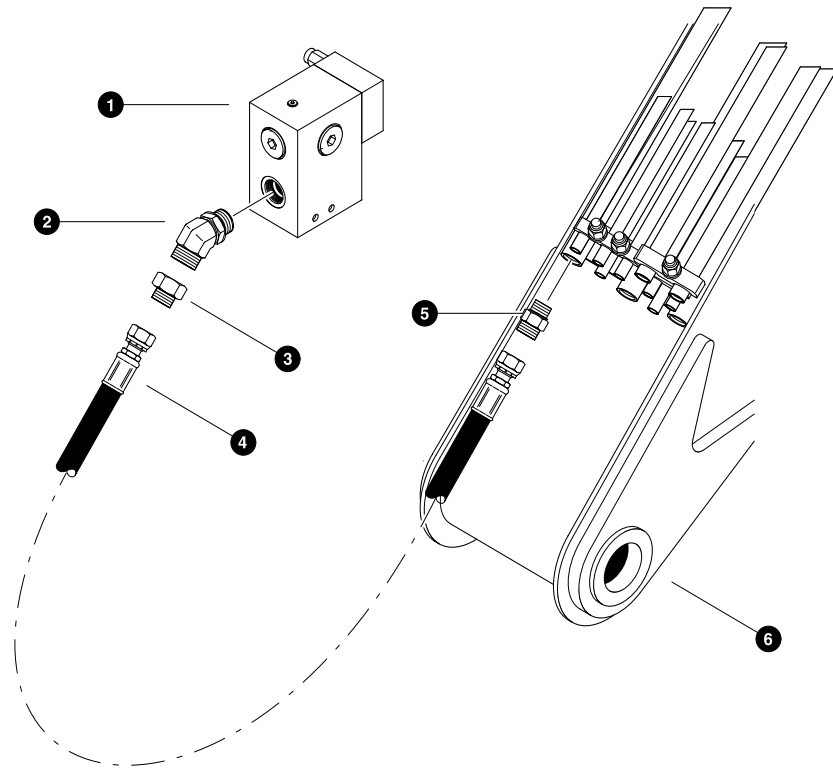


Parts T3036 08/02/2004
9.375

Attachment Pressure to Main Boom (Wide Boom \ Combo Valve)

REF	PART #	QTY	DESCRIPTION	SEE SECTION
1	REF.	1	<input type="checkbox"/> MAIN BOOM ASSEMBLY	CC-1
2	15225-CH	3	CONNECTOR, STR - FF1852T-1616S	
3	51052-CH	1	HOSE ASSEMBLY - 4047- 16- 16OS- 16O4 (<i>Main Boom Squirt Boom</i>)	
4	16460-CH	1	ELBOW, 45 - FF2068T-1616S	
5	51060-CH	1	HOSE ASSEMBLY - 4093.5- 16- 16OS- 16OS (<i>Squirt Boom</i>)	
6	REF.	1	<input type="checkbox"/> SQUIRT BOOM ASSEMBLY	CC-2
7		1	HOSE ASSEMBLY - 40- 16- 16MS- 16O4	
8	51271-CH	1	QUICK DISCONNECT - 1" FEM X 1" PORT	
9	24862-CH	1	QUICK DISCONNECT - 1" MALE X 1" PORT	

- See referenced page for component or assembly breakdown.
- Kit or Assembly - includes all items indented underneath.

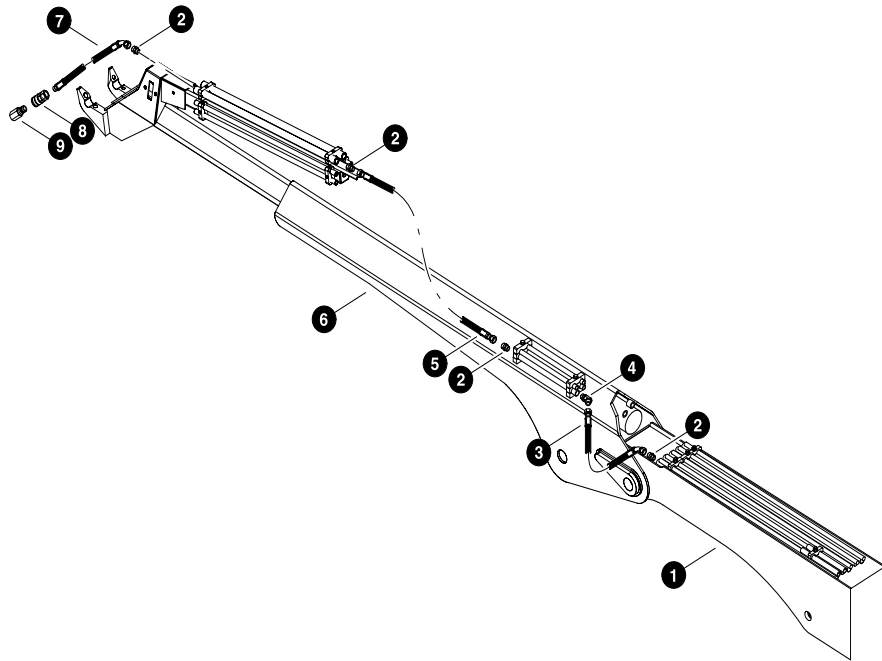


Parts T3025 07/16/2004
18.75

Combo Return to Main Boom (Wide Boom \ Combo Valve)

REF	PART #	QTY	DESCRIPTION	SEE SECTION
1	REF.	1	RETURN LOGIC VALVE.....	CH-2
2	17056-CH	1	ELBOW, 45 - 2020	
3	20455-CH	1	CONNECTOR, REDUCER - ORS FF2281T-1620S	
4	-CH	1	HOSE ASSEMBLY - 2068- 16- 16OS- 16OS (Return logic block to main boom)	
5	15225-CH	2	CONNECTOR, STR - FF1852T-1616S	
6	REF.	1	MAIN BOOM ASSEMBLY	CC-1

- See referenced page for component or assembly breakdown.
- Kit or Assembly - includes all items indented underneath.

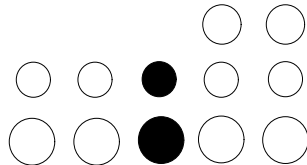
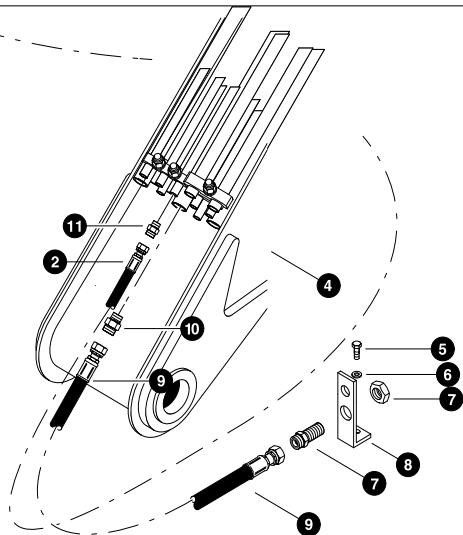
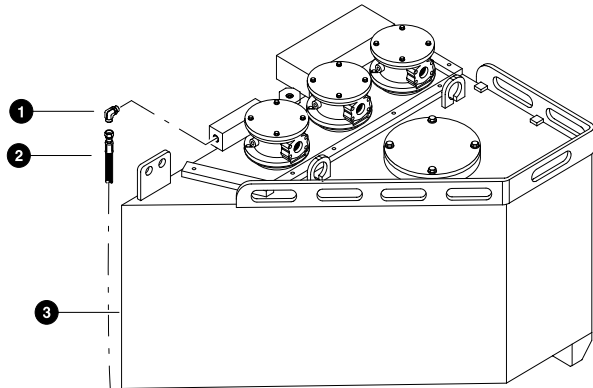


Parts T3037 08/02/2004
18.75

Combo Return to Main Boom (Wide Boom \ Combo Valve)

REF	PART #	QTY	DESCRIPTION	SEE SECTION
1	REF.	1	<input type="checkbox"/> MAIN BOOM ASSEMBLY	CC-1
2	15225-CH	3	CONNECTOR, STR - FF1852T-1616S	
3	51052-CH	1	HOSE ASSEMBLY - 4047- 16- 16OS- 16O4 (Main Boom Squirt Boom)	
4	16460-CH	1	ELBOW, 45 - FF2068T-1616S	
5	51060-CH	1	HOSE ASSEMBLY - 4093.5- 16- 16OS- 16OS (Squirt Boom)	
6	REF.	1	<input type="checkbox"/> SQUIRT BOOM ASSEMBLY	CC-2
7		1	HOSE ASSEMBLY - 40- 16- 16MS- 16O4	
8	51271-CH	1	QUICK DISCONNECT - 1" FEM X 1" PORT	
9	24862-CH	1	QUICK DISCONNECT - 1" MALE X 1" PORT	

- See referenced page for component or assembly breakdown.
- Kit or Assembly - includes all items indented underneath.

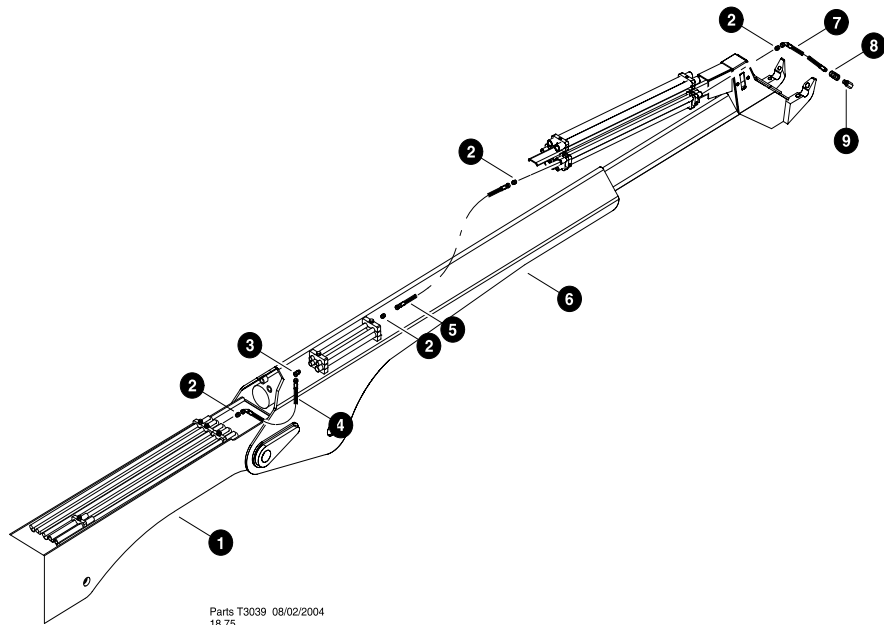


Parts T3029 07/16/2004
12,5

Wiring and Case Drain (Wide Boom \ Combo Valve)

REF	PART #	QTY	DESCRIPTION	SEE SECTION
1	16360-CH	1	ELBOW, 90 - FF1868T-0808S	
2	50724-CH	1	HOSE ASSEMBLY - 2137- 08- 08OS- 08OS (<i>Case Drain Filter to Main Boom</i>)	
3	REF.	1	HYDRAULIC TANK ASSEMBLY.....	UP-3
4	REF.	1	MAIN BOOM ASSEMBLY.....	CC-1
5	10739-CH	1	BOLT, - 1/2 X 1 1/2"	
6	15534-CH	1	WASHER, flat sae 1/2	
7	20033-CH	2	CONNECTOR, straight bulkhead - 16	
8	42114-CH	1	BRACKET, electrical hose	
9	-CH	1	HOSE ASSEMBLY - 2054 - 16 -16OS-16OS (electrical wire hose bracket to main boom)	
10	15225-CH	2	CONNECTOR, STR - FF1852T-1616S	
11	15117-CH	1	CONNECTOR, STR - FF1852T-0808S	

- See referenced page for component or assembly breakdown.
- Kit or Assembly - includes all items indented underneath.

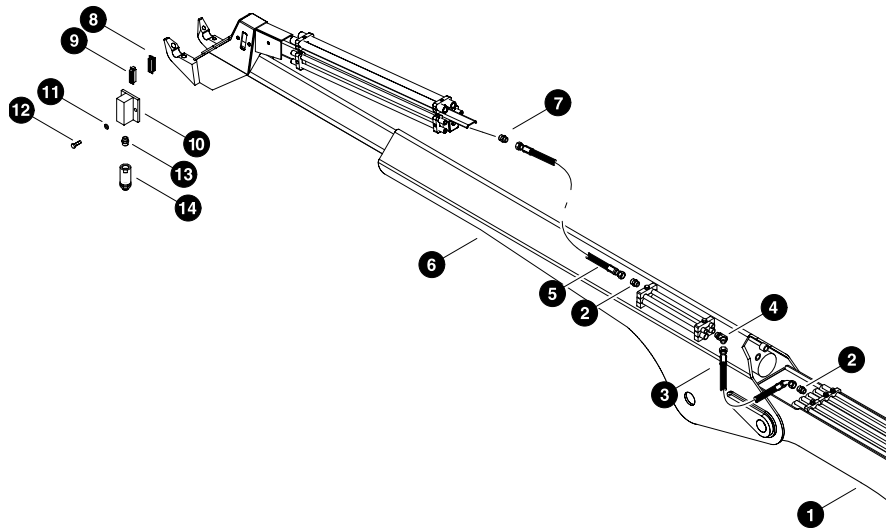


Parts T3039 08/02/2004
18,75

**Case Drain Hoses
(Wide Boom \ Combo Valve)**

REF	PART #	QTY	DESCRIPTION	SEE SECTION
1	REF.	1	<input type="checkbox"/> MAIN BOOM ASSEMBLY	CC-1
2	-CH	3	CONNECTOR, STR -1008S	
3	51058-CH	1	HOSE ASSEMBLY - 4047- 10- 10OS- 10O4 (Main Boom Squirt Boom)	
4	16460-CH	1	ELBOW, 45 - FF2068T-1008S	
5	51065-CH	1	HOSE ASSEMBLY - 4093.5- 10- 10OS- 10OS (Squirt Boom)	
6	REF.	1	<input type="checkbox"/> SQUIRT BOOM ASSEMBLY	CC-2
7		1	HOSE ASSEMBLY - 20- 10- 10MS- 10O4	
8	51272-CH	1	QUICK DISCONNECT - .5"FEM X .75 PORT	
9	24864-CH	1	QUICK DISCONNECT - .5" MALE X .75" PORT	

See referenced page for component or assembly breakdown.
 Kit or Assembly - includes all items indented underneath.

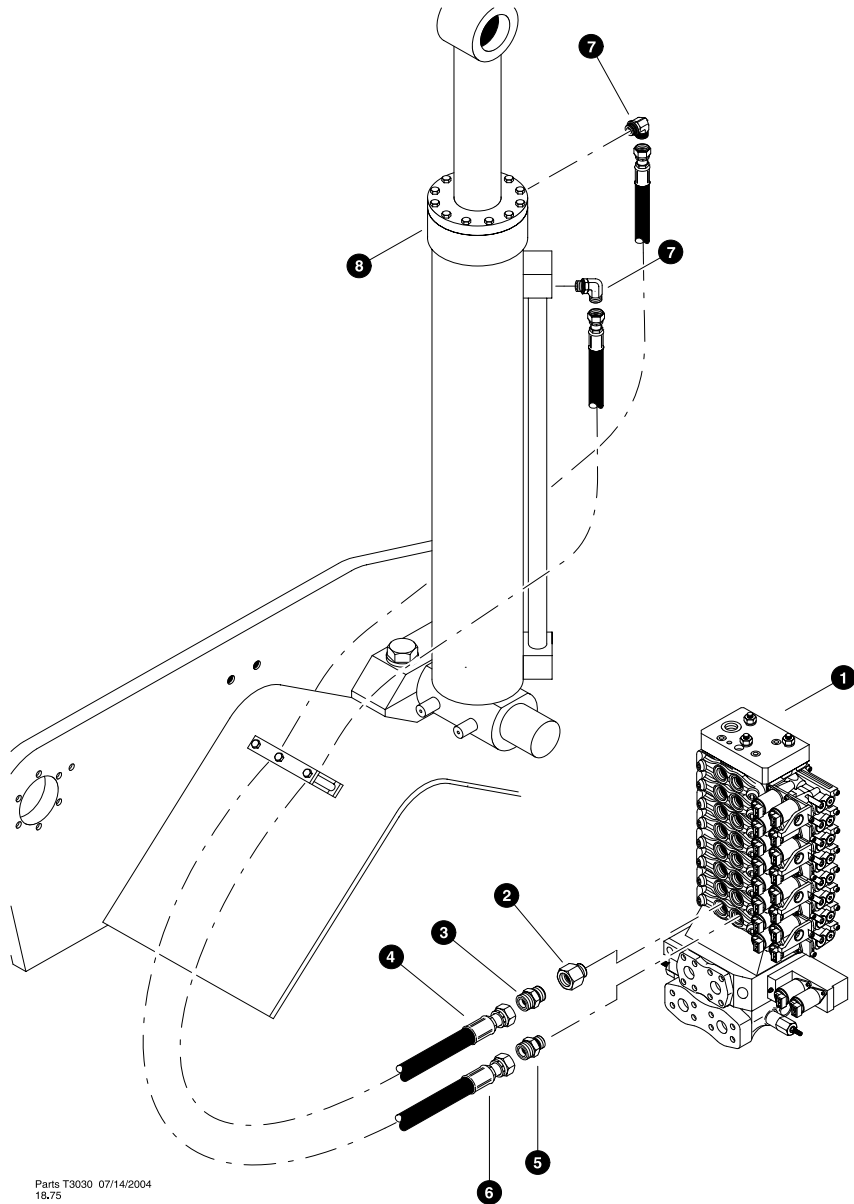


Parts T3038 08/02/2004
18,75

**Wiring Hoses
(Wide Boom \ Combo Valve)**

REF	PART #	QTY	DESCRIPTION	SEE SECTION
1	REF.	1	MAIN BOOM ASSEMBLY	CC-1
2	15225-CH	3	CONNECTOR, STR - FF1852T-1616S	
3	51052-CH	1	HOSE ASSEMBLY - 4047- 16- 16OS- 16O4 (Main Boom Squirt Boom)	
4	16460-CH	1	ELBOW, 45 - FF2068T-1616S	
5	51060-CH	1	HOSE ASSEMBLY - 4093.5- 16- 16OS- 16OS (Squirt Boom)	
6	REF.	1	SQUIRT BOOM ASSEMBLY	CC-2
7	11303-CH	1	CONNECTOR, STR - 2404-16-16	
8	24971-CH	1	CONNECTOR, ELECT - 24 PIN MALE (COMBO)	
9	24970-CH	1	CONNECTOR, ELECT - 24 PIN FEMALE (COMBO)	
10	40681-CH	1	COVER, QUICK CHANGE ELEC CONNECTOR	
11	15534-CH	1	WASHER, flat sae 1/2	
12	10739-CH	1	BOLT, - 1/2 X 1 1/2"	
13	19473-CH	1	CONNECTOR, STR - 6403-16	
14	19541-CH	1	SWIVEL, INLINE	

- See referenced page for component or assembly breakdown.
- Kit or Assembly - includes all items indented underneath.

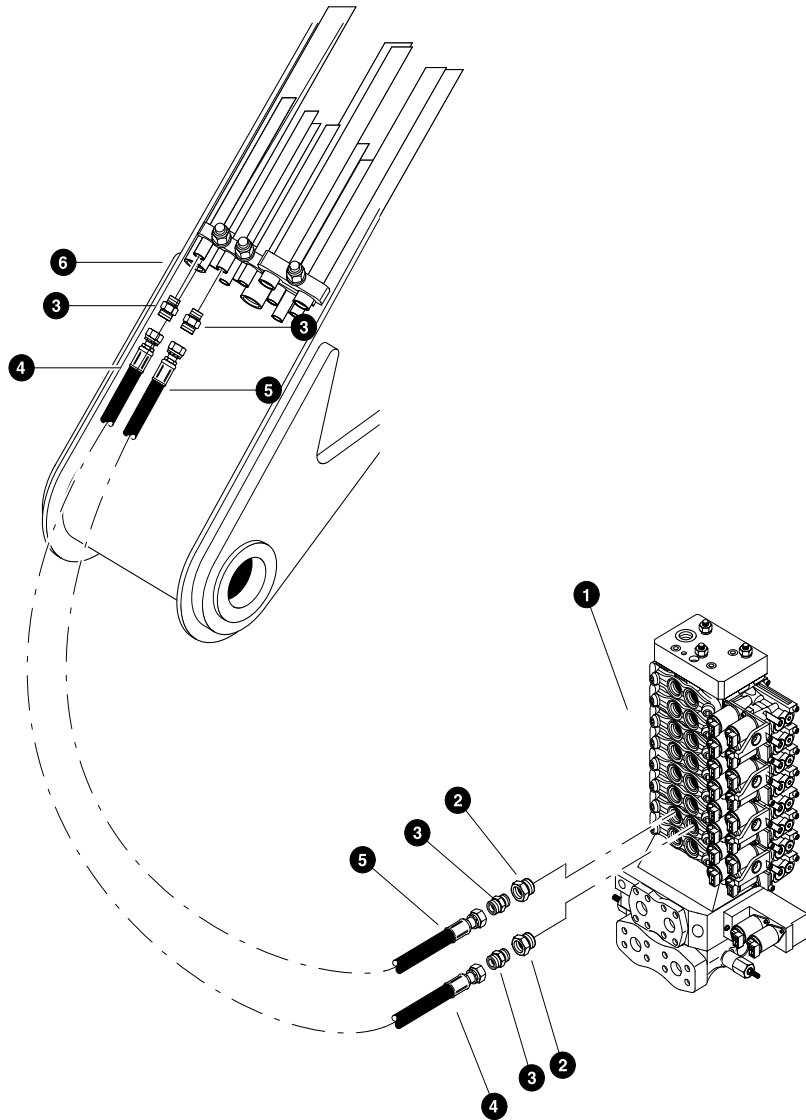


Parts T3030 07/14/2004
18,75

MAIN BOOM CYLINDER FUNCTION (Wide Boom \ Combo Valve)

REF	PART #	QTY	DESCRIPTION	SEE SECTION
1	REF.	1	MAIN CONTROL VALVE	CH-2
2	19289-CH	1	BUSHING, REDUCER - 6410-10X12	
3	15152-CH	1	CONNECTOR, STR - FF1852T-1212S	
4	50824-CH	1	HOSE ASSEMBLY - 4128.5-12-120S-120S (Main boom valve section work port "A" to main boom cylinder base port)	
5	16851-CH	2	CONNECTOR, straight - FF1852T-1210S	
6	50825-CH	1	HOSE ASSEMBLY - 4130.5-12-120S-120S (Main boom valve section work port "B" to main boom cylinder rod port)	
7	17688-CH	2	ELBOW, 90° - FF1868T-1212S	
8	REF.	1	MAIN BOOM (HOIST) CYLINDER	CC-3

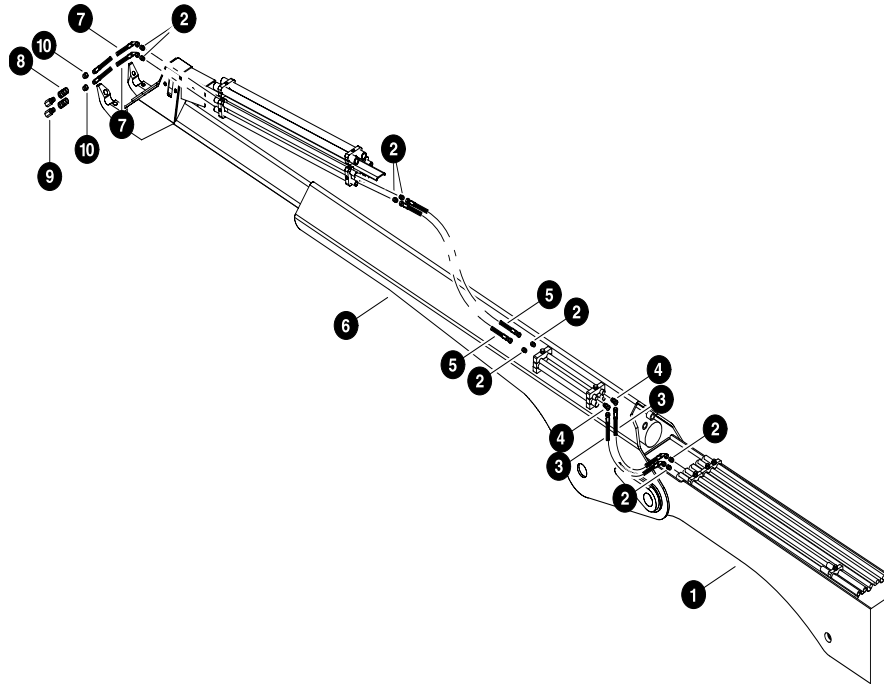
See referenced page for component or assembly breakdown.



GRAPPLE ROTATE FUNCTION (Wide Boom \ Combo Valve)

REF	PART #	QTY	DESCRIPTION	SEE SECTION
1	REF.	1	MAIN CONTROL VALVE	CH-2
2	19290-CH	2	BUSHING, REDUCER - 6410-10-8	
3	15117-CH	2	CONNECTOR, STR - FF1852T-0808S	
4	50927-CH	1	HOSE ASSEMBLY - 4061-08-080S-080S (Grapple rotate valve section work port "A" to main boom)	
5	50927-CH	1	HOSE ASSEMBLY - 4061-08-080S-080S (Grapple rotate valve section work port "B" to main boom)	
6	REF.	1	MAIN BOOM ASSEMBLY	CC-1

See referenced page for component or assembly breakdown.

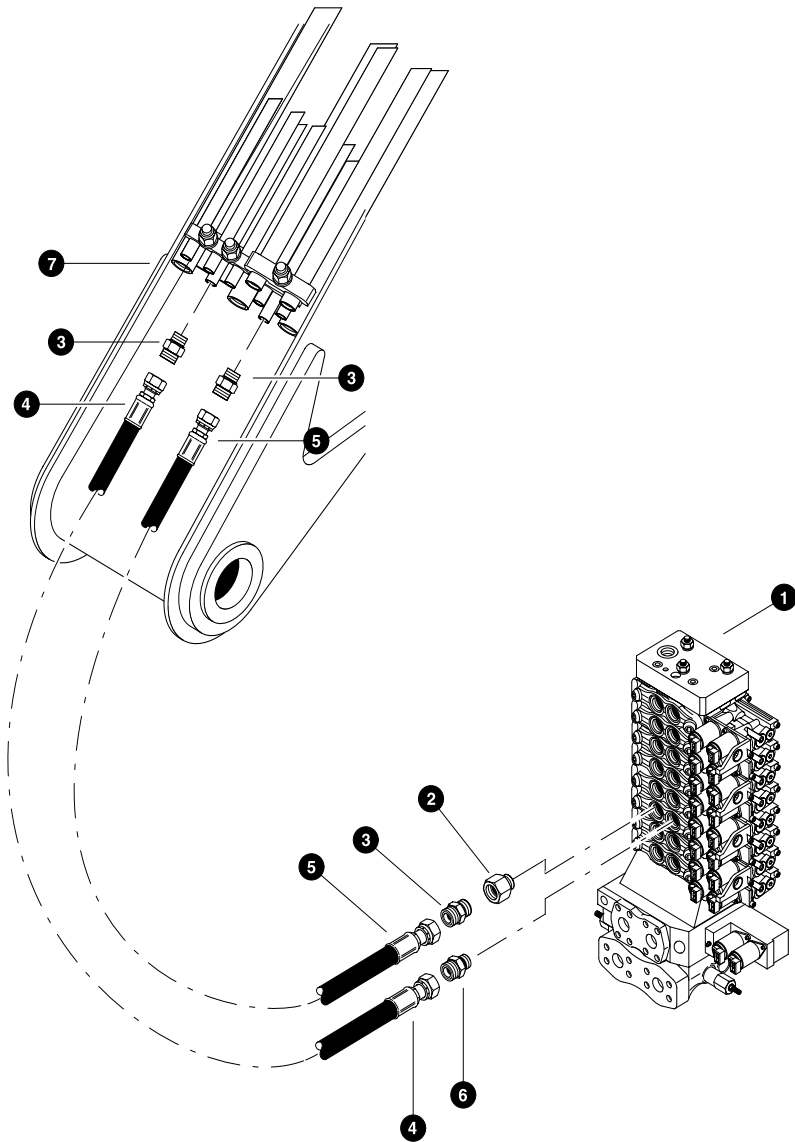


Parts T3041 08/02/2004
18,75

GRAPPLE ROTATE FUNCTION (Wide Boom \ Combo Valve)

REF	PART #	QTY	DESCRIPTION	SEE SECTION
1	REF.	1	<input type="checkbox"/> MAIN BOOM ASSEMBLY	CC-1
2	15117-CH	6	CONNECTOR, STR - FF1852T-0808S	
3	51055-CH	2	HOSE ASSEMBLY - 4051- 08- 08OS- 08O4 (Main Boom Squirt Boom)	
4	19126-CH	2	ELBOW, 45 - FF2068T-0808S	
5	51063-CH	2	HOSE ASSEMBLY - 4093.5- 08- 08OS- 08OS (Squirt Boom)	
6	REF.	1	<input type="checkbox"/> SQUIRT BOOM ASSEMBLY	CC-2
7		2	HOSE ASSEMBLY - 40- 08- 08MS- 08O4	
8	51272-CH	2	QUICK DISCONNECT - .5"FEM X .75" PORT	
9	24864-CH	2	QUICK DISCONNECT - .5" MALE X .75" PORT	
10	20067-CH	2	BUSHING, REDUCER - 6410-12-8	

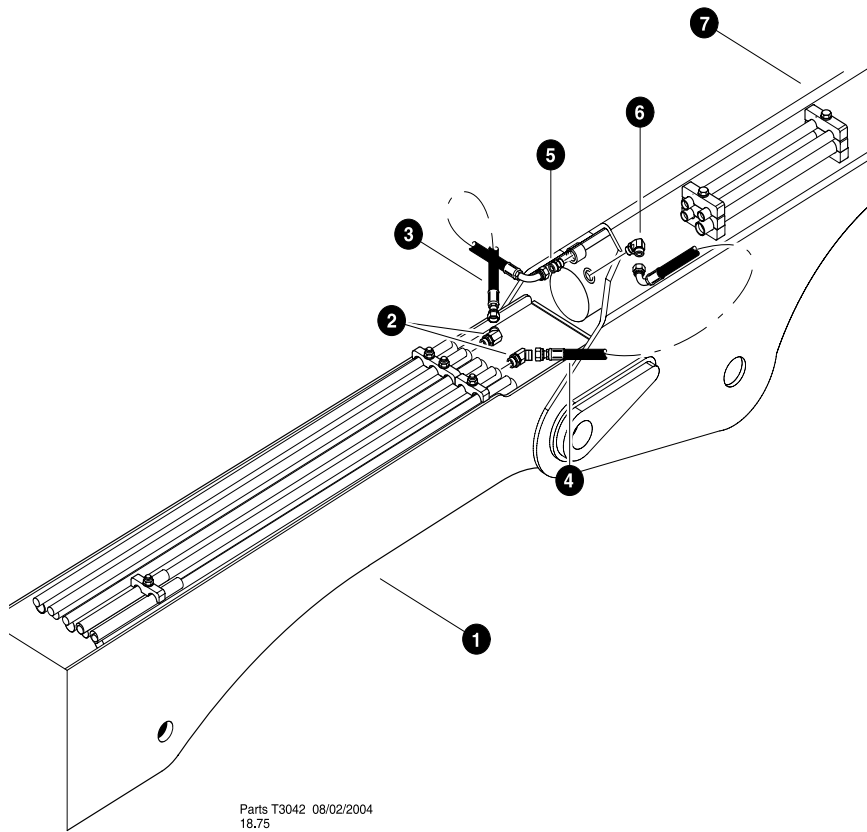
- See referenced page for component or assembly breakdown.
- Kit or Assembly - includes all items indented underneath.



SQUIRT BOOM CYLINDER FUNCTION (Wide Boom \ Combo Valve)

REF	PART #	QTY	DESCRIPTION	SEE SECTION
1	REF.	1	MAIN CONTROL VALVE	CH-2
2	19289-CH	1	BUSHING, REDUCER - 6410-10X12	
3	15152-CH	1	CONNECTOR, STR - FF1852T-1212S	
4	51476-CH	1	HOSE ASSEMBLY - 4063-12-120S-120S (Squirt boom valve section work port "A" to main boom)	
5	50353-CH	1	HOSE ASSEMBLY - 4060-12-120S-120S (Squirt valve section work port "B" to main boom)	
6	16851-CH	2	CONNECTOR, straight - FF1852T-1210S	
7	REF.	1	MAIN BOOM	CC-1

See referenced page for component or assembly breakdown.

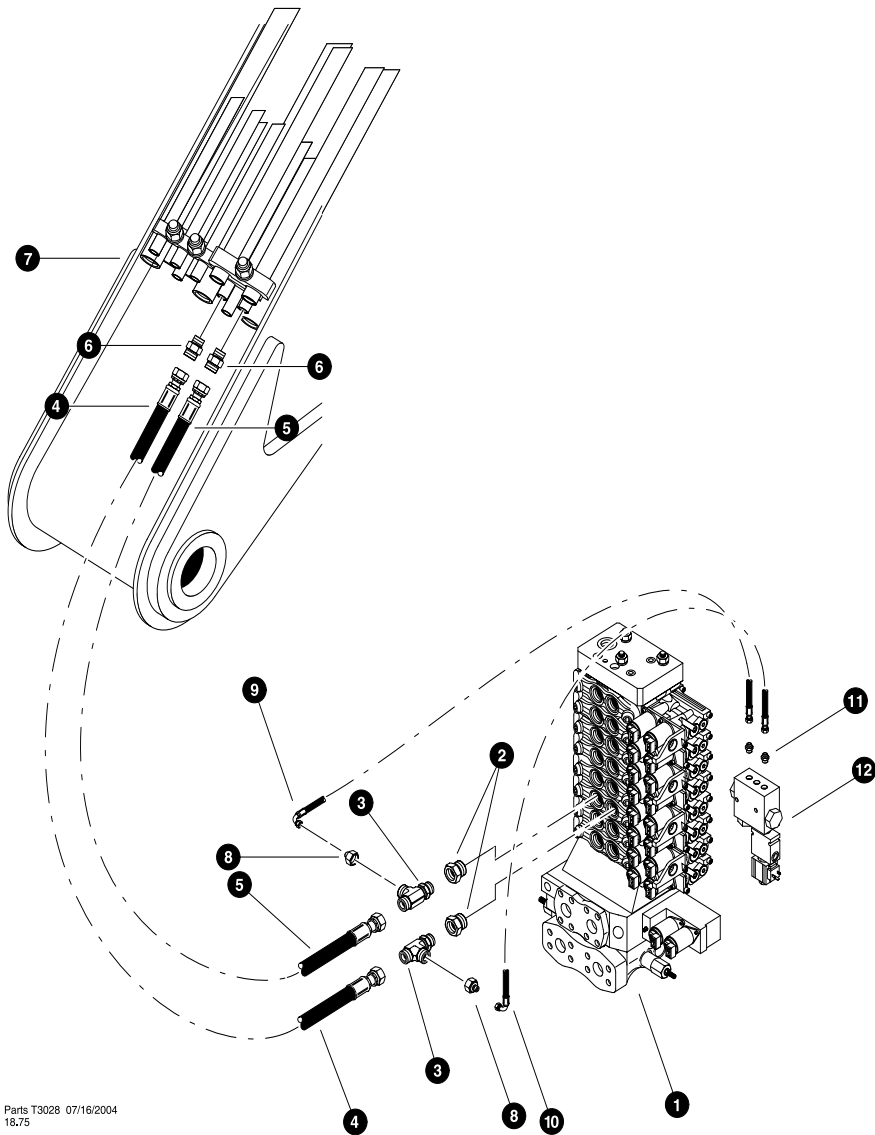


Parts T3042 08/02/2004
18.75

SQUIRT BOOM CYLINDER FUNCTION (Wide Boom \ Combo Valve)

REF	PART #	QTY	DESCRIPTION	SEE SECTION
1	REF.	1	MAIN BOOM ASSEMBLY	CC-1
2	19127-CH	3	ELBOW, 45 - FF2068T-1212S	
3	51056-CH	1	HOSE ASSEMBLY - 4044- 16- 16OS- 16O9 (Main Boom - Squirt Boom)	
4	51056-CH	1	HOSE ASSEMBLY - 4044- 16- 16OS- 16O9 (Main Boom - Squirt Boom)	
5	15152-CH	1	CONNECTOR, STR - FF1852T-1212S	
6	17688-CH	1	ELBOW, 90° - FF1868T-1212S2	
7	REF.	1	SQUIRT BOOM ASSEMBLY	CC-2

- See referenced page for component or assembly breakdown.
- Kit or Assembly - includes all items indented underneath.

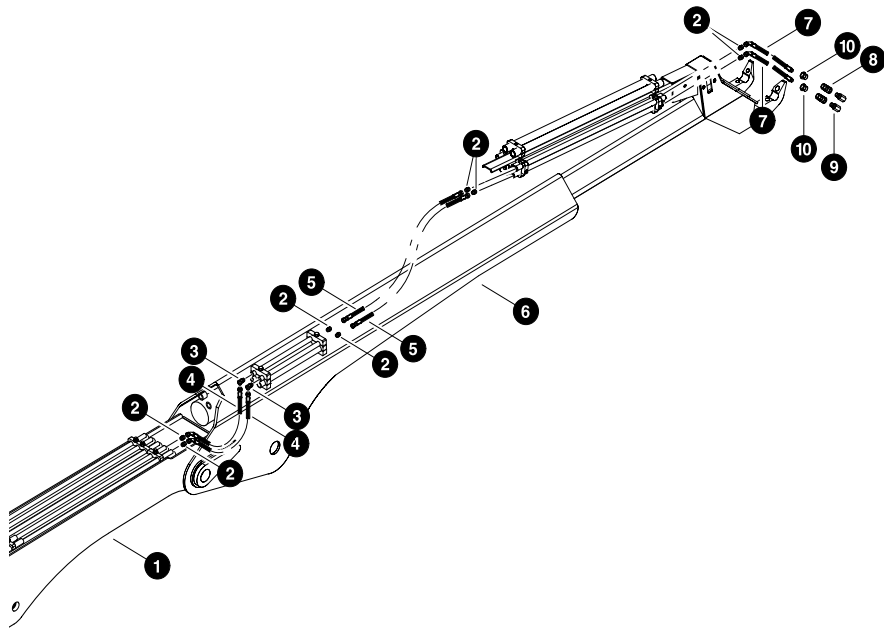


Parts T3028 07/16/2004
18.75

GRAPPLE OPEN/CLOSE FUNCTION (Wide Boom \ Combo Valve)

REF	PART #	QTY	DESCRIPTION	SEE SECTION
1	REF.	1	☞ MAIN CONTROL VALVE	CH-2
2	19290-CH	2	BUSHING, REDUCER - 6410-10-8	
3	51300-CH	2	TEE - 8 R50L0-S RUN	
4	50928-CH	1	HOSE ASSEMBLY - 4057-08-080S-080S (Grapple OIC valve section work port "A" to main boom)	
5	50928-CH	1	HOSE ASSEMBLY - 4057-08-080S-080S (Grapple OIC valve section work port "B" to main boom)	
6	15117-CH	2	CONNECTOR, STR - FF1852T-0808S	
7	REF.	1	☞ MAIN BOOM ASSEMBLY	CC-1
8	19221-CH	1	CONNECTOR, REDUCER - ORS FF2281T-0408S	
9	-CH	1	HOSE ASSEMBLY - 2025.5-04-040S-0404 (Grapple OIC valve section work port "A" to Drain Shuttle)	
10	-CH	1	HOSE ASSEMBLY - 4023-04-040S-0404 (Grapple OIC valve section work port "B" to Drain Shuttle)	
11	15124-CH	1	CONNECTOR, STR - FF1852T-0406S	
12	REF.	1	☞ SHUTTLE VALVE	CH-3

☞ See referenced page for component or assembly breakdown.

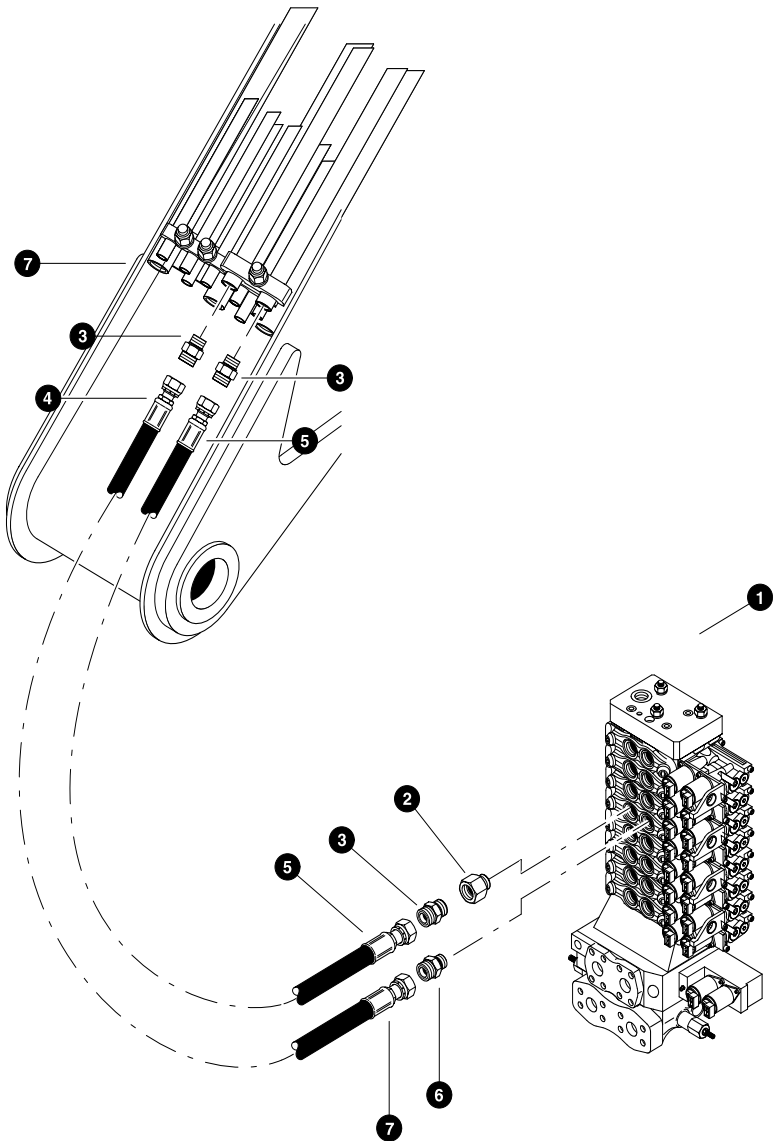


Parts T3040 08/02/2004
18.75

**GRAPPLE OPEN/CLOSE FUNCTION
(Wide Boom \ Combo Valve)**

REF	PART #	QTY	DESCRIPTION	SEE SECTION
1	REF.	1	MAIN BOOM ASSEMBLY	CC-1
2	15117-CH	6	CONNECTOR, STR - FF1852T-0808S	
3	51055-CH	2	HOSE ASSEMBLY - 4051- 08- 08OS- 08O4 (Main Boom Squirt Boom)	
4	19126-CH	2	ELBOW, 45 - FF2068T-0808S	
5	51063-CH	2	HOSE ASSEMBLY - 4093.5- 08- 08OS- 08OS (Squirt Boom)	
6	REF.	1	SQUIRT BOOM ASSEMBLY	CC-2
7		2	HOSE ASSEMBLY - 40- 08- 08MS- 08O4	
8	51272-CH	2	QUICK DISCONNECT - .5"FEM X .75 PORT	
9	24864-CH	2	QUICK DISCONNECT - .5" MALE X .75" PORT	
10	20067-CH	2	BUSHING, REDUCER - 6410-12-8	

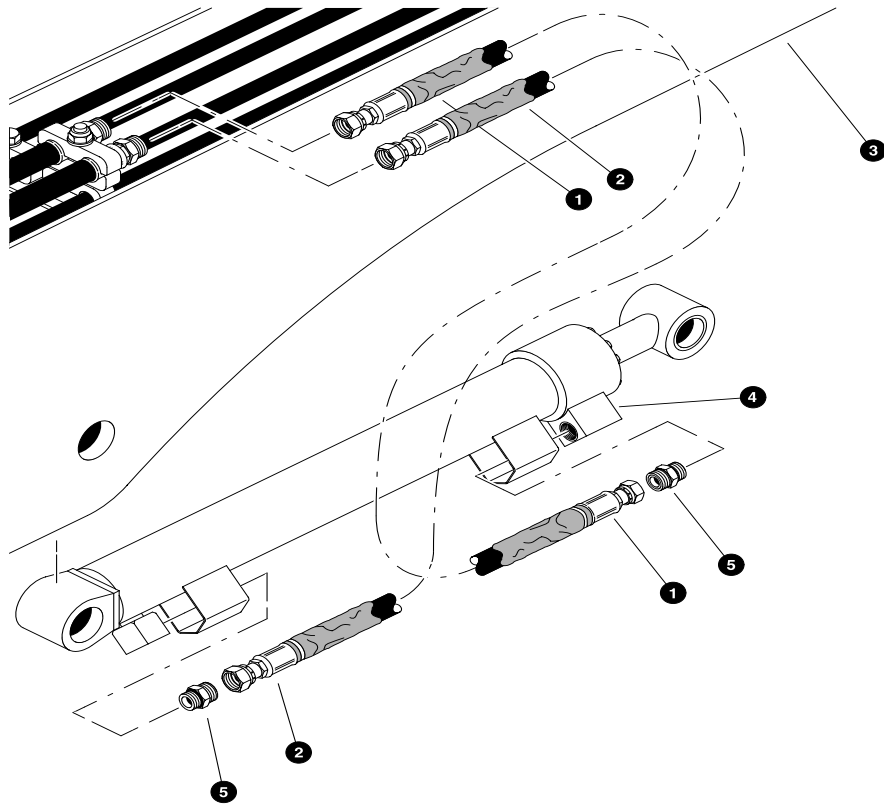
See referenced page for component or assembly breakdown.



STICK BOOM CYLINDER FUNCTION (Wide Boom \ Combo Valve)

REF	PART #	QTY	DESCRIPTION	SEE SECTION
1	REF.	1	MAIN CONTROL VALVE	CH-2
2	19289-CH	1	BUSHING, REDUCER - 6410-10X12	
3	15152-CH	1	CONNECTOR, STR - FF1852T-1212S	
4	50931-CH	1	HOSE ASSEMBLY - 4056-12-120S-120S (Stick boom valve section work port "A" to main boom)	
5	50930-CH	1	HOSE ASSEMBLY - 4059-12-120S-120S (Stick valve section work port "B" to main boom)	
6	16851-CH	2	CONNECTOR, straight - FF1852T-1210S	
7	REF.	1	MAIN BOOM	CC-1

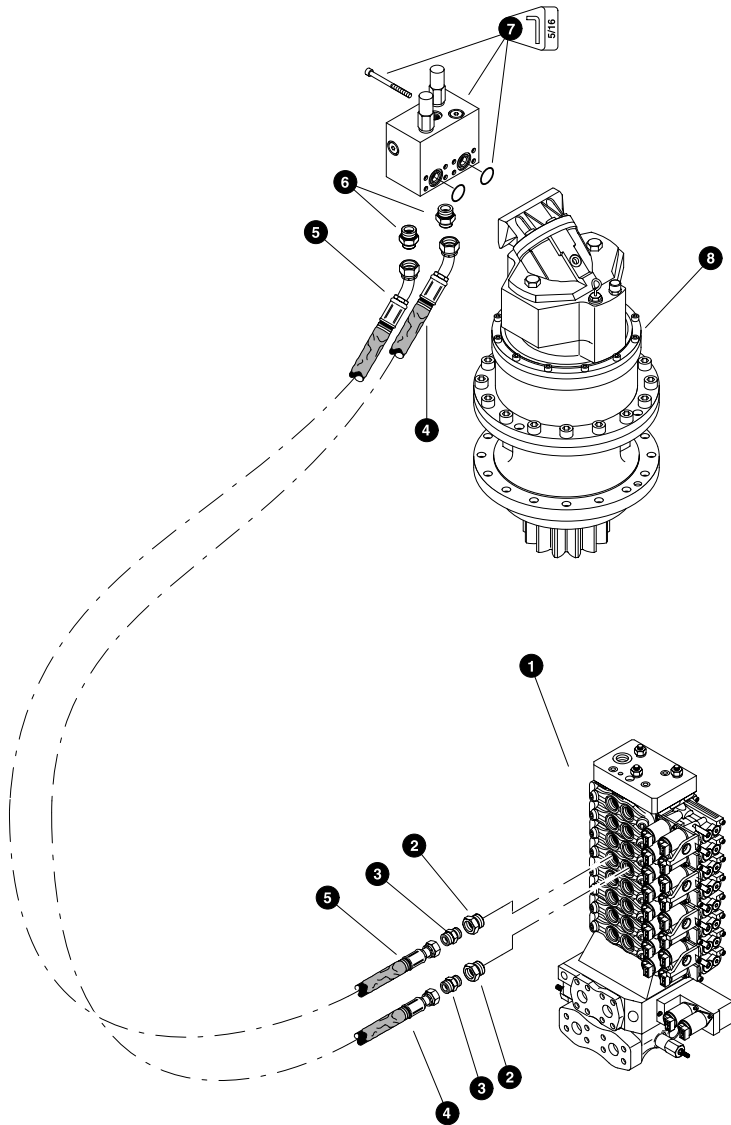
See referenced page for component or assembly breakdown.



STICK BOOM CYLINDER (Wide Boom \ Combo Valve)

REF	PART #	QTY	DESCRIPTION	SEE SECTION
1	50821-CH	1	HOSE ASSEMBLY - 4057-12-120S-120S (Main boom upper engine-side hoseline to stick boom cylinder rod port)	
2	50820-CH	1	HOSE ASSEMBLY - 4055-12-120S-120S (Main boom upper cab-side hoseline to stick boom cylinder base port)	
3	REF.	1	MAIN BOOM ASSEMBLY	CC-1
4	REF.	1	STICK BOOM CYLINDER	CC-2
5	15152-CH	2	CONNECTOR, straight - FF1852T-1212S	

See referenced page for component or assembly breakdown.

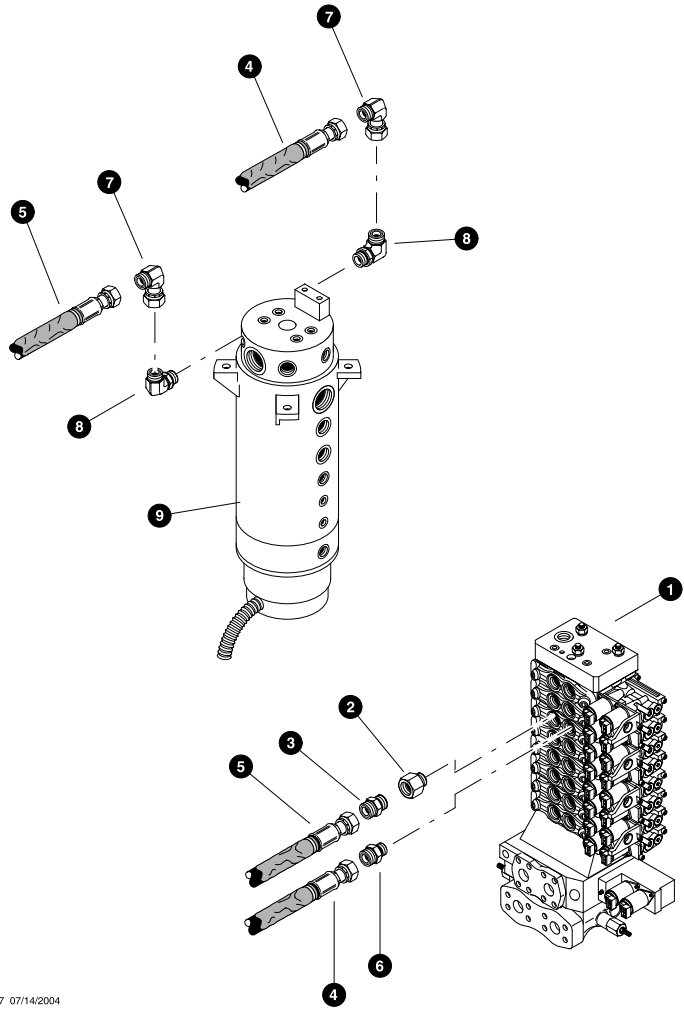


Parts T3026 07/16/2004
18,75

SWING FUNCTION LINES (Wide Boom \ Combo Valve)

REF	PART #	QTY	DESCRIPTION	SEE SECTION
1	REF.	1	MAIN CONTROL VALVE	CH-2
2	19290-CH	2	BUSHING, REDUCER - 6410-10-8	
3	15117-CH	2	CONNECTOR, STR - FF1852T-0808S	
4	51275-CH	1	HOSE ASSEMBLY - 4122-08-080S-0804	
5	51274-CH	1	HOSE ASSEMBLY - 4125-08-080S-0804	
6	15238	2	CONNECTOR, STR - FF1852T-0812S	
7	REF.	1	ANTI-CAVITATION VALVE	UP-2
8	REF.	1	SWING MOTOR GEARBOX	UP-2

See referenced page for component or assembly breakdown.

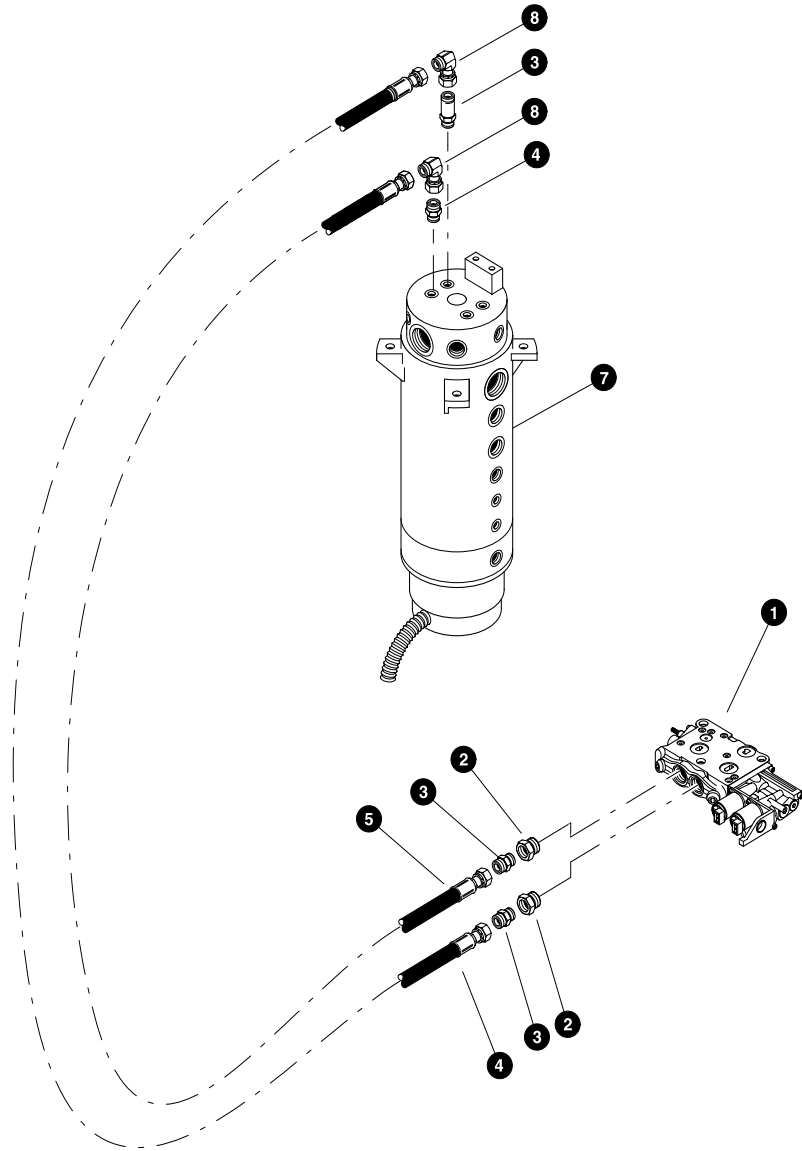


Parts T3027 07/14/2004
18,75

STEER FUNCTION LINES (Wide Boom \ Combo Valve)

REF	PART #	QTY	DESCRIPTION	SEE SECTION
1	REF.	1	MAIN CONTROL VALVE	CH-2
2	19289-CH	1	BUSHING, REDUCER - 6410-10X12	
3	15152-CH	1	CONNECTOR, STR - FF1852T-1212S	
4	50344-CH	1	HOSE ASSEMBLY - 4096-12-120S-1209 (Steer valve section #5 work port "B" to upper rotary manifold port #6)	
5	50675-CH	1	HOSE ASSEMBLY - 4087-12-120S-1209 (Steer valve section #5 work port "A" to upper rotary manifold port #3)	
6	16851-CH	1	CONNECTOR, straight - FF1852T-1210S	
7	17670-CH	2	ELBOW, 90° swivel - FF2098T-1212S	
8	17688-CH	2	ELBOW, 90° - FF1868T-1212S	
9	REF.	1	ROTARY MANIFOLD	UP-1-6

See referenced page for component or assembly breakdown.



**(OPTIONAL) LEVELING FUNCTION
(Wide Boom \ Combo Valve)**

REF	PART #	QTY	DESCRIPTION	SEE SECTION
1	REF.	1	VOAC VALVE SECTION	CH-2
2	19290-CH	2	BUSHING, reducer - 6405-12-8	
3	19091-CH	2	CONNECTOR, long straight - FF1852T-0808S	
4	15117-CH	2	CONNECTOR, straight - FF1852T-0808S	
5	50692-CH	1	HOSE ASSEMBLY - 4084-08-080S-080S (From voac valve port "A" to rotary manifold port #9)	
6	50693-CH	1	HOSE ASSEMBLY - 4087-08-080S-080S (From voac valve port "B" to rotary manifold port #8)	
7	REF.	1	ROTARY MANIFOLD	UP-1
8	10395-CH	2	ELBOW, 90 swivel - 1501-8-8	

See referenced page for component or assembly breakdown.

