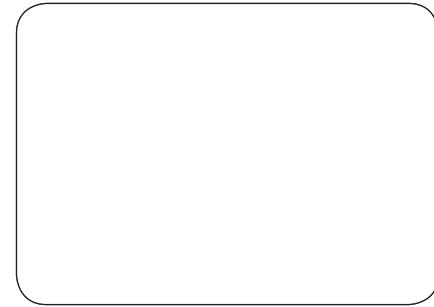
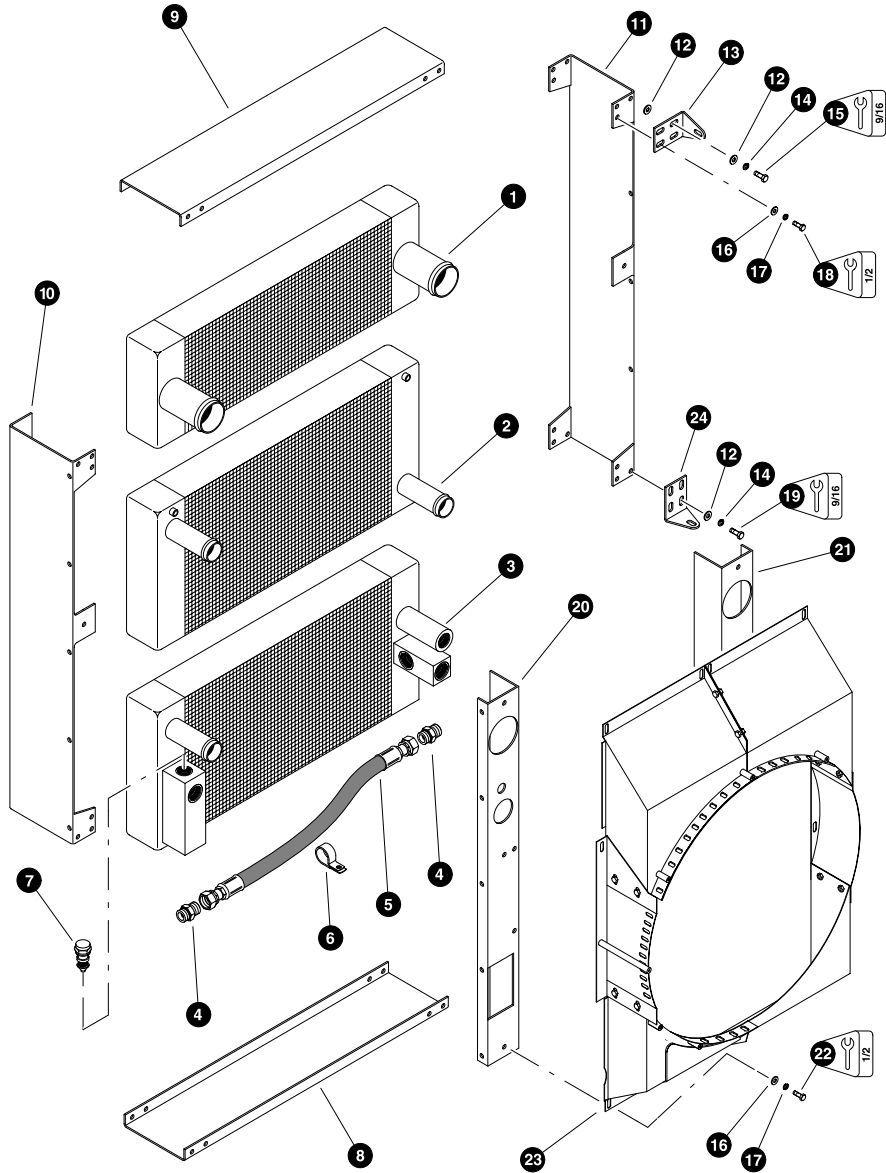


Section EE-1



Cummins QSC8.3 Engine Installation Cooling System

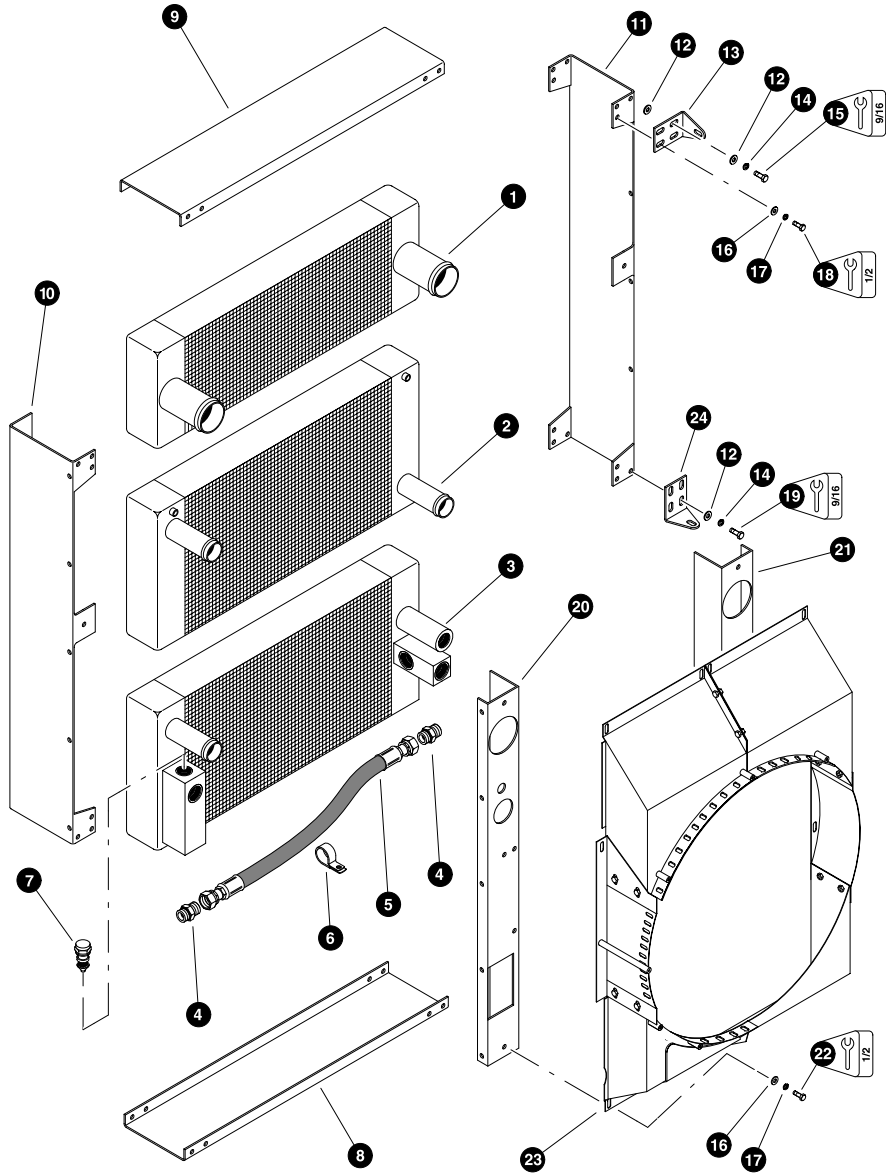


Parts 02334 08/08/2001
12.50

RADIATOR/OIL & COOLER ASSEMBLY
(Charge Air - 1-1/2" Ports)
(machine built before 01/01/04)

REF	PART #	QTY	DESCRIPTION	SEE SECTION
-	22703-EE	1	RADIATOR / OIL COOLER ASSEMBLY	
1	24657-EE	1	AIR COOLER ASSEMBLY	
2	24658-EE	1	RADIATOR ASSEMBLY	
3	24659-EE	1	OIL COOLER ASSEMBLY	
4	22319-EE	1	CONNECTOR, straight - thermal bypass	
5	24660-EE	1	HOSE ASSEMBLY - thermal bypass	
6	17257-EE	1	CLAMP, coated hose - 1-1/2"	
7	22491-EE	1	VALVE, thermal bypass	
8	24661-EE	1	BRACKET, frame - bottom (3/4" Stud)	
9	24662-EE	1	BRACKET, frame - top	
10	24663-EE	1	BRACKET, frame - side (LH)	
11	24664-EE	1	BRACKET, frame - side (RH)	
12	10802-EE	30	Washer, flat - 3/8"	
13	14340-EE	2	BRACKET, mounting top	
14	10701-EE	26	WASHER, lock - 3/8"	
15	10402-EE	4	BOLT - 3/8" X 1-1/4"	
16	10801-EE	14	WASHER, flat - 5/16"	
17	15606-EE	2	WASHER, lock - 5/16"	
18	10822-EE	2	BOLT - 5/16" X 1-1/4"	
19	11707-EE	22	BOLT - 3/8" X 1"	
20	24665-EE	1	CHANNEL, support - side (LH)	
21	24666-EE	1	CHANNEL, support - side (RH)	
22	15589-EE	12	BOLT - 5/16" X 1"	
23	REF	1	FAN SHROUDS	EE-1
24	40911-EE	2	BRACKET, mounting bottom	

See referenced page for component or assembly breakdown.

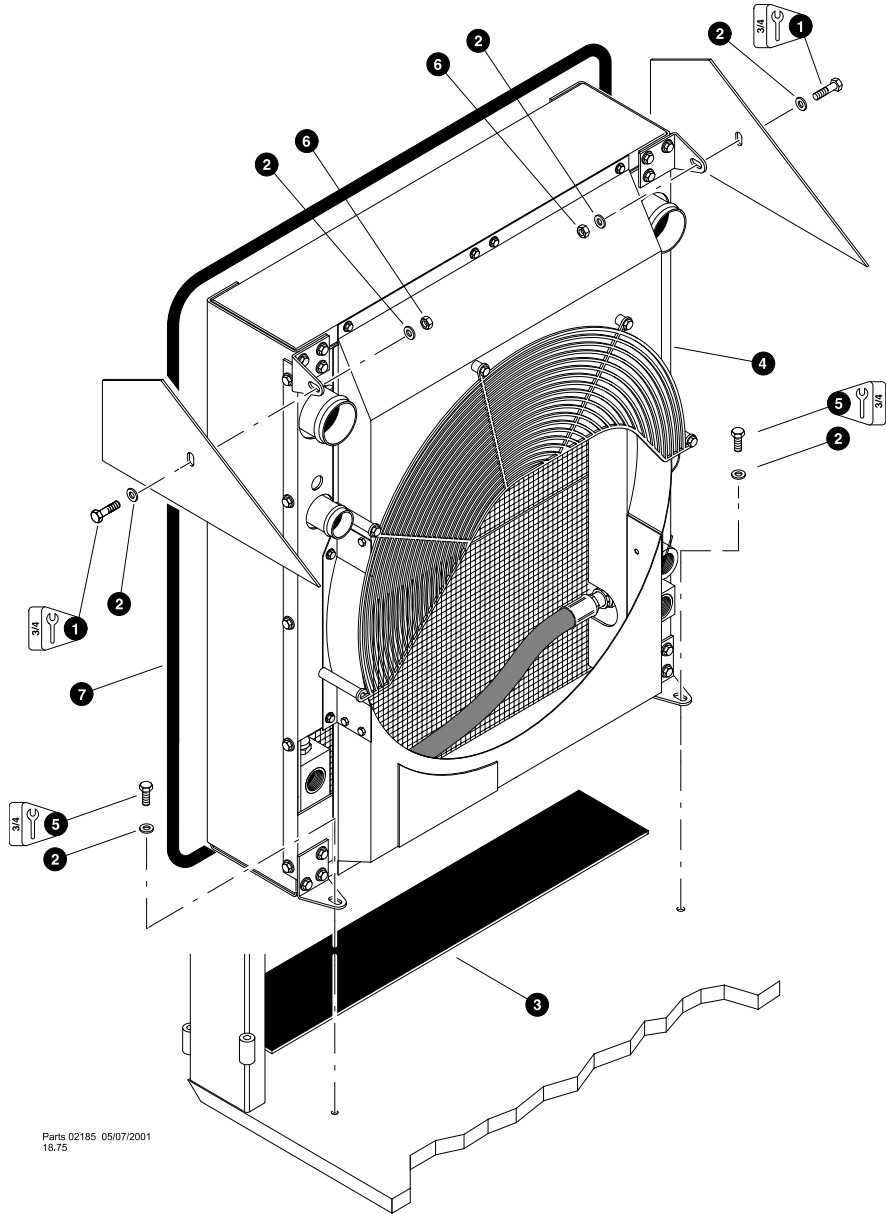


Parts 02334 08/08/2001
12.50

RADIATOR/OIL & COOLER ASSEMBLY
(Charge Air - 1-1/2" Ports)
(machine built after 01/01/04)

REF	PART #	QTY	DESCRIPTION	SEE SECTION
-	51329-EE	1	RADIATOR / OIL COOLER ASSEMBLY	
1	51447-EE	1	AIR COOLER ASSEMBLY	
2	24658-EE	1	RADIATOR ASSEMBLY	
3	24659-EE	1	OIL COOLER ASSEMBLY	
4	22319-EE	1	CONNECTOR, straight - thermal bypass	
5	24660-EE	1	HOSE ASSEMBLY - thermal bypass	
6	17257-EE	1	CLAMP, coated hose - 1-1/2"	
7	22491-EE	1	VALVE, thermal bypass	
8	-	1	BRACKET, frame - bottom (3746B/BSC) (No Studs)	
9	24662-EE	1	BRACKET, frame - top	
10	-	1	BRACKET, frame - side (LH) (3746B/LSC)	
11	-	1	BRACKET, frame - side (RH) (3746B/RSC)	
12	10802-EE	30	Washer, flat - 3/8"	
13	14340-EE	2	BRACKET, mounting top	
14	10701-EE	26	WASHER, lock - 3/8"	
15	10402-EE	4	BOLT - 3/8" X 1-1/4"	
16	10801-EE	14	WASHER, flat - 5/16"	
17	15606-EE	2	WASHER, lock - 5/16"	
18	10822-EE	2	BOLT - 5/16" X 1-1/4"	
19	11707-EE	22	BOLT - 3/8" X 1"	
20	-	1	CHANNEL, support - side (LH) (3746B/LCA)	
21	-	1	CHANNEL, support - side (RH) (3746B/RCA)	
22	15589-EE	12	BOLT - 5/16" X 1"	
23	REF	1	FAN SHROUDS	EE-1
24	40911-EE	2	BRACKET, mounting bottom	

See referenced page for component or assembly breakdown.

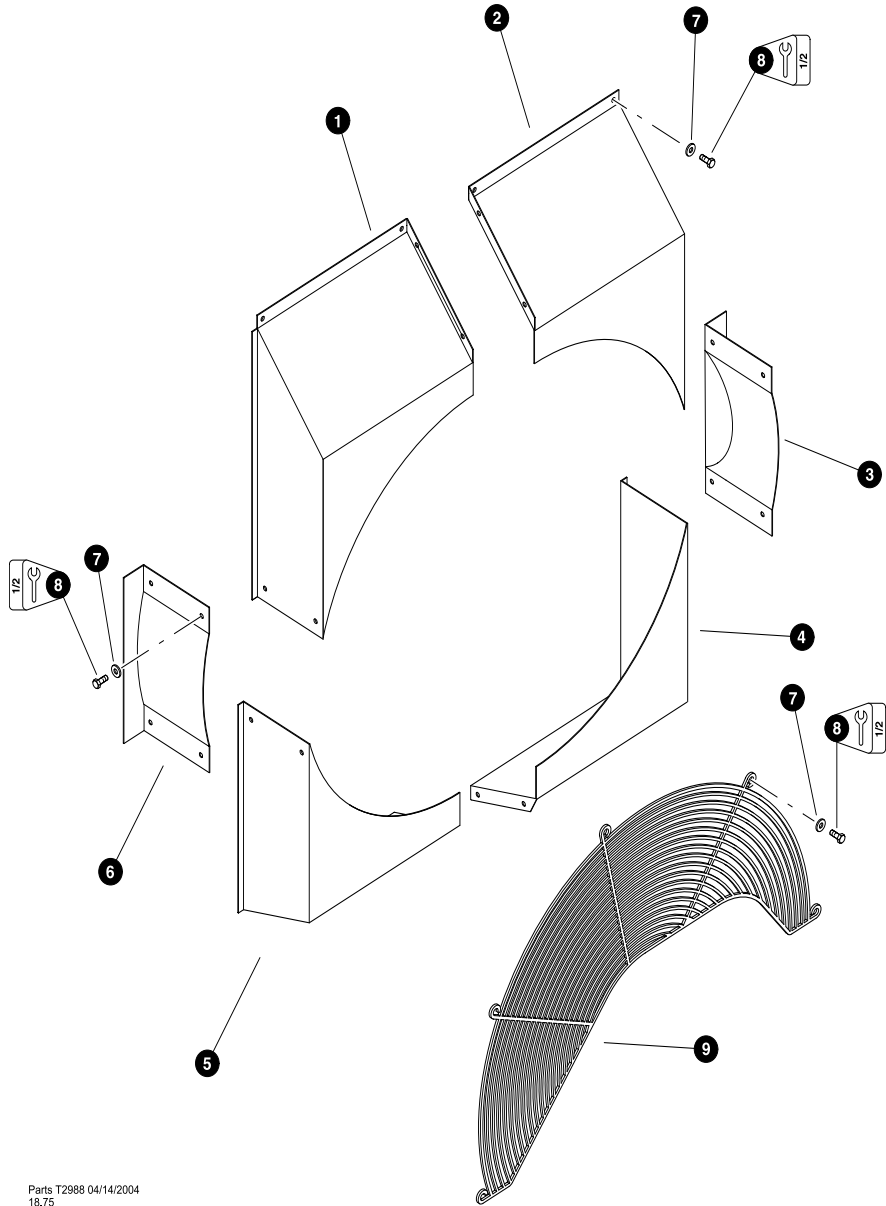


Parts 02185 05/07/2001
18.75

RADIATOR COOLER INSTALLATION (machine built after 01/01/04)

REF	PART #	QTY	DESCRIPTION	SEE SECTION
1	10739-EE	2	BOLT - 1/2" X 1-1/2"	
2	15534-EE	6	WASHER, SAE flat - 1/2"	
3	51442-EE	1	SPACER, rubber radiator/oil cooler	
4	REF	1	RADIATOR/OIL COOLER ASSEMBLY EE-1	
5	10739-EE	2	BOLT - 1/2" X 1-1/2"	
6	10815-EE	2	NUT, lock - 1/2"	
7	16717-EE	AR	HOSE, heater - 5/8"	

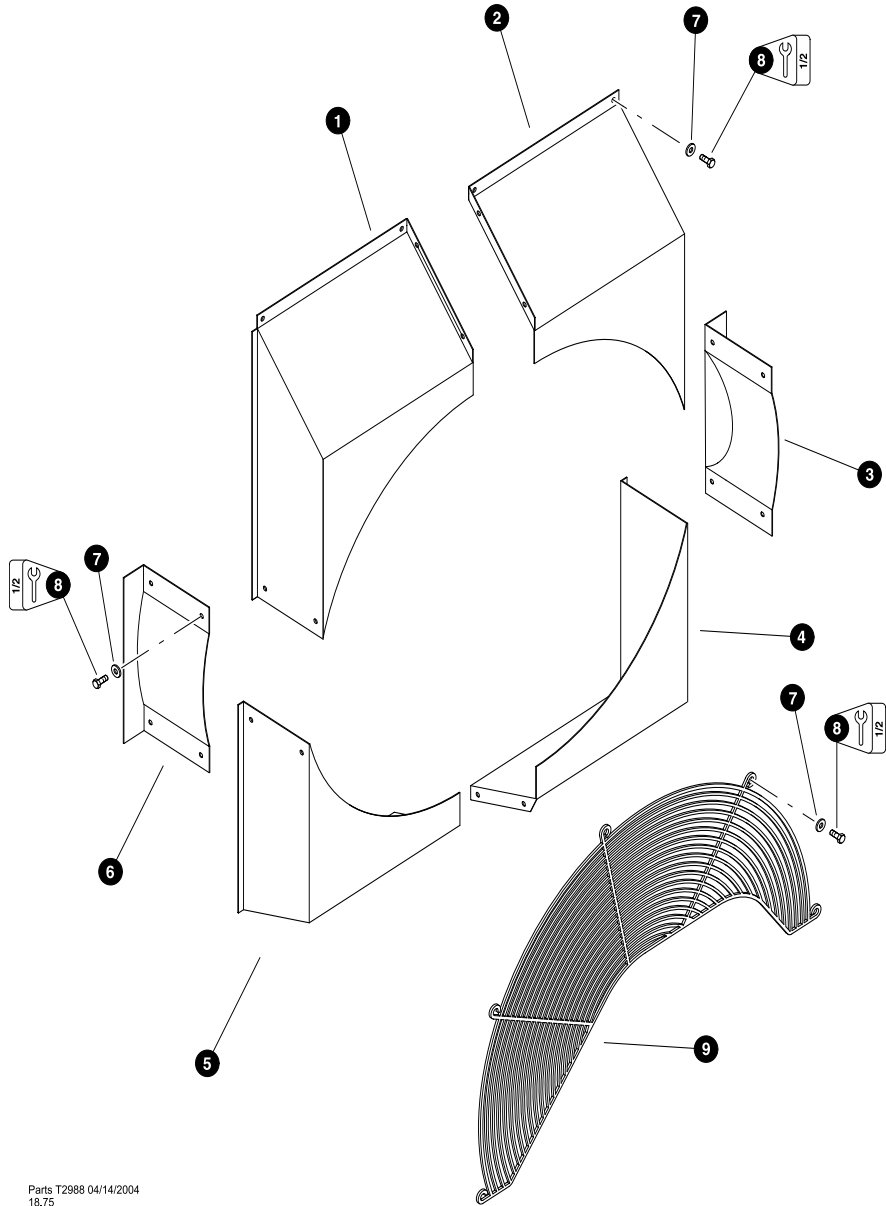
See referenced page for component or assembly breakdown.



Parts T2988 04/14/2004
18,75

FAN SHROUDS
(Cummins QSA8.3C Engines)
(fixed fan)
(machines built before 01/01/04)

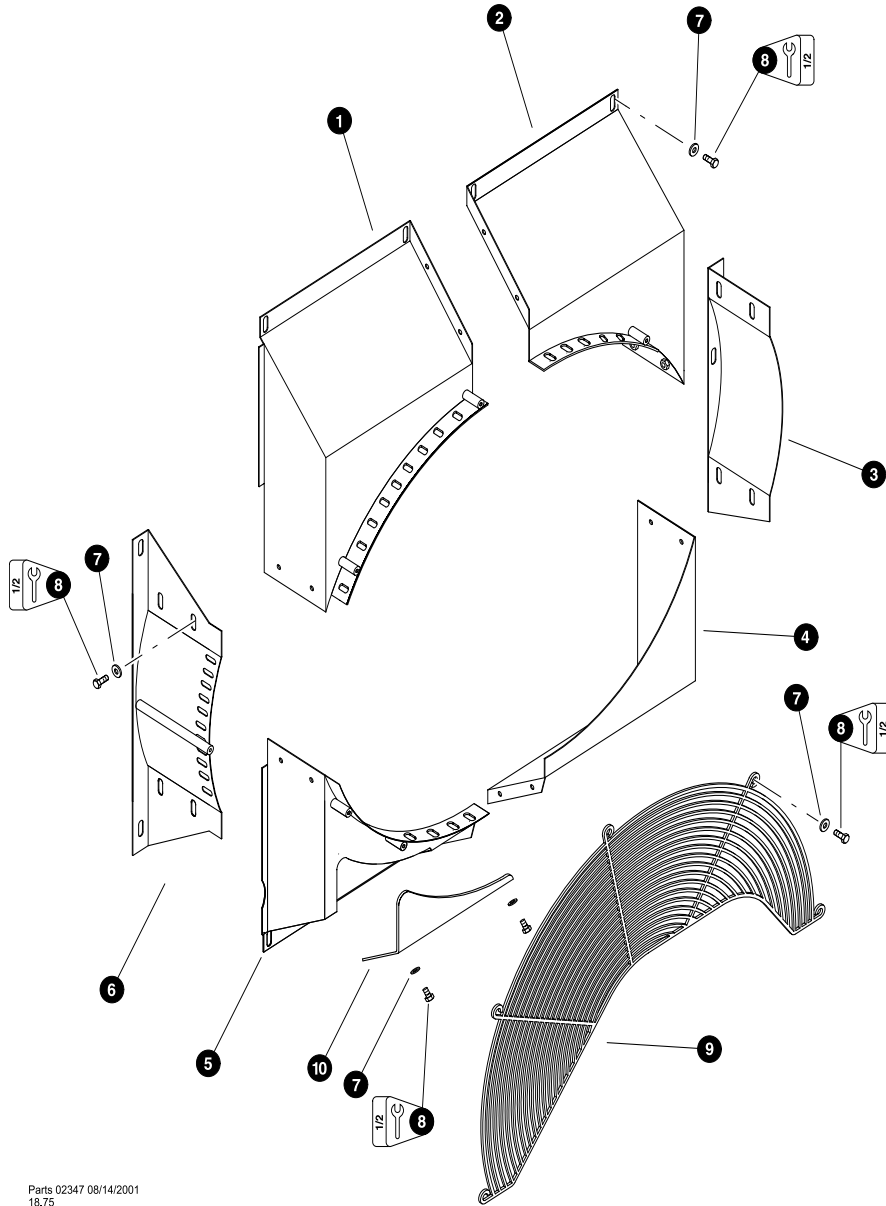
REF	PART #	QTY	DESCRIPTION	SEE SECTION
-	24680-EE	1	FAN SHROUD KIT (31" [79CM] diameter engine fan)	
1	24681-EE	1	SHROUD, radiator - upper left	
2	24682-EE	1	SHROUD, radiator - upper right	
3	24683-EE	1	SHROUD, radiator - side right	
4	24684-EE	1	SHROUD, radiator - lower right	
5	24685-EE	1	SHROUD, radiator - lower left	
6	24686-EE	1	SHROUD, radiator - side left	
7	10801-EE	26	WASHER, flat - 5/16"	
8	15589-EE	26	BOLT - 5/16" X 1"	
9	24638-EE	1	GUARD, FAN - air to air radiator	



Parts T2988 04/14/2004
18,75

FAN SHROUDS
(Cummins QSA8.3C Engines)
(reversing fan)
(machines built before 01/01/04)

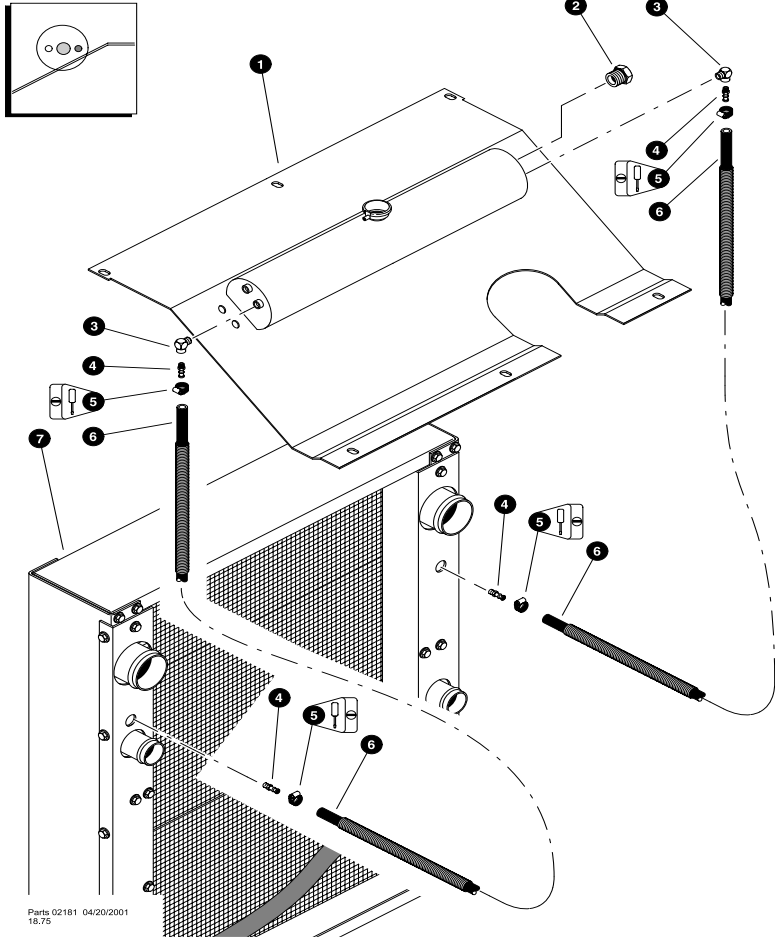
REF	PART #	QTY	DESCRIPTION	SEE SECTION
-	51205-EE	1	FAN SHROUD KIT (31" [79CM] diameter engine fan)	
1	51206-EE	1	SHROUD, radiator - upper left	
2	51207-EE	1	SHROUD, radiator - upper right	
3	51208-EE	1	SHROUD, radiator - side right	
4	51209-EE	1	SHROUD, radiator - lower right	
5	51210-EE	1	SHROUD, radiator - lower left	
6	51211-EE	1	SHROUD, radiator - side left	
7	10801-EE	26	WASHER, flat - 5/16"	
8	15589-EE	26	BOLT - 5/16" X 1"	
9	24638-EE	1	GUARD, FAN - air to air radiator	



Parts 02347 08/14/2001
18,75

FAN SHROUDS
(Cummins QSA8.3C Engines)
(reversing fan)
(machine built after 01/01/04)

REF	PART #	QTY	DESCRIPTION	SEE SECTION
-	51365-EE	1	FAN SHROUD KIT (31" [79CM] diameter engine fan)	
1	51368-EE	1	SHROUD, radiator - upper left	
2	51367-EE	1	SHROUD, radiator - upper right	
3	51208-EE	1	SHROUD, radiator - side right	
4	51209-EE	1	SHROUD, radiator - lower right	
5	51210-EE	1	SHROUD, radiator - lower left	
6	51211-EE	1	SHROUD, radiator - side left	
7	10801-EE	28	WASHER, flat - 5/16"	
8	15589-EE	28	BOLT - 5/16" X 1"	
9	24638-EE	1	GUARD, FAN - air to air radiator	
10	51361-EE	1	COVER, radiator clean out	

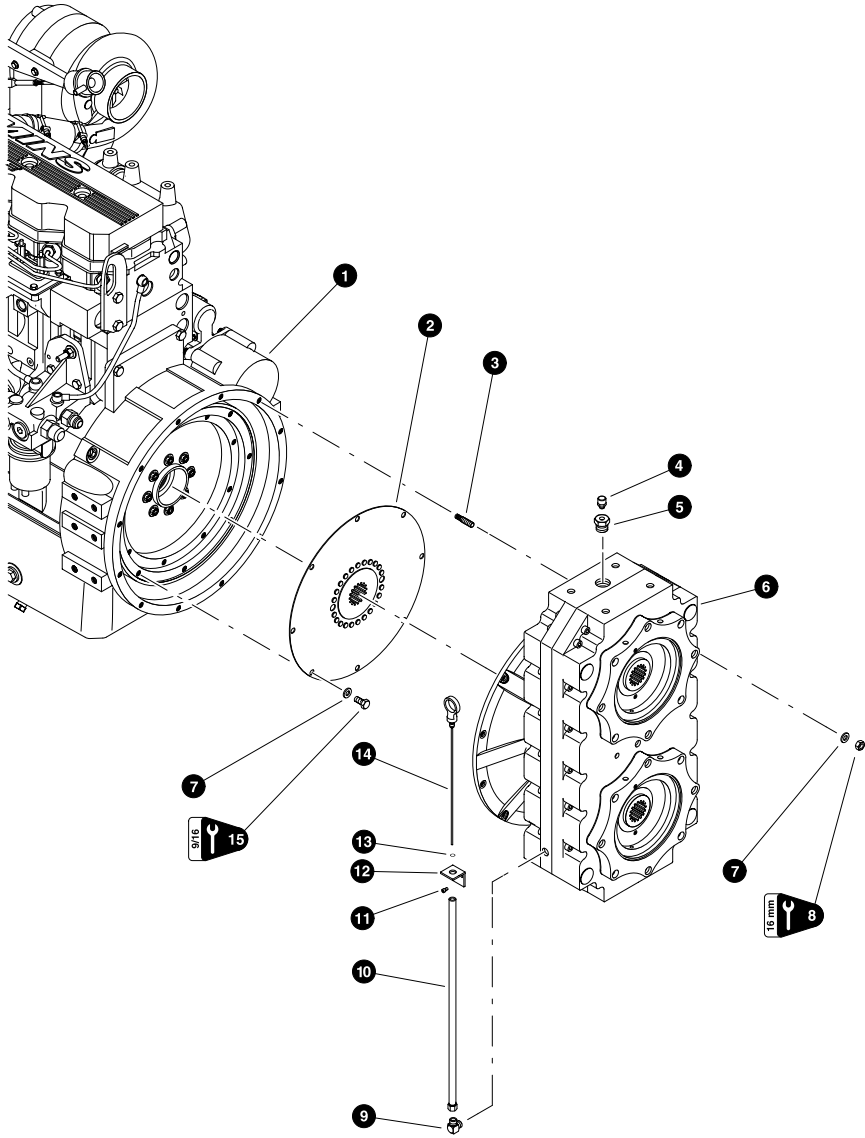


Parts: 02181 04/20/2001
18.75

**OVER FLOW TANK LINES
(Radiator to Overflow)**

REF	PART #	QTY	DESCRIPTION	SEE SECTION
1	REF	1	MUFFLER PANEL	UP-1
2	24308-EE	1	SIGHT, glass	
3	16251-EE	2	ELBOW, 90	
4	16989-EE	4	CONNECTOR, straight hose barb - 4245-5-2	
5	16202-EE	4	CLAMP, hose - worm style - 5/8"	
6	16238-EE	AR	HOSE, fuel line - 5/8"	
7	REF	1	RADIATOR/OIL COOLER ASSEMBLY	EE-1

See referenced page for component or assembly breakdown.



Parts 02329 08/07/2001
18.75

PUMP DRIVE TRANSMISSION INSTALLATION
(Superior)
(machines built before 03/02/03)

REF	PART #	QTY	DESCRIPTION	SEE SECTION
1	REF.	1	ENGINE - Cummins QSC8.3	EE-3
2	REF.	1	DRIVE PLATE	EE-2
3	15531-EE	12	STUD, threaded - 10mm x 45mm (See Note #1 below)	
4	23557-EE	1	BREATHER	
5	16808-EE	1	BUSHING, reducer - 5406-8-2	
6	REF.	1	PUMP DRIVE TRANSMISSION	EE-2
7	15528-EE	20	WASHER, SAE flat - 3/8"	
8	15530-EE	12	NUT, hex - 10mm (See Note #2 below) (Torque to 40 ft.lbs. (53 Nm))	
9	-----	1	FITTING, compression 90	
10	-----	1	TUBE, dipstick	
11	15604-EE	1	BOLT - 1/4" x 3/4"	
12	23688-EE	1	BRACKET, dipstick mounting	
13	-----	1	O-RING	
14	-----	1	DIPSTICK	
15	15542-EE	8	BOLT - 3/8" x 3/4" (See Note #1 below) (Torque to 40 ft.lbs. (53 Nm))	

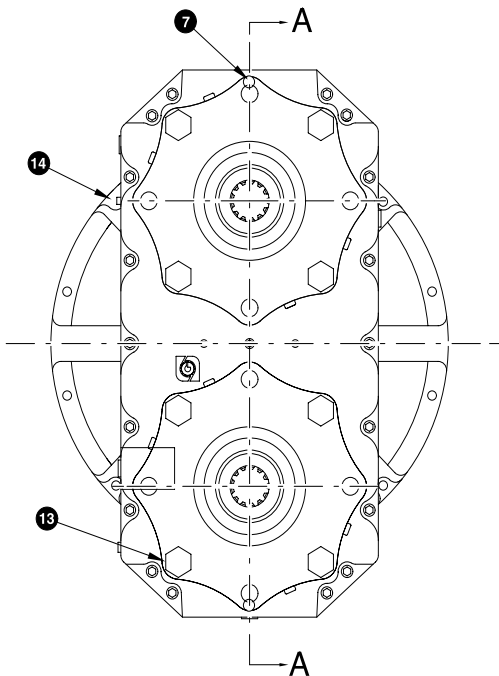
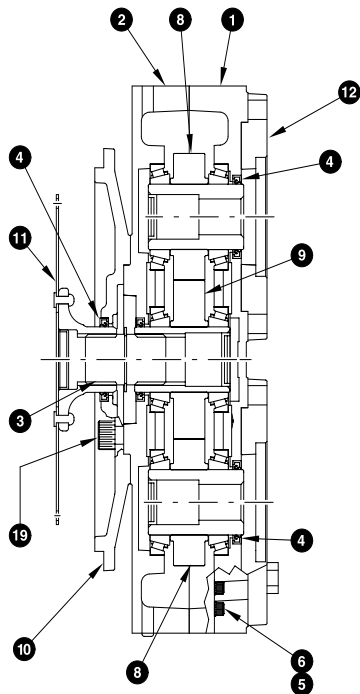
See referenced page for component or assembly breakdown.

Note #1:

Use Loctite 271 (red) during installation.

Note #2:

Use Loctite 272 (blue) during installation.

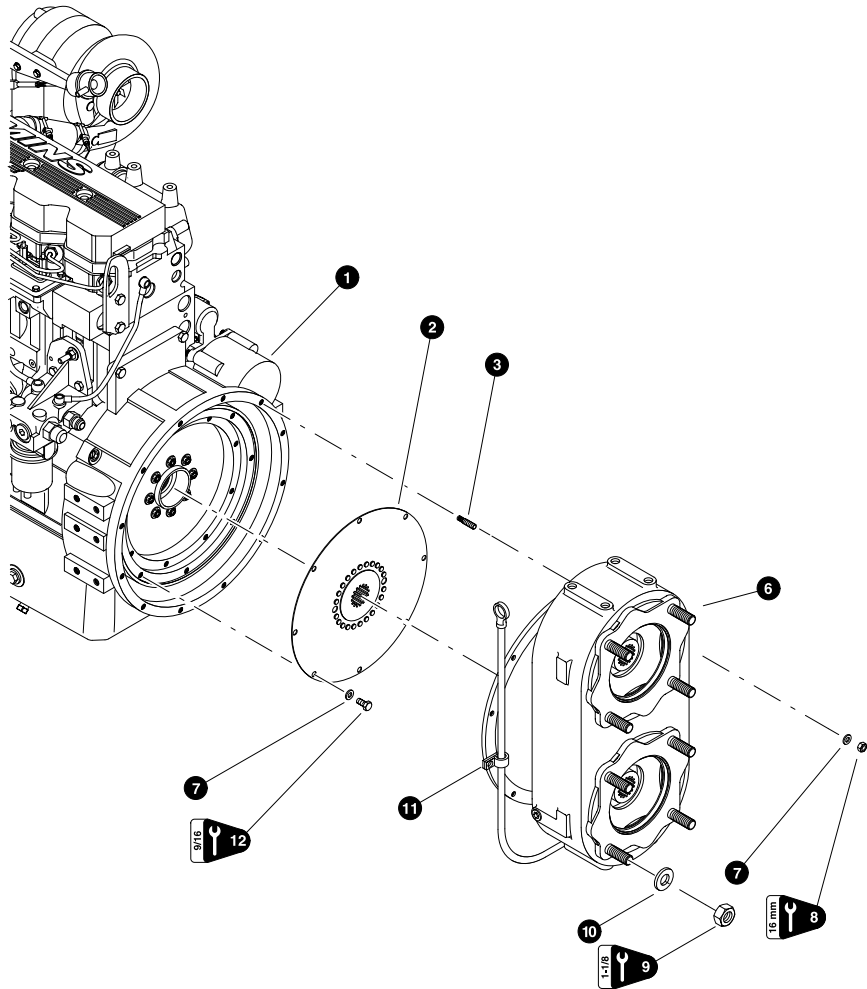


Parts 02328 08/07/01
1000

PUMP DRIVE TRANSMISSION
(Superior Dual Drive)
(machines built before 03/02/03)

REF	PART #	QTY	DESCRIPTION	SEE SECTION
-	22838-EE	1	<input type="checkbox"/> TRANSMISSION, pump drive	
1	23514-EE	1	HOUSING, transmission - pump drive side	
2	23515-EE	1	HOUSING, transmission - bell housing side	
3	23516-EE	1	SHAFT, input	
4	22010-EE	4	SEAL, shaft	
5	23517-EE	18	BOLT, allen head - 3/16" x 2-1/4" (Torque to 38 ft.lbs (50 Nm))	
6	23526-EE	18	WASHER, lock - 3/16"	
7	23518-EE	2	PIN, dowel	
8	23519-EE	2	GEAR ASSEMBLY, pump (<i>Includes shaft and bearings</i>)	
9	23520-EE	1	GEAR ASSEMBLY, input (<i>Includes shaft and bearings</i>)	
10	23521-EE	1	HOUSING, flywheel mounting	
11	23522-EE	1	DRIVE PLATE ASSEMBLY	
12	23523-EE	2	ADAPTER, pump pad - SAE "D"	
13	23524-EE	8	BOLT, adapter mount (Torque to 240 ft.lbs (320 Nm))	
14	23525-EE	1	BOLT, allen head - 1/4" x 3/4"	

Kit or Assembly - includes all items indented underneath.



Parts T2721 06/11/2003
18,75

PUMP DRIVE TRANSMISSION INSTALLATION
(Superior)
(machines built after 03/02/03)

REF	PART #	QTY	DESCRIPTION	SEE SECTION
1	REF.	1	ENGINE - Cummins QSC8.3	EE-3
2	REF.	1	DRIVE PLATE	EE-2
3	15531-EE	12	STUD, threaded - 10mm x 45mm (See Note #1 below)	
4	23557-EE	1	BREATHER	
5	16808-EE	1	BUSHING, reducer - 5406-8-2	
6	REF.	1	PUMP DRIVE TRANSMISSION	EE-2
7	15528-EE	20	WASHER, SAE flat - 3/8"	
8	15530-EE	12	NUT, hex - 10mm (See Note #2 below) (Torque to 40 ft.lbs. (53 Nm))	
9	10776-EE	8	NUT, HEX 3/4	
10	15550-EE	8	WASHER, SAE 3/4	
11	16203-EE	1	CLAMP, coated 3/8	
12	15542-EE	8	BOLT - 3/8" x 3/4" (See Note #1 below) (Torque to 40 ft.lbs. (53 Nm))	

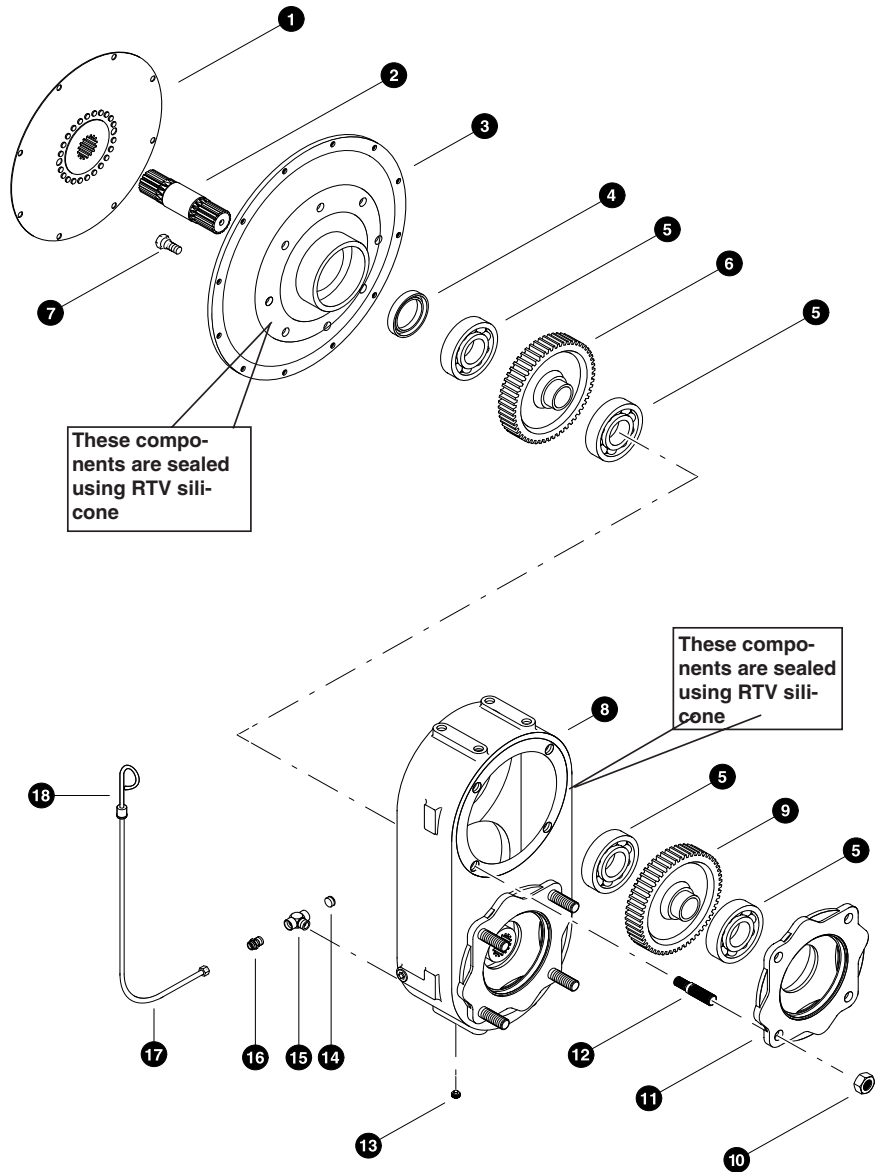
See referenced page for component or assembly breakdown.

Note #1:

Use Loctite 271 (red) during installation.

Note #2:

Use Loctite 272 (blue) during installation.



PUMP DRIVE TRANSMISSION
(Superior Dual Drive)
(machines built after 03/02/03)

REF	PART #	QTY	DESCRIPTION	SEE SECTION
-	50417-EE	1	<input type="checkbox"/> TRANSMISSION, pump drive (funk .647:1 inc) (Before 04/01/04)	
-	51404-EE	1	<input type="checkbox"/> TRANSMISSION, pump drive (funk .787:1 inc) (after 04/01/04)	
1	16258-EE	1	DRIVE PLATE, funk	
2	----	1	DRIVE SHAFT, funk pump drive (4028060)	
3	----	1	HOUSING, flywheel mounting (4028011)	
4	----	1	SEAL, shaft (F65006)	
5	----	6	BEARING, funk pump drive (F40211)	
6	----	1	GEAR, input (4059007) (.647:1)	
6	51408-EE	1	GEAR, input (.787:1)	
7	----	8	BOLT, flywheel housing addapter (4003685) (see note #1)	
8	----	1	HOUSING, 2 - pump (YZ102177)	
9	----	2	GEAR, output (4028042) (.647:1)	
9	51409-EE	2	GEAR, output (.787:1)	
10	----	8	NUT, hex 3/4	
11	----	2	PLATE, pump adapter (4028007)	
12	----	8	STUD, adapter (40281351) (see note #2)	
13	----	1	PLUG, pipe, magnetic 1/4 (444-691-00-00-08)	
14	15585	1	PLUG, pipe 1/2	
15	----	1	TEE, pipe branch 1/2 (Z12T-8-8)	
16	----	1	FITTING, 3/8 compression x 1/2 pipe (18-190)	
17	----	1	TUBE, dipstick (NE 10000)	
18	----	1	DIPSTICK, funk (RE69243)	

Kit or Assembly - includes all items indented underneath.

NOTE #1

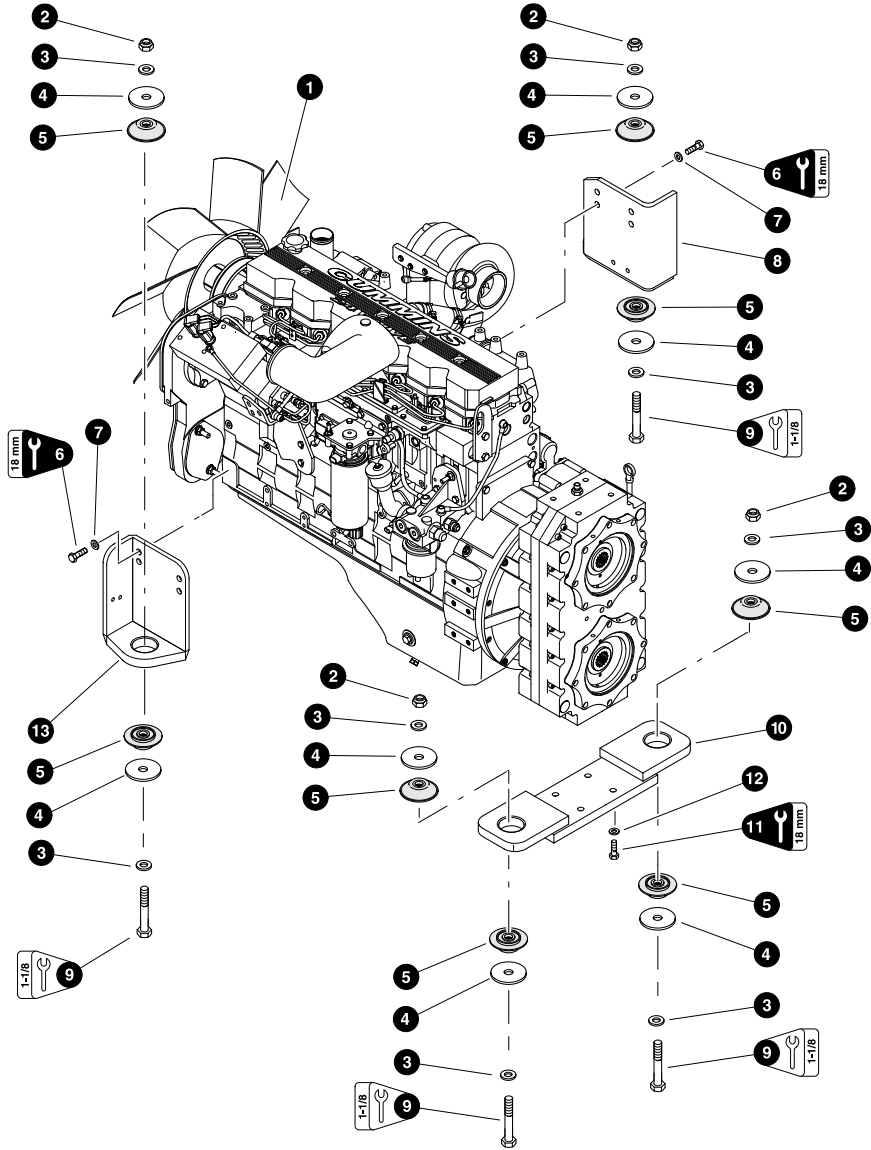
Use loctite 262 when installing bolts

NOTE #2

Apply loctite 271 to housing side before install

Last Updated - 06/01/2003

Engine & Transmission - Cummins QSC8.3-C



Parts 02335 08/08/2001
12.50

T800 Parts Module EE-50962

EE-3-1

Engine & Transmission - Cummins QSC8.3-C

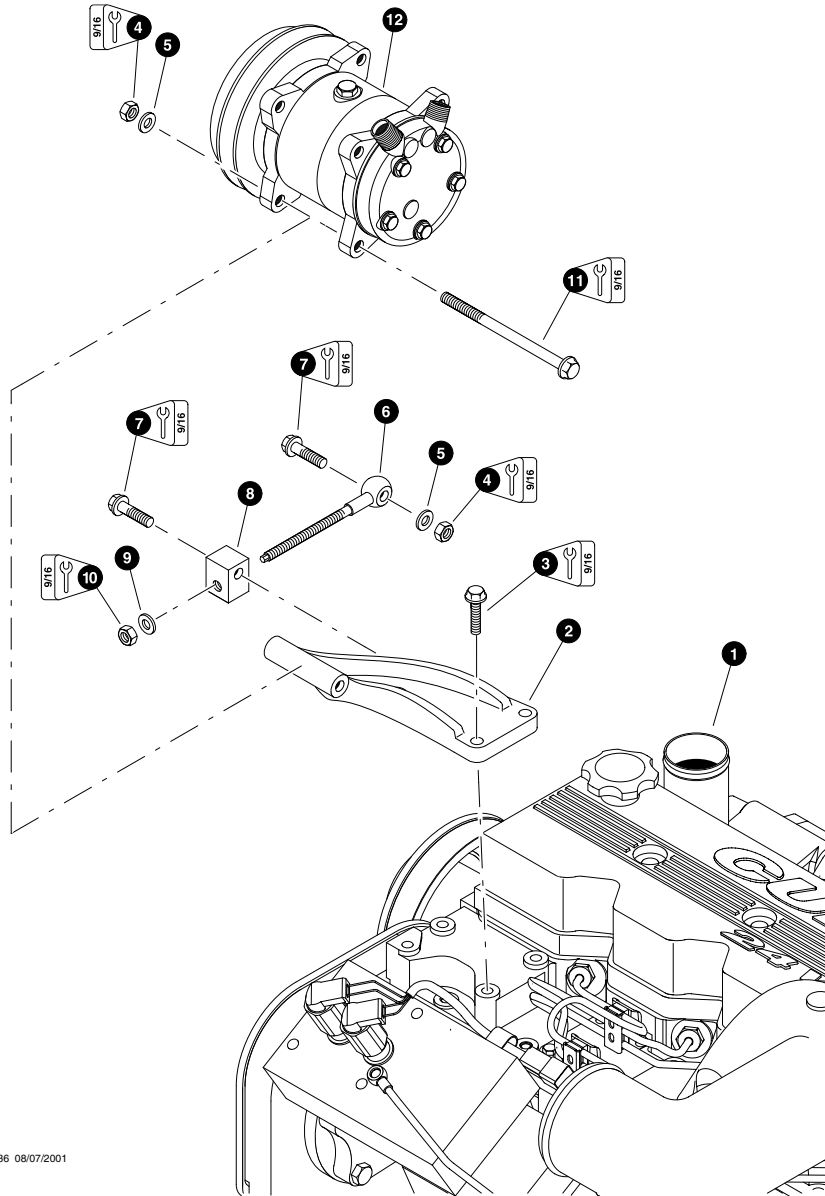
Last Updated - 06/01/2003

ENGINE INSTALLATION

REF	PART #	QTY	DESCRIPTION	SEE SECTION
1	50125-EE	1	ENGINE, Cummins - QSC8.3-C 260HP (Optional)	
	50126-EE	1	ENGINE, Cummins - QSC8.3-C 300HP (Optional)	
2	10817-EE	4	NUT, lock - 3/4"	
3	15550-EE	8	WASHER, SAE flat - 3/4"	
4	17918-EE	8	WASHER, isolator mount - 7/8" x 3-1/2"	
5	17904-EE	8	ISOLATOR, engine mount - rear	
6	15551-EE	8	BOLT - 12mm-1.75P x 40mm (Torque to 92 ft.lbs. (122 Nm))	
7	18735-EE	8	WASHER, flat - 12mm	
8	14330-EE	1	MOUNT, engine - RH front	
9	10845-EE	4	BOLT - 3/4" x 5-1/2"	
10	14304-EE	1	MOUNT, engine rear - vertical box	
11	15381-EE	4	BOLT - 5/8" x 2-1/4" (Torque to 92 ft.lbs. (122 Nm))	
12	10771-EE	4	WASHER, SAE flat - 5/8	
13	14327-EE	1	MOUNT, engine - LH front	

EE-3-2

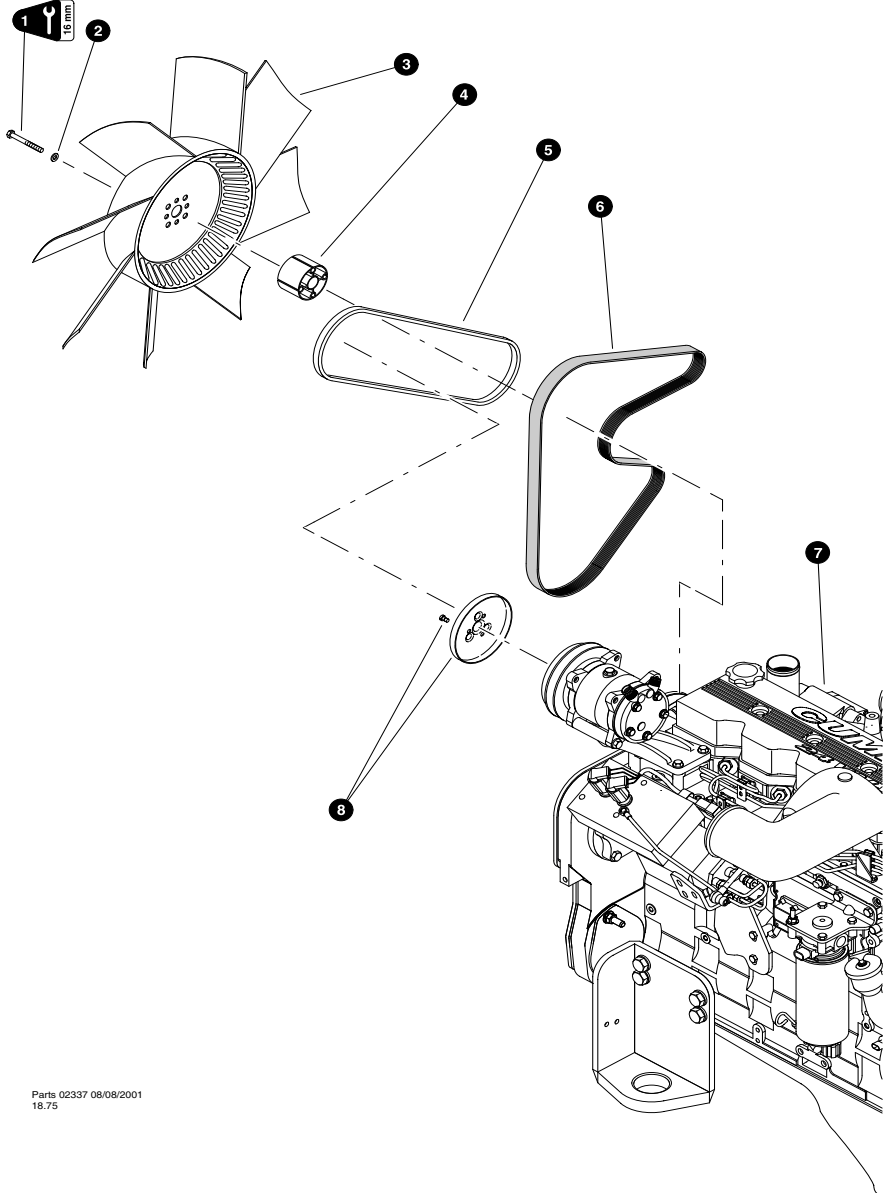
T800 Parts Module EE-50962



AIR CONDITIONER COMPRESSOR INSTALLATION

REF	PART #	QTY	DESCRIPTION	SEE SECTION
1	REF.	1	ENGINE - Cummins QSC8.3-C	EE-3
2	24607-EE	1	BRACKET, A/C compressor mount	
3	24605-EE	4	BOLT - 10mm-1.5P x 30mm (Flange Head)	
4	15530-EE	3	NUT, hex - 10mm-1.5P	
5	15528-EE	3	WASHER, SAE flat - 3/8"	
6	24608-EE	1	SCREW, adjustment compressor	
7	24609-EE	2	BOLT - 10mm-1.5P x 50mm (Flange Head)	
8	24606-EE	1	BLOCK, adjustment	
9	18735-EE	1	WASHER, flat - 12mm	
10	24610-EE	1	NUT, hex - 12mm-1.75P	
11	24604-EE	1	BOLT - 10mm-1.5P x 125mm (Flange Head)	
12	REF.	1	COMPRESSOR, air conditioner - 24V	OC-4

See referenced page for component or assembly breakdown.

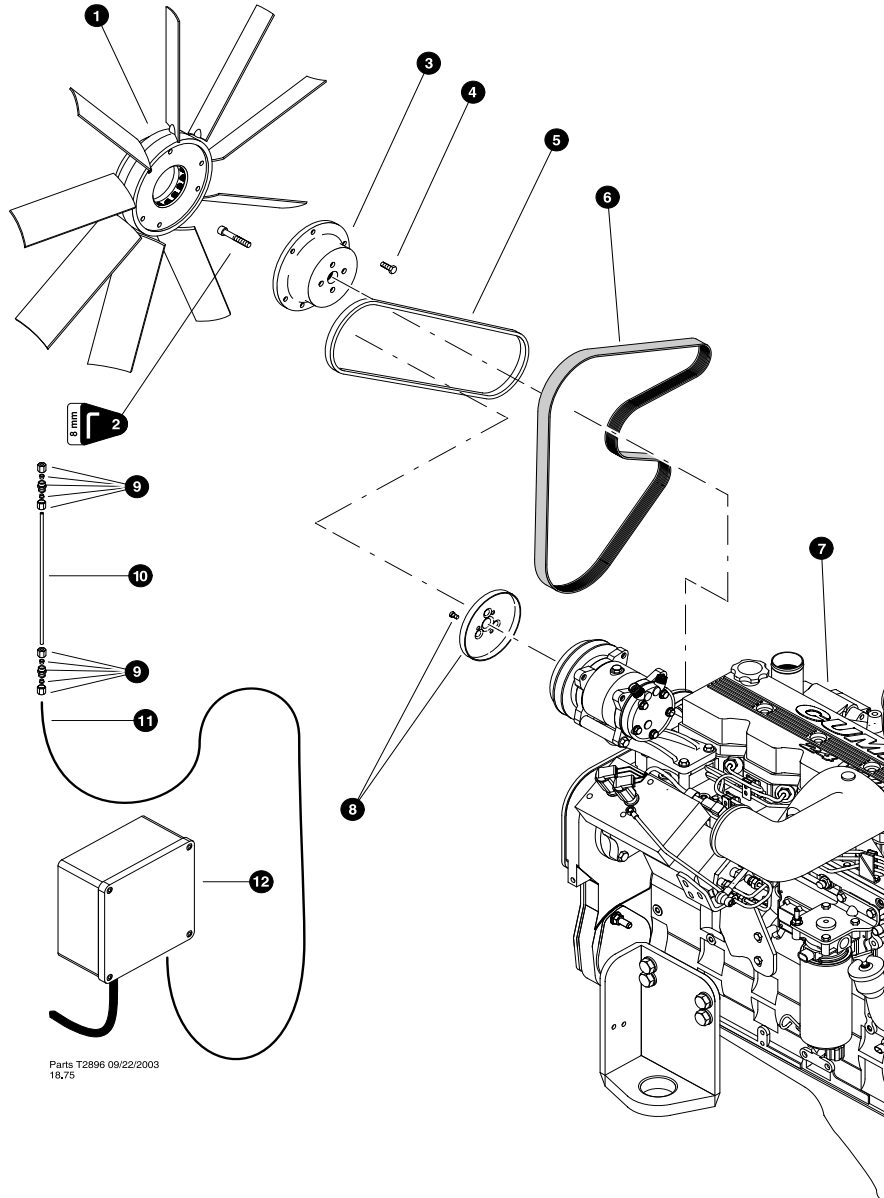


Parts 02337 08/09/2001
18.75

ENGINE FAN & BELTS

REF	PART #	QTY	DESCRIPTION	SEE SECTION
1	24439-EE	4	BOLT - 10mm x 75mm (See Note Below)(Used with high pitch sucker fan)(Torque to 42 ft.lbs. (56 Nm))	
2	15528-EE	4	WASHER, SAE flat - 3/8"	
3	24215-EE	1	FAN, engine - sucker - 31" high pitch	
4	18395-EE	1	SPACER, engine fan (Used with sucker fan)	
5	24200-EE	1	BELT, A/C compressor drive	
6	24119-EE	1	BELT, engine fan	
7	REF.	1	ENGINE - Cummins QSC8.3-C.	EE-3
8	16796-EE	1	COVER, A/C compressor dust	

See referenced page for component or assembly breakdown.

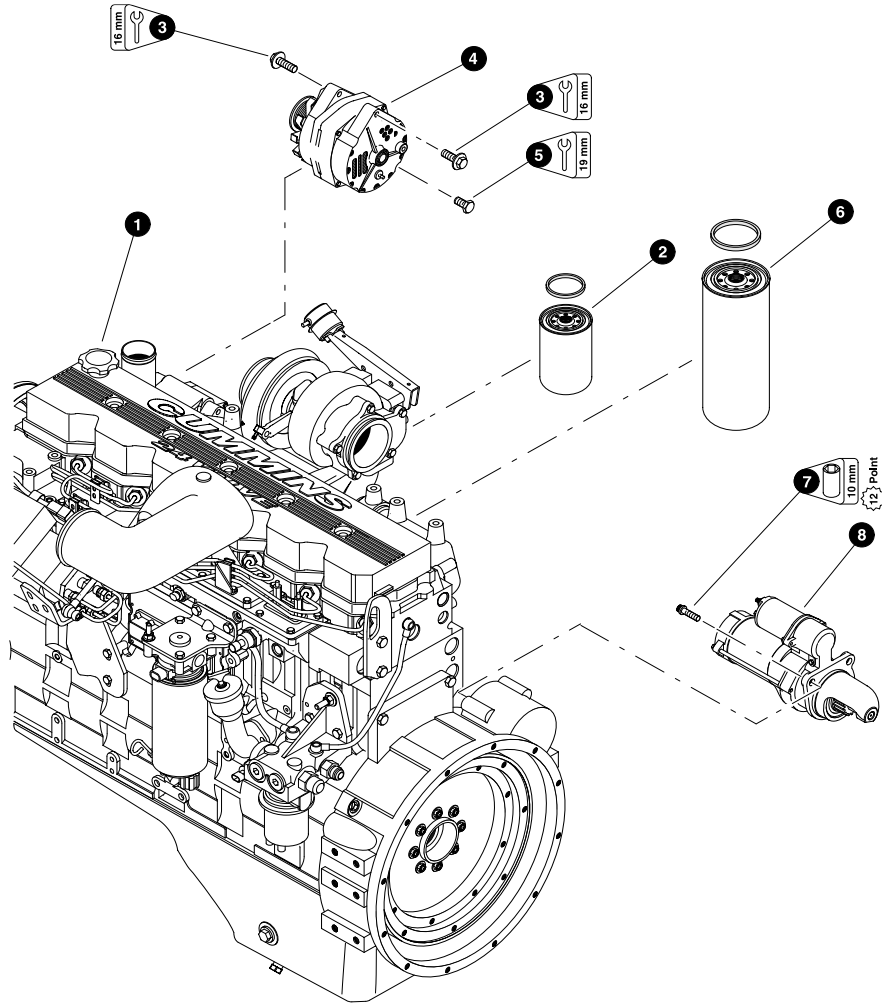


Parts T2896 09/22/2003
18,75

ENGINE FAN & BELTS (Reversing Fan Installation)

REF	PART #	QTY	DESCRIPTION	SEE SECTION
1	24760-EE	1	<input type="checkbox"/> REVERSING FAN (31")	
2	50042-EE	4	BOLT, Allen - 10mm x 75mm (<i>Torque to 42 ft.lbs. (56 Nm)</i>)	
3	50080-EE	1	SPACER, engine reversing fan	
4	- - -	6	BOLT, large shoulder - 8 mm X 20mm (C5.015)	
5	24200-EE	1	BELT, A/C compressor drive	
6	24119-EE	1	BELT, engine fan	
7	REF.	1	<input type="checkbox"/> ENGINE - Cummins QSC8.3-C.	EE-3
8	16796-EE	1	COVER, A/C compressor dust	
-	24763-EE	1	<input type="checkbox"/> REVERSING FAN CONTROL KIT	
9	- - -	2	FITTING, 6mm Union (C5.131)	
10	- - -	1	TUBING, 6mm (C5.135)	
11	51203-EE	1	HOSE, 6mm (10 feet)	
12	REF.	1	<input type="checkbox"/> Control Box	ES-2

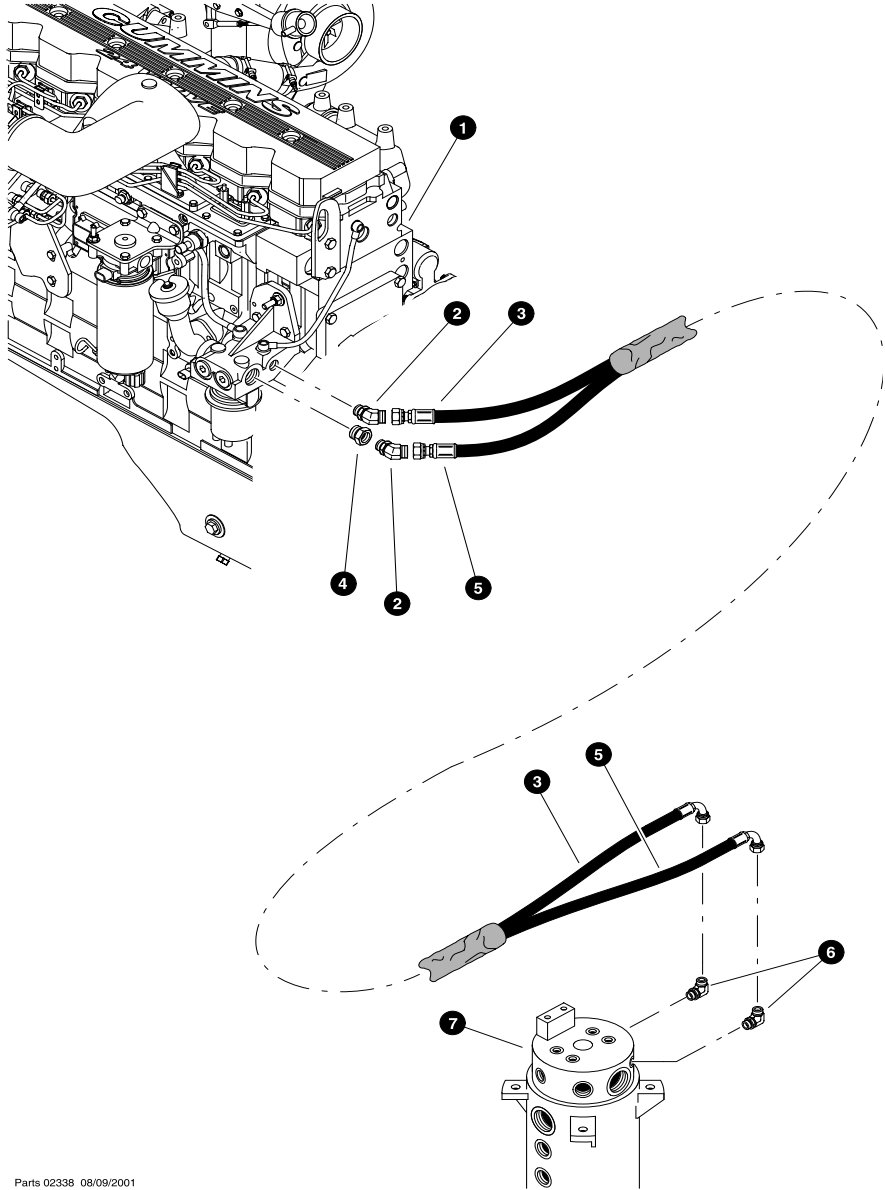
- See referenced page for component or assembly breakdown.
- Kit or Assembly - includes all items indented underneath.



ALTERNATOR, STARTER & MISC. COMPONENTS

REF	PART #	QTY	DESCRIPTION	SEE SECTION
1	REF.	1	ENGINE - Cummins QSC8.3-C	EE-3
2	20445-EE	1	FILTER, coolant (With corrosion resistor additive)	
3	--	2	BOLT, flange head - 12mm x 40mm	
4	24668-EE	1	ALTERNATOR - 24V / 170 AMP	
5	--	1	BOLT, flange head - 10mm x 25mm	
6	16070-EE	1	FILTER, engine oil	
7	--	3	BOLT, 12 point cap - 10mm x 35 mm	
8	24671-EE	1	STARTER - 4V	

See referenced page for component or assembly breakdown.

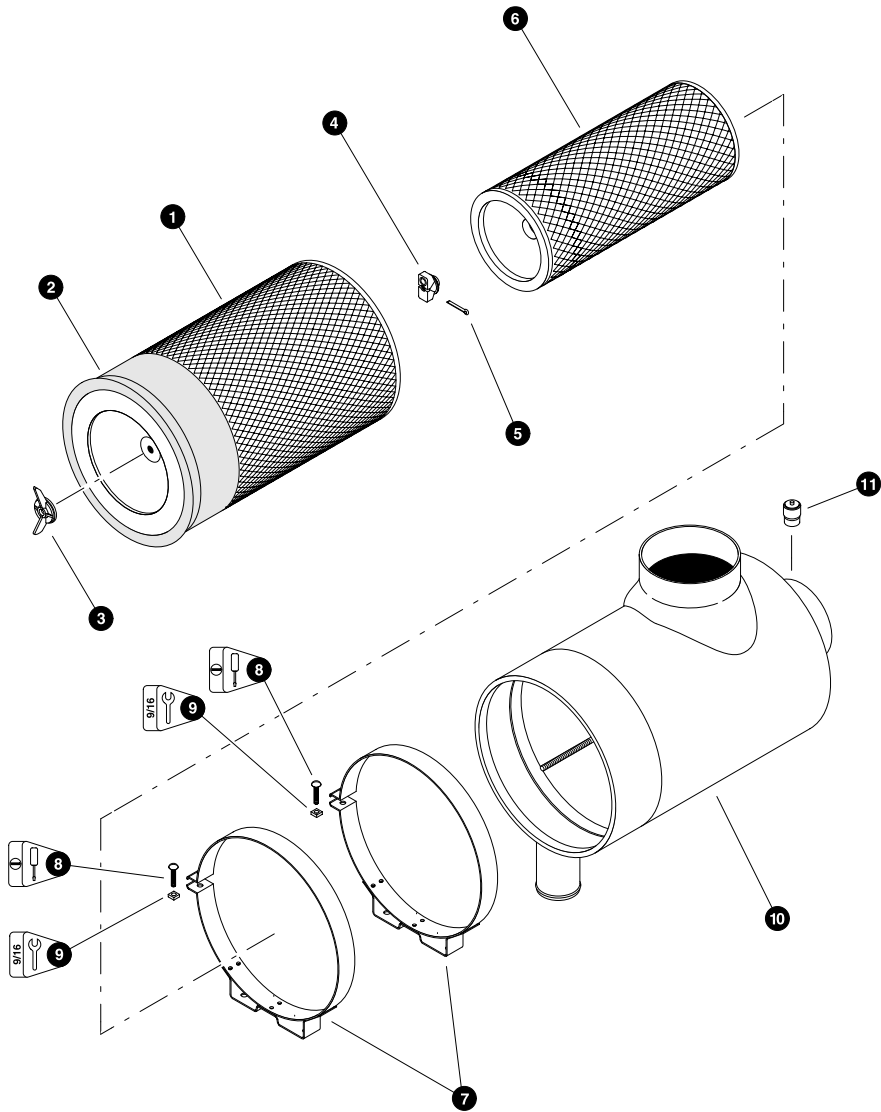


Parts 02338 08/09/2001

FUEL LINES
(Supply & Return To Engine)

REF	PART #	QTY	DESCRIPTION	SEE SECTION
1	REF.	1	ENGINE - Cummins QSC8.3-C	EE-3
2	19126-EE	2	ELBOW, 45° - FF2068T-0808S	
3	24333-EE	1	HOSE ASSEMBLY - 2065-08-080S-0809-W (Fuel return from fuel injectors to rotary manifold port #13)	
4	19290-EE	1	BUSHING, reducer - 6410-10-8	
5	24334-EE	1	HOSE ASSEMBLY - 2074-08-080S-0809-W (Fuel supply from rotary manifold port #14 to fuel lift pump on engine)	
6	20031-EE	2	ELBOW, 90° - FF1868T-0608S	
7	REF.	1	ROTARY MANIFOLD ASSEMBLY	UP-1

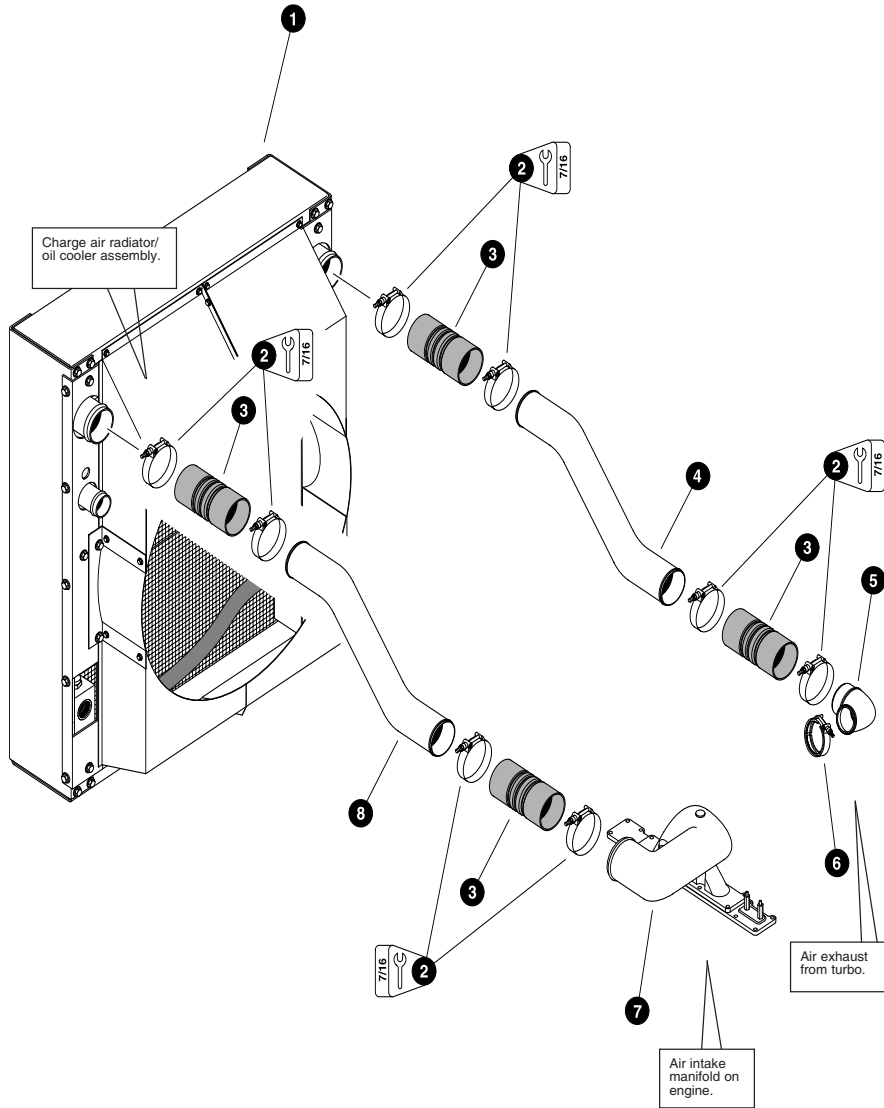
See referenced page for component or assembly breakdown.



AIR CLEANER ASSEMBLY

REF	PART #	QTY	DESCRIPTION	SEE SECTION
-	19550-EE	1	<input type="checkbox"/> AIR CLEANER ASSEMBLY	
1	18820-EE	1	FILTER, air cleaner - primary	
2	22252-EE	1	GASKET, air cleaner element (<i>Shown installed</i>)	
3	19551-EE	1	NUT, wing	
4	20448-EE	1	NUT, air cleaner - secondary	
5	20449-EE	1	PIN, roll - air cleaner nut	
6	18821-EE	1	FILTER, air cleaner - secondary	
7	20450-EE	2	<input type="checkbox"/> CLAMP, air cleaner band	
8	15591-EE	1	BOLT - 5/16" x 1-1/2"	
9	10788-EE	1	NUT, nylock - 5/16"	
10	20451-EE	1	CANISTER, air cleaner	
11	16114-EE	1	INDICATOR, air cleaner filter service	

Kit or Assembly - includes all items indented underneath.

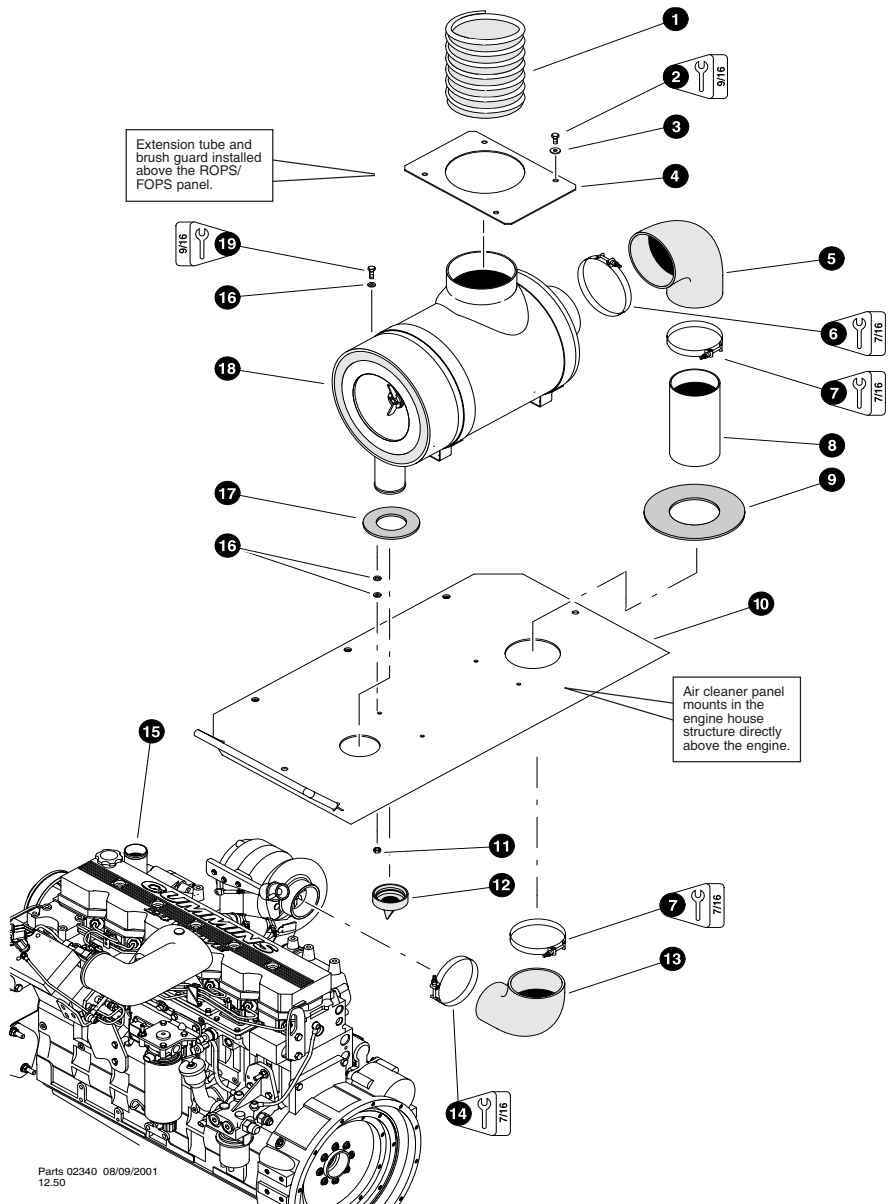


Parts 02344 08/10/2001
18.75

CHARGE AIR (Air Intake & Exhaust)

REF	PART #	QTY	DESCRIPTION	SEE SECTION
1	REF.	1	RADIATOR/OIL COOLER ASSEMBLY.....	EE-1
2	16337-EE	8	CLAMP, strap band - 4"	
3	24686-EE	1	CONNECTOR, rubber	
4	14335-EE	2	TUBE, air out	
5	- - -	1	ELBOW, 90° - air in tube	
6	16979-EE	1	CLAMP, muffler band - 2-1/2"	
7	REF.	1	MANIFOLD, air exhaust.....	EE-3
8	14334-EE	2	TUBE, air in	

See referenced page for component or assembly breakdown.

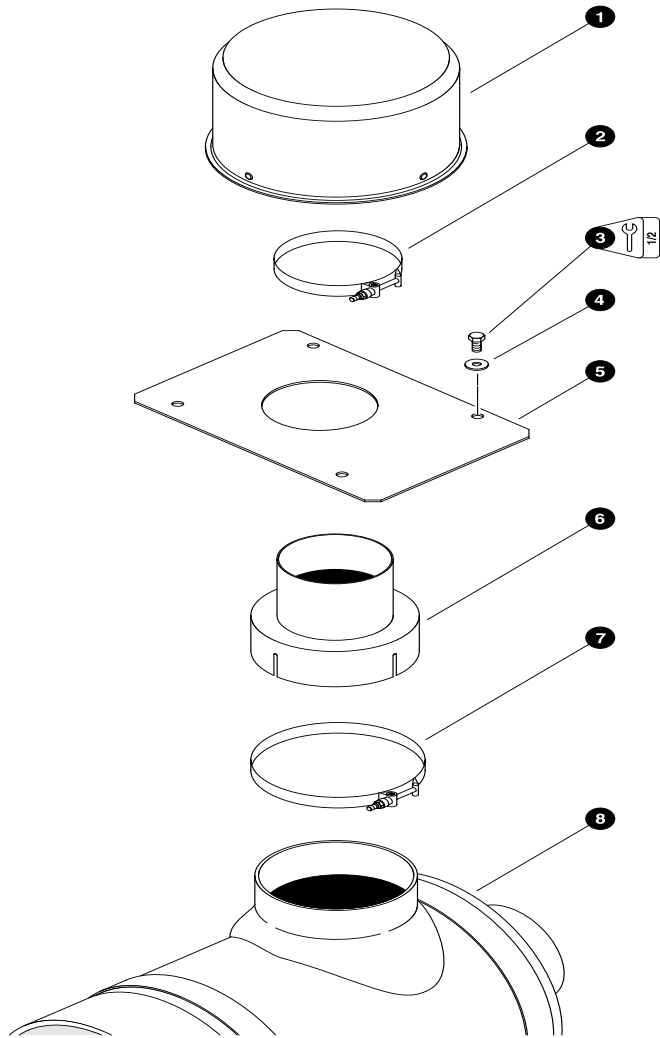


Parts 02340 08/09/2001
12.50

AIR CLEANER INSTALLATION

REF	PART #	QTY	DESCRIPTION	SEE SECTION
1	18819-EE	1	TUBE, air cleaner extension	
2	15542-EE	4	BOLT - 3/8 x 3/4"	
3	10802-EE	4	WASHER, USS flat - 3/8"	
4	18818-EE	1	GUARD, air cleaner brush	
5	18910-EE	1	ELBOW, 90° rubber (<i>Ribbed</i>)	
6	18828-EE	1	CLAMP, strap band - 6-3/4"	
7	16249-EE	2	CLAMP, strap band - 5-1/2"	
8	18816-EE	1	CONNECTOR, air intake	
9	19163-EE	1	BOOT, rubber air intake	
10	REF.	1	AIR CLEANER PANEL	UP-1
11	10813-EE	4	NUT, lock - 3/8"	
12	16608-EE	1	BOOT, air cleaner dust	
13	15831-EE	1	ELBOW, 90° rubber	
14	15697-EE	1	CLAMP, strap band - 4-1/2"	
15	REF.	1	ENGINE - Cummins C8.3-C	EE-3
16	15528-EE	8	WASHER, SAE flat - 3/8"	
17	16495-EE	1	BOOT, rubber	
18	REF.	1	AIR CLEANER ASSEMBLY	EE-3
19	11707-EE	4	BOLT - 3/8" x 1"	

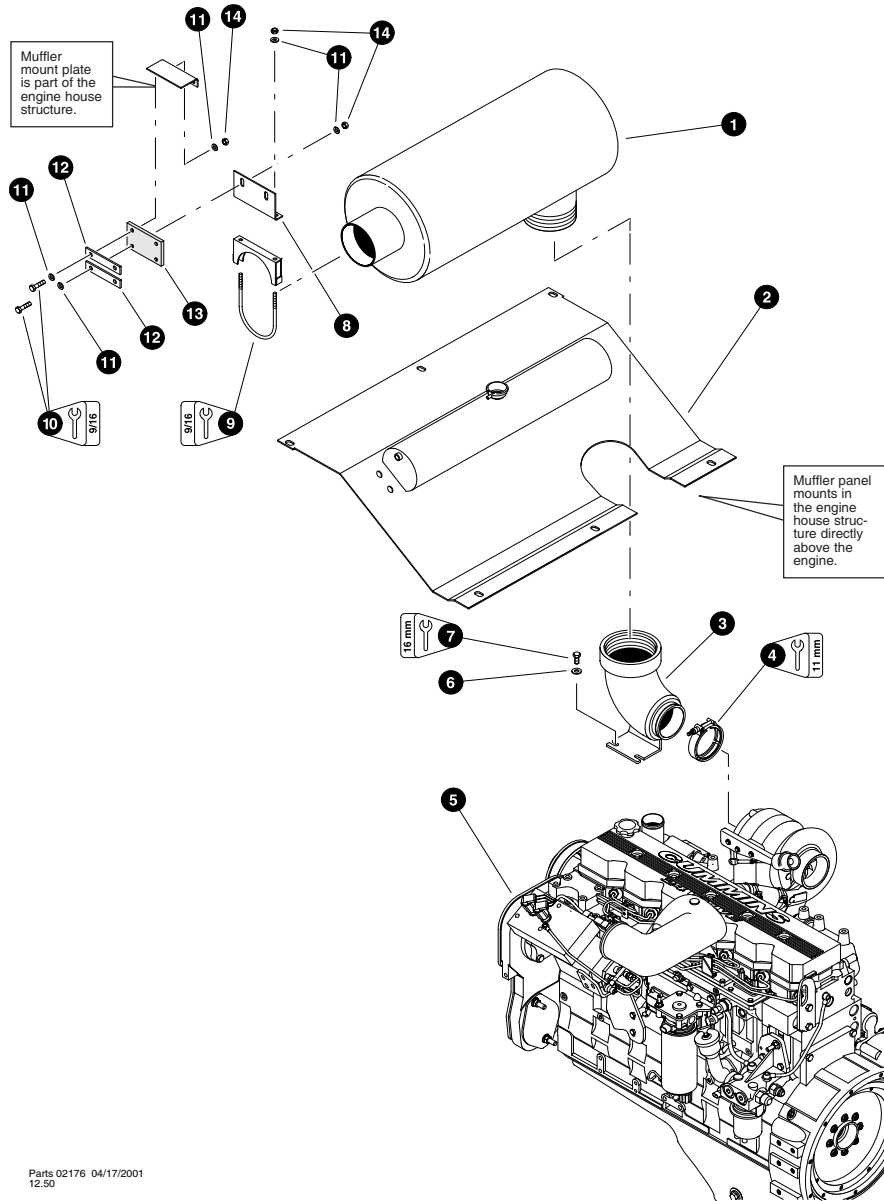
See referenced page for component or assembly breakdown.



OPTIONAL PRECLEANER INSTALLATION

REF	PART #	QTY	DESCRIPTION	SEE SECTION
1	24325-EE	1	PRECLEANER	
2	16249-EE	1	CLAMP, strap band - 5-1/2"	
3	15542-EE	4	BOLT - 3/8" x 1"	
4	10812-EE	4	WASHER, flat - 3/8"	
5	24327-EE	1	GUARD, air precleaner	
6	24326-EE	1	ADAPTER, precleaner	
7	24667-EE	1	CLAMP, strap band - 7-1/2"	
8	REF.	1	AIR CLEANER ASSEMBLY.....	EE-3

See referenced page for component or assembly breakdown.

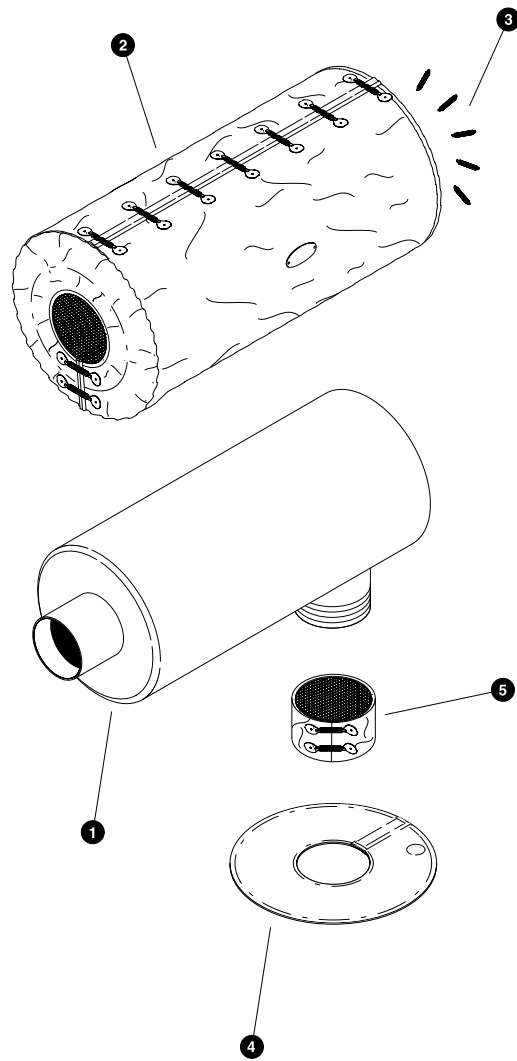


Parts 02176 04/17/2001
12.50

MUFFLER INSTALLATION

REF	PART #	QTY	DESCRIPTION	SEE SECTION
1	18822-EE	1	MUFFLER	
2	REF.	1	MUFFLER PANEL	UP-1
3	18815-EE	1	ELBOW, exhaust	
4	20452-EE	1	CLAMP, turbo exhaust	
5	REF.	1	ENGINE - Cummins C8.3-C	EE-3
6	10802-EE	2	WASHER, USS flat - 3/8"	
7	18416-EE	2	BOLT - 10mm x 25mm	
8	20856-EE	1	BRACKET, top muffler	
9	18830-EE	1	CLAMP, muffler mount - 5"	
10	10731-E	4	BOLT - 3/8" x 1-1/2"	
11	15528-E	10	WASHER, SAE flat - 3/8"	
12	16734-EE	2	RETAINER, muffler rubber	
13	16572-EE	1	RUBBER, muffler mounting	
14	10813-EE	6	NUT, lock - 3/8"	

See referenced page for component or assembly breakdown.

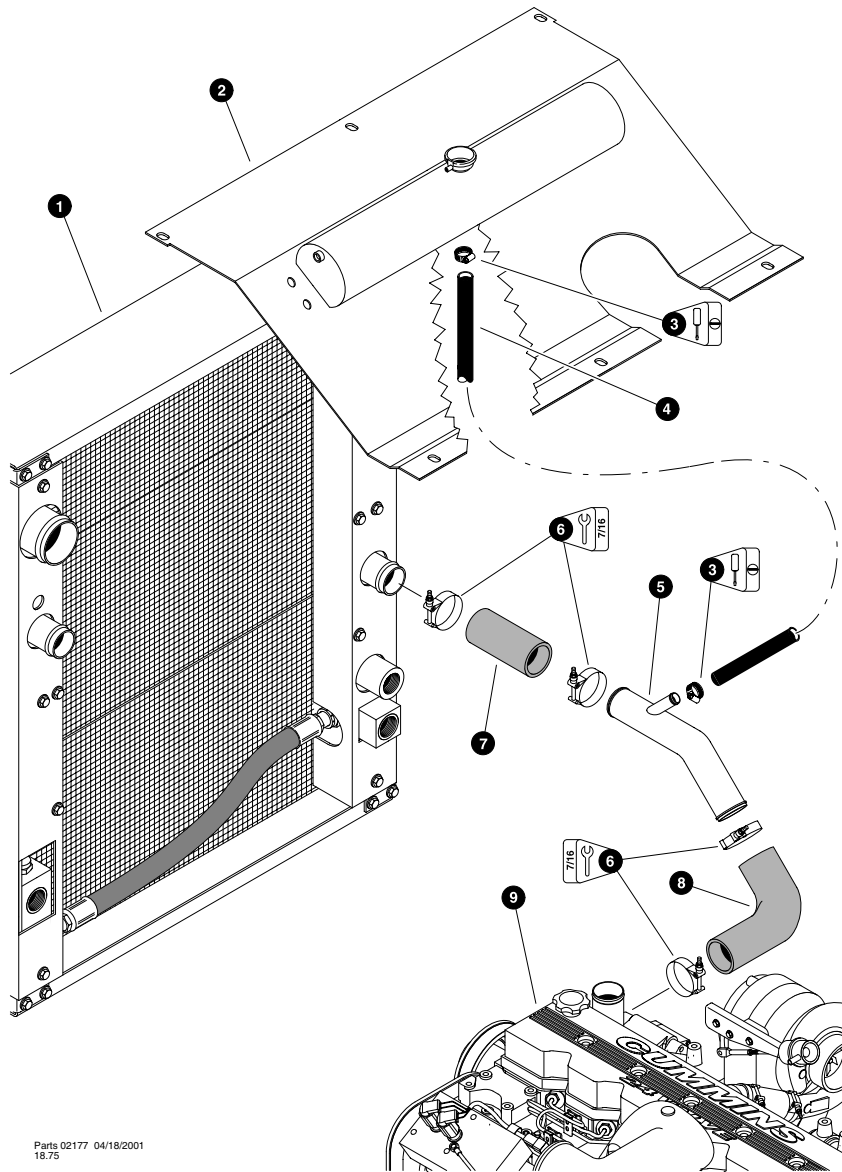


Parts 01712 06/02/2000
18.75

OPTIONAL MUFFLER BLANKET INSTALLATION

REF	PART #	QTY	DESCRIPTION	SEE SECTION
1	REF.	1	MUFFLER	EE-3
2	23128-EE	1	INSULATION, muffler blanket	
3	23126-EE	14	SPRING, muffler blanket (<i>stainless</i>)	
4	22812-EE	1	DEFLECTOR, skirting - exhaust	

See referenced page for component or assembly breakdown.

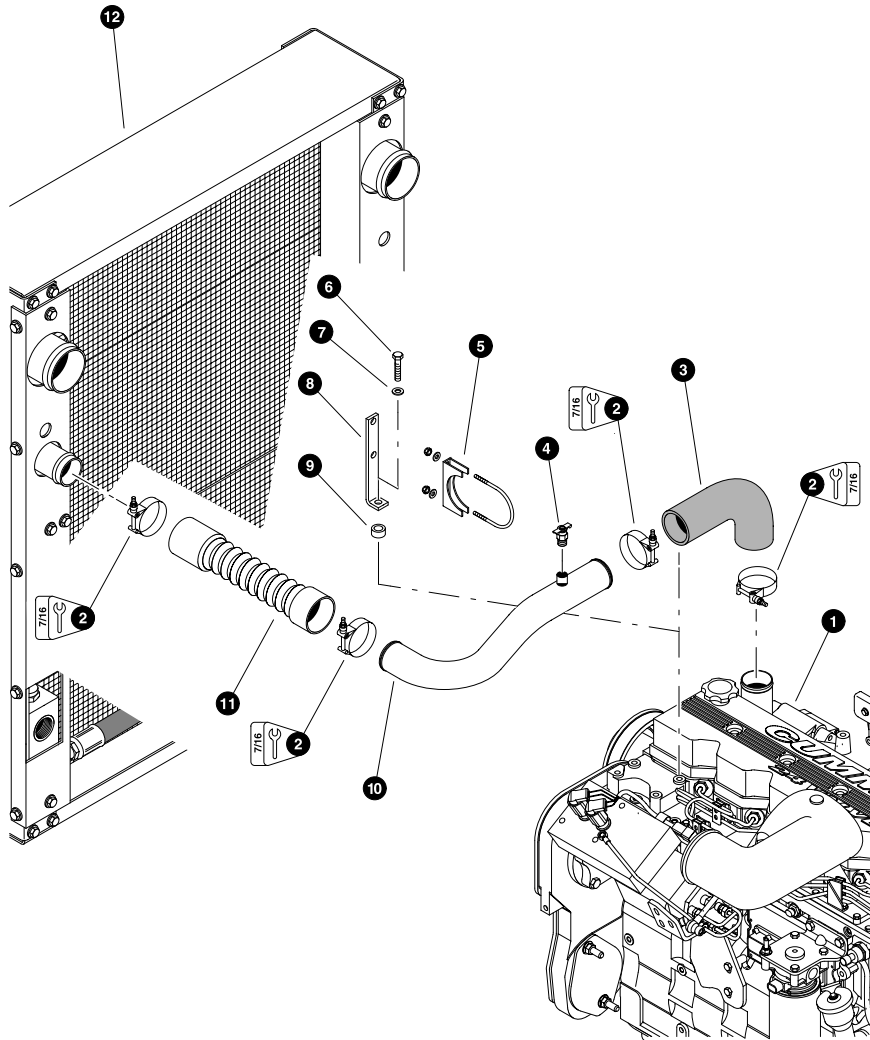


Parts 02177 04/18/2001
18.75

COOLING SYSTEM LINES
(Lower Radiator Connections - Charge Air)

REF	PART #	QTY	DESCRIPTION	SEE SECTION
1	REF.	1	RADIATOR/OIL COOLER ASSEMBLY.....	UP-3
2	REF.	1	AIR CLEANER PANEL	EE-3
3	17537-EE	2	CLAMP, hose - worm style - 1-1/4"	
4	15677-EE	AR	HOSE, heater - 1"	
5	14377-EE	1	TUBE, radiator splice	
6	18103-EE	1	CLAMP, constant torque - #40	
7	24443-EE	1	HOSE, suction - 1006-40	
8	15617-EE	1	HOSE, 90° radiator - 2-1/2"	
9	REF.	1	ENGINE - Cummins QSC8.3C	EE-3

- See referenced page for component or assembly breakdown.
- Bulk material - order length required in feet or meters.

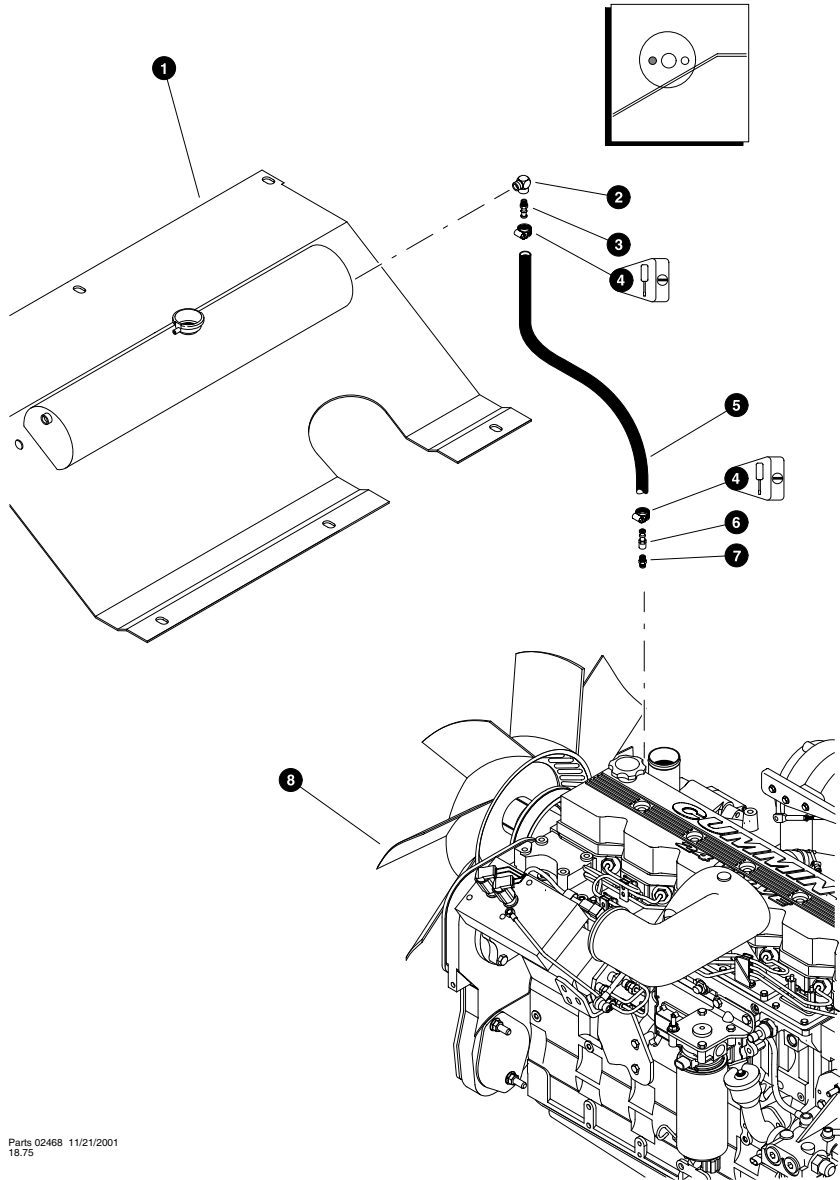


Parts 02178 04/18/2001
18.75

COOLING SYSTEM LINES
(Upper Radiator Connections - Charge Air)

REF	PART #	QTY	DESCRIPTION	SEE SECTION
1	REF.	1	ENGINE - Cummins QSC8.3-C	EE-3
2	18103-EE	4	CLAMP, constant torque - #40	
3	15617-EE	1	HOSE, 90° radiator - 2-1/2"	
4	15650-EE	1	VALVE, shut-off	
5	24444-EE	1	CLAMP, muffler - 2-1/4"	
6	16136-EE	1	BOLT - M12 x 1.75P x 45MM	
7	18735-EE	1	WASHER, flat - 12MM	
8	14341-EE	1	BRACKET, top radiator tube	
9	19219-EE	1	SPACER, radiator - 3/4"	
10	14376-EE	1	TUBE, radiator - 3/4"	
11	24392-EE	1	HOSE, flex radiator - 2-1/4" x 2-1/4" x 19"	
12	REF.	1	RADIATOR/OIL COOLER ASSEMBLY	EE-3

See referenced page for component or assembly breakdown.



Parts 02468 11/21/2001
18.75

RADIATOR OVERFLOW TANK LINES (Engine to OverFlow Tank)

REF	PART #	QTY	DESCRIPTION	SEE SECTION
1	REF.	1	MUFFLER PANEL.....	EE-3
2	16251-EE	1	ELBOW, 90	
3	16990-EE	1	CONNECTOR, straight hose barb - 4244-5-4	
4	16202-EE	2	CLAMP, hose - worm style - 5/8"	
5	16238-EE	AR	HOSE, fuel line - 5/16"	
6	16989-EE	1	CONNECTOR, straight hose barb - 4245-5-2	
7	16977-EE	1	CONNECTOR, straight - coolant orifice	
8	REF.	1	ENGINE - Cummins QSC8.3-C.....	EE-2

- See referenced page for component or assembly breakdown.
- Bulk material - order length required in feet or meters.

